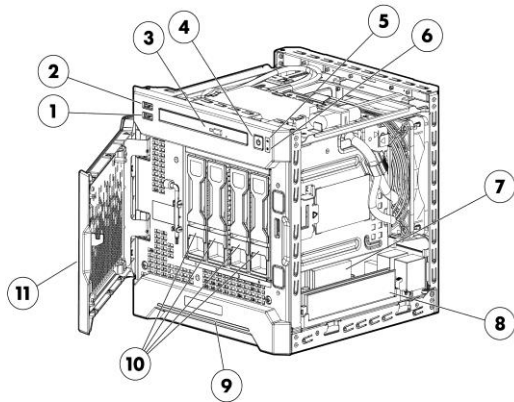


Overview

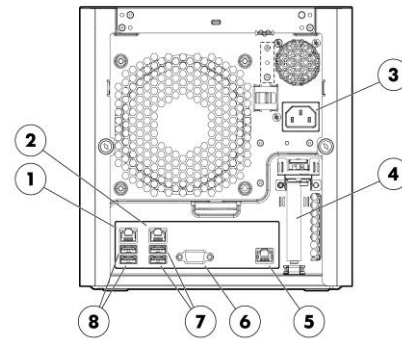
HP ProLiant MicroServer Generation 8 (Gen8)

HP ProLiant MicroServer Gen8 is a small, quiet, and stylishly designed server that is ideal for micro and small businesses looking to build their first IT server environment. With a form factor that is easy to use and service, HP MicroServer Gen8 helps businesses get to a server that provides better and secured access to data, more efficiency in operations, while driving down their operating expenses.



Front View:

1. USB 2.0 connector
2. USB 2.0 connector
3. DVD-RW (optional)
4. Power On/Standby button and system power LED button
5. NIC status LED
6. Hard Drive status LED
7. Intel® Processor
8. 2 DIMM slots: DDR3 Unbuffered (UDIMM) memory
9. Health LED
10. Hard Drive Bays
11. Front bezel



Rear View:

1. NIC 2 connector
2. NIC 1 connector / Shared iLO connector
3. Power cord connector
4. PCIe 2.0 x16 slot
5. iLO 4 connector
6. Video connector
7. USB 3.0 connectors
8. USB 2.0 connectors

What's New

- Higher maximum storage of 16TB with support for 4TB SATA LFF HDD
- Support for new low-priced SATA NHP LFF Standard Drives
- Support for new HP PS110 Wireless 802.11n VPN Router

Standard Features

Processor	<p>Intel® Celeron® G1610T (2.3Hz/2-core/2MB/35W) Processor Intel® Pentium® G2020T (2.5GHz/2-core/3MB/35W) Processor NOTE: Intel® Celeron® G1610T and Intel® Pentium® G2020T support up to 1333MHz DDR3 memory speed. Intel® Xeon® E3-1220Lv2 (2.3GHz/2-core/3MB/17W) Processor NOTE: Intel® Xeon® E3-1220Lv2 supports up to 1600MHz DDR3 memory speed.</p>					
Cache Memory	<p>3MB (1 x 3MB) L3 Cache NOTE: For Dual-core Pentium and Xeon processors. 2MB (1 x 2MB) L3 Cache NOTE: For Dual-core Celeron processor. NOTE: All processor models above list the L3 Cache associated with that particular processor.</p>					
Chipset	<p>Intel® C204 Chipset NOTE: For more information regarding Intel® chipsets, please see the following URL: http://www.intel.com/products/server/chipsets/.</p>					
On System Management Processor	<p>HP iLO (Firmware: HP iLO 4) NOTE: For more information, visit: http://www.hp.com/go/ilo.</p>					
Memory Protection	ECC					
Memory	Type	HP SmartMemory DDR3 Unbuffered (UDIMM)				
	DIMM Slots Available	2				
	Standard	2GB (1 x 2GB) PC3-12800E DDR3 UDIMM				
	Maximum	16GB (2 x 8GB) PC3-12800E DDR3 UDIMM				
	NOTE: HP memory from previous generation servers are not fully compatible with the HP ProLiant MicroServer Gen8.					
Network Controller	HP Ethernet 1Gb 2-port 332i Adapter					
Expansion Slots	Expansion Slot #	Technology	Bus Width**	Connector Width	Form Factor	Notes
	1	PCIe 3.0/2.0*	x16	x16	Low Profile	
	NOTE: * Processor dependent. Xeon is PCIe 3.0. Celeron and Pentium are PCIe 2.0.					
	NOTE: ** Indicates the number of physical electrical lanes running to a PCI-e connector.					
HP Server ROM	<p>HP ROM (Read Only Memory) is now digitally signed using HP's Corporate Signing Service. This signature is verified before the flash process starts, reducing accidental programming and preventing malicious efforts to corrupt system ROM.</p> <p>HP ROM provides for essential initialization and validation of hardware components before control is passed to the customer-installed operating system. The ROM also provides the capability of booting from various fixed media (HDD, CD-ROM) and removable media (USB), to continue operation to the operating system.</p> <p>HP ROM performs very early configuration of the video controller, to allow monitoring of initialization progress via an attached monitor. If configuration or hardware errors are discovered during this early</p>					

Standard Features

phase of hardware initialization, suitable messages are now displayed on the connected monitor. Additionally, these configuration or hardware errors are logged to the Integrated Management Log (IML) to assist in diagnosis.

HP's ProLiant ROM is used to configure the following:
 Processor and chipset status registers
 System memory, memory map, and memory initialization
 System hardware configuration (Integrated PCI devices and optional PCIe cards).
 Customer-specific BIOS configuration (using the HP ROM-Based Setup Utility (RBSU)).

NOTE: For further information, please refer to HP's RBSU (ROM based setup utility) user guide: <http://www.hp.com/support/rbsu>.

Storage Controller	HP Dynamic Smart Array B120i Controller	
	NOTE: HDD bays 1 and 2 support 6.0Gb/s SATA. HDD bays 3 and 4 support 3.0Gb/s SATA.	
	NOTE: Supports RAID 0/1/10 only. No FBWC support. For FBWC, a standup Smart Array Controller card must be configured.	
	NOTE: For more information about the controller and its features, see the HP Dynamic Smart Array RAID Controller User Guide on the HP website: (http://www.hp.com/support/DSA_RAID_UG_en).	
	NOTE: To configure arrays, see the Configuring Arrays on HP Smart Array Controllers Reference Guide on the HP website (http://www.hp.com/support/CASAC_RG_en).	
	NOTE: For general information about HP Smart Array B120i SATA RAID Controller, please go to: http://h18004.www1.hp.com/products/servers/proliantstorage/arraycontrollers/dynamicsmartarray/index.html	

Internal Storage Devices	Optical Drive	Optional: SATA DVD-RW drive
	Hard Drives	None ship standard

Maximum Internal Storage	Non-Hot Plug SATA	16TB (4 x 4TB) 3.5" SATA
---------------------------------	-------------------	--------------------------

Interfaces	Video	1 Rear standard video
	HP iLO Remote Management Network Port	1Gb Dedicated (default iLO4 configuration)
	Micro SD slot	1 Internal NOTE: The MicroSD slot is not a hot-pluggable device. Customers should not attempt to plug a MicroSD card into the MicroSD slot while the server is powered.
	USB 2.0 Ports	5 total (2 front, 2 rear, 1 internal)
	USB 3.0 Ports	2 total (2 rear) NOTE: Functional after OS boot.
	Network RJ-45 (Ethernet)	2 (Port 1 shared for HP iLO4 as optional configuration)

Industry Standard Compliance	ACPI V2.0b Compliant	
	PCIe 2.0 Compliant	
	PXE Support	
	WOL Support	
	USB 2.0	
	USB 3.0	
	SATA Gen 2	
	SATA Gen 3	

Standard Features

Server Power Cords	The MicroServer models ship standard with a 6' country specific NEMA power cord. If customers require an alternative local power cord, they can check the power cord matrix for the appropriate country specific sku. Please see the following power cord matrix: http://www.hp.com/go/powercordmatrix .	
Power Specifications	To review typical system power ratings use the HP Power Advisor which is available via the online tool located at URL: http://www.hp.com/go/proliant-energy-efficient or http://www.hp.com/go/hppoweradvisor .	
	NOTE: See Technical Specifications section at end of QuickSpecs for Power Specifications.	
Power Supply	One (1) 150 Watts Non-Hot Plug, Non redundant Power Supply (AMS, APJ and PRC models) One (1) 200 Watts Non-Hot Plug, Non redundant Power Supply (EMEA models)	
System Fans	One (1) - Non-redundant system fan shipped standard	
Operating Systems and Virtualization Software Support for ProLiant Servers	Microsoft Windows Server Red Hat Enterprise Linux (RHEL) SUSE Linux Enterprise Server (SLES) VMware NOTE: For more information on HP's Certified and Supported ProLiant Servers for OS and Virtualization Software and latest listing of software drivers available for your server, please visit our Support Matrix at: http://www.hp.com/go/ossupport and our driver download page: http://www.hp.com/support/MicroServerGen8	
Graphics	Integrated Matrox G200 video standard <ul style="list-style-type: none">• 1280 x 1024 (32 bpp)• 1920 x 1200 (16 bpp) HP iLO 4 On System Management Memory <ul style="list-style-type: none">• 16 MB Flash• 256 MB DDR 3 with ECC (112 MB after ECC and video)	
Form Factor	Ultra Micro Tower	
On System Management	HP iLO Management Engine	HP iLO Management Engine is a comprehensive set of embedded management features supporting the complete lifecycle of the server, from initial deployment, through ongoing management, to service alerting and remote support. HP iLO Management Engine comes standard on all HP ProLiant Gen8 servers. The HP iLO Management Engine portfolio includes: <ul style="list-style-type: none">• HP iLO: The HP iLO (Integrated Lights-Out) management processor is the core foundation for the HP iLO Management Engine• HP Agentless Management: Provides built in server health monitoring and alerting capability without OS agents, that starts working the moment a power cord and an Ethernet cable are connected.• HP Active Health System: Always on, continuous monitoring for increased stability and shorter downtimes; 100% configuration

Standard Features

history; Health and service alerts and easy export and upload to Service and Support.

- **HP Intelligent Provisioning:** Lets customers provision and configure a single server without any separate media. No more SmartStart CDs or Smart Update Firmware DVD are needed.
 - To start Intelligent Provisioning:
 - Press the F10 key during the ProLiant Gen8 server boot process (also known as power on self-test or POST).
 - Please go to the Intelligent Provisioning website at <http://www.hp.com/go/intelligentprovisioning> for additional information and to view usage videos.
 - Use the Service Pack for ProLiant (SPP) at <http://www.hp.com/go/spp> to get firmware and software updates.
- **HP iLO Mobile App:** Enables the ability to access, deploy, and manage your server anytime from anywhere from select smartphones and mobile devices. For additional information please visit: <http://www.hp.com/go/ilo/mobileapp>

NOTE: For more information, visit: <http://www.hp.com/go/ilo> or HP iLO Management Engine technologies whitepaper

HP Insight Management HP Service Pack for ProLiant (SPP)

HP Service Pack for ProLiant (SPP) and HP Smart Update Manager (HP SUM) version 5 provide a new, comprehensive approach to firmware and system software maintenance. Together they provide better operating stability and ensure maximum uptime. The SPP will be updated at a predictable cadence, typically coinciding with new HP server hardware launches. By enabling all firmware to be updated online and integrating firmware and system software updates in one operation HP SUM and the SPP offer faster updates of individual servers and dramatically faster updates of entire BladeSystem enclosures. Further improving system uptime and stability is the fact that HP provides 12 months of support on each Service Pack for ProLiant.

The user experience around HP SUM and the SPP has been improved in several ways, starting with the web download. A single web page provides access to a single download containing both the latest version of HP SUM version 5 and the latest SPP. Optional smaller subsets with only specific types of servers or specific operating systems are offered to save on download time. The HP SUM application has been re-written to provide a more straightforward, intuitive user interface that guides the user through the steps of discovery, analyses and update, providing comprehensive information on available updates, criticality and interdependencies. This information is also available in reports. By providing the option of multiple local or shared repositories which can be easily updated from hp.com, HP SUM provides the tools to optimize stability and consistency throughout the company. While HP SUM and the SPP will recommend the combinations of firmware and system software that HP has found to be the best practice, the application gives customers the flexibility to set their own specific baseline.

The Service Pack for ProLiant has been rigorously tested with specific attention for interaction between firmware, drivers and agents both within

Standard Features

the server as well as in interaction with the BladeSystem enclosure components (Onboard Administrator and Virtual Connect). This testing ensures the highest quality as well as providing the input for HP SUM to deploy updates taking into account all interdependencies, when determining the correct updates and order of update deployment.

NOTE: The Service Pack for ProLiant (which includes HP SUM 5) can be downloaded from <http://www.hp.com/go/spp/download>. More information can be found: <http://www.hp.com/go/spp> and <http://www.hp.com/go/hpsum>

Security

Setup password

Warranty

This product is covered by a global limited warranty and supported by HP Services and a worldwide network of HP Authorized Channel Partners. Hardware diagnostic support and repair is available for one year from date of purchase. Support for software and initial setup is available for 90 days from date of purchase. Enhancements to warranty services are available through HP Care Pack services or customized service agreements. Hard drives have either a one year or three year warranty; refer to the specific hard drive QuickSpecs for details.

NOTE: Server Warranty includes 1 year Next Day Parts replacement, 0-Years Labor, 0-Years Onsite support. Additional information regarding worldwide limited warranty and technical support is available at: <http://h18004.www1.hp.com/products/servers/platforms/warranty/index.html>.

Optional Features

HP Insight management software	HP Insight Control	HP Insight Control, a product option, delivers essential infrastructure management that can help save time and money by making it easy to deploy, migrate, monitor, remote control, and optimize your IT infrastructure through a single, simple management console. HP Insight Control also supports Location and Power Discovery Services to automate many configuration, asset tracking, and power management tasks to speed implementation and prevent downtime. For more information, see http://www.hp.com/go/insightcontrol .
	HP iLO Essentials	HP Insight Control includes one year of 24 x 7 HP Software Technical Support and Update Service ensuring rapid access to HP support staff and proactive delivery of software updates. For more information about this service, see: http://www.hp.com/services/insight .
	HP iLO Advanced	HP iLO Essentials license ideal for small and medium business customers. The specially created HP iLO Essentials (a subset of iLO Advanced functionality) saves SMB customers time and money, by ease of remote server set up through the interactive virtual media, lowering operational costs with remote access via the Integrated Remote Console, and faster time to resolution with email-based proactive notifications. With this newly designed HP iLO Essentials license SMB customers now have the option of a server management package solely design and priced just right for their IT environments. HP iLO Essentials is available on all HP ProLiant Gen8 e-series making this an ideal solution for small business owners. For more information, see: http://www.hp.com/go/iLO/essentials HP Integrated Lights-Out Advanced License a product option, providing smart remote server management without compromise. iLO Advanced unlocks the full set of remote administration functionality for all HP ProLiant servers by activating the full Virtual Keyboard Video and Mouse remote console, multi-user collaboration, console record and replay, GUI-based and scripted virtual media and virtual folders, and enhanced security and power management functionality. For more information, see: http://www.hp.com/go/iLOADvanced
HP Insight Online		HP Insight Online is a new addition to the HP Support Center for one stop, secure access to product and HP support information personalized to your IT environment. Insight Online can automatically display devices remotely monitored by HP Insight Remote Support. With Insight Online's easy navigation you can efficiently track your IT support contracts and device status from anywhere and at any time. http://www.hp.com/go/insightonline
Factory Express Portfolio for Servers and Storage		HP Factory Express offers configuration, customization, integration and deployment services for HP servers and storage products. Customers can choose how their factory solutions are built, tested, integrated, shipped and deployed.
HP Simple Configurator		SCE is a guided self-service tool to help sales and non-technical people provide customers with initial configurations in 3 to 5 minutes. You may then send the configuration on for configuration help, or use in your existing ordering processes. If you require "custom" rack configuration or configuration for products not available in SCE, please contact HP's Customer Business Center or an Authorized Partner for assistance. http://www.hp.com/products/configurator

Service and Support

Service and Support

HP Technology Services for Industry Standard Servers

HP Technology Services delivers confidence, reduces risk and helps customers realize agility and stability. Connect to HP to help prevent problems and solve issues faster. Our support technology lets you to tap into the knowledge of millions of devices and thousands of experts to stay informed and in control, anywhere, any time.

Protect your business beyond warranty with HP Care Pack Services

HP Care Pack Services enable you to order the right service level, length of coverage and response time as you purchase your new server, giving you full entitlement for the term you select.

Optimized Care

Supports maintaining servers at optimum performance availability

Foundation Care 24x7, three-year Care Pack Service

HP Foundation Care 24x7 connects you to HP 24 hours a day, seven days a week for assistance on resolving issues. Hardware onsite response within four hours if needed; collaborative software included in this Care Pack service provides troubleshooting assistance on industry leading software running on your HP server. Simplify your support experience and make HP your first call for hardware or software questions.

<http://h20195.www2.hp.com/V2/GetDocument.aspx?docname=4AA4-8876ENW&cc=us&lc=en>

Standard Care

Supports maintaining high level of server availability

Foundation Care NBD, three-year Care Pack Service

HP Foundation Care Next Business Day connects you to HP during business hours for assistance on resolving issues – features next business day hardware onsite response if needed and software call back within two hours. Collaborative software support is included and provides troubleshooting assistance on industry leading software running on your server. Simplify your support experience and make HP your first call for hardware or software questions.

<http://h20195.www2.hp.com/V2/GetDocument.aspx?docname=4AA4-8876ENW&cc=us&lc=en>

Related Services

HP ProLiant Server Hardware Installation

Provides for the basic hardware installation of HP branded servers, storage devices and networking options to assist you in bringing your new hardware into operation in a timely and professional manner.

<http://h20195.www2.hp.com/V2/GetPDF.aspx/5981-9356EN.pdf>

Get connected to HP to improve your support experience

Prevent problems with innovative, automated monitoring tools and proactive services. Combining Proactive Care Services with our remote support technology such as Insight Online provides you with expert advice and personalized, cloud-based automated IT support, helping to prevent unplanned down time and solve problems quickly. For more information, visit:

<http://www.hp.com/go/proactiveinsightexperience>

Parts and Materials

HP will provide HP-supported replacement parts and materials necessary to maintain the covered hardware product in operating condition, including parts and materials for available and recommended engineering improvements.

Parts and components that have reached their maximum supported lifetime and/or the maximum usage limitations as set forth in the manufacturer's operating manual, product QuickSpecs, or the technical product data sheet will not be provided, repaired, or replaced as part of these services.

The defective media retention service feature option applies only to Disk or eligible SSD/Flash Drives replaced by HP due to malfunction.

Service and Support

For more information

To learn more on HP ProLiant servers, please contact your HP sales representative or HP Authorized Channel Partner. Or visit: <http://www.hp.com/services/proliant>

Pre-configured Models

Entry Model

HP ProLiant MicroServer Gen8 G1610T 1P 2GB-U B120i NHP SATA Server 712317-xx1	Processor Cache Memory Memory Network Controller Storage Controller Hard Drive Internal Storage Optical Drive Bay PCI Slots Power Supply Fans Management Operating System Form Factor Warranty	(1) Intel® Celeron® G1610T (2.3GHz/2-core/2MB/35W) Processor 2MB (1 x 2MB) L3 cache 2GB (1 x 2GB) PC3-12800E DDR3 UDIMM NOTE: Total of 2 DIMM slots. HP Ethernet 1Gb 2-port 332i Adapter HP Dynamic Smart Array B120i Controller None ship standard 4 LFF NHP SATA HDD cage; includes 4 LFF hard drive carriers None ship standard 1 standard (1-Low Profile) PCIe 2.0 150W Non-Hot Plug, Non-Redundant Power Supply (all models except EMEA) 200W Non-Hot Plug, Non-Redundant Power Supply (EMEA only) One (1) Non-redundant system fan ships standard HP iLO Management Engine Optional: iLO Essentials; iLO Advanced None Ultra Micro Tower Server Warranty includes 1-Year Parts, 0-Year Labor, 0-Year Onsite support with next business day response
--------------------------------------------------------------------------------------------------	---------------------------------------------------------------------------------------------------------------------------------------------------------------------------------------------------------------------------------------------------------------------------------------------------------------------------------------------------------------	---------------------------------------------------------------------------------------------------------------------------------------------------------------------------------------------------------------------------------------------------------------------------------------------------------------------------------------------------------------------------------------------------------------------------------------------------------------------------------------------------------------------------------------------------------------------------------------------------------------------------------------------------------------------------------------------------------------------------------------------------------------------------------------------------------------------

Base Model

HP ProLiant MicroServer Gen8 G2020T 1P 2GB-U B120i NHP SATA Server 712318-xx1	Processor Cache Memory Memory Network Controller Storage Controller Hard Drive Internal Storage Optical Drive Bay PCI-Express Slots Power Supply Fans Management Operating System Form Factor Warranty	(1) Intel® Pentium® G2020T (2.5GHz/2-core/3MB/35W) Processor 3MB (1 x 3MB) L3 cache 2GB (1 x 2GB) PC3-12800E DDR3 UDIMM NOTE: Total of 2 DIMM slots. HP Ethernet 1Gb 2-port 332i Adapter HP Dynamic Smart Array B120i Controller None ship standard 4 LFF NHP SATA HDD cage; includes 4 LFF hard drive carriers None ship standard 1 standard (1-Low Profile) PCIe 2.0 150W Non-Hot Plug, Non-Redundant Power Supply (all models except EMEA) 200W Non-Hot Plug, Non-Redundant Power Supply (EMEA only) One (1) Non-redundant system fan ships standard HP iLO Management Engine Optional: iLO Essentials; iLO Advanced None Ultra Micro Tower Server Warranty includes 1-Year Parts, 0-Year Labor, 0-Year Onsite support with next business day response
--------------------------------------------------------------------------------------------------	-----------------------------------------------------------------------------------------------------------------------------------------------------------------------------------------------------------------------------------------------------------------------------------------------------------------------------------------------------------------------	---------------------------------------------------------------------------------------------------------------------------------------------------------------------------------------------------------------------------------------------------------------------------------------------------------------------------------------------------------------------------------------------------------------------------------------------------------------------------------------------------------------------------------------------------------------------------------------------------------------------------------------------------------------------------------------------------------------------------------------------------------------------------------------------------------------------

NOTE: Server model PN (F9A40A) available in EMEA only.

Pre-configured Models

HP ProLiant MicroServer Gen8 Special Server F9A40A	Processor	(1) Intel® Xeon® E3-1220Lv2 (2.3GHz/2-core/3MB/17W) Processor
	Cache Memory	3MB (1 x 3MB) L3 cache
	Memory	8GB (1 x 8GB) PC3L-10600E DDR3 UDIMM NOTE: Total of 2 DIMM slots.
	Network Controller	HP Ethernet 1Gb 2-port 332i Adapter
	Storage Controller	HP Dynamic Smart Array B120i Controller
	Hard Drive	None ship standard
	Internal Storage	4 LFF NHP SATA HDD cage; includes 4 LFF hard drive carriers
	Optical Drive Bay	None ship standard
	PCI-Express Slots	1 standard (1-Low Profile) PCIe 2.0
	Power Supply	200W Non-Hot Plug, Non-Redundant Power Supply
	Fans	One (1) Non-redundant system fan ships standard
	Management	HP iLO Management Engine Optional: iLO Essentials; iLO Advanced
	Operating System	None
	Form Factor	Ultra Micro Tower
Warranty	Server Warranty includes 1-Year Parts, 0-Year Labor, 0-Year Onsite support with next business day response	

NOTE: Server model PN (G0M45A) available in APJ only.

HP ProLiant MicroServer Gen8 Special Server G0M45A	Processor	(1) Intel® Xeon® E3-1220Lv2 (2.3GHz/2-core/3MB/17W) Processor
	Cache Memory	3MB (1 x 3MB) L3 cache
	Memory	4GB (1 x 4GB) PC3-12800E DDR3 UDIMM NOTE: Total of 2 DIMM slots.
	Network Controller	HP Ethernet 1Gb 2-port 332i Adapter
	Storage Controller	HP Dynamic Smart Array B120i Controller
	Hard Drive	None ship standard
	Internal Storage	4 LFF NHP SATA HDD cage; includes 4 LFF hard drive carriers
	Optical Drive Bay	9.5mm DVD-RW included
	PCI-Express Slots	1 standard (1-Low Profile) PCIe 2.0
	Power Supply	150W Non-Hot Plug, Non-Redundant Power Supply
	Fans	One (1) Non-redundant system fan ships standard
	Management	HP iLO Management Engine Optional: iLO Essentials; iLO Advanced
	Operating System	None
	Form Factor	Ultra Micro Tower
Warranty	Server Warranty includes 1-Year Parts, 0-Year Labor, 0-Year Onsite support with next business day response	

Country Code Key	xx = 00	U.S.
	xx = 20	Brazil
	xx = 29	Japan
	xx = 37	APD
	xx = 42	Europe
	xx = AA	PRC

Core Options

HP Unique Options	HP MicroServer Gen8 Front Bezel Faceplate Kit NOTE: This kit includes all three Front Bezel Faceplate colors (Blue, Red and Black).	722320-B21
HP Memory	<p>Unbuffered with ECC DIMMs (UDIMMs)</p> <p>HP 2GB (1x2GB) Single Rank x8 PC3-12800E (DDR3-1600) Unbuffered CAS-11 Memory Kit 669320-B21</p> <p>HP 2GB (1x2GB) Single Rank x8 PC3L-10600E (DDR3-1333) Unbuffered CAS-9 Low Voltage Memory Kit 647905-B21</p> <p>HP 4GB (1x4GB) Dual Rank x8 PC3-12800E (DDR3-1600) Unbuffered CAS-11 Memory Kit 669322-B21</p> <p>HP 4GB (1x4GB) Dual Rank x8 PC3L-10600E (DDR3-1333) Unbuffered CAS-9 Low Voltage Memory Kit 647907-B21</p> <p>HP 8GB (1x8GB) Dual Rank x8 PC3-12800E (DDR3-1600) Unbuffered CAS-11 Memory Kit 669324-B21</p> <p>HP 8GB (1x8GB) Dual Rank x8 PC3L-10600E (DDR3-1333) Unbuffered CAS-9 Low Voltage Memory Kit 647909-B21</p> <p>NOTE: All DDR3 memory option kits consist of one DIMM per kit. For detailed memory configuration rules and guidelines, please use the Online DDR3 Memory Configuration Tool: http://www.hp.com/go/ddr3memory-configurator.</p> <p>NOTE: Depending on the memory configuration and processor model, 1600MHz and 1333MHz memory may operate at a lower speed. Please see the "Memory" section later in this document and the Online Memory Configuration Tool for details at http://www.hp.com/go/ddr3memory-configurator.</p> <p>NOTE: For additional memory rules and guidelines, see the "Memory" section later in this document.</p> <p>NOTE: For more information on ProLiant Energy Efficient Features, see: http://www.hp.com/go/proliant-energy-efficient</p> <p>NOTE: PC3L is a low voltage memory.</p>	
HP Optical Drives	HP 9.5mm SATA DVD-RW JackBlack Optical Drive	652241-B21
HP Hard Drives	<p>NOTE: The components of a storage subsystem (e.g. the drive, the HBA/controller, firmware, and the server backplane) should operate at the same data transfer rate or the system bandwidth will be negotiated down to an acceptable level for all components.</p> <p>NOTE: Hard drives have either a one year or three year warranty; refer to the specific hard drive QuickSpecs for details.</p> <p>6G SATA Non-Hot Plug LFF (3.5-inch) Midline (MDL) Drives</p> <p>HP 3TB 6G SATA 7.2K rpm LFF (3.5-inch) Non-hot plug Midline 1yr Warranty Hard Drive 628065-B21</p> <p>HP 2TB 6G SATA 7.2K rpm LFF (3.5-inch) Non-hot plug Midline 1yr Warranty Hard Drive 659339-B21</p> <p>HP 1TB 6G SATA 7.2K rpm LFF (3.5-inch) Non-hot plug Midline 1yr Warranty Hard Drive 659337-B21</p> <p>HP 500GB 6G SATA 7.2K rpm LFF (3.5-inch) Non-hot plug Midline 1yr Warranty Hard Drive 659341-B21</p> <p>6G SATA Non-Hot Plug LFF (3.5-inch) Standard (STND) Drives</p> <p>HP 4TB 6G SATA 7.2K rpm LFF (3.5in) Non-hot Plug Standard 1yr Warranty Hard Drive 801888-B21</p> <p>HP 3TB 6G SATA 7.2K rpm LFF (3.5in) Non-hot Plug Standard 1yr Warranty Hard Drive 801886-B21</p>	

Core Options

Drive		
HP 2TB 6G SATA 7.2K rpm LFF (3.5in) Non-hot Plug Standard 1yr Warranty Hard Drive		801884-B21
HP 1TB 6G SATA 7.2K rpm LFF (3.5in) Non-hot Plug Standard 1yr Warranty Hard Drive		801882-B21
NOTE: Please see the QuickSpecs for Technical Specifications and additional information: http://h18000.www1.hp.com/products/quickspecs/13021_div/13021_div.html (Worldwide)		

HP Networking

HP NC112T PCI Express Gigabit Server Adapter		503746-B21
NOTE: Please see the QuickSpecs for Technical Specifications and additional information: http://www.hp.com/go/ProLiantNICs		
HP PS110 Wireless 802.11n VPN AM Router		JL065A
HP PS110 Wireless 802.11n VPN WW Router		JL066A
NOTE: HP PS110 Wireless VPN Router Series, custom designed to physically stack on top of the HP ProLiant MicroServer Gen8, deliver high-performance internet access and wired/wireless connectivity for offices and remote/mobile employees. NOTE: Please see the QuickSpecs for Technical Specifications and additional information: http://www8.hp.com/h20195/v2/GetHtml.aspx?docname=c04519011 (Worldwide)		
HP PS1810-8G Switch		J9833A
HP PS1810-24G Switch		J9834A
NOTE: HP PS1810 Series Switches have been custom designed to work with the HP ProLiant MicroServer Gen8. These are layer 2 web-managed gigabit switches with two offerings - 8 port and 24 port models. PS1810 Switches have built-in technology that will enable automatic discovery of ProLiant Gen8 Servers. In addition the 8 port switch had a unique chassis design that enables physical stacking on the MicroServer. NOTE: Please see the QuickSpecs for Technical Specifications and additional information: http://h18004.www1.hp.com/products/quickspecs/14586_div/14586_div.html (Worldwide)		

Additional Options

HP Insight Software

HP Insight Control

HP Insight Control including 1yr 24x7 Technical Support and Updates Single Server License C6N27A

HP Insight Control including 1yr 24x7 Technical Support and Updates Electronic License C6N28ABE

HP Insight Control Server Provisioning Media Kit BD883A

HP Insight Management Media Kit C6N31A

HP Insight Control including 1yr 24x7 Support ProLiant ML/DL/BL-bundle FIO Electronic License C6N36ABE

NOTE: Electronic and Flexible-Quantity licenses can be used to purchase multiple licenses with a single activation key.

NOTE: Customer will receive a license entitlement certificate. The license entitlement certificate must be redeemed online or via fax in order to obtain the license activation key(s). Includes one year of 24 x 7 HP Software Technical Support and Update Service.

NOTE: Licenses ship without media. The HP Insight Control Media Kit can be ordered separately, or can be downloaded at: <http://www.hp.com/go/insightupdates>

NOTE: For additional license options please see the QuickSpecs at: http://h18000.www1.hp.com/products/quickspecs/12631_div/12631_div.html.

HP Integrated Lights-Out (iLO)

HP Integrated Lights-Out (iLO) Advanced for ProLiant

HP Integrated Lights-Out Essentials including 1yr 24x7 Technical Support and Updates E-LTU E6U62ABE

HP Integrated Lights-Out Essentials including 3yr 24x7 Technical Support and Updates E-LTU E6U61ABE

HP iLO Advanced including 3yr 24x7 Technical Support and Updates E-LTU E6U64ABE

HP iLO Advanced including 1yr 24x7 Technical Support and Updates E-LTU E6U59ABE

NOTE: For additional license options please see the QuickSpecs at: http://h18004.www1.hp.com/products/quickspecs/14276_div/14276_div.html

NOTE: For more information, visit: <http://www.hp.com/go/ilo>.

HP Security

HP MicroServer Gen8 Front Bezel Faceplate Kit 722320-B21

HP Trusted Platform Module Option 488069-B21

NOTE: The TPM (Trusted Platform Module) is a microcontroller chip that can securely store artifacts used to authenticate the server platform. These artifacts can include passwords, certificates and encryption keys. Windows® BitLocker™ Drive Encryption (BitLocker) is a data protection feature available in Windows Server® 2008. BitLocker leverages the enhanced security capabilities of a Trusted Platform Module (TPM) version 1.2. The TPM works with BitLocker to help protect user data and to ensure that a server running Windows Server 2008 has not been tampered with while the system was offline. For more information about TPM, including a white paper, go to: <http://www.hp.com/go/TPM>.

NOTE: The TPM key is unique to every TPM deployed server and must be retained. Misplacing or losing the key could result in data loss.

HP Storage Controllers

SAS Controllers

Smart Array P222 Controller

HP Smart Array P222/512 FBWC 6Gb 1-port Int/1-port Ext SAS Controller 631667-B21

NOTE: HP Smart Array P22/512 FBWC qualified for RAID support only for HP

Additional Options

ProLiant MicroServer Gen8.

NOTE: Please see the QuickSpecs for Technical Specifications and additional information:

http://h18000.www1.hp.com/products/quickspecs/14227_div/14227_div.html
(Smart Array P222 Controller)

HP Disk Backup

NOTE: For the complete range of RDX drives and media see:

<http://www.hp.com/go/rdx>

HP RDX Removable Disk Backup Systems USB

HP RDX320 USB3.0 External Disk Backup System	B7B63A
HP RDX500 USB 3.0 External Disk Backup System	B7B66A
HP RDX1000 USB 3.0 External Disk Backup System	B7B69A

HP Uninterruptible Power Systems

HP DirectFlow Three Phase UPS

Power Unit (1U UPS)

NOTE: #0D1 will appear after the part number on the sales order if HP factory integration is indicated.

HP R12000 DirectFlow - 1U Rackmount Uninterruptible Power System	G9Y75A
HP R12000 DirectFlow - POD 1U Rackmount Uninterruptible Power System	AF478A

Input/Output Module Options for 1U UPS

NOTE: Choose one I/O Module per UPS.

NOTE: #0D1 will appear after the part number on the sales order if HP factory integration is indicated.

HP 32A 400-415 Volt Three Phase INTL R12000 DirectFlow UPS IEC309 Input/Output Module	AF488A
HP 30A 400-415 Volt Three Phase NA R10000 DirectFlow UPS IEC309 Input/Output Module	AF489A
HP 32A 380 Volt Three Phase China R12000 DirectFlow UPS Unterminated Input/Output Module	AF490A
HP 30A 480 Volt Three Phase NA R12000 DirectFlow UPS L22-30 Input/Output Module	AF491A
HP 30A 480 Volt Three Phase NA R12000 DirectFlow UPS IEC309 Input/Output Module	AF492A
HP 30A 400-415 Volt Three Phase NA R12000 DirectFlow UPS IEC309 Input/Output Module	G9Y76A

NOTE: All Input/Output Modules support dual output outlets except the AF484A.

HP Tower UPS

HP T750 G4 UPS Models

HP T750 G4 NA/JP Uninterruptible Power System	J2P85A
HP T750 G4 INTL Uninterruptible Power System	J2P88A

HP T1000 G4 UPS Models

HP T1000 G4 NA/JP Uninterruptible Power System	J2P86A
HP T1000 G4 INTL Uninterruptible Power System	J2P89A

HP T1500 G4 UPS Models

HP T1500 G4 NA/JP Uninterruptible Power System	J2P87A
HP T1500 G4 INTL Uninterruptible Power System	J2P90A

HP Rack/Tower UPS

HP R/T2200 G4 UPS Models

Additional Options

HP R/T2200 G4 NA/JP Uninterruptible Power System	J2R00A
HP R/T3000 G4 UPS Models	
HP R/T3000 G4 Low Voltage NA/JP Uninterruptible Power System	J2R01A
HP R/T3000 G4 High Voltage NA/JP Uninterruptible Power System	J2R02A
HP R/T3000 G4 High Voltage INTL Uninterruptible Power System	J2R04A
HP R1500 G4 Uninterruptible Power Supply (UPS)	
HP R1500 G4 NA Uninterruptible Power System	J2Q99A
HP R1500 G4 INTL Uninterruptible Power System	J2R03A
HP R1500 G4 JP/TWN Uninterruptible Power System	J2R05A
NOTE: For additional information please go to: http://www.hp.com/go/rackandpower (Worldwide)	
NOTE: Please see QuickSpecs for Technical Specifications and additional information: http://h18004.www1.hp.com/products/quickspecs/13160_div/13160_div.html	

HP Rack Options

HP LCD8500 1U Rackmount Console Kit Models

HP LCD8500 1U US Rackmount Console Kit	AF630A
HP LCD8500 1U UK Rackmount Console Kit	AF631A
HP LCD8500 1U DE Rackmount Console Kit	AF632A
HP LCD8500 1U FR Rackmount Console Kit	AF633A
HP LCD8500 1U JP Rackmount Console Kit	AF642A
HP LCD8500 1U RU Rackmount Console Kit	AF643A
HP LCD8500 1U INTL Rackmount Console Kit	AF644A
HP LCD8500 1U US TAA Rackmount Console Kit	AF645A

HP LCD8500 1U Rackmount Console Kit Options

HP Kit LCD 1.83m Latch Display Port Cable	G7T29A
HP Location Discovery Services LCD8500 Kit	TL052A
HP Rack LED Light Kit	BW939A

HP Server Console Switches

HP 0x1x8 G3 KVM Console Switch	AF651A
HP 0x2x16 G3 KVM Console Switch	AF652A
HP TAA 0x2x16 G3 KVM Console Switch	AF653A
HP USB Remote Access Key for G3 KVM Console Switches	AF650A

HP USB Keyboard and Mouse

HP USB BFR with PVC Free US Keyboard/Mouse Kit	631341-B21
HP USB BFR with PVC Free UK Keyboard/Mouse Kit	631344-B21
HP USB BFR with PVC Free FR Keyboard/Mouse Kit	631346-B21
HP USB BFR with PVC Free ES Keyboard/Mouse Kit	631348-B21
HP USB BFR with PVC Free DE Keyboard/Mouse Kit	631358-B21
HP USB BFR with PVC Free JP Keyboard/Mouse Kit	631360-B21
HP USB BFR with PVC Free IT Keyboard/Mouse Kit	631362-B21
HP USB BFR with PVC Free CN Keyboard/Mouse Kit	631364-B21
HP USB BFR with PVC Free AE Keyboard/Mouse Kit	638212-B21
HP USB BFR with PVC Free RU Keyboard/Mouse Kit	638214-B21
HP USB BFR with PVC Free SE Keyboard/Mouse Kit	672097-103

Additional Options

HP USB BFR with PVC Free CH Keyboard/Mouse Kit	672097-113
HP USB BFR with PVC Free PT Keyboard/Mouse Kit	672097-133
HP USB BFR with PVC Free TR Keyboard/Mouse Kit	672097-143
HP USB BFR with PVC Free CZ Keyboard/Mouse Kit	672097-223
HP USB BFR with PVC Free FI Keyboard/Mouse Kit	672097-353
HP USB BFR with PVC Free AP-Intl Keyboard/Mouse Kit	672097-373
HP USB BFR with PVC Free Intl Keyboard/Mouse Kit	672097-B33
HP USB BFR with PVC Free IN Keyboard/Mouse Kit	672097-D63
HP USB BFR with PVC Free KR Keyboard/Mouse Kit	672097-KD3

NOTE: Please see the QuickSpecs for Technical Specifications and additional information:

http://h18000.www1.hp.com/products/quickspecs/13972_div/13972_div.html
(Worldwide)

HP USB and SD Options

HP Flash Media Kits for USB Drives

NOTE: HP qualified blank USB key for use with HP ProLiant servers that support the VMware virtualization environment and other HP value-add software. HP recommends this industry standard USB flash device for use with VMware ESXi. USB device must be installed in the internal slot of the ProLiant server for use with VMware ESXi. Refer to HP VMware Getting Started Guide for installation instructions.

HP 8GB USB Enterprise Mainstream Flash Media Drive Key Kit	737953-B21
------------------------------------------------------------	------------

HP Enterprise Mainstream Flash Media Kits for Memory Cards

HP 8GB microSD Enterprise Mainstream Flash Media Kit	726116-B21
HP 32GB microSD Enterprise Mainstream Flash Media Kit	700139-B21

NOTE: Blank SD media device is supported for use with VMware. SD media must be installed in the internal slot of the ProLiant server. Learn more at:

<http://www.hp.com/go/proliantvirtualization>.

NOTE: Please see the QuickSpecs for Technical Specifications and additional information:

http://h18000.www1.hp.com/products/quickspecs/13971_div/13971_div.html

HP Care Pack Services

Foundation Care

HP 3 year Next business day Microserver Foundation Care Service	U2EF7E
HP 3 year Next business day with Defective Media Retention Microserver Foundation Care Service	U2EF8E
HP 3 year Next business day wComprehensiveDefectiveMaterialRetention Microserver Foundation Care SVC	U2EF9E
HP 3 year 24x7 Microserver Foundation Care Service	U2EG0E
HP 3 year 24x7 with Defective Media Retention Microserver Foundation Care Service	U2EG1E
HP 3 year 24x7 with Comprehensive Defective Material Retention Microserver Foundation Care Service	U2EG2E
HP 3 year Call to Repair Microserver Foundation Care Service	U2EG3E
HP 3 year Call to Repair with Defective Media Retention Microserver Foundation Care Service	U2EG4E
HP 3 year CTR with Comprehensive Defective Material Retention Microserver Foundation Care Service	U2EG5E
HP 4 year Next business day Microserver Foundation Care Service	U2EG6E
HP 4 year Next business day with Defective Media Retention Microserver Foundation	U2EG7E

Additional Options

Care Service	
HP 4 year Next business day wComprehensiveDefectiveMaterialRetention Microserver Foundation Care SVC	U2EG8E
HP 4 year 24x7 Microserver Foundation Care Service	U2EG9E
HP 4 year 24x7 with Defective Media Retention Microserver Foundation Care Service	U2EH0E
HP 4 year 24x7 with Comprehensive Defective Material Retention Microserver Foundation Care Service	U2EH1E
HP 5 year Next business day Microserver Foundation Care Service	U2EH2E
HP 5 year Next business day with Defective Media Retention MicroserverFoundation Care Service	U2EH3E
HP 5 year Next business day ComprehensiveDefectiveMaterialRetention Microserver Foundation Care SVC	U2EH4E
HP 5 year 24x7 Microserver Foundation Care Service	U2EH5E
HP 5 year 24x7 with Defective Media Retention Microserver Foundation Care Service	U2EH6E
HP 5 year 24x7 with Comprehensive Defective Material Retention Microserver Foundation Care Service	U2EH7E

Installation Services

NOTE: Reduce the time required to get your system up and running and help minimize disruptions to your business.

HP Install ProLiant MicroServer Service	UR508E
-----------------------------------------	--------

NOTE: For more information, customer/resellers can contact:
<http://www.hp.com/services/carepack>.

Memory

HP ProLiant Micro Server Generation 8

Standard Memory

2GB (1x2GB) PC3-12800E DDR3 UDIMM Memory kit installed (712317-xx1 and 712318-xx1)

8GB (1x8GB) PC3L-10600E DDR3 UDIMM Memory kit installed (F9A40A)

4GB (1x4GB) PC3-12800E DDR3 UDIMM Memory kit installed (G0M45A)

Maximum Memory

16GB of maximum memory is available with the installation of 2 x 8 GB UDIMM Memory kits.

Memory		Slot	
		1A	2B
Standard	2 GB	2 GB	Empty
Optional	4 GB	2 GB	2 GB
	4 GB	4 GB	Empty
Optional	8 GB	4 GB	4 GB
Maximum	16 GB	8 GB	8 GB

Following are memory options available from HP:

HP Memory

Unbuffered with ECC DIMMs (UDIMMs)

HP 2GB (1x2GB) Single Rank x8 PC3-12800E (DDR3-1600) Unbuffered CAS-11 Memory Kit 669320-B21

HP 2GB (1x2GB) Single Rank x8 PC3L-10600E (DDR3-1333) Unbuffered CAS-9 Low Voltage Memory Kit 647905-B21

HP 4GB (1x4GB) Dual Rank x8 PC3-12800E (DDR3-1600) Unbuffered CAS-11 Memory Kit 669322-B21

HP 4GB (1x4GB) Dual Rank x8 PC3L-10600E (DDR3-1333) Unbuffered CAS-9 Low Voltage Memory Kit 647907-B21

HP 8GB (1x8GB) Dual Rank x8 PC3-12800E (DDR3-1600) Unbuffered CAS-11 Memory Kit 669324-B21

HP 8GB (1x8GB) Dual Rank x8 PC3L-10600E (DDR3-1333) Unbuffered CAS-9 Low Voltage Memory Kit 647909-B21

NOTE: All DDR3 memory option kits consist of one DIMM per kit. For detailed memory configuration rules and guidelines, please use the Online DDR3 Memory Configuration Tool: <http://www.hp.com/go/ddr3memory-configurator>.

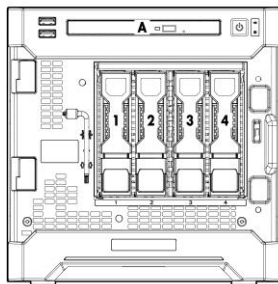
NOTE: Depending on the memory configuration and processor model, 1600MHz and 1333MHz memory may operate at a lower speed. Please see the "Memory" section later in this document and the Online Memory Configuration Tool for details at <http://www.hp.com/go/ddr3memory-configurator>.

NOTE: For additional memory rules and guidelines, see the "Memory" section later in this document.

NOTE: For more information on ProLiant Energy Efficient Features, see: <http://www.hp.com/go/proliant-energy-efficient>

NOTE: PC3L is a low voltage memory. Low voltage memory operates at standard voltage in the MicroServer Gen8.

Storage



A Optical Drive Bay
1, 2, 3, 4 Four (4) Non-Hot Plug Drive Bays

Drive Support

Removable Media	Quantity Supported	Position Supported	Controller
DVD-RW Drive	1	A	Integrated SATA

Maximum Storage Capacity		
Internal	SATA	16.0TB (4 x 4TB)

Technical Specifications

System Unit	Dimensions (H x W x D) (with feet)	9.15 x 9.06 x 9.65 in (23.24x 23 x 24.5 cm)		
	Weight (approximate)	Maximum	21.60 lb (9.8 kg) (all hard drives, power supply and processor installed)	
		Minimum	15.13 lb (6.8 kg) (one hard drive, power supply, and processor installed)	
	Input Requirements (per power supply)	Rated Line Voltage	100 -- 127 VAC, 200 - 240 VAC	
		Rated Input Current	3.5 A (at 110 VAC), 2 A (at 200 VAC)	
		Rated Input Frequency	50 to 60 Hz	
		Rated Input Power	For 150W Power Supply 192 W (at 100 VAC), 185 W (at 200 VAC) For 200W Power Supply 243 W (at 100 VAC), 237 W (at 200 VAC)	
	BTU Rating	Maximum	For 150 W Power Supply 682 BTU/hr (at 100 VAC), 665 BTU/hr (at 200 VAC) For 200 W Power Supply 838.86 BTU/hr (at 100 VAC), 825.22 BTU/hr (at 200 VAC)	
	Power Specifications	To review typical system power ratings use the Power Advisor which is available via the online tool located at URL: http://www.hp.com/go/hppoweradvisor		
	Power Supply Output (per power supply)	Rated Steady-State Power	For 150 W Power Supply 150 W (at 100 VAC), 150 W (at 200 VAC) For 200 W Power Supply 200 W (at 100 VAC), 200 W (at 200 VAC)	
Maximum Peak Power		For 150 W Power Supply 150 W (at 100 VAC), 150 W (at 200 VAC) For 200 W Power Supply 200 W (at 100 VAC), 200 W (at 200 VAC)		
System Inlet Temperature	Operating	10° to 35°C (50° to 95°F) at sea level with an altitude derating of 1.0°C per every 305 m (1.8°F per every 1000 ft) above sea level to a maximum of 3050 m (10,000 ft), no direct sustained sunlight. Maximum rate of change is 10°C/hr (18°F/hr). The upper limit may be limited by the type and number of options installed. System performance may be reduced if operating with a fan fault or above 30°C (86°F).		

Technical Specifications

	Non-operating			-30° to 60°C (-22° to 140°F). Maximum rate of change is 20°C/r (36°F/hr)
Relative Humidity (non-condensing)	Operating			10 to 90% relative humidity (Rh), 28°C (82.4°F) maximum wet bulb temperature, non-condensing.
	Non-operating			5 to 95% relative humidity (Rh), 38.7°C (101.7°F) maximum wet bulb temperature, non-condensing.
Altitude	Operating			3050 m (10,000 ft). This value may be limited by the type and number of options installed. Maximum allowable altitude change rate is 457 m/min (1500 ft/min).
	Non-operating			9144 m (30,000 ft). Maximum allowable altitude change rate is 457 m/min (1500 ft/min).
Acoustic Noise (Fully Loaded)	Idle	150W PSU	LWAd	3.9 BELS
			LpAm	21.0 dBA
		200W PSU	LWAd	3.4 BELS
			LpAm	18.0 dBA
	Operating	150W PSU	LWAd	3.9 BELS
			LpAm	21.0 dBA
		200W PSU	LWAd	3.5 BELS
			LpAm	18.0 dBA
Acoustic Noise (Lightly Loaded)	Idle	150W PSU	LWAd	3.4 BELS
			LpAm	18.0 dBA
		200W PSU	LWAd	3.3 BELS
			LpAm	18.0 dBA
	Operating	150W PSU	LWAd	3.5 BELS
			LpAm	18.0 dBA
		200W PSU	LWAd	3.4 BELS
			LpAm	18.0 dBA
Emissions Classification (EMC)	FCC Rating			Class B
	Normative Standards			CISPR 22; EN55022; EN55024; FCC CFR 47, Pt 15; ICES-003; CNS13438; GB9254; K22;K24; EN 61000-3-2; EN 61000-3-3; EN 60950-1; IEC 60950-1

NOTE: Product conformance to cited product specifications is based on sample (type) testing, evaluation, or assessment. This product or family of products is eligible to bear the appropriate compliance logos and statements.

HP Dynamic Smart Array B120i Controller	Dimensions	Embedded
	Disk Drive Interface - Transfer rate	Up to 6Gb/s SATA (Serial ATA)

Technical Specifications

SATA Connectors	5 internal connectors with non-hot-plug support
Server Interface	PCIe 3.0/2.0
SATA Speed	x2 6Gb/s SATA physical links (compatible with 3Gb/s SATA) None
Logical Drives Supported	NOTE: On SATA models with embedded RAID, setup instructions are located in the MicroServer User Guide
Host Memory Addressing	64-bit, supporting greater than 4GB server memory space
Hot Plug Support	No
RAID Support	RAID 0 (Striping), RAID 1 (Mirroring) RAID 1+0 (Striping & Mirroring)

HP Ethernet 1Gb 2-port NC332i Adapter	Network Interface Compatibility	10Base-T/100Base-TX/1000Base-TX IEEE 802.3 10Base-T IEEE 802.3ab 1000Base-T IEEE 802.3u 100Base-TX Energy Efficient Ethernet (EEE) compliant with IEEE Std 802.3az (default is disabled)		
	Data Transfer Method Controller	Single lane (x1), 100MHz PCI Express Reference Clock BCM5720		
	Network Transfer Rate	10Base-T (Half-Duplex)	10 Mb/s	
		10Base-T (Full-Duplex)	20 Mb/s	
		100Base-TX (Half-Duplex)	100 Mb/s	
		100Base-TX (Full-Duplex)	200 Mb/s	
		1000Base-TX (Half and Full-Duplex)	2000Mb/s	
	Connector	RJ-45 connector		
	Cable Support	10Base-T	Categories 3, 4 or 5 UTP; up to 328 ft (100 m)	
		10/100/1000Base-TX	Category 5 UTP; up to 328 ft (100 m)	

Environment-friendly Products and Approach	End-of-life Management and Recycling	Hewlett-Packard offers end-of-life HP product return, trade-in, and recycling programs in many geographic areas. For trade-in information, please go to: http://www.hp.com/go/green . To recycle your product, please go to: http://www.hp.com/go/green or contact your nearest HP sales office. Products returned to HP will be recycled, recovered or disposed of in a responsible manner.
---------------------------------------------------	---------------------------------------------	--------------------------------------------------------------------------------------------------------------------------------------------------------------------------------------------------------------------------------------------------------------------------------------------------------------------------------------------------------------------------------------------------------------------------------------------------------------------------------

The EU WEEE directive (2002/95/EC) requires manufacturers to provide treatment information for each product type for use by treatment facilities. This information (product disassembly instructions) is posted on the Hewlett Packard web site at: <http://www.hp.com/go/green>. These instructions may be used by recyclers and other WEEE treatment facilities as well as HP OEM customers who integrate and re-sell HP equipment.



Summary of Changes

Date	Version History	Action	Description of Change
01-Jun-2015	From Version 19 to 20	Removed	Obsolete SKUs were removed from Additional Options.
30-Mar-2015	From Version 18 to 19	Added	New Hard Drives were added to Core Options. Added new HP Care Pack Services.
		Changed	Standard Features, Memory, Storage, and Technical Specifications were revised.
09-Feb-2015	From Version 17 to 18	Added	New Hard Drives, DirectFlow UPS, Rack and Tower G4 Models, LCD8500 1U Rackmount Models and Options were added to the Additional Options section. Added support for new HP PS110 Wireless 82.11n VPN Router
		Changed	HP Uninterruptible Power Systems, HP Rack Options, and HP Care Pack Services in Additional Options section were revised.
01-Dec-2014	From Version 16 to 17	Removed	Support services were removed from HP Care Pack Services.
01-Nov-2014	From Version 15 to 16	Changed	Service and Support section was revised.
25-Aug-2014	From Version 14 to 15	Changed	Columns aligned. Matching NA version since changes was done in Smart buy section.
18-Jul-2014	From Version 13 to 14	Changed	Power Specifications was revised.
11-Jul-2014	From Version 12 to 13	Changed	Power Supplies and Memory were revised.
27-Jun-2014	From Version 11 to 12	Changed	Changes were made in North America and Canada only.
18-Apr-2014	From Version 10 to 11	Changed	Service and Support, Memory, and HP Care Pack Services were revised.
31-Mar-2014	From Version 9 to 10	Changed	HP Insight Control server deployment was removed from HP Insight Software HP 8GB USB Enterprise Mainstream Flash Media Drive Key Kit was added and HP 2GB USB Flash Media Drive Key Kit was removed from HP USB and SD Options
25-Feb-2014	From Version 8 to 9	Added	Added Image.
18-Feb-2014	From Version 7 to 8	Changed	Processors, Memory, Operating Systems and Virtualization Software Support for ProLiant Servers, HP Disk Backup, and HP USB and SD Options were revised.
20-Dec-2013	From Version 6 to 7	Added	Note was added for HP MicroServer Gen8 Front Bezel Faceplate Kit in HP Unique Options.
11-Oct-2013	From Version 5 to 6	Changed	HP Proactive Insight experience was removed from Optional Features Service and Support and Memory and Disk Backup descriptions were revised Networking Switches was added to Core Options HP 8GB SD Enterprise Mainstream Flash Media Kit was added to HP USB and SD Options
19-Aug-2013	From Version 4 to 5	Changed	HP Disk Backup and HP USB and SD Options were revised in Additional Options HP MicroServer Gen8 Front Bezel Faceplate Kit was added to HP Unique Options and HP Security HP PS1810-24G Switch was added to HP Networking
26-Jul-2013	From Version 3 to 4	Changed	Updated the Base Model section
21-Jun-2013	From Version 2 to 3	Added	HP Security was added to Additional Options.
11-Jun-2013	From Version 1 to 2	Changed	Corrected Overview image issue.

© Copyright 2015 Hewlett-Packard Development Company, L.P.

The information contained herein is subject to change without notice.
Microsoft and Windows NT are US registered trademarks of Microsoft Corporation.

Summary of Changes

AMD, the AMD Arrow logo, AMD Opteron™, and combinations thereof, are trademarks of Advanced Micro Devices, Inc.

The only warranties for HP products and services are set forth in the express warranty statements accompanying such products and services. Nothing herein should be construed as constituting an additional warranty. HP shall not be liable for technical or editorial errors or omissions contained herein.

For hard drives, 1GB = 1 billion bytes. Actual formatted capacity is less.