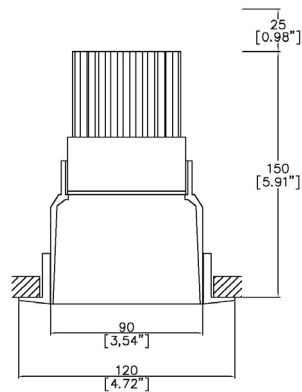


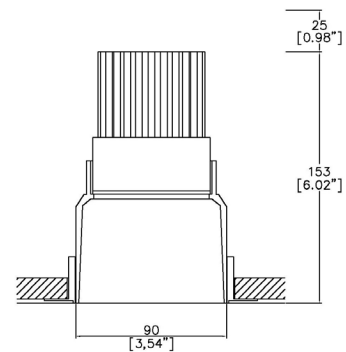
Soft3.5 Fixed



Soft provides high performance electronics and architectural aesthetics in 3.5” trim. Soft products include adjustable and fixed in a flanged or trimless installation kit. Also available with various color finishes. Tray, retrofit and housing installation methods (NIC, IC, AT, T24 and CCEA) Multiple configurations for equal spacing also available. Lucent modules available in a wide range of color temperatures, beam angles, intensities, and effects (Ambiance WarmDim and Dynamic Tuneable White). MR16 and GU10 LED lamp options available. TRIAC/Phase, 0-10v/1-10v, DMX and DALI/ Digital dimming.



A090-LED-TR
Cut-out 109mm (4.29”) Ø



A090-LED-TL
Cut-out 105mm (4.13”) Ø



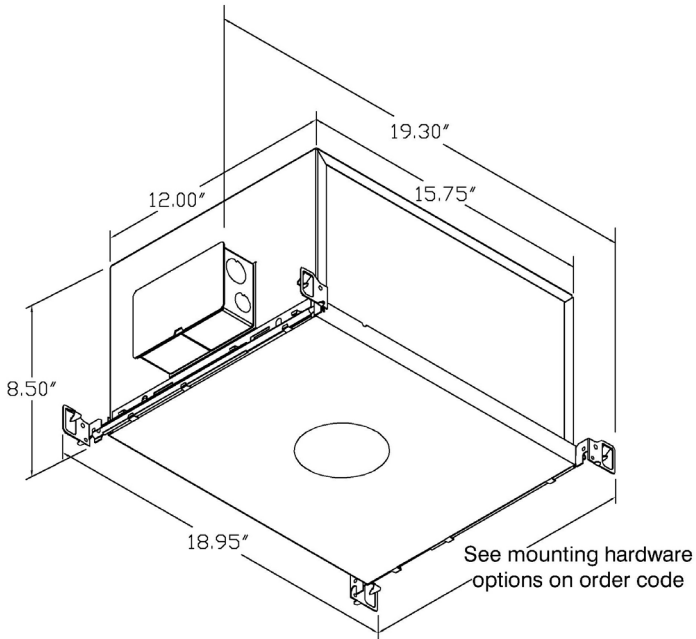
Installation kit for overlap flange



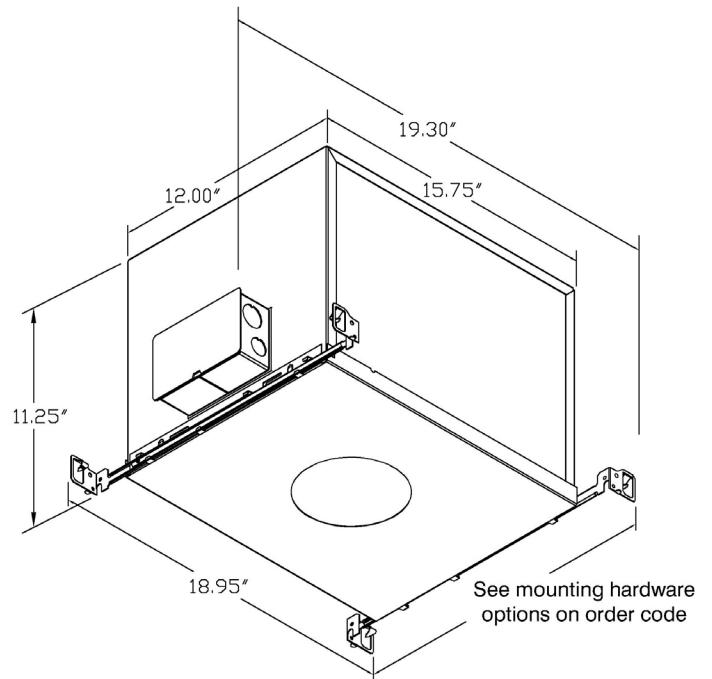
Mud-in kit for seamless/trimless

LED Source	LED71	LED71	LED71	LED71/U	LED71/U	LED71/U
CCT	3000K	3000K	3000K	3000K	3000K	3000K
Drive Current	700mA	700mA	700mA	700mA	700mA	700mA
Power inc Driver	27W	27W	27W	27W	27W	27W
Beam Angle	12°	19°	34°	12°	19°	34°
Delivered Lumens	1853	1614	1650	1519	1330	1444
Delivered Intensisty cd	24396	11072	4503	20823	10074	4822
Efficacy lm/w	69	60	61	56	49	53
Forward Volt	33V	33V	33V	33V	33V	33V
CRI	≥90 CRI	≥90 CRI	≥90 CRI	≥98 CRI	≥98 CRI	≥98 CRI

Housing dimensions

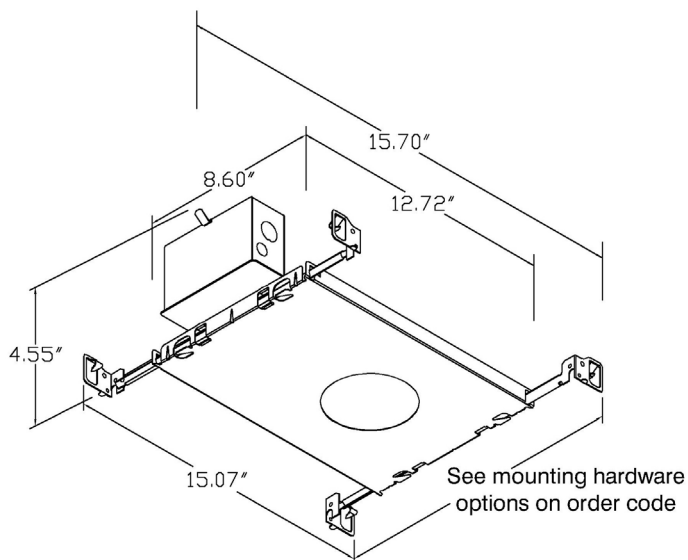


LH-8.50
Non-insulated ceiling

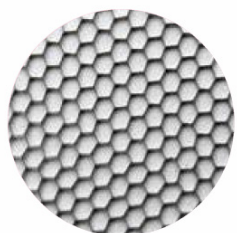


LH-11.25
Insulated/air-tight ceilings and
Chicago Plenum

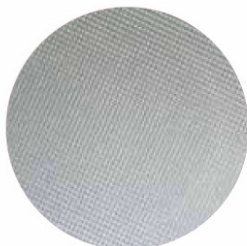
Tray dimensions



LMT-13
Non-insulated ceilings



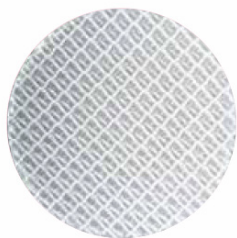
Honeycomb Louvre (MD45)



Solite/Diffusing Lens (MDDF)



Frosted Lens (MDFR)



Heavy Spread Lens (MDHS)



Linear Spread Lens (MDLS)



Warm Tone (MDCC)

.....

Technical Details

*Custom color requires a paint chip or RAL code and may increase price and lead-time

It is the responsibility of the specifier/integrator/installer to check and ensure compatibility of any control equipment used. Additional cabling may be required depending on the dimming protocol specified.

**Bluetooth (wireless) is a communication protocol. The exact dimming protocol must be confirmed to allow the selection of suitable drivers or Bluetooth devices.

***Non specific driver type, dimming performance depending on exact driver used. Contact Lucent Lighting for more information.

^ Depth indicated is the minimum recess depth for the luminaire with a remote mounted LED driver. Installing a driver through either the luminaire cut-out or installation kit may require additional recess depth, please refer to the relevant installation instructions prior to purchase.

First Fix Requirement. Luminaire comprised of fixture body with ceiling trim and installation kit, which is to be fitted into the ceiling once finished. Ensure correct alignment of the installation kit before final assembly (see luminaire installation instructions for details)

Location. Tested from underside of the ceiling.

Data correct at time of publishing. It is the policy of Lucent Lighting to continually review and improve its products and therefore reserve the right to change any details of product or withdraw specifications without prior notice.

This specification sheet supersedes all previous versions.

All intellectual property rights pertaining to the product described above and to this document are owned by or licensed to Lucent Lighting, Incorporated. Lucent Lighting reserves the right to take whatever action is necessary to protect its intellectual property, patents and trademarks

Please notify Lucent Lighting Inc. in accuracies. E&OE

.....



Light efficiency:

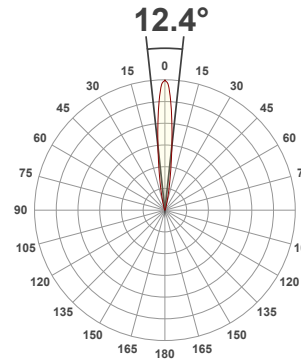
69 Lumen/Watt

Light quality:

CRI: 90.1

Color temperature:

3000 K



Product name:

090-LED - LED71-30-12-700mA

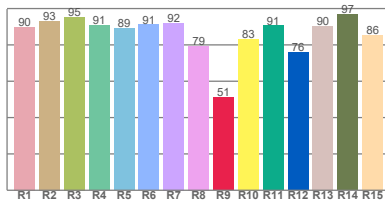
Item number:

Soft90 Fixed - LED71-30-12-700mA

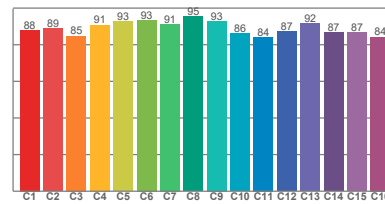
Delivered information for above fixture and LED combination.

Output: 1853 Lumen Peak intensity: 24396 cd Power consumption: 27.0

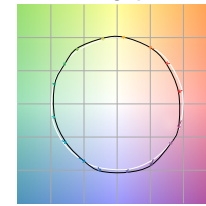
CRI R values



TM30 C Values

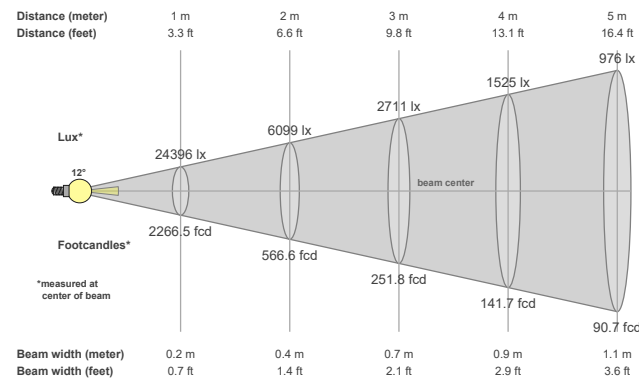


Color vector graphics



Color temperature	Color rendering index	Red component	Color fidelity	Color gamut	Color quality scale	Color coordinate cie 1931	Color coordinate cie 1931	Color coordinate	Color coordinate	Color deviation from black body
CCT	CRI	CRI R9	TM30 Rf	TM30 Rg	CQS	x	y	u	v	Δuv
3000 K	90.1	51.0	89.1	99.4	88.8	0.437	0.404	0.249	0.348	0.0009

Beam details



Beam angles

Beam angle 50%	Field angle 10%	Cutoff angle 2,5%
12.4°	25.7°	37.6°

Beam intensities

Peak intensity	Int. ratio in 120° cone	Int. ratio in 90° cone
24396 cd	97.8%	95.7%

Beam intensities from 1-20m

1m	2m	3m	4m	5m	6m	7m	8m	9m	10m	11m	12m	13m	14m	15m	16m	17m	18m	19m	20m
3.3ft	6.6ft	9.8ft	13.1ft	16.4ft	19.7ft	23ft	26.2ft	29.5ft	32.8ft	36.1ft	39.4ft	42.7ft	45.9ft	49.2ft	52.5ft	55.8ft	59.1ft	62.3ft	65.6ft
24396lx	6099lx	2711lx	1525lx	976lx	678lx	498lx	381lx	301lx	244lx	202lx	169lx	144lx	124lx	108lx	95lx	84lx	75lx	68lx	61lx
2266.5fcd	566.6fcd	251.8fcd	141.7fcd	90.7fcd	63fcd	46.3fcd	35.4fcd	28fcd	22.7fcd	18.7fcd	15.7fcd	13.4fcd	11.6fcd	10.1fcd	8.9fcd	7.8fcd	7fcd	6.3fcd	5.7fcd

The above information is for 3000K colour temperature, for specific module information please see LED spec located on our website

For information regarding other colour temperatures please use the following factors for lumen output and candelas:

2700K = 1
4000K = 1.084

Light efficiency:

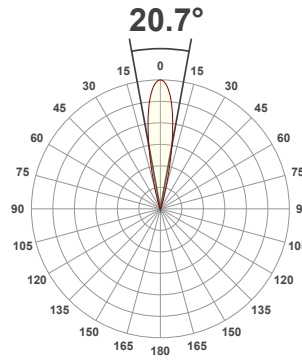
60 Lumen/Watt

Light quality:

CRI: 90.3

Color temperature:

3000 K



Product name:

090-LED - LED71-30-19-700mA

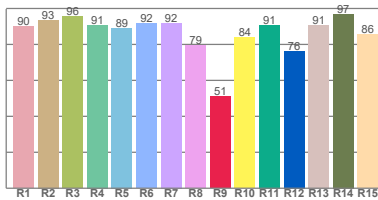
Item number:

Soft90 Fixed - LED71-30-19-700mA

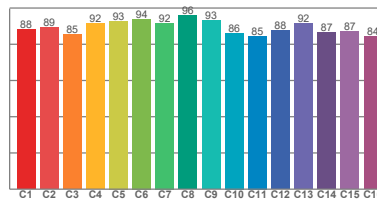
Delivered information for above fixture and LED combination.

Output: 1614 Lumen Peak intensity: 11072 cd Power consumption: 27.0

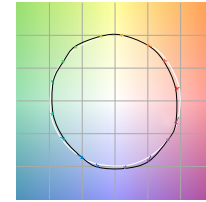
CRI R values



TM30 C Values

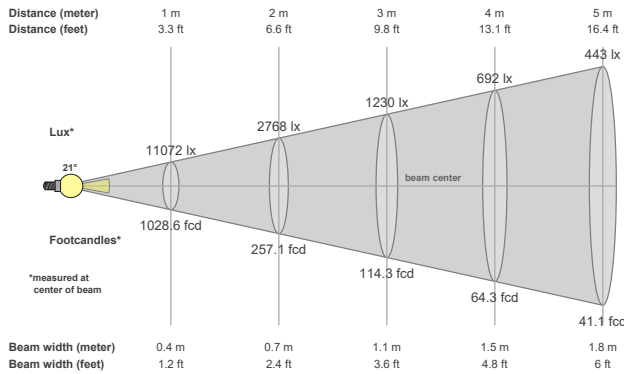


Color vector graphics



Color temperature	Color rendering index	Red component	Color fidelity	Color gamut	Color quality scale	Color coordinate cie 1931	Color coordinate cie 1931	Color coordinate	Color coordinate	Color deviation from black body
CCT	CRI	CRI R9	TM30 Rf	TM30 Rg	CQS	x	y	u	v	Δuv
3000 K	90.3	51.2	89.3	99.2	89.0	0.437	0.404	0.249	0.348	0.0009

Beam details



Beam angles

Beam angle 50%	Field angle 10%	Cutoff angle 2,5%
20.7°	33.5°	45.7°

Beam intensities

Peak intensity	Int. ratio in 120° cone	Int. ratio in 90° cone
11072 cd	97.4%	95.0%

Beam intensities from 1-20m

1m	2m	3m	4m	5m	6m	7m	8m	9m	10m	11m	12m	13m	14m	15m	16m	17m	18m	19m	20m
3.3ft	6.6ft	9.8ft	13.1ft	16.4ft	19.7ft	23ft	26.2ft	29.5ft	32.8ft	36.1ft	39.4ft	42.7ft	45.9ft	49.2ft	52.5ft	55.8ft	59.1ft	62.3ft	65.6ft
11072lx	2768lx	1230lx	692lx	443lx	308lx	226lx	173lx	137lx	111lx	92lx	77lx	66lx	56lx	49lx	43lx	38lx	34lx	31lx	28lx
1028.6fcd	257.1fcd	114.3fcd	64.3fcd	41.1fcd	28.6fcd	21fcd	16.1fcd	12.7fcd	10.3fcd	8.5fcd	7.1fcd	6.1fcd	5.2fcd	4.6fcd	4fcd	3.6fcd	3.2fcd	2.8fcd	2.6fcd

The above information is for 3000K colour temperature, for specific module information please see LED spec located on our website

For information regarding other colour temperatures please use the following factors for lumen output and candelas:

2700K = 1

4000K = 1.084

Light efficiency:

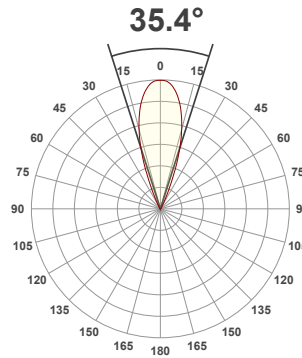
61 Lumen/Watt

Light quality:

CRI: 89.9

Color temperature:

3000 K



Product name:

090-LED - LED71-30-34-700mA

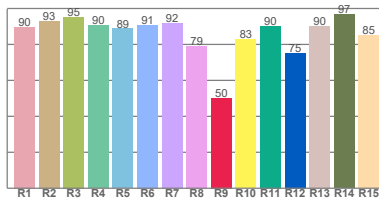
Item number:

**Soft90 Fixed -
LED71-30-34-700mA**

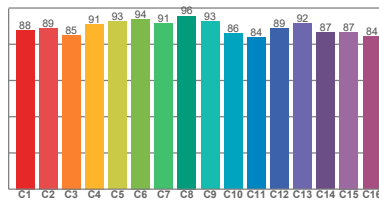
**Delivered information for above
fixture and LED combination.**

Output: 1650 Lumen Peak intensity: 4503 cd Power consumption: 27.0

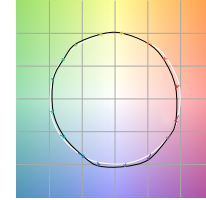
CRI R values



TM30 C Values

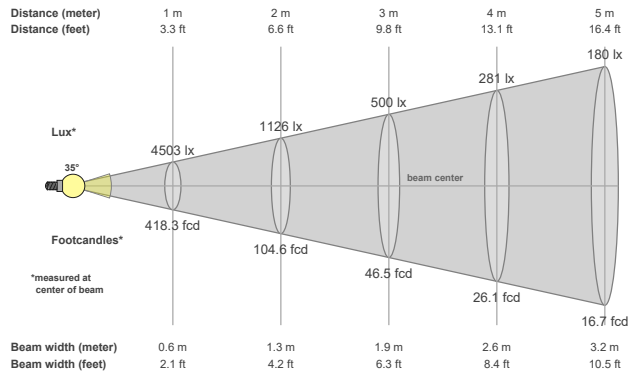


Color vector graphics



Color temperature	Color rendering index	Red component	Color fidelity	Color gamut	Color quality scale	Color coordinate cie 1931	Color coordinate cie 1931	Color coordinate	Color coordinate	Color deviation from black body
CCT	CRI	CRI R9	TM30 Rf	TM30 Rg	CQS	x	y	u	v	Δuv
3000 K	89.9	50.2	89.1	99.3	88.8	0.437	0.404	0.248	0.348	0.0012

Beam details



Beam angles

Beam angle 50%	Field angle 10%	Cutoff angle 2,5%
35.4°	51.4°	67.7°

Beam intensities

Peak intensity	Int. ratio in 120° cone	Int. ratio in 90° cone
4503 cd	97.1%	94.1%

Beam intensities from 1-20m

1m	2m	3m	4m	5m	6m	7m	8m	9m	10m	11m	12m	13m	14m	15m	16m	17m	18m	19m	20m
3.3ft	6.6ft	9.8ft	13.1ft	16.4ft	19.7ft	23ft	26.2ft	29.5ft	32.8ft	36.1ft	39.4ft	42.7ft	45.9ft	49.2ft	52.5ft	55.8ft	59.1ft	62.3ft	65.6ft
4503lx	1126lx	500lx	281lx	180lx	125lx	92lx	70lx	56lx	45lx	37lx	31lx	27lx	23lx	20lx	18lx	16lx	14lx	12lx	11lx
418.3fcd	104.6fcd	46.5fcd	26.1fcd	16.7fcd	11.6fcd	8.5fcd	6.5fcd	5.2fcd	4.2fcd	3.5fcd	2.9fcd	2.5fcd	2.1fcd	1.9fcd	1.6fcd	1.4fcd	1.3fcd	1.2fcd	1fcd

The above information is for 3000K colour temperature, for specific module information please see LED spec located on our website

For information regarding other colour temperatures please use the following factors for lumen output and candelas:

2700K = 1

4000K = 1.084

Light efficiency:

56 Lumen/Watt

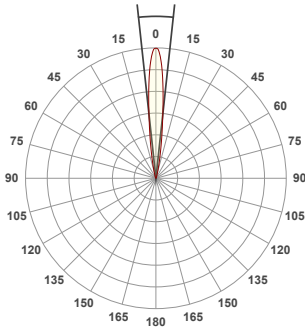
Light quality:

CRI: 98.4

Color temperature:

3000 K

12.3°



Product name:

090-LED - LED71_U-30-12-700mA

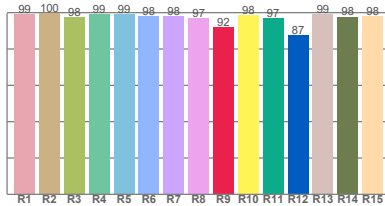
Item number:

Soft90 Fixed - LED71/U-30-12-700mA

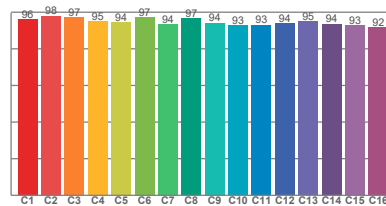
Delivered information for above fixture and LED combination.

Output: 1519 Lumen Peak intensity: 20823 cd Power consumption: 27.0

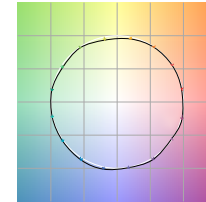
CRI R values



TM30 C Values

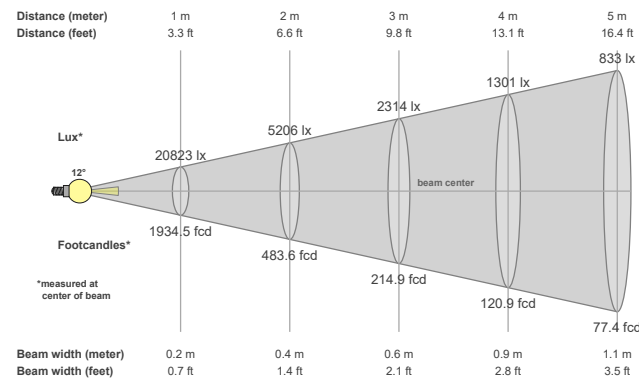


Color vector graphics



Color temperature	Color rendering index	Red component	Color fidelity	Color gamut	Color quality scale	Color coordinate cie 1931	Color coordinate cie 1931	Color coordinate	Color coordinate	Color deviation from black body
CCT	CRI	CRI R9	TM30 Rf	TM30 Rg	CQS	x	y	u	v	Δuv
3000 K	98.4	92.1	94.9	99.4	95.9	0.437	0.404	0.248	0.348	0.0010

Beam details



Beam angels

Beam angle 50%	Field angle 10%	Cutoff angle 2,5%
12.3°	25.2°	37.4°

Beam intensities

Peak intensity	Int. ratio in 120° cone	Int. ratio in 90° cone
20823 cd	98.7%	96.8%

Beam intensities from 1-20m

1m	2m	3m	4m	5m	6m	7m	8m	9m	10m	11m	12m	13m	14m	15m	16m	17m	18m	19m	20m
3.3ft	6.6ft	9.8ft	13.1ft	16.4ft	19.7ft	23ft	26.2ft	29.5ft	32.8ft	36.1ft	39.4ft	42.7ft	45.9ft	49.2ft	52.5ft	55.8ft	59.1ft	62.3ft	65.6ft
20823lx	5206lx	2314lx	1301lx	833lx	578lx	425lx	325lx	257lx	208lx	172lx	145lx	123lx	106lx	93lx	81lx	72lx	64lx	58lx	52lx
1934.5fcd	483.6fcd	214.9fcd	120.9fcd	77.4fcd	53.7fcd	39.5fcd	30.2fcd	23.9fcd	19.3fcd	16fcd	13.4fcd	11.4fcd	9.9fcd	8.6fcd	7.6fcd	6.7fcd	6fcd	5.4fcd	4.8fcd

The above information is for 3000K colour temperature, for specific module information please see LED spec located on our website

For information regarding other colour temperatures please use the following factors for lumen output and candelas:

2700K = 1

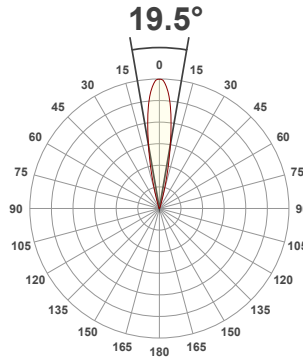
Light efficiency:



Light quality:



Color temperature:



Product name:

090-LED - LED71_U-30-19-700mA

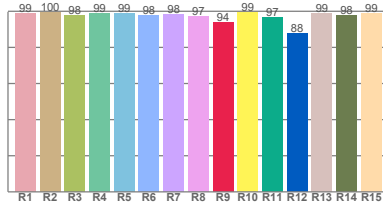
Item number:

**Soft90 Fixed - LED71/
U-30-19-700mA**

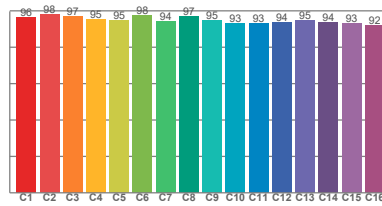
**Delivered information for above
fixture and LED combination.**

Output: 1330 Lumen Peak intensity: 10074 cd Power consumption: 27.0

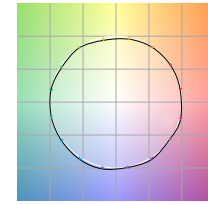
CRI R values



TM30 C Values

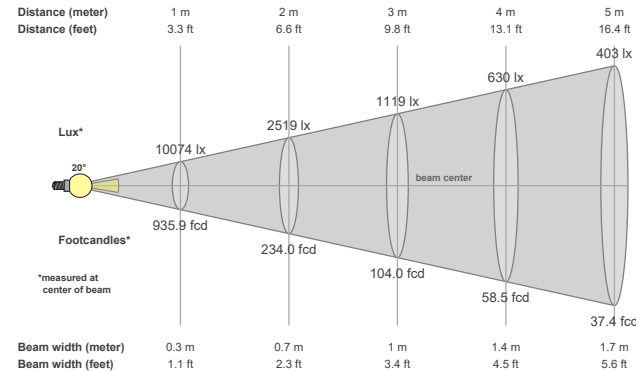


Color vector graphics



Color temperature	Color rendering index	Red component	Color fidelity	Color gamut	Color quality scale	Color coordinate cie 1931	Color coordinate cie 1931	Color coordinate	Color coordinate	Color deviation from black body
CCT	CRI	CRI R9	TM30 Rf	TM30 Rg	CQS	x	y	u	v	Δuv
3000 K	98.4	93.9	95.1	99.9	96.2	0.437	0.404	0.249	0.347	0.0003

Beam details



Beam angels

Beam angle 50%	Field angle 10%	Cutoff angle 2,5%
19.5°	32°	43.6°

Beam intensities

Peak intensity	Int. ratio in 120° cone	Int. ratio in 90° cone
10074 cd	98.3%	96.2%

Beam intensities from 1-20m

1m	2m	3m	4m	5m	6m	7m	8m	9m	10m	11m	12m	13m	14m	15m	16m	17m	18m	19m	20m
3.3ft	6.6ft	9.8ft	13.1ft	16.4ft	19.7ft	23ft	26.2ft	29.5ft	32.8ft	36.1ft	39.4ft	42.7ft	45.9ft	49.2ft	52.5ft	55.8ft	59.1ft	62.3ft	65.6ft
10074lx	2519lx	1119lx	630lx	403lx	280lx	206lx	157lx	124lx	101lx	83lx	70lx	60lx	51lx	45lx	39lx	35lx	31lx	28lx	25lx
935.9fcd	234fcd	104fcd	58.5fcd	37.4fcd	26fcd	19.1fcd	14.6fcd	11.6fcd	9.4fcd	7.7fcd	6.5fcd	5.5fcd	4.8fcd	4.2fcd	3.7fcd	3.2fcd	2.9fcd	2.6fcd	2.3fcd

The above information is for 3000K colour temperature, for specific module information please see LED spec located on our website

For information regarding other colour temperatures please use the following factors for lumen output and candelas:

2700K = 1

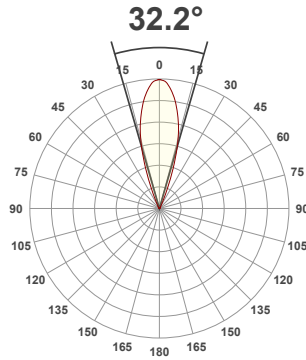
Light efficiency:



Light quality:



Color temperature:



Product name:

090-LED - LED71_U-30-34-700mA

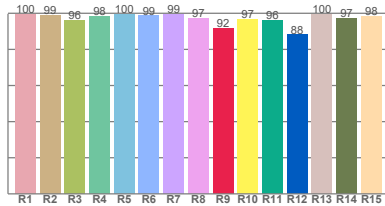
Item number:

**Soft90 Fixed - LED71/
U-30-34-700mA**

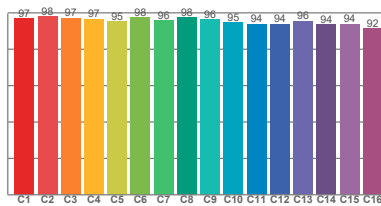
**Delivered information for above
fixture and LED combination.**

Output: 1444 Lumen Peak intensity: 4822 cd Power consumption: 27.0

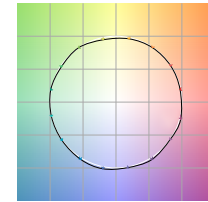
CRI R values



TM30 C Values

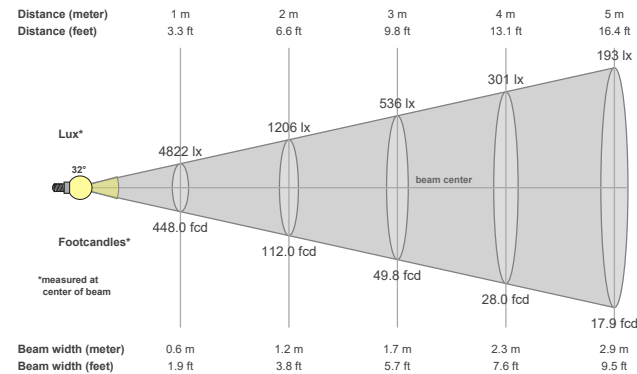


Color vector graphics



Color temperature	Color rendering index	Red component	Color fidelity	Color gamut	Color quality scale	Color coordinate cie 1931	Color coordinate cie 1931	Color coordinate	Color coordinate	Color deviation from black body
CCT	CRI	CRI R9	TM30 Rf	TM30 Rg	CQS	x	y	u	v	Δuv
3000 K	98.5	91.9	95.8	100.2	96.1	0.437	0.404	0.248	0.348	0.0016

Beam details



Beam angels

Beam angle 50%	Field angle 10%	Cutoff angle 2,5%
32.2°	47.7°	61.1°

Beam intensities

Peak intensity	Int. ratio in 120° cone	Int. ratio in 90° cone
4822 cd	98.4%	95.9%

Beam intensities from 1-20m

1m	2m	3m	4m	5m	6m	7m	8m	9m	10m	11m	12m	13m	14m	15m	16m	17m	18m	19m	20m
3.3ft	6.6ft	9.8ft	13.1ft	16.4ft	19.7ft	23ft	26.2ft	29.5ft	32.8ft	36.1ft	39.4ft	42.7ft	45.9ft	49.2ft	52.5ft	55.8ft	59.1ft	62.3ft	65.6ft
4822lx	1206lx	536lx	301lx	193lx	134lx	98lx	75lx	60lx	48lx	40lx	33lx	29lx	25lx	21lx	19lx	17lx	15lx	13lx	12lx
448fcd	112fcd	49.8fcd	28fcd	17.9fcd	12.4fcd	9.1fcd	7fcd	5.5fcd	4.5fcd	3.7fcd	3.1fcd	2.7fcd	2.3fcd	2fcd	1.8fcd	1.6fcd	1.4fcd	1.2fcd	1.1fcd

The above information is for 3000K colour temperature, for specific module information please see LED spec located on our website

For information regarding other colour temperatures please use the following factors for lumen output and candelas:

2700K = 1