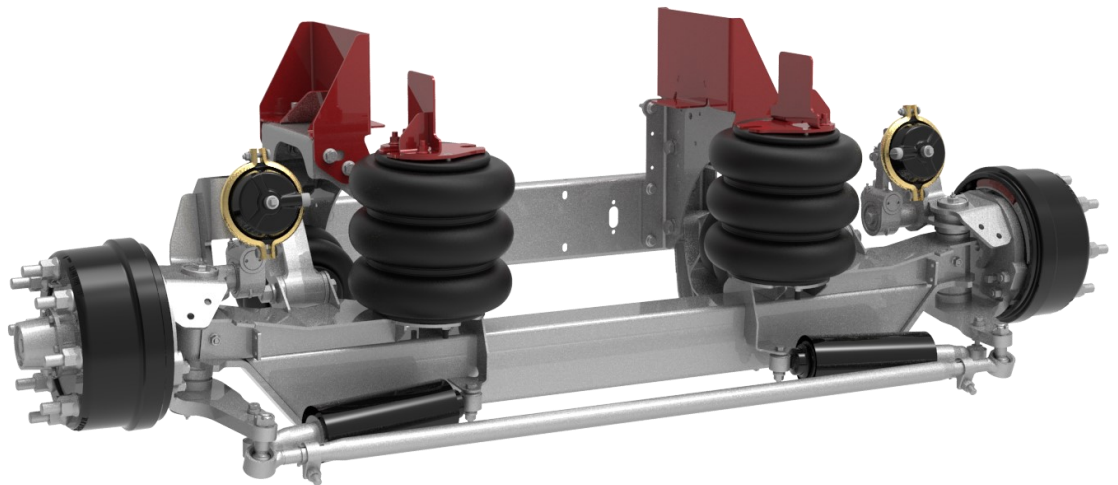




SPECIFICATIONS ORDER GUIDE SERVICE KITS AND PARTS

10K Auxiliary Suspension 10,000 LBS. CAPACITY



The Link 10K Auxiliary Suspension is a lightweight, 10,000 pound capacity, self-steering lift axle that incorporates several unique features. The patented, interchangeable ride height brackets allow the installer to manage inventory dollars and still have a lift axle available for almost any truck. The improved lift spring geometry of the Link 10K Auxiliary Suspension assures longer life of the lift springs and less downtime for the owner. The compact mounting envelope (22") combined with the integrated air control system (optional) saves valuable frame rail space. The separate ride height brackets and pre-plumbed integrated air control kit can save up to 3-5 hours of installation time.

Link Mfg. Ltd.
223 15th St. N.E.
Sioux Center, IA USA
51250-2120
www.linkmfg.com

**QUESTIONS?
CALL CUSTOMER
SERVICE
1-800-222-6283**

SUSPENSION-AXLE, UNITIZED (BASE UNIT)

- 8A000746 AUXILIARY SUSPENSION, 10K
- 8A000747 AUXILIARY SUSPENSION, 10K INTEGRATED AIR

FRAME BRACKET KITS, (CHOOSE ONE)**STANDARD FRAME BRACKETS**

- 8A000410 11 - 13 1/2" RIDE HEIGHT (NO SPACER)
- 8A000411 13 - 15 1/2" RIDE HEIGHT (2" SPACER)
- 8A000412 15 - 17 1/2" RIDE HEIGHT (4" SPACER)
- 8A000413 17 - 19 1/2" RIDE HEIGHT (6" SPACER)

TALL FRAME BRACKETS

- 8A000414 11 - 13 1/2" RIDE HEIGHT
- 8A000415 13 - 15 1/2" RIDE HEIGHT
- 8A000416 15 - 17 1/2" RIDE HEIGHT
- 8A000417 17 - 19 1/2" RIDE HEIGHT

AIR CONTROL KITS FOR INTEGRATED SUSPENSIONS (CHOOSE ONE)

- 13501023 CONTROL-INTEGRATED-STANDARD
- 13501024 CONTROL-INTEGRATED-SEALED

OPTIONAL AIR CONTROL KITS FOR NON-INTEGRATED SUSPENSION (CHOOSE ONE)

- 13501025 CONTROL-NON-INTEGRATED-STANDARD
- 13501026 CONTROL-NON-INTEGRATED-SEALED

OPTIONAL KITS

- 800A0210 KIT-MOUNT, SHOCK ABSORBER
- 800A0032 FASTENER KIT 2" FASTENERS
- 800A0305 FASTENER KIT 2 1/2" FASTENERS"
- 13501016 RATIO RELAY VALVE KIT
- 800A0202 REVERSE LOCK KIT (CUSTOMER / UPFITTER INSTALLED)
- 13501027 KIT-AIR TANK

OPTIONAL FENDER KITS (CHOOSE ONE)

- 800A0201 KIT-FENDER MOUNT, 8K/10K AXLE
- 80002605 FENDER-PAIR, POLY, 12" WIDE, LOW PROFILE
- 80002609 FENDER-PAIR, ALUM, 10" WIDE
- 80002610 FENDER-PAIR, SS, 10" WIDE

To order your Link 10K Auxiliary Suspension, use the order form on page 2 of this document to assist with your specific selections.

1. Order the Base Unit.
2. Order the Ride Height Bracket Kit.
 - a) Determine the Loaded Tire Radius on the chart below.
 - b) Subtract Loaded Tire Radius from Loaded Frame Height to find correct ride height.

Loaded Frame Height - Loaded Tire Radius = Ride Height

- c) Select the correct Ride Height Bracket part number from the chart from page 5 or 6 depending on your application.
4. Choose the desired Air Control Kit.
5. Select any additional Optional Equipment.
6. Call your Link Manufacturing Sales representative at the number below to place your order.

QUICK SPECS

MODEL: 10K

TYPE: SELF-STEER

WEIGHT: 796 LBS

CAPACITY: 10,000 LBS

TRAVEL: 13"

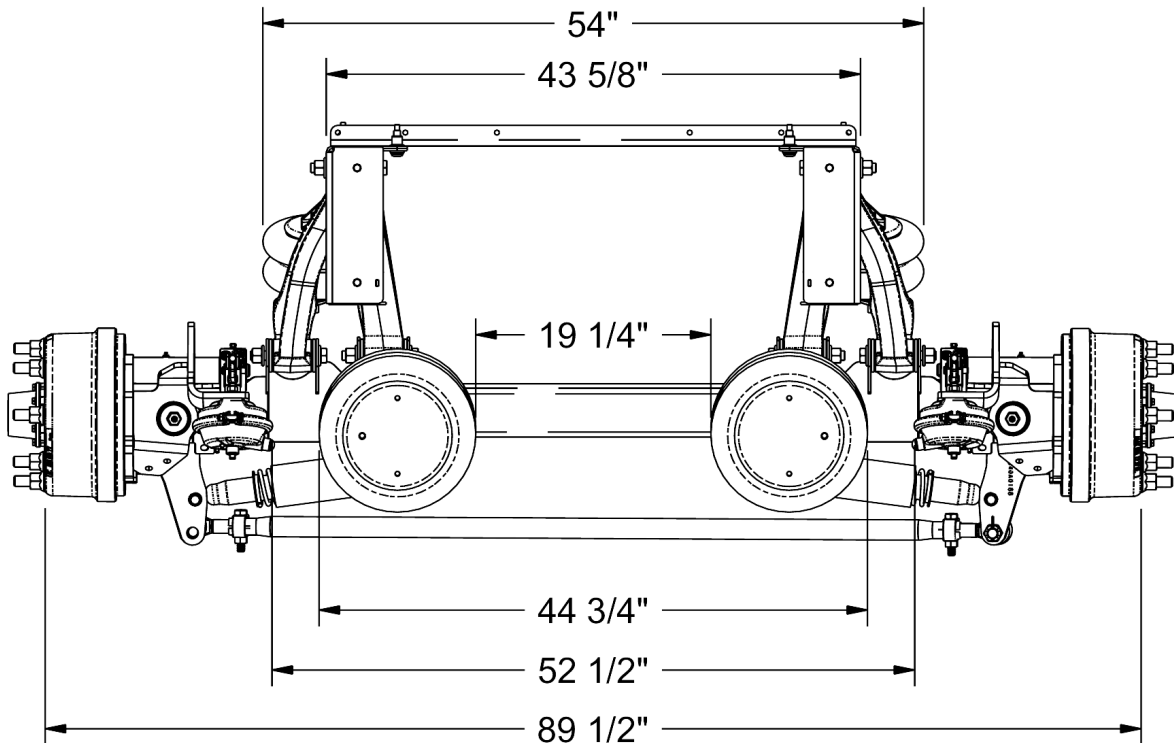
LIFT: 7 - 9 1/2"

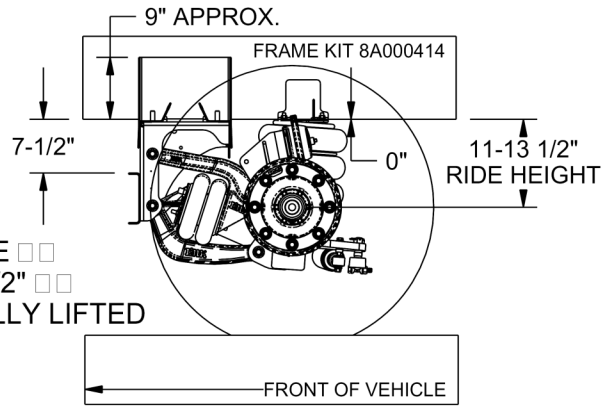
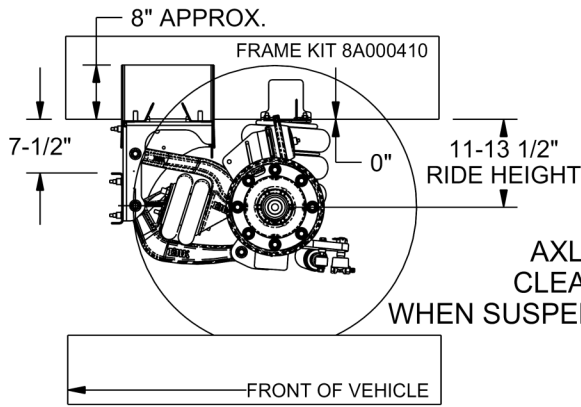
RIDE HEIGHT: 11 - 19 1/2"

ENVELOPE: 22"

FRAME WIDTH: 33 1/2 - 35"

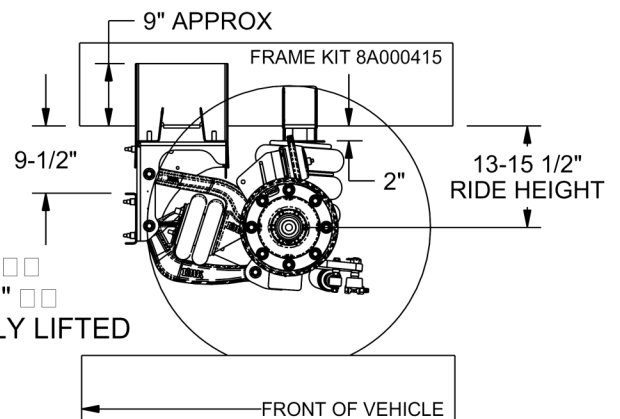
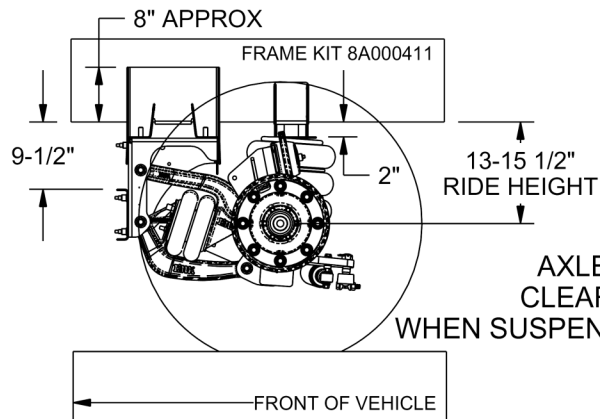
TUBE TYPE	TUBELESS	ISO (METRIC)	LOADED TIRE RADIUS	DIAMETER
7.50R15		215/75R17.5	14	30.2
8.25R15	8.5R17.5	225/70R19.5	15	32.9
	9R17.5	245/70R19.5	15.5	33.1
	10R17.5		15.5	33.9
	8R19.5		16	34
10.00R15			16.5	35.8
7.50R20	8R22.5	255/70R22.5	17	36.5
	11R17.5	245/75R22.5	17	36.6
8.25R20	9R22.5	235/80R22.5	17.5	37.8
		255/75R22.5	17.5	37.7





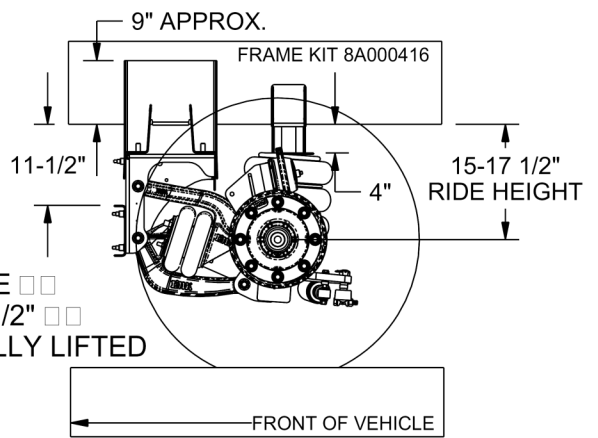
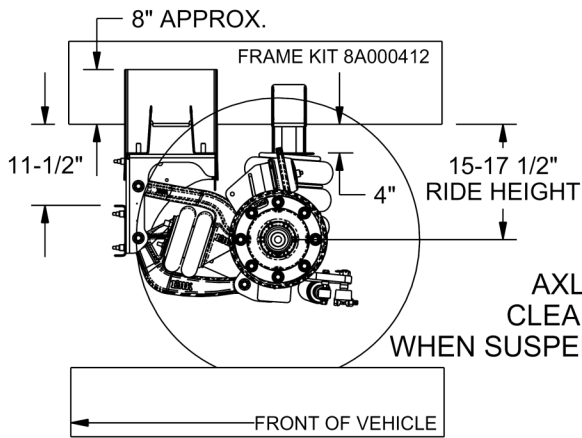
AXLE DRIVE LINE
 CLEARANCE - 6 1/2"
 WHEN SUSPENSION IS FULLY LIFTED

10K LIFT CHART	RIDE HEIGHT 11-13 1/2" <input type="checkbox"/> <input type="checkbox"/> (FRAME MOUNT KIT 8A000410 OR 8A000414)											
LOADED FRAME HEIGHT	25"	25 1/2"	26"	26 1/2"	27"	27 1/2"	28"	28 1/2"	29"	29 1/2"	30"	30 1/2"
TIRE RADIUS												
14" (LOADED)	7"	7 1/2"	8"	8 1/2"	9"	9 1/2"						
15" (LOADED)			7"	7 1/2"	8"	8 1/2"	9"	9 1/2"				
16" (LOADED)					7"	7 1/2"	8"	8 1/2"	9"	9 1/2"		
17" (LOADED)							7"	7 1/2"	8"	8 1/2"	9"	9 1/2"



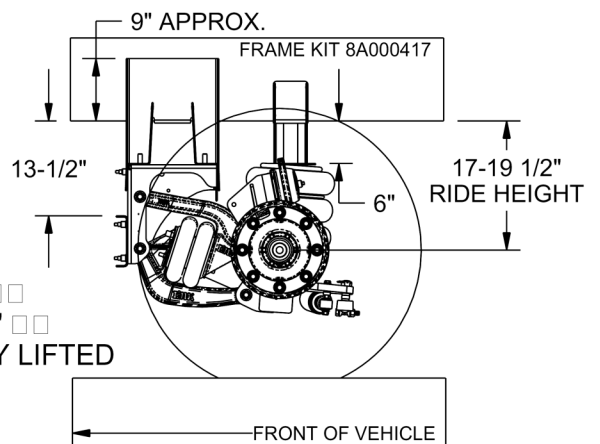
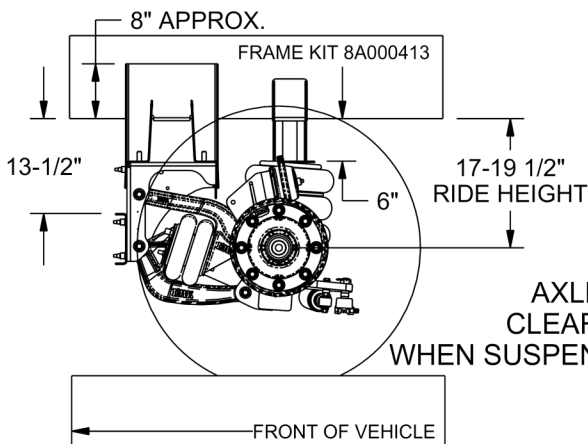
AXLE DRIVE LINE
 CLEARANCE - 8 1/2"
 WHEN SUSPENSION IS FULLY LIFTED

10K LIFT CHART	RIDE HEIGHT 13-15 1/2" <input type="checkbox"/> <input type="checkbox"/> (FRAME MOUNT KIT 8A000411 OR 8A000415)											
LOADED FRAME HEIGHT	27"	27 1/2"	28"	28 1/2"	29"	29 1/2"	30"	30 1/2"	31"	31 1/2"	32"	32 1/2"
TIRE RADIUS												
14" (LOADED)	7"	7 1/2"	8"	8 1/2"	9"	9 1/2"						
15" (LOADED)			7"	7 1/2"	8"	8 1/2"	9"	9 1/2"				
16" (LOADED)					7"	7 1/2"	8"	8 1/2"	9"	9 1/2"		
17" (LOADED)							7"	7 1/2"	8"	8 1/2"	9"	9 1/2"



AXLE DRIVE LINE □□
 CLEARANCE - 10 1/2" □□
 WHEN SUSPENSION IS FULLY LIFTED

10K LIFT CHART	RIDE HEIGHT 15-17 1/2" □□ (FRAME MOUNT KIT 8A000412 OR 8A000416)											
LOADED FRAME HEIGHT	29"	29 1/2"	30"	30 1/2"	31"	31 1/2"	32"	32 1/2"	33"	33 1/2"	34"	34 1/2"
TIRE RADIUS												
14 (LOADED)	7"	7 1/2"	8"	8 1/2"	9"	9 1/2"						
15 (LOADED)			7"	7 1/2"	8"	8 1/2"	9"	9 1/2"				
16 (LOADED)					7"	7 1/2"	8"	8 1/2"	9"	9 1/2"		
17 (LOADED)							7"	7 1/2"	8"	8 1/2"	9"	9 1/2"

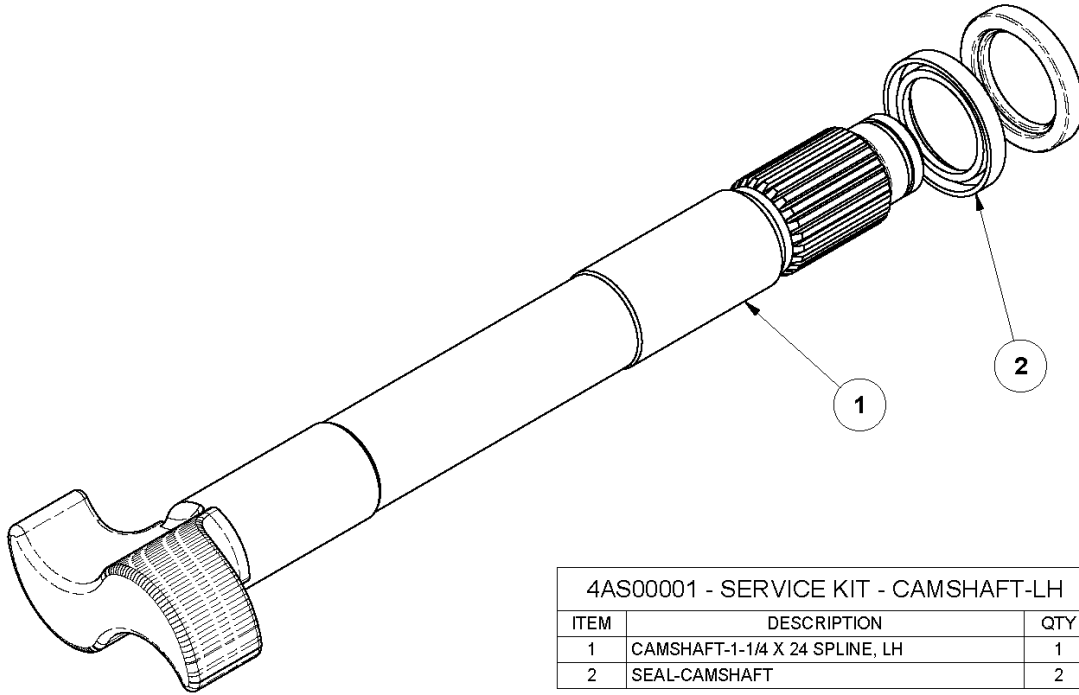


AXLE DRIVE LINE □□
 CLEARANCE - 12 1/2" □□
 WHEN SUSPENSION IS FULLY LIFTED

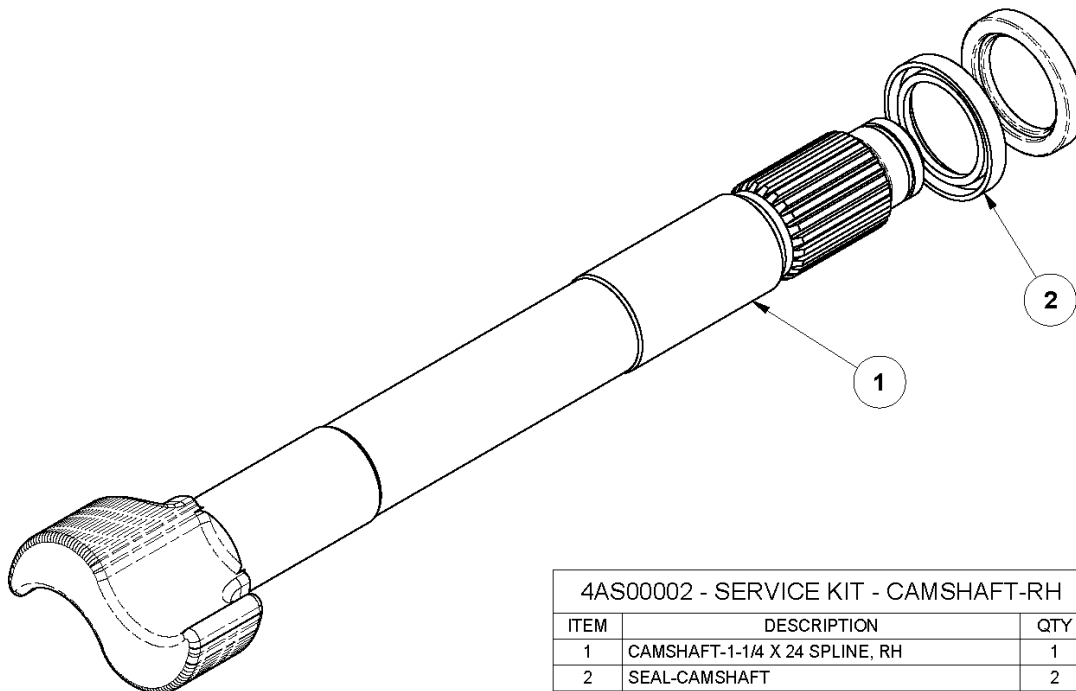
10K LIFT CHART	RIDE HEIGHT 17-19 1/2" □□ (FRAME MOUNT KIT 8A000413 OR 8A000418)											
LOADED FRAME HEIGHT	31"	31 1/2"	32"	32 1/2"	33"	33 1/2"	34"	34 1/2"	35"	35 1/2"	36"	36 1/2"
TIRE RADIUS												
14 (LOADED)	7"	7 1/2"	8"	8 1/2"	9"	9 1/2"						
15 (LOADED)			7"	7 1/2"	8"	8 1/2"	9"	9 1/2"				
16 (LOADED)					7"	7 1/2"	8"	8 1/2"	9"	9 1/2"		
17 (LOADED)							7"	7 1/2"	8"	8 1/2"	9"	9 1/2"

SERVICE ITEMS FOR 10K AUXILIARY SUSPENSION

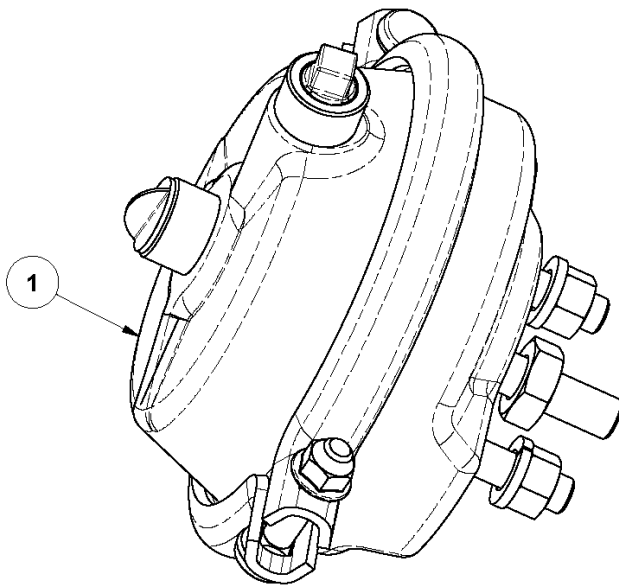
ITEM NUMBER	DESCRIPTION
4AS00001	SERVICE KIT - CAMSHAFT-LH
4AS00002	SERVICE KIT - CAMSHAFT-RH
4AS00003	SERVICE KIT - CHAMBER-BRAKE
4AS00004	SERVICE KIT - ASSEMBLY-ROD, TIE
4AS00005	SERVICE ASSEMBLY - HANGER
4AS00006	SERVICE ASSEMBLY - AXLE-FABRICATED
4AS00007	SERVICE ASSEMBLY - KNUCKLE-MACHINED-LH
4AS00008	SERVICE ASSEMBLY - KNUCKLE-MACHINED-RH
4AS00009	SERVICE KIT - TIE ROD END (LH THREAD)
4AS00010	SERVICE KIT - TIE ROD END (RH THREAD)
4AS00011	SERVICE KIT - ASSEMBLY TUBE-TIE ROD
4AS00012	SERVICE KIT - COMPLETE BUSHING
4AS00013	SERVICE KIT - UPPER ARM-LH
4AS00014	SERVICE KIT - UPPER ARM-RH
4AS00015	SERVICE KIT - LOWER ARM-LH
4AS00016	SERVICE KIT - LOWER ARM-RH
4AS00017	SERVICE KIT - COMPLETE KINGPIN
4AS00018	SERVICE KIT - DRUM
4AS00019	SERVICE KIT - COMPLETE CAM BUSHING AND SEAL
4AS00020	SERVICE KIT - COMPLETE BRAKE
4AS00021	SERVICE KIT - SLACK ADJUSTER
4AS00022	SERVICE KIT - STEERING STOP BOLT
4AS00023	SERVICE KIT - COMPLETE STEERING STABILIZER
4AS00027	SERVICE KIT - HUB PILOTED HUB
4AS00028	SERVICE KIT - BEARINGS AND SEALS
4AS00029	SERVICE KIT - HUB CAP ASSEMBLY
4AS00032	SERVICE KIT - LIFT SPRING
4AS00033	SERVICE KIT - LOAD SPRING
4AS00034	SERVICE KIT - NUT-ZIP-TORQ. 1.50-12
4AS00049	SERVICE KIT - WHEEL NUT



4AS00001 - SERVICE KIT - CAMSHAFT-LH		
ITEM	DESCRIPTION	QTY
1	CAMSHAFT-1-1/4 X 24 SPLINE, LH	1
2	SEAL-CAMSHAFT	2

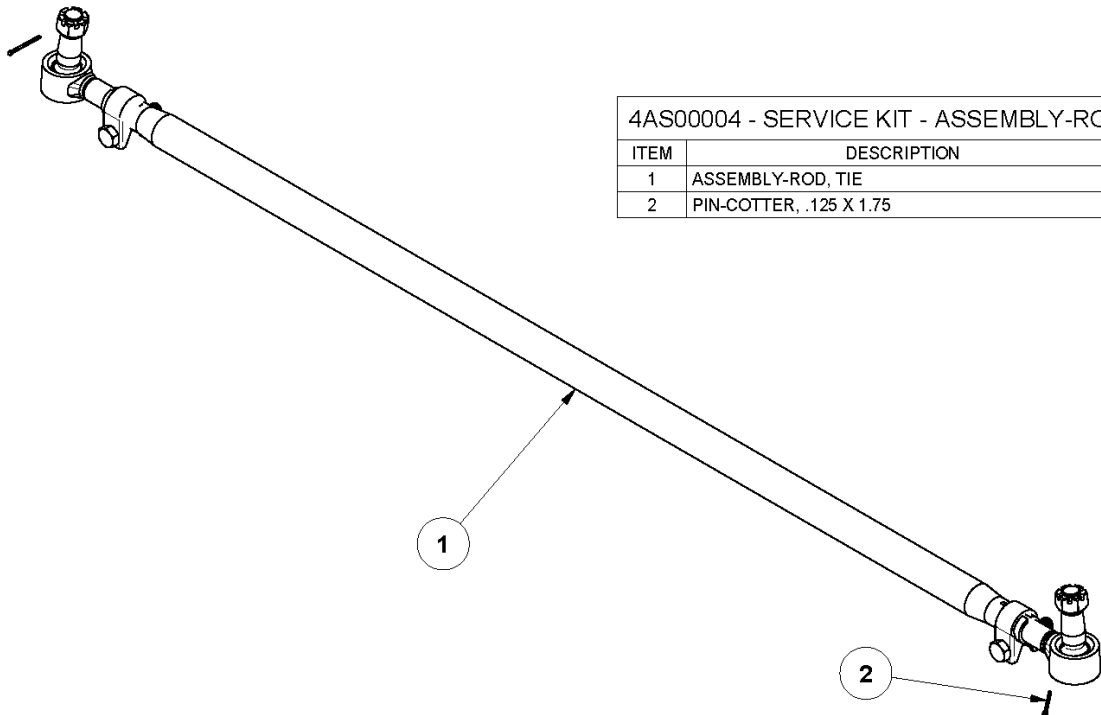


4AS00002 - SERVICE KIT - CAMSHAFT-RH		
ITEM	DESCRIPTION	QTY
1	CAMSHAFT-1-1/4 X 24 SPLINE, RH	1
2	SEAL-CAMSHAFT	2



4AS00003 - SERVICE KIT - CHAMBER-BRAKE

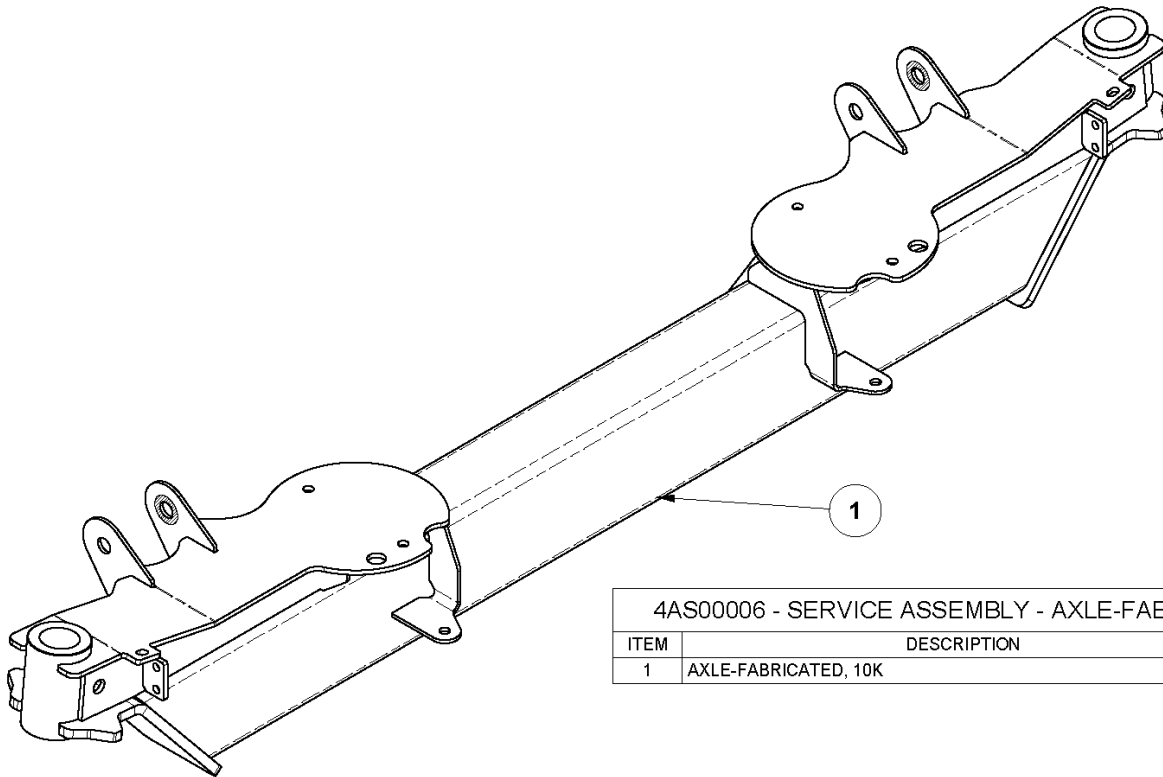
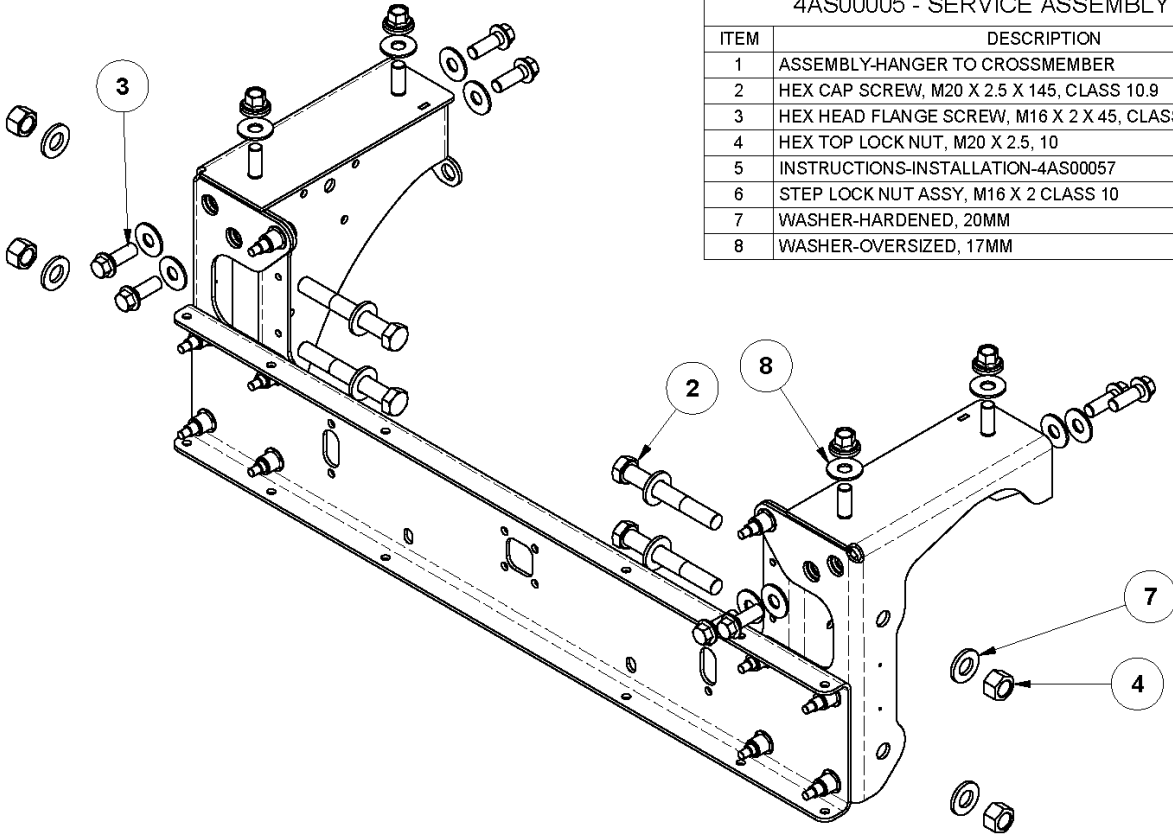
ITEM	DESCRIPTION	QTY
1	CHAMBER-BRAKE, TYPE 16	1



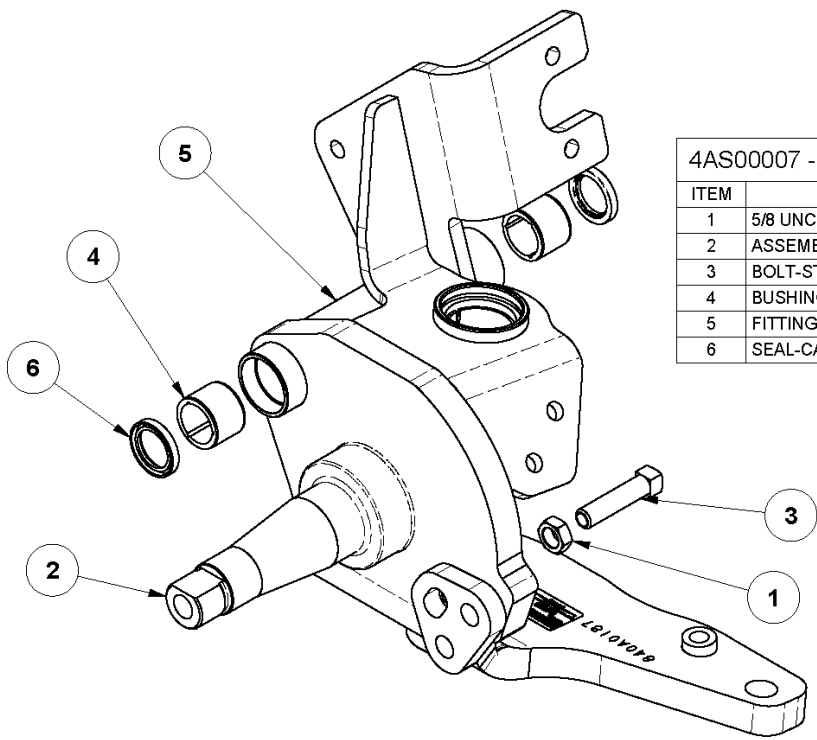
4AS00004 - SERVICE KIT - ASSEMBLY-ROD, TIE

ITEM	DESCRIPTION	QTY
1	ASSEMBLY-ROD, TIE	1
2	PIN-COTTER, .125 X 1.75	2

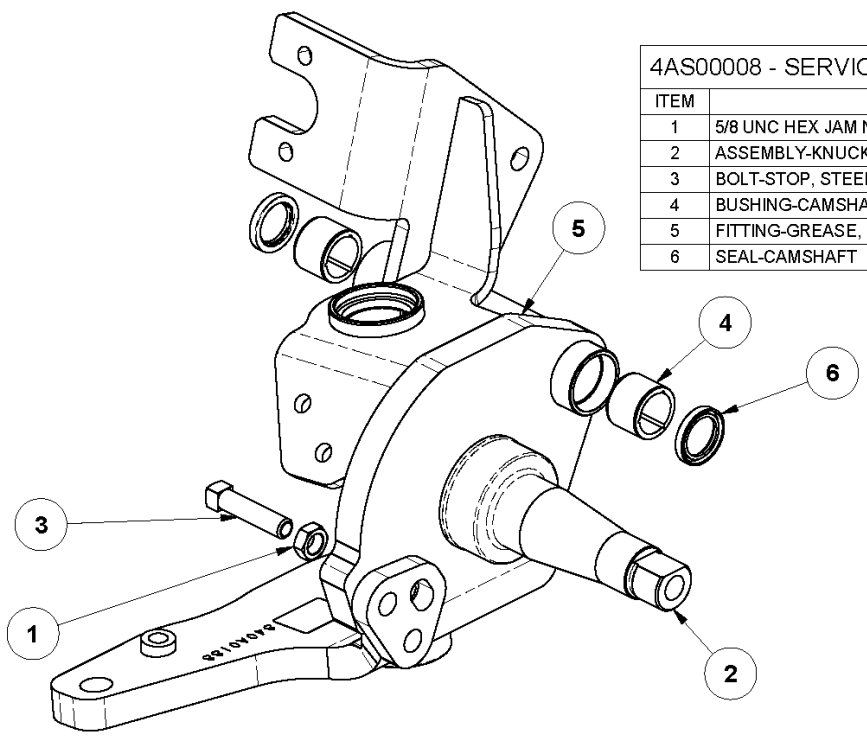
4AS00005 - SERVICE ASSEMBLY - HANGER		
ITEM	DESCRIPTION	QTY
1	ASSEMBLY-HANGER TO CROSSMEMBER	1
2	HEX CAP SCREW, M20 X 2.5 X 145, CLASS 10.9	4
3	HEX HEAD FLANGE SCREW, M16 X 2 X 45, CLASS 10.9	8
4	HEX TOP LOCK NUT, M20 X 2.5, 10	4
5	INSTRUCTIONS-INSTALLATION-4AS00057	1
6	STEP LOCK NUT ASSY, M16 X 2 CLASS 10	4
7	WASHER-HARDENED, 20MM	8
8	WASHER-OVERSIZED, 17MM	12



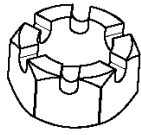
4AS00006 - SERVICE ASSEMBLY - AXLE-FABRICATED		
ITEM	DESCRIPTION	QTY
1	AXLE-FABRICATED, 10K	1



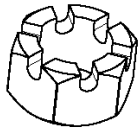
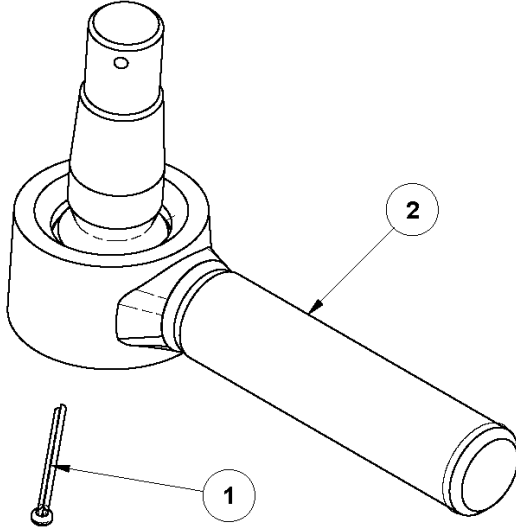
4AS00007 - SERVICE ASSEMBLY - KNUCKLE-MACHINED-LH		
ITEM	DESCRIPTION	QTY
1	5/8 UNC HEX JAM NUT, GR 5	1
2	ASSEMBLY-KNUCKLE, LH	1
3	BOLT-STOP, STEERING, GEOMET	1
4	BUSHING-CAMSHAFT	2
5	FITTING-GREASE, 1/8-27STR THD FORM	1
6	SEAL-CAMSHAFT	2



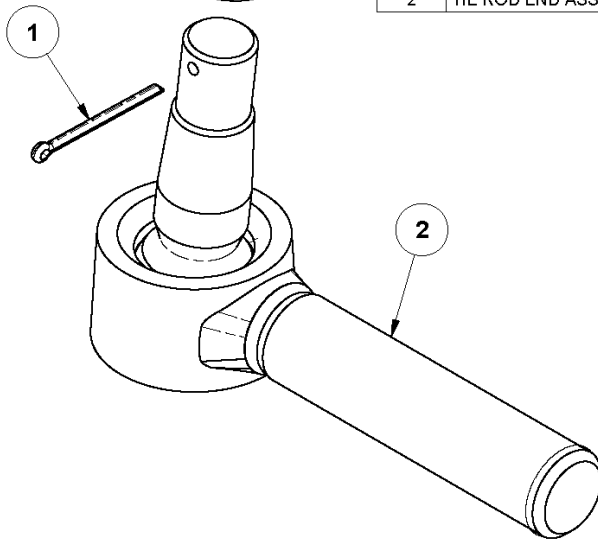
4AS00008 - SERVICE ASSEMBLY - KNUCKLE-MACHINED-RH		
ITEM	DESCRIPTION	QTY
1	5/8 UNC HEX JAM NUT, GR 5	1
2	ASSEMBLY-KNUCKLE, RH	1
3	BOLT-STOP, STEERING, GEOMET	1
4	BUSHING-CAMSHAFT	2
5	FITTING-GREASE, 1/8-27STR THD FORM	1
6	SEAL-CAMSHAFT	2

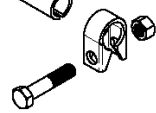
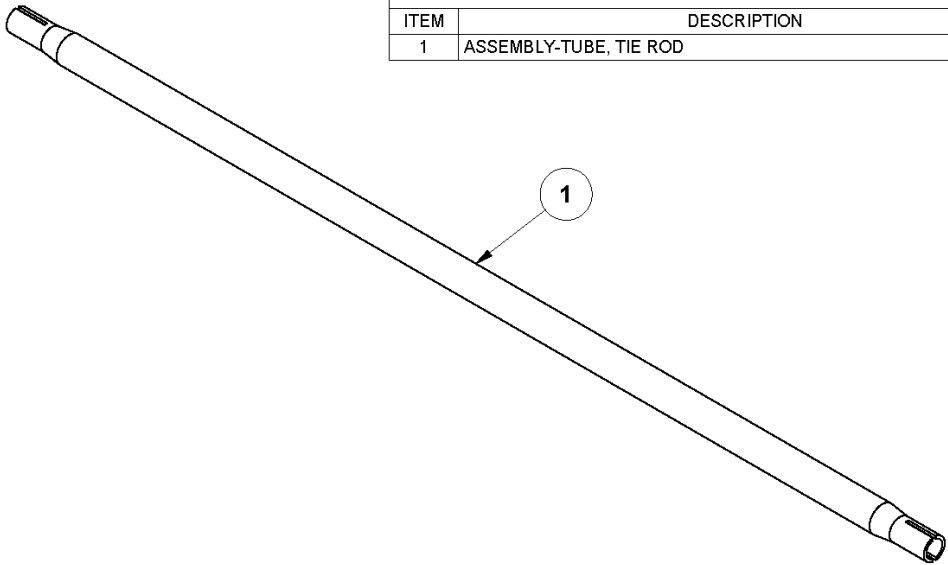
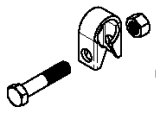


4AS00009 - SERVICE KIT - TIE ROD END (LH THREAD)		
ITEM	DESCRIPTION	QTY
1	PIN-COTTER, .125 X 1.75	1
2	TIE ROD END ASSM. (LH)	1

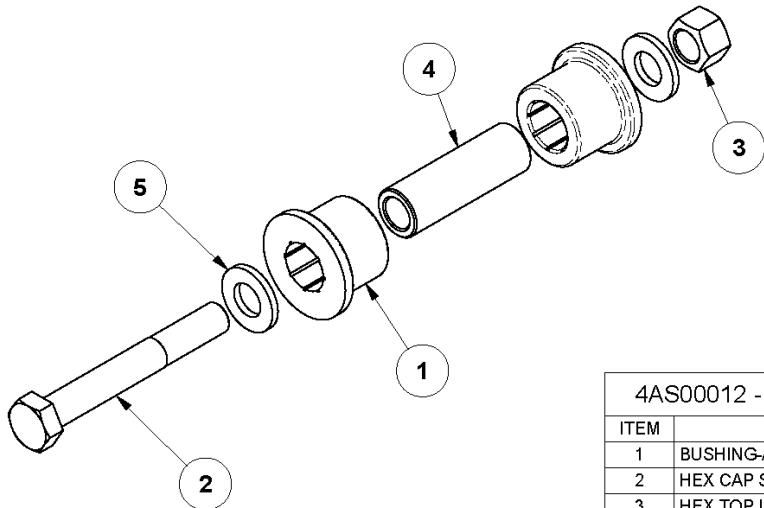


4AS00010 - SERVICE KIT - TIE ROD END (RH THREAD)		
ITEM	DESCRIPTION	QTY
1	PIN-COTTER, .125 X 1.75	1
2	TIE ROD END ASSM. (RH)	1





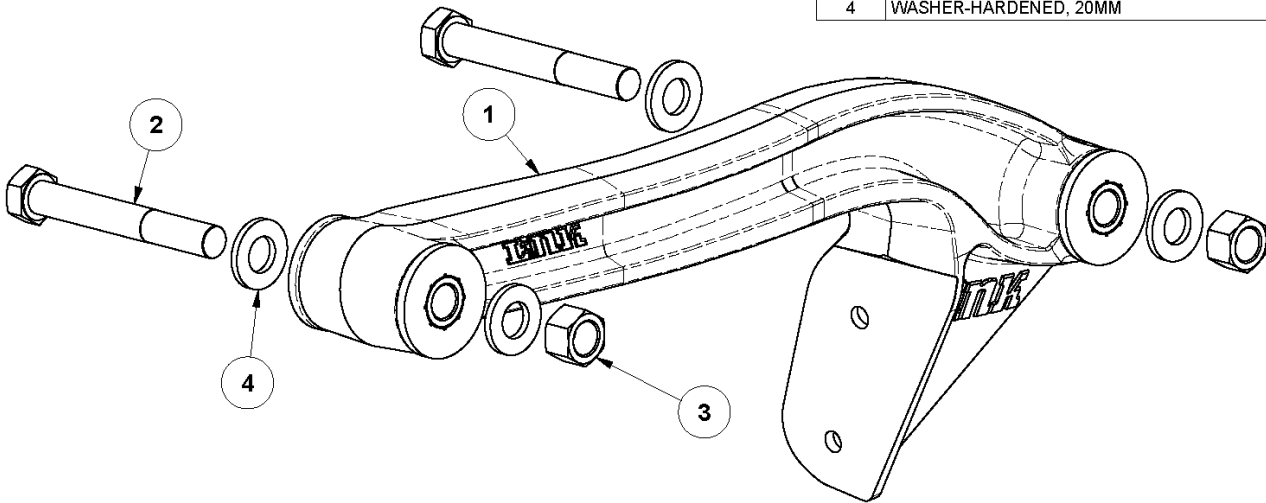
4AS00011 - SERVICE KIT - ASSEMBLY TUBE-TIE ROD		
ITEM	DESCRIPTION	QTY
1	ASSEMBLY-TUBE, TIE ROD	1



4AS00012 - SERVICE KIT - COMPLETE BUSHING		
ITEM	DESCRIPTION	QTY
1	BUSHING-ARM	16
2	HEX CAP SCREW, M20 X 2.5 X 145, CLASS 10.9	8
3	HEX TOP LOCK NUT, M20 X 2.5, 10	8
4	TUBE-BUSHING	8
5	WASHER-HARDENED, 20MM	16

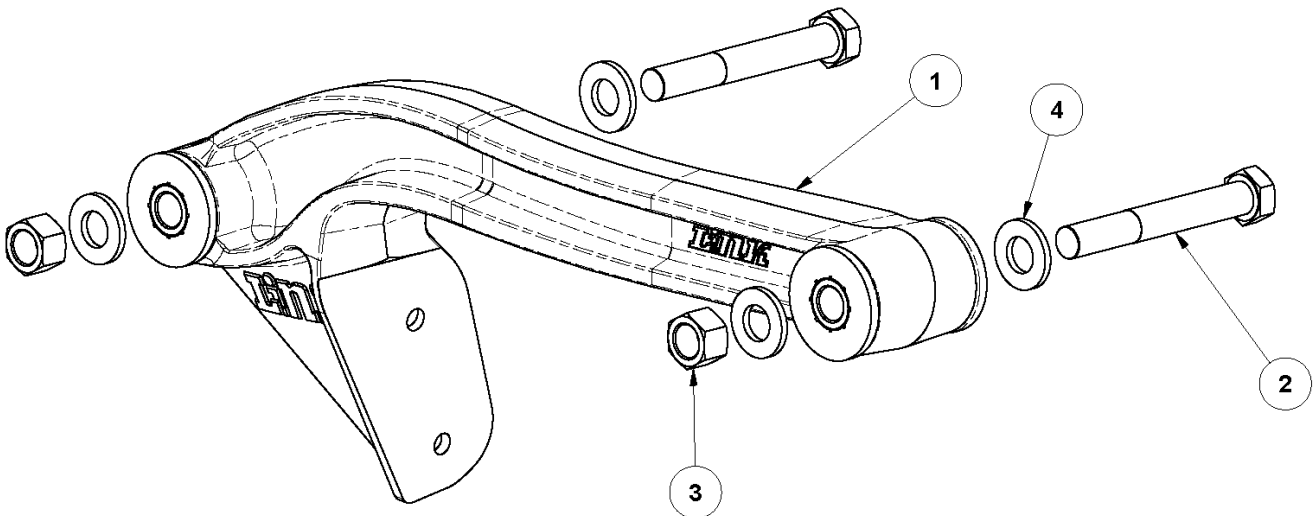
4AS00013 - SERVICE KIT - UPPER ARM-LH

ITEM	DESCRIPTION	QTY
1	ARM ASSEMBLY-TRAILING, UPPER LH	1
2	HEX CAP SCREW, M20 X 2.5 X 145, CLASS 10.9	2
3	HEX TOP LOCK NUT, M20 X 2.5, 10	2
4	WASHER-HARDENED, 20MM	4



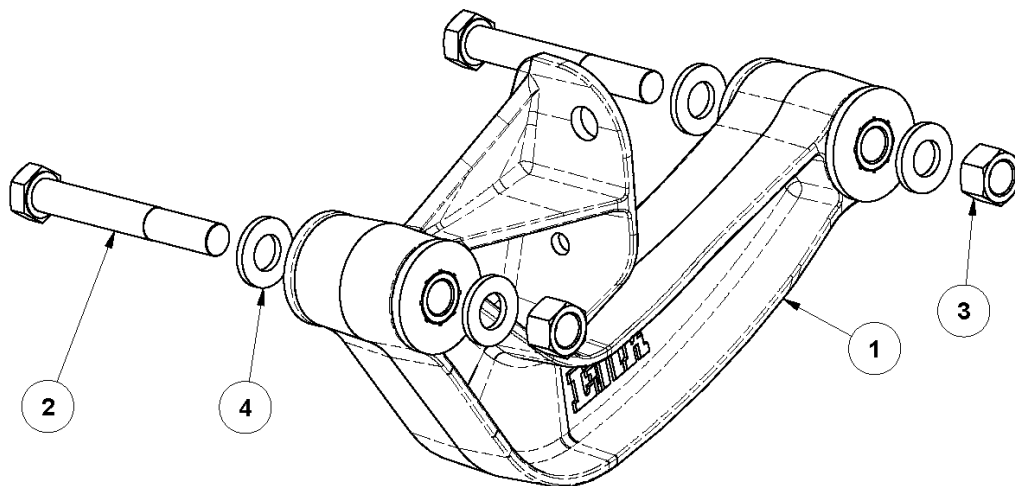
4AS00014 - SERVICE KIT - UPPER ARM-RH

ITEM	DESCRIPTION	QTY
1	ARM ASSEMBLY-TRAILING, UPPER RH	1
2	HEX CAP SCREW, M20 X 2.5 X 145, CLASS 10.9	2
3	HEX TOP LOCK NUT, M20 X 2.5, 10	2
4	WASHER-HARDENED, 20MM	4



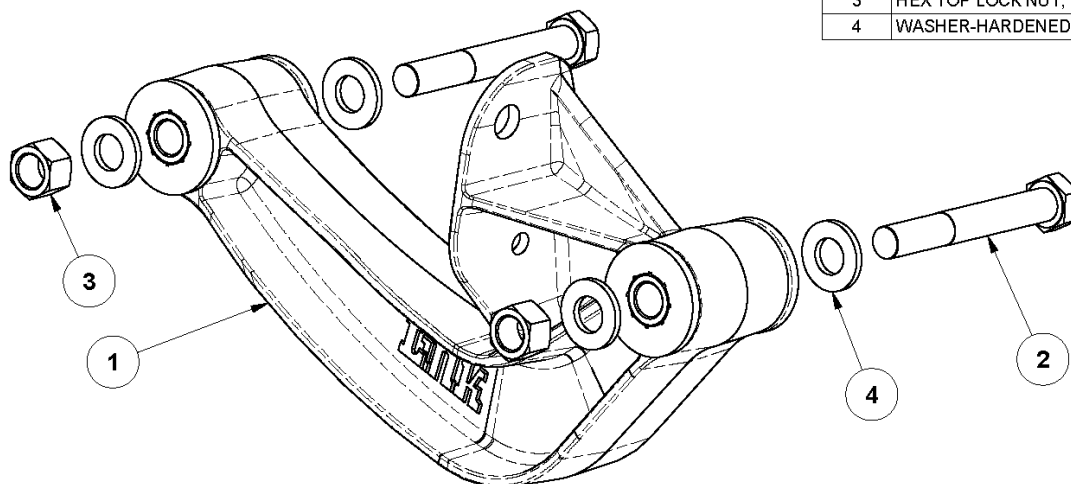
4AS00015 - SERVICE KIT - LOWER ARM-LH

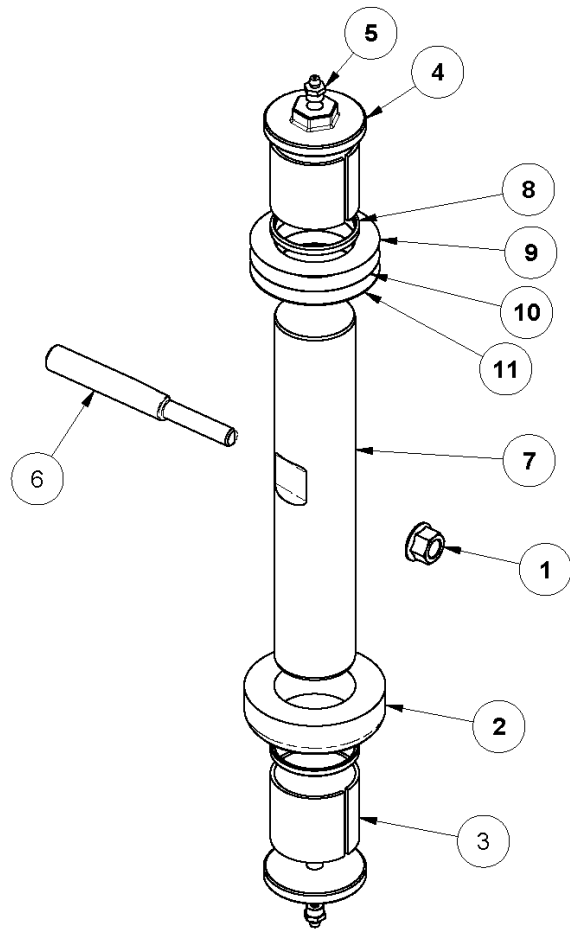
ITEM	DESCRIPTION	QTY
1	ARM ASSEMBLY-TRAILING, LOWER LH	1
2	HEX CAP SCREW, M20 X 2.5 X 145, CLASS 10.9	2
3	HEX TOP LOCK NUT, M20 X 2.5, 10	2
4	WASHER-HARDENED, 20MM	4



4AS00016 - SERVICE KIT - LOWER ARM-RH

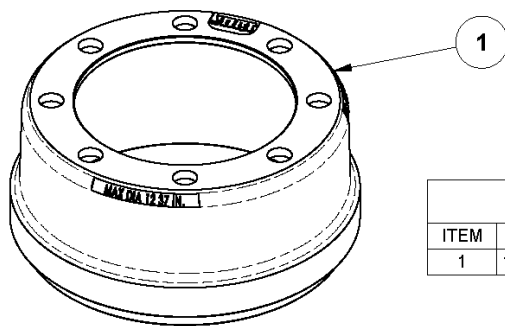
ITEM	DESCRIPTION	QTY
1	ARM ASSEMBLY-TRAILING, LOWER RH	1
2	HEX CAP SCREW, M20 X 2.5 X 145, CLASS 10.9	2
3	HEX TOP LOCK NUT, M20 X 2.5, 10	2
4	WASHER-HARDENED, 20MM	4





4AS00017 - SERVICE KIT - COMPLETE KINGPIN

ITEM	DESCRIPTION	QTY
1	7/16 UNC HEX TOP LOCK FLANGE NUT, GRADE G	2
2	BEARING-THRUST	2
3	BUSHING-KNUCKLE, DX10	4
4	CAP-KING PIN	4
5	FITTING-GREASE, 1/8-27STR THD FORM	4
6	PIN-DRAW, LOCKING	2
7	PIN-KING, 13.5K (1.88)	2
8	SEAL-KNUCKLE	4
9	SHIM (.005)	2
10	SHIM (.010)	2
11	SHIM (.030)	2

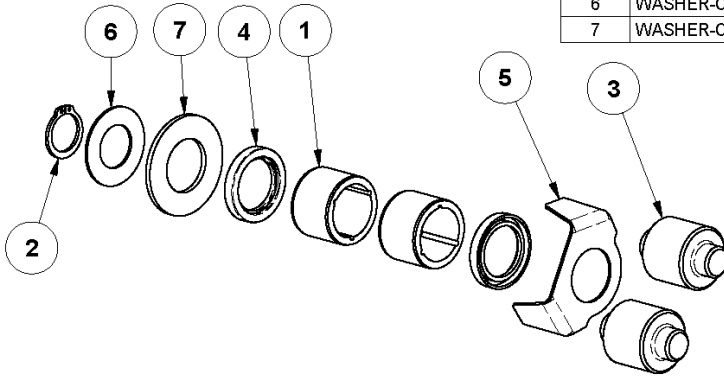


4AS00018 - SERVICE KIT - DRUM

ITEM	DESCRIPTION	QTY
1	12.25X4" -8 STUD, BRAKE DRUM 275MM BC	1

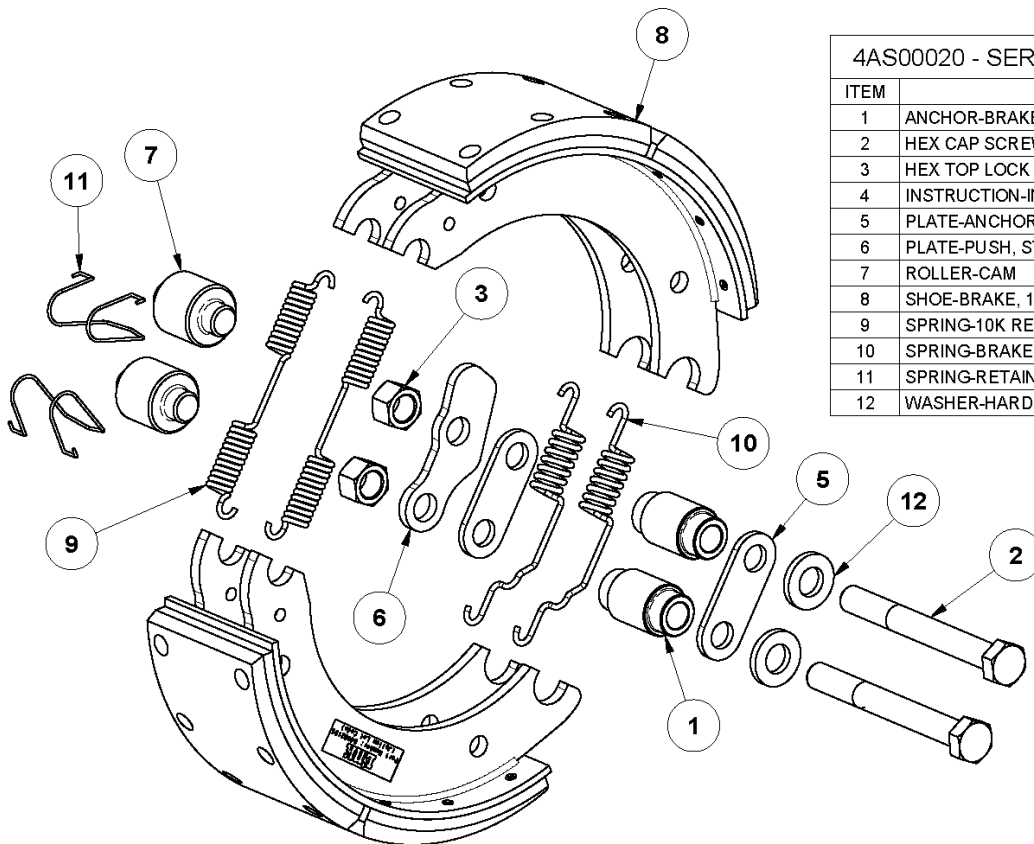
4AS00019 - SERVICE KIT - COMPLETE CAM BUSHING AND SEAL

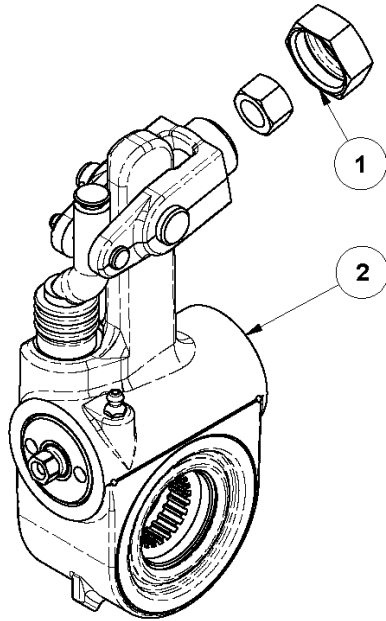
ITEM	DESCRIPTION	QTY
1	BUSHING-CAMSHAFT	4
2	RETAINING RING-CAMSHAFT	2
3	ROLLER-CAM	4
4	SEAL-CAMSHAFT	4
5	WASHER-CAM HEAD	2
6	WASHER-CAMSHAFT (1.88 X 1.03 X .06)	2
7	WASHER-CAMSHAFT (2.38 X 1.28 X .13)	2



4AS00020 - SERVICE KIT - COMPLETE BRAKE

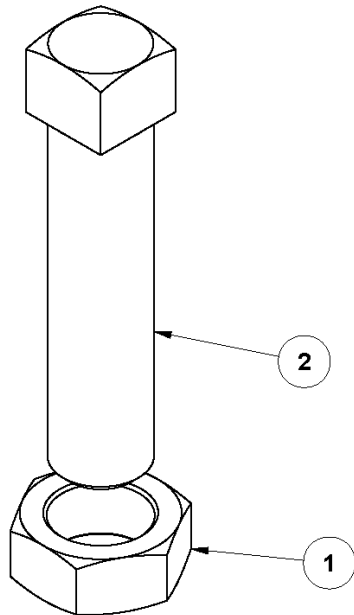
ITEM	DESCRIPTION	QTY
1	ANCHOR-BRAKE SHOE, 10K	4
2	HEX CAP SCREW, M16 X 2.0 X 140, 10.9	4
3	HEX TOP LOCK NUT, M16 X 2.0, 10	4
4	INSTRUCTION-INSTALLATION-4AS00020	1
5	PLATE-ANCHOR	4
6	PLATE-PUSH, STEERING LOCK	2
7	ROLLER-CAM	4
8	SHOE-BRAKE, 12.25 X 4.00 LINED	4
9	SPRING-10K RETURN	4
10	SPRING-BRAKE RETAIN, 10K	4
11	SPRING-RETAINING, CAM ROLLER	4
12	WASHER-HARDENED, 16MM	4





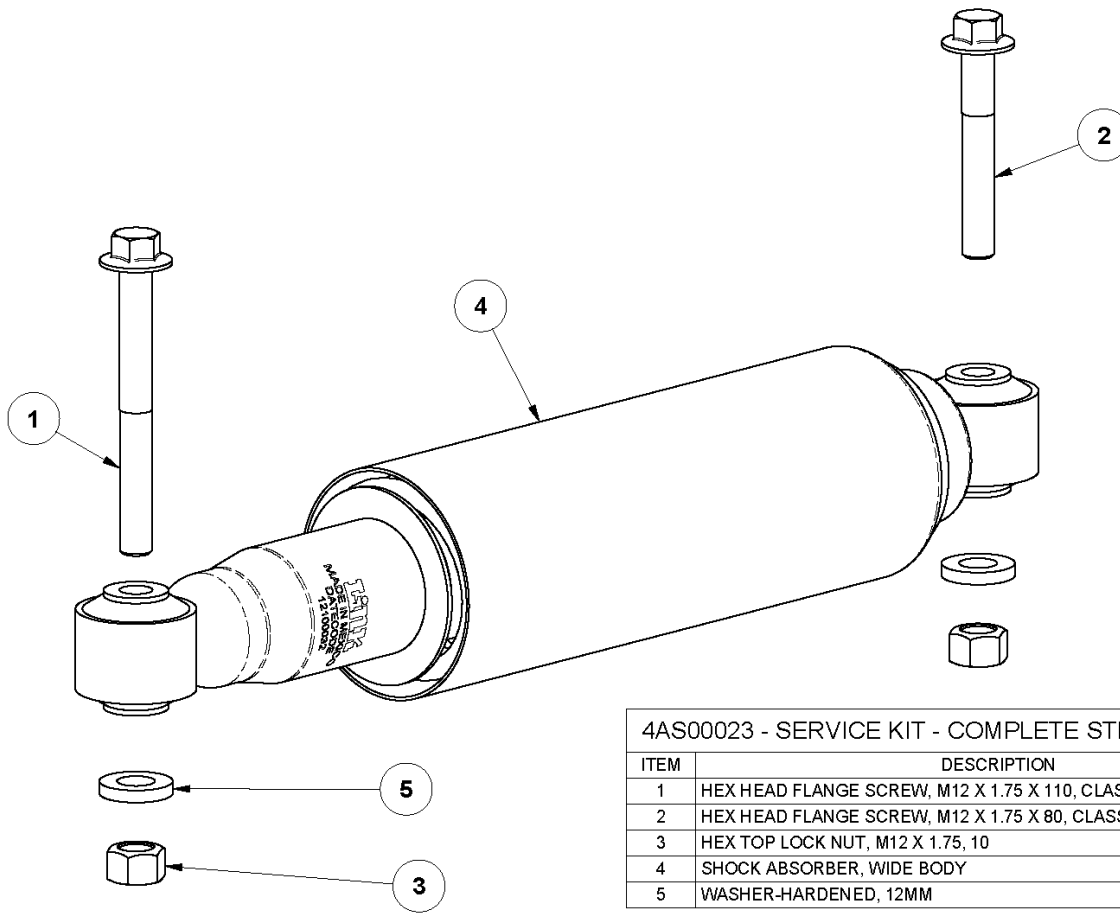
4AS00021 - SERVICE KIT - SLACK ADJUSTER

ITEM	DESCRIPTION	QTY
1	KIT-CONNECTING, SLACK ADJUSTER	1
2	SLACK ADJUSTER-1-1/4" 24 SPLINE	1

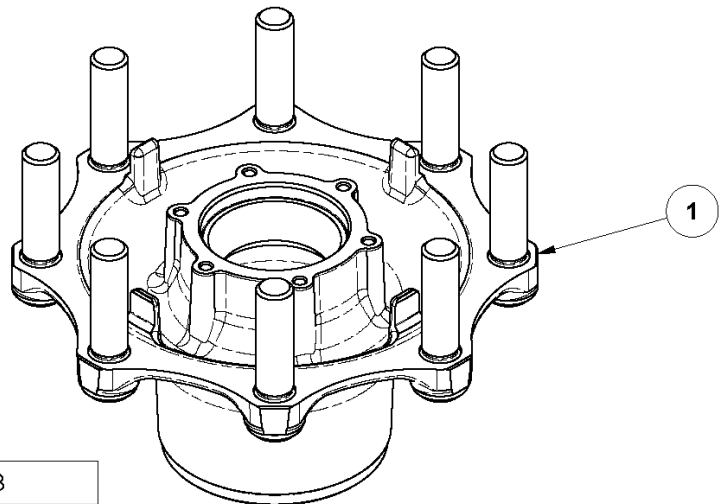


4AS00022 - SERVICE KIT - STEERING STOP BOLT

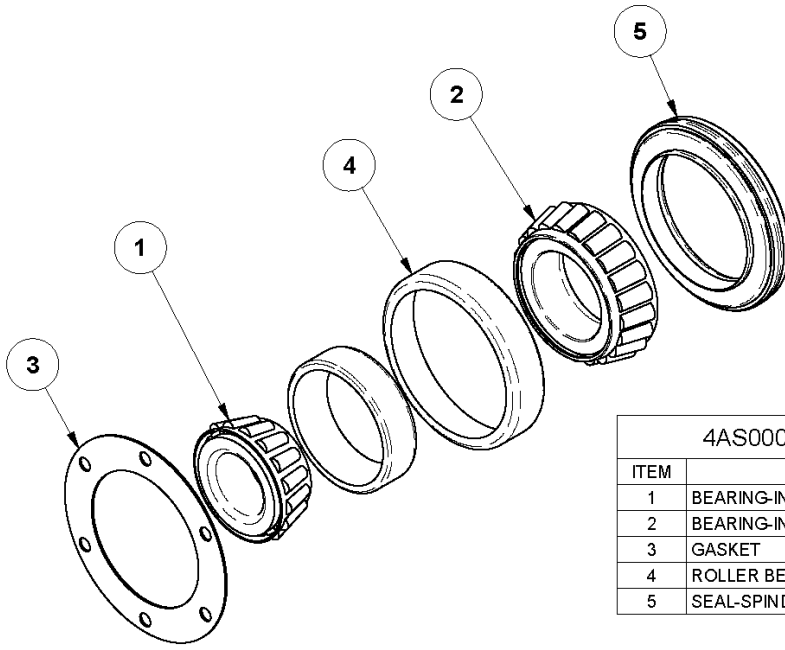
ITEM	DESCRIPTION	QTY
1	5/8 UNC HEX JAM NUT, GR 5	1
2	BOLT-STOP, STEERING, GEOMET	1



4AS00023 - SERVICE KIT - COMPLETE STEERING STABILIZER		
ITEM	DESCRIPTION	QTY
1	HEX HEAD FLANGE SCREW, M12 X 1.75 X 110, CLASS 10.9	2
2	HEX HEAD FLANGE SCREW, M12 X 1.75 X 80, CLASS 10.9	2
3	HEX TOP LOCK NUT, M12 X 1.75, 10	4
4	SHOCK ABSORBER, WIDE BODY	2
5	WASHER-HARDENED, 12MM	4

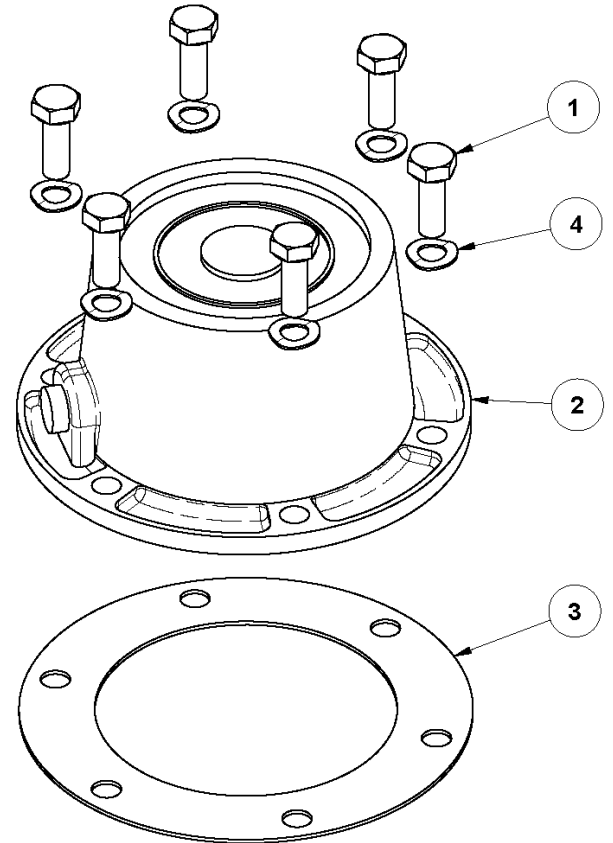


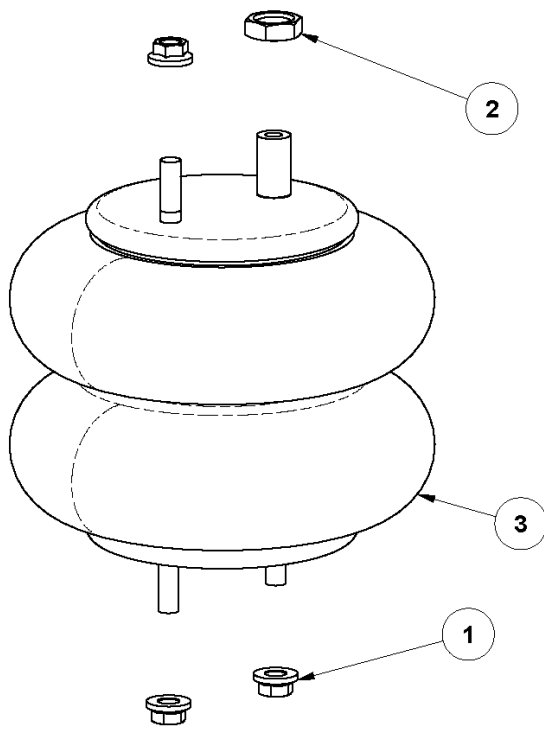
4AS00027 - SERVICE KIT - HUB PILOTED HUB		
ITEM	DESCRIPTION	QTY
1	HUB-8 STUD, 275MM BC	1



4AS00028 - SERVICE KIT - BEARINGS AND SEALS		
ITEM	DESCRIPTION	QTY
1	BEARING-INNER CONE - 41.15MM ID	1
2	BEARING-INNER CONE - 57.15MM ID	1
3	GASKET	1
4	ROLLER BEARING, CUP	2
5	SEAL-SPINDLE, 10K	1

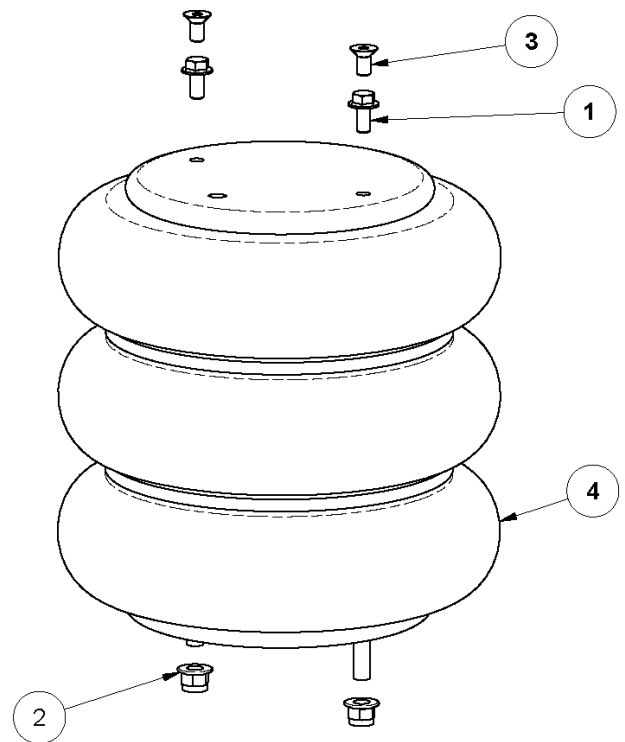
4AS00029 - SERVICE KIT - HUB CAP ASSEMBLY		
ITEM	DESCRIPTION	QTY
1	5/16 X 7/8 UNC HEX CAP SCREW, GR 5	6
2	CAP-HUB, 6 HOLE, 4.5" B.C.	1
3	GASKET	1
4	WASHER-SPRING	6

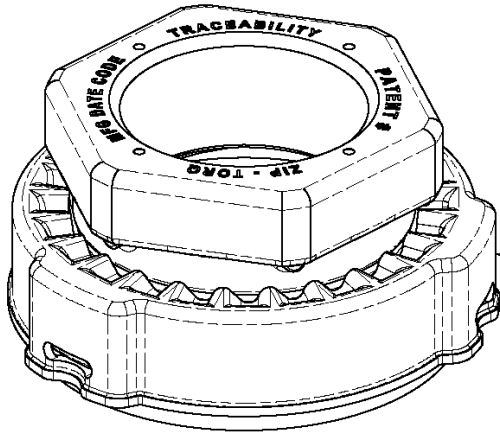




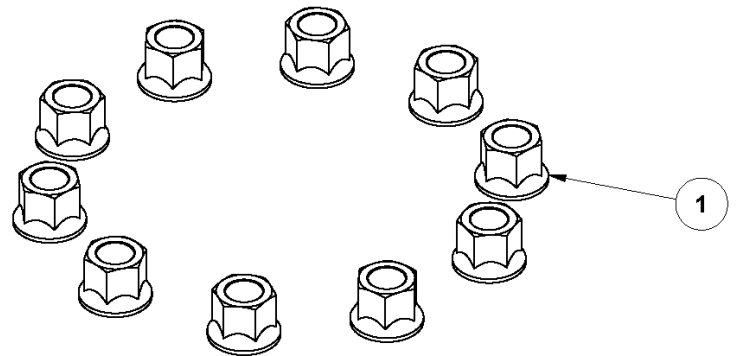
4AS00032 - SERVICE KIT - LIFT SPRING		
ITEM	DESCRIPTION	QTY
1	M12 X 1.75 SERRATED FLANGE NUT	3
2	M20 X 1.5 JAM NUT	1
3	SPRING-AIR	1

4AS00033 - SERVICE KIT - LOAD SPRING		
ITEM	DESCRIPTION	QTY
1	HEX HEAD FLANGE SCREW, M10 X 1.50 X 20, CLASS 10.9	2
2	M12 X 1.75 HEX FLANGE NYLOCK NUT (CLASS 8)	2
3	METRIC FLAT HEAD CAP SCREW, M10 X 1.50, CLASS 10.9	2
4	SPRING-AIR	1





4AS00034 - SERVICE KIT – NUT-ZIP-TORQ, 1.50-12		
ITEM	DESCRIPTION	QTY
1	NUT-ZIP-TORQ, 1.50-12	1



4AS00049 - SERVICE KIT - WHEEL NUT		
ITEM	DESCRIPTION	QTY
1	NUT-FLANGE, M22 X 1.5	10

Wherever possible, Link Manufacturing, LTD encourages the use of best practices in the industry in service and support of the products it manufactures. Many of these recommended practices that Link Manufacturing, LTD supports can be found in documentation compiled by The Technology & Maintenance Council (TMC). To obtain copies of the following Recommend Practice (RP's), contact TMC at

TMC/ATA Phone: 703-838-1763
2200 Mill Road Website: tmc.truckline.com
Alexandria, VA 22314 Online ordering: www.truckline.com/store

TMC RP 222C	User's Guide to Wheels and Rims
TMC RP 607B	Preventative Maintenance and Inspection of S-Cam Foundation Brakes
TMC RP 608B	Brake Drums and Rotors
TMC RP 609B	Self Adjusting and Manual Brake Adjuster Removal, Installation, and Maintenance
TMC RP 618A	Wheel Bearing Adjustment Procedure
TMC RP 622A	Wheel Seal and Bearing Removal, Installation, and Maintenance
TMC RP 631B	Recommendations For Wheel End Lubrication
TMC RP 644A	Wheel End Conditions Analysis Guide
TMC RP 645	Tie Rod End Inspection and Maintenance Procedure
TMC RP 648	Troubleshooting Ride Complaints
TMC RP 651	Steer Axle Maintenance Guidelines
TMC RP 1503	Brake Maintenance Guidelines for Severe Vocational Applications
TMC RP 1515	Auxiliary Axle Maintenance Guidelines For Vocational Vehicles



LINK MANUFACTURING, LTD.
223 15TH ST. NE, SIOUX CENTER, IA 51250
1-800-222-6283 www.linkmfg.com