

THE
LIGHTING
NEW BIBLE
COLLECTION



 DELTALIGHT

 DELTALIGHT®



MAGNETIC EXTENSIONS

In this New Collection catalogue we extend our Magnetic profiles with new modules offering you more illumination tools.

The magnetic fixation allows the spots to be mounted anywhere in the profile. Different light modules - spots, lines of light and pendants - can be positioned and repositioned tool free into these profiles thanks to their magnetic fixation.

Extend your Magnetic profiles with the new Dot.Corn M module to illuminate your wall or object. Also extendable with the Spy in Punk design or the Vizir in standard and in faceted design. Also discover in this New Collection catalogue the Soft Dim extensions to the Magnetic profiles.

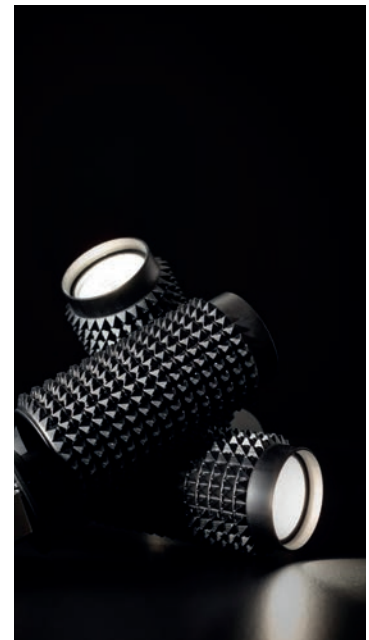


THINGS TO LOOK FOR



ESTABLISHED PRODUCTS NEW LOOK

Colour is an important added value that can enhance the precious features of a luminaire, endowing it with the capacity to arouse emotion. Colour affects us in many ways. Whether warm and bright or cold and dark. At Delta Light® we love experimenting with new colour combinations to see where they can take our established products.



ICONIC PUNK

Punk, an iconic subculture that emerged in the mid 70's, is an artistic style and usually associated with music and fashion. But it still inspires. Punk details infiltrate perfectly in the world of modern architecture to express individualism and urban attitudes. Spikes might look intimidating, but when combined with light, they become so much more refined. The punk design adds a new dimension to the Spy family and will be available on new pendant and wall luminaires in Black, Gold Champagne and Black Pure with an aluminium look.

OPTICAL DESIGN

Within this New Collection we offer a brand-new range of linear wallwash luminaires, integrated in the Dot.Com family. These are available as single fixtures, as modules to use in our magnetic profiles or as a made-to-measure trimless profile, perfect for evenly lit walls.

Also outside, the right effect of light provides the right atmosphere, be it minimalist and cosy or either functional. The Elbo family can be used for different moods, according to its different optical finishes. With the opal glass it provides a warm and cosy light, finished with a specific lens optic it changes to a functional pathway light as it throws its light both left and right.

Choosing the correct optics not only influences the effect of light, it also impacts light comfort. The slenderness of our new Supernova Flat, combined with the soft uplight effect, improves the visual comfort as it results in a soft glow on the ceiling.

Used with the prismatic optics, glare is further being reduced to an UGR below 19, making it workplace suitable according to DIN EN 12464-1.

ACCENTUATE YOUR SUPERLOOP

The Superloop was launched in The Lighting Bible 12. An extensive range of slim circular and square shapes, offering a multitude of illumination options. The circular Superloop will be extended with our 2 new colours Delta Light® Flemish Gold and Delta Light® Flemish Bronze. The Spy modules will also be available in these new colours. Combine your black Superloop with the new Vizir module with faceted design for a refined eye-catcher. By adding the new Fix modules - a tubular module with clear or frosted glass with up or down-up lighting - you can transform your Superloop into a modern chandelier. Those looking for a more unique, creative and accentuated luminaire, can opt to add the XY180.



THE REVIVAL OF THE DOT.COM

Dot.Com is a new family of recessed luminaires based on the revival of our classic fixture launched in 2008. This minimalist and discrete luminaire assures optimal optic performance and maximum eye comfort. The recessed leds in aluminium housing offer full focus on the light instead of the luminaire, offering a vast range of high performing and discrete lighting solutions. You can choose from fixed or adjustable, trimless or with trim. The Dot.Com collection is a timeless and highly functional architectural lighting tool. Also available for the magnetic profiles.



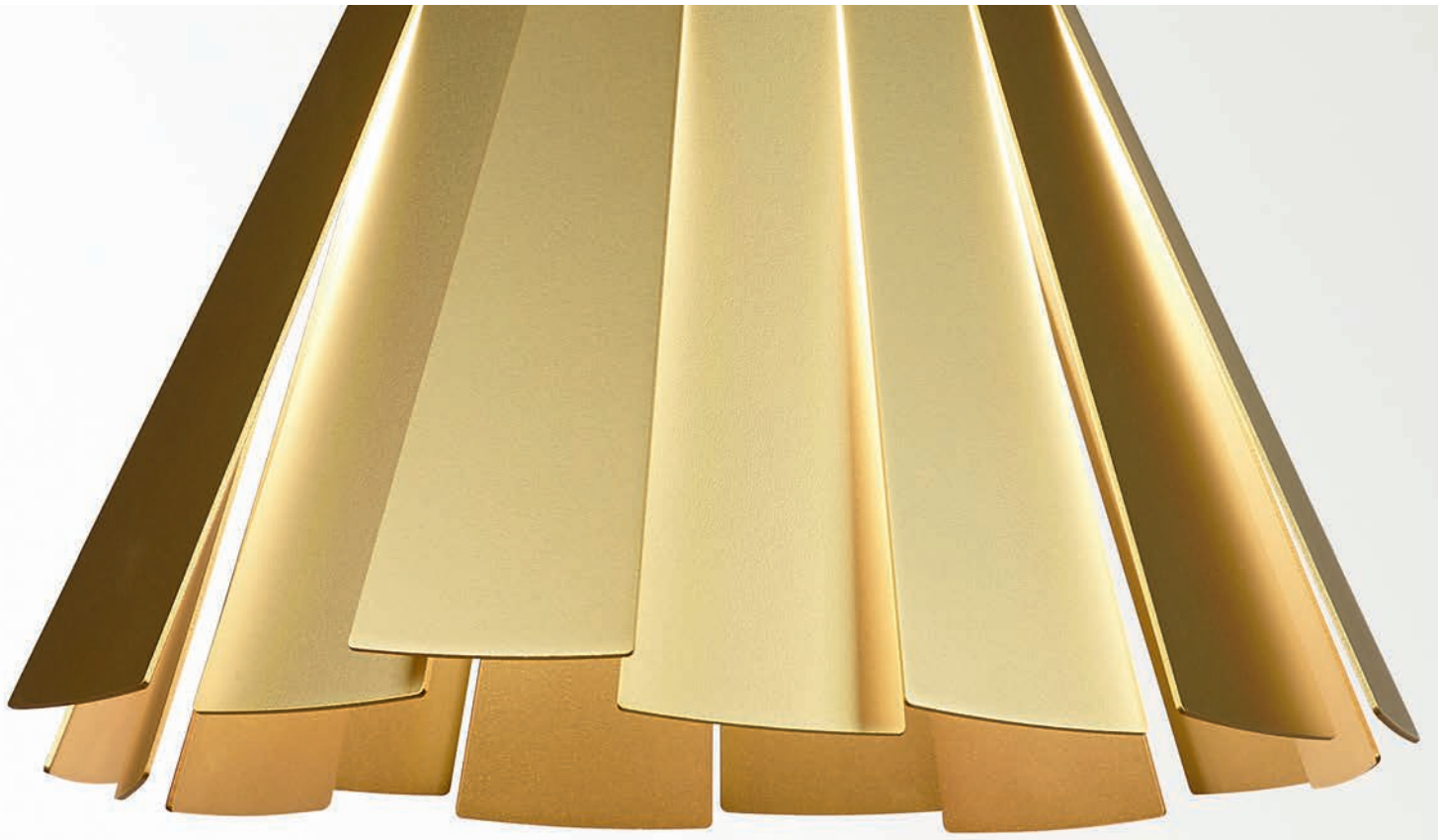
SUBTLE REFLECTIONS

Facets have always been a part of architecture. The consistent geometry creates an intriguing aesthetic appearance. The light hitting the different panes transmits a subtle luminous effect and extra dimension to the object on which the facet form is added. The facet finishing will be available on the new Hedra family, giving the standard tubular spots a sophisticated character. The facet design will also be available on new pendant luminaires in our new colours and finishes.

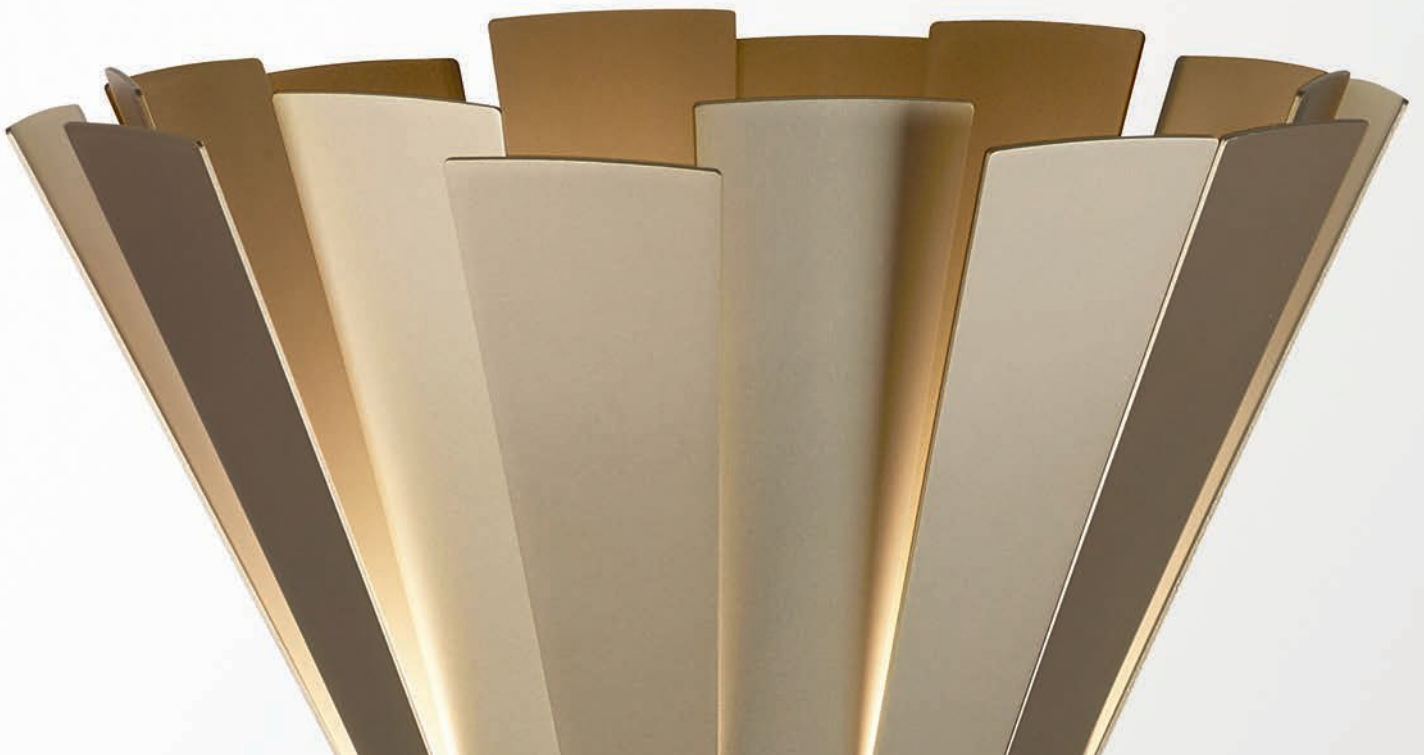
NEW TAGLINE FOR AN ULTRA-MINIMALISTIC LIGHT LINE

The new Tagline profile provides an ultra-minimalistic light line that integrates effortlessly with the architectural lines of a space. The simplicity of the extreme compact measurements of the profile can complement the design in a more artistic way by offering accent lighting or to accentuate the key architectural features of the room. The lines of light can be placed around the ceiling to make the most out of a minimalist space. The Tagline profile is available as surface mounted, as a pendant luminaire and as trimmed and trimless recessed profile. Within the trimless profile, Tagline can be combined with the elegant Microspy for accent lighting.





FLEMISH
COLOURS
& NEW FINISHES



NEW FINISHES AND TRENDY COLOURS__

Delta Light® presents 2 new colours for a range of established products and 3 new finishes for new families. Our new colours Delta Light® Flemish Bronze (FBR) and Delta Light® Flemish Gold (FG) fit perfectly with the minimal style and glam trend. These colours can dress up a room, keeping it minimalistic, yet eclectic. They are created to provide accents or highlights, proving the space with an industrial finish.

For detailed reference numbers on established LB12 products, please consult the index at the back.



BOXY
LB12 INT 269



METRONOME
LB12 INT 405



SUPERNOVA XS
LB12 INT 355



MIDISPY / SPY ON
LB12 INT 299



MIDISPY / SPY CLIP
LB12 INT 299



BOXY R
LB12 INT 261



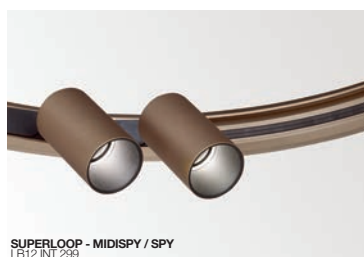
SUPERLOOP VC
LB12 INT 325



SUPERLOOP VR
LB12 INT 327



MAGNETIC PROFILES -
MIDISPY / SPY
LB12 INT 299



SUPERLOOP - MIDISPY / SPY
LB12 INT 299



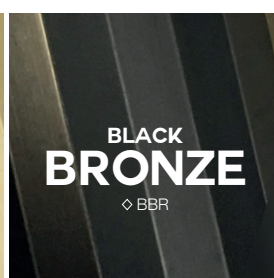
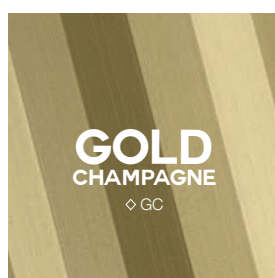
SUPERLOOP HC
LB12 INT 323



MONTUR
LB12 INT 452

Warm metal colours have been the actual protagonists of the past years. Our new metallic anodized Gold Champagne (GC) and Black Bronze (BBR) recall the glamour of the 50's and characterize objects with their warm tactile metal surfaces and merge perfectly with wood and natural materials.

The new Black Pure (BP) finishing accentuates the space with a rough and industrial detail, adding eccentricity to an otherwise conventional interior. All new colours and finishes are available on a range of existing and new products.



INDEX

INTERIOR / PROFILES / EXTERIOR



DOT.COM S
PAG 11



REO RIBS
PAG 21



VIZIR / HEDRA CLIP
PAG 36



HEDRA 62 C
PAG 45



**SUPERNOVA FLAT
DOWN-UP**
PAG 53



SUPERLOOP - SPY SOFT
PAG 61



TAGLINE TRIMLESS
PAG 77



DOT.COM M
PAG 13



MIDISPY
PAG 23



VIZIR / HEDRA ON
PAG 38



HEDRA 62 ON
PAG 45



WINDOW
PAG 55



XY180 S
PAG 65



GALA XL R
PAG 79



DOT.COM L
PAG 15



PUNK 39 CLIP
PAG 27



VIZIR / HEDRA ON
PAG 41



HEDRA 62 W
PAG 47



WINDOW DOWN-UP
PAG 55



XY180 MINI
PAG 67



KASKADE
PAG 81



DOT.COM L WALLWASH
PAG 16



PUNK 45 C
PAG 29



HEDRA 39 C
PAG 43



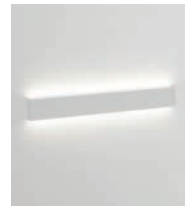
DIRO SBL L ON
PAG 49



**SUPERLOOP
VIZIR / HEDRA**
PAG 58



XY180 PUNK
PAG 69



FEMTOLINE W DOWN-UP
PAG 83



DOT.COM L ON
PAG 19



PUNK 62 C
PAG 30



HEDRA 45 C
PAG 43



SUPERNOVA FLAT
PAG 50



SUPERLOOP FIX
PAG 59



XY180 F
PAG 71



DEEP RINGO RIBS
PAG 20



ORBIT PUNK
PAG 33



HEDRA 45 C E27
PAG 43



**SUPERNOVA FLAT
SMOOTH-UP**
PAG 51



SUPERLOOP - XY180
PAG 61



ONE-AND-ONLY
PAG 75



SHIFTLINE M26
PAG 88



TAGLINE TR
PAG 104



SPLITLINE M20
PAG 88



TAGLINE TRW
PAG 104



SPLITLINE M52
PAG 88



TAGLINE ST
PAG 108



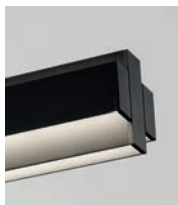
DOT.COM WALLWASH TR
PAG 98



TAGLINE ON
PAG 108



FEMTOLINE W DOWN-UP
PAG 100



ONE-AND-ONLY
PAG 110



FEMTOLINE 55
PAG 102



KASKADE
PAG 112



MICRO DEEP RINGO X
PAG 117



MONTUR MINI S P
PAG 122



LOGO
PAG 119



ELBO SBL P
PAG 123



STIP W R
PAG 120



ELBO P
PAG 123



STIP W S
PAG 120



ELBO BRIDGE P
PAG 125



MONTUR MINI S
PAG 121



POLESANO
PAG 126

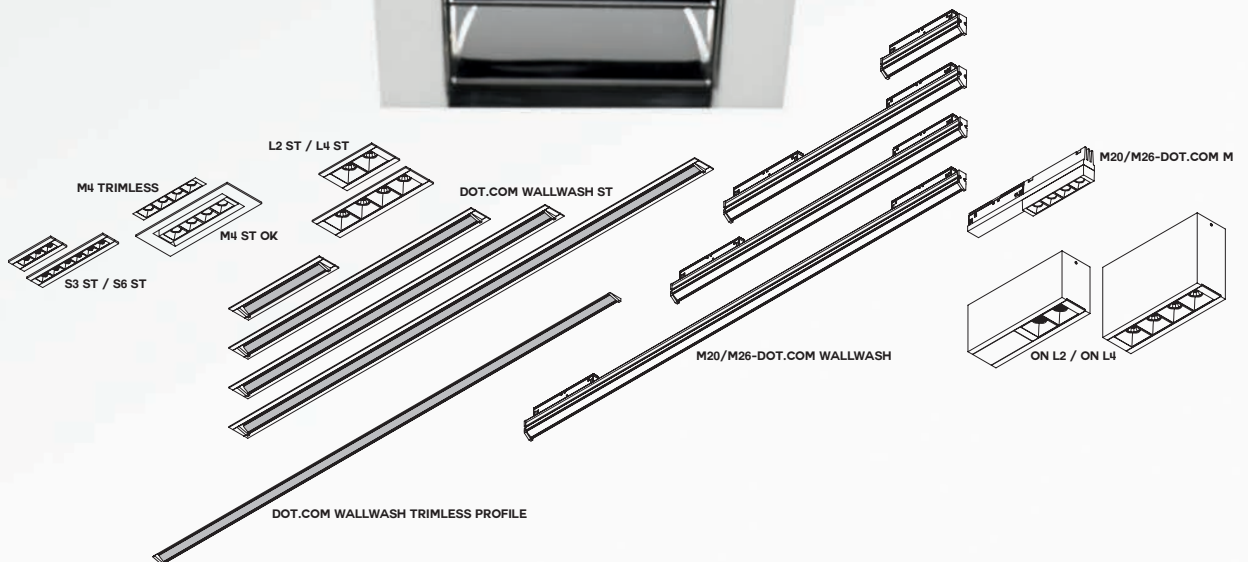


MONTUR MINI M
PAG 121

DEEP RINGO RIBS	PAG 20
DIRO SBL L ON	PAG 49
DOT.COM L	PAG 15
DOT.COM L WALLWASH	PAG 16
DOT.COM M	PAG 13
DOT.COM L ON	PAG 19
DOT.COM S	PAG 11
DOT.COM WALLWASH TR	PAG 98
ELBO BRIDGE P	PAG 125
ELBO SBL P	PAG 123
ELBO P	PAG 123
FEMTOLINE 55	PAG 102
FEMTOLINE W DOWN-UP	PAG 83
FEMTOLINE W DOWN-UP PROFILE	PAG 100
GALA XL R	PAG 79
HEDRA 39 C	PAG 43
HEDRA 45 C	PAG 43
HEDRA 45 C E27	PAG 43
HEDRA 62 C	PAG 45
HEDRA 62 ON	PAG 45
HEDRA 62 W	PAG 47
HEDRA CLIP	PAG 36
HEDRA ON	PAG 38
HEDRA ON	PAG 41
KASKADE	PAG 81
KASKADE	PAG 112
LOGO	PAG 119
MICRO DEEP RINGO X	PAG 117
MIDISPY	PAG 23
MONTUR MINI M	PAG 121
MONTUR MINI S	PAG 121
MONTUR MINI S P	PAG 122
ONE-AND-ONLY	PAG 75
ONE-AND-ONLY PROFILE	PAG 110
ORBIT PUNK	PAG 33
POLESANO	PAG 126
PUNK 39 CLIP	PAG 27
PUNK 45 C	PAG 29
PUNK 62 C	PAG 30
REO RIBS	PAG 21
SHIFTLINE M26	PAG 88
SPLITLINE M20	PAG 88
SPLITLINE M52	PAG 88
STIP W R	PAG 120
STIP W S	PAG 120
SUPERLOOP - SPY SOFT	PAG 61
SUPERLOOP - XY180	PAG 61
SUPERLOOP FIX	PAG 59
SUPERLOOP HEDRA	PAG 58
SUPERLOOP VIZIR	PAG 58
SUPERNOVA FLAT	PAG 50
SUPERNOVA FLAT DOWN-UP	PAG 53
SUPERNOVA FLAT SMOOTH-UP	PAG 51
TAGLINE ON	PAG 108
TAGLINE ST	PAG 108
TAGLINE TR	PAG 104
TAGLINE TRIMLESS	PAG 77
TAGLINE TRW	PAG 104
VIZIR CLIP	PAG 36
VIZIR ON	PAG 38
VIZIR ON	PAG 41
WINDOW	PAG 55
WINDOW DOWN-UP	PAG 55
XY180 F	PAG 71
XY180 MINI	PAG 67
XY180 PUNK	PAG 65

DOT.COM

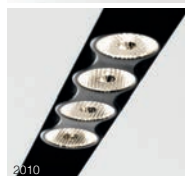
FAMILY



DOT.COM_

First introduced in 2004 as a single LED luminaire, upscaled in 2008 as a multiple LED luminaire with 4 or 6 LED dots, implemented in the profile section in 2010 as a module with 4 or 6 LEDs, the history of Dot.Com within the Delta Light® range goes way back. With LEDs being utterly functional and performant nowadays, Dot.Com is up to its second revival, coming as a complete family of luminaires with multiple LED dots to create the most discreet, yet highly functional light settings.

The Small version only needs 25mm of width, a nearly invisible appearance yet with visible impact. The Medium range includes an adjustable version - with tilting possibility of 30° - ideal for instance to emphasize an artwork on the wall. With an output up to 12W per luminaire, the Large range is the most powerful within the Dot.Com series. It comes in both recessed and surface mounted solutions. Furthermore, Dot.Com is not only limited to spotlight beam angles, it also has linear wallwashers in its range for a soft, even light effect on vertical surfaces. These come as single luminaires, as modules to fit in the magnetic profiles and as a bespoke trimless profile solution, perfect to adapt the light to your specific desires.



		DIMENSION		LED	PAG
S ST 	58 x 20	-	-		PAG 11
	112 x 20	-	-		
M TRIMLESS 	127 x 36	-	-		PAG 13
M ST OK 	136 x 40	-	✓		PAG 13
L ST 	84 x 40	-	-		PAG 15
	158 x 40	-	-		
WALLWASH 	220 x 40	-	-	WALLWASH	PAG 16
	624 x 40	-	-	WALLWASH	
	824 x 40	-	-	WALLWASH	
	1224 x 40	-	-	WALLWASH	
L ON 	-	168 x 50 x 62	-		PAG 19
	-	168 x 50 x 108	-		
M PROFILE 	-	208	-		PAG 92
	-	220	-	WALLWASH	
	-	614	-	WALLWASH	
	-	814	-	WALLWASH	
	-	1214	-	WALLWASH	
TRIMLESS WALLWASH 	-	MADE TO MEASURE	-	WALLWASH	PAG 98



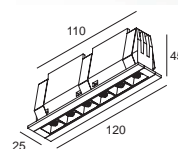
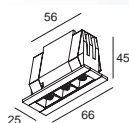
FULL INFO TECHNICAL CHAPTER

OPTIONS

CONTROL GEAR
LED POWER SUPPLY
ALL INFO ON FOLD-OUT COVER



DOT.COM S ST



58 x 20 x 50 / min.8

112 x 20 x 50 / min.8

CRI > 90

DOT.COM S3 ST

DOT.COM S6 ST

3000 K

LED CLUSTER 3W / 303lm / 350mA

LED CLUSTER 6W / 606lm / 350mA



424 211 03 932 ◇
◇ = B-B / W-B

424 211 06 932 ◇
◇ = B-B / W-B



424 211 03 933 ◇
◇ = B-B / W-B

424 211 06 933 ◇
◇ = B-B / W-B

2700 K

LED CLUSTER 3W / 294lm / 350mA

LED CLUSTER 6W / 588lm / 350mA



424 211 03 922 ◇
◇ = B-B / W-B

424 211 06 922 ◇
◇ = B-B / W-B



424 211 03 923 ◇
◇ = B-B / W-B

424 211 06 923 ◇
◇ = B-B / W-B

NON ADJUSTABLE

CE 0.2 IP20

OPTIONS

LED POWER SUPPLY 350mA-DC / DIM

NON ADJUSTABLE

CE 0.3 IP20

OPTIONS

LED POWER SUPPLY 350mA-DC / DIM



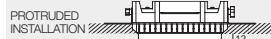
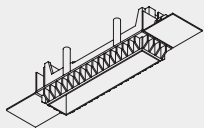


FULL INFO TECHNICAL CHAPTER **REQUIREMENTS**

INSTALLATION

MOUNTING KIT 199 x 35 x 43 127 x 36 x 60
DOT.COM M4 TRIMLESS
 424 512 04 00

5 - 22



FULL INFO TECHNICAL CHAPTER

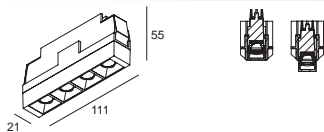
OPTIONS

CONTROL GEAR

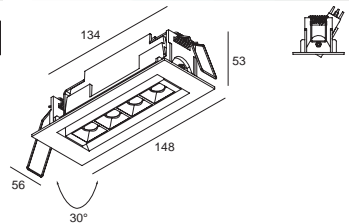
LED POWER SUPPLY
ALL INFO ON FOLD-OUT COVER



DOT.COM M TRIMLESS



DOT.COM M ST OK



KIT x 60

136 x 40 x 58 / max.25

CRI > 90

DOT.COM M4 TRIMLESS

3000 K

LED CLUSTER 5,6W / 628lm / 500mA



424 512 04 931 ◊
 ◊ = B / C / MMAT



424 512 04 932 ◊
 ◊ = B / C / MMAT



424 512 04 933 ◊
 ◊ = B / C / MMAT

2700 K

LED CLUSTER 5,6W / 612lm / 500mA



424 512 04 921 ◊
 ◊ = B / C / MMAT



424 512 04 922 ◊
 ◊ = B / C / MMAT



424 512 04 923 ◊
 ◊ = B / C / MMAT

NON ADJUSTABLE

CE 0,2 IP20

REQUIREMENTS

MOUNTING KIT DOT.COM M4 TRIMLESS

OPTIONS

LED POWER SUPPLY 500mA-DC / DIM

DOT.COM M4 ST OK

LED CLUSTER 5,6W / 628lm / 500mA

424 222 04 931 ◊
 ◊ = B-B / B-C / B-MMAT
 W-B / W-C / W-MMAT

424 222 04 932 ◊
 ◊ = B-B / B-C / B-MMAT
 W-B / W-C / W-MMAT

424 222 04 933 ◊
 ◊ = B-B / B-C / B-MMAT
 W-B / W-C / W-MMAT

LED CLUSTER 5,6W / 612lm / 500mA

424 222 04 921 ◊
 ◊ = B-B / B-C / B-MMAT
 W-B / W-C / W-MMAT

424 222 04 922 ◊
 ◊ = B-B / B-C / B-MMAT
 W-B / W-C / W-MMAT

424 222 04 923 ◊
 ◊ = B-B / B-C / B-MMAT
 W-B / W-C / W-MMAT

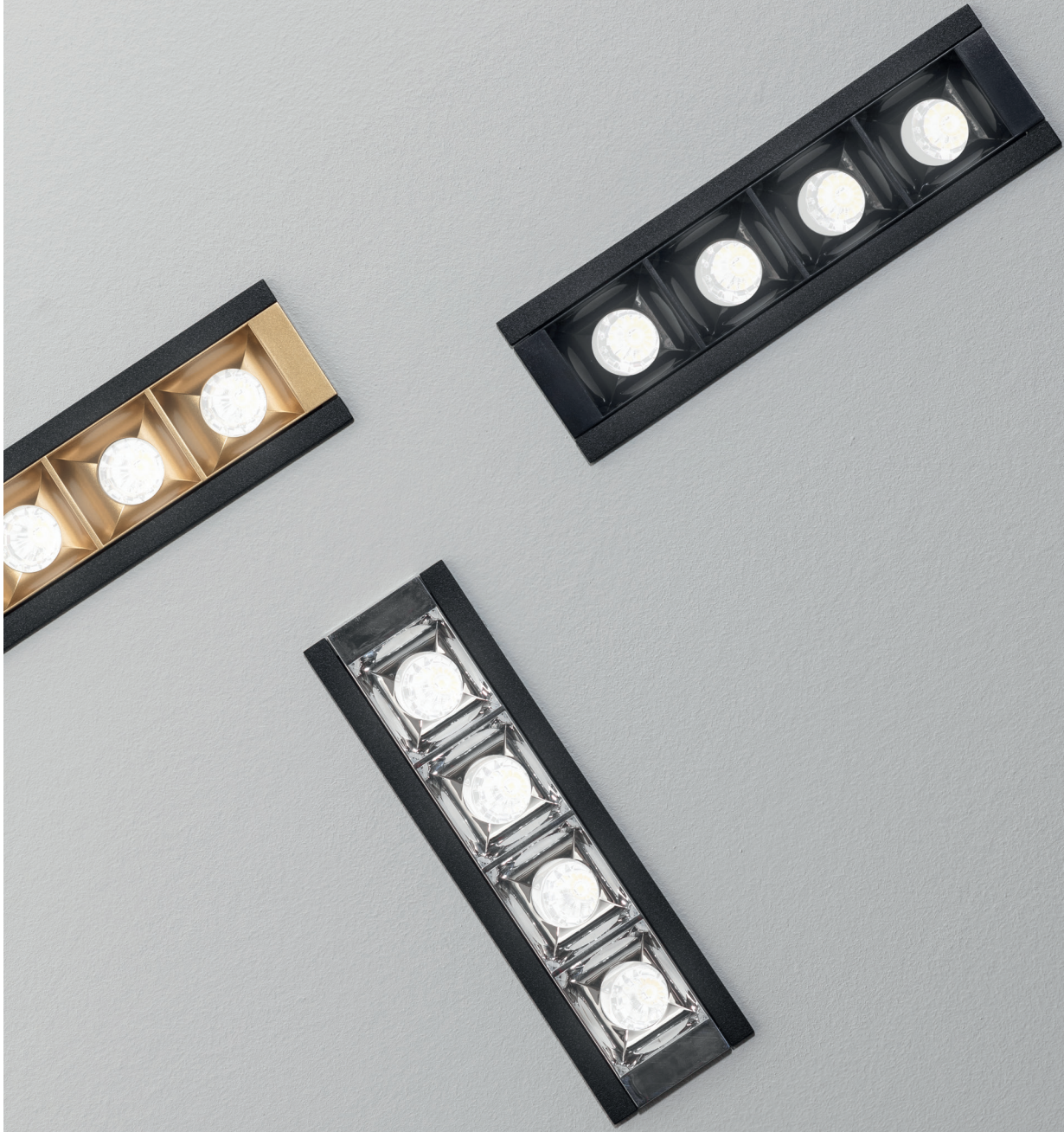
ADJUSTABLE 30°

CE 0,3 IP20

OPTIONS

LED POWER SUPPLY 500mA-DC / DIM





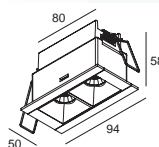
FULL INFO TECHNICAL CHAPTER

OPTIONS

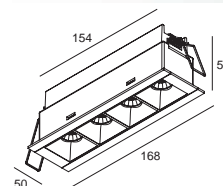
CONTROL GEAR
LED POWER SUPPLY
ALL INFO ON FOLD-OUT COVER



DOT.COM L ST



84 x 40 x 62 / max.30



158 x 40 x 62 / max.30

CRI > 90

DOT.COM L2 ST

DOT.COM L4 ST

3000 K

LED CLUSTER 6,2W / 546lm / 1050mA

LED CLUSTER 12,4W / 1092lm / 1050mA



424 213 02 931 ◊
 ◊ = B-B / B-C / B-MMAT
 W-B / W-C / W-MMAT

424 213 04 931 ◊
 ◊ = B-B / B-C / B-MMAT
 W-B / W-C / W-MMAT



424 213 02 932 ◊
 ◊ = B-B / B-C / B-MMAT
 W-B / W-C / W-MMAT

424 213 04 932 ◊
 ◊ = B-B / B-C / B-MMAT
 W-B / W-C / W-MMAT



424 213 02 933 ◊
 ◊ = B-B / B-C / B-MMAT
 W-B / W-C / W-MMAT

424 213 04 933 ◊
 ◊ = B-B / B-C / B-MMAT
 W-B / W-C / W-MMAT

2700 K

LED CLUSTER 6,2W / 530lm / 1050mA

LED CLUSTER 12,4W / 1060lm / 1050mA



424 213 02 921 ◊
 ◊ = B-B / B-C / B-MMAT
 W-B / W-C / W-MMAT

424 213 04 921 ◊
 ◊ = B-B / B-C / B-MMAT
 W-B / W-C / W-MMAT



424 213 02 922 ◊
 ◊ = B-B / B-C / B-MMAT
 W-B / W-C / W-MMAT

424 213 04 922 ◊
 ◊ = B-B / B-C / B-MMAT
 W-B / W-C / W-MMAT



424 213 02 923 ◊
 ◊ = B-B / B-C / B-MMAT
 W-B / W-C / W-MMAT

424 213 04 923 ◊
 ◊ = B-B / B-C / B-MMAT
 W-B / W-C / W-MMAT

NON ADJUSTABLE

◊ CE 0,3 IP20

OPTIONS

LED POWER SUPPLY 1050mA-DC / DIM

NON ADJUSTABLE

◊ CE 0,4 IP20

OPTIONS

LED POWER SUPPLY 1050mA-DC / DIM



W-B

W-C

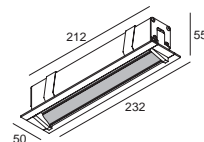
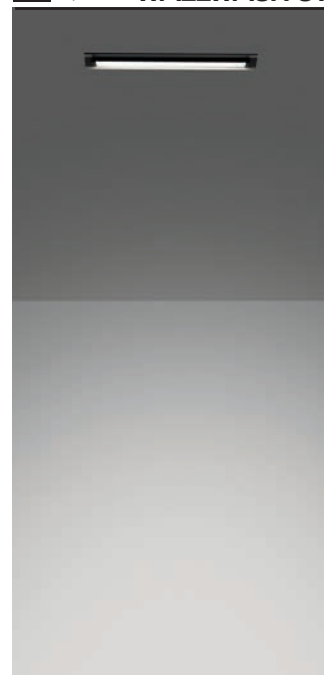
W-MMAT

OPTIONS

CONTROL GEAR
LED POWER SUPPLY
ALL INFO ON FOLD-OUT COVER



DOT.COM L WALLWASH ST



220 x 40 x 50 / min.10

CRI > 90

DOT.COM L WALLWASH 02 HO ST

3000 K

LED CLUSTER 10W / 1000lm / 350mA



424 242 02 93 ◇
 ◇ = W-B

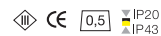
2700 K

LED CLUSTER 10W / 1000lm / 350mA



424 242 02 92 ◇
 ◇ = W-B

NON ADJUSTABLE



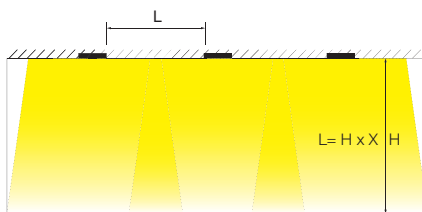
OPTIONS

LED POWER SUPPLY 350mA-DC / DIM

POSITION FOR INSTALLATION



example: H=3000 mm → L= 3000 mm x 0,4 = 1200 mm

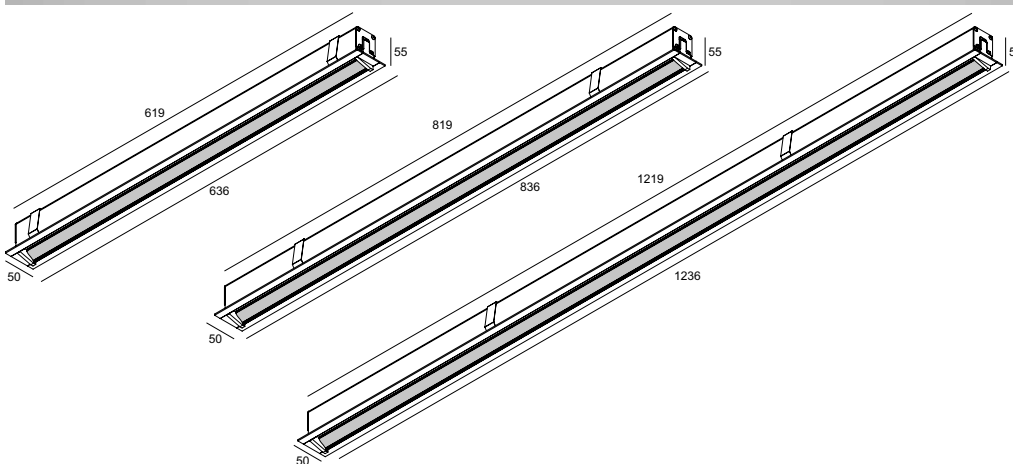


example: H=3000 mm → L= 3000 mm x 0,5 = 1500 mm

	X
DOT.COM L WALLWASH 02	0,5
DOT.COM L WALLWASH 06	0,25
DOT.COM L WALLWASH 08	0,33
DOT.COM L WALLWASH 12	0,5



DOT.COM L WALLWASH ST



624 x 40 x 50 / min.10

824 x 40 x 50 / min.10

1224 x 40 x 50 / min.10

CRI > 90

DOT.COM L WALLWASH 06 ST

3000 K

LED CLUSTER 4,7W / 600lm / 350mA



424 242 06 93 ◊
◊ = W-B

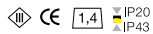
2700 K

LED CLUSTER 4,7W / 600lm / 350mA



424 242 06 92 ◊
◊ = W-B

NON ADJUSTABLE



OPTIONS

LED POWER SUPPLY 350mA-DC / DIM

CRI > 90

DOT.COM L WALLWASH 06 ST HO

3000 K

LED CLUSTER 12,6W / 1500lm / 350mA



11522 9300 ◊
◊ = W-B

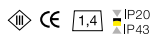
2700 K

LED CLUSTER 12,6W / 1500lm / 350mA



11522 9200 ◊
◊ = W-B

NON ADJUSTABLE



OPTIONS

LED POWER SUPPLY 350mA-DC / DIM

DOT.COM L WALLWASH 08 ST

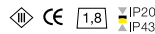
LED CLUSTER 6,3W / 800lm / 500mA

424 242 08 93 ◊
◊ = W-B

LED CLUSTER 6,3W / 800lm / 500mA

424 242 08 92 ◊
◊ = W-B

NON ADJUSTABLE



OPTIONS

LED POWER SUPPLY 500mA-DC / DIM

DOT.COM L WALLWASH 08 ST HO

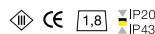
LED CLUSTER 18,4W / 2200lm / 500mA

11523 9300 ◊
◊ = W-B

LED CLUSTER 18,4W / 2200lm / 500mA

11523 9200 ◊
◊ = W-B

NON ADJUSTABLE



OPTIONS

LED POWER SUPPLY 500mA-DC / DIM

DOT.COM L WALLWASH 12 ST

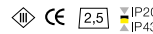
LED CLUSTER 9,3W / 1200lm / 700mA

424 242 12 93 ◊
◊ = W-B

LED CLUSTER 9,3W / 1200lm / 700mA

424 242 12 92 ◊
◊ = W-B

NON ADJUSTABLE



OPTIONS

LED POWER SUPPLY 700mA-DC / DIM

DOT.COM L WALLWASH 12 ST HO

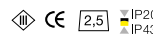
LED CLUSTER 25,2W / 3000lm / 700mA

11524 9300 ◊
◊ = W-B

LED CLUSTER 25,2W / 3000lm / 700mA

11524 9200 ◊
◊ = W-B

NON ADJUSTABLE

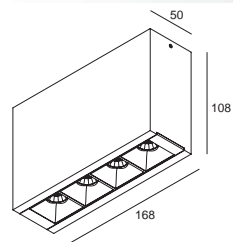
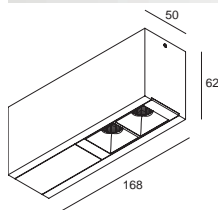


OPTIONS

LED POWER SUPPLY 700mA-DC / DIM



618 DELTA R **DOT.COM L ON**



CRI > 90	DOT.COM L2 ON	DOT.COM L4 ON
3000 K	LED CLUSTER 4W / 420lm / 700mA	LED CLUSTER 12,4W / 1092lm / 1050mA
FE	424 113 02 931 ED8 ◇ ◇ = B-B / W-B	424 113 04 931 ED8 ◇ ◇ = B-B / W-B
	424 113 02 932 ED8 ◇ ◇ = B-B / W-B	424 113 04 932 ED8 ◇ ◇ = B-B / W-B
	424 113 02 933 ED8 ◇ ◇ = B-B / W-B	424 113 04 933 ED8 ◇ ◇ = B-B / W-B
2700 K	LED CLUSTER 4W / 408lm / 700mA	LED CLUSTER 12,4W / 1060lm / 1050mA
FE	424 113 02 921 ED8 ◇ ◇ = B-B / W-B	424 113 04 921 ED8 ◇ ◇ = B-B / W-B
	424 113 02 922 ED8 ◇ ◇ = B-B / W-B	424 113 04 922 ED8 ◇ ◇ = B-B / W-B
	424 113 02 923 ED8 ◇ ◇ = B-B / W-B	424 113 04 923 ED8 ◇ ◇ = B-B / W-B
	NON ADJUSTABLE MAINS DIMMING (FE) 220-240V / 50-60Hz ◇ IP20	NON ADJUSTABLE MAINS DIMMING (FE) 220-240V / 50-60Hz ◇ IP20

REQUIREMENTS

CONTROL GEAR



LED POWER SUPPLY
650mA-DC DIM5
300 90 915 ED5

145 x 45 x 30



LED POWER SUPPLY
650mA-DC DIM8
300 90 915 ED8

125 x 45 x 30



SOFT DIM INFO PAG TEC 11

DIM5: DIMMING BY DALI
DIM8: DIMMING BY FALLING EDGE DIMMER

OPTIONS

INSTALLATION



PLASTERKIT 101
202 11 19

205 x 205

80 x 180

CONTROL GEAR



LED POWER SUPPLY
ALL INFO ON FOLD-OUT COVER

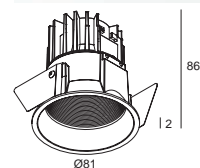


Fixation S1

Fixation S2



DEEP RINGO RIBS



76 x 90 / min.5

76 x 90 / min.5

CRI > 90

DEEP RINGO RIBS

3000 K

LED [H] 7,1W / 774lm / 350mA
LED [H] 10,4W / 1075lm / 500mA



202 274 811 932 ◊
◊ = B / FBR / FG / W

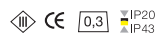
2700 K

LED [H] 7,1W / 743lm / 350mA
LED [H] 10,4W / 1032lm / 500mA



202 274 811 922 ◊
◊ = B / FBR / FG / W

NON ADJUSTABLE



OPTIONS

LED POWER SUPPLY 350-500mA-DC / DIM

DEEP RINGO RIBS IP

LED [H] 7,1W / 774lm / 350mA
LED [H] 10,4W / 1075lm / 500mA

202 275 811 932 ◊
◊ = B / FBR / FG / W

LED [H] 7,1W / 743lm / 350mA
LED [H] 10,4W / 1032lm / 500mA

202 275 811 922 ◊
◊ = B / FBR / FG / W

NON ADJUSTABLE



OPTIONS

LED POWER SUPPLY 350-500mA-DC / DIM

CRI > 90

DEEP RINGO RIBS SOFT

2700 K

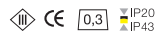


LED 10W / 565lm / 650mA



202 276 1902 ◊
◊ = B / FBR / FG / W

NON ADJUSTABLE

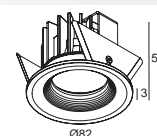
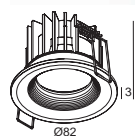


REQUIREMENTS

LED POWER SUPPLY 650mA-DC DIM

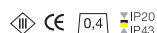


REO RIBS



	76 x 55 max.22	76 x 55
CRI > 90	REO RIBS S1	REO RIBS S2
3000 K	LED [H] 7,1W / 774lm / 350mA LED [H] 10,4W / 1075lm / 500mA	LED [H] 7,1W / 774lm / 350mA LED [H] 10,4W / 1075lm / 500mA
REFL FL 33°	202 263 811 932 ◇ ◇ = FBR / FG / W	202 2632 811 932 ◇ ◇ = FBR / FG / W
REFL WFL 50°	202 263 811 933 ◇ ◇ = FBR / FG / W	202 2632 811 933 ◇ ◇ = FBR / FG / W
2700 K	LED [H] 7,1W / 743lm / 350mA LED [H] 10,4W / 1032lm / 500mA	LED [H] 7,1W / 743lm / 350mA LED [H] 10,4W / 1032lm / 500mA
REFL FL 33°	202 263 811 922 ◇ ◇ = FBR / FG / W	202 2632 811 922 ◇ ◇ = FBR / FG / W
REFL WFL 50°	202 263 811 923 ◇ ◇ = FBR / FG / W	202 2632 811 923 ◇ ◇ = FBR / FG / W

NON ADJUSTABLE

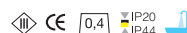


OPTIONS

PLASTERKIT 101 (ONLY FOR S1)
LED POWER SUPPLY 350-500mA-DC / DIM

	76 x 55 max.22	76 x 55
CRI > 90	REO RIBS IP S1	REO RIBS IP S2
3000 K	LED [H] 7,1W / 774lm / 350mA LED [H] 10,4W / 1075lm / 500mA	LED [H] 7,1W / 774lm / 350mA LED [H] 10,4W / 1075lm / 500mA
REFL FL 33°	202 264 811 932 ◇ ◇ = FBR / FG / W	202 2642 811 932 ◇ ◇ = FBR / FG / W
REFL WFL 50°	202 264 811 933 ◇ ◇ = FBR / FG / W	202 2642 811 933 ◇ ◇ = FBR / FG / W
2700 K	LED [H] 7,1W / 743lm / 350mA LED [H] 10,4W / 1032lm / 500mA	LED [H] 7,1W / 743lm / 350mA LED [H] 10,4W / 1032lm / 500mA
REFL FL 33°	202 264 811 922 ◇ ◇ = FBR / FG / W	202 2642 811 922 ◇ ◇ = FBR / FG / W
REFL WFL 50°	202 264 811 923 ◇ ◇ = FBR / FG / W	202 2642 811 923 ◇ ◇ = FBR / FG / W

NON ADJUSTABLE

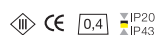


OPTIONS

PLASTERKIT 101 (ONLY FOR S1)
LED POWER SUPPLY 350-500mA-DC / DIM

	REO RIBS SOFT S1	REO RIBS SOFT S2
CRI > 90		
2700 K	LED 10W / 565lm / 650mA	LED 10W / 565lm / 650mA
SOFT DIM		
REFL WFL 40°	202 265 1902 ◇ ◇ = FBR / FG / W	202 2652 1902 ◇ ◇ = FBR / FG / W

NON ADJUSTABLE



REQUIREMENTS

LED POWER SUPPLY 650mA-DC DIM

OPTIONS

PLASTERKIT 101 (ONLY FOR S1)



REO RIBS FBR



FULL INFO TECHNICAL CHAPTER

REQUIREMENTS

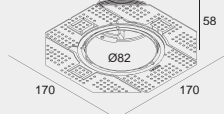
INSTALLATION

MOUNTING KIT MIDISPY TRIMLESS O.F.A.

414 21 00

112 max.25

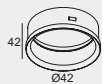
0,4



MIDISPY TUBE ◇

414 03 00 ◇

◇ = B / FBR / FG / MMAT / SG / W



FULL INFO TECHNICAL CHAPTER

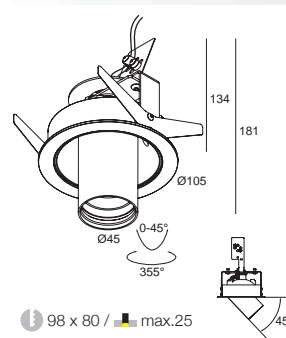
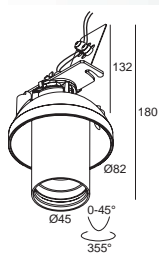
OPTIONS

CONTROL GEAR

LED POWER SUPPLY
ALL INFO ON FOLD-OUT COVER



MIDISPY



ØKIT x 80

98 x 80 / max.25

CRI > 80

MIDISPY TRIMLESS IN

3000 K

LED [C] 4,1W / 425lm / 350mA



414 212 832 ◇
◇ = B / W

2700 K

LED [C] 4,1W / 425lm / 350mA



414 212 822 ◇
◇ = B / W

ADJUSTABLE 0-45° / 355°

IP20

REQUIREMENTS

MOUNTING KIT MIDISPY TRIMLESS O.F.A.
MIDISPY TUBE

OPTIONS

LED POWER SUPPLY 350mA-DC / DIM

MIDISPY ST

LED [C] 4,1W / 425lm / 350mA

414 232 832 ◇
◇ = W-W

LED [C] 4,1W / 425lm / 350mA

414 232 822 ◇
◇ = W-W

ADJUSTABLE 0-45° / 355°

IP20

REQUIREMENTS

MIDISPY TUBE

OPTIONS

LED POWER SUPPLY 350mA-DC / DIM

CRI > 90

3000 K

LED [D] 6,4W / 587lm / 350mA



414 211 933 ◇
◇ = B / W

2700 K

LED [D] 6,4W / 587lm / 350mA



414 211 923 ◇
◇ = B / W

ADJUSTABLE 0-45° / 355°

IP20

REQUIREMENTS

MOUNTING KIT MIDISPY TRIMLESS O.F.A.
MIDISPY TUBE

OPTIONS

LED POWER SUPPLY 350mA-DC / DIM

LED [D] 6,4W / 587lm / 350mA

414 231 933 ◇
◇ = W-W

LED [D] 6,4W / 587lm / 350mA

414 231 923 ◇
◇ = W-W

ADJUSTABLE 0-45° / 355°

IP20

REQUIREMENTS

MIDISPY TUBE

OPTIONS

LED POWER SUPPLY 350mA-DC / DIM

PATENTED EX-CENTRIC ROTATION SYSTEM®



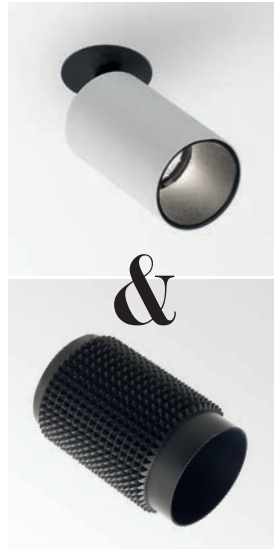
SPY

PUNK SLEEVE

PUNK CONCEPT BY OMA

PUNK – MAY CAUSE CREATIVITY & PERSONALITY

Step away from brave, alter yourself and dare to dare. This brand new design on the well-known Spy family breathes creativity and allows you to play with light and texture. This Punk design has been added within the existing range as a sleeve – for Spy with Ø62mm – or as a single luminaire, leaving you with the familiar optics but adding new experiences. To be able to integrate this experience throughout your project, new pendants and wall luminaires have been launched with Punk design. Available in Black, Gold Champagne and Black Pure, a Black colored finish with pure aluminum topped spikes.



SPY PUNK SLEEVE
414 11 00 ◊
◊ = B / BP / GC



SPY ON
INT 299



SPY CLIP
INT 299



MAGNETIC PROFILES - SPY
INT 299



SUPERLOOP - SPY
INT 299

	Ø BODY		LAMP						
 PUNK 39	Ø39	✓	LED	✓	-	-	-	-	✓
 PUNK 45	Ø45	-	LED	-	-	✓	-	-	-
 PUNK 62	Ø62	✓	LED	✓ PUNK SLEEVE	✓ PUNK SLEEVE	✓ PUNK SLEEVE	-	✓ PUNK SLEEVE	-
		-	QPAR 51	-	-	✓	✓	-	-



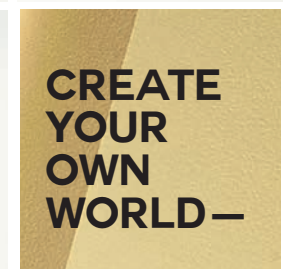
SPY ON &
SPY PUNK SLEEVE B



SPY ON &
SPY PUNK SLEEVE GC



SPY ON &
SPY PUNK SLEEVE BP





FULL INFO TECHNICAL CHAPTER **OPTIONS**

INSTALLATION

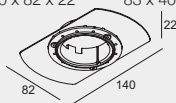


MOUNTING KIT FLUSH SPY 140 x 82 x 22 83 x 40

414 90 01

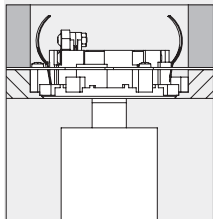
83 9 or 12

0,2

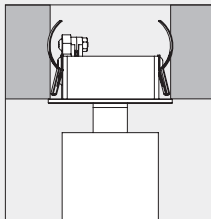


CONTROL GEAR

LED POWER SUPPLY
ALL INFO ON FOLD-OUT COVER

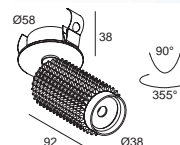


PUNK CLIP + MOUNTING KIT FLUSH SPY



PUNK CLIP

PUNK 39 CLIP



50 x 40

CRI > 90

PUNK 39 CLIP

3000 K

LED [H] 7,1W / 774lm / 350mA



471 111 811 931 ◇
◇ = B-B

2700 K

LED [H] 7,1W / 743lm / 350mA



471 111 811 921 ◇
◇ = B-B

ADJUSTABLE 0-90° / 355°

CE 0,4 IP20

OPTIONS

MOUNTING KIT FLUSH SPY
LED POWER SUPPLY 350mA-DC / DIM



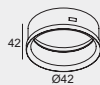
FULL INFO TECHNICAL CHAPTER **REQUIREMENTS**

INSTALLATION

MIDISPY TUBE ◇

414 03 00 ◇

◇ = B / FBR / FG / MMAT / SG / W



FULL INFO TECHNICAL CHAPTER **OPTIONS**

INSTALLATION

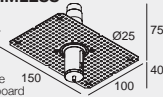
SUSPENSION + CONNECTION TRIMLESS

328 10 02

INCL.1 x AUTOMATIC ADJUSTMENT

INCL.1 x CONNECTOR 3 x 2.5mm²

play.deltalight.com/suspensiontrimlessconcrete
play.deltalight.com/suspensiontrimlessplasterboard

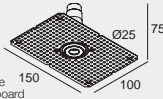


CONNECTION TRIMLESS

328 10 03

INCL.1 x CONNECTOR 3 x 2.5mm²

play.deltalight.com/suspensiontrimlessconcrete
play.deltalight.com/suspensiontrimlessplasterboard



COVERSET R ◇

204 00 90 ◇

Ø90

204 00 100 ◇

Ø100

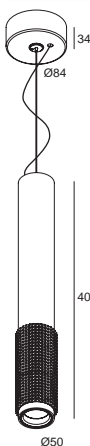
◇ = ANO / B / W



SUSPENSION + CONNECTION TRIMLESS



PUNK 45 C



CRI > 90

PUNK 451 C

3000 K

LED 6,4W / 587lm / 350mA



471 221 932 ED8 ◇

◇ = B / BP / GC

2700 K

LED 6,4W / 587lm / 350mA



471 221 922 ED8 ◇

◇ = B / BP / GC

INCL.1 x CABLE SUSP. SINGLE AUTO. 1.6m
INCL.1 x CABLE 2 x 0.75mm²
MAINS DIMMING (FE)
220-240V / 50-60Hz

◇ CE 0,9 IP20

REQUIREMENTS

MIDISPY TUBE

OPTIONS

SUSPENSION + CONNECTION TRIMLESS
COVERSET R 90-100

PUNK 452 C

LED 6,4W / 587lm / 350mA

471 222 932 ED8 ◇

◇ = B / GC

LED 6,4W / 587lm / 350mA

471 222 922 ED8 ◇

◇ = B / GC

INCL.1 x CABLE SUSP. SINGLE AUTO. 1.6m
INCL.1 x CABLE 2 x 0.75mm²
MAINS DIMMING (FE)
220-240V / 50-60Hz

◇ CE 1,0 IP20

REQUIREMENTS

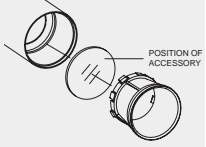
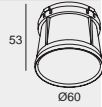
MIDISPY TUBE

OPTIONS

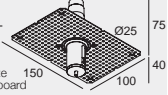
SUSPENSION + CONNECTION TRIMLESS
COVERSET R 90-100

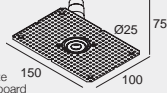
REQUIREMENTS
INSTALLATION
SPY TUBE
414 01 00

◇ = B / FBR / FG / MMAT / SG / W


OPTIONS
INSTALLATION
SUSPENSION + CONNECTION TRIMLESS
328 10 02

INCL. 1 x AUTOMATIC ADJUSTMENT

 INCL. 1 x CONNECTOR 3 x 2.5mm²
play.deltalight.com/suspensiontrimlessconcrete
play.deltalight.com/suspensiontrimlessplasterboard

CONNECTION TRIMLESS
328 10 03

 INCL. 1 x CONNECTOR 3 x 2.5mm²
play.deltalight.com/suspensiontrimlessconcrete
play.deltalight.com/suspensiontrimlessplasterboard

COVERSET R
204 00 90

Ø90

204 00 100

Ø100

◇ = ANO / B / W



SUSPENSION + CONNECTION TRIMLESS


BP


PUNK 622 C B + SPY TUBE MMAT

ACCESSORIES
HONEYCOMB 50
413 03 01

Ø50

◇ = B


LINEAR SPREAD LENS 50
413 03 02

Ø50


SPREAD LENS 50
413 03 03

Ø50


SOFTENING LENS 50
413 03 04

Ø50


GLASS SBL 50
413 03 05

Ø50



CRI > 90

PUNK 621 C
3000 K

LED 7,1W / 774lm / 350mA


 REFL
FL
33°

471 321 811 932 ED8

◇ = B / BP / GC

2700 K

LED 7,1W / 743lm / 350mA


 REFL
FL
33°

471 321 811 922 ED8

◇ = B / BP / GC

INCL. 1 x CABLE SUSP. SINGLE AUTO. 1.6m

 INCL. 1 x CABLE 2 x 0.75mm²

MAINS DIMMING (FE)

220-240V / 50-60Hz

◇ CE 1,1 IP20

REQUIREMENTS

SPY TUBE

OPTIONS

SUSPENSION + CONNECTION TRIMLESS

COVERSET R 90-100

ACCESSORIES

HONEYCOMB / LENS / GLASS

CRI > 90

PUNK 621 C SOFT
2700 K
1800 K
SOFT DIM

LED 10W / 565lm / 650mA


 REFL
WFL
40°

471 321 1902 ED8

◇ = B / BP / GC

INCL. 1 x CABLE SUSP. SINGLE AUTO. 1.6m

 INCL. 1 x CABLE 2 x 0.75mm²

MAINS DIMMING (FE)

220-240V / 50-60Hz

◇ CE 1,2 IP20

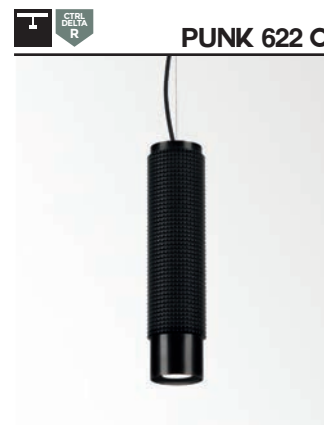
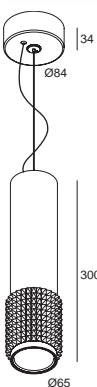
REQUIREMENTS

SPY TUBE

OPTIONS

SUSPENSION + CONNECTION TRIMLESS

COVERSET R 90-100



PUNK 621 C Hi

1 x QPAR51 max.35W

471 321 00 ◊
◊ = B / BP / GC

INCL. 1 x CABLE SUSP. SINGLE AUTO. 1.6m
INCL. 1 x CABLE 2 x 0.75mm²
GU10 / 100-240V / 50-60Hz

◊ CE [0,5] IP20 [0,5]

OPTIONS
SUSPENSION + CONNECTION TRIMLESS
COVERSET R 90-100
LED SOLUTION - PAG TEC 7

CRI > 90 PUNK 622 C

3000 K LED 7,1W / 774lm / 350mA

FE REFL FL 33° 471 322 811 932 ED8 ◊
◊ = B / GC

2700 K LED 7,1W / 743lm / 350mA

FE REFL FL 33° 471 322 811 922 ED8 ◊
◊ = B / GC

INCL. 1 x CABLE SUSP. SINGLE AUTO. 1.6m
INCL. 1 x CABLE 2 x 0.75mm²
MAINS DIMMING (FE)
220-240V / 50-60Hz

◊ CE [1,1] IP20

REQUIREMENTS
SPY TUBE

OPTIONS
SUSPENSION + CONNECTION TRIMLESS
COVERSET R 90-100

ACCESSORIES
HONEYCOMB / LENS / GLASS

PUNK 622 C Hi

1 x QPAR51 max.35W

471 322 00 ◊
◊ = B / GC

INCL. 1 x CABLE SUSP. SINGLE AUTO. 1.6m
INCL. 1 x CABLE 2 x 0.75mm²
GU10 / 100-240V / 50-60Hz

◊ CE [1,0] IP20 [0,5]

OPTIONS
SUSPENSION + CONNECTION TRIMLESS
COVERSET R 90-100
LED SOLUTION - PAG TEC 7

CRI > 90 PUNK 622 C SOFT

2700 K SOFT DIM LED 10W / 565lm / 650mA

FE REFL WFL 40° 471 322 1902 ED8 ◊
◊ = B / GC

INCL. 1 x CABLE SUSP. SINGLE AUTO. 1.6m
INCL. 1 x CABLE 2 x 0.75mm²
MAINS DIMMING (FE)
220-240V / 50-60Hz

◊ CE [1,3] IP20

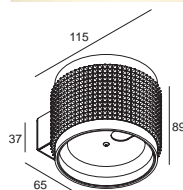
REQUIREMENTS
SPY TUBE

OPTIONS
SUSPENSION + CONNECTION TRIMLESS
COVERSET R 90-100

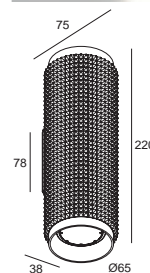
ACCESSORIES
HONEYCOMB / LENS / GLASS



ORBIT PUNK LED



ORBIT PUNK HI



CRI > 90

ORBIT PUNK LED

3000
K

2 x LED 3W / 280lm / 350mA

FE

271 08 93 ED8 ◊
◊ = BP-MMAT / GC-B

2700
K

2 x LED 3W / 252lm / 350mA

FE

271 08 92 ED8 ◊
◊ = BP-MMAT / GC-B

MAINS DIMMING (FE)
220-240V / 0/50-60Hz

CE 0,5 IP20

ORBIT PUNK HI

2 x QPAR51 max.35W

472 361 00 ◊
◊ = BP / GC

GU10 / 100-240V / 50-60Hz

CE 0,6 IP20 0,5

OPTIONS

LED SOLUTION - PAG TEC 7



VIZIR
—
HEDRA

CAPTURE EVERY FACET OF LIGHT –

Vizir and Hedra, two new members of the Delta Light® family, add refinement, finesse and color to the range. Vizir is characterized by its atypical hinge, a design element that not only catches the eye, but also serves as storage for technical parts inside the luminaire.

Next to black and white, Vizir comes in the new Gold Champagne and Black Bronze finishes, either polished or in faceted texture.

This faceted design exists out of many different planes that capture and reflect the ambient light with an ever-changing look as result. It is also the typical design element of the Hedra family, a series of pendant, spotlight and wall mounted luminaires, available as full LED solution or for retrofit bulbs.

	Ø BODY		LAMP					
 VIZIR	Ø39	-	-	-	-	-	-	-
	Ø50	✓	LED	✓	✓	✓	-	✓
	Ø62	-	-	-	-	-	-	-
 HEDRA	Ø39	✓	LED	-	-	✓	-	-
	Ø50	✓	LED	✓	✓	✓	-	✓
			E27	-	-	✓	-	-
Ø62	✓	-	QPAR51	-	✓	✓	✓	-

REQUIREMENTS

INSTALLATION

VIZIR TUBE ◊

473 01 00 ◊

◊ = B / FBR / FG / W



OPTIONS

INSTALLATION

MOUNTING KIT FLUSH SPY

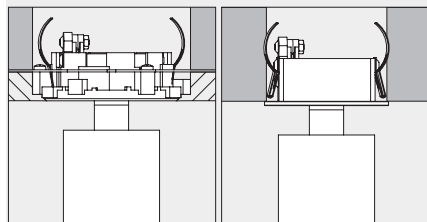
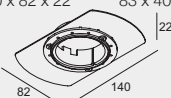


140 x 82 x 22 83 x 40

414 90 01

83 9 or 12

0,2



VIZIR CLIP + MOUNTING KIT FLUSH SPY

VIZIR CLIP

CONTROL GEAR

LED POWER SUPPLY

ALL INFO ON FOLD-OUT COVER



ACCESSORIES

VIZIR HONEYCOMB ◊

473 03 01 ◊

◊ = B

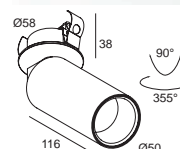


Ø40

VIZIR SOFTENING LENS

473 03 04

Ø40



50 x 40

CRI > 80

VIZIR CLIP

3000 K

LED [C] 6W / 558lm / 500mA



473 111 831 ◊

◊ = BBR-B / GC-B / W-W

2700 K

LED [C] 6W / 558lm / 500mA



473 111 821 ◊

◊ = BBR-B / GC-B / W-W

ADJUSTABLE 0-90° / 355°

CE 0,4 IP20

REQUIREMENTS

VIZIR TUBE

OPTIONS

MOUNTING KIT FLUSH SPY

LED POWER SUPPLY 500mA-DC / DIM

ACCESSORIES

HONEYCOMB / LENS

CRI > 90

VIZIR CLIP

3000 K

LED [H] 7,1W / 774lm / 350mA



473 111 811 932 ◊

◊ = BBR-B / GC-B / W-W

2700 K

LED [H] 7,1W / 743lm / 350mA



473 111 811 922 ◊

◊ = BBR-B / GC-B / W-W

ADJUSTABLE 0-90° / 355°

CE 0,4 IP20

REQUIREMENTS

VIZIR TUBE

OPTIONS

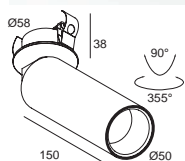
MOUNTING KIT FLUSH SPY

LED POWER SUPPLY 350mA-DC / DIM

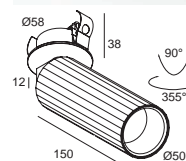
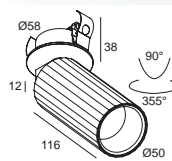
ACCESSORIES

HONEYCOMB / LENS

VIZIR CLIP



HEDRA CLIP



50 x 40

CRI > 80

HEDRA CLIP

3000 K

LED [C] 6W / 558lm / 500mA



473 211 831 ◊
◊ = B-B / BBR-B / GC-B / W-W

2700 K

LED [C] 6W / 558lm / 500mA



473 211 821 ◊
◊ = B-B / BBR-B / GC-B / W-W

ADJUSTABLE 0-90° / 355°

CE 0.3 IP20

REQUIREMENTS

VIZIR TUBE

OPTIONS

MOUNTING KIT FLUSH SPY
LED POWER SUPPLY 500mA-DC / DIM

ACCESSORIES

HONEYCOMB / LENS

50 x 40

VIZIR L CLIP

LED [H] 10,4W / 1075lm / 500mA

473 112 811 932 ◊
◊ = BBR-B / GC-B / W-W

LED [H] 10,4W / 1032lm / 500mA

473 112 811 922 ◊
◊ = BBR-B / GC-B / W-W

ADJUSTABLE 0-90° / 355°

CE 0.4 IP20

REQUIREMENTS

VIZIR TUBE

OPTIONS

MOUNTING KIT FLUSH SPY
LED POWER SUPPLY 500mA-DC / DIM

ACCESSORIES

HONEYCOMB / LENS

CRI > 90

HEDRA CLIP

3000 K

LED [H] 7,1W / 774lm / 350mA



473 211 811 932 ◊
◊ = B-B / BBR-B / GC-B / W-W

2700 K

LED [H] 7,1W / 743lm / 350mA



473 211 811 922 ◊
◊ = B-B / BBR-B / GC-B / W-W

ADJUSTABLE 0-90° / 355°

CE 0.4 IP20

REQUIREMENTS

VIZIR TUBE

OPTIONS

MOUNTING KIT FLUSH SPY
LED POWER SUPPLY 350mA-DC / DIM

ACCESSORIES

HONEYCOMB / LENS

50 x 40

HEDRA L CLIP

LED [H] 10,4W / 1075lm / 500mA

473 212 811 932 ◊
◊ = B-B / BBR-B / GC-B / W-W

LED [H] 10,4W / 1032lm / 500mA

473 212 811 922 ◊
◊ = B-B / BBR-B / GC-B / W-W

ADJUSTABLE 0-90° / 355°

CE 0.4 IP20

REQUIREMENTS

VIZIR TUBE

OPTIONS

MOUNTING KIT FLUSH SPY
LED POWER SUPPLY 500mA-DC / DIM

ACCESSORIES

HONEYCOMB / LENS

REQUIREMENTS

INSTALLATION

VIZIR TUBE ◊

473 01 00 ◊
◊ = B / FBR / FG / W



OPTIONS

CONTROL GEAR

LED POWER SUPPLY
ALL INFO ON FOLD-OUT COVER



INSTALLATION

COVERSET R ◊

204 00 62 ◊ Ø62
204 00 90 ◊ Ø90
204 00 100 ◊ Ø100
◊ = ANO / B / W



ACCESSORIES

VIZIR HONEYCOMB ◊

473 03 01 ◊
◊ = B



Ø40

VIZIR SOFTENING LENS

473 03 04

Ø40

CRI > 80

VIZIR ON

3000
K

LED [C] 6W / 558lm / 500mA

LENS
SP 15°

473 131 831 ◊
◊ = BBR-B / GC-B / W-W

2700
K

LED [C] 6W / 558lm / 500mA

LENS
SP 15°

473 131 821 ◊
◊ = BBR-B / GC-B / W-W

ADJUSTABLE 0-90° / 355°

CE 0.3 IP20

REQUIREMENTS
VIZIR TUBE

OPTIONS
COVERSET R
LED POWER SUPPLY 500mA-DC / DIM

ACCESSORIES
HONEYCOMB / LENS

CRI > 90

VIZIR ON

3000
K

LED [H] 7,1W / 774lm / 350mA

REFL
FL 33°

473 131 811 932 ◊
◊ = BBR-B / GC-B / W-W

2700
K

LED [H] 7,1W / 743lm / 350mA

REFL
FL 33°

473 131 811 922 ◊
◊ = BBR-B / GC-B / W-W

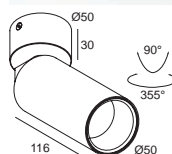
ADJUSTABLE 0-90° / 355°

CE 0.3 IP20

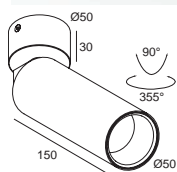
REQUIREMENTS
VIZIR TUBE

OPTIONS
COVERSET R
LED POWER SUPPLY 350mA-DC / DIM

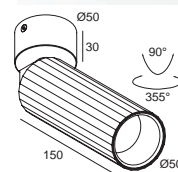
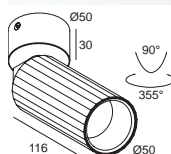
ACCESSORIES
HONEYCOMB / LENS



VIZIR ON



HEDRA ON



CRI > 80

HEDRA ON

3000 K

LED [C] 6W / 558lm / 500mA



473 231 831 ◊
◊ = B-B / BBR-B / GC-B / W-W

2700 K

LED [C] 6W / 558lm / 500mA



473 231 821 ◊
◊ = B-B / BBR-B / GC-B / W-W

ADJUSTABLE 0-90° / 355°

◊ CE 0.3 IP20

REQUIREMENTS

VIZIR TUBE

OPTIONS

COVERSET R

LED POWER SUPPLY 500mA-DC / DIM

ACCESSORIES

HONEYCOMB / LENS

VIZIR L ON

LED [H] 10,4W / 1075lm / 500mA

473 132 811 932 ◊
◊ = BBR-B / GC-B / W-W

LED [H] 10,4W / 1032lm / 500mA

473 132 811 922 ◊
◊ = BBR-B / GC-B / W-W

ADJUSTABLE 0-90° / 355°

◊ CE 0.4 IP20

REQUIREMENTS

VIZIR TUBE

OPTIONS

COVERSET R

LED POWER SUPPLY 500mA-DC / DIM

ACCESSORIES

HONEYCOMB / LENS

CRI > 90

HEDRA ON

3000 K

LED [H] 7,1W / 774lm / 350mA



473 231 811 932 ◊
◊ = B-B / BBR-B / GC-B / W-W

2700 K

LED [H] 7,1W / 743lm / 350mA



473 231 811 922 ◊
◊ = B-B / BBR-B / GC-B / W-W

ADJUSTABLE 0-90° / 355°

◊ CE 0.3 IP20

REQUIREMENTS

VIZIR TUBE

OPTIONS

COVERSET R

LED POWER SUPPLY 350mA-DC / DIM

ACCESSORIES

HONEYCOMB / LENS

HEDRA L ON

LED [H] 10,4W / 1075lm / 500mA

473 232 811 932 ◊
◊ = B-B / BBR-B / GC-B / W-W

LED [H] 10,4W / 1032lm / 500mA

473 232 811 922 ◊
◊ = B-B / BBR-B / GC-B / W-W

ADJUSTABLE 0-90° / 355°

◊ CE 0.4 IP20

REQUIREMENTS

VIZIR TUBE

OPTIONS

COVERSET R

LED POWER SUPPLY 500mA-DC / DIM

ACCESSORIES

HONEYCOMB / LENS



FULL INFO TECHNICAL CHAPTER **REQUIREMENTS**

INSTALLATION

VIZIR TUBE ◇

473 01 00 ◇

◇ = B / FBR / FG / W



FULL INFO TECHNICAL CHAPTER **ACCESSORIES**

VIZIR HONEYCOMB ◇

473 03 01 ◇

◇ = B



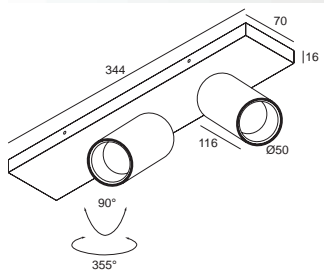
Ø40

VIZIR SOFTENING LENS

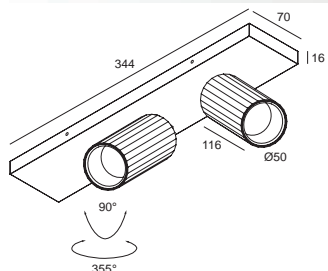
473 03 04

Ø40

VIZIR ON



HEDRA ON



CRI > 90

VIZIR ON 2

2 x LED [H] 7,1W / 774lm / 350mA



3000 K



1-10V



REFL FL 33°

473 131 812 932 ED1 ◇

◇ = BBR-B / GC-B / W-W



2700 K



1-10V



REFL FL 33°

473 131 812 922 ED1 ◇

◇ = BBR-B / GC-B / W-W

ADJUSTABLE 0°- 90° / 355°

220-240V / 50-60Hz

◇ CE 0,9 IP20

REQUIREMENTS

2 x VIZIR TUBE

ACCESSORIES

HONEYCOMB / LENS

HEDRA ON 2

2 x LED [H] 7,1W / 774lm / 350mA

473 231 812 932 ED1 ◇

◇ = B-B / BBR-B / GC-B / W-W

2 x LED [H] 7,1W / 743lm / 350mA

473 231 812 922 ED1 ◇

◇ = B-B / BBR-B / GC-B / W-W

ADJUSTABLE 0°- 90° / 355°

220-240V / 50-60Hz

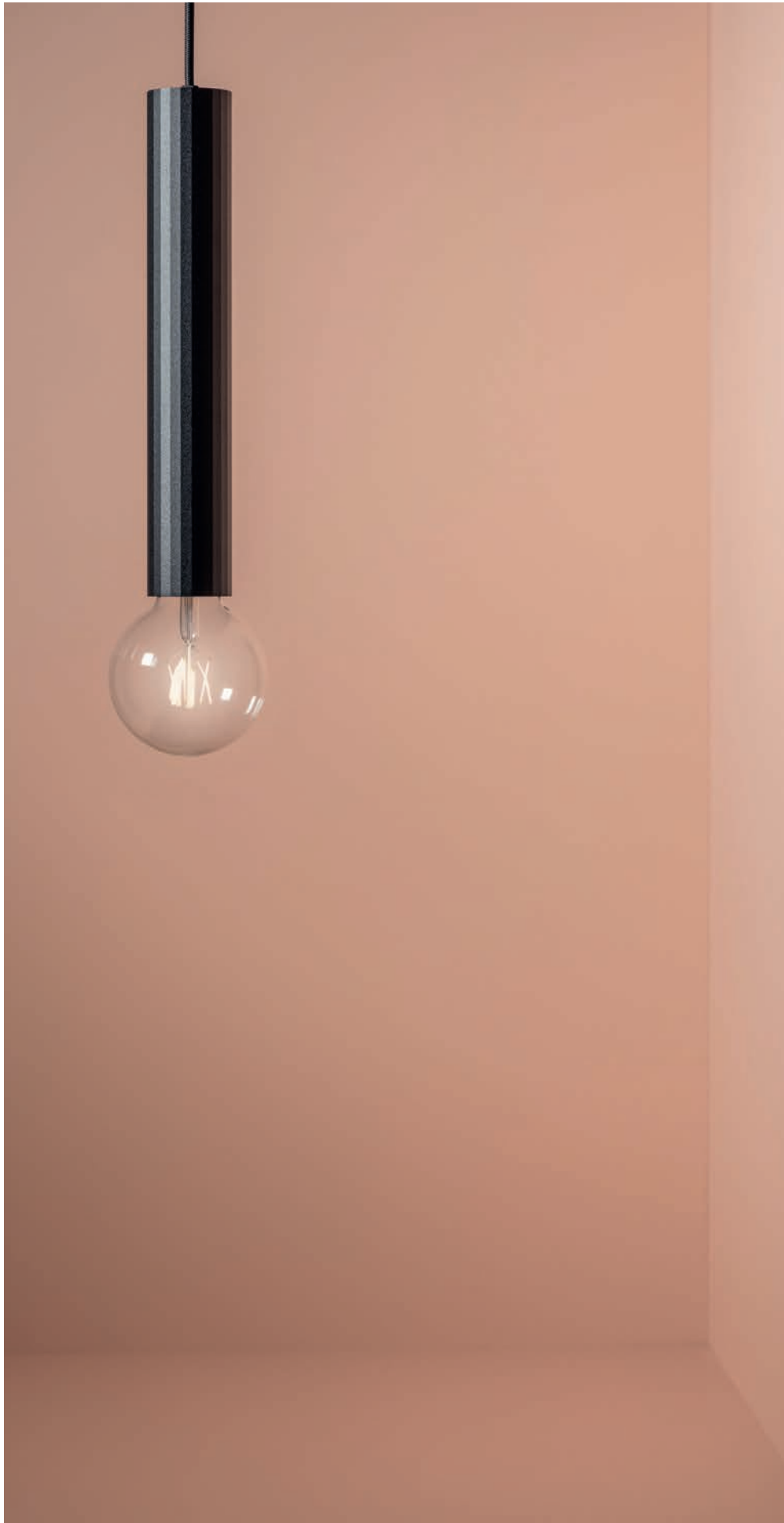
◇ CE 0,9 IP20

REQUIREMENTS

2 x VIZIR TUBE

ACCESSORIES

HONEYCOMB / LENS



FULL INFO TECHNICAL CHAPTER

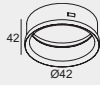
REQUIREMENTS

INSTALLATION

MIDISPY TUBE ◇

414 03 00 ◇

◇ = B / FBR / FG / MMAT / SG / W



FULL INFO TECHNICAL CHAPTER

OPTIONS

INSTALLATION



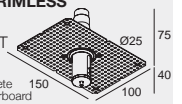
SUSPENSION + CONNECTION TRIMLESS

328 10 02

INCL. 1 x AUTOMATIC ADJUSTMENT

INCL. 1 x CONNECTOR 3 x 2.5mm²

play.deltalight.com/suspensiontrimlessconcrete
play.deltalight.com/suspensiontrimlessplasterboard

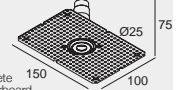


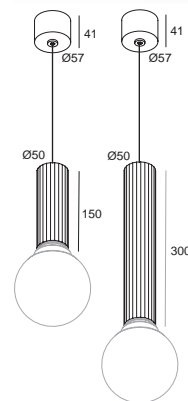
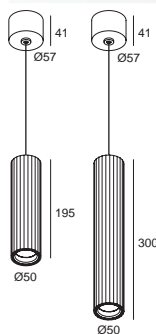
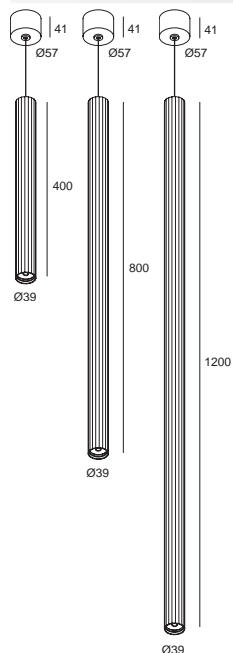
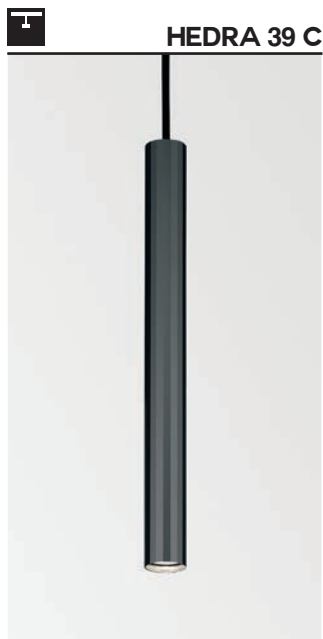
CONNECTION TRIMLESS

328 10 03

INCL. 1 x CONNECTOR 3 x 2.5mm²

play.deltalight.com/suspensiontrimlessconcrete
play.deltalight.com/suspensiontrimlessplasterboard





CRI > 90	HEDRA 39 C	
3000 K	LED 7,1W / 774lm / 350mA	
REFL FL 24°	400mm	472 121 811 931 ◊ ◊ = B / BBR / GC / W
	800mm	472 122 811 931 ◊ ◊ = B / BBR / GC / W
	1200mm	472 123 811 931 ◊ ◊ = B / BBR / GC / W
2700 K	LED 7,1W / 743lm / 350mA	
REFL FL 24°	400mm	472 121 811 921 ◊ ◊ = B / BBR / GC / W
	800mm	472 122 811 921 ◊ ◊ = B / BBR / GC / W
	1200mm	472 123 811 921 ◊ ◊ = B / BBR / GC / W
INCL. 1 x CABLE 2 x 0.75mm ² / 1.6m 220-240V / 50-60Hz		
☐ CE IP20		
OPTIONS CONNECTION TRIMLESS		

CRI > 90	HEDRA 45 C	
3000 K	LED 6,4W / 587lm / 350mA	
REFL WFL 40°	195mm	472 221 932 ED8 ◊ ◊ = B / BBR / GC / W
	300mm	472 222 932 ED8 ◊ ◊ = B / BBR / GC / W
	2700 K	
REFL WFL 40°	195mm	472 221 922 ED8 ◊ ◊ = B / BBR / GC / W
	300mm	472 222 922 ED8 ◊ ◊ = B / BBR / GC / W
	INCL. 1 x CABLE 2 x 0.75mm ² / 1.6m 220-240V / 50-60Hz MAINS DIMMING (FE)	
☐ CE IP20		
REQUIREMENTS MIDISPY TUBE		
OPTIONS CONNECTION TRIMLESS		

HEDRA 45 C E27	
1 x A60 max.20W	
150mm	472 221 01 ◊ ◊ = B / BBR / GC / W
300mm	472 222 01 ◊ ◊ = B / BBR / GC / W
INCL. 1 x CABLE 2 x 0.75mm ² / 1.6m E27Ls / 100-240V / 50-60Hz	
☐ CE IP20	
OPTIONS CONNECTION TRIMLESS LED SOLUTION - PAG TEC 7	



FULL INFO TECHNICAL CHAPTER

OPTIONS

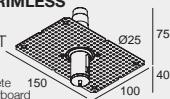
INSTALLATION

SUSPENSION + CONNECTION TRIMLESS

328 10 02

INCL. 1 x AUTOMATIC ADJUSTMENT
INCL. 1 x CONNECTOR 3 x 2.5mm²

play.deltalight.com/suspensiontrimlessconcrete
play.deltalight.com/suspensiontrimlessplasterboard

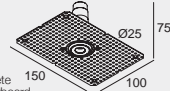


CONNECTION TRIMLESS

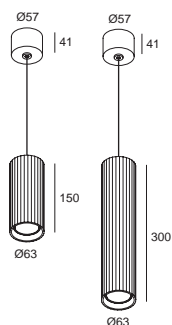
328 10 03

INCL. 1 x CONNECTOR 3 x 2.5mm²

play.deltalight.com/suspensiontrimlessconcrete
play.deltalight.com/suspensiontrimlessplasterboard



HEDRA 62 C HI



HEDRA 62 C Hi

1 x QPAR51 max.35W

150mm **472 321 00** ◇
0,6 ◇ = B / BBR / GC / W

300mm **472 322 00** ◇
0,8 ◇ = B / BBR / GC / W

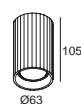
INCL. 1 x CABLE 2 x 0.75mm² / 1.6m
GU10 / 100-240V / 50-60Hz

CE IP20 (0,5)

OPTIONS

CONNECTION TRIMLESS
LED SOLUTION - PAG TEC 7

HEDRA 62 ON HI



HEDRA 62 ON Hi

QPAR51 max.10W

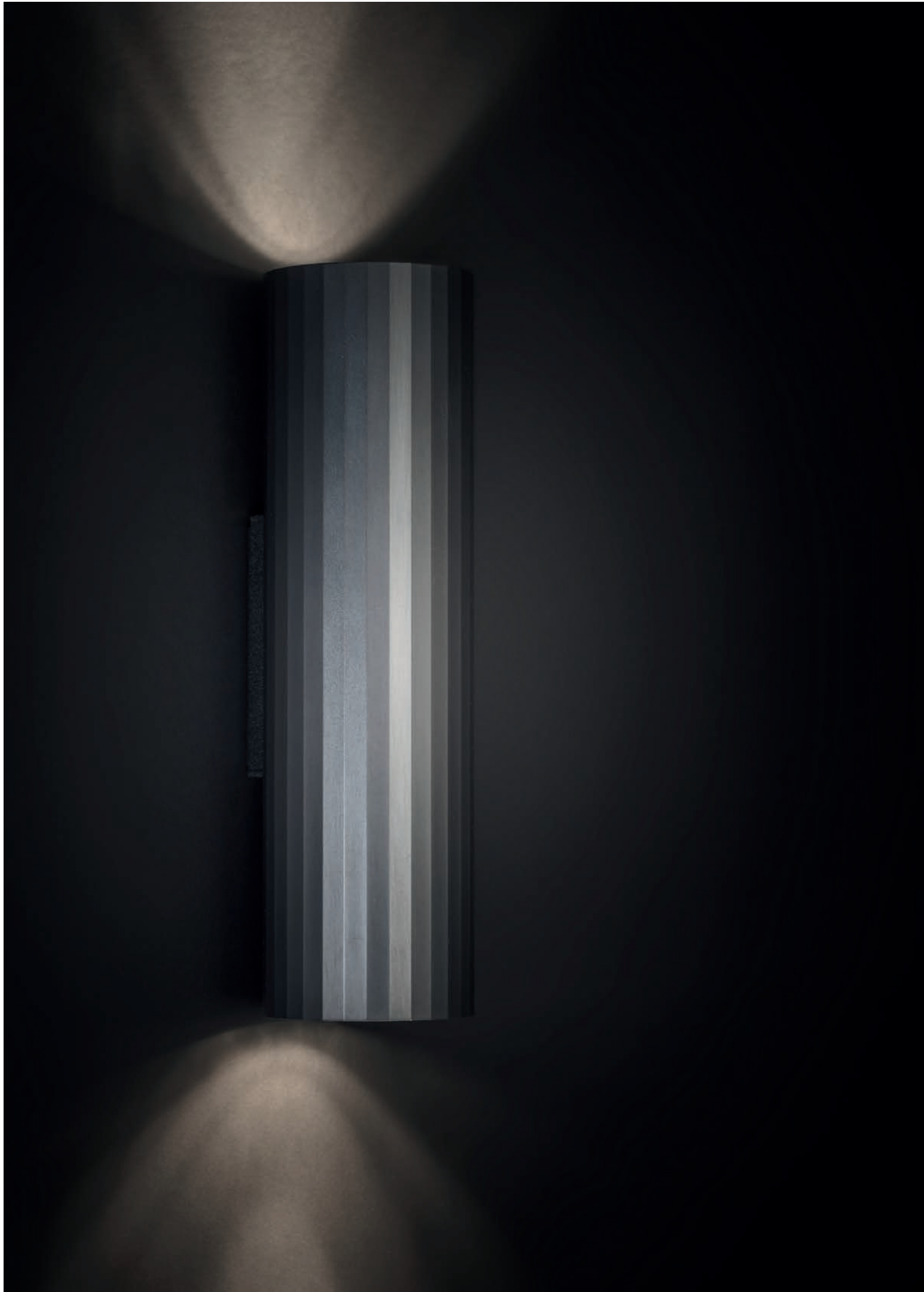
472 331 00 ◇
◇ = B / BBR / GC / W

GU10 / 100-240V / 50-60Hz

CE 0,2 IP20 (0,5)

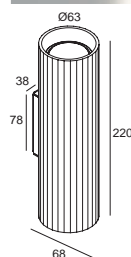
OPTIONS

LED SOLUTION - PAG TEC 7





HEDRA 62 W HI



HEDRA 62 W HI

2 x QPAR51 max.35W

472 362 00 ◇

◇ = B / BBR / GC / W

GU10 / 100-240V / 50-60Hz

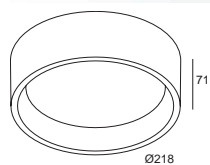
CE 0,7 IP20 0,5

OPTIONS

LED SOLUTION - PAG TEC 7



DIRO SBL L ON



CRI > 80

DIRO SBL L ON

3000
K

LED CLUSTER 17,5W / 2635lm / 1050mA

251 81 83 ◇
◇ = W

NON ADJUSTABLE
100-240V / 50-60Hz

◇ CE 1,7 IP43



OPTIONS

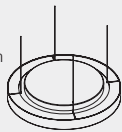
INSTALLATION



SUSPENSION SET 25 3m

328 25 43

INCL. 4 x CABLE SUSP. SINGLE AUTO. 3m
INCL. 1 x CABLE 3 x 0,75mm²



SUSPENSION SET 25 3m ED

328 25 43 ED

INCL. 4 x CABLE SUSP. SINGLE AUTO. 3m
INCL. 1 x CABLE 5 x 0,75mm²

CABLE BASE R ◇

Ø57 x 41

203 99 55 ◇

◇ = ANO / B / W



CABLE BASE S ◇

57 x 57 x 41

203 99 56 ◇

◇ = ANO / B / W



COVERSET R ◇

204 00 62 ◇

Ø62

204 00 90 ◇

Ø90

204 00 100 ◇

Ø100

◇ = ANO / B / W



COVERSET S ◇

204 62 62 ◇

62 x 62

204 80 80 ◇

80 x 80

204 90 90 ◇

90 x 90

◇ = ANO / B / W



CENTRAL ROD SUSPENSION SN FLAT 1m

274 97 10 ◇

◇ = B / W

INCL. CABLE 2 x 0,75mm² + CABLE 3 x 0,75mm²

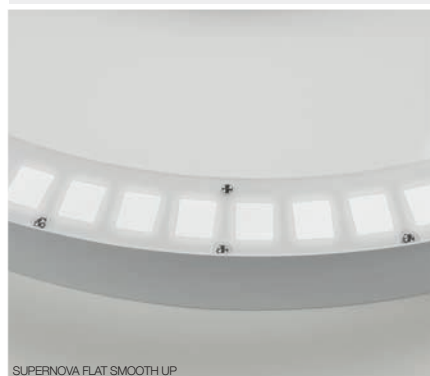
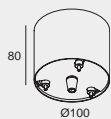


CENTRAL SUSPENSION SN FLAT 3m

328 26 23 ◇

◇ = B / W

INCL. CABLE 5 x 0,75mm²



SUPERNOVA FLAT SMOOTH UP



CENTRAL ROD SUSPENSION

CRI > 80

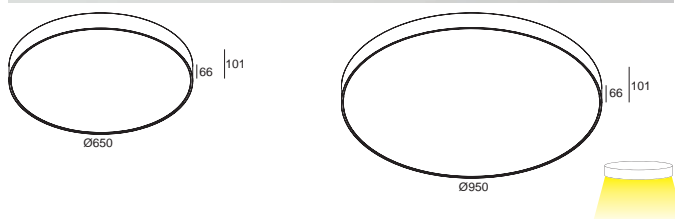
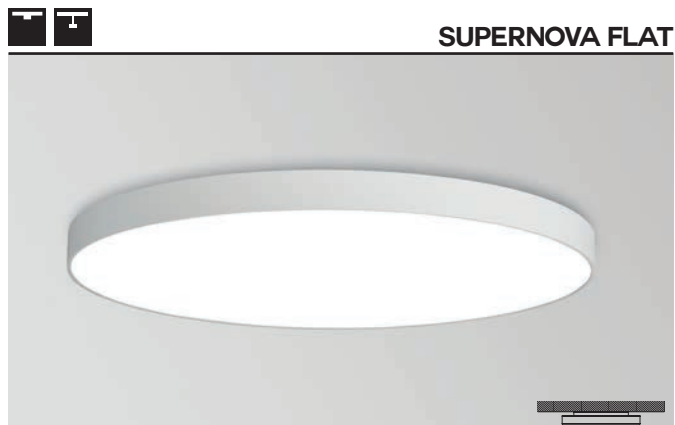
3000 K PC SBL



UGR < 19 CRI > 80

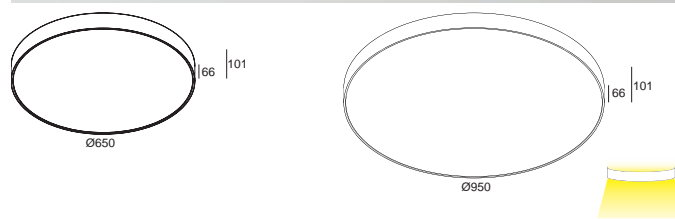
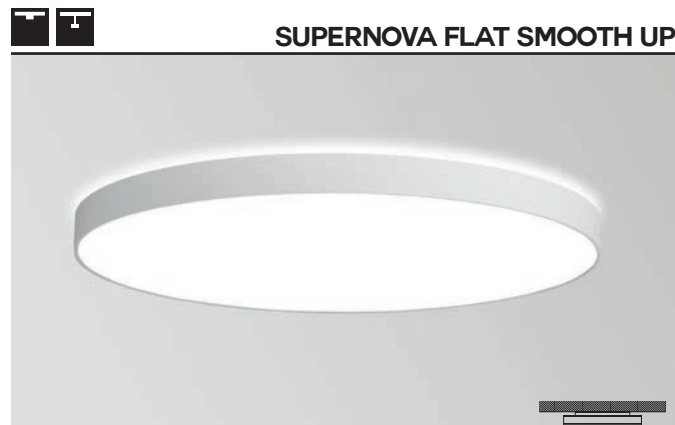
3000 K PC PRIS





SUPERNOVA FLAT 6583	SUPERNOVA FLAT 9583
LED CLUSTER 44W / 5247lm / 950mA* LED CLUSTER 68W / 6795lm / 1400mA*	LED CLUSTER 68W / 8491lm / 1400mA* LED CLUSTER 104W / 11565lm / 2200mA* LED CLUSTER 136W / 14979lm / 2800mA*
274 97 6583 ◇ ◇ = B / W	274 97 9583 ◇ ◇ = B / W
274 97 6583 ED1 ◇ ◇ = B / W	274 97 9583 ED1 ◇ ◇ = B / W
274 97 6583 ED5 ◇ ◇ = B / W	274 97 9583 ED5 ◇ ◇ = B / W
220-240V / 0 50-60Hz ◇ CE 110 IP20	220-240V / 0 50-60Hz ◇ CE 160 IP20
OPTIONS SUSPENSION SET 25 3m (NON DIM) SUSPENSION SET 25 3m ED (DIM1 / DIM5) CABLE BASE R / S (for SUSPENSION SET) COVERSET R / S (for SUSPENSION SET) CENTRAL ROD SUSPENSION SN FLAT 1m CENTRAL SUSPENSION SN FLAT 3m	OPTIONS SUSPENSION SET 25 3m (NON DIM) SUSPENSION SET 25 3m ED (DIM1 / DIM5) CABLE BASE R / S (for SUSPENSION SET) COVERSET R / S (for SUSPENSION SET) CENTRAL ROD SUSPENSION SN FLAT 1m CENTRAL SUSPENSION SN FLAT 3m

SUPERNOVA FLAT 6583 PRISMATIC	SUPERNOVA FLAT 9583 PRISMATIC
LED CLUSTER 44W / 5247lm / 950mA	LED CLUSTER 68W / 8491lm / 1400mA* LED CLUSTER 104W / 11565lm / 2200mA*
274 97 6583 PR ◇ ◇ = B / W	274 97 9583 PR ◇ ◇ = B / W
274 97 6583 PR ED1 ◇ ◇ = B / W	274 97 9583 PR ED1 ◇ ◇ = B / W
274 97 6583 PR ED5 ◇ ◇ = B / W	274 97 9583 PR ED5 ◇ ◇ = B / W
220-240V / 0 50-60Hz ◇ CE 110 IP20	220-240V / 0 50-60Hz ◇ CE 160 IP20
OPTIONS SUSPENSION SET 25 3m (NON DIM) SUSPENSION SET 25 3m ED (DIM1 / DIM5) CABLE BASE R / S (for SUSPENSION SET) COVERSET R / S (for SUSPENSION SET) CENTRAL ROD SUSPENSION SN FLAT 1m CENTRAL SUSPENSION SN FLAT 3m	OPTIONS SUSPENSION SET 25 3m (NON DIM) SUSPENSION SET 25 3m ED (DIM1 / DIM5) CABLE BASE R / S (for SUSPENSION SET) COVERSET R / S (for SUSPENSION SET) CENTRAL ROD SUSPENSION SN FLAT 1m CENTRAL SUSPENSION SN FLAT 3m



SUPERNOVA FLAT 6583 SMOOTH UP	SUPERNOVA FLAT 9583 SMOOTH UP
LED CLUSTER 44W / 5247lm / 950mA* LED CLUSTER 68W / 6795lm / 1400mA*	LED CLUSTER 68W / 8491lm / 1400mA* LED CLUSTER 104W / 11565lm / 2200mA* LED CLUSTER 136W / 14979lm / 2800mA*
274 98 6583 ◇ ◇ = B / W	274 98 9583 ◇ ◇ = B / W
274 98 6583 ED1 ◇ ◇ = B / W	274 98 9583 ED1 ◇ ◇ = B / W
274 98 6583 ED5 ◇ ◇ = B / W	274 98 9583 ED5 ◇ ◇ = B / W
220-240V / 0 50-60Hz ◇ CE 8.7 IP20	220-240V / 0 50-60Hz ◇ CE 12.7 IP20
OPTIONS SUSPENSION SET 25 3m (NON DIM) SUSPENSION SET 25 3m ED (DIM1 / DIM5) CABLE BASE R / S (for SUSPENSION SET) COVERSET R / S (for SUSPENSION SET) CENTRAL ROD SUSPENSION SN FLAT 1m CENTRAL SUSPENSION SN FLAT 3m	OPTIONS SUSPENSION SET 25 3m (NON DIM) SUSPENSION SET 25 3m ED (DIM1 / DIM5) CABLE BASE R / S (for SUSPENSION SET) COVERSET R / S (for SUSPENSION SET) CENTRAL ROD SUSPENSION SN FLAT 1m CENTRAL SUSPENSION SN FLAT 3m

SUPERNOVA FLAT 6583 PRISMATIC SMOOTH UP	SUPERNOVA FLAT 9583 PRISMATIC SMOOTH UP
LED CLUSTER 44W / 5247lm / 950mA	LED CLUSTER 68W / 8491lm / 1400mA* LED CLUSTER 104W / 11565lm / 2200mA*
274 98 6583 PR ◇ ◇ = B / W	274 98 9583 PR ◇ ◇ = B / W
274 98 6583 PR ED1 ◇ ◇ = B / W	274 98 9583 PR ED1 ◇ ◇ = B / W
274 98 6583 PR ED5 ◇ ◇ = B / W	274 98 9583 PR ED5 ◇ ◇ = B / W
220-240V / 0 50-60Hz ◇ CE 8.7 IP20	220-240V / 0 50-60Hz ◇ CE 12.7 IP20
OPTIONS SUSPENSION SET 25 3m (NON DIM) SUSPENSION SET 25 3m ED (DIM1 / DIM5) CABLE BASE R / S (for SUSPENSION SET) COVERSET R / S (for SUSPENSION SET) CENTRAL ROD SUSPENSION SN FLAT 1m CENTRAL SUSPENSION SN FLAT 3m	OPTIONS SUSPENSION SET 25 3m (NON DIM) SUSPENSION SET 25 3m ED (DIM1 / DIM5) CABLE BASE R / S (for SUSPENSION SET) COVERSET R / S (for SUSPENSION SET) CENTRAL ROD SUSPENSION SN FLAT 1m CENTRAL SUSPENSION SN FLAT 3m

*MULTIPLE SETTINGS ONLY FOR NON DIM VERSION
DIMMABLE VERSION = HIGHEST CURRENT



FULL INFO TECHNICAL CHAPTER **REQUIREMENTS**

INSTALLATION

SUSPENSION SET 25 3m

328 25 43

INCL. 4 x CABLE SUSP. SINGLE AUTO. 3m
INCL. 1 x CABLE 3 x 0,75mm²

SUSPENSION SET 25 3m ED

328 25 43 ED

INCL. 4 x CABLE SUSP. SINGLE AUTO. 3m
INCL. 1 x CABLE 5 x 0,75mm²

CENTRAL ROD SUSPENSION SN FLAT 1m

274 97 10

◇ = B / W

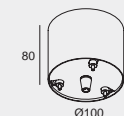
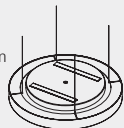
INCL. CABLE 2 x 0,75mm² + CABLE 3 x 0,75mm²

CENTRAL SUSPENSION SN FLAT 3m

328 26 23

◇ = B / W

INCL. CABLE 5 x 0,75mm²



FULL INFO TECHNICAL CHAPTER

OPTIONS

INSTALLATION

CABLE BASE R

◇ 057 x 41

203 99 55

◇ = ANO / B / W

CABLE BASE S

◇ 57 x 57 x 41

203 99 56

◇ = ANO / B / W

COVERSET R

204 00 62

◇ 062

204 00 90

◇ 090

204 00 100

◇ 100

◇ = ANO / B / W

COVERSET S

204 62 62

◇ 62 x 62

204 80 80

◇ 80 x 80

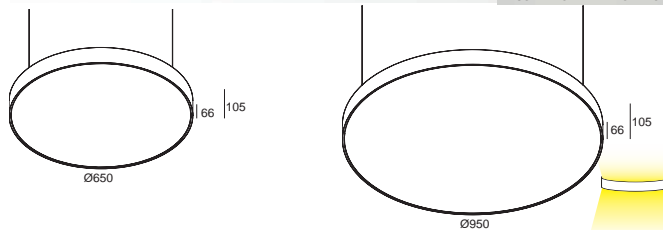
204 90 90

◇ 90 x 90

◇ = ANO / B / W



SUPERNOVA FLAT DOWN-UP



	CRI > 80	SUPERNOVA FLAT 6583 DOWN-UP	SUPERNOVA FLAT 9583 DOWN-UP
3000 K	PC SBL	LED CLUSTER UP 22W / 2780lm - LED CLUSTER DOWN 44W / 5247lm / 950mA* LED CLUSTER DOWN 68W / 6795lm / 1400mA*	LED CLUSTER UP 22W / 2780lm - LED CLUSTER DOWN 68W / 8491lm / 1400mA* LED CLUSTER DOWN 104W / 11565lm / 2200mA* LED CLUSTER DOWN 136W / 14979lm / 2800mA*
NON DIM		274 99 6583 ◇ ◇ = B / W	274 99 9583 ◇ ◇ = B / W
1-10V	CTRL DELTA R	274 99 6583 ED1 ◇ ◇ = B / W	274 99 9583 ED1 ◇ ◇ = B / W
DALI	CTRL DELTA R	274 99 6583 ED5 ◇ ◇ = B / W 2 DALI ADDRESSES	274 99 9583 ED5 ◇ ◇ = B / W 2 DALI ADDRESSES
		220-240V / 0 50-60Hz ◇ CE 11.0 IP20	220-240V / 0 50-60Hz ◇ CE 16.0 IP20
		REQUIREMENTS SUSPENSION SET 25 3m (NON DIM) SUSPENSION SET 25 3m ED (DIM1 / DIM5) or CENTRAL ROD SUSPENSION SN FLAT 1m or CENTRAL SUSPENSION SN FLAT 3m	REQUIREMENTS SUSPENSION SET 25 3m (NON DIM) SUSPENSION SET 25 3m ED (DIM1 / DIM5) or CENTRAL ROD SUSPENSION SN FLAT 1m or CENTRAL SUSPENSION SN FLAT 3m
		OPTIONS CABLE BASE R / S (for SUSPENSION SET) COVERSET R / S (for SUSPENSION SET)	OPTIONS CABLE BASE R / S (for SUSPENSION SET) COVERSET R / S (for SUSPENSION SET)
UGR < 19	CRI > 80	SUPERNOVA FLAT 6583 PRISMATIC DOWN-UP	SUPERNOVA FLAT 9583 PRISMATIC DOWN-UP
3000 K	PC PRIS	LED CLUSTER UP 22W / 2780lm - LED CLUSTER DOWN 44W / 5247lm / 950mA	LED CLUSTER UP 22W / 2780lm - LED CLUSTER DOWN 68W / 8491lm / 1400mA* LED CLUSTER DOWN 104W / 11565lm / 2200mA*
NON DIM		274 99 6583 PR ◇ ◇ = B / W	274 99 9583 PR ◇ ◇ = B / W
1-10V	CTRL DELTA R	274 99 6583 PR ED1 ◇ ◇ = B / W	274 99 9583 PR ED1 ◇ ◇ = B / W
DALI	CTRL DELTA R	274 99 6583 PR ED5 ◇ ◇ = B / W 2 DALI ADDRESSES	274 99 9583 PR ED5 ◇ ◇ = B / W 2 DALI ADDRESSES
		220-240V / 0 50-60Hz ◇ CE 11.0 IP20	220-240V / 0 50-60Hz ◇ CE 16.0 IP20
		REQUIREMENTS SUSPENSION SET 25 3m (NON DIM) SUSPENSION SET 25 3m ED (DIM1 / DIM5) or CENTRAL ROD SUSPENSION SN FLAT 1m or CENTRAL SUSPENSION SN FLAT 3m	REQUIREMENTS SUSPENSION SET 25 3m (NON DIM) SUSPENSION SET 25 3m ED (DIM1 / DIM5) or CENTRAL ROD SUSPENSION SN FLAT 1m or CENTRAL SUSPENSION SN FLAT 3m
		OPTIONS CABLE BASE R / S (for SUSPENSION SET) COVERSET R / S (for SUSPENSION SET)	OPTIONS CABLE BASE R / S (for SUSPENSION SET) COVERSET R / S (for SUSPENSION SET)

*MULTIPLE SETTINGS ONLY FOR NON DIM VERSION
DIMMABLE VERSION = HIGHEST CURRENT

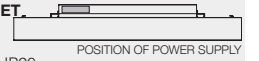


FULL INFO TECHNICAL CHAPTER **REQUIREMENTS**

CONTROL GEAR



LED POWER SUPPLY SET
830mA-DC / 36W
300 90 145



100-240V / 50-60Hz IP20

POSITION OF POWER SUPPLY

LED POWER SUPPLY SET
830mA-DC / 36W DIM1
300 90 146 ED1

100-240V / 50-60Hz IP20

LED POWER SUPPLY SET
830mA-DC / 36W DIM5
300 90 147 ED5

100-240V / 50-60Hz IP20

FULL INFO TECHNICAL CHAPTER **OPTIONS**

INSTALLATION



SUSPENSION SET 26 3m
328 26 43

INCL. 4 x CABLE SUSP. SINGLE AUTO. 3m
 INCL. 1 x CABLE 3 x 0,75mm²



SUSPENSION SET 26 3m ED
328 26 43 ED

INCL. 4 x CABLE SUSP. SINGLE AUTO. 3m
 INCL. 1 x CABLE 5 x 0,75mm²

CABLE BASE R ◇ Ø57 x 41
203 99 55 ◇
 ◇ = ANO / B / W



CABLE BASE S ◇ 57 x 57 x 41
203 99 56 ◇
 ◇ = ANO / B / W

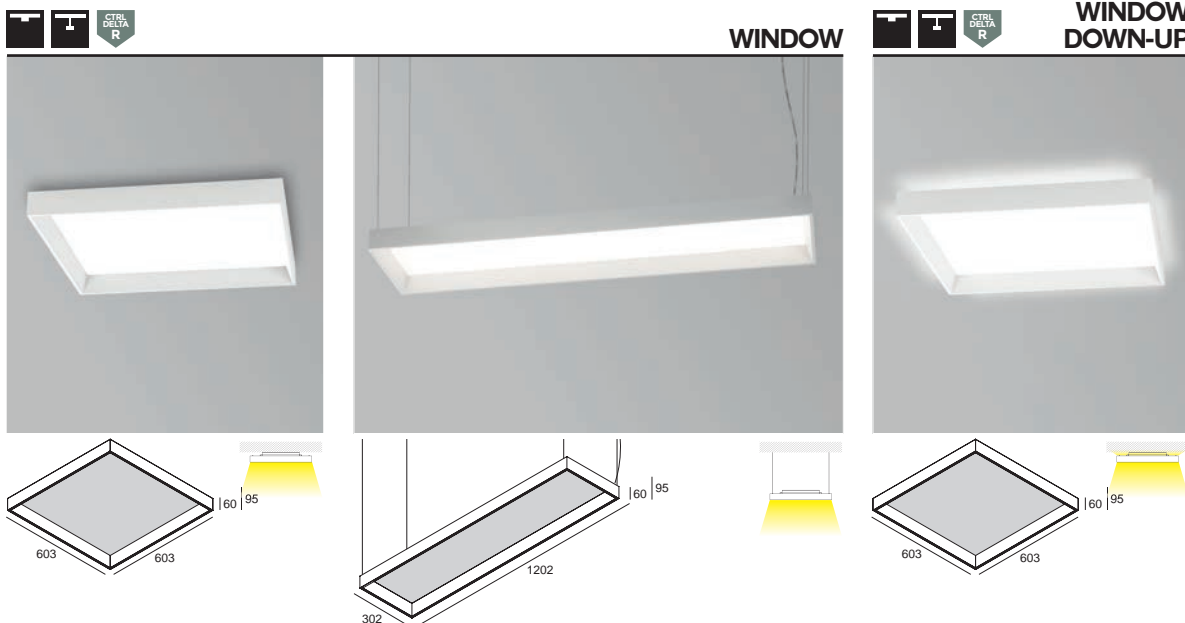


COVERSET R ◇
204 00 62 ◇ Ø62
204 00 90 ◇ Ø90
204 00 100 ◇ Ø100
 ◇ = ANO / B / W



COVERSET S ◇
204 62 62 ◇ 62 x 62
204 80 80 ◇ 80 x 80
204 90 90 ◇ 90 x 90
 ◇ = ANO / B / W





CRI > 80

WINDOW 6060

3000 K

PC SBL

LED CLUSTER 36W / 4150lm

274 106 00 ◇
◇ = B / W

IP20

REQUIREMENTS

LED POWER SUPPLY SET
830mA-DC / 36W
or
LED POWER SUPPLY SET
830mA-DC / 36W DIM1
or
LED POWER SUPPLY SET
830mA-DC / 36W DIM5

OPTIONS

SUSPENSION SET 26 3m (NON DIM)
SUSPENSION SET 26 3m ED (DIM1 / DIM5)
CABLE BASE R / S
COVERSET R / S

WINDOW 30120 C

LED CLUSTER 36W / 4150lm

274 312 00 ◇
◇ = B / W

IP20

REQUIREMENTS

LED POWER SUPPLY SET
830mA-DC / 36W
+
SUSPENSION SET 26 3m (NON DIM)

or

LED POWER SUPPLY SET
830mA-DC / 36W DIM1
+
SUSPENSION SET 26 3m ED (DIM1 / DIM5)

or

LED POWER SUPPLY SET
830mA-DC / 36W DIM5
+
SUSPENSION SET 26 3m ED (DIM1 / DIM5)

OPTIONS

CABLE BASE R / S
COVERSET R / S

WINDOW DOWN-UP

WINDOW 6060 DOWN-UP

LED CLUSTER (UP) 14W / 1428lm
LED CLUSTER (DOWN) 36W / 4150lm

274 106 01 ◇
◇ = B / W

INCL. POWER SUPPLY FOR UP (NON DIM)
100-240V / 50-60Hz

IP20

REQUIREMENTS

LED POWER SUPPLY SET
830mA-DC / 36W
or
LED POWER SUPPLY SET
830mA-DC / 36W DIM1
or
LED POWER SUPPLY SET
830mA-DC / 36W DIM5

OPTIONS

SUSPENSION SET 26 3m (NON DIM)
SUSPENSION SET 26 3m ED (DIM1 / DIM5)
CABLE BASE R / S
COVERSET R / S

SUPERLOOP NEW COLOURS_



FULL INFO TECHNICAL CHAPTER

REQUIREMENTS

CONTROL GEAR



LED POWER SUPPLY 48V / 90W	314 x 63 x 40
300 89 48 90	
LED POWER SUPPLY 48V / 100W	100 x 55 x 90
300 89 48 100	
LED POWER SUPPLY 48V / 150W	240 x 60 x 49
300 89 48 150	
LED POWER SUPPLY 48V / 240W	114 x 63 x 125
300 89 48 240	

FULL INFO TECHNICAL CHAPTER

OPTIONS

INSTALLATION



CABLE BASE R ◇ Ø57 x 41
 203 99 55 ◇
 ◇ = ANO / B / W



CABLE BASE S ◇ 57 x 57 x 41
 203 99 56 ◇
 ◇ = ANO / B / W



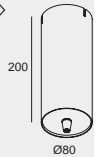
COVERSET R ◇
 204 00 62 ◇ Ø62
 204 00 90 ◇ Ø90
 204 00 100 ◇ Ø100
 ◇ = ANO / B / W



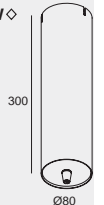
COVERSET S ◇
 204 62 62 ◇ 62 x 62
 204 80 80 ◇ 80 x 80
 204 90 90 ◇ 90 x 90
 ◇ = ANO / B / W



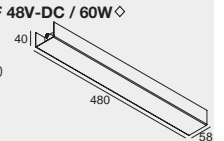
SUPERLOOP POWERBOX L 48V-DC / 50W ◇
 418 48 050 ◇
 ◇ = B
 110-240V / 50-60Hz ◇ IP20



SUPERLOOP POWERBOX H 48V-DC / 100W ◇
 418 48 100 ◇
 ◇ = B
 110-240V / 50-60Hz ◇ IP20



SUPERLOOP POWERBOX F 48V-DC / 60W ◇
 300 48 060 ◇
 ◇ = B
 110-240V / 50-60Hz ◇ IP20



**DIMMABLE
MODULATOR 48V-DC DIM9** 93 x 78 x 56
 300 90 011

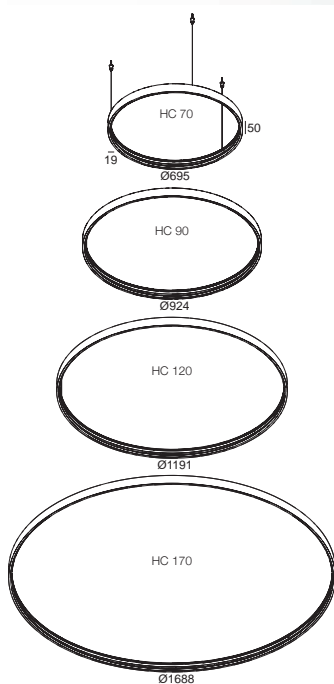


**WIRELESS DIMMABLE
MODULATOR 48V-DC** 93 x 78 x 56
 300 90 012



DIMMABLE MODULATION INFO PAG TEC 6
 DIM9: DIMMING BY 1-10V / DALI / PUSH BUTTON

CTRL DELTA R SMART 48V IN SUPERLOOP HC MDL



SUPERLOOP HC 70 MDL

418 481 07 ◊
◊ = B / FBR / FG
2,3

SUPERLOOP HC 90 MDL

418 481 09 ◊
◊ = B / FBR / FG
3,0

SUPERLOOP HC 120 MDL

418 481 12 ◊
◊ = B / FBR / FG
3,9

SUPERLOOP HC 170 MDL

418 481 17 ◊
◊ = B / FBR / FG
5,5

INCL.3 x CABLE SUSP. SINGLE AUTO. 3m
INCL.1 x CABLE 2 x 0,75mm²

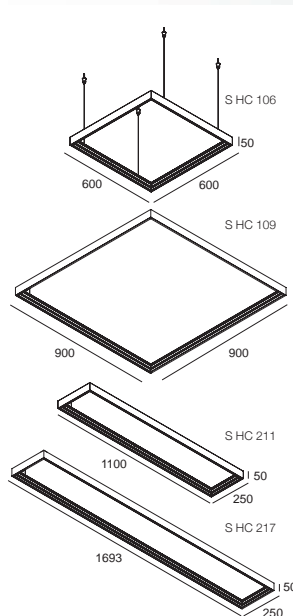
CE IP20

REQUIREMENTS
SUPERLOOP MODULES (MAX.250W)
LED POWER SUPPLY 48V-DC

OPTIONS
CABLE BASE R / S
COVERSET R / S
SUPERLOOP POWERBOX 48V-DC
DIMMABLE MODULATOR

PATENTED

CTRL DELTA R SMART 48V IN SUPERLOOP S HC MDL



SUPERLOOP S HC 106 MDL

418 482 106 ◊
◊ = B
3,0

SUPERLOOP S HC 109 MDL

418 482 109 ◊
◊ = B
3,7

SUPERLOOP S HC 211 MDL

418 482 211 ◊
◊ = B
3,0

SUPERLOOP S HC 217 MDL

418 482 217 ◊
◊ = B
3,7

INCL.4 x CABLE SUSP. SINGLE AUTO. 3m
INCL.1 x CABLE 2 x 0,75mm²

CE IP20

REQUIREMENTS
SUPERLOOP MODULES (MAX.250W)
LED POWER SUPPLY 48V-DC

OPTIONS
CABLE BASE R / S
COVERSET R / S
SUPERLOOP POWERBOX 48V-DC
DIMMABLE MODULATOR

PATENTED

SUPERLOOP NEW MODULES

FULL INFO TECHNICAL CHAPTER

REQUIREMENTS

INSTALLATION

VIZIR TUBE ◊

473 01 00 ◊

◊ = B / FBR / FG / W



MIDISPY TUBE ◊

414 03 00 ◊

◊ = B / FBR / FG / MMAT / SG / W



FIX 40 GLASS CLEAR

418 163 01

FIX 40 GLASS FROSTED

418 163 02



FULL INFO TECHNICAL CHAPTER

ACCESSORIES

VIZIR HONEYCOMB ◊

473 03 01 ◊

◊ = B



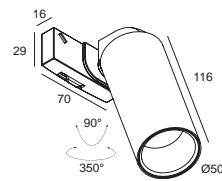
VIZIR SOFTENING LENS

473 03 04

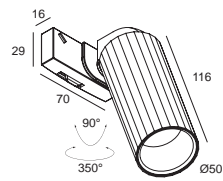
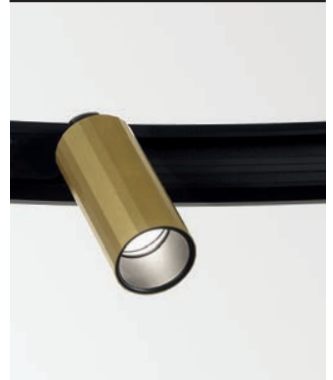
Ø40



SUPERLOOP -VIZIR



SUPERLOOP -HEDRA



CRI > 80

SUPERLOOP-VIZIR MDL

3000
K

LED [C] 6W / 558lm / 48V-DC

LENS
SP
15°

418 367 831 MDL ◊
◊ = BBR / GC

2700
K

LED [C] 6W / 558lm / 48V-DC

LENS
SP
15°

418 367 821 MDL ◊
◊ = BBR / GC

ADJUSTABLE 0-90° / 350°

◊ CE 0.3 IP20

REQUIREMENTS

VIZIR TUBE

ACCESSORIES
HONEYCOMB / LENS

SUPERLOOP-HEDRA MDL

LED [C] 6W / 558lm / 48V-DC

418 368 831 MDL ◊
◊ = BBR / GC

LED [C] 6W / 558lm / 48V-DC

418 368 821 MDL ◊
◊ = BBR / GC

ADJUSTABLE 0-90° / 350°

◊ CE 0.3 IP20

REQUIREMENTS

VIZIR TUBE

ACCESSORIES
HONEYCOMB / LENS

CRI > 90

SUPERLOOP-VIZIR MDL

3000
K

LED [H] 7,1W / 774lm / 48V-DC

REFL
FL
53°

418 367 811 932 MDL ◊
◊ = BBR / GC

2700
K

LED [H] 7,1W / 743lm / 48V-DC

REFL
FL
33°

418 367 811 922 MDL ◊
◊ = BBR / GC

ADJUSTABLE 0-90° / 350°

◊ CE 0.3 IP20

REQUIREMENTS

VIZIR TUBE

ACCESSORIES
HONEYCOMB / LENS

SUPERLOOP-HEDRA MDL

LED [H] 7,1W / 774lm / 48V-DC

418 368 811 932 MDL ◊
◊ = BBR / GC

LED [H] 7,1W / 743lm / 48V-DC

418 368 811 922 MDL ◊
◊ = BBR / GC

ADJUSTABLE 0-90° / 350°

◊ CE 0.3 IP20

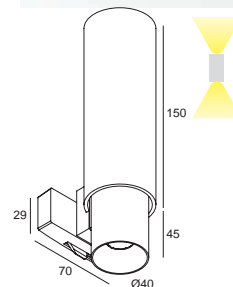
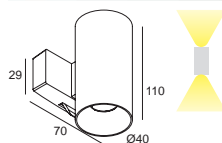
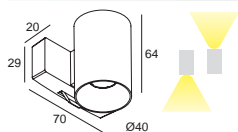
REQUIREMENTS

VIZIR TUBE

ACCESSORIES
HONEYCOMB / LENS



SUPERLOOP FIX



CRI > 80

SUPERLOOP-FIX 40 MDL

3000 K

LED 4,1W / 425lm / 48V-DC



418 161 832 MDL ◊
◊ = B

2700 K

LED 4,1W / 425lm / 48V-DC



418 161 822 MDL ◊
◊ = B

NON ADJUSTABLE
◊ CE 0.2 IP20

SUPERLOOP-FIX 40 DOWN-UP MDL

LED 2,1W / 227lm (UP) / 48V-DC
LED 4,1W / 425lm (DOWN) / 48V-DC

418 162 832 MDL ◊
◊ = B

LED 2,1W / 213lm (UP) / 48V-DC
LED 4,1W / 425lm (DOWN) / 48V-DC

418 162 822 MDL ◊
◊ = B

NON ADJUSTABLE
◊ CE 0.2 IP20

SUPERLOOP-FIX 40 DOWN-UP GT MDL

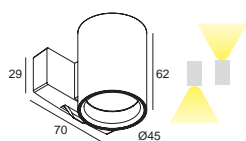
LED 2,1W / 227lm (UP) / 48V-DC
LED 4,1W / 425lm (DOWN) / 48V-DC

418 163 832 MDL ◊
◊ = B

LED 2,1W / 213lm (UP) / 48V-DC
LED 4,1W / 425lm (DOWN) / 48V-DC

418 163 822 MDL ◊
◊ = B

NON ADJUSTABLE
◊ CE 0.2 IP20
REQUIREMENTS
FIX 40 GLASS



CRI > 90

SUPERLOOP-FIX 45 MDL

3000 K

LED 8,4W / 672lm / 48V-DC



418 263 933 MDL ◊
◊ = B

2700 K

LED 8,4W / 672lm / 48V-DC



418 263 923 MDL ◊
◊ = B

NON ADJUSTABLE
◊ CE 0.2 IP20

REQUIREMENTS
MIDISPY TUBE



SUPERLOOP NEW MODULES_

INTERIOR

FULL INFO TECHNICAL CHAPTER REQUIREMENTS

INSTALLATION

SPY TUBE ◊

414 01 00 ◊

◊ = B / FBR / FG / MMAT / SG / W



DIMMABLE MODULATOR 48V-DC DIM9

300 90 011

93 x 78 x 56

WIRELESS DIMMABLE MODULATOR 48V-DC

300 90 012

93 x 78 x 56

DIMMABLE MODULATION INFO PAG.TEC 6

DIM9: DIMMING BY 1-10V / DALI / PUSH BUTTON

FULL INFO TECHNICAL CHAPTER ACCESSORIES

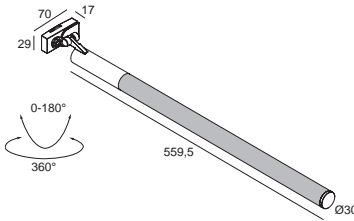
SPY PUNK SLEEVE ◊

414 11 00 ◊

◊ = B / BP / GC



CTRL DELTA R SMART 48 IN SUPERLOOP - XY180



CRI > 90

SUPERLOOP XY180



LED CLUSTER 8,5W / 1495lm / 48V-DC

418 561 93 MDL ◊

◊ = B

ADJUSTABLE 0-180° / 360°

◊ CE 0,4 IP20

CRI > 90

SUPERLOOP - SPY SOFT



SOFT DIM

LED 10W / 565lm / 48V-DC



418 361 1902 MDL ◊

◊ = B

ADJUSTABLE 0-90° / 355°

◊ CE 0,5 IP20

REQUIREMENTS

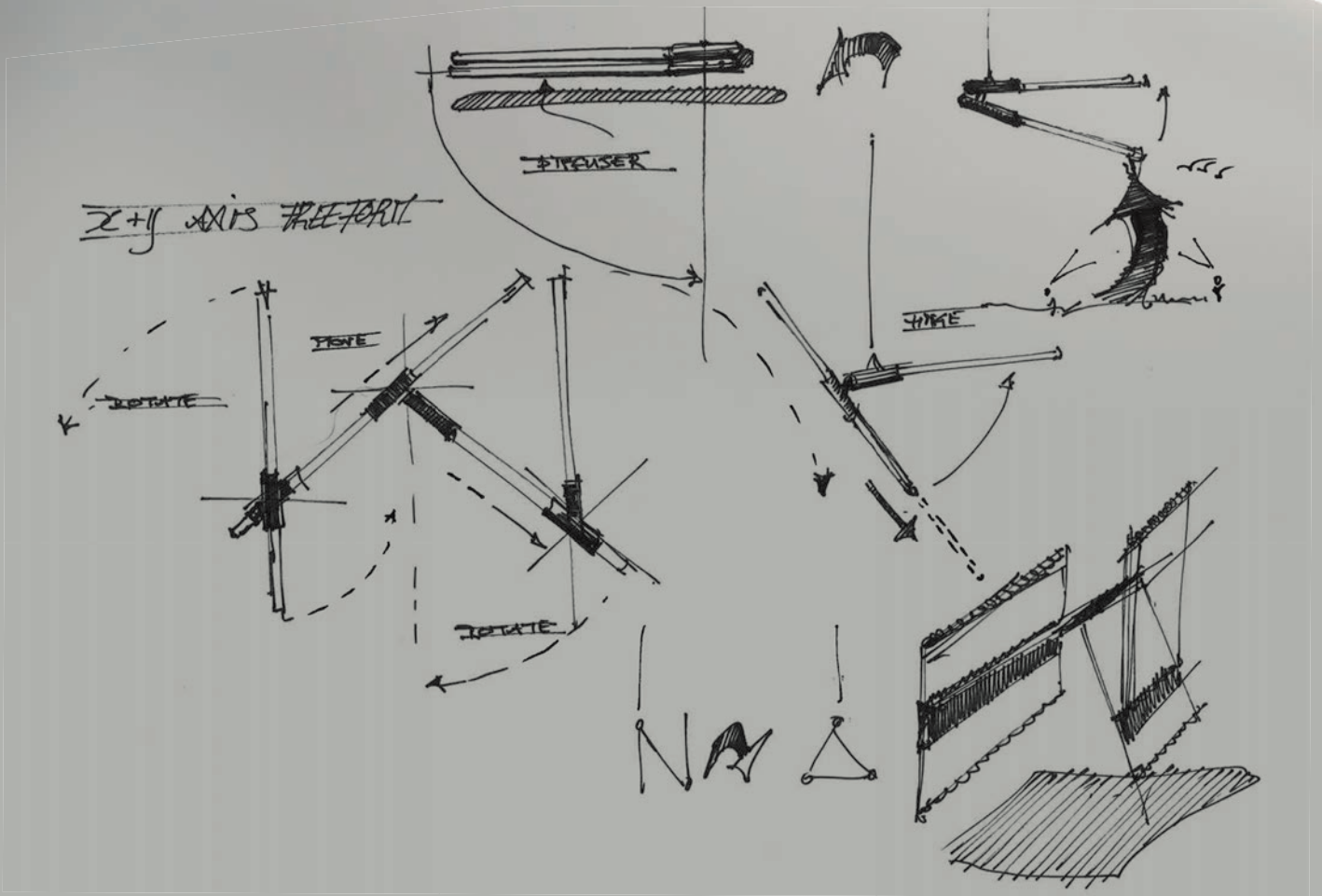
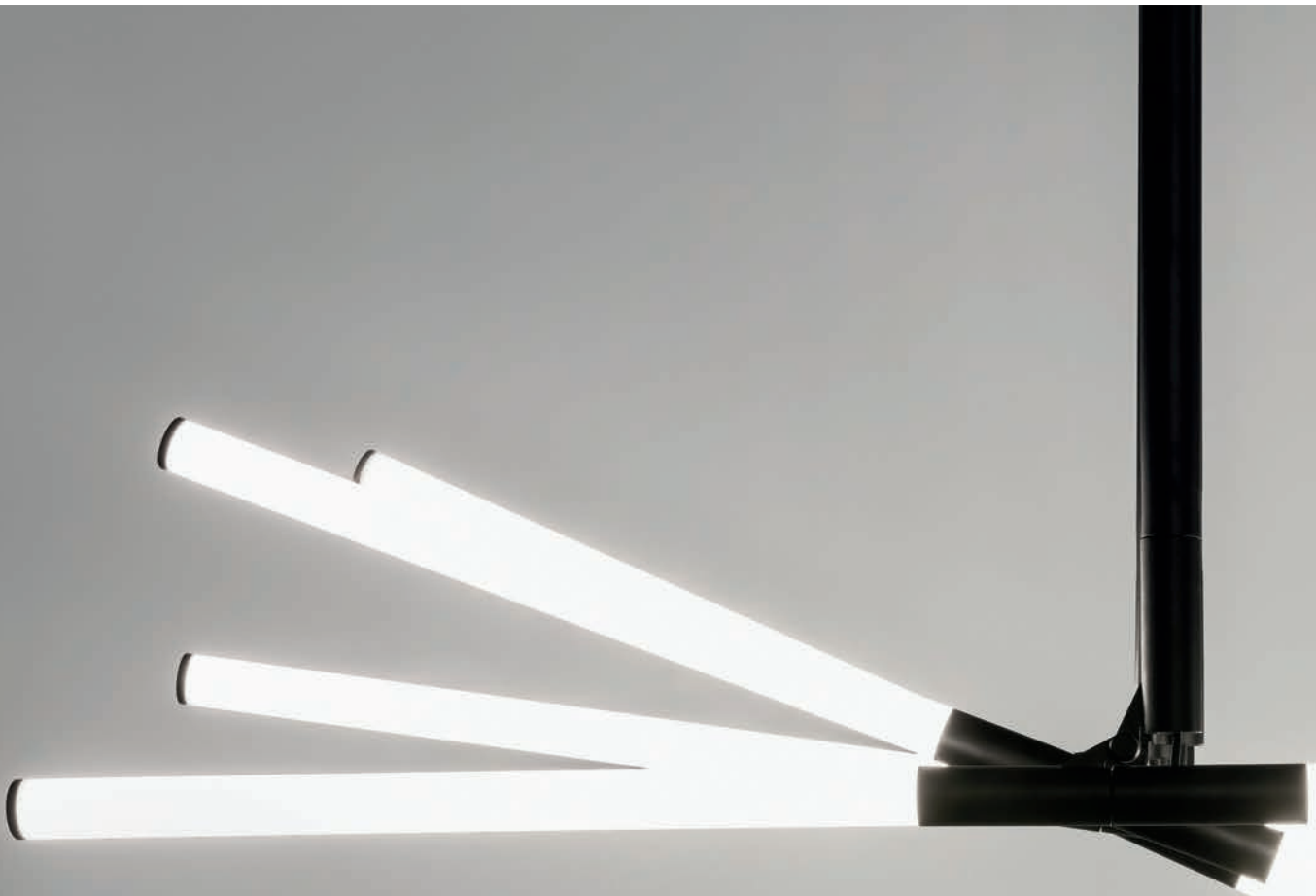
SPY TUBE
LED POWER SUPPLY 48V-DC
DIMMABLE MODULATOR

ACCESSORIES

SPY PUNK SLEEVE



XY180
BY OMA





FULL INFO TECHNICAL CHAPTER

OPTIONS

INSTALLATION

COVERSET R ◊

204 00 90 ◊

Ø90

204 00 100 ◊

Ø100

◊ = B

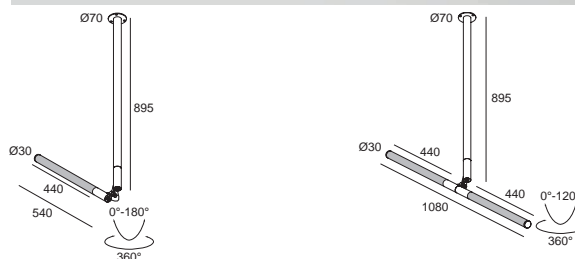
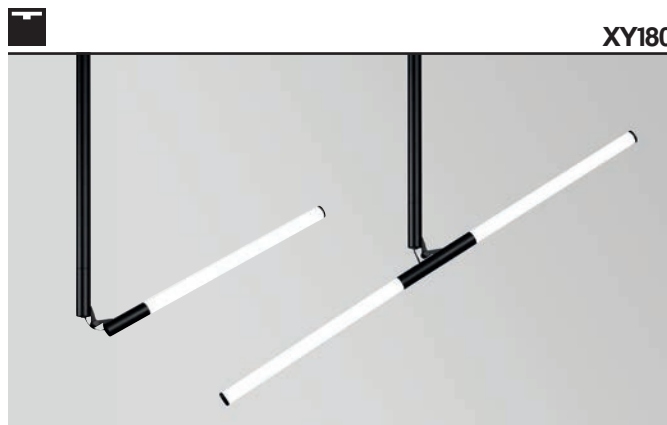
XY180 CONNECTION BOX ◊ Ø76 x H33

422 99 01 ◊

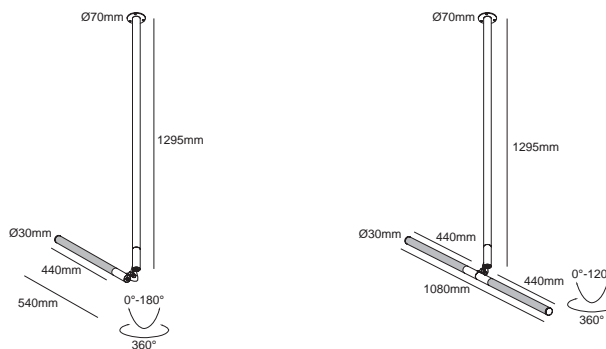
◊ = B



XY180 CONNECTION BOX



CRI > 90	XY180 S81	XY180 S82
	LED CLUSTER 8,5W / 1495lm	2 x LED CLUSTER 8,5W / 1495lm
	422 111 93 ◊ ◊ = B	422 121 93 ◊ ◊ = B
	422 111 93 ED1 ◊ ◊ = B	422 121 93 ED1 ◊ ◊ = B
	422 111 93 ED5 ◊ ◊ = B	422 121 93 ED5 ◊ ◊ = B
	ADJUSTABLE 0-180° / 360° 220-240V / 50-60Hz ◊ CE 0,9 IP20	ADJUSTABLE 0-180° / 360° 220-240V / 50-60Hz ◊ CE 1,3 IP20
	OPTIONS COVERSET R 90-100 XY180 CONNECTION BOX	OPTIONS COVERSET R 90-100 XY180 CONNECTION BOX



CRI > 90	XY180 S121	XY180 S122
	LED CLUSTER 8,5W / 1495lm	2 x LED CLUSTER 8,5W / 1495lm
	422 112 93 ◊ ◊ = B	422 122 93 ◊ ◊ = B
	422 112 93 ED1 ◊ ◊ = B	422 122 93 ED1 ◊ ◊ = B
	422 112 93 ED5 ◊ ◊ = B	422 122 93 ED5 ◊ ◊ = B
	ADJUSTABLE 0-180° / 360° 220-240V / 50-60Hz ◊ CE 1,1 IP20	ADJUSTABLE 0-180° / 360° 220-240V / 50-60Hz ◊ CE 1,5 IP20
	OPTIONS COVERSET R 90-100 XY180 CONNECTION BOX	OPTIONS COVERSET R 90-100 XY180 CONNECTION BOX

DESIGN BY DELTA LIGHT® & OMA



— Through the choreography of movement and multiplication, the luminaire can manipulate three-dimensional space, entering the domain of architectural space. The modularity of XY180 allows each module or set of modules to be reconfigured and change its impact on the surrounding space—

FULL INFO TECHNICAL CHAPTER

OPTIONS

INSTALLATION

COVERSET R ◊

204 00 90 ◊

Ø90

204 00 100 ◊

Ø100

◊ = B



XY180 CONNECTION BOX ◊ Ø76 x H33

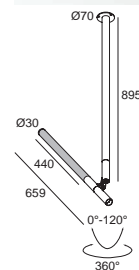
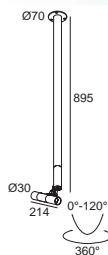
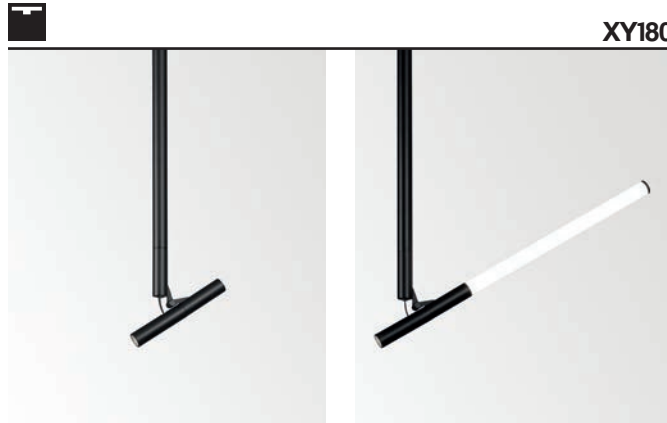
422 99 01 ◊

◊ = B

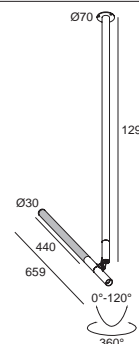
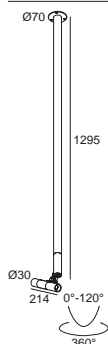


XY180 CONNECTION BOX

XY180



CRI > 80 CRI > 90	XY180 S80 MINI	XY180 S81 MINI
3000 K LENS FL 20°	LED 4,1W / 425lm / CRI > 80	LED CLUSTER 8,5W / 1495lm / CRI > 90 LED 4,1W / 425lm / CRI > 80
NON DIM	422 131 83 ◊ ◊ = B	422 141 93 ◊ ◊ = B
1-10V CTRL DELTA R		422 141 93 ED1 ◊ ◊ = B
DALI CTRL DELTA R		422 141 93 ED5 ◊ ◊ = B
	ADJUSTABLE 0-180° / 360° 220-240V / 50-60Hz ◊ CE 0,9 IP20	ADJUSTABLE 0-180° / 360° 220-240V / 50-60Hz ◊ CE 1,2 IP20
	OPTIONS COVERSET R 90-100 XY180 CONNECTION BOX	OPTIONS COVERSET R 90-100 XY180 CONNECTION BOX



CRI > 80 CRI > 90	XY180 S120 MINI	XY180 S121 MINI
3000 K LENS FL 20°	LED 4,1W / 425lm / CRI > 80	LED CLUSTER 8,5W / 1495lm / CRI > 90 LED 4,1W / 425lm / CRI > 80
NON DIM	422 132 83 ◊ ◊ = B	422 142 93 ◊ ◊ = B
1-10V CTRL DELTA R		422 142 93 ED1 ◊ ◊ = B
DALI CTRL DELTA R		422 142 93 ED5 ◊ ◊ = B
	ADJUSTABLE 0-180° / 360° 220-240V / 50-60Hz ◊ CE 1,1 IP20	ADJUSTABLE 0-180° / 360° 220-240V / 50-60Hz ◊ CE 1,4 IP20
	OPTIONS COVERSET R 90-100 XY180 CONNECTION BOX	OPTIONS COVERSET R 90-100 XY180 CONNECTION BOX

DESIGN BY DELTA LIGHT® & OMA



FULL INFO TECHNICAL CHAPTER **REQUIREMENTS**

INSTALLATION

SPY TUBE ◇

414 01 00 ◇

◇ = B / FBR / FG / MMAT / SG / W



FULL INFO TECHNICAL CHAPTER **OPTIONS**

INSTALLATION

COVERSET R ◇

204 00 90 ◇

204 00 100 ◇

◇ = B



XY180 CONNECTION BOX ◇ Ø76 x H33

422 99 01 ◇

◇ = B



XY180 CONNECTION BOX

FULL INFO TECHNICAL CHAPTER **ACCESSORIES**

HONEYCOMB 50 ◇

413 03 01 ◇

◇ = B

Ø50

LINEAR SPREAD LENS 50

413 03 02

Ø50

SPREAD LENS 50

413 03 03

Ø50

SOFTENING LENS 50

413 03 04

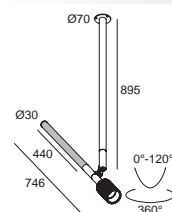
Ø50

GLASS SBL 50

413 03 05

Ø50

XY180



CRI > 90

XY180 S81 PUNK



LED CLUSTER 8,5W / 1495lm
LED 7,1W / 774lm



422 161 811 932 ◇
◇ = B



422 161 811 932 ED1 ◇
◇ = B



422 161 811 932 ED5 ◇
◇ = B

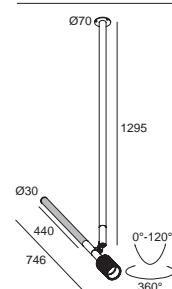
ADJUSTABLE 0-180° / 360°
220-240V / 50-60Hz

◇ CE [1,4] IP20

REQUIREMENTS
SPY TUBE

OPTIONS
COVERSET R 90-100
XY180 CONNECTION BOX

ACCESSORIES
HONEYCOMB / LENS / GLASS



CRI > 90

XY180 S121 PUNK



LED CLUSTER 8,5W / 1495lm
LED 7,1W / 774lm



422 162 811 932 ◇
◇ = B



422 162 811 932 ED1 ◇
◇ = B



422 162 811 932 ED5 ◇
◇ = B

ADJUSTABLE 0-180° / 360°
220-240V / 50-60Hz

◇ CE [1,6] IP20

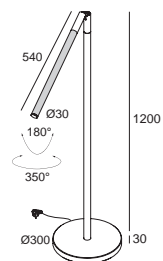
REQUIREMENTS
SPY TUBE

OPTIONS
COVERSET R 90-100
XY180 CONNECTION BOX

ACCESSORIES
HONEYCOMB / LENS / GLASS



XY180 F



CRI > 90

XY180 F120 WDL

3000 K

LED CLUSTER 8,5W / 1495lm / CRI > 90

WDL

422 912 93 WDL ◇
◇ = B

ADJUSTABLE 0-180° / 360°
INCL.CORD 2m + PLUG CEE 7/7
INCL.WIRELESS DIMMABLE CONTROL
110-240V / 50-60Hz

◇ CE 3,9 IP20

DESIGN BY DELTA LIGHT® & OMA



**— The design
ambition was to
step away from
a luminaire that
simply relied on
shape, towards a
design focused on
performance —**

OMA





FULL INFO TECHNICAL CHAPTER

OPTIONS

INSTALLATION



CABLE BASE R ◊ Ø57 x 41
203 99 55 ◊
 ◊ = ANO / B / W



CABLE BASE S ◊ 57 x 57 x 41
203 99 56 ◊
 ◊ = ANO / B / W



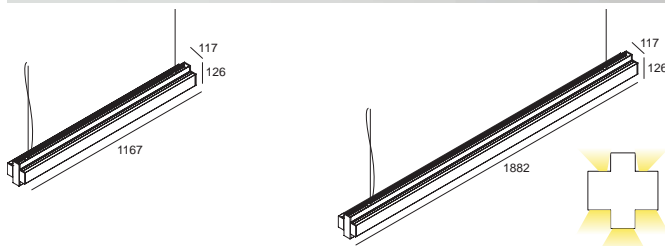
COVERSET R ◊
204 00 62 ◊ Ø62
204 00 90 ◊ Ø90
204 00 100 ◊ Ø100
 ◊ = ANO / B / W



COVERSET S ◊
204 62 62 ◊ 62 x 62
204 80 80 ◊ 80 x 80
204 90 90 ◊ 90 x 90
 ◊ = ANO / B / W



ONE-AND-ONLY



CRI > 90	ONE-AND-ONLY P12 DOWN-UP	ONE-AND-ONLY P20 DOWN-UP
3000 K	LED CLUSTER UP 23,1W / 2448lm LED CLUSTER DOWN 34,6W / 3672lm	LED CLUSTER UP 37,4W / 3964lm LED CLUSTER DOWN 56,1W / 5946lm
NON DIM	404 12 93 ◊ ◊ = B-B / GC-B / W-W	404 20 93 ◊ ◊ = B-B / GC-B / W-W
1-10V DELTA R	404 12 93 ED1 ◊ ◊ = B-B / GC-B / W-W	404 20 93 ED1 ◊ ◊ = B-B / GC-B / W-W
DALI DELTA R	404 12 93 ED5 ◊ ◊ = B-B / GC-B / W-W	404 20 93 ED5 ◊ ◊ = B-B / GC-B / W-W
	2 x CABLE SUSP. SINGLE AUTO. 1,6m 1 x CABLE 3 x 0,75mm ² (NON DIM) 1 x CABLE 5 x 0,75mm ² (ED) 220-240V / 50-60Hz ◊ CE 7,5 IP20	2 x CABLE SUSP. SINGLE AUTO. 1,6m 1 x CABLE 3 x 0,75mm ² (NON DIM) 1 x CABLE 5 x 0,75mm ² (ED) 220-240V / 50-60Hz ◊ CE 12,0 IP20
	OPTIONS CABLE BASE R / S COVERSET R 62-90-100 / S 62-80-90	OPTIONS CABLE BASE R / S COVERSET R 62-90-100 / S 62-80-90



FULL INFO TECHNICAL CHAPTER **REQUIREMENTS**

INSTALLATION



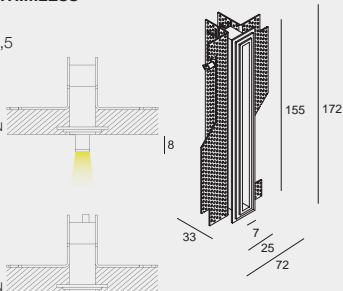
MOUNTING KIT 172 x 72 x 33 174 x 26 x 45
TAGLINE TRIMLESS

304 04 01

■ min.12,5

0,3

PROTRUDED
INSTALLATION



RECESSED
INSTALLATION

FULL INFO TECHNICAL CHAPTER

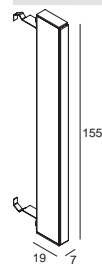
OPTIONS

CONTROL GEAR



LED POWER SUPPLY 146 x 55 x 19
24V-DC / 20W
300 89 24 20

TAGLINE TRIMLESS



■ KIT x 45

CRI > 90

TAGLINE 155 TRIMLESS

3000 K

LED CLUSTER 1,25W / 121lm / 24V-DC

304 04 15 93 ◇
 ◇ = B

2700 K

LED CLUSTER 1,25W / 121lm / 24V-DC

304 04 15 92 ◇
 ◇ = B

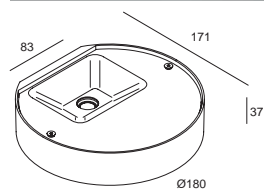
⊞ CE 0,2 IP20

REQUIREMENTS
 MOUNTING KIT TAGLINE TRIMLESS

OPTIONS
 LED POWER SUPPLY 24V-DC / DIM



GALA XL R



CRI > 90

GALA XL R

3000 K

LED 13,8W / 1232lm / 500mA

1-10V

275 163 93 ED1 ◊
◊ = W

220-240V / 50-60Hz

◊ CE 0.8 IP20

GALA XL R HP

LED 32,6W / 3337lm / 850mA

275 164 93 ED1 ◊
◊ = W

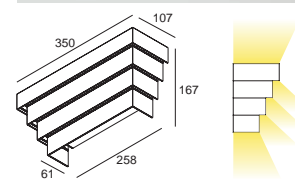
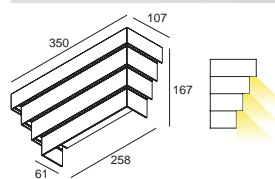
220-240V / 50-60Hz

◊ CE 0.8 IP20





KASKADE



CRI > 90

KASKADE 3DOWN

KASKADE 4DOWN - 1UP



LED CLUSTER 22W / 2200lm / 500mA

LED CLUSTER (UP) 4W / 400lm / 500mA
LED CLUSTER (DOWN) 26W / 2600lm / 500mA

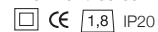
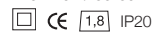


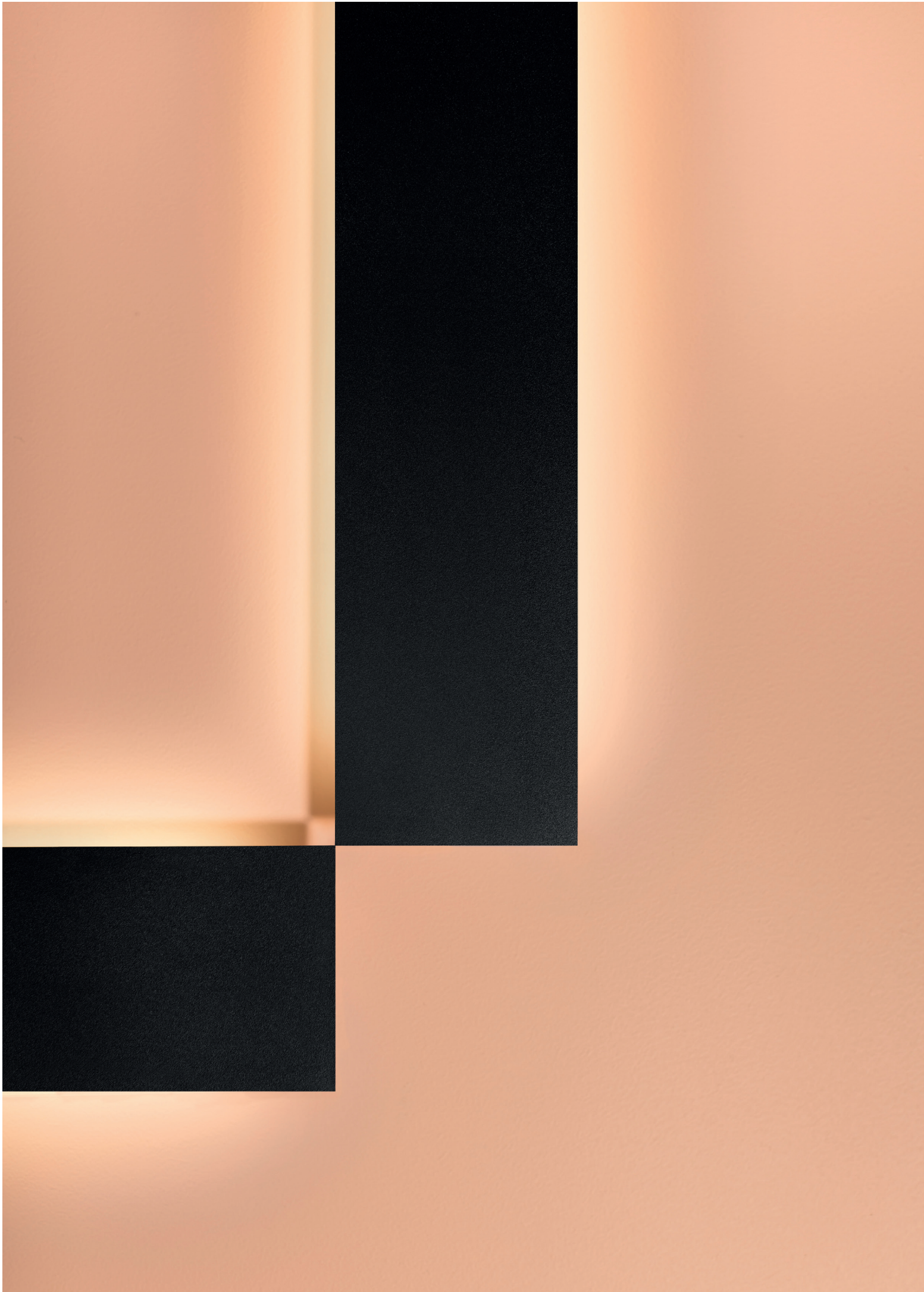
405 35 30 93 ED1 ◇
◇ = B / GC / W

405 35 41 93 ED1 ◇
◇ = B / GC / W

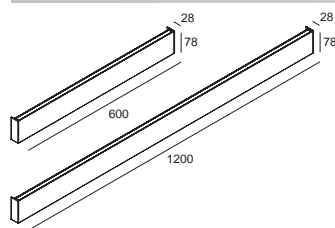
220-240V / 50-60Hz

220-240V / 50-60Hz





FEMTOLINE W DOWN-UP



CRI > 90	FEMTOLINE W DOWN-UP 60	FEMTOLINE W DOWN-UP 120
<p>3000 K</p>	<p>LED CLUSTER (UP) 9W / 840lm / 24V-DC LED CLUSTER (DOWN) 9W / 840lm / 24V-DC</p> <p>270 63 06 93 ◇ ◇ = B / W</p>	<p>LED CLUSTER (UP) 18W / 1680lm / 24V-DC LED CLUSTER (DOWN) 18W / 1680lm / 24V-DC</p> <p>270 63 12 93 ◇ ◇ = B / W</p>
	<p>220-240V / 50-60Hz</p> <p>◇ CE 1,0 IP20</p>	<p>220-240V / 50-60Hz</p> <p>◇ CE 1,6 IP20</p>



PROFILES

—



DOT.COM WALLWASH TR

Be it to accentuate pieces of art or to reduce contrasts by enhancing vertical illumination, wallwash lighting has multiple purposes. The made-to-measure trimless Dot.Com Wallwash profile enables you to customize wallwash lighting to your own preferences and to adapt it perfectly to the dimensions of the room.



KASKADE

Individual wall mounted luminaires are ideal to generate a particular mood in a room. The waterfall of light, created by Kaskade, is such an instant moodmaker. Moreover, as a bespoke light solution, you can choose your own set-up and determine your desired length.



FEMTOLINE ADDITIONS

Femtoline, the most extensive profile family within the Delta Light® range, welcomes two more members to its collection: Femtoline W Down-Up and Femtoline 55. Similar to the other Femtoline profiles, the end user is able to determine the length and LED flex of his preference, even Tunable White or RGB is possible. Femtoline 55 is a surface mounted profile with a limited height of 25mm, resulting in a recessed appearance when installed.

Femtoline W Down-Up is a bespoke wall mounted profile for direct-indirect illumination on vertical surfaces. It also comes in fixed lengths of 600 and 1200mm.



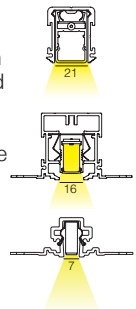
TAGLINE

Light that cuts through space as all you see is a slender line of light.

Through recent years, Delta Light® continued the process of miniaturization within its profile range, with 21mm of width for Femtoline TR and only 16mm for Splitline 16, without losing sight of functionality. With Tagline, we take it another step further, as the minimalistic design of the Tagline profiles ends up in a stroke of light with a width of only 7mm when applied in the trimless versions.

Excellent to form clean light accents or emphasize the borders of a room.

Also available with a small trim, as surface mounted or as pendant solution.



ONE-AND-ONLY

A peculiar profile, both functional as decorative. The design of the body allows you to have up to 5 lines of light out of 1 profile, 3 for direct and 2 for indirect lighting, a powerful blend for an eye-catching look.



MAGNETIC
PROFILES






—

With Splitline M20, Splitline M52 and Shiftline M26, Delta Light® takes it to the next level in the profile section. These profiles offer the highest degree of freedom and flexibility, as all modules have a magnetic fixation. Splitline M20 and M52 allow for a neat, trimless installation, while Shiftline M26 can be used for projects where surface mounting is required. To create the optimal light setting, multiple light modules are available: spot modules with different beams and lumen packages going up to 2000lm for accent lighting, linear LED lines for general lighting and pendant modules for an elegant finish of the room. All modules can be placed toolfree into the profile and repositioned afterwards thanks to their magnetic fixation. Simply click the module into the profile and both mechanical and electrical connection are ensured.

As this family of profiles is powered by 48V, Smart 48 can be used for an easy 2-wire dimming/power solution, or even wireless.

In addition to The Lighting Bible 12, new lighting solutions have been added in this New Collection.



				SPLITLINE M20	SHIFTLINE M26	SPLITLINE M52
		# LED				
LED LINE		-	-	✓	✓	-
DOT.COM M		-	-	✓	✓	-
DOT.COM WALLWASH		●	-	✓	✓	-
PUNK 39		●	✓	✓	✓	-
VIZIR / VIZIR L		●	✓	✓	✓	-
HEDRA / HEDRA L		●	✓	✓	✓	-
SPY SOFT		●	✓	✓	✓	✓
LED D SOFT		●	-	-	-	✓

SHIFTLINE M26

SPLITLINE M20

PROFILE



SLM26 - PROFILE 1m ◇
420 26 10 00 ◇

SLM26 - PROFILE 2m ◇
420 26 20 00 ◇

SLM26 - PROFILE 3m ◇
420 26 30 00 ◇

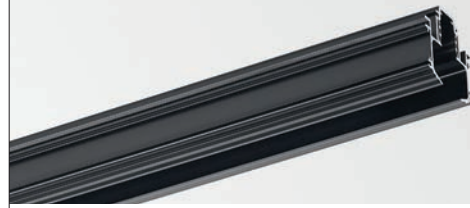
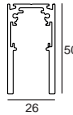
◇ = B
48V-DC (2 CONDUCTORS)
2 DIM CONDUCTORS (FOR INDIVIDUAL DALI DIMMING /
DALI DIMMABLE LUMINAIRES ON REQUEST)

⊕ CE IP20

Kg / m

1,0

TOL EN12020-2



SPM20 - PROFILE 1m ◇
420 20 10 00 ◇

SPM20 - PROFILE 2m ◇
420 20 20 00 ◇

SPM20 - PROFILE 3m ◇
420 20 30 00 ◇

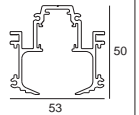
◇ = B
48V-DC (2 CONDUCTORS)
2 DIM CONDUCTORS (FOR INDIVIDUAL DALI DIMMING /
DALI DIMMABLE LUMINAIRES ON REQUEST)

⊕ CE IP20

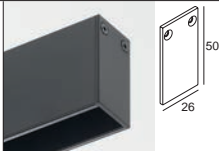
Kg / m

0,2

TOL EN12020-2



END CAP

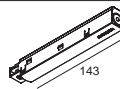


SLM26 - END CAP ◇

420 26 03 01 ◇

◇ = B

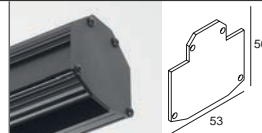
0,1



SPM - SUPPLY 48V
420 99 03

48V-DC MAX.200W / SUPPLY / MAX.50m

⊕ CE 0,1 IP20

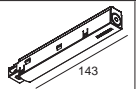


SPM20 - END CAP ◇

420 20 03 01 ◇

◇ = B

0,1



SPM - SUPPLY 48V
420 99 03

48V-DC MAX.200W / SUPPLY / MAX.50m

⊕ CE 0,1 IP20

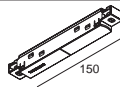
CORNER

SPM - CONNECTOR 48V-180°

420 99 01

48V-DC MAX.200W / SUPPLY / MAX.50m

⊕ CE 0,1 IP20



SPM - CORNER 180°

420 06 01

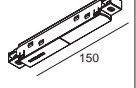
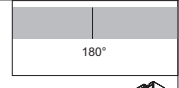
0,1

+ **SPM - CONNECTOR 48V-180°**

420 99 01

48V-DC MAX.200W / SUPPLY / MAX.50m

⊕ CE 0,1 IP20



SPM20 - CORNER SET 90°

420 20 06 06

0,2

SPM20 - CORNER SET V90°

420 20 06 17

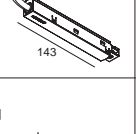
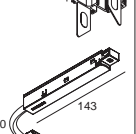
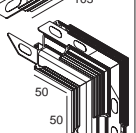
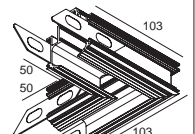
0,2

+ **SPM - CONNECTOR 48V-90°**

420 99 02

48V-DC MAX.200W / SUPPLY / MAX.50m

⊕ CE 0,1 IP20



FIXATION

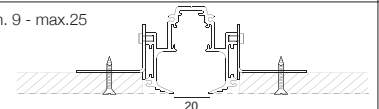
57 x (L + 5) x 85 min. 9 - max.25

SPM20 - FIXATION SET

420 20 14 01

SET OF 2 PCS

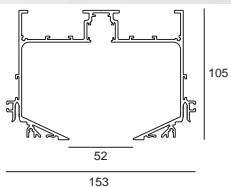
0,2



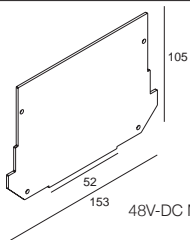
SPLITLINE M52



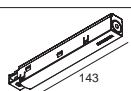
- SPM52 - PROFILE 1m ◇
420 52 10 00 ◇
- SPM52 - PROFILE 2m ◇
420 52 20 00 ◇
- SPM52 - PROFILE 3m ◇
420 52 30 00 ◇



◇ = B
48V-DC (2 CONDUCTORS)
2 DIM CONDUCTORS (FOR INDIVIDUAL DALI DIMMING / DALI DIMMABLE LUMINAIRES ON REQUEST)
⊞ CE IP20
Kg / m
3,7
TOL EN12020-2

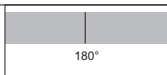


- SPM52 - END CAP ◇
420 52 03 01 ◇
- ◇ = B
0,1

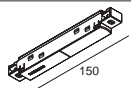


- SPM - SUPPLY 48V
420 99 03
- 48V-DC MAX.200W / SUPPLY / MAX.50m
⊞ CE 0,1 IP20

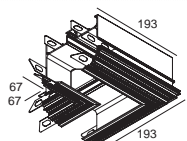
- SPM - CORNER 180°
420 06 01
- 0,1



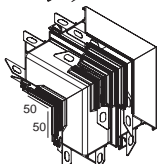
- SPM - CONNECTOR 48V-180°
420 99 01
- 48V-DC MAX.200W / SUPPLY / MAX.50m
⊞ CE 0,1 IP20



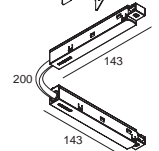
- SPM52 - CORNER SET 90°
420 52 06 06
- 0,9



- SPM52 - CORNER SET V90°
420 52 06 17
- 0,8

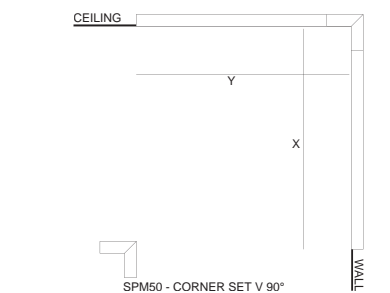
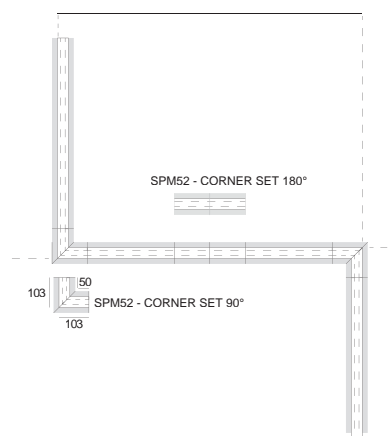
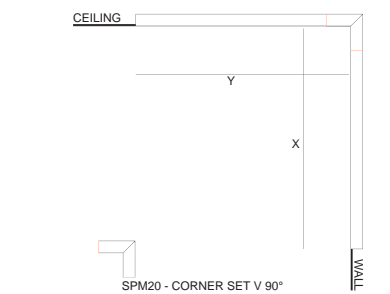
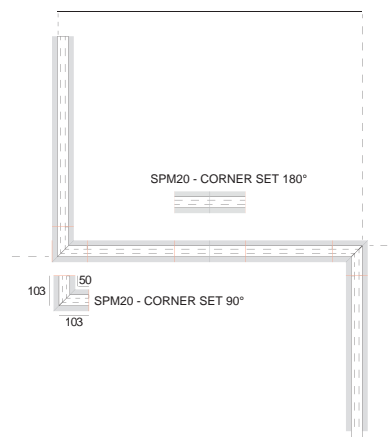
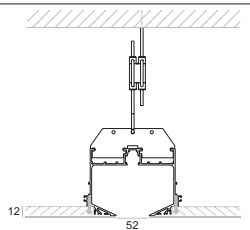
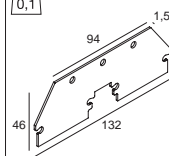


- SPM - CONNECTOR 48V-90°
420 99 02
- 48V-DC MAX.200W / SUPPLY / MAX.50m
⊞ CE 0,1 IP20



121 x (L + 5) x 150 max.12

- SPM52 - SUSPENSION BRACKET
420 52 98 01
- 0,1





FULL INFO TECHNICAL CHAPTER

REQUIREMENTS

CONTROL GEAR






LED POWER SUPPLY 48V / 90W 300 89 48 90	314 x 63 x 40
LED POWER SUPPLY 48V / 100W 300 89 48 100	100 x 55 x 90
LED POWER SUPPLY 48V / 150W 300 89 48 150	240 x 60 x 49
LED POWER SUPPLY 48V / 240W 300 89 48 240	114 x 63 x 125

FULL INFO TECHNICAL CHAPTER

OPTIONS

CONTROL GEAR



DIMMABLE MODULATOR 48V-DC DIM9 300 90 011	93 x 78 x 56	
WIRELESS DIMMABLE MODULATOR 48V-DC 300 90 012	93 x 78 x 56	 

DIMMABLE MODULATION INFO PAG TEC 6
DIM9: DIMMING BY 1-10V / DALI / PUSH BUTTON



M20 / M26 - LED LINE HE

M20 / M26 - LED LINE HE
 INCL.LEDFLEX 8W/m / 3000K ●
 CRI >90 / 1100lm/m
 EXCL.LED POWER SUPPLY 48V-DC

◆ CE 0.3 IP20

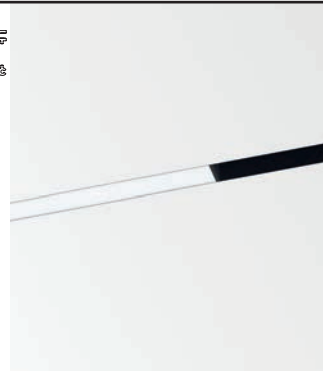
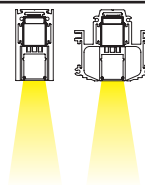
REQUIREMENTS
 LED POWER SUPPLY 48V-DC

OPTIONS
 DIMMABLE MODULATOR

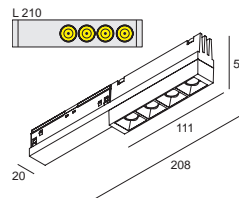
Watt Lmm

1 x 5	610	421 313 06 93 MDL ◇
1 x 6,5	810	421 313 08 93 MDL ◇
1 x 8	1010	421 313 10 93 MDL ◇
1 x 9,5	1210	421 313 12 93 MDL ◇

◇ = B



M20 / M26 - DOT.COM M



CRI > 90

M20 / M26 - DOT.COM M4 MDL

3000 K LED CLUSTER 5,6W / 628lm / 48V-DC

MDL REFL SP 14° **424 612 04 931 MDL** ◇
 ◇ = B-B / B-C / B-MMAT

REFL FL 33° **424 612 04 932 MDL** ◇
 ◇ = B-B / B-C / B-MMAT

REFL WFL 49° **424 612 04 933 MDL** ◇
 ◇ = B-B / B-C / B-MMAT

2700 K LED CLUSTER 5,6W / 612lm / 48V-DC

MDL REFL SP 14° **424 612 04 921 MDL** ◇
 ◇ = B-B / B-C / B-MMAT

REFL FL 33° **424 612 04 922 MDL** ◇
 ◇ = B-B / B-C / B-MMAT

REFL WFL 49° **424 612 04 923 MDL** ◇
 ◇ = B-B / B-C / B-MMAT

NON ADJUSTABLE

◆ CE 0.2 IP20

REQUIREMENTS
 LED POWER SUPPLY 48V-DC

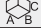



OPTIONS
 DIMMABLE MODULATOR

DALI DIMMING (DIM5) ON REQUEST

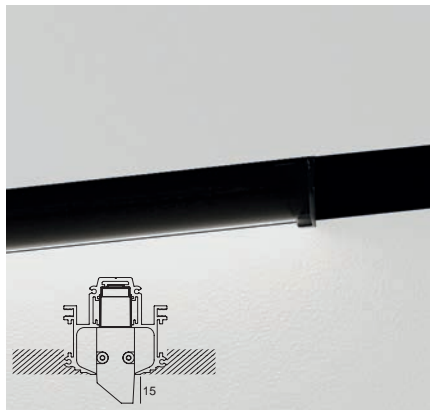
FULL INFO TECHNICAL CHAPTER **REQUIREMENTS**

CONTROL GEAR 	
LED POWER SUPPLY 48V / 90W 300 89 48 90	314 x 63 x 40
LED POWER SUPPLY 48V / 100W 300 89 48 100	100 x 55 x 90
LED POWER SUPPLY 48V / 150W 300 89 48 150	240 x 60 x 49
LED POWER SUPPLY 48V / 240W 300 89 48 240	114 x 63 x 125

FULL INFO TECHNICAL CHAPTER **OPTIONS**

CONTROL GEAR 	
DIMMABLE MODULATOR 48V-DC DIM9 300 90 011	93 x 78 x 56 
WIRELESS DIMMABLE MODULATOR 48V-DC 300 90 012	93 x 78 x 56  

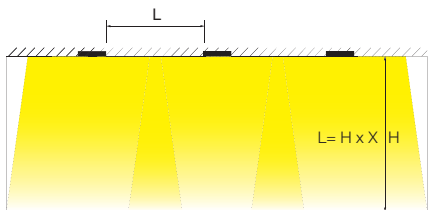
DIMMABLE MODULATION INFO PAG TEC 6
DIM9: DIMMING BY 1-10V / DALI / PUSH BUTTON



POSITION FOR INSTALLATION



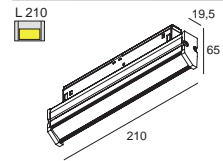
example: H=3000 mm → L= 3000 mm x 0,4 = 1200 mm



example: H=3000 mm → L= 3000 mm x 0,5 = 1500 mm


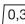
	X
DOT.COM L WALLWASH 02	0,5
DOT.COM L WALLWASH 06	0,25
DOT.COM L WALLWASH 08	0,33
DOT.COM L WALLWASH 12	0,5

M20 / M26 - DOT.COM WALLWASH



CRI > 90	M20 / M26 - DOT.COM WALLWASH 02 HO
	LED CLUSTER 10W / 1000lm / 48V-DC
	424 642 02 93 MDL ◇ ◇ = B
	LED CLUSTER 10W / 1000lm / 48V-DC
	424 642 02 92 MDL ◇ ◇ = B

NON ADJUSTABLE

  IP20

REQUIREMENTS
LED POWER SUPPLY 48V-DC

OPTIONS
DIMMABLE MODULATOR

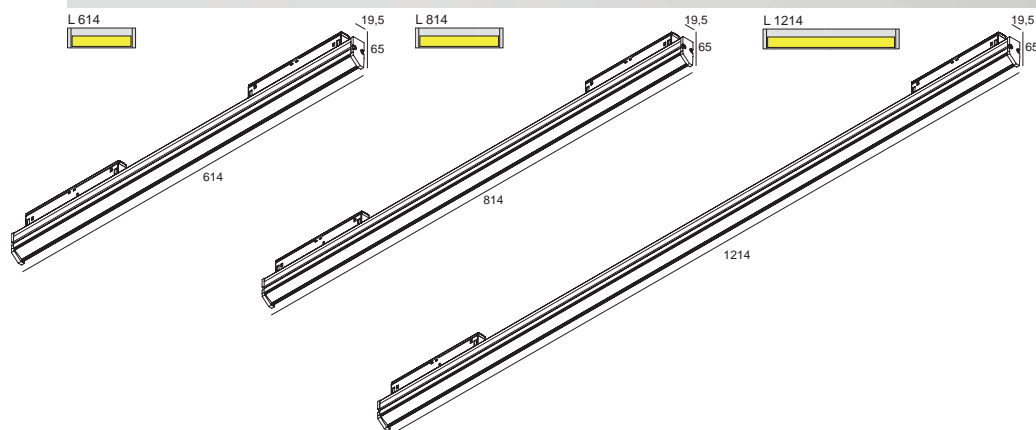
DALI DIMMING (DIM5) ON REQUEST



M20 / M26 - DOT.COM WALLWASH



p



	M20 / M26 - DOT.COM WALLWASH 06	M20 / M26 - DOT.COM WALLWASH 08	M20 / M26 - DOT.COM WALLWASH 12
CRI > 90	LED CLUSTER 4,7W / 600lm / 48V-DC	LED CLUSTER 6,3W / 800lm / 48V-DC	LED CLUSTER 9,3W / 1200lm / 48V-DC
3000 K	424 642 06 93 MDL ◊ ◊ = B	424 642 08 93 MDL ◊ ◊ = B	424 642 12 93 MDL ◊ ◊ = B
MDL			
2700 K	LED CLUSTER 4,7W / 600lm / 48V-DC	LED CLUSTER 6,3W / 800lm / 48V-DC	LED CLUSTER 9,3W / 1200lm / 48V-DC
MDL	424 642 06 92 MDL ◊ ◊ = B	424 642 08 92 MDL ◊ ◊ = B	424 642 12 92 MDL ◊ ◊ = B
	NON ADJUSTABLE ◊ ◊ CE 1,4 IP20	NON ADJUSTABLE ◊ ◊ CE 1,8 IP20	NON ADJUSTABLE ◊ ◊ CE 2,5 IP20
	REQUIREMENTS LED POWER SUPPLY 48V-DC	REQUIREMENTS LED POWER SUPPLY 48V-DC	REQUIREMENTS LED POWER SUPPLY 48V-DC
	OPTIONS DIMMABLE MODULATOR	OPTIONS DIMMABLE MODULATOR	OPTIONS DIMMABLE MODULATOR

DALI DIMMING (DIM5) ON REQUEST

REQUIREMENTS

INSTALLATION

VIZIR TUBE ◊
473 01 00 ◊
 ◊ = B / FBR / FG / W



CONTROL GEAR

LED POWER SUPPLY	314 x 63 x 40
48V / 90W	
300 89 48 90	
LED POWER SUPPLY	100 x 55 x 90
48V / 100W	
300 89 48 100	
LED POWER SUPPLY	240 x 60 x 49
48V / 150W	
300 89 48 150	
LED POWER SUPPLY	114 x 63 x 125
48V / 240W	
300 89 48 240	

OPTIONS

CONTROL GEAR

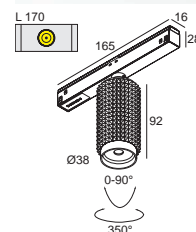
DIMMABLE MODULATOR 48V-DC DIM9	93 x 78 x 56	SMART 48 IN
300 90 011		
WIRELESS DIMMABLE MODULATOR 48V-DC	93 x 78 x 56	CRTL DELTA IN SMART 48 IN
300 90 012		

DIMMABLE MODULATION INFO PAG TEC 6
 DIM9: DIMMING BY 1-10V / DALI / PUSH BUTTON

ACCESSORIES

VIZIR HONEYCOMB ◊	Ø40	
473 03 01 ◊		
◊ = B		
VIZIR SOFTENING LENS	Ø40	
473 03 04		

M20 / M26- PUNK 39



CRI > 90

M20 / M26 - PUNK 39

3000 K	LED 7,1W / 774lm / 48V-DC
MDL REFL FL 24°	471 151 811 931 MDL ◊ ◊ = B
2700 K	LED 7,1W / 743lm / 48V-DC
MDL REFL FL 24°	471 151 811 921 MDL ◊ ◊ = B

ADJUSTABLE 0-90° / 350°

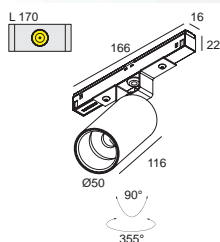
CE 0,2 IP20

REQUIREMENTS
 LED POWER SUPPLY 48V-DC

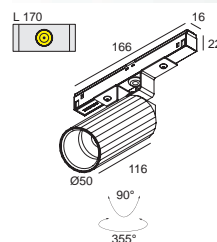
OPTIONS
 DIMMABLE MODULATOR

DALI DIMMING (DIM5) ON REQUEST

CTRL DELTA R SMART 48V IN M20 / M26 -VIZIR



CTRL DELTA R SMART 48V IN M20 / M26 - HEDRA



CRI > 80 M20 / M26 - VIZIR

3000 K LED 6W / 558lm / 48V-DC

MDL LENS SP 15° 473 151 831 MDL ◇
◇ = BBR / GC

2700 K LED 6W / 558lm / 48V-DC

MDL LENS SP 15° 473 151 821 MDL ◇
◇ = BBR / GC

ADJUSTABLE 0-90° / 355°

CE 0.3 IP20

REQUIREMENTS
VIZIR TUBE
LED POWER SUPPLY 48V-DC

OPTIONS
DIMMABLE MODULATOR

ACCESSORIES
HONEYCOMB / LENS

CRI > 80 M20 / M26 - HEDRA

3000 K LED 6W / 558lm / 48V-DC

MDL LENS SP 15° 473 251 831 MDL ◇
◇ = BBR / GC

2700 K LED 6W / 558lm / 48V-DC

MDL LENS SP 15° 473 251 821 MDL ◇
◇ = BBR / GC

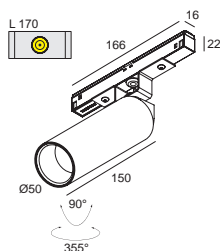
ADJUSTABLE 0-90° / 355°

CE 0.3 IP20

REQUIREMENTS
VIZIR TUBE
LED POWER SUPPLY 48V-DC

OPTIONS
DIMMABLE MODULATOR

ACCESSORIES
HONEYCOMB / LENS



CRI > 90 M20 / M26 - VIZIR L

3000 K LED 10,4W / 1075lm / 48V-DC

MDL REFL FL 33° 473 152 811 932 MDL ◇
◇ = BBR / GC

2700 K LED 10,4W / 1032lm / 48V-DC

MDL REFL FL 33° 473 152 811 922 MDL ◇
◇ = BBR / GC

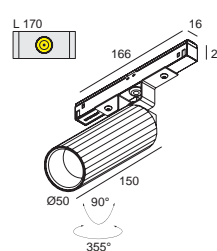
ADJUSTABLE 0-90° / 355°

CE 0.3 IP20

REQUIREMENTS
VIZIR TUBE
LED POWER SUPPLY 48V-DC

OPTIONS
DIMMABLE MODULATOR

ACCESSORIES
HONEYCOMB / LENS



CRI > 90 M20 / M26 - HEDRA L

3000 K LED 10,4W / 1075lm / 48V-DC

MDL REFL FL 33° 473 252 811 932 MDL ◇
◇ = BBR / GC

2700 K LED 10,4W / 1032lm / 48V-DC

MDL REFL FL 33° 473 252 811 922 MDL ◇
◇ = BBR / GC

ADJUSTABLE 0-90° / 355°

CE 0.4 IP20

REQUIREMENTS
VIZIR TUBE
LED POWER SUPPLY 48V-DC

OPTIONS
DIMMABLE MODULATOR

ACCESSORIES
HONEYCOMB / LENS



FULL INFO TECHNICAL CHAPTER

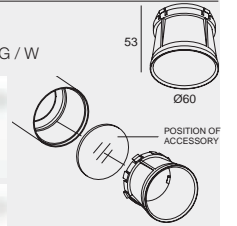
REQUIREMENTS

INSTALLATION

SPY TUBE ◇

414 01 00 ◇

◇ = B / FBR / FG / MMAT / SG / W



CONTROL GEAR



LED POWER SUPPLY 48V / 90W 300 89 48 90	314 x 63 x 40
LED POWER SUPPLY 48V / 100W 300 89 48 100	100 x 55 x 90
LED POWER SUPPLY 48V / 150W 300 89 48 150	240 x 60 x 49
LED POWER SUPPLY 48V / 240W 300 89 48 240	114 x 63 x 125

FULL INFO TECHNICAL CHAPTER

OPTIONS

CONTROL GEAR



DIMMABLE MODULATOR 48V-DC DIM9 300 90 011	93 x 78 x 56	
WIRELESS DIMMABLE MODULATOR 48V-DC 300 90 012	93 x 78 x 56	

DIMMABLE MODULATION INFO PAG TEC 6
DIM9: DIMMING BY 1-10V / DALI / PUSH BUTTON

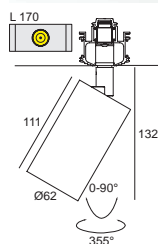
FULL INFO TECHNICAL CHAPTER

ACCESSORIES

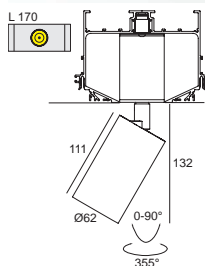
HONEYCOMB 50 ◇ 413 03 01 ◇ ◇ = B	Ø50	
LINEAR SPREAD LENS 50 413 03 02	Ø50	
SPREAD LENS 50 413 03 03	Ø50	
SOFTENING LENS 50 413 03 04	Ø50	
GLASS SBL 50 413 03 05	Ø50	
SPY PUNK SLEEVE ◇ 414 11 00 ◇ ◇ = B / BP / GC	Ø63	



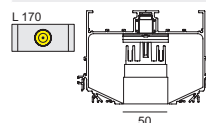
M20 / M26 - SPY



M52 - SPY



M52 - LED



CRI > 90

M20 / M26 - SPY SOFT



LED 10W / 565lm / 48V-DC

421 142 1902 MDL ◊
◊ = B / W

ADJUSTABLE 0-90° / 355°

◊ CE [0.7] IP20

REQUIREMENTS

SPY TUBE
LED POWER SUPPLY 48V-DC
DIMMABLE MODULATOR

ACCESSORIES

HONEYCOMB / LENS / GLASS
SPY PUNK SLEEVE

M52 - SPY SOFT

LED 10W / 565lm / 48V-DC

421 148 1902 MDL ◊
◊ = B / W

ADJUSTABLE 0-90° / 355°

◊ CE [0.7] IP20

REQUIREMENTS

SPY TUBE
LED POWER SUPPLY 48V-DC
DIMMABLE MODULATOR

ACCESSORIES

HONEYCOMB / LENS / GLASS
SPY PUNK SLEEVE

M52 - 1 LED D SOFT

LED 10W / 565lm / 48V-DC

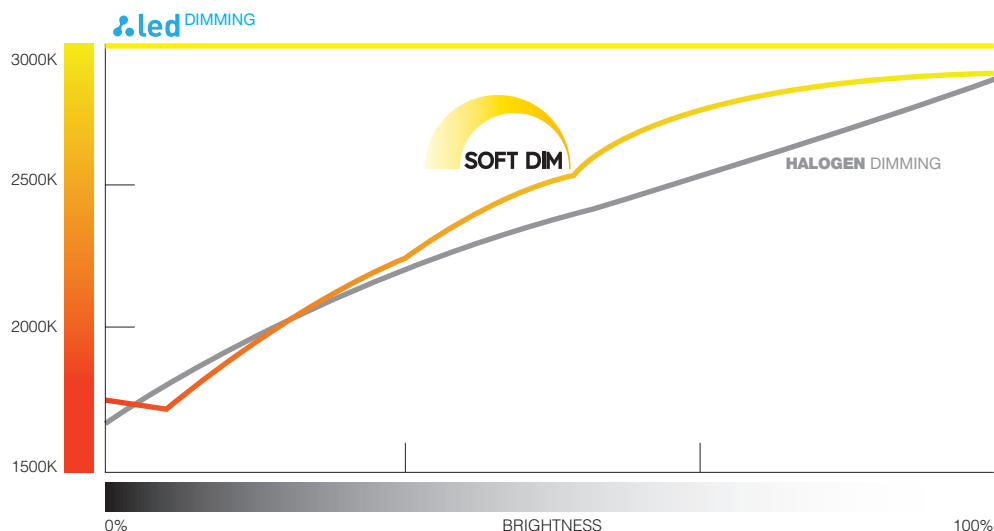
421 228 1902 D MDL

NON ADJUSTABLE

◊ CE [0.3] IP20

REQUIREMENTS

LED POWER SUPPLY 48V-DC
DIMMABLE MODULATOR





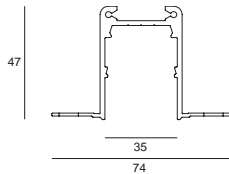
DOT.COM WALLWASH TR

PROFILE



DTC-TR - PROFILE ◇
424 01 00 00 ◇
 ◇ = B
 MAX.L / PROFILE: 6m
 Kg / m

1,0

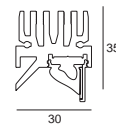


TOL EN12020-2



DTC-LEDLINE - PROFILE ◇
424 02 00 00 ◇
 ◇ = B
 INCL.PC SBL
 INCL. FIXATION CLIPS
 MAX.L / PROFILE: 4m
 Kg / m

◇ 1,0



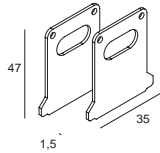
TOL EN12020-2

END CAP



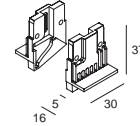
DTC-TR - END CAP SET ◇
424 01 03 01 ◇
 ◇ = B
 SET OF 2 PCS

0,1



DTC-LEDLINE - END CAP SET ◇
424 02 03 01 ◇
 ◇ = B
 SET OF 2 PCS

0,1



NO MODULE IN THIS AREA
6 mm

CORNER

DTC-TR - CORNER 180°
424 01 06 01



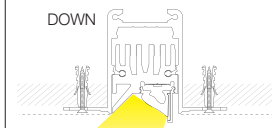
DTC-TR - CORNER 90°
424 01 06 06



FIXATION

36 x (L + 5)

POSITION FOR INSTALLATION



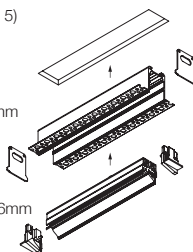
$L = l + 30,5\text{mm}$

$l = (N \times Z) + 6\text{mm}$
 $N = \#$
 $Z = 100\text{mm}$ FOR LEDFLEX IN / FP
 $= 50\text{mm}$ FOR LEDFLEX HP
 $= 33,3\text{mm}$ FOR LEDFLEX TW
 $= 167\text{mm}$ FOR LEDFLEX RGB

36 x (L + 5)


$L = l + 30,5\text{mm}$

$l = (N \times Z) + 6\text{mm}$





LEDFLEX
5m - 24V-DC
0,3



		WHITE		TW	RGB	
		Dividable per 100mm 70 smd LED/m		Dividable per 50mm 140 smd LED/m	Dividable per 33,3mm 180 smd LED/m	Dividable per 167mm 30 smd LED/m
CRI > 90		5,1W/m 560lm/m *	15,1W/m 1400lm/m *	21,6W/m 2100lm/m *	14,4W/m 1350lm/m *	8W/m *
4000 K	IN	LEDFLEX IN 940 300 91 52 94	LEDFLEX IN FP 940 300 91 53 94			
3000 K	IN	LEDFLEX IN 930 300 91 52 93	LEDFLEX IN FP 930 300 91 53 93	LEDFLEX IN HP 930 300 91 54 93		
2700 K	IN	LEDFLEX IN 927 300 91 52 92	LEDFLEX IN FP 927 300 91 53 92	LEDFLEX IN HP 927 300 91 54 92		
2700 4000 K	IN				LEDFLEX IN TW 300 91 55 2740	
RGB	IN					LEDFLEX IN RGB 300 91 52 33

FULL INFO / PAG TEC

LED POWER SUPPLY 24V-DC / 20W 300 89 24 20 OPTIONS 24V-DC / 4A DIM UNIT	max.4 m	max.1 m	max.0,9 m	max.1,3 m	⊗ max.2,4 m
LED POWER SUPPLY 24V-DC / 40W 300 89 24 40 OPTIONS 24V-DC / 4A DIM UNIT	max.8 m	max.2,5 m	max.1,8 m	max.2,7 m	⊗ max.5 m
LED POWER SUPPLY 24V-DC / 60W 300 89 24 60 OPTIONS 24V-DC / 4A DIM UNIT	max.12 m	max.4 m (max.3m / Powerline)	max.2,7 m (max.3m / Powerline)	max.4,1 m	⊗ max.7,36 m
LED POWER SUPPLY 24V-DC / 80W DIM1 300 89 24 80 ED1	max.16 m	max.5 m (max.3m / Powerline)	max.3,6 m (max.3m / Powerline)	max.5,5 m	
LED POWER SUPPLY 24V-DC / 150W 300 89 24 150 OPTIONS 24V-DC / 4A DIM UNIT	max.30 m	max.10 m (max.3m / Powerline)	max.6,8 m (max.3m / Powerline)	max.10,4 m	⊗ max.18,72 m
LED POWER SUPPLY MULTI POWER DIM7 300 90 60	max.4 m	max.1,3 m	max.0,9 m		
LED POWER SUPPLY MULTI POWER DIM6 300 90 61	max.4 m	max.1,3 m	max.0,9 m		
RGB DRIVER 12/24V-DC 75/150W 300 90 331				⊗ use in combination with Led Power Supply 24V-DC	⊗ use in combination with Led Power Supply 24V-DC
TW TOUCH CONTROLLER DMX 300 90 332				⊗ use in combination with RGB Driver	
RGB TOUCH CONTROLLER DMX 300 90 330					⊗ use in combinati- on with RGB Driver

DIM1: dimming by 1-10V
DIM6: dimming by push button / falling edge dimmer
DIM7: dimming by push button / 1-10V

*+/- 5%

FULL INFO TECHNICAL CHAPTER

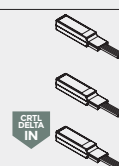
OPTIONS

CONTROL GEAR

24V-DC / 4A DIM1 UNIT 90 x 22 x 17
300 90 003 ED1

24V-DC / 4A DIM5 UNIT 90 x 22 x 17
300 90 003 ED5

24V-DC / 2 x 4A WIRELESS DIM UNIT 90 x 22 x 17
300 90 010





FEMTOLINE W DOWN-UP

p

PROFILE



FTLWDU - PROFILE ◇

426 00 00 ◇

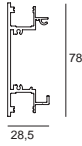
◇ = ANO / B / W

INCL. 2 x PC SBL

MAX. L / PROFILE: 6m

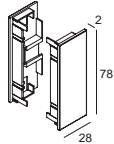
Kg / m

◇◇ 1,0



TOL EN12020-2

END CAP



FTLWDU - END CAP SET ◇

426 03 01 ◇

◇ = A / B / W

SET OF 2 PCS

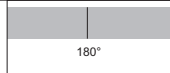
0,1

CORNER

FTLWDU - CORNER 180°

426 06 01

0,1



FIXATION

FTLWDU - FIXATION SET

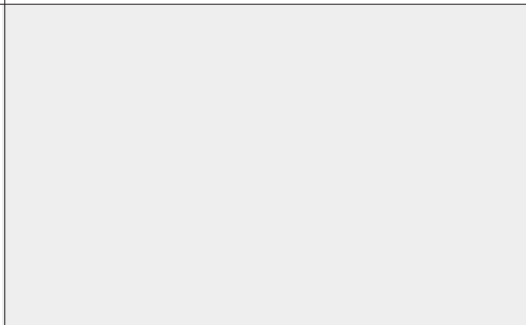
426 14 01

SET OF 2 PCS


0,2



CURRENT SUPPLY





LEDFLEX 5m - 24V-DC 0,3 					
WHITE			TW	RGB	
Dividabile per 100mm 70 smd LED/m		Dividabile per 50mm 140 smd LED/m		Dividabile per 33,3mm 180 smd LED/m	Dividabile per 167mm 30 smd LED/m
5,1W/m 560lm/m *		15,1W/m 1400lm/m *		21,6W/m 2100lm/m *	14,4W/m 1350lm/m *
8W/m *					
4000 K	IN	LEDFLEX IN 940 300 91 52 94	LEDFLEX IN FP 940 300 91 53 94		
3000 K	IN	LEDFLEX IN 930 300 91 52 93	LEDFLEX IN FP 930 300 91 53 93	LEDFLEX IN HP 930 300 91 54 93	
2700 K	IN	LEDFLEX IN 927 300 91 52 92	LEDFLEX IN FP 927 300 91 53 92	LEDFLEX IN HP 927 300 91 54 92	
2700 4000 K	IN			LEDFLEX IN TW 300 91 55 2740	
RGB	IN				LEDFLEX IN RGB 300 91 52 33

FULL INFO / PAG TEC

LED POWER SUPPLY 24V-DC / 20W 300 89 24 20 OPTIONS 24V-DC / 4A DIM UNIT	max.4 m	max.1 m	max.0,9 m	max.1,3 m	⊗ max.2,4 m
LED POWER SUPPLY 24V-DC / 40W 300 89 24 40 OPTIONS 24V-DC / 4A DIM UNIT	max.8 m	max.2,5 m	max.1,8 m	max.2,7 m	⊗ max.5 m
LED POWER SUPPLY 24V-DC / 60W 300 89 24 60 OPTIONS 24V-DC / 4A DIM UNIT	max.12 m	max.4 m (max.3m / Powerline)	max.2,7 m (max.3m / Powerline)	max.4,1 m	⊗ max.7,36 m
LED POWER SUPPLY 24V-DC / 80W DIM1 300 89 24 80 ED1	max.16 m	max.5 m (max.3m / Powerline)	max.3,6 m (max.3m / Powerline)	max.5,5 m	
LED POWER SUPPLY 24V-DC / 150W 300 89 24 150 OPTIONS 24V-DC / 4A DIM UNIT	max.30 m	max.10 m (max.3m / Powerline)	max.6,8 m (max.3m / Powerline)	max.10,4 m	⊗ max.18,72 m
LED POWER SUPPLY MULTI POWER DIM7 300 90 60	max.4 m	max.1,3 m	max.0,9 m		
LED POWER SUPPLY MULTI POWER DIM6 300 90 61	max.4 m	max.1,3 m	max.0,9 m		
RGB DRIVER 12/24V-DC 75/150W 300 90 331				⊗ use in combination with Led Power Supply 24V-DC	⊗ use in combination with Led Power Supply 24V-DC
TW TOUCH CONTROLLER DMX 300 90 332				⊗ use in combination with RGB Driver	
RGB TOUCH CONTROLLER DMX 300 90 330					⊗ use in combination with RGB Driver

DIM1: dimming by 1-10V
 DIM6: dimming by push button / falling edge dimmer
 DIM7: dimming by push button / 1-10V

*+/- 5%

FULL INFO TECHNICAL CHAPTER

OPTIONS

CONTROL GEAR

24V-DC / 4A DIM1 UNIT 90 x 22 x 17
 300 90 003 ED1

24V-DC / 4A DIM5 UNIT 90 x 22 x 17
 300 90 003 ED5

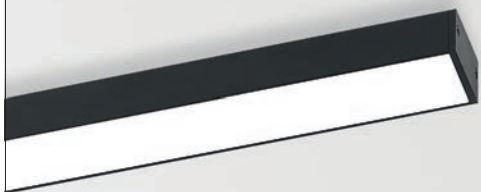
24V-DC / 2 x 4A WIRELESS DIM UNIT 90 x 22 x 17
 300 90 010



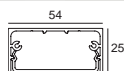


FEMTOLINE 55

PROFILE



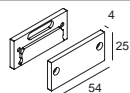
FTL55 - PROFILE ◇
392 04 00 00 ◇
 ◇ = ANO / B / W
 INCL.PC SBL
 MAX.L / PROFILE: 6m
 Kg / m



◇◇ [0,6]

TOL EN12020-2

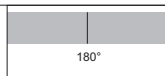
END CAP



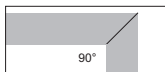
FTL55 - END CAP SET ◇
392 04 03 01 ◇
 ◇ = A / B / W
 SET OF 2 PCS
 [0,1]

CORNER

FTL55 - CORNER 180°
392 04 06 01
 [0,1]

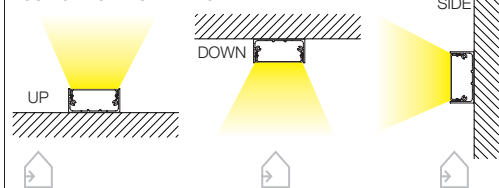


FTL55 - CORNER 90°
392 04 06 06
 [0,1]

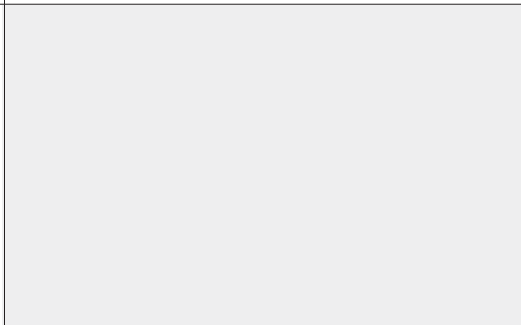


FIXATION

POSITION FOR INSTALLATION



CURRENT SUPPLY



p



LEDFLEX
5m - 24V-DC
0,3

		WHITE		TW	RGB	
		Dividable per 100mm 70 smd LED/m	Dividable per 50mm 140 smd LED/m	Dividable per 33,3mm 180 smd LED/m	Dividable per 167mm 30 smd LED/m	
CRI > 90		5,1W/m 560lm/m*	15,1W/m 1400lm/m*	21,6W/m 2100lm/m*	14,4W/m 1350lm/m*	8W/m*
4000 K	IN	LEDFLEX IN 940 300 91 52 94	LEDFLEX IN FP 940 300 91 53 94			
3000 K	IN	LEDFLEX IN 930 300 91 52 93	LEDFLEX IN FP 930 300 91 53 93	LEDFLEX IN HP 930 300 91 54 93		
2700 K	IN	LEDFLEX IN 927 300 91 52 92	LEDFLEX IN FP 927 300 91 53 92	LEDFLEX IN HP 927 300 91 54 92		
2700 4000 K	IN			LEDFLEX IN TW 300 91 55 2740		
RGB	IN				LEDFLEX IN RGB 300 91 52 33	

FULL INFO / PAG TEC

LED POWER SUPPLY 24V-DC / 20W 300 89 24 20 OPTIONS 24V-DC / 4A DIM UNIT	max.4 m	max.1 m	max.0,9 m	max.1,3 m	® max.2,4 m
LED POWER SUPPLY 24V-DC / 40W 300 89 24 40 OPTIONS 24V-DC / 4A DIM UNIT	max.8 m	max.2,5 m	max.1,8 m	max.2,7 m	® max.5 m
LED POWER SUPPLY 24V-DC / 60W 300 89 24 60 OPTIONS 24V-DC / 4A DIM UNIT	max.12 m	max.4 m (max.3m / Powerline)	max.2,7 m (max.3m / Powerline)	max.4,1 m	® max.7,36 m
LED POWER SUPPLY 24V-DC / 80W DIM1 300 89 24 80 ED1	max.16 m	max.5 m (max.3m / Powerline)	max.3,6 m (max.3m / Powerline)	max.5,5 m	
LED POWER SUPPLY 24V-DC / 150W 300 89 24 150 OPTIONS 24V-DC / 4A DIM UNIT	max.30 m	max.10 m (max.3m / Powerline)	max.6,8 m (max.3m / Powerline)	max.10,4 m	® max.18,72 m
LED POWER SUPPLY MULTI POWER DIM7 300 90 60	max.4 m	max.1,3 m	max.0,9 m		
LED POWER SUPPLY MULTI POWER DIM6 300 90 61	max.4 m	max.1,3 m	max.0,9 m		
RGB DRIVER 12/24V-DC 75/150W 300 90 331				® use in combination with Led Power Supply 24V-DC	® use in combination with Led Power Supply 24V-DC
TW TOUCH CONTROLLER DMX 300 90 332				® use in combinati- on with RGB Driver	
RGB TOUCH CONTROLLER DMX 300 90 330					® use in combinati- on with RGB Driver

DIM1: dimming by 1-10V
DIM6: dimming by push button / falling edge dimmer
DIM7: dimming by push button / 1-10V

*+/- 5%

FULL INFO TECHNICAL CHAPTER

OPTIONS

CONTROL GEAR

24V-DC / 4A DIM1 UNIT 90 x 22 x 17
300 90 003 ED1

24V-DC / 4A DIM5 UNIT 90 x 22 x 17
300 90 003 ED5

24V-DC / 2 x 4A WIRELESS DIM UNIT 90 x 22 x 17
300 90 010





TAGLINE TR

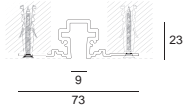


TAGLINE TRW

PROFILE



TGL-TR - PROFILE ◇
425 01 00 00 ◇
 ◇ = B
 MAX.L / PROFILE: 6m
 Kg / m

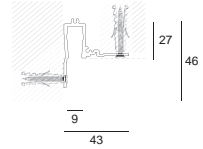


0,3

TOL EN12020-2



TGL-TRW - PROFILE ◇
425 02 00 00 ◇
 ◇ = B
 MAX.L / PROFILE: 6m
 Kg / m



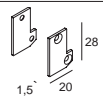
0,4

TOL EN12020-2

END CAP



TGL-TR - END CAP SET ◇
425 01 03 01 ◇
 ◇ = B
 SET OF 2 PCS
 0,1



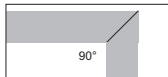
TGL-TRW - END CAP SET ◇
425 02 03 01 ◇
 ◇ = B
 SET OF 2 PCS
 0,1

CORNER

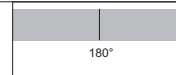
TGL-TR - CORNER 180°
425 01 06 01



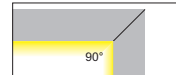
TGL-TR - CORNER 90°
425 01 06 06



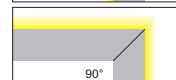
TGL-TRW - CORNER 180°
425 02 06 01



TGL-TRW - CORNER 90° INT
425 02 06 06

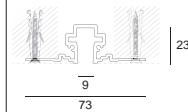


TGL-TRW - CORNER 90° EXT
425 02 06 16

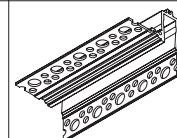
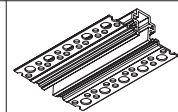
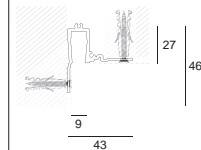


FIXATION

35 x (L + 4)
 POSITION FOR INSTALLATION



25 x (L + 4)
 POSITION FOR INSTALLATION





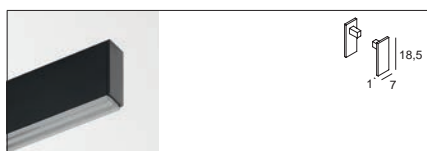
TGL-LEDLINE - PROFILE ◇
425 03 00 00 ◇
 ◇ = B
 INCL. PC SBL
 INCL. FIXATION CLIPS
 MAX.L / PROFILE: 3m
 Kg / m



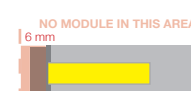
7
19,4

◇ 1,0

TOL EN12020-2

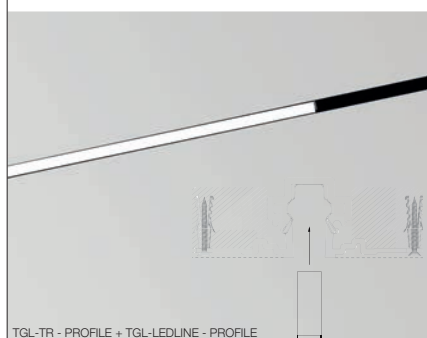


TGL-LEDLINE - END CAP SET ◇
425 03 03 01 ◇
 ◇ = B
 SET OF 2 PCS

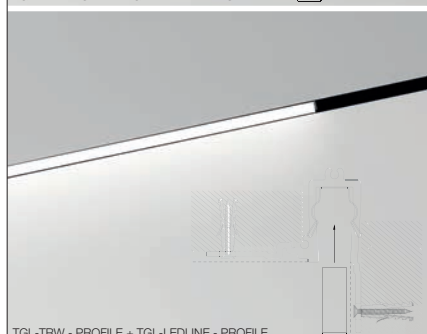


NO MODULE IN THIS AREA
6 mm


◇ 0,1



TGL-TR - PROFILE + TGL-LEDLINE - PROFILE



TGL-TRW - PROFILE + TGL-LEDLINE - PROFILE

LEDFLEX 5m - 24V-DC 0,3 	
WHITE	
Dividable per 29,4mm 238 smd LED/m	
8,5W/m 820lm/m *	
CRI > 90	
4000 K	IN LEDFLEX IN SMALL 940 300 91 51 94
3000 K	IN LEDFLEX IN SMALL 930 300 91 51 93
2700 K	IN LEDFLEX IN SMALL 927 300 91 51 92

FULL INFO / PAG TEC





LED POWER SUPPLY 24V-DC / 20W 300 89 24 20 OPTIONS 24V-DC / 4A DIM UNIT	max.2,35m (1,18m / 110V)
LED POWER SUPPLY 24V-DC / 40W 300 89 24 40 OPTIONS 24V-DC / 4A DIM UNIT	max.4,71m
LED POWER SUPPLY 24V-DC / 60W 300 89 24 60 OPTIONS 24V-DC / 4A DIM UNIT	max.7,06m (max.5m / Powerline)
LED POWER SUPPLY 24V-DC / 80W DIM1 300 89 24 80 ED1	max.9,41m (max.5m / Powerline)
LED POWER SUPPLY 24V-DC / 150W 300 89 24 150 OPTIONS 24V-DC / 4A DIM UNIT	max.17,65m (max.5m / Powerline)
LED POWER SUPPLY MULTI POWER DIM7 300 90 60	max.2,35m (1,76m / 110V)
LED POWER SUPPLY MULTI POWER DIM6 300 90 61	max.2,35m

DIM1: dimming by 1-10V
 DIM6: dimming by push button / falling edge dimmer
 DIM7: dimming by push button / 1-10V

* +/- 5%

FULL INFO TECHNICAL CHAPTER

OPTIONS

CONTROL GEAR 24V-DC / 4A DIM1 UNIT 300 90 003 ED1	90 x 22 x 17	
24V-DC / 4A DIM5 UNIT 300 90 003 ED5	90 x 22 x 17	
24V-DC / 2 x 4A WIRELESS DIM UNIT 300 90 010	90 x 22 x 17	 

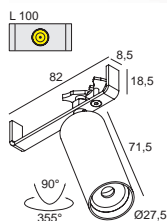
OPTIONS

			[H]
LED PS 300mA / 12W 300 90 30 		min. 38 Input 220-240V / 50-60Hz Output 300mA / 12W / 0-42V-DC	2
LED PS 300mA / 16W DIM5 300 90 32 		min. 55 Input 220-240V / 50/60Hz Output 300mA / 16W / 10-52V-DC	2
LED PS 300mA / 16W DIM7 300 90 31 		min. 55 Input 220-240V / 50/60Hz Output 300mA / 16W / 2-54V-DC	2

DIM5: DALI dimming
DIM7: dimming by push button / 1-10V



TAGLINE TR - MICROSPY 27



CRI > 90

TGL-TR - MICROSPY 271

3000
K

LED [H] 6W / 670lm / 300mA

REFL
FL
24°

425 27 811 931 ◇
◇ = B / W

2700
K

LED [H] 6W / 643lm / 300mA

REFL
FL
24°

425 27 811 921 ◇
◇ = B / W

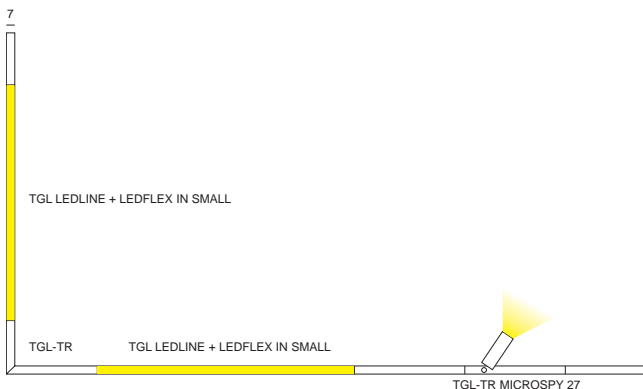
ADJUSTABLE 0-90° / 355°

◇ CE 0.1 IP20

OPTIONS

LED POWER SUPPLY 300mA-DC

ONLY FOR TAGLINE TR PROFILE







TAGLINE ST



TAGLINE ON

PROFILE



TGL-ST - PROFILE ◇
425 05 00 00 ◇
 ◇ = B / W
 MAX.L / PROFILE: 6m
 Kg / m



◇ 0,3

TOL EN12020-2



TGL-ON - PROFILE ◇
425 04 00 00 ◇
 ◇ = B / GC / W
 MAX.L / PROFILE: 6m
 Kg / m



◇ 0,4

TOL EN12020-2

END CAP



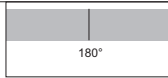
TGL-ST - END CAP SET ◇
425 05 03 01 ◇
 ◇ = B / W
 SET OF 2 PCS
 0,1



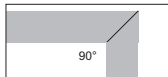
TGL-ON - END CAP SET ◇
425 04 03 01 ◇
 ◇ = B / W
 SET OF 2 PCS
 0,1

CORNER

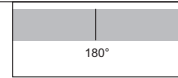
TGL-ST - CORNER 180°
425 05 06 01



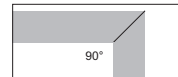
TGL-ST - CORNER 90°
425 05 06 06



TGL-ON - CORNER 180°
425 04 06 01



TGL-ON - CORNER 90°
425 04 06 06

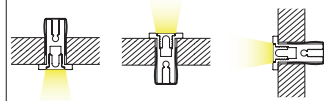


FIXATION

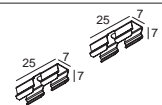
9 x (L + 4) / max. 12,5
TGL-ST - FIXATION
425 05 14 01
 SET OF 2 PCS
 0,1



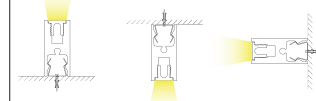
POSITION FOR INSTALLATION



TGL-ON - FIXATION SET
425 04 06 11
 SET OF 2 PCS
 0,1



POSITION FOR INSTALLATION



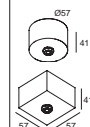
TGL-ON - CABLE SUSPENSION SINGLE 1,6
425 09 01
 L 1,6m
 0,1

ONLY FOR PROFILE LENGTHS UP TO 2m

CURRENT SUPPLY

TGL-ON - POWER CABLE 1,6
425 97 51
 L 1,6m / 2 x 0,5mm²
 0,1

OPTIONS
 CABLE BASE R/S
 COVERSET R 62-90-100 / S 62-80-90




203 99 55 ◇
 ◇ = ANO / B / W

203 99 56 ◇
 ◇ = ANO / B / W

0,1



LEDFLEX 5m - 24V-DC 0,3 
WHITE
Dividable per 29,4mm 238 smd LED/m
8,5W/m 820lm/m *

CRI > 90

4000 K	IN	LEDFLEX IN SMALL 940 300 91 51 94
3000 K	IN	LEDFLEX IN SMALL 930 300 91 51 93
2700 K	IN	LEDFLEX IN SMALL 927 300 91 51 92

FULL INFO / PAG TEC

LED POWER SUPPLY 24V-DC / 20W 300 89 24 20 OPTIONS 24V-DC / 4A DIM UNIT	max.2,35m (1,18m / 110V)
LED POWER SUPPLY 24V-DC / 40W 300 89 24 40 OPTIONS 24V-DC / 4A DIM UNIT	max.4,71m
LED POWER SUPPLY 24V-DC / 60W 300 89 24 60 OPTIONS 24V-DC / 4A DIM UNIT	max.7,06m (max.5m / Powerline)
LED POWER SUPPLY 24V-DC / 80W DIM1 300 89 24 80 ED1	max.9,41m (max.5m / Powerline)
LED POWER SUPPLY 24V-DC / 150W 300 89 24 150 OPTIONS 24V-DC / 4A DIM UNIT	max.17,65m (max.5m / Powerline)
LED POWER SUPPLY MULTI POWER DIM7 300 90 60	max.2,35m (1,76m / 110V)
LED POWER SUPPLY MULTI POWER DIM6 300 90 61	max.2,35m




DIM1: dimming by 1-10V
 DIM6: dimming by push button / falling edge dimmer
 DIM7: dimming by push button / 1-10V

* +/- 5%



FULL INFO TECHNICAL CHAPTER

OPTIONS

CONTROL GEAR 24V-DC / 4A DIM1 UNIT 300 90 003 ED1	90 x 22 x 17	
24V-DC / 4A DIM5 UNIT 300 90 003 ED5	90 x 22 x 17	
24V-DC / 2 x 4A WIRELESS DIM UNIT 300 90 010	90 x 22 x 17	



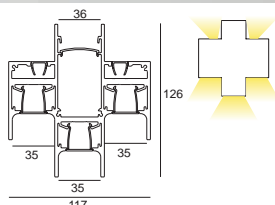
ONE-AND-ONLY

PROFILE



OAO - PROFILE ◇
404 00 00 ◇
 ◇ = B / GC / W
 INCL.PC SBL HE
 MAX.L / PROFILE: 5m
 Kg / m

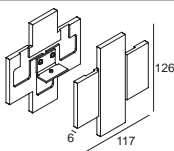
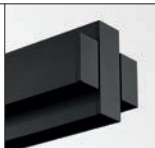
◇ [5,3]



TOL EN12020-2

p

END CAP



OAO - END CAP SET ◇
404 03 01 ◇
 ◇ = B / W
 SET OF 2 PCS

[0,4]

CORNER

FIXATION

OAO - CABLE SUSPENSION SINGLE 1,6
404 09 01

L 1,6m

[0,1]

OAO - CENTRAL ROD SUSPENSION 0,4m ◇
328 27 40 ◇

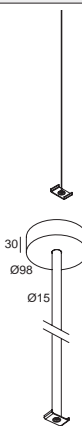
◇ = B / W

[0,1]

OAO - CENTRAL ROD SUSPENSION 0,8m ◇
328 27 80 ◇

◇ = B / W

[0,1]



CURRENT SUPPLY

L 1,6m / 3 x 0,75mm² **377 98 51**

L 6,0m / 3 x 0,75mm² **377 98 56**

L 1,6m / 5 x 0,75mm² **377 99 51**

L 6,0m / 5 x 0,75mm² **377 99 56** [0,3]

OPTIONS

CABLE BASE R/S

COVERSET R 62-90-100 / S 62-80-90



203 99 55 ◇

◇ = ANO / B / W

203 99 56 ◇

◇ = ANO / B / W

[0,1]

CURRENT SUPPLY

LED POWER SUPPLY 24V-DC KIT 60W DIM1

404 24 60 ED1

220-240V / 50-60Hz

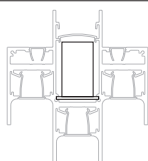
◇ CE [0,1] IP20

LED POWER SUPPLY 24V-DC KIT 100W


404 24 100

220-240V / 50-60Hz

◇ CE [0,1] IP20





LEDFLEX 5m - 24V-DC 0,3 
WHITE
Dividable per 55mm 126 smd LED/m
10W/m 1060lm/m *

CRI > 90

4000 K	IN	LEDFLEX IN MP 940 300 91 56 94
3000 K	IN	LEDFLEX IN MP 930 300 91 56 93
2700 K	IN	LEDFLEX IN MP 927 300 91 56 92

FULL INFO / PAG TEC





LED POWER SUPPLY 24V-DC / 20W 300 89 24 20 OPTIONS 24V-DC / 4A DIM UNIT	max.2m
LED POWER SUPPLY 24V-DC / 40W 300 89 24 40 OPTIONS 24V-DC / 4A DIM UNIT	max.4m
LED POWER SUPPLY 24V-DC / 60W 300 89 24 60 OPTIONS 24V-DC / 4A DIM UNIT	max.6m
LED POWER SUPPLY 24V-DC / 80W DIM1 300 89 24 80 ED1	max.8m
LED POWER SUPPLY 24V-DC / 150W 300 89 24 150 OPTIONS 24V-DC / 4A DIM UNIT	max.15m (max.10m / Powerline)
LED POWER SUPPLY MULTI POWER DIM7 300 90 60	max.2m
LED POWER SUPPLY MULTI POWER DIM6 300 90 61	max.2m

DIM1: dimming by 1-10V
DIM6: dimming by push button / falling edge dimmer
DIM7: dimming by push button / 1-10V

*+/- 5%

FULL INFO TECHNICAL CHAPTER

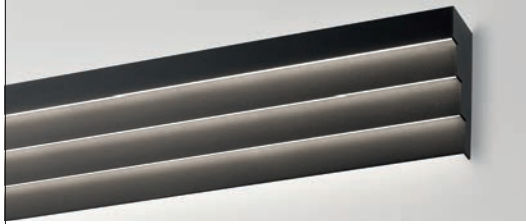
OPTIONS

CONTROL GEAR		
24V-DC / 4A DIM1 UNIT 300 90 003 ED1	90 x 22 x 17	
24V-DC / 4A DIM5 UNIT 300 90 003 ED5	90 x 22 x 17	
24V-DC / 2 x 4A WIRELESS DIM UNIT 300 90 010	90 x 22 x 17	 



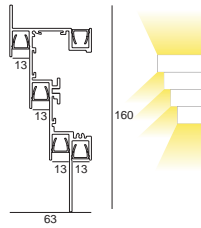
KASKADE

PROFILE



KSK - PROFILE ◇
405 00 00 ◇
 ◇ = B / GC / W
 INCL.PC SBL
 MAX.L / PROFILE: 6m
 Kg / m

◇ 2,4

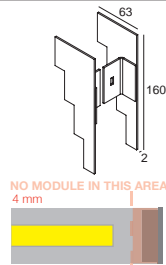


TOL EN12020-2

END CAP

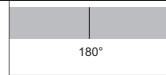


KSK - END CAP SET ◇
405 03 01 ◇
 ◇ = B / W
 SET OF 2 PCS
 0,1



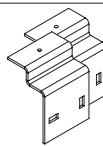
CORNER

KSK - CORNER 180°
405 06 01



FIXATION

KSK - FIXATION SET
405 14 01
 SET OF 2 PCS
 0,2



CURRENT SUPPLY

FULL INFO TECHNICAL CHAPTER

OPTIONS

CONTROL GEAR

24V-DC / 4A DIM1 UNIT 90 x 22 x 17
300 90 003 ED1



24V-DC / 4A DIM5 UNIT 90 x 22 x 17
300 90 003 ED5



24V-DC / 2 x 4A WIRELESS DIM UNIT 90 x 22 x 17
300 90 010



LEDFLEX

5m - 24V-DC

0,3



WHITE

TW

RGB

Dividable per 100mm
70 smd LED/m

Dividable per
33,3mm
180 smd LED/m

Dividable per
167mm
30 smd LED/m

5,1W/m
560lm/m *

15,1W/m
1400lm/m *

14,4W/m
1350lm/m *

8W/m *

CRI > 90

4000 K				
	IN	LEDFLEX IN 940 300 91 52 94	LEDFLEX IN FP 940 300 91 53 94	
3000 K				
	IN	LEDFLEX IN 930 300 91 52 93	LEDFLEX IN FP 930 300 91 53 93	
2700 K				
	IN	LEDFLEX IN 927 300 91 52 92	LEDFLEX IN FP 927 300 91 53 92	
2700 4000 K				
	IN		LEDFLEX IN TW 300 91 55 2740	
RGB				
	IN			LEDFLEX IN RGB 300 91 52 33

FULL INFO / PAG TEC

LED POWER SUPPLY 24V-DC / 20W 300 89 24 20 OPTIONS 24V-DC / 4A DIM UNIT	max.4 m	max.1 m	max.1,3 m	⊕ max.2,4 m
LED POWER SUPPLY 24V-DC / 40W 300 89 24 40 OPTIONS 24V-DC / 4A DIM UNIT	max.8 m	max.2,5 m	max.2,7 m	⊕ max.5 m
LED POWER SUPPLY 24V-DC / 60W 300 89 24 60 OPTIONS 24V-DC / 4A DIM UNIT	max.12 m	max.4 m (max.3m / Powerline)	max.4,1 m	⊕ max.7,36 m
LED POWER SUPPLY 24V-DC / 80W DIM1 300 89 24 80 ED1	max.16 m	max.5 m (max.3m / Powerline)	max.5,5 m	
LED POWER SUPPLY 24V-DC / 150W 300 89 24 150 OPTIONS 24V-DC / 4A DIM UNIT	max.30 m	max.10 m (max.3m / Powerline)	max.10,4 m	⊕ max.18,72 m
LED POWER SUPPLY MULTI POWER DIM7 300 90 60	max.4 m	max.1,3 m		
LED POWER SUPPLY MULTI POWER DIM6 300 90 61	max.4 m	max.1,3 m		
RGB DRIVER 12/24V-DC 75/150W 300 90 331			⊕ use in combination with Led Power Supply 24V-DC	⊕ use in combination with Led Power Supply 24V-DC
TW TOUCH CONTROLLER DMX 300 90 332			⊕ use in combination with RGB Driver	
RGB TOUCH CONTROLLER DMX 300 90 330				⊕ use in combination with RGB Driver

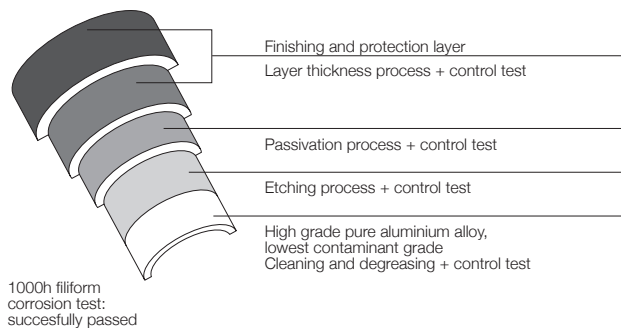
DIM1: dimming by 1-10V
DIM6: dimming by push button / falling edge dimmer
DIM7: dimming by push button / 1-10V

* +/- 5%



EXTERIOR
LIGHTING

To provide complete lighting solutions, Delta Light® also has an extensive outdoor collection in its range. Similar to indoor chapters, this outdoor collection includes ceiling, wall and floor mounted luminaires, either surface or recessed mounted. As outdoor luminaires often need to withstand harsh weather conditions, Delta Light® maintains the highest standards, both in the material choices for finishing the products, as well as in the coating process.



In addition to harsh weather conditions, outdoor luminaires can also be subject to collision. Therefore, the enclosure of the fixture needs to protect the electrical equipment, according to a standard classification. All exterior Delta Light® luminaires have an IK03 classification as a minimum. A selection of Delta Light® luminaires have been tested for higher IK values. These are provided with a label within the next chapters.

www.deltalight.com/products/overview





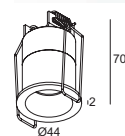
FULL INFO TECHNICAL CHAPTER

OPTIONS

CONTROL GEAR
LED POWER SUPPLY
ALL INFO ON FOLD-OUT COVER



MICRO DEEP RINGO X



38 x 80 / max.35

CRI > 80

MICRO DEEP RINGO S1 X

3000 K

LED [A] 1,1W / 120lm / 350mA
 LED [A] 1,6W / 168lm / 500mA

LENS SP 10°

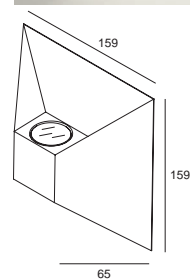
302 222 831 ◊
 ◊ = A / W

NON ADJUSTABLE

CE 0,1 IP20 IP43

OPTIONS
 LED POWER SUPPLY 350-500mA-DC / DIM





CRI > 90

LOGO

3000
K

2 x LED 3W / 280lm / 350mA

271 06 93 ◊
◊ = A / N / W

2700
K

2 x LED 3W / 252lm / 350mA

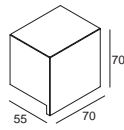
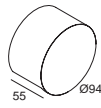
271 06 92 ◊
◊ = A / N / W

100-240V / 50-60Hz

CE 0.9 IP55



STIP W



CRI > 80

STIP W R

STIP W S

3000
K

LED 4,1W / 420lm / 350mA

LED 4,1W / 420lm / 350mA

223 54 83 ◊
◊ = A / N

223 55 83 ◊
◊ = A / N

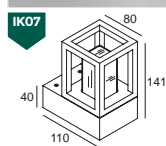
INCL. GLASS
100-240V / 50-60Hz

CE 20 IP55

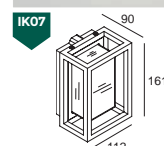
INCL. SYMMETRIC LENS
100-240V / 50-60Hz

CE 20 IP55

MONTUR MINI S



MONTUR MINI M



CRI > 80

MONTUR MINI S

3000
K

LED 7,1W / 928lm / 350mA

232 022 83 ◇
◇ = B

2700
K

LED 7,1W / 895lm / 350mA

232 022 82 ◇
◇ = B

INCL. GLASS OPAL
100-240V / 50-60Hz

CE 0,9 IP55

MONTUR MINI M

LED CLUSTER 4,2W / 589lm / 350mA

232 012 83 ◇
◇ = B

LED CLUSTER 4,2W / 589lm / 350mA

232 012 82 ◇
◇ = B

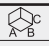




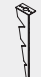
INCL. GLASS OPAL
100-240V / 50-60Hz

CE 0,7 IP65

FULL INFO TECHNICAL CHAPTER

OPTIONS

INSTALLATION

CBOX 216 12 00	140 x 140 x 173	142 x 142 x 300	
IP68 CONNECTION KIT 216 12 01	95 x 45 x 25		
IP68 CONNECTOR 3P 216 12 02	Ø 23 x 68		
PIN 2 229 01 02	69 x 71 x 280		
PLATE 2 229 02 02	150 x 150 x 3		
PIN 11 229 01 11	41 x 79 x 403		

FULL INFO TECHNICAL CHAPTER

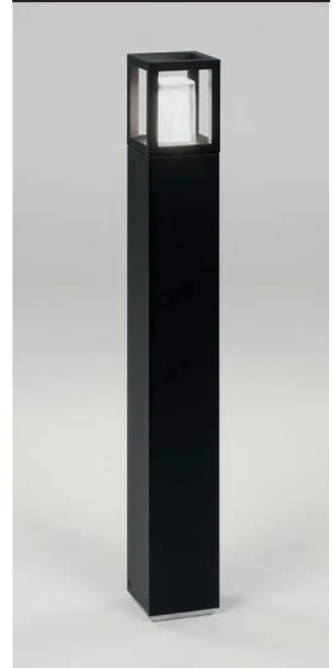
ACCESSORIES

ELBO RASTER ◊
223 99 01 ◊
◊ = B

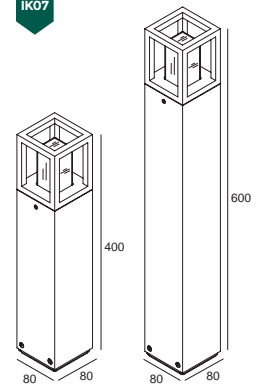


ELBO SBL P 600 B + ELBO RASTER B

MONTUR MINI S P



IK07



CRI > 80

MONTUR MINI S P

3000
K

LED 7,1W / 928lm / 350mA

400mm **232 942 83** ◊
◊ = B

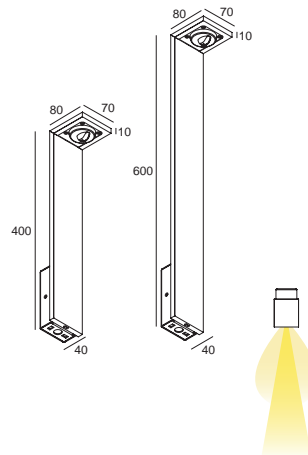
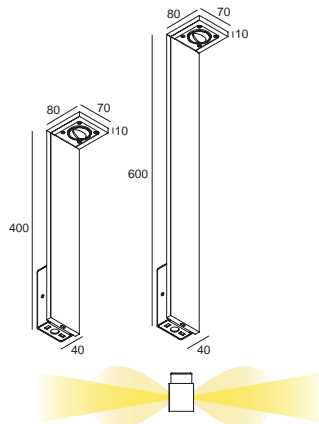
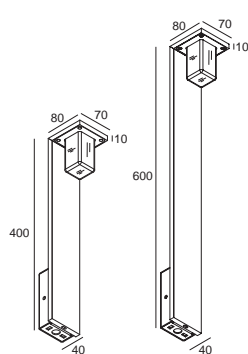
600mm **232 962 83** ◊
◊ = B

100-240V / 50-60Hz

◊ CE IP55

OPTIONS

CBOX
IP68 CONNECTION KIT
IP68 CONNECTOR 3P
PIN 2
PLATE 2



CRI > 80 3000 K	ELBO SBL P
	LED 7,1W / 928lm / 350mA
	400mm 223 44 83 ◇ 1,1 ◇ = A / B
	600mm 223 46 83 ◇ 1,5 ◇ = A / B
100-240V / 50-60Hz	
☐ CE IP55	
OPTIONS	
CBOX	
IP68 CONNECTION KIT	
IP68 CONNECTOR 3P	
PIN 11	
ACCESSORIES	
ELBO RASTER	

ELBO SYMMETRIC P	
LED 4,1W / 420lm / 350mA	
400mm 223 24 83 ◇ 1,0 ◇ = A / B	
600mm 223 26 83 ◇ 1,4 ◇ = A / B	
100-240V / 50-60Hz	
☐ CE IP55	
OPTIONS	
CBOX	
IP68 CONNECTION KIT	
IP68 CONNECTOR 3P	
PIN 11	

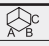
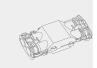


ELBO ASYMMETRIC P	
LED 4,1W / 420lm / 350mA	
400mm 223 34 83 ◇ 1,0 ◇ = A / B	
600mm 223 36 83 ◇ 1,4 ◇ = A / B	
100-240V / 50-60Hz	
☐ CE IP55	
OPTIONS	
CBOX	
IP68 CONNECTION KIT	
IP68 CONNECTOR 3P	
PIN 11	



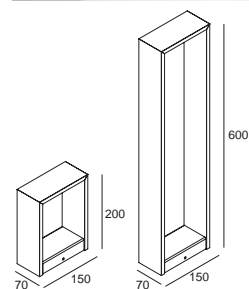
FULL INFO TECHNICAL CHAPTER

OPTIONS

INSTALLATION

CBOX 216 12 00	140 x 140 x 173	142 x 142 x 300	
IP68 CONNECTION KIT 216 12 01	95 x 45 x 25		
IP68 CONNECTOR 3P 216 12 02	Ø 23 x 68		
PIN 4 229 01 04	55 x 126 x 405		

ELBO BRIDGE P



CRI > 80

ELBO BRIDGE P

3000
K

LED 4,1W / 420lm / 350mA

200mm **223 122 83** ◇
◇ = A / B

600mm **223 126 83** ◇
◇ = A / B

INCL.SYMMETRIC LENS
100-240V / 50-60Hz

 IP55

OPTIONS

- CBOX
- IP68 CONNECTION KIT
- IP68 CONNECTOR 3P
- PIN 4





POLE SANO

BY DEAN SKIRA

Polesano comes in 4 optics, enabling precise illumination and staging of buildings, decorative elements, paths and streetways.

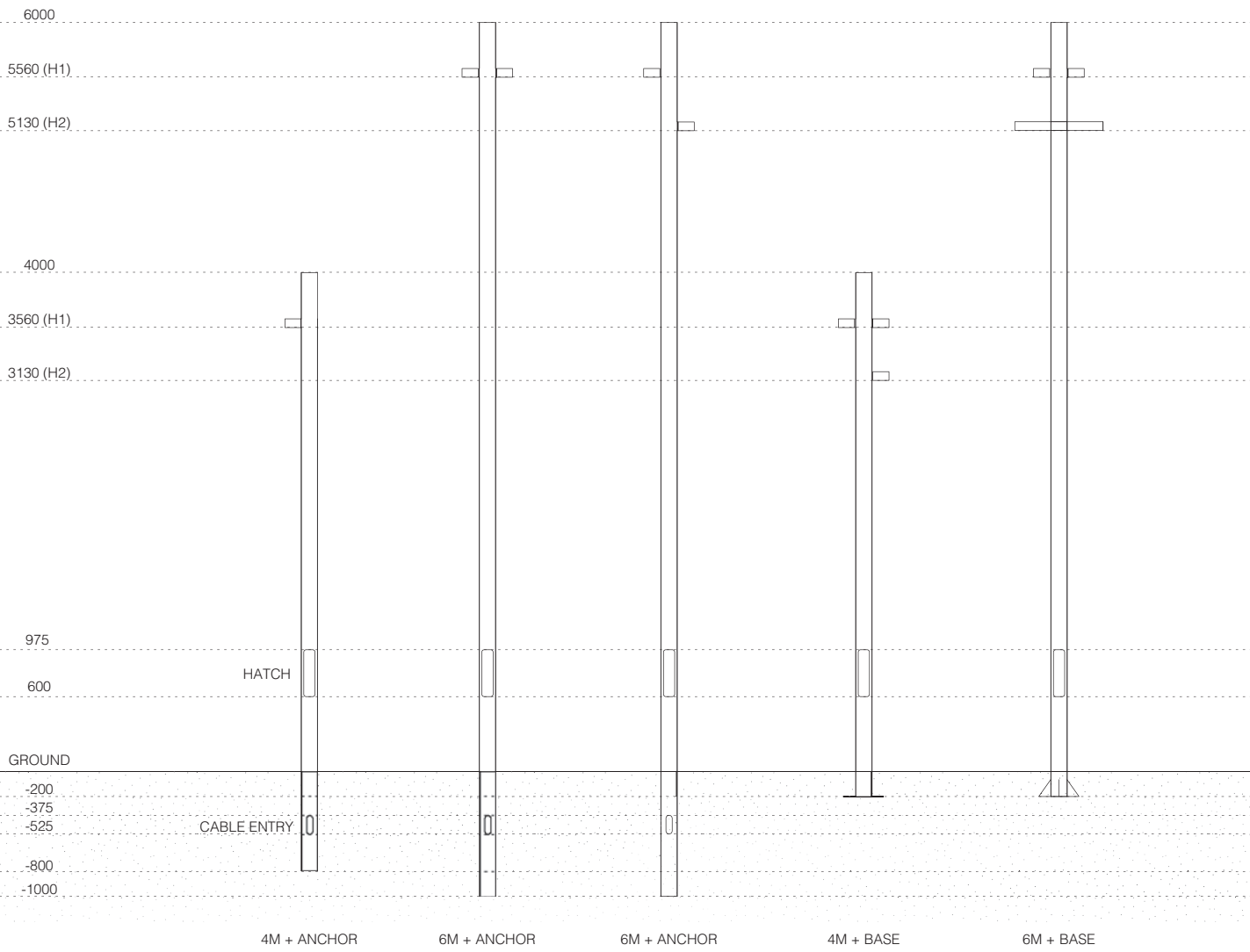
Can be combined with Delta Light®'s unique CTRL DELTA, a user-friendly solution for easy wireless control via mobile devices.

CTRL
DELTA

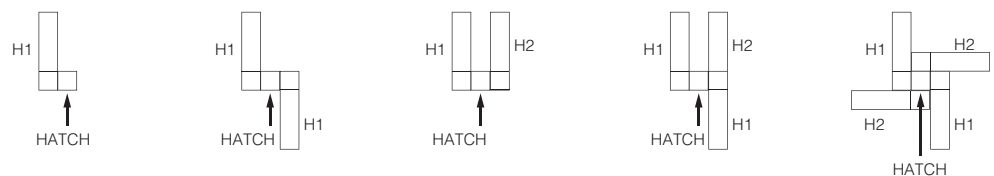
CONFIGURATE TO YOUR NEEDS

You can shape your Polesano according to the specific needs of your project. The pole comes in 2 standard heights, either 4 or 6 meters high. Both heights can be combined with one, two, three or four luminaires. The luminaires can be any mix of the spot, flood, medium or street optics, or a set of the same optics - depending on the specific illumination requirements of its landscape. Besides the height of the pole and the selection of luminaire optics, you can also opt for either anchored installation or with a base.

PRECISE OPTICS



HEAD COMBINATIONS (TOPVIEW) :
(POSSIBLE WITH 4 TYPES OF POLE)



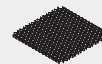


HONEYCOMB S105 ◇
431 03 01 ◇
 ◇ = B

105 x 105



LINEAR SPREAD LENS S105 105 x 105
431 03 02

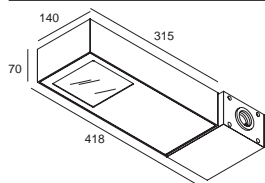


Graduated scale with 5° steps on both horizontal and vertical axis for better alignment of luminaires.





POLESANO



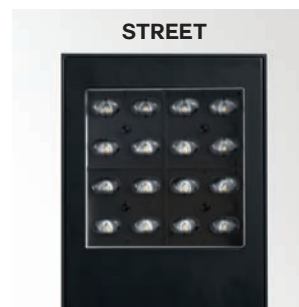
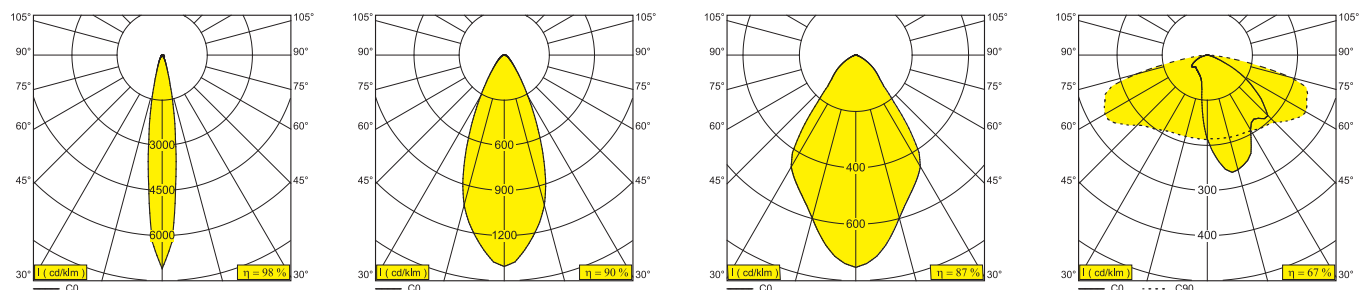
TYPE		LUMEN PACKAGE		CRI		COLOUR TEMPERATURE		LIGHT DISTRIBUTION		FINISH	
43	TYPE	lm		CRI		K		°		◇	
43	1	ADJUSTABLE	1	5214lm / 50W	7	CRI > 70 (ON REQUEST)	3	3000K	1	SPOT 15°	N-B
					8	CRI > 80	4	4000K	2	MEDIUM 43°	A-B
									3	FLOOD 70°	
									4	STREET LIGHT	

120-277V / 50-60Hz

CE 4,6 IP66

DESIGN BY DELTA LIGHT® & DEAN SKIRA

PHOTOMETRICS





FULL INFO TECHNICAL CHAPTER

OPTIONS

INSTALLATION

FUSE BOX 280 x 71 x 80

431 99 01



IP54 JUNCTION BOX 108 x 65 x 28

431 99 02



IP68 CONNECTOR 3P Ø 23 x 68

216 12 02



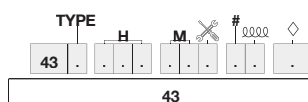
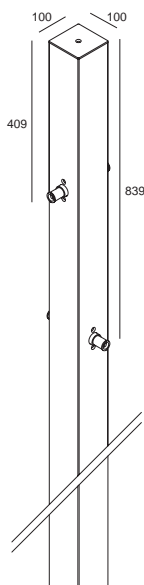
PLATE 11 270 x 270 x 647

229 02 11





POLESANO POLE



TYPE	HEIGHT	MOUNTING TYPE	SERVICE	# LUMINAIRE	WIRING	FINISH
43	H	M	#	#	0/1	◇
43	1	POLE	1	1 HATCH	1	1 LUMINAIRE
	400	4000mm	11	ANCHORAGE 800mm	1	1 LUMINAIRE
			22	BASE PLATE RECESSED	1	NO WIRING*
	600	6000mm	12	ANCHORAGE 1000mm	21	2 LUMINAIRES 1 LEVEL
			32	BASE PLATE RECESSED	22	2 LUMINAIRES 2 LEVELS
					3	3 LUMINAIRES
					4	4 LUMINAIRES

120-277V / 50-60Hz
INCL. 1 x CABLE H05 RN-F 2 x 1mm² / LUMINAIRE

CE 4,4 /m IP54

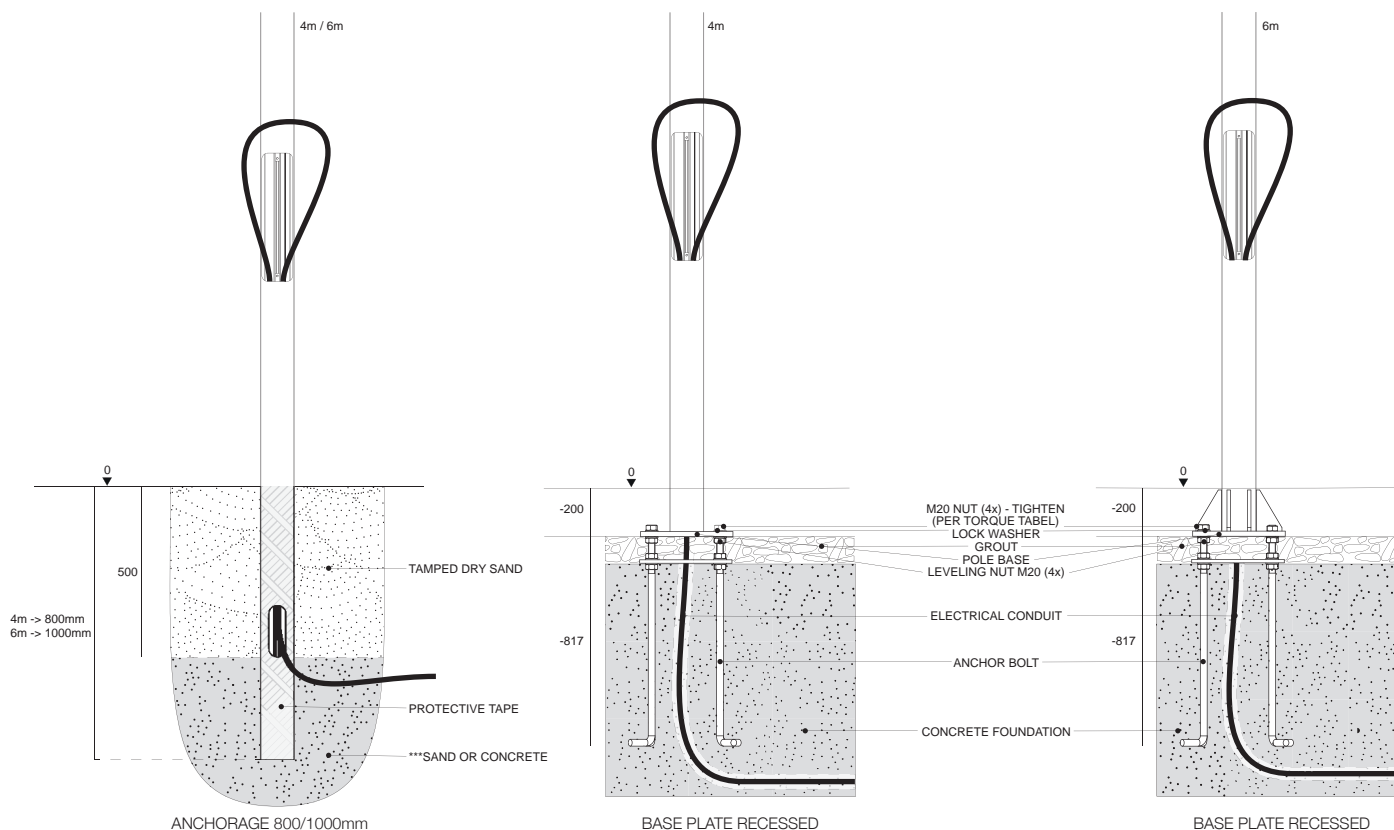
OPTIONS

- FUSE BOX
- IP54 JUNCTION BOX
- IP68 CONNECTION KIT
- PLATE 11 (ONLY FOR VERSION WITH BASE PLATE)

ALL ELECTRICAL CONNECTION NEED TO COMPLY WITH IP53 REGULATIONS

* ON REQUEST

DESIGN BY DELTA LIGHT® & DEAN SKIRA



TECHNICAL

INFO



Lighting is still a fast-changing business due to the evolution in led. On the following pages we inform you on some typical characteristics of led and show you the possibilities on how to connect, switch and dim power supplies in a correct way. Further in this chapter you can find specific technical information on options, requirements and accessories:

OPTIONS

Depending on the material in which the luminaire will be installed, options can be used for the installation of a luminaire but are not necessary.

REQUIREMENTS

Needed for a proper installation of the luminaire.

ACCESSORIES

To modify the beam of the luminaire.

CTRL DELTA WIRELESS CONTROL

Delta Light® introduces **CTRL DELTA**, enabling you to control and manage a selection of LED luminaires via mobile devices (Apple or Android). In essence, all dimmable luminaires can be wireless controlled, as long as the required components are either integrated or installed externally. Throughout Lighting Bible 12®, the symbols below show if wireless control is possible with the luminaire in question.

CTRL DELTA INSIDE
Wireless control is standard and the luminaire has the required component integrated.

CTRL DELTA READY
Luminaire can be wireless controlled, but requires an external component. In order to ensure the best interaction, this component needs to be installed nearby the luminaire. Installation options need to be checked according to the nature of the luminaire and the installation possibilities.

CTRL DELTA CUSTOM
Wireless control for this particular luminaire is on demand and needs to be checked by Delta Light®.

Easy to install. You don't need any new wiring, switches, devices or networks. Plug in the lighting fixture and pair it with your smartphone or tablet. No other configurations needed.

Easy to use. You can control your lights with an intuitive and visual user interface on your smartphone or tablet.

Easy to enjoy. With a tap on your smartphone you can set the ambience. With the Casambi App you can control your luminaires individual or in groups.

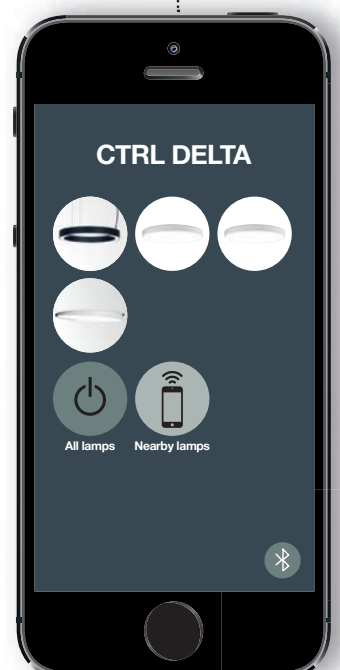
How to in 5 easy steps

1. Order your desired CTRL DELTA unit (not standard included with luminaire)
2. Install the CTRL DELTA unit
3. Download the Casambi App in the App or Play Store.
4. Find your CTRL DELTA unit in the Casambi app, using Bluetooth.
5. Take a picture of your room and place the light controls upon the related pictures. Now you can visually manage your luminaires directly through the picture.

For more information and technical info please go to www.deltalight.com/CTRLDELTA



CTRL DELTA IDENTITY KIT	
RF TECHNOLOGY	
GATEWAY	NO
MOBILE PLATFORM	
APPLE HOME	COMPATIBLE PENDING
WALL SWITCH	WIRELESS SWITCH PUSH BUTTON INTERFACE
NODES PER NETWORK	128 (IN & OUT)
IBEAON PROXIMITY	YES
AVAILABLE HARDWARE	1-10V DALI EE DIMMING 4 CHANNEL FLEX INTERFACE



CTRL DELTA TRANSMITTER



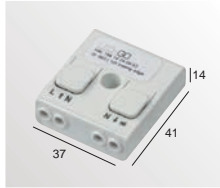
WIRELESS SWITCH
300 90 312 ◊
 ◊ = B / W
 BATTERY POWERED / 5 YEAR LIFETIME
 4 FUNCTIONS

CE 0,1 IP20



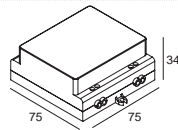
WIRELESS PUSH BUTTON INTERFACE
300 90 009
 BATTERY POWERED / 5 YEAR LIFETIME
 4 FUNCTIONS BY EXTERNAL PUSH BUTTON
 TYPE OF FUNCTION SET BY CTRL DELTA

CE 0,1 IP20



WIRELESS CONTROL DIM8
300 90 004 ED8
 220-240V / 0,6A

CE 0,1 IP20



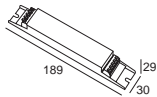
WIRELESS CONTROL 5A DIM1
300 90 016 ED1
 100-240V / 5A

CE 0,1 IP20



WIRELESS CONTROL DIM5
300 90 004 ED5
 220-240V / 0,6A

CE 0,1 IP20



DALI REPEATER
300 90 137
 MAX. 64 DALI DEVICES
 MAX. DISTANCE 300m

CE 0,1 IP20



WIRELESS CONTROL 4 CHANNEL WHITE
300 90 005
 12/24V-DC / 4 x 4A

CE 0,1 IP20

WIRELESS CONTROL 2 CHANNEL TUNABLE WHITE
300 90 006
 12/24V-DC / 2 x 4A

CE 0,1 IP20

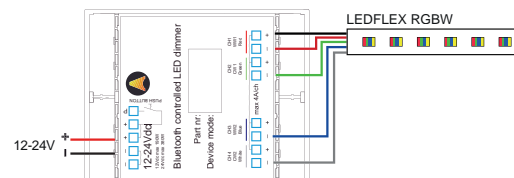
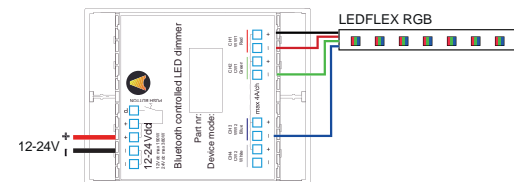
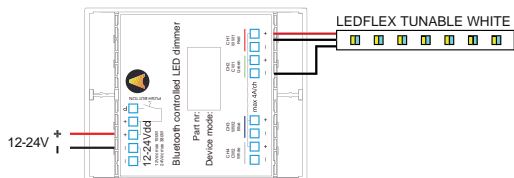
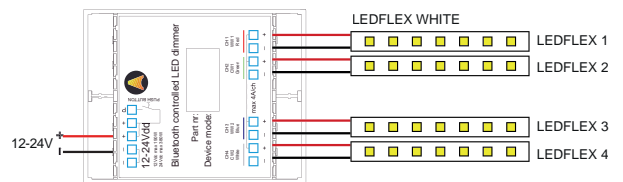
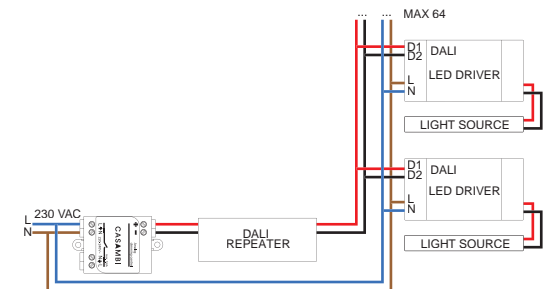
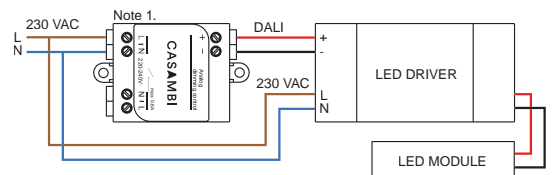
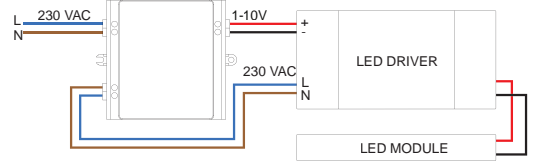
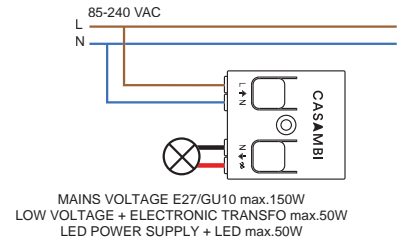
WIRELESS CONTROL RGB
300 90 007
 12/24V-DC / 3 x 4A

CE 0,1 IP20

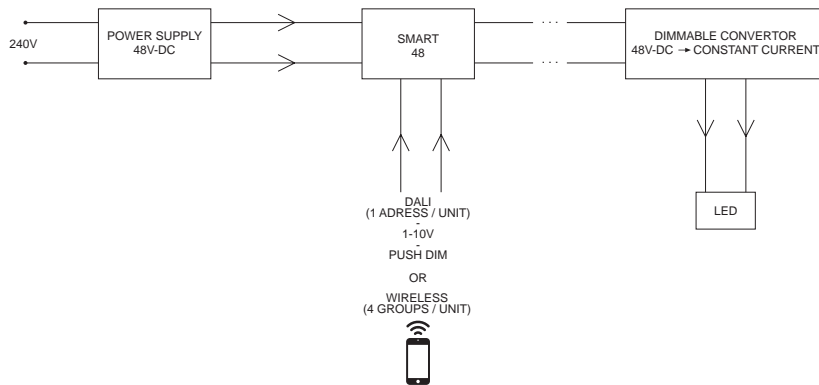
WIRELESS CONTROL RGBW
300 90 008
 12/24V-DC / 4 x 4A

CE 0,1 IP20

CTRL DELTA RECEIVER



SMART 48

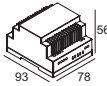

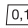


New in Lighting Bible 12 is the possibility to dim 48V luminaires or profiles, thanks to Smart 48. It collects the power from the 48V power supply and combines it with a DALI, 1-10V or Touch Dim input and sends it to the 48V converter in the luminaire. With the Dimmable Modulator 48V-DC DIM9, dimming can be done by only using 2 wires for both power and dimming. Or dimming can be done wireless, by choosing for the Wireless Dimmable Modulator 48V-DC.

PATENT PENDING

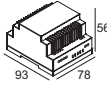

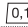


DIMMABLE MODULATOR 48V-DC DIM9

Type	
DIMMABLE MODULATOR 48V-DC	48V-DC / DIM9
	300 90 011
	  IP20
Dimensions (L x W x H)	93 x 78 x 56
Input	48V-DC
Output	MODULATED 48V-DC + DIM (MAX.200W)
DIM	DIM9 (1-10V* / DALI / TOUCH DIM) *1-10V = 1-100% LIGHT / 0V = OFF

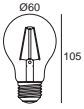


WIRELESS DIMMABLE MODULATOR 48V-DC

Type	
WIRELESS DIMMABLE MODULATOR 48V-DC	48V-DC / WIRELESS DIMMING
	300 90 012
	  IP20
Dimensions (L x W x H)	93 x 78 x 56
Input	48V-DC
Output	MODULATED 48V-DC + DIM (MAX.200W)
DIM	WIRELESS DIMMING

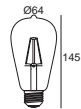
LAMPS

LED SOLUTION - LED FILAMENT



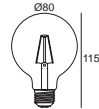
LED FILAMENT 60 E27 6W 2700K
309 109 00 25
 INCL. FILAMENT LED / 2700K ● / CRI>80
 TOTAL POWER 6W / 670lm
 EQUIVALENT OF 53W INCANDESCENT
 NON DIMMABLE
 E27Ls / 220-240V / 50-60Hz

CE [0,1] IP20



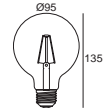
LED FILAMENT T64 E27 8W 2700K
309 109 01 27
 INCL. FILAMENT LED / 2700K ● / CRI>80
 TOTAL POWER 8W / 870lm
 EQUIVALENT OF 60W INCANDESCENT
 NON DIMMABLE
 E27Ls / 220-240V / 50-60Hz

CE [0,1] IP20



LED FILAMENT GL80 E27 8W 2700K
309 109 02 27
 INCL. FILAMENT LED / 2700K ● / CRI>80
 TOTAL POWER 8W / 870lm
 EQUIVALENT OF 60W INCANDESCENT
 NON DIMMABLE
 E27Ls / 220-240V / 50-60Hz

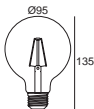
CE [0,1] IP20



LED FILAMENT GL95 E27 8W 2700K
309 109 03 27
 INCL. FILAMENT LED / 2700K ● / CRI>80
 TOTAL POWER 8W / 950lm
 EQUIVALENT OF 60W INCANDESCENT
 NON DIMMABLE
 E27Ls / 220-240V / 50-60Hz

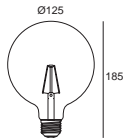
CE [0,1] IP20

LED SOLUTION - LED FILAMENT



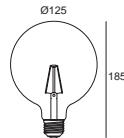
LED FILAMENT GL95 E27 8W 2700K - GOLD
309 109 04 27
 INCL. FILAMENT LED / 2700K ● / CRI>80
 TOTAL POWER 8W / 800lm
 EQUIVALENT OF 60W INCANDESCENT
 NON DIMMABLE
 E27Ls / 120-240V / 50-60Hz

CE [0,1] IP20



LED FILAMENT GL125 E27 8W 2700K
309 109 06 27
 INCL. FILAMENT LED / 2700K ● / CRI>80
 TOTAL POWER 8W / 800lm
 EQUIVALENT OF 60W INCANDESCENT
 NON DIMMABLE
 E27Ls / 120-240V / 50-60Hz

CE [0,1] IP20



LED FILAMENT GL125 E27 8W 2700K - GOLD
309 109 05 27
 INCL. FILAMENT LED / 2700K ● / CRI>80
 TOTAL POWER 8W / 800lm
 EQUIVALENT OF 60W INCANDESCENT
 NON DIMMABLE
 E27Ls / 120-240V / 50-60Hz

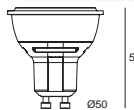
CE [0,1] IP20

LED SOLUTION - HALOLED



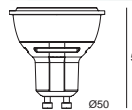
HALOLED Hi - 40° (5,4W) WW
309 107 38 32
 INCL. 1 x LED / 2700K ●
 INCL. 1 x LENS 40°
 TOTAL POWER 5,4W / 402lm
 MAINS DIMMING (FE)
 GU10 / 220-240V / 50-60Hz

CE [0,1] IP20



HALOLED Hi - 36° (5,5W) WW
309 107 38 23
 INCL. 1 x LED / 3000K ● / CRI97
 INCL. 1 x LENS 36°
 TOTAL POWER 5,5W / 375lm
 MAINS DIMMING (FE)
 GU10 / 220-240V / 50-60Hz

CE [0,1] IP20



HALOLED Hi - 36° (7,5W) WW
309 107 38 13
 INCL. 1 x LED / 3000K ● / CRI95
 INCL. 1 x LENS 36°
 TOTAL POWER 7,5W / 435lm
 MAINS DIMMING (FE)
 GU10 / 220-240V / 50-60Hz

CE [0,1] IP20

LED

CRI>90

LED FLEX 5M



LED FLEX IN 940 5m
300 92 52 94
70 x SMD LED/m - 4000K

LED FLEX IN 930 5m
300 92 52 93
70 x SMD LED/m - 3000K

LED FLEX IN 927 5m
300 92 52 92
70 x SMD LED/m - 2700K

L : 5m / DIVIDABLE PER 100mm
5,1W/m* - 650lm/m
24V-DC
INCL.20 MOUNTING BRACKETS
EXCL.LED POWER SUPPLY 24V-DC

CE [0.2] IP20

OPTIONS

LED FLEX IN CONNECTION SET
LED FLEX IN SUPPLY CABLE SET
LED FLEX IN CONNECTION CLIP SET



LED FLEX OUT 940 5m
300 92 62 94
70 x SMD LED/m - 4000K

LED FLEX OUT 930 5m
300 92 62 93
70 x SMD LED/m - 3000K

LED FLEX OUT 927 5m
300 92 62 92
70 x SMD LED/m - 2700K

L : 5m / DIVIDABLE PER 100mm
5,1W/m* - 650lm/m
24V-DC
INCL.20 MOUNTING BRACKETS
INCL.8 ENDCAPS
EXCL.LED POWER SUPPLY 24V-DC

CE [0.3] IP65

LED FLEX FP 5M



LED FLEX IN FP 940 5m
300 92 53 94
70 x SMD LED/m - 4000K

LED FLEX IN FP 930 5m
300 92 53 93
70 x SMD LED/m - 3000K

LED FLEX IN FP 927 5m
300 92 53 92
70 x SMD LED/m - 2700K

L : 5m / DIVIDABLE PER 100mm
15,1W/m* - 1400lm/m
24V-DC
INCL.20 MOUNTING BRACKETS
EXCL.LED POWER SUPPLY 24V-DC

CE [0.2] IP20

OPTIONS

LED FLEX IN CONNECTION SET
LED FLEX IN SUPPLY CABLE SET
LED FLEX IN CONNECTION CLIP SET



LED FLEX OUT FP 940 5m
300 92 63 94
70 x SMD LED/m - 4000K

LED FLEX OUT FP 930 5m
300 92 63 93
70 x SMD LED/m - 3000K

LED FLEX OUT FP 927 5m
300 92 63 92
70 x SMD LED/m - 2700K

L : 5m / DIVIDABLE PER 100mm
15,1W/m* - 1400lm/m
24V-DC
INCL.20 MOUNTING BRACKETS
INCL.8 ENDCAPS
EXCL.LED POWER SUPPLY 24V-DC

CE [0.3] IP65

LED FLEX HP 5M



LED FLEX IN HP 940 5m
300 92 54 94
140 x SMD LED/m - 4000K

LED FLEX IN HP 930 5m
300 92 54 93
140 x SMD LED/m - 3000K

LED FLEX IN HP 927 5m
300 92 54 92
140 x SMD LED/m - 2700K

L : 5m / DIVIDABLE PER 50mm
21,6W/m* - 2100lm/m
24V-DC
INCL.20 MOUNTING BRACKETS
EXCL.LED POWER SUPPLY 24V-DC

CE [0.2] IP20

LED FLEX TW 5M



LED FLEX IN TW 2740 5m
300 92 55 2740
180 x DUAL DICE IN ONE SMD LED/m
L : 5m / DIVIDABLE PER 33,3mm
2700K - 4000K / 14,4W/m* / 1350lm/m
COMMON PLUS
24V-DC
INCL.20 MOUNTING BRACKETS
EXCL.LED POWER SUPPLY 24V-DC

CE [0.2] IP20

* +/- 5%

LEDFLEX RGB 5M



LEDFLEX IN RGB 5m
300 92 52 33
 30 x SMD LED/m - RGB
 L : 5m / DIVIDABLE PER 167mm
 8W/m*
 24V-DC
 INCL.20 MOUNTING BRACKETS
 EXCL.LED POWER SUPPLY 24V-DC

CE 0,2 IP20

OPTIONS

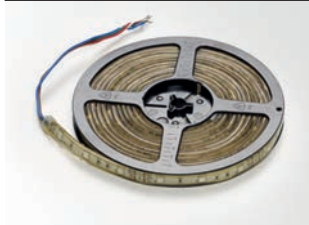
LEDFLEX IN RGB CONNECTION SET
 LEDFLEX IN RGB SUPPLY CABLE SET
 LEDFLEX IN RGB CONNECTION CLIP SET



LEDFLEX OUT RGB 5m
300 92 62 33
 30 x SMD LED/m - RGB
 L : 5m / DIVIDABLE PER 167mm
 8W/m*
 24V-DC
 INCL.20 MOUNTING BRACKETS
 INCL.8 ENDCAPS
 EXCL.LED POWER SUPPLY 24V-DC

CE 0,3 IP65

LEDFLEX RGBW 5M



LEDFLEX IN RGBW 5m
300 92 523 83
 60 x SMD LED/m - RGB - 3000K
 L : 5m / DIVIDABLE PER 100mm
 16,8W/m*
 24V-DC
 INCL.20 MOUNTING BRACKETS
 EXCL.LED POWER SUPPLY 24V-DC

CE 0,2 IP20

OPTIONS LEDFLEX

LEDFLEX IN / FP



LEDFLEX IN SUPPLY CABLE SET
300 92 93 07
 2 x 0.35mm² / 150mm
 SET OF 10 pcs

CE 0,1



LEDFLEX IN CONNECTION SET
300 92 93 08
 2 x 0.35mm² / 150mm
 SET OF 10 pcs

CE 0,1



LEDFLEX IN CONNECTION CLIP SET
300 92 93 09
 SET OF 10 pcs

CE 0,1

LEDFLEX IN RGB



LEDFLEX IN RGB SUPPLY CABLE SET
300 92 93 04
 4 x 0.35mm² / 150mm
 SET OF 10 pcs

CE 0,1



LEDFLEX IN RGB CONNECTION SET
300 92 93 05
 4 x 0.35mm² / 150mm
 SET OF 10 pcs

CE 0,1



LEDFLEX IN RGB CONNECTION CLIP SET
300 92 93 06
 SET OF 10 pcs

CE 0,1

LED

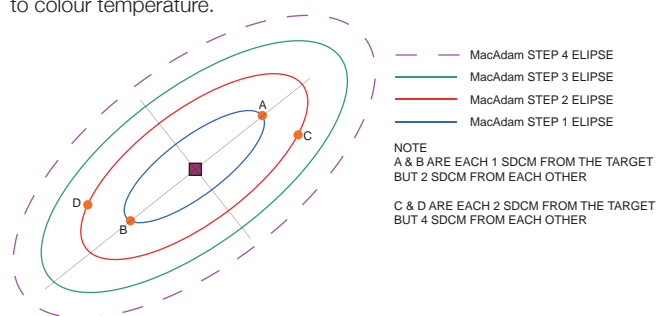
At Delta Light®, we follow the evolution in LED at close range. What appears to be similar quality at first sight, can be totally different when looking at some of the underlying characteristics. These characteristics, like binning, risk factor, thermal management, degradation in luminous flux are part of the DNA of the Light Emitting Diode. These aspects determine the lifespan and the quality of the LED. For this matter, Delta Light® assures it only selects qualitative LEDs from qualitative manufacturers. High quality design cannot be made without high quality components.

COLOUR BINNING TYPICAL VALUES ON PAG TEC 14-15

No 2 LEDs are the same. When LEDs are produced, they vary in light output and in colour temperature, even when they are produced in the same batch. These differences may be small, but they do influence the quality of the LED. That is why manufacturers sort the LEDs, according to these performances, in different 'bins'. By reducing the number of bins to choose from, quality increases as performances are closer to each other.

MACADAM STEP TYPICAL VALUES ON PAG TEC 14-15

The differences in colour temperature between LEDs can be measured by looking at the MacAdam ellipses in Standard Deviation of Colour Matching (SDCM), according to the CIE 1931 Standard. This system looks at the ability of the human eye to perceive colour differences and ranks it on a scale from 0 to 10. Within 1 MacAdam ellipse a colour difference is not noticeable to the human eye under any condition. From 1 to 3 ellipses it is very difficult for the human eye to notice any difference in colour, meaning that up to 3 MacAdam ellipses all LEDs are very homogeneous when it comes to colour temperature.



RISK FACTOR TYPICAL VALUES ON PAG TEC 14-15

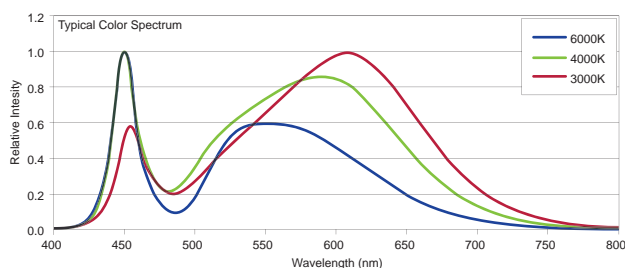
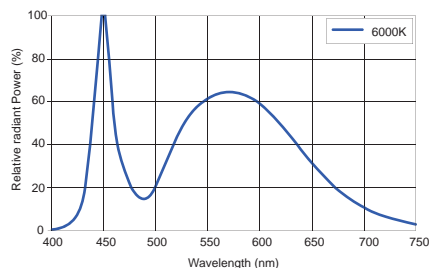
The European standard for photo biological safety EN 62471 describes a measuring method to determine whether a lamp or luminaire carries a risk of eye and skin damage. LED light contains almost no light from the ultraviolet or infrared spectrum, and therefore is not dangerous to the skin. It does however provide a high peak in the blue spectrum which, when looking into a bright light source (for a long period of time), may result in irreversible damage to the retina, the so-called the Blue Light Hazard.

Whether the risk is real, depends on several factors: luminance of the LED, colour temperature, but also light distribution and distance to the luminaire play an important role. When a LED is placed in a luminaire, it is located behind a lens, reflector or diffuser, thus levelling off the luminance.

To allow users to estimate the risk, the standard EN 62471 determines that lamps and luminaries must be divided into four risk groups:

- Risk group 0 ("exempt" group): this means that there is no danger, even with unlimited viewing of the light source.
- Risk group 1: The risk is limited, no more than 10.000 seconds of viewing is allowed (just under 3 hours).
- Risk group 2: up to 100 seconds of viewing is allowed.
- Risk group 3: up to 0.25 seconds of viewing is allowed. This is shorter than the natural aversion reflex of the eye.

For light sources of risk group 3, protective measures are always needed. For the other groups, it depends on the application. If the light sources belong in group 2 or 3, then this must be indicated.

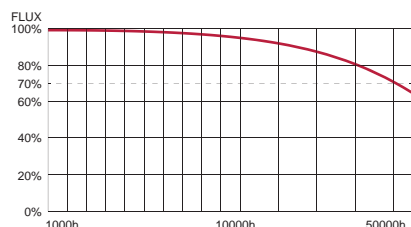


LED LIFESPAN LM-80 – TM-21 TYPICAL VALUES ON PAG TEC 14-15

Conventional light sources mostly burn out before a serious loss of light output is noticeable. As the lifetime of LEDs exceeds the lifetime of conventional light sources, light output degrades over time before burning out. This degradation in luminous flux can be measured according to the L value and the operating period of time:

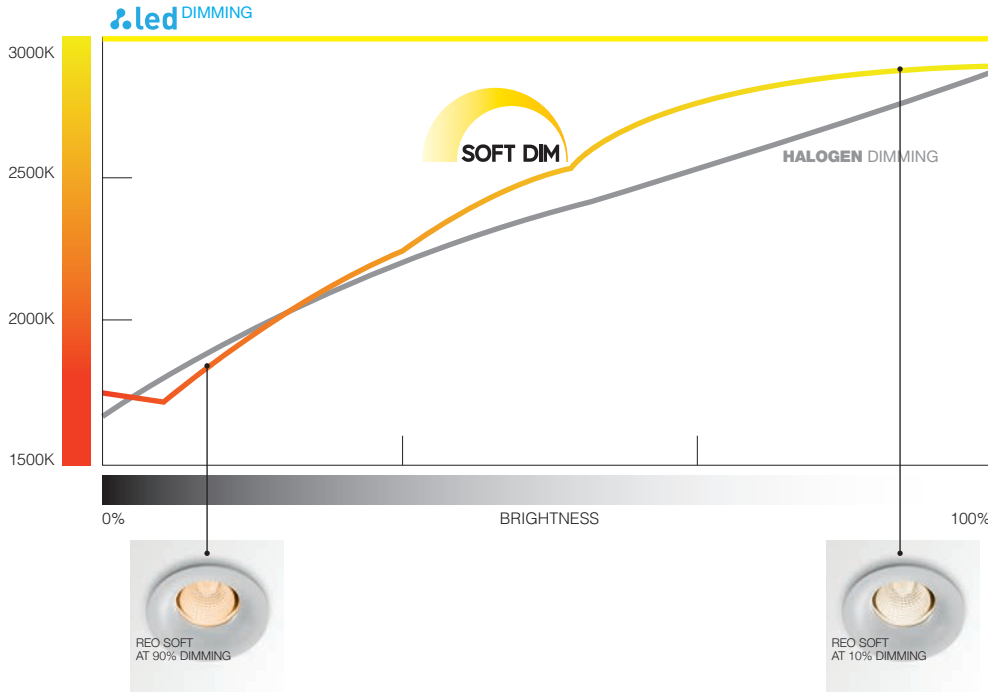
- L value shows the percentage of luminous flux regarding the initial luminous flux over a period of time.
- The operating period of time, expressed in hours.

Example: L₇₀ 60.000h means that after 60.000 hours the luminous flux will be at least 70% of the original luminous flux.



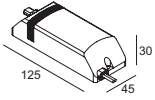

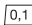

SOFT DIM

DIMMING CURVE

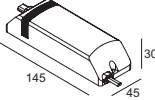

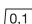



2700-1800K
CRI > 80 / 850lm (10W)
REFLECTOR 40°

LED POWER SUPPLY 650MA DIM8













Type	
LED POWER SUPPLY 650mA DIM8	
	300 90 915 ED8
	  IP20
Dimensions (L x W x H)	125 x 45 x 35
Input	220-240V / 50-60Hz
Output	650mA / 10W / 12-16V-DC
	
DIM	Falling Edge Dimming

LED POWER SUPPLY 650MA DIM5

Type	
LED POWER SUPPLY 650mA DIM5	
	300 90 915 ED5
	  IP20
Dimensions (L x W x H)	145 x 45 x 35
Input	220-240V / 50-60Hz
Output	650mA / 10W / 12-16V-DC
	
DIM	DALI Dimming

LED SPECIFICATIONS

CRI 80

CRI	LED	POWER	2700K ●	3000K ●	4000K ●	TYPICAL VALUES		LIFETIME ¹		RISK GROUP ¹	SDCM ¹	EMERGENCY ²	
			LUMINOUS FLUX @ 70°	LUMINOUS FLUX @ 70°	LUMINOUS FLUX @ 70°	FORW. CUR.	FORW. VOLT.	LXX	HOURS			BLF %	
CRI > 80													
		[A]	1,1W	115lm - 117lm/W	120lm - 122lm/W	130lm - 133lm/W	350mA	3,1V*	L ₉₀	>36000h	-	3	-
			1,6W	160lm - 113lm/W	168lm - 117lm/W	181lm - 127lm/W	500mA	3,2V*					-
			2,3W	214lm - 105lm/W	223lm - 110lm/W	242lm - 119lm/W	700mA	3,3V*					-
		[B]	3,3W	294lm - 90lm/W	307lm - 94lm/W	ON REQUEST	1050mA	3,1V*	L ₉₀	>60500h	-	3	-
		[C]	4,1W	425lm - 103lm/W	425lm - 103lm/W	ON REQUEST	350mA	11,6V*	L ₉₀	>45500h	-	2	100 %
			6W	558lm - 94lm/W	558lm - 94lm/W	ON REQUEST	500mA	11,9V*					72 %
		[D]	6,4W	647lm - 101lm/W	647lm - 101lm/W	ON REQUEST	350mA	18,3V*	L ₉₀ L ₈₀	>30000h >60500h	RG1	2	100 %
			9,5W	842lm - 89lm/W	842lm - 89lm/W	ON REQUEST	500mA	19,1V*					71 %
		[E]	4,1W	420lm - 106lm/W	420lm - 106lm/W	ON REQUEST	350mA	11,8V*	L ₉₀ L ₈₀	>37300h >51400h	RG2 TRESHOLD 0,6m	2	100 %
			6W	570lm - 98lm/W	570lm - 98lm/W	ON REQUEST	500mA	12,1V*					75 %
			8,7W	723lm - 87lm/W	723lm - 87lm/W	ON REQUEST	700mA	12,4V*					54 %
		[F]	-										
		[G]	-										
		[H]	6W	774lm - 136lm/W	803lm - 142lm/W	838lm - 148lm/W	300mA	20V*	L ₇₀	>50000h	RG1	2	100 %
			7,1W	895lm - 134lm/W	928lm - 139lm/W	969lm - 145lm/W	350mA	20,2V*					97 %
			10,4W	1243lm - 127lm/W	1290lm - 132lm/W	1347lm - 137lm/W	500mA	20,7V*					68 %
15W			1673lm - 118lm/W	1735lm - 122lm/W	1811lm - 127lm/W	700mA	21,4V*	48 %					
	[I]	-											
	[J]	16,8W	2308lm - 141lm/W	2404lm - 147lm/W	2500lm - 153lm/W	500mA	33,7V*	L ₇₀	>50000h	RG1	2	36 %	
		20,5W	2753lm - 138lm/W	2868lm - 144lm/W	2983lm - 150lm/W	600mA	34,2V*					30 %	
		24,3W	3183lm - 135lm/W	3316lm - 141lm/W	3448lm - 146lm/W	700mA	34,7V*					25 %	
		30W	3788lm - 130lm/W	3946lm - 136lm/W	4103lm - 141lm/W	850mA	35,3V*					20 %	
		37,9W	4603lm - 125lm/W	4796lm - 130lm/W	4986lm - 136lm/W	1050mA	36,1V*					16 %	
		43,9W	5188lm - 122lm/W	5405lm - 127lm/W	5620lm - 132lm/W	1200mA	36,6V*					14 %	
	[K]	-											
	[L]	-											

* +/- 8%

¹ INFO PAG TEC 12

² INFO PAG TEC 23

All the technical parameters for LED-apply to the entire module. In view of the complex manufacturing process for light emitting diodes (LED), the typical values given in this **Lighting Bible® 12** are merely statistical values that do not necessarily correspond to the actual technical parameters of an individual product; individual products may vary from the typical values. For most accurate info, please consult: www.deltalight.com/ledspecs.pdf

All lumen values in this catalogue are related to the Led units. For more info on the lumen values of the products please visit our website www.deltalight.com

CRI 90 / 95

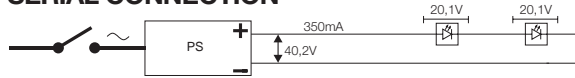
CRI	LED	POWER	2700K ●	3000K ●	4000K ●	TYPICAL VALUES		LIFETIME ¹		RISK GROUP ¹	SDCM ¹	EMERGENCY ²	
			LUMINOUS FLUX @ 70°	LUMINOUS FLUX @ 70°	LUMINOUS FLUX @ 70°	FORW. CUR.	FORW. VOLT.	L _{xx}	HOURS			BLF %	
CRI > 90													
		[A]	1,1W	NOT AVAILABLE									
		1,6W	NOT AVAILABLE										
		2,3W	NOT AVAILABLE										
		[B]	3,3W	ON REQUEST	ON REQUEST	NOT AVAILABLE	1050mA	3,1V*			-	3	-
		[C]	4,1W	NOT AVAILABLE	NOT AVAILABLE	NOT AVAILABLE	350mA	11,6V*	L ₉₀	>45500h	-	2	100 %
		6W	NOT AVAILABLE	NOT AVAILABLE	NOT AVAILABLE	500mA	11,9V*	72 %					
		[D]	6,4W	587lm - 92lm/W	587lm - 92lm/W	NOT AVAILABLE	350mA	18,3V*	L ₉₀ L ₈₀	>30000h >60500h	RG1	2	100 %
		9,5W	755lm - 79lm/W	755lm - 79lm/W	NOT AVAILABLE	500mA	19,1V*	71 %					
		[E]	-										
		[F]	2W	201lm - 79lm/W	229lm - 85lm/W	NOT AVAILABLE	700mA	2,9V*	L ₈₀	>36300h	RG2 TRESHOLD 0,6m	3	-
		3,2W	280lm - 72lm/W	319lm - 77lm/W	NOT AVAILABLE	1050mA	3,0V*	-					
		4,3W	274lm - 64lm/W	279lm - 69lm/W	NOT AVAILABLE	1400mA	3,1V*	-					
		[G]	3W	252lm - 84lm/W	280lm - 93lm/W	NOT AVAILABLE	350mA	8,8V*	L ₇₀	>50000h	RG1	2	100 %
		7W	453lm - 69lm/W	502lm - 76lm/W	NOT AVAILABLE	700mA	9,4V*	51 %					
		[H]	6W	643lm - 133lm/W	670lm - 118lm/W	717lm - 126lm/W	300mA	20,0V*	L ₇₀	>50000h	RG1	2	100 %
		7,1W	743lm - 111lm/W	774lm - 116lm/W	829lm - 124lm/W	350mA	20,2V*	97 %					
		10,4W	1032lm - 105lm/W	1075lm - 110lm/W	1148lm - 117lm/W	500mA	20,7V*	68 %					
		15W	1388lm - 98lm/W	1446lm - 102lm/W	1544lm - 109lm/W	700mA	21,4V*	48 %					
		[I]	11,7W	1414lm - 124lm/W	1467lm - 129lm/W	NOT AVAILABLE	350mA	33,4V*	L ₇₀	>50000h	RG1	2	97 %
		[J]	16,8W	1923lm - 118lm/W	1995lm - 122lm/W	2139lm - 131lm/W	500mA	33,7V*	L ₇₀	>50000h	RG1	2	36 %
		20,5W	2295lm - 115lm/W	2380lm - 120lm/W	2553lm - 128lm/W	600mA	34,2V*	30 %					
24,3W		2653lm - 113lm/W	2752lm - 117lm/W	2951lm - 125lm/W	700mA	34,7V*	25 %						
30W		3157lm - 108lm/W	3275lm - 113lm/W	3512lm - 121lm/W	850mA	35,3V*	20 %						
37,9W		3837lm - 104lm/W	3979lm - 108lm/W	4267lm - 116lm/W	1050mA	36,1V*	16 %						
43,9W		4324lm - 101lm/W	4486lm - 105lm/W	4810lm - 113lm/W	1200mA	36,6V*	14 %						
	[K]	23,9W	2766lm - 119lm/W	2870lm - 123lm/W	3077lm - 132lm/W	700mA	34,2V*	L ₇₀	>50000h	RG1	2	25 %	
	37,2W	3992lm - 110lm/W	4142lm - 114lm/W	4441lm - 122lm/W	1050mA	35,4V*	17 %						
	43,1W	4510lm - 107lm/W	4680lm - 111lm/W	5018lm - 119lm/W	1200mA	35,9V*	14 %						
	51,1W	5155lm - 103lm/W	5349lm - 107lm/W	5735lm - 115lm/W	1400mA	36,5V*	12 %						
	[L]	11W	965lm - 88lm/W	965lm - 88lm/W	-	500mA	22V*	L ₉₀	>36000h	RG1	2	58 %	
CRI > 95													
	[M]	10,9W	700lm - 64lm/W	700lm - 64lm/W	700lm - 64lm/W	500mA	21V*	L ₉₀	>36000h	RG1	2	62 %	
	13,4W	832lm - 52lm/W	832lm - 52lm/W	832lm - 52lm/W	600mA	22,4V*	48 %						
	[N]	10,9W	965lm - 89lm/W	965lm - 89lm/W	965lm - 89lm/W	500mA	21,7V*	L ₉₀	>36000h	RG1	2	53 %	
	13,3W	1130lm - 85lm/W	1130lm - 85lm/W	1130lm - 85lm/W	600mA	22,1V*	43 %						
	[O]	13,6W	800lm - 59lm/W	800lm - 59lm/W	800lm - 59lm/W	500mA	27,1V*	L ₉₀	>36000h	RG1	2	45 %	
	19,5W	1110lm - 57lm/W	1110lm - 57lm/W	1110lm - 57lm/W	700mA	27,8V*	30 %						
	[P]	12W	1055lm - 88lm/W	1055lm - 88lm/W	1055lm - 88lm/W	500mA	23,8V*	L ₉₀	>36000h	RG1	2	52 %	
	14,4W	1225lm - 85lm/W	1225lm - 85lm/W	1225lm - 85lm/W	600mA	24,1V*	43 %						
	17W	1400lm - 82lm/W	1400lm - 82lm/W	1400lm - 82lm/W	700mA	24,3V*	36 %						

DO'S & DON'TS

play.deltalight.com/connecteds

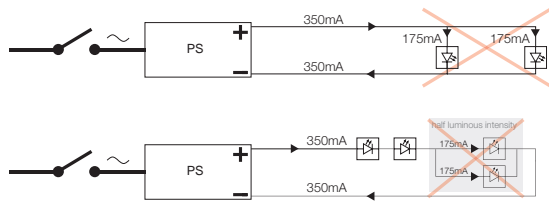
CONNECTION

CORRECT CONNECTION: SERIAL CONNECTION



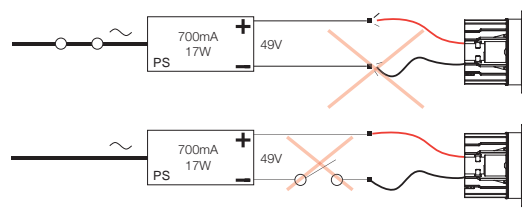
WRONG CONNECTION: PARALLEL CONNECTION

Depending on the number of fixtures the LED modules will function at half (2 LED's), one third (3 LED's) the luminous intensity. Moreover, due to different forward voltages the current will not split in equal part.



WRONG CONNECTION: TESTING OF LED MODULES ON SWITCHED ON POWER SUPPLY

Risk for an output voltage that exceeds the max for the LED.
A power supply that is switched on has max output on the secondary side (eg. 49V). The LED in eg. a Reo 3030 is 7W works at 350mA and 20,1V. 49V is far too high for the Reo 3030 >> LED will be damaged.



WRONG POWER SUPPLY:

Question:

How many Reo (7W) luminaires can be connected to power supply 300 90 914?

$7W \times 4 = 28W >>> \text{max power of } 300\ 90\ 914 = 35W >>> \text{OK}$

$4 \times 20,1V = 80,4V >>> \text{max voltage of } 300\ 90\ 914 = 72V >>> \text{NOT OK}$

Answer:

3 x Reo (7W) luminaires can be connected to power supply 300 90 914

Therefore: **always consult the matrix on FOLD-OUT!**

PROTECTION

Type					
SURGE PROTECTOR	AC	AC 110-120V DIN	AC 230-240V DIN	DC 30V-DC	DC 75V-DC
	300 90 013	300 90 017	300 90 018	300 90 014	300 90 015
	CE 0,1 IP65	CE 0,1 IP20	CE 0,1 IP20	CE 0,1 IP20	CE 0,1 IP20
Dimensions (L x W x H)	50 x 48 x 30	90 x 18 x 60	90 x 18 x 60	90 x 18 x 60	90 x 18 x 60
Input	230-240V / 50-60Hz	110-120V / 50-60Hz	230-240V / 50-60Hz	30V-DC	75V-DC
Nominal Discharge Current	5 kA	2 kA	3 kA	1 kA	2 kA
Max. Discharge Current	10 kA	4 kA	5 kA	2 kA	4 kA

Electrical devices are sensitive for excessive voltage peaks.

Especially outdoor power lines are subject to direct and indirect lightning discharges. Also in industrial or semi-industrial area's the powerlines can be subject to high switching spikes. Therefore Deltalight strongly advises to use proper power line surge protection. Our AC surge protectors are to be installed on the primary side of led power supplies and the DC types on the secondary side. Both as close as possible to the device they have to protect.

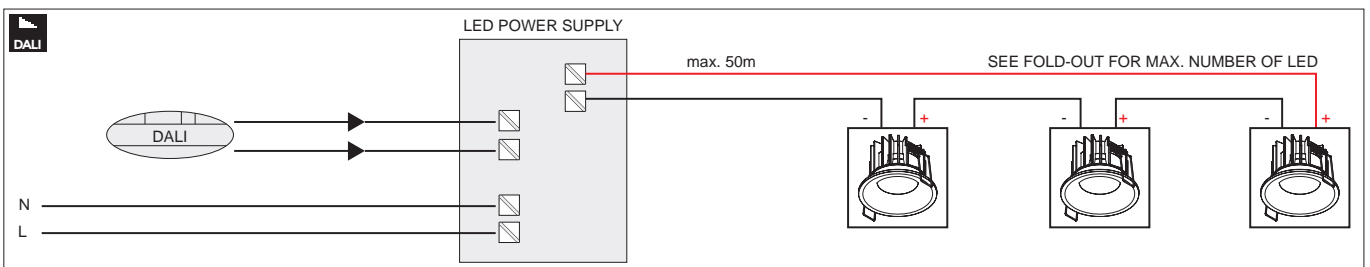
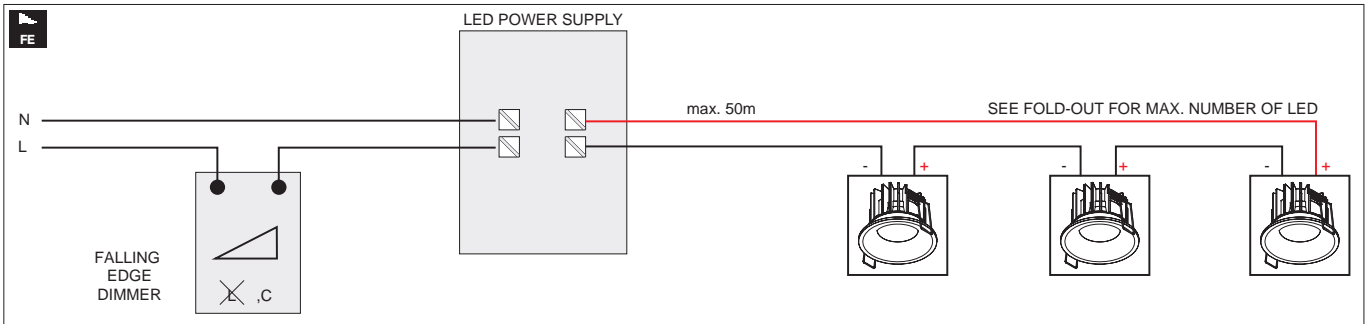
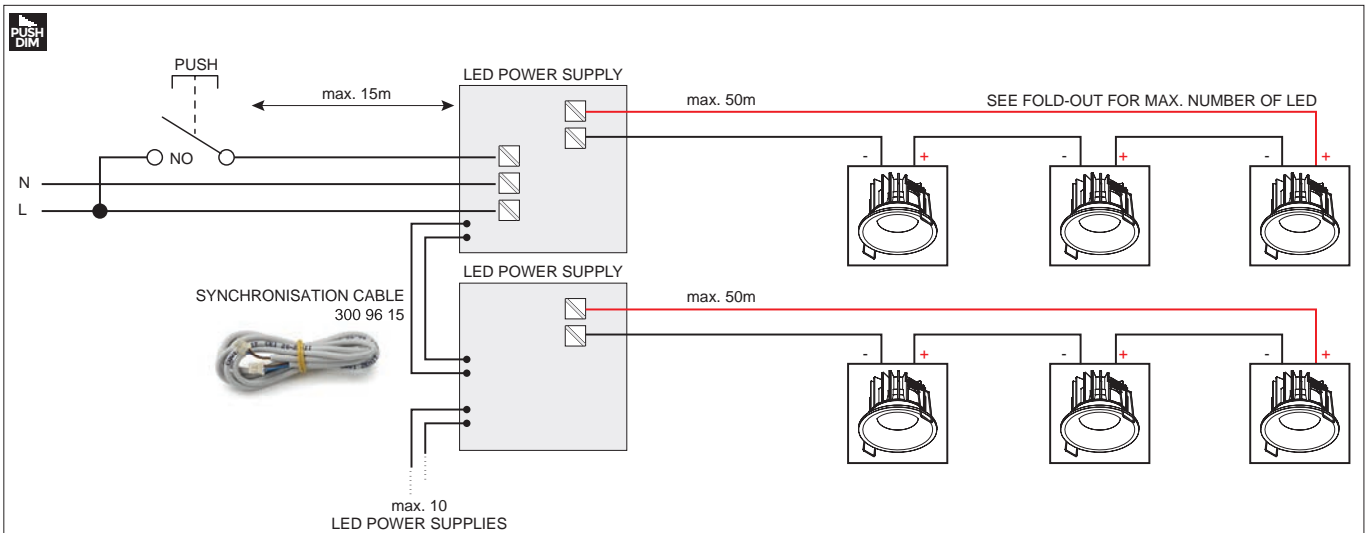
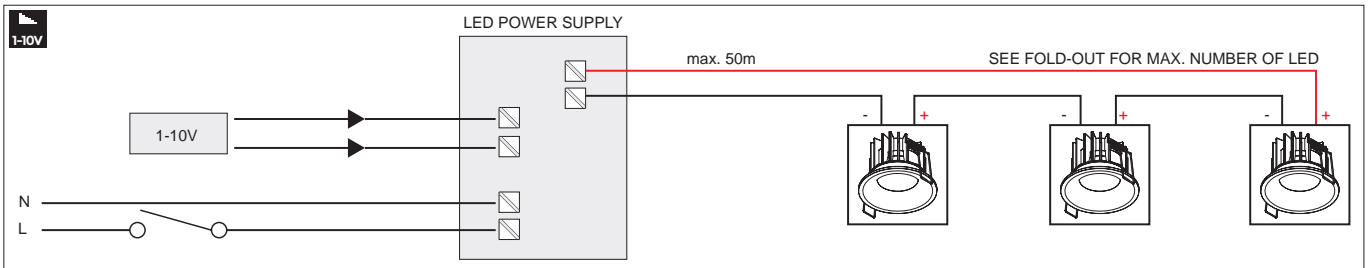


OPTIONS CURRENT CONTROLLED

DIMMABLE LED POWER SUPPLY - INSTALLATION SCHEME

play.deltalight.com/dimleds

- DIM1** 1-10V
- DIM6** SWITCH DIM
- DIM7** 1-10V + SWITCH DIM
- DIM8** FALLING EDGE DIMMING
- DIM9** 1-10V + SWITCH DIM + DALI

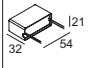
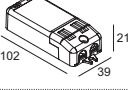
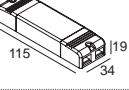
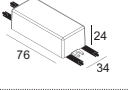
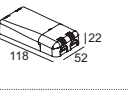
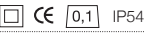

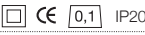




ALL DIAGRAMS ARE TYPICAL, PLEASE CHECK MAXIMUM POWER OF EACH INDIVIDUAL DEVICE FOR PRACTICAL USE.

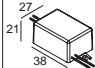
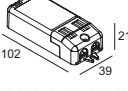
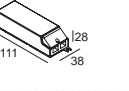
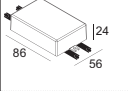
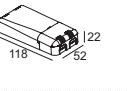
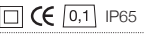

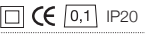


OPTIONS

CURRENT CONTROLLED

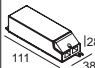
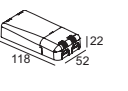
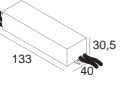
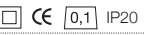


LED POWER SUPPLY 350mA-DC

Type					
LED POWER SUPPLY...	350mA / 8W	350mA / 10W DIM8	350mA / 15W (110-120V: 10W)	350mA / 16W DIM8	350mA / 18W DIM8
	300 90 108	300 90 110	300 90 91	300 90 3112	300 90 116
					
Dimensions (L x W x H)	54 x 21 x 32 (⌀ min. 40)	102 x 38 x 21 (⌀ min. 45)	115 x 34 x 19 (⌀ min. 38)	76 x 34 x 24 (⌀ min. 43)	118 x 52 x 22 (⌀ min. 55)
Input	100-240V / 50-60Hz	220-240V / 50-60Hz	100-240V / 50-60Hz	100-240V / 50-60Hz	220-240V / 0 50/60Hz
Output	0-25V-DC	12-28V-DC	0-43V-DC	17-46V-DC	25-51V-DC
λ	0,6	> 0,9	0,54 (240V) - 0,64 (100V)	> 0,9	> 0,9
DIM	-	DIM8 (10-100%)	-	DIM8 (10-100%)	DIM8 (10-100%)

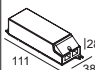
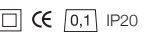
LED POWER SUPPLY 500MA-DC

Type					
LED POWER SUPPLY...	500mA / 4W	500mA / 11W DIM8	500mA / 20W (110V: 12W)	500mA / 22W DIM8	500mA / 21W DIM8
	300 90 22	300 90 119	300 90 92	300 90 5120	300 90 121
					
Dimensions (L x W x H)	38 x 27 x 21 (⌀ min. 40)	102 x 38 x 21 (⌀ min. 45)	111 x 38 x 28 (⌀ min. 46)	86 x 56 x 24 (⌀ min. 61)	118 x 52 x 22 (⌀ min. 55)
Input	120-240V / 50-60Hz	220-240V / 50/60Hz	110-240V / 50-60Hz	110-240V / 0 50/60Hz	220-240V / 0 50/60Hz
Output	3-8V-DC	9-22V-DC	3,5-42V-DC	24-45V-DC	16-42V-DC
λ	< 0,5	> 0,9	0,57	> 0,9	> 0,9
DIM	-	DIM8 (10-100%)	-	DIM8 (10-100%)	DIM8 (10-100%)

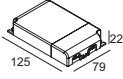

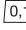

LED POWER SUPPLY 700MA-DC

Type			
LED POWER SUPPLY...	700mA / 17W (110V: 12W)	700mA / 20W DIM8	700mA / 36W DIM8
	300 90 93	300 90 118	300 90 123
			
Dimensions (L x W x H)	111 x 38 x 28 (⌀ min. 46)	118 x 52 x 22 (⌀ min. 55)	133 x 40 x 30,5 (⌀ min. 50)
Input	110-240V / 50-60Hz	220-240V / 50-60Hz	220-240V / 50-60Hz
Output	3,5-26V-DC	16-28V-DC	4-52V-DC
λ	0,6	> 0,9	0,97
DIM	-	DIM8 (10-100%)	DIM8 (10-100%)

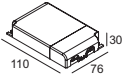

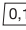

LED POWER SUPPLY 1050MA-DC

Type	
LED POWER SUPPLY...	1050mA / 22W (110V: 12W)
	300 90 148
	
Dimensions (L x W x H)	111 x 38 x 28 (⌀ min. 46)
Input	110-240V / 50-60Hz
Output	2-21V-DC
λ	0,6
DIM	-

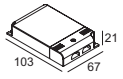

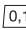

LED POWER SUPPLY MULTI-POWER

Type				
LED POWER SUPPLY MULTI-POWER	300 90 914			
	  IP20			
Dimensions (L x W x H)	124,5 x 79 x 22 (⌀ min. 82)			
Input	110-240V / 50-60Hz (110V: 40W)			
Output	350mA / 25W / 2-74V-DC	500mA / 35W / 2-72V-DC	700mA / 50W / 2-70V-DC	1050mA / 50W / 2-48V-DC
	> 0,9			
DIM	-			

LED POWER SUPPLY MULTI-POWER HV

Type				
LED POWER SUPPLY MULTI-POWER HV	300 90 135			
	  IP20			
Dimensions (L x W x H)	110 x 76 x 30 (⌀ min. 90)			
Input	220-240V / 50-60Hz			
Output	350mA / 30W / 43-85V-DC	500mA / 40W / 30-85V-DC	700mA / 60W / 25-86V-DC	1050mA / 70W / 25-67V-DC
	> 0,95			
DIM	-			

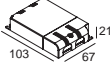

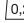

LED POWER SUPPLY MULTI-POWER DIM1

Type				
LED POWER SUPPLY MULTI-POWER DIM1	300 90 64			
	  IP20			
Dimensions (L x W x H)	103 x 67 x 21 (⌀ min. 70)			
Input	110-240V / 50-60Hz (110V: 15W)			
Output	350mA / 18W / 10-53V-DC	500mA / 25W / 2-50V-DC	600mA / 30W / 2-50V-DC	
	> 0,9			
DIM	1-10V			

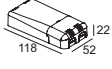

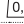

OPTIONS

CURRENT CONTROLLED

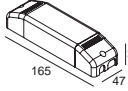



LED POWER SUPPLY MULTI-POWER DIM5

Type			
LED POWER SUPPLY MULTI-POWER DIM5	300 90 68		
	  IP20		
Dimensions (L x W x H)	103 x 67 x 21 (min. 70)		
Input	110-240V / 50-60Hz (110V: 15W)		
Output	350mA / 15W / 5-48V-DC	500mA / 24W / 5-48V-DC	700mA / 32W / 3-46V-DC
	> 0,9		
DIM	Dali		

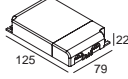

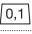
LED POWER SUPPLY MULTI-POWER DIM5

Type			
LED POWER SUPPLY MULTI-POWER DIM5	300 90 125		
	  IP20		
Dimensions (L x W x H)	118 x 52 x 22 (min. 55)		
Input	110-240V / 50-60Hz (110V: 15W)		
Output	350mA / 15W / 2-43V-DC	500mA / 20W / 2-40V-DC	
	> 0,9		
DIM	Dali		




LED POWER SUPPLY MULTI-POWER DIM6

Type			
LED POWER SUPPLY MULTI-POWER DIM6	300 90 61		
	  IP20		
Dimensions (L x W x H)	165 x 47 x 35 (min. 55)		
Input	220-240V / 50-60Hz		
Output	350mA / 17W / 2-43V-DC	500mA / 24W / 2-43V-DC	700mA / 32W / 2-36V-DC
	> 0,9		
DIM	Switch DIM / Falling edge dimming (10-100%)		

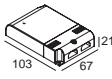


LED POWER SUPPLY MULTI-POWER HV DIM7

Type			
LED POWER SUPPLY MULTI-POWER HV DIM7	300 90 134		
	  IP20		
Dimensions (L x W x H)	125 x 79 x 22 (⌀ min. 84)		
Input	110-240V / 50-60Hz (110V: 40W)		
Output	350mA / 40W / 2-112V-DC	500mA / 50W / 2-100V-DC	700mA / 50W / 2-71V-DC
λ	> 0,9		
DIM	Switch DIM / 1-10V		

LED POWER SUPPLY MULTI-POWER DIM7

Type			
LED POWER SUPPLY MULTI-POWER DIM7	300 90 124		
	  IP20		
Dimensions (L x W x H)	118 x 52 x 22 (⌀ min. 55)		
Input	110-240V / 50-60Hz (110V: 15W)		
Output	350mA / 15W / 2-43V-DC	500mA / 20W / 2-43V-DC	
λ	> 0,9		
DIM	Switch DIM / 1-10V		

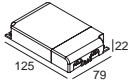



LED POWER SUPPLY MULTI-POWER DIM7

Type			
LED POWER SUPPLY MULTI-POWER DIM7	300 90 60		
	  IP20		
Dimensions (L x W x H)	103 x 67 x 21 (⌀ min. 70)		
Input	110-240V / 50-60Hz (110V: 15W)		
Output	350mA / 15W / 2-43V-DC	500mA / 22W / 2-43V-DC	700mA / 25W / 2-36V-DC
λ	> 0,9		
DIM	Switch DIM / 1-10V		

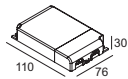

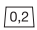

OPTIONS

CURRENT CONTROLLED

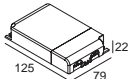

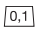

LED POWER SUPPLY MULTI-POWER DIM9

Type				
LED POWER SUPPLY MULTI-POWER DIM9				
	300 90 63			
	  IP20			
Dimensions (L x W x H)	125 x 79 x 22 (⌀ min. 84)			
Input	110-240V / 50-60Hz (110V: 40W)			
Output	350mA / 25W / 2-74V-DC	500mA / 35W / 2-72V-DC	700mA / 50W / 2-71V-DC	1050mA / 50W / 2-48V-DC
	> 0,9			
DIM	Switch DIM / 1-10V / Dali			

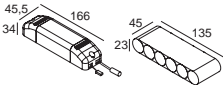
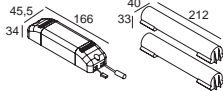

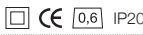


LED POWER SUPPLY MULTI-POWER HC DIM9

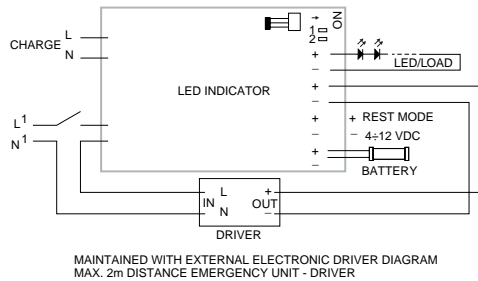
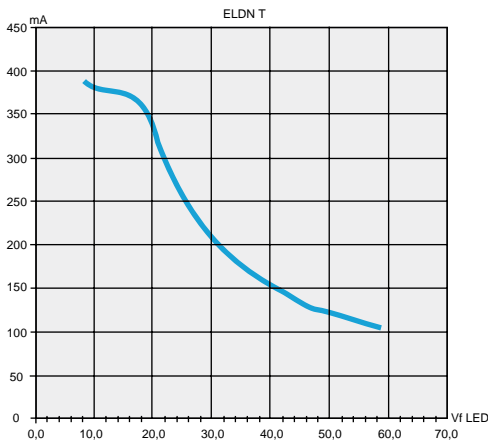
Type				
LED POWER SUPPLY MULTI-POWER HC DIM9				
	300 90 136			
	  IP20			
Dimensions (L x W x H)	110 x 76 x 30 (⌀ min. 90)			
Input	110-240V / 50-60Hz (110V: 40W)			
Output	1050mA / 45W / 2-44V-DC	1200mA / 52W / 2-44V-DC	1400mA / 55W / 2-43V-DC	
	> 0,9			
DIM	Switch DIM / 1-10V / Dali			

LED POWER SUPPLY MULTI-POWER HV DIM9

Type				
LED POWER SUPPLY MULTI-POWER HV DIM9				
	300 90 69			
	  IP20			
Dimensions (L x W x H)	125 x 79 x 22 (⌀ min. 84)			
Input	110-240V / 50-60Hz (110V: 40W)			
Output	350mA / 40W / 10-112V-DC	500mA / 50W / 2-100V-DC	700mA / 50W / 2-71V-DC	
	> 0,9			
DIM	Switch DIM / 1-10V / Dali			

EMERGENCY UNITS

Type		
EMERGENCY UNIT	7W / 1h	7W / 3h
	202 91 0701	202 91 0703
	  IP20	  IP20
Dimensions (L x W x H)	166 x 46 x 34 + 135 x 45 x 23	166 x 46 x 34 + 2 x (212 x 40 x 33)
Input	220-240V / 50-60Hz	220-240V / 50-60Hz
Output	9-46V-DC / 125-350mA	9-46V-DC / 125-350mA
Battery Type	NI-Cd BATTERY 7,2V - 1,6Ah	NI-Cd BATTERY 7,2V - 4Ah
Emergency Operation	1h	3h
Charging Time	24h	24h

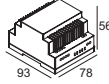

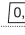



Emergency units are battery powered units that come into force in case of general power failure. In Lighting Bible 12 we offer emergency units specifically for LED luminaires. Thanks to the battery, a luminaire can keep emitting an amount of light, equal to a percentage of the nominal value when the luminaire is emitting at full power. This percentage is determined by the emergency unit and is known as the Ballast-Lumen Factor (BLF). More info on this Ballast Lumen Factor can be found on PAG TEC 14-15 based on the type of LED.

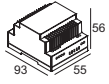

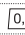

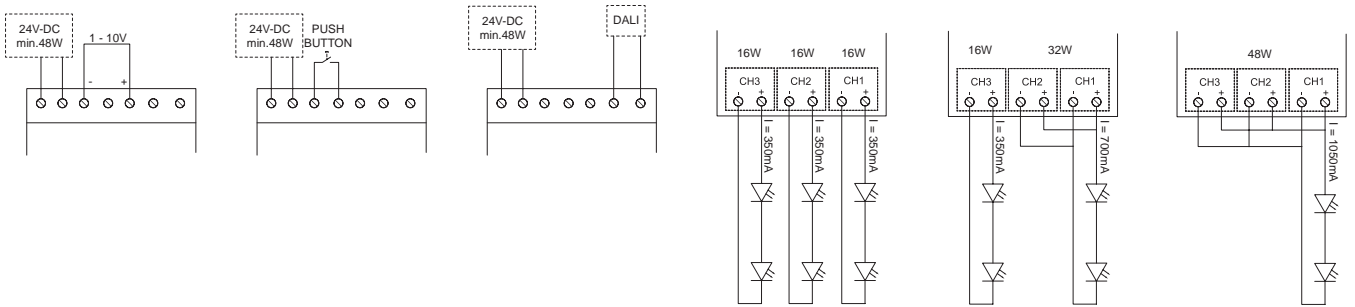
OPTIONS

POWER CONVERTOR

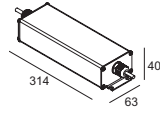
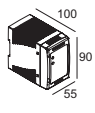
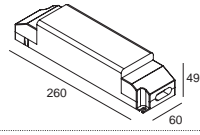
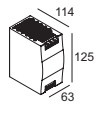

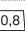

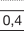

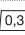

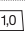

LED POWER SUPPLY 24V-DC

Type	
LED POWER SUPPLY 24V-DC	24V-DC / 60W
	300 89 24 61
	  IP20
Dimensions (L x W x H)	93 x 78 x 56
Input	100-240V / 50-60Hz
Output	24V-DC / 60W
	> 0,8
DIM	-

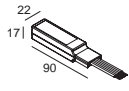
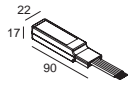
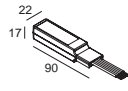

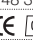

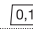


LED POWER CONVERTER 24V-DC → MULTI CURRENT - 48W DIM9

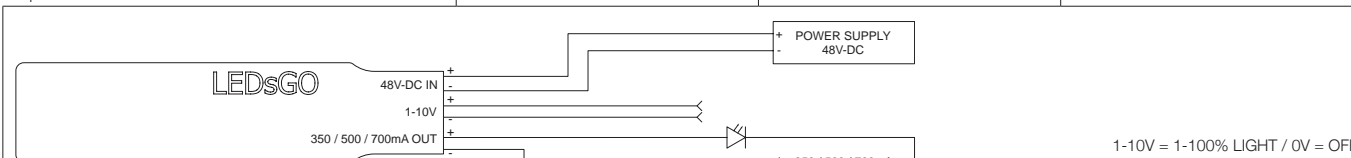
Type	
LED POWER CONVERTER 24V-DC → MULTI CURRENT / 48W DIM9	
	300 90 67
	  IP20
Dimensions (L x W x H)	93 x 55 x 56
Input	24V-DC
Output	350mA / 48W 700mA / 32W 1050mA / 48W
	
Dim	Switch Dim / 1-10V / Dali
	

LED POWER SUPPLY 48V-DC

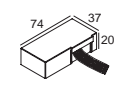
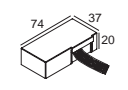

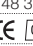

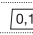
Type				
LED POWER SUPPLY 48V-DC	48V-DC / 90W	48V-DC / 100W	48V-DC / 150W	48V-DC / 240W
	300 89 48 90	300 89 48 100	300 89 48 150	300 89 48 240
	  IP66	  IP20	  IP20	  IP20
Dimensions (L x W x H)	314 x 63 x 40	55 x 90 x 100	240 x 60 x 49	63 x 125 x 114
Input	115-230V / 50-60Hz	100-240V / 50-60Hz	220-240V / 50-60Hz	100-240V / 50-60Hz
Output	48V-DC / 90W	48V-DC / 100W	48V-DC / 150W	48V-DC / 240W
	> 0,92	> 0,93	> 0,93	> 0,93
DIM	-	-	-	-

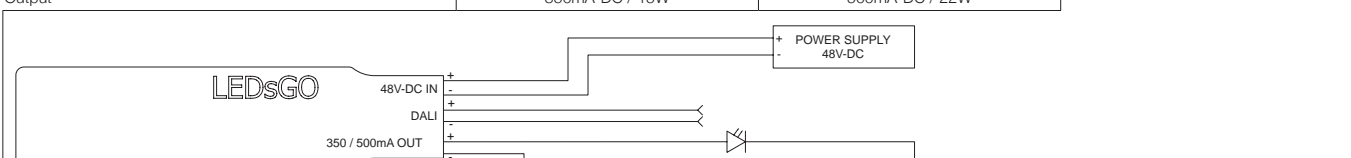
LED POWER CONVERTOR 48V-DC DIM1

Type			
LED POWER CONVERTOR	48V-DC-> 350mA / 15W DIM1	48V-DC-> 500mA / 22W DIM1	48V-DC-> 700mA / 25W DIM1
	300 48 350 ED1   IP20	300 48 500 ED1   IP20	300 48 700 ED1   IP20
Dimensions (L x W x H)	90 x 22 x 17 (⌀ min. 30)	90 x 22 x 17 (⌀ min. 30)	90 x 22 x 17 (⌀ min. 30)
Input	48V-DC	48V-DC	48V-DC
Output	350mA-DC / 15W	500mA-DC / 22W	700mA-DC / 25W

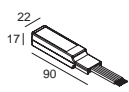
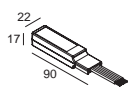
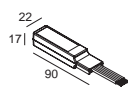

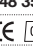

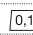

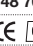


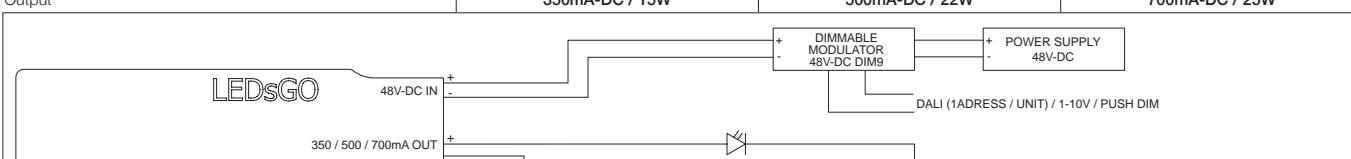
LED POWER CONVERTOR 48V-DC DIM5

Type			
LED POWER CONVERTOR	48V-DC-> 350mA / 15W DIM5	48V-DC-> 500mA / 22W DIM5	
	300 48 350 ED5   IP20	300 48 500 ED5   IP20	
Dimensions (L x W x H)	74 x 36 x 20 (⌀ min. 45)	74 x 36 x 20 (⌀ min. 45)	
Input	48V-DC	48V-DC	
Output	350mA-DC / 15W	500mA-DC / 22W	

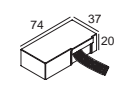
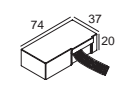
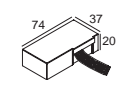

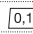

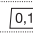

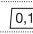


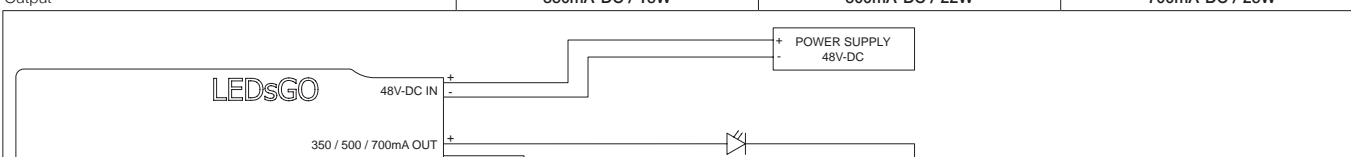
SMART IN LED POWER CONVERTOR 48V-DC MODULATION DIM LOW VOLTAGE (MDL)

Type			
LED POWER CONVERTOR	48V-DC-> 350mA / 15W MDL	48V-DC-> 500mA / 22W MDL	48V-DC-> 700mA / 25W MDL
	300 48 350 MDL   IP20	300 48 500 MDL   IP20	300 48 700 MDL   IP20
Dimensions (L x W x H)	90 x 22 x 17 (⌀ min. 30)	90 x 22 x 17 (⌀ min. 30)	90 x 22 x 17 (⌀ min. 30)
Input	48V-DC	48V-DC	48V-DC
Output	350mA-DC / 15W	500mA-DC / 22W	700mA-DC / 25W



BETA IN LED POWER CONVERTOR 48V-DC WIRELESS DIM LOW VOLTAGE (WDL)

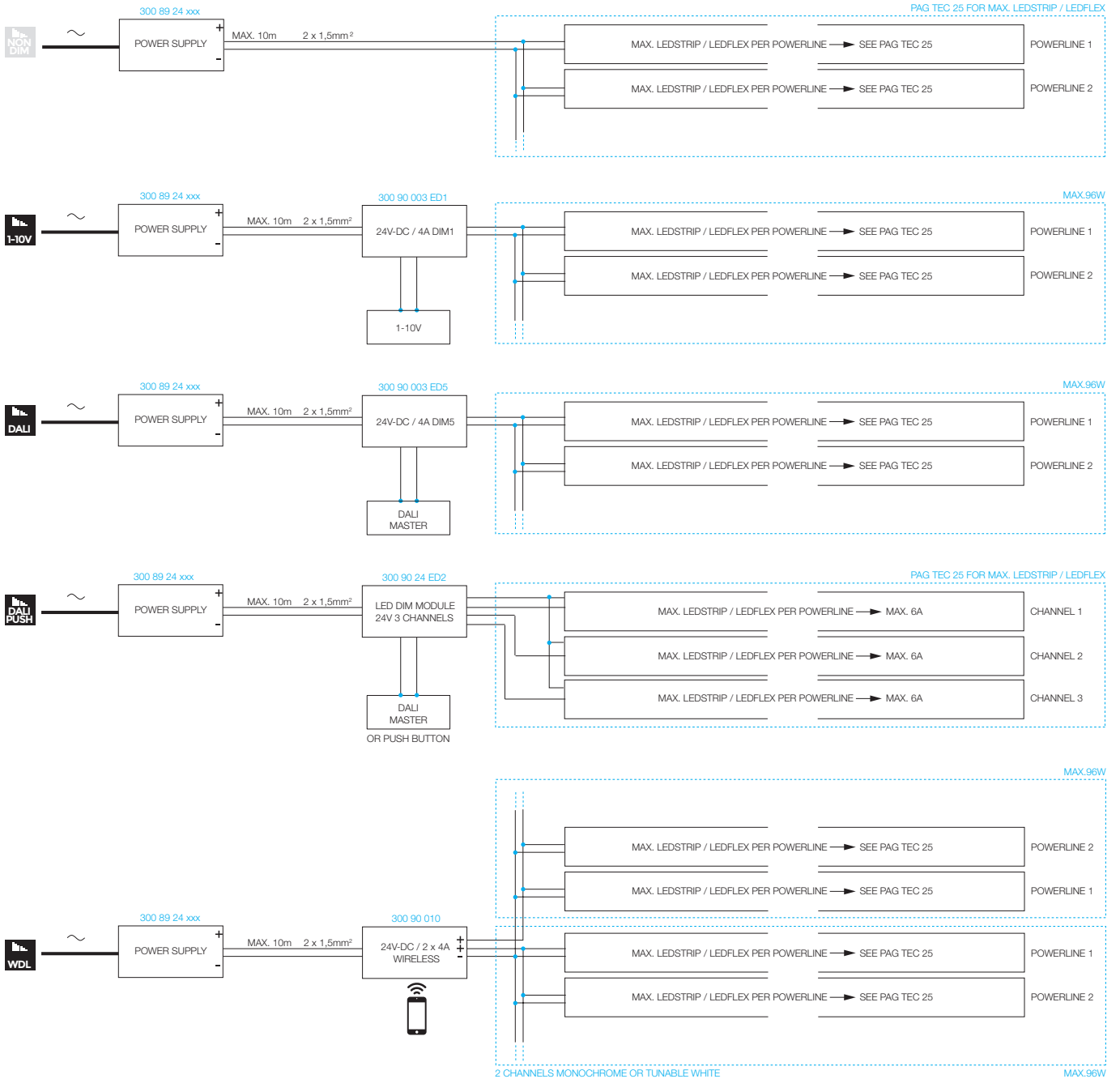
Type			
LED POWER CONVERTOR	48V-DC-> 350mA / 15W WDL	48V-DC-> 500mA / 22W WDL	48V-DC-> 700mA / 25W WDL
	300 48 350 WDL   IP20	300 48 500 WDL   IP20	300 48 700 WDL   IP20
Dimensions (L x W x H)	74 x 36 x 20 (⌀ min. 45)	74 x 36 x 20 (⌀ min. 45)	74 x 36 x 20 (⌀ min. 45)
Input	48V-DC	48V-DC	48V-DC
Output	350mA-DC / 15W	500mA-DC / 22W	700mA-DC / 25W



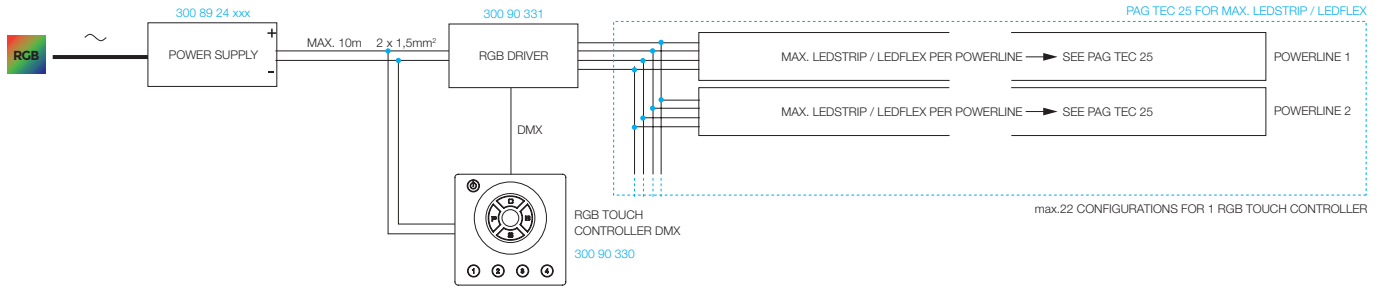
OPTIONS

VOLTAGE CONTROLLED

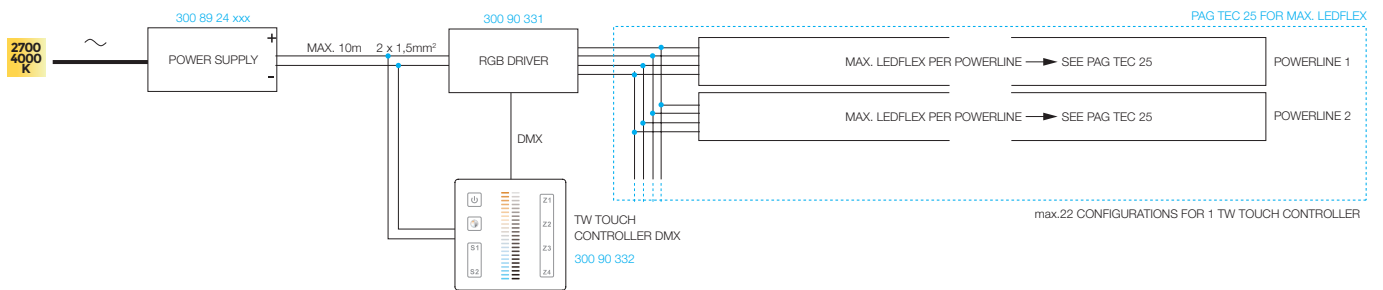
LED POWER SUPPLY 24V-DC - INSTALLATION SCHEME - LEDSTRIP - LEDFLEX WHITE



LED POWER SUPPLY 24V-DC - INSTALLATION SCHEME - LEDSTRIP - LEDFLEX RGB

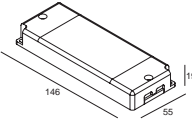
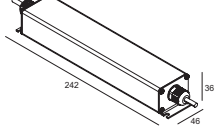
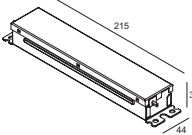
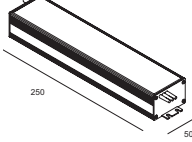
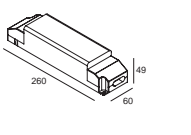


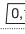


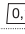


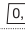


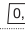


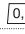


LED POWER SUPPLY 24V-DC - INSTALLATION SCHEME - LEDFLEX TW



ALL DIAGRAMS ARE TYPICAL, PLEASE CHECK MAXIMUM POWER OF EACH INDIVIDUAL DVICE FOR PRACTICAL USE.

LED POWER SUPPLY 24V-DC

Type					
LED POWER SUPPLY...	24V-DC / 20W	24V-DC / 40W	24V-DC / 60W	24V-DC / 80W	24V-DC / 150W
	300 89 24 20	300 89 24 40	300 89 24 60	300 89 24 80 ED1	300 89 24 150
	   IP20	   IP67	   IP67	   IP67	   IP20
Dimensions (L x W x H)	146 x 55 x 19	242 x 46 x 36	215 x 44 x 31	250 x 50 x 34	260 x 60 x 49
Input	110-240V / 50-60Hz	100-240V / 50-60Hz	120-240V / 50-60Hz	220-240V / 50-60Hz	220-240V / 50-60Hz
Output	24V-DC / 20W (110V: 10W)	24V-DC / 40W	24V-DC / 60W	24V-DC / 80W	24V-DC / 150W
λ	0,55	> 0,95	0,99	> 0,90	0,98
DIM	-	-	-	DIM 1	-

LEDSTRIP

	20W	40W	60W	80W	150W
LEDSTRIP xx F	max.6 (3)	max.13	max.20	max.26 (max.20/powerline)	max.50 (max.20/powerline)
LEDSTRIP xx FP	max.2 (1)	max.4	max.6	max.8 (max.6/powerline)	max.15 (max.6/powerline)
LEDSTRIP xx RGB	max.2* (1)	max.5*	max.7*	-	max.18*

LEDFLEX

	20W	40W	60W	80W	150W
LEDFLEX IN	max.4m (2m)	max.8m (max.5m/powerline)	max.12m (max.5m/powerline)	max.16m (max.5m/powerline)	max.30m (max.5m/powerline)
LEDFLEX IN FP	max.1m (0,5m)	max.2,5m	max.4m (max.3m/powerline)	max.5m (max.3m/powerline)	max.10m (max.3m/powerline)
LEDFLEX IN HP	max.0,9m (0,45m)	max.1,8m	max.2,7m	max.3,6m (max.3m/powerline)	max.6,8m (max.3m/powerline)
LEDFLEX IN TW	max.1,3m (0,6m)	max.2,7m	max.4,1m	max.5,5m (max.3m/powerline)	max.10,4m (max.3m/powerline)
LEDFLEX IN RGB	max.2,4m* (1,2m)	max.5m*	max.7,36m*	-	max.18,72m*
LEDFLEX IN RGBW	max.1,1m	max.2,3m	max.3,5m	max.4,7m	max.8,9m
LEDFLEX OUT	max.4m (2m)	max.8m (max.5m/powerline)	max.12m (max.5m/powerline)	max.16m (max.5m/powerline)	max.30m (max.5m/powerline)
LEDFLEX OUT FP	max.1m (0,5m)	max.2,5m	max.4m (max.3m/powerline)	max.5m (max.3m/powerline)	max.10m (max.3m/powerline)
LEDFLEX OUT RGB	max.2,4m* (1,2m)	max.5m*	max.7,36m*	-	max.18,72m*

* Use in combination with RGB Driver

OPTIONS

VOLTAGE CONTROLLED

LED DIMMODULE 24V

LED DIMMODULE 24V / 3CH / 6A DIM2

300 90 24 ED2

EXCL. POWER SUPPLY 12V-DC / 24V-DC

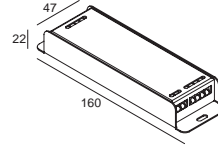
INPUT 12/24V-DC - OUTPUT MAX 432W / 18A (3 DALI CHANNELS OF 6A)

FOR LEDSTRIP / LEDFLEX W

DIMMING BY DALI / SWITCH DIM (ONE UNIT ONLY)

IP20

INSTALLATION SCHEME: TEC23

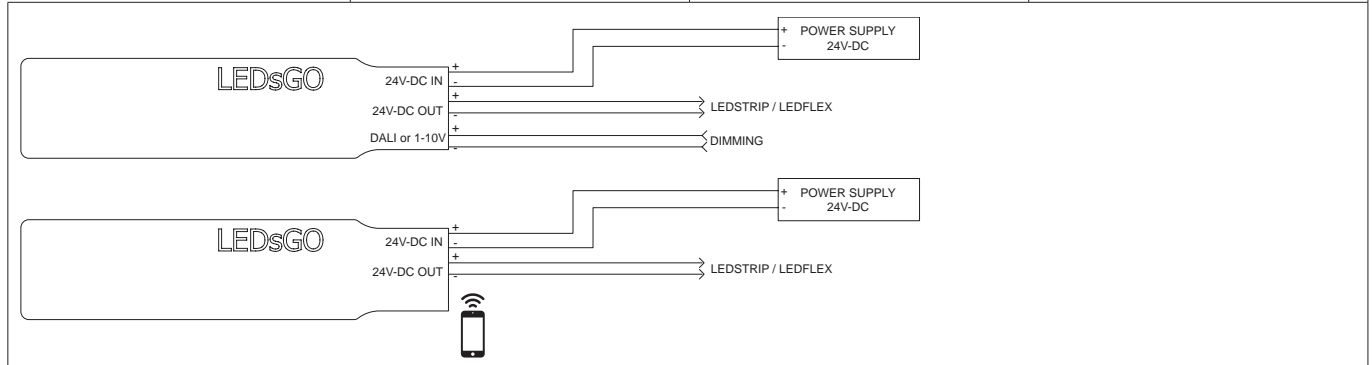


LED POWER SUPPLY 24V-DC / 480W

Type	
LED POWER SUPPLY 24V-DC	24V-DC / 480W 300 89 24 480
	IP20
Dimensions (L x W x H)	86 x 125 x 128
Input	100-240V / 50-60Hz
Output	24V-DC / 480W
	0,9
DIM	-

24V-DC DIM UNIT

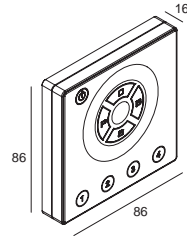
Type			
DIM UNIT	24V-DC / 4A DIM1 300 90 003 ED1	24V-DC / 4A DIM5 300 90 003 ED5	24V-DC / 4A WIRELESS DIM UNIT 300 90 010
	IP20	IP20	IP20
Dimensions (L x W x H)	90 x 22 x 17 (⌀ min. 30)	90 x 22 x 17 (⌀ min. 30)	90 x 22 x 17 (⌀ min. 30)
Input	24V-DC	24V-DC	24V-DC
Output	24V-DC / 4A (max.96W)	24V-DC / 4A (max.96W)	24V-DC / 2 x 4A (max.96W)



RGB TOUCH CONTROLLER DMX

RGB TOUCH CONTROLLER DMX
300 90 330
 EXCL. POWER SUPPLY 12V-DC / 24V-DC
 DUAL MODE STATIC / DYNAMIC
 INPUT 12V-DC / 24V-DC - DMX OUT

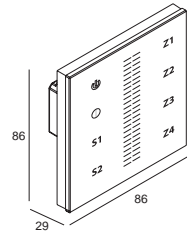
Ⓜ CE 0,1 IP20



TW TOUCH CONTROLLER DMX

TW TOUCH CONTROLLER DMX
300 90 332
 EXCL. POWER SUPPLY 12V-DC / 24V-DC
 STATIC MODE
 INPUT 12V-DC / 24V-DC - DMX OUT

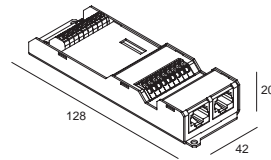
Ⓜ CE 0,1 IP20



RGB DRIVER

RGB DRIVER
300 90 331
 EXCL. POWER SUPPLY 12V-DC / 24V-DC
 INPUT 12V-DC - OUTPUT RGB 75W
 INPUT 24V-DC - OUTPUT RGB 150W
 FOR COMMON ANODE RGB LEDSTRIP / LEDFLEX
 DUAL MODE DMX / STAND ALONE

Ⓜ CE 0,1 IP20



OPTIONS INSTALLATION

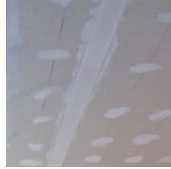
APPLICATION OF MOUNTING OPTIONS

SUSPENDED T-BAR & CEILING TILES (MIN. 8 MM)



APPLY: (replace tile by MDF)
TRIMLESS KIT
MOUNTING KIT 55/64/75
MOUNTING KIT / MOUNTING KIT L
ZB BOX

MF (METAL FRAME) CEILING DRY LINED / GYPROC / MDF



APPLY:
TRIMLESS KIT
MOUNTING KIT 55/64/75
MOUNTING KIT / MOUNTING KIT L
ZB BOX

STUCANET



APPLY:
PLASTERKIT
CONCRETE BOX
TRIMLESS KIT
ZB BOX

EXPOSED CONCRETE



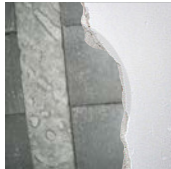
APPLY:
EXPOSED CONCRETE PACK

CONCRETE + PLASTER



APPLY:
PLASTERKIT
CONCRETE BOX
CONCRETE PACK
TRIMLESS KIT
MOUNTING KIT / MOUNTING KIT L
ZB BOX

CONCRETE BEAM & BLOCK + PLASTER



APPLY:
PLASTERKIT
CONCRETE BOX
CONCRETE PACK
TRIMLESS KIT
MOUNTING KIT / MOUNTING KIT L
ZB BOX

PREFABRICATED CONCRETE PLATE



APPLY:
EXPOSED CONCRETE PACK

PREFABRICATED CONCRETE PLATE + PLASTER



APPLY:
PLASTERKIT
CONCRETE BOX
TRIMLESS KIT
MOUNTING KIT / MOUNTING KIT L
ZB BOX

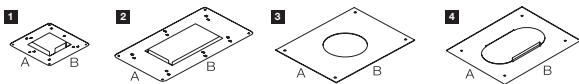
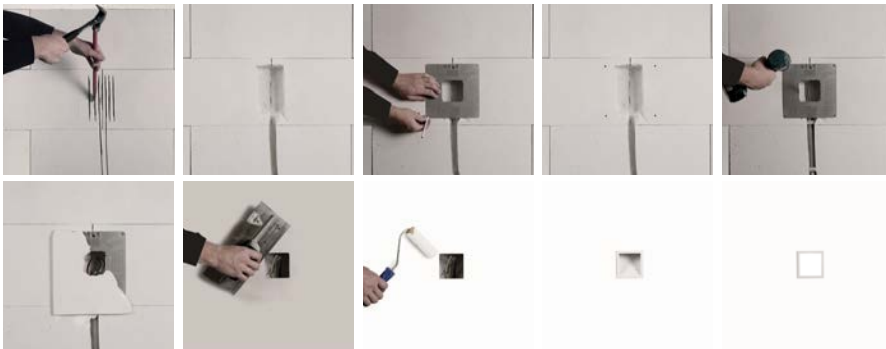
BRICK + PLASTER



APPLY:
PLASTERKIT
CONCRETE BOX
TRIMLESS KIT
MOUNTING KIT / MOUNTING KIT L
ZB BOX

Consult where used list
of mounting options per luminaire:
www.deltalight.com/mountingoptions

PLASTERKIT

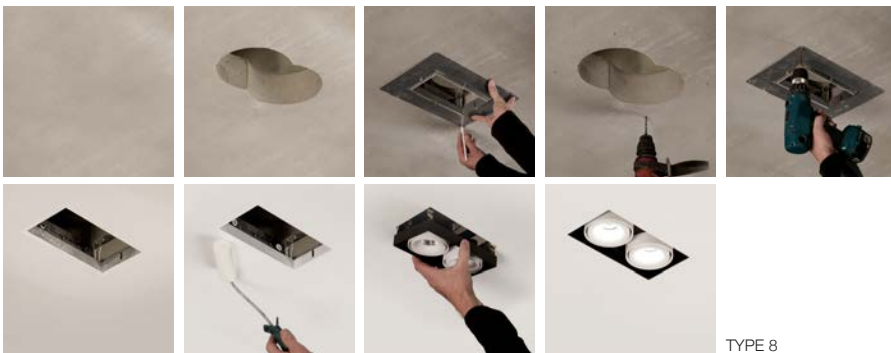


PLASTERKIT	REFERENCE	A x B	□	○	KG	min. - max.	S1	S2	TYPE
PLASTERKIT 101	202 11 19	205 x 205		77	0.1	80 x 180	195 - 205		3

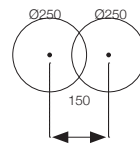
MOUNTING KIT



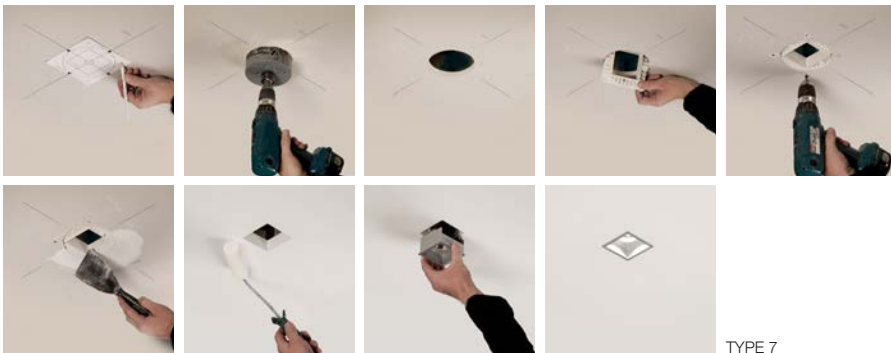
TYPE 6



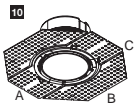
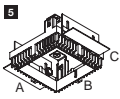
* Ø250 - 150 - Ø250



TYPE 8



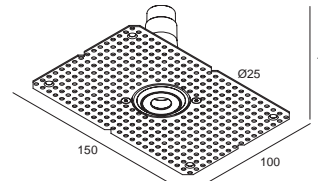
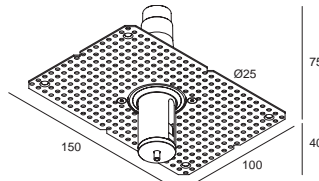
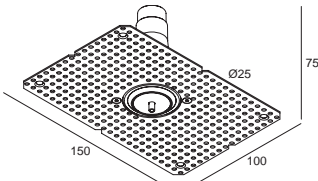
TYPE 7



MOUNTING KIT	REFERENCE	A x B x C	kg	Hollow material			Solid material	Option/ Requirement	TYPE
				min.	max.	min. - max.	O/R		
MOUNTING KIT TAGLINE TRIMLESS	304 04 01	172 x 72 x 33	0.3	174	26 x 45	min.12,5	R	5	
MOUNTING KIT MIDISPY TRIMLESS O.F.A.	414 21 00	170 x 170 x 58	0.4	Ø112	x 60	max.25	R	10	
MOUNTING KIT DOT.COM M4 TRIMLESS	424 512 04 00	199 x 35 x 43	0.1	127	x 36 x 60	5 - 22	R	5	
MOUNTING KIT FLUSH SPY	414 90 01	140 x 82 x 22	0.2	Ø83	x 40	max.9 or 12	O	10	

OPTIONS INSTALLATION

SUSPENSION TRIMLESS + CONNECTION TRIMLESS



- 62 x 80 9 or 12
- 102 x 80 (CONCRETE)

SUSPENSION TRIMLESS O.F.A.
328 10 01

INCL. 1 x AUTOMATIC ADJUSTMENT

0,2

play.deltalight.com/suspensiontrimlessconcrete
play.deltalight.com/suspensiontrimlessplasterboard

- 62 x 80 9 or 12
- 102 x 80 (CONCRETE)

SUSPENSION + CONNECTION TRIMLESS O.F.A.
328 10 02

INCL. 1 x CONNECTOR max. 3x 2,5 mm²
INCL. 1 x AUTOMATIC ADJUSTMENT
4A / 250V

0,2

play.deltalight.com/suspensiontrimlessconcrete
play.deltalight.com/suspensiontrimlessplasterboard

- 62 x 80 9 or 12
- 102 x 80 (CONCRETE)

CONNECTION TRIMLESS O.F.A.
328 10 03

INCL. 1 x CONNECTOR max. 3x 2,5 mm²
4A / 250V

0,2

play.deltalight.com/suspensiontrimlessconcrete
play.deltalight.com/suspensiontrimlessplasterboard

CABLE BASE R



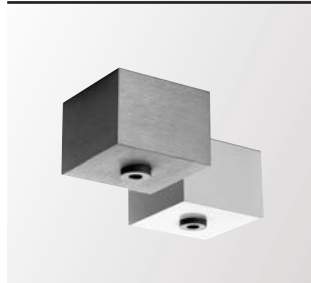
CABLE BASE R ◇

203 99 55 ◇
◇ = ANO / B / W

0,1

OPTIONS
COVERSET R 62-90-100

CABLE BASE S



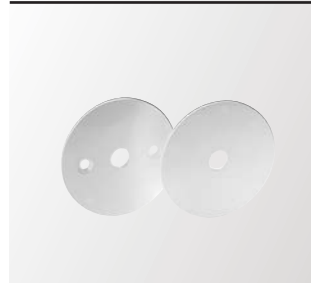
CABLE BASE S ◇

203 99 56 ◇
◇ = ANO / B / W

0,1

OPTIONS
COVERSET S 62-80-90

COVERSET R



COVERSET R 100 ◇

204 00 100 ◇

COVERSET R 62 ◇

204 00 62 ◇

COVERSET R 90 ◇

204 00 90 ◇

◇ = ANO / B / W

0,1

COVERSET S



COVERSET S 62 ◇

204 62 62 ◇

COVERSET S 80 ◇

204 80 80 ◇

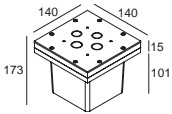
COVERSET S 90 ◇

204 90 90 ◇

◇ = ANO / B / W

0,1

CBOX



I 142 x 142 x 300

CBOX
216 12 00
INCL.2 x PG13,5 / 1 x PG11

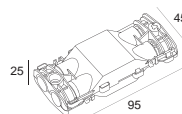
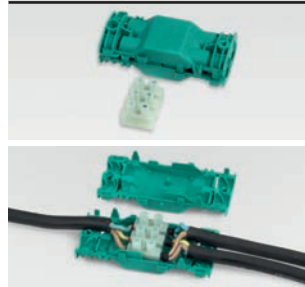
0,5 IP67

L 142 x 142 x 300

CBOX 350 mA / 10W
216 14 35
INCL.2 x PG13,5 / 2 x PG11
INCL.LED POWER SUPPLY 350mA-DC / 10W
CURRENT CONTROLLED
220-240V / 50-60Hz

0,7 IP67

IP68 CONNECTION KIT

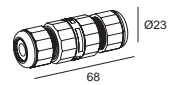


IP68 CONNECTION KIT
216 12 01

CABLE Ø7,5-10 mm
MAX.3 x 4mm²
4A 250V

0,1 IP68

IP68 CONNECTOR 3P



IP68 CONNECTOR 3P
216 12 02



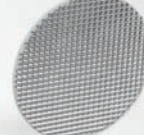







CABLE Ø7,5-12 mm
MAX.3 x 1,5mm²
4A 250V

0,1 IP68

play.deltalight.com/ip68connector

LIGHT BEAM ACCESSORIES

ACCESSORIES

ACCESSORIE 0,1	 HONEYCOMB	 LINEAR SPREAD LENS	 SPREAD LENS	 SOFTENING LENS	 GLASS SBL
LIGHT BEAM					
Ø40	VIZIR HONEYCOMB ◇ 473 03 01 ◇ ◇ = B			VIZIR SOFTENING LENS 473 03 04	
Ø50	HONEYCOMB 50 ◇ 413 03 01 ◇ ◇ = B	LINEAR SPREAD LENS 50 413 03 02	SPREAD LENS 50 413 03 03	SOFTENING LENS 50 413 03 04	GLASS SBL 50 413 03 05
S105	HONEYCOMB S105 ◇ 431 03 01 ◇ ◇ = B	LINEAR SPREAD LENS S105 431 03 02			

Find out what products these accessories can be used with, by adding its reference number without colour to our website URL to visit the detailpage: for example: www.deltalight.com/2010301

PHOTOMETRICS

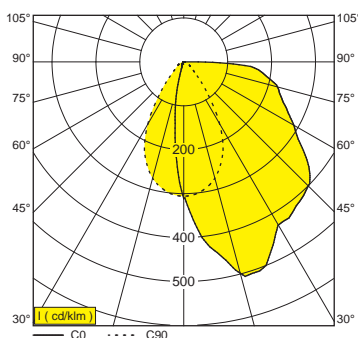
Apart from the lumen output and the power it consumes, a luminaire is characterized by its luminous distribution. At Delta Light® we have the knowledge and infrastructure in-house to determine those characteristics of the luminous distribution.

POLAR DIAGRAM

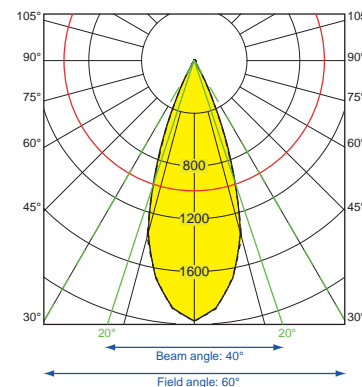
The luminous distribution of a luminaire is shown in a polar diagram, which is a two-dimensional representation of a three-dimensional measurement of the luminaire by the photogoniometer. The curve on this diagram tells us the direction where the light is being emitted, together with the luminous intensity of the light in the different directions, in function of the viewing angle in different planes. The C0-plane is represented by a full line and indicates the luminous distribution of the luminaire, perpendicular to the light source's longitudinal axis. In case of round or square shaped luminaires where no longitudinal axis can be determined, the C0-plane indicates the main direction of the light being emitted.

The C90-plane is represented by a dashed line and indicates the light distribution along the longitudinal axis.

On the diagram each circle represents a value of the light intensity and is expressed in candela per kilolumen (cd/klm). The circles are divided in angles that indicate the direction of the light intensity.



As an example we have the polar diagram of the Sneak-R on the left. The C0-plane shows that almost all of the light is emitted forward and only a small amount of light is emitted backwards (full curve lies between -15° and 90° in the C0-plane). As the curve does not exceed the 90° line, it means that no light is emitted upwards. The peak of the curve is around 15° and shows a value of over 500 cd/klm. On the C90-plane we see a symmetrical curve between -35° and 35° with a peak at 0° and a value of 300 cd/klm.



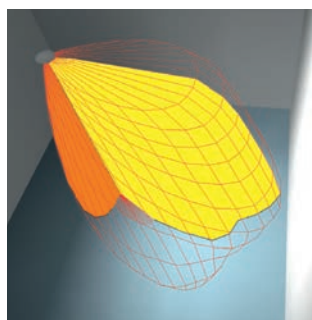
Up-to-date photometrics of the luminaires mentioned in Lighting Bible 12® are available on the website. Photometrics on the new luminaires will be available in the upcoming months.

BEAM ANGLE





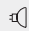




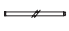

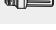
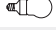
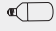
Important to know is how 'beam angle' exactly is defined? It is the degree of width of the light that is emitted by a light source and it is determined by the angle between the 2 points on an axis where the intensity of the light drops down to 50% of the maximum light intensity (I_{max}) of the light source. This 50% of I_{max} determines from which point the light fades and from where the human eye will consider the light as being spill light. The human eye will particularly see the inner circle as highlight, also known as the half value angle or beam angle, whereas the outer circle is known as the field angle.

The example on the right has an I_{max} of 2000 cd/klm.













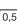









By taking half of this value (1000 cd/klm) and intersecting the curve, we can determine the beam angle, which is 40°. The outer lines of the curves determine the field angle, which is in this case 60°.








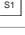
















LAMP INDEX

	A60	E27Ls	100-240V / 50-60Hz	15-25-40-60
	QR-51 ALU	GX5.3	12V	20-35-50
	QR-C51	GX5.3	12V	20-35-50
	QR-CBC51	GX5.3	12V	20-35-50
	QR-CB51	GX5.3	12V	20-35-50
	QR-LP70	BA15d	12V	20-50
	QR-LP111	G53	12V	35-50-75-100
	QT14	G9	100-240V / 50-60Hz	25-40-60
	QPAR51	GU10	100-240V / 50-60Hz	35-50
	T16	G5	220-240V / 50-60Hz	8 14-21-28-35 24-39-49-54-80
	TC-L	2G11	220-240V / 50-60Hz	24-36-55
	T2-MLF	GX53	220-240V / 50-60Hz	9
	TC-TSE	E27Ls	100-240V / 50-60Hz	15-20-23
	TCA-SE	E27Ls	100-240V / 50-60Hz	5-7-10-15-20-23
	TC-SB	E27Ls	100-240V / 50-60Hz	9-12-16

LEGENDA

						
	KLEUR	COULEUR	COLOUR	FARBE	Colour	ColourE
A	ALU GRIJS	ALU GRIS	ALU GREY	ALU GRAU	ALU GRIS	ALU GRIGIO
ALU	ALUMINIUM	ALUMINIUM	ALUMINIUM	ALUMINIUM	ALUMINIO	ALUMINIO
ANO	GEANODISEERD ALU	ALU ANODISE	ALU ANODISED	ALU ELOXIERT	ALU ANODIZADO	ALU ANODIZZATO
B	ZWART RAL 9005	NOIR RAL 9005	BLACK RAL 9005	SCHWARZ RAL 9005	NEGRO RAL 9005	NERO RAL 9005
BBR	BLACK BRONZE	BLACK BRONZE	BLACK BRONZE	BLACK BRONZE	BLACK BRONZE	BLACK BRONZE
BP	BLACK PURE	BLACK PURE	BLACK PURE	BLACK PURE	BLACK PURE	BLACK PURE
C	CHROOM	CHROME	CHROMED	CHROM	CROMO	CROMATO
FBR	FLEMISH BRONZE	FLEMISH BRONZE	FLEMISH BRONZE	FLEMISH BRONZE	FLEMISH BRONZE	FLEMISH BRONZE
FG	FLEMISH GOLD	FLEMISH GOLD	FLEMISH GOLD	FLEMISH GOLD	FLEMISH GOLD	FLEMISH GOLD
G	GRIJS BRUIN	GRIS BRUN	GREY BROWN	GRAU BRAUN	GRIS MARRON	GRIGIO BRUNO
GC	GOLD CHAMPAGNE	GOLD CHAMPAGNE	GOLD CHAMPAGNE	GOLD CHAMPAGNE	GOLD CHAMPAGNE	GOLD CHAMPAGNE
INOX	ROESTVRIJ STAAL	ACIER INOXYDABLE	STAINLESS STEEL	ROSTFREIER STAHL	ACERO INOXIDABLE	ACCIAIO INOSSIDABILE
M	VERGULD	DORE	GOLD	VERGOLDET	ORO	ORO
N	DONKERGRIJS	GRIS FONCE	DARK GREY	DUNKELGRAU	GRIS OSCURO	GRIGIO SCURO
MMAT	VERGULD MAT	LAITON DEPOLI	GOLD MAT	VERGOLDET MAT	ORO MATE	ORO OPACO
SG	ZILVERGRIJS	GRIS ARGENTÉ	SILVER GREY	SILBER GRAU	GRIS PLATEADO	GRIGIO ARGENTO
PRIM	GRONDLAAG	APPRET	PRIMER	GRUNDIERUNG	PINTURA DE FONDO	MESTICA
RAL	KLEUR RAL	COULEUR RAL	COLOUR RAL	FARBE RAL	Colour RAL	ColourE RAL
W	WIT RAL 9003	BLANC RAL 9003	WHITE RAL 9003	WEIß RAL 9003	BLANCO RAL 9003	BIANCO RAL 9003
	SCHILDEREN VEREIST	PEINTURE DE FINITION REQUISE	PAINT FINISH REQUIRED	LACKIERUNG ERFORDERLICH	ACABADO DE PINTURA NECESARIO	NECESSITA DI FINITURA
	TOESTEL KLASSE 1	APPAREIL CLASSE 1	FIXTURE CLASS 1	GERÄT KLASSE 1	APARATO CLASE 1	APPARECCHIO CLASSE 1
	TOESTEL KLASSE 2	APPAREIL CLASSE 2	FIXTURE CLASS 2	GERÄT KLASSE 2	APARATO CLASE 2	APPARECCHIO CLASSE 2
	TOESTEL KLASSE 3	APPAREIL CLASSE 3	FIXTURE CLASS 3	GERÄT KLASSE 3	APARATO CLASE 3	APPARECCHIO CLASSE 3
	NORM 01.96 EMC 89 / 336 / EEC	NORM 01.97. LV 73 / 23 / EEC	NORM 01.97. LV 73 / 23 / EEC	NORM 01.97. LV 73 / 23 / EEC	NORM 01.97. LV 73 / 23 / EEC	NORM 01.97. LV 73 / 23 / EEC
	NETTO GEWICHT KG	POIDS NET KG	NET WEIGHT KG	NETTO GEWICHT KG	PESO NETO KG	PESO NETTO KG
IP	BESCHERMINGSINDICATIE	INDICE DE PROTECTION	PROTECTION LEVEL	SCHUTZKLASSE	CLASE DE PROTECCIÓN	CLASSE DI PROTEZIONE
	MECHANISCHE IMPACT	IMPACT MÉCANIQUE	MECHANICAL IMPACT	MECHANISCHE EINWIRKUNG	IMPACTO MECÁNICO	URTO MECCANICO
	RONDE OPENING DIAMETER x MIN.INBOUWDIEPTE	DECOUPE RONDE DIAMÈTRE x PROFONDEUR NÉCESSAIRE POUR ENCASTREMENT	ROUND OPENING DIAMETER x MIN. DEPTH FOR RECESSING	RUNDE ÖFFNUNG DIAMETER x MIN. TIEFE FÜR EINBAU	ABERTURA REDONDA DIAMETRO x DISTANCIA MÍNIMA DE EMPOTRAMIENTO	FORO TONDO DIAMETRO x SPESORE MINIMO RICHIESTO PER L'INCASSO
	RECHT-HOEKIGE OPENING LENGTE x BREEDTE x MIN.INBOUWDIEPTE	DECOUPE RECTANGULAIRE LO x LA x PRO. NÉCESSAIRE POUR ENCASTREMENT	RECTANGULAR OPENING LENGTH x WIDTH x MINIMUM DEPTH FOR RECESSING	RECHTECKIGE ÖFFNUNG LÄNGE x BREITE x MINIMUM TIEFE EINBAU	ABERTURA RECTANGULAR LARGO x ANCHO x DISTANCIA MÍNIMA DE EMPOTRAMIENTO	FORO RETTANGOLARE LUNGHEZZA x LARGHEZZA x SPESORE MINIMO RICHIESTO PER L'INCASSO
	MAX. DIKTE MONTAGEOPPERVLAK	EPAISSEUR MAX. DE LA SURFACE DE MONTAGE	MAX.THICKNESS OF THE MOUNTING SURFACE	MAXIMALE STÄRKE DER BEFESTIGUNGSFLÄCHE	ESPOSOR MÁXIMO DE LA SUPERFICIE DE MONTAJE	SPESORE MASSIMO DELLA SUPERFICIE DI MONTAGGIO
	MIN. AFSTAND (M) LAMP - OBJECT	DISTANCE MIN. (M) AMPOULE - OBJET	MIN. DISTANCE (M) LAMP - OBJECT	MIN. DISTANZ (M) LAMP - OBJEKT	DISTANCIA MÍNIMA (M) LAMPARA - OBJETO	DISTANZA MIN. (M) LAMPADA - OGGETTO
	BEVESTIGING VLOER - WAND - PLAFOND OPBOUW	MONTAGE SOL - MUR - PLAFOND APPLIQUE	FIXATION FLOOR - WALL - CEILING SURFACE MOUNTED	MONTAGE BODEN - WAND - DECKE AUFGEBAUT	MONTAJE SUELO - PARED - TECHO MONTADO AL SUPERFICIE	MONTAGGIO PAVIMENTO-PARETE - SOFFITTO MONTATO A SUPERFICIE
	BEVESTIGING VLOER - WAND - PLAFOND INBOUW	MONTAGE SOL - MUR - PLAFOND ENCASTRE	FIXATION FLOOR - WALL - CEILING RECESSED	MONTAGE BODEN - WAND - DECKE EINGEBAUT	MONTAJE SUELO - PARED-TECHO EMPOTRADO	MONTAGGIO PAVIMENTO-PARETE - SOFFITTO-INCASSO
	BEVESTIGING PLAFOND GEPENDELD	MONTAGE PLAFOND SUSPENDU	FIXATION CEILING SUSPENDED	MONTAGE DECKE GEPENDELT	MONTAJE TECHO SUSPENDIDO	MONTAGGIO SOFFITTO SOSPESO
	STAND ALONE	STAND ALONE	STAND ALONE	STAND ALONE	STAND ALONE	STAND ALONE

						
	GESCHIKT VOOR BINNEN- EN BUITENGEBRUIK	CONVIENT A USAGE INTERIEUR ET EXTERIEUR	SUITABLE FOR INDOOR AND OUTDOOR USE	EIGNET SICH FÜR INNEN- UND AUßENBEREICH	APTO PARA USO INTERIOR Y EXTERIOR	PER UTILIZZO SIA IN INTERNI CHE DA ESTERNI
	VEREN VOOR HOLLE WAND	RESSORTS PRECONISES POUR FAUX-PLAFONDS	SPRINGS FOR HOLLOW SURFACES	FEDERN FÜR HOHL RAUMDECKE	MUELLES PARA UTILIZAR EN FALSOS TECHOS DE ESCAYOLA Y PLADUR	SISTEMA DI FISSAGGIO PER CONTRO-SOFFITTI IN LASTRE O PANNELLI
	VEREN VOOR VOLLE WAND	RESSORTS PRECONISES POUR PLAFONDS STANDARDS	SPRINGS FOR SOLID SURFACES	FEDERN FÜR VOLL MATERIAL	MUELLES PARA UTILIZAR EN HORMIGON	SISTEMA DI FISSAGGIO PER VANI CHIUSI REALIZZATI NELLA MURATURA
EVG	ELEKTRONISCHE VOORSCHAKELAPPARATUUR	BALLAST ELECTRONIQUE	ELECTRONIC BALLAST	ELEKTRONISCHES VORSCHALTGERÄT	BALASTRO ELECTRONICO	REATTORE ELETTRONICO
EVG DIMMABLE	DIMBAAR ELEKTRONISCHE VOORSCHAKELAPPARATUUR	BALLAST ELECTRONIQUE DIMMABLE	ELECTRONIC DIMMABLE BALLAST	ELEKTRONISCHES DIMBARES VORSCHALTGERÄT	BALASTRO ELECTRONICO REGULABLE	REATTORE ELETTRONICO DIMMERABILE
	LAMBDA = 0,9	LAMBDA = 0,9	LAMBDA = 0,9	LAMBDA = 0,9	LAMBDA = 0,9	LAMBDA = 0,9
	DIMBAAR 1-10V	VARIATION 1-10V	DIMMABLE 1-10V	DIMBAR 1-10 V	REGULABLE 1-10V	DIMMERABILE 1-10V
	DALI DIMBAAR	VARIATION DALI	DIMMABLE DALI	DIMBAR DALI	REGULABLE DALI	DIMMERABILE DALI
	DIMBAAR FASE AFSNIJDING	COUPE PHASE DESCENDANTE	FALLING EDGE DIMMABLE	PHASENABSCHNITT DIMMUNG	REGULACION DE CORTE DESCENDENTE	REGOLAZIONE CON DIMMER A TAGLIO DI FASE
	MODULATION DIM LOW-VOLTAGE	MODULATION DIM LOW-VOLTAGE	MODULATION DIM LOW-VOLTAGE	MODULATION DIM LOW-VOLTAGE	MODULATION DIM LOW-VOLTAGE	MODULATION DIM LOW-VOLTAGE
	WIRELESS DIM LOW VOLTAGE	WIRELESS DIM LOW VOLTAGE	WIRELESS DIM LOW VOLTAGE	WIRELESS DIM LOW VOLTAGE	WIRELESS DIM LOW VOLTAGE	WIRELESS DIM LOW VOLTAGE
	NIET DIMBAAR	NON DIMMABLE	NON DIMMABLE	NICHT DIMBAR	NO REGULABLE	NON DIMMERABILE
	GESCHIKT VOOR TOEPASSING IN BADKAMERS (**)	APPLICABLE POUR SALLES DE BAINS (**)	SUITABLE FOR USE IN BATHROOM (**)	GEEIGNET FÜR INSTALLATION IM BADEZIMMER (**)	ILUMINACIÓN APTO PARA USO EN BAÑOS (**)	ILLUMINAZIONE ADATTA PER L'AMBIENTE BAGNO (**)
	PAG TEC 13	PAG TEC 13	PAG TEC 13	PAG TEC 13	PAG TEC 13	PAG TEC 13
	PAG TEC 4	PAG TEC 4	PAG TEC 4	PAG TEC 4	PAG TEC 4	PAG TEC 4
	PAG TEC 7	PAG TEC 7	PAG TEC 7	PAG TEC 7	PAG TEC 7	PAG TEC 7
	BEWEGINGS DETECTIE	DÉTECTION DE PRÉSENCE	PRESENCE DETECTION	PRÄSENZMELDER	DETECTOR DE PRESENCIA	RILEVATORE DI PRESENZA
	TUNABLE WHITE	TUNABLE WHITE	TUNABLE WHITE	TUNABLE WHITE	TUNABLE WHITE	TUNABLE WHITE
SBL	GEZANDSTRAALD	SABLE	SANDBLASTED	GESANDSTRAHLTES	SATINADO	SATINATO
ESG	VEILIGHEIDSGLAS	VERRE DE SECURITE	SAFETY GLASS	EINSCHREIBEN SICHERHEITSGLAS	CRISTAL DE SEGURIDAD	VETRO DI SICUREZZA
95	AFMETINGEN IN MM	DIMENSIONS EN MM	DIMENSIONS IN MM	ABMESSUNGEN IN MM	DIMENSIONES EN MM	DIMENSIONI IN MM
TOL-DIN	TOLERANTIE VOLGENS DIN-NORMEN	TOLERANCE CONFORME AUX NORMES DIN	TOLERANCE ACCORDING TO DIN-SPECIFICATIONS	TOLERANZ NACH DIN-NORMEN	TOLERANCIA SEGUN LAS NORMAS DIN	TOLLERANZE A NORME DIN
DIN EN12020-2	TOLERANTIES EXTRUSIE	TOLERANCES EXTRUSION	TOLERANCES EXTRUSION	TOLERANZEN EXTRUSION	TOLERANCIA EXTRUSION	TOLLERANZA ESTRUSIONE
DIN 17.611	TOLERANTIES ANODISATIE	TOLERANCES ANODISATION	TOLERANCES ANODISATION	TOLERANZEN ELOXIERUNG	TOLERANCIA ANODIZADO	TOLLERANZA ANODIZZATO
DIN 55.928	TOLERANTIES LAKWERK	TOLERANCES LAQUAGE	TOLERANCES COATING	TOLERANZEN LACKIERUNG	TOLERANCIA LACA	TOLLERANZA LACCA



(*) CEBC is the Belgian certification body in the field of electrical equipment. IT IS PARTICIPATING IN THE CB SCHEME SINCE IT IS ACCREDITED AS A CERTIFICATION BODY FOR THE CERTIFICATION OF PRODUCTS ACCORDING TO EN 45011 AND THE CERTIFICATION OF QUALITY SYSTEMS ACCORDING TO THE STANDARD EN 45012.
 (**) CHECK COMPLIANCE WITH LOCAL REGULATIONS.
 PRODUCTS MANUFACTURED ACCORDING TO IEC/EN 60598-1 AND THE APPLICABLE SECTIONS OF IEC/EN 60598-2



INDEX

—

INDEX BY REFERENCE

REFERENCE	PAG	REFERENCE	PAG	REFERENCE	PAG	REFERENCE	PAG
202 11 19	TEC 28	274 97 9583 PR ED1	51	300 90 136	TEC 20	328 10 02	TEC 30
202 263 811 922	21	274 97 9583 PR ED5	51	300 90 137	TEC 5	328 10 03	TEC 30
202 263 811 923	21	274 98 6583 ED1	51	300 90 145	54	328 25 43 ED	50
202 263 811 932	21	274 98 6583 ED5	51	300 90 146	54	328 26 23	50
202 263 811 933	21	274 98 6583 PR ED1	51	300 90 147	54	328 26 43	54
202 2632 811 922	21	274 98 6583 PR ED5	51	300 90 148	TEC 16	328 26 43 ED	54
202 2632 811 923	21	274 98 9583 ED1	51	300 90 22	TEC 16	328 27 40	110
202 2632 811 932	21	274 98 9583 ED5	51	300 90 24 ED2	TEC 26	328 27 80	110
202 2632 811 933	21	274 98 9583 PR ED1	51	300 90 3112	TEC 16	377 98 51	110
202 264 811 922	21	274 98 9583 PR ED5	51	300 90 312	TEC 5	377 98 56	110
202 264 811 923	21	274 99 6583 ED1	53	300 90 330	TEC 27	377 99 51	110
202 264 811 932	21	274 99 6583 ED5	53	300 90 331	TEC 27	377 99 56	110
202 264 811 933	21	274 99 6583 PR ED1	53	300 90 332	TEC 27	392 04 00 00	102
202 2642 811 922	21	274 99 6583 PR ED5	53	300 90 5120	TEC 16	392 04 03 01	102
202 2642 811 923	21	274 99 9583 ED1	53	300 90 60	TEC 19	392 04 06 01	102
202 2642 811 932	21	274 99 9583 ED5	53	300 90 61	TEC 18	392 04 06 06	102
202 2642 811 933	21	274 99 9583 PR ED1	53	300 90 63	TEC 20	404 00 00	110
202 265 1902	21	274 99 9583 PR ED5	53	300 90 64	TEC 17	404 03 01	110
202 2652 1902	21	275 163 93 ED1	79	300 90 67	TEC 22	404 06 01	110
202 274 811 922	20	275 164 93 ED1	79	300 90 68	TEC 18	404 09 01	110
202 274 811 932	20	300 48 060	56	300 90 69	TEC 20	404 12 93	75
202 275 811 922	20	300 48 350 ED1	TEC 23	300 90 91	TEC 16	404 12 93 ED1	75
202 275 811 932	20	300 48 350 ED5	TEC 23	300 90 914	TEC 17	404 20 93	75
202 276 1902	20	300 48 350 MDL	TEC 23	300 90 915 ED5	TEC 11	404 20 93 ED1	75
202 91 0701	TEC 21	300 48 350 WDL	TEC 23	300 90 915 ED8	TEC 11	404 20 93 ED5	75
202 91 0703	TEC 21	300 48 500 ED1	TEC 23	300 90 92	TEC 16	404 24 100	110
203 99 55	TEC 30	300 48 500 ED5	TEC 23	300 90 93	TEC 16	404 24 60 ED1	110
203 99 56	TEC 30	300 48 500 MDL	TEC 23	300 91 51 92	109	405 00 00	112
204 00 100	TEC 30	300 48 500 WDL	TEC 23	300 91 51 93	109	405 03 01	112
204 00 62	TEC 30	300 48 700 ED1	TEC 23	300 91 51 94	109	405 06 01	112
204 00 90	TEC 30	300 48 700 MDL	TEC 23	300 91 56 92	111	405 14 01	112
204 62 62	TEC 30	300 48 700 WDL	TEC 23	300 91 56 93	111	405 35 30 93 ED1	81
204 80 80	TEC 30	300 89 24 150	TEC 25	300 91 56 94	111	405 35 41 93 ED1	81
204 90 90	TEC 30	300 89 24 20	TEC 25	300 92 52 33	TEC 9	413 03 01	TEC 31
216 12 00	TEC 31	300 89 24 40	TEC 25	300 92 52 92	TEC 8	413 03 02	TEC 31
216 12 01	TEC 31	300 89 24 480	TEC 26	300 92 52 93	TEC 8	413 03 03	TEC 31
216 12 02	TEC 31	300 89 24 60	TEC 25	300 92 52 94	TEC 8	413 03 04	TEC 31
216 14 35	TEC 31	300 89 24 61	TEC 22	300 92 52 93 83	TEC 9	413 03 05	TEC 31
223 122 83	125	300 89 24 80 ED1	TEC 25	300 92 53 92	TEC 8	414 01 00	30
223 126 83	125	300 89 48 100	TEC 22	300 92 53 93	TEC 8	414 03 00	29
223 24 83	123	300 89 48 150	TEC 22	300 92 53 94	TEC 8	414 11 00	25
223 26 83	123	300 89 48 240	TEC 22	300 92 54 92	TEC 8	414 21 00	TEC 29
223 34 83	123	300 89 48 90	TEC 22	300 92 54 93	TEC 8	414 211 923	23
223 36 83	123	300 90 003 ED1	TEC 26	300 92 54 94	TEC 8	414 211 933	23
223 44 83	123	300 90 003 ED5	TEC 26	300 92 55 2740	TEC 8	414 212 822	23
223 46 83	123	300 90 004 ED5	TEC 5	300 92 62 33	TEC 9	414 212 832	23
223 54 83	120	300 90 004 ED8	TEC 5	300 92 62 92	TEC 8	414 231 923	23
223 55 83	120	300 90 005	TEC 5	300 92 62 93	TEC 8	414 231 933	23
223 99 01	122	300 90 006	TEC 5	300 92 62 94	TEC 8	414 232 822	23
232 012 82	121	300 90 007	TEC 5	300 92 63 92	TEC 8	414 232 832	23
232 012 83	121	300 90 008	TEC 5	300 92 63 93	TEC 8	414 90 01	27
232 022 82	121	300 90 009	TEC 5	300 92 63 94	TEC 8	418 161 822 MDL	59
232 022 83	121	300 90 010	TEC 26	300 92 93 04	TEC 9	418 161 832 MDL	59
232 942 83	122	300 90 011	TEC 6	300 92 93 05	TEC 9	418 162 822 MDL	59
232 962 83	122	300 90 012	TEC 6	300 92 93 06	TEC 9	418 162 832 MDL	59
251 81 83	49	300 90 013	TEC 14	300 92 93 07	TEC 9	418 163 01	58
270 63 06 93	83	300 90 014	TEC 14	300 92 93 08	TEC 9	418 163 02	58
270 63 12 93	83	300 90 015	TEC 14	300 92 93 09	TEC 9	418 163 822 MDL	59
271 06 92	119	300 90 016 ED1	TEC 5	300 96 15	TEC 15	418 163 832 MDL	59
271 06 93	119	300 90 017	TEC 14	302 222 831	117	418 263 923 MDL	59
271 08 92 ED8	33	300 90 018	TEC 14	304 04 01	TEC 29	418 263 933 MDL	59
271 08 93 ED8	33	300 90 108	TEC 16	304 04 15 92	77	418 361 1902 MDL	61
274 106 00	55	300 90 110	TEC 16	304 04 15 93	77	418 367 811 922 MDL	58
274 106 01	55	300 90 116	TEC 16	309 107 38 13	TEC 7	418 367 811 932 MDL	58
274 312 00	55	300 90 118	TEC 16	309 107 38 23	TEC 7	418 367 821 MDL	58
274 97 10	51	300 90 119	TEC 16	309 109 00 25	TEC 7	418 367 831 MDL	58
274 97 6583 ED1	51	300 90 121	TEC 16	309 109 01 27	TEC 7	418 368 811 922 MDL	58
274 97 6583 ED5	51	300 90 123	TEC 16	309 109 02 27	TEC 7	418 368 811 932 MDL	58
274 97 6583 PR ED1	51	300 90 124	TEC 19	309 109 03 27	TEC 7	418 368 821 MDL	58
274 97 6583 PR ED5	51	300 90 125	TEC 18	309 109 04 27	TEC 7	418 368 831 MDL	58
274 97 9583 ED1	51	300 90 134	TEC 19	309 109 05 27	TEC 7	418 48 050	56
274 97 9583 ED5	51	300 90 135	TEC 17	309 109 06 27	TEC 7	418 48 100	56

INDEX BY REFERENCE

REFERENCE	PAG	REFERENCE	PAG	REFERENCE	PAG	REFERENCE	PAG
418 481 07	57	424 113 02 921 ED8	19	425 01 03 01	104	471 321 1902 ED8	30
418 481 09	57	424 113 02 922 ED8	19	425 01 06 01	104	471 321 811 922 ED8	30
418 481 12	57	424 113 02 923 ED8	19	425 01 06 06	104	471 321 811 932 ED8	30
418 481 17	57	424 113 02 931 ED8	19	425 02 00 00	104	471 322 00	31
418 482 106	57	424 113 02 932 ED8	19	425 02 03 01	104	471 322 1902 ED8	31
418 482 109	57	424 113 02 933 ED8	19	425 02 06 01	104	471 322 811 922 ED8	31
418 482 211	57	424 113 04 921 ED8	19	425 02 06 06	104	471 322 811 932 ED8	31
418 482 217	57	424 113 04 922 ED8	19	425 02 06 16	104	472 121 811 921	43
418 561 93 MDL	61	424 113 04 923 ED8	19	425 03 00 00	105	472 121 811 931	43
420 20 03 01	88	424 113 04 931 ED8	19	425 03 03 01	105	472 122 811 921	43
420 20 06 06	88	424 113 04 932 ED8	19	425 04 00 00	108	472 122 811 931	43
420 20 06 17	88	424 113 04 933 ED8	19	425 04 03 01	108	472 123 811 921	43
420 20 10 00	88	424 211 03 922	11	425 04 06 01	108	472 123 811 931	43
420 20 14 01	88	424 211 03 923	11	425 04 06 06	108	472 221 01	43
420 20 20 00	88	424 211 03 932	11	425 04 06 11	108	472 221 922 ED8	43
420 20 30 00	88	424 211 03 933	11	425 05 00 00	108	472 221 932 ED8	43
420 26 03 01	88	424 211 06 922	11	425 05 03 01	108	472 222 01	43
420 26 10 00	88	424 211 06 923	11	425 05 06 01	108	472 222 922 ED8	43
420 26 20 00	88	424 211 06 932	11	425 05 06 06	108	472 222 932 ED8	43
420 26 30 00	88	424 211 06 933	11	425 05 14 01	108	472 321 00	45
420 52 03 01	89	424 213 02 921	15	425 09 01	108	472 322 00	45
420 52 06 06	89	424 213 02 922	15	425 27 811 921	106	472 331 00	45
420 52 06 17	89	424 213 02 923	15	425 27 811 931	106	472 361 00	33
420 52 10 00	89	424 213 02 931	15	425 97 51	108	472 362 00	47
420 52 10 00	89	424 213 02 932	15	426 00 00	100	473 01 00	36
420 52 30 00	89	424 213 02 933	15	426 03 01	100	473 03 01	TEC 31
420 52 98 01	89	424 213 04 921	15	426 06 01	100	473 03 04	TEC 31
421 142 1902 MDL	97	424 213 04 922	15	426 14 01	100	473 111 811 922	36
421 148 1902 MDL	97	424 213 04 923	15	43 11 831	129	473 111 811 932	36
421 228 1902 D MDL	97	424 213 04 931	15	43 11 832	129	473 111 821	36
421 313 06 93 MDL	91	424 213 04 932	15	43 11 833	129	473 111 831	36
421 313 08 93 MDL	91	424 213 04 933	15	43 11 834	129	473 112 811 922	37
421 313 10 93 MDL	91	424 222 04 921	13	43 11 841	129	473 112 811 932	37
421 313 12 93 MDL	91	424 222 04 922	13	43 11 842	129	473 131 811 922	38
422 111 93	65	424 222 04 923	13	43 11 843	129	473 131 811 932	38
422 111 93 ED1	65	424 222 04 931	13	43 11 844	129	473 131 812 922 ED1	41
422 111 93 ED5	65	424 222 04 932	13	431 03 01	TEC 31	473 131 812 932 ED1	41
422 112 93	65	424 222 04 933	13	431 03 02	TEC 31	473 131 821	38
422 112 93 ED1	65	424 242 02 92	16	431 400 111 11	131	473 131 831	38
422 112 93 ED5	65	424 242 02 93	16	431 400 111 211	131	473 132 811 922	39
422 121 93	65	424 242 06 92	17	431 400 111 221	131	473 132 811 932	39
422 121 93 ED1	65	424 242 06 93	17	431 400 111 31	131	473 151 821 MDL	95
422 121 93 ED5	65	424 242 08 92	17	431 400 111 41	131	473 151 831 MDL	95
422 122 93	65	424 242 08 93	17	431 400 221 11	131	473 152 811 922 MDL	95
422 122 93 ED1	65	424 242 12 92	17	431 400 221 211	131	473 152 811 932 MDL	95
422 122 93 ED5	65	424 242 12 93	17	431 400 221 221	131	473 211 811 922	37
422 131 83	67	424 512 04 00	13	431 400 221 31	131	473 211 811 932	37
422 132 83	67	424 512 04 921	13	431 400 221 41	131	473 211 821	37
422 141 93	67	424 512 04 922	13	431 600 121 11	131	473 211 831	37
422 141 93 ED1	67	424 512 04 923	13	431 600 121 211	131	473 212 811 922	37
422 141 93 ED5	67	424 512 04 931	13	431 600 121 221	131	473 212 811 932	37
422 142 93	67	424 512 04 932	13	431 600 121 31	131	473 231 811 922	39
422 142 93 ED1	67	424 512 04 933	13	431 600 121 41	131	473 231 811 932	39
422 142 93 ED5	67	424 612 04 921 MDL	91	431 600 321 11	131	473 231 812 922 ED1	41
422 161 811 932	69	424 612 04 922 MDL	91	431 600 321 211	131	473 231 812 932 ED1	41
422 161 811 932 ED1	69	424 612 04 923 MDL	91	431 600 321 221	131	473 231 821	39
422 161 811 932 ED5	69	424 612 04 931 MDL	91	431 600 321 31	131	473 231 831	39
422 162 811 932	69	424 612 04 932 MDL	91	431 600 321 41	131	473 232 811 922	39
422 162 811 932 ED1	69	424 612 04 933 MDL	91	431 99 01	131	473 232 811 932	39
422 162 811 932 ED5	69	424 642 02 92 MDL	92	471 111 811 921	27	473 251 821 MDL	95
422 912 93 WDL	71	424 642 02 93 MDL	92	471 111 811 931	27	473 251 831 MDL	95
422 99 01	65	424 642 06 92 MDL	93	471 151 811 921 MDL	94	473 252 811 922 MDL	95
424 01 00 00	98	424 642 06 93 MDL	93	471 151 811 931 MDL	94	473 252 811 932 MDL	95
424 01 03 01	98	424 642 08 92 MDL	93	471 221 922 ED8	29		
424 01 06 01	98	424 642 08 93 MDL	93	471 221 932 ED8	29		
424 01 06 06	98	424 642 12 92 MDL	93	471 222 922 ED8	29		
424 02 00 00	98	424 642 12 93 MDL	93	471 222 932 ED8	29		
424 02 03 01	98	425 01 00 00	104	471 321 00	31		

FLEMISH
GOLD
◇ FG

FLEMISH
& BRONZE
◇ FBR

INDEX

FLEMISH GOLD & FLEMISH BRONZE

Following reference numbers are available in the new colours FG & FBR.

NAME	REFERENCE	PAG
BOXY 2 L+ LED 92733 DIM8 B-FBR	251 67 812 922 ED8 B-FBR	INT 269
BOXY 2 L+ LED 92733 DIM8 B-FG	251 67 812 922 ED8 B-FG	INT 269
BOXY 2 L+ LED 93033 DIM8 B-FBR	251 67 812 932 ED8 B-FBR	INT 269
BOXY 2 L+ LED 93033 DIM8 B-FG	251 67 812 932 ED8 B-FG	INT 269
BOXY L+ LED 92733 DIM8 B-FBR	251 67 811 922 ED8 B-FBR	INT 269
BOXY L+ LED 92733 DIM8 B-FG	251 67 811 922 ED8 B-FG	INT 269
BOXY L+ LED 92733 WDL B-FBR	251 67 811 922 WDL B-FBR	INT 269
BOXY L+ LED 92733 WDL B-FG	251 67 811 922 WDL B-FG	INT 269
BOXY L+ LED 93033 DIM8 B-FBR	251 67 811 932 ED8 B-FBR	INT 269
BOXY L+ LED 93033 DIM8 B-FG	251 67 811 932 ED8 B-FG	INT 269
BOXY L+ LED 93033 WDL B-FBR	251 67 811 932 WDL B-FBR	INT 269
BOXY L+ LED 93033 WDL B-FG	251 67 811 932 WDL B-FG	INT 269
BOXY R 92733 DIM8 B-FBR	251 70 811 922 ED8 B-FBR	INT 261
BOXY R 92733 DIM8 B-FG	251 70 811 922 ED8 B-FG	INT 261
BOXY R 92733 WDL B-FBR	251 70 811 922 WDL B-FBR	INT 261
BOXY R 92733 WDL B-FG	251 70 811 922 WDL B-FG	INT 261
BOXY R 93033 DIM8 B-FBR	251 70 811 932 ED8 B-FBR	INT 261
BOXY R 93033 DIM8 B-FG	251 70 811 932 ED8 B-FG	INT 261
BOXY R 93033 WDL B-FBR	251 70 811 932 WDL B-FBR	INT 261
BOXY R 93033 WDL B-FG	251 70 811 932 WDL B-FG	INT 261
M20/M26 - MIDISPY 82720 MDL FBR	421 132 272 822 MDL FBR	PRO 584
M20/M26 - MIDISPY 82720 MDL FG	421 132 272 822 MDL FG	PRO 584
M20/M26 - MIDISPY 83020 MDL FBR	421 132 272 832 MDL FBR	PRO 584
M20/M26 - MIDISPY 83020 MDL FG	421 132 272 832 MDL FG	PRO 584
M20/M26 - MIDISPY 92740 MDL FBR	421 132 271 923 MDL FBR	PRO 584
M20/M26 - MIDISPY 92740 MDL FG	421 132 271 923 MDL FG	PRO 584
M20/M26 - MIDISPY 93040 MDL FBR	421 132 271 933 MDL FBR	PRO 584
M20/M26 - MIDISPY 93040 MDL FG	421 132 271 933 MDL FG	PRO 584
M20/M26 - SPY 92718 MDL FBR	421 142 811 921 MDL FBR	PRO 585
M20/M26 - SPY 92718 MDL FG	421 142 811 921 MDL FG	PRO 585
M20/M26 - SPY 92733 MDL FBR	421 142 811 922 MDL FBR	PRO 585
M20/M26 - SPY 92733 MDL FG	421 142 811 922 MDL FG	PRO 585
M20/M26 - SPY 93018 MDL FBR	421 142 811 931 MDL FBR	PRO 585
M20/M26 - SPY 93018 MDL FG	421 142 811 931 MDL FG	PRO 585
M20/M26 - SPY 93033 MDL FBR	421 142 811 932 MDL FBR	PRO 585
M20/M26 - SPY 93033 MDL FG	421 142 811 932 MDL FG	PRO 585
M20/M26 - SPY FOCUS 927 MDL FBR	421 152 811 92 MDL FBR	PRO 585
M20/M26 - SPY FOCUS 927 MDL FG	421 152 811 92 MDL FG	PRO 585
M20/M26 - SPY FOCUS 930 MDL FBR	421 152 811 93 MDL FBR	PRO 585
M20/M26 - SPY FOCUS 930 MDL FG	421 152 811 93 MDL FG	PRO 585
M20/M26 - SPY HP 92733 MDL FBR	421 142 21 921 MDL FBR	PRO 585
M20/M26 - SPY HP 92733 MDL FG	421 142 21 921 MDL FG	PRO 585
M20/M26 - SPY HP 93033 MDL FBR	421 142 21 931 MDL FBR	PRO 585
M20/M26 - SPY HP 93033 MDL FG	421 142 21 931 MDL FG	PRO 585
M52 - MIDISPY 82720 MDL FBR	421 138 272 822 MDL FBR	PRO 593
M52 - MIDISPY 82720 MDL FG	421 138 272 822 MDL FG	PRO 593
M52 - MIDISPY 83020 MDL FBR	421 138 272 832 MDL FBR	PRO 593
M52 - MIDISPY 83020 MDL FG	421 138 272 832 MDL FG	PRO 593
M52 - MIDISPY 92740 MDL FBR	421 138 271 923 MDL FBR	PRO 593
M52 - MIDISPY 92740 MDL FG	421 138 271 923 MDL FG	PRO 593
M52 - MIDISPY 93040 MDL FBR	421 138 271 933 MDL FBR	PRO 593
M52 - MIDISPY 93040 MDL FG	421 138 271 933 MDL FG	PRO 593
M52 - SPY 92718 MDL FBR	421 148 811 921 MDL FBR	PRO 595
M52 - SPY 92718 MDL FG	421 148 811 921 MDL FG	PRO 595
M52 - SPY 92733 MDL FBR	421 148 811 922 MDL FBR	PRO 595
M52 - SPY 92733 MDL FG	421 148 811 922 MDL FG	PRO 595
M52 - SPY 93018 MDL FBR	421 148 811 931 MDL FBR	PRO 595
M52 - SPY 93018 MDL FG	421 148 811 931 MDL FG	PRO 595
M52 - SPY 93033 MDL FBR	421 148 811 932 MDL FBR	PRO 595
M52 - SPY 93033 MDL FG	421 148 811 932 MDL FG	PRO 595
M52 - SPY FOCUS 927 MDL FBR	421 158 811 92 MDL FBR	PRO 595
M52 - SPY FOCUS 927 MDL FG	421 158 811 92 MDL FG	PRO 595
M52 - SPY FOCUS 930 MDL FBR	421 158 811 93 MDL FBR	PRO 595
M52 - SPY FOCUS 930 MDL FG	421 158 811 93 MDL FG	PRO 595
M52 - SPY HP 92733 MDL FBR	421 148 21 921 MDL FBR	PRO 595
M52 - SPY HP 92733 MDL FG	421 148 21 921 MDL FG	PRO 595
M52 - SPY HP 93033 MDL FBR	421 148 21 931 MDL FBR	PRO 595
M52 - SPY HP 93033 MDL FG	421 148 21 931 MDL FG	PRO 595
MAXISPY 95 TUBE FBR	414 08 00 FBR	INT 312

NAME	REFERENCE	PAG
MAXISPY 95 TUBE FG	414 08 00 FG	INT 312
MAXISPY TUBE FBR	414 04 00 FBR	INT 311
MAXISPY TUBE FG	414 04 00 FG	INT 311
METRANOME FBR	286 70 27 FBR	INT 405
METRANOME FG	286 70 27 FG	INT 405
MIDISPY CLIP 82720 FBR-B	414 242 822 FBR-B	INT 139
MIDISPY CLIP 82720 FG-B	414 242 822 FG-B	INT 139
MIDISPY CLIP 83020 FBR-B	414 242 832 FBR-B	INT 139
MIDISPY CLIP 83020 FG-B	414 242 832 FG-B	INT 139
MIDISPY CLIP 92740 FBR-B	414 241 923 FBR-B	INT 139
MIDISPY CLIP 92740 FG-B	414 241 923 FG-B	INT 139
MIDISPY CLIP 93040 FBR-B	414 241 933 FBR-B	INT 139
MIDISPY CLIP 93040 FG-B	414 241 933 FG-B	INT 139
MIDISPY ON 82720 FBR	414 262 822 FBR	INT 299
MIDISPY ON 82720 FG	414 262 822 FG	INT 299
MIDISPY ON 83020 FBR	414 262 832 FBR	INT 299
MIDISPY ON 83020 FG	414 262 832 FG	INT 299
MIDISPY ON 92740 FBR	414 261 923 FBR	INT 299
MIDISPY ON 92740 FG	414 261 923 FG	INT 299
MIDISPY ON 93040 FBR	414 261 933 FBR	INT 299
MIDISPY ON 93040 FG	414 261 933 FG	INT 299
MIDISPY TUBE FBR	414 03 00 FBR	INT 139
MIDISPY TUBE FG	414 03 00 FG	INT 139
MONTUR M O E27 FBR	232 211 00 FBR	INT 453
MONTUR M O E27 FG	232 211 00 FG	INT 453
MONTUR S O E27 FBR	232 111 00 FBR	INT 452
MONTUR S O E27 FG	232 111 00 FG	INT 452
SPY CLIP 82715 FBR-B	414 342 821 FBR-B	INT 147
SPY CLIP 82715 FG-B	414 342 821 FG-B	INT 147
SPY CLIP 83015 FBR-B	414 342 831 FBR-B	INT 147
SPY CLIP 83015 FG-B	414 342 831 FG-B	INT 147
SPY CLIP 92718 FBR-B	414 341 811 921 FBR-B	INT 147
SPY CLIP 92718 FG-B	414 341 811 921 FG-B	INT 147
SPY CLIP 92733 FBR-B	414 341 811 922 FBR-B	INT 147
SPY CLIP 92733 FG-B	414 341 811 922 FG-B	INT 147
SPY CLIP 93018 FBR-B	414 341 811 931 FBR-B	INT 147
SPY CLIP 93018 FG-B	414 341 811 931 FG-B	INT 147
SPY CLIP 93033 FBR-B	414 341 811 932 FBR-B	INT 147
SPY CLIP 93033 FG-B	414 341 811 932 FG-B	INT 147
SPY CLIP HP 92733 FBR-B	414 341 21 921 FBR-B	INT 147
SPY CLIP HP 92733 FG-B	414 341 21 921 FG-B	INT 147
SPY CLIP HP 93033 FBR-B	414 341 21 931 FBR-B	INT 147
SPY CLIP HP 93033 FG-B	414 341 21 931 FG-B	INT 147
SPY CLIP SOFT-9 FBR-B	414 341 1902 FBR-B	INT 147
SPY CLIP SOFT-9 FG-B	414 341 1902 FG-B	INT 147
SPY FOCUS CLIP 927 FBR-B	414 345 811 92 FBR-B	INT 149
SPY FOCUS CLIP 927 FG-B	414 345 811 92 FG-B	INT 149
SPY FOCUS CLIP 930 FBR-B	414 345 811 93 FBR-B	INT 149
SPY FOCUS CLIP 930 FG-B	414 345 811 93 FG-B	INT 149
SPY FOCUS ON 927 FBR	414 365 811 92 FBR	INT 305
SPY FOCUS ON 927 FG	414 365 811 92 FG	INT 305
SPY FOCUS ON 930 FBR	414 365 811 93 FBR	INT 305
SPY FOCUS ON 930 FG	414 365 811 93 FG	INT 305
SPY ON 82715 FBR	414 362 821 FBR	INT 303
SPY ON 82715 FG	414 362 821 FG	INT 303
SPY ON 83015 FBR	414 362 831 FBR	INT 303
SPY ON 83015 FG	414 362 831 FG	INT 303
SPY ON 92718 FBR	414 361 811 921 FBR	INT 303
SPY ON 92718 FG	414 361 811 921 FG	INT 303
SPY ON 92733 FBR	414 361 811 922 FBR	INT 303
SPY ON 92733 FG	414 361 811 922 FG	INT 303
SPY ON 93018 FBR	414 361 811 931 FBR	INT 303
SPY ON 93018 FG	414 361 811 931 FG	INT 303
SPY ON 93033 FBR	414 361 811 932 FBR	INT 303
SPY ON 93033 FG	414 361 811 932 FG	INT 303
SPY ON HP 92733 FBR	414 361 21 921 FBR	INT 303
SPY ON HP 92733 FG	414 361 21 921 FG	INT 303
SPY ON HP 93033 FBR	414 361 21 931 FBR	INT 303
SPY ON HP 93033 FG	414 361 21 931 FG	INT 303

INDEX

FLEMISH GOLD & FLEMISH BRONZE

Following reference numbers are available in the new colours FG & FBR.



NAME	REFERENCE	PAG
SPY TUBE FBR	414 01 00 FBR	INT 109
SPY TUBE FG	414 01 00 FG	INT 109
SPY TUBE S FBR	414 02 00 FBR	INT 032
SPY TUBE S FG	414 02 00 FG	INT 032
SUPERLOOP HC 120 MDL FBR	418 481 12 FBR	INT 331
SUPERLOOP HC 120 MDL FG	418 481 12 FG	INT 331
SUPERLOOP HC 120 SBL 930 FBR	321 112 93 FBR	INT 323
SUPERLOOP HC 120 SBL 930 FG	321 112 93 FG	INT 323
SUPERLOOP HC 120 SPR 930 FBR	321 212 93 FBR	INT 323
SUPERLOOP HC 120 SPR 930 FG	321 212 93 FG	INT 323
SUPERLOOP HC 170 MDL FBR	418 481 17 FBR	INT 331
SUPERLOOP HC 170 MDL FG	418 481 17 FG	INT 331
SUPERLOOP HC 170 SBL 930 FBR	321 117 93 FBR	INT 323
SUPERLOOP HC 170 SBL 930 FG	321 117 93 FG	INT 323
SUPERLOOP HC 170 SPR 930 FBR	321 217 93 FBR	INT 323
SUPERLOOP HC 170 SPR 930 FG	321 217 93 FG	INT 323
SUPERLOOP HC 70 MDL FBR	418 481 07 FBR	INT 331
SUPERLOOP HC 70 MDL FG	418 481 07 FG	INT 331
SUPERLOOP HC 70 SBL 930 FBR	321 107 93 FBR	INT 323
SUPERLOOP HC 70 SBL 930 FG	321 107 93 FG	INT 323
SUPERLOOP HC 70 SPR 930 FBR	321 207 93 FBR	INT 323
SUPERLOOP HC 70 SPR 930 FG	321 207 93 FG	INT 323
SUPERLOOP HC 90 MDL FBR	418 481 09 FBR	INT 331
SUPERLOOP HC 90 MDL FG	418 481 09 FG	INT 331
SUPERLOOP HC 90 SBL 930 FBR	321 109 93 FBR	INT 323
SUPERLOOP HC 90 SBL 930 FG	321 109 93 FG	INT 323
SUPERLOOP HC 90 SPR 930 FBR	321 209 93 FBR	INT 323
SUPERLOOP HC 90 SPR 930 FG	321 209 93 FG	INT 323
SUPERLOOP VC 120 SBL 930 FBR	321 512 93 FBR	INT 325
SUPERLOOP VC 120 SBL 930 FG	321 512 93 FG	INT 325
SUPERLOOP VC 70 SBL 930 FBR	321 507 93 FBR	INT 325
SUPERLOOP VC 70 SBL 930 FG	321 507 93 FG	INT 325
SUPERLOOP VC 90 SBL 930 FBR	321 509 93 FBR	INT 325
SUPERLOOP VC 90 SBL 930 FG	321 509 93 FG	INT 325
SUPERLOOP VR 120 SBL 930 FBR	321 412 93 FBR	INT 327
SUPERLOOP VR 120 SBL 930 FG	321 412 93 FG	INT 327
SUPERLOOP VR 70 SBL 930 FBR	321 407 93 FBR	INT 327
SUPERLOOP VR 70 SBL 930 FG	321 407 93 FG	INT 327
SUPERLOOP VR 90 SBL 930 FBR	321 409 93 FBR	INT 327
SUPERLOOP VR 90 SBL 930 FG	321 409 93 FG	INT 327
SUPERLOOP-SPY FOCUS ON 927 MDL FBR	418 365 811 92 MDL FBR	INT 331
SUPERLOOP-SPY FOCUS ON 927 MDL FG	418 365 811 92 MDL FG	INT 331
SUPERLOOP-SPY FOCUS ON 930 MDL FBR	418 365 811 93 MDL FBR	INT 331
SUPERLOOP-SPY FOCUS ON 930 MDL FG	418 365 811 93 MDL FG	INT 331
SUPERLOOP-SPY ON 92718 MDL FBR	418 361 811 921 MDL FBR	INT 331
SUPERLOOP-SPY ON 92718 MDL FG	418 361 811 921 MDL FG	INT 331
SUPERLOOP-SPY ON 92733 MDL FBR	418 361 811 922 MDL FBR	INT 331
SUPERLOOP-SPY ON 92733 MDL FG	418 361 811 922 MDL FG	INT 331
SUPERLOOP-SPY ON 93018 MDL FBR	418 361 811 931 MDL FBR	INT 331
SUPERLOOP-SPY ON 93018 MDL FG	418 361 811 931 MDL FG	INT 331
SUPERLOOP-SPY ON 93033 MDL FBR	418 361 811 932 MDL FBR	INT 331
SUPERLOOP-SPY ON 93033 MDL FG	418 361 811 932 MDL FG	INT 331
SUPERLOOP-SPY ON HP 92733 MDL FBR	418 361 21 921 MDL FBR	INT 331
SUPERLOOP-SPY ON HP 92733 MDL FG	418 361 21 921 MDL FG	INT 331
SUPERLOOP-SPY ON HP 93033 MDL FBR	418 361 21 931 MDL FBR	INT 331
SUPERLOOP-SPY ON HP 93033 MDL FG	418 361 21 931 MDL FG	INT 331
SUPERNOVA XS 260 DIM1 FBR	274 87 2515 ED1 FBR	INT 355
SUPERNOVA XS 260 DIM1 FG	274 87 2515 ED1 FG	INT 355
SUPERNOVA XS 260 DIM5 FBR	274 87 2515 ED5 FBR	INT 355
SUPERNOVA XS 260 DIM5 FG	274 87 2515 ED5 FG	INT 355
SUPERNOVA XS 260 FBR	274 87 2515 FBR	INT 355
SUPERNOVA XS 260 FG	274 87 2515 FG	INT 355
SUPERNOVA XS 330 DIM1 FBR	274 87 3224 ED1 FBR	INT 355
SUPERNOVA XS 330 DIM1 FG	274 87 3224 ED1 FG	INT 355
SUPERNOVA XS 330 DIM5 FBR	274 87 3224 ED5 FBR	INT 355
SUPERNOVA XS 330 DIM5 FG	274 87 3224 ED5 FG	INT 355
SUPERNOVA XS 330 FBR	274 87 3224 FBR	INT 355
SUPERNOVA XS 330 FG	274 87 3224 FG	INT 355

Manufacturer Delta Light® nv

Product Design - Research - Development: Delta Light® Team & Nice 2C
Coordination - Concept: Delta Light® Team & Nice 2C
Graphic Design - Realisation: Delta Light® Team & Nice 2C

Finally, to everyone who contributed in some way
to the realisation of The Lighting Bible® 12 NEW COLLECTION... **Thanks.**

Copyright © Delta Light® nv
03-2018 - First Edition

Made in Belgium

For the latest edition of the Lighting Bible®, please visit **www.deltalight.com**

All information in this catalogue is provided for information purposes only and Delta Light® NV makes no representations about the accuracy or completeness of the information in this catalogue. Delta Light® NV may, in its sole discretion, revise the information and technical data contained herein at any time without notice. The catalogue does not contain any guarantee on the Delta Light® NV products nor any warranty of merchantability or fitness for a particular purpose or use. All Delta Light® products are supplied without lamps and any lamp data is given as a mere example.

The general terms & conditions of Delta Light® NV shall be applicable on each sale of a Delta Light® product. Any trademarks, texts, images, graphics, designs and other information in this catalogue are the sole property and subject to the intellectual property rights of Delta Light® NV and may not be copied, modified or used for any purpose without Delta Light®'s prior written consent.



A FAMILY BUSINESS

Delta Light®'s success is built on the determination, passion and talent of our global team.
We hereby **thank** all our colleagues and partners for their invaluable work.

The lighting industry is evolving and growing at very high speed.
As a family run business we have a personal stake in keeping our clients happy.
As such we are committed to making a difference through original designs,
outstanding service levels, eye for detail and personal contact, striving to be the best in all we do.

Our product development process is based on a combination of creativity and technological innovation.
It's our mission to present the world a portfolio of lighting solutions that satisfy people's desires and needs,
creating a perfect symbiosis between architecture, function and atmosphere.



WORLD WIDE



For additional product information,
technical downloads, project inspiration,
contact details and much more... please go to
www.deltalight.com

Whether you access the site via your desktop
computer or mobile device, an inspiring
platform opens up with up-to-date content,
exciting images, extensive product information,
upgraded user experience...
all in a fresh look & feel.

The **product search engine** will quickly guide
you to the right product page, where you can
download 3D files, Revit files, product data
sheets, manual, IES files and drawings.

The **My Delta Light® Toolbox**
helps you to quickly collect, save, download
and share images and product information.
Start creating your personal shortlists and
share them with your partner, client, architect,
electrical installer or other people involved in
your project. You are free to use this feature
without login, or you can register to save and
edit multiple pinlists.

If you are looking for a contact person in your
region or country please go to
www.deltalight.com/contact

Enjoy your visit.

HQ

Headquarters
Delta Light® nv
Muizelstraat 2
B-8560 Wevelgem (Moorsele)
Belgium
T +32 (0)56 435 735
F +32 (0)56 435 736
info@deltalight.com
www.deltalight.com

OFFICES

Asia
Delta Light Asia
asia@deltalight.com
www.deltalight.asia
Southeast Asia
T +65 9832 3753
Hong Kong – Macau - North East Asia
T +66 980 165 965
China
T +86 138 1070 8782

France
Delta Light SAS
T +33 (0)9 70 73 52 42
T +33 (0)9 70 73 52 43
france@deltalight.com
www.deltalight.fr

Latin America
Delta Light Latin America
M +32 492 724 070
latin@deltalight.com
www.deltalight-latin.com

Colombia
T +57 1 749 5307
M +57 321 202 5501
colombia@deltalight.com

Mexico
M +52 1 55 7391 6933
mexico@deltalight.com

Russia, Eastern Europe, Middle Asia
Delta Light REEMA
reema@deltalight.com
www.deltalight.ru

Moscow
T +7 926 167 76 98
Saint-Petersburg
T +7 921 79 183 88

The Netherlands
Delta Light Nederland B.V.
T +31 (0)88 80 40 600
F +31 (0)88 80 40 699
netherlands@deltalight.com
www.deltalight.nl

Belgium / Luxembourg
Delta Light® nv
T +32 (0)56 435 735
F +32 (0)56 435 736
belux@deltalight.com
www.deltalight.be

Germany / Austria
Delta Line + Light GmbH
T +49 (0)2451 4090-0
F +49 (0)2451 4090-200
germany@deltalight.com
www.deltalight.de

Middle East & North Africa
Delta Light Mena
T +961 1 491 175
mena@deltalight.com
www.deltalight-mena.com

Dubai
Delta Light EMEA
T +971 52 530 35 90

Slovakia
Delta Light Slovakia s.r.o.
T +421 2 6353 0180
F +421 2 6353 0181
slovakia@deltalight.com
www.deltalight.sk

United Kingdom
Delta Light UK LTD
T +44 (0)20 7960 5030
uk@deltalight.com
www.deltalight.co.uk

Canada
Delta Light Canada Inc.
T +1 905 813 6130
F +1 289 805 7388
canada@deltalight.com
www.deltalight.ca

India
Delta Light India
T +91 8130 33 88 17
india@deltalight.com
www.deltalight.com

Poland
Delta Light Poland
T +48 698 33 00 03
poland@deltalight.com
www.deltalight.pl

Spain
Iluminación Delta Light España S.A.
T +34 (0)93 586 19 00
F +34 (0)93 697 95 00
spain@deltalight.com
www.deltalight.es

USA
Delta Light USA, LLC.
T +1 (954) 677 9800
F +1 (954) 677 1007
usa@deltalight.us
www.deltalight.us

New York
T +1 (646) 709 5605
nyc@deltalight.us

Los Angeles
T +1 (213) 509 2580
la@deltalight.us

Chicago
T +1 (646) 709-5605
chicago@deltalight.us

Czech Republic
Delta Light Czech s.r.o.
T¹ +420 241 740 775
T² +420 241 740 776
czech@deltalight.com
www.deltalight.cz

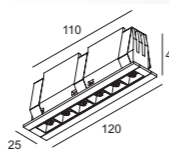
Italy
Delta Light Italia S.r.l.
T¹ +39 0 571 82226
T² +39 0 571 93541
F +39 0 571 83594
italy@deltalight.com
www.deltalight.it

Switzerland
Delta Light AG
T +41 (0)61 485 99 10
F +41 (0)61 485 99 11
switzerland@deltalight.com
www.deltalight.ch







deltalight.com/contact

HOW TO USE THIS MATRIX

Example



112 x 20 x 50 / min.8
















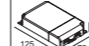










CRI > 90	DOT.COM S6 ST
3000 K	LED CLUSTER 6W / 606lm / 350mA
	424 211 06 932 ◊ ◊ = B-B / W-B
	424 211 06 933 ◊ ◊ = B-B / W-B
2700 K	LED CLUSTER 6W / 588lm / 350mA
	424 211 06 922 ◊ ◊ = B-B / W-B
	424 211 06 923 ◊ ◊ = B-B / W-B
NON ADJUSTABLE  	
OPTIONS LED POWER SUPPLY 350mA-DC / DIM	

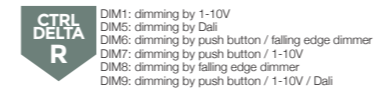
A. EXAMPLE CURRENT CONTROLLED POWER SUPPLY

- LED Power Supply 350mA/15W**
300 90 91
Max.2 DOT.COM S ST can be connected
- LED Power Supply Multi Power HV DIM9**
300 90 69
Max.6 DOT.COM S ST can be connected
Dimming by DALI/1-10V/TouchDIM

HOW TO USE THIS MATRIX

LED POWER SUPPLY / FULL INFO PAG TEC 14-19

			[A]	[C]	[D]	[H]		DOT.COM S3	DOT.COM S6	DOT.COM M4	DOT.COM L2	DOT.COM L4	DOT.COM W02	DOT.COM W06	DOT.COM W08	DOT.COM W012						
			1,1W	1,6W	2,3W	4,1W	6W	6,4W	9,5W	7,1W	10,4W	15W	3W	6W	5,6W	62W	124W	10W	47W	63W	93W	
LED PS 350mA / 8W 300 90 108		min.40 IP54	1-6		1-1	1-1	1-1						1-2	1-1					1-1			
LED PS 350mA / 10W DIM8 300 90 110 DIM8 (10-100%)		min.45 IP20	5-7		2-2	1-1	1-1						2-3	1-1				1-1	1-2			
LED PS 350mA / 15W 300 90 91		min.38 IP20	1-11(7)		1-3(2)	1-2(1)	1-2(1)						1-4 (3)	1-2 (1)				1-1	1-3 (2)			
LED PS 350mA / 16W DIM8 300 90 3112 DIM8 (10-100%)		min.43 IP65	7-12		2-3	1-2	1-2						3-5	2-2				1-1	2-3			
LED PS 350mA / 18W DIM8 300 90 116 DIM8 (10-100%)		min.55 IP20	10-14		3-3	2-2	2-2						3-5	2-2				1-2	2-3			
LED PS 500mA / 4W 300 90 22		min.40 IP65	2-2																			
LED PS 500mA / 11W DIM8 300 90 119 DIM8 (10-100%)		min.45 IP20	4-6		1-1	1-1	1-1							1-1							1-1	
LED PS 500mA / 21W 300 90 92		min.46 IP20	2-12(6)		1-3(1)	1-2(1)	1-2(1)						1-4 (2)								1-3 (1)	
LED PS 500mA / 22W DIM8 300 90 5120 DIM8 (10-100%)		min.61 IP65	10-12		3-3	2-2	2-2						3-4								2-3	
LED PS 500mA / 21W DIM8 300 90 121 DIM8 (10-100%)		min.55 IP20	7-11		2-3	1-2	1-1						2-3								2-3	
LED PS 700mA / 17W 300 90 93		min.46 IP20			2-7																	1-1
LED PS 700mA / 20W DIM8 300 90 118 DIM8 (10-100%)		min.55 IP20			7-7									1-1								1-3
LED PS 700mA / 36W DIM8 300 90 123 DIM8 (10-100%)		min.50 IP54			2-14									1-2								2-2
LED PS 1050mA / 22W 300 90 148		min.46 IP20															1-3 (1)	1-1				
LED PS MULTI-POWER 300 90 914		min.82 IP20	350mA 500mA 700mA 1050mA	1-19		1-5	1-3	1-3					1-7	1-3					1-2	1-5		
LED PS MULTI-POWER HV 300 90 135		min.90 IP20	350mA 500mA 700mA 1050mA	18-23 12-23 10-23		4-6	3-4	3-3					6-9	3-4					2-3	4-6		
LED PS MULTI-POWER DIM1 300 90 64 SWITCH DIM / 1-10V		min.70 IP20	350mA 500mA 600mA	4-14(11) 1-13(8)		1-4(3)	1-2	1-2(1)					2-5 (4)	1-2					1-2 (1)	1-3		
LED PS MULTI-POWER DIM5 300 90 68 DALI		min.70 IP20	350mA 500mA 700mA	2-13(11) 2-13(8)		1-3	1-2	1-2(1)					1-5 (4)	1-2					1-1	1-3		
LED PS MULTI-POWER DIM5 300 90 125 DALI		min.55 IP20	350mA 500mA 700mA	1-11 1-11(8)		1-3	1-2	1-2					1-4	1-2					1-1	1-3		
LED PS MULTI-POWER DIM6 300 90 61 SWITCH DIM / FE DIM (10-100%)		min.55 IP20	350mA 500mA 700mA	1-11 1-11		1-3	1-2	1-2					1-5	1-2					1-1	1-3		
LED PS MULTI-POWER HV DIM7 300 90 134 SWITCH DIM / 1-10V		min.84 IP20	350mA 500mA 700mA	4-31 1-27(22)		1-8	1-5	1-5					2-12	1-6					1-4	1-8		
LED PS MULTI-POWER DIM7 300 90 124 SWITCH DIM / 1-10V		min.55 IP20	350mA 500mA	1-11 1-11(8)		1-3	1-2	1-2					1-4	1-2					1-1	1-3		
LED PS MULTI-POWER DIM7 300 90 60 SWITCH DIM / 1-10V		min.70 IP20	350mA 500mA 700mA	1-11 1-11(8)		1-3	1-2	1-2					1-4	1-2					1-1	1-3		
LED PS MULTI-POWER DIM9 300 90 63 SWITCH DIM / 1-10V / DALI		min.84 IP20	350mA 500mA 700mA 1050mA	1-20 1-20		1-5	1-3	1-3					1-8	1-4					1-2	1-5		
LED PS MULTI-POWER HC DIM9 300 90 136 SWITCH DIM / 1-10V / DALI		min.90 IP20	1050mA														1-7 (6)	1-3				
LED PS MULTI-POWER HV DIM9 300 90 69 SWITCH DIM / 1-10V / DALI		min.84 IP20	350mA 500mA 700mA	4-31 1-27(22)		1-8	1-5	1-5					2-12	1-6					1-4	1-8		



DIM1: dimming by 1-10V
DIM5: dimming by DalI
DIM6: dimming by push button / falling edge dimmer
DIM7: dimming by push button / 1-10V
DIM8: dimming by falling edge dimmer
DIM9: dimming by push button / 1-10V / DalI

Example:
4-14(11): min.4 - max.14 LED for 240V / min.4 - max.11 LED for 110V

 DELTALIGHT