

## WHEEL CHARACTERISTICS CHART

WHEEL TYPE	MAXIMUM LOAD	TEMP. RANGE °F	ABRASION RESISTANCE	IMPACT RESISTANCE	MOISTURE RESISTANCE	ROLLABILITY SMOOTH	ROLLABILITY ROUGH	FLOOR PROTECTION	DURUMETER
Cast Iron **	10,000 lbs.	-65°F to 800°F	Excellent	Fair	Excellent	Excellent	Poor	Poor	-
Elastomer	3,400 lbs.	-50°F to 275°F	Excellent	Good	Excellent	Excellent	Poor	Good	60-70 'D'
Forged Steel **	20,000 lbs.	-65°F to 800°F	Excellent	Excellent	Excellent	Excellent	Poor	Poor	-
Hard Rubber	650 lbs.	-40°F to 180°F	Good	Poor	Fair	Good	Poor	Fair	75 'D'
Neoprene	300 lbs.	-20°F to 300°F	Good	Excellent	Excellent	Good	Good	Excellent	-
Neoprene Mold-on	900 lbs.	-20°F to 220°F	Good	Excellent	Excellent	Good	Good	Excellent	60 'A'
Nylon	1,000 lbs.	-22°F to 190°F	Good	Excellent	Excellent	Excellent	Poor	Good	70 'D'
Nylon Glass filled (Maxim)	1,400 lbs.	-45°F to 380°F	Good	Excellent	Excellent	Excellent	Poor	Fair	85 'D'
Performa	1,700 lbs.	-45°F to 180°F	Excellent	Excellent	Good	Good	Good	Excellent	65 'A'
Phenolic	8,000 lbs.	-45°F to 270°F	Good	Good	Fair	Excellent	Poor	Fair	90 'D'
Phenolic - High Temp.	1,100 lbs.	-45°F to 475°F	Good	Good	Fair	Excellent	Poor	Fair	90 'D'
Pneumatic	3,600 lbs.	-20°F to 140°F	Fair	Excellent	Fair	Good	Good	Excellent	-
Polyurethane on Aluminum	4,800 lbs.	-65°F to 212°F	Excellent	Good	Good	Good	Fair	Good	95 'A'
Polyurethane on Cast Iron	9,000 lbs.	-45°F to 175°F	Excellent	Good	Good	Good	Fair	Good	95 'A'
Polyurethane on plastic **	1,700 lbs.	-45°F to 180°F	Excellent	Good	Good	Good	Fair	Good	55 'D'
Polyurethane Omega	2,000 lbs.	-40°F to 175°F	Excellent	Excellent	Good	Good	Good	Good	-
Polyolefin	900 lbs.	-45°F to 230°F	Good	Good	Excellent	Excellent	Poor	Fair	65 'D'
Polypropylene	1,000 lbs.	-20°F to 180°F	Good	Good	Good	Excellent	Poor	Fair	65 'D'
Rubber on Aluminum	1,400 lbs.	-45°F to 200°F	Fair	Excellent	Good	Good	Good	Excellent	70 'A'
Rubber on Cast Iron	3,020 lbs.	-45°F to 200°F	Fair	Excellent	Good	Good	Good	Excellent	70 'A'
Semi-Steel	3,000 lbs.	-45°F to 800°F	Excellent	Excellent	Excellent	Excellent	Good	Excellent	-
Soft Rubber	475 lbs.	-40°F to 200°F	Fair	Good	Good	Fair	Poor	Poor	75 'A'
Stainless Steel **	1,000 lbs.	-80°F to 800°F	Excellent	Excellent	Excellent	Excellent	Poor	Poor	-
Thermo Resin	1,000 lbs.	-45°F to 475°F	Fair	Fair	Excellent	Excellent	Poor	Fair	85 'D'

\*\* Available with V-Groove

Durometer Scale	Rubber					Polyurethane				Plastic					
	Rubber Band	Inner Tube	Performa	Soft Rubber		RWM Polyurethane	HT Polyurethane			Polyolefin Elastomer	Nylon	Hard Rubber	Maxim	Phenolics	
Shore A Scale	20	30	40	50	60	70	80	90	95	35	45	55	65	75	85
Shore D Scale															
Rockwell R Scale															

## WHEELS

**R&K RUBBER ON ALUMINUM**



8X2.5EX1RB

Standard Rubber: -40°F to +180°F 65-70 Durometer Shore 'A' Scale  
 Gray Rubber: -40°F to +180°F 50-55 Durometer Shore 'A' Scale  
 Neoprene: -30°F to +200°F 72-78 Durometer Shore 'A' Scale

R&K's sand-cast aluminum cores combine light weight, economy and long life with maximum strength. Single-wall construction offers a light yet durable wheel with the ability to absorb impact. Engineered to transmit loads directly to the bearing surface for smoother action, the R&K standard wheel is available with tires made of natural rubber, neoprene, or non-marking gray rubber.

TREAD WIDTH	BEARING I. D.	BEARING TYPE	HUB LENGTH	LOAD RATING
<b>3" Diameter</b>				
1-1/4"	1/2, 5/8, 3/4	BB, SBB	1-1/2" only	150 lbs.
		BB (offset)	1-1/4" only	
<b>3-1/2" Diameter</b>				
1-1/4"	1/2, 5/8, 3/4	BB, SBB	1-1/2" only	200 lbs.
<b>4" Diameter</b>				
1-1/2"	1/2, 5/8, 3/4	BB, SBB	1-3/4"(1-5/8")	225 lbs.
		RB		
	5/8, 3/4	SRB	1-3/4" only	
<b>5" Diameter</b>				
1-1/2"	1/2, 5/8, 3/4	BB, SBB	1-3/4"(1-5/8")	270 lbs.
		RB		
	5/8, 3/4	SRB	1-3/4" only	
2"	1/2, 5/8, 3/4	BB, SBB	2-1/4"(2-3/16")	350 lbs.
		BB (offset)	1-3/4" only	
	5/8, 3/4	RB	2-1/4"(2-3/16")	
		RB (offset)	1-3/4" only	
SRB	2-1/4" only			
<b>6" Diameter</b>				
1-1/2"	1/2, 5/8, 3/4	BB, SBB	1-3/4"(1-5/8")	325 lbs.
		RB		
	5/8, 3/4	SRB	1-3/4" only	
2"	1/2, 5/8, 3/4	BB, SBB	2-1/4"(2-3/16")	460 lbs.
		BB (offset)		
	5/8, 3/4	RB	2-1/4" only	
		SRB		
2-1/2"	5/8, 3/4, 7/8, 1	BB, SBB	2-3/4"	550 lbs.
	1, 1-1/4	RB, SRB		
3"	5/8, 3/4, 7/8, 1	BB, SBB	3-1/4"	680 lbs.
		RB, SRB		
<b>8" Diameter</b>				
1-5/8"	1/2, 5/8, 3/4	BB, SBB	2"(1-3/4")	450 lbs.
		RB, SRB	1-3/4"	
2"	5/8, 3/4, 7/8, 1	BB, SBB	2-1/4"	565 lbs.
	3/4, 7/8, 1, 1-1/4	RB, SRB		
		BB, SBB		
2-1/2"	5/8, 3/4, 7/8, 1	BB, SBB	2-3/4"	700 lbs.
		RB, SRB		
	3/4, 7/8, 1, 1-1/4	TRB, STRB		
3"	5/8, 3/4, 7/8, 1	BB, SBB	3-1/4"	850 lbs.
		TRB, STRB		
<b>9" Diameter</b>				
2-1/4"	5/8, 3/4, 7/8, 1	BB, SBB	2-1/2"	685 lbs.
		RB, SRB	2-3/4"	
	5/8, 3/4, 1	TRB, STRB	2-1/2"	

TREAD WIDTH	BEARING I. D.	BEARING TYPE	HUB LENGTH	LOAD RATING
<b>10" Diameter</b>				
1-5/8"	5/8, 3/4	BB	2-1/2"(2-1/4")	570 lbs.
2"	5/8, 3/4, 7/8, 1	BB, SBB	2-1/4"	700 lbs.
		RB, SRB		
2-1/2"	5/8, 3/4, 7/8, 1	BB, SBB	2-3/4"	850 lbs.
		RB, SRB		
	3/4, 7/8, 1, 1-1/4	TRB, STRB		
3"	5/8, 3/4, 7/8, 1, 1-1/4	BB, SBB	3-1/4"	1,000 lbs.
		TRB, STRB		
4"	1, 1-1/4	RB, SRB	4-1/4"	1,300 lbs.
		TRB, STRB		
<b>11" Diameter</b>				
2-1/2"	5/8, 3/4, 7/8, 1	BB, SBB	2-3/4"	900 lbs.
		RB, SRB		
	5/8, 3/4, 1, 1-1/4	TRB, STRB		
<b>12" Diameter</b>				
2-1/2"	5/8, 3/4, 7/8, 1	BB, SBB	2-3/4"	950 lbs.
		RB, SRB		
	5/8, 3/4, 1, 1-1/4	TRB, STRB		
3"	1, 1-1/4	RB, SRB	3-1/4"	1,140 lbs.
		TRB, STRB		
3-1/2"	1, 1-1/4	RB, SRB	3-3/4"	1,340 lbs.
		TRB, STRB		
4"	1, 1-1/4	RB, SRB	4-1/4"	1,550 lbs.
		TRB, STRB		
<b>14" Diameter</b>				
3"	1, 1-1/4	RB, SRB	3-1/4"	1,350 lbs.
		TRB, STRB		
<b>16" Diameter</b>				
3"	1, 1-1/4	RB, SRB, TRB, STRB	3-1/4"	1,550 lbs.
3-1/2"			3-3/4"	1,650 lbs.
4"			4-1/4"	1,750 lbs.
5"			5-1/4"	1,950 lbs.
<b>18" Diameter</b>				
3"	1, 1-1/4	RB, SRB, TRB, STRB	3-1/4"	1,550 lbs.
4"			4-1/4"	2,200 lbs.
5"			5-1/4"	2,800 lbs.

**Bearings**

- BB: Ball Bearing
- SBB: Sealed Ball Bearing
- RB: Roller Bearing
- SRB: Sealed Roller Bearing
- TRB: Tapered Roller Bearing
- STRB: Sealed Tapered Roller Bearing

# R&K POLYURETHANE ON ALUMINUM

Polyurethane: -30°F to +200°F 92 - 95 Durometer Shore 'A' Scale

For longer service, heavier loads, easier roll and non-marking performance. R&K Loadmasters use polyurethane tread permanently molded to the aluminum core. Resistant to oil, water, grease and most chemicals, the Loadmasters cut the cost of replacing wheels. The standard tread color is red. Black, gray, orange, green, blue and other colors are available.



8X1-15/16X3/4BB

TREAD WIDTH	BEARING I. D.	BEARING TYPE	HUB LENGTH	LOAD RATING
<b>3" Diameter</b>				
1-1/4"	1/2, 5/8, 3/4	BB, SBB	1-1/2"	312 lbs.
		BB (offset)	1-1/4"	
<b>3-1/2" Diameter</b>				
1-1/4"	1/2, 5/8, 3/4	BB	1-1/4"	500 lbs.
		SBB	1-1/2"	312 lbs.
<b>4" Diameter</b>				
1-1/2"	1/2, 5/8, 3/4	BB, SBB	1-3/4"(1-5/8")	560 lbs.
		RB		
		SRB		
1-15/16"	1/2, 5/8, 3/4	BB, SBB	2-1/4"(2-3/16")	740 lbs.
		RB		
		SRB		
<b>5" Diameter</b>				
1-1/2"	1/2, 5/8, 3/4	BB, SBB	1-3/4"(1-5/8")	675 lbs.
		RB		
		SRB		
1-15/16"	1/2, 5/8, 3/4	BB, SBB	2-1/4"(2-3/16")	875 lbs.
		RB		
		SRB		
<b>6" Diameter</b>				
1-1/2"	1/2, 5/8, 3/4	BB, SBB	1-3/4"(1-5/8")	810 lbs.
		RB		
		SRB		
1-15/16"	1/2, 5/8, 3/4, 7/8, 1	BB, SBB	2-1/4"(2-3/16")	1,150 lbs.
		RB		
		5/8, 3/4, 7/8, 1	2-1/4" only	
		SRB		
2-1/2"	5/8, 3/4, 7/8, 1	BB, SBB	2-3/4"	1,375 lbs.
		RB, SRB		
3"	5/8, 3/4, 7/8, 1	BB, SBB	3-1/4"	1,700 lbs.
		RB, SRB		
<b>8" Diameter</b>				
1-5/8"	1/2, 5/8, 3/4	BB, SBB	2"(1-3/4")	1,125 lbs.
		RB, SRB		
1-15/16"	5/8, 3/4, 7/8, 1	BB, SBB	2-1/4"	1,412 lbs.
		RB, SRB		
		BB, SBB		
2-1/2"	1, 1-1/4	RB, SRB	2-3/4"	1,750 lbs.
		TRB, STRB		
		BB, SBB		
3"	5/8, 3/4, 7/8, 1	BB, SBB	3-1/4"	2,000 lbs.
		RB, SRB		
		TRB, STRB		
<b>9" Diameter</b>				
2-1/2"	5/8, 3/4, 7/8, 1	BB, SBB	2-3/4"	1,712 lbs.
		RB, SRB		
		TRB, STRB		

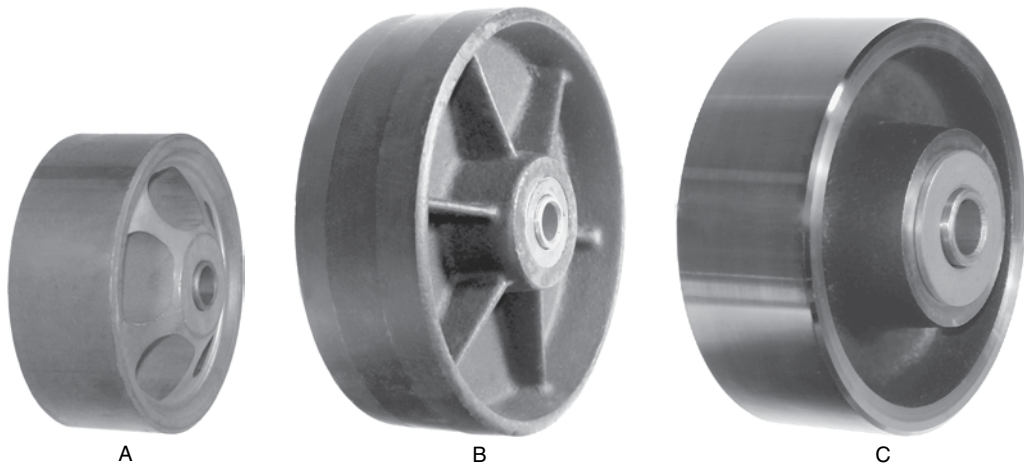
TREAD WIDTH	BEARING I D	BEARING TYPE	HUB LENGTH	LOAD RATING
<b>10" Diameter</b>				
1-15/16"	5/8, 3/4, 7/8, 1	BB, SBB	2-1/4"	1,750 lbs.
		RB, SRB		
2-1/2"	5/8, 3/4, 7/8, 1	BB, SBB	2-3/4"	2,000 lbs.
		RB, SRB		
		TRB, STRB		
3"	5/8, 3/4, 7/8, 1	SBB	3-1/4"	2,500 lbs.
		RB, SRB		
		TRB, STRB		
4"	1, 1-1/4	RB, SRB	4-1/4"	3,250 lbs.
		TRB, STRB		
<b>11" Diameter</b>				
2-1/2"	5/8, 3/4, 7/8, 1	BB, SBB	2-3/4"	2,000 lbs.
		RB, SRB		
		TRB, STRB		
<b>12" Diameter</b>				
2-1/2"	5/8, 3/4, 7/8, 1	BB, SBB	2-3/4"	2,000 lbs.
		RB, SRB		
		TRB, STRB		
3"	1, 1-1/4	RB, SRB	3-1/4"	2,850 lbs.
		TRB, STRB		
3-1/2"	5/8, 3/4, 1, 1-1/4	RB, SRB	3-3/4"	3,350 lbs.
		TRB, STRB		
		TRB, STRB		
4"	1, 1-1/4	RB, SRB	4-1/4"	3,875 lbs.
		TRB, STRB		
<b>14" Diameter</b>				
3"	1, 1-1/4	RB, SRB	3-1/4"	3,375 lbs.
		TRB, STRB		
<b>16" Diameter</b>				
3"	1, 1-1/4	RB, SRB, TRB, STRB	3-1/4"	3,875 lbs.
3-1/2"			3-3/4"	4,525 lbs.
4"			4-1/4"	5,175 lbs.
5"			5-1/4"	6,475 lbs.
<b>18" Diameter</b>				
3"	1, 1-1/4	RB, SRB, TRB, STRB	3-1/4"	4,525 lbs.
4"			4-1/4"	6,775 lbs.
5"			5-1/4"	8,275 lbs.

**Bearings**

- BB: Ball Bearing
- SBB: Sealed Ball Bearing
- RB: Roller Bearing
- SRB: Sealed Roller Bearing
- TRB: Tapered Roller Bearing
- STRB: Sealed Tapered Roller Bearing

**WHEELS**

**FORGED STEEL / CAST IRON**



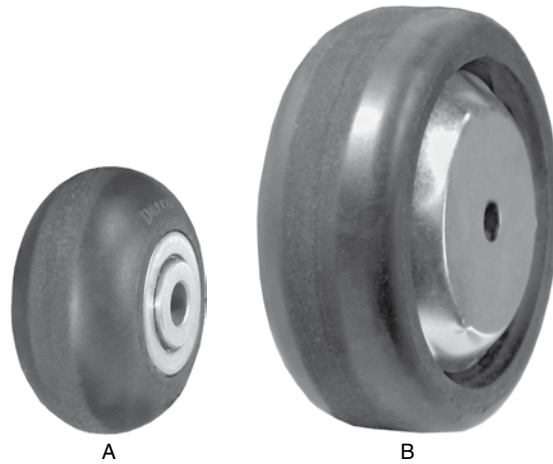
These wheels should be specified when high load weights are involved and floor protection is not a factor. They should not be used if noise is of major concern or if loads are fragile. Forged steel wheels have almost unbreakable construction, great wear resistance and take shock impacts very well.

WHEEL DIAMETER	TREAD WIDTH	DYNAMIC LOAD	BEARING	STYLE	PART NUMBER	DESCRIPTION	HUB W/BUSHING BORE	LENGTH	
1-5/8"	15/32"	80 lbs.	Plain	A	WP-1057	Powdered Iron	3/16"	25/32"	
2"	1"	125 lbs.	Plain	A	WP-1102	Powdered Iron	1/4"	1-1/8"	
3"	1-5/32"	250 lbs.	Plain	A	WP-1103	Powdered Iron	3/8"	1-9/16"	
			Roller	A	WR-1203	Powdered Iron			
3-1/2"	1-1/4"	300 lbs.	Sleeve	B	2.00003.12	Cast Iron		3/8"	1-1/2"
	1-1/4"	300 lbs.	Sleeve	B	2.00004.12	Cast Iron			
4"	1-1/2"	425 lbs.	Plain	B	WP-1104	Semi Steel	1/2"	1-7/8"	
			Roller	B	WR-1204	Semi Steel			
	1,400 lbs.	Roller	C	FSR-0415-12	Forged Steel				
	1,000 lbs.	Roller	B	5.00004.139	Cast Iron				
	1,500 lbs.	Roller	N.A.	DI4X2RB	Crowned Dutille Steel				
5"	2"	1,000 lbs.	Roller	B	5.00005.139	Cast Iron	1/2"	2-7/16"	
		1,500 lbs.	Roller	C	5.00005.239	Forged Steel			
		1,500 lbs.	Roller	B	5.00006.139	Cast Iron			
6"	2"	1,700 lbs.	Roller	C	5.00006.239	Forged Steel	3/4"	3-1/2"	
		2,500 lbs.	Roller	B	7.00006.169	Cast Iron			
	4,000 lbs.	Roller	C	7.00006.269	Forged Steel				
	3"	7,000 lbs.	Roller	C	FSR-0630-16	Forged Steel			
		6,000 lbs.	Roller	N.A.	DI6X3RB	Crowned Dutille Steel			
8"	2"	1,500 lbs.	Roller	B	5.00008.139	Cast Iron	3/4"	2-7/16"	
	2-1/2"	1,600 lbs.	Roller	B	6.00008.169	Cast Iron			
		2,500 lbs.	Roller	B	7.00008.179	Cast Iron			
	3"	4,500 lbs.	Roller	C	7.00008.279	Forged Steel			
		5,500 lbs.	Roller	C	FSR-0830-12	Forged Steel			
		6,000 lbs.	Roller	N.A.	DI8X3RB	Crowned Dutille Steel			
10"	2-1/2"	1,600 lbs.	Roller	B	6.00010.169	Cast Iron	3/4"	3"	
	3"	3,000 lbs.	Roller	B	7.00010.179	Cast Iron			
		4,500 lbs.	Roller	C	7.00010.279	Forged Steel			
12"	3"	3,000 lbs.	Roller	B	7.00012.179	Cast Iron		3-1/2"	

# NEOPRENE

## WHEELS

-20°F to +300°F Intermittent (175°F continuous )  
60(±5) Durometer Shore 'A' scale



← Shown with Optional Thread Guards

All of these mold-on neoprene wheels have the neoprene tread thermally bonded to a glass fibre reinforced nylon core for exceptional strength, impact resistance and outstanding rollability. Superior for all floor surfaces and ergonomically designed for excellent mobility and resistance to wear. These quiet and easy rolling wheels are shock absorbing and will reject floor debris.

WHEEL DIAMETER	TREAD WIDTH	DYNAMIC LOAD	BEARING	STYLE	PART NUMBER	DESCRIPTION	HUB W/BUSHING BORE	BUSHING LENGTH
2"	1"	75 lbs.	Ball Bearing	A	W-22-XD	Balloon	5/16"	1-1/8"
3"	1"1"	75 lbs.		A	W-23-XD	Balloon		
	1-3/8"	200 lbs.		B	W-63-XD	Std Profile		
3-1/2"	1-3/8"	200 lbs.		B	W-635-XD	Std Profile	3/8"	1-1/2"
		225 lbs.		B	W-635-XSR	Super Roll		
4"	1"	75 lbs.		A	W-24-XD	Balloon	5/16"	1-1/8"
	1-3/8"	225 lbs.		B	W-64-XD	Std Profile	3/8"	1-1/2"
				B	W-64-XSR	Super Roll		
				B	W-74-XSR	Super Roll		
5"	1"	75 lbs.		A	W-25-XD	Balloon	5/16"	1-1/8"
	1-3/8"	250 lbs.		B	W-65-XD	Std Profile	3/8"	1-1/2"
		275 lbs.		B	W-65-XSR	Super Roll		
		350 lbs.		B	W-75-XSR	Super Roll		

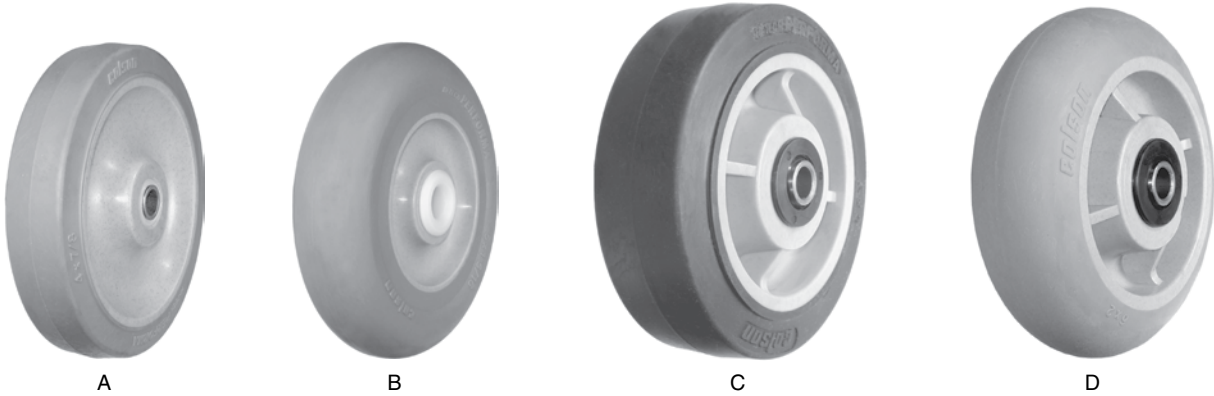
# WHEELS

## COLSON PERFORMA WHEELS

### Options

- Delrin Bearings
- Brass Bearings

-45°F to +180°F Intermittent (120°F continuous)  
65(±5) Durometer Shore 'A' scale



Performa wheels offer the advantages of both hard and soft tread materials in a single wheel. Like a hard tread wheel, Performa rolls easily and is very durable. Like a soft tread wheel, it rolls quietly, protects floors and resists impacts with a cushioned ride. It also features maximum weatherability, low temperature flexibility, resistance to chemicals, water and steam, and rejects floor debris such as metal shavings. Non-marking thermoplastic elastomer tread is permanently bonded to durable polyolefin wheel core.

WHEEL DIAMETER	TREAD WIDTH	DYNAMIC LOAD	BEARING	STYLE	PART NUMBER	DESCRIPTION	HUB W/BUSHING	
							BORE	LENGTH
1-5/8"	7/8"	60 lbs.	Delrin	A	1.00001.441	Flat/Grey	5/16"	1-7/64"
2"	7/8"	75 lbs.	Delrin	A	1.00002.441	Flat/Grey		
2-1/2"	1-1/4"	140 lbs.	Delrin	A	2.00002.441	Flat/Grey	3/8"	1-1/2"
			Ball	A	2.00002.445	Flat/Grey		
3"	7/8"	125 lbs.	Delrin	A	1.00003.441	Flat/Grey	5/16"	1-7/64"
3-1/2"	1-1/4"	250 lbs.	Delrin	A	2.00003.441	Flat/Grey	3/8"	1-1/2"
			Ball	A	2.00003.445	Flat/Grey		
4"	7/8"	135 lbs.	Delrin	A	1.00004.441	Flat/Grey	5/16"	1-7/64"
	1-1/4"	300 lbs.	Delrin	A	2.00004.441	Flat/Grey	3/8"	1-1/2"
			Ball	A	2.00004.445	Flat/Grey		
	2"	400 lbs.	Roller	C	5.00004.459.2	Flat/Black	1/2"	2-7/16"
Roller			C	5.00004.459	Flat/Grey			
5"	7/8"	145 lbs.	Delrin	A	1.00005.441	Flat/Grey	5/16"	1-7/64"
	1-1/4"	325 lbs.	Delrin	A	2.00005.441	Flat/Grey		
			Ball	A	2.00005.445	Flat/Grey		
	1-5/16"	250 lbs.	Delrin	B	2.00005.561	Round/Grey	3/8"	1-1/2"
			Ball	B	2.00005.565	Round/Grey		
	2"	500 lbs.	Roller	C	5.00005.459.2	Flat/Black	1/2"	2-7/16"
Roller			C	5.00005.459	Flat/Grey			
6"	2"	450 lbs.	Roller	D	5.00006.559	Round/Grey	1/2"	2-7/16"
		600 lbs.	Roller	C	5.00006.459.2	Flat/Black		
			Roller	C	5.00006.459	Flat/Grey		
8"	2"	600 lbs.	Roller	D	5.00008.559	Round/Grey	1/2"	2-7/16"
		675 lbs.	Roller	C	5.00008.459.2	Flat/Black		
			Roller	C	5.00008.459	Flat/Grey		
10"	2-1/2"	1,000 lbs.	Roller	C	7.00010.459.2	Flat/Black	3/4"	3-1/2"
12"	3"	1,700 lbs.	Roller	C	7.00012.459.2	Flat/Black	3/4"	3-1/2"

**PHENOLIC WHEELS**

-45°F to +180°F  
90(+5) Durometer Shore 'D' scale



A

Phenolic resin wheels filled with macerated fabric. Quieter than steel, they provide superior floor protection. Resistant to hard impact and most chemicals. Standard color is black. Delrin bearings available upon request.

WHEEL DIAMETER	TREAD WIDTH	DYNAMIC LOAD	BEARING	PART NUMBER	DESCRIPTION	HUB W/BUSHING	
						BORE	LENGTH
3"	1-13/16"	900 lbs.	Roller	WR-8253	Phenolic	3/8"	1-15/16"
3-1/4"	2"	700 lbs.	Roller	5.00003.339	Phenolic	1/2"	2-7/16"
4"	2"	800 lbs.	Roller	5.00004.339	Phenolic		
5"	2"	1,000 lbs.	Roller	5.00005.339	Phenolic		
6"	2"	1,200 lbs.	Roller	5.00006.339	Phenolic		
	2-1/2"	1,600 lbs.	Roller	7.00006.369	Phenolic	3/4"	3-1/2"
	3"	2,000 lbs.	Roller	7.00006.379	Phenolic		
8"	2"	1,400 lbs.	Roller	5.00008.339	Phenolic	1/2"	2-7/16"
	2-1/2"	1,600 lbs.	Roller	6.00008.369	Phenolic		
		2,000 lbs.	Roller	7.00008.369	Phenolic		
	3"	2,500 lbs.	Roller	7.00008.379	Phenolic		
10"	2-1/2"	1,600 lbs.	Roller	6.00010.369	Phenolic	3/4"	3"
		2,500 lbs.	Roller	7.00010.369	Phenolic		
	3"	2,900 lbs.	Roller	7.00010.379	Phenolic		
12"	3"	3,500 lbs.	Roller	7.00012.379	Phenolic		

# WHEELS

## SOLID ELASTOMER WHEELS

-50°F to +195°F  
60 Durometer Shore 'D' scale



A

-50°F to +275°F  
75 Durometer Shore 'D' scale



B

This wheel is easier to start and keep rolling and swivels easier than any other wheel offered. In addition the solid elastomer wheel offers excellent resistance to chipping, cracking and does not develop flat spots. It resists most chemicals, oils, greases, petroleum products and solvents.

WHEEL DIAMETER	TREAD WIDTH	DYNAMIC LOAD	BEARING	STYLE	PART NUMBER	DESCRIPTION	HUB W/BUSHING BORE	LENGTH
3"	1-3/8"	500 lbs.	Precision Sealed Ball Bearings	A	W-73-PSE	Solid Elastomer	3/8"	1-3/4"
4"	1-3/8"	600 lbs.		A	W-74-PSE		1/2"	2-7/16"
	2"	1,050 lbs.		B	GTB-0420-08		3/8"	1-3/4"
5"	1-3/8"	700 lbs.		A	W-75-PSE		1/2"	1-7/8"
	1-1/2"	1,000 lbs.		B	GTB-0515-08			2-7/16"
	2"	1,200 lbs.		B	GTB-0520-08		3/4"	2-3/4"
6"	2"	1,500 lbs.		B	GTB-0620-08			3-1/2"
	2-1/2"	1,500 lbs.		A	W-806-PSE		1/2"	2-7/16"
2,300 lbs.		B		GTB-0625-12	3-1/2"			
8"	2"	1,800 lbs.		B	GTB-0820-08		1/2"	2-7/16"
	2-1/2"	2,400 lbs.		B	GTB-0825-12		3/4"	3-1/2"
10"	3"	3,400 lbs.		B	GTB-1030-16		1"	3-1/2"

## GLASS FILLED NYLON (MAXIM)

-45°F to +350°F  
85(±5) Durometer Shore 'D' scale



### Options

- Delrin Bearings
- Roller Bearings

Maxim wheels feature an exclusive, ultra tough glass filled nylon compound that resists hard impacts and drop shock. The wheel is impervious to most chemicals, solvents, salts, gases, alkalies and steam cleaning. NSF listed for food service industry. The wheel is non-marking.

WHEEL DIAMETER	TREAD WIDTH	DYNAMIC LOAD	BEARING	PART NUMBER	HUB W/BUSHING BORE	LENGTH
4"	2"	640 lbs.	Roller	5.00004.539	1/2"	2-7/16"
5"		800 lbs.		5.00005.539		
6"		960 lbs.		5.00006.539		
8"		1,120 lbs.		5.00007.539		



**POLYOLEFIN / POLYPROPYLENE WHEELS**

-45°F to +220°F  
65(±5) Durometer Shore 'D' scale



A

**Options**

- Ball Bearings

-20°F to +180°F  
65(±5) Durometer Shore 'D' scale



B

**Options**

- Delrin Bearings
- Brass Bearings

Polyolefin wheels have a hard tread, light weight and offer non-marking floor protection. Impact resistance is superior to that of hard rubber wheels.

WHEEL DIAMETER	TREAD WIDTH	DYNAMIC LOAD	BEARING	STYLE	PART NUMBER	DESCRIPTION	HUB W/BUSHING	
							BORE	LENGTH
2-1/2"	1-1/4"	200 lbs.	Delrin	A	2.00002.53	Black Polyolefin	3/8"	1-1/2"
3"	7/8"	125 lbs.	Delrin	A	1.00003.53	Black Polyolefin	5/16"	1-7/32"
3-1/2"	1-1/4"	250 lbs.	Delrin	A	2.00003.53	Black Polyolefin	3/8"	1-1/2"
4"	7/8"	135 lbs.	Delrin	A	1.00004.53	Black Polyolefin	5/16"	1-7/32"
	1-1/4"	275 lbs.	Delrin	A	2.00004.53	Black Polyolefin	3/8"	1-1/2"
5"	7/8"	145 lbs.	Delrin	A	1.00005.53	Black Polyolefin	5/16"	1-7/32"
	1-1/4"	300 lbs.	Delrin	A	2.00005.53	Black Polyolefin	3/8"	1-1/2"
	2"	650 lbs.	Roller	B	WS-8225M	Black Polypropylene	1/2"	2-7/16"
6"	2"	700 lbs.	Roller	B	WS-8226M	Black Polypropylene		
8"	2"	900 lbs.	Roller	B	WS-8228M	Black Polypropylene		

**NYLON WHEELS**



-22°F to +190°F  
70(±5) Durometer Shore 'D' scale

**Options**

- Delrin Bearings
- Brass Bearings
- NSF Approved

The molded Nylon #6 white wheel is excellent around wash down and wet conditions. Ideal for use in poultry and meat packing houses. Shiny white instantly shows dirt missed in steam cleaning.

WHEEL DIAMETER	TREAD WIDTH	DYNAMIC LOAD	BEARING	PART NUMBER	DESCRIPTION	HUB W/BUSHING	
						BORE	LENGTH
5"	1-1/2"	600 lbs.	Roller	NY-5150-RB3/4	White Nylon	1/2"	1-7/8"
	2"	1,000 lbs.	Roller	NY-5200-RB3/4			2-7/16"
6"	1-1/2"	800 lbs.	Roller	NY-6150-RB3/4			1-7/8"

**WHEELS**

**FULL PNEUMATIC WHEELS**

-20°F to +160°F



A



B\*



C

Full Pneumatic wheels offer the maximum in floor protection and move freely over obstructions and rough floors. These wheels provide smooth, shock resistant operation for delicate instruments and breakable components. They come with separate inner tube and have heavy gauge 3 piece metal hub assemblies.

WHEEL DIAMETER	TREAD WIDTH	DYNAMIC LOAD	BEARING	STYLE	PART NUMBER	DESCRIPTION	HUB W/BORE	BEARING LENGTH
8"	2"	295 lbs.	Ball	A	WHL-D9	Offset Hand truck	5/8"	2-1/4"
				A	4.00008.93	Centered Caster Whl.	3/4"	3-1/8"
10"	2-3/4"	250 lbs.		A	4.00010.93	Centered Caster Whl.	3/4"	3-3/4"
		300 lbs.		A	WHL-D5	Offset Hand truck 4Ply	5/8"	2-1/4"
16"	4"	550 lbs.		B	WHL-D6A	Flat Free Hand Truck Whl.		
				C	10-002FW(3.5")	Wheelbarrow Whl.	3/4"	3-1/2"

B - Solid Microcellular Foam.

**Replacement Tubes & Tires**

WHEEL DIAMETER	TREAD WIDTH	DYNAMIC LOAD	BEARING	STYLE	PART NUMBER	DESCRIPTION	SIZE
8"	2"	-	-	D	TIRE 10-029	8" TIRE 4PLY	2.80/2.50X4
		-	-	E	TUBE 10-129	8" TUBE STD. STEM	
10"	2-3/4"	-	-	D	TIRE 10-0364PLY	10" TIRE 4PLY	4.10/3.50X4
		-	-	E	TUBE10-130	10" TUBE STD. STEM	



D



Std. Stem  
Parallel to  
Axle.

E

**HIGH TEMPERATURE WHEELS**

-70°F to +525°F intermittent (475°F continuous )  
85<sup>(±5)</sup> Durometer Shore 'D' scale



A



B

High temperature wheels have a continuous duty temperature rating of +475°F (+525°F intermittent).

WHEEL DIAMETER	TREAD WIDTH	DYNAMIC LOAD	BEARING	STYLE	PART NUMBER	DESCRIPTION	HUB W/BUSHING	
							BORE	LENGTH
4"	1-1/4"	700 lbs.	Plain	A	2.00004.52HT	Thermo Resin	3/8"	1-5/8"
	1-1/2"		Plain	B	RM-45-171C	Thermo Resin		1-7/8"
	1-1/2"	800 lbs.	Plain	B	RM-45-171E	Thermo Resin	1/2"	2-7/16"
	2"		Plain	B	RM-42-171E	Thermo Resin		2-7/16"
5"	1-3/8"	800 lbs.	Plain	B	RM-5-171C	Thermo Resin	3/8"	1-5/8"

**WHEELS**

**MOLD-ON POLYURETHANE WHEELS**

-65°F to +212°F  
95 Durometer Shore 'A' scale



A

-40°F to +180°F  
95(±5) Durometer Shore 'A' scale



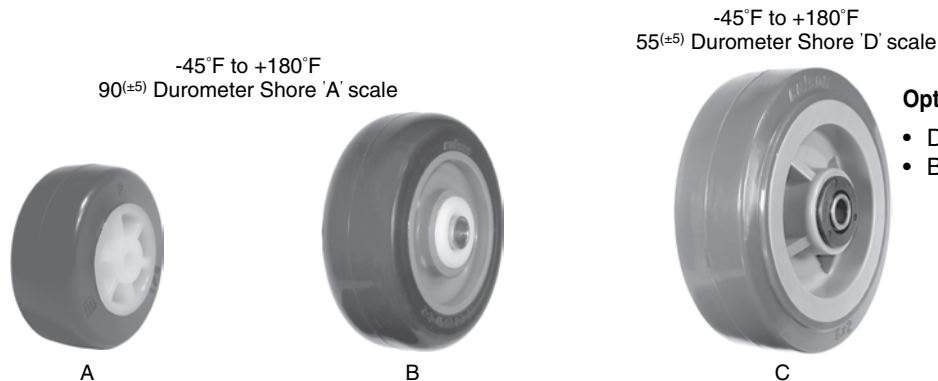
B

The aluminum core wheel provides a tough, resilient polyurethane interlocked to a heavy section die cast aluminum core. This provides high load capacity, quiet, easy rolling coupled with floor protection and tread retention in abusive conditions. The iron core wheels are liquid cast and chemically bonded to the machined iron cores. This yields a wheel with capabilities near that of steel wheels yet providing good floor protection. Both wheels are capable of continuous use in industrial applications.

WHEEL DIAMETER	TREAD WIDTH	DYNAMIC LOAD	BEARING	STYLE	PART NUMBER	HUB MATERIAL	HUB W/BUSHING BORE	HUB W/BUSHING LENGTH
4"	2"	700 lbs.	Roller	B	UIR-0420-08	Cast Iron		
5"	2"	1,050 lbs.	Roller	B	UIR-0520-08	Cast Iron	1/2"	2-7/16"
		1,500 lbs.	Roller	A	WS-38205	Cast Aluminum		
6"	2"	1,230 lbs.	Roller	B	UIR-0620-08	Cast Iron	1/2"	2-7/16"
		1,500 lbs.	Roller	A	WS-38206	Cast Aluminum		
	2-1/2"	1,620 lbs.	Roller	B	UIR-0625-16-YY	Cast Iron	3/4"	3"
			Roller	B	UIR-0625-16	Cast Iron		3-1/2"
		1,750 lbs.	Roller	A	WS-38256	Cast Aluminum	1/2"	3"
	3"	2,000 lbs.	Roller	B	UIR-0630-16	Cast Iron	3/4"	3-1/2"
Tapered Roller			B	UIT-0630-16	Cast Iron TRB			
8"	2"	1,500 lbs.	Tapered Roller	B	UIT-0820-12	Cast Iron TRB	1/2"	2-7/16"
			Roller	B	UIR-0820-12	Cast Iron		
		1,500 lbs.	Roller	A	WS-38208	Cast Aluminum		
	2-1/2"	1,750 lbs.	Roller	A	WS-38258	Cast Aluminum	3/4"	3"
			1,800 lbs.	Roller	B	UIR-0825-16-YY		Cast Iron
	3"	2,500 lbs.	Roller	B	UIR-0825-16	Cast Iron	3/4"	3-1/2"
Roller			B	UIR-0830-16	Cast Iron			
10"	2-1/2"	1,750 lbs.	Roller	A	WS-38250	Cast Aluminum	1/2"	3"
			Roller	B	UIR-1025-16-YY	Cast Iron		
		2,370 lbs.	Roller	B	UIR-1025-16	Cast Iron		
	3"	3,000 lbs.	Tapered Roller	B	UIT-1030-12	Cast Iron TRB	3/4"	3-1/2"
			Roller	B	UIR-1030-16	Cast Iron		
		3,400 lbs.	Tapered Roller	B	UTT-1030-20	Cast Iron TRB		
4"	4,200 lbs.	Tapered Roller	B	UIT-1030-20	Cast Iron TRB	1 1/4"	4-1/2"	
12"	3"	3,400 lbs.	Tapered Roller	B	UIT-1230-12	Cast Iron TRB	3/4"	3-1/2"
			Roller	B	UIR-1230-16	Cast Iron		

\* = Aluminum Core    ^ = Cast Iron Core

**POLYURETHANE ON POLYOLEFIN WHEELS**



-45°F to +180°F  
90(±5) Durometer Shore 'A' scale

-45°F to +180°F  
55(±5) Durometer Shore 'D' scale

- Options**
- Delrin Bearings
  - Brass Bearings

Polyurethane bonded to polyolefin core. This design adds strength for loads subject to shock and hard impact. Tread is molded in, around and through a ribbed extension of the core to prevent debonding. Resistant to most chemicals, solvents, water and acids.

WHEEL DIAMETER	TREAD WIDTH	DYNAMIC LOAD	BEARING	STYLE	PART NUMBER	DESCRIPTION	HARDNESS DUROMETER	HUB W/BUSHING BORE	LENGTH
2"	15/16"	90 lbs.	Plain	A	PLY-2B1	Plastic Core	90 Shore A±5	1/4"	1"
2-1/2"	1-1/4"	250 lbs.	Delrin	B	2.00002.91	Polyolefin Core	55 Shore D±5	3/8"	1-1/2"
			Ball	B	2.00002.95				
3"	7/8"	100 lbs.	Delrin	B	1.00003.91	Plastic Core	90 Shore A±5	5/16"	1-7/32"
	1-1/4"	220 lbs.	Ball	B	PLY-3J3			3/8"	1-5/8"
3-1/2"	1-1/4"	250 lbs.	Delrin	B	2.00003.91	Polyolefin Core	55 Shore D±5	3/8"	1-1/2"
			Ball	B	2.00003.95				
4"	7/8"	125 lbs.	Delrin	B	1.00004.91	Polyolefin Core	55 Shore D±5	5/16"	1-7/32"
	1-1/4"	275 lbs.	Delrin	B	2.00004.91			3/8"	1-1/2"
			Ball	B	2.00004.95			1/2"	2-7/16"
2"	600 lbs.	Roller	C	5.00004.929					
5"	7/8"	140 lbs.	Delrin	B	1.00005.91	Polyolefin Core	55 Shore D±5	5/16"	1-7/32"
	1-1/4"	300 lbs.	Delrin	B	2.00005.91			3/8"	1-1/2"
			Ball	B	2.00005.95			1/2"	2-7/16"
2"	750 lbs.	Roller	C	5.00005.929					
6"	2"	900 lbs.	Roller	C	5.00006.929			1/2"	2-7/16"
8"	2"	1,000 lbs.	Roller	C	5.00008.929				
10"	2-1/2"	1,200 lbs.	Roller	C	7.00010.959.2			3/4"	3-1/2"



**OMEGA WHEELS**

The Omega wheel is a patented non-pneumatic wheel developed for impact absorbing applications. This polyurethane wheel achieves its load bearing capabilities and enhanced impact absorption through a patented web/spoke structure. When the wheel encounters an obstacle, it deflects as it travels over the obstacle cushioning the load, then rebounds to its original shape.

WHEEL DIAMETER	TREAD WIDTH	DYNAMIC LOAD	BEARING	PART NUMBER	DESCRIPTION	HUB W/BUSHING BORE	LENGTH
6"	2"	1,000 lbs.	Roller	UOR-0620-08	Web/Spoke Polyurethane	1/2"	2-7/16"
8"	2"	1,200 lbs.	Roller	UOR-0820-08		3/4"	3-1/2"
	3"	1,600 lbs.	Tapered	UOT-0830-12			
10"	3"	2,000 lbs.	Tapered	UOT-1030-12			

# WHEELS

## MOLD-ON RUBBER WHEELS

-45°F to +160°F  
70(±5) Durometer Shore 'A' scale



A

-30°F to +180°F  
65 - 70 Durometer Shore 'A' scale



C

These wheels are quiet in operation and absorb shock and vibration. The aluminum core model has the added advantage of light weight.

WHEEL DIAMETER	TREAD WIDTH	DYNAMIC LOAD	BEARING	STYLE	PART NUMBER	HUB MATERIAL	HUB W/BUSHING BORE	HUB W/BUSHING LENGTH
4"	2"	400 lbs.	Roller	A	5.00004.649.7	Cast Iron	1/2"	2-7/16"
5"	2"	350 lbs.	Ball	C	5X2X5/8"BB-O-R	Die Cast Alum.	5/8"	1-3/4"
		400 lbs.	Roller	A	5.00005.649.7	Cast Iron	1/2"	2-7/16"
6"	1-1/2"	320 lbs.	Ball	C	6X1.5X5/8"BB-R	Die Cast Alum.	5/8"	1-3/4"
	2"	450 lbs.	Roller	A	5.00006.649.7	Cast Iron	1/2"	2-7/16"
	2-1/2"	540 lbs.	Roller	A	7.00006.669.7	Cast Iron	3/4"	3-1/2"
8"	1-5/8"	450 lbs.	Ball	C	WHL-815-R-O	Die Cast Alum.	5/8"	1-3/4"
			Ball	C	WHL-815-2"HUB	Die Cast Alum.		2"
			Ball	C	WHL-815-R	Die Cast Alum.		2-1/4"
	2"	500 lbs.	Roller	A	5.00008.649.7	Cast Iron	1/2"	2-7/16"
	2-1/2"	670 lbs.	Roller	A	7.00008.669.7	Cast Iron	3/4"	3-1/2"
3"	840 lbs.	Roller	A	7.00008.679.7	Cast Iron			
10"	2-1/2"	800 lbs.	Ball	C	10X2-1/2X1"BB-R	Die Cast Alum.	1"	2-3/4"
		790 lbs.	Roller	A	7.00010.669.7	Cast Iron	3/4"	3-1/2"
	3"	1,000 lbs.	Roller	A	7.00010.679.7	Cast Iron		
12"	3"	1,140 lbs.	Roller	A	7.00012.679.7	Cast Iron		

**HARD/SOFT RUBBER WHEELS**

-40°F to +180°F  
75(±5) Durometer Shore 'D' scale  
(Hard Rubber)



A

-20°F to +160°F  
75(±5) Durometer Shore 'A' scale  
(Soft Rubber)



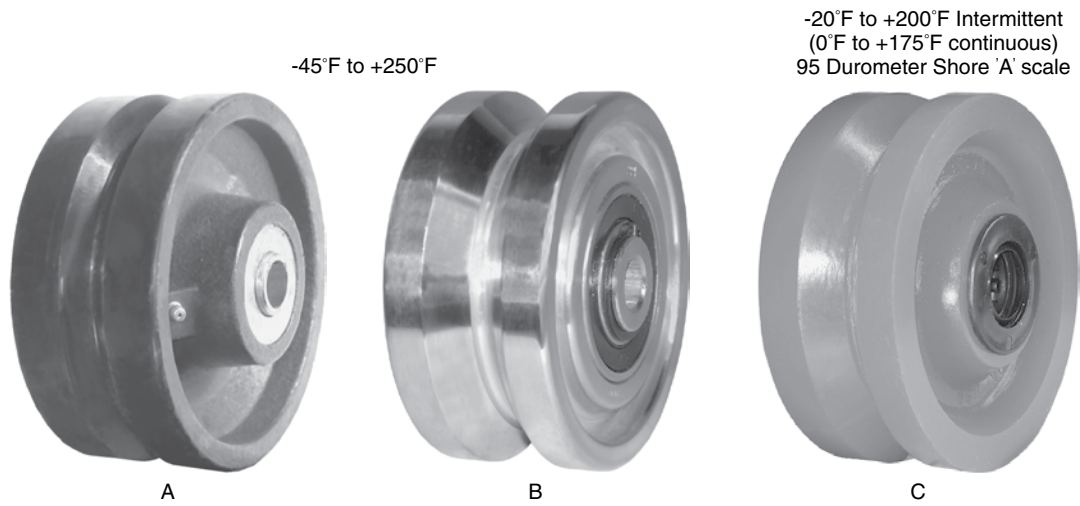
B

Provide good floor protection and quiet operation. Solid rubber wheels are molded into a single unit of rubber compound and are furnished with a soft or hard tread.

WHEEL DIAMETER	TREAD WIDTH	DYNAMIC LOAD	BEARING	STYLE	PART NUMBER	DESCRIPTION	HUB W/BUSHING	
							BORE	LENGTH
2"	15/16"	90 lbs.	Nylon	B	SR-2B1	Soft Rubber Blk.	1/4"	1"
		125 lbs.	Nylon	A	HR-2B1	Hard Rubber Blk.		
	13/16"	80 lbs.	Self lube	B	WD-6009G	Baco (Soft Rub.) Gray		63/64"
	1"	100 lbs.	Self lube	B	WD-6102	Baco (Soft Rub.)		1"
2-1/2"	1-1/8"	120 lbs.	Self lube	B	WD-61025	Baco (Soft Rub.)	7/16"	1-5/16"
		175 lbs.	Self lube	B	WD-91025	Atlasite (Hard Rub.)		
	1-1/16"	100 lbs.	Nylon	B	HR-25F2	Hard Rubber Blk.	5/16"	1-3/8"
		100 lbs.	Nylon	B	SR-25F2	Soft Rubber Blk.		
3"	13/16"	100 lbs.	Self lube	B	WD-6013	Baco (Soft Rub.)	1/4"	15/16"
		125 lbs.	Self lube	B	WD-9013	Atlasite (Hard Rub.)		
	1"	100 lbs.	Nylon	A	SR-3D2	Soft Rubber Blk.	5/16"	1-5/32"
		125 lbs.	Nylon	A	HR-3D2	Hard Rubber Blk.		
	1-1/4"	125 lbs.	Self lube	B	WD-6103	Baco (Soft Rub.)	3/8"	1-9/16"
			Roller	B	WR-6203	Baco (Soft Rub.) RB		
		Self lube	B	WD-9103	Atlasite (Hard Rub.)			
		210 lbs.	Roller	B	WR-9203	Atlasite (Hard Rub.) RB		
4"	7/8"	110 lbs.	Self lube	B	WD-6014	Baco (Soft Rub.)	5/16"	1-5/32"
		135 lbs.	Self lube	B	WD-9014	Atlasite (Hard Rub.)		
	1-1/4"	165 lbs.	Nylon	A	SR-4F3	Soft Rubber Blk.	3/8"	1-7/16"
		255 lbs.	Nylon	A	HR-4F3	Hard Rubber Blk.		
5"	15/16"	125 lbs.	Self lube	B	WD-6015	Baco (Soft Rub.)	5/16"	1-5/32"
		145 lbs.	Self lube	B	WD-9015	Atlasite (Hard Rub.)		
	1-1/4"	175 lbs.	Nylon	A	SR-5F3	Soft Rubber Blk.	3/8"	1-7/16"
		260 lbs.	Nylon	A	HR-5F3	Hard Rubber Blk.		

# WHEELS

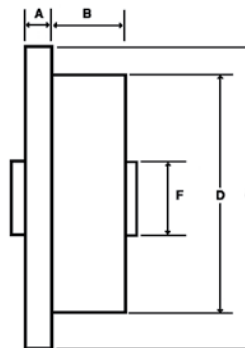
## V-GROOVE WHEELS



For production lines that use angle iron track to guide loads. Solid Polyurethane V-groove wheel provides floor protection and reduced noise.

WHEEL DIAMETER	TREAD WIDTH	DYNAMIC LOAD	BEARING	STYLE	PART NUMBER	DESCRIPTION	HUB W/BUSHING BORE	LENGTH
4"	1-3/4"	3,000 lbs.	Ball Bearing	B	VG4020-08-MVG	Machined Steel	1/2"	2"
	2"	300 lbs.	Roller	C	VG4020-12-U	Polyurethane		
		800 lbs.		A	5.00004.739	Semi Steel		2-7/16"
6"	1-3/4"	6,000 lbs.	Ball Bearing	B	VG6020-10-MVG	Machined Steel	5/8"	2"
	2"	1,200 lbs.	Roller	A	5.00006.739	Semi Steel	1/2"	2-7/16"
	2-1/2"	2,500 lbs.		A	7.00006.769	Semi Steel	3/4"	3-1/2"
	3"	8,000 lbs.		A	7.00006.789	Forged Steel		
8"	3"	2,500 lbs.	Roller	A	7.00008.779	Semi Steel		

## FLANGED WHEELS



Designed to operate on steel track. Minimizes rolling effort and aids guidance. Superior wear factor to "V" groove wheels. Excellent for use in traveling crane facilities, skips, railroads and amusement parks, and heavy transport operations.

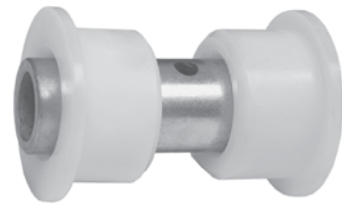
WHEEL DIAMETER (D)	DYNAMIC LOAD	BEARING	PART NUMBER	DESCRIPTION	HUB W/BEARING		DIMENSIONS				
					BORE	LENGTH	A	B	C	D	F
4" x 1-7/16"	1,800 lbs.	Roller	FL-4200-DU-RB	Ductile Iron	5/8", 3/4", 1"	2-3/16"	7/16"	1-7/16"	5"	4"	2-1/4"
5" x 1-7/16"		Roller	FL-5200-DU-RB			2-3/16"	7/16"	1-7/16"	6"	5"	2-1/4"
6" x 1-7/16"	Roller	FL-6200-DU-RB	2-3/16"			7/16"	1-7/16"	6-7/8"	6"	2-1/4"	
8" x 1-9/16"	Roller	FL-8200-DU-RB	2-3/16"			7/16"	1-9/16"	9"	8"	3-1/2"	
7-3/4" x 2-1/2"	8,500 lbs.	Plain	FL-9400-DU-P		1-1/2"	3-11/16"	5/8"	2-1/2"	9-1/2"	7-3/4"	4-3/16"
10" x 3"	8,000 lbs.	Roller	FL-10400-DU-RB		1-1/4" or 1-1/2"	4-1/4"	1"	3"	12"	10"	4"



## BEARING TYPES

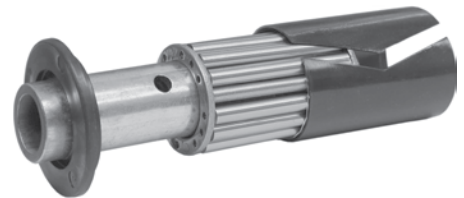
### **Delrin Bearings**

Delrin, a DuPont engineered plastic, is extremely durable under a wide range of temperatures and humidity conditions and is corrosion resistant. Wheels with the Delrin bearings are well suited for applications where brine conditions, steam cleaning, or where excessive water or liquids are present. Light oil or grease lubrication is always recommended.



### **Roller Bearings**

The roller bearing is capable of carrying a greater load than the same size diameter ball bearing. It has a split outer race shell into which the roller assembly is inserted. The roller bearings are hardened steel. The spanner bushing is the same hardness as the bearing rollers. Combination seal/thrust retainers protect bearing from dirt, water, chemicals and help absorb side thrust.



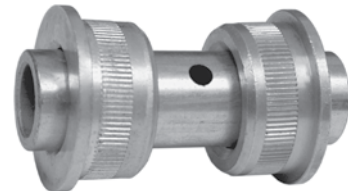
### **Torrington - Style Roller Bearings**

Torrington-style caged drawn cup bearings have a steel cage which provides inward retention of the rollers. This design provides maximum cage strength consistent with long service life.



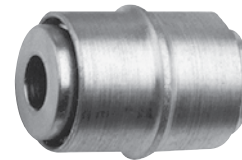
### **Brass Bearings**

Brass Bearings are used in high temperature environments where short travel distances are expected. High temperature grease lubrication is always recommended.



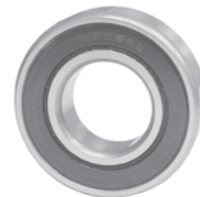
### **Annular Ball Bearings**

Precision type bearings with machined, hardened raceways. For applications where maximum rolling ease and quiet operation are needed. Best suited for light to medium duty loads. Bearing is pre-assembled and the entire unit is mounted in the wheel.



### **Precision Sealed Ball Bearings**

Recommended for maximum rolling ease with no maintenance required. Quiet operation for medium duty loads. Lowest roll resistance and permanently lubricated.



### **Precision Tapered Roller Bearings**

The tapered roller bearing is the most effective bearing for heavy loads. It is capable of absorbing excessive friction when a load tips and can be used where high speed operation is essential. The axle need not be hardened since the bearing has a hardened race.



Bearings can be found on page 128 & 129.