



SCHEDA TECNICHE
MONITOR SIGNAGE
2018

MONITOR SIGNAGE **OLED**

EG5xD

55"

EJ5D

55"

EV5x

65" | 55"

EH5C

55"

EF5DE

55"

EF5E

55"



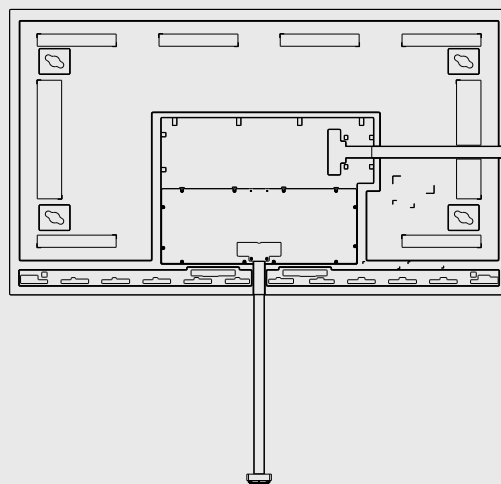
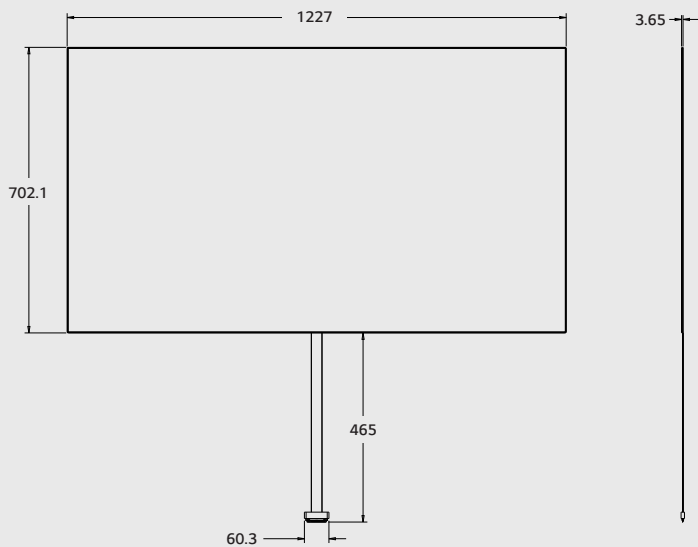
		55EG5CD	55EG5SD	
PANEL	Screen Size	55"		
	Panel Technology	OLED		
	Aspect Ratio	16:9		
	Native Resolution	1,920 x 1,080 (FHD)		
	Brightness	100/400 cd/m ² (APL 100%/25%) *Average Picture Level		
	Viewing Angle (H x V)	178 x 178		
	Response Time	1 ms (G to G), 8 ms (MPRT)		
	Operation Hours	18 hrs/7 days (Moving video only)		
CONNECTIVITY	Orientation	Portrait		
	Input	HDMI (1+1), DP (1+1)		
	Output	DP (1+1), Audio, IR out (w/RS232C OUT Port Share)		
PHYSICAL SPECIFICATION	External Control	RS232C in/out (1+1), RJ45 in/out (1+1), IR receiver (1+1), USB 3.0 (1+1)		
	Bezel Color	Black		
	Bezel Width	(Off-bezel, with Glass) 101.3 / 81.3 / 81.3 / 81.3 mm (U/B/L/R)	(Off-bezel, with Glass) 101.3 / 81.3 / 81.3 / 81.3 mm (U/B/L/R)	
		(On-bezel, with Glass) 107.9 / 87.9 / 88.5 / 91.6 mm (U/B/L/R)	(On-bezel, with Glass) 107.9 / 87.9 / 91.6 / 88.5 mm (U/B/L/R)	
	Dimension (W x H x D)	(On-bezel, w/o Glass, Only Panel) 6.6 / 6.6 / 7.2 / 10.3 mm (U/B/L/R)	(On-bezel, w/o Glass, Only Panel) 6.6 / 6.6 / 10.3 / 7.2 mm (U/B/L/R)	
		(Head) 861.3x 1,406.2 x 13 mm (w/o Hanging Acc.) (T-Con Box) 312.2 x 213.4 x 16 mm (Signage Box) 412.6 x 222.4 x 64.3 mm	(Head) 872.7 x 2,050.9 x 500 mm (with Stand Accessory) (T-Con Box) 312.2 x 213.4 x 16 mm (Signage Box) 412.6 x 222.4 x 64.3 mm	
	Weight	(Head) 31.2 kg (T-Con Box) 1.6 kg (Signage Box) 4.3 kg	(Head) 37 kg (TBD) (ACC-S-EG5D) 53 kg (TBD) (T-Con Box) 1.6 kg (Signage Box) 4.3kg	
	Carton Dimensions (W x H x D)	1,880 x 1,015 x 363 mm	1,880 x 1,015 x 363 mm (Pallet: 1,800 x 363 x 120) 1,184 x 445 x 884 (ACC-S-EG5D)	
Packed Weight	71.4 kg (Glass Module 1ea, T-Con Box 2ea, Signage Box 2ea)	78 kg (Glass Module 1ea, T-Con Box 2ea, Signage Box 2ea) TBD (ACC-S-EG5D)		
SPECIAL FEATURES	Temperature sensor, Cooling FAN, ISM method, DPM select, DPM wake up, Energy saving, Motion eye care, File play with USB, Internal memory (64 GB), USB cloning, Calibration mode, PM mode, Fail over, DP daisy chain			
ENVIRONMENT CONDITIONS	Operation Temperature	0°C to 40°C		
	Operation Humidity	10% to 80%		
POWER	Power Supply	100–240 V~, 50/60 Hz		
	Power Type	Built-in Power		
POWER CONSUMPTION	Typ.	190 W		
	DPM	3 W under		
	Power Off	0.5 W under		
STANDARD (CERTIFICATION)	Safety	UL / cUL / CB / TUV / KC		
	EMC	FCC Class "A" / CE / KCC		
	ErP/Energy Star	Yes / NA		
MEDIA PLAYER COMPATIBILITY	OPS-Type Compatible	Yes		
	External Media Player Attachable	Yes		
SOFTWARE COMPATIBILITY	SuperSign OLED	Yes		
	SuperSign C	Yes		
ACCESSORIES	Basic	Remote controller (include battery 2ea), Power cord, QSG, HDMI cable (1m x 2ea for connection between T-Con box and signage box, 1.5m x 2ea), Power Hanness Cable (1m x 2ea for connection between T-Con box and signage box), IR receiver, Regulation book, Phone to RS232C gender, Jack cover, Signage box mounting bracket, T-Con box mounting bracket, FFC cable cover, Hanging Supporter front, Hanging supporter rear, Hanging supporter rear cover, FFC cable supporter assy, Ceiling bracket	Remote Controller (include battery 2ea), Power Cord, QSG, HDMI Cable (1m x 2ea for connection between T-Con box and signage box, 1.5m x 2ea), Power Hanness Cable (1m x 2ea for connection between T-Con box and signage box), IR receiver, Regulation Book, Phone to RS232C Gender (2 ea), Jack Cover, Signage Box Mounting Bracket, T-Con Box Mounting Bracket, FFC Cable Cover	
	Optional	OPS kit (KT-OPSA)	OPS kit (KT-OPSA)	
EAN		8806087837162	8806098055746	

		55EJ5D
PANEL	Screen Size	55"
	Panel Technology	OLED
	Aspect Ratio	16:9
	Native Resolution	1,920 x 1,080 (FHD)
	Brightness	100/400 cd/m ² (APL 100% / 25%) * Average picture level
	Dynamic CR	100,000:1
	Viewing Angle (H x V)	178 x 178
	Response Time	1 ms (G to G), 8 ms (MPRT)
	Surface Treatment	Hard coating (2H), Anti-reflection treatment of the front polarizer (Reflectance typ. 1.0%)
	Guaranteed Operating Hours	18 hrs/7 days (Moving video only)
	Orientation	Landscape & Portrait
CONNECTIVITY	Input	HDMI, DP
	Output	DP, Audio
	External Control	RS232C in/out, RJ in/out, IR Receiver, USB 2.0, USB 3.0
PHYSICAL SPECIFICATION	Bezel Color	Black
	Bezel Width	1.2, 1.2, 1.2, 1.2 mm (U, B, L, R *Offset bezel)
	Dimension (W x H x D)	Head: 1,227 x 702.1 x 3.65 mm, Signage Box: 420 x 230 x 75 mm
	Weight	Head: 5.5 kg, Signage Box: 5.3 kg, Wall Bracket: 1.8 kg
	Carton Dimensions (W x H x D)	1,383 x 834 x 252 mm
	Packed Weight	22.5 kg
SPECIAL FEATURES	Temperature Sensor, Cooling FAN, Source Selection, DPM Select, Energy Saving, Motion Eyecare, File Play with USB, Internal Memory (64 GB), Wi-Fi Dongle Ready, USB Cloning, Contents Scheduling, Local Time Auto Setting, Failover, Mirroring, SoftAP, BEACON, DP daisy chain	
ENVIRONMENT CONDITIONS	Operation Temperature	0°C to 40°C
	Operation Humidity	10% to 80%
POWER	Power Supply	100-240 V~, 50/60 Hz
	Power Type	Built-in Power
POWER CONSUMPTION	Typ.	190 W
	DPM	Less than 3 W
	Power off	Less than 0.5 W
STANDARD (CERTIFICATION)	Safety	UL/cUL/CB/TUV/KC
	EMC	FCC Class "A"/CE/KCC
	ErP/Energy Star	Yes/NA
MEDIA PLAYER COMPATIBILITY	OPS-Type Compatible	Yes
	External Media Player Attachable	Yes
SOFTWARE COMPATIBILITY	Content Management Software	SuperSign Premium
	Control and Monitoring Software	SuperSign Link
ACCESSORIES	Basic	Remote controller (includes 2 batteries), FPC Extension cable (connection between screen and signage box), Power cord, DP cable, RS-232C cable, RS-232C gender, LAN cable, IR receiver, Manual (ESG, EIG), Wall-mount plate (includes screws), Harness locking cover, Set install guide, Signage box bracket (U-Leg), FPC cable cover
	Optional	OPS Kit (KT-OPSA)
EAN	8806087865066	

55"

1227 x 702,1 x 3,65 mm

5,5 Kg



		65EV5C	55EV5D
PANEL	Screen Size	65"	55"
	Panel Technology	OLED	OLED
	Aspect Ratio	16:9	16:9
	Native Resolution	3,840 x 2,160 (UHD)	1,920 x 1,080 (FHD)
	Brightness	450/140 cd/m ² (APL*25%/100%)	400/150 cd/m ² (APL*25%/100%)
	Color Gamut	129%	120%
	Viewing Angle (H x V)	178 x 178	178 x 178
	Operation Hours	12 hrs/7days (Moving video only)	18 hrs/7days (Moving video only)
CONNECTIVITY	Input	HDMI, DP, USB	
	Output	DP, Audio (55" only)	
	External Control	RS232C in/out, IR out (55" only), RJ45 in/out, IR receiver	
PHYSICAL SPECIFICATION	Bezel Color	Black	Black
	Bezel Width	(Off Bezel) 1.2 / 1.2 / 1.2 / 1.2 mm (U/B/L/R) (On Bezel) 10.5 / 10.5 / 10.5 / 11.0 mm (U/B/L/R) (Seam) 9.5 mm	(Off-bezel) 1.2 / 1.2 / 1.2 / 1.2 mm (U/B/L/R) (On-bezel) 5.6 / 5.6 / 5.6 / 11.0 mm (U/B/L/R) (Seam) 3.5 mm
	Dimension (W x H x D)	(Head) 1x2: 1,639 x 1,450.5 x 7.9 mm 1x3: 2,452 x 1,450.5 x 7.9 mm (Main Box) 390.2 x 423 x 24.2 mm (PSU Box) 523 x 243 x 56 mm	(Head) 1x2: 1,382 x 1,220.9 x 7.9 mm 1x3: 2,066.3 x 1,220.9 x 7.9 mm (T-Con Box) 312.2 x 213.4 x 16 mm (Signage Box) 412.6 x 222.4 x 64.3 mm
	Weight	(Head) 1x2: 44 kg, 1x3: 66 kg (Main Box) 4.3 kg / ea (PSU Box) 3.9 kg / ea	(Head) 1x2: 18.4 kg, 1x3: 27.4 kg (T-Con Box) 1.6 kg / ea (Signage Box) 4.3 kg / ea
	Carton Dimensions (W x H x D)	1x2: 1,940 x 1,120 x 536 mm 1x3: 1,940 x 1,120 x 646 mm	1x2: 1,370 x 1,120 x 482 mm 1x3: 1,370 x 1,120 x 482 mm
	Packed Weight	1x2: 90.3 kg, 1x3: 119.6 kg	1x2: 78.2 kg, 1x3: 93.7 kg
	SPECIAL FEATURES	Temperature Sensor, Cooling FAN, Tile Mode, Natural mode@Tile Mode, DPM Select, Energy Saving, File Play with USB, Internal Memory (55": 64GB, 65":128GB), USB Cloning, Calibration Mode, DP daisy chain	
	ENVIRONMENT CONDITIONS	Operation Temperature	0 °C to 40 °C
	Operation Humidity	10 % to 80 %	10 % to 80 %
POWER	Power Supply	100-240V-, 50/60Hz	100-240V-, 50/60Hz
	Power Type	Built-In Power	Built-In Power
POWER CONSUMPTION	Typ.	230 W	190 W
	DPM	3 W	3 W
	Power off	0.5 W	0.5 W
STANDARD (CERTIFICATION)	Safety	UL / cUL / CB / TUV / KC	UL / cUL / CB / TUV / KC
	EMC	FCC Class "A" / CE / KCC	FCC Class "A" / CE / KCC
	ErP/Energy Star	Yes / NA	Yes / NA
MEDIA PLAYER COMPATIBILITY	OPS-Type Compatible	No	Yes
	External Media Player Attachable	Yes	Yes
SOFTWARE COMPATIBILITY	Content Management Software	SuperSign Premium	SuperSign Premium
	Control and Monitoring Software	SuperSign C	SuperSign Link
ACCESSORIES	Basic (1x1)	Remote Controller (include battery 2ea), Power Cord, QSG, Power Harness Cable (3M x 1 ea, for connection between power box and signage box), IR receiver, Regulation Book, FFC Cables (120mm x 4ea), Phone to RS232C Gender, Phone to Phone (4pin) Cable, DP Cable, LAN Cable	Remote Controller (include battery 2ea), Power Cord, QSG, HDMI Cable (3M x 1 ea for connection between T-Con box and signage box), Power Harness Cable (3M x 1 ea for connection between T-Con box and signage box), IR receiver, Regulation Book, Phone to RS232C Gender, Signage Box Jack Cover, T-Con Box Jack Cover, Signage Box Mounting Bracket, T-Con Box Mounting Bracket, FFC Cables (350mm x 4ea, 1600mm x 4ea for connection between panel and T-Con box), Phone to Phone (4pin) Cable, DP Cable, LAN Cable, LC Cable (VLC)
	Optional	-	OPS Kit (KT-OPSA)
EAN		65EV5C-2EAU: 8806084834164 / 65EV5C-3AEU: 8806084833815	55EV5D-2EAU: 8806098140084 / 55EV5D-3VAU: 8806098140152

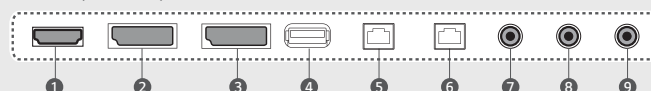
Conessioni

65EV5C / 55EV5D

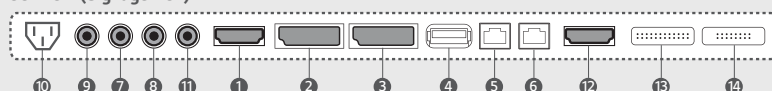


- 1 HDMI IN
- 2 DP IN
- 3 DP OUT
- 4 USB 3.0 IN
- 5 LAN IN
- 6 LAN OUT
- 7 RS232C IN
- 8 RS232C OUT
- 9 IR IN
- 10 AC IN
- 11 AUDIO OUT
- 12 HDMI OUT
- 13 22PIN POWER
- 14 16PIN POWER

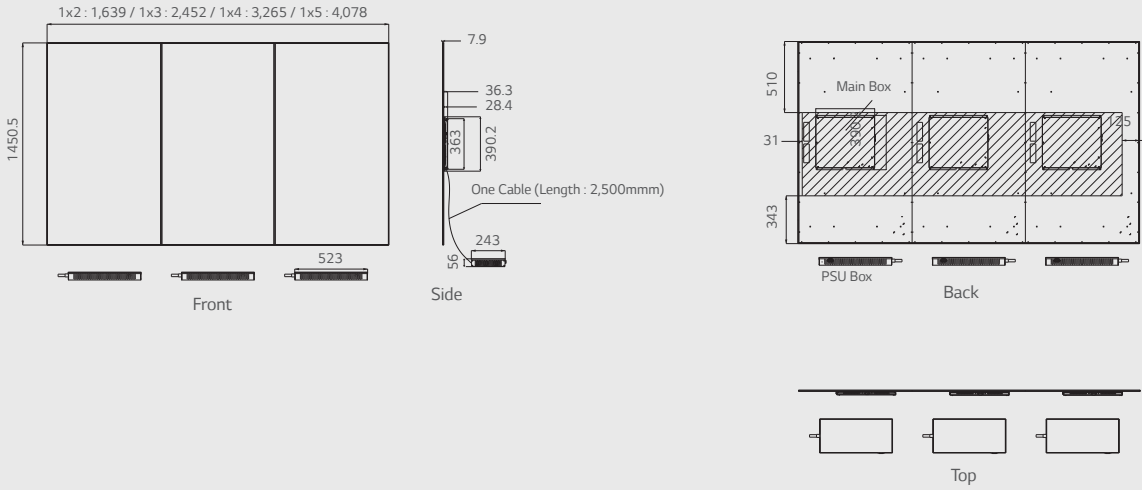
65EV5C (Main Box)



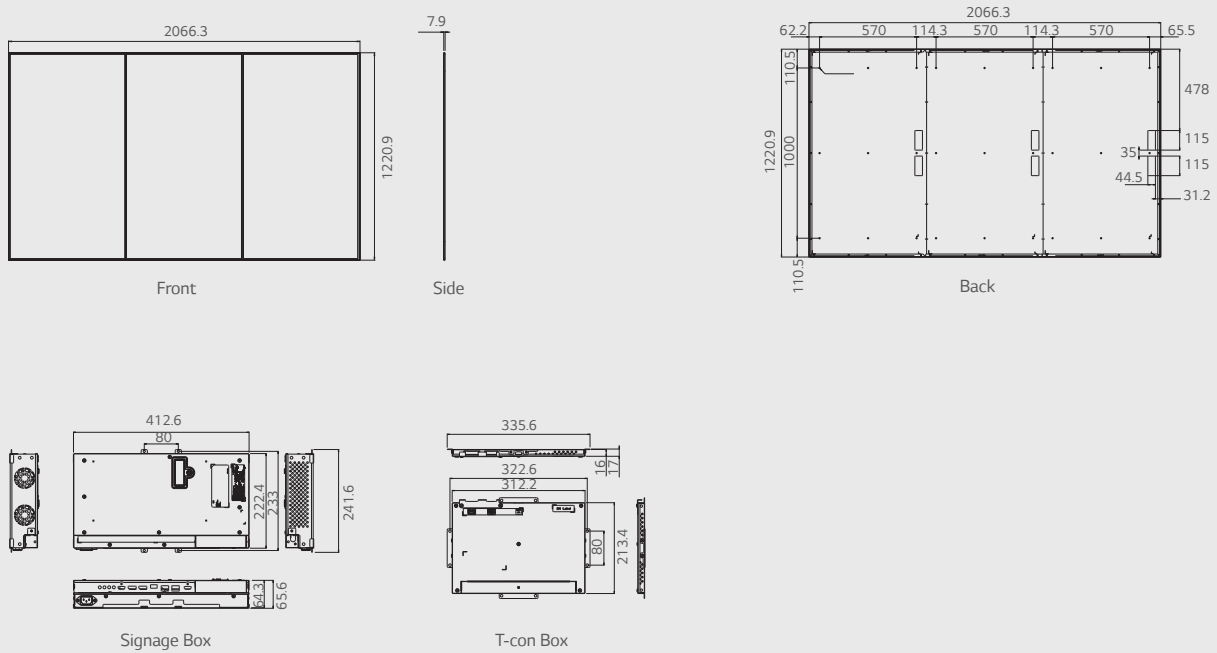
55EV5D (Signage Box)



65EV5C



55EV5D



		55EH5C
PANEL	Screen Size	55"
	Panel Technology	OLED
	Aspect Ratio	16 : 9
	Native Resolution	1,920 x 1,080 (FHD)
	Brightness	100/400 cd/m ² (APL 100 % / 25 %) * Average Picture Level
	Contrast Ratio	100,000 : 1
	Viewing Angle(H x V)	178 x 178
	Response Time	1 ms (G to G), 8 ms (MPRT)
	Surface Treatment	Hard coating (2H), Anti-reflection treatment of the front polarizer (Reflectance Typ.1.0%)
	Operation Hours	18 hrs / 7 days (moving video only)
CONNECTIVITY	Orientation	Portrait & Landscape
	Input	HDMI (1+1), DP (1+1), DVI-D (1+1)
	Output	Audio (1+1)
	External Control	RS232C (1+1), RJ45 (1+1), IR Receiver, USB 2.0 (2), USB 3.0 (2)
PHYSICAL SPECIFICATION	Bezel Color	Silver
	Bezel Width	2, 2, 2, 2 mm (U, B, L, R *Off-bezel)
	Dimension(W x H x D)	Head : 1,227.6 x 702.7 x 7.94 mm (Edge depth : 8.94 mm) Signage Box : 470.1 x 402.8 x 75 mm
	Weight	Head : 21 kg / Signage Box : 8 kg
	Carton Dimensions(W x H x D)	1,344 x 987 x 269 mm (Inner)
	Packed Weight	36.5 kg
SPECIAL FEATURES	Temperature Sensor, Cooling FAN, Source Selection, DPM Select, Energy Saving, Motion Eyecare, Power Indicator On/Off, File Play with USB, Internal Memory (8 GB), Wi-Fi Dongle Ready, USB Cloning, Contents Scheduling, Local time auto setting, Fail over, Mirroring, SoftAP, BEACON	
ENVIRONMENT CONDITIONS	Operation Temperature	0°C to 40°C
	Operation Humidity	10 % to 80 %
POWER	Power Supply	100-240V~, 50/60Hz
	Power Type	Built-In Power
POWER CONSUMPTION	Typ.	375 W
	DPM	3 W
	Power off	0.5 W
STANDARD (CERTIFICATION)	Safety	UL / cUL / CB / TUV / KC
	EMC	FCC Class "A" / CE / KCC
	ErP / Energy Star	Yes / NA
MEDIA PLAYER COMPATIBILITY	OPS Type Compatible	Yes
	External Media Player Attachable	Yes
SOFTWARE COMPATIBILITY	SuperSign W/Lite	Yes
	SuperSign C	Yes
ACCESSORY	Basic	Remote Controller (included 2ea batteries), Power Cord, QSG, Mini HDMI Cable (3M x 2ea, for connection between head and signage box), Power Hanness Cable (3M x 2ea, for connection between head and signage box), Regulation Book, Phone to RS232C Gender, Jack Cover, Signage Box Mounting Bracket
	Optional	OPS Kit (KT-OPSA), Fixed Ceiling Mount Kit (ACC-CF-EH5C), Rotational Ceiling Mount Kit (ACC-CR-EH5C), Wall Mount Kit (ACC-W-EH5C), Stand Kit 1 (ACC-S-EH5C), Stand Kit 2 (ACC-S1-EH5C), Signage Box Cover (ACC-C-EH5C)
EAN	8806087744194	

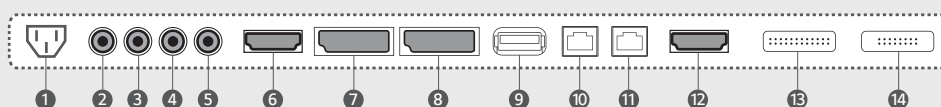
		55EF5DE
PANEL	Screen Size	55"
	Panel Technology	OLED
	Aspect Ratio	16 : 9
	Native Resolution	1,920 x 1,080 (FHD)
	Brightness	400/150 cd/m ² (APL* 25%/100%)
	Contrast Ratio	150,000 : 1
	Viewing Angle (H x V)	178 x 178
	Life time (Typ.)	30,000 Hrs
	Operation Hours	18 Hrs / 7 Days (Moving Video Only)
	Orientation	Landscape & Portrait
CONNECTIVITY	Input	HDMI, DP, USB 3.0
	Output	DP, Audio
	External Control	RS232C In/out, RJ45 In/out, IR In
PHYSICAL SPECIFICATION	Bezel Color	Black
	Bezel Width (On-Bezel)	Landscape: 5.2 / 10.6 / 7.6 / 7.6 mm, Portrait: 5.0 / 5.0 / 7.8 / 13.2 mm
	Monitor Dimension (W x H x D)	Landscape: 1,224.9 x 696.2 x 31.5 mm (OR, Flat, Display Only) 1,224.9 x 696.2 x 93.1 mm (OR Flat, Set**) 1,209.5 x 696.2 x 196.5 mm (2,000R Concave, Set) 1,209.7 x 696.2 x 157.8 mm (2,000R Convex, Set) Portrait: 701.4 x 1,219.7 x 31.5 mm (OR Flat, Display Only) 701.4 x 1,219.7 x 93.1 mm (OR Flat, Set) 697.8 x 1,219.7 x 134 mm (1,500R Concave, Set) 698 x 1,219.7 x 92 mm (1,500R Concave, Set)
	Weight	Landscape / Portrait: 14 kg (Set)
	Carton Dimensions (W x H x D)	1,350 x 837 x 250 mm
	Packed Weight	Landscape / Portrait: 21 kg (Set)
	SPECIAL FEATURES	Internal Memory 64GB, Temperature Sensor, webOS3.0+, USB Auto Playback, Local Contents Scheduling, Group Manager, Fail Over, Video Tag (2), OSD Rotation, Content Rotation, Gapless Playback, Tile Mode Setting, Firmware Update by Network, SNMP, ISM Mode, Auto Set ID, Control Manager, HDMI-CEC***, SI Server Setting, webRTC
ENVIRONMENT CONDITIONS	Operation Temperature Range	0°C to 40°C
	Operation Humidity Range	10% to 80%
POWER	Power Supply	100-240V~, 50/60Hz
	Power Type	Built-In Power
	Power Consumption Typ. / Max.	230 W / 260 W
CERTIFICATION	Safety	UL / cUL / CB / TUV / KC
	EMC	FCC Class "A" / CE / KCC
	ErP / Energy Star	Yes / N/A
MEDIA PLAYER COMPATIBILITY	OPS Type Compatible	Yes
	External Media Player Attachable	Yes
SOFTWARE COMPATIBILITY	Content Management Software	SuperSign CMS
	Control and Monitoring Software	SuperSign Link
ACCESSORIES	Basic	Remote Controller (2ea Batteries Included), Power Cord, QSG, HDMI Cable (1M x 1ea for Connection Between T-con Box and Signage Box), Power Harness Cable (1M x 1ea for Connection Between T-con Box and Signage Box), IR Receiver, Regulation Book, Phone to RS232C Gender, Jack Cover, Signage Box Mounting Bracket, FFC Cables (350mm x 4ea for Connection Between Panel and T-con Box), DP Cable, LAN Cable, LC (VLC Cable)
	Optional	Accessory Type1 (CaseTop / Bar): A3L****EF5E, A3P****EF5E Accessory Type2 (Jig): A2L****EF5C, A2P****EF5C, OPS Kit (KT-OPSA)
EAN	55EF5DE-LAEU: 8806098235971 / 55EF5DE-PAEU: 8806098236046	

Conessioni

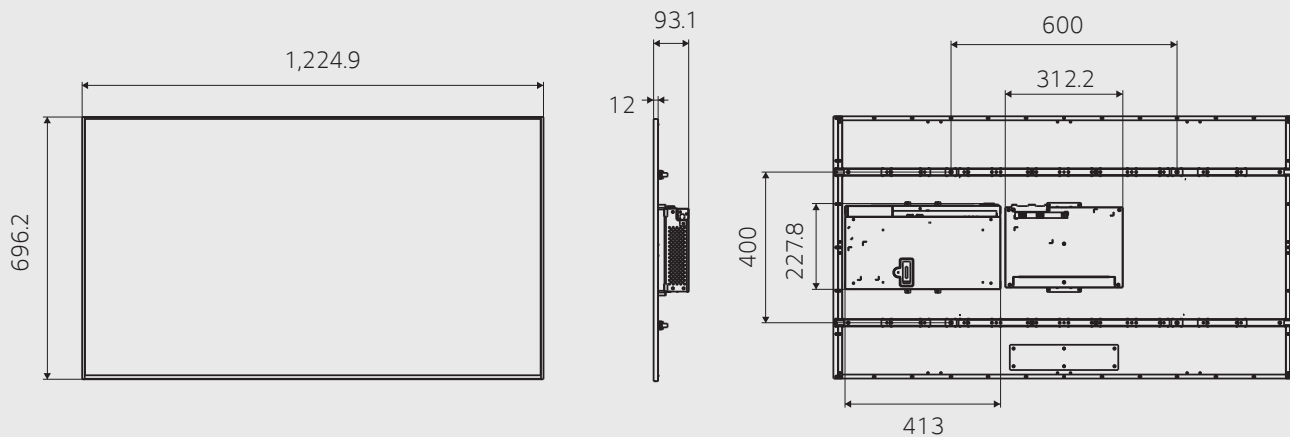
55EF5DE



- 1 AC IN
- 2 IR IN
- 3 RS232C IN
- 4 RS232C OUT
- 5 AUDIO OUT
- 6 HDMI IN
- 7 DP IN
- 8 DP OUT
- 9 USB 3.0 IN
- 10 LAN IN
- 11 LAN OUT
- 12 HDMI OUT
- 13 22PIN POWER
- 14 16PIN POWER



55"



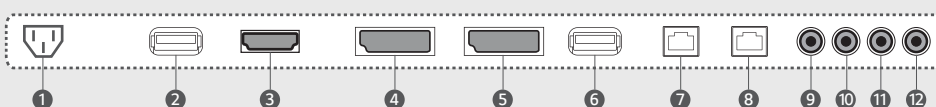
		55EF5E
PANEL	Screen Size	55"
	Panel Technology	OLED
	Aspect Ratio	16 : 9
	Native Resolution	1,920 x 1,080 (FHD)
	Brightness	400/150 cd/m ² (APL ¹ 25%/100%)
	Contrast Ratio	150,000 : 1
	Viewing Angle (H x V)	178 x 178
	Life Time (Typ.)	30,000 Hrs
	Operation Hours	18 Hrs / 7 Days (Moving Video Only)
	Orientation	Landscape & Portrait
CONNECTIVITY	Input	HDMI, DP, USB 2.0 (2)
	Output	DP, Audio (Fixed/Off/Variable)
	External Control	RS232C In/out, RJ45 In/out, IR In
PHYSICAL SPECIFICATION	Bezel Color	Black
	Bezel Width (T/B/L/R)	Landscape: 0.6 / 0.6 / 6.7 / 6.7 mm (Flat, Off Bezel) Portrait: 0.6 / 0.6 / 6.7 / 6.7 mm (Flat, Off Bezel) Landscape: 5.0 / 10.6 / 7.6 / 7.6 mm (Flat, On Bezel) Portrait: 5.0 / 5.0 / 7.8 / 13.2 mm (Flat, On Bezel)
	Monitor Dimension (W x H x D)	Landscape: 1,224.9 x 696.2 x 38.0 mm (Head, w/Pem-nut) Portrait: 701.4 x 1,219.7 x 38.0 mm (Head, w/Pem-nut) Landscape: 1,224.9 x 696.2 x 12.4 mm (Head Only) Portrait: 701.4 x 1,219.7 x 12.4 mm (Head Only) Signage Box: 413 x 353 x 57.3 mm
	Weight	Landscape: 9.9 kg (Set) Portrait: 9.9 kg (Set) Signage Box: 3.5 kg
	Carton Dimensions (W x H x D)	1,350 x 837 x 250 mm
	Packed Weight	Landscape: 17 kg / Portrait: 17 kg
	SPECIAL FEATURES	Internal Memory (64GB), Temperature Sensor, webOS 3.0+, USB Auto Playback, Local Contents Scheduling, Group Manager, Failover (USB/DP/HDMI/Internal Memory), Content Sync. (RS232C/Local Network), Video Tag(2), OSD/Content Rotation, Gapless Playback, Tile Mode, Setting Data Cloning, Firmware Update by Network, SNMP, ISM Mode, DPM, Wake on LAN, HDMI-CEC ² , Crestron Connected ³
ENVIRONMENT CONDITIONS	Operation Temperature	0°C to 40°C
	Operation Humidity	10% to 80%
POWER	Power Supply	100-240V~, 50/60Hz
	Power Type	Built-In Power
CERTIFICATION	Power Consumption Typ. / Max.	309 W ⁴ / 318 W ⁴
	Safety	IEC 60950-1 / EN 60950-1 / UL 60950-1
	EMC	FCC Class "A" / CE / KCC
MEDIA PLAYER COMPATIBILITY	ErP / Energy Star	Yes / No
	OPS Type Compatible	No
SOFTWARE COMPATIBILITY	External Media Player Attachable	Yes
	Content Management Software	SuperSign CMS
ACCESSORIES	Control and Monitoring Software	SuperSign Control+ / Control
	Basic	Remote Controller (2 Batteries Included), Power Cord, QSG, IR Receiver, Regulation Book, Phone to RS232C Gender, RS232 Cable (4p-4p), FFC Cables (220mm x 4ea for Connection between Panel and Signage Box), DP Cable, LAN Cable, LC (VLC Cable)
EAN	Optional	Curvature Calibrator (ACC-CC-EF5E)
		55EF5E-LAEU: 8806098236091 55EF5E-PAEU: 8806098236169

Conessioni

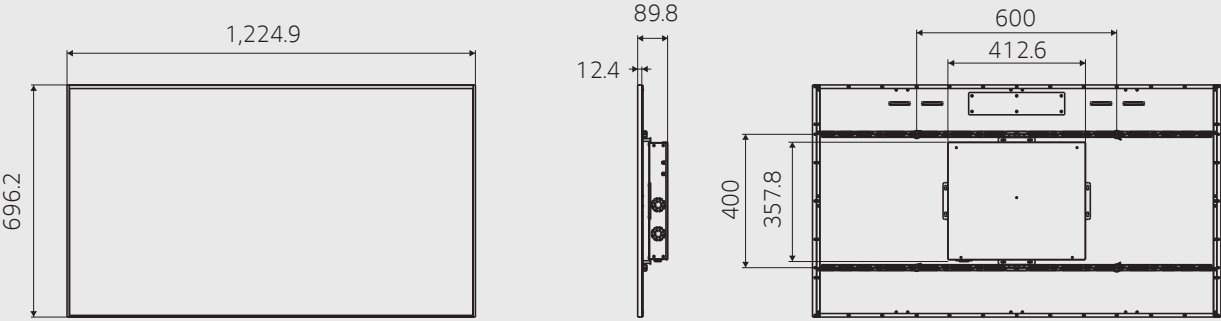
55EF5E



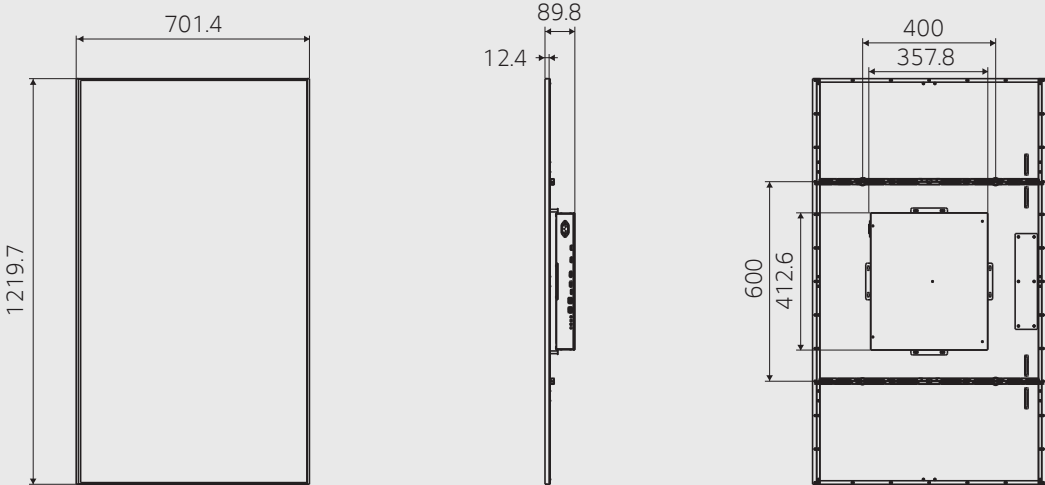
- 1 AC IN
- 2 USB IN 1
- 3 HDMI IN
- 4 DP IN
- 5 DP OUT
- 6 USB IN 2
- 7 LAN IN
- 8 LAN OUT
- 9 IR IN
- 10 RS232C IN
- 11 RS232C OUT
- 12 AUDIO OUT



Landscape (Flat, w/ Signage Box)



Portrait (Flat, w/ Signage Box)



* Dimensions may vary depending on the curvature of the display.

MONITOR SIGNAGE **ULTRA STRETCH**

BH7D

88"

BH7C / BH5C

86"



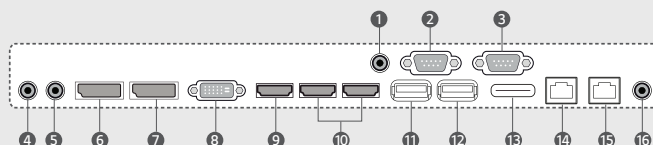
		88BH7D
PANEL	Screen Size	88"
	Panel Technology	IPS
	Aspect Ratio	32:9
	Native Resolution	3,840 x 1,080 (UHD)
	Brightness	700 cd/m ² (Typ)
	Contrast Ratio	1,100:1 (Typ)
	Dynamic CR	500,000:1 (Typ)
	Viewing Angle(H x V)	178 x 178
	Color Depth	1 ms (G to G), 8 ms (MPRT)
	Response Time	8ms(G to G BW) typ.
	Surface Treatment	AGLR (Haze 3%)
Orientation	Landscape & Portrait Mode	
CONNECTIVITY	Input	HDMI (3), DP, OPS, DVI-D, Analog Audio, USB 2.0, USB 3.0, SD Card
	Output	DP, Analog Audio
	External Control	RS232C In/Out, RJ45 In/Out, IR+B Receiver, Pixel Sensor
PHYSICAL SPECIFICATION	Bezel Color	Black
	Bezel Width	4.4 mm (L/R), 5.9 mm (U/D)
	Monitor Dimension (W x H x D)	2,158.3 x 611.2 x 84.8 mm
	Weight (Head)	38 kg
	Carton Dimensions (W x H x D)	2,274 x 717 x 212 mm
	Packed Weight	51 kg (Pallet included)
	Handle	Yes
VESA™ Standard Mount Interface	600 x 400 mm	
SPECIAL FEATURES	Temperature Sensor, Auto Brightness Sensor, Tile Mode, Natural Mode@Tile Mode, ISM Method, DPM Select, Energy Saving, Smart Energy Saving, File Play with USB/SD/Internal Memory, PIP/PBP, 8GB (System 4GB + Available 4GB), Wi-Fi Dongle Ready, 4K Up Scaling	
ENVIRONMENT CONDITIONS	Operation Temperature Range	0 °C to 40 °C
	Operation Humidity Range	10 % to 80 %
POWER	Power Supply	100-240V-, 50/60Hz
	Power Type	Built-In Power
	Power Typ. / Max.	500 W / 550 W
	Consumption Smart Energy Saving	30% of typical
STANDARD (CERTIFICATION)	Safety	UL / cUL / CB / TUV / KC
	EMC	FCC Class "A" / CE / KC
	Energy	NA / CEL
MEDIA PLAYER COMPATIBILITY	OPS PC compatible (optional)	Yes
	External Media player Attatchable	No
SOFTWARE COMPATIBILITY	Content Management Software	SuperSign Premium
	Control and Monitoring Software	SuperSign C
ACCESSORY	Basic	Remote Controller (including battery 2ea), Power Cord, DP (2.6M), RS-232C Cable (3M), Owner's Manual (Website upload)
	Optional	AN-WF500 (Wi-Fi USB Dongle), MP700, KT-OPSA (OPS KIT), KT-SP0 (RGB Sensor) ** Stand is not available
EAN	8806087764338	

Conessioni

88BH7D

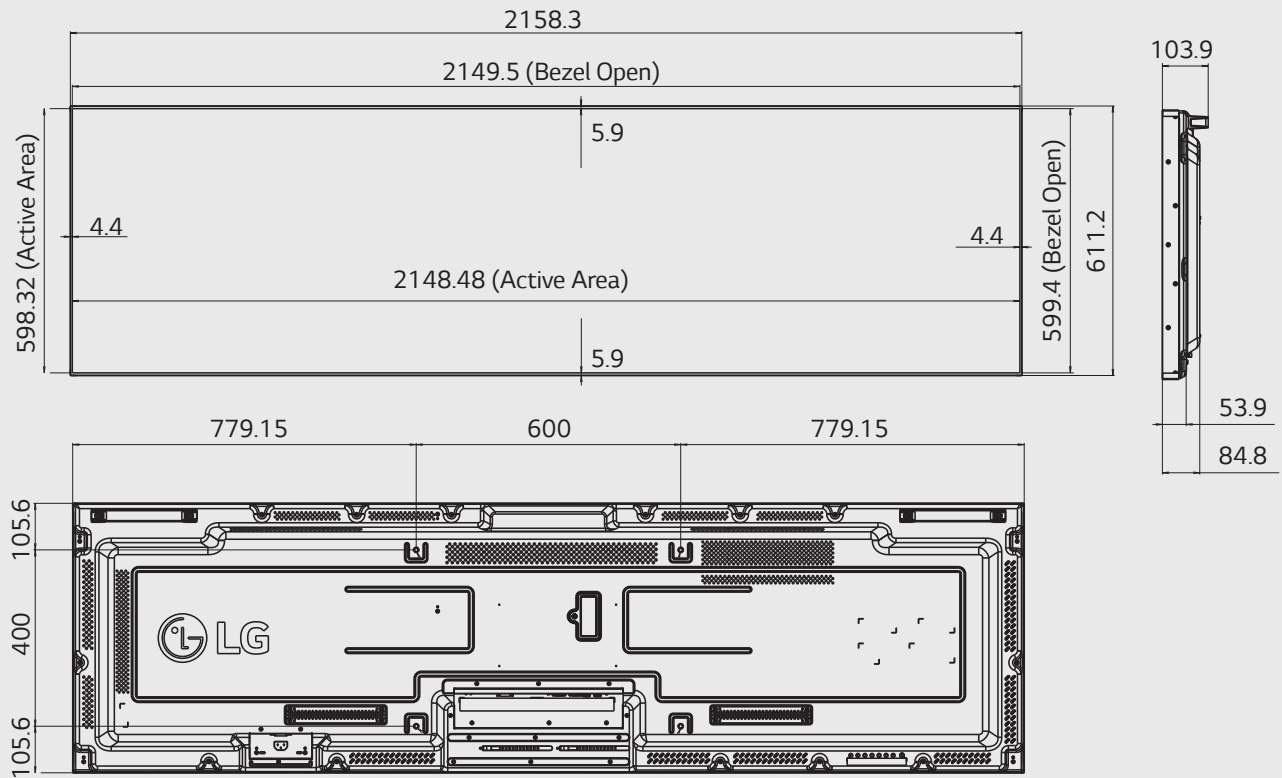


- 1 IR & LIGHT SENSOR
- 2 RS-232C In
- 3 RS-232C Out
- 4 AUDIO In
- 5 AUDIO Out
- 6 DP Out
- 7 DP In
- 8 DVI-D In
- 9 HDMI 1.4
- 10 HDMI 2.0
- 11 USB 2.0
- 12 USB 3.0
- 13 SD Card
- 14 LAN In
- 15 LAN Out
- 16 Pixel Sensor



88"

2,158.3 x 611.2 x 84.8 mm / 38 kg



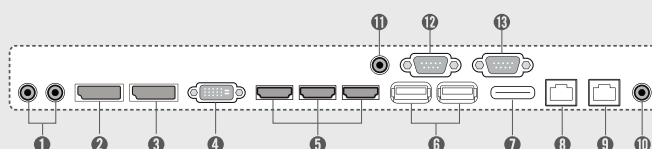
		86BH5C/86BH7C
PANEL	Screen Size	86"
	Panel Technology	IPS
	Aspect Ratio	58:9
	Native Resolution	3,840 x 600 (UHD)
	Brightness	86BH5C: 500 cd/m ² (Typ), 86BH7C: 700 cd/m ² (Typ)
	Contrast Ratio	1,100:1 (Typ)
	Dynamic CR	500,000:1 (Typ)
	Viewing Angle (H x V)	178 x 178
	Response Time	8ms (G to G BW) Typ
	Surface Treatment	AGP (10% Haze)
Life Time	50,000 Hrs	
Orientation	Landscape / Portrait	
CONNECTIVITY	Input	HDMI, DP, OPS, DVI-D, USB 2.0, USB 3.0, SD Card
	Output	Analog Audio
	External Control	RS232C, RJ45, IR+B Receiver, Pixel Sensor, Analog Audio
PHYSICAL SPECIFICATION	Bezel Color	Black
	Bezel Width	4.4 mm (L/R), 5.9 mm (T/B)
	Monitor Dimension (W x H x D)	2,158.3 x 348.5 x 81.7 mm
	Weight (Head)	20.5 kg
	Carton Dimensions (W x H x D)	2,290 x 228 x 599 mm
	Packed Weight	38.2 kg
	VESA™ Standard Mount Interface	600 x 200 mm
SPECIAL FEATURES	Temperature Sensor, Auto Brightness Sensor, Tile Mode, Natural Mode@Tile Mode, ISM Method, Energy Saving, Smart Energy Saving, File Play with USB/SD/Internal Memory, PIP/PBP, 8GB (System 4GB + Available 4GB), Wi-Fi Dongle Ready, 4K Up Scaling	
ENVIRONMENT CONDITIONS	Operation Temperature Range	0 °C to 40 °C
	Operation Humidity Range	10 % to 80 %
POWER	Power Supply	100-240V~, 50/60Hz
	Power Type	Built-In Power
	Power Typ. / Max.	86BH5C: 180W / 220W, 86BH7C: 215W / 255W (TBD)
	Consumption Smart Energy Saving	30% of typical
STANDARD (CERTIFICATION)	Safety	UL / cUL / CB / TUV / KC
	EMC	FCC Class "A" / CE / KC
	ErP / Energy Star	NA / NA
MEDIA PLAYER COMPATIBILITY	OPS Type Compatible	Yes
	External Media Player Attachable	No
SOFTWARE COMPATIBILITY	SuperSign W/Lite	Yes
	SuperSign C	Yes
ACCESSORIES	Basic	Remote Controller (2ea Batteries included), Power Cord, DP (2.6M), RS-232C Cable (3M) Owner's Manual (Website upload)
	Optional	AN-WF500 (Wi-Fi USB Dongle), MP700, KT-OPSA (OPS KIT), KT-SP0 (RGB Sensor) ** Stand is not available
	Pillar	PL-F860 (Developed), PL-S860 (Developed), PL-D860 (Will be released in Oct. 2016 in Korea)
EAN	86BH5C: 8806087566703 86BH7C: 8808992364603	

Conessioni

86BH7C / 86BH5C

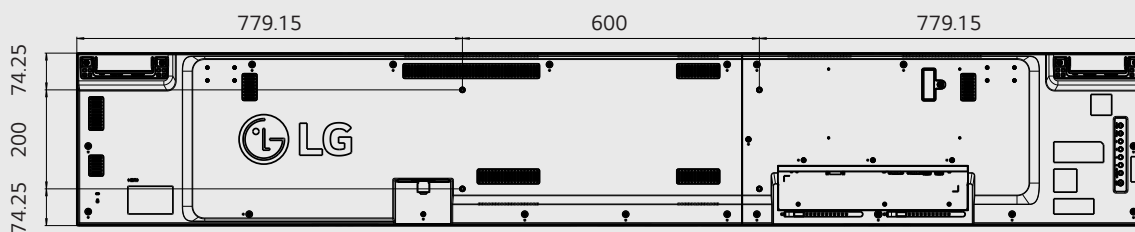
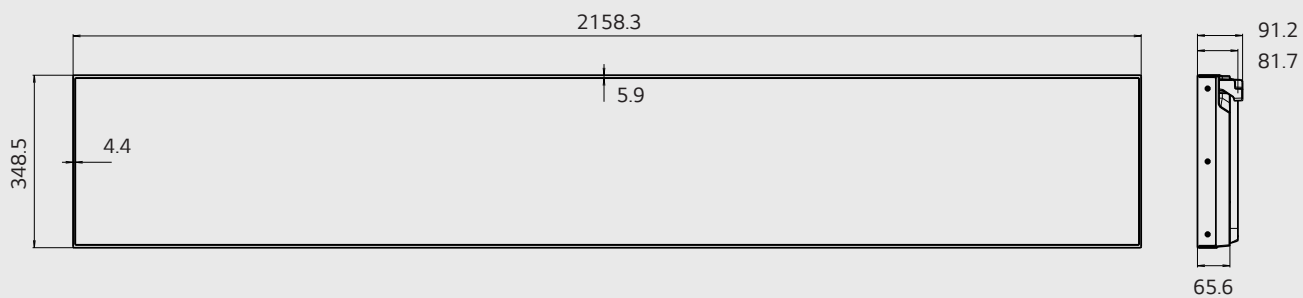


- 1 AUDIO IN/OUT
- 2 DP OUT
- 3 DP IN
- 4 DVI-D IN
- 5 HDMI IN
- 6 USB
- 7 SD Card
- 8 LAN IN
- 9 LAN OUT
- 10 PIXEL SENSOR
- 11 IR & LIGHT SENSOR
- 12 RS-232C IN
- 13 RS-232C OUT



86"

2,158.3 x 348.5 x 81.7mm / 20.5kg



MONITOR SIGNAGE **VIDEO WALL**

VX1D

55"

LV77D

55"

LV35A

55"

VM5C

49"

VH7B-H

55"

VM5B

55"

VH7C

49"

VL5D

49"

VH7B

55"

LV75D

55"

VL7D

49"

VL5B

49"



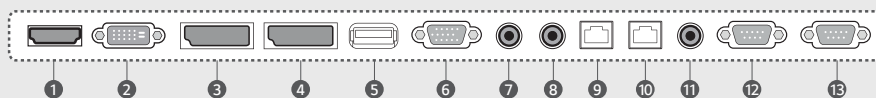
		55VX1D
PANEL	Screen Size	55"
	Panel Technology	IPS
	Aspect Ratio	16:9
	Native Resolution	1,920 x 1,080 (FHD)
	Brightness	1,500 cd/m ²
	Contrast Ratio	1,300:1
	Dynamic CR	500,000:1
	Viewing Angle (H x V)	178 x 178
	Response Time	8 ms (G to G)
	Surface Treatment	Hard coating (2H), Anti-glare treatment of the front polarizer (Haze 3% Typ.)
Operation Hours	24 Hours	
Orientation	Landscape & Portrait	
CONNECTIVITY	Input	HDMI, DP, DVI-D, RGB, Audio In, USB 3.0
	Output	DP, Audio Out
	External Control	RS232C In/Out, RJ45 In/Out, IR Receiver In
PHYSICAL SPECIFICATION	Bezel Color	-
	Bezel Width (B to B)*	2.25 mm (L/T) / 1.25 mm (R/B)
	Monitor Dimension (W x H x D)	1,213.4 x 684.2 x 92.8 mm
	Weight (Head)	23.5 kg
	Carton Dimensions (W x H x D)	1,353 x 855 x 263 mm
	Packed Weight	36.6 kg
VESA™ Standard Mount Interface	600 x 400 mm	
SPECIAL FEATURES	Temperature sensor, Tile mode (Up to 15 x 15), Natural mode @Tile mode, ISM method, DPM select, Energy saving, Smart energy saving, File play with USB, Internal memory (8GB, System 4GB + Available 4GB), USB cloning, Contents scheduling, Fail over, Media share	
ENVIRONMENT CONDITIONS	Operation Temperature Range	0°C ~ 40°C
	Operation Humidity Range	10% ~ 80%
POWER	Power Supply	100-240V~, 50/60Hz
	Power Type	Built-In Power
	Power Typ. / Max.	250 W / 280 W
	Consumption Smart Energy Saving	213 W
STANDARD (CERTIFICATION)	Safety	UL / cUL / CB / TUV / KC
	EMC	FCC Class "A" / CE / KCC
	ErP / Energy Star	NA / Yes (Energy Star 7.0)
MEDIA PLAYER COMPATIBILITY	OPS Type Compatible	-
SOFTWARE COMPATIBILITY	External Media Player Attachable	Yes (MP500/MP700)
SOFTWARE COMPATIBILITY	Content Management Software	SuperSign Premium
	Control and Monitoring Software	SuperSign Link
ACCESSORIES	Basic	Remote controller, Power cable, DP cable, Manual, IR receiver, RS-232C cable, LAN cable, Guide bracket, Screws
	Optional	Wall mount (Landscape: WM-L640V, Portrait: WM-P640V)
EAN	8806087764260	

Conessioni

55VX1D



- ① HDMI IN
- ② DVI-D IN
- ③ DP IN
- ④ DP OUT
- ⑤ USB IN
- ⑥ RGB/COMPONENT/AV IN
- ⑦ AUDIO IN
- ⑧ AUDIO OUT
- ⑨ LAN IN
- ⑩ LAN OUT
- ⑪ IR IN
- ⑫ RS-232C IN
- ⑬ RS-232C OUT

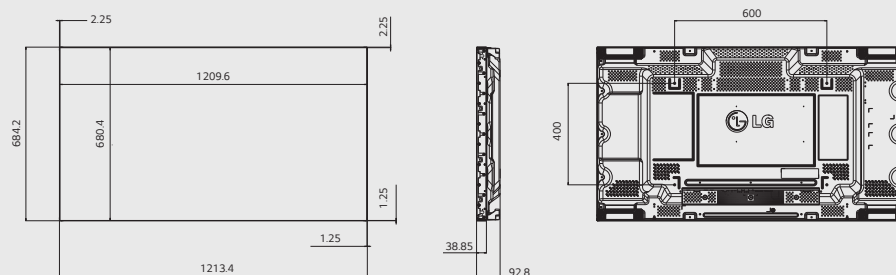


Disegno Tecnico

55"

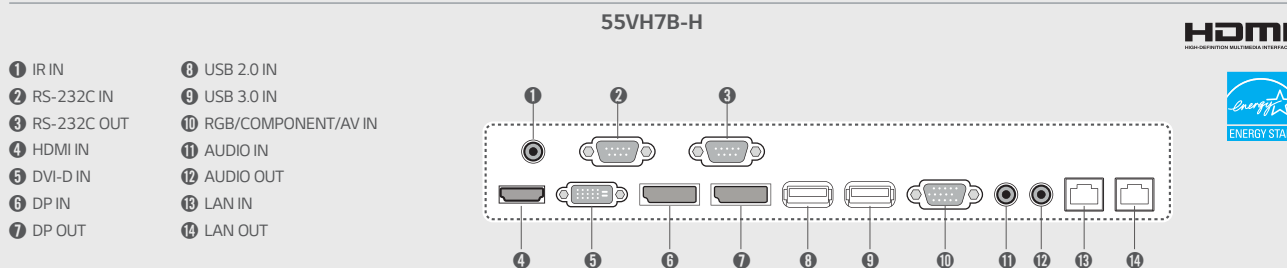
1,213.4 x 684.2 x 92.8 mm /

23.5 kg



		55VH7B-H
PANEL	Screen Size	55"
	Panel Technology	IPS
	Aspect Ratio	16 : 9
	Native Resolution	1,920 x 1,080 (FHD)
	Brightness	700cd/m ²
	Contrast Ratio	1,400:1
	Dynamic CR	500,000:1
	Viewing Angle (H x V)	178 x 178
	Response Time	8ms (G to G)
	Surface Treatment	Hard coating(3H), Anti-glare treatment of the front polarizer (Haze 44%)
	Life time (Typ.)	60,000 Hours
Guaranteed Operating Hour	24 Hours	
Orientation	Portrait & Landscape	
CONNECTIVITY	Input	HDMI, DP, DVI-D, OPS, Audio, USB 2.0, USB3.0, RGB
	Output	DP, Audio
	External Control	RS232C, RJ45, IR Receiver
PHYSICAL SPECIFICATION	Bezel Color	-
	Bezel Width	0.9mm (Top/Bottom/Left/Right even bezel) / 1.8mm *B to B : Panel Bezel + Panel Bezel
	Monitor Dimension (W x H x D)	1,211.4 x 682.2 x 86.5 mm
	Weight (Head)	18.6 kg
	Carton Dimensions (W x H x D)	1,353 x 855 x 263 mm
	Packed Weight	25.3 kg
	VESA™ Standard Mount Interface	600 x 400mm
SPECIAL FEATURES	Temperature Sensor, Tile Mode (up to 15x15), Natural Mode@Tile Mode, Energy Saving, Smart Energy Saving, File Play with USB, Internal Memory (8GB, System 4GB + Available 4GB), Wi-Fi Dongle Ready, USB Cloning, Content Scheduling, Fail over (USB, RGB, DVI, HDMI, Internal Memory)	
ENVIRONMENTAL CONDITIONS	Operating Temperature Range	0 °C to 40 °C
	Operating Humidity Range	10 % to 80 %
POWER	Power Supply	100-240V~, 50/60Hz
	Power Type	Built-In Power
POWER CONSUMPTION	Typ.	220 W
STANDARD (CERTIFICATION)	Smart Energy Saving	110 W
	Safety	UL / cUL / CB / TUV / KC
	EMC	FCC Class "A" / CE / KCC
MEDIA PLAYER COMPATIBILITY	ErP / Energy Star	NA / Yes (Energy Star 6.0)
	OPS Type Compatible	Yes
SOFTWARE COMPATIBILITY	External Media Player Attachable	Yes (MP500/MP700)
	SuperSign W/Lite	Yes
ACCESSORIES	SuperSign C	Yes
	Basic	Remote controller, Power cable, DP cable, Manual, IR receiver, RS-232C cable, LAN cable, Guide bracket, Screws
EAN	Optional	Wall mount (Landscape: WM-L640V, Portrait: WM-P640V), OPS kit (KT-OPSA), HDBaseT (EB-B100)
		8806087826227

Conessioni

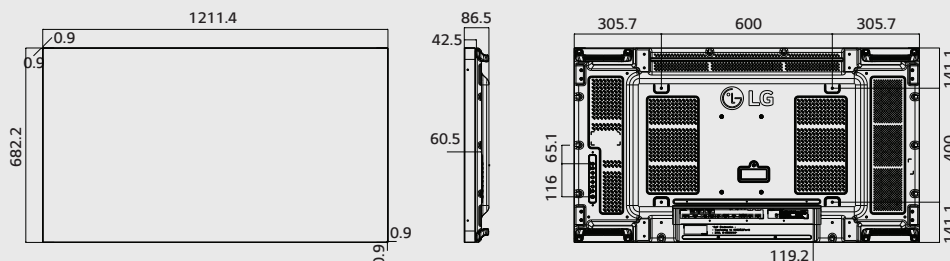


Disegno Tecnico

55"

1,211.4 x 682.2 x 86.5 mm

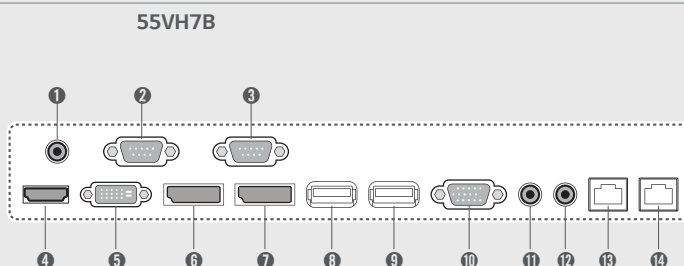
18.6 kg



		55VH7B
PANEL	Screen Size	55"
	Panel Technology	IPS
	Aspect Ratio	16 : 9
	Native Resolution	1,920 x 1,080 (FHD)
	Brightness	700cd/m ²
	Contrast Ratio	1,400:1
	Dynamic CR	500,000:1
	Viewing Angle (H x V)	178 x 178
	Response Time	8ms (G to G)
	Surface Treatment	Hard coating(2H), Anti-reflection treatment of the front polarizer (Reflectance <2%)
	Life time (Typ.)	60,000 Hours
Guaranteed Operating Hour	24 Hours	
Orientation	Portrait & Landscape	
CONNECTIVITY	Input	HDMI, DP, DVI-D, OPS, Audio, USB 2.0, USB3.0, RGB
	Output	DP, Audio
	External Control	RS232C, RJ45, IR Receiver
PHYSICAL SPECIFICATION	Bezel Color	-
	Bezel Width	0.9mm (Top/Bottom/Left/Right even bezel) / 1.8mm *B to B - Panel Bezel + Panel Bezel
	Monitor Dimension (W x H x D)	1,211.4 x 682.2 x 86.5 mm
	Weight (Head)	18.6 kg
	Carton Dimensions (W x H x D)	1,353 x 855 x 263 mm
	Packed Weight	25.3 kg
	VESA™ Standard Mount Interface	600 x 400mm
SPECIAL FEATURES	Temperature Sensor, Tile Mode (up to 15x15), Natural Mode@Tile Mode, Energy Saving, Smart Energy Saving, File Play with USB, Internal Memory (8GB, System 4GB + Available 4GB), Wi-Fi Dongle Ready, USB Cloning, Content Scheduling, Fail over (USB, RGB, DVI, HDMI, Internal Memory)	
ENVIRONMENTAL CONDITIONS	Operating Temperature Range	0 °C to 40 °C
	Operating Humidity Range	10 % to 80 %
POWER	Power Supply	100-240V~, 50/60Hz
	Power Type	Built-In Power
POWER CONSUMPTION	Typ.	220 W
	Smart Energy Saving	110 W
STANDARD (CERTIFICATION)	Safety	UL / cJUL / CB / TUV / KC
	EMC	FCC Class "A" / CE / KCC
	ErP / Energy Star	NA / Yes (Energy Star 6.0)
MEDIA PLAYER COMPATIBILITY	OPS Type Compatible	Yes
	External Media Player Attachable	Yes (MP500/MP700)
SOFTWARE COMPATIBILITY	SuperSign W/Lite	Yes
	SuperSign C	Yes
ACCESSORIES	Basic	Remote controller, Power cable, DP cable, Manual, IR receiver, RS-232C cable, LAN cable, Guide bracket, Screws
	Optional	Wall mount (Landscape: WM-L640V, Portrait: WM-P640V), OPS kit (KT-OPSA), HDBaseT (EB-B100)
EAN	8806087423662	

Conessioni

- 1 IR IN
- 2 RS-232C IN
- 3 RS-232C OUT
- 4 HDMI IN
- 5 DVI-D IN
- 6 DP IN
- 7 DP OUT
- 8 USB 2.0 IN
- 9 USB 3.0 IN
- 10 RGB/COMPONENT/AV IN
- 11 AUDIO IN
- 12 AUDIO OUT
- 13 LAN IN
- 14 LAN OUT

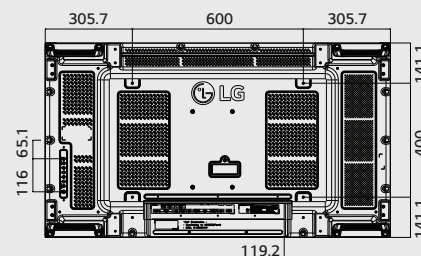
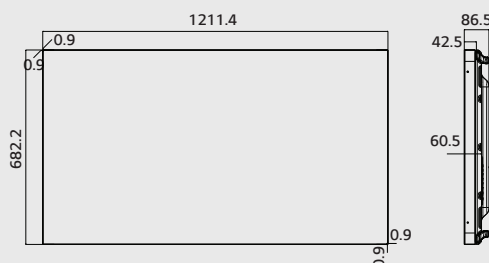


Disegno Tecnico

55"

1,211.4 x 682.2 x 86.5 mm

18.6 kg

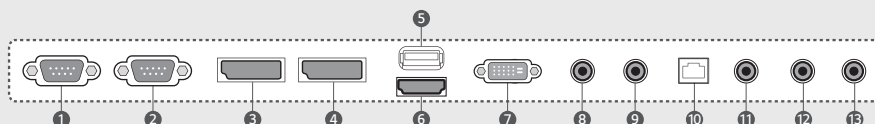


		55LV77D
PANEL	Screen Size	55"
	Panel Technology	IPS
	Aspect Ratio	16:9
	Native Resolution	1,920 x 1,080 (FHD)
	Brightness	700 cd/m ²
	Viewing Angle (H x V)	178 x 178
	Response Time	12 ms (G to G)
	Surface Treatment	Hard coating (3H), Anti-reflection treatment of the front polarizer (Reflectance < 2%)
	Life time	60,000 Hrs
	Guaranteed Operation Hours	24 Hrs
Orientation		Landscape & Portrait
CONNECTIVITY	Input	HDMI, DP, DVI, RGB, Audio, USB
	Output	DP, Audio
	External Control	RS232C In/Out, RJ45 In, IR Receiver
PHYSICAL SPECIFICATION	Bezel Color	Black
	Bezel Width (B to B)*	2.25 mm (L/T) / 1.25 mm (R/B)
	Monitor Dimension (W x H x D)	1,213.4 x 684.2 x 88.5 mm
	Weight (Head)	23 kg
	Carton Dimensions (W x H x D)	1,337 x 828 x 239 mm
	Packed Weight	30.5 kg
	Handle	Yes
VESA™ Standard Mount Interface		600 x 400 mm
SPECIAL FEATURES		Temperature sensor, Cooling FAN (LV77D Only), Tile mode (up to 15x15), Natural mode @Tile mode, ISM method, DPM select, Energy saving, Smart energy saving, File play with USB
ENVIRONMENT CONDITIONS	Operation Temperature Range	0°C to 40°C
	Operation Humidity Range	10% to 80%
POWER	Power Supply	100-240V~, 50/60Hz
	Power Type	Built-in Power
	Power Consumption	Typ. 230 W
	Smart Energy Saving	Max 290 W 130 W
STANDARD (CERTIFICATION)	Safety	UL / cUL / CB / TUV / KC
	EMC	FCC Class "A" / CE / KCC
	ErP / Energy Star	NA / No
MEDIA PLAYER COMPATIBILITY	OPS Type Compatible	No
	External Media Player Attachable	Yes
SOFTWARE COMPATIBILITY	Content Management Software	SuperSign W
	Control and Monitoring Software	SuperSign C
ACCESSORIES	Basic	Remote controller, Power cable, DP cable, IR receiver, RS-232C cable, Tiling guide, Screw
	Optional	WM-L640V (Landscape), WM-P640V (Portrait), Frame kit (Horizontal: FK-55V10 / Vertical: FK-55V20)
EAN		8806098112685

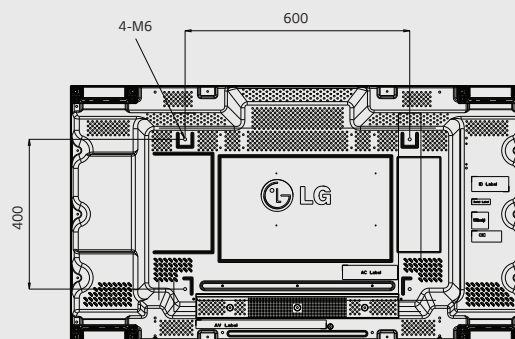
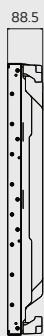
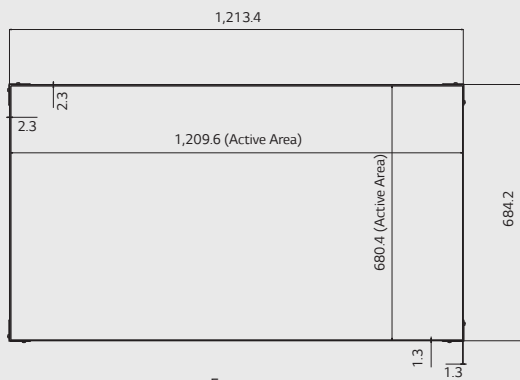
Conessioni

- 1 RS-232C IN
- 2 RS-232C OUT
- 3 DP IN
- 4 DP OUT
- 5 USB IN
- 6 HDMI IN
- 7 DVI IN
- 8 RGB / COMPONENT IN
- 9 IR IN
- 10 LAN
- 11 AV IN
- 12 AUDIO IN
- 13 AUDIO OUT

55LV77D



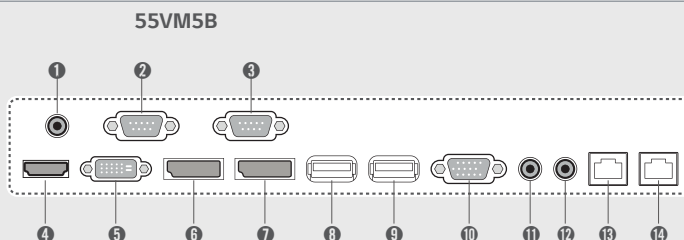
55"
1213.4 x 684.2 x 88.5 mm / 23 kg



		55VM5B
PANEL	Screen Size	55"
	Panel Technology	IPS
	Aspect Ratio	16 : 9
	Native Resolution	1,920 x 1,080 (FHD)
	Brightness	500 cd/m ²
	Contrast Ratio	1,400:1
	Dynamic CR	500,000:1
	Viewing Angle (H x V)	178 x 178
	Response Time	8ms (G to G)
	Surface Treatment	Hard coating(2 H), Anti-glare treatment of the front polarizer (Haze 10 %)
	Guranteed Operating Hour	24 Hours
Orientation	Portrait & Landscape	
CONNECTIVITY	Input	HDMI, DP, DVI-D, OPS, Audio, USB 2.0, USB 3.0, RGB
	Output	DP, Audio
	External Control	RS232C, RJ45, IR Receiver
PHYSICAL SPECIFICATION	Bezel Color	-
	Bezel Width	0.9 mm (Top/Bottom/Left/Right even bezel) 1.8 mm *B to B : Panel Bezel + Panel Bezel
	Monitor Dimension (W x H x D)	1,211.4 x 682.2 x 86.5 mm
	Weight (Head)	18.6 kg
	Carton Dimensions (W x H x D)	1,353 x 855 x 263 mm
	Packed Weight	25.3 kg
	VESA™ Standard Mount Interface	600 x 400 mm
SPECIAL FEATURES	Temperature Sensor, Tile Mode (up to 15 x 15), Natural Mode@Tile Mode, Energy Saving, Smart Energy Saving, File Play with USB, Internal Memory (8 GB, System 4 GB + Available 4 GB), Wi-Fi Dongle Ready, USB Cloning, Content Scheduling, Fail over (USB, RGB, DVI, HDMI, Internal Memory)	
ENVIRONMENTAL CONDITIONS	Operating Temperature Range	0 °C to 40 °C
	Operating Humidity Range	10 % to 80 %
POWER	Power Supply	100-240V~, 50/60Hz
	Power Type	Built-In Power
POWER CONSUMPTION	Typ.	150 W
	Smart Energy Saving	80 W
STANDARD (CERTIFICATION)	Safety	UL / cUL / CB / TUV / KC
	EMC	FCC Class "A" / CE / KCC
	ErP / Energy Star	NA / Yes (Energy Star 7.0)
MEDIA PLAYER COMPATIBILITY	OPS Type Compatible	Yes
	External Media Player Attachable	Yes (MP500/MP700)
SOFTWARE COMPATIBILITY	SuperSign W/Lite	Yes
	SuperSign C	Yes
ACCESSORIES	Basic	Remote controller, Power cable, DP cable, Manual, IR receiver, RS-232C cable, LAN cable, Guide bracket, Screws
	Optional	Wall mount (Landscape: WM-L640V, Portrait: WM-P640V), OPS kit (KT-OPSA), HDBaseT (EB-B100)
EAN	8806087866155	

Conessioni

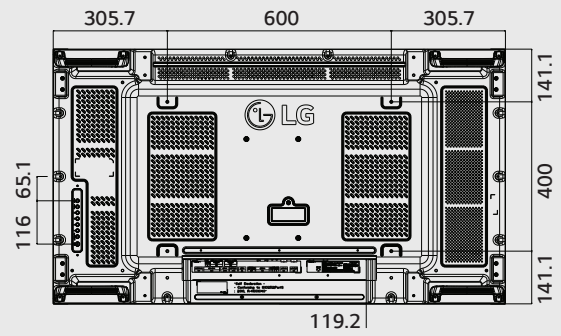
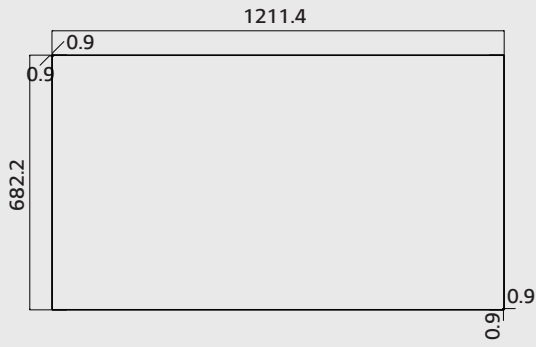
- 1 IR IN
- 2 RS-232C IN
- 3 RS-232C OUT
- 4 HDMI IN
- 5 DVI-D IN
- 6 DP IN
- 7 DP OUT
- 8 USB 2.0 IN
- 9 USB 3.0 IN
- 10 RGB/COMPONENT/AV IN
- 11 AUDIO IN
- 12 AUDIO OUT
- 13 LAN IN
- 14 LAN OUT



55"

1,211.4 x 682.2 x 86.5 mm

18.6 kg

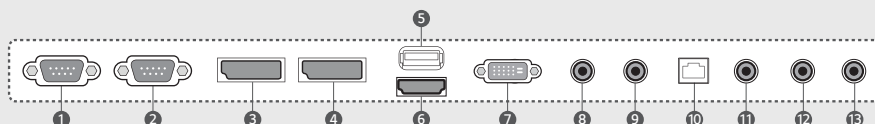


		55LV75D	
PANEL	Screen Size	55"	
	Panel Technology	IPS	
	Aspect Ratio	16:9	
	Native Resolution	1,920 x 1,080 (FHD)	
	Brightness	500 cd/m ²	
	Viewing Angle (H x V)	178 x 178	
	Response Time	12 ms (G to G)	
	Surface Treatment	Hard coating (3H), Anti-glare treatment of the front polarizer (Haze 10%)	
	Life time	60,000 Hrs	
	Guaranteed Operation Hours	24 Hrs	
Orientation		Landscape & Portrait	
CONNECTIVITY	Input	HDMI, DP, DVI, RGB, Audio, USB	
	Output	DP, Audio	
	External Control	RS232C In/Out, RJ45 In, IR Receiver	
PHYSICAL SPECIFICATION	Bezel Color	Black	
	Bezel Width (B to B)*	2.25 mm (L/T) / 1.25 mm (R/B)	
	Monitor Dimension (W x H x D)	1,213.4 x 684.2 x 88.5 mm	
	Weight (Head)	23 kg	
	Carton Dimensions (W x H x D)	1,337 x 828 x 239 mm	
	Packed Weight	30.5 kg	
	Handle	Yes	
VESA™ Standard Mount Interface		600 x 400 mm	
SPECIAL FEATURES		Temperature sensor, Cooling FAN (LV75D Only), Tile mode (up to 15x15), Natural mode @Tile mode, ISM method, DPM select, Energy saving, Smart energy saving, File play with USB	
ENVIRONMENT CONDITIONS	Operation Temperature Range	0°C to 40°C	
	Operation Humidity Range	10% to 80%	
POWER	Power Supply	100-240V~, 50/60Hz	
	Power Type	Built-in Power	
	Power Consumption	Typ.	160 W
		Max	230 W
	Smart Energy Saving	130 W	
STANDARD (CERTIFICATION)	Safety	UL / cUL / CB / TUV / KC	
	EMC	FCC Class "A" / CE / KCC	
	ErP / Energy Star	NA / Yes (Energy Star 7.0)	
MEDIA PLAYER COMPATIBILITY	OPS Type Compatible	No	
	External Media Player Attachable	Yes	
SOFTWARE COMPATIBILITY	Content Management Software	SuperSign W	
	Control and Monitoring Software	SuperSign C	
ACCESSORIES	Basic	Remote controller, Power cable, DP cable, IR receiver, RS-232C cable, Tiling guide, Screw	
	Optional	WM-L640V (Landscape), WM-P640V (Portrait), Frame kit (Horizontal: FK-55V10 / Vertical: FK-55V20)	
EAN		8806098112777	

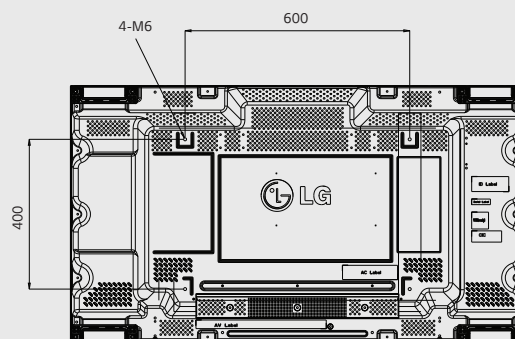
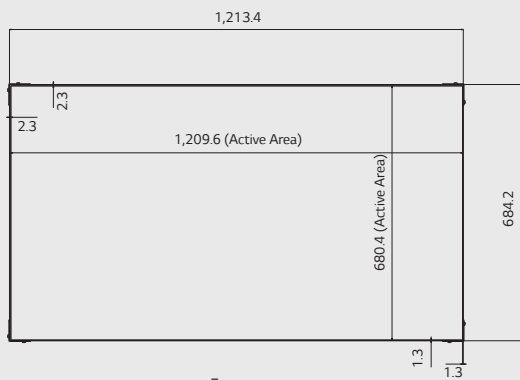
Conessioni

- 1 RS-232C IN
- 2 RS-232C OUT
- 3 DP IN
- 4 DP OUT
- 5 USB IN
- 6 HDMI IN
- 7 DVI IN
- 8 RGB / COMPONENT IN
- 9 IR IN
- 10 LAN
- 11 AV IN
- 12 AUDIO IN
- 13 AUDIO OUT

55LV75D



55"
1213.4 x 684.2 x 88.5 mm / 23 kg



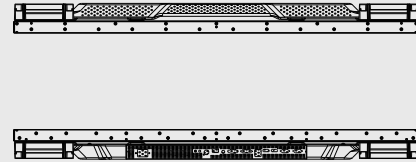
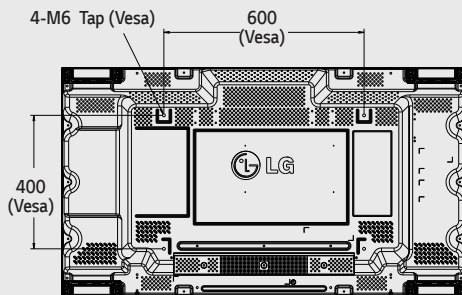
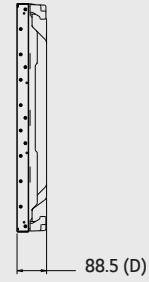
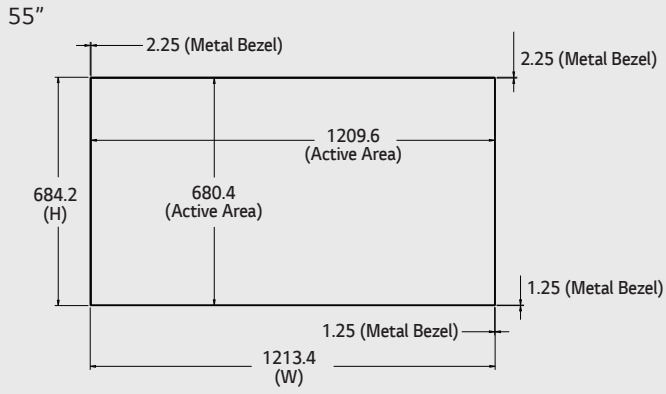
		55LV35A
PANEL	Screen Size	55" (54.64" measured diagonal)
	Panel Technology	IPS
	Aspect Ratio	16 : 9
	Native Resolution	1,920 x 1,080 (FHD)
	Brightness	500cd/m2
	Contrast Ratio	1,400:1
	Dynamic CR	500,000:1
	Viewing Angle (H x V)	178 x 178
	Response Time	12ms (G to G)
	Surface Treatment	Hard coating (3H), Anti-glare treatment of the front polarizer (Haze 10%)
Life time	60,000 Hrs	
Orientation	Portrait & Landscape	
CONNECTIVITY	Input (Rear)	
	Digital	DVI-D (1), HDMI (1) with HDCP for all input
	Analog	RGB (1), Component (RGB Shared), AV (RGB Shared)
	Audio	-
	External Control	RS232C (1), RJ45 (1), IR Receiver (1)
	USB	USB 2.0 (1)
	Output (Rear)	
	Digital	DVI-D (1)
Audio	-	
External Control	RS232C (1)	
PHYSICAL SPECIFICATION	Color	Black
	Bezel Width	2.25mm (left/top) / 1.25mm (right/bottom)
	Monitor Dimension (W x H x D)	1,213.4mm x 684.2mm x 88.5mm
	Weight (Head)	23kg
	Carton Dimensions (W x H x D)	1,337mm x 828mm x 239mm (Box outer size)
	Packed Weight	30kg
	Handle	Yes
VESA™ Standard Mount Interface	600mm x 400mm	
SPECIAL FEATURES	Temperature Sensor	Yes
	Cooling FAN	No
	Tile Mode	Yes, Up to 15 x 15
	Natural mode @Tile mode	Yes
	Source Selection	Digital (HDMI / DVI) / Analog (RGB) / Component / USB
	Brightness / Contrast / Backlight	Yes
	Position / Size	Yes
	Auto Config / Phase	Yes
	ISM Method	Normal, Color Wash
	Input Label	Yes
	Auto Power / Source Memory	Yes
	DPM Select	Yes (Installation Menu)
	Energy Saving	Yes, Off / Minimum / Medium / Maximum / Screen Off
Smart Energy Saving	Yes	
ENVIRONMENTAL CONDITIONS	Operating Temperature	0°C ~ 40°C
	Operating Humidity	10% ~ 80%
	Power Supply	100-240V~, 50/60Hz
POWER	Power Type	Built-in Power
	Power Consumption	
	Typical / Smart Energy Saving	160W
	Smart Energy Saving	90W
	DPMS	0.7W
Power Off	0.5W	
STANDARD (CERTIFICATION)	Safety	UL / cUL / CB / TUV / KC
	EMC	FCC Class "A" / CE / KCC
MEDIA PLAYER COMPATIBILITY	ErP / Energy Star	NA / Yes (Energy Star 6.0)
	External Media Player Attachable	Yes
SOFTWARE COMPATIBILITY	SuperSign-W/Lite	Yes
	SuperSign-C	Yes
ACCESSORIES	Accessory	Remote Controller, Power cable, DVI Cable, Manual, IR Receiver, RS-232C Cable, Guide Bracket, Screw
	Optional Accessory	Wall Mount (Landscape : WM-L640V, Portrait : WM-P640V) 600 x 400 (AP-WX60)
EAN		8806084906342

Conessioni

55LV35A

HDMI
HIGH DEFINITION MULTIMEDIA INTERFACE

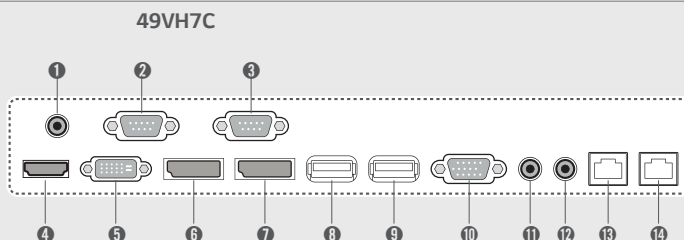




		49VH7C
PANEL	Screen Size	49"
	Panel Technology	IPS
	Aspect Ratio	16 : 9
	Native Resolution	1,920 x 1,080 (FHD)
	Brightness	700 cd/m ²
	Contrast Ratio	1,300:1
	Dynamic CR	500,000:1
	Viewing Angle (H x V)	178 x 178
	Response Time	8ms (G to G)
	Surface Treatment	Hard coating (2 H), Anti-glare low reflection treatment of the front polarizer (Haze 3 % (Typ))
	Guranteed Operating Hour	24 Hours
Orientation	Portrait & Landscape	
CONNECTIVITY	Input	HDMI, DP, DVI-D, OPS, Audio, USB 2.0, USB 3.0, RGB
	Output	DP, Audio
	External Control	RS232C, RJ45, IR Receiver
PHYSICAL SPECIFICATION	Bezel Color	-
	Bezel Width	0.9 mm (Top/Bottom/Left/Right even bezel) 1.8 mm *B to B : Panel Bezel + Panel Bezel
	Monitor Dimension (W x H x D)	1,075.6 x 605.8 x 86.2 mm
	Weight (Head)	17.5 kg
	Carton Dimensions (W x H x D)	1,214 x 775 x 263 mm
	Packed Weight	23.2 kg
	VESA™ Standard Mount Interface	600 x 400 mm
SPECIAL FEATURES	Temperature Sensor, Tile Mode (up to 15 x 15), Natural Mode@Tile Mode, Energy Saving, Smart Energy Saving, File Play with USB, Internal Memory (8 GB, System 4 GB + Available 4 GB), Wi-Fi Dongle Ready, USB Cloning, Content Scheduling, Fail over (USB, RGB, DVI, HDMI, Internal Memory)	
ENVIRONMENTAL CONDITIONS	Operating Temperature Range	0 °C to 40 °C
	Operating Humidity Range	10 % to 80 %
POWER	Power Supply	100-240V~, 50/60Hz
	Power Type	Built-In Power
POWER CONSUMPTION	Typ.	TBD
	Smart Energy Saving	TBD
STANDARD (CERTIFICATION)	Safety	UL / cUL / CB / TUV / KC
	EMC	FCC Class "A" / CE / KCC
	ErP / Energy Star	NA / Yes (Energy Star 7.0)
MEDIA PLAYER COMPATIBILITY	OPS Type Compatible	Yes
	External Media Player Attachable	Yes (MPS00/MP700)
SOFTWARE COMPATIBILITY	SuperSign W/Lite	Yes
	SuperSign C	Yes
ACCESSORIES	Basic	Remote controller, Power cable, DP cable, Manual, IR receiver, RS-232C cable, LAN cable, Guide bracket, Screws
	Optional	Wall mount (Landscape: WM-L640V, Portrait: WM-P640V), OPS kit (KT-OPSA), HDBaseT (EB-B100)
EAN	8806087644777	

Conessioni

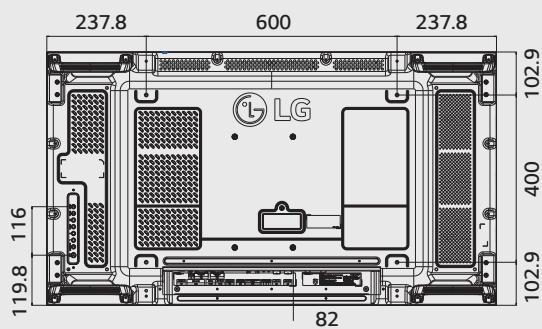
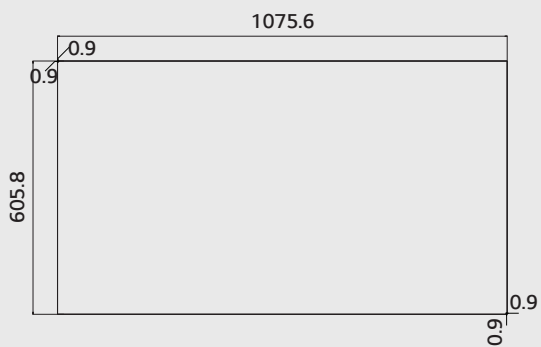
- 1 IR IN
- 2 RS-232C IN
- 3 RS-232C OUT
- 4 HDMI IN
- 5 DVI-D IN
- 6 DP IN
- 7 DP OUT
- 8 USB 2.0 IN
- 9 USB 3.0 IN
- 10 RGB/COMPONENT/AV IN
- 11 AUDIO IN
- 12 AUDIO OUT
- 13 LAN IN
- 14 LAN OUT



49"

1,075.6 x 605.8 x 86.2 mm

17.5 kg



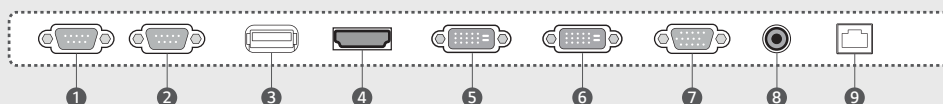
		49VL7D
PANEL	Screen Size	49"
	Aspect Ratio	16 : 9
	Native Resolution	1,920 x 1,080 (FHD)
	Brightness	700 cd/m ²
	Viewing Angle (H x V)	178 x 178
	Surface Treatment	Hard Coating (3H), Anti-glare Treatment of the Front Polarizer (Haze 3%)
	Life time	50,000 Hrs
	Operation Hours	24 Hrs
	Orientation	Landscape & Portrait
CONNECTIVITY	Input	HDMI, DVI-D, RGB, USB
	Output	DVI-D
	External Control	RS232C In/out, RJ45 In, IR Receiver In
PHYSICAL SPECIFICATION	Bezel Color	Black
	Bezel Width	2.3 mm (L/T) / 1.2 mm (R/B)
	Monitor Dimension (W x H x D)	1,077.6 x 607.8 x 89.7 mm
	Weight (Head)	17.8 kg
	Carton Dimensions (W x H x D)	1,214 x 778 x 263 mm
	Packed Weight	22.8 kg
	Handle	Yes
VESA™ Standard Mount Interface	600 x 400 mm	
SPECIAL FEATURES	Temperature Sensor, Tile Mode (Up to 15x15), Natural Mode @Tile Mode, ISM Method, DPM Select, Energy Saving, Smart Energy Saving, File Play with USB	
ENVIRONMENT CONDITIONS	Operation Temperature Range	0°C to 40°C
	Operation Humidity Range	10% to 80%
POWER	Power Supply	100-240V~, 50/60Hz
	Power Type	Built-in Power
	Power Consumption	Typ. 130 W
	Smart Energy Saving	50 W
STANDARD (CERTIFICATION)	Safety	UL / cUL / CB / TUV / KC
	EMC	FCC Class "A" / CE / KCC
	ErP / Energy Star	NA / Energy Star 7.0 (US Only)
MEDIA PLAYER COMPATIBILITY	Slot PC Compatible (Optional)	No
	External Media Player Attachable	Yes
SOFTWARE COMPATIBILITY	Content Management Software	SuperSign CMS
	Control and Monitoring Software	SuperSign C
ACCESSORIES	Basic	Remote Controller, Power Cable, DVI Cable, Manual, IR Receiver, RS232C Cable, Guide Bracket, Screw
	Optional	Wall Mount (Landscape: WM-L640V, Portrait: WM-P640V)
EAN	8806098191741	

Conessioni

- 1 RS232C IN
- 2 RS232C OUT
- 3 USB
- 4 HDMI IN
- 5 DVI IN

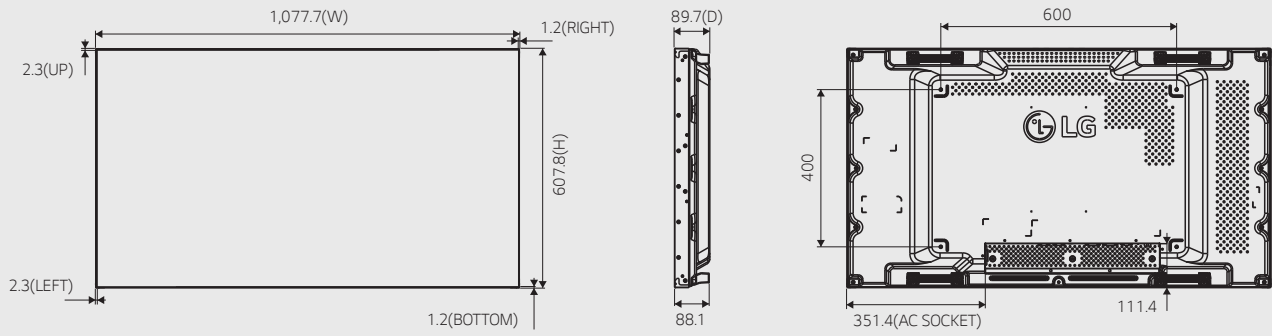
- 6 DVI OUT
- 7 RGB / AV / COMPONENT IN
- 8 IR IN
- 9 LAN

49VL7D



49"

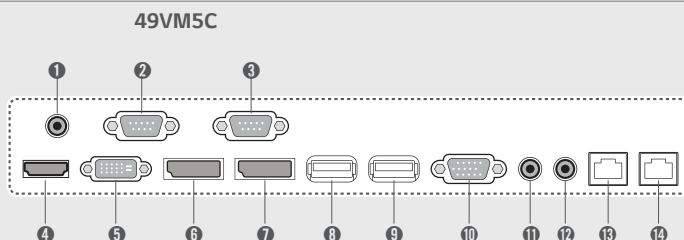
1077,6 x 607,8 x 89,7 / 17,8 Kg



		49VM5C
PANEL	Screen Size	49"
	Panel Technology	IPS
	Aspect Ratio	16 : 9
	Native Resolution	1,920 x 1,080 (FHD)
	Brightness	500 cd/m ²
	Contrast Ratio	1,300:1
	Dynamic CR	500,000:1
	Viewing Angle (H x V)	178 x 178
	Response Time	8ms (G to G)
	Surface Treatment	Hard coating (3 H), Anti-glare treatment of the front polarizer (Haze 10 %)
	Guranteed Operating Hour	24 Hours
Orientation	Portrait & Landscape	
CONNECTIVITY	Input	HDMI, DP, DVI-D, OPS, Audio, USB 2.0, USB 3.0, RGB
	Output	DP, Audio
	External Control	RS232C, RJ45, IR Receiver
PHYSICAL SPECIFICATION	Bezel Color	-
	Bezel Width	0.9 mm (Top/Bottom/Left/Right even bezel) / 1.8 mm *B to B : Panel Bezel + Panel Bezel
	Monitor Dimension (W x H x D)	1,075.6 x 605.8 x 86.2 mm
	Weight (Head)	17.5 kg
	Carton Dimensions (W x H x D)	1,214 x 775 x 263 mm
	Packed Weight	23.2 kg
	VESA™ Standard Mount Interface	600 x 400 mm
SPECIAL FEATURES	Temperature Sensor, Tile Mode (up to 15 x 15), Natural Mode@Tile Mode, Energy Saving, Smart Energy Saving, File Play with USB, Internal Memory (8 GB, System 4 GB + Available 4 GB), Wi-Fi Dongle Ready, USB Cloning, Content Scheduling, Fail over (USB, RGB, DVI, HDMI, Internal Memory)	
ENVIRONMENTAL CONDITIONS	Operating Temperature Range	0 °C to 40 °C
	Operating Humidity Range	10 % to 80 %
POWER	Power Supply	100-240V~, 50/60Hz
	Power Type	Built-In Power
POWER CONSUMPTION	Typ.	120 W
	Smart Energy Saving	70 W
STANDARD (CERTIFICATION)	Safety	UL / cUL / CB / TUV / KC
	EMC	FCC Class "A" / CE / KCC
	ErP / Energy Star	NA / Yes (Energy Star 7.0)
MEDIA PLAYER COMPATIBILITY	OPS Type Compatible	Yes
	External Media Player Attachable	Yes (MP500/MP700)
SOFTWARE COMPATIBILITY	SuperSign W/Lite	Yes
	SuperSign C	Yes
ACCESSORIES	Basic	Remote controller, Power cable, DP cable, Manual, IR receiver, RS-232C cable, LAN cable, Guide bracket, Screws
	Optional	Wall mount (Landscape: WM-L640V, Portrait: WM-P640V), OPS kit (KT-OPSA), HDBaseT (EB-B100)
EAN	8806087864502	

Conessioni

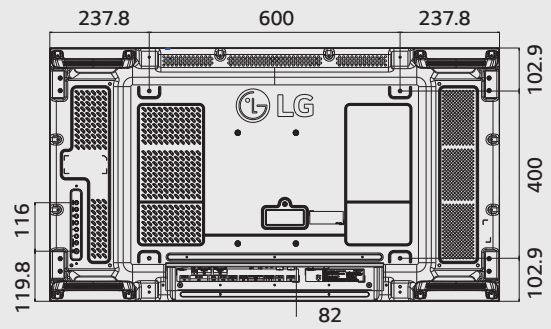
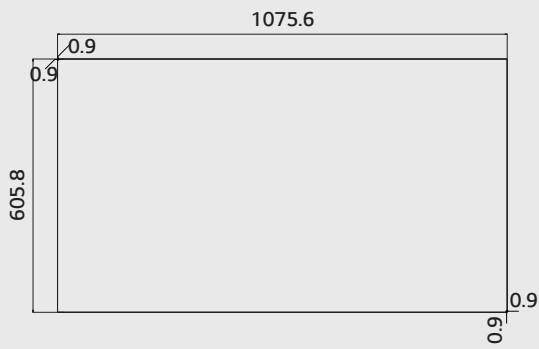
- 1 IR IN
- 2 RS-232C IN
- 3 RS-232C OUT
- 4 HDMI IN
- 5 DVI-D IN
- 6 DP IN
- 7 DP OUT
- 8 USB 2.0 IN
- 9 USB 3.0 IN
- 10 RGB/COMPONENT/AV IN
- 11 AUDIO IN
- 12 AUDIO OUT
- 13 LAN IN
- 14 LAN OUT



49"

1,075.6 x 605.8 x 86.2 mm

17.5 kg

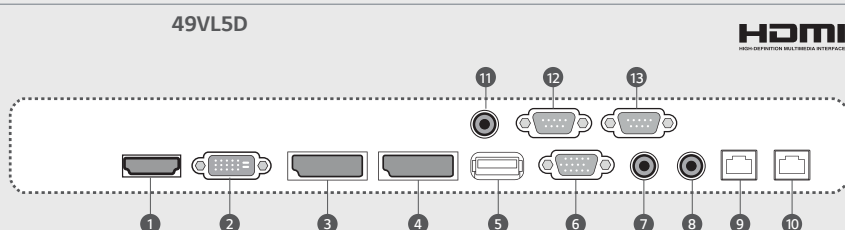


		49VL5D	
PANEL	Screen Size	49"	
	Panel Technology	IPS	
	Aspect Ratio	16:9	
	Native Resolution	1,920 x 1,080 (FHD)	
	Brightness	450 cd/m ²	
	Contrast Ratio	1,300:1	
	Viewing Angle (H x V)	178 x 178	
	Response Time	8 ms (G to G)	
	Surface Treatment	Hard Coating(3H), Anti-Glare Treatment of the Front Polarizer (Haze 10%)	
	Operation Hours	24 Hrs	
Orientation	Landscape & Portrait		
CONNECTIVITY	Input	HDMI, DP, DVI-D, RGB, Audio, USB 3.0	
	Output	DP, Audio	
	External Control	RS232C In/out, IR Receiver In	
PHYSICAL SPECIFICATION	Bezel Color	Black	
	Bezel Width	2.3 mm (L/T) / 1.2 mm (R/B)	
	Monitor Dimension (W x H x D)	1,077.6 x 607.8 x 89.7 mm	
	Weight(Head)	17.8 kg	
	Carton Dimensions (W x H x D)	1,214 x 778 x 263 mm	
	Packed Weight	22.8 kg	
	Handle	Yes	
VESA™ Standard Mount Interface	600 x 400 mm		
SPECIAL FEATURES	webOS 3.0+, Temperature Sensor, Tile Mode (up to 15x15), Natural Mode @Tile Mode, ISM Method, DPM Select, DPM Wake Up, Energy Saving, File Play with USB, Internal Memory 8GB (System 4GB + Available 4GB), USB Cloning, Contents Scheduling, Calibration Mode, Sync Mode, PM Mode, Wake on LAN, Pivot Mode, Fail Over, Media Share		
ENVIRONMENT CONDITIONS	Operation Temperature Range	0°C to 40°C	
	Operation Humidity Range	10% to 80%	
POWER	Power Supply	100-240V~, 50/60Hz	
	Power Type	Built-in Power	
	Power Consumption	Typ.	93 W
		Max	110 W
Smart Energy Saving	50 W		
STANDARD (CERTIFICATION)	Safety	UL / cUL / CB / TUV / KC	
	EMC	FCC Class "A" / CE / KCC	
MEDIA PLAYER COMPATIBILITY	OPS Type Compatible	-	
	External Media Player Attachable	Yes (MP500/MP700)	
SOFTWARE COMPATIBILITY	Content Management Software	SuperSign Premium	
	Control and Monitoring Software	SuperSign Link	
ACCESSORIES	Basic	Remote Controller, Power Cable, DP Cable, Manual, IR Receiver, RS232C Cable, LAN Cable, Guide Bracket, Screws	
	Optional	Wall Mount (Landscape: WM-L640V/ Portrait: WM-P640V)	
EAN	8806098106103		

Conessioni

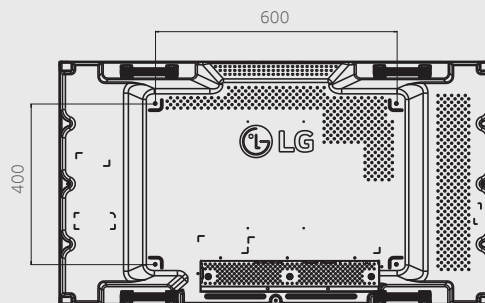
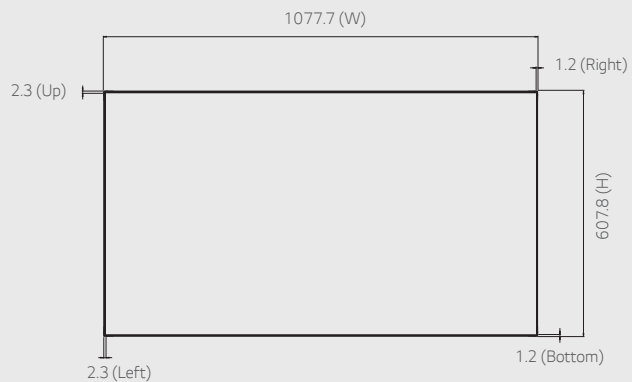
- 1 HDMI IN
- 2 DVI-D IN
- 3 DP IN
- 4 DP OUT
- 5 USB IN
- 6 IR IN
- 7 RS-232C IN

- 8 RGB/COMPONENT/AV IN
- 9 AUDIO IN
- 10 AUDIO OUT
- 11 LAN IN
- 12 LAN OUT
- 13 RS-232C OUT



49"

1077,6 x 607,8 x 89,7 / 17,8 Kg

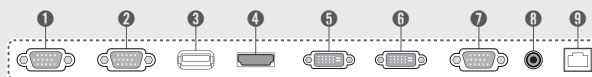


		49VL5B
PANEL	Screen Size	49" (48.50" measured diagonally)
	Panel Technology	IPS
	Aspect Ratio	16 : 9
	Native Resolution	1,920 x 1,080 (FHD)
	Brightness	450cd/m ²
	Contrast Ratio	1,300 : 1
	Viewing Angle (H x V)	178 x 178
	Response Time	8ms (G to G)
	Surface Treatment	Hard coating (3H), Anti-glare treatment of the front polarizer (Haze 10%)
CONNECTIVITY	Input	HDMI, DVI-D, RGB
	Output	DVI-D
	External Control	RS232C (In/Out), RJ45, IR Receiver, USB
PHYSICAL SPECIFICATION	Bezel Color	Black
	Bezel Width	2.3mm (Left / Top), 1.2mm (Right / Bottom)
	Monitor Dimension (W x H x D)	1,077.7 x 607.8 x 89.7mm
	Weight (Head)	17.8kg
	Carton Dimensions (W x H x D)	1,214 x 778 x 263mm
	Packed Weight	22.8kg
VESA™ Standard Mount Interface	600 x 400mm	
SPECIAL FEATURES	Temperature Sensor, Tile Mode (Up to 15x15), Natural Mode@Tile Mode, Energy Saving, Smart Energy Saving, File Play with USB	
ENVIRONMENTAL CONDITIONS	Operation Temperature Range	0°C to 40°C
	Operation Humidity Range	10% to 80%
POWER	Power Supply	100-240V~, 50/60Hz
	Power Type	Built-in Power
	Power Consumption Typ. Smart Energy Saving	90W 40W
STANDARD (CERTIFICATION)	Safety	UL / cUL / CB / TUV / KC
	EMC	FCC Class "A" / CE / KCC
	ErP / Energy Star	NA / Yes (Energy Star 6.0)
MEDIA PLAYER COMPATIBILITY	Slot PC compatible (optional)	No
SOFTWARE COMPATIBILITY	External Media player Attachable	Yes
ACCESSORY	Accessory	Remote Control, Power Cable, DVI Cable, Manual, IR Receiver, RS-232C Cable, Guide Bracket, Screw
	Optional Accessory	Wall Mount (Landscape : WM-L640V, Portrait : WM-P640V)
EAN	8806087545364	

Conessioni

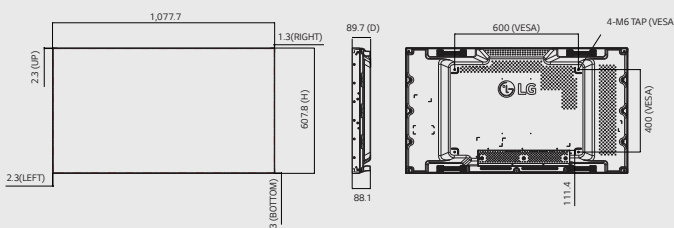
- ❶ RS-232C IN
- ❷ RS-232C OUT
- ❸ USB
- ❹ HDMI IN
- ❺ DVI IN
- ❻ DVI OUT
- ❼ RGB/AV/COMPONENT IN
- ❽ IR IN
- ❾ LAN

49VL5B



Disegno Tecnico

49"
1,077.7 x 607.8 x 89.7mm /
17.8kg



MONITOR SIGNAGE **ULTRA HD**

LS95D

98"

UH5C

86" | 75"

UH5C

65" | 55" | 49"

UM3C

86" | 75"

UL3E

86" | 75" | 65"



		98LS95D
PANEL	Screen Size	98"
	Panel Technology	IPS
	Aspect Ratio	16:9
	Native Resolution	3,840 x 2,160 (UHD)
	Brightness	500cd/m ² (Typ)
	Contrast Ratio	1,300:1
	Viewing Angle (H x V)	178 x 178
	Response Time	8ms (G to G BW) typ.
	Surface Treatment	Hard coating (3H), Anti-glare treatment of the front polarizer (Haze 1% (Typ.))
	Operation Hours	24 hrs
Orientation	Landscape & Portrait	
CONNECTIVITY	Input	HDMI (3), DP, DVI-D, Audio in
	Output	DP, Audio out, External speaker out
	External Control	RS232C in/out, RJ45, IR receiver, Pixel sensor, USB 3.0, USB 2.0, SD card
PHYSICAL SPECIFICATION	Bezel Color	Black
	Bezel Width	14.9 mm (Even bezel)
	Monitor Dimension (W x H x D)	2,191.8 x 1,246.8 x 69.4 mm
	Weight	88 kg
	Carton Dimensions (W x H x D)	2,342 x 1,386 x 402 mm
	Packed Weight	123 kg
	Handle	No
VESA™ Standard Mount Interface	800 x 400 mm	
SPECIAL FEATURES	Temperature sensor, Auto brightness sensor, Tile mode (up to 15x15), Natural mode @Tile mode, DPM select, DPM wake up, Energy saving, Smart Energy saving, File play with USB, PIP/PBP (2, 3, 4), Internal memory (8 GB), USB cloning, Fail over, Mirroring, SoftAP, Beacon, DP daisy chain	
ENVIRONMENT CONDITIONS	Operation Temperature	0°C to 40°C
	Operation Humidity	10% to 80%
POWER	Power Supply	100-240 V~, 50/60 Hz
	Power Type	Built-In Power
	Power Consumption	Typ./Max Smart Energy Saving 450 W 315 W
STANDARD (CERTIFICATION)	Safety	UL / cUL / CB / TUV / KC
	EMC	FCC Class "A" / CE / KCC
	ErP / Energy Star / CEL	No / No / Yes
MEDIA PLAYER COMPATIBILITY	OPS Type Compatible	No
	External Media player Attachable	Yes (MP500/MP700)
SOFTWARE COMPATIBILITY	SuperSign W/Lite	Yes
	SuperSign C	Yes
ACCESSORIES	Basic	Remote controller (include battery 2ea), Power cord, IR/Light sensor receiver, CD (Owner's manual, SuperSign program / Manual), HDMI 2.0 cable, DP cable, RS232C, Wi-Fi dongle, Eye bolt
	Optional	SP-2200 (External speaker)
EAN	8806084842015	

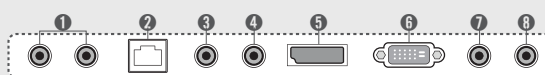
Conessioni

- ❶ SPEAKER OUT
- ❷ LAN
- ❸ AUDIO IN
- ❹ AUDIO OUT
- ❺ DP OUT
- ❻ DVI-D IN
- ❼ PIXEL SENSOR
- ❽ IR & LIGHT SENSOR
- ❾ DP IN
- ❿ HDMI IN
- ⓫ USB 3.0
- ⓬ SD CARD
- ⓭ RS-232C IN
- ⓮ RS-232C OUT
- ⓯ USB 2.0

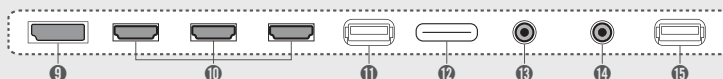
98LS95D



Bottom

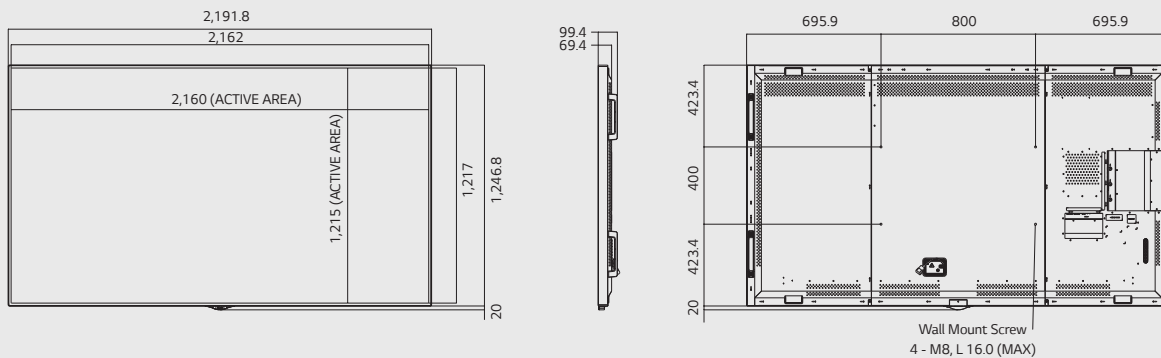


Side



98"

2,191.8 x 1,246.8 x 69.4 / 88 kg



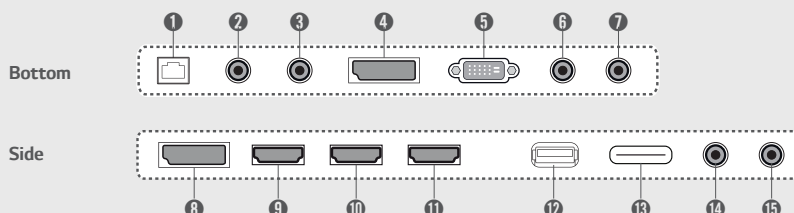
		86UH5C	75UH5C
PANEL	Screen Size	86"	75"
	Panel Technology	IPS	IPS
	Aspect Ratio	16 : 9	16 : 9
	Native Resolution	3,840 x 2,160 (UHD)	3,840 x 2,160 (UHD)
	Brightness	500cd/m ²	500cd/m ²
	Contrast Ratio	1,200:1	1,200:1
	Dynamic CR	4,000,000:1	4,000,000:1 (DTV Label only)
	Viewing Angle (H x V)	178 x 178	178 x 178
	Response Time	8ms(G to G)	6ms (G to G)
	Surface Treatment	Low Haze 3%	Low Haze 3%
Life Time (Min.)	50,000 Hrs	50,000 Hrs	
Operation Hours	24 Hours	24 Hrs	
Orientation	Portrait & Landscape		
CONNECTIVITY	Input	HDMI, DP, DVI-D, Audio, USB 3.0, SD Card	HDMI, DP, DVI-D, Audio, USB 3.0, SD Card
	Output	DP, Audio	DP, Audio
	External Control	RS232C, RJ45, IR Receiver, Pixel Sensor	RS232C, RJ45, IR Receiver, Pixel Sensor
PHYSICAL SPECIFICATION	Bezel Color	Black	Black
	Bezel Width	14.7mm	14.9mm
	Monitor Dimension (W x H x D)	1,926.2 x 1,097.2 x 60.6mm (without logo / handle)	1,682.4 x 960.3 x 39.7mm (without logo / handle)
	Weight (Head)	49kg	41.5kg
	Carton Dimensions (W x H x D)	2,073 x 1,260 x 292mm	1,816 x 1,123 x 228mm
	Packed Weight	61.1kg	49.5kg
VESA™ Standard Mount Interface	600 x 400mm		
SPECIAL FEATURES	Temperature Sensor, Auto Brightness Sensor, Tile Mode (up to 15x15), Natural Mode@Tile Mode, ISM Method, Internal Memory (8GB, System 4GB), Wi-Fi built-in (802.11n), USB Cloning, Content Scheduling, Sync mode, PM mode, Fail Over, Wake on LAN, BEACON (On/Off), Embedded Template, PIP/PBP (2/3/4)		
ENVIRONMENT CONDITIONS	Operation Temperature Range	0 °C to 40 °C	0 °C to 40 °C
	Operation Humidity Range	10 % to 80 %	10 % to 80 %
POWER	Power Supply	100-240V~, 50/60Hz	100-240V~, 50/60Hz
	Power Type	Built-In Power	Built-In Power
	Power Typ.	275W	240W
	Consumption Smart Energy Saving	193W	170W
Audio Power	20 W (10 Wx2) for Internal Speaker		
STANDARD (CERTIFICATION)	Safety	UL / cUL / CB / TUV / KC	UL / cUL / CB / TUV / KC
	EMC	FCC Class "A" / CE / KCC	FCC Class "A" / CE / KCC
	ErP / Energy Star	No / No	No / No
MEDIA PLAYER COMPATIBILITY	OPS Type Compatible	Yes	Yes
	External Media Player Attachable	Yes (MP500 / MP700)	Yes (MP500 / MP700)
SOFTWARE COMPATIBILITY	SuperSign W/Lite	Yes	Yes
	SuperSign C	Yes	Yes
ACCESSORY	Basic	Remote Controller (include battery 2ea), Power Cord, QSG, DP cable (2.6M), Regulation Book, Phone to RS232C Gender, Memory Cover	Remote Controller (include 2ea batteries), Power Cord, QSG, DP 1.8M, Regulation Book, Phone to RS232C Gender, Memory Cover
	Optional	Pixel Sensor (KT-SPO), Media Player, OPS Kit (KT-OPSA), HDBaseT (EB-B100)	Pixel Sensor (KT-SPO), Media Player, OPS Kit (KT-OPSA), HDBaseT (EB-B100)
EAN	8806087659634		8806087566727

Conessioni

86UH5C / 75UH5C



- ① LAN
- ② AUDIO IN
- ③ AUDIO OUT
- ④ DP OUT
- ⑤ DVI-D IN
- ⑥ PIXEL SENSOR
- ⑦ IR & LIGHT SENSOR
- ⑧ DP IN
- ⑨ HDMI IN 3
- ⑩ HDMI IN 2
- ⑪ HDMI IN 1
- ⑫ USB 3.0 IN
- ⑬ SD CARD
- ⑭ RS-232C IN
- ⑮ RS-232C OUT

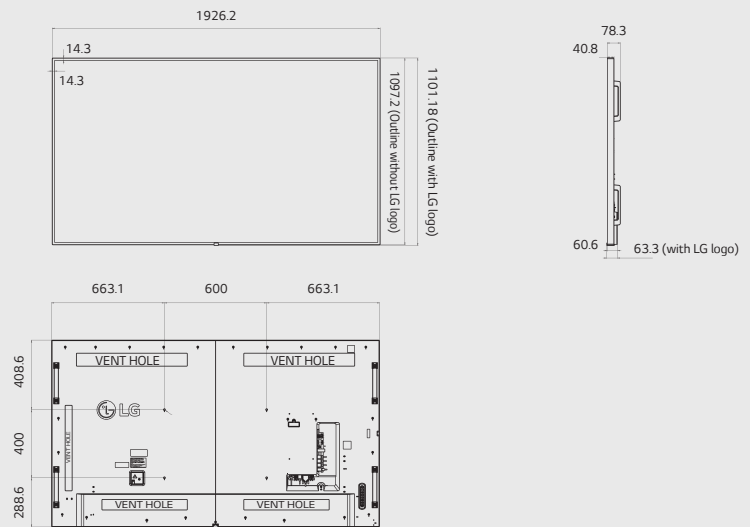


86"

1,926.2 x 1,101.2* x 63.6*mm / 49kg (Without handle)

1,926.2 x 1,101.2* x 78.3*mm (With handle)

*With LG logo

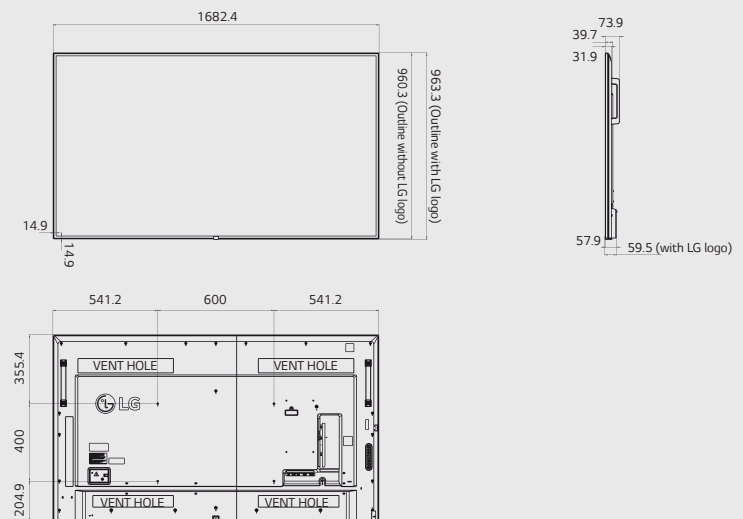


75"

1,682.4 x 963.3* x 57.9* mm / 41.5kg (Without handle)

1,682.4 x 963.3* x 73.9* mm (With handle)

* With LG logo

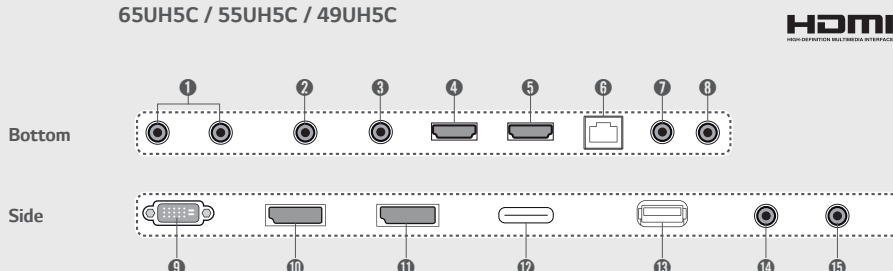


		65UH5C	55UH5C	49UH5C
PANEL	Screen Size	65"	55"	49"
	Panel Technology	IPS	IPS	IPS
	Aspect Ratio	16:9	16:9	16:9
	Native Resolution	3,840 x 2,160 (UHD)	3,840 x 2,160 (UHD)	3,840 x 2,160 (UHD)
	Brightness	500 cd/m ²	500 cd/m ²	500 cd/m ²
	Contrast Ratio	1,000:1	1,100:1	1,100:1
	Dynamic CR	1,000,000:1	1,000,000:1	1,000,000:1
	Viewing Angle (H x V)	178 x 178	178 x 178	178 x 178
	Response Time	8ms (G to G)	8ms (G to G)	8ms (G to G)
	Surface Treatment	Low Haze 1%	Low Haze 1%	Low Haze 1%
	Life Time (Min.)	50,000 hours (Typ.)	50,000 hours (Typ.)	50,000 hours (Typ.)
Operation Hours	24 hours	24 hours	24 hours	
Orientation	Portrait & Landscape	Portrait & Landscape	Portrait & Landscape	
CONNECTIVITY	Input	HDMI, DP, DVI-D, Audio, USB 3.0, SD Card		
	Output	DP, Audio, External Speaker Out		
	External Control	RS232C, RJ45, IR Receiver, Pixel Sensor		
PHYSICAL SPECIFICATION	Bezel Color	Black	Black	Black
	Bezel Width	12.1 mm (T), 12.6 mm (R/L), 15.7 mm (B)	12.1 mm (T), 12.6 mm (R/L), 15.7 mm (B)	11.9 mm (T), 12.4 mm (R/L), 15.5 mm (B)
	Monitor Dimension (W x H x D)	1,458.6 x 848.9 x 40.1 mm	1,239.8 x 725.2 x 38.6 mm	1,103.2 x 648.0 x 38.6 mm
	Weight (Head)	26.0 kg	16.6 kg	13.3 kg
	Carton Dimensions (W x H x D)	1,561 x 971 x 190 mm	1,330 x 807 x 170 mm	1,197 x 760 x 166 mm
	Packed Weight	32.5 kg	21.1 kg	17.7 kg
	VESA™ Standard Mount Interface	300 x 300 mm	300 x 300 mm	300 x 300 mm
SPECIAL FEATURES	Temperature Sensor, Auto Brightness Sensor, Tile Mode (up to 15x15), Natural Mode@Tile Mode, ISM Method, Internal Memory (8GB, System 4GB), Wi-Fi built-in (802.11n), USB Cloning, Content Scheduling, Sync mode, PM mode, Fail Over, Wake on LAN, BEACON (On/Off), Embedded Template, PIP/PBP			
ENVIRONMENT CONDITIONS	Operation Temperature Range	0°C to 40°C	0°C to 40°C	0°C to 40°C
	Operation Humidity Range	10% to 80%	10% to 80%	10% to 80%
POWER	Power Supply	100-240 V~, 50/60 Hz	100-240 V~, 50/60 Hz	100-240 V~, 50/60 Hz
	Power Type	Built-In Power	Built-In Power	Built-In Power
	Power Typ.	134 W	116 W	102 W
	Consumption Smart Energy Saving	90 W	80 W	70 W
STANDARD (CERTIFICATION)	Safety	UL / cUL / CB / TUV / KC	UL / cUL / CB / TUV / KC	UL / cUL / CB / TUV / KC
	EMC	FCC Class "A" / CE / KCC	FCC Class "A" / CE / KCC	FCC Class "A" / CE / KCC
	ErP / Energy Star	NA / EPA7.0	NA / EPA7.0	NA / EPA7.0
MEDIA PLAYER COMPATIBILITY	OPS Type Compatible	Yes	Yes	Yes
	External Media Player Attachable	Yes (MP500 / MP700)	Yes (MP500 / MP700)	Yes (MP500 / MP700)
SOFTWARE COMPATIBILITY	SuperSign W/Lite	Yes	Yes	Yes
	SuperSign C	Yes	Yes	Yes
ACCESSORIES	Basic	Remote Controller (2ea batteries included), Power cord, QSG, HDMI cable, Regulation book, Phone to RS232C gender, Memory cover	Remote Controller (2ea batteries included), Power cord, QSG, HDMI cable, Regulation book, Phone to RS232C gender, Memory cover	Remote Controller (2ea batteries included), Power cord, QSG, HDMI cable, Regulation book, Phone to RS232C gender, Memory cover
	Optional	Speaker (SP-5200), Stand (ST-651T), Pixel sensor (KT-SPO), Media player, Wall bracket (LSW350B), VESA Adapter (AM-B330S), OPS Kit (KT-OPSA), HDBaseT (EB-B100)	Speaker (SP-5200), Stand (ST-201T), Pixel sensor (KT-SPO), Media player, Wall bracket (LSW350B), VESA Adapter (AM-B330S), OPS Kit (KT-OPSA), HDBaseT (EB-B100)	Speaker (SP-5200), Stand (ST-201T), Pixel sensor (KT-SPO), Media player, Wall bracket (LSW350B), VESA Adapter (AM-B330S), OPS Kit (KT-OPSA), HDBaseT (EB-B100)
EAN		8806087806311	8806087806038	8806087803624

Conessioni

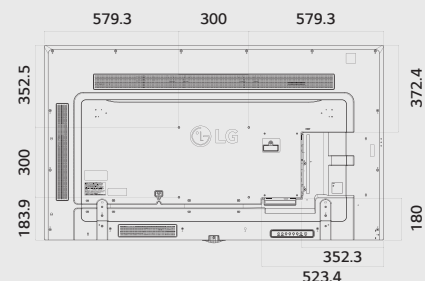
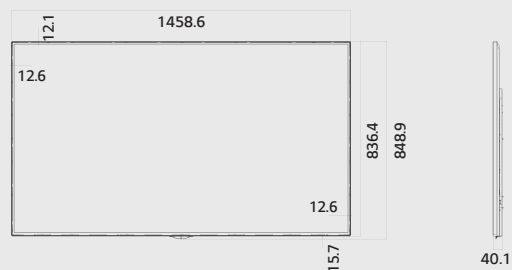
- 1 SPEAKER OUT
- 2 IR & LIGHT SENSOR
- 3 PIXEL SENSOR
- 4 HDMI 1
- 5 HDMI 2
- 6 LAN
- 7 AUDIO IN
- 8 AUDIO OUT
- 9 DVI-D IN
- 10 DP IN
- 11 DP OUT
- 12 SD Card
- 13 USB 3.0
- 14 RS-232C IN
- 15 RS-232C OUT

65UH5C / 55UH5C / 49UH5C



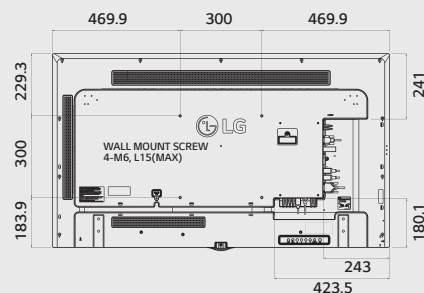
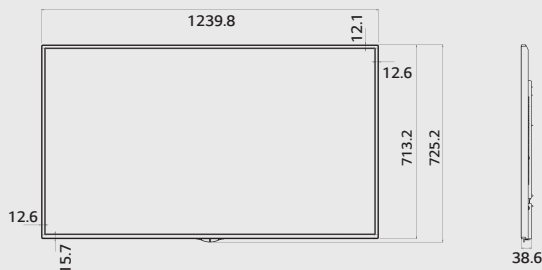
65"

1458.6 x 848.9 x 40.1 /
26.0 Kg



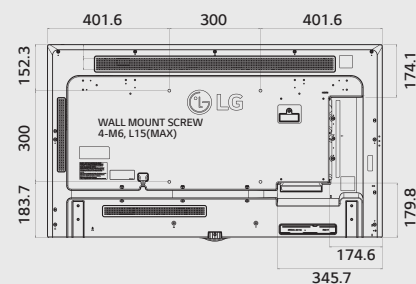
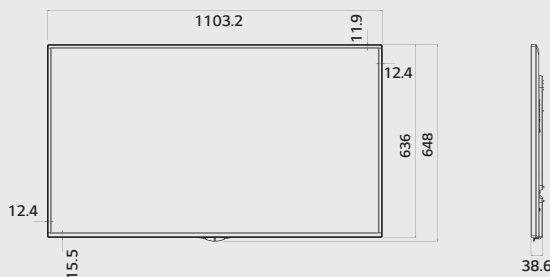
55"

1239.8 x 725.2 x 38.6 /
16.6 kg



49"

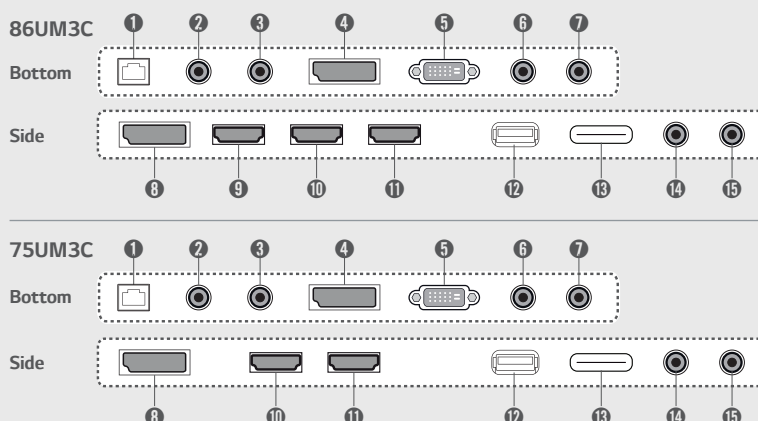
1103.2 x 648 x 38.6 /
13.3 kg



		86UM3C	75UM3C
PANEL	Screen Size	86"	75"
	Panel Technology	IPS	
	Aspect Ratio	16 : 9	
	Native Resolution	3,840 x 2,160 (UHD)	
	Brightness	350cd/m ²	
	Contrast Ratio	1,200:1	
	Dynamic CR	500,000:1	2,000,000:1 (DTV Label only)
	Viewing Angle (H x V)	178 x 178	
	Response Time	8ms (G to G)	6ms (G to G)
	Surface Treatment	Low Haze 3%	
	Life time (Min.)	30,000 Hours	50,000 Hours
	Guaranteed Operation Hours	16 Hours	24 Hours
Orientation	Landscape	Portrait & Landscape	
CONNECTIVITY	Input	HDMI(3), DP, DVI-D, Audio, USB 3.0, SD Card	
	Output	DP, Audio	
	External Control	RS232C, RJ45, IR Receiver, Pixel Sensor	
PHYSICAL SPECIFICATION	Bezel Color	Black	
	Bezel Width	On: 15.6mm, Off: 14.3mm	On: 15.8mm, Off: 14.9mm
	Monitor Dimension (W x H x D)	1,926.2 x 1,097.2 x 60.6mm	1,682.37 x 960.3 x 39.7mm
	Weight (Head)	49kg	41.5kg
	Carton Dimensions (W x H x D)	2,073 x 1,260 x 292mm	1,816 x 1,123 x 228mm
	Packed Weight	61.1kg	49kg
	VESA™ Standard Mount Interface	600 x 400mm	
SPECIAL FEATURES	Temperature Sensor, Auto Brightness Sensor, Tile Mode (up to 15x15), Natural Mode@Tile Mode, ISM Method, Internal Memory, Wi-Fi built-in, USB Cloning, Contents Scheduling, Sync mode, PM mode, Fail Over, Wake on LAN, BEACON (On/Off), Embedded Template		
ENVIRONMENT CONDITIONS	Operation Temperature Range	0 °C to 40 °C	
	Operation Humidity Range	10 % to 80 %	
POWER	Power Supply	100-240V~, 50/60Hz	
	Power Type	Built-In Power	
	Power Consumption	Typ. under 315W	160W
	Smart Energy Saving	under 220W	115W
Audio Power	20 W (10 Wx2) for Internal Speaker		
STANDARD (CERTIFICATION)	Safety	UL / cUL / CB / TUV / KC	
	EMC	FCC Class "A" / CE / KCC	
MEDIA PLAYER COMPATIBILITY	ErP / Energy Star	NO / No	NA / No
	OPS type compatible	Yes	
SOFTWARE COMPATIBILITY	External Media player Attachable	Yes (MP500/MP700)	
	SuperSign W/Lite	Yes	
ACCESSORY	SuperSign C	Yes	
	Basic	Remote Controller (include battery 2ea), Power Cord, QSG, DP cable (2.6M), Regulation Book, Phone to RS232C Gender, Memory Cover	Remote Controller (include 2ea batteries), Power Cord, QSG, DP Cable (1.8M), Regulation Book, Phone to RS232C Gender, Memory Cover
	Optional	Pixel Sensor (KT-SP0), Media Player, OPS Kit (KT-OPSA), HDBaseT (EB-B100), LSW640A/B(Wall Mount)	Pixel sensor (KT-SP0), Media player, OPS Kit (KT-OPSA), HDBaseT (EB-B100)
EAN		8806087866360	880608757821

Conessioni

- 1 LAN
- 2 AUDIO IN
- 3 AUDIO OUT
- 4 DP OUT
- 5 DVI-D IN
- 6 PIXEL SENSOR
- 7 IR & LIGHT SENSOR
- 8 DP IN
- 9 HDMI IN 3
- 10 HDMI IN 2
- 11 HDMI IN 1
- 12 USB 3.0 IN
- 13 SD CARD
- 14 RS-232C IN
- 15 RS-232C OUT

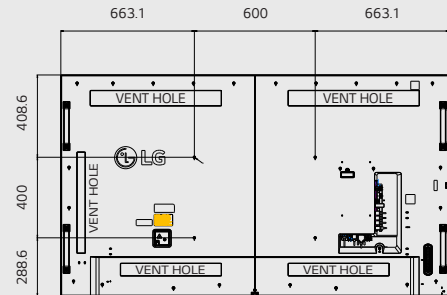
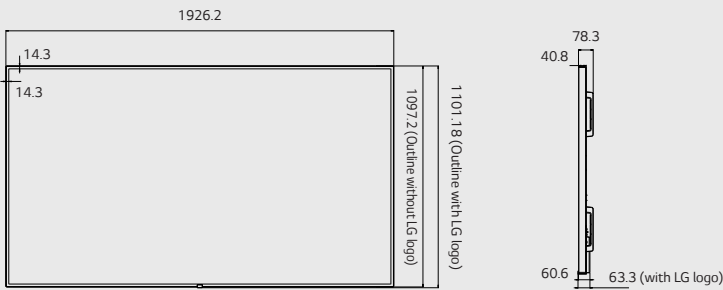


86"

1,926.2 x 1,101.2* x 63.3*mm / 49kg (Without handle)

1,926.2 x 1,101.2* x 78.3*mm (With handle)

*With LG logo

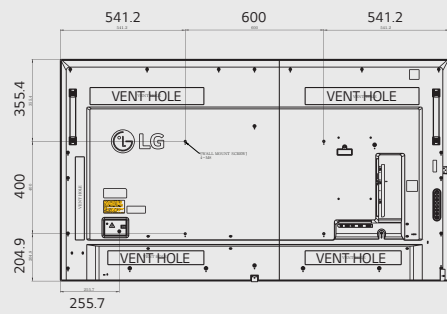
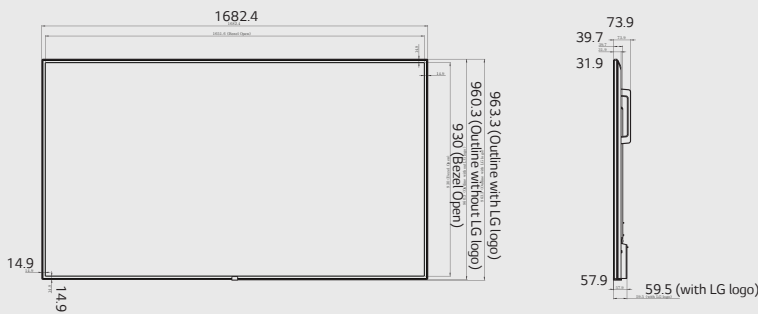


75"

1682.4 x 963.3* x 59.5mm* / 41.5kg (without Handle)

1682.4 x 963.3* x 73.9mm* (with Handle)

* with LG logo



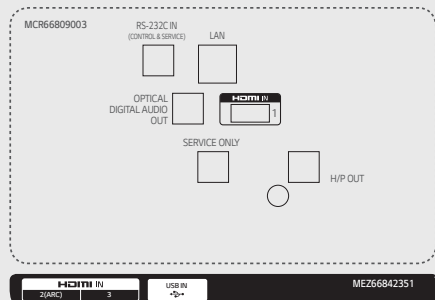
		86UL3E	75UL3E	65UL3E
PANEL	Screen Size	86"	75"	65"
	Panel Technology	IPS	IPS	IPS
	Aspect Ratio	16 : 9	16 : 9	16 : 9
	Native Resolution	3,840 x 2,160 (UHD)	3,840 x 2,160 (UHD)	3,840 x 2,160 (UHD)
	Brightness	350 cd/m ²	350 cd/m ²	350 cd/m ²
	Contrast Ratio (Typ.)	1,400:1	1,400:1	1,400:1
	Viewing Angle (H x V)	178 x 178	178 x 178	178 x 178
	Response Time (Typ.)	5 ms (G to G)	8 ms (G to G)	9 ms (G to G)
	Surface Treatment (Typ.)	AGLR (Haze 3%)	AGLR (Haze 3%)	AGLR (Haze 3%)
	Life Time (Min.)	30,000 Hrs	30,000 Hrs	30,000 Hrs
	Operation Hours	16 Hrs	16 Hrs	16 Hrs
	Refresh Rate	120 Hz	60 Hz	60 Hz
Orientation	Landscape	Landscape	Landscape	
CONNECTIVITY	Input	HDMI (3), USB 2.0		
	Output	Audio (Digital Audio Out, Optical)		
	External Control	RS232C In, RJ45 In		
PHYSICAL SPECIFICATION	Bezel Color	Meteotitan	Meteotitan	Ceramic Black
	Bezel Width (Off-Bezel)	21.9 mm (Even)	20.2 mm (T/L/R), 21.5 mm (B)	17.9 mm (T/L/R), 22.3 mm (B)
	Monitor Dimension (W x H x D)	1,943 x 1,118 x 93.3 mm	1,693 x 978 x 88.8 mm	1,468 x 854 x 89.9 mm
	Weight (Head)	44.2 kg	34.6 kg	21.0 kg
	Carton Dimensions (W x H x D)	2,116 x 1,261 x 285 mm	1,839 x 1,116 x 231 mm	1,600 x 970 x 190 mm
	Packed Weight	59.0 kg	45.7 kg	28.6 kg
	VESA™ Standard Mount Interface	600 x 400 mm	600 x 400 mm	300 x 300 mm
SPECIAL FEATURES	Wi-Fi Built-in, Local Key Operation, Auto Brightness Sensor, Local Contents Scheduling, Group Manager, Screen Share, Web Browser, Lock Mode, Setting Data Cloning (USB), SNMP (Ver. 1.4) Crestron Connected ¹ , DPM, Power on Status, Wake on LAN, Beacon, HDMI-CEC ² , Built-in Speaker (10W+10W)			
ENVIRONMENT CONDITIONS	Operation Temperature	0°C to 40°C	0°C to 40°C	0°C to 40°C
	Operation Humidity	10% to 80%	10% to 80%	10% to 80%
POWER	Power Supply	100-240V~, 50/60Hz	100-240V~, 50/60Hz	100-240V~, 50/60Hz
	Power Type	Built-In Power	Built-In Power	Built-In Power
	Power Typ. / Max.	309 W	220 W	174 W
	Consumption Smart Energy Saving	333.5 W	243 W	194 W
CERTIFICATION	Safety	CB	CB	CB
	EMC	CE	CE	CE
	ErP	Yes (Class A)	Yes (Class A)	Yes (Class A)
MEDIA PLAYER COMPATIBILITY	OPS Type Compatible	No	No	No
	External Media Player Attachable	No	No	No
SOFTWARE COMPATIBILITY	Content Management Software	SuperSign CMS	SuperSign CMS	SuperSign CMS
	Control and Monitoring Software ³	SuperSign Control+	SuperSign Control+	SuperSign Control+
ACCESSORIES	Basic	Remote Controller (2ea Batteries Included), Regulation Book, Phone to RS232C Gender	Remote Controller (2ea Batteries Included), Regulation Book, Phone to RS232C Gender	Remote Controller (2ea Batteries Included), Regulation Book, Phone to RS232C Gender
EAN		8806098315871	8806098315864	8806098315321

Connessioni

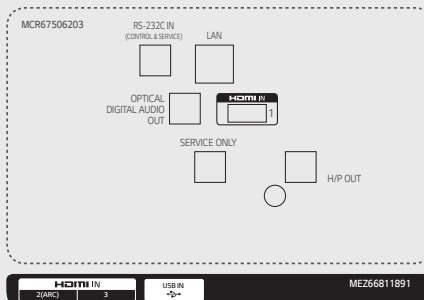
86UL3E \ 75UL3E \ 65UL3E



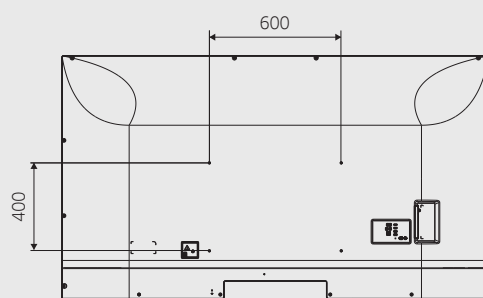
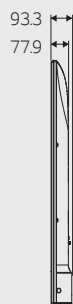
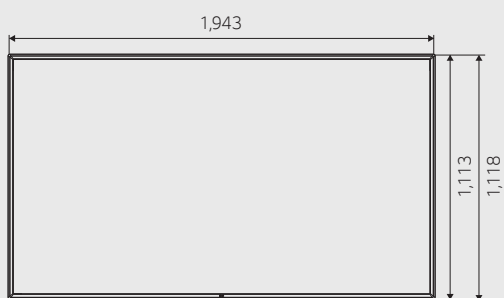
86" / 75"



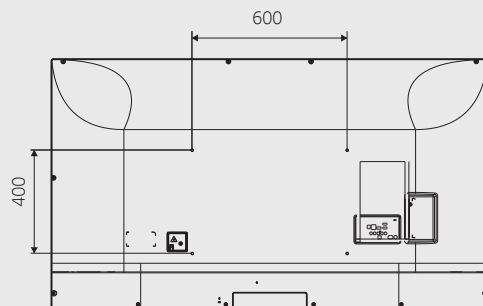
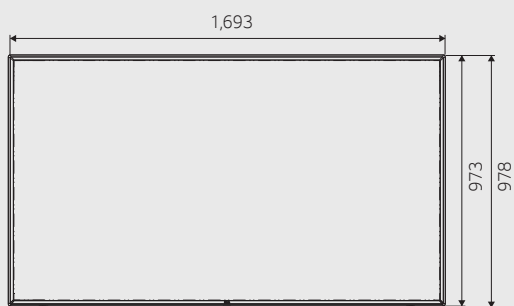
65"



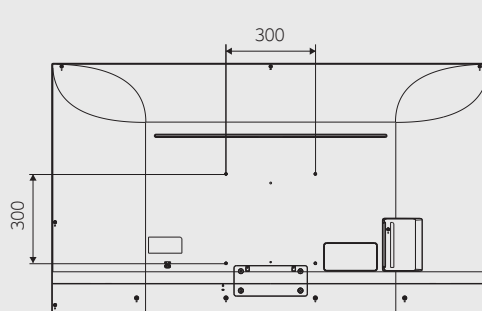
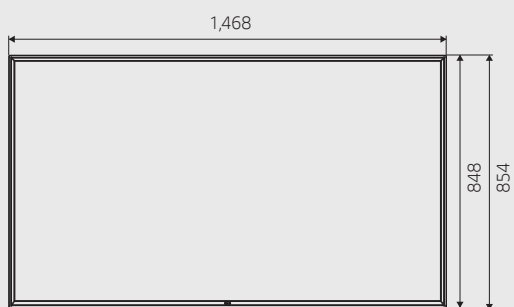
86"



75"



65"



MONITOR SIGNAGE **FULL HD**

LS75C

55" | 49" | 42"

SH7DB

55" | 49" | 42"

SM5KE

55" | 49" | 43" | 32"

SE3KE

55" | 49" | 43" | 32"

SM3B

22"



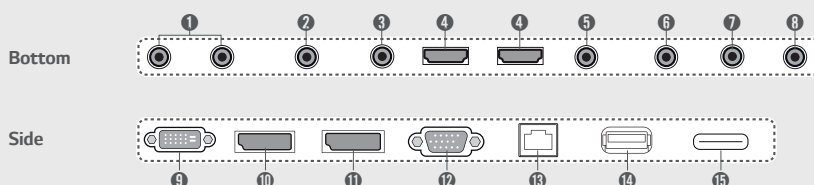
		55LS75C	49LS75C	42LS75C
PANEL	Screen Size	54.64 inches (1387.80mm) diagonal	48.50 inches (1232.00mm) diagonal	41.92 inches (1064.67mm) diagonal
	Panel Technology	IPS	IPS	IPS
	Aspect Ratio	16:9	16:9	16:9
	Native Resolution	1,920 x 1,080 (FHD)	1,920 x 1,080 (FHD)	1,920 x 1,080 (FHD)
	Brightness	700cd/m ²	700cd/m ²	700cd/m ²
	Contrast Ratio	1,300:1	1,300:1	1,300:1
	Viewing Angle (H x V)	178 x 178	178 x 178	178 x 178
	Response Time	1ms (G to G), 8ms (MPRT)	8ms (G to G BW) typ.	8ms (G to G BW) typ.
	Surface Treatment	Hard coating (3H), Anti-glare treatment of the front polarizer (Haze 10%)	Hard coating (3H), Anti-glare treatment of the front polarizer (Haze 10%)	Hard coating (3H), Anti-glare treatment of the front polarizer (Haze 10%)
	Life time (Typ.)	50,000 Hrs min.	50,000 Hrs min.	50,000 Hrs min.
Operation Hours	24 Hrs / 7 Days	24 Hrs / 7 Days	24 Hrs / 7 Days	
Orientation	Portrait & Landscape	Portrait & Landscape	Portrait & Landscape	
CONNECTIVITY	Input	HDMI (2), DP, DVI-D, Audio in, OPS		
	External Control	RS232C in/out, RJ45, IR / Light sensor, Pixel sensor, USB 3.0		
	Output	DP, External Speaker out		
PHYSICAL SPECIFICATION	Bezel Color	Black	Black	Black
	Bezel Width	7.4 mm (T/L/R/B even)	7.4 mm (T/L/R/B even)	7.4 mm (T/L/R/B even)
	Monitor Dimension (W x H x D)	1,230 x 714 x 32 mm	1,095 x 637 x 32 mm	949 x 555 x 32 mm
	Weight (Head)	20.7 kg	15.6 kg	12.5kg
	Monitor with Optional Stand Dimensions (W x H x D)	1,230 x 776 x 298 mm	1,095 x 700 x 298 mm	949 x 618 x 298 mm
	Weight (Head+Stand)	22.1 kg	17.0 kg	13.9 kg
	Carton Dimensions (W x H x D)	1,330 x 815 x 174 mm	1,197 x 760 x 134 mm	1,045 x 645 x 127 mm
	Packed Weight	25.2 kg	18.7 kg	14.8 kg
VESA™ Standard Mount Interface	400 x 400 mm	400 x 400 mm	400 x 400 mm	
SPECIAL FEATURES	Temperature sensor, Auto brightness sensor, Tile Mode, DPM select, DPM wake up, Energy saving, Smart energy saving, File play with USB, PIP/PBP(2), Internal memory 16GB (System 4GB + Available 12GB), Wi-Fi dongle ready (802.11n) , USB cloning, Fail over			
ENVIRONMENTAL CONDITIONS	Operating Temperature	0°C to 40°C	0°C to 40°C	0°C to 40°C
	Operating Humidity	10% to 80%	10% to 80%	10% to 80%
POWER	Power Supply	100-240V~, 50/60Hz	100-240V~, 50/60Hz	100-240V~, 50/60Hz
	Power Type	Built-In Power	Built-In Power	Built-In Power
	Power Consumption	Typ. 140 W (TBD)	125 W (TBD)	110 W (TBD)
	Smart Energy Saving	100 W (TBD)	90 W (TBD)	80 W (TBD)
STANDARD (CERTIFICATION)	Safety	UL / cUL / CB / TUV / KC	UL / cUL / CB / TUV / KC	UL / cUL / CB / TUV / KC
	EMC	FCC Class "A" / CE / KCC	FCC Class "A" / CE / KCC	FCC Class "A" / CE / KCC
	ErP / Energy Star	NA / Yes (Energy Star 7.0)	NA / Yes (Energy Star 7.0)	NA / NA
MEDIA PLAYER COMPATIBILITY	OPS Type Compatible	Yes	Yes	Yes
	External Media Player Attachable	Yes (MP500/MP700)	Yes (MP500/MP700)	Yes (MP500/MP700)
SOFTWARE COMPATIBILITY	SuperSign W/Lite	Yes	Yes	Yes
	SuperSign C	Yes	Yes	Yes
ACCESSORIES	Basic	Remote controller (Zea batteries included), Power cord, IR/Light sensor receiver, QSG, Regular book (depend on regional standard), HDMI cable		
	Optional	SP-2100 (External speaker), ST-200T, LSW440S, AN-WF500 (Wi-Fi USB dongle), KT-OPSA (OPS kits), KT-SP0 (Pixel sensor)		
EAN		8806087821307	8806087817409	8806087816266

Conessioni

55LS75C / 49LS75C / 42LS75C

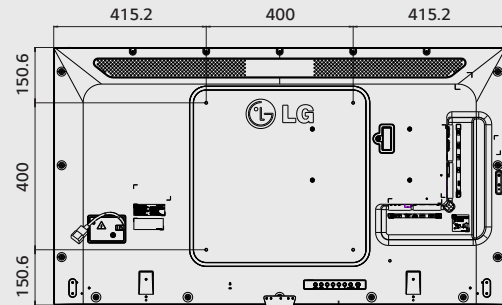
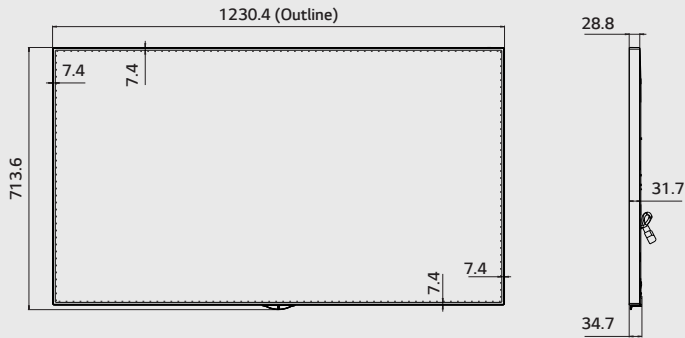


- 1 SPEAKER OUT
- 2 IR & LIGHT SENSOR
- 3 PIXEL SENSOR
- 4 2 HDMI
- 5 RS-232C IN
- 6 RS-232C OUT
- 7 AUDIO IN
- 8 AUDIO OUT
- 9 DVI-D IN
- 10 DP IN
- 11 DP OUT
- 12 RGB IN
- 13 LAN
- 14 USB 3.0
- 15 SD



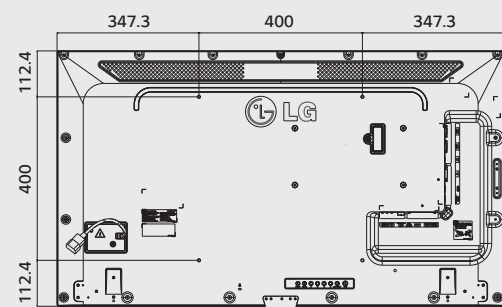
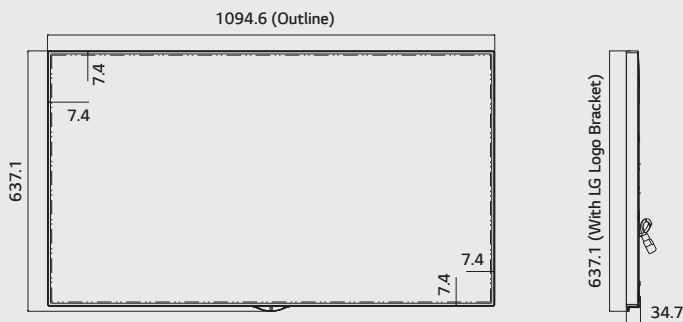
55"

1,230 x 714 x 32 / 20.7 kg



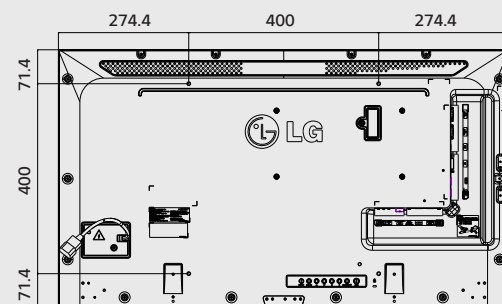
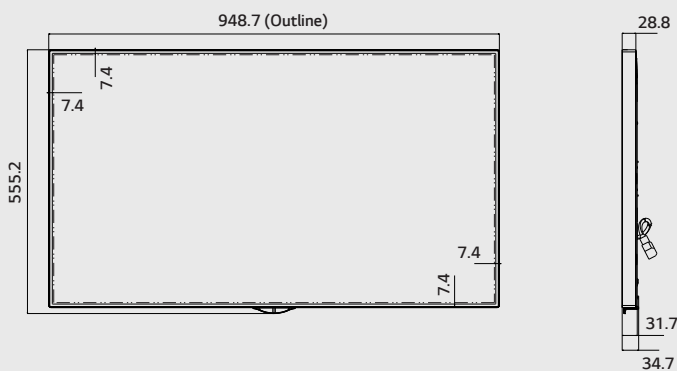
49"

1,095 x 637 x 32 / 15.6 kg



42"

949 x 555 x 32 / 12.5 kg



		55SH7DB	49SH7DB	42SH7DB
PANEL	Screen Size	55	49	42
	Panel Technology	IPS (PD)		
	Aspect Ratio	16 : 9		
	Native Resolution	1,920 x 1,080 (FHD)		
	Brightness	700cd/m ²		
	Contrast Ratio	1,300:1		
	Dynamic CR	500,000:1		
	Viewing Angle (H x V)	178 x 178		
	Response Time (typ.)	8ms (G to G BW)		
	Surface Treatment	Hard coating (3H), Anti-glare treatment of the front polarizer (Haze 10 % (Typ.))		
Guaranteed Operating Hour	24 Hours			
Orientation	Portrait & Landscape			
CONNECTIVITY	Input	HDMI, DP, DVI-D, RGB, Audio, USB		
	Output	DP, Audio, External Speaker		
	External Control	RS232C (In/Out), RJ45, IR Receiver, Pixel Sensor (Optional)		
PHYSICAL SPECIFICATION	Bezel Color	Black		
	Bezel Width	7.4mm (T/R/L/U even)	7.4mm (T/R/L/U even)	7.4mm (T/R/L/U even)
	Monitor Dimension (W x H x D)	1,230 x 701 x 29mm	1,095 x 625 x 29mm	949 x 543 x 29mm
	Weight (Head)	20.7kg	15.6kg	12.5kg
	Weight (Head + Stand)	22.1kg	17kg	13.9kg
	Monitor with Optional Stand & Speaker Dimensions (W x H x D)	1,230 x 776 x 298mm	1,095 x 700 x 298mm	949 x 618 x 298mm
	Weight (Head + Stand + Speaker)	22.9kg	17.8kg	14.7kg
	Carton Dimensions (W x H x D)	1,330 x 815 x 174mm	1,197 x 760 x 134mm	1,045 x 645 x 127mm
	Packed Weight	25.2kg	18.7kg	14.8kg
	VESA™ Standard Mount Interface	400 x 400mm		
SPECIAL FEATURES	USB Content Scheduling, Conformal Coating, SNMP Support, Wi-Fi Ready (Dongle), Power Management modes (Sustain Aspect Ratio/Stand-by Screen, etc.), No Signal Image setting, Enhanced ISM (Image Sticking Minimization) Mode, Holiday Schedule/Local Time Auto Setting, Fail-over (USB, RGB, DVI, HDMI), Wake on LAN, DVI/HDMI to DP out			
ENVIRONMENTAL CONDITIONS	Operating Temperature Range	0 °C to 40 °C	0 °C to 40 °C	0 °C to 40 °C
	Operating Humidity Range	10 % to 80 %	10 % to 80 %	10 % to 80 %
POWER	Power Supply	100-240V~, 50/60Hz		
	Power Type	Built-In Power		
POWER CONSUMPTION	Typ.	140W	125W	110W
	Smart Energy Saving	95W	80W	60W
STANDARD (CERTIFICATION)	Safety	UL / cUL / CB / TUV / KC		
	EMC	FCC Class "A" / CE / KCC		
	ErP / Energy Star	NA / Yes (Energy Star 6.0)		
MEDIA PLAYER COMPATIBILITY	OPS Type Compatible	Yes	Yes	Yes
	External Media Player Attachable	Yes (MP500/MP700)	Yes (MP500/MP700)	Yes (MP500/MP700)
SOFTWARE COMPATIBILITY	SuperSign-W/Lite	Yes		
	SuperSign-C	Yes		
ACCESSORY	Basic	Remote Controller (2 batteries included), Power Cord, QSG, RGB Cable, Regulation Book, Phone to RS232C Gender, IR Receiver		
	Optional	SP-2100 (External Speaker), ST-200T, LSW440S, AN-WF500 (Wi-Fi USB Dongle), KT-OPSA (OPS Kits), KT-SPO (Pixel Sensor)	SP-2100 (External Speaker), ST-200T, LSW440S, AN-WF500 (Wi-Fi USB Dongle), KT-OPSA (OPS Kits), KT-SPO (Pixel Sensor)	SP-2100 (External Speaker), ST-200T, LSW440S, AN-WF500 (Wi-Fi USB Dongle), KT-OPSA (OPS Kits), KT-SPO (Pixel Sensor)
	EAN	8806087342659	8806087861822	8806087861938

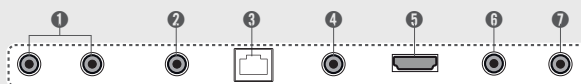
Conessioni

55SH7DB / 49SH7DB / 42SH7DB

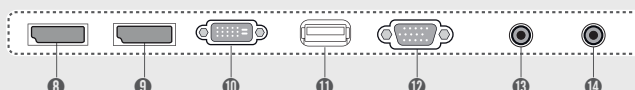


- 1 SPEAKER OUT
- 2 AUDIO IN
- 3 LAN
- 4 PIXEL SENSOR
- 5 HDMI
- 6 AUDIO OUT
- 7 IR & LIGHT SENSOR
- 8 DP IN
- 9 DP OUT
- 10 DVI-D IN
- 11 USB
- 12 RGB IN
- 13 RS-232C IN
- 14 RS-232C OUT

Bottom

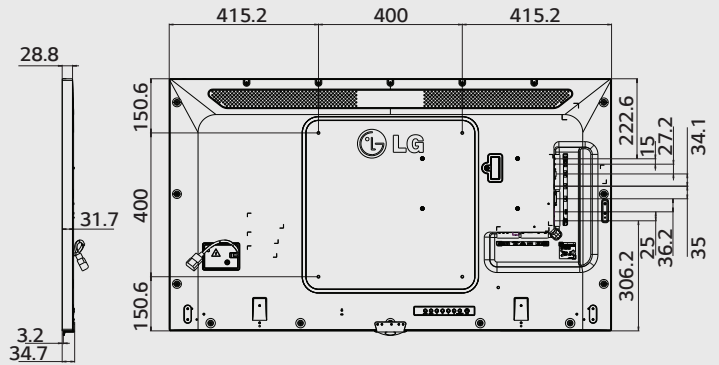
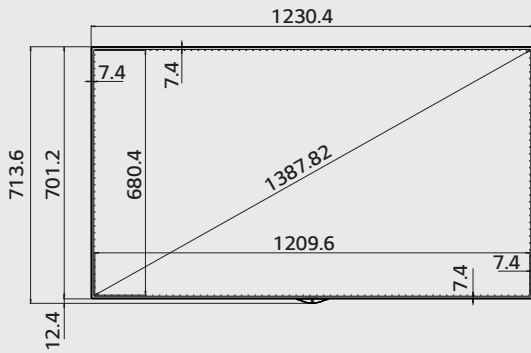


Side



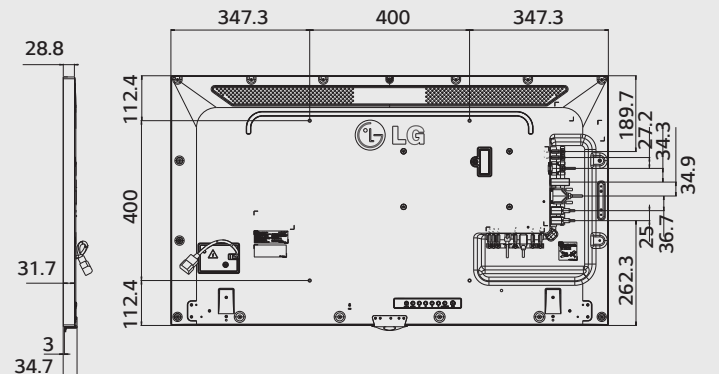
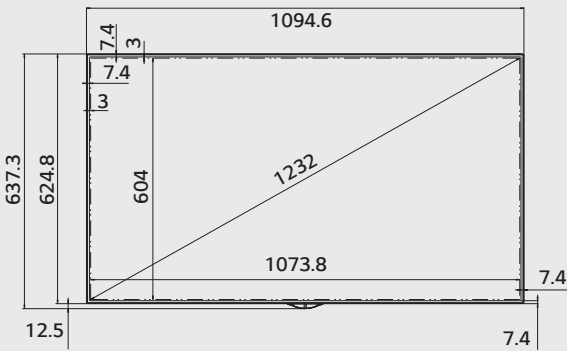
55"

1,230 x 701 x 29 / 20.7kg



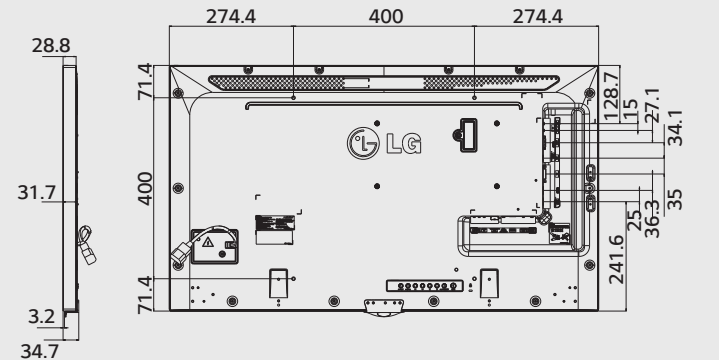
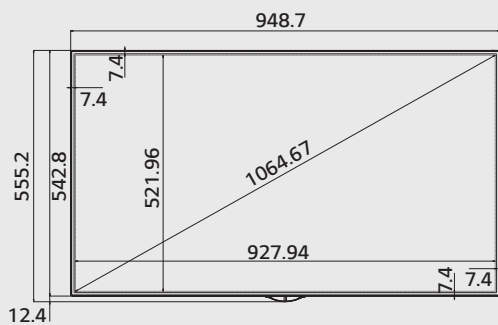
49"

1,095 x 625 x 29 / 15.6kg



42"

949 x 543 x 29 / 12.5kg



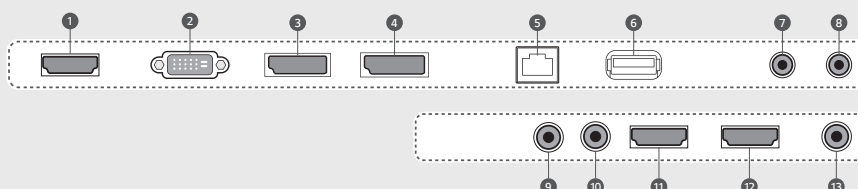
	55SM5KE	49SM5KE	43SM5KE	32SM5KE
PANEL				
Screen Size	55"	49"	43"	32"
Panel Technology	IPS			
Aspect Ratio	16 : 9			
Native Resolution	1,920 x 1,080 (FHD)			
Brightness	450 cd/m ²	450 cd/m ²	450 cd/m ²	400 cd/m ²
Contrast Ratio	1,100:1			
Viewing Angle (H x V)	178 x 178			
Response Time	12 ms (G to G BW), 9.0 ms (WOT)	12 ms (G to G BW), 10.1 ms (WOT)	12 ms (G to G BW), 9.4 ms (WOT)	10 ms (G to G BW), 7.1 ms (WOT)
Surface Treatment (Haze)	Hard Coating (3H), Anti-glare Treatment of the Front Polarizer (Haze 1% (Typ.))			
Life time (Typ.)	50,000 Hrs	50,000 Hrs	50,000 Hrs	50,000 Hrs
Operation Hours	24 Hrs	24 Hrs	24 Hrs	24 Hrs
Orientation	Landscape & Portrait	Landscape & Portrait	Landscape & Portrait	Landscape & Portrait
CONNECTIVITY				
Input	HDMI (3), DP, DVI-D, Audio, USB 3.0	HDMI (3), DP, DVI-D, Audio, USB 3.0	HDMI (3), DP, DVI-D, Audio, USB 3.0	HDMI (3), DP, DVI-D, Audio, USB 3.0
Output	DP (SST), Audio (Off/Fixed/Variable)	DP (SST), Audio (Off/Fixed/Variable)	DP (SST), Audio (Off/Fixed/Variable)	DP (SST), Audio (Off/Fixed/Variable)
External Control	RS232C In/out, RJ45 In, IR Receiver In	RS232C In/out, RJ45 In, IR Receiver In	RS232C In/out, RJ45 In, IR Receiver In	RS232C In/out, RJ45 In, IR Receiver In
MECHANICAL SPECIFICATION				
Bezel Color	Black	Black	Black	Black
Bezel Width	11.9 mm (T/R/L), 18 mm (B)	11.9 mm (T/R/L), 18 mm (B)	11.9 mm (T/R/L), 18 mm (B)	13 mm (T/R/L), 18 mm (B)
Monitor Dimension (W x H x D)	1,238 x 714.9 x 54 mm	1,102.2 x 638.5 x 54 mm	969.6 x 563.9 x 54 mm	729.4 x 428.9 x 55.5 mm
Weight (Head)	17.5 kg	14.3 kg	10.0 kg	5.4 kg
Monitor with Optional Stand Dimensions (W x H x D)	1,238mm x 773.4 x 219.6 mm	1102.2 x 696.8 x 219.6 mm	969.6 x 622.2 x 193 mm	729.4 x 481 x 154.2 mm
Weight (Head+Stand)	20.8 kg	17.6 kg	12.5 kg	6.2 kg
Carton Dimension (W x H x D)	1,330 x 807 x 170 mm	1,197 x 760 x 166 mm	1,052 x 650 x 123 mm	810 x 510 x 132 mm
Packed Weight	21.7 kg	17.4 kg	12.6 kg	6.7 kg
VESA™ Standard Mount Interface	300 x 300 mm	300 x 300 mm	200 x 200 mm	200 x 200 mm
KEY FEATURE	Internal Memory 8GB (System 4GB, Available 3.6GB), Built-in Wi-Fi, Temperature Sensor, Auto Brightness Sensor, Current Sensor, webOS 4.0, Embedded CMS, Fail Over, Image Customization, PIP/PBP(2), Screen Share, Video Tag (2), Play via URL, Gapless Playback, Tile Mode Setting (Up to 15x15), Setting Data Cloning, Firmware Update by Network, SNMP (Ver. 1.4), Control Manager, Crestron Connected*, Extron IP Link, Smart Energy Saving, Beacon, HDMI-CEC (2)**, Built-in Speaker (10W+10W)			
ENVIRONMENTAL CONDITIONS				
Operation Temperature	0°C to 40°C	0°C to 40°C	0°C to 40°C	0°C to 40°C
Operation Humidity	10% to 80%	10% to 80%	10% to 80%	10% to 80%
POWER				
Power Type	100-240V~, 50/60Hz	100-240V~, 50/60Hz	100-240V~, 50/60Hz	100-240V~, 50/60Hz
Power Supply	Built-In Power	Built-In Power	Built-In Power	Built-In Power
Power Typ. / Max.	100 W (TBD) / 115 W	85 W (TBD) / 105 W	75 W (TBD) / 95 W	60 W (TBD) / 85 W
Consumption Smart Energy Saving	70 W (TBD)	60 W (TBD)	55 W (TBD)	45 W (TBD)
CERTIFICATION				
Safety	IEC 60950-1 / EN 60950-1 / UL 60950-1	IEC 60950-1 / EN 60950-1 / UL 60950-1	IEC 60950-1 / EN 60950-1 / UL 60950-1	IEC 60950-1 / EN 60950-1 / UL 60950-1
EMC	FCC Class "A" / CE / KC	FCC Class "A" / CE / KC	FCC Class "A" / CE / KC	FCC Class "A" / CE / KC
ErP / Energy Star	N/A / Yes (Energy Star 7.0)	N/A / Yes (Energy Star 7.0)	N/A / Yes (Energy Star 7.0)	N/A / Yes (Energy Star 7.0)
MEDIA PLAYER COMPATIBILITY				
OPS Type Compatible	Yes	Yes	Yes	Yes
External Media Player Attachable	Yes	Yes	Yes	Yes
SOFTWARE COMPATIBILITY				
Content Management Software	SuperSign CMS	SuperSign CMS	SuperSign CMS	SuperSign CMS
Control and Monitoring Software	SuperSign Control+/Control	SuperSign Control+/Control	SuperSign Control+/Control	SuperSign Control+/Control
ACCESSORIES				
Basic	Remote Controller (2ea Batteries Included), Power Cord, QSG, HDMI Cable, Regulation Book, Phone to RS232C Gender, Memory Cover			
Optional	Stand (ST-492T), Media Player, Wall Bracket (LSW350B), VESA Adapter (AM-B330S), OPS Kit (KT-OPSA), HDBaseT (EB-B100), Touch Overlay (KT-T55E)	Stand (ST-492T), Media Player, Wall Bracket (LSW350B), VESA Adapter (AM-B330S), OPS Kit (KT-OPSA), HDBaseT (EB-B100), Touch Overlay (KT-T49E)	Stand (ST-432T), Media Player, Wall Bracket (LSW230B), VESA Adapter (AM-B220S), OPS Kit (KT-OPSA), HDBaseT (EB-B100), Touch Overlay (KT-T43E)	Stand (ST-322T), Media Player, Wall Bracket (LSW230B), VESA Adapter (AM-B220S), OPS Kit (KT-OPSA), HDBaseT (EB-B100), Touch Overlay (KT-T32E)
EAN	8806098291267	8806098291182	8806098290178	8806098289509

Conessioni

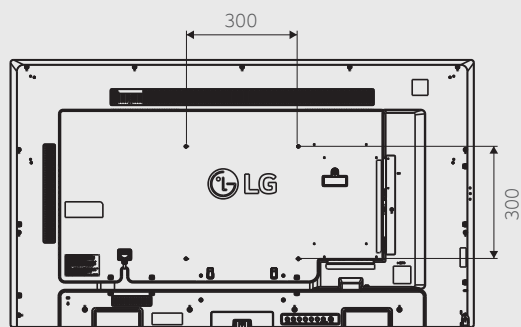
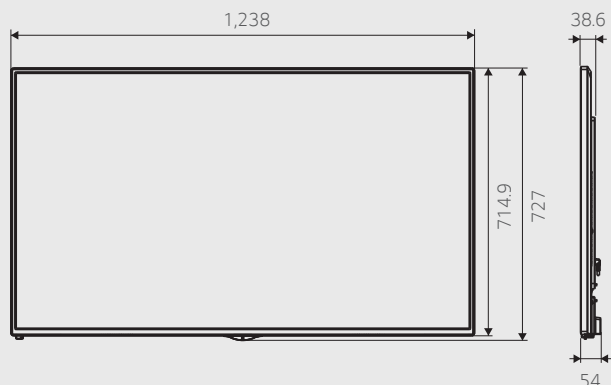
55SM5KE \ 49SM5KE \ 43SM5KE \ 32SM5KE



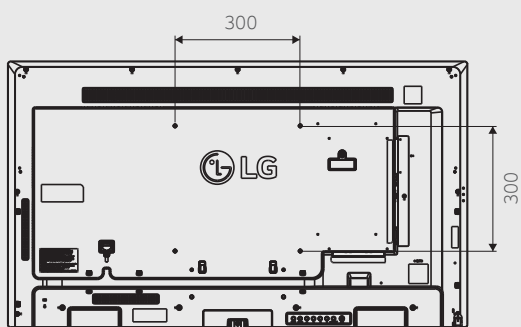
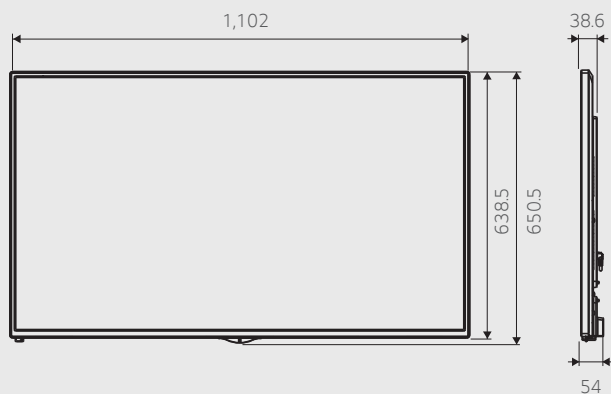
- 1 HDMI IN 1
- 2 DVI-D IN
- 3 DP IN
- 4 DP OUT
- 5 LAN
- 6 USB 3.0
- 7 RS232C IN
- 8 RS232C OUT
- 9 AUDIO IN
- 10 AUDIO OUT
- 11 HDMI IN 2
- 12 HDMI IN 3
- 13 IR & LIGHT SENSOR



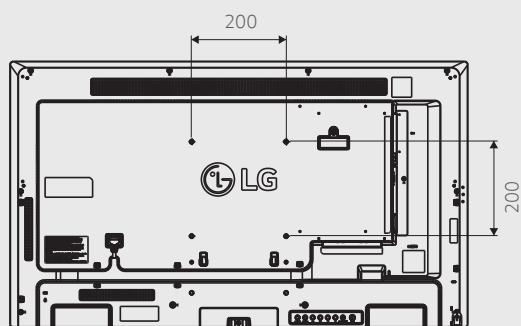
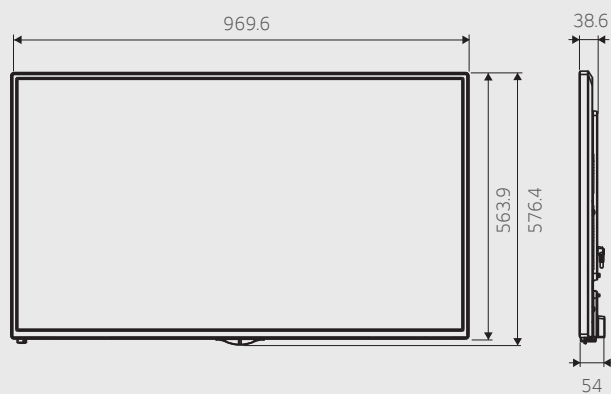
55"



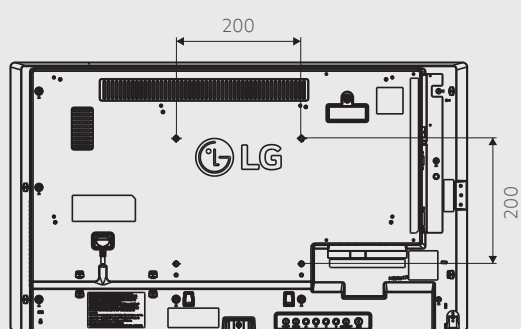
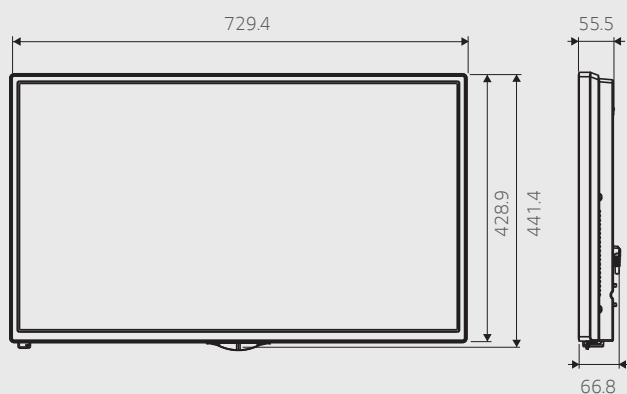
49"



43"



32"



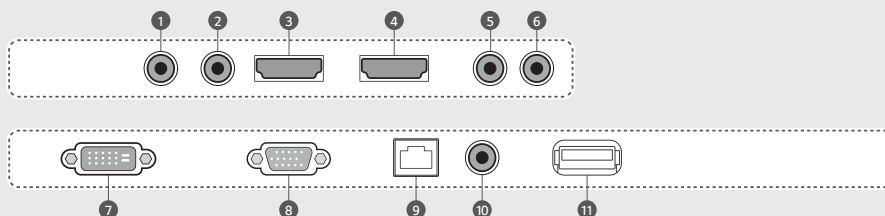
	55SE3KE	49SE3KE	43SE3KE	32SE3KE	
PANEL	Screen Size	55"	49"	43"	32"
	Panel Technology	IPS	IPS	IPS	IPS
	Aspect Ratio	16 : 9	16 : 9	16 : 9	16 : 9
	Native Resolution	1,920 x 1,080 (FHD)	1,920 x 1,080 (FHD)	1,920 x 1,080 (FHD)	1,920 x 1,080 (FHD)
	Brightness	350 cd/m ²	350 cd/m ²	350 cd/m ²	350 cd/m ²
	Contrast Ratio	1,100:1	1,100:1	1,100:1	1,100:1
	Viewing Angle (H x V)	178 x 178	178 x 178	178 x 178	178 x 178
	Response Time	12 ms (G to G BW), 9.0 ms (WOT)	12 ms (G to G BW), 10.1 ms (WOT)	12 ms (G to G BW), 9.4 ms (WOT)	10 ms (G to G BW), 7.1 ms (WOT)
	Surface Treatment (Haze)	AGP Haze 1%	AGP Haze 1%	AGP Haze 1%	AGP Haze 1%
	Life Time (Typ.)	50,000 Hrs	50,000 Hrs	50,000 Hrs	50,000 Hrs
Guaranteed Operating Hours	18 Hrs	18 Hrs	18 Hrs	18 Hrs	
Orientation	Landscape & Portrait	Landscape & Portrait	Landscape & Portrait	Landscape & Portrait	
CONNECTIVITY	Input	HDMI (2), DVI-D, RGB, Audio, USB	HDMI (2), DVI-D, RGB, Audio, USB	HDMI (2), DVI-D, RGB, Audio, USB	HDMI (2), DVI-D, RGB, Audio, USB
	Output	Audio (Off/Fixed/Variable)	Audio (Off/Fixed/Variable)	Audio (Off/Fixed/Variable)	Audio (Off/Fixed/Variable)
	External Control	RS232C In/out, RJ45 In, IR In	RS232C In/out, RJ45 In, IR In	RS232C In/out, RJ45 In, IR In	RS232C In/out, RJ45 In, IR In
MECHANICAL SPECIFICATION	Bezel Color	Black	Black	Black	Black
	Bezel Width	11.9 mm (T/R/L), 18 mm (B)	11.9 mm (T/R/L), 18 mm (B)	11.9 mm (T/R/L), 18 mm (B)	13 mm (T/R/L), 18 mm (B)
	Monitor Dimension (W x H x D)	1,238 x 714.9 x 54 mm	1,102.2 x 638.5 x 54 mm	969.6 x 563.9 x 54 mm	729.4 x 428.9 x 55.5 mm
	Weight (Head)	17.5 kg	14.3 kg	10.0 kg	5.4 kg
	Monitor with Optional Stand Dimensions (W x H x D)	1,238 x 773.4 x 219.6 mm	1,102.2 x 696.8 x 219.6 mm	969.6 x 622.2 x 193 mm	729.4 x 481 x 154.2 mm
	Weight (Head+Stand)	20.8 kg	17.6 kg	12.5 kg	6.2 kg
	Carton Dimensions (W x H x D)	1,330 x 807 x 170 mm	1,197 x 760 x 166 mm	1,052 x 650 x 123 mm	810 x 510 x 132 mm
	Packed Weight	21.7 kg	17.4 kg	12.6 kg	6.7 kg
	VESA™ Standard Mount Interface	300 x 300 mm	300 x 300 mm	200 x 200 mm	200 x 200 mm
	KEY FEATURE	Wi-Fi Dongle Ready, Temperature Sensor, Local Key Operation, USB Auto Playback, Local Contents Scheduling, Fail Over, Image Customization (Booting Logo/No Signal), Content Sync. (RS232C/Local Network), SNMP (ver.2), ISM Mode, Crestron Connected ¹ , DPM, PM Mode, Wake on LAN, Energy Saving, Smart Energy Saving, HDMI-CEC ²			
ENVIRONMENTAL CONDITIONS	Operation Temperature	0°C to 40°C	0°C to 40°C	0°C to 40°C	0°C to 40°C
	Operation Humidity	10% to 80%	10% to 80%	10% to 80%	10% to 80%
POWER	Power Supply	100-240V~, 50/60Hz	100-240V~, 50/60Hz	100-240V~, 50/60Hz	100-240V~, 50/60Hz
	Power Type	Built-In Power	Built-In Power	Built-In Power	Built-In Power
	Power Typ. / Max.	65 W / 100 W	60 W / 95 W	55 W / 90 W	45 W / 80 W
	Consumption Smart Energy Saving	45.5 W	42 W	38.5 W	31.5 W
SOUND	Speaker	20 W (10 W x 2)	20 W (10 W x 2)	20 W (10 W x 2)	20 W (10 W x 2)
CERTIFICATION	Safety	IEC 60950-1 / EN 60950-1 / UL 60950-1	IEC 60950-1 / EN 60950-1 / UL 60950-1	IEC 60950-1 / EN 60950-1 / UL 60950-1	IEC 60950-1 / EN 60950-1 / UL 60950-1
	EMC	FCC Class "A" / CE / KC	FCC Class "A" / CE / KC	FCC Class "A" / CE / KC	FCC Class "A" / CE / KC
	ErP / Energy Star	Yes ³ / Yes (Energy Star 7.0)	Yes ³ / Yes (Energy Star 7.0)	Yes ³ / Yes (Energy Star 7.0)	Yes ³ / Yes (Energy Star 7.0)
MEDIA PLAYER COMPATIBILITY	OPS Type Compatible	Yes	Yes	Yes	Yes
	External Media Player Attachable	Yes (MP500 / MP700)	Yes (MP500 / MP700)	Yes (MP500 / MP700)	Yes (MP500 / MP700)
SOFTWARE COMPATIBILITY	Content Management Software	SuperSign CMS	SuperSign CMS	SuperSign CMS	SuperSign CMS
	Control and Monitoring Software	SuperSign Control / Control+	SuperSign Control / Control+	SuperSign Control / Control+	SuperSign Control / Control+
ACCESSORIES	Basic	Remote Controller (2ea Batteries Included), Power Cord, QSG, RGB Cable, Regulation Book, Phone to RS232C Gender, IR Receiver	Remote Controller (2ea Batteries Included), Power Cord, QSG, RGB Cable, Regulation Book, Phone to RS232C Gender, IR Receiver	Remote Controller (2ea Batteries Included), Power Cord, QSG, RGB Cable, Regulation Book, Phone to RS232C Gender, IR Receiver	Remote Controller (2ea Batteries Included), Power Cord, QSG, RGB Cable, Regulation Book, Phone to RS232C Gender, IR Receiver
	Optional	Stand (ST-492T), Media Player, Wall Bracket (LSW350B), VESA Adapter (AM-B330S), Wi-Fi Dongle (AN-WF500), Touch Overlay (KT-T55E)	Stand (ST-492T), Media Player, Wall Bracket (LSW350B), VESA Adapter (AM-B330S), Wi-Fi Dongle (AN-WF500), Touch Overlay (KT-T49E)	Stand (ST-432T), Media Player, Wall Bracket (LSW230B), VESA Adapter (AM-B220S), Wi-Fi Dongle (AN-WF500), Touch Overlay (KT-T43E)	Stand (ST-322T), Media Player, Wall Bracket (LSW230B), VESA Adapter (AM-B220S), Wi-Fi Dongle (AN-WF500), Touch Overlay (KT-T32E)
EAN	8806098290352	8806098290338	8806098290314	8806098290246	

Conessioni

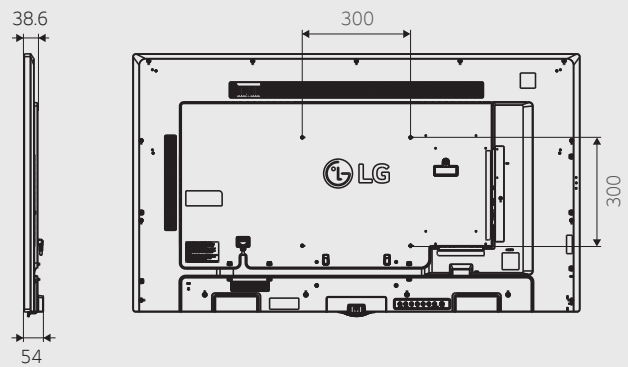
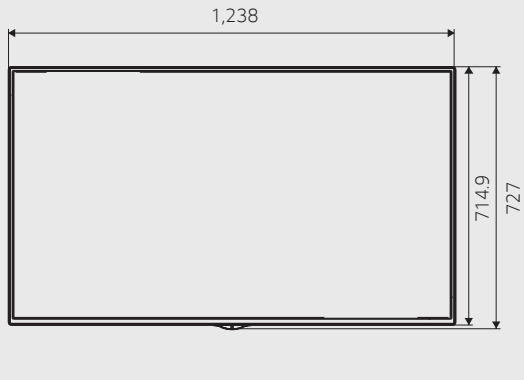
55SE3KE \ 49SE3KE \ 43SE3KE \ 32SE3KE



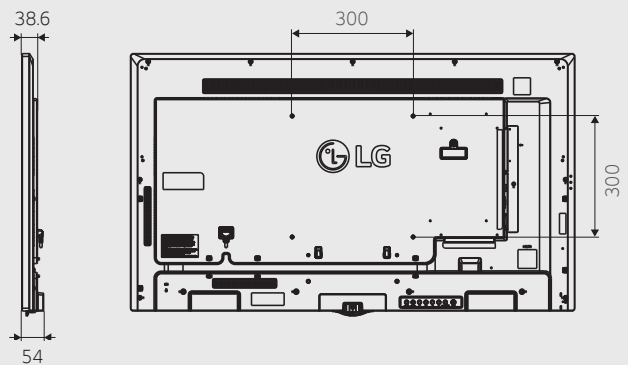
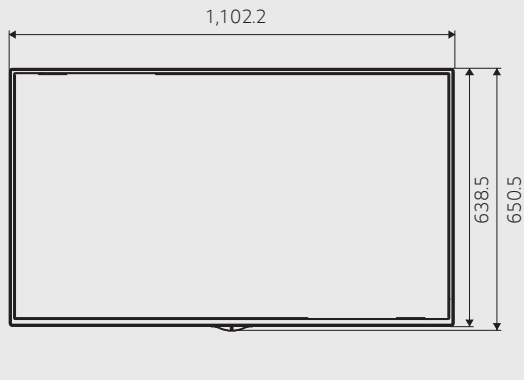
- ① RS-232C IN
- ② RS-232C OUT
- ③ HDMI IN 1
- ④ HDMI IN 2
- ⑤ AUDIO OUT
- ⑥ EXT IR IN
- ⑦ DVI-D IN
- ⑧ RGB IN
- ⑨ LAN
- ⑩ AUDIO IN
- ⑪ USB



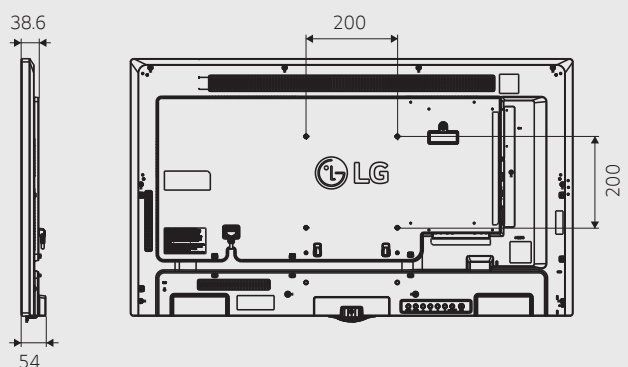
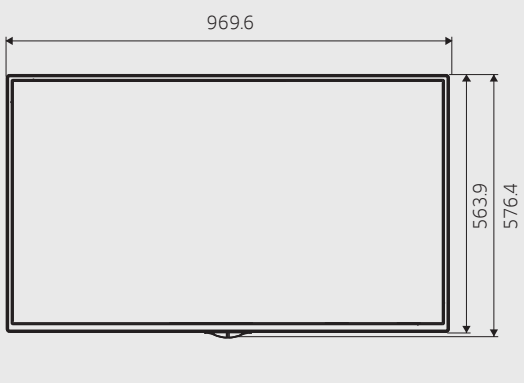
55"



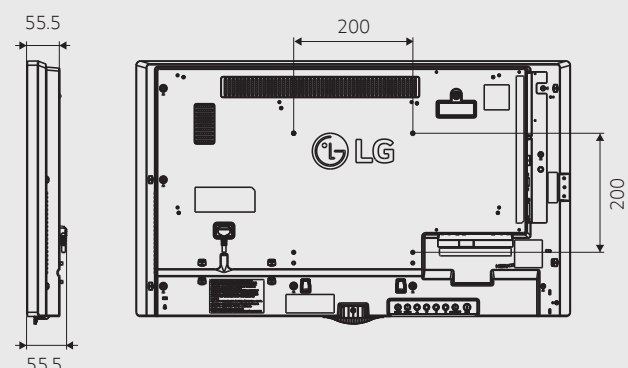
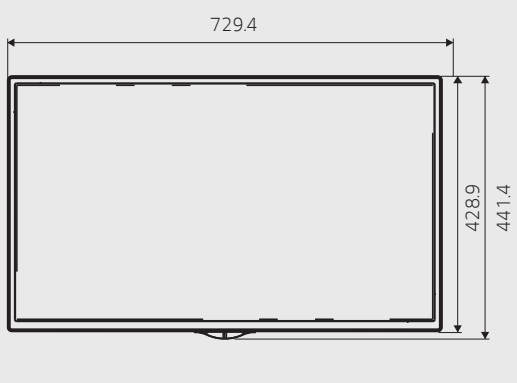
49"



43"



32"

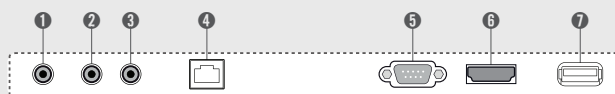


		22SM3B
PANEL	Screen Size	21.5
	Panel Technology	IPS
	Aspect Ratio	16 : 9
	Native Resolution	1,920 x 1,080 (FHD)
	Brightness	250cd/m ²
	Contrast Ratio	1,000:1
	Dynamic CR	4,000,000:1
	Viewing Angle (H x V)	178 x 178
	Surface Treatment	Hard coating (3H), Anti-glare treatment of the front polarizer (Haze 1%(Typ.))
	Guaranteed Operating Hour	16 Hours
CONNECTIVITY	Input	HDMI, RGB, Audio, USB 3.0
	Output	-
	External Control	RS232C In, IR Receiver, Pixel Sensor, RJ45
PHYSICAL SPECIFICATION	Bezel Color	Black
	Bezel Width	16.3mm (T/R/L/B)
	Monitor Dimension (W x H x D)	510.3 x 302.1 x 53.8 mm
	Weight (Head)	3.6kg
	Carton Dimensions (W x H x D)	565 x 357 x 103 mm
	Packed Weight	4.7kg
VESA™ Standard Mount Interface	100 x 100mm	
SPECIAL FEATURES	ISM Method, Internal Memory 8GB (System 4GB + Free 4GB), Wi-Fi (802.11n combo built-in), USB Cloning, Local Contents Scheduling, Sync Mode, PM Mode, Local Time Auto Setting, Wake on LAN, Pivot Mode, Content Rotation 0,90,270, Fail Over, BEACON On/Off, Embedded Template	
ENVIRONMENTAL CONDITIONS	Operating Temperature Range	0 °C to 40 °C
	Operating Humidity Range	10 % to 80 %
	Power Supply	100-240V~, 50/60Hz
POWER	Power Type	Built-In Power
	Power Consumption Typ.	35W
	Power Consumption Smart Energy Saving	On 25.13W / Off 29.76W
AUDIO POWER	2W(1W x 2) for Internal Speaker	
STANDARD (CERTIFICATION)	Safety	UL / cUL / CB / TUV
	EMC	FCC Class "B" / CE
SOFTWARE COMPATIBILITY	SuperSign-W / Lite	Yes
	SuperSign-C	Yes
ACCESSORY	Basic	Remote Controller (include 2ea batteries), Power Cord, QSG, RGB Cable, Phone to RS232C Gender
	Optional	Pixel Sensor (KT-SP0)
EAN	8806087439526	

Connessioni

- ❶ RS-232C IN
- ❷ AUDIO IN
- ❸ PIXEL SENSOR
- ❹ LAN
- ❺ RGB IN
- ❻ HDMI IN
- ❼ USB 3.0

22SM3B

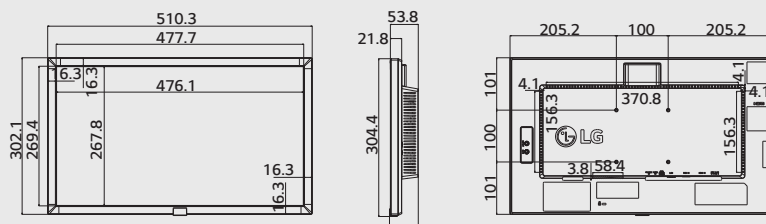


Disegno Tecnico

22"

510.3 x 302.1 x 53.8 /

3.6kg



MONITOR SIGNAGE **SET TOP BOX**

WP320

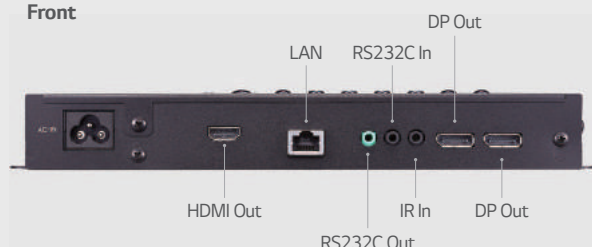


		WP320	
CONNECTIVITY	Input	HDMI (2), DP (Daisy Chain Only), USB 2.0, USB 3.0	
	Output	HDMI, DP (Daisy Chain Only)	
	External Control	RS232C In/out (Daisy Chain Only), RJ45 In, IR In	
MECHANICAL SPECIFICATION	Monitor Dimension (W × H × D)	258.0 × 35.0 × 186.8 mm	
	Weight (Head)	1.4 kg	
	Carton Dimensions (W × H × D)	314.0 × 124.0 × 359.0 mm	
	Packed Weight	2.26 kg	
KEY FEATURE	Hardware	Internal Memory 8GB (System 4GB + Available 4GB), Wi-Fi Dongle Ready, Power Indicator, Local Key Operation	
	Software	webOS 3.0+	
		Embedded CMS	USB Auto Playback, Local Contents Scheduling
		Fail Over	0
		Image Customization	No Signal
		Content Sync.	Local Network
		Multi Screen	PIP/PBP (2)
		Screen Share	0
		Video Tag	0 (2)
		Play via URL	0
		OSD Rotation	0
		Lock Mode	0 (Home Dashboard, USB, OSD, IR Operation, Local Key, Wi-Fi, SoftAP, Screen Share)
		Content Rotation	0
		Gapless Playback	0
		Tile Mode Setting	0 (up to 15 × 15)
		Setting Data Cloning	0 (RS-232C, Network, USB)
		Firmware Update by Network	0
		SNMP	0
		ISM Mode	0
		Status Mailing	0
		Control Manager	0
		Power Management	DPM, On/Off Schedule, Holiday Schedule, Power on Status, Energy Saving, Smart Energy Saving, PM Mode, Wake on LAN, Power on Delay
		Daylight Saving Time	0
	HDMI-CEC	0	
	SI Server Setting	0	
	webRTC	0	
ENVIRONMENT CONDITIONS	Operation Temperature	0°C to 40°C	
	Operation Humidity	10% to 80%	
POWER	Power Type	Built-In Power	
	Power Consumption	Typ. / Max. 16 W / 22 W BTU (British Thermal Unit) 54.6	
CERTIFICATION	Safety	CB	
	EMC	CE Class A	
SOFTWARE COMPATIBILITY	Content Management Software	SuperSign Premium	
	Control and Monitoring Software	SuperSign Link	
ACCESSORIES	Basic	Remote Controller (2 Batteries Included), Power Cord, QSG, HDMI Cable, Regulation Book, Phone to RS232C Gender	
	Optional	Wi-Fi Dongle (AN-WF500)	
EAN		8806098137671	

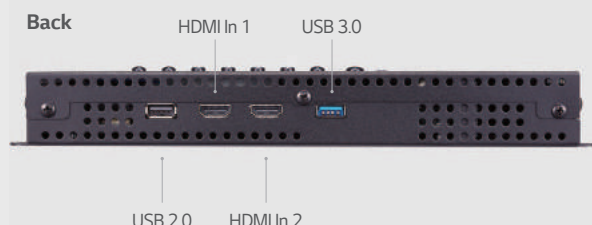
Connessioni

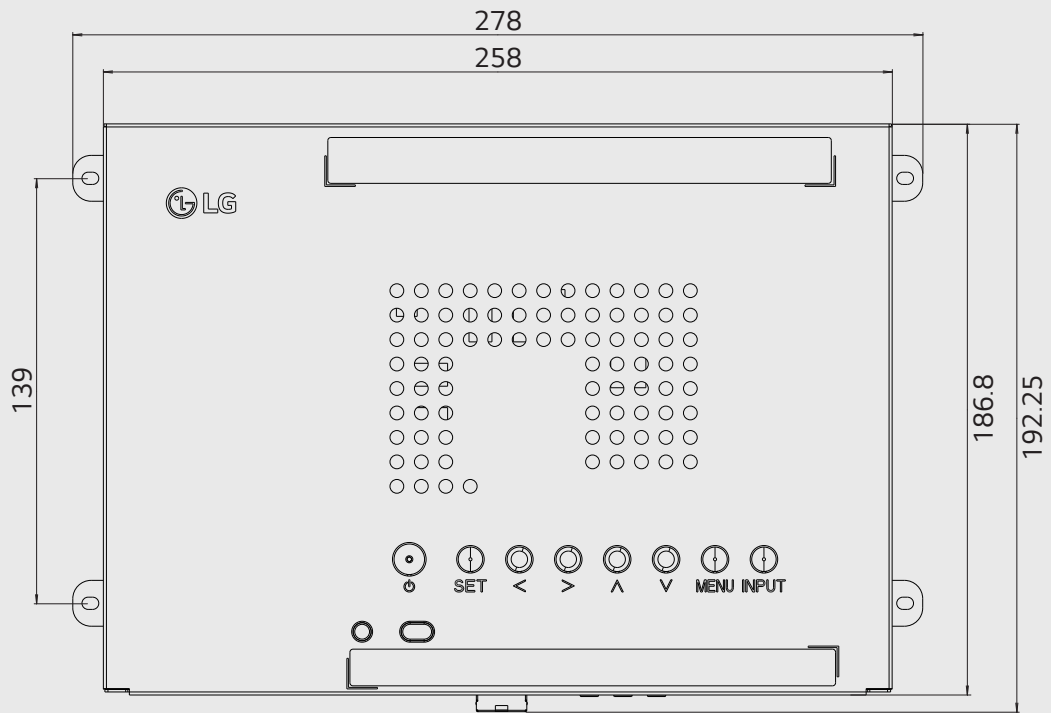
WP320

Front

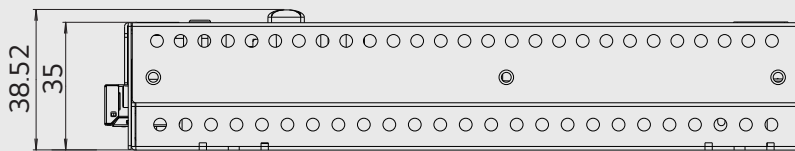


Back





<Top>



<Side>

MONITOR SIGNAGE **HIGH BRIGHTNESS**

XS2C

75"

XF3C/XF3E

75" | 55" | 49"

XS2E

55" | 49"

XF1E

32"

XE3C/XEB3E

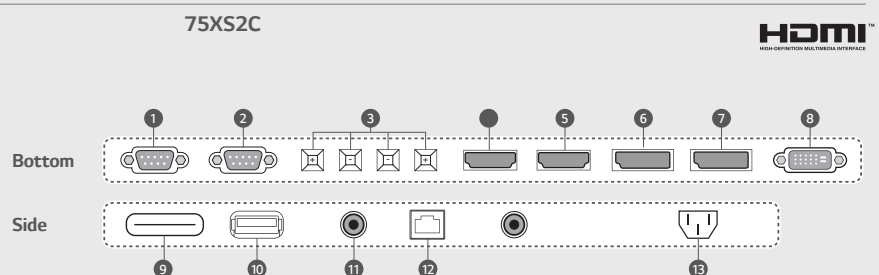
75" | 55" | 49"



		75
PANEL	Screen Size	75" (74.52" Measured Diagonal)
	Panel Technology	IPS, M+ (WRGB)
	Aspect Ratio	16 : 9
	Native Resolution	3,840 x 2,160 (UHD)
	Brightness	2,500 cd/m ² (Typ.), 2,250 cd/m ² (Min.)
	Contrast Ratio (Typ.)	1,200:1
	Viewing Angle (H x V)	178 x 178
	Surface Treatment	AGLR (Haze 3%), QWP
	Lifetime	50,000 Hrs
	Operation Hours	24 Hrs
Orientation	Portrait (Clockwise) & Landscape	
CONNECTIVITY	Input	HDMI(2), DP, DVI-D, Audio, USB 3.0, SD Card (FAT32/NTFS)
	Output	DP, External Speaker (L/R)
	External Control	RS232C In/out, RJ45 In, IR Receiver In
PHYSICAL SPECIFICATION	Bezel Color	Black
	Bezel Width	12.8 mm (Even)
	Monitor Dimension (W x H x D)	1,675.2 x 953.6 x 116 mm
	Weight (Head)	43 kg
	Carton Dimensions (W x H x D)	1,816 x 1,106 x 285 mm
	Packed Weight	52.2 kg
	VESA™ Standard Mount Interface	600 x 400 mm
SPECIAL FEATURES	Temperature Sensor, Auto Brightness Sensor (Except 75XS2C), Energy Saving, Smart Energy Saving, Tile Mode (Up to 15x15), Natural Mode@Tile Mode, Source Selection, Brightness/Contrast/Backlight, DPM Select, File Play with USB, Internal Memory (8GB, System 4GB + Available 4GB), Wi-Fi Dongle Ready	
ENVIRONMENTAL CONDITIONS	Operation Temperature	0°C to 40°C (w/o Direct Sunlight)
	Operation Humidity	10% to 85%
POWER	Power Type	Built-In Power
	Power Supply	100-240V~, 50/60Hz
	Power Consumption	Typ. / Max. Smart Energy Saving 585 W / 600 W 280 W
STANDARD (CERTIFICATION)	Safety	UL / cUL / CB / TUV
	EMC	FCC Class "A" / CE / KC / VCCI
	ErP / Energy Star	No / No
SOFTWARE COMPATIBILITY	Content Management Software	SuperSign CMS
	Control and Monitoring Software ¹	SuperSign Control
ACCESSORIES	Basic	Remote Controller (2 Batteries Included), Power Cord, HDMI Cable, Manual (ESG/EIG), IR Receiver (w/ Ambient Light Sensor)
	Optional	Wall Mount (LSW630), Wi-Fi Dongle (AN-WF500) *Stand is not available
EAN	8806087736267	

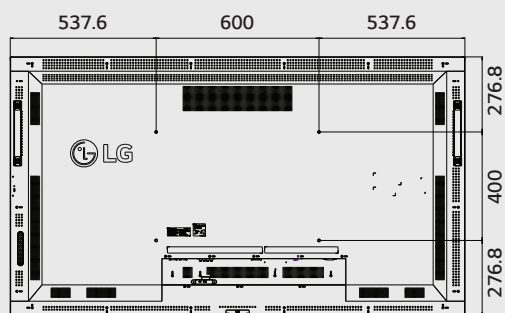
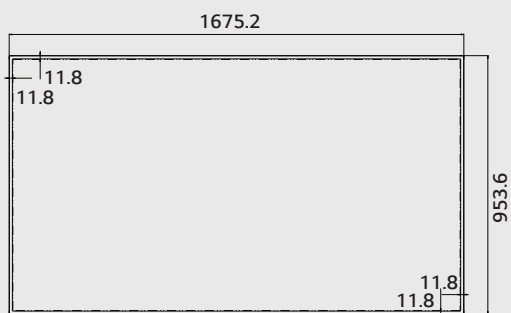
Conessioni

- 1 RS 232C IN
- 2 RS 232C OUT
- 3 SPEAKER OUT (8 Ω)
- 4 HDMI IN 1
- 5 HDMI IN 2
- 6 DP IN
- 7 DP OUT
- 8 DVI-D IN
- 9 SD CARD
- 10 USB IN
- 11 AUDIO IN (PC)
- 12 LAN
- 13 AC IN
- 14 IR & LIGHT SENSOR



75"

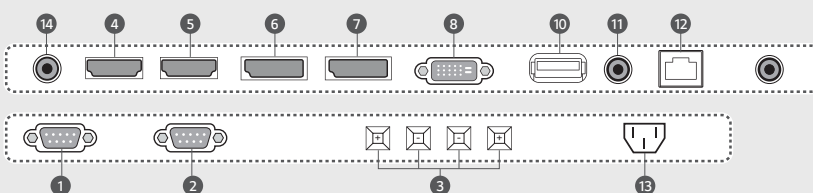
1,675.2 x 953.6 x 116 / 43 kg



	55XS2E	49XS2E
PANEL		
Screen Size	55" (54.64" Measured Diagonal)	49" (48.50" Measured Diagonal)
Panel Technology	IPS, M+ (WRGB)	IPS, M+ (WRGB)
Aspect Ratio	16 : 9	16 : 9
Native Resolution	1,920 x 1,080 (FHD)	1,920 x 1,080 (FHD)
Brightness	2,500 cd/m ² (Typ.), 2,250 cd/m ² (Min.)	2,500 cd/m ² (Typ.), 2,250 cd/m ² (Min.)
Contrast Ratio	1,000:1	1,000:1
Viewing Angle (H x V)	178 x 178	178 x 178
Surface Treatment	AGLR (Haze 3%), QWP	AGLR (Haze 3%), QWP
Lifetime	50,000 Hrs	50,000 Hrs
Operation Hours	24 Hrs	24 Hrs
Orientation	Landscape & Portrait	Landscape & Portrait
CONNECTIVITY		
Input	HDMI(2), DP, DVI-D, Audio, USB	HDMI(2), DP, DVI-D, Audio, USB
Output	DP, External Speaker (L/R)	DP, External Speaker (L/R)
External Control	RS232C In/out, RJ45 In, IR Receiver In	RS232C In/out, RJ45 In, IR Receiver In
PHYSICAL SPECIFICATION		
Bezel Color	Black	Black
Bezel Width	12.0 mm (T/B), 9.9 mm (L/R)	9 mm (T/B), 6.5 mm (L/R)
Monitor Dimension (W x H x D)	1,235.5 x 709.4 x 85.4 mm	1,092.8 x 626.4 x 83.5 mm
Weight (Head)	24.7 kg	21.2 kg
Carton Dimensions (W x H x D)	1,344 x 215 x 820 mm	1,194 x 175 x 760 mm
Packed Weight	29.9 kg	25.7 kg
VESA™ Standard Mount Interface	600 x 400 mm	600 x 400 mm
SPECIAL FEATURES	Temperature Sensor, Auto Brightness Sensor (Except 75XS2C), Energy Saving, Smart Energy Saving, Tile Mode (Up to 15x15), Natural Mode@Tile Mode, Source Selection, Brightness/Contrast/Backlight, DPM Select, File Play with USB, Internal Memory (8GB, System 4GB + Available 4GB), Wi-Fi Dongle Ready	
ENVIRONMENTAL CONDITIONS		
Operation Temperature	0°C to 45°C (w/o Direct Sunlight)	0°C to 45°C (w/o Direct Sunlight)
Operation Humidity	10% to 85%	10% to 80%
POWER		
Power Type	Built-In Power	Built-In Power
Power Supply	100-240 V~, 50/60 Hz	100-240V~, 50/60Hz
Power Consumption	Typ. / Max.	200 W / 240 W
Smart Energy Saving	120 W	100 W
STANDARD (CERTIFICATION)		
Safety	IEC 60950-1 / EN 60950-1 / UL 60950-1	IEC 60950-1 / EN 60950-1 / UL 60950-1
EMC	FCC Class "A" / CE / KC / VCCI	FCC Class "A" / CE / KC / VCCI
ErP / Energy Star	No / No	No / No
SOFTWARE COMPATIBILITY		
Content Management Software	SuperSign CMS	SuperSign CMS
Control and Monitoring Software	SuperSign Control+	SuperSign Control+
ACCESSORIES		
Basic	Remote Controller (2 Batteries Included), Power Cord, HDMI Cable, Manual (ESG/EIG), IR Receiver (w/ Ambient Light Sensor)	Remote Controller(2 Batteries Included), Power Cord, HDMI Cable, Manual (ESG/EIG), IR Receiver (w/ Ambient Light Sensor)
Optional	Landscape Wall Mount (WM-L640V), Portrait Wall Mount (WM-P640V), Wi-Fi Dongle (AN-WF500)	Landscape Wall Mount (WM-L640V), Portrait Wall Mount (WM-P640V), Wi-Fi Dongle (AN-WF500)
EAN	8806098167791	8806098167623

Connessioni

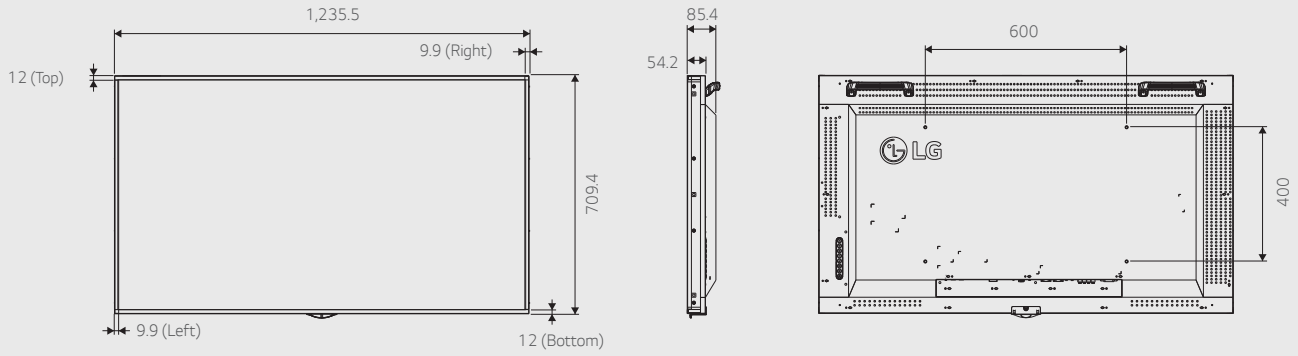
55XS2E / 49XS2E



- 1 RS 232C IN
- 2 RS 232C OUT
- 3 SPEAKER OUT (8 Ω)
- 4 HDMI IN 1
- 5 HDMI IN 2
- 6 DP IN
- 7 DP OUT
- 8 DVI-D IN
- 9 SD CARD
- 10 USB IN
- 11 AUDIO IN (PC)
- 12 LAN
- 13 AC IN
- 14 IR & LIGHT SENSOR

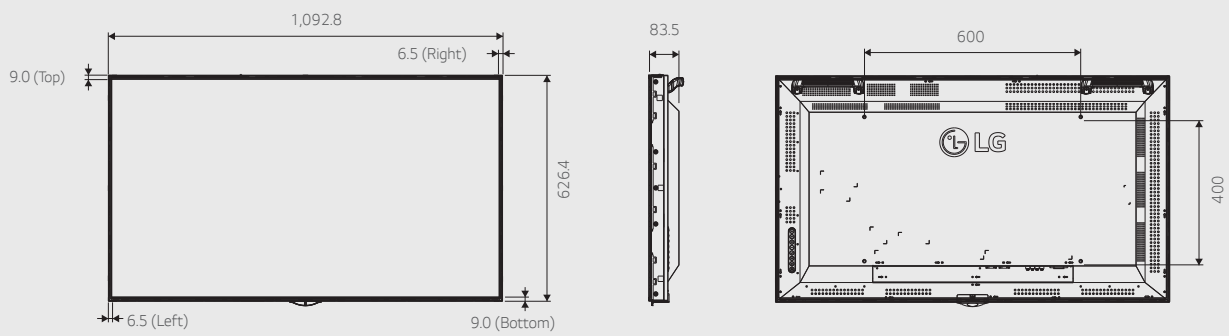
55"

1235,5 x 709,4 x 85,4 / 26,7 Kg



49"

1092,8 x 626,4 x 83,5 / 21,2 Kg



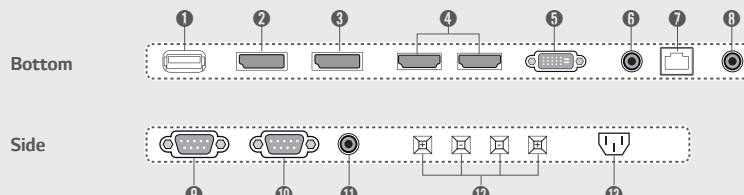
		75XF3C	55XF3E	49XF3E
PANEL	Screen Size	75" Class (74.52" measured diagonally)	55" Class (54.64" measured diagonally)	49" Class (48.50" measured diagonally)
	Panel Technology	M+ (WRGB)	M+ (WRGB)	M+ (WRGB)
	Aspect Ratio	16 : 9	16 : 9	16 : 9
	Native Resolution	3,840 x 2,160 (UHD)	1,920 x 1,080 (FHD)	1,920 x 1,080 (FHD)
	Brightness	2,400 cd/m ² (Min), Typ: 3,000 cd/m ² (Typ.)	2,400 cd/m ² (Min), 3,000 cd/m ² (Typ)	2,400 cd/m ² (Min), 3,000 cd/m ² (Typ)
	Contrast Ratio	1200 : 1 (TBD)	1,000 : 1	1,000 : 1
	Dynamic CR	500,000 : 1	500,000 : 1	500,000 : 1
	Viewing Angle (H x V)	178 x 178	178 x 178	178 x 178
	Surface Treatment	3D AGLR (Haze 3%)	Hard coating (2H), Anti-Reflection Treatment of the Front Polarizer (Reflectance 1.5%)	Hard coating(2H), Anti-glare treatment of the front polarizer (Reflectance < 2%)
	Life Time	50,000 hours	50,000 hours	50,000 hours
Orientation	Portrait & Landscape	Portrait & Landscape	Portrait & Landscape	
CONNECTIVITY	Input	HDMI(2), DP, DVI-D, Audio, USB, IR Receiver, Pixel Sensor		
	Output	DP, External Speaker Out (L/R)		
	External Control	RS232C (In/Out), RJ45		
PHYSICAL SPECIFICATION	Bezel Width	12.8 mm (On bezel), 11.8 mm (Off bezel)	9.9 mm (L/R), 12 mm (T/B)	6.5 mm (L/R), 9 mm (T/B)
	Monitor Dimension (W x H x D)	1,675.2 x 953.6 x 123.9 mm	1,235.4 x 709.4 x 106 mm	1,092.7 x 626.4 x 105 mm
	Weight (Head)	36.7 kg	27 kg	22 kg
	Carton Dimensions (W x H x D)	1,675.2 x 122.2 x 953.6 mm	1,336 x 241 x 810 mm	1,195 x 196 x 760 mm
	Packed Weight	46.3 kg	32 kg	26.7 kg
	VESA™ Standard Mount Interface	N/A	600 x 400 mm	600 x 400 mm
SPECIAL FEATURES	Temperature Sensor, Auto Brightness Sensor, Easy Brightness Control, Cooling Fan, Tilt Mode (up to 15 x 15), Local Dimming (160 Block), Fail over, System Log File Save, Smart Energy Saving, Internal Memory			
ENVIRONMENTAL CONDITIONS	Operating Temperature Range	0°C to 50°C (w/o Direct Sunlight) 0°C to 40°C (Direct Sunlight)	0°C to 50°C (w/o Direct Sunlight) 0°C to 40°C (Direct Sunlight)	0°C to 50°C (w/o Direct Sunlight) 0°C to 40°C (Direct Sunlight)
	Operating Humidity Range	10% to 80%	10% to 80%	10% to 80%
POWER	Power Supply	100-240 V~, 50/60 Hz	100-240 V~, 50/60 Hz	100-240 V~, 50/60 Hz
	Power Type	Built-In Power	Built-In Power	Built-In Power
	Power Consumption	Typ./Max 750 W / 750 W	230 W / 310 W	190 W / 250 W
	Smart Energy Saving	TBD	100 W	85 W
STANDARD (CERTIFICATION)	Safety	RU / CB scheme	RU / CB scheme	RU / CB scheme
	EMC	FCC Class "A" / CE / KCC	FCC Class "A" / CE / KCC	FCC Class "A" / CE / KCC
SOFTWARE COMPATIBILITY	webOS	webOS 3.0	webOS 1.0	webOS 1.0
	SuperSign W/Lite	Yes	Yes	Yes
	SuperSign C	Yes	Yes	Yes
ACCESSORIES	Accessories	Remote Controller (2 batteries included), Power Cord, IR extension cable/PCB, HDMI Cable, Manual, IR BRKT (Only in 75")		
	Optional Accessories	KT-SP0, AN-WF500 *Stand is not available	KT-SP0, AN-WF500 *Stand is not available	KT-SP0, AN-WF500 *Stand is not available
EAN		8806087857405	8806098167722	8806098167586

Conessioni

75XF3C / 55XF3E / 49XF3E

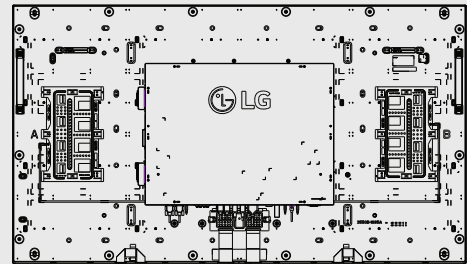
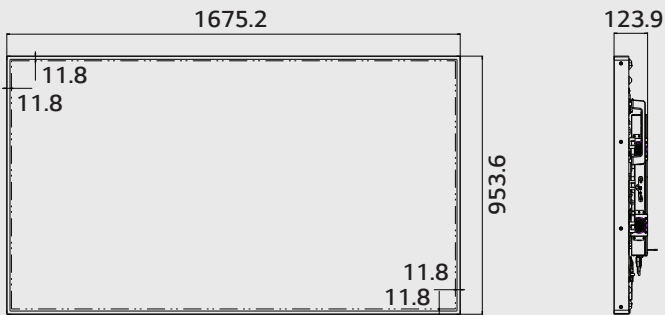


- 1 USB IN
- 2 DP IN
- 3 DP OUT
- 4 HDMI IN
- 5 DVI-D IN
- 6 AUDIO IN (PC)
- 7 LAN
- 8 PIXEL SENSOR
- 9 RS-232C IN
- 10 RS-232C OUT
- 11 EXT IR IN
- 12 SPEAKER OUT (8 Ω)
- 13 AC IN



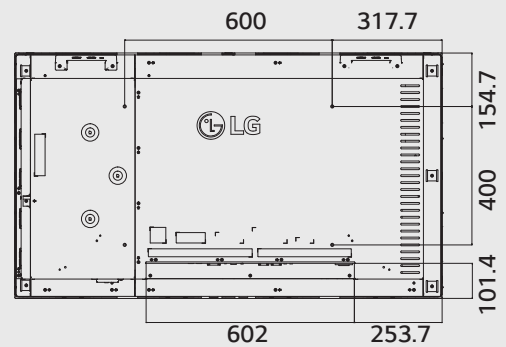
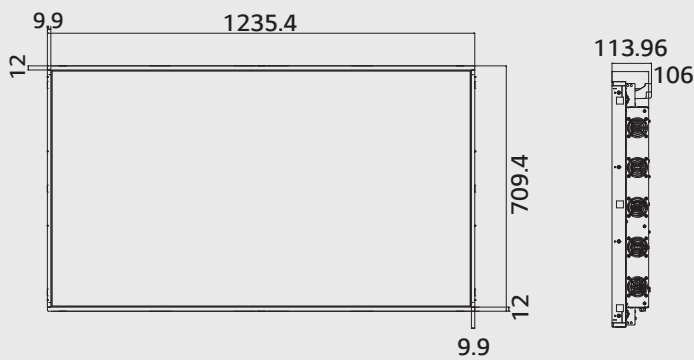
75"

1675.2 x 953.6 x 123.9 / 36.7 kg



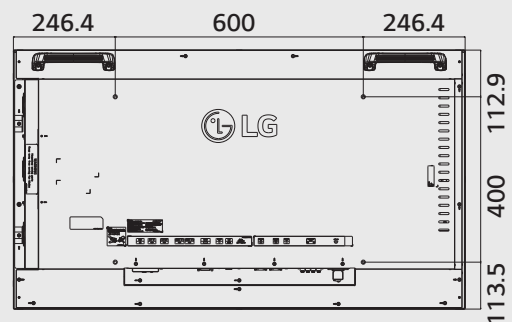
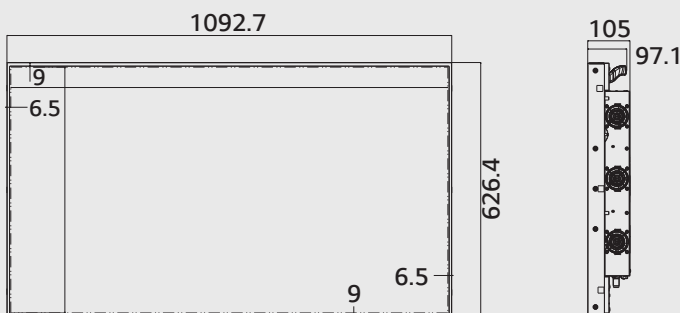
55"

1235.4 x 709.4 x 106 / 27 kg



49"

1092.7 x 626.4 x 105 / 22 kg



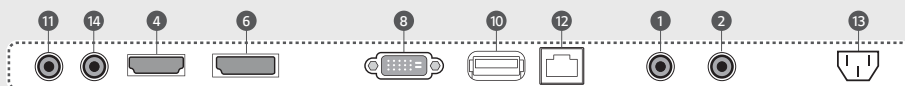
		32XF1E
PANEL	Screen Size	32" (31.55" measured diagonal)
	Panel Technology	IPS
	Aspect Ratio	16 : 9
	Native Resolution	1,920 x 1,080 (FHD)
	Brightness	1,500 cd/m ² (Typ.), 1,200 cd/m ² (Min.)
	Contrast Ratio (Typ.)	1,300 : 1
	Viewing Angle (H x V)	178 x 178
	Color Depth	16.7 Million
	Surface Treatment	Hard coating (2H), Anti-reflection Treatment of the Front Polarizer (Haze < 1 %)
	Lifetime	50,000 Hrs
Operation Hours	24 Hrs	
Orientation	Landscape & Portrait	
CONNECTIVITY	Input	HDMI (1), DP, DVI-D, Audio, USB
	Output	Audio
	External Control	RS232C In/out, RJ45 In, IR In
PHYSICAL SPECIFICATION	Bezel Color	Silver
	Bezel Width	16.1 mm (T), 23.2 mm (B), 10.9 mm (L/R)
	Monitor Dimension (W x H x D)	727.4 x 439.5 x 95 mm
	Weight (Head)	12.3 kg
	Carton Dimensions (W x H x D)	810 x 545 x 207 mm
	Packed Weight	13.5 kg
VESA™ Standard Mount Interface	N/A	
SPECIAL FEATURES	webOS 3.0, Temperature Sensor, Cooling Fan, Auto Brightness Sensor, Energy Saving, Smart Energy Saving, Tile Mode (up to 15 x 15), Natural Mode@Tile Mode, Source Selection, Brightness/Contrast/Backlight, DPM Select, File Play with USB, Internal Memory (8GB, System 4GB + Available 4GB), Wi-Fi Dongle Ready	
ENVIRONMENT CONDITIONS	Operation Temperature ¹	0°C to 50°C
	Operation Humidity	10% to 80%
POWER	Power Supply	Built-In Power
	Power Type	100-240V~, 50/60Hz
	Power Typ./Max	145 W / 175 W
	Consumption Smart Energy Saving	75 W
SOUND	Speaker	N/A
STANDARD (CERTIFICATION)	Safety	IEC 60950-1 / EN 60950-1 / UL 60950-1
	EMC	FCC Class "A" / CE / KC
SOFTWARE COMPATIBILITY	Content Management Software	SuperSign CMS
	Control and Monitoring Software ²	SuperSign Control+
ACCESSORIES	Basic	Remote Controller (2 Batteries Included), Power Cord, IR Extension Kit, HDMI Cable, Manual (ESG&EIG)
	Optional	Wi-Fi Dongle (AN-WF500) * Stand is not available
EAN	8806098235018	

Connessioni

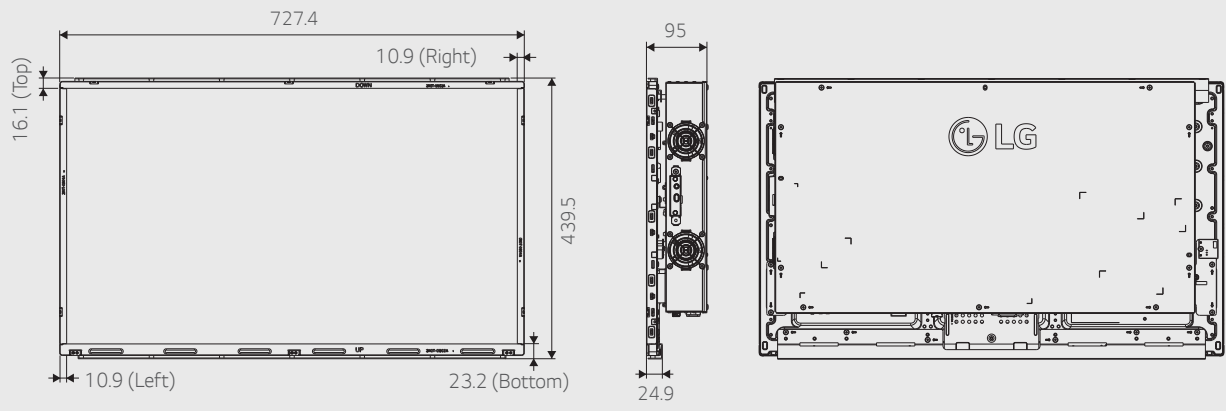
32XF1E



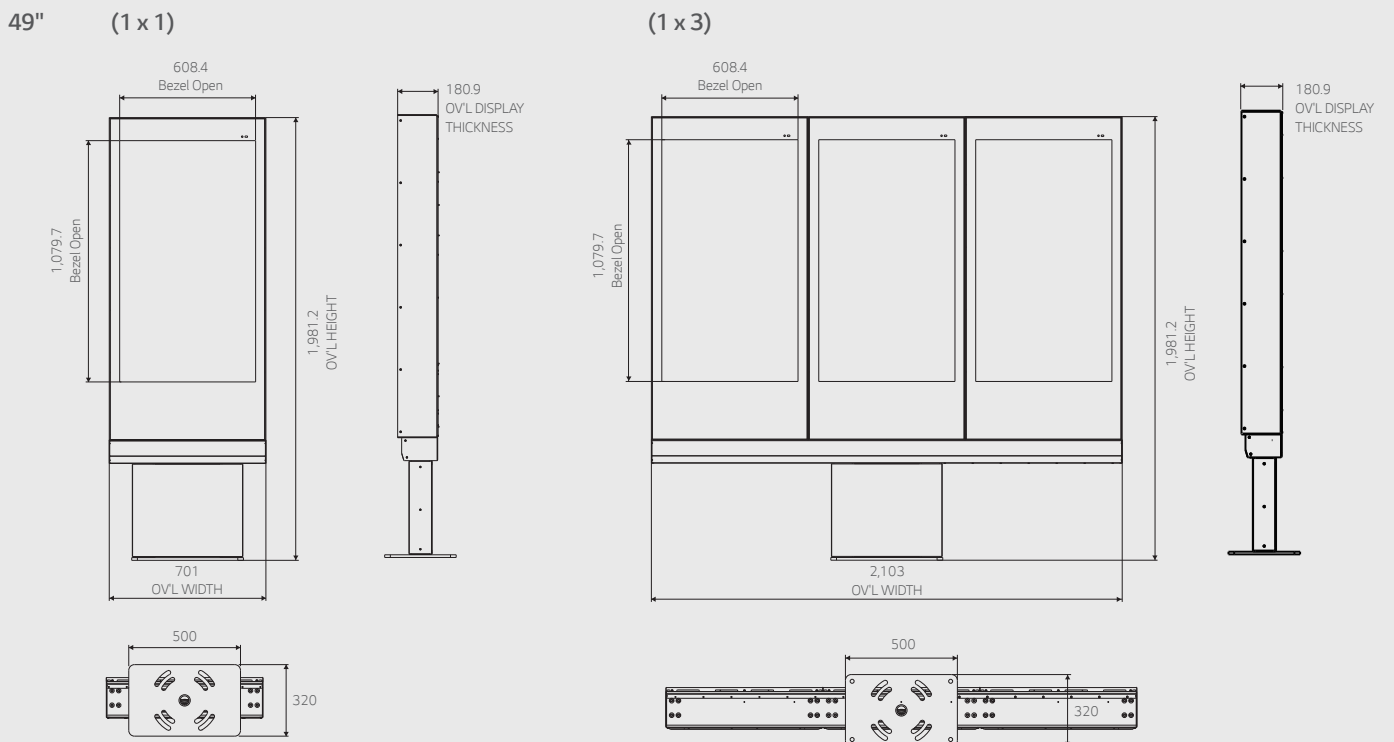
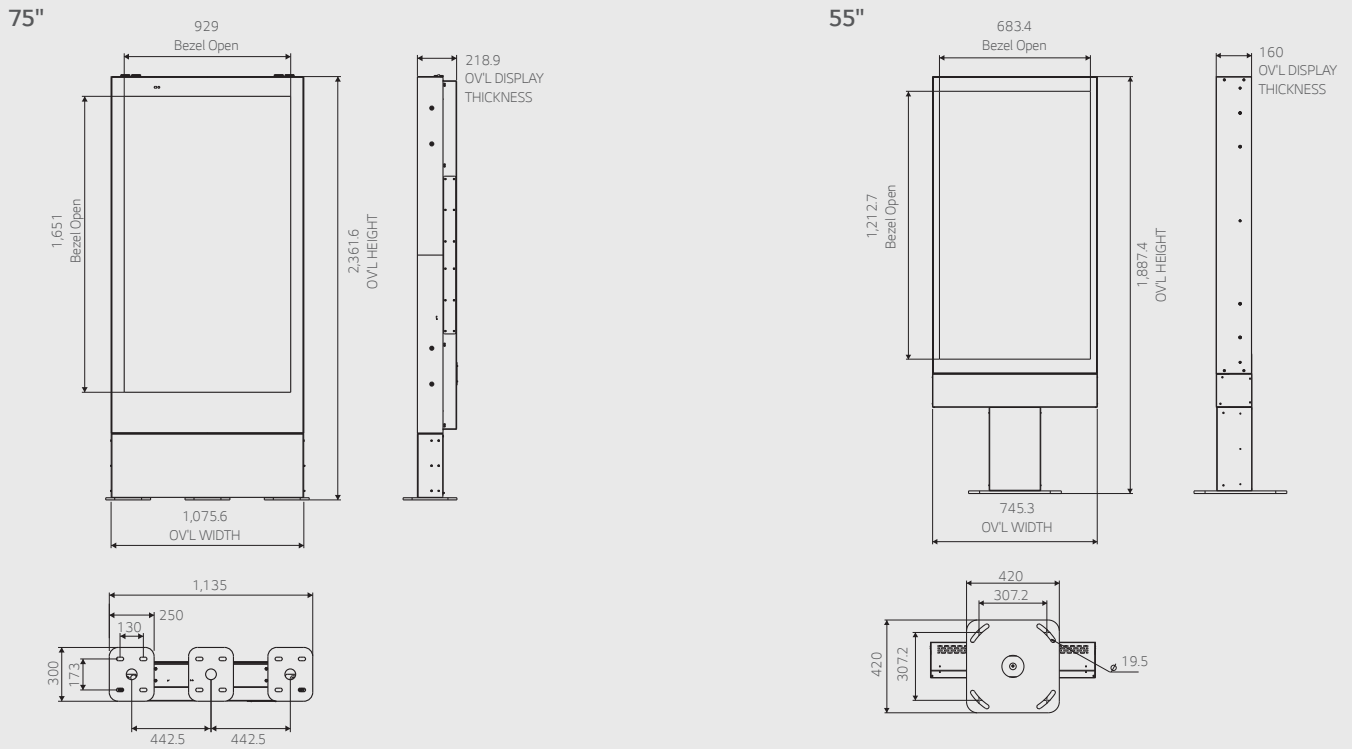
- 1 RS232C IN
- 2 RS232C OUT
- 3 SPEAKER OUT (8 Ω)
- 4 HDMI IN 1
- 5 HDMI IN 2
- 6 DP IN
- 7 DP OUT
- 8 DVI-D IN
- 9 SD CARD
- 10 USB IN
- 11 AUDIO IN
- 12 LAN
- 13 AC IN
- 14 AUDIO OUT



32"



	75XE3C	55XE3C	49XE3E		
PANEL	Screen Size	75"	55"	49"	
	Panel Technology	IPS	IPS	IPS	
	Aspect Ratio	16 : 9	16 : 9	16 : 9	
	Native Resolution	3,840 x 2,160 (UHD), M+ (WRGB)	1,920 x 1,080 (FHD), M+ (WRGB)	1,920 x 1,080 (FHD), M+ (WRGB)	
	Brightness*	3,000 cd/m ² (Typ.), 2,400 cd/m ² (min)	3,000 cd/m ² (Typ.), 2,400 cd/m ² (Min.)	3,000 cd/m ² (Typ.), 2,400 cd/m ² (Min.)	
	Viewing Angle (H x V)	178 x 178	178 x 178	178 x 178	
	Response Time	8 ms (G to G BW, Typ.)	9 ms (G to G BW, Typ.)	8 ms (G to G BW, Typ.)	
	Surface Treatment	Hard Coating(2H), Anti-glare Treatment of the Front Polarizer (Haze 3% (Typ.)), QWP	Hard Coating (2H), Anti-reflection Treatment of the Front Polarizer (Haze 3% (Typ.)), QWP	Hard Coating (2H), Anti-reflection Treatment of the Front Polarizer (Haze 3% (Typ.)), QWP	
	QWP Polarizer	Yes	Yes	Yes	
	Life Time	50,000 Hrs	50,000 Hrs	50,000 Hrs	
	Operation Hours	24Hrs	24Hrs	24Hrs	
	Orientation	Portrait only	Landscape & Portrait	Portrait Only	
	CONNECTIVITY	Input	HDMI, DP, DVI-D, Audio In, USB 3.0, SD Card	HDMI, DP, DVI-D, Audio In, USB 3.0, SD Card	HDMI, DP, DVI-D, Audio In, USB 3.0
Output		DP, External Speaker Out	DP, External Speaker Out	DP, External Speaker Out	
External Control		RS232C In/out, RJ45 In	RS232C In/out, RJ45 In	RS232C In/out, RJ45 In	
PHYSICAL SPECIFICATION	Front glass	9.5 mm (AR, Tempered & Laminated Glass)	7.5 mm (AR, Tempered & Laminated Glass)	6.8 mm (AR, Tempered & Laminated Glass)	
	Bezel Color	Black	Black	Black	
	Bezel Width	110 mm (T), 230 mm (B), 73.3 mm (L/R)	66.4 mm (T/B), 31.0 mm (L/R)	103.0 mm (T), 262.0 mm (B), 46.5 mm (L/R)	
	Monitor Dimension (W x H x D)	1,075.6 x 1,991.6 x 218.9 mm	745.3 x 1,345.4 x 160.0 mm	701 x 1,445 x 180.9 mm	
	Weight (Head)	180 kg	70 kg	58.6 kg	
	Monitor with Optional Stand Dimensions (W x H x D)	1,075.6 x 2,361.6 x 218.9 mm	745.3 x 1,877 x 420 mm	745 x 1,980 x 321 mm (TBD)	
	Weight (Head+Stand)	247 kg	103.5 kg	100 kg (TBD)	
	Packing Dimensions (W x H x D)	1,292 x 2,296 x 468 mm	1,027 x 1,491 x 309 mm	863 x 1,624 x 333 mm	
	Packed Weight	210 kg	100.5 kg	73.4 kg	
SPECIAL FEATURES	Temperature Sensor, Auto Brightness Sensor, Pixel Sensor, Cooling FAN, ISM Method, DPM Select, Energy Saving, Smart Energy Saving, File Play with USB, Internal Memory 8GB (System 4GB + Available 4GB), USB Cloning, Easy Brightness Control, Wake on LAN, Fail Over, DP Daisy Chain, Control Manager				
ENVIRONMENT CONDITIONS	Operation Temperature	-30°C to 50°C	-30°C to 50°C	-30°C to 50°C	
	Operation Humidity	5% to 100%	5% to 100%	5% to 100%	
	Dust / Water Proofing	IP56	IP56	IP56	
POWER	Power Supply	100-240V~, 50/60Hz	100-240V~, 50/60Hz	100-240V~, 50/60Hz	
	Power Type	Built-In Power	Built-In Power	Built-In Power	
	Power Consumption	Typ./Max	700 W / 1,000 W	350 W / 500 W	270 W / 400 W
		Smart Energy Saving	350 W	178 W	145 W
STANDARD (CERTIFICATION)	Safety	UL / cUL / CB	UL / cUL / CB	UL / cUL / CB	
	EMC	FCC Class "A" / CE / KCC	FCC Class "A" / CE / KCC	FCC Class "A" / CE / KCC	
SOFTWARE COMPATIBILITY	Content Management Software	SuperSign CMS	SuperSign CMS	SuperSign CMS	
	Control and Monitoring Software	SuperSign C	SuperSign C	SuperSign Link	
ACCESSORIES	Basic	Remote Controller, Manual (EIG, ESG), Regulation Book, Phone to RS232C Gender, USB Cable, HDMI Cable	Remote Controller, Manual (EIG, ESG), Regulation Book, Phone to RS232C Gender, USB Cable, HDMI Cable	Remote Controller, Manual (EIG, ESG), Regulation Book, Phone to RS232C Gender, USB Cable, HDMI Cable	
	Optional	Enclosure Stand (ST-750X)	Enclosure Stand (ST-550X)	Enclosure Stand (ST-491X, ST-493X), Circuit Breaker & Surge Suppressor (KT-PS)	
EAN	8806087857382	8806087857337	8806098167555		



MONITOR SIGNAGE TOUCH

TR3E

86"

TC3D

75" | 65" | 55"

TA3E

55" | 49" | 43" | 32"

SM3TB

10"

KT-Txx1 / KT-Txx0

75" | 65" | 55" | 49" | 43" | 32"



		86TR3E
PANEL	Screen Size	86"
	Panel Technology	IPS
	Aspect Ratio	16 : 9
	Brightness	350 cd/m ² *
	Viewing Angle (H x V)	178 x 178
	Response Time	8ms (G to G)
	Surface Treatment	Low Haze 3%
CONNECTIVITY	Input	HDMI (3), DP, DVI-D, RGB, Audio, USB 3.0, USB 2.0, OPS USB 2.0
	Output	Touch USB 2.0 (2)
	External Control	RS232C In/out, RJ45 In
PHYSICAL SPECIFICATION	Bezel Color	Black
	Bezel Width	50.7 mm (T/L/R), 62.2 mm (B)
	Monitor Dimension (W x H x D)	2,026.9 x 1,180.3 x 79.5 mm (w/o Handle)
	Weight (Head)	85.8 kg
	Carton Dimensions (W x H x D)	2,190 x 1,470 x 371 mm
	Packed Weight	114.6 kg
	Handle	Yes
	VESA™ Standard Mount Interface	600 x 400 mm
SPECIAL FEATURES	Embedded IDB App, Temperature Sensor, Auto Brightness Sensor, ISM method, DPM Select, Brightness Control, PM Mode, Reader Mode, Crestron SDK, Wake on LAN, Energy Saving, File Play with USB, 2 PIP/PBP, Internal Memory (64GB), Wi-Fi (802.11n Combo built-in), USB Cloning, Failover, No Signal Image, Mirroring, Soft AP, BEACON	
ENVIRONMENT CONDITIONS	Operation Temperature Range	0°C to 40°C
	Operation Humidity Range	10% to 80%
POWER	Power Supply	100-240V~, 50/60Hz
	Power Type	Built-In Power
	Power Consumption Typ. Smart Energy Saving	≤ 330 W ≤ 200 W
STANDARD (CERTIFICATION)	Safety	UL / cUL / CB / TUV / KC
	EMC	FCC Class "A" / CE / KCC
MEDIA PLAYER COMPATIBILITY	OPS Type Compatible	Yes
	External Media Player Attachable	No
SOFTWARE COMPATIBILITY	Content Management Software	SuperSign Premium
	Control and Monitoring Software	SuperSign Link
ACCESSORIES	Basic	Remote Controller (include battery 2ea), Power Cord, QSG, HDMI (3M), Regulation Book, Phone to RS232C Gender, Touch Pen (2ea), Eyebolt (2ea)
	Optional	OPS Kit (KT-OPSA)
TOUCH SPECIFICATIONS	Touch type	InGlass™**
	Available object size for touch	more than Ø 3 mm
	Accuracy	2 mm
	Interface	USB 2.0
	Protection Glass Thickness	4T (Anti-Glare)
EAN		8806098201433

Conessioni

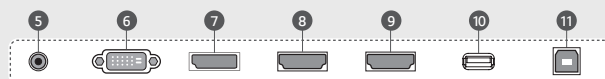
86TR3E



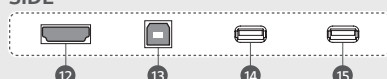
- 1 RS232C OUT
- 2 RS232C IN
- 3 LAN
- 4 RGB IN
- 5 AUDIO IN
- 6 DVI-D IN
- 7 DP IN
- 8 HDMI 1

- 9 HDMI 2
- 10 USB 3.0
- 11 TOUCH USB
- 12 HDMI 3
- 13 TOUCH USB
- 14 OPS USB (2.0)
- 15 USB 2.0

REAR

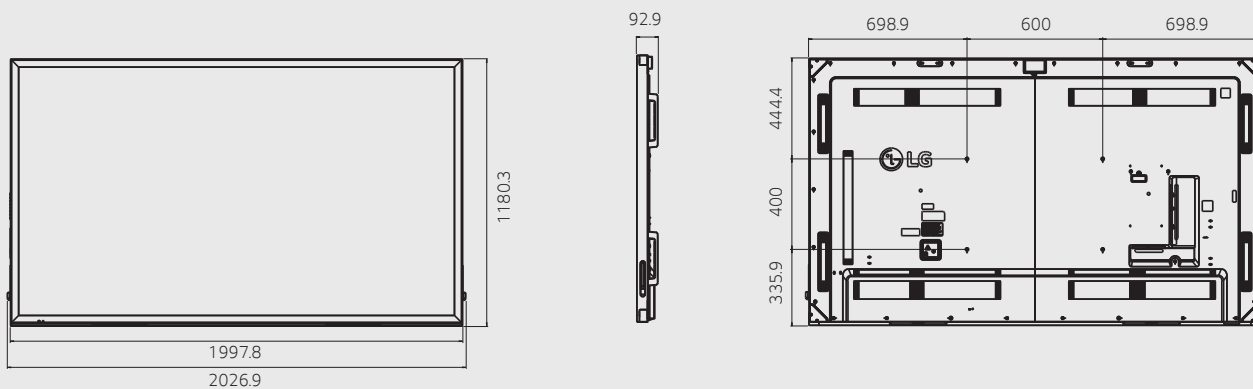


SIDE



86"

2026,9 x 1180,3 x 79,5 / 85,8 kg



		75TC3D	65TC3D	55TC3D	
PANEL	Screen Size	75"	65"	55"	
	Panel Technology	IPS	IPS	IPS	
	Aspect Ratio	16 : 9	16 : 9	16 : 9	
	Native Resolution	3,840 x 2,160 (UHD)	1,920 x 1,080 (FHD)	1,920 x 1,080 (FHD)	
	Brightness*	410 cd/m ²	370 cd/m ²	370 cd/m ²	
	Viewing Angle (H x V)	178 x 178	178 x 178	178 x 178	
CONNECTIVITY	Input	HDMI (3), DP, DVI-D, RGB, Audio in, USB 3.0, USB 2.0, OPS USB 2.0			
	Output	Touch USB 2.0 (2)			
	External Control	RS232C in/out, RJ45 in			
PHYSICAL SPECIFICATION	Bezel Width	41.6 mm(T/L/R/B)	36.1mm(T/L/R), 42.2mm(B)	32.7mm (T), 33.4(L/R), 38.8 mm(B)	
	Monitor Dimension (W x H x D)	1,732.8 x 1011.1 x 69.7 mm (w/o Handle)	1,530.8 x 883.8 x 71.7 mm (w/o Handle)	1,276.4 x 751.9 x 63.9 mm	
	Weight (Head)	74.5 kg	51kg	29.1 kg	
	Carton Dimensions (W x H x D)	1,870 x 1,264 x 285 mm (with pallet)	1,650 x 1,035 x 228 mm	1,369 x 890 x 210 mm	
	Packed Weight	94 kg	59kg	34.9 kg	
	VESA™ Standard Mount Interface	600 x 400 mm	300 x 300 mm	300 x 300 mm	
KEY FEATURES	webOS 3.0+, IDB app, Crestron Connected® Certified, Mirroring, Soft AP, Beacon, Reader Mode, Auto Brightness Sensor, Internal Memory (64GB, System 8GB)				
SPECIAL FEATURES	Temperature Sensor, ISM method, DPM Select, Brightness Control, PM Mode, Wake on LAN, Energy Saving, File Play with USB, 2 PIP/PBP, Built-in Wi-Fi (802.11n Combo), USB Cloning, Failover, No Signal Image				
ENVIRONMENT CONDITIONS	Operation Temperature Range	0°C to 40°C	0°C to 40°C	0°C to 40°C	
	Operation Humidity Range	10% to 80%	10% to 80%	10% to 80%	
POWER	Power Supply	100-240V~, 50/60Hz	100-240V~, 50/60Hz	100-240V~, 50/60Hz	
	Power Type	Built-In Power	Built-In Power	Built-In Power	
	Power Consumption	Typ.	≤ 240 W	≤ 120 W	≤ 100 W
		Smart Energy Saving	≤ 170 W	≤ 85 W	≤ 70 W
	DPM	≤ 0.5 W	≤ 0.5 W	≤ 0.5 W	
AUDIO	Built-in Speaker	20 W (10W×2)	20 W (10W×2)	20 W (10W×2)	
STANDARD (CERTIFICATION)	Safety	UL / cUL / CB / TUV / KC	UL / cUL / CB / TUV / KC	UL / cUL / CB / TUV / KC	
	EMC	FCC Class "A" / CE / KCC	FCC Class "A" / CE / KCC	FCC Class "A" / CE / KCC	
MEDIA PLAYER COMPATIBILITY	OPS Type Compatible	Yes	Yes	Yes	
SOFTWARE COMPATIBILITY	Content Management Software	SuperSign Premium	SuperSign Premium	SuperSign Premium	
	Control and Monitoring Software	SuperSign Link	SuperSign Link	SuperSign Link	
ACCESSORY	Basic	Remote Controller (include battery 2ea), Power Cord, QSG, HDMI (3M), Regulation Book, Phone to RS232C Gender, Touch Pen (2ea), Eyebolt (2ea, 86TR3D only), Touch Pen Tip (1ea, TC3D only)			
	Optional	OPS Kit (KT-OPSA), LSW640A/B (Wall Mount)			
TOUCH SPECIFICATIONS	Touch type	P-Cap(Ag Metal Mesh)	P-Cap(Ag Metal Mesh)	P-Cap(Ag Metal Mesh)	
	Available object size for touch	more than Ø 6 mm	more than Ø 6 mm	more than Ø 6 mm	
	Accuracy	2 mm	2 mm	2 mm	
	Interface	USB 2.0	USB 2.0	USB 2.0	
	Protection Glass Thickness	4T (Anti-Glare)	3.2T (Anti-Glare)	3.2T (Anti-Glare)	
	Multi touch point	Max. 40 Points	Max. 40 Points	Max. 40 Points	
EAN		8806098029495	8806098029426	8806098029297	

Conessioni

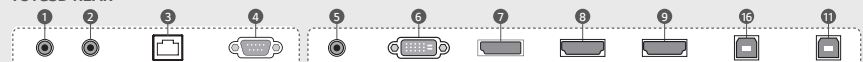
75TC3D / 65TC3D / 55TC3D

- ① SPEAKER OUT
- ② RS-232C IN
- ③ RS-232C OUT
- ④ HDMI
- ⑤ EXT IR IN
- ⑥ AUDIO IN
- ⑦ AUDIO OUT
- ⑧ DVI-D IN
- ⑨ RGB IN
- ⑩ LAN
- ⑪ USB1
- ⑫ USB2

65/55TC3D REAR



75TC3D REAR

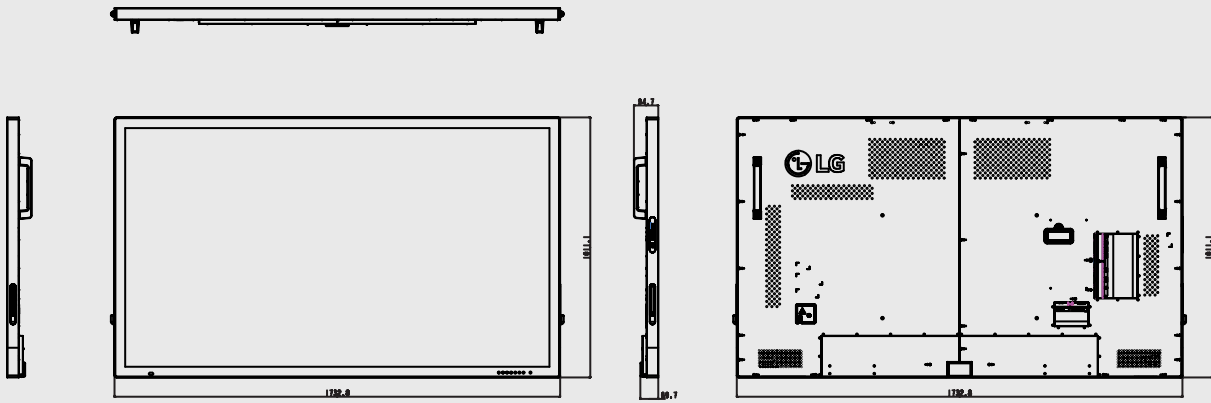


65/55/75TC3D SIDE



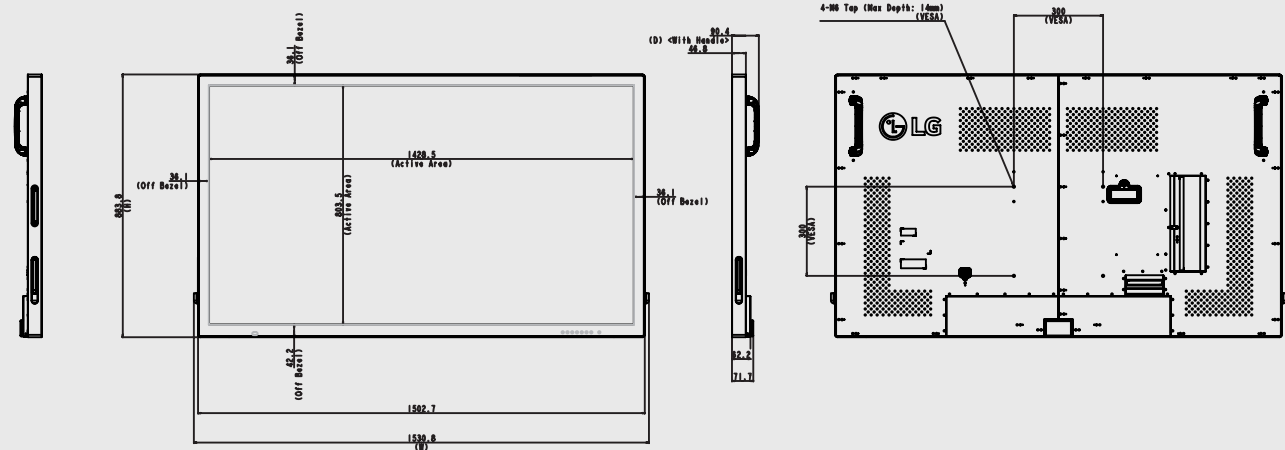
75"

1,732.8 x 1011.1 x 69.7 / 74.5 kg



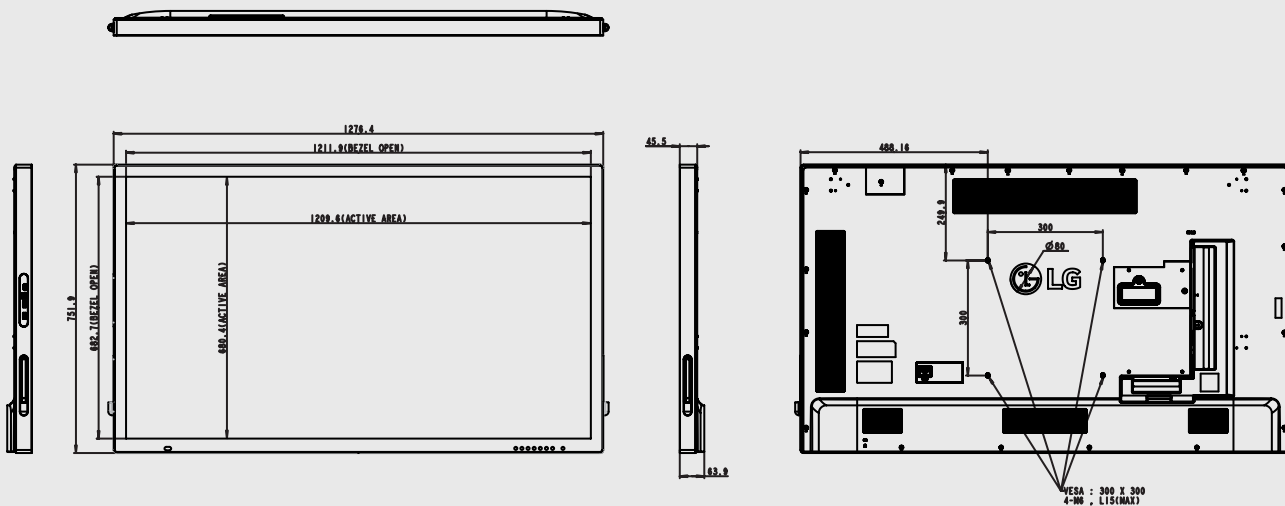
65"

1,530.8 x 883.8 x 71.7 / 51kg



55"

1,276.4 x 751.9 x 63.9 / 29.1 kg



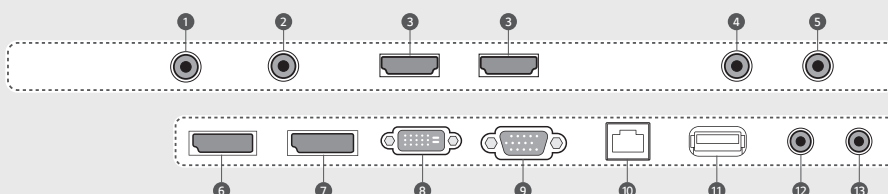
		75TA3E	65TA3E	65TA3E	55TA3E
PANEL	Screen Size	55"	49"	43"	32"
	Panel Technology	IPS	IPS	IPS	IPS
	Aspect Ratio	16 : 9	16 : 9	16 : 9	16 : 9
	Native Resolution	1,920 x 1,080 (FHD)	1,920 x 1,080 (FHD)	1,920 x 1,080 (FHD)	1,920 x 1,080 (FHD)
	Brightness*	325 cd/m ²	325 cd/m ²	325 cd/m ²	325 cd/m ²
	Viewing Angle (H x V)	178 x 178	178 x 178	178 x 178	178 x 178
	Response Time	12 ms (G to G BW), 9.0 ms (WOT)	12 ms (G to G BW), 10.1 ms (WOT)	12 ms (G to G BW), 9.4 ms (WOT)	10 ms (G to G BW), 7.1 ms (WOT)
	Surface Treatment	Hard Coating (3H), Anti-glare Treatment of the Front Polarizer (Haze Typ. 1%)			
	Life Time (Typ.)	50,000 Hrs	50,000 Hrs	50,000 Hrs	50,000 Hrs
	Operation Hours	24 Hrs	24 Hrs	24 Hrs	24 Hrs
Orientation	Landscape & Portrait	Portrait & Landscape	Portrait & Landscape	Portrait & Landscape	
CONNECTIVITY	Input	HDMI (2), DP, DVI-D, RGB, Audio In, USB 3.0	HDMI (2), DP, DVI-D, RGB, dio In, USB 3.0	HDMI (2), DP, DVI-D, RGB, Audio In, USB 3.0	HDMI (2), DP, DVI-D, RGB, Audio In, USB 3.0
	Output	DP, Audio Out	DP, Audio Out	DP, Audio Out	DP, Audio Out
	External Control	RS232C In/out, RJ45 In, IR Receiver In, Pixier Sensor In	RS232C In/out, RJ45 In, IR Receiver In, Pixier Sensor In	RS232C In/out, RJ45 In, IR Receiver In, Pixier Sensor In	RS232C In/out, RJ45 In, IR Receiver In, Pixier Sensor In
PHYSICAL SPECIFICATION	Bezel Color	Black	Black	Black	Black
	Bezel Width	32.7 mm (Even)	32.7 mm (Even)	32.7 mm (Even)	32.7 mm (Even)
	Monitor Dimension (W x H x D)	1,278 x 748.8 x 71.4 mm	1,142.2 x 672.4 x 71.4 mm	1,009.6 x 597.8 x 71.4 mm	768.4 x 462.9 x 74.5 mm
	Weight (Head)	28.0 kg	22.3 kg	17.1 kg	10.3 kg
	Carton Dimensions (W x H x D)	1,410 x 880 x 207 mm	1,260 x 785 x 162 mm	1,122 x 720 x 162 mm	852 x 560 x 152 mm
	Packed Weight	33 kg	26.3 kg	20.1 kg	12.2 kg
	VESA™ Standard Mount Interface	300 x 300 mm	300 x 300 mm	200 x 200 mm	200 x 200 mm
SPECIAL FEATURES	Temperature Sensor, Auto Brightness Sensor, Tile Mode (Up to 15x15), Natural Mode @Tile Mode, ISM Method, DPM Select, Energy Saving, Smart Energy Saving, File Play with USB, PIP/PBP (2), Internal Memory 8GB (System 4GB + Available 4GB), Wi-Fi Built-in (802.11n combo), USB Cloning, Easy Brightness Control, IDB App. (Whiteboard App.), Fail Over, Mirroring, SoftAP, Beacon, Embedded Template, Built-in Speaker (10W+10W), Crestron Connected**				
ENVIRONMENTAL CONDITIONS	Operation Temperature	0°C to 40°C	0°C to 40°C	0°C to 40°C	0°C to 40°C
	Operation Humidity	10% to 80%	10% to 80%	10% to 80%	10% to 80%
	Power Type	Built-In Power	Built-In Power	Built-In Power	Built-In Power
POWER	Power Supply	100-240V~, 50/60Hz	100-240 V~, 50/60 Hz	100-240 V~, 50/60 Hz	100-240V~, 50/60Hz
	Power Typ. / Max.	100 W / 115 W	85 W / 105 W	75 W / 95 W	60 W / 85 W
	Consumption Smart Energy Saving	70 W	60 W	55 W	45 W
STANDARD (CERTIFICATION)	Safety	UL / cUL / CB / TUV / KC	UL / cUL / CB / TUV / KC	UL / cUL / CB / TUV / KC	UL / cUL / CB / TUV / KC
	EMC	FCC Class "A" / CE / KCC	FCC Class "A" / CE / KCC	FCC Class "A" / CE / KCC	FCC Class "A" / CE / KCC
	ErP / Energy Star	N/A / Yes (EnergyStar 7.0)	N/A / Yes (EnergyStar 7.0)	N/A / Yes (EnergyStar 7.0)	N/A / Yes (EnergyStar 7.0)
	ePEAT (US Only)	N/A	N/A	N/A	N/A
MEDIA PLAYER COMPATIBILITY	OPS Type Compatible	Yes	Yes	Yes	Yes
	External Media Player Attachable	Yes (MP500/MP700)	Yes (MP500/MP700)	Yes (MP500/MP700)	No
SOFTWARE COMPATIBILITY	Content Management Software	SuperSign CMS	SuperSign CMS	SuperSign CMS	SuperSign CMS
	Control and Monitoring Software	SuperSign Link	SuperSign Link	SuperSign Link	SuperSign Link
ACCESSORIES	Basic	Remote Controller (2ea Batteries Included), Power Cord, QSG, RGB Cable, Regulation Book, Phone to RS232C Gender, Memory Cover			
	Optional	Stand (ST-492T), Media Player, Wall Bracket (LSW350B), VESA Adapter (AM-B330S), OPS Kit (KT-OPSA), HDBaseT (EB-B100)	Stand (ST-492T), Media Player, Wall Bracket (LSW350B), VESA Adapter (AM-B330S), OPS Kit (KT-OPSA), HDBaseT (EB-B100)	Stand (ST-432T), Media Player, Wall Bracket (LSW230B), VESA Adapter (AM-B220S), OPS Kit (KT-OPSA), HDBaseT (EB-B100)	Stand (ST-322T), Wall Bracket (LSW230B), OPS Kit (KT-OPSA), HDBaseT (EB-B100)
TOUCH	Touch Type	IR (Scattering)			
	Scan Time	10 ms ↓			
	Interface	USB 2.0			
	Protection Glass Thickness	2.8T (Anti-glare)			
	Operating System Support	Windows 7, Windows 8/8.1/10, Mac OS X (10.7 or later), Android, Linux (kernel 3.9 or later)			
EAN	8806098236480	8806098235933	8806098235797	8806098234608	

Conessioni

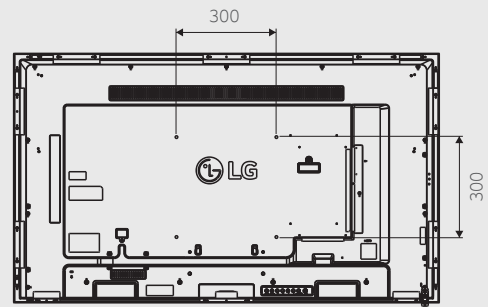
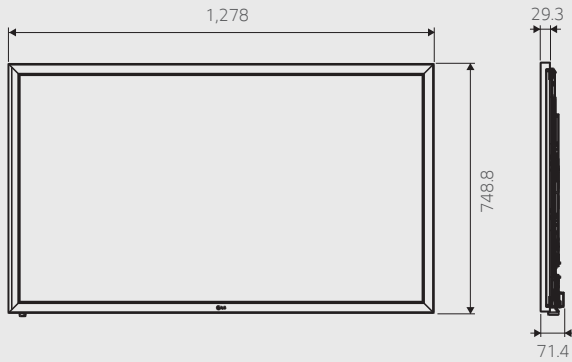
55TA3E / 49TA3E / 43TA3E / 32TA3E



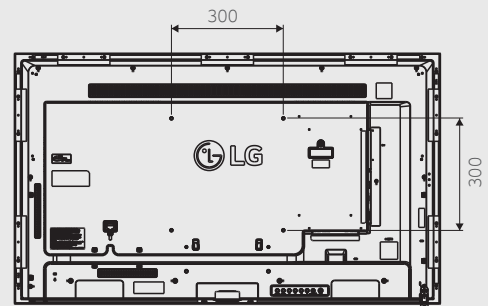
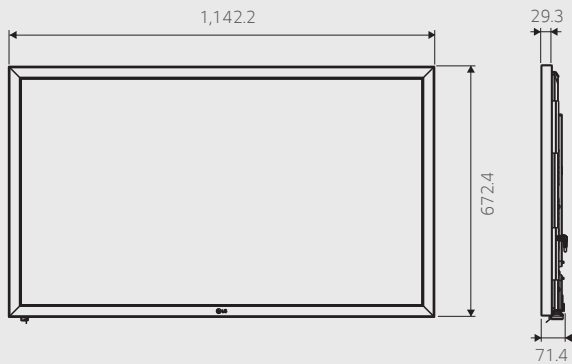
- 1 AUDIO IN
- 2 AUDIO OUT
- 3 HDMI
- 4 PIXEL SENSOR
- 5 IR & LIGHT SENSOR
- 6 DP IN
- 7 DP OUT
- 8 DVI-D IN
- 9 RGB IN
- 10 LAN
- 11 USB 3.0
- 12 RS232C IN
- 13 RS232C OUT



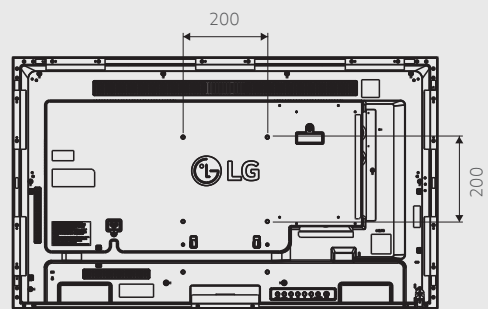
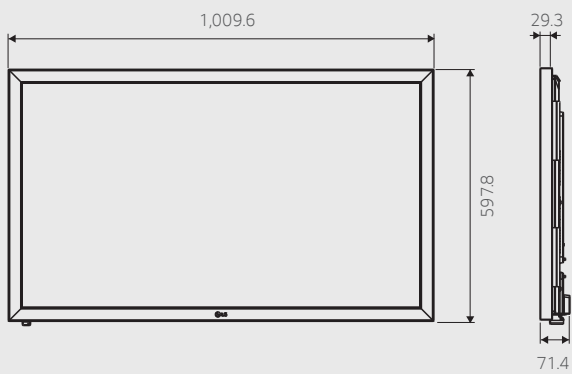
55"



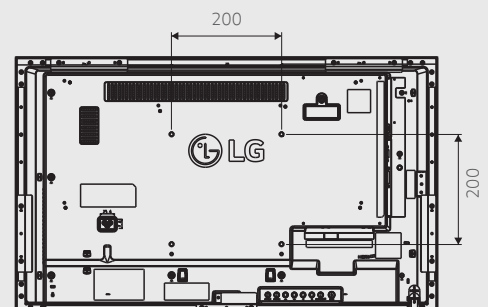
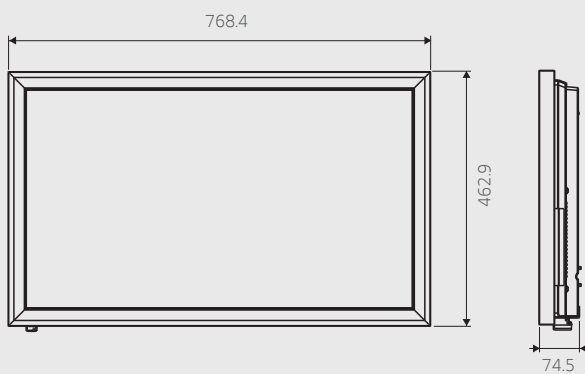
49"



43"



32"

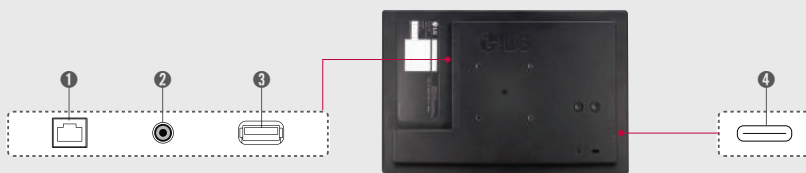


		10SM3TB
PANEL	Screen Size	10 (10.1")
	Panel Technology	ADS
	Aspect Ratio	16 : 9
	Native Resolution	1,280 x 800 (HD)
	Brightness	Module : 450cd/m ² , SET : 400cd/m ² (W/Touch)
	Contrast Ratio	900 : 1
	Dynamic CR	x
	Viewing Angle (H x V)	160 x 160
	Surface Treatment	Hard Coating, 2H, Low Reflection (Front Polarizer)
	Guaranteed Operating Hour	16 Hours
CONNECTIVITY	Orientation	Portrait & Landscape
	Input	USB, SD Card
	Output	-
PHYSICAL SPECIFICATION	External Control	RJ45
	Bezel Color	Black
	Bezel Width	14mm (T/R/L/B)
	Monitor Dimension (W x H x D)	245.6 x 164.2 x 29.7mm
	Weight (Head)	0.73kg
	Carton Dimensions (W x H x D)	327 x 224 x 95mm
	Packed Weight	1.22kg
SPECIAL FEATURES	VESA™ Standard Mount Interface	50 x 50mm
		Key Operation (Home, Power Key Operation), DPM Select, File Play with USB, Wi-Fi Built-in, Local Time Auto Setting, Wake on LAN, Password Change, BEACON, Internal Memory (System 0.15GB + Free 5.7GB), K-Slot
ENVIRONMENTAL CONDITIONS	Operating Temperature Range	0 °C to 40 °C
	Operating Humidity Range	10 % to 90 %
POWER	Power Supply	100-240V~, 50/60Hz
	Power Type	Built-in Power, Adaptor
	Power Switch	Power/Home
	Power Consumption Typ.	10W
AUDIO	Audio Power	1W (1W x 1Ch) for Internal Speaker
STANDARD (CERTIFICATION)	Safety	UL / cUL / TUV
	EMC	FCC Class "A" / CE
	ErP / Energy Star	NA / Yes (Energy Star 6.0)
ACCESSORY	Basic	Adaptor, Manual (Web), ESG
	Optional	No
EAN		8806087497649

Connessioni

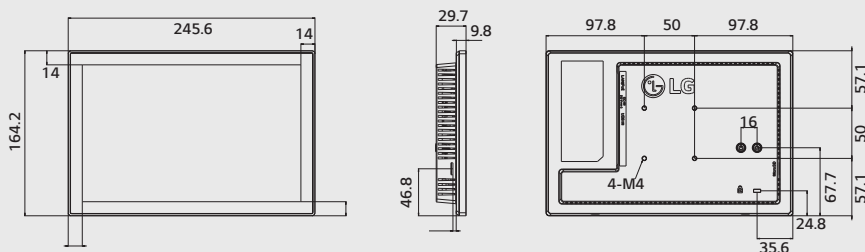
10SM3TB

- 1 LAN / PoE
- 2 DC-IN
- 3 USB IN
- 4 MICRO SD



Disegno Tecnico

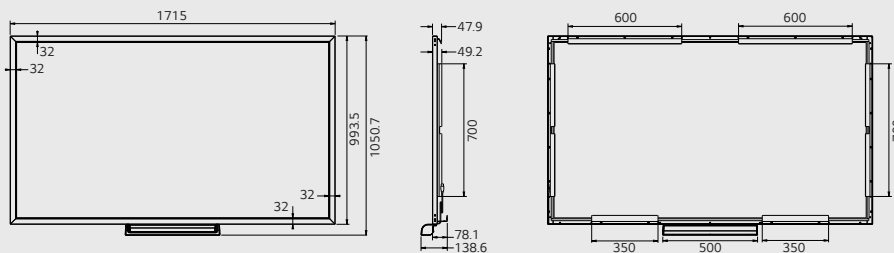
10"
245.6 x 164.2 x 29.7 /
0.73kg



	KT-T751	KT-T651	KT-T550	KT-T490	KT-T430	KT-T320	
TOUCH	Touch type	IR (Infrared Rays) Spread	IR (Infrared Rays) Spread	IR (Infrared Rays) Spread	IR (Infrared Rays) Spread	IR (Infrared Rays) Spread	
	Available Object Size for Touch	Ø 8 mm	Ø 8 mm	Ø 8mm	Ø 8 mm	Ø 8 mm	
	Scan Time	10 ms (1 Point) ~ 30 ms (10 Points)	10 ms (1 Point) ~ 30 ms (10 Points)	9 ms (1 Point) ~ 15 ms (10 Points)	9 ms (1 Point) ~ 15 ms (10 Points)	9 ms (1 Point) ~ 15 ms (10 Points)	9 ms (1 Point) ~ 15 ms (10 Points)
	Accuracy	1 mm	1 mm	1mm	1 mm	1 mm	
	Interface	USB 2.0	USB 2.0	USB 2.0	USB 2.0	USB 2.0	
	Protection Glass Thickness	3.2T (Anti-Glare)	2.8T (Anti-Glare)	2.8T (Anti-Glare)	2.8T (Anti-Glare)	2.8T (Anti-Glare)	
	Protection Glass Transmission	85 % ^①	85 % ^①	85 % ^①	85 % ^①	85 % ^①	
	Operating System Support	Windows 7, Windows 8, Windows 8.1, Windows 10 / Mac OS X (10.7 or later) / Android	Windows 7, Windows 8, Windows 8.1, Windows 10 / Mac OS X (10.7 or later) / Android / Linux	Windows 7, Windows 8, Windows 8.1, Windows 10 / Mac OS X (10.7 or later) / Android	Windows 7, Windows 8, Windows 8.1, Windows 10 / Mac OS X (10.7 or later) / Android	Windows 7, Windows 8, Windows 8.1, Windows 10 / Mac OS X (10.7 or later) / Android	Windows 7, Windows 8, Windows 8.1, Windows 10 / Mac OS X (10.7 or later) / Android
	Multi Touch Point	Max 10 Points	Max 10 Points	Max 10 Point	Max 10 Points	Max 10 Points	
	Touch Resolution	1,428 x 803	1,428 x 803	1,428 x 803	1,428 x 803	1,428 x 803	
PANEL	Screen Size	75"	65"	55"	49"	32"	
	Compatible Products	75UH5C, 75UM3C	65SE3B, 65SM5B, 65SE3KB, 65SM5KB, 65SM5C, 65SM5KC, 65SE3D, 65SM5D, 65SE3KD, 65SM5KD	55SE3B, 55SM5B, 55SE3KB, 55SM5KB, 55SL5B, 55SM3B, 55SE3C, 55SM5C, 55SM5KC, 55SM3C, 55SE3D, 55SM3D, 55SM5D, 55SE3KD, 55SM5KD	49SE3B, 49SM5B, 49SE3KB, 49SM5KB, 49SL5B, 49SM3B, 49SE3C, 49SM5C, 49SM5KC, 49SM3C, 49SE3D, 49SM3D, 49SM5D, 49SE3KD, 49SM5KD	43SE3B, 43SM5B, 43SE3KB, 43SM5KB, 43SL5B, 43SM3B, 43SE3C, 43SM5C, 43SM5KC, 43SM3C, 43SE3D, 43SM3D, 43SM5D, 43SE3KD, 43SM5KD	32SE3B, 32SM5B, 32SE3KB, 32SM5KB, 32SM5C, 32SM5KC, 32SE3D, 32SM5D, 32SE3KD, 32SM5KD
	Brightness	N/A (Max 20% brightness reduction with protection glass)					
	Orientation	Landscape & Portrait	Landscape & Portrait	Landscape & Portrait	Landscape & Portrait	Landscape & Portrait	Landscape & Portrait
	CONNECTIVITY	USB	USB	USB	USB	USB	USB
PHYSICAL SPECIFICATION	Color	Black	Black	Black	Black	Black	
	Bezel Width	32.0 mm	27.0 mm	27.0 mm	27.0 mm	27.0 mm	
	Overlay Dimension (W x H x D)	1,715 x 993.5 x 25 mm (Max 138.6 mm)	1,485.5 x 859.5 x 23.5 mm (Max 122.6 mm)	1,266 x 739 x 23.5 mm (Max 60mm)	1,132 x 660 x 23.5 mm (Max 60 mm)	997 x 586 x 23.5 mm (Max 60 mm)	756 x 449 x 23.5 mm (Max 75.7 mm)
	Weight (Head)	22.7 kg	18.5 kg	9.7 kg	8.0 kg	6.5 kg	4.1 kg
	Carton Dimensions (W x H x D)	1,854 x 1,116 x 209 mm	1,548 x 942 x 176 mm (Inner Dimension)	1,420 x 980 x 185 mm	1,285 x 810 x 185 mm	1,150 x 735 x 185 mm	900 x 600 x 185 mm
	Packed Weight	30.7 kg	23 kg	15.4 kg	13.6 kg	11.4 kg	7.6 kg
	SPECIAL FEATURES	Language (Manual)	English, Spanish, Korean, Franch				
ENVIRONMENTAL CONDITIONS	Operation Temperature Range	0°C to 40°C	0°C to 40°C	0°C to 40°C	0°C to 40°C	0°C to 40°C	
	Operation Humidity Range	10% to 85%	10% to 85%	10% to 80%	10% to 80%	10% to 80%	
POWER	Power Supply	USB	USB	USB	USB	USB	
	Max.	1.8 W	1.31 W	1.31 W	1.31 W	1.31 W	
SOFTWARE COMPATIBILITY	IWB Software	YES (CD)	YES (CD)	YES (CD)	YES (CD)	YES (CD)	
ACCESSORIES		Manual (Overlay), CD (Writing S/W), Pen (2), Tray, Install Accessories	Manual (Overlay), CD (Writing S/W), Pen (2), Tray, Install Accessories	Manual (Overlay), CD (Writing S/W), Install Accessories	Manual (Overlay), CD (Writing S/W), Install Accessories	Manual (Overlay), CD (Writing S/W), Install Accessories	
EAN		8808992365754	8806087862652	8806087349986	8806087349948	8806087349870	

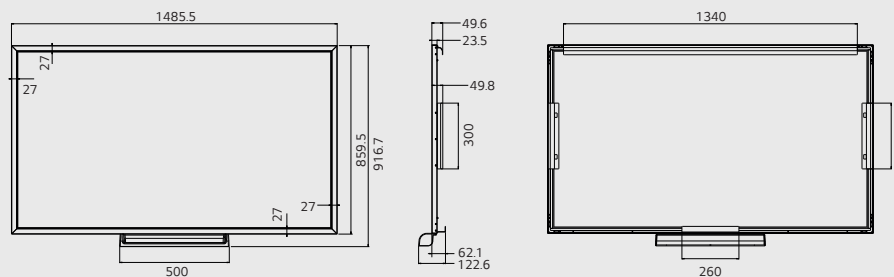
75"

1,715 x 993.5 x 25 /
22.7 kg



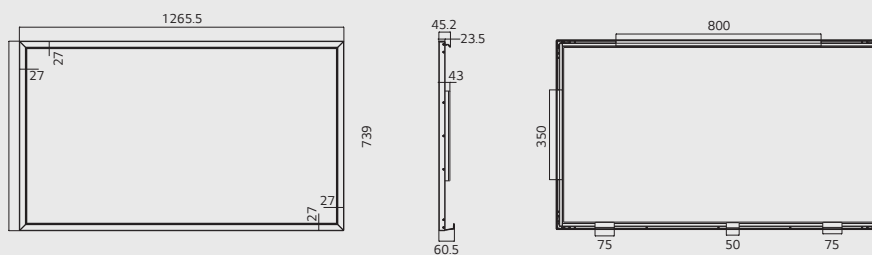
65"

1,485.5 x 859.5 x 23.5 /
18.5 kg



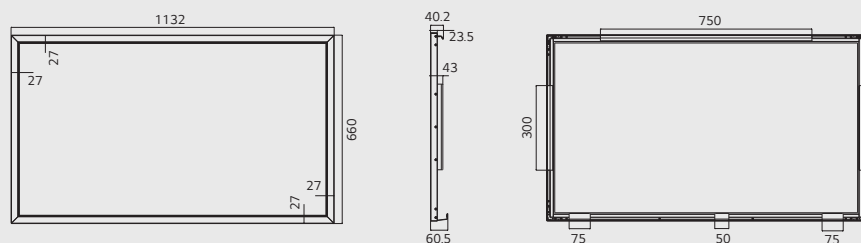
55"

1,266 x 739 x 23.5 /
9.7 kg



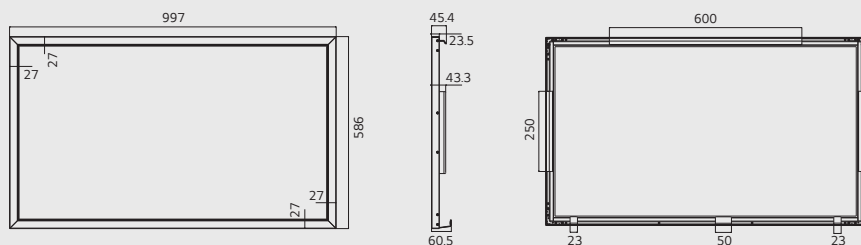
49"

1,132 x 660 x 23.5 /
8.0 kg



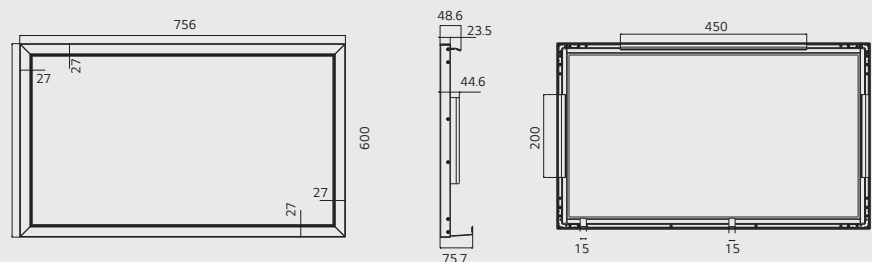
43"

997 x 586 x 23.5 /
6.5 kg



32"

756 x 449 x 23.5 /
4.1 kg



MONITOR SIGNAGE **SPECIAL**

FILM LED **LAT240DT1**

FILM LED **LAT300MT1**

TRANSPARENT **WFB**
55" | 49"



LED Film

	LAT240DT1
Pitch	24 mm
LED Type	R, G, B 3in1 Color Package (SMD1818)
Resolution	28 x 20
Pixels per Panel	560
Pixel Density [point/m ²]	1,736
Brightness	> 1,000 cd/m ²
Contrast Ratio	≥ 100,000:1
Luminance Uniformity	≥ 70%
Viewing Angle (H x V)	120 x 120
Life Time (Brightness 50%)	50,000 Hrs
Daily Usage	24 Hrs / 7 Days
Adhesion (After Installation)	50,000 Hrs
Transmittance	73%
Operating Temperature	0° - 45° (Indoor Glass Installation Only)
Curved Installation	1,100R (Concave)
Film Trimming	Yes (Parallel to the Bezel Side Only)
Color Processing	130/120/110 Level (R, G, B)
Colors	1,716,000 Colors
Color Chromaticity	Cx: 0.28±0.03, Cy: 0.28±0.03
Dimension (W x H x D)	668 x 480 x 2.0 mm (with Front & Back Protection Film)
Weight	0.73 kg
Power Consumption	37 W (Transparent Panel and Bezel Kit, @ film 1ea) 150 W (Transparent Panel and Bezel Kit, @ film 2x2)

1st Bezel Kit

	ACC-LATB2
Dimension (W x H x D)	479.5 x 24 x 53 mm
Weight	0.45 kg

Common Bezel Kit

	ACC-LATB3
Dimension (W x H x D)	479.5 x 24 x 28 mm
Weight	0.26 kg

Power (Bezel Kit & LED Film)

	ACC-LATP1
Dimension (W x H x D)	183 x 86 x 28 mm
Weight	0.769 kg
Input	100-240V, 50-60Hz
Output	19.5V/10.8A (210W)
Color	White
DC Output Cable	14AWG, 1.5m

Unit Controller

	LCLG012U
Resolution	Up to FHD (4 Unit Controllers Needed for FHD)
Interface	LVDS in with I2C, RJ45 x 4ea
Maximum Transmission Length	100 m
Dimension (W x H x D)	273 x 186.8 x 37 mm
Weight	1.5 kg
Power Consumption	Max 20 W
Accessories	Power Cord, LVDS FFC Cable, ESG, Regulation Book

System Controller

	LCLG002
Video	Up to FHD (Max. Input Resolution)
Input	HDMI, DP In/out, DVI-D, RS232C In/out, RJ45 In/out (w/o LED Indicator), IR Receiver (for Installation)
Output	LVDS 1ea
Dimension (W x H x D)	273 x 186.8 x 37 mm
Weight (Head)	1.6 kg
Temperature Sensor	0
Light Sensor	0
Source Selection	HDMI, DVI-D, DP
TPC	Yes
Power Consumption	17W (TBD)
CMS S/W	Yes
Accessories	Power Cord, HDMI Cable, IR Sensor, 4P Phone-to-RS232C Gender

ⓘ Specification is subject to changes without prior notice for product improvement

Transparent LED Film Panel (LAT300MT1)

Pitch	30 mm (Silicone OCA)
LED Type	White
Resolution	16 x 16
Pixels per LED Film	256
Pixels density (point/m ²)	1,024
Brightness (After calibration)	>1,000 cd/m ²
Contrast Ratio	≥ 100,000:1
Display Refresh Rate	N/A
Luminance Uniformity	≥ 70%
Chromaticity Uniformity	$\Delta u'v' \leq 0.015$
Viewing Angle (H x V)	120 x 120
Life time (Brightness 50%)	50,000 Hrs
Color Processing	16bit
Colors	65,536 Gray scale
Color Chromaticity	Cx: 0.26 \pm 0.03, Cy: 0.25 \pm 0.03
Interface	Serial data in /out (1/1)
Dimension (W x H x D)	479 x 476.5 x 1.23 mm
Weight	0.26 kg
Power Consumption	24 W (Both Transparent panel and Bezel kit)
EAN	TBD

Bezel Kit(ACC-LATB1)

Interface	Serial data in /out (1/1)
Dimension(W x H x D)	478 x 28 x 49 mm
Weight	0.45 kg
Power Consumption	24W(Both Transparent Panel and Bezel Kit)
Accessory	Power cable, Data cable (Bezel kit to Bezel kit), Guide Bracket, Screw

Unit Controller (LCLG002U)

Resolution	64 x 96 (Film 4 x 6), 32 x 192 (Film 2 x 12)
Interface	LVDS in/out with I2C
Dimension (W x H x D)	455 x 300 x 78 mm
Weight	6.8 Kg
Special Features	Temperature Sensor, Power Detection, Cooling Fan
Power Consumption	Max 600W, @24 Films (full white)
Accessories	Power cord, Data cable, ESG, Regulation book

System Controller (LCLG002)

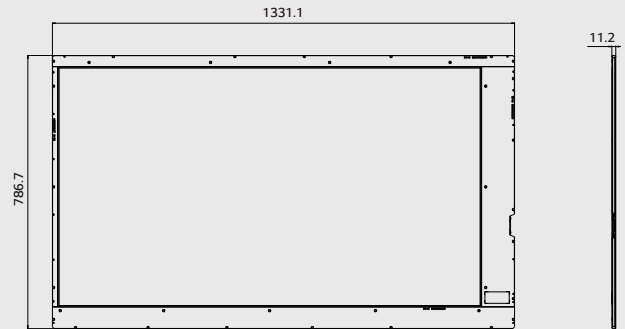
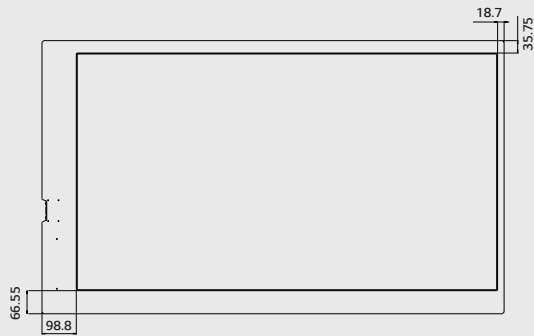
Max Input Resolution	3,840 x 2,160@30Hz
Connectivity (Input)	
Digital (With HDCP)	HDMI 0 (1)
	DP 0 (In/Out)
	DVI-D 0 (1)
Comm Port	RS232C 0 (In/Out)
	RJ45 0 (In/Out) without LED indicator
	IR Receiver 0(1) - Used for installation
USB 3.0	0 (1)
Connectivity (Output)	
Digital	LVDS 0 (1)
Dimension (W x H x D)	278.0 x 193.3 x 38.5 mm
Weight (Head)	1.39 kg
Special Features	Temperature Sensor, Light sensor, Source Selection (HDMI, DVI-D,DP), TPC, Motion Eye Care, System indicator, FHD Up Scaling
Power Consumption	17 W (TBD)
Software	Integrated S/W for control with LG Monitor Signage (Option)
Accessories	Basic Power cord, Wired & Brightness sensor, 4P Phone-to-RS232C gender
	Optional Long range transmission cable (Optical HDMI/DVI), DVI cable, DP cable

		55WFB	49WFB
PANEL	Screen Size	54.64" (1,387.80mm) diagonal	48.5" (1,232.0mm) diagonal
	Panel Technology	IPS	IPS
	Aspect Ratio	16 : 9	16 : 9
	Native Resolution	1,920 x 1,080 (FHD)	1,920 x 1,080 (FHD)
	Transmittance	10%	9.4%
	Contrast Ratio	1,000 (Typ.)	1,300
	Viewing Angle (H x V)	178 x 178	178 x 178
	Response Time	9ms (G to G)	8ms (G to G)
	Surface Treatment	Hard coating(2H), Anti-reflection treatment of the front polarizer	Hard coating(2H), Anti-reflection treatment of the front polarizer (Reflectance < 2%)
	Guaranteed Operating Hour	24 Hours	24 Hours
	Orientation	Portrait & Landscape	Portrait & Landscape
CONNECTIVITY	Input	LVDS(1)	LVDS(1)
	Color	Black	Black
PHYSICAL SPECIFICATION	Bezel Width	35.75mm (T), 66.55mm (B), 98.8mm (L), 18.7mm (R)	64.1mm (T), 18.7mm (B), 18.7mm (L), 125.86mm (R)
	Monitor Dimension (W x H x D)	1,331.1 x 786.7 x 11.2mm	1,222.34 x 690.8 x 11.2mm
	Weight (Head)	6.6kg	5.4kg
	Carton Dimensions (W x H x D)	1,421 x 877 x 118mm	1,303 x 771 x 118mm
	Packed Weight	10.8kg	9.0kg
ENVIRONMENTAL CONDITIONS	Operating Temperature Range	0°C to 40°C	0°C to 40°C
	Operating Humidity Range	10 % to 80 %	10 % to 80 %
POWER	Power Consumption (Typ.)	5.52W (12V input)	5.4W (12V input)
ACCESSORY	Accessory	Simple Book (1)	Simple Book (1)
EAN		8806087566789	8806087566765

55"

1,331.1 x 786.7 x 11.2mm /

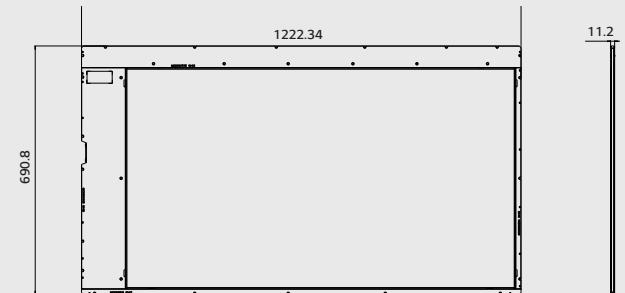
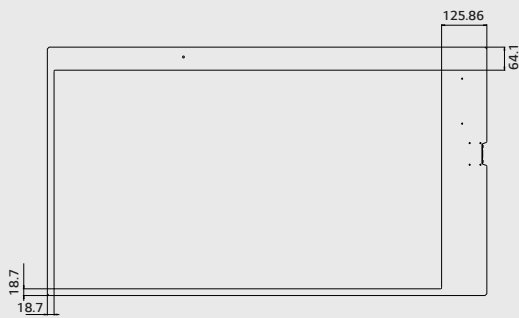
6.6kg



49"

1,222.34 x 690.8 x 11.2mm /

5.4kg





Seguici sui nostri canali digitali



www.lgbusiness.it



www.facebook.com/LGInformationDisplay/



www.linkedin.com/company/lginformationdisplay



www.youtube.com/c/LGECCommercialDisplay

Per ricevere ulteriori informazioni contatta il team di LG Italia all'indirizzo b2b.italy@lgepartner.com