

## CM5-10 A-R-I-E-AQQE C-A-A-N

Grundfos pump 97621173





Thank you for your interest in our products. Please contact us for more information, or visit our website

<https://www.lenntech.com/grundfos/CMBASIS/97621173/CM5-10-A-R-I-E-AQQE.html>

[info@lenntech.com](mailto:info@lenntech.com)

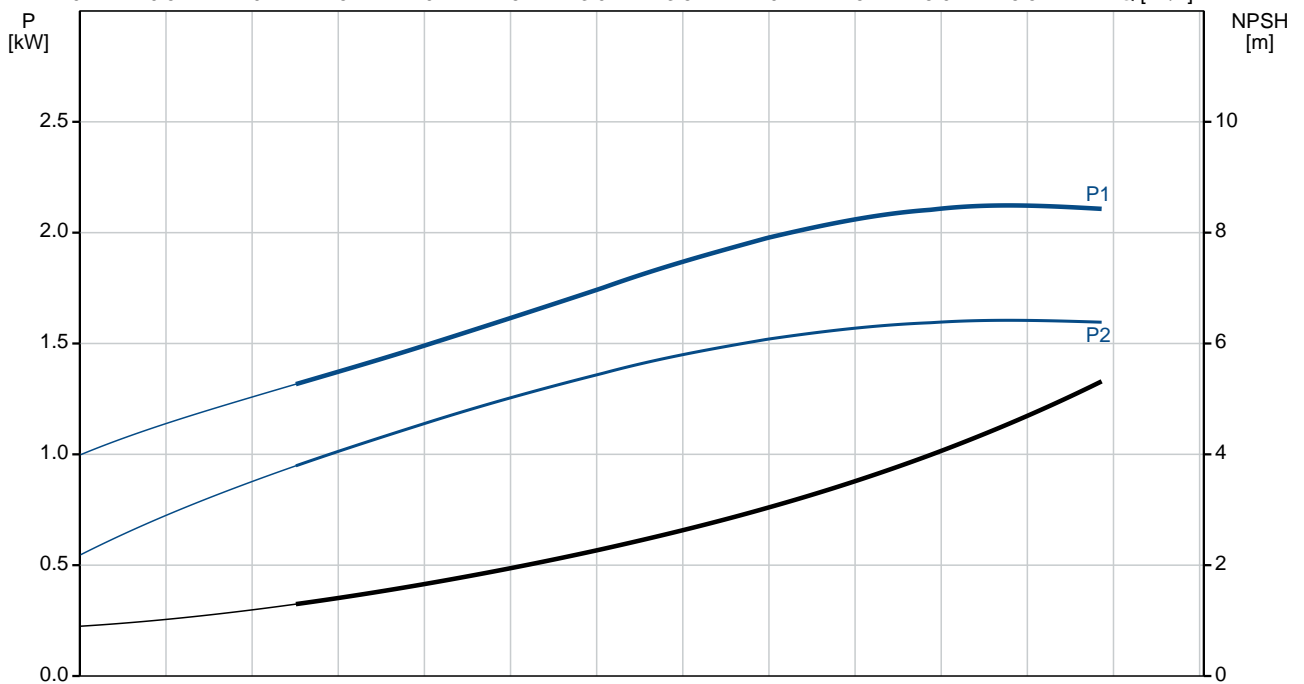
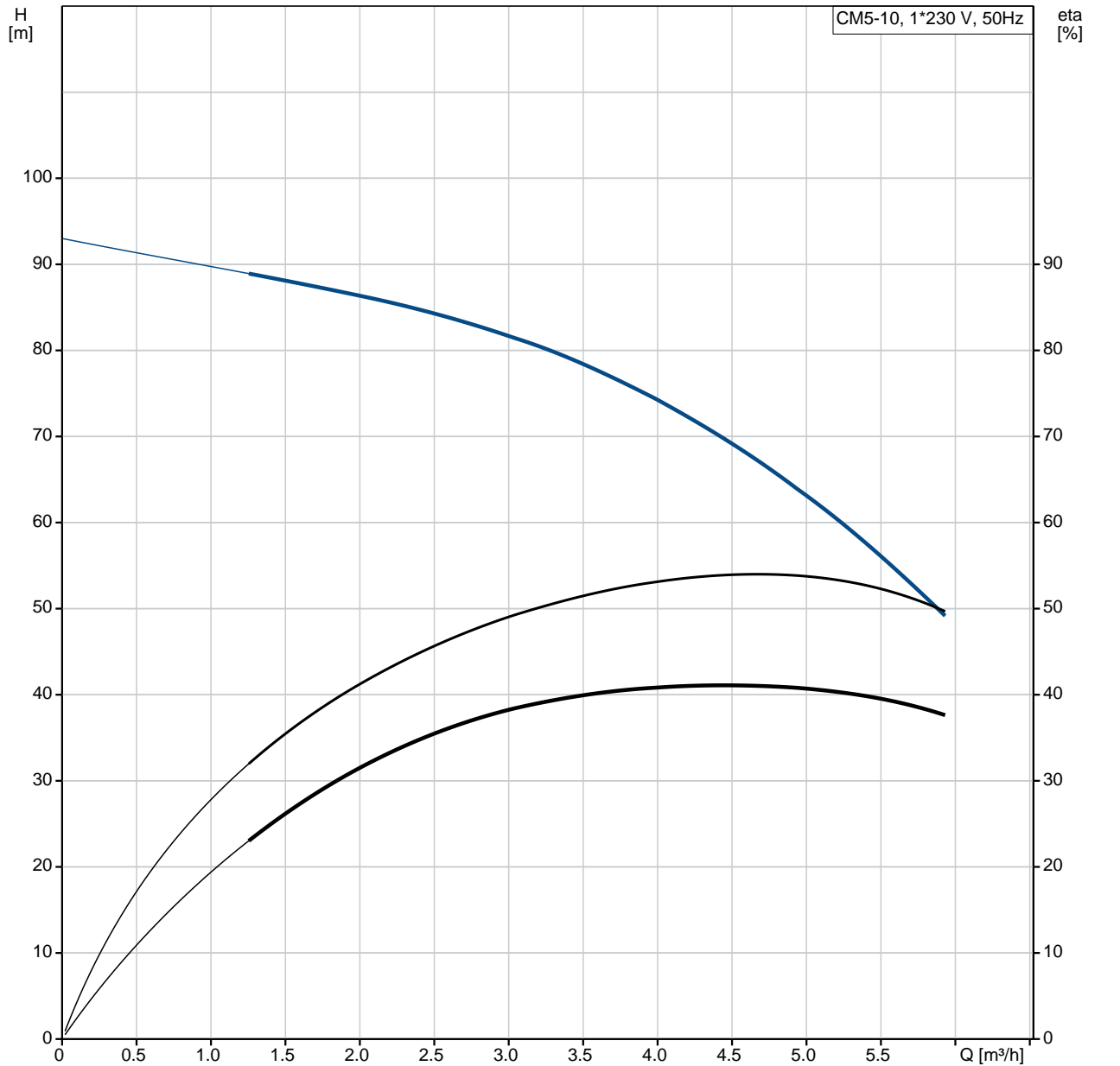
tel. +31 152 610 900

fax. +31 152 616 289

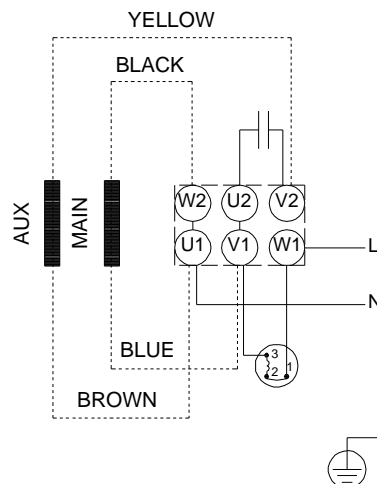
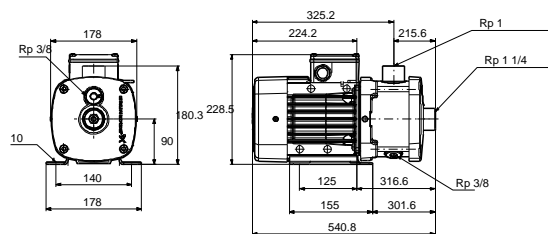
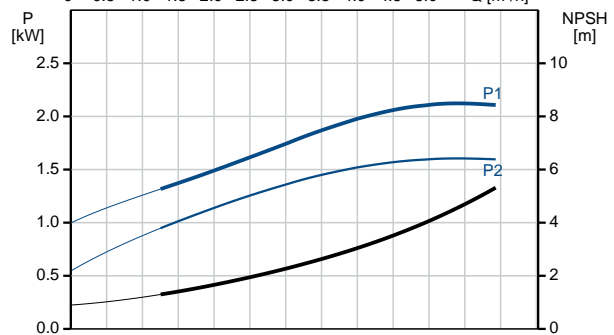
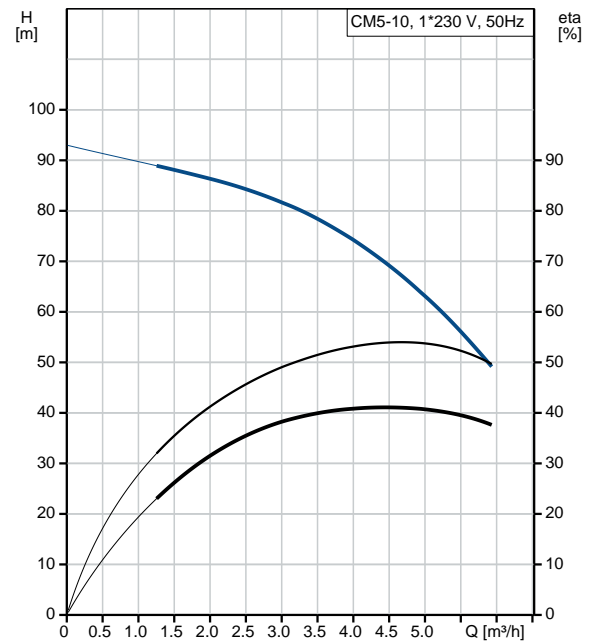
Position	Qty.	Description
	1	<p data-bbox="320 163 582 197"><b>CM5-10 A-R-I-E-AQQE</b></p>  <p data-bbox="320 483 600 517">Product No.: On request</p> <p data-bbox="320 544 1453 645">Compact, reliable, horizontal, multistage, end-suction centrifugal pump with axial suction port and radial discharge port. Pump materials in contact with the liquid are in stainless steel. The mechanical shaft seal is a special designed, unbalanced O-ring seal. Pipework connection is via internal Whitworth pipe threads, Rp (ISO 7/1).</p> <p data-bbox="320 685 1214 719">The pump is fitted with a 1-phase, foot-mounted, fan-cooled asynchronous motor.</p> <p data-bbox="320 775 639 808"><b>Further product details</b></p> <p data-bbox="320 813 1445 869">Pump and motor are integrated in a compact and user-friendly design. The pump is fitted to a low base plate, making it ideal for installation in systems where compactness is important.</p> <p data-bbox="320 873 1382 929">The state-of-the-art design and materials of the shaft seal ensure high wear resistance, improved sticking and dry-running capabilities and long operating life.</p> <p data-bbox="320 934 1426 990">Servicing the pump requires no special service tools. Service parts are in stock for quick delivery and are available as kits, single parts or bulk. Service videos are available on <a href="http://www.youtube.com">www.youtube.com</a>.</p> <p data-bbox="320 1016 400 1050"><b>Pump</b></p> <p data-bbox="320 1055 1453 1155">A combination of a stop ring and a Nord-lock® washer secures a tight and reliable fixation of the impeller spacing pipes to the splined pump shaft. It is possible to remove and fit the hydraulic parts from the pump side. The inlet and outlet port are integrated in the pump sleeve. The inlet part, chambers and discharge part are hold together by four staybolts and a retaining flange.</p> <p data-bbox="320 1196 1453 1252">The pump is fitted with an unbalanced O-ring seal with a rigid torque-transmission system. It has a fixed seal driver ensuring a reliable rotation of all parts. The dynamic secondary seal is an O-ring.</p> <p data-bbox="320 1256 464 1290">Primary seal:</p> <ul data-bbox="357 1294 919 1350" style="list-style-type: none"> <li>• Rotating seal ring material: silicon carbide (SiC)</li> <li>• Stationary seat material: silicon carbide (SiC)</li> </ul> <p data-bbox="320 1355 1422 1411">This material pairing is used where higher corrosion resistance is required. The high hardness of this material pairing offers good resistance against abrasive particles.</p> <p data-bbox="320 1415 983 1449">Secondary seal material: EPDM (ethylene-propylene rubber)</p> <p data-bbox="320 1453 1214 1487">EPDM has excellent resistance to hot water. EPDM is not suitable for mineral oils.</p>  <p data-bbox="320 1682 1430 1738">The pump shaft is connected to the motor shaft through a left thread and tight fit. The shaft cannot be dismantled.</p> <p data-bbox="320 1765 400 1798"><b>Motor</b></p> <p data-bbox="320 1803 1398 1859">The motor is a totally enclosed, fan-cooled motor with principal dimensions to EN 50347. Electrical tolerances comply with EN 60034.</p> <p data-bbox="320 1899 1422 1989">The motor has built-in thermal protection (PTO current and temperature sensors) in accordance with IEC 60034-11 and requires no further motor protection. The protection reacts to both slow- and quick-rising temperatures, e.g. constant overload and stalled conditions.</p> <p data-bbox="320 1993 1422 2049">As the thermal protection incorporates automatic reset, the motor must be connected in a way which ensures that the automatic reset cannot cause accidents.</p> <p data-bbox="320 2076 520 2110"><b>Technical data</b></p>

Position	Qty.	Description
		<p><b>Liquid:</b>  Pumped liquid: Water  Liquid temperature range: -20 .. 120 °C  Liquid temperature during operation: 20 °C  Density: 998.2 kg/m<sup>3</sup></p> <p><b>Technical:</b>  Rated flow: 4.7 m<sup>3</sup>/h  Rated head: 78.2 m  Primary shaft seal: AQQE  Approvals on nameplate: CE,WRAS,ACS,TR,EAC  Curve tolerance: ISO9906:2012 3B</p> <p><b>Materials:</b>  Pump housing: Stainless steel  DIN W.-Nr. 1.4301  AISI 304  Impeller: Stainless steel  DIN W.-Nr. 1.4301  AISI 304  Rubber: EPDM</p> <p><b>Installation:</b>  Maximum ambient temperature: 55 °C  Maximum operating pressure: 10 bar  Max pressure at stated temp: 10 bar / 120 °C  Flange standard: WHITWORTH THREAD RP  Pump inlet: Rp 1 1/4  Pump outlet: Rp 1</p> <p><b>Electrical data:</b>  Motor type: 90SB  Rated power - P2: 1.9 kW  Mains frequency: 50 Hz  Rated voltage: 1 x 220-240 V  Service factor: 1  Rated current: 11.0-10.0 A  Starting current: 370 %  Rated speed: 2755-2770 rpm  Enclosure class (IEC 34-5): IP55  Insulation class (IEC 85): F</p> <p><b>Others:</b>  Minimum efficiency index, MEI : 0.7  Net weight: 25.3 kg  Gross weight: 27.8 kg</p>

# On request CM5-10 A-R-I-E-AQQE 50 Hz

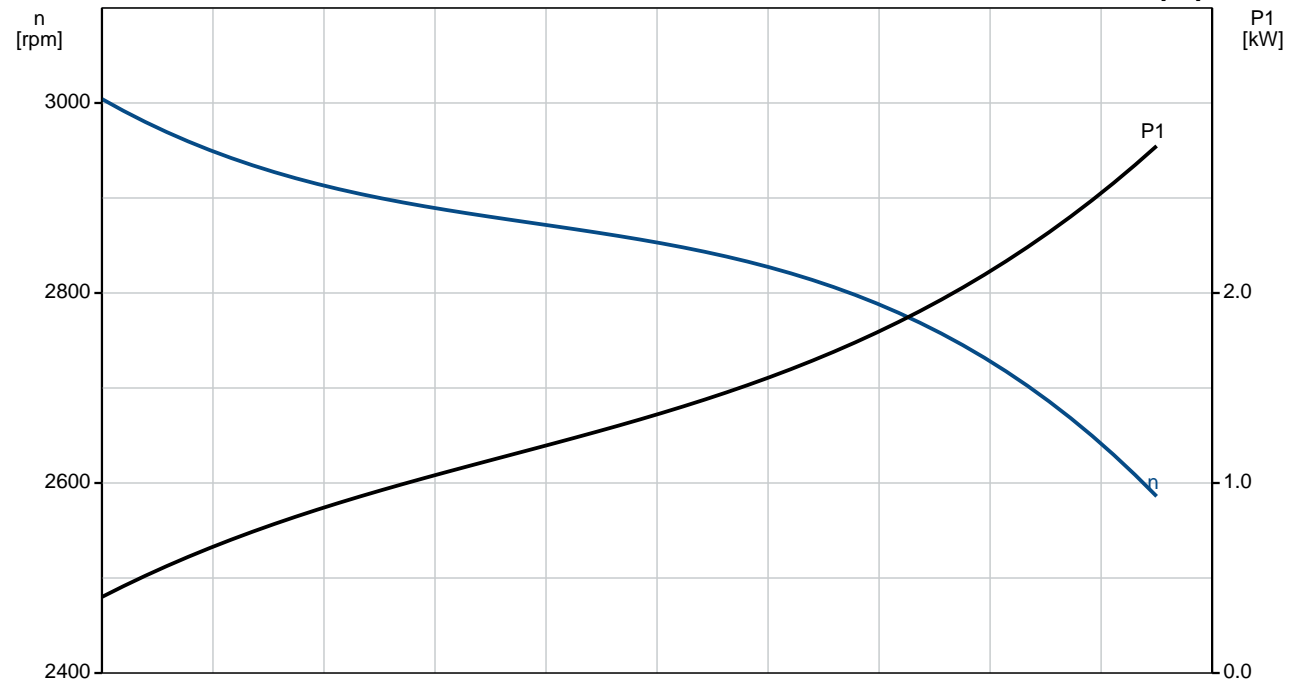
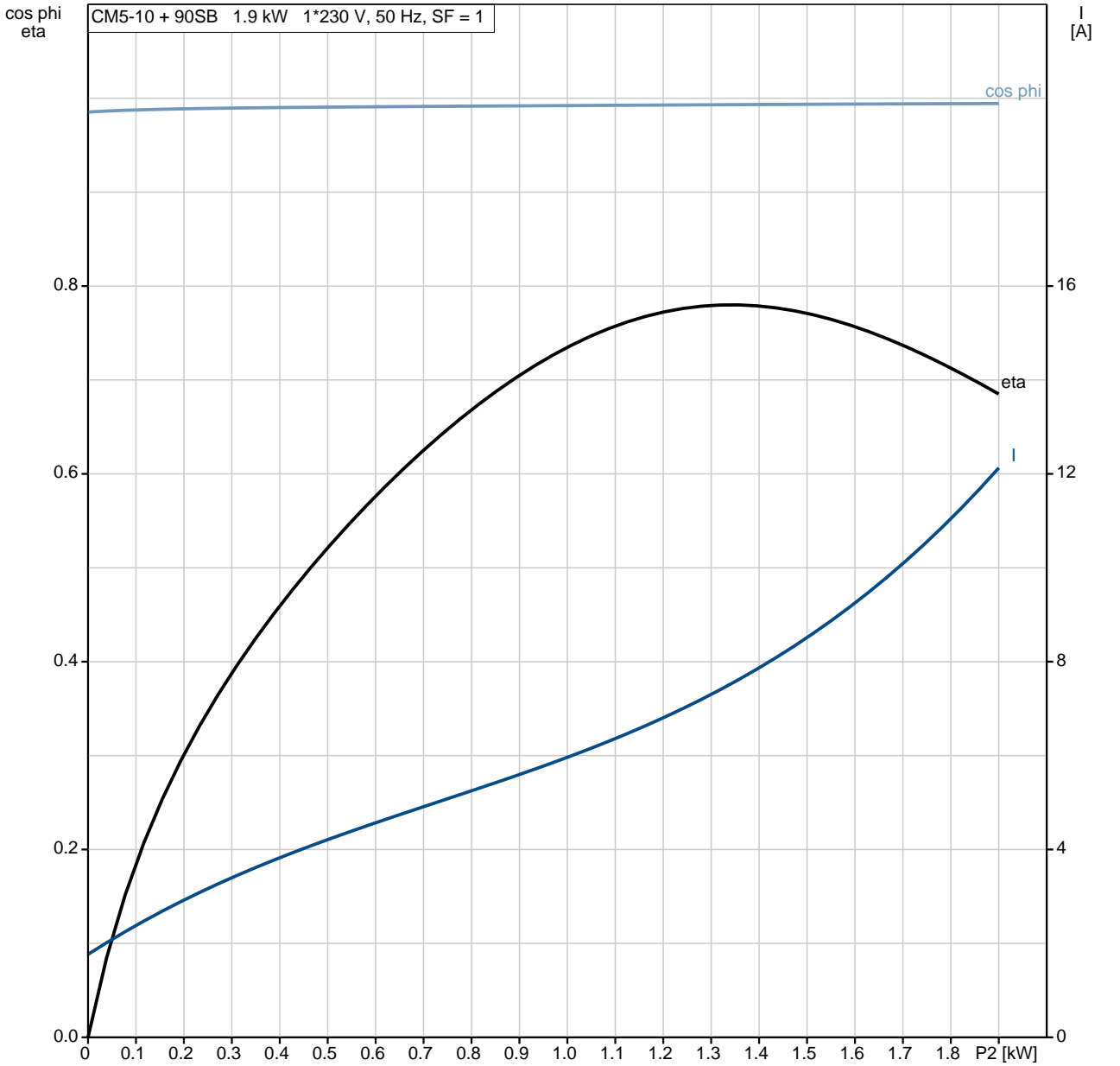


Description	Value
<b>General information:</b>	
Product name:	CM5-10 A-R-I-E-AQQE
Product No:	On request
EAN number:	On request
<b>Technical:</b>	
Rated flow:	4.7 m <sup>3</sup> /h
Rated head:	78.2 m
Impellers:	10
Primary shaft seal:	AQQE
Approvals on nameplate:	CE,WRAS,ACS,TR,EAC
Curve tolerance:	ISO9906:2012 3B
Pump version:	A
Model:	A
<b>Materials:</b>	
Pump housing:	Stainless steel DIN W.-Nr. 1.4301 AISI 304
Impeller:	Stainless steel DIN W.-Nr. 1.4301 AISI 304
Material code:	I
Rubber:	EPDM
Code for rubber:	E
<b>Installation:</b>	
Maximum ambient temperature:	55 °C
Maximum operating pressure:	10 bar
Max pressure at stated temp:	10 bar / 120 °C
Flange standard:	WHITWORTH THREAD RP
Pump inlet:	Rp 1 1/4
Pump outlet:	Rp 1
Connect code:	R
<b>Liquid:</b>	
Pumped liquid:	Water
Liquid temperature range:	-20 .. 120 °C
Liquid temperature during operation:	20 °C
Density:	998.2 kg/m <sup>3</sup>
<b>Electrical data:</b>	
Motor type:	90SB
Rated power - P2:	1.9 kW
Mains frequency:	50 Hz
Rated voltage:	1 x 220-240 V
Service factor:	1
Rated current:	11.0-10.0 A
Starting current:	370 %
Rated speed:	2755-2770 rpm
Enclosure class (IEC 34-5):	IP55
Insulation class (IEC 85):	F
Motor protec:	TP211
<b>Others:</b>	
Minimum efficiency index, MEI :	0.7
Net weight:	25.3 kg
Gross weight:	27.8 kg

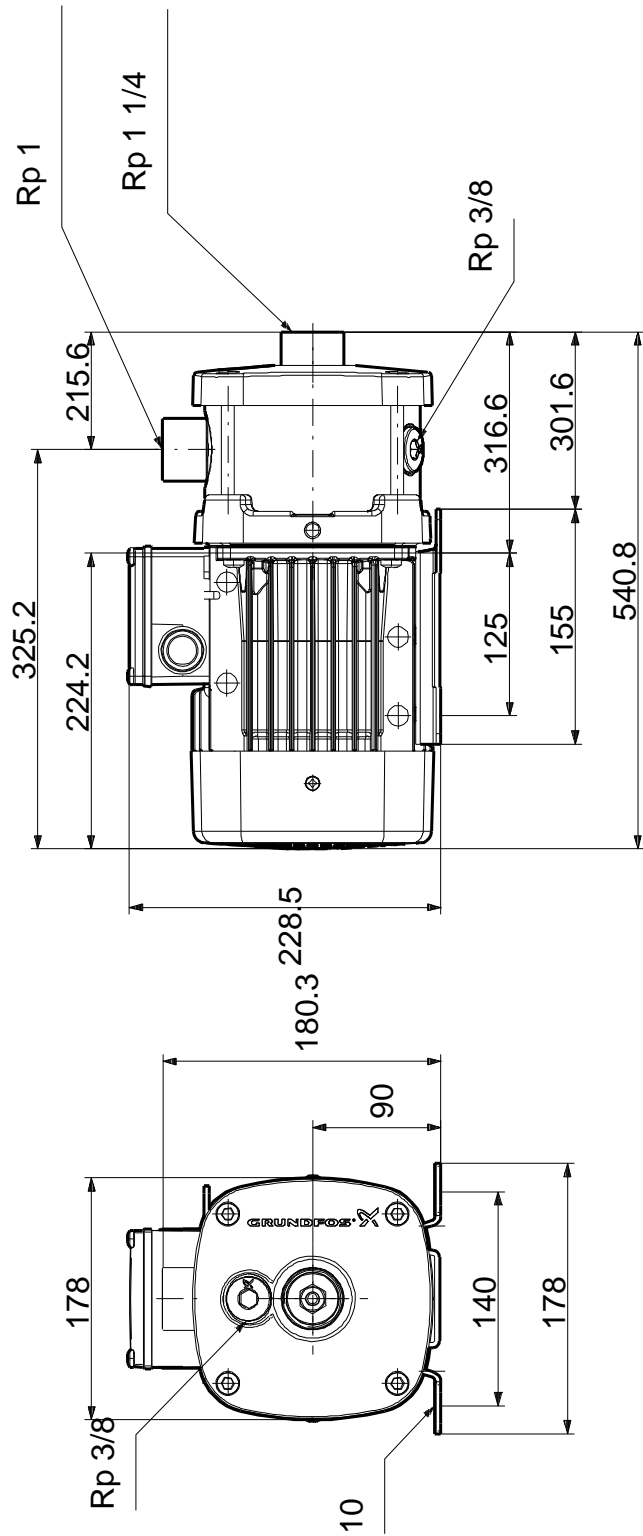


# On request CM5-10 A-R-I-E-AQQE 50 Hz

CM5-10 + 90SB 1.9 kW 1\*230 V, 50 Hz, SF = 1

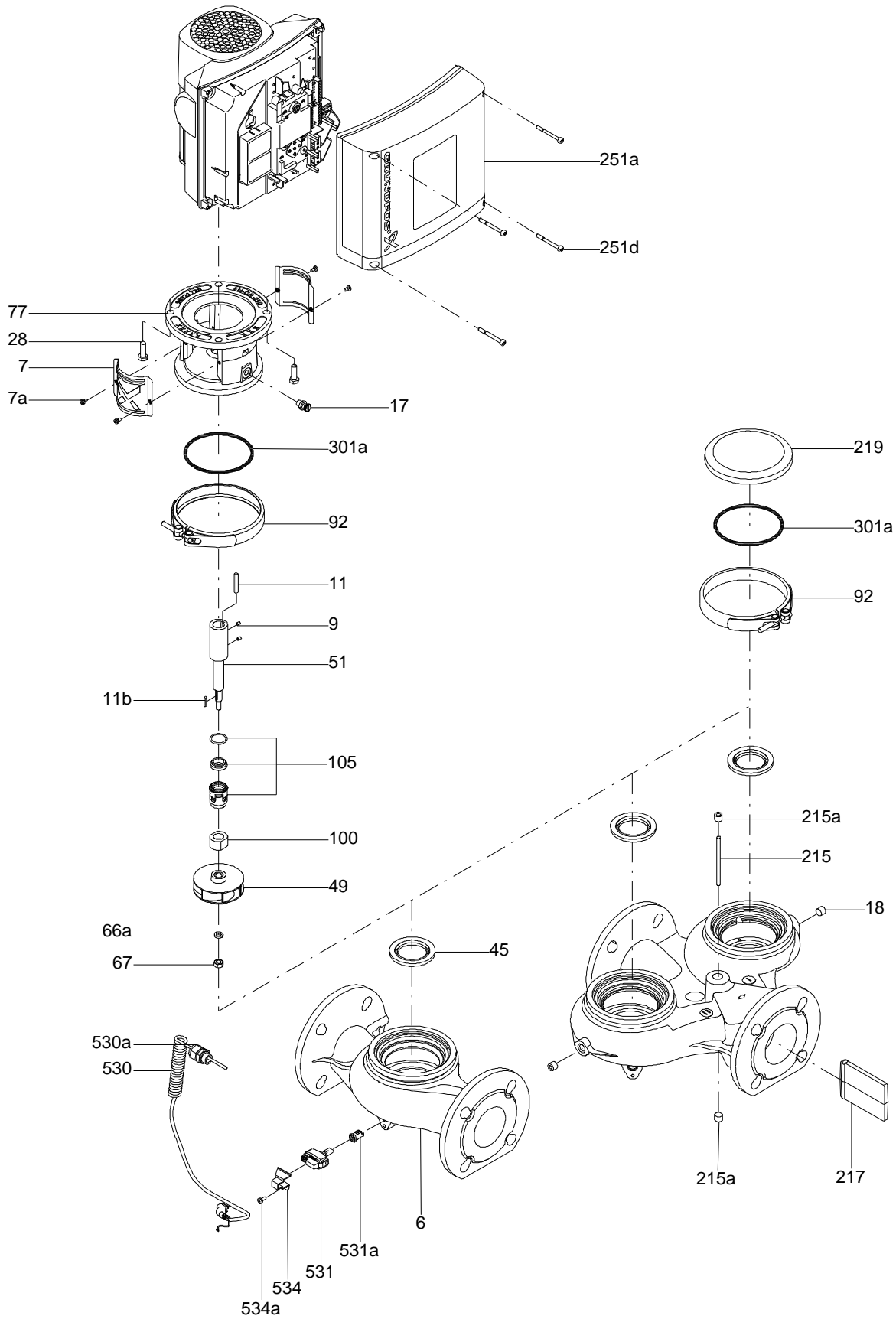


# On request CM5-10 A-R-I-E-AQQE 50 Hz



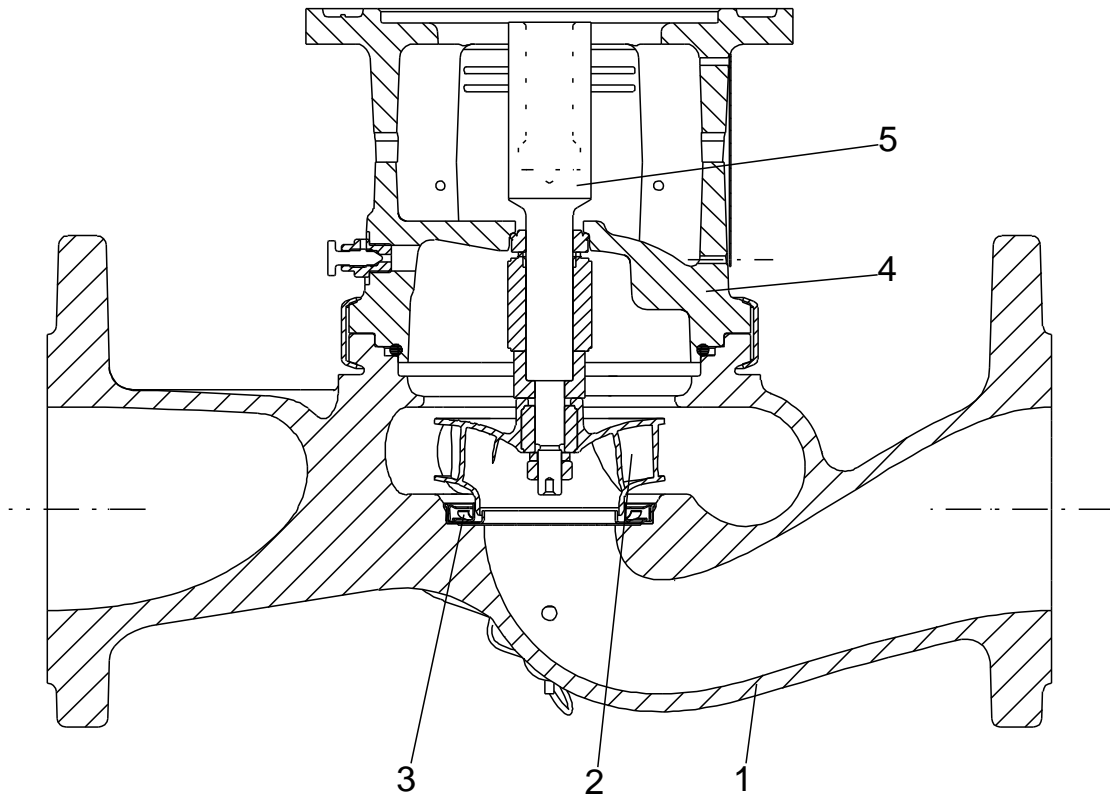
Note! All units are in [mm] unless others are stated.  
 Disclaimer: This simplified dimensional drawing does not show all details.

**Exploded view**



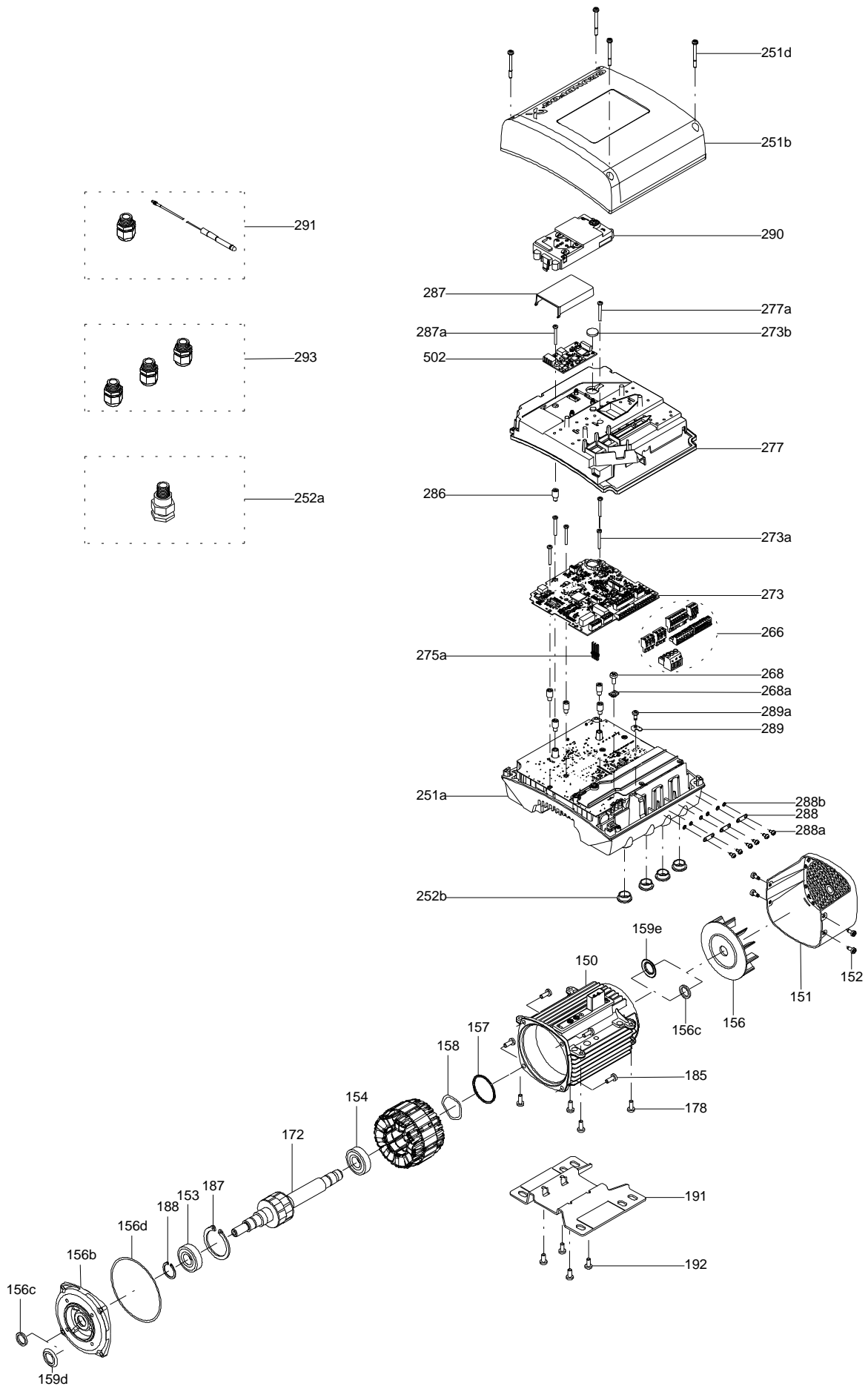


Sectional drawing (TM058200 for TPE2,TPE3)



TM058200

Exploded view ( TM057026 for MGE model H/I )



**Parts list CM5-10, Product No. On request**  
**Valid from 9.2.2009 (0907)**

Pos	Description	Annotation	Données de classification	Référence	Quantité	Unité
	MG90SB				1	pcs
	Cross recess countersunk screw				4	pcs
- 4	Chamber cpl.				7	pcs
	Guide vane				6	
	Plate				1	
	Retainer				1	
	Intermediate chamber				1	
	Vane				1	
45	Neck ring				1	
65	Retainer				1	
- 4.d	Chamber cpl.				1	pcs
	Chamber				1	
	Retainer for seal ring				1	
	Guide vane				6	
	Plate				1	
	Vane				1	
45	Neck ring				1	
65	Neck ring retainer				1	
- 4a	Chamber w. bearing cpl.				1	pcs
	Guide vane				6	
	Retainer for bearing				1	
	Bearing bush				1	
	Retainer				1	
	Intermediate chamber				1	
	Vane				1	
45	Neck ring				1	
65	Retainer				1	
- 5a	Chamber cpl.				1	pcs
	Retainer				1	
	Intermediate chamber				1	
	Vane				1	
45	Neck ring				1	
65	Retainer				1	
5a	Chamber, empty				1	pcs
6.a	Flange				1	pcs
16	Collar sleeve cpl.				1	pcs
- 25	Drain plug cpl.				2	pcs
11	O-ring		Diameter: 18,5 Material type: EPDM Thickness: 2		1	
25	Plug				1	
26	Hex socket head cap screw		Length (mm): 225 Thread: M8		4	pcs
31	O-ring		Diameter: 114 Material type: EPDM Thickness: 3,9		1	pcs
- 32	Cover plate				1	pcs
	Cover plate				1	
	Plate				1	
36	Lock nut		Thread: M8		1	pcs
47.a	Bearing ring				1	pcs
49	Impeller cpl.				10	pcs
51	Pump shaft		Diameter: D12		1	pcs
64	Spacing pipe				8	pcs
64.a	Spacing pipe				1	pcs
64.c	Clamp				1	pcs
66	Wedge lock washer				1	pcs
76	Nameplate				2	pcs
- 105	Shaft seal				1	pcs

Pos	Description	Annotation	Données de classification	Référence	Quantité	Unité
102	O-ring		Diameter: 17,86 Material type: EPDM Thickness: 2,62		1	
103	Seal ring, stationary				1	
104	Seal ring, rotating				1	
107	O-ring				1	
108	Compression spring				1	
111	Retainer				1	
112	Driver for shaft seal				1	
111.a	Stop ring				1	pcs
151	Fan cover				1	pcs
152	Pan head thread forming screw				4	pcs
156	Fan				1	pcs
191	Foot				1	pcs

*Disclaimer: The information about the Grundfos pump in this document may be outdated.*

*Data may be subject to alterations without further notice.*

*Please contact us to verify the data above is still accurate/up-to-date.*

All information is copyright Grundfos.



[info@lenntech.com](mailto:info@lenntech.com)

<https://www.lenntech.com>

tel. +31 152 610 900

fax. +31 152 616 289