

e-IXP Series

CENTRIFUGAL SINGLE STAGE END-SUCTION PUMP

DESIGNED IN COMPLIANCE WITH ISO 2858 AND ISO 5199 STANDARDS

Xylect

Xylect is a pump selection software with an extensive online database of product information across the entire range of pumps and related products, with multiple search options and helpful project management facilities. The system holds up-to-date product information on thousands of products and accessories.

Xylect is available:

On the website – www.xylect.com



For more information, please, see page 187-188.

Directive 2009/125/EC of the European Union

The **Directive 2005/32/EC** on energy-using products (**EuP**) and the subsequent **Directive 2009/125/EC** on energy-related products (**ErP**) established the ecodesign requirements for products to reduce their energy consumption and consequently their environmental impact.

These requirements apply to products placed and used in the European Economic Area (European Union plus Iceland, Liechtenstein and Norway) as a stand-alone unit or as integrated parts in other products.

The table shows the Regulations that define the requirements for Lowara products::

Product	Regulations	From	Target
Pumps*	(EU) N. 547/2012	1 January 2015	MEI ≥ 0,4
Circulators**	(EC) N. 641/2009, (EU) N. 622/2012 e (EU) 2019/1781	1 August 2015	EEl < 0,23
Electric motors	(EU) 2019/1781 e 2021/341	1 July 2021	IE2 : three-phase motors with a rated output ≥ 0,12 and < 0,749 kW IE3 : three-phase motors with a rated output ≥ 0,75 and < 1000 kW
Variable speed drives (VSD)***	(EU) 2019/1781 e 2021/341	1 July 2021	IE2

* some types of pump, used for pumping clean water.

** circulators with a rated hydraulic output power of between 1 and 2500 W, designed for use in heating systems or in secondary circuits of cooling distribution systems.

*** variable speed drives with three-phase input and rated output power from 0,12 kW up to 1000 kW, rated for operating with motor included in the same regulations.

From 1 July 2023 it will be introduced additional requirements.

Lowara, HYDROVAR, Xylect are trademarks or registered trademarks of Xylem Inc. or one of its subsidiaries.

All other trademarks or registered trademarks are property of their respective owners

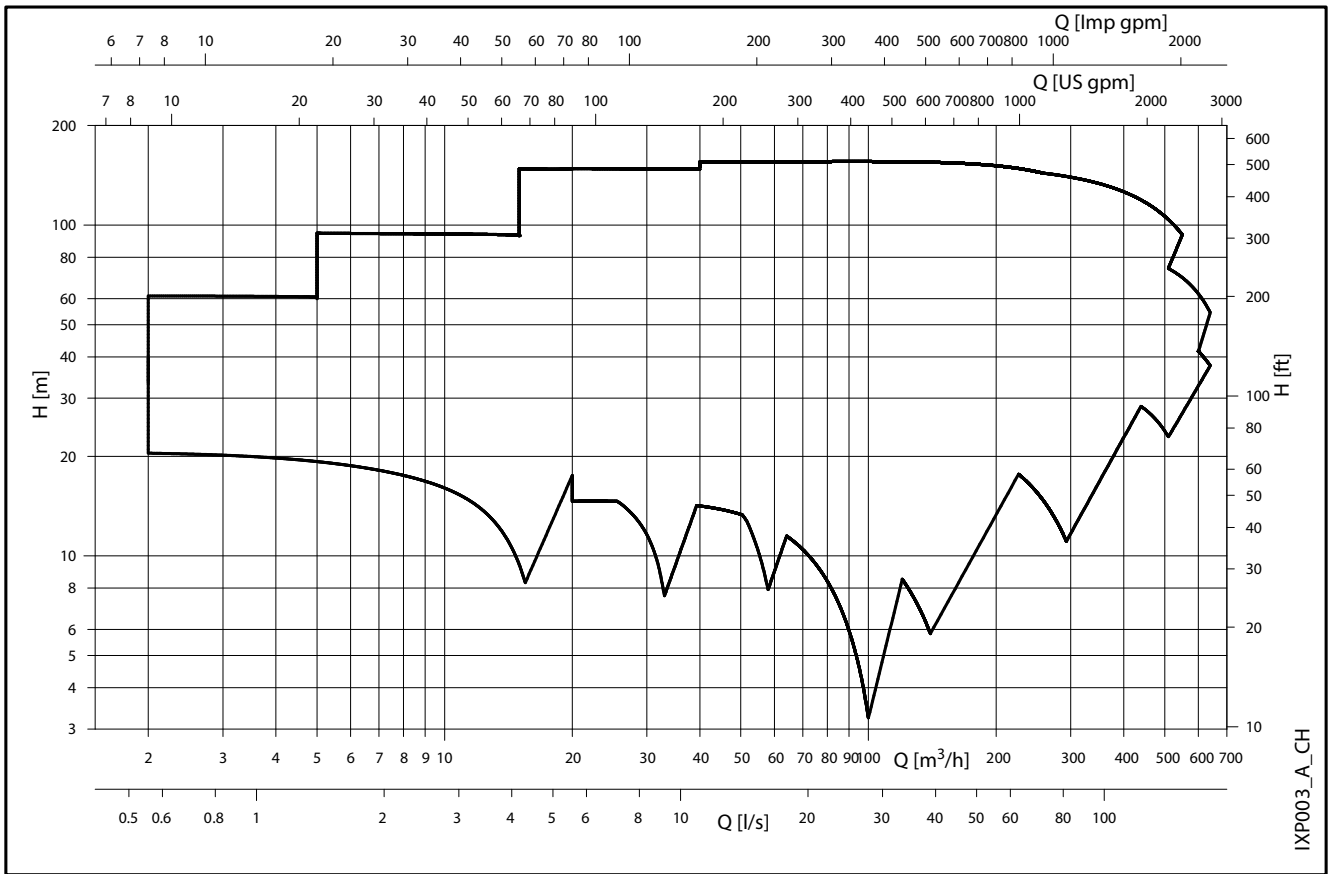
The Bluetooth® word mark and logos are registered trademarks owned by Bluetooth SIG, Inc. and any use of such marks by Xylem Inc. is under license.

SUMMARY

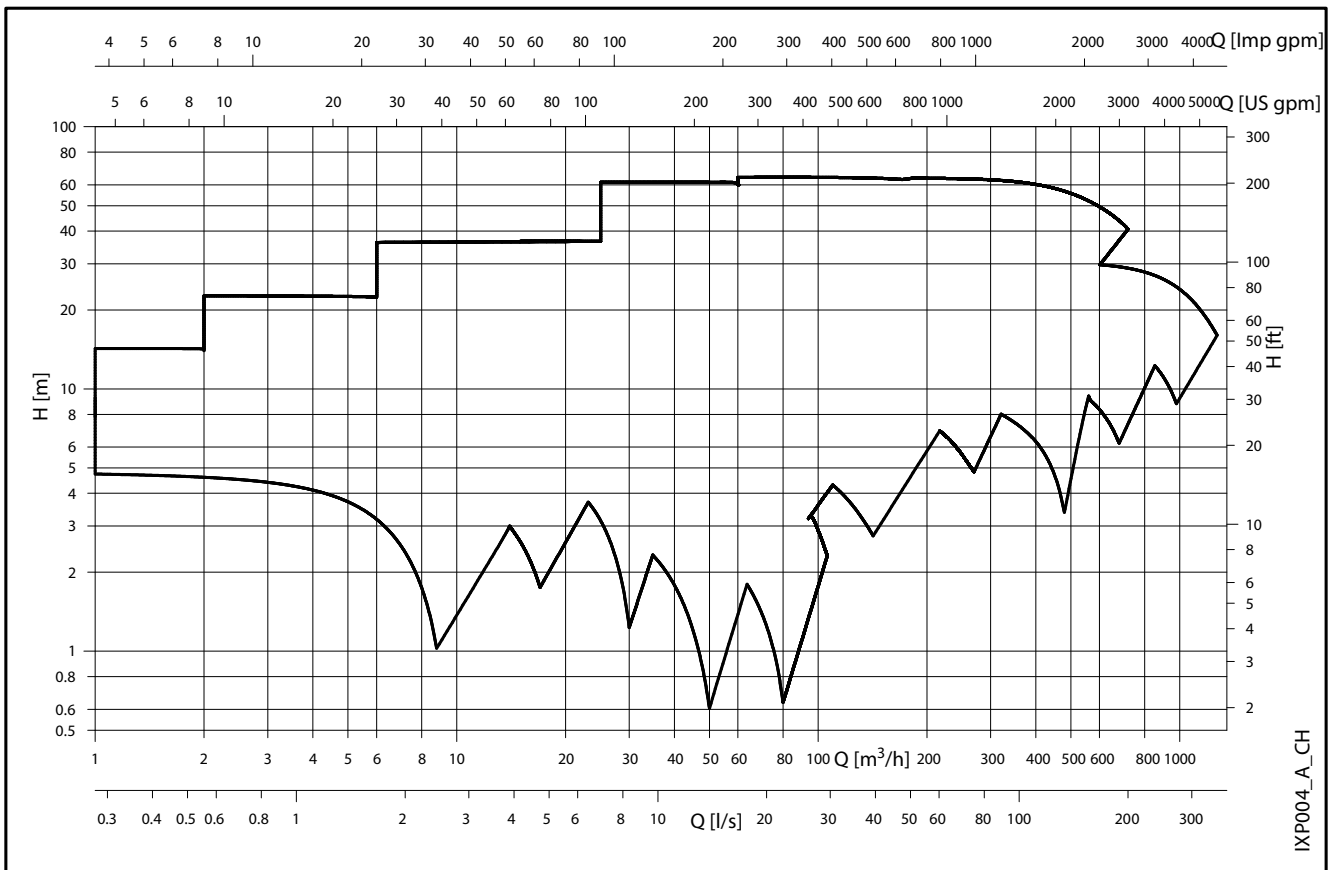
GENERAL INTRODUCTION	6
IDENTIFICATION CODE	8
RATING PLATE	9
LIST OF MODELS AT 50 Hz, 2 POLES	10
LIST OF MODELS AT 50 Hz, 4 POLES	11
LIST OF MODELS AT 50 Hz, 6 POLES	12
GENERAL TECHNICAL MECHANICAL DATA.....	13
ELECTRIC PUMP CROSS-SECTION AND MAIN COMPONENTS.....	15
MAXIMUM INLET PRESSURE	16
PRESSURE/TEMPERATURE APPLICATION LIMITS.....	17
MECHANICAL SEALS	19
BEARING FRAME	33
MOTORS (ErP 2009/125/EC)	36
PUMPS (ErP 2009/125/EC).....	47
HYDRAULIC PERFORMANCE RANGE AT 50 Hz, 2 POLES	50
HYDRAULIC PERFORMANCE RANGE AT 50 Hz, 4 POLES	81
HYDRAULIC PERFORMANCE RANGE AT 50 Hz, 6 POLES	122
DIMENSIONS AND WEIGHTS	137
FLANGE DIMENSIONS	162
PUMP BASE FRAME.....	164
PERMISSIBLE FORCES AND MOMENTS AT PUMP NOZZLES.....	165
OPTIMIZE™	167
IXP..H: e-IXP WITH HYDROVAR	169
HYDROVAR (ErP 2009/125/EC)	172
ACCESSORIES.....	177
REPORTS AND DECLARATIONS	179
TECHNICAL APPENDIX.....	181

e-IXP SERIES

HYDRAULIC PERFORMANCE RANGE AT 50 Hz, 2 POLES

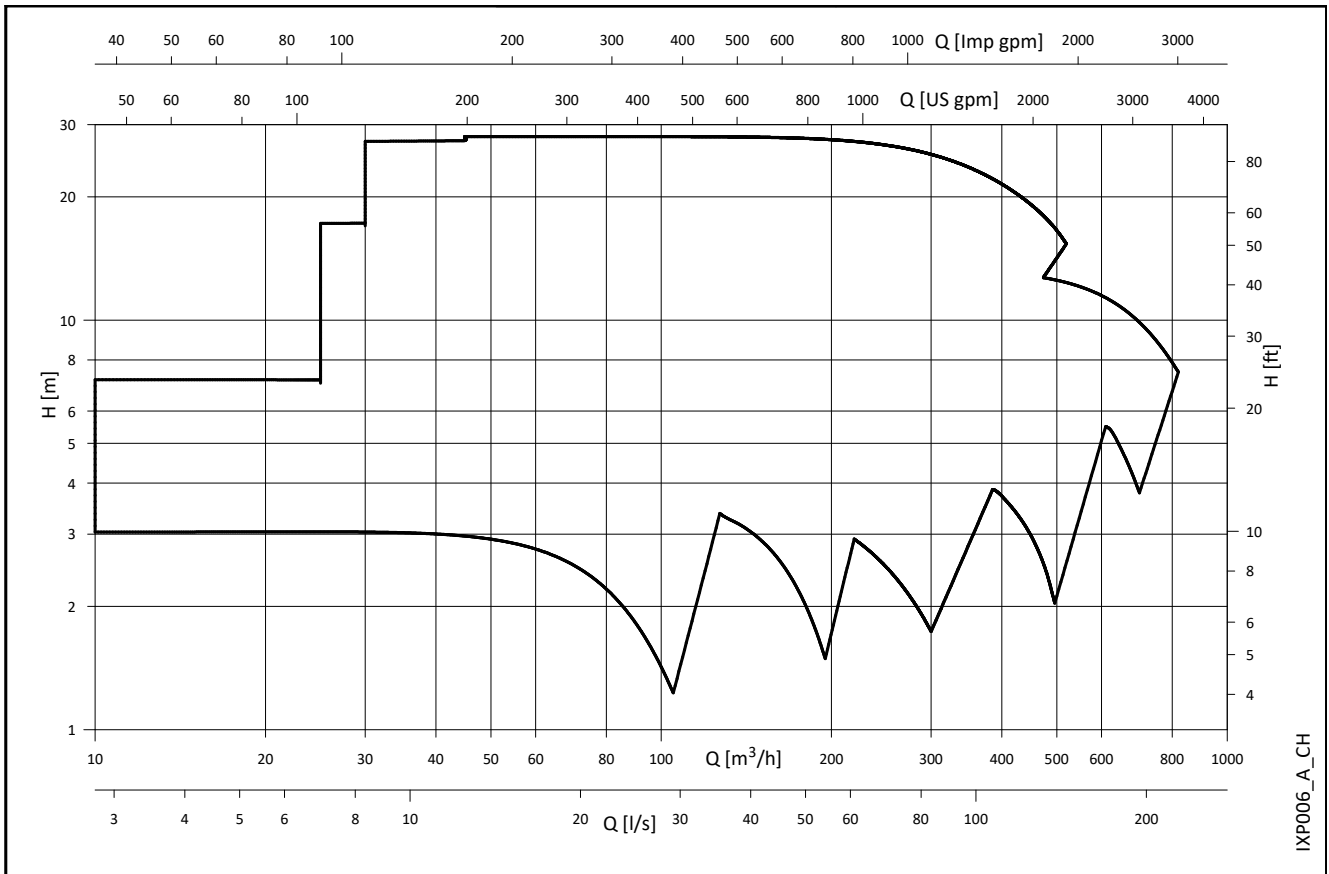


HYDRAULIC PERFORMANCE RANGE AT 50 Hz, 4 POLES



e-IXP SERIES

HYDRAULIC PERFORMANCE RANGE AT 50 Hz, 6 POLES



e-IXP SERIES GENERAL INTRODUCTION

The new **e-IXP** is single stage, volute casing end suction pump built to **comply with ISO 2858 and ISO 5199 Standards**. The new e-IXP pump is capable of meeting the pumping needs of customers in virtually all major markets and can be supplied in multiple materials of constructions and with various shaft sealing configurations. The design is the result of the close collaboration between our customers and us, aiming to offer a new efficient and reliable series suitable for all industrial applications.

Pump design

The new **e-IXP** is a **centrifugal single stage end-suction pump** designed in compliance with **ISO 2858** from a dimensions point of view, and with **ISO 5199** for quality and technical requirements. Optimized hydraulics guarantees high efficiency and wide hydraulic coverage, including sizes above **ISO 2858**.

Maximum casing pressure is **PN 25**, and the pump is provided with **PN16 drilled flanges (EN1092/ISO7005)** as standard.

The e-IXP pumps are also available in a **wide range of materials**, from ductile iron to super duplex stainless steel, to address various pumping needs.

The pumps can be equipped with **unbalanced mechanical seals**, but it is also possible to choose **balanced mechanical seals, single or double cartridge seals**.

We offer a medium-heavy duty bearing bracket design with double row drive-end ball bearings either grease lubricated for 25000 hours lifetime, or oil lubricated for 40000 hours lifetime.

A wide range of options and accessories is available to make a custom-built pump that suits all the industrial needs.

The e-IXP series pumps are available in the following constructions:

- **e-IXPC**

is a frame mounted, single stage, volute casing end suction, top centerline discharge pump.

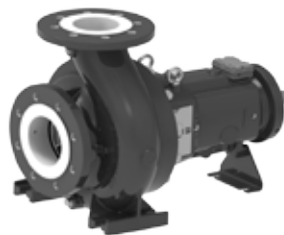
The hydraulic part is coupled to the motor using a flexible coupling with spacer. This version is also available without spacer coupling (e-IXPF).

- **e-IXP**

is a bare shaft, single stage, volute casing end suction, top centerline discharge pump, suitable to be coupled with a standard electric motor.

- **e-IXPS**

is a closed coupled, single stage, end suction, top centerline discharge block pump. The e-IXPS offers the features of an ISO 5199 pump in an economical compact package, ideal for OEM applications.



Hydraulic specifications

- Maximum delivery:
 - up to **650** m³/h for 2 poles range.
 - up to **1300** m³/h for 4 poles range.
 - up to **800** m³/h for 6 poles range.
- Maximum head:
 - up to **160** m for 2 poles range.
 - up to **65** m for 4 poles range.
 - up to **28** m for 6 poles range.
- Hydraulic performance compliant with ISO 9906:2012 (Grade 2B).
- Fluid temperature range: **-40 to +180 °C**.
- Maximum operating pressure(*):
 - standard version in ductile iron and duplex: **25 bar**
 - Standard version in AISI316: **16 bar**

(*see page 16 for more information.)

Motor specifications

- Squirrel cage in short circuit enclosed construction with external ventilation (TEFC).
- 2-pole, 4-pole and 6-pole ranges.
- **IP55** protection degree as motor (EN 60034-5)
- Performances according to EN 60034-1.
- **IE3** efficiency level (three-phase 0,75 to 375 kW).
- **155 (F)** insulation class.
- Standard voltage:
 - 3 x 220-240/380-415 V 50 Hz for power up to 3 kW
 - 3 x 380-415/660-690 V 50 Hz for power above 3 kW
- **PTC** standard offer on motor IEC200 and above.

Note

- Anti-clockwise rotation when facing pump's suction port.

Flanges

- **Standard flanges according to EN1092/ISO7005**, PN16, are also available with PN25 drilling.
- **Optional flanges ASME** compatible (ASME B16.5, Class 150 and 300)
- Pump does not include counter-flanges.

e-IXP SERIES for INDUSTRY APPLICATIONS & BENEFITS

Applications

The new e-IXP pump has been designed to be the ideal pump for a wide range of application thanks to a versatile design with a wide range of options and materials available.

The pump has been developed for the Medium/Heavy Industrial Market but can be also a perfect solution in Light Industry, Public Utilities or District Heating.

The e-IXP series can be used in the following applications:

- Water intake
- Water transfer and circulation
- General industry, OEM
- Process cooling and heating
- Industrial building cooling and heating
- Industrial fluid transfer
- Boiler feed boosting
- District heating and cogeneration
- Filtration and Ultrafiltration systems
- Filtration for coolant treatment systems
- Parts cleaning and washing machines
- Galvanic processes and paint systems
- Tank loading and transfer, tank cleaning
- Liquid mixing and blending
- Water park applications

Benefits

The e-IXP pump permits to achieve the following benefits:

- **RELIABILITY:** The robust construction and operation, the choice of materials and the high quality production guarantee a continuous operation without faults and a shorter down time. Features like casing wear rings, durable dry shaft in stainless steel ASTM 431 and heavy duty bearing bracket with double row drive-end ball bearing have been selected to grant pump robustness and durability even in heavier applications.
- **VERSATILITY:** A full range of model sizes, exceeding the ones of ISO 2858, matches all needed duty point. A wide range of materials and shaft seals options allow to handle different type of liquids at different conditions. The more compact e-IXPS is perfect on OEM applications or in case of space constrains.
- **SIMPLICITY:** A standardized pump according to ISO 5199 and ISO 2858 suits the retrofit market. The modular design optimizes spare parts management and reduces lead time. Thanks to *Xylem optimize* operating data are available for maintenance logging.
- **EFFICIENCY:** The new hydraulics with stainless steel impeller significantly reduce life cycle cost and boost pump performances. Use of 5th generation HYDROVAR variable speed drive further reduces energy consumption by up to 70%, depending on systems costs and operating times.
- **OPTIMIZATION:** Thanks to the new *Xylem optimize*, pumps health is always under control. Data collected in x-Cloud allow predicting maintenance, generating reports and sharing data with other users. Info on vibration, temperature and magnetic flux can be always visualized on a smart device via a dedicated APP.
- **COMPLIANCE:** the pumps comply the MEI regulation (EU) No 547/2012 at the design speed.

Optimize

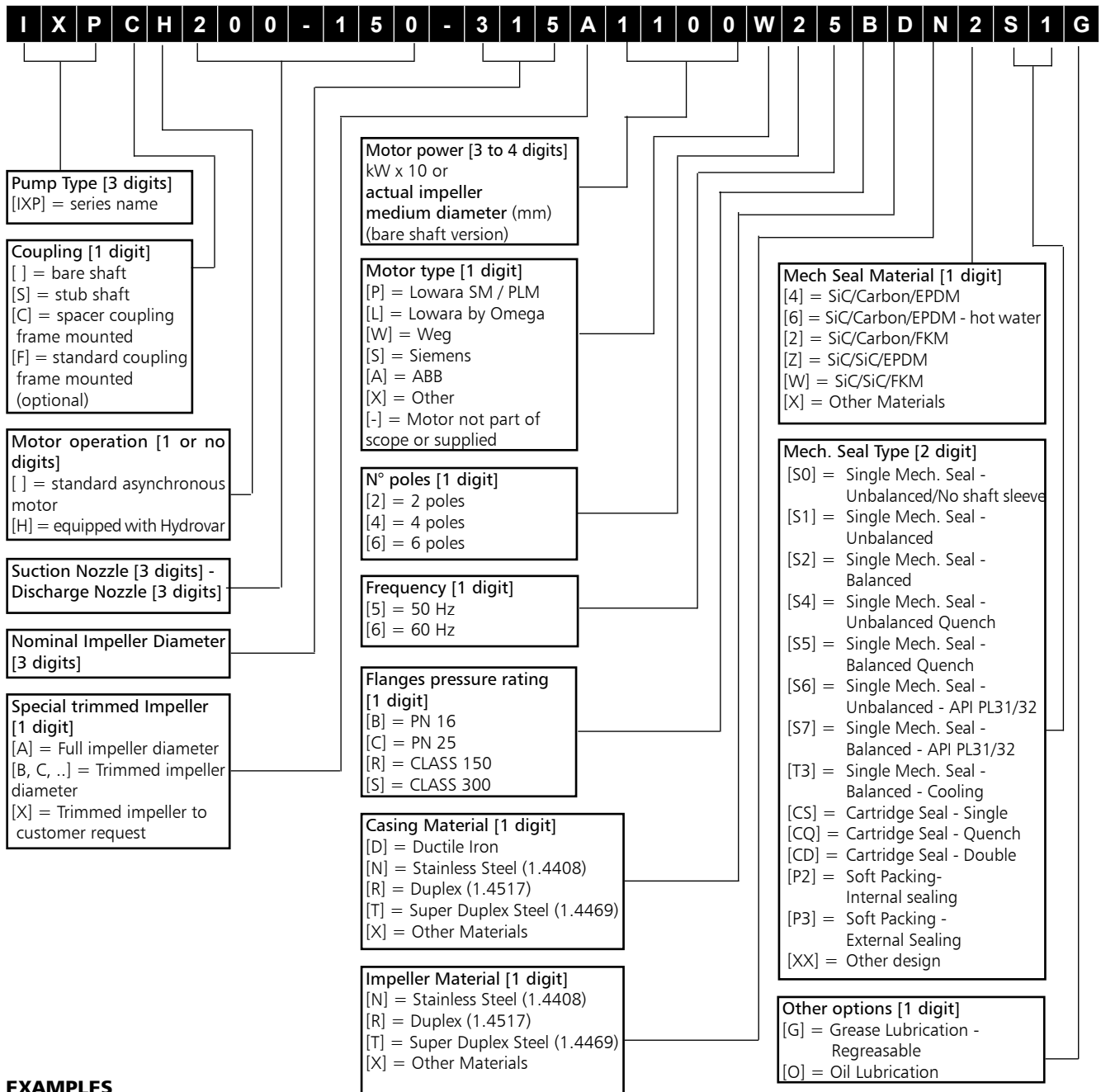
Optimize is a modular condition monitoring solution that provides health guidance and predictive maintenance advice for rotating and fixed assets such as pumps, motors, heat exchanges and steam traps.

By periodically monitoring vibration, temperature and magnetic flux, optimize is able to identify potential problems with your equipment before they occur. Health information is collected, stored and analyzed in the optimize sensor before being wirelessly transmitted to your iOS or Android smart device via Bluetooth wireless technology. The optimize mobile application provides an easy interface to understand the health of your assets, create maintenance reminders and generate detailed reports.

The optimize sensor is powered by a replaceable 3.6V Lithium Thionyl Chloride battery pack that will enable the sensor to operate for 3 to 5 years. The sensor is designed for indoor or outdoor mounting using the supplied magnetic feet or the optional fixed bracket.



e-IXP SERIES IDENTIFICATION CODE



EXAMPLES

IXP125-100-200A229CNN4S2G

IXP End-suction - bare shaft pump, 125 mm suction flange, 100 mm discharge flange, 200 mm nominal impeller diameter, A impeller diameter code, 229 mm actual impeller diameter, suction & discharge flange PN25, stainless steel casing, stainless steel impeller, Carbon/SiC/EPDM mechanical seal material, balanced single mechanical seal with shaft sleeve, bearing bracket regreasable.

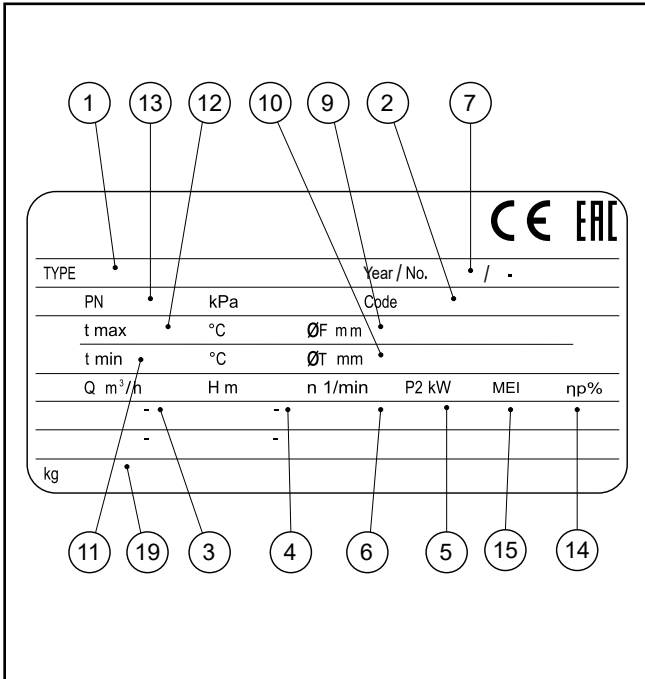
IXPC200-150-400B900L45BDN4S4O

IXPC End-suction - electric pump unit with base frame, motor & spacer coupling, 200 mm suction flange, 150 mm discharge flange, 400 mm nominal impeller diameter, B impeller diameter code, 90 kW motor power, Lowara by Omega motor brand, suction & discharge flange PN16, ductile iron casing, stainless steel impeller, Carbon/SiC/FKM mechanical seal material, unbalanced single mechanical seal with shaft sleeve and quench, bearing bracket with oil lubrication.

IXPS40-25-160A30P25BRR4S0

IXPS End-suction - electric pump unit with stub shaft coupling and direct mounted motor, 40 mm suction flange, 25 mm discharge flange, 160 mm nominal impeller diameter, A impeller diameter code, 3 kW motor power, Lowara PLM motor brand, suction & discharge flange PN16, duplex stainless steel casing, duplex stainless steel impeller, Carbon/SiC/EPDM mechanical seal material, S0 unbalanced single mechanical seal without shaft sleeve.

e-IXP SERIES RATING PLATE



TYPE		Year / No.		/ -	
PN	kPa	Code			
t max	°C	ØF mm			
t min	°C	ØT mm			
Q m ³ /h	H m	n 1/min	P2 kW	MEI	ηp%
-	-	-	-	-	-
-	-	-	-	-	-
kg					

LEGEND

- 1 - Electric pump unit / pump type
- 2 - Electric pump unit / pump code
- 3 - Flow range
- 4 - Head range
- 5 - Nominal or maximum pump power
- 6 - Speed
- 7 - Serial number, or order number + order position number
- 9 - Full impeller diameter (only filled in for trimmed impellers)
- 10 - Trimmed impeller diameter (only filled in for trimmed impellers)
- 11 - Minimum operating liquid temperature
- 12 - Maximum operating liquid temperature
- 13 - Maximum operating pressure
- 14 - Hydraulic efficiency in best efficiency point (50 Hz)
- 15 - Minimum efficiency index MEI, as per Regulation (EU) No 547/2012 (50 Hz)
- 19 - Weight

Note for electric pump unit: refer to motor data plate for electrical data.

e-IXP SERIES

LIST OF MODELS AT 50 Hz, 2 POLES

Model	P[kW]	Impeller diameter [mm]	IEC size	IXPC	IXPF	IXPS
40-25-160	1,5	141	90	•	•	•
40-25-160	2,2	157	90	•	•	•
40-25-160	3	169	100	•	•	•
40-25-160	4	173	112	•	•	-
40-25-200	3	171	100	•	•	•
40-25-200	4	187	112	•	•	•
40-25-200	5,5	204	132	•	•	•
40-25-200	7,5	209	132	•	•	•
50-32-160	3	143	100	•	•	•
50-32-160	4	158	112	•	•	•
50-32-160	5,5	171	132	•	•	•
50-32-200	4	178	112	•	•	•
50-32-200	5,5	198	132	•	•	•
50-32-200	7,5	214	132	•	•	•
50-32-250	7,5	209	132	•	•	•
50-32-250	11	234	160	•	•	•
50-32-250	15	259	160	•	•	•
65-50-160	4	137	112	•	•	•
65-50-160	5,5	153	132	•	•	•
65-50-160	7,5	169	132	•	•	•
65-50-160	11	173	160	•	•	•
65-40-200	5,5	168	132	•	•	•
65-40-200	7,5	184	132	•	•	•
65-40-200	11	204	160	•	•	•
65-40-200	15	212	160	•	•	•
65-40-250	11	209	160	•	•	•
65-40-250	15	229	160	•	•	•
65-40-250	18,5	245	160	•	•	•
65-40-250	22	255	180	•	•	•
65-40-250	30	257	200	•	•	-
65-40-315	22	263	180	•	•	•
65-40-315	30	287	200	•	•	•
65-40-315	37	305	200	•	•	•
65-40-315	45	319	225	•	•	•
80-65-125	3	112	100	•	•	•
80-65-125	4	124	112	•	•	•
80-65-125	5,5	136	132	•	•	•
80-65-125	7,5	150	132	•	•	•
80-65-160	5,5	141	132	•	•	•
80-65-160	7,5	157	132	•	•	•
80-65-160	11	173	160	•	•	•
80-50-200	11	166	160	•	•	•
80-50-200	15	182	160	•	•	•
80-50-200	18,5	198	160	•	•	•
80-50-200	22	210	180	•	•	•
80-50-250	15	199	160	•	•	•
80-50-250	18,5	213	160	•	•	•
80-50-250	22	225	180	•	•	•
80-50-250	30	254	200	•	•	•
80-50-250	37	259	200	•	•	•
80-50-315	37	270	200	•	•	•
80-50-315	45	285	225	•	•	•
80-50-315	55	300	250	•	•	•
80-50-315	75	322	280	•	•	•
100-80-125	5,5	123	132	•	•	•
100-80-125	7,5	135	132	•	•	•
100-80-125	11	148	160	•	•	•
100-80-160	7,5	142	132	•	•	•
100-80-160	11	158	160	•	•	•
100-80-160	15	174	160	•	•	•
100-80-160	18,5	180	160	•	•	•

• Available

Model	P[kW]	Impeller diameter [mm]	IEC size	IXPC	IXPF	IXPS
100-65-200	15	180	160	•	•	•
100-65-200	18,5	192	160	•	•	•
100-65-200	22	202	180	•	•	•
100-65-200	30	220	200	•	•	•
100-65-250	30	217	200	•	•	•
100-65-250	37	231	200	•	•	•
100-65-250	45	243	225	•	•	•
100-65-250	55	259	250	•	•	•
100-65-315	55	273	250	•	•	•
100-65-315	75	301	280	•	•	•
100-65-315	90	321	280	•	•	•
100-65-315	110	327	315	•	•	-
125-80-160	11	141	160	•	•	•
125-80-160	15	157	160	•	•	•
125-80-160	18,5	167	160	•	•	•
125-80-160	22	177	180	•	•	•
125-80-200	22	180	180	•	•	•
125-80-200	30	196	200	•	•	•
125-80-200	37	210	200	•	•	•
125-80-200	45	220	225	•	•	•
125-80-250	37	214	200	•	•	•
125-80-250	45	221	225	•	•	•
125-80-250	55	235	250	•	•	•
125-80-250	75	259	280	•	•	•
125-80-315	75	262	280	•	•	•
125-80-315	90	276	280	•	•	•
125-80-315	110	294	315	•	•	-
125-80-315	132	312	315	•	•	-
125-80-315	160	330	315	•	•	-
125-80-315	200	334	315	•	•	-
125-100-160	15	142	160	•	•	•
125-100-160	18,5	155	160	•	•	•
125-100-160	22	166	180	•	•	•
125-100-160	30	184	200	•	•	•
125-100-160	37	190	200	•	•	•
125-100-200	30	188	200	•	•	•
125-100-200	37	201	200	•	•	•
125-100-200	45	211	225	•	•	•
125-100-200	55	225	250	•	•	•
125-100-200	75	229	280	•	•	-
125-100-250	55	220	250	•	•	•
125-100-250	75	246	280	•	•	•
125-100-250	90	264	280	•	•	•
125-100-250	110	274	315	•	•	-
125-100-315	110	268	315	•	•	-
125-100-315	132	286	315	•	•	-
125-100-315	160	302	315	•	•	-
125-100-315	200	322	315	•	•	-
150-125-200	45	175	225	•	•	•
150-125-200	55	195	250	•	•	•
150-125-200	75	215	280	•	•	•
150-125-200	90	225	280	•	•	•
150-125-250	75	220	280	•	•	•
150-125-250	90	232	280	•	•	•
150-125-250	110	249	315	•	•	-
150-125-250	132	259	315	•	•	-
150-125-315	110	256	315	•	•	-
150-125-315	132	265	315	•	•	-
150-125-315	160	280	315	•	•	-
150-125-315	200	302	315	•	•	-

IXP_models-2p50-en_b_sc

e-IXP SERIES

LIST OF MODELS AT 50 Hz, 4 POLES

Model	P[kW]	Impeller diameter [mm]	IEC size	IXPC	IXPF	IXPS
40-25-160	1,1	173	90	•	•	•
40-25-200	1,1	209	90	•	•	•
50-32-160	1,1	171	90	•	•	•
50-32-200	1,1	214	90	•	•	•
50-32-250	1,1	209	90	•	•	•
50-32-250	1,5	234	90	•	•	•
50-32-250	2,2	259	100	•	•	•
65-50-160	1,1	173	90	•	•	•
65-40-200	1,1	188	90	•	•	•
65-40-200	1,5	208	90	•	•	•
65-40-250	1,5	205	90	•	•	•
65-40-250	2,2	237	100	•	•	•
65-40-250	3	257	100	•	•	•
65-40-315	4	289	112	•	•	•
65-40-315	5,5	319	132	•	•	•
80-65-125	1,1	150	90	•	•	•
80-65-160	1,1	161	90	•	•	•
80-65-160	1,5	173	90	•	•	•
80-50-200	1,5	166	90	•	•	•
80-50-200	2,2	194	100	•	•	•
80-50-200	3	210	100	•	•	•
80-50-250	2,2	204	100	•	•	•
80-50-250	3	229	100	•	•	•
80-50-250	4	259	112	•	•	•
80-50-315	4	256	112	•	•	•
80-50-315	5,5	285	132	•	•	•
80-50-315	7,5	310	132	•	•	•
80-50-315	11	322	160	•	•	•
100-80-125	1,1	135	90	•	•	•
100-80-125	1,5	148	90	•	•	•
100-80-160	1,1	144	90	•	•	•
100-80-160	1,5	164	90	•	•	•
100-80-160	2,2	180	100	•	•	•
100-65-200	2,2	190	100	•	•	•
100-65-200	3	206	100	•	•	•
100-65-200	4	220	112	•	•	•
100-65-250	4	219	112	•	•	•
100-65-250	5,5	243	132	•	•	•
100-65-250	7,5	259	132	•	•	•
100-65-315	7,5	283	132	•	•	•
100-65-315	11	315	160	•	•	•
100-65-315	15	327	160	•	•	•
125-80-160	1,5	145	90	•	•	•
125-80-160	2,2	161	100	•	•	•
125-80-160	3	177	100	•	•	•
125-80-200	3	184	100	•	•	•
125-80-200	4	200	112	•	•	•
125-80-200	5,5	220	132	•	•	•
125-80-250	5,5	223	132	•	•	•
125-80-250	7,5	247	132	•	•	•
125-80-250	11	259	160	•	•	•
125-80-315	11	274	160	•	•	•
125-80-315	15	300	160	•	•	•
125-80-315	18,5	318	180	•	•	•
125-80-315	22	334	180	•	•	•
125-80-400	18,5	338	180	•	•	•
125-80-400	22	356	180	•	•	•
125-80-400	30	388	200	•	•	•
125-80-400	37	418	225	•	•	•

• Available

Model	P[kW]	Impeller diameter [mm]	IEC size	IXPC	IXPF	IXPS
125-100-160	2,2	155	100	•	•	•
125-100-160	3	176	100	•	•	•
125-100-160	4	190	112	•	•	•
125-100-200	4	197	112	•	•	•
125-100-200	5,5	213	132	•	•	•
125-100-200	7,5	229	132	•	•	•
125-100-250	7,5	228	132	•	•	•
125-100-250	11	264	160	•	•	•
125-100-250	15	274	160	•	•	•
125-100-315	15	284	160	•	•	•
125-100-315	18,5	298	180	•	•	•
125-100-315	22	312	180	•	•	•
125-100-315	30	334	200	•	•	•
125-100-400	22	343	180	•	•	•
125-100-400	30	375	200	•	•	•
125-100-400	37	397	225	•	•	•
125-100-400	45	420	225	•	•	•
150-125-200	5,5	179	132	•	•	•
150-125-200	7,5	204	132	•	•	•
150-125-200	11	225	160	•	•	•
150-125-250	7,5	210	132	•	•	•
150-125-250	11	235	160	•	•	•
150-125-250	15	259	160	•	•	•
150-125-315	18,5	277	180	•	•	•
150-125-315	22	290	180	•	•	•
150-125-315	30	315	200	•	•	•
150-125-315	37	334	225	•	•	•
150-125-400	37	353	225	•	•	•
150-125-400	45	374	225	•	•	•
150-125-400	55	394	250	•	•	•
150-125-400	75	422	280	•	•	•
200-150-200	11	217	160	•	•	•
200-150-200	15	237	160	•	•	•
200-150-250	15	227	160	•	•	•
200-150-250	18,5	253	180	•	•	•
200-150-250	22	276	180	•	•	•
200-150-250	30	282	200	•	•	•
200-150-315	30	291	200	•	•	•
200-150-315	37	310	225	•	•	•
200-150-315	45	330	225	•	•	•
200-150-315	55	334	250	•	•	-
200-150-400	45	327	225	•	•	•
200-150-400	55	346	250	•	•	•
200-150-400	75	377	280	•	•	•
200-150-400	90	398	280	•	•	•
200-150-400	110	423	315	•	•	-
250-200-250	18,5	228	180	•	•	•
250-200-250	22	245	180	•	•	•
250-200-250	30	271	200	•	•	•
250-200-315	30	268	200	•	•	•
250-200-315	37	287	225	•	•	•
250-200-315	45	306	225	•	•	•
250-200-315	55	328	250	•	•	•
250-200-315	75	333	280	•	•	•
300-250-315	37	255	225	•	•	•
300-250-315	45	273	225	•	•	•
300-250-315	55	290	250	•	•	•
300-250-315	75	316	280	•	•	•
300-250-315	90	321	280	•	•	-

IXP_models-4p50-en_b_sc

e-IXP SERIES

LIST OF MODELS AT 50 Hz, 6 POLES

Model	P[kW]	Impeller diameter [mm]	IEC size	IXPC	IXPF	IXPS
125-100-160	1,1	190	90	•	•	-
125-100-200	1,1	188	90	•	•	-
125-100-200	1,5	208	100	•	•	-
125-100-200	2,2	229	112	•	•	-
150-125-200	1,5	179	100	•	•	-
150-125-200	2,2	204	112	•	•	-
150-125-200	3	225	132	•	•	-
150-125-250	3	232	132	•	•	-
150-125-250	4	249	132	•	•	-
150-125-250	5,5	259	132	•	•	-
150-125-315	5,5	277	132	•	•	-
150-125-315	7,5	302	160	•	•	-
150-125-315	11	334	160	•	•	-
150-125-400	11	353	160	•	•	-
150-125-400	15	388	180	•	•	-
150-125-400	18,5	418	200	•	•	-
150-125-400	22	422	200	•	•	-
200-150-200	3	211	132	•	•	-
200-150-200	4	232	132	•	•	-
200-150-250	4	227	132	•	•	-
200-150-250	5,5	253	132	•	•	-
200-150-250	7,5	276	160	•	•	-
200-150-250	11	282	160	•	•	-
200-150-315	7,5	278	160	•	•	-
200-150-315	11	310	160	•	•	-
200-150-315	15	334	180	•	•	-
200-150-400	15	337	180	•	•	-
200-150-400	18,5	362	200	•	•	-
200-150-400	22	377	200	•	•	-
200-150-400	30	415	225	•	•	-
250-200-250	5,5	228	132	•	•	-
250-200-250	7,5	260	160	•	•	-
250-200-250	11	271	160	•	•	-
250-200-315	11	287	160	•	•	-
250-200-315	15	321	180	•	•	-
250-200-315	18,5	333	200	•	•	-
300-250-315	15	285	180	•	•	-
300-250-315	18,5	296	200	•	•	-
300-250-315	22	310	200	•	•	-
300-250-315	30	321	225	•	•	-

• Available

IXP_models-6p50-en_a_sc

e-IXP SERIES
GENERAL TECHNICAL MECHANICAL DATA

SIZE	DNS	DND	FRAME SIZE	IMPELLER						SHAFT DIAMETER [mm]			SHAFT SLEEVE DIAMETER [mm]		
				DIAMETER [mm]		OUTLET WIDTH [mm]	SUCTION EYE [mm]	N. OF VANES	MAX. BALL PASSAGE [mm]	AT IMPELLER	AT BEARING	AT COUPLING	MECH. SEAL*	CARTRIDGE	STUFFING BOX
				MAX	MIN										
40-25-160	40	25	24	173	133	8	53,0	4	7,2	19	35	24	33	33	38
40-25-200	40	25	24	209	169	7	53,0	4	6,3	19	35	24	33	33	38
50-32-160	50	32	24	171	131	8	64,0	6	6,8	19	35	24	33	33	38
50-32-200	50	32	24	214	170	8	59,0	6	7,2	19	35	24	33	33	38
50-32-250	50	32	32	259	209	9	72,0	4	7,7	24	45	32	43	43	48
65-50-160	65	50	24	173	137	11	74,4	6	9,9	19	35	24	33	33	38
65-40-200	65	40	24	212	168	9	73,7	6	8,1	19	35	24	33	33	38
65-40-250	65	40	32	257	207	8	80,0	6	7,4	24	45	32	43	43	48
65-40-315	65	40	32	319	253	9	75,0	6	8,5	32	45	32	43	43	48
80-65-125	80	65	24	150	114	15	93,5	6	12,0	19	35	24	33	33	38
80-65-160	80	65	24	173	137	14	84,4	7	10,0	19	35	24	33	33	38
80-50-200	80	50	24	210	166	12	84,2	7	10,8	19	35	24	33	33	38
80-50-250	80	50	32	259	204	11	89,1	6	9,9	24	45	32	43	43	48
80-50-315	80	50	32	322	256	14	97,8	4	12,6	32	45	32	43	43	48
100-80-125	100	80	24	148	115	26	92,0	7	12,0	19	35	24	33	33	38
100-80-160	100	80	32	180	144	23	102,4	6	17,0	24	45	32	43	43	48
100-65-200	100	65	32	220	176	20	95,0	5	16,0	32	45	32	43	43	48
100-65-250	100	65	32	259	204	13	97,8	7	11,7	32	45	32	43	43	48
100-65-315	100	65	42	327	255	14	122,3	6	12,6	40	55	42	53	53	60
125-80-160	125	80	32	177	133	28	123,8	6	14,0	24	45	32	43	43	48
125-80-200	125	80	32	220	176	27	124,5	7	16,0	32	45	32	43	43	48
125-80-250	125	80	32	259	204	23	119,8	6	16,0	32	45	32	43	43	48
125-80-315	125	80	42	334	262	16	128,5	6	14,0	40	55	42	53	53	60
125-80-400	125	80	42	418	338	17	135,0	4	15,3	40	55	42	53	53	60
125-100-160	125	100	32	190	140	27	133,5	7	14,0	32	45	32	43	43	48
125-100-200	125	100	32	229	180	26	135,3	8	14,0	32	45	32	43	43	48
125-100-250	125	100	42	274	214	21	140,8	7	15,3	40	55	42	53	53	60
125-100-315	125	100	42	334	258	28	135,9	5	25,0	40	55	42	53	53	60
125-100-400	125	100	42	420	335	19	127,0	4	17,4	40	55	42	53	53	60
150-125-200	150	125	42	225	165	35	165,0	7	19,0	32	55	42	53	53	60
150-125-250	150	125	42	259	210	39	162,8	8	17,0	32	55	42	53	53	60
150-125-315	150	125	42	334	250	33	160,1	6	26,0	40	55	42	53	53	60
150-125-400	150	125	42	422	332	22	160,0	8	19,8	40	55	42	53	53	60
200-150-200	200	150	42	237	187	63	184,0	5	29,0	32	55	42	53	53	60
200-150-250	200	150	42	282	227	49	196,9	7	23,0	40	55	42	53	53	60
200-150-315	200	150	48	334	265	38	197,5	8	22,0	48	65	48	65	65	70
200-150-400	200	150	48	423	324	37	192,7	6	32,0	48	65	48	65	65	70
250-200-250	250	200	48	271	221	72	210,0	5	35,0	48	65	48	65	65	70
250-200-315	250	200	48	333	260	54	223,2	8	27,0	48	65	48	65	65	70
300-250-315	300	250	48	334	255	54	229,7	8	30,0	48	65	48	65	65	70

* Balanced and unbalanced mechanical seal

IXP-tech_data-en_a_ot

e-IXP SERIES AVAILABLE MATERIALS

Various material configurations are available to fit the needs of different pumped mediums and applications requirements. Below are the specifics regarding the material configurations and their availability for the different pump sizes. The material identification codes are the same used in the pump description (see page 8).

Ref. No.	PART	PUMP MATERIAL CODE				
		STANDARD (IXP, IXPC, IXPF & IXPS)				OPTIONAL (IXP, IXPC, IXPF)
		DN	NN	RN	RR	TT
MAXIMAL WORKING PRESSURE [bar]	16 & 25	16	25	16 & 25	16 & 25	
1	Impeller	1.4408	1.4408	1.4408	1.4517	1.4469
2	Discharge casing	EN-GJS-400-15	1.4408	1.4517	1.4517	1.4469
3	Casing cover	EN-GJS-400-15	1.4408	1.4517	1.4517	1.4469
(4)	Seal cover (optional design)	1.4462				1.4410
5	Wear ring	1.4462/1.4517 ¹⁾				1.4410 / 1.4469 ¹⁾
6	Impeller nut	1.4517				1.4410
(7)	Quench labyrinth ring	PTFE + 25% CARBON				
8	Shaft sleeve	1.4462				1.4410
9	Shaft	1.4057 (optional 1.4462)				
10	Stub shaft	1.4462				n/a
11	Bearing bracket	EN-GJL-250				
12	Bearing cover	EN-GJL-150				
13	Motor adapter	EN-GJL-250				
14	Pump support foot	1.0038				
15	Mechanical seal (standard option)	CARBON/SIC/EP/316SS		CARBON/SIC/EP/DUPLEX	CARBON/SIC/EP/HAST-C	
16	O-ring	PTFE				
17	O-ring	EPDM (optional FKM/FEPM)				
18	Gasket (optional design)	PTFE COMPOUND (e.g. GYLON® STD3501E)				
19	Plug	316SS	1.4462		1.4410	
20	Radial shaft seal ring	FKM				
21	Key	1.4571				
22	Screw & nut	316SS				
23	Lifting lug	GALVANIZED CARBON STEEL				

1) Depending on pump size, 2) Casted quality

ixp-en_b_tm

REFERENCE STANDARD

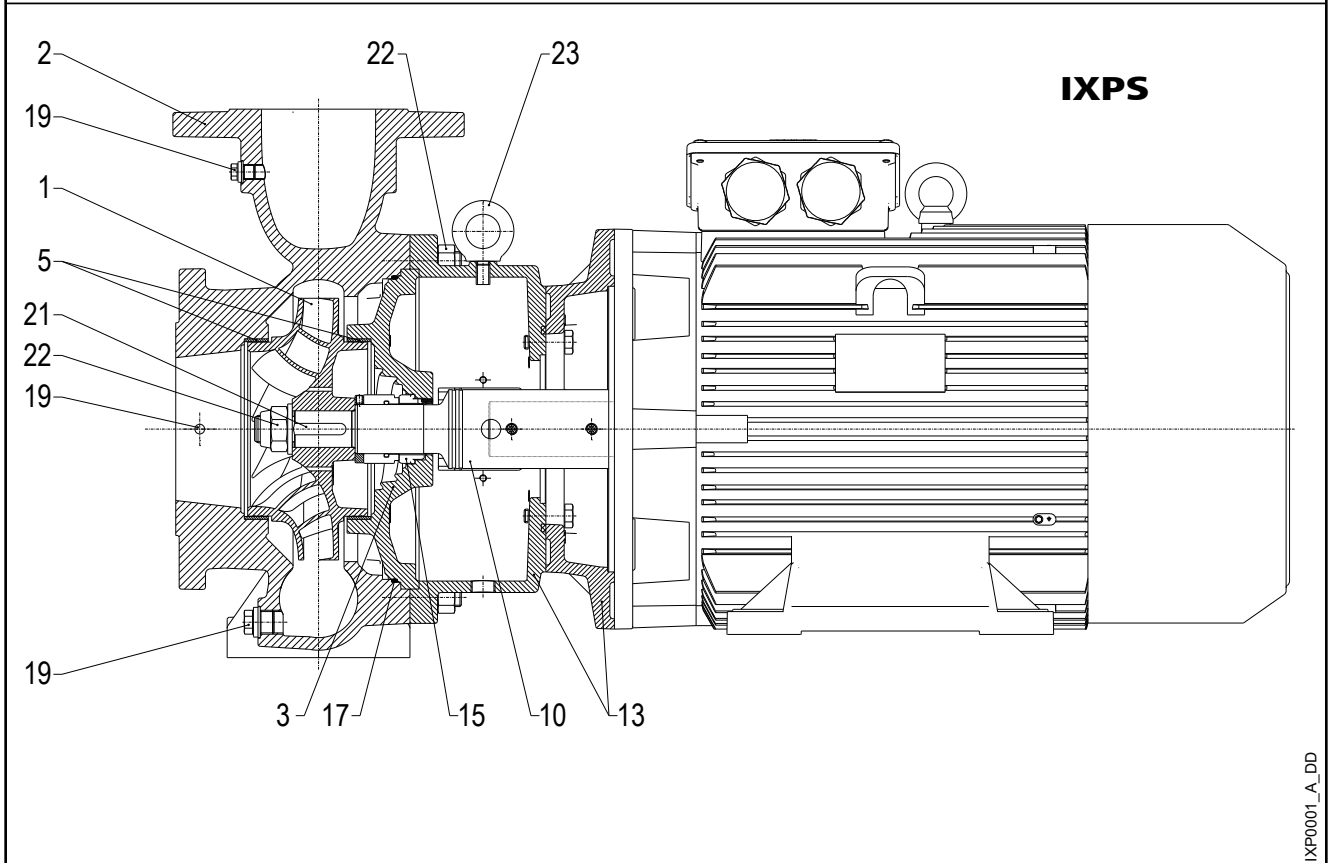
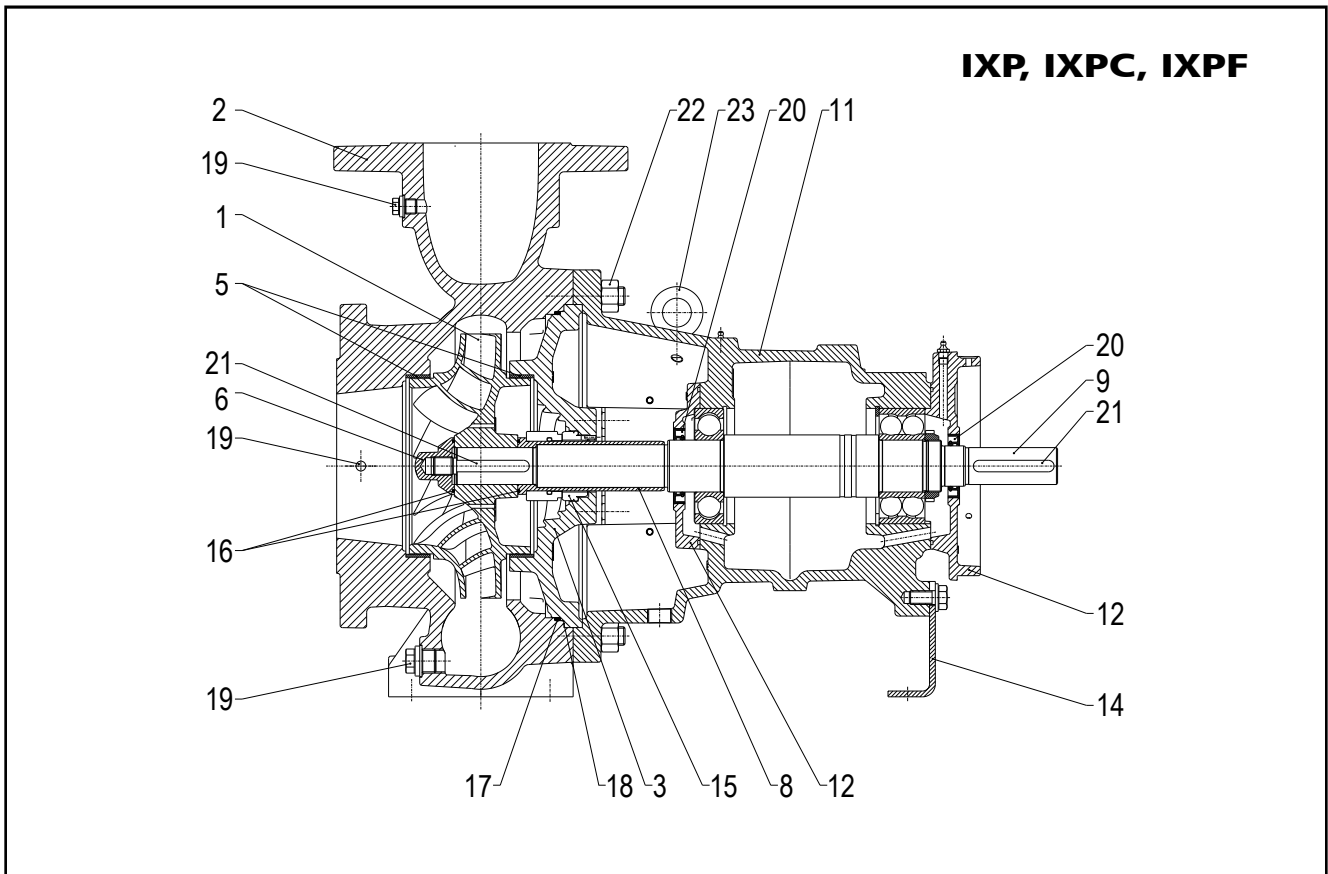
MATERIAL	DESCRIPTION	REFERENCE STANDARDS	
		EUROPE	USA ¹⁾
EN-GJL-150	Cast Iron	EN 1561 - JL1020	ASTM - CLASS 25
EN-GJL-200	Cast Iron	EN 1561 - JL1030	ASTM - CLASS 30
EN-GJL-250	Cast Iron	EN 1561 - JL1040	ASTM - CLASS 35
EN-GJS-400-15	Ductile Iron	EN 1563 - JS1030	ASTM - 65-45-12
1.0038	Carbon Steel	EN 10025 - S235JR	ASTM - Grade C, D
1.0619	Cast Steel	EN 10213 - GP240GH	ASTM - WCB
1.4057	Stainless Steel	EN 10088 - X 17CrNi 16 2	ASTM - 431
1.4571	Stainless Steel	EN 10088 - X 6 CrNiMoTi 17 12 2	ASTM - 316Ti
1.4408	Austenitic Stainless Steel	EN 10283 - GX 5 CrNiMo 19 11 2	ASTM - CF8M
1.4517	Duplex Stainless Steel	EN 10283 - GX 2 CrNiMoCuN 25 6 3 3	ASTM - CD4MCuN
1.4462	Duplex Stainless Steel	EN 10088 - X 2 CrNiMoN 22 5 3	ASTM - F51
1.4410	Super Duplex Stainless Steel	EN 10088 - X 2 CrNiMoN 25 7 4	ASTM - F53
1.4469	Super Duplex Stainless Steel	EN 10283 - GX 2 CrNiMoN 26 7 4	ASTM - CE3MN
316SS	Austenitic Stainless Steel (A2 or A4)		
EPDM	Ethylen-Propylen-Dien-Elastomer		
FKM	FluoroElastomer		
FEPM	Tetrafluoroethylene propylene		
AFM34®	Asbestos free synthetic fiber		
PTFE + 25% CARBON	PTFE filled with 25% Carbon		
PTFE COMPOUND	Flat gasket - Modified PTFE		

1) Similar grade

ixp-mat-en_b_tm

e-IXP SERIES

ELECTRIC PUMP CROSS-SECTION AND MAIN COMPONENTS

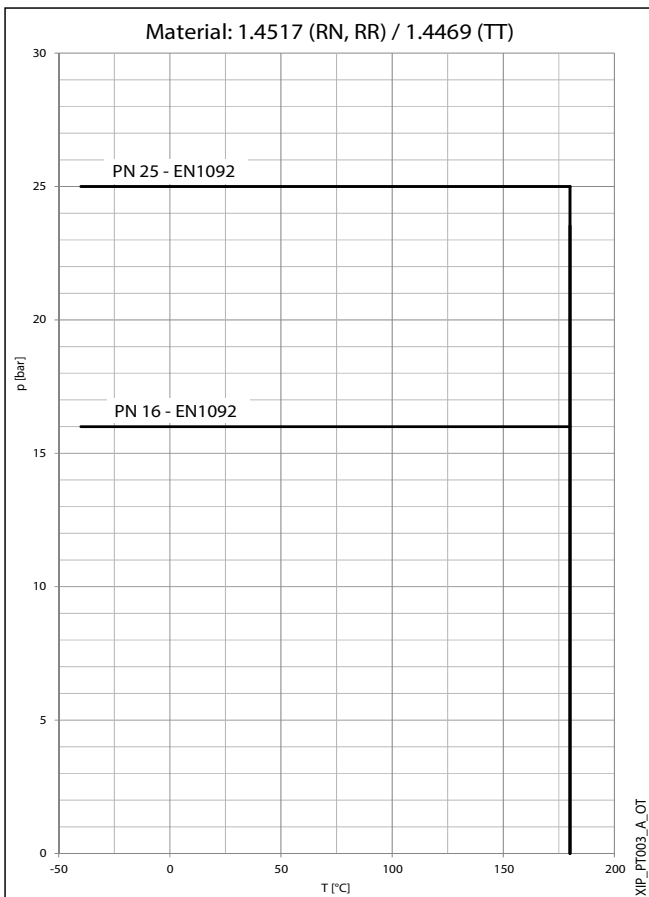
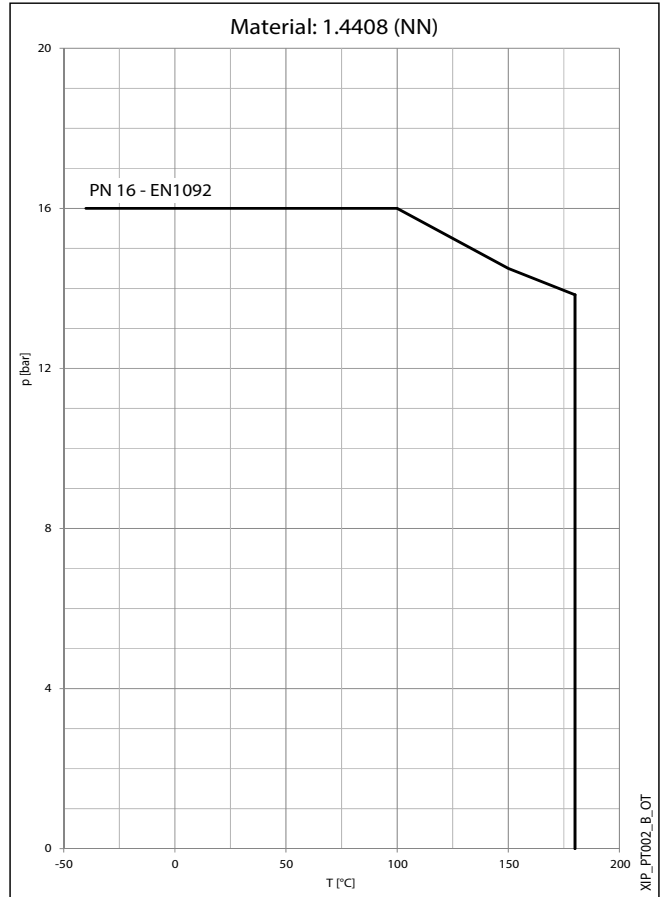
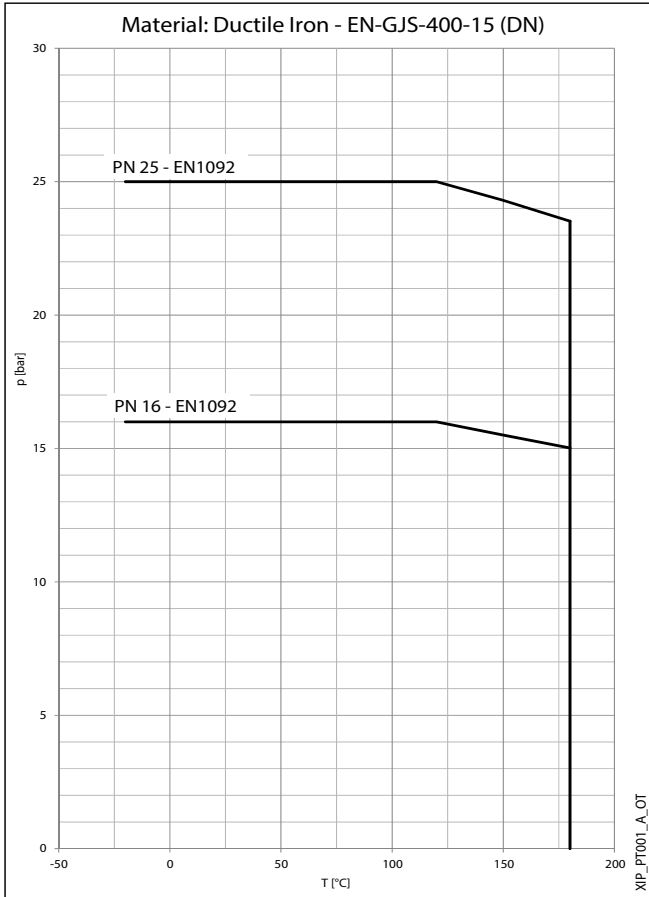


e-IXP SERIES MAXIMUM INLET PRESSURE

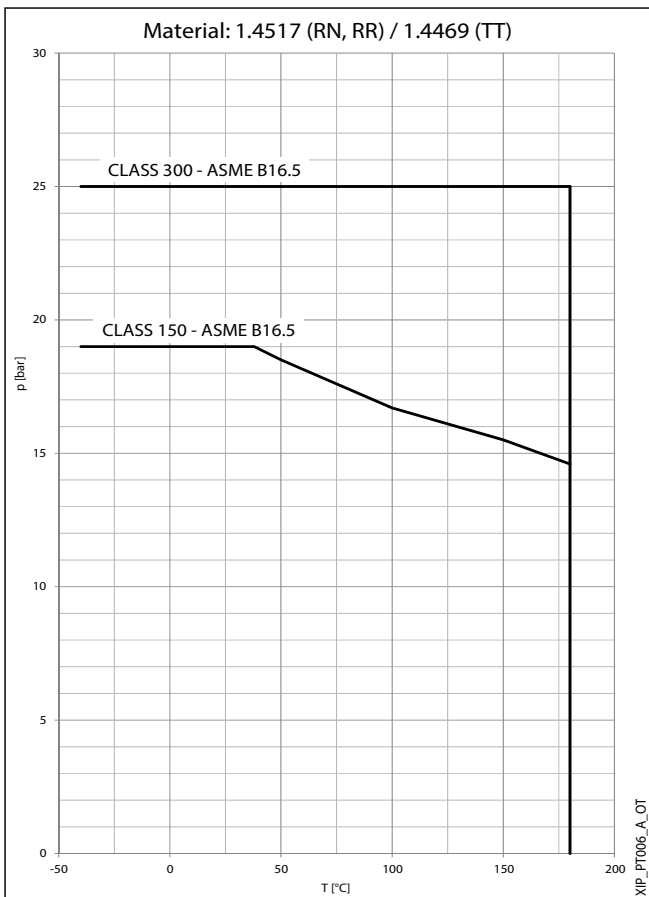
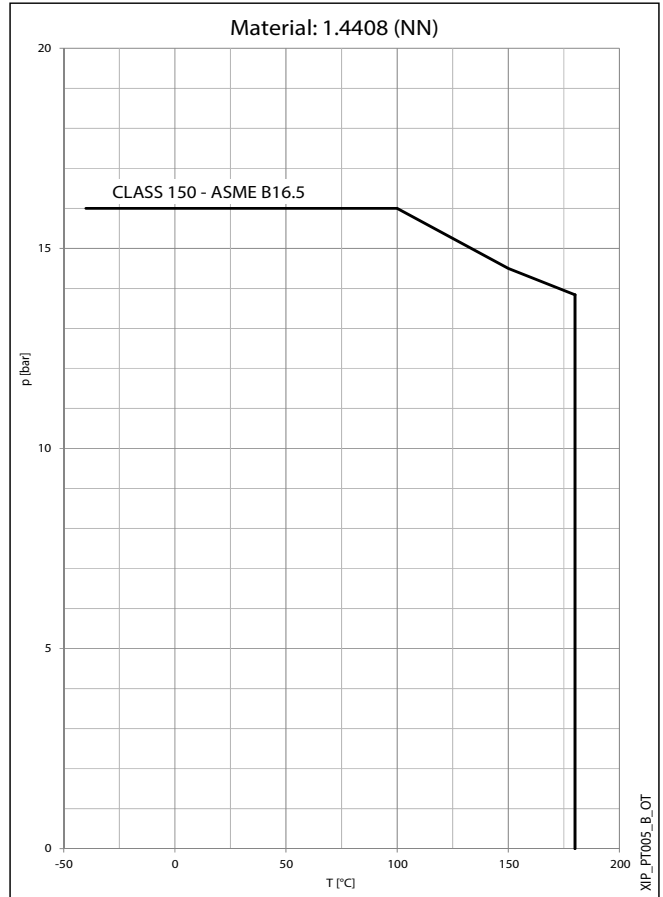
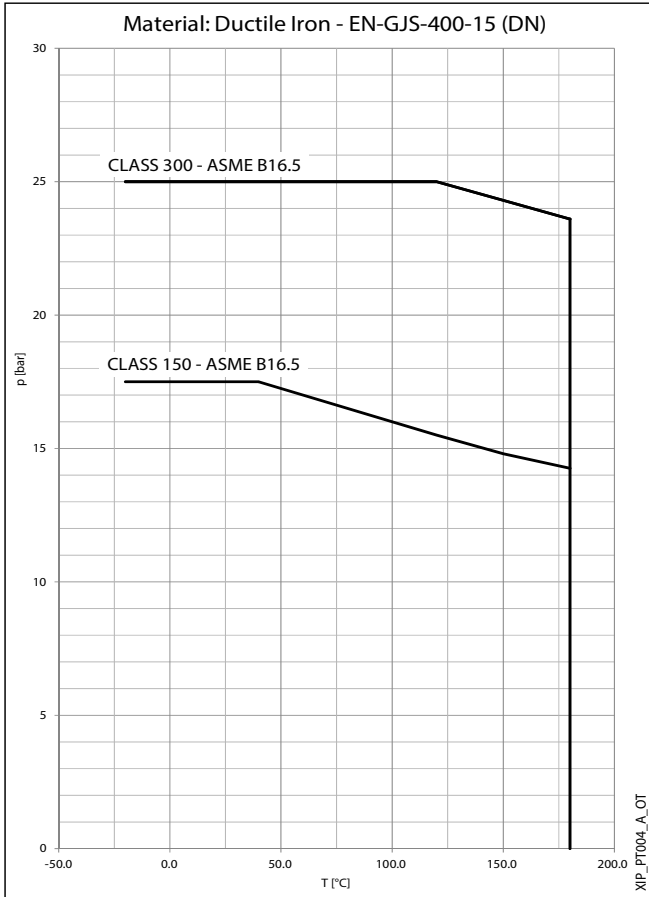
SIZE	DNS	DND	FRAME SIZE	Maximum Inlet Pressure [bar _g]					
				IXP / IXPC / IXPF			IXPS		
				2950 [rpm]	1450 [rpm]	950 [rpm]	2950 [rpm]	1450 [rpm]	950 [rpm]
40-25-160	40	25	24	20	20	-	6	6	-
40-25-200	40	25	24	20	20	-	6	6	-
50-32-160	50	32	24	20	20	-	6	6	-
50-32-200	50	32	24	17	20	-	6	6	-
50-32-250	50	32	32	18	20	-	6	6	-
65-50-160	65	50	24	20	20	-	6	6	-
65-40-200	65	40	24	20	20	-	6	6	-
65-40-250	65	40	32	18	20	-	6	6	-
65-40-315	65	40	32	16	20	-	6	6	-
80-65-125	80	65	24	20	20	-	6	6	-
80-65-160	80	65	24	20	20	-	6	6	-
80-50-200	80	50	24	20	20	-	6	6	-
80-50-250	80	50	32	18	20	-	6	6	-
80-50-315	80	50	32	16	20	-	6	6	-
100-80-125	100	80	24	18	20	-	6	6	-
100-80-160	100	80	32	19	20	-	6	6	-
100-65-200	100	65	32	15	20	-	6	6	-
100-65-250	100	65	32	15	20	-	6	6	-
100-65-315	100	65	42	16	20	-	6	6	-
125-80-160	125	80	32	19	20	-	6	6	-
125-80-200	125	80	32	18	20	-	6	6	-
125-80-250	125	80	32	18	20	-	6	6	-
125-80-315	125	80	42	16	20	-	6	6	-
125-80-400	125	80	42	-	20	-	6	6	-
125-100-160	125	100	32	20	20	20	6	6	-
125-100-200	125	100	32	18	20	20	6	6	-
125-100-250	125	100	42	18	20	-	6	6	-
125-100-315	125	100	42	12	20	-	6	6	-
125-100-400	125	100	42	-	20	-	6	6	-
150-125-200	150	125	42	17	20	20	6	6	-
150-125-250	150	125	42	12	20	20	6	6	-
150-125-315	150	125	42	12	20	20	6	6	-
150-125-400	150	125	42	-	20	20	6	6	-
200-150-200	200	150	42	-	20	20	6	6	-
200-150-250	200	150	42	-	20	20	6	6	-
200-150-315	200	150	48	-	20	20	6	6	-
200-150-400	200	150	48	-	20	20	6	6	-
250-200-250	250	200	48	-	20	20	6	6	-
250-200-315	250	200	48	-	20	20	6	6	-
300-250-315	300	250	48	-	18	18	6	6	-

IXP-pressure-en_b_ot

**e-IXP SERIES
PRESSURE/TEMPERATURE APPLICATION LIMITS**



**e-IXP SERIES
PRESSURE/TEMPERATURE APPLICATION LIMITS**



e-IXP SERIES MECHANICAL SEALS IXPS

Pump Material	UNBALANCED ELASTOMER BELLOW	UNBALANCED METAL BELLOW	UNBALANCED O-RING PUSHER	SEMI BALANCED O-RING PUSHER STATIONARY DESIGN	BALANCED O-RING PUSHER	BALANCED DEAD END API PLAN23	CARTRIDGE SINGLE (SINGLE-QUENCH)	CARTRIDGE DOUBLE
	S0	S0	S0	S0	-	-	-	-
DN NN	● BQ7EGG	○ AQ1EM6G1	○ Q1BEGG	○ BQ2EMG	n/a	n/a	n/a	n/a
	△ AQ7EGG	○ AQ1VM6G1	○ Q1BVGG	○ BQ2VMG	n/a	n/a	n/a	n/a
	○ BQ7VGG	○ Q1Q1EM6G1	○ Q1Q1EGG	○ Q2Q2EMG	n/a	n/a	n/a	n/a
	○ Q7Q7EGG	○ Q1Q1VM6G1	○ Q1Q1VGG	○ Q2Q2VMG	n/a	n/a	n/a	n/a
	○ Q7Q7VGG							
RR	n/a	● AQ1EM6G1	○ Q1BEMG1	○ BQ2EMG1	n/a	n/a	n/a	n/a
	n/a	○ AQ1VM6G1	○ Q1BVMG1	○ BQ2VMG1	n/a	n/a	n/a	n/a
	n/a	○ Q1Q1EM6G1	○ Q1Q1EMG1	○ Q2Q2EMG1	n/a	n/a	n/a	n/a
	n/a	○ Q1Q1VM6G1	○ Q1Q1VMG1	○ Q2Q2VMG1	n/a	n/a	n/a	n/a

ixps_ten-mec_mat-en_b_sc

IXP, IXPC, IXPF

Pump Material	UNBALANCED ELASTOMER BELLOW	UNBALANCED METAL BELLOW	UNBALANCED O-RING PUSHER	SEMI BALANCED O-RING PUSHER STATIONARY DESIGN	BALANCED O-RING PUSHER	BALANCED DEAD END API PLAN23	CARTRIDGE SINGLE (SINGLE-QUENCH)	CARTRIDGE DOUBLE
	S1 (S4)	S1 (S4)	S1 (S4)	S1 (S4)	S2 (S5)	T3	CS (CQ)	CD
DN NN RN	● BQ7EGG	○ AQ1EM6G1	○ Q1BEGG	○ BQ2EMG	● AQ1EGG	● AQ1EGG	● BQ1EMG	○ BQ1E-BQ1EMG
	△ AQ7EGG	○ AQ1VM6G1	○ Q1BVGG	○ BQ2VMG	○ AQ1VGG	○ AQ1KGG	○ BQ1VMG	○ BQ1V-BQ1VMG
	○ BQ7VGG	○ Q1Q1EM6G1	○ Q1Q1EGG	○ Q2Q2EMG	○ Q1BEGG	-	○ Q1Q1EMG	○ Q1Q1E-BQ1EMG
	○ Q7Q7EGG	○ Q1Q1VM6G1	○ Q1Q1VGG	○ Q2Q2VMG	○ Q1BVGG	-	○ Q1Q1VMG	○ Q1Q1V-BQ1VMG
	○ Q7Q7VGG							
RR	n/a	● AQ1EM6G1	○ Q1BEMG1	○ BQ2EMG1	● AQ1EMG1	n/a	● BQ1EMG1	○ BQ1E-BQ1EMG1
	n/a	○ AQ1VM6G1	○ Q1BVMG1	○ BQ2VMG1	○ AQ1VMG1	n/a	○ BQ1VMG1	○ BQ1V-BQ1VMG1
	n/a	○ Q1Q1EM6G1	○ Q1Q1EMG1	○ Q2Q2EMG1	○ Q1BEMG1	n/a	○ Q1Q1EMG1	○ Q1Q1E-BQ1EMG1
	n/a	○ Q1Q1VM6G1	○ Q1Q1VMG1	○ Q2Q2VMG1	○ Q1BVMG1	n/a	○ Q1Q1VMG1	○ Q1Q1V-BQ1VMG1
TT	n/a	○ AQ1EM6M	○ Q1BEM5M	○ on request	○ Q1BEMM	n/a	○ BQ1EMM	○ on request
	n/a	○ AQ1VM6M	○ Q1BVM5M	○ on request	○ Q1BVMM	n/a	○ BQ1VMM	○ on request
	n/a	○ AQ1KM6M	○ Q1BKM5M	○ on request	○ Q1BKMM	n/a	○ BQ1KMM	○ on request
	n/a	○ Q1Q1EM6M	○ Q1Q1EM5M	○ on request	-	n/a	○ Q1Q1EMM	○ on request
	n/a	○ Q1Q1VM6M	○ Q1Q1VM5M	○ on request	-	n/a	○ Q1Q1VMM	○ on request
	n/a	○ Q1Q1KM6M	○ Q1Q1KM5M	○ on request	-	n/a	○ Q1Q1KMM	○ on request

ixp_ten-mec_mat-en_b_sc

- = Standard Mechanical Seal
- △ = Standard Mechanical Seal for higher Temperature (semibalanced O-Ring Pusher)
- = Optional Mechanical Seal
- n/a = not applicable

e-IXP SERIES
MECHANICAL SEALS
SEAL OPERATING PRESSURE CALCULATION

Size	Pump speed [rpm]		Size	Pump speed [rpm]	
	2950	1450		2950	1450
	Δp [bar]			Δp [bar]	
40-25-160	2,1	0,5	125-80-200	0,6	0,2
40-25-200	3,1	0,8	125-80-250	0,7	0,2
50-32-160	1,4	0,4	125-80-315	1,3	0,3
50-32-200	2,1	0,5	125-80-400	-	2,1
50-32-250	3,5	0,9	125-100-160	0,7	0,2
65-50-160	1,4	0,4	125-100-200	0,6	0,2
65-40-200	1,8	0,5	125-100-250	0,8	0,2
65-40-250	2,2	0,6	125-100-315	1,0	0,3
65-40-315	5,2	1,3	125-100-400	-	2,0
80-65-125	0,6	0,2	150-125-200	0,6	0,2
80-65-160	0,6	0,2	150-125-250	0,6	0,2
80-50-200	0,6	0,2	150-125-315	2,6	0,7
80-50-250	2,3	0,6	150-125-400	-	1,4
80-50-315	1,5	0,4	200-150-200	-	0,6
100-80-125	0,6	0,2	200-150-250	-	0,8
100-80-160	1,7	0,4	200-150-315	-	0,9
100-65-200	1,6	0,4	200-150-400	-	0,5
100-65-250	2,3	0,6	250-200-250	-	0,5
100-65-315	3,1	0,8	250-200-315	-	0,5
125-80-160	1,7	0,4	300-250-315	-	0,5

Seal operating pressure =
Pump inlet pressure + Δp [bar_G]

where, Pump inlet pressure is the pressure measured on the suction flange (System pressure) and Δp is the pressure increase in the seal chamber. Δp depends on pump speed and size, see table.

For different pump speed:
Δp = Δp(@2950) * (actual speed / 2950) ² [bar]

Example: IXP65-40-250 with 2200 rpm (diesel driven)
Δp = 2,2 * (2200 / 2950) ² = 1,2 [bar]

For pumps with speed ~950rpm:
Δp = Δp(@1450) / 1,5

MINIMUM REQUIRED SEAL PRESSURE FOR HOT WATER

Water Temperature [°C]	Vapor Pressure [bar _G]	Minimum Required Seal Pressure [bar _G]
80	-0,54	0,00
85	-0,44	0,20
90	-0,31	0,42
95	-0,17	0,68
100	0,00	0,97
105	0,20	1,31
110	0,42	1,69
115	0,68	2,12
120	0,97	2,60
125	1,31	3,14
130	1,69	3,75
135	2,12	4,42
140	2,60	5,17
145	3,14	6,00
150	3,75	6,90

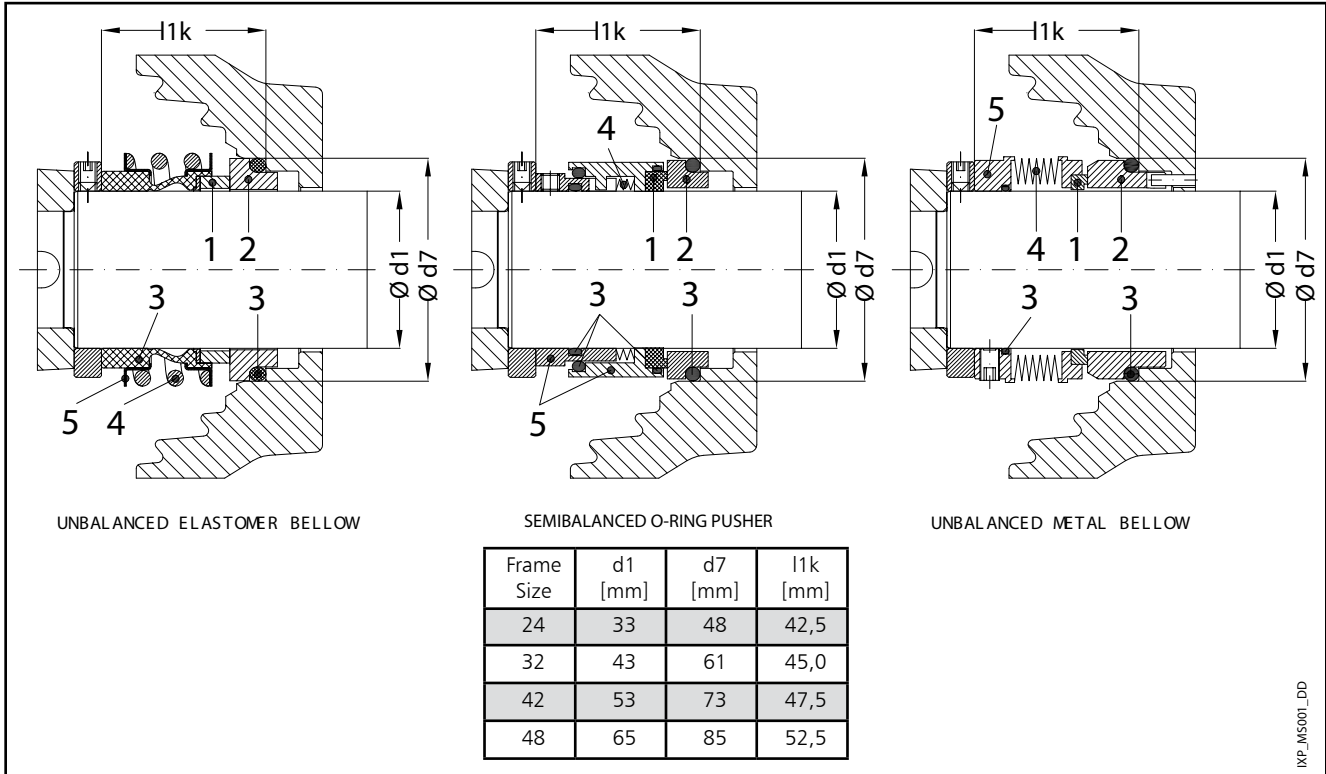
Minimum Pump Inlet Pressure =
(Minimum Required Seal Pressure + 0,2) - Δp [bar_G]

(Valid for atmospheric pressure p₀ = 1.01 bar_A)

NOTE: the minimum Pump Inlet Pressure can even be higher according NPSHr calculation.

IXPS SERIES
MECHANICAL SEAL ARRANGEMENT - UNBALANCED - API PLAN 1
SEALING-DESIGN-CODE: S0
PUMP MATERIAL VERSION: DN, NN, RR

Mechanical seal with main dimensions according to EN12756 and ISO3069



ixp_ms001_dd

POSITION 1 - 2	POSITION 3	POSITION 4 - 5
B : Resin impregnated carbon *)	E : EPDM *)	G : AISI 316
A : Antimony impregnated carbon	V : FKM (FPM)	M₆ : Nickel alloy
Q₇ : Silicon carbide *)		G₁ : Duplex
Q₁ : Silicon carbide		

*) Drinking water approval

ixp_ten-mec1-en_a_tm

ID	TYPE	POSITION					MAX. SEAL OPERATING PRESSURE (bar)	SEAL OPERATING TEMPERATURE (°C)	HYDROSTATIC TEST PRESSURE (bar)
		1 FACE RING	2 SEAT RING	3 ELASTOMERS	4 SPRINGS	5 OTHER COMPONENTS			
UNBALANCED ELASTOMER BELLOW									
4	B Q ₇ E G G	B	Q ₇	E	G	G	12	-25 ... 120	24
2	B Q ₇ V G G	B	Q ₇	V	G	G	16	-20 ... 90	24
Z	Q ₇ Q ₇ E G G	Q ₇	Q ₇	E	G	G	10	-25 ... 120	24
W	Q ₇ Q ₇ V G G	Q ₇	Q ₇	V	G	G	10	-20 ... 90	24
SEMIBALANCED O-RING PUSHER									
6	A Q ₇ E G G	A	Q ₇	E	G	G	16	-25 ... 140	38
UNBALANCED METAL BELLOW									
4	A Q ₁ E M ₆ G ₁	A	Q ₁	E	M ₆	G ₁	16	-25 ... 140	38
2	A Q ₁ V M ₆ G ₁	A	Q ₁	V	M ₆	G ₁	16	-20 ... 90	38
Z	Q ₁ Q ₁ E M ₆ G ₁	Q ₁	Q ₁	E	M ₆	G ₁	12	-25 ... 90	38
W	Q ₁ Q ₁ V M ₆ G ₁	Q ₁	Q ₁	V	M ₆	G ₁	12	-20 ... 90	38

Operation limits for water. Different liquids on request

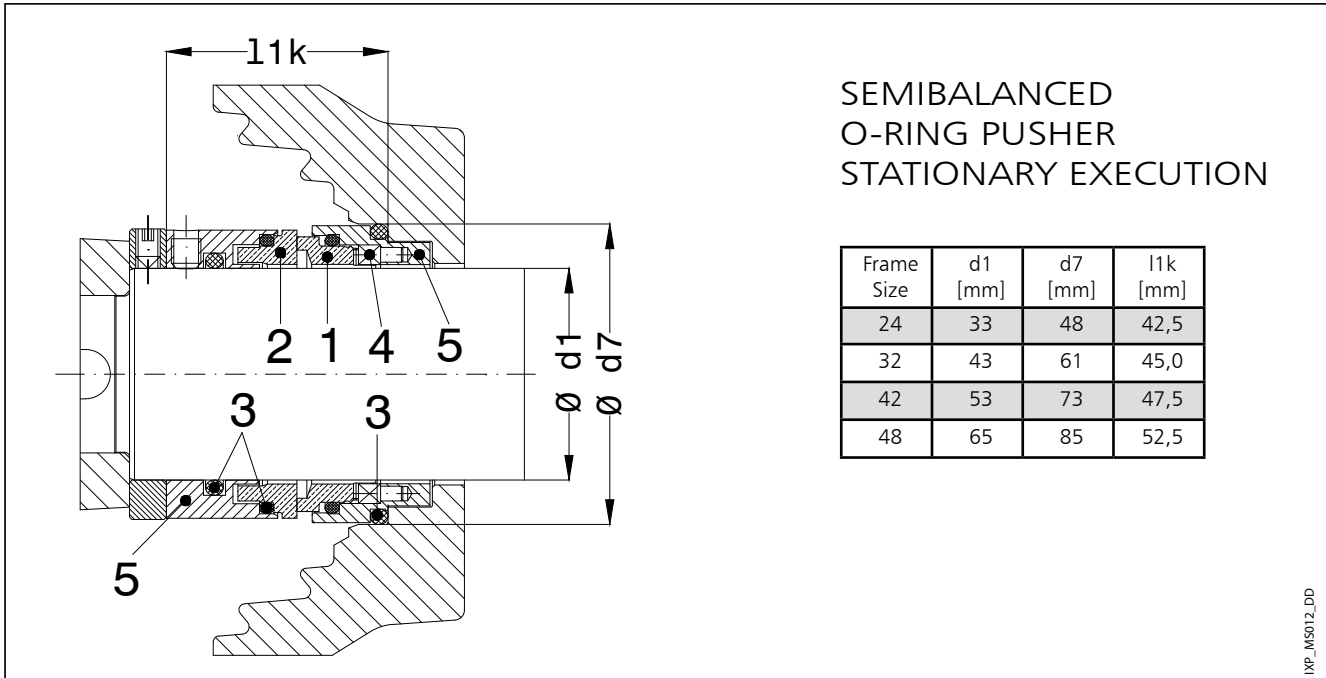
ixp_tipi-ten-mec1-en_b_tc

IXPS SERIES

**MECHANICAL SEAL ARRANGEMENT - SEMIBALANCED - API PLAN 1
SEALING-DESIGN-CODE: S0**

PUMP MATERIAL VERSION: DN, NN, RR

Mechanical seal with main dimensions according to EN12756 and ISO3069



Frame Size	d1 [mm]	d7 [mm]	l1k [mm]
24	33	48	42,5
32	43	61	45,0
42	53	73	47,5
48	65	85	52,5

IXP_MS012_DD

POSITION 1 - 2	POSITION 3	POSITION 4 - 5
B : Resin impregnated carbon (CA)	E : EPDM	M : Nickel alloy
Q₁ : Silicon carbide (SSIC)	V : FKM (FPM)	G : AISI 316
Q₂ : Silicon carbide (SC)	K : FFKM	G₁ : Duplex
U₂ : Tungsten carbide (TC)		

ixp_ten-mec12-en_a_tm

ID	TYPE (DEPAC)	POSITION					MAX. SEAL OPERATING PRESSURE (bar)	SEAL OPERATING TEMPERATURE (°C)	HYDROSTATIC TEST PRESSURE (bar)
		1 FACE RING	2 SEAT RING	3 ELASTOMERS	4 SPRINGS	5 OTHER COMPONENTS			
SEMIBALANCED O-RING PUSHER									
4	BQ ₂ EMG (SC-CA-EPDM)	B	Q ₂	E	M	G	20	-25 ... 140	38
2	BQ ₂ VMG (SC-CA-FKM)	B	Q ₂	V	M	G	20	-20 ... 90	38
Z	Q ₂ Q ₂ EMG (SC-SC-EPDM)	Q ₂	Q ₂	E	M	G	16	-25 ... 100	38
W	Q ₂ Q ₂ VMG (SC-SC-FKM)	Q ₂	Q ₂	V	M	G	16	-20 ... 90	38
4	BQ ₂ EMG ₁ (SC-CA-EPDM)	B	Q ₂	E	M	G ₁	20	-25 ... 140	38
2	BQ ₂ VMG ₁ (SC-CA-FKM)	B	Q ₂	V	M	G ₁	20	-20 ... 90	38
Z	Q ₂ Q ₂ EMG ₁ (SC-SC-EPDM)	Q ₂	Q ₂	E	M	G ₁	16	-25 ... 100	38
W	Q ₂ Q ₂ VMG ₁ (SC-SC-FKM)	Q ₂	Q ₂	V	M	G ₁	16	-20 ... 90	38

Operation limits for water. Different liquids on request

ixp_tipi-ten-mec12-en_a_tc

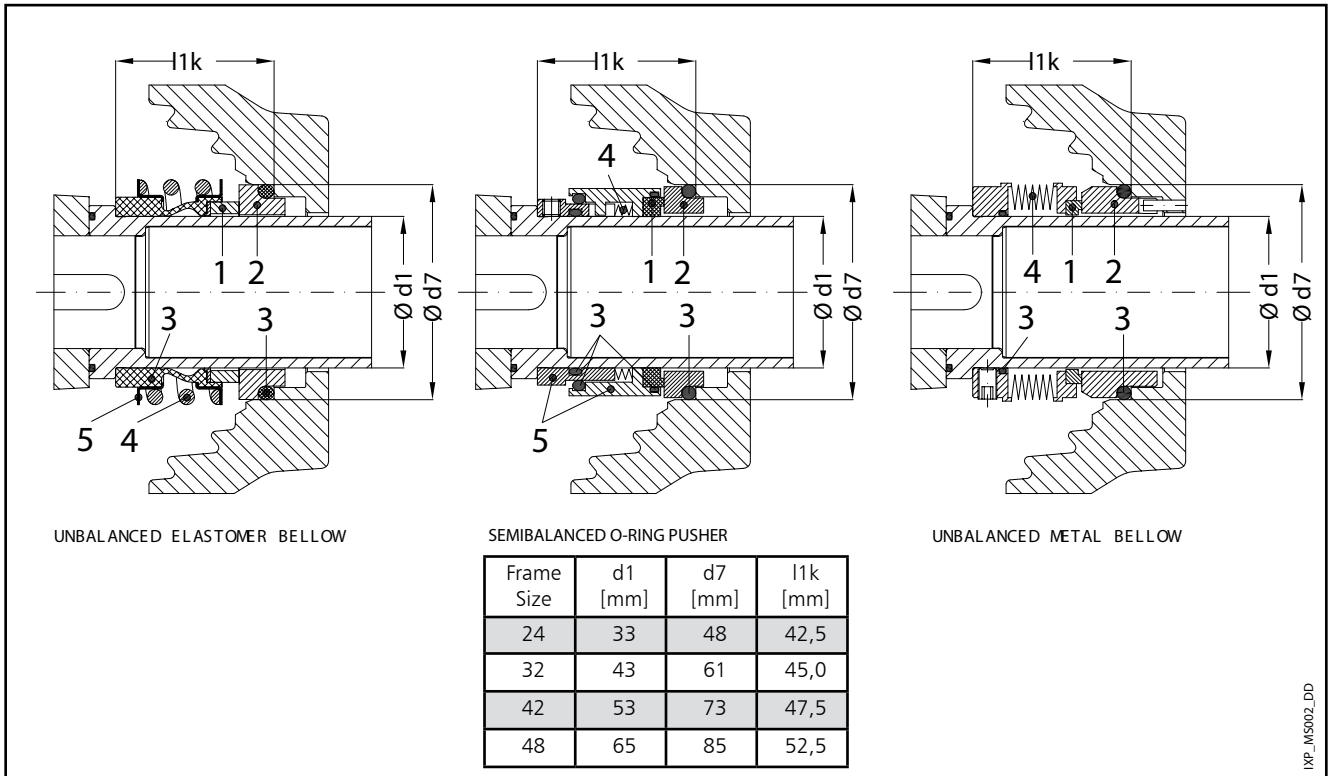
IXP, IXPC, IXPF SERIES

MECHANICAL SEAL ARRANGEMENT - UNBALANCED - API PLAN 1

SEALING-DESIGN-CODE: S1

PUMP MATERIAL VERSION: DN, NN, RN, RR (TT)

Mechanical seal with main dimensions according to EN 12756 and ISO 3069



POSITION 1 - 2	POSITION 3	POSITION 4 - 5
B : Resin impregnated carbon *)	E : EPDM *)	G : AISI 316
A : Antimony impregnated carbon	V : FKM (FPM)	G₁ : Duplex
Q₇ : Silicon carbide *)		M : Nickel alloy
Q₁ : Silicon carbide		M₆ : Nickel alloy

*) Drinking water approval

ixp_ten-mec2-en_a_tm

ID	TYPE	POSITION					MAX. SEAL OPERATING PRESSURE (bar)	SEAL OPERATING TEMPERATURE (°C)	HYDROSTATIC TEST PRESSURE (bar)
		1 FACE RING	2 SEAT RING	3 ELASTOMERS	4 SPRINGS	5 OTHER COMPONENTS			
UNBALANCED ELASTOMER BELLOW									
4	B Q ₇ E G G	B	Q ₇	E	G	G	12	-25 ... 120	24
2	B Q ₇ V G G	B	Q ₇	V	G	G	16	-20 ... 90	24
Z	Q ₇ Q ₇ E G G	Q ₇	Q ₇	E	G	G	10	-25 ... 120	24
W	Q ₇ Q ₇ V G G	Q ₇	Q ₇	V	G	G	10	-20 ... 90	24
SEMIBALANCED O-RING PUSHER									
6	A Q ₇ E G G	A	Q ₇	E	G	G	16	-25 ... 140	38
UNBALANCED METAL BELLOW									
4	A Q ₁ E M ₆ G ₁	A	Q ₁	E	M ₆	G ₁	16	-25 ... 140	38
2	A Q ₁ V M ₆ G ₁	A	Q ₁	V	M ₆	G ₁	16	-20 ... 90	38
Z	Q ₁ Q ₁ E M ₆ G ₁	Q ₁	Q ₁	E	M ₆	G ₁	12	-25 ... 90	38
W	Q ₁ Q ₁ V M ₆ G ₁	Q ₁	Q ₁	V	M ₆	G ₁	12	-20 ... 90	38
4	A Q ₁ E M ₆ M	A	Q ₁	E	M ₆	M	16	-25 ... 140	38
2	A Q ₁ V M ₆ M	A	Q ₁	V	M ₆	M	16	-20 ... 90	38
Z	Q ₁ Q ₁ E M ₆ M	Q ₁	Q ₁	E	M ₆	M	12	-25 ... 90	38
W	Q ₁ Q ₁ V M ₆ M	Q ₁	Q ₁	V	M ₆	M	12	-20 ... 90	38

Operation limits for water. Different liquids on request

ixp_tipi-ten-mec2-en_b_tc

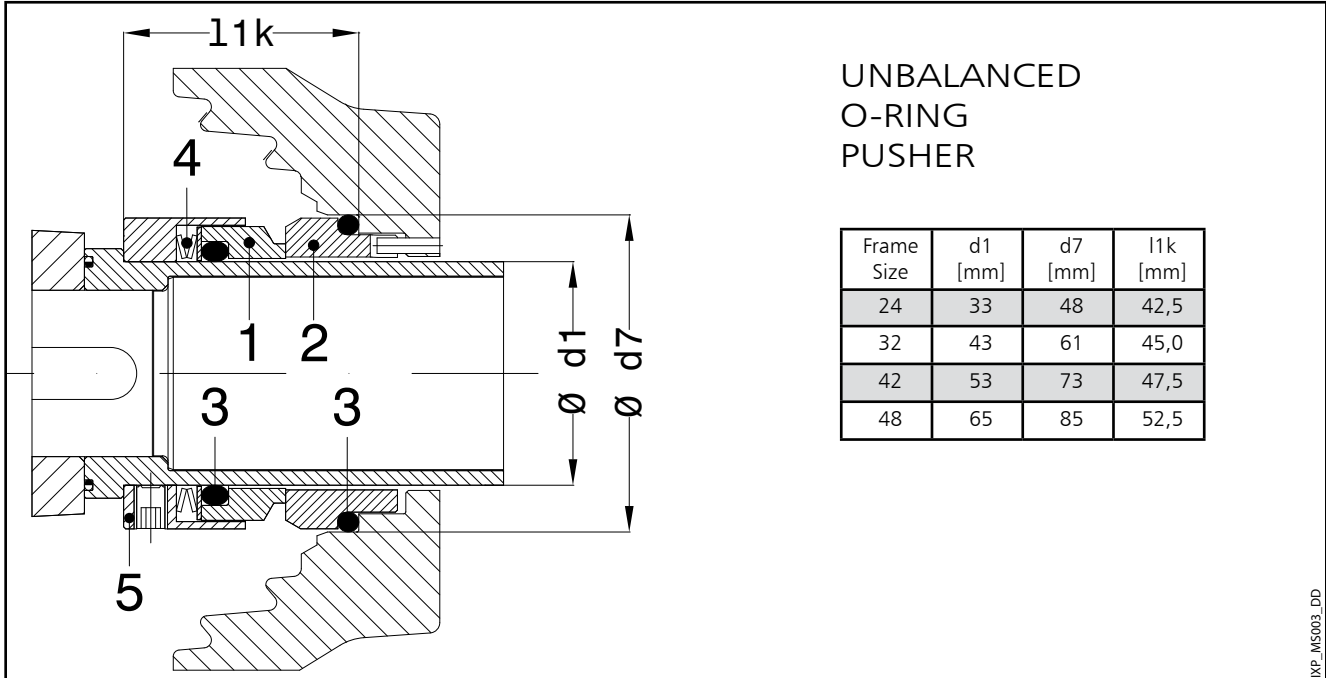
IXP, IXPC, IXPF SERIES

MECHANICAL SEAL ARRANGEMENT - UNBALANCED - API PLAN 1

SEALING-DESIGN-CODE: S1

PUMP MATERIAL VERSION: DN, NN, RN, RR (TT)

Unbalanced mechanical seal with main dimensions according to EN12756 and ISO3069



POSITION 1 - 2	POSITION 3	POSITION 4 - 5
B : Resin impregnated carbon	E : EPDM	G : AISI 316
Q₁ : Silicon carbide	V : FKM (FPM)	G₁ : Duplex
	K : FFKM	M : Nickel alloy

ixp_ten-mec3-en_b_tm

ID	TYPE	POSITION					MAX. SEAL OPERATING PRESSURE (bar)	SEAL OPERATING TEMPERATURE (°C)		HYDROSTATIC TEST PRESSURE (bar)
		1 FACE RING	2 SEAT RING	3 ELASTOMERS	4 SPRINGS	5 OTHER COMPONENTS				
UNBALANCED O-RING PUSHER										
4	Q ₁ B E..	Q ₁	B	E	16	-25	... 140	38
2	Q ₁ B V..	Q ₁	B	V	16	-20	... 90	38
Z	Q ₁ Q ₁ E..	Q ₁	Q ₁	E	12	-25	... 90	38
W	Q ₁ Q ₁ V..	Q ₁	Q ₁	V	12	-20	... 90	38

Operation limits for water. Different liquids on request

ixp_titi-ten-mec3-en_b_tc

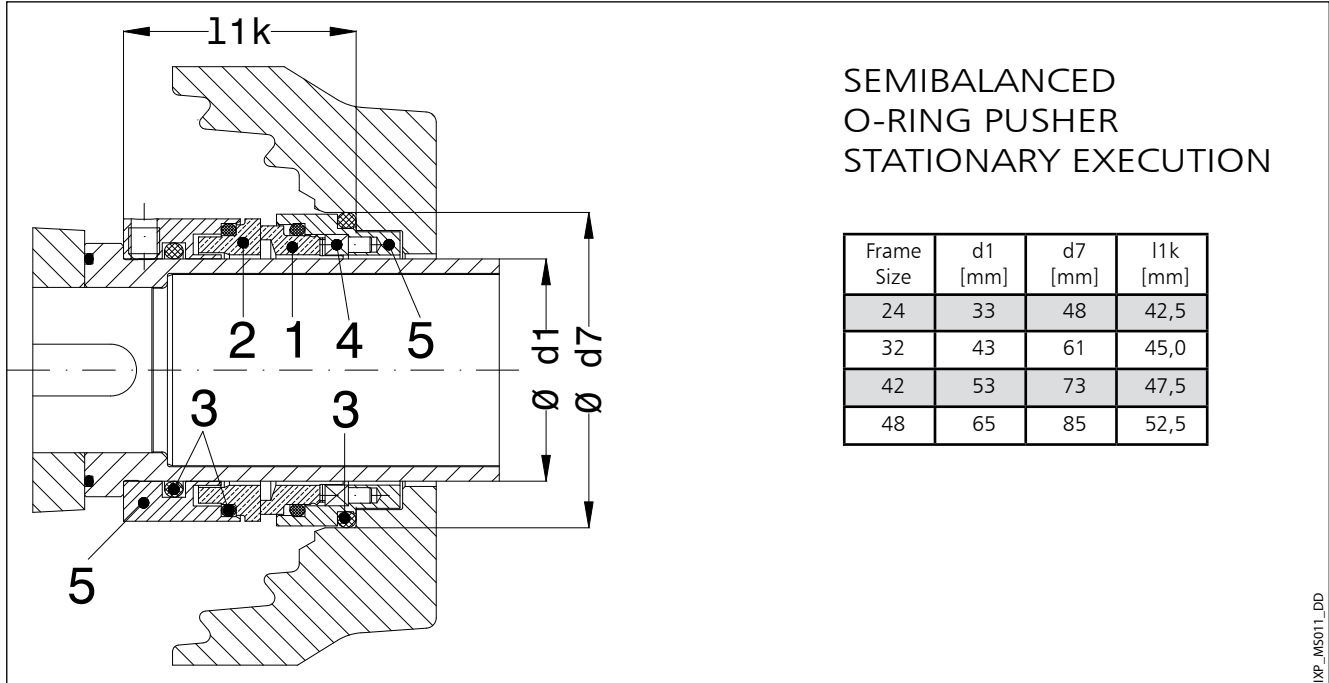
IXP, IXPC, IXPF SERIES

MECHANICAL SEAL ARRANGEMENT - SEMIBALANCED - API PLAN 1

SEALING-DESIGN-CODE: S1

PUMP MATERIAL VERSION: DN, NN, RR

Mechanical seal with main dimensions according to EN12756 and ISO3069



Frame Size	d1 [mm]	d7 [mm]	l1k [mm]
24	33	48	42,5
32	43	61	45,0
42	53	73	47,5
48	65	85	52,5

POSITION 1 - 2	POSITION 3	POSITION 4 - 5
B : Resin impregnated carbon (CA)	E : EPDM	M : Nickel alloy
Q₁ : Silicon carbide (SSIC)	V : FKM (FPM)	G : AISI 316
Q₂ : Silicon carbide (SC)	K : FFKM	G₁ : Duplex
U₂ : Tungsten carbide (TC)		

ixp_ten-mec13-en_a_tm

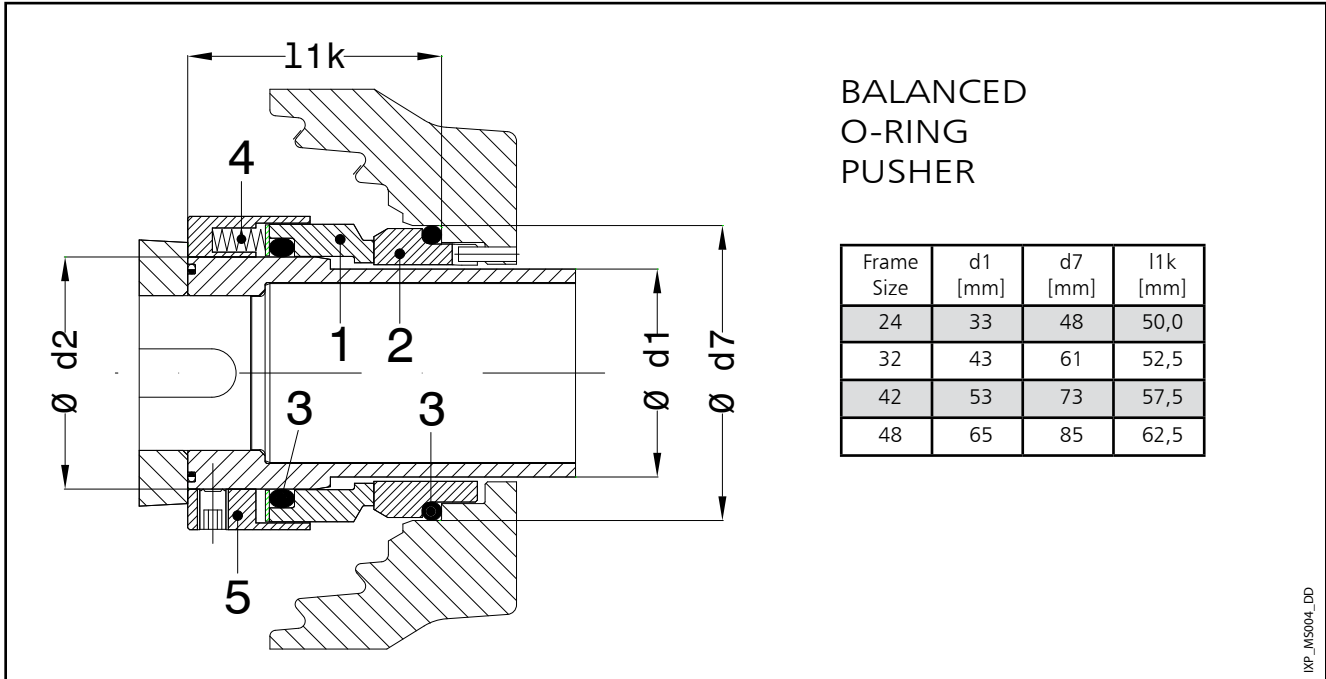
ID	TYPE (DEPAC)	POSITION					MAX. SEAL OPERATING PRESSURE (bar)	SEAL OPERATING TEMPERATURE (°C)	HYDROSTATIC TEST PRESSURE (bar)
		1 FACE RING	2 SEAT RING	3 ELASTOMERS	4 SPRINGS	5 OTHER COMPONENTS			
SEMIBALANCED O-RING PUSHER									
4	BQ ₂ EMG (SC-CA-EPDM)	B	Q ₂	E	M	G	20	-25 ... 140	38
2	BQ ₂ VMG (SC-CA-FKM)	B	Q ₂	V	M	G	20	-20 ... 90	38
Z	Q ₂ Q ₂ EMG (SC-SC-EPDM)	Q ₂	Q ₂	E	M	G	16	-25 ... 100	38
W	Q ₂ Q ₂ VMG (SC-SC-FKM)	Q ₂	Q ₂	V	M	G	16	-20 ... 90	38
4	BQ ₂ EMG ₁ (SC-CA-EPDM)	B	Q ₂	E	M	G ₁	20	-25 ... 140	38
2	BQ ₂ VMG ₁ (SC-CA-FKM)	B	Q ₂	V	M	G ₁	20	-20 ... 90	38
Z	Q ₂ Q ₂ EMG ₁ (SC-SC-EPDM)	Q ₂	Q ₂	E	M	G ₁	16	-25 ... 100	38
W	Q ₂ Q ₂ VMG ₁ (SC-SC-FKM)	Q ₂	Q ₂	V	M	G ₁	16	-20 ... 90	38

ixp_tipi-ten-mec13-en_a_tc

Operation limits for water. Different liquids on request

IXP, IXPC, IXPF SERIES
MECHANICAL SEAL ARRANGEMENT - BALANCED - API PLAN 1
SEALING-DESIGN-CODE: S2
PUMP MATERIAL VERSION: DN, NN, RN, RR (TT)

Mechanical seal with main dimensions according to EN12756 and ISO3069



POSITION 1 - 2	POSITION 3	POSITION 4	POSITION 5
A: Antimony impregnated carbon	E : EPDM*)	G : AISI 316	G : AISI 316
Q₁: Silicon carbide *)	V : FKM (FPM)	M : Nickel-Alloy	G₁ : Duplex
B: Resin impregnated carbon *)	K : FFKM		M : Nickel-Alloy

*) ... Drinking water approval

ixp_ten-mec4-en_a_tm

ID	TYPE	POSITION					MAX. SEAL OPERATING PRESSURE (bar)	SEAL OPERATING TEMPERATURE (°C)		HYDROSTATIC TEST PRESSURE (bar)
		1 FACE RING	2 SEAT RING	3 ELASTOMERS	4 SPRINGS	5 OTHER COMPONENTS				
BALANCED O-RING PUSHER										
4	A Q ₁ E..	A	Q ₁	E	25	-25	... 140	38
2	A Q ₁ V..	A	Q ₁	V	25	-20	... 90	38
4	Q ₁ B E..	Q ₁	B	E	25	-25	... 120	38
2	Q ₁ B V..	Q ₁	B	V	25	-20	... 90	38

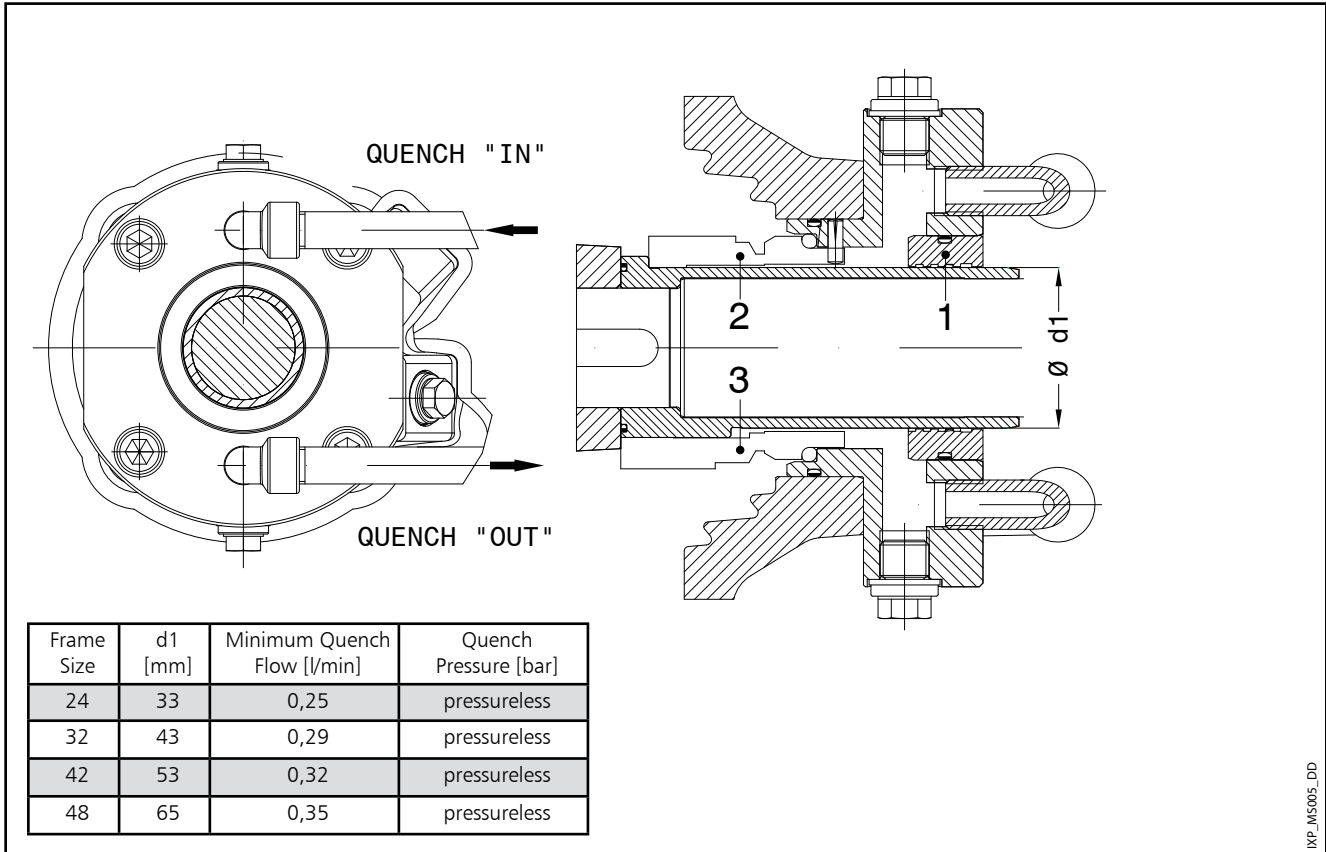
Operation limits for water. Different liquids on request

ixp_tipi-ten-mec4-en_a_tc

**IXP, IXPC, IXPF SERIES
MECHANICAL SEAL ARRANGEMENT -
UNBALANCED OR BALANCED with QUENCH
SEALING-DESIGN-CODE: S4 or S5**

PUMP MATERIAL VERSION: DN, NN, RN, RR, (TT)

Mechanical seal arrangement (unbalanced or balanced version) with quench API-Plan61 (optional with API-Plan62)



POSITION 1	POSITION 2	POSITION 3
Throttle-Bush PTFE with 25% Carbon	Version with unbalanced mechanical seal (S1 --> S4)	Version with balanced mechanical seal (S2 --> S5)

NOTE. Quench with throttle bush can have a small leakage. Pump leakage drain required.

ixp_ten-mecQ-en_a_tm

IXP, IXPC, IXPF SERIES

MECHANICAL SEAL ARRANGEMENT - BALANCED "DEAD END"

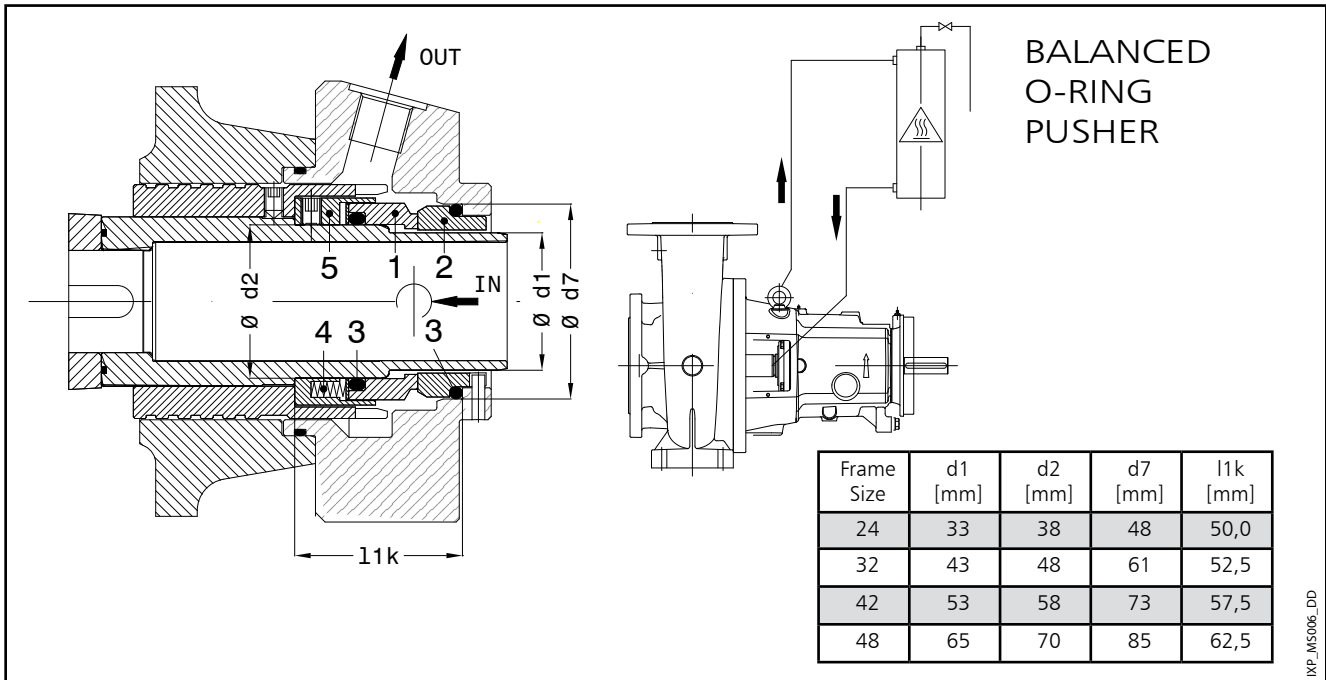
API PLAN 23T - "with thermosiphon cooling for hot Water"

SEALING-DESIGN-CODE: T3

(water up to 180°C without external cooling water)

PUMP MATERIAL VERSION: DN, NN, RN, RR

Balanced mechanical seal with main dimensions according to EN12756 and ISO3069



POSITION 1 - 2	POSITION 3	POSITION 4 - 5
A : Antimony impregnated carbon	E : EPDM	G : AISI 316
Q₁ : Silicon carbide	K : FFKM	G₁ : Duplex
		M : Nickel alloy

ixp_ten-mec6-en_a_tm

ID	TYPE	POSITION					MAX. SEAL OPERATING PRESSURE (bar)	MAX. SEAL OPERATING TEMPERATURE (°C)	HYDROSTATIC TEST PRESSURE (bar)
		1 FACE RING	2 SEAT RING	3 ELASTOMERS	4 SPRINGS	5 OTHER COMPONENTS			
BALANCED O-RING PUSHER									
4	A Q1 E ..	A	Q1	E	25	140	38
..	A Q1 K ..	A	Q1	K	25	140	38

Operation limits for water. Different liquids on request

ixp_tipi-ten-mec6-en_b_to

IXP, IXPC, IXPF SERIES

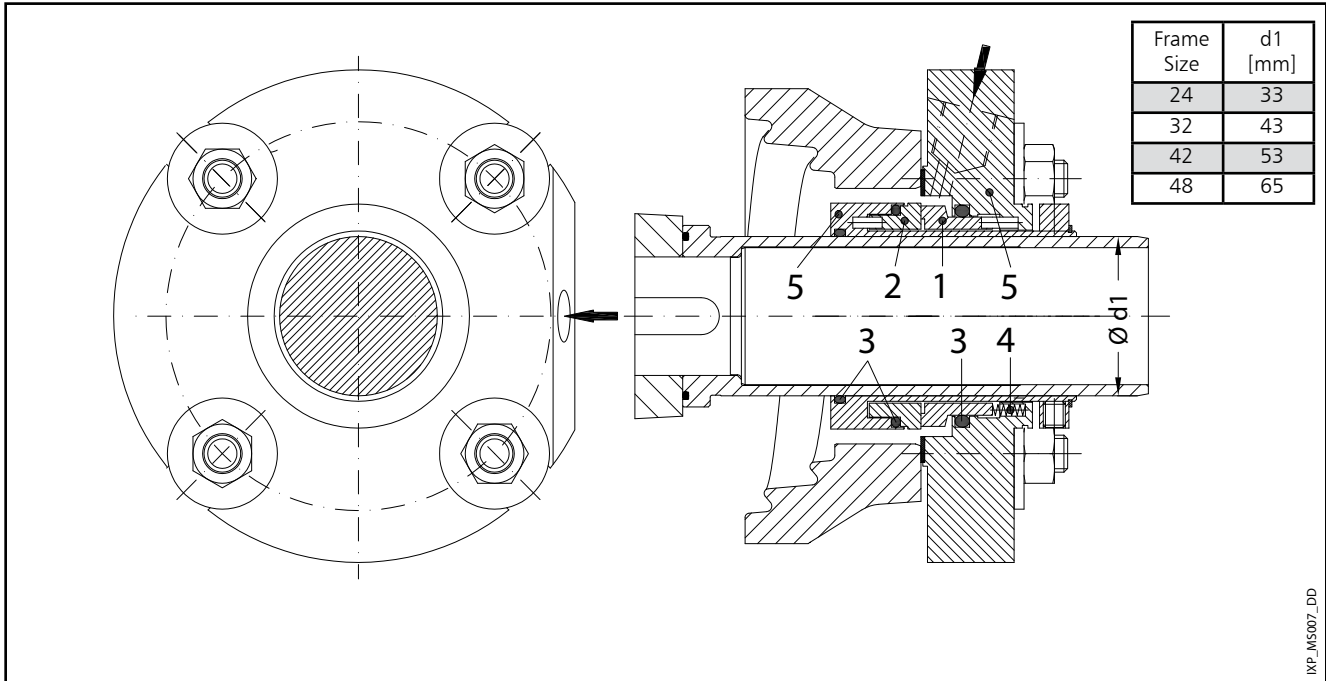
MECHANICAL SEAL ARRANGEMENT - CARTRIDGE SEAL

VERSIONS: SINGLE, SINGLE with QUENCH or DOUBLE

SEALING-DESIGN-CODE: CS, CQ or CD

PUMP MATERIAL VERSION: DN, NN, RN, RR, (TT)

Drawing shows single cartridge seal as reference.



POSITION 1 - 2	POSITION 3	POSITION 4 - 5
Q ₁ : Silicon carbide	E : EPDM	G : AISI 316
B : Resin impregnated carbon	V : FKM (FPM)	G ₁ : Duplex
	K : FFKM	M : Nickel alloy

ixp_ten-mec5-en_a_tm

ID	TYPE	POSITION					MAX. SEAL OPERATING PRESSURE (bar)	SEAL OPERATING TEMPERATURE (°C)		HYDROSTATIC TEST PRESSURE (bar)
		1 FACE RING	2 SEAT RING	3 ELASTOMERS	4 SPRINGS	5 OTHER COMPONENTS				
CARTRIDGE SINGLE										
	B Q ₁ E..	B	Q ₁	E	25	-25	... 140	38
	B Q ₁ V..	B	Q ₁	V	25	-20	... 90	38
	Q ₁ Q ₁ E..	Q ₁	Q ₁	E	12	-25	... 120	38
	Q ₁ Q ₁ V..	Q ₁	Q ₁	V	12	-20	... 90	38

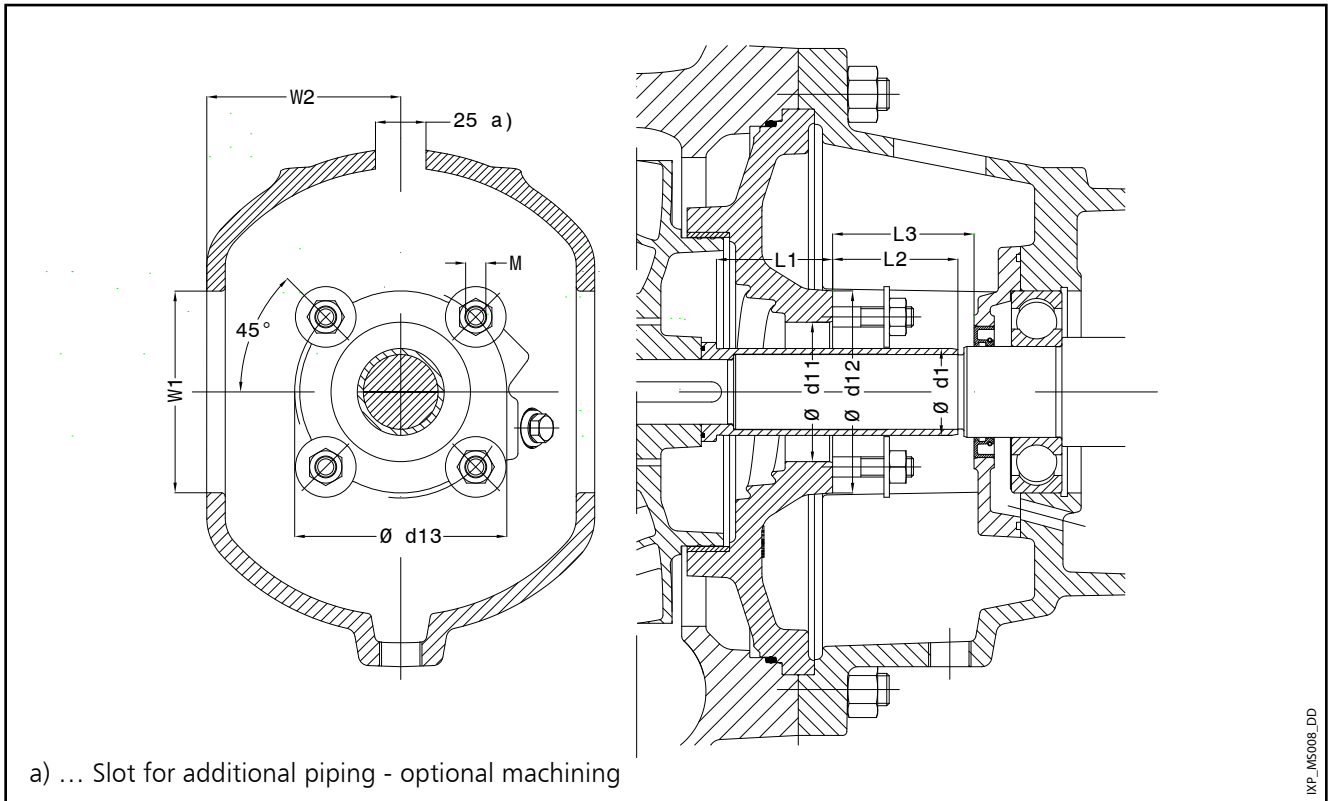
General operation limits for single seal. Information for other seal versions on request.

ixp_tipi-ten-cart-en_a_tc

e-IXP SERIES

OPTIONAL CARTRIDGE MECHANICAL SEAL

Installation dimensions for cartridge mechanical seals

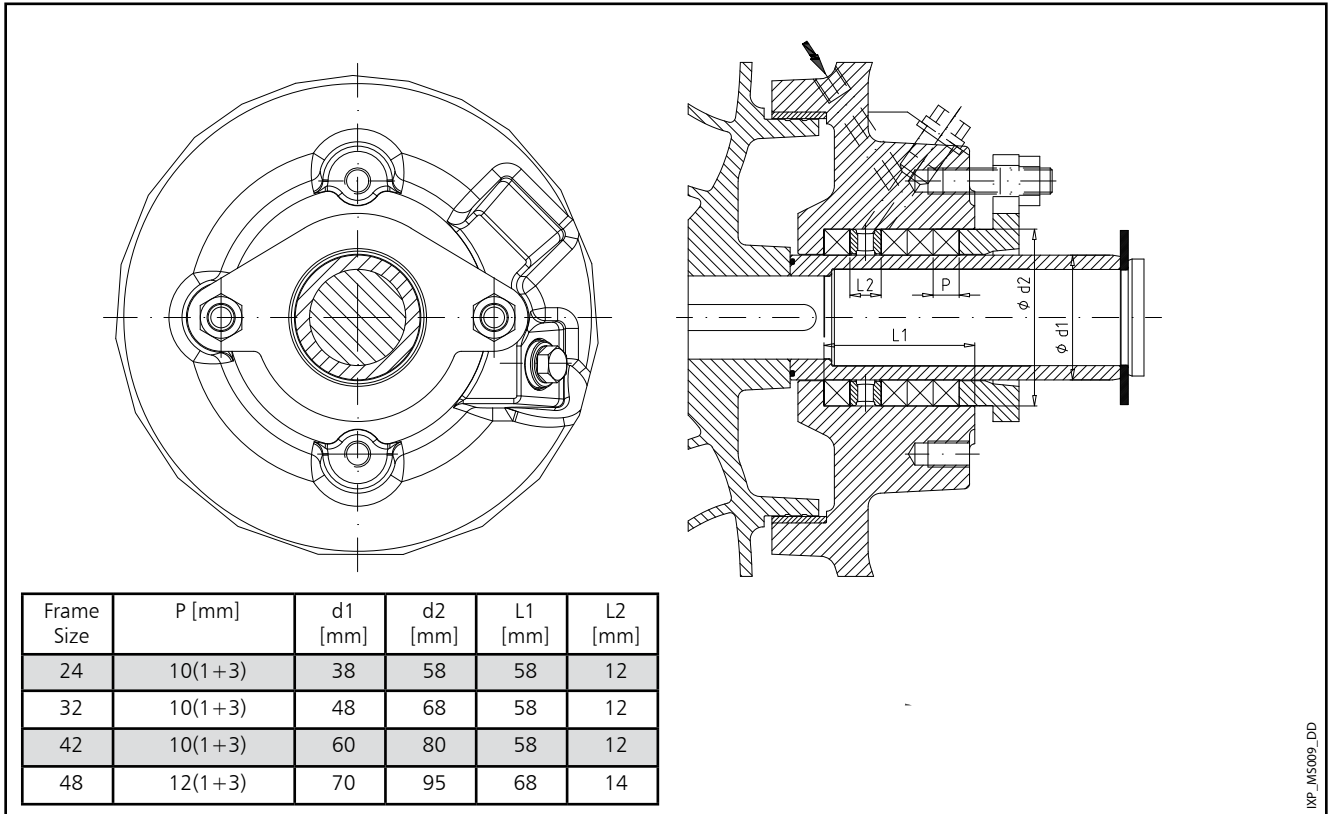


a) ... Slot for additional piping - optional machining

Frame Size	Ød1	Ød11	Ød12	Ød13	L1	L2	L3	M	W1	W2	Maximum Seal Outer Diameter
	[mm]	[mm]	[mm]	[mm]	[mm]	[mm]	[mm]	[mm]	[mm]	[mm]	[mm]
24	33	55	78	90	52	56	64	8	80	76	146
32	43	69	100	105	57	62	70	10	98	91	176
42	53	82	120	120	59	60	68	10	128	104	206
48	65	94	134	135	64	73	82	12	135	117	246

ixp_tipi-ten-cart1-en_a_tc

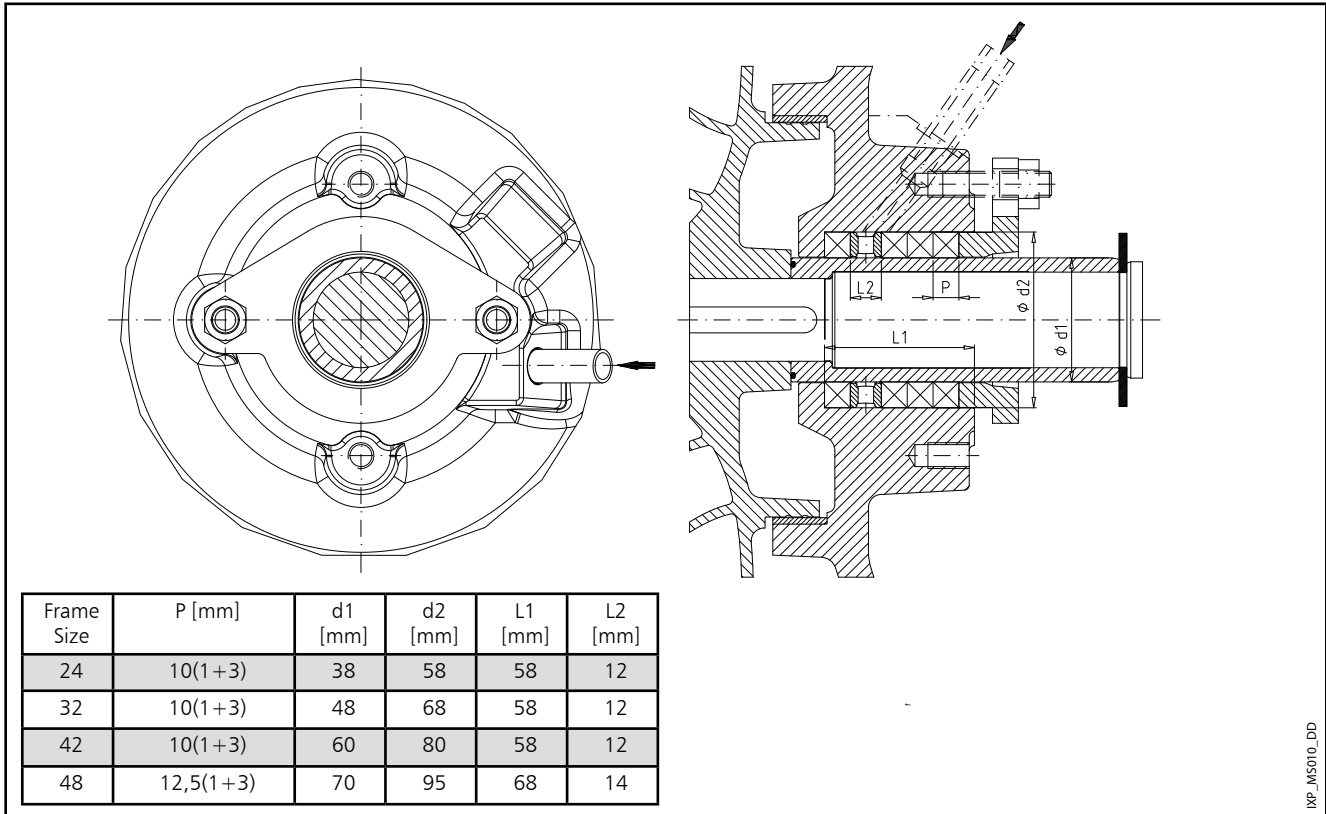
IXP , IXPC , IXPF SERIES
STUFFING BOX ARRANGEMENT
SEALING-DESIGN-CODE: P2
SOFT PACKING WITH INTERNAL SEALING LIQUID
PUMP MATERIAL VERSION: DN, NN, RN



SOFT PACKING QUALITY	DESCRIPTION	MAX. SEAL OPERATING PRESSURE (bar)	TEMPERATURE MAX. (°C)
B (Standard)	Diagonally braided, silicone oil-free ramie fiber packing with a light-colored special PTFE impregnating agent based on paraffin wax and oil	10	120
C (Optional)	Diagonally braided packing made from graphite-incorporated PTFE yarn with additional lubricant	16	140

ixp_tipi-ten-bad2-en_a_tc

IXP , IXPC , IXPF SERIES
STUFFING BOX ARRANGEMENT
SEALING-DESIGN-CODE: P3
SOFT PACKING WITH EXTERNAL SEALING LIQUID
PUMP MATERIAL VERSION: DN, NN, RN



SOFT PACKING QUALITY	DESCRIPTION	MAX. SEAL OPERATING PRESSURE (bar)	TEMPERATURE MAX. [°C]
B (Standard)	Diagonally braided, silicone oil-free ramie fiber packing with a light-colored special PTFE impregnating agent based on paraffin wax and oil	8	120
C (Optional)	Diagonally braided packing made from graphite-incorporated PTFE yarn with additional lubricant	14	140

ixp_tipi-ten-bad3-en_a_tc

Sealing liquid

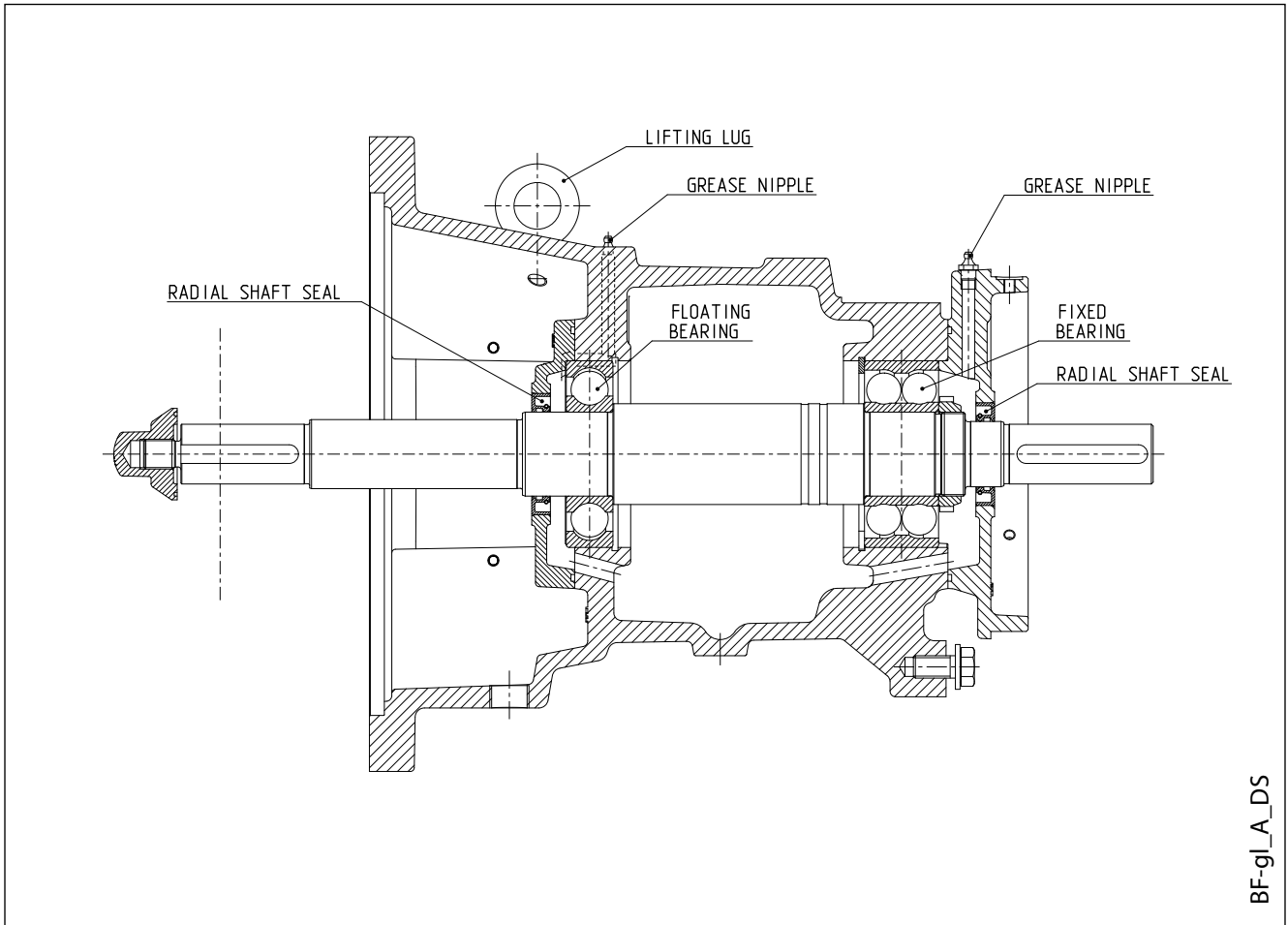
- Flow: ~**2-3** l/min
- Pressure: ~ seal operating pressure **+2 bar**

**IXP, IXPC, IXPF
BEARING FRAME - STANDARD VERSION
GREASE LUBRICATION**

FIXED BEARING: DOUBLE ROW ANGULAR CONTACT BALL BEARING

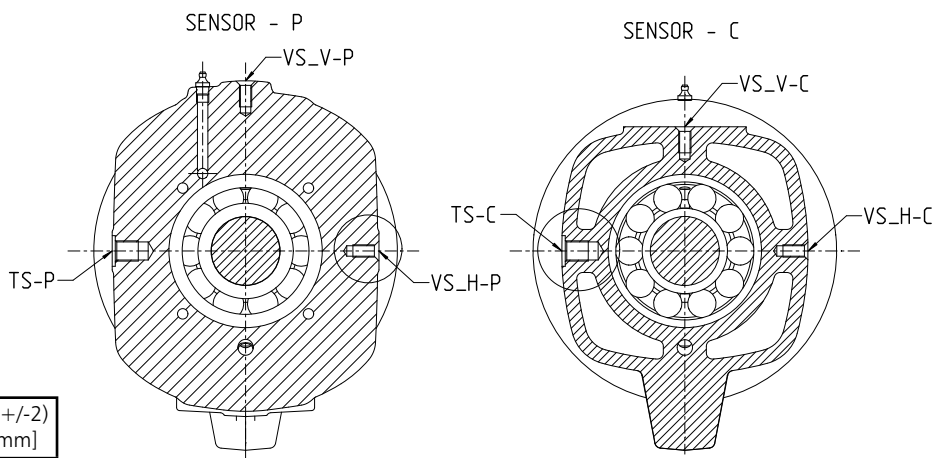
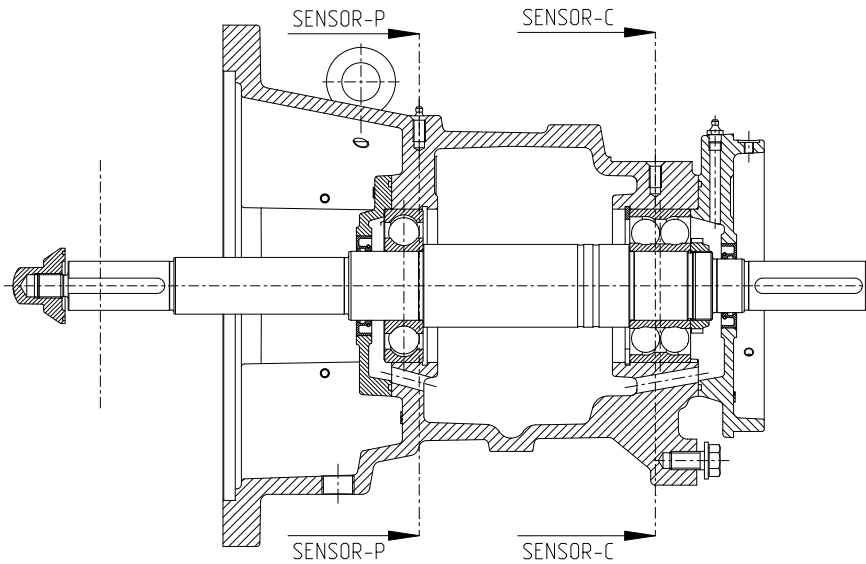
FLOATING BEARING: DEEP GROOVE BALL BEARING

REGREASEABLE BY GREASE NIPPLE



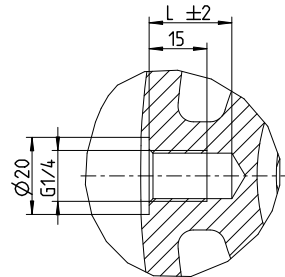
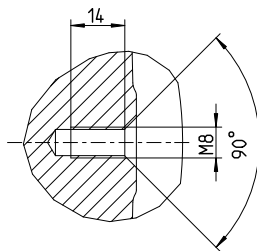
IXP, IXPC, IXPF
BEARING FRAME - OPTIONAL DESIGN
GREASE LUBRICATION - SENSOR CONNECTIONS

BEARING FRAME WITH CONNECTIONS FOR VIBRATION AND TEMPERATURE SENSORS
 VIBRATION SENSORS VS: FOR EACH BEARING HORIZONTAL AND VERTICAL
 TEMPERATURE SENSORS TS: ONE SENSOR PER BEARING



Frame Size	L (+/-2) [mm]
24	24
32	25
42	29
48	34

VS_H-C
 VS_H-P
 VS_V-C
 VS_V-P



TS-C
 TS-P

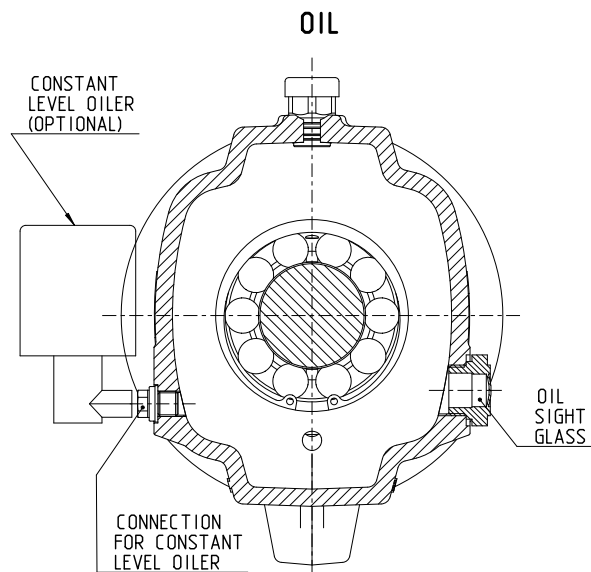
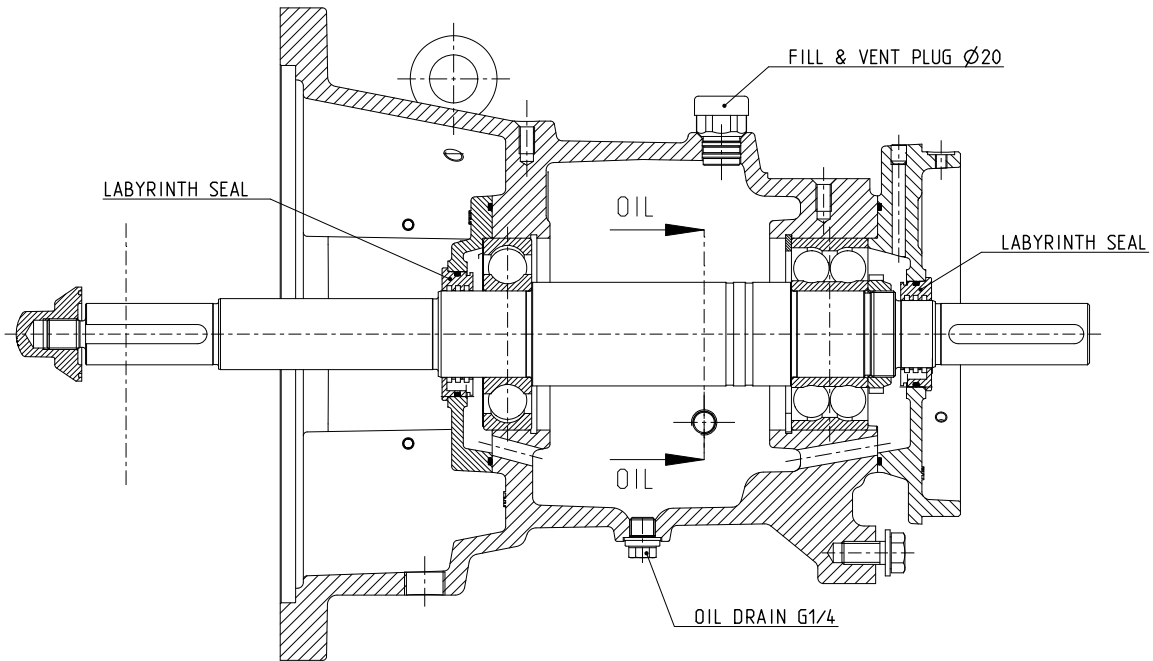
**IXP, IXPC, IXPF
BEARING FRAME - OPTIONAL DESIGN
OIL LUBRICATION - SENSOR CONNECTIONS**

BEARING FRAME WITH OIL SUMP LUBRICATION

STANDARD - OIL SIGHT GLASS / OPTIONAL - CONSTANT LEVEL OILER

SHAFT SEALING: LABYRINTH SEALS

STANDARD - CONNECTIONS FOR VIBRATION AND TEMPERATURE SENSORS



BF-oi-sc_A_DS

e-IXP SERIES MOTORS (ErP 2009/125/EC)

- Short-circuit squirrel-cage motor, enclosed construction with external ventilation (TEFC).
- **IP55** protection degree.
- Insulation class **155 (F)**.
- Electrical performances according to EN 60034-1.
- **Supplied three-phase surface motors with IE3 efficiency level for power $\geq 0,75$ kW as standard according to EN 60034-30:2009 and EN 60034-30-1:2014.**
- Metric cable gland according to EN 50262.
- PTC included in motors from IEC size 200 and above (one per phase, 155°C).
- **Rated power:**
 - from 1,5 to 200 kW 2 poles
 - from 1,1 to 110 kW 4 poles
 - from 1,1 to 30 kW 6 poles
- **Standard voltage**
 - Three-phase** version:
 - 220-240/380-415 V 50 Hz for power up to 3 kW.
 - 380-415/660-690 V 50 Hz for power above 3 kW.
 - Overload protection to be provided by the user.
 - Maximum ambient temperature: 50 °C,
(40 °C, for 6 poles model with power 1,1, 1,5 and 2,2 kW)

From 1 July 2021 in accordance with the **Regulations (EU) 2019/1781 and 2021/341**, the three-phase 50 Hz, 60 Hz or 50/60 Hz **surface motors** with **power outputs ranging from 0,12 to 0,749 kW** must have a minimum level **IE2** efficiency; the ones with power outputs ranging **from 0,75 and 1000 kW** must have a minimum level of **IE3** efficiency.

From 1 July 2023, it will be introduced additional requirements.

The following tables also contain the mandatory information pursuant to Annex I, section 2, of the aforementioned Regulations.

IXPF, IXPC SERIES

THREE-PHASE MOTORS AT 50 Hz, 2 POLES (up to 18,5 kW)

P _N kW	Manufacturer		IEC SIZE	Construction Design	N. of Poles	f _N Hz	Data for 400 V / 50 Hz Voltage				
	Xylem Service Italia Srl Reg. No. 07520560967						cosφ	I _s / I _N	T _N Nm	T _s /T _N	T _m /T _N
	Montecchio Maggiore Vicenza - Italia										
Model											
1,5	PLM90B3/315 E3		90	B3	2	50	0,86	8,04	4,96	3,34	3,27
2,2	PLM90B3/322 E3		90				0,80	8,77	7,28	3,72	3,70
3	PLM100B3/330 E3		100				0,84	9,65	9,84	3,59	4,26
4	PLM112B3/340 E3		112				0,86	9,41	13,2	3,95	4,46
5,5	PLM132B3/355 E3		132				0,83	10,0	17,9	3,33	4,65
7,5	PLM132B3/375 E3		132				0,85	10,2	24,4	3,43	4,76
11	PLM160B3/3110 E3		160				0,88	8,59	35,60	2,36	4,14
15	PLM160B3/3150 E3		160				0,88	9,51	48,60	2,73	4,32
18,5	PLM160B3/3185 E3		160				0,88	9,81	59,90	2,81	4,53

P _N kW	Tensione U _N V											n _N min ⁻¹	Operating conditions **		
	Δ			Y			Δ			Y			Altitude Above Sea Level (m)	T. amb min/max °C	ATEX
	220 V	230 V	240 V	380 V	400 V	415 V	380 V	400 V	415 V	660 V	690 V				
	I _N (A)														
1,5	5,35	5,11	5,04	3,09	2,95	2,91	3,09	2,96	2,91	1,78	1,71	2865 ÷ 2890	≤ 1000	-15 / 50	No
2,2	7,97	7,90	7,98	4,60	4,56	4,61	4,57	4,54	4,57	2,64	2,62	2880 ÷ 2900			
3	10,2	10,0	10,1	5,91	5,79	5,82	5,94	5,83	5,87	3,43	3,37	2895 ÷ 2920			
4	13,3	13,1	13,1	7,69	7,56	7,55	7,70	7,56	7,57	4,45	4,36	2885 ÷ 2905			
5,5	18,9	18,8	18,9	10,9	10,9	10,9	10,7	10,6	10,7	6,20	6,14	2925 ÷ 2940			
7,5	24,8	24,4	24,3	14,3	14,4	14,0	14,4	14,1	14,2	8,32	8,16	2920 ÷ 2935			
11	35,0	33,9	33,0	20,2	19,6	19,1	20,4	19,6	19,2	11,8	11,3	2935 ÷ 2950			
15	47,6	46,1	45,2	27,5	26,6	26,1	27,5	26,6	26,1	15,9	15,3	2940 ÷ 2950			
18,5	58,3	56,7	55,6	33,7	32,7	32,1	34,0	33,0	32,7	19,6	19,0	2940 ÷ 2950			

P _N kW	Efficiency η _N %																		IE
	Δ 220 V Y 380 V			Δ 230 V Y 400 V			Δ 240 V Y 415 V			Δ 380 V Y 660 V			Δ 400 V Y 690 V			Δ 415 V			
	4/4	3/4	2/4	4/4	3/4	2/4	4/4	3/4	2/4	4/4	3/4	2/4	4/4	3/4	2/4	4/4	3/4	2/4	
1,5	84,6	85,8	85,4	85,5	86,3	85,2	85,9	86,2	84,8	84,6	85,8	84,8	84,6	85,8	84,8	84,6	85,8	84,8	3
2,2	86,5	87,4	86,8	86,4	86,9	85,7	86,6	86,7	85,0	86,4	86,7	85,0	86,4	86,7	85,0	86,4	86,7	85,0	
3	88,7	89,5	89,1	89,1	89,5	88,4	89,1	89,1	87,7	88,7	89,1	87,7	88,7	89,1	87,7	88,7	89,1	87,7	
4	88,6	89,0	87,6	88,6	89,0	87,6	88,6	89,0	87,6	88,7	89,6	89,1	88,6	89,2	88,3	88,9	89,0	87,6	
5,5	90,1	89,8	88,0	90,1	89,8	88,0	90,1	89,8	88,0	90,2	90,5	89,5	90,3	90,2	88,8	90,1	89,8	88,0	
7,5	90,6	90,5	89,0	90,6	90,5	89,0	90,6	90,5	89,0	90,6	91,0	90,2	90,8	90,8	89,6	90,7	90,5	89,0	
11	91,8	92,3	91,5	91,8	92,3	91,5	91,8	92,3	91,5	91,8	92,3	91,9	92,2	92,5	91,8	92,3	92,4	91,5	
15	92,5	92,4	91,2	92,5	92,4	91,2	92,5	92,4	91,2	92,7	93,3	92,9	93,1	93,3	92,7	92,5	92,4	91,2	
18,5	92,6	93,1	92,4	92,6	93,1	92,4	92,6	93,1	92,4	92,6	93,2	93,0	92,9	93,3	92,8	92,9	93,1	92,4	

** Operating conditions to be referred to motor only. About electric pump, refer to limits in user's manual.

IXPF-mott-2p50-en_b_te

IXPF, IXPC SERIES

THREE-PHASE MOTORS AT 50 Hz, 2 POLES (from 30 to 200 kW)

P _N kW	Manufacturer		IEC SIZE	Construction Design	N. of Poles	f _N Hz	Data for 400 V / 50 Hz Voltage				
	Model						cosφ	I _s / I _N	T _N Nm	T _s /T _N	T _m /T _N
	OMEGA MOTOR SANAYI A.S. Dudullu Organize Sanayi Bölgesi 2. Cadde No: 10 34775 Ümraniye ISTANBUL/TURKEY Reg. No. 913733										
22	3MAS 180M2 B3 22KW E3		180	B3	2	50	0,90	8,5	70,9	3,0	3,4
30	3MAS 200LA2 B3 30KW E3		200				0,88	7,8	97	2,6	3,1
37	3MAS 200LB2 B3 37KW		200				0,89	8,0	119	2,9	3,2
45	3MAS 225M2 B3 45KW E3		225				0,91	8,2	145	2,7	3,3
55	3MGS 250M2 B3 55KW E3		250				0,91	7,6	177	2,5	3,0
75	3MGS 280S2 B3 75KW E3		280				0,89	8,7	239	2,8	3,5
90	3MGS 280M2 B3 90KW E3		280				0,90	8,7	289	2,9	3,7
110	3MGS 315S2 B3 110KW E3		315				0,90	8,4	351	2,4	3,8
132	3MGS 315MA2 B3 132KW E3		315				0,90	8,2	421	2,4	3,8
160	3MGS 315MB2 B3 160KW E3		315				0,91	8,4	513	2,3	3,5
200	3MGS 315MD2 B3 200KW E3		315				0,90	8,2	640	2,4	3,6

P _N kW	Voltage U _N V					n _N min ⁻¹	Operating conditions **		
	Δ			Y			Altitude Above Sea Level (m)	T. amb min/max °C	ATEX
	380 V	400 V	415 V	660 V	690 V				
	I _N (A)								
22	39,7	38,2	37,2	22,9	22,1	2955	≤ 1000	-20 / +50	No
30	54,9	52,7	50,4	31,7	30,2	2965			
37	67,6	64,0	61,8	39,0	36,7	2960			
45	79,8	75,9	72,6	46,0	44,5	2965			
55	97,3	92,5	88,3	56,2	54,2	2970			
75	134,0	128,0	123,7	77,4	74,5	2978			
90	158,4	152,0	146,7	91,5	88,1	2978			
110	193,4	185,0	177,8	111,7	107,4	2980			
132	232,1	222,0	213,4	134,0	130,1	2982			
160	277,0	265,0	254,7	159,9	155,6	2981			
200	352,5	335,0	323,0	203,5	194,1	2980			

P _N kW	Efficiency η _N %									IE
	Δ 380 V Y 660 V			Δ 400 V Y 690 V			Δ 415 V			
	4/4	3/4	2/4	4/4	3/4	2/4	4/4	3/4	2/4	
22	92,4	92,9	92,6	92,7	93,2	93,0	92,8	93,2	93,1	3
30	93,1	93,3	93,2	93,3	93,5	93,4	93,5	93,7	93,6	
37	93,4	93,8	93,5	93,7	94,1	93,8	94,0	94,4	94,1	
45	93,8	94,0	93,4	94,0	94,2	93,6	94,2	94,4	93,8	
55	94,0	93,8	92,8	94,3	94,0	93,0	94,7	94,3	93,3	
75	94,6	94,7	94,1	94,7	94,8	94,2	94,8	94,9	94,3	
90	95,0	95,1	94,6	95,0	95,1	94,6	95,0	95,1	94,6	
110	95,2	95,4	95,1	95,2	95,4	95,1	95,2	95,4	95,1	
132	95,4	95,6	95,3	95,4	95,6	95,3	95,4	95,6	95,3	
160	95,6	95,8	95,3	95,6	95,8	95,3	95,6	95,8	95,3	
200	95,8	95,9	95,6	95,8	95,9	95,6	95,8	95,9	95,6	

** Operating conditions to be referred to motor only. About electric pump, refer to limits in user's manual.

IXP-mott200-2p50-en_b_te

IXPS SERIES

THREE-PHASE MOTORS AT 50 Hz, 2 POLES (up to 22 kW)

P _N kW	Manufacturer		IEC SIZE*	Construction Design	N. of Poles	f _N Hz	Data for 400 V / 50 Hz Voltage				
	Xylem Service Italia Srl Reg. No. 07520560967 Montecchio Maggiore Vicenza - Italia						cosφ	I _s / I _N	T _N Nm	T _s /T _N	T _m /T _N
	Model										
1,5	SM90RB5/315 PE		90	B5	2	50	0,80	8,80	4,96	4,31	4,10
2,2	PLM90B5/322 E3		90				0,80	8,77	7,28	3,72	3,70
3	PLM100RB5/330 E3		100R				0,79	7,81	9,93	4,26	3,94
4	PLM112RB5/340 E3		112R				0,85	9,13	13,20	3,82	4,32
5,5	PLM132RB5/355 E3		132R				0,85	10,50	18,1	4,74	5,11
7,5	PLM132B5/375 E3		132	B35	2	50	0,85	10,2	24,4	3,43	4,76
11	PLM160B35/3110 E3		160				0,88	8,59	35,60	2,36	4,14
15	PLM160B35/3150 E3		160				0,88	9,51	48,60	2,73	4,32
18,5	PLM160B35/3185 E3		160				0,88	9,81	59,90	2,81	4,53
22	PLM180RB35/3220 E3		180R				0,85	10,90	71,09	3,26	5,12

P _N kW	Voltage U _N V											n _N min ⁻¹	Operating conditions **		
	Δ			Y			Δ			Y			Altitude Above Sea Level (m)	T. amb min/max °C	ATEX
	220 V	230 V	240 V	380 V	400 V	415 V	380 V	400 V	415 V	660 V	690 V				
	I _N (A)														
1,5	5,56	5,49	5,51	3,21	3,17	3,18	3,21	3,18	3,19	1,85	1,84	2870 ÷ 2895	≤ 1000	-15 / 50	No
2,2	7,97	7,90	7,98	4,60	4,56	4,61	4,57	4,54	4,57	2,64	2,62	2880 ÷ 2900			
3	11,0	11,0	11,2	6,35	6,33	6,44	6,29	6,27	6,34	3,63	3,62	2865 ÷ 2895			
4	13,6	13,4	13,4	7,87	7,75	7,74	7,80	7,62	7,61	4,50	4,40	2885 ÷ 2910			
5,5	18,1	17,9	18,1	10,4	10,4	10,4	10,6	10,5	10,7	6,10	6,05	2880 ÷ 2910			
7,5	24,8	24,4	24,3	14,3	14,4	14,0	14,4	14,1	14,2	8,32	8,16	2920 ÷ 2935			
11	35,0	33,9	33,0	20,2	19,6	19,1	20,4	19,6	19,2	11,8	11,3	2935 ÷ 2950			
15	47,6	46,1	45,2	27,5	26,6	26,1	27,5	26,6	26,1	15,9	15,3	2940 ÷ 2950			
18,5	58,3	56,7	55,6	33,7	32,7	32,1	34,0	33,0	32,7	19,6	19,0	2940 ÷ 2950			
22	72,9	73,1	73,7	42,1	42,2	42,6	40,9	40,4	40,6	23,6	23,3	2950 ÷ 2960			

P _N kW	Efficiency η _N %																		IE
	Δ 220 V Y 380 V			Δ 230 V Y 400 V			Δ 240 V Y 415 V			Δ 380 V Y 660 V			Δ 400 V Y 690 V			Δ 415 V			
	4/4	3/4	2/4	4/4	3/4	2/4	4/4	3/4	2/4	4/4	3/4	2/4	4/4	3/4	2/4	4/4	3/4	2/4	
1,5	85,6	86,5	85,8	85,9	86,4	84,9	86,0	86,0	84,0	85,6	86,0	84,0	85,6	86,0	84,0	85,6	86,0	84,0	3
2,2	86,5	87,4	86,8	86,4	86,9	85,7	86,6	86,7	85,0	86,4	86,7	85,0	86,4	86,7	85,0	86,4	86,7	85,0	
3	87,2	88,5	88,3	87,5	88,2	87,5	87,5	87,8	86,4	87,2	87,8	86,4	87,2	87,8	86,4	87,2	87,8	86,4	
4	89,1	90,1	89,2	89,1	90,1	89,2	89,1	90,1	89,2	89,1	90,3	90,4	89,6	90,4	89,9	89,6	90,1	89,2	
5,5	89,5	89,6	88,0	89,5	89,6	88,0	89,5	89,6	88,0	89,5	90,3	89,9	89,7	90,0	89,0	89,6	89,6	88,0	
7,5	90,6	90,5	89,0	90,6	90,5	89,0	90,6	90,5	89,0	90,6	91,0	90,2	90,8	90,8	89,6	90,7	90,5	89,0	
11	91,8	92,3	91,5	91,8	92,3	91,5	91,8	92,3	91,5	91,8	92,3	91,9	92,2	92,5	91,8	92,3	92,4	91,5	
15	92,5	92,4	91,2	92,5	92,4	91,2	92,5	92,4	91,2	92,7	93,3	92,9	93,1	93,3	92,7	92,5	92,4	91,2	
18,5	92,6	93,1	92,4	92,6	93,1	92,4	92,6	93,1	92,4	92,6	93,2	93,0	92,9	93,3	92,8	92,9	93,1	92,4	
22	93,0	92,7	91,3	93,0	92,7	91,3	93,0	92,7	91,3	93,0	93,2	92,4	93,1	93,0	91,9	93,0	92,7	91,3	

* R = Reduced size of motor casing as compared to shaft extension and flange.

IXPS-mott-2p50-en_b_te

** Operating conditions to be referred to motor only. About electric pump, refer to limits in user's manual.

IXPS SERIES

THREE-PHASE MOTORS AT 50 Hz, 2 POLES (from 30 to 90 kW)

P _N kW	Manufacturer		IEC SIZE	Construction Design	N. of Poles	f _N Hz	Data for 400 V / 50 Hz Voltage				
	Model						cosφ	I _s / I _N	T _N Nm	T _s /T _N	T _m /T _N
	OMEGA MOTOR SANAYI A.S. Dudullu Organize Sanayi Bölgesi 2. Cadde No: 10 34775 Ümraniye İSTANBUL/TURKEY Reg. No. 913733										
30	3MAS 200LA2 B35 30KW E3		200	B35	2	50	0,88	7,8	97	2,6	3,1
37	3MAS 200LB2 B35 37KW E3		200				0,89	8,0	119	2,9	3,2
45	3MAS 225M2 B35 45KW E3		225				0,91	8,2	145	2,7	3,3
55	3MGS 250M2 B35 55KW E3		250				0,91	7,6	177	2,5	3,0
75	3MGS 280S2 B35 75KW E3		280				0,89	8,7	239	2,8	3,5
90	3MGS 280M2 B35 90KW E3		280				0,90	8,7	289	2,9	3,7

P _N kW	Voltage U _N V					n _N min ⁻¹	Operating conditions **		
	Δ			Y			Altitude Above Sea Level (m)	T. amb min/max °C	ATEX
	380 V	400 V	415 V	660 V	690 V				
	I _N (A)								
30	54,9	52,7	50,4	31,7	30,2	2965	≤ 1000	-20 / +50	No
37	67,6	64,0	61,8	39,0	36,7	2960			
45	79,8	75,9	72,6	46,0	44,5	2965			
55	97,3	92,5	88,3	56,2	54,2	2970			
75	134,0	128,0	123,7	77,4	74,5	2978			
90	158,4	152,0	146,7	91,5	88,1	2978			

P _N kW	Efficiency η _N %									IE
	Δ 380 V Y 660 V			Δ 400 V Y 690 V			Δ 415 V			
	4/4	3/4	2/4	4/4	3/4	2/4	4/4	3/4	2/4	
30	93,1	93,3	93,2	93,3	93,5	93,4	93,5	93,7	93,6	3
37	93,4	93,8	93,5	93,7	94,1	93,8	94,0	94,4	94,1	
45	93,8	94,0	93,4	94,0	94,2	93,6	94,2	94,4	93,8	
55	94,0	93,8	92,8	94,3	94,0	93,0	94,7	94,3	93,3	
75	94,6	94,7	94,1	94,7	94,8	94,2	94,8	94,9	94,3	
90	95,0	95,1	94,6	95,0	95,1	94,6	95,0	95,1	94,6	

** Operating conditions to be referred to motor only. About electric pump, refer to limits in user's manual.

IXPS-mott90-2p50-en_b_te

Note: Observe the regulations and codes locally in force regarding sorted waste disposal.

IXPF, IXPC SERIES

THREE-PHASE MOTORS AT 50 Hz, 4 POLES (from 1,1 to 15 kW)

P _N kW	Manufacturer		IEC SIZE	Construction Design	N. of Poles	f _N Hz	Data for 400 V / 50 Hz Voltage				
	Xylem Service Italia Srl Reg. No. 07520560967						cosφ	I _s / I _N	T _N Nm	T _s /T _N	T _m /T _N
	Montecchio Maggiore Vicenza - Italia										
	Model										
1,1	PLM490B3/311 E3		90	E3	4	50	0,71	6,22	7,3	2,75	3,44
1,5	PLM490B3/315 E3		90				0,68	6,92	9,9	3,29	4,01
2,2	PLM4100B3/322 E3		100				0,78	7,47	14,5	2,38	3,69
3	PLM4100B3/330 E3		100				0,74	7,75	19,7	2,48	4,21
4	PLM4112B3/340 E3		112				0,79	8,32	26,3	3,19	4,02
5,5	PLM4132B3/355 E3		132				0,76	7,64	35,9	2,85	3,65
7,5	PLM4132B3/375 E3		132				0,79	7,70	49,1	2,69	3,57
11	PLM4160B3/3110 E3		160				0,81	7,19	71,5	2,45	3,26
15	PLM4160B3/3150 E3		160				0,77	8,23	97,2	2,97	3,99

P _N kW	Voltage U _N V											n _N min ⁻¹	Operating conditions **		
	Δ			Y			Δ			Y			Altitude Above Sea Level (m)	T. amb min/max °C	ATEX
	220 V	230 V	240 V	380 V	400 V	415 V	380 V	400 V	415 V	660 V	690 V				
	I _N (A)														
1,1	4,61	4,59	4,62	2,66	2,65	2,67	2,64	2,63	2,65	1,53	1,52	1435 ÷ 1445	≤ 1000	-15 / 50	No
1,5	6,34	6,41	6,41	3,66	3,70	3,70	3,65	3,68	3,69	2,11	2,13	1440 ÷ 1450			
2,2	8,19	8,04	7,97	4,73	4,64	4,60	4,70	4,62	4,56	2,71	2,67	1445 ÷ 1455			
3	11,5	11,5	11,5	6,66	6,62	6,67	6,63	6,59	6,63	3,83	3,81	1450 ÷ 1460			
4	14,8	14,6	14,5	8,52	8,40	8,36	8,40	8,23	8,19	4,85	4,75	1445 ÷ 1455			
5,5	20,0	19,7	19,4	11,6	11,4	11,2	11,7	11,5	11,4	6,75	6,62	1455 ÷ 1465			
7,5	26,6	26,1	25,8	15,4	15,1	14,9	15,5	15,2	15,1	8,95	8,75	1450 ÷ 1460			
11	38,3	37,3	37,5	22,1	21,8	21,7	21,9	21,4	21,3	12,6	12,3	1465 ÷ 1470			
15	51,8	52,0	52,7	29,9	30,0	30,4	30,5	30,7	31,4	17,6	17,7	1465 ÷ 1475			

P _N kW	Efficiency η _N %																		IE
	Δ 220 V Y 380 V			Δ 230 V Y 400 V			Δ 240 V Y 415 V			Δ 380 V Y 660 V			Δ 400 V Y 690 V			Δ 415 V			
	4/4	3/4	2/4	4/4	3/4	2/4	4/4	3/4	2/4	4/4	3/4	2/4	4/4	3/4	2/4	4/4	3/4	2/4	
1,1	84,9	85,7	84,7	85,3	85,5	83,8	85,3	85,0	82,7	84,9	85,0	82,7	84,9	85,0	82,7	84,9	85,0	82,7	3
1,5	86,6	87,0	85,7	86,7	86,9	84,5	86,4	85,9	83,3	86,4	85,9	83,3	86,4	85,9	83,3	86,4	85,9	83,3	
2,2	87,6	88,6	88,3	88,2	88,8	87,9	88,5	88,7	87,4	87,6	88,6	87,4	87,6	88,6	87,4	87,6	88,6	87,4	
3	88,5	89,2	88,5	88,6	88,9	87,6	88,6	88,6	86,8	88,5	88,6	86,8	88,5	88,6	86,8	88,5	88,6	86,8	
4	88,6	89,1	87,9	88,6	89,1	87,9	88,6	89,1	87,9	88,6	89,2	88,9	88,6	89,2	88,4	88,8	89,1	87,9	
5,5	90,4	90,9	89,7	90,4	90,9	89,7	90,4	90,9	89,7	90,4	91,0	90,5	90,9	91,1	90,2	90,9	90,9	89,7	
7,5	90,4	91,2	90,4	90,4	91,2	90,4	90,4	91,2	90,4	90,4	91,2	91,1	90,7	91,3	90,8	90,9	91,2	90,4	
11	91,5	92,2	91,4	91,5	92,2	91,4	91,5	92,2	91,4	91,5	92,4	92,4	91,9	92,5	92,0	91,9	92,2	91,4	
15	92,2	92,2	90,8	92,2	92,2	90,8	92,2	92,2	90,8	92,5	93,0	92,7	92,5	92,7	91,8	92,2	92,2	90,8	

** Operating conditions to be referred to motor only. About electric pump, refer to limits in user's manual.

IXPF, IXPC SERIES

THREE-PHASE MOTORS AT 50 Hz, 4 POLES (from 18,5 to 110 kW)

P _N kW	Manufacturer		IEC SIZE	Construction Design	N. of Poles	f _N Hz	Data for 400 V / 50 Hz Voltage				
	OMEGA MOTOR SANAYI A.Ş. Dudullu Organize Sanayi Bölgesi 2. Cadde No: 10 34775 Ümraniye İSTANBUL/TURKEY Reg. No. 913733						cosφ	I _s / I _N	T _N Nm	T _s /T _N	T _m /T _N
	Model										
18,5	3MAS 180M4 B3 18.5kW E3		180	B3	4	50	0,81	7,10	119,6	2,80	3,10
22	3MAS 180L4 B3 22kW E3		180				0,81	7,20	142,8	2,60	3,20
30	3MAS 200L4 B3 30kW E3		200				0,87	7,50	194,3	2,60	3,10
37	3MAS 225S4 B3 37kW E3		225				0,86	7,50	238,2	2,60	3,10
45	3MAS 225M4 B3 45kW E3		225				0,85	7,60	289,5	2,70	3,10
55	3MGS 250M4 B3 55kW E3		250				0,86	7,50	353,5	2,80	3,00
75	3MGS 280S4 B3 75kW E3		280				0,84	7,30	481,7	2,70	2,90
90	3MGS 280M4 B3 90kW E3		280				0,85	7,00	577,6	2,70	2,90
110	3MGS 315S4 B3 110kW E3		315				0,85	8,00	704,5	2,70	3,50

P _N kW	Voltage U _N V					n _N min ⁻¹	Operating conditions **		
	Δ			Y			Altitude Above Sea Level (m)	T. amb min/max °C	ATEX
	380 V	400 V	415 V	660 V	690 V				
	I _N (A)								
18,5	37,20	35,60	35,00	21,50	20,90	1475	≤ 1000	-20/ +50	No
22	44,00	42,20	41,00	25,40	24,10	1478			
30	55,80	53,20	51,00	32,20	30,80	1482			
37	68,90	66,10	63,80	39,80	38,30	1480			
45	85,10	81,10	78,30	49,10	46,50	1484			
55	101,9	97,60	94,60	58,80	56,60	1487			
75	140,6	136,0	131,8	81,20	77,70	1488			
90	168,8	161,0	156,0	97,50	92,00	1488			
110	203,7	196,0	190,6	117,6	112,2	1490			

P _N kW	Efficiency η _N %									IE
	Δ 380 V Y 660 V			Δ 400 V Y 690 V			Δ 415 V			
	4/4	3/4	2/4	4/4	3/4	2/4	4/4	3/4	2/4	
18,5	92,4	92,8	92,5	92,6	93,0	92,7	92,9	93,3	93,0	3
22	92,8	93,3	93,1	93,0	93,5	93,3	93,3	93,8	93,6	
30	93,4	94,0	94,1	93,6	94,2	94,3	94,0	94,6	94,7	
37	93,7	94,2	94,0	93,9	94,4	94,2	94,1	94,6	94,4	
45	94,0	94,5	94,2	94,2	94,7	94,4	94,4	94,9	94,6	
55	94,5	94,9	94,7	94,6	95,0	94,8	94,7	95,1	94,9	
75	95,0	95,4	95,1	95,0	95,4	95,1	95,1	95,5	95,2	
90	95,1	95,3	94,7	95,2	95,4	94,8	95,3	95,5	94,9	
110	95,3	95,7	95,5	95,4	95,8	95,6	95,3	95,7	95,5	

** Operating conditions to be referred to motor only. About electric pump, refer to limits in user's manual.

IXPF-mott110-4p50-en_b_te

IXPS SERIES

THREE-PHASE MOTORS AT 50 Hz, 4 POLES (from 1,1 to 15 kW)

P _N kW	Manufacturer		IEC SIZE	Construction Design	N. of Poles	f _N Hz	Data for 400 V / 50 Hz Voltage							
	Xylem Service Italia Srl Reg. No. 07520560967 Montecchio Maggiore Vicenza - Italia						cosφ	I _s / I _N	T _N Nm	T _s /T _N	T _m /T _N			
	Model													
1,1	PLM490B5/311 E3		90	B5	4	50	0,71	6,22	7,28	2,75	3,44			
1,5	PLM490B5/315 E3		90				0,68	6,92	9,89	3,29	4,01			
2,2	PLM4100B5/322 E3		100				0,78	7,47	14,5	2,38	3,69			
3	PLM4100B5/330 E3		100				0,74	7,75	19,7	2,48	4,21			
4	PLM4112B5/340 E3		112				0,79	8,32	26,3	3,19	4,02			
5,5	PLM4132B5/355 E3		132				0,76	7,64	35,9	2,85	3,65			
7,5	PLM4132B5/375 E3		132				0,79	7,70	49,1	2,69	3,57			
11	PLM4160B35/3110 E3		160				B35			0,81	7,19	71,5	2,45	3,26
15	PLM4160B35/3150 E3		160							0,77	8,23	97,2	2,97	3,99

P _N kW	Voltage U _N V											n _N min ⁻¹	Operating conditions **		
	Δ			Y			Δ			Y			Altitude Above Sea Level (m)	T. amb min/max °C	ATEX
	220 V	230 V	240 V	380 V	400 V	415 V	380 V	400 V	415 V	660 V	690 V				
	I _N (A)														
1,1	4,6	4,6	4,6	2,7	2,7	2,7	2,6	2,6	2,7	1,5	1,5	1435 ÷ 1445	≤ 1000	-15 / 50	No
1,5	6,3	6,4	6,4	3,7	3,7	3,7	3,7	3,7	3,7	2,1	2,1	1440 ÷ 1450			
2,2	8,2	8,0	8,0	4,7	4,6	4,6	4,7	4,6	4,6	2,7	2,7	1445 ÷ 1455			
3	11,5	11,5	11,5	6,7	6,6	6,7	6,6	6,6	6,6	3,8	3,8	1450 ÷ 1460			
4	14,8	14,6	14,5	8,5	8,4	8,4	8,4	8,2	8,2	4,9	4,8	1445 ÷ 1455			
5,5	20,0	19,7	19,4	11,6	11,4	11,2	11,7	11,5	11,4	6,8	6,6	1455 ÷ 1465			
7,5	26,6	26,1	25,8	15,4	15,1	14,9	15,5	15,2	15,1	9,0	8,8	1450 ÷ 1460			
11	38,3	37,3	37,5	22,1	21,8	21,7	21,9	21,4	21,3	12,6	12,3	1465 ÷ 1470			
15	51,8	52,0	52,7	29,9	30,0	30,4	30,5	30,7	31,4	17,6	17,7	1465 ÷ 1475			

P _N kW	Efficiency η _N %																		IE
	Δ 220 V Y 380 V			Δ 230 V Y 400 V			Δ 240 V Y 415 V			Δ 380 V Y 660 V			Δ 400 V Y 690 V			Δ 415 V			
	4/4	3/4	2/4	4/4	3/4	2/4	4/4	3/4	2/4	4/4	3/4	2/4	4/4	3/4	2/4	4/4	3/4	2/4	
1,1	84,9	85,7	84,7	85,3	85,5	83,8	85,3	85,0	82,7	84,9	85,0	82,7	84,9	85,0	82,7	84,9	85,0	82,7	3
1,5	86,6	87,0	85,7	86,7	86,9	84,5	86,4	85,9	83,3	86,4	85,9	83,3	86,4	85,9	83,3	86,4	85,9	83,3	
2,2	87,6	88,6	88,3	88,2	88,8	87,9	88,5	88,7	87,4	87,6	88,6	87,4	87,6	88,6	87,4	87,6	88,6	87,4	
3	88,5	89,2	88,5	88,6	88,9	87,6	88,6	88,6	86,8	88,5	88,6	86,8	88,5	88,6	86,8	88,5	88,6	86,8	
4	88,6	89,1	87,9	88,6	89,1	87,9	88,6	89,1	87,9	88,6	89,2	88,9	88,6	89,2	88,4	88,8	89,1	87,9	
5,5	90,4	90,9	89,7	90,4	90,9	89,7	90,4	90,9	89,7	90,4	91,0	90,5	90,9	91,1	90,2	90,9	90,9	89,7	
7,5	90,4	91,2	90,4	90,4	91,2	90,4	90,4	91,2	90,4	90,4	91,2	91,1	90,7	91,3	90,8	90,9	91,2	90,4	
11	91,5	92,2	91,4	91,5	92,2	91,4	91,5	92,2	91,4	91,5	92,4	92,4	91,9	92,5	92,0	91,9	92,2	91,4	
15	92,2	92,2	90,8	92,2	92,2	90,8	92,2	92,2	90,8	92,5	93,0	92,7	92,5	92,7	91,8	92,2	92,2	90,8	

** Operating conditions to be referred to motor only. About electric pump, refer to limits in user's manual.

IXPS-mott-4p50-en_b_te

IXPS SERIES

THREE-PHASE MOTORS AT 50 Hz, 4 POLES (from 18,5 to 90 kW)

P _N kW	Manufacturer		IEC SIZE	Construction Design	N. of Poles	f _N Hz	Data for 400 V / 50 Hz Voltage				
	Model						cosφ	I _s / I _N	T _N Nm	T _s /T _N	T _m /T _N
18,5	3MAS 180M4 B35 18.5kW E3		180	B35	4	50	0,81	7,10	119,6	2,80	3,10
22	3MAS 180L4 B35 22kW E3		180				0,81	7,20	142,8	2,60	3,20
30	3MAS 200L4 B35 30kW E3		200				0,87	7,50	194,3	2,60	3,10
37	3MAS 225S4 B35 37kW E3		225				0,86	7,50	238,2	2,60	3,10
45	3MAS 225M4 B35 45kW E3		225				0,85	7,60	289,5	2,70	3,10
55	3MGS 250M4 B35 55kW E3		250				0,86	7,50	353,5	2,80	3,00
75	3MGS 280S4 B35 75kW E3		280				0,84	7,30	481,7	2,70	2,90
90	3MGS 280M4 B35 90kW E3		280				0,85	7,00	577,6	2,70	2,90

P _N kW	Voltage U _N V					n _N min ⁻¹	Operating conditions **		
	Δ			Y			Altitude Above Sea Level (m)	T. amb min/max °C	ATEX
	380 V	400 V	415 V	660 V	690 V				
	I _N (A)								
18,5	37,20	35,60	35,00	21,50	20,90	1475	≤ 1000	-20 / +50	No
22	44,00	42,20	41,00	25,40	24,10	1478			
30	55,80	53,20	51,00	32,20	30,80	1482			
37	68,90	66,10	63,80	39,80	38,30	1480			
45	85,10	81,10	78,30	49,10	46,50	1484			
55	101,9	97,60	94,60	58,80	56,60	1487			
75	140,6	136,0	131,8	81,20	77,70	1488			
90	168,8	161,0	156,0	97,50	92,00	1488			

P _N kW	Efficiency η _N %									IE
	Δ 380 V Y 660 V			Δ 400 V Y 690 V			Δ 415 V			
	4/4	3/4	2/4	4/4	3/4	2/4	4/4	3/4	2/4	
18,5	92,4	92,8	92,5	92,6	93,0	92,7	92,9	93,3	93,0	3
22	92,8	93,3	93,1	93,0	93,5	93,3	93,3	93,8	93,6	
30	93,4	94,0	94,1	93,6	94,2	94,3	94,0	94,6	94,7	
37	93,7	94,2	94,0	93,9	94,4	94,2	94,1	94,6	94,4	
45	94,0	94,5	94,2	94,2	94,7	94,4	94,4	94,9	94,6	
55	94,5	94,9	94,7	94,6	95,0	94,8	94,7	95,1	94,9	
75	95,0	95,4	95,1	95,0	95,4	95,1	95,1	95,5	95,2	
90	95,1	95,3	94,7	95,2	95,4	94,8	95,3	95,5	94,9	

** Operating conditions to be referred to motor only. About electric pump, refer to limits in user's manual.

IXPS-mott90-4p50-en b te

IXPF, IXPC SERIES THREE-PHASE MOTORS AT 50 Hz, 6 POLES

P _N kW	Manufacturer		IEC SIZE	Construction Design	N. of Poles	f _N Hz	Data for 400 V / 50 Hz Voltage				
	WEG Equipamentos Eletricos S.A. Reg. No. 07.175.725/0010-50 Jaragua do Sul - SC (Brazil)						cosφ	I _s / I _N	T _N Nm	T _s /T _N	T _m /T _N
	Model										
1,1	W22 90L B3 1,1KW		90	B3	6	50	0,73	11,1	5,5	2,5	2,8
1,5	W22 100L B3 1,5KW		100				0,71	15,0	5,5	2,7	2,7
2,2	W22 112M B3 2,2KW		112				0,72	21,9	6,0	2,5	2,6

P _N kW	Manufacturer		IEC SIZE	Construction Design	N. of Poles	f _N Hz	Data for 400 V / 50 Hz Voltage				
	OMEGA MOTOR SANAYI A.S. Dudullu Organize Sanayi Bölgesi 2. Cadde No: 10 34775 Ümraniye ISTANBUL/TURKEY Reg. No. 913733						cosφ	I _s / I _N	T _N Nm	T _s /T _N	T _m /T _N
	Model										
3	3MAS 132S6 B3 3KW E3		132	B3	6	50	0,72	5,2	30,0	2,0	2,8
4	3MAS 132MA6 B3 4KW E3		132				0,75	6,0	39,0	2,6	3,4
5,5	3MAS 132MB6 B3 5,5KW E3		132				0,73	5,7	54,0	2,4	3,1
7,5	3MAS 160M6 B3 7,5KW E3		160				0,73	6,5	74,0	2,1	3,4
11	3MAS 160L6 B3 11KW E3		160				0,78	6,9	108,0	2,0	3,2
15	3MAS 180L6 B3 18,5KW E3		180				0,77	6,9	147,0	2,6	3,2
18,5	3MAS 200LA6 B3 18,5KW E3		200				0,78	6,4	180,0	2,3	3,2
22	3MAS 200LB6 B3 22KW E3		200				0,79	6,7	214,0	2,5	2,9
30	3MAS 225M6 B3 30KW E3		225				0,77	6,9	291,0	2,4	2,9

P _N kW	Voltage U _N V										n _N min ⁻¹	Operating conditions **			
	Δ			Y			Δ			Y		Altitude Above Sea Level (m)	T. amb min/max °C	ATEX	
	220 V	230 V	240 V	380 V	400 V	415 V	380 V	400 V	415 V	660 V					690 V
	I _N (A)														
1,1	4,89	4,68	4,48	2,83	2,69	2,59	2,83	2,69	2,59	1,63	1,56	945	≤ 1000	-20 / 40	No
1,5	6,73	6,43	6,17	3,89	3,70	3,57	3,89	3,70	3,57	2,24	2,14	955			
2,2	9,62	9,20	8,82	5,57	5,29	5,10	5,57	5,29	5,10	3,21	3,07	960			
3	12,3	12,1	12,3	7,10	6,93	7,10	7,10	7,00	7,10	4,10	4,00	965			
4	15,6	15,4	15,6	9,01	9,18	9,00	9,00	8,90	9,00	5,20	5,30	965			
5,5	21,3	21,5	22,3	12,3	12,5	12,9	12,3	12,4	12,9	7,10	7,20	965			
7,5	28,6	28,8	29,8	16,5	16,3	17,2	16,5	16,6	17,2	9,50	9,40	975			
11	39,7	39,0	39,0	22,9	22,9	22,5	22,9	22,5	22,5	13,2	13,2	975			
15	54,7	53,3	53,0	31,5	30,1	30,6	31,6	30,8	30,6	18,2	17,4	977			
18,5	67,2	64,6	64,1	38,8	37,4	37,0	38,8	37,3	37,0	22,4	21,6	980			
22	77,4	75,5	74,8	44,7	44,3	43,2	44,7	43,6	43,2	25,8	25,6	980			
30	107	105	105	61,7	60,8	60,8	61,6	60,5	60,8	35,6	35,1	985			

P _N kW	Efficiency η _N %																		IE
	Δ 220 V			Δ 230 V			Δ 240 V			Δ 380 V			Δ 400 V			Δ 415 V			
	Y 380 V			Y 400 V			Y 415 V			Y 660 V			Y 690 V						
	4/4	3/4	2/4	4/4	3/4	2/4	4/4	3/4	2/4	4/4	3/4	2/4	4/4	3/4	2/4	4/4	3/4	2/4	
1,1	81,0	82,0	81,0	81,0	81,4	79,3	81,0	80,7	77,7	81,0	82,0	81,0	81,0	81,4	79,3	81,0	80,7	77,7	3
1,5	82,5	82,6	82,3	82,5	82,5	81,5	82,8	82,3	80,6	82,5	82,6	82,3	82,5	82,5	81,5	82,8	82,3	80,6	
2,2	84,3	84,4	83,6	84,5	84,5	83,0	84,7	84,3	82,3	84,3	84,4	83,6	84,5	84,5	83,0	84,7	84,3	82,3	
3	85,6	86,0	85,7	85,4	85,8	85,5	85,8	86,2	85,9	85,6	86,0	85,7	85,4	85,8	85,5	85,8	86,2	85,9	
4	86,8	87,0	86,9	86,6	86,8	86,7	86,9	87,1	87,0	86,8	87,0	86,9	86,6	86,8	86,7	86,9	87,1	87,0	
5,5	88,0	88,9	88,4	88,2	89,1	88,6	87,7	88,6	88,1	88,0	88,9	88,4	88,2	89,1	88,6	87,7	88,6	88,1	
7,5	89,1	89,5	89,2	89,3	89,7	89,4	88,7	89,1	88,8	89,1	89,5	89,2	89,3	89,7	89,4	88,7	89,1	88,8	
11	90,3	90,8	90,5	90,2	90,7	90,4	90,2	90,7	90,4	90,3	90,8	90,5	90,2	90,7	90,4	90,2	90,7	90,4	
15	91,2	91,9	91,4	90,9	91,6	91,1	91,5	92,2	91,7	91,2	91,9	91,4	90,9	91,6	91,1	91,5	92,2	91,7	
18,5	91,7	91,9	91,6	91,5	91,7	91,4	91,8	92,0	91,7	91,7	91,9	91,6	91,5	91,7	91,4	91,8	92,0	91,7	
22	92,2	92,8	92,3	92,1	92,7	92,2	92,3	92,9	92,4	92,2	92,8	92,3	92,1	92,7	92,2	92,3	92,9	92,4	
30	92,9	93,4	93,2	92,9	93,4	93,2	92,7	93,2	93,0	92,9	93,4	93,2	92,9	93,4	93,2	92,7	93,2	93,0	

** Operating conditions to be referred to motor only. About electric pump, refer to limits in user's manual.

IXPF-mott15-6p50-en_a_te

e-IXP SERIES

AVAILABLE VOLTAGES FOR PLM MOTORS

P _N kW	THREE-PHASE																	
	50/60 Hz			50 Hz									60 Hz					
	3 x 230/400 50 Hz	3 x 265/460 60 Hz	3 x 400/690 50 Hz 3 x 460/- 60 Hz	3 x 220-230-240/380-400-415	3 x 380-400-415/660-690	3 x 200-208/346-360	3 x 255-265/440-460	3 x 290-300/500-525	3 x 440-460/-	3 x 500-525/-	3 x 220-230/380-400	3 x 255-265-277/440-460-480	3 x 380-400/660-690	3 x 440-460-480/-	3 x 110-115/190-200	3 x 200-208/346-360	3 x 330-346/575-600	3 x 575/-
1,1	s	o	o	o	o	o	o	o	o	o	s	o	o	o	o	o	o	
1,5	s	o	o	o	o	o	o	o	o	o	s	o	o	o	o	o	o	
2,2	s	o	o	o	o	o	o	o	o	o	s	o	o	o	o	o	o	
3	s	o	o	o	o	o	o	o	o	o	s	o	o	o	o	o	o	
4	o	s	o	o	o	o	o	o	o	o	s	o	o	o	o	o	o	
5,5	o	s	o	o	o	o	o	o	o	o	s	o	o	o	o	o	o	
7,5	o	s	o	o	o	o	o	o	o	o	s	o	o	o	o	o	o	
11	o	s	o	o	o	o	o	o	o	o	s	o	o	o	o	o	o	
15	o	s	o	o	o	o	o	o	o	o	s	o	o	o	o	o	o	
18,5	o	s	o	o	o	o	o	o	o	o	s	o	o	o	o	o	o	
22	o	s	o	o	o	o	o	o	o	o	s	o	o	o	o	o	o	

s = Standard voltage

o = Voltage upon request

- = Not available

IXP-volt-low-a-en_a_te

For higher power motors special voltages available on request.

SOUND PRESSURE LEVELS

The tables below show the mean sound pressure levels (L_p) measured at 1 meter distance in a free field according to EN ISO 11203. The noise values are measured on 50 Hz motors and have a tolerance of 3 dB (A) according to EN ISO 4871.

PUMP WITHOUT MOTOR

PUMP POWER [kW]	SPEED [RPM]	
	2950 [dBA]	1450 [dBA]
2.2	57.2	56.2
3	58.6	57.7
4	60	59.1
5.5	61.5	60.5
7.5	62.9	62
11	64.8	63.8
15	66.2	65.3
18.5	67.2	66.3
22	68.1	67.1
30	69.5	68.6
37	70.5	69.6
45	71.5	70.5
55	72.4	71.4
75	73.8	72.9
90	74.8	73.8
110	75.7	74.7
132	76.5	75.6
160	77.4	
200	78.5	

PUMP WITH MOTOR

PUMP POWER [kW]	SPEED [RPM]	
	2950 [dBA]	1450 [dBA]
2.2	63.2	57.9
3	67.6	59.0
4	65.5	60.8
5.5	68.1	61.8
7.5	68.4	63.0
11	69.0	65.6
15	69.6	66.7
18.5	70.1	67.7
22	70.6	68.8
30	71.8	69.7
37	73.8	73.4
45	74.8	71.6
55	76.9	72.7
75	78.7	74.1
90	79.7	74.8
110	80.0	76.6
132	80.9	77.2
160	81.3	
200	82.3	

IXP-en_a_tr

e-IXP SERIES PUMPS (ErP 2009/125/EC)

With the **Regulation (EU) N. 547/2012**, the European Commission has established the requirements of ecodesign for some typologies of **pumps** used for pumping **clean water**, placed on the market and operated as stand-alone units or as parts of other products.

For end-suction close-coupled pumps (ESCC for the Regulation) the requirements refers to:

- just the pump and not the pump and motor assembly (electric or combustion);
- pumps with:
 - just one impeller;
 - a nominal pressure PN not higher than 16 bar (1600 kPa);
 - a minimum nominal flow not less than 6 m³/h;
 - a maximum nominal power at the shaft not higher than 150 kW;
 - a speed of 2900 min⁻¹ (for electric pumps this means 50 Hz 2-pole electric motors) and with a head not greater than 140 metres;
 - a speed of 1450 min⁻¹ (for electric pumps this means 50 Hz 4-pole electric motors) and with a head not greater than 90 metres;
- use with clean water at a temperature ranging from -10°C to 120°C (the test is performed with cold water at a temperature not higher than 40°C).

This regulation states that water pumps shall have index MEI coming from a dedicated formula which considers hydraulic efficiency values at 'best efficiency point' (BEP), 75 % of the flow at BEP (Part load – PL) and 110 % of the flow at BEP (Over load – OL).

The Regulation also establishes the following deadline:

from	minimum efficiency index (MEI)
1 st January 2015	MEI ≥ 0,4

Regulation (EU) n. 547/2012 – Annex II – point 2 (Product information requirements)

- 1) Minimum efficiency index: see MEI values in specific tables on following page.
- 2) The benchmark for most efficient water pumps is MEI ≥ 0,70.
- 3) Year of manufacture: see date on rating plate (≥ 2020).
- 4) Manufacturer: Xylem Service Italia Srl - Via dott. Vittorio Lombardi 14, 36075 Montecchio Maggiore (VI), Italia - Reg. No 07520560967.
- 5) Product type: see the Model column in the tables in the *List of models* section.
- 6) Hydraulic pump efficiency with trimmed impeller: see the *Operating Characteristics* graphs in the following pages.
- 7) Pump performance curves, including the performance curve: see the *Operating Characteristics* graphs in the following pages.
- 8) The efficiency of a pump with a trimmed impeller is usually lower than that of a pump with the full impeller diameter. The trimming of the impeller will adapt the pump to a fixed duty point, leading to reduced energy consumption. The minimum efficiency index (MEI) is based on the full impeller diameter.
- 9) The operation of this water pump with variable duty points may be more efficient and economic when controlled, for example, by the use of a variable speed drive that matches the pump duty to the system.
- 10) Information relevant for disassembly, recycling or disposal at end-of-life: observe the current laws and by-laws governing sorted waste disposal. Consult the product operating manual.
- 11) "Designed for use below – 10 °C only": note not applicable to these products.
- 12) "Designed for use above 120 °C only": note not applicable to these products.
- 13) Specific instructions for pumps as per points 11 and 12: not applicable to these products.
- 14) "Information on benchmark efficiency is available at": www.europump.org (Ecodesign section).
- 15) The benchmark efficiency graphs with MEI = 0.7 and MEI = 0.4 are available at www.europump.org, (Ecodesign, Efficiency charts). Refer to "ESCC 1450 rpm", "ESCC 2900 rpm".

e-IXP SERIES
MINIMUM EFFICIENCY INDEX (MEI)

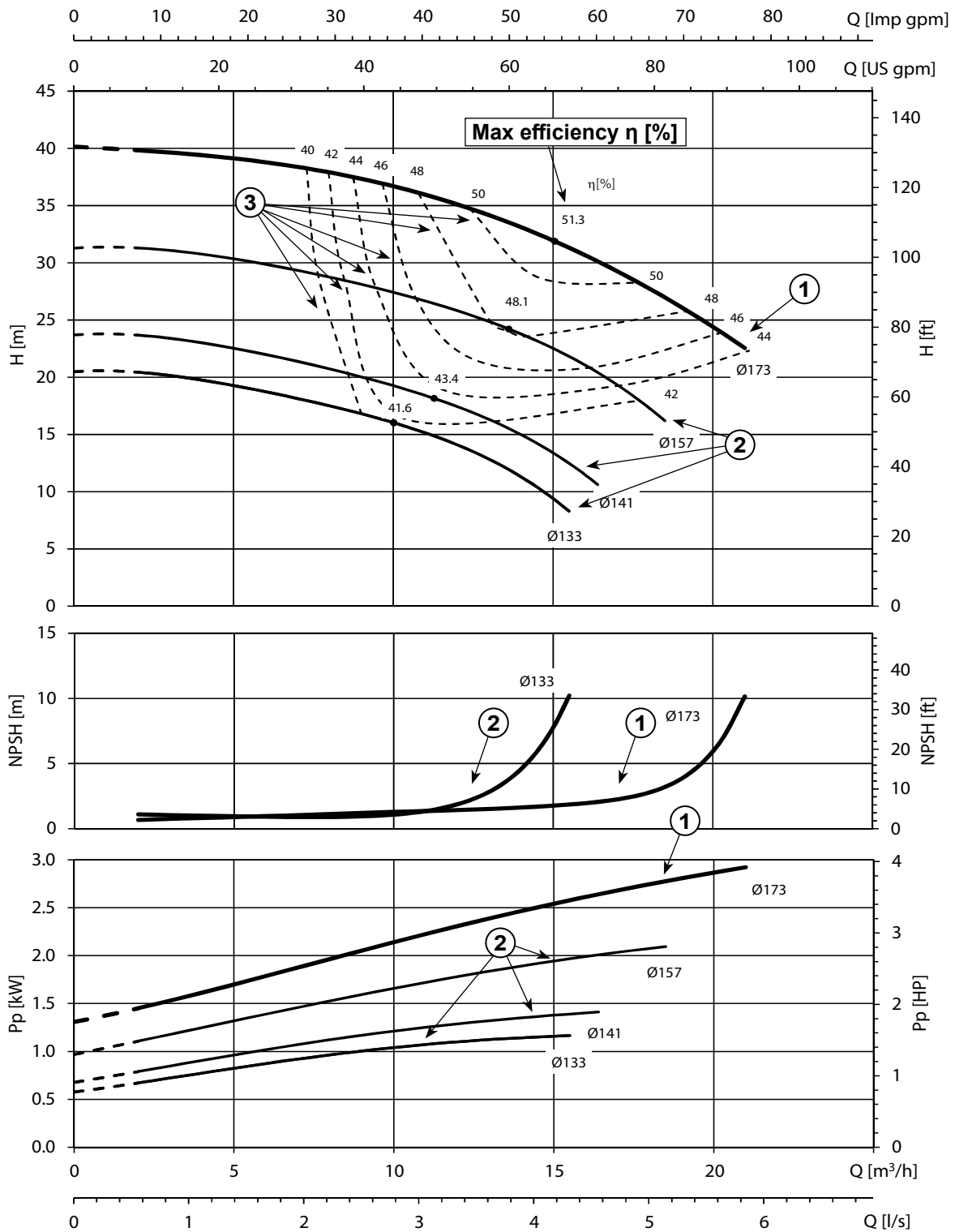
PUMP SIZE (1)	2-POLE	
	e-IXPC, e-IXP e-IXPF	e-IXPS
40-25-160	0,44	0,50
40-25-200	>0,70	>0,70
50-32-160	0,40	0,29
50-32-200	0,47	0,54
50-32-250	0,46	0,53
65-50-160	0,60	0,67
65-40-200	0,59	0,66
65-40-250	0,56	0,63
65-40-315	0,48	0,54
80-65-125	0,64	>0,70
80-65-160	0,69	>0,70
80-50-200	>0,70	>0,70
80-50-250	0,64	>0,70
80-50-315	0,49	0,55
100-80-125	0,59	0,65
100-80-160	0,52	0,59
100-65-200	0,56	0,63
100-65-250	>0,70	>0,70
100-65-315	0,62	0,68
125-80-160	0,57	0,64
125-80-200	0,61	0,68
125-80-250	>0,70	>0,70
125-80-315	0,67	>0,70
125-80-400	---	---
125-100-160	0,68	>0,70
125-100-200	0,59	0,66
125-100-250	0,48	0,54
125-100-315	0,60	---
125-100-400	---	---
150-125-200	0,59	0,65
150-125-250	>0,70	>0,70
150-125-315	---	---
150-125-400	---	---
200-150-200	---	---
200-150-250	---	---
200-150-315	---	---
200-150-400	---	---
250-200-250	---	---
250-200-315	---	---
300-250-315	---	---

PUMP SIZE (1)	4-POLE	
	e-IXPC, e-IXP e-IXPF	e-IXPS
40-25-160	0,4	0,4
40-25-200	0,64	0,69
50-32-160	0,4	0,4
50-32-200	0,4	0,4
50-32-250	0,40	0,4
65-50-160	0,4	0,4
65-40-200	0,51	0,56
65-40-250	0,4	0,4
65-40-315	0,51	0,56
80-65-125	0,4	0,4
80-65-160	0,4	0,41
80-50-200	0,4	0,4
80-50-250	0,4	0,4
80-50-315	0,6	0,64
100-80-125	0,44	0,48
100-80-160	0,4	0,4
100-65-200	0,57	0,62
100-65-250	0,52	0,57
100-65-315	0,4	0,4
125-80-160	0,4	0,4
125-80-200	0,64	0,69
125-80-250	>0,70	>0,70
125-80-315	0,49	0,53
125-80-400	>0,70	>0,70
125-100-160	0,63	0,68
125-100-200	0,57	0,62
125-100-250	0,4	0,44
125-100-315	0,64	0,69
125-100-400	0,5	0,55
150-125-200	0,5	0,55
150-125-250	0,65	0,7
150-125-315	>0,70	>0,70
150-125-400	>0,70	>0,70
200-150-200	0,62	0,67
200-150-250	0,64	0,68
200-150-315	0,61	0,65
200-150-400	>0,70	>0,70
250-200-250	0,65	>0,70
250-200-315	0,51	0,56
300-250-315	>0,70	>0,70

(1) MEI referred to full impeller diameter

IXP-MEI-en_a_sc

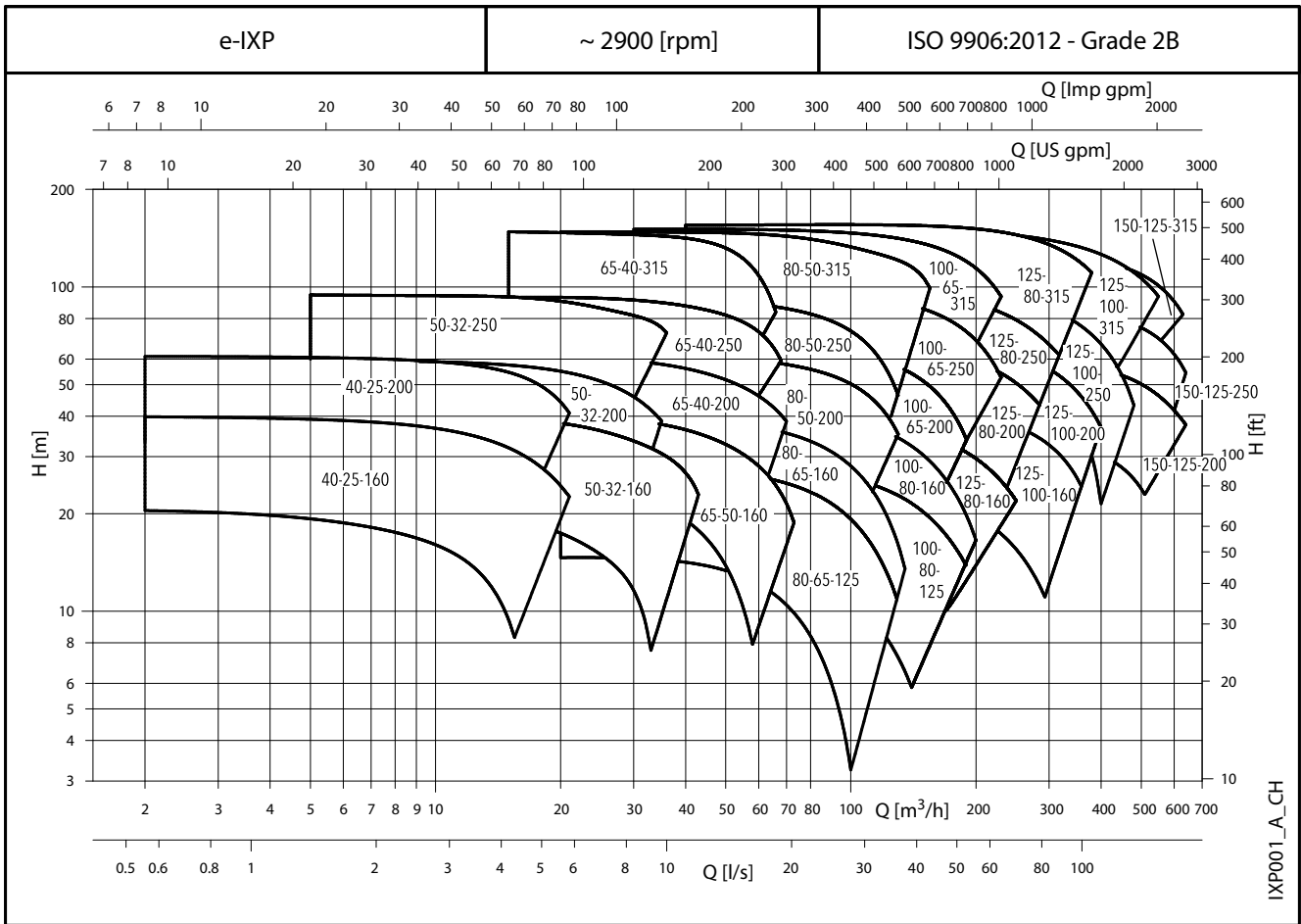
e-IXP SERIES IDENTIFICATION OF GRAPH



REF	TYPE	DESCRIPTION
①		Full Diameter impeller operating range
②		Trimmed diameter impeller operating range
③		Isoefficiency curves

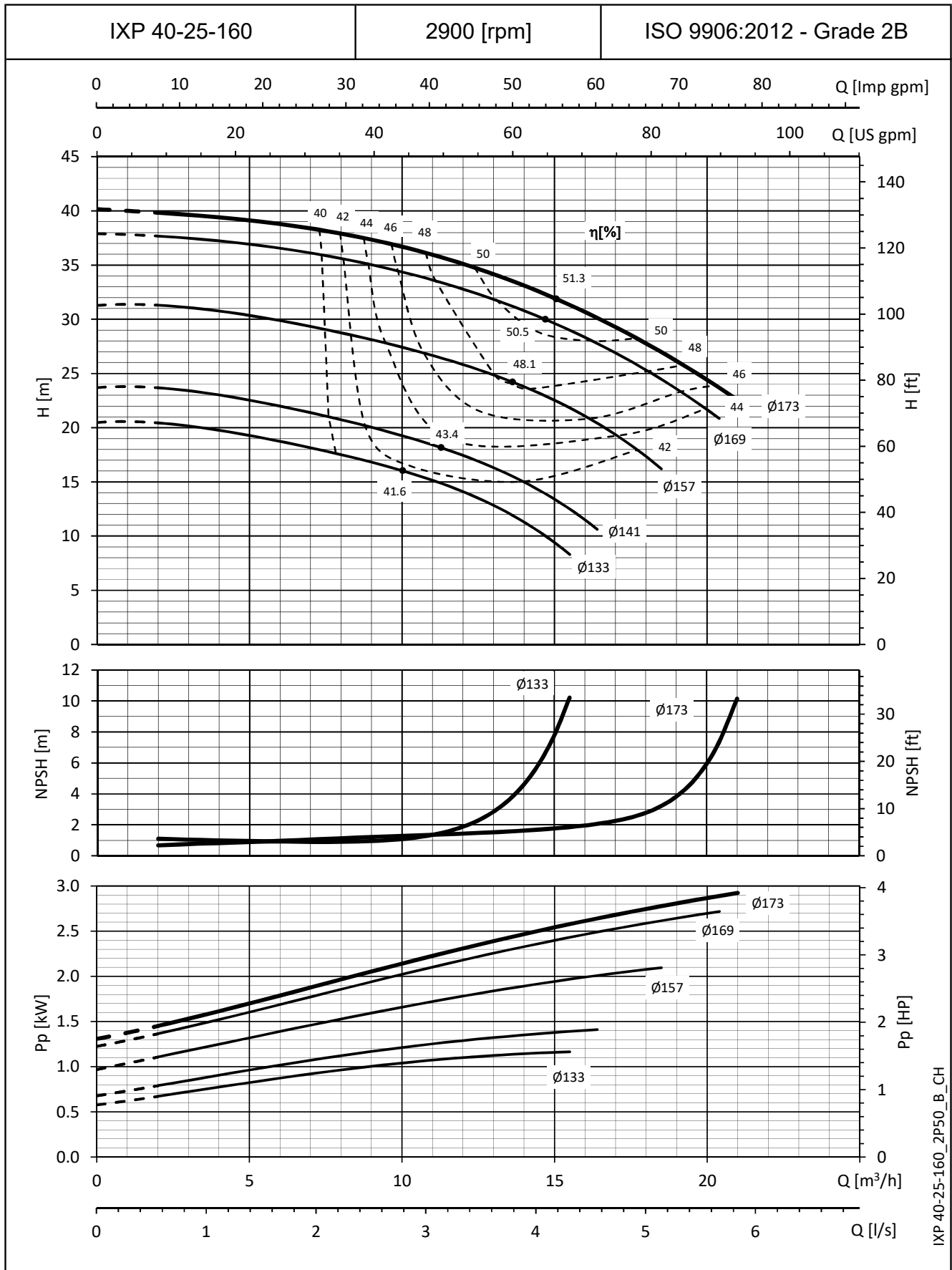
e-IXP SERIES

HYDRAULIC PERFORMANCE RANGE AT 50 Hz, 2 POLES



e-IXP SERIES

OPERATING CHARACTERISTICS AT 50 Hz, 2 POLES

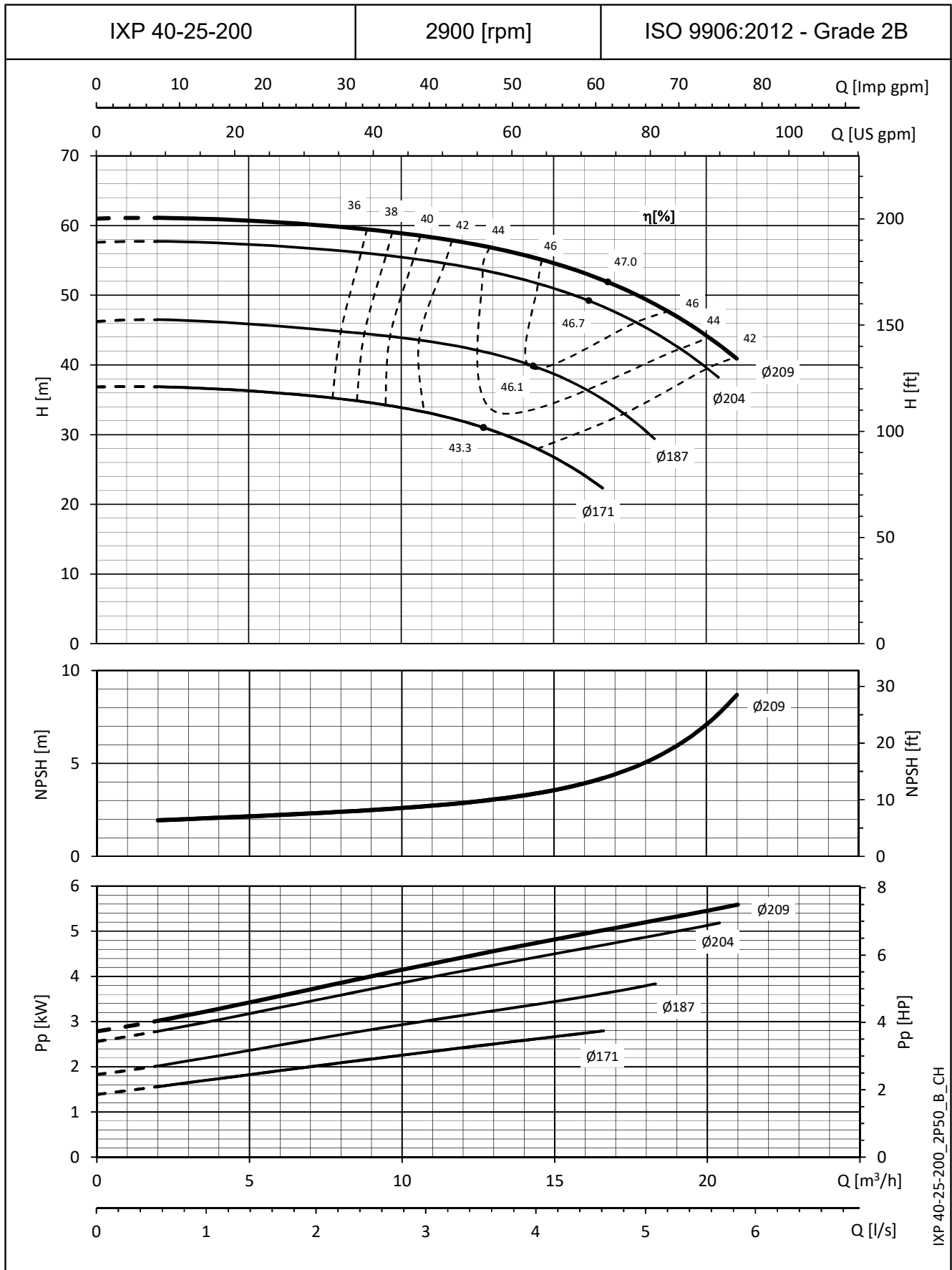


IXP 40-25-160_2P50_B_CH

The NPSH values are laboratory values; for practical use we suggest increasing these values by 0,5 m.
 These performances are valid for liquids with density $\rho = 1,0 \text{ Kg/dm}^3$ and kinematic viscosity $\nu = 1 \text{ mm}^2/\text{sec}$.

e-IXP SERIES

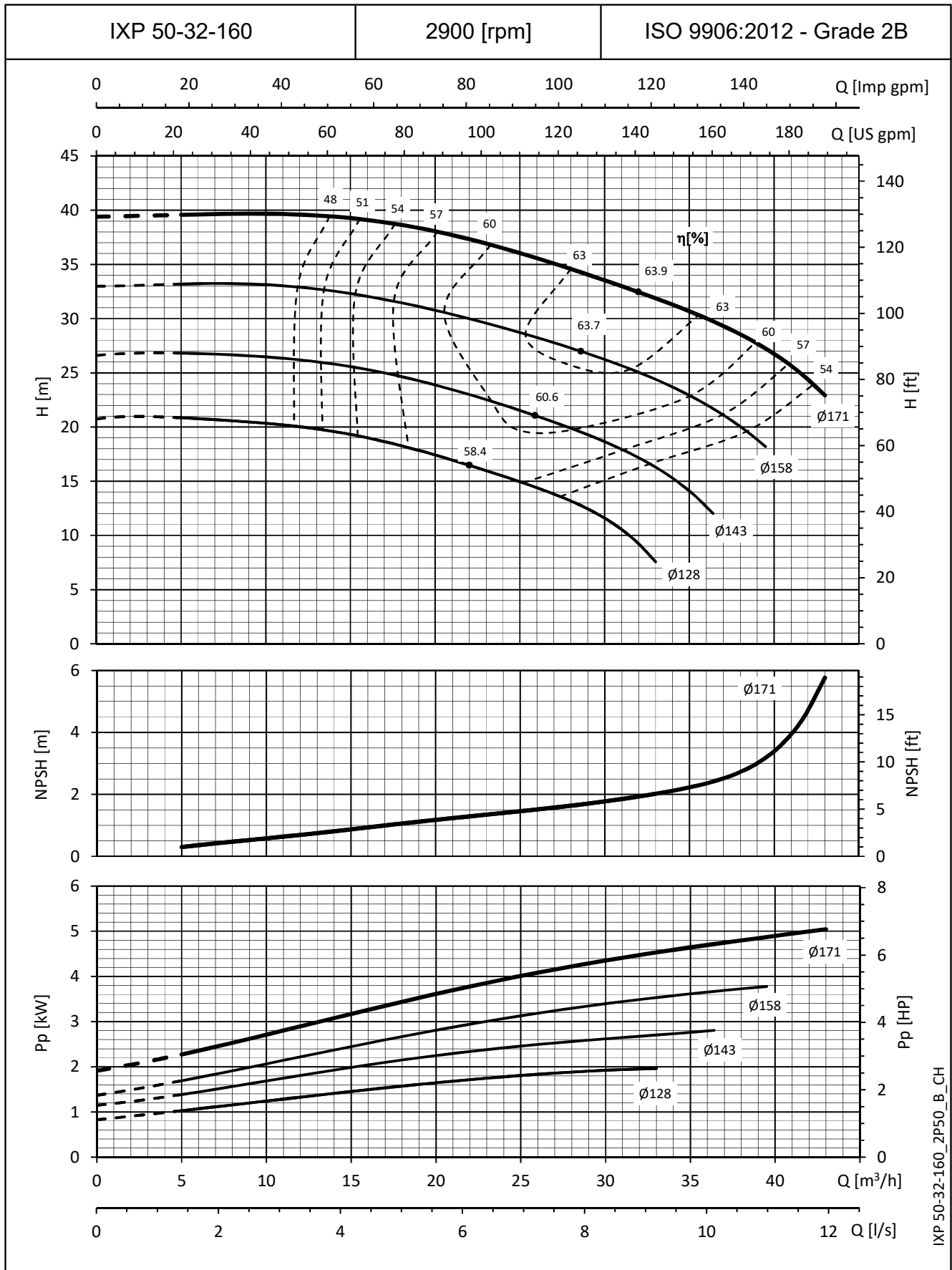
OPERATING CHARACTERISTICS AT 50 Hz, 2 POLES



The NPSH values are the same from maximum to minimum impeller diameter.
 The NPSH values are laboratory values; for practical use we suggest increasing these values by 0,5 m.
 These performances are valid for liquids with density $\rho = 1,0 \text{ Kg/dm}^3$ and kinematic viscosity $\nu = 1 \text{ mm}^2/\text{sec}$.

e-IXP SERIES

OPERATING CHARACTERISTICS AT 50 Hz, 2 POLES

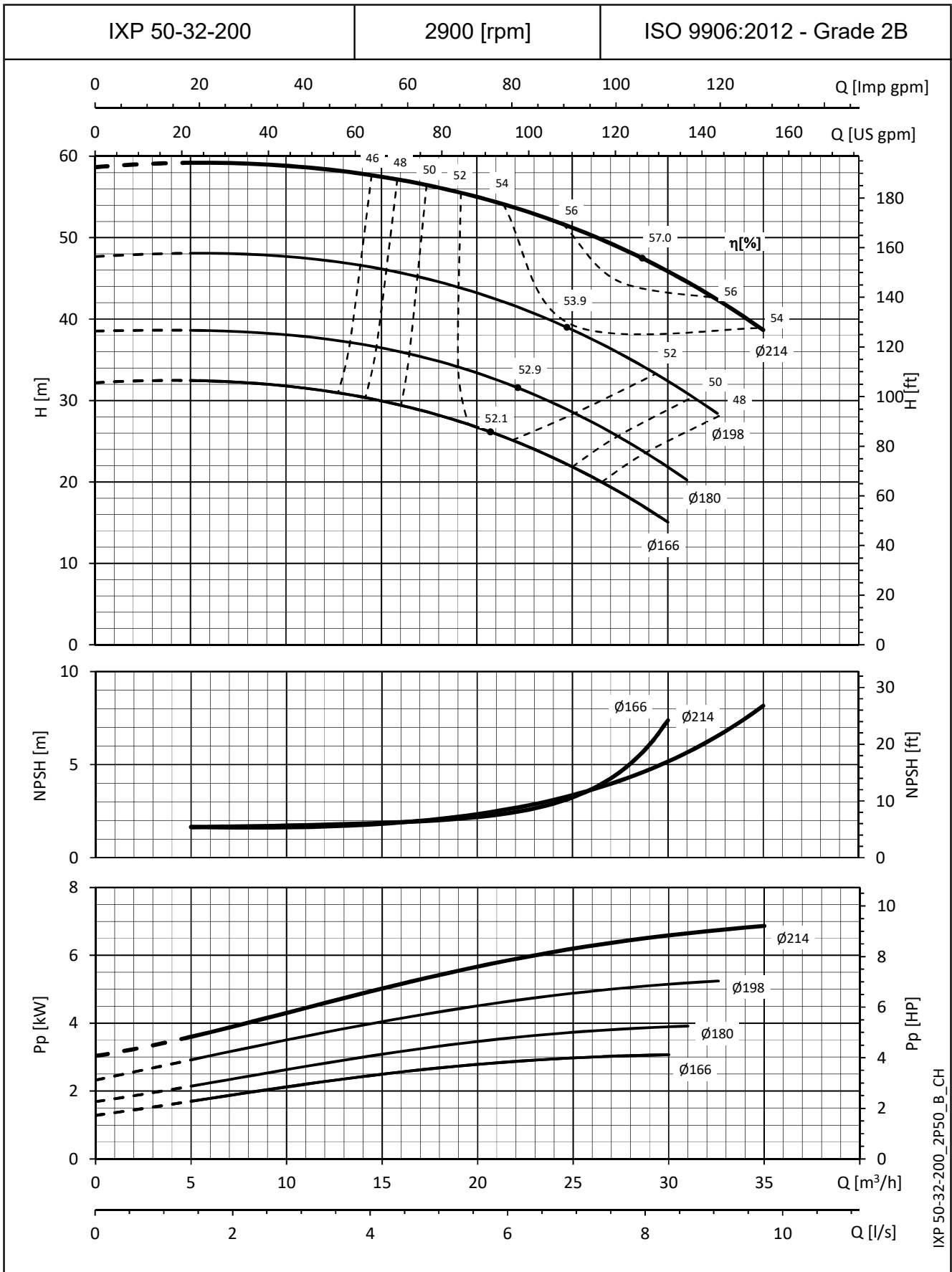


IXP 50-32-160_2P50_B_CH

The NPSH values are the same from maximum to minimum impeller diameter.
 The NPSH values are laboratory values; for practical use we suggest increasing these values by 0,5 m.
 These performances are valid for liquids with density $\rho = 1,0 \text{ Kg/dm}^3$ and kinematic viscosity $\nu = 1 \text{ mm}^2/\text{sec}$.

e-IXP SERIES

OPERATING CHARACTERISTICS AT 50 Hz, 2 POLES

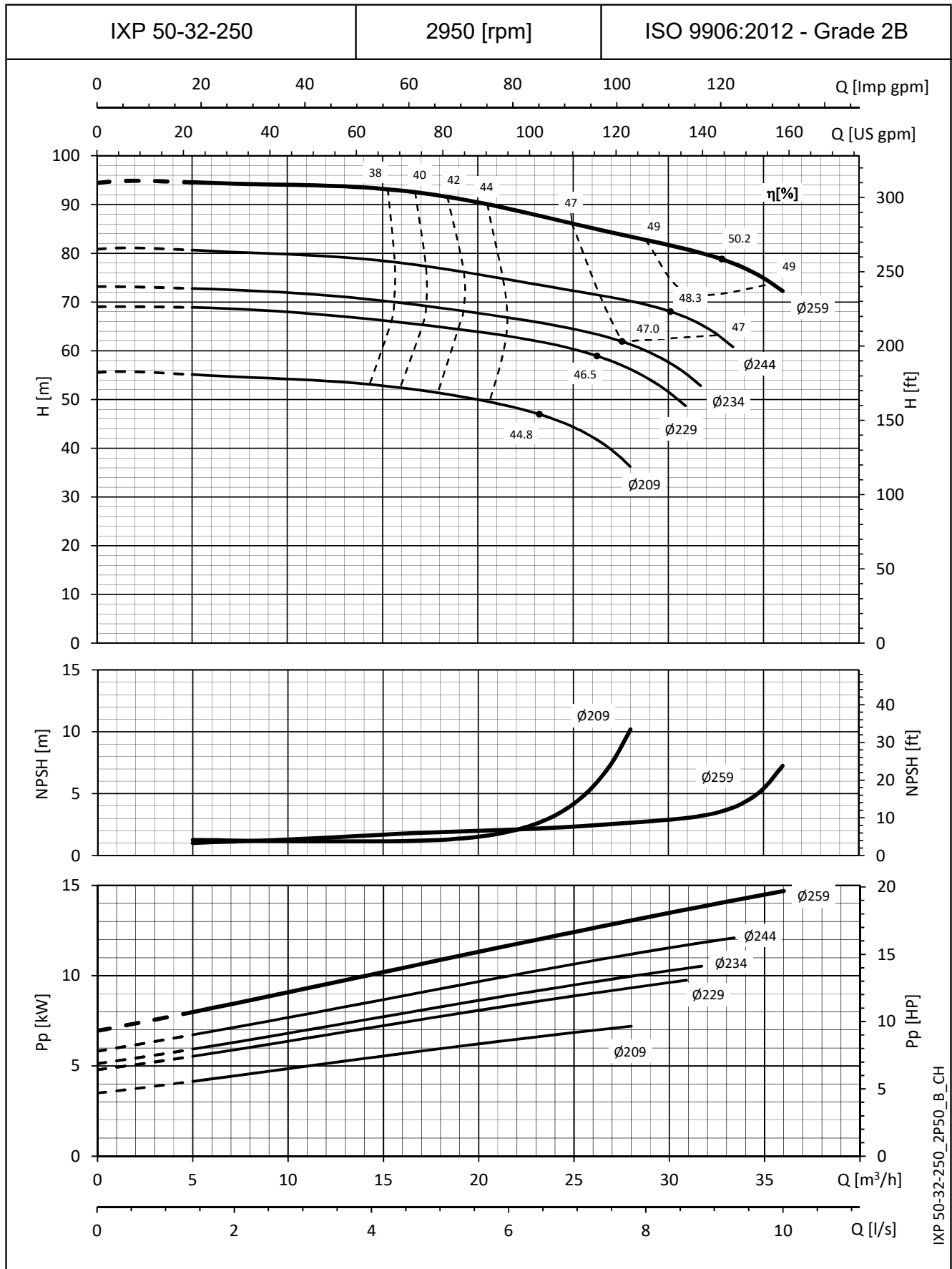


IXP 50-32-200_2P50_B_CH

The NPSH values are laboratory values; for practical use we suggest increasing these values by 0,5 m.
 These performances are valid for liquids with density $\rho = 1,0 \text{ Kg/dm}^3$ and kinematic viscosity $\nu = 1 \text{ mm}^2/\text{sec}$.

e-IXP SERIES

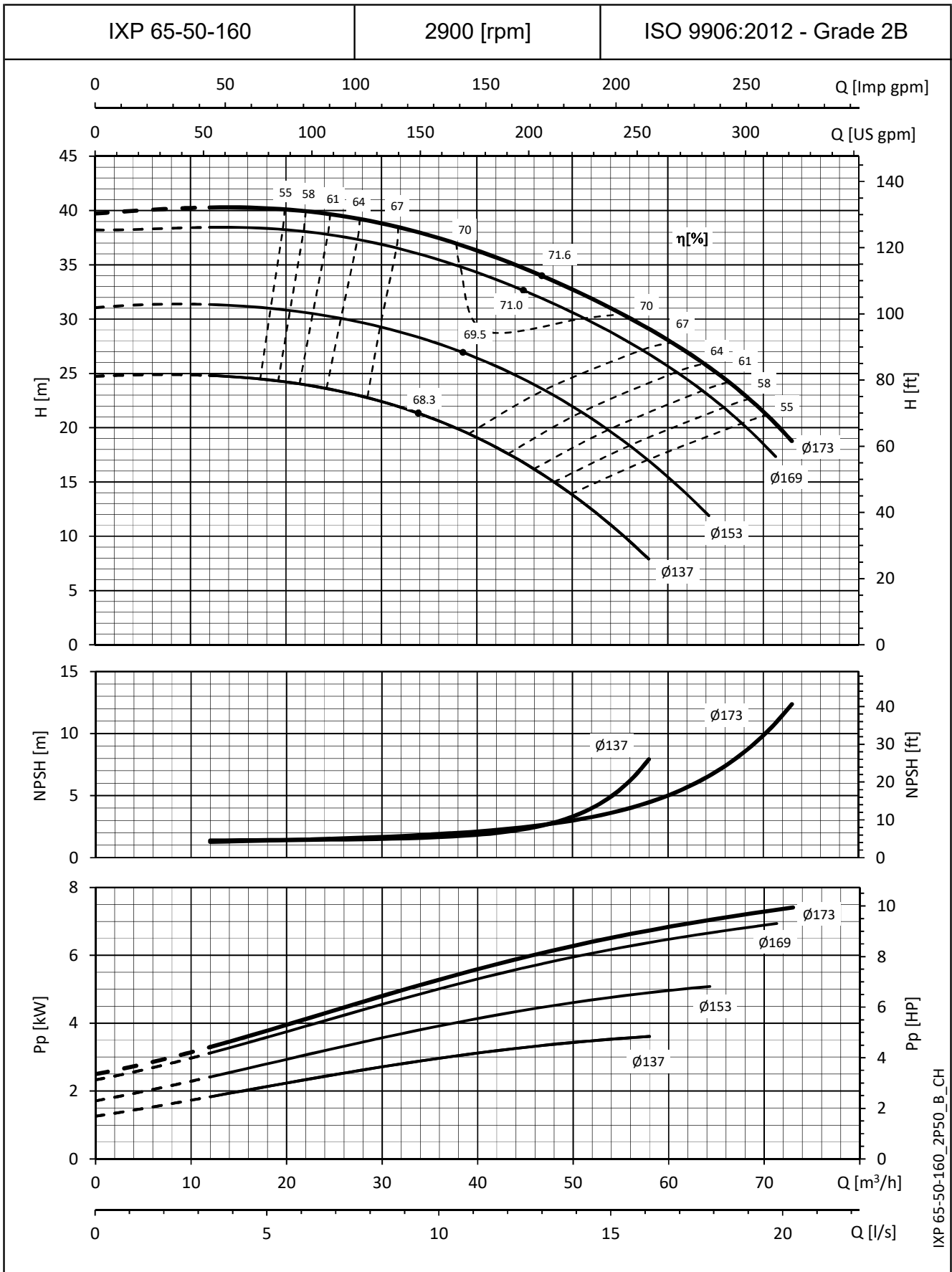
OPERATING CHARACTERISTICS AT 50 Hz, 2 POLES



The NPSH values are laboratory values; for practical use we suggest increasing these values by 0,5 m.
 These performances are valid for liquids with density $\rho = 1,0 \text{ Kg/dm}^3$ and kinematic viscosity $\nu = 1 \text{ mm}^2/\text{sec}$.

e-IXP SERIES

OPERATING CHARACTERISTICS AT 50 Hz, 2 POLES

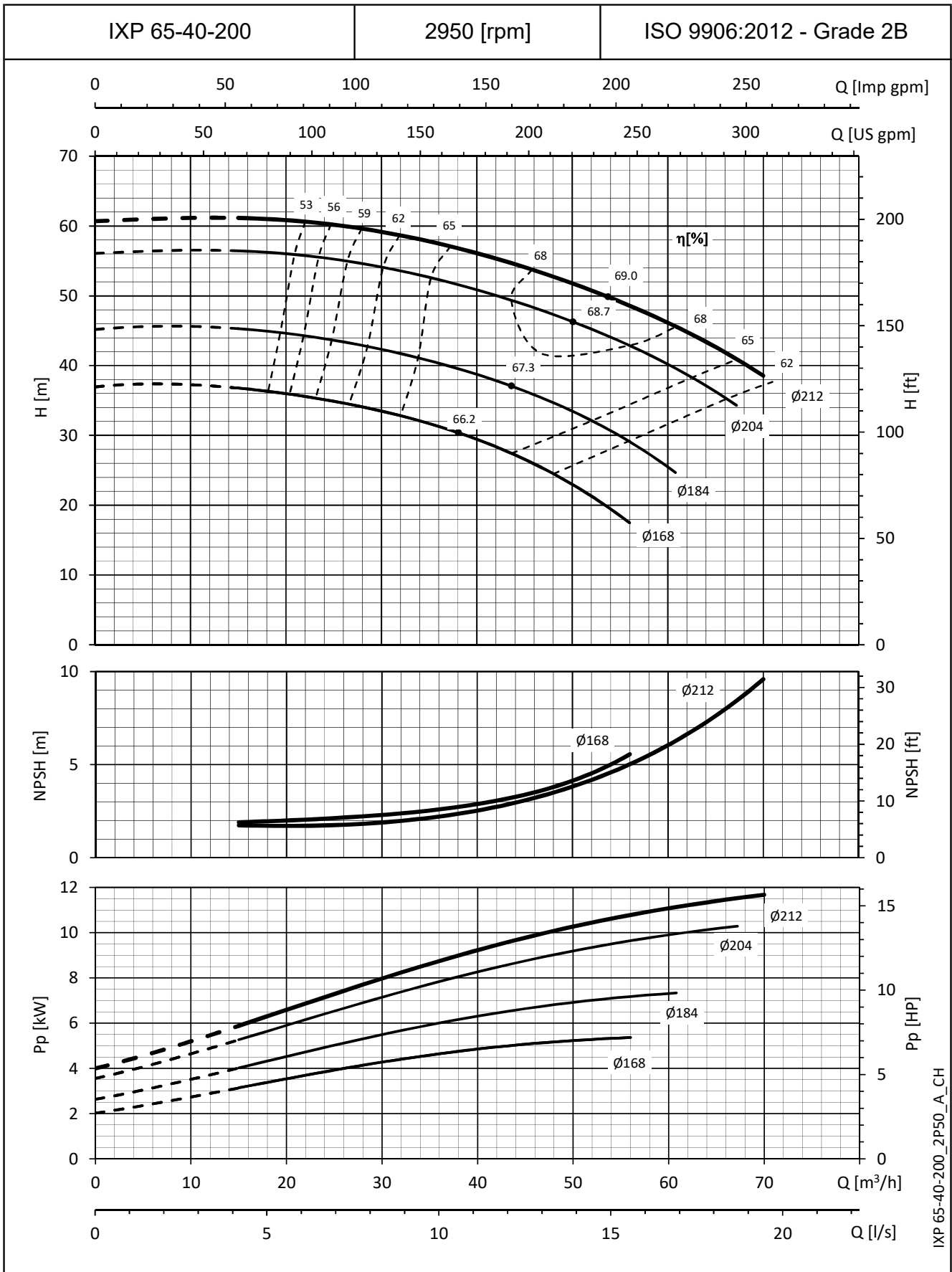


IXP 65-50-160_2P50_B_CH

The NPSH values are laboratory values; for practical use we suggest increasing these values by 0,5 m.
 These performances are valid for liquids with density $\rho = 1,0 \text{ Kg/dm}^3$ and kinematic viscosity $\nu = 1 \text{ mm}^2/\text{sec}$.

e-IXP SERIES

OPERATING CHARACTERISTICS AT 50 Hz, 2 POLES

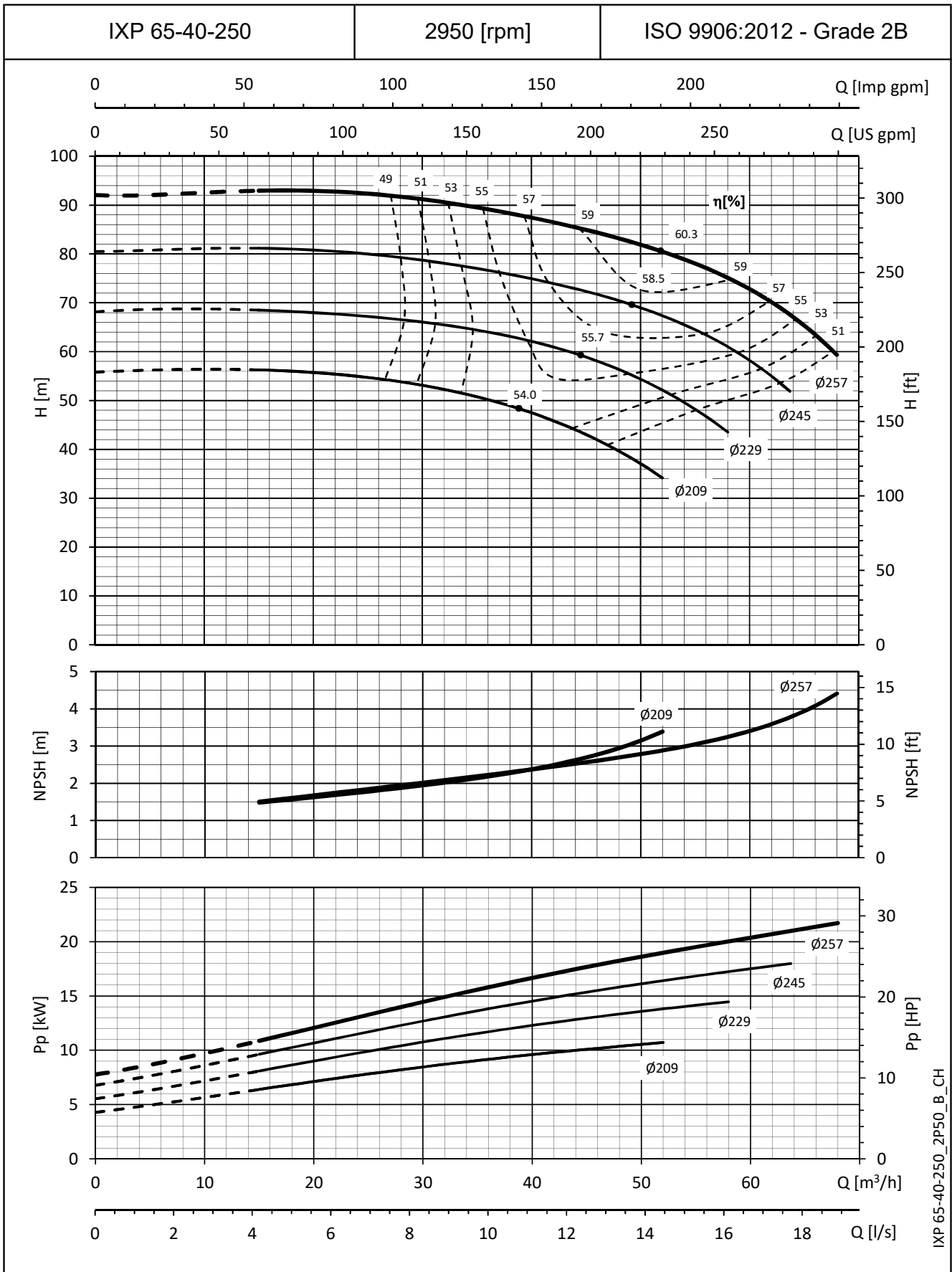


IXP 65-40-200_2P50_A_CH

The NPSH values are laboratory values; for practical use we suggest increasing these values by 0,5 m.
 These performances are valid for liquids with density $\rho = 1,0 \text{ Kg/dm}^3$ and kinematic viscosity $\nu = 1 \text{ mm}^2/\text{sec}$.

e-IXP SERIES

OPERATING CHARACTERISTICS AT 50 Hz, 2 POLES

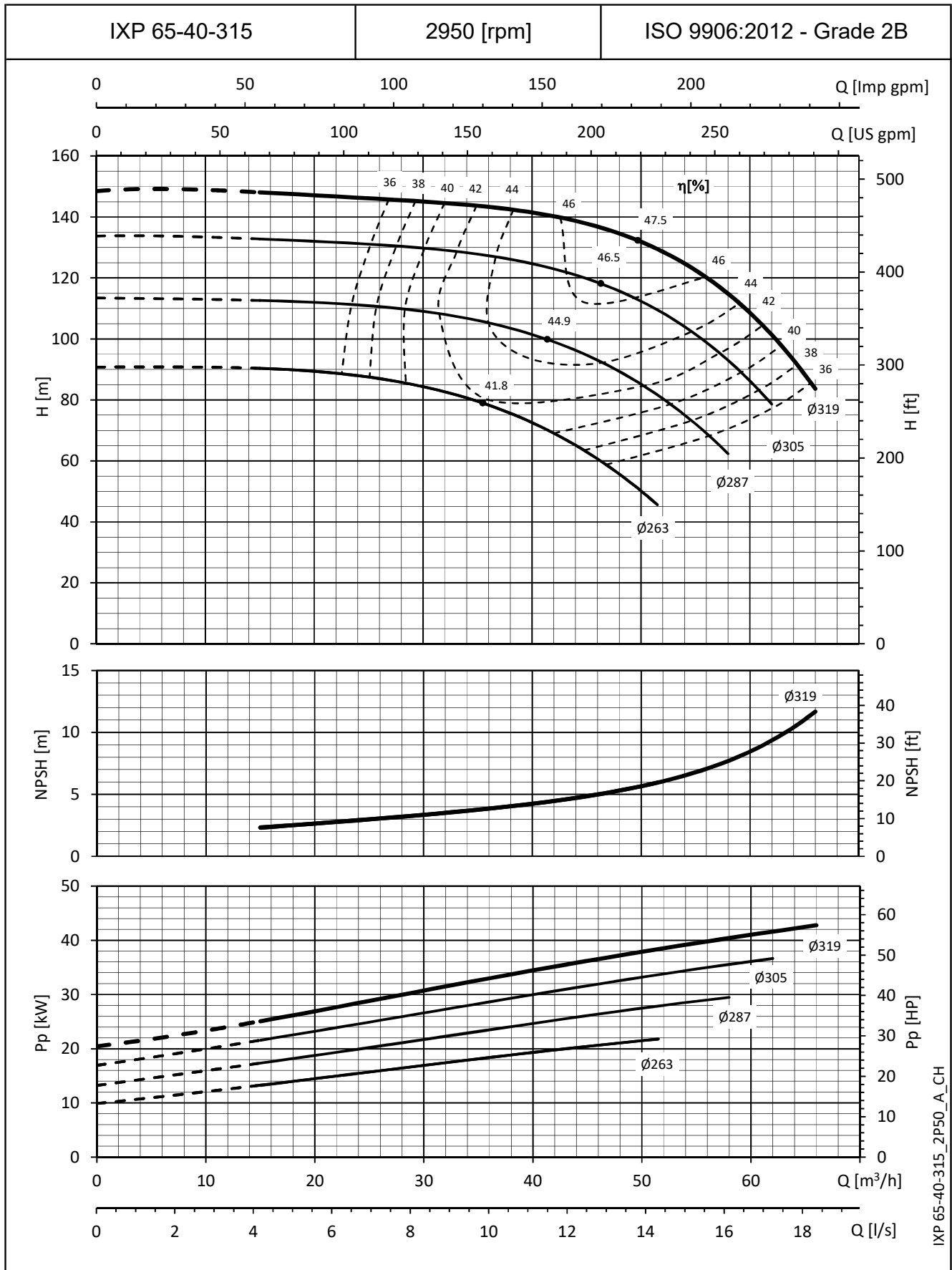


IXP 65-40-250_2P50_B_CH

The NPSH values are laboratory values; for practical use we suggest increasing these values by 0,5 m.
 These performances are valid for liquids with density $\rho = 1,0 \text{ Kg/dm}^3$ and kinematic viscosity $\nu = 1 \text{ mm}^2/\text{sec}$.

e-IXP SERIES

OPERATING CHARACTERISTICS AT 50 Hz, 2 POLES

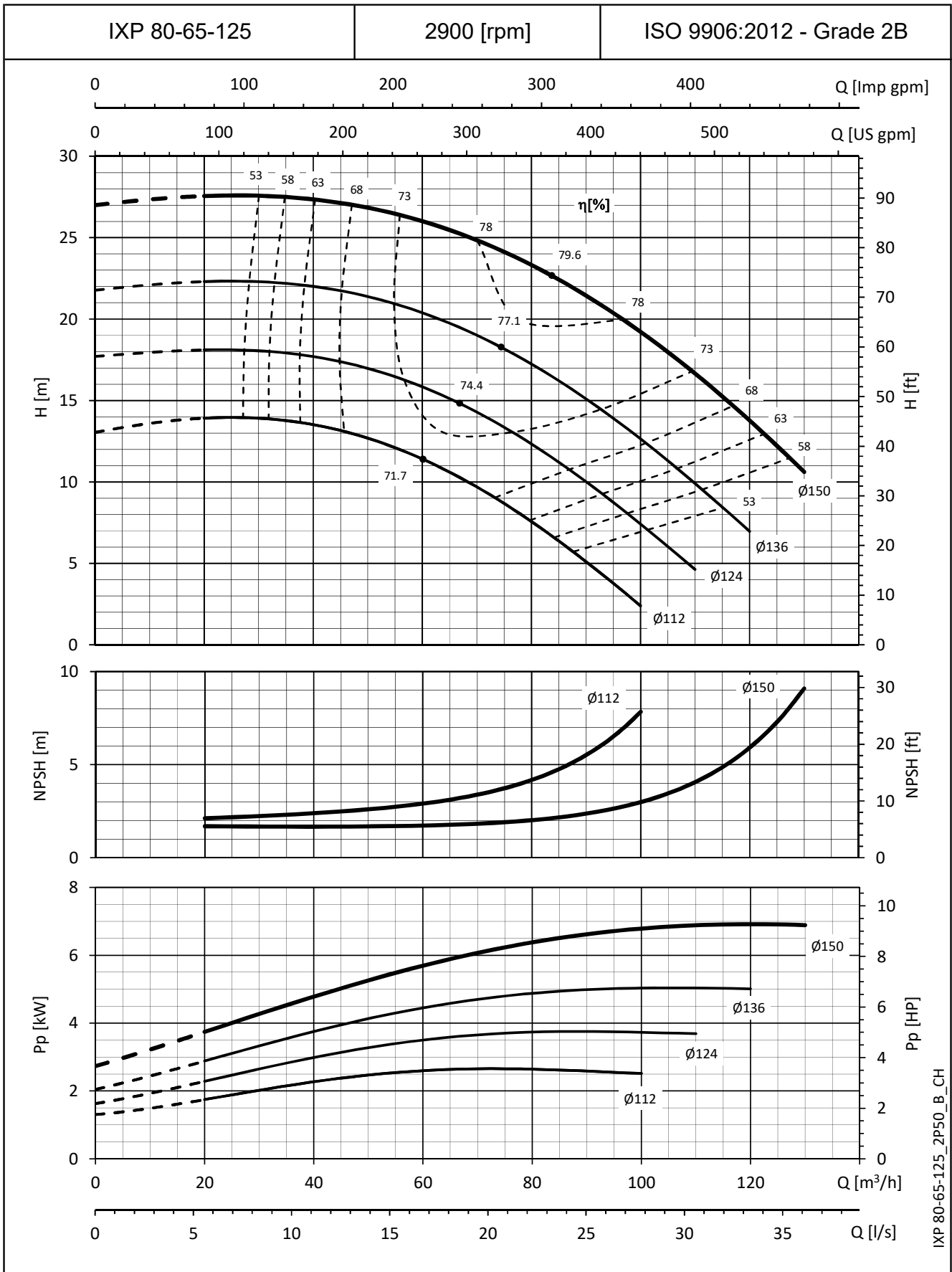


IXP 65-40-315_2P50_A_CH

The NPSH values are the same from maximum to minimum impeller diameter.
 The NPSH values are laboratory values; for practical use we suggest increasing these values by 0,5 m.
 These performances are valid for liquids with density $\rho = 1,0 \text{ Kg/dm}^3$ and kinematic viscosity $\nu = 1 \text{ mm}^2/\text{sec}$.

e-IXP SERIES

OPERATING CHARACTERISTICS AT 50 Hz, 2 POLES

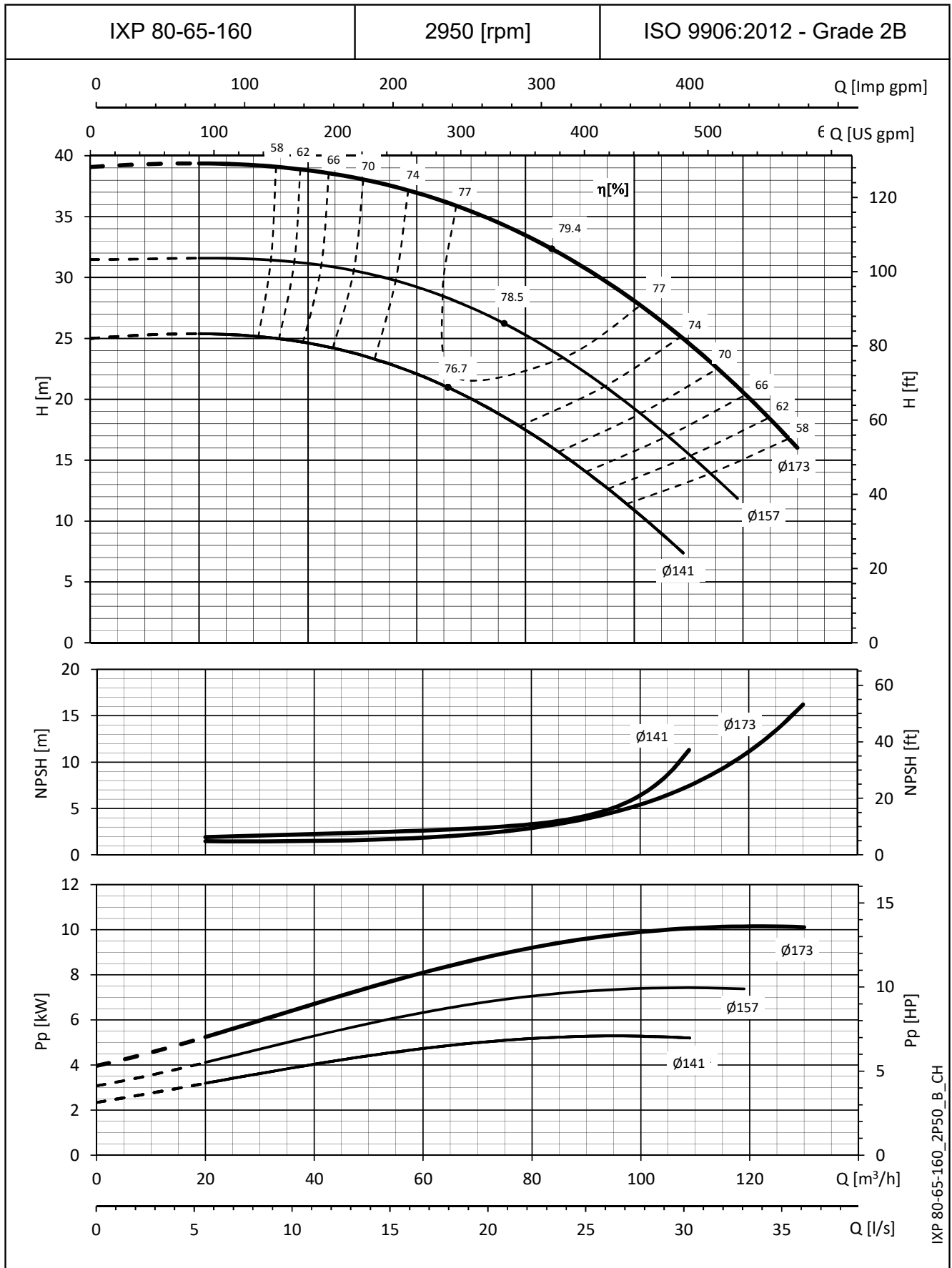


IXP 80-65-125_2P50_B_CH

The NPSH values are laboratory values; for practical use we suggest increasing these values by 0,5 m.
 These performances are valid for liquids with density $\rho = 1,0 \text{ Kg/dm}^3$ and kinematic viscosity $\nu = 1 \text{ mm}^2/\text{sec}$.

e-IXP SERIES

OPERATING CHARACTERISTICS AT 50 Hz, 2 POLES

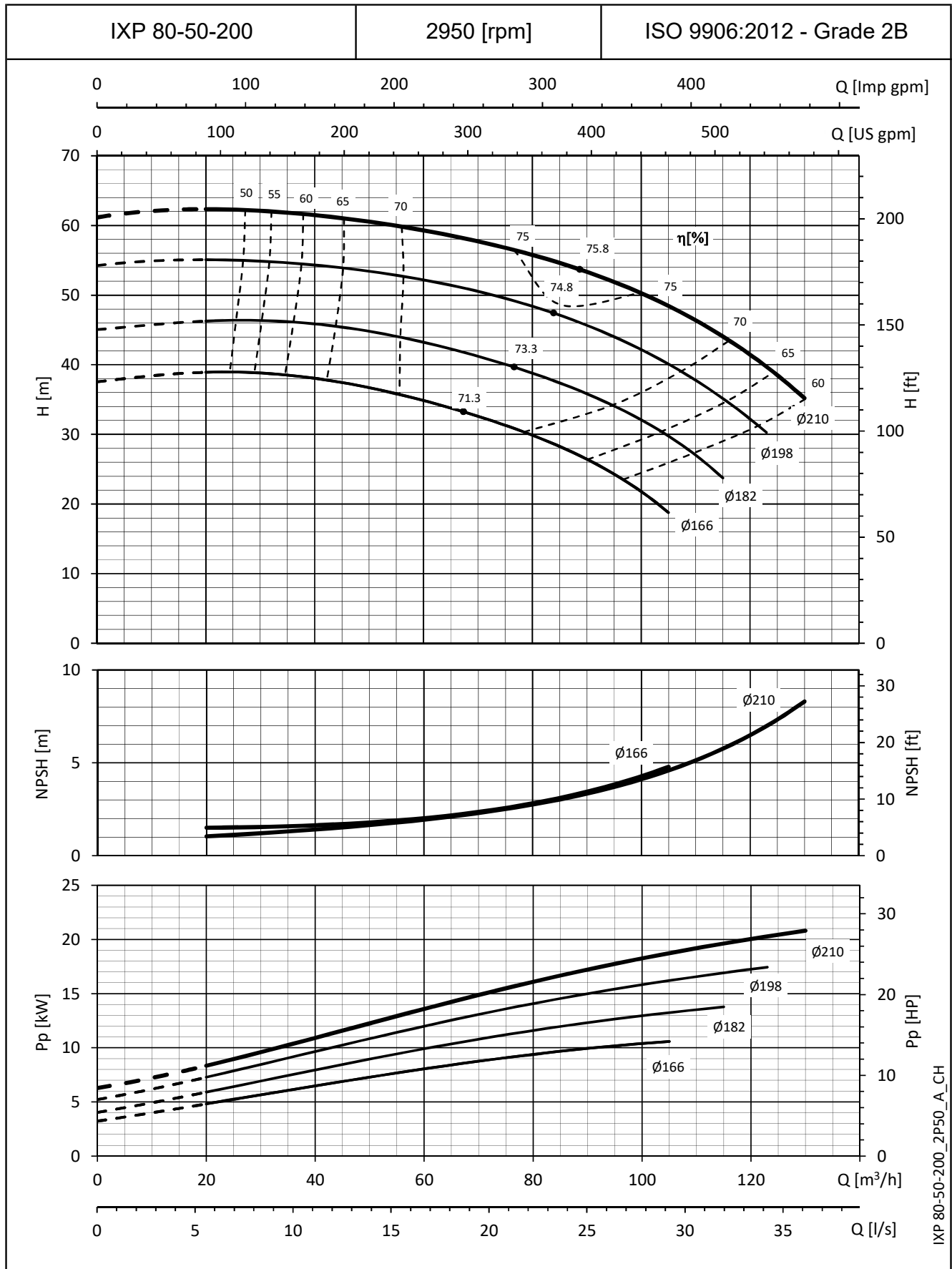


IXP 80-65-160_2P50_B_CH

The NPSH values are laboratory values; for practical use we suggest increasing these values by 0,5 m.
 These performances are valid for liquids with density $\rho = 1,0 \text{ Kg/dm}^3$ and kinematic viscosity $\nu = 1 \text{ mm}^2/\text{sec}$.

e-IXP SERIES

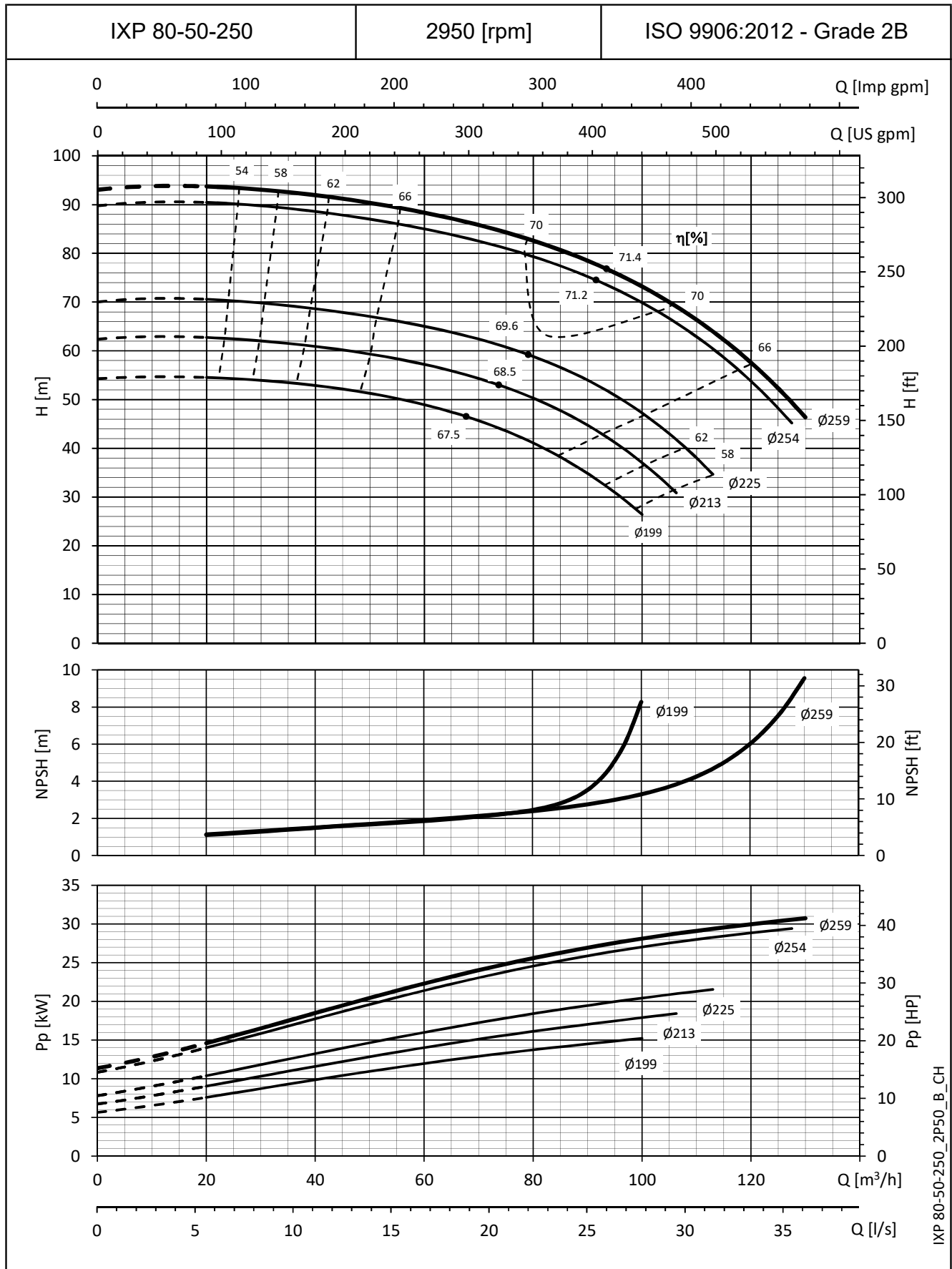
OPERATING CHARACTERISTICS AT 50 Hz, 2 POLES



The NPSH values are laboratory values; for practical use we suggest increasing these values by 0,5 m.
 These performances are valid for liquids with density $\rho = 1,0 \text{ Kg/dm}^3$ and kinematic viscosity $\nu = 1 \text{ mm}^2/\text{sec}$.

e-IXP SERIES

OPERATING CHARACTERISTICS AT 50 Hz, 2 POLES

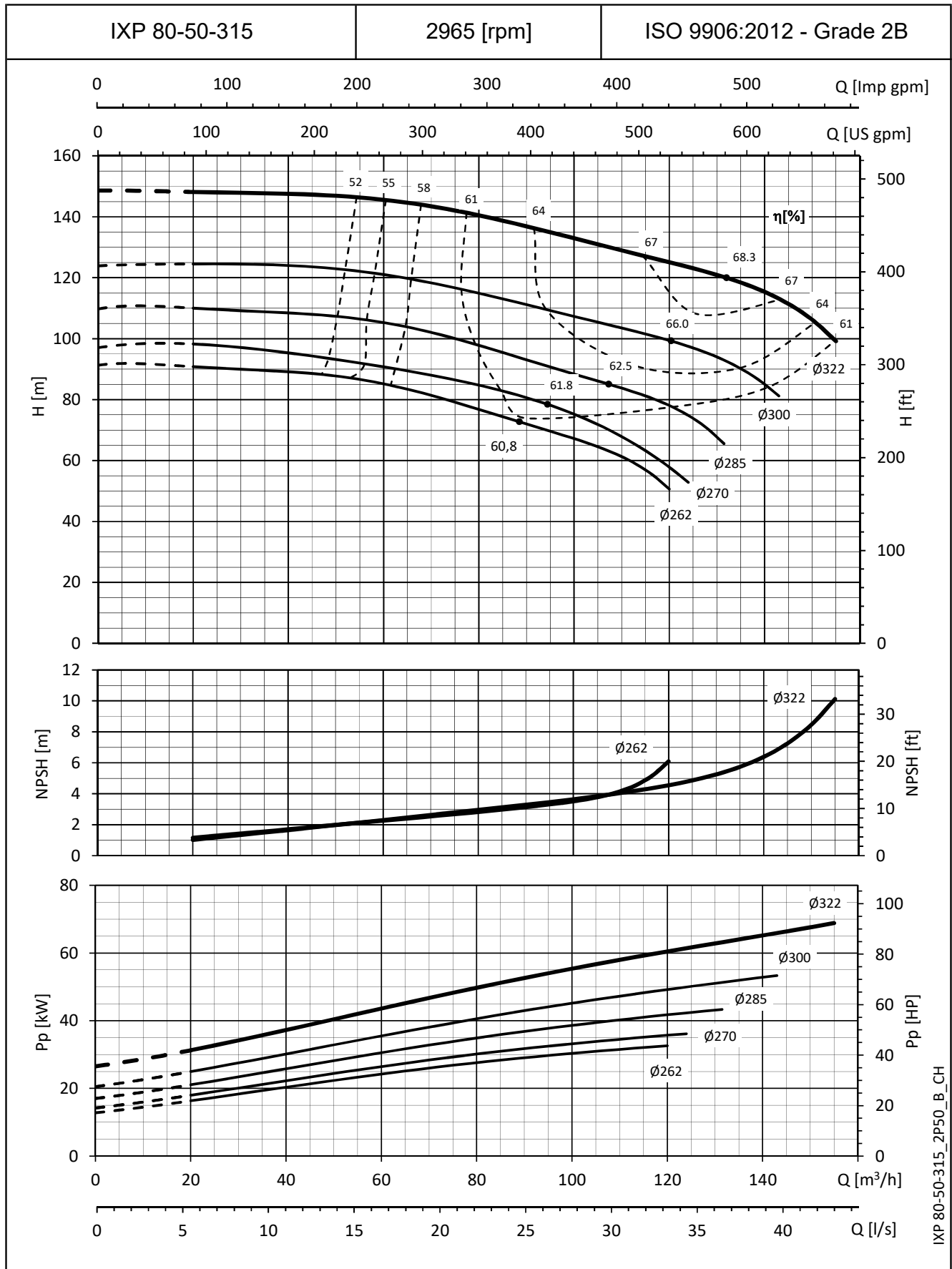


IXP 80-50-250_2P50_B_CH

The NPSH values are laboratory values; for practical use we suggest increasing these values by 0,5 m.
 These performances are valid for liquids with density $\rho = 1,0 \text{ Kg/dm}^3$ and kinematic viscosity $\nu = 1 \text{ mm}^2/\text{sec}$.

e-IXP SERIES

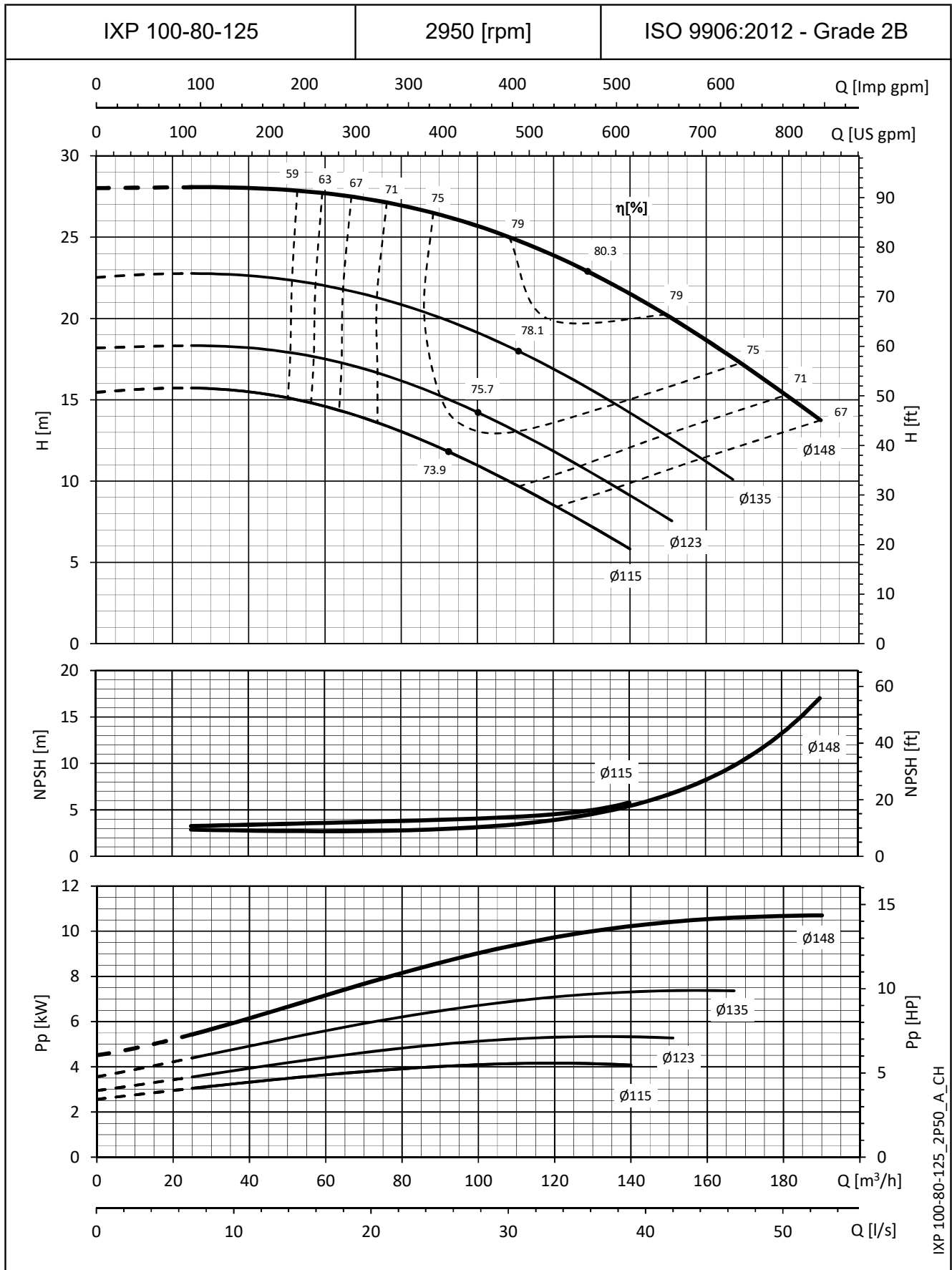
OPERATING CHARACTERISTICS AT 50 Hz, 2 POLES



The NPSH values are laboratory values; for practical use we suggest increasing these values by 0,5 m.
 These performances are valid for liquids with density $\rho = 1,0 \text{ Kg/dm}^3$ and kinematic viscosity $\nu = 1 \text{ mm}^2/\text{sec}$.

e-IXP SERIES

OPERATING CHARACTERISTICS AT 50 Hz, 2 POLES

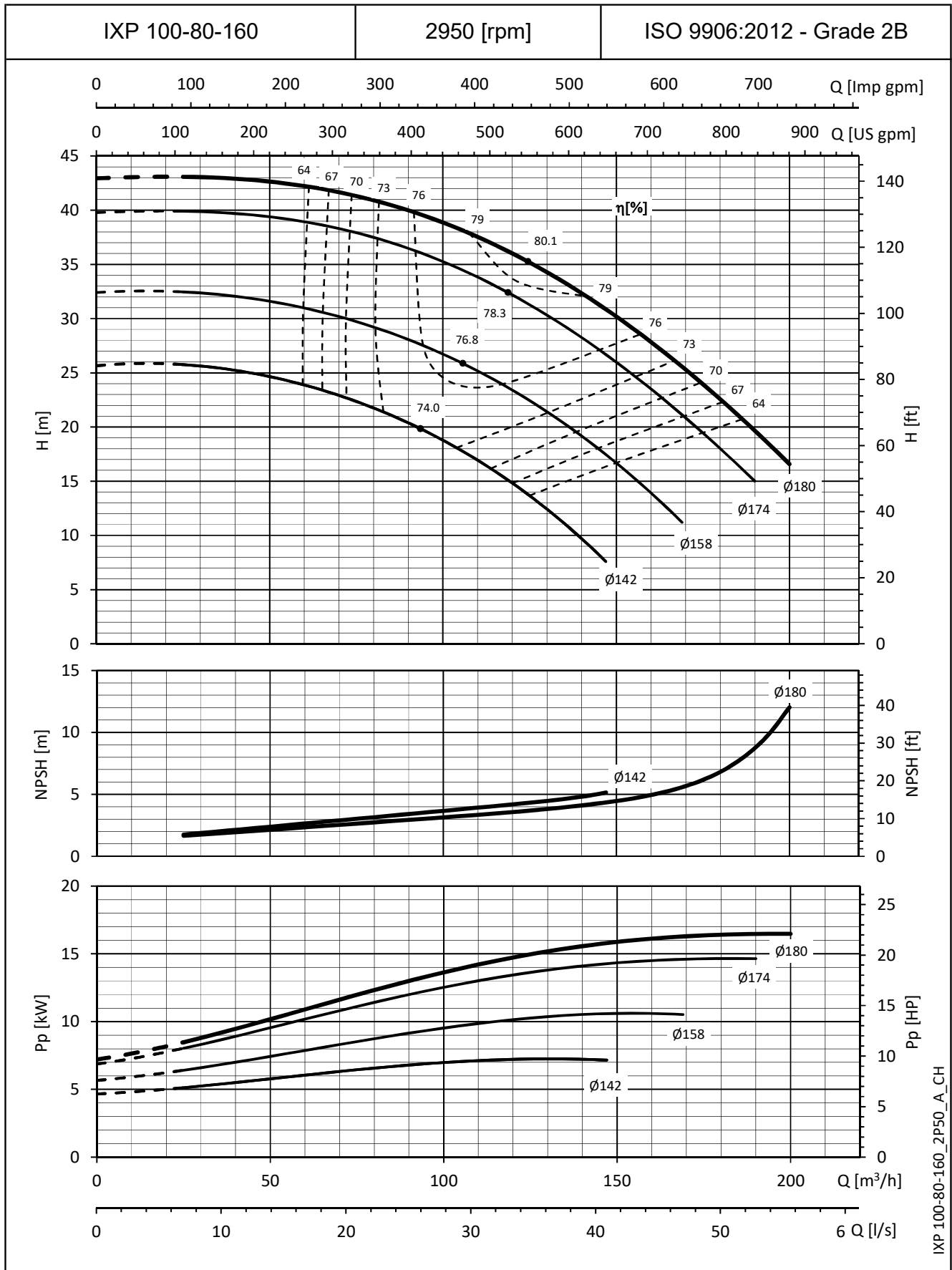


IXP 100-80-125_2P50_A_CH

The NPSH values are laboratory values; for practical use we suggest increasing these values by 0,5 m.
 These performances are valid for liquids with density $\rho = 1,0 \text{ Kg/dm}^3$ and kinematic viscosity $\nu = 1 \text{ mm}^2/\text{sec}$.

e-IXP SERIES

OPERATING CHARACTERISTICS AT 50 Hz, 2 POLES

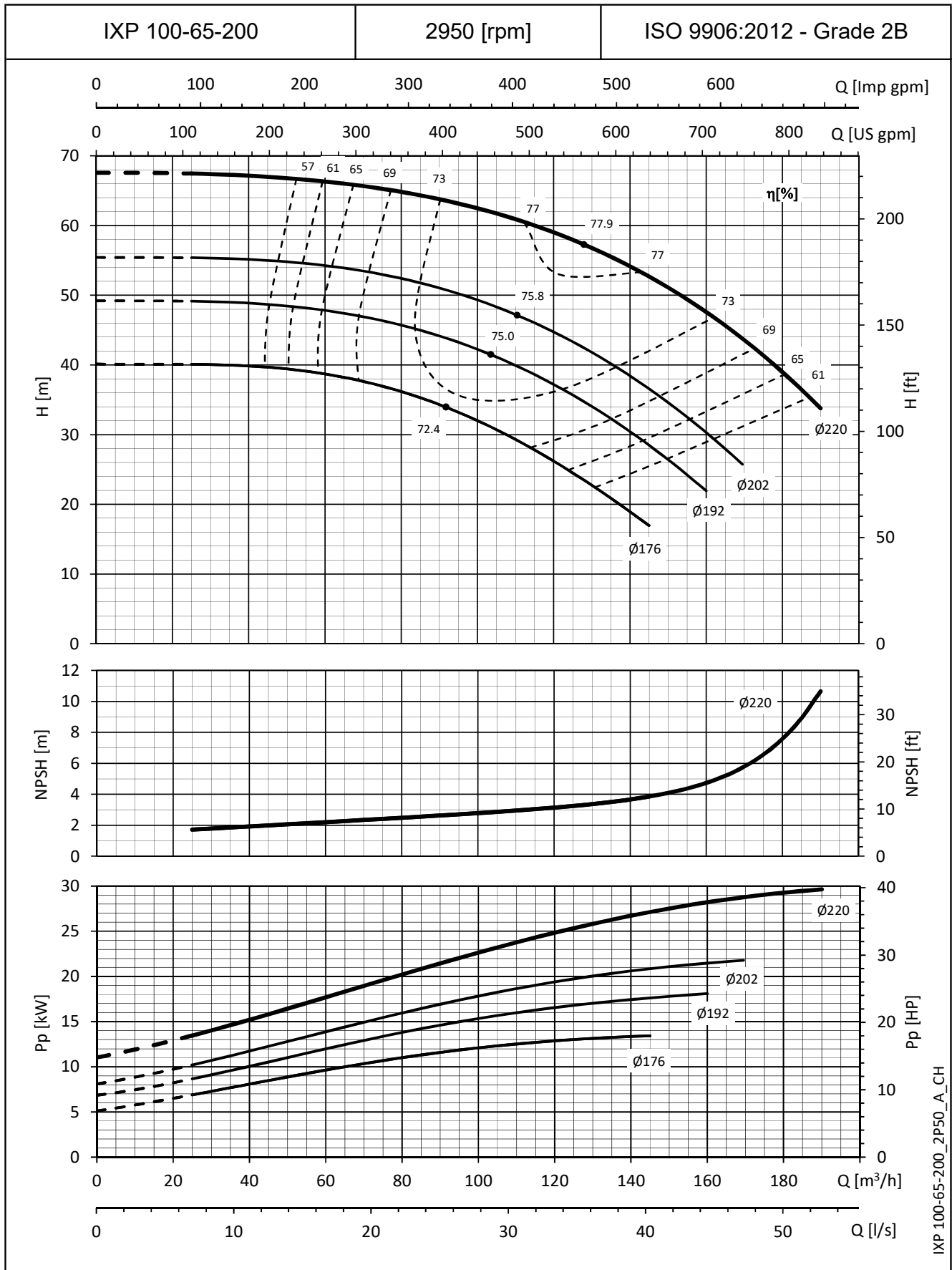


IXP 100-80-160_2P50_A_CH

The NPSH values are laboratory values; for practical use we suggest increasing these values by 0,5 m.
 These performances are valid for liquids with density $\rho = 1,0 \text{ Kg/dm}^3$ and kinematic viscosity $\nu = 1 \text{ mm}^2/\text{sec}$.

e-IXP SERIES

OPERATING CHARACTERISTICS AT 50 Hz, 2 POLES

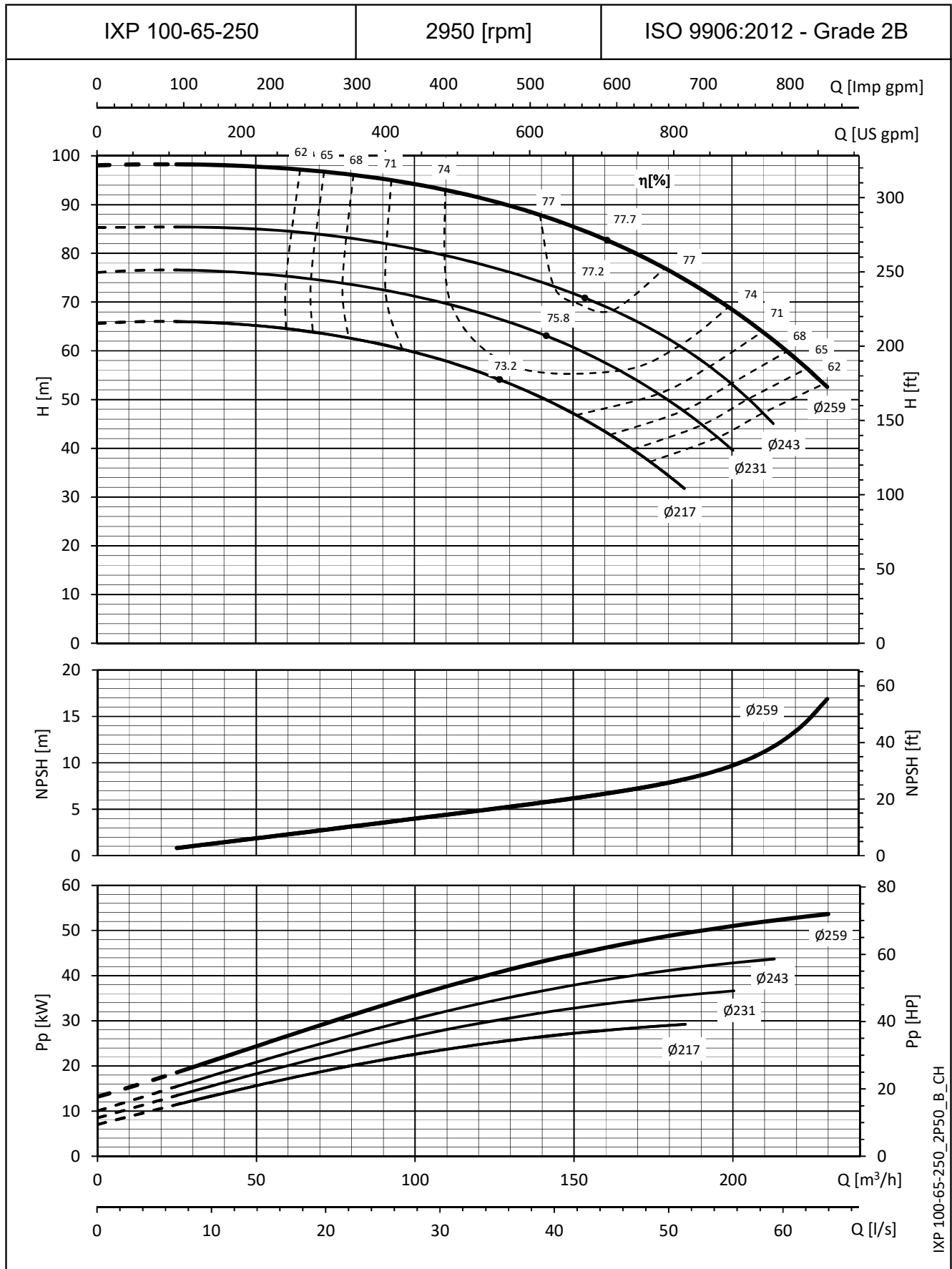


IXP 100-65-200_2P50_A_CH

The NPSH values are the same from maximum to minimum impeller diameter.
 The NPSH values are laboratory values; for practical use we suggest increasing these values by 0,5 m.
 These performances are valid for liquids with density $\rho = 1,0 \text{ Kg/dm}^3$ and kinematic viscosity $\nu = 1 \text{ mm}^2/\text{sec}$.

e-IXP SERIES

OPERATING CHARACTERISTICS AT 50 Hz, 2 POLES

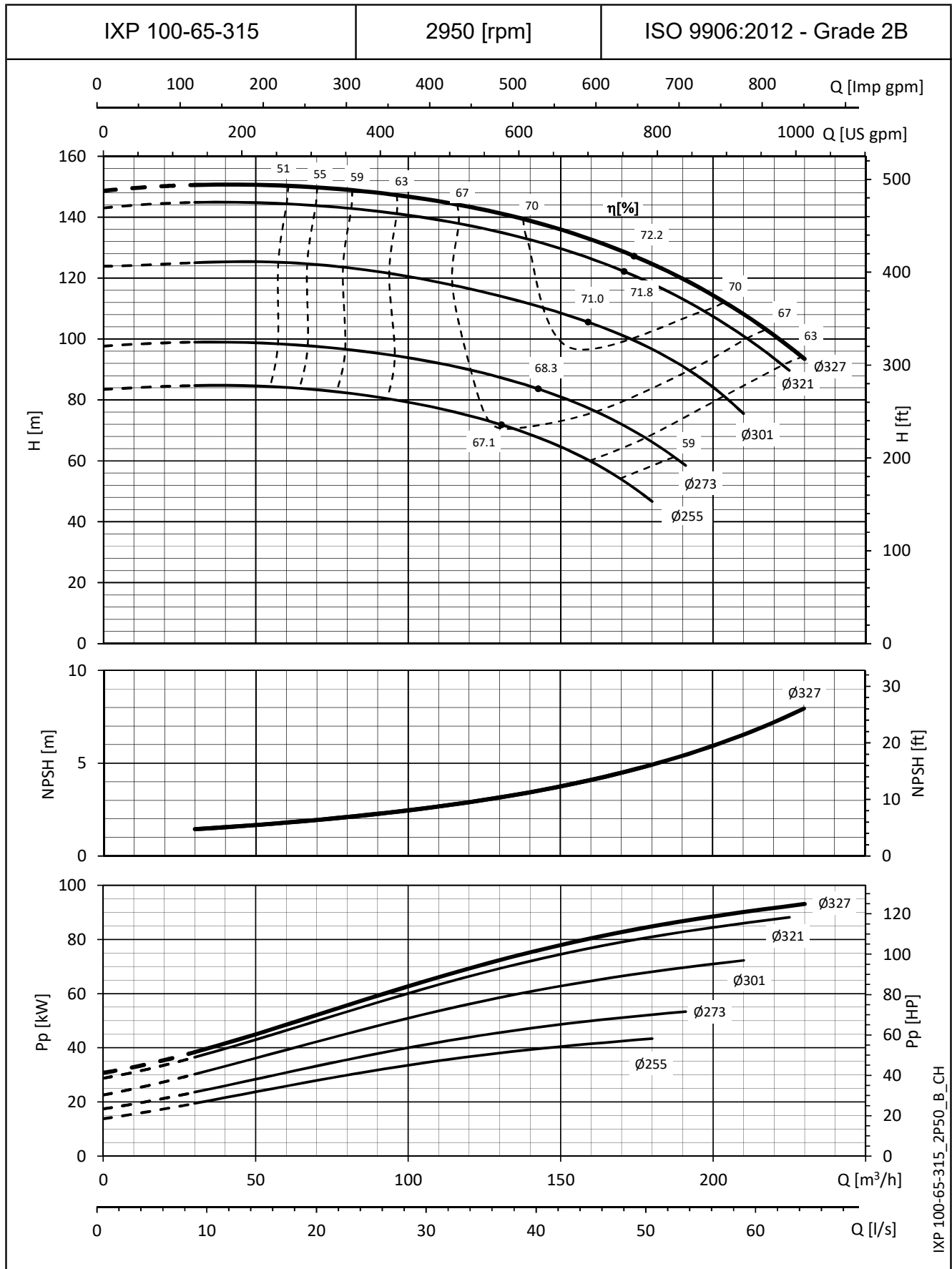


IXP 100-65-250_2P50_B_CH

The NPSH values are the same from maximum to minimum impeller diameter.
 The NPSH values are laboratory values; for practical use we suggest increasing these values by 0,5 m.
 These performances are valid for liquids with density $\rho = 1,0 \text{ Kg/dm}^3$ and kinematic viscosity $\nu = 1 \text{ mm}^2/\text{sec}$.

e-IXP SERIES

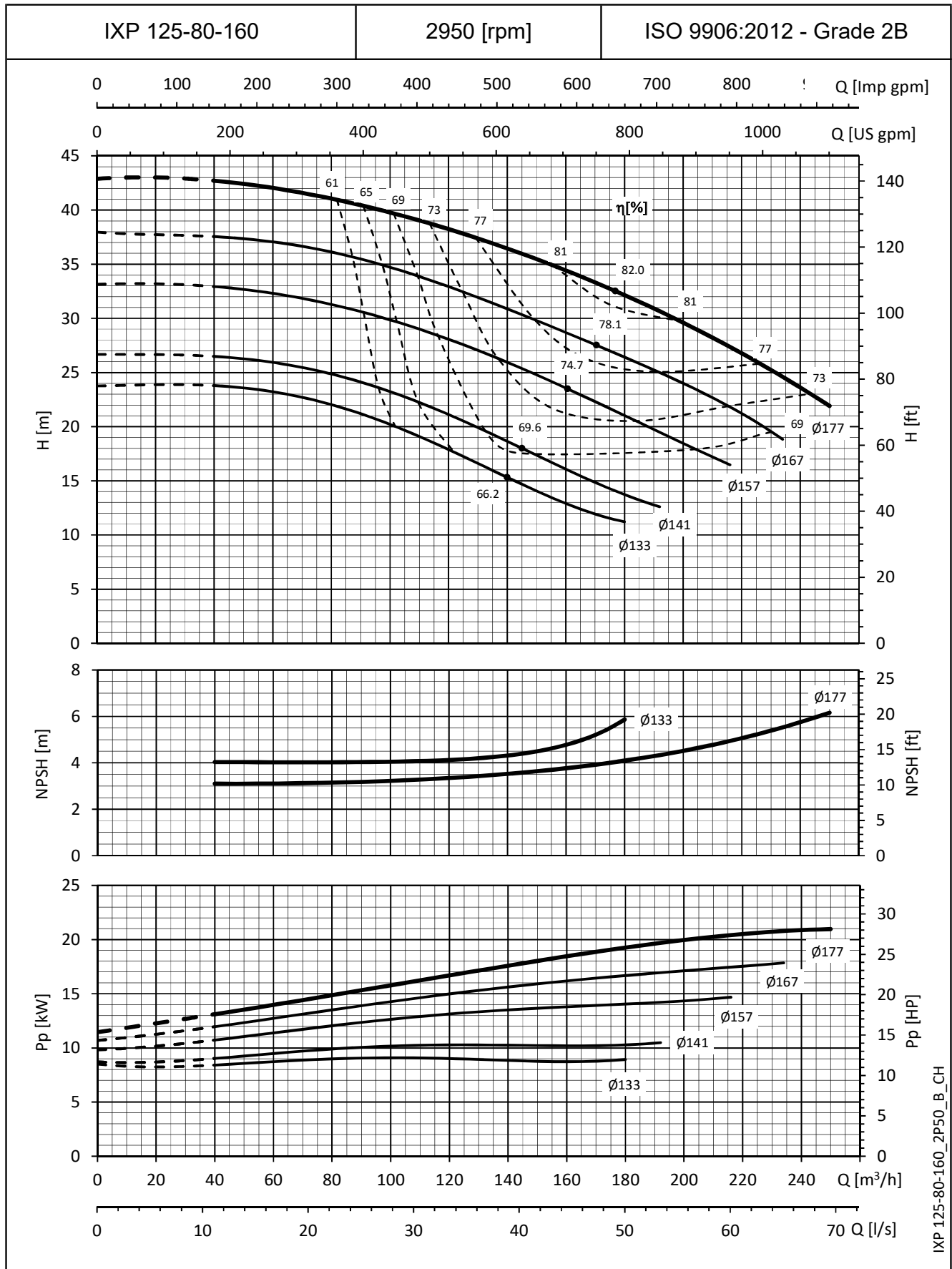
OPERATING CHARACTERISTICS AT 50 Hz, 2 POLES



The NPSH values are the same from maximum to minimum impeller diameter.
 The NPSH values are laboratory values; for practical use we suggest increasing these values by 0,5 m.
 These performances are valid for liquids with density $\rho = 1,0 \text{ Kg/dm}^3$ and kinematic viscosity $\nu = 1 \text{ mm}^2/\text{sec}$.

e-IXP SERIES

OPERATING CHARACTERISTICS AT 50 Hz, 2 POLES

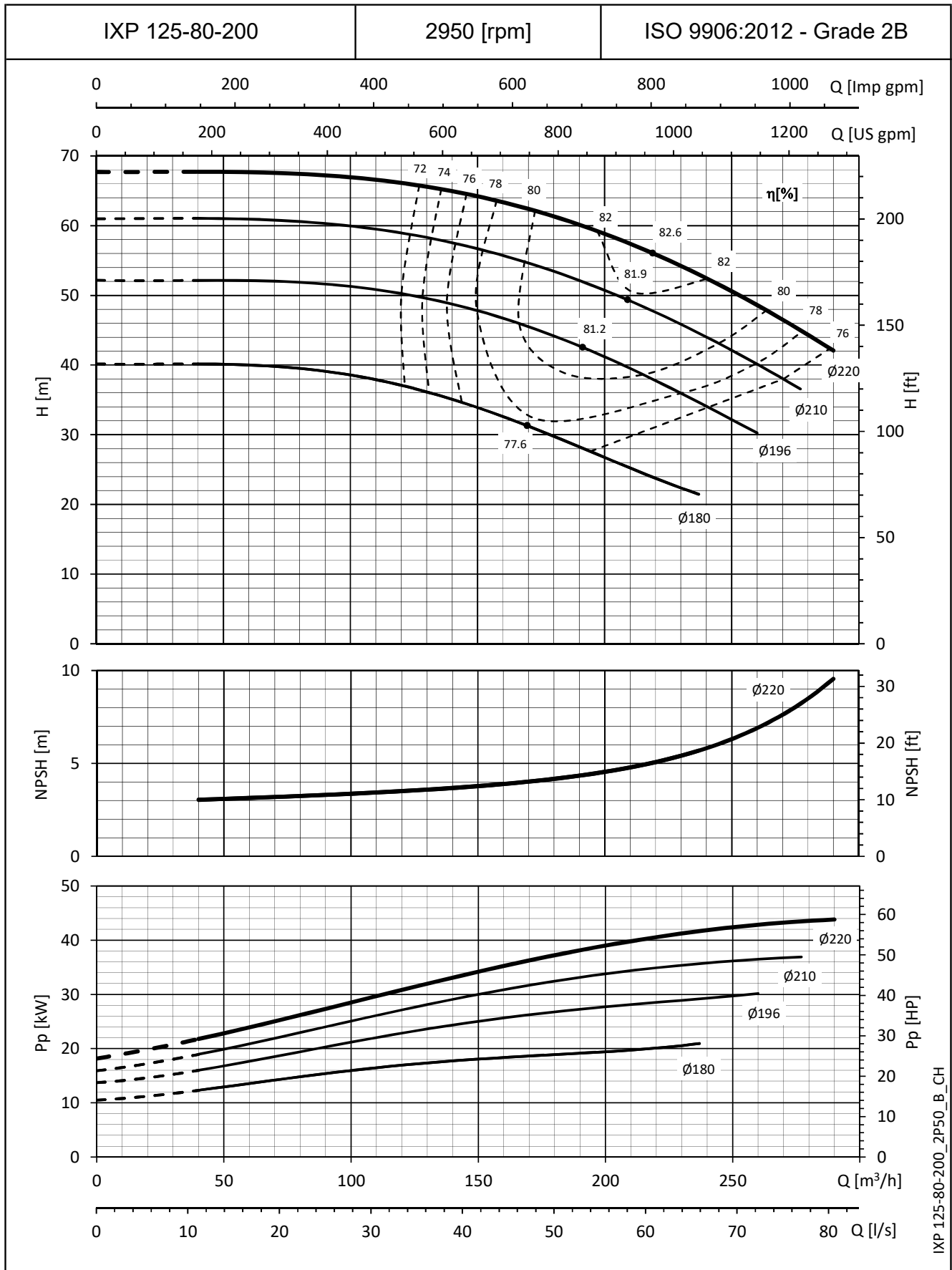


IXP 125-80-160_2P50_B_CH

The NPSH values are laboratory values; for practical use we suggest increasing these values by 0,5 m.
 These performances are valid for liquids with density $\rho = 1,0 \text{ Kg/dm}^3$ and kinematic viscosity $\nu = 1 \text{ mm}^2/\text{sec}$.

e-IXP SERIES

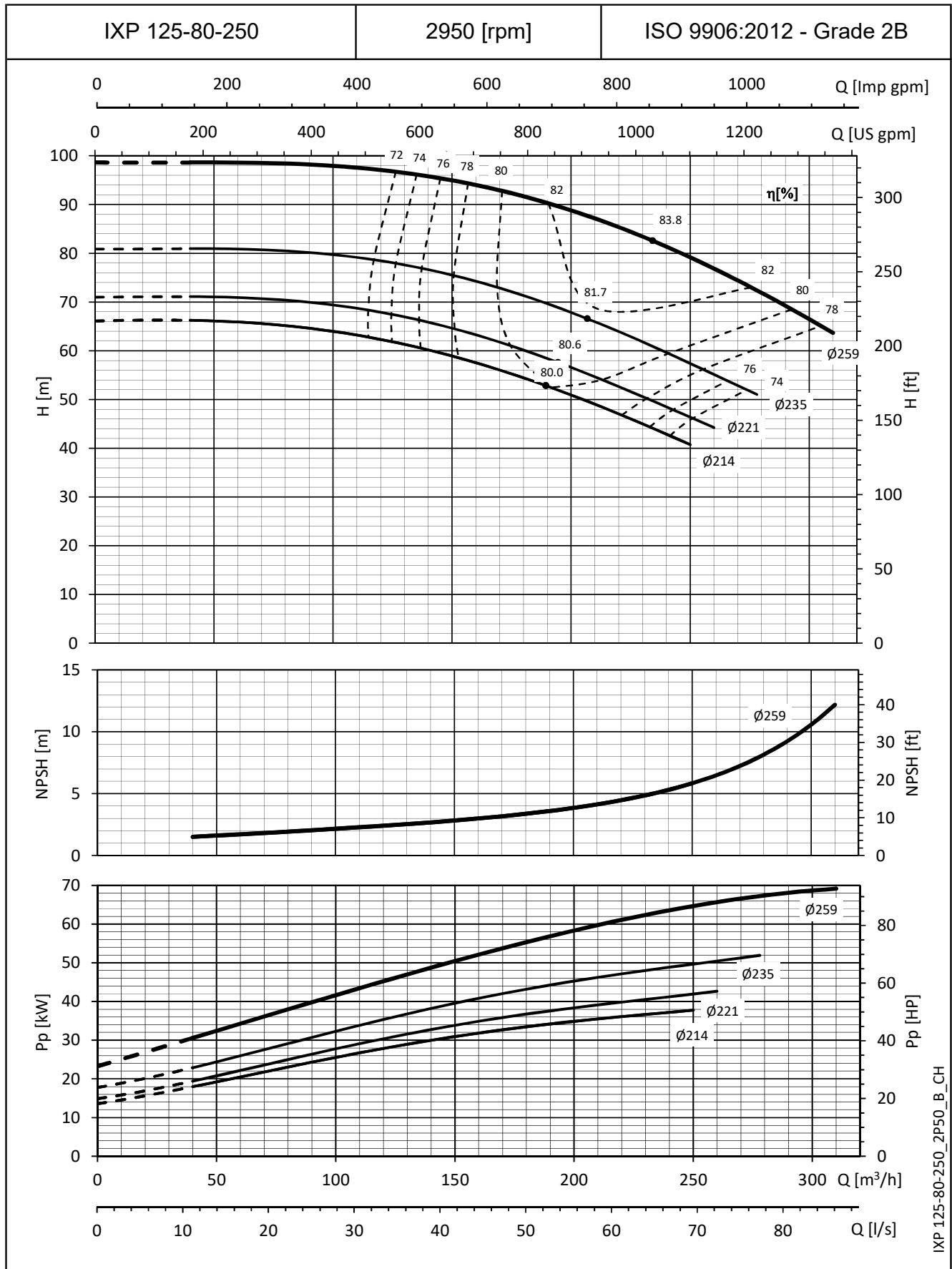
OPERATING CHARACTERISTICS AT 50 Hz, 2 POLES



The NPSH values are the same from maximum to minimum impeller diameter.
 The NPSH values are laboratory values; for practical use we suggest increasing these values by 0,5 m.
 These performances are valid for liquids with density $\rho = 1,0 \text{ Kg/dm}^3$ and kinematic viscosity $\nu = 1 \text{ mm}^2/\text{sec}$.

e-IXP SERIES

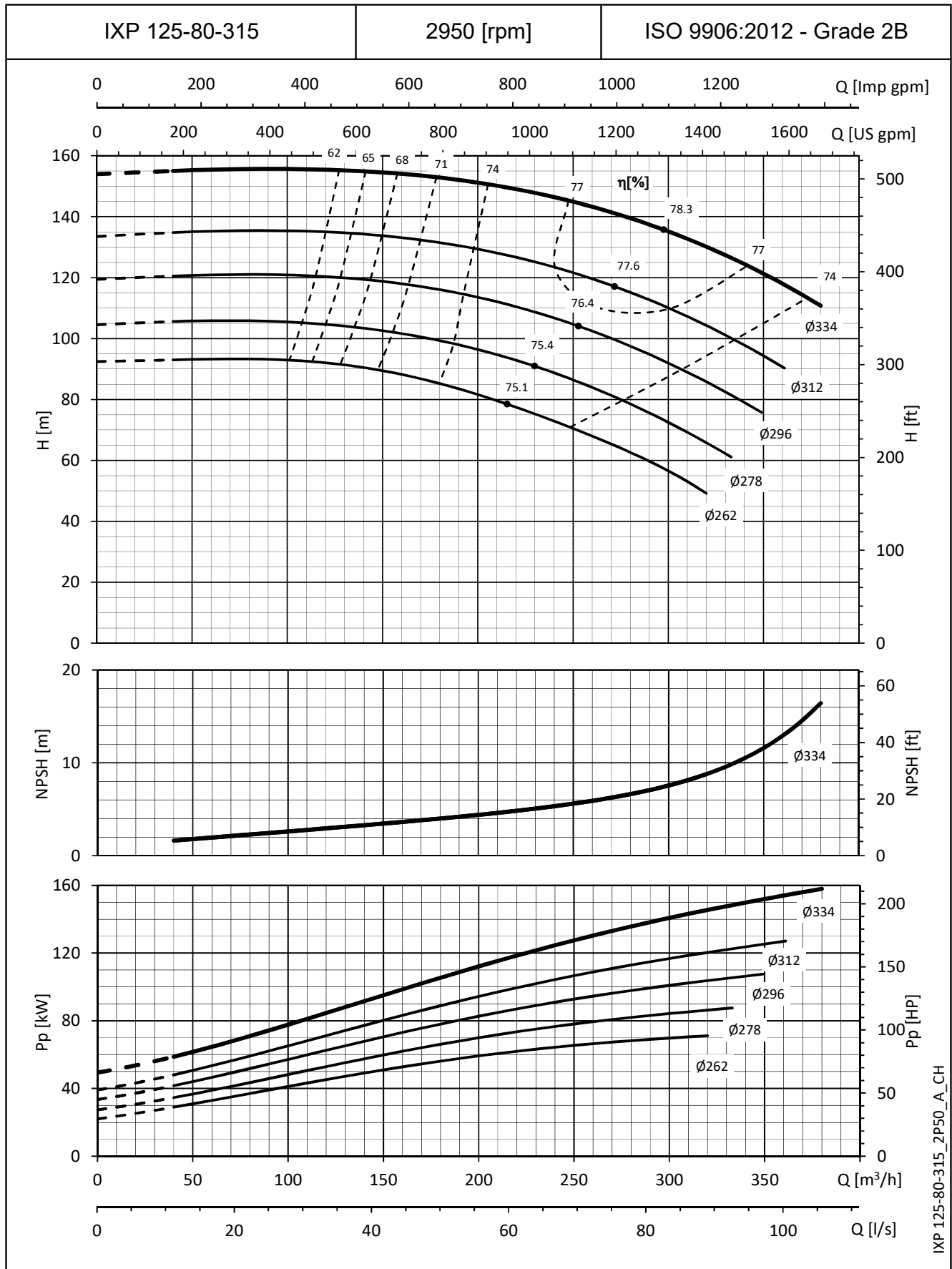
OPERATING CHARACTERISTICS AT 50 Hz, 2 POLES



The NPSH values are the same from maximum to minimum impeller diameter.
 The NPSH values are laboratory values; for practical use we suggest increasing these values by 0,5 m.
 These performances are valid for liquids with density $\rho = 1,0 \text{ Kg/dm}^3$ and kinematic viscosity $\nu = 1 \text{ mm}^2/\text{sec}$.

e-IXP SERIES

OPERATING CHARACTERISTICS AT 50 Hz, 2 POLES

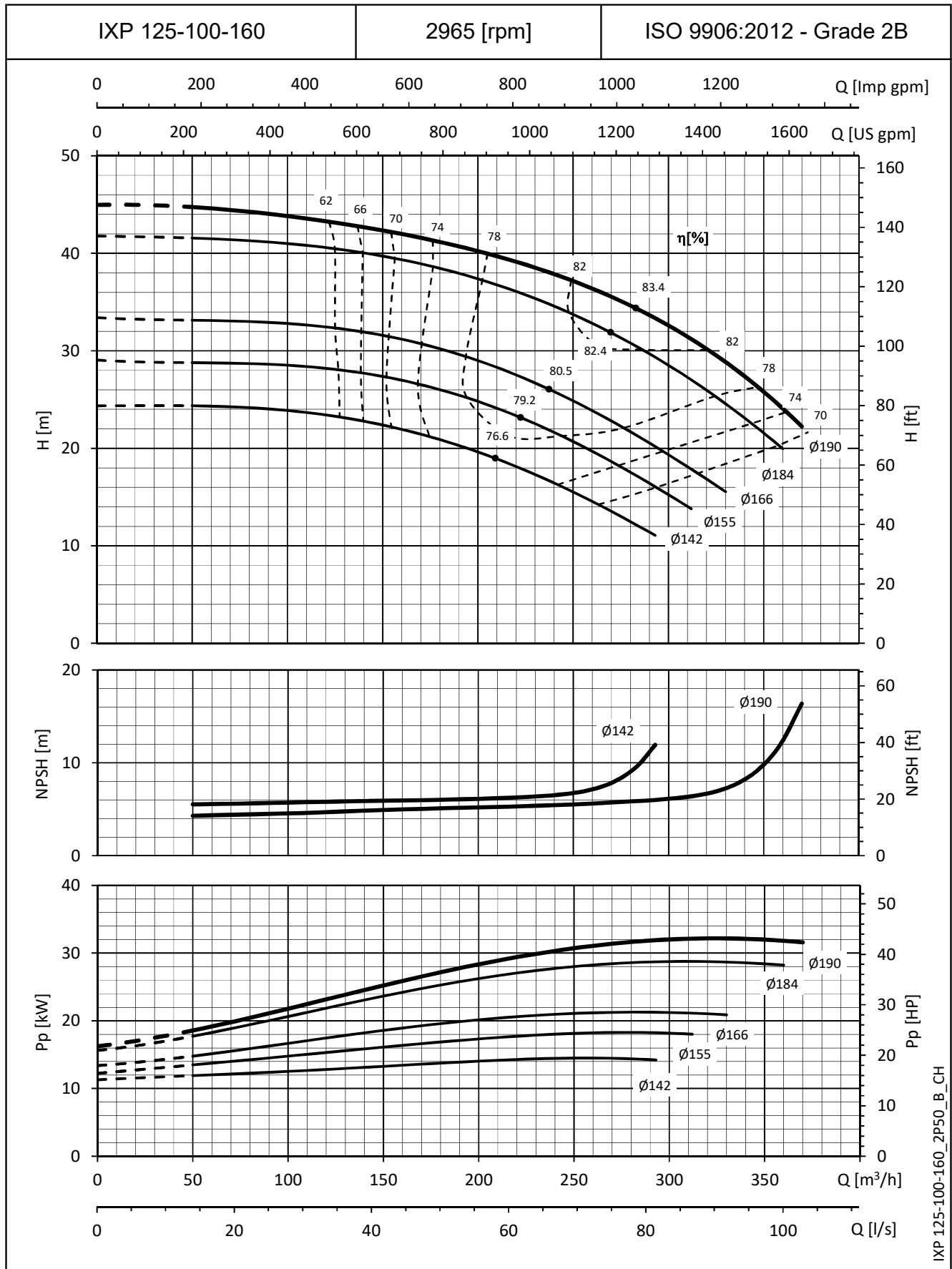


IXP 125-80-315_2P50_A_CH

The NPSH values are the same from maximum to minimum impeller diameter.
 The NPSH values are laboratory values; for practical use we suggest increasing these values by 0,5 m.
 These performances are valid for liquids with density $\rho = 1,0 \text{ Kg/dm}^3$ and kinematic viscosity $\nu = 1 \text{ mm}^2/\text{sec}$.

e-IXP SERIES

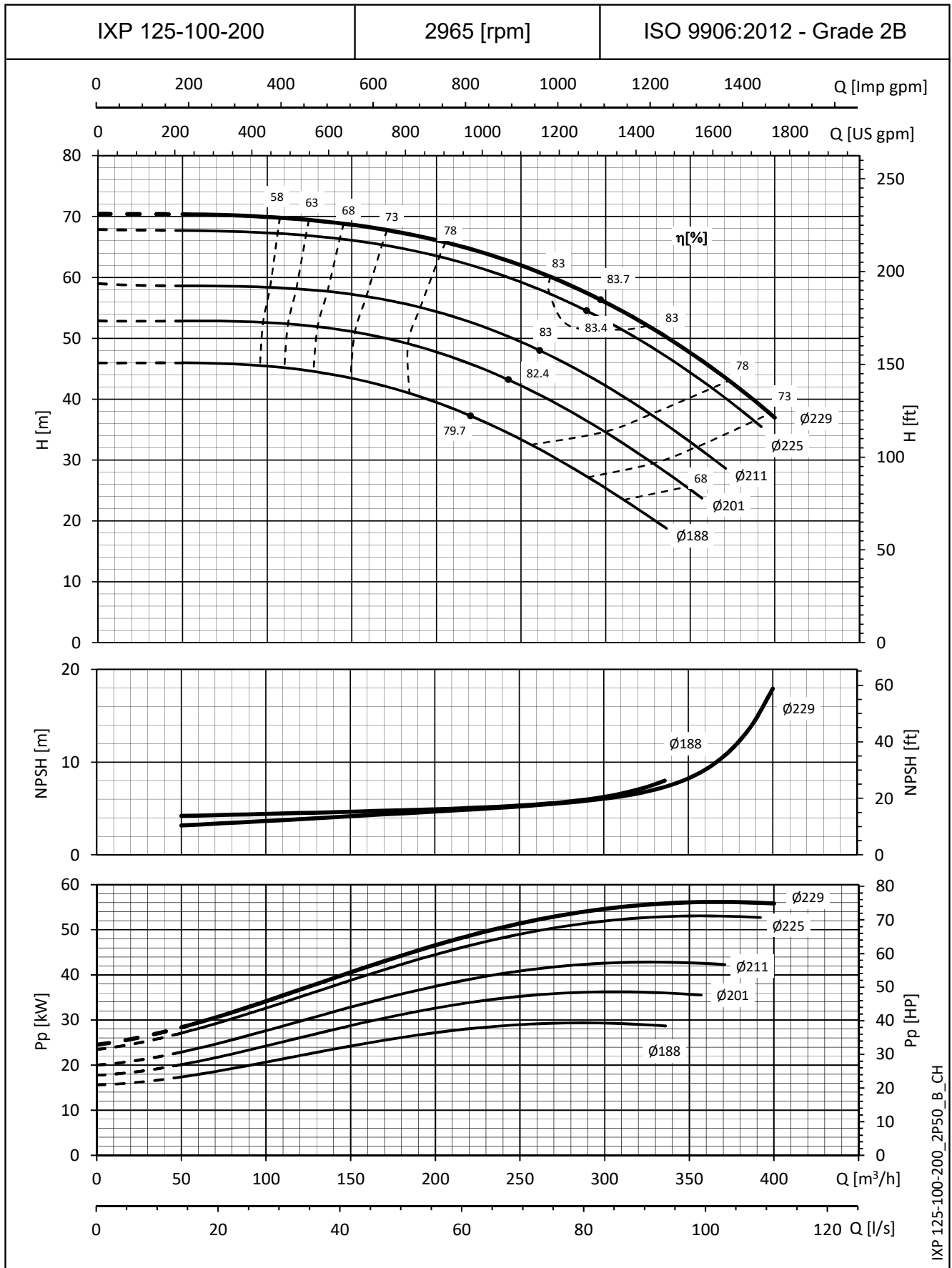
OPERATING CHARACTERISTICS AT 50 Hz, 2 POLES



The NPSH values are laboratory values; for practical use we suggest increasing these values by 0,5 m.
 These performances are valid for liquids with density $\rho = 1,0 \text{ Kg/dm}^3$ and kinematic viscosity $\nu = 1 \text{ mm}^2/\text{sec}$.

e-IXP SERIES

OPERATING CHARACTERISTICS AT 50 Hz, 2 POLES

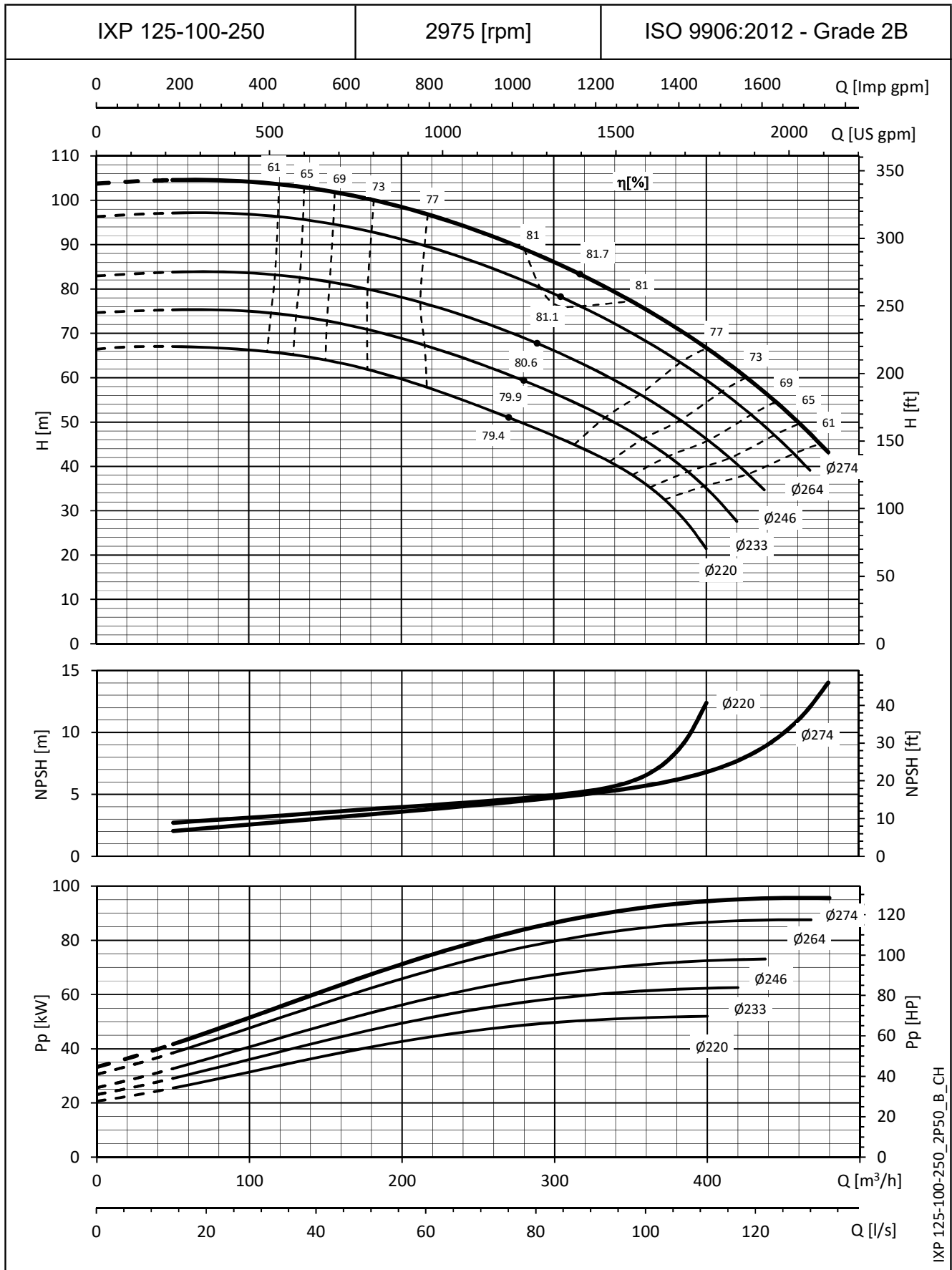


IXP-125-100-200_2P50_B_CH

The NPSH values are laboratory values; for practical use we suggest increasing these values by 0,5 m.
 These performances are valid for liquids with density $\rho = 1,0 \text{ Kg/dm}^3$ and kinematic viscosity $\nu = 1 \text{ mm}^2/\text{sec}$.

e-IXP SERIES

OPERATING CHARACTERISTICS AT 50 Hz, 2 POLES

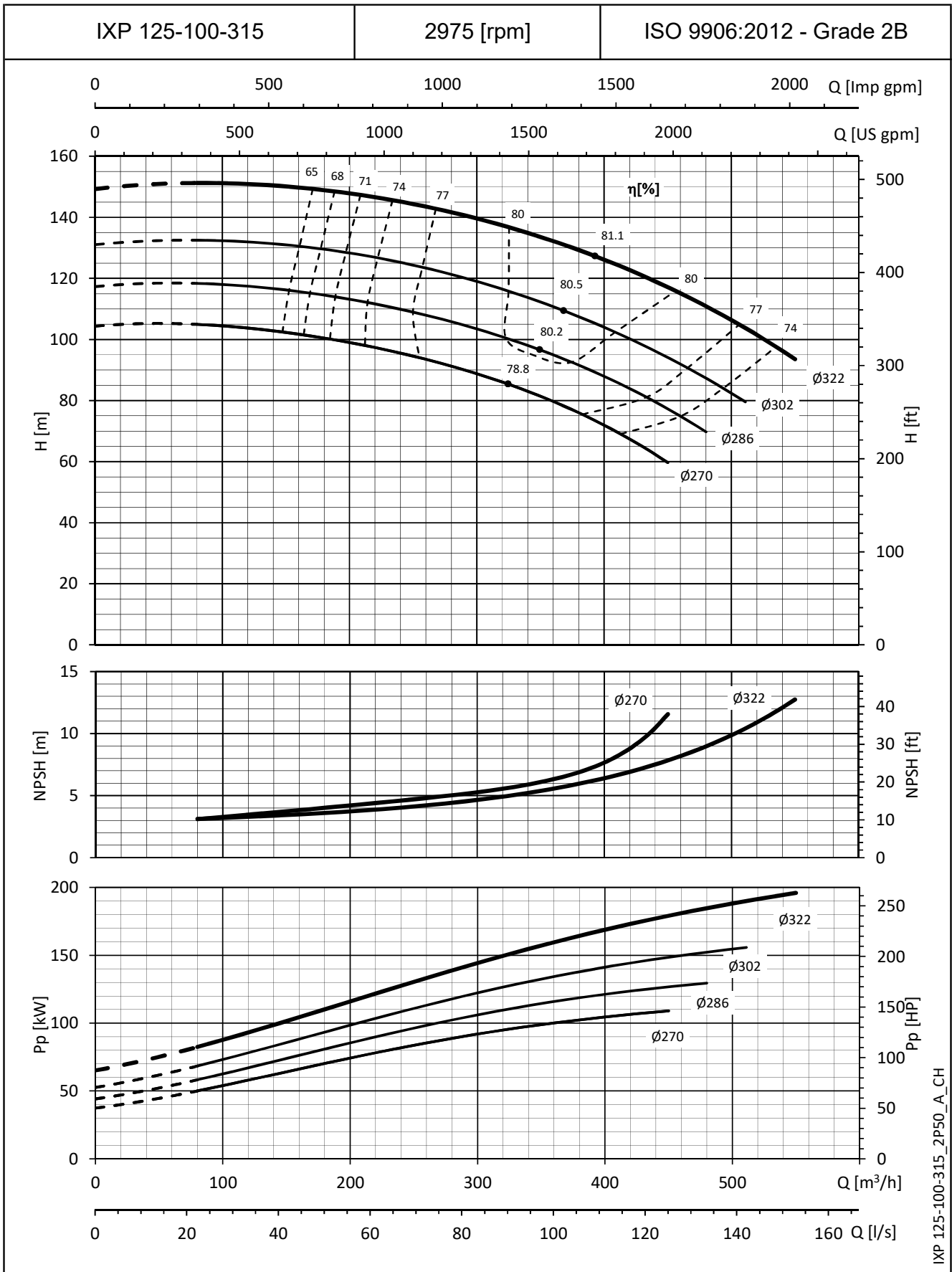


IXP 125-100-250_2P50_B_CH

The NPSH values are laboratory values; for practical use we suggest increasing these values by 0,5 m.
 These performances are valid for liquids with density $\rho = 1,0 \text{ Kg/dm}^3$ and kinematic viscosity $\nu = 1 \text{ mm}^2/\text{sec}$.

e-IXP SERIES

OPERATING CHARACTERISTICS AT 50 Hz, 2 POLES

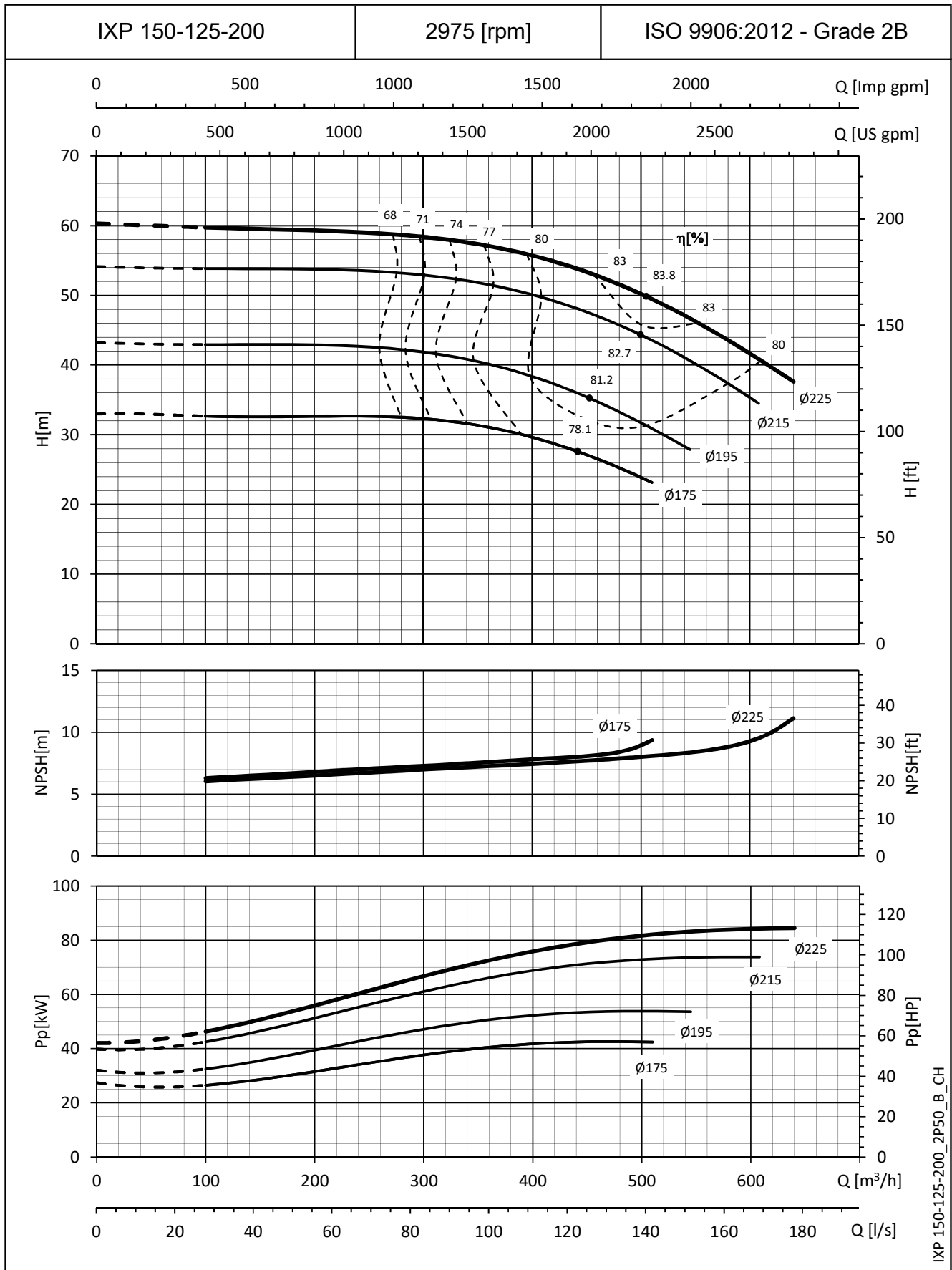


IXP 125-100-315_2P50_A_CH

The NPSH values are laboratory values; for practical use we suggest increasing these values by 0,5 m.
 These performances are valid for liquids with density $\rho = 1,0 \text{ Kg/dm}^3$ and kinematic viscosity $\nu = 1 \text{ mm}^2/\text{sec}$.

e-IXP SERIES

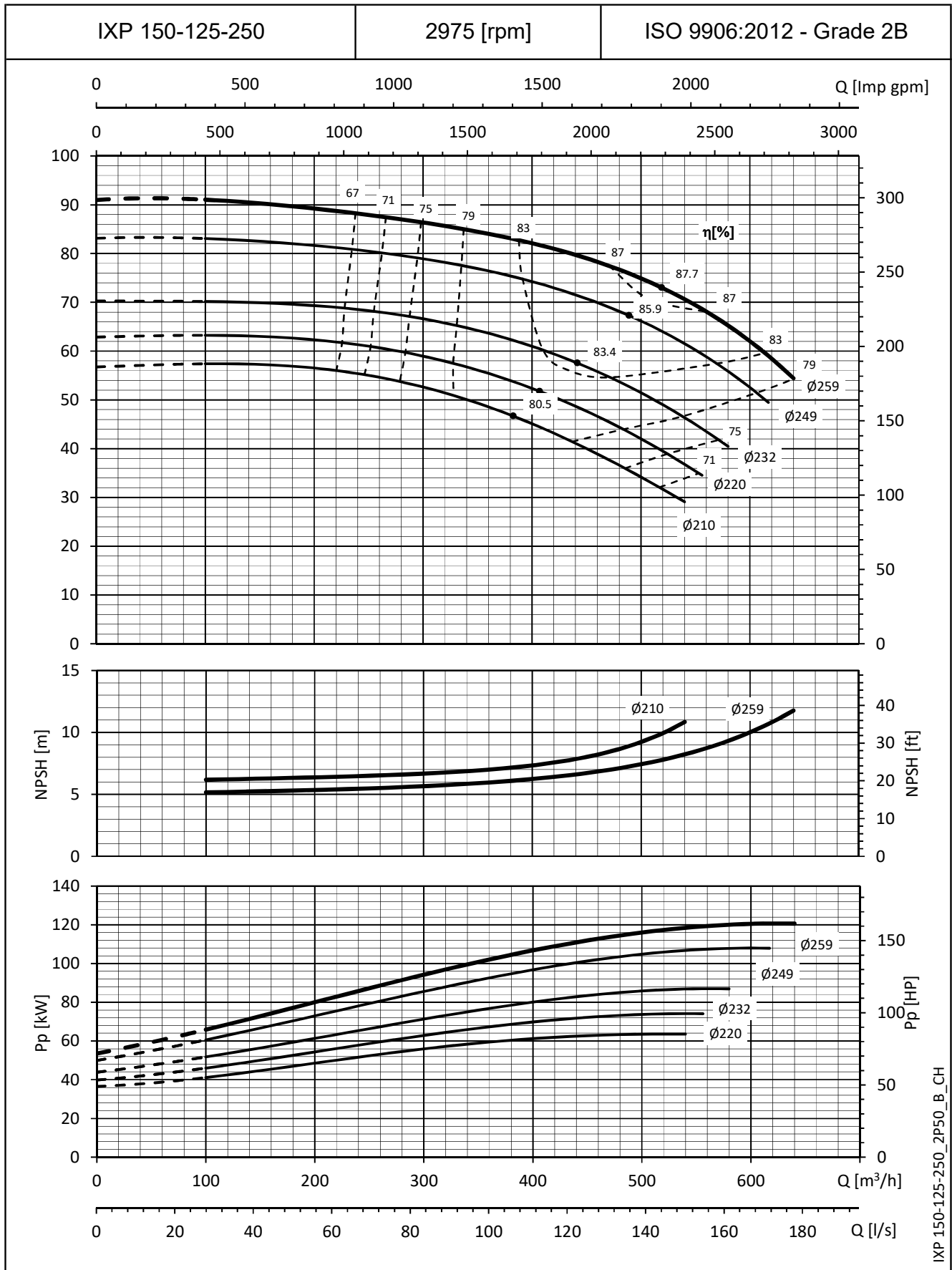
OPERATING CHARACTERISTICS AT 50 Hz, 2 POLES



The NPSH values are laboratory values; for practical use we suggest increasing these values by 0,5 m.
 These performances are valid for liquids with density $\rho = 1,0 \text{ Kg/dm}^3$ and kinematic viscosity $\nu = 1 \text{ mm}^2/\text{sec}$.

e-IXP SERIES

OPERATING CHARACTERISTICS AT 50 Hz, 2 POLES

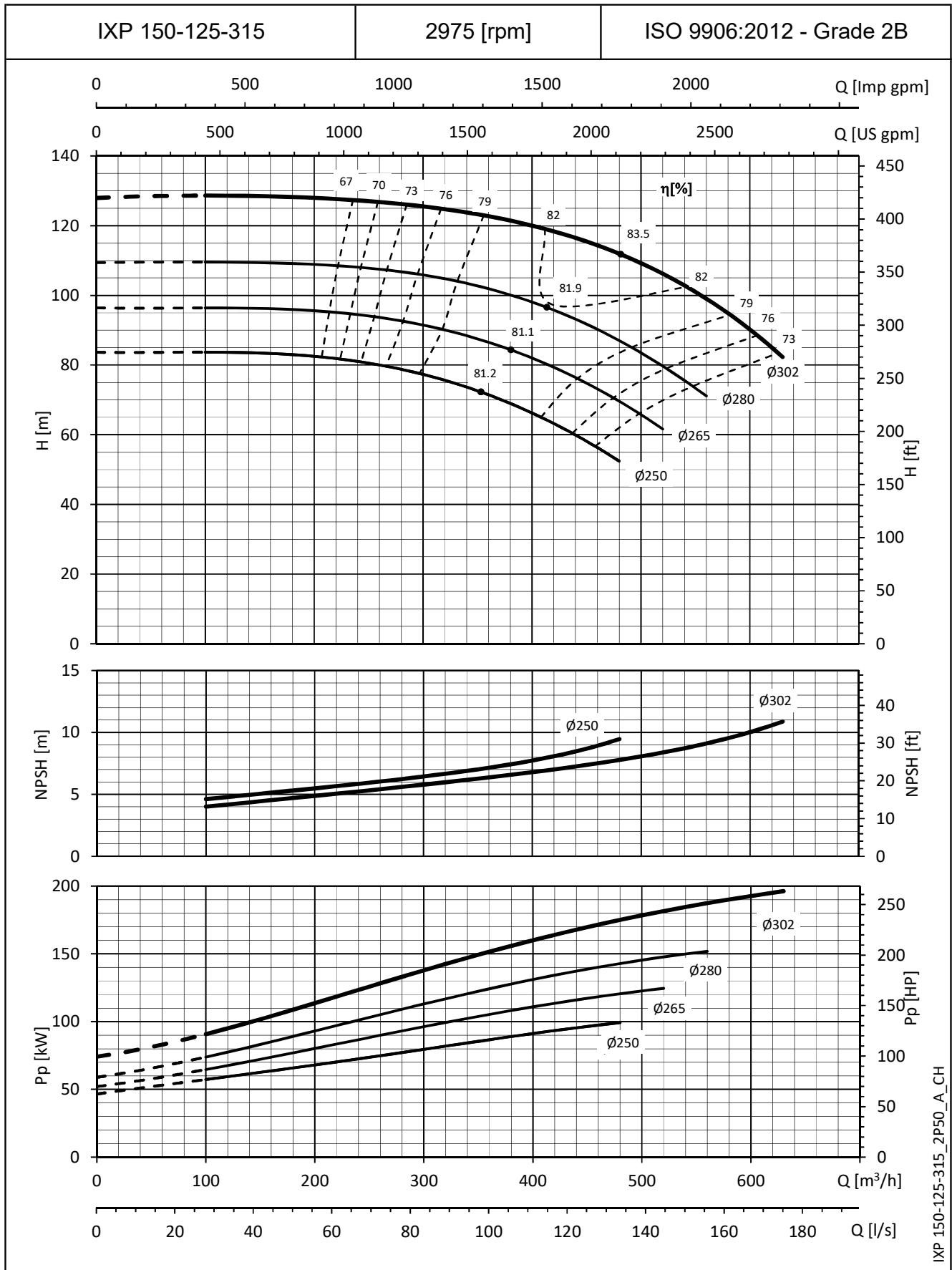


IXP_150-125-250_2P50_B_CH

The NPSH values are laboratory values; for practical use we suggest increasing these values by 0,5 m.
 These performances are valid for liquids with density $\rho = 1,0 \text{ Kg/dm}^3$ and kinematic viscosity $\nu = 1 \text{ mm}^2/\text{sec}$.

e-IXP SERIES

OPERATING CHARACTERISTICS AT 50 Hz, 2 POLES

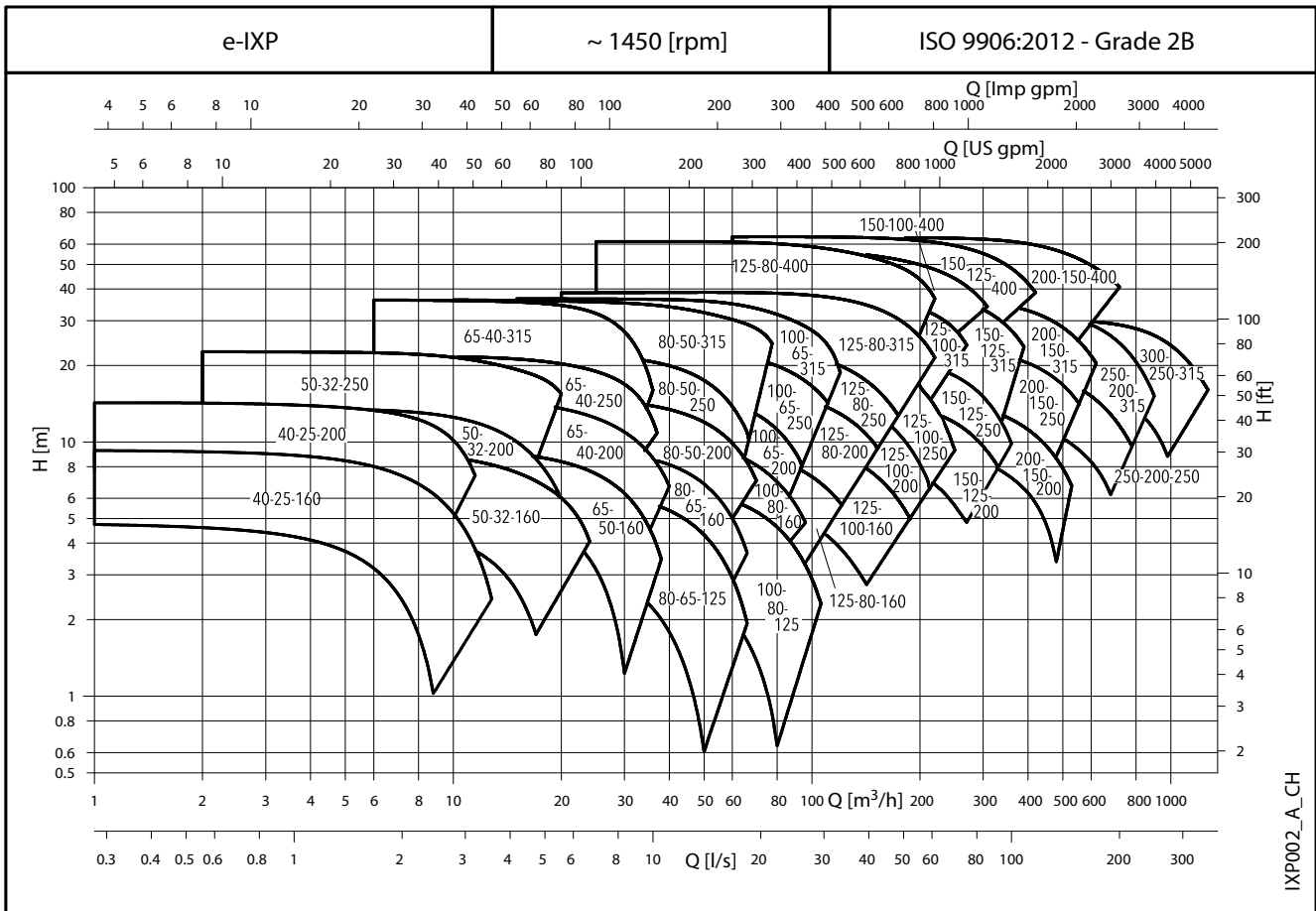


IXP 150-125-315_2P50_A_CH

The NPSH values are laboratory values; for practical use we suggest increasing these values by 0,5 m.
 These performances are valid for liquids with density $\rho = 1,0 \text{ Kg/dm}^3$ and kinematic viscosity $\nu = 1 \text{ mm}^2/\text{sec}$.

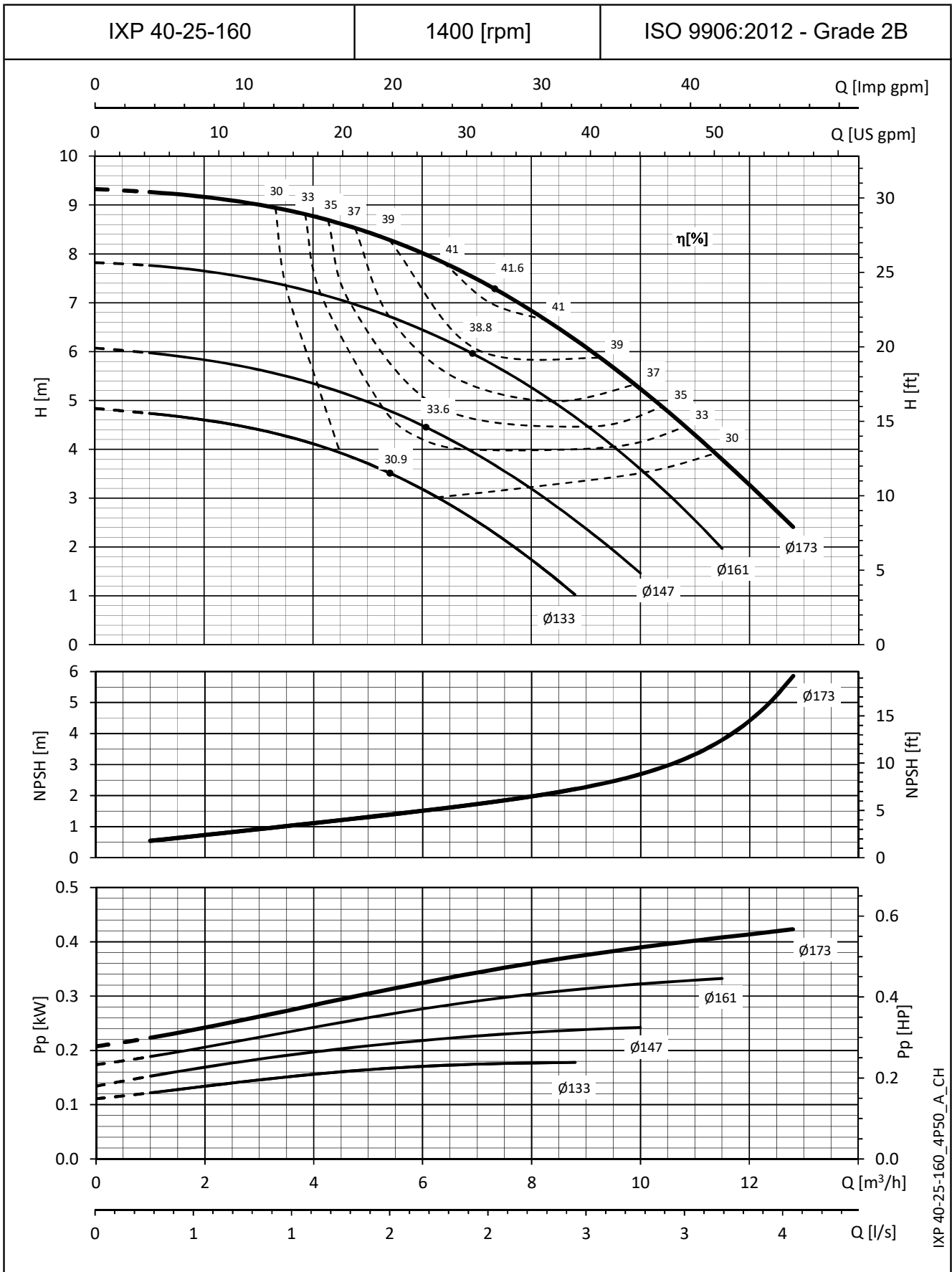
e-IXP SERIES

HYDRAULIC PERFORMANCE RANGE AT 50 Hz, 4 POLES



e-IXP SERIES

OPERATING CHARACTERISTICS AT 50 Hz, 4 POLES

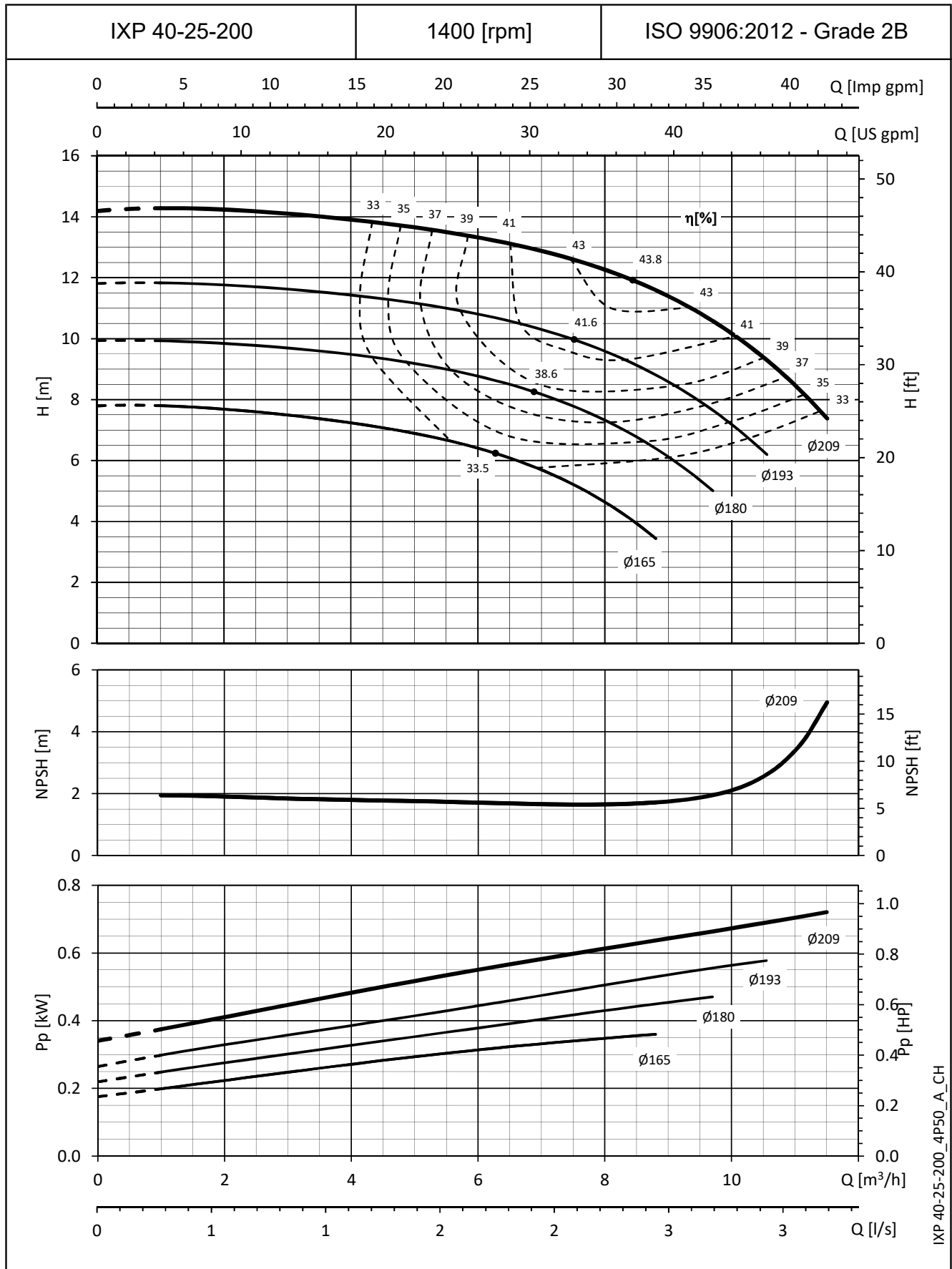


IXP 40-25-160_4P50_A_CH

The NPSH values are the same from maximum to minimum impeller diameter.
 The NPSH values are laboratory values; for practical use we suggest increasing these values by 0,5 m.
 These performances are valid for liquids with density $\rho = 1,0 \text{ Kg/dm}^3$ and kinematic viscosity $\nu = 1 \text{ mm}^2/\text{sec}$.

e-IXP SERIES

OPERATING CHARACTERISTICS AT 50 Hz, 4 POLES

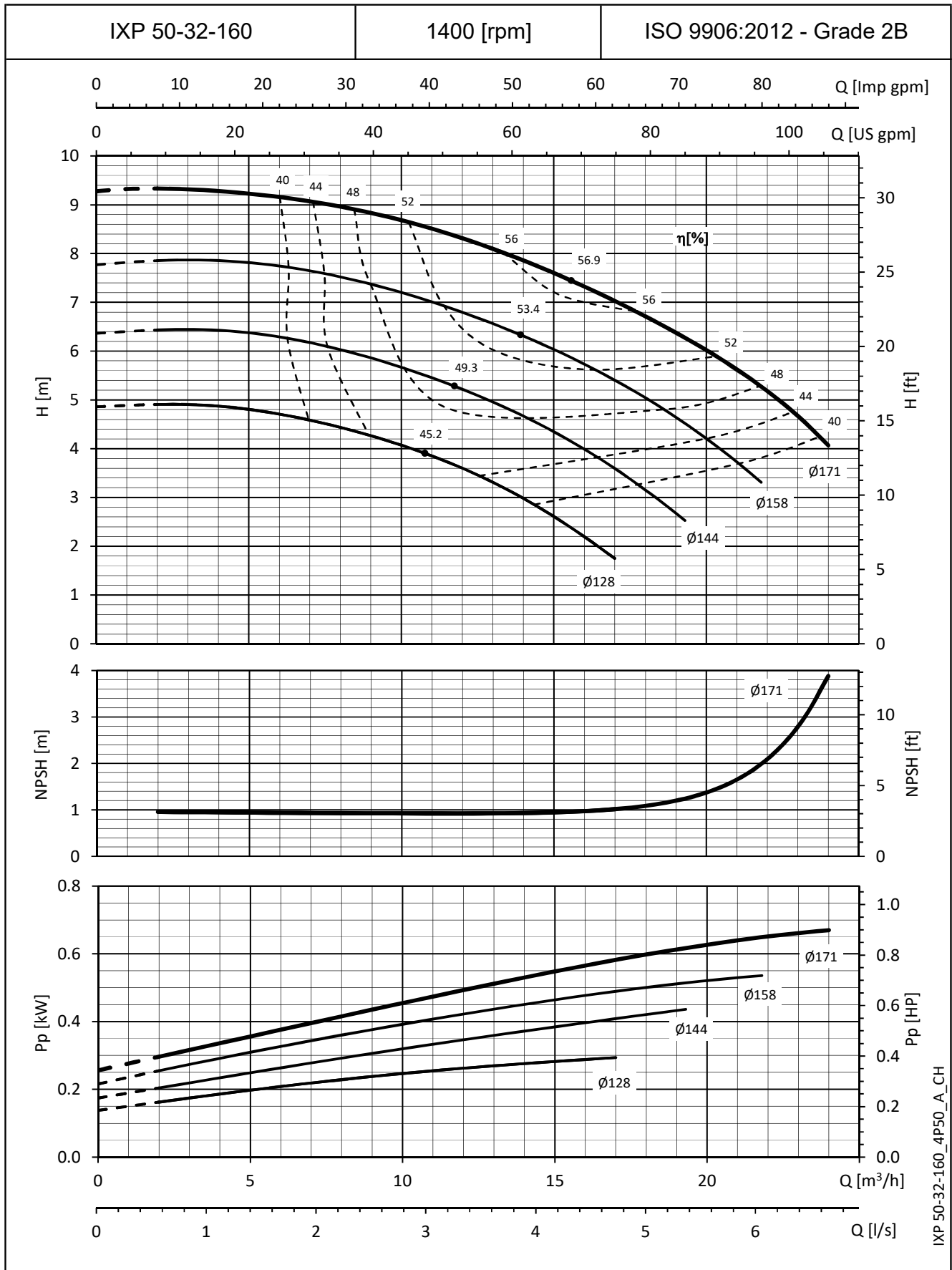


IXP 40-25-200_4P50_A_CH

The NPSH values are the same from maximum to minimum impeller diameter.
 The NPSH values are laboratory values; for practical use we suggest increasing these values by 0,5 m.
 These performances are valid for liquids with density $\rho = 1,0 \text{ Kg/dm}^3$ and kinematic viscosity $\nu = 1 \text{ mm}^2/\text{sec}$.

e-IXP SERIES

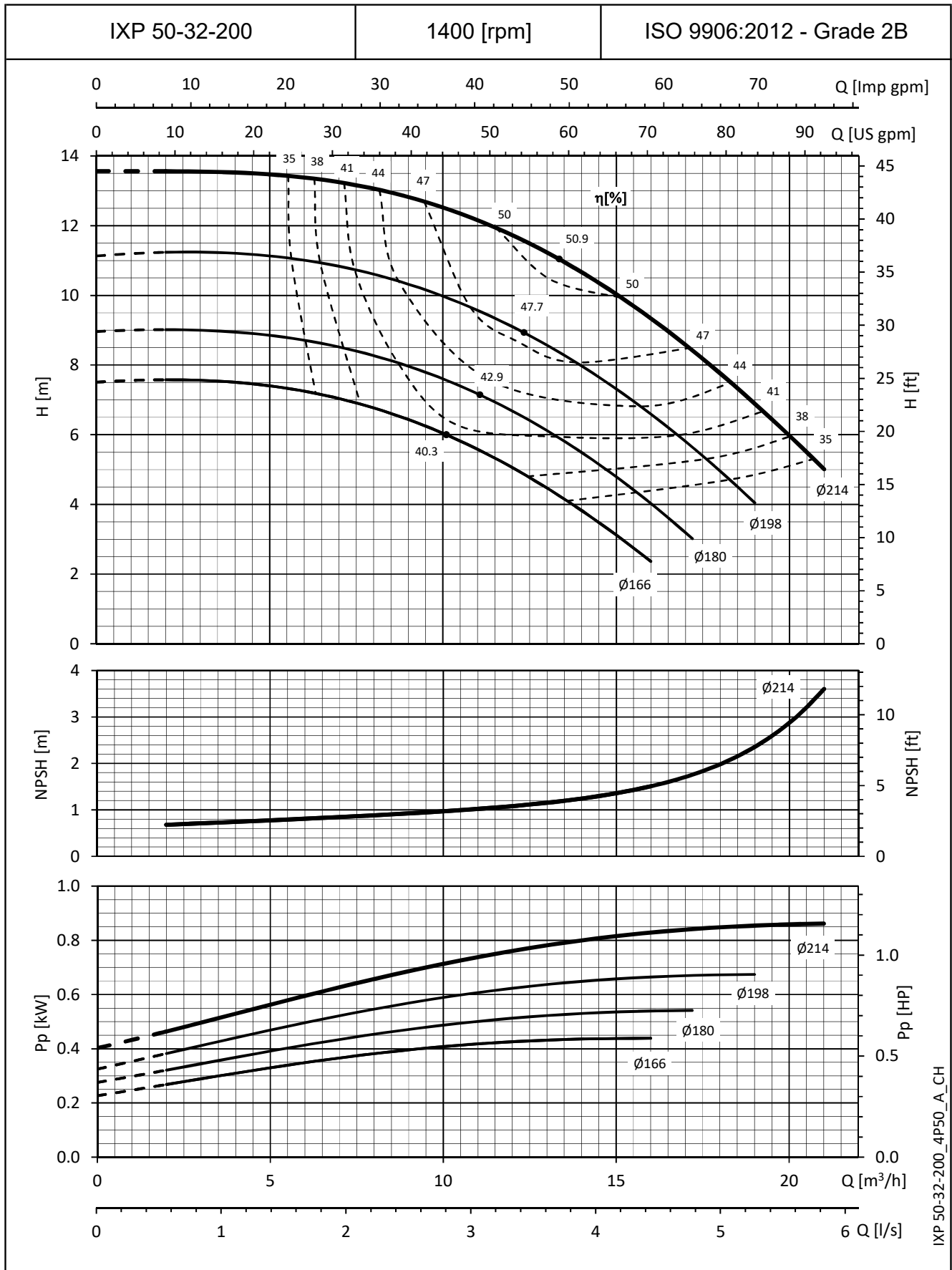
OPERATING CHARACTERISTICS AT 50 Hz, 4 POLES



The NPSH values are the same from maximum to minimum impeller diameter.
 The NPSH values are laboratory values; for practical use we suggest increasing these values by 0,5 m.
 These performances are valid for liquids with density $\rho = 1,0 \text{ Kg/dm}^3$ and kinematic viscosity $\nu = 1 \text{ mm}^2/\text{sec}$.

e-IXP SERIES

OPERATING CHARACTERISTICS AT 50 Hz, 4 POLES

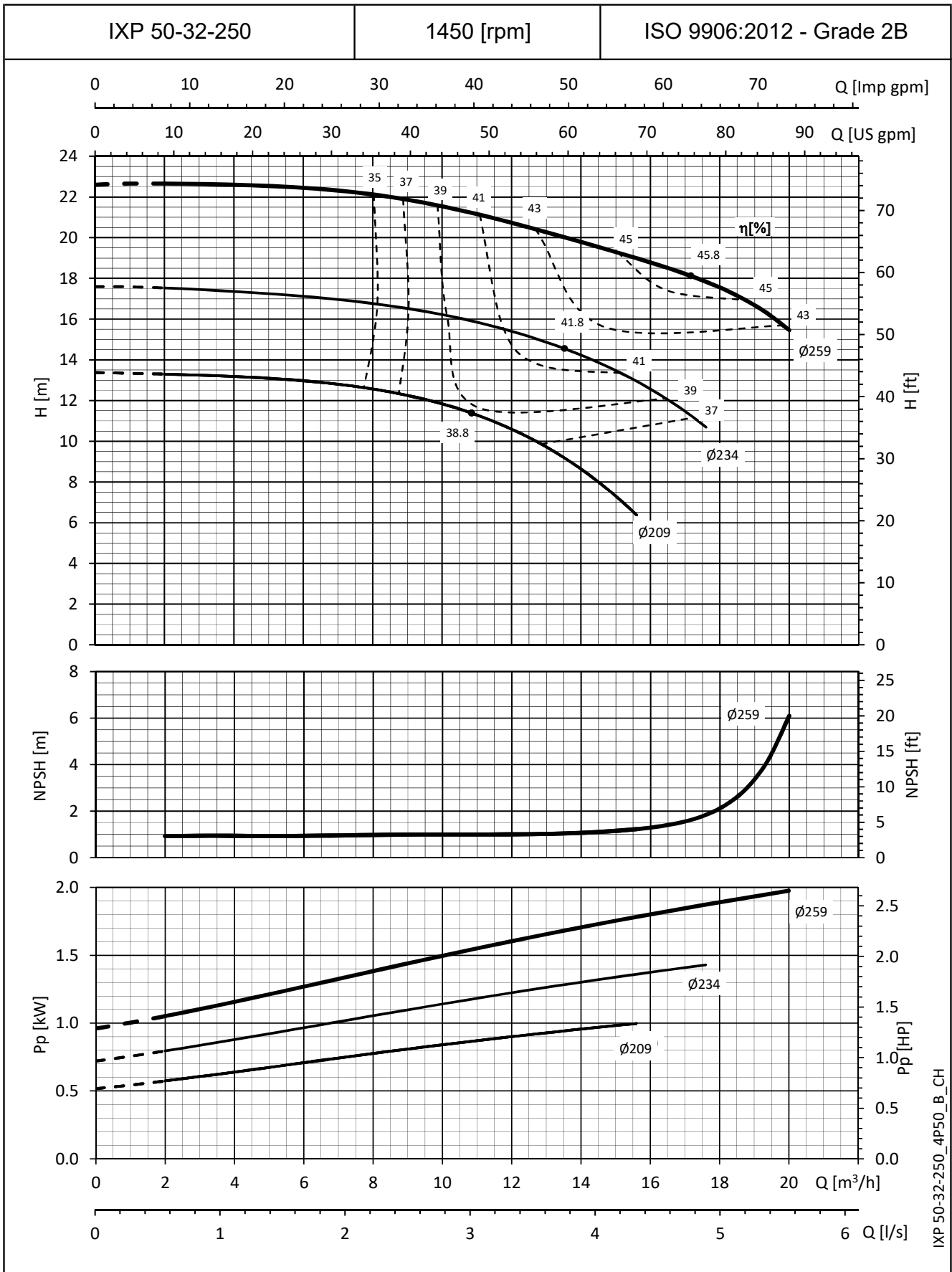


IXP 50-32-200_4P50_A_CH

The NPSH values are the same from maximum to minimum impeller diameter.
 The NPSH values are laboratory values; for practical use we suggest increasing these values by 0,5 m.
 These performances are valid for liquids with density $\rho = 1,0 \text{ Kg/dm}^3$ and kinematic viscosity $\nu = 1 \text{ mm}^2/\text{sec}$.

e-IXP SERIES

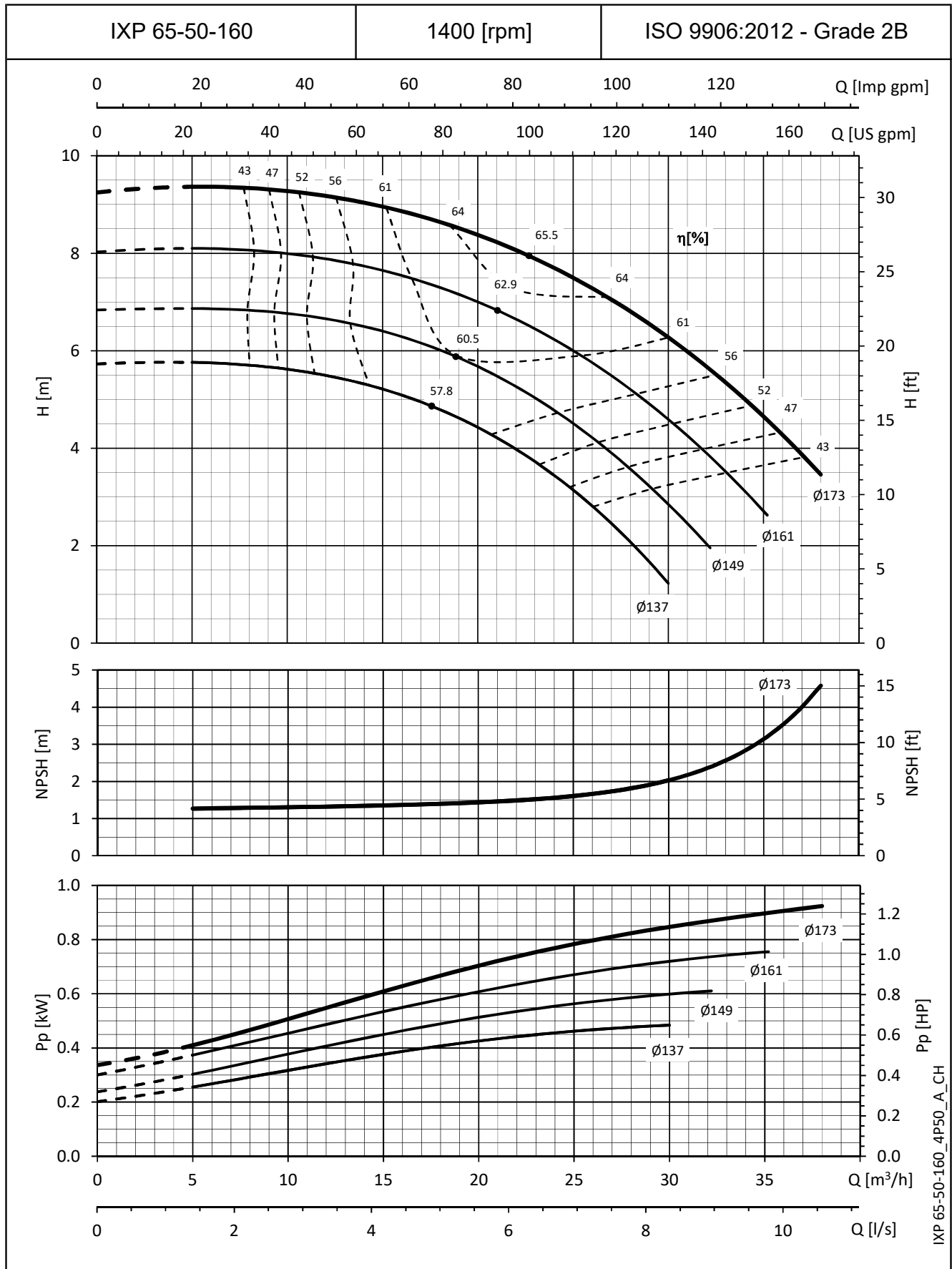
OPERATING CHARACTERISTICS AT 50 Hz, 4 POLES



The NPSH values are the same from maximum to minimum impeller diameter.
 The NPSH values are laboratory values; for practical use we suggest increasing these values by 0,5 m.
 These performances are valid for liquids with density $\rho = 1,0 \text{ Kg/dm}^3$ and kinematic viscosity $\nu = 1 \text{ mm}^2/\text{sec}$.

e-IXP SERIES

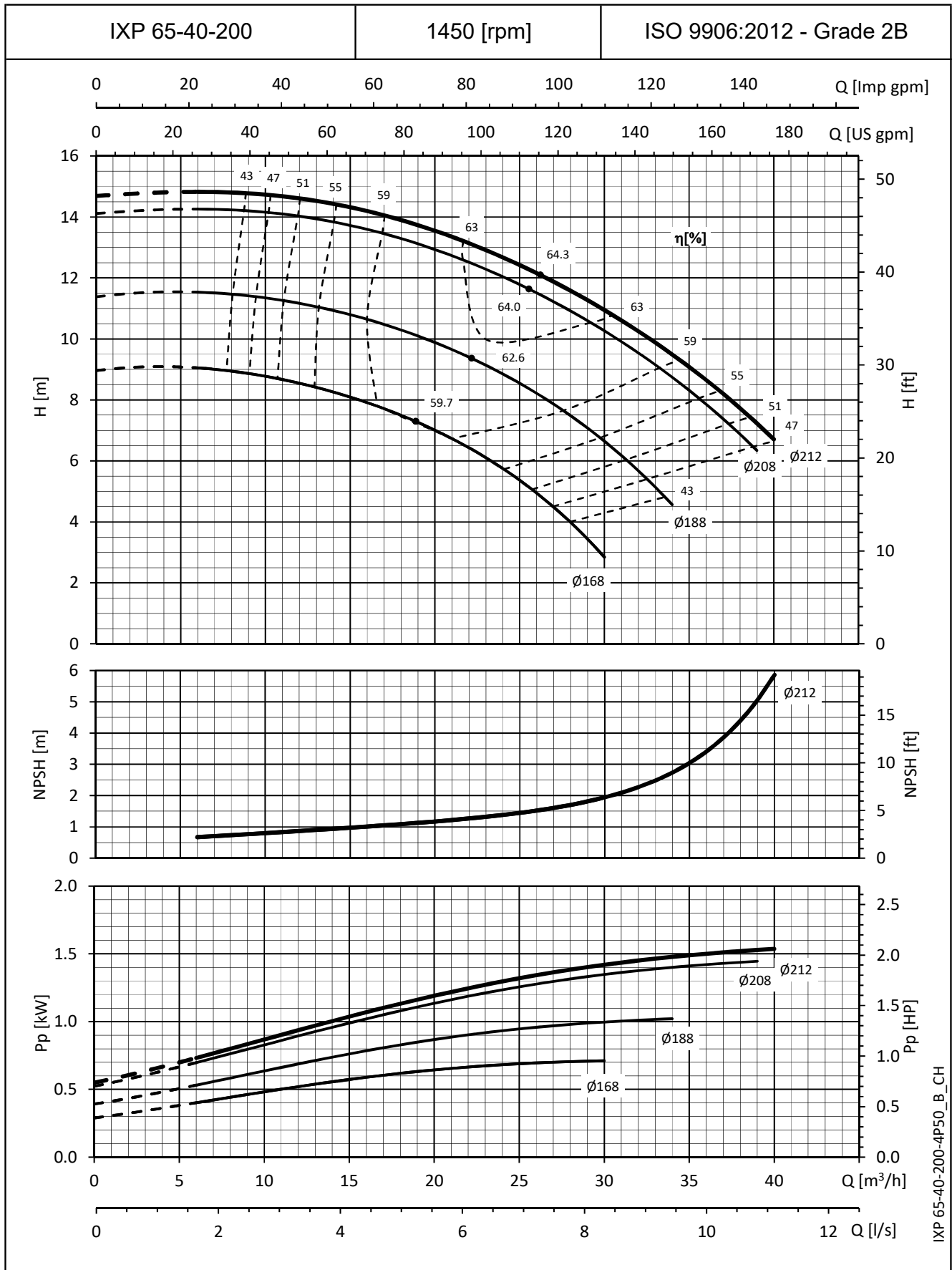
OPERATING CHARACTERISTICS AT 50 Hz, 4 POLES



The NPSH values are the same from maximum to minimum impeller diameter.
 The NPSH values are laboratory values; for practical use we suggest increasing these values by 0,5 m.
 These performances are valid for liquids with density $\rho = 1,0 \text{ Kg/dm}^3$ and kinematic viscosity $\nu = 1 \text{ mm}^2/\text{sec}$.

e-IXP SERIES

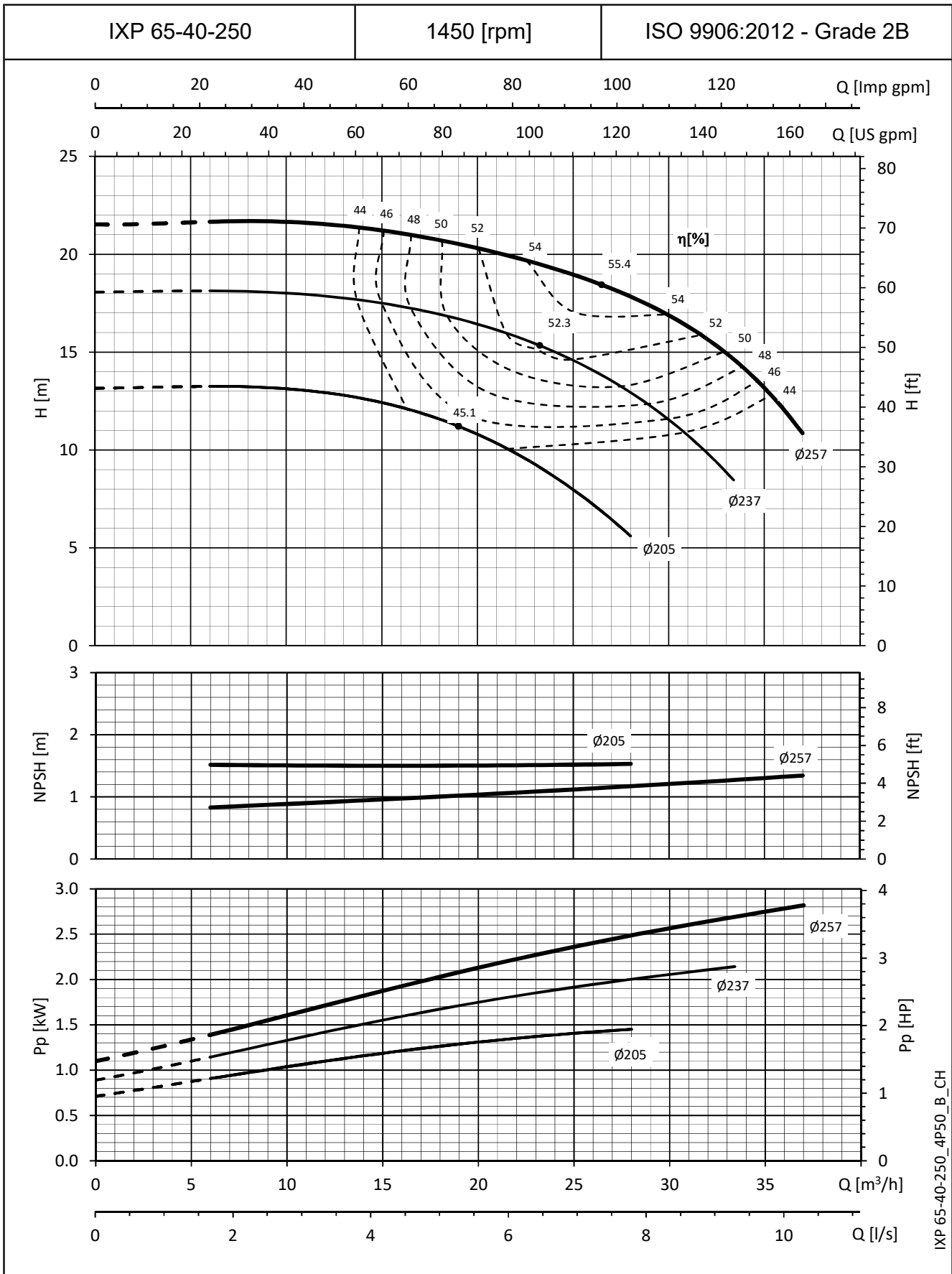
OPERATING CHARACTERISTICS AT 50 Hz, 4 POLES



The NPSH values are the same from maximum to minimum impeller diameter.
 The NPSH values are laboratory values; for practical use we suggest increasing these values by 0,5 m.
 These performances are valid for liquids with density $\rho = 1,0 \text{ Kg/dm}^3$ and kinematic viscosity $\nu = 1 \text{ mm}^2/\text{sec}$.

e-IXP SERIES

OPERATING CHARACTERISTICS AT 50 Hz, 4 POLES

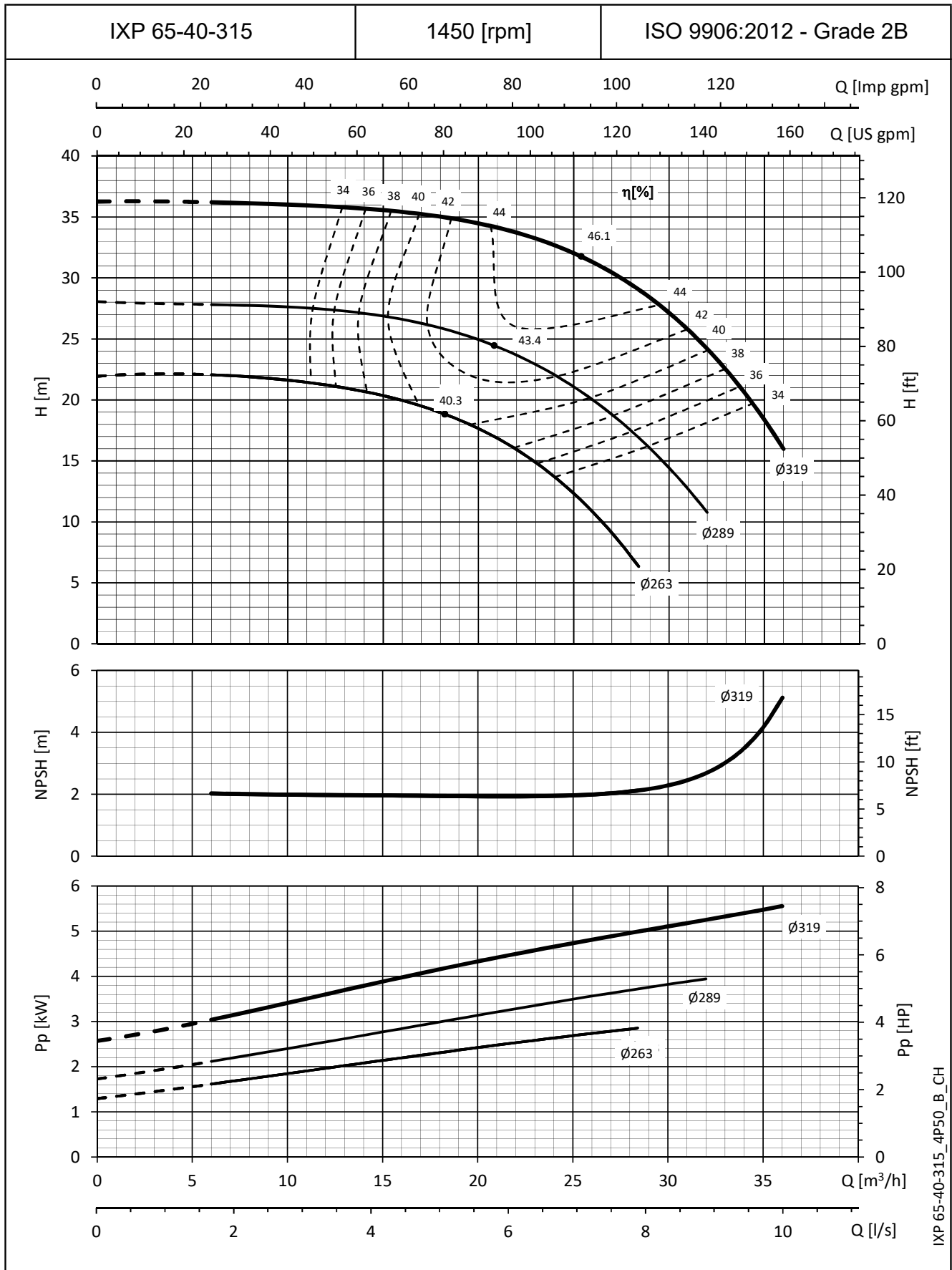


IXP 65-40-250_4P50_B_CH

The NPSH values are laboratory values; for practical use we suggest increasing these values by 0,5 m.
 These performances are valid for liquids with density $\rho = 1,0 \text{ Kg/dm}^3$ and kinematic viscosity $\nu = 1 \text{ mm}^2/\text{sec}$.

e-IXP SERIES

OPERATING CHARACTERISTICS AT 50 Hz, 4 POLES

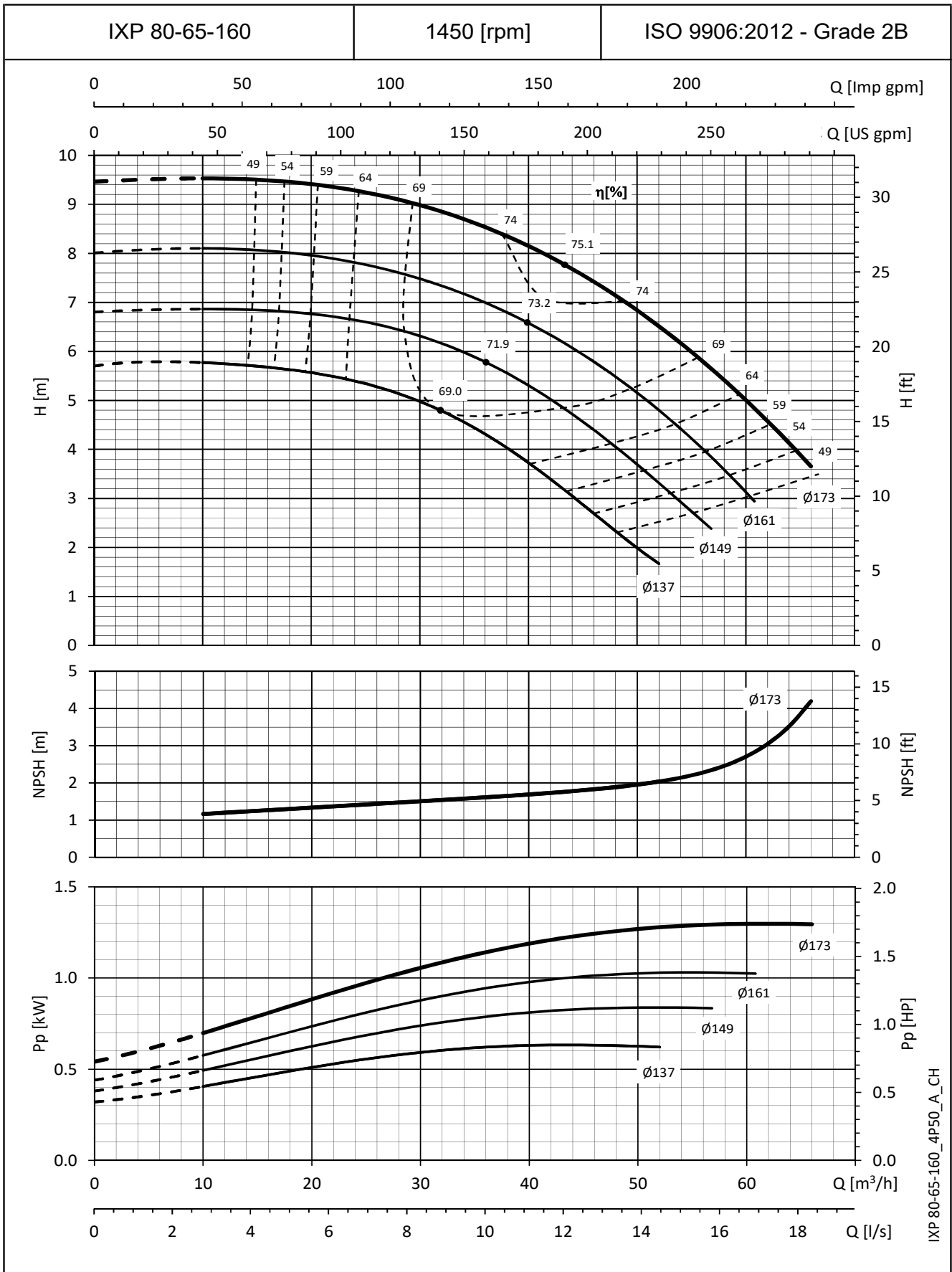


IXP 65-40-315_4P50_B_CH

The NPSH values are the same from maximum to minimum impeller diameter.
 The NPSH values are laboratory values; for practical use we suggest increasing these values by 0,5 m.
 These performances are valid for liquids with density $\rho = 1,0 \text{ Kg/dm}^3$ and kinematic viscosity $\nu = 1 \text{ mm}^2/\text{sec}$.

e-IXP SERIES

OPERATING CHARACTERISTICS AT 50 Hz, 4 POLES

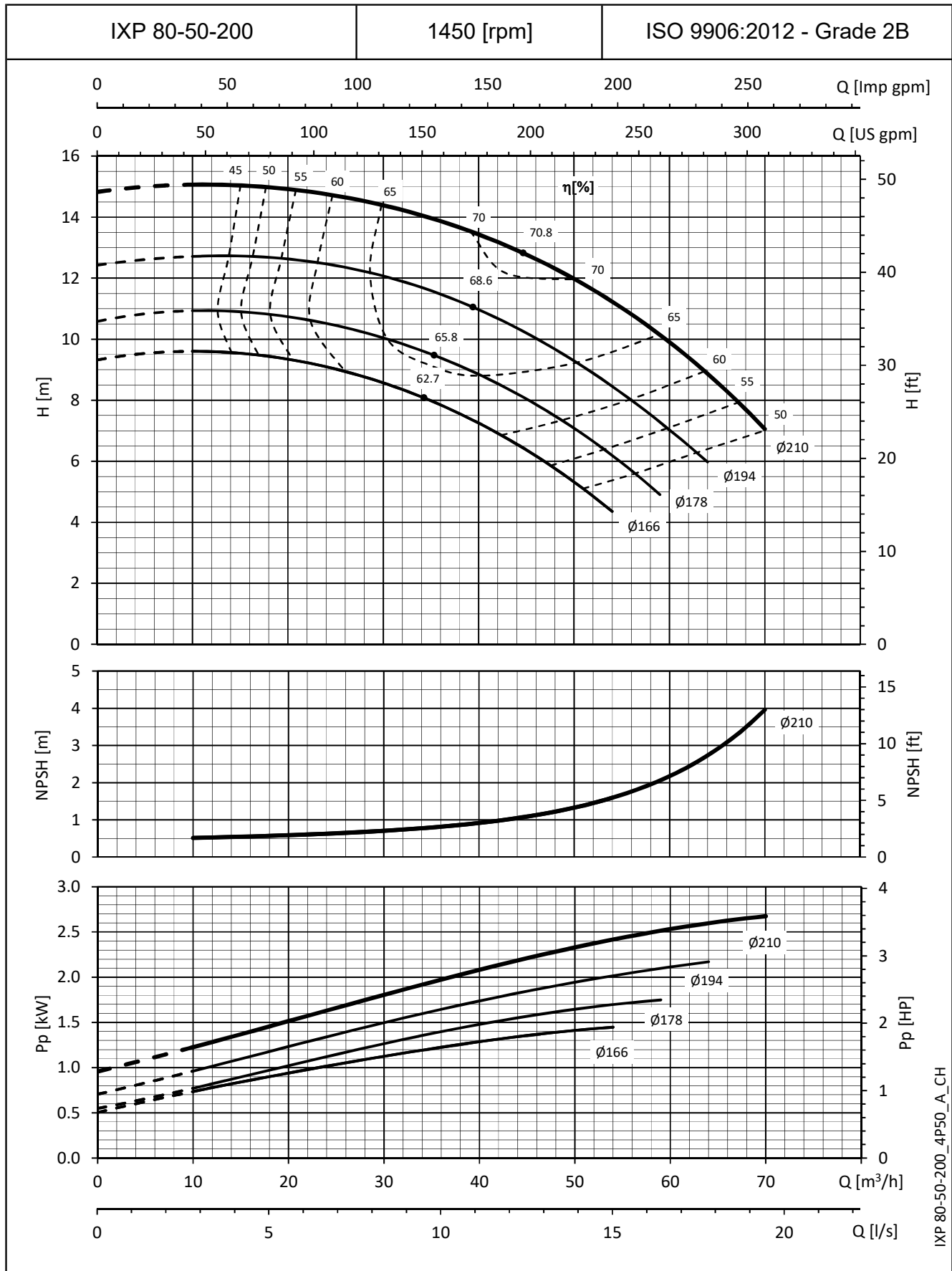


IXP 80-65-160_4P50_A_CH

The NPSH values are the same from maximum to minimum impeller diameter.
 The NPSH values are laboratory values; for practical use we suggest increasing these values by 0,5 m.
 These performances are valid for liquids with density $\rho = 1,0 \text{ Kg/dm}^3$ and kinematic viscosity $\nu = 1 \text{ mm}^2/\text{sec}$.

e-IXP SERIES

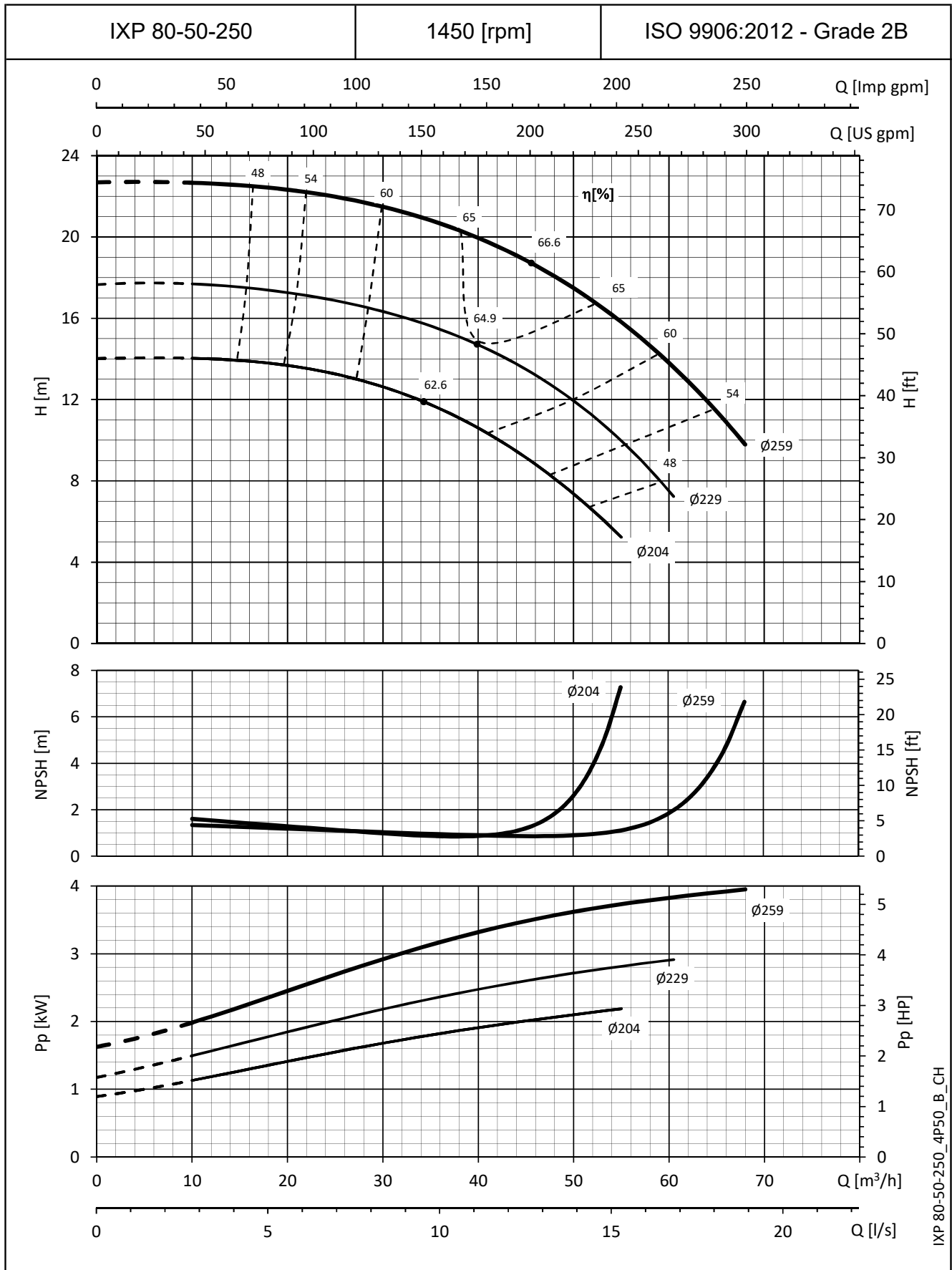
OPERATING CHARACTERISTICS AT 50 Hz, 4 POLES



The NPSH values are the same from maximum to minimum impeller diameter.
 The NPSH values are laboratory values; for practical use we suggest increasing these values by 0,5 m.
 These performances are valid for liquids with density $\rho = 1,0 \text{ Kg/dm}^3$ and kinematic viscosity $\nu = 1 \text{ mm}^2/\text{sec}$.

e-IXP SERIES

OPERATING CHARACTERISTICS AT 50 Hz, 4 POLES

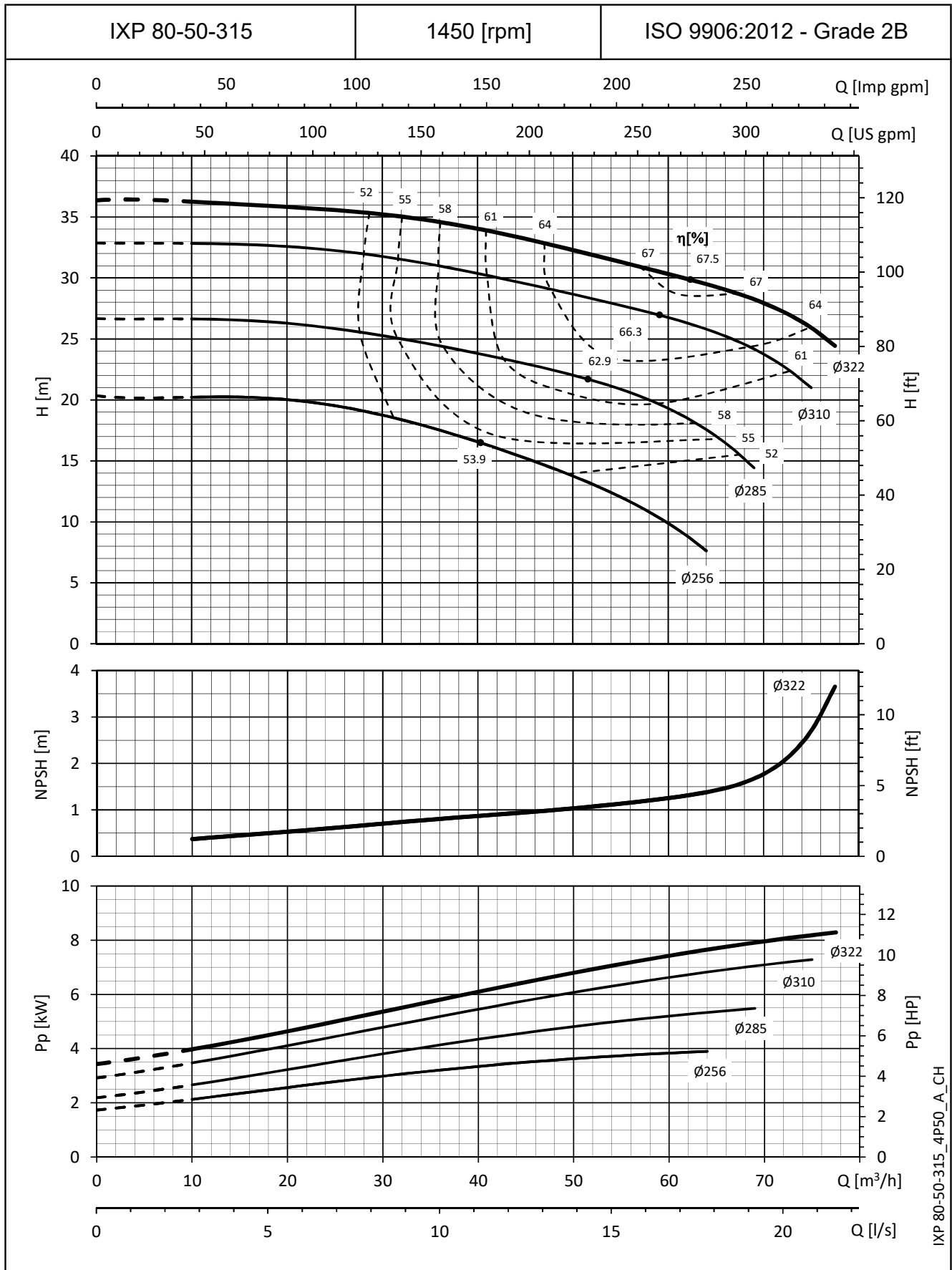


IXP 80-50-250_4P50_B_CH

The NPSH values are laboratory values; for practical use we suggest increasing these values by 0,5 m.
 These performances are valid for liquids with density $\rho = 1,0 \text{ Kg/dm}^3$ and kinematic viscosity $\nu = 1 \text{ mm}^2/\text{sec}$.

e-IXP SERIES

OPERATING CHARACTERISTICS AT 50 Hz, 4 POLES

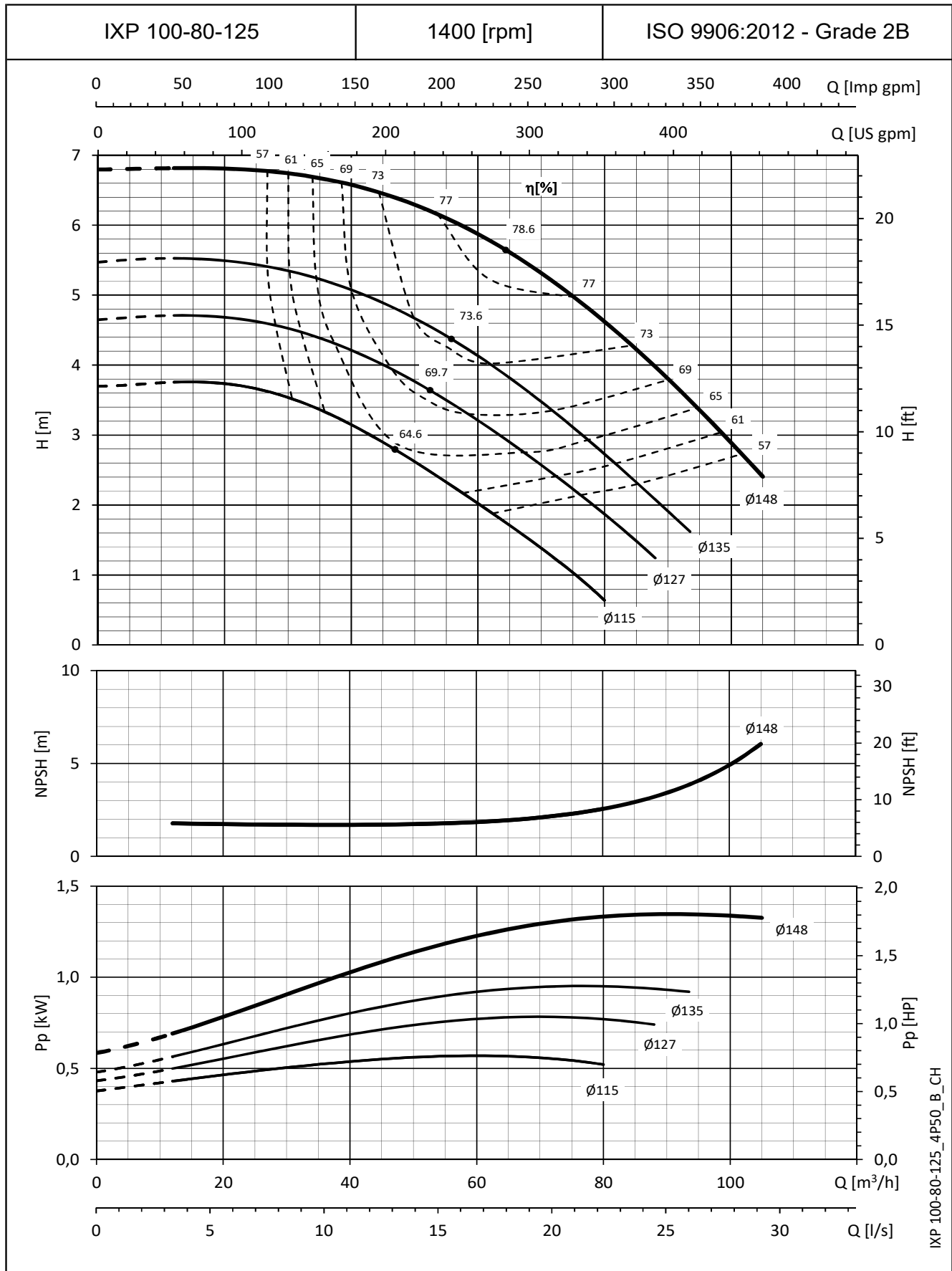


IXP 80-50-315_4P50_A_CH

The NPSH values are the same from maximum to minimum impeller diameter.
 The NPSH values are laboratory values; for practical use we suggest increasing these values by 0,5 m.
 These performances are valid for liquids with density $\rho = 1,0 \text{ Kg/dm}^3$ and kinematic viscosity $\nu = 1 \text{ mm}^2/\text{sec}$.

e-IXP SERIES

OPERATING CHARACTERISTICS AT 50 Hz, 4 POLES

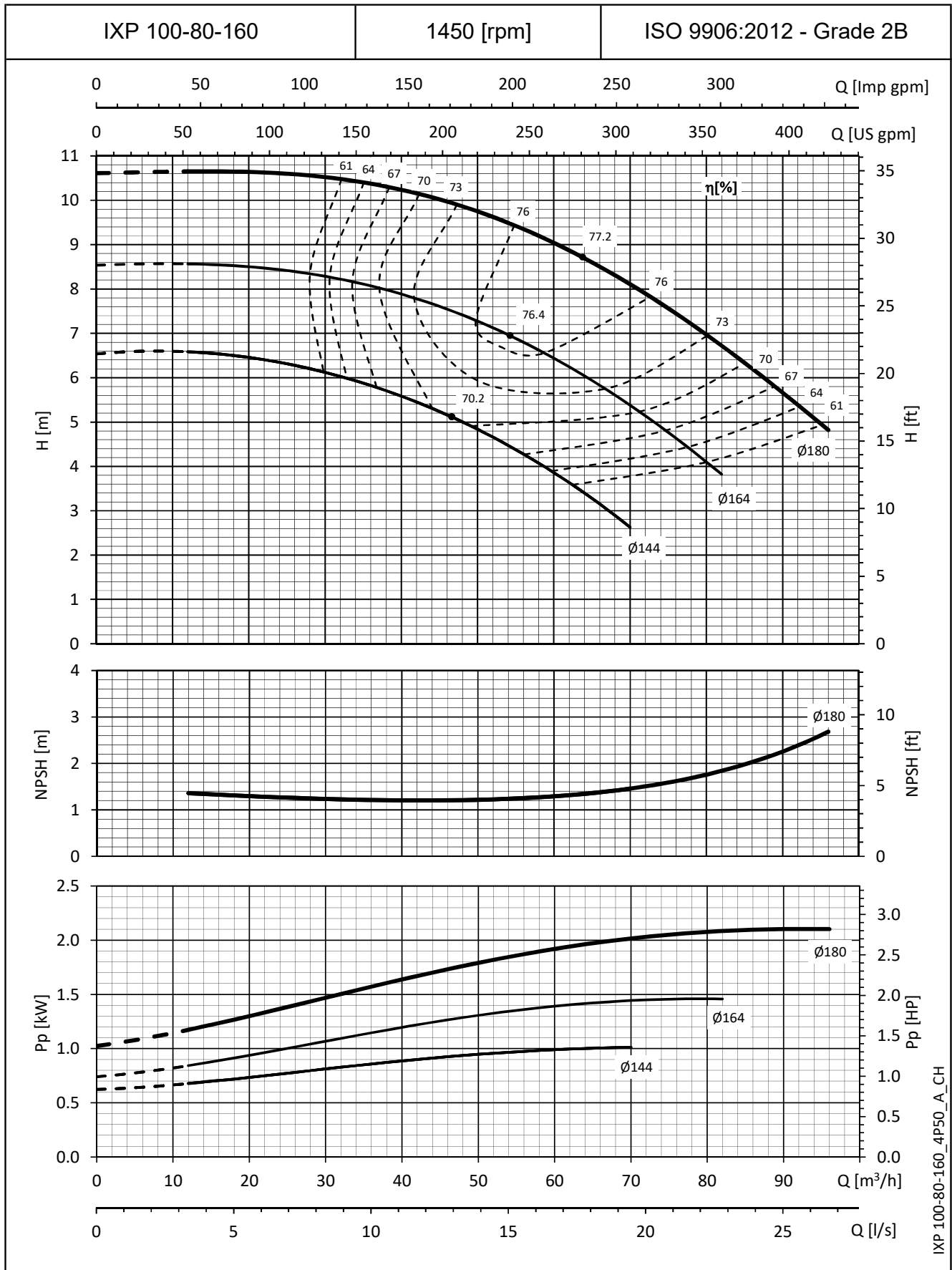


IXP 100-80-125_4P50_B_CH

The NPSH values are the same from maximum to minimum impeller diameter.
 The NPSH values are laboratory values; for practical use we suggest increasing these values by 0,5 m.
 These performances are valid for liquids with density $\rho = 1,0 \text{ Kg/dm}^3$ and kinematic viscosity $\nu = 1 \text{ mm}^2/\text{sec}$.

e-IXP SERIES

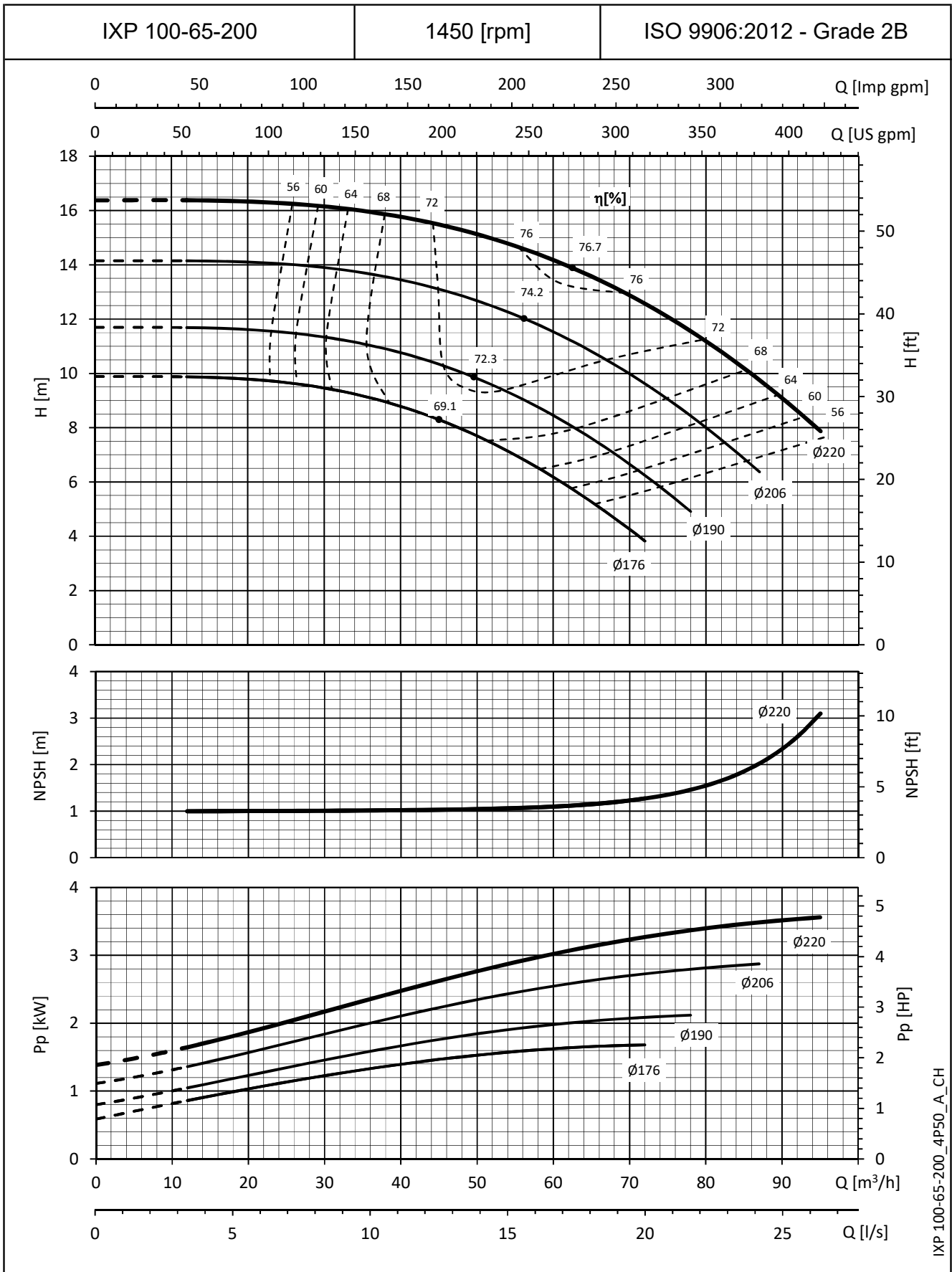
OPERATING CHARACTERISTICS AT 50 Hz, 4 POLES



The NPSH values are the same from maximum to minimum impeller diameter.
 The NPSH values are laboratory values; for practical use we suggest increasing these values by 0,5 m.
 These performances are valid for liquids with density $\rho = 1,0 \text{ Kg/dm}^3$ and kinematic viscosity $\nu = 1 \text{ mm}^2/\text{sec}$.

e-IXP SERIES

OPERATING CHARACTERISTICS AT 50 Hz, 4 POLES

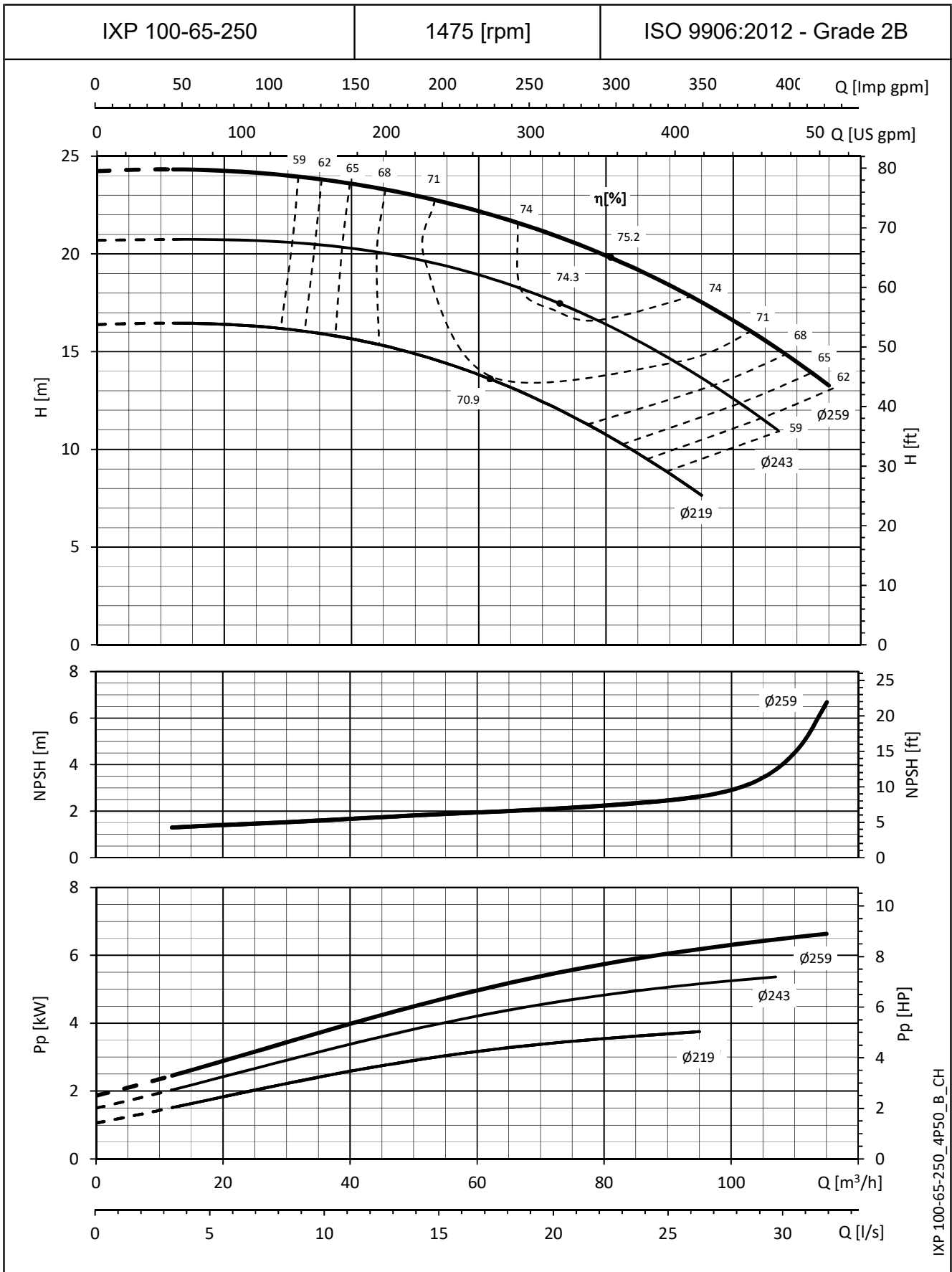


IXP 100-65-200_4P50_A_CH

The NPSH values are the same from maximum to minimum impeller diameter.
 The NPSH values are laboratory values; for practical use we suggest increasing these values by 0,5 m.
 These performances are valid for liquids with density $\rho = 1,0 \text{ Kg/dm}^3$ and kinematic viscosity $\nu = 1 \text{ mm}^2/\text{sec}$.

e-IXP SERIES

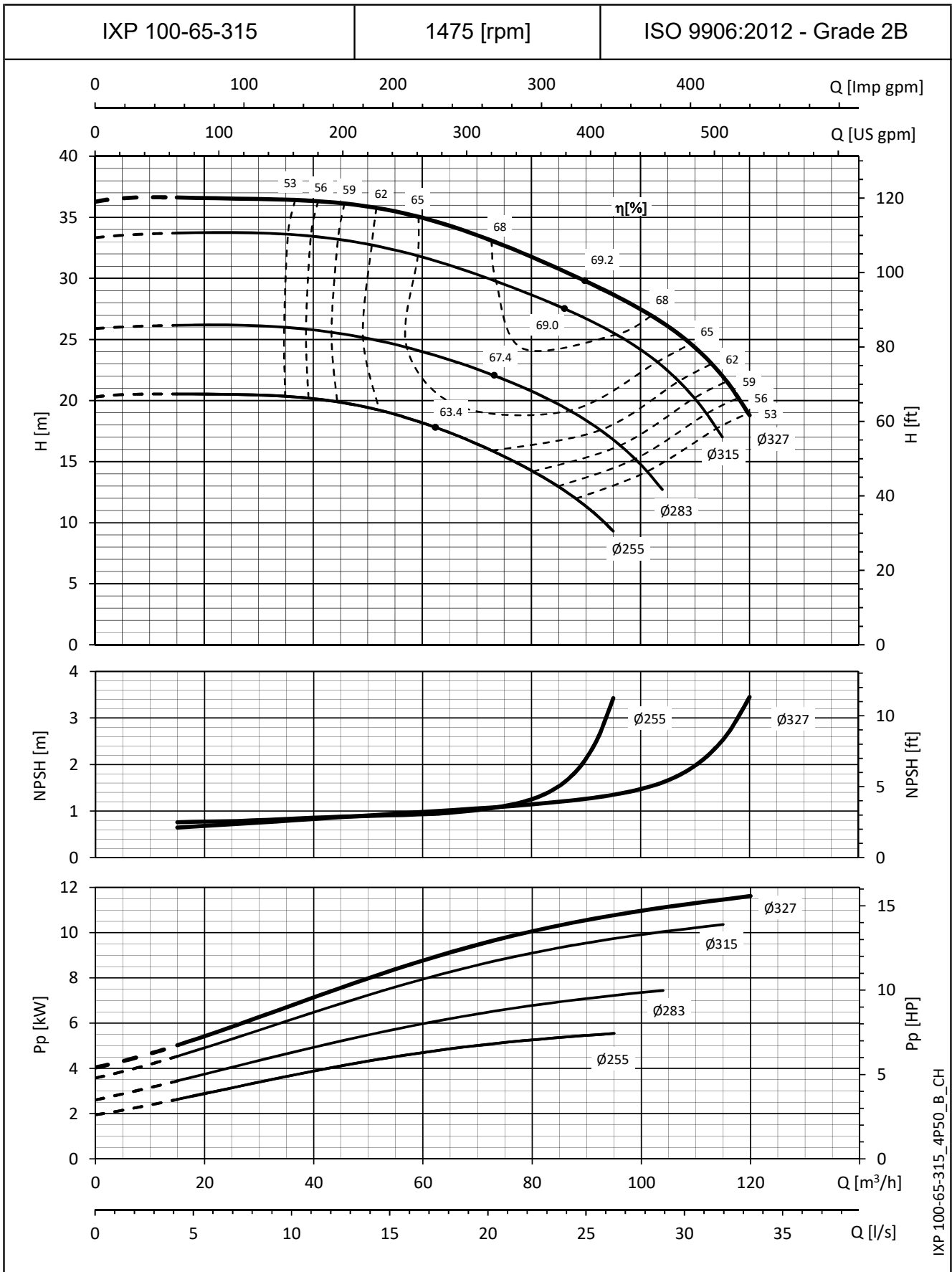
OPERATING CHARACTERISTICS AT 50 Hz, 4 POLES



The NPSH values are the same from maximum to minimum impeller diameter.
 The NPSH values are laboratory values; for practical use we suggest increasing these values by 0,5 m.
 These performances are valid for liquids with density $\rho = 1,0 \text{ Kg/dm}^3$ and kinematic viscosity $\nu = 1 \text{ mm}^2/\text{sec}$.

e-IXP SERIES

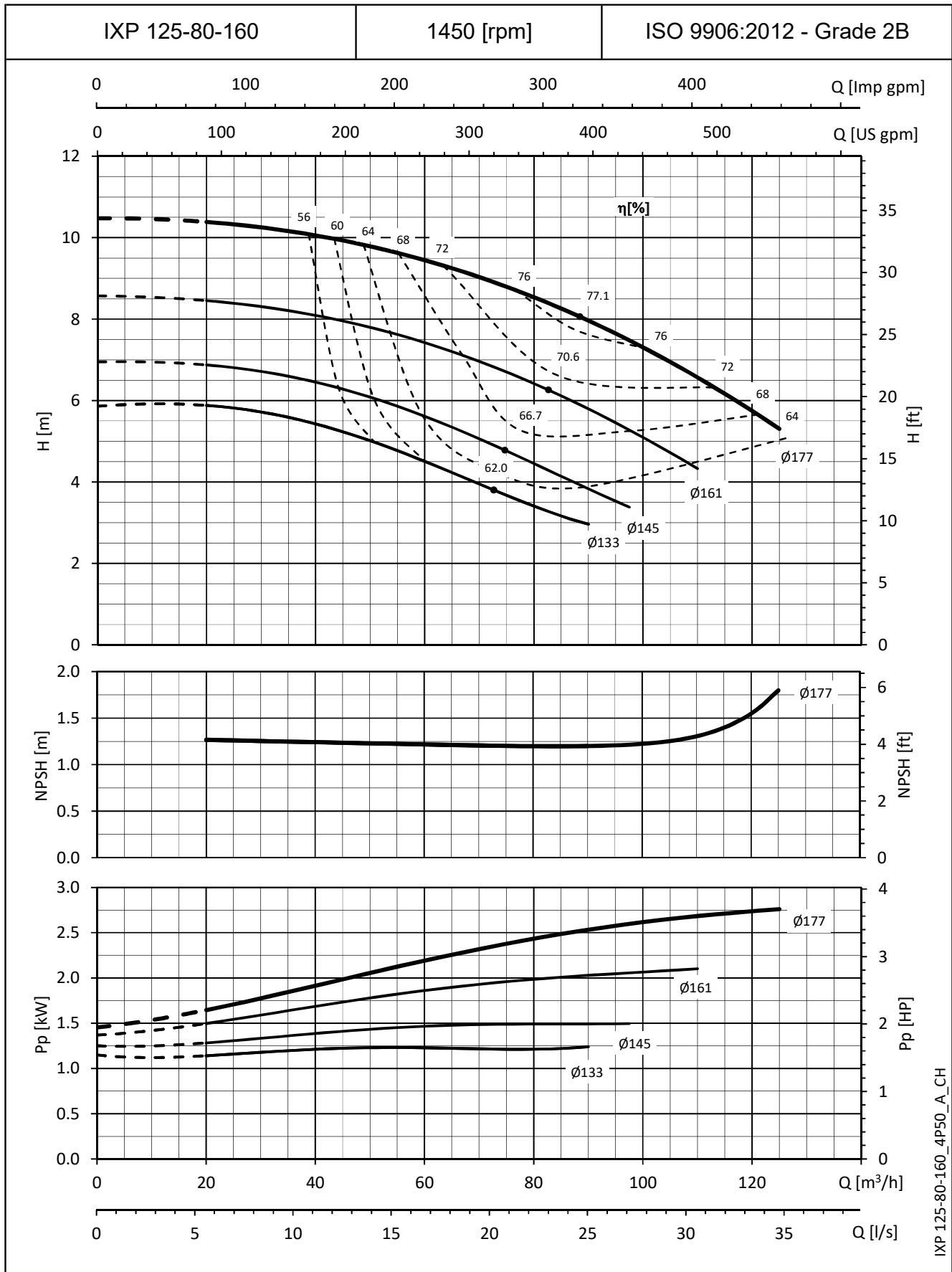
OPERATING CHARACTERISTICS AT 50 Hz, 4 POLES



The NPSH values are laboratory values; for practical use we suggest increasing these values by 0,5 m.
 These performances are valid for liquids with density $\rho = 1,0 \text{ Kg/dm}^3$ and kinematic viscosity $\nu = 1 \text{ mm}^2/\text{sec}$.

e-IXP SERIES

OPERATING CHARACTERISTICS AT 50 Hz, 4 POLES

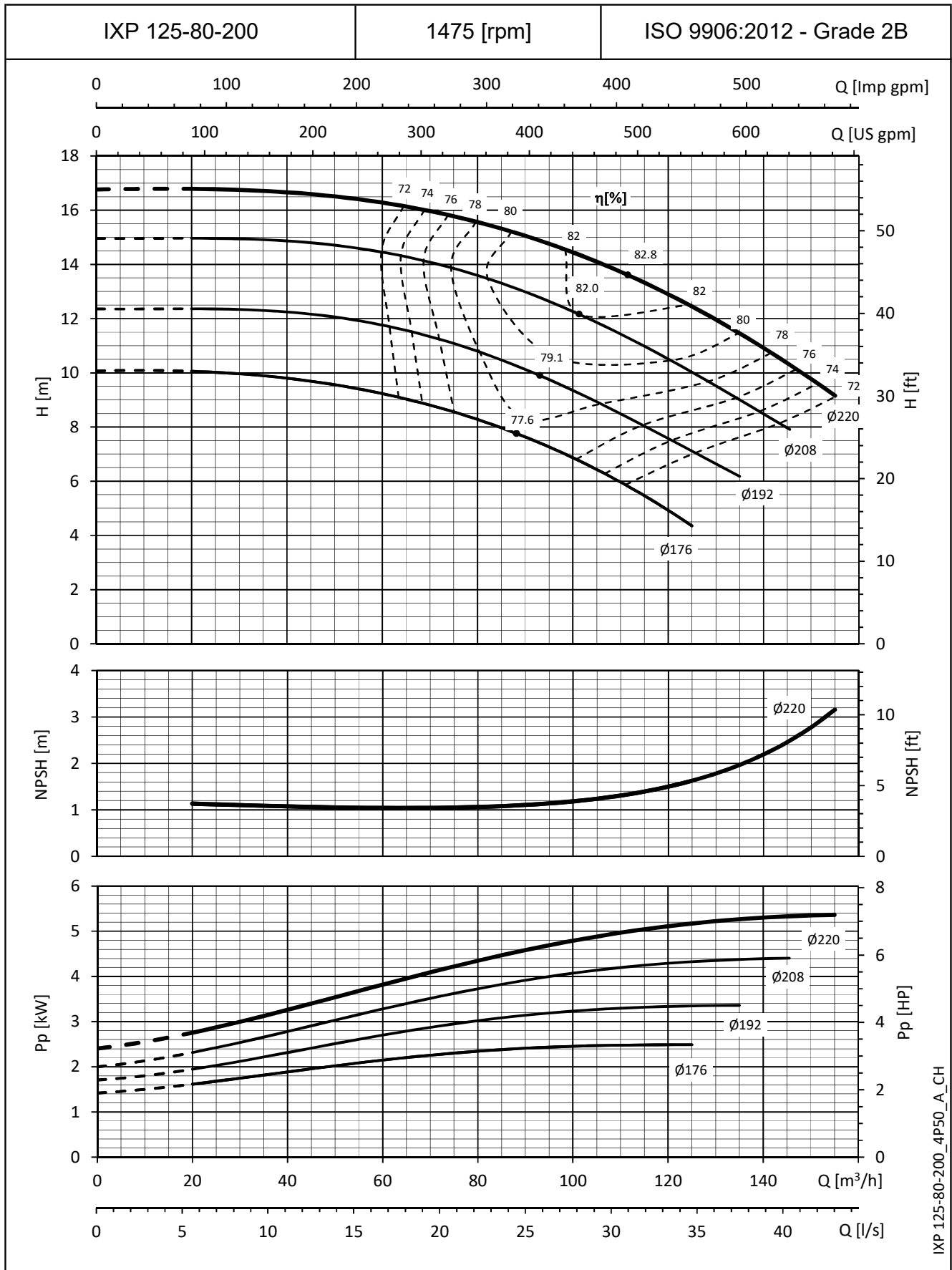


IXP 125-80-160_4P50_A_CH

The NPSH values are the same from maximum to minimum impeller diameter.
 The NPSH values are laboratory values; for practical use we suggest increasing these values by 0,5 m.
 These performances are valid for liquids with density $\rho = 1,0 \text{ Kg/dm}^3$ and kinematic viscosity $\nu = 1 \text{ mm}^2/\text{sec}$.

e-IXP SERIES

OPERATING CHARACTERISTICS AT 50 Hz, 4 POLES

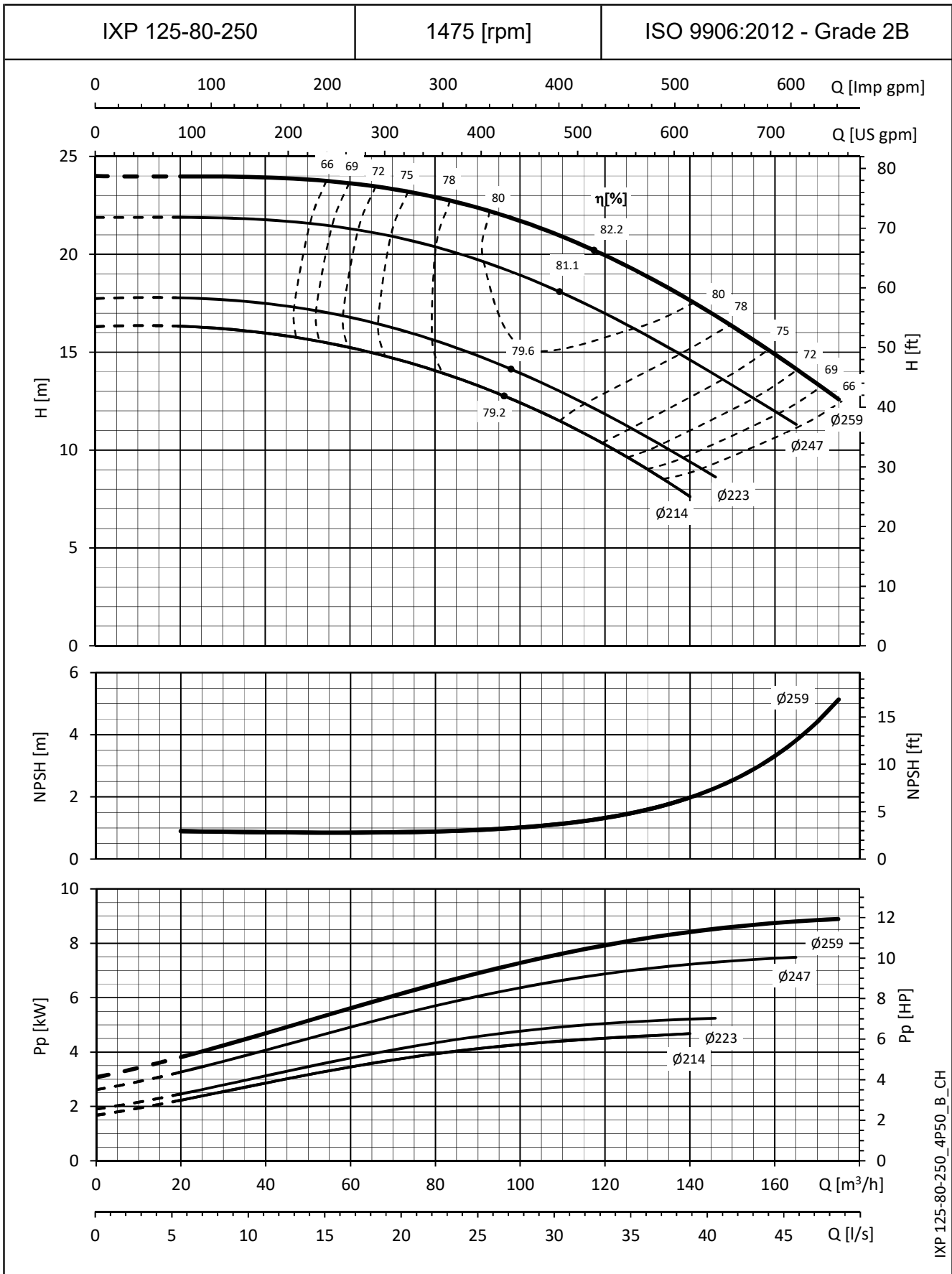


IXP 125-80-200_4P50_A_CH

The NPSH values are the same from maximum to minimum impeller diameter.
 The NPSH values are laboratory values; for practical use we suggest increasing these values by 0,5 m.
 These performances are valid for liquids with density $\rho = 1,0 \text{ Kg/dm}^3$ and kinematic viscosity $\nu = 1 \text{ mm}^2/\text{sec}$.

e-IXP SERIES

OPERATING CHARACTERISTICS AT 50 Hz, 4 POLES

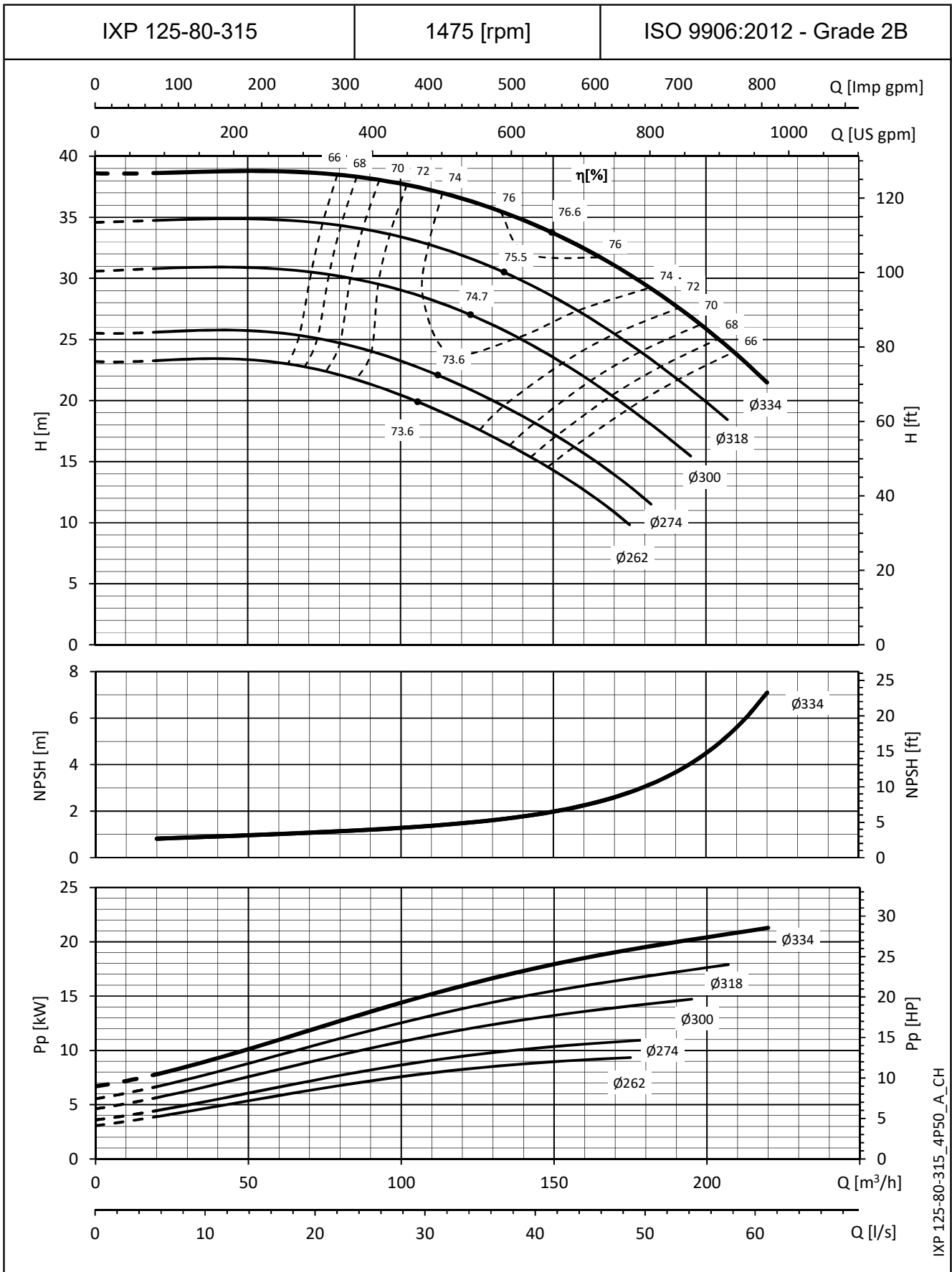


IXP 125-80-250_4P50_B_CH

The NPSH values are the same from maximum to minimum impeller diameter.
 The NPSH values are laboratory values; for practical use we suggest increasing these values by 0,5 m.
 These performances are valid for liquids with density $\rho = 1,0 \text{ Kg/dm}^3$ and kinematic viscosity $\nu = 1 \text{ mm}^2/\text{sec}$.

e-IXP SERIES

OPERATING CHARACTERISTICS AT 50 Hz, 4 POLES

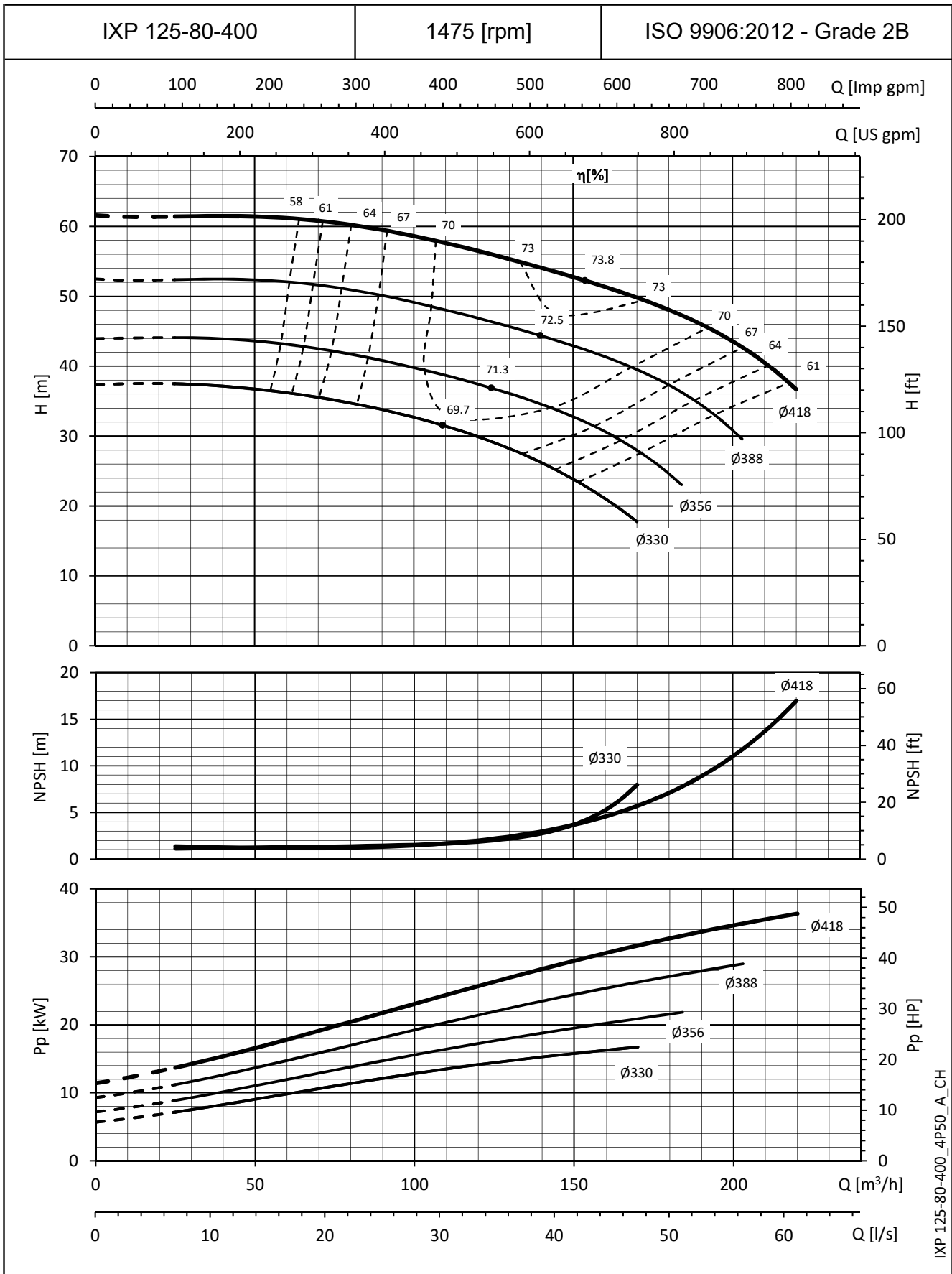


IXP 125-80-315_4P50_A_CH

The NPSH values are the same from maximum to minimum impeller diameter.
 The NPSH values are laboratory values; for practical use we suggest increasing these values by 0,5 m.
 These performances are valid for liquids with density $\rho = 1,0 \text{ Kg/dm}^3$ and kinematic viscosity $\nu = 1 \text{ mm}^2/\text{sec}$.

e-IXP SERIES

OPERATING CHARACTERISTICS AT 50 Hz, 4 POLES

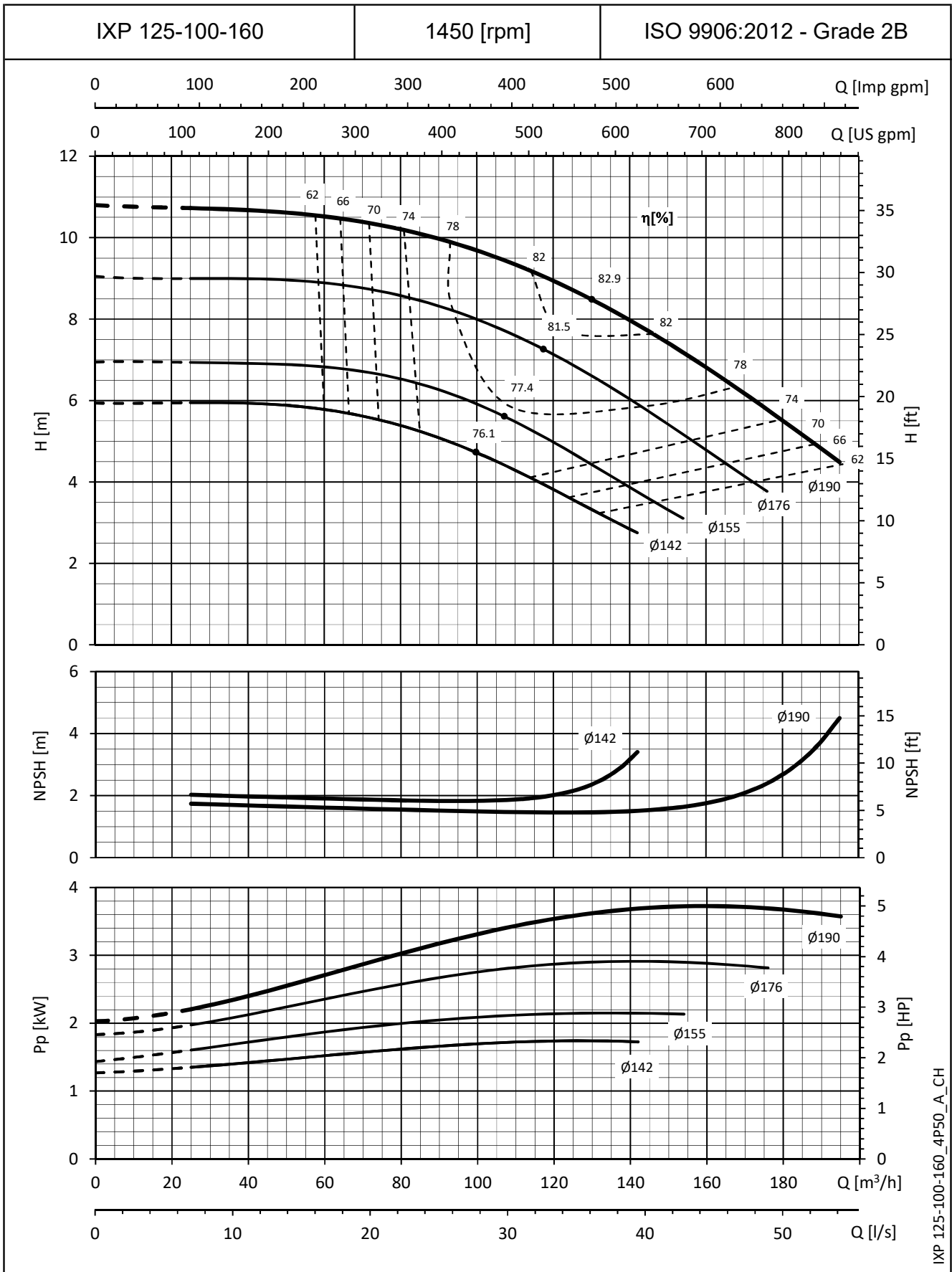


IXP 125-80-400_4P50_A_CH

The NPSH values are laboratory values; for practical use we suggest increasing these values by 0,5 m.
 These performances are valid for liquids with density $\rho = 1,0 \text{ Kg/dm}^3$ and kinematic viscosity $\nu = 1 \text{ mm}^2/\text{sec}$.

e-IXP SERIES

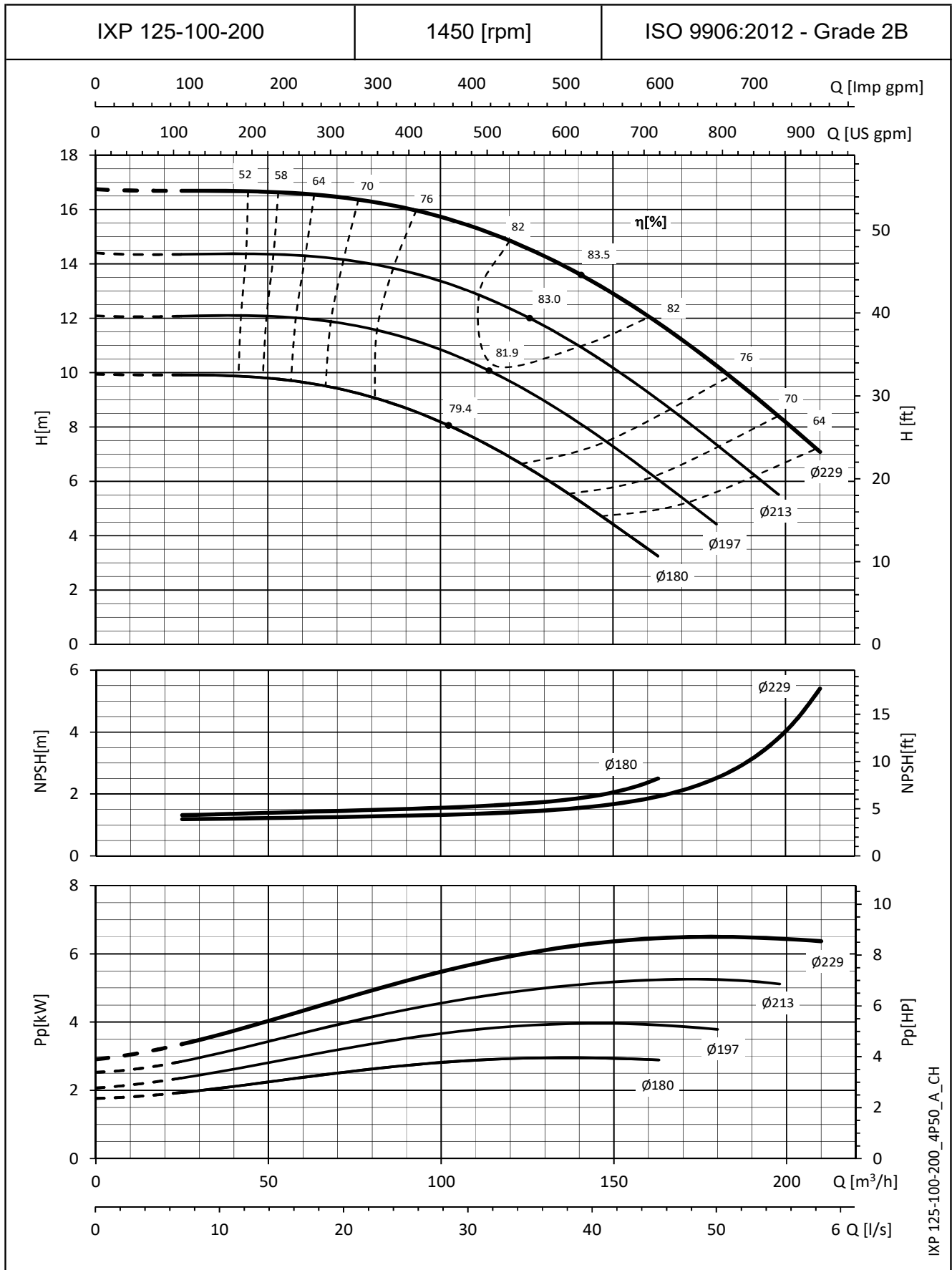
OPERATING CHARACTERISTICS AT 50 Hz, 4 POLES



The NPSH values are laboratory values; for practical use we suggest increasing these values by 0,5 m.
 These performances are valid for liquids with density $\rho = 1,0 \text{ Kg/dm}^3$ and kinematic viscosity $\nu = 1 \text{ mm}^2/\text{sec}$.

e-IXP SERIES

OPERATING CHARACTERISTICS AT 50 Hz, 4 POLES

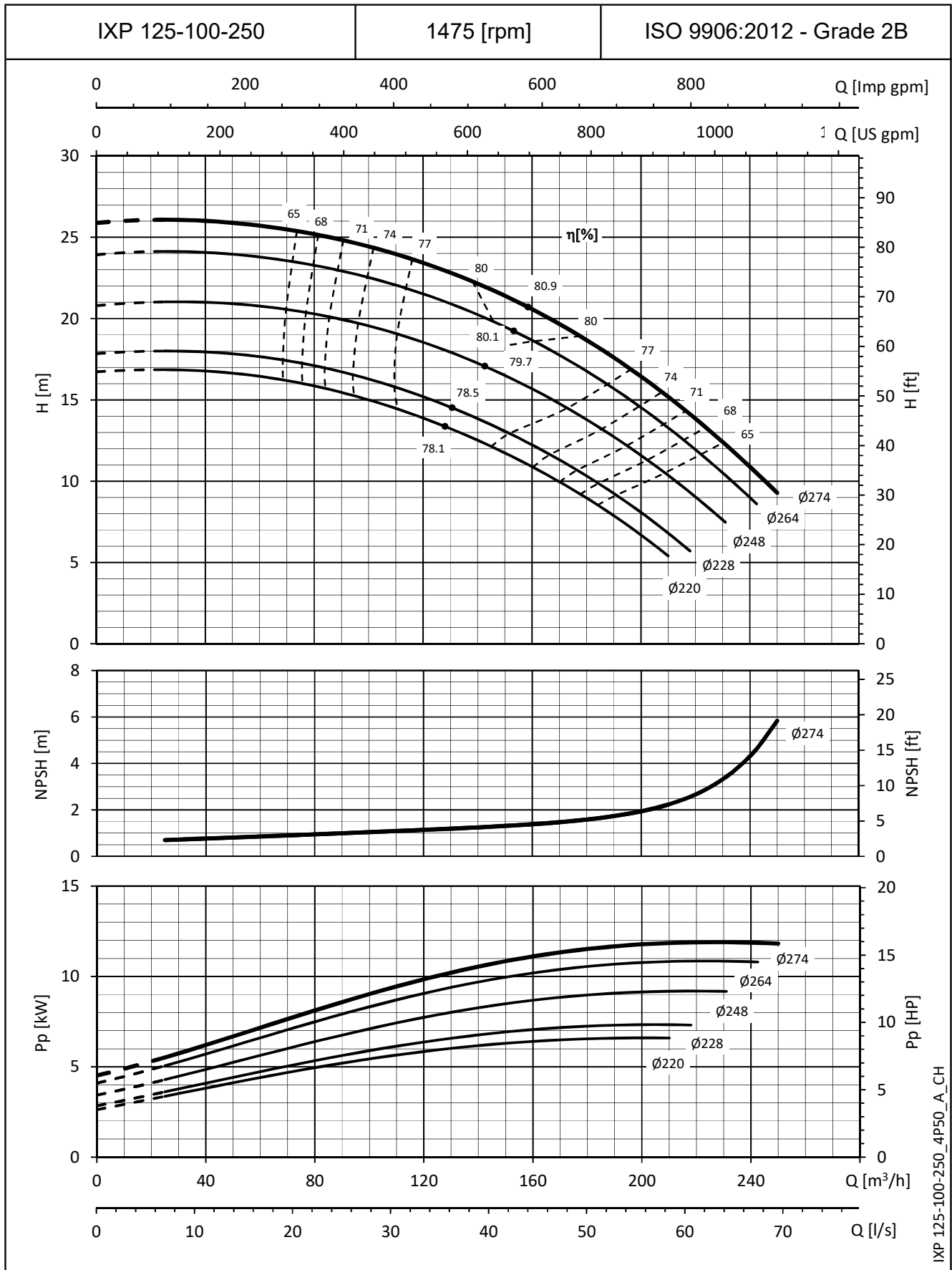


IXP 125-100-200_4P50_A_CH

The NPSH values are laboratory values; for practical use we suggest increasing these values by 0,5 m.
 These performances are valid for liquids with density $\rho = 1,0 \text{ Kg/dm}^3$ and kinematic viscosity $\nu = 1 \text{ mm}^2/\text{sec}$.

e-IXP SERIES

OPERATING CHARACTERISTICS AT 50 Hz, 4 POLES

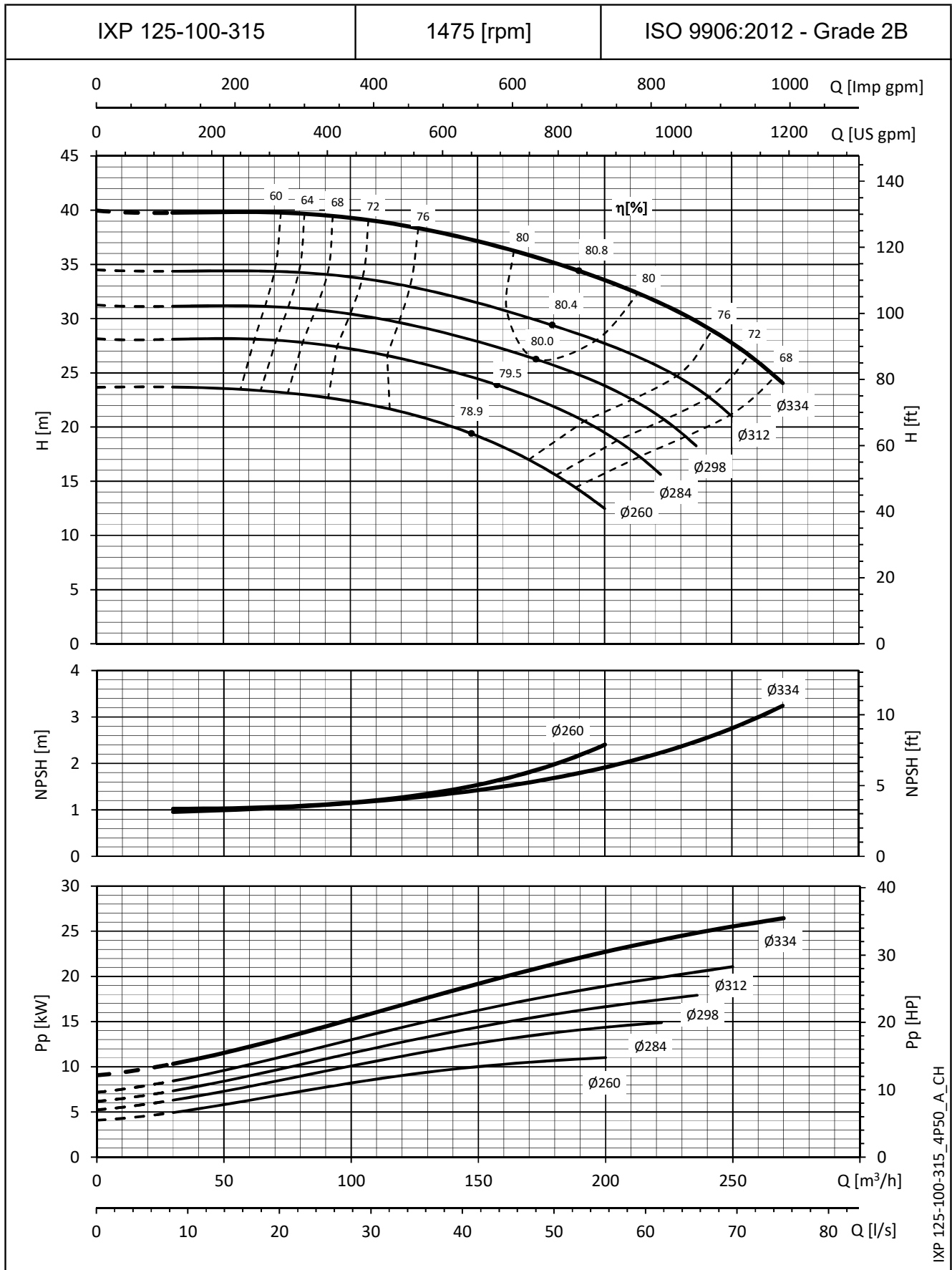


IXP 125-100-250_4P50_A_CH

The NPSH values are the same from maximum to minimum impeller diameter.
 The NPSH values are laboratory values; for practical use we suggest increasing these values by 0,5 m.
 These performances are valid for liquids with density $\rho = 1,0 \text{ Kg/dm}^3$ and kinematic viscosity $\nu = 1 \text{ mm}^2/\text{sec}$.

e-IXP SERIES

OPERATING CHARACTERISTICS AT 50 Hz, 4 POLES

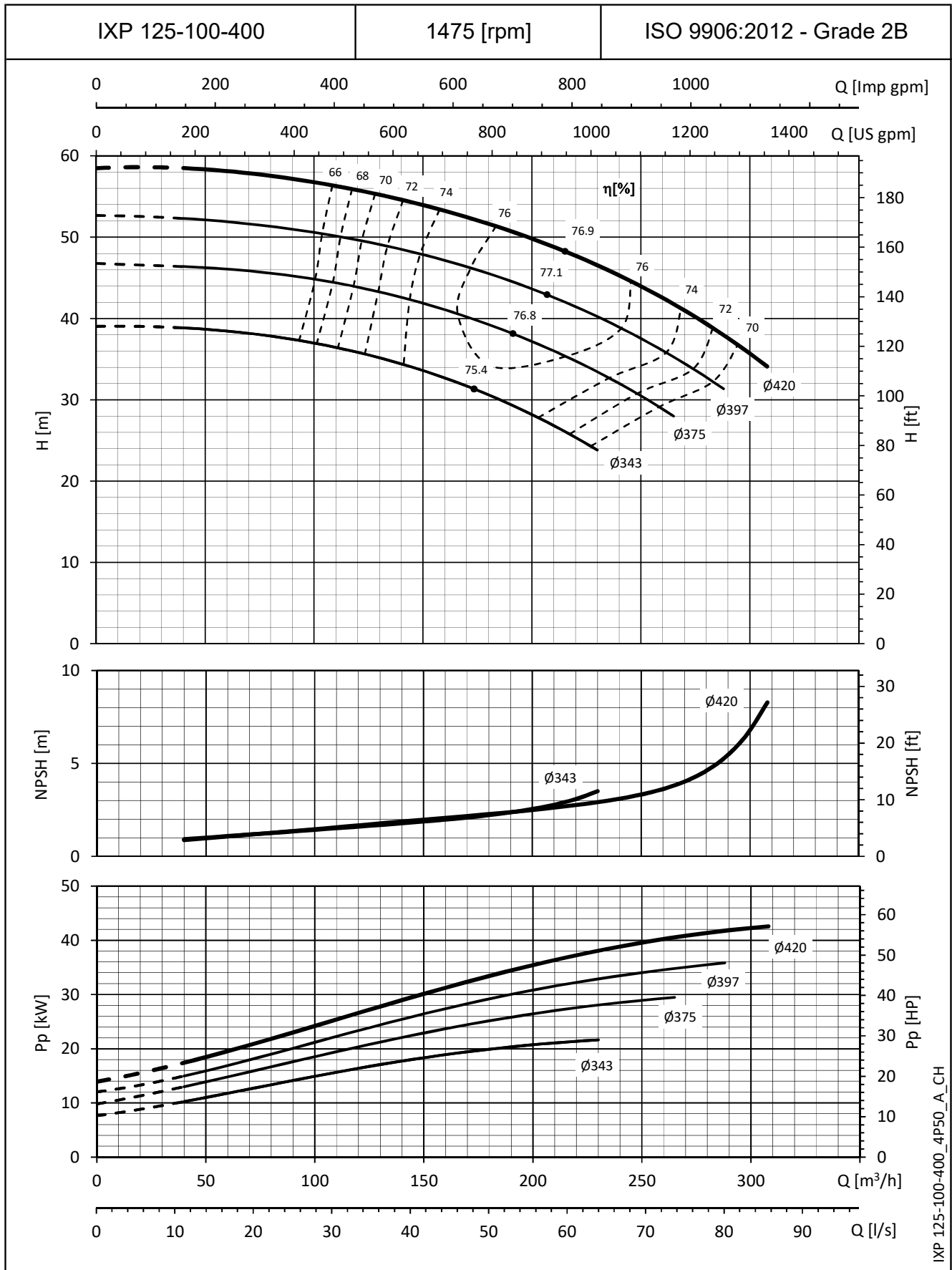


IXP 125-100-315_4P50_A_CH

The NPSH values are laboratory values; for practical use we suggest increasing these values by 0,5 m.
 These performances are valid for liquids with density $\rho = 1,0 \text{ Kg/dm}^3$ and kinematic viscosity $\nu = 1 \text{ mm}^2/\text{sec}$.

e-IXP SERIES

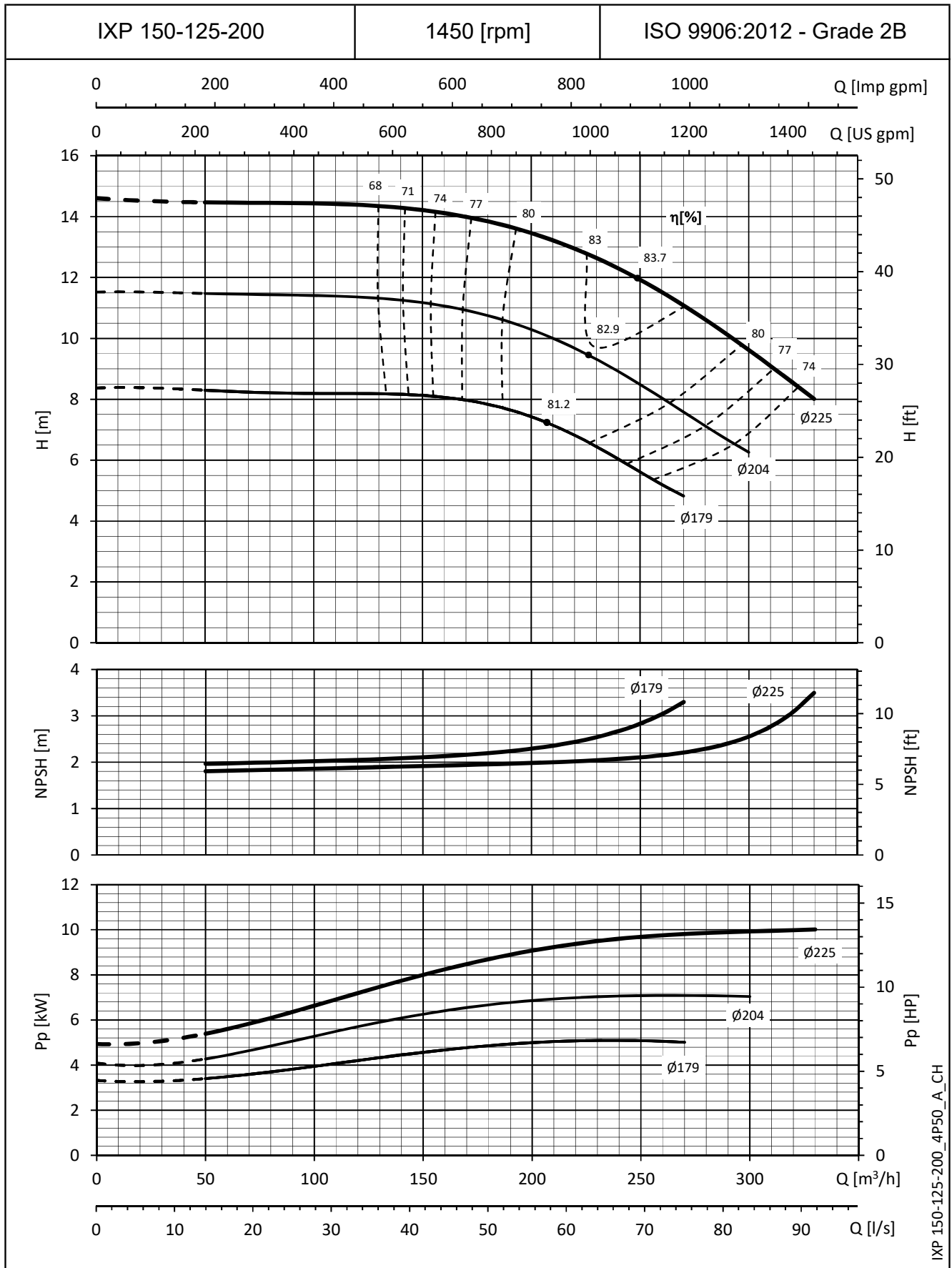
OPERATING CHARACTERISTICS AT 50 Hz, 4 POLES



The NPSH values are laboratory values; for practical use we suggest increasing these values by 0,5 m.
 These performances are valid for liquids with density $\rho = 1,0 \text{ Kg/dm}^3$ and kinematic viscosity $\nu = 1 \text{ mm}^2/\text{sec}$.

e-IXP SERIES

OPERATING CHARACTERISTICS AT 50 Hz, 4 POLES

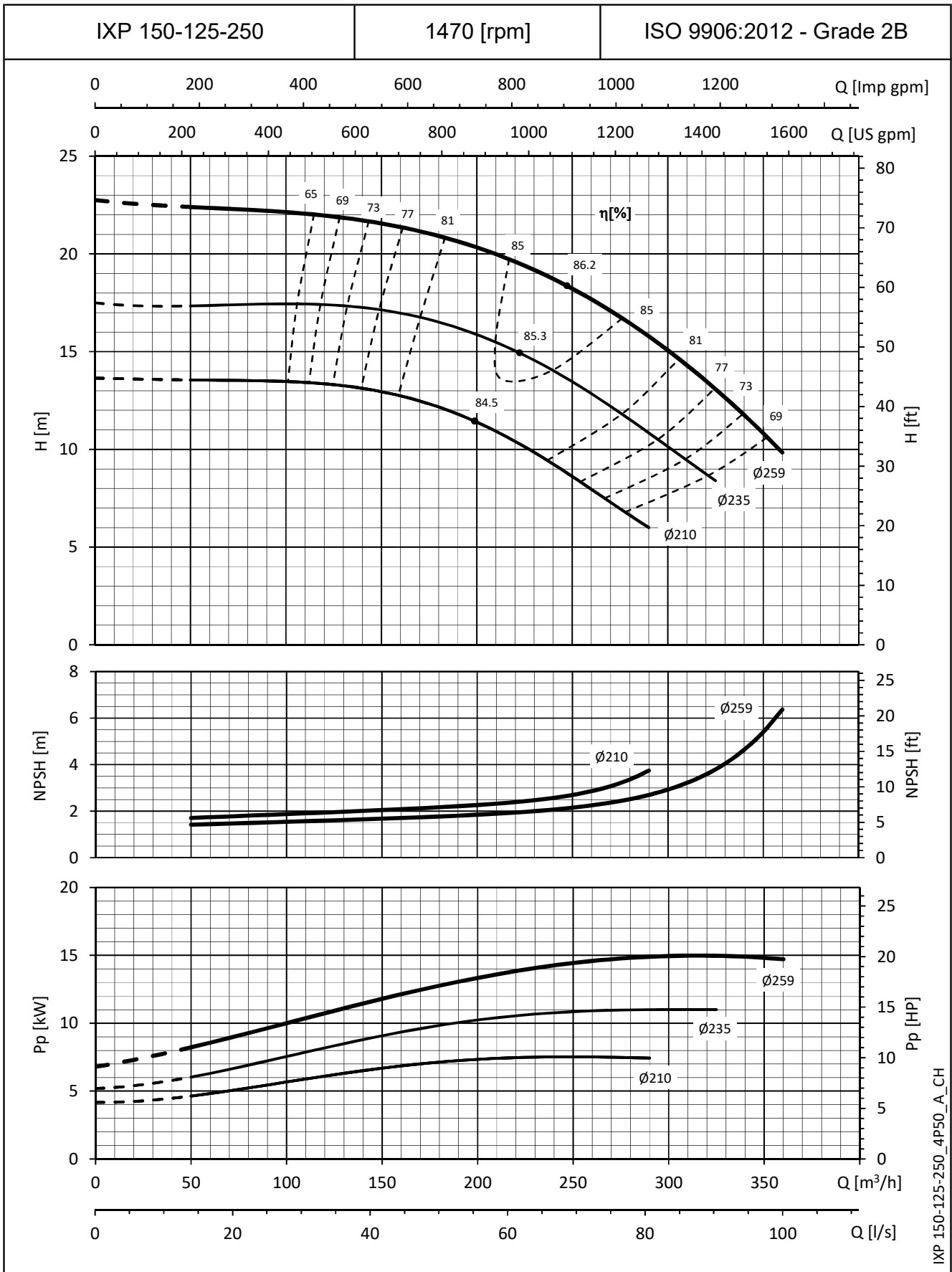


IXP 150-125-200_4P50_A_CH

The NPSH values are laboratory values; for practical use we suggest increasing these values by 0,5 m.
 These performances are valid for liquids with density $\rho = 1,0 \text{ Kg/dm}^3$ and kinematic viscosity $\nu = 1 \text{ mm}^2/\text{sec}$.

e-IXP SERIES

OPERATING CHARACTERISTICS AT 50 Hz, 4 POLES

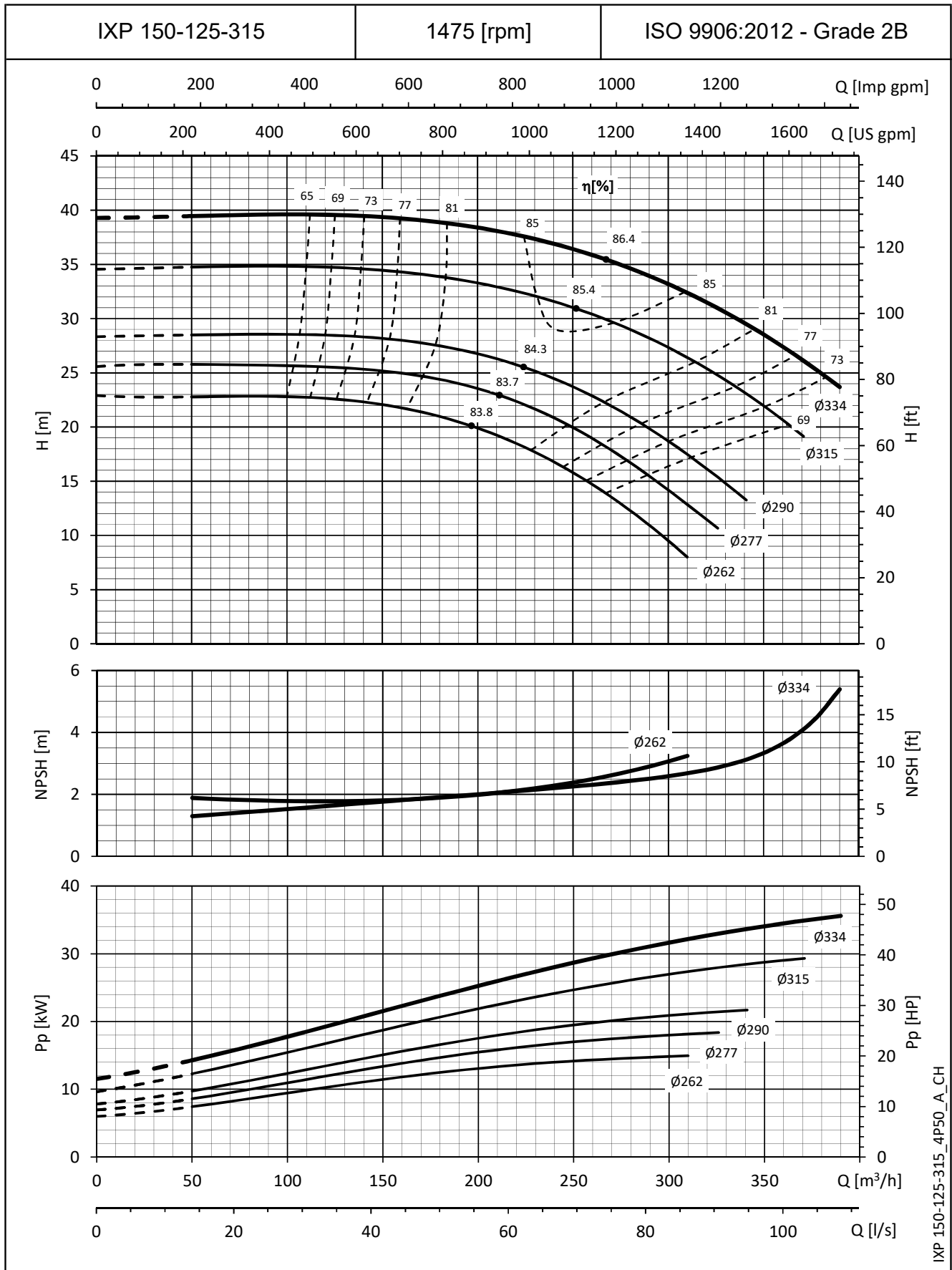


IXP 150-125-250_4P50_A_CH

The NPSH values are laboratory values; for practical use we suggest increasing these values by 0,5 m.
 These performances are valid for liquids with density $\rho = 1,0 \text{ Kg/dm}^3$ and kinematic viscosity $\nu = 1 \text{ mm}^2/\text{sec}$.

e-IXP SERIES

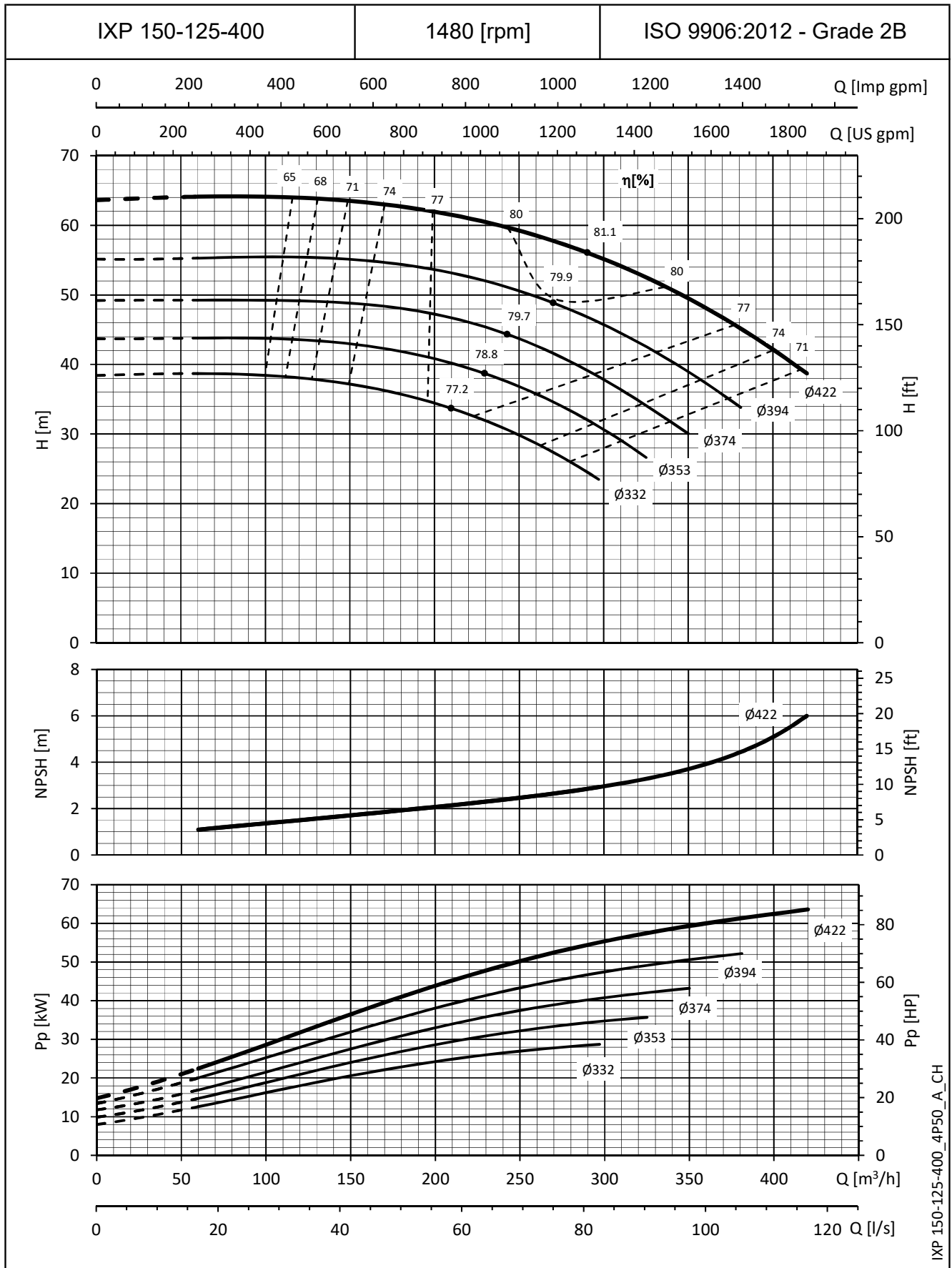
OPERATING CHARACTERISTICS AT 50 Hz, 4 POLES



The NPSH values are laboratory values; for practical use we suggest increasing these values by 0,5 m.
 These performances are valid for liquids with density $\rho = 1,0 \text{ Kg/dm}^3$ and kinematic viscosity $\nu = 1 \text{ mm}^2/\text{sec}$.

e-IXP SERIES

OPERATING CHARACTERISTICS AT 50 Hz, 4 POLES

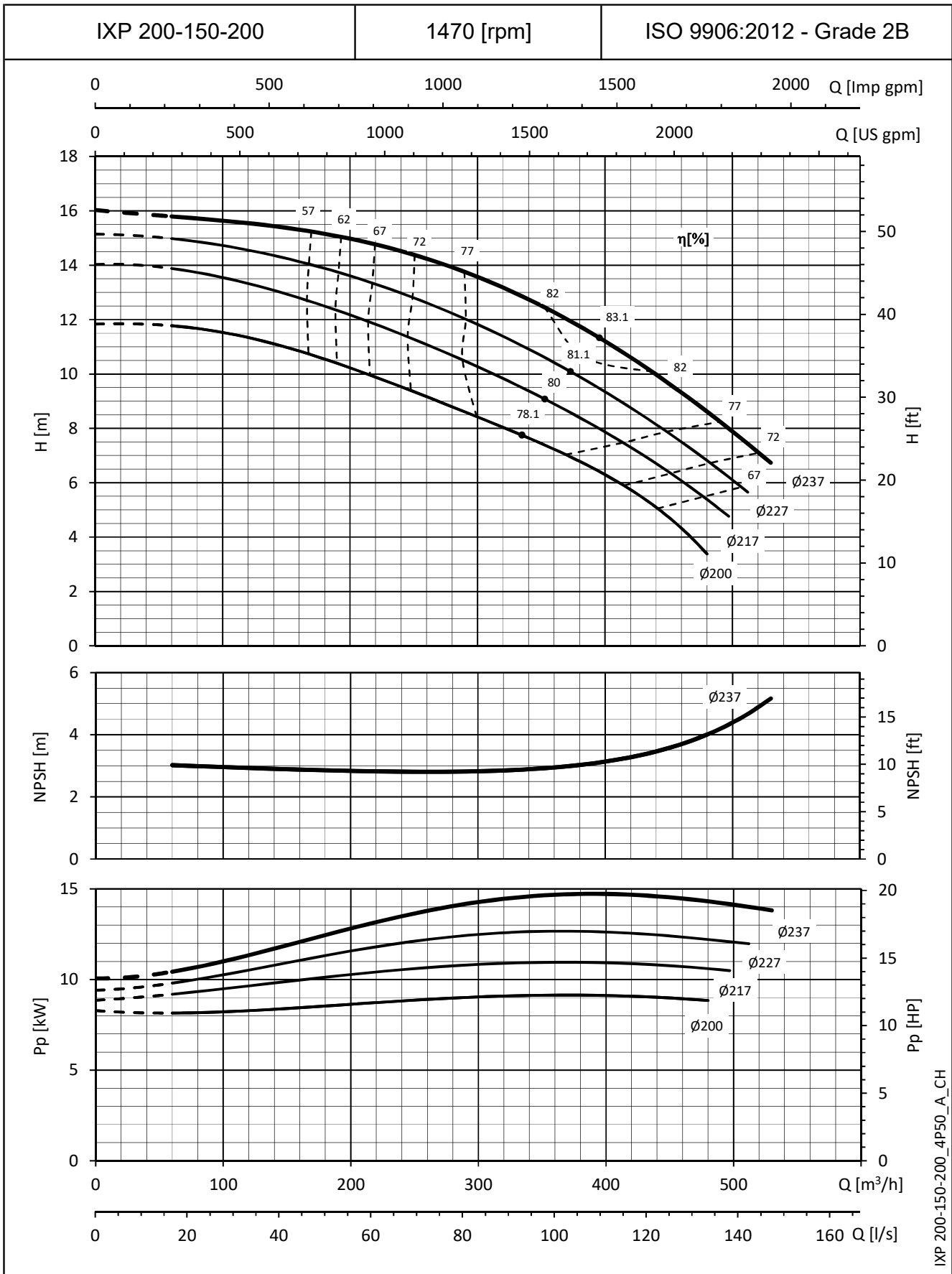


IXP 150-125-400_4P50_A_CH

The NPSH values are the same from maximum to minimum impeller diameter.
 The NPSH values are laboratory values; for practical use we suggest increasing these values by 0,5 m.
 These performances are valid for liquids with density $\rho = 1,0 \text{ Kg/dm}^3$ and kinematic viscosity $\nu = 1 \text{ mm}^2/\text{sec}$.

e-IXP SERIES

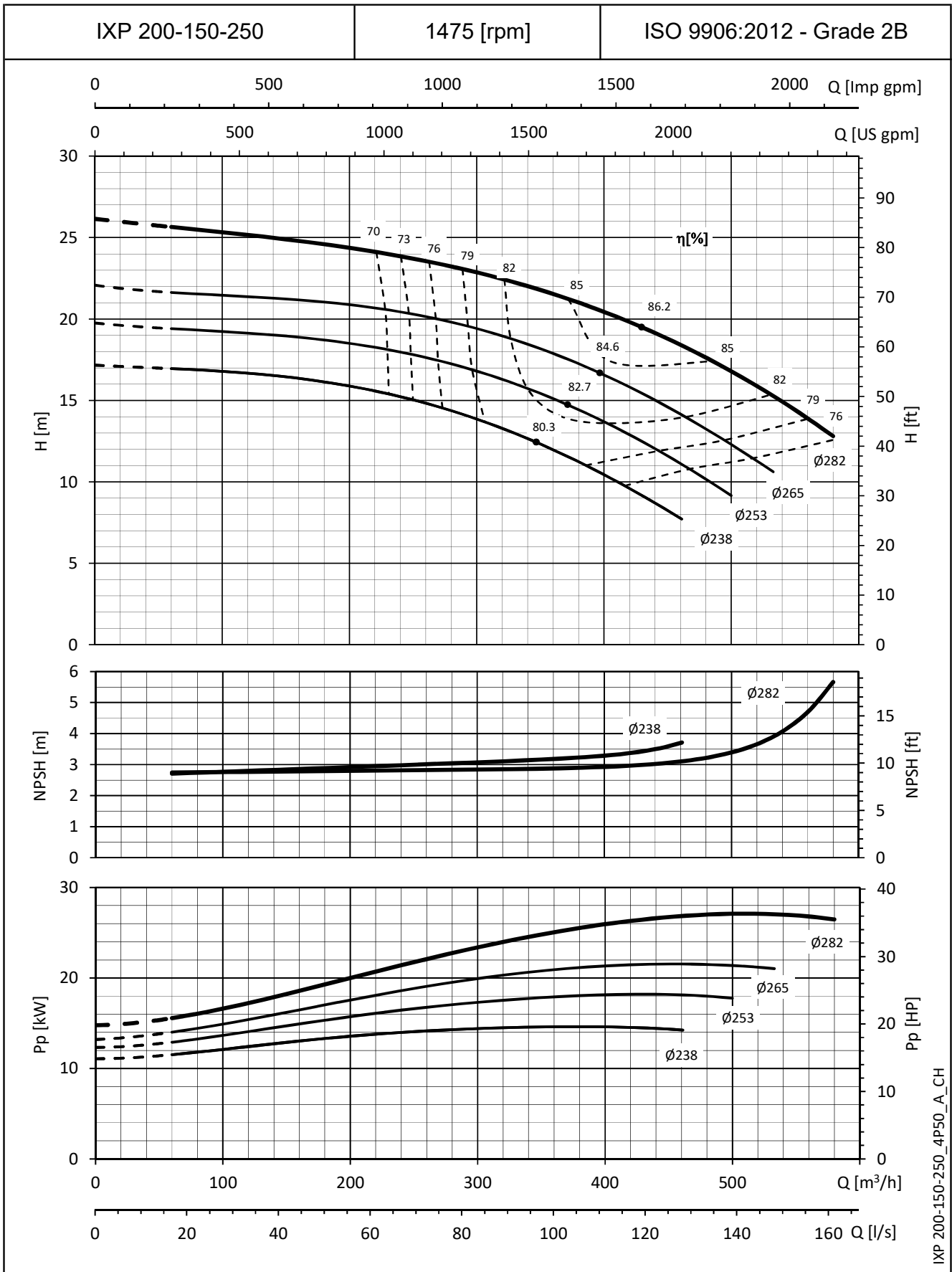
OPERATING CHARACTERISTICS AT 50 Hz, 4 POLES



The NPSH values are the same from maximum to minimum impeller diameter.
 The NPSH values are laboratory values; for practical use we suggest increasing these values by 0,5 m.
 These performances are valid for liquids with density $\rho = 1,0 \text{ Kg/dm}^3$ and kinematic viscosity $\nu = 1 \text{ mm}^2/\text{sec}$.

e-IXP SERIES

OPERATING CHARACTERISTICS AT 50 Hz, 4 POLES

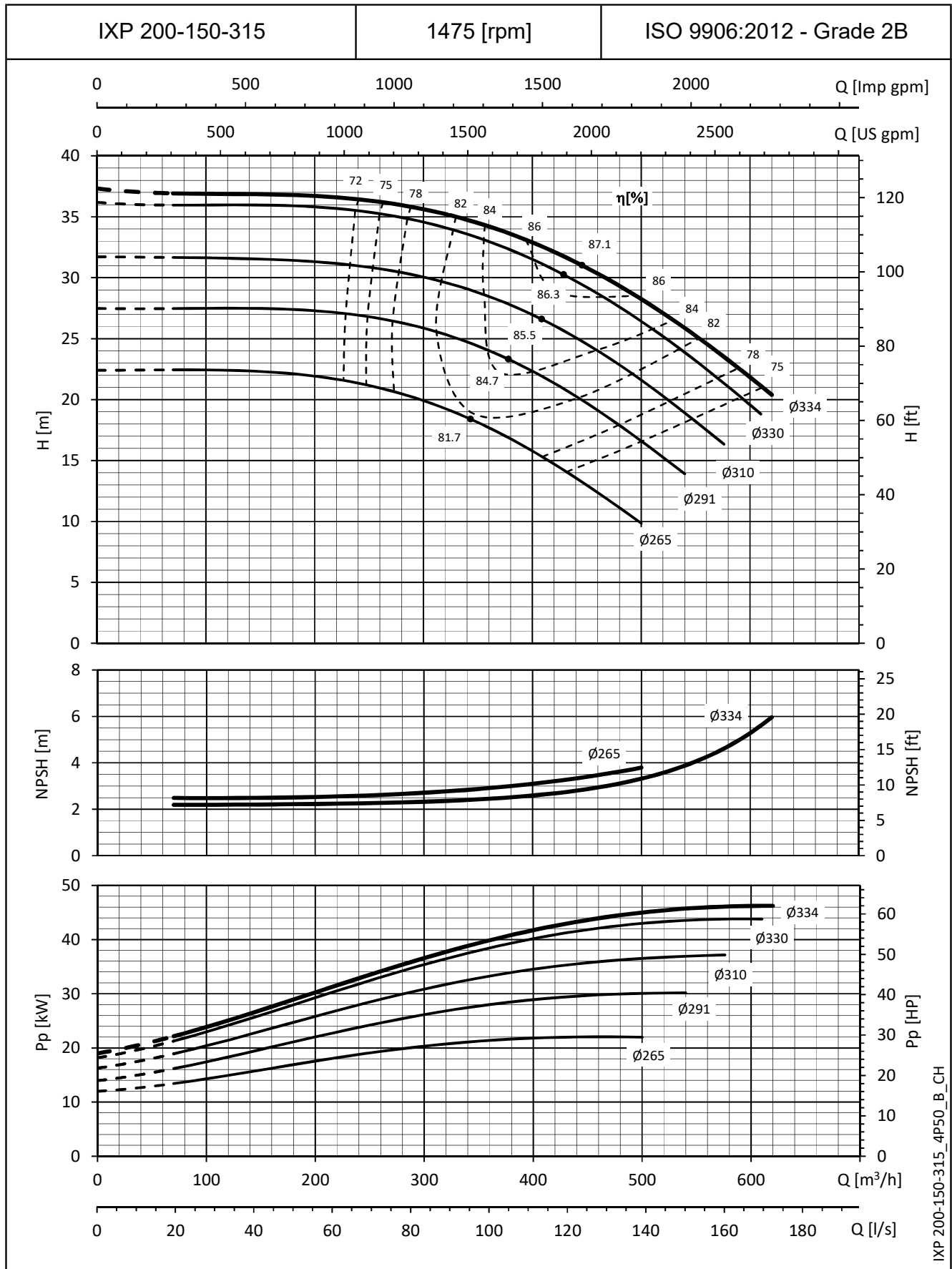


IXP 200-150-250_4P50_A_CH

The NPSH values are laboratory values; for practical use we suggest increasing these values by 0,5 m.
 These performances are valid for liquids with density $\rho = 1,0 \text{ Kg/dm}^3$ and kinematic viscosity $\nu = 1 \text{ mm}^2/\text{sec}$.

e-IXP SERIES

OPERATING CHARACTERISTICS AT 50 Hz, 4 POLES

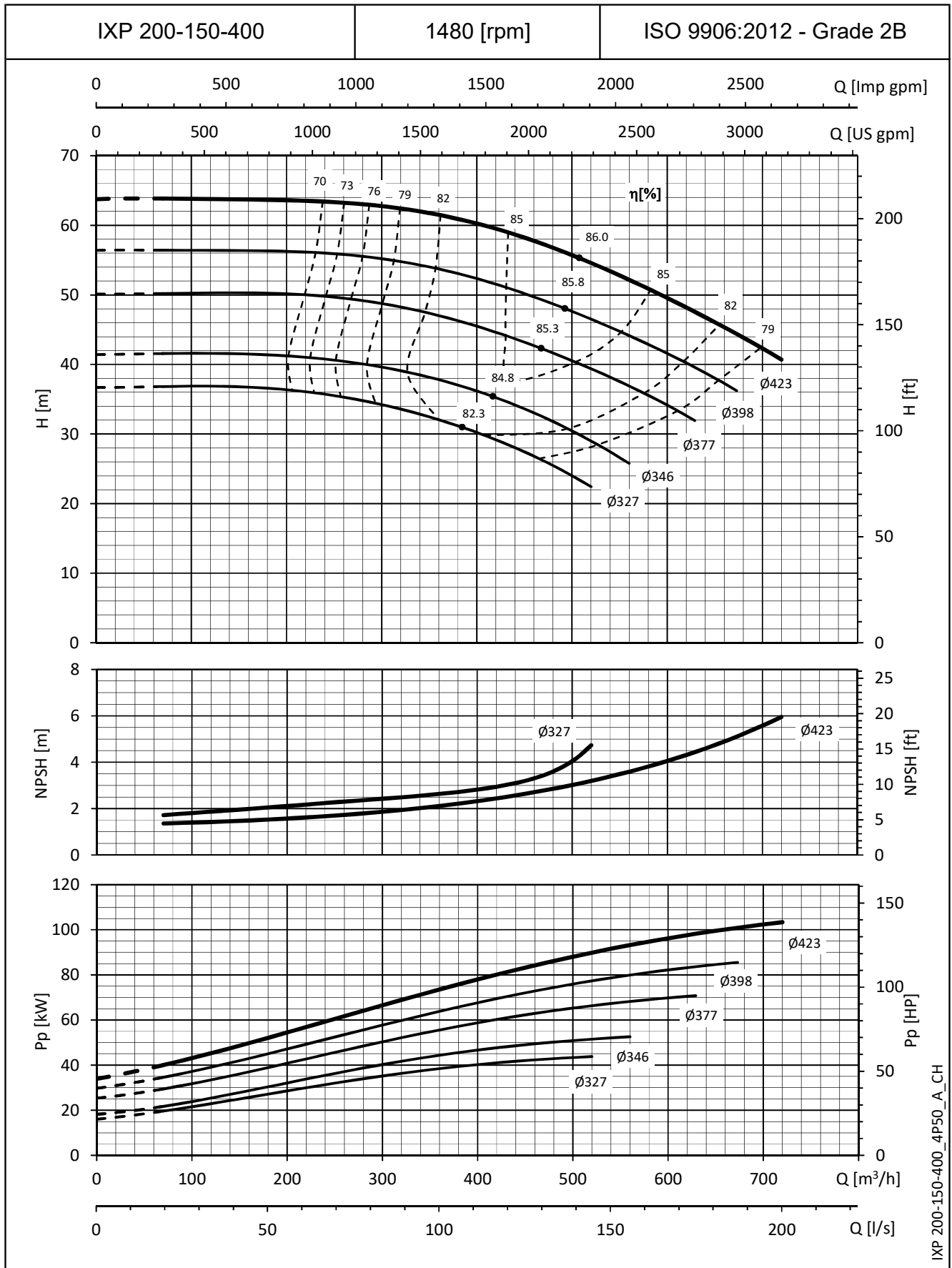


IXP 200-150-315_4P50_B_CH

The NPSH values are laboratory values; for practical use we suggest increasing these values by 0,5 m.
 These performances are valid for liquids with density $\rho = 1,0 \text{ Kg/dm}^3$ and kinematic viscosity $\nu = 1 \text{ mm}^2/\text{sec}$.

e-IXP SERIES

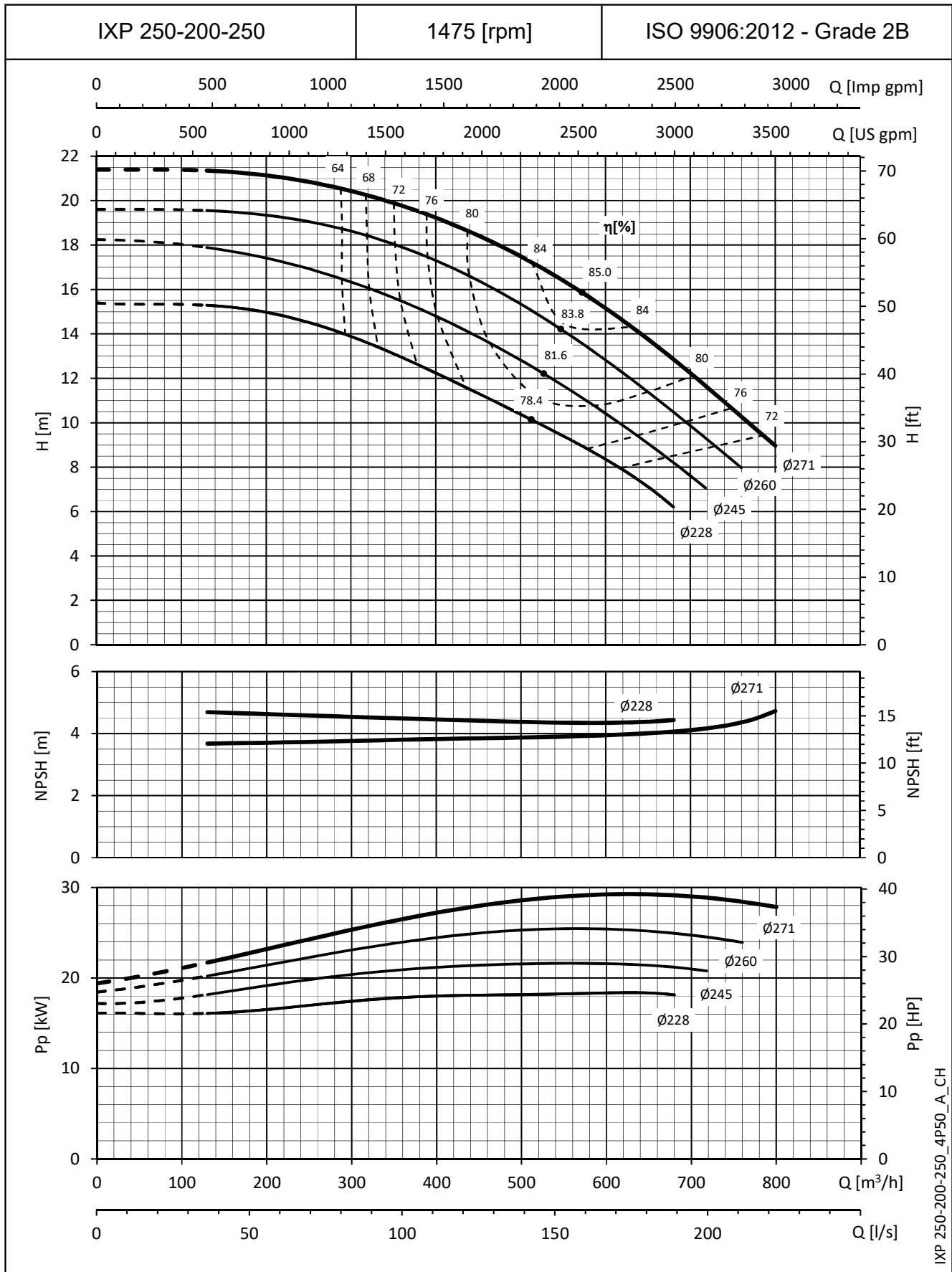
OPERATING CHARACTERISTICS AT 50 Hz, 4 POLES



The NPSH values are laboratory values; for practical use we suggest increasing these values by 0,5 m.
 These performances are valid for liquids with density $\rho = 1,0 \text{ Kg/dm}^3$ and kinematic viscosity $\nu = 1 \text{ mm}^2/\text{sec}$.

e-IXP SERIES

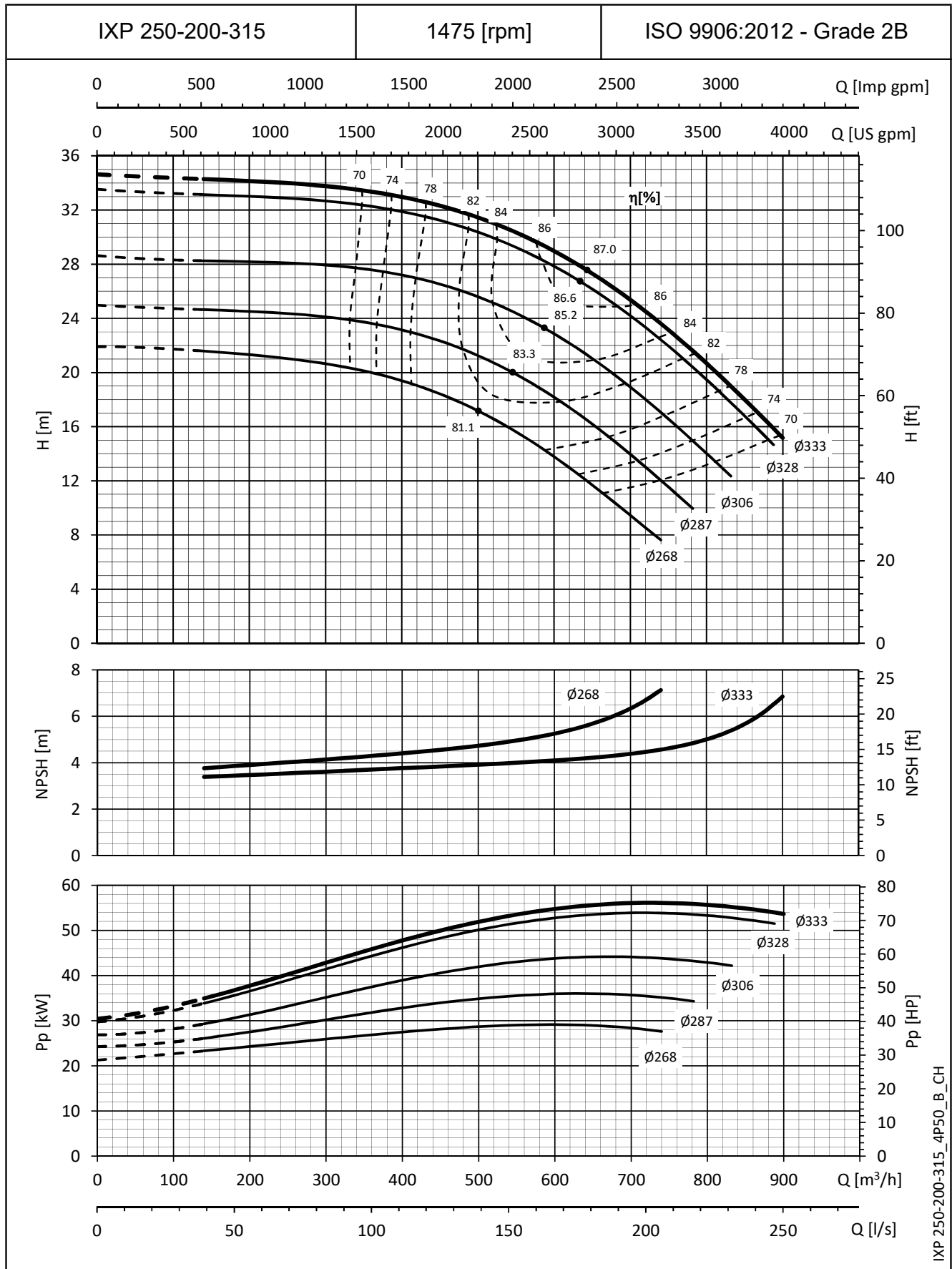
OPERATING CHARACTERISTICS AT 50 Hz, 4 POLES



The NPSH values are laboratory values; for practical use we suggest increasing these values by 0,5 m.
 These performances are valid for liquids with density $\rho = 1,0 \text{ Kg/dm}^3$ and kinematic viscosity $\nu = 1 \text{ mm}^2/\text{sec}$.

e-IXP SERIES

OPERATING CHARACTERISTICS AT 50 Hz, 4 POLES

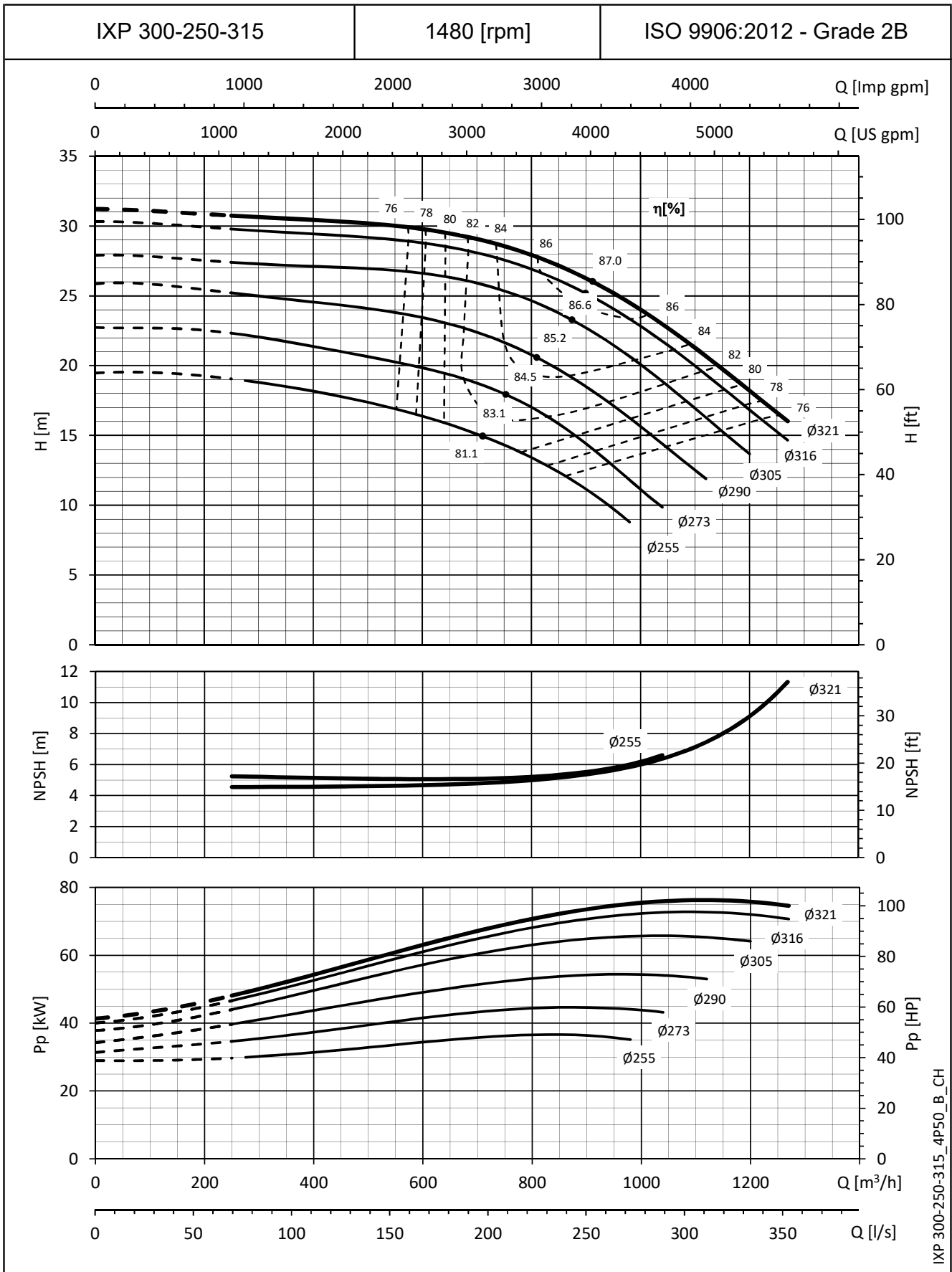


IXP 250-200-315_4P50_B_CH

The NPSH values are laboratory values; for practical use we suggest increasing these values by 0,5 m.
 These performances are valid for liquids with density $\rho = 1,0 \text{ Kg/dm}^3$ and kinematic viscosity $\nu = 1 \text{ mm}^2/\text{sec}$.

e-IXP SERIES

OPERATING CHARACTERISTICS AT 50 Hz, 4 POLES

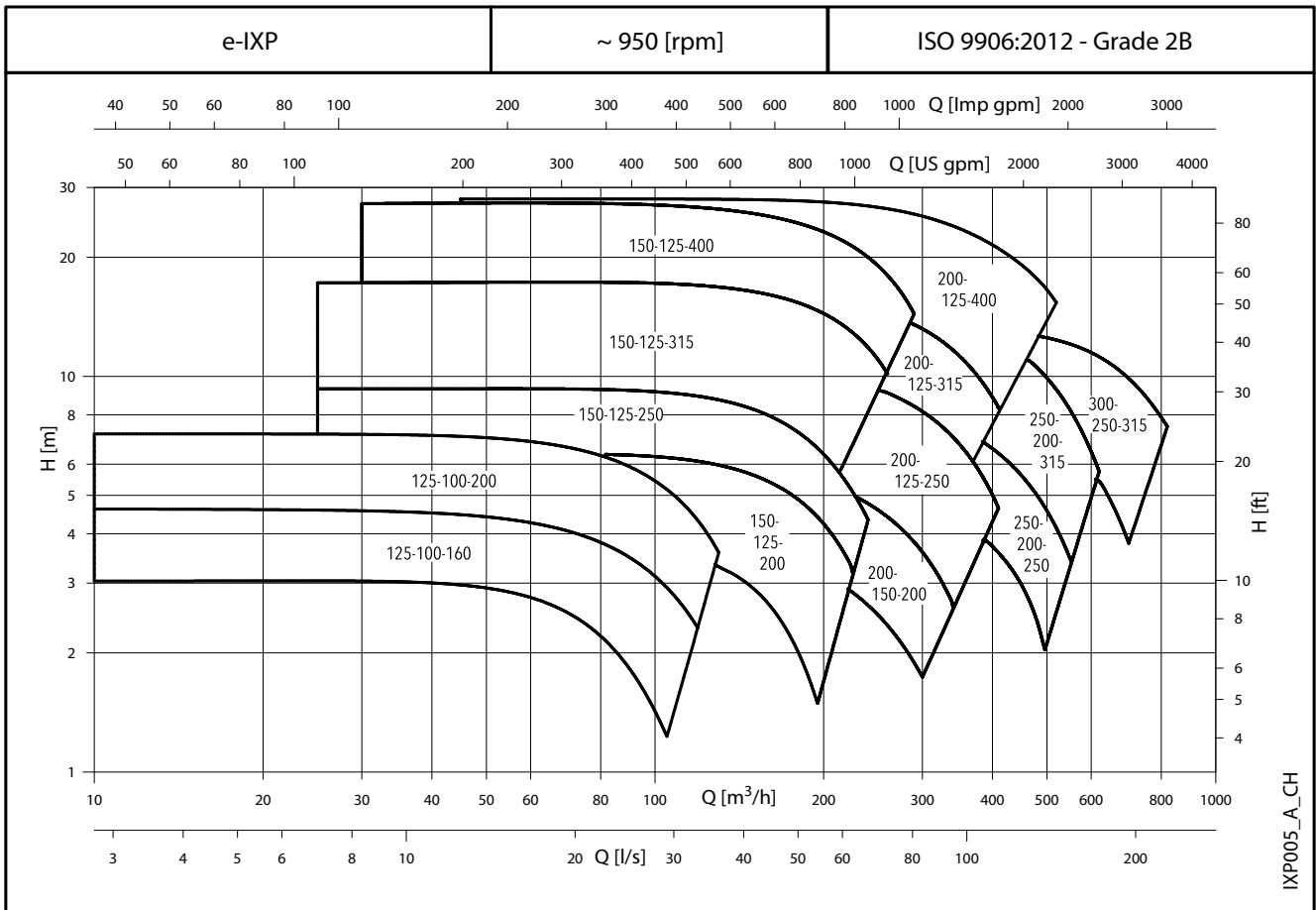


IXP 300-250-315_4P50_B_CH

The NPSH values are laboratory values; for practical use we suggest increasing these values by 0,5 m.
 These performances are valid for liquids with density $\rho = 1,0 \text{ Kg/dm}^3$ and kinematic viscosity $\nu = 1 \text{ mm}^2/\text{sec}$.

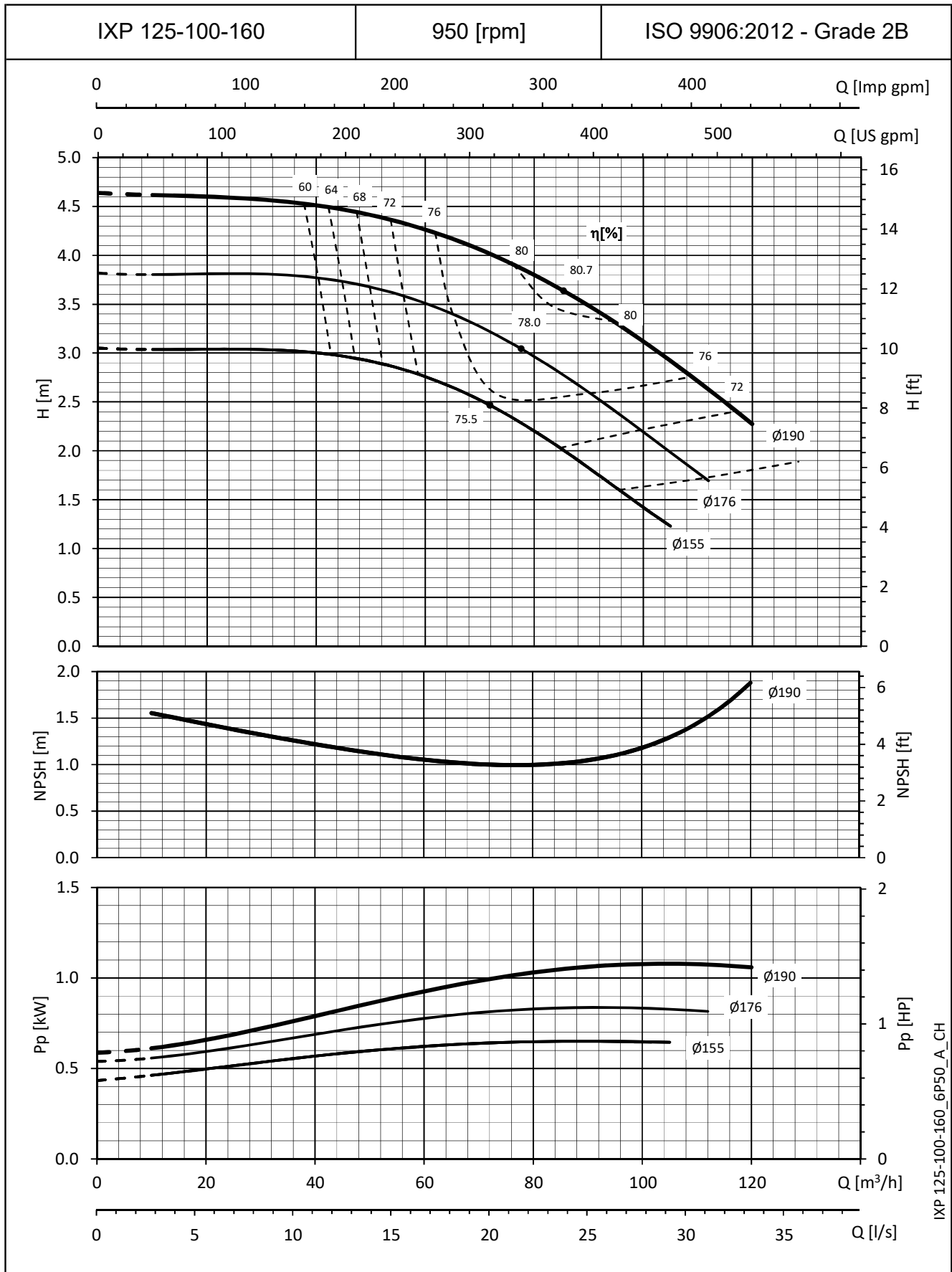
e-IXP SERIES

HYDRAULIC PERFORMANCE RANGE AT 50 Hz, 6 POLES



e-IXP SERIES

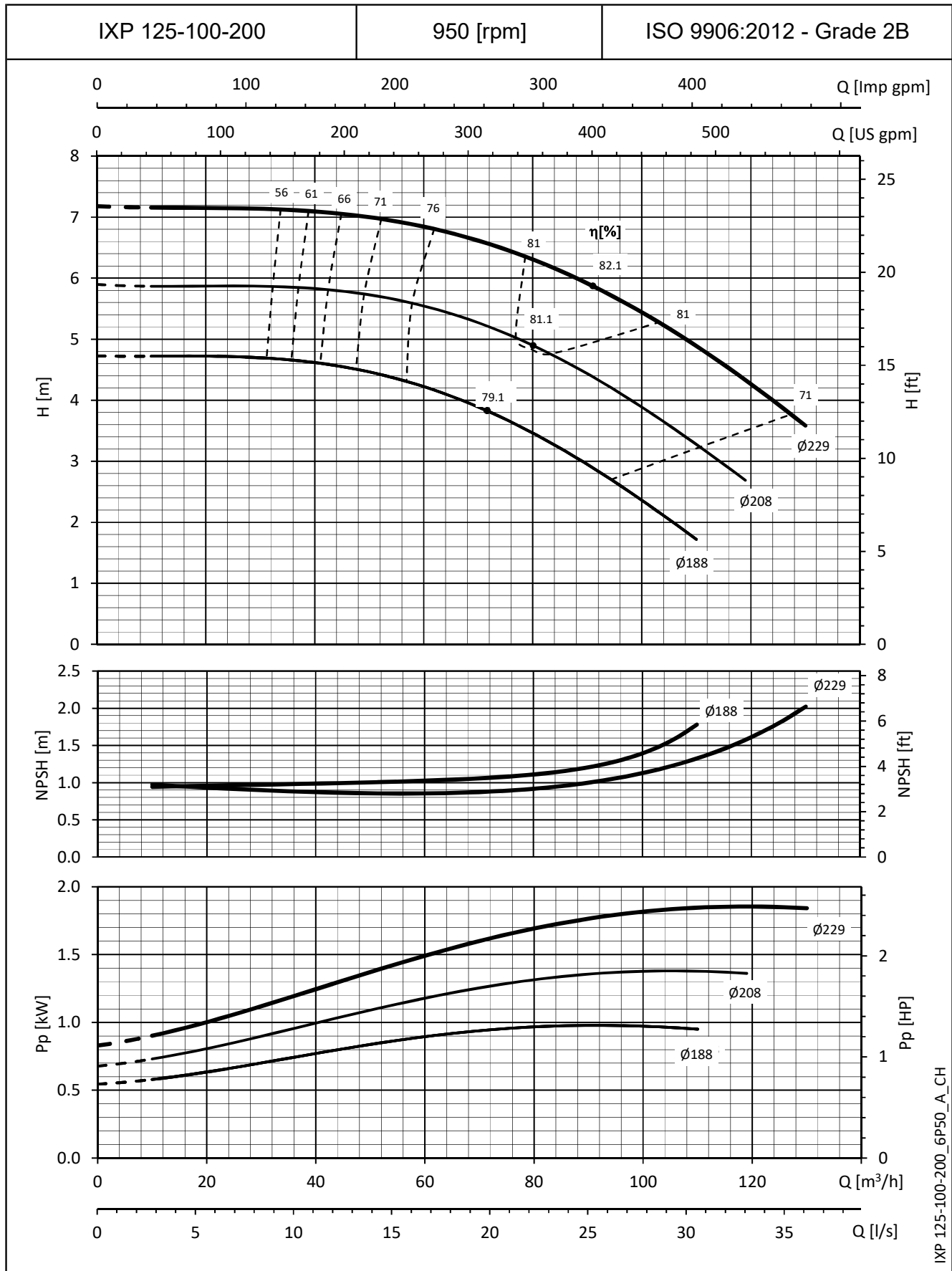
OPERATING CHARACTERISTICS AT 50 Hz, 6 POLES



The NPSH values are the same from maximum to minimum impeller diameter.
 The NPSH values are laboratory values; for practical use we suggest increasing these values by 0,5 m.
 These performances are valid for liquids with density $\rho = 1,0 \text{ Kg/dm}^3$ and kinematic viscosity $\nu = 1 \text{ mm}^2/\text{sec}$.

e-IXP SERIES

OPERATING CHARACTERISTICS AT 50 Hz, 6 POLES

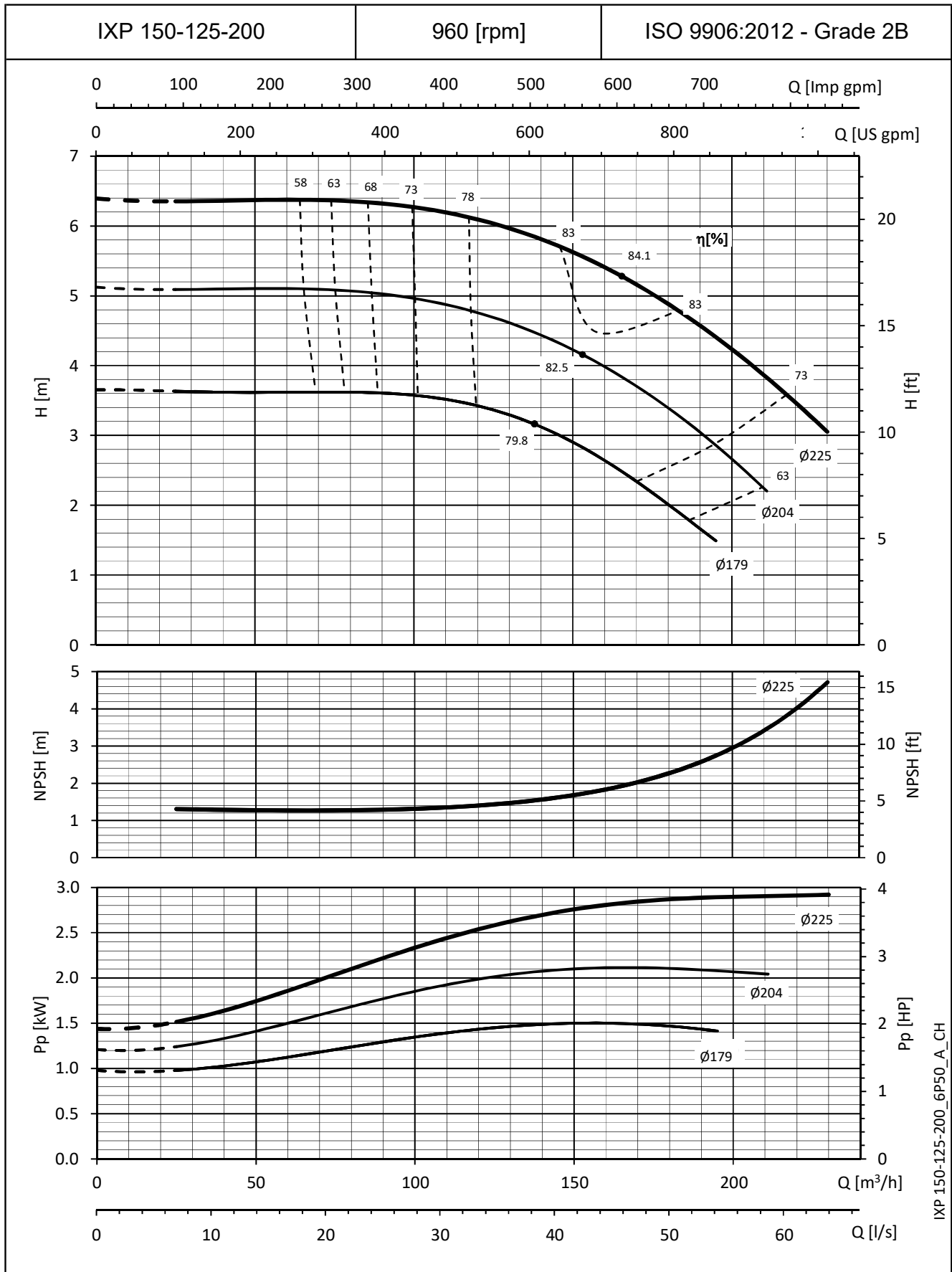


IXP 125-100-200_6P50_A_CH

The NPSH values are laboratory values; for practical use we suggest increasing these values by 0,5 m.
 These performances are valid for liquids with density $\rho = 1,0 \text{ Kg/dm}^3$ and kinematic viscosity $\nu = 1 \text{ mm}^2/\text{sec}$.

e-IXP SERIES

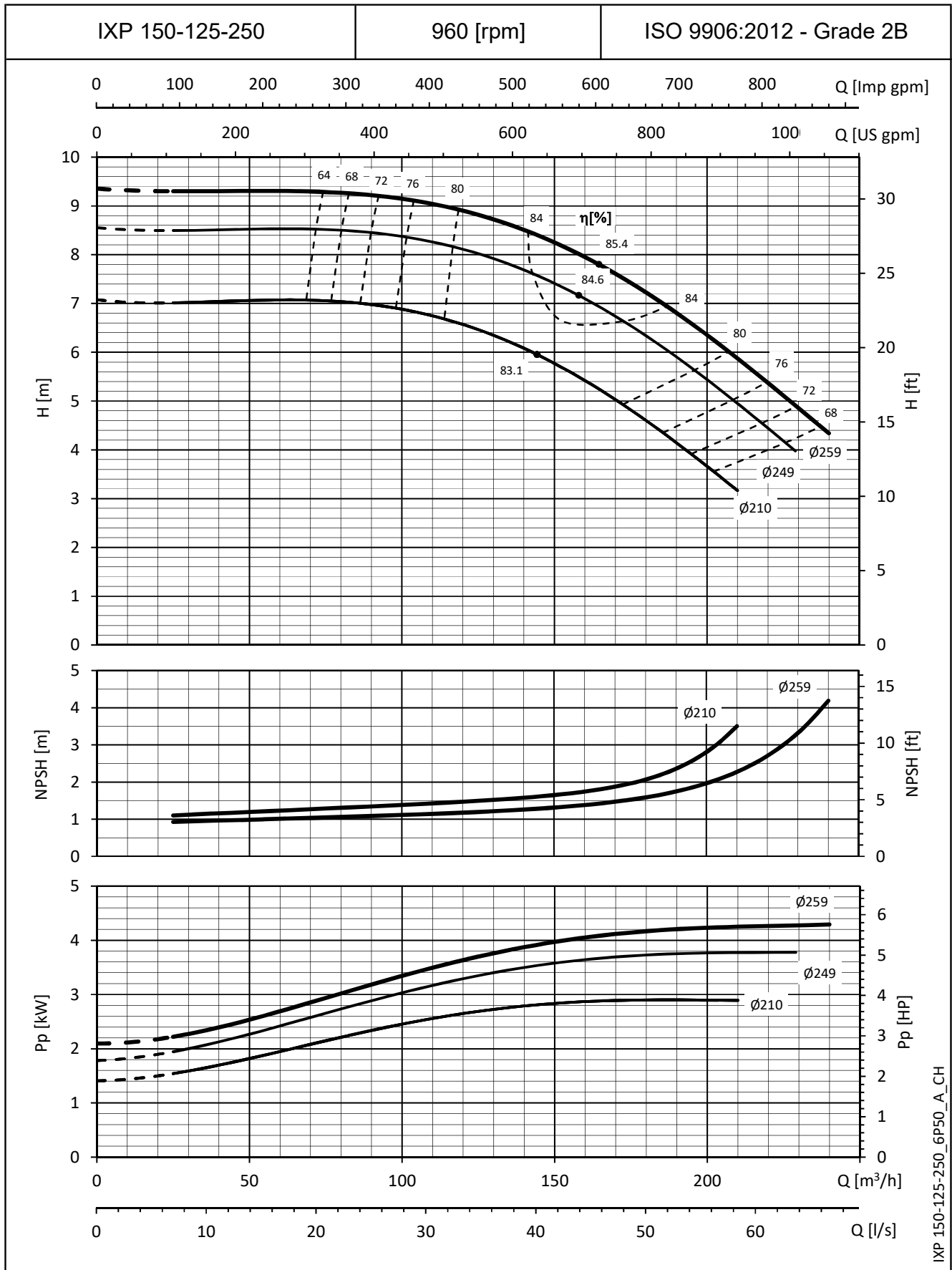
OPERATING CHARACTERISTICS AT 50 Hz, 6 POLES



The NPSH values are the same from maximum to minimum impeller diameter.
 The NPSH values are laboratory values; for practical use we suggest increasing these values by 0,5 m.
 These performances are valid for liquids with density $\rho = 1,0 \text{ Kg/dm}^3$ and kinematic viscosity $\nu = 1 \text{ mm}^2/\text{sec}$.

e-IXP SERIES

OPERATING CHARACTERISTICS AT 50 Hz, 6 POLES

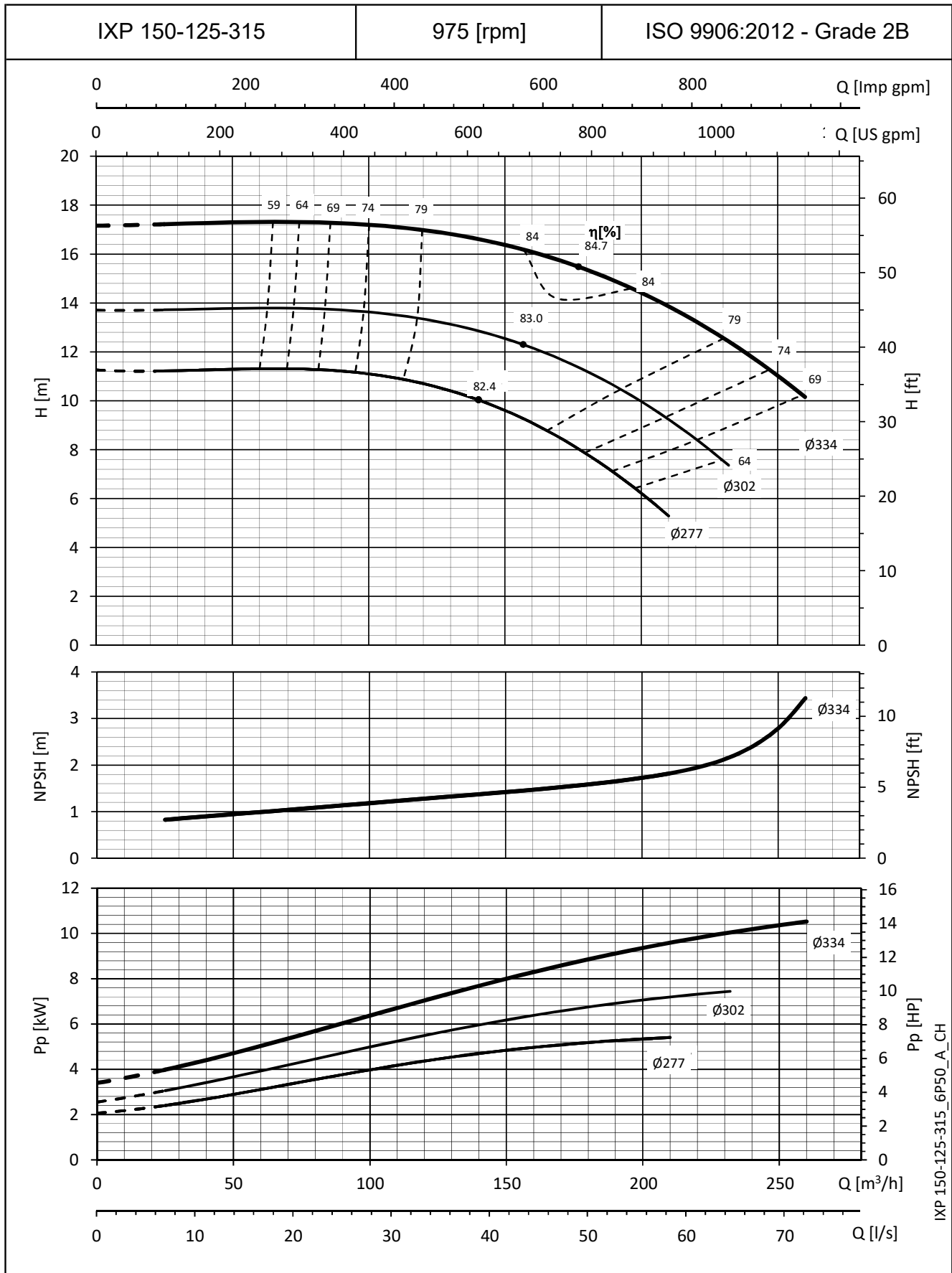


IXP_150-125-250_6P50_A_CH

The NPSH values are laboratory values; for practical use we suggest increasing these values by 0,5 m.
 These performances are valid for liquids with density $\rho = 1,0 \text{ Kg/dm}^3$ and kinematic viscosity $\nu = 1 \text{ mm}^2/\text{sec}$.

e-IXP SERIES

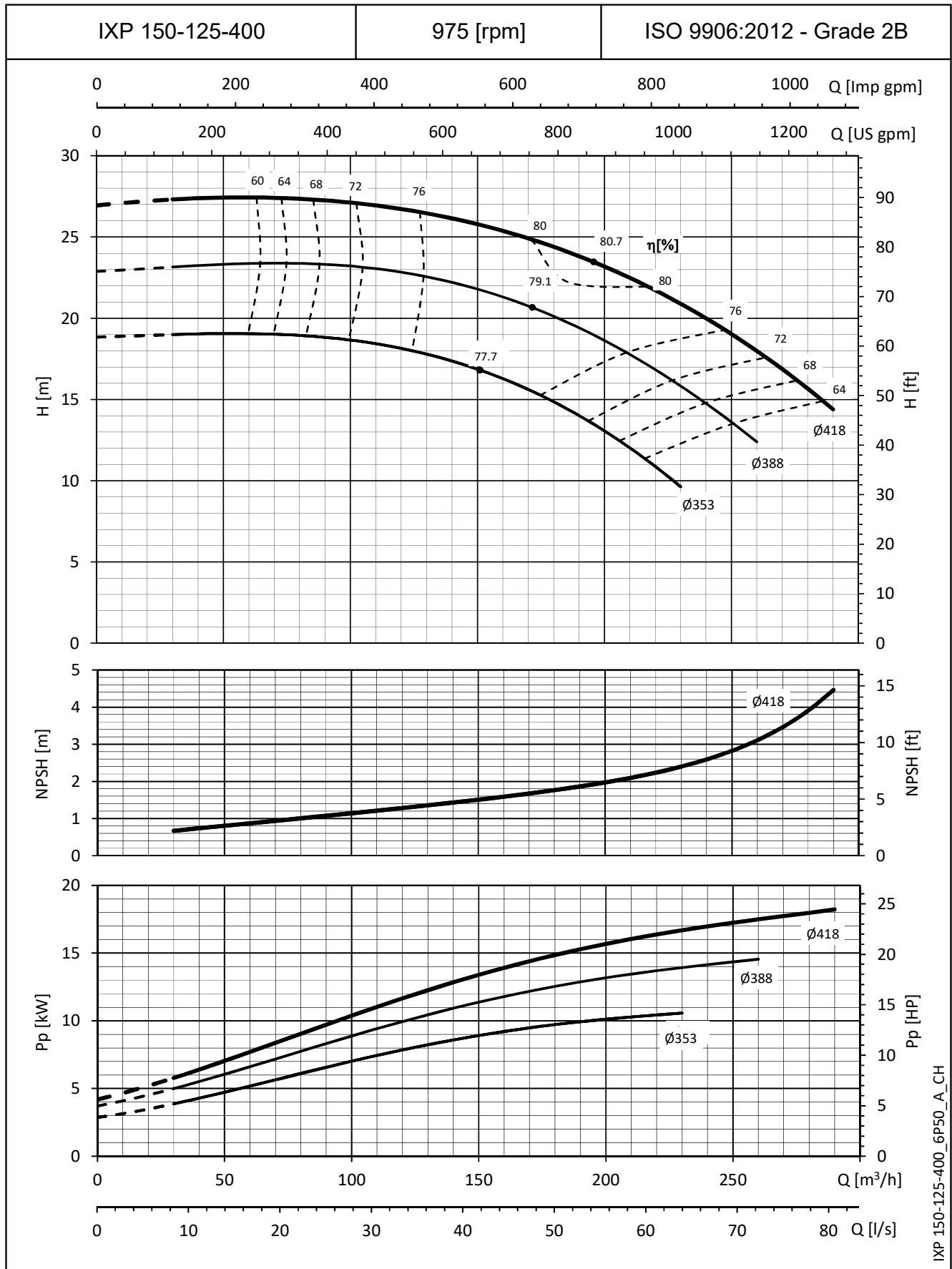
OPERATING CHARACTERISTICS AT 50 Hz, 6 POLES



The NPSH values are the same from maximum to minimum impeller diameter.
 The NPSH values are laboratory values; for practical use we suggest increasing these values by 0,5 m.
 These performances are valid for liquids with density $\rho = 1,0 \text{ Kg/dm}^3$ and kinematic viscosity $\nu = 1 \text{ mm}^2/\text{sec}$.

e-IXP SERIES

OPERATING CHARACTERISTICS AT 50 Hz, 6 POLES

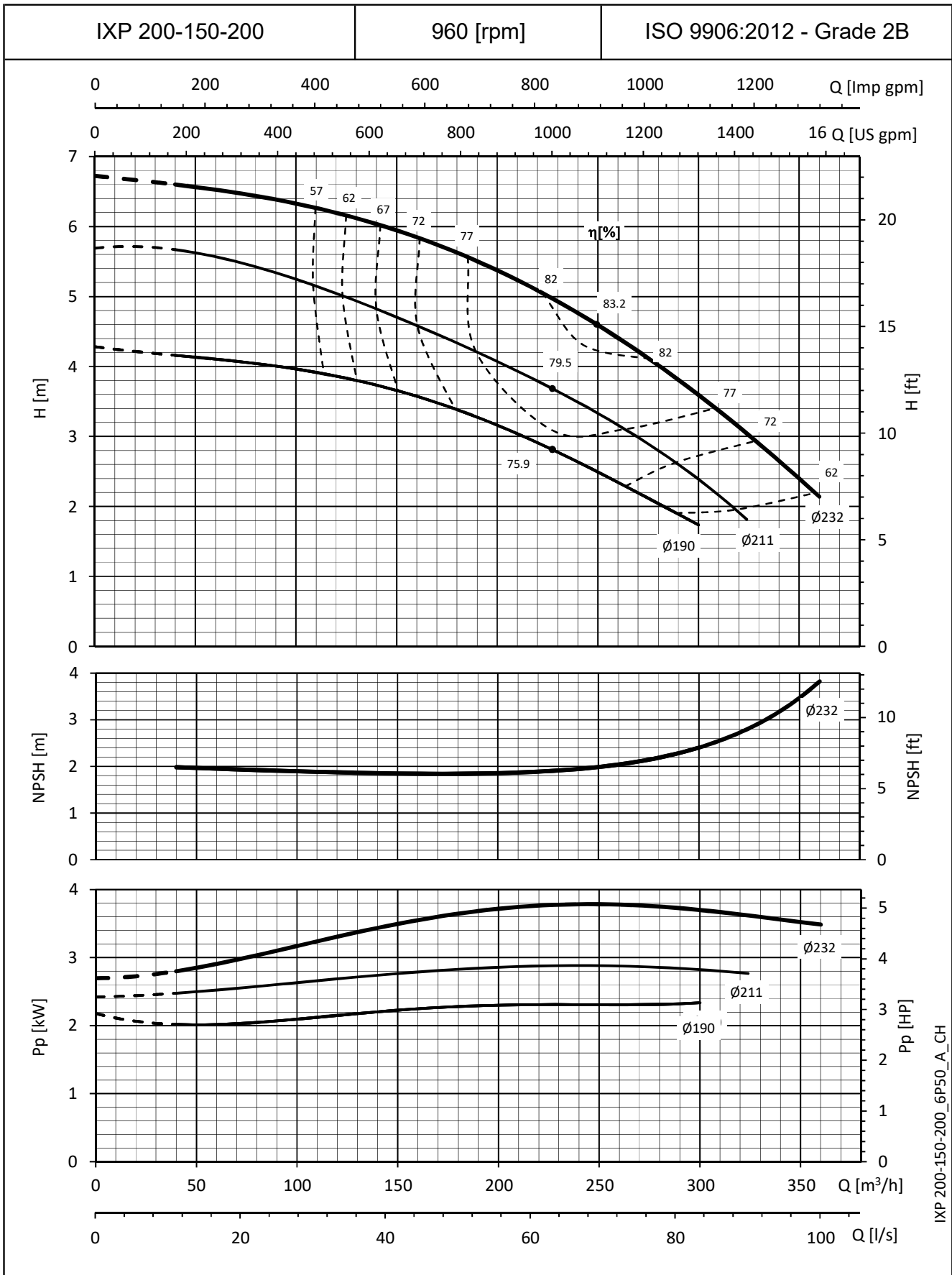


IXP 150-125-400_6P50_A_CH

The NPSH values are the same from maximum to minimum impeller diameter.
 The NPSH values are laboratory values; for practical use we suggest increasing these values by 0,5 m.
 These performances are valid for liquids with density $\rho = 1,0 \text{ Kg/dm}^3$ and kinematic viscosity $\nu = 1 \text{ mm}^2/\text{sec}$.

e-IXP SERIES

OPERATING CHARACTERISTICS AT 50 Hz, 6 POLES

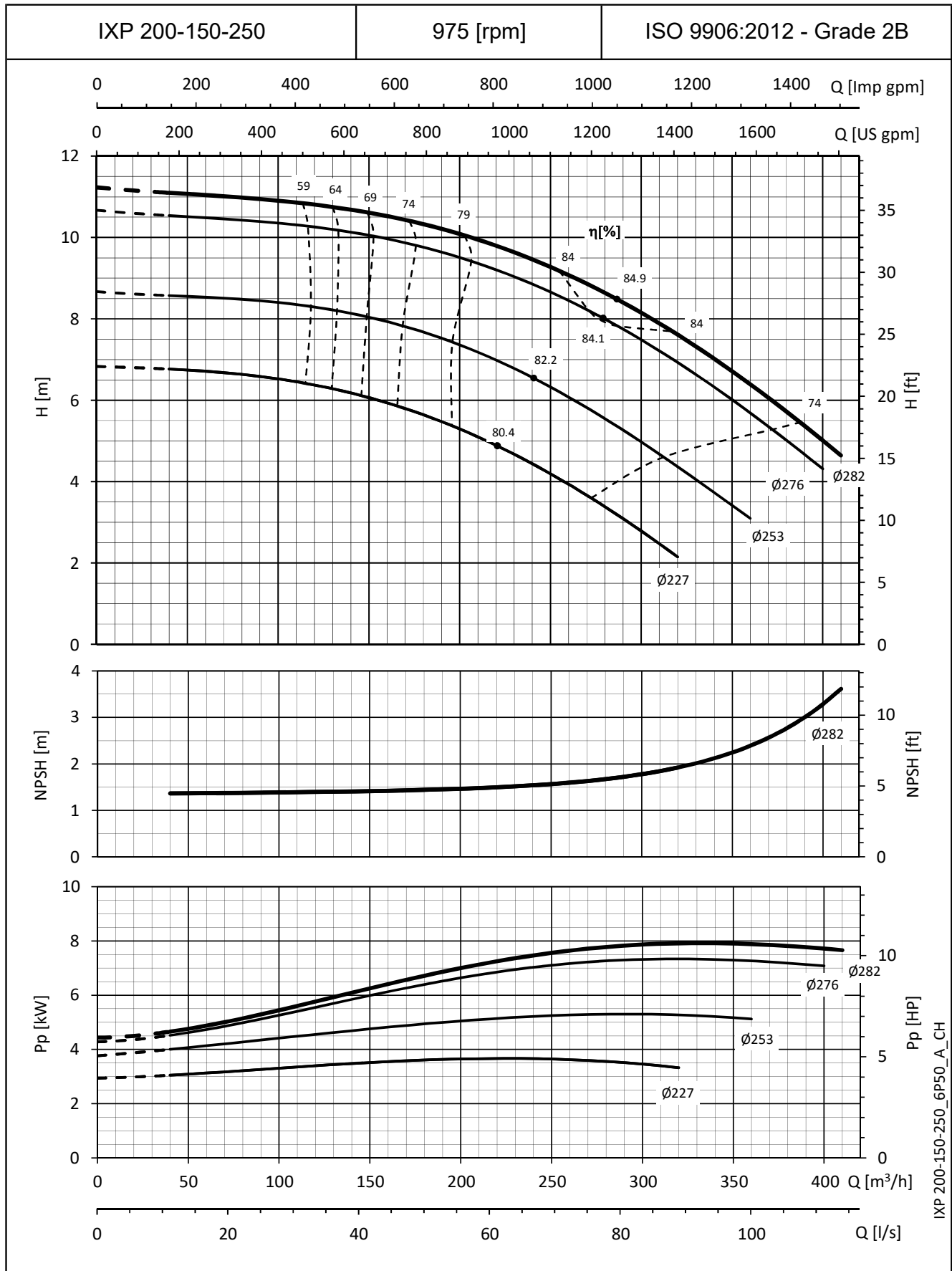


IXP 200-150-200_6P50_A_CH

The NPSH values are the same from maximum to minimum impeller diameter.
 The NPSH values are laboratory values; for practical use we suggest increasing these values by 0,5 m.
 These performances are valid for liquids with density $\rho = 1,0 \text{ Kg/dm}^3$ and kinematic viscosity $\nu = 1 \text{ mm}^2/\text{sec}$.

e-IXP SERIES

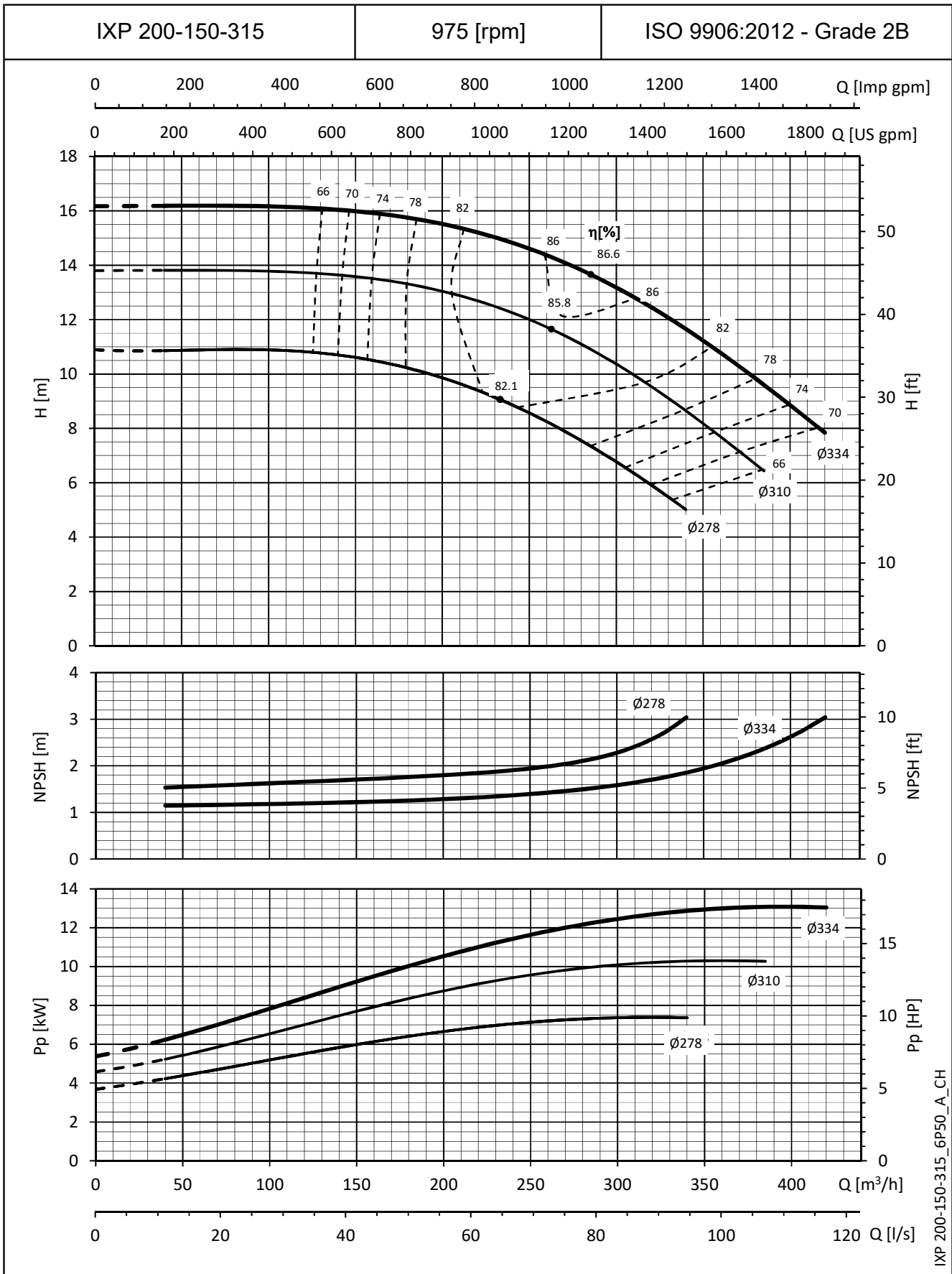
OPERATING CHARACTERISTICS AT 50 Hz, 6 POLES



The NPSH values are the same from maximum to minimum impeller diameter.
 The NPSH values are laboratory values; for practical use we suggest increasing these values by 0,5 m.
 These performances are valid for liquids with density $\rho = 1,0 \text{ Kg/dm}^3$ and kinematic viscosity $\nu = 1 \text{ mm}^2/\text{sec}$.

e-IXP SERIES

OPERATING CHARACTERISTICS AT 50 Hz, 6 POLES

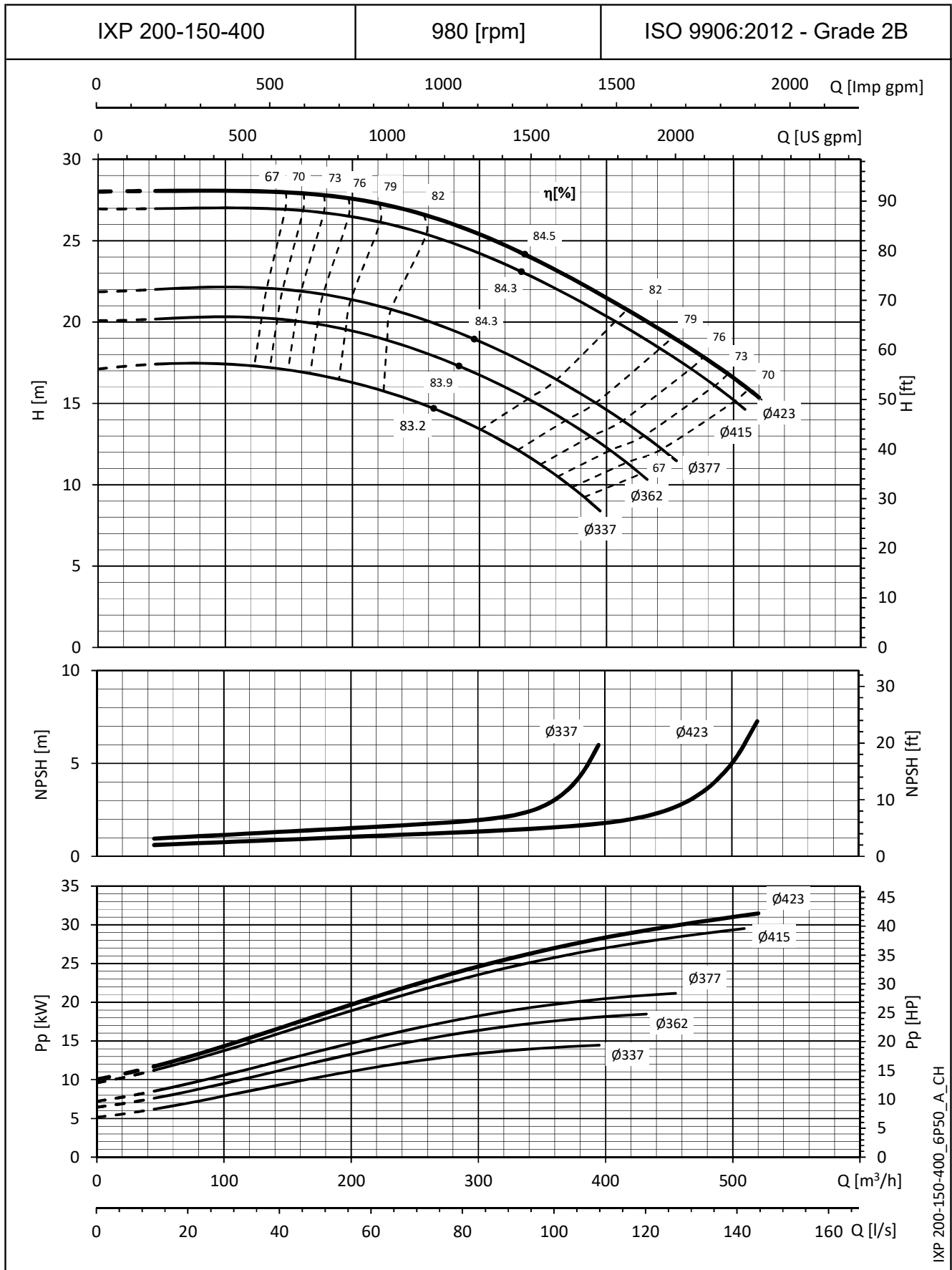


IXP 200-150-315_6P50_A_CH

The NPSH values are laboratory values; for practical use we suggest increasing these values by 0,5 m.
 These performances are valid for liquids with density $\rho = 1,0 \text{ Kg/dm}^3$ and kinematic viscosity $\nu = 1 \text{ mm}^2/\text{sec}$.

e-IXP SERIES

OPERATING CHARACTERISTICS AT 50 Hz, 6 POLES

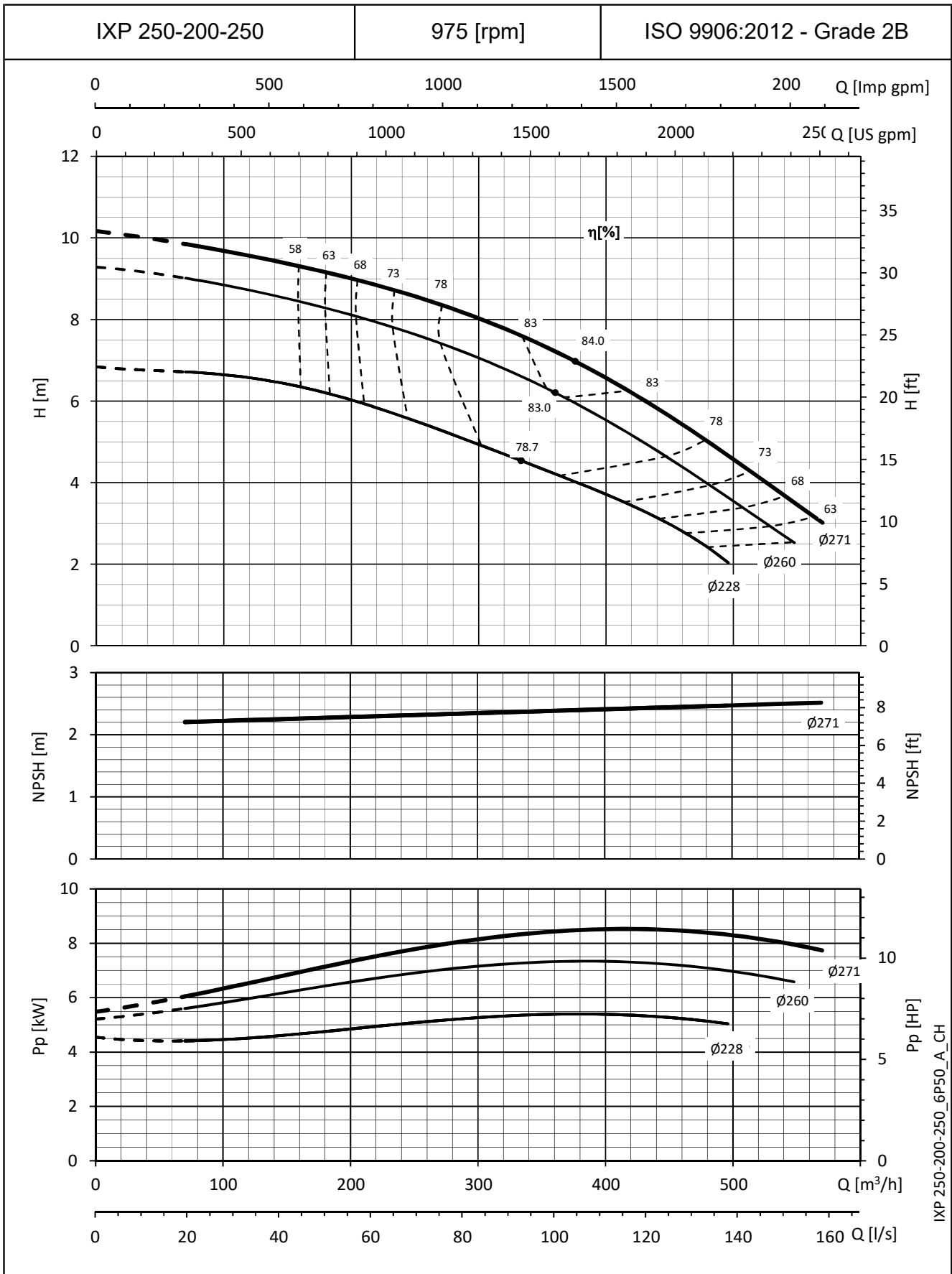


IXP 200-150-400_6P50_A_CH

The NPSH values are laboratory values; for practical use we suggest increasing these values by 0,5 m.
 These performances are valid for liquids with density $\rho = 1,0 \text{ Kg/dm}^3$ and kinematic viscosity $\nu = 1 \text{ mm}^2/\text{sec}$.

e-IXP SERIES

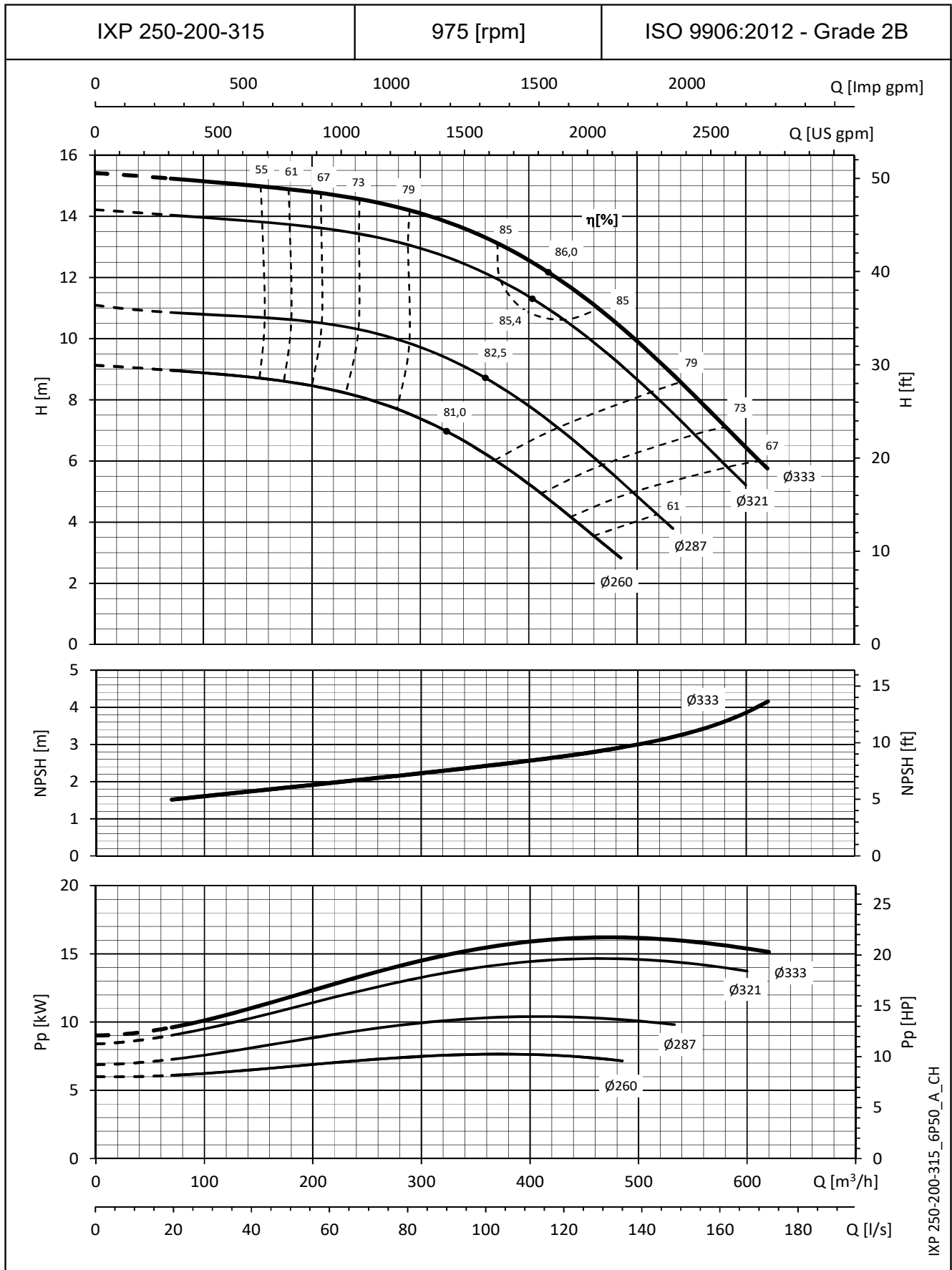
OPERATING CHARACTERISTICS AT 50 Hz, 6 POLES



The NPSH values are the same from maximum to minimum impeller diameter.
 The NPSH values are laboratory values; for practical use we suggest increasing these values by 0,5 m.
 These performances are valid for liquids with density $\rho = 1,0 \text{ Kg/dm}^3$ and kinematic viscosity $\nu = 1 \text{ mm}^2/\text{sec}$.

e-IXP SERIES

OPERATING CHARACTERISTICS AT 50 Hz, 6 POLES

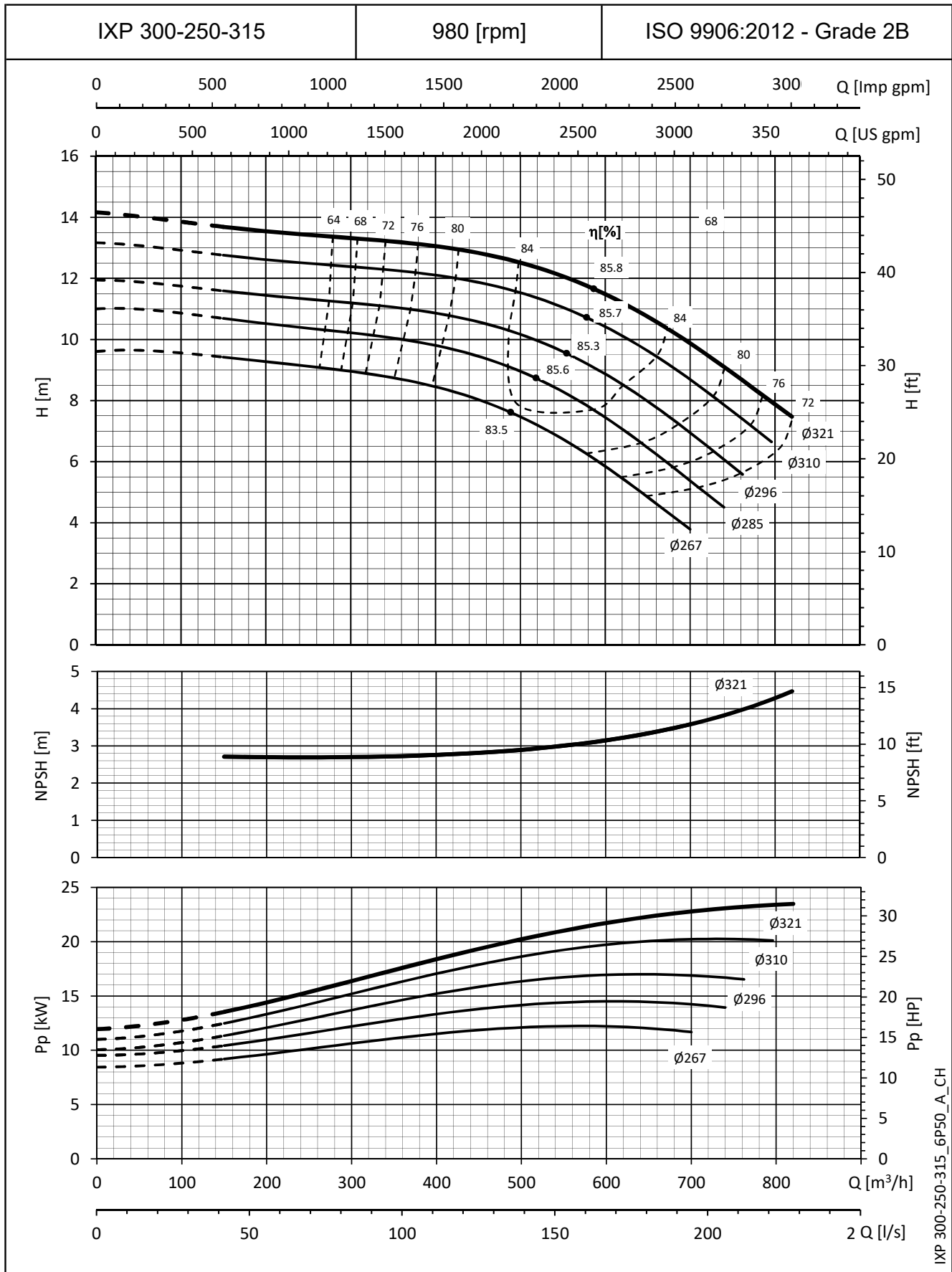


IXP 250-200-315_6P50_A_CH

The NPSH values are the same from maximum to minimum impeller diameter.
 The NPSH values are laboratory values; for practical use we suggest increasing these values by 0,5 m.
 These performances are valid for liquids with density $\rho = 1,0 \text{ Kg/dm}^3$ and kinematic viscosity $\nu = 1 \text{ mm}^2/\text{sec}$.

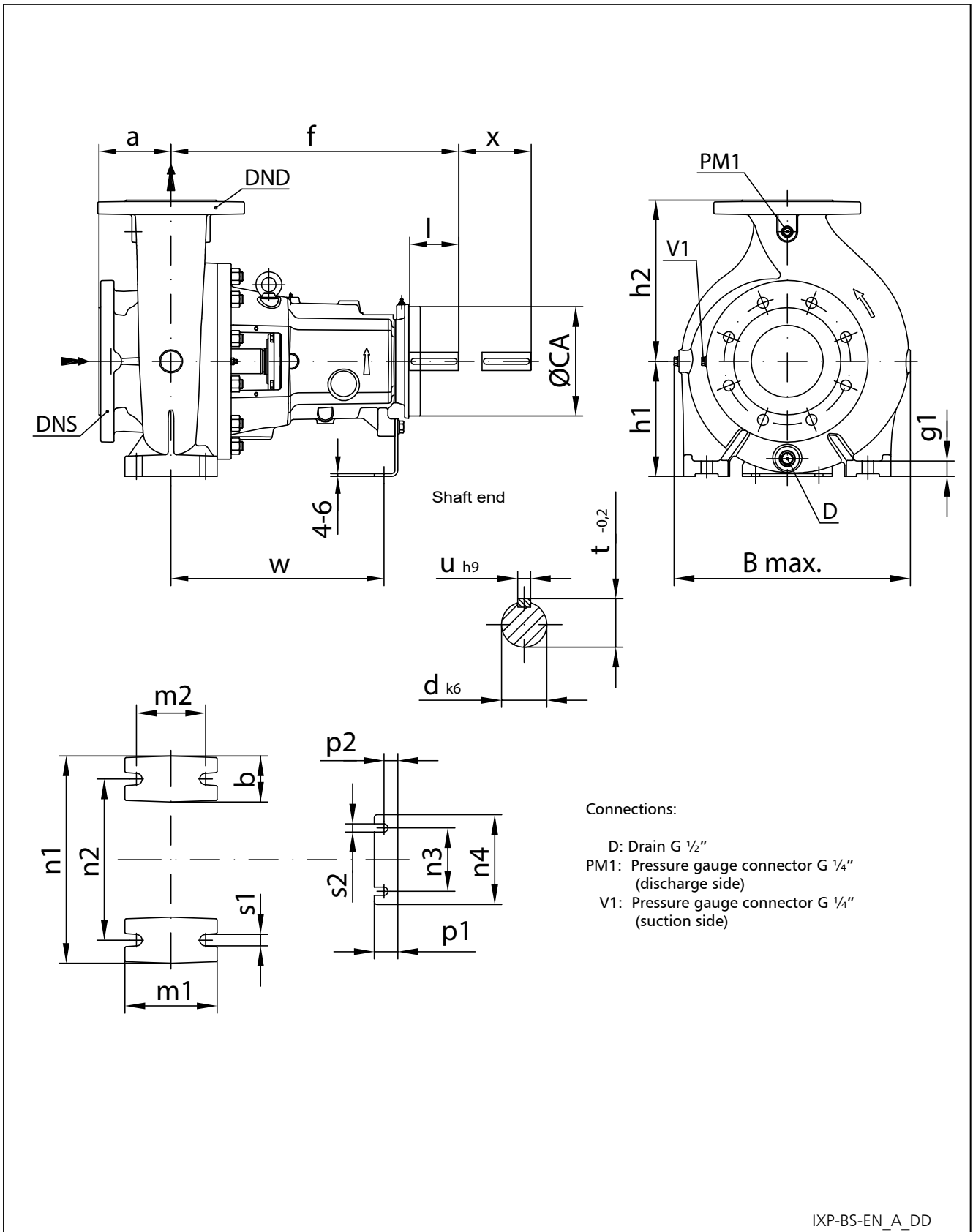
e-IXP SERIES

OPERATING CHARACTERISTICS AT 50 Hz, 6 POLES



The NPSH values are the same from maximum to minimum impeller diameter.
 The NPSH values are laboratory values; for practical use we suggest increasing these values by 0,5 m.
 These performances are valid for liquids with density $\rho = 1,0 \text{ Kg/dm}^3$ and kinematic viscosity $\nu = 1 \text{ mm}^2/\text{sec}$.

DIMENSIONS AND WEIGHTS

**e-IXP SERIES (BARE SHAFT)
 DIMENSIONS AND WEIGHTS AT 50 Hz**


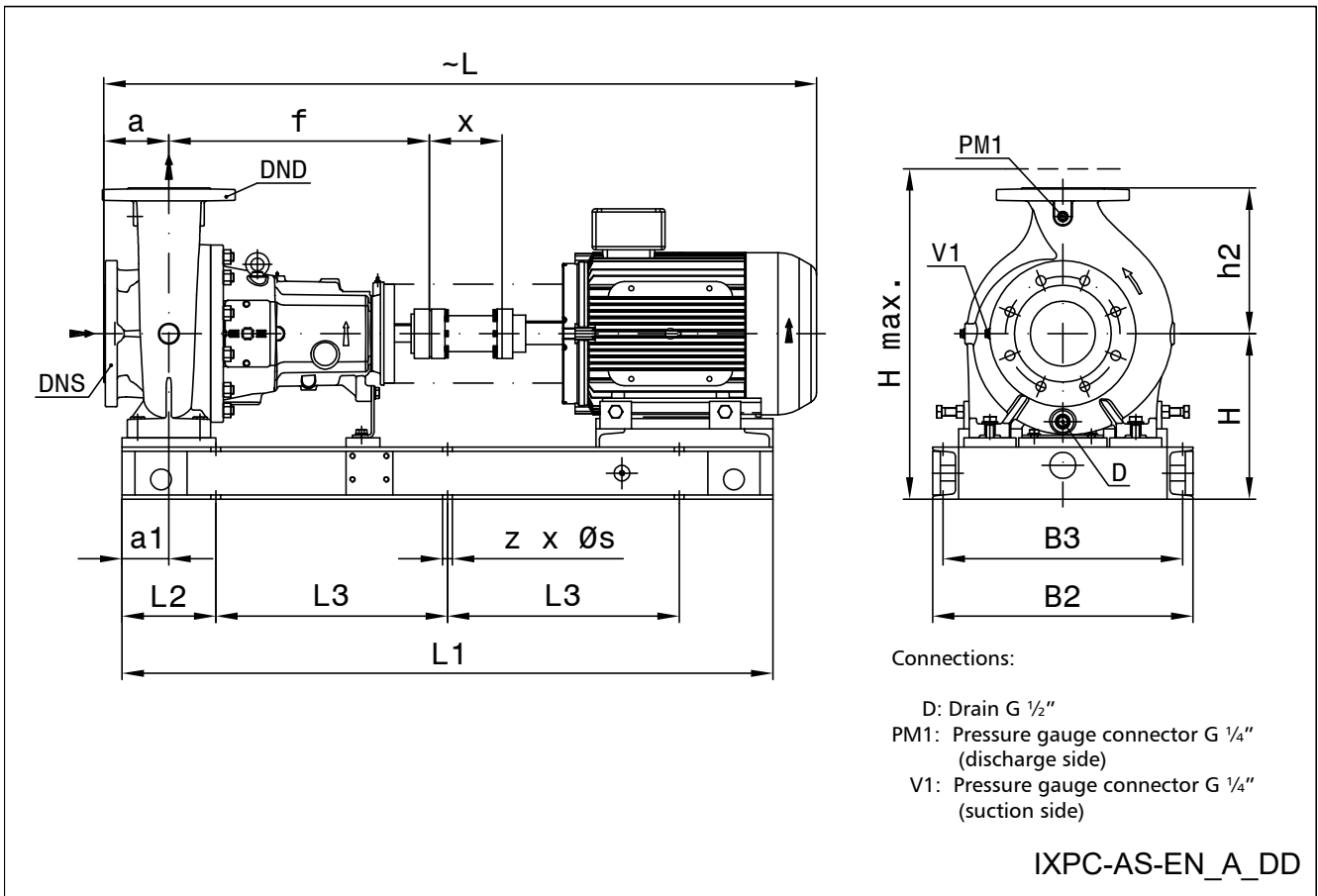
IXP-BS-EN_A_DD

e-IXP SERIES (BARE SHAFT) DIMENSIONS AND WEIGHTS AT 50 Hz

PUMP TYPE IXP BARE SHAFT	DIMENSIONS (mm)																												WEIGHT (kg)
	PUMP																	SHAFT					B						
	DNS	DND	a	b	f	g1	h1	h2	m1	m2	n1	n2	n3	n4	p1	p2	s1	s2	w	ØCA	d	l	t	u	max	x			
40-25-160	40	25	80	50	385	13	132	160	100	70	240	190	110	160	37	22	M12	M12	285	165	24	50	27	8	273	100	50		
40-25-200	40	25	80	50	385	13	160	180	100	70	240	190	110	160	37	23	M12	M12	285	165	24	50	27	8	309	100	56		
50-32-160	50	32	80	50	385	13	132	160	100	70	240	190	110	160	37	22	M12	M12	285	165	24	50	27	8	269	100	51		
50-32-200	50	32	80	50	385	11	160	180	100	70	240	190	110	160	37	23	M12	M12	285	165	24	50	27	8	313	100	58		
50-32-250	50	32	100	65	500	15	180	225	125	95	320	250	110	160	37	23	M12	M12	370	190	32	80	35	10	359	100	88		
65-50-160	65	50	80	50	385	12	132	160	100	70	240	190	110	160	37	22	M12	M12	285	165	24	50	27	8	274	100	52		
65-40-200	65	40	100	50	385	13	160	180	100	70	265	212	110	160	37	23	M12	M12	285	165	24	50	27	8	309	100	59		
65-40-250	65	40	100	65	500	15	180	225	125	95	320	250	110	160	37	23	M12	M12	370	190	32	80	35	10	367	100	90		
65-40-315	65	40	125	65	500	14	200	250	125	95	345	280	110	156	41	24	M12	M12	370	190	32	80	35	10	441	100	117		
80-65-125	80	65	100	50	385	12	132	160	100	70	240	190	110	160	37	22	M12	M12	285	165	24	50	27	8	278	100	54		
80-65-160	80	65	100	50	385	12	160	180	100	70	265	212	110	160	37	23	M12	M12	285	165	24	50	27	8	295	100	56		
80-50-200	80	50	100	50	385	12	160	200	100	70	265	212	110	160	37	23	M12	M12	285	165	24	50	27	8	327	100	62		
80-50-250	80	50	125	65	500	15	180	225	125	95	320	250	110	160	37	23	M12	M12	370	190	32	80	35	10	374	100	91		
80-50-315	80	50	125	65	500	15	225	280	125	95	345	280	110	156	41	24	M12	M12	370	190	32	80	35	10	453	100	119		
100-80-125	100	80	100	65	385	15	160	180	125	95	280	212	110	160	37	23	M12	M12	285	165	24	50	27	8	306	100	60		
100-80-160	100	80	100	65	500	15	160	200	125	95	280	212	110	156	41	24	M12	M12	370	190	32	80	35	10	335	100	84		
100-65-200	100	65	100	65	500	15	180	225	125	95	320	250	110	160	37	23	M12	M12	370	190	32	80	35	10	373	140	95		
100-65-250	100	65	125	80	500	20	200	250	160	120	360	280	110	156	41	24	M16	M12	370	190	32	80	35	10	389	140	101		
100-65-315	100	65	125	80	530	20	225	280	160	120	400	315	110	156	41	24	M16	M12	370	230	42	110	45	12	457	140	148		
125-80-160	125	80	125	65	500	16	180	225	125	95	320	250	110	160	37	23	M12	M12	370	190	32	80	35	10	343	140	90		
125-80-200	125	80	125	65	500	15	180	250	125	95	345	280	110	160	37	23	M12	M12	370	190	32	80	35	10	388	140	101		
125-80-250	125	80	125	80	500	20	225	280	160	120	400	315	110	156	41	24	M16	M12	370	190	32	80	35	10	407	140	108		
125-80-315	125	80	125	80	530	26	250	315	160	120	400	315	110	156	41	24	M16	M12	370	230	42	110	45	12	498	140	164		
125-80-400	125	80	125	80	530	26	280	355	160	120	435	355	110	156	41	24	M16	M12	370	230	42	110	45	12	560	140	204		
125-100-160	125	100	125	80	500	26	200	280	160	120	360	280	110	156	41	24	M16	M12	370	190	32	80	35	10	402	140	114		
125-100-200	125	100	125	80	500	26	200	280	160	120	360	280	110	156	41	24	M16	M12	370	190	32	80	35	10	411	140	115		
125-100-250	125	100	140	80	530	26	225	280	160	120	400	315	110	156	41	24	M16	M12	370	230	42	110	45	12	463	140	158		
125-100-315	125	100	140	80	530	26	250	315	160	120	400	315	110	156	41	24	M16	M12	370	230	42	110	45	12	500	140	165		
125-100-400	125	100	140	100	530	26	280	355	200	150	500	400	110	156	41	24	M20	M12	370	230	42	110	45	12	584	140	219		
150-125-200	150	125	140	80	530	26	250	315	160	120	400	315	110	156	41	24	M16	M12	370	230	42	110	45	12	486	140	156		
150-125-250	150	125	140	80	530	26	250	355	160	120	400	315	110	156	41	24	M16	M12	370	230	42	110	45	12	487	140	158		
150-125-315	150	125	140	100	530	26	280	355	200	150	500	400	110	156	41	24	M20	M12	370	230	42	110	45	12	514	140	185		
150-125-400	150	125	140	100	530	26	315	400	200	150	500	400	110	156	41	24	M20	M12	370	230	42	110	45	12	625	140	240		
200-150-200	200	150	160	100	530	26	280	400	200	150	550	450	110	156	41	24	M20	M12	370	230	42	110	45	12	599	180	228		
200-150-250	200	150	160	100	530	26	280	375	200	150	500	400	110	156	41	24	M20	M12	370	230	42	110	45	12	587	180	213		
200-150-315	200	150	160	100	670	26	315	400	200	150	550	450	140	184	46	27	M20	M16	500	255	48	110	52	14	582	180	253		
200-150-400	200	150	160	100	670	26	315	450	200	150	550	450	140	184	46	27	M20	M16	500	255	48	110	52	14	639	180	305		
250-200-250	250	200	200	100	670	26	355	475	200	150	550	450	140	184	46	27	M20	M16	500	255	48	110	52	14	688	180	351		
250-200-315	250	200	180	100	670	26	355	450	200	150	550	450	140	184	46	27	M20	M16	500	255	48	110	52	14	676	180	344		
300-250-315	300	250	250	110	670	35	400	500	300	250	710	600	140	184	46	27	M24	M16	500	255	48	110	52	14	755	180	454		

IXP-bs-en_a_td

IXPC SERIES
DIMENSIONS AND WEIGHTS AT 50 Hz, 2 POLES



IXPC SERIES DIMENSIONS AND WEIGHTS AT 50 Hz, 2 POLES

PUMP TYPE IXPC Size	IEC MOTOR FRAME	3000 [rpm]	DIMENSIONS [mm]															WEIGHT [kg]	COUPLING TYPE	
			DNS	DND	a	a1	B2	B3	f	H	h2	L	L1	L2	L3	x	H max.			z x s FOR SCREWS
40-25-160	90L	1,5	40	25	80	60	360	320	385	225	160	913	850	150	275	100	385	6xØ19 (M16)	115	H80A
40-25-160	90L	2,2	40	25	80	60	360	320	385	225	160	913	850	150	275	100	385	6xØ19 (M16)	117	H80A
40-25-160	100L	3	40	25	80	60	360	320	385	225	160	944	850	150	275	100	385	6xØ19 (M16)	121	H80B
40-25-160	112M	4	40	25	80	60	400	360	385	225	160	947	900	150	300	100	393	6xØ19 (M16)	129	H80B
40-25-200	100L	3	40	25	80	60	360	320	385	253	180	944	850	150	275	100	433	6xØ19 (M16)	130	H80B
40-25-200	112M	4	40	25	80	60	400	360	385	253	180	947	900	150	300	100	433	6xØ19 (M16)	137	H80B
40-25-200	132S	5,5	40	25	80	60	400	360	385	253	180	1012	950	150	325	100	444	6xØ19 (M16)	168	H95A
40-25-200	132S	7,5	40	25	80	60	400	360	385	253	180	1012	950	150	325	100	444	6xØ19 (M16)	165	H95A
50-32-160	100L	3	50	32	80	60	360	320	385	225	160	944	850	150	275	100	385	6xØ19 (M16)	122	H80B
50-32-160	112M	4	50	32	80	60	400	360	385	225	160	947	900	150	300	100	393	6xØ19 (M16)	130	H80B
50-32-160	132S	5,5	50	32	80	60	400	360	385	230	160	1012	950	150	325	100	421	6xØ19 (M16)	161	H95A
50-32-160	132S	7,5	50	32	80	60	400	360	385	230	160	1012	950	150	325	100	421	6xØ19 (M16)	158	H95A
50-32-200	112M	4	50	32	80	60	400	360	385	253	180	947	900	150	300	100	433	6xØ19 (M16)	139	H80B
50-32-200	132S	5,5	50	32	80	60	400	360	385	253	180	1012	950	150	325	100	444	6xØ19 (M16)	170	H95A
50-32-200	132S	7,5	50	32	80	60	400	360	385	253	180	1012	950	150	325	100	444	6xØ19 (M16)	167	H95A
50-32-200	160M	11	50	32	80	60	500	460	385	283	180	1169	1100	180	370	100	523	6xØ19 (M16)	235	H95B
50-32-250	132S	7,5	50	32	100	75	450	410	500	273	225	1147	1100	150	400	100	498	6xØ19 (M16)	206	H95E
50-32-250	160M	11	50	32	100	75	500	460	500	293	225	1304	1200	180	420	100	533	6xØ19 (M16)	270	H95F
50-32-250	160M	15	50	32	100	75	500	460	500	293	225	1304	1200	180	420	100	533	6xØ19 (M16)	271	H95F
50-32-250	160L	19	50	32	100	75	500	460	500	293	225	1304	1200	180	420	100	533	6xØ19 (M16)	279	H95F
65-50-160	112M	4	65	50	80	60	400	360	385	225	160	947	900	150	300	100	393	6xØ19 (M16)	131	H80B
65-50-160	132S	5,5	65	50	80	60	400	360	385	230	160	1012	950	150	325	100	421	6xØ19 (M16)	162	H95A
65-50-160	132S	7,5	65	50	80	60	400	360	385	230	160	1012	950	150	325	100	421	6xØ19 (M16)	159	H95A
65-50-160	160M	11	65	50	80	60	500	460	385	283	160	1169	1100	180	370	100	523	6xØ19 (M16)	233	H95B
65-40-200	132S	5,5	65	40	100	60	400	360	385	253	180	1032	950	150	325	100	444	6xØ19 (M16)	171	H95A
65-40-200	132S	7,5	65	40	100	60	400	360	385	253	180	1032	950	150	325	100	444	6xØ19 (M16)	168	H95A
65-40-200	160M	11	65	40	100	60	500	460	385	283	180	1189	1100	180	370	100	523	6xØ19 (M16)	237	H95B
65-40-200	160M	15	65	40	100	60	500	460	385	283	180	1189	1100	180	370	100	523	6xØ19 (M16)	238	H95B
65-40-250	160M	11	65	40	100	75	500	460	500	293	225	1304	1200	180	420	100	533	6xØ19 (M16)	272	H95F
65-40-250	160M	15	65	40	100	75	500	460	500	293	225	1304	1200	180	420	100	533	6xØ19 (M16)	273	H95F
65-40-250	160L	19	65	40	100	75	500	460	500	293	225	1304	1200	180	420	100	533	6xØ19 (M16)	281	H95F
65-40-250	180M	22	65	40	100	75	540	500	500	303	225	1401	1250	180	445	100	567	6xØ19 (M16)	311	H110B
65-40-250	200L	30	65	40	100	75	600	560	500	323	225	1481	1300	180	470	100	623	6xØ19 (M16)	391	H125B
65-40-315	160L	19	65	40	125	75	500	460	500	313	250	1329	1200	180	420	100	563	6xØ19 (M16)	314	H95F
65-40-315	180M	22	65	40	125	75	540	500	500	313	250	1426	1250	180	445	100	577	6xØ19 (M16)	342	H110B
65-40-315	200L	30	65	40	125	75	600	560	500	323	250	1506	1300	180	470	100	623	6xØ19 (M16)	417	H125B
65-40-315	200L	37	65	40	125	75	600	560	500	323	250	1506	1300	180	470	100	623	6xØ19 (M16)	432	H125B
65-40-315	225M	45	65	40	125	75	690	640	500	368	250	1536	1350	190	485	100	691	6xØ19 (M16)	523	H125B

NOTE: Pumps with flanges according to EN 1092 as standard.

IXPC_2p50-1_en_a_td

Available ASME B16.5 version on request. For flange dimensions see drawing.

IXPC SERIES DIMENSIONS AND WEIGHTS AT 50 Hz, 2 POLES

PUMP TYPE IXPC Size	IEC MOTOR FRAME	3000 [rpm]	DIMENSIONS [mm]														H max.	z x s FOR SCREWS	WEIGHT [kg]	COUPLING TYPE
			DNS	DND	a	a1	B2	B3	f	H	h2	L	L1	L2	L3	x				
80-65-125	100L	3	80	65	100	60	360	320	385	225	160	964	850	150	275	100	385	6xØ19 (M16)	125	H80B
80-65-125	112M	4	80	65	100	60	400	360	385	225	160	967	900	150	300	100	393	6xØ19 (M16)	133	H80B
80-65-125	132S	5,5	80	65	100	60	400	360	385	230	160	1032	950	150	325	100	421	6xØ19 (M16)	164	H95A
80-65-125	132S	7,5	80	65	100	60	400	360	385	230	160	1032	950	150	325	100	421	6xØ19 (M16)	161	H95A
80-65-125	160M	11	80	65	100	60	500	460	385	283	160	1189	1100	180	370	100	523	6xØ19 (M16)	235	H95B
80-65-160	132S	5,5	80	65	100	60	400	360	385	253	180	1032	950	150	325	100	444	6xØ19 (M16)	168	H95A
80-65-160	132S	7,5	80	65	100	60	400	360	385	253	180	1032	950	150	325	100	444	6xØ19 (M16)	165	H95A
80-65-160	160M	11	80	65	100	60	500	460	385	283	180	1189	1100	180	370	100	523	6xØ19 (M16)	234	H95B
80-65-160	160M	15	80	65	100	60	500	460	385	283	180	1189	1100	180	370	100	523	6xØ19 (M16)	235	H95B
80-50-200	160M	11	80	50	100	60	500	460	385	283	200	1189	1100	180	370	100	523	6xØ19 (M16)	240	H95B
80-50-200	160M	15	80	50	100	60	500	460	385	283	200	1189	1100	180	370	100	523	6xØ19 (M16)	241	H95B
80-50-200	160L	19	80	50	100	60	500	460	385	283	200	1189	1100	180	370	100	523	6xØ19 (M16)	249	H95B
80-50-200	180M	22	80	50	100	60	540	500	385	303	200	1286	1150	180	395	100	567	6xØ19 (M16)	283	H110A
80-50-200	200L	30	80	50	100	60	600	560	385	323	200	1366	1150	180	395	100	623	6xØ19 (M16)	361	H125A
80-50-250	160M	15	80	50	125	75	500	460	500	293	225	1329	1200	180	420	100	533	6xØ19 (M16)	274	H95F
80-50-250	160L	19	80	50	125	75	500	460	500	293	225	1329	1200	180	420	100	533	6xØ19 (M16)	282	H95F
80-50-250	180M	22	80	50	125	75	540	500	500	303	225	1426	1250	180	445	100	567	6xØ19 (M16)	312	H110B
80-50-250	200L	30	80	50	125	75	600	560	500	323	225	1506	1300	180	470	100	623	6xØ19 (M16)	392	H125B
80-50-250	200L	37	80	50	125	75	600	560	500	323	225	1506	1300	180	470	100	623	6xØ19 (M16)	407	H125B
80-50-315	200L	37	80	50	125	75	600	560	500	338	280	1506	1300	180	470	100	638	6xØ19 (M16)	436	H125B
80-50-315	225M	45	80	50	125	75	690	640	500	368	280	1536	1350	190	485	100	691	6xØ19 (M16)	520	H125B
80-50-315	250M	55	80	50	125	75	690	640	500	393	280	1632	1450	190	535	100	770	6xØ19 (M16)	693	H140A
80-50-315	280S	75	80	50	125	75	830	780	500	443	280	1682	1500	200	550	100	856	6xØ26 (M20)	864	H160A
80-50-315	280M	90	80	50	125	75	830	780	500	443	280	1682	1500	200	550	100	856	6xØ26 (M20)	937	H160A

NOTE: Pumps with flanges according to EN 1092 as standard.

IXPC_2p50-2_en_a_td

Available ASME B16.5 version on request. For flange dimensions see drawing.

IXPC SERIES DIMENSIONS AND WEIGHTS AT 50 Hz, 2 POLES

PUMP TYPE IXPC Size	IEC MOTOR FRAME	3000 [rpm]	DIMENSIONS [mm]														H max.	z x s FOR SCREWS	WEIGHT [kg]	COUPLING TYPE
			DNS	DND	a	a1	B2	B3	f	H	h2	L	L1	L2	L3	x				
100-80-125	132S	5,5	100	80	100	75	400	360	385	253	180	1032	1000	150	350	100	444	6xØ19 (M16)	173	H95A
100-80-125	132S	7,5	100	80	100	75	400	360	385	253	180	1032	1000	150	350	100	444	6xØ19 (M16)	170	H95A
100-80-125	160M	11	100	80	100	75	500	460	385	283	180	1189	1100	180	370	100	523	6xØ19 (M16)	238	H95B
100-80-125	160M	15	100	80	100	75	500	460	385	283	180	1189	1100	180	370	100	523	6xØ19 (M16)	239	H95B
100-80-160	132S	7,5	100	80	100	75	400	360	500	253	200	1147	1100	150	400	100	453	6xØ19 (M16)	198	H95E
100-80-160	160M	11	100	80	100	75	500	460	500	283	200	1304	1200	180	420	100	523	6xØ19 (M16)	266	H95F
100-80-160	160M	15	100	80	100	75	500	460	500	283	200	1304	1200	180	420	100	523	6xØ19 (M16)	267	H95F
100-80-160	160L	19	100	80	100	75	500	460	500	283	200	1304	1200	180	420	100	523	6xØ19 (M16)	275	H95F
100-80-160	180M	22	100	80	100	75	540	500	500	303	200	1401	1250	180	445	100	567	6xØ19 (M16)	310	H110B
100-65-200	160M	11	100	65	100	75	500	460	500	293	225	1344	1250	180	445	140	533	6xØ19 (M16)	279	H95K
100-65-200	160M	15	100	65	100	75	500	460	500	293	225	1344	1250	180	445	140	533	6xØ19 (M16)	280	H95K
100-65-200	160L	19	100	65	100	75	500	460	500	293	225	1344	1250	180	445	140	533	6xØ19 (M16)	288	H95K
100-65-200	180M	22	100	65	100	75	540	500	500	303	225	1441	1300	180	470	140	567	6xØ19 (M16)	318	H110C
100-65-200	200L	30	100	65	100	75	600	560	500	323	225	1521	1350	180	495	140	623	6xØ19 (M16)	399	H125C
100-65-200	200L	37	100	65	100	75	600	560	500	323	225	1521	1350	180	495	140	623	6xØ19 (M16)	414	H125C
100-65-250	180M	22	100	65	125	90	540	500	500	318	250	1466	1300	180	470	140	582	6xØ19 (M16)	328	H110C
100-65-250	200L	30	100	65	125	90	600	560	500	323	250	1546	1350	180	495	140	623	6xØ19 (M16)	403	H125C
100-65-250	200L	37	100	65	125	90	600	560	500	323	250	1546	1350	180	495	140	623	6xØ19 (M16)	418	H125C
100-65-250	225M	45	100	65	125	90	690	640	500	368	250	1576	1400	190	510	140	691	6xØ19 (M16)	510	H125C
100-65-250	250M	55	100	65	125	90	690	640	500	393	250	1672	1500	190	560	140	770	6xØ19 (M16)	681	H140B
100-65-250	280S	75	100	65	125	90	830	780	500	443	250	1722	1600	200	600	140	856	6xØ26 (M20)	858	H160B
100-65-315	250M	55	100	65	125	90	690	640	530	393	280	1702	1500	190	560	140	770	6xØ19 (M16)	725	H140C
100-65-315	280S	75	100	65	125	90	830	780	530	443	280	1752	1600	200	600	140	856	6xØ26 (M20)	898	H160C
100-65-315	280M	90	100	65	125	90	830	780	530	443	280	1752	1600	200	600	140	856	6xØ26 (M20)	971	H160C
100-65-315	315S	110	100	65	125	90	870	820	530	503	280	1921	1850	230	695	140	1060	6xØ26 (M20)	1338	H160C
100-65-315	315M	132	100	65	125	90	870	820	530	503	280	1921	1850	230	695	140	1028	6xØ26 (M20)	1385	H160C
125-80-160	160M	11	125	80	125	75	500	460	500	293	225	1369	1250	180	445	140	533	6xØ19 (M16)	274	H95K
125-80-160	160M	15	125	80	125	75	500	460	500	293	225	1369	1250	180	445	140	533	6xØ19 (M16)	275	H95K
125-80-160	160L	19	125	80	125	75	500	460	500	293	225	1369	1250	180	445	140	533	6xØ19 (M16)	283	H95K
125-80-160	180M	22	125	80	125	75	540	500	500	303	225	1466	1300	180	470	140	567	6xØ19 (M16)	313	H110C
125-80-160	200L	30	125	80	125	75	600	560	500	323	225	1546	1350	180	495	140	623	6xØ19 (M16)	394	H125C
125-80-200	180M	22	125	80	125	75	540	500	500	303	250	1466	1300	180	470	140	567	6xØ19 (M16)	328	H110C
125-80-200	200L	30	125	80	125	75	600	560	500	323	250	1546	1350	180	495	140	623	6xØ19 (M16)	409	H125C
125-80-200	200L	37	125	80	125	75	600	560	500	323	250	1546	1350	180	495	140	623	6xØ19 (M16)	424	H125C
125-80-200	225M	45	125	80	125	75	690	640	500	368	250	1576	1400	190	510	140	691	6xØ19 (M16)	515	H125C
125-80-200	250M	55	125	80	125	75	690	640	500	393	250	1672	1500	190	560	140	770	6xØ19 (M16)	694	H140B
125-80-250	200L	37	125	80	125	90	600	560	500	343	280	1546	1350	180	495	140	643	6xØ19 (M16)	428	H125C
125-80-250	225M	45	125	80	125	90	690	640	500	368	280	1576	1400	190	510	140	691	6xØ19 (M16)	512	H125C
125-80-250	250M	55	125	80	125	90	690	640	500	393	280	1672	1500	190	560	140	770	6xØ19 (M16)	684	H140B
125-80-250	280S	75	125	80	125	90	830	780	500	443	280	1722	1600	200	600	140	856	6xØ26 (M20)	858	H160B
125-80-250	280M	90	125	80	125	90	830	780	500	443	280	1722	1600	200	600	140	856	6xØ26 (M20)	931	H160B
125-80-315	280M	90	125	80	125	90	830	780	530	443	315	1752	1600	200	600	140	856	6xØ26 (M20)	973	H160C
125-80-315	315S	110	125	80	125	90	870	820	530	503	315	1921	1850	230	695	140	1060	6xØ26 (M20)	1335	H160C
125-80-315	315M	132	125	80	125	90	870	820	530	503	315	1921	1850	230	695	140	1028	6xØ26 (M20)	1382	H160C
125-80-315	315M	160	125	80	125	90	870	820	530	503	315	1921	1850	230	695	140	1028	6xØ26 (M20)	1429	H160C

NOTE: Pumps with flanges according to EN 1092 as standard.

IXPC_2p50-3_en_a_td

Available ASME B16.5 version on request. For flange dimensions see drawing.

IXPC SERIES DIMENSIONS AND WEIGHTS AT 50 Hz, 2 POLES

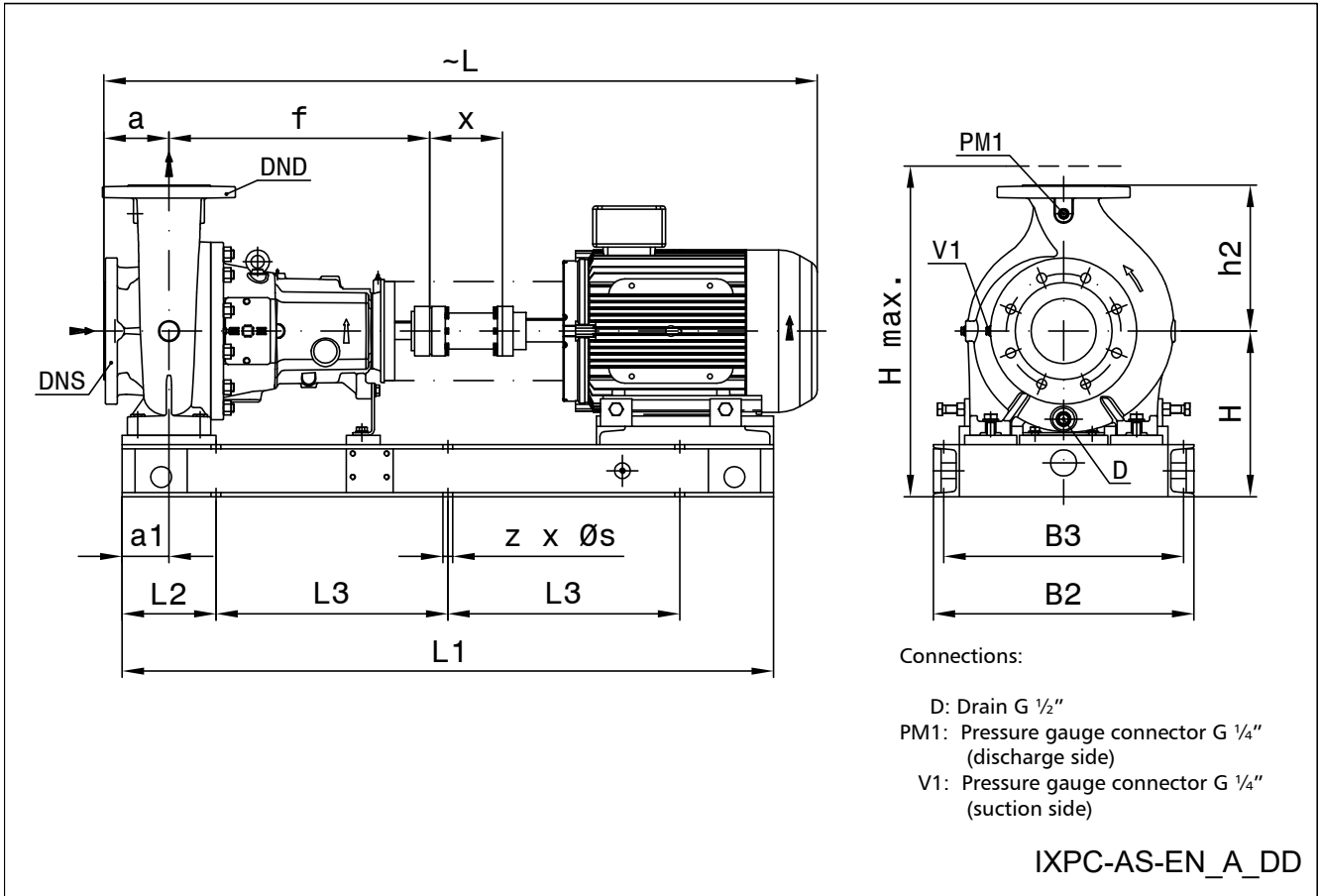
PUMP TYPE IXPC Size	IEC MOTOR FRAME	3000 [rpm]	DIMENSIONS [mm]															H max.	z x s FOR SCREWS	WEIGHT [kg]	COUPLING TYPE
			DNS	DND	a	a1	B2	B3	f	H	h2	L	L1	L2	L3	x					
125-100-160	160M	15	125	100	125	90	500	460	500	318	280	1369	1250	180	445	140	598	6xØ19 (M16)	306	H95K	
125-100-160	160L	19	125	100	125	90	500	460	500	318	280	1369	1250	180	445	140	598	6xØ19 (M16)	313	H95K	
125-100-160	180M	22	125	100	125	90	540	500	500	318	280	1466	1300	180	470	140	598	6xØ19 (M16)	341	H110C	
125-100-160	200L	30	125	100	125	90	600	560	500	323	280	1546	1350	180	495	140	623	6xØ19 (M16)	416	H125C	
125-100-160	200L	37	125	100	125	90	600	560	500	323	280	1546	1350	180	495	140	623	6xØ19 (M16)	431	H125C	
125-100-200	200L	30	125	100	125	90	600	560	500	323	280	1546	1350	180	495	140	623	6xØ19 (M16)	417	H125C	
125-100-200	200L	37	125	100	125	90	600	560	500	323	280	1546	1350	180	495	140	623	6xØ19 (M16)	432	H125C	
125-100-200	225M	45	125	100	125	90	690	640	500	368	280	1576	1400	190	510	140	691	6xØ19 (M16)	524	H125C	
125-100-200	250M	55	125	100	125	90	690	640	500	393	280	1672	1500	190	560	140	770	6xØ19 (M16)	695	H140B	
125-100-200	280S	75	125	100	125	90	830	780	500	443	280	1722	1600	200	600	140	856	6xØ26 (M20)	872	H160B	
125-100-250	225M	45	125	100	140	90	690	640	530	368	280	1621	1450	190	535	140	691	6xØ19 (M16)	564	H125D	
125-100-250	250M	55	125	100	140	90	690	640	530	393	280	1717	1500	190	560	140	770	6xØ19 (M16)	735	H140C	
125-100-250	280S	75	125	100	140	90	830	780	530	443	280	1767	1600	200	600	140	856	6xØ26 (M20)	908	H160C	
125-100-250	280M	90	125	100	140	90	830	780	530	443	280	1767	1600	200	600	140	856	6xØ26 (M20)	981	H160C	
125-100-250	315S	110	125	100	140	90	870	820	530	503	280	1936	1850	230	695	140	1060	6xØ26 (M20)	1348	H160C	
125-100-315	280M	90	125	100	140	90	830	780	530	443	315	1767	1600	200	600	140	856	6xØ26 (M20)	974	H160C	
125-100-315	315S	110	125	100	140	90	870	820	530	503	315	1936	1850	230	695	140	1060	6xØ26 (M20)	1336	H160C	
125-100-315	315M	132	125	100	140	90	870	820	530	503	315	1936	1850	230	695	140	1028	6xØ26 (M20)	1383	H160C	
125-100-315	315M	160	125	100	140	90	870	820	530	503	315	1936	1850	230	695	140	1028	6xØ26 (M20)	1430	H160C	
125-100-315	315M	200	125	100	140	90	870	820	530	503	315	1936	1850	230	695	140	1028	6xØ26 (M20)	1528	H160C	
150-125-200	225M	45	150	125	140	90	690	640	530	388	315	1621	1450	190	535	140	711	6xØ19 (M16)	565	H125D	
150-125-200	250M	55	150	125	140	90	690	640	530	393	315	1717	1500	190	560	140	770	6xØ19 (M16)	728	H140C	
150-125-200	280S	75	150	125	140	90	830	780	530	443	315	1767	1600	200	600	140	856	6xØ26 (M20)	892	H160C	
150-125-200	280M	90	150	125	140	90	830	780	530	443	315	1767	1600	200	600	140	856	6xØ26 (M20)	965	H160C	
150-125-200	315S	110	150	125	140	90	870	820	530	503	315	1936	1850	230	695	140	1060	6xØ26 (M20)	1327	H160C	
150-125-250	280S	75	150	125	140	90	830	780	530	443	355	1767	1600	200	600	140	856	6xØ26 (M20)	894	H160C	
150-125-250	280M	90	150	125	140	90	830	780	530	443	355	1767	1600	200	600	140	856	6xØ26 (M20)	967	H160C	
150-125-250	315S	110	150	125	140	90	870	820	530	503	355	1936	1850	230	695	140	1060	6xØ26 (M20)	1329	H160C	
150-125-250	315M	132	150	125	140	90	870	820	530	503	355	1936	1850	230	695	140	1028	6xØ26 (M20)	1376	H160C	
150-125-315	315S	110	150	125	140	110	870	820	530	503	355	1936	1850	230	695	140	1060	6xØ26 (M20)	1355	H160C	
150-125-315	315M	132	150	125	140	110	870	820	530	503	355	1936	1850	230	695	140	1028	6xØ26 (M20)	1402	H160C	
150-125-315	315M	160	150	125	140	110	870	820	530	503	355	1936	1850	230	695	140	1028	6xØ26 (M20)	1449	H160C	
150-125-315	315M	200	150	125	140	110	870	820	530	503	355	1936	1850	230	695	140	1028	6xØ26 (M20)	1547	H160C	

NOTE: Pumps with flanges according to EN 1092 as standard.

IXPC_2p50-4_en_a_td

Available ASME B16.5 version on request. For flange dimensions see drawing.

**IXPC SERIES
DIMENSIONS AND WEIGHTS AT 50 Hz, 4 POLES**



IXPC SERIES DIMENSIONS AND WEIGHTS AT 50 Hz, 4 POLES

PUMP TYPE IXPC Size	IEC MOTOR FRAME	1500 [rpm]	DIMENSIONS [mm]															WEIGHT [kg]	COUPLING TYPE	
			DNS	DND	a	a1	B2	B3	f	H	h2	L	L1	L2	L3	x	H max.			z x s FOR SCREWS
40-25-160	90L	1,1	40	25	80	60	360	320	385	225	160	913	850	150	275	100	385	6xØ19(M16)	114	H80A
40-25-200	90L	1,1	40	25	80	60	360	320	385	253	180	913	850	150	275	100	433	6xØ19(M16)	122	H80A
50-32-160	90L	1,1	50	32	80	60	360	320	385	225	160	913	850	150	275	100	385	6xØ19(M16)	115	H80A
50-32-200	90L	1,1	50	32	80	60	360	320	385	253	180	913	850	150	275	100	433	6xØ19(M16)	124	H80A
50-32-250	90L	1,1	50	32	100	75	450	410	500	273	225	1048	950	150	325	100	498	6xØ19(M16)	166	H95C
50-32-250	90L	1,1	50	32	100	75	450	410	500	273	225	1048	950	150	325	100	498	6xØ19(M16)	166	H95C
50-32-250	90L	1,1	50	32	100	75	450	410	500	273	225	1048	950	150	325	100	498	6xØ19(M16)	166	H95C
65-50-160	90L	1,1	65	50	80	60	360	320	385	225	160	913	850	150	275	100	385	6xØ19(M16)	116	H80A
65-40-200	90L	1,1	65	40	100	60	400	360	385	253	180	933	850	150	275	100	433	6xØ19(M16)	127	H80A
65-40-200	90L	1,1	65	40	100	60	400	360	385	253	180	933	850	150	275	100	433	6xØ19(M16)	127	H80A
65-40-250	90L	1,5	65	40	100	75	450	410	500	273	225	1048	950	150	325	100	498	6xØ19(M16)	175	H95C
65-40-250	90L	1,5	65	40	100	75	450	410	500	273	225	1048	950	150	325	100	498	6xØ19(M16)	175	H95C
65-40-250	90L	1,5	65	40	100	75	450	410	500	273	225	1048	950	150	325	100	498	6xØ19(M16)	175	H95C
65-40-315	112M	4	65	40	125	75	500	460	500	293	250	1167	1000	150	350	100	543	6xØ19(M16)	243	H95D
65-40-315	112M	4	65	40	125	75	500	460	500	293	250	1167	1000	150	350	100	543	6xØ19(M16)	243	H95D
80-65-125	90L	1,1	80	65	100	60	360	320	385	225	160	933	850	150	275	100	385	6xØ19(M16)	118	H80A
80-65-160	90L	1,1	80	65	100	60	400	360	385	253	180	933	850	150	275	100	433	6xØ19(M16)	124	H80A
80-65-160	90L	1,1	80	65	100	60	400	360	385	253	180	933	850	150	275	100	433	6xØ19(M16)	124	H80A
80-50-200	90L	1,5	80	50	100	60	400	360	385	253	200	933	850	150	275	100	453	6xØ19(M16)	138	H80A
80-50-200	90L	1,5	80	50	100	60	400	360	385	253	200	933	850	150	275	100	453	6xØ19(M16)	138	H80A
80-50-200	90L	1,5	80	50	100	60	400	360	385	253	200	933	850	150	275	100	453	6xØ19(M16)	138	H80A
80-50-200	90L	1,5	80	50	100	60	400	360	385	253	200	933	850	150	275	100	453	6xØ19(M16)	138	H80A
80-50-250	100L	2,2	80	50	125	75	450	410	500	273	225	1167	1000	150	350	100	498	6xØ19(M16)	190	H95D
80-50-250	100L	2,2	80	50	125	75	450	410	500	273	225	1167	1000	150	350	100	498	6xØ19(M16)	190	H95D
80-50-250	100L	2,2	80	50	125	75	450	410	500	273	225	1167	1000	150	350	100	498	6xØ19(M16)	190	H95D
80-50-315	112M	4	80	50	125	75	500	460	500	318	280	1167	1000	150	350	100	598	6xØ19(M16)	247	H95D
80-50-315	112M	4	80	50	125	75	500	460	500	318	280	1167	1000	150	350	100	598	6xØ19(M16)	247	H95D
80-50-315	112M	4	80	50	125	75	500	460	500	318	280	1167	1000	150	350	100	598	6xØ19(M16)	247	H95D
80-50-315	112M	4	80	50	125	75	500	460	500	318	280	1167	1000	150	350	100	598	6xØ19(M16)	247	H95D

NOTE: Pumps with flanges according to EN 1092 as standard.

IXPC_4p50-1_en_b_td

Available ASME B16.5 version on request. For flange dimensions see drawing.

IXPC SERIES DIMENSIONS AND WEIGHTS AT 50 Hz, 4 POLES

PUMP TYPE IXPC Size	IEC MOTOR FRAME	1500 [rpm]	DIMENSIONS [mm]															WEIGHT [kg]	COUPLING TYPE	
			DNS	DND	a	a1	B2	B3	f	H	h2	L	L1	L2	L3	x	H max.			z x s FOR SCREWS
100-80-125	90L	1,1	100	80	100	75	400	360	385	253	180	933	850	150	275	100	433	6xØ19(M16)	129	H80A
100-80-125	90L	1,1	100	80	100	75	400	360	385	253	180	933	850	150	275	100	433	6xØ19(M16)	129	H80A
100-80-160	90L	1,1	100	80	100	75	400	360	500	253	200	1048	950	150	325	100	453	6xØ19(M16)	157	H95C
100-80-160	90L	1,1	100	80	100	75	400	360	500	253	200	1048	950	150	325	100	453	6xØ19(M16)	157	H95C
100-80-160	90L	1,1	100	80	100	75	400	360	500	253	200	1048	950	150	325	100	453	6xØ19(M16)	157	H95C
100-80-160	90L	1,1	100	80	100	75	400	360	500	253	200	1048	950	150	325	100	453	6xØ19(M16)	157	H95C
100-65-200	90L	1,5	100	65	100	75	450	410	500	273	225	1088	1000	150	350	140	498	6xØ19(M16)	181	H95G
100-65-200	90L	1,5	100	65	100	75	450	410	500	273	225	1088	1000	150	350	140	498	6xØ19(M16)	181	H95G
100-65-200	90L	1,5	100	65	100	75	450	410	500	273	225	1088	1000	150	350	140	498	6xØ19(M16)	181	H95G
100-65-200	90L	1,5	100	65	100	75	450	410	500	273	225	1088	1000	150	350	140	498	6xØ19(M16)	181	H95G
100-65-200	90L	1,5	100	65	100	75	450	410	500	273	225	1088	1000	150	350	140	498	6xØ19(M16)	181	H95G
100-65-250	100L	3	100	65	125	90	500	460	500	298	250	1207	1050	150	375	140	548	6xØ19(M16)	213	H95H
100-65-250	100L	3	100	65	125	90	500	460	500	298	250	1207	1050	150	375	140	548	6xØ19(M16)	213	H95H
100-65-250	100L	3	100	65	125	90	500	460	500	298	250	1207	1050	150	375	140	548	6xØ19(M16)	213	H95H
100-65-250	100L	3	100	65	125	90	500	460	500	298	250	1207	1050	150	375	140	548	6xØ19(M16)	213	H95H
100-65-315	132S	5,5	100	65	125	90	540	500	530	323	280	1280	1200	150	450	140	603	6xØ19(M16)	291	H95M
100-65-315	132S	5,5	100	65	125	90	540	500	530	323	280	1280	1200	150	450	140	603	6xØ19(M16)	291	H95M
100-65-315	132S	5,5	100	65	125	90	540	500	530	323	280	1280	1200	150	450	140	603	6xØ19(M16)	291	H95M
100-65-315	132S	5,5	100	65	125	90	540	500	530	323	280	1280	1200	150	450	140	603	6xØ19(M16)	291	H95M
100-65-315	132S	5,5	100	65	125	90	540	500	530	323	280	1280	1200	150	450	140	603	6xØ19(M16)	291	H95M
125-80-160	90L	1,5	125	80	125	75	450	410	500	273	225	1113	1000	150	350	140	498	6xØ19(M16)	176	H95G
125-80-160	90L	1,5	125	80	125	75	450	410	500	273	225	1113	1000	150	350	140	498	6xØ19(M16)	176	H95G
125-80-160	90L	1,5	125	80	125	75	450	410	500	273	225	1113	1000	150	350	140	498	6xØ19(M16)	176	H95G
125-80-160	90L	1,5	125	80	125	75	450	410	500	273	225	1113	1000	150	350	140	498	6xØ19(M16)	176	H95G
125-80-200	100L	3	125	80	125	75	500	460	500	273	250	1207	1050	150	375	140	523	6xØ19(M16)	208	H95H
125-80-200	100L	3	125	80	125	75	500	460	500	273	250	1207	1050	150	375	140	523	6xØ19(M16)	208	H95H
125-80-200	100L	3	125	80	125	75	500	460	500	273	250	1207	1050	150	375	140	523	6xØ19(M16)	208	H95H
125-80-200	100L	3	125	80	125	75	500	460	500	273	250	1207	1050	150	375	140	523	6xØ19(M16)	208	H95H
125-80-250	132S	5,5	125	80	125	90	540	500	500	323	280	1250	1150	150	425	140	603	6xØ19(M16)	250	H95J
125-80-250	132S	5,5	125	80	125	90	540	500	500	323	280	1250	1150	150	425	140	603	6xØ19(M16)	250	H95J
125-80-250	132S	5,5	125	80	125	90	540	500	500	323	280	1250	1150	150	425	140	603	6xØ19(M16)	250	H95J
125-80-250	132S	5,5	125	80	125	90	540	500	500	323	280	1250	1150	150	425	140	603	6xØ19(M16)	250	H95J
125-80-315	160M	11	125	80	125	90	540	500	530	368	315	1399	1300	180	470	140	683	6xØ19(M16)	347	H95N
125-80-315	160M	11	125	80	125	90	540	500	530	368	315	1399	1300	180	470	140	683	6xØ19(M16)	347	H95N
125-80-315	160M	11	125	80	125	90	540	500	530	368	315	1399	1300	180	470	140	683	6xØ19(M16)	347	H95N
125-80-315	160M	11	125	80	125	90	540	500	530	368	315	1399	1300	180	470	140	683	6xØ19(M16)	347	H95N
125-80-315	160M	11	125	80	125	90	540	500	530	368	315	1399	1300	180	470	140	683	6xØ19(M16)	347	H95N
125-80-400	180M	18,5	125	80	125	90	600	560	530	398	355	1496	1350	180	495	140	753	6xØ19(M16)	450	H110D
125-80-400	180M	18,5	125	80	125	90	600	560	530	398	355	1496	1350	180	495	140	753	6xØ19(M16)	450	H110D
125-80-400	180M	18,5	125	80	125	90	600	560	530	398	355	1496	1350	180	495	140	753	6xØ19(M16)	450	H110D
125-80-400	180M	18,5	125	80	125	90	600	560	530	398	355	1496	1350	180	495	140	753	6xØ19(M16)	450	H110D
125-80-400	180M	18,5	125	80	125	90	600	560	530	398	355	1496	1350	180	495	140	753	6xØ19(M16)	450	H110D

NOTE: Pumps with flanges according to EN 1092 as standard.

IXPC_4p50-2_en_b_td

Available ASME B16.5 version on request. For flange dimensions see drawing.

IXPC SERIES DIMENSIONS AND WEIGHTS AT 50 Hz, 4 POLES

PUMP TYPE IXPC Size	IEC MOTOR FRAME	1500 [rpm]	DIMENSIONS [mm]															WEIGHT [kg]	COUPLING TYPE	
			DNS	DND	a	a1	B2	B3	f	H	h2	L	L1	L2	L3	x	H max.			z x s FOR SCREWS
125-100-160	100L	2,2	125	100	125	90	500	460	500	298	280	1207	1050	150	375	140	578	6xØ19(M16)	223	H95H
125-100-160	100L	2,2	125	100	125	90	500	460	500	298	280	1207	1050	150	375	140	578	6xØ19(M16)	223	H95H
125-100-160	100L	2,2	125	100	125	90	500	460	500	298	280	1207	1050	150	375	140	578	6xØ19(M16)	223	H95H
125-100-200	112M	4	125	100	125	90	500	460	500	298	280	1207	1050	150	375	140	578	6xØ19(M16)	245	H95H
125-100-200	112M	4	125	100	125	90	500	460	500	298	280	1207	1050	150	375	140	578	6xØ19(M16)	245	H95H
125-100-200	112M	4	125	100	125	90	500	460	500	298	280	1207	1050	150	375	140	578	6xØ19(M16)	245	H95H
125-100-200	112M	4	125	100	125	90	500	460	500	298	280	1207	1050	150	375	140	578	6xØ19(M16)	245	H95H
125-100-250	132S	5,5	125	100	140	90	540	500	530	323	280	1295	1200	150	450	140	603	6xØ19(M16)	301	H95M
125-100-250	132S	5,5	125	100	140	90	540	500	530	323	280	1295	1200	150	450	140	603	6xØ19(M16)	301	H95M
125-100-250	132S	5,5	125	100	140	90	540	500	530	323	280	1295	1200	150	450	140	603	6xØ19(M16)	301	H95M
125-100-250	132S	5,5	125	100	140	90	540	500	530	323	280	1295	1200	150	450	140	603	6xØ19(M16)	301	H95M
125-100-315	160M	11	125	100	140	90	540	500	530	368	315	1414	1300	180	470	140	683	6xØ19(M16)	348	H95N
125-100-315	160M	11	125	100	140	90	540	500	530	368	315	1414	1300	180	470	140	683	6xØ19(M16)	348	H95N
125-100-315	160M	11	125	100	140	90	540	500	530	368	315	1414	1300	180	470	140	683	6xØ19(M16)	348	H95N
125-100-315	160M	11	125	100	140	90	540	500	530	368	315	1414	1300	180	470	140	683	6xØ19(M16)	348	H95N
125-100-315	160M	11	125	100	140	90	540	500	530	368	315	1414	1300	180	470	140	683	6xØ19(M16)	348	H95N
125-100-400	180L	22	125	100	140	110	680	640	530	403	355	1511	1350	180	495	140	758	6xØ19(M16)	497	H110D
125-100-400	180L	22	125	100	140	110	680	640	530	403	355	1511	1350	180	495	140	758	6xØ19(M16)	497	H110D
125-100-400	180L	22	125	100	140	110	680	640	530	403	355	1511	1350	180	495	140	758	6xØ19(M16)	497	H110D
125-100-400	180L	22	125	100	140	110	680	640	530	403	355	1511	1350	180	495	140	758	6xØ19(M16)	497	H110D
125-100-400	180L	22	125	100	140	110	680	640	530	403	355	1511	1350	180	495	140	758	6xØ19(M16)	497	H110D
150-125-200	132S	5,5	150	125	140	90	540	500	530	348	315	1295	1200	150	450	140	663	6xØ19(M16)	305	H95M
150-125-200	132S	5,5	150	125	140	90	540	500	530	348	315	1295	1200	150	450	140	663	6xØ19(M16)	305	H95M
150-125-200	132S	5,5	150	125	140	90	540	500	530	348	315	1295	1200	150	450	140	663	6xØ19(M16)	305	H95M
150-125-200	132S	5,5	150	125	140	90	540	500	530	348	315	1295	1200	150	450	140	663	6xØ19(M16)	305	H95M
150-125-250	132M	7,5	150	125	140	90	540	500	530	348	355	1295	1200	150	450	140	703	6xØ19(M16)	307	H95M
150-125-250	132M	7,5	150	125	140	90	540	500	530	348	355	1295	1200	150	450	140	703	6xØ19(M16)	307	H95M
150-125-250	132M	7,5	150	125	140	90	540	500	530	348	355	1295	1200	150	450	140	703	6xØ19(M16)	307	H95M
150-125-250	132M	7,5	150	125	140	90	540	500	530	348	355	1295	1200	150	450	140	703	6xØ19(M16)	307	H95M
150-125-315	180M	18,5	150	125	140	110	680	640	530	403	355	1511	1350	180	495	140	758	6xØ19(M16)	445	H110D
150-125-315	180M	18,5	150	125	140	110	680	640	530	403	355	1511	1350	180	495	140	758	6xØ19(M16)	445	H110D
150-125-315	180M	18,5	150	125	140	110	680	640	530	403	355	1511	1350	180	495	140	758	6xØ19(M16)	445	H110D
150-125-315	180M	18,5	150	125	140	110	680	640	530	403	355	1511	1350	180	495	140	758	6xØ19(M16)	445	H110D
150-125-315	180M	18,5	150	125	140	110	680	640	530	403	355	1511	1350	180	495	140	758	6xØ19(M16)	445	H110D
150-125-400	225S	37	150	125	140	110	690	640	530	458	400	1651	1500	190	560	140	858	6xØ19(M16)	657	H140C
150-125-400	225S	37	150	125	140	110	690	640	530	458	400	1651	1500	190	560	140	858	6xØ19(M16)	657	H140C
150-125-400	225S	37	150	125	140	110	690	640	530	458	400	1651	1500	190	560	140	858	6xØ19(M16)	657	H140C
150-125-400	225S	37	150	125	140	110	690	640	530	458	400	1651	1500	190	560	140	858	6xØ19(M16)	657	H140C
150-125-400	225S	37	150	125	140	110	690	640	530	458	400	1651	1500	190	560	140	858	6xØ19(M16)	657	H140C

NOTE: Pumps with flanges according to EN 1092 as standard.

IXPC_4p50-3_en_b_td

Available ASME B16.5 version on request. For flange dimensions see drawing.

IXPC SERIES DIMENSIONS AND WEIGHTS AT 50 Hz, 4 POLES

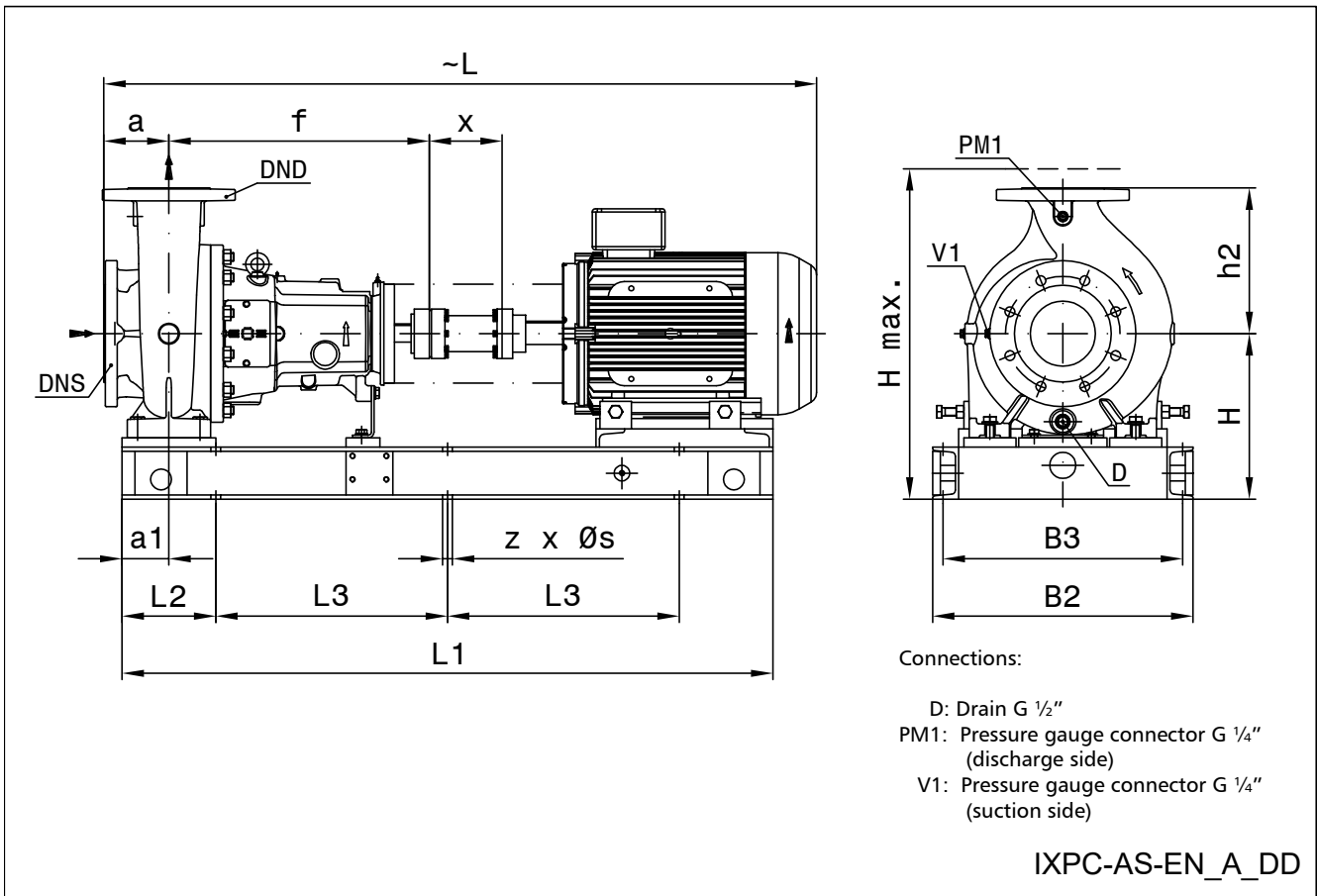
PUMP TYPE IXPC Size	IEC MOTOR FRAME	1500 [rpm]	DIMENSIONS [mm]															WEIGHT [kg]	COUPLING TYPE	
			DNS	DND	a	a1	B2	B3	f	H	h2	L	L1	L2	L3	x	H max.			z x s FOR SCREWS
200-150-200	160M	11	200	150	160	110	680	640	530	403	400	1474	1350	180	495	180	803	6xØ19(M16)	439	H110F
200-150-200	160M	11	200	150	160	110	680	640	530	403	400	1474	1350	180	495	180	803	6xØ19(M16)	439	H110F
200-150-200	160M	11	200	150	160	110	680	640	530	403	400	1474	1350	180	495	180	803	6xØ19(M16)	439	H110F
200-150-250	160L	15	200	150	160	110	680	640	530	403	375	1474	1350	180	495	180	778	6xØ19(M16)	467	H110F
200-150-250	160L	15	200	150	160	110	680	640	530	403	375	1474	1350	180	495	180	778	6xØ19(M16)	467	H110F
200-150-250	160L	15	200	150	160	110	680	640	530	403	375	1474	1350	180	495	180	778	6xØ19(M16)	467	H110F
200-150-250	160L	15	200	150	160	110	680	640	530	403	375	1474	1350	180	495	180	778	6xØ19(M16)	467	H110F
200-150-250	160L	15	200	150	160	110	680	640	530	403	375	1474	1350	180	495	180	778	6xØ19(M16)	467	H110F
200-150-315	200L	30	200	150	160	110	680	640	670	438	400	1791	1600	180	620	180	838	6xØ19(M16)	608	H125F
200-150-315	200L	30	200	150	160	110	680	640	670	438	400	1791	1600	180	620	180	838	6xØ19(M16)	608	H125F
200-150-315	200L	30	200	150	160	110	680	640	670	438	400	1791	1600	180	620	180	838	6xØ19(M16)	608	H125F
200-150-315	200L	30	200	150	160	110	680	640	670	438	400	1791	1600	180	620	180	838	6xØ19(M16)	608	H125F
200-150-400	225S	37	200	150	160	110	690	640	670	458	450	1851	1650	190	635	180	908	6xØ19(M16)	733	H140E
200-150-400	225S	37	200	150	160	110	690	640	670	458	450	1851	1650	190	635	180	908	6xØ19(M16)	733	H140E
200-150-400	225S	37	200	150	160	110	690	640	670	458	450	1851	1650	190	635	180	908	6xØ19(M16)	733	H140E
200-150-400	225S	37	200	150	160	110	690	640	670	458	450	1851	1650	190	635	180	908	6xØ19(M16)	733	H140E
200-150-400	225S	37	200	150	160	110	690	640	670	458	450	1851	1650	190	635	180	908	6xØ19(M16)	733	H140E
200-150-400	225S	37	200	150	160	110	690	640	670	458	450	1851	1650	190	635	180	908	6xØ19(M16)	733	H140E
200-150-400	225S	37	200	150	160	110	690	640	670	458	450	1851	1650	190	635	180	908	6xØ19(M16)	733	H140E
250-200-250	180M	18,5	250	200	200	110	680	640	670	478	475	1751	1550	180	595	180	953	6xØ19(M16)	641	H110K
250-200-250	180M	18,5	250	200	200	110	680	640	670	478	475	1751	1550	180	595	180	953	6xØ19(M16)	641	H110K
250-200-250	180M	18,5	250	200	200	110	680	640	670	478	475	1751	1550	180	595	180	953	6xØ19(M16)	641	H110K
250-200-250	180M	18,5	250	200	200	110	680	640	670	478	475	1751	1550	180	595	180	953	6xØ19(M16)	641	H110K
250-200-315	200L	30	250	200	180	110	680	640	670	478	450	1811	1600	180	620	180	928	6xØ19(M16)	714	H125F
250-200-315	200L	30	250	200	180	110	680	640	670	478	450	1811	1600	180	620	180	928	6xØ19(M16)	714	H125F
250-200-315	200L	30	250	200	180	110	680	640	670	478	450	1811	1600	180	620	180	928	6xØ19(M16)	714	H125F
250-200-315	200L	30	250	200	180	110	680	640	670	478	450	1811	1600	180	620	180	928	6xØ19(M16)	714	H125F
250-200-315	200L	30	250	200	180	110	680	640	670	478	450	1811	1600	180	620	180	928	6xØ19(M16)	714	H125F
250-200-315	200L	30	250	200	180	110	680	640	670	478	450	1811	1600	180	620	180	928	6xØ19(M16)	714	H125F
300-250-315	225S	37	300	250	250	160	870	820	670	547	500	1941	1700	190	660	180	1047	6xØ19(M16)	948	H140E
300-250-315	225S	37	300	250	250	160	870	820	670	547	500	1941	1700	190	660	180	1047	6xØ19(M16)	948	H140E
300-250-315	225S	37	300	250	250	160	870	820	670	547	500	1941	1700	190	660	180	1047	6xØ19(M16)	948	H140E
300-250-315	225S	37	300	250	250	160	870	820	670	547	500	1941	1700	190	660	180	1047	6xØ19(M16)	948	H140E
300-250-315	225S	37	300	250	250	160	870	820	670	547	500	1941	1700	190	660	180	1047	6xØ19(M16)	948	H140E

NOTE: Pumps with flanges according to EN 1092 as standard.

IXPC_4p50-4_en_b_td

Available ASME B16.5 version on request. For flange dimensions see drawing.

**IXPC SERIES
DIMENSIONS AND WEIGHTS AT 50 Hz, 6 POLES**



IXPC SERIES DIMENSIONS AND WEIGHTS AT 50 Hz, 6 POLES

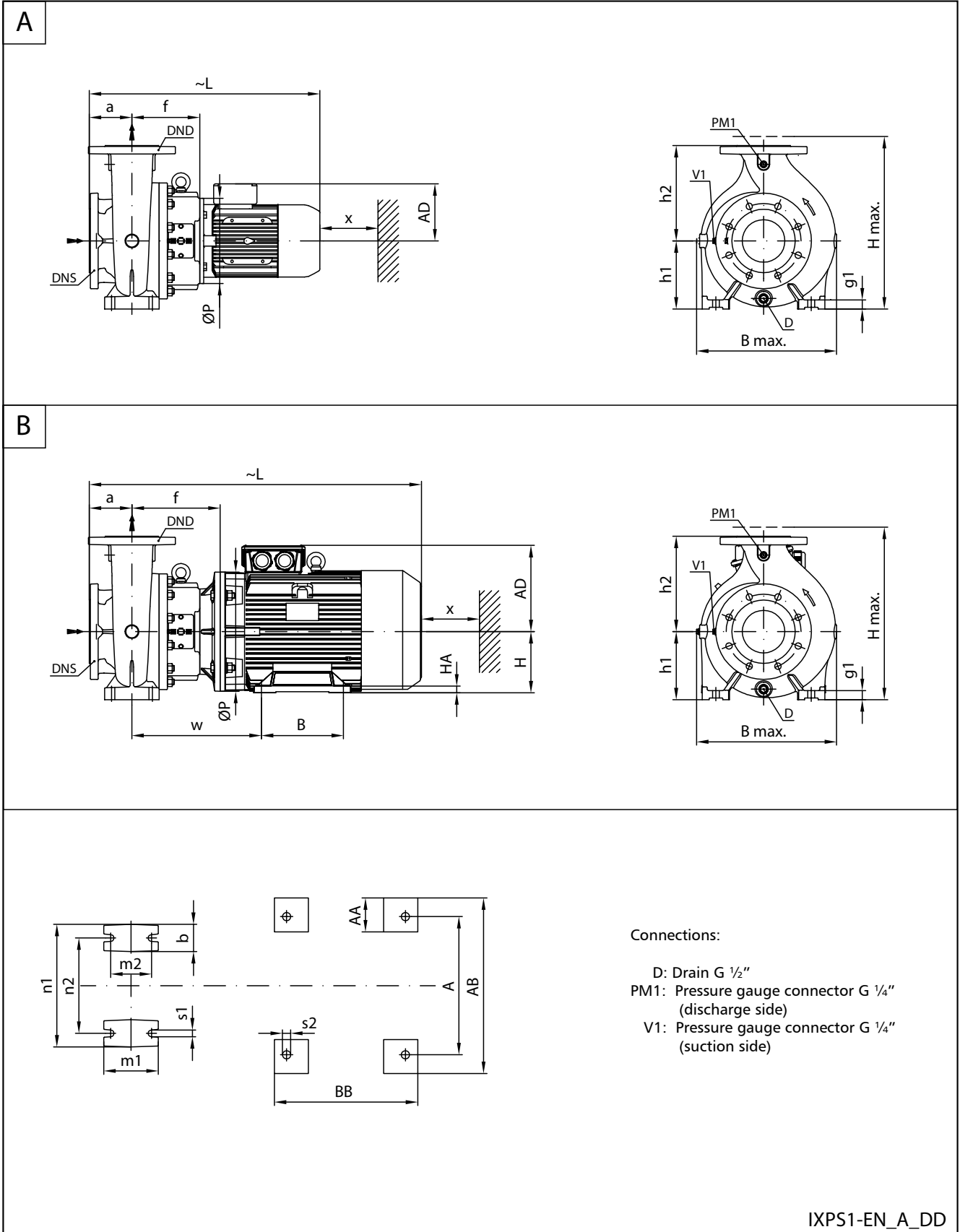
PUMP TYPE IXPC Size	IEC MOTOR FRAME	1000 [rpm]	DIMENSIONS [mm]																WEIGHT [kg]	COUPLING TYPE
			DNS	DND	a	a1	B2	B3	f	H	h2	L	L1	L2	L3	x	H max.	z x s FOR SCREWS		
125-100-160	90L	1,1	125	100	125	90	500	460	500	298	280	1125	1000	150	350	140	578	6 x Ø19 (M16)	212	H95G
125-100-200	90L	1,1	125	100	125	90	500	460	500	298	280	1125	1000	150	350	140	578	6 x Ø19 (M16)	213	H95G
125-100-200	100L	1,5	125	100	125	90	500	460	500	298	280	1141	1050	150	375	140	578	6 x Ø19 (M16)	220	H95H
125-100-200	112M	2,2	125	100	125	90	500	460	500	298	280	1158	1050	150	375	140	578	6 x Ø19 (M16)	233	H95H
150-125-200	100L	1,5	150	125	140	90	540	500	530	348	315	1186	1100	150	400	140	663	6 x Ø19 (M16)	273	H95L
150-125-200	112M	2,2	150	125	140	90	540	500	530	348	315	1203	1100	150	400	140	663	6 x Ø19 (M16)	289	H95L
150-125-200	132S	3	150	125	140	90	540	500	530	348	315	1250	1200	150	450	140	663	6 x Ø19 (M16)	280	H95M
150-125-250	132S	3	150	125	140	90	540	500	530	348	355	1250	1200	150	450	140	703	6 x Ø19 (M16)	282	H95M
150-125-250	132M	4	150	125	140	90	540	500	530	348	355	1279	1200	150	450	140	703	6 x Ø19 (M16)	291	H95M
150-125-250	132M	5,5	150	125	140	90	540	500	530	348	355	1279	1200	150	450	140	703	6 x Ø19 (M16)	302	H95M
150-125-315	132M	5,5	150	125	140	110	680	640	530	383	355	1279	1200	150	450	140	738	6 x Ø19 (M16)	349	H95M
150-125-315	160M	7,5	150	125	140	110	680	640	530	403	355	1420	1300	180	470	140	758	6 x Ø19 (M16)	386	H95N
150-125-315	160L	11	150	125	140	110	680	640	530	403	355	1465	1300	180	470	140	758	6 x Ø19 (M16)	412	H95N
150-125-400	160L	11	150	125	140	110	680	640	530	438	400	1465	1300	180	470	140	838	6 x Ø19 (M16)	477	H95N
150-125-400	180L	15	150	125	140	110	680	640	530	438	400	1511	1350	180	495	140	838	6 x Ø19 (M16)	506	H110D
150-125-400	200L	19	150	125	140	110	680	640	530	438	400	1591	1400	180	520	140	838	6 x Ø19 (M16)	556	H125D
200-150-200	132S	3	200	150	160	110	680	640	530	383	400	1300	1250	150	475	180	783	6 x Ø19 (M16)	375	H110E
200-150-200	132M	4	200	150	160	110	680	640	530	383	400	1339	1250	150	475	180	783	6 x Ø19 (M16)	384	H110E
200-150-250	132M	4	200	150	160	110	680	640	530	383	375	1339	1250	150	475	180	758	6 x Ø19 (M16)	369	H110E
200-150-250	132M	5,5	200	150	160	110	680	640	530	383	375	1339	1250	150	475	180	758	6 x Ø19 (M16)	380	H110E
200-150-250	160M	7,5	200	150	160	110	680	640	530	403	375	1480	1350	180	495	180	778	6 x Ø19 (M16)	418	H110F
200-150-250	160L	11	200	150	160	110	680	640	530	403	375	1525	1350	180	495	180	778	6 x Ø19 (M16)	444	H110F
200-150-315	160M	7,5	200	150	160	110	680	640	670	438	400	1620	1500	180	570	180	838	6 x Ø19 (M16)	476	H110J
200-150-315	160L	11	200	150	160	110	680	640	670	438	400	1665	1500	180	570	180	838	6 x Ø19 (M16)	502	H110J
200-150-315	180L	15	200	150	160	110	680	640	670	438	400	1711	1550	180	595	180	838	6 x Ø19 (M16)	530	H110K
200-150-400	180L	15	200	150	160	110	680	640	670	438	450	1711	1550	180	595	180	888	6 x Ø19 (M16)	582	H110K
200-150-400	200L	19	200	150	160	110	680	640	670	438	450	1791	1600	180	620	180	888	6 x Ø19 (M16)	626	H125F
200-150-400	200L	22	200	150	160	110	680	640	670	438	450	1791	1600	180	620	180	888	6 x Ø19 (M16)	648	H125F
200-150-400	225M	30	200	150	160	110	690	640	670	458	450	1851	1650	190	635	180	908	6 x Ø19 (M16)	736	H140E
200-150-400	250M	37	200	150	160	110	690	640	670	458	450	1917	1700	190	660	180	908	6 x Ø19 (M16)	880	H160E
250-200-250	132M	5,5	250	200	200	110	680	640	670	458	475	1519	1400	150	550	180	933	6 x Ø19 (M16)	546	H110H
250-200-250	160M	7,5	250	200	200	110	680	640	670	478	475	1660	1500	180	570	180	953	6 x Ø19 (M16)	584	H110J
250-200-250	160L	11	250	200	200	110	680	640	670	478	475	1705	1500	180	570	180	953	6 x Ø19 (M16)	610	H110J
250-200-315	160L	11	250	200	180	110	680	640	670	478	450	1685	1500	180	570	180	928	6 x Ø19 (M16)	603	H110J
250-200-315	180L	15	250	200	180	110	680	640	670	478	450	1731	1550	180	595	180	928	6 x Ø19 (M16)	631	H110K
250-200-315	200L	19	250	200	180	110	680	640	670	478	450	1811	1600	180	620	180	928	6 x Ø19 (M16)	680	H125F
300-250-315	180L	15	300	250	250	160	860	820	670	527	500	1801	1600	180	620	180	1027	6 x Ø19 (M16)	806	H110K
300-250-315	200L	19	300	250	250	160	860	820	670	527	500	1881	1650	180	645	180	1027	6 x Ø19 (M16)	840	H125F
300-250-315	200L	22	300	250	250	160	860	820	670	527	500	1881	1650	180	645	180	1027	6 x Ø19 (M16)	862	H125F
300-250-315	225M	30	300	250	250	160	870	820	670	547	500	1941	1700	190	660	180	1047	6 x Ø19 (M16)	951	H140E

NOTE: Pumps with flanges according to EN 1092 as standard.

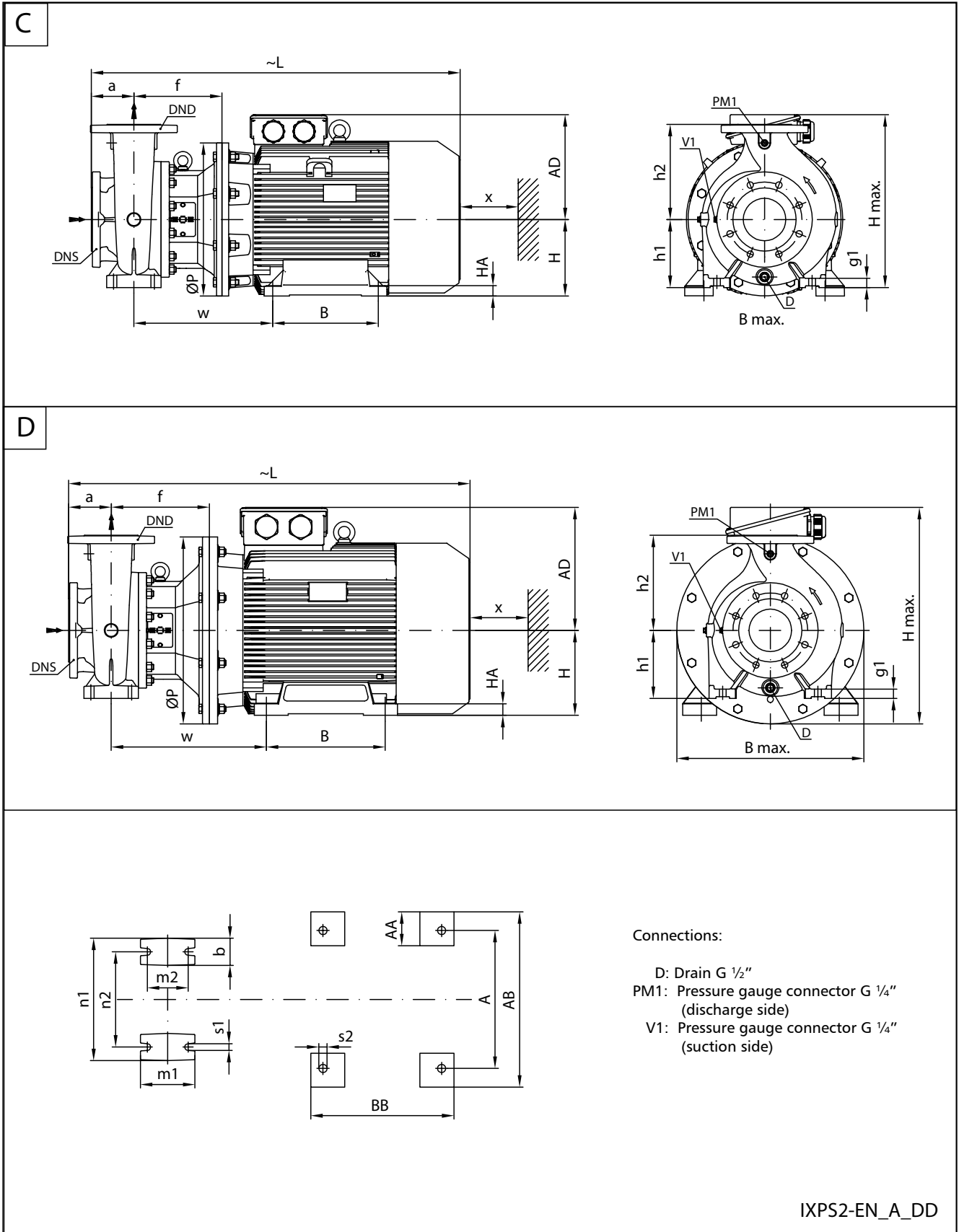
IXPC_6p50_en_a_td

Available ASME B16.5 version on request. For flange dimensions see drawing.

IXPS SERIES
DIMENSIONS AND WEIGHTS AT 50 Hz



**IXPS SERIES
DIMENSIONS AND WEIGHTS AT 50 Hz**



IXPS SERIES DIMENSIONS AND WEIGHTS AT 50 Hz, 2 POLES

PUMP TYPE IXPS Size	IEC MOTOR FRAME	3000 [rpm]	TYPE	DIMENSIONS [mm]														
				PUMP														
				DNS	DND	a	b	B1	B2	f	g1	h1	h2	m1	m2	n1	n2	w
40-25-160	90L	1,5	A	40	25	80	50	141	132	179	13	132	160	100	70	240	190	-
40-25-160	90L	2,2	A	40	25	80	50	141	132	179	13	132	160	100	70	240	190	-
40-25-160	100L	3	A	40	25	80	50	141	132	179	13	132	160	100	70	240	190	-
40-25-160	112M	4	A	40	25	80	50	141	132	179	13	132	160	100	70	240	190	-
40-25-200	100L	3	A	40	25	80	50	159	150	179	13	160	180	100	70	240	190	-
40-25-200	112M	4	A	40	25	80	50	159	150	179	13	160	180	100	70	240	190	-
40-25-200	132	5,5	A	40	25	80	50	159	150	207	13	160	180	100	70	240	190	-
40-25-200	132S	7,5	A	40	25	80	50	159	150	207	13	160	180	100	70	240	190	-
50-32-160	100L	3	A	50	32	80	50	139	130	179	13	132	160	100	70	240	190	-
50-32-160	112M	4	A	50	32	80	50	139	130	179	13	132	160	100	70	240	190	-
50-32-160	132	5,5	A	50	32	80	50	139	130	207	13	132	160	100	70	240	190	-
50-32-160	132S	7,5	A	50	32	80	50	139	130	207	13	132	160	100	70	240	190	-
50-32-200	112M	4	A	50	32	80	50	161	152	179	11	160	180	100	70	240	190	-
50-32-200	132	5,5	A	50	32	80	50	161	152	207	11	160	180	100	70	240	190	-
50-32-200	132S	7,5	A	50	32	80	50	161	152	207	11	160	180	100	70	240	190	-
50-32-200	160M	11	D	50	32	80	50	161	152	239	11	160	180	100	70	240	190	347
50-32-250	132S	7,5	A	50	32	100	65	184	175	227	15	180	225	125	95	320	250	-
50-32-250	160M	11	B	50	32	100	65	184	175	259	15	180	225	125	95	320	250	367
50-32-250	160M	15	B	50	32	100	65	184	175	259	15	180	225	125	95	320	250	367
50-32-250	160L	18,5	B	50	32	100	65	184	175	259	15	180	225	125	95	320	250	367
65-50-160	112M	4	A	65	50	80	50	142	132	179	12	132	160	100	70	240	190	-
65-50-160	132	5,5	A	65	50	80	50	142	132	207	12	132	160	100	70	240	190	-
65-50-160	132S	7,5	A	65	50	80	50	142	132	207	12	132	160	100	70	240	190	-
65-50-160	160M	11	D	65	50	80	50	142	132	239	12	132	160	100	70	240	190	347
65-40-200	132	5,5	A	65	40	100	50	158	151	207	13	160	180	100	70	265	212	-
65-40-200	132S	7,5	A	65	40	100	50	158	151	207	13	160	180	100	70	265	212	-
65-40-200	160M	11	D	65	40	100	50	158	151	239	13	160	180	100	70	265	212	347
65-40-200	160M	15	D	65	40	100	50	158	151	239	13	160	180	100	70	265	212	347
65-40-250	160M	11	B	65	40	100	65	188	179	259	15	180	225	125	95	320	250	367
65-40-250	160M	15	B	65	40	100	65	188	179	259	15	180	225	125	95	320	250	367
65-40-250	160L	18,5	B	65	40	100	65	188	179	259	15	180	225	125	95	320	250	367
65-40-250	180R	22	B	65	40	100	65	188	179	259	15	180	225	125	95	320	250	367
65-40-250	200L	30	C	65	40	100	65	188	179	259	15	180	225	125	95	320	250	392
65-40-315	160L	18,5	B	65	40	125	65	225	216	259	14	200	250	125	95	345	280	367
65-40-315	180R	22	B	65	40	125	65	225	216	259	14	200	250	125	95	345	280	367
65-40-315	200L	30	B	65	40	125	65	225	216	259	14	200	250	125	95	345	280	392
65-40-315	200L	37	B	65	40	125	65	225	216	259	14	200	250	125	95	345	280	392
65-40-315	225M	45	C	65	40	125	65	225	216	259	14	200	250	125	95	345	280	408
80-65-125	100L	3	A	80	65	100	50	138	140	179	12	132	160	100	70	240	190	-
80-65-125	112M	4	A	80	65	100	50	138	140	179	12	132	160	100	70	240	190	-
80-65-125	132	5,5	A	80	65	100	50	138	140	207	12	132	160	100	70	240	190	-
80-65-125	132S	7,5	A	80	65	100	50	138	140	207	12	132	160	100	70	240	190	-
80-65-125	160M	11	D	80	65	100	50	138	140	239	12	132	160	100	70	240	190	347
80-65-160	132	5,5	A	80	65	100	50	143	152	207	12	160	180	100	70	265	212	-
80-65-160	132S	7,5	A	80	65	100	50	143	152	207	12	160	180	100	70	265	212	-
80-65-160	160M	11	D	80	65	100	50	143	152	239	12	160	180	100	70	265	212	347
80-65-160	160M	15	D	80	65	100	50	143	152	239	12	160	180	100	70	265	212	347
80-50-200	160M	11	D	80	50	100	50	161	166	239	12	160	200	100	70	265	212	347
80-50-200	160M	15	D	80	50	100	50	161	166	239	12	160	200	100	70	265	212	347
80-50-200	160L	18,5	D	80	50	100	50	161	166	239	12	160	200	100	70	265	212	347
80-50-200	180R	22	D	80	50	100	50	161	166	239	12	160	200	100	70	265	212	347
80-50-200	200L	30	C	80	50	100	50	161	166	239	12	160	200	100	70	265	212	372
80-50-250	160M	15	B	80	50	125	65	191	183	259	15	180	225	125	95	320	250	367
80-50-250	160L	18,5	B	80	50	125	65	191	183	259	15	180	225	125	95	320	250	367
80-50-250	180R	22	B	80	50	125	65	191	183	259	15	180	225	125	95	320	250	367
80-50-250	200L	30	C	80	50	125	65	191	183	259	15	180	225	125	95	320	250	392
80-50-250	200L	37	C	80	50	125	65	191	183	259	15	180	225	125	95	320	250	392
80-50-315	200L	37	B	80	50	125	65	236	217	259	15	225	280	125	95	345	280	392
80-50-315	225M	45	B	80	50	125	65	236	217	259	15	225	280	125	95	345	280	408
80-50-315	250M	55	D	80	50	125	65	236	217	289	15	225	280	125	95	345	280	457
80-50-315	280S	75	C	80	50	125	65	236	217	289	15	225	280	125	95	345	280	479
80-50-315	280M	90	C	80	50	125	65	236	217	289	15	225	280	125	95	345	280	479

NOTE: Pumps with flanges according to EN 1092 as standard.

IXPS_2p50-1_en_b_tld

Available ASME B16.5 version on request. For flange dimensions see drawing.

IXPS SERIES

DIMENSIONS AND WEIGHTS AT 50 Hz, 2 POLES

PUMP TYPE IXPS Size	IEC MOTOR FRAME	3000 [rpm]	TYPE	DIMENSIONS [mm]															WEIGHT [kg]
				MOTOR										B max.	H max.	L	x		
				A	AA	AB	AD	B	BB	H	HA	K	P						
40-25-160	90L	1,5	A	-	-	-	129	-	-	-	-	-	-	200	273	292	522	120	56
40-25-160	90L	2,2	A	-	-	-	134	-	-	-	-	-	-	200	273	292	557	120	58
40-25-160	100L	3	A	-	-	-	134	-	-	-	-	-	-	250	273	292	557	120	64
40-25-160	112M	4	A	-	-	-	154	-	-	-	-	-	-	250	273	292	581	120	68
40-25-200	100L	3	A	-	-	-	134	-	-	-	-	-	-	250	309	340	557	120	70
40-25-200	112M	4	A	-	-	-	154	-	-	-	-	-	-	250	309	340	581	120	74
40-25-200	132	5,5	A	-	-	-	168	-	-	-	-	-	-	300	309	340	662	120	109
40-25-200	132S	7,5	A	-	-	-	191	-	-	-	-	-	-	300	309	351	654	120	106
50-32-160	100L	3	A	-	-	-	134	-	-	-	-	-	-	250	269	292	557	120	64
50-32-160	112M	4	A	-	-	-	154	-	-	-	-	-	-	250	269	292	581	120	68
50-32-160	132	5,5	A	-	-	-	168	-	-	-	-	-	-	300	300	318	662	120	103
50-32-160	132S	7,5	A	-	-	-	191	-	-	-	-	-	-	300	300	341	654	120	100
50-32-200	112M	4	A	-	-	-	154	-	-	-	-	-	-	250	313	340	581	120	76
50-32-200	132	5,5	A	-	-	-	168	-	-	-	-	-	-	300	313	340	662	120	110
50-32-200	132S	7,5	A	-	-	-	191	-	-	-	-	-	-	300	313	351	654	120	107
50-32-200	160M	11	D	254	49	304	240	210	304	160	5	15	350	350	415	813	120	161	
50-32-250	132S	7,5	A	-	-	-	191	-	-	-	-	-	-	300	359	405	694	140	126
50-32-250	160M	11	B	254	49	304	240	210	304	160	5	15	350	359	420	853	140	181	
50-32-250	160M	15	B	254	49	304	240	210	304	160	5	15	350	359	420	853	140	182	
50-32-250	160L	18,5	B	254	49	304	240	254	304	160	5	15	350	359	420	853	140	189	
65-50-160	112M	4	A	-	-	-	154	-	-	-	-	-	-	250	274	292	581	120	70
65-50-160	132	5,5	A	-	-	-	168	-	-	-	-	-	-	300	300	318	662	120	105
65-50-160	132S	7,5	A	-	-	-	191	-	-	-	-	-	-	300	300	341	654	120	101
65-50-160	160M	11	D	254	49	304	240	210	304	160	5	15	350	350	415	813	120	155	
65-40-200	132	5,5	A	-	-	-	168	-	-	-	-	-	-	300	309	340	682	120	112
65-40-200	132S	7,5	A	-	-	-	191	-	-	-	-	-	-	300	309	351	674	120	108
65-40-200	160M	11	D	254	49	304	240	210	304	160	5	15	350	350	415	833	120	163	
65-40-200	160M	15	D	254	49	304	240	210	304	160	5	15	350	350	415	833	120	164	
65-40-250	160M	11	B	254	49	304	240	210	304	160	5	15	350	367	420	853	140	183	
65-40-250	160M	15	B	254	49	304	240	210	304	160	5	15	350	367	420	853	140	184	
65-40-250	160L	18,5	B	254	49	304	240	254	304	160	5	15	350	367	420	853	140	191	
65-40-250	180R	22	B	254	49	304	240	254	304	160	5	15	350	367	420	853	140	203	
65-40-250	200L	30	C	318	69	408	285	305	355	200	27	19	400	400	485	1030	140	282	
65-40-315	160L	18,5	B	254	49	304	240	254	304	160	5	15	350	441	450	878	140	220	
65-40-315	180R	22	B	254	49	304	240	254	304	160	5	15	350	441	450	878	140	231	
65-40-315	200L	30	B	318	69	408	285	305	355	200	27	19	400	441	485	1055	140	310	
65-40-315	200L	37	B	318	69	408	285	305	355	200	27	19	400	441	485	1055	140	325	
65-40-315	225M	45	C	356	84	470	309	311	361	225	30	19	450	450	534	1085	140	388	
80-65-125	100L	3	A	-	-	-	134	-	-	-	-	-	-	250	278	292	577	120	67
80-65-125	112M	4	A	-	-	-	154	-	-	-	-	-	-	250	278	292	601	120	72
80-65-125	132	5,5	A	-	-	-	168	-	-	-	-	-	-	300	300	318	682	120	106
80-65-125	132S	7,5	A	-	-	-	191	-	-	-	-	-	-	300	300	341	674	120	103
80-65-125	160M	11	D	254	49	304	240	210	304	160	5	15	350	350	415	833	120	157	
80-65-160	132	5,5	A	-	-	-	168	-	-	-	-	-	-	300	302	340	682	120	109
80-65-160	132S	7,5	A	-	-	-	191	-	-	-	-	-	-	300	302	351	674	120	105
80-65-160	160M	11	D	254	49	304	240	210	304	160	5	15	350	350	415	833	120	159	
80-65-160	160M	15	D	254	49	304	240	210	304	160	5	15	350	350	415	833	120	161	
80-50-200	160M	11	D	254	49	304	240	210	304	160	5	15	350	350	415	833	120	165	
80-50-200	160M	15	D	254	49	304	240	210	304	160	5	15	350	350	415	833	120	167	
80-50-200	160L	18,5	D	254	49	304	240	254	304	160	5	15	350	350	415	833	120	174	
80-50-200	180R	22	D	254	49	304	240	254	304	160	5	15	350	350	415	833	120	185	
80-50-200	200L	30	C	318	69	408	285	305	355	200	27	19	400	400	485	1010	120	264	
80-50-250	160M	15	B	254	49	304	240	210	304	160	5	15	350	374	420	878	140	186	
80-50-250	160L	18,5	B	254	49	304	240	254	304	160	5	15	350	374	420	878	140	193	
80-50-250	180R	22	B	254	49	304	240	254	304	160	5	15	350	374	420	878	140	204	
80-50-250	200L	30	C	318	69	408	285	305	355	200	27	19	400	400	485	1055	140	284	
80-50-250	200L	37	C	318	69	408	285	305	355	200	27	19	400	400	485	1055	140	299	
80-50-315	200L	37	B	318	69	408	285	305	355	200	27	19	400	453	510	1055	140	329	
80-50-315	225M	45	B	356	84	470	309	311	361	225	30	19	450	461	534	1085	140	391	
80-50-315	250M	55	D	406	100	516	362	349	421	250	36	24	550	550	637	1181	140	560	
80-50-315	280S	75	C	457	110	606	399	368	440	280	44	24	550	550	679	1231	140	681	
80-50-315	280M	90	C	457	110	606	399	419	491	280	44	24	550	550	679	1286	140	754	

NOTE: Pumps with flanges according to EN 1092 as standard.

IXPS_2p50-3_en_b_tld

Available ASME B16.5 version on request. For flange dimensions see drawing.

IXPS SERIES

DIMENSIONS AND WEIGHTS AT 50 Hz, 2 POLES

PUMP TYPE IXPS Size	IEC MOTOR FRAME	3000 [rpm]	TYPE	DIMENSIONS [mm]														
				PUMP														
				DNS	DND	a	b	B1	B2	f	g1	h1	h2	m1	m2	n1	n2	w
100-80-125	132	5,5	A	100	80	100	65	146	160	207	15	160	180	125	95	280	212	-
100-80-125	132S	7,5	A	100	80	100	65	146	160	207	15	160	180	125	95	280	212	-
100-80-125	160M	11	D	100	80	100	65	146	160	239	15	160	180	125	95	280	212	347
100-80-125	160M	15	D	100	80	100	65	146	160	239	15	160	180	125	95	280	212	347
100-80-160	132S	7,5	A	100	80	100	65	166	169	227	15	160	200	125	95	280	212	-
100-80-160	160M	11	D	100	80	100	65	166	169	259	15	160	200	125	95	280	212	367
100-80-160	160M	15	D	100	80	100	65	166	169	259	15	160	200	125	95	280	212	367
100-80-160	160L	18,5	D	100	80	100	65	166	169	259	15	160	200	125	95	280	212	367
100-80-160	180R	22	D	100	80	100	65	166	169	259	15	160	200	125	95	280	212	367
100-65-200	160M	11	B	100	65	100	65	188	185	259	15	180	225	125	95	320	250	367
100-65-200	160M	15	B	100	65	100	65	188	185	259	15	180	225	125	95	320	250	367
100-65-200	160L	18,5	B	100	65	100	65	188	185	259	15	180	225	125	95	320	250	367
100-65-200	180R	22	B	100	65	100	65	188	185	259	15	180	225	125	95	320	250	367
100-65-200	200L	30	C	100	65	100	65	188	185	259	15	180	225	125	95	320	250	392
100-65-200	200L	37	C	100	65	100	65	188	185	259	15	180	225	125	95	320	250	392
100-65-250	180R	22	B	100	65	125	80	194	195	259	20	200	250	160	120	360	280	367
100-65-250	200L	30	B	100	65	125	80	194	195	259	20	200	250	160	120	360	280	392
100-65-250	200L	37	B	100	65	125	80	194	195	259	20	200	250	160	120	360	280	392
100-65-250	225M	45	C	100	65	125	80	194	195	259	20	200	250	160	120	360	280	408
100-65-250	250M	55	D	100	65	125	80	194	195	289	20	200	250	160	120	360	280	457
100-65-250	280S	75	C	100	65	125	80	194	195	289	20	200	250	160	120	360	280	479
100-65-315	250M	55	D	100	65	125	80	227	230	303	20	225	280	160	120	400	315	471
100-65-315	280S	75	C	100	65	125	80	227	230	303	20	225	280	160	120	400	315	493
100-65-315	280M	90	C	100	65	125	80	227	230	303	20	225	280	160	120	400	315	493
125-80-160	160M	11	B	125	80	125	65	166	177	259	16	180	225	125	95	320	250	367
125-80-160	160M	15	B	125	80	125	65	166	177	259	16	180	225	125	95	320	250	367
125-100-160	160M	15	B	125	100	125	80	190	212	259	26	200	280	160	120	360	280	367
125-80-160	160L	18,5	B	125	80	125	65	166	177	259	16	180	225	125	95	320	250	367
125-100-160	160L	18,5	B	125	100	125	80	190	212	259	26	200	280	160	120	360	280	367
125-80-160	180R	22	B	125	80	125	65	166	177	259	16	180	225	125	95	320	250	367
125-100-160	180R	22	B	125	100	125	80	190	212	259	26	200	280	160	120	360	280	367
125-80-160	200L	30	C	125	80	125	65	166	177	259	16	180	225	125	95	320	250	392
125-100-160	200L	30	B	125	100	125	80	190	212	259	26	200	280	160	120	360	280	392
125-100-160	200L	37	B	125	100	125	80	190	212	259	26	200	280	160	120	360	280	392
125-80-200	180R	22	B	125	80	125	65	191	197	259	15	180	250	125	95	345	280	367
125-80-200	200L	30	C	125	80	125	65	191	197	259	15	180	250	125	95	345	280	392
125-100-200	200L	30	B	125	100	125	80	197	214	259	26	200	280	160	120	360	280	392
125-80-200	200L	37	C	125	80	125	65	191	197	259	15	180	250	125	95	345	280	392
125-100-200	200L	37	B	125	100	125	80	197	214	259	26	200	280	160	120	360	280	392
125-80-200	225M	45	C	125	80	125	65	191	197	259	15	180	250	125	95	345	280	408
125-100-200	225M	45	C	125	100	125	80	197	214	259	26	200	280	160	120	360	280	408
125-80-200	250M	55	D	125	80	125	65	191	197	289	15	180	250	125	95	345	280	457
125-100-200	250M	55	D	125	100	125	80	197	214	289	26	200	280	160	120	360	280	457
125-100-200	280S	75	C	125	100	125	80	197	214	289	26	200	280	160	120	360	280	479
125-80-250	200L	37	B	125	80	125	80	200	210	259	20	225	280	160	120	400	315	392
125-80-250	225M	45	B	125	80	125	80	200	210	259	20	225	280	160	120	400	315	408
125-100-250	225M	45	B	125	100	140	80	226	237	273	26	225	280	160	120	400	315	422
125-80-250	250M	55	D	125	80	125	80	200	210	289	20	225	280	160	120	400	315	457
125-100-250	250M	55	D	125	100	140	80	226	237	303	26	225	280	160	120	400	315	471
125-80-250	280S	75	C	125	80	125	80	200	210	289	20	225	280	160	120	400	315	479
125-100-250	280S	75	C	125	100	140	80	226	237	303	26	225	280	160	120	400	315	493
125-80-250	280M	90	C	125	80	125	80	200	210	289	20	225	280	160	120	400	315	479
125-100-250	280M	90	C	125	100	140	80	226	237	303	26	225	280	160	120	400	315	493
125-80-315	280M	90	C	125	80	125	80	243	255	303	26	250	315	160	120	400	315	493
125-100-315	280M	90	C	125	100	140	80	234	266	303	26	250	315	160	120	400	315	493
150-125-200	225M	45	B	150	125	140	80	222	264	274	26	250	315	160	120	400	315	423
150-125-200	250M	55	D	150	125	140	80	222	264	304	26	250	315	160	120	400	315	472
150-125-200	280S	75	C	150	125	140	80	222	264	304	26	250	315	160	120	400	315	494
150-125-200	280M	90	C	150	125	140	80	222	264	304	26	250	315	160	120	400	315	494
150-125-250	280S	75	C	150	125	140	80	227	260	304	26	250	355	160	120	400	315	494
150-125-250	280M	90	C	150	125	140	80	227	260	304	26	250	355	160	120	400	315	494

NOTE: Pumps with flanges according to EN 1092 as standard.

IXPS_2p50-2_en_b_td

Available ASME B16.5 version on request. For flange dimensions see drawing.

IXPS SERIES

DIMENSIONS AND WEIGHTS AT 50 Hz, 2 POLES

PUMP TYPE IXPS Size	IEC MOTOR FRAME	3000 [rpm]	TYPE	DIMENSIONS [mm]															WEIGHT [kg]
				MOTOR										B max.	H max.	L	x		
				A	AA	AB	AD	B	BB	H	HA	K	P						
100-80-125	132	5,5	A	-	-	-	168	-	-	-	-	-	300	310	340	682	120	112	
100-80-125	132S	7,5	A	-	-	-	191	-	-	-	-	-	300	310	351	674	120	109	
100-80-125	160M	11	D	254	49	304	240	210	304	160	5	15	350	350	415	833	120	163	
100-80-125	160M	15	D	254	49	304	240	210	304	160	5	15	350	350	415	833	120	164	
100-80-160	132S	7,5	A	-	-	-	191	-	-	-	-	-	300	335	360	694	140	122	
100-80-160	160M	11	D	254	49	304	240	210	304	160	5	15	350	350	415	853	140	176	
100-80-160	160M	15	D	254	49	304	240	210	304	160	5	15	350	350	415	853	140	177	
100-80-160	160L	18,5	D	254	49	304	240	254	304	160	5	15	350	350	415	853	140	185	
100-80-160	180R	22	D	254	49	304	240	254	304	160	5	15	350	350	415	853	140	196	
100-65-200	160M	11	B	254	49	304	240	210	304	160	5	15	350	373	420	853	140	189	
100-65-200	160M	15	B	254	49	304	240	210	304	160	5	15	350	373	420	853	140	191	
100-65-200	160L	18,5	B	254	49	304	240	254	304	160	5	15	350	373	420	853	140	198	
100-65-200	180R	22	B	254	49	304	240	254	304	160	5	15	350	373	420	853	140	209	
100-65-200	200L	30	C	318	69	408	285	305	355	200	27	19	400	400	485	1030	140	288	
100-65-200	200L	37	C	318	69	408	285	305	355	200	27	19	400	400	485	1030	140	303	
100-65-250	180R	22	B	254	49	304	240	254	304	160	5	15	350	389	450	878	140	215	
100-65-250	200L	30	B	318	69	408	285	305	355	200	27	19	400	400	485	1055	140	294	
100-65-250	200L	37	B	318	69	408	285	305	355	200	27	19	400	400	485	1055	140	309	
100-65-250	225M	45	C	356	84	470	309	311	361	225	30	19	450	450	534	1085	140	372	
100-65-250	250M	55	D	406	100	516	362	349	421	250	36	24	550	550	637	1181	140	541	
100-65-250	280S	75	C	457	110	606	399	368	440	280	44	24	550	550	679	1231	140	661	
100-65-315	250M	55	D	406	100	516	362	349	421	250	36	24	550	550	637	1195	180	579	
100-65-315	280S	75	C	457	110	606	399	368	440	280	44	24	550	550	679	1245	180	699	
100-65-315	280M	90	C	457	110	606	399	419	491	280	44	24	550	550	679	1300	180	772	
125-80-160	160M	11	B	254	49	304	240	210	304	160	5	15	350	352	420	878	140	182	
125-80-160	160M	15	B	254	49	304	240	210	304	160	5	15	350	352	420	878	140	183	
125-100-160	160M	15	B	254	49	304	240	210	304	160	5	15	350	402	480	878	140	210	
125-80-160	160L	18,5	B	254	49	304	240	254	304	160	5	15	350	352	420	878	140	191	
125-100-160	160L	18,5	B	254	49	304	240	254	304	160	5	15	350	402	480	878	140	217	
125-80-160	180R	22	B	254	49	304	240	254	304	160	5	15	350	352	420	878	140	202	
125-100-160	180R	22	B	254	49	304	240	254	304	160	5	15	350	402	480	878	140	228	
125-80-160	200L	30	C	318	69	408	285	305	355	200	27	19	400	400	485	1055	140	281	
125-100-160	200L	30	B	318	69	408	285	305	355	200	27	19	400	412	485	1055	140	307	
125-100-160	200L	37	B	318	69	408	285	305	355	200	27	19	400	412	485	1055	140	322	
125-80-200	180R	22	B	254	49	304	240	254	304	160	5	15	350	388	430	878	140	215	
125-80-200	200L	30	C	318	69	408	285	305	355	200	27	19	400	400	485	1055	140	294	
125-100-200	200L	30	B	318	69	408	285	305	355	200	27	19	400	414	485	1055	140	308	
125-80-200	200L	37	C	318	69	408	285	305	355	200	27	19	400	400	485	1055	140	309	
125-100-200	200L	37	B	318	69	408	285	305	355	200	27	19	400	414	485	1055	140	323	
125-80-200	225M	45	C	356	84	470	309	311	361	225	30	19	450	450	534	1085	140	371	
125-100-200	225M	45	C	356	84	470	309	311	361	225	30	19	450	450	534	1085	140	385	
125-80-200	250M	55	D	406	100	516	362	349	421	250	36	24	550	550	637	1181	140	541	
125-100-200	250M	55	D	406	100	516	362	349	421	250	36	24	550	550	637	1181	140	555	
125-100-200	280S	75	C	457	110	606	399	368	440	280	44	24	550	550	679	1231	140	675	
125-80-250	200L	37	B	318	69	408	285	305	355	200	27	19	400	410	510	1055	140	316	
125-80-250	225M	45	B	356	84	470	309	311	361	225	30	19	450	450	534	1085	140	378	
125-100-250	225M	45	B	356	84	470	309	311	361	225	30	19	450	463	534	1114	180	416	
125-80-250	250M	55	D	406	100	516	362	349	421	250	36	24	550	550	637	1181	140	547	
125-100-250	250M	55	D	406	100	516	362	349	421	250	36	24	550	550	637	1210	180	589	
125-80-250	280S	75	C	457	110	606	399	368	440	280	44	24	550	550	679	1231	140	668	
125-100-250	280S	75	C	457	110	606	399	368	440	280	44	24	550	550	679	1260	180	709	
125-80-250	280M	90	C	457	110	606	399	419	491	280	44	24	550	550	679	1286	140	741	
125-100-250	280M	90	C	457	110	606	399	419	491	280	44	24	550	550	679	1315	180	782	
125-80-315	280M	90	C	457	110	606	399	419	491	280	44	24	550	550	679	1300	180	788	
125-100-315	280M	90	C	457	110	606	399	419	491	280	44	24	550	550	679	1315	180	789	
150-125-200	225M	45	B	356	84	470	309	311	361	225	30	19	450	489	565	1115	180	416	
150-125-200	250M	55	D	406	100	516	362	349	421	250	36	24	550	550	637	1211	180	585	
150-125-200	280S	75	C	457	110	606	399	368	440	280	44	24	550	550	679	1261	180	705	
150-125-200	280M	90	C	457	110	606	399	419	491	280	44	24	550	550	679	1316	180	778	
150-125-250	280S	75	C	457	110	606	399	368	440	280	44	24	550	550	679	1261	180	706	
150-125-250	280M	90	C	457	110	606	399	419	491	280	44	24	550	550	679	1316	180	779	

NOTE: Pumps with flanges according to EN 1092 as standard.

IXPS_2p50-4_en_b_td

Available ASME B16.5 version on request. For flange dimensions see drawing.

IXPS SERIES DIMENSIONS AND WEIGHTS AT 50 Hz, 4 POLES

PUMP TYPE IXPS Size	IEC MOTOR FRAME	1500 [rpm]	TYPE	DIMENSIONS [mm]															
				DNS	DND	a	b	B1	B2	f	g1	h1	h2	m1	m2	n1	n2	w	
40-25-160	90L	1,1	A	40	25	80	50	141	132	179	13	132	160	100	70	240	190	-	
40-25-200	90L	1,1	A	40	25	80	50	159	150	179	13	160	180	100	70	240	190	-	
50-32-160	90L	1,1	A	50	32	80	50	139	130	179	13	132	160	100	70	240	190	-	
50-32-200	90L	1,1	A	50	32	80	50	161	152	179	11	160	180	100	70	240	190	-	
50-32-250	90L	1,1	A	50	32	100	65	184	175	199	15	180	225	125	95	320	250	-	
50-32-250	90L	1,5	A	50	32	100	65	184	175	199	15	180	225	125	95	320	250	-	
50-32-250	100L	2,2	A	50	32	100	65	184	175	199	15	180	225	125	95	320	250	-	
65-50-160	90L	1,1	A	65	50	80	50	142	132	179	12	132	160	100	70	240	190	-	
65-40-200	90L	1,1	A	65	40	100	50	158	151	179	13	160	180	100	70	265	212	-	
65-40-200	90L	1,5	A	65	40	100	50	158	151	179	13	160	180	100	70	265	212	-	
65-40-250	90L	1,5	A	65	40	100	65	188	179	199	15	180	225	125	95	320	250	-	
65-40-250	100L	2,2	A	65	40	100	65	188	179	199	15	180	225	125	95	320	250	-	
65-40-250	100L	3	A	65	40	100	65	188	179	199	15	180	225	125	95	320	250	-	
65-40-315	112M	4	A	65	40	125	65	225	216	199	14	200	250	125	95	345	280	-	
65-40-315	132M	5,5	A	65	40	125	65	225	216	227	14	200	250	125	95	345	280	-	
80-65-125	90L	1,1	A	80	65	100	50	138	140	179	12	132	160	100	70	240	190	-	
80-65-160	90L	1,1	A	80	65	100	50	143	152	179	12	160	180	100	70	265	212	-	
80-65-160	90L	1,5	A	80	65	100	50	143	152	179	12	160	180	100	70	265	212	-	
80-50-200	90L	1,5	A	80	50	100	50	161	166	179	12	160	200	100	70	265	212	-	
80-50-200	100L	2,2	A	80	50	100	50	161	166	179	12	160	200	100	70	265	212	-	
80-50-200	100L	3	A	80	50	100	50	161	166	179	12	160	200	100	70	265	212	-	
80-50-200	112M	4	A	80	50	100	50	161	166	179	12	160	200	100	70	265	212	-	
80-50-250	100L	2,2	A	80	50	125	65	191	183	199	15	180	225	125	95	320	250	-	
80-50-250	100L	3	A	80	50	125	65	191	183	199	15	180	225	125	95	320	250	-	
80-50-250	112M	4	A	80	50	125	65	191	183	199	15	180	225	125	95	320	250	-	
80-50-315	112M	4	A	80	50	125	65	236	217	199	15	225	280	125	95	345	280	-	
80-50-315	132M	5,5	A	80	50	125	65	236	217	227	15	225	280	125	95	345	280	-	
80-50-315	132M	7,5	A	80	50	125	65	236	217	227	15	225	280	125	95	345	280	-	
80-50-315	160M	11	B	80	50	125	65	236	217	259	15	225	280	125	95	345	280	367	
100-80-125	90L	1,1	A	100	80	100	65	146	160	179	15	160	180	125	95	280	212	-	
100-80-125	90L	1,5	A	100	80	100	65	146	160	179	15	160	180	125	95	280	212	-	
100-80-160	90L	1,1	A	100	80	100	65	166	169	199	15	160	200	125	95	280	212	-	
100-80-160	90L	1,5	A	100	80	100	65	166	169	199	15	160	200	125	95	280	212	-	
100-80-160	100L	2,2	A	100	80	100	65	166	169	199	15	160	200	125	95	280	212	-	
100-80-160	100L	3	A	100	80	100	65	166	169	199	15	160	200	125	95	280	212	-	
100-65-200	90L	1,5	A	100	65	100	65	188	185	199	15	180	225	125	95	320	250	-	
100-65-200	100L	2,2	A	100	65	100	65	188	185	199	15	180	225	125	95	320	250	-	
100-65-200	100L	3	A	100	65	100	65	188	185	199	15	180	225	125	95	320	250	-	
100-65-200	112M	4	A	100	65	100	65	188	185	199	15	180	225	125	95	320	250	-	
100-65-200	132M	5,5	A	100	65	100	65	188	185	227	15	180	225	125	95	320	250	-	
100-65-250	100L	3	A	100	65	125	80	194	195	199	20	200	250	160	120	360	280	-	
100-65-250	112M	4	A	100	65	125	80	194	195	199	20	200	250	160	120	360	280	-	
100-65-250	132M	5,5	A	100	65	125	80	194	195	227	20	200	250	160	120	360	280	-	
100-65-250	132M	7,5	A	100	65	125	80	194	195	227	20	200	250	160	120	360	280	-	
100-65-315	132M	5,5	A	100	65	125	80	227	230	273	20	225	280	160	120	400	315	-	
100-65-315	132M	7,5	A	100	65	125	80	227	230	273	20	225	280	160	120	400	315	-	
100-65-315	160M	11	B	100	65	125	80	227	230	273	20	225	280	160	120	400	315	381	
100-65-315	160L	15	B	100	65	125	80	227	230	273	20	225	280	160	120	400	315	381	
100-65-315	180M	18,5	B	100	65	125	80	227	230	273	20	225	280	160	120	400	315	394	
125-80-160	90L	1,5	A	125	80	125	65	166	177	199	16	180	225	125	95	320	250	-	
125-80-160	100L	2,2	A	125	80	125	65	166	177	199	16	180	225	125	95	320	250	-	
125-80-160	100L	3	A	125	80	125	65	166	177	199	16	180	225	125	95	320	250	-	
125-80-160	112M	4	A	125	80	125	65	166	177	199	16	180	225	125	95	320	250	-	
125-80-200	100L	3	A	125	80	125	65	191	197	199	15	180	250	125	95	345	280	-	
125-80-200	112M	4	A	125	80	125	65	191	197	199	15	180	250	125	95	345	280	-	
125-80-200	132M	5,5	A	125	80	125	65	191	197	227	15	180	250	125	95	345	280	-	
125-80-200	132M	7,5	A	125	80	125	65	191	197	227	15	180	250	125	95	345	280	-	
125-80-250	132M	5,5	A	125	80	125	80	200	210	227	20	225	280	160	120	400	315	-	
125-80-250	132M	7,5	A	125	80	125	80	200	210	227	20	225	280	160	120	400	315	-	
125-80-250	160M	11	B	125	80	125	80	200	210	259	20	225	280	160	120	400	315	367	
125-80-250	160L	15	B	125	80	125	80	200	210	259	20	225	280	160	120	400	315	367	
125-80-315	160M	11	B	125	80	125	80	243	255	273	26	250	315	160	120	400	315	381	
125-80-315	160L	15	B	125	80	125	80	243	255	273	26	250	315	160	120	400	315	381	
125-80-315	180M	18,5	B	125	80	125	80	243	255	273	26	250	315	160	120	400	315	394	
125-80-315	180L	22	B	125	80	125	80	243	255	273	26	250	315	160	120	400	315	394	
125-80-315	200L	30	B	125	80	125	80	243	255	273	26	250	315	160	120	400	315	406	
125-80-400	180M	18,5	B	125	80	125	80	276	284	273	26	280	355	160	120	435	355	394	
125-80-400	180L	22	B	125	80	125	80	276	284	273	26	280	355	160	120	435	355	394	
125-80-400	200L	30	B	125	80	125	80	276	284	273	26	280	355	160	120	435	355	406	
125-80-400	225S	37	B	125	80	125	80	276	284	303	26	280	355	160	120	435	355	452	
125-80-400	225M	45	B	125	80	125	80	276	284	303	26	280	355	160	120	435	355	452	

NOTE: Pumps with flanges according to EN 1092 as standard.

IXPS_4p50-1_en_b_tld

Available ASME B16.5 version on request. For flange dimensions see drawing.

IXPS SERIES

DIMENSIONS AND WEIGHTS AT 50 Hz, 4 POLES

PUMP TYPE IXPS Size	IEC MOTOR FRAME	1500 [rpm]	TYPE	DIMENSIONS [mm]															WEIGHT [kg]
				MOTOR											B max.	H max.	L	x	
				A	AA	AB	AD	B	BB	H	HA	K	P						
40-25-160	90L	1,1	A	-	-	-	134	-	-	-	-	-	-	200	273	292	557	120	55
40-25-200	90L	1,1	A	-	-	-	134	-	-	-	-	-	-	200	309	340	557	120	62
50-32-160	90L	1,1	A	-	-	-	134	-	-	-	-	-	-	200	269	292	557	120	56
50-32-200	90L	1,1	A	-	-	-	134	-	-	-	-	-	-	200	313	340	557	120	63
50-32-250	90L	1,1	A	-	-	-	134	-	-	-	-	-	-	200	359	405	597	140	82
50-32-250	90L	1,5	A	-	-	-	134	-	-	-	-	-	-	200	359	405	597	140	89
50-32-250	100L	2,2	A	-	-	-	164	-	-	-	-	-	-	250	359	405	652	140	102
65-50-160	90L	1,1	A	-	-	-	134	-	-	-	-	-	-	200	274	292	557	120	57
65-40-200	90L	1,1	A	-	-	-	134	-	-	-	-	-	-	200	309	340	577	120	64
65-40-200	90L	1,5	A	-	-	-	134	-	-	-	-	-	-	200	309	340	577	120	72
65-40-250	90L	1,5	A	-	-	-	134	-	-	-	-	-	-	200	367	405	597	140	92
65-40-250	100L	2,2	A	-	-	-	164	-	-	-	-	-	-	250	367	405	652	140	105
65-40-250	100L	3	A	-	-	-	164	-	-	-	-	-	-	250	367	405	681	140	108
65-40-315	112M	4	A	-	-	-	168	-	-	-	-	-	-	250	441	450	706	140	155
65-40-315	132M	5,5	A	-	-	-	191	-	-	-	-	-	-	300	441	450	757	140	166
80-65-125	90L	1,1	A	-	-	-	134	-	-	-	-	-	-	200	278	292	577	120	59
80-65-160	90L	1,1	A	-	-	-	134	-	-	-	-	-	-	200	295	340	577	120	61
80-65-160	90L	1,5	A	-	-	-	134	-	-	-	-	-	-	200	295	340	577	120	69
80-50-200	90L	1,5	A	-	-	-	134	-	-	-	-	-	-	200	327	360	577	120	75
80-50-200	100L	2,2	A	-	-	-	164	-	-	-	-	-	-	250	327	360	632	120	88
80-50-200	100L	3	A	-	-	-	164	-	-	-	-	-	-	250	327	360	661	120	91
80-50-200	112M	4	A	-	-	-	168	-	-	-	-	-	-	250	327	360	661	120	109
80-50-250	100L	2,2	A	-	-	-	164	-	-	-	-	-	-	250	374	405	677	140	107
80-50-250	100L	3	A	-	-	-	164	-	-	-	-	-	-	250	374	405	706	140	110
80-50-250	112M	4	A	-	-	-	168	-	-	-	-	-	-	250	374	405	706	140	128
80-50-315	112M	4	A	-	-	-	168	-	-	-	-	-	-	250	453	505	706	140	158
80-50-315	132M	5,5	A	-	-	-	191	-	-	-	-	-	-	300	453	505	757	140	170
80-50-315	132M	7,5	A	-	-	-	191	-	-	-	-	-	-	300	453	505	757	140	170
80-50-315	160M	11	B	254	49	304	240	210	304	160	5	15	350	453	505	878	140	196	
100-80-125	90L	1,1	A	-	-	-	134	-	-	-	-	-	-	200	306	340	577	120	65
100-80-125	90L	1,5	A	-	-	-	134	-	-	-	-	-	-	200	306	340	577	120	73
100-80-160	90L	1,1	A	-	-	-	134	-	-	-	-	-	-	200	335	360	597	140	78
100-80-160	90L	1,5	A	-	-	-	134	-	-	-	-	-	-	200	335	360	597	140	86
100-80-160	100L	2,2	A	-	-	-	164	-	-	-	-	-	-	250	335	360	652	140	98
100-80-160	100L	3	A	-	-	-	164	-	-	-	-	-	-	250	335	360	681	140	101
100-65-200	90L	1,5	A	-	-	-	134	-	-	-	-	-	-	200	373	405	597	140	98
100-65-200	100L	2,2	A	-	-	-	164	-	-	-	-	-	-	250	373	405	652	140	111
100-65-200	100L	3	A	-	-	-	164	-	-	-	-	-	-	250	373	405	681	140	115
100-65-200	112M	4	A	-	-	-	168	-	-	-	-	-	-	250	373	405	681	140	133
100-65-200	132M	5,5	A	-	-	-	191	-	-	-	-	-	-	300	373	405	732	140	144
100-65-250	100L	3	A	-	-	-	164	-	-	-	-	-	-	250	389	450	706	140	121
100-65-250	112M	4	A	-	-	-	168	-	-	-	-	-	-	250	389	450	706	140	139
100-65-250	132M	5,5	A	-	-	-	191	-	-	-	-	-	-	300	389	450	757	140	150
100-65-250	132M	7,5	A	-	-	-	191	-	-	-	-	-	-	300	389	450	757	140	150
100-65-315	132M	5,5	A	-	-	-	191	-	-	-	-	-	-	300	457	505	803	180	189
100-65-315	132M	7,5	A	-	-	-	191	-	-	-	-	-	-	300	457	505	803	180	189
100-65-315	160M	11	B	254	49	304	240	210	304	160	5	15	350	457	505	892	180	209	
100-65-315	160L	15	B	254	49	304	240	254	304	160	5	15	350	457	505	892	180	253	
100-65-315	180M	18,5	B	279	64	364	253	241	286	180	22	15	350	457	505	989	180	260	
125-80-160	90L	1,5	A	-	-	-	134	-	-	-	-	-	-	200	343	405	622	140	92
125-80-160	100L	2,2	A	-	-	-	164	-	-	-	-	-	-	250	343	405	677	140	104
125-80-160	100L	3	A	-	-	-	164	-	-	-	-	-	-	250	343	405	706	140	107
125-80-160	112M	4	A	-	-	-	168	-	-	-	-	-	-	250	343	405	706	140	126
125-80-200	100L	3	A	-	-	-	164	-	-	-	-	-	-	250	388	430	706	140	120
125-80-200	112M	4	A	-	-	-	168	-	-	-	-	-	-	250	388	430	706	140	138
125-80-200	132M	5,5	A	-	-	-	191	-	-	-	-	-	-	300	388	430	757	140	150
125-80-200	132M	7,5	A	-	-	-	191	-	-	-	-	-	-	300	388	430	757	140	150
125-80-250	132M	5,5	A	-	-	-	191	-	-	-	-	-	-	300	410	505	757	140	157
125-80-250	132M	7,5	A	-	-	-	191	-	-	-	-	-	-	300	410	505	757	140	157
125-80-250	160M	11	B	254	49	304	240	210	304	160	5	15	350	410	505	878	140	183	
125-80-250	160L	15	B	254	49	304	240	254	304	160	5	15	350	410	505	878	140	227	
125-80-315	160M	11	B	254	49	304	240	210	304	160	5	15	350	498	565	892	180	225	
125-80-315	160L	15	B	254	49	304	240	254	304	160	5	15	350	498	565	892	180	269	
125-80-315	180M	18,5	B	279	64	364	253	241	286	180	22	15	350	498	565	989	180	277	
125-80-315	180L	22	B	279	64	364	253	279	324	180	22	15	350	498	565	989	180	295	
125-80-315	200L	30	B	318	69	408	300	305	355	200	27	19	400	498	565	1069	180	356	
125-80-400	180M	18,5	B	279	64	364	253	241	286	180	22	15	350	560	635	989	180	307	
125-80-400	180L	22	B	279	64	364	253	279	324	180	22	15	350	560	635	989	180	325	
125-80-400	200L	30	B	318	69	408	300	305	355	200	27	19	400	560	635	1069	180	385	
125-80-400	225S	37	B	356	84	470	309	286	336	225	30	19	450	560	635	1129	180	440	
125-80-400	225M	45	B	356	84	470	309	311	361	225	30	19	450	560	635	1129	180	471	

NOTE: Pumps with flanges according to EN 1092 as standard.

IXPS_4p50-3_en_b_td

Available ASME B16.5 version on request. For flange dimensions see drawing.

IXPS SERIES DIMENSIONS AND WEIGHTS AT 50 Hz, 4 POLES

PUMP TYPE IXPS Size	IEC MOTOR FRAME	1500 [rpm]	TYPE	DIMENSIONS [mm]														
				DNS	DND	a	b	B1	B2	f	g1	h1	h2	m1	m2	n1	n2	w
125-100-160	100L	2,2	A	125	100	125	80	190	212	199	26	200	280	160	120	360	280	-
125-100-160	100L	3	A	125	100	125	80	190	212	199	26	200	280	160	120	360	280	-
125-100-160	112M	4	A	125	100	125	80	190	212	199	26	200	280	160	120	360	280	-
125-100-200	112M	4	A	125	100	125	80	197	214	199	26	200	280	160	120	360	280	-
125-100-200	132M	5,5	A	125	100	125	80	197	214	227	26	200	280	160	120	360	280	-
125-100-200	132M	7,5	A	125	100	125	80	197	214	227	26	200	280	160	120	360	280	-
125-100-200	160M	11	B	125	100	125	80	197	214	259	26	200	280	160	120	360	280	367
125-100-250	132M	5,5	A	125	100	140	80	226	237	273	26	225	280	160	120	400	315	-
125-100-250	132M	7,5	A	125	100	140	80	226	237	273	26	225	280	160	120	400	315	-
125-100-250	160M	11	B	125	100	140	80	226	237	273	26	225	280	160	120	400	315	381
125-100-250	160L	15	B	125	100	140	80	226	237	273	26	225	280	160	120	400	315	381
125-100-315	160M	11	B	125	100	140	80	234	266	273	26	250	315	160	120	400	315	381
125-100-315	160L	15	B	125	100	140	80	234	266	273	26	250	315	160	120	400	315	381
125-100-315	180M	18,5	B	125	100	140	80	234	266	273	26	250	315	160	120	400	315	394
125-100-315	180L	22	B	125	100	140	80	234	266	273	26	250	315	160	120	400	315	394
125-100-315	200L	30	B	125	100	140	80	234	266	273	26	250	315	160	120	400	315	406
125-100-400	180L	22	B	125	100	140	100	284	300	273	26	280	355	200	150	500	400	394
125-100-400	200L	30	B	125	100	140	100	284	300	273	26	280	355	200	150	500	400	406
125-100-400	225S	37	B	125	100	140	100	284	300	303	26	280	355	200	150	500	400	452
125-100-400	225M	45	B	125	100	140	100	284	300	303	26	280	355	200	150	500	400	452
125-100-400	250M	55	B	125	100	140	100	284	300	303	26	280	355	200	150	500	400	471
150-125-200	132M	5,5	A	150	125	140	80	222	264	242	26	250	315	160	120	400	315	-
150-125-200	132M	7,5	A	150	125	140	80	222	264	242	26	250	315	160	120	400	315	-
150-125-200	160M	11	B	150	125	140	80	222	264	274	26	250	315	160	120	400	315	382
150-125-200	160L	15	B	150	125	140	80	222	264	274	26	250	315	160	120	400	315	382
150-125-250	132M	7,5	A	150	125	140	80	227	260	242	26	250	355	160	120	400	315	-
150-125-250	160M	11	B	150	125	140	80	227	260	274	26	250	355	160	120	400	315	382
150-125-250	160L	15	B	150	125	140	80	227	260	274	26	250	355	160	120	400	315	382
150-125-250	180M	18,5	B	150	125	140	80	227	260	274	26	250	355	160	120	400	315	395
150-125-315	180M	18,5	B	150	125	140	100	250	273	273	26	280	355	200	150	500	400	394
150-125-315	180L	22	B	150	125	140	100	250	273	273	26	280	355	200	150	500	400	394
150-125-315	200L	30	B	150	125	140	100	250	273	273	26	280	355	200	150	500	400	406
150-125-315	225S	37	B	150	125	140	100	250	273	303	26	280	355	200	150	500	400	452
150-125-315	225M	45	B	150	125	140	100	250	273	303	26	280	355	200	150	500	400	452
150-125-400	225S	37	B	150	125	140	100	303	322	303	26	315	400	200	150	500	400	452
150-125-400	225M	45	B	150	125	140	100	303	322	303	26	315	400	200	150	500	400	452
150-125-400	250M	55	B	150	125	140	100	303	322	303	26	315	400	200	150	500	400	471
150-125-400	280S	75	B	150	125	140	100	303	322	303	26	315	400	200	150	500	400	493
150-125-400	280M	90	B	150	125	140	100	303	322	303	26	315	400	200	150	500	400	493
200-150-200	160M	11	B	200	150	160	100	275	335	274	26	280	400	200	150	550	450	382
200-150-200	160L	15	B	200	150	160	100	275	335	274	26	280	400	200	150	550	450	382
200-150-200	180M	18,5	B	200	150	160	100	275	335	274	26	280	400	200	150	550	450	395
200-150-250	160L	15	B	200	150	160	100	267	320	273	26	280	375	200	150	500	400	381
200-150-250	180M	18,5	B	200	150	160	100	267	320	273	26	280	375	200	150	500	400	394
200-150-250	180L	22	B	200	150	160	100	267	320	273	26	280	375	200	150	500	400	394
200-150-250	200L	30	B	200	150	160	100	267	320	273	26	280	375	200	150	500	400	406
200-150-250	225S	37	B	200	150	160	100	267	320	303	26	280	375	200	150	500	400	452
200-150-315	200L	30	B	200	150	160	100	275	317	288	26	315	400	200	150	550	450	421
200-150-315	225S	37	B	200	150	160	100	275	317	318	26	315	400	200	150	550	450	467
200-150-315	225M	45	B	200	150	160	100	275	317	318	26	315	400	200	150	550	450	467
200-150-315	250M	55	B	200	150	160	100	275	317	318	26	315	400	200	150	550	450	486
200-150-400	225S	37	B	200	150	160	100	299	340	318	26	315	450	200	150	550	450	467
200-150-400	225M	45	B	200	150	160	100	299	340	318	26	315	450	200	150	550	450	467
200-150-400	250M	55	B	200	150	160	100	299	340	318	26	315	450	200	150	550	450	486
200-150-400	280S	75	B	200	150	160	100	299	340	318	26	315	450	200	150	550	450	508
200-150-400	280M	90	B	200	150	160	100	299	340	318	26	315	450	200	150	550	450	508
250-200-250	180M	18,5	B	250	200	200	100	303	385	288	26	355	475	200	150	550	450	409
250-200-250	180L	22	B	250	200	200	100	303	385	288	26	355	475	200	150	550	450	409
250-200-250	200L	30	B	250	200	200	100	303	385	288	26	355	475	200	150	550	450	421
250-200-250	225S	37	B	250	200	200	100	303	385	318	26	355	475	200	150	550	450	467
250-200-315	200L	30	B	250	200	180	100	306	370	288	26	355	450	200	150	550	450	421
250-200-315	225S	37	B	250	200	180	100	306	370	318	26	355	450	200	150	550	450	467
250-200-315	225M	45	B	250	200	180	100	306	370	318	26	355	450	200	150	550	450	467
250-200-315	250M	55	B	250	200	180	100	306	370	318	26	355	450	200	150	550	450	486
250-200-315	280S	75	B	250	200	180	100	306	370	318	26	355	450	200	150	550	450	508
250-200-315	280M	90	B	250	200	180	100	306	370	318	26	355	450	200	150	550	450	508
300-250-315	225S	37	B	300	250	250	110	355	419	318	35	400	500	300	250	710	600	467
300-250-315	225M	45	B	300	250	250	110	355	419	318	35	400	500	300	250	710	600	467
300-250-315	250M	55	B	300	250	250	110	355	419	318	35	400	500	300	250	710	600	486
300-250-315	280S	75	B	300	250	250	110	355	419	318	35	400	500	300	250	710	600	508
300-250-315	280M	90	B	300	250	250	110	355	419	318	35	400	500	300	250	710	600	508

NOTE: Pumps with flanges according to EN 1092 as standard.

IXPS_4p50-2_en_b_td

Available ASME B16.5 version on request. For flange dimensions see drawing.

IXPS SERIES DIMENSIONS AND WEIGHTS AT 50 Hz, 4 POLES

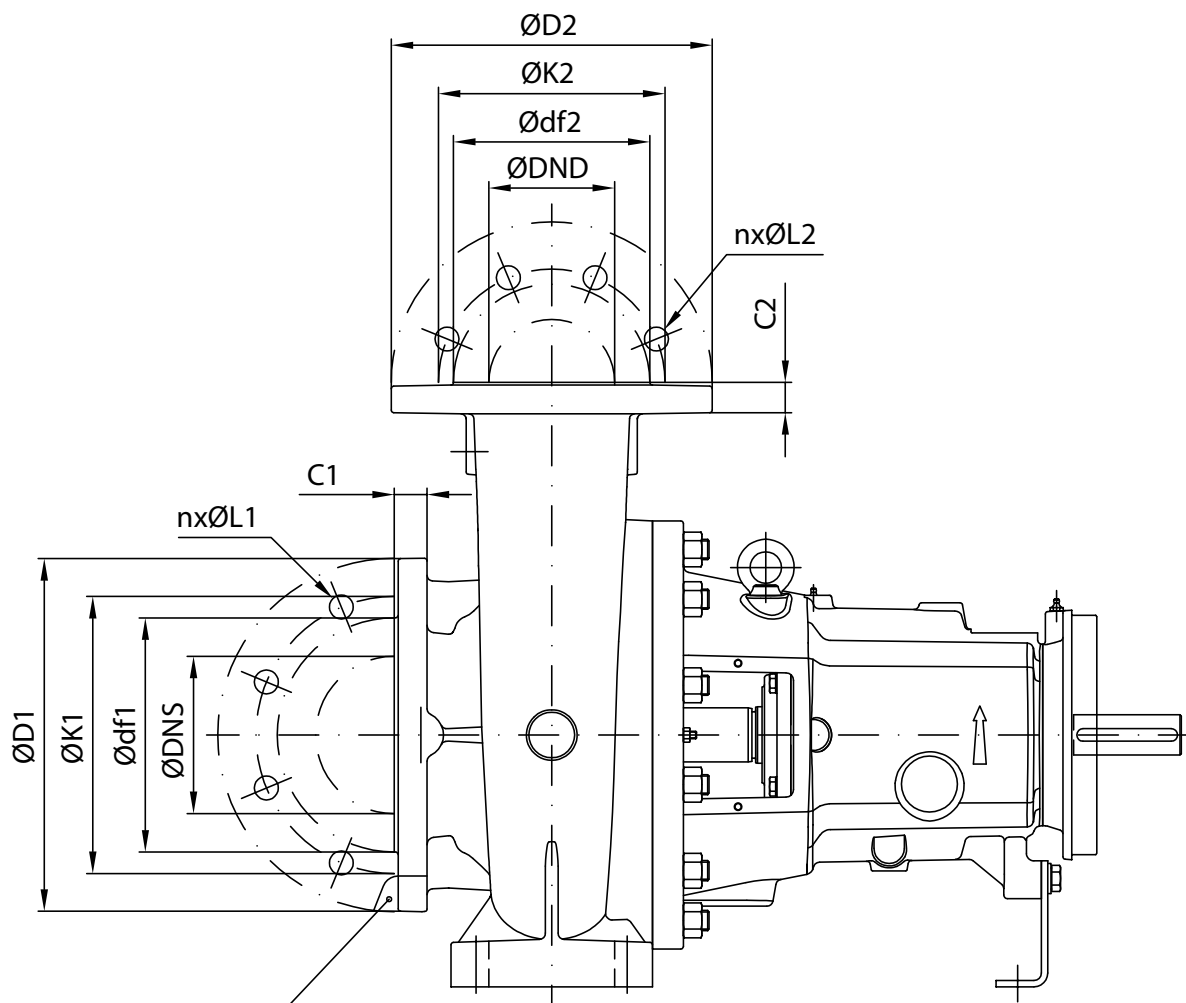
PUMP TYPE IXPS Size	IEC MOTOR FRAME	1500 [rpm]	TYPE	DIMENSIONS [mm]														WEIGHT [kg]
				MOTOR										B max.	H max.	L	x	
				A	AA	AB	AD	B	BB	H	HA	K	P					
125-100-160	100L	2,2	A	-	-	-	164	-	-	-	-	-	250	402	480	677	140	130
125-100-160	100L	3	A	-	-	-	164	-	-	-	-	-	250	402	480	706	140	134
125-100-160	112M	4	A	-	-	-	168	-	-	-	-	-	250	402	480	706	140	152
125-100-200	112M	4	A	-	-	-	168	-	-	-	-	-	250	411	480	706	140	152
125-100-200	132M	5,5	A	-	-	-	191	-	-	-	-	-	300	411	480	757	140	164
125-100-200	132M	7,5	A	-	-	-	191	-	-	-	-	-	300	411	480	757	140	164
125-100-200	160M	11	B	254	49	304	240	210	304	160	5	15	350	411	480	878	140	190
125-100-250	132M	5,5	A	-	-	-	191	-	-	-	-	-	300	463	505	818	180	199
125-100-250	132M	7,5	A	-	-	-	191	-	-	-	-	-	300	463	505	818	180	199
125-100-250	160M	11	B	254	49	304	240	210	304	160	5	15	350	463	505	907	180	219
125-100-250	160L	15	B	254	49	304	240	254	304	160	5	15	350	463	505	907	180	263
125-100-315	160M	11	B	254	49	304	240	210	304	160	5	15	350	500	565	907	180	226
125-100-315	160L	15	B	254	49	304	240	254	304	160	5	15	350	500	565	907	180	270
125-100-315	180M	18,5	B	279	64	364	253	241	286	180	22	15	350	500	565	1004	180	277
125-100-315	180L	22	B	279	64	364	253	279	324	180	22	15	350	500	565	1004	180	295
125-100-315	200L	30	B	318	69	408	300	305	355	200	27	19	400	500	565	1084	180	356
125-100-400	180L	22	B	279	64	364	253	279	324	180	22	15	350	584	635	1004	180	353
125-100-400	200L	30	B	318	69	408	300	305	355	200	27	19	400	584	635	1084	180	414
125-100-400	225S	37	B	356	84	470	309	286	336	225	30	19	450	584	635	1144	180	468
125-100-400	225M	45	B	356	84	470	309	311	361	225	30	19	450	584	635	1144	180	499
125-100-400	250M	55	B	406	100	516	362	349	421	250	36	24	550	584	642	1210	180	655
150-125-200	132M	5,5	A	-	-	-	191	-	-	-	-	-	300	486	565	787	180	194
150-125-200	132M	7,5	A	-	-	-	191	-	-	-	-	-	300	486	565	787	180	194
150-125-200	160M	11	B	254	49	304	240	210	304	160	5	15	350	486	565	908	180	221
150-125-200	160L	15	B	254	49	304	240	254	304	160	5	15	350	486	565	908	180	264
150-125-250	132M	7,5	A	-	-	-	191	-	-	-	-	-	300	487	605	787	180	195
150-125-250	160M	11	B	254	49	304	240	210	304	160	5	15	350	487	605	908	180	222
150-125-250	160L	15	B	254	49	304	240	254	304	160	5	15	350	487	605	908	180	265
150-125-250	180M	18,5	B	279	64	364	253	241	286	180	22	15	350	487	605	1005	180	273
150-125-315	180M	18,5	B	279	64	364	253	241	286	180	22	15	350	523	635	1004	180	298
150-125-315	180L	22	B	279	64	364	253	279	324	180	22	15	350	523	635	1004	180	316
150-125-315	200L	30	B	318	69	408	300	305	355	200	27	19	400	523	635	1084	180	377
150-125-315	225S	37	B	356	84	470	309	286	336	225	30	19	450	523	635	1144	180	432
150-125-315	225M	45	B	356	84	470	309	311	361	225	30	19	450	523	635	1144	180	463
150-125-400	225S	37	B	356	84	470	309	286	336	225	30	19	450	625	715	1144	180	490
150-125-400	225M	45	B	356	84	470	309	311	361	225	30	19	450	625	715	1144	180	521
150-125-400	250M	55	B	406	100	516	362	349	421	250	36	24	550	625	715	1210	180	677
150-125-400	280S	75	B	457	110	606	399	368	440	280	44	24	550	625	715	1260	180	794
150-125-400	280M	90	B	457	110	606	399	419	491	280	44	24	550	625	715	1315	180	889
200-150-200	160M	11	B	254	49	304	240	210	304	160	5	15	350	610	680	928	180	292
200-150-200	160L	15	B	254	49	304	240	254	304	160	5	15	350	610	680	928	180	336
200-150-200	180M	18,5	B	279	64	364	253	241	286	180	22	15	350	610	680	1025	180	344
200-150-250	160L	15	B	254	49	304	240	254	304	160	5	15	350	587	655	927	180	321
200-150-250	180M	18,5	B	279	64	364	253	241	286	180	22	15	350	587	655	1024	180	328
200-150-250	180L	22	B	279	64	364	253	279	324	180	22	15	350	587	655	1024	180	346
200-150-250	200L	30	B	318	69	408	300	305	355	200	27	19	400	587	655	1104	180	407
200-150-250	225S	37	B	356	84	470	309	286	336	225	30	19	450	587	655	1164	180	462
200-150-315	200L	30	B	318	69	408	300	305	355	200	27	19	400	592	715	1119	200	417
200-150-315	225S	37	B	356	84	470	309	286	336	225	30	19	450	592	715	1179	200	472
200-150-315	225M	45	B	356	84	470	309	311	361	225	30	19	450	592	715	1179	200	503
200-150-315	250M	55	B	406	100	516	362	349	421	250	36	24	550	592	715	1245	200	659
200-150-400	225S	37	B	356	84	470	309	286	336	225	30	19	450	639	765	1179	200	527
200-150-400	225M	45	B	356	84	470	309	311	361	225	30	19	450	639	765	1179	200	558
200-150-400	250M	55	B	406	100	516	362	349	421	250	36	24	550	639	765	1245	200	714
200-150-400	280S	75	B	457	110	606	399	368	440	280	44	24	550	639	765	1295	200	831
200-150-400	280M	90	B	457	110	606	399	419	491	280	44	24	550	639	765	1350	200	926
250-200-250	180M	18,5	B	279	64	364	253	241	286	180	22	15	350	688	830	1079	200	438
250-200-250	180L	22	B	279	64	364	253	279	324	180	22	15	350	688	830	1079	200	456
250-200-250	200L	30	B	318	69	408	300	305	355	200	27	19	400	688	830	1159	200	516
250-200-250	225S	37	B	356	84	470	309	286	336	225	30	19	450	688	830	1219	200	571
250-200-315	200L	30	B	318	69	408	300	305	355	200	27	19	400	676	805	1139	200	510
250-200-315	225S	37	B	356	84	470	309	286	336	225	30	19	450	676	805	1199	200	564
250-200-315	225M	45	B	356	84	470	309	311	361	225	30	19	450	676	805	1199	200	595
250-200-315	250M	55	B	406	100	516	362	349	421	250	36	24	550	676	805	1265	200	751
250-200-315	280S	75	B	457	110	606	399	368	440	280	44	24	550	676	805	1315	200	868
250-200-315	280M	90	B	457	110	606	399	419	491	280	44	24	550	676	805	1370	200	963
300-250-315	225S	37	B	356	84	470	309	286	336	225	30	19	450	774	900	1269	200	674
300-250-315	225M	45	B	356	84	470	309	311	361	225	30	19	450	774	900	1269	200	705
300-250-315	250M	55	B	406	100	516	362	349	421	250	36	24	550	774	900	1335	200	861
300-250-315	280S	75	B	457	110	606	399	368	440	280	44	24	550	774	900	1385	200	978
300-250-315	280M	90	B	457	110	606	399	419	491	280	44	24	550	774	900	1440	200	1073

NOTE: Pumps with flanges according to EN 1092 as standard.

IXPS_4p50-4_en_b_td

Available ASME B16.5 version on request. For flange dimensions see drawing.

**e-IXP SERIES
FLANGE DIMENSIONS**



slot at these sizes only:
65-50-160, 80-65-125, 80-65-160, 100-80-125, 100-80-160, 125-80-160, 125-80-200

IXP-FL-EN_A_DD

e-IXP SERIES
FLANGE DIMENSIONS
Material: Ductile Iron

DIMENSIONS (mm)																	
Suction side																	
DNS	D1	C1	EN1092-2 PN16			PN25			DNS	D1	C1	ASME B16.5 CL150			CL300		
			df1	K1	nxØL1	df1	K1	nxØL1				df1	K1	nxØL1	df1	K1	nxØL1
40	155	19	82	110	4x19	82	110	4x19	1 1/2"	155	19	82	98,5	4x16	82	114,5	4x22
50	165	22	97	125	4x19	97	125	4x19	2"	165	22	97	120,5	4x18	97	127	8x18
65	190	20	118	145	4x19	118	145	8x19	2 1/2"	190	20	118	139,5	4x18	118	149,5	8x22
80	210	22	132	160	8x19	132	160	8x19	3"	210	22	132	152,5	4x18	132	168	8x22
100	255	24	156	180	8x23	156	190	8x23	4"	255	24	156	190,5	8x18	156	200	8x22
125	280	26	186	210	8x28	186	220	8x28	5"	280	26	186	216	8x22	186	235	8x22
150	320	30	214	240	8x28	214	250	8x28	6"	320	30	214	241,5	8x22	214	270	12x22
200	380	30	272	295	12x28	272	310	12x28	8"	380	30	272	298,5	8x22	272	330	12x26
250	445	32	327	355	12x31	327	370	12x31	10"	445	32	327	362	12x26	327	387,5	16x29,5
300	520	32	370	410	12x31	389	430	16x31	12"	520	32	389	432	12x26	389	451	16x32,5
Discharge side																	
25	125	18	63	85	4x14	63	85	4x14	1"	125	18	63	79,5	4x16	63	89	4x18
32	140	18	74	100	4x19	74	100	4x19	1 1/4"	140	18	74	89	4x16	74	98,5	4x18
40	155	19	82	110	4x19	82	110	4x19	1 1/2"	155	19	82	98,5	4x16	82	114,5	4x22
50	165	20	97	125	4x19	97	125	4x19	2"	165	20	97	120,5	4x18	97	127	8x18
65	190	20	118	145	4x19	118	145	8x19	2 1/2"	190	20	118	139,5	4x18	118	149,5	8x22
80	210	22	132	160	8x19	132	160	8x19	3"	210	22	132	152,5	4x18	132	168	8x22
100	255	24	156	180	8x23	156	190	8x23	4"	255	24	156	190,5	8x18	156	200	8x22
125	280	26	186	210	8x28	186	220	8x28	5"	280	26	186	216	8x22	186	235	8x22
150	320	26	214	240	8x28	214	250	8x28	6"	320	26	214	241,5	8x22	214	270	12x22
200	380	30	272	295	12x28	272	310	12x28	8"	380	30	272	298,5	8x22	272	330	12x26
250	445	32	327	355	12x31	327	370	12x31	10"	445	32	327	362	12x26	327	387,5	16x29,5

Material: Cast Stainless Steel

DIMENSIONS (mm)																	
Suction side																	
DNS	D1	C1	EN1092-1 PN16			PN25			DNS	D1	C1	ASME B16.5 CL150			CL300		
			df1	K1	nxØL1	df1	K1	nxØL1				df1	K1	nxØL1	df1	K1	nxØL1
40	155	18	88	110	4x18	88	110	4x18	1 1/2"	155	18	73	98,5	4x16	73	114,5	4x22
50	165	20	102	125	4x18	102	125	4x18	2"	165	20	92	120,5	4x18	92	127	8x18
65	190	22	122	145	4x18	122	145	8x18	2 1/2"	190	22	105	139,5	4x18	105	149	8x22
80	210	24	138	160	8x18	138	160	8x18	3"	210	24	127	152,5	4x18	127	168	8x22
100	255	24	160	180	8x22	160	190	8x22	4"	255	24	160	190,5	8x18	160	200	8x22
125	280	26	188	210	8x26	188	220	8x26	5"	280	26	188	216	8x22	188	235	8x22
150	320	30	215	240	8x26	215	250	8x26	6"	320	30	215	241,5	8x22	215	270	12x22
200	380	30	268	295	12x26	278	310	12x26	8"	380	30	270	298,5	8x22	270	330	12x26
250	445	32	320	355	12x30	335	370	12x30	10"	445	32	324	362	12x26	324	387,5	16x29,5
300	520	34	378	410	12x30	395	430	16x30	12"	520	34	381	432	12x26	381	451	16x32,5
Discharge side																	
25	125	18	68	85	4x14	68	85	4x14	1"	125	18	51	79,5	4x16	51	89	4x18
32	140	18	78	100	4x18	78	100	4x18	1 1/4"	140	18	64	89	4x16	64	98,5	4x18
40	155	18	88	110	4x18	88	110	4x18	1 1/2"	155	18	73	98,5	4x16	73	114,5	4x22
50	165	20	102	125	4x18	102	125	4x18	2"	165	20	92	120,5	4x18	92	127	8x18
65	190	22	122	145	4x18	122	145	8x18	2 1/2"	190	22	105	139,5	4x18	105	149	8x22
80	210	24	138	160	8x18	138	160	8x18	3"	210	24	127	152,5	4x18	127	168	8x22
100	255	24	160	180	8x22	160	190	8x22	4"	255	24	160	190,5	8x18	160	200	8x22
125	280	26	188	210	8x26	188	220	8x26	5"	280	26	188	216	8x22	188	235	8x22
150	320	28	215	240	8x26	215	250	8x26	6"	320	28	215	241,5	8x22	215	270	12x22
200	380	30	268	295	12x26	278	310	12x26	8"	380	30	270	298,5	8x22	270	330	12x26
250	445	32	320	355	12x30	335	370	12x30	10"	445	32	324	362	12x26	324	387,5	16x29,5

NOTE: Value D, C and df may vary from standard

IXP-FL-en_a_t0

**IXPC , IXPF
PUMP BASE FRAME**

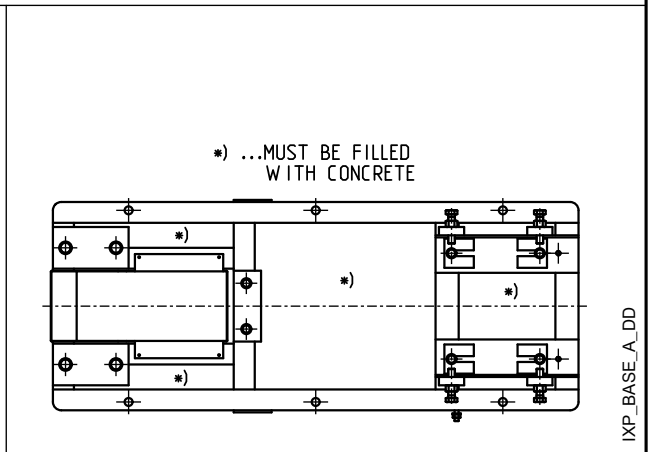
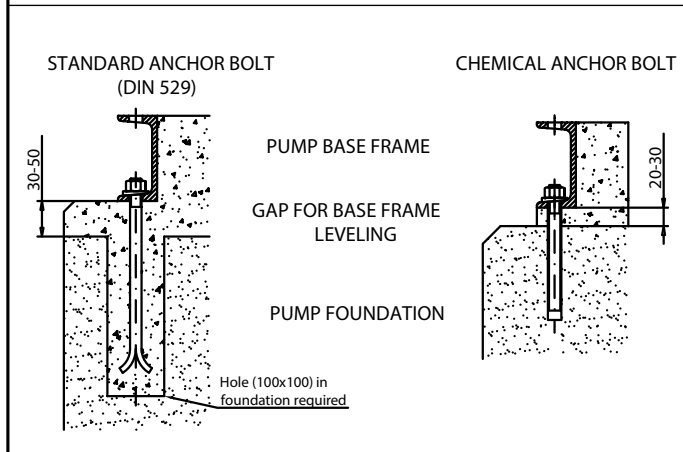
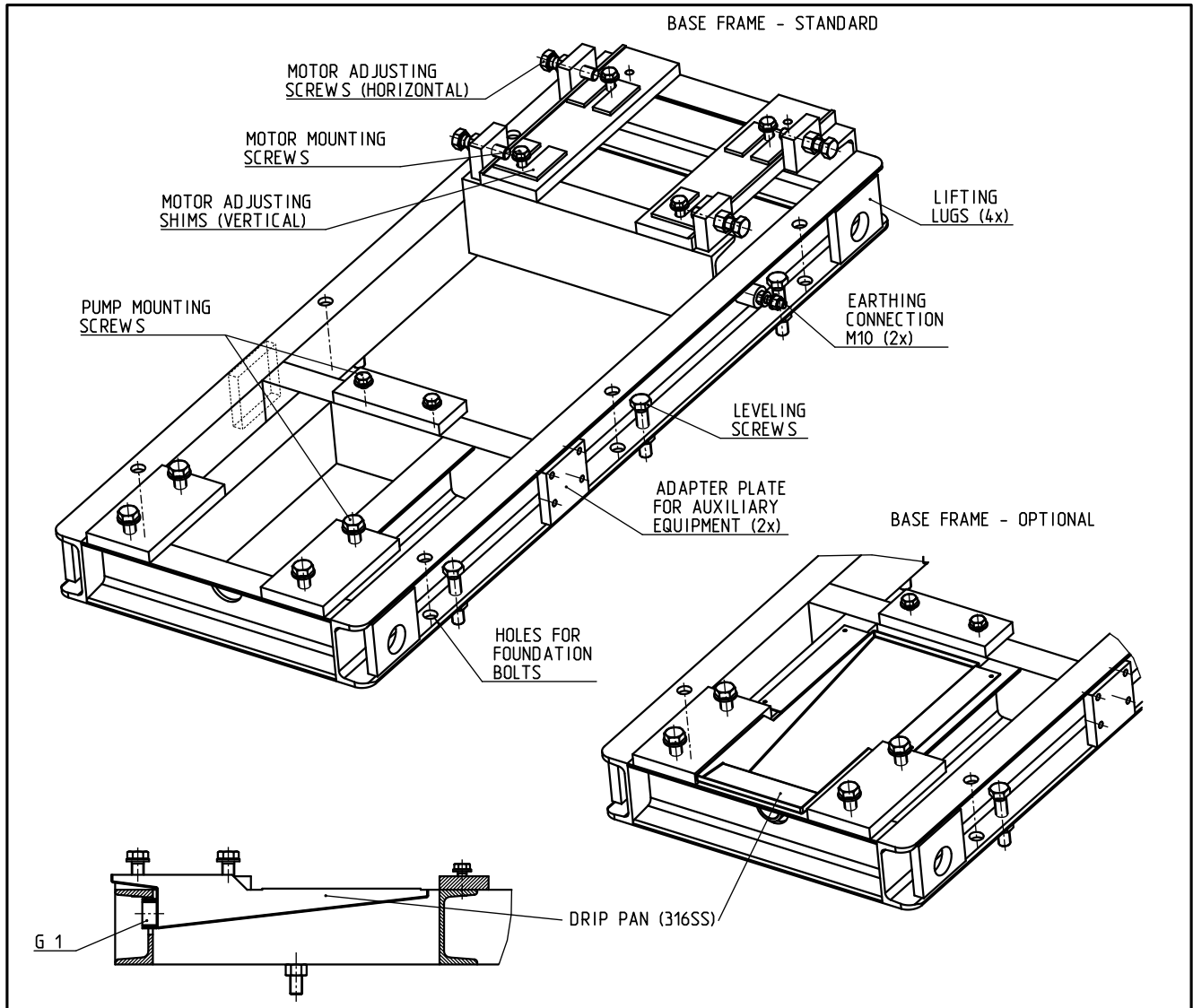
STANDARD DESIGN FOR IXPC, IXPF PUMPS

BASE FRAME MUST BE FILLED WITH CONCRETE

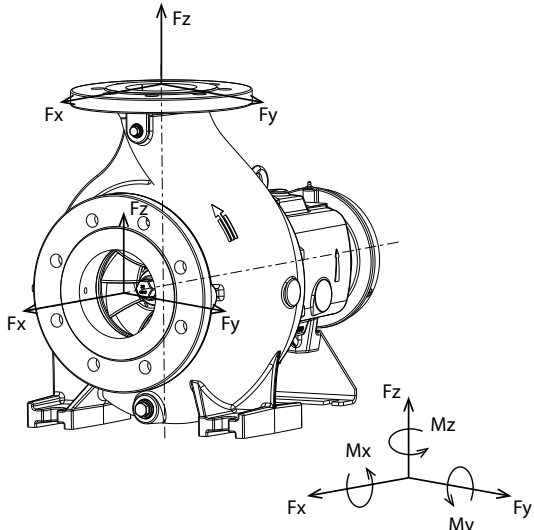
STANDARD MATERIAL: CARBON STEEL (PAINTED), ALL SCREWS: V2A

OPTIONAL DESIGN: WITH DRIP PAN (316SS)

OPTIONAL MATERIAL: CARBON STEEL ZINC PLATED



IXP, IXPF, IXPC SERIES PERMISSIBLE FORCES AND MOMENTS AT PUMP NOZZLES



Forces at the pump flanges calculated according to EN ISO 5199:2002.

When the applied loads do not all attain the maximum values allowed, one of these loads may exceed the normal limit, provided that the following supplementary conditions are satisfied:

- any component of a force or of a moment shall be limited to 1,4 times the maximum allowable value;
- the actual forces and moments acting on each flange are governed by the following formula:

$$\left(\frac{\sum |F_{x,y,z}|}{\sum |F_{max}|}\right)^2 + \left(\frac{\sum |M_{x,y,z}|}{\sum |M_{max}|}\right)^2 \leq 2$$

Material Code: NN up to 180°C

Model	DNS	Suction								DND	Discharge							
		F _x _{max} [N]	F _y _{max} [N]	F _z _{max} [N]	ΣF _{max} [N]	M _x _{max} [Nm]	M _y _{max} [Nm]	M _z _{max} [Nm]	ΣM _{max} [Nm]		F _x _{max} [N]	F _y _{max} [N]	F _z _{max} [N]	ΣF _{max} [N]	M _x _{max} [Nm]	M _y _{max} [Nm]	M _z _{max} [Nm]	ΣM _{max} [Nm]
40-25-..	40	438	385	350	680	455	315	368	664	25	263	245	298	466	315	210	245	451
50-32-..	50	578	525	473	912	490	350	403	724	32	315	298	368	568	385	263	298	553
65-50-..	65	735	648	595	1146	525	385	420	775	50	525	473	578	912	490	350	403	724
65-40-..	65	735	648	595	1146	525	385	420	775	40	385	350	438	680	455	315	368	664
80-65-..	80	875	788	718	1379	560	403	455	826	65	648	595	735	1146	525	385	420	775
80-50-..	80	875	788	718	1379	560	403	455	826	50	525	473	578	912	490	350	403	724
100-80-..	100	1173	1050	945	1836	613	438	508	908	80	788	718	875	1379	560	403	455	826
100-65-..	100	1173	1050	945	1836	613	438	508	908	65	648	595	735	1146	525	385	420	775
125-80-..	125	1383	1243	1120	2170	735	525	665	1122	80	788	718	875	1379	560	403	455	826
125-100-..	125	1383	1243	1120	2170	735	525	665	1122	100	1050	945	1173	1836	613	438	508	908
150-125-..	150	1750	1575	1418	2748	875	613	718	1287	125	1243	1120	1383	2170	735	525	665	1122
200-150-..	200	2345	2100	1890	3672	1138	805	928	1674	150	1575	1418	1750	2748	875	613	718	1287
250-200-..	250	3340	2980	2700	5227	1780	1260	1460	2624	200	2100	1890	2345	3672	1138	805	928	1674
300-250-..	300	4000	3580	3220	6260	2420	1720	1980	3569	250	2980	2700	3340	5227	1780	1260	1460	2624

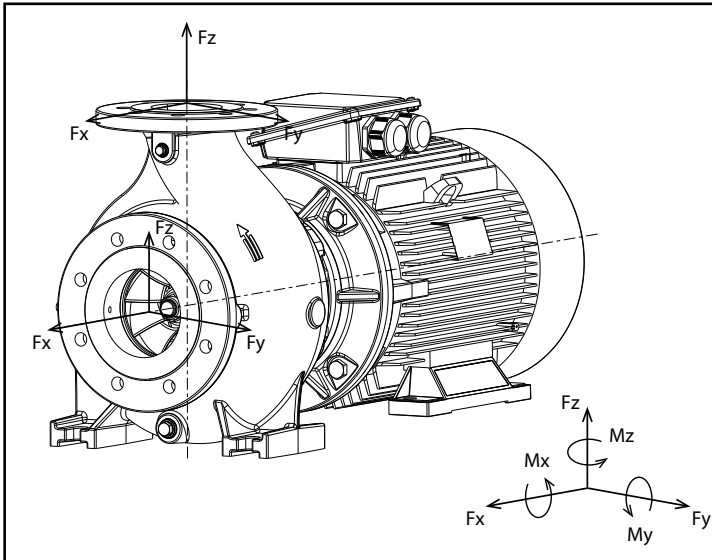
Material Code: DN, RN, RR (TT) up to 180°C

IXPS_load-en_a_td

Model	DNS	Suction								DND	Discharge							
		F _x _{max} [N]	F _y _{max} [N]	F _z _{max} [N]	ΣF _{max} [N]	M _x _{max} [Nm]	M _y _{max} [Nm]	M _z _{max} [Nm]	ΣM _{max} [Nm]		F _x _{max} [N]	F _y _{max} [N]	F _z _{max} [N]	ΣF _{max} [N]	M _x _{max} [Nm]	M _y _{max} [Nm]	M _z _{max} [Nm]	ΣM _{max} [Nm]
40-25-..	40	875	770	700	1360	910	630	735	1329	25	525	490	595	933	630	420	490	902
50-32-..	50	1155	1050	945	1825	980	700	805	1449	32	630	595	735	1136	770	525	595	1106
65-50-..	65	1470	1295	1190	2292	1050	770	840	1550	50	1050	945	1155	1825	980	700	805	1449
65-40-..	65	1470	1295	1190	2292	1050	770	840	1550	40	770	700	875	1360	910	630	735	1329
80-65-..	80	1750	1575	1435	2757	1120	805	910	1652	65	1295	1190	1470	2292	1050	770	840	1550
80-50-..	80	1750	1575	1435	2757	1120	805	910	1652	50	1050	945	1155	1825	980	700	805	1449
100-80-..	100	2345	2100	1890	3672	1225	875	1015	1816	80	1575	1435	1750	2757	1120	805	910	1652
100-65-..	100	2345	2100	1890	3672	1225	875	1015	1816	65	1295	1190	1470	2292	1050	770	840	1550
125-80-..	125	2765	2485	2240	4340	1470	1050	1330	2243	80	1575	1435	1750	2757	1120	805	910	1652
125-100-..	125	2765	2485	2240	4340	1470	1050	1330	2243	100	2100	1890	2345	3672	1225	875	1015	1816
150-125-..	150	3500	3150	2835	5496	1750	1225	1435	2573	125	2485	2240	2765	4340	1470	1050	1330	2243
200-150-..	200	4690	4200	3780	7343	2275	1610	1855	3348	150	3150	2835	3500	5496	1750	1225	1435	2573
250-200-..	250	5845	5215	4725	9148	3115	2205	2555	4593	200	4200	3780	4690	7343	2275	1610	1855	3348
300-250-..	300	7000	6265	5635	10955	4235	3010	3465	6245	250	5215	4725	5845	9148	3115	2205	2555	4593

IXP_load2-en_a_td

IXPS SERIES PERMISSIBLE FORCES AND MOMENTS AT PUMP NOZZLES



Forces at the pump flanges calculated according to EN ISO 5199:2002.

When the applied loads do not all attain the maximum values allowed, one of these loads may exceed the normal limit, provided that the following supplementary conditions are satisfied:

- any component of a force or of a moment shall be limited to 1,4 times the maximum allowable value;
- the actual forces and moments acting on each flange are governed by the following formula:

$$\left(\frac{\sum |F_{x,y,z}|}{\sum |F_{max}|}\right)^2 + \left(\frac{\sum |M_{x,y,z}|}{\sum |M_{max}|}\right)^2 \leq 2$$

All available materials up to 140°C

Model	DNS	Suction								Discharge								
		F _{x,max} [N]	F _{y,max} [N]	F _{z,max} [N]	ΣF _{max} [N]	M _{x,max} [Nm]	M _{y,max} [Nm]	M _{z,max} [Nm]	ΣM _{max} [Nm]	DND	F _{x,max} [N]	F _{y,max} [N]	F _{z,max} [N]	ΣF _{max} [N]	M _{x,max} [Nm]	M _{y,max} [Nm]	M _{z,max} [Nm]	ΣM _{max} [Nm]
40-25-..	40	438	385	350	680	455	315	368	664	25	263	245	298	466	315	210	245	451
50-32-..	50	578	525	473	912	490	350	403	724	32	315	298	368	568	385	263	298	553
65-50-..	65	735	648	595	1146	525	385	420	775	50	525	473	578	912	490	350	403	724
65-40-..	65	735	648	595	1146	525	385	420	775	40	385	350	438	680	455	315	368	664
80-65-..	80	875	788	718	1379	560	403	455	826	65	648	595	735	1146	525	385	420	775
80-50-..	80	875	788	718	1379	560	403	455	826	50	525	473	578	912	490	350	403	724
100-80-..	100	1173	1050	945	1836	613	438	508	908	80	788	718	875	1379	560	403	455	826
100-65-..	100	1173	1050	945	1836	613	438	508	908	65	648	595	735	1146	525	385	420	775
125-80-..	125	1383	1243	1120	2170	735	525	665	1122	80	788	718	875	1379	560	403	455	826
125-100-..	125	1383	1243	1120	2170	735	525	665	1122	100	1050	945	1173	1836	613	438	508	908
150-125-..	150	1750	1575	1418	2748	875	613	718	1287	125	1243	1120	1383	2170	735	525	665	1122
200-150-..	200	2345	2100	1890	3672	1138	805	928	1674	150	1575	1418	1750	2748	875	613	718	1287
250-200-..	250	3340	2980	2700	5227	1780	1260	1460	2624	200	2100	1890	2345	3672	1138	805	928	1674
300-250-..	300	4000	3580	3220	6260	2420	1720	1980	3569	250	2980	2700	3340	5227	1780	1260	1460	2624

IXPS_load-en_a_td

OPTIMIZE™ CONDITION MONITORING TO OPTIMIZE YOUR BOTTOM LINE

The optimize™ modular condition monitoring solution provides health guidance and predictive maintenance advice for rotating and fixed assets such as pumps, motors, heat exchangers and steam traps. It periodically monitors system vibration and temperature and allows everyday users to access simple-to-use monitoring tools from iOS or Android mobile devices.

Using predictive analysis, optimize identifies potential problems with your equipment before they occur, to help you manage system reliability and maintenance. Information is monitored, collected, stored and analyzed in the optimize sensor. This allows you to understand the current health and historical trends of your assets, create maintenance reminders and generate detailed reports. As a result, you can perform preventative maintenance before issues become critical to uptime.



BENEFITS:

- Predictive maintenance to monitor the health of mechanical and electrical assets
- Asset management including asset location, size and manufacturing date
- System transparency to optimize reliability
- Optimized reporting that helps to simplify documentation, manage system maintenance and inform purchasing
- The ability to automatically share data with multiple local users
- Conveniently monitor system conditions on our simple-to-use mobile application



INDUSTRIES:

- Commercial Building Services
- Manufacturing
- Agriculture
- Water Utilities

APPLICATIONS:

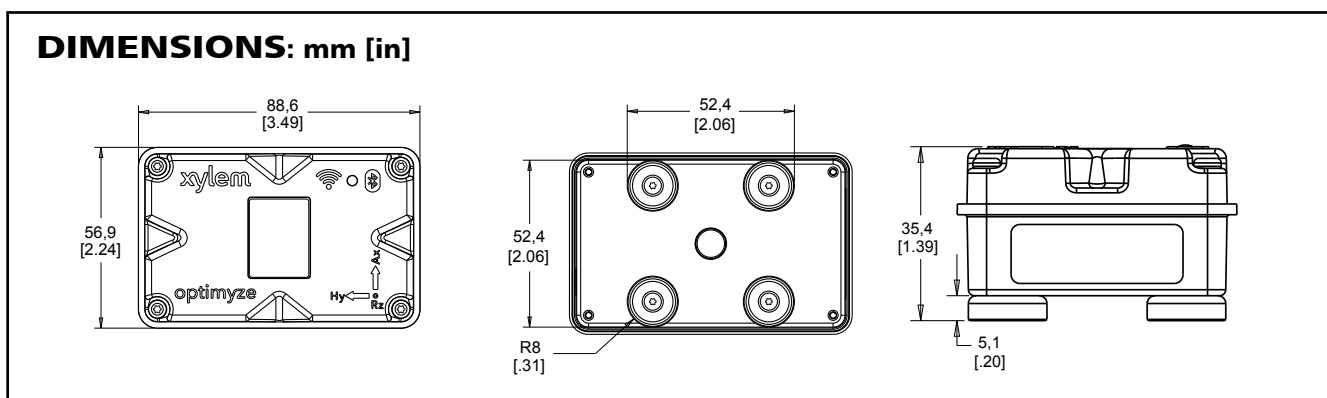
- Monitoring the vibration of pumps and motors
- Monitoring the temperature of pump bearings
- Monitoring the temperature of motors to prevent overheating and winding damage
- Monitoring the performance of heat exchangers
- And more

OPTIMIZE™ CONDITION MONITORING AND OPTIMIZATION SPECIFICATIONS

Surface Temperature Measurement	
Measurement range	-20°C to +135°C (-4°F to +275°F)
Measurement method	Non-contact infrared laser
Minor gradient accuracy (0°C to 25°C gradient)	+/- 1°C
Moderate gradient accuracy (25°C to 50°C gradient)	+/- 2°C
Large gradient accuracy (50°C to 100°C gradient)	+/- 4°C
Vibration Measurement	
Frequency range	5Hz to 1,100Hz
Measurement method	Independent 3-axis
Primary output (per axis)	Single value RMS
Other outputs	Kurtosis and FFT
Vibration limit (max acceleration)	16g
Threshold standard (Global)	ISO 10816-7
Threshold standard (North America)	ANSI/Hi 9.6.4
Power	
Batteries (replaceable)	(2) 3.6V AA, 2400mAh, Lithium
Battery life (using default sampling rate at 25°C)	3 to 5 years
Default sampling rate	1 sample per 30 minutes
Available sampling rates (one sample per unit of time)	10 seconds to 12 hours
Wireless Communication	
Network type	Bluetooth® Low Energy 5.01
Connection range (without interference)	30 meters (100 feet)
Environmental	
Ambient operating range	-20°C to +50°C (-4°F to +122°F)
Storage temperature (5 to 95% humidity non-condensing)	-25°C to +65°C (-13°F to +149°F)
Protection rating	IP56, NEMA 4
Physical Properties	
Weight	145g (0.32 lbs.)
Status	LED
Mounting method (standard)	Magnetic (16mm potted magnets)
Mounting method (optional)	Drill and tap with plate
Certifications	
Certifications	CE, FCC, UL
Intended use (environments)	Non-hazardous, non-corrosive
Part Numbers	
optimize (standard sensor)	P2007000
optimize battery replacement kit	P2007030
optimize optional flat plate mounting kit	P2007031

¹Backwards compatible up to Bluetooth® Low Energy 4.2

opt-en_a_sc



IXP..H

e-IXP WITH HYDROVAR

IXP..H SERIES

e-IXP WITH HYDROVAR

Background and context

For all pumping needs the demand for intelligent pumping systems is constantly growing. Controlled systems offer many advantages: reduced operating costs for the lifetime of the pump, lower environmental impact, longer lifetime of piping systems and networks.

For this reason, Lowara has developed the IXP..H: an intelligent pumping system which assures high level performance with energy consumption tailored to the system's demand.

According to the EN 50598-2 standard the IXP..H is an IES2 power drive system, the highest efficiency class defined for this category.

Benefits of e-IXP with HYDROVAR

Saving: IXP..H transforms the IXP pumps into variable speed intelligent pumping systems. Thanks to the HYDROVAR, the speed of each pump varies so as to maintain a constant flow, a constant pressure, or a differential pressure. In doing so, at any point in time, the pump only receives the energy required. This in turns allows for considerable savings, especially for systems that have varying loads throughout the day.

Easy installation and space-saving: IXP..H saves time and space during installation. The Hydrovar is delivered already mounted on the motor (for models up to 22kW). The hydrovar is kept cool by the motor fan and does not require a control panel. In order to function, only fuses on the supply line are needed (Check your local electrical installation regulations).

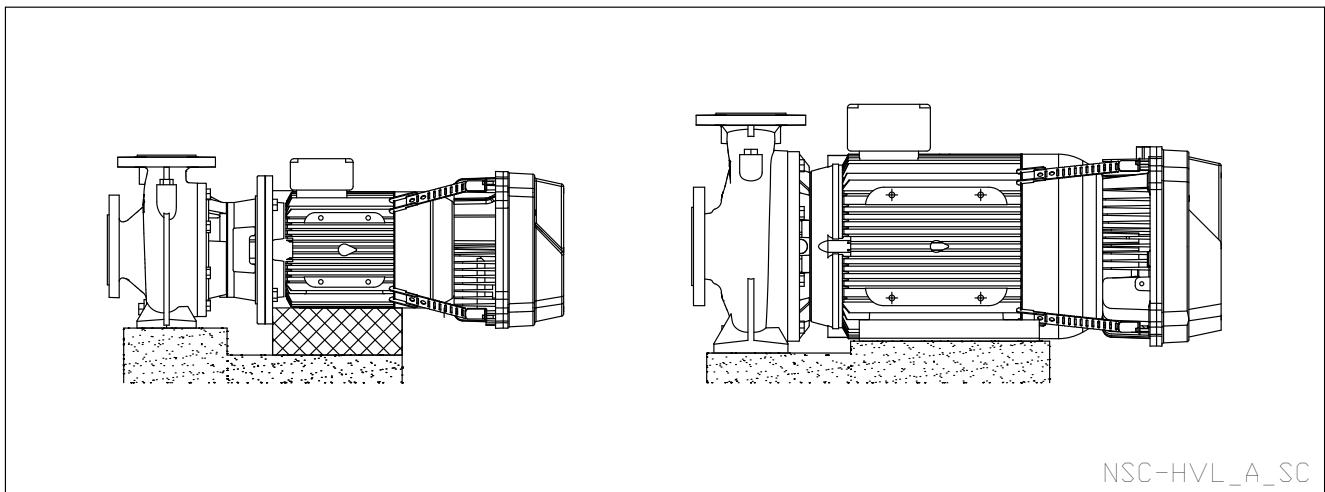
Standard motors: IXP..H models are fitted with three-phase standard TEFC motors with insulation class 155 (F).

Identification code:

IXP..H models are identified by the letter "H".

Key Features of the HYDROVAR

- **No need for additional pressure sensors:**
The IXP..H is fitted with a pressure transmitter or differential pressure transmitters, depending on the application.
- **No need for special pumps or motors.**
- **IXP..H is already pre-wired.**
- **No need for bypass or safety systems:**
The IXP..H will immediately switch off when demand drops to zero or when it exceeds maximum pump capacity; thus making installation of additional safety devices unnecessary.
- **Anti-condensation device:**
The HYDROVAR is fitted with anti-condensation devices which switch on when the pump is in standby in order to prevent condensation forming in the unit.



IXP.H SERIES e-IXP WITH HYDROVAR

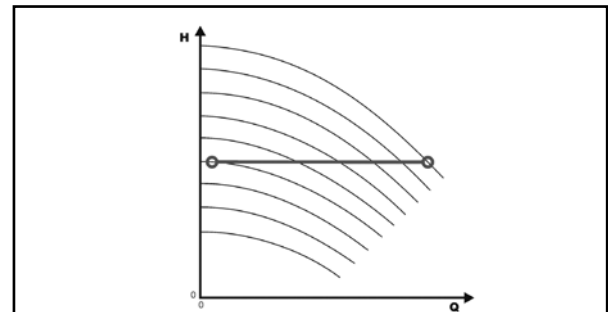
The basic function of the HYDROVAR device is to control the pump to meet the system demands.

HYDROVAR performs these functions by:

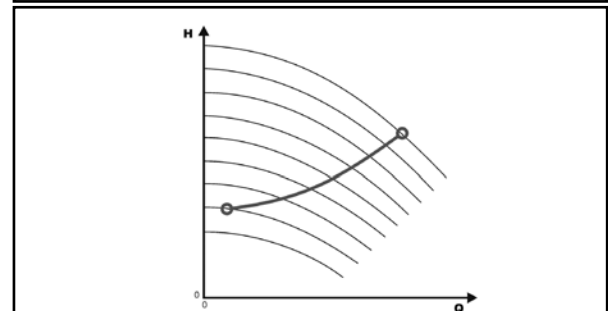
- 1) Measuring the system pressure or flow via a transmitter mounted on the pump's delivery side.
- 2) Calculating the motor speed to maintain the correct flow or pressure.
- 3) Sending out a signal to the pump to start the motor, increase speed, decrease speed or stop.
- 4) In the case of multiple pump installations, HYDROVAR will automatically provide for the cyclic changeover of the pumps' starting sequence.

In addition to these basic functions, HYDROVAR can perform controls only manageable by the most advanced computerized control systems. Some examples are:

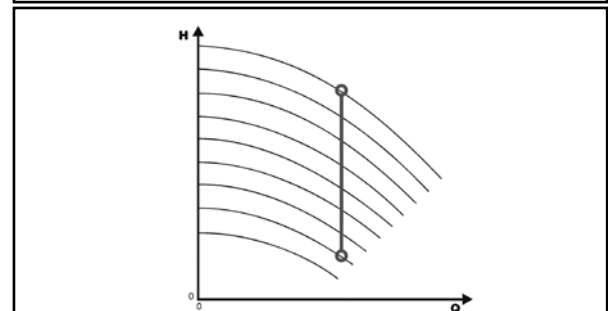
- Stop the pump(s) at zero demand.
- Stop the pump(s) in case of water failure on the suction side (protection against dry running).
- Stop the pump if the required delivery exceeds the pump's capacity (protection against cavitation caused by excessive demand), or automatically switch on the next pump in a multiple series.
- Protect the pump and motor from over-voltage, under-voltage, overload, and earth fault.
- Vary the pump speed: acceleration and deceleration time.
- Compensate for increased flow resistance at high flow rates.
- Conduct automatic tests at set intervals.
- Monitor the converter and motor operating hours.
- Display the energy consumption (kWh).
- Display all functions on an LCD in different languages (Italian, English, French, German, Spanish, Portuguese, Dutch, etc...).
- Send a signal to a remote control system which is proportional to the pressure and frequency.
- Communicate with external control system via Modbus (RS 485 interface) and Bacnet as standard.



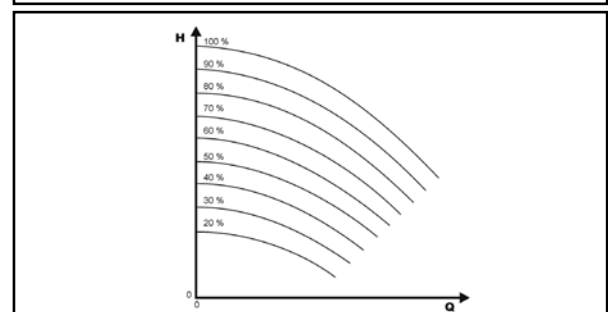
Control for constant pressure



Control to match a system curve



Control for constant flow



Control according to an external signal

e-IXP.H SERIES HYDROVAR (ErP 2009/125/EC)

From 1 July 2021 in accordance with the new **Regulations (EU) 2019/1781** and **2021/341** the **variance speed drives** with **three-phase input/output current**, rated voltage between **100 V** and **1000 V**, rated for operating with motors included in the same regulation (**0,12- 1000 kW**), must have efficiency level **IE2**.

The tables below also contain the mandatory information pursuant to Annex I, section 4, of the Regulations.

PN kW	Phase	UNin V	Pa kVA	Power losses (PL) with 10 KHz frequency										IE
				% Pa										
				(% rated speed; % rated torque)										
				stand-by	0;25	0;50	0;100	50;25	50;50	50;100	90;50	90;100		
1,5	~1	208-240		not included in regulation										
2,2														
3														
4														
1,5	~3	208-240	2,45	0,4%	1,3%	1,6%	1,9%	1,4%	1,7%	2,5%	2,0%	3,1%	2	
2,2			3,46	0,3%	1,3%	1,6%	2,4%	1,4%	1,8%	2,7%	2,0%	3,3%		
3			5,15	0,2%	1,1%	1,4%	2,2%	1,3%	1,7%	2,6%	1,9%	3,2%		
4			6,00	0,2%	1,1%	1,3%	2,1%	1,3%	1,6%	2,5%	1,9%	3,1%		
5,5			7,90	0,1%	0,9%	1,1%	1,8%	1,0%	1,4%	2,4%	1,7%	3,2%		
7,5			10,1	0,1%	0,7%	0,9%	1,5%	0,8%	1,1%	2,1%	1,4%	3,1%		
11			15,1	0,1%	0,7%	0,9%	1,7%	0,8%	1,2%	2,3%	1,4%	3,0%		
1,5			380-460	2,56	0,4%	1,2%	1,5%	1,8%	1,3%	1,6%	2,1%	1,6%		2,3%
2,2		3,67		0,3%	1,2%	1,3%	1,7%	1,3%	1,5%	2,1%	1,6%	2,3%		
3		5,00		0,2%	1,1%	1,1%	1,5%	1,2%	1,4%	2,1%	1,5%	2,2%		
4		6,20		0,2%	1,0%	0,9%	1,4%	1,1%	1,4%	2,0%	1,4%	2,2%		
5,5		8,30		0,2%	0,8%	0,8%	1,3%	0,9%	1,2%	1,9%	1,3%	2,2%		
7,5		10,7		0,1%	0,7%	0,6%	1,2%	0,7%	1,0%	1,8%	1,2%	2,3%		
11		15,9		0,1%	0,6%	0,6%	1,2%	0,7%	1,0%	1,8%	1,2%	2,2%		
15		21,5		0,1%	0,5%	0,6%	1,2%	0,6%	0,9%	1,6%	1,1%	2,0%		
18,5		25,6		0,1%	0,5%	0,6%	1,2%	0,6%	0,8%	1,6%	1,0%	1,9%		
22		29,4		0,0%	0,5%	0,7%	1,3%	0,6%	0,9%	1,6%	1,0%	2,1%		

hvl-pl-en_a_te

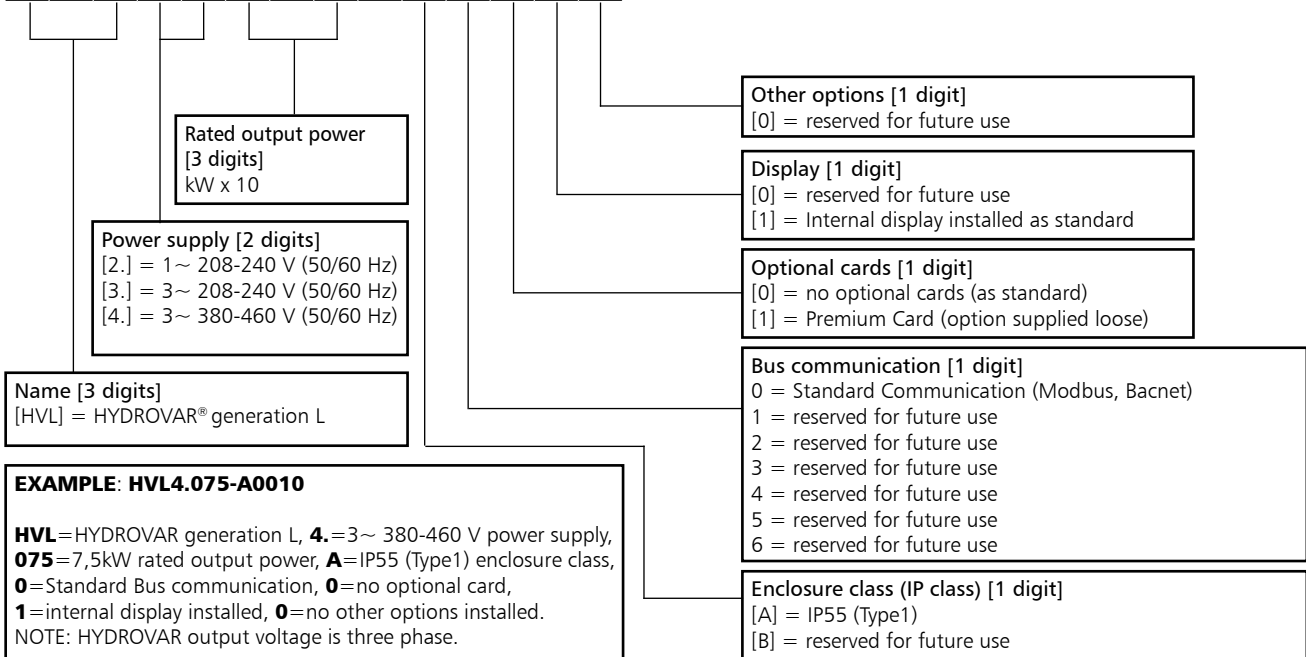
PN kW	~	UNin V	Manufacturer		f _{Nin} Hz	I _{Nin} max A	U _{nout} V	f _{Nout} Hz	I _{Nin} max A	Operating conditions*		
			Xylem Service Italia Srl Reg. No. 07520560967 Montecchio Maggiore (VI) - Italia							Altitude asl m	T.amb min/max °C	ATEX
			Model									
1,5	1	208-240	HVL 2.015-...		50/60	11,6	0-100% U _{Nin}	15-70	7,5	≤ 1000	-15/40	No
2,2			HVL 2.022-...			1			15,1			
3			HVL 2.030-...			22,3			14,3			
4			HVL 2.040-...			27,6			16,7			
1,5	3	208-240	HVL 3.015-...		50/60	7	0-100% U _{Nin}	15-70	7,5	≤ 1000	-15/40	No
2,2			HVL 3.022-...			9,1			10			
3			HVL 3.030-...			13,3			14,3			
4			HVL 3.040-...			16,5			16,7			
5,5			HVL 3.055-...			23,5			24,2			
7,5			HVL 3.075-...			29,6			31			
11			HVL 3.110-...			3			43,9			
1,5			380-460	HVL 4.015-...		3,9			4,1			
2,2		HVL 4.022-...		5,3		5,7						
3		HVL 4.030-...		7,2		7,3						
4		HVL 4.040-...		10,1		10						
5,5		HVL 4.055-...		12,8		13,5						
7,5		HVL 4.075-...		16,9		17						
11		HVL 4.110-...		24,2		24						
15		HVL 4.150-...		33,3		32						
18,5		HVL 4.185-...		38,1		38						
22		HVL 4.220-...		44,7		44						

*up to 2000 meters or maximum 55°C reducing the supplied power

hvl-en_a_te

HYDROVAR HVL IDENTIFICATION CODE

H V L 4 . 0 7 5 - A 0 0 1 0



DIMENSIONS AND WEIGHTS



TYPE	MODELS			DIMENSIONS (mm)				WEIGHT Kg
	/2	/3	/4	L	B	H	X	
SIZE A	HVL2.015 ÷ 2.022	HVL3.015 ÷ 3.022	HVL4.015 ÷ 4.040	216	205	170	243	5,6
SIZE B	HVL2.030 ÷ 2.040	HVL3.030 ÷ 3.055	HVL4.055 ÷ 4.110	276	265	185	305	10,5
SIZE C	-	HVL3.075 ÷ 3.110	HVL4.150 ÷ 4.220	366	337	200	407	15,6

HVL_dim-en_b_td

HYDROVAR HVL EMC COMPATIBILITY

EMC requirements

HYDROVAR fulfills the product standard EN61800-3:2004 + A1:2012, which defines categories (C1 to C4) for device application areas.

Depending on the motor cable length, a classification of HYDROVAR by category (based on EN61800-3) is reported in the following tables:

HVL	HYDROVAR classification by categories based on EN61800-3
2.015 ÷ 2.040	C1 (*)
3.015 ÷ 3.110	C2 (*)
4.015 ÷ 4.220	C2 (*)

(*) 0,75 motor cable length; contact Xylem for further information En-Rev_A

CARD

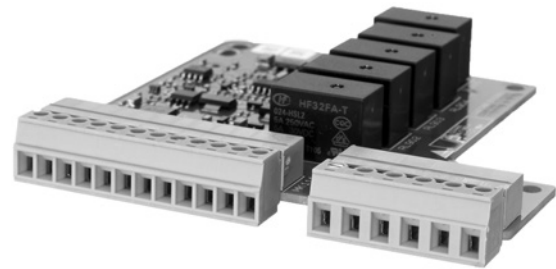
Premium Card HYDROVAR

For the IXP..H the Premium Card comes fitted as standard on the standalone HYDROVAR.

This allows to control up to five fix speed pumps via an external panel.

The Premium Card will allow additional features listed below:

- 2 additional Analog Inputs
- 2 Analog Outputs
- 1 additional digital input
- 5 relays.



OPTIONAL COMPONENTS

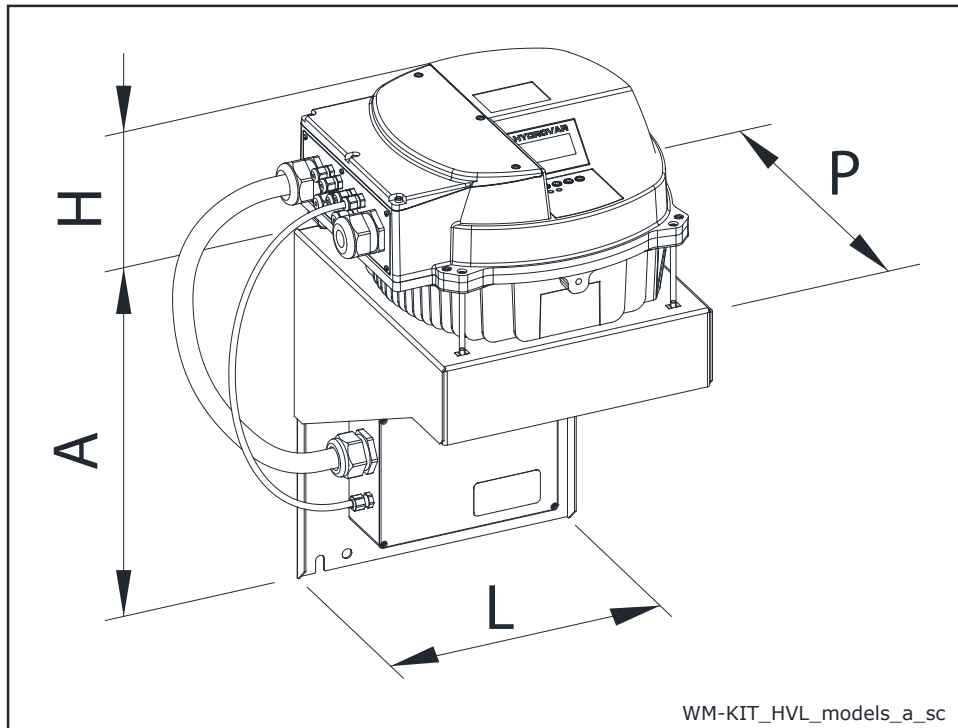
Sensors

The following sensors are available for HYDROVAR:

- Pressure-transducer
- Differential pressure-transducer
- Temperature-sensor
- Flow indicator (orifice plate, inductive flow meter)
- Level-sensor.

HYDROVAR HVL (WALL MOUNTING KIT) DIMENSIONS AND WEIGHTS

As an option a HYDROVAR wall mounting kit is also available, this is used where mounting on the pump unit is impossible or where you would like the controls in another location, these are available for the new generation HYDROVAR HVL 2.015-4.220 (22 kW). The speed of the cooling fan modulates with the HYDROVAR usage which optimizes energy consumption and also reduces noise.

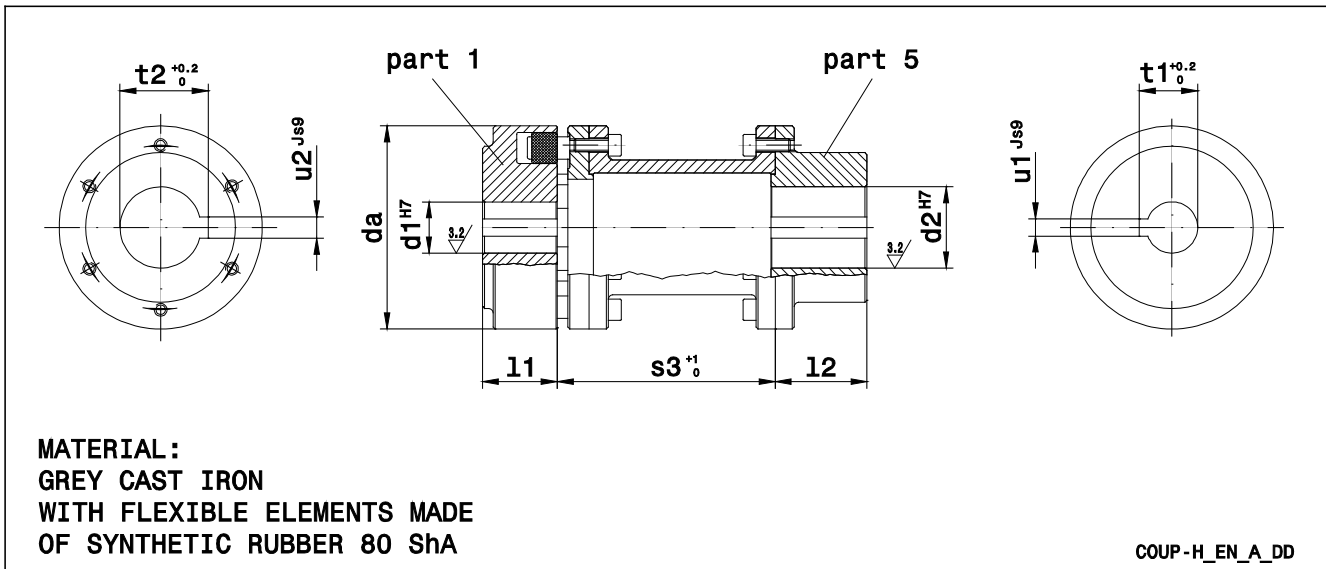


WM KIT TYPE	kW	WM KIT POWER SUPPLY	HVL SIZE	DIMENSIONS (mm)				WEIGHT (kg)	
				A	H	L	P	HVL	WM KIT
WM KIT HVL 2.015	1,5	1~ 230V	A	220	170	202	232	5,6	2,6
WM KIT HVL 2.022	2,2			220	170	202	232	5,6	2,6
WM KIT HVL 2.030	3		B	240	175	258	290	10,5	8,2
WM KIT HVL 2.040	4			320	175	288	305	10,5	5,4
WM KIT HVL 3.015	1,5	3~ 230V	A	220	170	202	232	5,6	2,6
WM KIT HVL 3.022	2,2			220	170	202	232	5,6	2,6
WM KIT HVL 3.030	3		B	240	175	258	290	10,5	8,2
WM KIT HVL 3.040	4			240	175	258	290	10,5	8,2
WM KIT HVL 3.055	5,5		C	240	175	258	290	10,5	8,2
WM KIT HVL 3.075	7,5			400	200	325	365	15,6	11,6
WM KIT HVL 3.110	11		400	200	325	365	15,6	11,6	
WM KIT HVL 4.015	1,5		3~ 400V	A	240	170	258	290	5,6
WM KIT HVL 4.022	2,2	240			170	258	290	5,6	8,2
WM KIT HVL 4.030	3	240			170	258	290	5,6	8,2
WM KIT HVL 4.040	4	240			170	258	290	5,6	8,2
WM KIT HVL 4.055	5,5	B		240	175	258	290	10,5	8,2
WM KIT HVL 4.075	7,5			240	175	258	290	10,5	8,2
WM KIT HVL 4.110	11	C		320	175	288	305	10,5	5,4
WM KIT HVL 4.150	15			400	200	325	365	15,6	11,6
WM KIT HVL 4.185	18,5			400	200	325	365	15,6	11,6
WM KIT HVL 4.220	22			400	200	325	365	15,6	11,6

WM-KIT_HVL_models-EN_b_td

ACCESSORIES

SPACER COUPLING DIMENSIONS



REF.	DENOMINATION	DIMENSIONS [mm]										WEIGHT [kg]
		PART 1						PART 5				
		SIZE - s x d ₁ / d ₂	da	s ₃ +1	d ₁ H7	l ₁	u ₁ js9	t ₁ +0.2	d ₂ H7	l ₂	u ₂ js9	
H80A	H 80-100 x 24 / 24	80	100	24	30	8	27,3	24	45	8	27,3	2,6
H80B	H 80-100 x 24 / 28	80	100	24	30	8	27,3	28	45	8	31,3	2,6
H95A	H 95-100 x 24 / 38	95	100	24	35	8	27,3	38	45	10	41,3	3,5
H95B	H 95-100 x 24 / 42	95	100	24	35	8	27,3	42	45	12	45,3	3,5
H95C	H 95-100 x 32 / 24	95	100	32	35	10	35,3	24	45	8	27,3	3,5
H95D	H 95-100 x 32 / 28	95	100	32	35	10	35,3	28	45	8	31,3	3,5
H95E	H 95-100 x 32 / 38	95	100	32	35	10	35,3	38	45	10	41,3	3,5
H95F	H 95-100 x 32 / 42	95	100	32	35	10	35,3	42	45	12	45,3	3,5
H95G	H 95-140 x 32 / 24	95	140	32	35	10	35,3	24	45	8	27,3	3,8
H95H	H 95-140 x 32 / 28	95	140	32	35	10	35,3	28	45	8	31,3	3,8
H95J	H 95-140 x 32 / 38	95	140	32	35	10	35,3	38	45	10	41,3	3,8
H95K	H 95-140 x 32 / 42	95	140	32	35	10	35,3	42	45	12	45,3	3,8
H95L	H 95-140 x 42 / 28	95	140	42	35	12	45,3	28	45	8	31,3	3,8
H95M	H 95-140 x 42 / 38	95	140	42	35	12	45,3	38	45	10	41,3	3,8
H95N	H 95-140 x 42 / 42	95	140	42	35	12	45,3	42	45	12	45,3	3,8
H110A	H 110-100 x 24 / 48	110	100	24	40	8	27,3	48	50	14	51,8	5,2
H110B	H 110-100 x 32 / 48	110	100	32	40	10	35,3	48	50	14	51,8	5,2
H110C	H 110-140 x 32 / 48	110	140	32	40	10	35,3	48	50	14	51,8	5,4
H110D	H 110-140 x 42 / 48	110	140	42	40	12	45,3	48	50	14	51,8	5,4
H110E	H 110-180 x 42 / 38	110	180	42	40	12	45,3	38	60	10	41,3	6,0
H110F	H 110-180 x 42 / 42	110	180	42	40	12	45,3	42	60	12	45,3	6,0
H110G	H 110-180 x 42 / 48	110	180	42	40	12	45,3	48	60	14	51,8	6,0
H110H	H 110-180 x 48 / 38	110	180	48	40	14	51,8	38	60	10	41,3	6,0
H110J	H 110-180 x 48 / 42	110	180	48	40	14	51,8	42	60	12	45,3	6,0
H110K	H 110-180 x 48 / 48	110	180	48	40	14	51,8	48	60	14	51,8	6,0
H125A	H 125-100 x 24 / 55	125	100	24	50	8	27,3	55	50	16	59,3	7,2
H125B	H 125-100 x 32 / 55	125	100	32	50	10	35,3	55	50	16	59,3	7,2
H125C	H 125-140 x 32 / 55	125	140	32	50	10	35,3	55	50	16	59,3	7,7
H125D	H 125-140 x 42 / 55	125	140	42	50	12	45,3	55	50	16	59,3	7,7
H125E	H 125-180 x 42 / 55	125	180	42	50	12	45,3	55	60	16	59,3	8,2
H125F	H 125-180 x 48 / 55	125	180	48	50	14	51,8	55	60	16	59,3	8,2
H140A	H 140-100 x 32 / 60	140	100	32	55	10	35,3	60	65	18	64,4	10,0
H140B	H 140-140 x 32 / 60	140	140	32	55	10	35,3	60	65	18	64,4	10,5
H140C	H 140-140 x 42 / 60	140	140	42	55	12	45,3	60	65	18	64,4	10,5
H140D	H 140-180 x 42 / 60	140	180	42	55	12	45,3	60	65	18	64,4	11,0
H140E	H 140-180 x 48 / 60	140	180	48	55	14	51,8	60	65	18	64,4	11,0
H160A	H 160-100 x 32 / 65	160	100	32	60	10	35,3	65	70	18	69,4	13,0
H160B	H 160-140 x 32 / 65	160	140	32	60	10	35,3	65	70	18	69,4	13,7
H160C	H 160-140 x 42 / 65	160	140	42	60	12	45,3	65	70	18	69,4	13,7
H160D	H 160-180 x 42 / 65	160	180	42	60	12	45,3	65	70	18	69,4	14,5
H160E	H 160-180 x 48 / 65	160	180	48	60	14	51,8	65	70	18	69,4	14,5
H180A	H 180-140 x 42 / 75	180	140	42	70	12	45,3	75	80	20	79,9	18,5
H180B	H 180-180 x 42 / 75	180	180	42	70	12	45,3	75	80	20	79,9	19,4
H180C	H 180-180 x 48 / 75	180	180	48	70	14	51,8	75	80	20	79,9	19,4
H180D	H 180-140 x 42 / 65	180	140	42	70	12	45,3	65	80	18	69,4	18,5
H200A	H 200-140 x 42 / 85	200	140	42	80	12	45,3	85	90	22	90,4	25,6
H200B	H 200-180 x 48 / 85	200	180	48	80	14	51,8	85	90	22	90,4	26,5
H200C	H 200-140 x 42 / 80	200	140	42	80	12	45,3	80	90	22	85,4	25,6
H200D	H 200-180 x 48 / 80	200	180	48	80	14	51,8	80	90	22	85,4	26,5

REPORTS AND DECLARATIONS

REPORTS AND DECLARATIONS

i) Test reports

a) Factory Test Report

- Test report compiled at the end of the assembly line, including flow-head performance test (ISO 9906:2012 – Grade 2B) and hydrostatic pressure test.

b) Audit Test Report

- Test report for electric pumps compiled in the test room, comprising flow-head-pump input-pump efficiency performance test (according to ISO 9906:2012)

c) NPSH Test Report

- Test report for electric pumps compiled in the test room, comprising flow-NPSH performance test (according to ISO 9906:2012)

d) Noise Test Report

- Report indicating sound pressure and power measurements (EN ISO 20361, EN ISO 11203, EN ISO 4871)

e) Vibration Test Report

(unavailable for submerged or submergible pumps)
- Report indicating vibration measurements (ISO 10816-1)

ii) Declaration of product conformity with the technical requirements indicated in the order

a) EN 10204:2004 - type 2.1

- does not include test results on supplied or similar products.

b) EN 10204:W - type 2.2

- includes test results (materials certificates) on similar products.

iii) Issue of a further EC Declaration of Conformity,

- in addition to the one accompanying the product, it comprises references to European law and the main technical standards (e.g.: MD 2006/42/EC, EMCD 2014/30/EU, ErP 2009/125/EC).

N.B.: if the request is made after receipt of the product, communicate the code (name) and serial number (date + progressive number).

iv) Manufacturer's declaration of conformity

- relative to one of more types of products without indicating specific codes and serial numbers.

v) Other certificates and/or documentation on request

- subject to availability or feasibility.

vi) Duplication of certificates and/or documentation on request

- subject to availability or feasibility.

TECHNICAL APPENDIX

NPSH

The minimum operating values that can be reached at the pump suction end are limited by the onset of cavitation.

Cavitation is the formation of vapour-filled cavities within liquids where the pressure is locally reduced to a critical value, or where the local pressure is equal to, or just below the vapour pressure of the liquid.

The vapour-filled cavities flow with the current and when they reach a higher pressure area the vapour contained in the cavities condenses. The cavities collide, generating pressure waves that are transmitted to the walls. These, being subjected to stress cycles, gradually become deformed and yield due to fatigue. This phenomenon, characterized by a metallic noise produced by the hammering on the pipe walls, is called incipient cavitation.

The damage caused by cavitation may be magnified by electrochemical corrosion and a local rise in temperature due to the plastic deformation of the walls. The materials that offer the highest resistance to heat and corrosion are alloy steels, especially austenitic steel. The conditions that trigger cavitation may be assessed by calculating the total net suction head, referred to in technical literature with the acronym NPSH (Net Positive Suction Head).

The NPSH represents the total energy (expressed in m.) of the liquid measured at suction under conditions of incipient cavitation, excluding the vapour pressure (expressed in m.) that the liquid has at the pump inlet.

To find the static height h_z at which to install the machine under safe conditions, the following formula must be verified:

$$h_p + h_z \geq (NPSH_r + 0.5) + h_f + h_{pv} \quad ①$$

where:

h_p is the absolute pressure applied to the free liquid surface in the suction tank, expressed in m. of liquid; h_p is the quotient between the barometric pressure and the specific weight of the liquid.

h_z is the suction lift between the pump axis and the free liquid surface in the suction tank, expressed in m.; h_z is negative when the liquid level is lower than the pump axis.

h_f is the flow resistance in the suction line and its accessories, such as: fittings, foot valve, gate valve, elbows, etc.

h_{pv} is the vapour pressure of the liquid at the operating temperature, expressed in m. of liquid. h_{pv} is the quotient between the P_v vapour pressure and the liquid's specific weight.

0,5 is the safety factor.

The maximum possible suction head for installation depends on the value of the atmospheric pressure (i.e. the elevation above sea level at which the pump is installed) and the temperature of the liquid.

To help the user, with reference to water temperature (4° C) and to the elevation above sea level, the following tables show the drop in hydraulic pressure head in relation to the elevation above sea level, and the suction loss in relation to temperature.

Water temperature (°C)	20	40	60	80	90	110	120
Suction loss (m)	0,2	0,7	2,0	5,0	7,4	15,4	21,5

Elevation above sea level (m)	500	1000	1500	2000	2500	3000
Suction loss (m)	0,55	1,1	1,65	2,2	2,75	3,3

Friction loss is shown in the tables Flow Resistance of this catalogue. To reduce it to a minimum, especially in cases of high suction head (over 4-5 m.) or within the operating limits with high flow rates, we recommend using a suction line having a larger diameter than that of the pump's suction port. It is always a good idea to position the pump as close as possible to the liquid to be pumped.

Make the following calculation:

Liquid: water at ~15°C $\gamma = 1 \text{ kg/dm}^3$

Flow rate required: 25 m³/h

Head for required delivery: 70 m.

Suction lift: 3,5 m.

The selection is an 33SV3G075T pump whose NPSH required value is, at 25 m³/h, of 2 m.

For water at 15 °C

$$h_p = P_a / \gamma = 10,33\text{m}, h_{pv} = P_v / \gamma = 0,174\text{m} (0,01701 \text{ bar})$$

The H_f flow resistance in the suction line with foot valves is ~ 1,2 m.

By substituting the parameters in formula ① with the numeric values above, we have:

$$10,33 + (-3,5) \geq (2 + 0,5) + 1,2 + 0,17$$

from which we have: 6,8 > 3,9

The relation is therefore verified.

VAPOUR PRESSURE
VAPOUR PRESSURE p_s AND ρ DENSITY OF WATER TABLE

t	T	p_s	ρ	t	T	p_s	ρ	t	T	p_s	ρ
°C	K	bar	kg/dm ³	°C	K	bar	kg/dm ³	°C	K	bar	kg/dm ³
0	273,15	0,00611	0,9998	55	328,15	0,15741	0,9857	120	393,15	1,9854	0,9429
1	274,15	0,00657	0,9999	56	329,15	0,16511	0,9852	122	395,15	2,1145	0,9412
2	275,15	0,00706	0,9999	57	330,15	0,17313	0,9846	124	397,15	2,2504	0,9396
3	276,15	0,00758	0,9999	58	331,15	0,18147	0,9842	126	399,15	2,3933	0,9379
4	277,15	0,00813	1,0000	59	332,15	0,19016	0,9837	128	401,15	2,5435	0,9362
5	278,15	0,00872	1,0000	60	333,15	0,1992	0,9832	130	403,15	2,7013	0,9346
6	279,15	0,00935	1,0000	61	334,15	0,2086	0,9826	132	405,15	2,867	0,9328
7	280,15	0,01001	0,9999	62	335,15	0,2184	0,9821	134	407,15	3,041	0,9311
8	281,15	0,01072	0,9999	63	336,15	0,2286	0,9816	136	409,15	3,223	0,9294
9	282,15	0,01147	0,9998	64	337,15	0,2391	0,9811	138	411,15	3,414	0,9276
10	283,15	0,01227	0,9997	65	338,15	0,2501	0,9805	140	413,15	3,614	0,9258
11	284,15	0,01312	0,9997	66	339,15	0,2615	0,9799	145	418,15	4,155	0,9214
12	285,15	0,01401	0,9996	67	340,15	0,2733	0,9793	155	428,15	5,433	0,9121
13	286,15	0,01497	0,9994	68	341,15	0,2856	0,9788	160	433,15	6,181	0,9073
14	287,15	0,01597	0,9993	69	342,15	0,2984	0,9782	165	438,15	7,008	0,9024
15	288,15	0,01704	0,9992	70	343,15	0,3116	0,9777	170	443,15	7,920	0,8973
16	289,15	0,01817	0,9990	71	344,15	0,3253	0,9770	175	448,15	8,924	0,8921
17	290,15	0,01936	0,9988	72	345,15	0,3396	0,9765	180	453,15	10,027	0,8869
18	291,15	0,02062	0,9987	73	346,15	0,3543	0,9760	185	458,15	11,233	0,8815
19	292,15	0,02196	0,9985	74	347,15	0,3696	0,9753	190	463,15	12,551	0,8760
20	293,15	0,02337	0,9983	75	348,15	0,3855	0,9748	195	468,15	13,987	0,8704
21	294,15	0,24850	0,9981	76	349,15	0,4019	0,9741	200	473,15	15,550	0,8647
22	295,15	0,02642	0,9978	77	350,15	0,4189	0,9735	205	478,15	17,243	0,8588
23	296,15	0,02808	0,9976	78	351,15	0,4365	0,9729	210	483,15	19,077	0,8528
24	297,15	0,02982	0,9974	79	352,15	0,4547	0,9723	215	488,15	21,060	0,8467
25	298,15	0,03166	0,9971	80	353,15	0,4736	0,9716	220	493,15	23,198	0,8403
26	299,15	0,03360	0,9968	81	354,15	0,4931	0,9710	225	498,15	25,501	0,8339
27	300,15	0,03564	0,9966	82	355,15	0,5133	0,9704	230	503,15	27,976	0,8273
28	301,15	0,03778	0,9963	83	356,15	0,5342	0,9697	235	508,15	30,632	0,8205
29	302,15	0,04004	0,9960	84	357,15	0,5557	0,9691	240	513,15	33,478	0,8136
30	303,15	0,04241	0,9957	85	358,15	0,5780	0,9684	245	518,15	36,523	0,8065
31	304,15	0,04491	0,9954	86	359,15	0,6011	0,9678	250	523,15	39,776	0,7992
32	305,15	0,04753	0,9951	87	360,15	0,6249	0,9671	255	528,15	43,246	0,7916
33	306,15	0,05029	0,9947	88	361,15	0,6495	0,9665	260	533,15	46,943	0,7839
34	307,15	0,05318	0,9944	89	362,15	0,6749	0,9658	265	538,15	50,877	0,7759
35	308,15	0,05622	0,9940	90	363,15	0,7011	0,9652	270	543,15	55,058	0,7678
36	309,15	0,05940	0,9937	91	364,15	0,7281	0,9644	275	548,15	59,496	0,7593
37	310,15	0,06274	0,9933	92	365,15	0,7561	0,9638	280	553,15	64,202	0,7505
38	311,15	0,06624	0,9930	93	366,15	0,7849	0,9630	285	558,15	69,186	0,7415
39	312,15	0,06991	0,9927	94	367,15	0,8146	0,9624	290	563,15	74,461	0,7321
40	313,15	0,07375	0,9923	95	368,15	0,8453	0,9616	295	568,15	80,037	0,7223
41	314,15	0,07777	0,9919	96	369,15	0,8769	0,9610	300	573,15	85,927	0,7122
42	315,15	0,08198	0,9915	97	370,15	0,9094	0,9602	305	578,15	92,144	0,7017
43	316,15	0,09639	0,9911	98	371,15	0,9430	0,9596	310	583,15	98,70	0,6906
44	317,15	0,09100	0,9907	99	372,15	0,9776	0,9586	315	588,15	105,61	0,6791
45	318,15	0,09582	0,9902	100	373,15	1,0133	0,9581	320	593,15	112,89	0,6669
46	319,15	0,10086	0,9898	102	375,15	1,0878	0,9567	325	598,15	120,56	0,6541
47	320,15	0,10612	0,9894	104	377,15	1,1668	0,9552	330	603,15	128,63	0,6404
48	321,15	0,11162	0,9889	106	379,15	1,2504	0,9537	340	613,15	146,05	0,6102
49	322,15	0,11736	0,9884	108	381,15	1,3390	0,9522	350	623,15	165,35	0,5743
50	323,15	0,12335	0,9880	110	383,15	1,4327	0,9507	360	633,15	186,75	0,5275
51	324,15	0,12961	0,9876	112	385,15	1,5316	0,9491	370	643,15	210,54	0,4518
52	325,15	0,13613	0,9871	114	387,15	1,6362	0,9476	374,15	647,30	221,20	0,3154
53	326,15	0,14293	0,9862	116	389,15	1,7465	0,9460				
54	327,15	0,15002	0,9862	118	391,15	1,8628	0,9445				

G-at_npsb_sc

TABLE OF FLOW RESISTANCE IN 100 m OF STRAIGHT CAST IRON PIPELINE (HAZEN-WILLIAMS FORMULA C=100)

FLOW RATE		NOMINAL DIAMETER in mm and inches																		
m ³ /h	l/min		15	20	25	32	40	50	65	80	100	125	150	175	200	250	300	350	400	
			1/2"	3/4"	1"	1 1/4"	1 1/2"	2	2 1/2"	3"	4"	5"	6"	7"	8"	10"	12"	14"	16"	
0,6	10	v	0,94	0,53	0,34	0,21	0,13													
		hr	16	3,94	1,33	0,40	0,13													
0,9	15	v	1,42	0,80	0,51	0,31	0,20													
		hr	33,9	8,35	2,82	0,85	0,29													
1,2	20	v	1,89	1,06	0,68	0,41	0,27	0,17												
		hr	57,7	14,21	4,79	1,44	0,49	0,16												
1,5	25	v	2,36	1,33	0,85	0,52	0,33	0,21												
		hr	87,2	21,5	7,24	2,18	0,73	0,25												
1,8	30	v	2,83	1,59	1,02	0,62	0,40	0,25												
		hr	122	30,1	10,1	3,05	1,03	0,35												
2,1	35	v	3,30	1,86	1,19	0,73	0,46	0,30												
		hr	162	40,0	13,5	4,06	1,37	0,46												
2,4	40	v		2,12	1,36	0,83	0,53	0,34	0,20											
		hr		51,2	17,3	5,19	1,75	0,59	0,16											
3	50	v		2,65	1,70	1,04	0,66	0,42	0,25											
		hr		77,4	26,1	7,85	2,65	0,89	0,25											
3,6	60	v		3,18	2,04	1,24	0,80	0,51	0,30											
		hr		108	36,6	11,0	3,71	1,25	0,35											
4,2	70	v		3,72	2,38	1,45	0,93	0,59	0,35											
		hr		144	48,7	14,6	4,93	1,66	0,46											
4,8	80	v		4,25	2,72	1,66	1,06	0,68	0,40											
		hr		185	62,3	18,7	6,32	2,13	0,59											
5,4	90	v			3,06	1,87	1,19	0,76	0,45	0,30										
		hr			77,5	23,3	7,85	2,65	0,74	0,27										
6	100	v			3,40	2,07	1,33	0,85	0,50	0,33										
		hr			94,1	28,3	9,54	3,22	0,90	0,33										
7,5	125	v			4,25	2,59	1,66	1,06	0,63	0,41										
		hr			142	42,8	14,4	4,86	1,36	0,49										
9	150	v				3,11	1,99	1,27	0,75	0,50	0,32									
		hr				59,9	20,2	6,82	1,90	0,69	0,23									
10,5	175	v				3,63	2,32	1,49	0,88	0,58	0,37									
		hr				79,7	26,9	9,07	2,53	0,92	0,31									
12	200	v				4,15	2,65	1,70	1,01	0,66	0,42									
		hr				102	34,4	11,6	3,23	1,18	0,40									
15	250	v				5,18	3,32	2,12	1,26	0,83	0,53	0,34								
		hr				154	52,0	17,5	4,89	1,78	0,60	0,20								
18	300	v					3,98	2,55	1,51	1,00	0,64	0,41								
		hr					72,8	24,6	6,85	2,49	0,84	0,28								
24	400	v					5,31	3,40	2,01	1,33	0,85	0,54	0,38							
		hr					124	41,8	11,66	4,24	1,43	0,48	0,20							
30	500	v					6,63	4,25	2,51	1,66	1,06	0,68	0,47							
		hr					187	63,2	17,6	6,41	2,16	0,73	0,30							
36	600	v						5,10	3,02	1,99	1,27	0,82	0,57	0,42						
		hr						88,6	24,7	8,98	3,03	1,02	0,42	0,20						
42	700	v						5,94	3,52	2,32	1,49	0,95	0,66	0,49						
		hr						118	32,8	11,9	4,03	1,36	0,56	0,26						
48	800	v						6,79	4,02	2,65	1,70	1,09	0,75	0,55						
		hr						151	42,0	15,3	5,16	1,74	0,72	0,34						
54	900	v						7,64	4,52	2,99	1,91	1,22	0,85	0,62						
		hr						188	52,3	19,0	6,41	2,16	0,89	0,42						
60	1000	v						5,03	3,32	2,12	1,36	0,94	0,69	0,53						
		hr						63,5	23,1	7,79	2,63	1,08	0,51	0,27						
75	1250	v						6,28	4,15	2,65	1,70	1,18	0,87	0,66						
		hr						96,0	34,9	11,8	3,97	1,63	0,77	0,40						
90	1500	v						7,54	4,98	3,18	2,04	1,42	1,04	0,80						
		hr						134	48,9	16,5	5,57	2,29	1,08	0,56						
105	1750	v						8,79	5,81	3,72	2,38	1,65	1,21	0,93						
		hr						179	65,1	21,9	7,40	3,05	1,44	0,75						
120	2000	v						6,63	4,25	2,72	1,89	1,39	1,06	0,68						
		hr						83,3	28,1	9,48	3,90	1,84	0,96	0,32						
150	2500	v						8,29	5,31	3,40	2,36	1,73	1,33	0,85						
		hr						126	42,5	14,3	5,89	2,78	1,45	0,49						
180	3000	v							6,37	4,08	2,83	2,08	1,59	1,02	0,71					
		hr							59,5	20,1	8,26	3,90	2,03	0,69	0,28					
210	3500	v							7,43	4,76	3,30	2,43	1,86	1,19	0,83					
		hr							79,1	26,7	11,0	5,18	2,71	0,91	0,38					
240	4000	v							8,49	5,44	3,77	2,77	2,12	1,36	0,94					
		hr							101	34,2	14,1	6,64	3,46	1,17	0,48					
300	5000	v								6,79	4,72	3,47	2,65	1,70	1,18					
		hr								51,6	21,2	10,0	5,23	1,77	0,73					
360	6000	v								8,15	5,66	4,16	3,18	2,04	1,42					
		hr								72,3	29,8	14,1	7,33	2,47	1,02					
420	7000	v									6,61	4,85	3,72	2,38	1,65	1,21				
		hr									39,6	18,7	9,75	3,29	1,35	0,64				
480	8000	v									7,55	5,55	4,25	2,72	1,89	1,39				
		hr									50,7	23,9	12,49	4,21	1,73	0,82				
540	9000	v									8,49	6,24	4,78	3,06	2,12	1,56	1,19			
		hr									63,0	29,8	15,5	5,24	2,16	1,02	0,53			
600	10000	v									6,93	5,31	3,40	2,36	1,73	1,33				
	</																			

FLOW RESISTANCE

TABLE OF FLOW RESISTANCE IN BENDS, VALVES AND GATES

The flow resistance is calculated using the equivalent pipeline length method according to the table below:

ACCESSORY TYPE	DN											
	25	32	40	50	65	80	100	125	150	200	250	300
	Equivalent pipeline length (m)											
45° bend	0,2	0,2	0,4	0,4	0,6	0,6	0,9	1,1	1,5	1,9	2,4	2,8
90° bend	0,4	0,6	0,9	1,1	1,3	1,5	2,1	2,6	3,0	3,9	4,7	5,8
90° smooth bend	0,4	0,4	0,4	0,6	0,9	1,1	1,3	1,7	1,9	2,8	3,4	3,9
Union tee or cross	1,1	1,3	1,7	2,1	2,6	3,2	4,3	5,3	6,4	7,5	10,7	12,8
Gate valve	-	-	-	0,2	0,2	0,2	0,4	0,4	0,6	0,9	1,1	1,3
Foot check valve	1,1	1,5	1,9	2,4	3,0	3,4	4,7	5,9	7,4	9,6	11,8	13,9
Non return valve	1,1	1,5	1,9	2,4	3,0	3,4	4,7	5,9	7,4	9,6	11,8	13,9

G-a-pcv-en_b_th

The table is valid for the Hazen Williams coefficient $C=100$ (cast iron pipework);

for steel pipework, multiply the values by 1,41;

for stainless steel, copper and coated cast iron pipework, multiply the values by 1,85;

When the **equivalent pipeline length** has been determined, the flow resistance is obtained from the table of flow resistance.

The values given are guideline values which are bound to vary slightly according to the model, especially for gate valves and non-return valves, for which it is a good idea to check the values supplied by manufacturers.

VOLUMETRIC CAPACITY

Litres per minute l/min	Cubic metres per hour m ³ /h	Cubic feet per hour ft ³ /h	Cubic feet per minute ft ³ /min	Imperial gallon per minute Imp. gal/min	U.S. gallon per minute US gal/min
1,000	0,0600	2,1189	0,0353	0,2200	0,2642
16,6667	1,0000	35,3147	0,5886	3,6662	4,4029
0,4719	0,0283	1,0000	0,0167	0,1038	0,1247
28,3168	1,6990	60,0000	1,0000	6,2288	7,4805
4,5461	0,2728	9,6326	0,1605	1,0000	1,2009
3,7854	0,2271	8,0208	0,1337	0,8327	1,0000

PRESSURE AND HEAD

Newton per square metre N/m ²	kilo Pascal kPa	bar bar	Pound force per square inch psi	Metre of water m H ₂ O	Millimetre of mercury mm Hg
1,0000	0,0010	1 x 10 ⁻⁵	1,45 x 10 ⁻⁴	1,02 x 10 ⁻⁴	0,0075
1 000,0000	1,0000	0,0100	0,1450	0,1020	7,5006
1 x 10 ⁵	100,0000	1,0000	14,5038	10,1972	750,0638
6 894,7570	6,8948	0,0689	1,0000	0,7031	51,7151
9 806,6500	9,8067	0,0981	1,4223	1,0000	73,5561
133,3220	0,1333	0,0013	0,0193	0,0136	1,0000

LENGTH

Millimetre mm	Centimetre cm	Metre m	Inch in	Foot ft	Yard yd
1,0000	0,1000	0,0010	0,0394	0,0033	0,0011
10,0000	1,0000	0,0100	0,3937	0,0328	0,0109
1 000,0000	100,0000	1,0000	39,3701	3,2808	1,0936
25,4000	2,5400	0,0254	1,0000	0,0833	0,0278
304,8000	30,4800	0,3048	12,0000	1,0000	0,3333
914,4000	91,4400	0,9144	36,0000	3,0000	1,0000

VOLUME

Cubic metre m ³	Litre L	Millilitre ml	Imperial gallon imp. gal.	U.S. gallon US gal.	Cubic foot ft ³
1,0000	1 000,0000	1 x 10 ⁶	219,9694	264,1720	35,3147
0,0010	1,0000	1 000,0000	0,2200	0,2642	0,0353
1 x 10 ⁻⁶	0,0010	1,0000	2,2 x 10 ⁻⁴	2,642 x 10 ⁻⁴	3,53 x 10 ⁻⁵
0,0045	4,5461	4 546,0870	1,0000	1,2009	0,1605
0,0038	3,7854	3 785,4120	0,8327	1,0000	0,1337
0,0283	28,3168	28 316,8466	6,2288	7,4805	1,0000

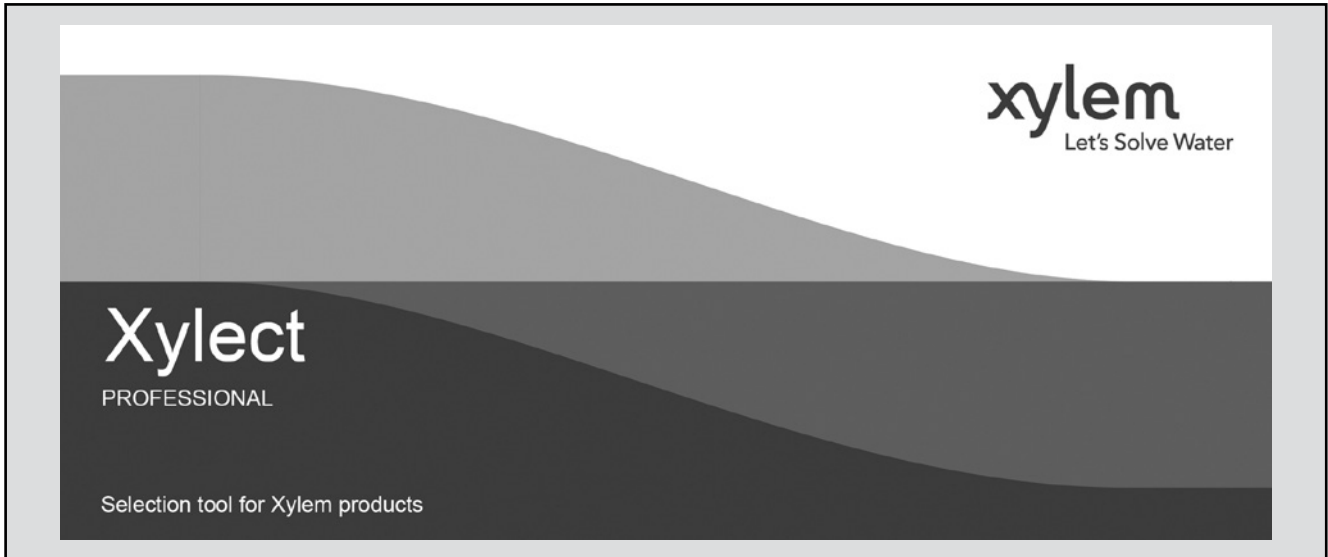
TEMPERATURE

Water	Kelvin K	Celsius °C	Fahrenheit °F	$^{\circ}\text{F} = ^{\circ}\text{C} \times \frac{9}{5} + 32$ $^{\circ}\text{C} = (^{\circ}\text{F} - 32) \times \frac{5}{9}$
icing	273,1500	0,0000	32,0000	
boiling	373,1500	100,0000	212,0000	

G-at_pp-en_b_sc

FURTHER PRODUCT SELECTION AND DOCUMENTATION

Xylect



Xylect is pump solution selection software with an extensive online database of product information across the entire Lowara range of pumps and related products, with multiple search options and helpful project management facilities. The system holds up-to-date product information on thousands of products and accessories.

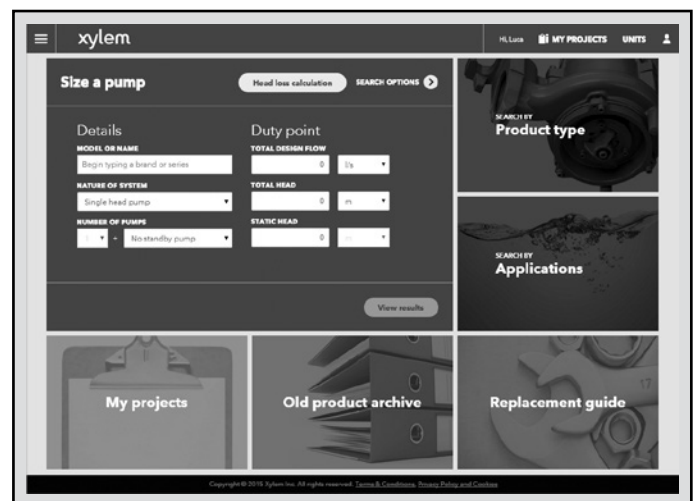
The possibility to search by applications and the detailed information output given makes it easy to make the optimal selection without having detailed knowledge about the Lowara products.

The search can be made by:

- Application
- Product type
- Duty point

Xylect gives a detailed output:

- List with search results
- Performance curves (flow, head, power, efficiency, NPSH)
- Motor data
- Dimensional drawings
- Options
- Data sheet printouts
- Document downloads incl dxf files



The search by application guides users not familiar with the product range to the right choice.

FURTHER PRODUCT SELECTION AND DOCUMENTATION Xylect



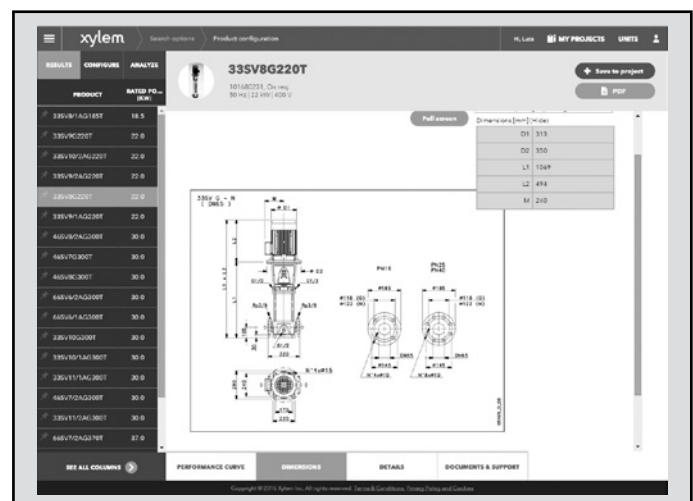
The detailed output makes it easy to select the optimal pump from the given alternatives.

The best way to work with Xylect is to create a personal account. This makes it possible to:

- Set own standard units
- Create and save projects
- Share projects with other Xylect users

Every registered user has a proper space, where all projects are saved.

For more information about Xylect please contact our sales network or visit www.xylect.com.



Dimensional drawings appear on the screen and can be downloaded in dxf format.

Xylem |'zīləm|

- 1) The tissue in plants that brings water upward from the roots;
- 2) a leading global water technology company.

We're a global team unified in a common purpose: creating advanced technology solutions to the world's water challenges. Developing new technologies that will improve the way water is used, conserved, and re-used in the future is central to our work. Our products and services move, treat, analyze, monitor and return water to the environment, in public utility, industrial, residential and commercial building services settings. Xylem also provides a leading portfolio of smart metering, network technologies and advanced analytics solutions for water, electric and gas utilities. In more than 150 countries, we have strong, long-standing relationships with customers who know us for our powerful combination of leading product brands and applications expertise with a strong focus on developing comprehensive, sustainable solutions.

For more information on how Xylem can help you, go to www.xylem.com.

