



TMH SERIES

LENNTECH
WATER TREATMENT SOLUTIONS

SUBMERSIBLE TURBINE

Delivering Performance. **FOR LIFE.**

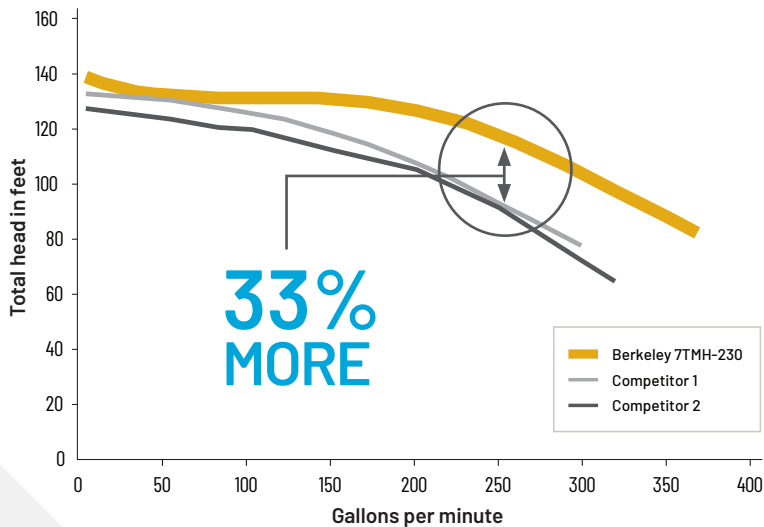


5TMH, 6TMH & 7TMH SERIES

GIVE YOUR CUSTOMERS COVERAGE WHERE THEY NEED IT MOST

Pentair Berkeley® TMH submersible turbines add to the already impressive agricultural irrigation product line by providing industry-leading performance in efficiency and head per stage, while reducing overall stage counts, assembly time and warehouse space needs.

Increased Product Performance Delivering Reduced Operating Costs



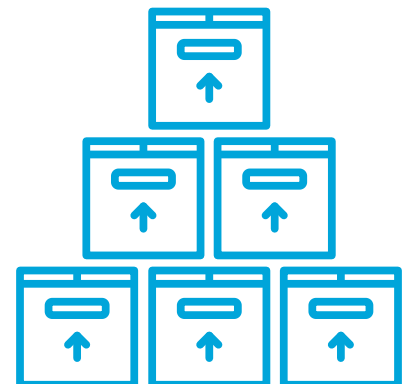
Pentair Berkeley 7TMH Series ensures complete flow coverage across the range at high efficiency levels

And delivers UP TO **33% MORE HEAD PER STAGE** than the leading competitors' pumps†

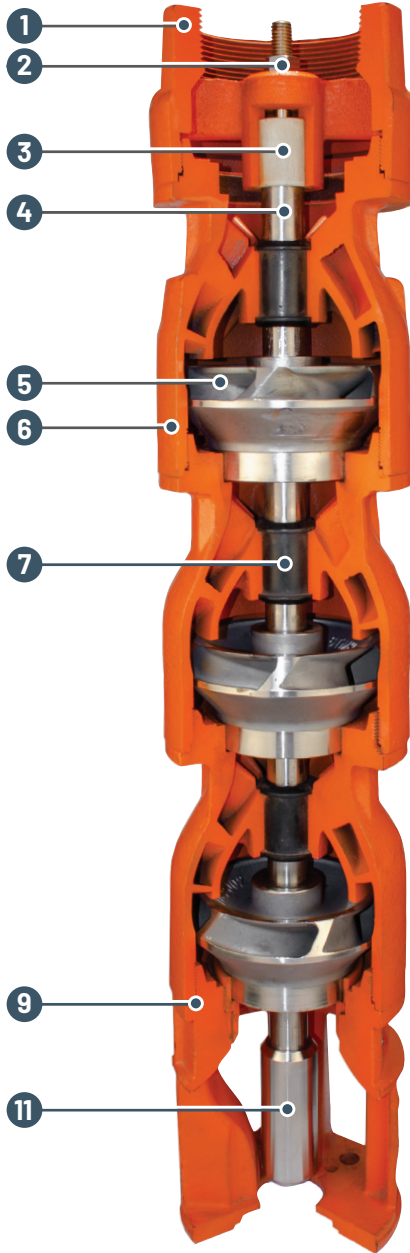
† Based on competitors' published performance data.

Standardized Design Means Reduced Inventory and Assembly Time

- ◆ Flow series cast into major components for faster identification
- ◆ Standard components and assembly processes reduce assembly time
- ◆ Fewer component SKUs reduce inventory space
- ◆ Less component inventory required because of increased head per stage and fewer stages used
- ◆ Adjustable upthrust control allows installer to verify lateral clearance
- ◆ Components are 100% lead-free, and meet all U.S. federal guidelines for safe drinking water



5.625" (143 mm)
 ← 6.50" (165 mm) →
 7.50" (191 mm)
 including lead guard



- 1 Discharge – Ductile iron ASTM 536-84**
Threaded with large wrench flats and sized for the pump’s flow range
- 2 Upthrust nut / screw**
304 SS nut and Bismuth tin upthrust screw are preset to provide maximum upthrust protection
- 3 Discharge bearing - Vesconite®**
Low friction, suitable in clean or dirty water conditions for long life
- 4 Shaft - 416 stainless steel**
Precision ground and polished for reduced running friction
- 5 Impeller - 304 stainless steel, investment cast**
Smooth and efficient performance, long life
- 6 Bowls - Class 30 cast iron**
Heavy-walled construction incorporates coated internal passages and precision hydraulic design for maximum performance
- 7 Isolator bearings - Neoprene**
Unique design channels abrasives away from the stainless steel shaft bearing journal
- 8 Lead guard - 302 stainless steel**
Protects the motor leads across the full length of the pump (not shown)
- 9 Suction bracket - Ductile iron ASTM 536-84**
Designed to reduce flow losses and effectively divert debris away from the spline engagement area
- 10 Suction screen - 304 stainless steel**
Prevents particulates larger than .19" (4.8 mm) from entering the pump (not shown)
- 11 Motor coupling - 416 stainless steel**
Features dual integrated internal O-rings that eliminates sand intrusion into the pump and motor splines

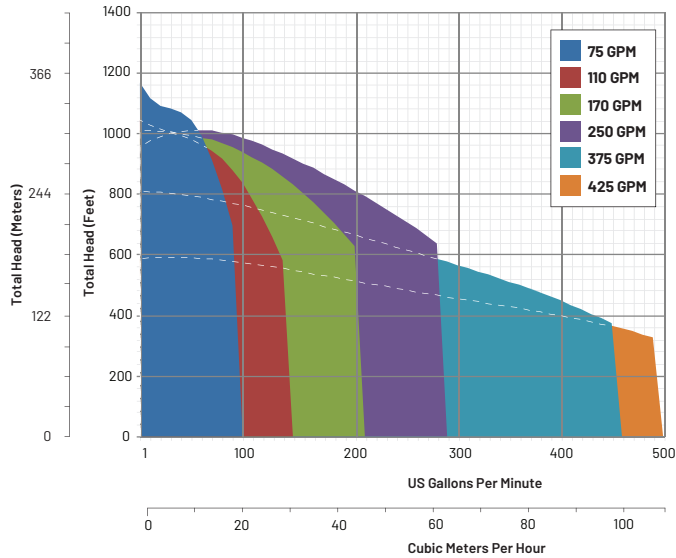
Increased Quality for Maximum Performance and Longevity

- ◆ Ductile iron discharges and motor adapters are designed for greater strength
- ◆ Impellers and diffuser are designed together, providing maximum hydraulic performance and longevity
- ◆ Full contact collet design ensures that impellers are held tightly onto the shaft
- ◆ Left hand bowl thread prevents the bowls from unscrewing and eliminates the need to pin the bowl

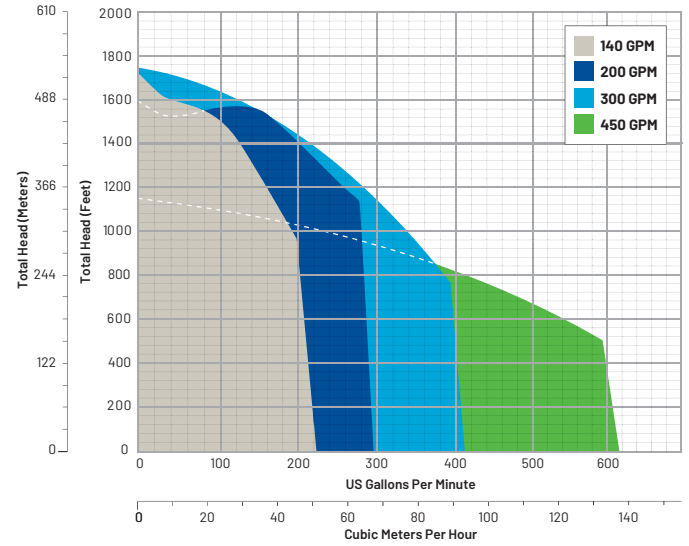


COMPARE THE PERFORMANCE

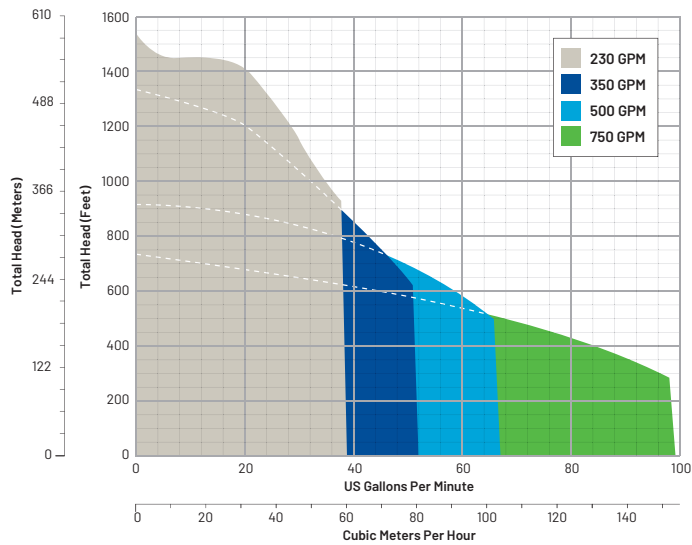
5TMH SERIES



6TMH SERIES



7TMH SERIES



EFFICIENCIES

Series	OD	BEST EFFICIENCY POINT OPERATING CONDITIONS		
		BEP	Feet per Stage	Eff %
5TMH-75	5.5"	69	48.4	60.3%
5TMH-110	5.5"	107	46.3	66.6%
5TMH-170	5.5"	166	53.6	74.6%
5TMH-250	5.5"	223	55.6	71.9%
5TMH-375	5.5"	362	38.6	74.2%
5TMH-425	5.5"	374	41.9	72.8%
6TMH-140	6.5"	140	73.5	74.4%
6TMH-200	6.5"	183	79.2	78.9%
6TMH-300	6.5"	299	65.9	77.0%
6TMH-450	6.5"	462	60.9	78.4%
7TMH-230	7.5"	248	117.5	77.2%
7TMH-350	7.5"	305	102.8	81.7%
7TMH-500	7.5"	468	99.0	76.5%
7TMH-750	7.5"	692	82.0	80.3%

Operating conditions from BEC2 single stage performance

LENNTECH
WATER TREATMENT SOLUTIONS

info@lennotech.com Tel. +31-152-610-900
www.lennotech.com Fax. +31-152-616-289



For a detailed list of where Pentair trademarks are registered, please visit www.pentair.com/en/registrations.html. Pentair trademarks and logos are owned by Pentair PLC, or its affiliates. Third party registered and unregistered trademarks and logos are the property of their respective owners. Because we are continuously improving our products and services, Pentair reserves the right to change specifications without prior notice. Pentair is an equal opportunity employer.