



## Summary

[Request a quote](#)

[Catalog](#)

Low Voltage	10
Wire Size/AWG	34 - 28
Gender	Standard
Socket / Receptacle	Socket / Receptacle - Fixed Panel Rear Mounted
Locking system	Push-pull
Jacket cable outside diameter [mm]	1.00 - 12.60 mm
Size	1P
Series	REDEL P - Push-Pull

## Technical details

[https://www.lemo.com/int\\_en/solutions/redel/redel-p-push-pull/pkb-m1-0sl-lg.html](https://www.lemo.com/int_en/solutions/redel/redel-p-push-pull/pkb-m1-0sl-lg.html)

LEMO products and services are provided "as is". LEMO makes no warranties or representations with regard to LEMO product & services or use of them, express, implied or statutory, including for accuracy, completeness, or security. The user is fully responsible for his products and applications using LEMO components.

## Electrical Configuration

Contact Termination Low voltage	Solder
R (max)	8.5 mOhm
Insert configuration value	1P.M10 - 10 Low Voltage
Insulator	L: PEEK (UL 94 / V-0/1.5)
Rated current	3 Amps
Test voltage (kV rms) Contact-contact	0.85
Contact Type	Solder
Max. Solid Conductor	0.09 mm <sup>2</sup> (AWG 28)
Max. Stranded Conductor	0.09 mm <sup>2</sup> (AWG 28)
Air clearance	0.45 mm
Creepage distance	0.45 mm
Bucket Dia.	0.45 mm (0.018in)
Contact Dia.	0.5 mm (0.0201in)
Low Voltage	10
Wire Size/AWG	34 - 28
Gender	Standard

## Form & Material

Shell style / Model id	PK - Fixed receptacle with two nuts (back panel mounting)
Socket / Receptacle	Fixed Panel Rear Mounted
Housing material	PEI (Polyetherimide), gray
Locking system	Push-pull
Keying	2 keys (alpha=60, Plug: male contacts, Receptacle: female contacts)
Variant	Gray front nut
Weight	5.3 g

[https://www.lemo.com/int\\_en/solutions/redel/redel-p-push-pull/pkb-m1-0sl-lg.html](https://www.lemo.com/int_en/solutions/redel/redel-p-push-pull/pkb-m1-0sl-lg.html)

LEMO products and services are provided "as is". LEMO makes no warranties or representations with regard to LEMO product & services or use of them, express, implied or statutory, including for accuracy, completeness, or security. The user is fully responsible for his products and applications using LEMO components.

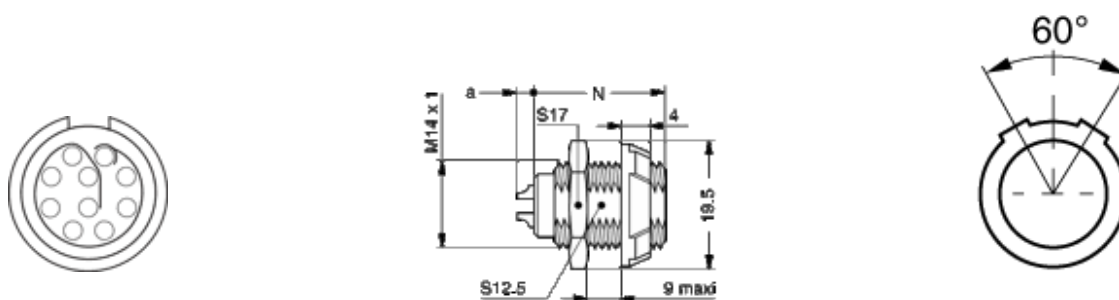
## Environment

Technical domain	Energy and Industrial, Medical, Test and Measurement, Transportation, Aerospace and UAV
Environmental protection (IP rating)	IP50
Minimal temperature	-50°C / +170°C
F ret (max)	150 N
F ret (min)	50 N
Steam sterilization	> 100 times (with potting on rear connection)

## Cable fixation

Cable termination protection	Standard back nut (no additional protection)
Fixation type	Cable collet
Jacket cable outside diameter [mm]	1.00 - 12.60 mm

## Drawings



## Dimensions

	<b>A</b>	<b>a</b>	<b>N</b>
mm.	19.5	0-4.5	20.5-22.2
in.	0.77		

## Recommended By Lemo





### Accessories

### Tools

[https://www.lemo.com/int\\_en/solutions/redel/redel-p-push-pull/pkb-m1-0sl-ig.html](https://www.lemo.com/int_en/solutions/redel/redel-p-push-pull/pkb-m1-0sl-ig.html)

LEMO products and services are provided "as is". LEMO makes no warranties or representations with regard to LEMO product & services or use of them, express, implied or statutory, including for accuracy, completeness, or security. The user is fully responsible for his products and applications using LEMO components.

# Cables

Cable PartNumber	Material	Colour	Cable image
CMN.10.T28.052PGZE		grey	
CMN.10.T28.052PNZE			
CMN.10.T28.053QGZE	TPR (medical)	Grey	
110280	PVC	Black	

[https://www.lemo.com/int\\_en/solutions/redel/redel-p-push-pull/pkb-m1-0sl-lg.html](https://www.lemo.com/int_en/solutions/redel/redel-p-push-pull/pkb-m1-0sl-lg.html)

LEMO products and services are provided "as is". LEMO makes no warranties or representations with regard to LEMO product & services or use of them, express, implied or statutory, including for accuracy, completeness, or security. The user is fully responsible for his products and applications using LEMO components.