

LED Linear Lighting System



TF E. Com GmbH

Am Kräherwald 301, 70193

Stuttgart, Germany

Kontakt: +49-711-601711-0

Telefax: +49-711-601711-11

E-mail: info@tfecom.com

www.ledlum.com

LED Linear Trunking System is an energy-efficient, low maintenance alternative to traditional linear fluorescent in a variety of industrial, commercial and light assembly applications. It is the optimal solution for conventional lighting systems and also excellent for new installations due to its low installation cost - everything (driver, luminaire, wiring harness, optics, etc.) pre-installed in one box and installation is tool-less. It saves both time and costs when updating lighting systems. With 7 beam angles, 4 installation methods, 150lm/w and a modular design, the linear lighting system finds wide fields of application and yields a high ROI.



Benefits

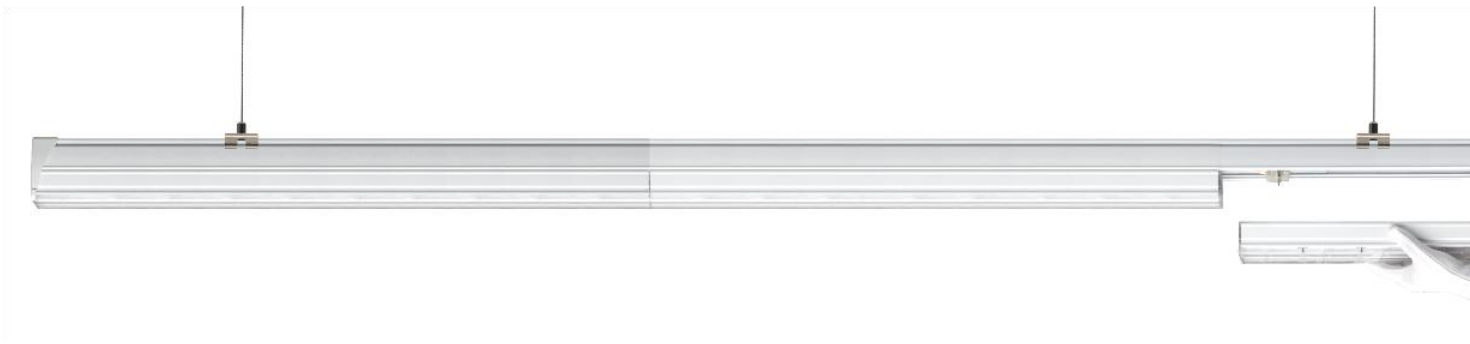
- Cost-effective light-line solution for industrial, commercial and other applications
- Good quality lights with high lumen output to meet different requirements
- Easy to order and install, requiring less time, reducing packaging waste and complexity
- Flexible solution with modular design to form a continuous lighting line or net

Application

- Commercial
- Warehouse
- Industrial
- Other indoor lighting

Trunking Rail

- 3-phase pre-selection via moving of contact pin prior to installation in rail
- Trunking rail as standard with 5, 7 or 11-core through-wiring with 2.5mm² cable cross-section
- The maximum current is 16A, allowing 44 tubes of 150cm 80W in one serial
- Separate power supplies, dimming or emergency light can be integrated
- Electrical feed possible in central or end area of a trunking rail arrangement via special trunking rail element
- Trunking rail modules with pre-assembled connectors
- Wide distances between suspension points to 3m with self-supporting connector elements
- Simple mounting of trunking rail elements with pre-assembled connectors with integral plug-in system (electrical and mechanical connection)
- Flexible electrical feed-in and feed-out points
- Terminal feed-in connector for easily connecting with electricity



Optics

A wide range of optics from sharp to wide distribution, as well as asymmetric

- sharp distribution, 25 degree
- narrow distribution, 60 degree
- wide distribution, 90 degree
- flat distribution, 120 degree
- asymmetric distribution
- double asymmetric distribution



Emergency Lighting Function

- It can work on normal mains and automatically switch to emergency supply in the event of a power failure to provide sufficient light and ensure safe evacuation in emergency situations.
- A wide variety of self contained battery is available, as well as two independent emergency lighting circuits in the trunking.

Installation

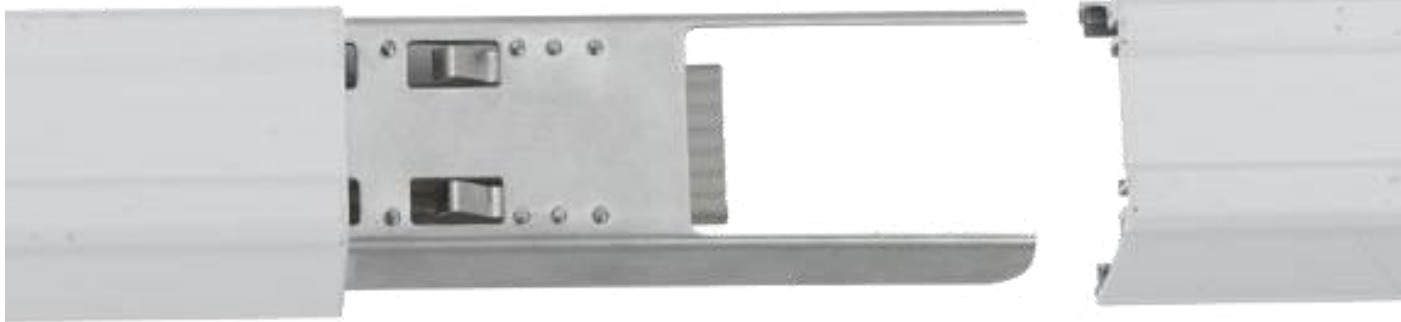
- Pendant Chain Installation
- Pendant Cord Installation
- Pendant Rod Installation
- Surface Mounted

Dimming & Multi-Sensor System

- 3 different dimming system, DALI, 1-10V and DIMswitch
- Multi-sensor module that integrates motion sensor and daylight sensor in one unit, achieving best effect with minimum cost.

Node Connector

- X, L and T Standard Module Node connectors
- Node connector could be electrical feed-in
- Each node connector has diverse of electrical feed-in and feed-out



TRUNKING RAIL

The flexible trunking system for challenging lighting demands in all application. With fully compatible modular kit, it adapts individually to complex lighting tasks. It has an 11-pole current conducting section built into its trunking. This means that the system comes ready equipped to meet tomorrow's needs. All functions such as power supply, lighting control and connection to emergency lighting are seamlessly integrated into this multi-functional trunking. Luminaires can be positioned flexibly and the system can be adapted to suit structural alterations at any time. The trunking rail is simply a matter of replacing or adding lighting modules, light sources or optics as required.

Wiring Information:

5/7/11 wiring are available

2 control lines with DALI control
signal for brightness control
(2 x 2.5 mm²)

4 poles for two independent emergency
lighting circuits
(4 x 2.5 mm²)



5 connections for power supply (5 x 2.5 mm²)

- Load sharing allows triple continuous- row length
- Separately switchable circuits for extremely easy light control in triple circuit

Surface in white , black
or silver finish

The cable in the trunking with pre-assembled connector makes it possible to join trunking units without the use of any tools, which really helps save much labor cost.

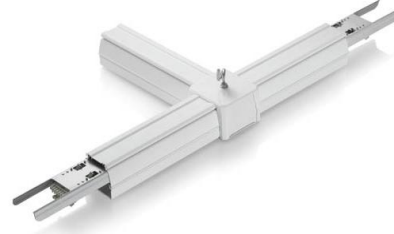
5, 7 or 11-core trunking is available. Customized trunking mode is flexible, e.g, the function of 2 line in 7-core trunking could be DALI dimming or Emergency lighting.

NODE CONNECTOR

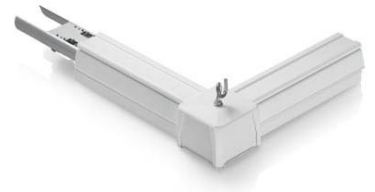
All system components can be installed without tools. X, T and L connectors expand the system's application range.



X Node Connector



T Node Connector

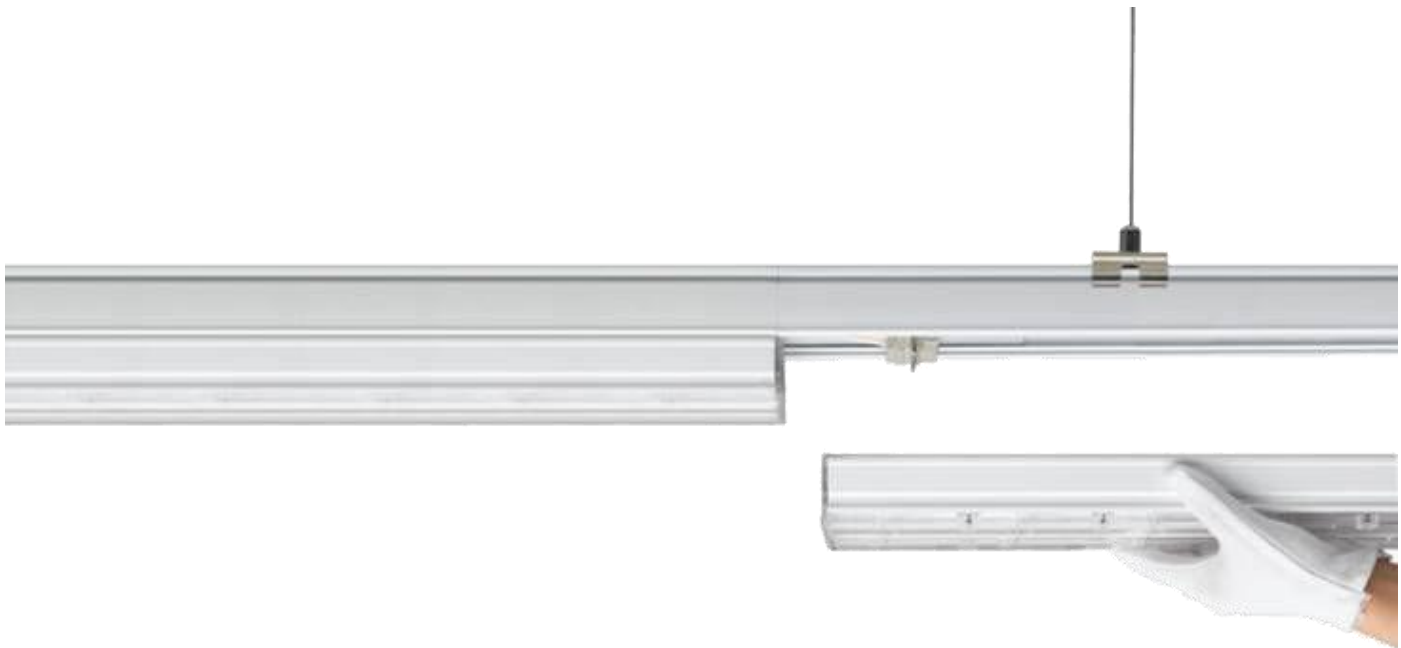


L Node Connector

Each node connector has diverse of electrical feed-in and feed-out. The node connector is not only to connect the cross trunking, but also to connect the wire inside the trunking, and the node connector itself could even be the electricity feed-in point.

LUMINAIRE

A continuous-row LED lighting system could be created only by a trunking unit and an LED luminaire. It appears as a consistent continuous-row lighting system, without any visual interruption or different reflectors. The Luminaire and trunking are perfectly matched to each other.



All possible light distribution patterns can be created with various optical components.

OPTICS



The high light efficiency of 150 lm per Watt makes reduction on energy consumption and additional cost. The LEDs keep enough margin to make sure the luminaire efficiency reach the best level.

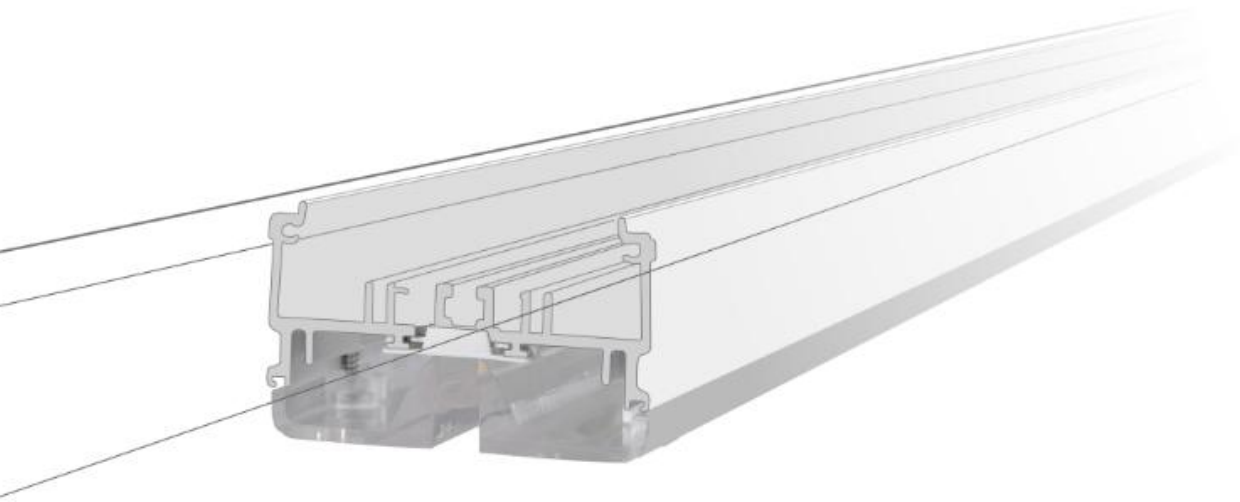


LENGTH OPTIONS

Different length with various power is available,

- 570mm 16W/ 26W/ 32W
- 1416mm 32W/40W/ 65W/ 80W
- 2832mm 65W/80W/120W
- 4248mm 96W/120W

LEDs FEATURE



With a color rendering index of $Ra > 80$, color temperatures of 3000 K, 4000 K, 5000 K and 6000 K, and low UGR, it could meet environmental requirements and comply with funding guidelines for energy-efficient building and lighting solutions.

For special applications where requisited high accuracy of color , such as in museum, jewelry store, printing factory and so on, CRI95 linear series is highly recommended.

BEAM ANGLE



Different diffuser for different distribution



sharp



narrow



wide



flat



asymmetric
(left or right)



double asymmetric

MULTI-SENSOR SYSTEM



Multi-sensor system combines energy saving with highly convenience for user. Most energy can be saved by integrating motion and daylight sensor into the trunking. It ensures a sufficient level of brightness in specific areas

Group control sensor or broadcast control sensor is available.

INSTALLATION



A maximum suspension span of 3m ensures quick and easy installation with fewer suspension points.



Chain



Cord



Rod



Surface Mounted

EMERGENCY LIGHTING



Emergency lighting systems ensures optimum lighting and orientation, even in the event of a power failure. General lighting and emergency lighting are combined in a single highly functional, integrative lighting solution.

A wide variety of emergency mode is available,

- Central battery systems / Generator

EL1 EN1 & EL2 EN2 makes mode selected

- Self contained battery

Under this mode, the luminaries could be 6W or 12W, working for 1.5 hours or 3 hours (depending on the demand selected in advance)

Ni-MH battery we used is high temperature resistant to make sure its life time could be longer than others.

A small spotlight is available on 600mm module as an extra version featuring a rotating lighting head for emergency use of 5W.

DALI and DIMMING SYSTEM

Efficient tools for lighting are the basis for solutions with low operating overheads and high quality of light. Supplemented with suitable light control, savings potential can be further significantly increased. The right type of light management depends decisively on the specific building conditions and usage of the area.

With a wide variety of dimming light control systems with suitable sensor technology, and thanks to open, non-proprietary standards, such solutions can be simply integrated into common building management systems.



Dimming system is suitable for complex applications for controlling rooms and storey, for daylight-dependent control and dynamic light control. 3 types of dimming are available,

- DALI dimming
- 1-10V dimming
- DIMswitch