



UNO Down Light



The new standard range of LED UNO Recessed Downlight. There are a selection of sizes and 3 color temperature switchable options to meet customer requirements. With this range of down light can be upgraded in key segments such as office, commercial buildings, retail back office, hospitality. Easy choice to make switch to LED and benefit from energy saving and longer life time.

Specification : UNO Recessed Downlight (Back-Lit)

LED & Optical

- Output Range : 600 – 1600lm
- Photometric Options : 110 degree
- System Efficacy : up to 90LPW
- CCT : 3000K/4000K/5500K Switchable
- Operation Temp : -10 ~ 40°C

Electrical

- Input voltage : 220-240V
- Input Frequency :50/60Hz
- Power Factor >50%

Applications

- Commercial Building
- Convenience Store
- Office
- Household

Warranty

- Rated Life : 25,000hrs
- Warranty : 2 Year @ 12hrs/days
- Certification : CB certified

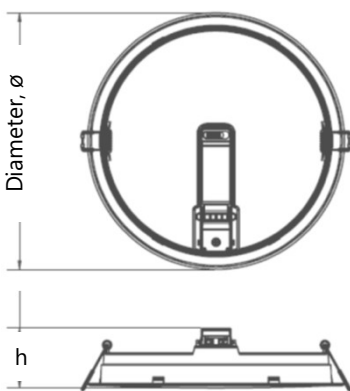
Order Logic:

Product ID	Sizes	CCT	Wattage	Type
UNRR - UNO Down Light Recessed Round	4D/6D/8D - 4"/6"/8"	3CCT - 3000K/4000K/5500K	7W/14W/18W	BL - Back Lit

SKU# & Order Description:

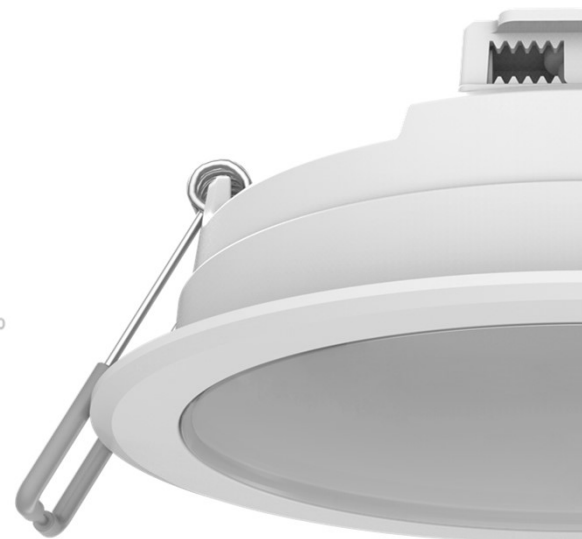
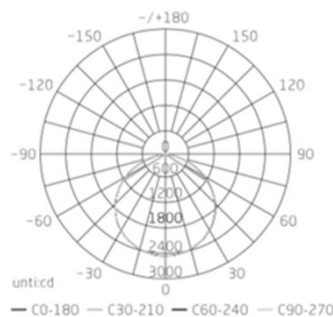
SKU#	Description	Watt (W)	CCT (K)	Lumens	Voltage	P.F	LPW	Beam Angle	Mounting	Dimension	Cut Out Size
	UNORR4D3CCT7W-BL	7	3CCT	600	220 - 240	0.5	86	110°	Recessed	Ø110 x 46	Ø105
	UNORR6D3CCT14W-BL	14	3CCT	1300	220 - 240	0.5	93	110°	Recessed	Ø165 x 48.5	Ø155
	UNORR8D3CCT18W-BL	18	3CCT	1650	220 - 240	0.5	89	110°	Recessed	Ø220 x 50	Ø205

Dimension:



**Recessed
(Back Lit)**

Photometric:



Specification : UNO Downlight (Edge-Lit)



LED & Optical

- Output Range : 600 – 1600lm
- Photometric Options : 110 degree
- System Efficacy : up to 90LPW
- CCT : 3000K/4000K/5500K Switchable
- Operation Temp : -10 ~ 40°C

Applications

- Commercial Building
- Convenience Store
- Office
- Household

Electrical

- Input voltage : 220-240V
- Input Frequency : 50/60Hz
- Power Factor > 50%

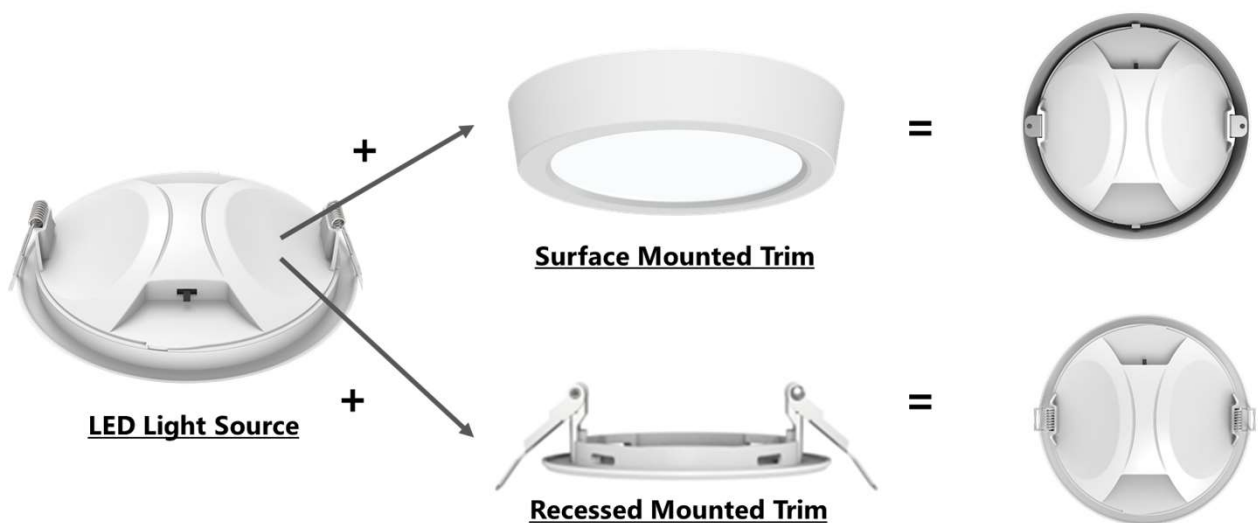
Warranty

- Rated Life : 25,000hrs
- Warranty : 2 Year @ 12hrs/days
- Certification : CB certified

Order Logic:

Product ID	Sizes	CCT	Wattage	Type
UNORR - Uno Down Light Recessed Round	4D/6D/8D - 4"/6"/8"	3CCT - 3000K/4000K/5500K	7W/14W/18W	EL - Edge Lit
UNOSR - Uno Down Light Surface Round	4D/6D/8D - 4"/6"/8"	3CCT - 3000K/4000K/5500K	7W/14W/18W	EL - Edge Lit
UNLE - UNO Light Engine	4D/6D/8D - 4"/6"/8"	3CCT - 3000K/4000K/5500K	7W/14W/18W	EL - Edge Lit
UNRT - UNO Round Recessed Trim	4D/6D/8D - 4"/6"/8"			EL - Edge Lit
UNST - UNO Round Surface Trim	4D/6D/8D - 4"/6"/8"			EL - Edge Lit

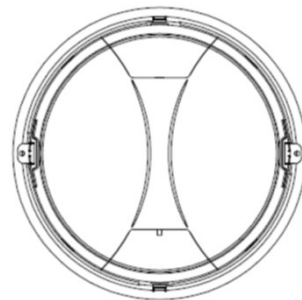
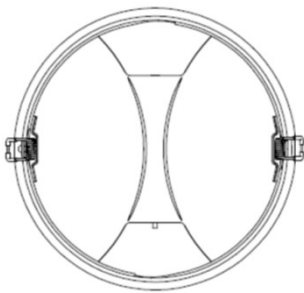
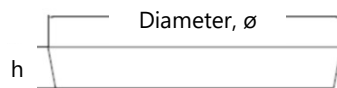
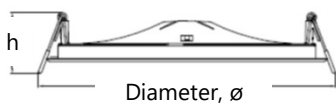
Configuration:



SKU# & Order Description : UNO Downlight

SKU#	Description	Watt (W)	CCT (K)	Lumens	Voltage	P.F	LPW	Beam Angle	Mounting	Dimension	Cut Out Size
	UNORR4D3CCT7W-EL	7	3CCT	600	220 - 240	0.5	86	110°	Recessed	Ø122 x 41	Ø100
	UNORR6D3CCT14W-EL	14	3CCT	1300	220 - 240	0.5	93	110°	Recessed	Ø168 x 41	Ø150
	UNORR8D3CCT18W-EL	18	3CCT	1600	220 - 240	0.5	89	110°	Recessed	Ø223.5 x 45.5	Ø200
	UNOSR4D3CCT7W-EL	7	3CCT	600	220 - 240	0.5	86	110°	Surface	Ø112.5 x 32.5	-
	UNOSR6D3CCT14W-EL	14	3CCT	1300	220 - 240	0.5	93	110°	Surface	Ø160 x 30	-
	UNOSR8D3CCT18W-EL	18	3CCT	1600	220 - 240	0.5	89	110°	Surface	Ø213 x 30	-
	UNOLE4D3CCT7W-EL	7	3CCT	600	220 - 240	0.5	86	110°			
	UNOLE6D3CCT11W-EL	14	3CCT	1300	220 - 240	0.5	93	110°			
	UNOLE8D3CCT18W-EL	18	3CCT	1600	220 - 240	0.5	89	110°			
	UNORT4D-EL								Recessed	Ø112.5	
	UNORT6D-EL								Recessed	Ø160	
	UNORT8D-EL								Recessed	Ø213	
	UNOST4D-EL								Surface	Ø112.5	
	UNOST6D-EL								Surface	Ø160	
	UNOST8D-EL								Surface	Ø213	

Product Dimension:



Recessed
(Edge Lit)

Surface Mounted
(Edge Lit)

Photometric

