



# LED DOWNLIGHTS - ROUND



PROJECT		
TYPE	PART#	

## PRODUCT FEATURES

- Plug & Play 24 Volt design for quick install and design flexibility
- Constant voltage design allows multiple lights per driver and greater energy efficiency
- Dimmable (0-10V or PWM)
- Polycarbonate diffuser will not shatter, sag or yellow
- 100% acrylic light guide panel for color stability
- Edge-lit design for ultra thin profile (1/2")
- Wide 120° beam angle for better spacing
- Lights can be located up to 50' from driver
- IP44 rating for damp or dry locations
- IC rating permits contact with insulation
- Rated for over 50,000 hours LM-70
- May be flush or surface mounted, or suspended with a hanging kit



## PART NUMBER & PRODUCT GUIDE (LED DOWNLIGHTS-ROUND)

Flush Mount Part#	Description	Color Temp	CRI	R9	Lumens	AC Watts	DC Watts	L/W-DC
LCLCV430W-HE	4"LED Round Downlight	3000K	>80	>5	250	4	3	84
LCLCV435W-HE	4"LED Round Downlight	3500K	>80	>5	280	4	3	93
LCLCV440W-HE	4"LED Round Downlight	4000K	>80	>5	325	4	3	108
LCLCV450W-HE	4"LED Round Downlight	5000K	>80	>5	350	4	3	116
LCLCV430W-CQ	4"LED Round Downlight	3000K	>90	>50	225	4	3	75
LCLCV435W-CQ	4"LED Round Downlight	3500K	>90	>50	250	4	3	83
LCLCV440W-CQ	4"LED Round Downlight	4000K	>90	>50	265	4	3	88
LCLCV450W-CQ	4"LED Round Downlight	5000K	>90	>50	280	4	3	93
LCLCV630W-HE	6"LED Round Downlight	3000K	>80	>5	740	7	6	123
LCLCV635W-HE	6"LED Round Downlight	3500K	>80	>5	750	7	6	125
LCLCV640W-HE	6"LED Round Downlight	4000K	>80	>5	765	7	6	127
LCLCV650W-HE	6"LED Round Downlight	5000K	>80	>5	780	7	6	130
LCLCV630W-CQ	6"LED Round Downlight	3000K	>90	>50	650	7	6	108
LCLCV635W-CQ	6"LED Round Downlight	3500K	>90	>50	700	7	6	116
LCLCV640W-CQ	6"LED Round Downlight	4000K	>90	>50	725	7	6	121
LCLCV650W-CQ	6"LED Round Downlight	5000K	>90	>50	750	7	6	125

PART NUMBER & PRODUCT GUIDE (LED DOWNLIGHTS-ROUND)

Flush Mount Part#	Description	Color Temp	CRI	R9	Lumens	AC Watts	DC Watts	L/W-DC
LCLCV830W-HE	8"LED Round Downlight	3000K	>80	>5	1000	11	9	111
LCLCV835W-HE	8"LED Round Downlight	3500K	>80	>5	1030	11	9	114
LCLCV840W-HE	8"LED Round Downlight	4000K	>80	>5	1075	11	9	119
LCLCV850W-HE	8"LED Round Downlight	5000K	>80	>5	1120	11	9	124
LCLCV830W-CQ	8"LED Round Downlight	3000K	>90	>50	875	11	9	97
LCLCV835W-CQ	8"LED Round Downlight	3500K	>90	>50	925	11	9	102
LCLCV840W-CQ	8"LED Round Downlight	4000K	>90	>50	950	11	9	105
LCLCV850W-CQ	8"LED Round Downlight	5000K	>90	>50	980	11	9	108
LCLCV1230W-HE	12"LED Round Downlight	3000K	>80	>5	1250	12	10	125
LCLCV1235W-HE	12"LED Round Downlight	3500K	>80	>5	1300	12	10	130
LCLCV1240W-HE	12"LED Round Downlight	4000K	>80	>5	1350	12	10	135
LCLCV1250W-HE	12"LED Round Downlight	5000K	>80	>5	1400	12	10	140
LCLCV1230W-CQ	12"LED Round Downlight	3000K	>90	>50	1100	12	10	110
LCLCV1235W-CQ	12"LED Round Downlight	3500K	>90	>50	1175	12	10	117
LCLCV1240W-CQ	12"LED Round Downlight	4000K	>90	>50	1225	12	10	122
LCLCV1250W-CQ	12"LED Round Downlight	5000K	>90	>50	1250	12	10	125
LCLCV2430W-HE	24"LED Round Downlight	3000K	>80	>5	3550	34	30	118
LCLCV2435W-HE	24"LED Round Downlight	3500K	>80	>5	3600	34	30	120
LCLCV2440W-HE	24"LED Round Downlight	4000K	>80	>5	3650	34	30	121
LCLCV2450W-HE	24"LED Round Downlight	5000K	>80	>5	3700	34	30	123
LCLCV2430W-CQ	24"LED Round Downlight	3000K	>90	>50	2800	34	30	93
LCLCV2435W-CQ	24"LED Round Downlight	3500K	>90	>50	3200	34	30	106
LCLCV2440W-CQ	24"LED Round Downlight	4000K	>90	>50	3250	34	30	108
LCLCV2450W-CQ	24"LED Round Downlight	5000K	>90	>50	3300	34	30	110

\*HE Model is designed to provide a balance of light quality and energy efficiency.

\*CQ Model is designed to provide high color rendering with a more complete spectral distribution.

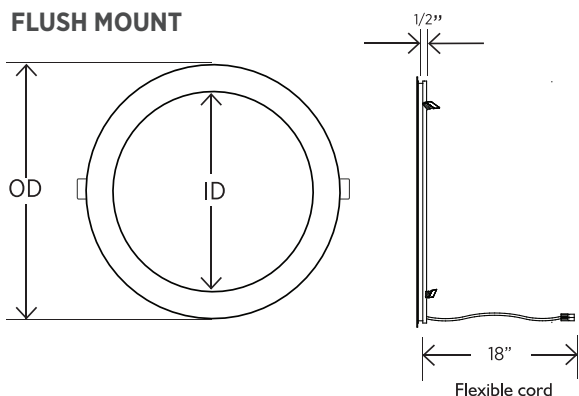
\*CQ Model orders may require additional lead time.

DRIVER SPECIFICATIONS

Part #	Size (WxLxD)	AC Input	DC Output	Working Temp	Max Lights/ Driver (HE Model*)				
					4"	6"	8"	12"	24"
LD16	3.0" x 12.0" x 1.5"	90 - 305V	24V / 16W	-35-70C	5	2	1	1	0
LD25	3.0" x 12.0" x 1.5"	90 - 305V	24V / 25W	-35-70C	8	4	2	2	0
LD40	3.0" x 12.0" x 1.5"	90 - 305V	24V / 40W	-40-70C	13	6	4	4	1
LD60	3.0" x 12.0" x 1.5"	90 - 305V	24V / 60W	-40-70C	20	10	6	6	2
LD90	3.0" x 12.0" x 1.5"	90 - 305V	24V / 90W	-40-70C	30	15	10	9	3
LD100P	2.6" x 14.0" x 1.6"	90 - 305V	24V / 100W	-40-60C	32	15	10	9	3

DIMENSIONAL DATA

FLUSH MOUNT



Product	OD	ID	Depth	Cut Out	Weight (lbs)
4"	4 1/4"	2 5/8"	1/2"	3 3/4"	.5
6"	7"	5 1/4"	1/2"	6 3/8"	1.0
8"	9 1/2"	7 1/2"	1/2"	8 3/4"	1.0
12"	11 3/4"	9 5/8"	1/2"	11 1/4"	2.0
24"	23 1/2"	21 3/8"	1/2"	22 7/8"	7.5

PHOTOMETRIC DATA

