



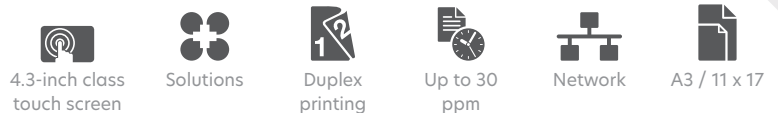
Lexmark C925 Family

The Lexmark C925de color printer delivers outstanding A3 color printing, easy-to-use features and productivity solutions, all through an affordable, compact design.

Affordable A3 color printing

The Lexmark C925 Family provides A3 (11 x 17) printing at an affordable price. With its compact design, you can also save valuable office space. Enjoy the benefits of vibrant, professional-quality output on a wide variety of media, allowing you to do more color printing in-house. With the advanced color technology of the Lexmark C925 Family, you'll get excellent, consistent color from the first page to the last.

- ▶ Match corporate colors on marketing collateral and brand-sensitive text and graphics with Lexmark Named Color Replacement and PANTONE® calibration
- ▶ Supports media up to 11.7 x 48 inches
- ▶ Lexmark Color Care Technology to manage color usage and control costs



Easy and intuitive

The Lexmark C925 Family is designed for easy operation and maintenance.

- ▶ 4.3-inch color touch screen provides audible feedback to make completing tasks intuitive
- ▶ Front USB port for walk-up printing
- ▶ Print Preview features help you select documents or specific pages within a document
- ▶ Ability to change settings, such as duplex, at the device
- ▶ Eco-friendly features and settings to reduce energy and waste

Built for business

Designed for medium to large workgroups, the Lexmark C925 Family is robust enough to meet the demands of your busy color printing environment, while offering the advanced networking, security and device management capabilities you need.

- ▶ Print speeds as fast as 30 ppm in both black and color Print speeds as fast as 30 ppm in both black and color
- ▶ Standard paper input capacity of up to 450 sheets with expandability up to 2,100 sheets
- ▶ Robust connectivity makes it easy to integrate into most network environments
- ▶ Preloaded solutions to drive greater efficiency, and Lexmark Embedded Solutions Framework to further extend the capabilities of the device

- ▶ Fast 800 MHz processor and 256MB standard RAM to quickly process complex print jobs
- ▶ Innovative security controls to help protect your device, data and network, including authentication and authorization. Optional hard disk offers disk wiping and encryption
- ▶ Advanced job and user accounting to track device usage and environmental cost (hard disk required)
- ▶ Device management software available



Make a lasting impression with award-winning color

The documents you print define an important image—yours. That's why Lexmark color lasers help businesses be more productive and stand out with vibrant color. With the ability to print professional quality color in-house, you can add instant impact and save costs by virtually eliminating the need to outsource print jobs. Lexmark also offers a host of color-access and control tools to manage costs.

The right touch

The Lexmark e-Task color touch screen is a key access point to your printer. The customizable 4.3-inch interface gives you the ability to preview thumbnails of documents prior to printing, as well as change print jobs at the device. You can even view, select and print specific pages within a document directly from the touch screen. Its easy-to-use, intuitive navigation provides fast access to the functions, shortcuts and workflows you use most. New interactive sensory features provide audible feedback, helping to guide you through each operation, confirming a touch has registered and indicating an action is transpiring.

Protecting your information

From the data traveling through your network to the pages being printed, Lexmark's innovative security controls give you peace of mind that your valuable corporate data is protected at every stage.

- ▶ Cutting-edge user authentication and authorization controls, including LDAP, help protect your device and data
- ▶ Card reader option to add an extra layer of security
- ▶ Hard disk encryption protects sensitive data on the disk drive (hard disk optional)
- ▶ Automatic, scheduled or manual disk wiping
- ▶ IPSec, SNMPv3 and 802.1x network security supported
- ▶ Security-audit logging to help track and identify security risks

True image always

Lexmark is dedicated to designing and manufacturing products that deliver exceptional quality and reliable performance. Maximize the return on your investment, extend the service life of your Lexmark printing equipment and make a lasting impression by always insisting on Lexmark Genuine Supplies, Service and Parts. Lexmark C925 Family color laser printers are backed by a one-year limited warranty. For further protection against unexpected expenses or downtime, extended warranty offerings are available.

Save time and money through solutions

Reduce unnecessary printing and simplify work processes with Lexmark solutions. The Lexmark C925 Family features the Lexmark Embedded Solutions Framework (eSF), our platform that enables you to add a wide range of software applications directly onto the device. Solutions are designed with your productivity in mind, helping you streamline—or even eliminate—paper intensive business processes.

Below are solutions that come preloaded on the Lexmark C925 Family. A diverse portfolio of additional Lexmark solutions is available to help accommodate your workflow needs.

Preloaded solutions* on the C925 family:



Forms and Favorites

Eliminate waste and inefficiencies associated with preprinted forms. Store frequently printed forms, marketing materials or other documents online, then print them on demand.



Eco Settings

Lets you change up to six different device settings to enhance environmental savings: Eco-Mode, two-sided printing, time to standby mode, time to Power Saver mode, screen brightness, and Quiet Mode.



Showroom

Display a customizable, scrolling slideshow on the color touch screen to promote your business or products, or to communicate important messages to your customers or employees.



Background and Idle Screen

Change the touch screen background to your corporate logo, a unique message, or select one of the four screens that are preloaded on the device.



Change Language**

Easily switch the language displayed on the touch screen—18 languages supported.

* Additional solutions are available
** Opt-in to Change Language during installation

1.



Intuitive color touch screen

The 4.3-inch color touch screen allows you to operate your printer with ease and confidence through smart and intuitive navigation, easy access to workflow solutions and shortcuts, and the ability to preview your documents and print jobs at the device.

2.



Advanced security

Protect your device, data and network with innovative security controls, like authentication and authorization, and an optional hard disk with disk wiping and encryption.

6.

1.

2.

7.

3.

5.

4.



3.



Direct USB

The front USB port allows for convenient walk-up preview and printing, and is compatible with most printable image file formats.

4.



Load multiple media types

150-sheet and 250-sheet input trays and a multipurpose feeder come standard, allowing you to load three media types.

5.



Front-loading toner cartridges

Cartridges are conveniently located at the front of the device for easy access.

6.



Lexmark solutions

Reduce unnecessary printing and simplify work processes through solution applications preloaded on your device. Choose additional Lexmark solutions to fit your unique workflow needs.

7.



Eco-friendly features

Print responsibly with easy-to-access features, including Eco-Mode to reduce paper and toner consumption, and the Sleep button to help you save energy.



* Average continuous black or composite CMY declared cartridge yield in accordance with ISO/IEC 19798.

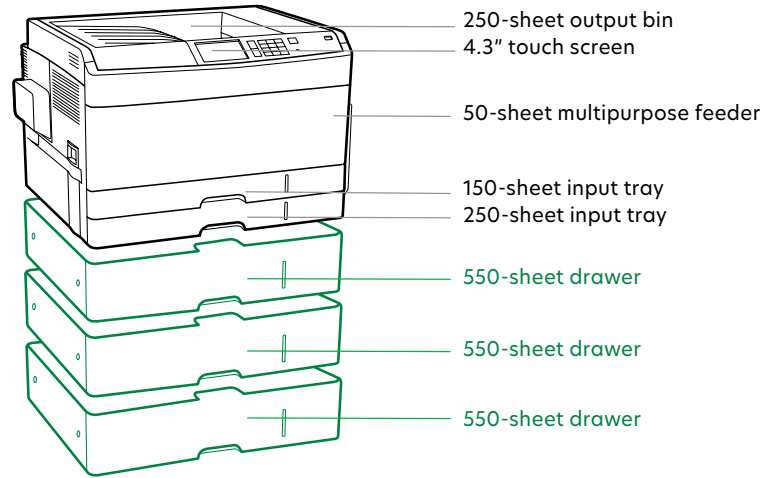
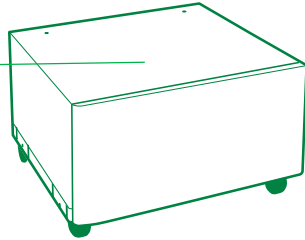
C925 series ordering information

Part #	Models	Part #	Application solutions	Part #	User replaceable parts
24Z0000	Lexmark C925de	24Z0040	C925 Card for PRESCRIBE Emulation	40X6013	C925, X925 Fuser Maintenance Kit 110-120V
24Z0056	Lexmark C925dte	24Z0038	C925 Forms and Bar Code Card	40X6011	C925, X925 Transfer Belt and Roll
		24Z0039	C925 Card for IPDS		
		57X9000	Lexmark PrintCryption Card		
Part #	Laser toner/print cartridge	Part #	Connectivity		
C925H2KG	C925 Black High Yield Toner Cartridge	1021294	USB Cable (2-meter)		
C925H2CG	C925 Cyan High Yield Toner Cartridge	24Z0060	C925 MarkNet N8120 Gigabit Ethernet Print Server		
C925H2MG	C925 Magenta High Yield Toner Cartridge	24Z0061	C925 MarkNet N8130 Fiber Ethernet 100BaseFX,10BaseFL Print Server		
C925H2YG	C925 Yellow High Yield Toner Cartridge	24Z0062	C925 MarkNet N8250 802.11b/g/n Wireless Print Server		
C925H2YG	C925 Yellow High Yield Toner Cartridge	24Z0065	C925 Parallel 1284-B Interface Card Kit		
C925X72G	C925, X925 Black Imaging Unit	1021231	Parallel Cable (10-foot)		
C925X73G	C925, X925 Cyan Imaging Unit	24Z0064	C925 RS-232C Serial Interface Card Kit		
C925X74G	C925, X925 Magenta Imaging Unit	14T0230	MarkNet™ N7000e Fast Ethernet Print Server - USB		
C925X75G	C925, X925 Yellow Imaging Unit	14T0240	MarkNet™ N7002e Fast Ethernet Print Server - Parallel		
C925X76G	C925, X925 Waste Toner Bottle	14T0220	MarkNet™ N7020e Gigabit Ethernet Print Server		
Part #	Paper handling	Part #	Extended warranties		
24Z0030	C925, X925 550-sheet drawer	2353798	C925 2-Years Total Onsite Service, Next Business Day		
Part #	Furniture				
24Z0031	C925, X925 Cabinet with casters	2353799	C925 3-Years Total Onsite Service, Next Business Day		
Part #	Memory options				
1025041	256MB DDR2-DRAM	2353800	C925 4-Years Total Onsite Service, Next Business Day		
1025042	512MB DDR2-DRAM	2353801	C925 5-Years Total Onsite Service, Next Business Day		
1025043	1024MB DDR2-DRAM	2353802	C925 1-Year Onsite Service Renewal, Next Business Day		
14F0245	256MB Flash Card				
27X0014	160+ GB Hard Disk				
30G0287	Arabic Font Card				
30G0828	Japanese Font Card				
30G0825	Korean Font Card				
30G0826	Simplified Chinese Font Card				
30G0827	Traditional Chinese Font Card				

C925 Family printer features

Cabinet with casters
(use only one
550-sheet drawer)

 Standard
 Optional



Product specifications	Lexmark C925de	Lexmark C925dte
Printing		
Display	Lexmark e-Task 4.3-inch color touch screen	
Print Speed: Up to	Black: 30 ppm / Color: 30 ppm	
Time to First Page: As fast as	Black: 9 seconds / Color: 11 seconds	
Print Resolution	Black: 1200 Image Quality, 600 x 600 dpi / Color: 1200 Image Quality, 600 x 600 dpi	
Memory / Processor	Standard: 256 MB / Maximum: 1280 MB / 800 MHz	Standard: 1280 MB / Maximum: 1280 MB / 800 MHz
Hard Disk	Option available	
Recommended Monthly Page Volume ¹	2500 - 10000 pages	
Maximum Monthly Duty Cycle: Up to ²	200000 pages per month	
Supplies		
Imaging Unit Estimated Yield: Up to	30,000 pages, based on 3 average letter/A4-size pages per print job and ~ 5% coverage	
Cartridge(s) Shipping with Product	7,500-page Color (CMY) High Yield Toner Cartridges, 8,500-page Black High Yield Toner Cartridge	
Paper Handling		
Paper Input Capacity: Up to	Standard: 450 pages 20 lb or 75 gsm bond / Maximum: 2100 pages 20 lb or 75 gsm bond	Standard: 1000 pages 20 lb or 75 gsm bond / Maximum: 2100 pages 20 lb or 75 gsm bond
Paper Output Capacity: Up to	Standard: 250 pages 20 lb or 75 gsm bond / Maximum: 250 pages 20 lb or 75 gsm bond	
Media Types Supported	Card Stock, Envelopes, Labels, Plain Paper, Transparencies, Refer to the Card Stock & Label Guide.	
Media Sizes Supported	10 Envelope, 7 3/4 Envelope, 9 Envelope, A3, A4, A5, B5 Envelope, C5 Envelope, DL Envelope, Executive, Folio, JIS-B4, JIS-B5, Ledger, Legal, Letter, Statement, Universal, Oficio, A6	
General Information		
Standard Ports	USB 2.0 Specification Hi-Speed Certified (Type B), Front USB 2.0 Specification Hi-Speed Certified port (Type A), Ethernet 10/100/1000 BaseTX (RJ-45)	
Optional Network Ports / Optional Local Ports	External MarkNet N7020e Gigabit Ethernet, Internal MarkNet™ N8120 Gigabit Ethernet, Internal MarkNet™ N8130 Fiber Fast Ethernet, Internal MarkNet™ N8250 802.11b/g/n Wireless / Internal RS-232C serial, Internal 1284-B Bidirectional Parallel	
Noise Level: Operating	Print: 53 dBA	
Specified Operating Environment	Temperature: 10 to 32°C (50 to 90°F), Humidity: 20 to 80% Relative Humidity, Altitude: 0 - 2300 Meters (7,545 Feet)	
Limited Warranty - See Statement of Limited Warranty	1-Year Onsite Service, Next Business Day	
Size (in. - H x W x D) / Weight (lb.)	16.54 x 24.49 x 21.93 in. / 106.5 lb.	21.86 x 24.49 x 21.93 in. / 137.3 lb.

¹“Recommended Monthly Page Volume” is a range of pages that helps customers evaluate Lexmark’s product offerings based on the average number of pages customers plan to print on the device each month. Lexmark recommends that the number of pages per month be within the stated range for optimum device performance, based on factors including: supplies replacement intervals, paper loading intervals, speed, and typical customer usage. ²“Maximum Monthly Duty Cycle” is defined as the maximum number of pages a device could deliver in a month using a multishift operation. This metric provides a comparison of robustness in relation to other Lexmark printers and MFPs. ³Actual Yield may vary based on other factors such as device speed, paper size and feed orientation, toner coverage, tray source, percentage of black-only printing and average print job complexity.

This is a Class A device according to the FCC Rules and international electromagnetic emissions standards. This device is not intended for use in residential or domestic environments due to potential interference to radio communications.

© 2015 Lexmark and the Lexmark logo are trademarks of Lexmark International, Inc., registered in the United States and/or other countries. All other trademarks are the property of their respective owners.

AirPrint and the AirPrint logo are trademarks of Apple Inc.