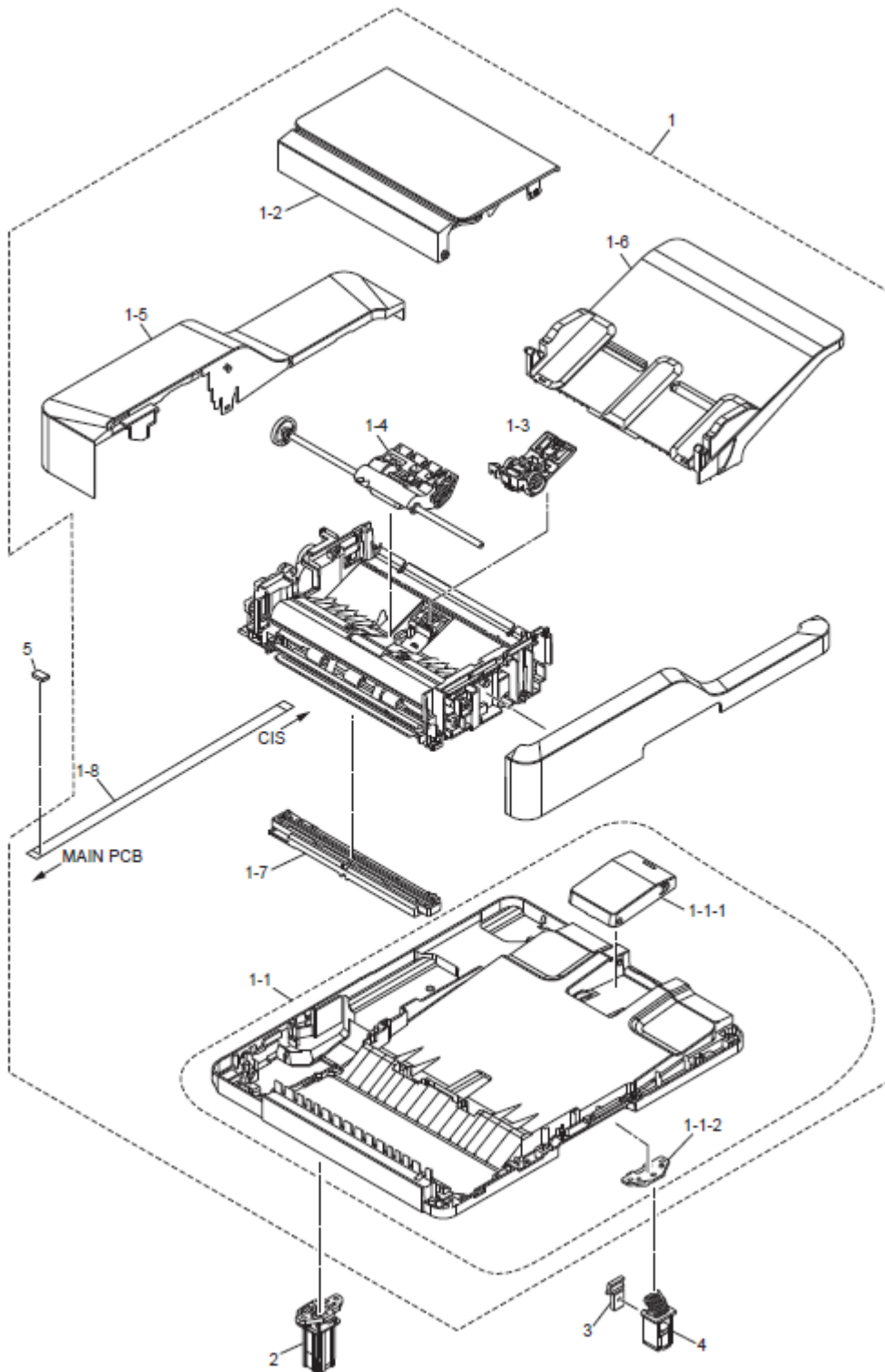


Brother MFC J6945DW Parts List and Parts Diagrams

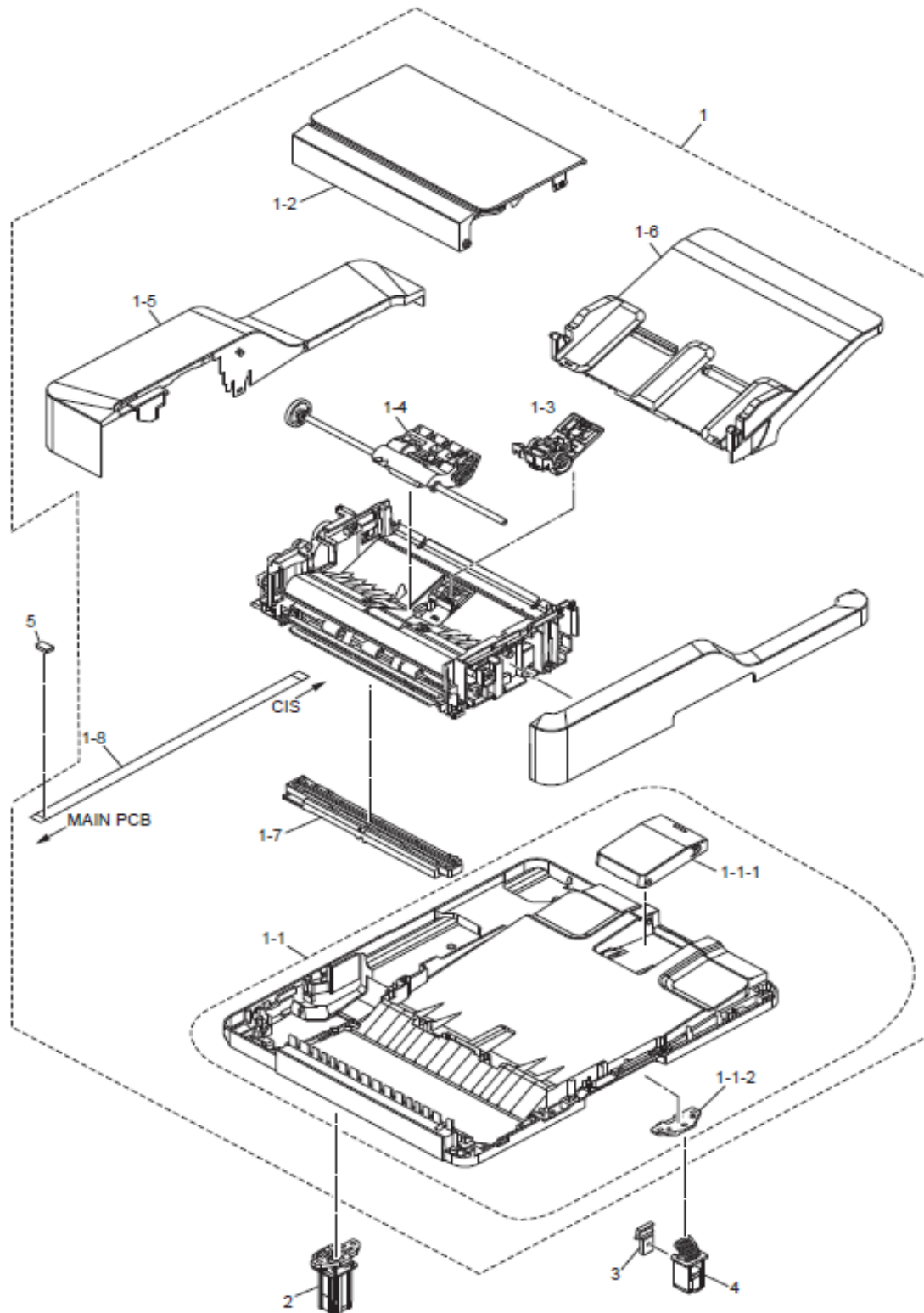


Brother MFC J6945DW Parts List and Parts Diagrams

Below you will find the complete [Brother](#) MFC J6945DW Parts List and Parts Diagrams to easily locate your part and get it on order. Find your part, if it has a link, click on it and get up to date

pricing and availability. Now, if your part does not have a link then find any link and click on it for vendor phone number to find out if the part can be ordered from the manufacture.

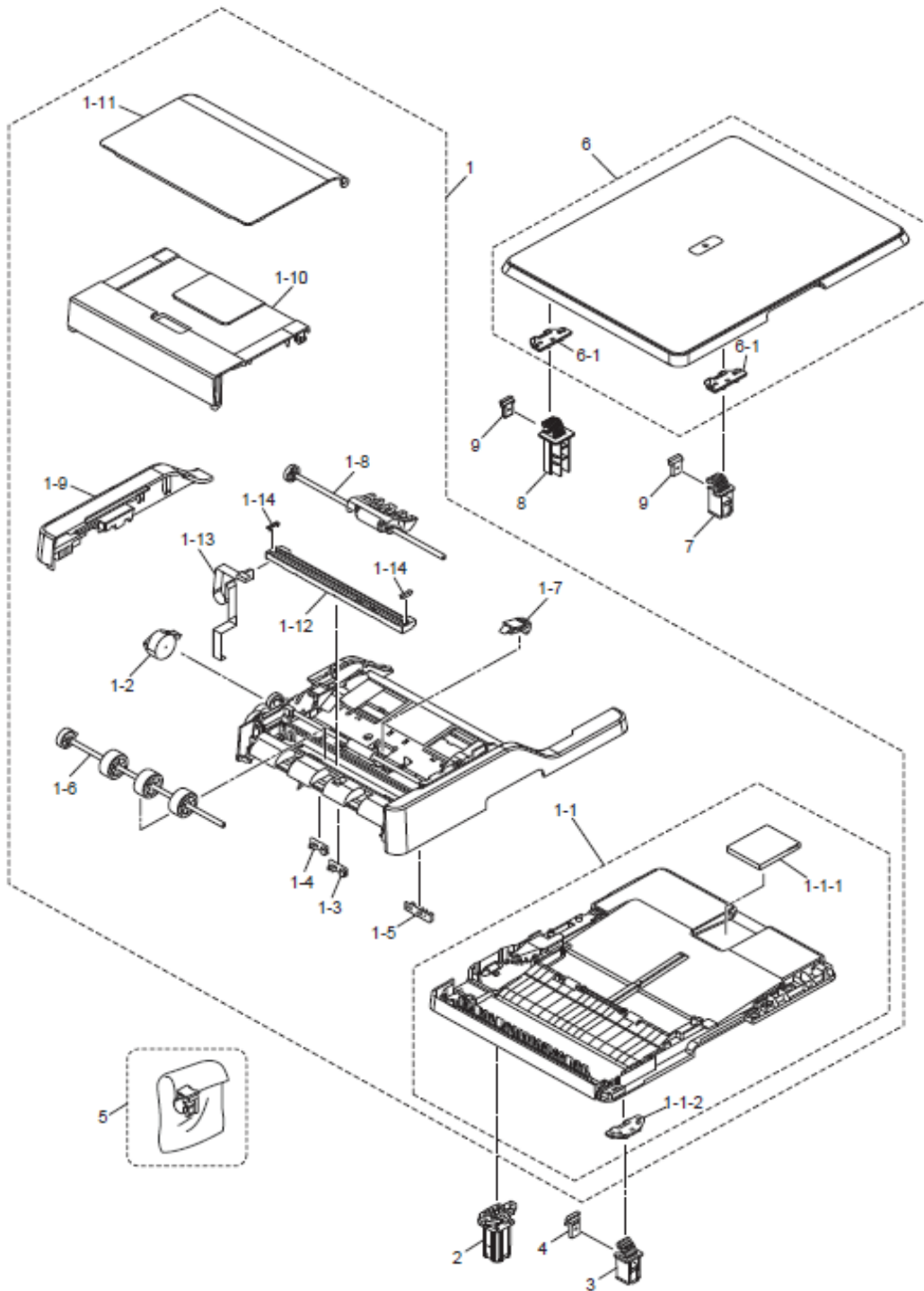
1. Brother MFC J6945DW ADF



1 [D00G4A001](#) 1 ADF UNIT [SP](#) MFC-J3530DW/J6530DW/J6730DW/T4500DW
1 [D00G4C001](#) 1 ADF UNIT SP MFC-J3930DW/J6930DW
1 [D00G4E001](#) 1 ADF UNIT SP MFC-J6535DW/J6545DW/J6545DWXL
1 [D00GL2001](#) 1 ADF UNIT SP MFC-J6935DW/J6945DW/J6947DW
1-1 [LG6753001](#) 1 DOCUMENT SCANNING POSITION SENSOR [PCB](#) EXCEPT FOR HL-
J6000DW/J6100DW/T4000DW
1-2 [LT2519001](#) 1 ADF DOCUMENT DETECTION SENSOR/ ADF DOCUMENT WIDTH
SENSOR PCB EXCEPT FOR HL-J6000DW/J6100DW/T4000DW
1-3 [D00DW5001](#) 1 ADF SEPARATION PAD HOLDER ASSY EXCEPT FOR HL-
J6000DW/J6100DW/T4000DW
1-4 [D002BK001](#) 1 DOCUMENT SEPARATION ROLLER ASSY EXCEPT FOR HL-
J6000DW/J6100DW/T4000DW
1-5 [D002DK001](#) 1 ADF COVER MFC-
J3530DW/J3930DW/J6530DW/J6730DW/J6930DW/T4500DW
1-5 [D006R9001](#) 1 ADF COVER MFC-
J6535DW/J6545DW/J6545DWXL/J6935DW/J6945DW/J6947DW
1-6 [D00FUD001](#) 1 ADF DOCUMENT SUPPORT SP MFC-
J3530DW/J3930DW/J6530DW/J6730DW/J6930DW/T4500DW
1-6 [D00FUG001](#) 1 ADF DOCUMENT SUPPORT SP MFC-
J6535DW/J6545DW/J6545DWXL/J6935DW/J6945DW/J6947DW
1-7 [D002E2001](#) 1 ADF REAR COVER MFC-
J3530DW/J3930DW/J6530DW/J6730DW/J6930DW/T4500DW
1-7 [D002E2002](#) 1 ADF REAR COVER MFC-
J6535DW/J6545DW/J6545DWXL/J6935DW/J6945DW/J6947DW
1-8 [D003VF002](#) 1 ADF SIDE COVER MFC-
J6535DW/J6545DW/J6545DWXL/J6935DW/J6945DW/J6947DW
1-8 [D003VF001](#) 1 ADF SIDE COVER MFC-
J3530DW/J3930DW/J6530DW/J6730DW/J6930DW/T4500DW
1-9 [D004UG001](#) 1 ADF FRONT COVER MFC-
J3530DW/J3930DW/J6530DW/J6730DW/J6930DW/T4500DW
1-9 [D006RD001](#) 1 ADF FRONT COVER MFC-
J6535DW/J6545DW/J6545DWXL/J6935DW/J6945DW/J6947DW
1-10 [D002E3001](#) 2 ADF HINGE EXCEPT FOR HL-J6000DW/J6100DW/T4000DW
1-11 [D004NK001](#) 1 ADF SIZE LABEL MFC-
J3530DW/J3930DW/J6530DW/J6730DW/J6930DW/T4500DW
1-11 [D006KL001](#) 1 ADF SIZE LABEL MFC-
J6535DW/J6545DW/J6545DWXL/J6935DW/J6945DW/J6947DW
1-12 [LX1347001](#) 1 EMBLEM BROTHER MFC-
J3530DW/J3930DW/J6530DW/J6730DW/J6930DW/T4500DW
1-12 [LX1347007](#) 1 EMBLEM BROTHER MFC-
J6535DW/J6545DW/J6545DWXL/J6935DW/J6945DW/J6947DW
1-13 [D002RG001](#) 1 SECOND SIDE CIS UNIT MFC-J3930DW/J6930DW/J6935DW/
1-14 [D002B5001](#) 1 SECOND SIDE CIS FLAT CABLE MFC-
J3930DW/J6930DW/J6935DW/J6945DW/J6947DW

2. Brother MFC J6945DW DOCUMENT SCANNER

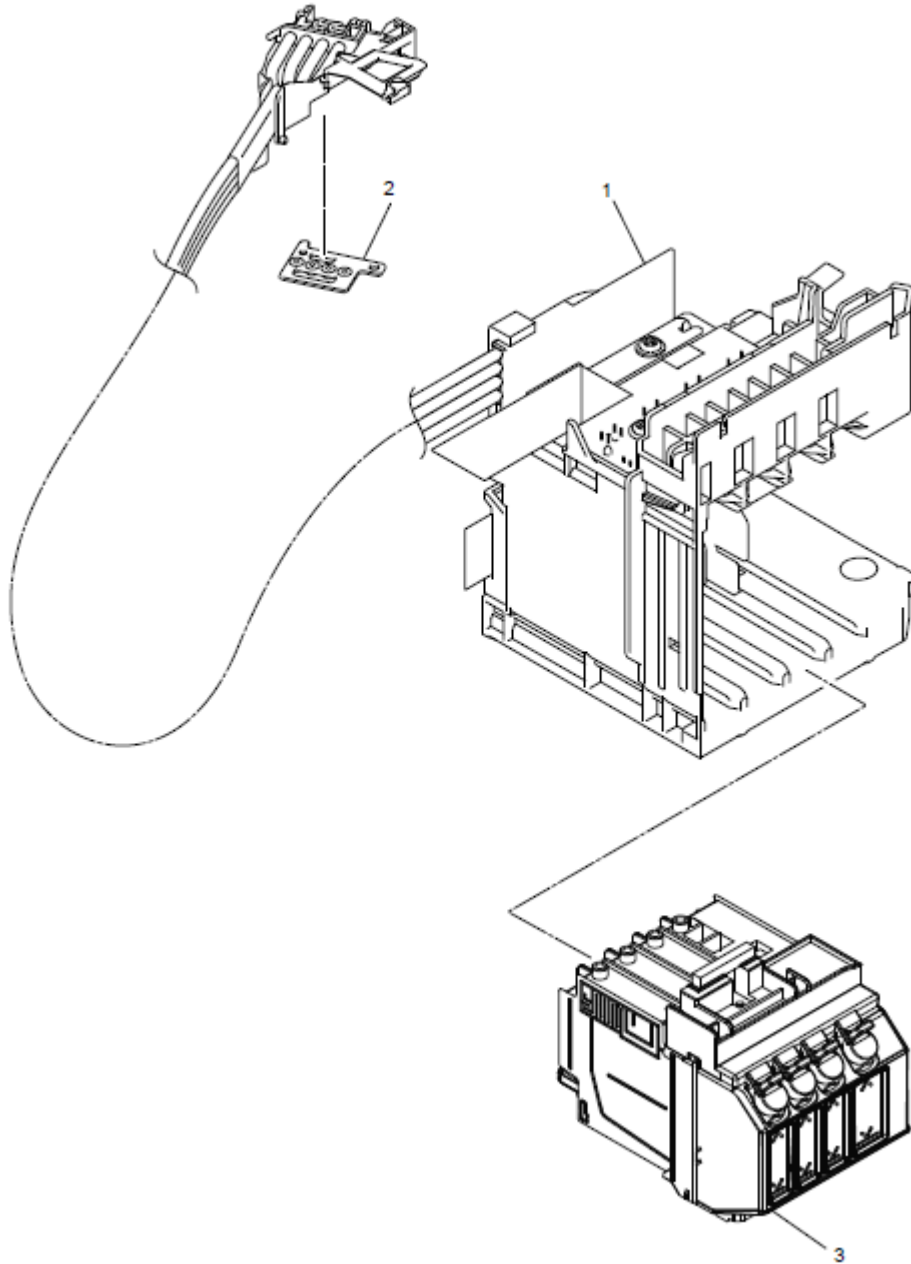
10. ADF & DOCUMENT COVER ASSY



- 1 [D00G4H001](#) 1 DOCUMENT SCANNER UNIT SP MFC-J3530DW/J6530DW/J6730DW
- 1 [D00G4J001](#) 1 DOCUMENT SCANNER UNIT SP MFC-J3930DW/J6930DW
- 1 [D00G4L001](#) 1 DOCUMENT SCANNER UNIT SP MFC-J6535DW/J6545DW/J6545DWXL
- 1 [D00GL1001](#) 1 DOCUMENT SCANNER UNIT SP MFC-J6935DW/J6945DW/J6947DW
- 1 [D00JP3001](#) 1 DOCUMENT SCANNER UNIT SP MFC-T4500DW
- 1-1 D002RG001 1 FIRST SIDE CIS UNIT EXCEPT FOR HL-J6000DW/J6100DW/T4000DW

1-2 [D002RL001](#) 1 FIRST SIDE CIS FLAT CABLE EXCEPT FOR HL-
J6000DW/J6100DW/T4000DW
1-3 [D00682001](#) 1 DOCUMENT COVER SENSOR MFC-J3530DW/J6530DW/J6730DW
1-3 [D004UD001](#) 1 DOCUMENT COVER SENSOR MFC-
J3930DW/J6535DW/J6545DW/J6545DWXL/J6930DW/J6935DW/J6945DW/J6947DW/T4500D
W
1-4 [D003DR001](#) 1 DOCUMENT SCANNER SIDE COVER R MFC-
J3530DW/J3930DW/J6530DW/J6730DW/J6930DW/T4500DW
1-4 [D003DR002](#) 1 DOCUMENT SCANNER SIDE COVER R MFC-
J6535DW/J6545DW/J6545DWXL/J6935DW/J6945DW/J6947DW
1-5 [D003DS002](#) 1 DOCUMENT SCANNER SIDE COVER L MFC-
J6535DW/J6545DW/J6545DWXL/J6935DW/J6945DW/J6947DW
1-5 [D003DS001](#) 1 DOCUMENT SCANNER SIDE COVER L MFC-
J3530DW/J3930DW/J6530DW/J6730DW/J6930DW/T4500DW

3. Brother MFC J6945DW CARTRIDGE CASE

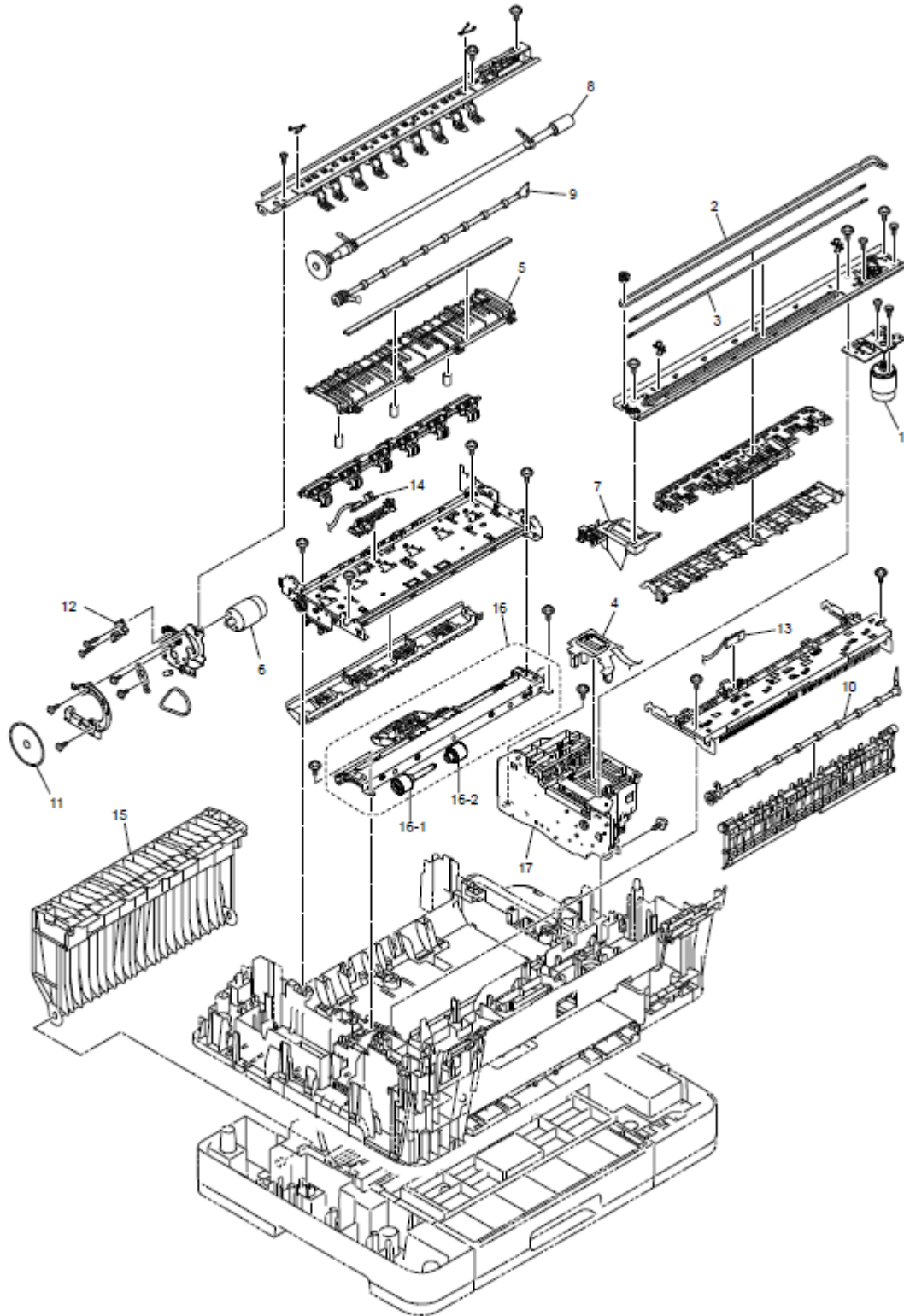


- 1 D00G4H001 1 DOCUMENT SCANNER UNIT SP MFC-J3530DW/J6530DW/J6730DW
- 1 D00G4J001 1 DOCUMENT SCANNER UNIT SP MFC-J3930DW/J6930DW
- 1 D00G4L001 1 DOCUMENT SCANNER UNIT SP MFC-J6535DW/J6545DW/J6545DWXL
- 1 D00GL1001 1 DOCUMENT SCANNER UNIT SP MFC-J6935DW/J6945DW/J6947DW
- 1 D00JP3001 1 DOCUMENT SCANNER UNIT SP MFC-T4500DW
- 1-1 D002RG001 1 FIRST SIDE CIS UNIT EXCEPT FOR HL-J6000DW/J6100DW/T4000DW
- 1-2 D002RL001 1 FIRST SIDE CIS FLAT CABLE EXCEPT FOR HL-J6000DW/J6100DW/T4000DW
- 1-3 D00682001 1 DOCUMENT COVER SENSOR MFC-J3530DW/J6530DW/J6730DW
- 1-3 D004UD001 1 DOCUMENT COVER SENSOR MFC-J3930DW/J6535DW/J6545DW/J6545DWXL/J6930DW/J6935DW/J6945DW/J6947DW/T4500DW

1-4 D003DR001 1 DOCUMENT SCANNER SIDE COVER R MFC-
J3530DW/J3930DW/J6530DW/J6730DW/J6930DW/T4500DW
1-4 D003DR002 1 DOCUMENT SCANNER SIDE COVER R MFC-
J6535DW/J6545DW/J6545DWXL/J6935DW/J6945DW/J6947DW
1-5 D003DS002 1 DOCUMENT SCANNER SIDE COVER L MFC-
J6535DW/J6545DW/J6545DWXL/J6935DW/J6945DW/J6947DW
1-5 D003DS001 1 DOCUMENT SCANNER SIDE COVER L MFC-
J3530DW/J3930DW/J6530DW/J6730DW/J6930DW/T4500DW

4. Brother MFC J6945DW ENGINE

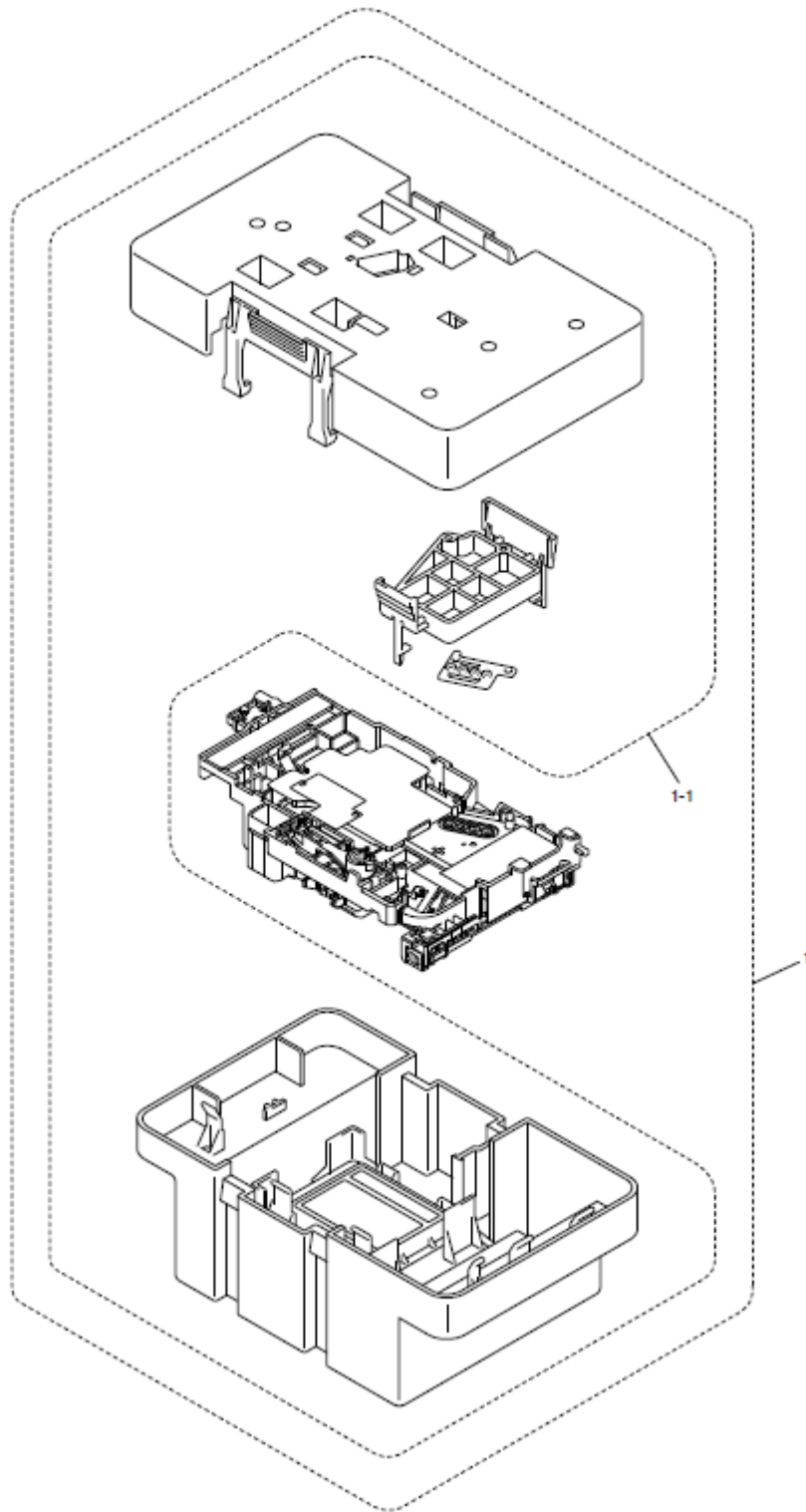
4. ENGINE



- 1 [D002DL001](#) 1 CARRIAGE MOTOR
- 2 [D002E4001](#) 1 CR TIMING BELT
- 3 [D002EN001](#) 1 CR ENCODER STRIP
- 4 [D00F0N001](#) 1 CARRIAGE PCB ASSY (SP) MFC-

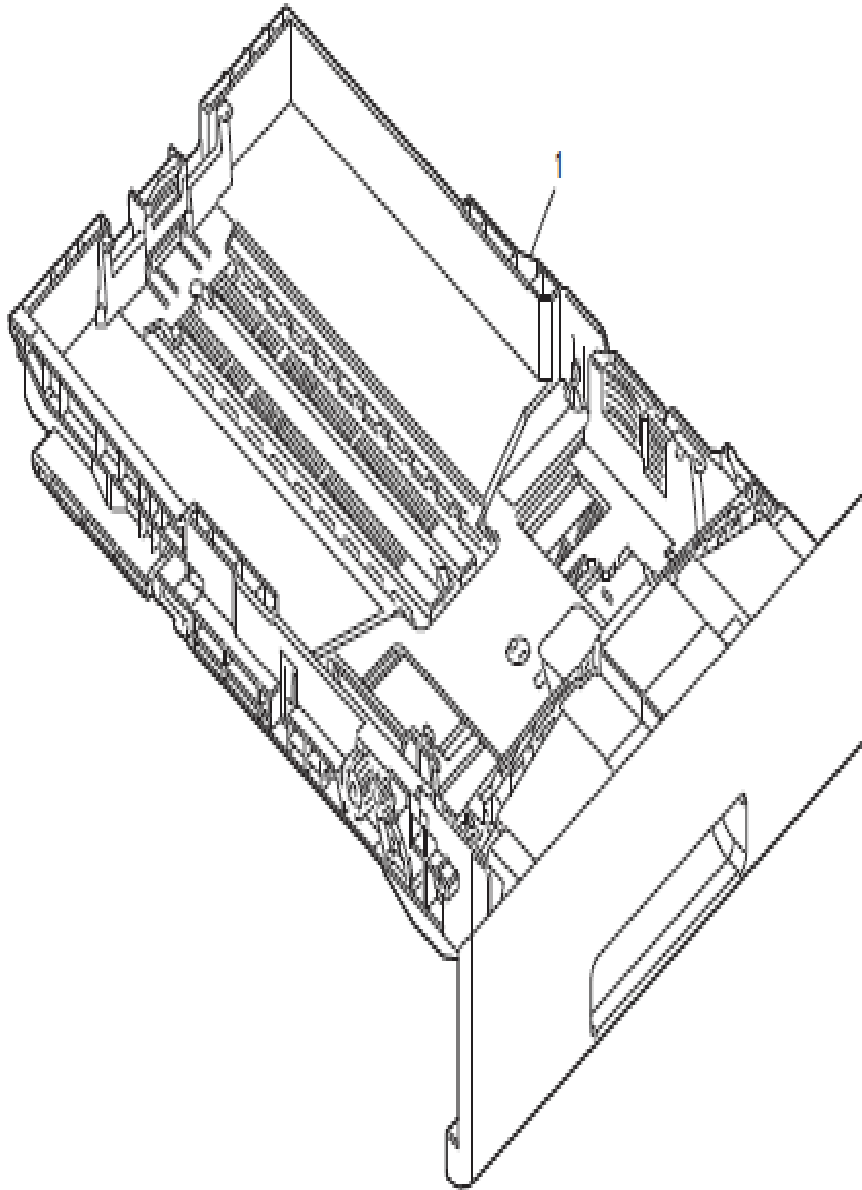
J3530DW/J3930DW/J6530DW/J6535DW/J6730DW/J6930DW/J6935DW
4 [D014K4001](#) 1 CARRIAGE PCB ASSY (SP) HL-J6000DW/J6100DW/T4000DW/
MFCJ6545DW/J6545DWXL/J6945DW/J6947DW/T4500DW
5 [D001ZC001](#) 1 PLATEN
6 [D00R7G001](#) 1 PAPER FEED MOTOR chg
7 [D002C8001](#) 1 FLUSHING BASE
8 [D002C9001](#) 1 PAPER FEED ROLLER
9 [D002CF001](#) 1 PAPER EJECTION ROLLER
10 [D002CR001](#) 1 SWITCHBACK ROLLER
11 [LP1471001](#) 1 PF ENCODER DISK CHG
12 [LT1509002](#) 1 PF ENCODER SENSOR PCB
13 [D002P4001](#) 1 SWITCHBACK SENSOR PCB
14 [D002P5001](#) 1 REGISTRATION SENSOR PCB
15 [D003JH001](#) 1 JAM CLEAR COVER HL-T4000DW/MFC-J3530DW/J6530DW/T4500DW
15 [D002B9001](#) 1 JAM CLEAR COVER MFC-J3930DW/J6730DW/J6930DW
15 [D003JH002](#) 1 JAM CLEAR COVER MFC-J6535DW/J6545DW/J6545DWXL
15 [D002B9002](#) 1 JAM CLEAR COVER HL-J6000DW/MFC-J6935DW/J6945DW
15 [D00ED2001](#) 1 JAM CLEAR COVER HL-J6100DW/MFC-J6947DW
16 [D00531001](#) 1 PAPER FEED ARM FRAME ASSY HL-J6000DW/J6100DW/
MFCJ6935DW/J6945DW/J6947DW
16 [D002BA001](#) 1 PAPER FEED ARM FRAME ASSY HL-T4000DW/MFC-
J3530DW/J3930DW/J6530DW/J6535DW/J6545DW/J6545DWXL/J6730DW/J6930DW/T4500D
W
16-1 [D004L8001](#) 1 T1 PAPER PULL-IN ROLLER R* add
16-2 [D002DT001](#) 1 T1 PAPER PULL-IN ROLLER L* add
17 [D00F0P001](#) 1 MAINTENANCE UNIT (SP) EXCEPT FOR MFC-
J6530DW/J3530DW/J6730DW
17 [D00F0T001](#) 1 MAINTENANCE UNIT (SP) MFC-J3530DW/J6530DW/J6730DW

5. Brother MFC J6945DW HEAD



- 1 [D006S7001](#) 1 HEAD/CARRIAGE UNIT (SP) EXCEPT FOR HL-T4000DW/MFC-T4500DW
- 1 [D00STP001](#) 1 HEAD/CARRIAGE UNIT (SP) HL-T4000DW/MFC-T4500DW
- 1-1 [D006VP001](#) 1 PROTECTOR SUPPLY ASSY

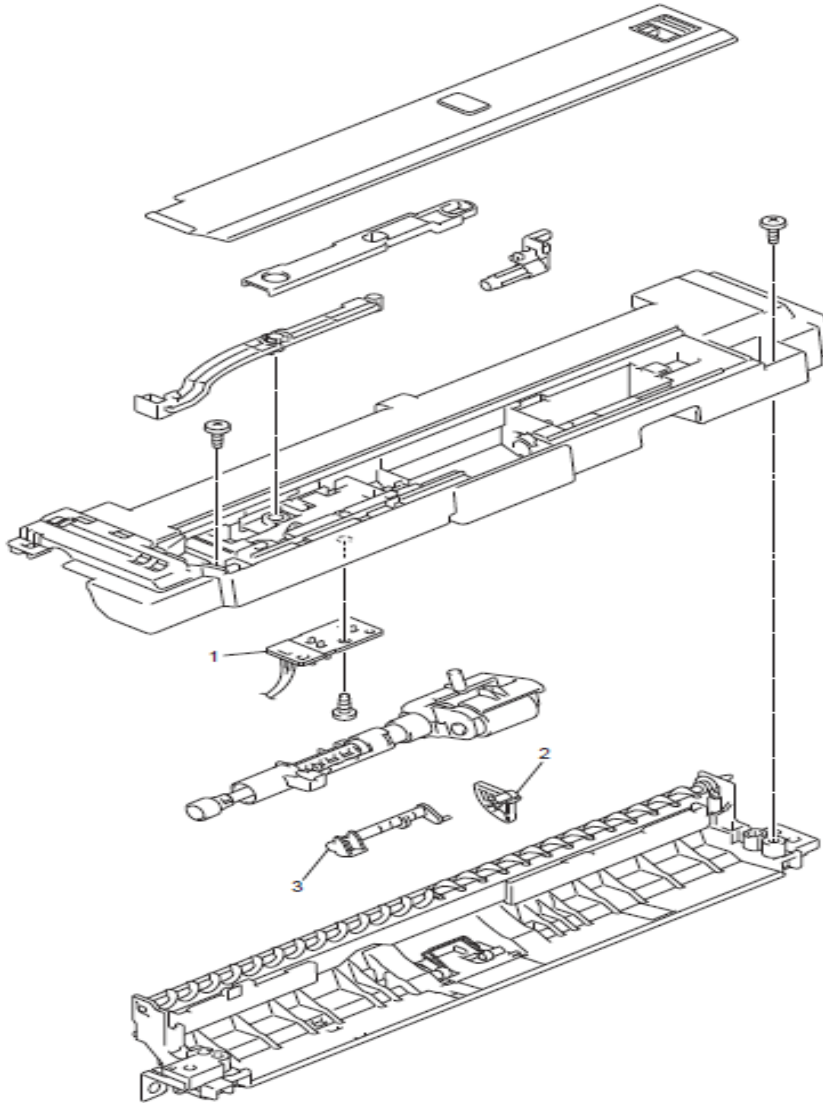
6. Brother MFC J6945DW PAPER TRAY



- 1 [D002AU001](#) 1 PAPER TRAY ASSY #1 HL-T4000DW/MFC-J3530DW/J6530DW/T4500DW
- 1 [D009NW001](#) 1 PAPER TRAY ASSY #1 MFC-J3930DW/J6730DW/J6930DW
- 1 [D002AU002](#) 1 PAPER TRAY ASSY #1 MFC-J6535DW/J6545DW/J6545DWXL
- 1 [D009NW002](#) 1 PAPER TRAY ASSY #1 HL-J6000DW/J6100DW/
MFCJ6935DW/J6945DW/J6947DW
- 1-1 [LED275001](#) 1 T1 BASE PAD

- 2 [D002CU001](#) 1 EXIT TRAY ASSY HL-T4000DW/MFC-J3530DW/J3930DW/J6530DW/J6730DW/J6930DW/T4500DW
- 2 [D002CU002](#) 1 EXIT TRAY ASSY HL-J6000DW/J6100DW/MFCJ6535DW/J6545DW/J6545DWXL/J6935DW/J6945DW/J6947DW
- 3 [LET495001](#) 1 T1 BANK ASSY

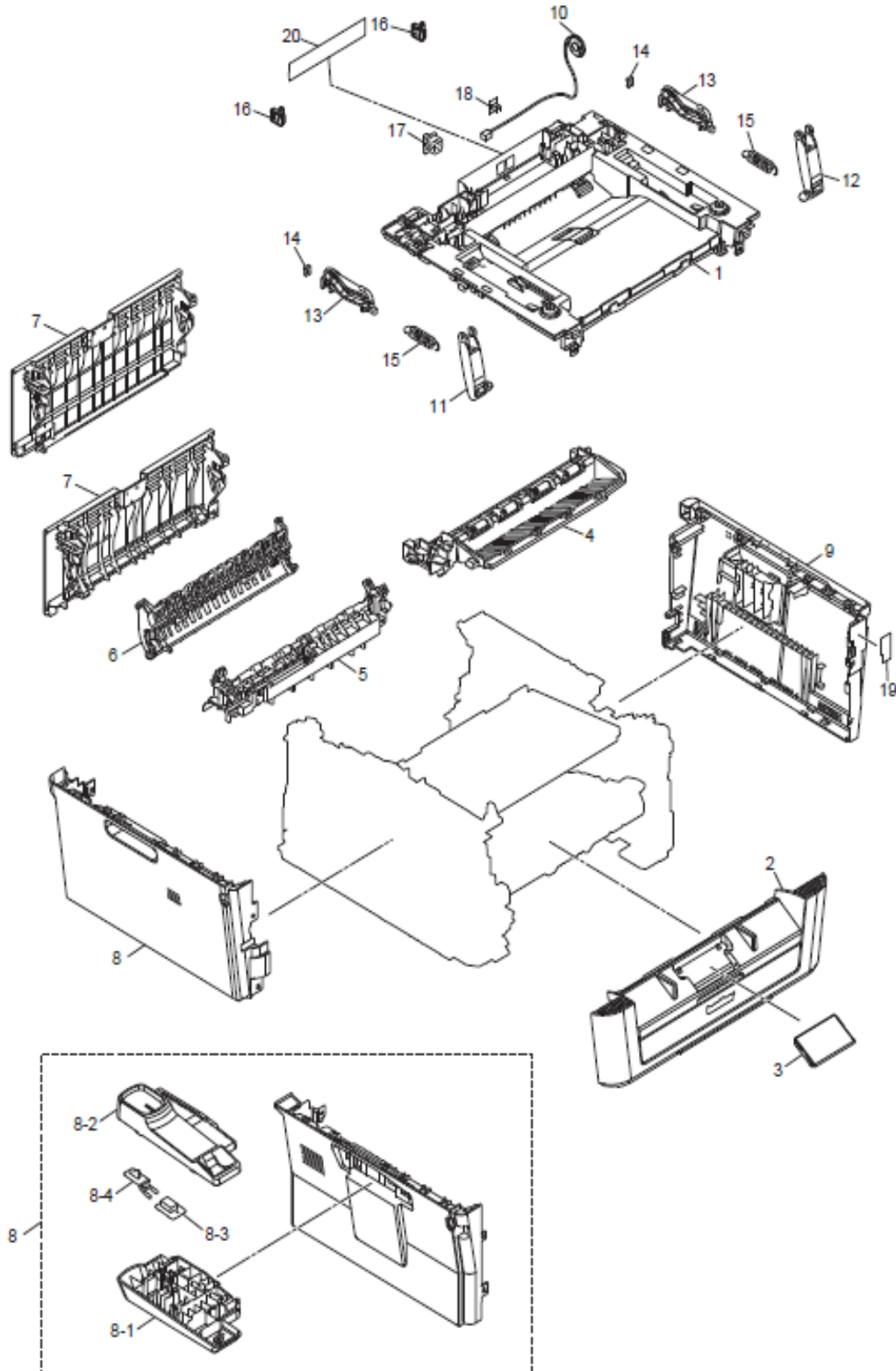
7. Brother MFC J6945DW MP TRAY



- 1 [D004WY001](#) 1 MANUAL PAPER TRAY ASSY MFC-J3530DW/J6530DW/J6730DW
- 1 [D0029E001](#) 1 MP TRAY ASSY HL-T4000DW/MFC-J3930DW/J6930DW/T4500DW
- 1 [D009XX001](#) 1 MP TRAY ASSY HL-J6000DW/J6100DW/MFCJ6535DW/J6545DW/J6545DWXL/J6935DW/J6945DW/J6947DW
- 2 [D002A6001](#) 1 MP SIDE COVER L HL-T4000DW/MFC-J3530DW/J3930DW/J6530DW/J6730DW/J6930DW/T4500DW
- 2 [D002A6002](#) 1 MP SIDE COVER L HL-J6000DW/J6100DW/MFCJ6535DW/J6545DW/J6545DWXL/J6935DW/J6945DW/J6947DW
- 3 [D002A7002](#) 1 MP SIDE COVER R HL-J6000DW/J6100DW/MFCJ6535DW/J6545DW/J6545DWXL/J6935DW/J6945DW/J6947DW

3 [D002A7001](#) 1 MP SIDE COVER R HL-T4000DW/MFC-
J3530DW/J3930DW/J6530DW/J6730DW/J6930DW/T4500DW
4 D002P5001 1 MP PAPER DETECTION SENSOR PCB EXCEPT FOR MFC-
J6530DW/J3530DW/J6730DW

8. Brother MFC J6945DW COVERS & LABELS

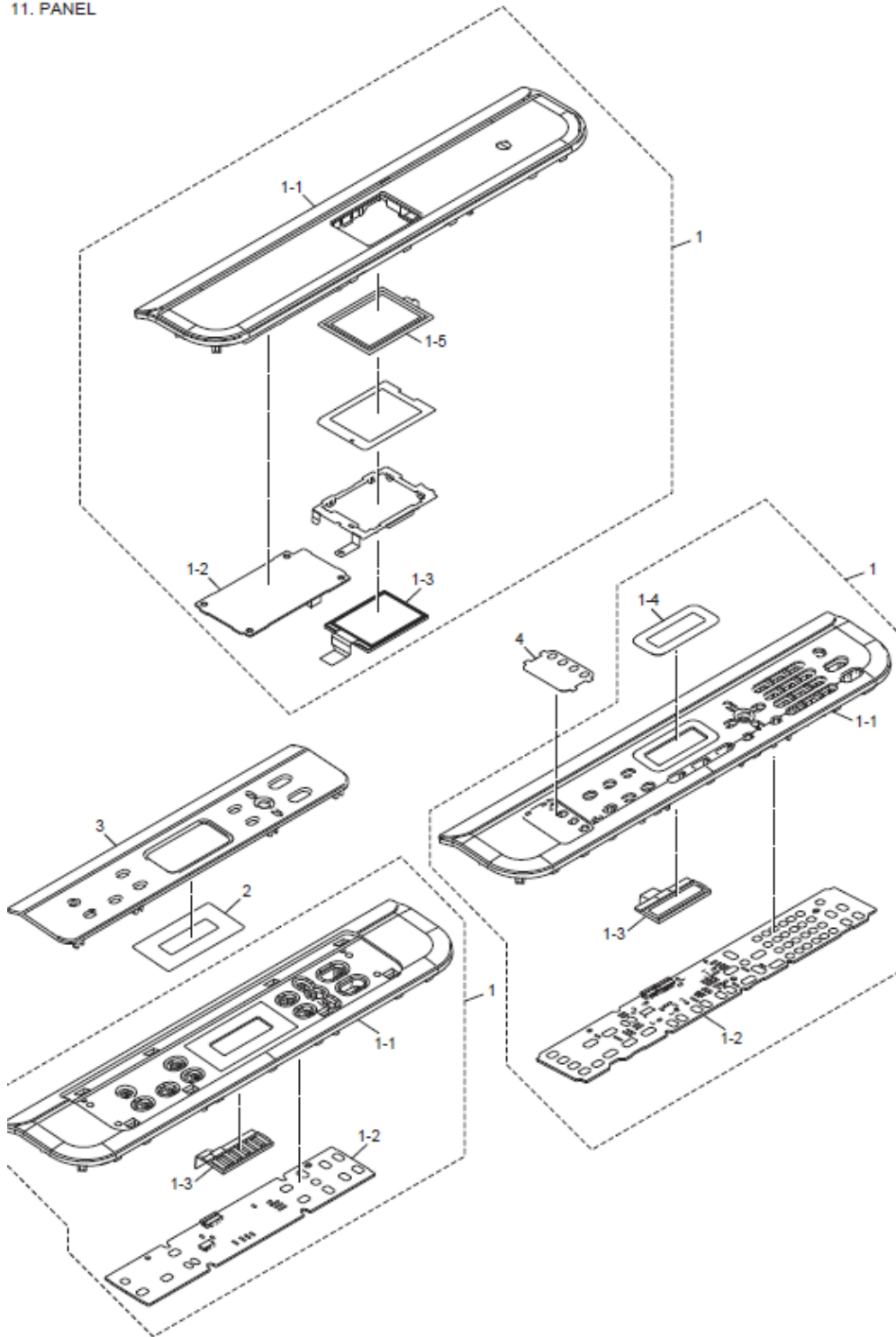


1 [D002AZ001](#) 1 INK ABSORBER FELT (FOR INK REFILL ASSY) MFC-
J3530DW/J3930DW/J6530DW/J6535DW/J6730DW/J6930DW/J6935DW
1 [D013WG001](#) 1 INK ABSORBER FELT (FOR INK REFILL ASSY) HL-J6000DW/J6100DW/
MFCJ6545DW/J6545DWXL/J6945DW/J6947DW
1 [D013WH001](#) 1 INK ABSORBER FELT (FOR INK REFILL ASSY) HL-T4000DW/MFC-
T4500DW
2 [D002B0001](#) 1 INK ABSORBER FELT (FOR MAINTENANCE UNIT)
3 [D003B6001](#) 1 INK ABSORBER BOX HL-T4000DW/MFC-
J3530DW/J6530DW/J6535DW/J6545DW/J6545DWXL/T4500DW
3 [D002X8001](#) 1 INK ABSORBER BOX HL-J6000DW/J6100DW/
MFCJ3930DW/J6730DW/J6930DW/J6935DW/J6945DW/J6947DW
4 [D003YF001](#) 1 FLUSHING BOX
5 [D002KP001](#) 1 INK CARTRIDGE COVER MFC-
J3530DW/J3930DW/J6530DW/J6730DW/J6930DW
5 [D002KP002](#) 1 INK CARTRIDGE COVER MFC-J6535DW/J6935DW
5 [D00EJS001](#) 1 INK CARTRIDGE COVER MFC-J6545DW/J6545DWXL/J6945DW/J6947DW
5 [D00E8U001](#) 1 INK CARTRIDGE COVER HL-T4000DW/MFC-T4500DW
5 [D00Z8K001](#) 1 INK CARTRIDGE COVER HL-J6000DW/J6100DW
6 [D005XH001](#) 1 FRONT COVER L HL-T4000DW/MFC-
J3530DW/J3930DW/J6530DW/J6730DW/J6930DW/T4500DW
6 [D004MN002](#) 1 FRONT COVER L MFC-
J6535DW/J6545DW/J6545DWXL/J6935DW/J6945DW/J6947DW
6 [D005XH002](#) 1 FRONT COVER L HL-J6000DW/J6100DW
7 [D00G5T001](#) 1 UPPER COVER SP MFC-J3530DW/J6530DW
7 [D00G5W001](#) 1 UPPER COVER SP MFC-J3930DW/J6930DW
7 [D00G5X001](#) 1 UPPER COVER SP MFC-J6535DW
7 [D013JV022](#) 1 UPPER COVER SP MFC-J6545DW/J6545DWXL
7 [D00G5V001](#) 1 UPPER COVER SP MFC-J6730DW
7 [D00G64001](#) 1 UPPER COVER SP MFC-J6935DW
7 [D013LD022](#) 1 UPPER COVER SP MFC-J6945DW/J6947DW
7 [D0135A007](#) 1 UPPER COVER SP MFC-T4500DW
7 [D013LF022](#) 1 UPPER COVER SP HL-J6000DW/J6100DW
8 [D002M5001](#) 1 INK CARTRIDGE COVER SENSOR MFC-
J3530DW/J3930DW/J6530DW/J6535DW/J6730DW/J6930DW/J6935DW
8 [D00TL4001](#) 1 INK CARTRIDGE COVER SENSOR HL-J6000DW/J6100DW/T4000DW/
MFCJ6545DW/J6545DWXL/J6945DW/J6947DW/T4500DW
9 D002M8001 1 MODEM PCB MFC-
J3530DW/J3930DW/J6530DW/J6535DW/J6730DW/J6930DW/J6935DW US/ CAN/ GER/UK/
CHE/ CHN/
TWN/ SAF/ HK/IDN/ THA/ ARG/CHL/ GUL/BRA/ KOR/RUS/ FRA/ BEL/NLD/ PND/ ITA/IBR/
MYS/ CEE
9 [D002M8006](#) 1 MODEM PCB MFC-J6530DW/J6730DW/J6930DW/J6935DW OCE
9 [D00N0N001](#) 1 MODEM PCB MFC-J6545DW/J6545DWXL/J6945DW/T4500DW US/ CAN/
TWN/ARG/ ASA/BRA/ KOR/MEX
9 [D00N0N004](#) 1 MODEM PCB MFC-J6945DW/J6947DW GER/ UK/ EUR
9 [D00N0N006](#) 1 MODEM PCB MFC-J6945DW OCE
10 [LD1969001](#) 1 WIRELESS LAN PCB
11 [LE8842001](#) 1 EXT CAP MFC-
J3530DW/J3930DW/J6530DW/J6535DW/J6545DW/J6545DWXL/J6730DW/J6930DW/J6935D

W/J6945DW/
J6947DW/T4500DW US/ CAN/ CHE/CHN/ TWN/SAF/ HK/ IDN/THA/ ARG/CHL/ ASA/
GUL/BRA/ KOR/MEX/ RUS/FRA/ BEL/ NLD/OCE/ PND/ ITA/IBR/ MYS/ CEE/EUR
11 [UF5745000](#) 1 MJ COVER EXT MFC-J6530DW/J6930DW/J6935DW/J6945DW/J6947DW
GER/ UK
12 [LEG124001](#) 1 LAN PORT CAP
13 [LEW468001](#) 1 INKVESTMENT LABEL MFC-J6535DW/J6935DW US/ CAN
13 [D00ZRW001](#) 1 INKVESTMENT LABEL MFC-J6545DW/J6545DWXL/J6945DW US/ CAN
13 [LEX288001](#) 1 INKBENEFIT LABEL RUS/ CEE
13 [LX3721001](#) 1 INNOBELLA LABEL US MFC-J6530DW/J6930DW US
13 [LX3722001](#) 1 INNOBELLA LABEL MFC-
J3530DW/J3930DW/J6530DW/J6730DW/J6930DW/J6935DW CAN/ GER/ UK/CHE/
CHN/TWN/ SAF/ HK/IDN/ THA/ ARG/CHL/ GUL/BRA/ KOR/FRA/ BEL/ NLD/OCE/ PND/
ITA/IBR/ MYS
13 [D00V7P001](#) 1 INNOBELLA LABEL HL-J6000DW/J6100DW/ MFCJ6945DW/J6947DW GER/
UK/ OCE/EUR
14 [D00L2U001](#) 1 INK INSTRUCTION LABEL HL-T4000DW/MFC-T4500DW
15 [D013Y3007](#) 1 TOP COVER ASSY SP HL-T4000DW
15 [D013Y3001](#) 1 TOP COVER ASSY SP HL-J6000DW/J6100DW

9. Brother MFC J6945DW PANEL

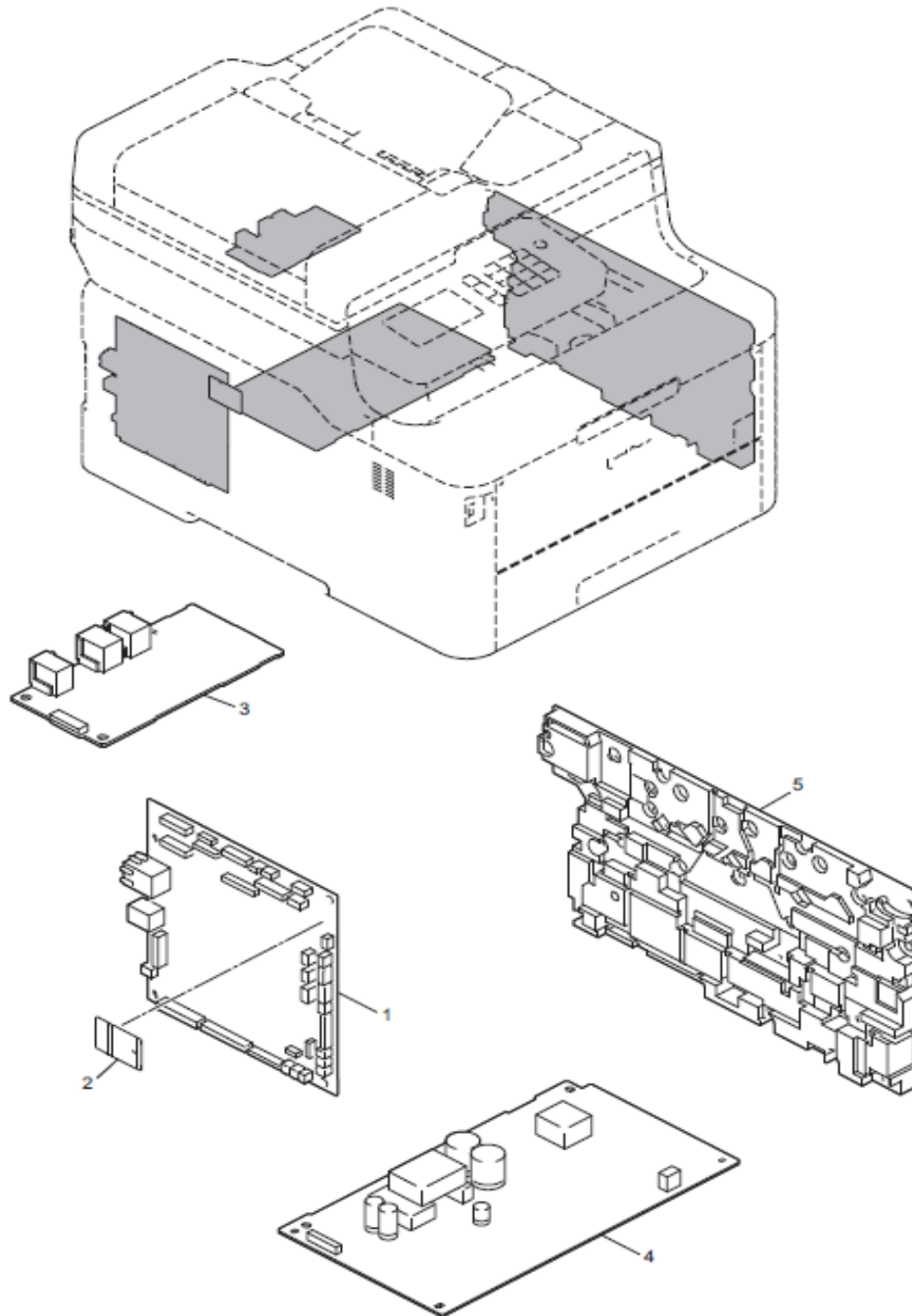
11. PANEL



- 1 [D002Y3001](#) 1 CONTROL PANEL ASSY MFC-J6530DW US/ CAN
 1 [D008PG001](#) 1 CONTROL PANEL ASSY MFC-J6535DW
 1 [D002F3001](#) 1 CONTROL PANEL ASSY MFC-J6930DW US/ CAN
 1 [D0051D001](#) 1 CONTROL PANEL ASSY MFC-J6935DW US/ BRA
 1 [D004ZU001](#) 1 CONTROL PANEL ASSY MFC-J6530DW GER/ UK/ CHE/FRA/ BEL/
 NLD/PND/ ITA/ IBR

1 [D008FG001](#) 1 CONTROL PANEL ASSY MFC-J6930DW GER/ UK/ CHE/FRA/ BEL/
 NLD/PND/ ITA/ IBR
 1 [D00HLY001](#) 1 CONTROL PANEL ASSY CHL
 1 [D00H08001](#) 1 CONTROL PANEL ASSY MFC-J6530DW OCE
 1 [D008FR001](#) 1 CONTROL PANEL ASSY MFC-J6730DW OCE
 1 [D00GGJ001](#) 1 CONTROL PANEL ASSY MFC-J6930DW OCE
 1 [D00GFJ001](#) 1 CONTROL PANEL ASSY MFC-J3530DW SAF/ GUL/KOR/ RUS/CEE
 1 [D00GH7001](#) 1 CONTROL PANEL ASSY MFC-J3930DW TWN/ SAF/GUL/ KOR/RUS/ CEE
 1 [D008FK001](#) 1 CONTROL PANEL ASSY MFC-J3930DW THA/ MYS
 1 [D0053P001](#) 1 CONTROL PANEL ASSY MFC-J6935DW GER/ UK/ CHE/FRA/ BEL/
 NLD/PND/ ITA/ IBR
 1 [D008FV001](#) 1 CONTROL PANEL ASSY MFC-J3530DW HK/ IDN/ MYS
 1 [D00JHG001](#) 1 CONTROL PANEL ASSY MFC-J6730DW ARG
 1 [D00K04001](#) 1 CONTROL PANEL ASSY MFC-J6935DW OCE
 1 [D00L00001](#) 1 CONTROL PANEL ASSY MFC-J3530DW CHN
 1 [D00L4F001](#) 1 CONTROL PANEL ASSY MFC-J3930DW CHN
 1 [D00Y3P001](#) 1 CONTROL PANEL ASSY MFC-T4500DW ARG/ ASA/ KOR
 1 [D00N5B001](#) 1 CONTROL PANEL ASSY MFC-T4500DW TWN/ BRA/MEX
 1 [D00EL9001](#) 1 CONTROL PANEL ASSY HL-T4000DW
 1 [D00N60001](#) 1 CONTROL PANEL ASSY MFC-J6545DW/J6545DWXL
 1 [D00YSS001](#) 1 CONTROL PANEL ASSY HL-J6000DW
 1 [D00P79001](#) 1 CONTROL PANEL ASSY HL-J6100DW
 1 [D00P7D001](#) 1 CONTROL PANEL ASSY MFC-J6945DW US/ CAN
 1 [D00YSM001](#) 1 CONTROL PANEL ASSY MFC-J6945DW GER/ UK/ EUR
 1 [D00ELD001](#) 1 CONTROL PANEL ASSY MFC-J6947DW
 1 [D012U0001](#) 1 CONTROL PANEL ASSY MFC-J6945DW OCE
 1-1 [D002F4001](#) 1 PANEL PCB
 1-2 [D002LP001](#) 1 LCD PCB MFC-J6535DW/J6545DW/J6545DWXL
 1-2 [D003DB001](#) 1 LCD PCB HL-T4000DW/MFC-J3530DW/J6530DW/J6730DW/T4500DW
 1-2 [D002LP002](#) 1 LCD PCB MFC-J3930DW/J6930DW/J6935DW/J6945DW/J6947DW
 1-2 [D003DB002](#) 1 LCD PCB HL-J6000DW/J6100DW
 1-3 [D002LR001](#) 1 LCD MFC-J3930DW/J6535DW/J6930DW/J6935DW
 1-3 [D003CR001](#) 1 LCD HL-J6000DW/J6100DW/T4000DW/
 MFCJ3530DW/J6530DW/J6730DW/T4500DW
 1-3 [D00N32001](#) 1 LCD MFC-J6545DW/J6545DWXL/J6945DW/J6947DW
 1-4 [D002LS001](#) 1 PANEL FLAT CABLE
 1-5 [D003D9001](#) 1 TOUCH PANEL MFC-
 J3930DW/J6535DW/J6545DW/J6545DWXL/J6930DW/J6935DW/J6945DW/J6947DW
 1-5 [D003DD001](#) 1 TOUCH PANEL HL-T4000DW/MFC-J6730DW
 1-5 [D005HR001](#) 1 TOUCH PANEL HL-J6000DW/J6100DW/ MFCJ3530DW/J6530DW
 1-5 [D00WTL001](#) 1 TOUCH PANEL MFC-T4500DW
 1-6 D0000T003 1 NFC PCB MFC-J3930DW/J6930DW/J6935DW
 1-6 [D012X8013](#) 1 NFC PCB HL-J6000DW/J6100DW/ MFCJ6945DW/J6947DW

10. Brother MFC J6945DW PCB



- 1 [D00HTH001](#) 1 MAIN PCB SP (PRESET 74 CODE:0001) MFC-J6530DW US/ CAN
- 1 [D00HTL001](#) 1 MAIN PCB SP (PRESET 74 CODE:0501) MFC-J6535DW
- 1 [D00HTK001](#) 1 MAIN PCB SP (PRESET 74 CODE:0001) MFC-J6930DW US/ CAN
- 1 [D00HTM001](#) 1 MAIN PCB SP (PRESET 74 CODE:0101) MFC-J6935DW US/ BRA
- 1 [D00HTH004](#) 1 MAIN PCB SP (PRESET 74 CODE:0004) MFC-J6530DW GER/ UK/
CHE/FRA/ BEL/ NLD/PND/ ITA/ IBR
- 1 [D00HTK004](#) 1 MAIN PCB SP (PRESET 74 CODE:0004) MFC-J6930DW GER/ UK/
CHE/FRA/ BEL/ NLD/PND/ ITA/ IBR
- 1 [D00HTM004](#) 1 MAIN PCB SP (PRESET 74 CODE:0104) MFC-J6935DW GER/ UK/

CHE/FRA/ BEL/ NLD/PND/ ITA/ IBR

1 [D014EP001](#) 1 MAIN PCB SP (PRESET 74 CODE:0101) MFC-J6945DW US/ CAN
1 [D014EP004](#) 1 MAIN PCB SP (PRESET 74 CODE:0199) MFC-J6945DW GER/ UK/ EUR
1 [D00MHY020](#) 1 MAIN PCB SP (PRESET 74 CODE:0220) MFC-J3530DW CHN
1 [D00MHZ020](#) 1 MAIN PCB SP (PRESET 74 CODE:0420) MFC-J3930DW CHN
1 [D00HTM056](#) 1 MAIN PCB SP (PRESET 74 CODE:0156) MFC-J6935DW OCE
1 [D00HTH040](#) 1 MAIN PCB SP (PRESET 74 CODE:0240) MFC-J3530DW SAF/ HK/ IDN/GUL/
KOR/RUS/ MYS/CEE
1 [D00HTK040](#) 1 MAIN PCB SP (PRESET 74 CODE:0440) MFC-J3930DW TWN/ SAF/THA/
GUL/KOR/ RUS/MYS
1 [D00HTJ036](#) 1 MAIN PCB SP (PRESET 74 CODE:0136) MFC-J6730DW ARG/ CHL
1 [D00HTH056](#) 1 MAIN PCB SP (PRESET 74 CODE:0056) MFC-J6530DW OCE
1 [D00HTJ056](#) 1 MAIN PCB SP (PRESET 74 CODE:0156) MFC-J6730DW OCE
1 [D00HTK056](#) 1 MAIN PCB SP (PRESET 74 CODE:0056) MFC-J6930DW OCE
1 [D014EP056](#) 1 MAIN PCB SP (PRESET 74 CODE:0156) MFC-J6945DW OCE
1 [D014ER004](#) 1 MAIN PCB SP (PRESET 74 CODE:0299) MFC-J6947DW
1 [D01497040](#) 1 MAIN PCB SP (PRESET 74 CODE:0040) HL-T4000DW TWN/ ASA/KOR
1 [D01497046](#) 1 MAIN PCB SP (PRESET 74 CODE:0001) HL-T4000DW BRA/ MEX
1 [D01498046](#) 1 MAIN PCB SP (PRESET 74 CODE:0001) MFC-T4500DW ARG/ BRA/ MEX
1 [D01498040](#) 1 MAIN PCB SP (PRESET 74 CODE:0040) MFC-T4500DW TWN/ ASA/KOR
1 [D014EN001](#) 1 MAIN PCB SP (PRESET 74 CODE:0001) MFC-J6545DW/J6545DWXL
1 [D014ES004](#) 1 MAIN PCB SP (PRESET 74 CODE:0099) HL-J6000DW
1 [D014ET004](#) 1 MAIN PCB SP (PRESET 74 CODE:0199) HL-J6100DW
2 D002BP001 1 POWER SUPPLY PCB ASSY MFC-J6530DW/J6535DW/J6930DW/J6935DW
US
2 [D00V60001](#) 1 POWER SUPPLY PCB ASSY HL-T4000DW/MFC-
J6545DW/J6545DWXL/J6945DW/T4500DW US/ MEX
2 [D00JS6001](#) 1 POWER SUPPLY PCB ASSY MFC-J6530DW/J6535DW/J6930DW CAN
2 [D012CD001](#) 1 POWER SUPPLY PCB ASSY MFC-J6545DW/J6945DW CAN
2 [D003K7001](#) 1 POWER SUPPLY PCB ASSY MFC-
J3530DW/J3930DW/J6530DW/J6730DW/J6930DW/J6935DW GER/ UK/ CHE/SAF/ HK/
IDN/THA/ ARG/CHL/ GUL/KOR/ RUS/FRA/ BEL/ NLD/OCE/ PND/ ITA/IBR/ MYS/ CEE
2 [D00GFD001](#) 1 POWER SUPPLY PCB ASSY MFC-J6935DW BRA
2 [D00GFB001](#) 1 POWER SUPPLY PCB ASSY MFC-J3930DW TWN
2 [D00GFF001](#) 1 POWER SUPPLY PCB ASSY CHN
2 [D00V62001](#) 1 POWER SUPPLY PCB ASSY HL-J6000DW/J6100DW/T4000DW/
MFCJ6945DW/J6947DW/T4500DW GER/ UK/ ARG/ASA/ KOR/OCE/ EUR
2 [D011H0001](#) 1 POWER SUPPLY PCB ASSY HL-T4000DW/MFC-T4500DW TWN
2 [D012D9001](#) 1 POWER SUPPLY PCB ASSY HL-T4000DW/MFC-T4500DW BRA