



## **Ersatzteilliste**

### Parts list

**Anbaupflüge**

Mounted Ploughs

## **VariOpal 7 / 7HX**

Art.Nr. 175 1719

01.18

---

---

### **LEMKEN GmbH & Co. KG**

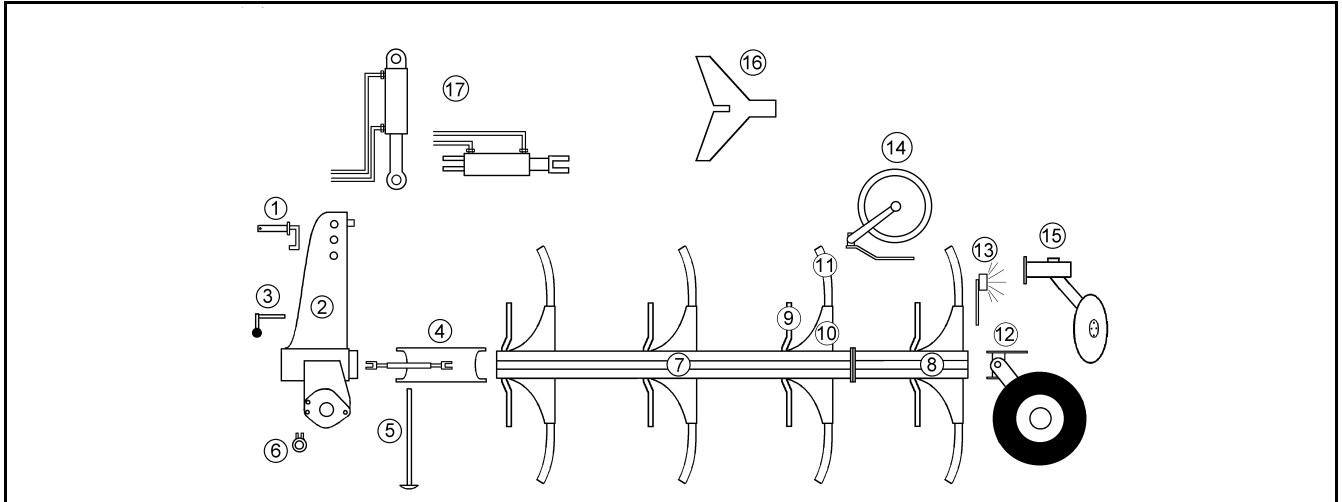
Weseler Straße 5, D-46519 Alpen / Postfach 11 60, D-46515 Alpen

Telefon (0 28 02) 81-0, Telefax (0 28 02) 81-220

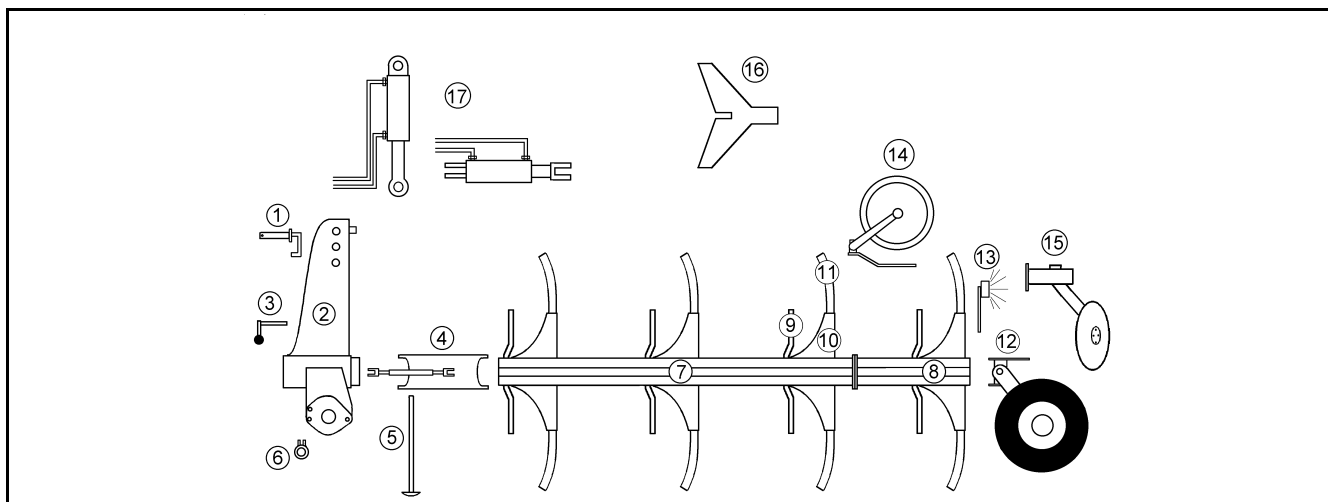
eMail: [lemken@lemken.com](mailto:lemken@lemken.com), Internet: <http://www.lemken.com>

# INHALTSVERZEICHNIS / CONTENTS

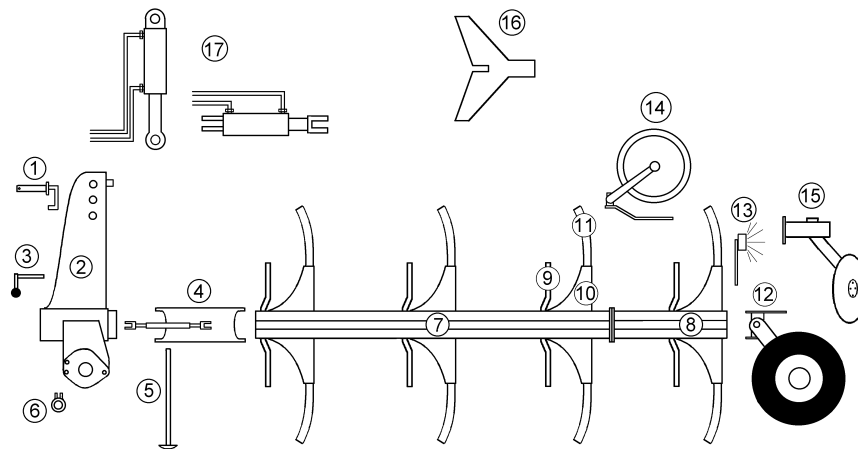
VariOpal 7 / 7HX



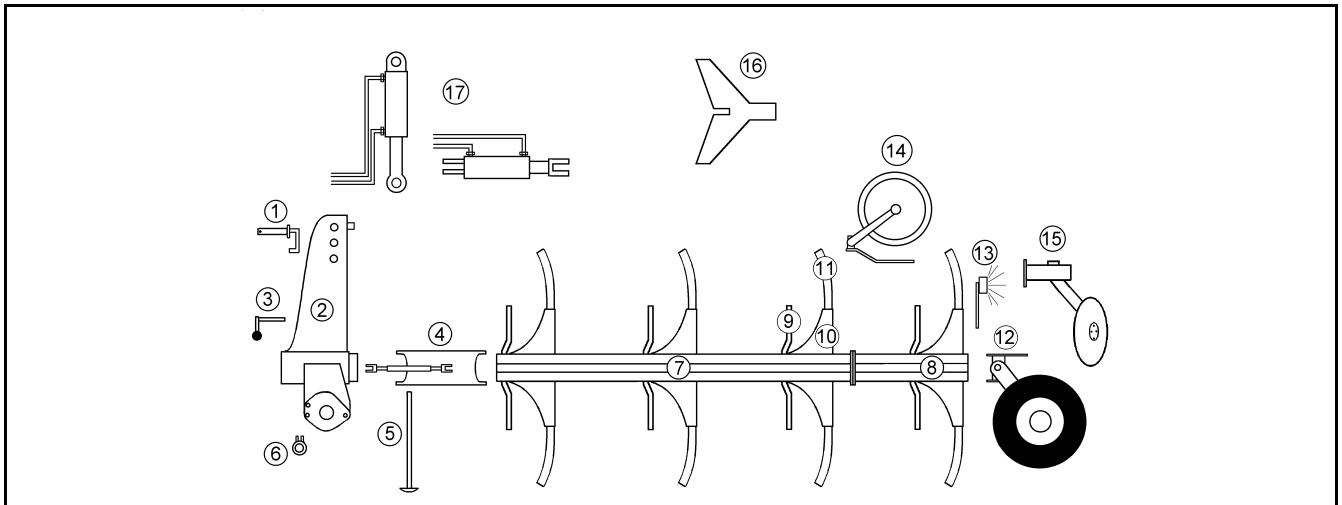
| Pos. | Art.Nr.  | Artikeltext / Description    | Abmessung             |                       |
|------|----------|------------------------------|-----------------------|-----------------------|
| 1    | 313 7911 | Oberlenkerbolzen kpl.        | Top link pin, cpl.    | KAT2G D25,4/31,7x158  |
| 1    | 313 7921 | Oberlenkerbolzen kpl.        | Top link pin, cpl.    | KAT3G D31,7/25,4x158  |
| 2    | 321 9110 | Werkzeugsatz                 | Tool set              | EurOpal 6/7           |
| 2    | 633 7504 | Drehwerk                     | Turnover mechanism    | E100-OF               |
| 2    | 633 7505 | Drehwerk                     | Turnover mechanism    | E100                  |
| 2    | 633 7507 | Drehwerk                     | Turnover mechanism    | E100-L                |
| 2    | 633 7512 | Drehwerk                     | Turnover mechanism    | E100-RB               |
| 2    | 633 7550 | Drehwerk                     | Turnover mechanism    | E100 EPS              |
| 2    | 633 7551 | Drehwerk                     | Turnover mechanism    | E100-L EPS            |
| 2    | 633 7552 | Drehwerk                     | Turnover mechanism    | E100-OS               |
| 3    | 633 7431 | Verriegelung                 | Locking device        | D25x260               |
| 4    | 634 1640 | Breitenverstellung           | Width adjuster        | TR30x3-730/520        |
| 4    | 634 3124 | Zugpunkt+ Breitereinstellung | Adjustment centre     | V-50/735 HY           |
| 4    | 634 3150 | Zugpunkt+ Breitereinstellung | Adjustment centre     | V-50/600              |
| 5    | 629 2510 | Abstellstütze                | Stand                 | V-R750-800 915mm      |
| 5    | 629 2511 | Abstellstütze                | Stand                 | V-R850/900 D30-1005mm |
| 6    | 661 1250 | Unterlenkeranschluss         | Lower link connection | T40-OS L2 Z2          |
| 6    | 661 1251 | Unterlenkeranschluss         | Lower link connection | T40-OS L2 Z3          |
| 6    | 661 1252 | Unterlenkeranschluss         | Lower link connection | T40-OS L3 Z3          |
| 6    | 661 1385 | Unterlenkeranschluss         | Lower link connection | E55 L2 Z2             |
| 6    | 661 1386 | Unterlenkeranschluss         | Lower link connection | E55 L2 Z3             |
| 6    | 661 1387 | Unterlenkeranschluss         | Lower link connection | E55 L3 Z2             |
| 6    | 661 1388 | Unterlenkeranschluss         | Lower link connection | E68 L3 Z3             |
| 6    | 661 1394 | Unterlenkeranschluss         | Lower link connection | E68 L2 Z3             |
| 6    | 661 1401 | Unterlenkeranschluss         | Lower link connection | E55FH L2 Z2           |
| 6    | 661 1402 | Unterlenkeranschluss         | Lower link connection | E55FH L3 Z2           |
| 6    | 661 1405 | Unterlenkeranschluss         | Lower link connection | E55FH L2 Z3           |
| 6    | 661 1406 | Unterlenkeranschluss         | Lower link connection | E68FH L3 Z3           |
| 7    | 321 9250 | Schnittbreitenanzeige        | Pointer               | VariOpal 7-90         |
| 7    | 321 9251 | Schnittbreitenanzeige        | Pointer               | VariOpal 7-100        |
| 7    | 321 9252 | Schnittbreitenanzeige        | Pointer               | VariOpal 7-120        |



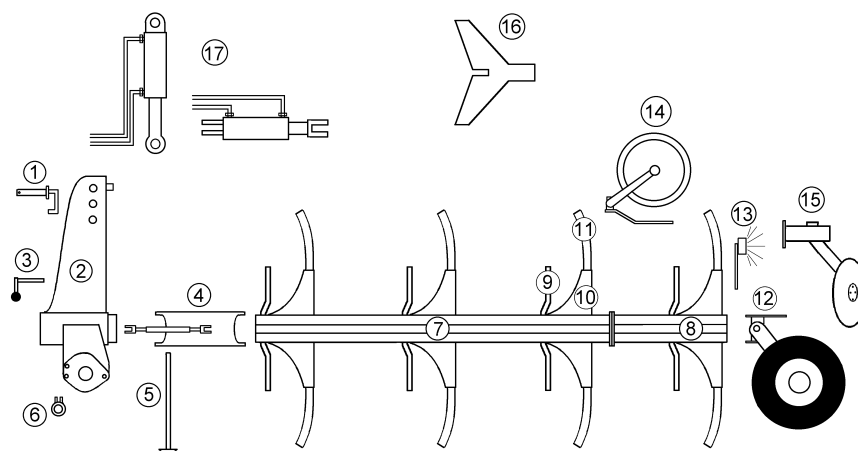
| Pos. | Art.Nr.  | Artikeltext / Description      | Abmessung                      |                          |
|------|----------|--------------------------------|--------------------------------|--------------------------|
| 7    | 602 8698 | Grundrahmen                    | Basic frame                    | VO 7 2-120               |
| 7    | 602 8699 | Grundrahmen                    | Basic frame                    | VO 7 3-120               |
| 7    | 602 8700 | Grundrahmen                    | Basic frame                    | VO 7 4-100               |
| 7    | 602 8701 | Grundrahmen                    | Basic frame                    | VO 7 4-90                |
| 7    | 602 8702 | Grundrahmen                    | Basic frame                    | VO 7 3-100               |
| 7    | 602 8703 | Grundrahmen                    | Basic frame                    | VO 7 3-90                |
| 7    | 602 8704 | Grundrahmen                    | Basic frame                    | VO 7 2-100               |
| 7    | 605 1591 | Steuerstange für Rahmen o. Rad | Control rod f.frame w.o.wheel  | VariOpal 7/7X-3-120      |
| 7    | 605 1592 | Steuerstange                   | Control rod                    | VariOpal 7/7X-3-120      |
| 7    | 605 1600 | Steuerstange für Rahmen m. Rad | Control rod for frame w. wheel | VariOpal 7/7X-3-100      |
| 7    | 605 1601 | Steuerstange für Rahmen m. Rad | Control rod for frame w. wheel | VariOpal 7/7X-4-100      |
| 7    | 605 1603 | Steuerstange                   | Control rod                    | VariOpal 7/7X-2-100      |
| 7    | 605 1604 | Steuerstange für Rahmen o. Rad | Control rod f.frame w.o.wheel  | VariOpal 7/7X-3-100      |
| 7    | 605 1605 | Steuerstange für Rahmen o. Rad | Control rod f.frame w.o.wheel  | VariOpal 7/7X-4-100      |
| 7    | 605 1611 | Steuerstange                   | Control rod                    | Anbauteil VO 7/7X-2-120  |
| 7    | 605 1612 | Steuerstange                   | Control rod                    | VariOpal 7/7X-2-120      |
| 7    | 605 1615 | Steuerstange für Rahmen m. Rad | Control rod for frame w. wheel | VariOpal 7/7X-3-90       |
| 7    | 605 1616 | Steuerstange für Rahmen m. Rad | Control rod for frame w. wheel | VariOpal 7/7X-4-90       |
| 7    | 605 1619 | Steuerstange für Rahmen o. Rad | Control rod f.frame w.o.wheel  | VariOpal 7/7X-3-90       |
| 7    | 605 1620 | Steuerstange für Rahmen o. Rad | Control rod f.frame w.o.wheel  | VariOpal 7/7X-4-90       |
| 7    | 605 1623 | Steuerstange                   | Control rod                    | Anbauteil VO 7/7X-3-90   |
| 7    | 605 1624 | Steuerstange                   | Control rod                    | Anbauteil VO7/7X-4/5-90  |
| 8    | 602 8705 | Anbauteil                      | Frame extension                | VO 7-100                 |
| 8    | 602 8706 | Anbauteil                      | Frame extension                | VO 7-90                  |
| 8    | 605 1607 | Steuerstange                   | Control rod                    | Anbauteil VO7/7X-3/4-120 |
| 8    | 605 1608 | Steuerstange                   | Control rod                    | Anbauteil VO 7/7X-3-100  |
| 8    | 605 1609 | Steuerstange                   | Control rod                    | Anbauteil VO7/7X-4/5-100 |
| 8    | 605 1610 | Steuerstange                   | Control rod                    | Anbauteil VO 7/7X-2-100  |



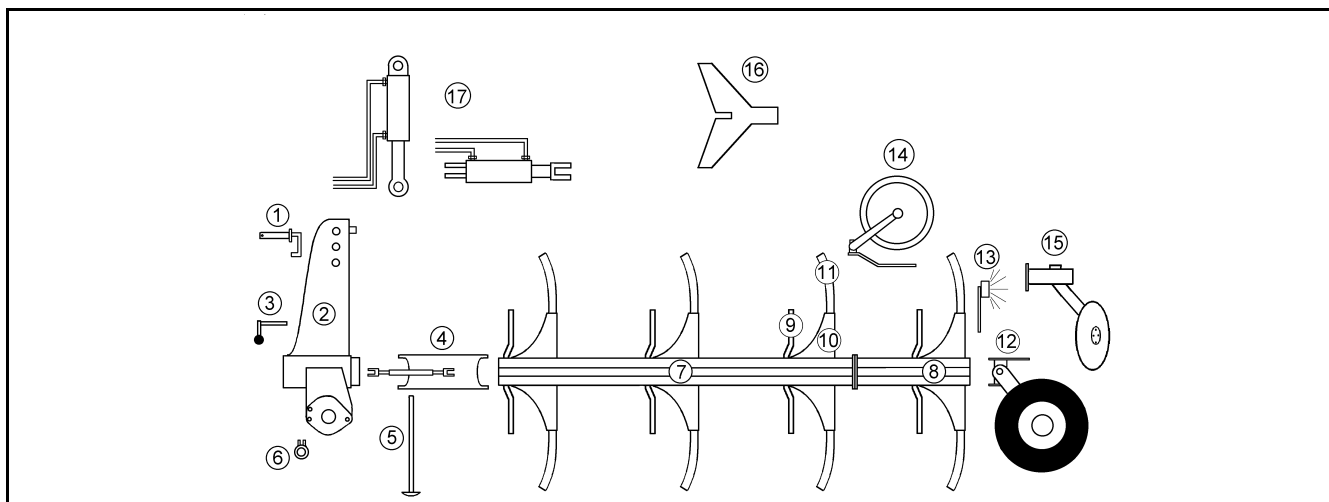
| Pos. | Art.Nr.  | Artikeltext / Description |                     | Abmessung                  |
|------|----------|---------------------------|---------------------|----------------------------|
| 9    | 663 8750 | Düngereinlegerhalm        | Skim stalk          | K--220/260                 |
| 9    | 663 8752 | Düngereinlegerhalm        | Skim stalk          | M--220/260                 |
| 9    | 663 8781 | Düngereinlegerhalm        | Skim stalk          | KW-220                     |
| 9    | 663 8783 | Düngereinlegerhalm        | Skim stalk          | MW-220                     |
| 10   | 602 2715 | Halmtasche                | Bracket             | VariOpal 7                 |
| 10   | 602 2716 | Halmtasche                | Bracket             | VariOpal 7 Sech            |
| 10   | 602 2718 | Halmtasche                | Bracket             | VariOpal 7 HX              |
| 10   | 602 2719 | Halmtasche                | Bracket             | VariOpal 7 HX-Sech         |
| 10   | 602 2735 | Halmtasche                | Bracket             | VariOpal 7 HX-B            |
| 10   | 602 2736 | Halmtasche                | Bracket             | VariOpal 7 HX-B-Sech       |
| 11   | 464 4999 | Körperhalm                | Leg                 | 80x30x745-R850             |
| 11   | 464 5000 | Körperhalm                | Leg                 | 80x30x657-R750             |
| 11   | 464 5001 | Körperhalm                | Leg                 | 80x30x707-R800             |
| 11   | 464 5713 | Körperhalm                | Leg                 | E7 HX 80x30x680-750 (2F)   |
| 11   | 564 5714 | Koerperhalm               | Leg                 | E7 HX-B 80x30x680-750 (3F) |
| 11   | 564 5715 | Koerperhalm               | Leg                 | E7 HX-B 80x30x730-800 (3F) |
| 11   | 699 6000 | Körperhalmsschrauben      | Bolts for leg       | Dural                      |
| 12   | 548 2620 | Pendelrad-Halm            | Wheel stalk         | kpl. 5/94/140-L            |
| 12   | 548 2621 | Pendelrad-Halm            | Wheel stalk         | kpl. 5/94/140 K            |
| 12   | 548 2657 | Pendelrad-Konsole         | Wheel bracket       | VariOpal 7                 |
| 12   | 548 2671 | Pendelrad-Konsole         | Wheel bracket       | E7-HA                      |
| 12   | 549 1220 | Abstreifer                | Scraper             | 40x8x330 3xD12             |
| 12   | 549 1262 | Konsole                   | Bracket             | VariOpal 7 Unirad          |
| 12   | 549 1710 | Steuerstange              | Control rod         | VO 7 HRP-K 50x15x453/403   |
| 12   | 549 1714 | Steuerstange              | Control rod         | VO 7 VRP-L 50x15x563/513   |
| 12   | 549 1730 | Radhalm                   | Wheel stalk         | 5/94/140                   |
| 12   | 549 1731 | Radhalm                   | Wheel stalk         | 6/161/205                  |
| 12   | 549 1733 | Radhalm                   | Wheel stalk         | HY 6/161/205               |
| 12   | 549 8849 | Rad                       | Wheel               | 5/94/140 D14               |
| 12   | 549 8858 | Rad 5/94/140 D14          | Wheel 5/94/140 D14  | 195R15 D650x198 4PR ET-0   |
| 12   | 549 8893 | Lagerung                  | Bearing             | 5/93,5/140 M14 50x50       |
| 12   | 549 8894 | Lagerung                  | Bearing             | V60-6/160/205/88.5 D18     |
| 12   | 549 8900 | Flanschlager              | Flange-type bearing | 5/93,5/140 M14             |
| 12   | 549 8901 | Flanschlager              | Flange-type bearing | 6/160/205 D18              |



| Pos. | Art.Nr.  | Artikeltext / Description         | Abmessung                    |                                |
|------|----------|-----------------------------------|------------------------------|--------------------------------|
| 12   | 549 8902 | Uni-Rad-Halm                      | Stalk Uni-wheel              | HY 5/95/140                    |
| 12   | 549 8903 | Radlagerung                       | Bearing                      | HY 6/161/205                   |
| 12   | 550 8862 | Rad                               | Wheel                        | 10.0/75-15.3 10PR AW ET-32     |
| 12   | 550 8863 | Rad                               | Wheel                        | 10.0/75-15.3 12PR AW ET-25     |
| 12   | 550 8864 | Rad                               | Wheel                        | 340/55-16TL 6/161/205/B2       |
| 12   | 55010332 | Rad                               | Wheel                        | 6/161/205 10.0/75-15.3 AW ET-2 |
| 12   | 575 2506 | Umschaltzylinder                  | Change over ram              | DZ80/40-236-D35 HPS-III-AR     |
| 12   | 648 4192 | Pendelstützrad                    | Depth wheel                  | VO7 5/94/140                   |
| 12   | 648 4196 | Pendelstützrad                    | Depth wheel                  | E7-HA                          |
| 12   | 648 4218 | Pendelstützrad                    | Depth wheel                  | VO7 5/94/140                   |
| 12   | 648 4222 | Pendelstützrad                    | Depth wheel                  | E7-HA-10.0/75                  |
| 12   | 649 1671 | Uni-Rad                           | Uni-wheel                    | VO7 5/94/140                   |
| 12   | 649 1672 | Uni-Rad                           | Uni-wheel                    | VO7 6/161/205                  |
| 12   | 649 1673 | Uni-Rad                           | Uni-wheel                    | HY VO7 6/161/205               |
| 12   | 649 1687 | Uni-Rad                           | Uni-wheel                    | HY VO7 5/94/140                |
| 13   | 373 4150 | Verlängerungskabel                | Extension cable              | 7-polig 2,5m                   |
| 13   | 570 2086 | Beleuchtungsanlage                | Lighting equipment           | Pflug                          |
| 13   | 573 6025 | Kabelbaum                         | Cable form                   | VariOpal                       |
| 13   | 573 6026 | Kabelbaum Ausgänge                | Cable form exits             | VariOpal                       |
| 13   | 573 6028 | Kabelbaum Schlepper               | Cable form                   | 14P-4m                         |
| 13   | 573 6030 | Kabelbaum LS- Anforderung         | Cable form                   | VariOpal                       |
| 13   | 573 6031 | Kabelbaum Stützrad                | Cable form                   | VariOpal                       |
| 13   | 670 1151 | Leuchtenhalter                    | Lamp holder                  | LH 1                           |
| 13   | 670 1200 | Leuchtenhalter                    | Lamp holder                  | LH3A UNI                       |
| 13   | 670 1674 | Beleuchtungsanlage                | Lighting equipment           | BLA-1 PF/UNI 33,7x1580         |
| 13   | 670 1676 | Beleuchtungsanlage                | Lighting equipment           | BLA-2 PF                       |
| 13   | 670 1708 | seitl. Warntafel                  | Lateral warning board        | SWT-1                          |
| 13   | 670 2012 | Warntafel mit Beleuchtung         | Warning boards with lighting | HR+HL 7m                       |
| 13   | 673 4374 | Drehpotentiometer                 | Rotary potentiometer         | E100 EPS                       |
| 13   | 673 4377 | Winkelsensor                      | Angle sensor                 | E100 EPS                       |
| 13   | 673 4980 | Terminalhalter                    | Holder                       | LKT/LBT/LST/LEP                |
| 13   | 673 6001 | Standardterminal                  | Operator terminal            | LST-2 TDM R360                 |
| 13   | 673 6002 | Gehäuse mit Jobrechner            | Housing                      | CR0016                         |
| 13   | 673 6004 | Befestigungssatz<br>Gehäuse-Jobr. | Set of fittings              | VariTitan                      |
| 13   | 673 6032 | Joystickbox                       | Joystickbox                  | JB-1                           |



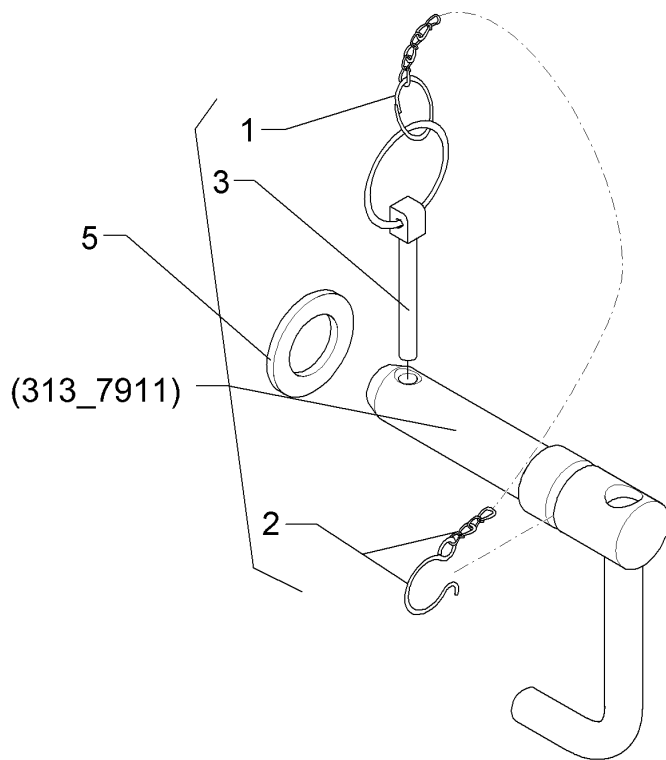
| Pos. | Art.Nr.  | Artikeltext / Description   | Abmessung                 |                             |
|------|----------|-----------------------------|---------------------------|-----------------------------|
| 14   | 657 7930 | Scheibensech                | Disc couler               | VO 5/6/7 D500 A Z 1.Koerper |
| 14   | 657 7931 | Scheibensech                | Disc couler               | VO 5/6/7 D500 A G-1.Koerper |
| 14   | 657 7936 | Scheibensech                | Disc couler               | VO 567 D590 A Z Z40         |
| 14   | 657 7937 | Scheibensech                | Disc couler               | VO 5/6/7 D500 A Z Z40       |
| 14   | 657 7938 | Scheibensech                | Disc couler               | VO 5/6/7 D500 A G-Z40       |
| 14   | 657 7949 | Scheibensech Mais           | Disc couler               | VO 5/6/7 D590-M Z           |
| 14   | 657 7950 | Scheibensech Mais           | Disc couler               | VO 5/6/7 D500-M G           |
| 14   | 657 7951 | Scheibensech Mais           | Disc couler               | VO 5/6/7 D500-M Z           |
| 14   | 657 7970 | Scheibensech Mais           | Disc couler               | VO 7 D590-M-2 Z             |
| 14   | 657 7971 | Scheibensech Mais           | Disc couler               | VO 7 D500-M-2 G             |
| 14   | 657 7972 | Scheibensech Mais           | Disc couler               | VO 7 D500-M-2 Z             |
| 14   | 657 8004 | Scheibensechhalm            | Disc stalk                | VO-5/6/7 v.DE-L             |
| 14   | 657 9348 | Secharm kpl.                | Disc arm                  | D500 G V-A Z40              |
| 14   | 657 9350 | Secharm kpl.                | Disc arm                  | D590-Z V-A Z40              |
| 14   | 657 9360 | Secharm                     | Swinging arm              | D500-G 375                  |
| 14   | 657 9361 | Secharm                     | Swinging arm              | D500-Z 375                  |
| 14   | 657 9362 | Secharm                     | Swinging arm              | D590-G 375                  |
| 14   | 657 9363 | Secharm                     | Swinging arm              | D590-Z 375                  |
| 15   | 642 6810 | Grenzflugscheibe            | Headland disc             | GPS-E7-D530                 |
| 16   | 622 2661 | Mitnehmerarm                | Attachment arm            | E2V-HY                      |
| 16   | 622 2664 | Konsole zum Mitnehmerarm    | Bracket                   | E7 D16/160x65 kpl.          |
| 16   | 622 2686 | Steuerkette                 | Check chain               | VariOpal 7/8/9              |
| 17   | 575 2198 | Druckspeicher für Packerarm | Pressure accumulator      | NRS-SK 210                  |
| 17   | 575 2314 | Hydraulikzylinder           | Hydraulic ram             | 60/30-210-430               |
| 17   | 575 2403 | Einschwenkzylinder          | Swing-in ram              | DZ90/40-100-555 EL          |
| 17   | 575 2430 | Breitenverstellzylinder     | Adjuster ram              | DZ90/40-100-600             |
| 17   | 575 2445 | Memoryzylinder              | Memory ram                | 90/40-100-600               |
| 17   | 575 2454 | Memoryzylinder              | Memory ram                | DZ-S90/45-100/600           |
| 17   | 575 2490 | Umschaltzylinder            | Change over ram           | DZ70/40-240 IV-A            |
| 17   | 575 2492 | Umschaltzylinder VÜP        | Turn over ram with VÜP    | DZ70/40-240 HPS-II-A-FS     |
| 17   | 575 2495 | Umschaltzylinder VÜP        | Turn over ram with VÜP    | DZ80/40-240-D35 HPS-II-AR   |
| 17   | 575 2498 | Umschaltzylinder Vari-Stop  | Switch over ram Vari-Stop | DZ80/40-240-D35             |
| 17   | 575 2501 | Umschaltzylinder            | Change over ram           | DZ80/40/240-D35 EL          |
| 17   | 575 2508 | Umschaltzylinder            | Change over ram           | DZ70/40-240 SYS 5A          |



| Pos. | Art.Nr.  | Artikeltext / Description        | Abmessung                    |                             |
|------|----------|----------------------------------|------------------------------|-----------------------------|
| 17   | 675 1150 | Hydraulikanlage                  | Hydraulic assembly           | Uni-Pendelrad ( 4-furchig ) |
| 17   | 675 1151 | Hydraulikanlage                  | Hydraulic assembly           | Uni-Pendelrad ( 5-furchig ) |
| 17   | 675 1152 | Hydraulikanlage                  | Hydraulic assembly           | Uni-Pendelrad ( 6-furchig ) |
| 17   | 675 1340 | Hydraulikanlage Mitnehmerarm     | HY-assembly attachment arm   | PA-E1-D                     |
| 17   | 675 1346 | Hydraulikanlage Mitnehmerarm     | HY-assembly attachment arm   | PA-E1-K                     |
| 17   | 675 3556 | Breitenverstellung<br>Memory-VÜP | HY-width adjuster Memory-VÜP | DZ-S90/40/100-600           |
| 17   | 675 3577 | Breitenverstellung<br>Memory-VÜP | HY-width adjuster Memory-VÜP | DZ90/40/100-600 L WE        |
| 17   | 675 3578 | Breitenverstellung               | Width adjuster               | DZ90/40/100-600 L WE        |
| 17   | 675 3602 | Breitenverstellung               | Width adjuster               | DZ90/40/100+DZ80/30/174     |
| 17   | 675 3603 | Hydraulische Ausschwenkung       | HY-assembly swing-out device | DZ80/30/174 ON-LAND         |
| 17   | 675 3635 | HY-Drehung                       | HY-turnover device           | D70/IV-A                    |
| 17   | 675 3639 | HY-Drehung                       | HY-turnover device           | D80 VUEP HPS-III-AR         |
| 17   | 675 3641 | HY-Drehung                       | HY-turnover device           | D80 VUEP HPS-II-AR          |
| 17   | 675 3644 | HY-Drehung                       | HY-turnover device           | D70/SYS 5-A                 |
| 17   | 675 3645 | HY-Drehung                       | HY-turnover device           | D80 VUEP HPS-III-AR         |
| 17   | 675 3655 | HY-Drehung                       | HY-turnover device           | D80/240 Vari-Stop           |
| 17   | 675 3656 | HY-Drehung                       | HY-turnover device           | D80/240 Vari-Stop-Memory    |
| 17   | 675 3700 | HY-Drehung                       | HY-turnover device           | D80/40-240-D35 EPS          |
| 17   | 675 3705 | Breitenverstellung<br>Memory-EPS | HY-width adjuster Memory-EPS | DZ100/50-100-600 EPS        |
| 17   | 675 3706 | Breitenverstellung<br>Memory-EPS | HY-width adjuster Memory-EPS | DZ100/50-100-600 EPS        |
| 17   | 675 3710 | Vorderfurcheneinstellung EPS     | HY-front furrow adjuster EPS | DZ90/40-100-555 E6/7        |
| 17   | 675 9050 | Kombiblock einstellb. kpl.       | Combi block adjustable, cpl. | EPS                         |
| 17   | 675 9051 | Stützradblock kpl.               | Depth wheel block            | EPS                         |

|   |          |
|---|----------|
| <b>Oberlenkerbolzen kpl./Top link pin, cpl.</b> | <b>1</b> |
|---|----------|

|                         |                 |
|-------------------------|-----------------|
| <b>VariOpal 7 / 7HX</b> | <b>313 7911</b> |
|-------------------------|-----------------|



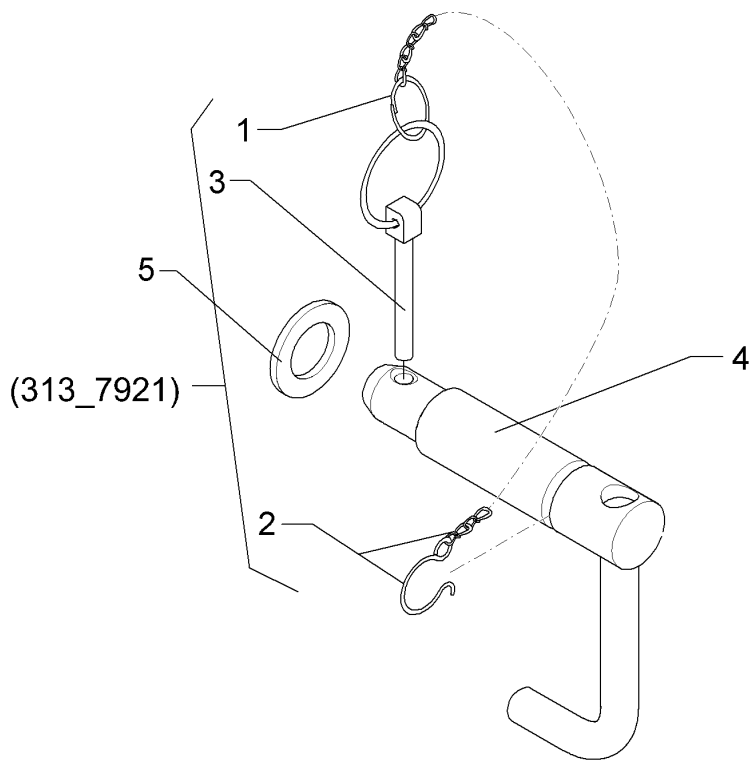
01.18

| Pos. | Art.Nr.  | Stck. | Artikeltext / Description | Abmessung         |
|------|----------|-------|---------------------------|-------------------|
| 1    | 305 8545 | 1     | Sicherungsring            | Retaining ring    |
| 2    | 305 8560 | 1     | Federsicherung            | Securing clip     |
| 3    | 311 9315 | 1     | Klappstift mit Bohrung    | Securing pin      |
| 4    | 313 7910 | 1     | Oberlenkerbolzen          | Top link pin      |
| 5    | 305 6283 | 1     | Scheibe                   | Washer            |
|      |          |       |                           | 3x30-35x1,25 Zn   |
|      |          |       |                           | D3,6/D21-460mm-Zn |
|      |          |       |                           | 8x42 DIN11023     |
|      |          |       |                           | KAT2G             |
|      |          |       |                           | D25,4/31,7x158 Zn |
|      |          |       |                           | B28 DIN125        |



|   |          |
|---|----------|
| <b>Oberlenkerbolzen kpl./Top link pin, cpl.</b> | <b>1</b> |
|---|----------|

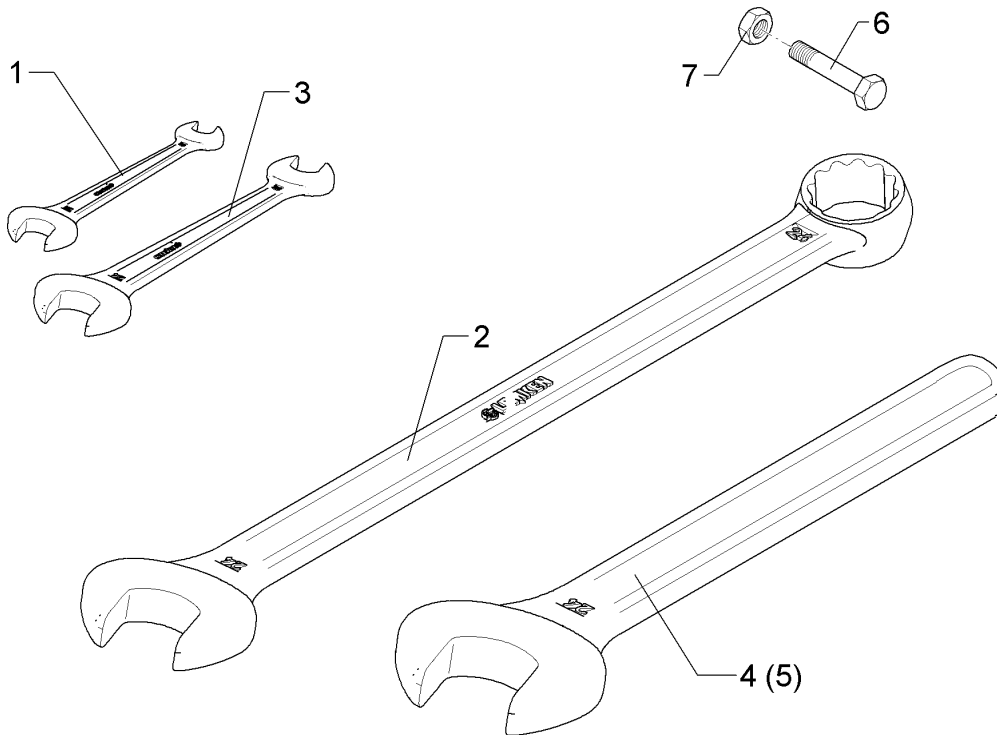
|                         |                 |
|-------------------------|-----------------|
| <b>VariOpal 7 / 7HX</b> | <b>313 7921</b> |
|-------------------------|-----------------|



01.18

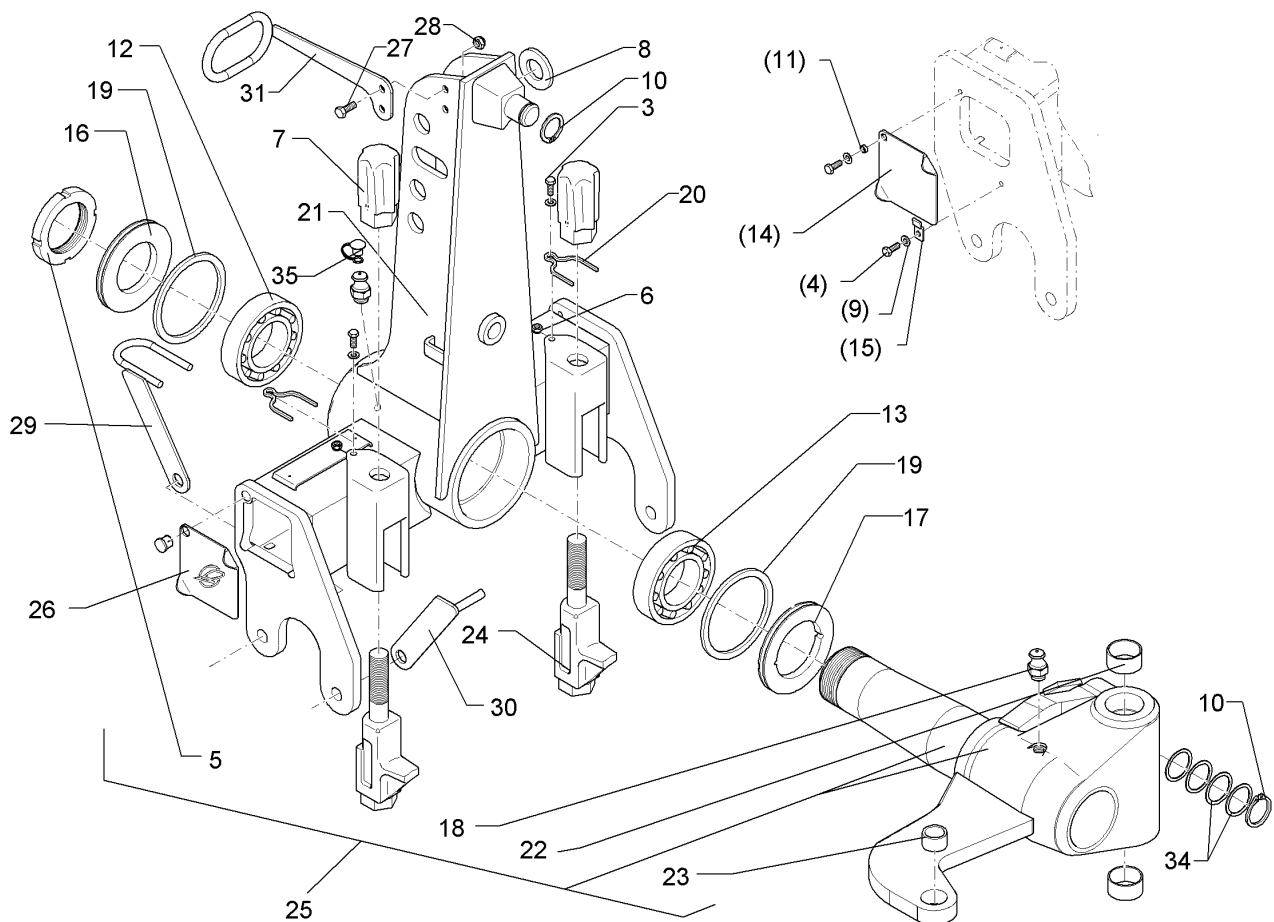
| Pos. | Art.Nr.  | Stck. | Artikeltext / Description | Abmessung      |                            |
|------|----------|-------|---------------------------|----------------|----------------------------|
| 1    | 305 8545 | 1     | Sicherungsring            | Retaining ring | 3x30-35x1,25 Zn            |
| 2    | 305 8560 | 1     | Federsicherung            | Securing clip  | D3,6/D21-460mm-Zn          |
| 3    | 311 9315 | 1     | Klappstift mit Bohrung    | Securing pin   | 8x42 DIN11023              |
| 4    | 313 7920 | 1     | Oberlenkerbolzen          | Top link pin   | KAT3G<br>D31,7/25,4x160 Zn |
| 5    | 305 6283 | 1     | Scheibe                   | Washer         | B28 DIN125                 |

|                              |                 |
|------------------------------|-----------------|
| <b>Werkzeugsatz/Tool set</b> | <b>2</b>        |
| <b>VariOpal 7 / 7HX</b>      | <b>321 9110</b> |



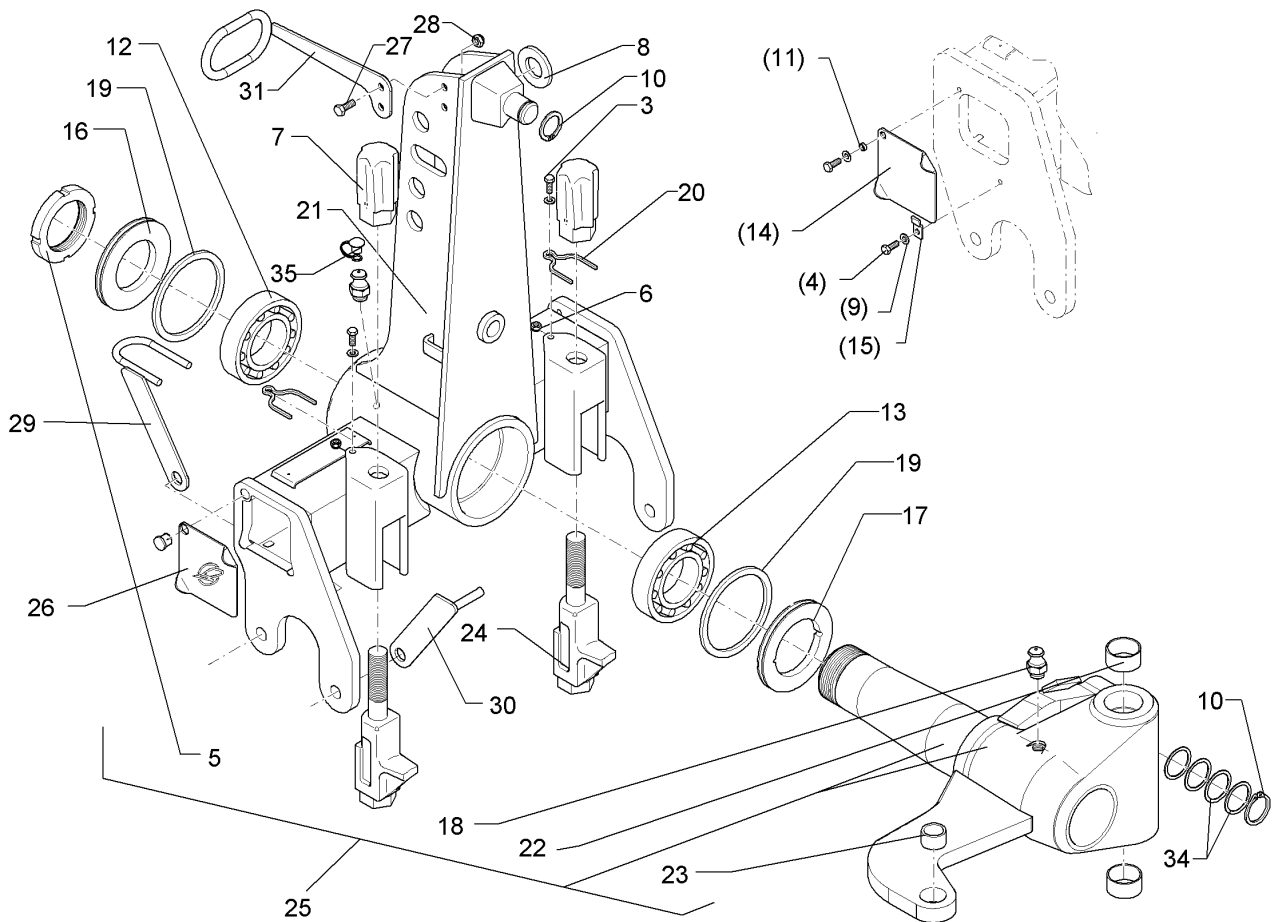
01.18

| Pos. | Art.Nr.  | Stck. | Artikeltext / Description | Abmessung    |                       |
|------|----------|-------|---------------------------|--------------|-----------------------|
| 1    | 321 9815 | 1     | Schlüssel                 | Spanner      | Gabel 19/22           |
| 2    | 321 9820 | 1     | Schlüssel                 | Spanner      | Gabel 24 Ring 30      |
| 3    | 321 9838 | 1     | Schlüssel                 | Spanner      | Gabel 30/24 DIN895 Zn |
| 4    | 321 9855 | 1     | Schlüssel                 | Spanner      | Gabel 50 DIN894 Zn    |
| 5    | 321 9850 | 1     | Schlüssel                 | Spanner      | Gabel 46 DIN894 Zn    |
| 6    | 301 3424 | 8     | Sechskantschraube spz.    | Hexagon bolt | M12x75-10.9 Zn        |
| 7    | 303 1013 | 8     | Sechskantmutter           | Hexagon nut  | M12 DIN934-8 Zn       |



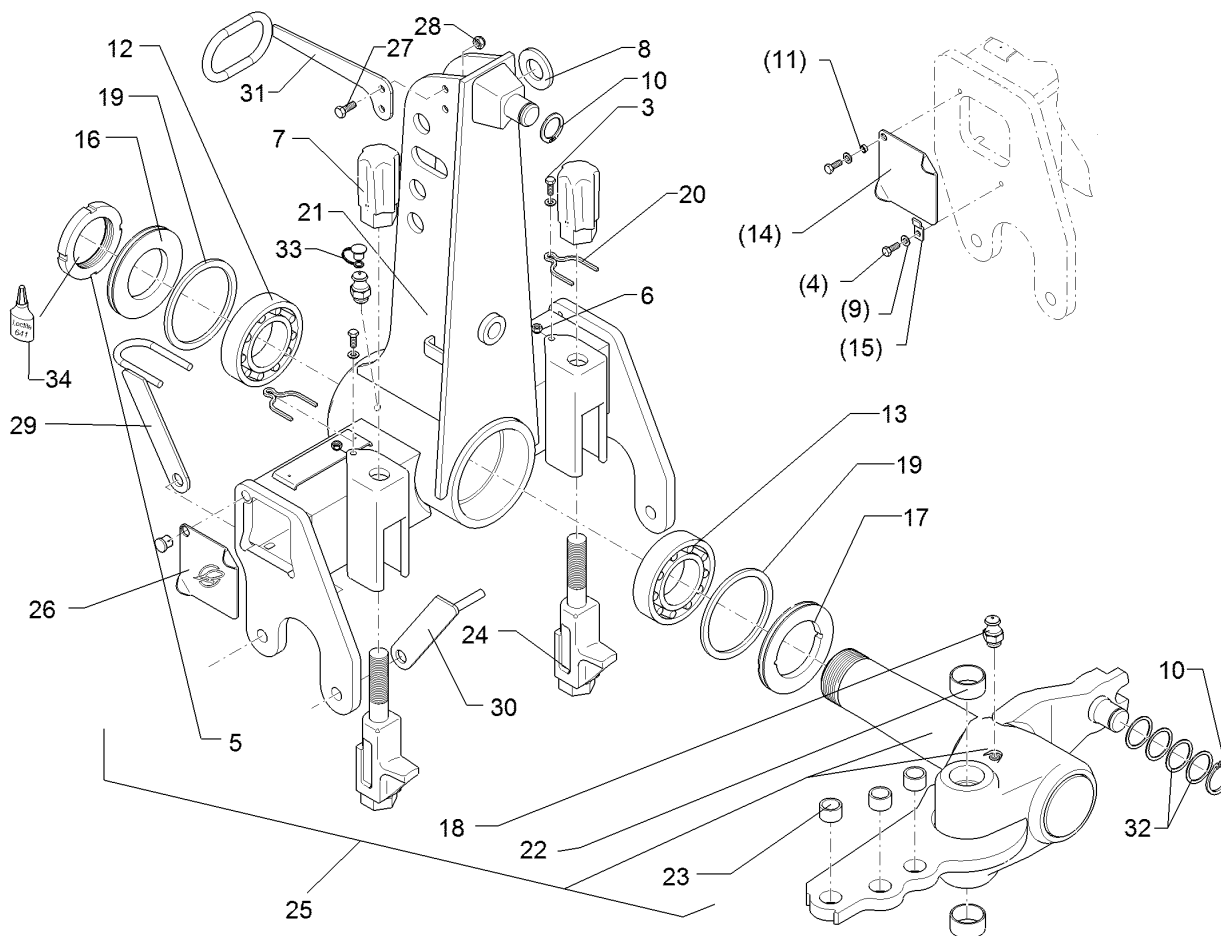
01.18

| Pos. | Art.Nr.  | Stck. | Artikeltext / Description    |                        | Abmessung                |
|------|----------|-------|------------------------------|------------------------|--------------------------|
| 3    | 301 7280 | 2     | Sechskantschraube            | Hexagon bolt           | M8x25-8.8 Zn<br>DIN933   |
| 4    | 301 7260 | 4     | Sechskantschraube            | Hexagon bolt           | M8x16-8.8 Zn<br>DIN933   |
| 5    | 303 0346 | 1     | Nutmutter                    | Grooved nut            | M85x2 MK17 Zn            |
| 6    | 303 0932 | 2     | Sicherungsmutter             | Selflocking nut        | NM8-8 Zn DIN985          |
| 7    | 303 8960 | 2     | Hutmutter                    | Cap nut                | M27-SW46x118             |
| 8    | 305 6254 | 1     | Scheibe                      | Washer                 | D25/44x4 Zn<br>ISO7089   |
| 9    | 305 8694 | 2     | Scheibe                      | Washer                 | A8,4 DIN125-St Zn        |
| 10   | 305 8873 | 2     | Sicherungsring               | Retaining ring         | 35x2,5 DIN471            |
| 11   | 317 6710 | 2     | Röhrchen                     | Tube                   | 10x1x4                   |
| 12   | 319 9095 | 1     | Kegelrollenlager             | Tapered roller bearing | 30217 D150/85x30,5       |
| 13   | 319 9219 | 1     | Kegelrollenlager             | Tapered roller bearing | 32020X<br>D150/100x32    |
| 14   | 323 0002 | 2     | Deckel                       | Cover                  | 3x115x115 1xD11          |
| 15   | 323 0003 | 2     | Halter                       | Holder                 | 15x3x40 1xD8,5           |
| 16   | 323 0060 | 1     | Dichtscheibe                 | Seal washer            | D149,5/100x12 2xd8<br>Zn |
| 17   | 323 0062 | 1     | Dichtscheibe mit Nut         | Seal washer            | D149,5/85x12 Zn          |
| 18   | 323 6348 | 1     | Schmiernippel                | Grease nipple          | AM10x1 DIN71412          |
| 19   | 323 7970 | 2     | Filzring                     | Felt ring              | D150/130x6               |
| 20   | 329 8620 | 2     | Klammer                      | Clamp                  | D4x70-46 Zn              |
| 21   | 433 7505 | 1     | Turm                         | Headstock              | E100                     |
| 22   | 317 2025 | 2     | Einspannbuchse mit Presssitz | Expansion bush         | EG50/55x30               |



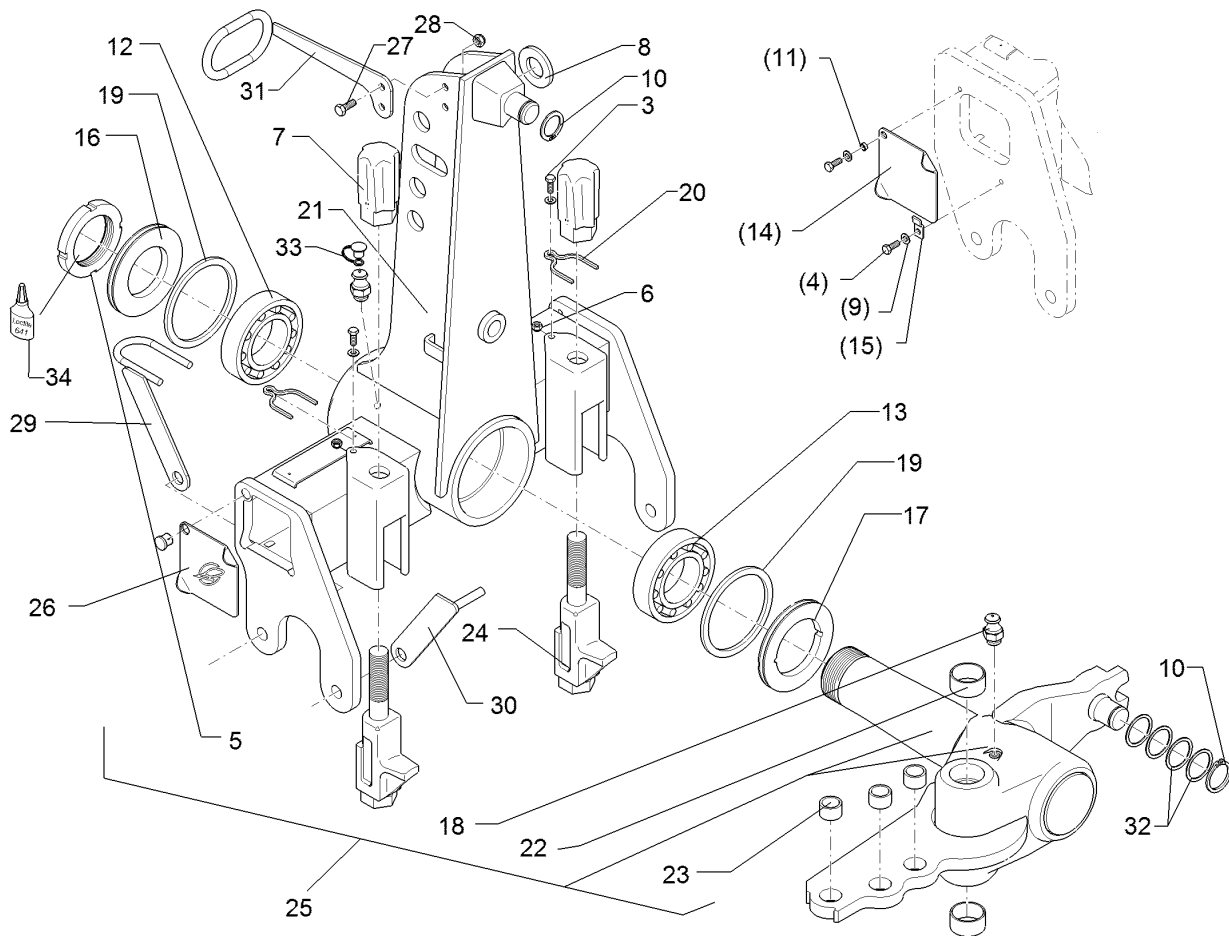
01.18

| Pos. | Art.Nr.  | Stck. | Artikeltext / Description    |                    | Abmessung                |
|------|----------|-------|------------------------------|--------------------|--------------------------|
| 23   | 317 3417 | 1     | Einspannbuchse mit Presssitz | Expansion bush     | EG30/38x25               |
| 24   | 433 9201 | 2     | Anschlag                     | Stop               | D75/90-M27               |
| 25   | 533 8109 | 1     | Wendeachse                   | Turning axle       | E100 On-Land             |
| 26   | 323 0004 | 1     | Niet                         | Rivet              | KPL 118x118x6            |
| 27   | 301 5004 | 2     | Sechskantschraube            | Hexagon bolt       | M10x30-8.8 Zn<br>DIN933  |
| 28   | 303 0933 | 2     | Sicherungsmutter             | Selflocking nut    | NM10-8 DIN985 Zn         |
| 29   | 475 4402 | 1     | Schlauchhalter vorn          | Hose carrier front | SDV                      |
| 30   | 475 4403 | 1     | Schlauchhalter hinten        | Hose carrier rear  | SDH                      |
| 31   | 475 4404 | 1     | Schlauchhalter oben          | Hose carrier rear  | SDO                      |
| 34   | 305 2247 | 1     | Stützscheibe                 | Supporting washer  | S 35x45x2,5 DIN988<br>Zn |
| 35   | 323 6401 | 1     | Schutzkappe                  | Cap                | M6-M10                   |



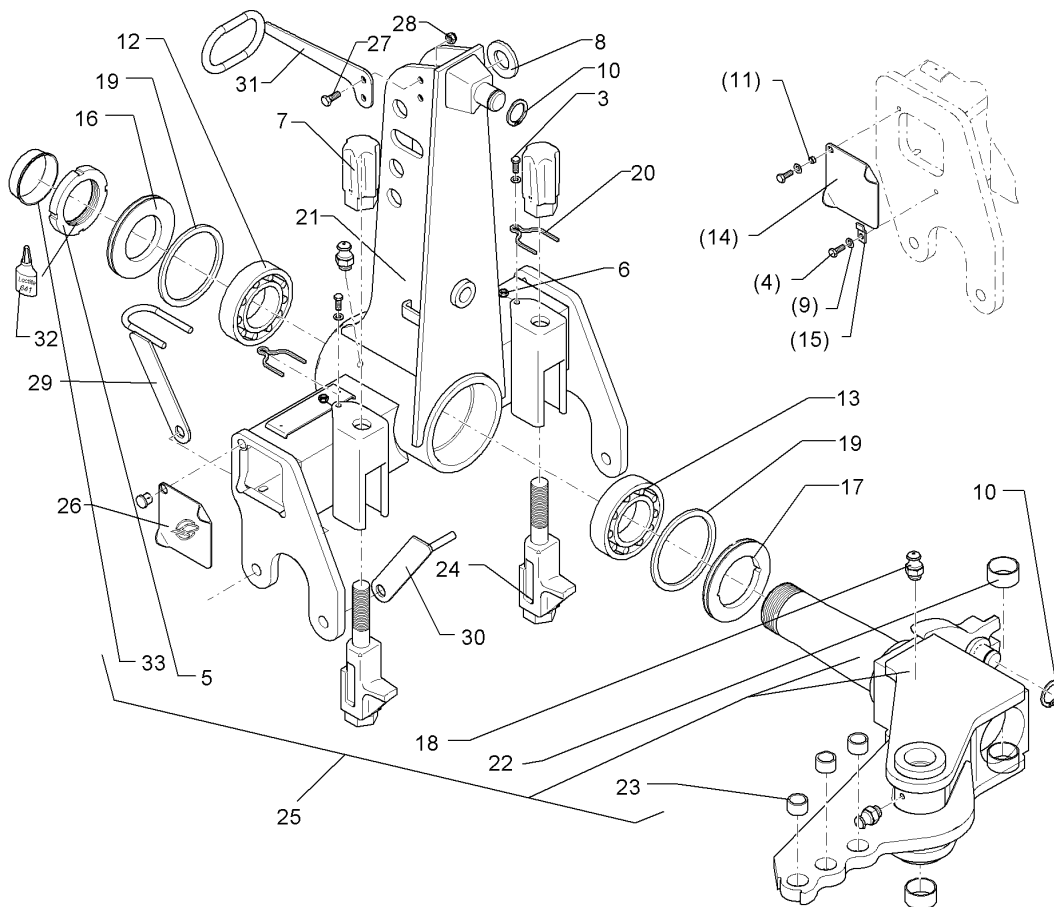
01.18

| Pos. | Art.Nr.  | Stck. | Artikeltext / Description    |                        | Abmessung                |
|------|----------|-------|------------------------------|------------------------|--------------------------|
| 3    | 301 7280 | 2     | Sechskantschraube            | Hexagon bolt           | M8x25-8.8 Zn<br>DIN933   |
| 4    | 301 7260 | 4     | Sechskantschraube            | Hexagon bolt           | M8x16-8.8 Zn<br>DIN933   |
| 5    | 303 0346 | 1     | Nutmutter                    | Grooved nut            | M85x2 MK17 Zn            |
| 6    | 303 0932 | 2     | Sicherungsmutter             | Selflocking nut        | NM8-8 Zn DIN985          |
| 7    | 303 8960 | 2     | Hutmutter                    | Cap nut                | M27-SW46x118             |
| 8    | 305 6254 | 1     | Scheibe                      | Washer                 | D25/44x4 Zn<br>ISO7089   |
| 9    | 305 8694 | 2     | Scheibe                      | Washer                 | A8,4 DIN125-St Zn        |
| 10   | 305 8873 | 2     | Sicherungsring               | Retaining ring         | 35x2,5 DIN471            |
| 11   | 317 6710 | 2     | Röhrchen                     | Tube                   | 10x1x4                   |
| 12   | 319 9095 | 1     | Kegelrollenlager             | Tapered roller bearing | 30217 D150/85x30,5       |
| 13   | 319 9219 | 1     | Kegelrollenlager             | Tapered roller bearing | 32020X<br>D150/100x32    |
| 14   | 323 0002 | 2     | Deckel                       | Cover                  | 3x115x115 1xD11          |
| 15   | 323 0003 | 2     | Halter                       | Holder                 | 15x3x40 1xD8,5           |
| 16   | 323 0062 | 1     | Dichtscheibe mit Nut         | Seal washer            | D149,5/85x12 Zn          |
| 17   | 323 0060 | 1     | Dichtscheibe                 | Seal washer            | D149,5/100x12 2xD8<br>Zn |
| 18   | 323 6348 | 1     | Schmiernippel                | Grease nipple          | AM10x1 DIN71412          |
| 19   | 323 7970 | 2     | Filzring                     | Felt ring              | D150/130x6               |
| 20   | 329 8620 | 2     | Klammer                      | Clamp                  | D4x70-46 Zn              |
| 21   | 433 7505 | 1     | Turm                         | Headstock              | E100                     |
| 22   | 317 2025 | 2     | Einspannbuchse mit Presssitz | Expansion bush         | EG50/55x30               |



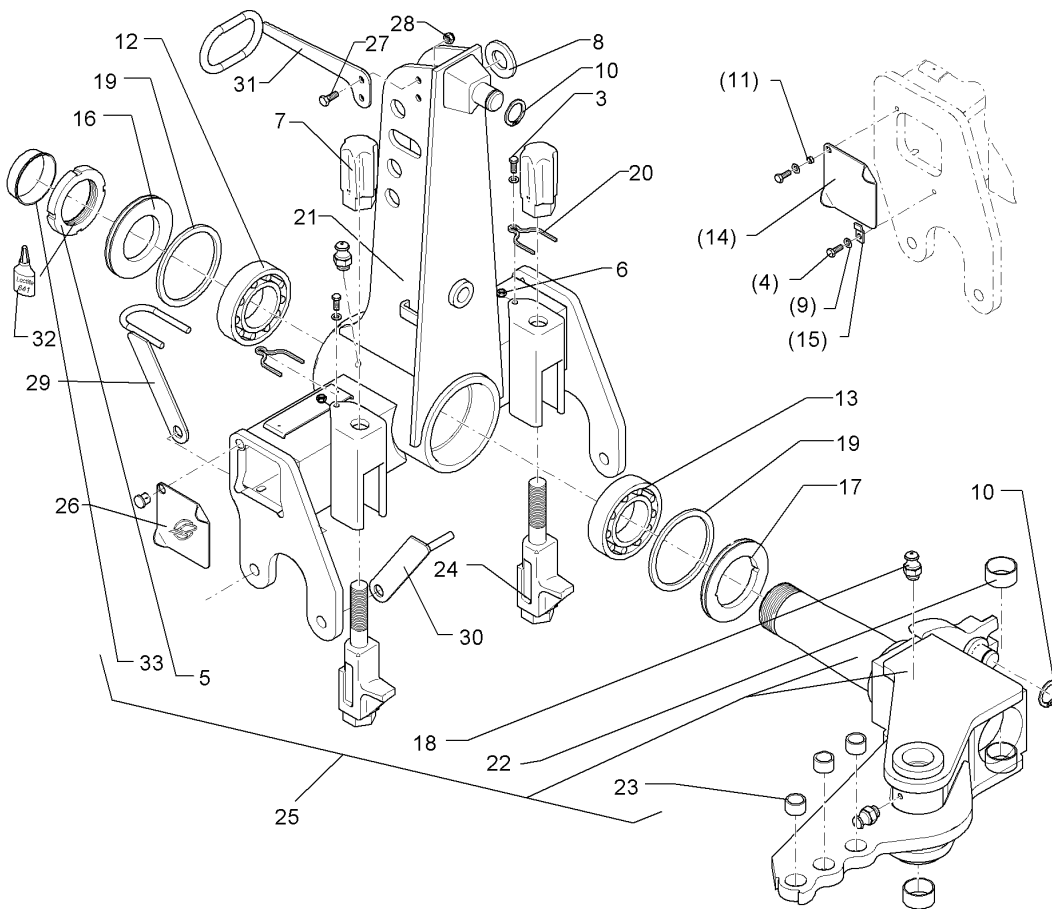
01.18

| Pos. | Art.Nr.  | Stck. | Artikeltext / Description    |                    | Abmessung                |
|------|----------|-------|------------------------------|--------------------|--------------------------|
| 23   | 317 3417 | 3     | Einspannbuchse mit Presssitz | Expansion bush     | EG30/38x25               |
| 24   | 433 9201 | 2     | Anschlag                     | Stop               | D75/90-M27               |
| 25   | 533 8110 | 1     | Wendeachse                   | Turning axle       | E100                     |
| 26   | 323 0004 | 1     | Niet                         | Rivet              | KPL 118x118x6            |
| 27   | 301 5004 | 2     | Sechskantschraube            | Hexagon bolt       | M10x30-8.8 Zn<br>DIN933  |
| 28   | 303 0933 | 2     | Sicherungsmutter             | Selflocking nut    | NM10-8 DIN985 Zn         |
| 29   | 475 4402 | 1     | Schlauchhalter vorn          | Hose carrier front | SDV                      |
| 30   | 475 4403 | 1     | Schlauchhalter hinten        | Hose carrier rear  | SDH                      |
| 31   | 475 4404 | 1     | Schlauchhalter oben          | Hose carrier rear  | SDO                      |
| 32   | 305 2247 | 1     | Stützscheibe                 | Supporting washer  | S 35x45x2,5 DIN988<br>Zn |
| 33   | 323 6401 | 1     | Schutzkappe                  | Cap                | M6-M10                   |



01.18

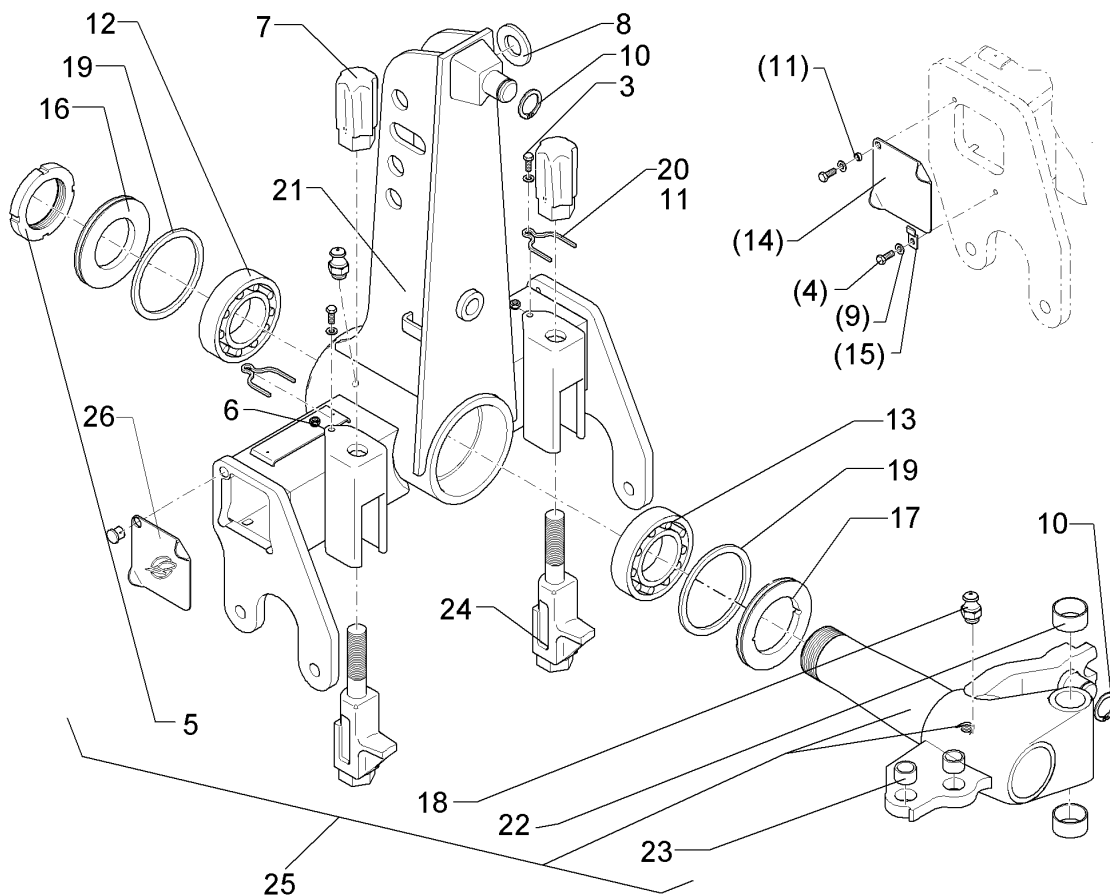
| Pos. | Art.Nr.  | Stck. | Artikeltext / Description    |                        | Abmessung                |
|------|----------|-------|------------------------------|------------------------|--------------------------|
| 3    | 301 7280 | 2     | Sechskantschraube            | Hexagon bolt           | M8x25-8.8 Zn<br>DIN933   |
| 4    | 301 7260 | 4     | Sechskantschraube            | Hexagon bolt           | M8x16-8.8 Zn<br>DIN933   |
| 5    | 303 0346 | 1     | Nutmutter                    | Grooved nut            | M85x2 MK17 Zn            |
| 6    | 303 0932 | 2     | Sicherungsmutter             | Selflocking nut        | NM8-8 Zn DIN985          |
| 7    | 303 8960 | 2     | Hutmutter                    | Cap nut                | M27-SW46x118             |
| 8    | 305 6254 | 1     | Scheibe                      | Washer                 | D25/44x4 Zn<br>ISO7089   |
| 9    | 305 8694 | 4     | Scheibe                      | Washer                 | A8,4 DIN125-St Zn        |
| 10   | 305 8873 | 2     | Sicherungsring               | Retaining ring         | 35x2,5 DIN471            |
| 11   | 317 6710 | 2     | Röhrchen                     | Tube                   | 10x1x4                   |
| 12   | 319 9095 | 1     | Kegelrollenlager             | Tapered roller bearing | 30217 D150/85x30,5       |
| 13   | 319 9219 | 1     | Kegelrollenlager             | Tapered roller bearing | 32020X<br>D150/100x32    |
| 14   | 323 0002 | 2     | Deckel                       | Cover                  | 3x115x115 1xD11          |
| 15   | 323 0003 | 2     | Halter                       | Holder                 | 15x3x40 1xD8,5           |
| 16   | 323 0062 | 1     | Dichtscheibe mit Nut         | Seal washer            | D149,5/85x12 Zn          |
| 17   | 323 0060 | 1     | Dichtscheibe                 | Seal washer            | D149,5/100x12 2xd8<br>Zn |
| 18   | 323 6348 | 2     | Schmiernippel                | Grease nipple          | AM10x1 DIN71412          |
| 19   | 323 7970 | 2     | Filzring                     | Felt ring              | D150/130x6               |
| 20   | 329 8620 | 2     | Klammer                      | Clamp                  | D4x70-46 Zn              |
| 21   | 433 7505 | 1     | Turm                         | Headstock              | E100                     |
| 22   | 317 2025 | 2     | Einspannbuchse mit Presssitz | Expansion bush         | EG50/55x30               |



01.18

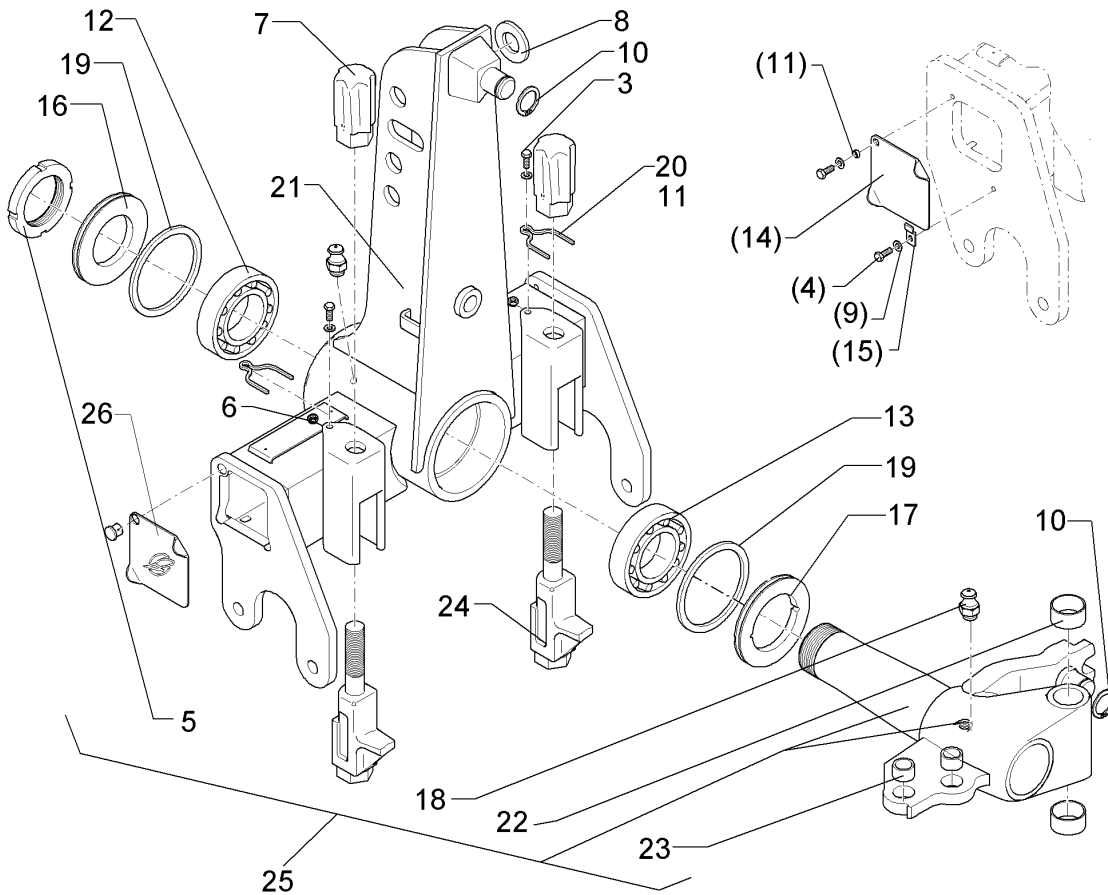
| Pos. | Art.Nr.  | Stck. | Artikeltext / Description    |                    | Abmessung               |
|------|----------|-------|------------------------------|--------------------|-------------------------|
| 23   | 317 3417 | 3     | Einspannbuchse mit Presssitz | Expansion bush     | EG30/38x25              |
| 24   | 433 9201 | 2     | Anschlag                     | Stop               | D75/90-M27              |
| 25   | 533 8112 | 1     | Wendeachse                   | Turning axle       | E100-L                  |
| 26   | 323 0004 | 1     | Niet                         | Rivet              | KPL 118x118x6           |
| 27   | 301 5004 | 2     | Sechskantschraube            | Hexagon bolt       | M10x30-8.8 Zn<br>DIN933 |
| 28   | 303 0933 | 2     | Sicherungsmutter             | Selflocking nut    | NM10-8 DIN985 Zn        |
| 29   | 475 4402 | 1     | Schlauchhalter vorn          | Hose carrier front | SDV                     |
| 30   | 475 4403 | 1     | Schlauchhalter hinten        | Hose carrier rear  | SDH                     |
| 31   | 475 4404 | 1     | Schlauchhalter oben          | Hose carrier rear  | SDO                     |





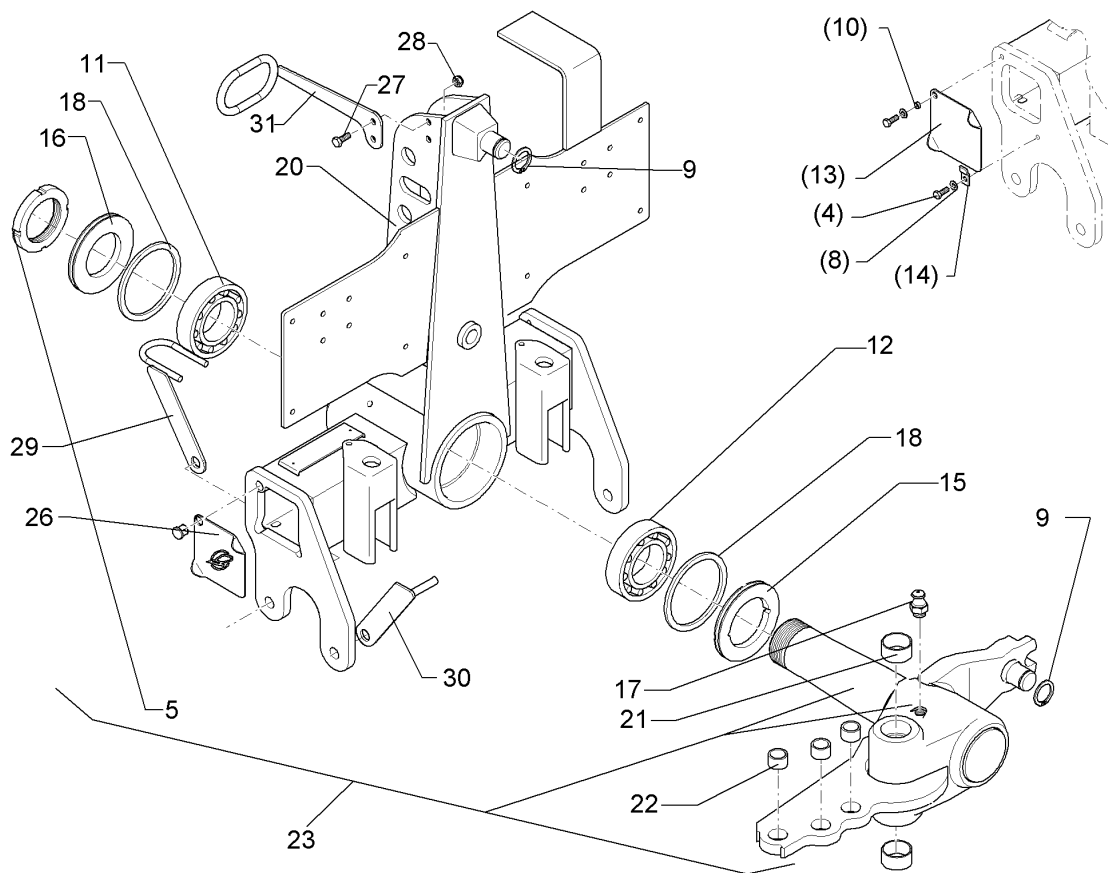
01.18

| Pos. | Art.Nr.  | Stck. | Artikeltext / Description    |                        | Abmessung                |
|------|----------|-------|------------------------------|------------------------|--------------------------|
| 3    | 301 7280 | 2     | Sechskantschraube            | Hexagon bolt           | M8x25-8.8 Zn<br>DIN933   |
| 4    | 301 7260 | 4     | Sechskantschraube            | Hexagon bolt           | M8x16-8.8 Zn<br>DIN933   |
| 5    | 303 0346 | 1     | Nutmutter                    | Grooved nut            | M85x2 MK17 Zn            |
| 6    | 303 0932 | 2     | Sicherungsmutter             | Selflocking nut        | NM8-8 Zn DIN985          |
| 7    | 303 8960 | 2     | Hutmutter                    | Cap nut                | M27-SW46x118             |
| 8    | 305 6254 | 1     | Scheibe                      | Washer                 | D25/44x4 Zn<br>ISO7089   |
| 9    | 305 8694 | 4     | Scheibe                      | Washer                 | A8,4 DIN125-St Zn        |
| 10   | 305 8873 | 2     | Sicherungsring               | Retaining ring         | 35x2,5 DIN471            |
| 11   | 317 6710 | 2     | Röhrchen                     | Tube                   | 10x1x4                   |
| 12   | 319 9095 | 1     | Kegelrollenlager             | Tapered roller bearing | 30217 D150/85x30,5       |
| 13   | 319 9219 | 1     | Kegelrollenlager             | Tapered roller bearing | 32020X<br>D150/100x32    |
| 14   | 323 0002 | 2     | Deckel                       | Cover                  | 3x115x115 1xD11          |
| 15   | 323 0003 | 2     | Halter                       | Holder                 | 15x3x40 1xD8,5           |
| 16   | 323 0062 | 1     | Dichtscheibe mit Nut         | Seal washer            | D149,5/85x12 Zn          |
| 17   | 323 0060 | 1     | Dichtscheibe                 | Seal washer            | D149,5/100x12 2xd8<br>Zn |
| 18   | 323 6348 | 2     | Schmiernippel                | Grease nipple          | AM10x1 DIN71412          |
| 19   | 323 7970 | 2     | Filzring                     | Felt ring              | D150/130x6               |
| 20   | 329 8620 | 2     | Klammer                      | Clamp                  | D4x70-46 Zn              |
| 21   | 433 7505 | 1     | Turm                         | Headstock              | E100                     |
| 22   | 317 2025 | 2     | Einspannbuchse mit Presssitz | Expansion bush         | EG50/55x30               |



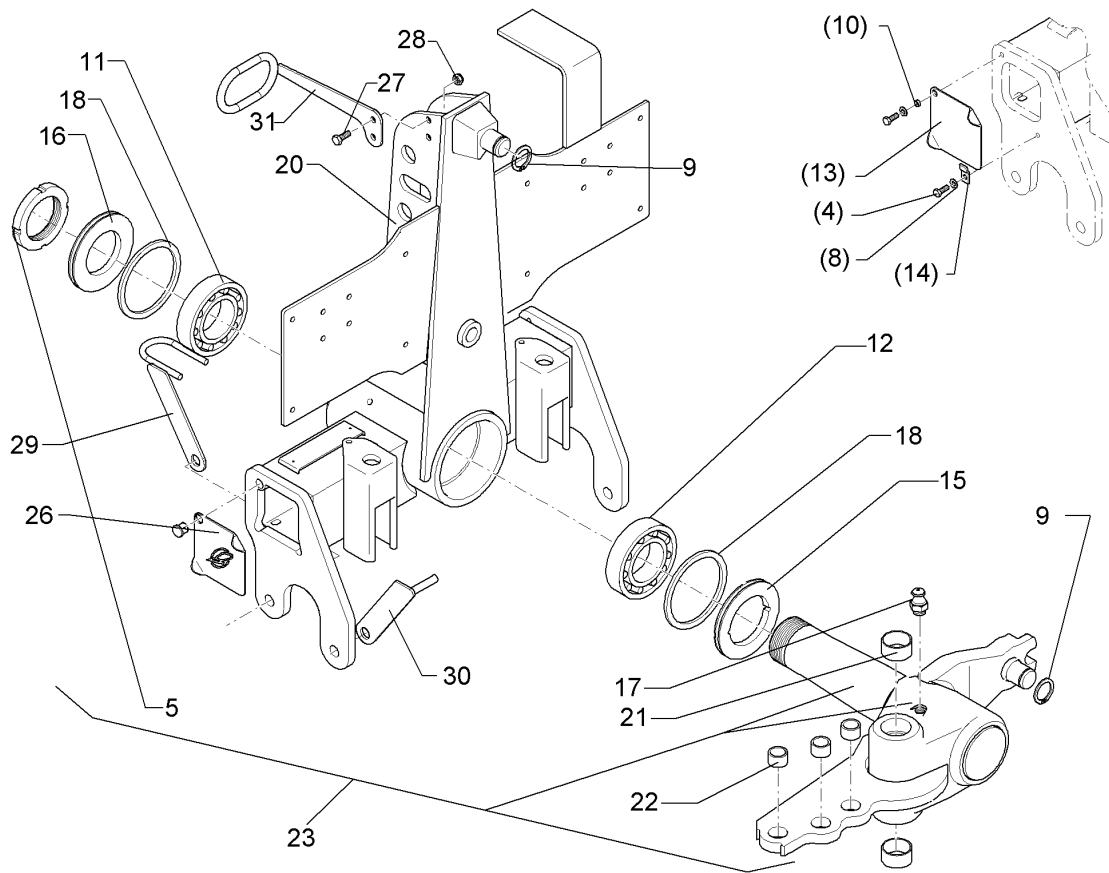
01.18

| Pos. | Art.Nr.  | Stck. | Artikeltext / Description    |                | Abmessung     |
|------|----------|-------|------------------------------|----------------|---------------|
| 23   | 317 3417 | 2     | Einspannbuchse mit Presssitz | Expansion bush | EG30/38x25    |
| 24   | 433 9201 | 2     | Anschlag                     | Stop           | D75/90-M27    |
| 25   | 533 8114 | 1     | Wendeachse                   | Turning axle   | E100-RB       |
| 26   | 323 0004 | 1     | Niet                         | Rivet          | KPL 118x118x6 |



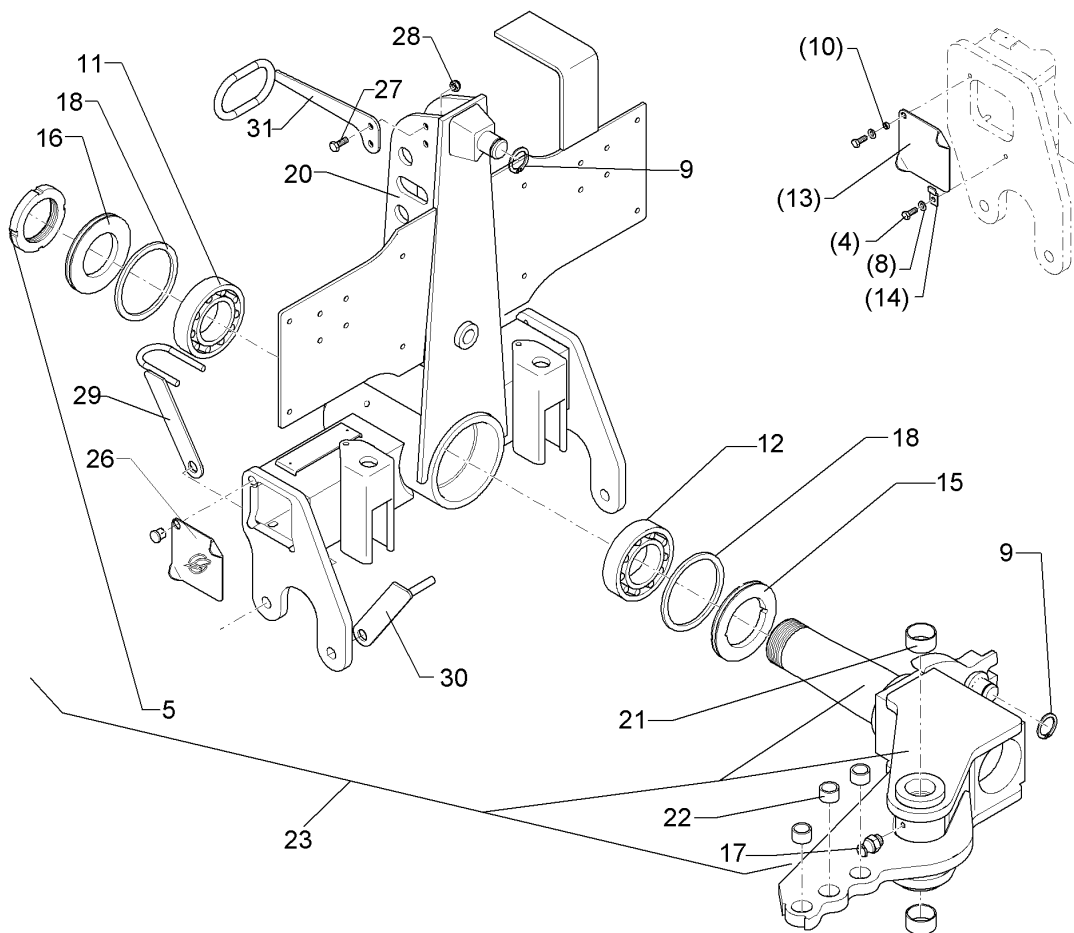
01.18

| Pos. | Art.Nr.  | Stck. | Artikeltext / Description    |                        | Abmessung                |
|------|----------|-------|------------------------------|------------------------|--------------------------|
| 4    | 301 7260 | 4     | Sechskantschraube            | Hexagon bolt           | M8x16-8.8 Zn<br>DIN933   |
| 5    | 303 0346 | 1     | Nutmutter                    | Grooved nut            | M85x2 MK17 Zn            |
| 8    | 305 8694 | 4     | Scheibe                      | Washer                 | A8,4 DIN125-St Zn        |
| 9    | 305 8873 | 2     | Sicherungsring               | Retaining ring         | 35x2,5 DIN471            |
| 10   | 317 6710 | 2     | Röhrchen                     | Tube                   | 10x1x4                   |
| 11   | 319 9095 | 1     | Kegelrollenlager             | Tapered roller bearing | 30217 D150/85x30,5       |
| 12   | 319 9219 | 1     | Kegelrollenlager             | Tapered roller bearing | 32020X<br>D150/100x32    |
| 13   | 323 0002 | 2     | Deckel                       | Cover                  | 3x115x115 1xD11          |
| 14   | 323 0003 | 2     | Halter                       | Holder                 | 15x3x40 1xD8,5           |
| 15   | 323 0060 | 1     | Dichtscheibe                 | Seal washer            | D149,5/100x12 2xD8<br>Zn |
| 16   | 323 0062 | 1     | Dichtscheibe mit Nut         | Seal washer            | D149,5/85x12 Zn          |
| 17   | 323 6348 | 2     | Schmiernippel                | Grease nipple          | AM10x1 DIN71412          |
| 18   | 323 7970 | 2     | Filzring                     | Felt ring              | D150/130x6               |
| 20   | 433 7550 | 1     | Turm                         | Headstock              | E100 EPS                 |
| 21   | 317 2025 | 2     | Einspannbuchse mit Presssitz | Expansion bush         | EG50/55x30               |
| 22   | 317 3417 | 3     | Einspannbuchse mit Presssitz | Expansion bush         | EG30/38x25               |
| 23   | 533 8130 | 1     | Wendeachse                   | Turning axle           | E100 EPS                 |
| 25   | 323 0004 | 1     | Niet                         | Rivet                  | KPL 118x118x6            |
| 27   | 301 5004 | 2     | Sechskantschraube            | Hexagon bolt           | M10x30-8.8 Zn<br>DIN933  |
| 28   | 303 0933 | 2     | Sicherungsmutter             | Selflocking nut        | NM10-8 DIN985 Zn         |
| 29   | 475 4402 | 1     | Schlauchhalter vorn          | Hose carrier front     | SDV                      |



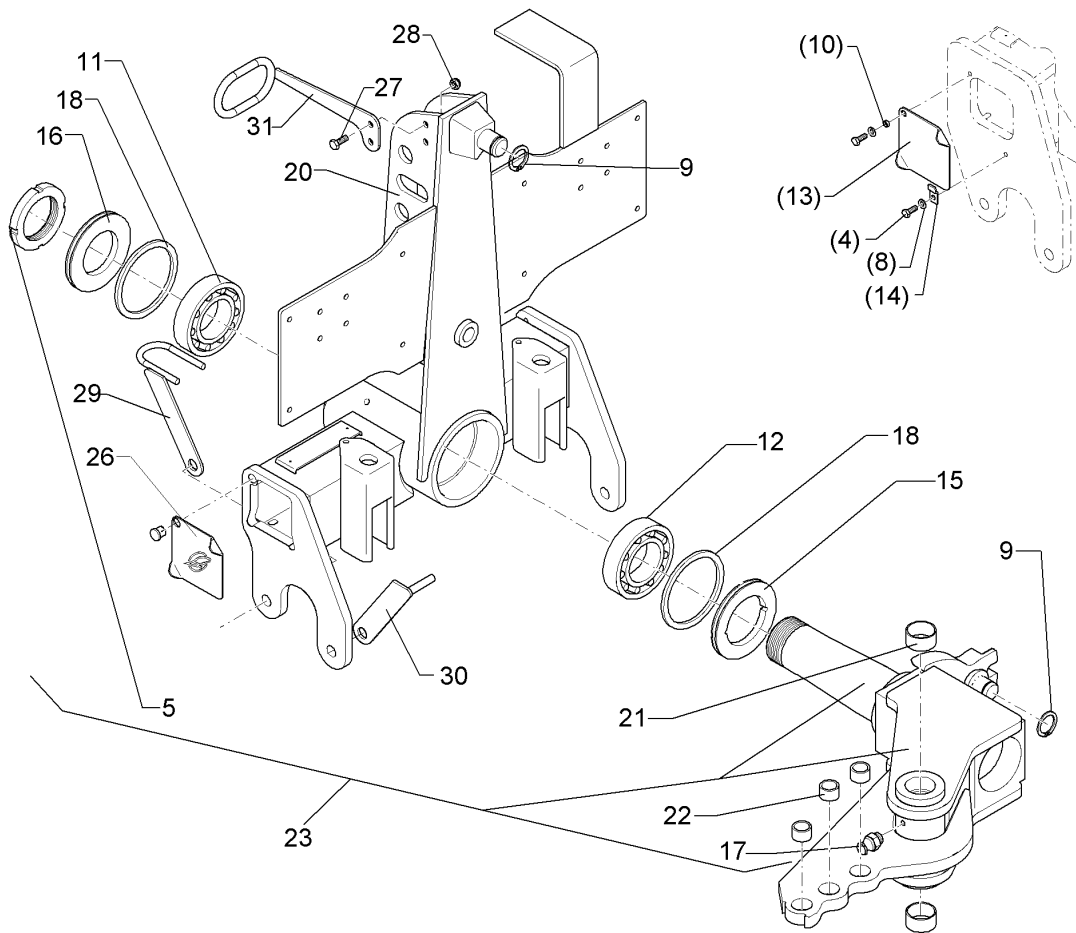
01.18

| Pos. | Art.Nr.  | Stck. | Artikeltext / Description |                   | Abmessung |
|------|----------|-------|---------------------------|-------------------|-----------|
| 30   | 475 4403 | 1     | Schlauchhalter hinten     | Hose carrier rear | SDH       |
| 31   | 475 4404 | 1     | Schlauchhalter oben       | Hose carrier rear | SDO       |



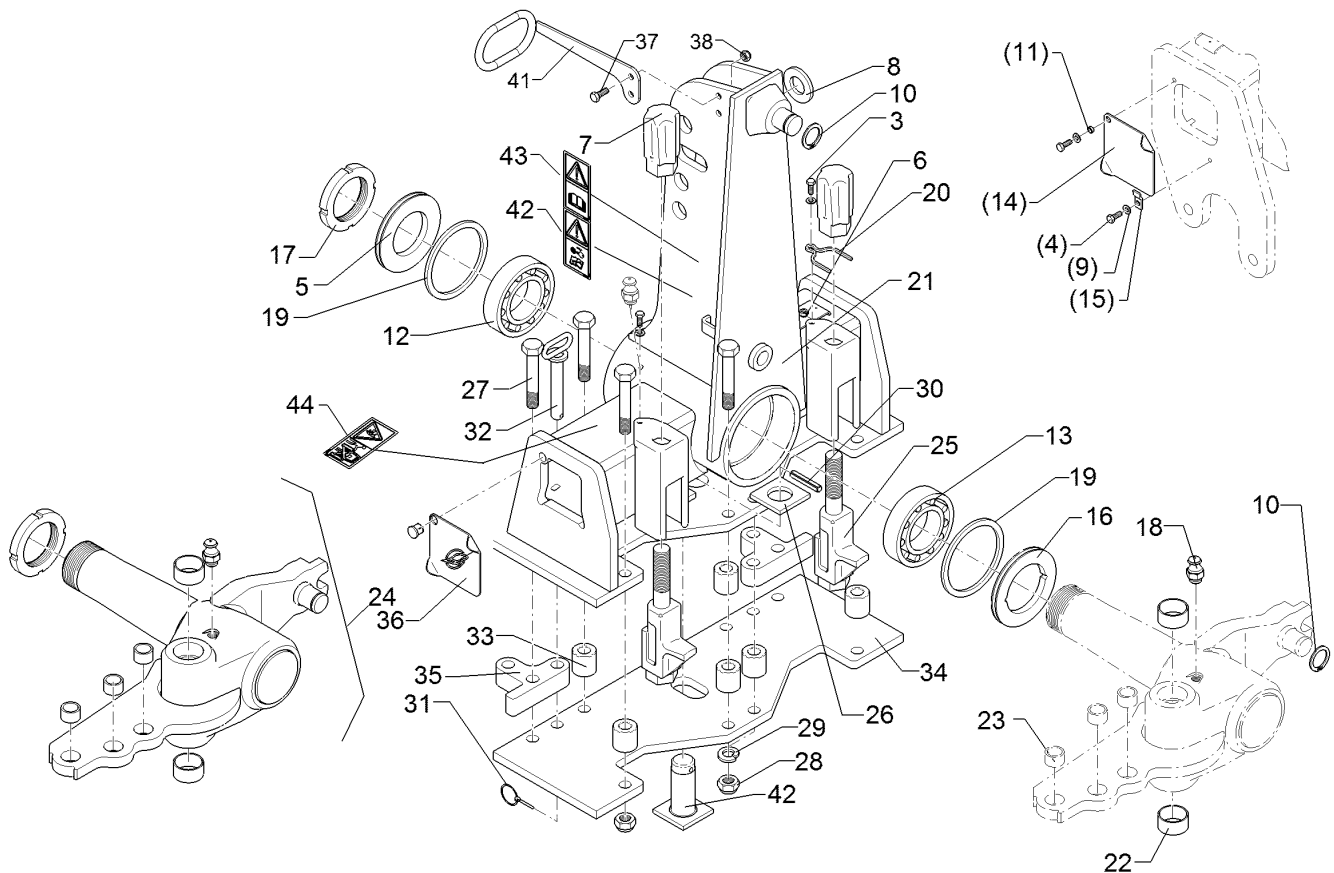
01.18

| Pos. | Art.Nr.  | Stck. | Artikeltext / Description    |                        | Abmessung                |
|------|----------|-------|------------------------------|------------------------|--------------------------|
| 4    | 301 7260 | 4     | Sechskantschraube            | Hexagon bolt           | M8x16-8.8 Zn<br>DIN933   |
| 5    | 303 0346 | 1     | Nutmutter                    | Grooved nut            | M85x2 MK17 Zn            |
| 8    | 305 8694 | 4     | Scheibe                      | Washer                 | A8,4 DIN125-St Zn        |
| 9    | 305 8873 | 2     | Sicherungsring               | Retaining ring         | 35x2,5 DIN471            |
| 10   | 317 6710 | 2     | Röhrchen                     | Tube                   | 10x1x4                   |
| 11   | 319 9095 | 1     | Kegelrollenlager             | Tapered roller bearing | 30217 D150/85x30,5       |
| 12   | 319 9219 | 1     | Kegelrollenlager             | Tapered roller bearing | 32020X<br>D150/100x32    |
| 13   | 323 0002 | 2     | Deckel                       | Cover                  | 3x115x115 1xD11          |
| 14   | 323 0003 | 2     | Halter                       | Holder                 | 15x3x40 1xD8,5           |
| 15   | 323 0060 | 1     | Dichtscheibe                 | Seal washer            | D149,5/100x12 2xD8<br>Zn |
| 16   | 323 0062 | 1     | Dichtscheibe mit Nut         | Seal washer            | D149,5/85x12 Zn          |
| 17   | 323 6348 | 2     | Schmiernippel                | Grease nipple          | AM10x1 DIN71412          |
| 18   | 323 7970 | 2     | Filzring                     | Felt ring              | D150/130x6               |
| 20   | 433 7550 | 1     | Turm                         | Headstock              | E100 EPS                 |
| 21   | 317 2025 | 2     | Einspannbuchse mit Presssitz | Expansion bush         | EG50/55x30               |
| 22   | 317 3417 | 3     | Einspannbuchse mit Presssitz | Expansion bush         | EG30/38x25               |
| 23   | 533 8131 | 1     | Wendeachse                   | Turning axle           | E100-L EPS               |
| 26   | 323 0004 | 1     | Niet                         | Rivet                  | KPL 118x118x6            |
| 27   | 301 5004 | 2     | Sechskantschraube            | Hexagon bolt           | M10x30-8.8 Zn<br>DIN933  |
| 28   | 303 0933 | 2     | Sicherungsmutter             | Selflocking nut        | NM10-8 DIN985 Zn         |
| 29   | 475 4402 | 1     | Schlauchhalter vorn          | Hose carrier front     | SDV                      |



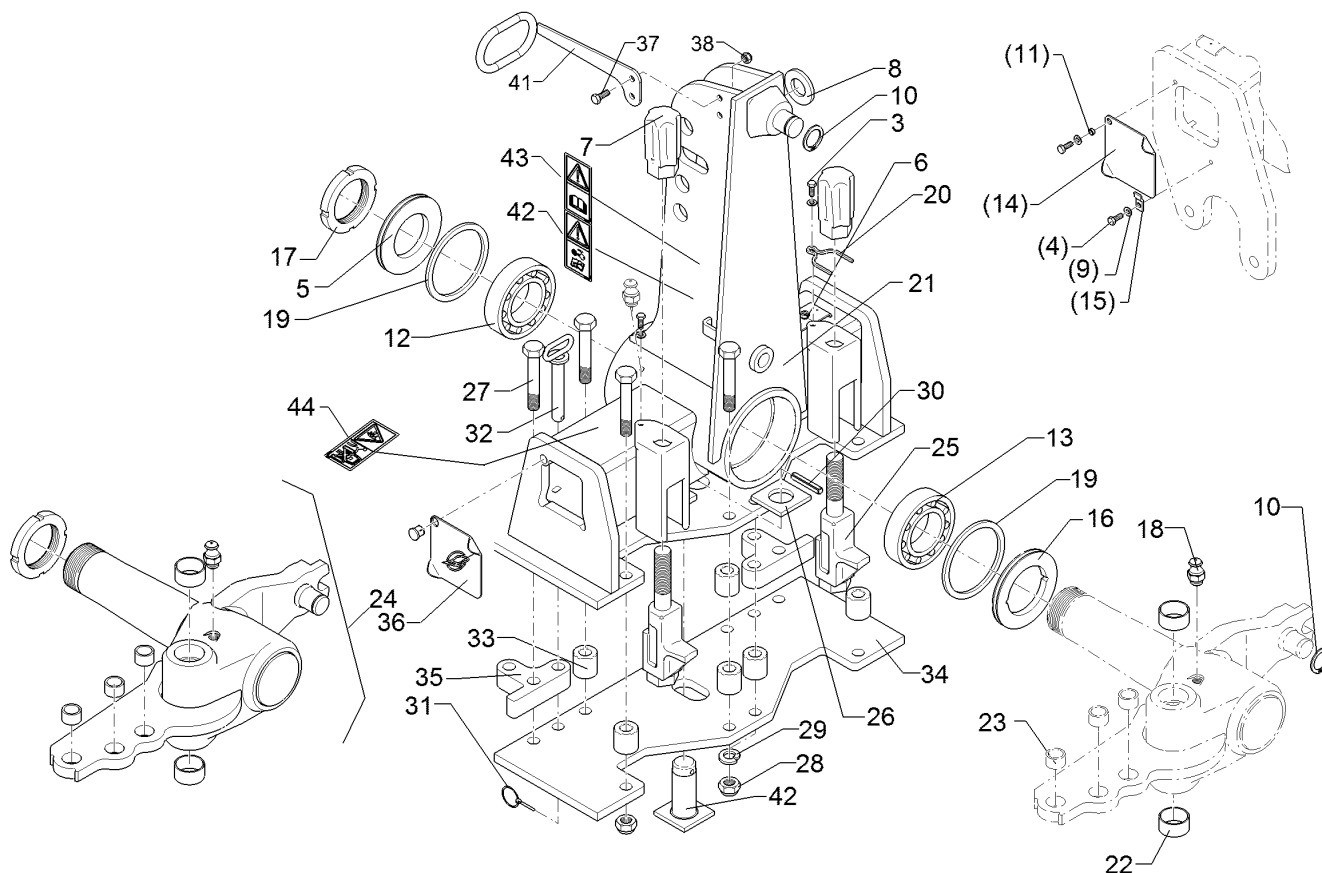
01.18

| Pos. | Art.Nr.  | Stck. | Artikeltext / Description |                   | Abmessung |
|------|----------|-------|---------------------------|-------------------|-----------|
| 30   | 475 4403 | 1     | Schlauchhalter hinten     | Hose carrier rear | SDH       |
| 31   | 475 4404 | 1     | Schlauchhalter oben       | Hose carrier rear | SDO       |



01.18

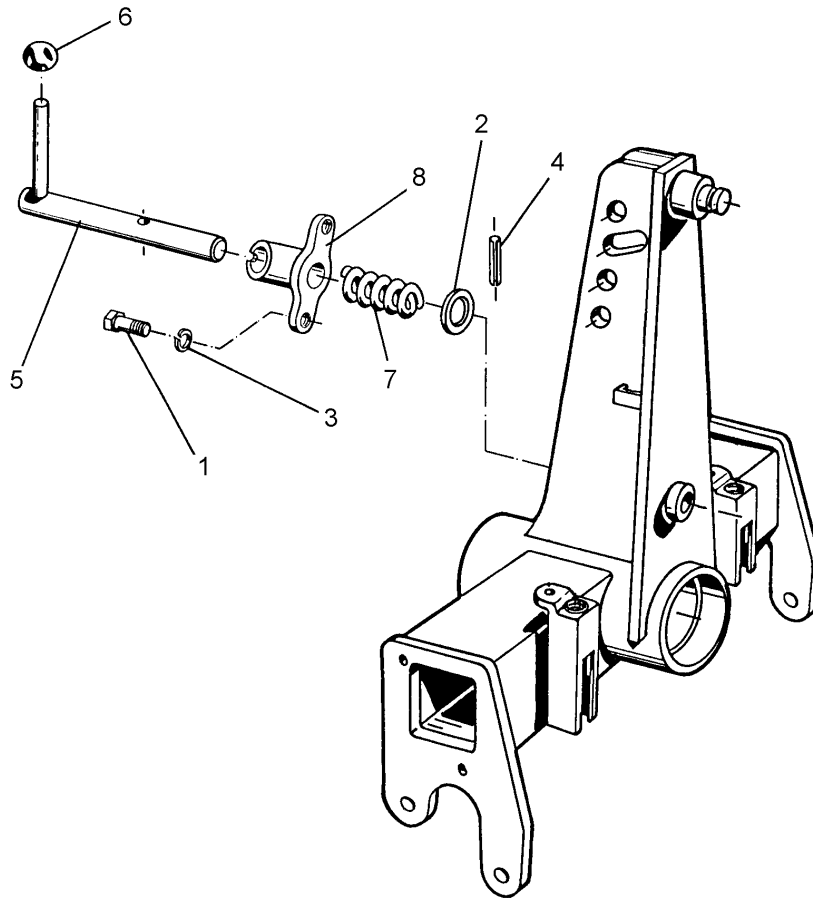
| Pos. | Art.Nr.  | Stck. | Artikeltext / Description    |                        | Abmessung                |
|------|----------|-------|------------------------------|------------------------|--------------------------|
| 3    | 301 7280 | 2     | Sechskantschraube            | Hexagon bolt           | M8x25-8.8 Zn<br>DIN933   |
| 4    | 301 7260 | 4     | Sechskantschraube            | Hexagon bolt           | M8x16-8.8 Zn<br>DIN933   |
| 5    | 303 0346 | 1     | Nutmutter                    | Grooved nut            | M85x2 MK17 Zn            |
| 6    | 303 0932 | 2     | Sicherungsmutter             | Selflocking nut        | NM8-8 Zn DIN985          |
| 7    | 303 8960 | 2     | Hutmutter                    | Cap nut                | M27-SW46x118             |
| 8    | 305 6254 | 1     | Scheibe                      | Washer                 | D25/44x4 Zn<br>ISO7089   |
| 9    | 305 8694 | 4     | Scheibe                      | Washer                 | A8,4 DIN125-St Zn        |
| 10   | 305 8873 | 2     | Sicherungsring               | Retaining ring         | 35x2,5 DIN471            |
| 11   | 317 6710 | 2     | Röhrchen                     | Tube                   | 10x1x4                   |
| 12   | 319 9095 | 1     | Kegelrollenlager             | Tapered roller bearing | 30217 D150/85x30,5       |
| 13   | 319 9219 | 1     | Kegelrollenlager             | Tapered roller bearing | 32020X<br>D150/100x32    |
| 14   | 323 0002 | 2     | Deckel                       | Cover                  | 3x115x115 1xD11          |
| 15   | 323 0003 | 2     | Halter                       | Holder                 | 15x3x40 1xD8,5           |
| 16   | 323 0060 | 1     | Dichtscheibe                 | Seal washer            | D149,5/100x12 2xd8<br>Zn |
| 17   | 323 0062 | 1     | Dichtscheibe mit Nut         | Seal washer            | D149,5/85x12 Zn          |
| 18   | 323 6348 | 1     | Schmiernippel                | Grease nipple          | AM10x1 DIN71412          |
| 19   | 323 7970 | 2     | Filzring                     | Felt ring              | D150/130x6               |
| 20   | 329 8620 | 2     | Klammer                      | Clamp                  | D4x70-46 Zn              |
| 21   | 433 7552 | 1     | Turm                         | Headstock              | E100-OS                  |
| 22   | 317 2025 | 2     | Einspannbuchse mit Presssitz | Expansion bush         | EG50/55x30               |



01.18

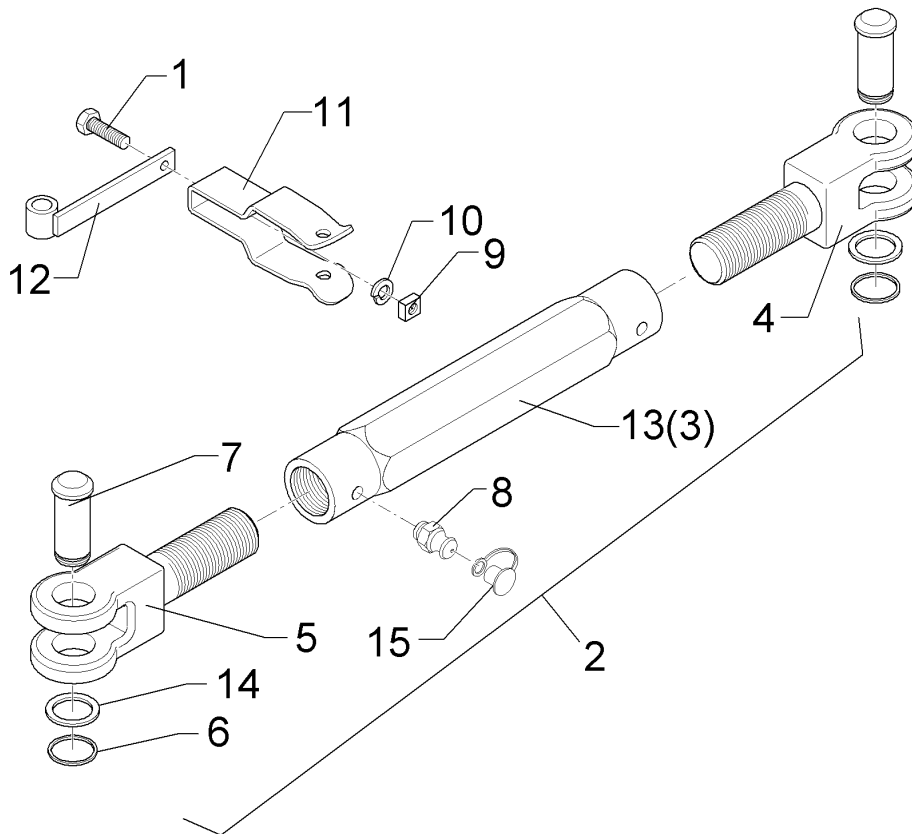
| Pos. | Art.Nr.  | Stck. | Artikeltext / Description    |                   | Abmessung               |
|------|----------|-------|------------------------------|-------------------|-------------------------|
| 23   | 317 3417 | 3     | Einspannbuchse mit Presssitz | Expansion bush    | EG30/38x25              |
| 24   | 533 8110 | 1     | Wendeachse                   | Turning axle      | E100                    |
| 25   | 433 9201 | 2     | Anschlag                     | Stop              | D75/90-M27              |
| 26   | 433 9157 | 1     | Platte                       | Plate             | 70x70x8/D41             |
| 27   | 301 4408 | 8     | Sechskantschraube spz.       | Hexagon bolt      | M20x100xb25-10.9<br>Zn  |
| 28   | 303 0936 | 8     | Sicherungsmutter             | Selflocking nut   | NM20-8 Zn DIN985        |
| 29   | 305 6012 | 8     | Scheibe                      | Washer            | 21 ISO7089 Zn           |
| 30   | 309 7000 | 1     | Spannhülse                   | Expansion bush    | 8x50-DIN1481 Zn         |
| 31   | 311 9565 | 2     | Klappstift                   | Securing pin      | 4,5                     |
| 32   | 313 8146 | 2     | Bolzen mit Griff             | Pin with grip     | D20x112/122 Zn          |
| 33   | 317 6941 | 6     | Buchse                       | Bush              | 40/20x40,7              |
| 34   | 433 0300 | 1     | Tragplatte                   | Support plate     | E-OS 16x240x714         |
| 35   | 433 9160 | 2     | Sperre                       | Lock              | OS-35x97x142<br>3xD21   |
| 36   | 323 0004 | 1     | Niet                         | Rivet             | KPL 118x118x6           |
| 37   | 301 5004 | 2     | Sechskantschraube            | Hexagon bolt      | M10x30-8.8 Zn<br>DIN933 |
| 38   | 303 0933 | 2     | Sicherungsmutter             | Selflocking nut   | NM10-8 DIN985 Zn        |
| 41   | 475 4404 | 1     | Schlauchhalter oben          | Hose carrier rear | SDO                     |
| 42   | 313 8118 | 1     | Bolzen mit Kopf              | Pin with collar   | D40x84/108 Zn           |





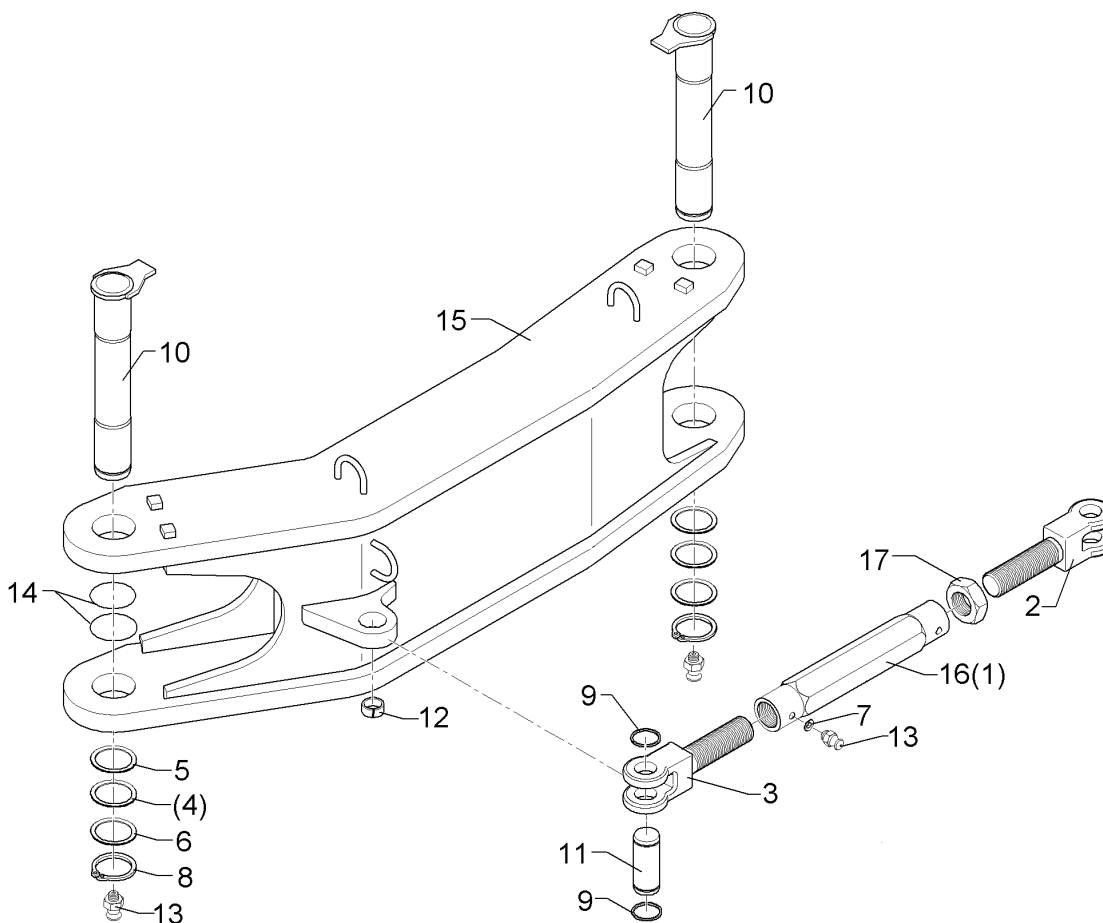
01.18

| Pos. | Art.Nr.  | Stck. | Artikeltext / Description |                    | Abmessung               |
|------|----------|-------|---------------------------|--------------------|-------------------------|
| 1    | 301 5004 | 2     | Sechskantschraube         | Hexagon bolt       | M10x30-8.8 Zn<br>DIN933 |
| 2    | 305 6222 | 1     | Passscheibe               | Shim               | 26x37x1,0 DIN988<br>Zn  |
| 3    | 305 8696 | 2     | Scheibe                   | Washer             | A10,5 DIN125-St Zn      |
| 4    | 309 6072 | 1     | Spannhülse                | Expansion bush     | 8x40-DIN1481 Zn         |
| 5    | 313 8290 | 1     | Verriegelungsbolzen       | Locking pin        | D25x260 Zn              |
| 6    | 321 2575 | 1     | Kugel konisch             | Ball               | D40 D12                 |
| 7    | 329 8176 | 1     | Druckfeder                | Compression spring | 2,5x32x110 DIN2098      |
| 8    | 433 9146 | 1     | Konsole                   | Bracket            | D26/45x70               |



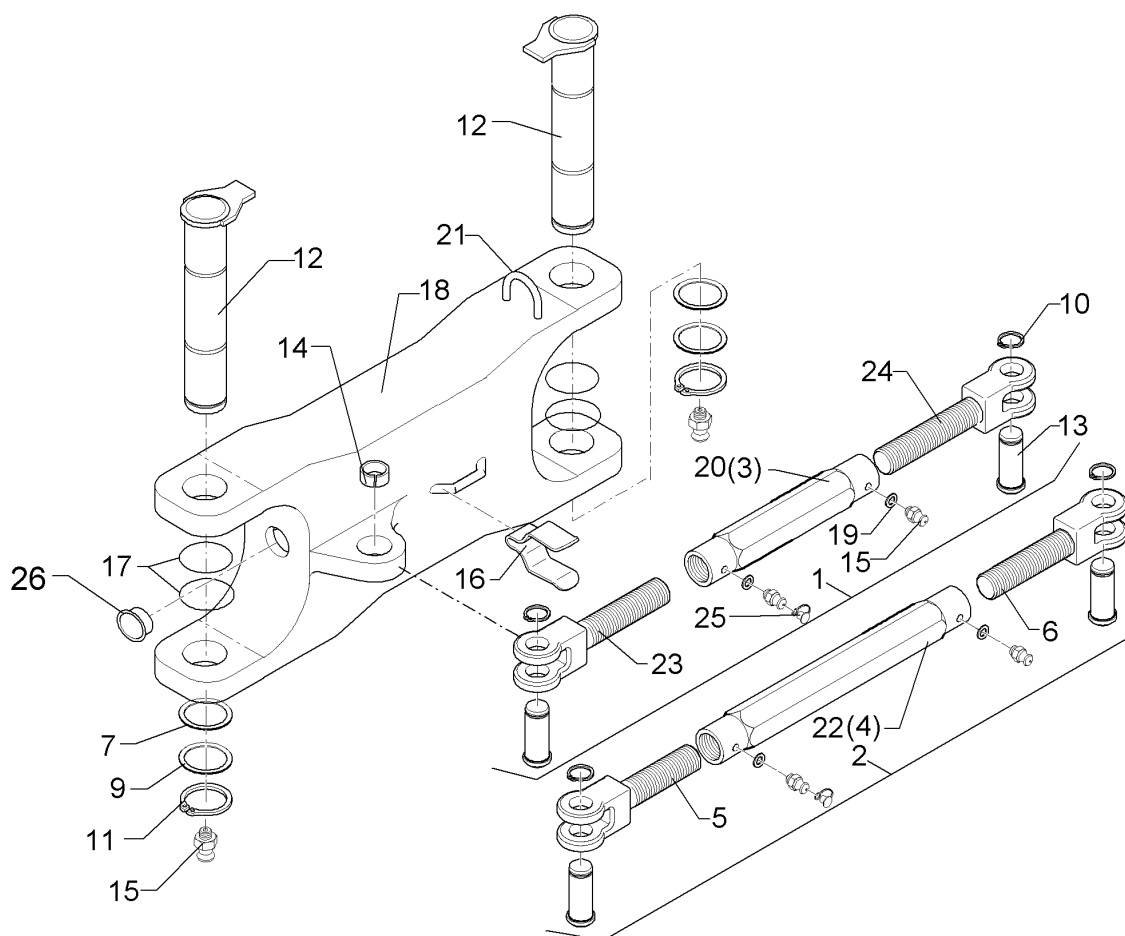
01.18

| Pos. | Art.Nr.  | Stck. | Artikeltext / Description |                   | Abmessung                  |
|------|----------|-------|---------------------------|-------------------|----------------------------|
| 1    | 301 5004 | 1     | Sechskantschraube         | Hexagon bolt      | M10x30-8.8 Zn<br>DIN933    |
| 2    | 302 8745 | 1     | Spannschloss              | Turnbuckle        | TR30x3/730/520             |
| 3    | 302 8915 | 1     | Spannschlossmutter        | Threaded sleeve   | TR30x3x390                 |
| 4    | 302 9000 | 1     | Gabelstück                | Forkpiece         | TR30x3x120x225<br>D30 Zn   |
| 5    | 302 9001 | 1     | Gabelstück                | Forkpiece         | TR30x3LHx120/225<br>D30 Zn |
| 6    | 305 8867 | 4     | Sicherungsring            | Retaining ring    | 30x2 DIN471 Zn             |
| 7    | 313 7802 | 2     | Bolzen mit Kopf           | Pin with collar   | D30/35x63/80 Zn            |
| 8    | 323 6348 | 2     | Schmiernippel             | Grease nipple     | AM10x1 DIN71412            |
| 9    | 303 1100 | 1     | Vierkantmutter            | Nut               | M10 DIN557-5               |
| 10   | 305 9900 | 1     | Federring                 | Spring ring       | 10 DIN127 Zn               |
| 11   | 329 1798 | 1     | Flachformfeder            | U-spring          | 40x4x230 SW46              |
| 12   | 434 1640 | 1     | Halter mit Röhrchen       | Holder            | D26,9x25                   |
| 13   | 302 8787 | 1     | Spannschlossmutter        | Threaded sleeve   | TR30x3x390-SW50            |
| 14   | 305 2242 | 2     | Stützscheibe              | Supporting washer | S 30/42x2,5 DIN988<br>Zn   |
| 15   | 323 6401 | 2     | Schutzkappe               | Cap               | M6-M10                     |



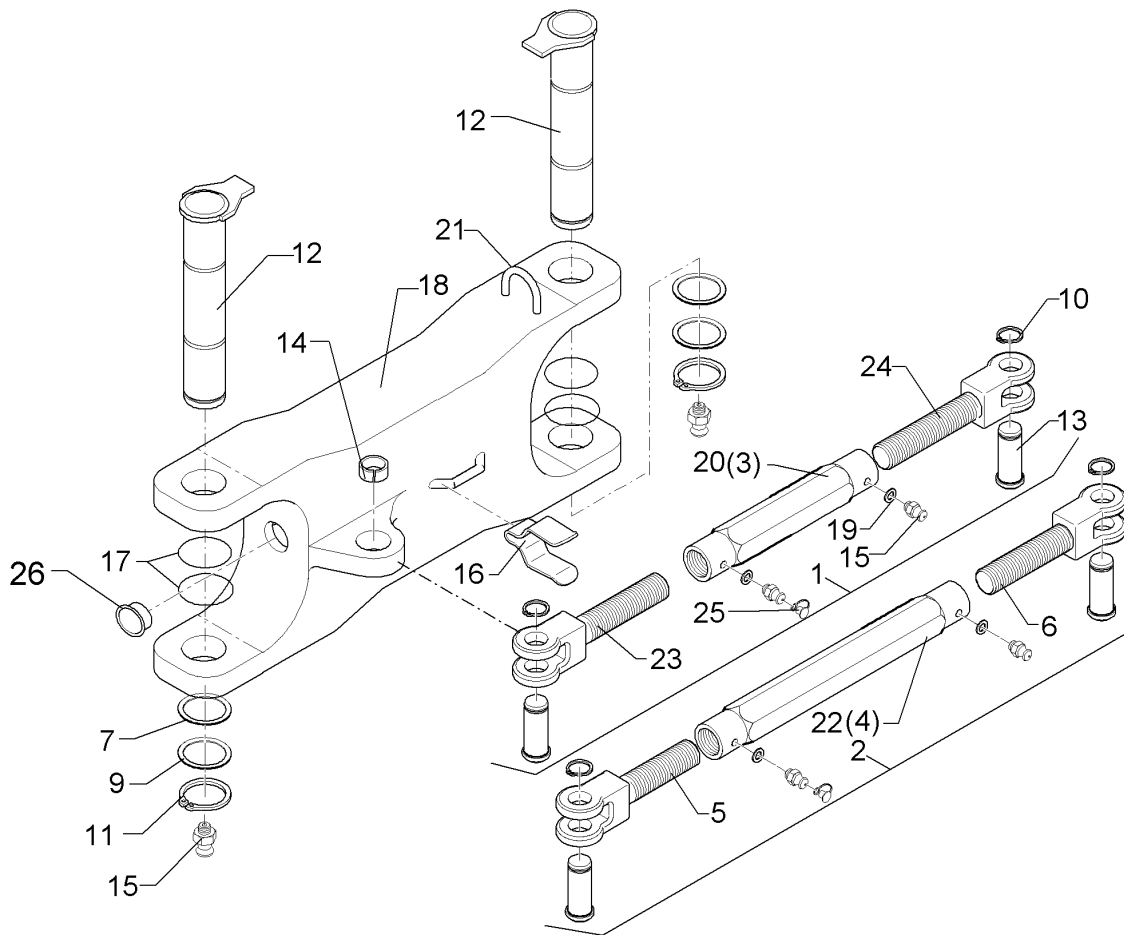
01.18

| Pos. | Art.Nr.  | Stck. | Artikeltext / Description    |                   | Abmessung                  |
|------|----------|-------|------------------------------|-------------------|----------------------------|
| 1    | 302 8915 | 1     | Spannschlossmutter           | Threaded sleeve   | TR30x3x390                 |
| 2    | 302 9000 | 1     | Gabelstück                   | Forkpiece         | TR30x3x120x225<br>D30 Zn   |
| 3    | 302 9001 | 1     | Gabelstück                   | Forkpiece         | TR30x3LHx120/225<br>D30 Zn |
| 4    | 305 2155 | 4     | Passscheibe                  | Shim              | 50x62x2,0 DIN988           |
| 5    | 305 2150 | 2     | Passscheibe                  | Shim              | 50x62x1,0 DIN988           |
| 6    | 305 2255 | 4     | Stützscheibe                 | Supporting washer | S 50x62x3 DIN988<br>Zn     |
| 7    | 305 6130 | 2     | Scheibe                      | Washer            | D10/16x1 Zn                |
| 8    | 305 8877 | 4     | Sicherungsring               | Retaining ring    | 50x3 DIN471                |
| 9    | 305 8867 | 2     | Sicherungsring               | Retaining ring    | 30x2 DIN471 Zn             |
| 10   | 313 5031 | 2     | Bolzen mit Verdrehsicherung  | Pin with stop     | D50x265/290-M10x1<br>Zn    |
| 11   | 313 7802 | 2     | Bolzen mit Kopf              | Pin with collar   | D30/35x63/80 Zn            |
| 12   | 317 3417 | 1     | Einspannbuchse mit Presssitz | Expansion bush    | EG30/38x25                 |
| 13   | 323 6348 | 4     | Schmiernippel                | Grease nipple     | AM10x1 DIN71412            |
| 14   | 375 1255 | 4     | O-Ring                       | O-ring            | 68x3-80Shore<br>Viton83    |
| 15   | 434 3149 | 1     | Lenker                       | Link              | 50-791 GEB                 |
| 16   | 302 8787 | 1     | Spannschlossmutter           | Threaded sleeve   | TR30x3x390-SW50            |
| 17   | 303 3040 | 1     | Mutter                       | Nut               | TR 30x3 SW 46              |



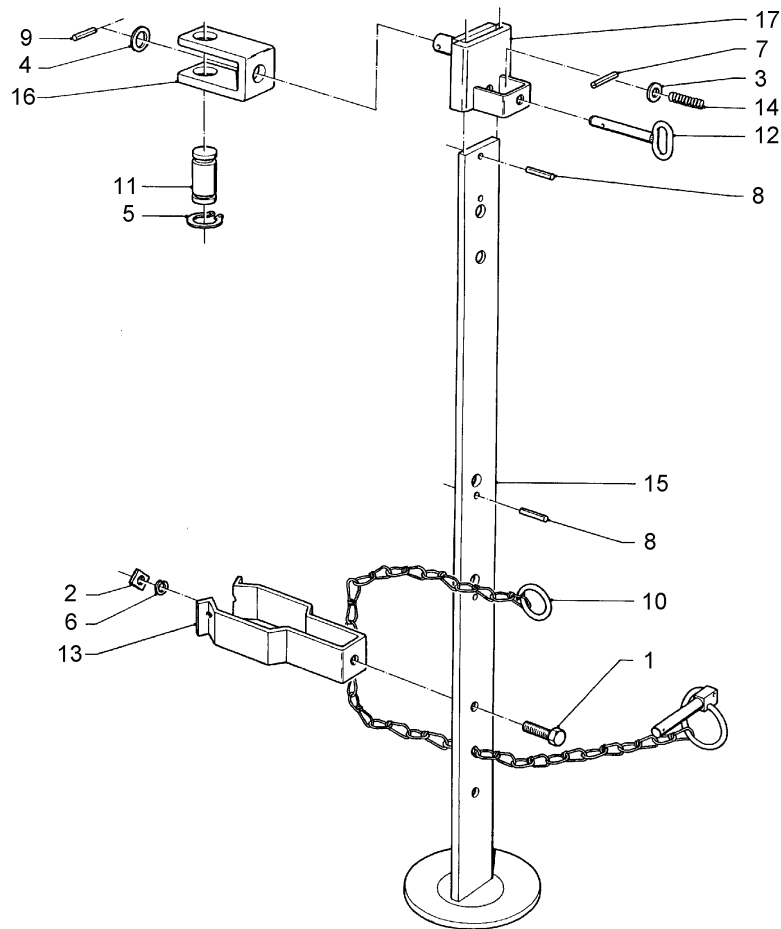
01.18

| Pos. | Art.Nr.  | Stck. | Artikeltext / Description    |                   | Abmessung                  |
|------|----------|-------|------------------------------|-------------------|----------------------------|
| 1    | 302 8737 | 1     | Spannschloss                 | Turnbuckle        | TR30x3/450-320             |
| 2    | 302 8745 | 1     | Spannschloss                 | Turnbuckle        | TR30x3/730/520             |
| 3    | 302 8905 | 1     | Spannschlossmutter           | Threaded sleeve   | TR30x3x190                 |
| 4    | 302 8915 | 1     | Spannschlossmutter           | Threaded sleeve   | TR30x3x390                 |
| 5    | 302 9000 | 1     | Gabelstück                   | Forkpiece         | TR30x3x120x225<br>D30 Zn   |
| 6    | 302 9001 | 1     | Gabelstück                   | Forkpiece         | TR30x3LHx120/225<br>D30 Zn |
| 7    | 305 2150 | 4     | Passscheibe                  | Shim              | 50x62x1,0 DIN988           |
| 9    | 305 2255 | 2     | Stützscheibe                 | Supporting washer | S 50x62x3 DIN988<br>Zn     |
| 10   | 305 8867 | 4     | Sicherungsring               | Retaining ring    | 30x2 DIN471 Zn             |
| 11   | 305 8877 | 2     | Sicherungsring               | Retaining ring    | 50x3 DIN471                |
| 12   | 313 5031 | 2     | Bolzen mit Verdrehsicherung  | Pin with stop     | D50x265/290-M10x1<br>Zn    |
| 13   | 313 7802 | 4     | Bolzen mit Kopf              | Pin with collar   | D30/35x63/80 Zn            |
| 14   | 317 3417 | 1     | Einspannbuchse mit Presssitz | Expansion bush    | EG30/38x25                 |
| 15   | 323 6348 | 2     | Schmiernippel                | Grease nipple     | AM10x1 DIN71412            |
| 16   | 329 1792 | 1     | Flachformfeder               | U-spring          | 40x4x230 für SW46          |
| 17   | 375 1255 | 4     | O-Ring                       | O-ring            | 68x3-80Shore<br>Viton83    |
| 18   | 434 3150 | 1     | Lenker                       | Link              | 50-600 V-140               |
| 19   | 305 6130 | 4     | Scheibe                      | Washer            | D10/16x1 Zn                |
| 20   | 302 8785 | 1     | Spannschlossmutter           | Threaded sleeve   | TR30x3x190-SW50            |
| 21   | 215 1588 | 1     | Bügel                        | Clamp             | D10x135 50x45              |



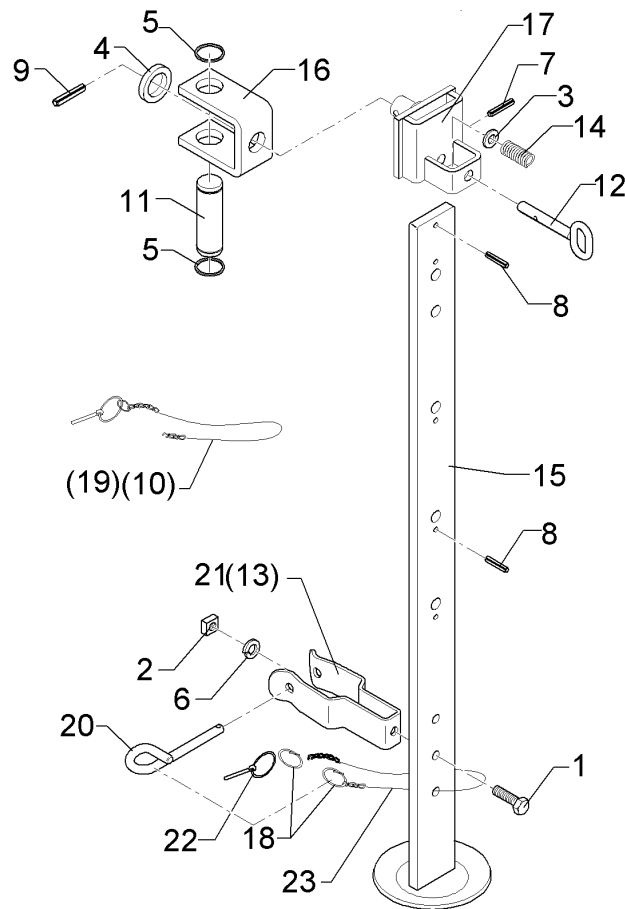
01.18

| Pos. | Art.Nr.  | Stck. | Artikeltext / Description |                 | Abmessung              |
|------|----------|-------|---------------------------|-----------------|------------------------|
| 22   | 302 8787 | 1     | Spannschlossmutter        | Threaded sleeve | TR30x3x390-SW50        |
| 23   | 302 8998 | 1     | Gabelstück                | Forkpiece       | TR30x3x80/185 D30 Zn   |
| 24   | 302 8999 | 1     | Gabelstück                | Forkpiece       | TR30x3LHx80/185 D30 Zn |
| 25   | 323 6401 | 2     | Schutzkappe               | Cap             | M6-M10                 |
| 26   | 32310031 | 2     | Lamellenstopfen           | Lamellar cap    | GPN 320 GL 40 RAL5015  |



01.18

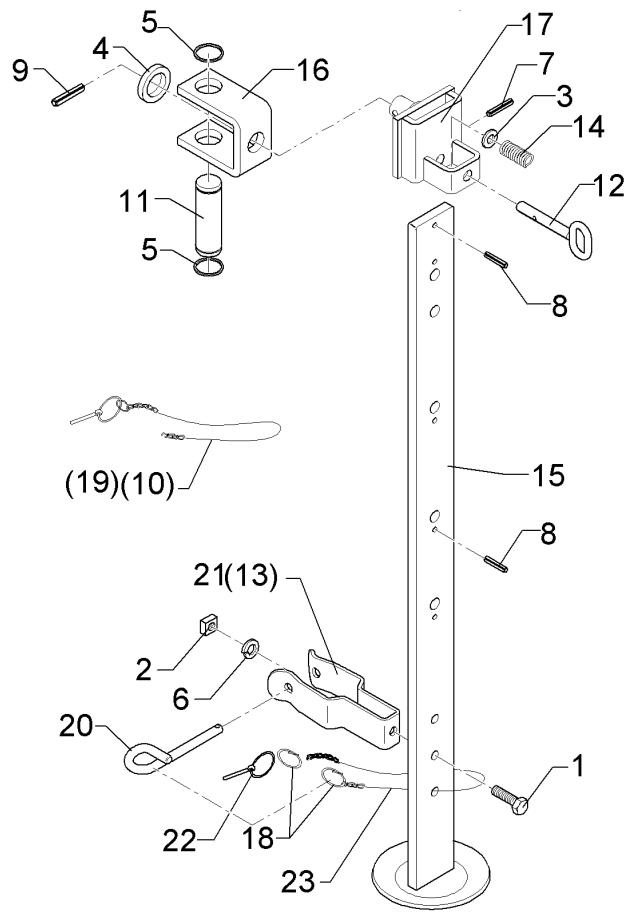
| Pos. | Art.Nr.  | Stck. | Artikeltext / Description |                    | Abmessung                 |
|------|----------|-------|---------------------------|--------------------|---------------------------|
| 1    | 301 5004 | 1     | Sechskantschraube         | Hexagon bolt       | M10x30-8.8 Zn<br>DIN933   |
| 2    | 303 1100 | 1     | Vierkantsmutter           | Nut                | M10 DIN557-5              |
| 3    | 305 8580 | 1     | Scheibe                   | Washer             | 13/24x2,5 St-Zn<br>DIN125 |
| 4    | 305 6254 | 1     | Scheibe                   | Washer             | D25/44x4 Zn<br>ISO7089    |
| 5    | 305 8867 | 2     | Sicherungsring            | Retaining ring     | 30x2 DIN471 Zn            |
| 6    | 305 9900 | 1     | Federring                 | Spring ring        | 10 DIN127 Zn              |
| 7    | 309 6038 | 1     | Spannhülse                | Expansion bush     | 5x30-DIN1481<br>Chrom 8   |
| 8    | 309 6052 | 2     | Spannhülse                | Expansion bush     | 6x32-DIN1481              |
| 9    | 309 6072 | 1     | Spannhülse                | Expansion bush     | 8x40-DIN1481 Zn           |
| 10   | 311 9320 | 1     | Klappstift mit Kette      | Securing pin       | 10x80                     |
| 11   | 313 7803 | 1     | Bolzen                    | Pin                | D30x81,7/100 Zn           |
| 12   | 313 8136 | 1     | Bolzen mit Griff          | Pin with grip      | D12x48,5/80 Zn            |
| 13   | 329 1798 | 1     | Flachformfeder            | U-spring           | 40x4x230 SW46             |
| 14   | 329 8106 | 1     | Druckfeder                | Compression spring | 1,6x16x51,5               |
| 15   | 429 2510 | 1     | Abstellstütze             | Stand              | V-R750-800                |
| 16   | 429 4585 | 1     | Halter                    | Holder             | 60/65/90 D30/D25          |
| 17   | 429 4600 | 1     | Führung                   | Guiding            | 62/14x80 D25              |



01.18

| Pos. | Art.Nr.  | Stck. | Artikeltext / Description |                    | Abmessung                 |
|------|----------|-------|---------------------------|--------------------|---------------------------|
| 1    | 301 5004 | 1     | Sechskantschraube         | Hexagon bolt       | M10x30-8.8 Zn<br>DIN933   |
| 2    | 303 1100 | 1     | Vierkantschraube          | Nut                | M10 DIN557-5              |
| 3    | 305 8580 | 1     | Scheibe                   | Washer             | 13/24x2,5 St-Zn<br>DIN125 |
| 4    | 305 6254 | 1     | Scheibe                   | Washer             | D25/44x4 Zn<br>ISO7089    |
| 5    | 305 8867 | 2     | Sicherungsring            | Retaining ring     | 30x2 DIN471 Zn            |
| 6    | 305 9900 | 1     | Federring                 | Spring ring        | 10 DIN127 Zn              |
| 7    | 309 6038 | 1     | Spannhülse                | Expansion bush     | 5x30-DIN1481<br>Chrom 8   |
| 8    | 309 6052 | 2     | Spannhülse                | Expansion bush     | 6x32-DIN1481              |
| 9    | 309 6072 | 1     | Spannhülse                | Expansion bush     | 8x40-DIN1481 Zn           |
| 10   | 311 9320 | 1     | Klappstift mit Kette      | Securing pin       | 10x80                     |
| 11   | 313 7803 | 1     | Bolzen                    | Pin                | D30x81,7/100 Zn           |
| 12   | 313 8136 | 1     | Bolzen mit Griff          | Pin with grip      | D12x48,5/80 Zn            |
| 13   | 329 1798 | 1     | Flachformfeder            | U-spring           | 40x4x230 SW46             |
| 14   | 329 8106 | 1     | Druckfeder                | Compression spring | 1,6x16x51,5               |
| 15   | 429 2511 | 1     | Abstellstütze             | Stand              | V-R900 60x12x1000         |
| 16   | 429 4585 | 1     | Halter                    | Holder             | 60/65/90 D30/D25          |
| 17   | 429 4600 | 1     | Führung                   | Guiding            | 62/14x80 D25              |
| 18   | 305 8551 | 2     | Sicherungsring            | Retaining ring     | Di41x3 A2                 |
| 19   | 311 9566 | 1     | Klappstift mit Kette      | Securing pin       | 4,5 23GL                  |
| 20   | 313 8610 | 1     | Bolzen                    | Pin                | D10x85 Zn (10x210)        |
| 21   | 329 1802 | 1     | Flachformfeder            | U-spring           | 40x4x370 SW60             |

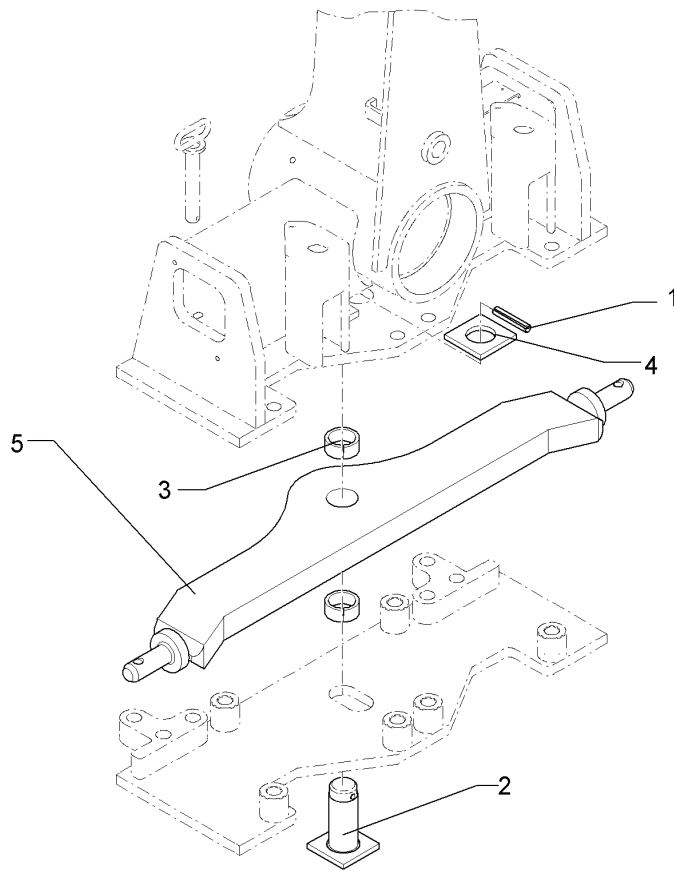
|                            |                 |
|----------------------------|-----------------|
| <b>Abstellstütze/Stand</b> | <b>5</b>        |
| <b>VariOpal 7 / 7HX</b>    | <b>629 2511</b> |



01.18

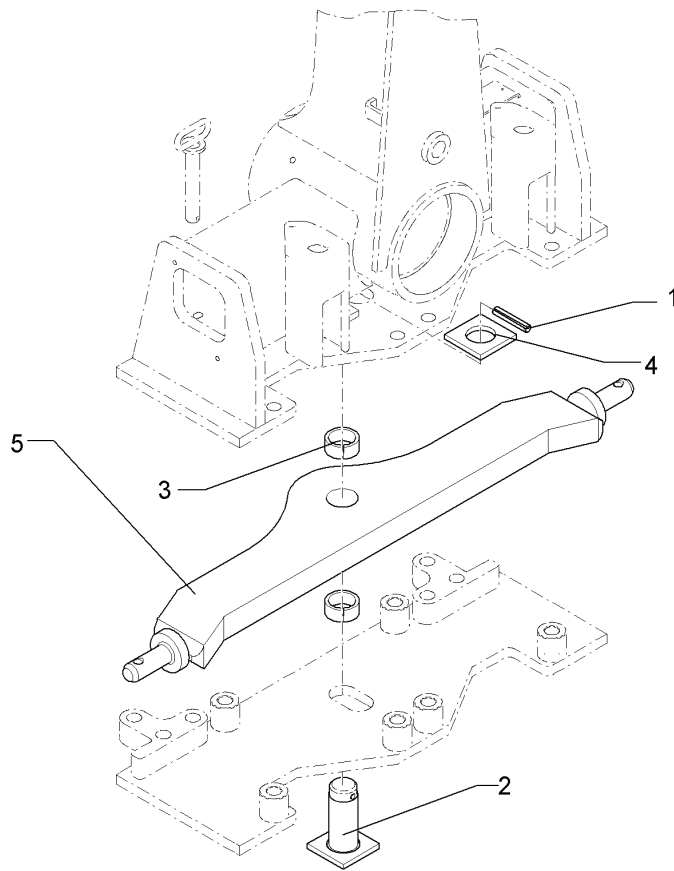
| Pos. | Art.Nr.  | Stck. | Artikeltext / Description | Abmessung          |            |
|------|----------|-------|---------------------------|--------------------|------------|
| 22   | 311 9565 | 1     | Klappstift                | Securing pin       | 4,5        |
| 23   | 33110043 | 1     | Knotenkette               | Knotted-link chain | K22x580 Zn |





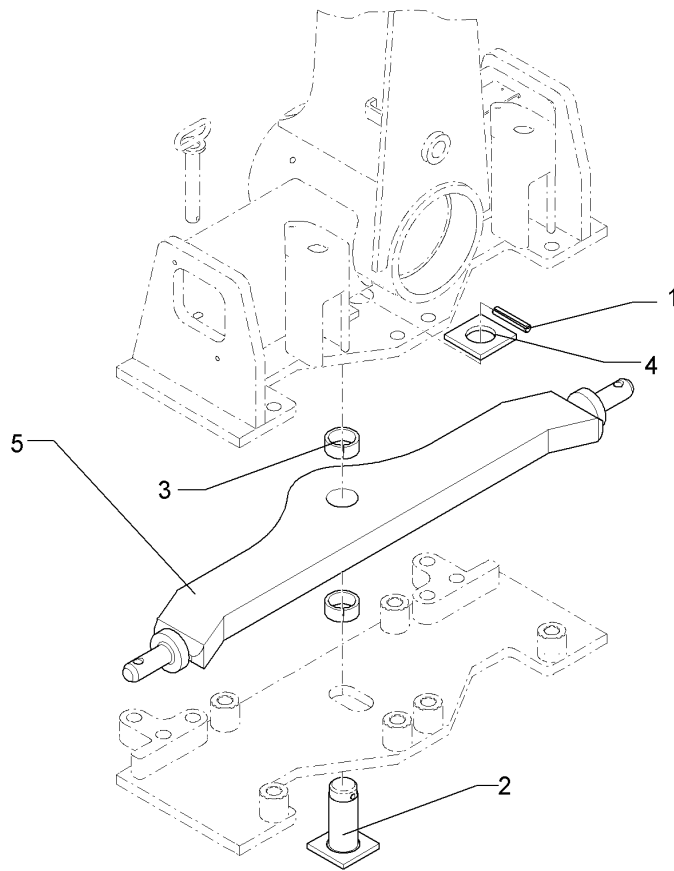
01.18

| Pos. | Art.Nr.  | Stck. | Artikeltext / Description    |                 | Abmessung       |
|------|----------|-------|------------------------------|-----------------|-----------------|
| 1    | 309 6080 | 1     | Spannhülse                   | Expansion bush  | 8x60-DIN1481 Zn |
| 2    | 313 8118 | 1     | Bolzen mit Kopf              | Pin with collar | D40x84/108 Zn   |
| 3    | 317 2005 | 2     | Einspannbuchse mit Presssitz | Expansion bush  | EG40/44x20      |
| 4    | 433 9157 | 1     | Platte                       | Plate           | 70x70x8/D41     |
| 5    | 461 0165 | 1     | Zugschiene                   | Cross shaft     | L2 Z2 40x160    |



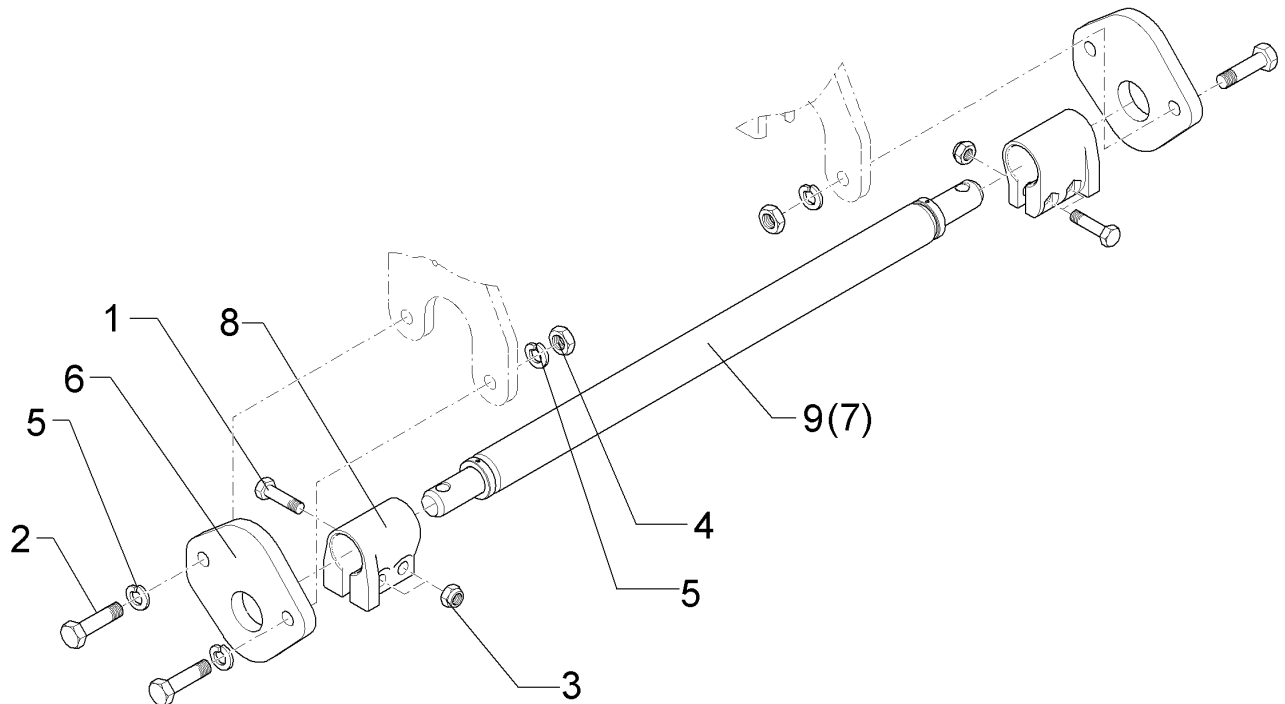
01.18

| Pos. | Art.Nr.  | Stck. | Artikeltext / Description    |                 | Abmessung       |
|------|----------|-------|------------------------------|-----------------|-----------------|
| 1    | 309 6080 | 1     | Spannhülse                   | Expansion bush  | 8x60-DIN1481 Zn |
| 2    | 313 8118 | 1     | Bolzen mit Kopf              | Pin with collar | D40x84/108 Zn   |
| 3    | 317 2005 | 2     | Einspannbuchse mit Presssitz | Expansion bush  | EG40/44x20      |
| 4    | 433 9157 | 1     | Platte                       | Plate           | 70x70x8/D41     |
| 5    | 461 0166 | 1     | Zugschiene                   | Cross shaft     | L2 Z3 40x160    |



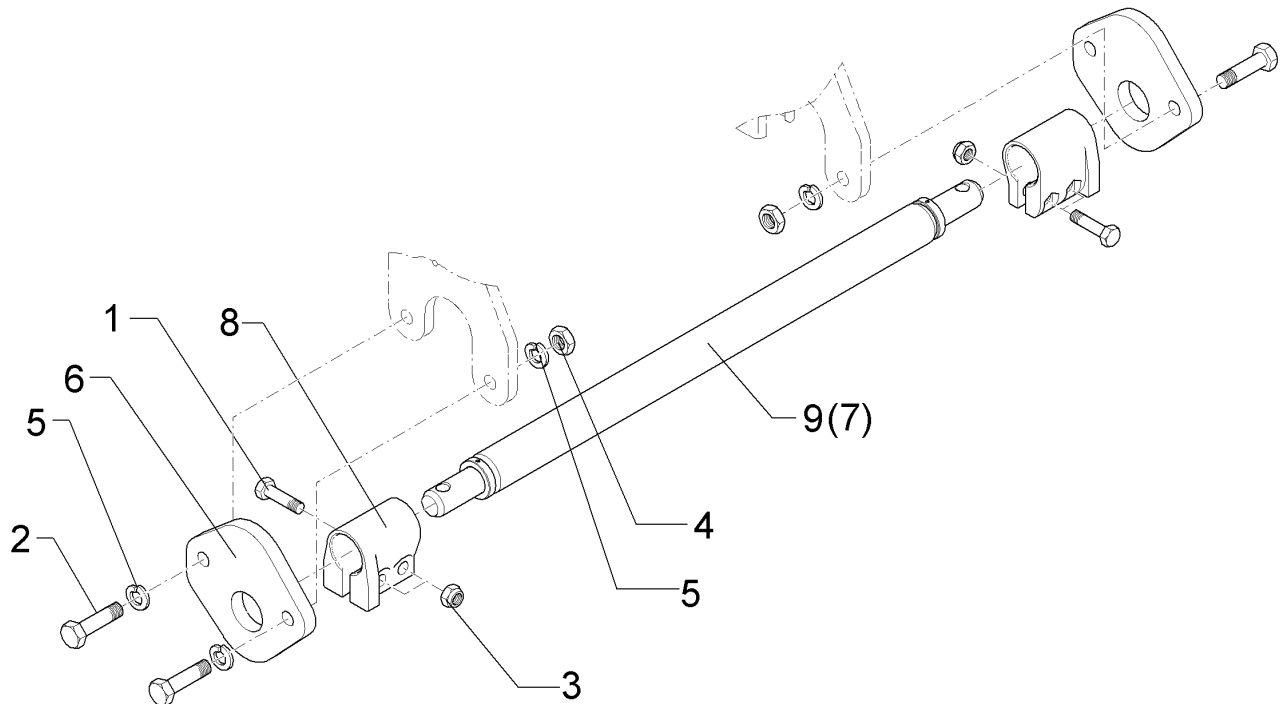
01.18

| Pos. | Art.Nr.  | Stck. | Artikeltext / Description    |                 | Abmessung        |
|------|----------|-------|------------------------------|-----------------|------------------|
| 1    | 309 6080 | 1     | Spannhülse                   | Expansion bush  | 8x60-DIN1481 Zn  |
| 2    | 313 8118 | 1     | Bolzen mit Kopf              | Pin with collar | D40x84/108 Zn    |
| 3    | 317 2005 | 2     | Einspannbuchse mit Presssitz | Expansion bush  | EG40/44x20       |
| 4    | 433 9157 | 1     | Platte                       | Plate           | 70x70x8/D41      |
| 5    | 461 0167 | 1     | Zugschiene                   | Cross shaft     | L3 Z3 40x160 D44 |



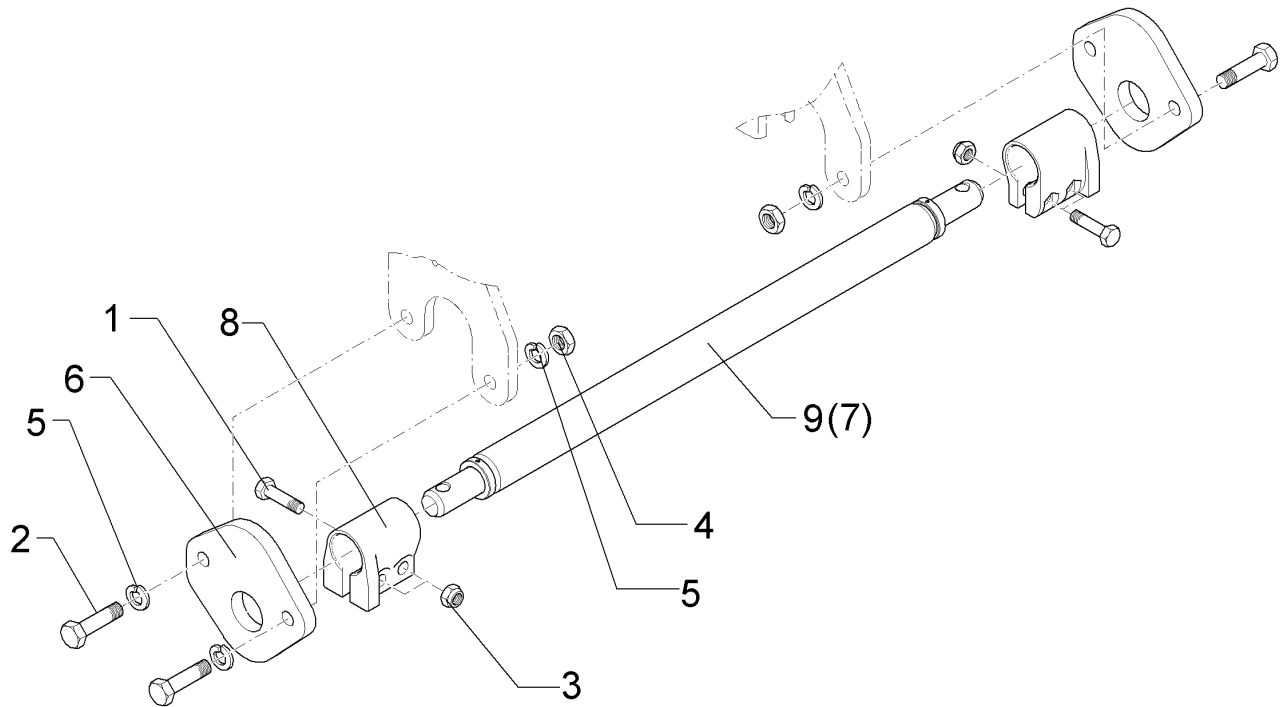
01.18

| Pos. | Art.Nr.  | Stck. | Artikeltext / Description |                 | Abmessung                 |
|------|----------|-------|---------------------------|-----------------|---------------------------|
| 1    | 301 3868 | 4     | Sechskantschraube         | Hexagon bolt    | M16x65-8.8 Zn<br>DIN931-A |
| 2    | 301 5390 | 4     | Sechskantschraube spz.    | Hexagon bolt    | M20x65-12.9 Zn            |
| 3    | 303 0935 | 4     | Sicherungsmutter          | Selflocking nut | NM16-8 Zn DIN985          |
| 4    | 303 0978 | 4     | Sechskantmutter           | Hexagon nut     | M20 DIN934-8 Zn           |
| 5    | 305 6012 | 8     | Scheibe                   | Washer          | 21 ISO7089 Zn             |
| 6    | 461 6060 | 2     | Schienenplatte            | Plate           | 20x199x212 1xD55,7        |
| 7    | 461 7917 | 1     | Schienenwelle             | Drawbar         | D55x970 L2 Z2             |
| 8    | 461 9892 | 2     | Sperrstück                | Stop            | D55x100 2xD18             |
| 9    | 46110013 | 1     | Zugschiene                | Cross shaft     | D55x970 L2 Z2 HÜ          |



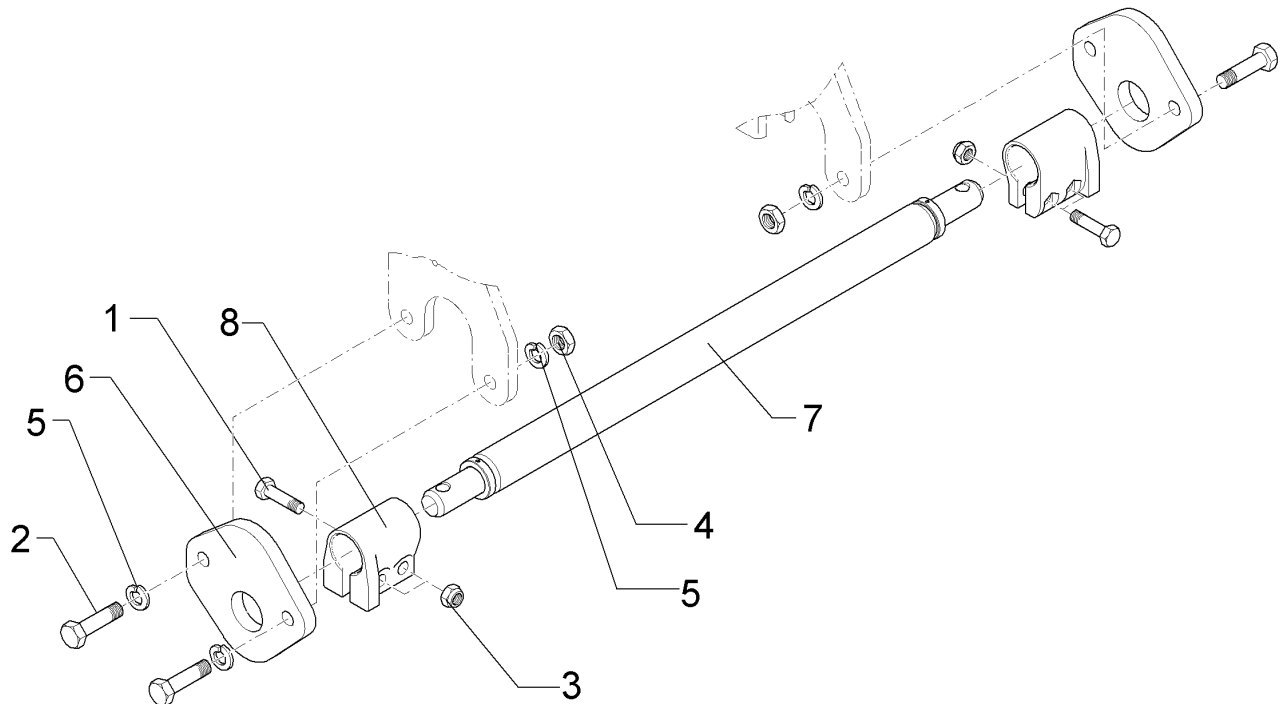
01.18

| Pos. | Art.Nr.  | Stck. | Artikeltext / Description |                 | Abmessung                 |
|------|----------|-------|---------------------------|-----------------|---------------------------|
| 1    | 301 3868 | 4     | Sechskantschraube         | Hexagon bolt    | M16x65-8.8 Zn<br>DIN931-A |
| 2    | 301 5390 | 4     | Sechskantschraube spz.    | Hexagon bolt    | M20x65-12.9 Zn            |
| 3    | 303 0935 | 4     | Sicherungsmutter          | Selflocking nut | NM16-8 Zn DIN985          |
| 4    | 303 0978 | 4     | Sechskantmutter           | Hexagon nut     | M20 DIN934-8 Zn           |
| 5    | 305 6012 | 8     | Scheibe                   | Washer          | 21 ISO7089 Zn             |
| 6    | 461 6060 | 2     | Schienenplatte            | Plate           | 20x199x212 1xD55,7        |
| 7    | 461 7923 | 1     | Schienenwelle             | Drawbar         | D55x980 L2 Z3             |
| 8    | 461 9892 | 2     | Sperrstück                | Stop            | D55x100 2xD18             |
| 9    | 46110014 | 1     | Schienenwelle             | Drawbar         | D55x980 L2 Z3 HÜ          |



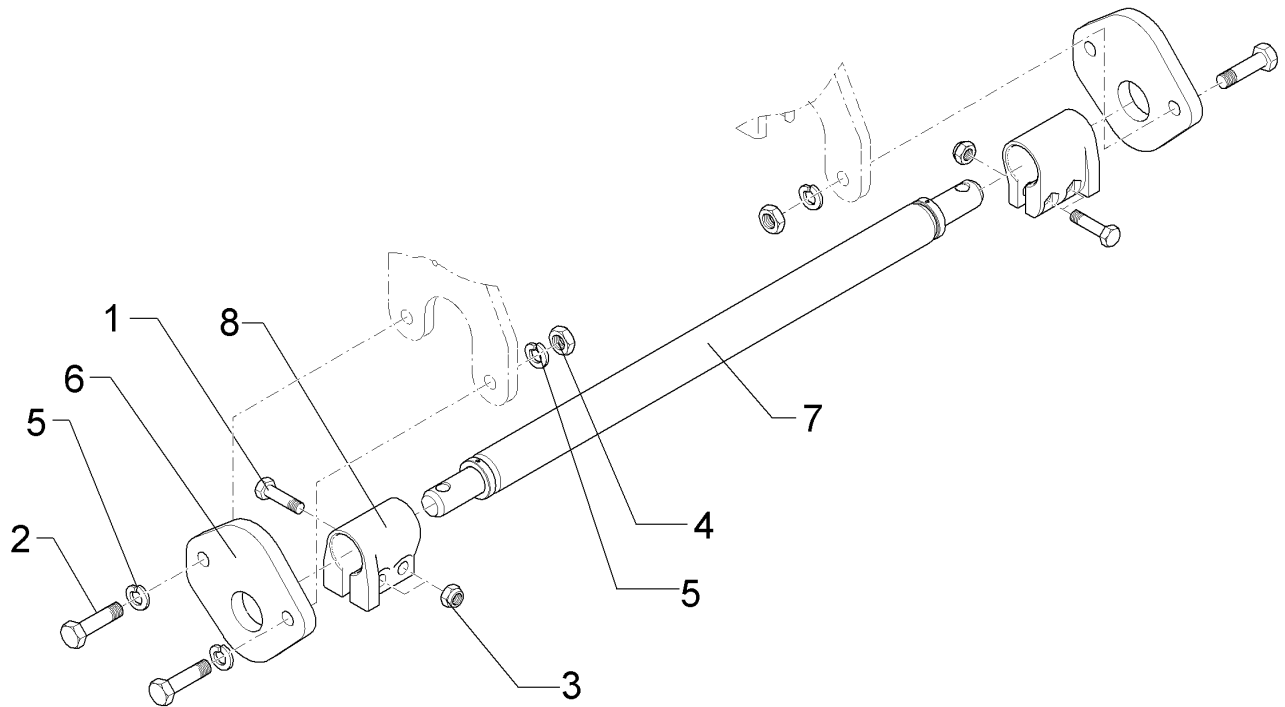
01.18

| Pos. | Art.Nr.  | Stck. | Artikeltext / Description |                 | Abmessung                 |
|------|----------|-------|---------------------------|-----------------|---------------------------|
| 1    | 301 3868 | 4     | Sechskantschraube         | Hexagon bolt    | M16x65-8.8 Zn<br>DIN931-A |
| 2    | 301 5390 | 4     | Sechskantschraube spz.    | Hexagon bolt    | M20x65-12.9 Zn            |
| 3    | 303 0935 | 4     | Sicherungsmutter          | Selflocking nut | NM16-8 Zn DIN985          |
| 4    | 303 0978 | 4     | Sechskantmutter           | Hexagon nut     | M20 DIN934-8 Zn           |
| 5    | 305 6012 | 8     | Scheibe                   | Washer          | 21 ISO7089 Zn             |
| 6    | 461 6060 | 2     | Schienenplatte            | Plate           | 20x199x212 1xD55,7        |
| 7    | 461 7924 | 1     | Schienenwelle             | Drawbar         | D55x1110 L3 Z2            |
| 8    | 461 9892 | 2     | Sperrstück                | Stop            | D55x100 2xD18             |
| 9    | 46110015 | 1     | Schienenwelle             | Drawbar         | D55x1110 L3 Z2 HÜ         |



01.18

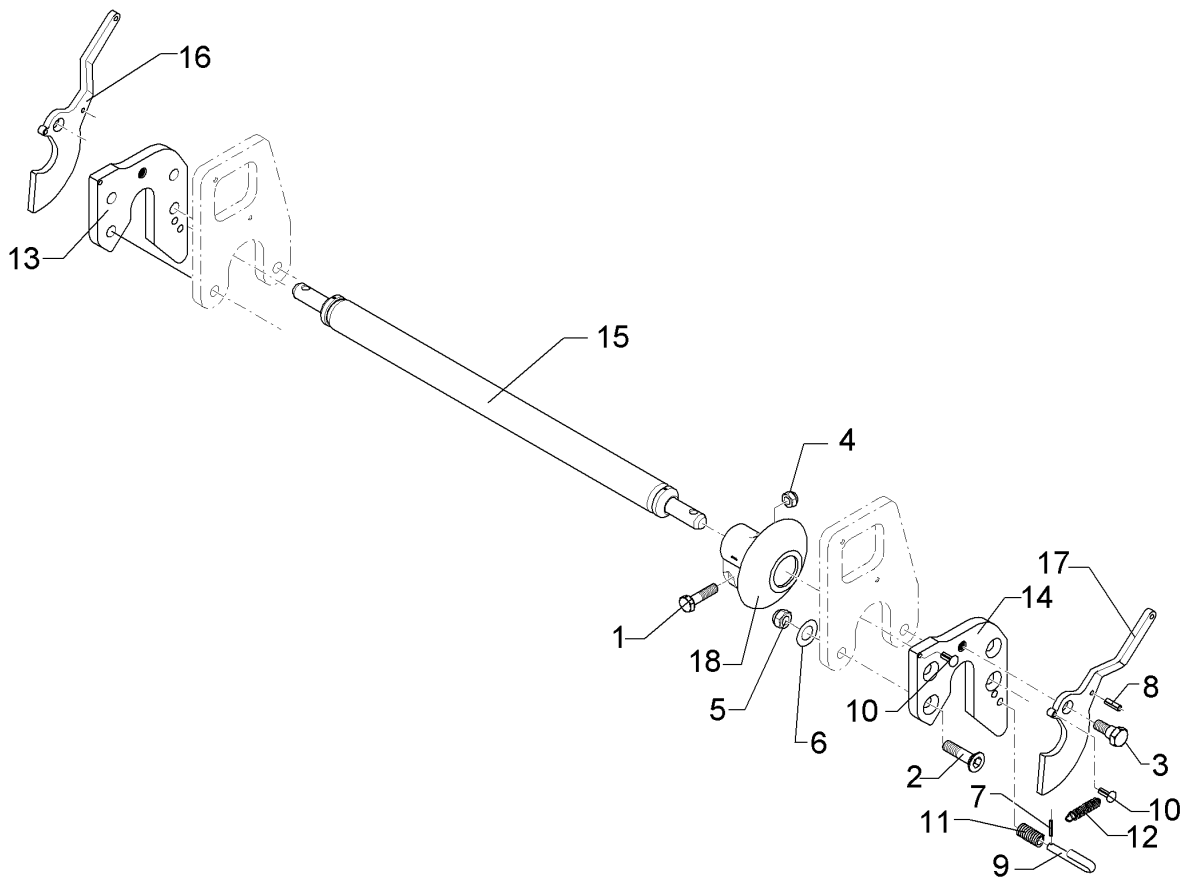
| Pos. | Art.Nr.  | Stck. | Artikeltext / Description |                 | Abmessung                 |
|------|----------|-------|---------------------------|-----------------|---------------------------|
| 1    | 301 3868 | 4     | Sechskantschraube         | Hexagon bolt    | M16x65-8.8 Zn<br>DIN931-A |
| 2    | 301 5390 | 4     | Sechskantschraube spz.    | Hexagon bolt    | M20x65-12.9 Zn            |
| 3    | 303 0935 | 4     | Sicherungsmutter          | Selflocking nut | NM16-8 Zn DIN985          |
| 4    | 303 0978 | 4     | Sechskantmutter           | Hexagon nut     | M20 DIN934-8 Zn           |
| 5    | 305 6012 | 8     | Scheibe                   | Washer          | 21 ISO7089 Zn             |
| 6    | 461 6061 | 2     | Schienenplatte            | Plate           | 20x199x212 1xD68,7        |
| 7    | 461 7925 | 1     | Zugschiene                | Cross shaft     | D68x1120 L3 Z3 HÜ         |
| 8    | 461 9893 | 2     | Sperrstück                | Stop            | D68x100 2xD18             |



01.18

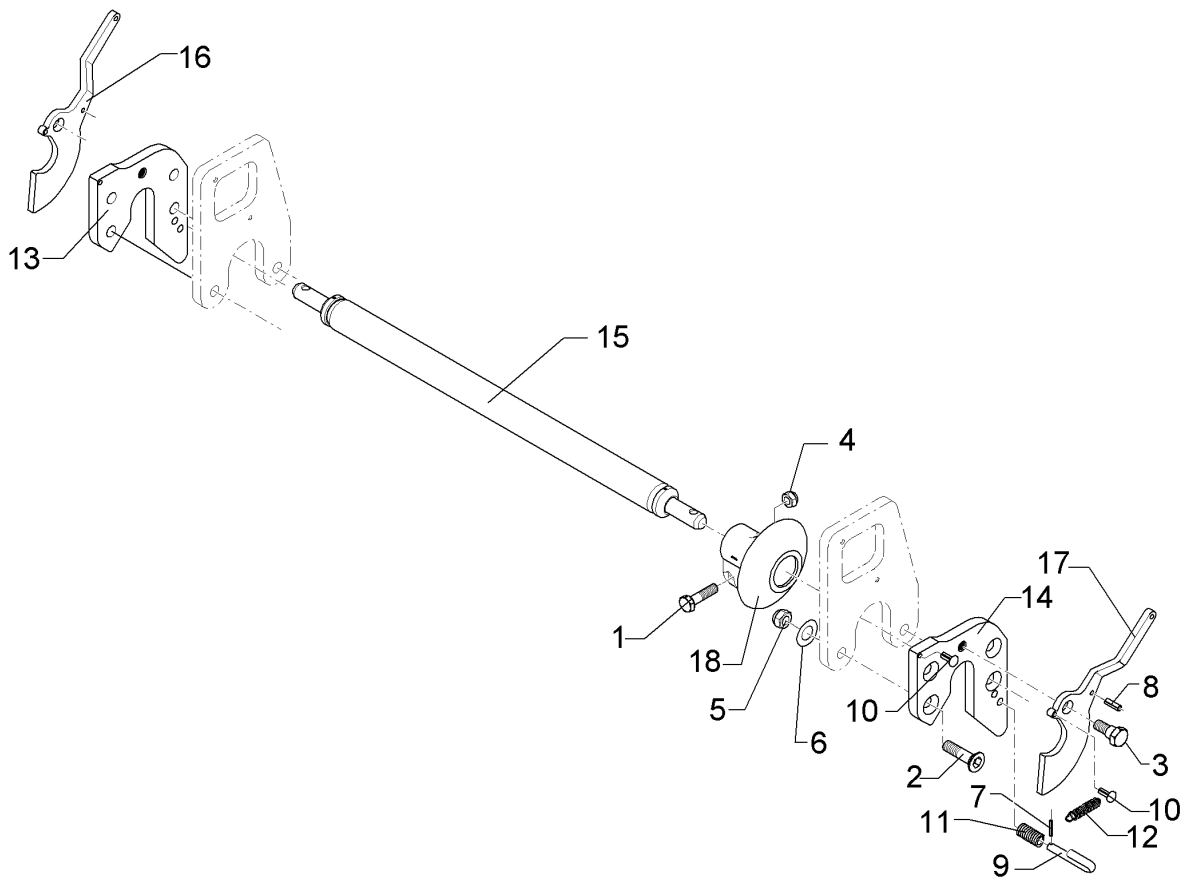
| Pos. | Art.Nr.  | Stck. | Artikeltext / Description |                 | Abmessung                    |
|------|----------|-------|---------------------------|-----------------|------------------------------|
| 1    | 301 3868 | 4     | Sechskantschraube         | Hexagon bolt    | M16x65-8.8 Zn<br>DIN931-A    |
| 2    | 301 5390 | 4     | Sechskantschraube spz.    | Hexagon bolt    | M20x65-12.9 Zn               |
| 3    | 303 0935 | 4     | Sicherungsmutter          | Selflocking nut | NM16-8 Zn DIN985             |
| 4    | 303 0978 | 4     | Sechskantmutter           | Hexagon nut     | M20 DIN934-8 Zn              |
| 5    | 305 6012 | 8     | Scheibe                   | Washer          | 21 ISO7089 Zn                |
| 6    | 461 6061 | 2     | Schienenplatte            | Plate           | 20x199x212 1xD68,7           |
| 7    | 461 7905 | 1     | Zugschiene                | Cross shaft     | D68x980 L2 Z3 HÜ<br>(Kat.3N) |
| 8    | 461 9893 | 2     | Sperrstück                | Stop            | D68x100 2xD18                |





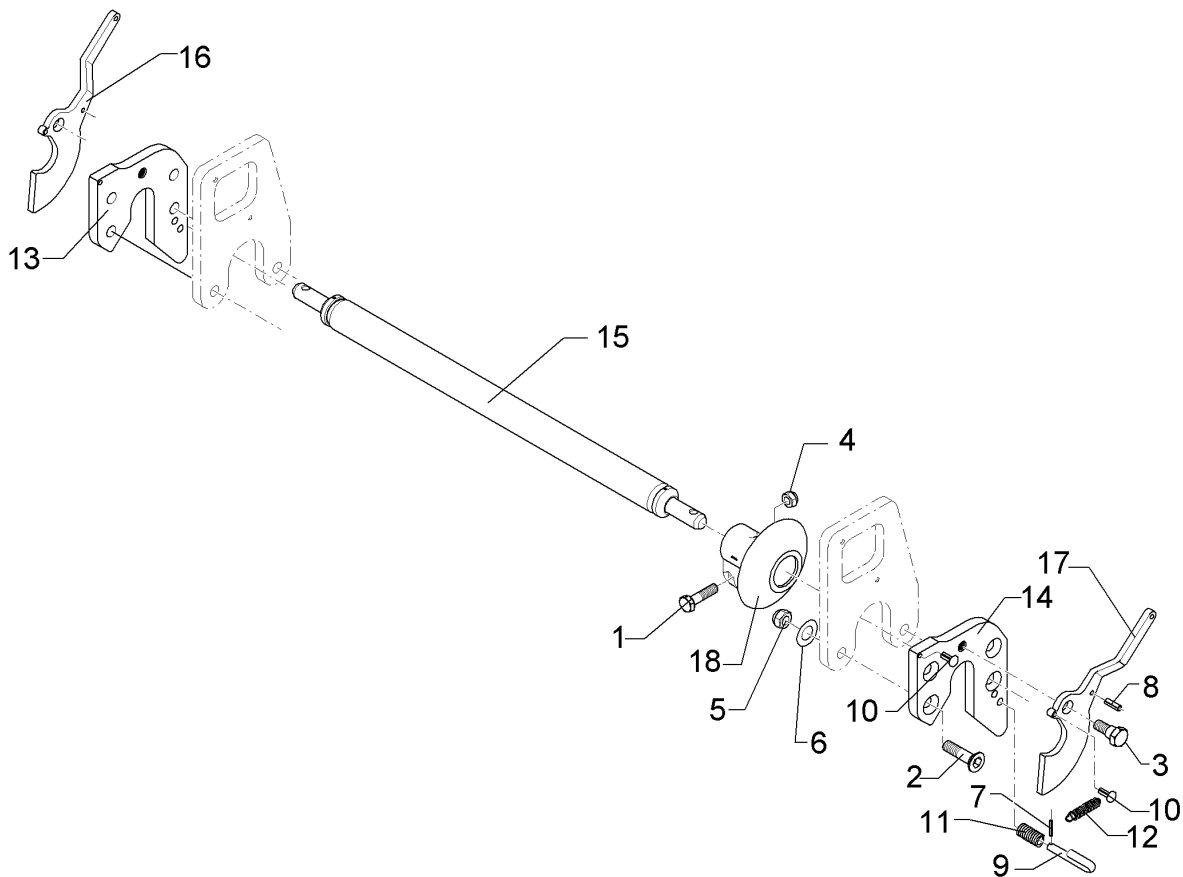
01.18

| Pos. | Art.Nr.  | Stck. | Artikeltext / Description |                    | Abmessung                 |
|------|----------|-------|---------------------------|--------------------|---------------------------|
| 1    | 301 3868 | 4     | Sechskantschraube         | Hexagon bolt       | M16x65-8.8 Zn<br>DIN931-A |
| 2    | 301 5744 | 4     | Senkschraube spz.         | Countersunk bolt   | M20x60-12.9 Zn            |
| 3    | 301 6425 | 2     | Schraube                  | Screw              | M20x16/D24 Zn             |
| 4    | 303 0935 | 4     | Sicherungsmutter          | Selflocking nut    | NM16-8 Zn DIN985          |
| 5    | 303 0978 | 4     | Sechskantmutter           | Hexagon nut        | M20 DIN934-8 Zn           |
| 6    | 305 6012 | 4     | Scheibe                   | Washer             | 21 ISO7089 Zn             |
| 7    | 309 6038 | 2     | Spannhülse                | Expansion bush     | 5x30-DIN1481<br>Chrom 8   |
| 8    | 309 6940 | 2     | Spannhülse                | Expansion bush     | 8x28-DIN1481              |
| 9    | 313 8645 | 2     | Stift                     | Pin                | D12x60<br>GEB180GRD Zn    |
| 10   | 315 9710 | 4     | Halbrundkerbnagel         | Rivet              | 8x16 DIN1476              |
| 11   | 329 8106 | 2     | Druckfeder                | Compression spring | 1,6x16x51,5               |
| 12   | 329 8495 | 2     | Zugfeder                  | Spring             | 2,5x12x75                 |
| 13   | 461 6078 | 1     | Schienenplatte            | Plate              | E55FH RE                  |
| 14   | 461 6079 | 1     | Schienenplatte            | Plate              | E55FH LI                  |
| 15   | 461 7917 | 1     | Schienenwelle             | Drawbar            | D55x970 L2 Z2             |
| 16   | 461 8186 | 1     | Haken                     | Hook               | E55F RE                   |
| 17   | 461 8187 | 1     | Haken                     | Hook               | E55F LI                   |
| 18   | 461 9890 | 2     | Sperrstück                | Stop               | D55-F                     |



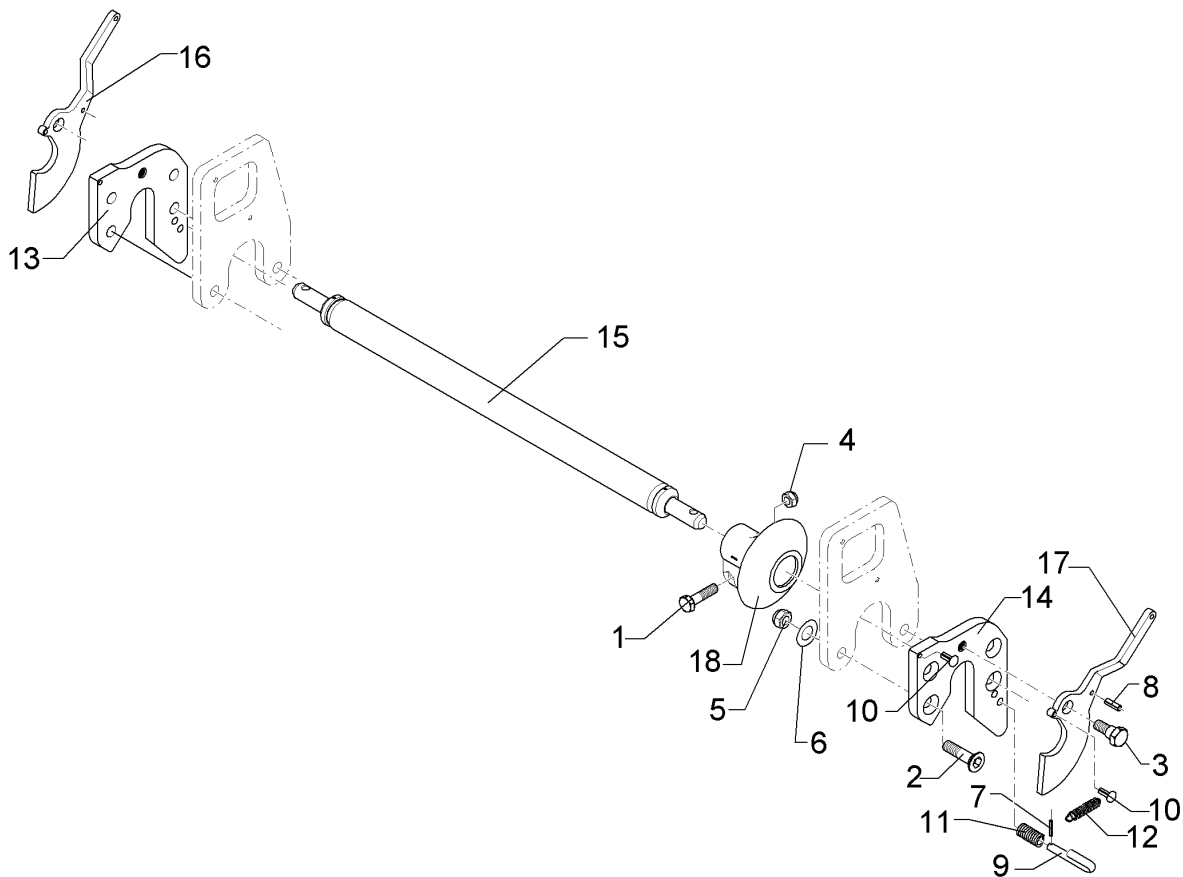
01.18

| Pos. | Art.Nr.  | Stck. | Artikeltext / Description |                    | Abmessung                 |
|------|----------|-------|---------------------------|--------------------|---------------------------|
| 1    | 301 3868 | 4     | Sechskantschraube         | Hexagon bolt       | M16x65-8.8 Zn<br>DIN931-A |
| 2    | 301 5744 | 4     | Senkschraube spz.         | Countersunk bolt   | M20x60-12.9 Zn            |
| 3    | 301 6425 | 2     | Schraube                  | Screw              | M20x16/D24 Zn             |
| 4    | 303 0935 | 4     | Sicherungsmutter          | Selflocking nut    | NM16-8 Zn DIN985          |
| 5    | 303 0978 | 4     | Sechskantmutter           | Hexagon nut        | M20 DIN934-8 Zn           |
| 6    | 305 6012 | 4     | Scheibe                   | Washer             | 21 ISO7089 Zn             |
| 7    | 309 6038 | 2     | Spannhülse                | Expansion bush     | 5x30-DIN1481<br>Chrom 8   |
| 8    | 309 6940 | 2     | Spannhülse                | Expansion bush     | 8x28-DIN1481              |
| 9    | 313 8645 | 2     | Stift                     | Pin                | D12x60<br>GEB180GRD Zn    |
| 10   | 315 9710 | 4     | Halbrundkerbnagel         | Rivet              | 8x16 DIN1476              |
| 11   | 329 8106 | 2     | Druckfeder                | Compression spring | 1,6x16x51,5               |
| 12   | 329 8495 | 2     | Zugfeder                  | Spring             | 2,5x12x75                 |
| 13   | 461 6078 | 1     | Schienenplatte            | Plate              | E55FH RE                  |
| 14   | 461 6079 | 1     | Schienenplatte            | Plate              | E55FH LI                  |
| 15   | 461 7924 | 1     | Schienenwelle             | Drawbar            | D55x1110 L3 Z2            |
| 16   | 461 8186 | 1     | Haken                     | Hook               | E55F RE                   |
| 17   | 461 8187 | 1     | Haken                     | Hook               | E55F LI                   |
| 18   | 461 9890 | 2     | Sperrstück                | Stop               | D55-F                     |



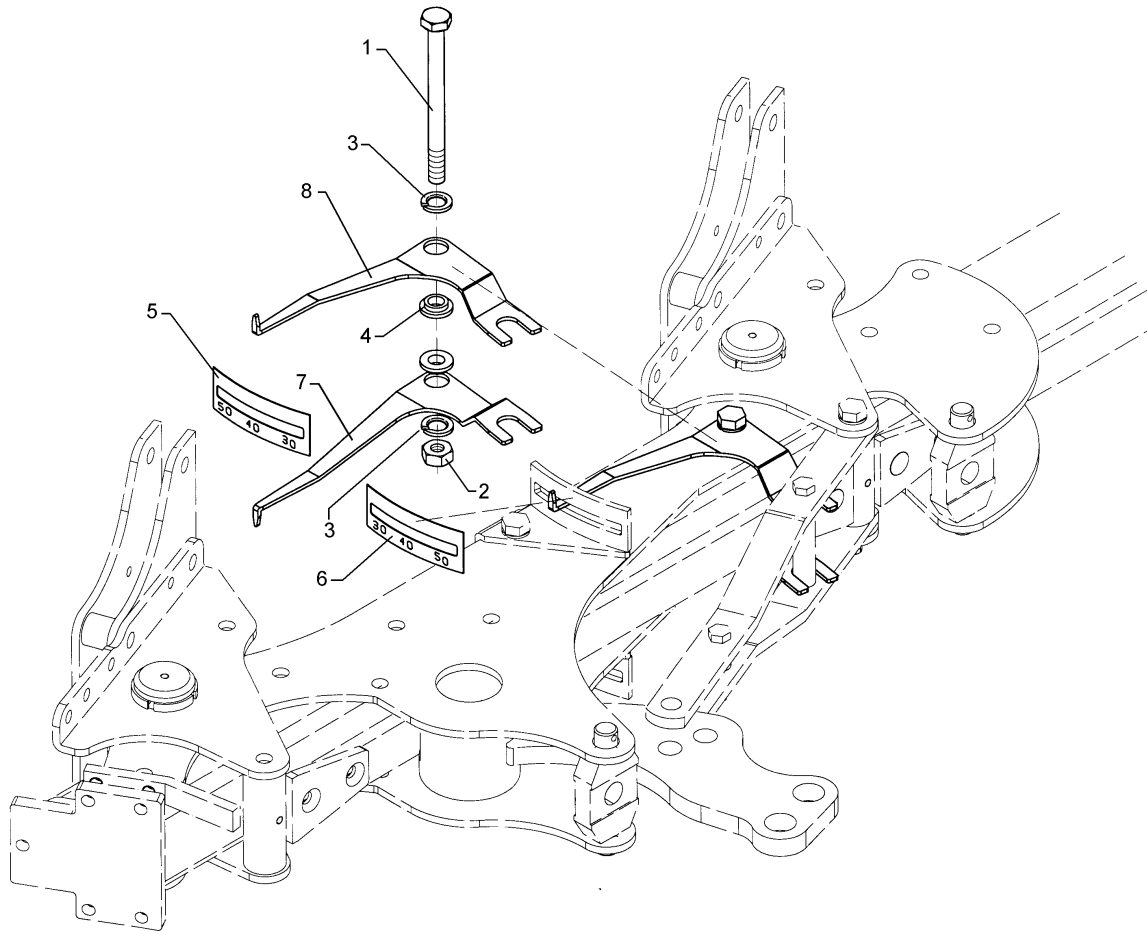
01.18

| Pos. | Art.Nr.  | Stck. | Artikeltext / Description |                    | Abmessung                 |
|------|----------|-------|---------------------------|--------------------|---------------------------|
| 1    | 301 3868 | 4     | Sechskantschraube         | Hexagon bolt       | M16x65-8.8 Zn<br>DIN931-A |
| 2    | 301 5744 | 4     | Senkschraube spz.         | Countersunk bolt   | M20x60-12.9 Zn            |
| 3    | 301 6425 | 2     | Schraube                  | Screw              | M20x16/D24 Zn             |
| 4    | 303 0935 | 4     | Sicherungsmutter          | Selflocking nut    | NM16-8 Zn DIN985          |
| 5    | 303 0978 | 4     | Sechskantmutter           | Hexagon nut        | M20 DIN934-8 Zn           |
| 6    | 305 6012 | 4     | Scheibe                   | Washer             | 21 ISO7089 Zn             |
| 7    | 309 6038 | 2     | Spannhülse                | Expansion bush     | 5x30-DIN1481<br>Chrom 8   |
| 8    | 309 6940 | 2     | Spannhülse                | Expansion bush     | 8x28-DIN1481              |
| 9    | 313 8645 | 2     | Stift                     | Pin                | D12x60<br>GEB180GRD Zn    |
| 10   | 315 9710 | 4     | Halbrundkerbnagel         | Rivet              | 8x16 DIN1476              |
| 11   | 329 8106 | 2     | Druckfeder                | Compression spring | 1,6x16x51,5               |
| 12   | 329 8495 | 2     | Zugfeder                  | Spring             | 2,5x12x75                 |
| 13   | 461 6078 | 1     | Schienenplatte            | Plate              | E55FH RE                  |
| 14   | 461 6079 | 1     | Schienenplatte            | Plate              | E55FH LI                  |
| 15   | 461 7923 | 1     | Schienenwelle             | Drawbar            | D55x980 L2 Z3             |
| 16   | 461 8186 | 1     | Haken                     | Hook               | E55F RE                   |
| 17   | 461 8187 | 1     | Haken                     | Hook               | E55F LI                   |
| 18   | 461 9890 | 2     | Sperrstück                | Stop               | D55-F                     |



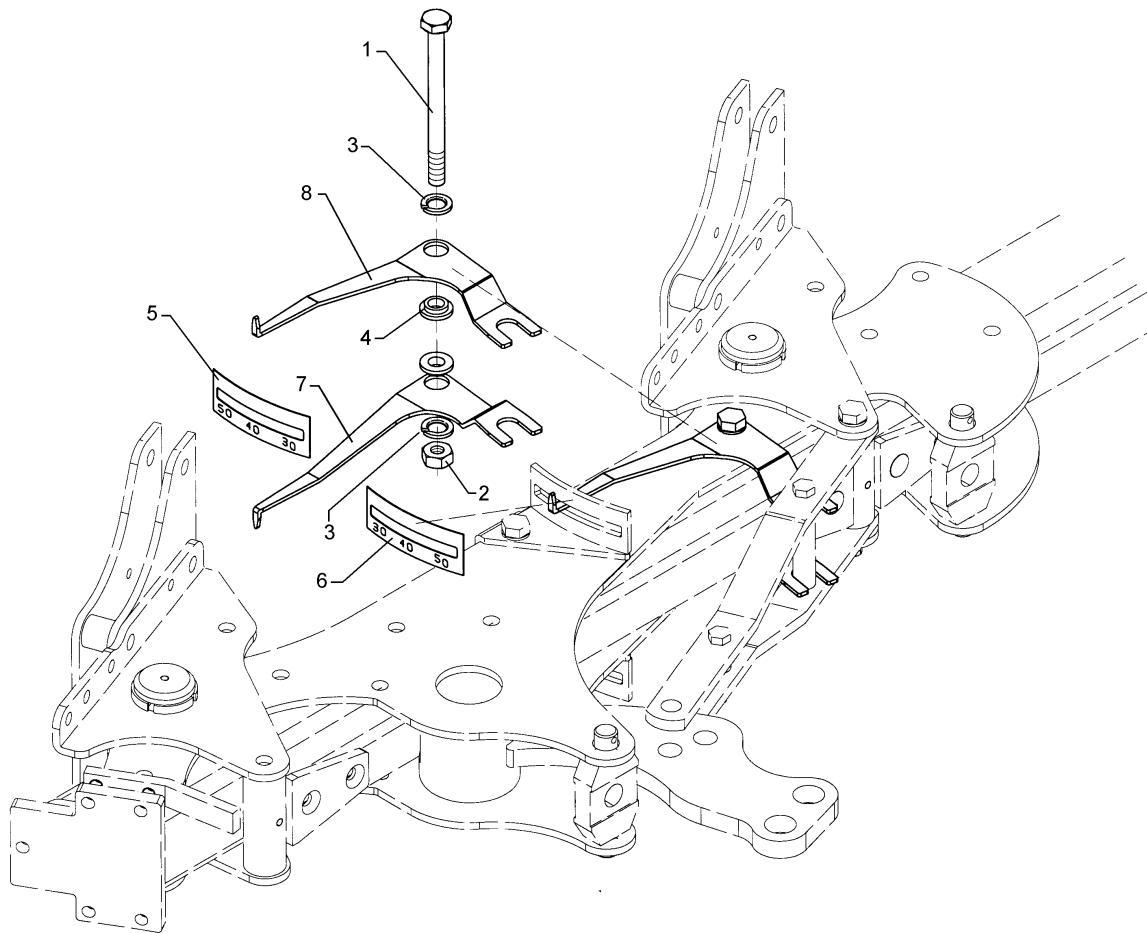
01.18

| Pos. | Art.Nr.  | Stck. | Artikeltext / Description |                    | Abmessung                 |
|------|----------|-------|---------------------------|--------------------|---------------------------|
| 1    | 301 3868 | 4     | Sechskantschraube         | Hexagon bolt       | M16x65-8.8 Zn<br>DIN931-A |
| 2    | 301 5744 | 4     | Senkschraube spz.         | Countersunk bolt   | M20x60-12.9 Zn            |
| 3    | 301 6425 | 2     | Schraube                  | Screw              | M20x16/D24 Zn             |
| 4    | 303 0935 | 4     | Sicherungsmutter          | Selflocking nut    | NM16-8 Zn DIN985          |
| 5    | 303 0978 | 4     | Sechskantmutter           | Hexagon nut        | M20 DIN934-8 Zn           |
| 6    | 305 6012 | 4     | Scheibe                   | Washer             | 21 ISO7089 Zn             |
| 7    | 309 6038 | 2     | Spannhülse                | Expansion bush     | 5x30-DIN1481<br>Chrom 8   |
| 8    | 309 6940 | 2     | Spannhülse                | Expansion bush     | 8x28-DIN1481              |
| 9    | 313 8645 | 2     | Stift                     | Pin                | D12x60<br>GEB180GRD Zn    |
| 10   | 315 9710 | 4     | Halbrundkerbnagel         | Rivet              | 8x16 DIN1476              |
| 11   | 329 8106 | 2     | Druckfeder                | Compression spring | 1,6x16x51,5               |
| 12   | 329 8495 | 2     | Zugfeder                  | Spring             | 2,5x12x75                 |
| 13   | 461 6080 | 1     | Schienenplatte            | Plate              | E68FH RE                  |
| 14   | 461 6081 | 1     | Schienenplatte            | Plate              | E68FH LI                  |
| 15   | 461 7925 | 1     | Zugschiene                | Cross shaft        | D68x1120 L3 Z3 HÜ         |
| 16   | 461 8184 | 1     | Haken                     | Hook               | E68F RE                   |
| 17   | 461 8185 | 1     | Haken                     | Hook               | E68F LI                   |
| 18   | 461 9891 | 2     | Sperrstück                | Stop               | D68-F                     |



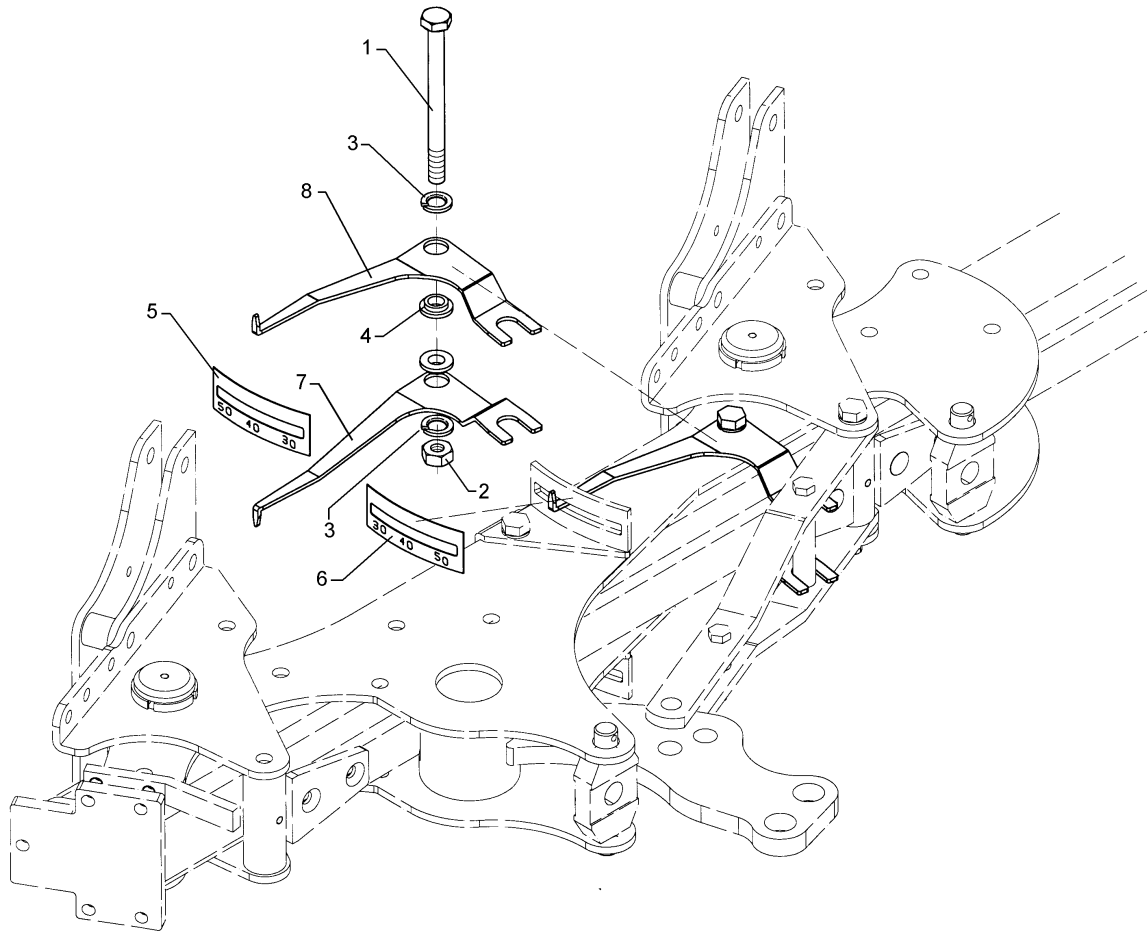
01.18

| Pos. | Art.Nr.  | Stck. | Artikeltext / Description |                | Abmessung                       |
|------|----------|-------|---------------------------|----------------|---------------------------------|
| 1    | 301 4539 | 1     | Sechskantschraube spezial | Hexagon bolt   | M20x1,5x190ls164xb23-10.9<br>Zn |
| 2    | 303 0977 | 1     | Sechskantmutter           | Hexagon nut    | M20x1,5 DIN934-10<br>Zn         |
| 3    | 305 6012 | 2     | Scheibe                   | Washer         | 21 ISO7089 Zn                   |
| 4    | 317 4345 | 2     | Bundbuchse                | Flange bushing | D40/29/20x11                    |
| 5    | 321 1042 | 1     | Aufkleber                 | Label          | RE VO-5/7 20-50                 |
| 6    | 321 1043 | 1     | Aufkleber                 | Label          | LI VO-5/7 20-50                 |
| 7    | 321 7004 | 1     | Zeiger                    | Pointer        | VariOpal 7 RE t=5               |
| 8    | 321 7005 | 1     | Zeiger                    | Pointer        | VariOpal 7 LI t=5               |



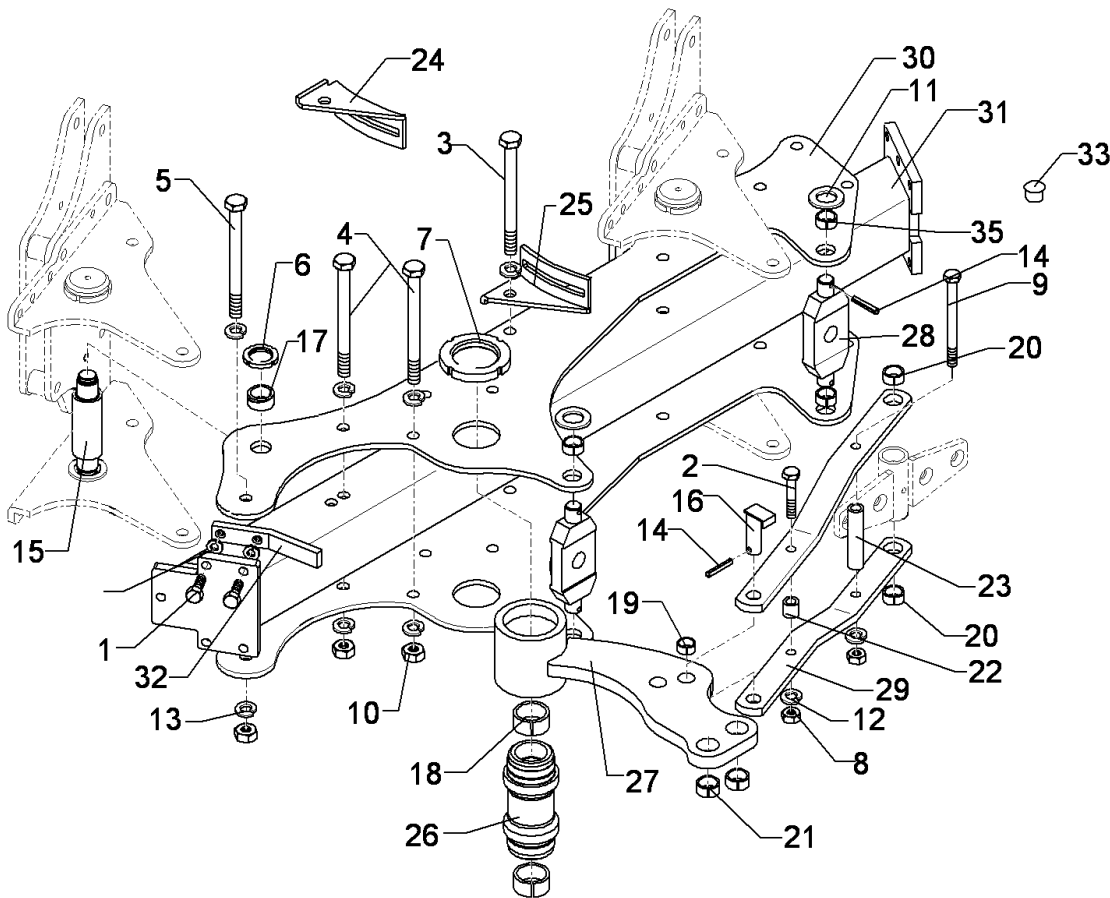
01.18

| Pos. | Art.Nr.  | Stck. | Artikeltext / Description |                | Abmessung                       |
|------|----------|-------|---------------------------|----------------|---------------------------------|
| 1    | 301 4539 | 1     | Sechskantschraube spezial | Hexagon bolt   | M20x1,5x190ls164xb23-10.9<br>Zn |
| 2    | 303 0977 | 1     | Sechskantmutter           | Hexagon nut    | M20x1,5 DIN934-10<br>Zn         |
| 3    | 305 6012 | 2     | Scheibe                   | Washer         | 21 ISO7089 Zn                   |
| 4    | 317 4345 | 2     | Bundbuchse                | Flange bushing | D40/29/20x11                    |
| 5    | 321 1040 | 1     | Aufkleber                 | Label          | RE VO-7 25-55                   |
| 6    | 321 1041 | 1     | Aufkleber                 | Label          | LI VO-7 25-55                   |
| 7    | 321 7004 | 1     | Zeiger                    | Pointer        | VariOpal 7 RE t=5               |
| 8    | 321 7005 | 1     | Zeiger                    | Pointer        | VariOpal 7 LI t=5               |



01.18

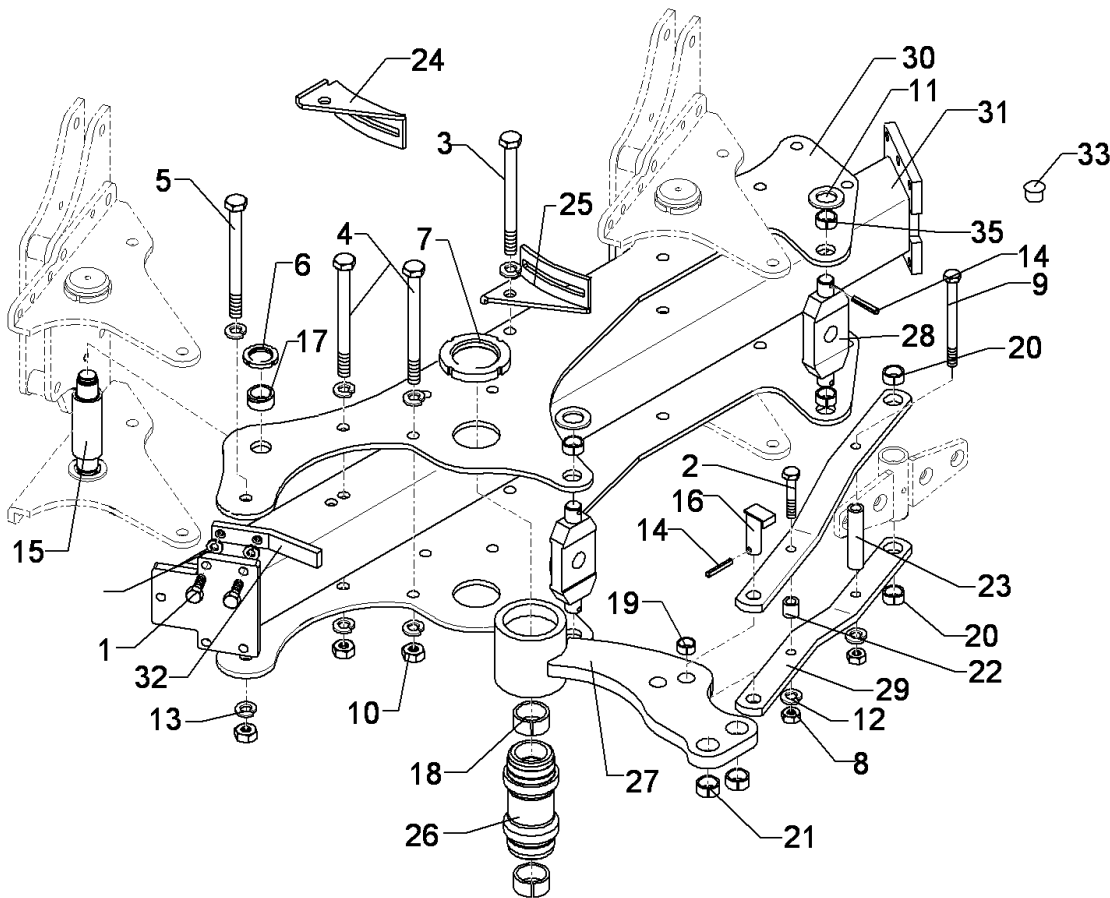
| Pos. | Art.Nr.  | Stck. | Artikeltext / Description |                | Abmessung                       |
|------|----------|-------|---------------------------|----------------|---------------------------------|
| 1    | 301 4539 | 1     | Sechskantschraube spezial | Hexagon bolt   | M20x1,5x190ls164xb23-10.9<br>Zn |
| 2    | 303 0977 | 1     | Sechskantmutter           | Hexagon nut    | M20x1,5 DIN934-10<br>Zn         |
| 3    | 305 6012 | 2     | Scheibe                   | Washer         | 21 ISO7089 Zn                   |
| 4    | 317 4345 | 2     | Bundbuchse                | Flange bushing | D40/29/20x11                    |
| 5    | 321 1040 | 1     | Aufkleber                 | Label          | RE VO-7 25-55                   |
| 6    | 321 1041 | 1     | Aufkleber                 | Label          | LI VO-7 25-55                   |
| 7    | 321 7000 | 1     | Zeiger                    | Pointer        | VariOpal 5/7 RE t=5             |
| 8    | 321 7001 | 1     | Zeiger                    | Pointer        | VariOpal 5/7 LI t=5             |



01.18

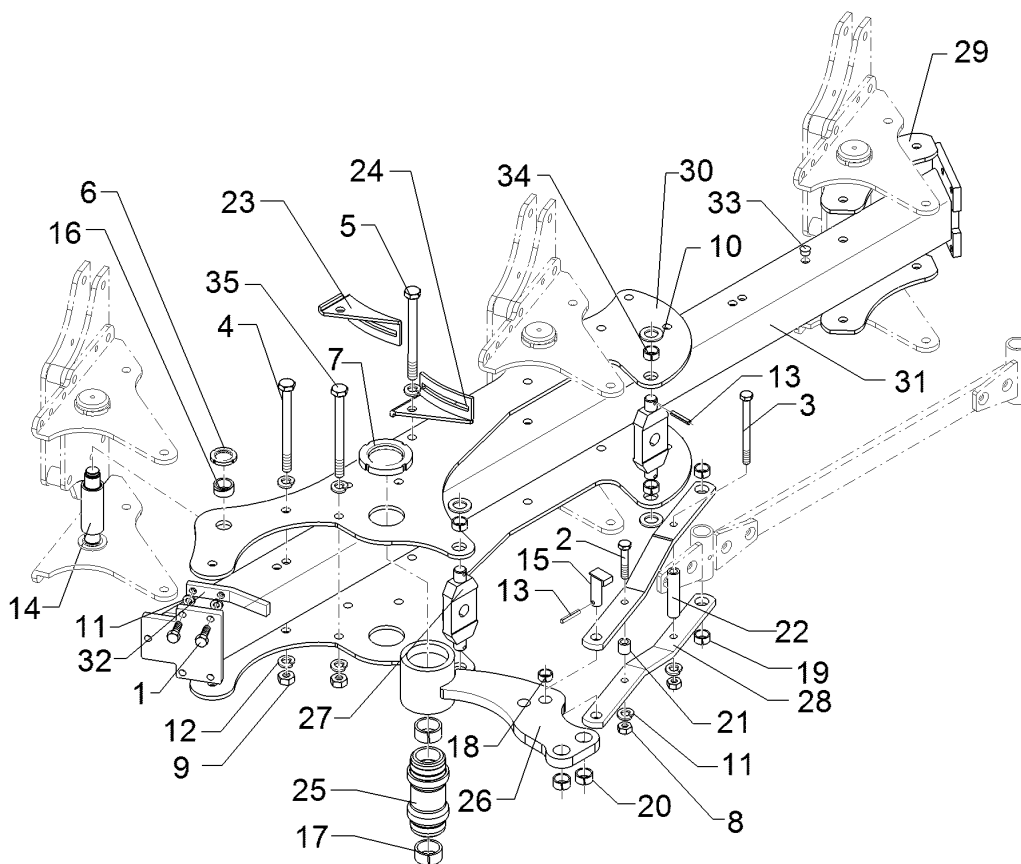
| Pos. | Art.Nr.  | Stck. | Artikeltext / Description    |                | Abmessung                       |
|------|----------|-------|------------------------------|----------------|---------------------------------|
| 1    | 301 5404 | 2     | Sechskantschraube            | Hexagon bolt   | M16x40-8.8 Zn<br>DIN933         |
| 2    | 301 3903 | 1     | Sechskantschraube            | Hexagon bolt   | M16x75-8.8 Zn<br>DIN931-A       |
| 3    | 301 4538 | 1     | Sechskantschraube spezial    | Hexagon bolt   | M20x1,5x175ls150xb22-10.9<br>Zn |
| 4    | 301 4522 | 1     | Sechskantschraube spezial    | Hexagon bolt   | M20x1,5x155ls135xb17-10.9<br>Zn |
| 5    | 301 4523 | 8     | Sechskantschraube spezial    | Hexagon bolt   | M20x1,5x170ls144xb23-10.9<br>Zn |
| 6    | 303 0338 | 4     | Nutmutter                    | Grooved nut    | M30x1,5                         |
| 7    | 303 0341 | 2     | Nutmutter                    | Grooved nut    | M80x2 KM16 Zn                   |
| 8    | 303 1015 | 2     | Sechskantmutter              | Hexagon nut    | M16 DIN934-8 Zn                 |
| 9    | 301 4117 | 1     | Sechskantschraube            | Hexagon bolt   | M16x170-8.8<br>DIN931-A         |
| 10   | 303 0977 | 10    | Sechskantmutter              | Hexagon nut    | M20x1,5 DIN934-10<br>Zn         |
| 11   | 305 6283 | 4     | Scheibe                      | Washer         | B28 DIN125                      |
| 12   | 305 6141 | 4     | Scheibe                      | Washer         | 17/30x3<br>DIN/ISO-7089         |
| 13   | 305 6012 | 19    | Scheibe                      | Washer         | 21 ISO7089 Zn                   |
| 14   | 309 6072 | 5     | Spannhülse                   | Expansion bush | 8x40-DIN1481 Zn                 |
| 15   | 313 5560 | 2     | Bolzen                       | Pin            | D50/120x200<br>D35/M30x1,5 VE7S |
| 16   | 313 8052 | 1     | Bolzen                       | Pin            | D25x57/70 L26 Zn                |
| 17   | 317 2000 | 4     | Buchse                       | Bush           | D45/D35x21                      |
| 18   | 317 2025 | 2     | Einspannbuchse mit Presssitz | Expansion bush | EG50/55x30                      |





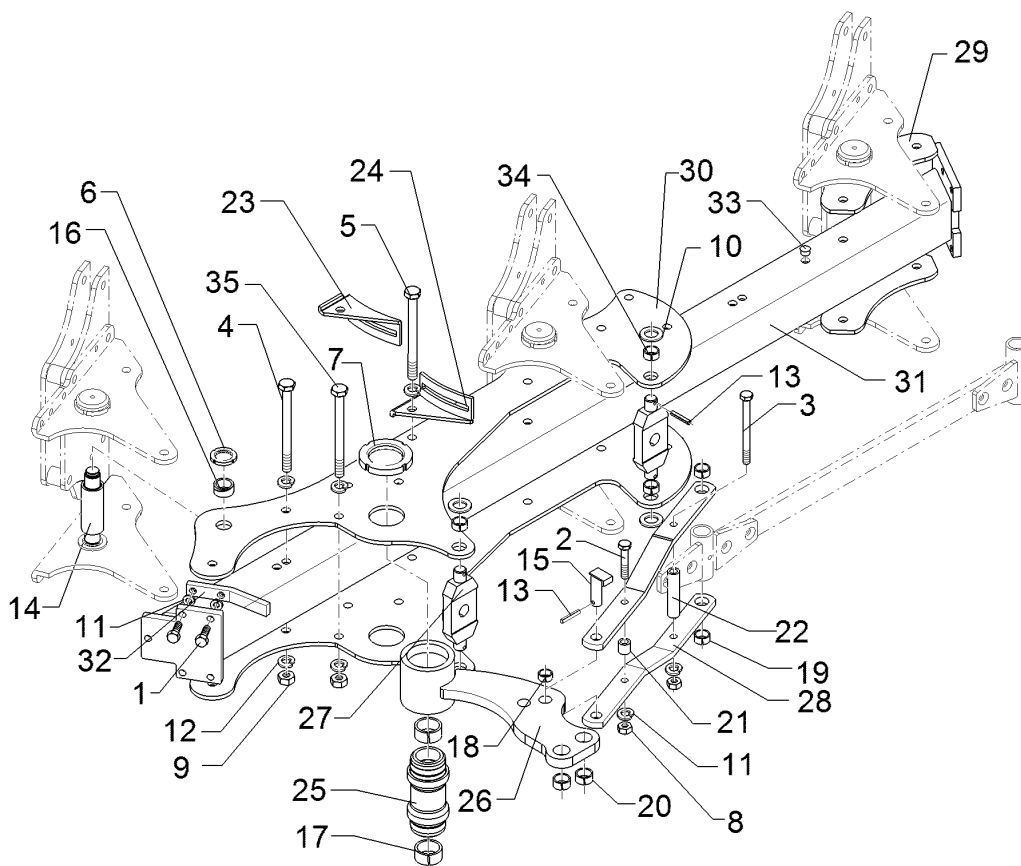
01.18

| Pos. | Art.Nr.  | Stck. | Artikeltext / Description    |                | Abmessung                   |
|------|----------|-------|------------------------------|----------------|-----------------------------|
| 19   | 317 3345 | 1     | Einspannbuchse mit Presssitz | Expansion bush | EG25/29x25                  |
| 20   | 317 3337 | 2     | Einspannbuchse               | Expansion bush | EG28/32x15                  |
| 21   | 317 3417 | 2     | Einspannbuchse mit Presssitz | Expansion bush | Presssitz<br>EG30/38x25     |
| 22   | 317 6801 | 1     | Röhrchen                     | Tube           | 26,9x5x26 Zn                |
| 23   | 317 6859 | 1     | Röhrchen                     | Tube           | D26,9x4,5x119,3 Zn          |
| 24   | 321 7200 | 1     | Halter                       | Holder         | VariOpal 7-1000 RE<br>t=5   |
| 25   | 321 7201 | 1     | Halter                       | Holder         | VariOpal 7-1000 LI<br>t=5   |
| 26   | 402 1282 | 1     | Lagerrohr                    | Bearing tube   | D50/M80/93x119x199,5<br>Zn  |
| 27   | 402 1650 | 1     | Schwinge                     | Rocker arm     | D93,5x118 VO<br>7-1200      |
| 28   | 402 1709 | 2     | Kreuzgelenk                  | Cross union    | VO7 70x38x173 D30<br>Z28 Zn |
| 29   | 402 1766 | 1     | Steuerstange                 | Control rod    | 50x15x780 VO7-120           |
| 30   | 402 2959 | 2     | Lagerplatte                  | Bearing plate  | VO-7-1200                   |
| 31   | 402 8319 | 1     | Grundrahmen                  | Basic frame    | EurOpal 7 2-120             |
| 32   | 402 8300 | 1     | Anschlag                     | Stop           | 30x15x203<br>2xM16-65       |
| 33   | 323 8071 | 4     | Schutzkappe                  | Cap            | GPN 300V19 - D20<br>RAL5015 |
| 35   | 317 3347 | 4     | Einspannbuchse mit Presssitz | Expansion bush | EG28/32x10                  |



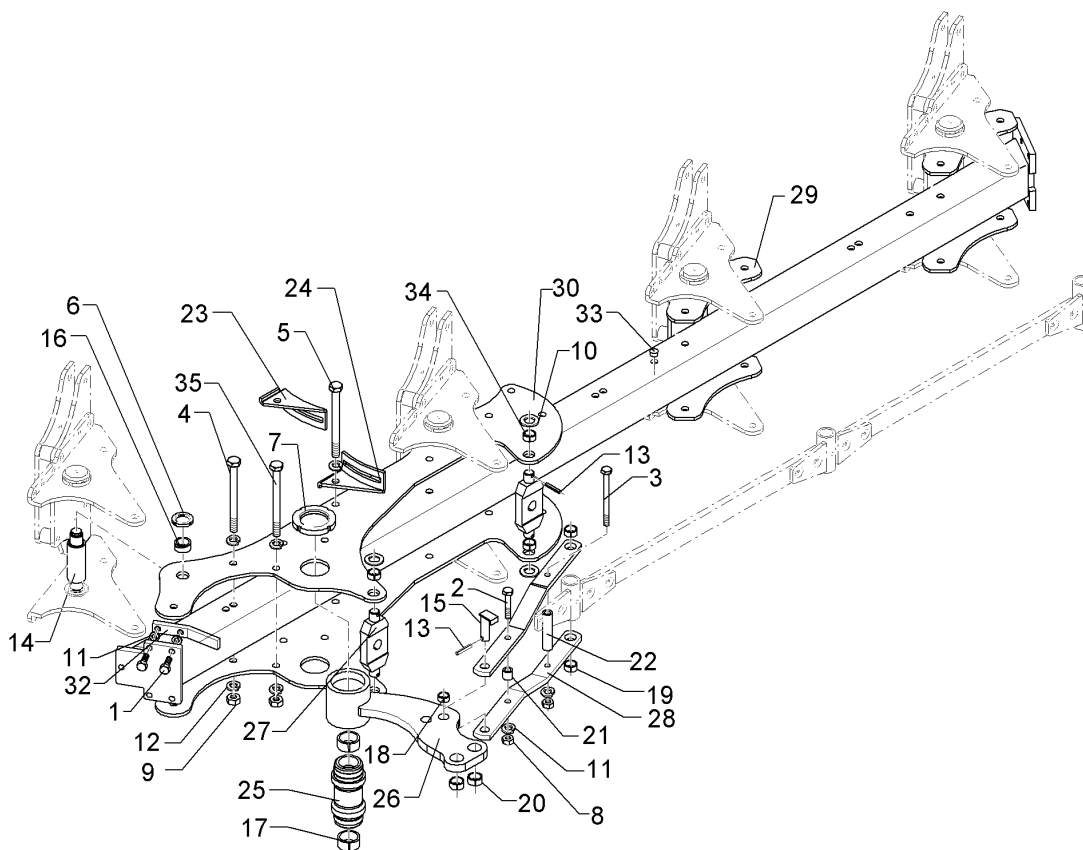
01.18

| Pos. | Art.Nr.  | Stck. | Artikeltext / Description    |                | Abmessung   |
|------|----------|-------|------------------------------|----------------|---|
| 1    | 301 5404 | 2     | Sechskantschraube            | Hexagon bolt   | M16x40-8.8 Zn<br>DIN933                             |
| 2    | 301 3903 | 1     | Sechskantschraube            | Hexagon bolt   | M16x75-8.8 Zn<br>DIN931-A                           |
| 3    | 301 4117 | 1     | Sechskantschraube            | Hexagon bolt   | M16x170-8.8<br>DIN931-A                             |
| 4    | 301 4522 | 1     | Sechskantschraube spezial    | Hexagon bolt   | M20x1,5x155ls135xb17-10.9<br>Zn                     |
| 5    | 301 4538 | 1     | Sechskantschraube spezial    | Hexagon bolt   | M20x1,5x175ls150xb22-10.9<br>Zn                     |
| 6    | 303 0338 | 6     | Nutmutter                    | Grooved nut    | M30x1,5   |
| 7    | 303 0341 | 2     | Nutmutter                    | Grooved nut    | M80x2 KM16 Zn                                       |
| 8    | 303 1015 | 2     | Sechskantmutter              | Hexagon nut    | M16 DIN934-8 Zn                                     |
| 9    | 303 0977 | 13    | Sechskantmutter              | Hexagon nut    | M20x1,5 DIN934-10<br>Zn                             |
| 10   | 305 6283 | 4     | Scheibe                      | Washer         | B28 DIN125  |
| 11   | 305 6141 | 4     | Scheibe                      | Washer         | 17/30x3<br>DIN/ISO-7089                             |
| 12   | 305 6012 | 23    | Scheibe                      | Washer         | 21 ISO7089 Zn                                       |
| 13   | 309 6072 | 5     | Spannhülse                   | Expansion bush | 8x40-DIN1481 Zn                                     |
| 14   | 313 5560 | 3     | Bolzen                       | Pin            | D50/120x200<br>D35/M30x1,5 VE7S<br>D25x57/70 L26 Zn |
| 15   | 313 8052 | 1     | Bolzen                       | Pin            |   |
| 16   | 317 2000 | 6     | Buchse                       | Bush           | D45/D35x21  |
| 17   | 317 2025 | 2     | Einspannbuchse mit Presssitz | Expansion bush | EG50/55x30  |
| 18   | 317 3345 | 1     | Einspannbuchse mit Presssitz | Expansion bush | EG25/29x25  |



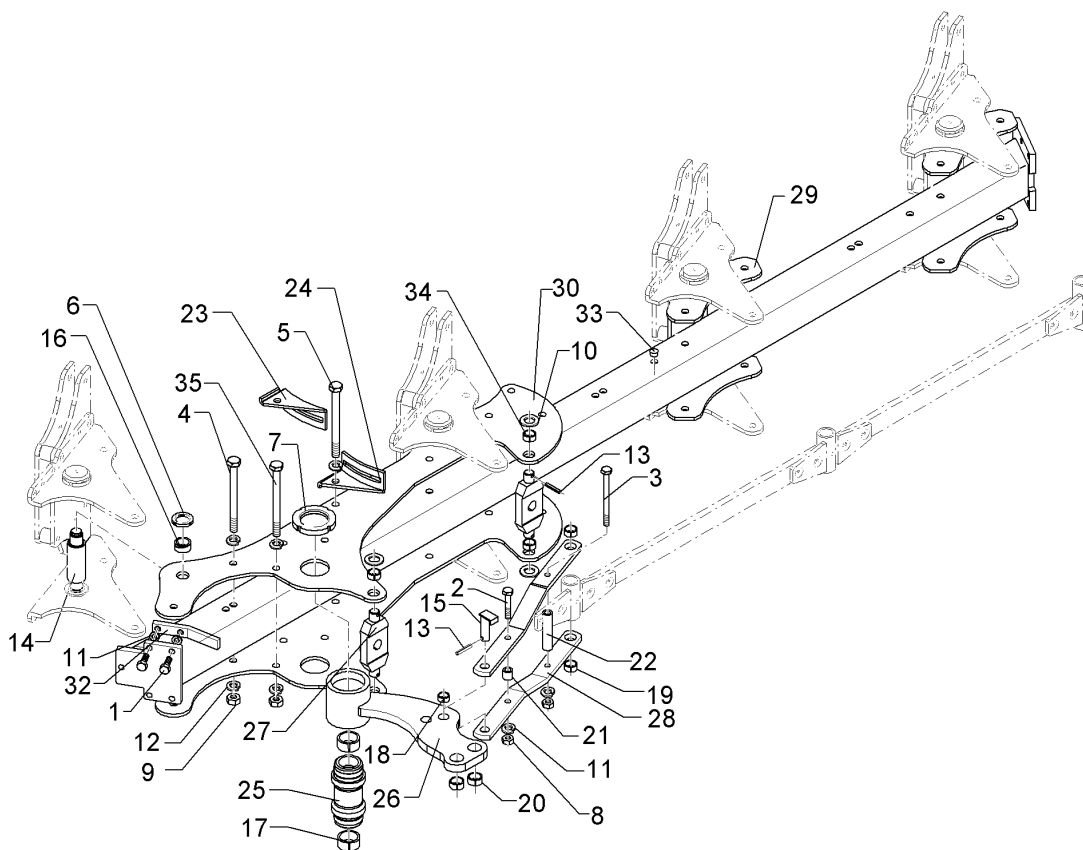
01.18

| Pos. | Art.Nr.  | Stck. | Artikeltext / Description    |                | Abmessung                                 |
|------|----------|-------|------------------------------|----------------|---|
| 19   | 317 3337 | 2     | Einspannbuchse               | Expansion bush | EG28/32x15<br>Presssitz                   |
| 20   | 317 3417 | 2     | Einspannbuchse mit Presssitz | Expansion bush | EG30/38x25                                |
| 21   | 317 6801 | 1     | Röhrchen                     | Tube           | 26,9x5x26 Zn                              |
| 22   | 317 6859 | 1     | Röhrchen                     | Tube           | D26,9x4,5x119,3 Zn                        |
| 23   | 321 7200 | 1     | Halter                       | Holder         | VariOpal 7-1000 RE<br>t=5                 |
| 24   | 321 7201 | 1     | Halter                       | Holder         | VariOpal 7-1000 LI<br>t=5                 |
| 25   | 402 1282 | 1     | Lagerrohr                    | Bearing tube   | D50/M80/93x119x199,5<br>Zn                |
| 26   | 402 1650 | 1     | Schwinge                     | Rocker arm     | D93,5x118 VO<br>7-1200                    |
| 27   | 402 1709 | 2     | Kreuzgelenk                  | Cross union    | VO7 70x38x173 D30<br>Z28 Zn               |
| 28   | 402 1766 | 2     | Steuerstange                 | Control rod    | 50x15x780 VO7-120                         |
| 29   | 402 2940 | 2     | Lagerplatte                  | Bearing plate  | D35 VO 7                                  |
| 30   | 402 2959 | 2     | Lagerplatte                  | Bearing plate  | VO-7-1200                                 |
| 31   | 402 8320 | 1     | Grundrahmen                  | Basic frame    | EurOpal 7 3-120                           |
| 32   | 402 8300 | 1     | Anschlag                     | Stop           | 30x15x203<br>2xM16-65                     |
| 33   | 323 8071 | 12    | Schutzkappe                  | Cap            | GPN 300V19 - D20<br>RAL5015<br>EG28/32x10 |
| 34   | 317 3347 | 4     | Einspannbuchse mit Presssitz | Expansion bush |   |
| 35   | 301 4523 | 10    | Sechskantschraube spezial    | Hexagon bolt   | M20x1,5x170ls144xb23-10.9<br>Zn           |



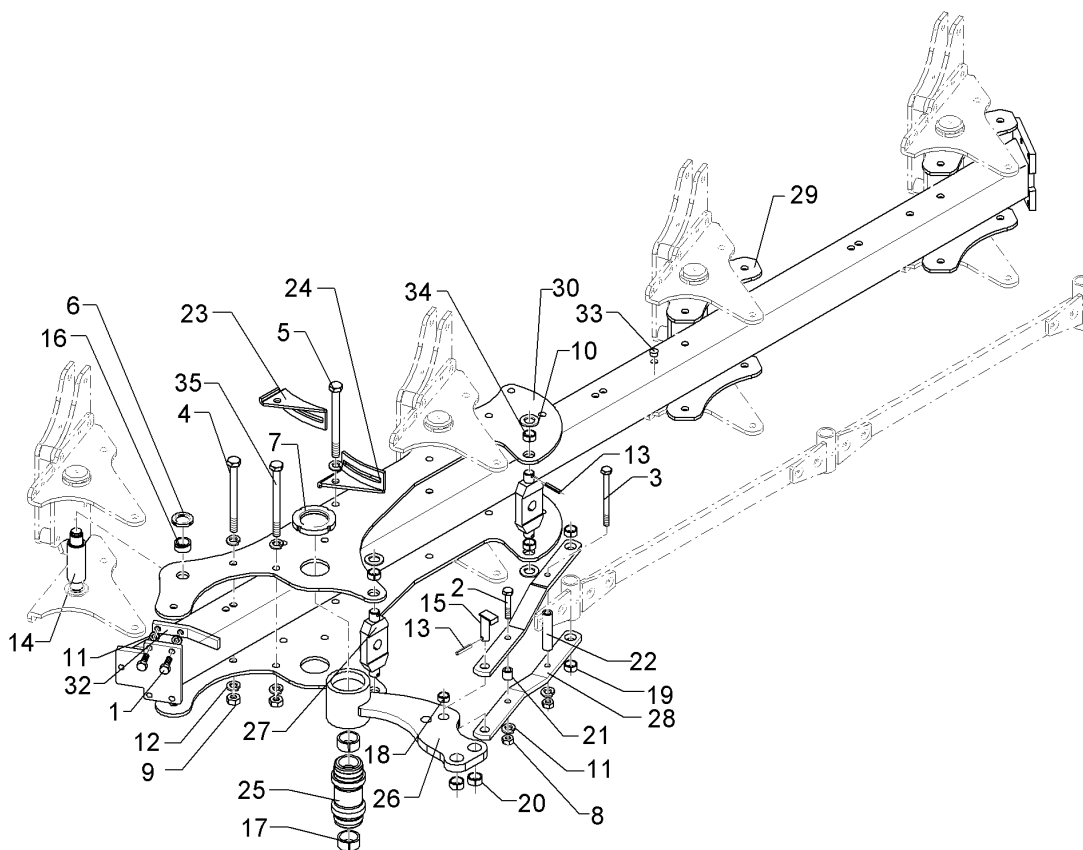
01.18

| Pos. | Art.Nr.  | Stck. | Artikeltext / Description    |                | Abmessung   |
|------|----------|-------|------------------------------|----------------|---|
| 1    | 301 5404 | 2     | Sechskantschraube            | Hexagon bolt   | M16x40-8.8 Zn                                       |
| 2    | 301 3903 | 1     | Sechskantschraube            | Hexagon bolt   | DIN933<br>M16x75-8.8 Zn                             |
| 3    | 301 4117 | 1     | Sechskantschraube            | Hexagon bolt   | DIN931-A<br>M16x170-8.8<br>DIN931-A                 |
| 4    | 301 4523 | 11    | Sechskantschraube spezial    | Hexagon bolt   | M20x1,5x170ls144xb23-10.9<br>Zn                     |
| 5    | 301 4538 | 1     | Sechskantschraube spezial    | Hexagon bolt   | M20x1,5x175ls150xb22-10.9<br>Zn                     |
| 6    | 303 0338 | 8     | Nutmutter                    | Grooved nut    | M30x1,5   |
| 7    | 303 0341 | 2     | Nutmutter                    | Grooved nut    | M80x2 KM16 Zn                                       |
| 8    | 303 1015 | 2     | Sechskantmutter              | Hexagon nut    | M16 DIN934-8 Zn                                     |
| 9    | 303 0977 | 14    | Sechskantmutter              | Hexagon nut    | M20x1,5 DIN934-10<br>Zn                             |
| 10   | 305 6283 | 4     | Scheibe                      | Washer         | B28 DIN125  |
| 11   | 305 6141 | 4     | Scheibe                      | Washer         | 17/30x3<br>DIN/ISO-7089                             |
| 12   | 305 6012 | 27    | Scheibe                      | Washer         | 21 ISO7089 Zn                                       |
| 13   | 309 6072 | 5     | Spannhülse                   | Expansion bush | 8x40-DIN1481 Zn                                     |
| 14   | 313 5560 | 4     | Bolzen                       | Pin            | D50/120x200<br>D35/M30x1,5 VE7S<br>D25x57/70 L26 Zn |
| 15   | 313 8052 | 1     | Bolzen                       | Pin            |   |
| 16   | 317 2000 | 8     | Buchse                       | Bush           | D45/D35x21  |
| 17   | 317 2025 | 2     | Einspannbuchse mit Presssitz | Expansion bush | EG50/55x30  |
| 18   | 317 3345 | 1     | Einspannbuchse mit Presssitz | Expansion bush | EG25/29x25  |



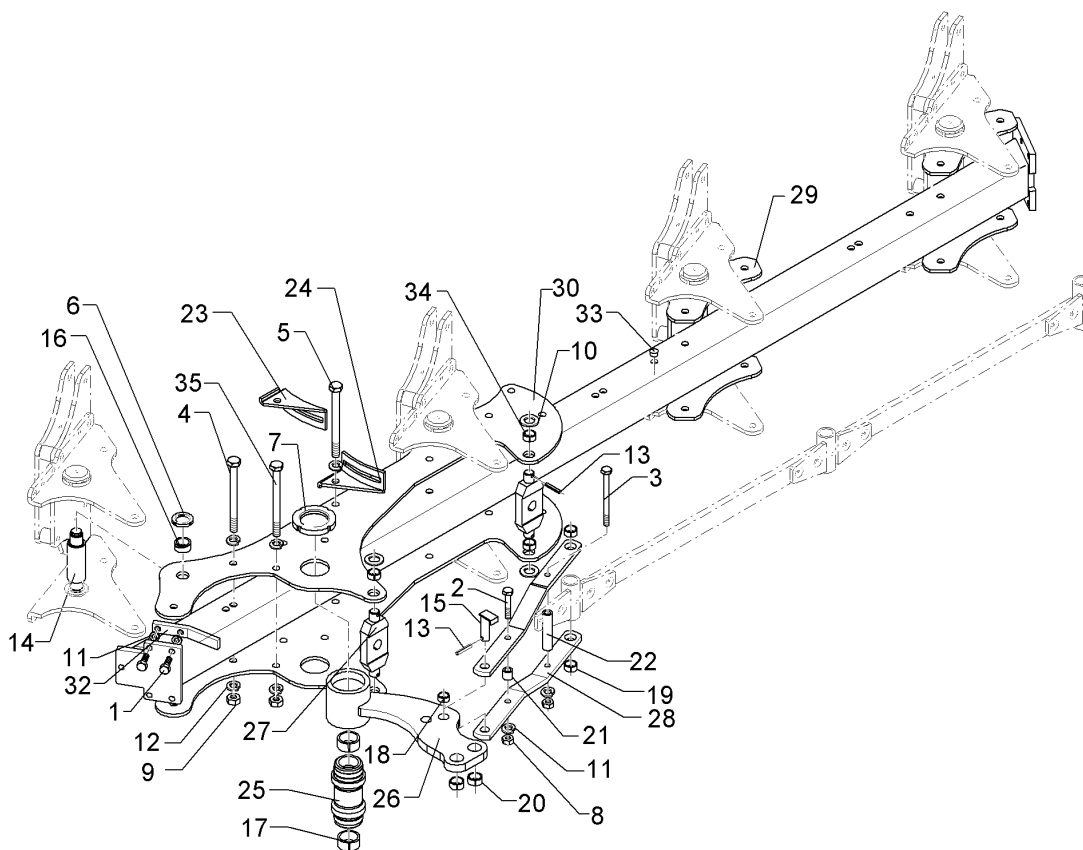
01.18

| Pos. | Art.Nr.  | Stck. | Artikeltext / Description    |                | Abmessung                       |
|------|----------|-------|------------------------------|----------------|---------------------------------|
| 19   | 317 3337 | 2     | Einspannbuchse               | Expansion bush | EG28/32x15<br>Presssitz         |
| 20   | 317 3417 | 2     | Einspannbuchse mit Presssitz | Expansion bush | EG30/38x25                      |
| 21   | 317 6801 | 1     | Röhrchen                     | Tube           | 26,9x5x26 Zn                    |
| 22   | 317 6859 | 1     | Röhrchen                     | Tube           | D26,9x4,5x119,3 Zn              |
| 23   | 321 7200 | 1     | Halter                       | Holder         | VariOpal 7-1000 RE<br>t=5       |
| 24   | 321 7201 | 1     | Halter                       | Holder         | VariOpal 7-1000 LI<br>t=5       |
| 25   | 402 1282 | 1     | Lagerrohr                    | Bearing tube   | D50/M80/93x119x199,5<br>Zn      |
| 26   | 402 1660 | 1     | Schwinge                     | Rocker arm     | D93,5x118 VO 7                  |
| 27   | 402 1709 | 2     | Kreuzgelenk                  | Cross union    | VO7 70x38x173 D30<br>Z28 Zn     |
| 28   | 402 1765 | 2     | Steuerstange                 | Control rod    | 50x15x630 VO7-100               |
| 29   | 402 2940 | 4     | Lagerplatte                  | Bearing plate  | D35 VO 7                        |
| 30   | 402 2960 | 2     | Lagerplatte                  | Bearing plate  | VO-7-1000                       |
| 31   | 402 8241 | 1     | Grundrahmen                  | Basic frame    | EurOpal 7 4-100                 |
| 32   | 402 8300 | 1     | Anschlag                     | Stop           | 30x15x203<br>2xM16-65           |
| 33   | 323 8071 | 14    | Schutzkappe                  | Cap            | GPN 300V/19 - D20<br>RAL5015    |
| 34   | 317 3347 | 4     | Einspannbuchse mit Presssitz | Expansion bush | EG28/32x10                      |
| 35   | 301 4522 | 1     | Sechskantschraube spezial    | Hexagon bolt   | M20x1,5x155ls135xb17-10.9<br>Zn |



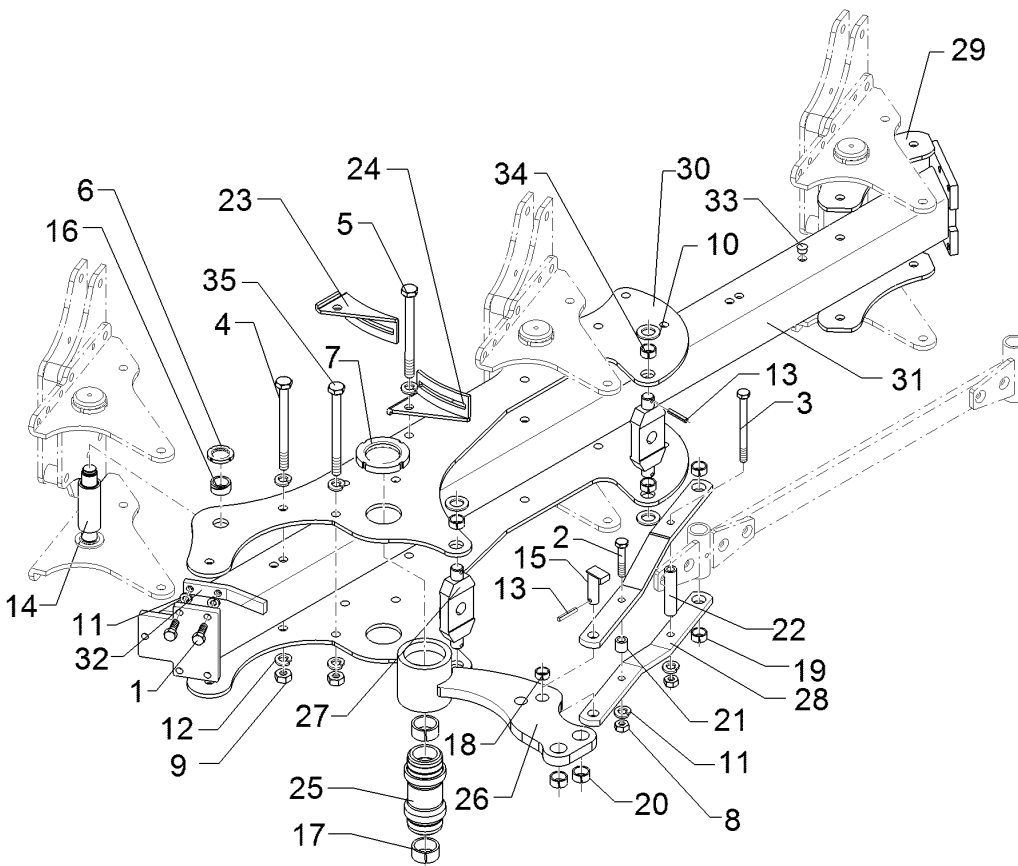
01.18

| Pos. | Art.Nr.  | Stck. | Artikeltext / Description    |                | Abmessung   |
|------|----------|-------|------------------------------|----------------|---|
| 1    | 301 5404 | 2     | Sechskantschraube            | Hexagon bolt   | M16x40-8.8 Zn                                       |
| 2    | 301 3903 | 1     | Sechskantschraube            | Hexagon bolt   | DIN933<br>M16x75-8.8 Zn                             |
| 3    | 301 4117 | 1     | Sechskantschraube            | Hexagon bolt   | DIN931-A<br>M16x170-8.8<br>DIN931-A                 |
| 4    | 301 4522 | 1     | Sechskantschraube spezial    | Hexagon bolt   | M20x1,5x155ls135xb17-10.9<br>Zn                     |
| 5    | 301 4538 | 1     | Sechskantschraube spezial    | Hexagon bolt   | M20x1,5x175ls150xb22-10.9<br>Zn                     |
| 6    | 303 0338 | 8     | Nutmutter                    | Grooved nut    | M30x1,5   |
| 7    | 303 0341 | 2     | Nutmutter                    | Grooved nut    | M80x2 KM16 Zn                                       |
| 8    | 303 1015 | 2     | Sechskantmutter              | Hexagon nut    | M16 DIN934-8 Zn                                     |
| 9    | 303 0977 | 14    | Sechskantmutter              | Hexagon nut    | M20x1,5 DIN934-10<br>Zn                             |
| 10   | 305 6283 | 4     | Scheibe                      | Washer         | B28 DIN125  |
| 11   | 305 6141 | 4     | Scheibe                      | Washer         | 17/30x3<br>DIN/ISO-7089                             |
| 12   | 305 6012 | 27    | Scheibe                      | Washer         | 21 ISO7089 Zn                                       |
| 13   | 309 6072 | 5     | Spannhülse                   | Expansion bush | 8x40-DIN1481 Zn                                     |
| 14   | 313 5560 | 4     | Bolzen                       | Pin            | D50/120x200<br>D35/M30x1,5 VE7S<br>D25x57/70 L26 Zn |
| 15   | 313 8052 | 1     | Bolzen                       | Pin            |   |
| 16   | 317 2000 | 8     | Buchse                       | Bush           | D45/D35x21  |
| 17   | 317 2025 | 2     | Einspannbuchse mit Presssitz | Expansion bush | EG50/55x30  |
| 18   | 317 3345 | 1     | Einspannbuchse mit Presssitz | Expansion bush | EG25/29x25  |



01.18

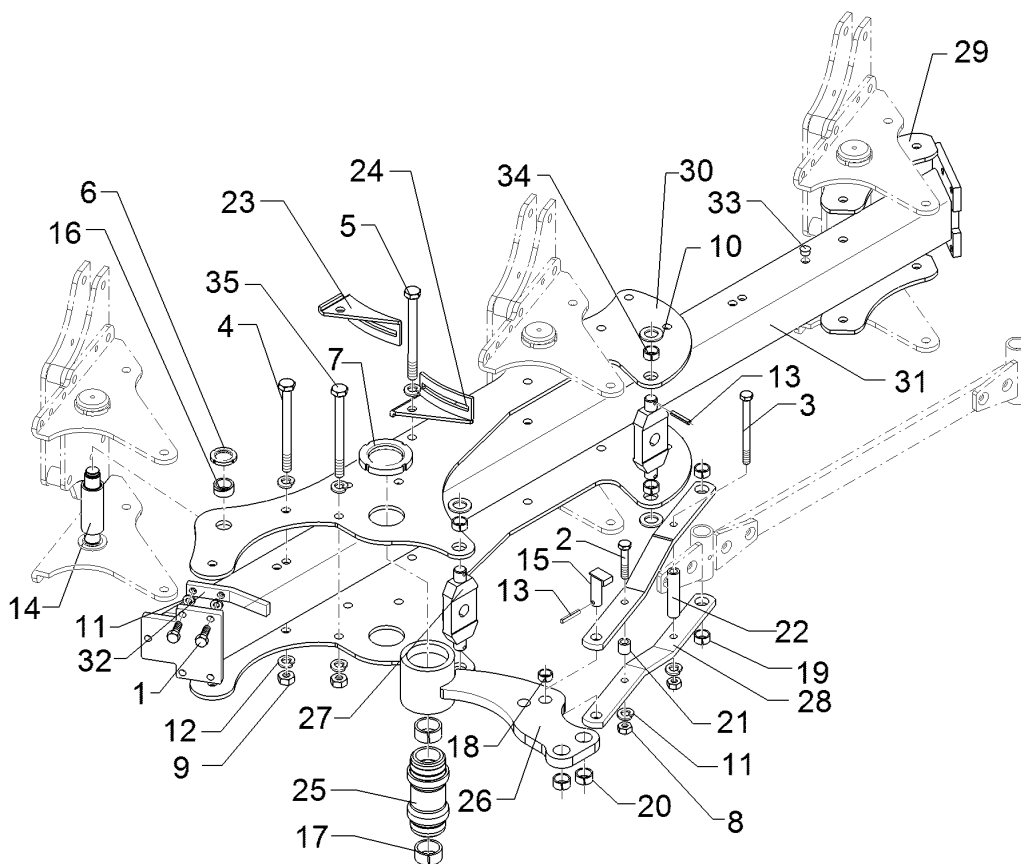
| Pos. | Art.Nr.  | Stck. | Artikeltext / Description    |                | Abmessung                       |
|------|----------|-------|------------------------------|----------------|---------------------------------|
| 19   | 317 3337 | 2     | Einspannbuchse               | Expansion bush | EG28/32x15<br>Presssitz         |
| 20   | 317 3417 | 2     | Einspannbuchse mit Presssitz | Expansion bush | EG30/38x25                      |
| 21   | 317 6801 | 1     | Röhrchen                     | Tube           | 26,9x5x26 Zn                    |
| 22   | 317 6859 | 1     | Röhrchen                     | Tube           | D26,9x4,5x119,3 Zn              |
| 23   | 321 7202 | 1     | Halter                       | Holder         | VariOpal 7-900 RE<br>t=5        |
| 24   | 321 7203 | 1     | Halter                       | Holder         | VariOpal 7-900 LI<br>t=5        |
| 25   | 402 1282 | 1     | Lagerrohr                    | Bearing tube   | D50/M80/93x119x199,5<br>Zn      |
| 26   | 402 1660 | 1     | Schwinge                     | Rocker arm     | D93,5x118 VO 7                  |
| 27   | 402 1709 | 2     | Kreuzgelenk                  | Cross union    | VO7 70x38x173 D30<br>Z28 Zn     |
| 28   | 402 1764 | 2     | Steuerstange                 | Control rod    | 50x15x584 VO7-90                |
| 29   | 402 2940 | 4     | Lagerplatte                  | Bearing plate  | D35 VO 7                        |
| 30   | 402 2961 | 2     | Lagerplatte                  | Bearing plate  | VO-7-900                        |
| 31   | 402 8244 | 1     | Grundrahmen                  | Basic frame    | EurOpal 7 4-90                  |
| 32   | 402 8300 | 1     | Anschlag                     | Stop           | 30x15x203<br>2xM16-65           |
| 33   | 323 8071 | 14    | Schutzkappe                  | Cap            | GPN 300V/19 - D20<br>RAL5015    |
| 34   | 317 3347 | 4     | Einspannbuchse mit Presssitz | Expansion bush | EG28/32x10                      |
| 35   | 301 4523 | 11    | Sechskantschraube spezial    | Hexagon bolt   | M20x1,5x170ls144xb23-10.9<br>Zn |



01.18

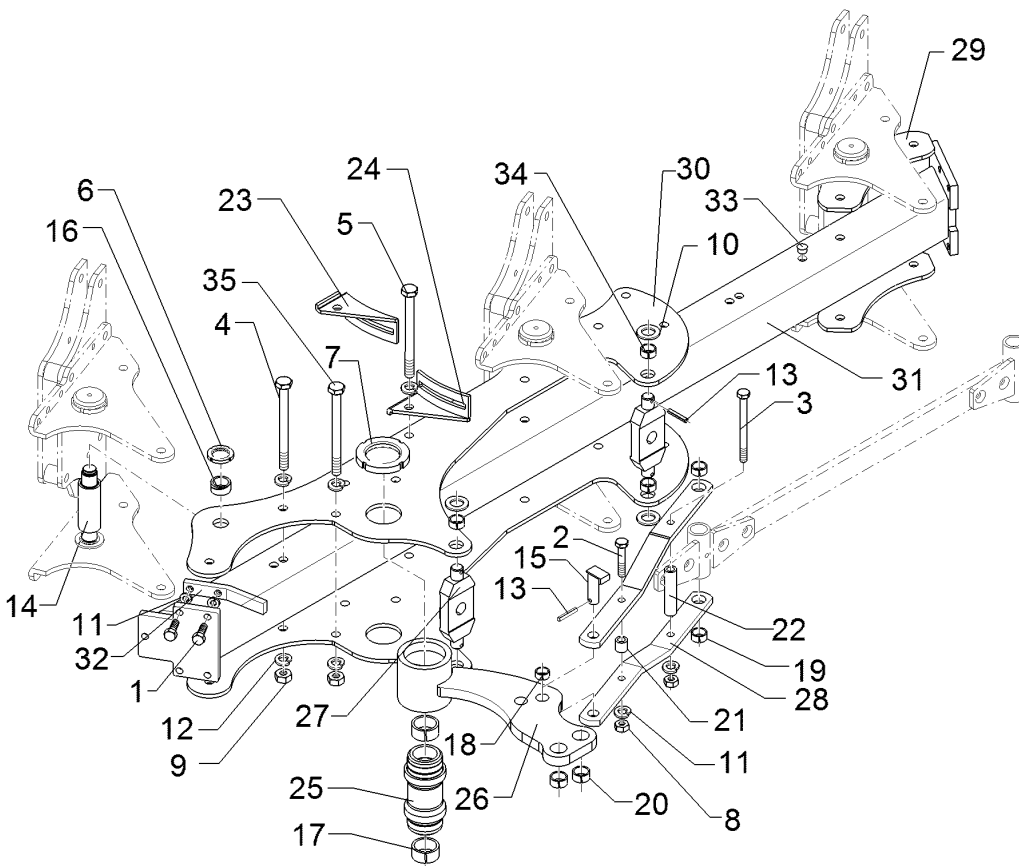
| Pos. | Art.Nr.  | Stck. | Artikeltext / Description    |                | Abmessung   |
|------|----------|-------|------------------------------|----------------|---|
| 1    | 301 5404 | 2     | Sechskantschraube            | Hexagon bolt   | M16x40-8.8 Zn<br>DIN933                             |
| 2    | 301 3903 | 1     | Sechskantschraube            | Hexagon bolt   | M16x75-8.8 Zn<br>DIN931-A                           |
| 3    | 301 4117 | 1     | Sechskantschraube            | Hexagon bolt   | M16x170-8.8<br>DIN931-A                             |
| 4    | 301 4522 | 1     | Sechskantschraube spezial    | Hexagon bolt   | M20x1,5x155ls135xb17-10.9<br>Zn                     |
| 5    | 301 4538 | 1     | Sechskantschraube spezial    | Hexagon bolt   | M20x1,5x175ls150xb22-10.9<br>Zn                     |
| 6    | 303 0338 | 6     | Nutmutter                    | Grooved nut    | M30x1,5   |
| 7    | 303 0341 | 2     | Nutmutter                    | Grooved nut    | M80x2 KM16 Zn                                       |
| 8    | 303 1015 | 2     | Sechskantmutter              | Hexagon nut    | M16 DIN934-8 Zn                                     |
| 9    | 303 0977 | 12    | Sechskantmutter              | Hexagon nut    | M20x1,5 DIN934-10<br>Zn                             |
| 10   | 305 6283 | 4     | Scheibe                      | Washer         | B28 DIN125  |
| 11   | 305 6141 | 4     | Scheibe                      | Washer         | 17/30x3<br>DIN/ISO-7089                             |
| 12   | 305 6012 | 23    | Scheibe                      | Washer         | 21 ISO7089 Zn                                       |
| 13   | 309 6072 | 5     | Spannhülse                   | Expansion bush | 8x40-DIN1481 Zn                                     |
| 14   | 313 5560 | 3     | Bolzen                       | Pin            | D50/120x200<br>D35/M30x1,5 VE7S<br>D25x57/70 L26 Zn |
| 15   | 313 8052 | 1     | Bolzen                       | Pin            |   |
| 16   | 317 2000 | 6     | Buchse                       | Bush           | D45/D35x21  |
| 17   | 317 2025 | 2     | Einspannbuchse mit Presssitz | Expansion bush | EG50/55x30  |
| 18   | 317 3345 | 1     | Einspannbuchse mit Presssitz | Expansion bush | EG25/29x25  |





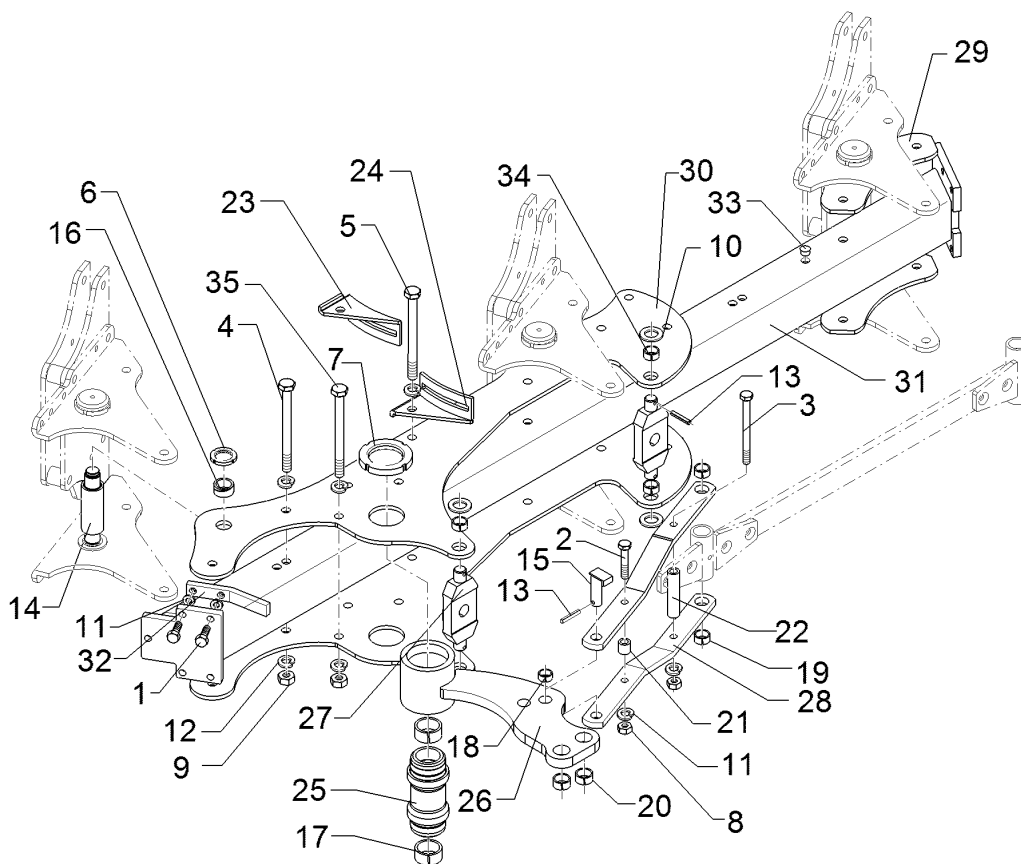
01.18

| Pos. | Art.Nr.  | Stck. | Artikeltext / Description    |                | Abmessung                       |
|------|----------|-------|------------------------------|----------------|---------------------------------|
| 19   | 317 3337 | 2     | Einspannbuchse               | Expansion bush | EG28/32x15<br>Presssitz         |
| 20   | 317 3417 | 2     | Einspannbuchse mit Presssitz | Expansion bush | EG30/38x25                      |
| 21   | 317 6801 | 1     | Röhrchen                     | Tube           | 26,9x5x26 Zn                    |
| 22   | 317 6859 | 1     | Röhrchen                     | Tube           | D26,9x4,5x119,3 Zn              |
| 23   | 321 7200 | 1     | Halter                       | Holder         | VariOpal 7-1000 RE<br>t=5       |
| 24   | 321 7201 | 1     | Halter                       | Holder         | VariOpal 7-1000 LI<br>t=5       |
| 25   | 402 1282 | 1     | Lagerrohr                    | Bearing tube   | D50/M80/93x119x199,5<br>Zn      |
| 26   | 402 1660 | 1     | Schwinge                     | Rocker arm     | D93,5x118 VO 7                  |
| 27   | 402 1709 | 2     | Kreuzgelenk                  | Cross union    | VO7 70x38x173 D30<br>Z28 Zn     |
| 28   | 402 1765 | 2     | Steuerstange                 | Control rod    | 50x15x630 VO7-100               |
| 29   | 402 2940 | 2     | Lagerplatte                  | Bearing plate  | D35 VO 7                        |
| 30   | 402 2960 | 2     | Lagerplatte                  | Bearing plate  | VO-7-1000                       |
| 31   | 402 8240 | 1     | Grundrahmen                  | Basic frame    | EurOpal 7 3-100                 |
| 32   | 402 8300 | 1     | Anschlag                     | Stop           | 30x15x203<br>2xM16-65           |
| 33   | 323 8071 | 12    | Schutzkappe                  | Cap            | GPN 300V19 - D20<br>RAL5015     |
| 34   | 317 3347 | 4     | Einspannbuchse mit Presssitz | Expansion bush | EG28/32x10                      |
| 35   | 301 4523 | 9     | Sechskantschraube spezial    | Hexagon bolt   | M20x1,5x170ls144xb23-10.9<br>Zn |



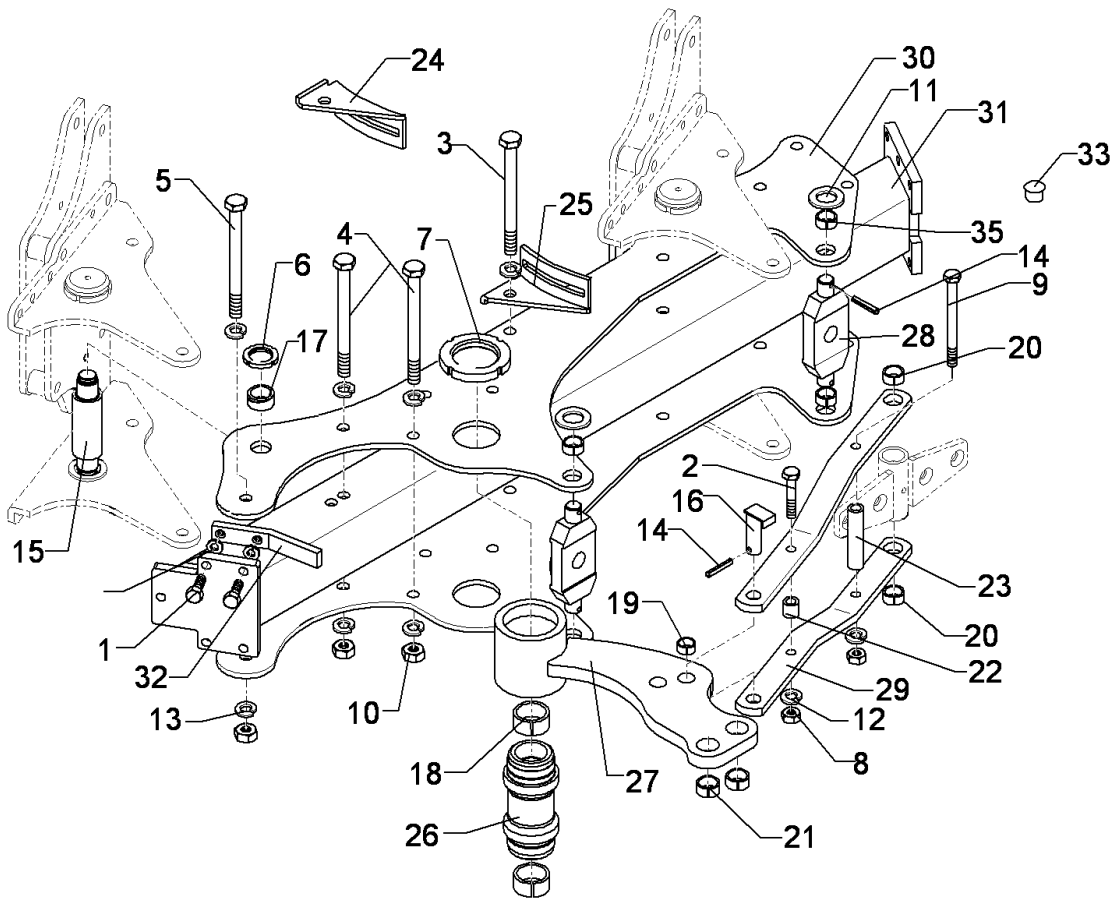
01.18

| Pos. | Art.Nr.  | Stck. | Artikeltext / Description    |                | Abmessung                       |
|------|----------|-------|------------------------------|----------------|---------------------------------|
| 1    | 301 5404 | 2     | Sechskantschraube            | Hexagon bolt   | M16x40-8.8 Zn<br>DIN933         |
| 2    | 301 3903 | 1     | Sechskantschraube            | Hexagon bolt   | M16x75-8.8 Zn<br>DIN931-A       |
| 3    | 301 4117 | 1     | Sechskantschraube            | Hexagon bolt   | M16x170-8.8<br>DIN931-A         |
| 4    | 301 4522 | 1     | Sechskantschraube spezial    | Hexagon bolt   | M20x1,5x155ls135xb17-10.9<br>Zn |
| 5    | 301 4523 | 9     | Sechskantschraube spezial    | Hexagon bolt   | M20x1,5x170ls144xb23-10.9<br>Zn |
| 6    | 303 0341 | 2     | Nutmutter                    | Grooved nut    | M80x2 KM16 Zn                   |
| 7    | 303 1015 | 2     | Sechskantmutter              | Hexagon nut    | M16 DIN934-8 Zn                 |
| 8    | 303 0977 | 12    | Sechskantmutter              | Hexagon nut    | M20x1,5 DIN934-10<br>Zn         |
| 9    | 305 6283 | 4     | Scheibe                      | Washer         | B28 DIN125                      |
| 10   | 305 6141 | 4     | Scheibe                      | Washer         | 17/30x3<br>DIN/ISO-7089         |
| 11   | 305 6012 | 23    | Scheibe                      | Washer         | 21 ISO7089 Zn                   |
| 12   | 309 6072 | 5     | Spannhülse                   | Expansion bush | 8x40-DIN1481 Zn                 |
| 14   | 313 5560 | 3     | Bolzen                       | Pin            | D50/120x200<br>D35/M30x1,5 VE7S |
| 15   | 313 8052 | 1     | Bolzen                       | Pin            | D25x57/70 L26 Zn                |
| 16   | 317 2000 | 6     | Buchse                       | Bush           | D45/D35x21                      |
| 17   | 317 2025 | 2     | Einspannbuchse mit Presssitz | Expansion bush | EG50/55x30                      |
| 18   | 317 3345 | 1     | Einspannbuchse mit Presssitz | Expansion bush | EG25/29x25                      |
| 19   | 317 3337 | 2     | Einspannbuchse               | Expansion bush | EG28/32x15<br>Presssitz         |



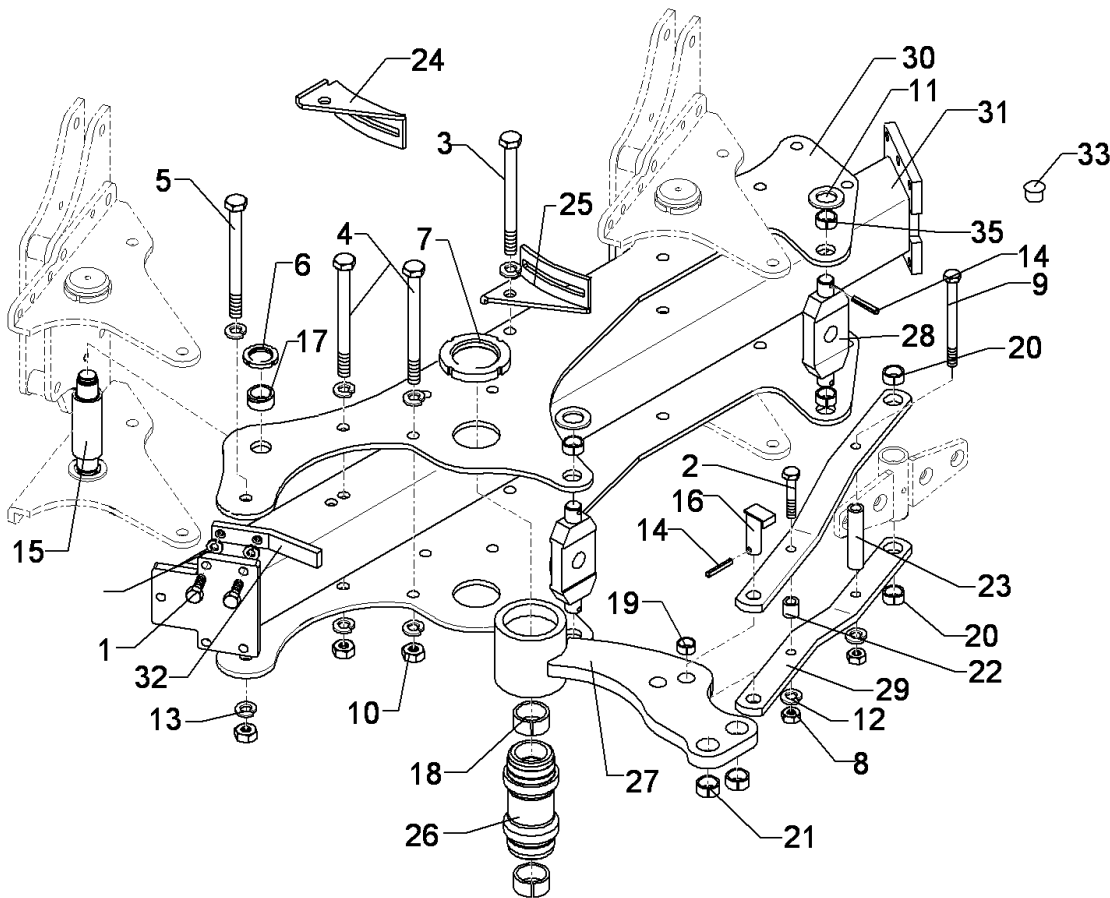
01.18

| Pos. | Art.Nr.  | Stck. | Artikeltext / Description    |                | Abmessung                       |
|------|----------|-------|------------------------------|----------------|---------------------------------|
| 20   | 317 3417 | 2     | Einspannbuchse mit Presssitz | Expansion bush | EG30/38x25                      |
| 21   | 317 6801 | 1     | Röhrchen                     | Tube           | 26,9x5x26 Zn                    |
| 22   | 317 6859 | 1     | Röhrchen                     | Tube           | D26,9x4,5x119,3 Zn              |
| 23   | 321 7202 | 1     | Halter                       | Holder         | VariOpal 7-900 RE<br>t=5        |
| 24   | 321 7203 | 1     | Halter                       | Holder         | VariOpal 7-900 LI<br>t=5        |
| 25   | 402 1282 | 1     | Lagerrohr                    | Bearing tube   | D50/M80/93x119x199,5<br>Zn      |
| 26   | 402 1660 | 1     | Schwinge                     | Rocker arm     | D93,5x118 VO 7                  |
| 27   | 402 1709 | 2     | Kreuzgelenk                  | Cross union    | VO7 70x38x173 D30<br>Z28 Zn     |
| 28   | 402 1764 | 2     | Steuerstange                 | Control rod    | 50x15x584 VO7-90                |
| 29   | 402 2940 | 4     | Lagerplatte                  | Bearing plate  | D35 VO 7                        |
| 30   | 402 2961 | 2     | Lagerplatte                  | Bearing plate  | VO-7-900                        |
| 31   | 402 8243 | 1     | Grundrahmen                  | Basic frame    | EurOpal 7 3-90                  |
| 32   | 402 8300 | 1     | Anschlag                     | Stop           | 30x15x203<br>2xM16-65           |
| 33   | 323 8071 | 12    | Schutzkappe                  | Cap            | GPN 300V19 - D20<br>RAL5015     |
| 34   | 317 3347 | 6     | Einspannbuchse mit Presssitz | Expansion bush | EG28/32x10                      |
| 35   | 301 4538 | 1     | Sechskantschraube spezial    | Hexagon bolt   | M20x1,5x175ls150xb22-10.9<br>Zn |



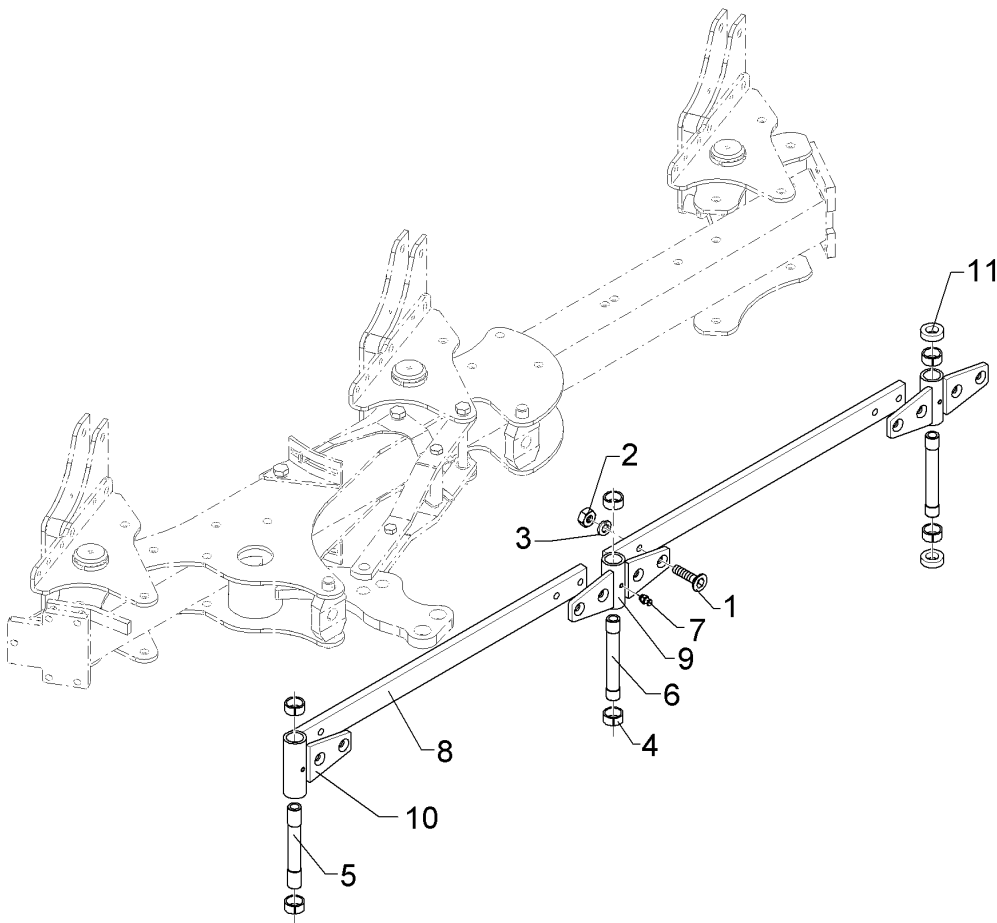
01.18

| Pos. | Art.Nr.  | Stck. | Artikeltext / Description    |                | Abmessung                       |
|------|----------|-------|------------------------------|----------------|---------------------------------|
| 1    | 301 5404 | 2     | Sechskantschraube            | Hexagon bolt   | M16x40-8.8 Zn<br>DIN933         |
| 2    | 301 3903 | 1     | Sechskantschraube            | Hexagon bolt   | M16x75-8.8 Zn<br>DIN931-A       |
| 3    | 301 4538 | 1     | Sechskantschraube spezial    | Hexagon bolt   | M20x1,5x175ls150xb22-10.9<br>Zn |
| 4    | 301 4522 | 1     | Sechskantschraube spezial    | Hexagon bolt   | M20x1,5x155ls135xb17-10.9<br>Zn |
| 5    | 301 4523 | 7     | Sechskantschraube spezial    | Hexagon bolt   | M20x1,5x170ls144xb23-10.9<br>Zn |
| 6    | 303 0338 | 4     | Nutmutter                    | Grooved nut    | M30x1,5                         |
| 7    | 303 0341 | 2     | Nutmutter                    | Grooved nut    | M80x2 KM16 Zn                   |
| 8    | 303 1015 | 2     | Sechskantmutter              | Hexagon nut    | M16 DIN934-8 Zn                 |
| 9    | 301 4117 | 1     | Sechskantschraube            | Hexagon bolt   | M16x170-8.8<br>DIN931-A         |
| 10   | 303 0977 | 10    | Sechskantmutter              | Hexagon nut    | M20x1,5 DIN934-10<br>Zn         |
| 11   | 305 6283 | 4     | Scheibe                      | Washer         | B28 DIN125                      |
| 12   | 305 6141 | 4     | Scheibe                      | Washer         | 17/30x3<br>DIN/ISO-7089         |
| 13   | 305 6012 | 19    | Scheibe                      | Washer         | 21 ISO7089 Zn                   |
| 14   | 309 6072 | 5     | Spannhülse                   | Expansion bush | 8x40-DIN1481 Zn                 |
| 15   | 313 5560 | 2     | Bolzen                       | Pin            | D50/120x200<br>D35/M30x1,5 VE7S |
| 16   | 313 8052 | 1     | Bolzen                       | Pin            | D25x57/70 L26 Zn                |
| 17   | 317 2000 | 4     | Buchse                       | Bush           | D45/D35x21                      |
| 18   | 317 2025 | 2     | Einspannbuchse mit Presssitz | Expansion bush | EG50/55x30                      |



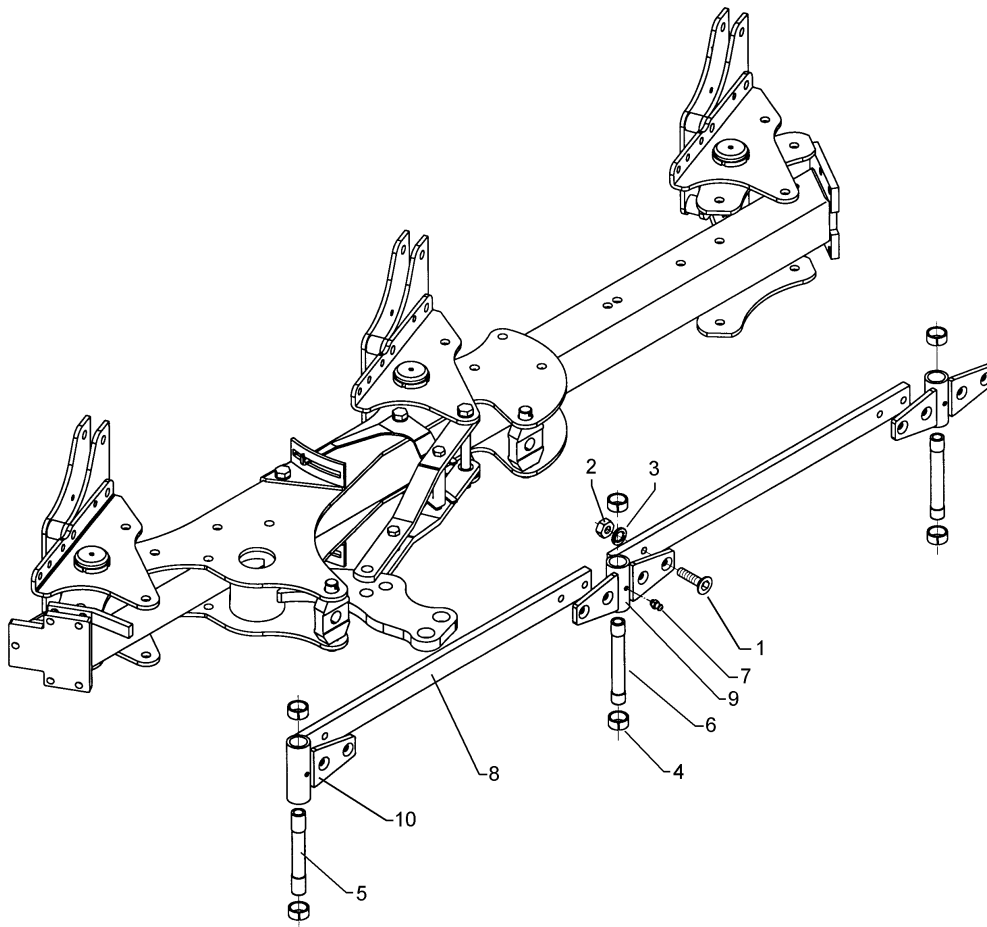
01.18

| Pos. | Art.Nr.  | Stck. | Artikeltext / Description    |                | Abmessung                   |
|------|----------|-------|------------------------------|----------------|-----------------------------|
| 19   | 317 3345 | 1     | Einspannbuchse mit Presssitz | Expansion bush | EG25/29x25                  |
| 20   | 317 3337 | 2     | Einspannbuchse               | Expansion bush | EG28/32x15                  |
| 21   | 317 3417 | 2     | Einspannbuchse mit Presssitz | Expansion bush | Presssitz<br>EG30/38x25     |
| 22   | 317 6801 | 1     | Röhrchen                     | Tube           | 26,9x5x26 Zn                |
| 23   | 317 6859 | 1     | Röhrchen                     | Tube           | D26,9x4,5x119,3 Zn          |
| 24   | 321 7200 | 1     | Halter                       | Holder         | VariOpal 7-1000 RE<br>t=5   |
| 25   | 321 7201 | 1     | Halter                       | Holder         | VariOpal 7-1000 LI<br>t=5   |
| 26   | 402 1282 | 1     | Lagerrohr                    | Bearing tube   | D50/M80/93x119x199,5<br>Zn  |
| 27   | 402 1660 | 1     | Schwinge                     | Rocker arm     | D93,5x118 VO 7              |
| 28   | 402 1709 | 2     | Kreuzgelenk                  | Cross union    | VO7 70x38x173 D30<br>Z28 Zn |
| 29   | 402 1765 | 2     | Steuerstange                 | Control rod    | 50x15x630 VO7-100           |
| 30   | 402 2962 | 2     | Lagerplatte                  | Bearing plate  | VO-7-1000-2S                |
| 31   | 402 8248 | 1     | Grundrahmen                  | Basic frame    | EurOpal 7 2-100             |
| 32   | 402 8300 | 1     | Anschlag                     | Stop           | 30x15x203<br>2xM16-65       |
| 33   | 323 8071 | 6     | Schutzkappe                  | Cap            | GPN 300V19 - D20<br>RAL5015 |
| 35   | 317 3347 | 4     | Einspannbuchse mit Presssitz | Expansion bush | EG28/32x10                  |



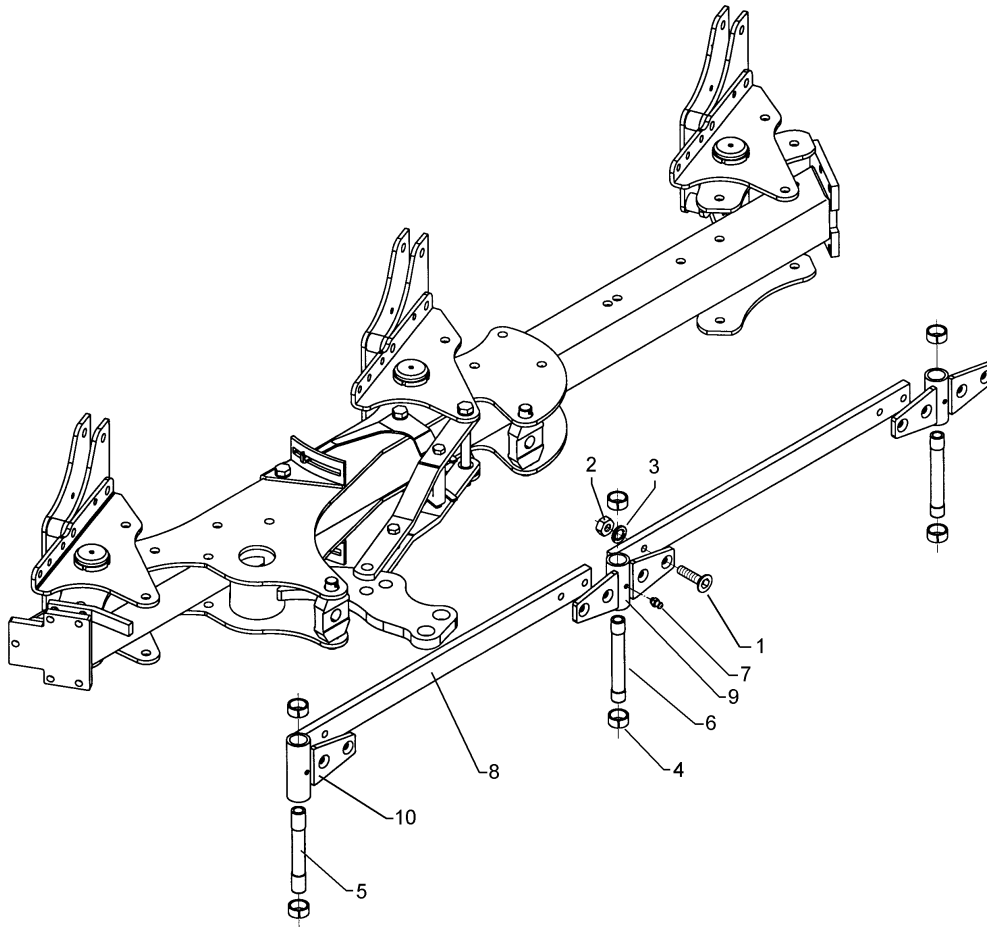
01.18

| Pos. | Art.Nr.  | Stck. | Artikeltext / Description    |                  | Abmessung               |
|------|----------|-------|------------------------------|------------------|-------------------------|
| 1    | 301 6144 | 8     | Senkschraube spz.            | Countersunk bolt | M16x50-10.9 Zn          |
| 2    | 303 1015 | 8     | Sechskantmutter              | Hexagon nut      | M16 DIN934-8 Zn         |
| 3    | 305 6141 | 8     | Scheibe                      | Washer           | 17/30x3<br>DIN/ISO-7089 |
| 4    | 317 3417 | 6     | Einspannbuchse mit Presssitz | Expansion bush   | EG30/38x25              |
| 5    | 317 7200 | 1     | Hülse                        | Bushing          | D30/28/20x150           |
| 6    | 317 7201 | 2     | Hülse                        | Bushing          | D30/28/20x150           |
| 7    | 323 6348 | 3     | Schmiernippel                | Grease nipple    | AM10x1 DIN71412         |
| 8    | 402 2321 | 2     | Steuerstange                 | Control rod      | 60x20x1130 4xD16,1      |
| 9    | 402 2610 | 2     | Lagerung                     | Bearing          | D38x119-4xD16<br>VO7    |
| 10   | 402 2612 | 1     | Lagerung                     | Bearing          | D38x149-2xD16<br>VO7    |
| 11   | 305 6275 | 2     | Scheibe                      | Washer           | D51/28,5x15             |



01.18

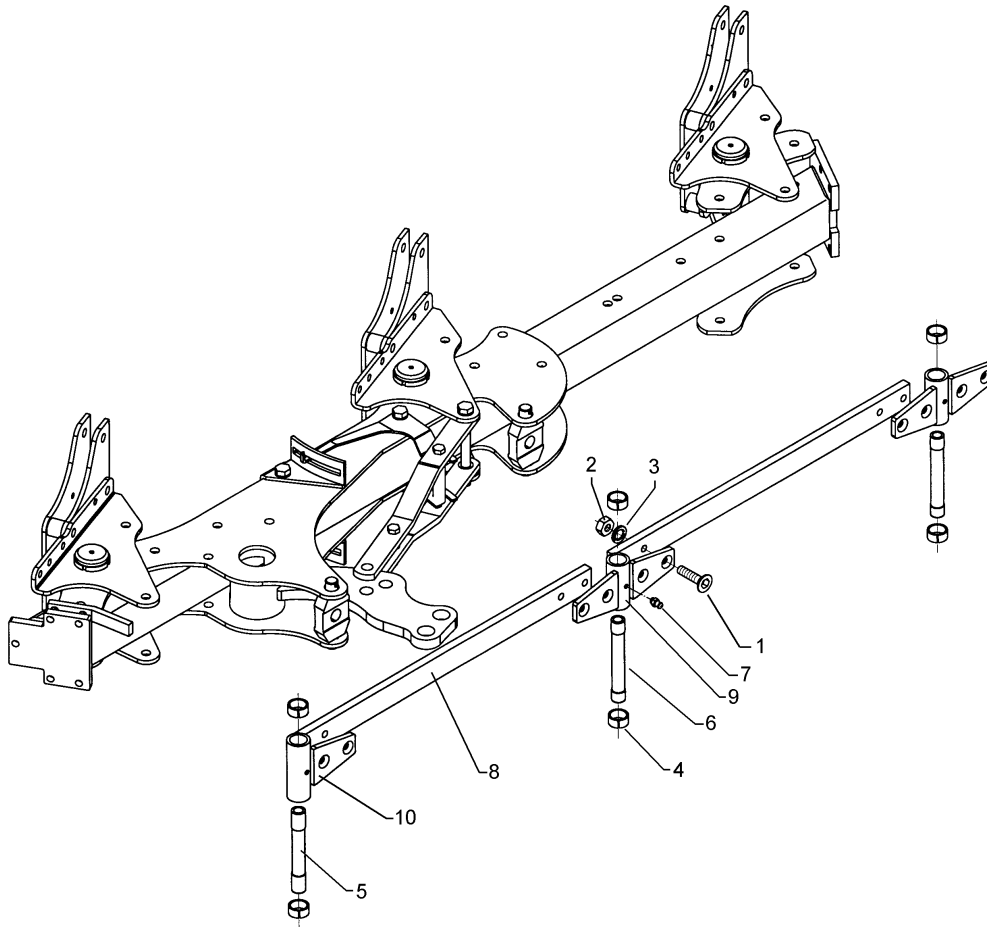
| Pos. | Art.Nr.  | Stck. | Artikeltext / Description    |                  | Abmessung               |
|------|----------|-------|------------------------------|------------------|-------------------------|
| 1    | 301 6144 | 8     | Senkschraube spz.            | Countersunk bolt | M16x50-10.9 Zn          |
| 2    | 303 1015 | 8     | Sechskantmutter              | Hexagon nut      | M16 DIN934-8 Zn         |
| 3    | 305 6141 | 8     | Scheibe                      | Washer           | 17/30x3<br>DIN/ISO-7089 |
| 4    | 317 3417 | 6     | Einspannbuchse mit Presssitz | Expansion bush   | EG30/38x25              |
| 5    | 317 7200 | 1     | Hülse                        | Bushing          | D30/28/20x150           |
| 6    | 317 7201 | 2     | Hülse                        | Bushing          | D30/28/20x150           |
| 7    | 323 6348 | 3     | Schmiernippel                | Grease nipple    | AM10x1 DIN71412         |
| 8    | 402 2321 | 2     | Steuerstange                 | Control rod      | 60x20x1130 4xD16,1      |
| 9    | 402 2610 | 2     | Lagerung                     | Bearing          | D38x119-4xD16<br>VO7    |
| 10   | 402 2612 | 1     | Lagerung                     | Bearing          | D38x149-2xD16<br>VO7    |



01.18

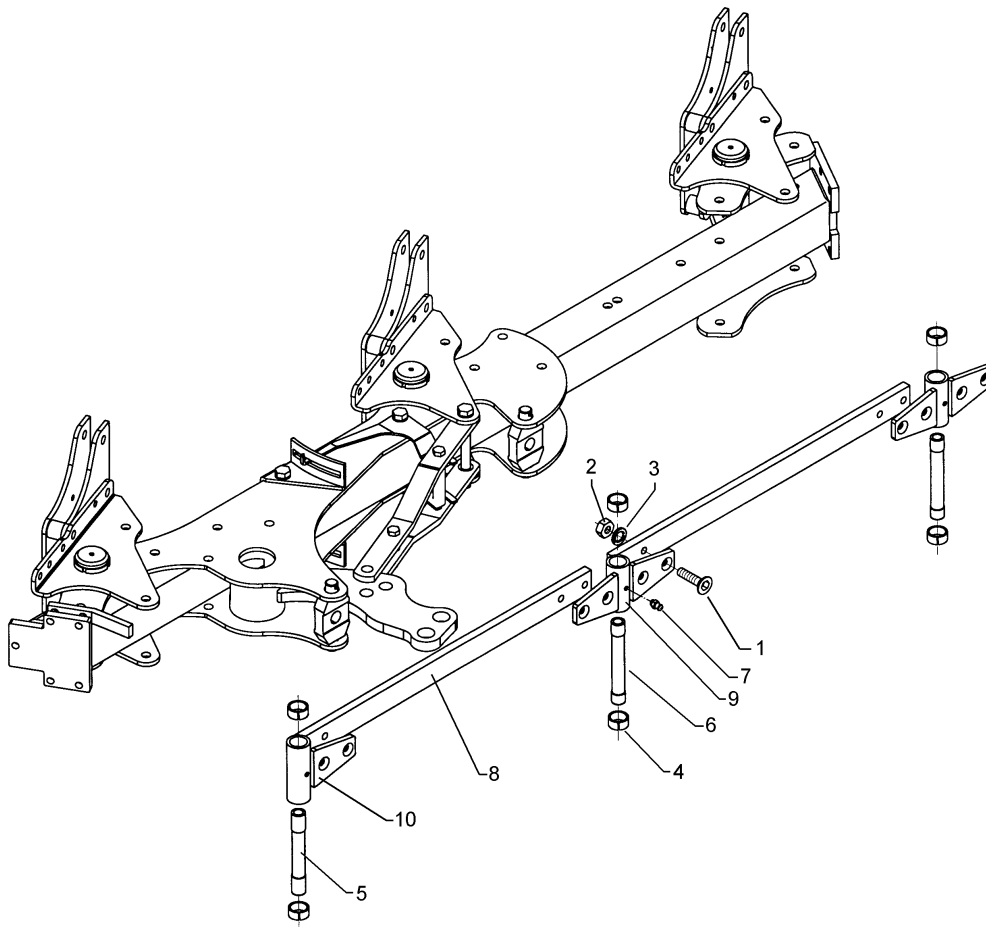
| Pos. | Art.Nr.  | Stck. | Artikeltext / Description    |                  | Abmessung               |
|------|----------|-------|------------------------------|------------------|-------------------------|
| 1    | 301 6144 | 8     | Senkschraube spz.            | Countersunk bolt | M16x50-10.9 Zn          |
| 2    | 303 1015 | 8     | Sechskantmutter              | Hexagon nut      | M16 DIN934-8 Zn         |
| 3    | 305 6141 | 8     | Scheibe                      | Washer           | 17/30x3<br>DIN/ISO-7089 |
| 4    | 317 3417 | 6     | Einspannbuchse mit Presssitz | Expansion bush   | EG30/38x25              |
| 5    | 317 7200 | 1     | Hülse                        | Bushing          | D30/28/20x150           |
| 6    | 317 7201 | 2     | Hülse                        | Bushing          | D30/28/20x150           |
| 7    | 323 6348 | 3     | Schmiernippel                | Grease nipple    | AM10x1 DIN71412         |
| 8    | 402 2320 | 2     | Stange                       | Rod              | 60x20x930 4xD16,1       |
| 9    | 402 2610 | 2     | Lagerung                     | Bearing          | D38x119-4xD16<br>VO7    |
| 10   | 402 2612 | 1     | Lagerung                     | Bearing          | D38x149-2xD16<br>VO7    |





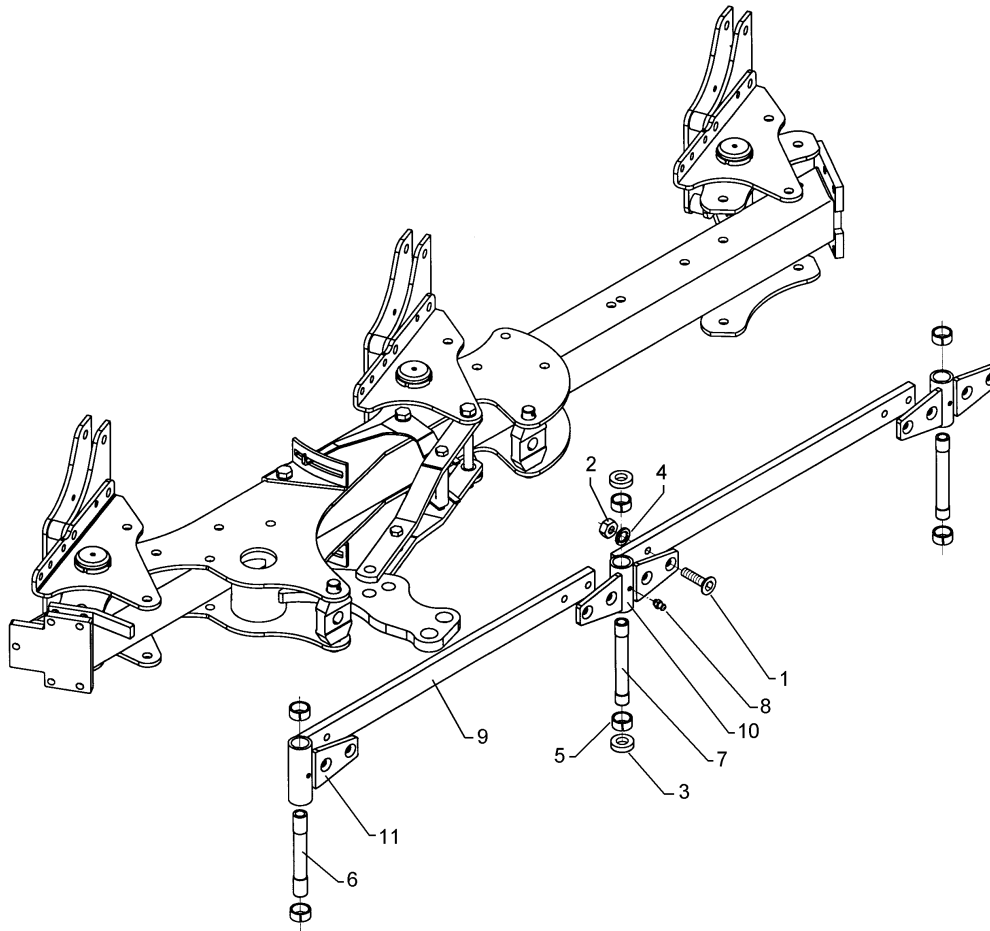
01.18

| Pos. | Art.Nr.  | Stck. | Artikeltext / Description    |                  | Abmessung               |
|------|----------|-------|------------------------------|------------------|-------------------------|
| 1    | 301 6144 | 12    | Senkschraube spz.            | Countersunk bolt | M16x50-10.9 Zn          |
| 2    | 303 1015 | 12    | Sechskantmutter              | Hexagon nut      | M16 DIN934-8 Zn         |
| 3    | 305 6141 | 12    | Scheibe                      | Washer           | 17/30x3<br>DIN/ISO-7089 |
| 4    | 317 3417 | 8     | Einspannbuchse mit Presssitz | Expansion bush   | EG30/38x25              |
| 5    | 317 7200 | 2     | Hülse                        | Bushing          | D30/28/20x150           |
| 6    | 317 7201 | 2     | Hülse                        | Bushing          | D30/28/20x150           |
| 7    | 323 6348 | 4     | Schmiernippel                | Grease nipple    | AM10x1 DIN71412         |
| 8    | 402 2320 | 3     | Stange                       | Rod              | 60x20x930 4xD16,1       |
| 9    | 402 2610 | 2     | Lagerung                     | Bearing          | D38x119-4xD16<br>VO7    |
| 10   | 402 2612 | 2     | Lagerung                     | Bearing          | D38x149-2xD16<br>VO7    |



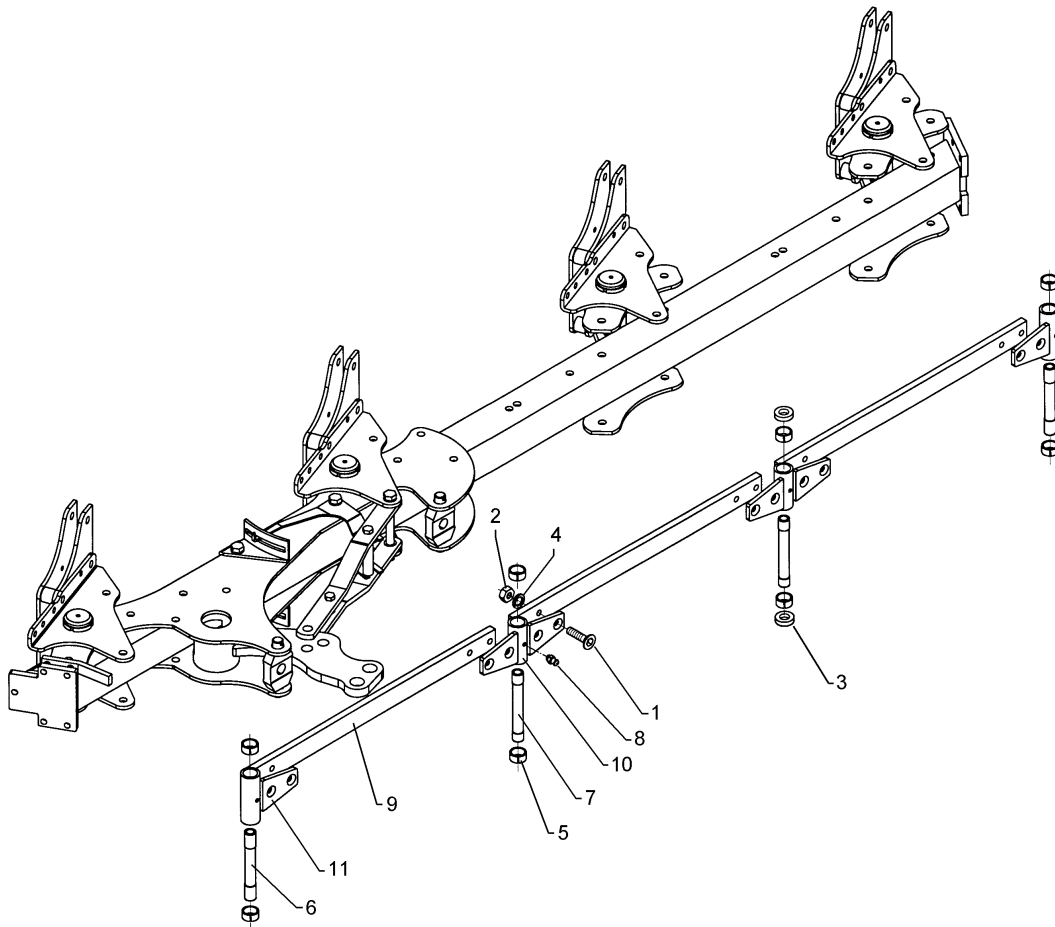
01.18

| Pos. | Art.Nr.  | Stck. | Artikeltext / Description    |                  | Abmessung               |
|------|----------|-------|------------------------------|------------------|-------------------------|
| 1    | 301 6144 | 4     | Senkschraube spz.            | Countersunk bolt | M16x50-10.9 Zn          |
| 2    | 303 1015 | 4     | Sechskantmutter              | Hexagon nut      | M16 DIN934-8 Zn         |
| 3    | 305 6141 | 4     | Scheibe                      | Washer           | 17/30x3<br>DIN/ISO-7089 |
| 4    | 317 3417 | 4     | Einspannbuchse mit Presssitz | Expansion bush   | EG30/38x25              |
| 5    | 317 7200 | 1     | Hülse                        | Bushing          | D30/28/20x150           |
| 6    | 317 7201 | 1     | Hülse                        | Bushing          | D30/28/20x150           |
| 7    | 323 6348 | 2     | Schmiernippel                | Grease nipple    | AM10x1 DIN71412         |
| 8    | 402 2320 | 1     | Stange                       | Rod              | 60x20x930 4xD16,1       |
| 9    | 402 2610 | 1     | Lagerung                     | Bearing          | D38x119-4xD16<br>VO7    |
| 10   | 402 2612 | 1     | Lagerung                     | Bearing          | D38x149-2xD16<br>VO7    |



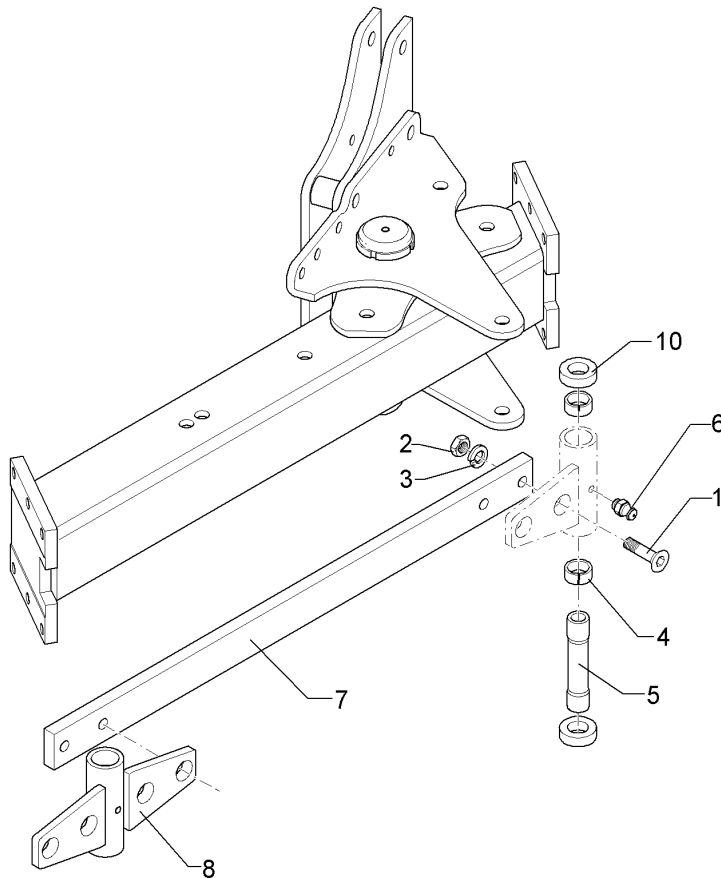
01.18

| Pos. | Art.Nr.  | Stck. | Artikeltext / Description    |                  | Abmessung               |
|------|----------|-------|------------------------------|------------------|-------------------------|
| 1    | 301 6144 | 8     | Senkschraube spz.            | Countersunk bolt | M16x50-10.9 Zn          |
| 2    | 303 1015 | 8     | Sechskantmutter              | Hexagon nut      | M16 DIN934-8 Zn         |
| 3    | 305 6275 | 2     | Scheibe                      | Washer           | D51/28,5x15             |
| 4    | 305 6141 | 8     | Scheibe                      | Washer           | 17/30x3<br>DIN/ISO-7089 |
| 5    | 317 3417 | 6     | Einspannbuchse mit Presssitz | Expansion bush   | EG30/38x25              |
| 6    | 317 7200 | 1     | Hülse                        | Bushing          | D30/28/20x150           |
| 7    | 317 7201 | 2     | Hülse                        | Bushing          | D30/28/20x150           |
| 8    | 323 6348 | 3     | Schmiernippel                | Grease nipple    | AM10x1 DIN71412         |
| 9    | 402 2320 | 2     | Stange                       | Rod              | 60x20x930 4xD16,1       |
| 10   | 402 2610 | 2     | Lagerung                     | Bearing          | D38x119-4xD16<br>VO7    |
| 11   | 402 2612 | 1     | Lagerung                     | Bearing          | D38x149-2xD16<br>VO7    |



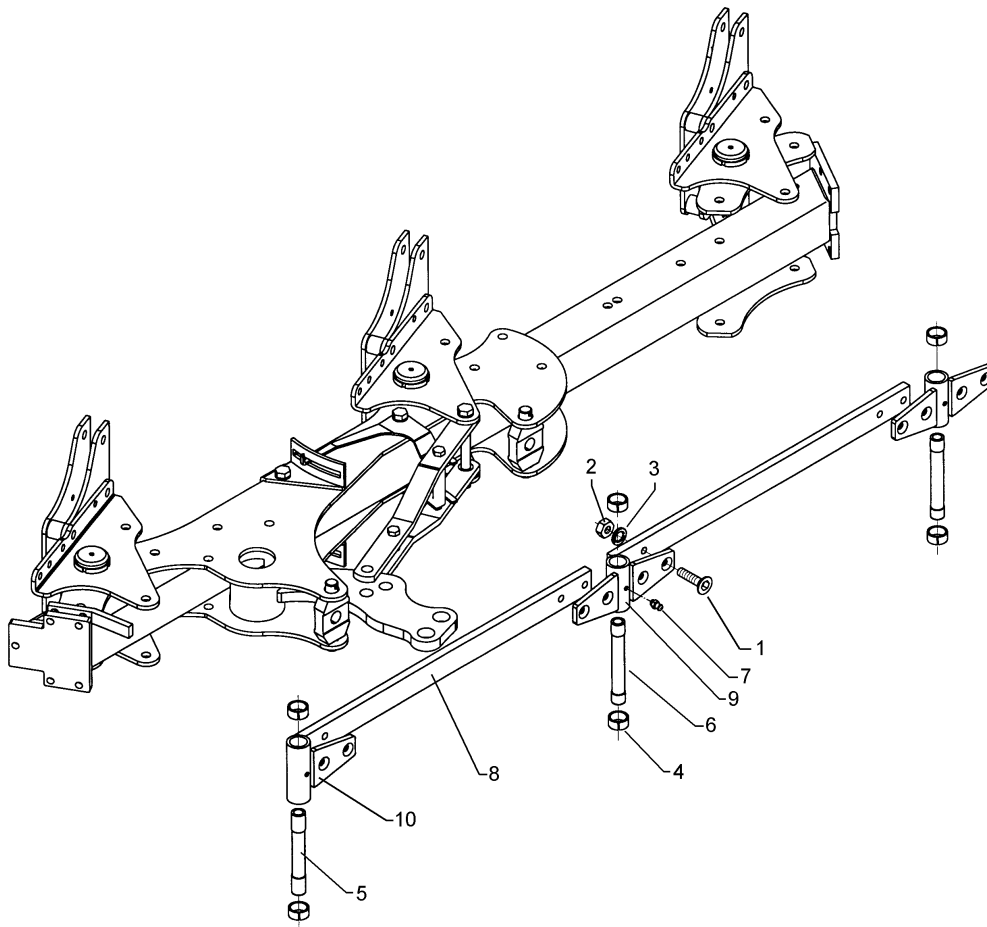
01.18

| Pos. | Art.Nr.  | Stck. | Artikeltext / Description    |                  | Abmessung               |
|------|----------|-------|------------------------------|------------------|-------------------------|
| 1    | 301 6144 | 12    | Senkschraube spz.            | Countersunk bolt | M16x50-10.9 Zn          |
| 2    | 303 1015 | 12    | Sechskantmutter              | Hexagon nut      | M16 DIN934-8 Zn         |
| 3    | 305 6275 | 2     | Scheibe                      | Washer           | D51/28,5x15             |
| 4    | 305 6141 | 12    | Scheibe                      | Washer           | 17/30x3<br>DIN/ISO-7089 |
| 5    | 317 3417 | 8     | Einspannbuchse mit Presssitz | Expansion bush   | EG30/38x25              |
| 6    | 317 7200 | 2     | Hülse                        | Bushing          | D30/28/20x150           |
| 7    | 317 7201 | 2     | Hülse                        | Bushing          | D30/28/20x150           |
| 8    | 323 6348 | 4     | Schmiernippel                | Grease nipple    | AM10x1 DIN71412         |
| 9    | 402 2320 | 3     | Stange                       | Rod              | 60x20x930 4xD16,1       |
| 10   | 402 2610 | 2     | Lagerung                     | Bearing          | D38x119-4xD16<br>VO7    |
| 11   | 402 2612 | 2     | Lagerung                     | Bearing          | D38x149-2xD16<br>VO7    |



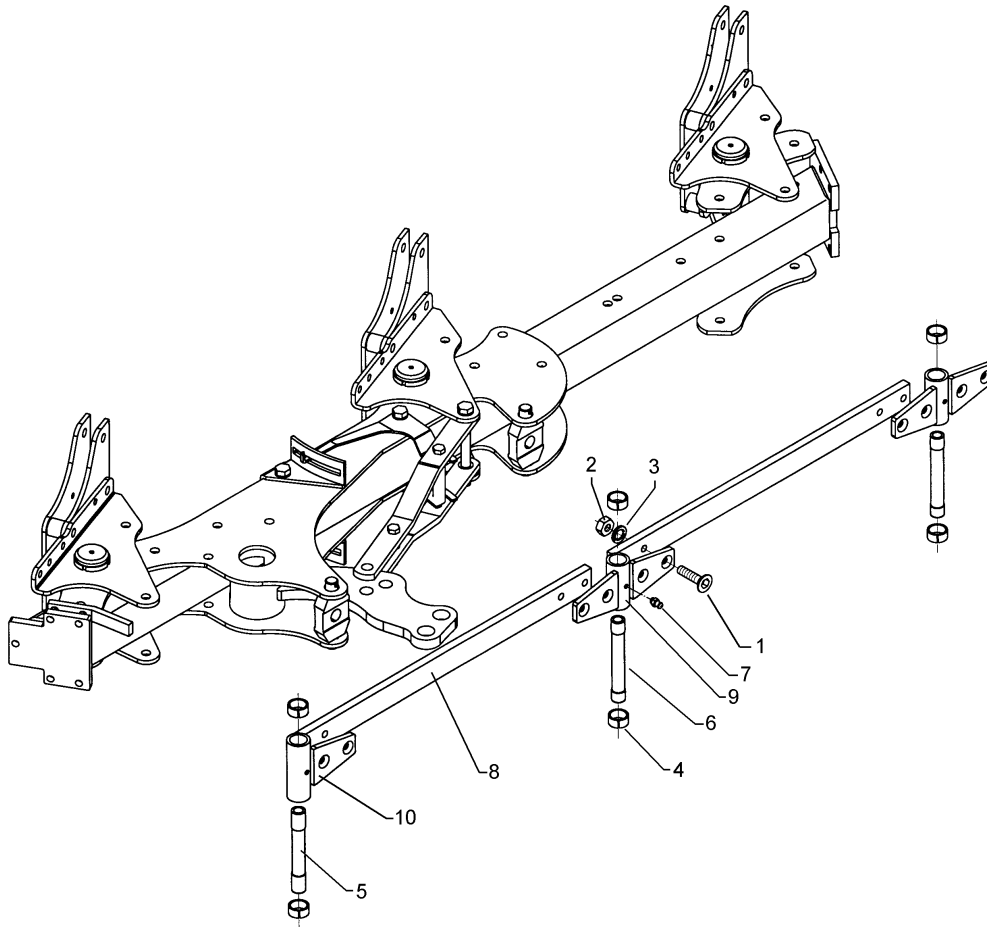
01.18

| Pos. | Art.Nr.  | Stck. | Artikeltext / Description    |                  | Abmessung                  |
|------|----------|-------|------------------------------|------------------|----------------------------|
| 1    | 301 6144 | 4     | Senkschraube spz.            | Countersunk bolt | M16x50-10.9 Zn             |
| 2    | 303 1015 | 4     | Sechskantmutter              | Hexagon nut      | M16 DIN934-8 Zn            |
| 3    | 305 6141 | 4     | Scheibe                      | Washer           | 17/30x3                    |
| 4    | 317 3417 | 2     | Einspannbuchse mit Presssitz | Expansion bush   | DIN/ISO-7089<br>EG30/38x25 |
| 5    | 317 7201 | 1     | Hülse                        | Bushing          | D30/28/20x150              |
| 6    | 323 6348 | 1     | Schmiernippel                | Grease nipple    | AM10x1 DIN71412            |
| 7    | 402 2321 | 1     | Steuerstange                 | Control rod      | 60x20x1130 4xD16,1         |
| 8    | 402 2610 | 1     | Lagerung                     | Bearing          | D38x119-4xD16<br>VO7       |
| 10   | 305 6275 | 2     | Scheibe                      | Washer           | D51/28,5x15                |



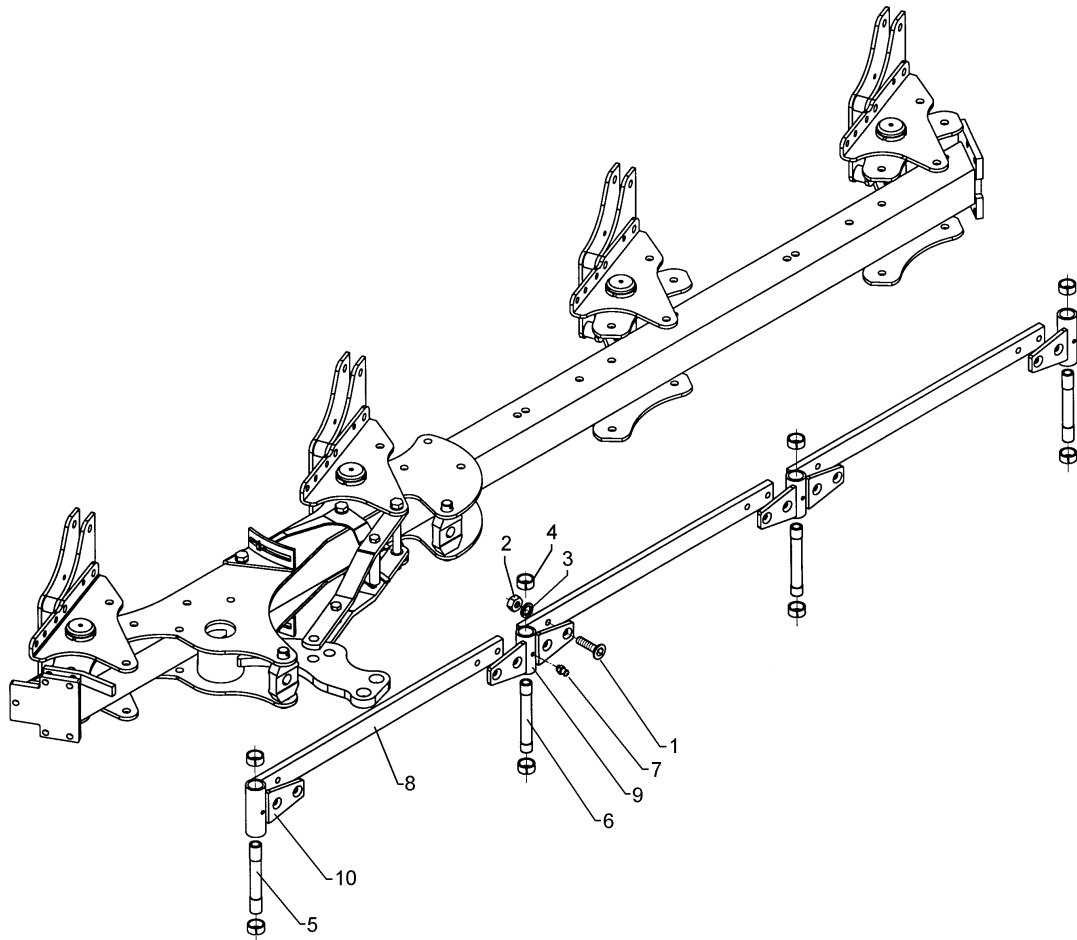
01.18

| Pos. | Art.Nr.  | Stck. | Artikeltext / Description    |                  | Abmessung               |
|------|----------|-------|------------------------------|------------------|-------------------------|
| 1    | 301 6144 | 4     | Senkschraube spz.            | Countersunk bolt | M16x50-10.9 Zn          |
| 2    | 303 1015 | 4     | Sechskantmutter              | Hexagon nut      | M16 DIN934-8 Zn         |
| 3    | 305 6141 | 4     | Scheibe                      | Washer           | 17/30x3<br>DIN/ISO-7089 |
| 4    | 317 3417 | 4     | Einspannbuchse mit Presssitz | Expansion bush   | EG30/38x25              |
| 5    | 317 7200 | 1     | Hülse                        | Bushing          | D30/28/20x150           |
| 6    | 317 7201 | 1     | Hülse                        | Bushing          | D30/28/20x150           |
| 7    | 323 6348 | 2     | Schmiernippel                | Grease nipple    | AM10x1 DIN71412         |
| 8    | 402 2321 | 1     | Steuerstange                 | Control rod      | 60x20x1130 4xD16,1      |
| 9    | 402 2610 | 1     | Lagerung                     | Bearing          | D38x119-4xD16<br>VO7    |
| 10   | 402 2612 | 1     | Lagerung                     | Bearing          | D38x149-2xD16<br>VO7    |



01.18

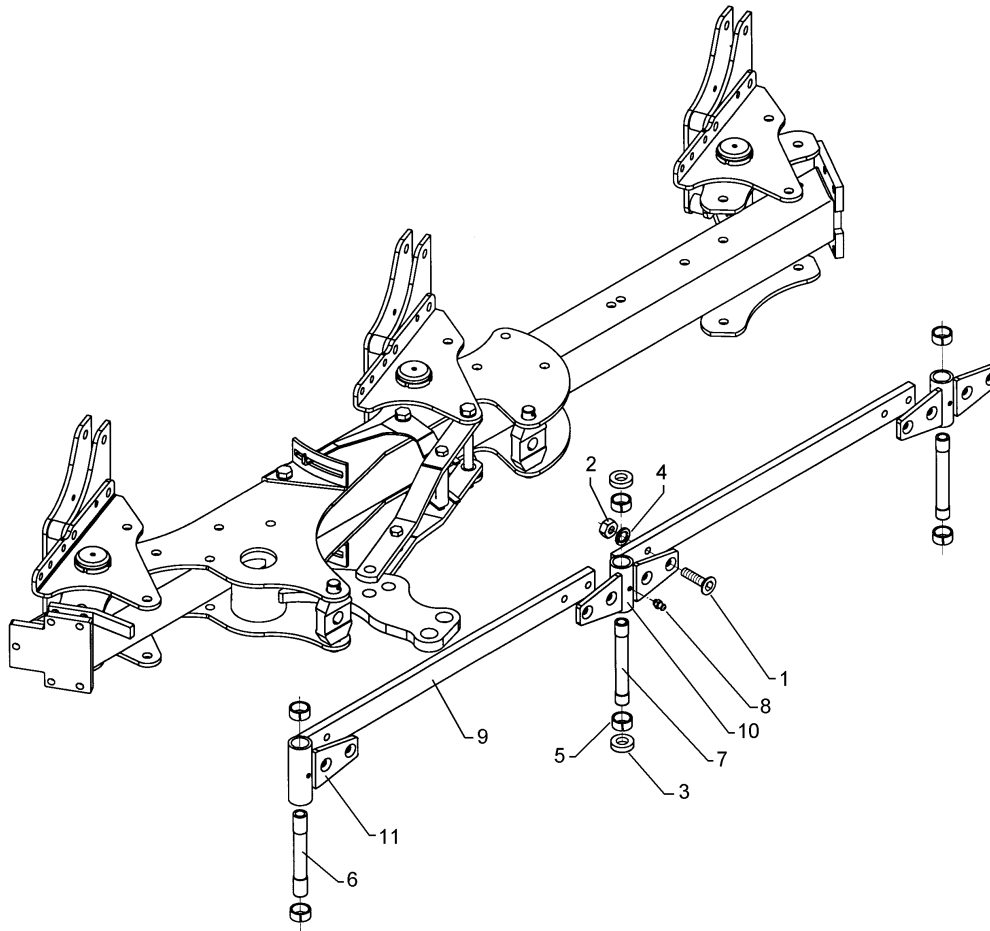
| Pos. | Art.Nr.  | Stck. | Artikeltext / Description    |                  | Abmessung               |
|------|----------|-------|------------------------------|------------------|-------------------------|
| 1    | 301 6144 | 8     | Senkschraube spz.            | Countersunk bolt | M16x50-10.9 Zn          |
| 2    | 303 1015 | 8     | Sechskantmutter              | Hexagon nut      | M16 DIN934-8 Zn         |
| 3    | 305 6141 | 8     | Scheibe                      | Washer           | 17/30x3<br>DIN/ISO-7089 |
| 4    | 317 3417 | 6     | Einspannbuchse mit Presssitz | Expansion bush   | EG30/38x25              |
| 5    | 317 7200 | 1     | Hülse                        | Bushing          | D30/28/20x150           |
| 6    | 317 7201 | 2     | Hülse                        | Bushing          | D30/28/20x150           |
| 7    | 323 6348 | 3     | Schmiernippel                | Grease nipple    | AM10x1 DIN71412         |
| 8    | 402 2315 | 2     | Stange                       | Rod              | 60x20x830 4xD16,1       |
| 9    | 402 2610 | 2     | Lagerung                     | Bearing          | D38x119-4xD16<br>VO7    |
| 10   | 402 2612 | 1     | Lagerung                     | Bearing          | D38x149-2xD16<br>VO7    |



01.18

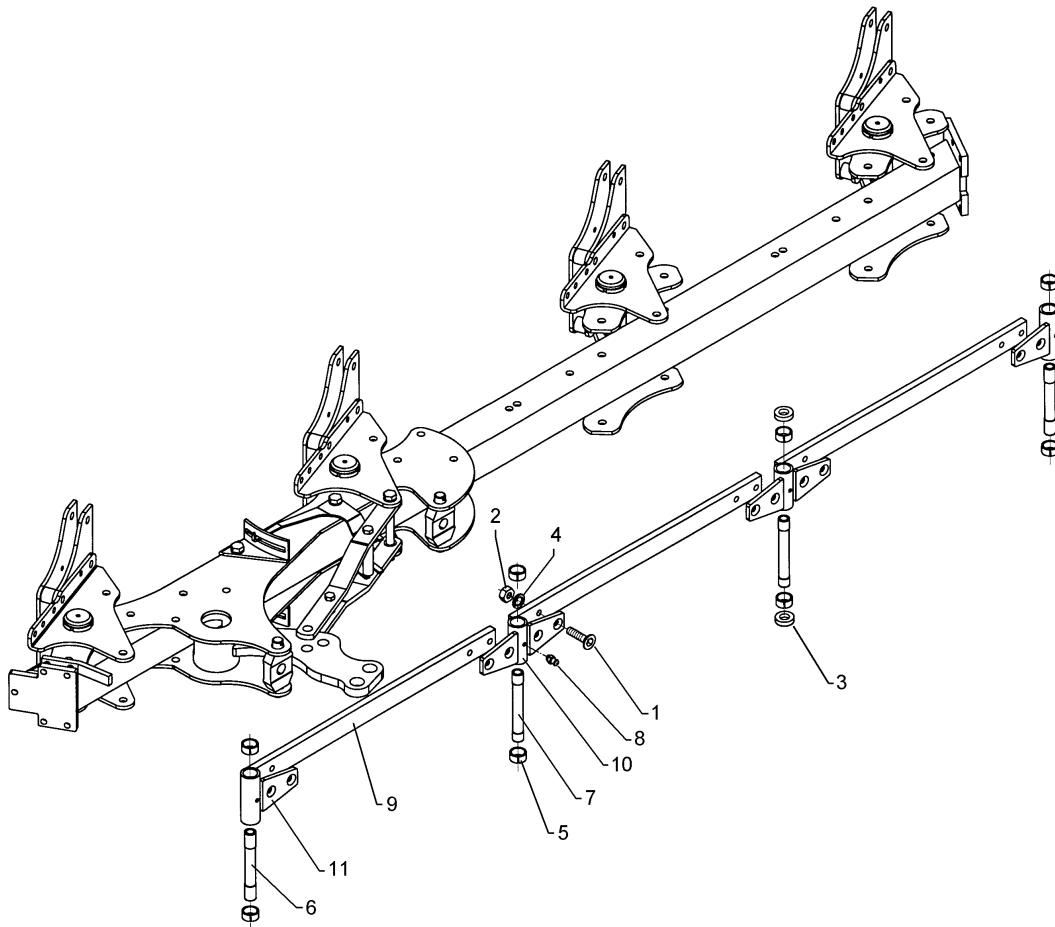
| Pos. | Art.Nr.  | Stck. | Artikeltext / Description    |                  | Abmessung               |
|------|----------|-------|------------------------------|------------------|-------------------------|
| 1    | 301 6144 | 12    | Senkschraube spz.            | Countersunk bolt | M16x50-10.9 Zn          |
| 2    | 303 1015 | 12    | Sechskantmutter              | Hexagon nut      | M16 DIN934-8 Zn         |
| 3    | 305 6141 | 12    | Scheibe                      | Washer           | 17/30x3<br>DIN/ISO-7089 |
| 4    | 317 3417 | 8     | Einspannbuchse mit Presssitz | Expansion bush   | EG30/38x25              |
| 5    | 317 7200 | 2     | Hülse                        | Bushing          | D30/28/20x150           |
| 6    | 317 7201 | 2     | Hülse                        | Bushing          | D30/28/20x150           |
| 7    | 323 6348 | 4     | Schmiernippel                | Grease nipple    | AM10x1 DIN71412         |
| 8    | 402 2315 | 3     | Stange                       | Rod              | 60x20x830 4xD16,1       |
| 9    | 402 2610 | 2     | Lagerung                     | Bearing          | D38x119-4xD16<br>VO7    |
| 10   | 402 2612 | 2     | Lagerung                     | Bearing          | D38x149-2xD16<br>VO7    |





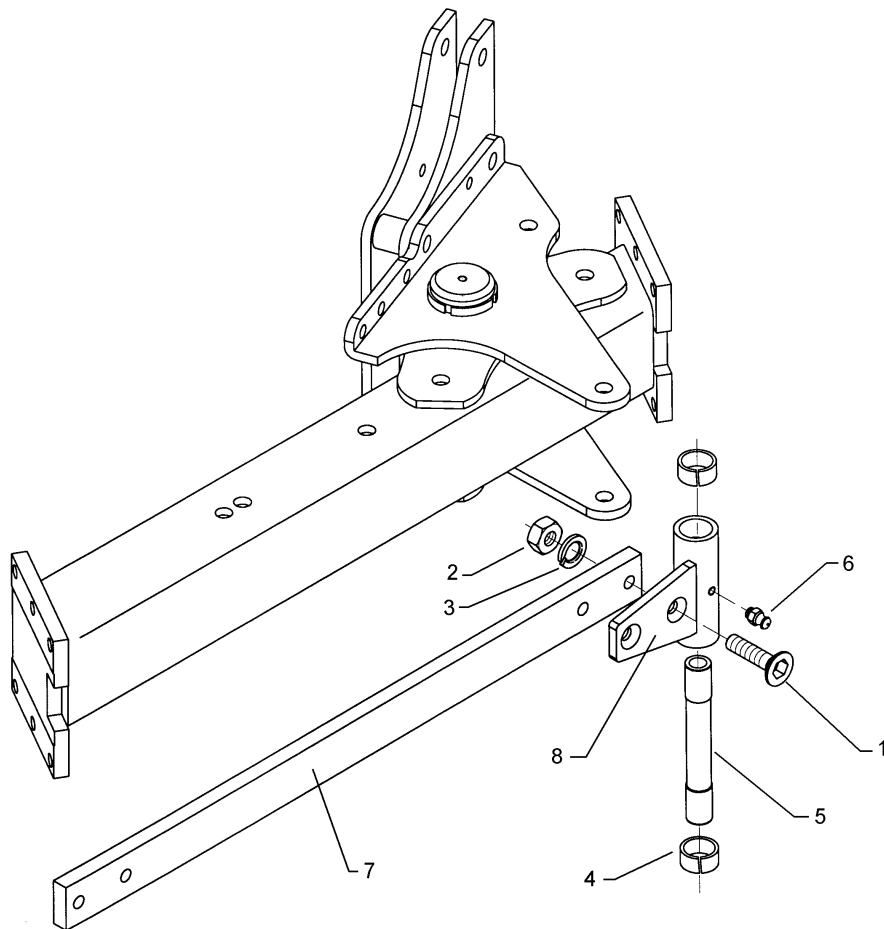
01.18

| Pos. | Art.Nr.  | Stck. | Artikeltext / Description    |                  | Abmessung               |
|------|----------|-------|------------------------------|------------------|-------------------------|
| 1    | 301 6144 | 8     | Senkschraube spz.            | Countersunk bolt | M16x50-10.9 Zn          |
| 2    | 303 1015 | 8     | Sechskantmutter              | Hexagon nut      | M16 DIN934-8 Zn         |
| 3    | 305 6275 | 2     | Scheibe                      | Washer           | D51/28,5x15             |
| 4    | 305 6141 | 8     | Scheibe                      | Washer           | 17/30x3<br>DIN/ISO-7089 |
| 5    | 317 3417 | 6     | Einspannbuchse mit Presssitz | Expansion bush   | EG30/38x25              |
| 6    | 317 7200 | 1     | Hülse                        | Bushing          | D30/28/20x150           |
| 7    | 317 7201 | 2     | Hülse                        | Bushing          | D30/28/20x150           |
| 8    | 323 6348 | 3     | Schmiernippel                | Grease nipple    | AM10x1 DIN71412         |
| 9    | 402 2315 | 2     | Stange                       | Rod              | 60x20x830 4xD16,1       |
| 10   | 402 2610 | 2     | Lagerung                     | Bearing          | D38x119-4xD16<br>VO7    |
| 11   | 402 2612 | 1     | Lagerung                     | Bearing          | D38x149-2xD16<br>VO7    |



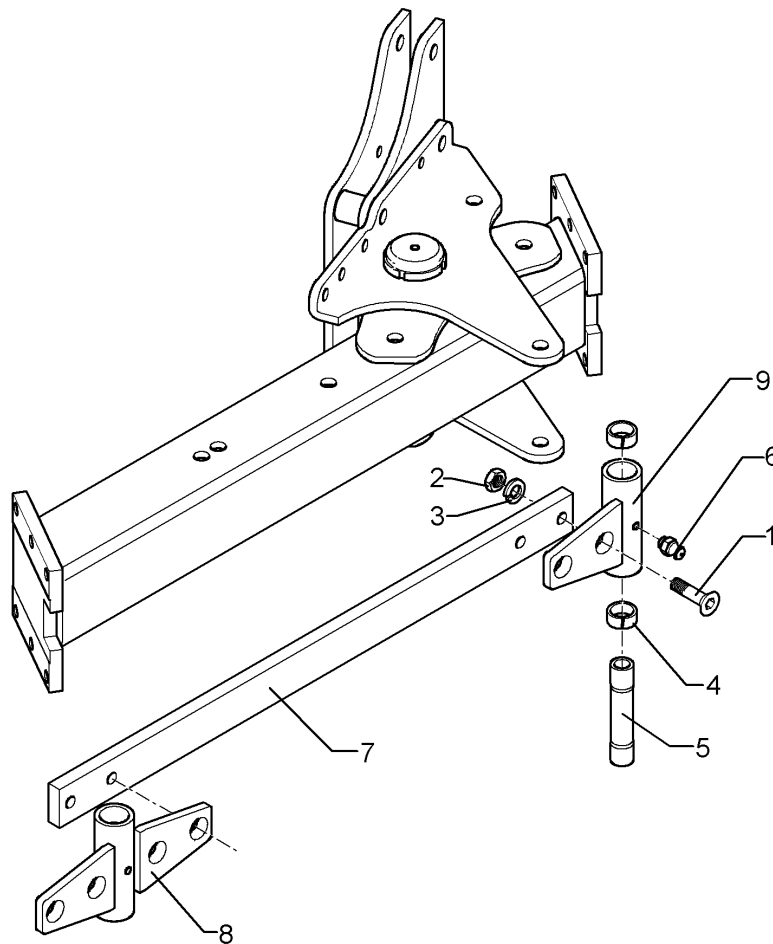
01.18

| Pos. | Art.Nr.  | Stck. | Artikeltext / Description    |                  | Abmessung               |
|------|----------|-------|------------------------------|------------------|-------------------------|
| 1    | 301 6144 | 12    | Senkschraube spz.            | Countersunk bolt | M16x50-10.9 Zn          |
| 2    | 303 1015 | 12    | Sechskantmutter              | Hexagon nut      | M16 DIN934-8 Zn         |
| 3    | 305 6275 | 2     | Scheibe                      | Washer           | D51/28,5x15             |
| 4    | 305 6141 | 12    | Scheibe                      | Washer           | 17/30x3<br>DIN/ISO-7089 |
| 5    | 317 3417 | 8     | Einspannbuchse mit Presssitz | Expansion bush   | EG30/38x25              |
| 6    | 317 7200 | 2     | Hülse                        | Bushing          | D30/28/20x150           |
| 7    | 317 7201 | 2     | Hülse                        | Bushing          | D30/28/20x150           |
| 8    | 323 6348 | 4     | Schmiernippel                | Grease nipple    | AM10x1 DIN71412         |
| 9    | 402 2315 | 3     | Stange                       | Rod              | 60x20x830 4xD16,1       |
| 10   | 402 2610 | 2     | Lagerung                     | Bearing          | D38x119-4xD16<br>VO7    |
| 11   | 402 2612 | 2     | Lagerung                     | Bearing          | D38x149-2xD16<br>VO7    |



01.18

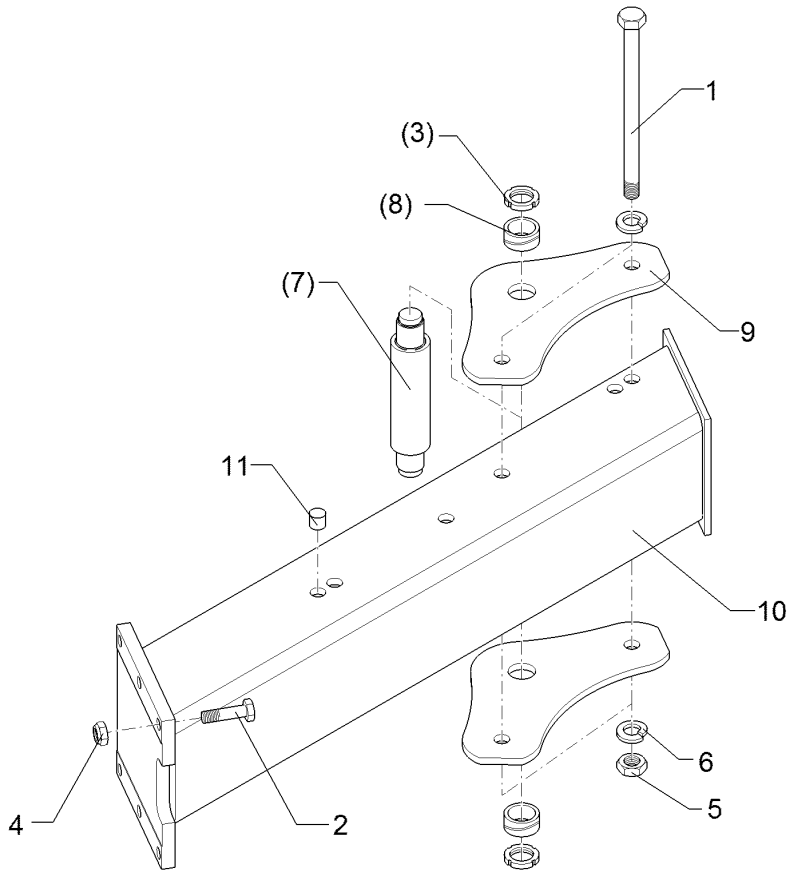
| Pos. | Art.Nr.  | Stck. | Artikeltext / Description    |                  | Abmessung                  |
|------|----------|-------|------------------------------|------------------|----------------------------|
| 1    | 301 6144 | 4     | Senkschraube spz.            | Countersunk bolt | M16x50-10.9 Zn             |
| 2    | 303 1015 | 4     | Sechskantmutter              | Hexagon nut      | M16 DIN934-8 Zn            |
| 3    | 305 6141 | 4     | Scheibe                      | Washer           | 17/30x3                    |
| 4    | 317 3417 | 2     | Einspannbuchse mit Presssitz | Expansion bush   | DIN/ISO-7089<br>EG30/38x25 |
| 5    | 317 7200 | 1     | Hülse                        | Bushing          | D30/28/20x150              |
| 6    | 323 6348 | 1     | Schmiernippel                | Grease nipple    | AM10x1 DIN71412            |
| 7    | 402 2315 | 1     | Stange                       | Rod              | 60x20x830 4xD16,1          |
| 8    | 402 2612 | 1     | Lagerung                     | Bearing          | D38x149-2xD16<br>VO7       |



01.18

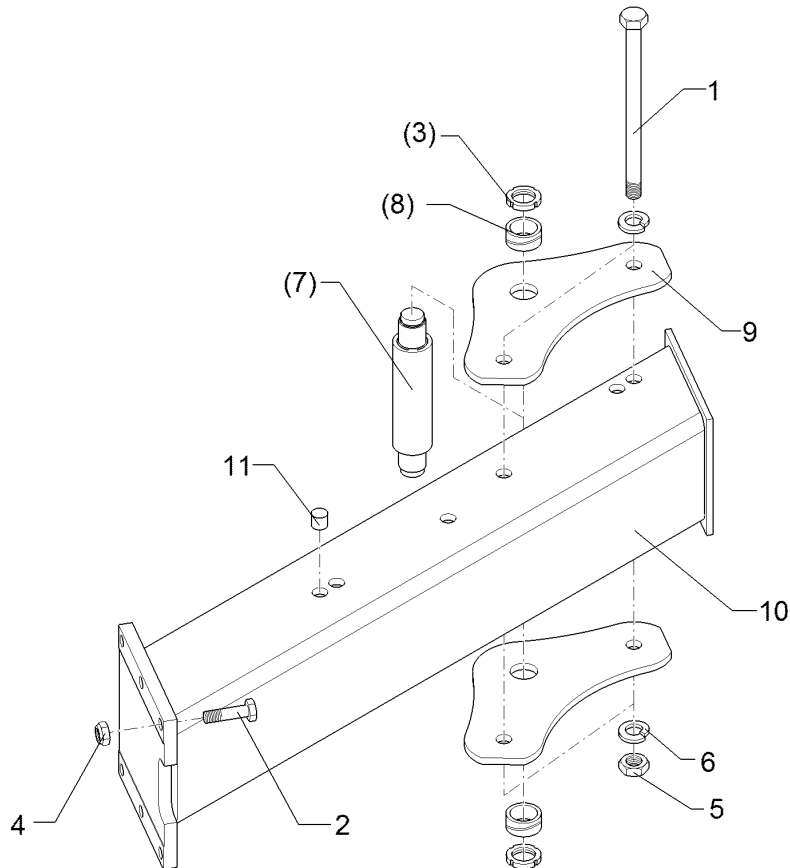
| Pos. | Art.Nr.  | Stck. | Artikeltext / Description    |                  | Abmessung                  |
|------|----------|-------|------------------------------|------------------|----------------------------|
| 1    | 301 6144 | 4     | Senkschraube spz.            | Countersunk bolt | M16x50-10.9 Zn             |
| 2    | 303 1015 | 4     | Sechskantmutter              | Hexagon nut      | M16 DIN934-8 Zn            |
| 3    | 305 6141 | 4     | Scheibe                      | Washer           | 17/30x3                    |
| 4    | 317 3417 | 2     | Einspannbuchse mit Presssitz | Expansion bush   | DIN/ISO-7089<br>EG30/38x25 |
| 5    | 317 7200 | 1     | Hülse                        | Bushing          | D30/28/20x150              |
| 6    | 323 6348 | 1     | Schmiernippel                | Grease nipple    | AM10x1 DIN71412            |
| 7    | 402 2315 | 1     | Stange                       | Rod              | 60x20x830 4xD16,1          |
| 8    | 402 2611 | 1     | Lagerung                     | Bearing          | D38x149-4xD16<br>VO7       |
| 9    | 402 2612 | 1     | Lagerung                     | Bearing          | D38x149-2xD16<br>VO7       |

|                                  |                 |
|----------------------------------|-----------------|
| <b>Anbauteil/Frame extension</b> | <b>8</b>        |
| <b>VariOpal 7 / 7HX</b>          | <b>602 8705</b> |



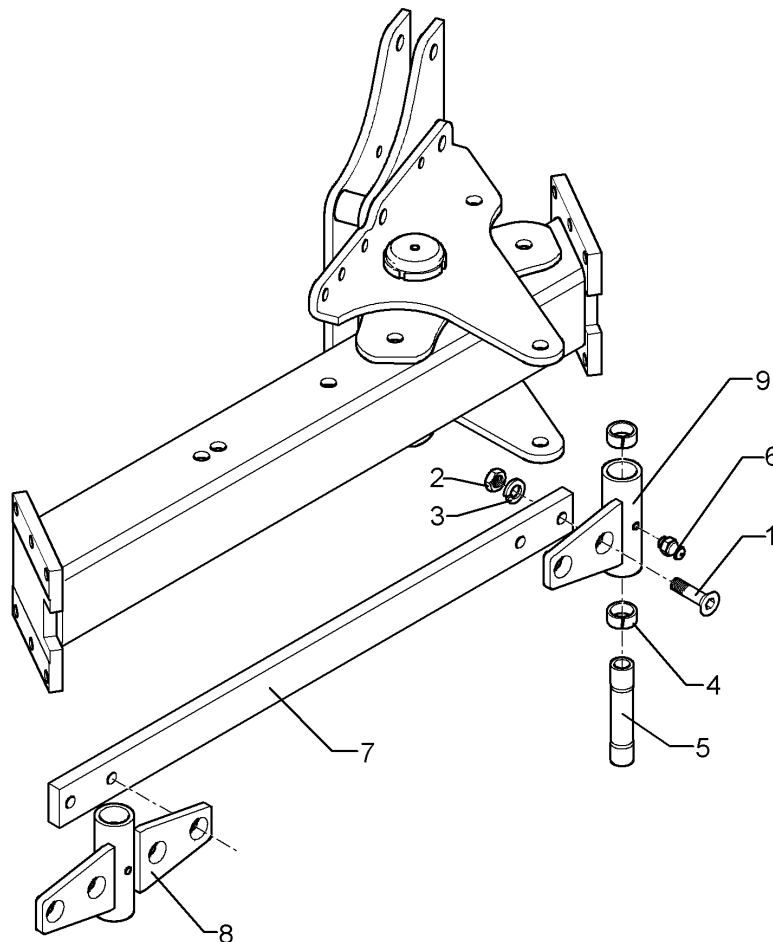
01.18

| Pos. | Art.Nr.  | Stck. | Artikeltext / Description |                 | Abmessung                       |
|------|----------|-------|---------------------------|-----------------|---------------------------------|
| 1    | 301 4523 | 2     | Sechskantschraube spezial | Hexagon bolt    | M20x1,5x170ls144xb23-10.9<br>Zn |
| 2    | 301 5385 | 6     | Sechskantschraube spz.    | Hexagon bolt    | M16x55-10.9 Zn                  |
| 3    | 303 0338 | 2     | Nutmutter                 | Grooved nut     | M30x1,5                         |
| 4    | 303 0935 | 6     | Sicherungsmutter          | Selflocking nut | NM16-8 Zn DIN985                |
| 5    | 303 0977 | 2     | Sechskantmutter           | Hexagon nut     | M20x1,5 DIN934-10<br>Zn         |
| 6    | 305 6012 | 4     | Scheibe                   | Washer          | 21 ISO7089 Zn                   |
| 7    | 313 5560 | 1     | Bolzen                    | Pin             | D50/120x200<br>D35/M30x1,5 VE7S |
| 8    | 317 2000 | 2     | Buchse                    | Bush            | D45/D35x21                      |
| 9    | 402 2940 | 2     | Lagerplatte               | Bearing plate   | D35 VO 7                        |
| 10   | 402 8242 | 1     | Anbauteil                 | Frame extension | EurOpal 7 100                   |
| 11   | 323 8071 | 8     | Schutzkappe               | Cap             | GPN 300V19 - D20<br>RAL5015     |



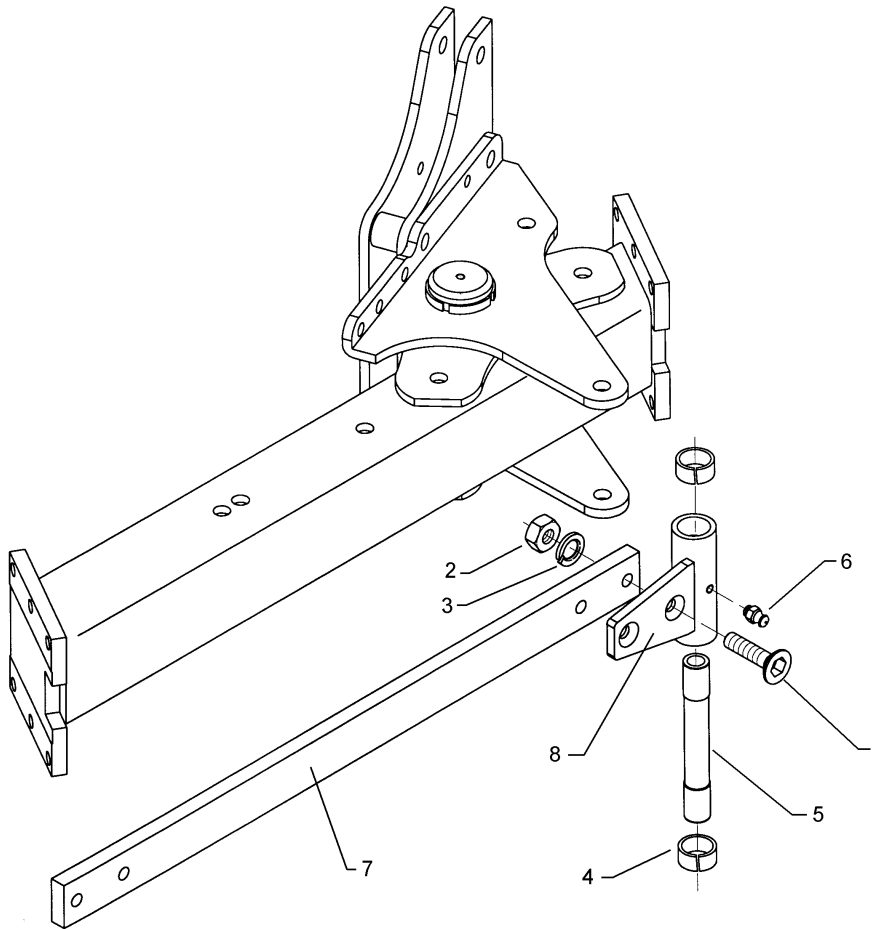
01.18

| Pos. | Art.Nr.  | Stck. | Artikeltext / Description |                 | Abmessung                       |
|------|----------|-------|---------------------------|-----------------|---------------------------------|
| 1    | 301 4523 | 2     | Sechskantschraube spezial | Hexagon bolt    | M20x1,5x170ls144xb23-10.9<br>Zn |
| 2    | 301 5385 | 6     | Sechskantschraube spz.    | Hexagon bolt    | M16x55-10.9 Zn                  |
| 3    | 303 0338 | 2     | Nutmutter                 | Grooved nut     | M30x1,5                         |
| 4    | 303 0935 | 6     | Sicherungsmutter          | Selflocking nut | NM16-8 Zn DIN985                |
| 5    | 303 0977 | 2     | Sechskantmutter           | Hexagon nut     | M20x1,5 DIN934-10<br>Zn         |
| 6    | 305 6012 | 4     | Scheibe                   | Washer          | 21 ISO7089 Zn                   |
| 7    | 313 5560 | 1     | Bolzen                    | Pin             | D50/120x200<br>D35/M30x1,5 VE7S |
| 8    | 317 2000 | 2     | Buchse                    | Bush            | D45/D35x21                      |
| 9    | 402 2940 | 2     | Lagerplatte               | Bearing plate   | D35 VO 7                        |
| 10   | 402 8245 | 1     | Anbauteil                 | Frame extension | EurOpal 7 90                    |
| 11   | 323 8071 | 8     | Schutzkappe               | Cap             | GPN 300V19 - D20<br>RAL5015     |



01.18

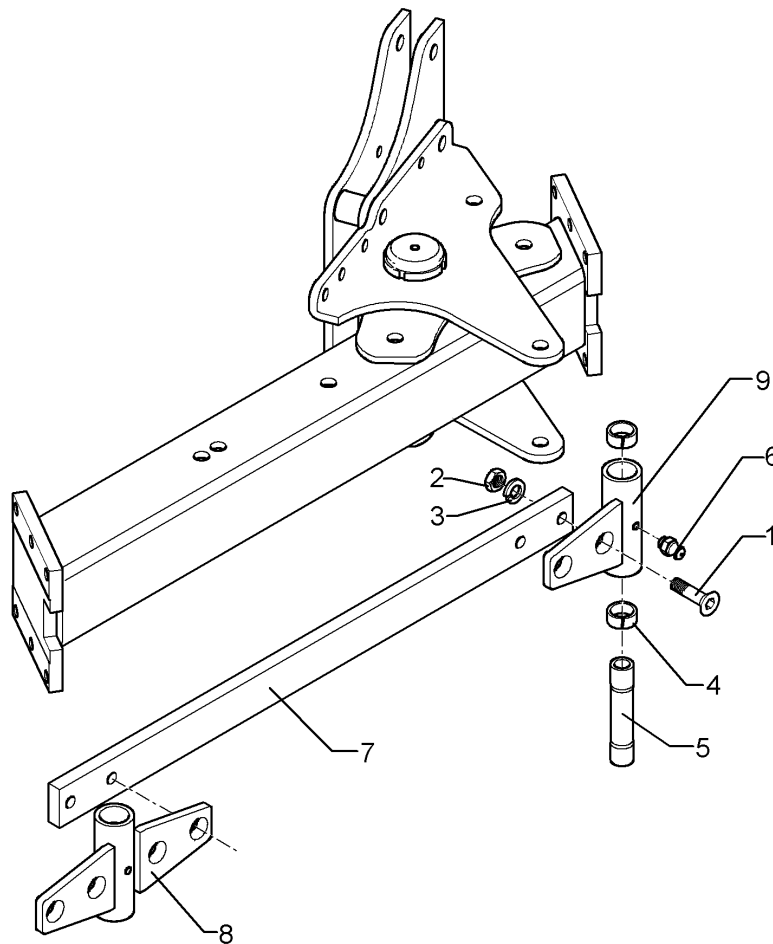
| Pos. | Art.Nr.  | Stck. | Artikeltext / Description    |                  | Abmessung                  |
|------|----------|-------|------------------------------|------------------|----------------------------|
| 1    | 301 6144 | 4     | Senkschraube spz.            | Countersunk bolt | M16x50-10.9 Zn             |
| 2    | 303 1015 | 4     | Sechskantmutter              | Hexagon nut      | M16 DIN934-8 Zn            |
| 3    | 305 6141 | 4     | Scheibe                      | Washer           | 17/30x3                    |
| 4    | 317 3417 | 2     | Einspannbuchse mit Presssitz | Expansion bush   | DIN/ISO-7089<br>EG30/38x25 |
| 5    | 317 7200 | 1     | Hülse                        | Bushing          | D30/28/20x150              |
| 6    | 323 6348 | 1     | Schmiernippel                | Grease nipple    | AM10x1 DIN71412            |
| 7    | 402 2321 | 1     | Steuerstange                 | Control rod      | 60x20x1130 4xD16,1         |
| 8    | 402 2611 | 1     | Lagerung                     | Bearing          | D38x149-4xD16<br>VO7       |
| 9    | 402 2612 | 1     | Lagerung                     | Bearing          | D38x149-2xD16<br>VO7       |



01.18

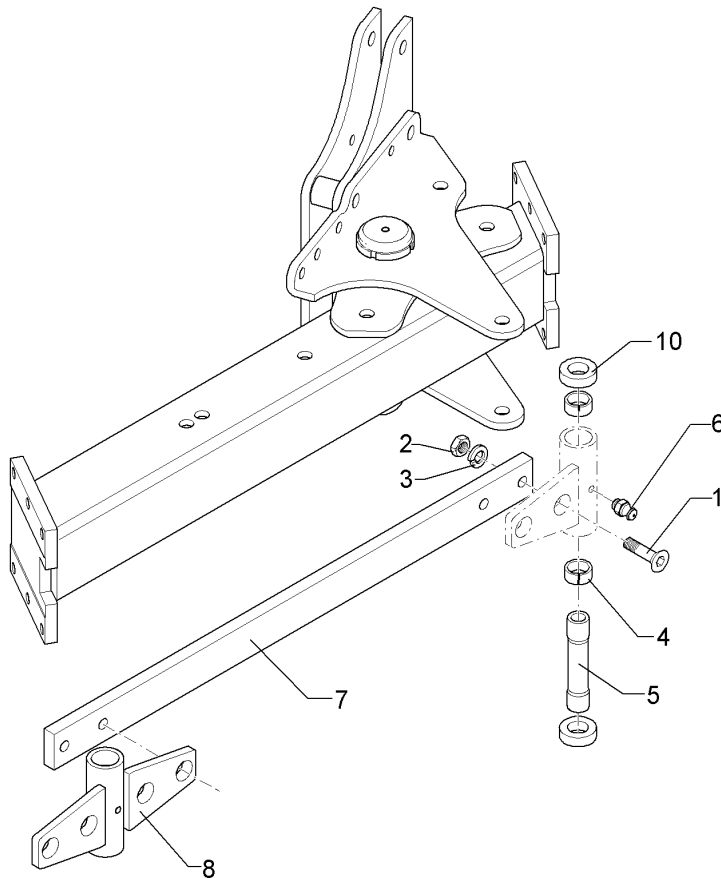
| Pos. | Art.Nr.  | Stck. | Artikeltext / Description    |                  | Abmessung                |
|------|----------|-------|------------------------------|------------------|--------------------------|
| 1    | 301 6144 | 4     | Senkschraube spz.            | Countersunk bolt | M16x50-10.9 Zn           |
| 2    | 303 1015 | 4     | Sechskantmutter              | Hexagon nut      | M16 DIN934-8 Zn          |
| 3    | 305 6141 | 4     | Scheibe                      | Washer           | 17/30x3                  |
| 4    | 317 3417 | 2     | Einspannbuchse mit Presssitz | Expansion bush   | DIN/ISO-7089             |
| 5    | 317 7200 | 1     | Hülse                        | Bushing          | EG30/38x25               |
| 6    | 323 6348 | 1     | Schmiernippel                | Grease nipple    | D30/28/20x150            |
| 7    | 402 2320 | 1     | Stange                       | Rod              | AM10x1 DIN71412          |
| 8    | 402 2612 | 1     | Lagerung                     | Bearing          | 60x20x930 4xD16,1<br>VO7 |





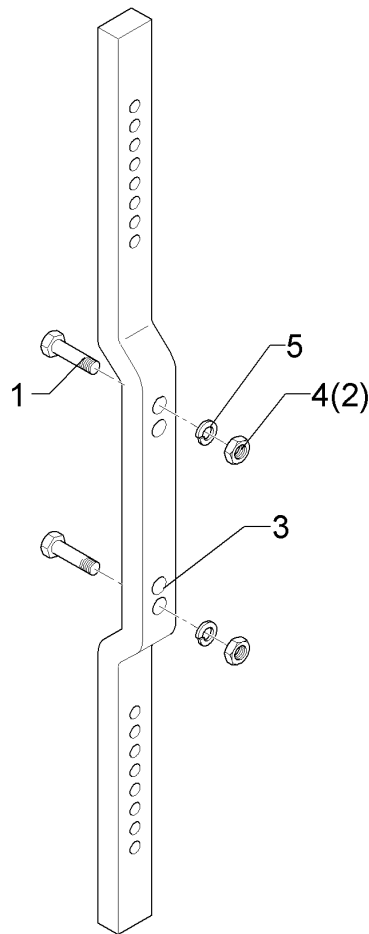
01.18

| Pos. | Art.Nr.  | Stck. | Artikeltext / Description    |                  | Abmessung                  |
|------|----------|-------|------------------------------|------------------|----------------------------|
| 1    | 301 6144 | 4     | Senkschraube spz.            | Countersunk bolt | M16x50-10.9 Zn             |
| 2    | 303 1015 | 4     | Sechskantmutter              | Hexagon nut      | M16 DIN934-8 Zn            |
| 3    | 305 6141 | 4     | Scheibe                      | Washer           | 17/30x3                    |
| 4    | 317 3417 | 2     | Einspannbuchse mit Presssitz | Expansion bush   | DIN/ISO-7089<br>EG30/38x25 |
| 5    | 317 7200 | 1     | Hülse                        | Bushing          | D30/28/20x150              |
| 6    | 323 6348 | 1     | Schmiernippel                | Grease nipple    | AM10x1 DIN71412            |
| 7    | 402 2320 | 1     | Stange                       | Rod              | 60x20x930 4xD16,1          |
| 8    | 402 2611 | 1     | Lagerung                     | Bearing          | D38x149-4xD16<br>VO7       |
| 9    | 402 2612 | 1     | Lagerung                     | Bearing          | D38x149-2xD16<br>VO7       |



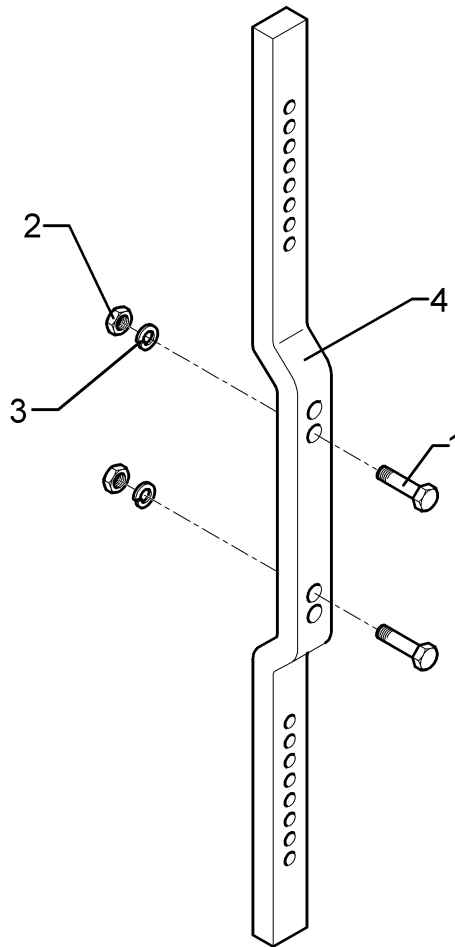
01.18

| Pos. | Art.Nr.  | Stck. | Artikeltext / Description    |                  | Abmessung               |
|------|----------|-------|------------------------------|------------------|-------------------------|
| 1    | 301 6144 | 4     | Senkschraube spz.            | Countersunk bolt | M16x50-10.9 Zn          |
| 2    | 303 1015 | 4     | Sechskantmutter              | Hexagon nut      | M16 DIN934-8 Zn         |
| 3    | 305 6141 | 4     | Scheibe                      | Washer           | 17/30x3<br>DIN/ISO-7089 |
| 4    | 317 3417 | 2     | Einspannbuchse mit Presssitz | Expansion bush   | EG30/38x25              |
| 5    | 317 7201 | 1     | Hülse                        | Bushing          | D30/28/20x150           |
| 6    | 323 6348 | 1     | Schmiernippel                | Grease nipple    | AM10x1 DIN71412         |
| 7    | 402 2320 | 1     | Stange                       | Rod              | 60x20x930 4xD16,1       |
| 8    | 402 2610 | 1     | Lagerung                     | Bearing          | D38x119-4xD16<br>VO7    |
| 10   | 305 6275 | 2     | Scheibe                      | Washer           | D51/28,5x15             |



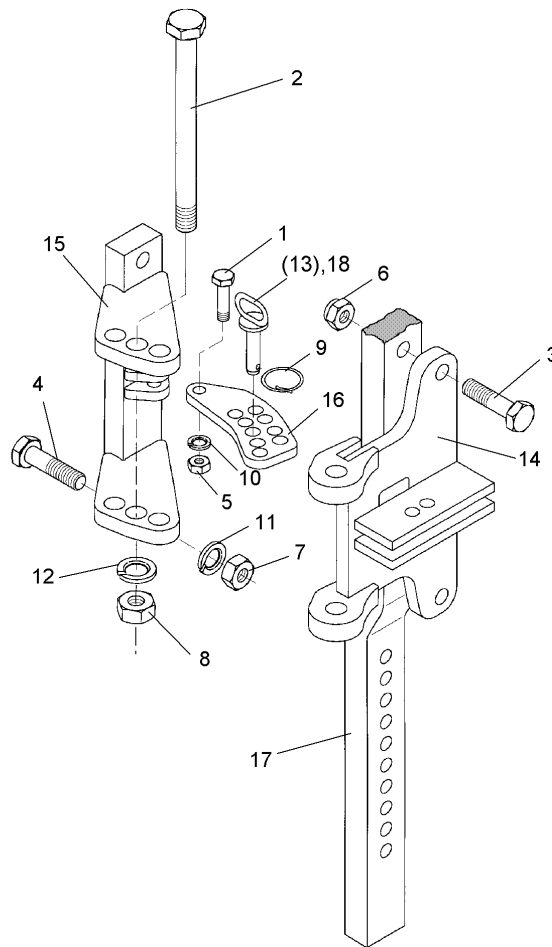
01.18

| Pos. | Art.Nr.  | Stck. | Artikeltext / Description |              | Abmessung          |
|------|----------|-------|---------------------------|--------------|--------------------|
| 1    | 301 3870 | 2     | Sechskantschraube spz.    | Hexagon bolt | M16x65-10.9 Zn     |
| 2    | 303 0971 | 2     | Sechskantmutter           | Hexagon nut  | M16 DIN934-10 Zn   |
| 3    | 463 8641 | 1     | Düngereinlegerhalm        | Skim stalk   | 50x30x0974-220/260 |
| 4    | 303 1015 | 2     | Sechskantmutter           | Hexagon nut  | M16 DIN934-8 Zn    |
| 5    | 30510119 | 4     | Sperrkantscheibe          | Washer       | 16,4/32,5x2,5 Zn5  |



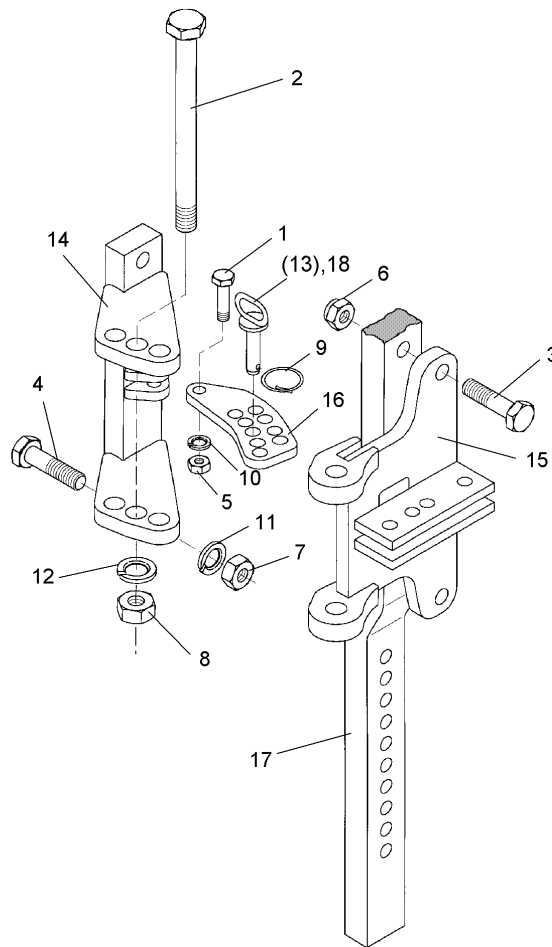
01.18

| Pos. | Art.Nr.  | Stck. | Artikeltext / Description |              | Abmessung         |
|------|----------|-------|---------------------------|--------------|-------------------|
| 1    | 301 3870 | 2     | Sechskantschraube spz.    | Hexagon bolt | M16x65-10.9 Zn    |
| 2    | 303 0971 | 2     | Sechskantmutter           | Hexagon nut  | M16 DIN934-10 Zn  |
| 3    | 30510119 | 4     | Sperrkantscheibe          | Washer       | 16,4/32,5x2,5 Zn5 |
| 4    | 463 8642 | 1     | Düngereinlegerhalm        | Skim stalk   | 50x30x1124-260    |



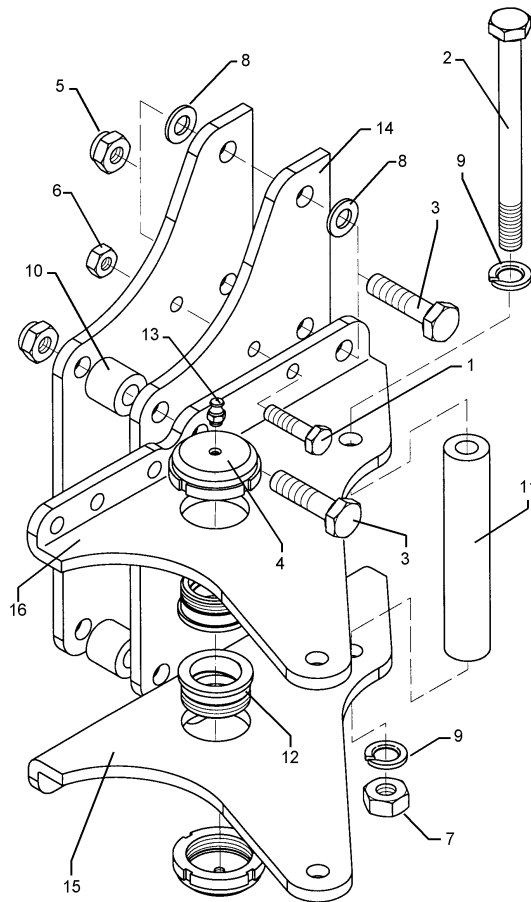
01.18

| Pos. | Art.Nr.  | Stck. | Artikeltext / Description |                 | Abmessung                    |
|------|----------|-------|---------------------------|-----------------|------------------------------|
| 1    | 301 3351 | 1     | Sechskantschraube spz.    | Hexagon bolt    | M12x50-8.8 Zn                |
| 2    | 301 4540 | 1     | Sechskantschraube spz.    | Hexagon bolt    | M20x1,5x200-10.9 Zn          |
| 3    | 301 5363 | 2     | Sechskantschraube spz.    | Hexagon bolt    | M16x70-12.9 Zn               |
| 4    | 301 3779 | 2     | Sechskantschraube spz.    | Hexagon bolt    | M16x60-10.9 Zn               |
| 5    | 303 0934 | 1     | Sicherungsmutter          | Selflocking nut | NM12-8 Zn DIN985             |
| 7    | 303 0971 | 4     | Sechskantmutter           | Hexagon nut     | M16 DIN934-10 Zn             |
| 8    | 303 0977 | 1     | Sechskantmutter           | Hexagon nut     | M20x1,5 DIN934-10 Zn         |
| 9    | 311 9565 | 1     | Klappstift                | Securing pin    | 4,5                          |
| 10   | 305 8580 | 2     | Scheibe                   | Washer          | 13/24x2,5 St-Zn<br>DIN125    |
| 11   | 30510119 | 8     | Sperrkantscheibe          | Washer          | 16,4/32,5x2,5 Zn5            |
| 12   | 305 6012 | 2     | Scheibe                   | Washer          | 21 ISO7089 Zn                |
| 14   | 457 7230 | 1     | Schwenkkonsole            | Swivel bracket  | DE 220 D16,5                 |
| 15   | 457 7231 | 1     | Konsole                   | Bracket         | DE 220 D16,5 E6+7            |
| 16   | 457 7204 | 1     | Lasche                    | Lashing         | 50x10x142<br>9xD14,2+1xD12,1 |
| 17   | 463 8641 | 1     | Düngereinlegerhalm        | Skim stalk      | 50x30x0974-220/260           |
| 18   | 313 8158 | 1     | Bolzen mit Griff          | Pin with grip   | D14x61/103 Zn                |



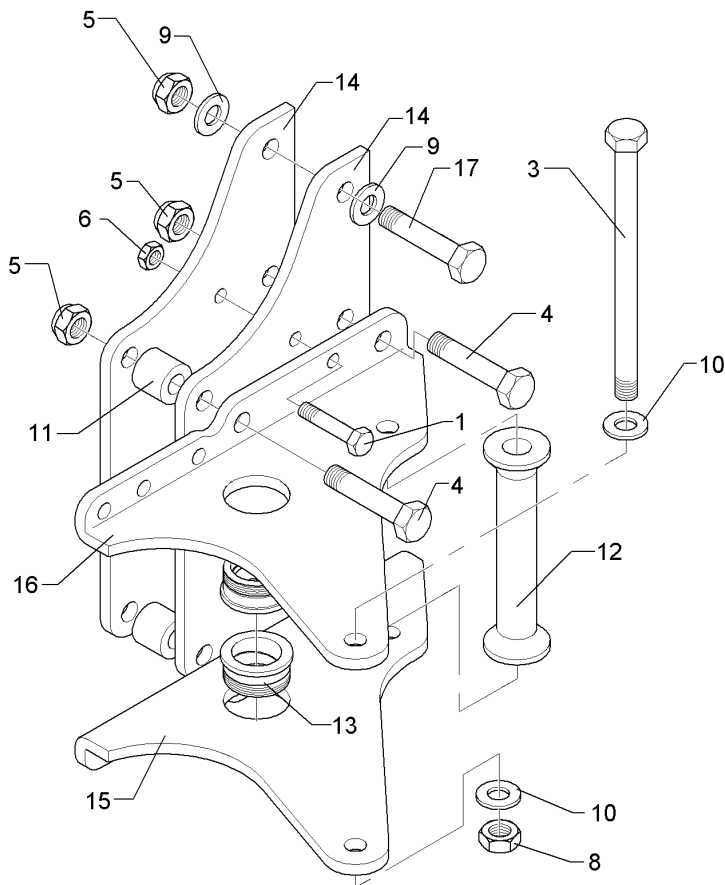
01.18

| Pos. | Art.Nr.  | Stck. | Artikeltext / Description |                 | Abmessung                    |
|------|----------|-------|---------------------------|-----------------|------------------------------|
| 1    | 301 3351 | 1     | Sechskantschraube spz.    | Hexagon bolt    | M12x50-8.8 Zn                |
| 2    | 301 4540 | 1     | Sechskantschraube spz.    | Hexagon bolt    | M20x1,5x200-10.9 Zn          |
| 3    | 301 5363 | 2     | Sechskantschraube spz.    | Hexagon bolt    | M16x70-12.9 Zn               |
| 4    | 301 3779 | 2     | Sechskantschraube spz.    | Hexagon bolt    | M16x60-10.9 Zn               |
| 5    | 303 0934 | 1     | Sicherungsmutter          | Selflocking nut | NM12-8 Zn DIN985             |
| 7    | 303 0971 | 4     | Sechskantmutter           | Hexagon nut     | M16 DIN934-10 Zn             |
| 8    | 303 0977 | 1     | Sechskantmutter           | Hexagon nut     | M20x1,5 DIN934-10 Zn         |
| 9    | 311 9565 | 1     | Klappstift                | Securing pin    | 4,5                          |
| 10   | 305 8580 | 2     | Scheibe                   | Washer          | 13/24x2,5 St-Zn<br>DIN125    |
| 11   | 30510119 | 8     | Sperrkantscheibe          | Washer          | 16,4/32,5x2,5 Zn5            |
| 12   | 305 6012 | 2     | Scheibe                   | Washer          | 21 ISO7089 Zn                |
| 14   | 457 7231 | 1     | Konsole                   | Bracket         | DE 220 D16,5 E6+7            |
| 15   | 457 7230 | 1     | Schwenkkonsole            | Swivel bracket  | DE 220 D16,5                 |
| 16   | 457 7204 | 1     | Lasche                    | Lashing         | 50x10x142<br>9xD14,2+1xD12,1 |
| 17   | 463 8642 | 1     | Düngereinlegerhalm        | Skim stalk      | 50x30x1124-260               |
| 18   | 313 8158 | 1     | Bolzen mit Griff          | Pin with grip   | D14x61/103 Zn                |



01.18

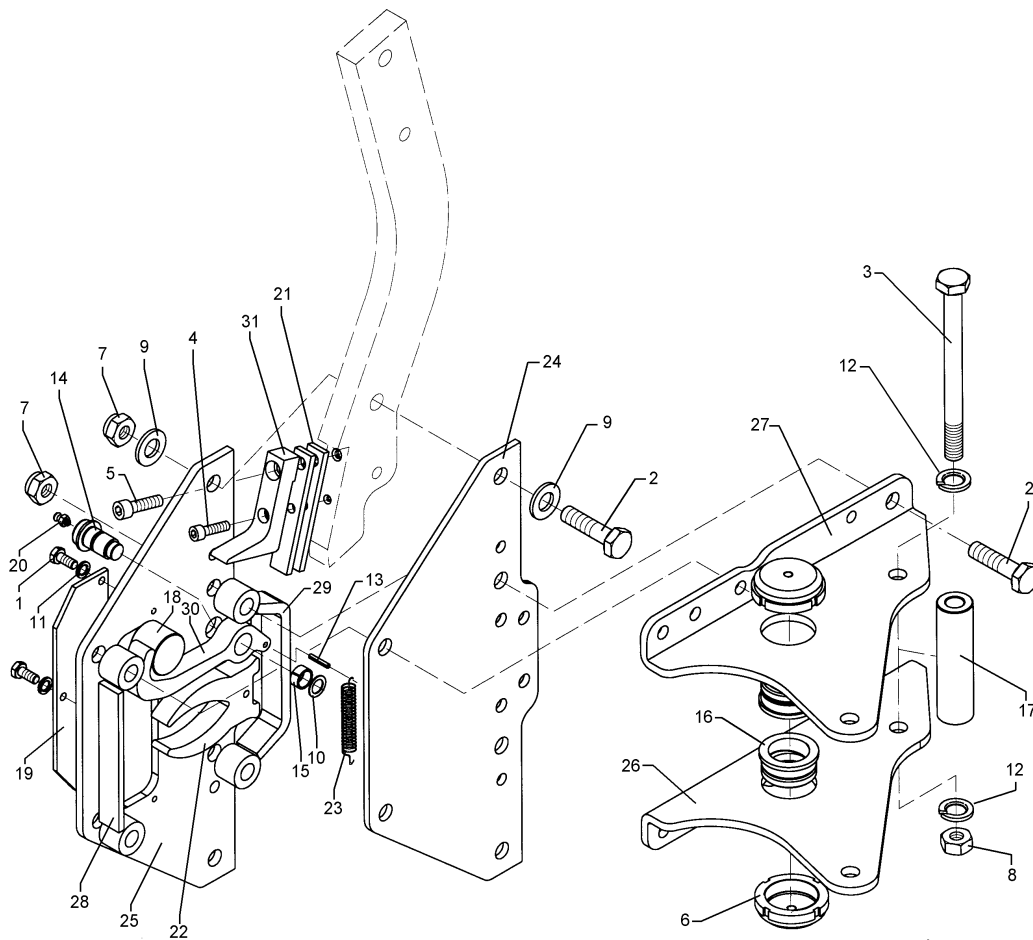
| Pos. | Art.Nr.  | Stck. | Artikeltext / Description |                   | Abmessung                  |
|------|----------|-------|---------------------------|-------------------|----------------------------|
| 1    | 301 3424 | 2     | Sechskantschraube spz.    | Hexagon bolt      | M12x75-10.9 Zn             |
| 2    | 301 4540 | 2     | Sechskantschraube spz.    | Hexagon bolt      | M20x1,5x200-10.9 Zn        |
| 3    | 301 4607 | 4     | Sechskantschraube spz.    | Hexagon bolt      | M20x90-12.9 Zn             |
| 4    | 303 0349 | 2     | Nutmutter                 | Grooved nut       | M60x2 M10x1<br>D80x24 Zn   |
| 5    | 303 0936 | 6     | Sicherungsmutter          | Selflocking nut   | NM20-8 Zn DIN985           |
| 6    | 303 1013 | 2     | Sechskantmutter           | Hexagon nut       | M12 DIN934-8 Zn            |
| 7    | 303 0977 | 2     | Sechskantmutter           | Hexagon nut       | M20x1,5 DIN934-10 Zn       |
| 8    | 305 6015 | 2     | Scheibe                   | Washer            | 21 DIN7349                 |
| 9    | 305 6012 | 4     | Scheibe                   | Washer            | 21 ISO7089 Zn              |
| 10   | 317 6944 | 4     | Buchse                    | Bush              | D40/20,2x30,5 Zn           |
| 11   | 317 7526 | 1     | Distanzbuchse             | Distance bush     | D40/20,2x150 Zn            |
| 12   | 317 9376 | 2     | Bundbuchse                | Flange bushing    | D65/60/45x30<br>M60x2 Znph |
| 13   | 323 6348 | 2     | Schmiernippel             | Grease nipple     | AM10x1 DIN71412            |
| 14   | 402 2545 | 2     | Halmsplatte               | Plate             | 10x235x560 E7              |
| 15   | 402 2630 | 1     | Verstellwinkel            | Adjusting bracket | 10x272x410 VO7 RE          |
| 16   | 402 2631 | 1     | Verstellwinkel            | Adjusting bracket | 10x272x410 VO7 LI          |
| 17   | 301 4606 | 2     | Sechskantschraube spz.    | Hexagon bolt      | M20x80-10.9 Zn             |



01.18

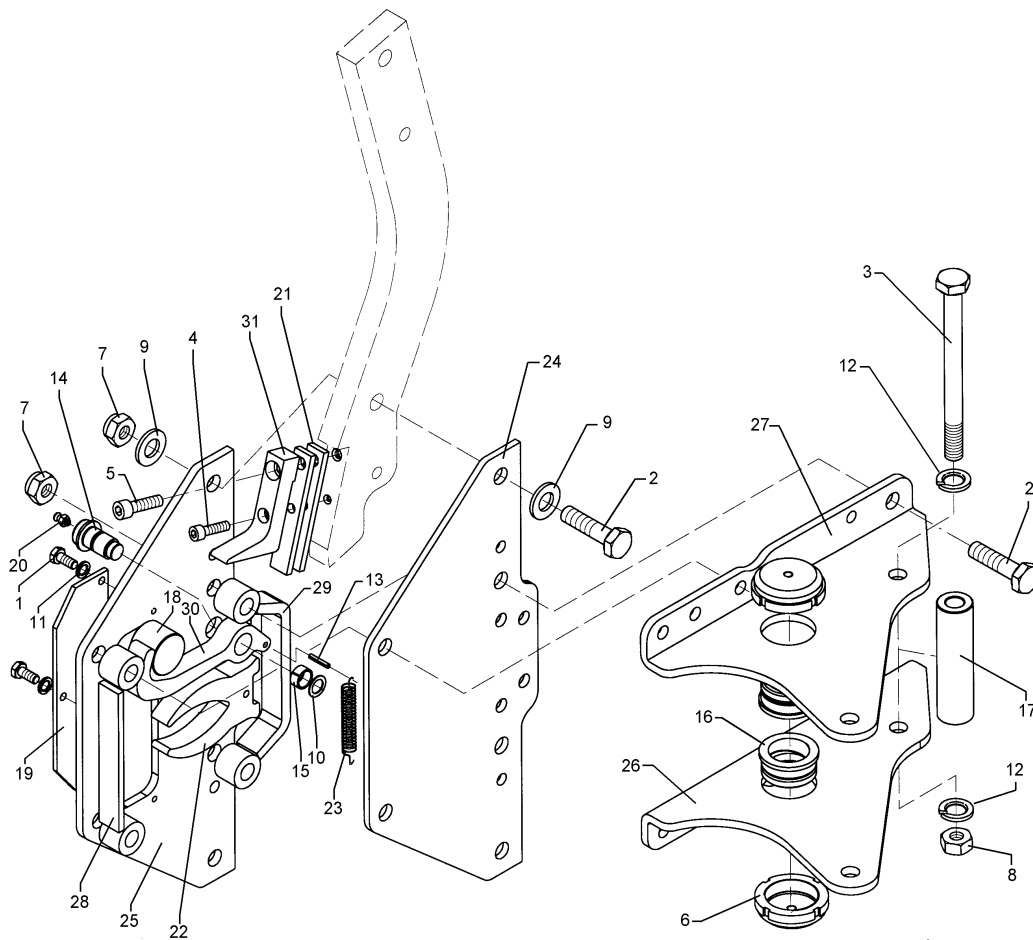
| Pos. | Art.Nr.  | Stck. | Artikeltext / Description |                   | Abmessung                   |
|------|----------|-------|---------------------------|-------------------|-----------------------------|
| 1    | 301 3424 | 2     | Sechskantschraube spz.    | Hexagon bolt      | M12x75-10.9 Zn              |
| 3    | 301 4540 | 1     | Sechskantschraube spz.    | Hexagon bolt      | M20x1,5x200-10.9 Zn         |
| 4    | 301 4607 | 4     | Sechskantschraube spz.    | Hexagon bolt      | M20x90-12.9 Zn              |
| 5    | 303 0936 | 6     | Sicherungsmutter          | Selflocking nut   | NM20-8 Zn DIN985            |
| 7    | 303 1013 | 2     | Sechskantmutter           | Hexagon nut       | M12 DIN934-8 Zn             |
| 8    | 303 0977 | 1     | Sechskantmutter           | Hexagon nut       | M20x1,5 DIN934-10 Zn        |
| 9    | 305 6012 | 14    | Scheibe                   | Washer            | 21 ISO7089 Zn               |
| 10   | 305 6015 | 2     | Scheibe                   | Washer            | 21 DIN7349                  |
| 11   | 317 6944 | 4     | Buchse                    | Bush              | D40/20,2x30,5 Zn            |
| 12   | 317 7526 | 1     | Distanzbuchse             | Distance bush     | D40/20,2x150 Zn             |
| 13   | 317 9376 | 2     | Bundbuchse                | Flange bushing    | D65/60/45x30                |
| 14   | 402 2545 | 2     | Halmsplatte               | Plate             | M60x2 Znph<br>10x235x560 E7 |
| 15   | 402 2630 | 1     | Verstellwinkel            | Adjusting bracket | 10x272x410 VO7 RE           |
| 16   | 402 2631 | 1     | Verstellwinkel            | Adjusting bracket | 10x272x410 VO7 LI           |
| 17   | 301 4606 | 2     | Sechskantschraube spz.    | Hexagon bolt      | M20x80-10.9 Zn              |





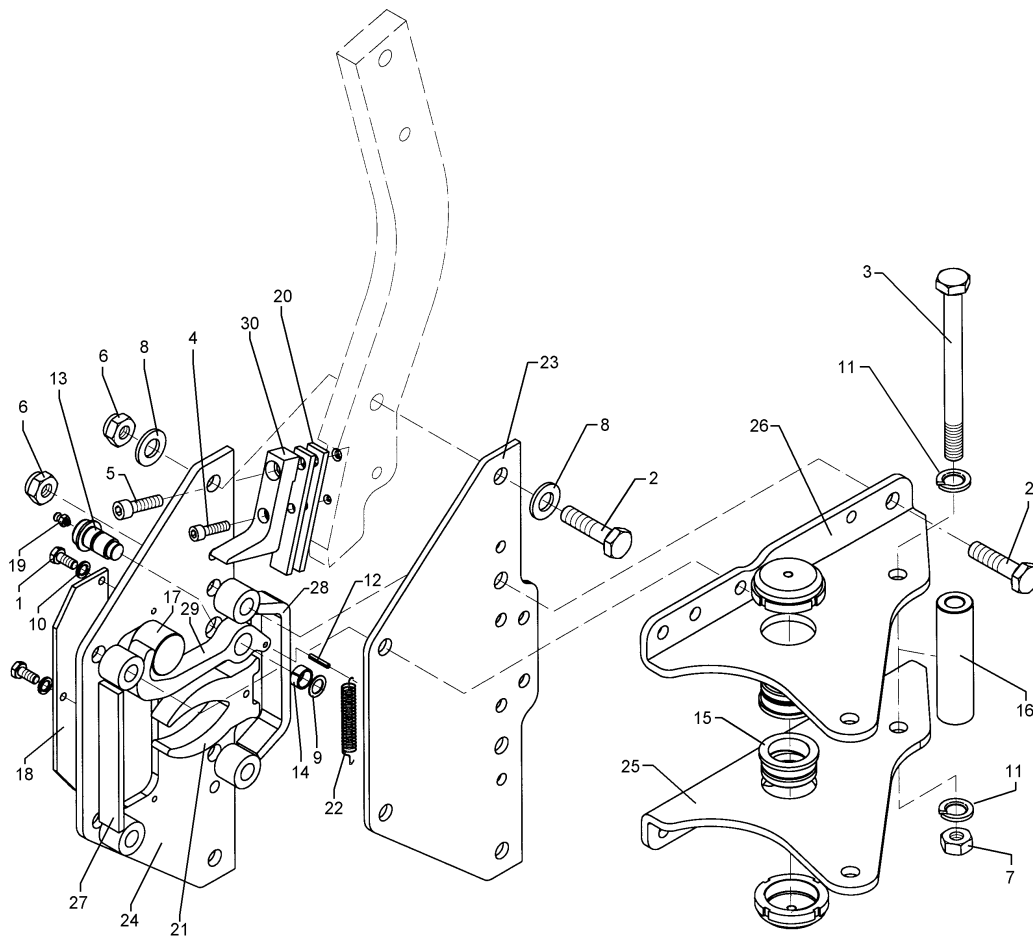
01.18

| Pos. | Art.Nr.  | Stck. | Artikeltext / Description |                 | Abmessung                     |
|------|----------|-------|---------------------------|-----------------|-------------------------------|
| 1    | 301 7260 | 3     | Sechskantschraube         | Hexagon bolt    | M8x16-8.8 Zn<br>DIN933        |
| 2    | 301 4370 | 6     | Sechskantschraube spz.    | Hexagon bolt    | M20x85-10.9 Zn                |
| 3    | 301 4540 | 1     | Sechskantschraube spz.    | Hexagon bolt    | M20x1,5x200-10.9<br>Zn        |
| 4    | 301 5811 | 2     | Zylinderschraube          | Allen screw     | M10x40-8.8 DIN912<br>Zn       |
| 5    | 301 5883 | 2     | Zylinderschraube          | Allen screw     | M14x40-12.9 Zn (60)<br>DIN912 |
| 6    | 303 0349 | 2     | Nutmutter                 | Grooved nut     | M60x2 M10x1<br>D80x24 Zn      |
| 7    | 303 0936 | 6     | Sicherungsmutter          | Selflocking nut | NM20-8 Zn DIN985              |
| 8    | 303 0977 | 2     | Sechskantmutter           | Hexagon nut     | M20x1,5 DIN934-10<br>Zn       |
| 9    | 305 6012 | 4     | Scheibe                   | Washer          | 21 ISO7089 Zn                 |
| 10   | 305 6987 | 2     | Scheibe                   | Washer          | D22/32x1,5 DIN988             |
| 11   | 305 9898 | 3     | Federring                 | Spring ring     | 8 A DIN127 Zn                 |
| 13   | 309 6048 | 2     | Spannhülse                | Expansion bush  | 6x26-DIN1481 Zn               |
| 14   | 313 8240 | 2     | Bolzen                    | Pin             | D30/D25/D20/D16x46,6<br>Zn    |
| 15   | 317 3394 | 2     | Einspannbuchse            | Expansion bush  | EG20/26x25-DIN1498            |
| 16   | 317 9376 | 1     | Bundbuchse                | Flange bushing  | D65/60/45x30<br>M60x2 Znph    |
| 17   | 317 7526 | 1     | Distanzbuchse             | Distance bush   | D40/20,2x150 Zn               |
| 18   | 317 9628 | 2     | Rolle                     | Roller          | D50x37                        |
| 19   | 323 0451 | 1     | Deckel                    | Cover           | 80x6x270 3xD10,5              |
| 20   | 323 6348 | 2     | Schmiernippel             | Grease nipple   | AM10x1 DIN71412               |



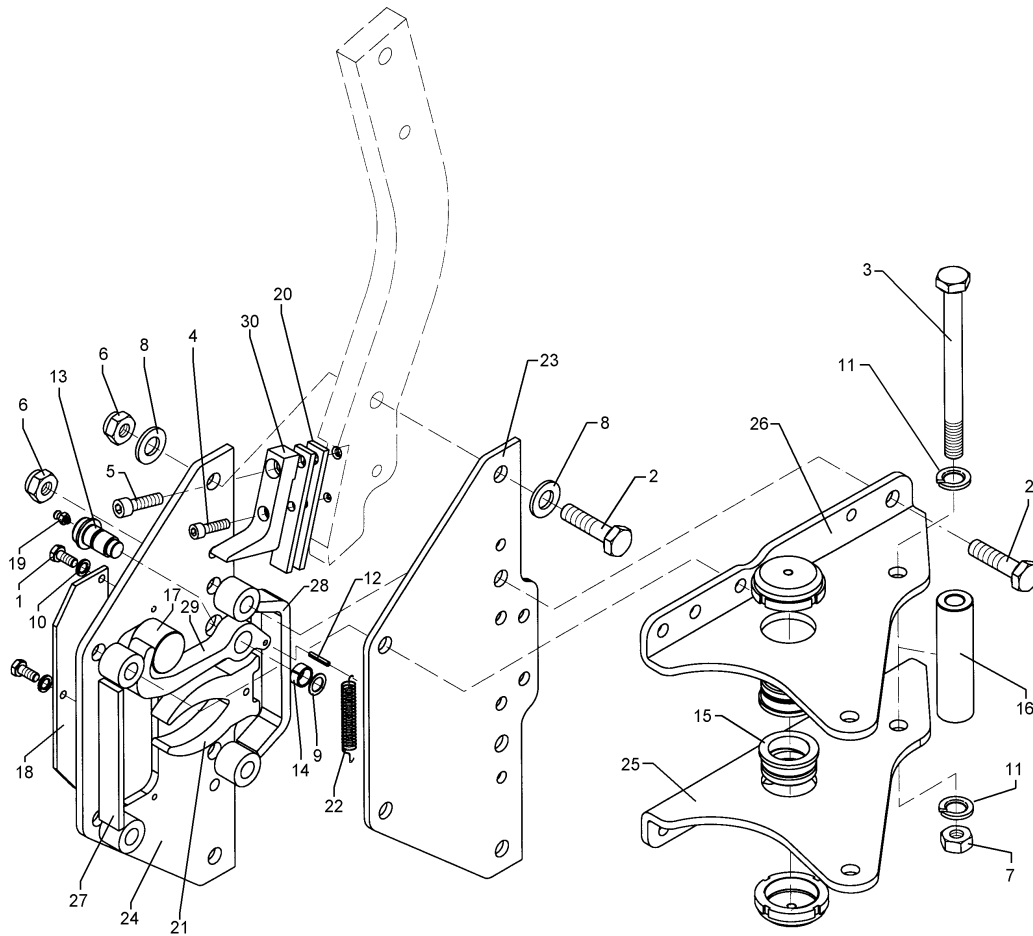
01.18

| Pos. | Art.Nr.  | Stck. | Artikeltext / Description | Abmessung         |                         |
|------|----------|-------|---------------------------|-------------------|-------------------------|
| 21   | 329 1021 | 4     | Blattfeder                | Leaf spring       | 25x8x145                |
| 22   | 329 1740 | 1     | Gabelfeder                | Fork spring       | 25x80x122,3             |
| 23   | 329 8510 | 1     | Zugfeder                  | Spring            | 4,1x23,3x80/11,5        |
| 24   | 402 2452 | 1     | Halmplatte                | Plate             | E7 HX 10x261x560-I      |
| 25   | 402 2453 | 1     | Halmplatte                | Plate             | E 7 HX<br>10x261x560-II |
| 26   | 402 2630 | 1     | Verstellwinkel            | Adjusting bracket | 10x272x410 VO7 RE       |
| 27   | 402 2631 | 1     | Verstellwinkel            | Adjusting bracket | 10x272x410 VO7 LI       |
| 28   | 426 0081 | 1     | Schutzvorrichtung         | Safety guard      | E7 HX 2xD20-220         |
| 29   | 426 0082 | 1     | Schutzvorrichtung         | Safety guard      | E7 HX GEB<br>2xD20-220  |
| 30   | 426 0091 | 2     | Haken                     | Hook              | E5/6/7 HX               |
| 31   | 426 0452 | 2     | Anschlag                  | Stop              | Opal HX                 |



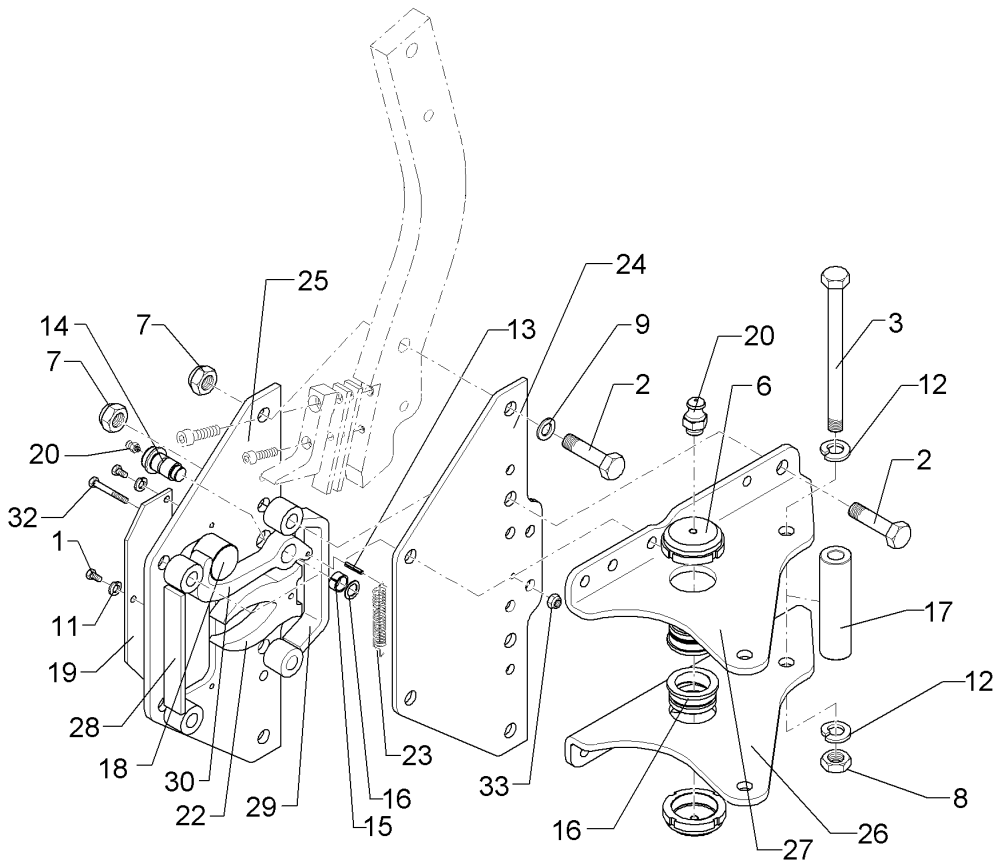
01.18

| Pos. | Art.Nr.  | Stck. | Artikeltext / Description |                 | Abmessung                     |
|------|----------|-------|---------------------------|-----------------|-------------------------------|
| 1    | 301 7260 | 3     | Sechskantschraube         | Hexagon bolt    | M8x16-8.8 Zn<br>DIN933        |
| 2    | 301 4370 | 6     | Sechskantschraube spz.    | Hexagon bolt    | M20x85-10.9 Zn                |
| 3    | 301 4540 | 1     | Sechskantschraube spz.    | Hexagon bolt    | M20x1,5x200-10.9<br>Zn        |
| 4    | 301 5811 | 2     | Zylinderschraube          | Allen screw     | M10x40-8.8 DIN912<br>Zn       |
| 5    | 301 5883 | 2     | Zylinderschraube          | Allen screw     | M14x40-12.9 Zn (60)<br>DIN912 |
| 6    | 303 0936 | 6     | Sicherungsmutter          | Selflocking nut | NM20-8 Zn DIN985              |
| 7    | 303 0977 | 2     | Sechskantmutter           | Hexagon nut     | M20x1,5 DIN934-10<br>Zn       |
| 8    | 305 6012 | 4     | Scheibe                   | Washer          | 21 ISO7089 Zn                 |
| 9    | 305 6987 | 2     | Scheibe                   | Washer          | D22/32x1,5 DIN988             |
| 11   | 305 9898 | 3     | Federring                 | Spring ring     | 8 A DIN127 Zn                 |
| 12   | 309 6048 | 2     | Spannhülse                | Expansion bush  | 6x26-DIN1481 Zn               |
| 13   | 313 8240 | 2     | Bolzen                    | Pin             | D30/D25/D20/D16x46,6<br>Zn    |
| 14   | 317 3394 | 2     | Einspannbuchse            | Expansion bush  | EG20/26x25-DIN1498            |
| 15   | 317 9376 | 1     | Bundbuchse                | Flange bushing  | D65/60/45x30<br>M60x2 Znph    |
| 16   | 317 7526 | 1     | Distanzbuchse             | Distance bush   | D40/20,2x150 Zn               |
| 17   | 317 9628 | 2     | Rolle                     | Roller          | D50x37                        |
| 18   | 323 0451 | 1     | Deckel                    | Cover           | 80x6x270 3xD10,5              |
| 19   | 323 6348 | 4     | Schmiernippel             | Grease nipple   | AM10x1 DIN71412               |
| 20   | 329 1021 | 4     | Blattfeder                | Leaf spring     | 25x8x145                      |



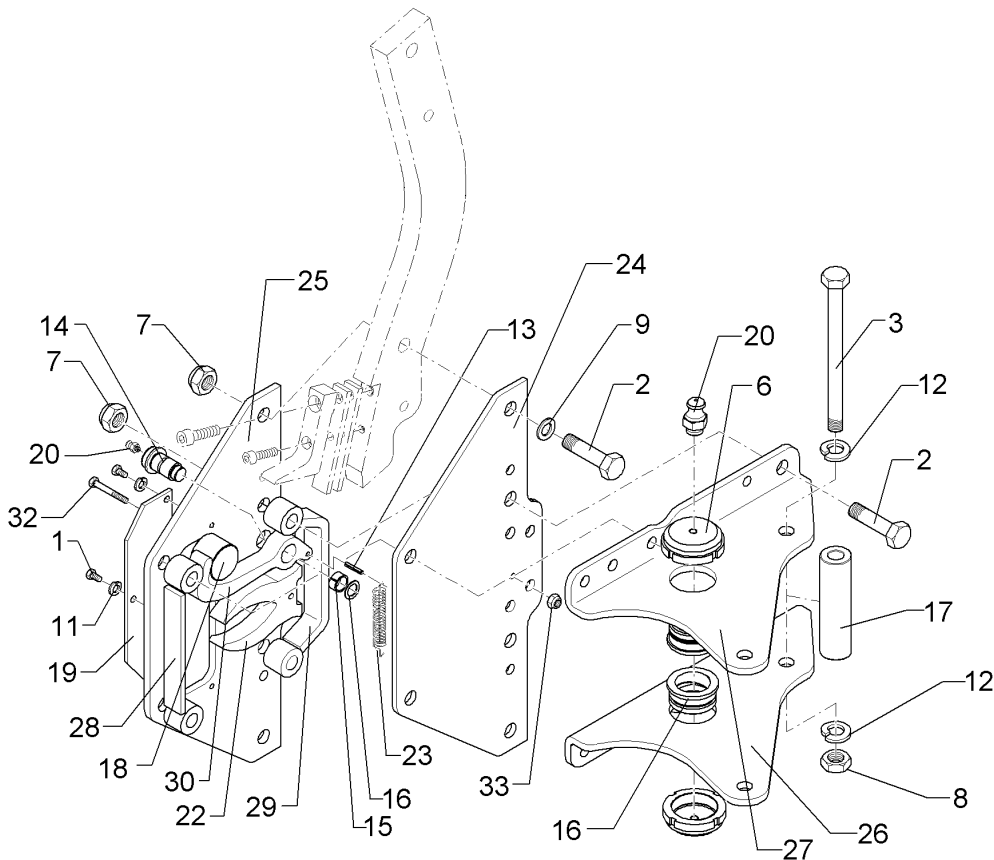
01.18

| Pos. | Art.Nr.  | Stck. | Artikeltext / Description |                   | Abmessung               |
|------|----------|-------|---------------------------|-------------------|-------------------------|
| 21   | 329 1740 | 1     | Gabelfeder                | Fork spring       | 25x80x122,3             |
| 22   | 329 8510 | 1     | Zugfeder                  | Spring            | 4,1x23,3x80/11,5        |
| 23   | 402 2452 | 1     | Halmpalte                 | Plate             | E7 HX 10x261x560-I      |
| 24   | 402 2453 | 1     | Halmpalte                 | Plate             | E 7 HX<br>10x261x560-II |
| 25   | 402 2630 | 1     | Verstellwinkel            | Adjusting bracket | 10x272x410 VO7 RE       |
| 26   | 402 2631 | 1     | Verstellwinkel            | Adjusting bracket | 10x272x410 VO7 LI       |
| 27   | 426 0081 | 1     | Schutzvorrichtung         | Safety guard      | E7 HX 2xD20-220         |
| 28   | 426 0082 | 1     | Schutzvorrichtung         | Safety guard      | E7 HX GEB<br>2xD20-220  |
| 29   | 426 0091 | 2     | Haken                     | Hook              | E5/6/7 HX               |
| 30   | 426 0452 | 2     | Anschlag                  | Stop              | Opal HX                 |



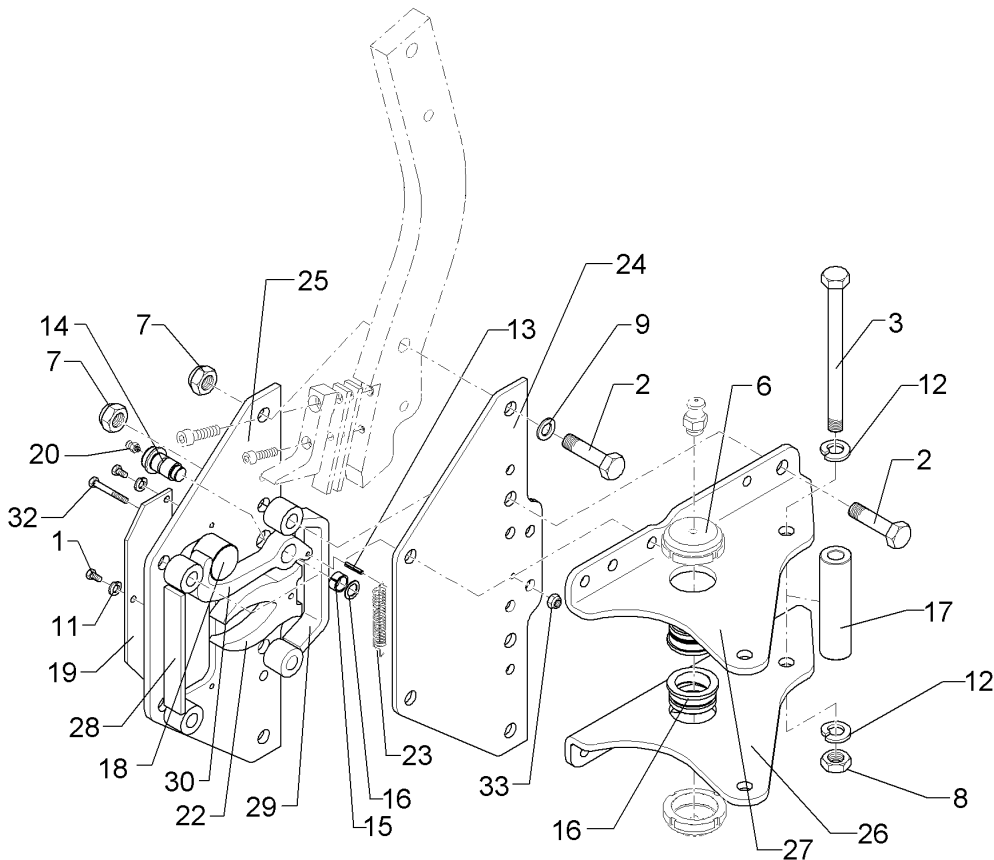
01.18

| Pos. | Art.Nr.  | Stck. | Artikeltext / Description |                 | Abmessung                  |
|------|----------|-------|---------------------------|-----------------|----------------------------|
| 1    | 301 7260 | 3     | Sechskantschraube         | Hexagon bolt    | M8x16-8.8 Zn<br>DIN933     |
| 2    | 301 4370 | 6     | Sechskantschraube spz.    | Hexagon bolt    | M20x85-10.9 Zn             |
| 3    | 301 4540 | 1     | Sechskantschraube spz.    | Hexagon bolt    | M20x1,5x200-10.9<br>Zn     |
| 6    | 303 0349 | 2     | Nutmutter                 | Grooved nut     | M60x2 M10x1<br>D80x24 Zn   |
| 7    | 303 0936 | 6     | Sicherungsmutter          | Selflocking nut | NM20-8 Zn DIN985           |
| 8    | 303 0977 | 2     | Sechskantmutter           | Hexagon nut     | M20x1,5 DIN934-10<br>Zn    |
| 9    | 305 6012 | 4     | Scheibe                   | Washer          | 21 ISO7089 Zn              |
| 10   | 305 6987 | 2     | Scheibe                   | Washer          | D22/32x1,5 DIN988          |
| 11   | 305 9898 | 3     | Federring                 | Spring ring     | 8 A DIN127 Zn              |
| 13   | 309 6048 | 2     | Spannhülse                | Expansion bush  | 6x26-DIN1481 Zn            |
| 14   | 313 8240 | 2     | Bolzen                    | Pin             | D30/D25/D20/D16x46,6<br>Zn |
| 15   | 317 3394 | 2     | Einspannbuchse            | Expansion bush  | EG20/26x25-DIN1498         |
| 16   | 317 9376 | 1     | Bundbuchse                | Flange bushing  | D65/60/45x30<br>M60x2 Znph |
| 17   | 317 7526 | 1     | Distanzbuchse             | Distance bush   | D40/20,2x150 Zn            |
| 18   | 317 9628 | 2     | Rolle                     | Roller          | D50x37                     |
| 19   | 323 0451 | 1     | Deckel                    | Cover           | 80x6x270 3xD10,5           |
| 20   | 323 6348 | 4     | Schmiernippel             | Grease nipple   | AM10x1 DIN71412            |
| 22   | 329 1740 | 1     | Gabelfeder                | Fork spring     | 25x80x122,3                |
| 23   | 329 8510 | 1     | Zugfeder                  | Spring          | 4,1x23,3x80/11,5           |
| 24   | 402 2452 | 1     | Halmsplatte               | Plate           | E7 HX 10x261x560-l         |



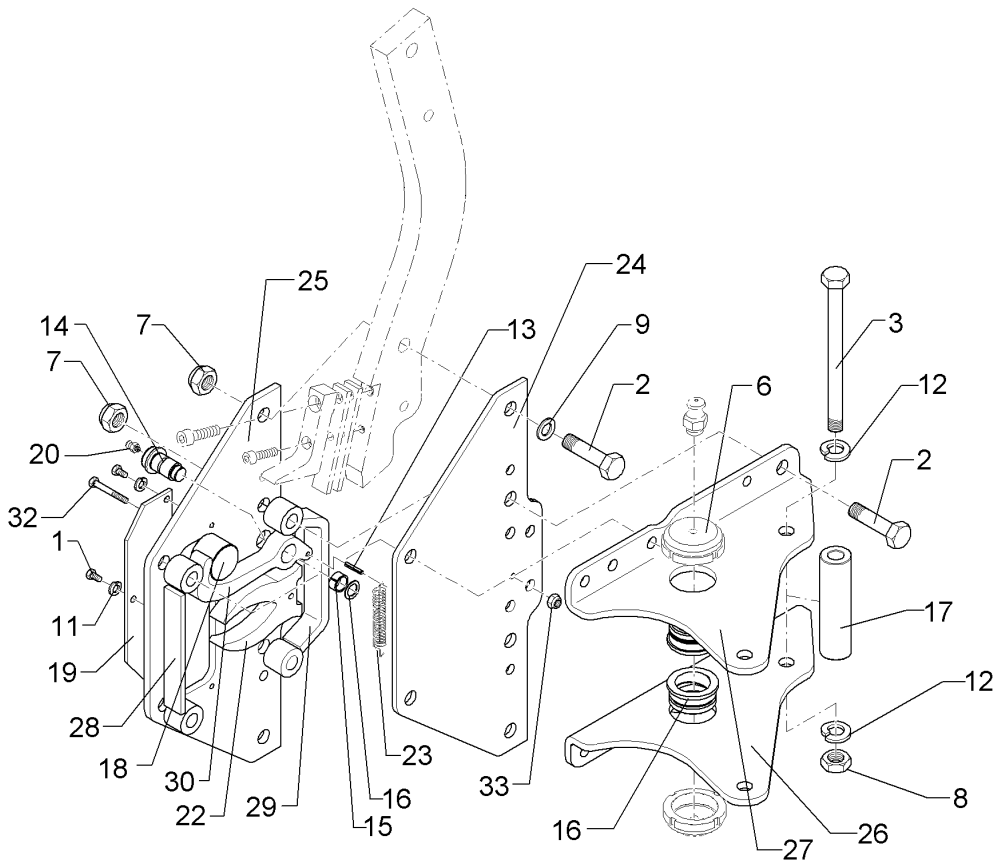
01.18

| Pos. | Art.Nr.  | Stck. | Artikeltext / Description |                   | Abmessung                |
|------|----------|-------|---------------------------|-------------------|--------------------------|
| 25   | 402 2453 | 1     | Halmsplatte               | Plate             | E 7 HX<br>10x261x560-II  |
| 26   | 402 2630 | 1     | Verstellwinkel            | Adjusting bracket | 10x272x410 VO7 RE        |
| 27   | 402 2631 | 1     | Verstellwinkel            | Adjusting bracket | 10x272x410 VO7 LI        |
| 28   | 426 0081 | 1     | Schutzvorrichtung         | Safety guard      | E7 HX 2xD20-220          |
| 29   | 426 0082 | 1     | Schutzvorrichtung         | Safety guard      | E7 HX GEB<br>2xD20-220   |
| 30   | 426 0091 | 2     | Haken                     | Hook              | E5/6/7 HX                |
| 32   | 301 3081 | 1     | Sechskantschraube         | Hexagon bolt      | M8x60-8.8 Zn<br>DIN931-A |
| 33   | 303 0932 | 1     | Sicherungsmutter          | Selflocking nut   | NM8-8 Zn DIN985          |



01.18

| Pos. | Art.Nr.  | Stck. | Artikeltext / Description |                 | Abmessung                  |
|------|----------|-------|---------------------------|-----------------|----------------------------|
| 1    | 301 7260 | 3     | Sechskantschraube         | Hexagon bolt    | M8x16-8.8 Zn<br>DIN933     |
| 2    | 301 4370 | 6     | Sechskantschraube spz.    | Hexagon bolt    | M20x85-10.9 Zn             |
| 3    | 301 4540 | 1     | Sechskantschraube spz.    | Hexagon bolt    | M20x1,5x200-10.9<br>Zn     |
| 7    | 303 0936 | 6     | Sicherungsmutter          | Selflocking nut | NM20-8 Zn DIN985           |
| 8    | 303 0977 | 2     | Sechskantmutter           | Hexagon nut     | M20x1,5 DIN934-10<br>Zn    |
| 9    | 305 6012 | 4     | Scheibe                   | Washer          | 21 ISO7089 Zn              |
| 10   | 305 6987 | 2     | Scheibe                   | Washer          | D22/32x1,5 DIN988          |
| 11   | 305 9898 | 3     | Federring                 | Spring ring     | 8 A DIN127 Zn              |
| 13   | 309 6048 | 2     | Spannhülse                | Expansion bush  | 6x26-DIN1481 Zn            |
| 14   | 313 8240 | 2     | Bolzen                    | Pin             | D30/D25/D20/D16x46,6<br>Zn |
| 15   | 317 3394 | 2     | Einspannbuchse            | Expansion bush  | EG20/26x25-DIN1498         |
| 16   | 317 9376 | 1     | Bundbuchse                | Flange bushing  | D65/60/45x30<br>M60x2 Znph |
| 17   | 317 7526 | 1     | Distanzbuchse             | Distance bush   | D40/20,2x150 Zn            |
| 18   | 317 9628 | 2     | Rolle                     | Roller          | D50x37                     |
| 19   | 323 0451 | 1     | Deckel                    | Cover           | 80x6x270 3xD10,5           |
| 20   | 323 6348 | 2     | Schmiernippel             | Grease nipple   | AM10x1 DIN71412            |
| 22   | 329 1740 | 1     | Gabelfeder                | Fork spring     | 25x80x122,3                |
| 23   | 329 8510 | 1     | Zugfeder                  | Spring          | 4,1x23,3x80/11,5           |
| 24   | 402 2452 | 1     | Halmplatte                | Plate           | E7 HX 10x261x560-I         |
| 25   | 402 2453 | 1     | Halmplatte                | Plate           | E 7 HX<br>10x261x560-II    |



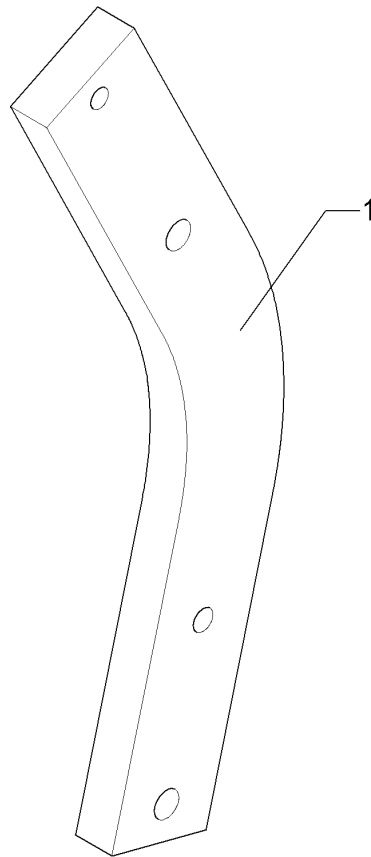
01.18

| Pos. | Art.Nr.  | Stck. | Artikeltext / Description |                   | Abmessung                |
|------|----------|-------|---------------------------|-------------------|--------------------------|
| 26   | 402 2630 | 1     | Verstellwinkel            | Adjusting bracket | 10x272x410 VO7 RE        |
| 27   | 402 2631 | 1     | Verstellwinkel            | Adjusting bracket | 10x272x410 VO7 LI        |
| 28   | 426 0081 | 1     | Schutzvorrichtung         | Safety guard      | E7 HX 2xD20-220          |
| 29   | 426 0082 | 1     | Schutzvorrichtung         | Safety guard      | E7 HX GEB<br>2xD20-220   |
| 30   | 426 0091 | 2     | Haken                     | Hook              | E5/6/7 HX                |
| 32   | 301 3081 | 1     | Sechskantschraube         | Hexagon bolt      | M8x60-8.8 Zn<br>DIN931-A |
| 33   | 303 0932 | 1     | Sicherungsmutter          | Selflocking nut   | NM8-8 Zn DIN985          |



|                |    |
|----------------|----|
| Körperhalm/Leg | 11 |
|----------------|----|

|                  |          |
|------------------|----------|
| VariOpal 7 / 7HX | 464 4999 |
|------------------|----------|

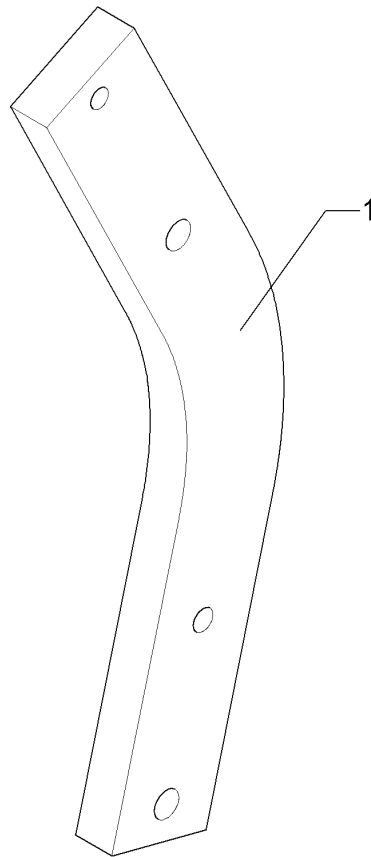


01.18

| Pos. | Art.Nr.  | Stck. | Artikeltext / Description |     | Abmessung      |
|------|----------|-------|---------------------------|-----|----------------|
| 1    | 464 4999 | 16    | Körperhalm                | Leg | 80x30x745-R850 |

|                |    |
|----------------|----|
| Körperhalm/Leg | 11 |
|----------------|----|

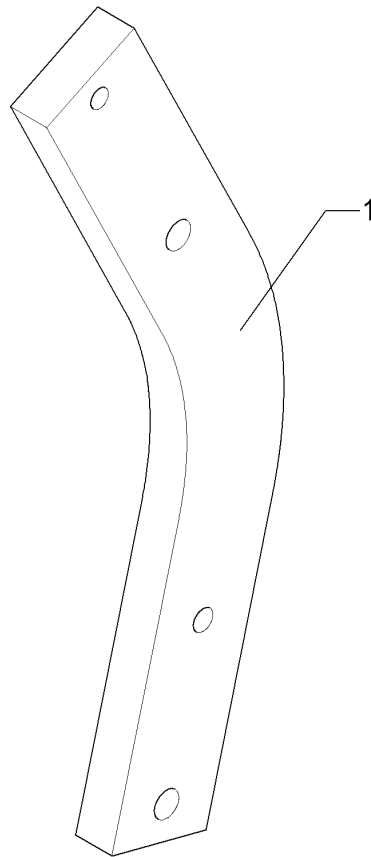
|                  |          |
|------------------|----------|
| VariOpal 7 / 7HX | 464 5000 |
|------------------|----------|



01.18

| Pos. | Art.Nr.  | Stck. | Artikeltext / Description |     | Abmessung      |
|------|----------|-------|---------------------------|-----|----------------|
| 1    | 464 5000 | 12    | Körperhalm                | Leg | 80x30x657-R750 |

|                  |          |
|------------------|----------|
| Körperhalm/Leg   | 11       |
| VariOpal 7 / 7HX | 464 5001 |

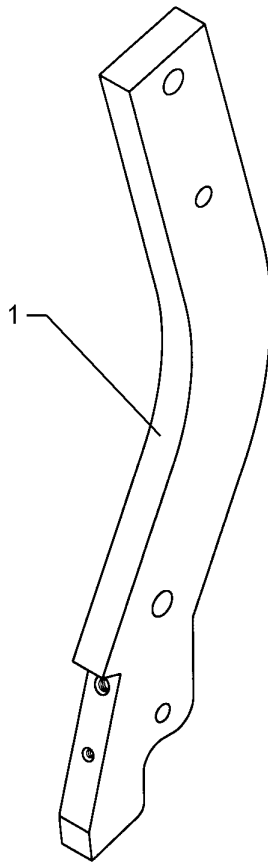


01.18

| Pos. | Art.Nr.  | Stck. | Artikeltext / Description |     | Abmessung      |
|------|----------|-------|---------------------------|-----|----------------|
| 1    | 464 5001 | 14    | Körperhalm                | Leg | 80x30x707-R800 |

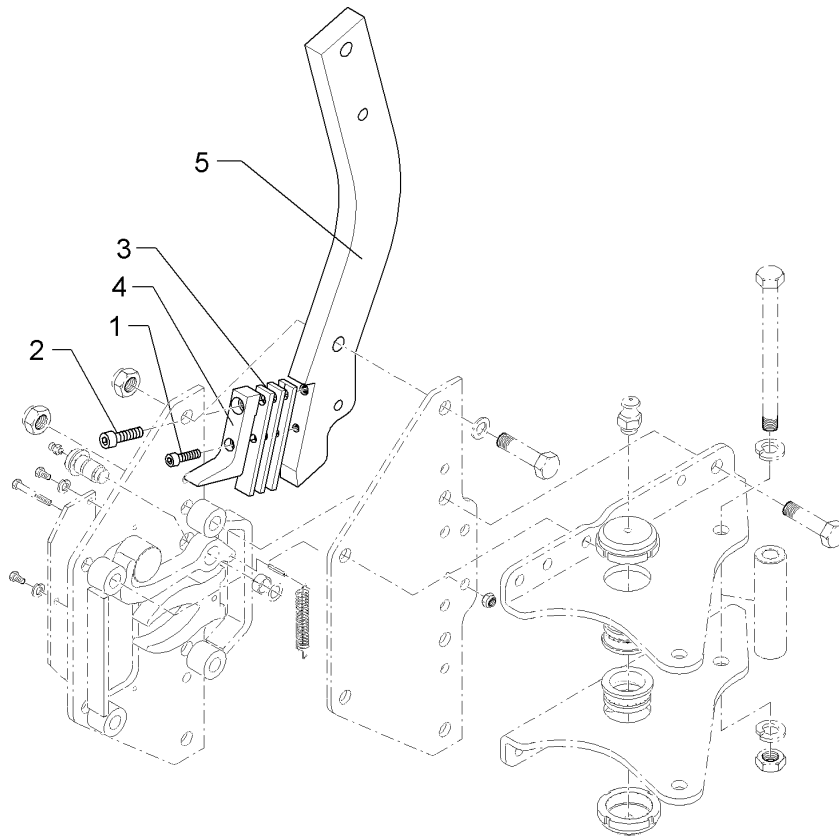
|                |    |
|----------------|----|
| Körperhalm/Leg | 11 |
|----------------|----|

|                  |          |
|------------------|----------|
| VariOpal 7 / 7HX | 464 5713 |
|------------------|----------|



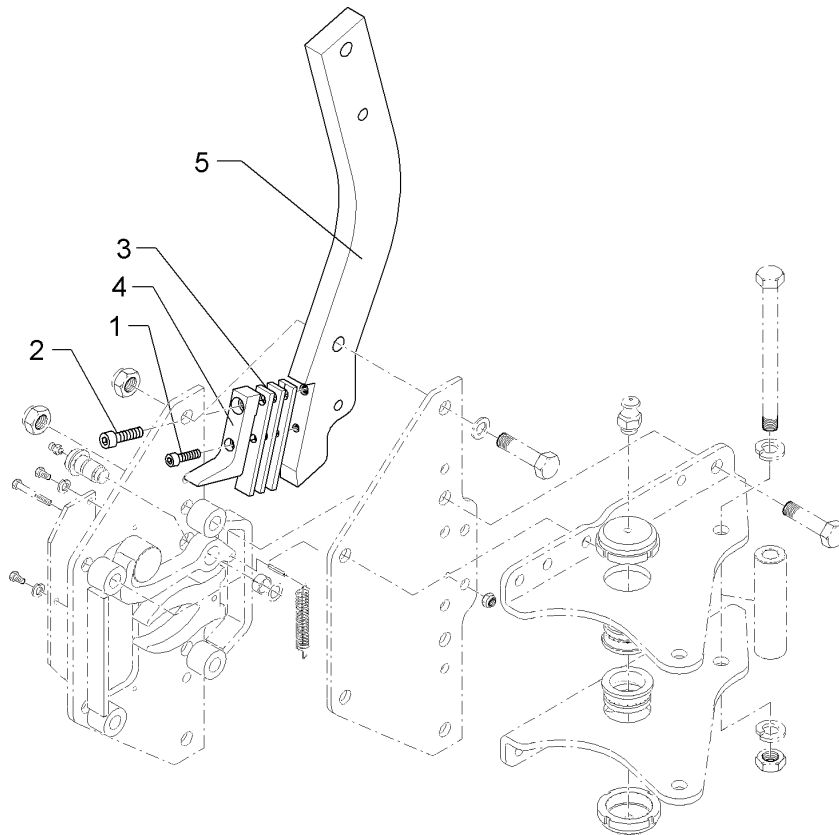
01.18

| Pos. | Art.Nr.  | Stck. | Artikeltext / Description |     | Abmessung                   |
|------|----------|-------|---------------------------|-----|-----------------------------|
| 1    | 464 5713 | 1     | Körperhalm                | Leg | E7 HX<br>80x30x680-750 (2F) |



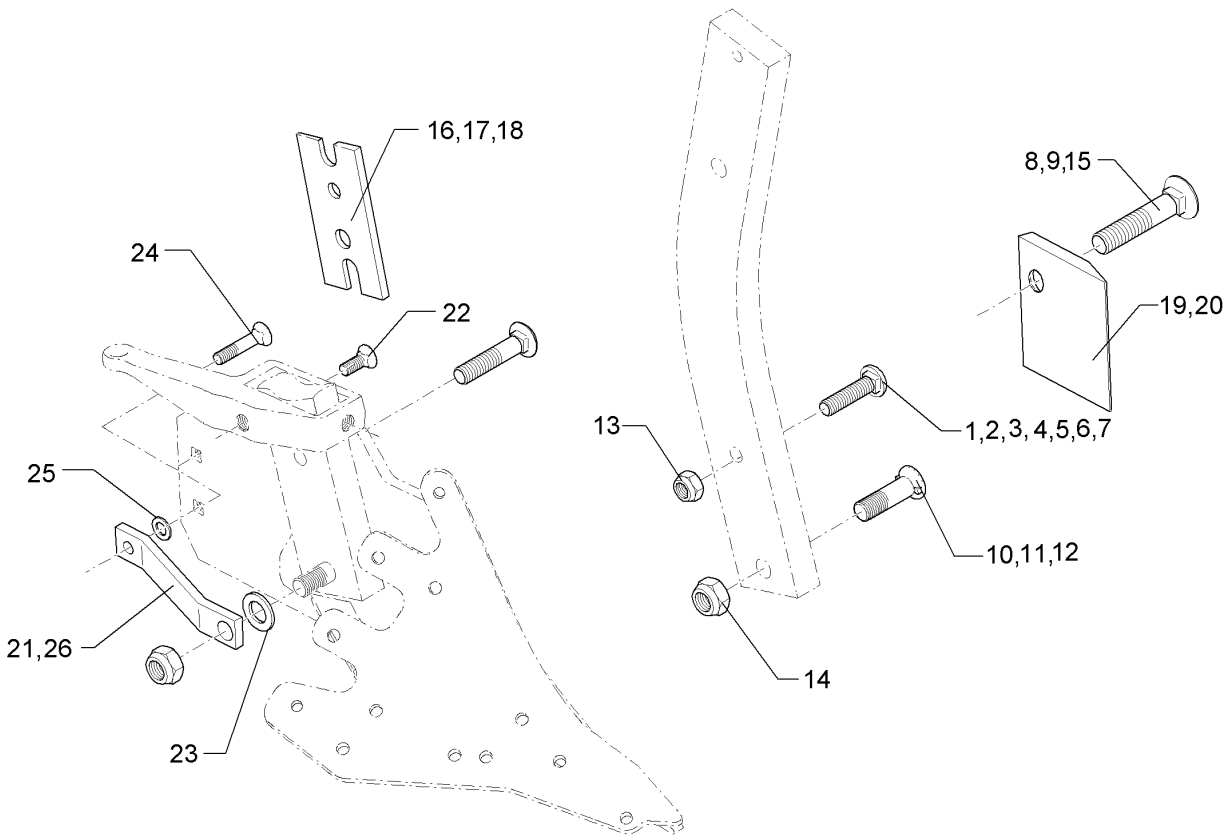
01.18

| Pos. | Art.Nr.  | Stck. | Artikeltext / Description |             | Abmessung                     |
|------|----------|-------|---------------------------|-------------|-------------------------------|
| 1    | 301 5818 | 1     | Zylinderschraube          | Allen screw | M10x50-8.8 DIN912             |
| 2    | 301 5886 | 1     | Zylinderschraube          | Allen screw | M14x50-12.9 (60) Zn<br>DIN912 |
| 3    | 329 1021 | 3     | Blattfeder                | Leaf spring | 25x8x145                      |
| 4    | 426 0452 | 1     | Anschlag                  | Stop        | Opal HX                       |
| 5    | 464 5714 | 1     | Körperhalm                | Leg         | E7 HX-B<br>80x30x680-750 (3F) |



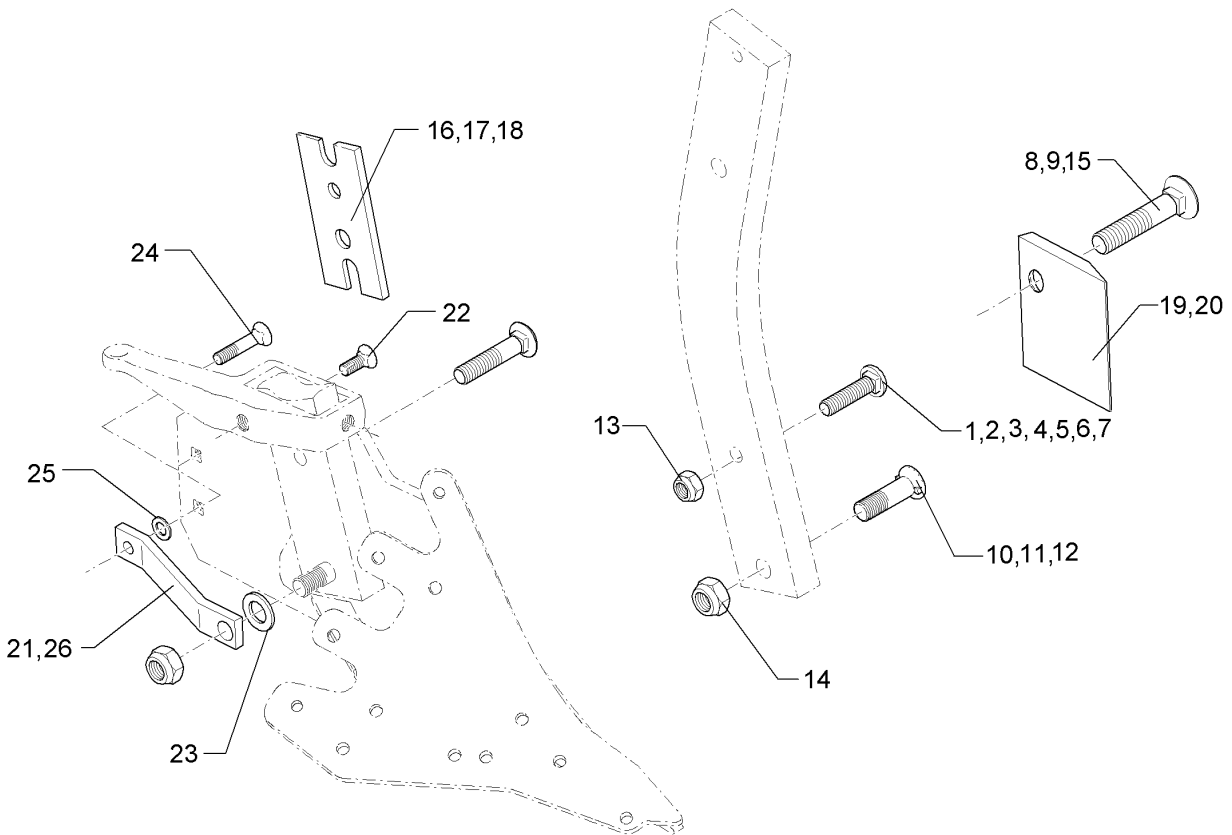
01.18

| Pos. | Art.Nr.  | Stck. | Artikeltext / Description |             | Abmessung                     |
|------|----------|-------|---------------------------|-------------|-------------------------------|
| 1    | 301 5818 | 1     | Zylinderschraube          | Allen screw | M10x50-8.8 DIN912             |
| 2    | 301 5886 | 1     | Zylinderschraube          | Allen screw | M14x50-12.9 (60) Zn<br>DIN912 |
| 3    | 329 1021 | 3     | Blattfeder                | Leaf spring | 25x8x145                      |
| 4    | 426 0452 | 1     | Anschlag                  | Stop        | Opal HX                       |
| 5    | 464 5715 | 1     | Körperhalm                | Leg         | E7 HX-B<br>80x30x730-800 (3F) |



01.18

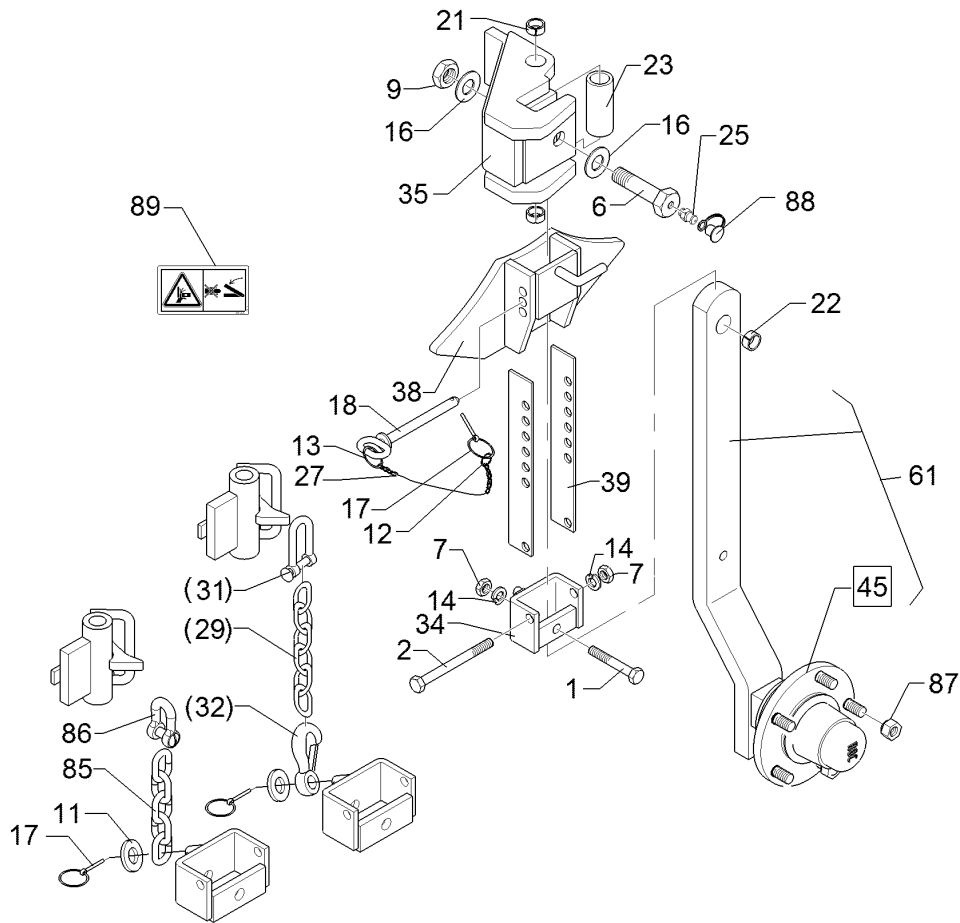
| Pos. | Art.Nr.  | Stck. | Artikeltext / Description |                   | Abmessung                     |
|------|----------|-------|---------------------------|-------------------|-------------------------------|
| 1    | 301 2211 | 1     | Flachrundschaube          | Saucer-head screw | M16x55-10.9 Zn                |
| 2    | 301 2227 | 1     | Flachrundschaube          | Saucer-head screw | M16x60-10.9 Zn                |
| 3    | 301 2242 | 1     | Flachrundschaube          | Saucer-head screw | M16x65-10.9 Zn                |
| 4    | 301 2261 | 1     | Flachrundschaube          | Saucer-head screw | M16x70-10.9 Zn                |
| 5    | 301 2279 | 1     | Flachrundschaube          | Saucer-head screw | M16x75-10.9 Zn                |
| 6    | 301 2292 | 1     | Flachrundschaube          | Saucer-head screw | M16x80-10.9 Zn                |
| 7    | 301 2312 | 1     | Flachrundschaube          | Saucer-head screw | M16x100-10.9 Zn               |
| 8    | 301 5740 | 1     | Senkschraube              | Countersunk bolt  | M16x80-10.9 Zn                |
| 9    | 301 5741 | 1     | Senkschraube              | Countersunk bolt  | M16x105-10.9 Zn               |
| 10   | 301 5747 | 1     | Senkschraube              | Countersunk bolt  | M20x70x8,5-12.9 Zn            |
| 11   | 301 5750 | 1     | Senkschraube              | Countersunk bolt  | M20x80x8,5-12.9 Zn            |
| 12   | 301 5753 | 1     | Senkschraube              | Countersunk bolt  | M20x100x8,5-12.9 Zn           |
| 13   | 303 0935 | 1     | Sicherungsmutter          | Selflocking nut   | NM16-8 Zn DIN985              |
| 14   | 303 0936 | 1     | Sicherungsmutter          | Selflocking nut   | NM20-8 Zn DIN985              |
| 15   | 301 5739 | 1     | Senkschraube              | Countersunk bolt  | M16x65-10.9 Zn                |
| 16   | 469 1896 | 1     | Keil                      | Wedge             | 80x200-2 GRD                  |
| 17   | 469 1899 | 1     | Keil                      | Wedge             | 80x200 4GRD Zn                |
| 18   | 469 1900 | 1     | Keil                      | Wedge             | 70x210-6 GRD                  |
| 19   | 340 1480 | 1     | Rumpfschoner              | Frog-protector    | SCR11 RE 130x114              |
| 20   | 340 1481 | 1     | Rumpfschoner              | Frog-protector    | SCR11 LI 130x114              |
| 21   | 469 5480 | 1     | Verstärkung               | Strengthening     | 40x10x260+D12,25+D20,25 gekr. |



01.18

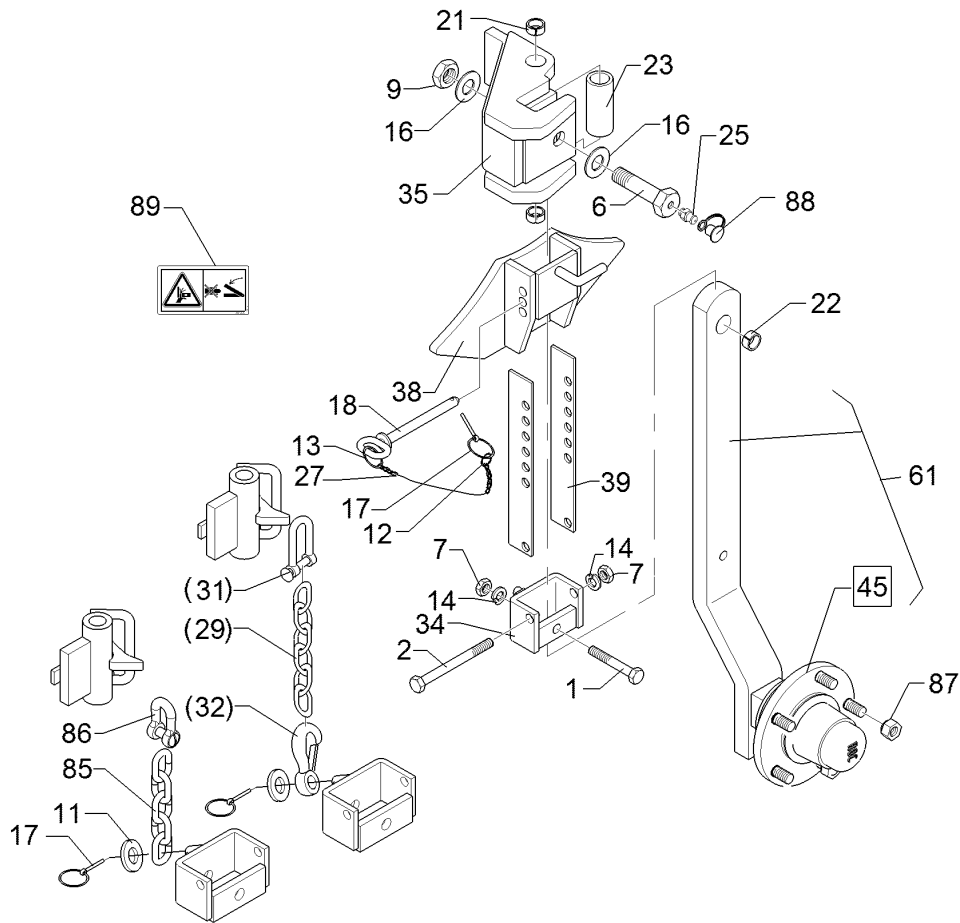
| Pos. | Art.Nr.  | Stck. | Artikeltext / Description |                  | Abmessung                      |
|------|----------|-------|---------------------------|------------------|--------------------------------|
| 22   | 301 5785 | 1     | Senkschraube              | Countersunk bolt | M12x33-12.9-MU-10<br>Zn        |
| 23   | 305 6012 | 1     | Scheibe                   | Washer           | 21 ISO7089 Zn                  |
| 24   | 301 5794 | 1     | Senkschraube              | Countersunk bolt | M12x45-12.9-MU-10<br>DIN608 Zn |
| 25   | 305 6167 | 1     | Scheibe                   | Washer           | 13/35x5 Zn DIN<br>6340         |
| 26   | 469 5478 | 1     | Verstärkung               | Strengthening    | 40x10x320 TK16                 |





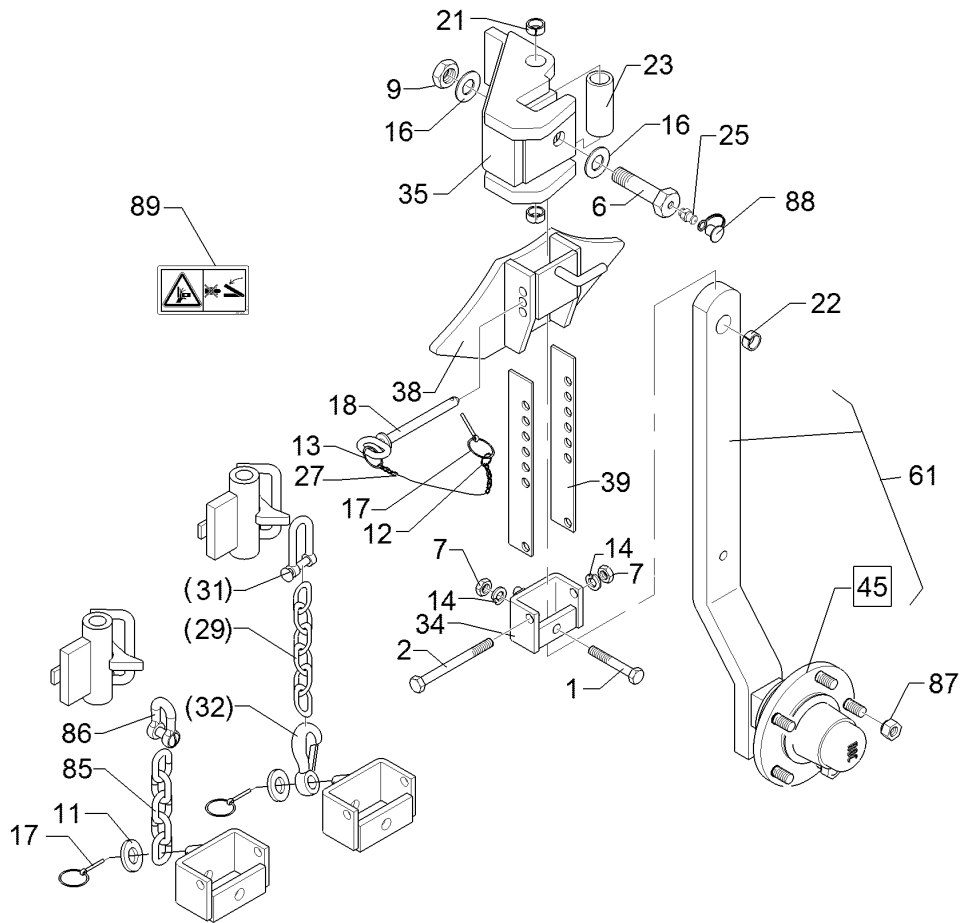
01.18

| Pos. | Art.Nr.  | Stck. | Artikeltext / Description |                    | Abmessung                       |
|------|----------|-------|---------------------------|--------------------|---------------------------------|
| 1    | 301 3391 | 1     | Sechskantschraube spz.    | Hexagon bolt       | M12x60-10.9 Zn                  |
| 2    | 301 3462 | 1     | Sechskantschraube         | Hexagon bolt       | M12x100-8.8 Zn<br>DIN931-A      |
| 6    | 301 4604 | 1     | Sechskantschraube         | Hexagon bolt       | M20x75 MSB Zn                   |
| 7    | 303 1013 | 2     | Sechskantmutter           | Hexagon nut        | M12 DIN934-8 Zn                 |
| 9    | 303 0978 | 1     | Sechskantmutter           | Hexagon nut        | M20 DIN934-8 Zn                 |
| 11   | 305 6141 | 1     | Scheibe                   | Washer             | 17/30x3<br>DIN/ISO-7089         |
| 12   | 305 8545 | 1     | Sicherungsring            | Retaining ring     | 3x30-35x1,25 Zn                 |
| 13   | 305 8551 | 1     | Sicherungsring            | Retaining ring     | Di41x3 A2                       |
| 14   | 305 8580 | 2     | Scheibe                   | Washer             | 13/24x2,5 St-Zn<br>DIN125       |
| 16   | 305 6012 | 2     | Scheibe                   | Washer             | 21 ISO7089 Zn                   |
| 17   | 311 9565 | 2     | Klappstift                | Securing pin       | 4,5                             |
| 18   | 313 8137 | 1     | Bolzen mit Griff          | Pin with grip      | D12x103,5/118 Zn                |
| 21   | 317 3358 | 2     | Einspannbuchse DIN 1498   | Expansion bush     | EG20/26x16                      |
| 22   | 317 3394 | 1     | Einspannbuchse            | Expansion bush     | EG20/26x25-DIN1498              |
| 23   | 317 6664 | 1     | Röhrchen                  | Tube               | 33,7x4,5x79 Zn                  |
| 25   | 323 6348 | 1     | Schmiernippel             | Grease nipple      | AM10x1 DIN71412                 |
| 27   | 331 6130 | 1     | Knotenkette               | Knotted-link chain | D2x150                          |
| 29   | 331 6246 | 1     | Kette                     | Chain              | G8x32 DIN5685 6GL<br>21MN4 Zn-V |
| 31   | 331 8381 | 1     | Kettenschäkel hochfest    | Chain shackle      | 8x13x27 LA0302                  |
| 32   | 331 9012 | 1     | Haken                     | Hook               | D16x90                          |
| 34   | 448 2599 | 1     | Halter mit Zapfen         | Holder with pivot  | 27x71                           |



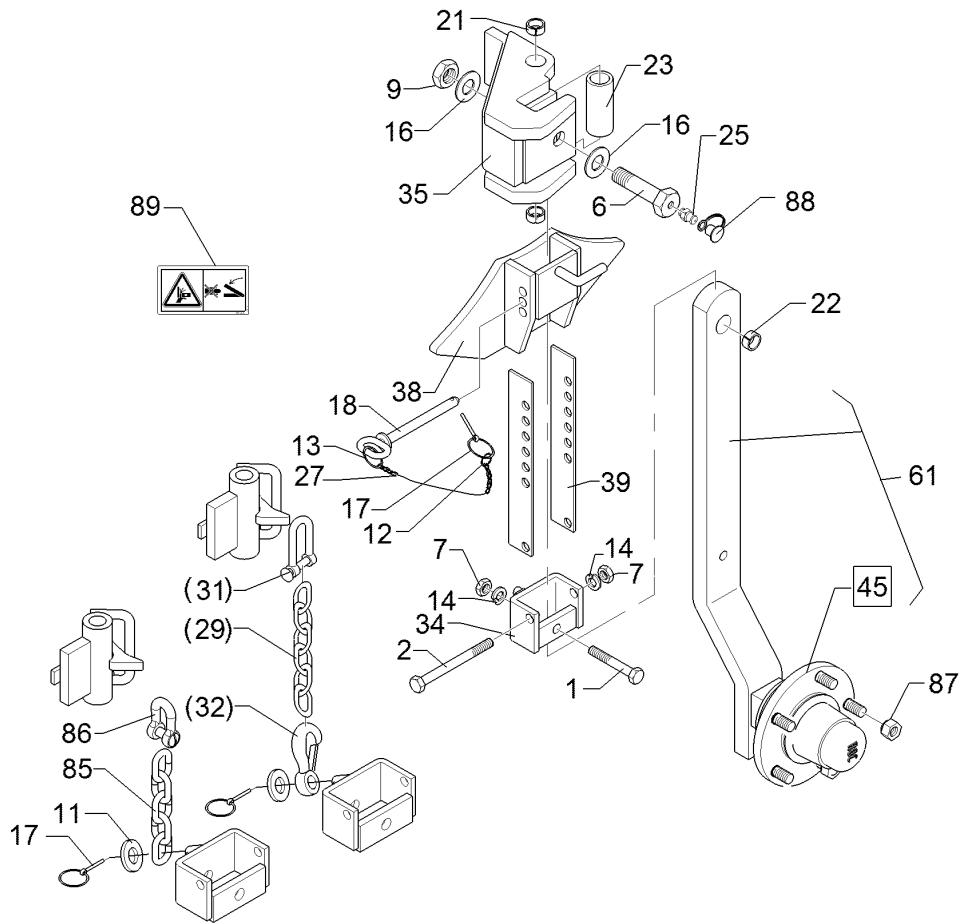
01.18

| Pos. | Art.Nr.  | Stck. | Artikeltext / Description | Abmessung      |                            |
|------|----------|-------|---------------------------|----------------|----------------------------|
| 35   | 448 2601 | 1     | Kreuzgelenk               | Cross union    | D20x119 E7                 |
| 38   | 448 2602 | 1     | Anschlag                  | Stop           | 70x42 E7                   |
| 39   | 448 2607 | 2     | Verstelleiste             | Adjuster plate | 40x4x270 7xD13             |
| 45   | 549 8893 | 1     | Lagerung                  | Bearing        | 5/93,5/140 M14<br>50x50    |
| 61   | 548 2608 | 1     | Radhalm                   | Wheel stalk    | 60x25x735/615<br>Pendelrad |
| 85   | 331 6277 | 1     | Kette                     | Chain          | G10x50 5 Gl. DIN<br>5685   |
| 86   | 331 8406 | 1     | Schäkel                   | Shackle        | B 0,6 DIN 82101 Zn         |
| 87   | 303 6413 | 5     | Kugelbundmutter           | Wheel nut      | M14x1,5-8 Zn<br>DIN74361   |
| 88   | 323 6401 | 2     | Schutzkappe               | Cap            | M6-M10                     |
| 89   | 390 0506 | 1     | Aufkleber Warnbildzeichen | Warning Label  | Quetschgefahr QF           |



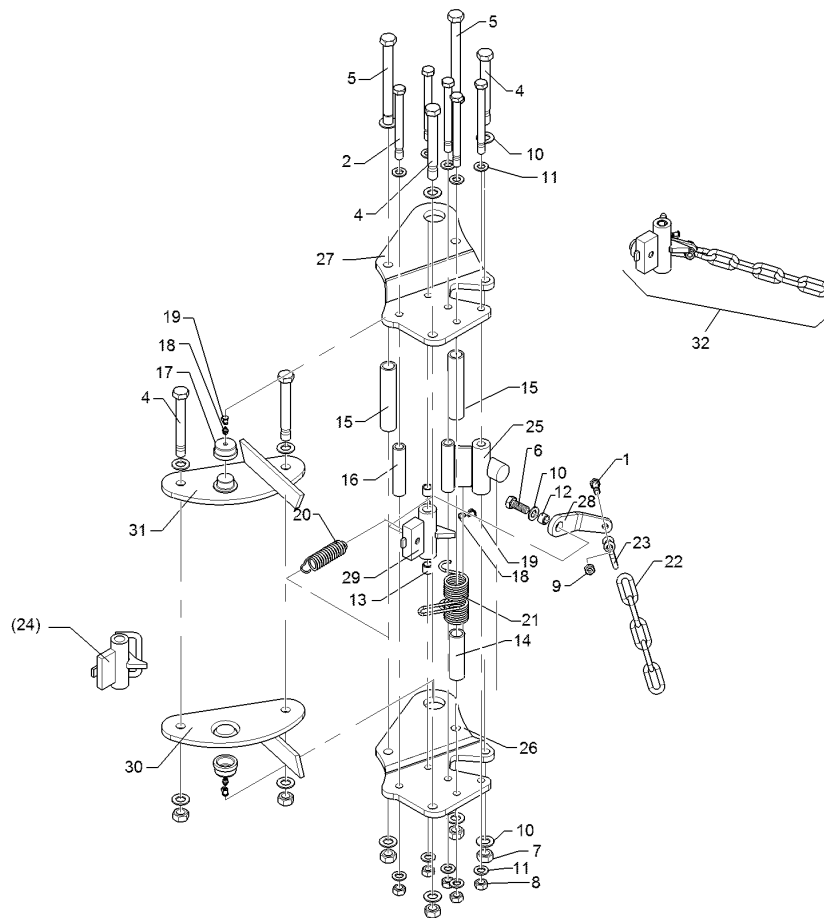
01.18

| Pos. | Art.Nr.  | Stck. | Artikeltext / Description |                    | Abmessung                       |
|------|----------|-------|---------------------------|--------------------|---------------------------------|
| 1    | 301 3391 | 1     | Sechskantschraube spz.    | Hexagon bolt       | M12x60-10.9 Zn                  |
| 2    | 301 3462 | 1     | Sechskantschraube         | Hexagon bolt       | M12x100-8.8 Zn<br>DIN931-A      |
| 6    | 301 4604 | 1     | Sechskantschraube         | Hexagon bolt       | M20x75 MSB Zn                   |
| 7    | 303 1013 | 2     | Sechskantmutter           | Hexagon nut        | M12 DIN934-8 Zn                 |
| 9    | 303 0978 | 1     | Sechskantmutter           | Hexagon nut        | M20 DIN934-8 Zn                 |
| 11   | 305 6141 | 1     | Scheibe                   | Washer             | 17/30x3<br>DIN/ISO-7089         |
| 12   | 305 8545 | 1     | Sicherungsring            | Retaining ring     | 3x30-35x1,25 Zn                 |
| 13   | 305 8551 | 1     | Sicherungsring            | Retaining ring     | Di41x3 A2                       |
| 14   | 305 8580 | 2     | Scheibe                   | Washer             | 13/24x2,5 St-Zn<br>DIN125       |
| 16   | 305 6012 | 2     | Scheibe                   | Washer             | 21 ISO7089 Zn                   |
| 17   | 311 9565 | 2     | Klappstift                | Securing pin       | 4,5                             |
| 18   | 313 8137 | 1     | Bolzen mit Griff          | Pin with grip      | D12x103,5/118 Zn                |
| 21   | 317 3358 | 2     | Einspannbuchse DIN 1498   | Expansion bush     | EG20/26x16                      |
| 22   | 317 3394 | 1     | Einspannbuchse            | Expansion bush     | EG20/26x25-DIN1498              |
| 23   | 317 6664 | 1     | Röhrchen                  | Tube               | 33,7x4,5x79 Zn                  |
| 25   | 323 6348 | 1     | Schmiernippel             | Grease nipple      | AM10x1 DIN71412                 |
| 27   | 331 6130 | 1     | Knotenkette               | Knotted-link chain | D2x150                          |
| 29   | 331 6246 | 1     | Kette                     | Chain              | G8x32 DIN5685 6GL<br>21MN4 Zn-V |
| 31   | 331 8381 | 1     | Kettenschäkel hochfest    | Chain shackle      | 8x13x27 LA0302                  |
| 32   | 331 9012 | 1     | Haken                     | Hook               | D16x90                          |
| 34   | 448 2599 | 1     | Halter mit Zapfen         | Holder with pivot  | 27x71                           |



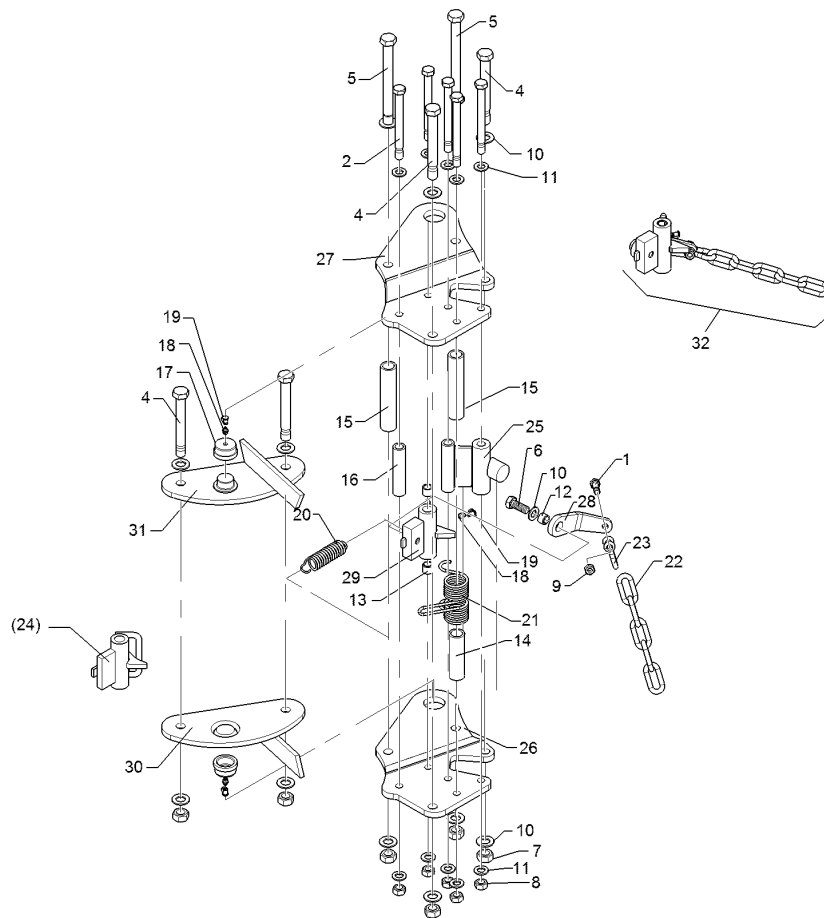
01.18

| Pos. | Art.Nr.  | Stck. | Artikeltext / Description | Abmessung      |                            |
|------|----------|-------|---------------------------|----------------|----------------------------|
| 35   | 448 2601 | 1     | Kreuzgelenk               | Cross union    | D20x119 E7                 |
| 38   | 448 2602 | 1     | Anschlag                  | Stop           | 70x42 E7                   |
| 39   | 448 2607 | 2     | Verstelleiste             | Adjuster plate | 40x4x270 7xD13             |
| 45   | 549 8893 | 1     | Lagerung                  | Bearing        | 5/93,5/140 M14<br>50x50    |
| 61   | 548 2607 | 1     | Radhalm                   | Wheel stalk    | 60x25x675/550<br>Pendelrad |
| 85   | 331 6277 | 1     | Kette                     | Chain          | G10x50 5 Gl. DIN<br>5685   |
| 86   | 331 8406 | 1     | Schäkel                   | Shackle        | B 0,6 DIN 82101 Zn         |
| 87   | 303 6413 | 5     | Kugelbundmutter           | Wheel nut      | M14x1,5-8 Zn<br>DIN74361   |
| 88   | 323 6401 | 2     | Schutzkappe               | Cap            | M6-M10                     |
| 89   | 390 0506 | 1     | Aufkleber Warnbildzeichen | Warning Label  | Quetschgefahr QF           |



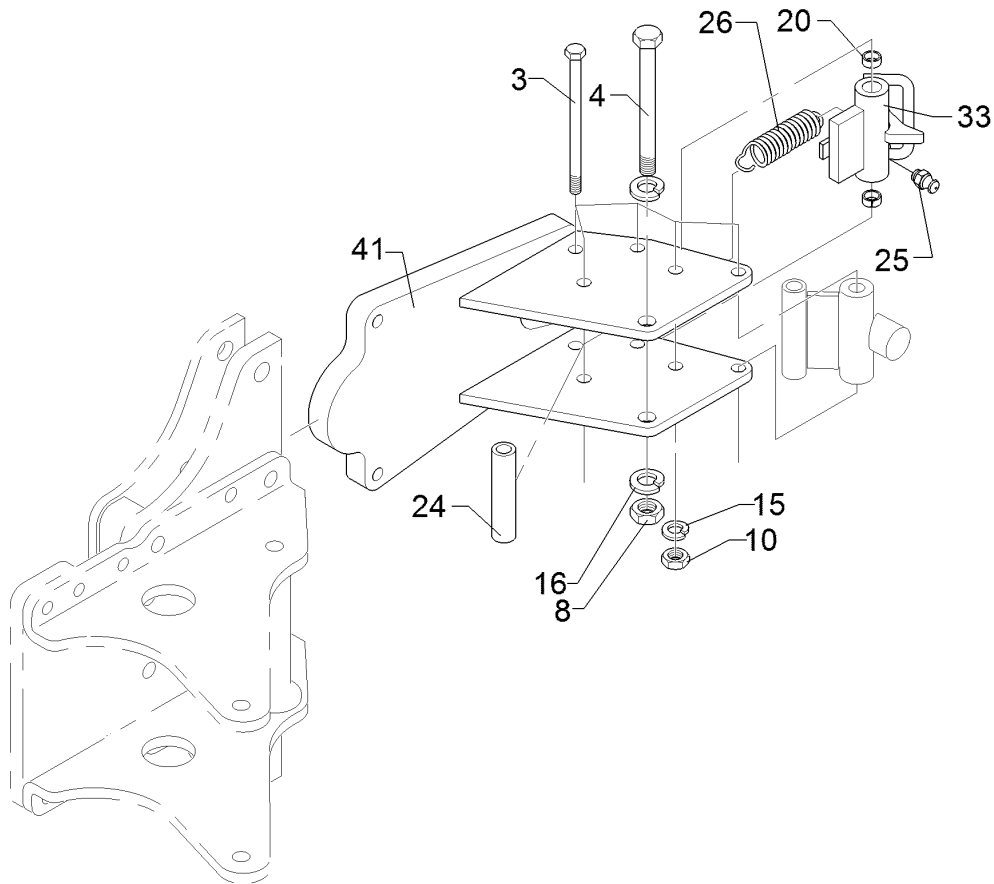
01.18

| Pos. | Art.Nr.  | Stck. | Artikeltext / Description |                | Abmessung                      |
|------|----------|-------|---------------------------|----------------|--------------------------------|
| 1    | 301 3367 | 1     | Sechskantschraube spz.    | Hexagon bolt   | M12x45-8.8 Zn                  |
| 2    | 301 4121 | 5     | Sechskantschraube         | Hexagon bolt   | M16x1,5x172s150xb19-10.9 Zn    |
| 4    | 301 4523 | 4     | Sechskantschraube spezial | Hexagon bolt   | M20x1,5x170s144xb23-10.9 Zn    |
| 5    | 301 4549 | 2     | Sechskantschraube spezial | Hexagon bolt   | M20x1,5x210-10.9 Zn            |
| 6    | 301 5404 | 1     | Sechskantschraube         | Hexagon bolt   | M16x40-8.8 Zn                  |
| 7    | 303 0977 | 6     | Sechskantmutter           | Hexagon nut    | DIN933<br>M20x1,5 DIN934-10 Zn |
| 8    | 303 0990 | 5     | Sechskantmutter           | Hexagon nut    | M16x1,5 DIN934-10 Zn           |
| 9    | 303 1013 | 1     | Sechskantmutter           | Hexagon nut    | M12 DIN934-8 Zn                |
| 10   | 305 6012 | 12    | Scheibe                   | Washer         | 21 ISO7089 Zn                  |
| 11   | 305 6141 | 11    | Scheibe                   | Washer         | 17/30x3<br>DIN/ISO-7089        |
| 12   | 317 3334 | 1     | Einspannbuchse            | Expansion bush | EG16/22x14-DIN1498             |
| 13   | 317 3336 | 2     | Einspannbuchse            | Expansion bush | EG16/22x18-DIN1498             |
| 14   | 317 6660 | 1     | Röhrchen                  | Tube           | 33,7x4,5x110 Zn                |
| 15   | 317 6670 | 2     | Röhrchen                  | Tube           | 33,7x4,5x158 Zn                |
| 16   | 317 6859 | 1     | Röhrchen                  | Tube           | D26,9x4,5x119,3 Zn             |
| 17   | 317 9309 | 2     | Bundbuchse                | Flange bushing | D50/44,8/35x28                 |
| 18   | 323 6348 | 3     | Schmiernippel             | Grease nipple  | M10x1 Zn                       |
| 19   | 323 6401 | 3     | Schutzkappe               | Cap            | AM10x1 DIN71412                |
| 20   | 329 8496 | 1     | Zugfeder                  | Spring         | M6-M10<br>2,8x27,2x91 D35/12   |



01.18

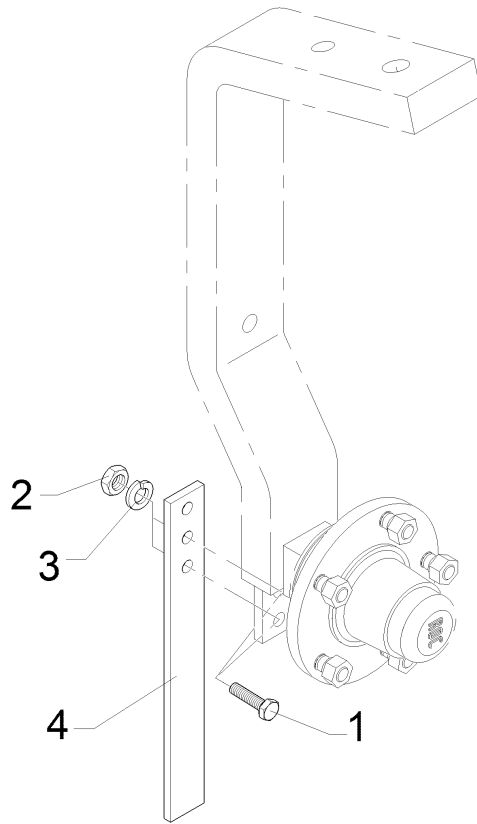
| Pos. | Art.Nr.  | Stck. | Artikeltext / Description | Abmessung      |   |
|------|----------|-------|---------------------------|----------------|---|
| 21   | 329 9041 | 1     | Drehfeder                 | Torsion spring | d=5,5 Dm=46                               |
| 22   | 331 6277 | 1     | Kette                     | Chain          | 2-Schenkel Zn<br>G10x50 5 Gl. DIN<br>5685 |
| 23   | 331 8380 | 1     | Malotte ohne Gewinde      | Shackle        | D13                                       |
| 24   | 448 2598 | 1     | Verriegelung mit Bügel    | Locking device | D38/22x117,5                              |
| 25   | 448 2605 | 1     | Anschlag                  | Stop           | 60x30 2xD16x119                           |
| 26   | 448 2620 | 1     | Platte                    | Plate          | 14x366x372 E8<br>GEK20 RE                 |
| 27   | 448 2621 | 1     | Platte                    | Plate          | 14x366x372 E8<br>GEK20 LI                 |
| 28   | 44810015 | 1     | Hebel                     | Lever          | 12x46x163 GEB45°<br>D23 D13 V             |
| 29   | 44810016 | 1     | Verriegelung              | Locking device | D38/22x117,5                              |
| 30   | 449 1970 | 1     | Lagerplatte               | Bearing plate  | VariOpal RE                               |
| 31   | 449 1971 | 1     | Lagerplatte               | Bearing plate  | VariOpal LI                               |
| 32   | 54810007 | 1     | Montagesatz               | Mounting set   | Stützrad                                  |



01.18

| Pos. | Art.Nr.  | Stck. | Artikeltext / Description |                | Abmessung                    |
|------|----------|-------|---------------------------|----------------|------------------------------|
| 3    | 301 4121 | 5     | Sechskantschraube         | Hexagon bolt   | M16x1,5x172ls150xb19-10.9 Zn |
| 4    | 301 4523 | 1     | Sechskantschraube spezial | Hexagon bolt   | M20x1,5x170ls144xb23-10.9 Zn |
| 8    | 303 0977 | 1     | Sechskantmutter           | Hexagon nut    | M20x1,5 DIN934-10 Zn         |
| 10   | 303 0990 | 5     | Sechskantmutter           | Hexagon nut    | M16x1,5 DIN934-10 Zn         |
| 15   | 305 6141 | 10    | Scheibe                   | Washer         | 17/30x3 DIN/ISO-7089         |
| 16   | 305 6012 | 2     | Scheibe                   | Washer         | 21 ISO7089 Zn                |
| 20   | 317 3336 | 2     | Einspannbuchse            | Expansion bush | EG16/22x18-DIN1498           |
| 24   | 317 6859 | 2     | Röhrchen                  | Tube           | D26,9x4,5x119,3 Zn           |
| 26   | 329 8496 | 1     | Zugfeder                  | Spring         | 2,8x27,2x91 D35/12           |
| 33   | 448 2598 | 1     | Verriegelung mit Bügel    | Locking device | D38/22x117,5                 |
| 41   | 448 2671 | 1     | Pendelrad-Konsole         | Wheel bracket  | EurOpal/Vari-Opal 7          |

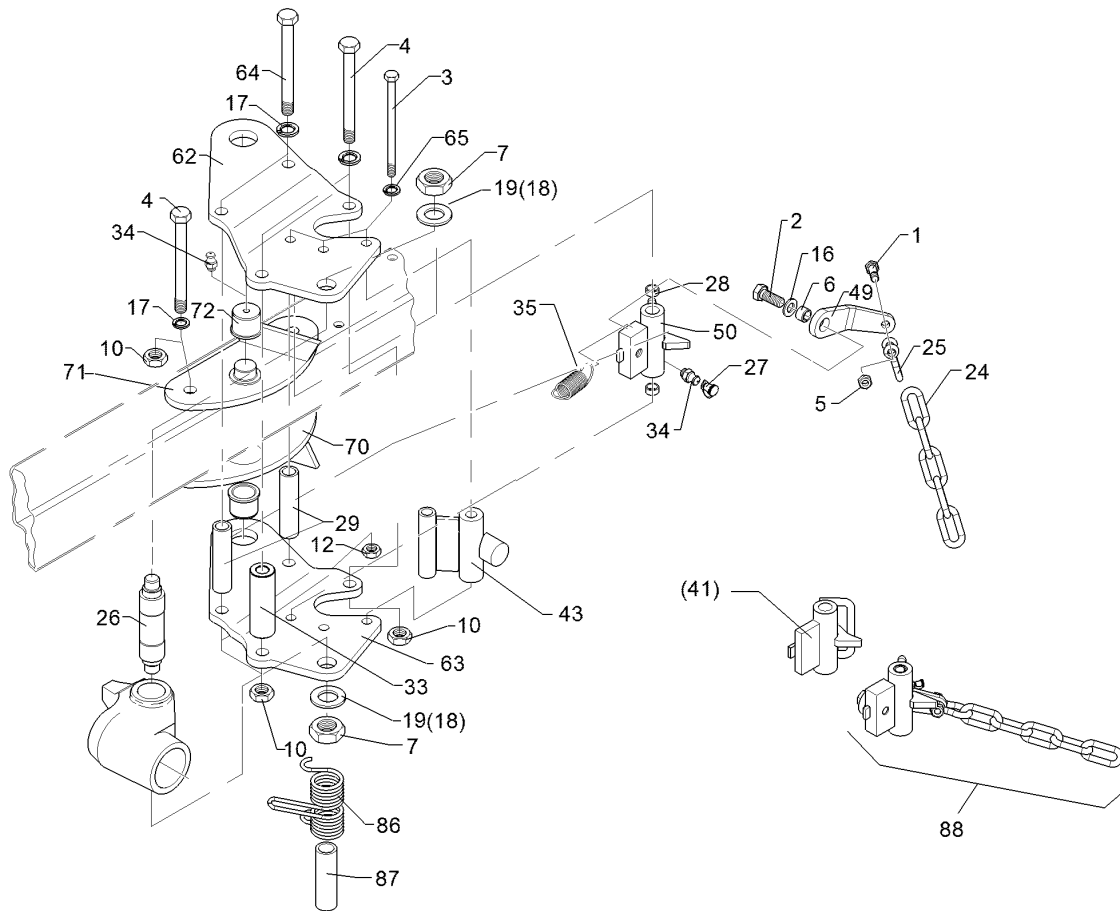
|                           |                 |
|---------------------------|-----------------|
| <b>Abstreifer/Scraper</b> | <b>12</b>       |
| <b>VariOpal 7 / 7HX</b>   | <b>549 1220</b> |



01.18

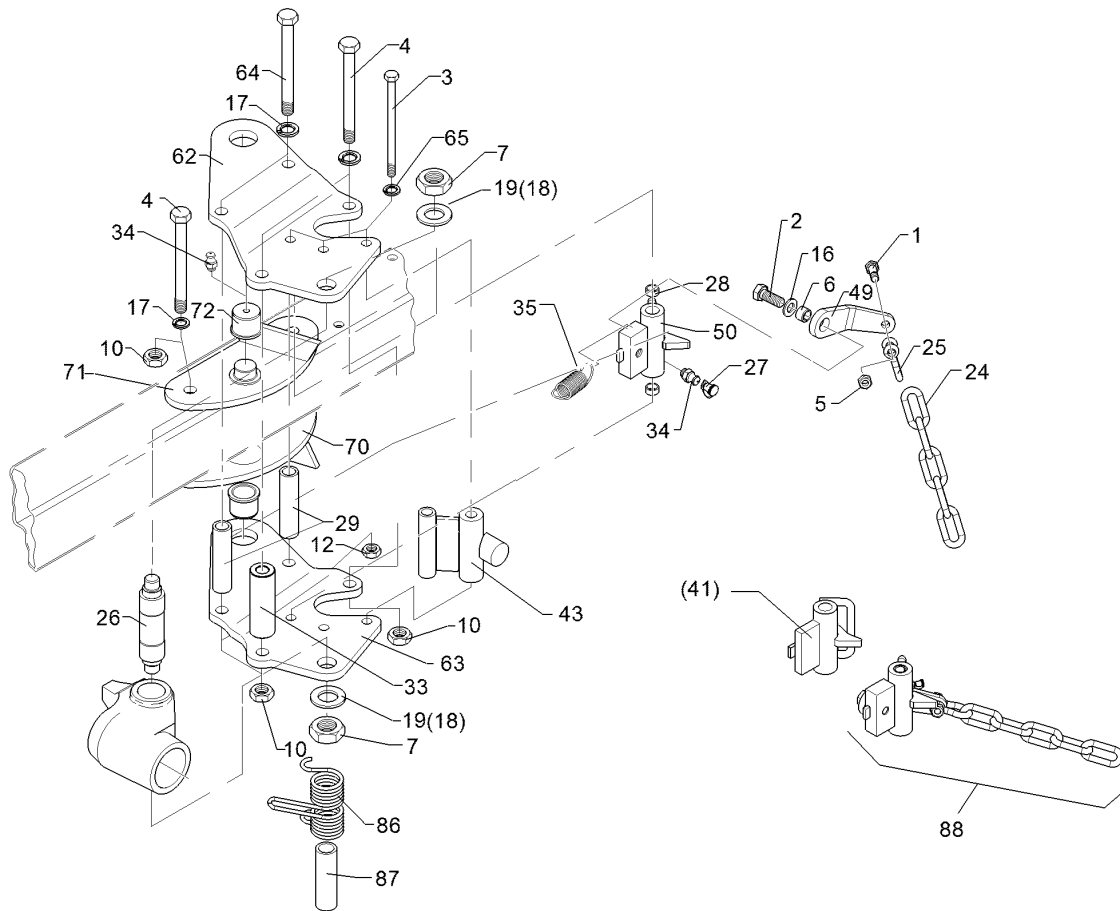
| Pos. | Art.Nr.  | Stck. | Artikeltext / Description |              | Abmessung                 |
|------|----------|-------|---------------------------|--------------|---------------------------|
| 1    | 301 7334 | 2     | Sechskantschraube         | Hexagon bolt | M12x35-8.8 Zn<br>DIN933   |
| 2    | 303 1013 | 2     | Sechskantmutter           | Hexagon nut  | M12 DIN934-8 Zn           |
| 3    | 305 8580 | 2     | Scheibe                   | Washer       | 13/24x2,5 St-Zn<br>DIN125 |
| 4    | 449 1642 | 1     | Abstreifer                | Scraper      | 40x8x330 3xD12            |





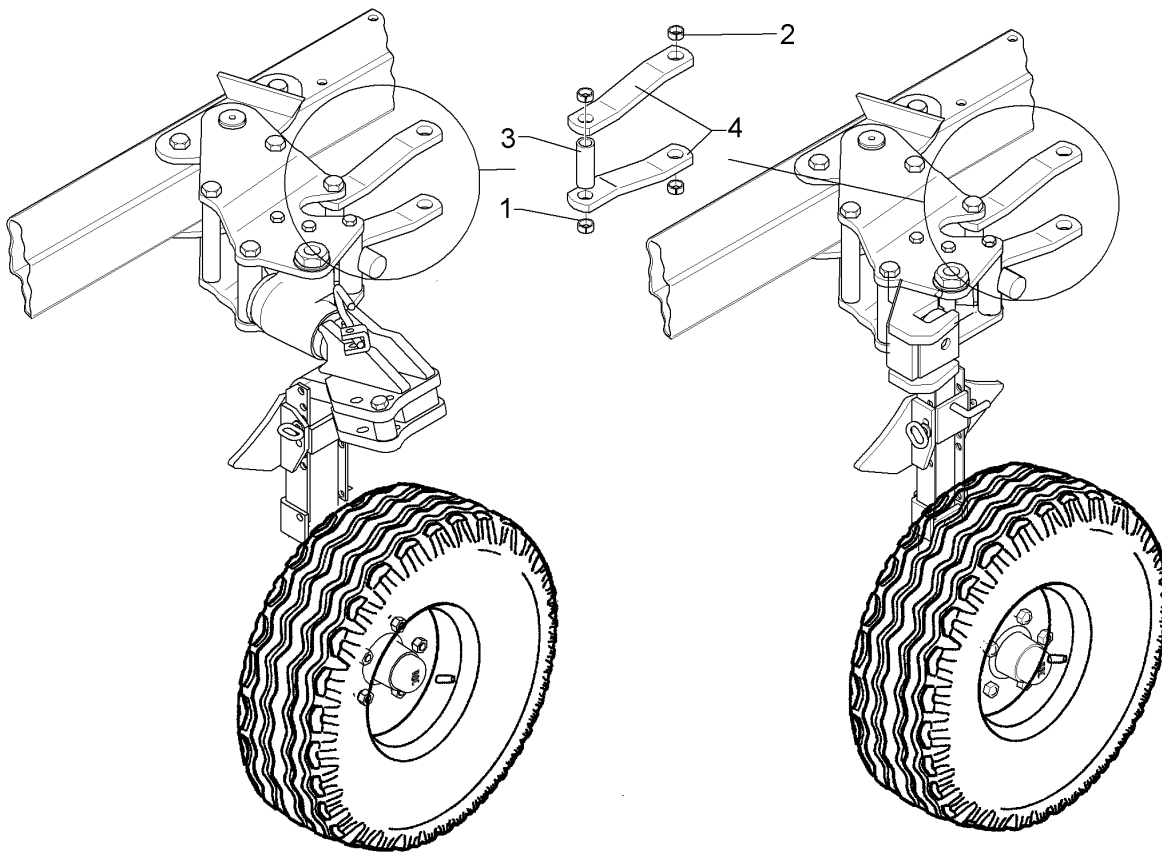
01.18

| Pos. | Art.Nr.  | Stck. | Artikeltext / Description |                   | Abmessung                       |
|------|----------|-------|---------------------------|-------------------|---------------------------------|
| 1    | 301 3367 | 1     | Sechskantschraube spz.    | Hexagon bolt      | M12x45-8.8 Zn                   |
| 2    | 301 5404 | 1     | Sechskantschraube         | Hexagon bolt      | M16x40-8.8 Zn<br>DIN933         |
| 3    | 301 4121 | 3     | Sechskantschraube         | Hexagon bolt      | M16x1,5x172ls150xb19-10.9<br>Zn |
| 4    | 301 4523 | 4     | Sechskantschraube spezial | Hexagon bolt      | M20x1,5x170ls144xb23-10.9<br>Zn |
| 5    | 303 1013 | 1     | Sechskantmutter           | Hexagon nut       | M12 DIN934-8 Zn                 |
| 6    | 317 3334 | 1     | Einspannbuchse            | Expansion bush    | EG16/22x14-DIN1498              |
| 7    | 303 0956 | 2     | Sechskantmutter           | Hexagon nut       | BM24x1,5 Zn<br>DIN439-8         |
| 10   | 303 0977 | 6     | Sechskantmutter           | Hexagon nut       | M20x1,5 DIN934-10<br>Zn         |
| 12   | 303 0990 | 3     | Sechskantmutter           | Hexagon nut       | M16x1,5 DIN934-10<br>Zn         |
| 13   | 305 6141 | 7     | Scheibe                   | Washer            | 17/30x3<br>DIN/ISO-7089         |
| 17   | 305 6012 | 12    | Scheibe                   | Washer            | 21 ISO7089 Zn                   |
| 18   | 305 2230 | 2     | Stützscheibe              | Supporting washer | S 25x35x2,0 DIN988<br>Zn        |
| 19   | 305 6254 | 2     | Scheibe                   | Washer            | D25/44x4 Zn<br>ISO7089          |
| 24   | 331 6277 | 1     | Kette                     | Chain             | G10x50 5 Gl. DIN<br>5685        |
| 25   | 331 8380 | 1     | Malotte ohne Gewinde      | Shackle           | D13                             |
| 26   | 313 4018 | 1     | Bolzen                    | Pin               | D40/30/M24x1,5x185              |
| 27   | 323 6401 | 5     | Schutzkappe               | Cap               | M10x1<br>M6-M10                 |



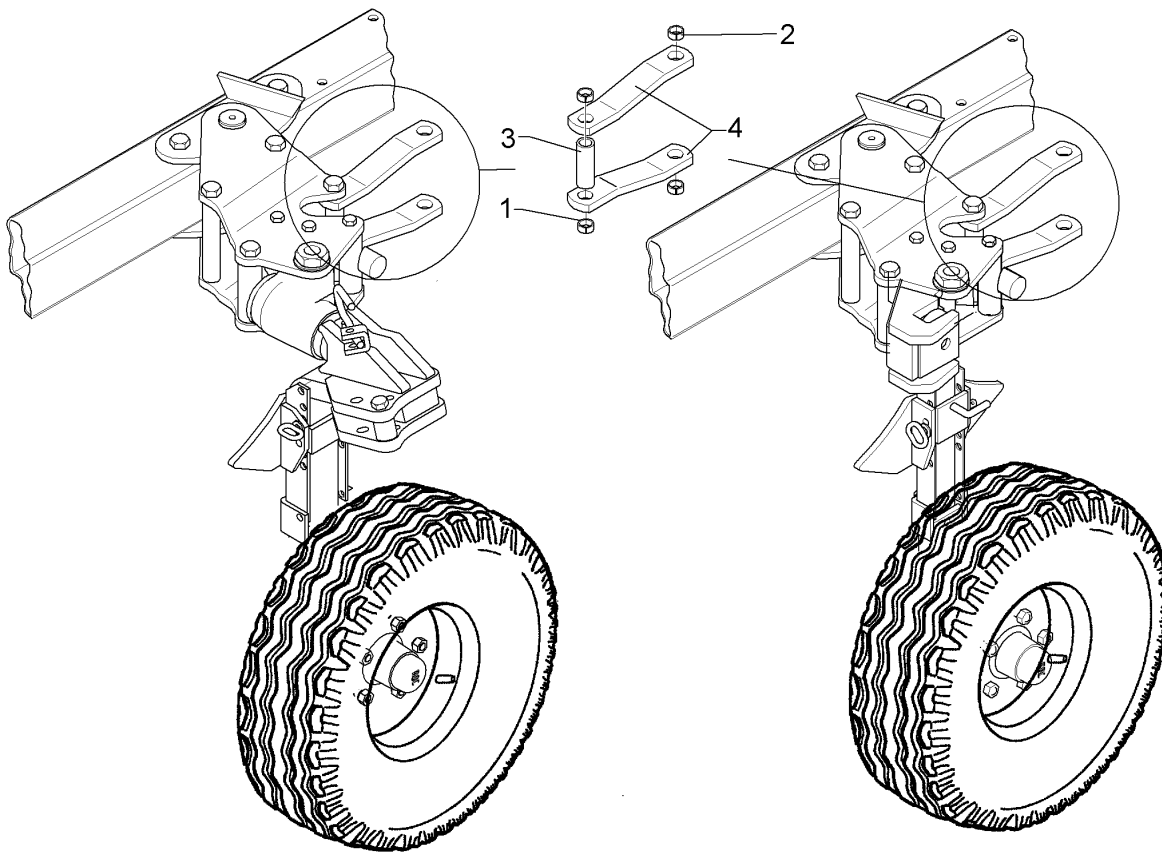
01.18

| Pos. | Art.Nr.  | Stck. | Artikeltext / Description | Abmessung      |                               |
|------|----------|-------|---------------------------|----------------|-------------------------------|
| 28   | 317 3336 | 2     | Einspannbuchse            | Expansion bush | EG16/22x18-DIN1498            |
| 29   | 317 6670 | 2     | Röhrchen                  | Tube           | 33,7x4,5x158 Zn               |
| 33   | 317 7510 | 1     | Distanzbuchse             | Distance bush  | D40/20,2x120 Zn               |
| 34   | 323 6348 | 5     | Schmiernippel             | Grease nipple  | AM10x1 DIN71412               |
| 35   | 329 8496 | 1     | Zugfeder                  | Spring         | 2,8x27,2x91 D35/12            |
| 41   | 448 2598 | 1     | Verriegelung mit Bügel    | Locking device | D38/22x117,5                  |
| 43   | 448 2605 | 1     | Anschlag                  | Stop           | 60x30 2xD16x119               |
| 49   | 44810015 | 1     | Hebel                     | Lever          | 12x46x163 GEB45°<br>D23 D13 V |
| 50   | 44810016 | 1     | Verriegelung              | Locking device | D38/22x117,5                  |
| 62   | 449 5770 | 1     | Lagerplatte               | Bearing plate  | V7 GEK20 RE                   |
| 63   | 449 5771 | 1     | Lagerplatte               | Bearing plate  | V7 GEK20 LI                   |
| 64   | 301 4549 | 2     | Sechskantschraube spezial | Hexagon bolt   | M20x1,5x210-10.9<br>Zn        |
| 70   | 449 1970 | 1     | Lagerplatte               | Bearing plate  | VariOpal RE                   |
| 71   | 449 1971 | 1     | Lagerplatte               | Bearing plate  | VariOpal LI                   |
| 72   | 317 9309 | 2     | Bundbuchse                | Flange bushing | D50/44,8/35x28<br>M10x1 Zn    |
| 86   | 329 9041 | 1     | Drehfeder                 | Torsion spring | d=5,5 Dm=46<br>2-Schenkel Zn  |
| 87   | 317 6660 | 1     | Röhrchen                  | Tube           | 33,7x4,5x110 Zn               |
| 88   | 54810007 | 1     | Montagesatz               | Mounting set   | Stützrad                      |



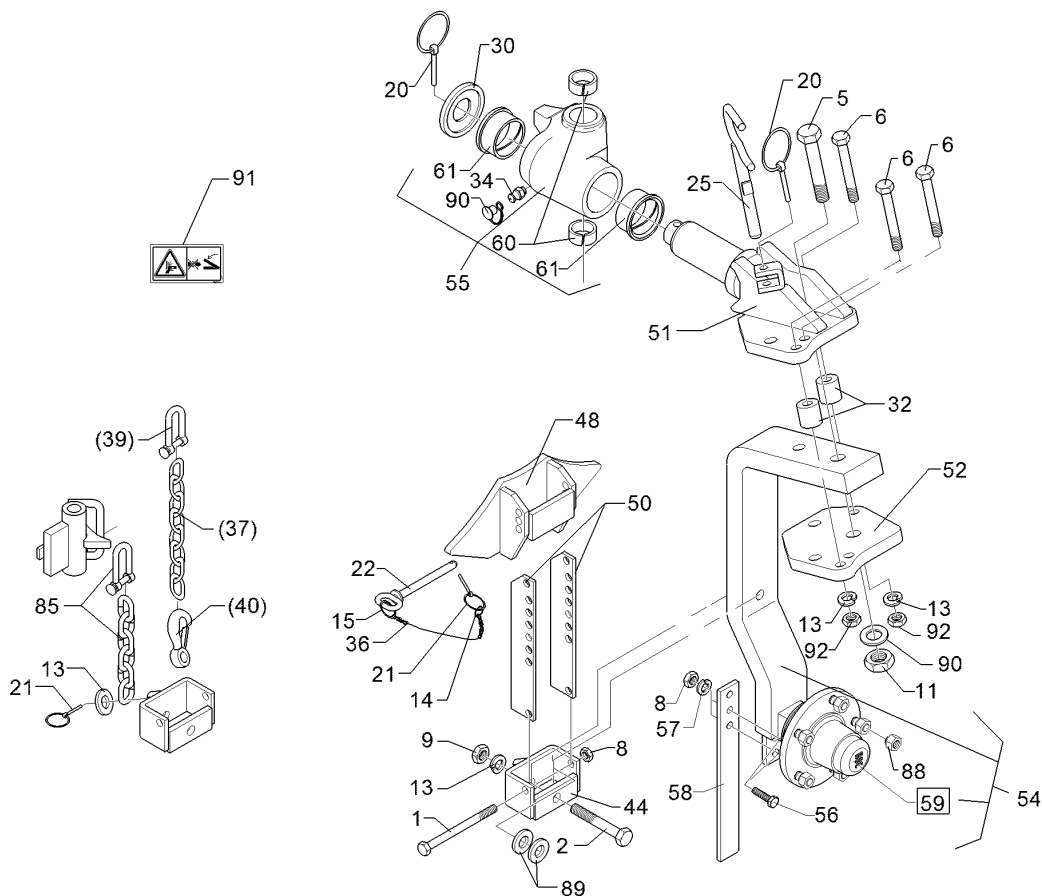
01.18

| Pos. | Art.Nr.  | Stck. | Artikeltext / Description    |                | Abmessung                      |
|------|----------|-------|------------------------------|----------------|--------------------------------|
| 1    | 317 3338 | 2     | Einspannbuchse mit Presssitz | Expansion bush | EG20/26x16                     |
| 2    | 317 3337 | 2     | Einspannbuchse               | Expansion bush | EG28/32x15<br>Presssitz        |
| 3    | 317 6673 | 1     | Röhrchen                     | Tube           | 33,7x4,5x87                    |
| 4    | 449 1710 | 2     | Steuerstange                 | Control rod    | 50x15x455<br>1x403-D26/D32 VO7 |



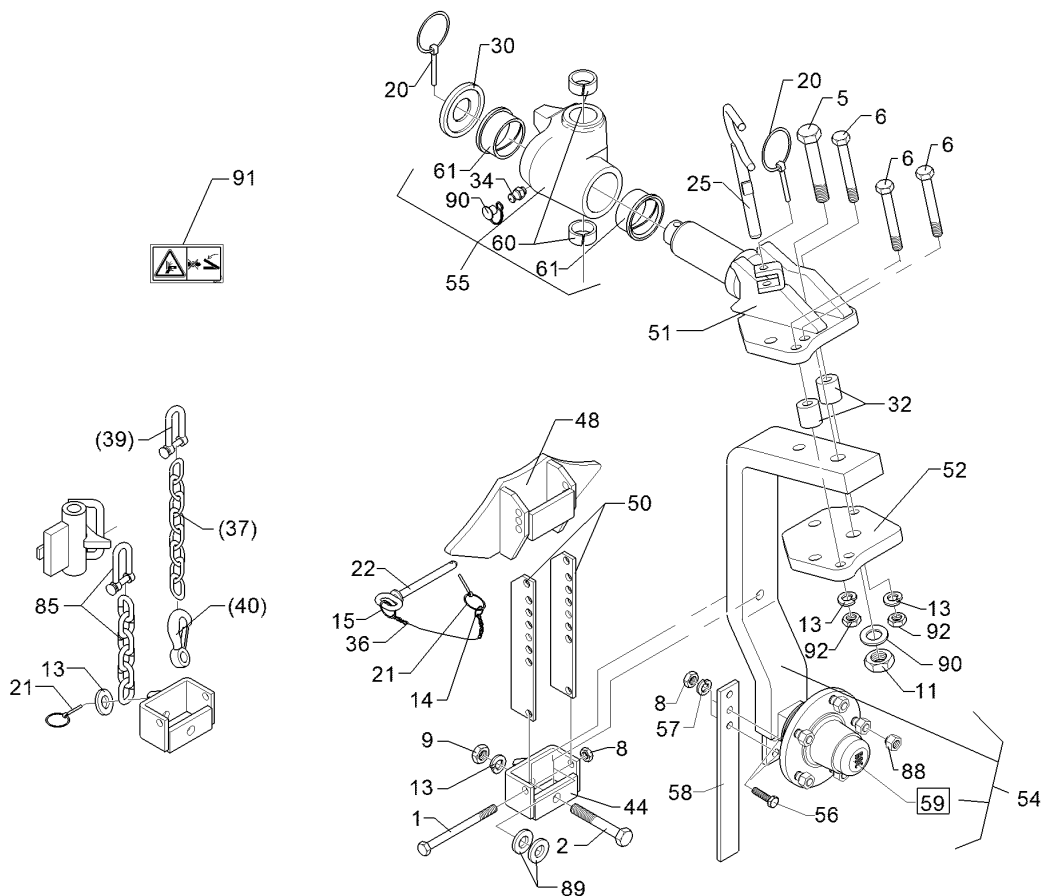
01.18

| Pos. | Art.Nr.  | Stck. | Artikeltext / Description    |                | Abmessung                      |
|------|----------|-------|------------------------------|----------------|--------------------------------|
| 1    | 317 3338 | 2     | Einspannbuchse mit Presssitz | Expansion bush | EG20/26x16                     |
| 2    | 317 3337 | 2     | Einspannbuchse               | Expansion bush | EG28/32x15<br>Presssitz        |
| 3    | 317 6673 | 1     | Röhrchen                     | Tube           | 33,7x4,5x87                    |
| 4    | 449 1714 | 2     | Steuerstange                 | Control rod    | 50x15x570<br>1x520-D26/D32 VO7 |



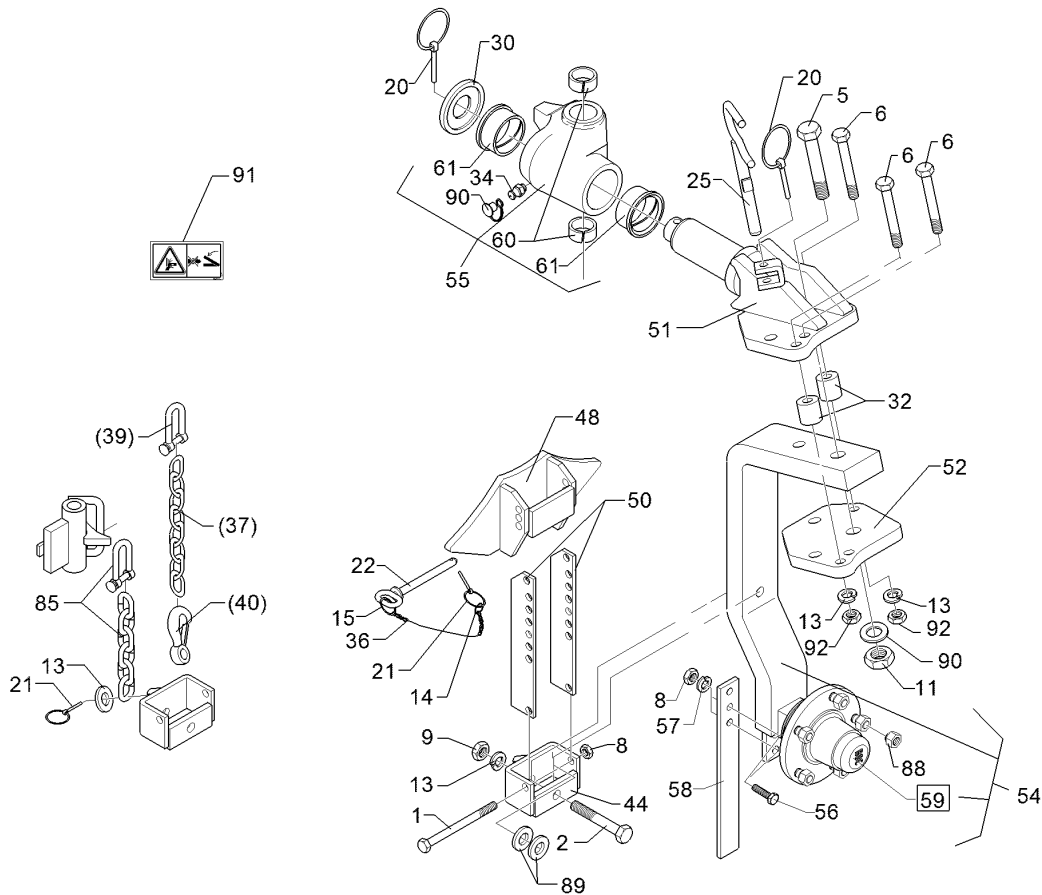
01.18

| Pos. | Art.Nr.  | Stck. | Artikeltext / Description |                    | Abmessung                              |
|------|----------|-------|---------------------------|--------------------|--|
| 1    | 301 3498 | 1     | Sechskantschraube         | Hexagon bolt       | M12x120-8.8 Zn                         |
| 2    | 301 3918 | 1     | Sechskantschraube         | Hexagon bolt       | DIN931-A<br>M16x80-8.8 Zn              |
| 5    | 301 4661 | 1     | Sechskantschraube spz.    | Hexagon bolt       | DIN931-A<br>M24x100ls70xb25-10.9<br>Zn |
| 6    | 301 3994 | 3     | Sechskantschraube spz.    | Hexagon bolt       | M16x100-12.9 Zn                        |
| 8    | 303 1013 | 3     | Sechskantmutter           | Hexagon nut        | M12 DIN934-8 Zn                        |
| 9    | 303 1015 | 1     | Sechskantmutter           | Hexagon nut        | M16 DIN934-8 Zn                        |
| 11   | 303 1019 | 1     | Sechskantmutter           | Hexagon nut        | M24 DIN934-8 Zn                        |
| 13   | 305 6141 | 5     | Scheibe                   | Washer             | 17/30x3<br>DIN/ISO-7089                |
| 14   | 305 8545 | 1     | Sicherungsring            | Retaining ring     | 3x30-35x1,25 Zn                        |
| 15   | 305 8551 | 1     | Sicherungsring            | Retaining ring     | Di41x3 A2                              |
| 20   | 311 9302 | 2     | Klappstift                | Securing pin       | 12x60                                  |
| 21   | 311 9565 | 2     | Klappstift                | Securing pin       | 4,5                                    |
| 22   | 313 1213 | 1     | Bolzen mit Griff          | Pin with grip      | D12x118,5/131 D5<br>Zn                 |
| 25   | 313 1815 | 1     | Bolzen mit Griff          | Pin with grip      | D18x165 Zn                             |
| 30   | 317 6907 | 1     | Stellingring              | Adjusting ring     | D88/40,5x20 Zn                         |
| 32   | 317 7504 | 2     | Buchse                    | Bush               | D35/16x35,5                            |
| 36   | 331 6130 | 1     | Knotenkette               | Knotted-link chain | D2x150                                 |
| 37   | 331 6246 | 1     | Kette                     | Chain              | G8x32 DIN5685 6GL<br>21MN4 Zn-V        |
| 39   | 331 8381 | 1     | Kettenschäkel hochfest    | Chain shackle      | 8x13x27 LA0302                         |
| 40   | 331 9012 | 1     | Haken                     | Hook               | D16x90                                 |



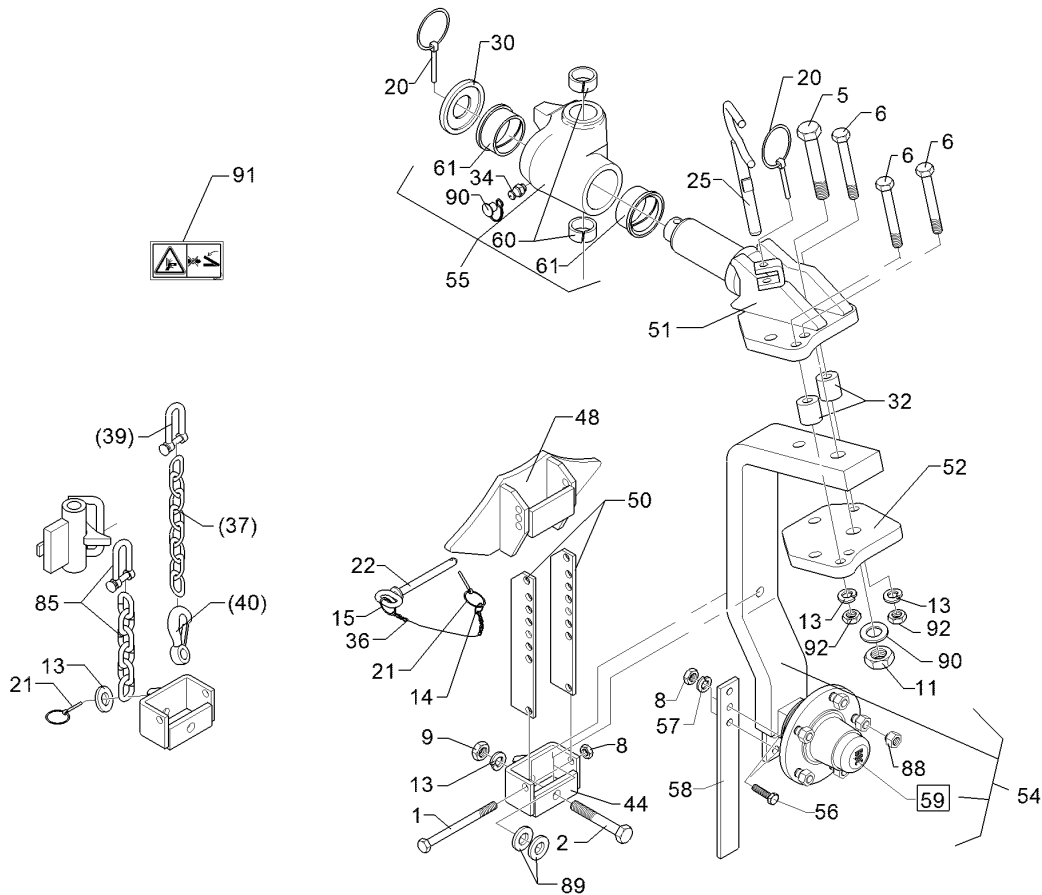
01.18

| Pos. | Art.Nr.  | Stck. | Artikeltext / Description    | Abmessung         |                           |
|------|----------|-------|------------------------------|-------------------|---------------------------|
| 44   | 449 5745 | 1     | Halter mit Zapfen            | Holder with pivot | 47x95 UPR                 |
| 48   | 449 5755 | 1     | Anschlag                     | Stop              | 52x95 UPR                 |
| 50   | 449 5757 | 2     | Verstelleiste                | Adjuster plate    | 50x6x270                  |
| 51   | 449 5758 | 1     | Schwenklager                 | Swivel bearing    | D60 D20,1 UPR             |
| 52   | 449 5759 | 1     | Konsolenteil                 | Part of bracket   | 20x190x210 D20,1          |
| 54   | 549 1331 | 1     | Radhalm                      | Wheel stalk       | 80x35 D20 5/140           |
| 55   | 549 5750 | 1     | Kreuzgelenk                  | Cross union       | D60/44x120                |
| 56   | 301 7334 | 2     | Sechskantschraube            | Hexagon bolt      | M12x35-8.8 Zn<br>DIN933   |
| 57   | 305 8580 | 4     | Scheibe                      | Washer            | 13/24x2,5 St-Zn<br>DIN125 |
| 58   | 449 1642 | 1     | Abstreifer                   | Scraper           | 40x8x330 3xD12            |
| 59   | 549 8893 | 1     | Lagerung                     | Bearing           | 5/93,5/140 M14<br>50x50   |
| 60   | 317 2005 | 2     | Einspannbuchse mit Presssitz | Expansion bush    | EG40/44x20                |
| 61   | 317 9373 | 2     | Bundbuchse                   | Flange bushing    | D80/66/60x45              |
| 85   | 331 9891 | 1     | Kette kpl. mit Schäkel       | Chain             | 6GL 10x40                 |
| 88   | 303 6413 | 5     | Kugelbundmutter              | Wheel nut         | M14x1,5-8 Zn<br>DIN74361  |
| 89   | 305 6161 | 2     | Scheibe                      | Washer            | 17/40x6 DIN7349 Zn        |
| 90   | 305 6254 | 1     | Scheibe                      | Washer            | D25/44x4 Zn<br>ISO7089    |
| 91   | 390 0506 | 1     | Aufkleber Warnbildzeichen    | Warning Label     | Quetschgefahr QF          |
| 92   | 303 0971 | 3     | Sechskantmutter              | Hexagon nut       | M16 DIN934-10 Zn          |



01.18

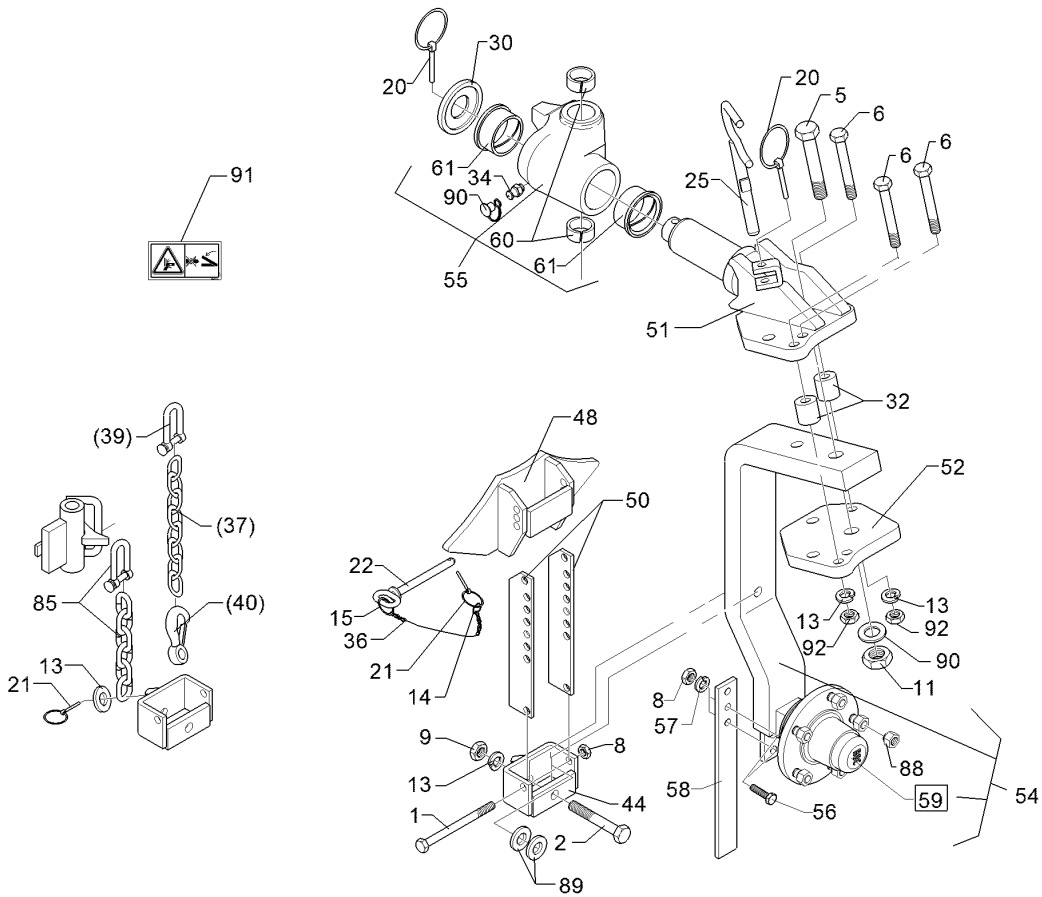
| Pos. | Art.Nr.  | Stck. | Artikeltext / Description |                    | Abmessung                              |
|------|----------|-------|---------------------------|--------------------|--|
| 1    | 301 3498 | 1     | Sechskantschraube         | Hexagon bolt       | M12x120-8.8 Zn                         |
| 2    | 301 3918 | 1     | Sechskantschraube         | Hexagon bolt       | DIN931-A<br>M16x80-8.8 Zn              |
| 5    | 301 4661 | 1     | Sechskantschraube spz.    | Hexagon bolt       | DIN931-A<br>M24x100ls70xb25-10.9<br>Zn |
| 6    | 301 3994 | 3     | Sechskantschraube spz.    | Hexagon bolt       | M16x100-12.9 Zn                        |
| 8    | 303 1013 | 3     | Sechskantmutter           | Hexagon nut        | M12 DIN934-8 Zn                        |
| 9    | 303 1015 | 1     | Sechskantmutter           | Hexagon nut        | M16 DIN934-8 Zn                        |
| 11   | 303 1019 | 1     | Sechskantmutter           | Hexagon nut        | M24 DIN934-8 Zn                        |
| 14   | 305 8545 | 1     | Sicherungsring            | Retaining ring     | 3x30-35x1,25 Zn                        |
| 15   | 305 8551 | 1     | Sicherungsring            | Retaining ring     | Di41x3 A2                              |
| 20   | 311 9302 | 2     | Klappstift                | Securing pin       | 12x60                                  |
| 21   | 311 9565 | 2     | Klappstift                | Securing pin       | 4,5                                    |
| 22   | 313 1213 | 1     | Bolzen mit Griff          | Pin with grip      | D12x118,5/131 D5<br>Zn                 |
| 25   | 313 1815 | 1     | Bolzen mit Griff          | Pin with grip      | D18x165 Zn                             |
| 27   | 305 6141 | 5     | Scheibe                   | Washer             | 17/30x3<br>DIN/ISO-7089                |
| 30   | 317 6907 | 1     | Stellingring              | Adjusting ring     | D88/40,5x20 Zn                         |
| 32   | 317 7504 | 2     | Buchse                    | Bush               | D35/16x35,5                            |
| 34   | 323 6348 | 1     | Schmiernippel             | Grease nipple      | AM10x1 DIN71412                        |
| 36   | 331 6130 | 1     | Knotenkette               | Knotted-link chain | D2x150                                 |
| 37   | 331 6246 | 1     | Kette                     | Chain              | G8x32 DIN5685 6GL<br>21MN4 Zn-V        |
| 39   | 331 8381 | 1     | Kettenschäkel hochfest    | Chain shackle      | 8x13x27 LA0302                         |



01.18

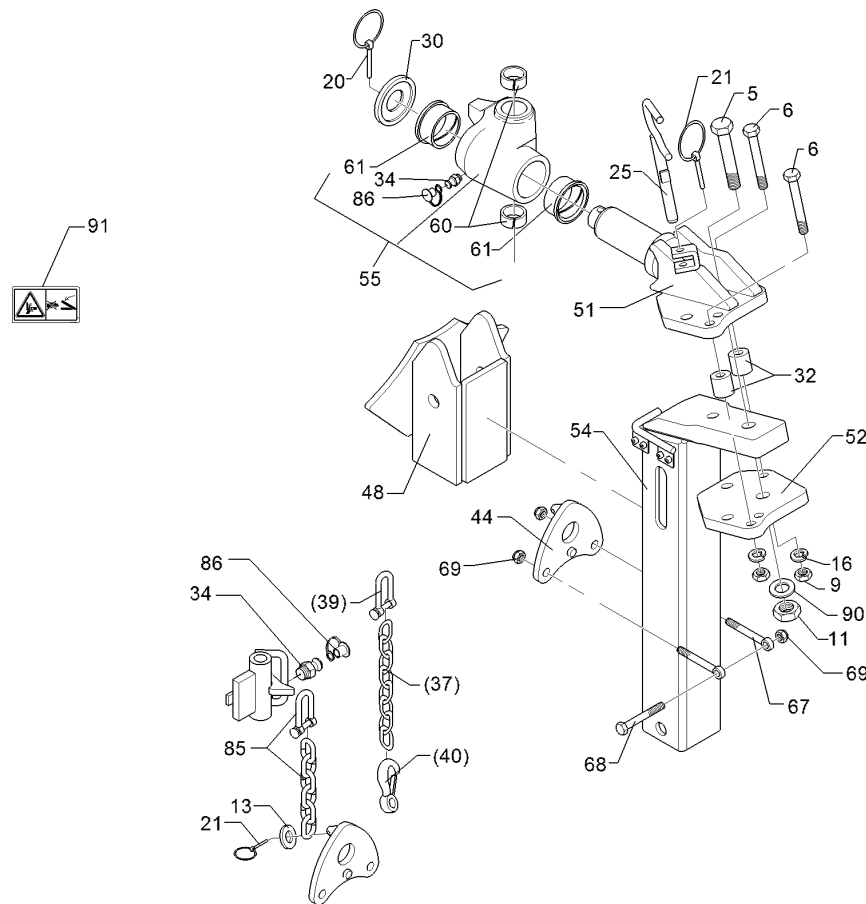
| Pos. | Art.Nr.  | Stck. | Artikeltext / Description    |                   | Abmessung                   |
|------|----------|-------|------------------------------|-------------------|-----------------------------|
| 40   | 331 9012 | 1     | Haken                        | Hook              | D16x90                      |
| 44   | 449 5745 | 1     | Halter mit Zapfen            | Holder with pivot | 47x95 UPR                   |
| 48   | 449 5755 | 1     | Anschlag                     | Stop              | 52x95 UPR                   |
| 50   | 449 5757 | 2     | Verstelleiste                | Adjuster plate    | 50x6x270                    |
| 51   | 449 5758 | 1     | Schwenklager                 | Swivel bearing    | D60 D20,1 UPR               |
| 52   | 449 5759 | 1     | Konsolenteil                 | Part of bracket   | 20x190x210 D20,1            |
| 54   | 549 1342 | 1     | Radhalm                      | Wheel stalk       | 80x35 D20 6/205 UPR         |
| 55   | 549 5750 | 1     | Kreuzgelenk                  | Cross union       | D60/44x120                  |
| 56   | 301 7334 | 2     | Sechskantschraube            | Hexagon bolt      | M12x35-8.8 Zn<br>DIN933     |
| 57   | 305 8580 | 4     | Scheibe                      | Washer            | 13/24x2,5 St-Zn<br>DIN125   |
| 58   | 449 1642 | 1     | Abstreifer                   | Scraper           | 40x8x330 3xD12              |
| 59   | 549 8894 | 1     | Lagerung                     | Bearing           | V60-6/160/205/88.5<br>D18   |
| 60   | 317 2005 | 2     | Einspannbuchse mit Presssitz | Expansion bush    | EG40/44x20                  |
| 61   | 317 9373 | 2     | Bundbuchse                   | Flange bushing    | D80/66/60x45                |
| 85   | 331 9891 | 1     | Kette kpl. mit Schäkel       | Chain             | 6GL 10x40                   |
| 87   | 323 6401 | 1     | Schutzkappe                  | Cap               | M6-M10                      |
| 88   | 303 6416 | 6     | Kugelhutmutter               | Wheel nut         | M18x1,5-10 Zn DIN<br>74361  |
| 89   | 305 6161 | 2     | Scheibe                      | Washer            | 17/40x6 DIN7349 Zn          |
| 90   | 305 6254 | 1     | Scheibe                      | Washer            | D25/44x4 Zn                 |
| 91   | 390 0506 | 1     | Aufkleber Warnbildzeichen    | Warning Label     | ISO7089<br>Quetschgefahr QF |





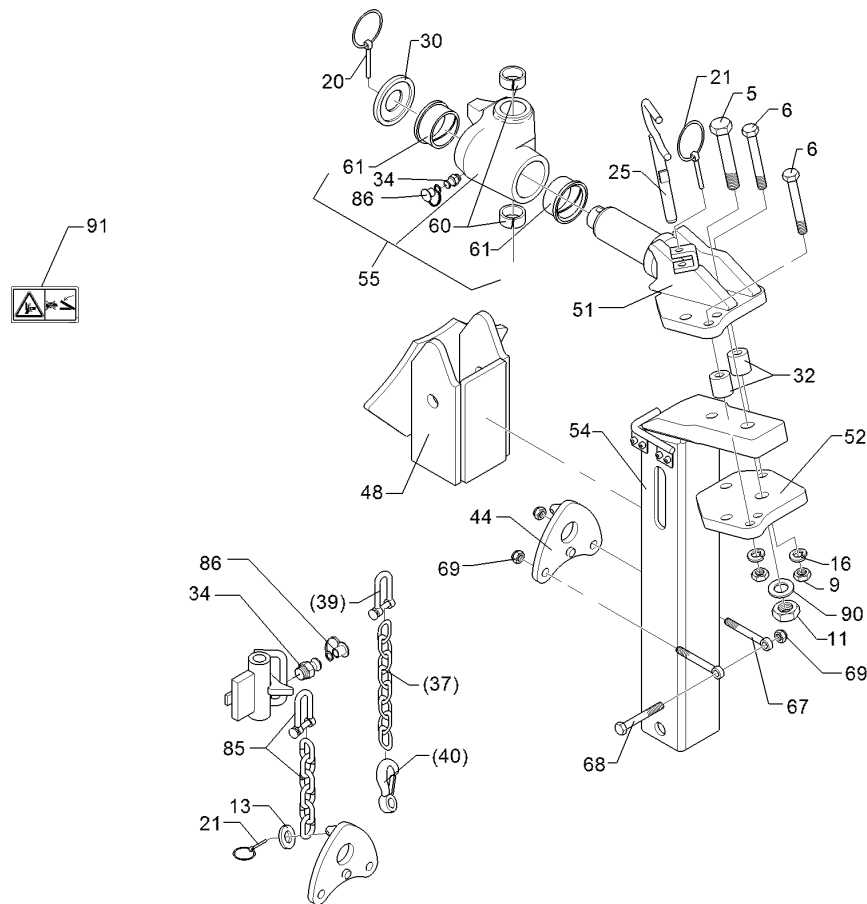
01.18

| Pos. | Art.Nr.  | Stck. | Artikeltext / Description      | Abmessung        |
|------|----------|-------|--------------------------------|------------------|
| 92   | 303 0971 | 3     | Sechskantmutter<br>Hexagon nut | M16 DIN934-10 Zn |



01.18

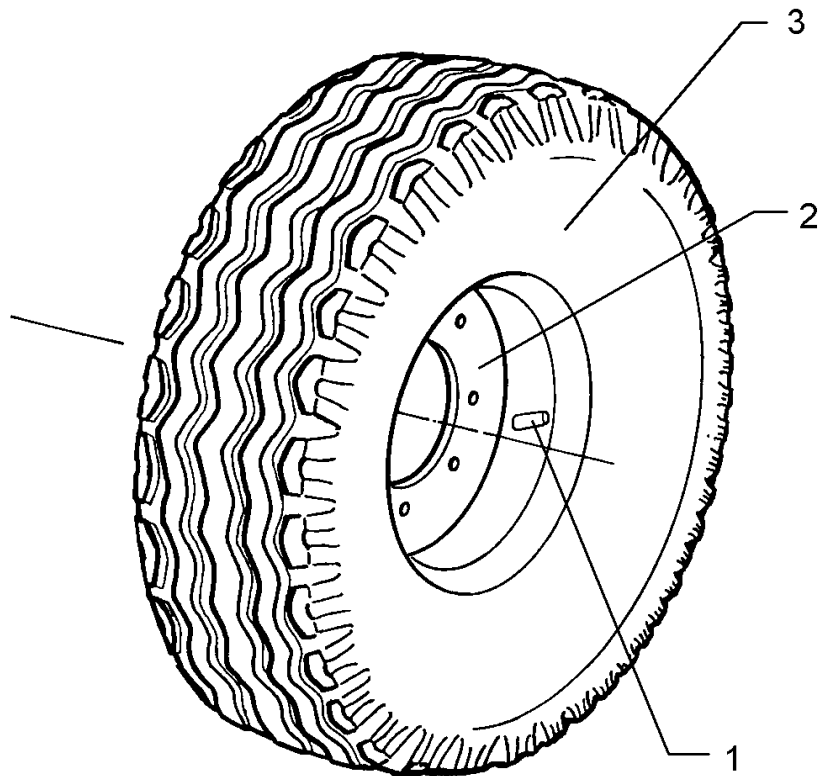
| Pos. | Art.Nr.  | Stck. | Artikeltext / Description    |                 | Abmessung                       |
|------|----------|-------|------------------------------|-----------------|---------------------------------|
| 5    | 301 4661 | 1     | Sechskantschraube spz.       | Hexagon bolt    | M24x100ls70xb25-10,9<br>Zn      |
| 6    | 301 3994 | 3     | Sechskantschraube spz.       | Hexagon bolt    | M16x100-12.9 Zn                 |
| 9    | 303 0971 | 3     | Sechskantmutter              | Hexagon nut     | M16 DIN934-10 Zn                |
| 11   | 303 1019 | 1     | Sechskantmutter              | Hexagon nut     | M24 DIN934-8 Zn                 |
| 13   | 305 6141 | 4     | Scheibe                      | Washer          | 17/30x3<br>DIN/ISO-7089         |
| 20   | 311 9302 | 2     | Klappstift                   | Securing pin    | 12x60                           |
| 21   | 311 9565 | 1     | Klappstift                   | Securing pin    | 4,5                             |
| 25   | 313 1815 | 1     | Bolzen mit Griff             | Pin with grip   | D18x165 Zn                      |
| 30   | 317 6907 | 1     | Stelling                     | Adjusting ring  | D88/40,5x20 Zn                  |
| 32   | 317 7504 | 2     | Buchse                       | Bush            | D35/16x35,5                     |
| 34   | 323 6348 | 1     | Schmiernippel                | Grease nipple   | AM10x1 DIN71412                 |
| 37   | 331 6246 | 1     | Kette                        | Chain           | G8x32 DIN5685 6GL<br>21MN4 Zn-V |
| 39   | 331 8381 | 1     | Kettenschäkel hochfest       | Chain shackle   | 8x13x27 LA0302                  |
| 40   | 331 9012 | 1     | Haken                        | Hook            | D16x90                          |
| 44   | 449 5742 | 1     | Zapfenplatte                 | Plate           | UPR HY                          |
| 48   | 449 5744 | 1     | Kulisse                      | Sliding part    | 100x100 HY                      |
| 51   | 449 5741 | 1     | Schwenklager                 | Swivel bearing  | D60 D20 UPR-HY                  |
| 52   | 449 5759 | 1     | Konsolenteil                 | Part of bracket | 20x190x210 D20,1                |
| 54   | 449 5746 | 1     | Radhalm                      | Wheel stalk     | 100x100                         |
| 55   | 549 5740 | 1     | Kreuzgelenk                  | Cross union     | D60/44x120 HY                   |
| 60   | 317 2005 | 2     | Einspannbuchse mit Presssitz | Expansion bush  | EG40/44x20                      |
| 61   | 317 9373 | 2     | Bundbuchse                   | Flange bushing  | D80/66/60x45                    |



01.18

| Pos. | Art.Nr.  | Stck. | Artikeltext / Description |                 | Abmessung                         |
|------|----------|-------|---------------------------|-----------------|-----------------------------------|
| 65   | 305 6148 | 4     | Passscheibe               | Shim            | 17x24x1,0 DIN988                  |
| 67   | 301 0860 | 2     | Augenschraube             | Eye bolt        | BM16x150-8.8<br>D2=16,1 Zn DIN444 |
| 68   | 301 5410 | 1     | Sechskantschraube         | Hexagon bolt    | M16x160-8.8 Zn<br>DIN931-A        |
| 69   | 303 0935 | 3     | Sicherungsmutter          | Selflocking nut | NM16-8 Zn DIN985                  |
| 85   | 331 9891 | 1     | Kette kpl. mit Schäkel    | Chain           | 6GL 10x40                         |
| 86   | 323 6401 | 1     | Schutzkappe               | Cap             | M6-M10                            |
| 90   | 305 6254 | 1     | Scheibe                   | Washer          | D25/44x4 Zn<br>ISO7089            |
| 91   | 390 0506 | 1     | Aufkleber Warnbildzeichen | Warning Label   | Quetschgefahr QF                  |

|                  |          |
|------------------|----------|
| Rad/Wheel        | 12       |
| VariOpal 7 / 7HX | 549 8849 |

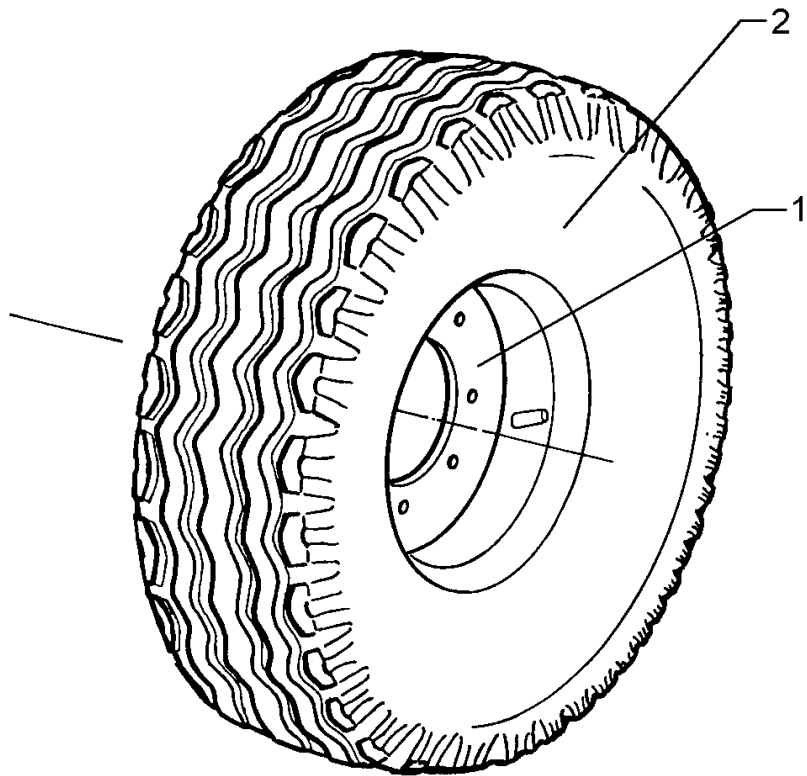


01.18

| Pos. | Art.Nr.  | Stck. | Artikeltext / Description |      | Abmessung                |
|------|----------|-------|---------------------------|------|--------------------------|
| 1    | 357 3422 | 1     | Schlauch                  | Hose | 10.0/80-12 TR15          |
| 2    | 357 7069 | 1     | Felge                     | Rim  | 7.00x12ET-25<br>5/94/140 |
| 3    | 357 8856 | 1     | Reifen                    | Tyre | 10.0/80-12 8 PR AW       |

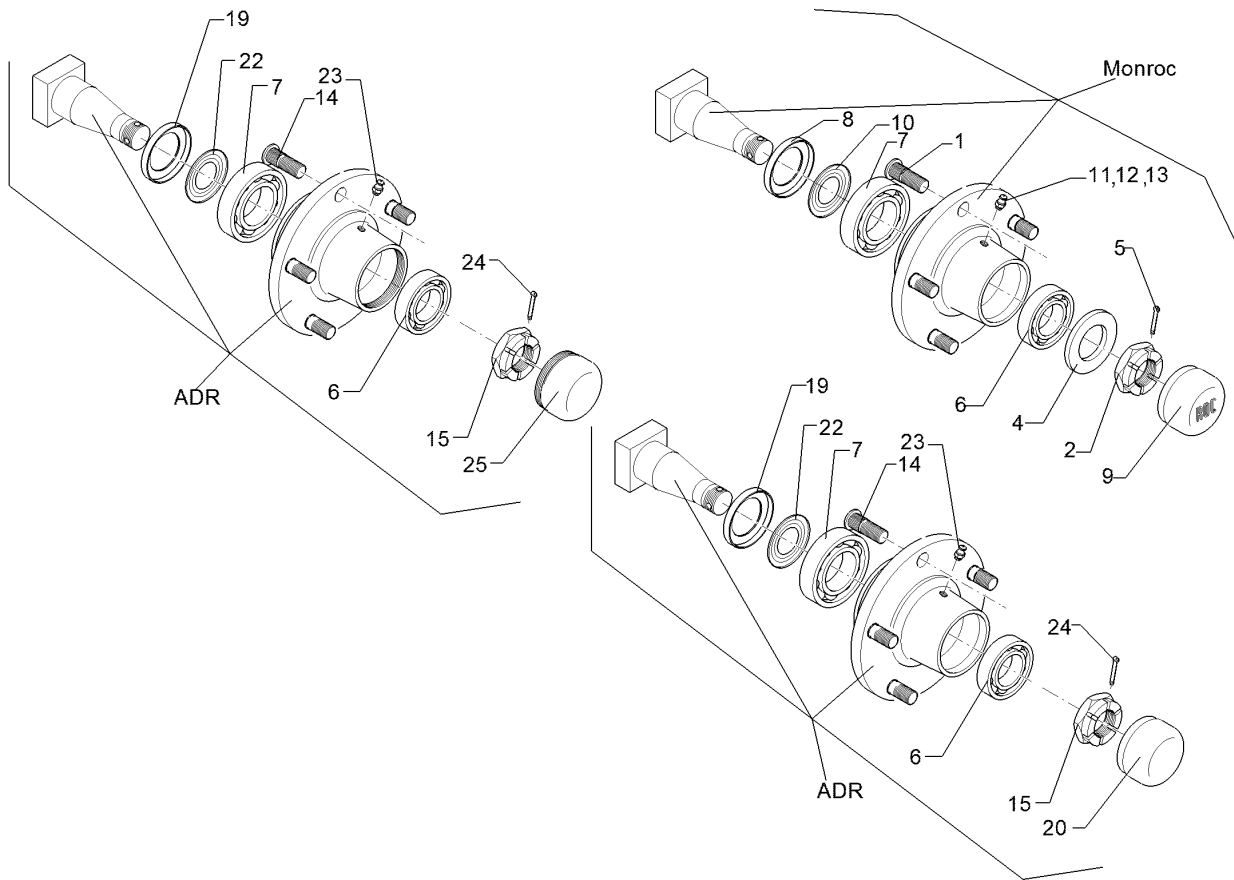
|                                     |           |
|-------------------------------------|-----------|
| Rad 5/94/140 D14/Wheel 5/94/140 D14 | <b>12</b> |
|-------------------------------------|-----------|

|                         |                 |
|-------------------------|-----------------|
| <b>VariOpal 7 / 7HX</b> | <b>549 8858</b> |
|-------------------------|-----------------|



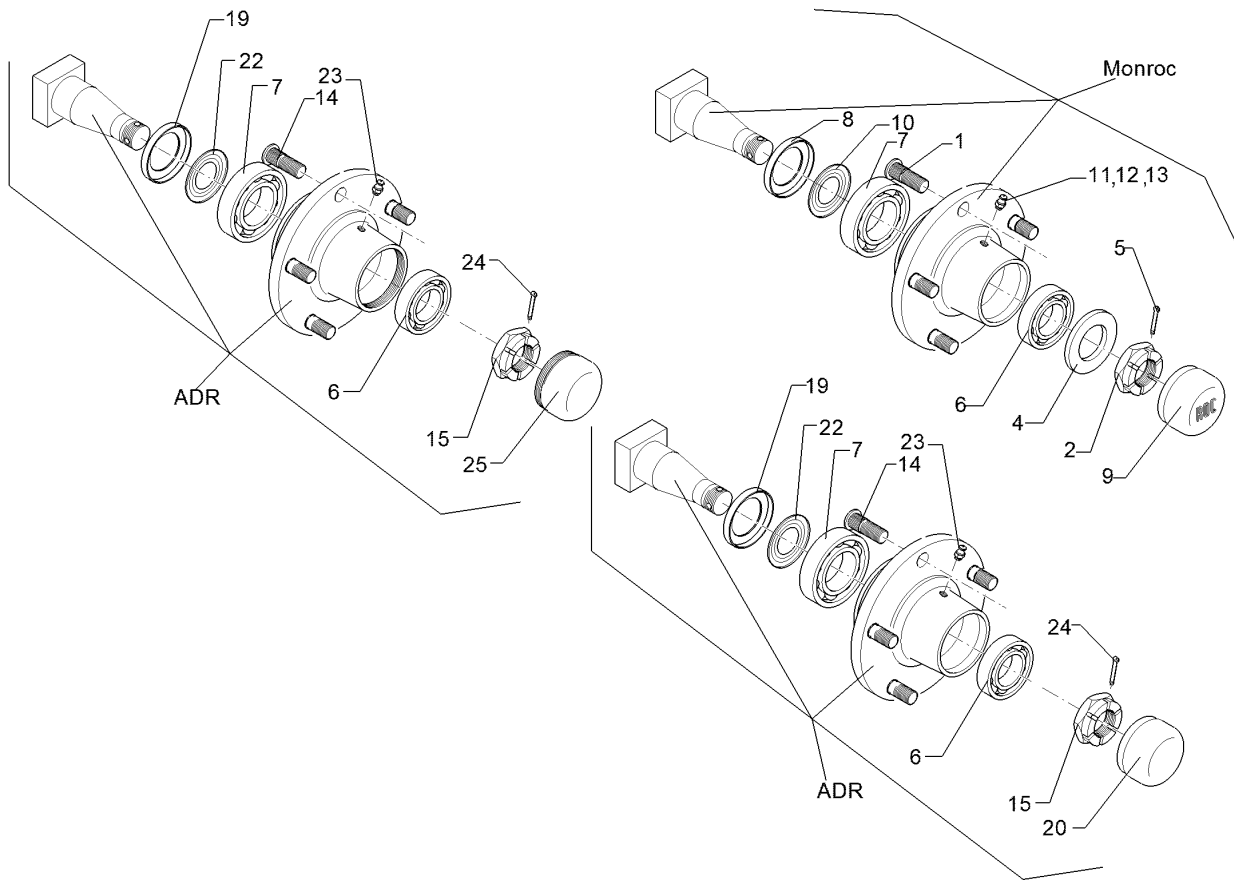
01.18

| Pos. | Art.Nr.  | Stck. | Artikeltext / Description |      | Abmessung                |
|------|----------|-------|---------------------------|------|--------------------------|
| 1    | 357 7029 | 1     | Felge                     | Rim  | 5Jx15 H2 ET0<br>5/94/140 |
| 2    | 357 8837 | 1     | Reifen                    | Tyre | 195/65x15<br>D650x198    |



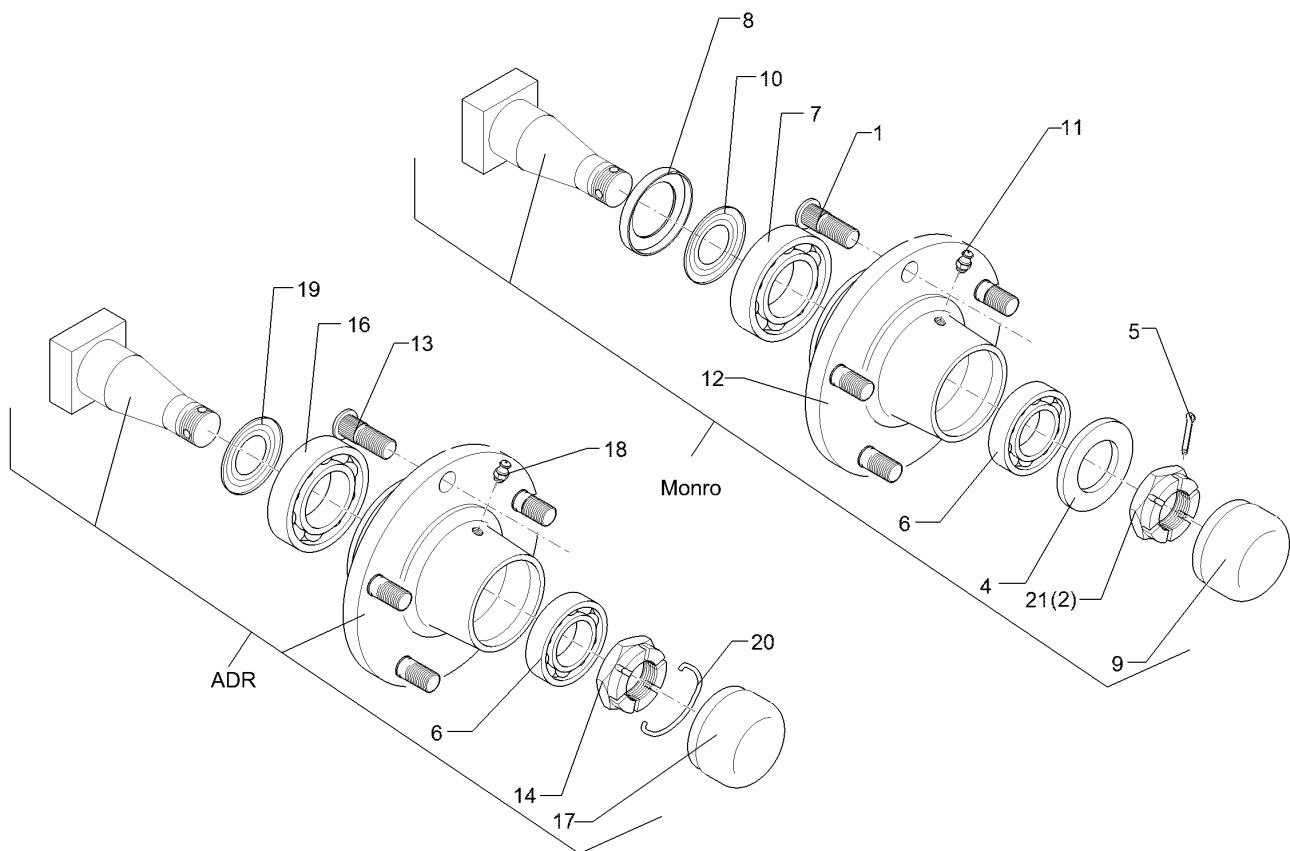
01.18

| Pos. | Art.Nr.  | Stck. | Artikeltext / Description | Abmessung              |                                     |
|------|----------|-------|---------------------------|------------------------|-------------------------------------|
| 1    | 301 6414 | 5     | Radbolzen                 | Wheel bolt             | M14x1,5x45 Zn                       |
| 2    | 303 0139 | 1     | Kronenmutter              | Castle nut             | DIN937-M24x2                        |
| 3    | 303 6413 | 5     | Kugelbundmutter           | Wheel nut              | M14x1,5-8 Zn<br>DIN74361            |
| 4    | 305 6254 | 1     | Scheibe                   | Washer                 | D25/44x4 Zn<br>ISO7089              |
| 5    | 311 7617 | 1     | Splint                    | Peg                    | 4x40 DIN94-St Zn                    |
| 6    | 319 9116 | 1     | Kegelrollenlager          | Tapered roller bearing | 30206.                              |
| 7    | 319 9151 | 1     | Kegelrollenlager          | Tapered roller bearing | 30209.                              |
| 8    | 323 0413 | 1     | Hüllscheibe               | Cover washer           | D100/45x12                          |
| 9    | 323 1321 | 1     | Schraubkappe              | Cap                    | D63,5x40                            |
| 10   | 323 1802 | 1     | Nilos-Ring                | Nilos ring             | 30209 AV                            |
| 11   | 323 6345 | 1     | Schmiernippel gerade      | Grease nipple          | LAM 6 DIN71412                      |
| 12   | 323 6353 | 1     | Schmiernippel             | Grease nipple          | BM8x1,25<br>DIN71412-6kt. 65<br>GRD |
| 13   | 323 6363 | 1     | Schmiernippel             | Grease nipple          | 1/4" SAE                            |
| 14   | 301 6416 | 5     | Radschraube               | Wheel bolt             | M14x1,5x41/45                       |
| 15   | 303 0174 | 1     | Kronenmutter              | Castle nut             | M27x1,5                             |
| 19   | 323 7628 | 1     | Dichtung zum Lager        | Seal                   | 30209                               |
| 20   | 323 1315 | 1     | Schlagkappe               | Lug strap              | ADR D62x21                          |
| 21   | 323 1841 | 1     | Nilos-Ring                | Nilos ring             | 30206 JV                            |
| 22   | 323 1844 | 1     | Nilos-Ring                | Nilos ring             | 30209 JV                            |



01.18

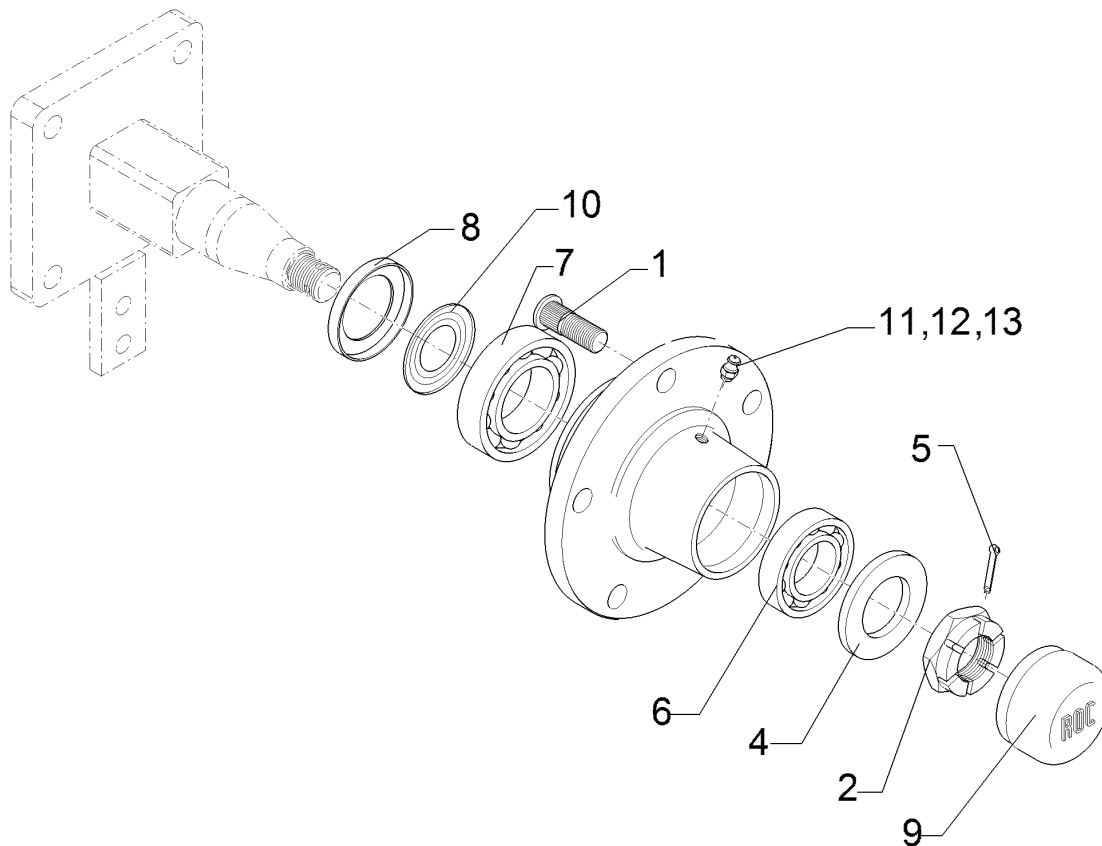
| Pos. | Art.Nr.  | Stck. | Artikeltext / Description |               | Abmessung                 |
|------|----------|-------|---------------------------|---------------|---------------------------|
| 23   | 323 6354 | 1     | Schmiernippel             | Grease nipple | BM8x1<br>DIN71412-6kt. 45 |
| 24   | 329 3541 | 1     | Sicherungsklammer         | Safety clamp  | GRD<br>D5x50              |
| 25   | 323 1314 | 1     | Schraubkappe              | Cap           | M64x2 (D62)               |



01.18

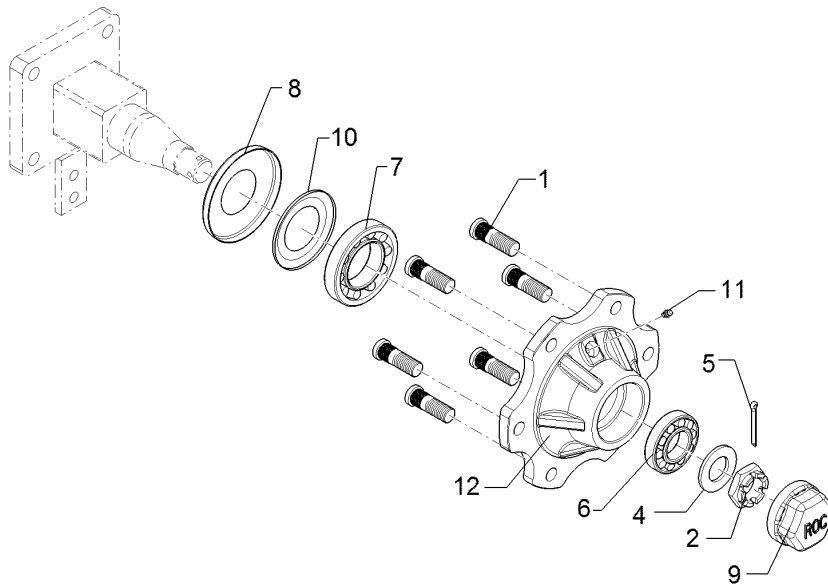
| Pos. | Art.Nr.  | Stck. | Artikeltext / Description |                        | Abmessung                  |
|------|----------|-------|---------------------------|------------------------|----------------------------|
| 1    | 30110079 | 6     | Radschraube               | Wheel bolt             | M18x1,5x54                 |
| 2    | 30310017 | 1     | Kronenmutter              | Castle nut             | M30x2 h=18                 |
| 4    | 305 6285 | 1     | Scheibe                   | Washer                 | 31/56x4<br>DIN/ISO-7089 Zn |
| 5    | 311 7635 | 1     | Splint                    | Peg                    | 5x45 DIN94-St Zn           |
| 6    | 319 9015 | 1     | Kegelrollenlager          | Tapered roller bearing | 30207                      |
| 7    | 319 9019 | 1     | Kegelrollenlager          | Tapered roller bearing | 30211.                     |
| 8    | 323 0414 | 1     | Schutzkappe               | Cap                    | D110x10                    |
| 9    | 323 1322 | 1     | Schraubkappe              | Cap                    | D73x40                     |
| 10   | 323 1803 | 1     | Nilos-Ring                | Nilos ring             | 30211 AV                   |
| 11   | 323 6345 | 1     | Schmiernippel gerade      | Grease nipple          | LAM 6 DIN71412             |
| 12   | 449 8893 | 1     | Nabe                      | Hub                    | 6/205 ROC                  |
| 13   | 301 6431 | 6     | Radschraube               | Wheel bolt             | M18x1,5x49/54              |
| 14   | 303 0175 | 1     | Kronenmutter              | Castle nut             | M39x1,5                    |
| 16   | 319 9118 | 1     | Kegelrollenlager          | Tapered roller bearing | 30208.                     |
| 17   | 323 1313 | 1     | Schraubkappe              | Cap                    | (D80)                      |
| 18   | 323 6355 | 1     | Schmiernippel             | Grease nipple          | AM8x1,25 DIN71412          |
| 19   | 323 7627 | 1     | Dichtung zum Lager        | Seal                   | 30211                      |
| 20   | 329 3542 | 1     | Sicherungsklammer         | Safety clamp           | D4x67                      |
| 21   | 303 0141 | 1     | Kronenmutter              | Castle nut             | DIN935-M30x1,5             |





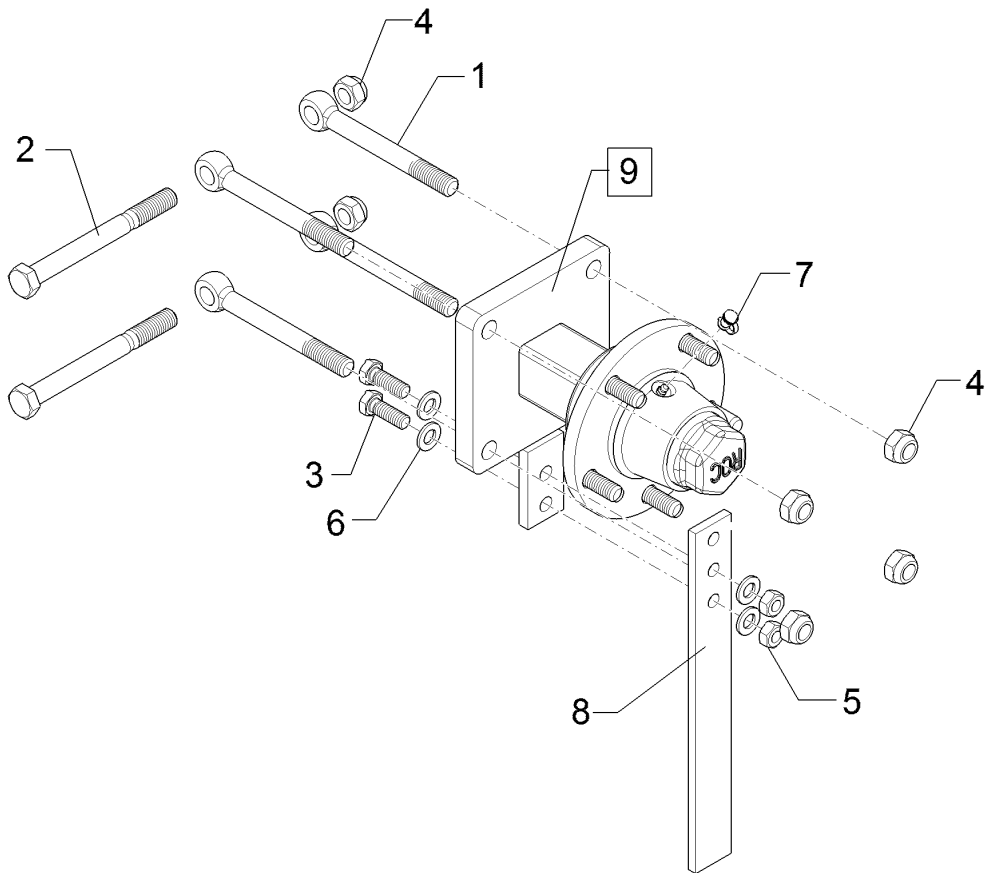
01.18

| Pos. | Art.Nr.  | Stck. | Artikeltext / Description |                        | Abmessung                |
|------|----------|-------|---------------------------|------------------------|--------------------------|
| 1    | 301 6414 | 5     | Radbolzen                 | Wheel bolt             | M14x1,5x45 Zn            |
| 2    | 303 0139 | 1     | Kronenmutter              | Castle nut             | DIN937-M24x2             |
| 3    | 303 6413 | 5     | Kugelbundmutter           | Wheel nut              | M14x1,5-8 Zn<br>DIN74361 |
| 4    | 305 6254 | 1     | Scheibe                   | Washer                 | D25/44x4 Zn<br>ISO7089   |
| 5    | 311 7617 | 1     | Splint                    | Peg                    | 4x40 DIN94-St Zn         |
| 6    | 319 9116 | 1     | Kegelrollenlager          | Tapered roller bearing | 30206.                   |
| 7    | 319 9151 | 1     | Kegelrollenlager          | Tapered roller bearing | 30209.                   |
| 8    | 323 0413 | 1     | Hüllscheibe               | Cover washer           | D100/45x12               |
| 9    | 323 1321 | 1     | Schraubkappe              | Cap                    | D63,5x40                 |
| 10   | 323 1802 | 1     | Nilos-Ring                | Nilos ring             | 30209 AV                 |
| 11   | 323 6363 | 1     | Schmiernippel             | Grease nipple          | 1/4" SAE                 |
| 12   | 449 8892 | 1     | Nabe                      | Hub                    | 5/140/93                 |



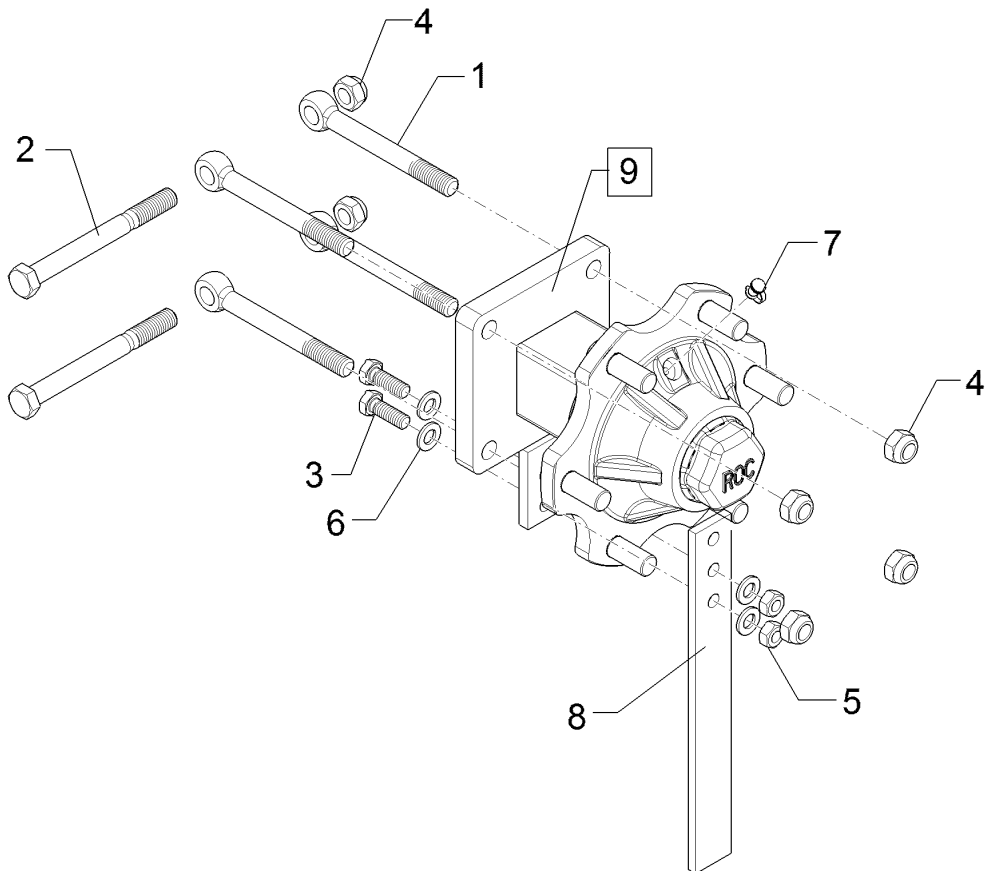
01.18

| Pos. | Art.Nr.  | Stck. | Artikeltext / Description |                        | Abmessung                  |
|------|----------|-------|---------------------------|------------------------|----------------------------|
| 1    | 30110079 | 6     | Radschraube               | Wheel bolt             | M18x1,5x54                 |
| 2    | 30310017 | 1     | Kronenmutter              | Castle nut             | M30x2 h=18                 |
| 3    | 303 6416 | 6     | Kugelbundmutter           | Wheel nut              | M18x1,5-10 Zn DIN 74361    |
| 4    | 305 6285 | 1     | Scheibe                   | Washer                 | 31/56x4<br>DIN/ISO-7089 Zn |
| 5    | 311 7635 | 1     | Splint                    | Peg                    | 5x45 DIN94-St Zn           |
| 6    | 319 9015 | 1     | Kegelrollenlager          | Tapered roller bearing | 30207                      |
| 7    | 319 9019 | 1     | Kegelrollenlager          | Tapered roller bearing | 30211.                     |
| 8    | 323 0414 | 1     | Schutzkappe               | Cap                    | D110x10                    |
| 9    | 323 1322 | 1     | Schraubkappe              | Cap                    | D73x40                     |
| 10   | 323 1803 | 1     | Nilos-Ring                | Nilos ring             | 30211 AV                   |
| 11   | 323 6345 | 1     | Schmiernippel gerade      | Grease nipple          | LAM 6 DIN71412             |
| 12   | 449 8893 | 1     | Nabe                      | Hub                    | 6/205 ROC                  |



01.18

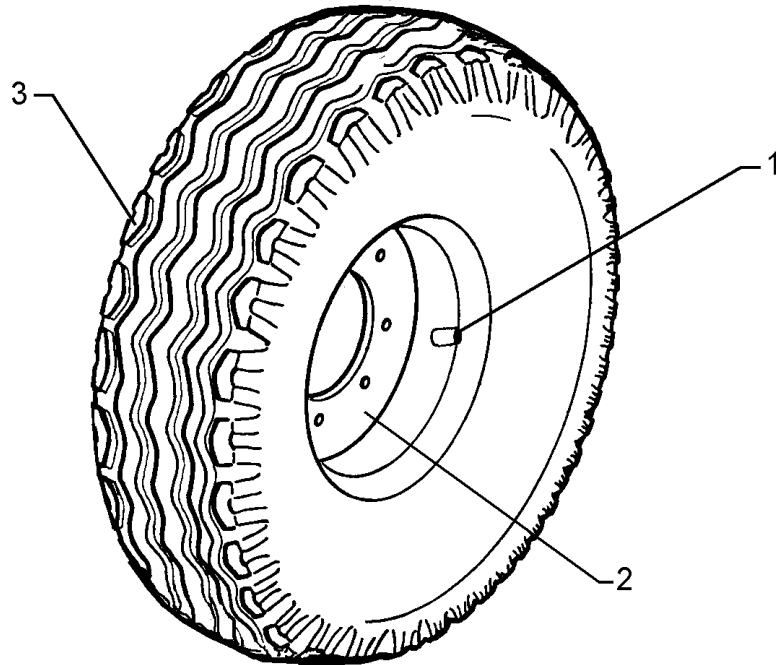
| Pos. | Art.Nr.  | Stck. | Artikeltext / Description |                     | Abmessung                         |
|------|----------|-------|---------------------------|---------------------|-----------------------------------|
| 1    | 301 0860 | 4     | Augenschraube             | Eye bolt            | BM16x150-8.8<br>D2=16,1 Zn DIN444 |
| 2    | 301 5410 | 2     | Sechskantschraube         | Hexagon bolt        | M16x160-8.8 Zn<br>DIN931-A        |
| 3    | 301 7334 | 2     | Sechskantschraube         | Hexagon bolt        | M12x35-8.8 Zn<br>DIN933           |
| 4    | 303 0935 | 6     | Sicherungsmutter          | Selflocking nut     | NM16-8 Zn DIN985                  |
| 5    | 303 1013 | 2     | Sechskantmutter           | Hexagon nut         | M12 DIN934-8 Zn                   |
| 6    | 305 8580 | 4     | Scheibe                   | Washer              | 13/24x2,5 St-Zn<br>DIN125         |
| 7    | 323 6401 | 1     | Schutzkappe               | Cap                 | M6-M10                            |
| 8    | 449 1642 | 1     | Abstreifer                | Scraper             | 40x8x330 3xD12                    |
| 9    | 549 8900 | 1     | Flanschlager              | Flange-type bearing | 5/93,5/140 M14                    |



01.18

| Pos. | Art.Nr.  | Stck. | Artikeltext / Description |                     | Abmessung                         |
|------|----------|-------|---------------------------|---------------------|-----------------------------------|
| 1    | 301 0860 | 4     | Augenschraube             | Eye bolt            | BM16x150-8.8<br>D2=16,1 Zn DIN444 |
| 2    | 301 5410 | 2     | Sechskantschraube         | Hexagon bolt        | M16x160-8.8 Zn<br>DIN931-A        |
| 3    | 301 7334 | 2     | Sechskantschraube         | Hexagon bolt        | M12x35-8.8 Zn<br>DIN933           |
| 4    | 303 0935 | 6     | Sicherungsmutter          | Selflocking nut     | NM16-8 Zn DIN985                  |
| 5    | 303 1013 | 2     | Sechskantmutter           | Hexagon nut         | M12 DIN934-8 Zn                   |
| 6    | 305 8580 | 4     | Scheibe                   | Washer              | 13/24x2,5 St-Zn<br>DIN125         |
| 7    | 323 6401 | 1     | Schutzkappe               | Cap                 | M6-M10                            |
| 8    | 449 1642 | 1     | Abstreifer                | Scraper             | 40x8x330 3xD12                    |
| 9    | 549 8901 | 1     | Flanschlager              | Flange-type bearing | 6/160/205 D18                     |

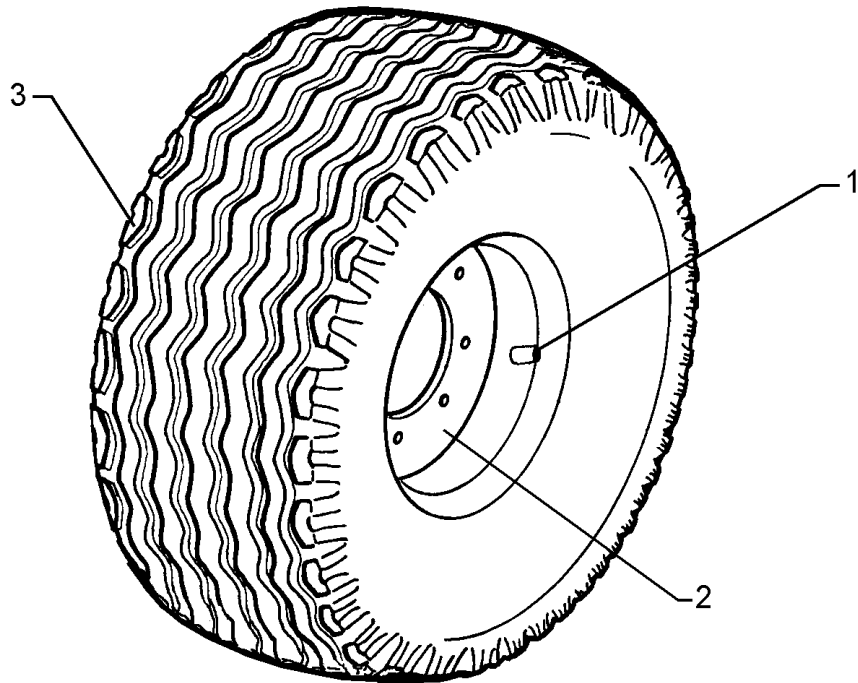
|                  |          |
|------------------|----------|
| Rad/Wheel        | 12       |
| VariOpal 7 / 7HX | 550 8862 |



01.18

| Pos. | Art.Nr.  | Stck. | Artikeltext / Description |      | Abmessung                  |
|------|----------|-------|---------------------------|------|----------------------------|
| 1    | 357 3415 | 1     | Schlauch                  | Hose | 10,0/75-15.3 TR15          |
| 2    | 357 7054 | 1     | Felge                     | Rim  | 9.0x15.3 5/94/140<br>ET-32 |
| 3    | 357 8863 | 1     | Reifen                    | Tyre | 10,0/75-15.3 12PR<br>AW    |

|                  |          |
|------------------|----------|
| Rad/Wheel        | 12       |
| VariOpal 7 / 7HX | 550 8863 |

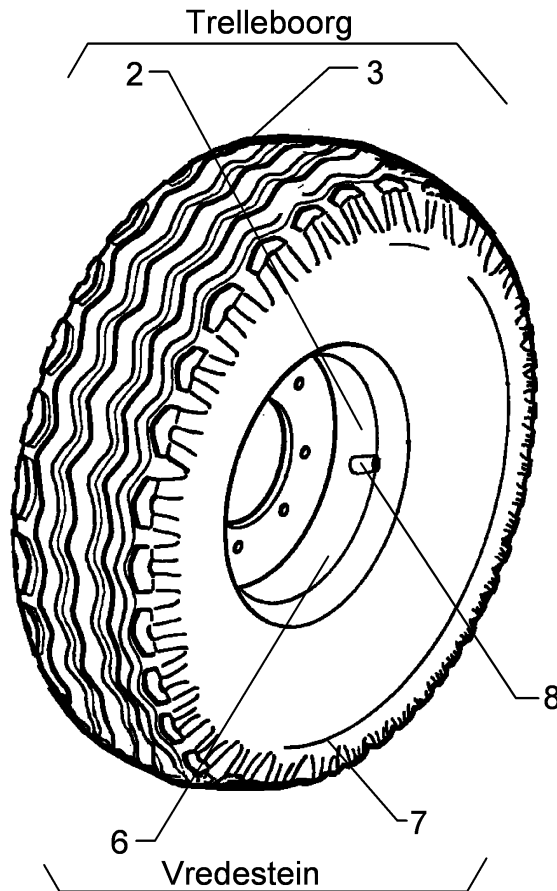


01.18

| Pos. | Art.Nr.  | Stck. | Artikeltext / Description |      | Abmessung                   |
|------|----------|-------|---------------------------|------|-----------------------------|
| 1    | 357 3415 | 1     | Schlauch                  | Hose | 10,0/75-15.3 TR15           |
| 2    | 357 7056 | 1     | Felge                     | Rim  | 9.0x15.3 6/161/205<br>ET-25 |
| 3    | 357 8863 | 1     | Reifen                    | Tyre | 10,0/75-15.3 12PR<br>AW     |

|           |    |
|-----------|----|
| Rad/Wheel | 12 |
|-----------|----|

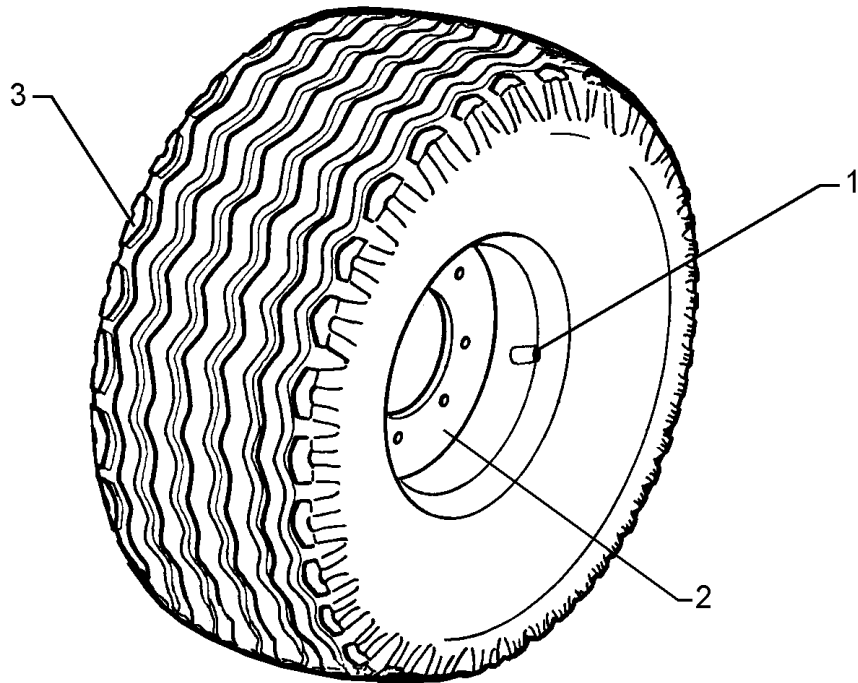
|                  |          |
|------------------|----------|
| VariOpal 7 / 7HX | 550 8864 |
|------------------|----------|



01.18

| Pos. | Art.Nr.  | Stck. | Artikeltext / Description |       | Abmessung                               |
|------|----------|-------|---------------------------|-------|---|
| 2    | 357 7064 | 1     | Felge                     | Rim   | 11.00x16                                |
| 3    | 357 8864 | 1     | Reifen                    | Tyre  | 6/161/205/B2 ET+40<br>340/55-16TL AW305 |
| 6    | 357 7031 | 1     | Felge                     | Rim   | 128/140A8<br>11.00x16 6/161/205         |
| 7    | 357 8853 | 1     | Reifen                    | Tyre  | ET-50<br>350/50-16 12PR                 |
| 8    | 357 2002 | 1     | Ventil                    | Valve | Flotation<br>TR415                      |

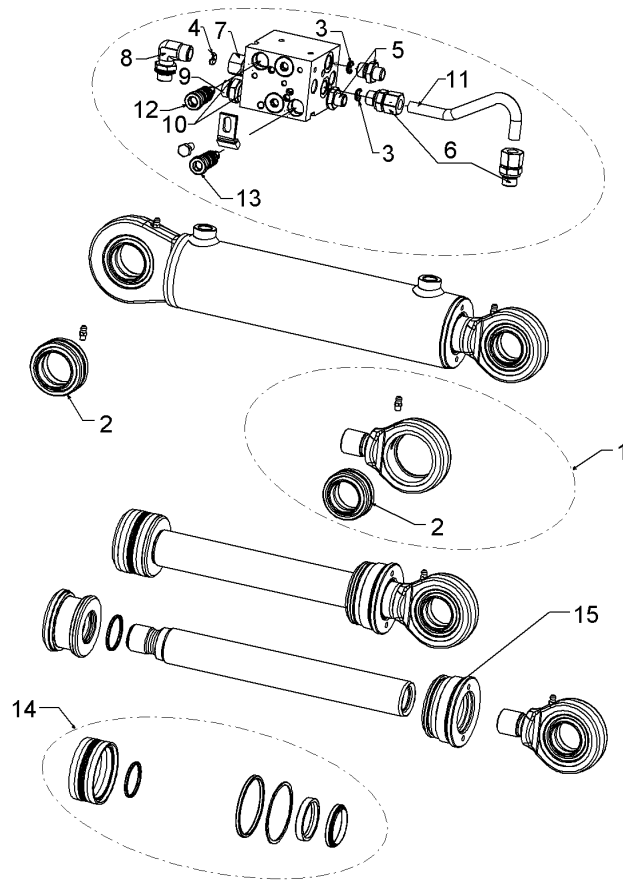
|                  |          |
|------------------|----------|
| Rad/Wheel        | 12       |
| VariOpal 7 / 7HX | 55010332 |



01.18

| Pos. | Art.Nr.  | Stck. | Artikeltext / Description |      | Abmessung                   |
|------|----------|-------|---------------------------|------|-----------------------------|
| 2    | 357 7056 | 1     | Felge                     | Rim  | 9.0x15.3 6/161/205<br>ET-25 |
| 3    | 35710110 | 1     | Reifen                    | Tyre | 10.0/75-15.3 AW702<br>135A8 |

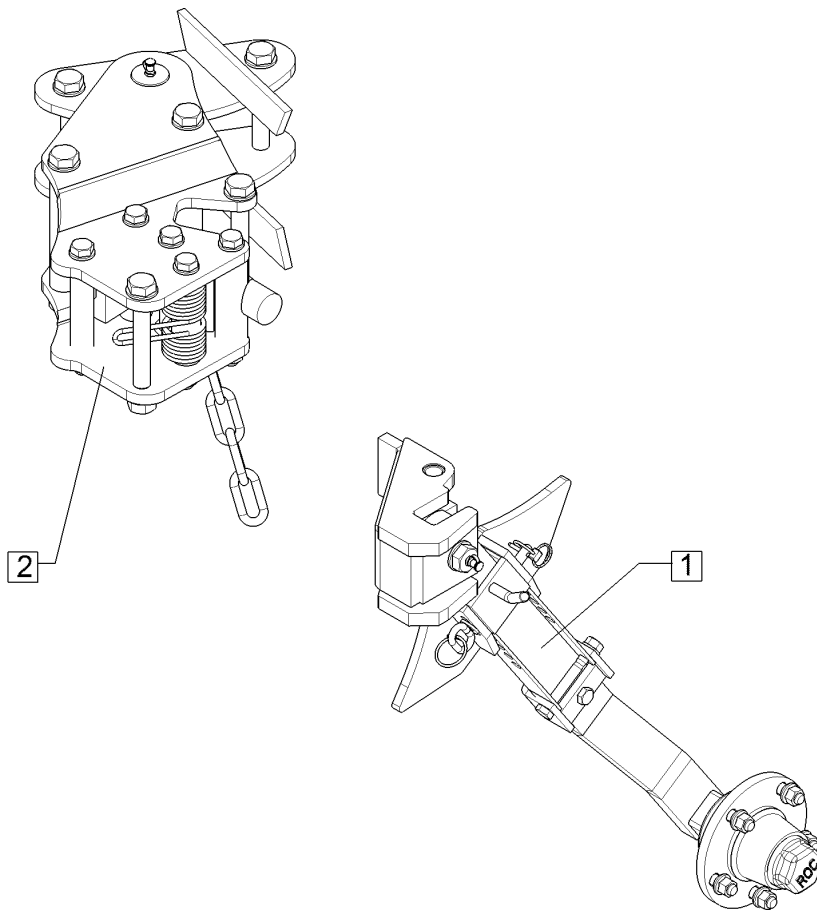




01.18

| Pos. | Art.Nr.  | Stck. | Artikeltext / Description      |                     | Abmessung                                 |
|------|----------|-------|--------------------------------|---------------------|---|
| 1    | 302 9108 | 1     | Gelenkgabel                    | Fork-type joint     | M27x1,5-55-D35                            |
| 2    | 317 3454 | 2     | Gelenklager                    | Articulated bearing | GE 35 DO                                  |
| 3    | 375 2509 | 2     | Drosselscheibe Dreibein        | Restrictor washer   | 1,7                                       |
| 4    | 375 2515 | 1     | Drosselscheibe Dreibein        | Restrictor washer   | Dreibein 2,5                              |
| 5    | 375 3983 | 2     | Gerade Einschraubverschraubung | Nipple              | x-GE 08-LM 16x1,5                         |
| 6    | 375 4011 | 2     | Einschraubverschraubung        | Nipple              | x-GE12-LM-ED                              |
| 7    | 375 4041 | 1     | Einschraubverschraubung        | Nipple              | M16x1,5 Zn<br>evGE 12-LM<br>M16x1,5 DKO24 |
| 8    | 375 4329 | 1     | Schwenverschraubung            | Union, swivel       | GRD<br>812258.0 Weber                     |
| 9    | 375 4726 | 2     | Schraubstutzen                 | Nipple              | M18x1,5/M18x1,5SW24x37                    |
| 10   | 375 5081 | 2     | Dichtkantenring                | Seal ring           | 18,2x25,1x5                               |
| 11   | 47510038 | 1     | Hydraulikrohr                  | Hydraulic tube      | 12x2x244x131 GEB                          |
| 12   | 575 2124 | 1     | Rückschlagventil               | Nonreturn valve     | R 13 E 4 M                                |
| 13   | 575 2164 | 1     | Rückschlagventil               | Nonreturn valve     | R 13 E 4 M                                |
| 14   | 575 9277 | 1     | Dichtungssatz                  | Seal set            | 40/80                                     |

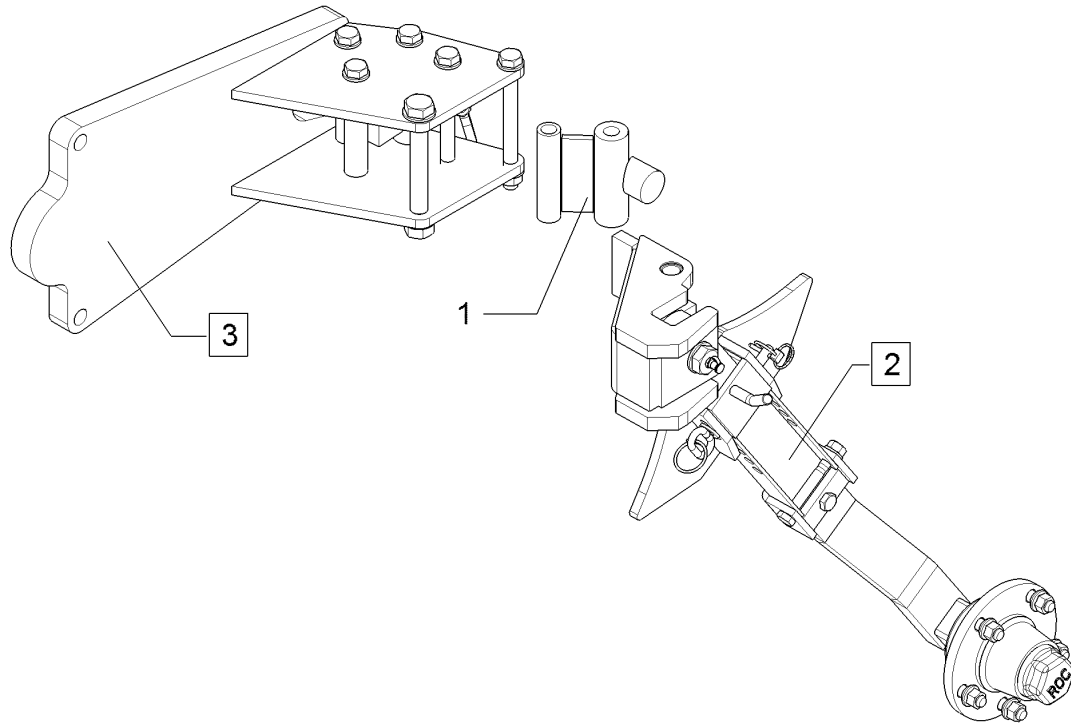
|                            |          |
|----------------------------|----------|
| Pendelstützrad/Depth wheel | 12       |
| VariOpal 7 / 7HX           | 648 4192 |



01.18

| Pos. | Art.Nr.  | Stck. | Artikeltext / Description |               | Abmessung       |
|------|----------|-------|---------------------------|---------------|-----------------|
| 1    | 548 2620 | 1     | Pendelrad-Halm            | Wheel stalk   | kpl. 5/94/140-L |
| 2    | 548 2657 | 1     | Pendelrad-Konsole         | Wheel bracket | VariOpal 7      |

|                            |          |
|----------------------------|----------|
| Pendelstützrad/Depth wheel | 12       |
| VariOpal 7 / 7HX           | 648 4196 |

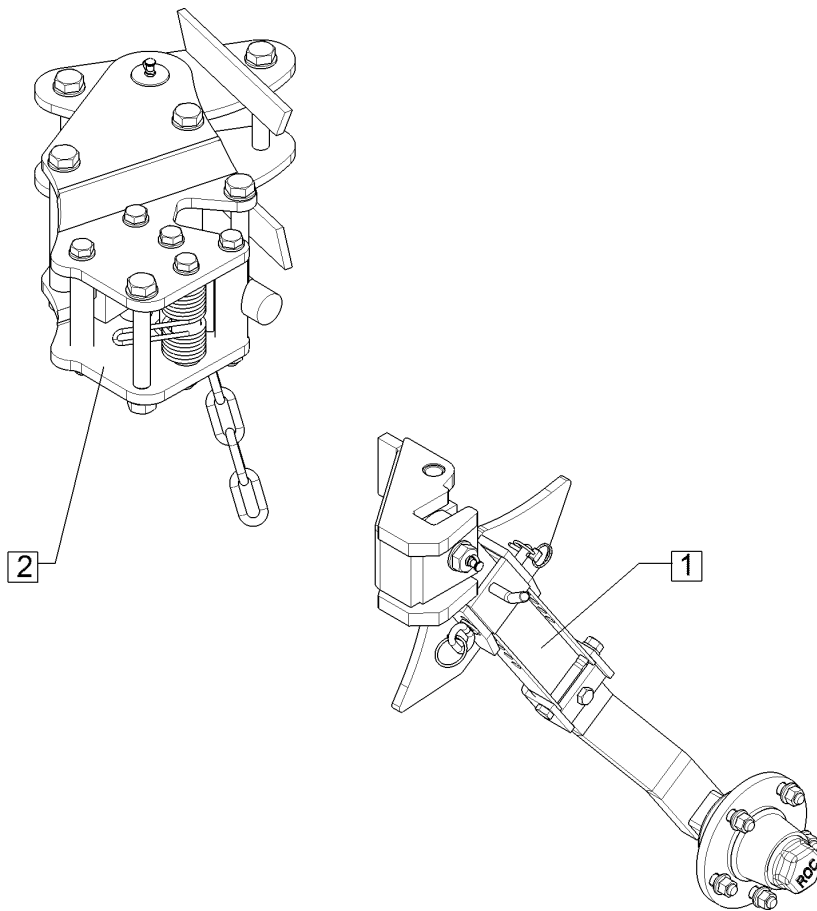


01.18

| Pos. | Art.Nr.  | Stck. | Artikeltext / Description |               | Abmessung       |
|------|----------|-------|---------------------------|---------------|-----------------|
| 1    | 448 2605 | 1     | Anschlag                  | Stop          | 60x30 2xD16x119 |
| 2    | 548 2620 | 1     | Pendelrad-Halm            | Wheel stalk   | kpl. 5/94/140-L |
| 3    | 548 2671 | 1     | Pendelrad-Konsole         | Wheel bracket | E7-HA           |

|                                   |           |
|-----------------------------------|-----------|
| <b>Pendelstützrad/Depth wheel</b> | <b>12</b> |
|-----------------------------------|-----------|

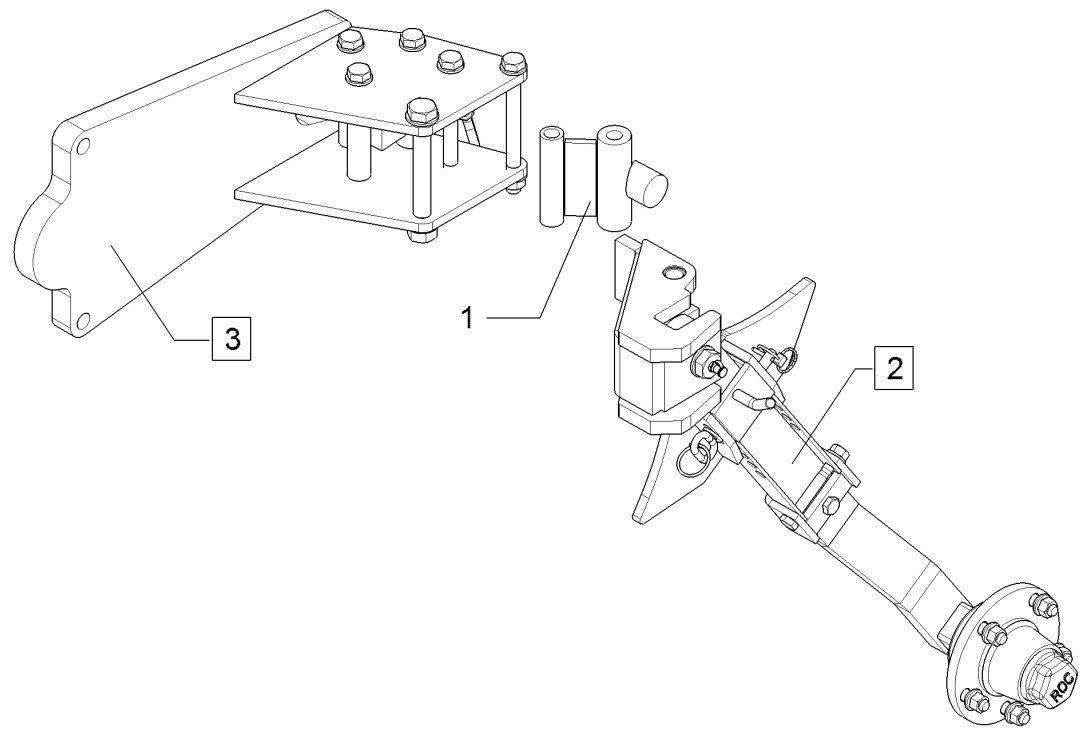
|                         |                 |
|-------------------------|-----------------|
| <b>VariOpal 7 / 7HX</b> | <b>648 4218</b> |
|-------------------------|-----------------|



01.18

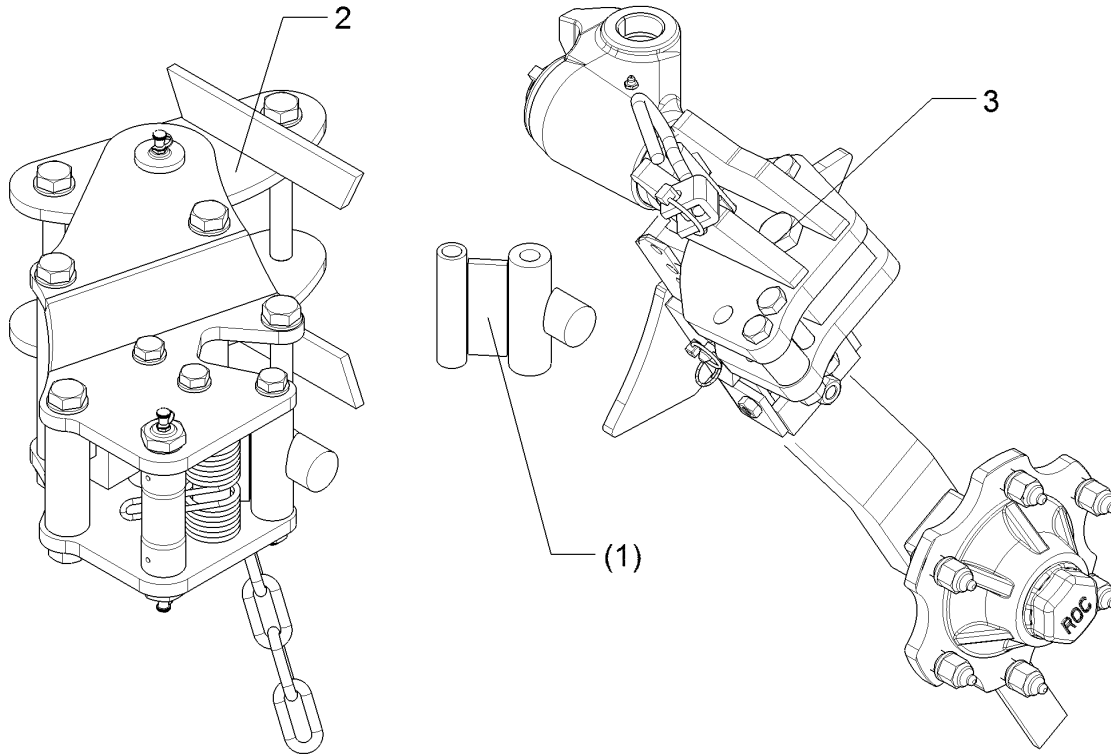
| Pos. | Art.Nr.  | Stck. | Artikeltext / Description | Abmessung     |
|------|----------|-------|---------------------------|---------------|
| 1    | 548 2621 | 1     | Pendelrad-Halm            | Wheel stalk   |
| 2    | 548 2657 | 1     | Pendelrad-Konsole         | Wheel bracket |

|                                   |                 |
|-----------------------------------|-----------------|
| <b>Pendelstützrad/Depth wheel</b> | <b>12</b>       |
| <b>VariOpal 7 / 7HX</b>           | <b>648 4222</b> |



01.18

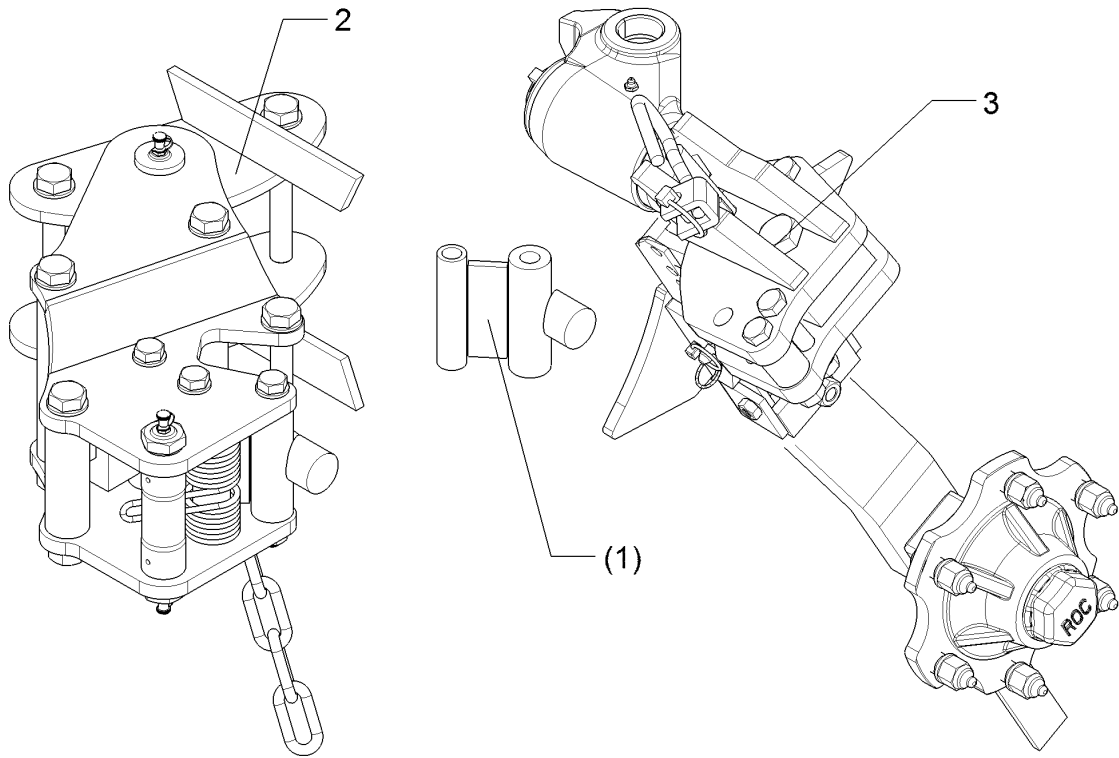
| Pos. | Art.Nr.  | Stck. | Artikeltext / Description |               | Abmessung       |
|------|----------|-------|---------------------------|---------------|-----------------|
| 1    | 448 2605 | 1     | Anschlag                  | Stop          | 60x30 2xD16x119 |
| 2    | 548 2621 | 1     | Pendelrad-Halm            | Wheel stalk   | kpl. 5/94/140 K |
| 3    | 548 2671 | 1     | Pendelrad-Konsole         | Wheel bracket | E7-HA           |



01.18

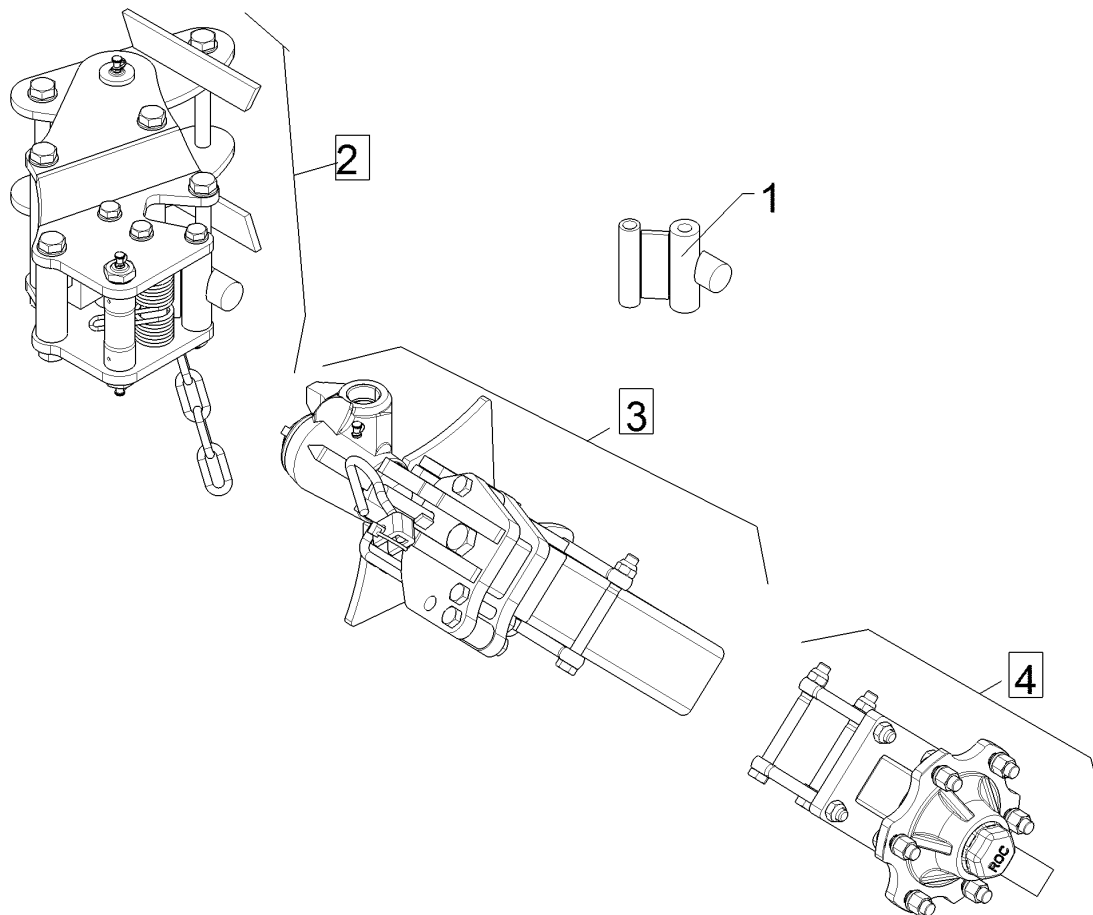
| Pos. | Art.Nr.  | Stck. | Artikeltext / Description |             | Abmessung         |
|------|----------|-------|---------------------------|-------------|-------------------|
| 1    | 448 2605 | 1     | Anschlag                  | Stop        | 60x30 2xD16x119   |
| 2    | 549 1262 | 1     | Konsole                   | Bracket     | VariOpal 7 Unirad |
| 3    | 549 1730 | 1     | Radhalm                   | Wheel stalk | 5/94/140          |

|                   |          |
|-------------------|----------|
| Uni-Rad/Uni-wheel | 12       |
| VariOpal 7 / 7HX  | 649 1672 |



01.18

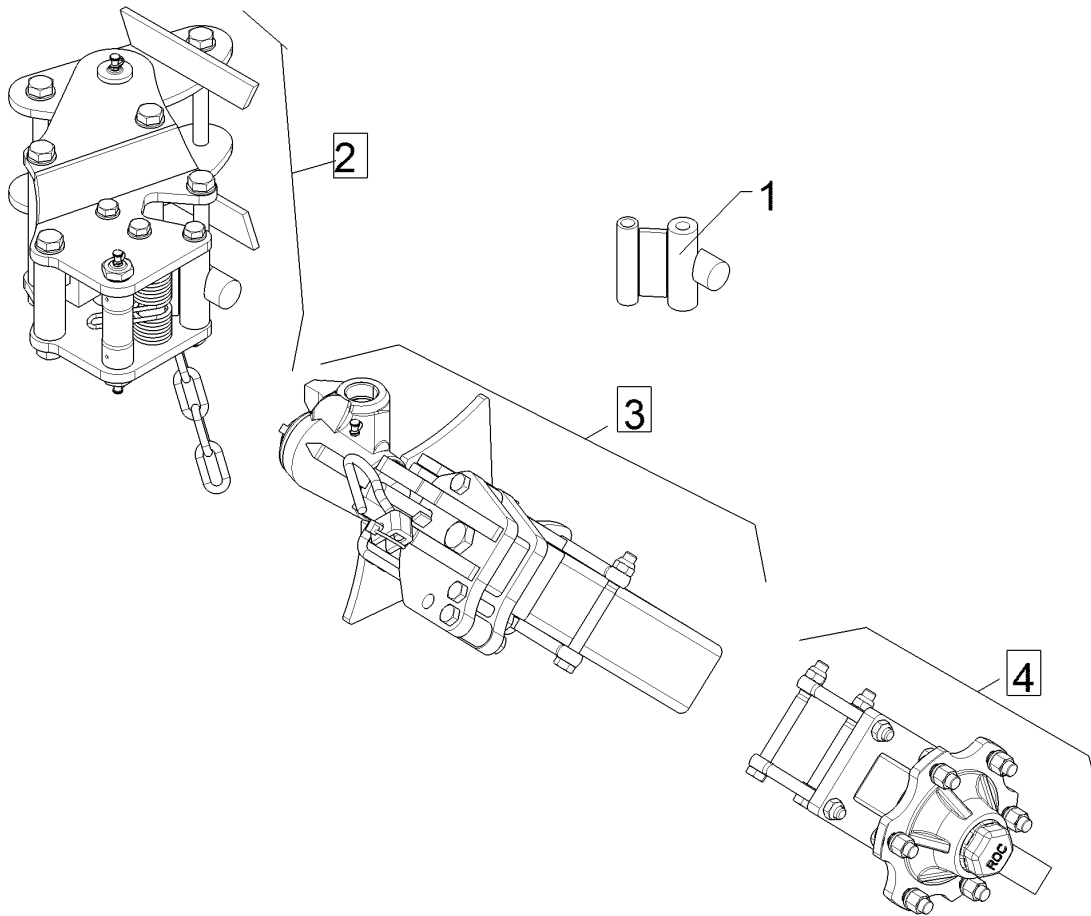
| Pos. | Art.Nr.  | Stck. | Artikeltext / Description | Abmessung         |
|------|----------|-------|---------------------------|-------------------|
| 1    | 448 2605 | 1     | Anschlag                  | 60x30 2xD16x119   |
| 2    | 549 1262 | 1     | Konsole                   | VariOpal 7 Unirad |
| 3    | 549 1731 | 1     | Radhalm                   | 6/161/205         |



01.18

| Pos. | Art.Nr.  | Stck. | Artikeltext / Description |             | Abmessung         |
|------|----------|-------|---------------------------|-------------|-------------------|
| 1    | 448 2605 | 1     | Anschlag                  | Stop        | 60x30 2xD16x119   |
| 2    | 549 1262 | 1     | Konsole                   | Bracket     | VariOpal 7 Unirad |
| 3    | 549 1733 | 1     | Radhalm                   | Wheel stalk | HY 6/161/205      |
| 4    | 549 8903 | 1     | Radlagerung               | Bearing     | HY 6/161/205      |



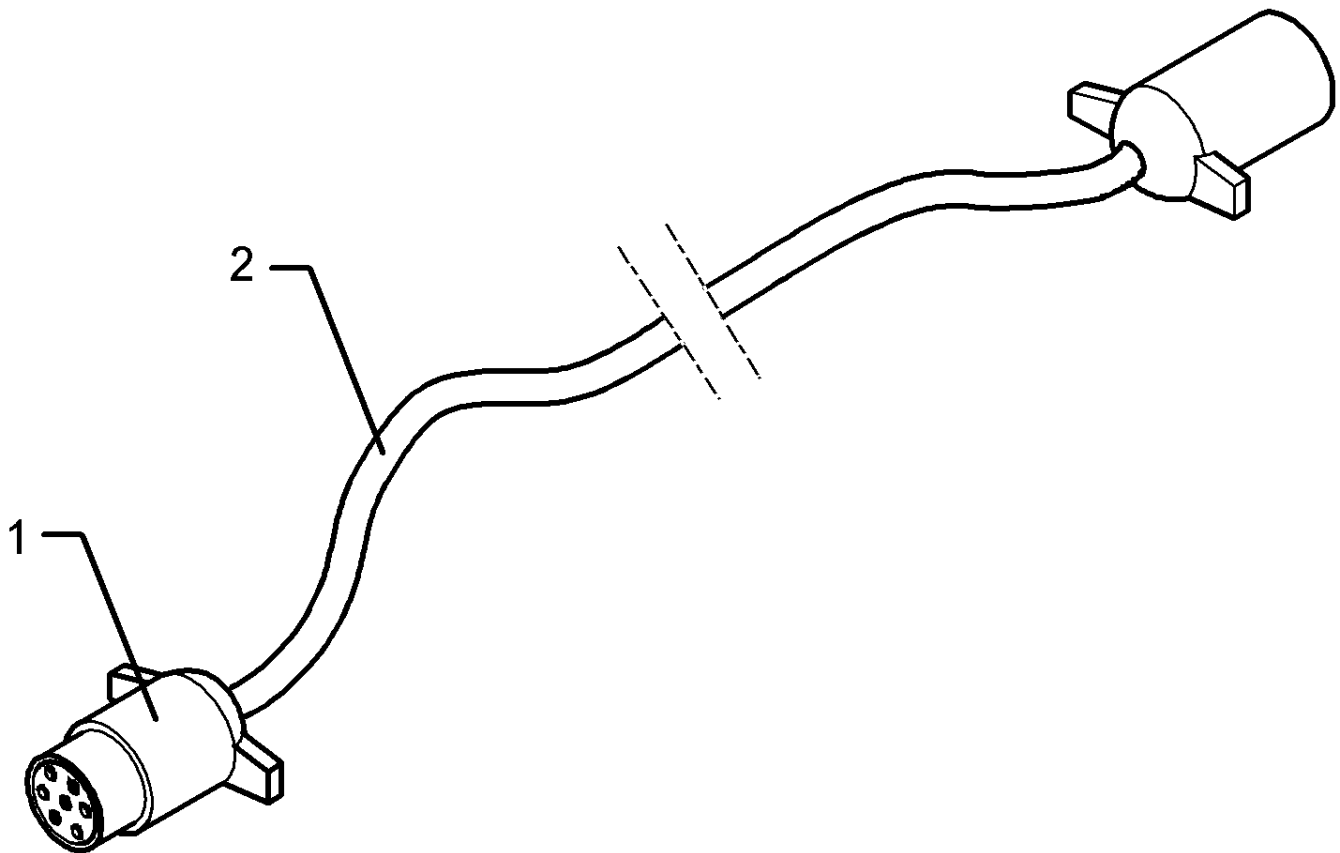


01.18

| Pos. | Art.Nr.  | Stck. | Artikeltext / Description |                 | Abmessung         |
|------|----------|-------|---------------------------|-----------------|-------------------|
| 1    | 448 2605 | 1     | Anschlag                  | Stop            | 60x30 2xD16x119   |
| 2    | 549 1262 | 1     | Konsole                   | Bracket         | VariOpal 7 Unirad |
| 3    | 549 1733 | 1     | Radhalm                   | Wheel stalk     | HY 6/161/205      |
| 4    | 549 8902 | 1     | Uni-Rad-Halm              | Stalk Uni-wheel | HY 5/95/140       |

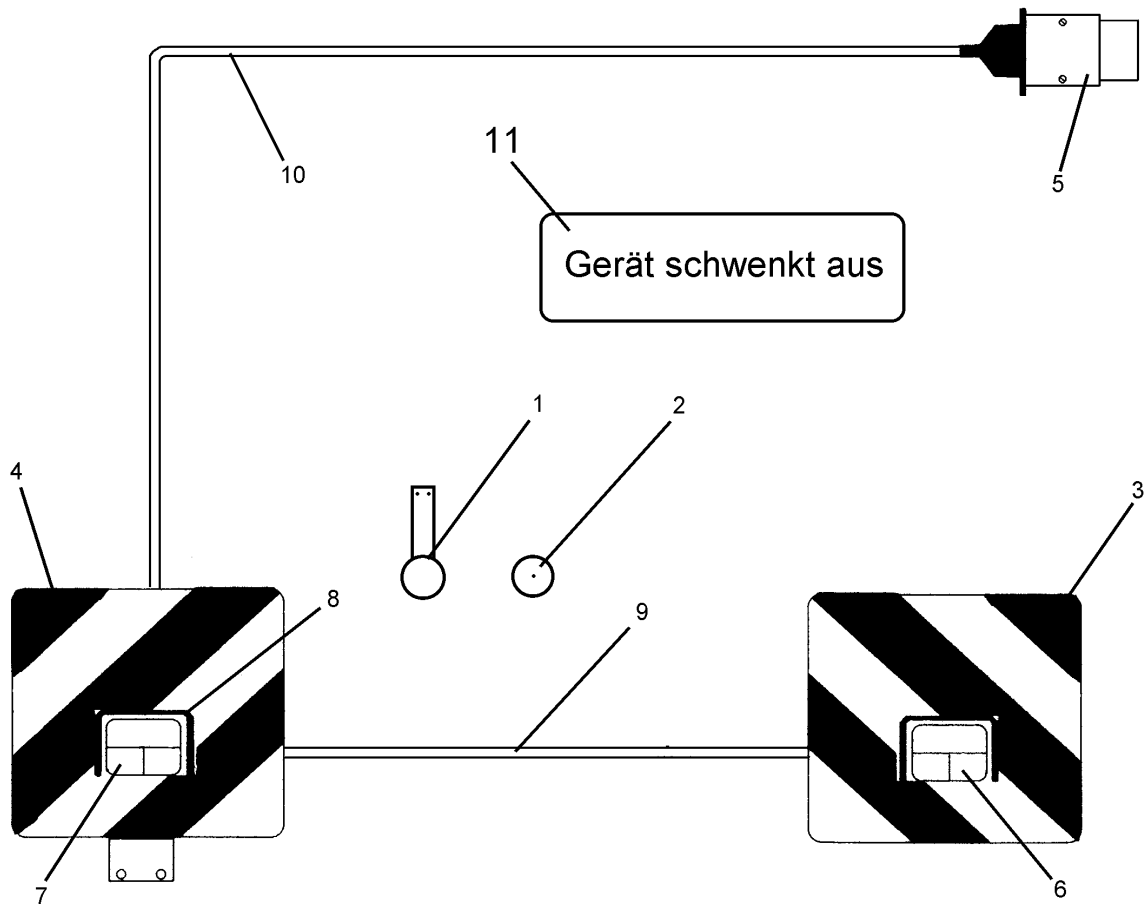
|                                    |    |
|------------------------------------|----|
| Verlängerungskabel/Extension cable | 13 |
|------------------------------------|----|

|                  |          |
|------------------|----------|
| VariOpal 7 / 7HX | 373 4150 |
|------------------|----------|



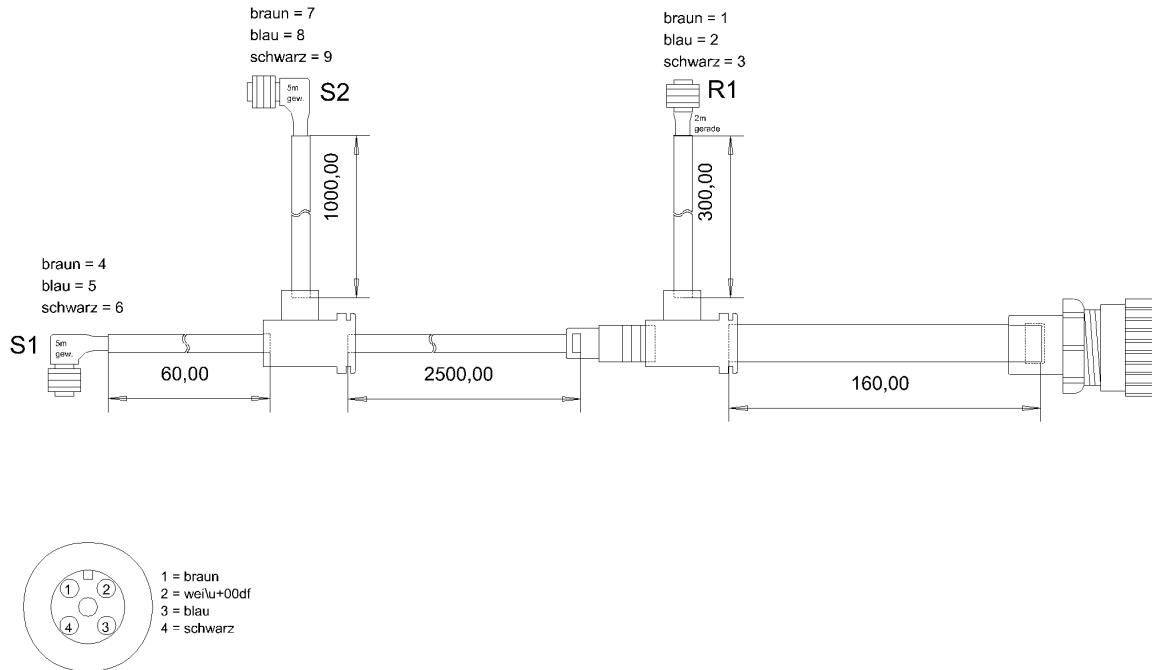
01.18

| Pos. | Art.Nr.  | Stck. | Artikeltext / Description |       | Abmessung |
|------|----------|-------|---------------------------|-------|-----------|
| 1    | 373 2124 | 1     | Stecker Alu               | Plug  | 7-polig   |
| 2    | 373 4130 | 2     | Kabel                     | Cable | 7x1,5 S/W |



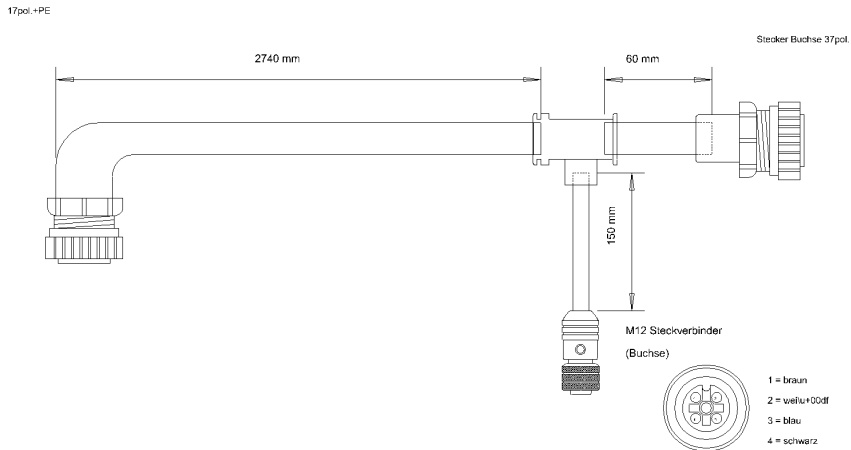
01.18

| Pos. | Art.Nr.  | Stck. | Artikeltext / Description      |                   | Abmessung                      |
|------|----------|-------|--------------------------------|-------------------|--------------------------------|
| 1    | 321 9915 | 2     | Rückstrahler rot m.Pendelhalt. | Reflector, red    | D60-55x300                     |
| 2    | 321 9916 | 2     | Rückstrahler gelb              | Reflector, yellow | D60                            |
| 3    | 321 9934 | 1     | Warntafel                      | Warning board     | RE 423x423<br>DIN11030         |
| 4    | 321 9935 | 1     | Warntafel                      | Warning board     | LI 423x423<br>DIN11030         |
| 5    | 373 2121 | 1     | Stecker                        | Plug              | 7-polig                        |
| 6    | 373 3130 | 1     | Rückleuchte                    | Rear light        | BBS95R RE                      |
| 7    | 373 3131 | 1     | Rückleuchte                    | Rear light        | BBSK95L LI                     |
| 8    | 373 3801 | 2     | Schutzhaube hinten             | Rear cover        | SH95                           |
| 9    | 373 4137 | 2     | Kabel grün                     | Cable, green      | 4x0,75                         |
| 10   | 373 4140 | 7     | Kabel                          | Cable             | 6x0,75 S/W                     |
| 11   | 390 6192 | 1     | Aufkleber                      | Label             | Achtung Geraet<br>schwenkt aus |



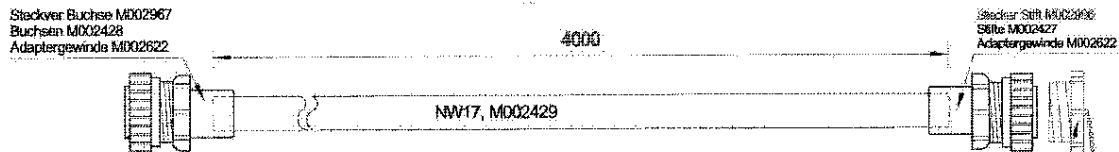
01.18

| Pos. | Art.Nr.  | Stck. | Artikeltext / Description | Abmessung |
|------|----------|-------|---------------------------|-----------|
| 1    | 573 6025 | 1     | Kabelbaum<br>Cable form   | VariOpal  |



01.18

| Pos. | Art.Nr.  | Stck. | Artikeltext / Description              | Abmessung |
|------|----------|-------|--|-----------|
| 1    | 573 6026 | 1     | Kabelbaum Ausgänge<br>Cable form exits | VariOpal  |



**Steckerbelegung 1:1**

von M001625

- 1 = rot 1,5mm<sup>2</sup>
- 2 = rot 1,5mm<sup>2</sup>

von M001011

- 3 = blau 1,5mm<sup>2</sup>
- 4 = blau 1,5mm<sup>2</sup>

von M003042

Schirm mit Litze verlängern und an Pin 4 einseitig am Stecker mit Kappe anschließen

- 5 = weiß, (RXD)
- 6 = braun, (TXD)
- 7 = grün, (CAN-High)
- 8 = gelb, (CAN-Low)

von M002419

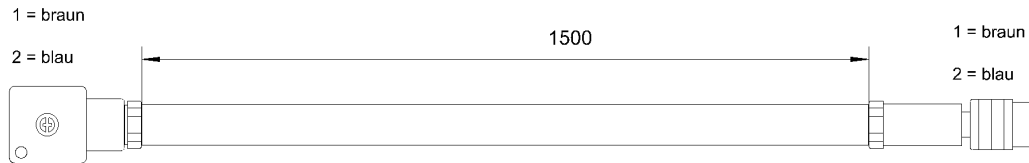
- 9 = weiß,
- 10 = braun
- 11 = grün
- 12 = gelb
- 13 = grau
- 14 = rosa



01.18

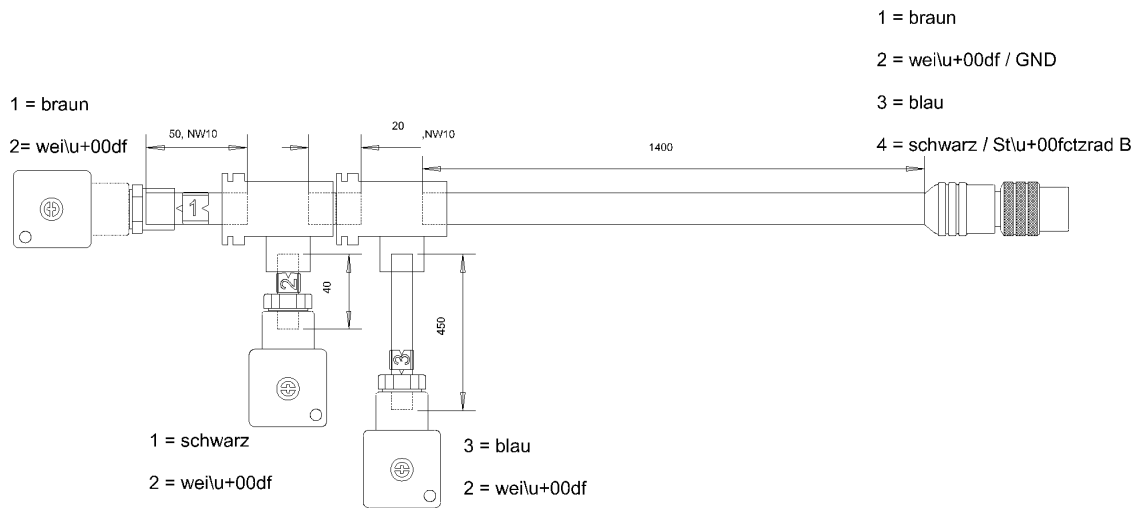
| Pos. | Art.Nr.  | Stck. | Artikeltext / Description |            | Abmessung |
|------|----------|-------|---------------------------|------------|-----------|
| 1    | 573 6028 | 1     | Kabelbaum Schlepper       | Cable form | 14P-4m    |

|                                      |          |
|--------------------------------------|----------|
| Kabelbaum LS- Anforderung/Cable form | 13       |
| VariOpal 7 / 7HX                     | 573 6030 |



01.18

| Pos. | Art.Nr.  | Stck. | Artikeltext / Description |            | Abmessung |
|------|----------|-------|---------------------------|------------|-----------|
| 1    | 573 6030 | 1     | Kabelbaum LS- Anforderung | Cable form | VariOpal  |

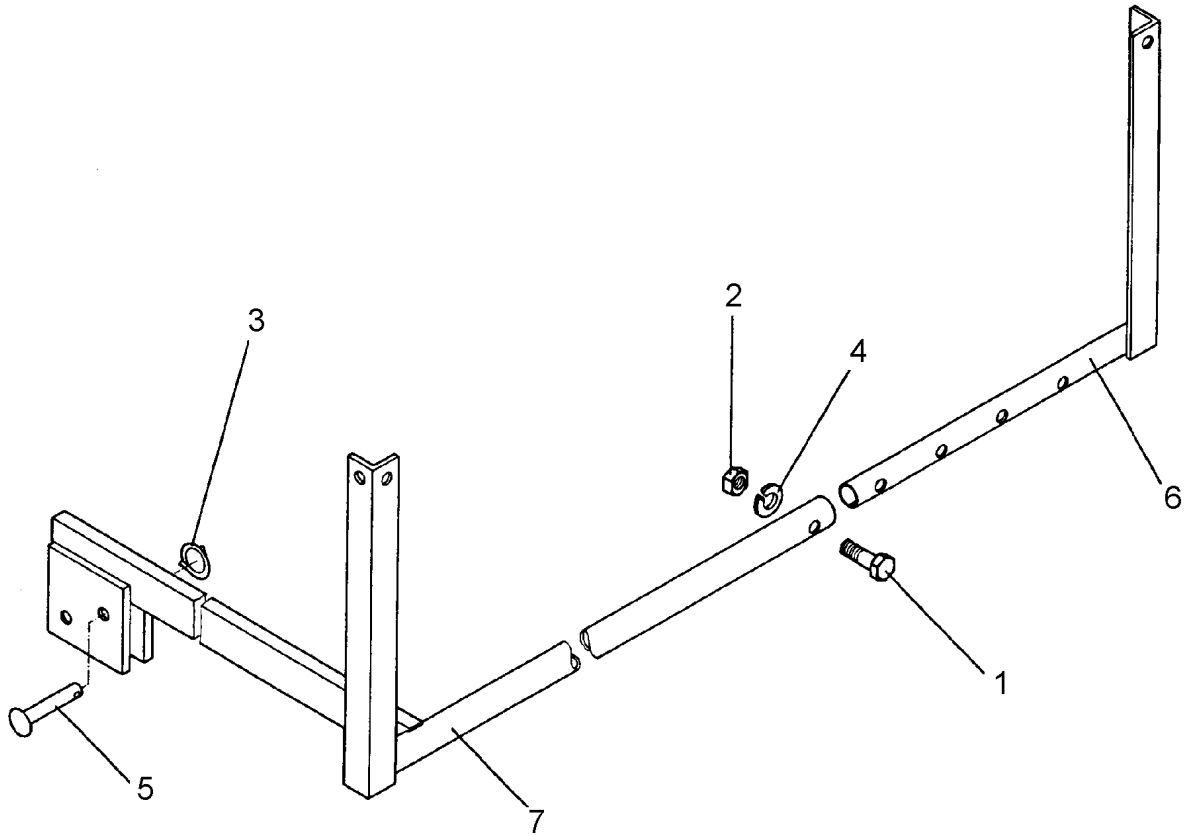


01.18

| Pos. | Art.Nr.  | Stck. | Artikeltext / Description        | Abmessung |
|------|----------|-------|----------------------------------|-----------|
| 1    | 573 6031 | 1     | Kabelbaum Stützrad<br>Cable form | VariOpal  |

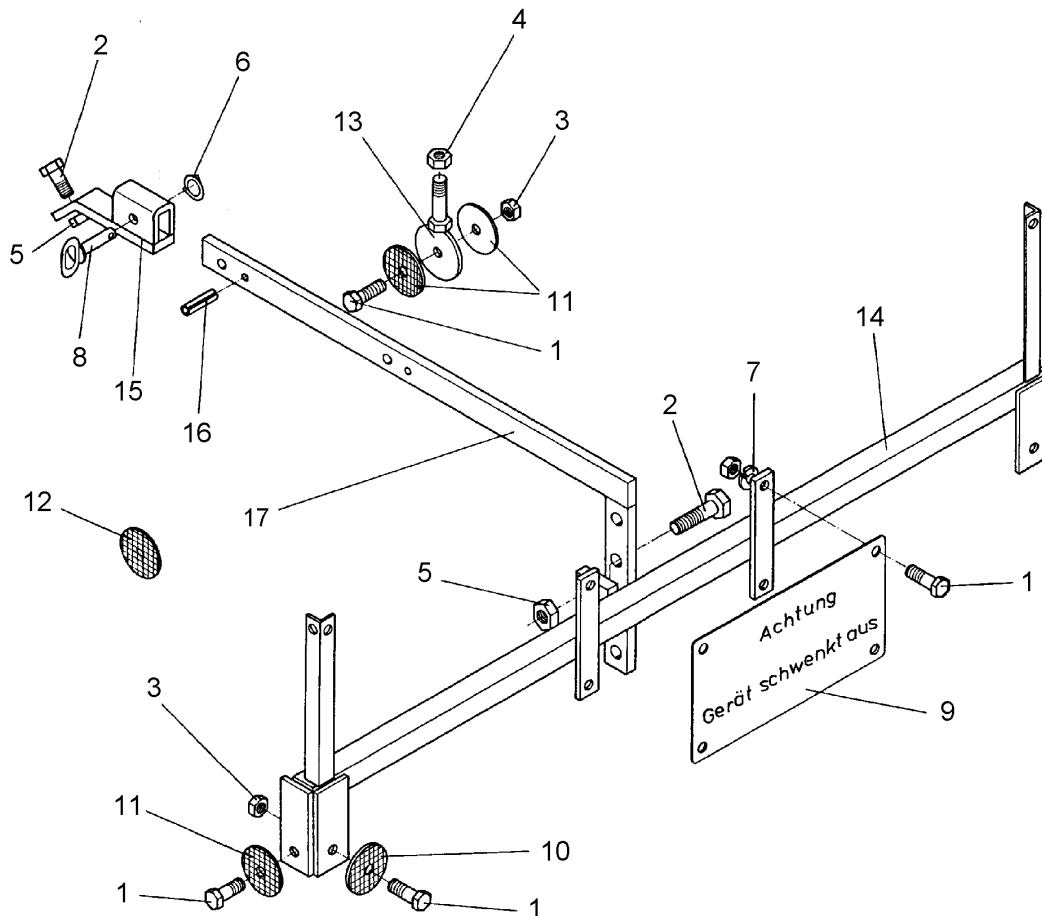


|                            |          |
|----------------------------|----------|
| Leuchtenhalter/Lamp holder | 13       |
| VariOpal 7 / 7HX           | 670 1151 |



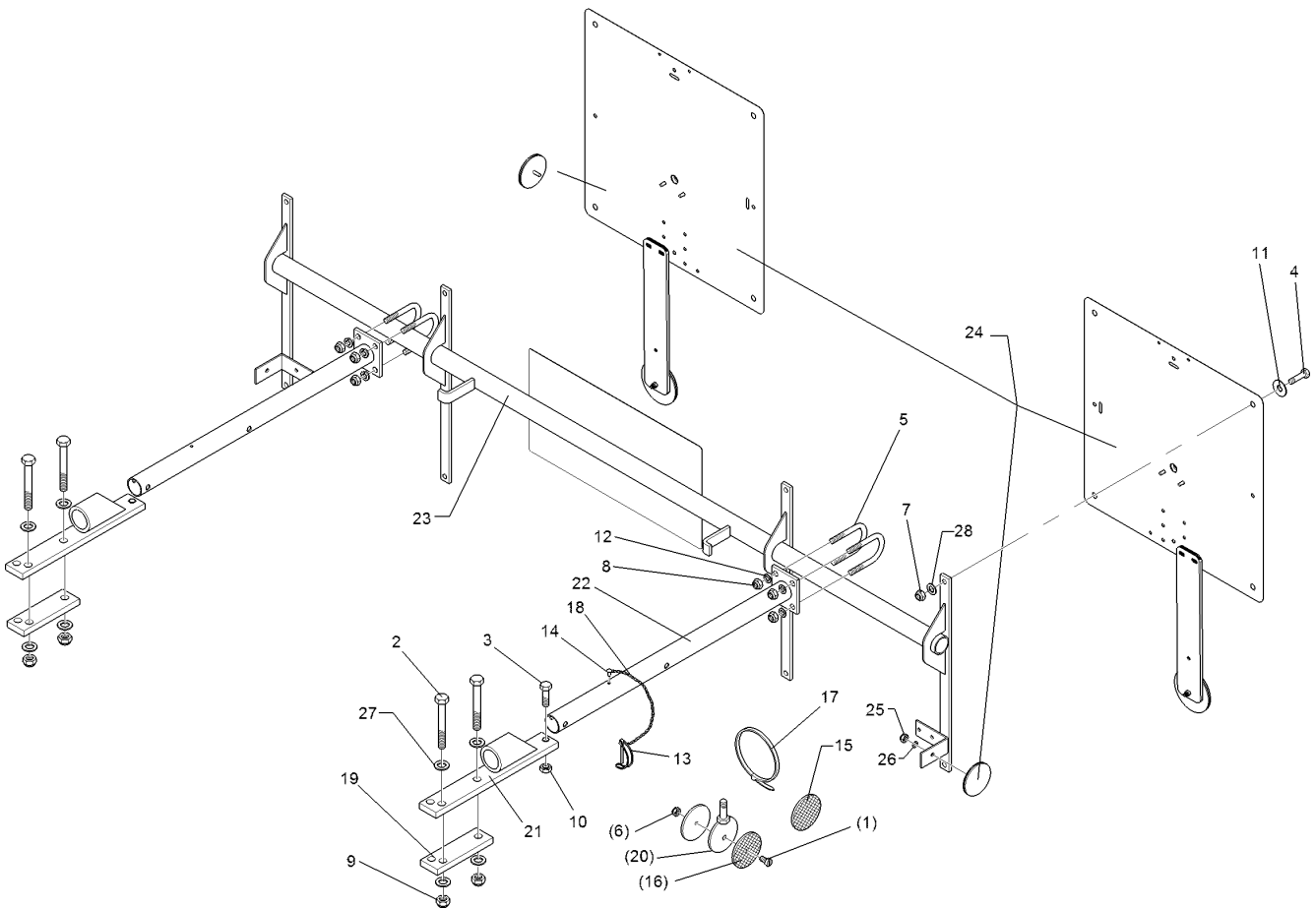
01.18

| Pos. | Art.Nr.  | Stck. | Artikeltext / Description |                | Abmessung                |
|------|----------|-------|---------------------------|----------------|--------------------------|
| 1    | 301 3070 | 1     | Sechskantschraube         | Hexagon bolt   | M8x40-8.8 Zn<br>DIN931-A |
| 2    | 303 1011 | 1     | Sechskantmutter           | Hexagon nut    | M8 DIN934-8 Zn           |
| 3    | 305 8551 | 1     | Sicherungsring            | Retaining ring | Di41x3 A2                |
| 4    | 305 9898 | 1     | Federring                 | Spring ring    | 8 A DIN127 Zn            |
| 5    | 315 8006 | 1     | Niet                      | Rivet          | 12x55 BO Zn              |
| 6    | 470 1150 | 1     | Leuchtenhalter            | Lamp holder    | RE LH 1                  |
| 7    | 470 1151 | 1     | Leuchtenhalter            | Lamp holder    | LI LH 1                  |



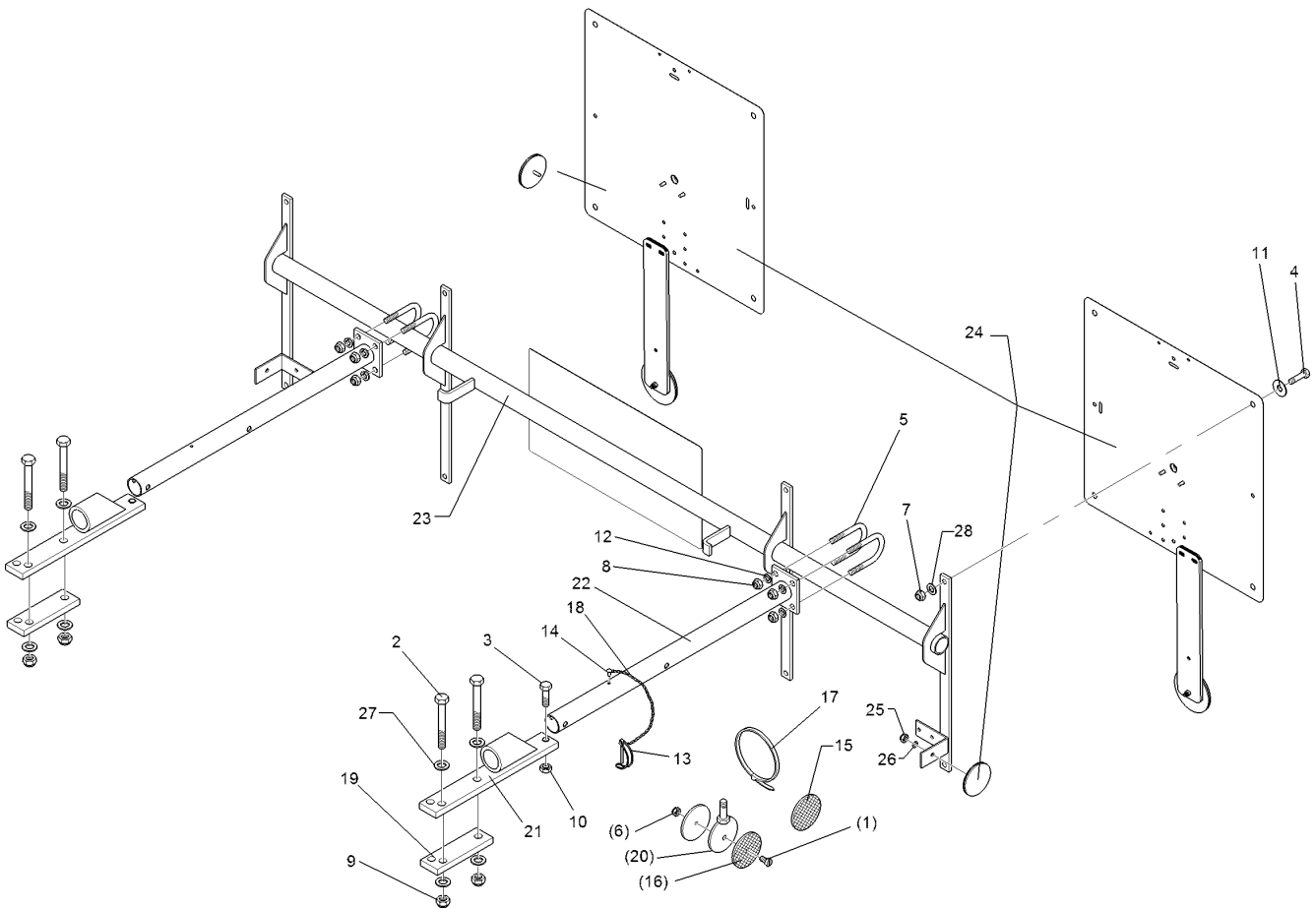
01.18

| Pos. | Art.Nr.  | Stck. | Artikeltext / Description   |                             | Abmessung                 |
|------|----------|-------|-----------------------------|-----------------------------|---------------------------|
| 1    | 301 3006 | 6     | Sechskantschraube           | Hexagon bolt                | M6x25-8.8 Zn<br>DIN933    |
| 2    | 301 3837 | 2     | Sechskantschraube           | Hexagon bolt                | M16x60-8.8 Zn<br>DIN931-A |
| 3    | 303 0931 | 10    | Sicherungsmutter            | Selflocking nut             | NM6-8 Zn DIN985           |
| 4    | 303 0933 | 1     | Sicherungsmutter            | Selflocking nut             | NM10-8 DIN985 Zn          |
| 5    | 303 0935 | 2     | Sicherungsmutter            | Selflocking nut             | NM16-8 Zn DIN985          |
| 6    | 305 8551 | 1     | Sicherungsring              | Retaining ring              | Di41x3 A2                 |
| 7    | 305 9896 | 4     | Federring                   | Spring ring                 | 6 DIN127 Zn               |
| 8    | 313 7807 | 1     | Bolzen                      | Pin                         | D12x59/117,5 V Zn         |
| 9    | 321 9900 | 1     | Schild                      | Board                       | Gerät schwenkt aus        |
| 10   | 321 9920 | 2     | Rückstrahler rot            | Reflector, red              | 8 RA 002014-031           |
| 11   | 321 9921 | 2     | Rückstrahler gelb m. Loch   | Reflector, yellow           | D60                       |
| 12   | 321 9919 | 6     | Rückstrahler gelb selbstkl. | Self-adh. reflector, yellow | 6200GK                    |
| 13   | 470 1200 | 1     | Halter                      | Holder                      | D70xD7-M10x25             |
| 14   | 470 1207 | 1     | Leuchtenhalter              | Lamp holder                 | LH 30x30x1500             |
| 15   | 470 1210 | 1     | Führungsstück               | Guiding                     | LH 30x15x200/40x15        |
| 16   | 309 6054 | 2     | Spannhülse                  | Expansion bush              | 6x40-DIN1481 Zn           |
| 17   | 470 1205 | 1     | Halter                      | Holder                      | LH 40x15x900              |



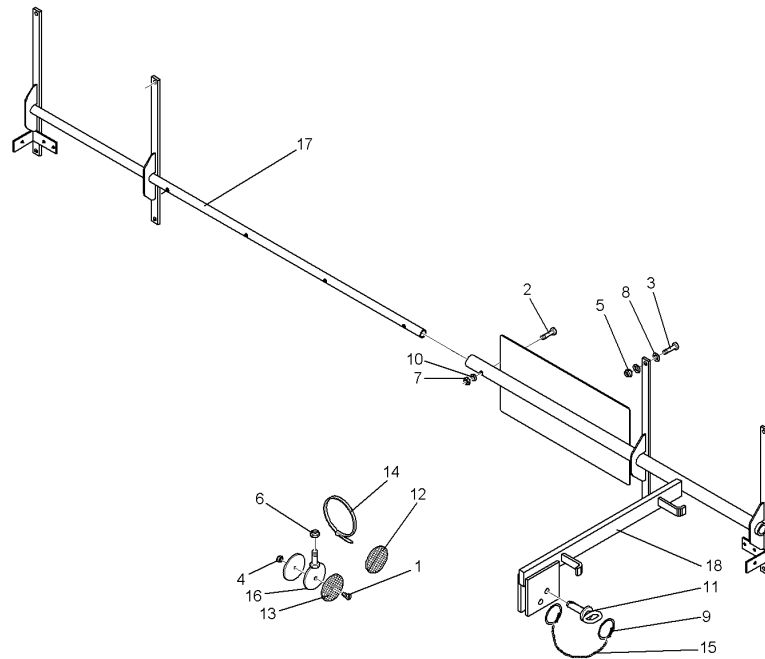
01.18

| Pos. | Art.Nr.  | Stck. | Artikeltext / Description   |                             | Abmessung                     |
|------|----------|-------|-----------------------------|-----------------------------|-------------------------------|
| 1    | 301 3006 | 1     | Sechskantschraube           | Hexagon bolt                | M6x25-8.8 Zn<br>DIN933        |
| 2    | 301 3432 | 4     | Sechskantschraube           | Hexagon bolt                | M12x80-8.8 Zn<br>DIN931-A     |
| 3    | 301 3350 | 2     | Sechskantschraube           | Hexagon bolt                | M12x50-8.8 Zn<br>DIN933       |
| 4    | 301 6750 | 8     | Sechskantschraube           | Hexagon bolt                | M8x20-8.8 Zn<br>DIN933        |
| 5    | 301 7781 | 4     | Bügelsschraube              | U-bolt                      | M10x48x76 Zn<br>DIN3570A      |
| 6    | 303 0931 | 1     | Sicherungsmutter            | Selflocking nut             | NM6-8 Zn DIN985               |
| 7    | 303 0932 | 8     | Sicherungsmutter            | Selflocking nut             | NM8-8 Zn DIN985               |
| 8    | 303 0933 | 8     | Sicherungsmutter            | Selflocking nut             | NM10-8 DIN985 Zn              |
| 9    | 303 0934 | 4     | Sicherungsmutter            | Selflocking nut             | NM12-8 Zn DIN985              |
| 10   | 303 1013 | 2     | Sechskantmutter             | Hexagon nut                 | M12 DIN934-8 Zn               |
| 11   | 305 6124 | 8     | Scheibe                     | Washer                      | 8,4/25x2 DIN9021-St<br>Zn     |
| 12   | 305 8696 | 8     | Scheibe                     | Washer                      | A10,5 DIN125-St Zn            |
| 13   | 311 9305 | 2     | Rohrklappstecker            | Securing pin                | 8x50/S9                       |
| 14   | 315 9616 | 2     | Blindniet                   | Rivet                       | 4,8x10                        |
| 15   | 321 9919 | 4     | Rückstrahler gelb selbstkl. | Self-adh. reflector, yellow | 6200GK                        |
| 16   | 321 9921 | 2     | Rückstrahler gelb m. Loch   | Reflector, yellow           | D60                           |
| 17   | 325 1331 | 8     | Kabelbinder                 | Cable clip                  | 4,7x186                       |
| 18   | 331 6130 | 2     | Knotenkette                 | Knotted-link chain          | D2x150                        |
| 19   | 459 1071 | 2     | Brücke                      | Clamp plate                 | 40x12x132<br>3xD14-92,5-102,5 |



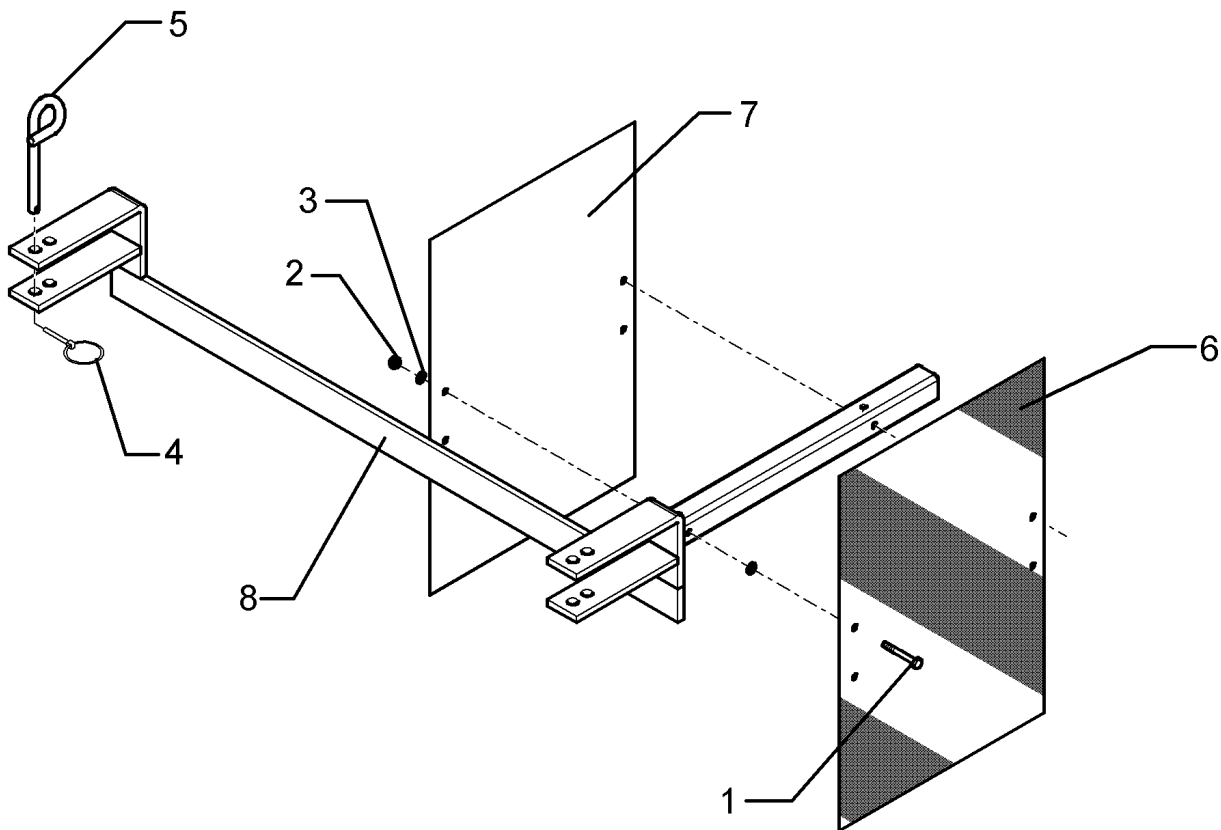
01.18

| Pos. | Art.Nr.  | Stck. | Artikeltext / Description | Abmessung          |                   |
|------|----------|-------|---------------------------|--------------------|-------------------|
| 20   | 470 1200 | 1     | Halter                    | Holder             | D70xD7-M10x25     |
| 21   | 470 1672 | 2     | Halter                    | Holder             | 40x12x290         |
| 22   | 470 1673 | 2     | Träger                    | Carrier            | Halm70-80         |
| 23   | 470 1674 | 1     | Leuchtenhalter            | Lamp holder        | 60x70x550         |
| 24   | 570 2086 | 1     | Beleuchtungsanlage        | Lighting equipment | BLA-1 PF/UNI      |
| 25   | 303 0929 | 2     | Sicherungsmutter          | Selflocking nut    | 33,7x1580         |
| 26   | 305 8569 | 2     | Scheibe                   | Washer             | Pflug             |
| 27   | 305 8580 | 8     | Scheibe                   | Washer             | NM5-8 Zn DIN985   |
| 28   | 305 8694 | 8     | Scheibe                   | Washer             | 5,3 DIN125 Zn     |
|      |          |       |                           |                    | 13/24x2,5 St-Zn   |
|      |          |       |                           |                    | DIN125            |
|      |          |       |                           |                    | A8,4 DIN125-St Zn |



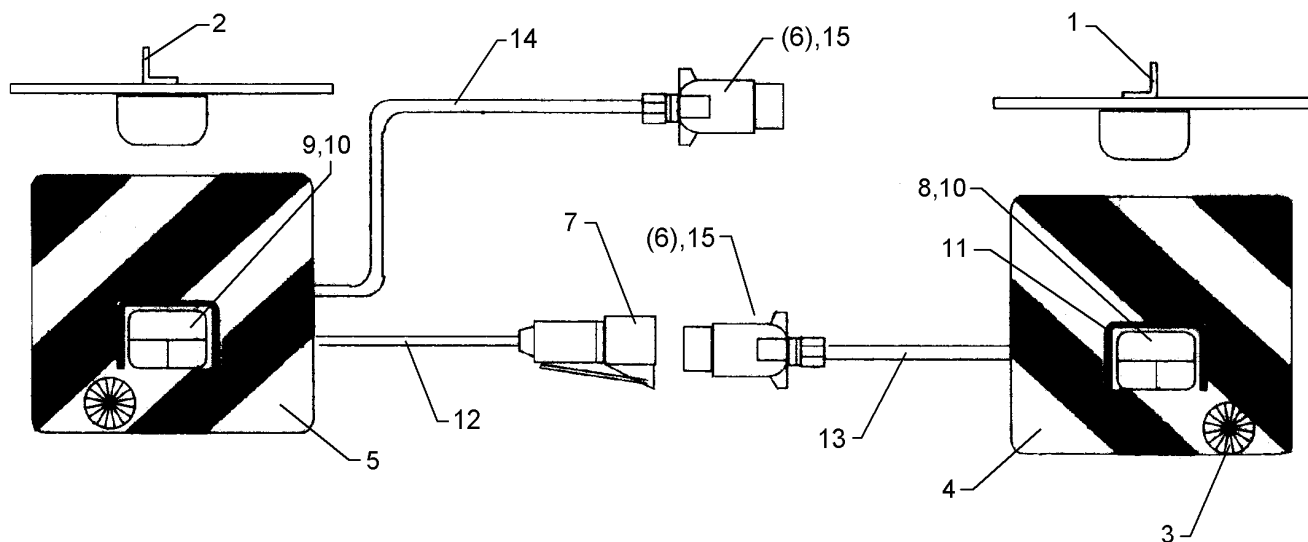
01.18

| Pos. | Art.Nr.  | Stck. | Artikeltext / Description   |                             | Abmessung                 |
|------|----------|-------|-----------------------------|-----------------------------|---------------------------|
| 1    | 301 3006 | 1     | Sechskantschraube           | Hexagon bolt                | M6x25-8.8 Zn<br>DIN933    |
| 2    | 301 3070 | 1     | Sechskantschraube           | Hexagon bolt                | M8x40-8.8 Zn<br>DIN931-A  |
| 3    | 301 6750 | 8     | Sechskantschraube           | Hexagon bolt                | M8x20-8.8 Zn<br>DIN933    |
| 4    | 303 0931 | 1     | Sicherungsmutter            | Selflocking nut             | NM6-8 Zn DIN985           |
| 5    | 303 0932 | 8     | Sicherungsmutter            | Selflocking nut             | NM8-8 Zn DIN985           |
| 6    | 303 0933 | 1     | Sicherungsmutter            | Selflocking nut             | NM10-8 DIN985 Zn          |
| 7    | 303 1011 | 1     | Sechskantmutter             | Hexagon nut                 | M8 DIN934-8 Zn            |
| 8    | 305 6124 | 16    | Scheibe                     | Washer                      | 8,4/25x2 DIN9021-St<br>Zn |
| 9    | 305 8551 | 2     | Sicherungsring              | Retaining ring              | Di41x3 A2                 |
| 10   | 305 9898 | 1     | Federring                   | Spring ring                 | 8 A DIN127 Zn             |
| 11   | 313 7807 | 1     | Bolzen                      | Pin                         | D12x59/117,5 V Zn         |
| 12   | 321 9919 | 6     | Rückstrahler gelb selbstkl. | Self-adh. reflector, yellow | 6200GK                    |
| 13   | 321 9921 | 2     | Rückstrahler gelb m. Loch   | Reflector, yellow           | D60                       |
| 14   | 325 1331 | 5     | Kabelbinder                 | Cable clip                  | 4,7x186                   |
| 15   | 331 6130 | 1     | Knotenkette                 | Knotted-link chain          | D2x150                    |
| 16   | 470 1200 | 1     | Halter                      | Holder                      | D70xD7-M10x25             |
| 17   | 470 1676 | 1     | Halter                      | Holder                      | BLA-2 PF RE               |
| 18   | 470 1677 | 1     | Halter                      | Holder                      | BLA-2 PF LI               |
| 19   | 570 2086 | 1     | Beleuchtungsanlage          | Lighting equipment          | Pflug                     |



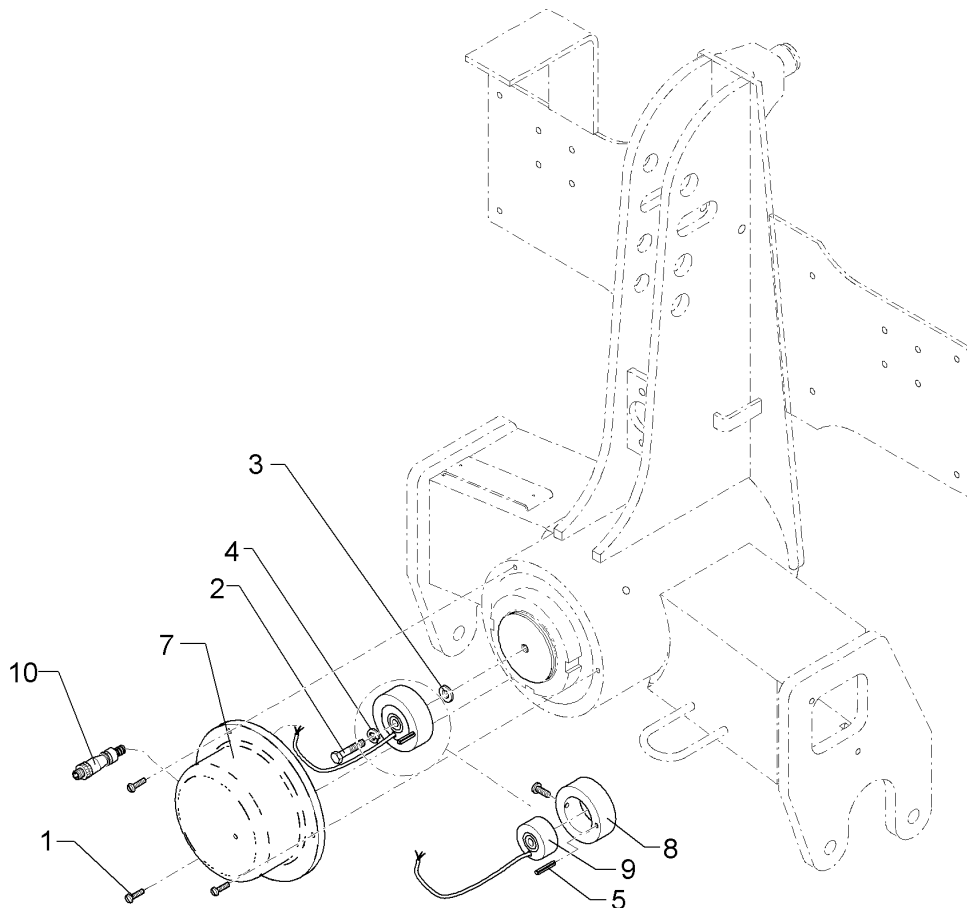
01.18

| Pos. | Art.Nr.  | Stck. | Artikeltext / Description |                         | Abmessung                         |
|------|----------|-------|---------------------------|-------------------------|-----------------------------------|
| 1    | 301 2998 | 2     | Sechskantschraube         | Hexagon bolt            | M5x40-8.8 Zn<br>DIN931-A          |
| 2    | 303 0967 | 2     | Sechskantmutter           | Hexagon nut             | M5 DIN934-8 Zn                    |
| 3    | 305 6968 | 4     | Scheibe                   | Washer                  | R5,5/18x2<br>DIN440-St Zn         |
| 4    | 311 9565 | 2     | Klappstift                | Securing pin            | 4,5                               |
| 5    | 313 8610 | 2     | Bolzen                    | Pin                     | D10x85 Zn (10x210)                |
| 6    | 321 9926 | 1     | Warntafel rot/weiss       | Warning board red/white | R2 282x423 (B2<br>TP-ESC-A 06021) |
| 7    | 321 9927 | 1     | Warntafel rot/weiss       | Warning board red/white | R1 423x282 (B1<br>TP-ESC-A 06021) |
| 8    | 470 1708 | 1     | Warntafelhalter           | Holder                  | WTH-1                             |



01.18

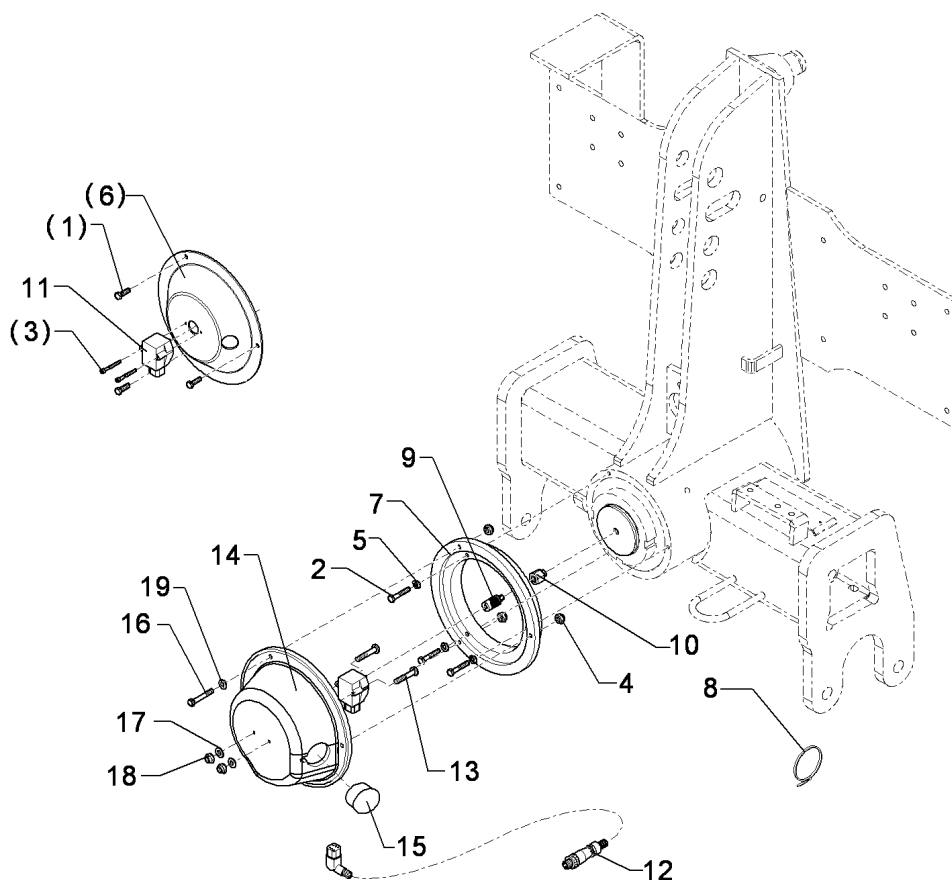
| Pos. | Art.Nr.  | Stck. | Artikeltext / Description | Abmessung        |                        |
|------|----------|-------|---------------------------|------------------|------------------------|
| 1    | 321 5012 | 1     | Aufsteckteil              | Plug-on unit     | RE HR11027             |
| 2    | 321 5013 | 1     | Aufsteckteil              | Plug-on unit     | LI HL11027             |
| 3    | 321 9917 | 2     | Rückstrahler              | Reflector        | 6200K                  |
| 4    | 321 9934 | 1     | Warntafel                 | Warning board    | RE 423x423<br>DIN11030 |
| 5    | 321 9935 | 1     | Warntafel                 | Warning board    | LI 423x423<br>DIN11030 |
| 6    | 373 2121 | 2     | Stecker                   | Plug             | 7-polig                |
| 7    | 373 2140 | 1     | Kupplungsdose             | Connector socket | 72.                    |
| 8    | 373 3130 | 1     | Rückleuchte               | Rear light       | BBS95R RE              |
| 9    | 373 3133 | 1     | Rückleuchte               | Rear light       | BBS95L LI              |
| 10   | 373 3526 | 2     | Lichtscheibe              | Light glas       | RE E95                 |
| 11   | 373 3801 | 2     | Schutzhaube hinten        | Rear cover       | SH95                   |
| 12   | 373 4136 | 2     | Kabel gelb                | Cable, yellow    | 4x0,75                 |
| 13   | 373 4137 | 2     | Kabel grün                | Cable, green     | 4x0,75                 |
| 14   | 373 4140 | 7     | Kabel                     | Cable            | 6x0,75 S/W             |
| 15   | 373 2124 | 2     | Stecker Alu               | Plug             | 7-polig                |



01.18

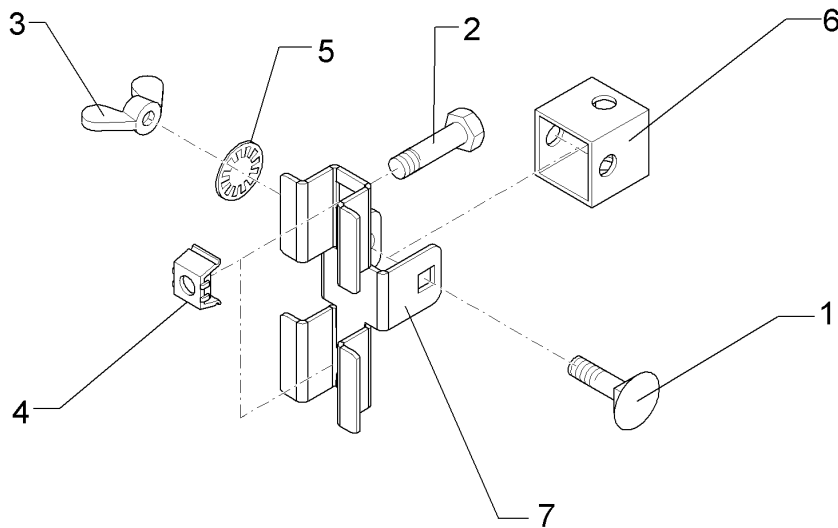
| Pos. | Art.Nr.  | Stck. | Artikeltext / Description |                            | Abmessung                  |
|------|----------|-------|---------------------------|----------------------------|----------------------------|
| 1    | 301 0301 | 4     | Linsenschraube            | Oval head screw            | M6x20-4,6 Zn<br>DIN7985    |
| 2    | 301 5424 | 1     | Sechskantschraube         | Hexagon bolt               | M10x45-8.8 Zn<br>DIN931-A  |
| 3    | 305 6110 | 1     | Scheibe                   | Washer                     | 11/20x2,5<br>DIN1441-St Zn |
| 4    | 305 9900 | 1     | Federring                 | Spring ring                | 10 DIN127 Zn               |
| 5    | 309 6057 | 1     | Spannhülse                | Expansion bush             | 6x55-DIN1481 Zn            |
| 7    | 473 8072 | 1     | Schutzkappe               | Cap                        | D178/142x82 EPS            |
| 8    | 473 8074 | 1     | Ring                      | Ring                       | D80/50,2x28 EPS            |
| 9    | 573 4374 | 1     | Hohlwellen-Potentiometer  | Hollow shaft potentiometer | GL100,5x46 M340            |
| 10   | 573 6027 | 1     | Kabelbaum                 | Cable form                 | Potenzimeter               |





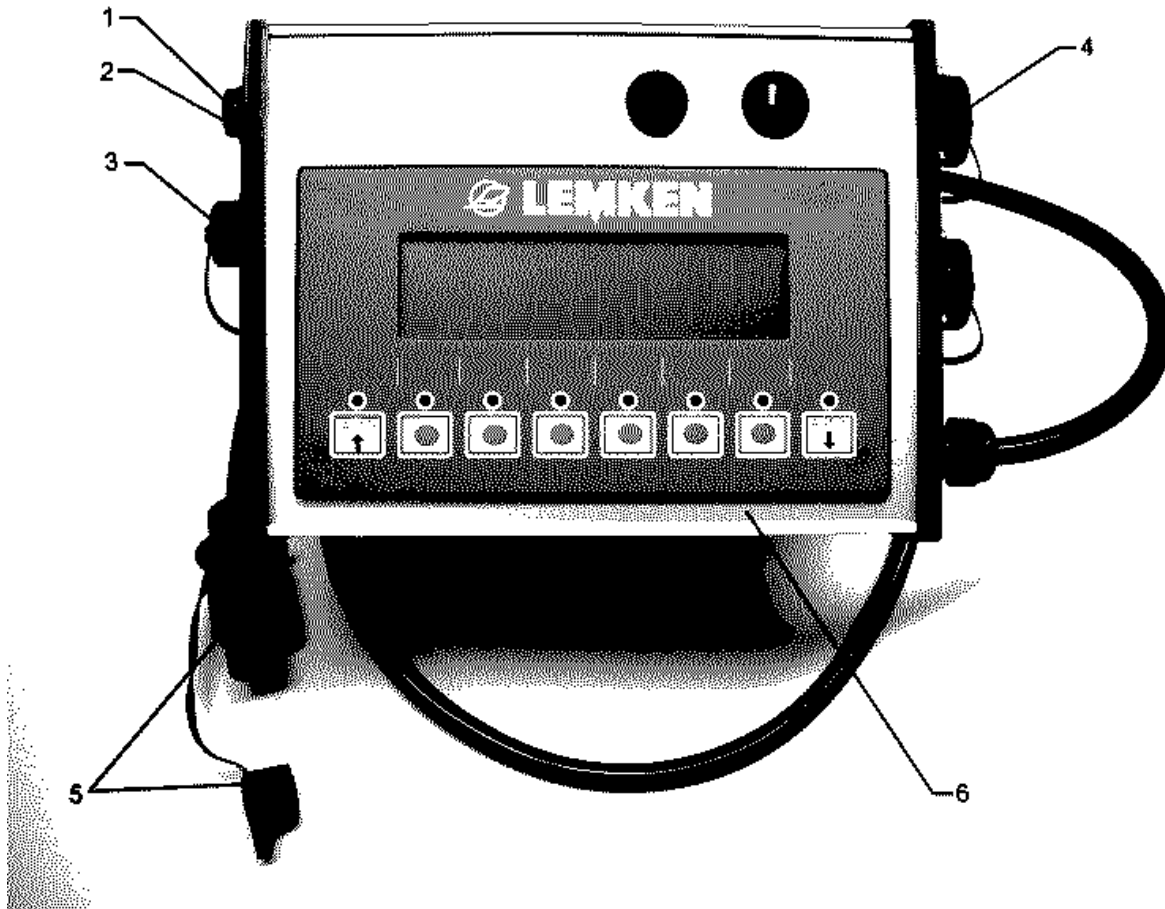
01.18

| Pos. | Art.Nr.  | Stck. | Artikeltext / Description |                            | Abmessung                        |
|------|----------|-------|---------------------------|----------------------------|----------------------------------|
| 1    | 301 3004 | 3     | Sechskantschraube         | Hexagon bolt               | M6x20-8.8 Zn<br>DIN933           |
| 2    | 301 3007 | 3     | Sechskantschraube         | Hexagon bolt               | M6x35-8.8 Zn<br>DIN931-A         |
| 3    | 301 5852 | 2     | Zylinderschraube          | Allen screw                | M4x35-8.8 Zn<br>DIN912           |
| 4    | 303 0931 | 3     | Sicherungsmutter          | Selflocking nut            | NM6-8 Zn DIN985                  |
| 5    | 305 9896 | 3     | Federring                 | Spring ring                | 6 DIN127 Zn                      |
| 6    | 323 0005 | 1     | Deckel                    | Cover                      | 213/80x3x40 3xD6<br>V2A          |
| 7    | 323 0019 | 1     | Distanzring               | Distance ring              | 218/190/160x31<br>3xD6           |
| 8    | 325 1331 | 8     | Kabelbinder               | Cable clip                 | 4,7x186                          |
| 9    | 455 3170 | 1     | Miniaturlagkupplung       | Bellow coupling, miniature | MK3                              |
| 10   | 473 8104 | 1     | Schraube                  | Screw                      | M10x8,5/23-SW17<br>Zn V-Opal EPS |
| 11   | 573 4384 | 1     | Winkelsensor              | Angle sensor               | 240 GRD                          |
| 12   | 573 6032 | 1     | Kabelbaum Winkelsensor    | Cable form                 | Vari-Opal EPS                    |
| 13   | 301 0283 | 2     | Flachkopfschraube         | Flatheaded bolt            | M4x45-4.8 Zn DIN85               |
| 14   | 323 0007 | 1     | Deckel                    | Cover                      | D216x77 3xD6,5                   |
| 15   | 323 8082 | 1     | Lamellenstopfen           | Lamellar cap               | GPN 320 GL42 1 - 2               |
| 16   | 301 3012 | 3     | Sechskantschraube         | Hexagon bolt               | M6x30-8.8 Zn<br>DIN931-A         |
| 17   | 305 8567 | 2     | Scheibe                   | Washer                     | 4,3 DIN125 Zn                    |
| 18   | 303 0928 | 2     | Sicherungsmutter          | Selflocking nut            | NM4-8 Zn DIN985                  |
| 19   | 305 8572 | 3     | Scheibe                   | Washer                     | 6,4 DIN9021 Zn                   |



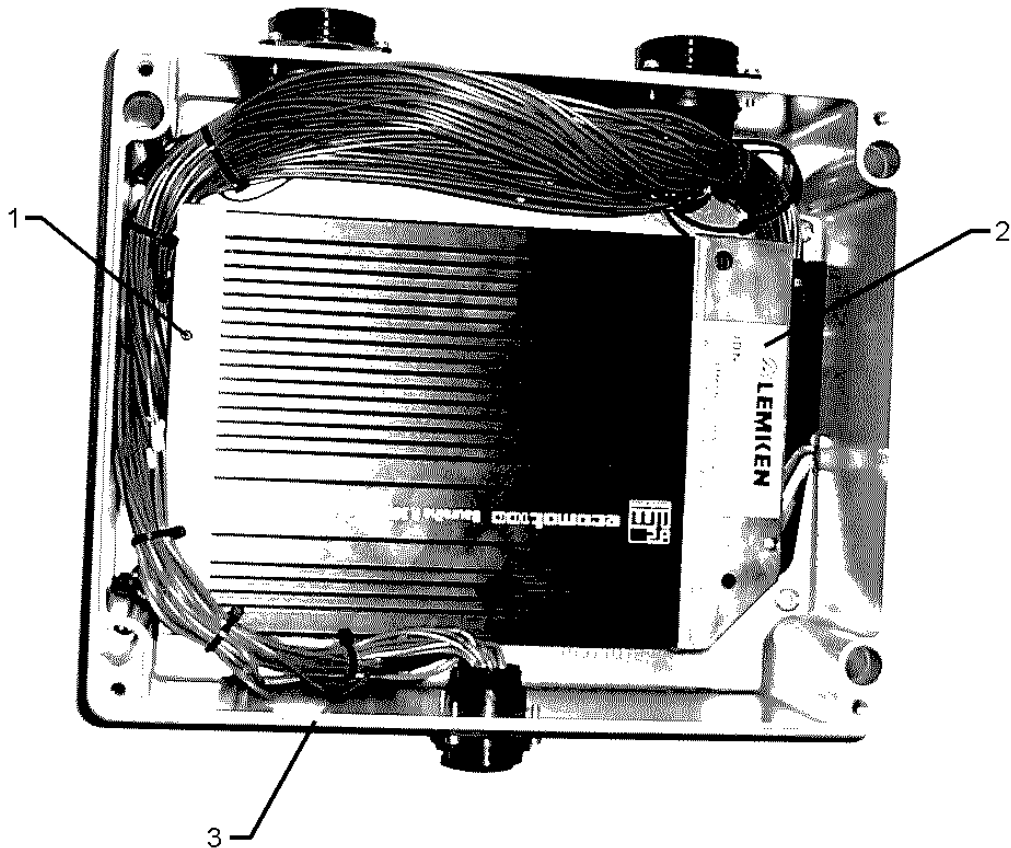
01.18

| Pos. | Art.Nr.  | Stck. | Artikeltext / Description  |                   | Abmessung                 |
|------|----------|-------|----------------------------|-------------------|---------------------------|
| 1    | 301 1136 | 1     | Flachrundschraube          | Saucer-head screw | M8x50-8.8 Zn<br>DIN603    |
| 2    | 301 7280 | 2     | Sechskantschraube          | Hexagon bolt      | M8x25-8.8 Zn<br>DIN933    |
| 3    | 303 1508 | 1     | Flügelmutter               | Wing nut          | M8-DIN315-5 A3B           |
| 4    | 303 1620 | 2     | Käfigmutter                | Nut               | M8-8/12,5 DIN88109<br>Zn  |
| 5    | 305 9835 | 1     | Sperrkantscheibe           | Washer            | 10,2/22,25x1,6 Zn         |
| 6    | 473 8064 | 1     | Halter für Strangprofil    | Holder            | GBT 2000<br>30x30x2x30 Zn |
| 7    | 473 8065 | 1     | Gelenk für Halter GBT 2000 | Link              | 30x30x2x30 Zn             |



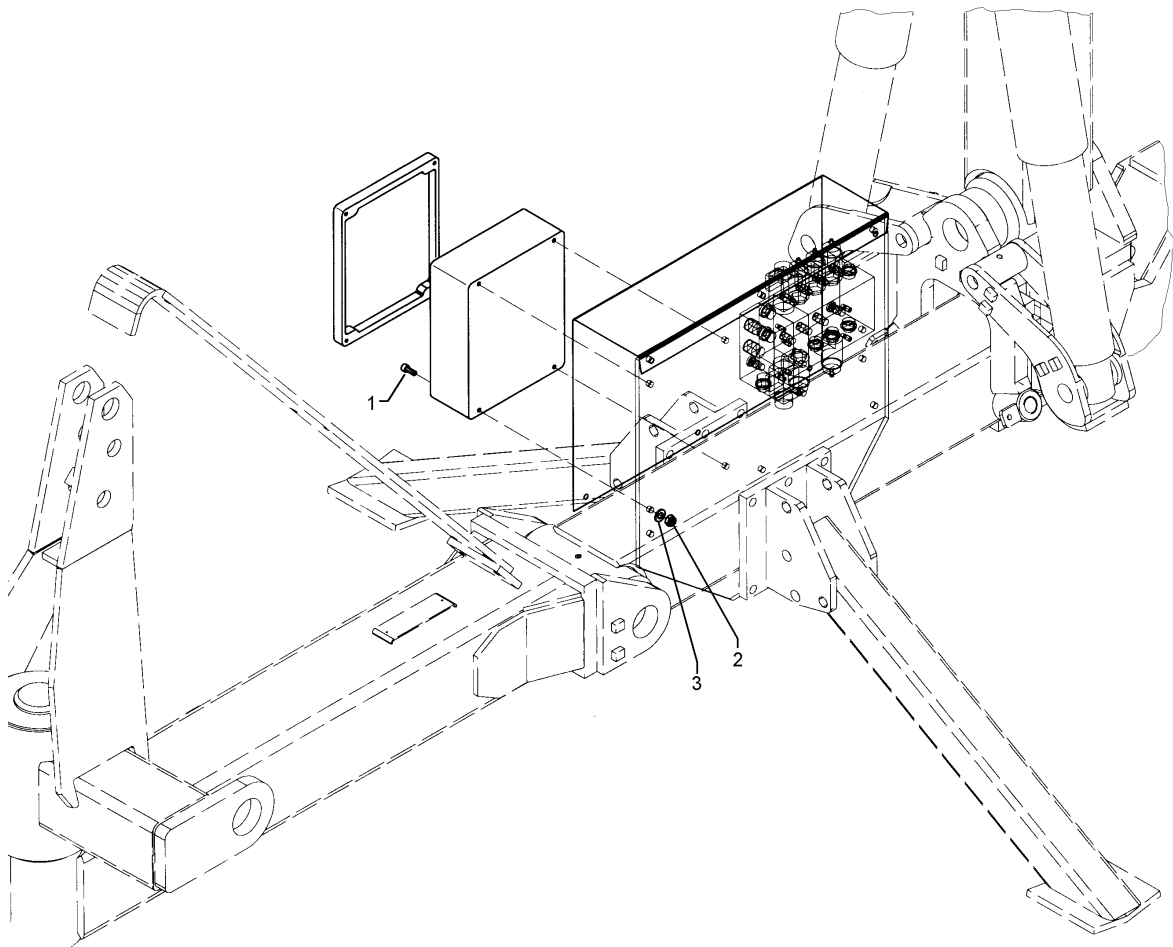
01.18

| Pos. | Art.Nr.  | Stck. | Artikeltext / Description |                    | Abmessung             |
|------|----------|-------|---------------------------|--------------------|-----------------------|
| 1    | 373 1306 | 1     | Glasrohrsicherung         | Fuse               | 5x20 1A mittel traege |
| 2    | 373 1308 | 1     | Glasrohrsicherung         | Fuse               | 5x20 16A traege       |
| 3    | 373 2162 | 1     | Staubschutzkappe          | Dust cap           | BG11 IG               |
| 4    | 373 2165 | 1     | Staubschutzkappe          | Dust cap           | BG-17 IG              |
| 6    | 573 6001 | 1     | Bedienterminal            | Operation terminal | CR1101                |



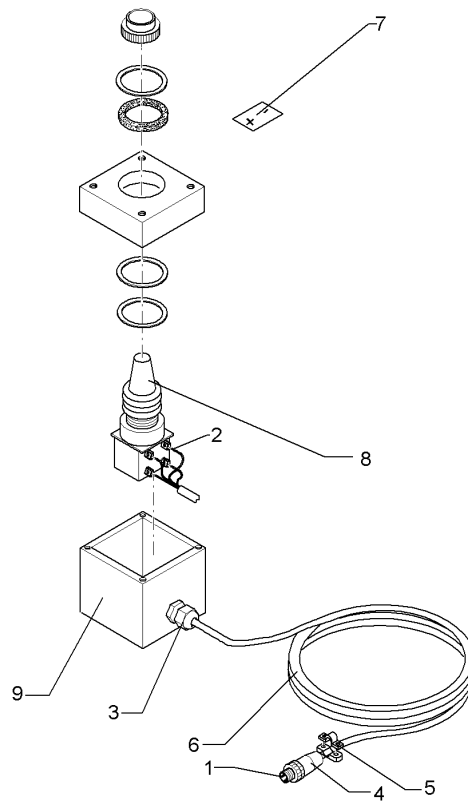
01.18

| Pos. | Art.Nr.  | Stck. | Artikeltext / Description  |                 | Abmessung          |
|------|----------|-------|----------------------------|-----------------|--------------------|
| 1    | 301 0293 | 2     | Flachkopfschraube          | Flatheaded bolt | M5x50-4,6 Zn DIN85 |
| 2    | 573 6002 | 1     | Jobrechner                 | Job computer    | CR0016/CR0020      |
| 3    | 573 6005 | 1     | Gehäuse komplett verkabelt | Housing         | 280x225x110        |



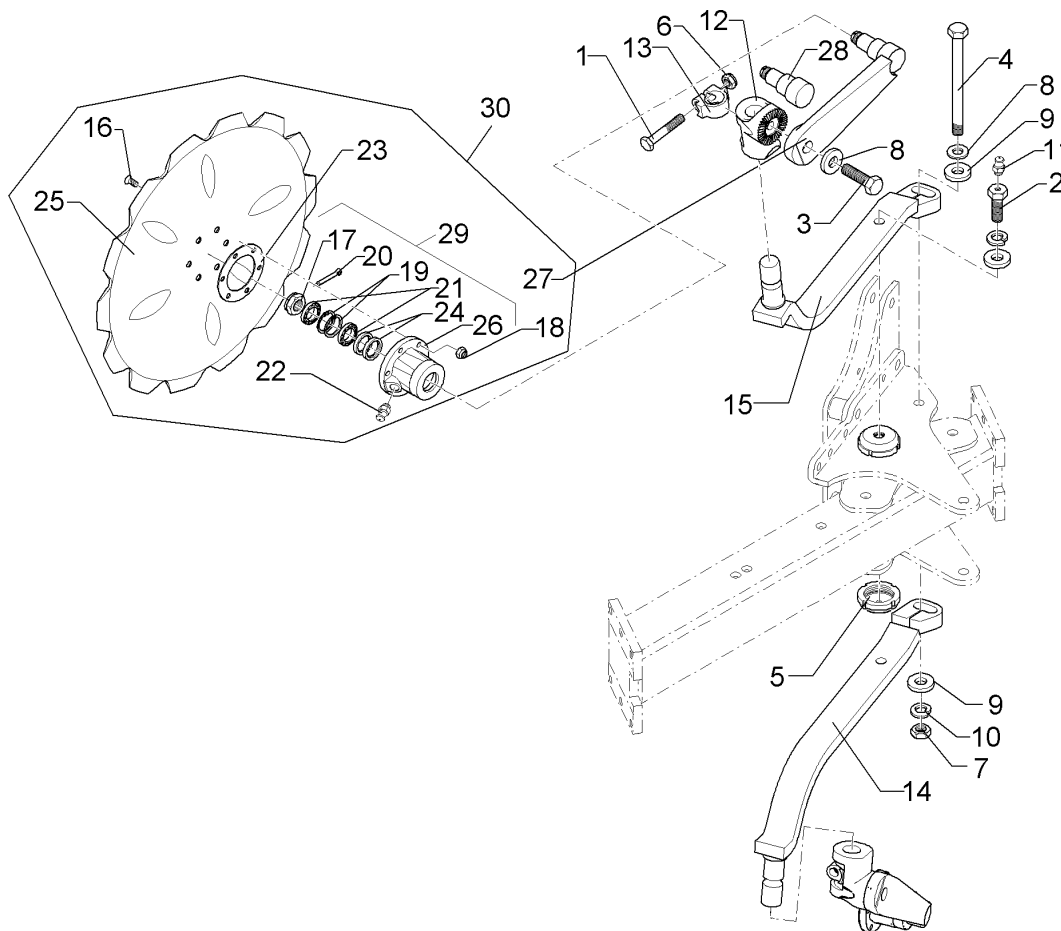
01.18

| Pos. | Art.Nr.  | Stck. | Artikeltext / Description    |                 | Abmessung          |
|------|----------|-------|------------------------------|-----------------|--------------------|
| 1    | 301 0104 | 4     | Zylinderschraube mit Schlitz | Allen screw     | M6x45-4.8 Zn DIN84 |
| 2    | 303 0931 | 4     | Sicherungsmutter             | Selflocking nut | NM6-8 Zn DIN985    |
| 3    | 305 8571 | 4     | Scheibe                      | Washer          | 6,4 DIN125-A Zn    |



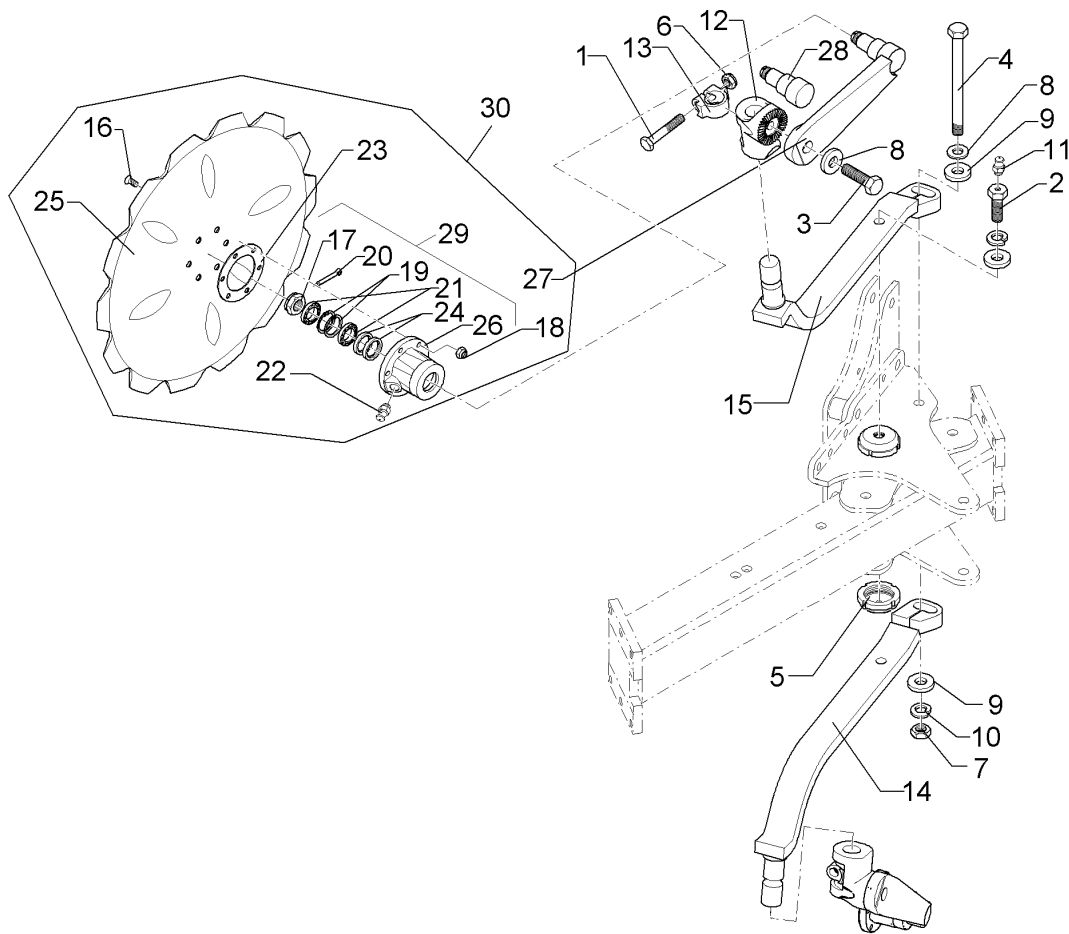
01.18

| Pos. | Art.Nr.  | Stck. | Artikeltext / Description     | Abmessung                  |                       |
|------|----------|-------|-------------------------------|----------------------------|-----------------------|
| 1    | 373 0300 | 4     | Stiftkontakt                  | Pin contact                | Typ III 0,75-1,5      |
| 2    | 373 0453 | 5     | Aderendhülse                  | Multicore cable end        | 0,75x8 grau           |
| 3    | 373 0766 | 1     | Kabelverschraubung            | Screw-type conduit fitting | PG9                   |
| 4    | 373 2170 | 1     | Stecker                       | Plug                       | 4-polig BG-11 IG      |
| 5    | 373 2171 | 1     | Kabelklemme mit Zugentlastung | Clamp                      | BG-11                 |
| 6    | 373 4136 | 1     | Kabel gelb                    | Cable, yellow              | 4x0,75                |
| 7    | 390 9002 | 1     | Aufkleber                     | Label                      | Joystickbox           |
| 8    | 573 4610 | 1     | Joystickschalter              | Joystick-switch            | 2-Schaltstellungen    |
| 9    | 573 4611 | 1     | Gehäuse                       | Housing                    | 80x75x75,5<br>RAL5015 |



01.18

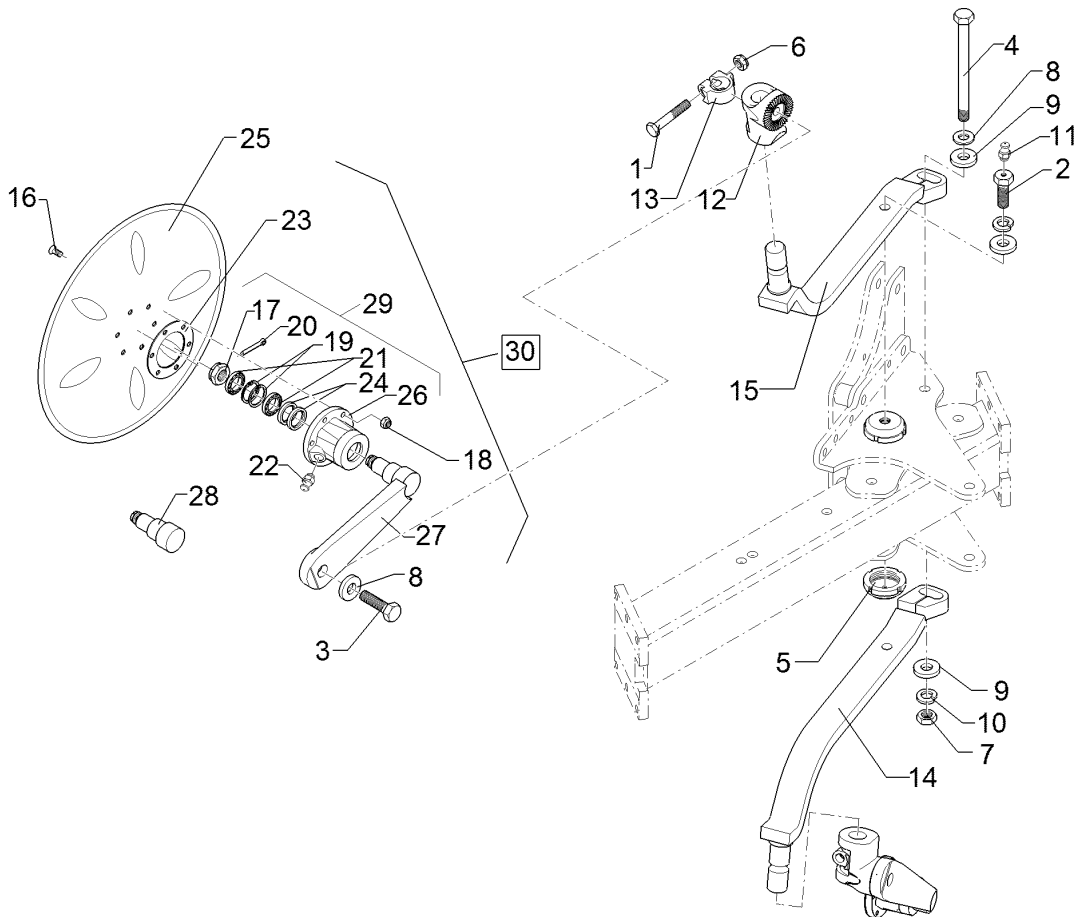
| Pos. | Art.Nr.  | Stck. | Artikeltext / Description |                    | Abmessung                   |
|------|----------|-------|---------------------------|--------------------|-----------------------------|
| 1    | 301 3868 | 2     | Sechskantschraube         | Hexagon bolt       | M16x65-8.8 Zn<br>DIN931-A   |
| 2    | 301 4237 | 2     | Sechskantschraube spz.    | Hexagon bolt       | M20x1,5x50/M10x1<br>Zn      |
| 3    | 301 5414 | 2     | Sechskantschraube         | Hexagon bolt       | M20x60-8.8 Zn<br>DIN933     |
| 4    | 301 4575 | 1     | Sechskantschraube         | Hexagon bolt       | M20x260-8.8 Zn<br>DIN931-A  |
| 5    | 303 0350 | 2     | Nutmutter                 | Grooved nut        | M60x2 M20x1,5<br>D80x30 Zn  |
| 6    | 303 1015 | 2     | Sechskantmutter           | Hexagon nut        | M16 DIN934-8 Zn             |
| 7    | 303 0978 | 2     | Sechskantmutter           | Hexagon nut        | M20 DIN934-8 Zn             |
| 8    | 305 6012 | 4     | Scheibe                   | Washer             | 21 ISO7089 Zn               |
| 9    | 305 6015 | 4     | Scheibe                   | Washer             | 21 DIN7349                  |
| 10   | 305 9888 | 3     | Federring                 | Spring ring        | 20 DIN127-A                 |
| 11   | 323 6348 | 2     | Schmiernippel             | Grease nipple      | AM10x1 DIN71412             |
| 12   | 457 9146 | 2     | Zahnkonsole               | Hirth-type bracket | D70/38 Z40                  |
| 13   | 457 9870 | 2     | Sperrstück                | Stop               | D38x29                      |
| 14   | 463 8686 | 1     | Sechhalm                  | Coulter stalk      | 60x25x618-1.K.              |
| 15   | 463 8687 | 1     | Sechhalm                  | Coulter stalk      | 60x25x618-1.K.              |
| 16   | 301 6123 | 6     | Senkschraube              | Countersunk bolt   | M10x30-10.9 Zn<br>DIN7991-A |
| 17   | 303 0193 | 1     | Kronenmutter              | Castle nut         | DIN937-M24x1,5-22H          |
| 18   | 303 0933 | 6     | Sicherungsmutter          | Selflocking nut    | NM10-8 DIN985 Zn            |
| 19   | 305 8924 | 2     | Sicherungsring            | Retaining ring     | 62x2 DIN472                 |
| 20   | 311 7613 | 1     | Splint                    | Peg                | 3,2x40 DIN94-St Zn          |



01.18

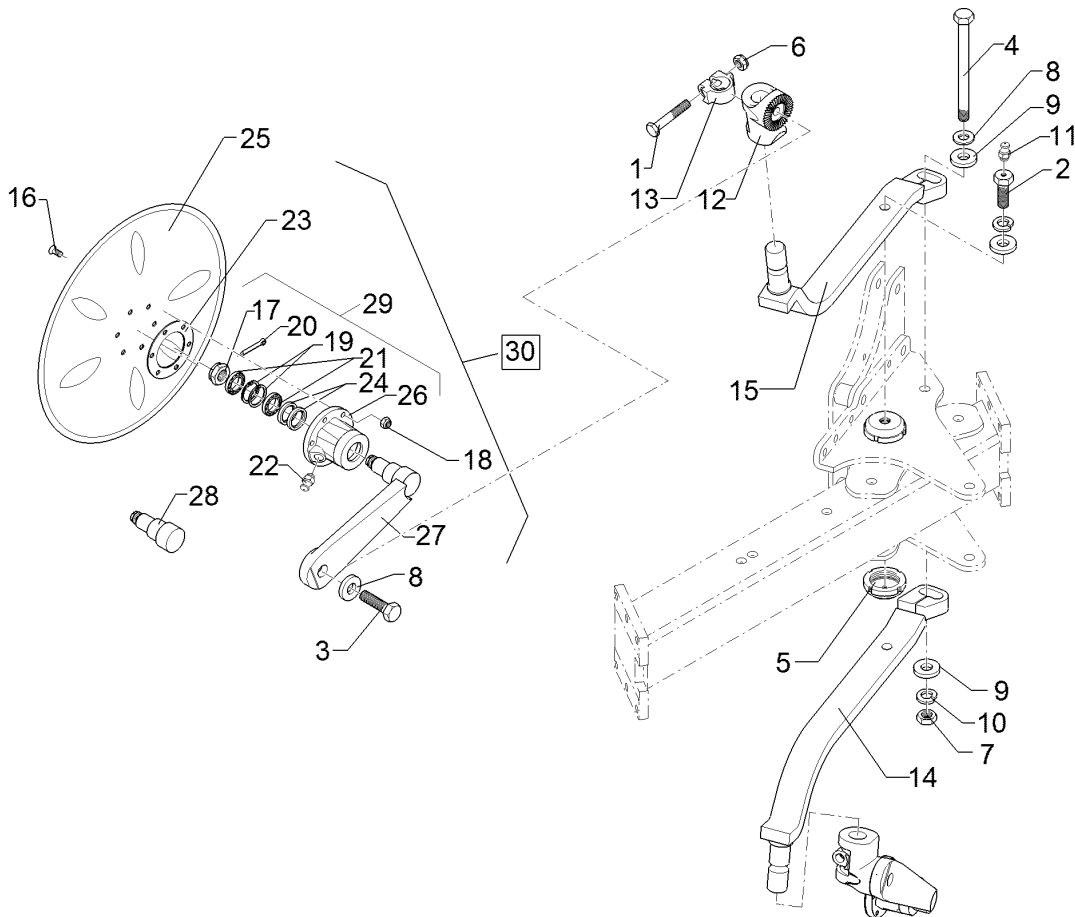
| Pos. | Art.Nr.  | Stck. | Artikeltext / Description | Abmessung              |                |
|------|----------|-------|---------------------------|------------------------|----------------|
| 21   | 319 9116 | 2     | Kegelrollenlager          | Tapered roller bearing | 30206.         |
| 22   | 323 6345 | 1     | Schmiernippel gerade      | Grease nipple          | LAM 6 DIN71412 |
| 23   | 323 7641 | 1     | Dichtung                  | Seal                   | D120/65x1,6    |
| 24   | 323 8032 | 2     | Wellendichtring           | Oil seal               | 40x55x7 BA     |
| 25   | 349 0042 | 1     | Sechscheibe               | Disc                   | D500/100x5-Z   |
| 26   | 447 8882 | 1     | Nabe                      | Hub                    | 668 A          |
| 27   | 457 9328 | 1     | Secharm                   | Swinging arm           | D77x250 Z40    |
| 28   | 215 1667 | 1     | Achse                     | Axle                   | D50/40/30x123  |
| 29   | 547 8883 | 1     | Lagerung                  | Bearing                | 668A 2x30206   |
| 30   | 657 9349 | 2     | Secharm kpl.              | Disc arm               | D500-Z V-A Z40 |





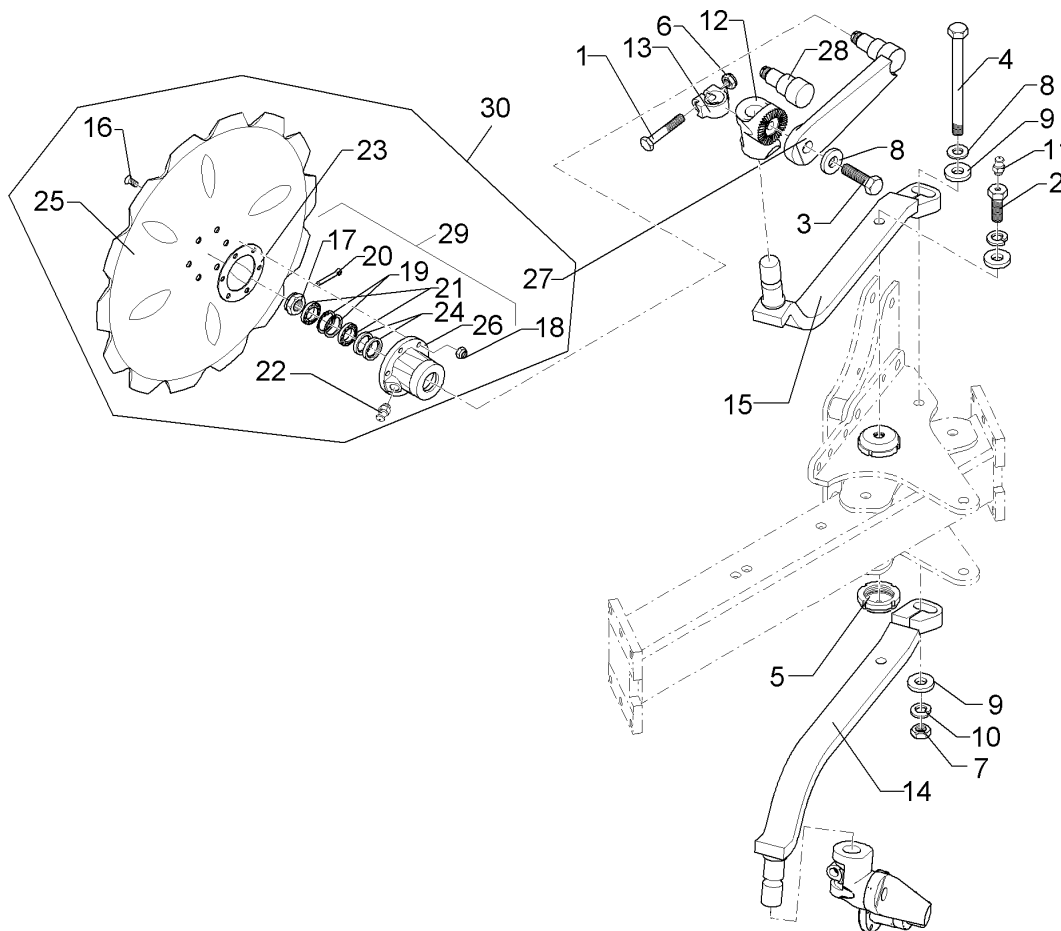
01.18

| Pos. | Art.Nr.  | Stck. | Artikeltext / Description |                    | Abmessung                   |
|------|----------|-------|---------------------------|--------------------|-----------------------------|
| 1    | 301 3868 | 2     | Sechskantschraube         | Hexagon bolt       | M16x65-8.8 Zn<br>DIN931-A   |
| 2    | 301 4237 | 2     | Sechskantschraube spz.    | Hexagon bolt       | M20x1,5x50/M10x1<br>Zn      |
| 3    | 301 5414 | 2     | Sechskantschraube         | Hexagon bolt       | M20x60-8.8 Zn<br>DIN933     |
| 4    | 301 4575 | 1     | Sechskantschraube         | Hexagon bolt       | M20x260-8.8 Zn<br>DIN931-A  |
| 5    | 303 0350 | 2     | Nutmutter                 | Grooved nut        | M60x2 M20x1,5<br>D80x30 Zn  |
| 6    | 303 1015 | 2     | Sechskantmutter           | Hexagon nut        | M16 DIN934-8 Zn             |
| 7    | 303 0978 | 2     | Sechskantmutter           | Hexagon nut        | M20 DIN934-8 Zn             |
| 8    | 305 6012 | 4     | Scheibe                   | Washer             | 21 ISO7089 Zn               |
| 9    | 305 6015 | 4     | Scheibe                   | Washer             | 21 DIN7349                  |
| 10   | 305 9888 | 3     | Federring                 | Spring ring        | 20 DIN127-A                 |
| 11   | 323 6348 | 2     | Schmiernippel             | Grease nipple      | AM10x1 DIN71412             |
| 12   | 457 9146 | 2     | Zahnkonsole               | Hirth-type bracket | D70/38 Z40                  |
| 13   | 457 9870 | 2     | Sperrstück                | Stop               | D38x29                      |
| 14   | 463 8686 | 1     | Sechshalm                 | Coulter stalk      | 60x25x618-1.K.              |
| 15   | 463 8687 | 1     | Sechshalm                 | Coulter stalk      | 60x25x618-1.K.              |
| 16   | 301 6123 | 6     | Senkschraube              | Countersunk bolt   | M10x30-10.9 Zn<br>DIN7991-A |
| 17   | 303 0193 | 1     | Kronenmutter              | Castle nut         | DIN937-M24x1,5-22H          |
| 18   | 303 0933 | 6     | Sicherungsmutter          | Selflocking nut    | NM10-8 DIN985 Zn            |
| 19   | 305 8924 | 2     | Sicherungsring            | Retaining ring     | 62x2 DIN472                 |
| 20   | 311 7613 | 1     | Splint                    | Peg                | 3,2x40 DIN94-St Zn          |



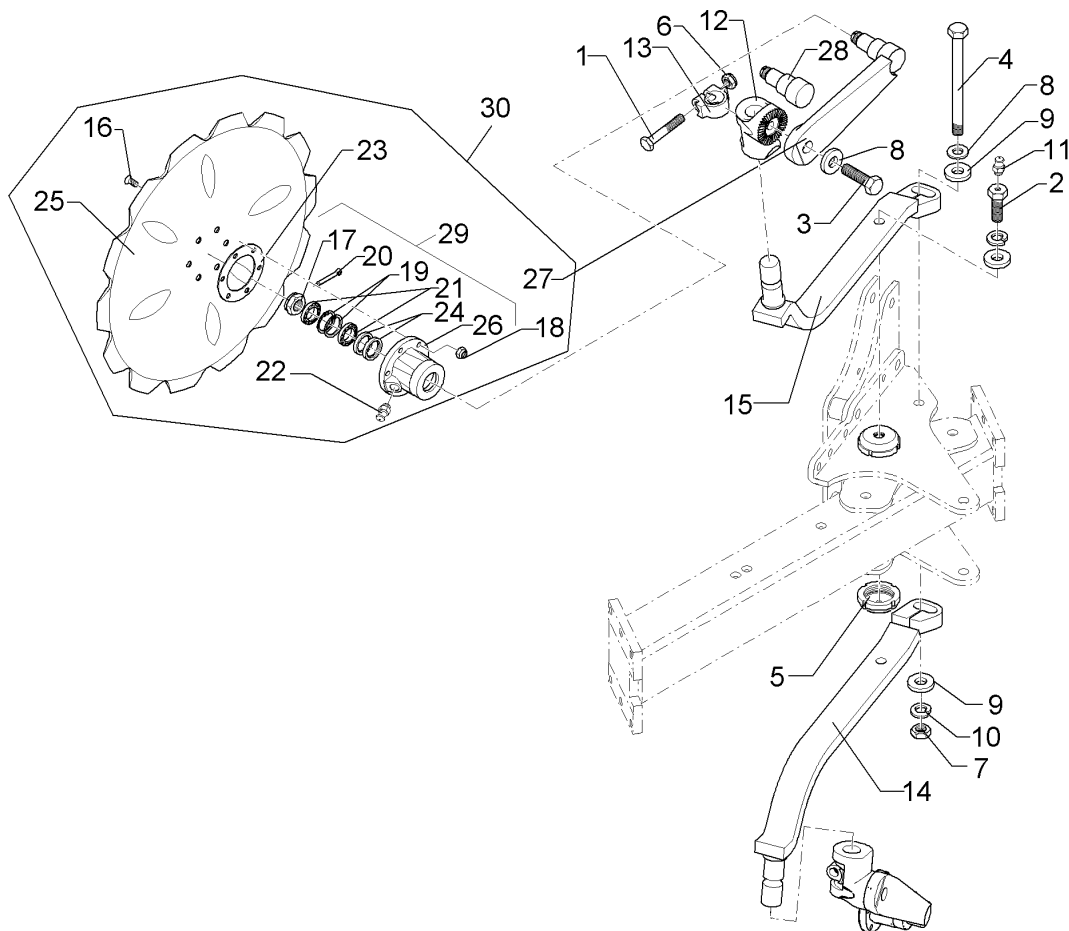
01.18

| Pos. | Art.Nr.  | Stck. | Artikeltext / Description | Abmessung              |                |
|------|----------|-------|---------------------------|------------------------|----------------|
| 21   | 319 9116 | 2     | Kegelrollenlager          | Tapered roller bearing | 30206.         |
| 22   | 323 6345 | 1     | Schmiernippel gerade      | Grease nipple          | LAM 6 DIN71412 |
| 23   | 323 7641 | 1     | Dichtung                  | Seal                   | D120/65x1,6    |
| 24   | 323 8032 | 2     | Wellendichtring           | Oil seal               | 40x55x7 BA     |
| 25   | 349 0029 | 1     | Sechscheibe               | Disc                   | D500/100x5 G   |
| 26   | 447 8882 | 1     | Nabe                      | Hub                    | 668 A          |
| 27   | 457 9328 | 1     | Secharm                   | Swinging arm           | D77x250 Z40    |
| 28   | 215 1667 | 1     | Achse                     | Axle                   | D50/40/30x123  |
| 29   | 547 8883 | 1     | Lagerung                  | Bearing                | 668A 2x30206   |
| 30   | 657 9348 | 2     | Secharm kpl.              | Disc arm               | D500 G V-A Z40 |



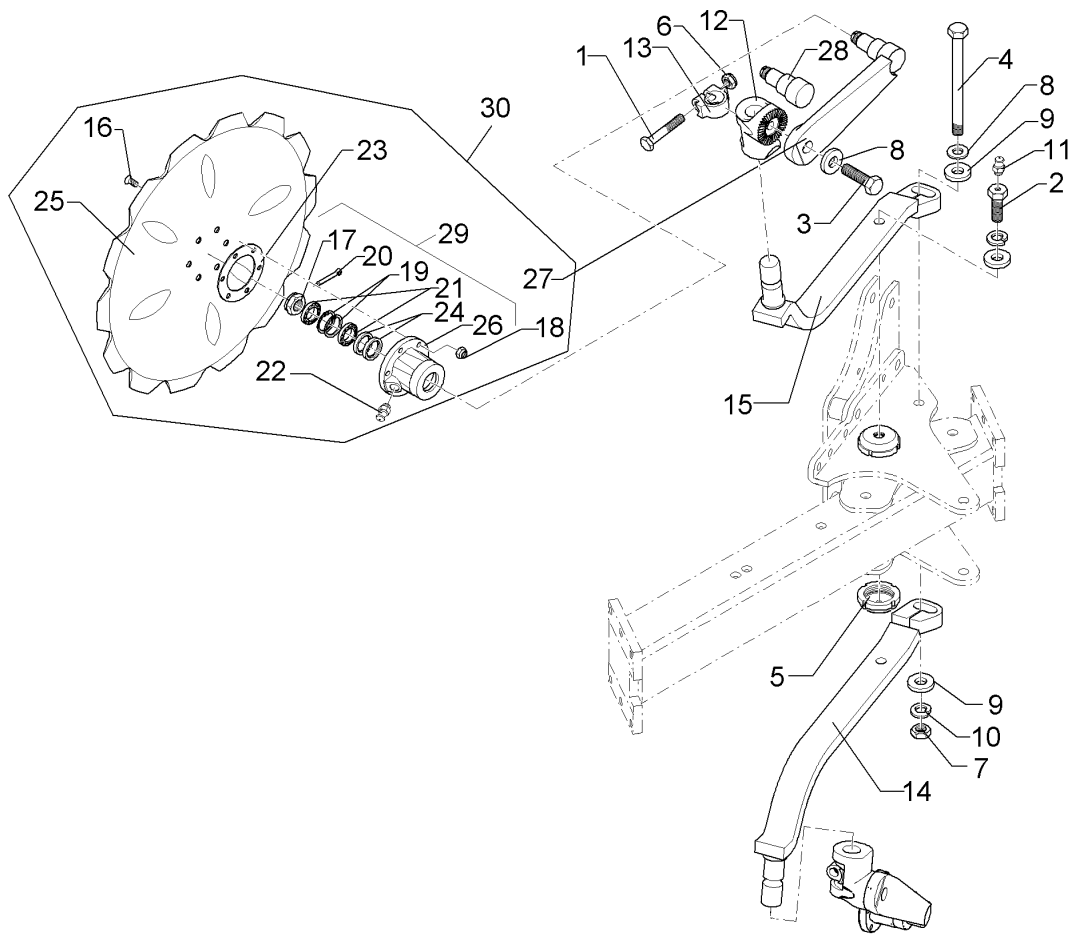
01.18

| Pos. | Art.Nr.  | Stck. | Artikeltext / Description |                    | Abmessung                 |
|------|----------|-------|---------------------------|--------------------|---------------------------|
| 1    | 303 0193 | 1     | Kronenmutter              | Castle nut         | DIN937-M24x1,5-22H        |
| 2    | 301 4237 | 2     | Sechskantschraube spz.    | Hexagon bolt       | M20x1,5x50/M10x1 Zn       |
| 3    | 301 5414 | 2     | Sechskantschraube         | Hexagon bolt       | M20x60-8.8 Zn             |
| 4    | 301 4575 | 1     | Sechskantschraube         | Hexagon bolt       | DIN933<br>M20x260-8.8 Zn  |
| 5    | 303 0350 | 2     | Nutmutter                 | Grooved nut        | DIN931-A<br>M60x2 M20x1,5 |
| 6    | 303 1015 | 2     | Sechskantmutter           | Hexagon nut        | D80x30 Zn                 |
| 7    | 303 0978 | 2     | Sechskantmutter           | Hexagon nut        | M16 DIN934-8 Zn           |
| 8    | 305 6012 | 4     | Scheibe                   | Washer             | M20 DIN934-8 Zn           |
| 9    | 305 6015 | 4     | Scheibe                   | Washer             | 21 ISO7089 Zn             |
| 10   | 305 9888 | 3     | Federring                 | Spring ring        | 21 DIN7349                |
| 11   | 323 6348 | 2     | Schmiernippel             | Grease nipple      | 20 DIN127-A               |
| 12   | 457 9146 | 2     | Zahnkonsole               | Hirth-type bracket | AM10x1 DIN71412           |
| 13   | 457 9870 | 2     | Sperrstück                | Stop               | D70/38 Z40                |
| 14   | 463 8684 | 1     | Sechshalm                 | Coulter stalk      | D38x29                    |
| 15   | 463 8685 | 1     | Sechshalm                 | Coulter stalk      | 60x25x630                 |
| 16   | 301 6123 | 6     | Senkschraube              | Countersunk bolt   | 60x25x630                 |
| 17   | 301 3868 | 2     | Sechskantschraube         | Hexagon bolt       | M10x30-10.9 Zn            |
| 18   | 303 0933 | 6     | Sicherungsmutter          | Selflocking nut    | DIN7991-A                 |
| 19   | 305 8924 | 2     | Sicherungsring            | Retaining ring     | M16x65-8.8 Zn             |
| 20   | 311 7613 | 1     | Splint                    | Peg                | DIN931-A                  |
|      |          |       |                           |                    | NM10-8 DIN985 Zn          |
|      |          |       |                           |                    | 62x2 DIN472               |
|      |          |       |                           |                    | 3,2x40 DIN94-St Zn        |



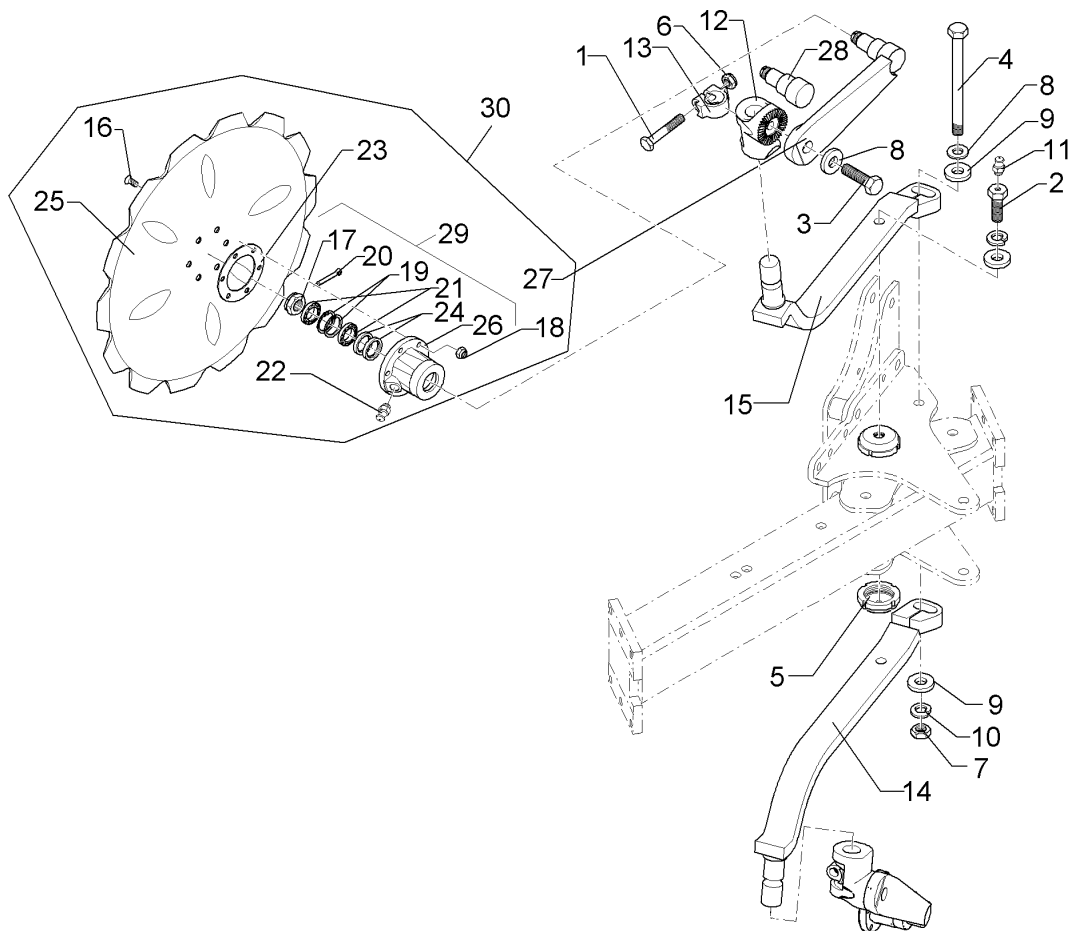
01.18

| Pos. | Art.Nr.  | Stck. | Artikeltext / Description | Abmessung              |                |
|------|----------|-------|---------------------------|------------------------|----------------|
| 21   | 319 9116 | 2     | Kegelrollenlager          | Tapered roller bearing | 30206.         |
| 22   | 323 6345 | 1     | Schmiernippel gerade      | Grease nipple          | LAM 6 DIN71412 |
| 23   | 323 7641 | 1     | Dichtung                  | Seal                   | D120/65x1,6    |
| 24   | 323 8032 | 2     | Wellendichtring           | Oil seal               | 40x55x7 BA     |
| 25   | 349 0050 | 1     | Sechscheibe               | Disc                   | D590/100x6 GEZ |
| 26   | 447 8882 | 1     | Nabe                      | Hub                    | 668 A          |
| 27   | 457 9328 | 1     | Secharm                   | Swinging arm           | D77x250 Z40    |
| 28   | 215 1667 | 1     | Achse                     | Axle                   | D50/40/30x123  |
| 29   | 547 8883 | 1     | Lagerung                  | Bearing                | 668A 2x30206   |
| 30   | 657 9350 | 2     | Secharm kpl.              | Disc arm               | D590-Z V-A Z40 |



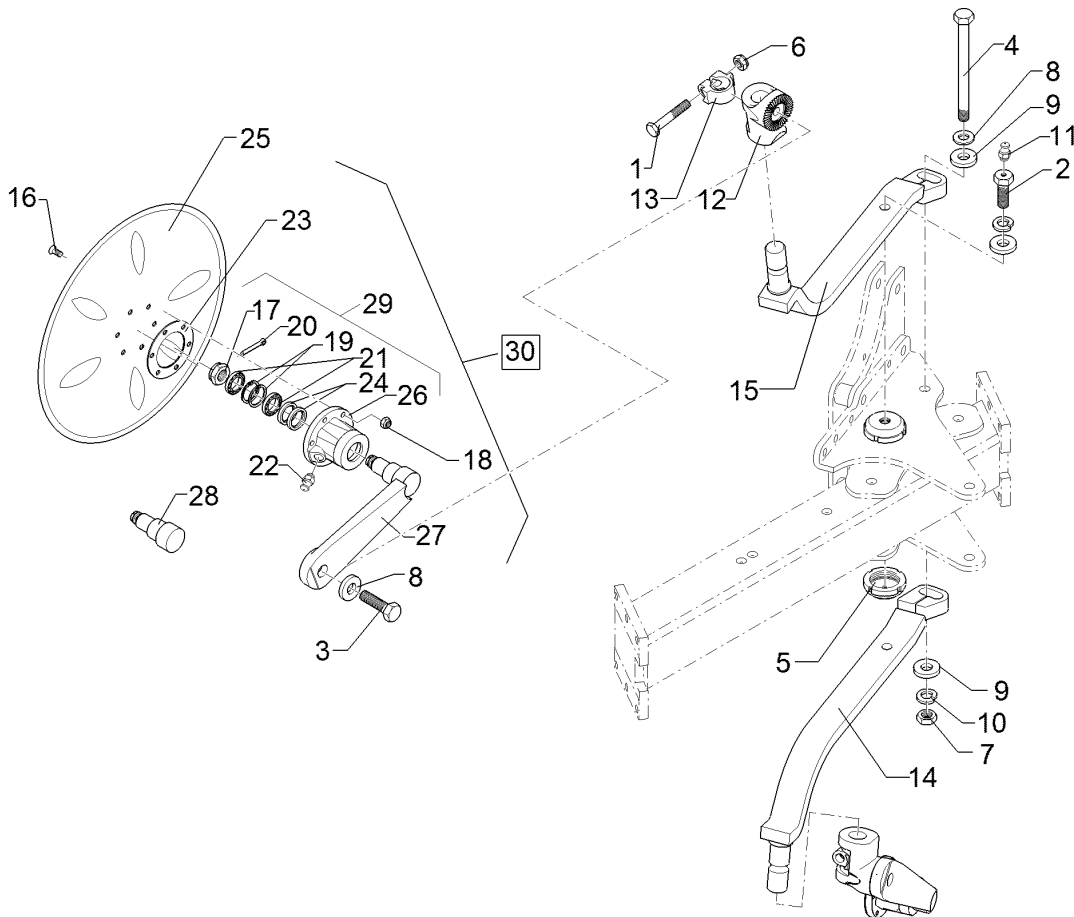
01.18

| Pos. | Art.Nr.  | Stck. | Artikeltext / Description |                        | Abmessung                   |
|------|----------|-------|---------------------------|------------------------|-----------------------------|
| 1    | 301 3868 | 2     | Sechskantschraube         | Hexagon bolt           | M16x65-8.8 Zn<br>DIN931-A   |
| 2    | 301 4237 | 2     | Sechskantschraube spz.    | Hexagon bolt           | M20x1,5x50/M10x1<br>Zn      |
| 4    | 301 4575 | 1     | Sechskantschraube         | Hexagon bolt           | M20x260-8.8 Zn<br>DIN931-A  |
| 5    | 303 0350 | 2     | Nutmutter                 | Grooved nut            | M60x2 M20x1,5<br>D80x30 Zn  |
| 6    | 301 5414 | 2     | Sechskantschraube         | Hexagon bolt           | M20x60-8.8 Zn<br>DIN933     |
| 7    | 303 0978 | 2     | Sechskantmutter           | Hexagon nut            | M20 DIN934-8 Zn             |
| 8    | 305 6012 | 4     | Scheibe                   | Washer                 | 21 ISO7089 Zn               |
| 9    | 305 6015 | 4     | Scheibe                   | Washer                 | 21 DIN7349                  |
| 10   | 305 9888 | 3     | Federring                 | Spring ring            | 20 DIN127-A                 |
| 11   | 323 6348 | 2     | Schmiernippel             | Grease nipple          | AM10x1 DIN71412             |
| 12   | 457 9146 | 2     | Zahnkonsole               | Hirth-type bracket     | D70/38 Z40                  |
| 13   | 457 9870 | 2     | Sperrstück                | Stop                   | D38x29                      |
| 14   | 463 8684 | 1     | Sechhalm                  | Coulter stalk          | 60x25x630                   |
| 15   | 463 8685 | 1     | Sechhalm                  | Coulter stalk          | 60x25x630                   |
| 16   | 301 6123 | 6     | Senkschraube              | Countersunk bolt       | M10x30-10.9 Zn<br>DIN7991-A |
| 17   | 303 0193 | 1     | Kronenmutter              | Castle nut             | DIN937-M24x1,5-22H          |
| 18   | 303 0933 | 6     | Sicherungsmutter          | Selflocking nut        | NM10-8 DIN985 Zn            |
| 19   | 305 8924 | 2     | Sicherungsring            | Retaining ring         | 62x2 DIN472                 |
| 20   | 311 7613 | 1     | Splint                    | Peg                    | 3,2x40 DIN94-St Zn          |
| 21   | 319 9116 | 2     | Kegelrollenlager          | Tapered roller bearing | 30206.                      |



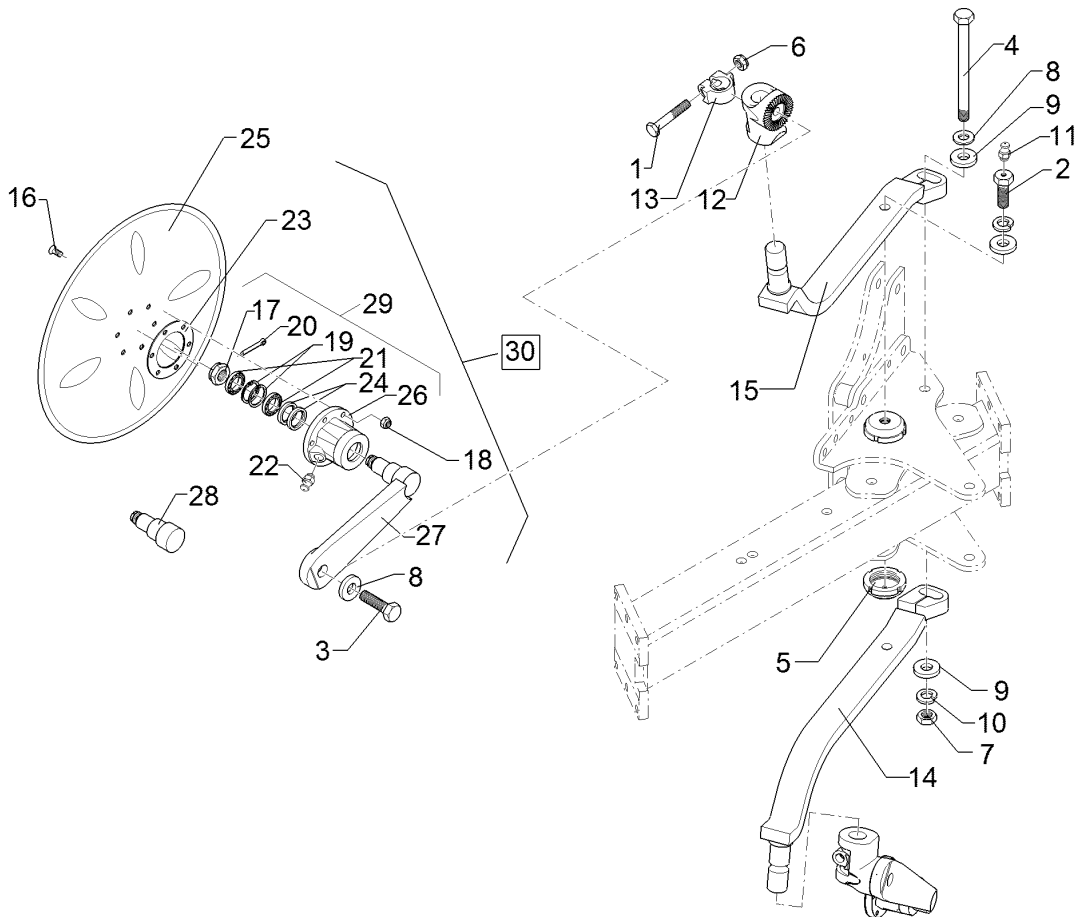
01.18

| Pos. | Art.Nr.  | Stck. | Artikeltext / Description |               | Abmessung      |
|------|----------|-------|---------------------------|---------------|----------------|
| 22   | 323 6345 | 1     | Schmiernippel gerade      | Grease nipple | LAM 6 DIN71412 |
| 23   | 323 7641 | 1     | Dichtung                  | Seal          | D120/65x1,6    |
| 24   | 323 8032 | 2     | Wellendichtring           | Oil seal      | 40x55x7 BA     |
| 25   | 349 0042 | 1     | Sechscheibe               | Disc          | D500/100x5-Z   |
| 26   | 447 8882 | 1     | Nabe                      | Hub           | 668 A          |
| 27   | 457 9328 | 1     | Secharm                   | Swinging arm  | D77x250 Z40    |
| 28   | 215 1667 | 1     | Achse                     | Axle          | D50/40/30x123  |
| 29   | 547 8883 | 1     | Lagerung                  | Bearing       | 668A 2x30206   |
| 30   | 657 9349 | 2     | Secharm kpl.              | Disc arm      | D500-Z V-A Z40 |



01.18

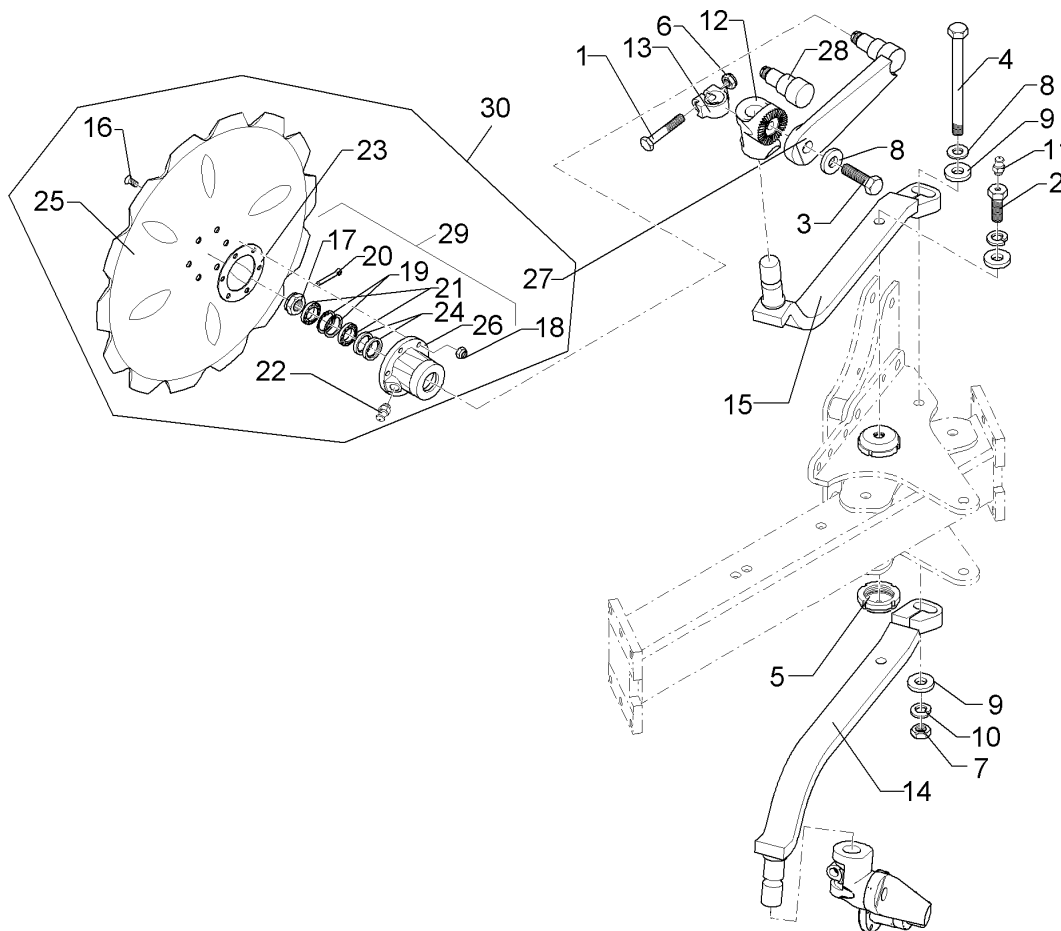
| Pos. | Art.Nr.  | Stck. | Artikeltext / Description |                        | Abmessung                              |
|------|----------|-------|---------------------------|------------------------|--|
| 1    | 301 3868 | 2     | Sechskantschraube         | Hexagon bolt           | M16x65-8.8 Zn                          |
| 2    | 301 4237 | 2     | Sechskantschraube spz.    | Hexagon bolt           | DIN931-A<br>M20x1,5x50/M10x1<br>Zn     |
| 3    | 301 5414 | 2     | Sechskantschraube         | Hexagon bolt           | M20x60-8.8 Zn                          |
| 4    | 301 4575 | 1     | Sechskantschraube         | Hexagon bolt           | DIN933<br>M20x260-8.8 Zn               |
| 5    | 303 0350 | 2     | Nutmutter                 | Grooved nut            | DIN931-A<br>M60x2 M20x1,5<br>D80x30 Zn |
| 6    | 303 1015 | 2     | Sechskantmutter           | Hexagon nut            | M16 DIN934-8 Zn                        |
| 7    | 303 0978 | 2     | Sechskantmutter           | Hexagon nut            | M20 DIN934-8 Zn                        |
| 8    | 305 6012 | 4     | Scheibe                   | Washer                 | 21 ISO7089 Zn                          |
| 9    | 305 6015 | 4     | Scheibe                   | Washer                 | 21 DIN7349                             |
| 10   | 305 9888 | 3     | Federring                 | Spring ring            | 20 DIN127-A                            |
| 12   | 457 9146 | 2     | Zahnkonsole               | Hirth-type bracket     | D70/38 Z40                             |
| 13   | 457 9870 | 2     | Sperrstück                | Stop                   | D38x29                                 |
| 14   | 463 8684 | 1     | Sechhalm                  | Coultter stalk         | 60x25x630                              |
| 15   | 463 8685 | 1     | Sechhalm                  | Coultter stalk         | 60x25x630                              |
| 16   | 301 6123 | 6     | Senkschraube              | Countersunk bolt       | M10x30-10.9 Zn<br>DIN7991-A            |
| 17   | 303 0193 | 1     | Kronenmutter              | Castle nut             | DIN937-M24x1,5-22H                     |
| 18   | 303 0933 | 6     | Sicherungsmutter          | Selflocking nut        | NM10-8 DIN985 Zn                       |
| 19   | 305 8924 | 2     | Sicherungsring            | Retaining ring         | 62x2 DIN472                            |
| 20   | 311 7613 | 1     | Splint                    | Peg                    | 3,2x40 DIN94-St Zn                     |
| 21   | 319 9116 | 2     | Kegelrollenlager          | Tapered roller bearing | 30206.                                 |



01.18

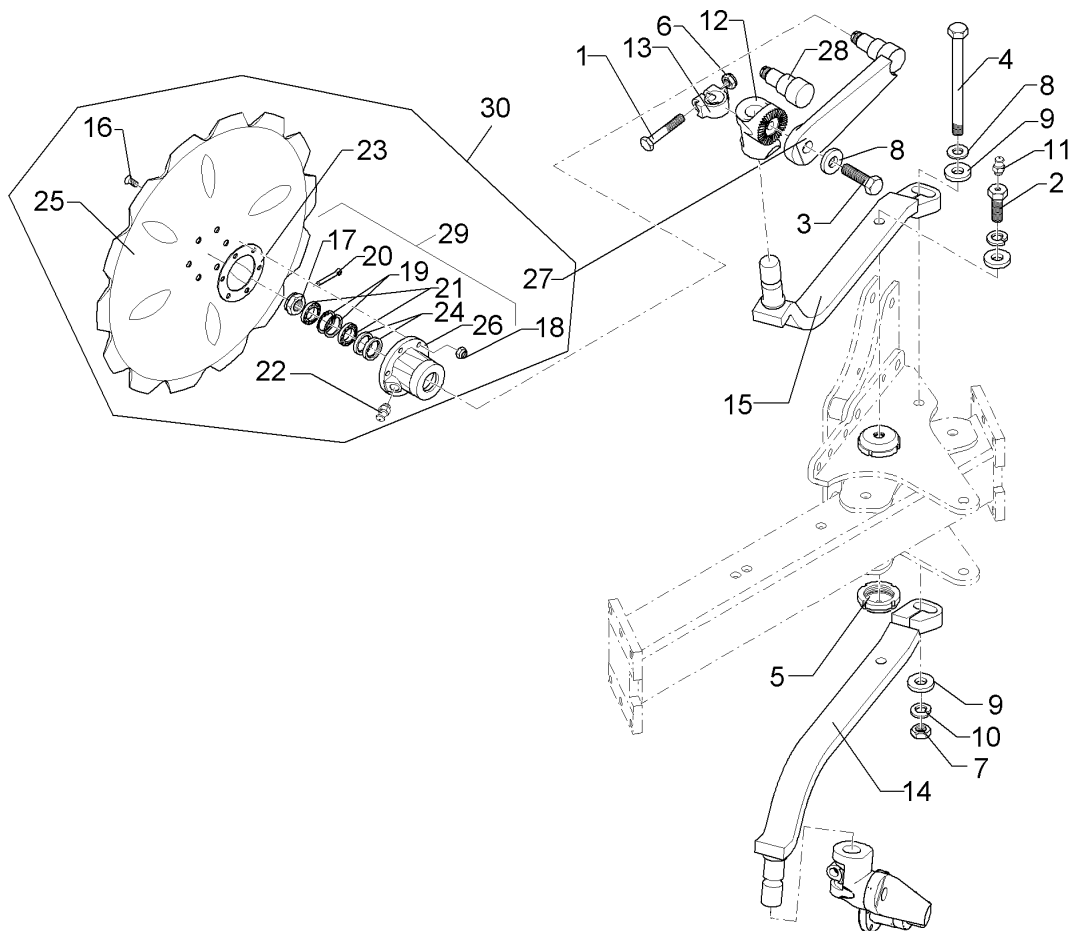
| Pos. | Art.Nr.  | Stck. | Artikeltext / Description | Abmessung     |                |
|------|----------|-------|---------------------------|---------------|----------------|
| 22   | 323 6345 | 2     | Schmiernippel gerade      | Grease nipple | LAM 6 DIN71412 |
| 23   | 323 7641 | 1     | Dichtung                  | Seal          | D120/65x1,6    |
| 25   | 349 0029 | 1     | Sechscheibe               | Disc          | D500/100x5 G   |
| 26   | 447 8882 | 1     | Nabe                      | Hub           | 668 A          |
| 27   | 457 9328 | 1     | Secharm                   | Swinging arm  | D77x250 Z40    |
| 28   | 215 1667 | 1     | Achse                     | Axle          | D50/40/30x123  |
| 29   | 547 8883 | 1     | Lagerung                  | Bearing       | 668A 2x30206   |
| 30   | 657 9348 | 2     | Secharm kpl.              | Disc arm      | D500 G V-A Z40 |





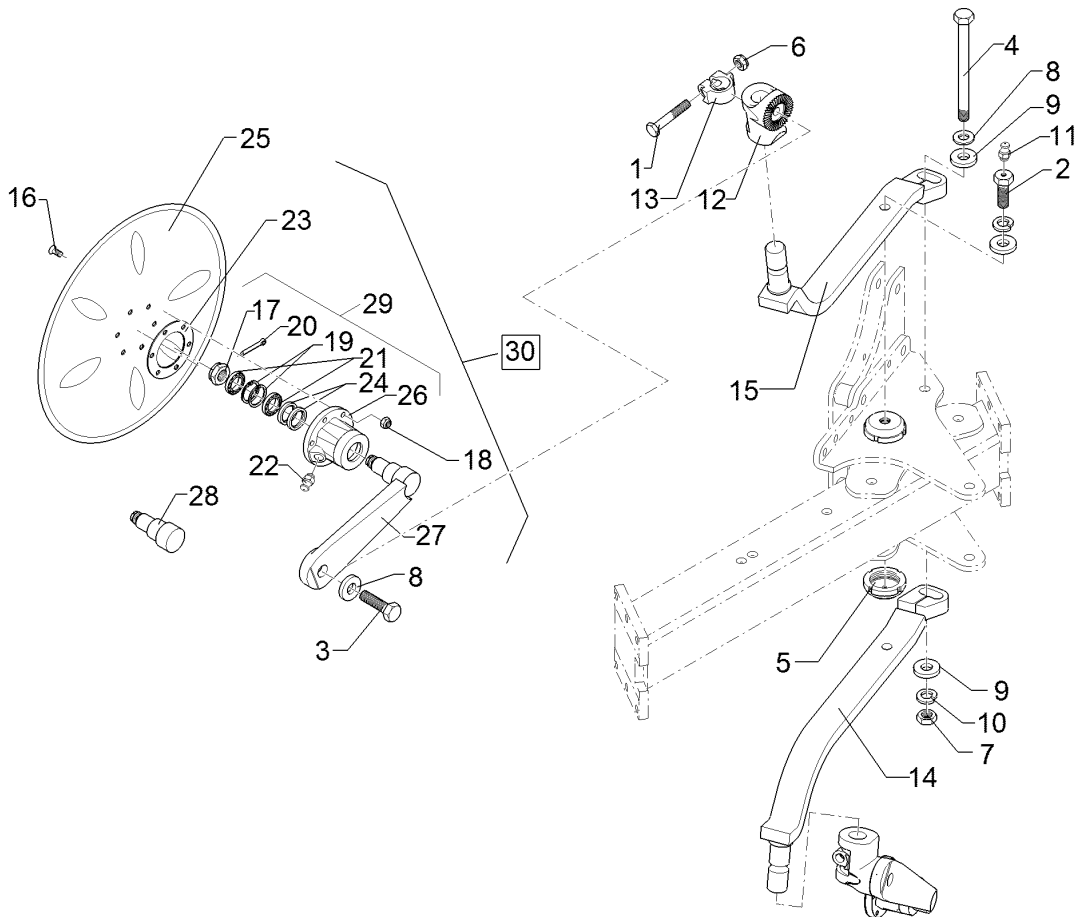
01.18

| Pos. | Art.Nr.  | Stck. | Artikeltext / Description |                    | Abmessung                   |
|------|----------|-------|---------------------------|--------------------|-----------------------------|
| 1    | 301 3868 | 2     | Sechskantschraube         | Hexagon bolt       | M16x65-8.8 Zn<br>DIN931-A   |
| 2    | 301 4237 | 2     | Sechskantschraube spz.    | Hexagon bolt       | M20x1,5x50/M10x1<br>Zn      |
| 3    | 301 5414 | 2     | Sechskantschraube         | Hexagon bolt       | M20x60-8.8 Zn<br>DIN933     |
| 4    | 301 4575 | 1     | Sechskantschraube         | Hexagon bolt       | M20x260-8.8 Zn<br>DIN931-A  |
| 5    | 303 0350 | 2     | Nutmutter                 | Grooved nut        | M60x2 M20x1,5<br>D80x30 Zn  |
| 6    | 303 1015 | 2     | Sechskantmutter           | Hexagon nut        | M16 DIN934-8 Zn             |
| 7    | 303 0978 | 1     | Sechskantmutter           | Hexagon nut        | M20 DIN934-8 Zn             |
| 8    | 305 6012 | 4     | Scheibe                   | Washer             | 21 ISO7089 Zn               |
| 9    | 305 6015 | 4     | Scheibe                   | Washer             | 21 DIN7349                  |
| 10   | 305 9888 | 3     | Federring                 | Spring ring        | 20 DIN127-A                 |
| 11   | 323 6348 | 2     | Schmiernippel             | Grease nipple      | AM10x1 DIN71412             |
| 12   | 457 9146 | 2     | Zahnkonsole               | Hirth-type bracket | D70/38 Z40                  |
| 13   | 457 9870 | 2     | Sperrstück                | Stop               | D38x29                      |
| 14   | 463 8706 | 1     | Maissechhalm              | Disc stalk         | 60x25x846-M RE              |
| 15   | 463 8707 | 1     | Maissechhalm              | Disc stalk         | 60x25x846-M LI              |
| 16   | 301 6123 | 6     | Senkschraube              | Countersunk bolt   | M10x30-10.9 Zn<br>DIN7991-A |
| 17   | 303 0193 | 1     | Kronenmutter              | Castle nut         | DIN937-M24x1,5-22H          |
| 18   | 303 0933 | 6     | Sicherungsmutter          | Selflocking nut    | NM10-8 DIN985 Zn            |
| 19   | 305 8924 | 2     | Sicherungsring            | Retaining ring     | 62x2 DIN472                 |
| 20   | 311 7613 | 1     | Splint                    | Peg                | 3,2x40 DIN94-St Zn          |



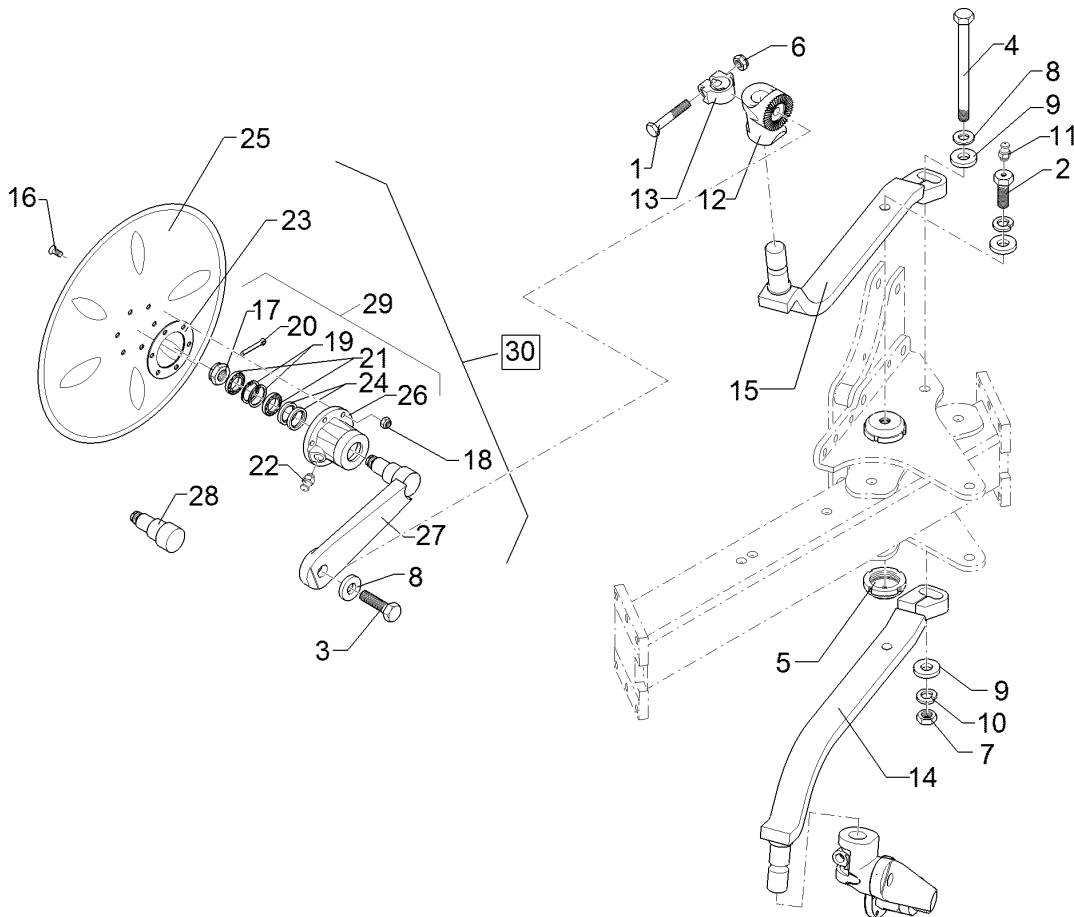
01.18

| Pos. | Art.Nr.  | Stck. | Artikeltext / Description | Abmessung              |                |
|------|----------|-------|---------------------------|------------------------|----------------|
| 21   | 319 9116 | 2     | Kegelrollenlager          | Tapered roller bearing | 30206.         |
| 22   | 323 6345 | 1     | Schmiernippel gerade      | Grease nipple          | LAM 6 DIN71412 |
| 23   | 323 7641 | 1     | Dichtung                  | Seal                   | D120/65x1,6    |
| 24   | 323 8032 | 2     | Wellendichtring           | Oil seal               | 40x55x7 BA     |
| 25   | 349 0050 | 1     | Sechscheibe               | Disc                   | D590/100x6 GEZ |
| 26   | 447 8882 | 1     | Nabe                      | Hub                    | 668 A          |
| 27   | 457 9328 | 1     | Secharm                   | Swinging arm           | D77x250 Z40    |
| 28   | 215 1667 | 1     | Achse                     | Axle                   | D50/40/30x123  |
| 29   | 547 8883 | 1     | Lagerung                  | Bearing                | 668A 2x30206   |
| 30   | 657 9350 | 2     | Secharm kpl.              | Disc arm               | D590-Z V-A Z40 |



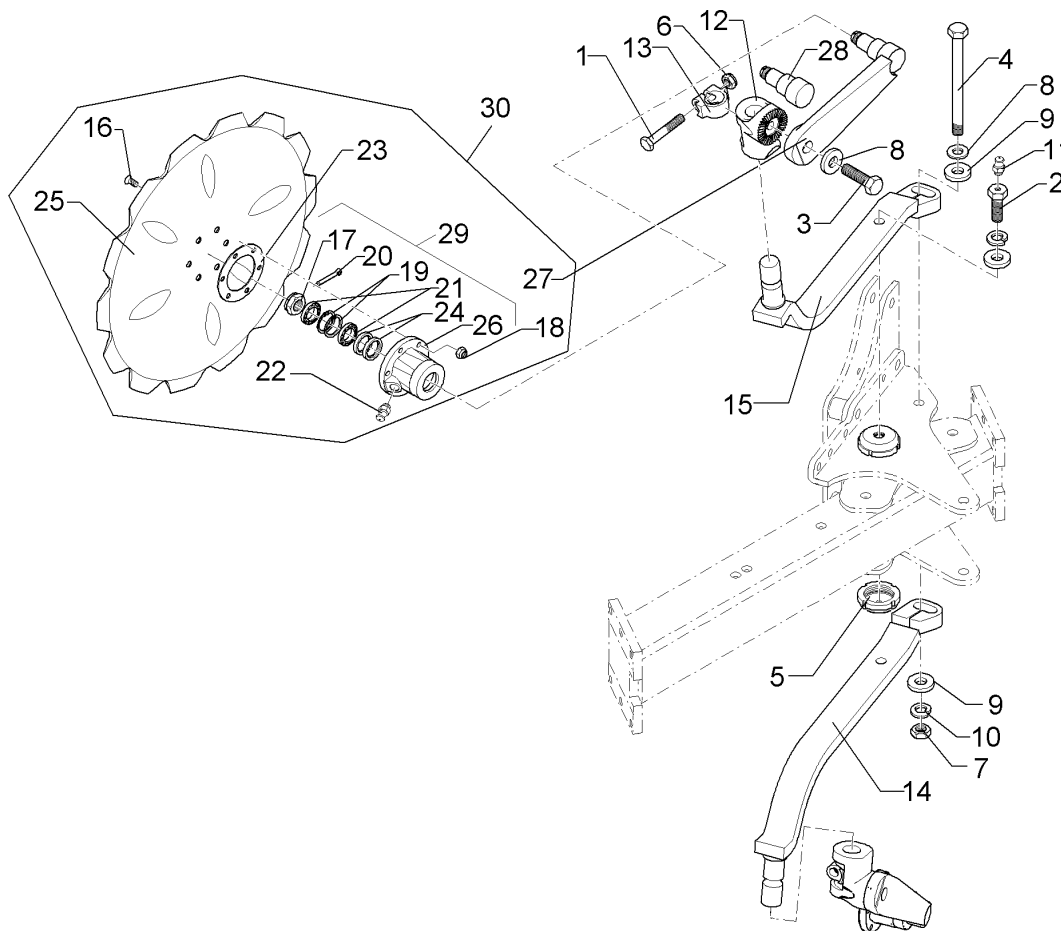
01.18

| Pos. | Art.Nr.  | Stck. | Artikeltext / Description |                    | Abmessung                   |
|------|----------|-------|---------------------------|--------------------|-----------------------------|
| 1    | 301 3868 | 2     | Sechskantschraube         | Hexagon bolt       | M16x65-8.8 Zn<br>DIN931-A   |
| 2    | 301 4237 | 2     | Sechskantschraube spz.    | Hexagon bolt       | M20x1,5x50/M10x1<br>Zn      |
| 3    | 301 5414 | 2     | Sechskantschraube         | Hexagon bolt       | M20x60-8.8 Zn<br>DIN933     |
| 4    | 301 4575 | 1     | Sechskantschraube         | Hexagon bolt       | M20x260-8.8 Zn<br>DIN931-A  |
| 5    | 303 0350 | 2     | Nutmutter                 | Grooved nut        | M60x2 M20x1,5<br>D80x30 Zn  |
| 6    | 303 1015 | 2     | Sechskantmutter           | Hexagon nut        | M16 DIN934-8 Zn             |
| 7    | 303 0978 | 1     | Sechskantmutter           | Hexagon nut        | M20 DIN934-8 Zn             |
| 8    | 305 6012 | 4     | Scheibe                   | Washer             | 21 ISO7089 Zn               |
| 9    | 305 6015 | 4     | Scheibe                   | Washer             | 21 DIN7349                  |
| 10   | 305 9888 | 3     | Federring                 | Spring ring        | 20 DIN127-A                 |
| 11   | 323 6348 | 2     | Schmiernippel             | Grease nipple      | AM10x1 DIN71412             |
| 12   | 457 9146 | 2     | Zahnkonsole               | Hirth-type bracket | D70/38 Z40                  |
| 13   | 457 9870 | 2     | Sperrstück                | Stop               | D38x29                      |
| 14   | 463 8706 | 1     | Maissechhalm              | Disc stalk         | 60x25x846-M RE              |
| 15   | 463 8707 | 1     | Maissechhalm              | Disc stalk         | 60x25x846-M LI              |
| 16   | 301 6123 | 6     | Senkschraube              | Countersunk bolt   | M10x30-10.9 Zn<br>DIN7991-A |
| 17   | 303 0193 | 1     | Kronenmutter              | Castle nut         | DIN937-M24x1,5-22H          |
| 18   | 303 0933 | 6     | Sicherungsmutter          | Selflocking nut    | NM10-8 DIN985 Zn            |
| 19   | 305 8924 | 2     | Sicherungsring            | Retaining ring     | 62x2 DIN472                 |
| 20   | 311 7613 | 1     | Splint                    | Peg                | 3,2x40 DIN94-St Zn          |



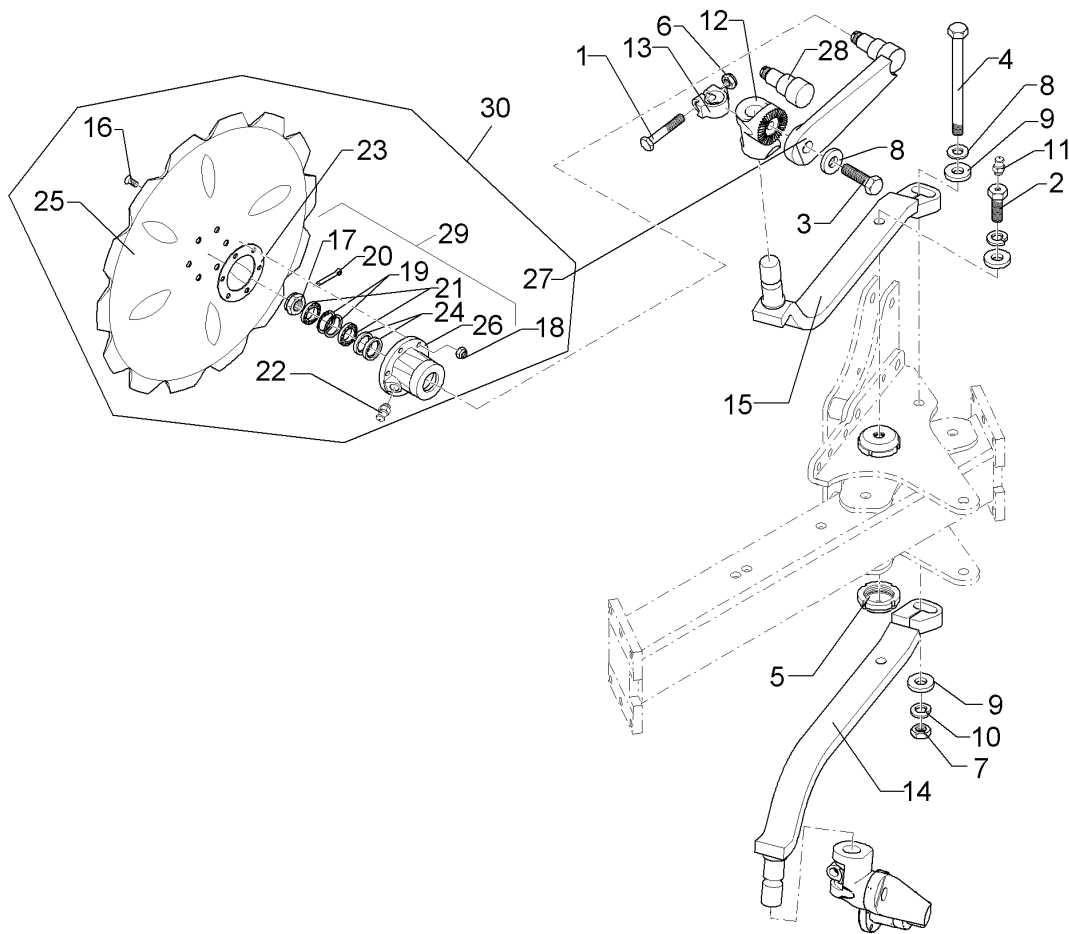
01.18

| Pos. | Art.Nr.  | Stck. | Artikeltext / Description | Abmessung              |                |
|------|----------|-------|---------------------------|------------------------|----------------|
| 21   | 319 9116 | 2     | Kegelrollenlager          | Tapered roller bearing | 30206.         |
| 22   | 323 6345 | 1     | Schmiernippel gerade      | Grease nipple          | LAM 6 DIN71412 |
| 23   | 323 7641 | 1     | Dichtung                  | Seal                   | D120/65x1,6    |
| 24   | 323 8032 | 2     | Wellendichtring           | Oil seal               | 40x55x7 BA     |
| 25   | 349 0029 | 1     | Sechscheibe               | Disc                   | D500/100x5 G   |
| 26   | 447 8882 | 1     | Nabe                      | Hub                    | 668 A          |
| 27   | 457 9328 | 1     | Secharm                   | Swinging arm           | D77x250 Z40    |
| 28   | 215 1667 | 1     | Achse                     | Axle                   | D50/40/30x123  |
| 29   | 547 8883 | 1     | Lagerung                  | Bearing                | 668A 2x30206   |
| 30   | 657 9348 | 2     | Secharm kpl.              | Disc arm               | D500 G V-A Z40 |



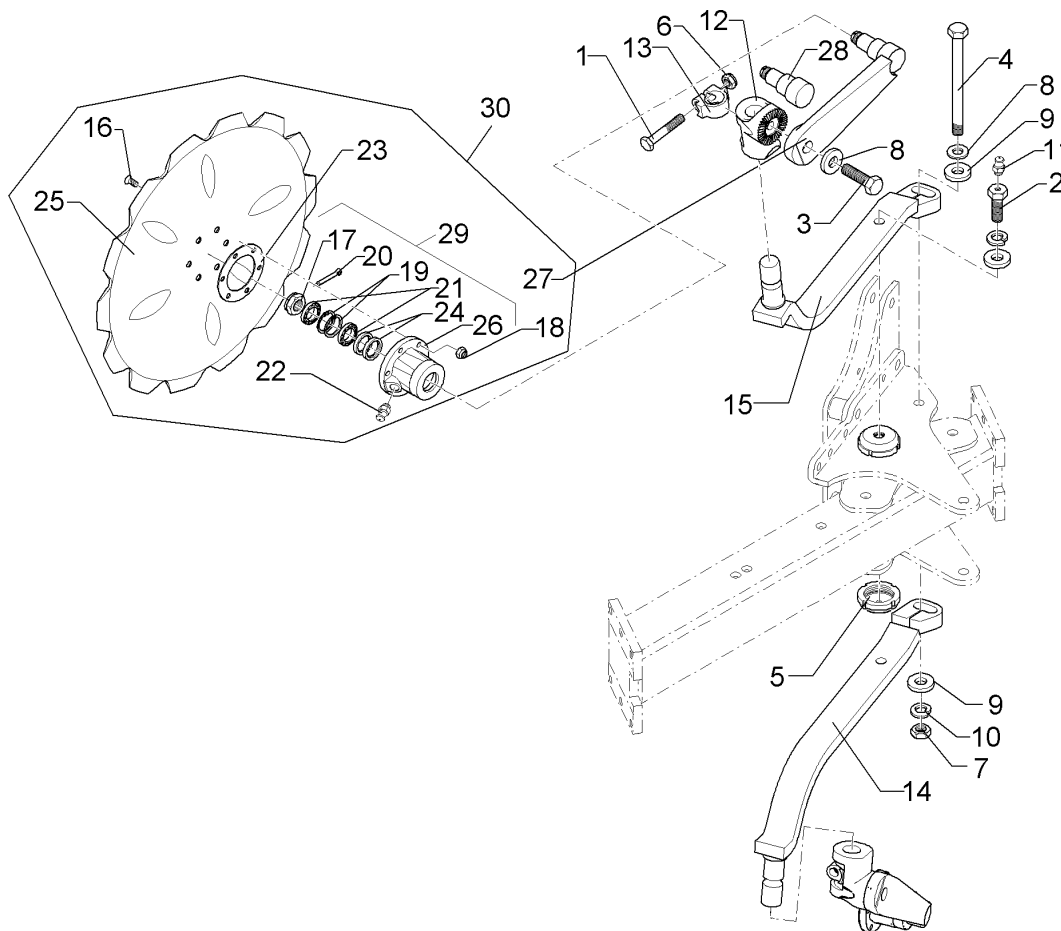
01.18

| Pos. | Art.Nr.  | Stck. | Artikeltext / Description |                    | Abmessung                   |
|------|----------|-------|---------------------------|--------------------|-----------------------------|
| 1    | 301 3868 | 2     | Sechskantschraube         | Hexagon bolt       | M16x65-8.8 Zn<br>DIN931-A   |
| 2    | 301 4237 | 2     | Sechskantschraube spz.    | Hexagon bolt       | M20x1,5x50/M10x1<br>Zn      |
| 3    | 301 5414 | 2     | Sechskantschraube         | Hexagon bolt       | M20x60-8.8 Zn<br>DIN933     |
| 4    | 301 4575 | 1     | Sechskantschraube         | Hexagon bolt       | M20x260-8.8 Zn<br>DIN931-A  |
| 5    | 303 0350 | 2     | Nutmutter                 | Grooved nut        | M60x2 M20x1,5<br>D80x30 Zn  |
| 6    | 303 1015 | 2     | Sechskantmutter           | Hexagon nut        | M16 DIN934-8 Zn             |
| 7    | 303 0978 | 1     | Sechskantmutter           | Hexagon nut        | M20 DIN934-8 Zn             |
| 8    | 305 6012 | 4     | Scheibe                   | Washer             | 21 ISO7089 Zn               |
| 9    | 305 6015 | 4     | Scheibe                   | Washer             | 21 DIN7349                  |
| 10   | 305 9888 | 3     | Federring                 | Spring ring        | 20 DIN127-A                 |
| 11   | 323 6348 | 2     | Schmiernippel             | Grease nipple      | AM10x1 DIN71412             |
| 12   | 457 9146 | 2     | Zahnkonsole               | Hirth-type bracket | D70/38 Z40                  |
| 13   | 457 9870 | 2     | Sperrstück                | Stop               | D38x29                      |
| 14   | 463 8706 | 1     | Maissechhalm              | Disc stalk         | 60x25x846-M RE              |
| 15   | 463 8707 | 1     | Maissechhalm              | Disc stalk         | 60x25x846-M LI              |
| 16   | 301 6123 | 6     | Senkschraube              | Countersunk bolt   | M10x30-10.9 Zn<br>DIN7991-A |
| 17   | 303 0193 | 1     | Kronenmutter              | Castle nut         | DIN937-M24x1,5-22H          |
| 18   | 303 0933 | 6     | Sicherungsmutter          | Selflocking nut    | NM10-8 DIN985 Zn            |
| 19   | 305 8924 | 2     | Sicherungsring            | Retaining ring     | 62x2 DIN472                 |
| 20   | 311 7613 | 1     | Splint                    | Peg                | 3,2x40 DIN94-St Zn          |



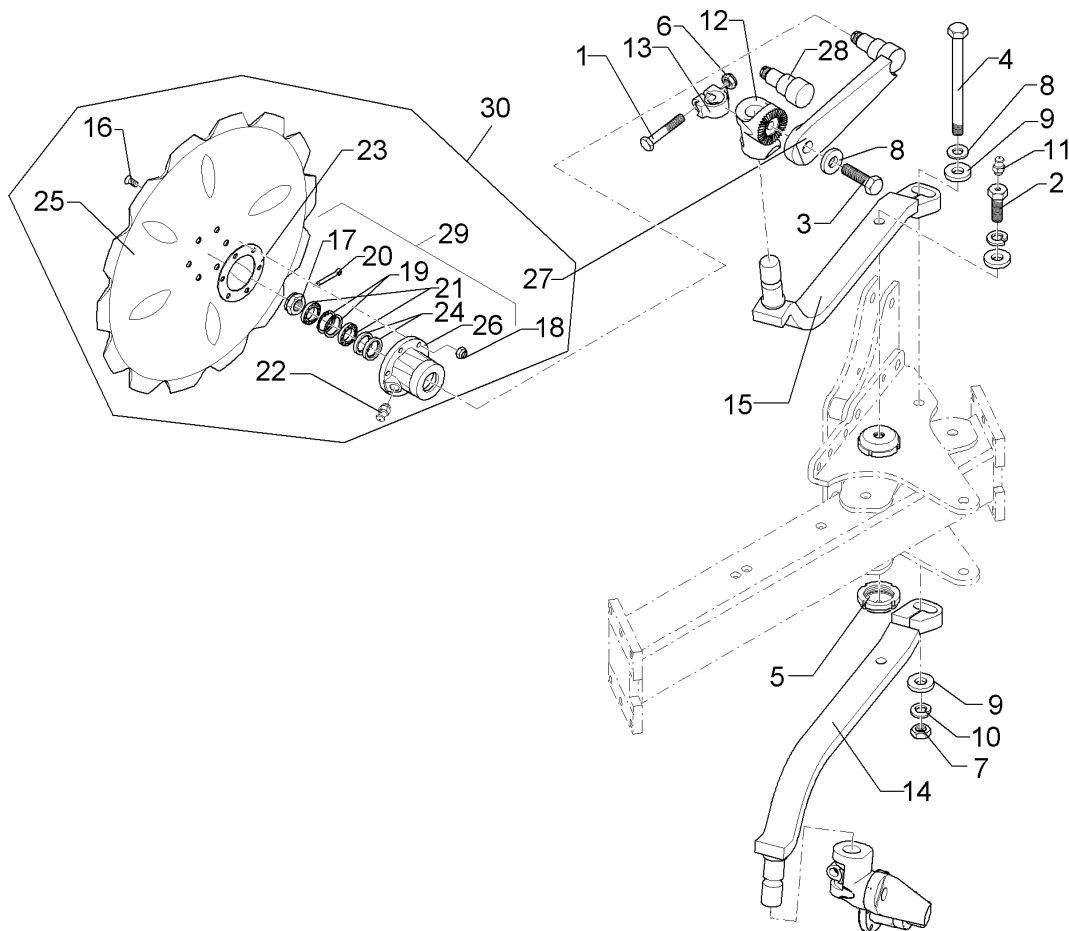
01.18

| Pos. | Art.Nr.  | Stck. | Artikeltext / Description | Abmessung              |                |
|------|----------|-------|---------------------------|------------------------|----------------|
| 21   | 319 9116 | 2     | Kegelrollenlager          | Tapered roller bearing | 30206.         |
| 22   | 323 6345 | 1     | Schmiernippel gerade      | Grease nipple          | LAM 6 DIN71412 |
| 23   | 323 7641 | 1     | Dichtung                  | Seal                   | D120/65x1,6    |
| 24   | 323 8032 | 2     | Wellendichtring           | Oil seal               | 40x55x7 BA     |
| 25   | 349 0042 | 1     | Sechscheibe               | Disc                   | D500/100x5-Z   |
| 26   | 447 8882 | 1     | Nabe                      | Hub                    | 668 A          |
| 27   | 457 9328 | 1     | Secharm                   | Swinging arm           | D77x250 Z40    |
| 28   | 215 1667 | 1     | Achse                     | Axle                   | D50/40/30x123  |
| 29   | 547 8883 | 1     | Lagerung                  | Bearing                | 668A 2x30206   |
| 30   | 657 9349 | 2     | Secharm kpl.              | Disc arm               | D500-Z V-A Z40 |



01.18

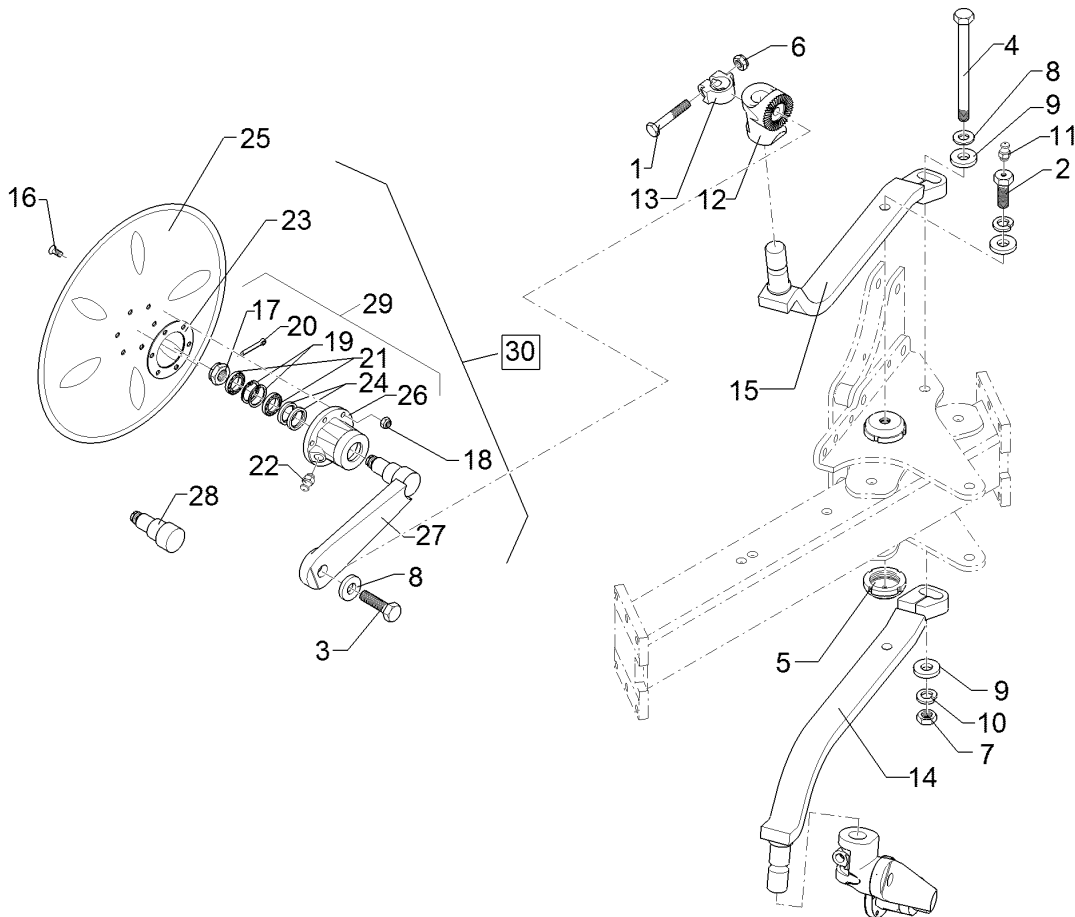
| Pos. | Art.Nr.  | Stck. | Artikeltext / Description |                    | Abmessung                   |
|------|----------|-------|---------------------------|--------------------|-----------------------------|
| 1    | 301 3868 | 2     | Sechskantschraube         | Hexagon bolt       | M16x65-8.8 Zn<br>DIN931-A   |
| 2    | 301 4237 | 2     | Sechskantschraube spz.    | Hexagon bolt       | M20x1,5x50/M10x1<br>Zn      |
| 3    | 301 5414 | 2     | Sechskantschraube         | Hexagon bolt       | M20x60-8.8 Zn<br>DIN933     |
| 4    | 301 4575 | 1     | Sechskantschraube         | Hexagon bolt       | M20x260-8.8 Zn<br>DIN931-A  |
| 5    | 303 0350 | 2     | Nutmutter                 | Grooved nut        | M60x2 M20x1,5<br>D80x30 Zn  |
| 6    | 303 1015 | 2     | Sechskantmutter           | Hexagon nut        | M16 DIN934-8 Zn             |
| 7    | 303 0978 | 1     | Sechskantmutter           | Hexagon nut        | M20 DIN934-8 Zn             |
| 8    | 305 6012 | 4     | Scheibe                   | Washer             | 21 ISO7089 Zn               |
| 9    | 305 6015 | 4     | Scheibe                   | Washer             | 21 DIN7349                  |
| 10   | 305 9888 | 5     | Federring                 | Spring ring        | 20 DIN127-A                 |
| 11   | 323 6348 | 2     | Schmiernippel             | Grease nipple      | AM10x1 DIN71412             |
| 12   | 457 9146 | 2     | Zahnkonsole               | Hirth-type bracket | D70/38 Z40                  |
| 13   | 457 9870 | 2     | Sperrstück                | Stop               | D38x29                      |
| 14   | 463 8708 | 1     | Maissechhalm              | Disc stalk         | 60x25x946-M-II RE           |
| 15   | 463 8709 | 1     | Maissechhalm              | Disc stalk         | 60x25x946-M-II LI           |
| 16   | 301 6123 | 6     | Senkschraube              | Countersunk bolt   | M10x30-10.9 Zn<br>DIN7991-A |
| 17   | 303 0193 | 1     | Kronenmutter              | Castle nut         | DIN937-M24x1,5-22H          |
| 18   | 303 0933 | 6     | Sicherungsmutter          | Selflocking nut    | NM10-8 DIN985 Zn            |
| 19   | 305 8924 | 2     | Sicherungsring            | Retaining ring     | 62x2 DIN472                 |
| 20   | 311 7613 | 1     | Splint                    | Peg                | 3,2x40 DIN94-St Zn          |



01.18

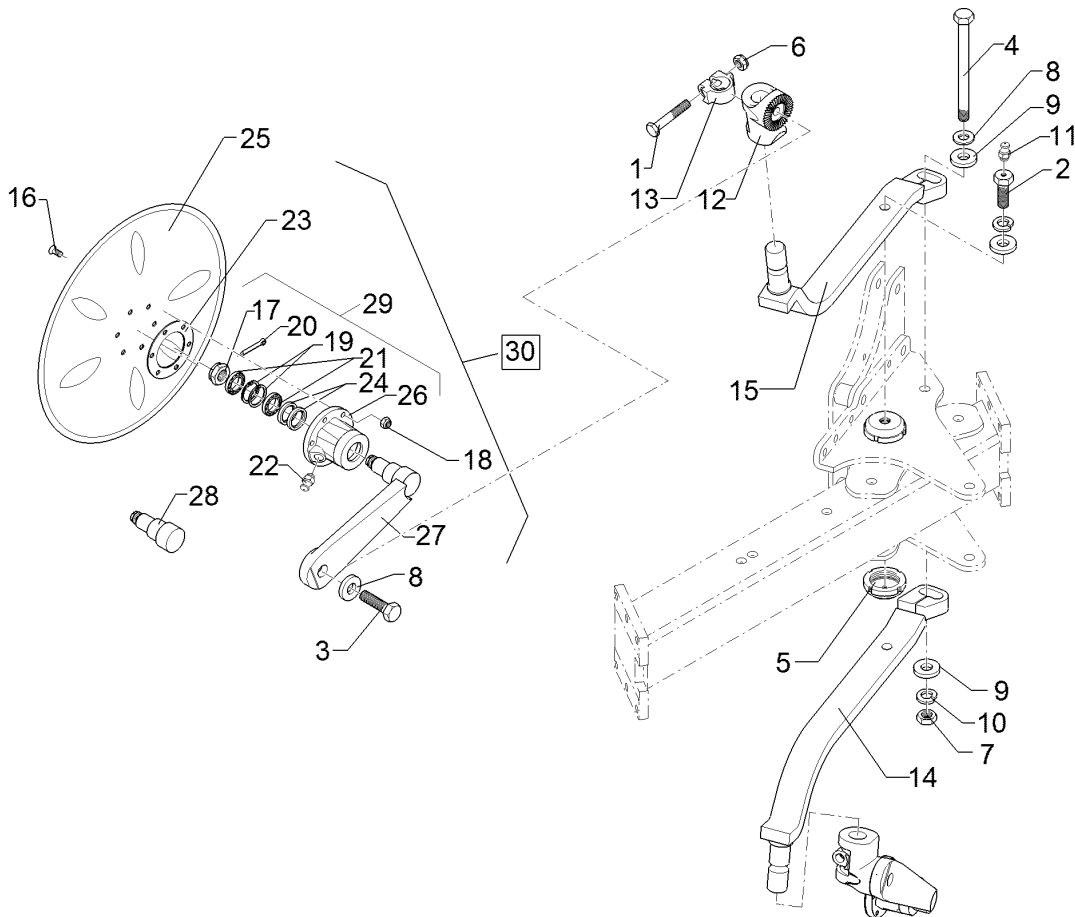
| Pos. | Art.Nr.  | Stck. | Artikeltext / Description | Abmessung              |                |
|------|----------|-------|---------------------------|------------------------|----------------|
| 21   | 319 9116 | 2     | Kegelrollenlager          | Tapered roller bearing | 30206.         |
| 22   | 323 6345 | 1     | Schmiernippel gerade      | Grease nipple          | LAM 6 DIN71412 |
| 23   | 323 7641 | 1     | Dichtung                  | Seal                   | D120/65x1,6    |
| 24   | 323 8032 | 2     | Wellendichtring           | Oil seal               | 40x55x7 BA     |
| 25   | 349 0050 | 1     | Sechscheibe               | Disc                   | D590/100x6 GEZ |
| 26   | 447 8882 | 1     | Nabe                      | Hub                    | 668 A          |
| 27   | 457 9328 | 1     | Secharm                   | Swinging arm           | D77x250 Z40    |
| 28   | 215 1667 | 1     | Achse                     | Axle                   | D50/40/30x123  |
| 29   | 547 8883 | 1     | Lagerung                  | Bearing                | 668A 2x30206   |
| 30   | 657 9350 | 2     | Secharm kpl.              | Disc arm               | D590-Z V-A Z40 |





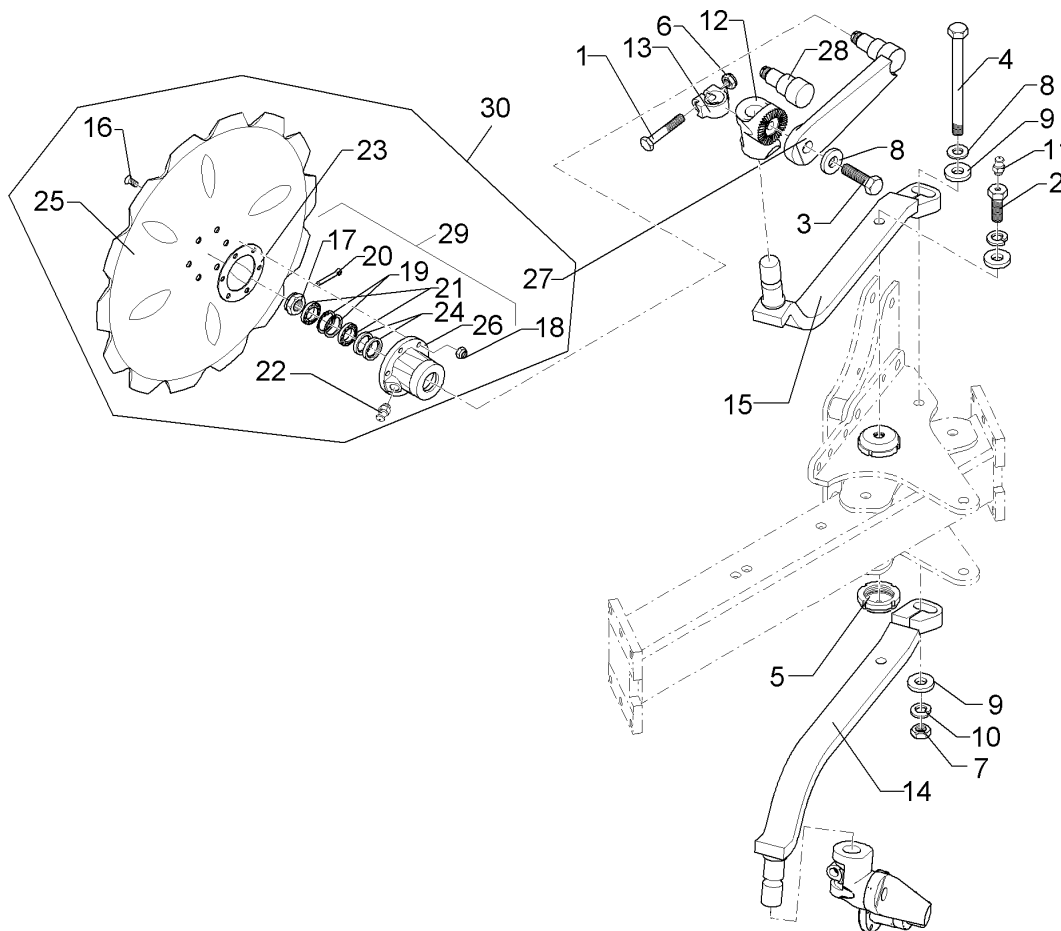
01.18

| Pos. | Art.Nr.  | Stck. | Artikeltext / Description |                    | Abmessung                   |
|------|----------|-------|---------------------------|--------------------|-----------------------------|
| 1    | 301 3868 | 2     | Sechskantschraube         | Hexagon bolt       | M16x65-8.8 Zn<br>DIN931-A   |
| 2    | 301 4237 | 2     | Sechskantschraube spz.    | Hexagon bolt       | M20x1,5x50/M10x1<br>Zn      |
| 3    | 301 5414 | 2     | Sechskantschraube         | Hexagon bolt       | M20x60-8.8 Zn<br>DIN933     |
| 4    | 301 4575 | 1     | Sechskantschraube         | Hexagon bolt       | M20x260-8.8 Zn<br>DIN931-A  |
| 5    | 303 0350 | 2     | Nutmutter                 | Grooved nut        | M60x2 M20x1,5<br>D80x30 Zn  |
| 6    | 303 1015 | 2     | Sechskantmutter           | Hexagon nut        | M16 DIN934-8 Zn             |
| 7    | 303 0978 | 1     | Sechskantmutter           | Hexagon nut        | M20 DIN934-8 Zn             |
| 8    | 305 6012 | 4     | Scheibe                   | Washer             | 21 ISO7089 Zn               |
| 9    | 305 6015 | 4     | Scheibe                   | Washer             | 21 DIN7349                  |
| 10   | 305 9888 | 5     | Federring                 | Spring ring        | 20 DIN127-A                 |
| 11   | 323 6348 | 2     | Schmiernippel             | Grease nipple      | AM10x1 DIN71412             |
| 12   | 457 9146 | 2     | Zahnkonsole               | Hirth-type bracket | D70/38 Z40                  |
| 13   | 457 9870 | 2     | Sperrstück                | Stop               | D38x29                      |
| 14   | 463 8708 | 1     | Maissechhalm              | Disc stalk         | 60x25x946-M-II RE           |
| 15   | 463 8709 | 1     | Maissechhalm              | Disc stalk         | 60x25x946-M-II LI           |
| 16   | 301 6123 | 6     | Senkschraube              | Countersunk bolt   | M10x30-10.9 Zn<br>DIN7991-A |
| 17   | 303 0193 | 1     | Kronenmutter              | Castle nut         | DIN937-M24x1,5-22H          |
| 19   | 303 0933 | 6     | Sicherungsmutter          | Selflocking nut    | NM10-8 DIN985 Zn            |
| 20   | 305 8924 | 2     | Sicherungsring            | Retaining ring     | 62x2 DIN472                 |
| 21   | 311 7613 | 1     | Splint                    | Peg                | 3,2x40 DIN94-St Zn          |



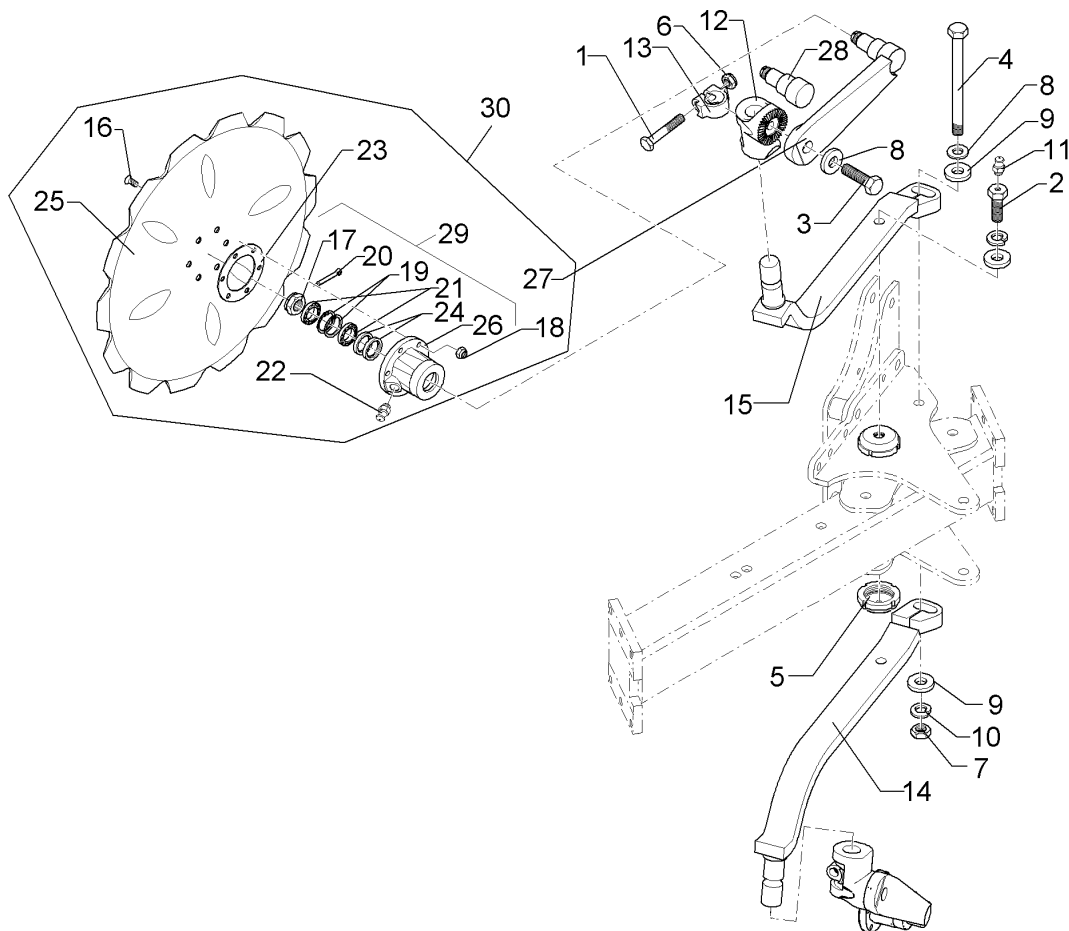
01.18

| Pos. | Art.Nr.  | Stck. | Artikeltext / Description | Abmessung      |
|------|----------|-------|---------------------------|----------------|
| 22   | 323 6345 | 1     | Schmiernippel gerade      | Grease nipple  |
| 23   | 323 7641 | 1     | Dichtung                  | Seal           |
| 24   | 323 8032 | 1     | Wellendichtring           | Oil seal       |
| 25   | 349 0029 | 1     | Sechscheibe               | Disc           |
| 26   | 447 8882 | 1     | Nabe                      | Hub            |
| 27   | 457 9328 | 1     | Secharm                   | Swinging arm   |
| 28   | 215 1667 | 1     | Achse                     | Axle           |
| 29   | 547 8883 | 1     | Lagerung                  | Bearing        |
| 30   | 657 9348 | 2     | Secharm kpl.              | Disc arm       |
|      |          |       |                           | LAM 6 DIN71412 |
|      |          |       |                           | D120/65x1,6    |
|      |          |       |                           | 40x55x7 BA     |
|      |          |       |                           | D500/100x5 G   |
|      |          |       |                           | 668 A          |
|      |          |       |                           | D77x250 Z40    |
|      |          |       |                           | D50/40/30x123  |
|      |          |       |                           | 668A 2x30206   |
|      |          |       |                           | D500 G V-A Z40 |



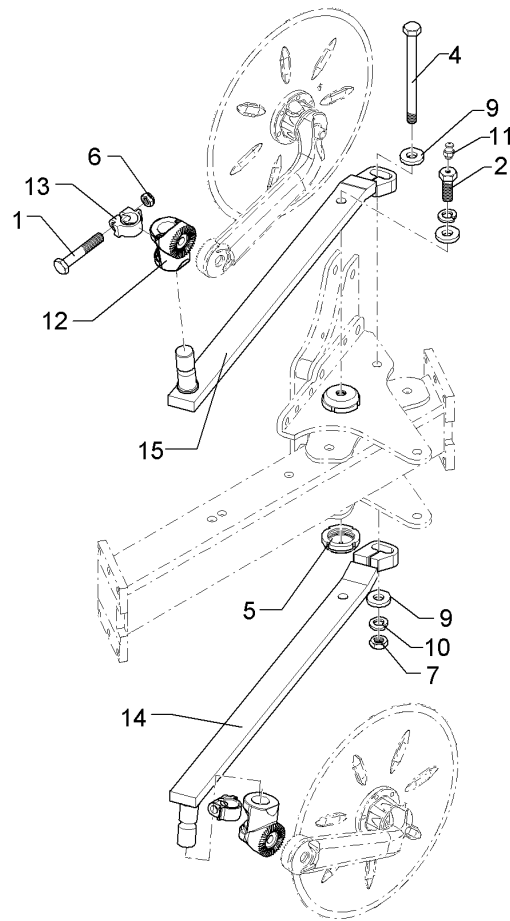
01.18

| Pos. | Art.Nr.  | Stck. | Artikeltext / Description |                    | Abmessung                   |
|------|----------|-------|---------------------------|--------------------|-----------------------------|
| 1    | 301 3868 | 2     | Sechskantschraube         | Hexagon bolt       | M16x65-8.8 Zn<br>DIN931-A   |
| 2    | 301 4237 | 2     | Sechskantschraube spz.    | Hexagon bolt       | M20x1,5x50/M10x1<br>Zn      |
| 3    | 301 5414 | 2     | Sechskantschraube         | Hexagon bolt       | M20x60-8.8 Zn<br>DIN933     |
| 4    | 301 4575 | 1     | Sechskantschraube         | Hexagon bolt       | M20x260-8.8 Zn<br>DIN931-A  |
| 5    | 303 0350 | 2     | Nutmutter                 | Grooved nut        | M60x2 M20x1,5<br>D80x30 Zn  |
| 6    | 303 1015 | 2     | Sechskantmutter           | Hexagon nut        | M16 DIN934-8 Zn             |
| 7    | 303 0978 | 1     | Sechskantmutter           | Hexagon nut        | M20 DIN934-8 Zn             |
| 8    | 305 6012 | 4     | Scheibe                   | Washer             | 21 ISO7089 Zn               |
| 9    | 305 6015 | 4     | Scheibe                   | Washer             | 21 DIN7349                  |
| 10   | 305 9888 | 5     | Federring                 | Spring ring        | 20 DIN127-A                 |
| 11   | 323 6348 | 2     | Schmiernippel             | Grease nipple      | AM10x1 DIN71412             |
| 12   | 457 9146 | 2     | Zahnkonsole               | Hirth-type bracket | D70/38 Z40                  |
| 13   | 457 9870 | 2     | Sperrstück                | Stop               | D38x29                      |
| 14   | 463 8708 | 1     | Maissechhalm              | Disc stalk         | 60x25x946-M-II RE           |
| 15   | 463 8709 | 1     | Maissechhalm              | Disc stalk         | 60x25x946-M-II LI           |
| 16   | 301 6123 | 6     | Senkschraube              | Countersunk bolt   | M10x30-10.9 Zn<br>DIN7991-A |
| 17   | 303 0193 | 1     | Kronenmutter              | Castle nut         | DIN937-M24x1,5-22H          |
| 18   | 303 0933 | 6     | Sicherungsmutter          | Selflocking nut    | NM10-8 DIN985 Zn            |
| 19   | 305 8924 | 2     | Sicherungsring            | Retaining ring     | 62x2 DIN472                 |
| 20   | 311 7613 | 1     | Splint                    | Peg                | 3,2x40 DIN94-St Zn          |



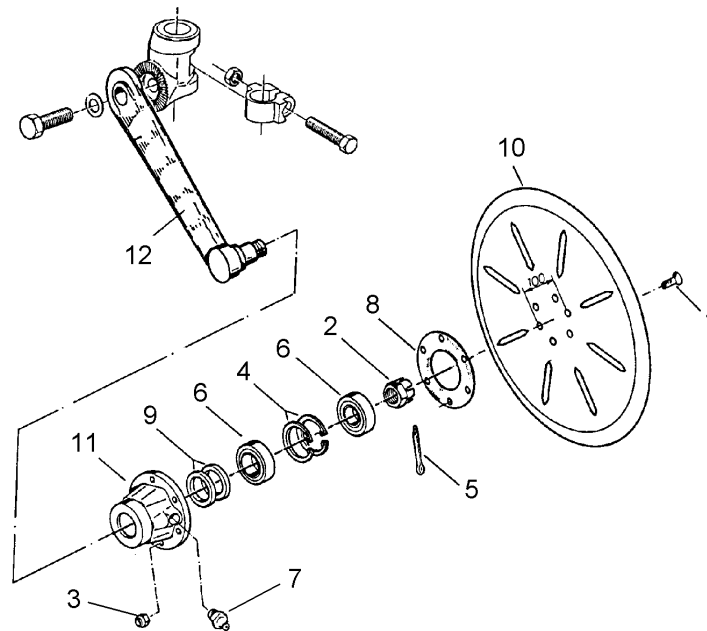
01.18

| Pos. | Art.Nr.  | Stck. | Artikeltext / Description | Abmessung              |                |
|------|----------|-------|---------------------------|------------------------|----------------|
| 21   | 319 9116 | 2     | Kegelrollenlager          | Tapered roller bearing | 30206.         |
| 22   | 323 6345 | 1     | Schmiernippel gerade      | Grease nipple          | LAM 6 DIN71412 |
| 23   | 323 7641 | 1     | Dichtung                  | Seal                   | D120/65x1,6    |
| 24   | 323 8032 | 2     | Wellendichtring           | Oil seal               | 40x55x7 BA     |
| 25   | 349 0042 | 1     | Sechscheibe               | Disc                   | D500/100x5-Z   |
| 26   | 447 8882 | 1     | Nabe                      | Hub                    | 668 A          |
| 27   | 457 9328 | 1     | Secharm                   | Swinging arm           | D77x250 Z40    |
| 28   | 215 1667 | 1     | Achse                     | Axle                   | D50/40/30x123  |
| 29   | 547 8883 | 1     | Lagerung                  | Bearing                | 668A 2x30206   |
| 30   | 657 9349 | 2     | Secharm kpl.              | Disc arm               | D500-Z V-A Z40 |



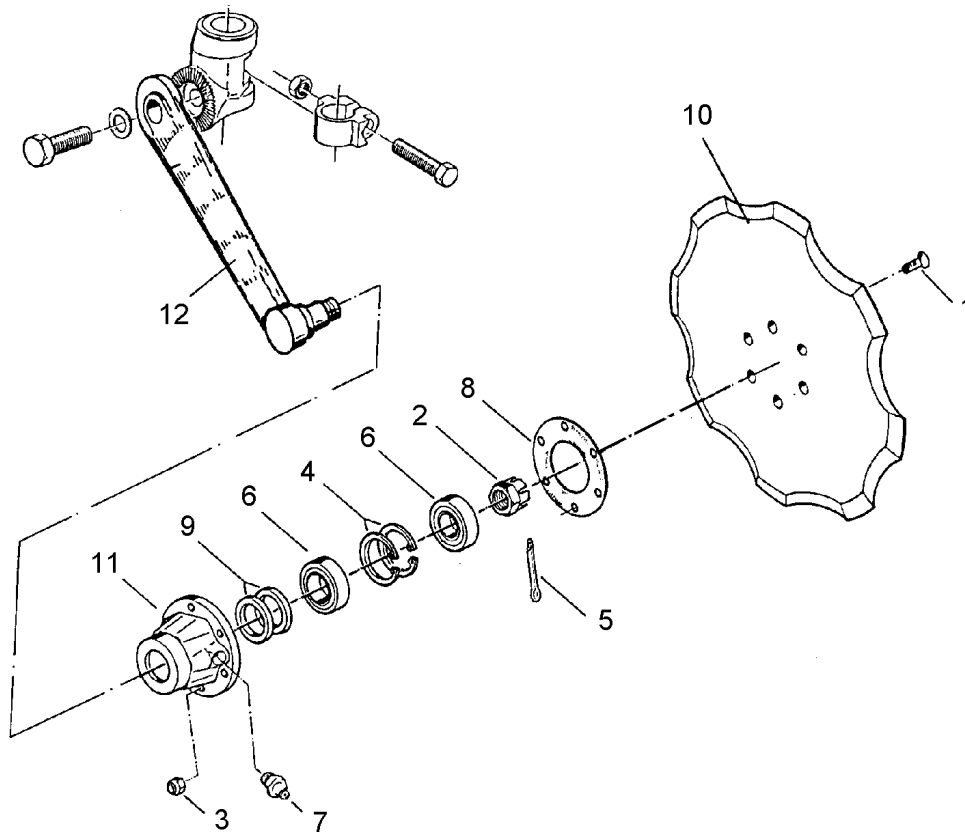
01.18

| Pos. | Art.Nr.  | Stck. | Artikeltext / Description |                    | Abmessung                  |
|------|----------|-------|---------------------------|--------------------|----------------------------|
| 1    | 301 3868 | 2     | Sechskantschraube         | Hexagon bolt       | M16x65-8.8 Zn<br>DIN931-A  |
| 2    | 301 4237 | 2     | Sechskantschraube spz.    | Hexagon bolt       | M20x1,5x50/M10x1<br>Zn     |
| 4    | 301 4575 | 1     | Sechskantschraube         | Hexagon bolt       | M20x260-8.8 Zn<br>DIN931-A |
| 5    | 303 0350 | 2     | Nutmutter                 | Grooved nut        | M60x2 M20x1,5<br>D80x30 Zn |
| 6    | 303 1015 | 2     | Sechskantmutter           | Hexagon nut        | M16 DIN934-8 Zn            |
| 7    | 303 0978 | 1     | Sechskantmutter           | Hexagon nut        | M20 DIN934-8 Zn            |
| 9    | 305 6015 | 4     | Scheibe                   | Washer             | 21 DIN7349                 |
| 10   | 305 6012 | 3     | Scheibe                   | Washer             | 21 ISO7089 Zn              |
| 11   | 323 6348 | 2     | Schmiernippel             | Grease nipple      | AM10x1 DIN71412            |
| 12   | 457 9146 | 2     | Zahnkonsole               | Hirth-type bracket | D70/38 Z40                 |
| 13   | 457 9870 | 2     | Sperrstück                | Stop               | D38x29                     |
| 14   | 463 8710 | 1     | Maissechhalm              | Disc stalk         | MH 60x25x915 RE            |
| 15   | 463 8711 | 1     | Maissechhalm              | Disc stalk         | MH 60x25x915 LI            |



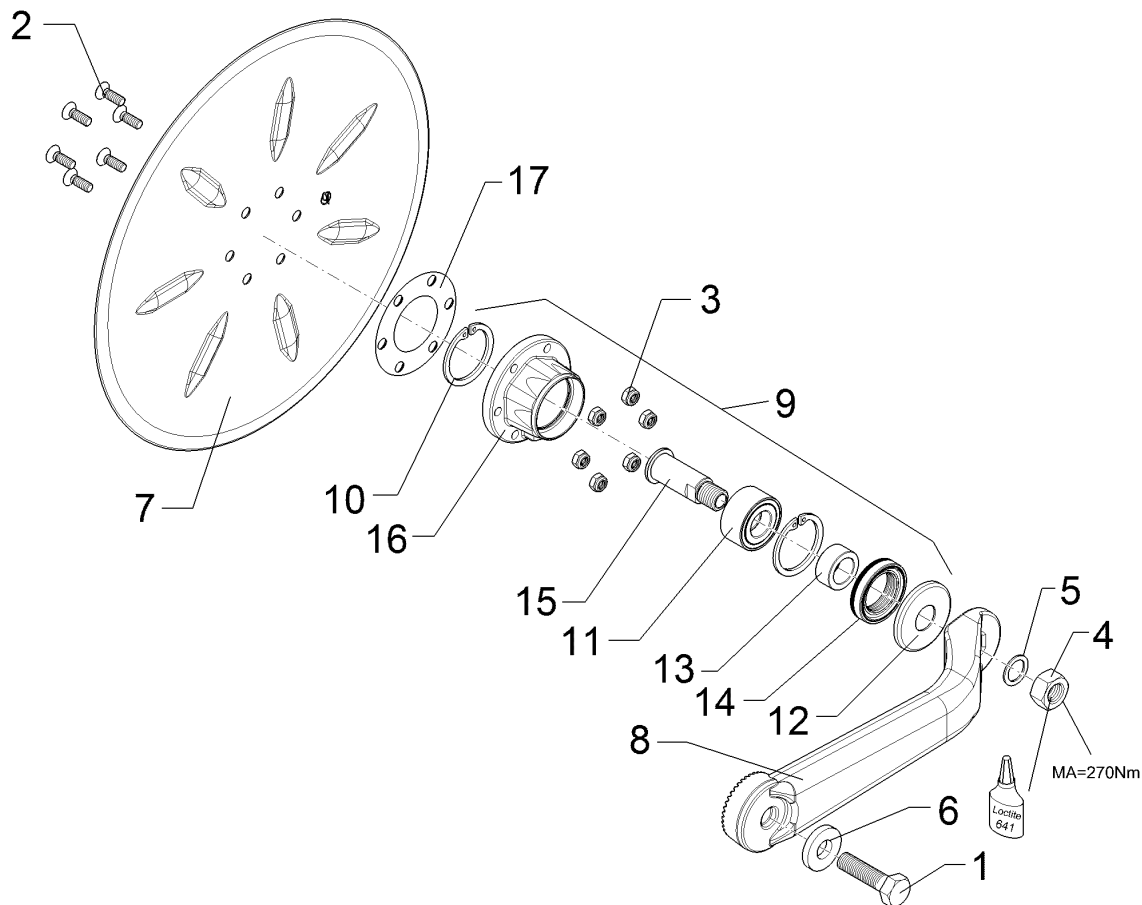
01.18

| Pos. | Art.Nr.  | Stck. | Artikeltext / Description |                        | Abmessung                   |
|------|----------|-------|---------------------------|------------------------|-----------------------------|
| 1    | 301 6123 | 6     | Senkschraube              | Countersunk bolt       | M10x30-10.9 Zn<br>DIN7991-A |
| 2    | 303 0193 | 1     | Kronenmutter              | Castle nut             | DIN937-M24x1,5-22H          |
| 3    | 303 0933 | 6     | Sicherungsmutter          | Selflocking nut        | NM10-8 DIN985 Zn            |
| 4    | 305 8924 | 2     | Sicherungsring            | Retaining ring         | 62x2 DIN472                 |
| 5    | 311 7613 | 1     | Splint                    | Peg                    | 3,2x40 DIN94-St Zn          |
| 6    | 319 9116 | 2     | Kegelrollenlager          | Tapered roller bearing | 30206.                      |
| 7    | 323 6345 | 1     | Schmiernippel gerade      | Grease nipple          | LAM 6 DIN71412              |
| 8    | 323 7641 | 1     | Dichtung                  | Seal                   | D120/65x1,6                 |
| 9    | 323 8032 | 2     | Wellendichtring           | Oil seal               | 40x55x7 BA                  |
| 10   | 349 0029 | 1     | Sechscheibe               | Disc                   | D500/100x5 G                |
| 11   | 447 8882 | 1     | Nabe                      | Hub                    | 668 A                       |
| 12   | 457 9328 | 1     | Secharm                   | Swinging arm           | D77x250 Z40                 |



01.18

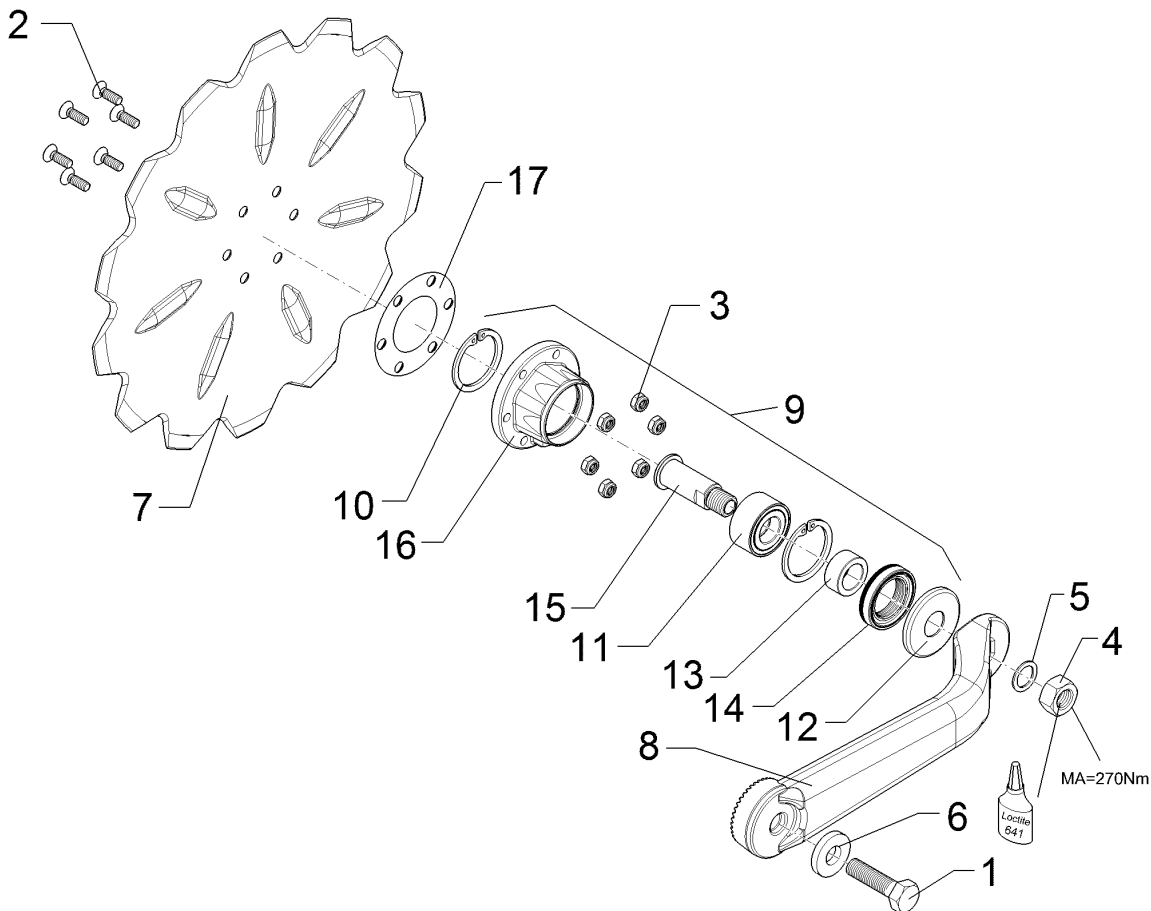
| Pos. | Art.Nr.  | Stck. | Artikeltext / Description |                        | Abmessung                   |
|------|----------|-------|---------------------------|------------------------|-----------------------------|
| 1    | 301 6123 | 6     | Senkschraube              | Countersunk bolt       | M10x30-10.9 Zn<br>DIN7991-A |
| 2    | 303 0193 | 1     | Kronenmutter              | Castle nut             | DIN937-M24x1,5-22H          |
| 3    | 303 0933 | 6     | Sicherungsmutter          | Selflocking nut        | NM10-8 DIN985 Zn            |
| 4    | 305 8924 | 2     | Sicherungsring            | Retaining ring         | 62x2 DIN472                 |
| 5    | 311 7613 | 1     | Splint                    | Peg                    | 3,2x40 DIN94-St Zn          |
| 6    | 319 9116 | 2     | Kegelrollenlager          | Tapered roller bearing | 30206.                      |
| 7    | 323 6345 | 1     | Schmiernippel gerade      | Grease nipple          | LAM 6 DIN71412              |
| 8    | 323 7641 | 1     | Dichtung                  | Seal                   | D120/65x1,6                 |
| 9    | 323 8032 | 2     | Wellendichtring           | Oil seal               | 40x55x7 BA                  |
| 10   | 349 0050 | 1     | Sechscheibe               | Disc                   | D590/100x6 GEZ              |
| 11   | 447 8882 | 1     | Nabe                      | Hub                    | 668 A                       |
| 12   | 457 9328 | 1     | Secharm                   | Swinging arm           | D77x250 Z40                 |



01.18

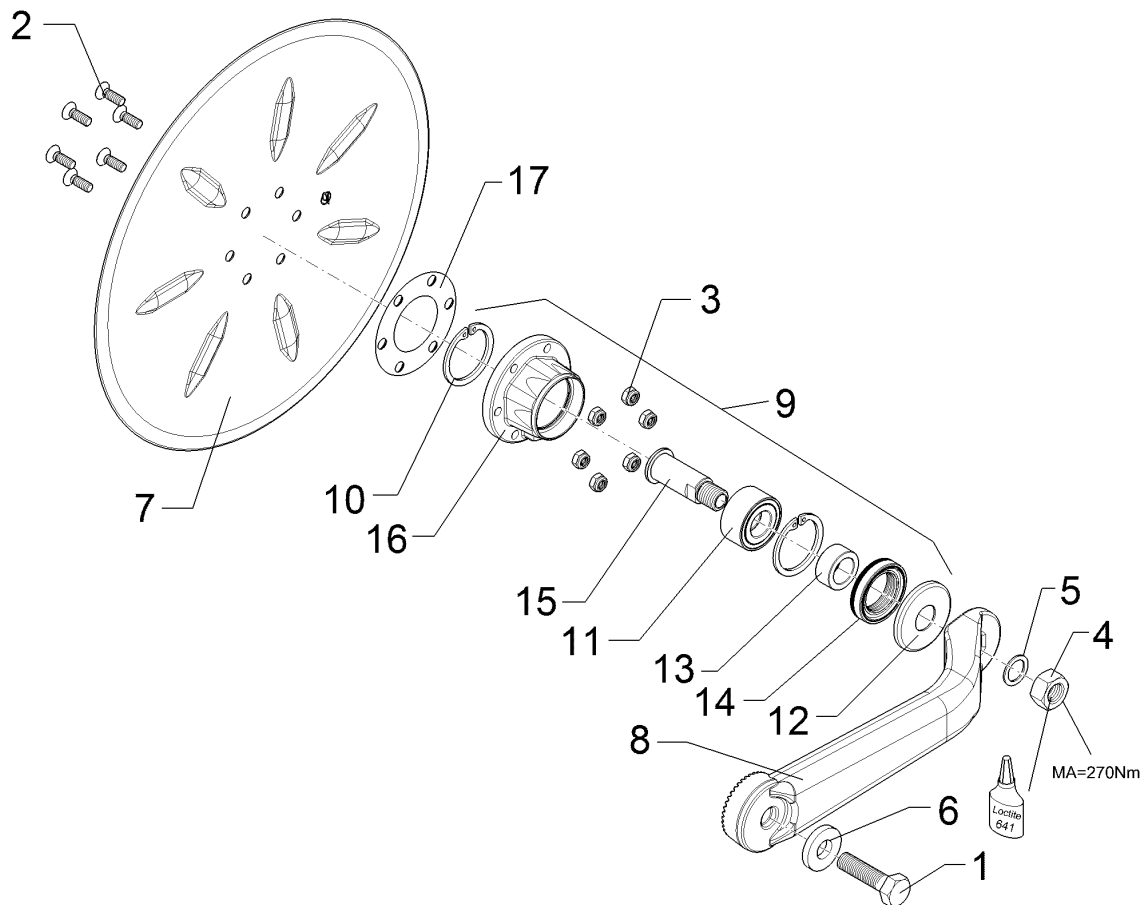
| Pos. | Art.Nr.  | Stck. | Artikeltext / Description     |                   | Abmessung                      |
|------|----------|-------|-------------------------------|-------------------|--------------------------------|
| 1    | 301 5414 | 1     | Sechskantschraube             | Hexagon bolt      | M20x60-8.8 Zn<br>DIN933        |
| 2    | 301 6123 | 6     | Senkschraube                  | Countersunk bolt  | M10x30-10.9 Zn<br>DIN7991-A    |
| 3    | 303 0933 | 6     | Sicherungsmutter              | Selflocking nut   | NM10-8 DIN985 Zn               |
| 4    | 303 0996 | 1     | Sechskantmutter               | Hexagon nut       | M24x1,5 DIN934-8<br>Zn         |
| 5    | 305 2230 | 1     | Stützscheibe                  | Supporting washer | S 25x35x2,0 DIN988<br>Zn       |
| 6    | 305 6012 | 1     | Scheibe                       | Washer            | 21 ISO7089 Zn                  |
| 7    | 349 0029 | 1     | Sechscheibe                   | Disc              | D500/100x5 G                   |
| 8    | 457 9326 | 1     | Secharm                       | Swinging arm      | D82,5x456 40-Zähne             |
| 9    | 555 4512 | 1     | Lagereinheit                  | Bearing unit      | 30x120x100<br>M24x1,5          |
| 10   | 305 8924 | 2     | Sicherungsring                | Retaining ring    | 62x2 DIN472                    |
| 11   | 319 8760 | 1     | Schrägkugellager doppelreihig | Bearing           | 30/62/30 RSR                   |
| 12   | 323 0418 | 1     | Schutzkappe                   | Cap               | D79/75/30x8 Zn                 |
| 13   | 323 5011 | 1     | Lauftring                     | Race ring         | D45/30x20,5                    |
| 14   | 323 8301 | 1     | Kassettdichtung               | Sealing           | RWDR 45x70x14 75<br>NBR 106200 |
| 15   | 455 0310 | 1     | Achse                         | Axle              | D30x95 M24x1,5 Zn              |
| 16   | 455 5145 | 1     | Lagergehäuse                  | Bearing housing   | D120/62x56,4/100<br>6xD10,2    |





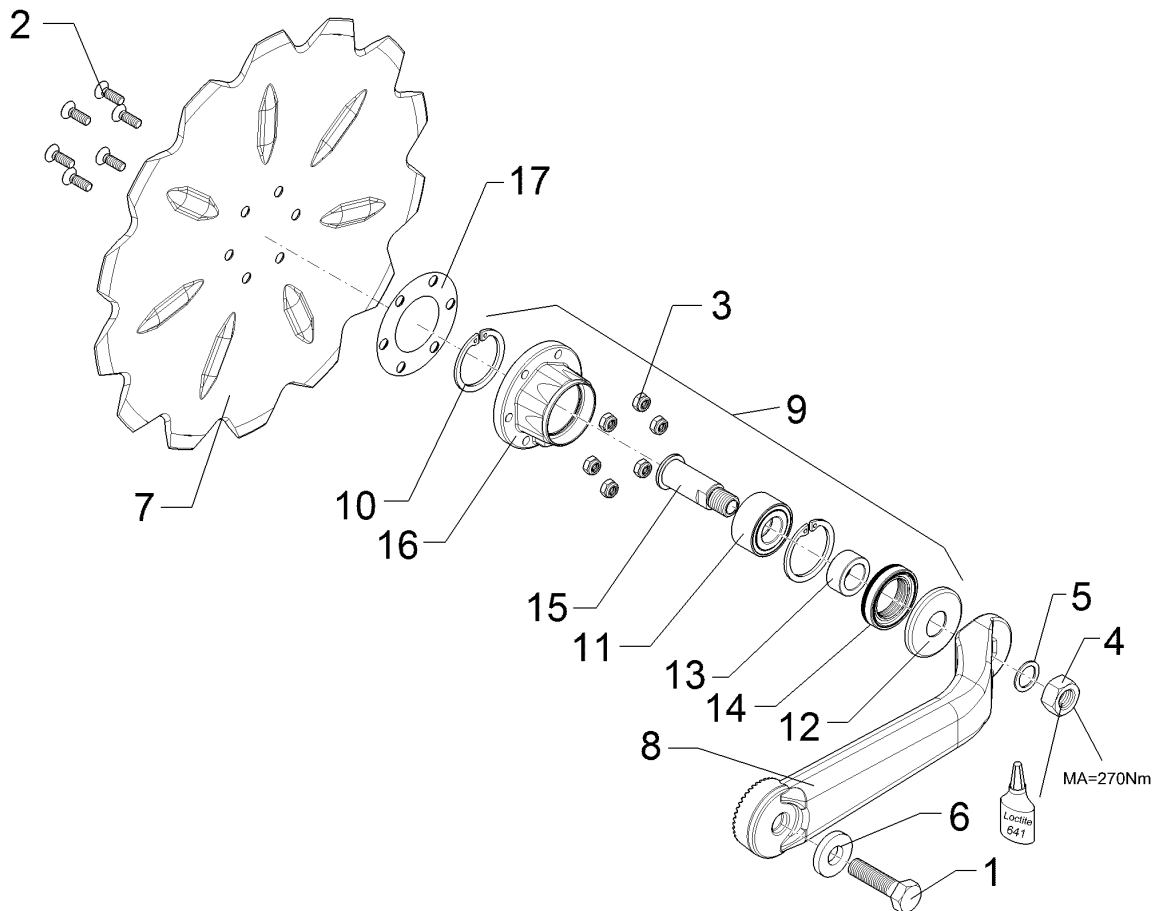
01.18

| Pos. | Art.Nr.  | Stck. | Artikeltext / Description     |                   | Abmessung                      |
|------|----------|-------|-------------------------------|-------------------|--------------------------------|
| 1    | 301 5414 | 1     | Sechskantschraube             | Hexagon bolt      | M20x60-8.8 Zn<br>DIN933        |
| 2    | 301 6123 | 6     | Senkschraube                  | Countersunk bolt  | M10x30-10.9 Zn<br>DIN7991-A    |
| 3    | 303 0933 | 6     | Sicherungsmutter              | Selflocking nut   | NM10-8 DIN985 Zn               |
| 4    | 303 0996 | 1     | Sechskantmutter               | Hexagon nut       | M24x1,5 DIN934-8<br>Zn         |
| 5    | 305 2230 | 1     | Stützscheibe                  | Supporting washer | S 25x35x2,0 DIN988<br>Zn       |
| 6    | 305 6012 | 1     | Scheibe                       | Washer            | 21 ISO7089 Zn                  |
| 7    | 349 0042 | 1     | Sechscheibe                   | Disc              | D500/100x5-Z                   |
| 8    | 457 9326 | 1     | Secharm                       | Swinging arm      | D82,5x456 40-Zähne             |
| 9    | 555 4512 | 1     | Lagereinheit                  | Bearing unit      | 30x120x100<br>M24x1,5          |
| 10   | 305 8924 | 2     | Sicherungsring                | Retaining ring    | 62x2 DIN472                    |
| 11   | 319 8760 | 1     | Schrägkugellager doppelreihig | Bearing           | 30/62/30 RSR                   |
| 12   | 323 0418 | 1     | Schutzkappe                   | Cap               | D79/75/30x8 Zn                 |
| 13   | 323 5011 | 1     | Lauftring                     | Race ring         | D45/30x20,5                    |
| 14   | 323 8301 | 1     | Kassettdichtung               | Sealing           | RWDR 45x70x14 75<br>NBR 106200 |
| 15   | 455 0310 | 1     | Achse                         | Axle              | D30x95 M24x1,5 Zn              |
| 16   | 455 5145 | 1     | Lagergehäuse                  | Bearing housing   | D120/62x56,4/100<br>6xD10,2    |



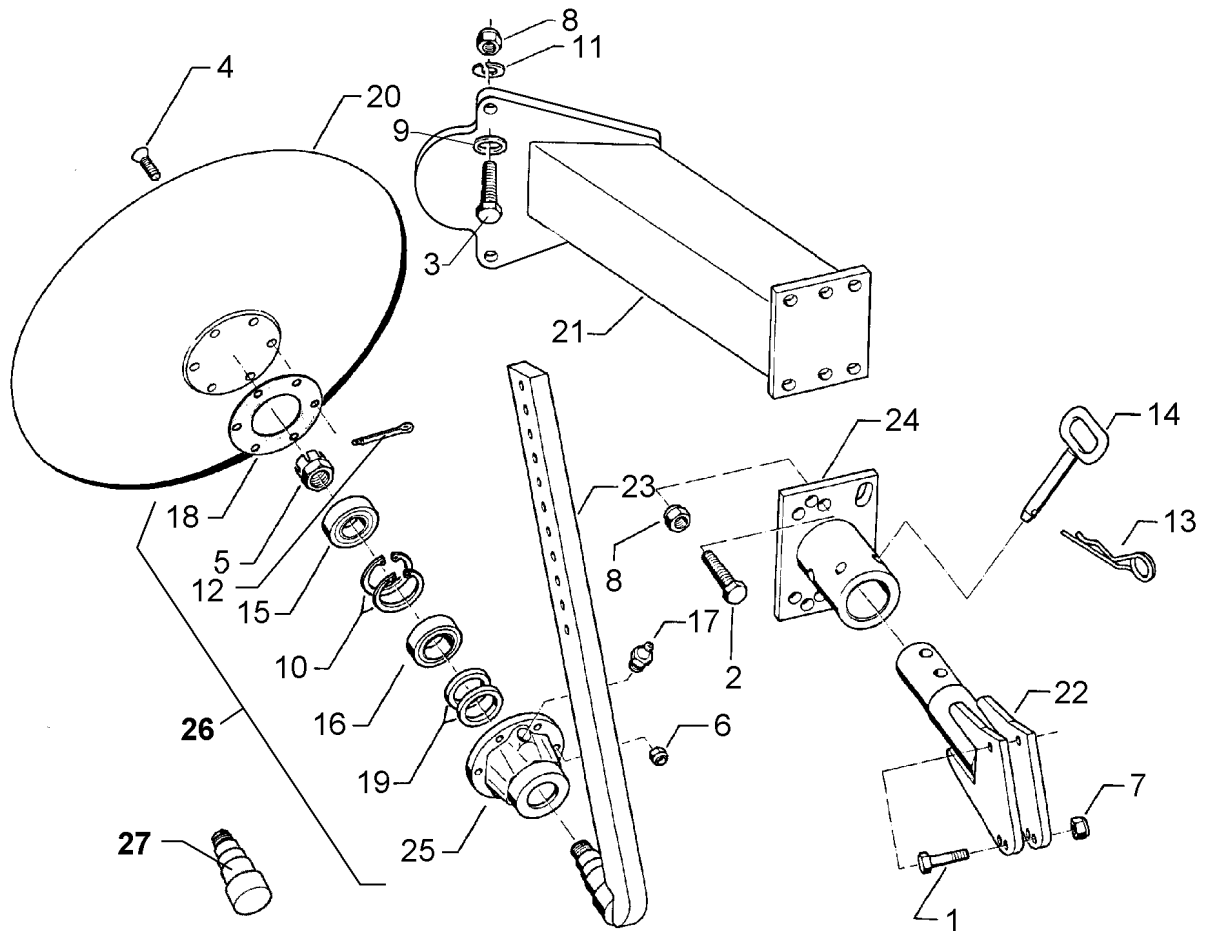
01.18

| Pos. | Art.Nr.  | Stck. | Artikeltext / Description     |                   | Abmessung                      |
|------|----------|-------|-------------------------------|-------------------|--------------------------------|
| 1    | 301 5414 | 1     | Sechskantschraube             | Hexagon bolt      | M20x60-8.8 Zn<br>DIN933        |
| 2    | 301 6123 | 6     | Senkschraube                  | Countersunk bolt  | M10x30-10.9 Zn<br>DIN7991-A    |
| 3    | 303 0933 | 6     | Sicherungsmutter              | Selflocking nut   | NM10-8 DIN985 Zn               |
| 4    | 303 0996 | 1     | Sechskantmutter               | Hexagon nut       | M24x1,5 DIN934-8<br>Zn         |
| 5    | 305 2230 | 1     | Stützscheibe                  | Supporting washer | S 25x35x2,0 DIN988<br>Zn       |
| 6    | 305 6012 | 1     | Scheibe                       | Washer            | 21 ISO7089 Zn                  |
| 7    | 349 0051 | 1     | Sechscheibe                   | Disc              | D590/100x6 GES                 |
| 8    | 457 9326 | 1     | Secharm                       | Swinging arm      | D82,5x456 40-Zähne             |
| 9    | 555 4512 | 1     | Lagereinheit                  | Bearing unit      | 30x120x100<br>M24x1,5          |
| 10   | 305 8924 | 2     | Sicherungsring                | Retaining ring    | 62x2 DIN472                    |
| 11   | 319 8760 | 1     | Schrägkugellager doppelreihig | Bearing           | 30/62/30 RSR                   |
| 12   | 323 0418 | 1     | Schutzkappe                   | Cap               | D79/75/30x8 Zn                 |
| 13   | 323 5011 | 1     | Lauftring                     | Race ring         | D45/30x20,5                    |
| 14   | 323 8301 | 1     | Kassettdichtung               | Sealing           | RWDR 45x70x14 75<br>NBR 106200 |
| 15   | 455 0310 | 1     | Achse                         | Axle              | D30x95 M24x1,5 Zn              |
| 16   | 455 5145 | 1     | Lagergehäuse                  | Bearing housing   | D120/62x56,4/100<br>6xD10,2    |



01.18

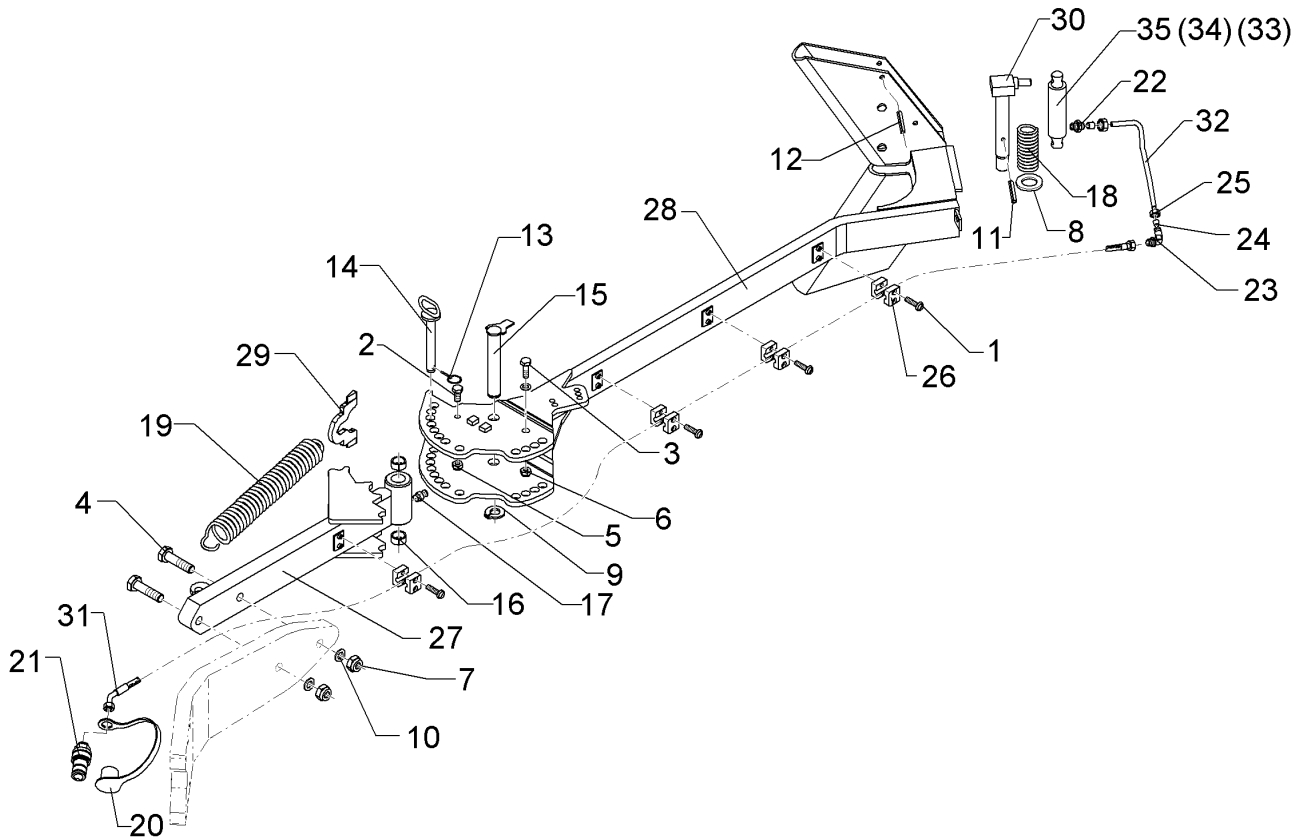
| Pos. | Art.Nr.  | Stck. | Artikeltext / Description     |                   | Abmessung                            |
|------|----------|-------|-------------------------------|-------------------|--------------------------------------|
| 1    | 301 5414 | 1     | Sechskantschraube             | Hexagon bolt      | M20x60-8.8 Zn<br>DIN933              |
| 2    | 301 6123 | 6     | Senkschraube                  | Countersunk bolt  | M10x30-10.9 Zn<br>DIN7991-A          |
| 3    | 303 0933 | 6     | Sicherungsmutter              | Selflocking nut   | NM10-8 DIN985 Zn                     |
| 4    | 303 0996 | 1     | Sechskantmutter               | Hexagon nut       | M24x1,5 DIN934-8<br>Zn               |
| 5    | 305 2230 | 1     | Stützscheibe                  | Supporting washer | S 25x35x2,0 DIN988<br>Zn             |
| 6    | 305 6012 | 1     | Scheibe                       | Washer            | 21 ISO7089 Zn                        |
| 7    | 349 0050 | 1     | Sechscheibe                   | Disc              | D590/100x6 GEZ                       |
| 8    | 457 9326 | 1     | Secharm                       | Swinging arm      | D82,5x456 40-Zähne                   |
| 9    | 555 4512 | 1     | Lagereinheit                  | Bearing unit      | 30x120x100<br>M24x1,5<br>62x2 DIN472 |
| 10   | 305 8924 | 2     | Sicherungsring                | Retaining ring    | 62x2 DIN472                          |
| 11   | 319 8760 | 1     | Schräggugellager doppelreihig | Bearing           | 30/62/30 RSR                         |
| 12   | 323 0418 | 1     | Schutzkappe                   | Cap               | D79/75/30x8 Zn                       |
| 13   | 323 5011 | 1     | Lauftring                     | Race ring         | D45/30x20,5                          |
| 14   | 323 8301 | 1     | Kassettdichtung               | Sealing           | RWDR 45x70x14 75<br>NBR 106200       |
| 15   | 455 0310 | 1     | Achse                         | Axle              | D30x95 M24x1,5 Zn                    |
| 16   | 455 5145 | 1     | Lagergehäuse                  | Bearing housing   | D120/62x56,4/100<br>6xD10,2          |



01.18

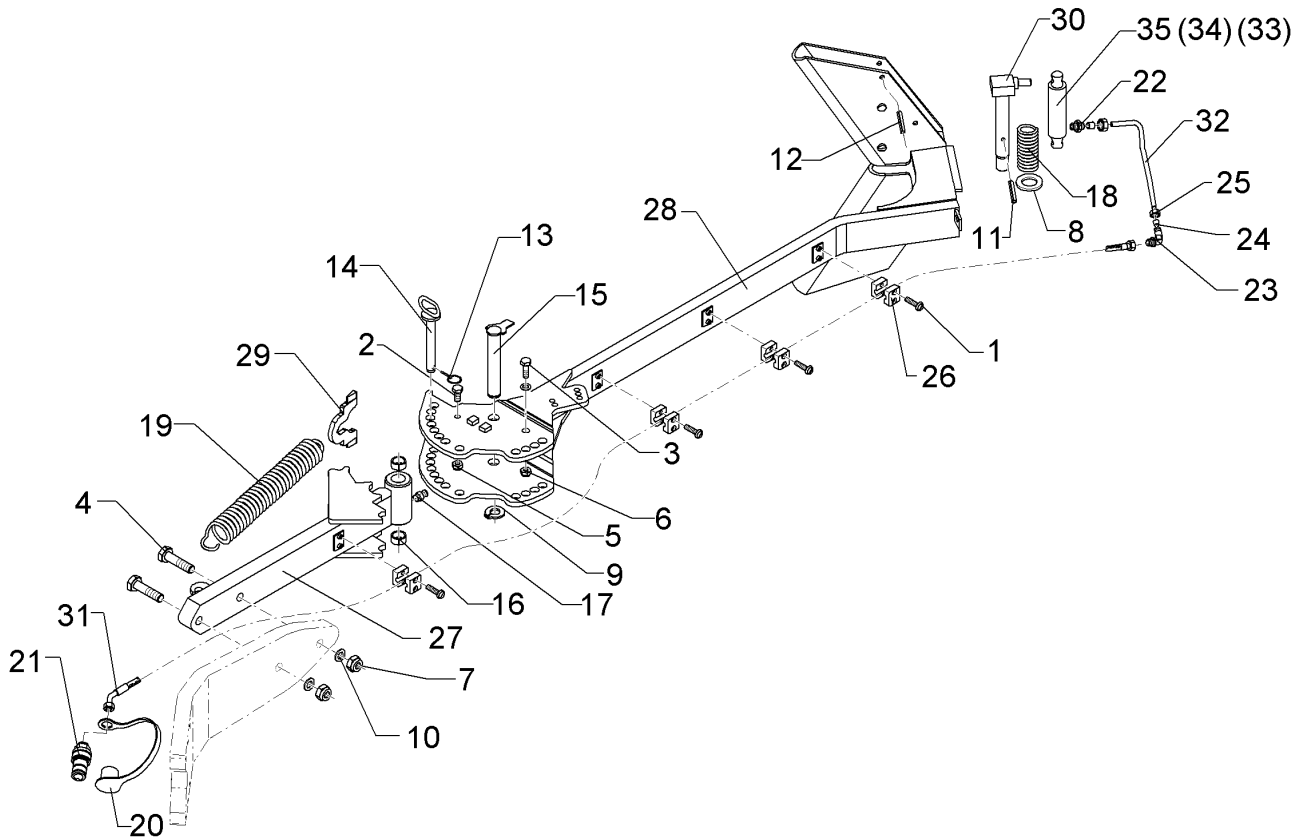
| Pos. | Art.Nr.  | Stck. | Artikeltext / Description |                        | Abmessung                   |
|------|----------|-------|---------------------------|------------------------|-----------------------------|
| 1    | 301 5452 | 2     | Sechskantschraube         | Hexagon bolt           | M12x60-8.8 Zn<br>DIN931-A   |
| 2    | 301 5074 | 4     | Sechskantschraube         | Hexagon bolt           | M16x80-8.8 Zn<br>DIN933     |
| 3    | 301 5370 | 4     | Sechskantschraube spz.    | Hexagon bolt           | M16x90-12.9 Zn              |
| 4    | 301 6123 | 6     | Senkschraube              | Countersunk bolt       | M10x30-10.9 Zn<br>DIN7991-A |
| 5    | 303 0193 | 1     | Kronenmutter              | Castle nut             | DIN937-M24x1,5-22H          |
| 6    | 303 0933 | 6     | Sicherungsmutter          | Selflocking nut        | NM10-8 DIN985 Zn            |
| 7    | 303 0934 | 2     | Sicherungsmutter          | Selflocking nut        | NM12-8 Zn DIN985            |
| 8    | 303 0935 | 8     | Sicherungsmutter          | Selflocking nut        | NM16-8 Zn DIN985            |
| 9    | 305 6141 | 4     | Scheibe                   | Washer                 | 17/30x3<br>DIN/ISO-7089     |
| 10   | 305 8924 | 2     | Sicherungsring            | Retaining ring         | 62x2 DIN472                 |
| 12   | 311 7613 | 1     | Splint                    | Peg                    | 3,2x40 DIN94-St Zn          |
| 13   | 311 8604 | 1     | Federstecker              | Spring pin             | 4 Zn DIN11024               |
| 14   | 313 8139 | 1     | Bolzen mit Griff          | Pin with grip          | D16x84/102 Zn               |
| 15   | 319 9116 | 1     | Kegelrollenlager          | Tapered roller bearing | 30206.                      |
| 16   | 319 9166 | 1     | Kegelrollenlager          | Tapered roller bearing | 32007X                      |
| 17   | 323 6345 | 1     | Schmiernippel gerade      | Grease nipple          | LAM 6 DIN71412              |
| 18   | 323 7641 | 1     | Dichtung                  | Seal                   | D120/65x1,6                 |
| 19   | 323 8032 | 2     | Wellendichtring           | Oil seal               | 40x55x7 BA                  |
| 20   | 349 0462 | 1     | Hohlscheibe               | Concave disc           | D530                        |
| 21   | 442 6810 | 1     | Konsole                   | Bracket                | GPS EurOpal 7               |
| 22   | 442 7130 | 1     | Halmführung mit Achse     | Stalk guiding          | GPS - 60x25                 |





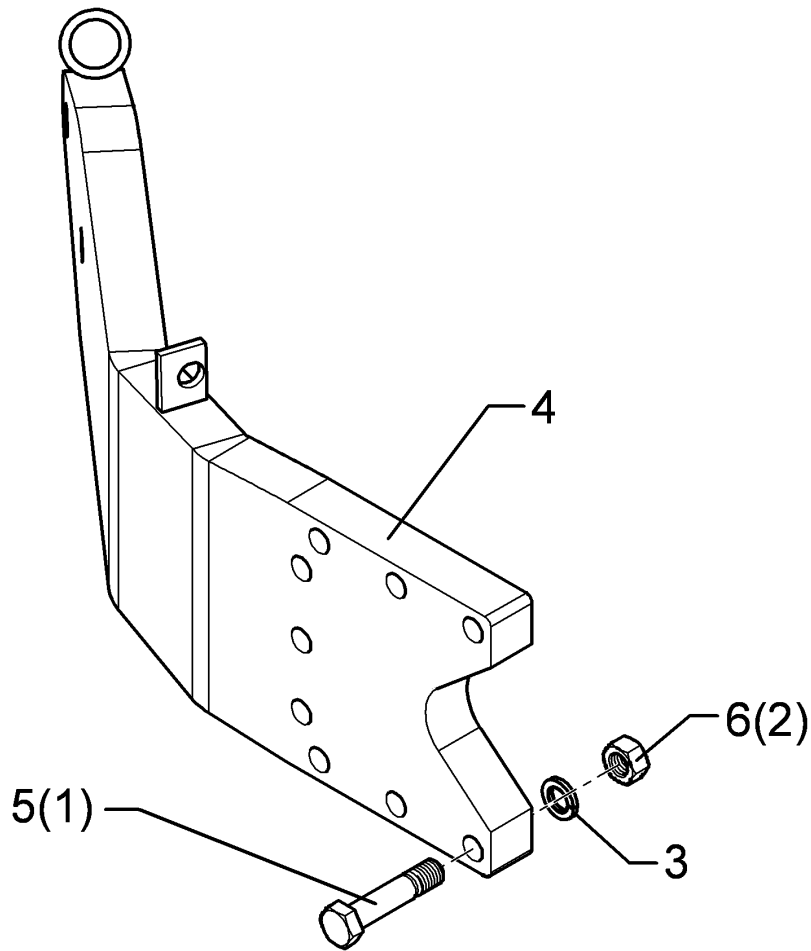
01.18

| Pos. | Art.Nr.  | Stck. | Artikeltext / Description    |                    | Abmessung                        |
|------|----------|-------|------------------------------|--------------------|----------------------------------|
| 1    | 301 0302 | 8     | Linsenschraube               | Oval head screw    | M6x25-4,6 Zn<br>DIN7985          |
| 2    | 301 3314 | 1     | Sechskantschraube            | Hexagon bolt       | M12x25-8.8 Zn<br>DIN933          |
| 3    | 301 3701 | 1     | Sechskantschraube            | Hexagon bolt       | M16x35-12.9<br>A=max.3 Zn DIN933 |
| 4    | 301 4408 | 2     | Sechskantschraube spz.       | Hexagon bolt       | M20x100xb25-10.9<br>Zn           |
| 5    | 303 0934 | 1     | Sicherungsmutter             | Selflocking nut    | NM12-8 Zn DIN985                 |
| 6    | 303 0935 | 1     | Sicherungsmutter             | Selflocking nut    | NM16-8 Zn DIN985                 |
| 7    | 30310110 | 2     | Sechskantmutter              | Hexagon nut        | M20 DIN934-10 Zn                 |
| 8    | 305 6229 | 1     | Scheibe                      | Washer             | 45x31x5 Zn DIN1441               |
| 9    | 305 8861 | 1     | Sicherungsring               | Retaining ring     | 25x2 DIN471 Zn                   |
| 10   | 305 6012 | 2     | Scheibe                      | Washer             | 21 ISO7089 Zn                    |
| 11   | 309 6072 | 1     | Spannhülse                   | Expansion bush     | 8x40-DIN1481 Zn                  |
| 12   | 309 6174 | 2     | Spannhülse                   | Expansion bush     | 10x70-DIN1481                    |
| 13   | 311 9565 | 2     | Klappstift                   | Securing pin       | 4,5                              |
| 14   | 313 2020 | 2     | Bolzen mit Griff             | Pin with grip      | D20x143/165 Zn                   |
| 15   | 313 2538 | 1     | Bolzen mit Verdrehsicherung  | Pin with stop      | D25x136/153 Zn                   |
| 16   | 317 3408 | 2     | Einspannbuchse mit Presssitz | Expansion bush     | EG25/32x20                       |
| 17   | 323 6348 | 1     | Schmiernippel                | Grease nipple      | AM10x1 DIN71412                  |
| 18   | 329 8289 | 1     | Druckfeder                   | Compression spring | 5x37x138                         |
| 19   | 329 8595 | 1     | Zugfeder                     | Spring             | 7x35x437                         |
| 20   | 375 2164 | 1     | Staubkappe                   | Dust cap           | rd BG.2                          |
| 21   | 375 2716 | 1     | SVK-Stecker                  | Hydraulic coupling | BG-2 10LM16x1,5                  |



01.18

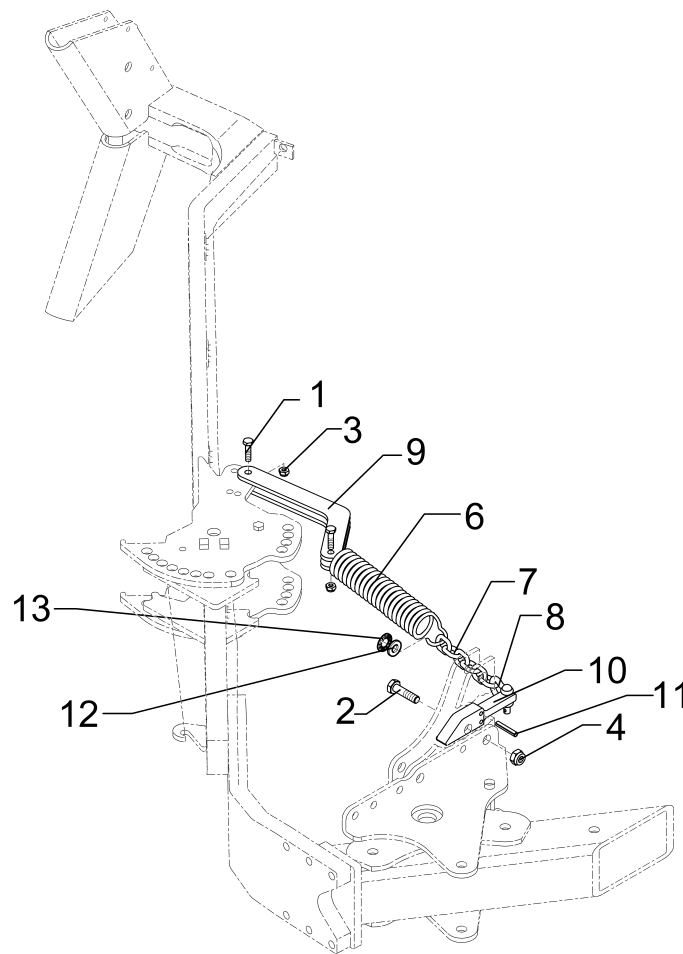
| Pos. | Art.Nr.  | Stck. | Artikeltext / Description  |                | Abmessung                     |
|------|----------|-------|----------------------------|----------------|-------------------------------|
| 22   | 375 3990 | 1     | Einschraubverschraubung    | Nipple         | x-GE 10-LM<br>M18x1,5         |
| 23   | 375 4390 | 1     | Winkel-Schottverschraubung | Angle union    | x-WSV10-L M16x1,5             |
| 24   | 375 5100 | 2     | Schneidring                | Cutting ring   | S 10 L WD                     |
| 25   | 375 5300 | 2     | Überwurfmutter             | Union nut      | 10L M16x1,5 Zn                |
| 26   | 375 9961 | 8     | Schellenkörper             | Clamp          | 1/2x215 PP                    |
| 27   | 422 9514 | 1     | Tragarm                    | Supporting arm | 80x40x707 E2V                 |
| 28   | 422 9515 | 1     | Fangarm                    | Hook arm       | 80x30 E2V                     |
| 29   | 422 9516 | 1     | Hebel                      | Lever          | 10x93x140                     |
| 30   | 422 9550 | 1     | Verriegelungsbolzen        | Locking pin    | D30x240 Zn                    |
| 31   | 475 2677 | 1     | Hydraulikschlauch          | Hydraulic hose | 1SN08-2200<br>DKOL10 0/45 GRD |
| 32   | 57511111 | 1     | Hydraulikrohr              | Hydraulic tube | 10x2x309 3xGEB                |
| 33   | 575 2335 | 1     | Hydraulikzylinder          | Hydraulic ram  | EZ25/80 D16/170               |
| 34   | 575 2337 | 1     | Hydraulikzylinder          | Hydraulic ram  | ED30-80 D16/170               |
| 35   | 575 2328 | 1     | Hydraulikzylinder          | Hydraulic ram  | ED30/35 D16/170               |
| 36   | 305 6141 | 1     | Scheibe                    | Washer         | 17/30x3<br>DIN/ISO-7089       |



01.18

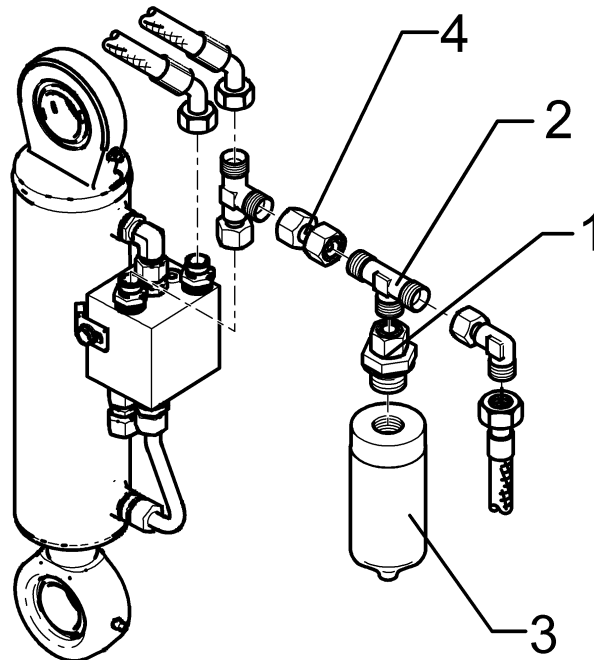
| Pos. | Art.Nr.  | Stck. | Artikeltext / Description |              | Abmessung               |
|------|----------|-------|---------------------------|--------------|-------------------------|
| 1    | 301 5363 | 6     | Sechskantschraube spz.    | Hexagon bolt | M16x70-12.9 Zn          |
| 2    | 303 1015 | 6     | Sechskantmutter           | Hexagon nut  | M16 DIN934-8 Zn         |
| 3    | 305 6141 | 6     | Scheibe                   | Washer       | 17/30x3<br>DIN/ISO-7089 |
| 4    | 422 9522 | 1     | Konsole zum Mitnehmerarm  | Bracket      | E7 D16/160x65           |
| 5    | 303 0971 | 6     | Sechskantmutter           | Hexagon nut  | M16 DIN934-10 Zn        |
| 6    | 301 5361 | 6     | Sechskantschraube spz.    | Hexagon bolt | M16x75-12.9 Zn          |





01.18

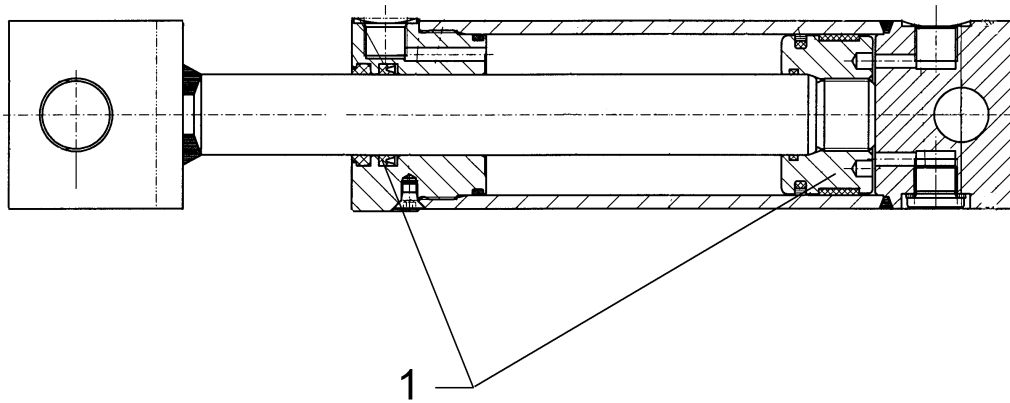
| Pos. | Art.Nr.  | Stck. | Artikeltext / Description |                 | Abmessung                       |
|------|----------|-------|---------------------------|-----------------|---------------------------------|
| 1    | 301 3367 | 2     | Sechskantschraube spz.    | Hexagon bolt    | M12x45-8.8 Zn                   |
| 2    | 301 7068 | 1     | Sechskantschraube         | Hexagon bolt    | M20x110-8.8 Zn<br>DIN931-A      |
| 3    | 303 0934 | 2     | Sicherungsmutter          | Selflocking nut | NM12-8 Zn DIN985                |
| 4    | 303 0936 | 1     | Sicherungsmutter          | Selflocking nut | NM20-8 Zn DIN985                |
| 6    | 329 8612 | 1     | Zugfeder                  | Spring          | 9x45x400                        |
| 7    | 331 6246 | 1     | Kette                     | Chain           | G8x32 DIN5685 6GL<br>21MN4 Zn-V |
| 8    | 331 9815 | 1     | Malotte                   | Shackle         | D13-kpl.                        |
| 9    | 422 9513 | 1     | Hebel gebogen             | Lever           | 2x40x8 2xD12,5x307              |
| 10   | 422 9518 | 1     | Konsole                   | Bracket         | 25x40x199                       |
| 11   | 309 6070 | 2     | Spannhülse                | Expansion bush  | 8x32-DIN1481                    |
| 12   | 305 8577 | 1     | Scheibe                   | Washer          | 10,5/30x2,5 St-Zn               |
| 13   | 305 8843 | 1     | Sicherungsscheibe         | Lock wascher    | 9x0,30 VA                       |



01.18

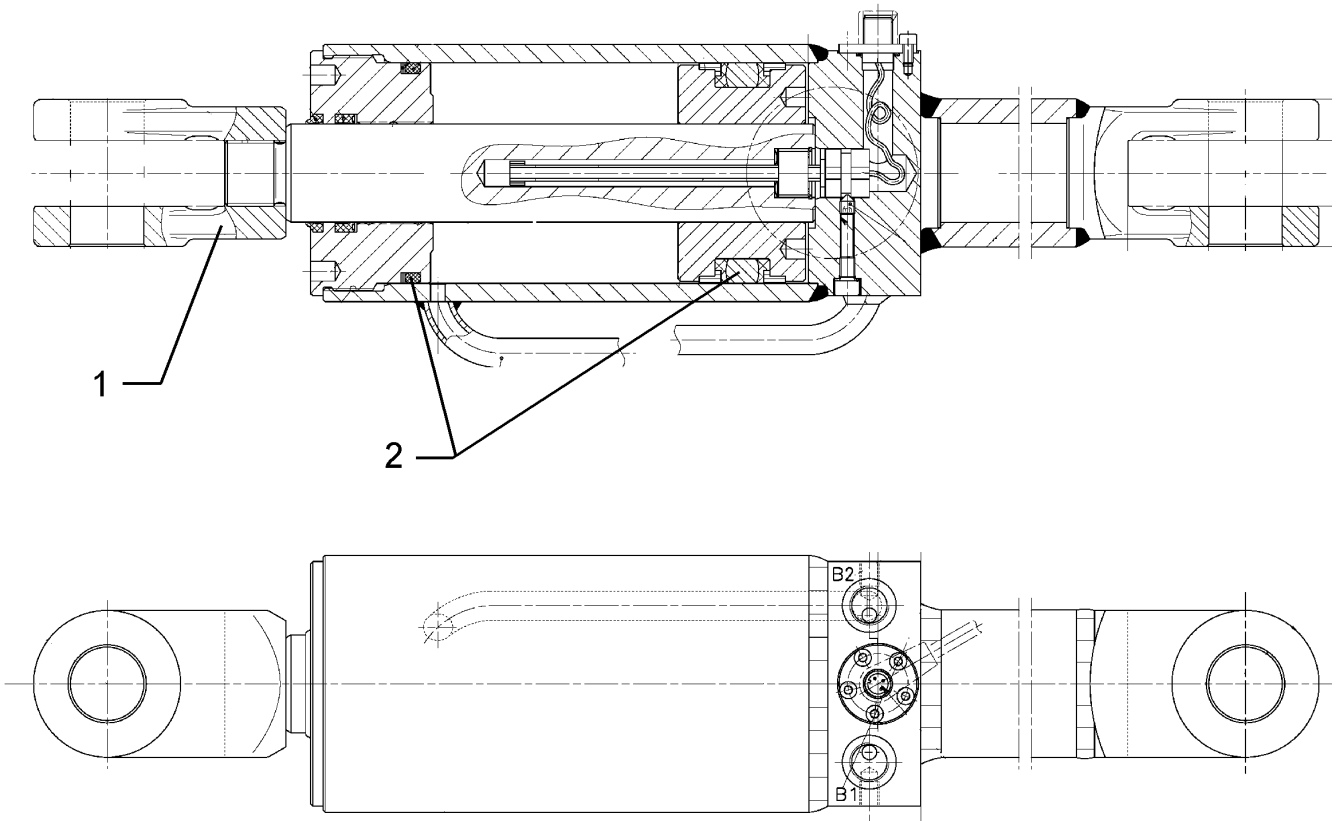
| Pos. | Art.Nr.  | Stck. | Artikeltext / Description     |                      | Abmessung                     |
|------|----------|-------|-------------------------------|----------------------|-------------------------------|
| 1    | 375 4049 | 1     | Einstellbare GE-Verschraubung | Nipple               | evGE 12-LR 1/2"-ED<br>DKO     |
| 2    | 375 4480 | 1     | T-Verschraubung               | T-union              | x-T12-L M18x1,5 Zn            |
| 3    | 575 2163 | 1     | Druckspeicher                 | Pressure accumulator | Typ 0,16l 210-10bar<br>G1/2ZL |
| 4    | 375 4132 | 1     | Verbindung gerade             | Connection           | DKOL12/DKOL12<br>M18x1,5      |

|                                 |          |
|---------------------------------|----------|
| Hydraulikzylinder/Hydraulic ram | 17       |
| VariOpal 7 / 7HX                | 575 2314 |



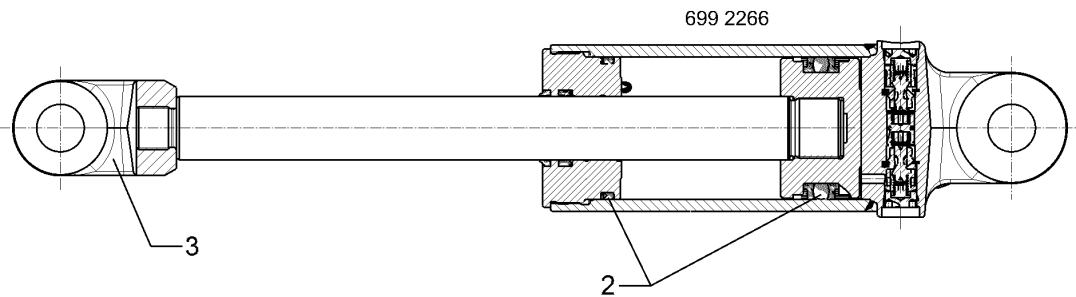
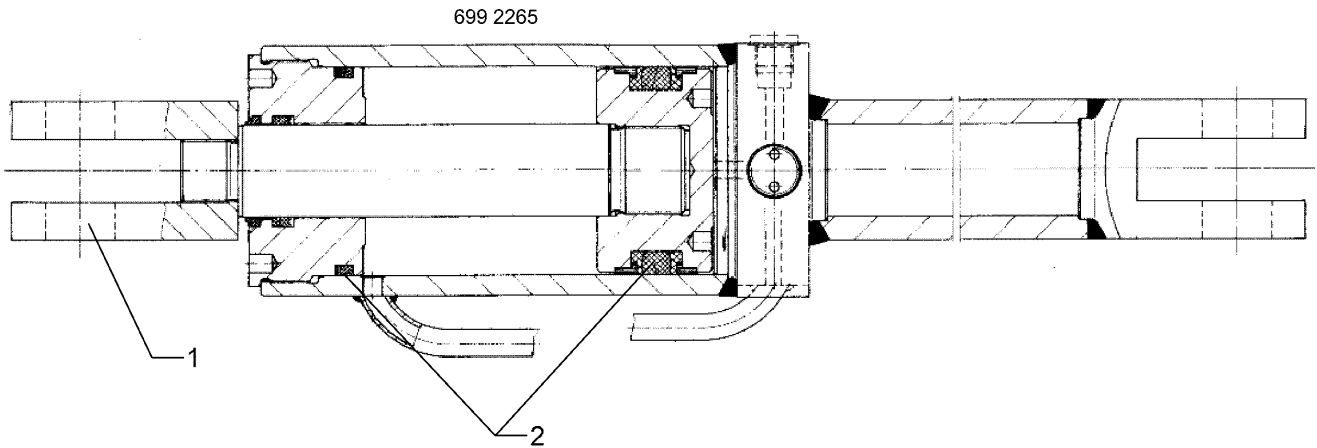
01.18

| Pos. | Art.Nr.  | Stck. | Artikeltext / Description |          | Abmessung |
|------|----------|-------|---------------------------|----------|-----------|
| 1    | 575 9237 | 1     | Dichtungssatz             | Seal set | 30/60     |



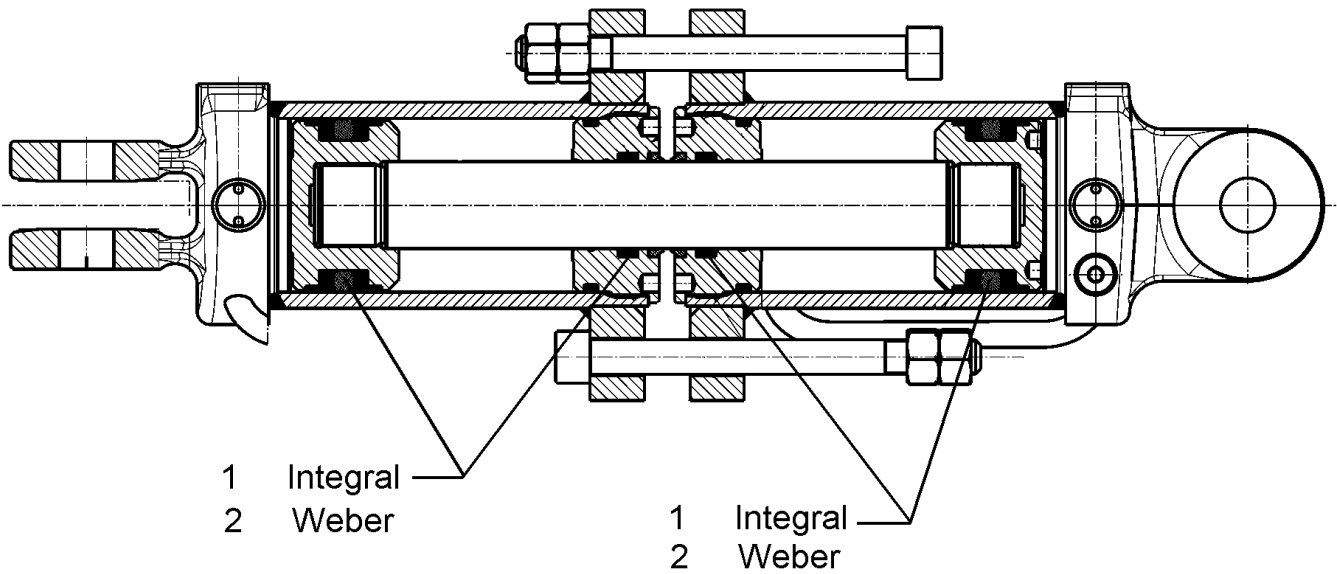
01.18

| Pos. | Art.Nr.  | Stck. | Artikeltext / Description |                 | Abmessung    |
|------|----------|-------|---------------------------|-----------------|--------------|
| 1    | 302 9095 | 1     | Gelenkgabel               | Fork-type joint | M27x2-75-D30 |
| 2    | 575 9246 | 1     | Dichtungssatz             | Seal set        | D40/90       |



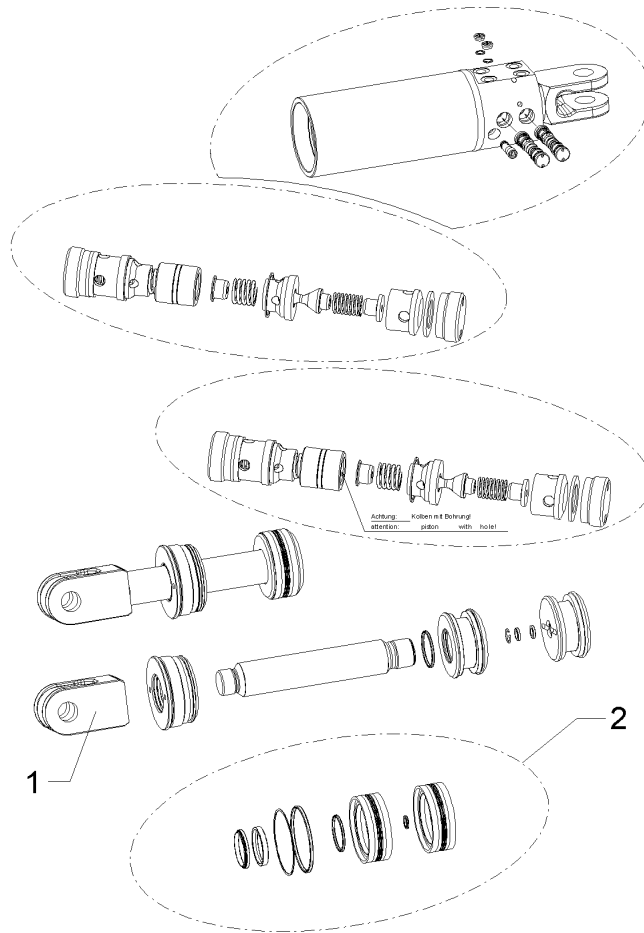
01.18

| Pos. | Art.Nr.  | Stck. | Artikeltext / Description |                 | Abmessung    |
|------|----------|-------|---------------------------|-----------------|--------------|
| 1    | 302 9094 | 1     | Gelenkgabel               | Fork-type joint | M27x2-D30-68 |
| 2    | 575 9218 | 1     | Dichtungssatz             | Seal set        | D40/90-100-B |
| 3    | 302 9095 | 1     | Gelenkgabel               | Fork-type joint | M27x2-75-D30 |



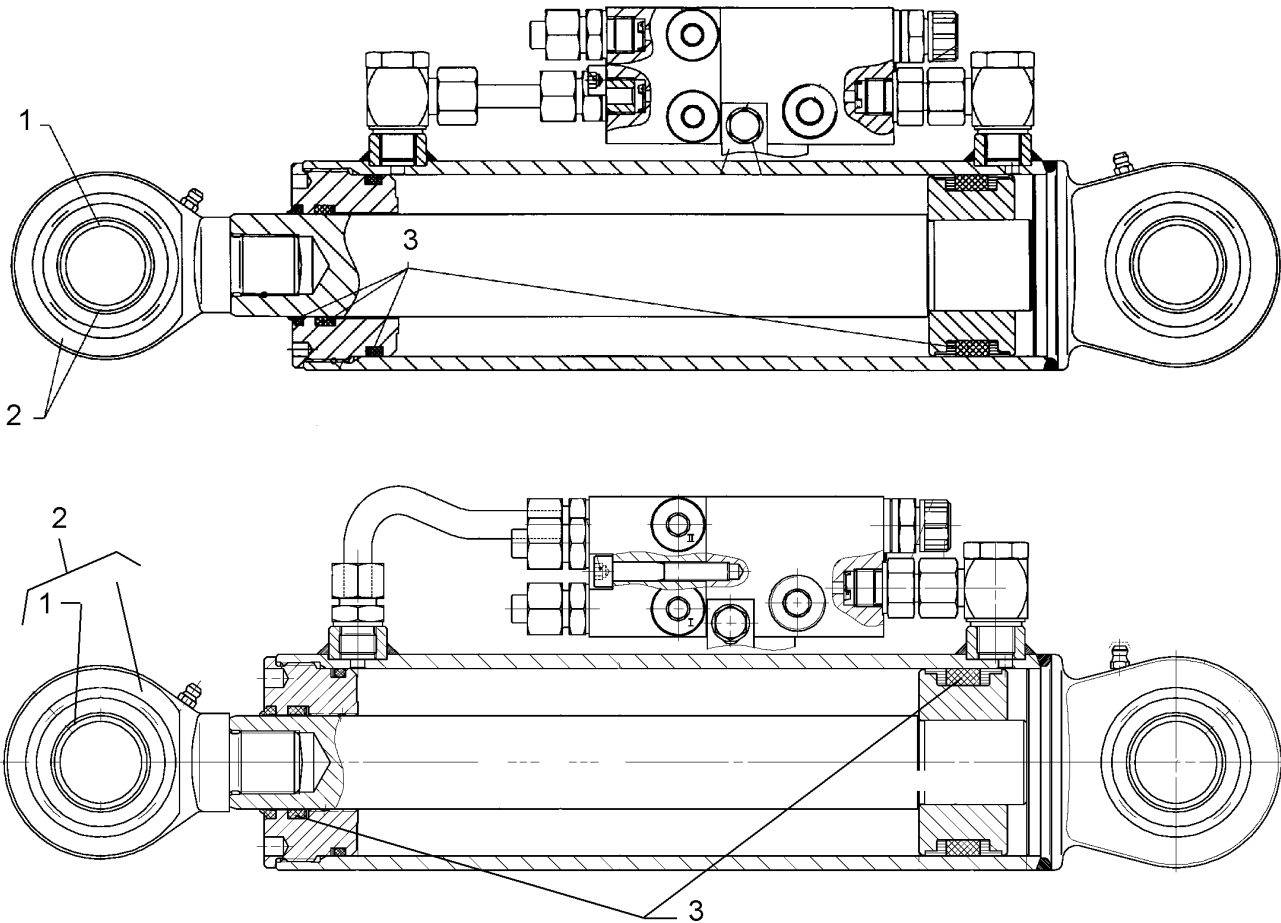
01.18

| Pos. | Art.Nr.  | Stck. | Artikeltext / Description |          | Abmessung |
|------|----------|-------|---------------------------|----------|-----------|
| 1    | 575 9228 | 2     | Dichtungssatz             | Seal set | D40/90    |
| 2    | 575 9246 | 2     | Dichtungssatz             | Seal set | D40/90    |



01.18

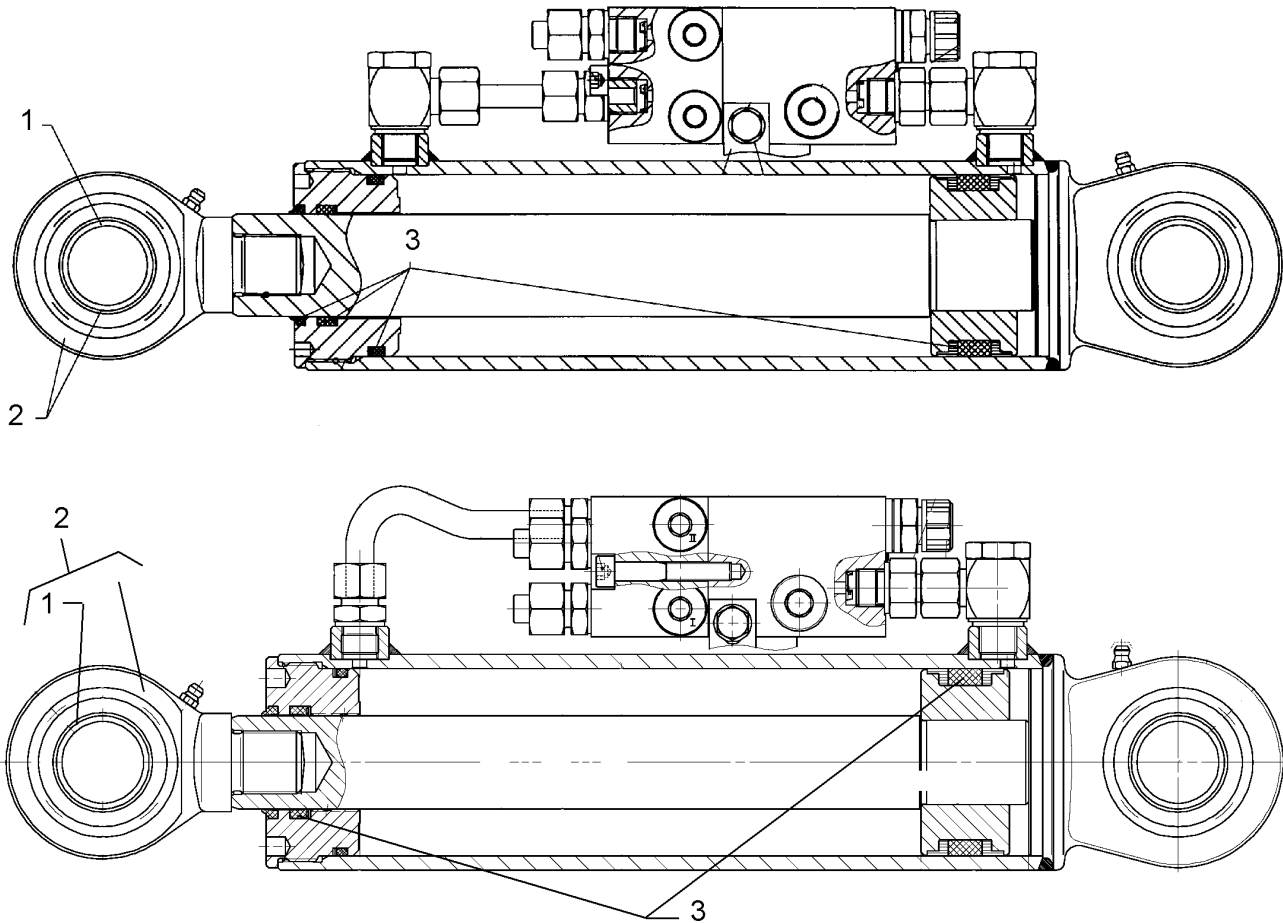
| Pos. | Art.Nr.  | Stck. | Artikeltext / Description |                 | Abmessung               |
|------|----------|-------|---------------------------|-----------------|-------------------------|
| 1    | 302 9115 | 1     | Gelenkgabel               | Fork-type joint | M48x2,5-D35-60x70x27x91 |
| 2    | 575 9283 | 1     | Dichtungssatz             | Seal set        | 45/90                   |



01.18

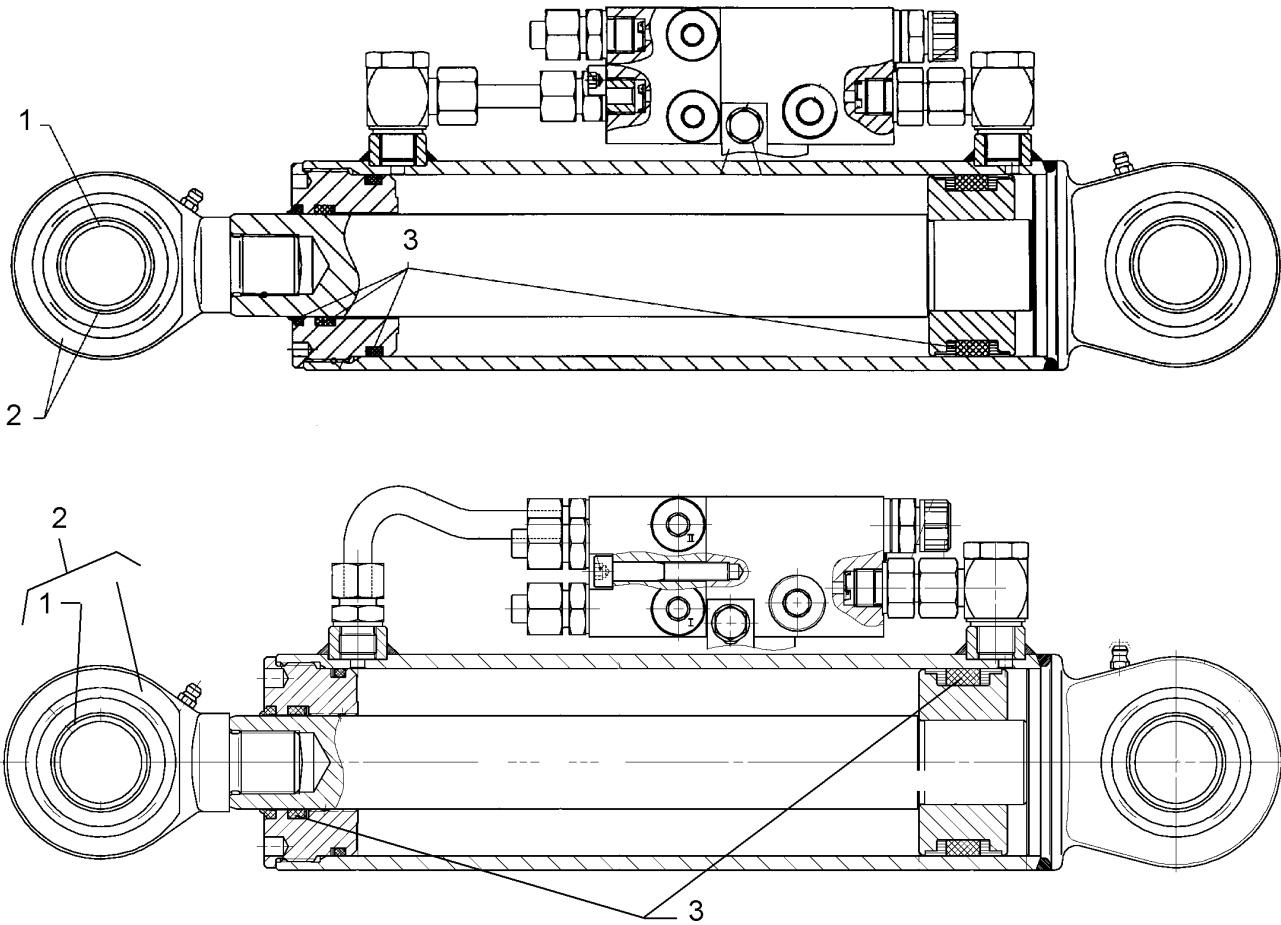
| Pos. | Art.Nr.  | Stck. | Artikeltext / Description    |                     | Abmessung           |
|------|----------|-------|------------------------------|---------------------|---------------------|
| 1    | 317 3454 | 1     | Gelenklager                  | Articulated bearing | GE 35 DO            |
| 2    | 302 9446 | 1     | Zylinderauge mit Gelenklager | Ram eye             | D35-55-M27x1,5 - 83 |
| 3    | 575 9229 | 1     | Dichtungssatz                | Seal set            | D40/70              |





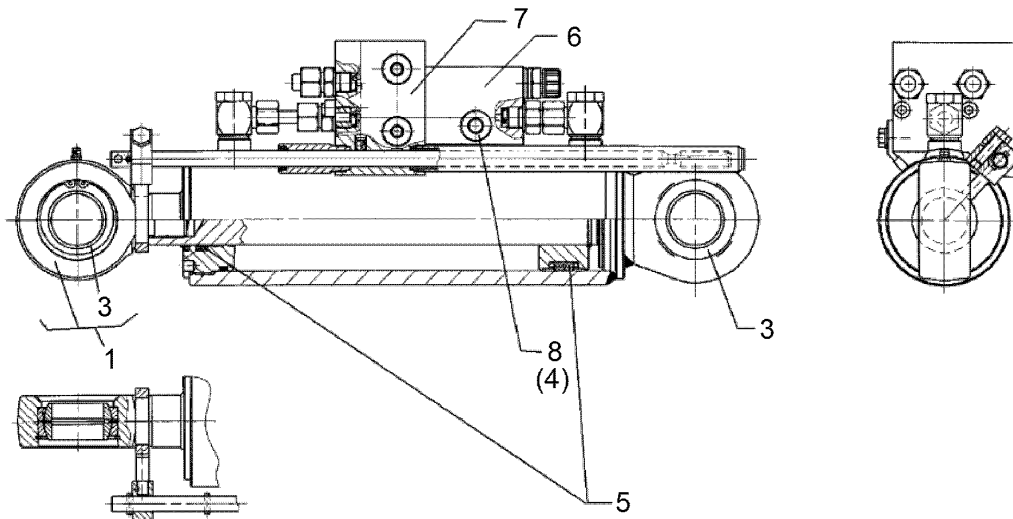
01.18

| Pos. | Art.Nr.  | Stck. | Artikeltext / Description    |                     | Abmessung           |
|------|----------|-------|------------------------------|---------------------|---------------------|
| 1    | 317 3454 | 1     | Gelenklager                  | Articulated bearing | GE 35 DO            |
| 2    | 302 9446 | 1     | Zylinderauge mit Gelenklager | Ram eye             | D35-55-M27x1,5 - 83 |
| 3    | 575 9229 | 1     | Dichtungssatz                | Seal set            | D40/70              |



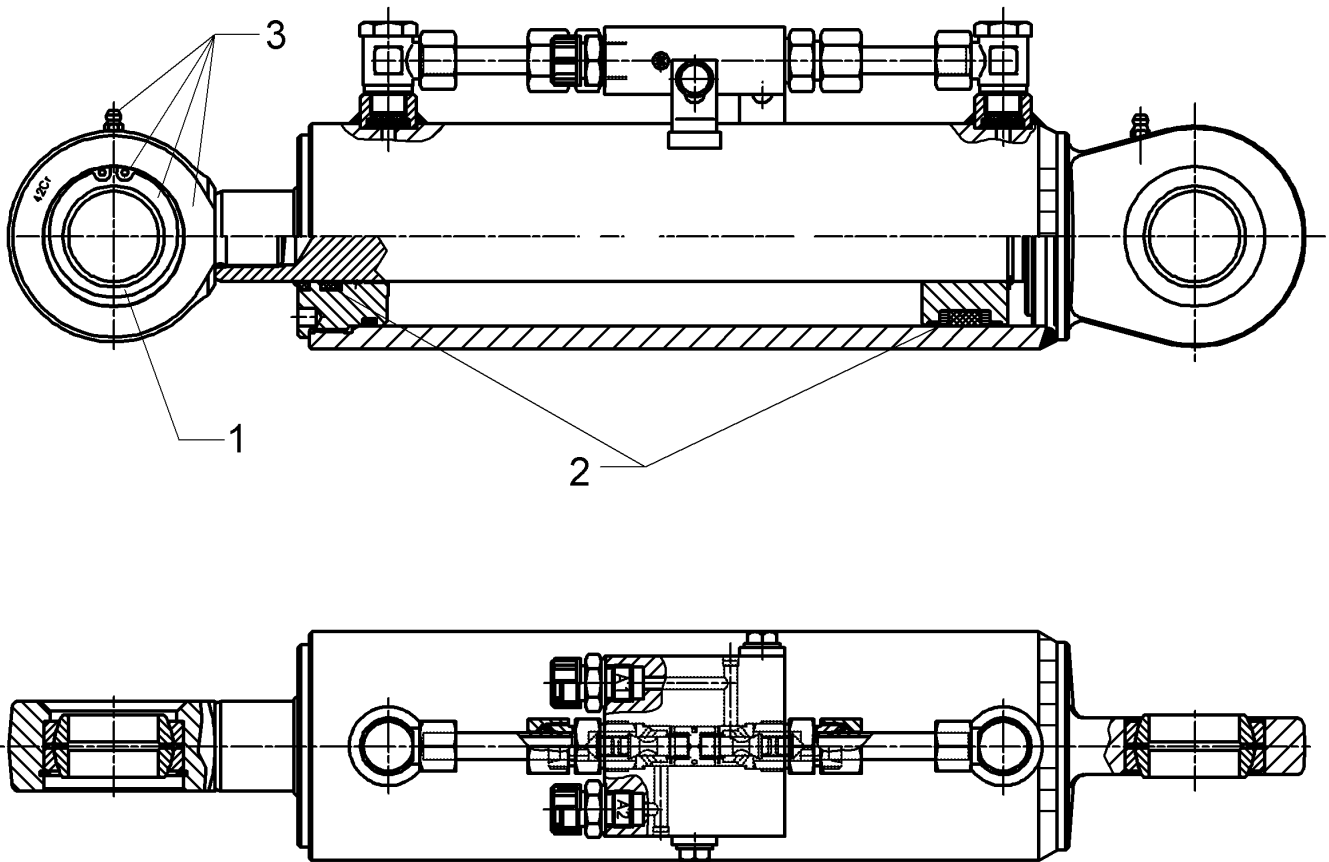
01.18

| Pos. | Art.Nr.  | Stck. | Artikeltext / Description    |                     | Abmessung           |
|------|----------|-------|------------------------------|---------------------|---------------------|
| 1    | 302 9446 | 1     | Zylinderauge mit Gelenklager | Ram eye             | D35-55-M27x1,5 - 83 |
| 2    | 317 3454 | 1     | Gelenklager                  | Articulated bearing | GE 35 DO            |
| 3    | 575 9234 | 1     | Dichtungssatz                | Seal set            | 40/80               |



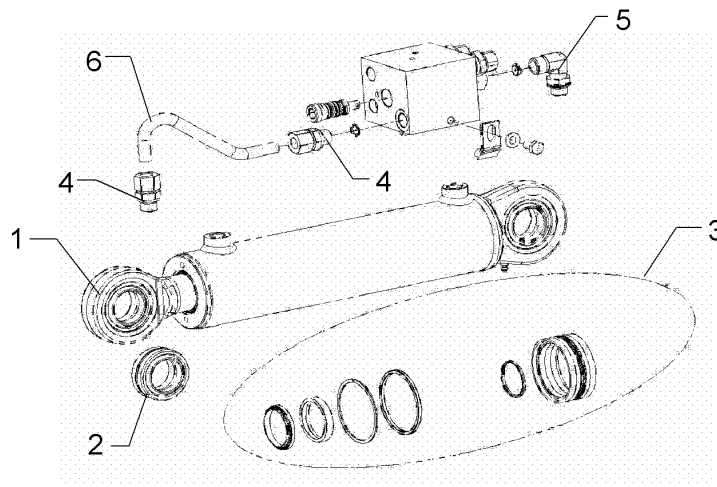
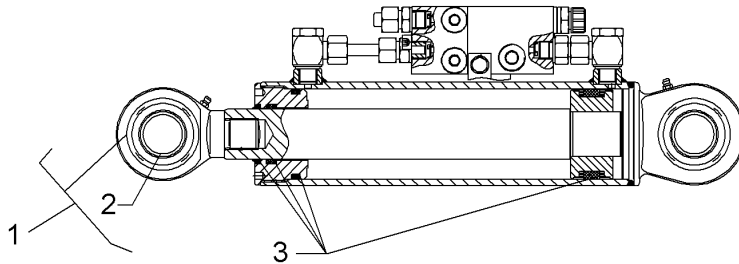
01.18

| Pos. | Art.Nr.  | Stck. | Artikeltext / Description    |                             | Abmessung             |
|------|----------|-------|------------------------------|-----------------------------|-----------------------|
| 1    | 302 9447 | 1     | Zylinderauge kpl. mit Absatz | Ram eye, complete           | D35-55-M27x1,5        |
| 3    | 317 3454 | 1     | Gelenklager                  | Articulated bearing         | GE 35 DO              |
| 4    | 575 2129 | 1     | Rückschlagventil mit Rille   | Nonreturn valve with groove | R 13 E 5 M 1:2,6 kpl. |
| 5    | 575 9234 | 1     | Dichtungssatz                | Seal set                    | 40/80                 |
| 6    | 575 9239 | 1     | Dichtungssatz Steuerventil   | Seal set                    | 575 2118              |
| 7    | 575 9242 | 1     | Dichtungssatz Ventil         | Seal set                    | -                     |



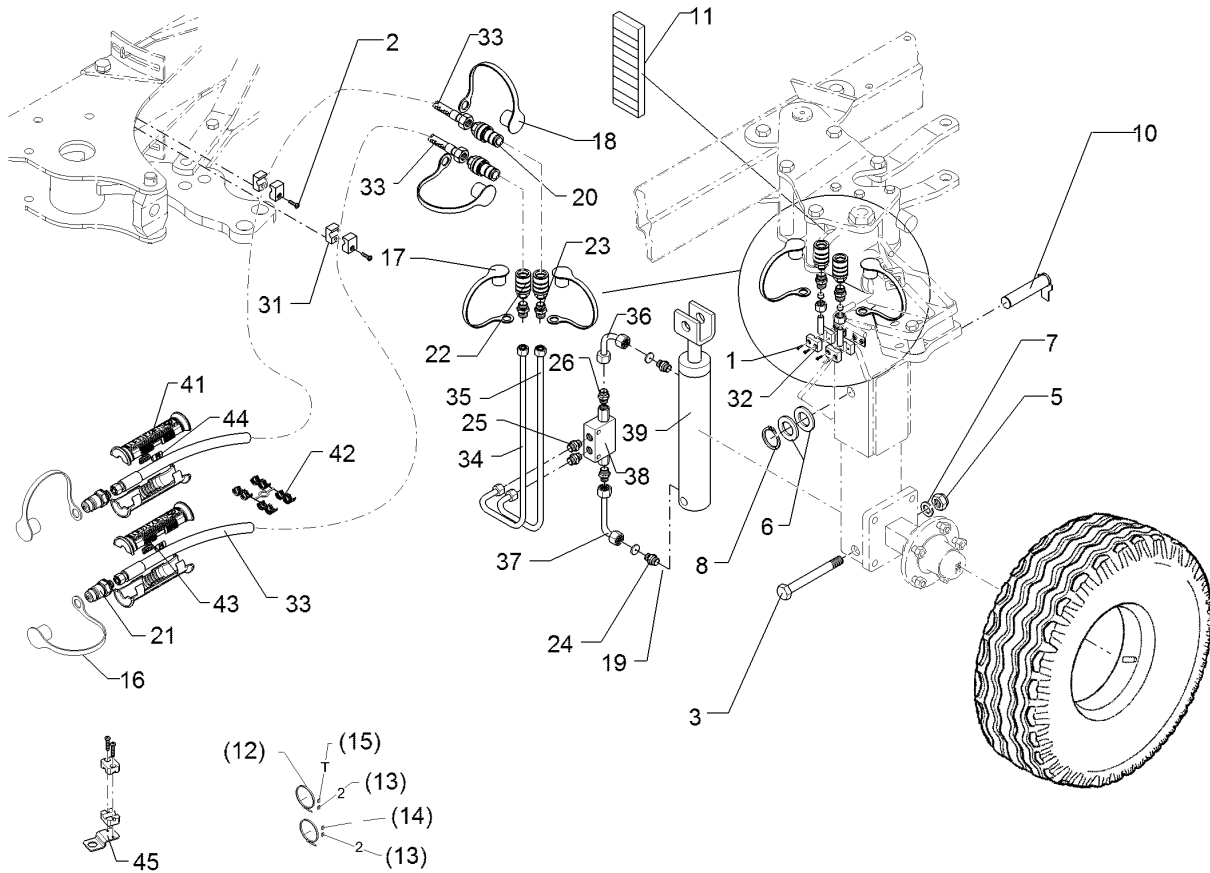
01.18

| Pos. | Art.Nr.  | Stck. | Artikeltext / Description |                     | Abmessung |
|------|----------|-------|---------------------------|---------------------|-----------|
| 1    | 317 3454 | 1     | Gelenklager               | Articulated bearing | GE 35 DO  |
| 2    | 575 9286 | 1     | Dichtungssatz             | Seal set            | 50/100    |



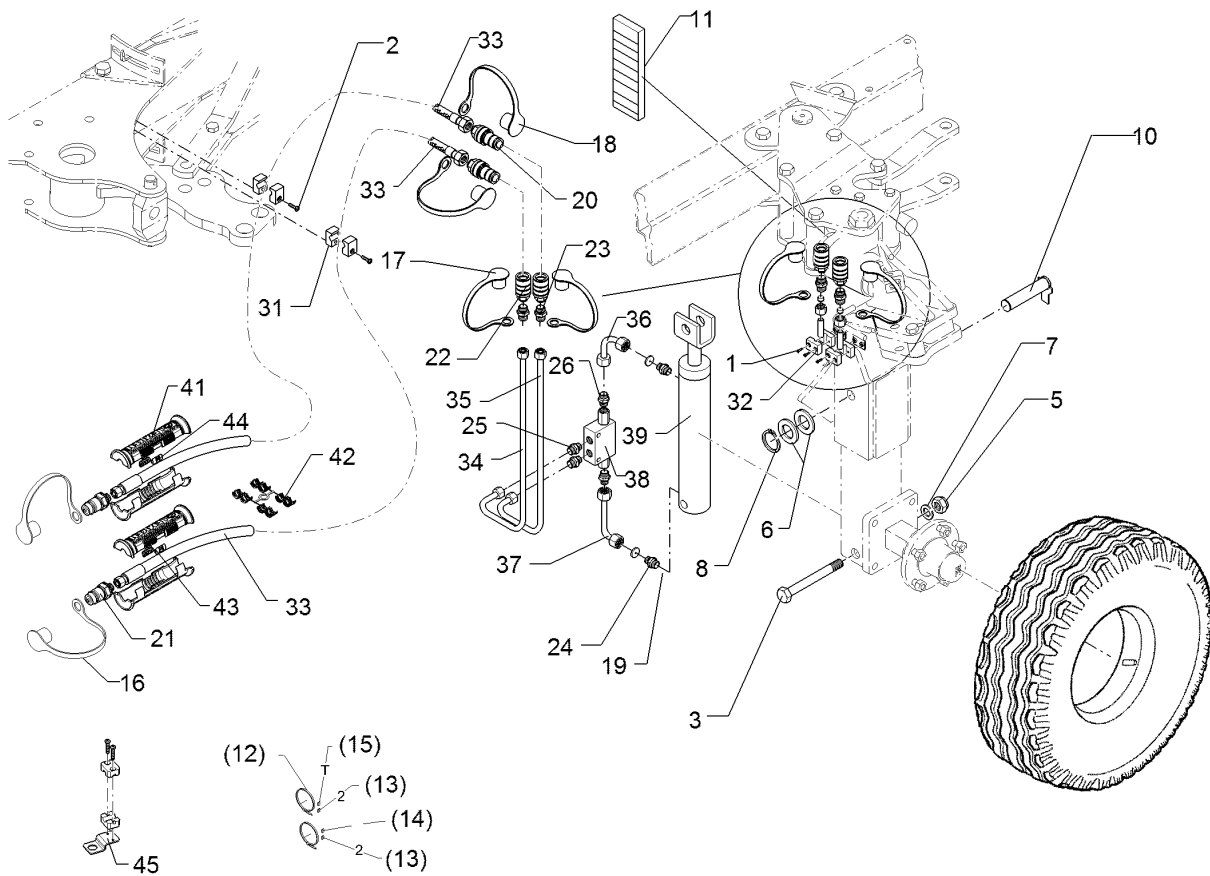
01.18

| Pos. | Art.Nr.  | Stck. | Artikeltext / Description |                     | Abmessung                  |
|------|----------|-------|---------------------------|---------------------|----------------------------|
| 1    | 302 9108 | 1     | Gelenkgabel               | Fork-type joint     | M27x1,5-55-D35             |
| 2    | 317 3454 | 2     | Gelenklager               | Articulated bearing | GE 35 DO                   |
| 3    | 575 9229 | 1     | Dichtungssatz             | Seal set            | D40/70                     |
| 4    | 375 4011 | 2     | Einschraubverschraubung   | Nipple              | x-GE12-LM-ED<br>M16x1,5 Zn |
| 5    | 375 4329 | 1     | Schwenkverschraubung      | Union, swivel       | 812258.0 Weber             |
| 6    | 57510246 | 1     | Hydraulikrohr             | Hydraulic tube      | -                          |



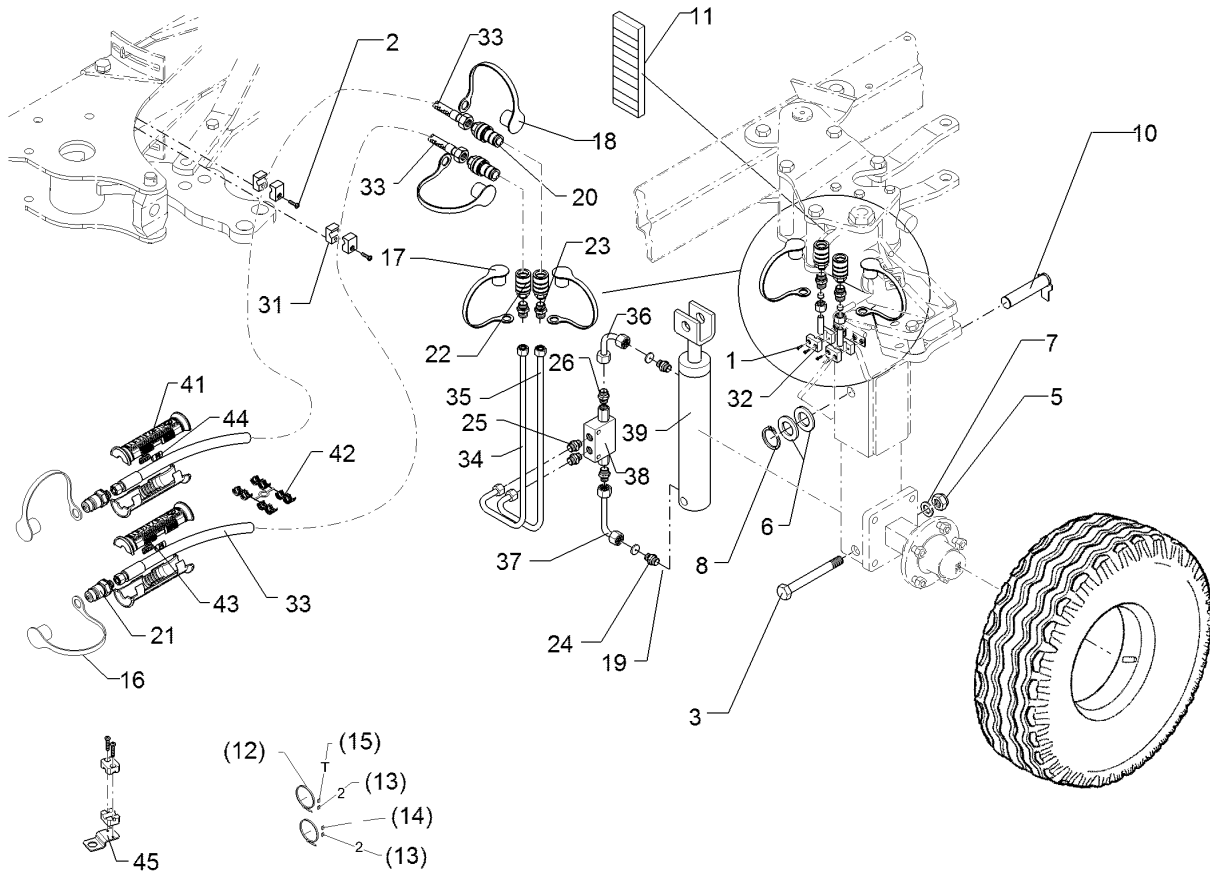
01.18

| Pos. | Art.Nr.  | Stck. | Artikeltext / Description      |                    | Abmessung                        |
|------|----------|-------|--------------------------------|--------------------|----------------------------------|
| 1    | 301 0302 | 4     | Linsenschraube                 | Oval head screw    | M6x25-4,6 Zn<br>DIN7985          |
| 2    | 301 0303 | 4     | Linsenschraube                 | Oval head screw    | M6x30-4,6 Zn<br>DIN7985          |
| 3    | 301 4465 | 1     | Sechskantschraube gek.         | Hexagon bolt       | M20x130-8.8 (160)<br>Zn DIN931-A |
| 5    | 303 0936 | 1     | Sicherungsmutter               | Selflocking nut    | NM20-8 Zn DIN985                 |
| 6    | 305 2230 | 2     | Stützscheibe                   | Supporting washer  | S 25x35x2,0 DIN988<br>Zn         |
| 7    | 305 6012 | 2     | Scheibe                        | Washer             | 21 ISO7089 Zn                    |
| 8    | 305 8861 | 1     | Sicherungsring                 | Retaining ring     | 25x2 DIN471 Zn                   |
| 10   | 313 2538 | 1     | Bolzen mit Verdrehsicherung    | Pin with stop      | D25x136/153 Zn                   |
| 11   | 321 1200 | 2     | Skala Tiefenanzeige für Unirad | Scale              | 27x80                            |
| 12   | 325 1350 | 2     | Spannband                      | Strap              | 6,3x254 VA                       |
| 13   | 325 1502 | 2     | EASY-READ Zeichen              | EASY-READ sign     | "2"                              |
| 14   | 325 1511 | 1     | EASY-READ Zeichen              | EASY-READ sign     | "P"                              |
| 15   | 325 1512 | 1     | EASY-READ Zeichen              | EASY-READ sign     | "T"                              |
| 16   | 375 2121 | 2     | Staubkappe                     | Dust cap           | D26,5 Bg.3                       |
| 17   | 375 2128 | 2     | Staubkappe                     | Dust cap           | Gr.2-M.-FF                       |
| 18   | 375 2129 | 2     | Staubkappe                     | Dust cap           | Gr.2-S.-FF                       |
| 19   | 375 2171 | 2     | Drosselscheibe                 | Restrictor washer  | D12x1,5 BO 0,9                   |
| 20   | 375 2715 | 2     | SVK-Stecker                    | Hydraulic coupling | Gr.2 G 3/8ZL                     |
| 21   | 375 2718 | 2     | SVK-Stecker                    | Hydraulic coupling | BG-3 12L M18x1,5                 |
| 22   | 375 2729 | 2     | SVK-Muffe                      | SVK-socket         | Gr.2 G 3/8"                      |
| 23   | 375 3996 | 4     | Einstellbare GE-Verschraubung  | Nipple             | xGE 10-L R 3/8"                  |



01.18

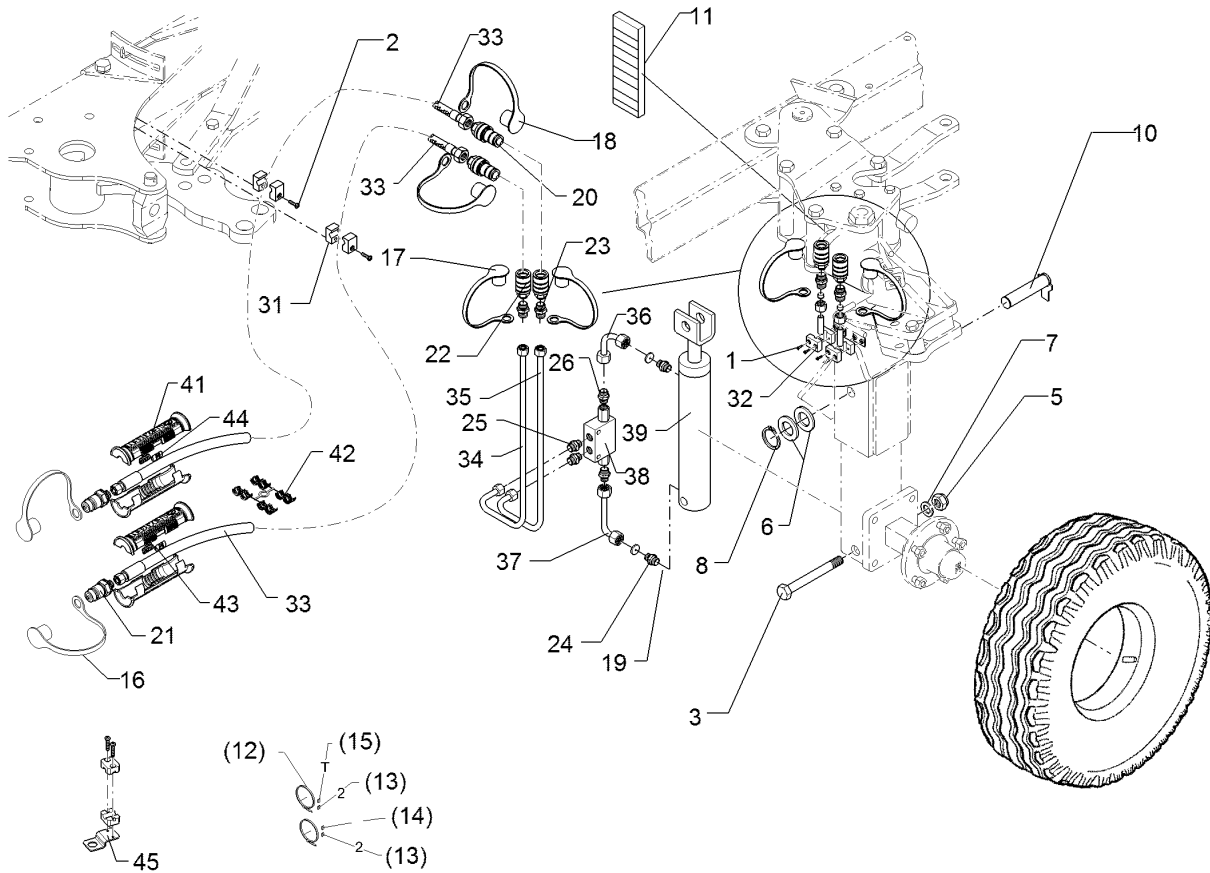
| Pos. | Art.Nr.  | Stck. | Artikeltext / Description     |                 | Abmessung                           |
|------|----------|-------|-------------------------------|-----------------|-------------------------------------|
| 24   | 375 4010 | 2     | Einschraubverschraubung       | Nipple          | x-GE12-LM M16x1,5<br>Zn             |
| 25   | 375 4035 | 2     | Einstellbare GE-Verschraubung | Nipple          | GE 10-L R 1/4"                      |
| 26   | 375 4038 | 2     | Einschraubverschraubung       | Nipple          | GE 12-LR 1/4 ZL ED                  |
| 31   | 375 9961 | 4     | Schellenkörper                | Clamp           | 1/2x215 PP                          |
| 32   | 375 9959 | 4     | Schellenkörper                | Clamp           | 1/2x110A PP                         |
| 33   | 475 2646 | 2     | Hydraulikschlauch             | Hydraulic hose  | 1SN08-5500<br>DKOL12/DKOL10<br>0/0° |
| 34   | 57510868 | 1     | Hydraulikrohr                 | Hydraulic tube  | 10x2x605 2x90GRD                    |
| 35   | 57510869 | 1     | Hydraulikrohr                 | Hydraulic tube  | 10x2x702 2x90GRD                    |
| 36   | 57510321 | 1     | Hydraulikrohr                 | Hydraulic tube  | 12x2x89<br>GEB90GRD                 |
| 37   | 57510322 | 1     | Hydraulikrohr                 | Hydraulic tube  | 12x2x151<br>GEB90GRD                |
| 38   | 575 2161 | 1     | Rückschlagventil              | Nonreturn valve | RDP 06 1/4                          |
| 39   | 575 2314 | 1     | Hydraulikzylinder             | Hydraulic ram   | 60/30-210-430                       |
| 41   | 375 2607 | 4     | Griff Halbschale              | Handle          | -                                   |
| 42   | 375 2606 | 2     | Einleger                      | Insert          | DN6 DN8                             |
| 43   | 325 1603 | 2     | Kennzeichnung                 | Marking         | P3                                  |
| 44   | 325 1610 | 2     | Kennzeichnung                 | Marking         | T3                                  |
| 45   | 475 4407 | 2     | Halter                        | Holder          | 40x3x92 Zn                          |



01.18

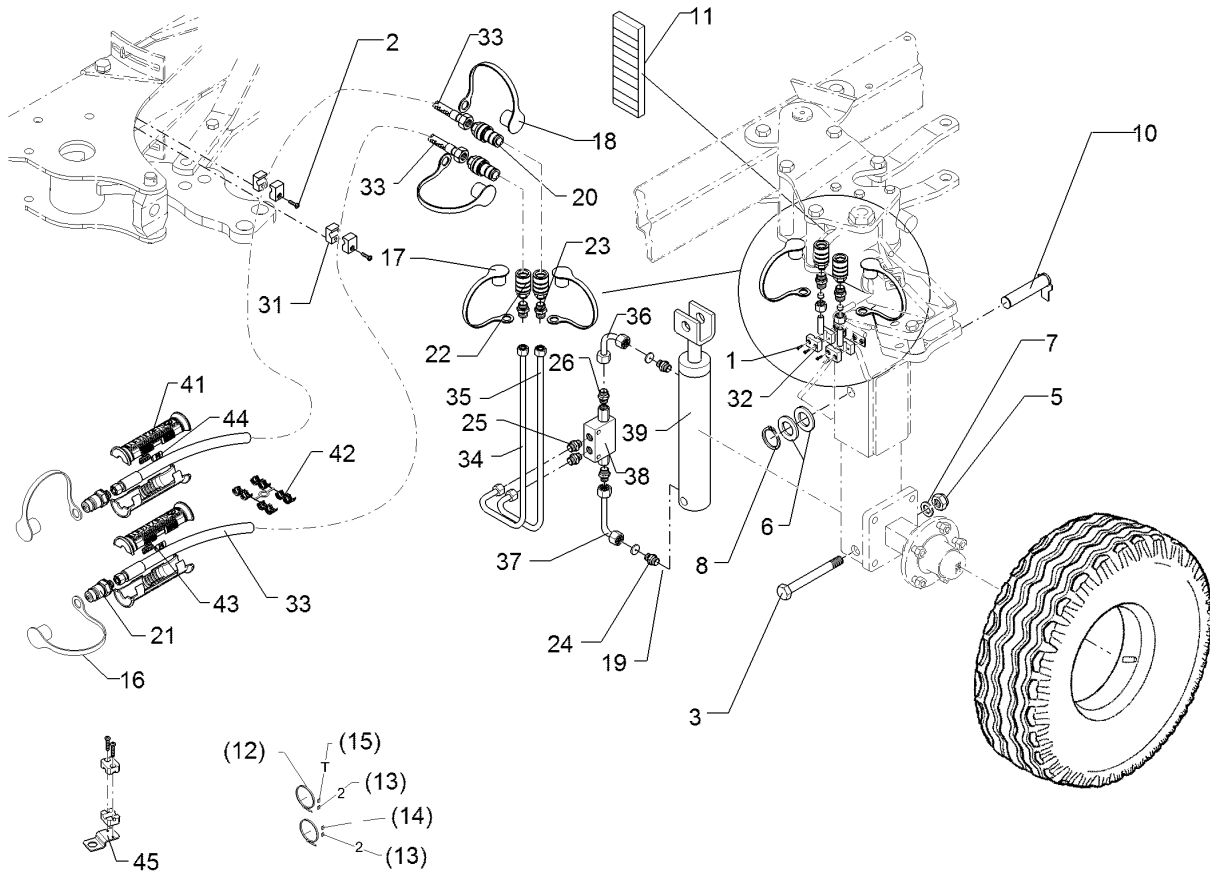
| Pos. | Art.Nr.  | Stck. | Artikeltext / Description      |                    | Abmessung                        |
|------|----------|-------|--------------------------------|--------------------|----------------------------------|
| 1    | 301 0302 | 4     | Linsenschraube                 | Oval head screw    | M6x25-4,6 Zn<br>DIN7985          |
| 2    | 301 0306 | 2     | Linsenschraube                 | Oval head screw    | M6x45-4,6 Zn<br>DIN7985          |
| 3    | 301 4465 | 1     | Sechskantschraube gek.         | Hexagon bolt       | M20x130-8.8 (160)<br>Zn DIN931-A |
| 5    | 303 0936 | 1     | Sicherungsmutter               | Selflocking nut    | NM20-8 Zn DIN985                 |
| 6    | 305 2230 | 2     | Stützscheibe                   | Supporting washer  | S 25x35x2,0 DIN988<br>Zn         |
| 7    | 305 6012 | 1     | Scheibe                        | Washer             | 21 ISO7089 Zn                    |
| 8    | 305 8861 | 1     | Sicherungsring                 | Retaining ring     | 25x2 DIN471 Zn                   |
| 10   | 313 2538 | 1     | Bolzen mit Verdrehsicherung    | Pin with stop      | D25x136/153 Zn                   |
| 11   | 321 1200 | 2     | Skala Tiefenanzeige für Unirad | Scale              | 27x80                            |
| 12   | 325 1350 | 2     | Spannband                      | Strap              | 6,3x254 VA                       |
| 13   | 325 1502 | 2     | EASY-READ Zeichen              | EASY-READ sign     | "2"                              |
| 14   | 325 1511 | 1     | EASY-READ Zeichen              | EASY-READ sign     | "P"                              |
| 15   | 325 1512 | 1     | EASY-READ Zeichen              | EASY-READ sign     | "T"                              |
| 16   | 375 2121 | 2     | Staubkappe                     | Dust cap           | D26,5 Bg.3                       |
| 17   | 375 2128 | 2     | Staubkappe                     | Dust cap           | Gr.2-M.-FF                       |
| 18   | 375 2129 | 2     | Staubkappe                     | Dust cap           | Gr.2-S.-FF                       |
| 19   | 375 2171 | 2     | Drosselscheibe                 | Restrictor washer  | D12x1,5 BO 0,9                   |
| 20   | 375 2715 | 2     | SVK-Stecker                    | Hydraulic coupling | Gr.2 G 3/8ZL                     |
| 21   | 375 2718 | 2     | SVK-Stecker                    | Hydraulic coupling | BG-3 12L M18x1,5                 |
| 22   | 375 2729 | 2     | SVK-Muffe                      | SVK-socket         | Gr.2 G 3/8"                      |
| 23   | 375 3996 | 4     | Einstellbare GE-Verschraubung  | Nipple             | xGE 10-L R 3/8"                  |





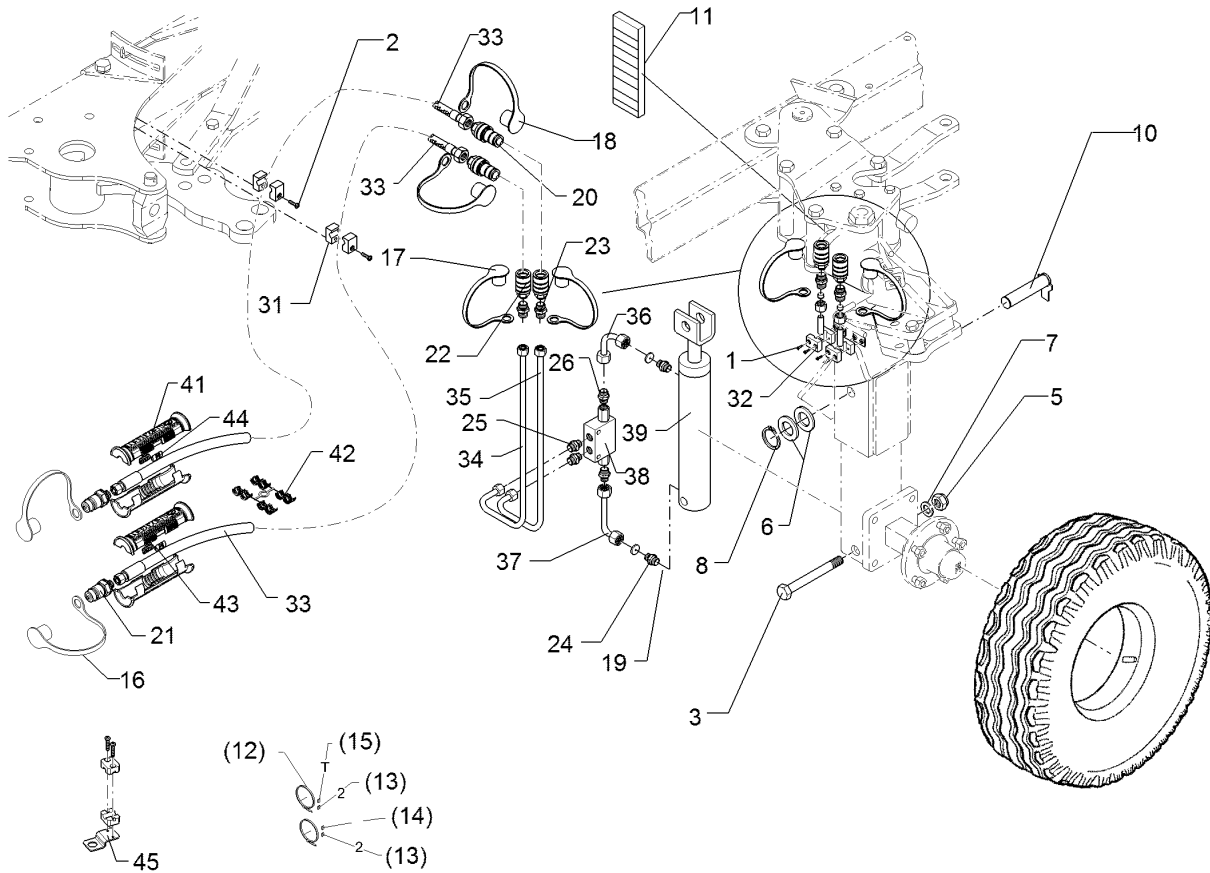
01.18

| Pos. | Art.Nr.  | Stck. | Artikeltext / Description     |                 | Abmessung                |
|------|----------|-------|-------------------------------|-----------------|--------------------------|
| 24   | 375 4010 | 2     | Einschraubverschraubung       | Nipple          | x-GE12-LM M16x1,5<br>Zn  |
| 25   | 375 4035 | 2     | Einstellbare GE-Verschraubung | Nipple          | GE 10-L R 1/4"           |
| 26   | 375 4038 | 2     | Einschraubverschraubung       | Nipple          | GE 12-LR 1/4 ZL ED       |
| 31   | 375 9852 | 4     | Doppelschelle                 | Double clip     | LNGF-19/19PP             |
| 32   | 375 9959 | 4     | Schellenkörper                | Clamp           | 1/2x110A PP              |
| 33   | 475 2647 | 2     | Hydraulikschlauch             | Hydraulic hose  | 1SN08-6500-DKOL10/DKOL12 |
| 34   | 57510868 | 1     | Hydraulikrohr                 | Hydraulic tube  | 10x2x605 2x90GRD         |
| 35   | 57510869 | 1     | Hydraulikrohr                 | Hydraulic tube  | 10x2x702 2x90GRD         |
| 36   | 57510321 | 1     | Hydraulikrohr                 | Hydraulic tube  | 12x2x89<br>GEB90GRD      |
| 37   | 57510322 | 1     | Hydraulikrohr                 | Hydraulic tube  | 12x2x151<br>GEB90GRD     |
| 38   | 575 2161 | 1     | Rückschlagventil              | Nonreturn valve | RDP 06 1/4               |
| 39   | 575 2314 | 1     | Hydraulikzylinder             | Hydraulic ram   | 60/30-210-430            |
| 41   | 375 2607 | 4     | Griff Halbschale              | Handle          | -                        |
| 42   | 375 2606 | 2     | Einleger                      | Insert          | DN6 DN8                  |
| 43   | 325 1603 | 2     | Kennzeichnung                 | Marking         | P3                       |
| 44   | 325 1610 | 2     | Kennzeichnung                 | Marking         | T3                       |
| 45   | 475 4407 | 4     | Halter                        | Holder          | 40x3x92 Zn               |



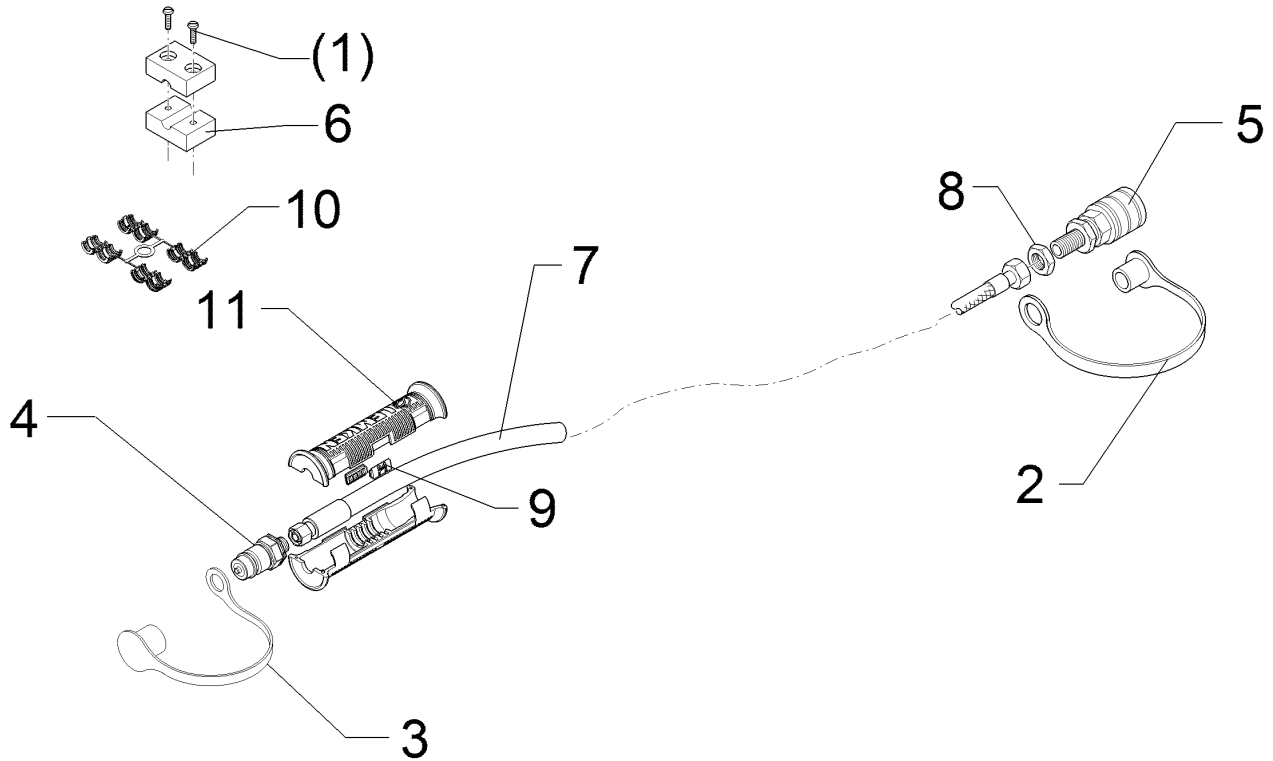
01.18

| Pos. | Art.Nr.  | Stck. | Artikeltext / Description      |                    | Abmessung                        |
|------|----------|-------|--------------------------------|--------------------|----------------------------------|
| 1    | 301 0302 | 4     | Linsenschraube                 | Oval head screw    | M6x25-4,6 Zn<br>DIN7985          |
| 2    | 301 0306 | 1     | Linsenschraube                 | Oval head screw    | M6x45-4,6 Zn<br>DIN7985          |
| 3    | 301 4465 | 1     | Sechskantschraube gek.         | Hexagon bolt       | M20x130-8.8 (160)<br>Zn DIN931-A |
| 5    | 303 0936 | 1     | Sicherungsmutter               | Selflocking nut    | NM20-8 Zn DIN985                 |
| 6    | 305 2230 | 2     | Stützscheibe                   | Supporting washer  | S 25x35x2,0 DIN988<br>Zn         |
| 7    | 305 6012 | 1     | Scheibe                        | Washer             | 21 ISO7089 Zn                    |
| 8    | 305 8861 | 1     | Sicherungsring                 | Retaining ring     | 25x2 DIN471 Zn                   |
| 10   | 313 2538 | 1     | Bolzen mit Verdrehsicherung    | Pin with stop      | D25x136/153 Zn                   |
| 11   | 321 1200 | 2     | Skala Tiefenanzeige für Unirad | Scale              | 27x80                            |
| 12   | 325 1350 | 2     | Spannband                      | Strap              | 6,3x254 VA                       |
| 13   | 325 1502 | 2     | EASY-READ Zeichen              | EASY-READ sign     | "2"                              |
| 14   | 325 1511 | 1     | EASY-READ Zeichen              | EASY-READ sign     | "P"                              |
| 15   | 325 1512 | 1     | EASY-READ Zeichen              | EASY-READ sign     | "T"                              |
| 16   | 375 2121 | 2     | Staubkappe                     | Dust cap           | D26,5 Bg.3                       |
| 17   | 375 2128 | 2     | Staubkappe                     | Dust cap           | Gr.2-M.-FF                       |
| 18   | 375 2129 | 2     | Staubkappe                     | Dust cap           | Gr.2-S.-FF                       |
| 19   | 375 2171 | 2     | Drosselscheibe                 | Restrictor washer  | D12x1,5 BO 0,9                   |
| 20   | 375 2715 | 2     | SVK-Stecker                    | Hydraulic coupling | Gr.2 G 3/8ZL                     |
| 21   | 375 2718 | 2     | SVK-Stecker                    | Hydraulic coupling | BG-3 12L M18x1,5                 |
| 22   | 375 2729 | 2     | SVK-Muffe                      | SVK-socket         | Gr.2 G 3/8"                      |
| 23   | 375 3996 | 4     | Einstellbare GE-Verschraubung  | Nipple             | xGE 10-L R 3/8"                  |



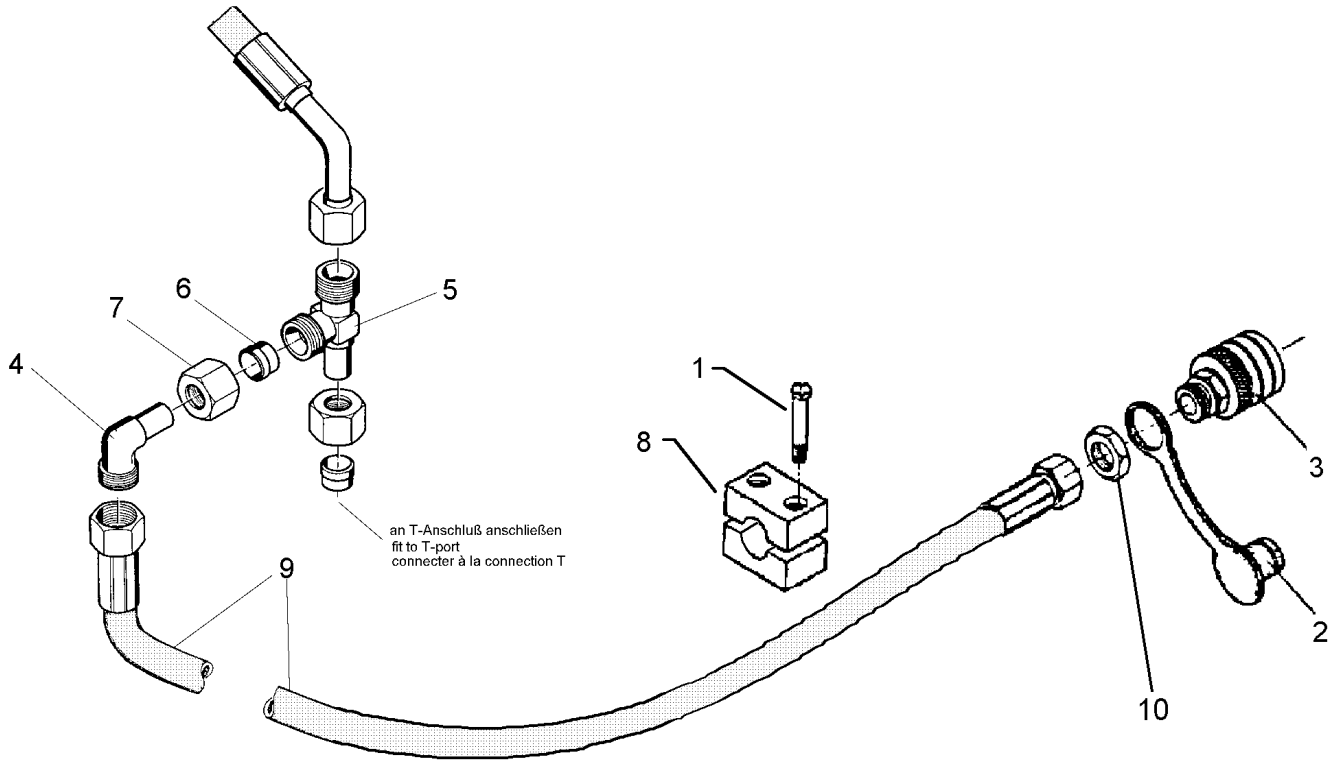
01.18

| Pos. | Art.Nr.  | Stck. | Artikeltext / Description     |                 | Abmessung                |
|------|----------|-------|-------------------------------|-----------------|--------------------------|
| 24   | 375 4010 | 2     | Einschraubverschraubung       | Nipple          | x-GE12-LM M16x1,5<br>Zn  |
| 25   | 375 4035 | 2     | Einstellbare GE-Verschraubung | Nipple          | GE 10-L R 1/4"           |
| 26   | 375 4038 | 2     | Einschraubverschraubung       | Nipple          | GE 12-LR 1/4 ZL ED       |
| 31   | 375 9852 | 4     | Doppelschelle                 | Double clip     | LNGF-19/19PP             |
| 32   | 375 9959 | 4     | Schellenkörper                | Clamp           | 1/2x110A PP              |
| 33   | 475 2648 | 2     | Hydraulikschlauch             | Hydraulic hose  | 1SN08-7500-DKOL10/DKOL12 |
| 34   | 57510868 | 1     | Hydraulikrohr                 | Hydraulic tube  | 10x2x605 2x90GRD         |
| 35   | 57510869 | 1     | Hydraulikrohr                 | Hydraulic tube  | 10x2x702 2x90GRD         |
| 36   | 57510321 | 1     | Hydraulikrohr                 | Hydraulic tube  | 12x2x89<br>GEB90GRD      |
| 37   | 57510322 | 1     | Hydraulikrohr                 | Hydraulic tube  | 12x2x151<br>GEB90GRD     |
| 38   | 575 2161 | 1     | Rückschlagventil              | Nonreturn valve | RDP 06 1/4               |
| 39   | 575 2314 | 1     | Hydraulikzylinder             | Hydraulic ram   | 60/30-210-430            |
| 41   | 375 2607 | 4     | Griff Halbschale              | Handle          | -                        |
| 42   | 375 2606 | 2     | Einleger                      | Insert          | DN6 DN8                  |
| 43   | 325 1603 | 2     | Kennzeichnung                 | Marking         | P3                       |
| 44   | 325 1610 | 2     | Kennzeichnung                 | Marking         | T3                       |
| 45   | 475 4407 | 6     | Halter                        | Holder          | 40x3x92 Zn               |



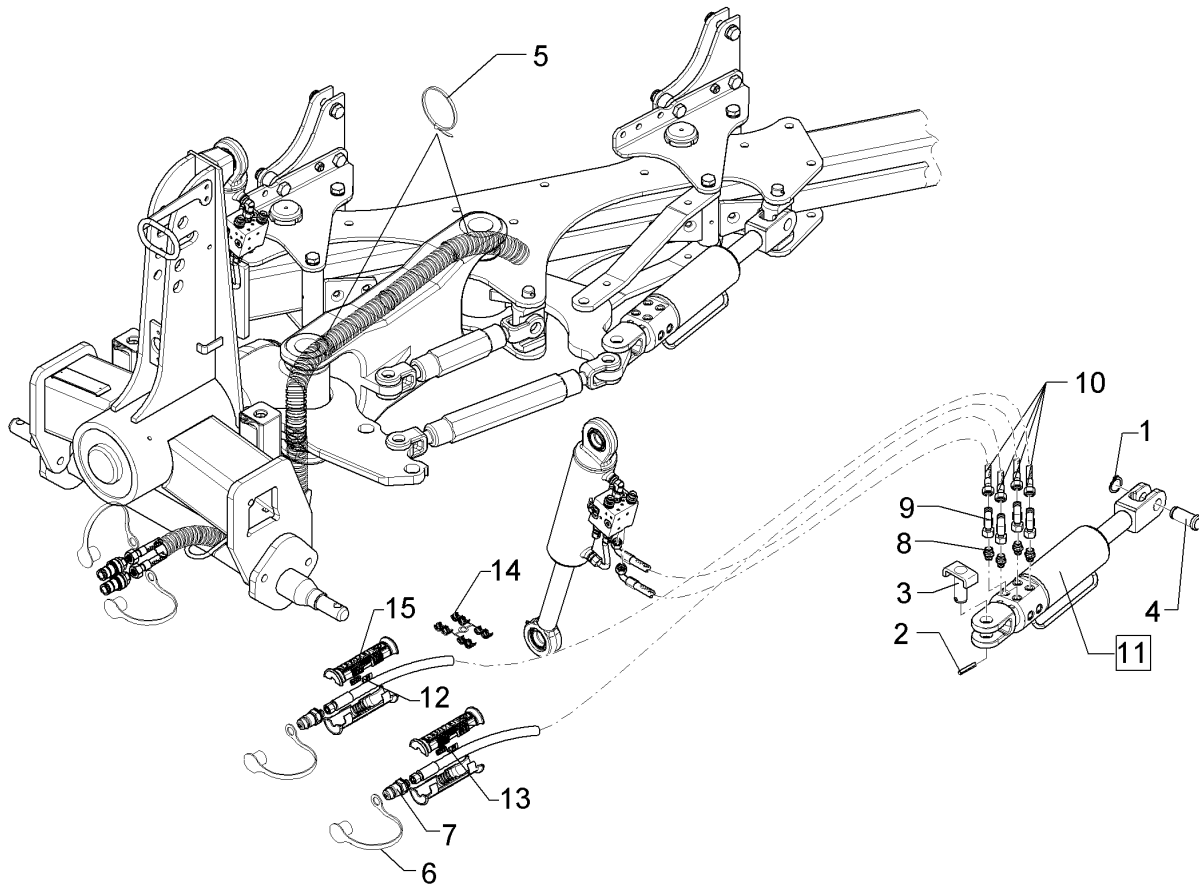
01.18

| Pos. | Art.Nr.  | Stck. | Artikeltext / Description |                    | Abmessung                   |
|------|----------|-------|---------------------------|--------------------|-----------------------------|
| 1    | 301 0301 | 2     | Linsenschraube            | Oval head screw    | M6x20-4,6 Zn<br>DIN7985     |
| 2    | 375 2163 | 1     | Staubstecker              | Plastic male probe | NW 6                        |
| 3    | 375 2122 | 1     | Staubkappe, schwarz       | Cap, black         | D26,5 Bg.3                  |
| 4    | 375 2718 | 1     | SVK-Stecker               | Hydraulic coupling | BG-3 12L M18x1,5            |
| 5    | 375 2730 | 1     | SVK-Muffe                 | SVK-socket         | BG 2 NW8 M16x1,5<br>Schott  |
| 6    | 375 9960 | 2     | Schellenkörper            | Clamp              | 1/2x112A PP                 |
| 7    | 475 2678 | 1     | Hydraulikschlauch         | Hydraulic hose     | 1SN06-4400<br>DKOL10/DKOL12 |
| 9    | 325 1604 | 2     | Kennzeichnung             | Marking            | P4                          |
| 10   | 375 2606 | 1     | Einleger                  | Insert             | DN6 DN8                     |
| 11   | 375 2607 | 2     | Griff Halbschale          | Handle             | -                           |



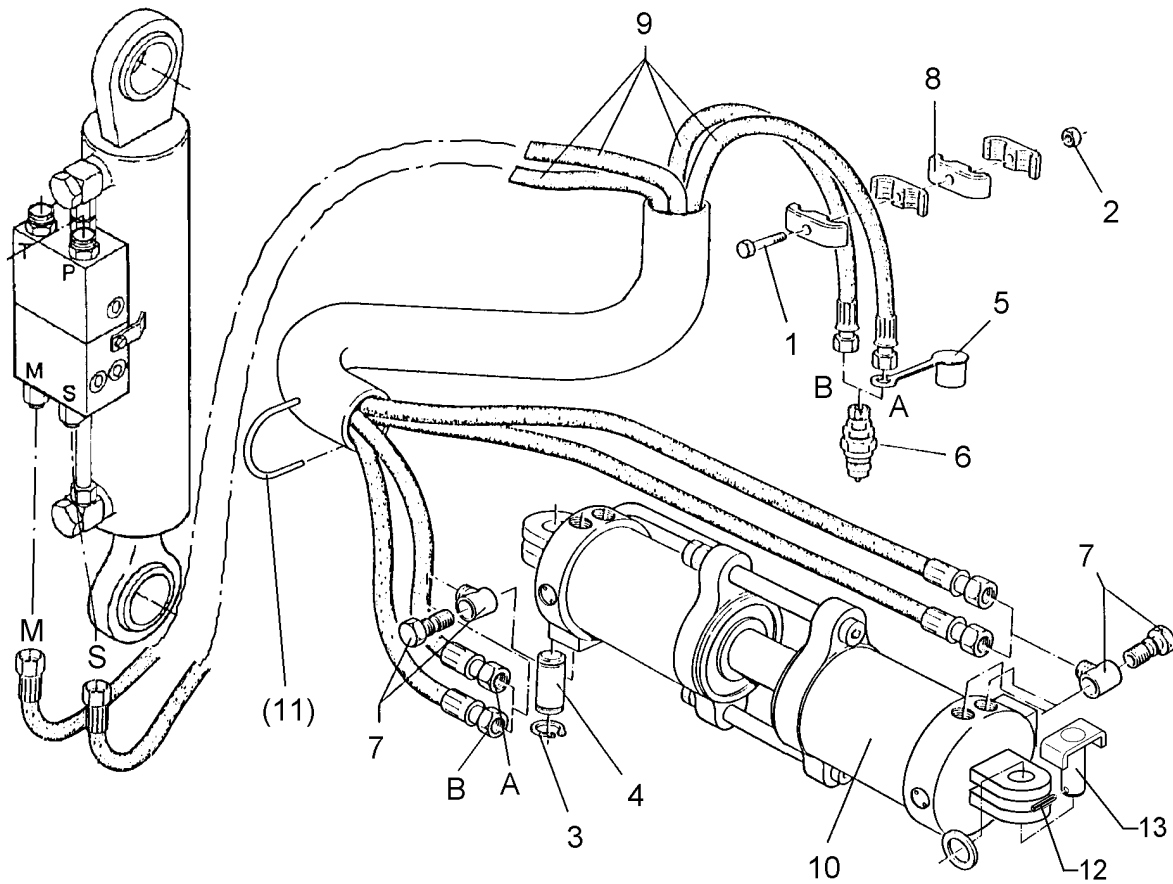
01.18

| Pos. | Art.Nr.  | Stck. | Artikeltext / Description    |                        | Abmessung                  |
|------|----------|-------|------------------------------|------------------------|----------------------------|
| 1    | 301 0301 | 2     | Linsenschraube               | Oval head screw        | M6x20-4,6 Zn<br>DIN7985    |
| 2    | 375 2163 | 1     | Staubstecker                 | Plastic male probe     | NW 6                       |
| 3    | 375 2730 | 1     | SVK-Muffe                    | SVK-socket             | BG 2 NW8 M16x1,5<br>Schott |
| 4    | 375 4500 | 1     | Einstellbare W-Verschraubung | Adjustable angle union | EW12-LM DKO24              |
| 5    | 375 4550 | 1     | Einstellbare L-Verschraubung | Adjustable L-union     | GRD M18x1,5                |
| 6    | 375 5110 | 1     | Schneidring                  | Cutting ring           | EL12-L M18x1,5             |
| 7    | 375 5310 | 1     | Überwurfmutter               | Union nut              | 12L M18x1,5<br>Zn/ZnNi     |
| 8    | 375 9960 | 2     | Schellenkörper               | Clamp                  | 1/2x112A PP                |
| 9    | 475 2679 | 1     | Hydraulikschlauch            | Hydraulic hose         | 1SN06-2800<br>DKOL10/12    |
| 10   | 375 5698 | 1     | Sechskantmutter              | Hexagon nut            | M16x1,5 SW22 Zn            |



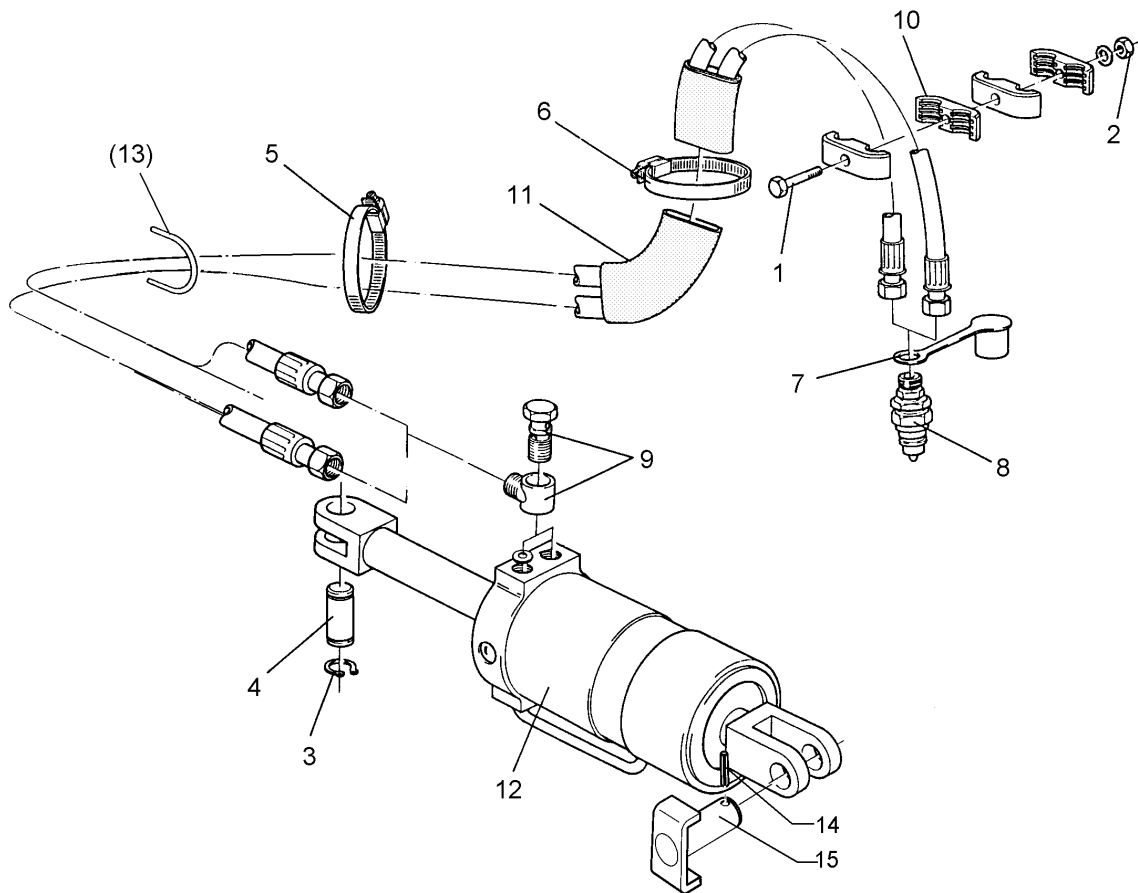
01.18

| Pos. | Art.Nr.  | Stck. | Artikeltext / Description      |                        | Abmessung                   |
|------|----------|-------|--------------------------------|------------------------|-----------------------------|
| 1    | 305 8867 | 2     | Sicherungsring                 | Retaining ring         | 30x2 DIN471 Zn              |
| 2    | 309 7000 | 1     | Spannhülse                     | Expansion bush         | 8x50-DIN1481 Zn             |
| 3    | 313 3005 | 1     | Bolzen mit Verdrehsicherung    | Pin with stop          | D30x83 U-71 Zn              |
| 4    | 313 7802 | 1     | Bolzen mit Kopf                | Pin with collar        | D30/35x63/80 Zn             |
| 5    | 325 1251 | 2     | Kabelbinder                    | Cable clip             | 8,9x813mm T150L             |
| 6    | 375 2120 | 2     | Staubkappe, grün               | Cap                    | D26,5 Bg.3                  |
| 7    | 375 2718 | 2     | SVK-Stecker                    | Hydraulic coupling     | BG-3 12L M18x1,5            |
| 8    | 375 3983 | 4     | Gerade Einschraubverschraubung | Nipple                 | x-GE 08-LM 16x1,5           |
| 9    | 375 4498 | 4     | Einstellbare W-Verschraubung   | Adjustable angle union | EW08-L M14x1,5 Zn           |
| 10   | 475 2792 | 1     | Schlauchpaket                  | Hose-assembly          | 2x2SC06-3450-DKOL08/DKOL08- |
| 11   | 575 2454 | 1     | Memoryzylinder                 | Memory ram             | DZ-S90/45-100/600           |
| 12   | 325 1602 | 2     | Kennzeichnung                  | Marking                | P2                          |
| 13   | 325 1609 | 2     | Kennzeichnung                  | Marking                | T2                          |
| 14   | 375 2606 | 2     | Einleger                       | Insert                 | DN6 DN8                     |
| 15   | 375 2607 | 4     | Griff Halbschale               | Handle                 | -                           |



01.18

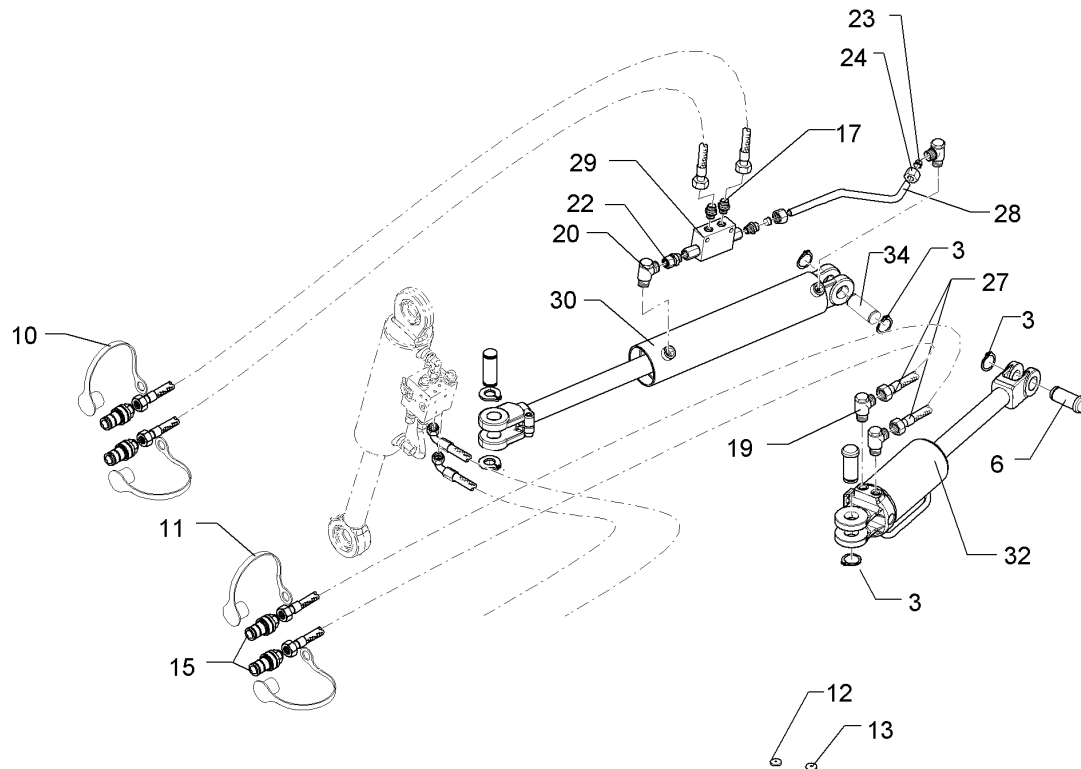
| Pos. | Art.Nr.  | Stck. | Artikeltext / Description   |                    | Abmessung                  |
|------|----------|-------|-----------------------------|--------------------|----------------------------|
| 1    | 301 5401 | 1     | Sechskantschraube           | Hexagon bolt       | M6x70-8.8 Zn<br>DIN931-A   |
| 2    | 303 0931 | 1     | Sicherungsmutter            | Selflocking nut    | NM6-8 Zn DIN985            |
| 3    | 305 8867 | 2     | Sicherungsring              | Retaining ring     | 30x2 DIN471 Zn             |
| 4    | 313 7802 | 1     | Bolzen mit Kopf             | Pin with collar    | D30/35x63/80 Zn            |
| 5    | 375 2120 | 2     | Staubkappe, grün            | Cap                | D26,5 Bg.3                 |
| 6    | 375 2718 | 2     | SVK-Stecker                 | Hydraulic coupling | BG-3 12L M18x1,5           |
| 7    | 375 4310 | 4     | Schwenkverschraubung        | Union, swivel      | x-SWVE12-LM<br>M16x1,5     |
| 8    | 375 9850 | 4     | Schelle                     | Clamp              | LNU4-19/15PP               |
| 9    | 475 2823 | 1     | Schlauchpaket               | Hose-assembly      | 2x2950 1x45 GRD<br>+2x4500 |
| 10   | 575 2445 | 1     | Memoryzylinder              | Memory ram         | 90/40-100-600              |
| 11   | 215 1588 | 1     | Bügel                       | Clamp              | D10x135 50x45              |
| 12   | 309 7000 | 1     | Spannhülse                  | Expansion bush     | 8x50-DIN1481 Zn            |
| 13   | 313 3005 | 1     | Bolzen mit Verdrehsicherung | Pin with stop      | D30x83 U-71 Zn             |



01.18

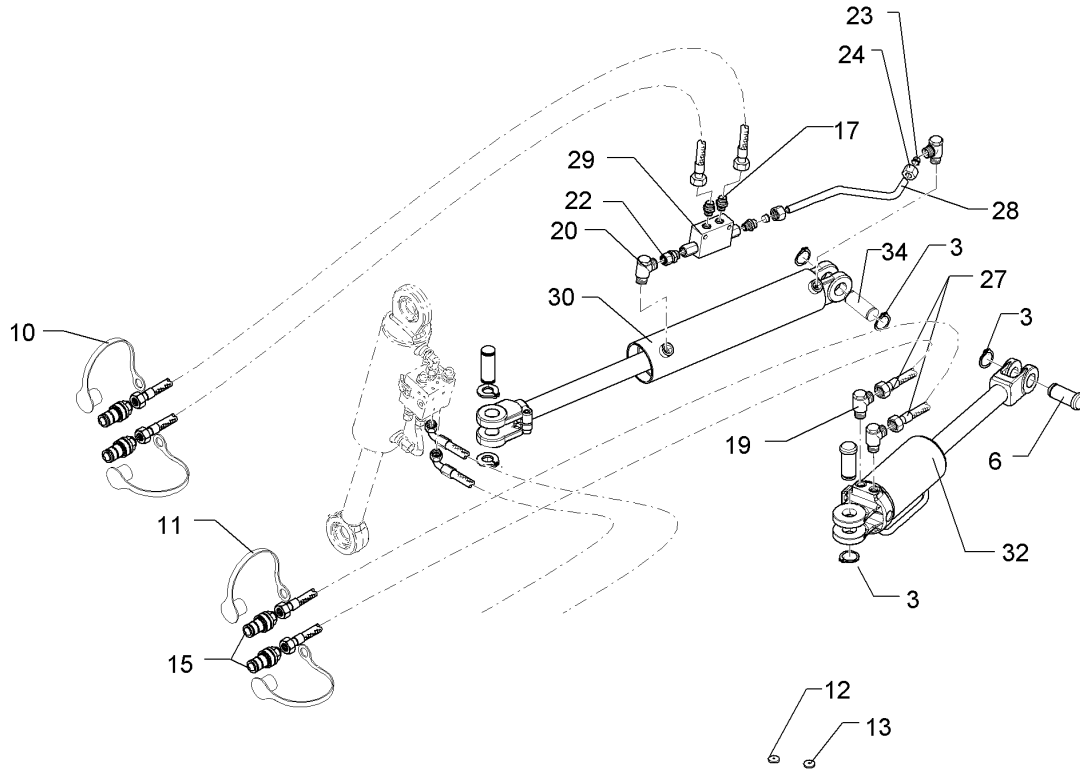
| Pos. | Art.Nr.  | Stck. | Artikeltext / Description   |                    | Abmessung                   |
|------|----------|-------|-----------------------------|--------------------|-----------------------------|
| 1    | 301 5401 | 1     | Sechskantschraube           | Hexagon bolt       | M6x70-8.8 Zn<br>DIN931-A    |
| 2    | 303 0931 | 1     | Sicherungsmutter            | Selflocking nut    | NM6-8 Zn DIN985             |
| 3    | 305 8867 | 2     | Sicherungsring              | Retaining ring     | 30x2 DIN471 Zn              |
| 4    | 313 7802 | 1     | Bolzen mit Kopf             | Pin with collar    | D30/35x63/80 Zn             |
| 5    | 325 1160 | 1     | Schlauchschelle             | Hose clip          | 40/60                       |
| 6    | 325 1180 | 1     | Schlauchschelle             | Hose clip          | OL-S 6400                   |
| 7    | 375 2120 | 2     | Staubkappe, grün            | Cap                | D26,5 Bg.3                  |
| 8    | 375 2718 | 2     | SVK-Stecker                 | Hydraulic coupling | BG-3 12L M18x1,5            |
| 9    | 375 4310 | 2     | Schwenkverschraubung        | Union, swivel      | x-SWVE12-LM<br>M16x1,5      |
| 10   | 375 9850 | 4     | Schelle                     | Clamp              | LNU4-19/15PP                |
| 11   | 475 2811 | 1     | Schlauchpaket               | Hose-assembly      | 2x1SN-4100<br>DKOL12/DKOL12 |
| 12   | 575 2430 | 1     | Breitenverstellzylinder     | Adjuster ram       | DZ90/40-100-600             |
| 13   | 215 1588 | 1     | Bügel                       | Clamp              | D10x135 50x45               |
| 14   | 309 7000 | 1     | Spannhülse                  | Expansion bush     | 8x50-DIN1481 Zn             |
| 15   | 313 3005 | 1     | Bolzen mit Verdrehsicherung | Pin with stop      | D30x83 U-71 Zn              |
| 16   | 325 1602 | 2     | Kennzeichnung               | Marking            | P2                          |
| 17   | 325 1609 | 2     | Kennzeichnung               | Marking            | T2                          |
| 18   | 375 2606 | 2     | Einleger                    | Insert             | DN6 DN8                     |
| 19   | 375 2607 | 4     | Griff Halbschale            | Handle             | -                           |





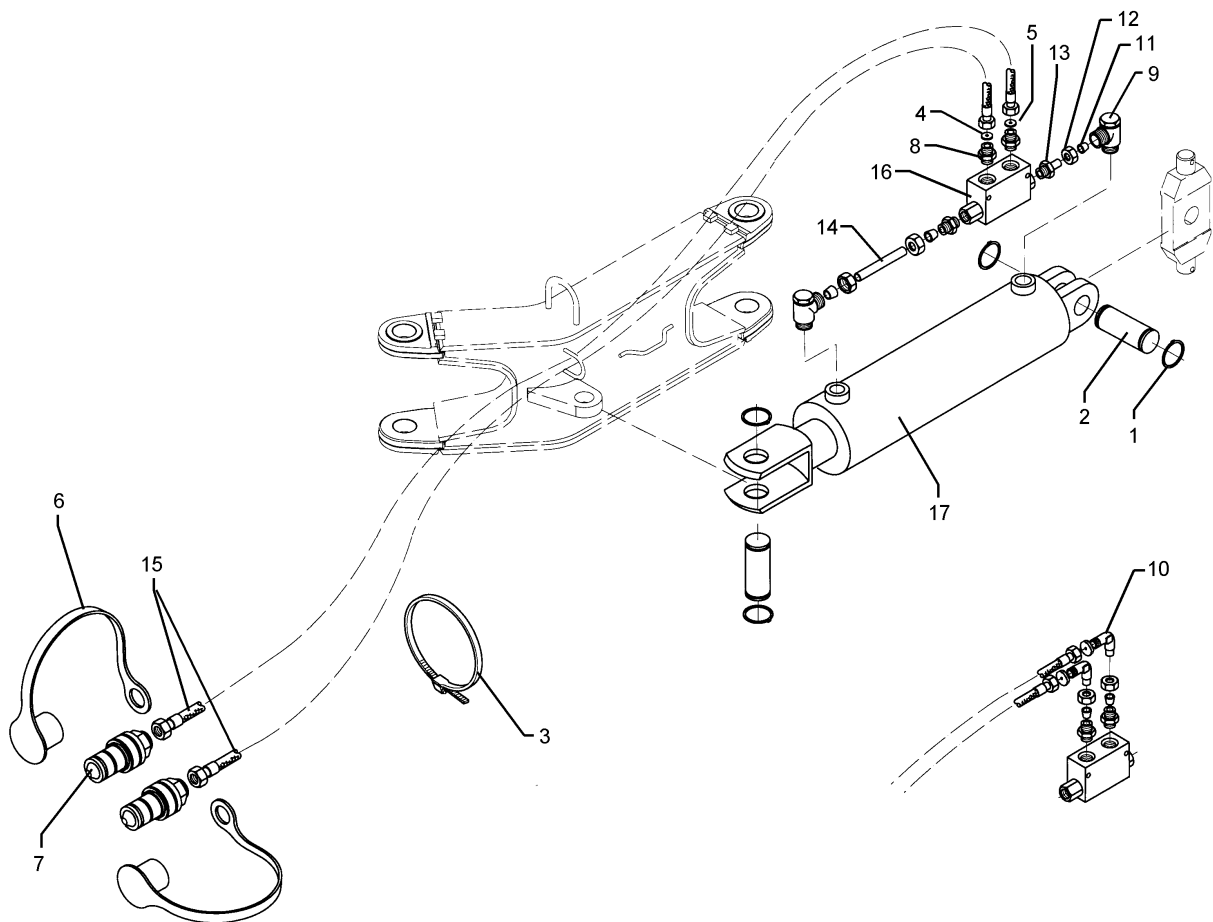
01.18

| Pos. | Art.Nr.  | Stck. | Artikeltext / Description    | Abmessung              |                                 |
|------|----------|-------|------------------------------|------------------------|---------------------------------|
| 3    | 305 8867 | 4     | Sicherungsring               | Retaining ring         | 30x2 DIN471 Zn                  |
| 6    | 313 7802 | 2     | Bolzen mit Kopf              | Pin with collar        | D30/35x63/80 Zn                 |
| 7    | 325 1180 | 1     | Schlauchschelle              | Hose clip              | OL-S 6400                       |
| 10   | 375 2120 | 2     | Staubkappe, grün             | Cap                    | D26,5 Bg.3                      |
| 11   | 375 2123 | 2     | Staubkappe, gelb             | Cap                    | D26,5 Bg.3                      |
| 12   | 375 2172 | 1     | Drosselscheibe               | Restrictor washer      | D12x1,5 BO 1,0                  |
| 13   | 375 2173 | 1     | Drosselscheibe               | Restrictor washer      | D12x1,5 BO 1,5                  |
| 15   | 375 2718 | 4     | SVK-Stecker                  | Hydraulic coupling     | BG-3 12L M18x1,5                |
| 17   | 375 4038 | 3     | Einschraubverschraubung      | Nipple                 | GE 12-LR 1/4 ZL ED              |
| 19   | 375 4310 | 2     | Schwenkverschraubung         | Union, swivel          | x-SWVE12-LM<br>M16x1,5          |
| 20   | 375 4311 | 2     | Schwenkverschraubung         | Union, swivel          | x-SWVE12-LM<br>M18x1,5 Zn       |
| 21   | 375 4500 | 2     | Einstellbare W-Verschraubung | Adjustable angle union | EW12-LM DKO24<br>GRD M18x1,5    |
| 22   | 375 4711 | 1     | Stutzen                      | Stud                   | x-evGE-12-ED 1/4"<br>DKO 24 GRD |
| 23   | 375 5110 | 4     | Schneidring                  | Cutting ring           | 12-L/S Zn/ZnNi WD               |
| 24   | 375 5310 | 4     | Überwurfmutter               | Union nut              | 12L M18x1,5<br>Zn/ZnNi          |
| 27   | 475 2816 | 1     | Schlauchpaket                | Hose-assembly          | 2x3300/2x3800 MSS               |
| 28   | 57510305 | 1     | Hydraulikrohr                | Hydraulic tube         | 12x2x52                         |
| 29   | 575 2161 | 1     | Rückschlagventil             | Nonreturn valve        | RDP 06 1/4                      |
| 30   | 575 2309 | 1     | Hydraulikzylinder            | Hydraulic ram          | DZ80/30/174                     |
| 32   | 575 2430 | 1     | Breitenverstellzylinder      | Adjuster ram           | DZ90/40-100-600                 |



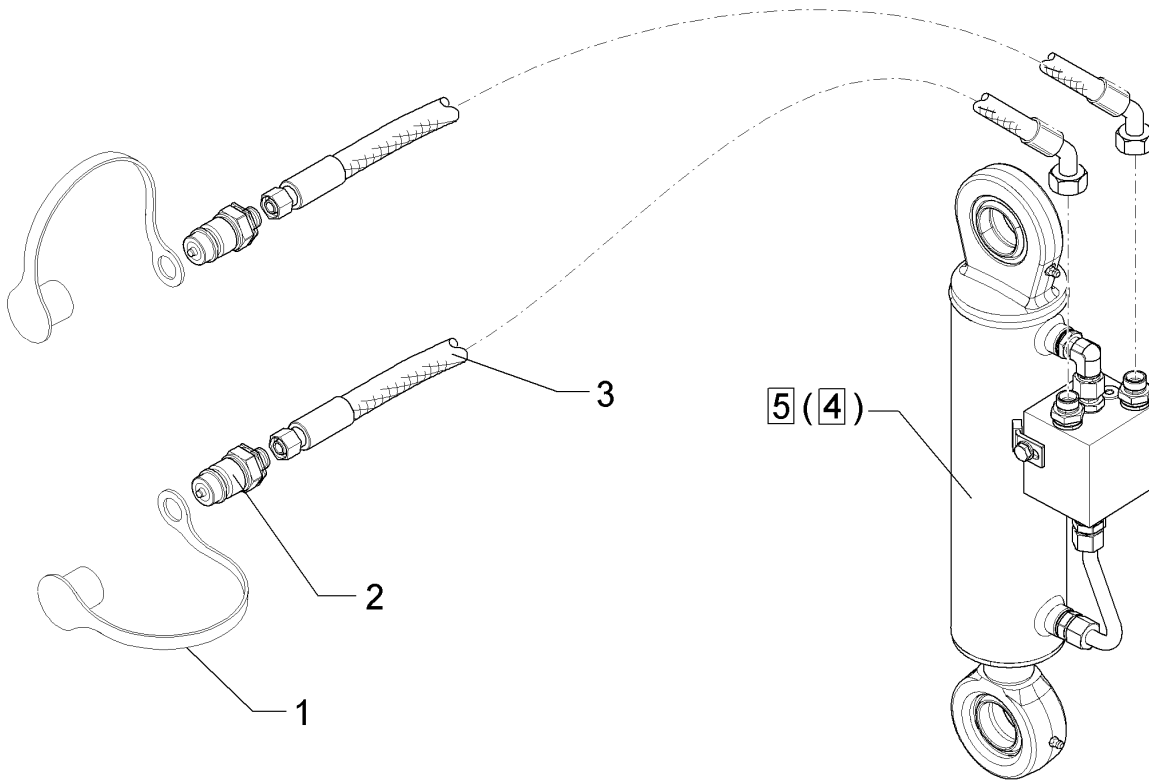
01.18

| Pos. | Art.Nr.  | Stck. | Artikeltext / Description |     | Abmessung       |
|------|----------|-------|---------------------------|-----|-----------------|
| 34   | 313 7803 | 2     | Bolzen                    | Pin | D30x81,7/100 Zn |



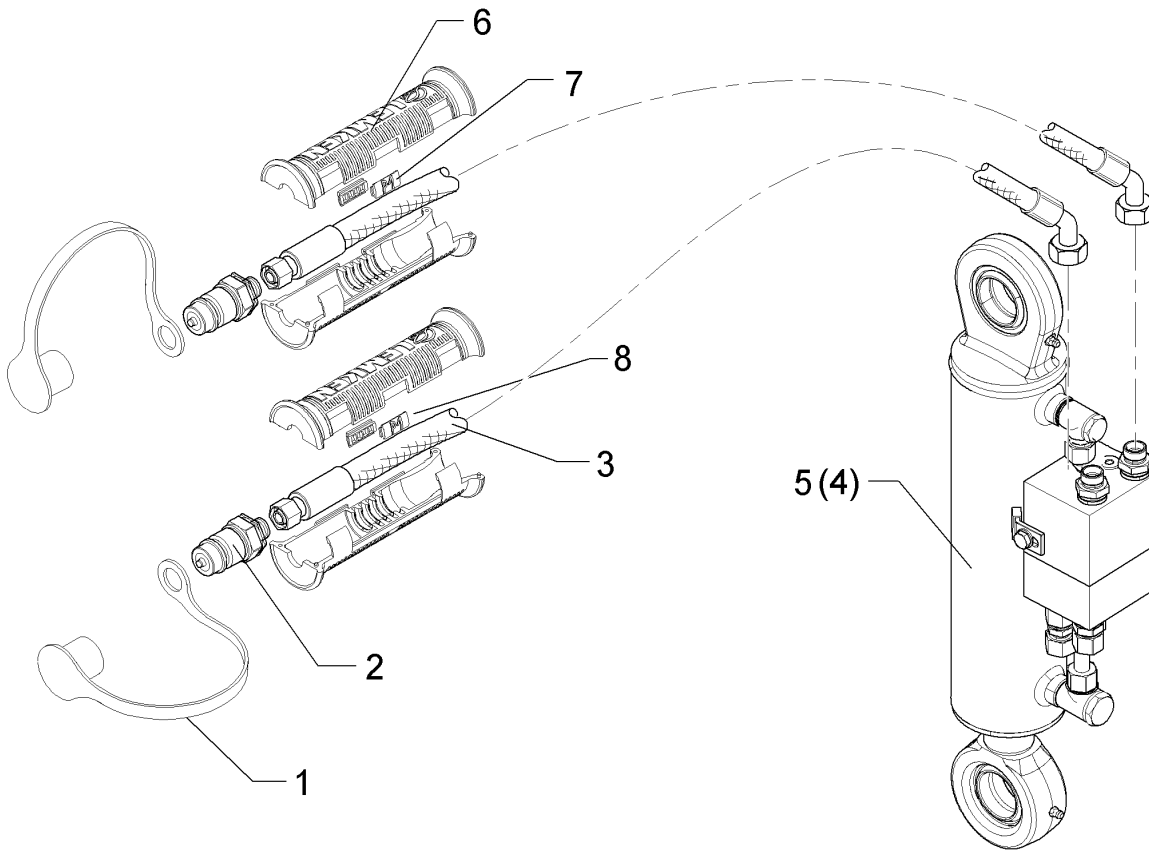
01.18

| Pos. | Art.Nr.  | Stck. | Artikeltext / Description    |                        | Abmessung                       |
|------|----------|-------|------------------------------|------------------------|---------------------------------|
| 1    | 305 8867 | 2     | Sicherungsring               | Retaining ring         | 30x2 DIN471 Zn                  |
| 2    | 313 7802 | 2     | Bolzen mit Kopf              | Pin with collar        | D30/35x63/80 Zn                 |
| 3    | 325 1180 | 1     | Schlauchschele               | Hose clip              | OL-S 6400                       |
| 4    | 375 2172 | 1     | Drosselscheibe               | Restrictor washer      | D12x1,5 BO 1,0                  |
| 5    | 375 2173 | 1     | Drosselscheibe               | Restrictor washer      | D12x1,5 BO 1,5                  |
| 6    | 375 2123 | 2     | Staubkappe, gelb             | Cap                    | D26,5 Bg.3                      |
| 7    | 375 2718 | 2     | SVK-Stecker                  | Hydraulic coupling     | BG-3 12L M18x1,5                |
| 8    | 375 4038 | 3     | Einschraubverschraubung      | Nipple                 | GE 12-LR 1/4 ZL ED              |
| 9    | 375 4311 | 2     | Schwenkverschraubung         | Union, swivel          | x-SWVE12-LM<br>M18x1,5 Zn       |
| 10   | 375 4500 | 2     | Einstellbare W-Verschraubung | Adjustable angle union | EW12-LM DKO24<br>GRD M18x1,5    |
| 11   | 375 5110 | 4     | Schneidring                  | Cutting ring           | 12-L/S Zn/ZnNi WD               |
| 12   | 375 5310 | 4     | Überwurfmutter               | Union nut              | 12L M18x1,5<br>Zn/ZnNi          |
| 13   | 375 4711 | 1     | Stutzen                      | Stud                   | x-evGE-12-ED 1/4"<br>DKO 24 GRD |
| 14   | 57510305 | 1     | Hydraulikrohr                | Hydraulic tube         | 12x2x52                         |
| 15   | 475 2801 | 1     | Schlauchpaket                | Hose-assembly          | 2xNW8x3300 MSS                  |
| 16   | 575 2161 | 1     | Rückschlagventil             | Nonreturn valve        | RDP 06 1/4                      |
| 17   | 575 2309 | 1     | Hydraulikzylinder            | Hydraulic ram          | DZ80/30/174                     |



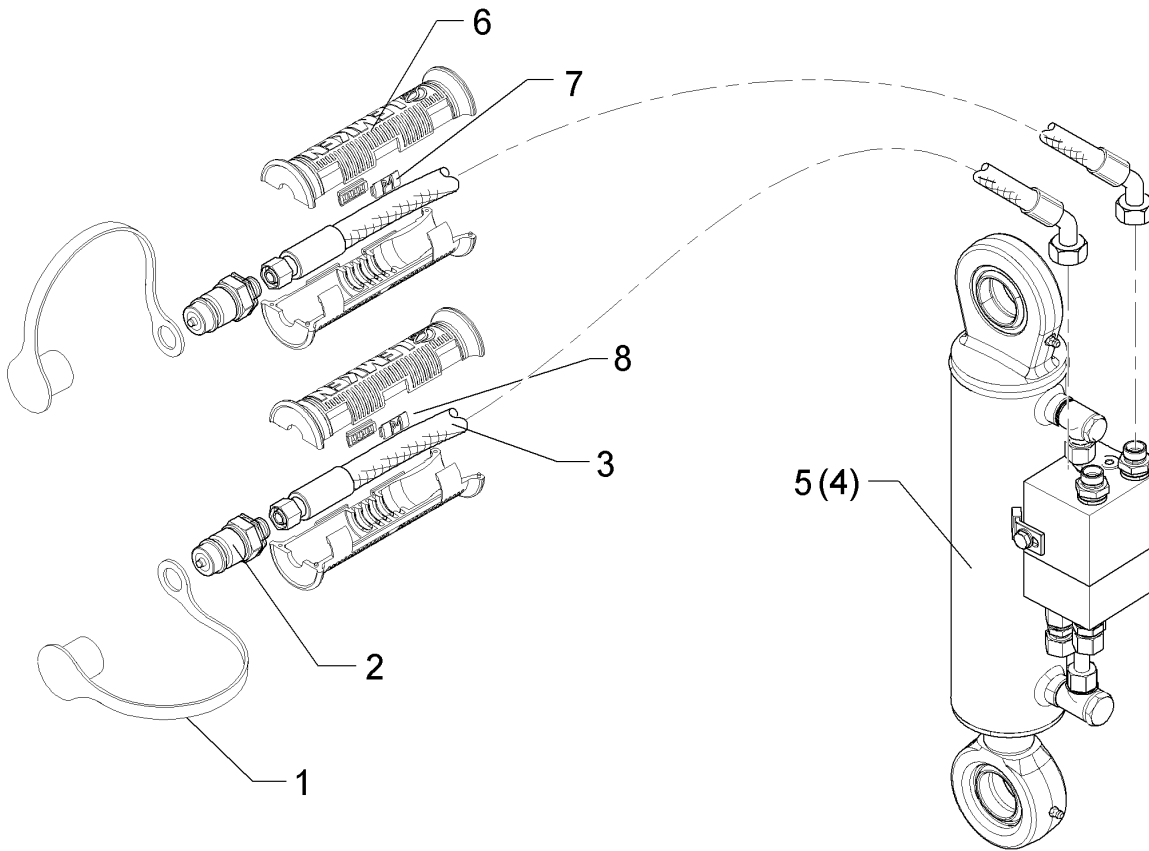
01.18

| Pos. | Art.Nr.  | Stck. | Artikeltext / Description | Abmessung          |                                      |
|------|----------|-------|---------------------------|--------------------|--------------------------------------|
| 1    | 375 2166 | 2     | Staubkappe, rot           | Cap, red           | D26,5                                |
| 2    | 375 2718 | 2     | SVK-Stecker               | Hydraulic coupling | BG-3 12L M18x1,5                     |
| 3    | 475 2617 | 2     | Hydraulikschlauch         | Hydraulic hose     | 2SN10-1250<br>DKOL12/DKOL12<br>0/45° |
| 4    | 575 2490 | 1     | Umschaltzylinder          | Change over ram    | DZ70/40-240 IV-A                     |
| 5    | 575 2508 | 1     | Umschaltzylinder          | Change over ram    | DZ70/40-240 SYS<br>5A                |



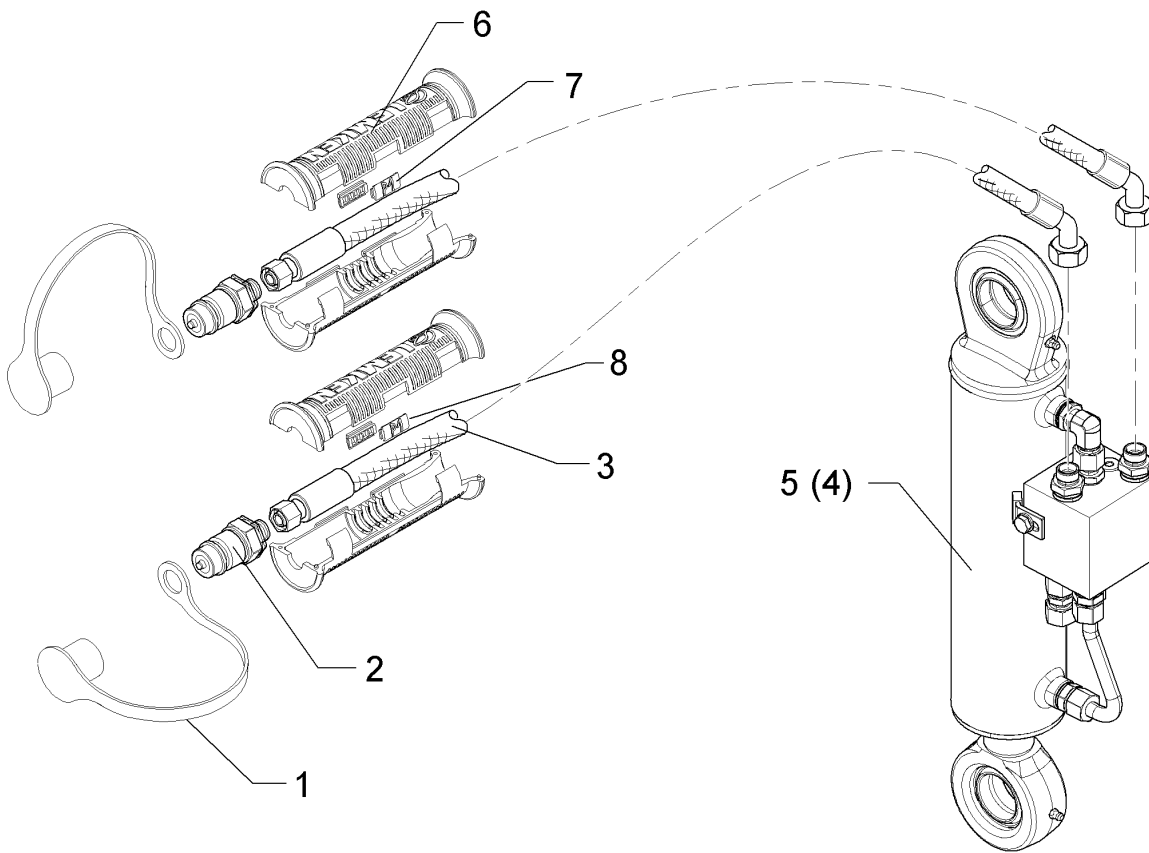
01.18

| Pos. | Art.Nr.  | Stck. | Artikeltext / Description | Abmessung              |
|------|----------|-------|---------------------------|------------------------|
| 1    | 375 2166 | 2     | Staubkappe, rot           | Cap, red               |
| 2    | 375 2718 | 2     | SVK-Stecker               | Hydraulic coupling     |
| 3    | 475 2617 | 2     | Hydraulikschlauch         | Hydraulic hose         |
| 4    | 575 2492 | 1     | Umschaltzylinder VÜP      | Turn over ram with VÜP |
| 5    | 575 2506 | 1     | Umschaltzylinder          | Change over ram        |



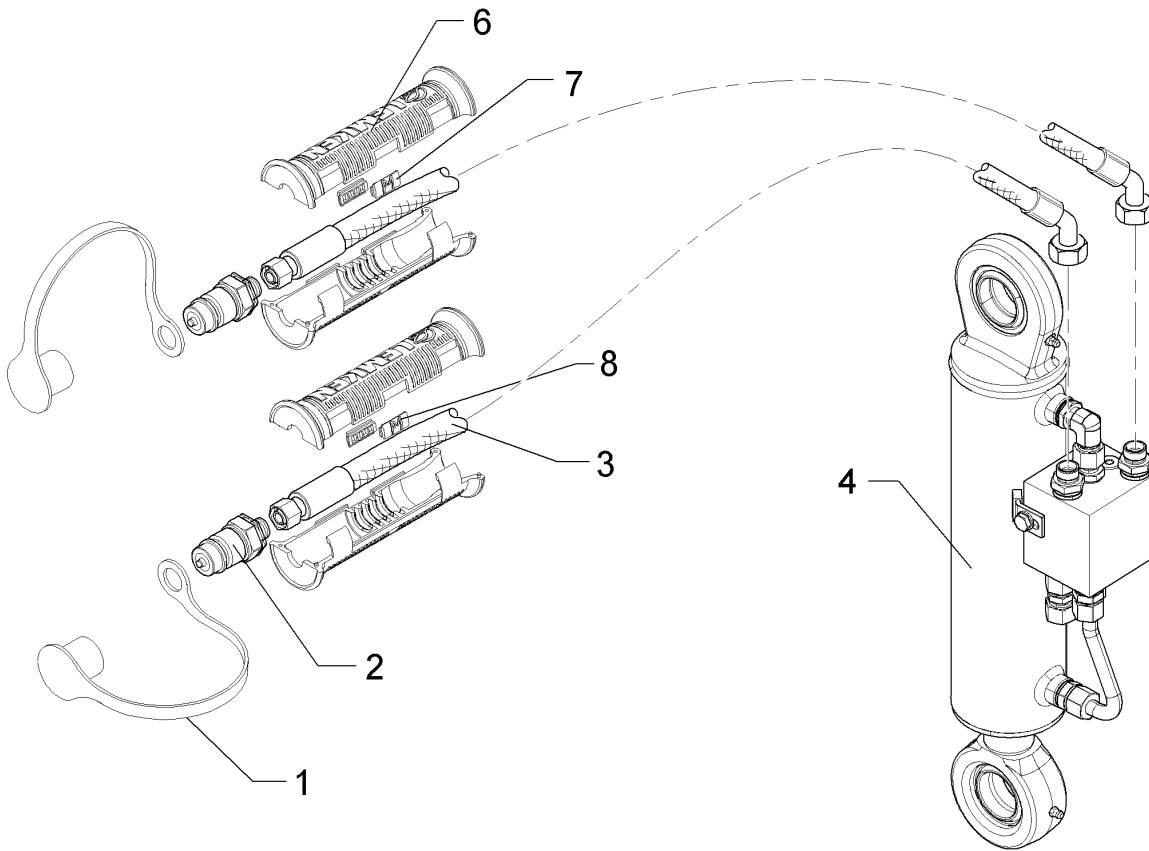
01.18

| Pos. | Art.Nr.  | Stck. | Artikeltext / Description | Abmessung              |                                      |
|------|----------|-------|---------------------------|------------------------|--------------------------------------|
| 1    | 375 2166 | 2     | Staubkappe, rot           | Cap, red               | D26,5                                |
| 2    | 375 2718 | 2     | SVK-Stecker               | Hydraulic coupling     | BG-3 12L M18x1,5                     |
| 3    | 475 2617 | 2     | Hydraulikschlauch         | Hydraulic hose         | 2SN10-1250<br>DKOL12/DKOL12<br>0/45° |
| 4    | 575 2495 | 1     | Umschaltzylinder VÜP      | Turn over ram with VÜP | DZ80/40-240-D35<br>HPS-II-AR         |



01.18

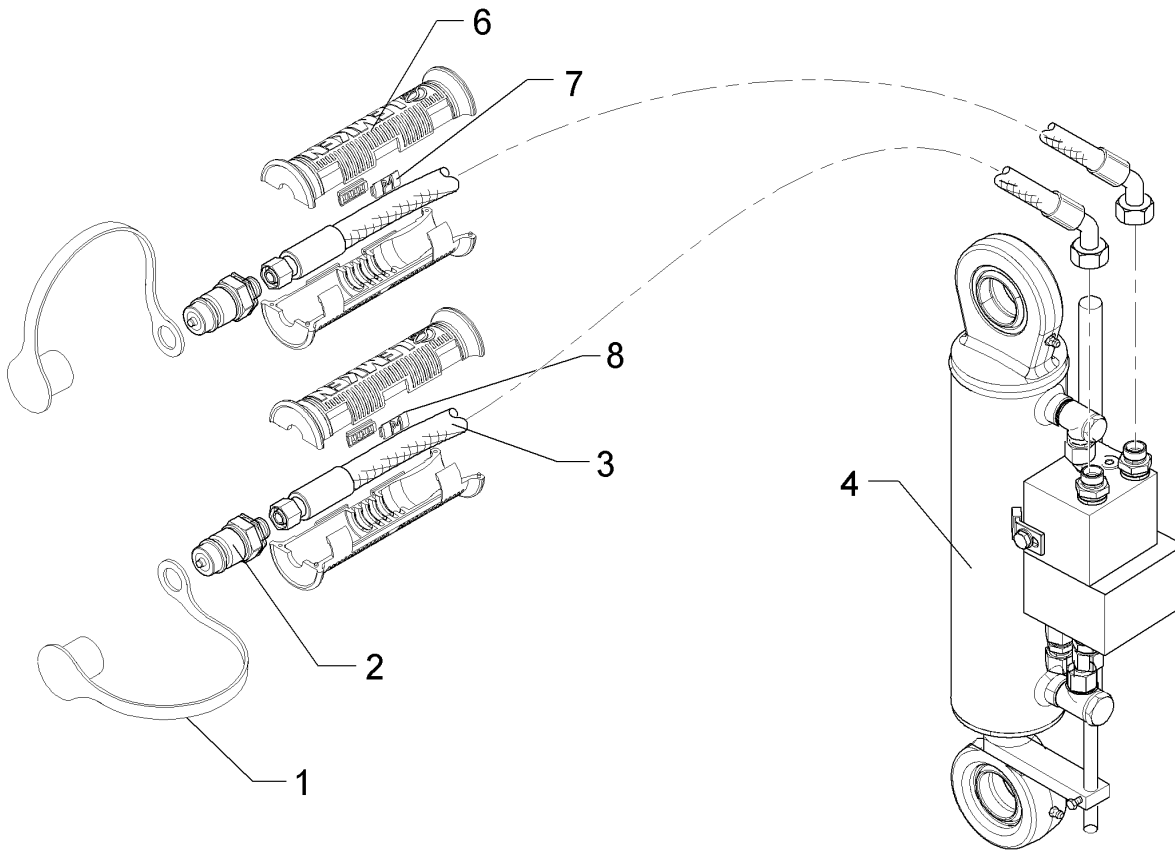
| Pos. | Art.Nr.  | Stck. | Artikeltext / Description | Abmessung              |                                      |
|------|----------|-------|---------------------------|------------------------|--------------------------------------|
| 1    | 375 2166 | 2     | Staubkappe, rot           | Cap, red               | D26,5                                |
| 2    | 375 2718 | 2     | SVK-Stecker               | Hydraulic coupling     | BG-3 12L M18x1,5                     |
| 3    | 475 2617 | 2     | Hydraulikschlauch         | Hydraulic hose         | 2SN10-1250<br>DKOL12/DKOL12<br>0/45° |
| 4    | 575 2492 | 1     | Umschaltzylinder VÜP      | Turn over ram with VÜP | DZ70/40-240<br>HPS-II-A-FS           |
| 5    | 575 2508 | 1     | Umschaltzylinder          | Change over ram        | DZ70/40-240 SYS<br>5A                |
| 6    | 375 2607 | 4     | Griff Halbschale          | Handle                 | -                                    |
| 7    | 325 1601 | 2     | Kennzeichnung             | Marking                | P1 20x9                              |
| 8    | 325 1608 | 2     | Kennzeichnung             | Marking                | T1 20x9                              |



01.18

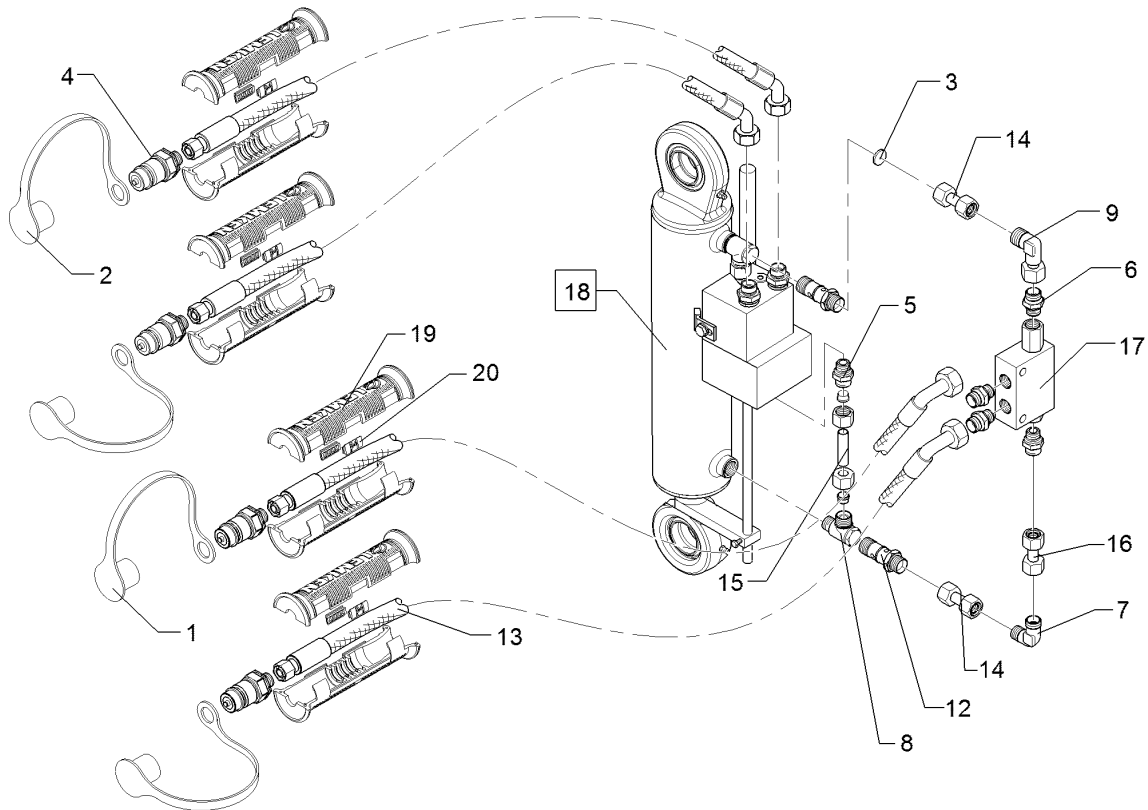
| Pos. | Art.Nr.  | Stck. | Artikeltext / Description |                    | Abmessung                            |
|------|----------|-------|---------------------------|--------------------|--------------------------------------|
| 1    | 375 2166 | 2     | Staubkappe, rot           | Cap, red           | D26,5                                |
| 2    | 375 2718 | 2     | SVK-Stecker               | Hydraulic coupling | BG-3 12L M18x1,5                     |
| 3    | 475 2617 | 2     | Hydraulikschlauch         | Hydraulic hose     | 2SN10-1250<br>DKOL12/DKOL12<br>0/45° |
| 4    | 575 2506 | 1     | Umschaltzylinder          | Change over ram    | DZ80/40-236-D35<br>HPS-III-AR        |
| 6    | 375 2607 | 4     | Griff Halbschale          | Handle             | -                                    |
| 7    | 325 1601 | 2     | Kennzeichnung             | Marking            | P1 20x9                              |
| 8    | 325 1608 | 2     | Kennzeichnung             | Marking            | T1 20x9                              |





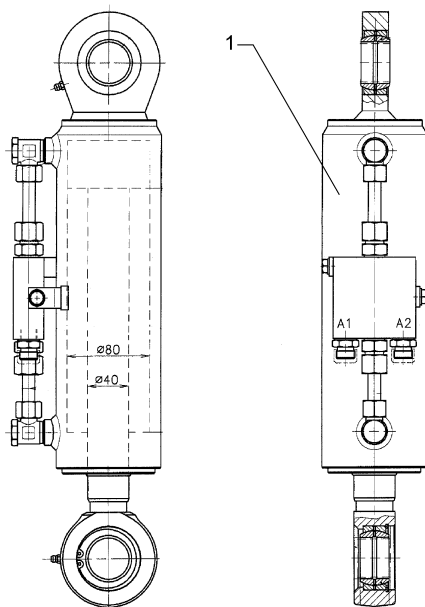
01.18

| Pos. | Art.Nr.  | Stck. | Artikeltext / Description  |                           | Abmessung                            |
|------|----------|-------|----------------------------|---------------------------|--------------------------------------|
| 1    | 375 2166 | 2     | Staubkappe, rot            | Cap, red                  | D26,5                                |
| 2    | 375 2718 | 2     | SVK-Stecker                | Hydraulic coupling        | BG-3 12L M18x1,5                     |
| 3    | 475 2617 | 2     | Hydraulikschlauch          | Hydraulic hose            | 2SN10-1250<br>DKOL12/DKOL12<br>0/45° |
| 4    | 575 2498 | 1     | Umschaltzylinder Vari-Stop | Switch over ram Vari-Stop | DZ80/40-240-D35                      |
| 6    | 375 2607 | 4     | Griff Halbschale           | Handle                    | -                                    |
| 7    | 325 1601 | 2     | Kennzeichnung              | Marking                   | P1 20x9                              |
| 8    | 325 1608 | 2     | Kennzeichnung              | Marking                   | T1 20x9                              |



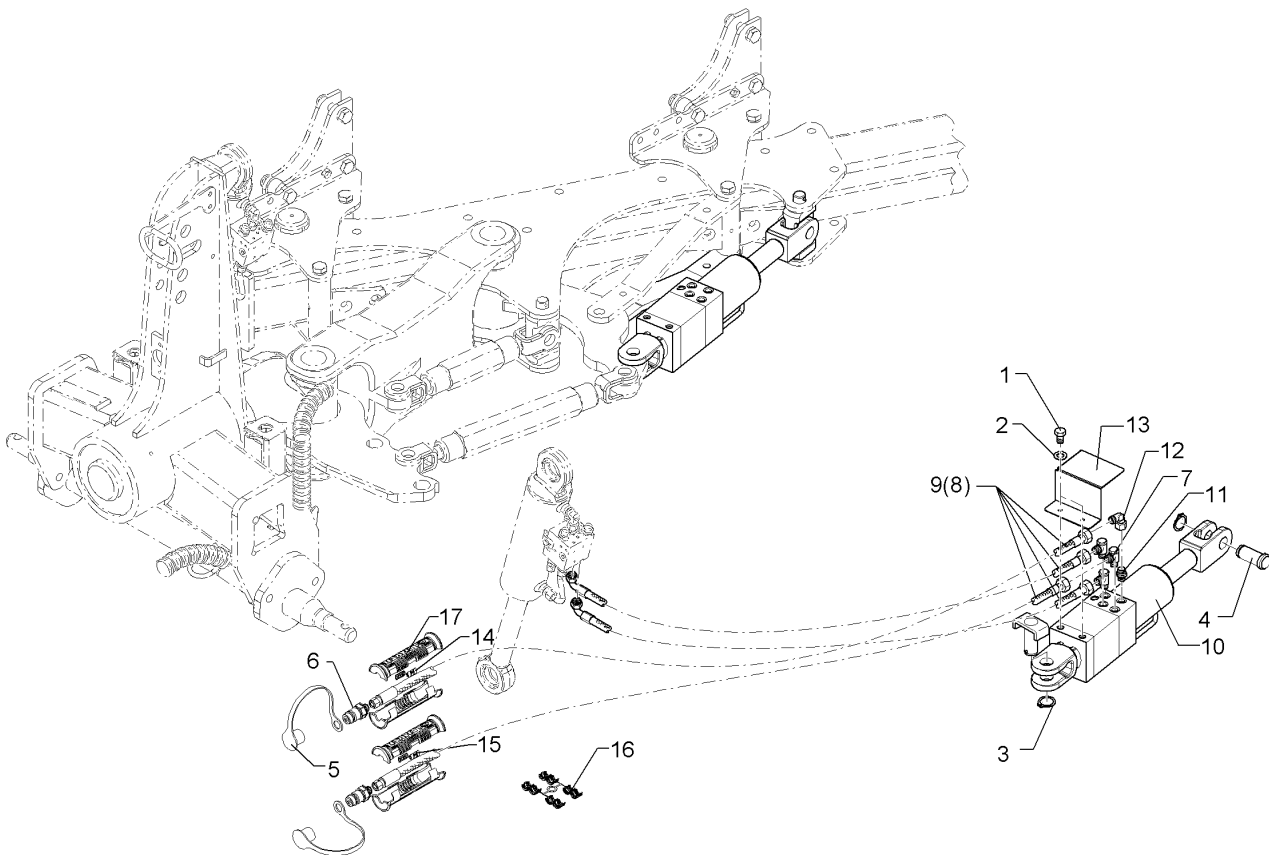
01.18

| Pos. | Art.Nr.  | Stck. | Artikeltext / Description    | Abmessung                 |                                      |
|------|----------|-------|------------------------------|---------------------------|--------------------------------------|
| 1    | 375 2120 | 2     | Staubkappe, grün             | Cap                       | D26,5 Bg.3                           |
| 2    | 375 2166 | 2     | Staubkappe, rot              | Cap, red                  | D26,5                                |
| 3    | 375 2172 | 1     | Drosselscheibe               | Restrictor washer         | D12x1,5 BO 1,0                       |
| 4    | 375 2718 | 4     | SVK-Stecker                  | Hydraulic coupling        | BG-3 12L M18x1,5                     |
| 5    | 375 4010 | 1     | Einschraubverschraubung      | Nipple                    | x-GE12-LM M16x1,5<br>Zn              |
| 6    | 375 4038 | 4     | Einschraubverschraubung      | Nipple                    | GE 12-LR 1/4 ZL ED                   |
| 7    | 375 4210 | 1     | Winkelverschraubung          | Elbow union               | x-W12-L M18x1,5                      |
| 8    | 375 4310 | 2     | Schwenkverschraubung         | Union, swivel             | x-SWVE12-LM<br>M16x1,5               |
| 9    | 375 4500 | 1     | Einstellbare W-Verschraubung | Adjustable angle union    | EW12-LM DKO24<br>GRD M18x1,5         |
| 12   | 375 5532 | 2     | Sonderhohlschraube m.Bohrung | Banjo bolt                | M16x1,5 12L Zn                       |
| 13   | 475 2617 | 4     | Hydraulikschlauch            | Hydraulic hose            | 2SN10-1250<br>DKOL12/DKOL12<br>0/45° |
| 14   | 57510320 | 2     | Hydraulikrohr                | Hydraulic tube            | 12x2x35 1xDR                         |
| 15   | 57510391 | 1     | Hydraulikrohr                | Hydraulic tube            | 12x2x55 1xDR                         |
| 16   | 57510392 | 1     | Hydraulikrohr                | Hydraulic tube            | 12x2x98 1xDR                         |
| 17   | 575 2161 | 1     | Rückschlagventil             | Nonreturn valve           | RDP 06 1/4                           |
| 18   | 575 2498 | 1     | Umschaltzylinder Vari-Stop   | Switch over ram Vari-Stop | DZ80/40-240-D35                      |
| 19   | 375 2607 | 8     | Griff Halbschale             | Handle                    | -                                    |



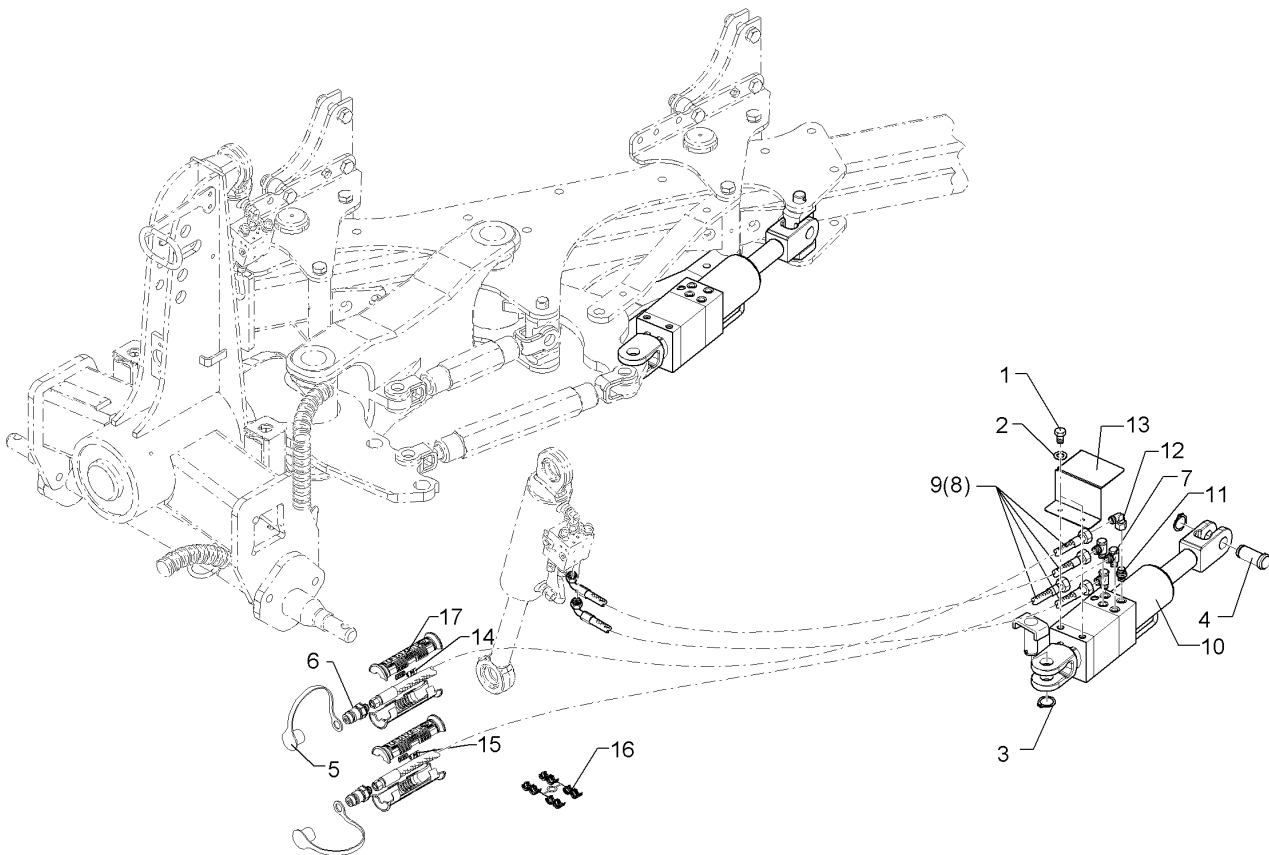
01.18

| Pos. | Art.Nr.  | Stck. | Artikeltext / Description | Abmessung       |                    |
|------|----------|-------|---------------------------|-----------------|--------------------|
| 1    | 575 2501 | 1     | Umschaltzylinder          | Change over ram | DZ80/40/240-D35 EL |



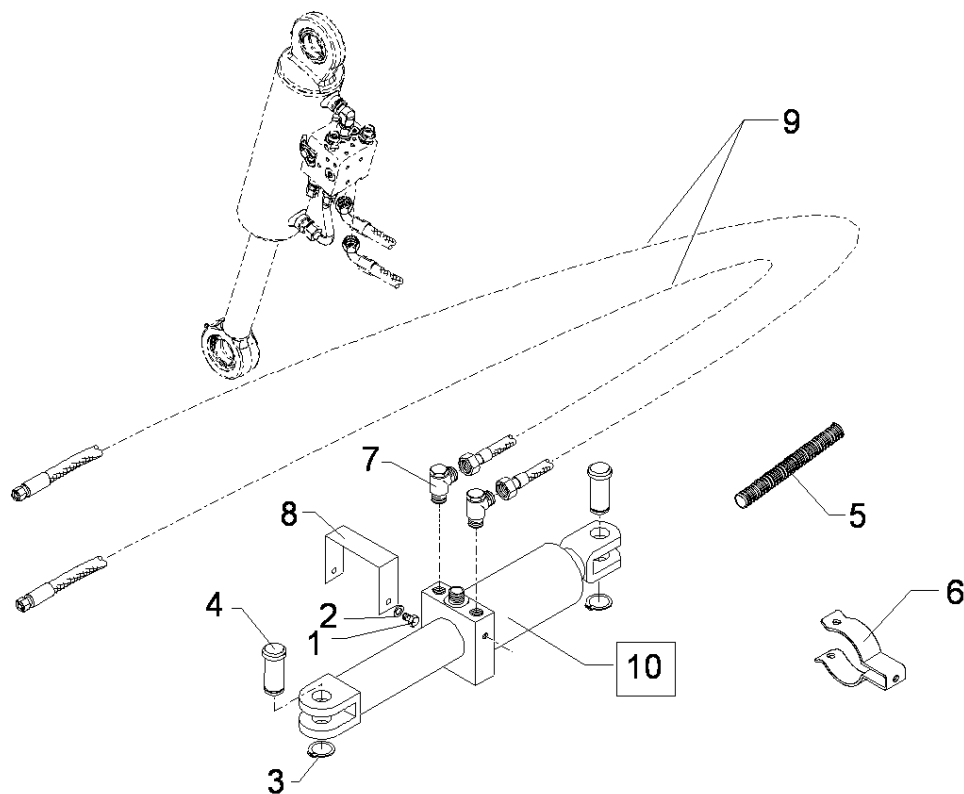
01.18

| Pos. | Art.Nr.  | Stck. | Artikeltext / Description    |                        | Abmessung                        |
|------|----------|-------|------------------------------|------------------------|----------------------------------|
| 1    | 301 3054 | 2     | Sechskantschraube            | Hexagon bolt           | M8x10-8.8 Zn<br>DIN933           |
| 2    | 305 8694 | 2     | Scheibe                      | Washer                 | A8,4 DIN125-St Zn                |
| 3    | 305 8867 | 2     | Sicherungsring               | Retaining ring         | 30x2 DIN471 Zn                   |
| 4    | 313 7802 | 2     | Bolzen mit Kopf              | Pin with collar        | D30/35x63/80 Zn                  |
| 5    | 375 2166 | 2     | Staubkappe, rot              | Cap, red               | D26,5                            |
| 6    | 375 2718 | 2     | SVK-Stecker                  | Hydraulic coupling     | BG-3 12L M18x1,5                 |
| 7    | 375 4310 | 3     | Schwenkverschraubung         | Union, swivel          | x-SWVE12-LM<br>M16x1,5           |
| 8    | 475 2830 | 1     | Schlauchpaket                | Hose-assembly          | 1x2700/2800 2x4100<br>Schut.2600 |
| 9    | 475 2818 | 1     | Schlauchpaket                | Hose-assembly          | 2x2950 1x45 GRD<br>+2x3100       |
| 10   | 575 2450 | 1     | Memoryzylinder               | Memory ram             | DZ100/50-100-600                 |
| 11   | 375 4010 | 1     | Einschraubverschraubung      | Nipple                 | x-GE12-LM M16x1,5<br>Zn          |
| 12   | 375 4500 | 1     | Einstellbare W-Verschraubung | Adjustable angle union | EW12-LM DKO24<br>GRD M18x1,5     |
| 13   | 470 5006 | 1     | Schutzblech                  | Guard                  | 130x90x90<br>Memory-EPS          |



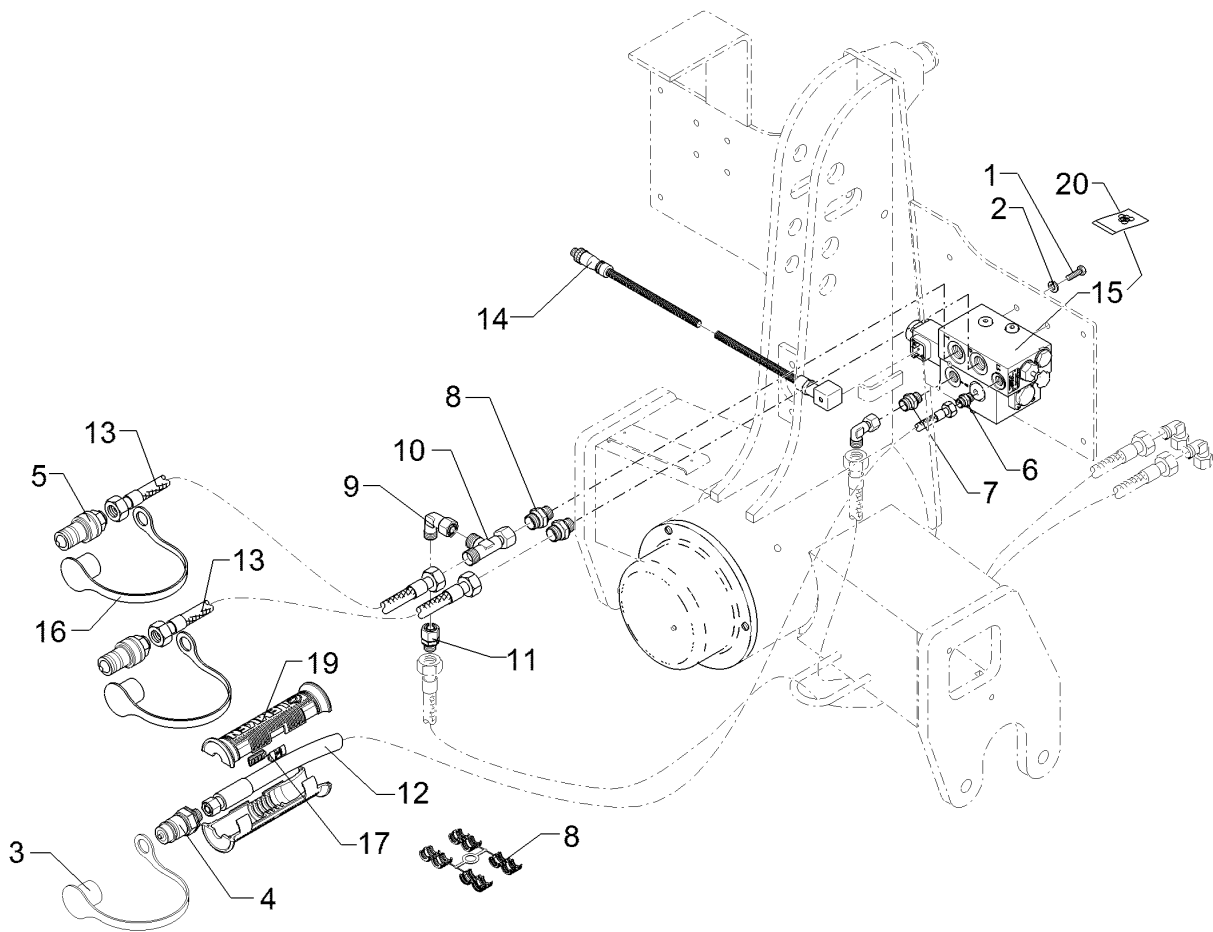
01.18

| Pos. | Art.Nr.  | Stck. | Artikeltext / Description    |                        | Abmessung                    |
|------|----------|-------|------------------------------|------------------------|------------------------------|
| 1    | 301 3054 | 2     | Sechskantschraube            | Hexagon bolt           | M8x10-8.8 Zn<br>DIN933       |
| 2    | 305 8694 | 4     | Scheibe                      | Washer                 | A8,4 DIN125-St Zn            |
| 3    | 305 8867 | 2     | Sicherungsring               | Retaining ring         | 30x2 DIN471 Zn               |
| 4    | 313 7802 | 2     | Bolzen mit Kopf              | Pin with collar        | D30/35x63/80 Zn              |
| 5    | 375 2166 | 2     | Staubkappe, rot              | Cap, red               | D26,5                        |
| 6    | 375 2718 | 2     | SVK-Stecker                  | Hydraulic coupling     | BG-3 12L M18x1,5             |
| 7    | 375 4310 | 3     | Schwenkverschraubung         | Union, swivel          | x-SWVE12-LM<br>M16x1,5       |
| 8    | 475 2820 | 1     | Schlauchpaket                | Hose-assembly          | 2x3050 1x45 GRD<br>+2x4600   |
| 9    | 475 2819 | 1     | Schlauchpaket                | Hose-assembly          | 2x3050 1x45 GRD<br>+2x3200   |
| 10   | 575 2450 | 1     | Memoryzylinder               | Memory ram             | DZ100/50-100-600             |
| 11   | 375 4010 | 1     | Einschraubverschraubung      | Nipple                 | x-GE12-LM M16x1,5<br>Zn      |
| 12   | 375 4500 | 1     | Einstellbare W-Verschraubung | Adjustable angle union | EW12-LM DKO24<br>GRD M18x1,5 |
| 13   | 470 5006 | 1     | Schutzblech                  | Guard                  | 130x90x90<br>Memory-EPS      |
| 14   | 325 1602 | 2     | Kennzeichnung                | Marking                | P2                           |
| 15   | 325 1609 | 2     | Kennzeichnung                | Marking                | T2                           |
| 16   | 375 2606 | 2     | Einleger                     | Insert                 | DN6 DN8                      |
| 17   | 375 2607 | 4     | Griff Halbschale             | Handle                 | -                            |



01.18

| Pos. | Art.Nr.  | Stck. | Artikeltext / Description |                 | Abmessung              |
|------|----------|-------|---------------------------|-----------------|------------------------|
| 1    | 301 3054 | 2     | Sechskantschraube         | Hexagon bolt    | M8x10-8.8 Zn<br>DIN933 |
| 2    | 305 8694 | 2     | Scheibe                   | Washer          | A8,4 DIN125-St Zn      |
| 3    | 305 8867 | 2     | Sicherungsring            | Retaining ring  | 30x2 DIN471 Zn         |
| 4    | 313 7802 | 2     | Bolzen mit Kopf           | Pin with collar | D30/35x63/80 Zn        |
| 5    | 325 5516 | 0     | Wellrohr                  | Corrugated tube | Di=36                  |
| 6    | 329 1810 | 1     | Flachformfeder            | U-spring        | 40x4x360-D95           |
| 7    | 375 4310 | 4     | Schwenkverschraubung      | Union, swivel   | x-SWVE12-LM<br>M16x1,5 |
| 8    | 470 5007 | 1     | Schutzblech               | Guard           | 40x3x290 U-101x90      |
| 9    | 475 2655 | 2     | Hydraulikschlauch         | Hydraulic hose  | 1SN08-900 M18x1,5      |
| 10   | 575 2403 | 1     | Einschwenkzylinder        | Swing-in ram    | DZ90/40-100-555 EL     |

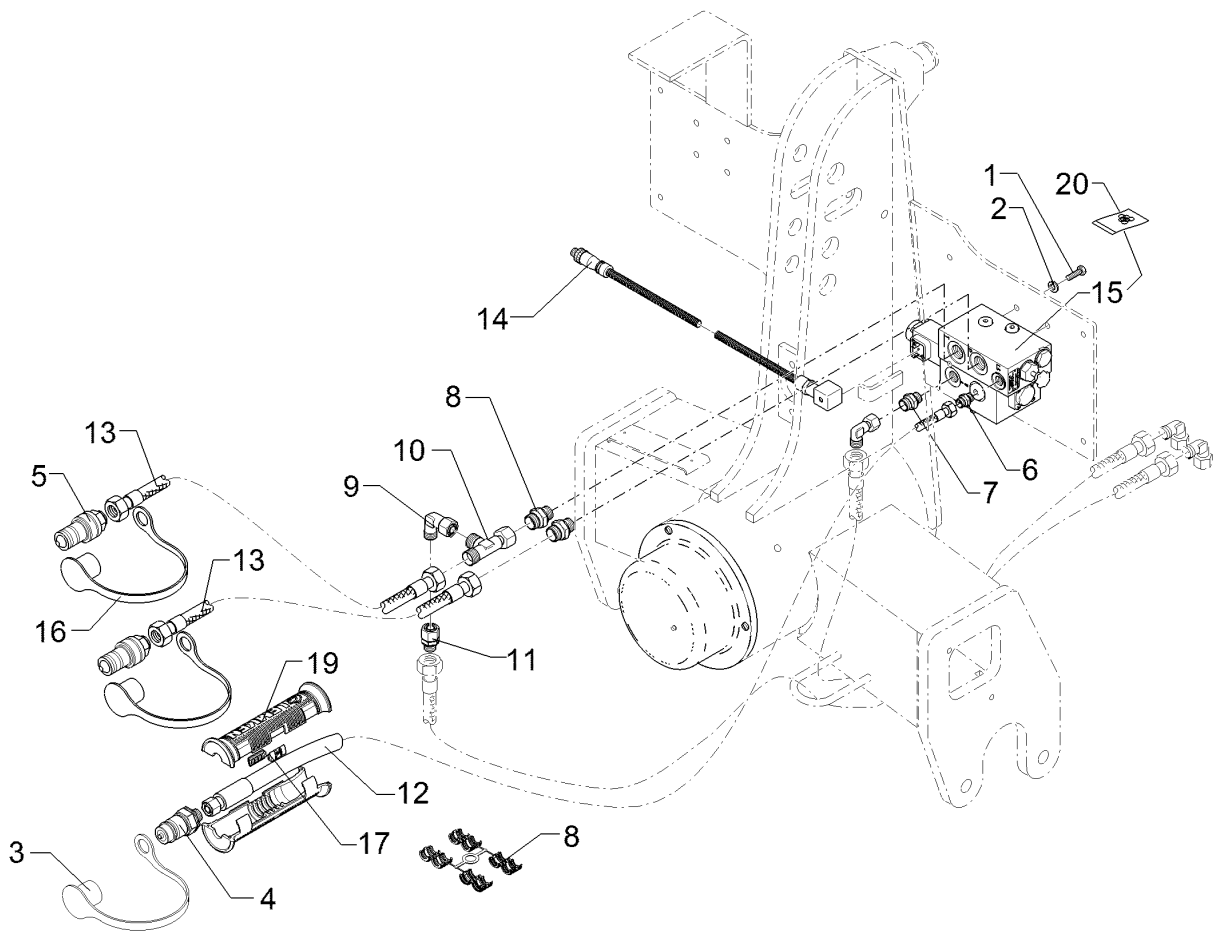


01.18

| Pos. | Art.Nr.  | Stck. | Artikeltext / Description      |                        | Abmessung                     |
|------|----------|-------|--------------------------------|------------------------|-------------------------------|
| 1    | 301 7260 | 4     | Sechskantschraube              | Hexagon bolt           | M8x16-8.8 Zn<br>DIN933        |
| 2    | 305 9898 | 4     | Federring                      | Spring ring            | 8 A DIN127 Zn                 |
| 3    | 375 2164 | 1     | Staubkappe                     | Dust cap               | rd BG.2                       |
| 4    | 375 2716 | 1     | SVK-Stecker                    | Hydraulic coupling     | BG-2 10LM16x1,5               |
| 5    | 375 2736 | 2     | SVK-Stecker                    | Hydraulic coupling     | BG-3 15L CEL<br>M22x1,5 SW-27 |
| 6    | 375 4009 | 1     | Einschraubverschraubung        | Nipple                 | x-GE12-LM M14x1,5<br>Zn       |
| 7    | 375 4020 | 1     | Einschraubverschraubung        | Nipple                 | x-GE12-LM M18x1,5<br>Zn       |
| 8    | 375 4032 | 2     | Gerade Einschraubverschraubung | Nipple                 | x-GE15-LM<br>22x1,5-ED        |
| 9    | 375 4500 | 3     | Einstellbare W-Verschraubung   | Adjustable angle union | EW12-LM DKO24<br>GRD M18x1,5  |
| 10   | 375 4553 | 1     | Einstellbare L-Verschraubung   | Adjustable L-union     | EL15-L-DKO24 GRD              |
| 11   | 375 4653 | 1     | Konus-Reduzieranschluss        | Reduction joint        | x-KOR15/12-L<br>DKO24 GRD     |
| 12   | 475 2629 | 1     | Hydraulikschlauch              | Hydraulic hose         | 1SN08-1350<br>M16/M18x1,5     |
| 13   | 475 3013 | 2     | Hydraulikschlauch              | Hydraulic hose         | 2SN12-1500<br>DKOL15/DKOL15   |
| 14   | 573 6030 | 1     | Kabelbaum LS- Anforderung      | Cable form             | VariOpal                      |
| 15   | 575 9050 | 1     | Kombiblock einstellb.          | Combi block adjustable | EPS                           |
| 16   | 375 2166 | 2     | Staubkappe, rot                | Cap, red               | D26,5                         |
| 17   | 325 1614 | 2     | Kennzeichnung                  | Marking                | LS                            |
| 18   | 375 2606 | 1     | Einleger                       | Insert                 | DN6 DN8                       |

|  |           |
|--|-----------|
| <b>Kombiblock einstellb. kpl./Combi block adjustable, cpl.</b> | <b>17</b> |
|--|-----------|

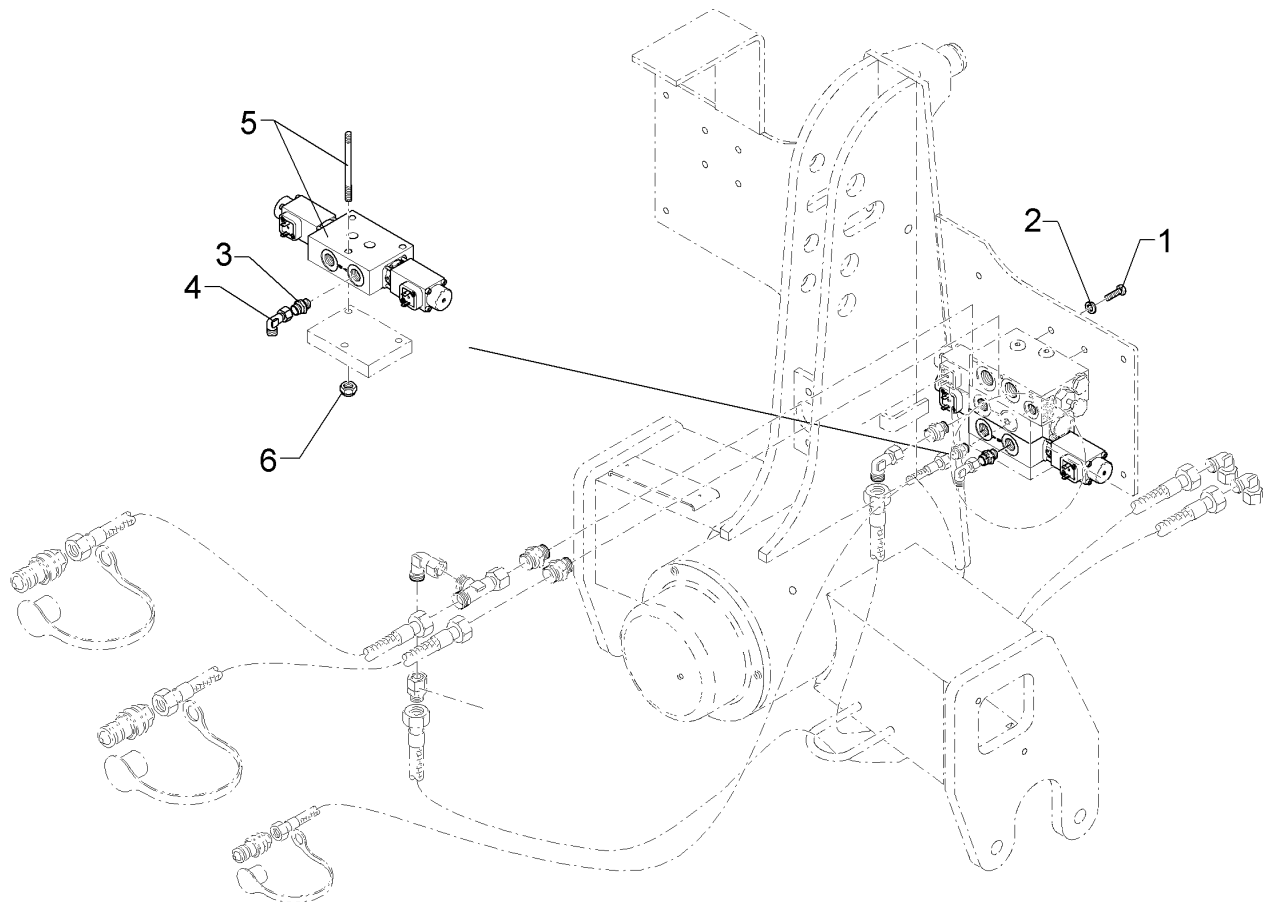
|                         |                 |
|-------------------------|-----------------|
| <b>VariOpal 7 / 7HX</b> | <b>675 9050</b> |
|-------------------------|-----------------|



01.18

| Pos. | Art.Nr.  | Stck. | Artikeltext / Description | Abmessung                   |
|------|----------|-------|---------------------------|-----------------------------|
| 19   | 375 2607 | 2     | Griff Halbschale          | Handle                      |
| 20   | 57510689 | 1     | Dichtungssatz             | Seal set                    |
|      |          |       |                           | -<br>LC8 LD8 LH8 LM8<br>LP8 |





01.18

| Pos. | Art.Nr.  | Stck. | Artikeltext / Description    |                        | Abmessung                    |
|------|----------|-------|------------------------------|------------------------|------------------------------|
| 1    | 301 3066 | 2     | Sechskantschraube            | Hexagon bolt           | M8x30-8.8 Zn<br>DIN933       |
| 2    | 305 9898 | 2     | Federring                    | Spring ring            | 8 A DIN127 Zn                |
| 3    | 375 4020 | 1     | Einschraubverschraubung      | Nipple                 | x-GE12-LM M18x1,5<br>Zn      |
| 4    | 375 4500 | 2     | Einstellbare W-Verschraubung | Adjustable angle union | EW12-LM DKO24<br>GRD M18x1,5 |
| 5    | 575 9051 | 1     | Stützradblock                | Depth wheel block      | EPS                          |
| 6    | 303 0113 | 3     | Dichtmutter                  | Nut                    | M8 100280470                 |