



CLAMPS TEST FILTRATION DIAGNOSTICS ACCESSORIES VALVES FLANGES ACCUMULATORS

Home

High-Pressure Ball Valves

Medium / Low-Pressure

Flow Control

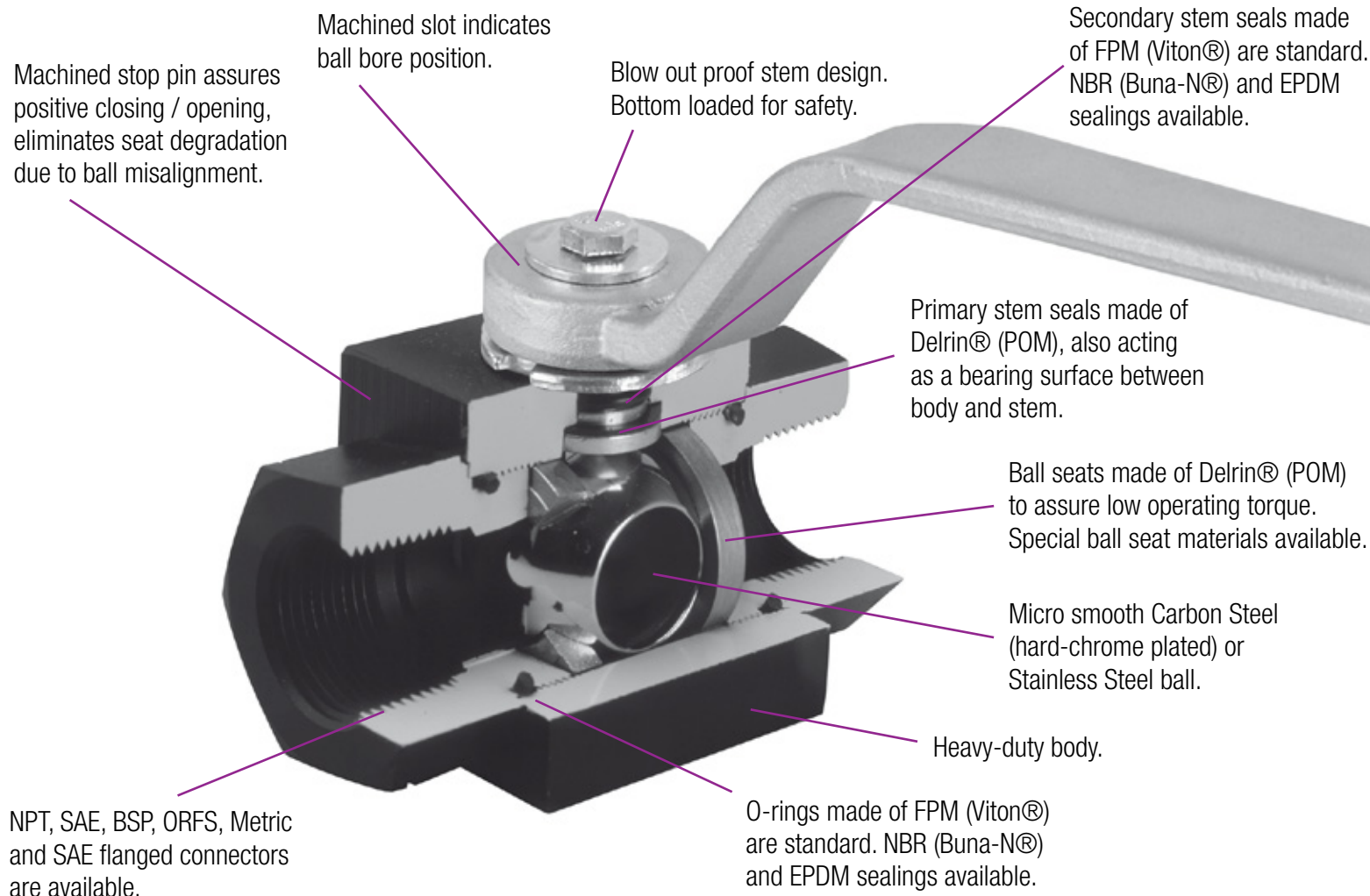
Gauge Isolator

Options

Special Applications

Technical

Valves



Main Features

- “Floating Ball” design insures a positive, leak-free seal and automatically compensates for any seat wear or misalignment.
- Available in Carbon Steel and Stainless Steel.
- 1/4 turn positive operation.
- Hard-chrome plated micro-smooth ball greatly reduces friction and seat wear.
- Ball seats are available in a variety of materials to suit your special applications.
- Depending on size and materials, working pressures up to 800 bar / 12000 PSI and temperatures up to +500 °C / +930 °F can be accommodated.
- Full size ports on most two-way valves virtually eliminates pressure drop.
- STAUFF Ball Valves offer completely bidirectional operation, eliminating any chance of incorrect installation.
- No lubrication or maintenance required for the life of the valve.
- STAUFF Valves are easily and completely repairable.
- Long seal life.
- No threads in fluid service to contaminate flow or cause turbulence.

Options

- Alternative lever designs and materials
- Special ball seat and O-ring materials
- for lower/higher temperatures and more aggressive media
- Special threads and connections

Accessories

- Locking devices
- Actuator packages
- Limit switches

Special Versions

- Highest-pressure ball valves
- High-temperature ball valves
- Ball valves for gas, paints, lacquers and Isocyanate
- Ball valves with fire-safe approval
- Custom-designed ball valves

Contact STAUFF with your special requirements.



CLAMPS

TEST

FILTRATION

DIAGNOSTICS

ACCESSORIES

VALVES

FLANGES

ACCUMULATORS

Home

High-Pressure Ball Valves

Two-Way

Three-Way

Four-Way

Medium / Low-Pressure

Flow Control

Gauge Isolator

Options

Special Applications

Technical

High-Pressure Two-Way Ball Valves

High-Pressure Block Body Ball Valve BBV

[Introduction](#)

[Female NPT / BSP Thread](#)

[Female UN / UNF Thread](#)

[O-Ring Face Seal Connection - Male Thread](#)

[24° Cone Connection - Light / Heavy Series](#)

High-Pressure Block Body Ball Valve (Medium Duty) BBVM

[Introduction](#)

[Female NPT Thread](#)

[Female UN / UNF Thread](#)

High-Pressure Forged Body Ball Valve FBV

[Introduction](#)

[Female NPT / BSP Thread](#)

[Female UN / UNF Thread](#)

[O-Ring Face Seal Connection - Male Thread](#)

[24° Cone Connection - Light / Heavy Series](#)



High-Pressure 800 bar / 12000 PSI Block Body Ball Valve HBV

[Introduction](#)

[Female NPT Thread](#)

High-Pressure Block Body Ball Valve BBV22/23

[Introduction](#)

[3000 PSI SAE Split Flange Connection](#)

[6000 PSI SAE Split Flange Connection](#)

High-Pressure Forged Body Ball Valve FBV22/23

[Introduction](#)

[3000 PSI SAE Split Flange / Flange Connection](#)

[6000 PSI SAE Split Flange / Flange Connection](#)





CLAMPS

TEST

FILTRATION

DIAGNOSTICS

ACCESSORIES

VALVES

FLANGES

ACCUMULATORS

Home

High-Pressure Ball Valves

Two-Way

Three-Way

Four-Way

Medium / Low-Pressure

Flow Control

Gauge Isolator

Options

Special Applications

Technical

High-Pressure Two-Way Ball Valves

High-Pressure Block Body Ball Valve BBV2H/2T

[Introduction](#)

[3000 PSI SAE Split Flange / Flange Connection](#)

[6000 PSI SAE Split Flange / Flange Connection](#)

High-Pressure Block Body Ball Valve BBV2E/2S

[Introduction](#)

[3000 PSI SAE Flange Connection](#)

[6000 PSI SAE Flange Connection](#)

High-Pressure Forged Body Ball Valve FBV2H/2T

[Introduction](#)

[3000 PSI SAE Split Flange / Flange Connection](#)

[6000 PSI SAE Split Flange / Flange Connection](#)

High-Pressure Forged Body Ball Valve FBV2E/2S

[Introduction](#)

[3000 PSI SAE Flange Connection](#)

[6000 PSI SAE Flange Connection](#)

High-Pressure Round Body Ball Valve BBV29

[Introduction](#)

[3000/6000 PSI Flange Connection](#)

High-Pressure Round Body Ball Valve BBV27/28

[Introduction](#)

[3000 PSI Flange Connection](#)

[6000 PSI Flange Connection](#)

High-Pressure Round Body Ball Valve BBVF2A

[Introduction](#)

[DIN Flange Connection with SCH 160 Butt Weld Ends](#)

High-Pressure Round Body Ball Valve BBV2D1/D2

[Introduction](#)

[ISO Flange Connection](#)

High-Pressure Round Body Ball Valve BBV2Y1/Y2

[Introduction](#)

[CETOP Flange Connection](#)

High-Pressure Block Body Ball Valve KHZ27/28

[Introduction](#)

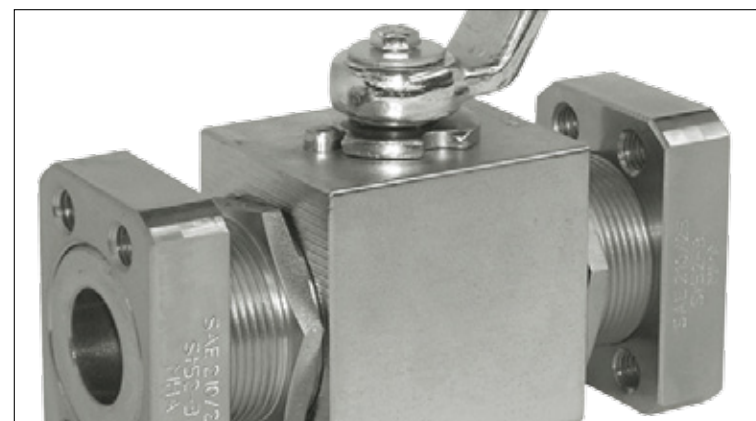
[3000 PSI SAE Flange Connection](#)

[6000 PSI SAE Flange Connection](#)

High-Pressure Block Body Ball Valve BBV25

[Introduction](#)

[Manifold Mounting](#)





CLAMPS

TEST

FILTRATION

DIAGTRONICS

ACCESSORIES

VALVES

FLANGES

ACCUMULATORS

Home

High-Pressure Ball Valves

Two-Way

Three-Way

Four-Way

Medium / Low-Pressure

Flow Control

Gauge Isolator

Options

Special Applications

Technical

High-Pressure Three-Way Ball Valves

High-Pressure Block Body Ball Valve L-Bore Three-Way Selector BBV35

[Introduction](#) • [Manifold Mounting](#)

High-Pressure Block Body Ball Valve L-Bore Three-Way Selector – BBVS35

[Introduction](#) • [Manifold Mounting](#)

High-Pressure Block Body Ball Valve L-Bore Three-Way Selector – CBV3

[Introduction](#) • [Female NPT / BSP Thread](#) • [Female UN/UNF Thread](#)

[24° Cone Connection - Light / Heavy Series](#)

High-Pressure Block Body Ball Valve L-Bore Three-Way Selector – CBV38

[Introduction](#)

[6000 PSI SAE Flange Connection](#)

High-Pressure Block Body Ball Valve L-Bore Three-Way Selector – CBVS3

[Introduction](#)

[Female NPT / BSP Thread](#)

[Female UN/UNF Thread](#)

[24° Cone Connection - Light / Heavy Series](#)

High-Pressure Block Body Ball Valve L-Bore Three-Way Selector – LBV3

[Introduction](#)

[Female NPT / BSP Thread](#)

[Female UN/UNF Thread](#)

[24° Cone Connection - Light / Heavy Series](#)

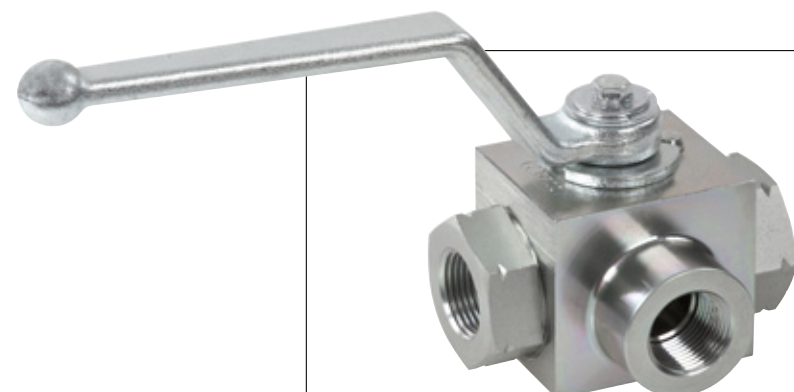
High-Pressure Block Body Ball Valve T-Bore Three-Way Selector – TBV3

[Introduction](#)

[Female NPT / BSP Thread](#)

[Female UN/UNF Thread](#)

[24° Cone Connection - Light / Heavy Series](#)





- Home
- High-Pressure Ball Valves**
- Two-Way
- Three-Way
- Four-Way**
- Medium / Low-Pressure
- Flow Control
- Gauge Isolator
- Options
- Special Applications
- Technical

High-Pressure Four-Way Ball Valves

High-Pressure Block Body Ball Valve T-Bore Four-Way Selector – TBV4

[Introduction](#)

[Female BSP / NPT Thread](#)

[Female UN/UNF Thread](#)

[24° Cone Connection - Light / Heavy Series](#)

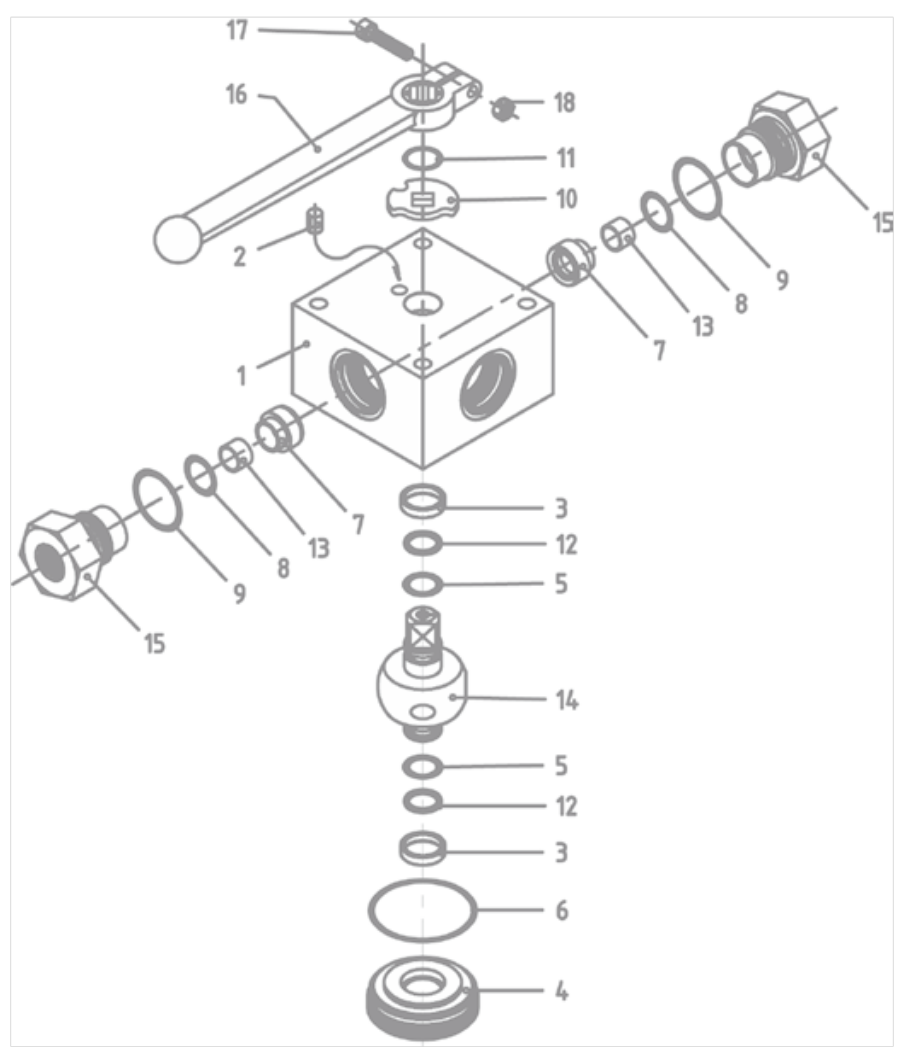
High-Pressure Block Body Ball Valve Double L-Bore Four-Way Selector – XBV4

[Introduction](#)

[Female BSP / NPT Thread](#)

[Female UN/UNF Thread](#)

[24° Cone Connection - Light / Heavy Series](#)





CLAMPS

TEST

FILTRATION

DIAGNOSTICS

ACCESSORIES

VALVES

FLANGES

ACCUMULATORS

Home

High-Pressure Ball Valves

Medium / Low-Pressure

Flow Control

Gauge Isolator

Options

Special Applications

Technical

Medium / Low-Pressure Ball Valves

[Medium-Pressure Ball Valve 2BVM](#)

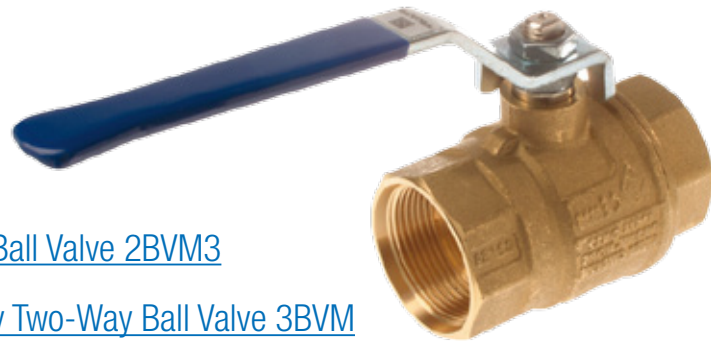
[Two-Piece Hex Body Ball Valve Low-Pressure Ball Valve 2BVL](#)

[Two-Piece Brass Body Ball Valve Port Adaptors](#)

[Medium-Pressure Hex Body Ball Valve 2BVM](#)

[Two-Piece Stainless Steel Body Medium-Pressure Hex Body Ball Valve 2BVM3](#)

[Three-Piece Stainless Steel Body Medium-Pressure Hex Body Two-Way Ball Valve 3BVM](#)

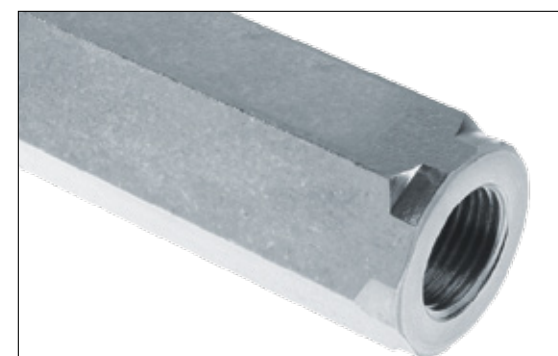




- Home
- High-Pressure Ball Valves
- Medium / Low-Pressure
- Flow Control**
- Gauge Isolator
- Options
- Special Applications
- Technical

Flow Control Valves

- [Heavy-Duty Throttle / Shut-Off Valve \(In-Line Assembly\) DV](#)
- [Heavy-Duty Flow Control Valve \(In-Line Assembly\) DRV](#)
- [Medium-Duty Throttle / Shut-Off Valve \(In-Line Assembly\) NVH](#)
- [Medium-Duty Flow Control Valve \(In-Line Assembly\) FCH](#)
- [Medium-Pressure Brass Throttle / Shut-Off Valve \(In-Line Assembly\) NVM](#)
- [Medium-Pressure Brass Flow Control Valve \(In-Line Assembly\) FCM](#)
- [Throttle / Shut-Off Valve \(Manifold Assembly\) DVP](#)
- [Flow Control Valve \(Manifold Assembly\) DRVP](#)
- [Throttle / Shut-Off Valve \(Cartridge Assembly\) DVE](#)
- [Pressure Compensated Flow Control Valve \(In-Line Assembly\) PNDRV](#)
- [Heavy-Duty Check Valve \(In-Line Assembly\) RV](#)
- [Medium-Duty Check Valve \(In-Line Assembly\) RVM](#)
- [Flow Characteristics](#)

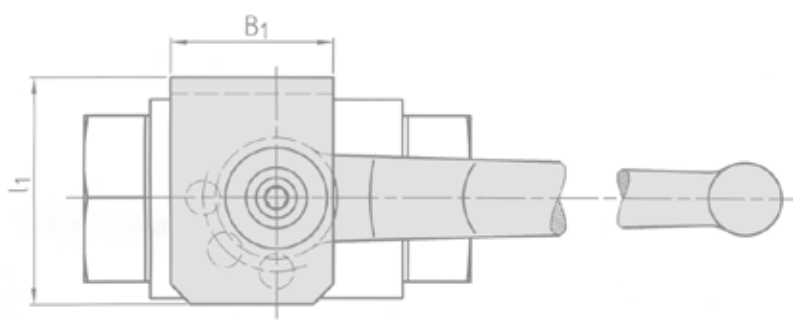
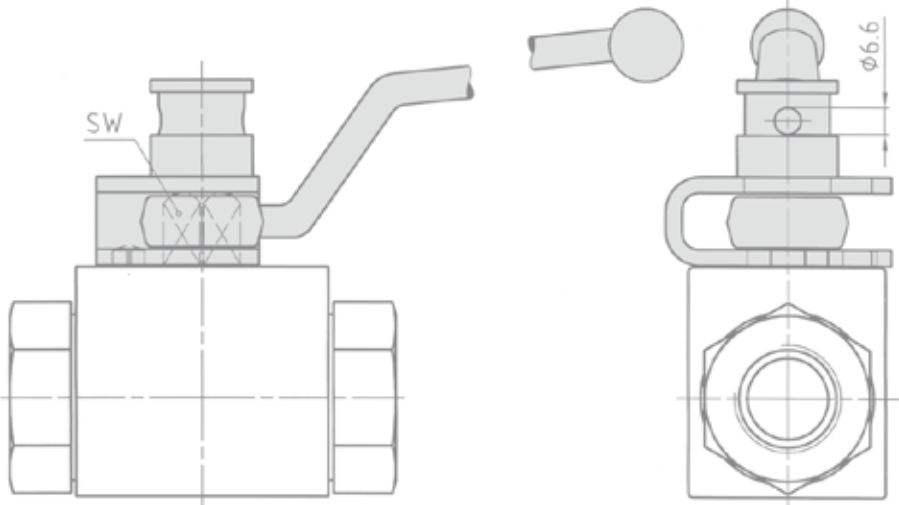
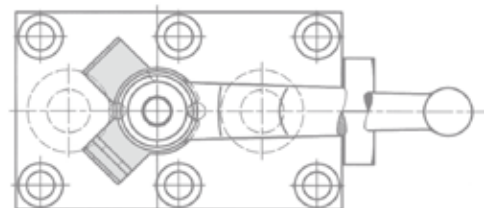
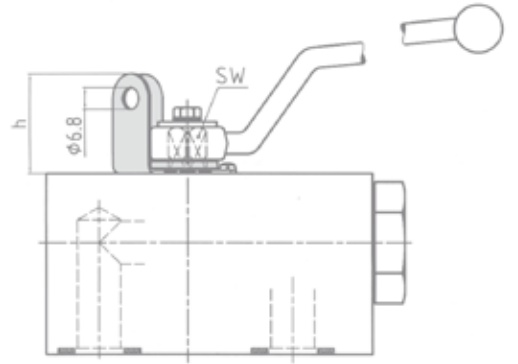




- Home
- High-Pressure Ball Valves
- Medium / Low-Pressure
- Flow Control
- Gauge Isolator
- Options**
- Special Applications
- Technical

Accessories / Options

- [Levers](#)
- [Locking Device LD](#)
- [Double-Acting Pneumatic Actuator EDA](#)
- [Single-Acting Pneumatic Actuator ESA](#)
- [Limit Switches](#)
- [Ball Valves with Detent](#)
- [Ball Valves with Assembly Holes](#)
- [Ball Valves with Assembly Threads](#)
- [Alternative Porting Patterns](#)





- Home
- High-Pressure Ball Valves
- Medium / Low-Pressure
- Flow Control
- Gauge Isolator
- Options
- Special Applications**
- Technical

Special Application Valves

- [Highest-Pressure Ball Valves](#)
- [High-Temperature Ball Valves](#)
- [Ball Valves for Gas Applications](#)
- [Ball Valves for Paints and Lacquers](#)
- [Ball Valves for Isocyanates](#)
- [Ball Valves with Fire-Safe Approval](#)





CLAMPS

TEST

FILTRATION

DIAGTRONICS

ACCESSORIES

VALVES

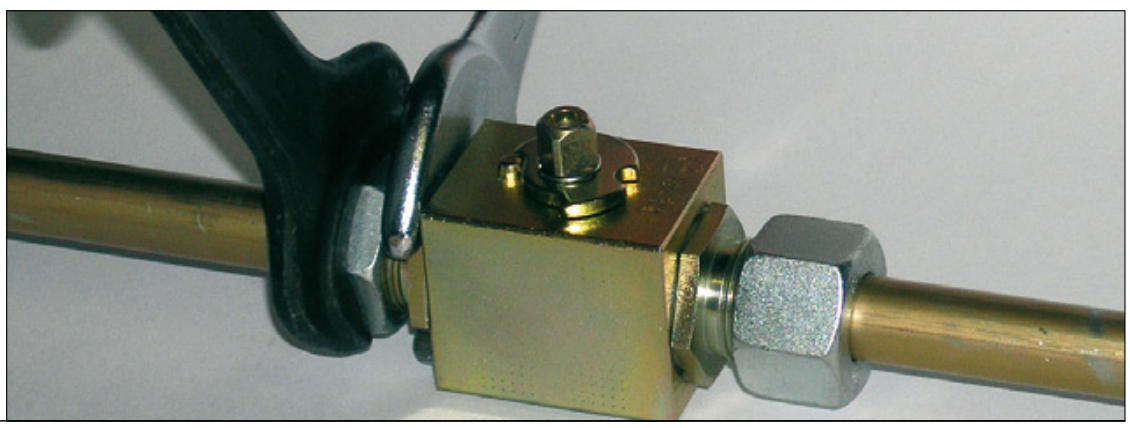
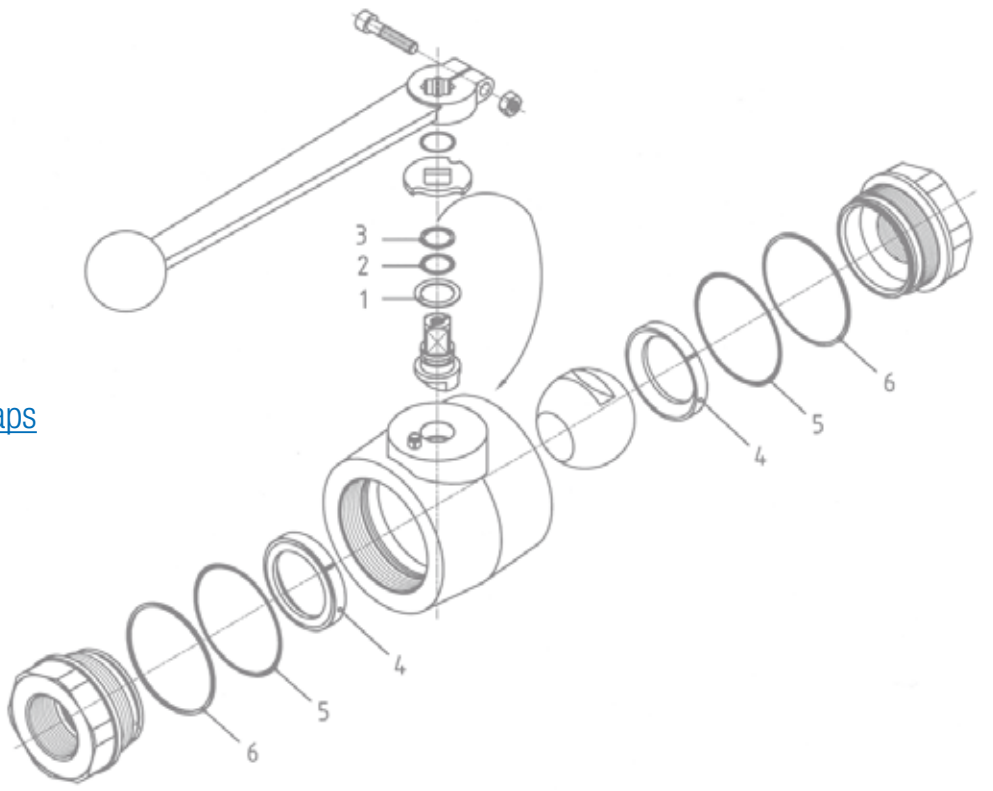
FLANGES

ACCUMULATORS

- Home
- High-Pressure Ball Valves
- Medium / Low-Pressure
- Flow Control
- Gauge Isolator
- Options
- Special Applications
- Technical**

Technical Appendix

- [Nomenclature Definitions](#)
- [Standard Materials](#)
- [Admissible Working Pressures](#)
- [Surface Coatings](#)
- [Determination of Nominal Diameters](#)
- [Sealing Variations](#)
- [Torque Figures](#)
- [Pressure Equipment Directive](#)
- [CE-Marking of STAUFF Valves](#)
- [Storing and Assembling Instructions](#)
- [Seal Kits](#)
- [Tightening Torques of Adaptors and Endcaps](#)



Machined stop pin assures positive closing / opening, eliminates seat degradation due to ball misalignment.

Machined slot indicates ball bore position.

Blow out proof stem design. Bottom loaded for safety.

Secondary stem seals made of FPM (Viton®) are standard. NBR (Buna-N®) and EPDM sealings available.

Primary stem seals made of Delrin® (POM), also acting as a bearing surface between body and stem.

Ball seats made of Delrin® (POM) to assure low operating torque. Special ball seat materials available.

Micro smooth Carbon Steel (hard-chrome plated) or Stainless Steel ball.

Heavy-duty body.

NPT, SAE, BSP, ORFS, Metric and SAE flanged connectors are available.

O-rings made of FPM (Viton®) are standard. NBR (Buna-N®) and EPDM sealings available.

Main Features

- "Floating Ball" design insures a positive, leak-free seal and automatically compensates for any seat wear or misalignment.
- Available in Carbon Steel and Stainless Steel.
- 1/4 turn positive operation.
- Hard-chrome plated micro-smooth ball greatly reduces friction and seat wear.
- Ball seats are available in a variety of materials to suit your special applications.
- Depending on size and materials, working pressures up to 800 bar / 12000 PSI and temperatures up to +500 °C / +930 °F can be accommodated.
- Full size ports on most two-way valves virtually eliminates pressure drop.
- STAUFF Ball Valves offer completely bidirectional operation, eliminating any chance of incorrect installation.
- No lubrication or maintenance required for the life of the valve.
- STAUFF Valves are easily and completely repairable.
- Long seal life.
- No threads in fluid service to contaminate flow or cause turbulence.

Options

- Alternative lever designs and materials
- Special ball seat and O-ring materials for lower/higher temperatures and more aggressive media
- Special threads and connections

Accessories

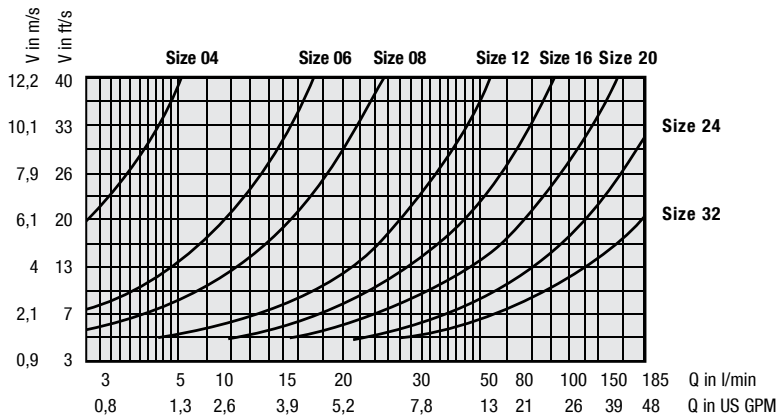
- Locking devices
- Actuator packages
- Limit switches

Special Versions

- Highest-pressure ball valves
- High-temperature ball valves
- Ball valves for gas, paints, lacquers and Isocyanate
- Ball valves with fire-safe approval
- Custom-designed ball valves

Contact STAUFF with your special requirements.

Ball Valve Selection Chart



F Valves

Index	F2
High-Pressure Two-Way Ball Valves	F4
High-Pressure Three-Way Ball Valves	F44
High-Pressure Four-Way Ball Valves	F66
Medium- / Low-Pressure Ball Valves	F74
Flow Control Valves	F82
Gauge Isolator Valves	F96
Accessories / Options	F98
Special Application Valves	F106
Technical Appendix	F110

Please note:





STAUFF Ball Valves are designed for use as on/off devices and must not be used to throttle fluid flow. Use in any position other than fully open or fully closed can lead to rapid deterioration of valve components and possible product failure.

When operated from the fully closed position at rated operating pressure, manual operation may prove difficult due to opening torque requirements.

Please consult factory prior to field application.

High Pressure Two-Way Ball Valves



	High-Pressure Block Body Ball Valve Introduction Female NPT / BSP Thread Female UN / UNF Thread O-Ring Face Seal Connection - Male Thread 24° Cone Connection - Light / Heavy Series	BBV	F4 F5 F6 F6 F7
	High-Pressure Block Body Ball Valve (Medium Duty) Introduction Female NPT Thread Female UN / UNF Thread	BBVM	F8 F9 F10
	High-Pressure Forged Body Ball Valve Introduction Female NPT / BSP Thread Female UN / UNF Thread O-Ring Face Seal Connection - Male Thread 24° Cone Connection - Light / Heavy Series	FBV	F11 F12 F12 F13 F13
	High-Pressure 800 bar / 12000 PSI Block Body Ball Valve Introduction Female NPT Thread 24° Cone Connection - Heavy Series	HBV	F14 F15 F15
	High-Pressure Block Body Ball Valve Introduction 3000 PSI SAE Split Flange Connection 6000 PSI SAE Split Flange Connection	BBV22/23	F16 F17 F17
	High-Pressure Forged Body Ball Valve Introduction 3000 PSI SAE Split Flange Connection 6000 PSI SAE Split Flange Connection	FBV22/23	F18 F19 F19
	High-Pressure Block Body Ball Valve Introduction 3000 PSI SAE Split Flange / Flange Connection 6000 PSI SAE Split Flange / Flange Connection	BBV2H/2T	F20 F21 F21
	High-Pressure Block Body Ball Valve Introduction 3000 PSI SAE Flange Connection 6000 PSI SAE Flange Connection	BBV2E/2S	F22 F23 F23
	High-Pressure Forged Body Ball Valve Introduction 3000 PSI SAE Split Flange / Flange Connection 6000 PSI SAE Split Flange / Flange Connection	FBV2H/2T	F24 F25 F25
	High-Pressure Forged Body Ball Valve Introduction 3000 PSI SAE Flange Connection 6000 PSI SAE Flange Connection	FBV2E/2S	F26 F27 F27
	High-Pressure Round Body Ball Valve Introduction 3000/6000 PSI Flange Connection	BBV29	F28 F29
	High-Pressure Round Body Ball Valve Introduction 3000 PSI Flange Connection 6000 PSI Flange Connection	BBV27/28	F30 F31 F31
	High-Pressure Round Body Ball Valve Introduction DIN Flange Connection with SCH 160 Butt Weld Ends	BBVF2A	F32 F33

	High-Pressure Round Body Ball Valve Introduction ISO Flange Connection	BBV2D1/D2	F34 F35
	High-Pressure Round Body Ball Valve Introduction CETOP Flange Connection	BBV2Y1/Y2	F36 F37
	High-Pressure Block Body Ball Valve Introduction 3000 PSI SAE Flange Connection 6000 PSI SAE Flange Connection	KHZ27/28	F38 F39 F40
	High-Pressure Block Body Ball Valve Introduction Manifold Mounting	BBV25	F42 F43







High-Pressure Three-Way Ball Valves

	High-Pressure Block Body Ball Valve L-Bore Three-Way Selector Introduction Manifold Mounting	BBV35	F44 F45
	High-Pressure Block Body Ball Valve L-Bore Three-Way Selector - Introduction Manifold Mounting	BBVS35	F46 F47
	High-Pressure Block Body Ball Valve L-Bore Three-Way Selector - Introduction Female NPT / BSP Thread Female UN/UNF Thread 24° Cone Connection - Light / Heavy Series	CBV3	F48 F49 F50 F51
	High-Pressure Block Body Ball Valve L-Bore Three-Way Selector - Introduction 6000 PSI SAE Flange Connection	CBV38	F52 F53
	High-Pressure Block Body Ball Valve L-Bore Three-Way Selector - Introduction Female NPT / BSP Thread Female UN/UNF Thread 24° Cone Connection - Light / Heavy Series	CBVS3	F54 F55 F56 F57
	High-Pressure Block Body Ball Valve L-Bore Three-Way Selector - Introduction Female NPT / BSP Thread Female UN/UNF Thread 24° Cone Connection - Light / Heavy Series	LBV3	F58 F59 F60 F61
	High-Pressure Block Body Ball Valve T-Bore Three-Way Selector - Introduction Female NPT / BSP Thread Female UN/UNF Thread 24° Cone Connection - Light / Heavy Series	TBV3	F62 F63 F64 F65

High-Pressure Four-Way Ball Valves

	High-Pressure Block Body Ball Valve T-Bore Four-Way Selector - Introduction Female BSP / NPT Thread Female UN/UNF Thread 24° Cone Connection - Light / Heavy Series	TBV4	F66 F67 F68 F69
	High-Pressure Block Body Ball Valve Double L-Bore Four-Way Selector - Introduction Female BSP / NPT Thread Female UN/UNF Thread 24° Cone Connection - Light / Heavy Series	XBV4	F70 F71 F72 F73




Medium- / Low-Pressure Ball Valves

	Medium-Pressure Ball Valve Two-Piece Hex Body Ball Valve	2BVM	F74
	Low-Pressure Ball Valve Two-Piece Brass Body Ball Valve	2BVL	F75
	Port Adaptors		F77
	Medium-Pressure Hex Body Ball Valve Two-Piece Stainless Steel Body	2BVM	F79
	Medium-Pressure Hex Body Ball Valve Two-Piece Stainless Steel Body	2BVM3	F80
	Medium-Pressure Hex Body Ball Valve Three-Piece Stainless Steel Body	3BVM	F81

Flow Control Valves

	Heavy-Duty Throttle / Shut-Off Valve (In-Line Assembly)	DV	F82
	Heavy-Duty Flow Control Valve (In-Line Assembly)	DRV	F83
	Medium-Duty Throttle / Shut-Off Valve (In-Line Assembly)	NVH	F84
	Medium-Duty Flow Control Valve (In-Line Assembly)	FCH	F85
	Medium-Pressure Brass Throttle / Shut-Off Valve (In-Line Assembly)	NVM	F86
	Medium-Pressure Brass Flow Control Valve (In-Line Assembly)	FCM	F87
	Throttle / Shut-Off Valve (Manifold Assembly)	DVP	F88
	Flow Control Valve (Manifold Assembly)	DRVP	F89
	Throttle / Shut-Off Valve (Cartridge Assembly)	DVE	F90
	Pressure Compensated Flow Control Valve (In-Line Assembly)	PNDRV	F91
	Heavy-Duty Check Valve (In-Line Assembly)	RV	F92
	Medium-Duty Check Valve (In-Line Assembly)	RVM	F93
	Flow Characteristics		F94

Gauge Isolator Valves

	Gauge Isolator Valve (Single Station)	SWS-S1	F96
	Gauge Isolator Valve (Multi Station)	SWS-M	F96
	Gauge Isolator Needle Valve (Single Station)	SWS-A1/A2	F97

Accessories / Options

Levers		F98
Locking Device	LD	F99
Double-Acting Pneumatic Actuator	EDA	F102
Single-Acting Pneumatic Actuator	ESA	F102
Limit Switches		F102
Ball Valves with Detent		F103
Ball Valves with Assembly Holes		F103
Ball Valves with Assembly Threads		F103
Alternative Porting Patterns		F104

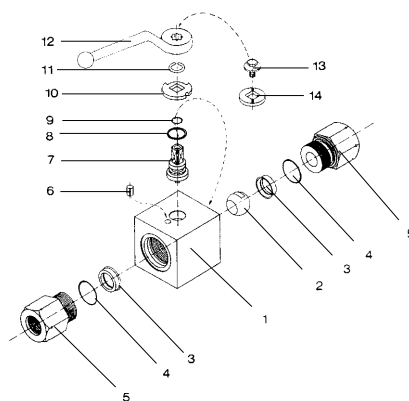
Special Application Valves

Highest-Pressure Ball Valves	F106
High-Temperature Ball Valves	F107
Ball Valves for Gas Applications	F108
Ball Valves for Paints and Lacquers	F108
Ball Valves for Isocyanates	F108
Ball Valves with Fire-Safe Approval	F109

Technical Appendix

Nomenclature Definitions	F110
Standard Materials	F110
Admissible Working Pressures	F111
Surface Coatings	F111
Determination of Nominal Diameters	F112
Sealing Variations	F113
Torque Figures	F114
Pressure Equipment Directive	F115
CE-Marking of STAUFF Valves	F115
Storing and Assembling Instructions	F115
Seal Kits	F116
Tightening Torques of Adaptors and Endcaps	F118

High-Pressure Block Body Ball Valve - Type BBV



List of Components

No.	Qty.	Description
1	1	Housing
2	1	Ball
3*	2	Seat
4*	2	Connector O-Ring
5	2	Connector
6	1	Stop Pin
7	1	Stem
8*	1	Thrust Ring
9*	1	Stem O-Ring
10	1	Cam Plate
11	1	Snap Ring
12	1	Lever
13	1	Stem Screw
14	1	Flow Indicator

* Included in seal kit

Characteristics

Two-way high-pressure block body ball valves designed for use as on/off devices for hydraulic applications

Standard Construction

- Block body design for in-line assembly
- Supplied with off-set lever

Standard Materials

- Body: Carbon Steel, zinc/iron-plated
- Ball: Carbon Steel, hard chrome-plated
- Stem: Carbon Steel
- Lever: Zinc (STAUFF Sizes 02 to 08)
Aluminium (STAUFF Size 10)
Carbon Steel (STAUFF Sizes 12 to 24)
- Ball seat: Delrin® (POM)
- O-rings: FPM (Viton®)

Standard Connections Styles / Sizes

- Female NPT thread (ANSI B1.20.1) >1-11-1/2 NPT
- Female BSP thread (DIN ISO 228) >G 1 BSP
- Female UN/UNF thread (SAE J 514) >1-5/16-12 UN (1 SAE)
- Male O-Ring Face Seal Connection >1-11/16-12 UN
- 24° cone connection (DIN 2353); Light Series >42L
- 24° cone connection (DIN 2353); Heavy Series >38S

Pressure Range

- Pressure range: up to 500 bar / 7250PSI (depending on size and material combination of the ball valve)

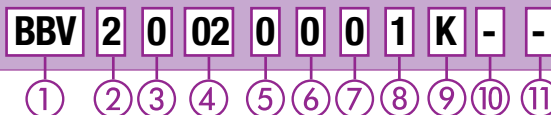
Temperature Range

- Operating temperature range:
-20 °C ... +100 °C / -4 °F ... + 212 °F

Options / Accessories

- Alternative lever designs/materials (see page F98)
- Locking devices (see pages F99-F101)
- Pneumatic actuator packages (see page F102)
- Limit switches (see page F102)
- Stainless Steel body
- Stainless Steel ball and stem
- Special ball seat and O-ring materials available for lower/higher temperatures and more aggressive media
- Additional assembling threads / holes (see page F103)
- Electrical actuators available on request.
Please consult STAUFF for further information.

Order Codes



① Type

High-Pressure Block Body Ball Valve **BBV**

② Number of Ports

Two Ports (Two-Way Ball Valve) **2**

③ Connection Style

Female NPT Thread (ANSI B1.20.1)	0
Female BSP Thread (DIN ISO 228)	G
Female UN/UNF Thread (SAE J 514)	1
Male O-Ring Face Seal Connection	B
24° Cone Connection (Light / Heavy Series)	
DN04 DN06 DN08 DN10 DN13 DN16 DN20 DN25	

Please consult STAUFF for alternative connection styles.

④ Connection Size

STAUFF Size (according to dimension table) for connection styles 0, G, 1 and B:

02 04 06 08 10 12 16

Tube Size (according to dimension table) for 24° Cone Connection (Light Series):

06L 08L 10L 12L 15L 18L 22L 28L 35L 42L
--

Tube Size (according to dimension table) for 24° Cone Connection (Heavy Series):

06S 08S 10S 12S 14S 16S 20S 25S 30S 38S
--

Please consult STAUFF for alternative connection sizes.

⑤ Body Material / Surface Finishing

Carbon Steel, zinc/iron-plated	0
Stainless Steel V4A (AISI 316Ti)	1

Alternative materials / surface finishings are available upon request. Consult STAUFF for further information.

⑥ Ball / Stem Material

Ball: Carbon Steel, hard chrome-plated	0
Stem: Carbon Steel	
Ball / Stem: Stainless Steel V4A (AISI 316Ti)	1

Alternative materials / surface finishings are available upon request. Consult STAUFF for further information.

⑦ Ball Seat Material

Delrin® (POM)	0
---------------	----------

Alternative materials are available upon request. Consult STAUFF for further information.

⑧ O-Ring Material

NBR (Buna-N®)	0
FPM (Viton®)	1
EPDM	3

Alternative materials are available upon request. Consult STAUFF for further information.

⑨ Manufacturing Code

Manufacturing code for all connection styles (except Female NPT Thread)	M
Manufacturing code (only for Female NPT Thread)	K
Manufacturing code for high-pressure version of connection styles 0 and 1 (STAUFF Size 16)	H

⑩ Lever Options

Supplied with standard lever (according to table)	-
Supplied without lever	-0

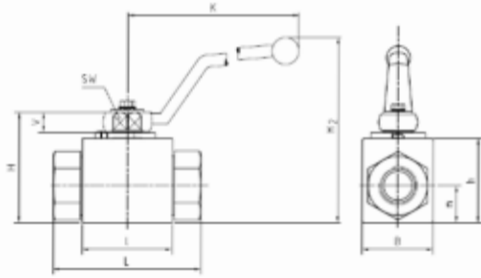
Alternative levers can be ordered separately. Please see page F98 for further information.

⑪ Accessories / Options

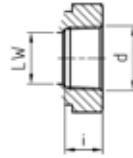
Supplied without accessories	-
Supplied with Locking Device LD1	-LD1
Supplied with Locking Device LD2	-LD2
Supplied with Locking Device LD3 (standard*)	-LD3
Supplied with Locking Device LD4	-LD4
Supplied with Double-Acting Pneumatic Actuator (Please add size **)	-EDA**
Supplied with Single-Acting Pneumatic Actuator (Please add size **)	-ESA**
Supplied with Limit Switch in open position	-LS-0
Supplied with Limit Switch in closed position	-LS-C
Supplied with Limit Switch in open and closed position	-LS-OC

*1 LD4 is the standard locking device option for the high-pressure version (manufacturing code H). Please see page F99 for further information.

High-Pressure Block Body Ball Valve - Type BBV Female NPT Thread (ANSI B1.20.1)



Female NPT Thread (ANSI B1.20.1)



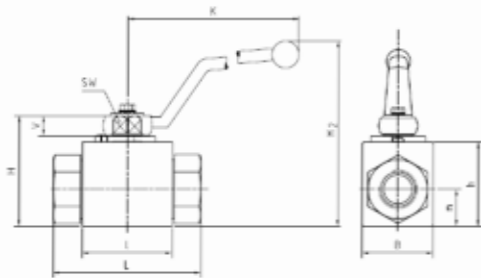
When ordering the standard option as indicated in the table below, the following materials will be supplied:

- Body, ball and stem: Carbon Steel
- Lever: Zinc (STAUFF Sizes 02 to 08)
Carbon Steel (STAUFF Sizes 12 to 16)
- Ball seat: Delrin® (POM)
- O-rings: FPM (Viton®)

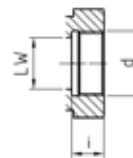
STAUFF Size	Thread Size d	Nominal Size DN	Dimensions (mm/in)												Nom. Pressure (bar/psi)	Weight (kg/lbs)	Order Codes (Standard Option)
			LW	L	I	B	H	h	m	V	SW	K	i	H2			
02	1/8-27 NPT	4	5	69	40	26	47	33	13,5	11	9	115	10,5	82	500	0,30	BBV20020001K
			.20	2.70	1.57	1.02	1.84	1.29	.53	.43	.35	4.50	.41	3.23	7250	.66	
04	1/4-18 NPT	6	6	69	40	26	47	33	13,5	11	9	115	13,7	82	500	0,40	BBV20040001K
			.23	2.70	1.57	1.02	1.84	1.29	.53	.43	.35	4.50	.54	3.23	7250	.88	
06	3/8-18 NPT	10	10	72	43	32	52	38	17,5	11	9	115	13,5	87	500	0,50	BBV20060001K
			.39	2.82	1.68	1.25	2.04	1.49	.69	.43	.35	4.50	.53	3.43	7250	1.10	
08	1/2-14 NPT	13	13	83	48	35	54	40	19	11	9	115	17	89	500	0,75	BBV20080001K
			.51	3.25	1.88	1.37	2.11	1.57	.74	.43	.35	4.50	.67	3.50	7250	1.65	
12	3/4-14 NPT	20	20	95	62	49	75	57	24,5	14	14	170	18,3	126	420	1,63	BBV20120001K
			.78	3.72	2.43	1.92	2.94	2.23	.96	.55	.55	6.69	.72	4.96	6000	3.57	
16	1-11-1/2 NPT	25	25	113	66	58	83	65	29,5	14	14	170	21,6	134	315	2,30	BBV20160001K
			.98	4.42	2.58	2.27	3.25	2.55	1.16	.55	.55	6.69	.85	5.28	4500	5.06	
16	1-11-1/2 NPT	25	25	113	74	70	88	70	34,5	14	14	170	20	139	420	2,20	BBV20160001H
			.98	4.42	2.91	2.76	3.46	2.76	1.36	.55	.55	6.69	.78	5.47	6000	4.85	

Please note the pressure ratings of the tube connections.

High-Pressure Block Body Ball Valve - Type BBV Female BSP Thread (DIN ISO 228)



Female BSP Thread (DIN ISO 228)



When ordering the standard option as indicated in the table below, the following materials will be supplied:

- Body, ball and stem: Carbon Steel
- Lever: Zinc (STAUFF Sizes 02 to 08)
Aluminium (STAUFF Size 10)
Carbon Steel (STAUFF Sizes 12 to 16)
- Ball seat: Delrin® (POM)
- O-rings: FPM (Viton®)

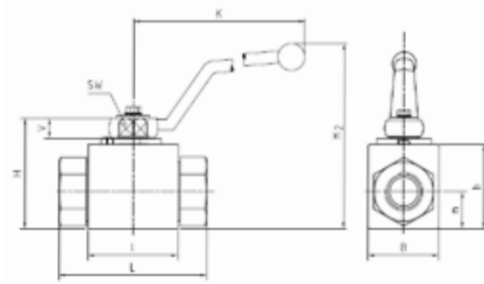
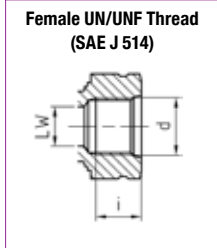
STAUFF Size	Thread Size d	Nominal Size DN	Dimensions (mm/in)												Nom. Pressure (bar/psi)	Weight (kg/lbs)	Order Codes (Standard Option)
			LW	L	I	B	H	h	m	V	SW	K	i	H2			
02	G 1/8 BSP	4	5	69	40	26	47	33	13,5	11	9	115	10	82	500	0,41	BBV2G020001M
			.20	2.70	1.57	1.02	1.84	1.29	.53	.43	.35	4.50	.39	3.23	7250	.90	
04	G 1/4 BSP	6	6	69	40	26	47	33	13,5	11	9	115	14	82	500	0,40	BBV2G040001M
			.23	2.70	1.57	1.02	1.84	1.29	.53	.43	.35	4.50	.55	3.23	7250	.88	
06	G 3/8 BSP	10	10	72	43	32	52	38	17,5	11	9	115	14	87	500	0,54	BBV2G060001M
			.39	2.82	1.68	1.25	2.04	1.49	.69	.43	.35	4.50	.55	3.43	7250	1.19	
08	G 1/2 BSP	13	13	83	48	35	54	40	19	11	9	115	16,3	89	500	0,65	BBV2G080001M
			.51	3.25	1.88	1.37	2.11	1.57	.74	.43	.35	4.50	.64	3.50	7250	1.43	
10	G 5/8 BSP	16	15	83	48	38	63	46	19	13	12	160	16	106	420	0,70	BBV2G100001M
			.59	3.25	1.88	1.49	2.47	1.80	.74	.51	.47	6.26	.63	4.17	6000	1.54	
12	G 3/4 BSP	20	20	95	62	49	75	57	24,5	14	14	170	18	126	420	1,50	BBV2G120001M
			.78	3.72	2.43	1.92	2.94	2.23	.96	.55	.55	6.69	.70	4.96	6000	3.31	
16	G 1 BSP	25	25	113	66	58	83	65	29,5	14	14	170	20	134	315	2,20	BBV2G160001M
			.98	4.42	2.58	2.27	3.25	2.55	1.16	.55	.55	6.69	.78	5.28	4500	4.85	

Please note the pressure ratings of the tube connections.

High-Pressure Block Body Ball Valve - Type BBV
Female UN/UNF Thread (SAE J 514)

When ordering the standard option as indicated in the table below, the following materials will be supplied:

- Body, ball and stem: Carbon Steel
- Lever: Zinc (STAUFF Sizes 04 to 08)
Carbon Steel (STAUFF Sizes 12 and 16)
- Ball seat: Delrin® (POM)
- O-rings: FPM (Viton®)



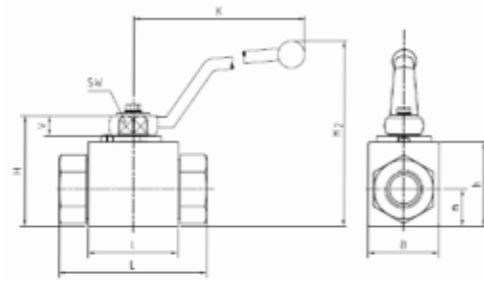
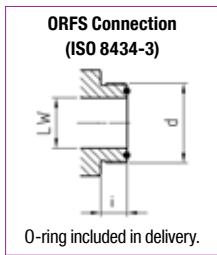
STAUFF Size	Thread Size d	Nominal Size DN	Dimensions (mm/in)												Nom. Pressure (bar/psi)	Weight (kg/lbs)	Order Codes (Standard Option)
			LW	L	I	B	H	h	m	V	SW	K	i	H2			
04	7/16-20 UNF (1/4" SAE)	6	6	69	40	26	47	33	13,5	11	9	115	14	82	500	0,40	BBV21040001M
			.23	2.70	1.57	1.02	1.84	1.29	.53	.43	.35	4.50	.55	3.23	7250	.88	
06	9/16-18 UNF (3/8" SAE)	10	10	72	43	32	52	38	17,5	11	9	115	14	87	500	0,50	BBV21060001M
			.39	2.82	1.68	1.25	2.04	1.49	.69	.43	.35	4.50	.55	3.43	7250	1.10	
08	3/4-16 UNF (1/2" SAE)	13	13	83	48	35	54	40	19	11	9	115	16,3	89	500	0,70	BBV21080001M
			.51	3.25	1.88	1.37	2.11	1.57	.74	.43	.35	4.50	.64	3.50	7250	1.54	
12	1-1/16-12 UN (3/4" SAE)	20	20	95	62	49	75	57	24,5	14	14	170	18	126	420	1,50	BBV21120001M
			.78	3.72	2.43	1.92	2.94	2.23	.96	.55	.55	6.69	.70	4.96	6000	3.31	
16	1-5/16-12 UN (1" SAE)	25	25	113	66	58	83	65	29,5	14	14	170	20	134	315	2,20	BBV21160001M
			.98	4.42	2.58	2.27	3.25	2.65	1.16	.55	.55	6.69	.78	5.28	4500	4.85	
16	1-5/16-12 UN (1" SAE)	25	25	121	74	70	88	70	34,5	14	14	170	20	139	420	2,20	BBV21160001H
			.98	4.76	2.91	2.76	3.46	2.76	1.36	.55	.55	6.69	.78	5.47	6000	4.85	

Please note the pressure ratings of the tube connections.

High-Pressure Block Body Ball Valve - Type BBV
O-Ring Face Seal Connection - Male Thread (ISO 8434-3)

When ordering the standard option as indicated in the table below, the following materials will be supplied:

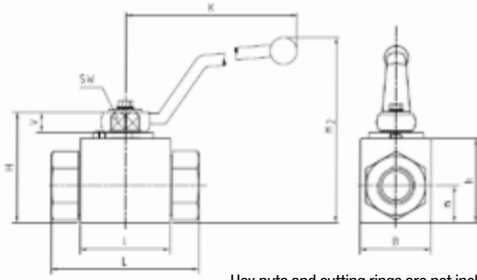
- Body, ball and stem: Carbon Steel
- Lever: Zinc (STAUFF Sizes 04 to 08)
Aluminium (STAUFF Size 10)
Carbon Steel (STAUFF Sizes 12 and 16)
- Ball seat: Delrin® (POM)
- O-rings: FPM (Viton®)



STAUFF Size	Thread Size d	Nominal Size DN	Dimensions (mm/in)												O-ring	Nom. Pressure (bar/psi)	Weight (kg/lbs)	Order Codes (Standard Option)
			LW	L	I	B	H	h	m	V	SW	K	i	H2				
04	9/16-18 UNF	6	4,5	73	40	26	47	33	13,5	11	9	115	10	82	7,65 x 1,78	500	0,37	BBV2B040001M
			.18	2.87	1.57	1.02	1.84	1.29	.53	.43	.35	4.50	.39	3.23		7250	.81	
05	11/16-16 UN	8	6,5	73	40	26	47	33	13,5	11	9	115	11	82	9,25 x 1,78	500	0,38	BBV2B050001M
			.26	2.87	1.57	1.02	1.84	1.29	.53	.43	.35	4.50	.43	3.23		7250	.83	
06	13/16-16 UN	10	9,5	78	43	32	52	38	17,5	11	9	115	13	87	12,42 x 1,78	500	0,50	BBV2B060001M
			.37	3.07	1.68	1.25	2.04	1.49	.69	.43	.35	4.50	.51	3.43		7250	1.10	
08	1-14 UNS	13	12,5	90	48	35	54	40	19	11	9	115	15,5	89	15,60 x 1,78	420	0,61	BBV2B080001M
			.49	3.54	1.88	1.37	2.11	1.57	.74	.43	.35	4.50	.61	3.50		6000	1.34	
10	1-3/16-12 UN	16	15,5	98	48	35	63	40	19	13	12	160	17	106	18,77 x 1,78	420	0,80	BBV2B100001M
			.61	3.86	1.88	1.37	2.47	1.57	.74	.51	.47	6.26	.67	4.17		6000	1.76	
12	1-7/16-12 UN	20	20,5	111	62	49	75	57	24,5	14	14	170	17,5	126	23,52 x 1,78	315	1,55	BBV2B120001M
			.81	4.37	2.43	1.92	2.94	2.23	.96	.55	.55	6.69	.69	4.96		4500	3.41	
16	1-11/16-12 UN	25	26	120	66	58	83	65	29,5	14	14	170	17,5	134	29,87 x 1,78	315	2,10	BBV2B160001M
			1.02	4.72	2.58	2.27	3.25	2.55	1.16	.55	.55	6.69	.69	5.28		4500	4.63	

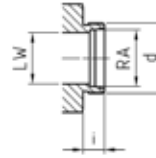
Please note the pressure ratings of the tube connections.

High-Pressure Block Body Ball Valve - Type BBV 24° Cone Connection - Light Series (DIN 2353 / ISO 8434-1)



Hex nuts and cutting rings are not included in delivery.

24° Cone Connection (DIN 2353 / ISO 8434-1)



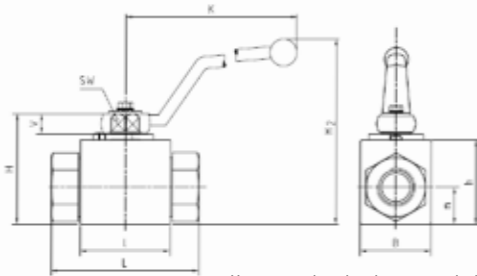
When ordering the standard option as indicated in the table below, the following materials will be supplied:

- Body, ball and stem: Carbon Steel
- Lever: Zinc (STAUFF Sizes 02 to 08)
Carbon Steel (STAUFF Sizes 12 to 16)
- Ball seat: Delrin® (POM)
- O-rings: FPM (Viton®)

STAUFF Size	Tube/Thread Size d	Nominal Size DN	Dimensions (mm/in)													Nom. Pressure (^{bar} /PSI)	Weight (^{kg} /lbs)	Order Codes (Standard Option)
			RA	LW	L	I	B	H	h	m	V	SW	K	i	H2			
02	06L / M12 x 1,5	4	6	5	67	40	26	47	33	13,5	11	9	115	10	82	500	0,36	BBV2DN0406L0001M
			.24	.20	2.64	1.57	1.02	1.85	1.30	.53	.43	.35	4.53	.39	3.23	7250	.79	
04	08L / M14 x 1,5	6	8	6	67	40	26	47	33	13,5	11	9	115	10	82	500	0,37	BBV2DN0608L0001M
			.31	.24	2.64	1.57	1.02	1.85	1.30	.53	.43	.35	4.53	.39	3.23	7250	.81	
05	10L / M16 x 1,5	8	10	8	74	40	26	47	33	13,5	11	9	115	11	82	500	0,38	BBV2DN0810L0001M
			.39	.31	2.91	1.57	1.02	1.85	1.30	.53	.43	.35	4.53	.43	3.23	7250	.83	
06	12L / M18 x 1,5	10	12	10	74	43	32	52	38	17,5	11	9	115	11	87	500	0,50	BBV2DN1012L0001M
			.47	.39	2.91	1.69	1.26	2.05	1.50	.69	.43	.35	4.53	.43	3.43	7250	1.10	
08	15L / M22 x 1,5	13	15	13	82	48	35	54	40	19	11	9	115	12	89	500	0,61	BBV2DN1315L0001M
			.59	.51	3.23	1.89	1.38	2.13	1.57	.75	.43	.35	4.53	.47	3.50	7250	1.34	
08	18L / M26 x 1,5	13	18	13	82	48	35	54	40	19	11	9	115	12	89	500	0,60	BBV2DN1318L0001M
			.71	.51	3.23	1.89	1.38	2.13	1.57	.75	.43	.35	4.53	.47	3.50	7250	1.32	
12	22L / M30 x 2	20	22	20	101	62	49	75	57	24,5	14	14	170	14	126	420	1,49	BBV2DN2022L0001M
			.87	.79	3.98	2.44	1.93	2.95	2.24	.96	.55	.55	6.69	.55	4.96	6000	3.33	
16	28L / M36 x 2	25	28	25	108	66	58	83	65	29,5	14	14	170	14	134	315	2,00	BBV2DN2528L0001M
			1.10	.98	4.25	2.60	2.28	3.27	2.56	1.16	.55	.55	6.69	.55	5.28	4500	4.41	

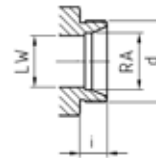
Please note the pressure ratings of the tube connections.

High-Pressure Block Body Ball Valve - Type BBV 24° Cone Connection - Heavy Series (DIN 2353 / ISO 8434-1)



Hex nuts and cutting rings are not included in delivery.

24° Cone Connection (DIN 2353 / ISO 8434-1)



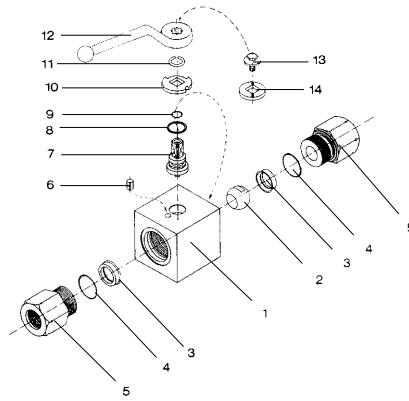
When ordering the standard option as indicated in the table below, the following materials will be supplied:

- Body, ball and stem: Carbon Steel
- Lever: Zinc (STAUFF Sizes 02 to 08)
Aluminium (STAUFF Size 10)
Carbon Steel (STAUFF Sizes 12 to 16)
- Ball seat: Delrin® (POM)
- O-rings: FPM (Viton®)

STAUFF Size	Tube/Thread Size d	Nominal Size DN	Dimensions (mm/in)													Nom. Pressure (^{bar} /PSI)	Weight (^{kg} /lbs)	Order Codes (Standard Option)
			RA	LW	L	I	B	H	h	m	V	SW	K	i	H2			
02	08S / M16 x 1,5	4	8	5	73	40	26	47	33	13,5	11	9	115	10	82	500	0,38	BBV2DN0408S0001M
			.31	.20	2.87	1.57	1.02	1.85	1.30	.53	.43	.35	4.53	.39	3.23	7250	.84	
04	10S / M18 x 1,5	6	10	6	73	40	26	47	33	13,5	11	9	115	10	82	500	0,39	BBV2DN0610S0001M
			.39	.24	2.87	1.57	1.02	1.85	1.30	.53	.43	.35	4.53	.39	3.23	7250	.86	
05	12S / M20 x 1,5	8	12	8	76	40	26	47	33	13,5	11	9	115	11	82	500	0,39	BBV2DN0812S0001M
			.47	.31	2.99	1.57	1.02	1.85	1.30	.53	.43	.35	4.53	.43	3.23	7250	.86	
06	14S / M22 x 1,5	10	14	10	80	43	32	52	38	17,5	11	9	115	11	87	500	0,50	BBV2DN1014S0001M
			.55	.39	3.15	1.69	1.26	2.05	1.50	.69	.43	.35	4.53	.43	3.43	7250	1.10	
08	16S / M24 x 1,5	13	16	13	86	48	35	54	40	19	11	9	115	12	89	500	0,60	BBV2DN1316S0001M
			.63	.51	3.39	1.89	1.38	2.13	1.57	.75	.43	.35	4.53	.47	3.50	7250	1.32	
08	20S / M30 x 2	13	20	15	90	48	38	54	46	19	11	9	115	12	89	500	0,60	BBV2DN1320S0001M
			.79	.59	3.54	1.89	1.50	2.13	1.81	.75	.43	.35	4.53	.47	3.50	7250	1.32	
10	20S / M30 x 2	16	20	13	90	48	35	54	40	19	13	12	160	16	106	420	0,80	BBV2DN1620S0001M
			.79	.51	3.54	1.89	1.38	2.13	1.57	.75	.51	.47	6.26	.63	4.17	6000	1.76	
12	25S / M36 x 2	20	25	20	109	62	49	75	57	24,5	14	14	170	18	126	420	1,55	BBV2DN2025S0001M
			.98	.79	4.29	2.44	1.93	2.95	2.24	.96	.55	.55	6.69	.71	4.96	6000	3.41	
16	30S / M42 x 2	25	30	25	120	66	58	75	65	29,5	14	14	170	20	134	315	2,10	BBV2DN2530S0001M
			1.18	.98	4.72	2.60	2.28	2.95	2.56	1.16	.55	.55	6.69	.79	5.28	4500	4.63	

Please note the pressure ratings of the tube connections.

High-Pressure Block Body Ball Valve - Type BBVM (Medium Duty)



List of Components

No.	Qty.	Description
1	1	Housing
2	1	Ball
3*	2	Seat
4*	2	Connector O-Ring
5	2	Connector
6	1	Stop Pin
7	1	Stem
8*	1	Thrust Ring
9*	1	Stem O-Ring
10	1	Cam Plate
11	1	Snap Ring
12	1	Lever
13	1	Stem Screw
14	1	Flow Indicator

* Included in seal kit

Characteristics

Two-way high-pressure block body ball valves designed for use as on/off devices for hydraulic applications

Standard Construction

- Block body design for in-line assembly
- Supplied with off-set lever

Standard Materials

- Body: Carbon Steel, zinc/iron-plated
- Ball: Brass, chrome-plated
- Stem: Carbon Steel
- Lever: Zinc (STAUFF Sizes 02 to 08)
Aluminium (STAUFF Size 10)
Carbon Steel (STAUFF Sizes 12 to 24)
- Ball seat: Delrin® (POM)
- O-rings: NBR (Buna-N®)

Standard Connections Styles / Sizes

- Female NPT thread (ANSI B1.20.1) >1-1/2-11-1/2 NPT
- Female UN/UNF thread (SAE J 514) >1-7/8-12 UN (1-1/2" SAE)

Pressure Range

- Pressure range: up to 500 bar / 7250PSI (depending on size and material combination of the ball valve)

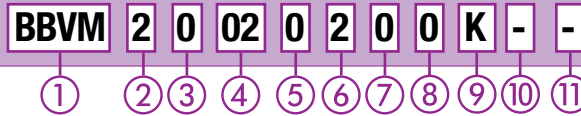
Temperature Range

- Operating temperature range: -20 °C ... +100 °C / -4 °F ... +212 °F

Options / Accessories

- Alternative lever designs/materials (see page F98)
- Locking devices (see pages F99-F101)
- Limit switches (see page F102)
- Additional assembling threads / holes (see page F103)

Order Codes



① Type

High-Pressure Block Body Ball Valve (Medium Duty) **BBVM**

② Number of Ports

Two Ports (Two-Way Ball Valve) **2**

③ Connection Style

Female NPT Thread (ANSI B1.20.1) **0**
Female UN/UNF Thread (SAE J 514) **1**

Please consult STAUFF for alternative connection styles.

④ Connection Size

STAUFF Size (according to dimension table)
02 04 06 08 10 12 16 20 24

Please consult STAUFF for alternative connection sizes.

⑤ Body Material / Surface Finishing

Carbon Steel, zinc/iron-plated **0**
Stainless Steel V4A (AISI 316Ti) **1**

Alternative materials / surface finishings are available upon request. Consult STAUFF for further information.

⑥ Ball / Stem Material

Ball: Brass, chrome-plated **2**
Stem: Carbon Steel

⑦ Ball Seat Material

Delrin® (POM) **0**

⑧ O-Ring Material

NBR (Buna-N®) **0**

⑨ Manufacturing Code

Manufacturing code for all connection styles (except Female NPT Thread) **M**
Manufacturing code (only for Female NPT Thread) **K**
Manufacturing code for high-pressure version of connection styles 0 and 1 (STAUFF Size 16) **H**

⑩ Lever Options

Supplied with standard lever (according to table) **-**
Supplied without lever **-0**

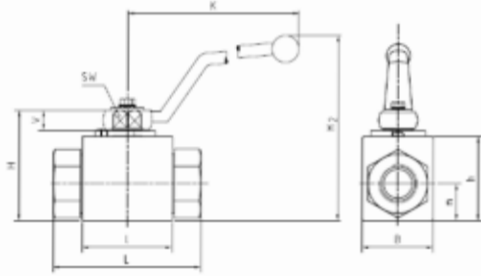
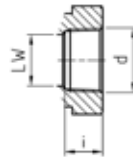
Alternative levers can be ordered separately. Please see page F98 for further information.

⑪ Accessories / Options

Supplied without accessories **-**
Supplied with Locking Device LD1 **-LD1**
Supplied with Locking Device LD2 **-LD2**
Supplied with Locking Device LD3 (standard*) **-LD3**
Supplied with Locking Device LD4 **-LD4**
Supplied with Limit Switch in open position **-LS-0**
Supplied with Limit Switch in closed position **-LS-C**
Supplied with Limit Switch in open and closed position **-LS-OC**

*1 LD4 is the standard locking device option for the high-pressure version (manufacturing code H). Please see page F99 for further information.

High-Pressure Block Body Ball Valve - Type BBVM (Medium Duty) Female NPT Thread (ANSI B1.20.1)


**Female NPT Thread
(ANSI B1.20.1)**


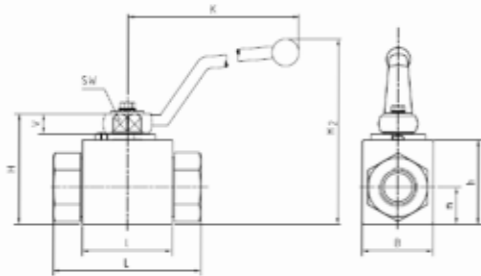
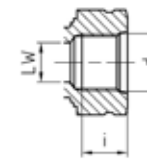
When ordering the standard option as indicated in the table below, the following materials will be supplied:

- Body and stem: Carbon Steel
- Ball: Brass
- Lever: Zinc (STAUFF Sizes 02 to 08)
Carbon Steel (STAUFF Sizes 12 to 24)
- Ball seat: Delrin® (POM)
- O-rings: NBR (Buna-N®)

STAUFF Size	Thread Size d	Nominal Size DN	Dimensions (mm/in)													Nom. Pressure (bar/psi)	Weight (kg/lbs)	Order Codes (Standard Option)
			LW	L	I	B	H	h	m	V	SW	K	i	H2				
02	1/8-27 NPT	4	5	69	40	26	47	33	13,5	11	9	115	10,5	82	500	0,30	BBVM20020200K	
			.20	2.70	1.57	1.02	1.84	1.29	.53	.43	.35	4.50	.41	3.23	7250	.66		
04	1/4-18 NPT	6	6	69	40	26	47	33	13,5	11	9	115	13,7	82	500	0,40	BBVM20040200K	
			.23	2.70	1.57	1.02	1.84	1.29	.53	.43	.35	4.50	.54	3.23	7250	.88		
06	3/8-18 NPT	10	10	72	43	32	52	38	17,5	11	9	115	13,5	87	500	0,50	BBVM20060200K	
			.39	2.82	1.68	1.25	2.04	1.49	.69	.43	.35	4.50	.53	3.43	7250	1.10		
08	1/2-14 NPT	13	13	83	48	35	54	40	19	11	9	115	17	89	500	0,75	BBVM20080200K	
			.51	3.25	1.88	1.37	2.11	1.57	.74	.43	.35	4.50	.67	3.50	7250	1.65		
12	3/4-14 NPT	20	20	95	62	49	75	57	24,5	14	14	170	18,3	126	420	1,63	BBVM20120200K	
			.78	3.72	2.43	1.92	2.94	2.23	.96	.55	.55	6.69	.72	4.96	6000	3.57		
16	1-11-1/2 NPT	25	25	113	66	58	83	65	29,5	14	14	170	21,6	134	315	2,30	BBVM20160200K	
			.98	4.42	2.58	2.27	3.25	2.55	1.16	.55	.55	6.69	.85	5.28	4500	5.06		
16	1-11-1/2 NPT	25	25	113	74	70	88	70	34,5	14	14	170	20	139	420	2,20	BBVM20160200H	
			.98	4.42	2.91	2.76	3.46	2.76	1.36	.55	.55	6.69	.78	5.47	6000	4.85		
20	1-1/4-11-1/2 NPT	25/32	25	120	66	58	83	65	29,5	14	14	170	22,1	134	315	2,51	BBVM20200200K	
			.98	4.70	2.58	2.27	3.25	2.55	1.16	.55	.55	6.69	.87	5.28	4500	5.52		
24	1-1/2-11-1/2 NPT	25/40	25	130	66	58	83	65	29,5	14	14	170	22,1	134	250	2,70	BBVM20240200K	
			.98	5.09	2.58	2.27	3.25	2.55	1.16	.55	.55	6.69	.87	5.28	3625	5.94		

Please note the pressure ratings of the tube connections.

High-Pressure Block Body Ball Valve - Type BBVM (Medium Duty) Female UN/UNF Thread (SAE J 514)

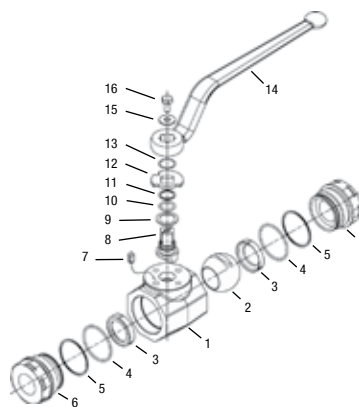

**Female UN/UNF Thread
(SAE J 514)**


When ordering the standard option as indicated in the table below, the following materials will be supplied:

- Body and stem: Carbon Steel
- Ball: Brass
- Lever: Zinc (STAUFF Sizes 04 to 08)
Carbon Steel (STAUFF Sizes 12 and 16)
- Ball seat: Delrin® (POM)
- O-rings: NBR (Buna-N®)

STAUFF Size	Thread Size d	Nominal Size DN	Dimensions (mm/in)													Nom. Pressure (bar/psi)	Weight (kg/lbs)	Order Codes (Standard Option)
			LW	L	I	B	H	h	m	V	SW	K	i	H2				
04	7/16-20 UNF (1/4" SAE)	6	6	69	40	26	47	33	13,5	11	9	115	14	82	500	0,40	BBVM21040200M	
			.23	2.70	1.57	1.02	1.84	1.29	.53	.43	.35	4.50	.55	3.23	7250	.88		
06	9/16-18 UNF (3/8" SAE)	10	10	72	43	32	52	38	17,5	11	9	115	14	87	500	0,50	BBVM21060200M	
			.39	2.82	1.68	1.25	2.04	1.49	.69	.43	.35	4.50	.55	3.43	7250	1.10		
08	3/4-16 UNF (1/2" SAE)	13	13	83	48	35	54	40	19	11	9	115	16,3	89	500	0,70	BBVM21080200M	
			.51	3.25	1.88	1.37	2.11	1.57	.74	.43	.35	4.50	.64	3.50	7250	1.54		
12	1-1/16-12 UN (3/4" SAE)	20	20	95	62	49	75	57	24,5	14	14	170	18	126	420	1,50	BBVM21120200M	
			.78	3.72	2.43	1.92	2.94	2.23	.96	.55	.55	6.69	.70	4.96	6000	3.31		
16	1-5/16-12 UN (1" SAE)	25	25	113	66	58	83	65	29,5	14	14	170	20	134	315	2,20	BBVM21160200M	
			.98	4.42	2.58	2.27	3.25	2.55	1.16	.55	.55	6.69	.78	5.28	4500	4.85		
16	1-5/16-12 UN (1" SAE)	25	25	121	74	70	88	70	34,5	14	14	170	20	139	420	2,20	BBVM21160200H	
			.98	4.76	2.91	2.76	3.46	2.76	1.36	.55	.55	6.69	.78	5.47	6000	4.85		
20	1-5/8-12 UN (1-1/4" SAE)	25/32	25	120	66	58	83	65	29,5	14	14	170	20	134	315	2,50	BBVM21200200M	
			.98	4.70	2.60	2.28	3.27	2.56	1.16	.55	.55	6.69	.78	5.28	4500	5.50		
24	1-7/8-12 UN (1-1/2" SAE)	25/40	25	130	66	58	83	65	29,5	14	14	170	20	134	315	2,61	BBVM21240200M	
			.98	5.09	2.60	2.28	3.27	2.56	1.16	.55	.55	6.69	.78	5.28	4500	5.74		

High-Pressure Forged Body Ball Valve - Type FBV



List of Components

No.	Qty.	Description
1	1	Body
2	1	Ball
3*	2	Seat
4*	2	Connector O-Ring
5*	2	Connector Back-Up Ring
6	2	Connector
7	1	Stop Pin
8	1	Stem
9*	1	Thrust Ring
10*	1	Stem O-Ring
11*	1	Stem Back-Up Ring
12	1	Cam Plate
13	1	Snap Ring
14	1	Handle
15	1	Washer
16	1	Stem Bolt

* Included in seal kit

Characteristics

Two-way high-pressure forged body ball valves designed for use as on/off devices for hydraulic applications

Standard Construction

- Forged body design for in-line assembly
- Supplied with off-set lever

Standard Materials

- Body: Carbon Steel, zinc/iron-plated
- Ball: Carbon Steel, hard chrome-plated
- Stem: Carbon Steel
- Lever: Carbon Steel
- Ball seat: Delrin® (POM)
- O-rings: FPM (Viton®)

Standard Connections Styles / Sizes

- Female NPT thread (ANSI B1.20.1) >2-11-1/2 NPT
- Female BSP thread (DIN ISO 228) >G 2 BSP
- Female UN/UNF thread (SAE J 514) >2-1/2-12 UN (2" SAE)
- Male O-Ring Face Seal Connection >2-12 UN
- 24° cone connection (DIN 2353); Light Series >42L
- 24° cone connection (DIN 2353); Heavy Series >38S

Pressure Range

- Pressure range: up to 420 bar / 6000 PSI (depending on size and material combination of the ball valve)

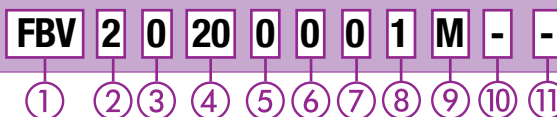
Temperature Range

- Operating temperature range: -20 °C ... +100 °C / -4 °F ... + 212 °F

Options / Accessories

- Alternative lever designs/materials (see page F98)
- Locking devices (see pages F99-F101)
- Pneumatic actuator packages (see page F102)
- Limit switches (see page F102)
- Stainless Steel body
- Stainless Steel ball and stem
- Special ball seat and O-ring materials available for lower/higher temperatures and more aggressive media
- Additional assembling threads / holes (see page F103)
- Electrical actuators available on request. Please consult STAUFF for further information.

Order Codes



① Type

High-Pressure Forged Body Ball Valve **FBV**

② Number of Ports

Two Ports (Two-Way Ball Valve) **2**

③ Connection Style

Female NPT Thread (ANSI B1.20.1)	0
Female BSP Thread (DIN ISO 228)	G
Female UN/UNF Thread (SAE J 514)	1
Male O-Ring Face Seal Connection	B
24° Cone Connection (Light / Heavy Series)	DN32
24° Cone Connection (only Light Series)	DN40

Please consult STAUFF for alternative connection styles.

④ Connection Size

STAUFF Size (according to dimension table) for connection styles G, O, 1 and B:	20	24	32
Tube Size (according to dimension table) for 24° Cone Connection (Light Series):			35L
Tube Size (according to dimension table) for 24° Cone Connection (Light Series):			42L
Tube Size (according to dimension table) for 24° Cone Connection (Heavy Series):			38S

Please consult STAUFF for alternative connection sizes.

⑤ Body Material / Surface Finishing

Carbon Steel, zinc/iron-plated	0
Stainless Steel V4A (AISI 316Ti)	1

Alternative materials / surface finishings are available upon request. Consult STAUFF for further information.

⑥ Ball / Stem Material

Ball: Carbon Steel, hard chrome-plated	0
Stem: Carbon Steel	0
Ball / Stem: Stainless Steel V4A (AISI 316Ti)	1

Alternative materials / surface finishings are available upon request. Consult STAUFF for further information.

⑦ Ball Seat Material

Delrin® (POM)	0
---------------	----------

Alternative materials are available upon request. Consult STAUFF for further information.

⑧ O-Ring Material

NBR (Buna-N®)	0
FPM (Viton®)	1

Alternative materials are available upon request. Consult STAUFF for further information.

⑨ Manufacturing Code

Manufacturing code for all connection styles **M**

⑩ Lever Options

Supplied with standard lever (according to table)	-
Supplied without lever	-0

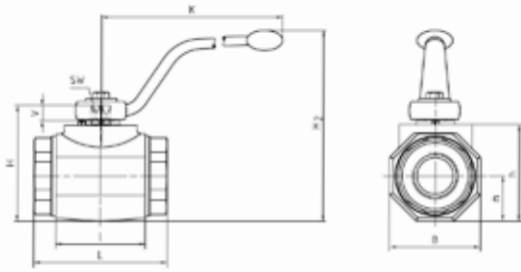
Alternative levers can be ordered separately. Please see page F98 for further information.

⑪ Accessories / Options

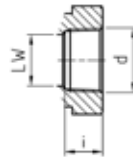
Supplied without accessories	-
Supplied with Locking Device LD1	-LD1
Supplied with Locking Device LD2	-LD2
Supplied with Locking Device LD3	-LD3
Supplied with Locking Device LD4	-LD4
Supplied with Locking Device LD6 (standard)	-LD6
Supplied with Double-Acting Pneumatic Actuator (Please add size **)	-EDA**
Supplied with Single-Acting Pneumatic Actuator (Please add size **)	-ESA**
Supplied with Limit Switch in open position	-LS-0
Supplied with Limit Switch in closed position	-LS-C
Supplied with Limit Switch in open and closed position	-LS-OC

Please see page F99 for further information.

High-Pressure Forged Body Ball Valve - Type FBV Female NPT Thread (ANSI B1.20.1)



Female NPT Thread (ANSI B1.20.1)



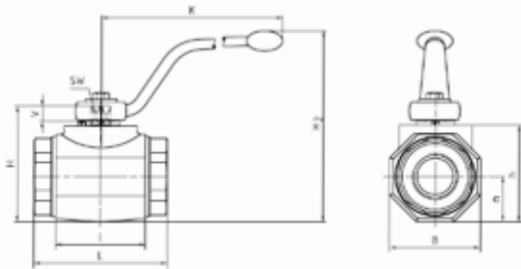
When ordering the standard option as indicated in the table below, the following materials will be supplied:

- Body, ball and stem: Carbon Steel
- Lever: Carbon Steel
- Ball seat: Delrin® (POM)
- O-rings: FPM (Viton®)

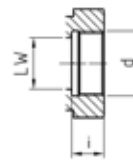
STAUFF Size	Thread Size d	Nominal Size DN	Dimensions (mm/in)												Nom. Pressure (bar/PSI)	Weight (kg/lbs)	Order Codes (Standard Option)
			LW	L	I	B	H	h	m	V	SW	K	i	H2			
20	1-1/4-11-1/2 NPT	32	32	111	80	81	107	86	40,5	16,5	17	320	22	171	420	3,47	FBV20200001M
			1.26	4.37	3.15	3.19	4.21	3.39	1.59	.65	.67	12.60	.87	6.73	6000	7.63	
24	1-1/2-11-1/2 NPT	40	38	130	85	100	124	103	50	16,5	17	320	24	188	420	5,67	FBV20240001M
			1.50	5.12	3.35	3.94	4.88	4.06	1.97	.65	.67	12.60	.94	7.40	6000	12.47	
32	2-11-1/2 NPT	50	48	140	100	118	138	117	59	16,5	17	320	26	202	420	8,14	FBV20320001M
			1.89	5.51	3.94	4.65	2.43	4.61	2.32	.65	.67	12.60	1.02	7.96	6000	17.91	

Please note the pressure ratings of the tube connections.

High-Pressure Forged Body Ball Valve - Type FBV Female BSP Thread (DIN ISO 228)



Female BSP Thread (DIN ISO 228)



When ordering the standard option as indicated in the table below, the following materials will be supplied:

- Body, ball and stem: Carbon Steel
- Lever: Carbon Steel
- Ball seat: Delrin® (POM)
- O-rings: FPM (Viton®)

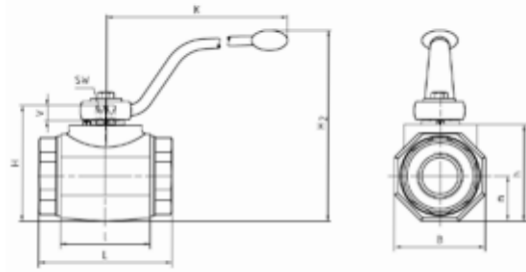
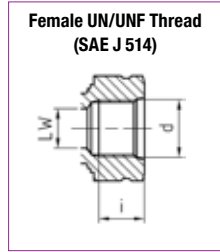
STAUFF Size	Thread Size d	Nominal Size DN	Dimensions (mm/in)												Nom. Pressure (bar/PSI)	Weight (kg/lbs)	Order Codes (Standard Option)
			LW	L	I	B	H	h	m	V	SW	K	i	H2			
20	G 1-1/4 BSP	32	32	111	80	81	107	86	40,5	16,5	17	320	22	171	420	3,47	FBV2G200001M
			1.26	4.37	3.15	3.19	4.21	3.39	1.59	.65	.67	12.60	.87	6.73	6000	7.63	
24	G 1-1/2 BSP	40	38	130	85	100	124	103	50	16,5	17	320	24	188	420	5,67	FBV2G240001M
			1.50	5.12	3.35	3.94	4.88	4.06	1.97	.65	.67	12.60	.94	7.40	6000	12.47	
32	G 2 BSP	50	48	140	100	118	138	117	59	16,5	17	320	26	202	420	8,14	FBV2G320001M
			1.89	5.51	3.94	4.65	2.43	4.61	2.32	.65	.67	12.60	1.02	7.96	6000	17.91	

Please note the pressure ratings of the tube connections.

High-Pressure Forged Body Ball Valve - Type FBV
Female UN/UNF Thread (SAE J 514)

When ordering the standard option as indicated in the table below, the following materials will be supplied:

- Body, ball and stem: Carbon Steel
- Lever: Carbon Steel
- Ball seat: Delrin® (POM)
- O-rings: FPM (Viton®)



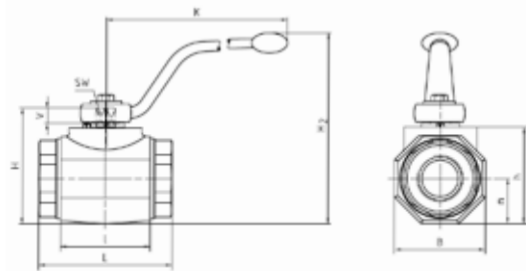
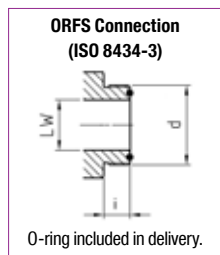
STAUFF Size	Thread Size d	Nominal Size DN	Dimensions (mm/in)												Nom. Pressure (bar/psi)	Weight (kg/lbs)	Order Codes (Standard Option)
			LW	L	I	B	H	h	m	V	SW	K	i	H2			
20	1-5/8-12 UN (1-1/4" SAE)	32	30	111	80	81	107	86	40,5	16,5	17	320	20	171	420	3,52	FBV21200001M
			1.18	4.37	3.15	3.19	4.21	3.39	1.59	.65	.67	12.60	.79	6.73	6000	7.75	
24	1-7/8-12 UN (1-1/2" SAE)	40	38	130	85	100	124	103	50	16,5	17	320	20	188	420	5,69	FBV21240001M
			1.50	5.12	3.35	3.94	4.88	4.06	1.97	.65	.67	12.60	.79	7.40	6000	12.52	
32	2-1/2-12 UN (2" SAE)	50	45	140	100	118	138	117	59	16,5	17	320	20	202	420	8,14	FBV21320001M
			1.79	5.51	3.94	4.65	2.43	4.61	2.32	.65	.67	12.60	.79	7.96	6000	17.91	

Please note the pressure ratings of the tube connections.

High-Pressure Forged Body Ball Valve - Type FBV
O-Ring Face Seal Connection - Male Thread (ISO 8434-3)

When ordering the standard option as indicated in the table below, the following materials will be supplied:

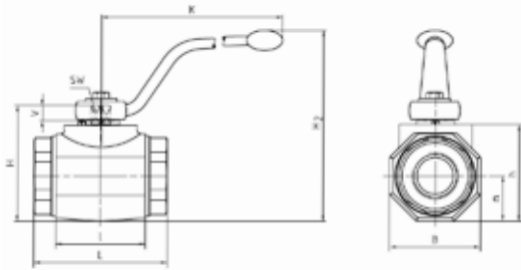
- Body, ball and stem: Carbon Steel
- Lever: Carbon Steel
- Ball seat: Delrin® (POM)
- O-rings: FPM (Viton®)



STAUFF Size	Thread Size d	Nominal Size DN	Dimensions (mm/in)												Nom. Pressure (bar/psi)	Weight (kg/lbs)	Order Codes (Standard Option)	
			LW	L	I	B	H	h	m	V	SW	K	i	H2				O-ring
20	2-12 UN	32	32	139	80	81	107	86	40,5	16,5	17	320	17,5	171	37,82 x 1,78	320	3,52	FBV2B200001M
			1.26	5.47	3.15	3.19	4.21	3.39	1.59	.65	.67	12.60	.69	6.73		4640	7.75	

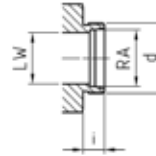
Please note the pressure ratings of the tube connections.

High-Pressure Forged Body Ball Valve - Type FBV 24° Cone Connection - Light Series (DIN 2353 / ISO 8434-1)



Hex nuts and cutting rings are not included in delivery.

24° Cone Connection (DIN 2353 / ISO 8434-1)



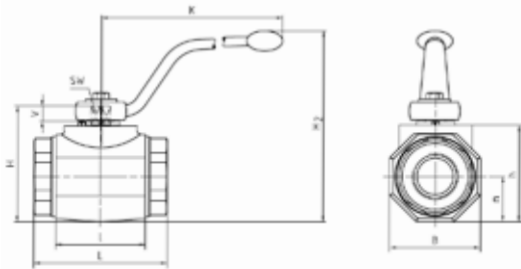
When ordering the standard option as indicated in the table below, the following materials will be supplied:

- Body, ball and stem: Carbon Steel
- Lever: Carbon Steel
- Ball seat: Delrin® (POM)
- O-rings: FPM (Viton®)

STAUFF Size	Tube/Thread Size d	Nominal Size DN	Dimensions (mm/in)													Nom. Pressure (bar/Psi)	Weight (kg/lbs)	Order Codes (Standard Option)
			RA	LW	L	I	B	H	h	m	V	SW	K	i	H2			
20	35L / M45 x 2	32	35	32	136	80	81	107	86	40,5	16,5	17	320	16	171	420	3,58	FBV2DN3235L0001M
			1.38	1.26	5.35	3.15	3.19	4.21	3.39	1.59	.65	.67	12.60	.63	6.73	6000	7.88	
24	42L / M52 x 2	40	42	38	147	85	100	124	103	50	16,5	17	320	16	188	420	5,54	FBV2DN4042L0001M
			1.65	1.50	5.79	3.35	3.94	4.88	4.06	1.97	.65	.67	12.60	.63	7.40	6000	12.19	

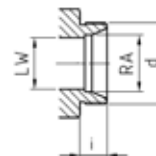
Please note the pressure ratings of the tube connections.

High-Pressure Forged Body Ball Valve - Type FBV 24° Cone Connection - Heavy Series (DIN 2353 / ISO 8434-1)



Hex nuts and cutting rings are not included in delivery.

24° Cone Connection (DIN 2353 / ISO 8434-1)



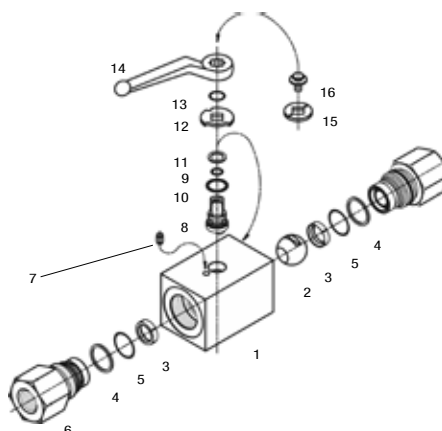
When ordering the standard option as indicated in the table below, the following materials will be supplied:

- Body, ball and stem: Carbon Steel
- Lever: Carbon Steel
- Ball seat: Delrin® (POM)
- O-rings: FPM (Viton®)

STAUFF Size	Tube/Thread Size d	Nominal Size DN	Dimensions (mm/in)													Nom. Pressure (bar/Psi)	Weight (kg/lbs)	Order Codes (Standard Option)
			RA	LW	L	I	B	H	h	m	V	SW	K	i	H2			
20	38S / M52 x 2	32	38	32	148	80	81	107	86	40,5	16,5	17	320	22	171	420	3,77	FBV2DN3238S0001M
			1.50	1.26	5.83	3.15	3.19	4.21	3.39	1.59	.65	.67	12.60	.87	6.73	6000	8.29	

Please note the pressure ratings of the tube connections.

High-Pressure 800 bar / 12000 PSI Block Body Ball Valve - Type HBV



List of Components

No.	Qty.	Description
1	1	Body
2	1	Ball
3*	2	Seat
4*	2	Connector O-Ring
5*	2	Pipe Back-up Ring
6	2	Connector
7	1	Stop Pin
8	1	Stem
9*	1	Thrust Ring
10*	1	Stem O-Ring
11*	1	Pipe Back-up
12	1	Cam Plate
13	1	Snap Ring
14	1	Handle
15	1	Flow Indicator
16	1	Stem Screw

* Included in seal kit

Characteristics

Two-way high-pressure block body ball valves designed for use as on/off devices for hydraulic applications (for pressures up to 800 bar / 12000 PSI)

Standard Construction

- Block body design for in-line assembly
- Supplied with lever

Standard Materials

- Body: Carbon Steel, zinc/iron-plated
- Ball: Carbon Steel, hard chrome-plated
- Stem: Carbon Steel
- Lever: Carbon Steel
- Ball seat: Delrin® (POM)
- O-rings: FPM (Viton®)

Standard Connections Styles / Sizes

- Female NPT thread (ANSI B1.20.1) >1-11-1/2 NPT

Pressure Range

- Pressure range: up to 800 bar / 12000PSI (depending on size and material combination of the ball valve)

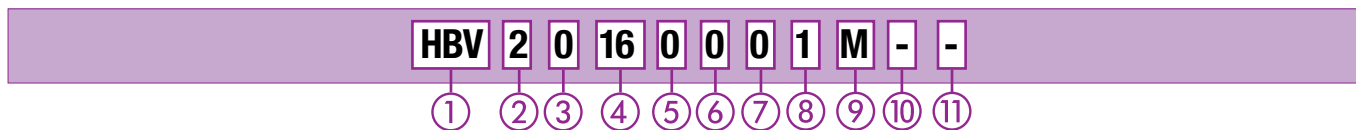
Temperature Range

- Operating temperature range: -20°C ... +100°C / -4°F ... + 212°F

Options / Accessories

- Alternative lever designs/materials (see page F98)
- Locking devices (see pages F99-F101)
- Pneumatic actuator packages (see page F102)
- Limit switches (see page F102)
- Stainless Steel body
- Stainless Steel ball and stem
- Special ball seat and O-ring materials available for lower/higher temperatures and more aggressive media
- Additional assembling threads (see page F103)
- Electrical actuators available on request. Please consult STAUFF for further information.

Order Codes



① Type

High-Pressure Block Body Ball Valve **HBV**

② Number of Ports

Two Ports (Two-Way Ball Valve) **2**

③ Connection Style

Female NPT Thread (ANSI B1.20.1) **0**

Please consult STAUFF for alternative connection styles.

④ Connection Size

STAUFF Size (according to dimension table) for connection styles G, 0, 1 and B:

04	06	08	12	16
----	----	----	----	----

Please consult STAUFF for alternative connection sizes.

⑤ Body Material / Surface Finishing

Carbon Steel, zinc/iron-plated **0**
 Stainless Steel V4A (AISI 316Ti) **1**

Alternative materials / surface finishings are available upon request. Consult STAUFF for further information.

⑥ Ball / Stem Material

Ball: Carbon Steel, hard chrome-plated **0**
 Stem: Carbon Steel **0**
 Ball / Stem: Stainless Steel V4A (AISI 316Ti) **1**

Alternative materials / surface finishings are available upon request. Consult STAUFF for further information.

⑦ Ball Seat Material

Delrin® (POM) **0**

Alternative materials are available upon request. Consult STAUFF for further information.

⑧ O-Ring Material

NBR (Buna-N®) **0**
 FPM (Viton®) **1**

Alternative materials are available upon request. Consult STAUFF for further information.

⑨ Manufacturing Code

Manufacturing code for all connection styles **M**

⑩ Lever Options

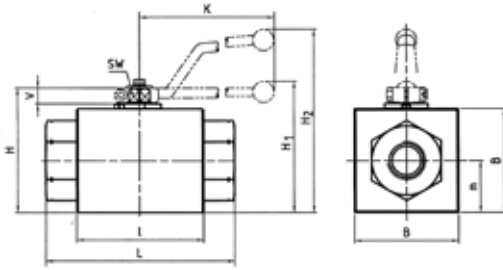
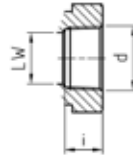
Supplied with standard lever (according to table) **-**
 Supplied without lever **-0**

Alternative levers can be ordered separately. Please see page F98 for further information.

⑪ Accessories / Options

Supplied without accessories **-**
 Supplied with Locking Device LD1 **-LD1**
 Supplied with Locking Device LD4 (standard) **-LD4**
 Supplied with Double-Acting Pneumatic Actuator (Please add size **) **-EDA****
 Supplied with Single-Acting Pneumatic Actuator (Please add size **) **-ESA****
 Supplied with Limit Switch in open position **-LS-0**
 Supplied with Limit Switch in closed position **-LS-C**
 Supplied with Limit Switch in open and closed position **-LS-OC**

Please see page F99 for further information.

**High-Pressure 800 bar / 12000 PSI Block Body Ball Valve - Type HBV
Female NPT Thread (ANSI B1.20.1)**

**Female NPT Thread
(ANSI B1.20.1)**


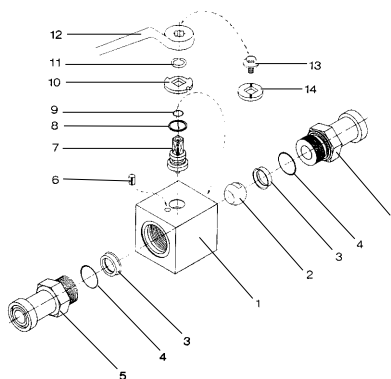
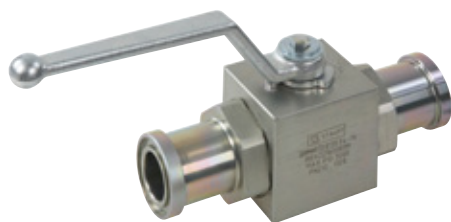
When ordering the standard option as indicated in the table below, the following materials will be supplied:

- Body, ball and stem: Carbon Steel
- Lever: Zinc
- Ball seat: Delrin® (POM)
- O-rings: FPM (Viton®)

STAUFF Size	Thread Size d	Nominal Size DN	Dimensions (mm/in)											Nom. Pressure (bar/psi)	Weight (kg/lbs)	Order Codes (Standard Option)	
			LW	L	I	B	H	m	V	SW	K	i	H1				H2
04	1/4-18 NPT	6	6	130	76	50	64	25	11	9	115	13,7	/	99	800	1,92	HBV20040001M
			.39	8.44	4.94	3.25	4.16	1.62	.71	.58	7.47	0.89		6.43	12000	4.22	
06	3/8-18 NPT	10	13	130	76	50	64	25	11	9	115	13,5	/	99	800	1,85	HBV20060001M
			.84	8.44	4.94	3.25	4.16	1.62	.71	.58	7.47	0.88		6.43	12000	4.07	
08	1/2-14 NPT	13	13	130	76	50	64	25	11	9	115	17	/	99	800	1,79	HBV20080001M
			.84	8.44	4.94	3.25	4.16	1.62	.71	.58	7.47	1.10		6.43	12000	3.93	
12	3/4-14 NPT	20	20	161	111	90	108	45	14	14	200	18,3	112	/	800	7,83	HBV20120001M
			1.30	10.45	7.21	5.84	7.01	2.92	.91	.91	12.99	1.19	7.27		12000	17.23	
16	1-11-1/2 NPT	25	25	164	111	90	108	45	14	14	200	21,6	112	/	800	7,68	HBV20160001M
			1.62	10.65	7.21	5.84	7.01	2.92	.91	.91	12.99	1.40	7.27		12000	16.90	

Please note the pressure ratings of the tube connections.

High-Pressure Block Body Ball Valve - Type BBV22/23



List of Components

No.	Qty.	Description
1	1	Housing
2	1	Ball
3*	2	Seat
4*	2	Connector O-Ring
5	2	Connector
6	1	Stop Pin
7	1	Stem
8*	1	Thrust Ring
9*	1	Stem O-Ring
10	1	Cam Plate
11	1	Snap Ring
12	1	Handle
13	1	Stem Screw
14	1	Flow Indicator

* Included in seal kit

Characteristics

Two-way high-pressure block body ball valves designed for use as on/off devices for hydraulic applications

Standard Construction

- Block body design for in-line assembly
- Supplied with lever

Standard Materials

- Body: Carbon Steel, zinc/iron-plated
- Ball: Carbon Steel, hard chrome-plated
- Stem: Carbon Steel
- Lever: Zinc
- Ball seat: Delrin® (POM)
- O-rings: FPM (Viton®)

Standard Connections Styles / Sizes

- 3000 PSI (code 61) SAE split flange connectors
- 6000 PSI (code 62) SAE split flange connectors
- Standard and extended adapter lengths

Pressure Range

- Pressure range: up to 420 bar / 6000 PSI (depending on size and material combination of the ball valve)

Please note: The final maximum working pressure is determined by flange and pipe/tubing rating.

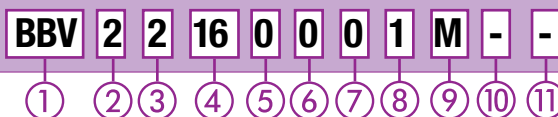
Temperature Range

- Operating temperature range: -20°C ... +100°C / -4°F ... + 212°F

Options / Accessories

- Flanges and flange kits (see Flanges section)
- Alternative lever designs/materials (see page F98)
- Locking devices (see pages F99-F101)
- Pneumatic actuator packages (see page F102)
- Limit switches (see page F102)
- Stainless Steel body
- Stainless Steel ball and stem
- Special ball seat and O-ring materials available for lower/higher temperatures and more aggressive media
- Additional assembling threads / holes (see page F103)
- Electrical actuators available on request. Please consult STAUFF for further information.

Order Codes



① Type

High-Pressure Block Body Ball Valve **BBV**

② Number of Ports

Two Ports (Two-Way Ball Valve) **2**

③ Connection Style

3000 PSI (Code 61) SAE Split Flange Connectors (Standard Adaptor Length)	2
3000 PSI (Code 61) SAE Split Flange Connectors (Extended Adaptor Length)	2X
6000 PSI (code 62) SAE Split Flange Connectors (Standard Adaptor Length)	3
6000 PSI (code 62) SAE Split Flange Connectors (Extended Adaptor Length)	3X

Please consult STAUFF for alternative connection styles.

④ Connection Size

STAUFF Size (according to dimension table)		
08	12	16

Please consult STAUFF for alternative connection sizes.

⑤ Body Material / Surface Finishing

Carbon Steel, zinc/iron-plated	0
Stainless Steel V4A (AISI 316Ti)	1

Alternative materials / surface finishings are available upon request. Consult STAUFF for further information.

⑥ Ball / Stem Material

Ball: Carbon Steel, hard chrome-plated	0
Stem: Carbon Steel	0
Ball / Stem: Stainless Steel V4A (AISI 316Ti)	1

Alternative materials / surface finishings are available upon request. Consult STAUFF for further information.

⑦ Ball Seat Material

Delrin® (POM)	0
---------------	----------

Alternative materials are available upon request. Consult STAUFF for further information.

⑧ O-Ring Material

NBR (Buna-N®)	0
FPM (Viton®)	1

Alternative materials are available upon request. Consult STAUFF for further information.

⑨ Manufacturing Code

Manufacturing code for all connection styles	M
Manufacturing code for high-pressure version of 6000 PSI Series (STAUFF Size 16)	H

⑩ Lever Options

Supplied with standard lever (according to table)	-
Supplied without lever	-0

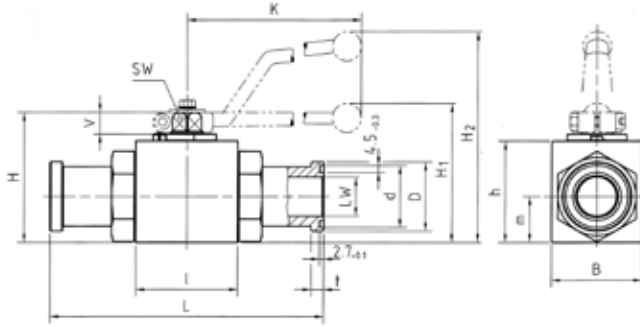
Alternative levers can be ordered separately. Please see page F98 for further information.

⑪ Accessories / Options

Supplied without accessories	-
Supplied with Locking Device LD1	-LD1
Supplied with Locking Device LD2	-LD2
Supplied with Locking Device LD3 (standard*)	-LD3
Supplied with Locking Device LD4	-LD4
Supplied with Double-Acting Pneumatic Actuator (Please add size **)	-EDA**
Supplied with Single-Acting Pneumatic Actuator (Please add size **)	-ESA**
Supplied with Limit Switch in open position	-LS-0
Supplied with Limit Switch in closed position	-LS-C
Supplied with Limit Switch in open and closed position	-LS-OC

*1 LD4 is the standard locking device option for the high-pressure version (manufacturing code H). Please see page F99 for further information.

High-Pressure Block Body Ball Valve - Type BBV22/23 3000 PSI SAE Split Flange Connection (ISO 6162-1)



When ordering the standard option as indicated in the table below, the following materials will be supplied:

- Body, ball and stem: Carbon Steel
- Lever: Zinc
- Ball seat: Delrin® (POM)
- O-rings: FPM (Viton®)

3000 PSI Series (Code 61) - Standard Adaptor Length

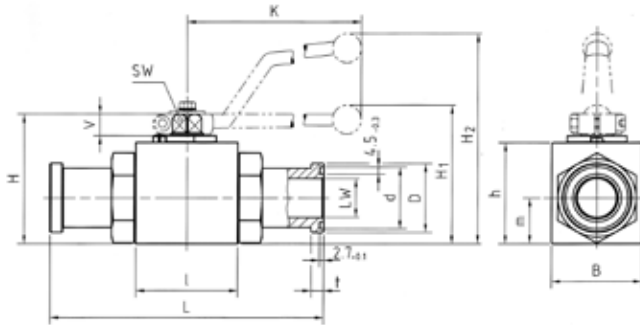
STAUFF Size	SAE Flange Size	Nominal Size DN	Dimensions (mm/in)														Nom. Pressure (bar/PSI)	Weight (kg/lbs)	Order Codes (Standard Option)	
			LW	L	l	B	H	h	m	V	SW	K	d ¹	D ²	t ³	H1	H2			
08	1/2	13	13	151	48	35	54	40	19	11	9	115	25,5	30,2	6,8		89	345	0,85	BBV22080001M
			.51	5.94	1.89	1.38	2.13	1.57	.75	.43	.35	4.53	1.00	1.19	.27		3.50	5000	1.87	
12	3/4	20	19	162	62	49	75	57	24,5	14	14	200	31,9	38,1	6,8	79		345	1,87	BBV22120001M
			.75	6.38	2.44	1.93	2.95	2.24	.96	.55	.55	7.87	1.26	1.50	.27	3.11		5000	4.11	
16	1	25	25	178	66	58	83	65	29,5	14	14	200	39,8	44,4	8,1	87		345	2,70	BBV22160001M
			.98	7.01	2.60	2.28	3.27	2.56	1.16	.55	.55	7.87	1.57	1.75	.32	3.43		5000	5.94	

3000 PSI Series (Code 61) - Extended Adaptor Length

STAUFF Size	SAE Flange Size	Nominal Size DN	Dimensions (mm/in)														Nom. Pressure (bar/PSI)	Weight (kg/lbs)	Order Codes (Standard Option)	
			LW	L	l	B	H	h	m	V	SW	K	d ¹	D ²	t ³	H1	H2			
08	1/2	13	13	170	48	35	54	40	19	11	9	115	25,5	30,2	6,8		89	345	0,89	BBV22X080001M
			.51	6.69	1.89	1.38	2.13	1.57	.75	.43	.35	4.53	1.00	1.19	.27		3.50	5000	1.96	
12	3/4	20	19	200	62	49	75	57	24,5	14	14	200	31,9	38,1	6,8	79		345	2,00	BBV22X120001M
			.75	7.87	2.44	1.93	2.95	2.24	.96	.55	.55	7.87	1.26	1.50	.27	3.11		5000	4.40	
16	1	25	25	215	66	58	83	65	29,5	14	14	200	39,8	44,4	8,1	87		345	2,85	BBV22X160001M
			.98	8.46	2.60	2.28	3.27	2.56	1.16	.55	.55	7.87	1.57	1.75	.32	3.43		5000	6.27	

Please note: The final maximum working pressure is determined by flange and pipe/tubing rating.

High-Pressure Block Body Ball Valve - Type BBV22/23 6000 PSI SAE Split Flange Connection (ISO 6162-2)



When ordering the standard option as indicated in the table below, the following materials will be supplied:

- Body, ball and stem: Carbon Steel
- Lever: Zinc
- Ball seat: Delrin® (POM)
- O-rings: FPM (Viton®)

6000 PSI Series (Code 62) - Standard Adaptor Length

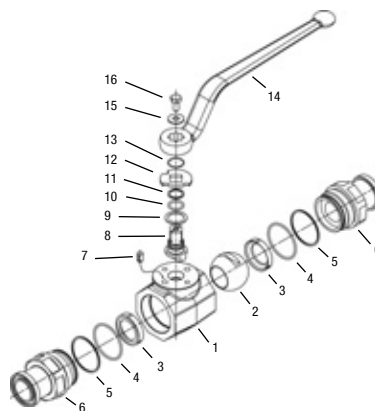
STAUFF Size	SAE Flange Size	Nominal Size DN	Dimensions (mm/in)														Nom. Pressure (bar/PSI)	Weight (kg/lbs)	Order Codes (Standard Option)	
			LW	L	l	B	H	h	m	V	SW	K	d ¹	D ²	t ³	H1	H2			
08	1/2	13	13	151	48	35	54	40	19	11	9	115	25,5	31,8	7,9		89	420	0,90	BBV23080001M
			.51	5.94	1.89	1.38	2.13	1.57	.75	.43	.35	4.53	1.00	1.25	.33		3.50	6000	1.98	
12	3/4	20	19	174	62	49	75	57	24,5	14	14	200	31,9	41,3	8,9	79		420	1,95	BBV23120001M
			.75	6.85	2.44	1.93	2.95	2.24	.96	.55	.55	7.87	1.26	1.63	.38	3.11		6000	4.29	
16	1	25	25	198	66	58	83	65	29,5	14	14	200	39,8	47,6	9,6	87		315	3,00	BBV23160001M
			.98	7.80	2.60	2.28	3.27	2.56	1.16	.55	.55	7.87	1.7	1.87	3.78	3.43		4500	6.60	
16	1	25	25	206	74	70	88	70	34,5	14	14	200	39,8	47,6	6,9	92		420	3,00	BBV23160001H
			.98	8.11	2.91	2.76	3.46	2.76	1.36	.55	.55	7.87	1.7	1.87	3.78	3.43		6000	6.60	

6000 PSI Series (Code 62) - Extended Adaptor Length

STAUFF Size	SAE Flange Size	Nominal Size DN	Dimensions (mm/in)														Nom. Pressure (bar/PSI)	Weight (kg/lbs)	Order Codes (Standard Option)	
			LW	L	l	B	H	h	m	V	SW	K	d ¹	D ²	t ³	H1	H2			
08	1/2	13	13	180	48	35	54	40	19	11	9	115	25,5	31,8	7,9		89	420	1,00	BBV23X080001M
			.51	7.09	1.89	1.38	2.13	1.57	.75	.43	.35	4.53	1.00	1.25	.33		3.50	6000	2.20	
12	3/4	20	19	200	62	49	75	57	24,5	14	14	200	31,9	41,3	8,9	79		420	2,10	BBV23X120001M
			.75	7.87	2.44	1.93	2.95	2.24	.96	.55	.55	7.87	1.26	1.63	.38	3.11		6000	4.62	
16	1	25	25	250	66	58	83	65	29,5	14	14	200	39,8	47,6	9,6	87		315	3,15	BBV23X160001M
			.98	9.84	2.60	2.28	3.27	2.56	1.16	.55	.55	7.87	1.7	1.87	3.78	3.43		4500	6.93	
16	1	25	25	250	74	70	88	70	34,5	14	14	200	39,8	47,6	6,9	92		420	3,15	BBV23X160001H
			.98	9.84	2.91	2.76	3.46	2.76	1.36	.55	.55	7.87	1.7	1.87	3.78	3.43		6000	6.93	

Please note: The final maximum working pressure is determined by flange and pipe/tubing rating.

High-Pressure Forged Body Ball Valve - Type FBV22/23



List of Components

No.	Qty.	Description
1	1	Body
2	1	Ball
3*	2	Seat
4*	2	Connector O-Ring
5*	2	Connector Back-Up Ring
6	2	Connector
7	1	Stop Pin
8	1	Stem
9*	1	Thrust Ring
10*	1	Stem O-Ring
11*	1	Stem Back-Up Ring
12	1	Cam Plate
13	1	Snap Ring
14	1	Handle
15	1	Washer
16	1	Stem Bolt

* Included in seal kit

Characteristics

Two-way high-pressure forged body ball valves designed for use as on/off devices for hydraulic applications

Standard Construction

- Forged body design for in-line assembly
- Supplied with straight lever

Standard Materials

- Body: Carbon Steel, zinc/iron-plated
- Ball: Carbon Steel, hard chrome-plated
- Stem: Carbon Steel
- Lever: Carbon Steel
- Ball seat: Delrin® (POM)
- O-rings: FPM (Viton®)

Standard Connections Styles / Sizes

- 3000 PSI (code 61) SAE split flange connectors
- 6000 PSI (code 62) SAE split flange connectors
- Standard and extended adapter lengths

Pressure Range

- Pressure range: up to 420 bar / 6000 PSI (depending on size and material combination of the ball valve)

Please note: The final maximum working pressure is determined by flange and pipe/tubing rating.

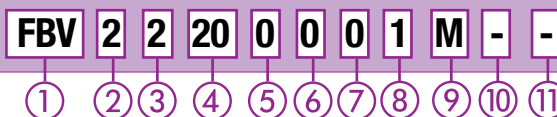
Temperature Range

- Operating temperature range: -20°C ... +100°C / -4°F ... + 212°F

Options / Accessories

- Flanges and flange kits (see Flanges section)
- Alternative lever designs/materials (see page F98)
- Locking devices (see pages F99-F101)
- Pneumatic actuator packages (see page F102)
- Limit switches (see page F102)
- Stainless Steel body
- Stainless Steel ball and stem
- Special ball seat and O-ring materials available for lower/higher temperatures and more aggressive media
- Additional assembling threads (see page F103)
- Electrical actuators available on request. Please consult STAUFF for further information.

Order Codes



① Type

High-Pressure Forged Body Ball Valve **FBV**

② Number of Ports

Two Ports (Two-Way Ball Valve) **2**

③ Connection Style

3000 PSI (Code 61) SAE Split Flange Connectors (Standard Adaptor Length)	2
3000 PSI (Code 61) SAE Split Flange Connectors (Extended Adaptor Length)	2X
6000 PSI (code 62) SAE Split Flange Connectors (Standard Adaptor Length)	3
6000 PSI (code 62) SAE Split Flange Connectors (Extended Adaptor Length)	3X

Please consult STAUFF for alternative connection styles.

④ Connection Size

STAUFF Size (according to dimension table)		
20	24	32

Please consult STAUFF for alternative connection sizes.

⑤ Body Material / Surface Finishing

Carbon Steel, zinc/iron-plated	0
Stainless Steel V4A (AISI 316Ti)	1

Alternative materials / surface finishings are available upon request. Consult STAUFF for further information.

⑥ Ball / Stem Material

Ball: Carbon Steel, hard chrome-plated	0
Stem: Carbon Steel	0
Ball / Stem: Stainless Steel V4A (AISI 316Ti)	1

Alternative materials / surface finishings are available upon request. Consult STAUFF for further information.

⑦ Ball Seat Material

Delrin® (POM)	0
---------------	----------

Alternative materials are available upon request. Consult STAUFF for further information.

⑧ O-Ring Material

NBR (Buna-N®)	0
FPM (Viton®)	1

Alternative materials are available upon request. Consult STAUFF for further information.

⑨ Manufacturing Code

Manufacturing code for all connection styles **M**

⑩ Lever Options

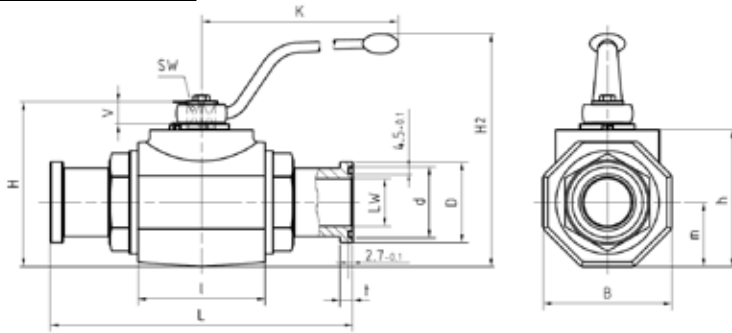
Supplied with standard lever (according to table)	-
Supplied without lever	-0

Alternative levers can be ordered separately. Please see page F98 for further information.

⑪ Accessories / Options

Supplied without accessories	-
Supplied with Locking Device LD1	-LD1
Supplied with Locking Device LD2	-LD2
Supplied with Locking Device LD6 (standard)	-LD6
Supplied with Double-Acting Pneumatic Actuator (Please add size **)	-EDA**
Supplied with Single-Acting Pneumatic Actuator (Please add size **)	-ESA**
Supplied with Limit Switch in open position	-LS-0
Supplied with Limit Switch in closed position	-LS-C
Supplied with Limit Switch in open and closed position	-LS-OC

Please see page F99 for further information.



High-Pressure Forged Body Ball Valve - Type FBV22/23 3000 PSI SAE Split Flange Connection (ISO 6162-1)

When ordering the standard option as indicated in the table below, the following materials will be supplied:

- Body, ball and stem: Carbon Steel
- Lever: Carbon Steel
- Ball seat: Delrin® (POM)
- O-rings: FPM (Viton®)

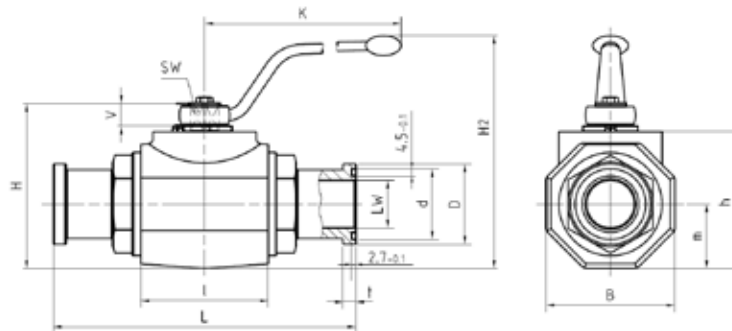
3000 PSI Series (Code 61) - Standard Adaptor Length

STAUFF Size	SAE Flange Size	Nominal Size DN	Dimensions (mm/in)													Nom. Pressure (bar/PSI)	Weight (#/lbs)	Order Codes (Standard Option)
			LW	L	I	B	H	h	m	V	SW	K	d'	D ²	t ³			
20	1-1/4	32	30	191	80	81	107	86	40,5	16,5	17	320	44,6	50,8	8,1	210	4,22	FBV22200001M
			1.18	7.52	3.15	3.19	4.21	3.39	1.59	.65	.67	12.60	1.76	2.00	.32	3000	9.28	
24	1-1/2	40	38	231	85	100	124	103	50	16,5	17	320	54,1	60,3	8,1	210	6,54	FBV22240001M
			1.50	9.09	3.35	3.94	4.88	4.06	1.97	.65	.67	12.60	2.13	2.37	.32	3000	14.39	
32	2	50	48	232	100	118	138	117	59	16,5	17	320	63,6	71,4	9,6	210	9,29	FBV22320001M
			1.89	9.13	3.94	4.65	5.43	4.61	2.32	.65	.67	12.60	2.50	2.81	.38	3000	20.44	

3000 PSI Series (Code 61) - Extended Adaptor Length

STAUFF Size	SAE Flange Size	Nominal Size DN	Dimensions (mm/in)													Nom. Pressure (bar/PSI)	Weight (#/lbs)	Order Codes (Standard Option)
			LW	L	I	B	H	h	m	V	SW	K	d'	D ²	t ³			
20	1-1/4	32	30	275	80	81	107	86	40,5	16,5	17	320	44,6	50,8	8,1	210	5,15	FBV22X200001M
			1.18	10.83	3.15	3.19	4.21	3.39	1.59	.65	.67	12.60	1.76	2.00	.32	3000	11.33	
24	1-1/2	40	38	320	85	100	124	103	50	16,5	17	320	54,1	60,3	8,1	210	7,20	FBV22X240001M
			1.50	12.60	3.35	3.94	4.88	4.06	1.97	.65	.67	12.60	2.13	2.37	.32	3000	15.84	
32	2	50	48	323	100	118	138	117	59	16,5	17	320	63,6	71,4	9,6	210	11,50	FBV22X320001M
			1.89	12.72	3.94	4.65	5.43	4.61	2.32	.65	.67	12.60	2.50	2.81	.38	3000	25.30	

Please note: The final maximum working pressure is determined by flange and pipe/tubing rating.



High-Pressure Forged Body Ball Valve - Type FBV22/23 6000 PSI SAE Split Flange Connection (ISO 6162-2)

When ordering the standard option as indicated in the table below, the following materials will be supplied:

- Body, ball and stem: Carbon Steel
- Lever: Carbon Steel
- Ball seat: Delrin® (POM)
- O-rings: FPM (Viton®)

6000 PSI Series (Code 62) - Standard Adaptor Length

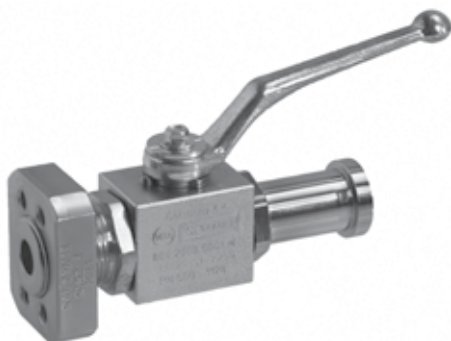
STAUFF Size	SAE Flange Size	Nominal Size DN	Dimensions (mm/in)													Nom. Pressure (bar/PSI)	Weight (#/lbs)	Order Codes (Standard Option)
			LW	L	I	B	H	h	m	V	SW	K	d'	D ²	t ³			
20	1-1/4	32	30	223	80	81	107	86	40,5	16,5	17	320	44,6	54	10,4	420	4,72	FBV23200001M
			1.18	8.78	3.15	3.19	4.21	3.39	1.59	.65	.67	12.60	1.76	2.13	.41	6000	10.38	
24	1-1/2	40	38	281	85	100	124	103	50	16,5	17	320	54,1	63,5	12,7	420	7,49	FBV23240001M
			1.50	11.06	3.35	3.94	4.88	4.06	1.97	.65	.67	12.60	2.13	2.50	.50	6000	16.48	
32	2	50	48	316	100	118	138	117	59	16,5	17	320	63,6	79,4	12,7	420	11,39	FBV23320001M
			1.89	12.44	3.94	4.65	5.43	4.61	2.32	.65	.67	12.60	2.50	3.13	.50	6000	25.06	

6000 PSI Series (Code 62) - Extended Adaptor Length

STAUFF Size	SAE Flange Size	Nominal Size DN	Dimensions (mm/in)													Nom. Pressure (bar/PSI)	Weight (#/lbs)	Order Codes (Standard Option)
			LW	L	I	B	H	h	m	V	SW	K	d'	D ²	t ³			
20	1-1/4	32	30	322	80	81	107	86	40,5	16,5	17	320	44,6	54	10,4	420	5,55	FBV23X200001M
			1.18	12.68	3.15	3.19	4.21	3.39	1.59	.65	.67	12.60	1.76	2.13	.41	6000	12.21	
24	1-1/2	40	38	380	85	100	124	103	50	16,5	17	320	54,1	63,5	12,7	420	7,65	FBV23X240001M
			1.50	14.96	3.35	3.94	4.88	4.06	1.97	.65	.67	12.60	2.13	2.50	.50	6000	16.83	
32	2	50	48	385	100	118	138	117	59	16,5	17	320	63,6	79,4	12,7	420	12,00	FBV23X320001M
			1.89	15.16	3.94	4.65	5.43	4.61	2.32	.65	.67	12.60	2.50	3.13	.50	6000	26.40	

Please note: The final maximum working pressure is determined by flange and pipe/tubing rating.

High-Pressure Block Body Ball Valve - Type BBV2H/2T



Characteristics

Two-way high-pressure block body ball valves designed for use as on/off devices for hydraulic applications

Standard Construction

- Block body design for in-line assembly
- Supplied with lever

Standard Materials

- Body: Carbon Steel, zinc/iron-plated
- Ball: Carbon Steel, hard chrome-plated
- Stem: Carbon Steel
- Lever: Zinc
- Ball seat: Delrin® (POM)
- O-rings: FPM (Viton®)

Standard Connections Styles / Sizes

- 3000 PSI (code 61) SAE split flange / SAE flange connection
- 6000 PSI (code 62) SAE split flange / SAE flange connection

Pressure Range

- Pressure range: up to 420 bar / 6000 PSI (depending on size and material combination of the ball valve)

Please note: The final maximum working pressure is determined by flange and pipe/tubing rating.

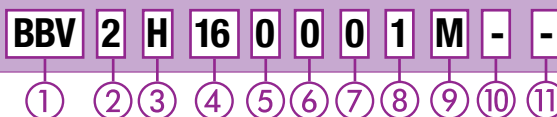
Temperature Range

- Operating temperature range: -20°C ... +100°C / -4°F ... + 212 °F

Options / Accessories

- Flanges and flange kits (see Flanges section)
- Alternative lever designs/materials (see page F98)
- Locking devices (see pages F99-F101)
- Pneumatic actuator packages (see page F102)
- Limit switches (see page F102)
- Stainless Steel body
- Stainless Steel ball and stem
- Special ball seat and O-ring materials available for lower/higher temperatures and more aggressive media
- Additional assembling threads / holes (see page F103)
- Electrical actuators available on request. Please consult STAUFF for further information.

Order Codes



① Type

High-Pressure Block Body Ball Valve	BBV
-------------------------------------	------------

② Number of Ports

Two Ports (Two-Way Ball Valve)	2
--------------------------------	----------

③ Connection Style

3000 PSI (Code 61)	H
SAE Split Flange / SAE Flange Connection	
6000 PSI (Code 62)	T
SAE Split Flange / SAE Flange Connection	

Please consult STAUFF for alternative connection styles.

④ Connection Size

STAUFF Size (according to dimension table)		
08	12	16

Please consult STAUFF for alternative connection sizes.

⑤ Body Material / Surface Finishing

Carbon Steel, zinc/iron-plated	0
Stainless Steel V4A (AISI 316Ti)	1

Alternative materials / surface finishings are available upon request. Consult STAUFF for further information.

⑥ Ball / Stem Material

Ball: Carbon Steel, hard chrome-plated	0
Stem: Carbon Steel	
Ball / Stem: Stainless Steel V4A (AISI 316Ti)	1

Alternative materials / surface finishings are available upon request. Consult STAUFF for further information.

⑦ Ball Seat Material

Delrin® (POM)	0
---------------	----------

Alternative materials are available upon request. Consult STAUFF for further information.

⑧ O-Ring Material

NBR (Buna-N®)	0
FPM (Viton®)	1

Alternative materials are available upon request. Consult STAUFF for further information.

⑨ Manufacturing Code

Manufacturing code for all connection styles	M
Manufacturing code for high-pressure version of 6000 PSI Series (STAUFF Size 16)	H

⑩ Lever Options

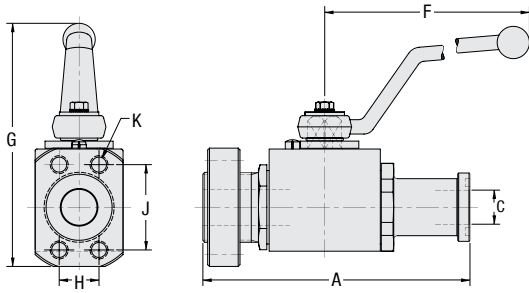
Supplied with standard lever (according to table)	-
Supplied without lever	-0

Alternative levers can be ordered separately. Please see page F98 for further information.

⑪ Accessories / Options

Supplied without accessories	-
Supplied with Locking Device LD1	-LD1
Supplied with Locking Device LD2	-LD2
Supplied with Locking Device LD3 (standard*)	-LD3
Supplied with Locking Device LD4	-LD4
Supplied with Double-Acting Pneumatic Actuator (Please add size **)	-EDA**
Supplied with Single-Acting Pneumatic Actuator (Please add size **)	-ESA**
Supplied with Limit Switch in open position	-LS-0
Supplied with Limit Switch in closed position	-LS-C
Supplied with Limit Switch in open and closed position	-LS-OC

*1 LD4 is the standard locking device option for the high-pressure version (manufacturing code H). Please see page F99 for further information.



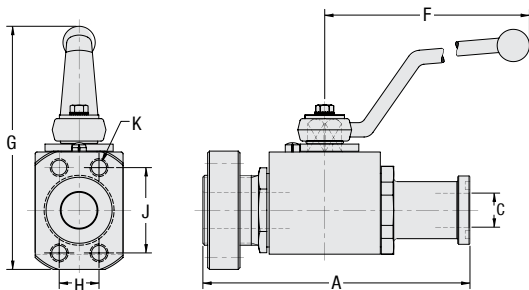
High-Pressure Block Body Ball Valve - Type BBV2H/2T 3000 PSI SAE Split Flange / SAE Flange Connection (ISO 6162-1)

When ordering the standard option as indicated in the table below, the following materials will be supplied:

- Body, ball and stem: Carbon Steel
- Lever: Zinc
- Ball seat: Delrin® (POM)
- O-rings: FPM (Viton®)

3000 PSI Series (Code 61)

STAUFF Size	SAE Flange Size	Nominal Size DN	Dimensions (mm/in)						K tap UN-2B	Nom. Pressure (bar/PSI)	Weight (kg/lbs)	Order Codes (Standard Option)
			A	C	F	G	H	J				
08	1/2	13	136	13	115	99	17,5	38,1	5/16-18	210	1,20	BBV2H080001M
			5.35	.51	4.53	3.90	.69	1.50		3000	2.60	
12	3/4	20	149	19	170	136	22,2	47,6	3/8-16	210	2,50	BBV2H120001M
			5.87	.75	6.69	5.35	.87	1.87		3000	5.50	
16	1	25	163	25	170	141	26,2	52,4	3/8-16	210	3,50	BBV2H160001M
			6.42	.98	6.69	5.55	1.03	2.06		3000	7.70	



High-Pressure Block Body Ball Valve - Type BBV2H/2T 6000 PSI SAE Split Flange / SAE Flange Connection (ISO 6162-2)

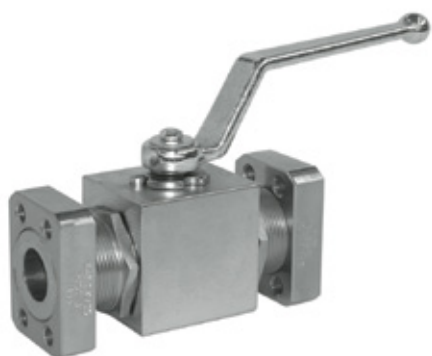
When ordering the standard option as indicated in the table below, the following materials will be supplied:

- Body, ball and stem: Carbon Steel
- Lever: Zinc
- Ball seat: Delrin® (POM)
- O-rings: FPM (Viton®)

6000 PSI Series (Code 62)

STAUFF Size	SAE Flange Size	Nominal Size DN	Dimensions (mm/in)						K tap UN-2B	Nom. Pressure (bar/PSI)	Weight (kg/lbs)	Order Codes (Standard Option)
			A	C	F	G	H	J				
08	1/2	13	136	13	115	99	18,2	40,5	5/16-18	420	1,20	BBV2T080001M
			5.35	.51	4.53	3.90	.72	1.59		6000	2.60	
12	3/4	20	155	19	170	138	23,8	50,8	3/8-16	420	2,50	BBV2T120001M
			6.10	.75	6.69	5.43	.94	2.00		6000	5.50	
16	1	25	173	25	170	146	27,8	57,2	7/16-14	420	3,50	BBV2T160001H
			6.81	.98	6.69	5.75	1.09	2.25		6000	7.70	

High-Pressure Block Body Ball Valve - Type BBV



Characteristics

Two-way high-pressure block body ball valves designed for use as on/off devices for hydraulic applications

Standard Construction

- Block body design for in-line assembly
- Supplied with off-set lever

Standard Materials

- Body: Carbon Steel, zinc/iron-plated
- Ball: Carbon Steel, hard chrome-plated
- Stem: Carbon Steel
- Lever: Zinc (STAUFF Size 08)
- Carbon Steel (STAUFF Sizes 12 and 16)
- Ball seat: Delrin® (POM)
- O-rings: FPM (Viton®)

Standard Connections Styles / Sizes

- 3000 PSI (code 61) SAE mating flange connectors
- 6000 PSI (code 62) SAE mating flange connectors
- Metric ISO and unified coarse (UNC) threads

Pressure Range

- Pressure range: up to 420 bar / 6000 PSI (depending on size and material combination of the ball valve)

Please note: The final maximum working pressure is determined by flange and pipe/tubing rating.

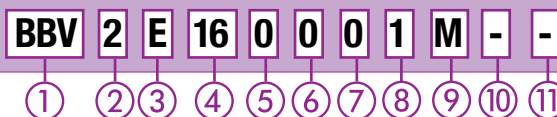
Temperature Range

- Operating temperature range: -20°C ... +100°C / -4°F ... + 212°F

Options / Accessories

- Flanges and flange kits (see Flanges section)
- Alternative lever designs/materials (see page F98)
- Locking devices (see pages F99-F101)
- Pneumatic actuator packages (see page F102)
- Limit switches (see page F102)
- Stainless Steel body
- Stainless Steel ball and stem
- Special ball seat and O-ring materials available for lower/higher temperatures and more aggressive media
- Additional assembling threads / holes (see page F103)
- Electrical actuators available on request. Please consult STAUFF for further information.

Order Codes



① Type

High-Pressure Block Body Ball Valve **BBV**

② Number of Ports

Two Ports (Two-Way Ball Valve) **2**

③ Connection Style

3000 PSI (Code 61) SAE Mating Flange Connectors with Metric ISO Threads	EM
3000 PSI (Code 61) SAE Mating Flange Connectors with Unified Coarse (UNC) Threads	E
6000 PSI (Code 62) SAE Mating Flange Connectors with Metric ISO Threads	SM
6000 PSI (Code 62) SAE Mating Flange Connectors with Unified Coarse (UNC) Threads	S

Please consult STAUFF for alternative connection styles.

④ Connection Size

STAUFF Size (according to dimension table)		
08	12	16

Please consult STAUFF for alternative connection sizes.

⑤ Body Material / Surface Finishing

Carbon Steel, zinc/iron-plated	0
Stainless Steel V4A (AISI 316Ti)	1

Alternative materials / surface finishings are available upon request. Consult STAUFF for further information.

⑥ Ball / Stem Material

Ball: Carbon Steel, hard chrome-plated	0
Stem: Carbon Steel	0
Ball / Stem: Stainless Steel V4A (AISI 316Ti)	1

Alternative materials / surface finishings are available upon request. Consult STAUFF for further information.

⑦ Ball Seat Material

Delrin® (POM)	0
---------------	----------

Alternative materials are available upon request. Consult STAUFF for further information.

⑧ O-Ring Material

NBR (Buna-N®)	0
FPM (Viton®)	1

Alternative materials are available upon request. Consult STAUFF for further information.

⑨ Manufacturing Code

Manufacturing code for all connection styles	M
Manufacturing code for high-pressure version of 6000 PSI Series (STAUFF Size 16)	H

⑩ Lever Options

Supplied with standard lever (according to table)	-
Supplied without lever	-0

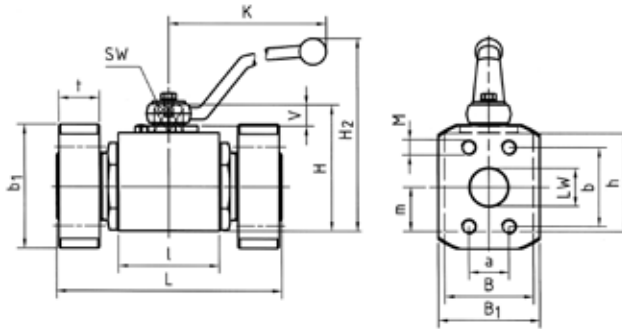
Alternative levers can be ordered separately. Please see page F98 for further information.

⑪ Accessories / Options

Supplied without accessories	-
Supplied with Locking Device LD1	-LD1
Supplied with Locking Device LD2	-LD2
Supplied with Locking Device LD3 (standard*)	-LD3
Supplied with Locking Device LD4	-LD4
Supplied with Double-Acting Pneumatic Actuator (Please add size **)	-EDA**
Supplied with Single-Acting Pneumatic Actuator (Please add size **)	-ESA**
Supplied with Limit Switch in open position	-LS-0
Supplied with Limit Switch in closed position	-LS-C
Supplied with Limit Switch in open and closed position	-LS-OC

*1 LD4 is the standard locking device option for the high-pressure version (manufacturing code H). Please see page F99 for further information.

High-Pressure Block Body Ball Valve - Type BBV 3000 PSI SAE Flange Connection (ISO 6162-1)



When ordering the standard option as indicated in the table below, the following materials will be supplied:

- Body, ball and stem: Carbon Steel
- Lever: Zinc (STAUFF Size 08)
Carbon Steel (STAUFF Sizes 12 and 16)
- Ball seat: Delrin® (POM)
- O-rings: FPM (Viton®)

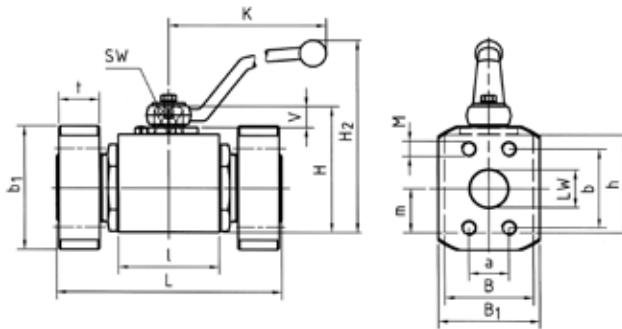
3000 PSI Series (Code 61) - Unified Coarse (UNC) Threads

STAUFF Size	SAE Flange Size	Nominal Size DN	Dimensions (mm/in)																Nom. Pressure (bar/PSI)	Weight (kg/lbs)	Order Codes (Standard Option)	
			LW	L	I	B	H	h	m	V	SW	K	B1	b1	t	a	b	M				H2
08	1/2	13	13	120	48	35	54	40	19	11	9	115	48	56	13	17,5	38,1	5/16-18	89	345	1,50	BBV2E080001M
			.051	4,72	1,89	1,38	2,13	1,57	0,75	0,43	0,35	4,53	1,89	2,20	0,51	0,69	1,50	UNC	3,50	5000	3,30	
12	3/4	20	20	136	62	49	75	57	24,5	14	14	170	50	65	14	22,2	47,6	3/8-16	127	345	3,00	BBV2E120001M
			0,79	5,35	2,44	1,93	2,95	2,24	0,96	0,55	0,55	6,69	1,97	2,56	0,55	0,87	1,87	UNC	5,00	5000	6,60	
16	1	24	25	148	66	58	83	65	29,5	14	14	170	60	70	16	26,2	52,4	3/8-16	135	345	4,50	BBV2E160001M
			0,98	5,83	2,60	2,28	3,27	2,56	1,16	0,55	0,55	6,69	2,36	2,76	0,63	1,03	2,06	UNC	5,31	5000	9,90	

3000 PSI Series (Code 61) - Metric ISO Threads

STAUFF Size	SAE Flange Size	Nominal Size DN	Dimensions (mm/in)																Nom. Pressure (bar/PSI)	Weight (kg/lbs)	Order Codes (Standard Option)	
			LW	L	I	B	H	h	m	V	SW	K	B1	b1	t	a	b	M				H2
08	1/2	13	13	120	48	35	54	40	19	11	9	115	48	56	13	17,5	38,1	M8	89	345	1,50	BBV2EM080001M
			.051	4,72	1,89	1,38	2,13	1,57	0,75	0,43	0,35	4,53	1,89	2,20	0,51	0,69	1,50		3,50	5000	3,30	
12	3/4	20	20	136	62	49	75	57	24,5	14	14	170	50	65	14	22,2	47,6	M10	127	345	3,00	BBV2EM120001M
			0,79	5,35	2,44	1,93	2,95	2,24	0,96	0,55	0,55	6,69	1,97	2,56	0,55	0,87	1,87		5,00	5000	6,60	
16	1	24	25	148	66	58	83	65	29,5	14	14	170	60	70	16	26,2	52,4	M10	135	345	4,50	BBV2EM160001M
			0,98	5,83	2,60	2,28	3,27	2,56	1,16	0,55	0,55	6,69	2,36	2,76	0,63	1,03	2,06		5,31	5000	9,90	

Please note: The final maximum working pressure is determined by flange and pipe/tubing rating.



High-Pressure Block Body Ball Valve - Type BBV 6000 PSI SAE Flange Connection (ISO 6162-2)

When ordering the standard option as indicated in the table below, the following materials will be supplied:

- Body, ball and stem: Carbon Steel
- Lever: Zinc (STAUFF Size 08)
Carbon Steel (STAUFF Sizes 12 and 16)
- Ball seat: Delrin® (POM)
- O-rings: FPM (Viton®)

6000 PSI Series (Code 62) - Unified Coarse (UNC) Threads

STAUFF Size	SAE Flange Size	Nominal Size DN	Dimensions (mm/in)																Nom. Pressure (bar/PSI)	Weight (kg/lbs)	Order Codes (Standard Option)	
			LW	L	I	B	H	h	m	V	SW	K	B1	b1	t	a	b	M				H2
08	1/2	13	13	120	48	35	54	40	19	11	9	115	48	56	16	18,2	40,5	5/16-18	89	420	1,50	BBV2S080001M
			.51	4,72	1,89	1,38	2,13	1,57	.75	.43	.35	4,53	1,89	2,20	.63	.72	1,59	UNC	3,50	6000	3,30	
12	3/4	20	20	136	62	49	75	57	24,5	14	14	170	60	71	19	23,8	50,8	3/8-16	127	420	3,00	BBV2S120001M
			.79	5,35	2,44	1,93	2,95	2,24	.96	.55	.55	6,69	2,36	2,80	.75	.94	2,00	UNC	5,00	6000	6,60	
16	1	24	25	148	66	58	83	65	29,5	14	14	170	70	81	24	27,8	57,2	7/16-14	135	420	4,50	BBV2S160001H
			.98	5,83	2,60	2,28	3,27	2,56	1,16	.55	.55	6,69	2,76	3,19	.94	1,09	2,25	UNC	5,31	6000	9,90	

6000 PSI Series (Code 62) - Metric ISO Threads

STAUFF Size	SAE Flange Size	Nominal Size DN	Dimensions (mm/in)																Nom. Pressure (bar/PSI)	Weight (kg/lbs)	Order Codes (Standard Option)	
			LW	L	I	B	H	h	m	V	SW	K	B1	b1	t	a	b	M				H2
08	1/2	13	13	120	48	35	54	40	19	11	9	115	48	56	16	18,2	40,5	M8	89	420	1,50	BBV2SM080001M
			.51	4,72	1,89	1,38	2,13	1,57	.75	.43	.35	4,53	1,89	2,20	.63	.72	1,59		3,50	6000	3,30	
12	3/4	20	20	136	62	49	75	57	24,5	14	14	170	60	71	19	23,8	50,8	M10	127	420	3,00	BBV2SM120001M
			.79	5,35	2,44	1,93	2,95	2,24	.96	.55	.55	6,69	2,36	2,80	.75	.94	2,00		5,00	6000	6,60	
16	1	24	25	148	66	58	83	65	29,5	14	14	170	70	81	24	27,8	57,2	M12	135	420	4,50	BBV2SM160001H
			.98	5,83	2,60	2,28	3,27	2,56	1,16	.55	.55	6,69	2,76	3,19	.94	1,09	2,25		5,31	6000	9,90	

Please note: The final maximum working pressure is determined by flange and pipe/tubing rating.

High-Pressure Forged Body Ball Valve - Type FBV2H/2T



Characteristics

Two-way high-pressure forged body ball valves designed for use as on/off devices for hydraulic applications

Standard Construction

- Forged body design for in-line assembly
- Supplied with straight lever

Standard Materials

- Body: Carbon Steel, zinc/iron-plated
- Ball: Carbon Steel, hard chrome-plated
- Stem: Carbon Steel
- Lever: Carbon Steel
- Ball seat: Delrin® (POM)
- O-rings: FPM (Viton®)

Standard Connections Styles / Sizes

- 3000 PSI (code 61) SAE split flange / SAE flange connection
- 6000 PSI (code 62) SAE split flange / SAE flange connection

Pressure Range

- Pressure range: up to 420 bar / 6000 PSI (depending on size and material combination of the ball valve)

Please note: The final maximum working pressure is determined by flange and pipe/tubing rating.

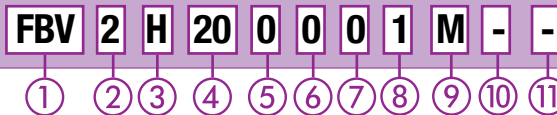
Temperature Range

- Operating temperature range: -20°C ... +100°C / -4°F ... + 212 °F

Options / Accessories

- Flanges and flange kits (see Flanges section)
- Alternative lever designs/materials (see page F98)
- Locking devices (see pages F99-F101)
- Pneumatic actuator packages (see page F102)
- Limit switches (see page F102)
- Stainless Steel body
- Stainless Steel ball and stem
- Special ball seat and O-ring materials available for lower/higher temperatures and more aggressive media
- Additional assembling threads (see page F103)
- Electrical actuators available on request. Please consult STAUFF for further information.

Order Codes



① Type

High-Pressure Forged Body Ball Valve	FBV
--------------------------------------	------------

② Number of Ports

Two Ports (Two-Way Ball Valve)	2
--------------------------------	----------

③ Connection Style

3000 PSI (Code 61)	H
SAE Split Flange / SAE Flange Connection	
6000 PSI (Code 62)	T
SAE Split Flange / SAE Flange Connection	

Please consult STAUFF for alternative connection styles.

④ Connection Size

STAUFF Size (according to dimension table)		
20	24	32

Please consult STAUFF for alternative connection sizes.

⑤ Body Material / Surface Finishing

Carbon Steel, zinc/iron-plated	0
Stainless Steel V4A (AISI 316Ti)	1

Alternative materials / surface finishings are available upon request. Consult STAUFF for further information.

⑥ Ball / Stem Material

Ball: Carbon Steel, hard chrome-plated	0
Stem: Carbon Steel	
Ball / Stem: Stainless Steel V4A (AISI 316Ti)	1

Alternative materials / surface finishings are available upon request. Consult STAUFF for further information.

⑦ Ball Seat Material

Delrin® (POM)	0
---------------	----------

Alternative materials are available upon request. Consult STAUFF for further information.

⑧ O-Ring Material

NBR (Buna-N®)	0
FPM (Viton®)	1

Alternative materials are available upon request. Consult STAUFF for further information.

⑨ Manufacturing Code

Manufacturing code for all connection styles	M
--	----------

⑩ Lever Options

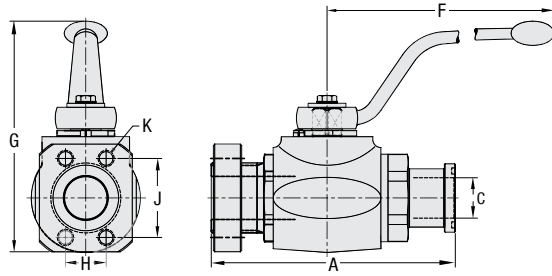
Supplied with standard lever (according to table)	-
Supplied without lever	-0

Alternative levers can be ordered separately. Please see page F98 for further information.

⑪ Accessories / Options

Supplied without accessories	-
Supplied with Locking Device LD1	-LD1
Supplied with Locking Device LD2	-LD2
Supplied with Locking Device LD6 (standard)	-LD6
Supplied with Double-Acting Pneumatic Actuator (Please add size **)	-EDA**
Supplied with Single-Acting Pneumatic Actuator (Please add size **)	-ESA**
Supplied with Limit Switch in open position	-LS-0
Supplied with Limit Switch in closed position	-LS-C
Supplied with Limit Switch in open and closed position	-LS-OC

Please see page F99 for further information.



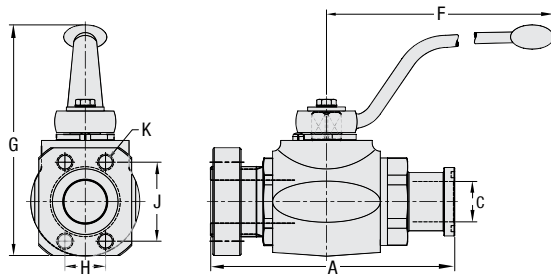
High-Pressure Forged Body Ball Valve - Type FBV2H/2T 3000 PSI SAE Split Flange / SAE Flange Connection (ISO 6162-1)

When ordering the standard option as indicated in the table below, the following materials will be supplied:

- Body, ball and stem: Carbon Steel
- Lever: Carbon Steel
- Ball seat: Delrin® (POM)
- O-rings: FPM (Viton®)

3000 PSI Series (Code 61)

STAUFF Size	SAE Flange Size	Nominal Size DN	Dimensions (mm/in)						K tap UN-2B	Nom. Pressure (bar/PSI)	Weight (kg/lbs)	Order Codes (Standard Option)
			A	C	F	G	H	J				
20	1-1/4	32	181	30	320	171	30,2	58,7	7/16-14	210	5,87	FBV2H200001M
			7.13	1.18	12.60	6.73	1.19	2.31		3000	12.94	
24	1-1/2	40	204	38	320	186	35,7	69,8	1/2-13	210	8,82	FBV2H240001M
			8.03	1.50	12.60	7.32	1.41	2.75		3000	19.45	
32	2	250	214	48	320	195	42,9	77,8	1/2-13	210	14,29	FBV2H320001M
			8.43	1.89	12.60	7.68	1.69	3.06		3000	31.50	



High-Pressure Forged Body Ball Valve - Type FBV2H/2T 6000 PSI SAE Split Flange / SAE Flange Connection (ISO 6162-2)

When ordering the standard option as indicated in the table below, the following materials will be supplied:

- Body, ball and stem: Carbon Steel
- Lever: Carbon Steel
- Ball seat: Delrin® (POM)
- O-rings: FPM (Viton®)

6000 PSI Series (Code 62)

STAUFF Size	SAE Flange Size	Nominal Size DN	Dimensions (mm/in)						K tap UN-2B	Nom. Pressure (bar/PSI)	Weight (kg/lbs)	Order Codes (Standard Option)
			A	C	F	G	H	J				
20	1-1/4	32	198	30	320	178	31,8	66,7	1/2-13	420	6,10	FBV2H200001M
			7.80	1.18	12.60	7.01	1.25	2.63		6000	13.45	
24	1-1/2	40	229	38	320	190	36,5	79,4	5/8-11	420	9,29	FBV2H240001M
			9.02	1.50	12.60	7.48	1.44	3.13		6000	20.48	
32	2	250	256	48	320	211	44,5	96,8	73/4-10	420	15,34	FBV2H320001M
			10.08	1.89	12.60	8.31	1.75	3.81		6000	33.82	

High-Pressure Forged Body Ball Valve - Type FBV



Characteristics

Two-way high-pressure forged body ball valves designed for use as on/off devices for hydraulic applications

Standard Construction

- Forged body design for in-line assembly
- Supplied with off-set lever

Standard Materials

- Body: Carbon Steel, zinc/iron-plated
- Ball: Carbon Steel, hard chrome-plated
- Stem: Carbon Steel
- Lever: Carbon Steel
- Ball seat: Delrin® (POM)
- O-rings: FPM (Viton®)

Standard Connections Styles / Sizes

- 3000 PSI (code 61) SAE mating flange connectors
- 6000 PSI (code 62) SAE mating flange connectors
- Metric ISO and unified coarse (UNC) threads

Pressure Range

- Pressure range: up to 420 bar / 6000 PSI (depending on size and material combination of the ball valve)

Please note: The final maximum working pressure is determined by flange and pipe/tubing rating.

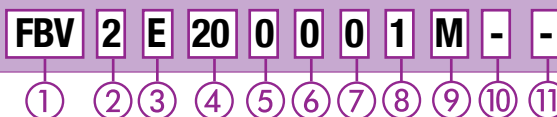
Temperature Range

- Operating temperature range:
-20°C ... +100°C / -4°F ... + 212°F

Options / Accessories

- Flanges and flange kits (see Flanges section)
- Alternative lever designs/materials (see page F98)
- Locking devices (see pages F99-F101)
- Pneumatic actuator packages (see page F102)
- Limit switches (see page F102)
- Stainless Steel body
- Stainless Steel ball and stem
- Special ball seat and O-ring materials available for lower/higher temperatures and more aggressive media
- Additional assembling threads (see page F103)
- Electrical actuators available on request.
Please consult STAUFF for further information.

Order Codes



① Type

High-Pressure Forged Body Ball Valve **FBV**

② Number of Ports

Two Ports (Two-Way Ball Valve) **2**

③ Connection Style

3000 PSI (Code 61) SAE Mating Flange Connectors with Metric ISO Threads	EM
3000 PSI (Code 61) SAE Mating Flange Connectors with Unified Coarse (UNC) Threads	E
6000 PSI (Code 62) SAE Mating Flange Connectors with Metric ISO Threads	SM
6000 PSI (Code 62) SAE Mating Flange Connectors with Unified Coarse (UNC) Threads	S

Please consult STAUFF for alternative connection styles.

④ Connection Size

STAUFF Size (according to dimension table)		
20	24	32

Please consult STAUFF for alternative connection sizes.

⑤ Body Material / Surface Finishing

Carbon Steel, zinc/iron-plated	0
Stainless Steel V4A (AISI 316Ti)	1

Alternative materials / surface finishings are available upon request. Consult STAUFF for further information.

⑥ Ball / Stem Material

Ball: Carbon Steel, hard chrome-plated	0
Stem: Carbon Steel	0
Ball / Stem: Stainless Steel V4A (AISI 316Ti)	1

Alternative materials / surface finishings are available upon request. Consult STAUFF for further information.

⑦ Ball Seat Material

Delrin® (POM)	0
---------------	----------

Alternative materials are available upon request. Consult STAUFF for further information.

⑧ O-Ring Material

NBR (Buna-N®)	0
FPM (Viton®)	1

Alternative materials are available upon request. Consult STAUFF for further information.

⑨ Manufacturing Code

Manufacturing code for all connection styles **M**

⑩ Lever Options

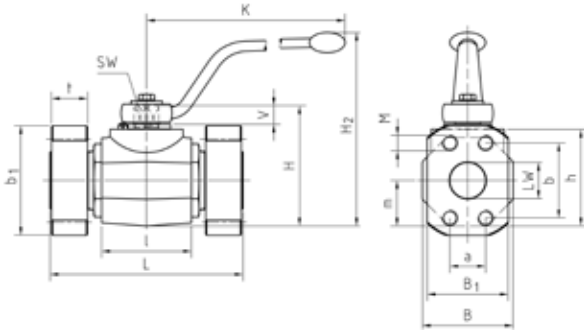
Supplied with standard lever (according to table)	-
Supplied without lever	-0

Alternative levers can be ordered separately. Please see page F98 for further information.

⑪ Accessories / Options

Supplied without accessories	-
Supplied with Locking Device LD1	-LD1
Supplied with Locking Device LD6 (standard)	-LD6
Supplied with Double-Acting Pneumatic Actuator (Please add size **)	-EDA**
Supplied with Single-Acting Pneumatic Actuator (Please add size **)	-ESA**
Supplied with Limit Switch in open position	-LS-0
Supplied with Limit Switch in closed position	-LS-C
Supplied with Limit Switch in open and closed position	-LS-OC

Please see page F99 for further information.



High-Pressure Forged Body Ball Valve - Type FBV 3000 PSI SAE Flange Connection (ISO 6162-1)

When ordering the standard option as indicated in the table below, the following materials will be supplied:

- Body, ball and stem: Carbon Steel
- Lever: Carbon Steel
- Ball seat: Delrin® (POM)
- O-rings: FPM (Viton®)

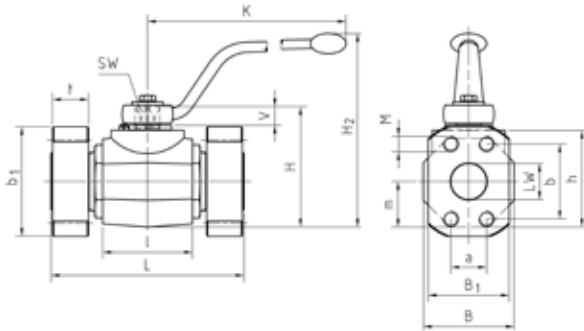
3000 PSI Series (Code 61) - Metric ISO Threads

STAUFF Size	SAE Flange Size	Nominal Size DN	Dimensions (mm/in)																Nom. Pressure (bar/PSI)	Weight (kg/lbs)	Order Codes (Standard Option)			
			LW	L	I	B	H	h	m	V	SW	K	B1	b1	t	a	b	M				H2		
20	1-1/4	32	32	172	80	81	107	86	40.5	16.5	17	306	68	79	16	30.2	58.7	M10	171	210	7,52	3000	16.54	FBV2EM200001M
			1.26	6.77	3.15	3.19	4.21	3.39	1.59	.65	.67	12.05	2.68	3.11	.63	1.19	2.31	6.73	3000	16.54				
24	1-1/2	40	38	177	85	100	124	103	50	16.5	17	306	78	93	16	35.7	69.8	M12	188	210	11,09	3000	24.40	FBV2EM240001M
			1.50	6.97	3.35	3.94	4.88	4.06	1.97	.65	.67	12.05	3.07	3.66	.63	1.41	2.75	7.40	3000	24.40				
32	2	50	48	196	100	118	138	117	59	16.5	17	306	90	102	16	42.9	77.8	M12	202	210	19,29	3000	42.44	FBV2EM320001M
			1.89	7.72	3.94	4.65	5.43	4.61	2.32	.65	.67	12.05	3.54	4.02	.63	1.69	3.06	7.95	3000	42.44				
40	2-1/2	50/65	48	196	100	118	138	117	59	16.5	17	306	105	114	19	50.8	88.9	M12	202	210	19,29	3000	42.44	FBV2EM400001M
			1.89	7.72	3.94	4.65	5.43	4.61	2.32	.65	.67	12.05	4.13	4.49	.75	2.00	3.50	7.95	3000	42.44				

3000 PSI Series (Code 61) - Unified Coarse (UNC) Threads

STAUFF Size	SAE Flange Size	Nominal Size DN	Dimensions (mm/in)																Nom. Pressure (bar/PSI)	Weight (kg/lbs)	Order Codes (Standard Option)			
			LW	L	I	B	H	h	m	V	SW	K	B1	b1	t	a	b	M				H2		
20	1-1/4	32	32	172	80	81	107	86	40.5	16.5	17	306	68	79	16	30.2	58.7	7/16-14	171	210	7,52	3000	16.54	FBV2E200001M
			1.26	6.77	3.15	3.19	4.21	3.39	1.59	.65	.67	12.05	2.68	3.11	.63	1.19	2.31	UNC	6.73	3000	16.54			
24	1-1/2	40	38	177	85	100	124	103	50	16.5	17	306	78	93	16	35.7	69.8	1/2-13	188	210	11,09	3000	24.40	FBV2E240001M
			1.50	6.97	3.35	3.94	4.88	4.06	1.97	.65	.67	12.05	3.07	3.66	.63	1.41	2.75	UNC	7.40	3000	24.40			
32	2	50	48	196	100	118	138	117	59	16.5	17	306	90	102	16	42.9	77.8	1/2-13	202	210	19,29	3000	42.44	FBV2E320001M
			1.89	7.72	3.94	4.65	5.43	4.61	2.32	.65	.67	12.05	3.54	4.02	.63	1.69	3.06	UNC	7.95	3000	42.44			
40	2-1/2	50/65	48	196	100	118	138	117	59	16.5	17	306	105	114	19	50.8	88.9	1/2-13	202	210	19,29	3000	42.44	FBV2E400001M
			1.89	7.72	3.94	4.65	5.43	4.61	2.32	.65	.67	12.05	4.13	4.49	.75	2.00	3.50	UNC	7.95	3000	42.44			

Please note: The final maximum working pressure is determined by flange and pipe/tubing rating.



High-Pressure Forged Body Ball Valve - Type FBV 6000 PSI SAE Flange Connection (ISO 6162-2)

When ordering the standard option as indicated in the table below, the following materials will be supplied:

- Body, ball and stem: Carbon Steel
- Lever: Carbon Steel
- Ball seat: Delrin® (POM)
- O-rings: FPM (Viton®)

6000 PSI Series (Code 62) - Metric ISO Threads

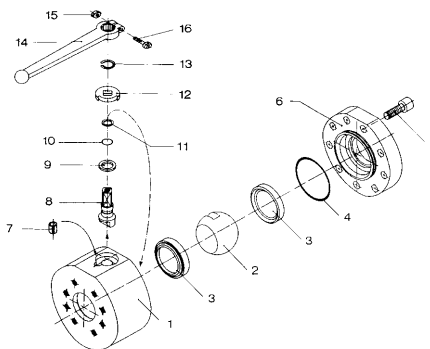
STAUFF Size	SAE Flange Size	Nominal Size DN	Dimensions (mm/in)																Nom. Pressure (bar/PSI)	Weight (kg/lbs)	Order Codes (Standard Option)			
			LW	L	I	B	H	h	m	V	SW	K	B1	b1	t	a	b	M				H2		
20	1-1/4	32	32	172	80	81	107	86	40.5	16.5	17	306	78	95	27	31.8	66.6	M12	171	420	7,52	6000	16.54	FBV2SM200001M
			1.26	6.77	3.15	3.19	4.21	3.39	1.59	.65	.67	12.05	3.07	3.74	1.06	1.25	2.63	6.73	6000	16.54				
24	1-1/2	40	38	177	85	100	124	103	50	16.5	17	306	94	112	30	36.5	79.4	M16	188	420	11,09	6000	24.40	FBV2SM240001M
			1.50	6.97	3.35	3.94	4.88	4.06	1.97	.65	.67	12.05	3.70	4.41	1.18	1.44	3.13	7.40	6000	24.40				
32	2	50	48	196	100	118	138	117	59	16.5	17	306	114	134	35	44.5	96.8	M20	202	420	19,29	6000	42.44	FBV2SM320001M
			1.89	7.72	3.94	4.65	5.43	4.61	2.32	.65	.67	12.05	4.49	5.28	1.38	1.75	3.81	7.95	6000	42.44				

6000 PSI Series (Code 62) - Unified Coarse (UNC) Threads

STAUFF Size	SAE Flange Size	Nominal Size DN	Dimensions (mm/in)																Nom. Pressure (bar/PSI)	Weight (kg/lbs)	Order Codes (Standard Option)			
			LW	L	I	B	H	h	m	V	SW	K	B1	b1	t	a	b	M				H2		
20	1-1/4	32	32	172	80	81	107	86	40.5	16.5	17	306	78	95	27	31.8	66.7	1/2-13	171	420	7,52	6000	16.54	FBV2S200001M
			1.26	6.77	3.15	3.19	4.21	3.39	1.59	.65	.67	12.05	3.07	3.74	1.06	1.25	2.63	UNC	6.73	6000	16.54			
24	1-1/2	40	38	177	85	100	124	103	50	16.5	17	306	94	112	30	36.5	79.4	5/8-11	188	420	11,09	6000	24.40	FBV2S240001M
			1.50	6.97	3.35	3.94	4.88	4.06	1.97	.65	.67	12.05	3.70	4.41	1.18	1.44	3.13	UNC	7.40	6000	24.40			
32	2	50	48	196	100	118	138	117	59	16.5	17	306	114	134	35	44.5	96.8	3/4-10	202	420	19,29	6000	42.44	FBV2S320001M
			1.89	7.72	3.94	4.65	5.43	4.61	2.32	.65	.67	12.05	4.49	5.28	1.38	1.75	3.81	UNC	7.95	6000	42.44			

Please note: The final maximum working pressure is determined by flange and pipe/tubing rating.

High-Pressure Round Body Ball Valve - Type BBV29



List of Components

No.	Qty.	Description
1	1	Housing
2	1	Ball
3*	2	Seat
4*	1	Cover O-Ring
5	7-9**	Cover Screws
6	1	Cover
7	1	Stop Pin
8	1	Stem
9*	1	Thrust Ring
10*	1	Stem O-Ring
11*	1	Back-up Ring
12	1	Cam Plate
13	1	Snap Ring
14	1	Handle
15	1	Nut
16	1	Screw

* Included in seal kit
** Depending on valve size

Characteristics

Two-way high-pressure round body ball valves designed for use as on/off devices for hydraulic applications

Standard Construction

- Round body design for in-line assembly
- Machined parts for reduced torque operation
- Designed for direct mount to reduce threads in fluid flow
- Supplied with lever

Standard Materials

- Body: Carbon Steel, zinc/iron-plated
- Ball: Carbon Steel, hard chrome-plated
- Stem: Carbon Steel
- Lever: Aluminium (STAUFF Size 08)
Zinc (STAUFF Sizes 12 and 16)
Aluminium (STAUFF Sizes 20 to 32)
- Ball seat: Delrin® (POM)
- O-rings: FPM (Viton®)

Standard Connections Styles / Sizes

- 3000 PSI (code 61) direct SAE flange connection
- 6000 PSI (code 62) direct SAE flange connection
- Dual pattern: 3000 PSI (code 61) arranged horizontally and 6000 PSI (code 62) arranged vertically
- Metric ISO and unified coarse (UNC) threads

Pressure Range

- Pressure range: up to 420 bar / 6000 PSI (depending on size and material combination of the ball valve)

Please note: The final maximum working pressure is determined by flange and pipe/tubing rating.

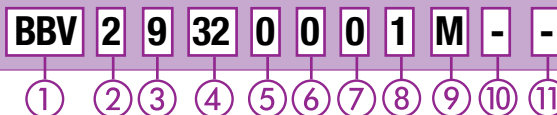
Temperature Range

- Operating temperature range: -20°C ... +100°C / -4°F ... + 212°F

Options / Accessories

- Flanges and flange kits (see Flanges section)
- Alternative lever designs/materials (see page F98)
- Locking devices (see pages F99-F101)
- Pneumatic actuator packages (see page F102)
- Limit switches (see page F102)
- Stainless Steel body
- Stainless Steel ball and stem
- Special ball seat and O-ring materials available for lower/higher temperatures and more aggressive media
- Electrical actuators available on request. Please consult STAUFF for further information.

Order Codes



① Type

High-Pressure Round Body Ball Valve **BBV**

② Number of Ports

Two Ports (Two-Way Ball Valve) **2**

③ Connection Style

3000/6000 PSI (Code 61/62) SAE Direct Flange Connection with Unified Coarse (UNC) Threads **9**
3000/6000 PSI (Code 61/62) SAE Direct Flange Connection with Metric ISO Threads **9M**

Please consult STAUFF for alternative connection styles.

④ Connection Size

STAUFF Size (according to dimension table):
08 12 16 20 24 32

Please consult STAUFF for alternative connection sizes.

⑤ Body Material / Surface Finishing

Carbon Steel, zinc/iron-plated **0**
Stainless Steel V4A (AISI 316Ti) **1**

Alternative materials / surface finishings are available upon request. Consult STAUFF for further information.

⑥ Ball / Stem Material

Ball: Carbon Steel, hard chrome-plated **0**
Stem: Carbon Steel **0**
Ball / Stem: Stainless Steel V4A (AISI 316Ti) **1**

Alternative materials / surface finishings are available upon request. Consult STAUFF for further information.

⑦ Ball Seat Material

Delrin® (POM) **0**

Alternative materials are available upon request. Consult STAUFF for further information.

⑧ O-Ring Material

NBR (Buna-N®) **0**
FPM (Viton®) **1**

Alternative materials are available upon request. Consult STAUFF for further information.

⑨ Manufacturing Code

Manufacturing code for all connection styles **M**

⑩ Lever Options

Supplied with standard lever (according to table) **-**
Supplied without lever **-0**

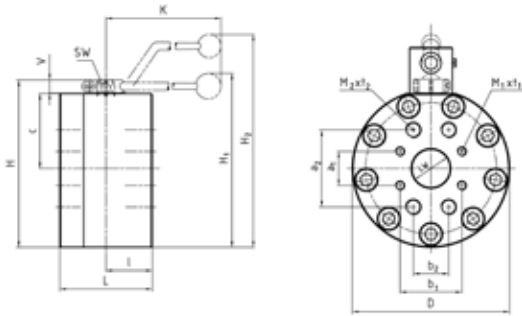
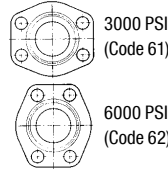
Alternative levers can be ordered separately. Please see page F98 for further information.

⑪ Accessories / Options

Supplied without accessories **-**
Supplied with Locking Device LD4 **-LD4**
Supplied with Locking Device LD5A (standard) **-LD5A**
Supplied with Double-Acting Pneumatic Actuator (Please add size **) **-EDA****
Supplied with Single-Acting Pneumatic Actuator (Please add size **) **-ESA****
Supplied with Limit Switch in open position **-LS-0**
Supplied with Limit Switch in closed position **-LS-C**
Supplied with Limit Switch in open and closed position **-LS-OC**

Please see page F99 for further information.

High-Pressure Round Body Ball Valve - Type BBV29 3000/6000 PSI Flange Connection (ISO 6162-1/2)


Flange Position


When ordering the standard option as indicated in the table below, the following materials will be supplied:

- Body, ball and stem: Carbon Steel
- Lever: Aluminium (STAUFF Size 08)
Zinc (STAUFF Sizes 12 and 16)
Aluminium (STAUFF Sizes 20 to 32)
- Ball seat: Delrin® (POM)
- O-rings: FPM (Viton®)

Dual Pattern - 3000/6000 PSI Series (Code 61/62) - Unified Coarse (UNC) Threads

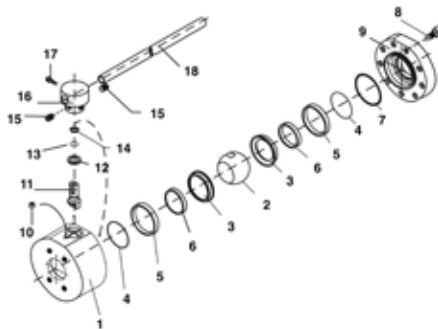
STAUFF Size	SAE Flange Size	Nominal Size DN	Dimensions (mm/in)																Max. Pressure (PSI)	Weight (kg/lbs)	Order Codes (Standard Option)			
			LW	L	I	D	H	c	V	K	SW	a1	b1	M1	t1	a2	b2	M2	t2	H1	H2			
08	1/2	15	15	75	35	88	88	31	13	160	12	17.5	38.1	5/16-18	18	40.5	18.2	5/16-18	18	132	420	2,96	BBV29080001M	
			.59	2.95	1.38	3.46	3.46	1.22	.51	6.30	.47	.69	1.50	UNC	.71	1.59	.72	UNC	.71	5.20	6000	6.51		
12	3/4	20	20	80	35	98	100	36.5	14	200	14	22.2	47.6	3/8-16	18	50.8	23.8	3/8-16	18	103	420	4,20	BBV29120001M	
			.79	3.15	1.38	3.86	3.94	1.44	.55	7.87	.55	.87	1.87	UNC	.71	2.00	.94	UNC	.71	4.06	6000	9.24		
16	1	25	25	88	38	118	113	39.5	14	200	14	27.8	57.2	7/16-14	20	52.4	26.2	3/8-16	20	116	420	6,00	BBV29160001M	
			.98	3.46	1.50	4.65	4.45	1.56	.55	7.87	.55	1.09	2.25	UNC	.79	2.06	1.03	UNC	.79	4.57	6000	13.20		
20	1-1/4	32	32	100	50	145	158	68	17	320	17	30.2	58.7	7/16-14	20	66.6	31.8	1/2-13	22	167	420	11,71	BBV29200001M	
			1.26	3.94	1.97	5.71	6.22	2.68	.67	12.60	.67	1.19	2.31	UNC	.79	2.62	1.25	UNC	.87	6.57	6000	25.76		
24	1-1/2	40	38	110	55	165	178	78	17	320	17	35.7	69.8	1/2-13	20	79.4	36.5	5/8-11	27	187	420	17,10	BBV29240001M	
			1.50	4.33	2.17	6.50	7.01	3.07	.67	12.60	.67	1.41	2.75	UNC	.79	3.13	1.44	UNC	1.06	7.36	6000	37.62		
32	2	50	48	116	58	198	210	94	17	320	17	42.9	77.8	1/2-13	20	96.8	44.5	3/4-10	28	203	420	24,60	BBV29320001M	
			1.89	4.57	2.28	7.80	8.27	3.70	.67	12.60	.67	1.69	3.06	UNC	.79	3.81	1.75	UNC	1.10	7.99	6000	54.12		

Dual Pattern - 3000/6000 PSI Series (Code 61/62) - Metric ISO Threads

STAUFF Size	SAE Flange Size	Nominal Size DN	Dimensions (mm/in)																Max. Pressure (PSI)	Weight (kg/lbs)	Order Codes (Standard Option)			
			LW	L	I	D	H	c	V	K	SW	a1	b1	M1	t1	a2	b2	M2	t2	H1	H2			
08	1/2	15	15	75	35	88	88	31	13	160	12	17.5	38.1	M8	18	40.5	18.2	M8	18	132	420	2,96	BBV29M080001M	
			.59	2.95	1.38	3.46	3.46	1.22	.51	6.30	.47	.69	1.50	UNC	.71	1.59	.72	UNC	.71	5.20	6000	6.51		
12	3/4	20	20	80	35	98	100	36.5	14	200	14	22.2	47.6	M10	18	50.8	23.8	M10	18	103	420	4,20	BBV29M120001M	
			.79	3.15	1.38	3.86	3.94	1.44	.55	7.87	.55	.87	1.87	UNC	.71	2.00	.94	UNC	.71	4.06	6000	9.24		
16	1	25	25	88	38	118	113	39.5	14	200	14	27.8	57.2	M12	20	52.4	26.2	M10	20	116	420	6,00	BBV29M160001M	
			.98	3.46	1.50	4.65	4.45	1.56	.55	7.87	.55	1.09	2.25	UNC	.79	2.06	1.03	UNC	.79	4.57	6000	13.20		
20	1-1/4	32	32	100	50	145	158	68	17	320	17	30.2	58.7	M10	20	66.6	31.8	M12	22	167	420	11,71	BBV29M200001M	
			1.26	3.94	1.97	5.71	6.22	2.68	.67	12.60	.67	1.19	2.31	UNC	.79	2.62	1.25	UNC	.87	6.57	6000	25.76		
24	1-1/2	40	38	110	55	165	178	78	17	320	17	35.7	69.8	M12	20	79.4	36.5	M16	27	187	420	17,10	BBV29M240001M	
			1.50	4.33	2.17	6.50	7.01	3.07	.67	12.60	.67	1.41	2.75	UNC	.79	3.13	1.44	UNC	1.06	7.36	6000	37.62		
32	2	50	48	116	58	198	210	94	17	320	17	42.9	77.8	M12	20	96.8	44.5	M20	28	203	420	24,60	BBV29M320001M	
			1.89	4.57	2.28	7.80	8.27	3.70	.67	12.60	.67	1.69	3.06	UNC	.79	3.81	1.75	UNC	1.10	7.99	6000	54.12		

Please note: The final maximum working pressure is determined by flange and pipe/tubing rating.

High-Pressure Round Body Ball Valve - Type BBV27/28



List of Components

No.	Qty.	Description
1	1	Housing
2	1	Ball
3*	2	Seat
4*	2	O-Ring
5	2	Outer S/S Support Ring
6	2	Inner S/S Support Ring
7*	1	Cover O-Ring
8	9	Cover Bolts
9	1	Cover
10	1	Stop Screw
11	1	Stem
12*	1	Thrust Ring
13*	1	Stem O-Ring
14*	1	Back-up Ring
15	2	Set Screws
16	1	Stem/Handle Adaptor
17	1	Screw
18	1	Steel Handle

* Included in seal kit

Characteristics

Two-way high-pressure round body ball valves designed for use as on/off devices for hydraulic applications

Standard Construction

- Round body design for in-line assembly
- Machined parts for reduced torque operation
- Designed for direct mount to reduce threads in fluid flow
- Supplied with removable, adjustable lever

Standard Materials

- Body: Carbon Steel, zinc/iron-plated
- Ball: Carbon Steel, hard chrome-plated
- Stem: Carbon Steel
- Lever: Carbon Steel
- Ball seat: Delrin® (POM)
- O-rings: FPM (Viton®)

Standard Connections Styles / Sizes

- 3000 PSI (code 61) direct SAE flange connection
- 6000 PSI (code 62) direct SAE flange connection
- Metric ISO and unified coarse (UNC) threads

Pressure Range

- Pressure range: up to 170 bar / 2500 PSI (depending on size and material combination of the ball valve)

Please note: The pressure range is limited to the SAE flange ratings. Higher pressures can be accommodated by using special flange connectors, type BBVF (see page F232).

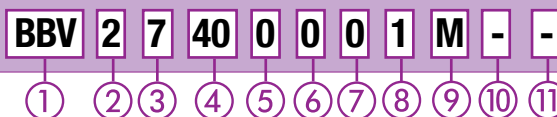
Temperature Range

- Operating temperature range: -20°C ... +100°C / -4°F ... + 212°F

Options / Accessories

- Flanges and flange kits (see Flanges section)
- Locking devices (see pages F99-F101)
- Pneumatic actuator packages (see page F102)
- Limit switches (see page F102)
- Stainless Steel body
- Stainless Steel ball and stem
- Special ball seat and O-ring materials available for lower/higher temperatures and more aggressive media
- Electrical actuators available on request. Please consult STAUFF for further information.

Order Codes



① Type

High-Pressure Round Body Ball Valve **BBV**

② Number of Ports

Two Ports (Two-Way Ball Valve) **2**

③ Connection Style

3000 PSI (Code 61) SAE Direct Flange Connection with Unified Coarse (UNC) Threads	7
3000 PSI (Code 61) SAE Direct Flange Connection with Metric ISO Threads	7M
6000 PSI (Code 62) SAE Direct Flange Connection with Unified Coarse (UNC) Threads	8
6000 PSI (Code 62) SAE Direct Flange Connection with Metric ISO Threads	8M

Please consult STAUFF for alternative connection styles.

④ Connection Size

STAUFF Size (according to dimension table):			
40	48	64	80

Please consult STAUFF for alternative connection sizes.

⑤ Body Material / Surface Finishing

Carbon Steel, zinc/iron-plated	0
Stainless Steel V4A (AISI 316Ti)	1

Alternative materials / surface finishings are available upon request. Consult STAUFF for further information.

⑥ Ball / Stem Material

Ball: Carbon Steel, hard chrome-plated	0
Stem: Carbon Steel	0
Ball / Stem: Stainless Steel V4A (AISI 316Ti)	1

Alternative materials / surface finishings are available upon request. Consult STAUFF for further information.

⑦ Ball Seat Material

Delrin® (POM)	0
---------------	----------

Alternative materials are available upon request. Consult STAUFF for further information.

⑧ O-Ring Material

NBR (Buna-N®)	0
FPM (Viton®)	1

Alternative materials are available upon request. Consult STAUFF for further information.

⑨ Manufacturing Code

Manufacturing code for all connection styles **M**

⑩ Lever Options

Supplied with standard lever (according to table)	-
Supplied without lever	-0

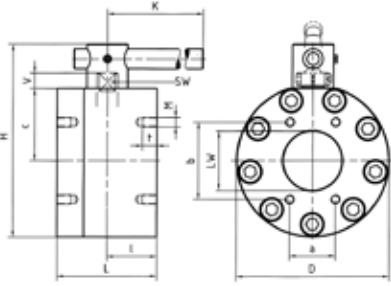
Alternative levers can be ordered separately. Please see page F98 for further information.

⑪ Accessories / Options

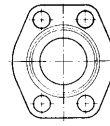
Supplied without accessories	-
Supplied with Locking Device LD5A (standard)	-LD5A
Supplied with Locking Device LD5B	-LD5B
Supplied with Double-Acting Pneumatic Actuator (Please add size **)	-EDA**
Supplied with Single-Acting Pneumatic Actuator (Please add size **)	-ESA**
Supplied with Limit Switch in open position	-LS-0
Supplied with Limit Switch in closed position	-LS-C
Supplied with Limit Switch in open and closed position	-LS-OC

Please see page F99 for further information.

High-Pressure Round Body Ball Valve - Type BBV27/28 3000 PSI Flange Connection (ISO 6162-1)



Flange Position



3000 PSI
(Code 61)

When ordering the standard option as indicated in the table below, the following materials will be supplied:

- Body, ball and stem: Carbon Steel
- Lever: Carbon Steel
- Ball seat: Delrin® (POM)
- O-rings: FPM (Viton®)

3000 PSI Series (Code 61) - Unified Coarse (UNC) Threads

STAUFF Size	SAE Flange Size	Nominal Size DN	Dimensions (mm/in)													Nom. Pressure (bar/PSI)	Weight (kg/lbs)	Order Codes (Standard Option)
			LW	L	I	D	H	c	V	K	SW	a	b	M	t			
40	2-1/2	65	63	150	75	198	259	94	20	600	16	50,8	88,9	1/2-13 UNC	19	170	33,50	BBV27400001M
			2.48	5.91	2.95	7.80	10.20	3.70	.79	23.62	.63	2.00	3.50		.75	2500	73.70	
48	3	80	76	140	70	210	277	100	26	600	19	61,9	106,4	5/8-11 UNC	24	138	33,50	BBV27480001M
			2.99	5.51	2.76	8.27	10.91	3.94	1.02	23.62	.75	2.44	4.19		.95	2000	73.70	
64	4	100	100	170	85	258	326	122	27	900	24	77,8	130,2	5/8-11 UNC	24	35	60,50	BBV27640001M
			3.94	6.69	3.35	10.16	12.83	4.80	1.06	35.43	.94	3.06	5.13		.95	500	133.10	
80	5	125	118	210	105	295	377	140	33	900	36	92,1	152,4	5/8-11 UNC	30	35	95,50	BBV27800001M
			4.65	8.27	4.13	11.61	14.84	5.51	1.30	35.43	1.42	3.63	6.00		1.18	500	210.10	

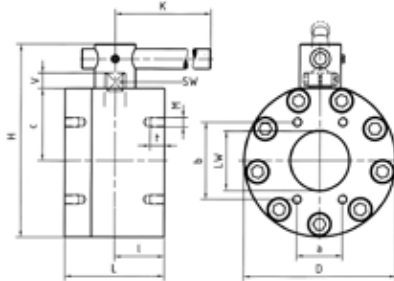
3000 PSI Series (Code 61) - Metric ISO Threads

STAUFF Size	SAE Flange Size	Nominal Size DN	Dimensions (mm/in)													Nom. Pressure (bar/PSI)	Weight (kg/lbs)	Order Codes (Standard Option)
			LW	L	I	D	H	c	V	K	SW	a	b	M	t			
40	2-1/2	65	63	150	75	198	259	94	20	600	16	50,8	88,9	M12	19	170	33,50	BBV27M400001M
			2.48	5.91	2.95	7.80	10.20	3.70	.79	23.62	.63	2.00	3.50		.75	2500	73.70	
48	3	80	76	140	70	210	277	100	26	600	19	61,9	106,4	M16	24	138	33,50	BBV27M480001M
			2.99	5.51	2.76	8.27	10.91	3.94	1.02	23.62	.75	2.44	4.19		.95	2000	73.70	
64	4	100	100	170	85	258	326	122	27	900	24	77,8	130,2	M16	24	35	60,50	BBV27M640001M
			3.94	6.69	3.35	10.16	12.83	4.80	1.06	35.43	.94	3.06	5.13		.95	500	133.10	
80	5	125	118	210	105	295	377	140	33	900	36	92,1	152,4	M16	30	35	95,50	BBV27M800001M
			4.65	8.27	4.13	11.61	14.84	5.51	1.30	35.43	1.42	3.63	6.00		1.18	500	210.10	

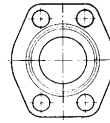
Please note: The final maximum working pressure is determined by flange and pipe/tubing rating.

Lever must be fixed in central position during operation. In case of vibration, the lever may otherwise operate the valve by itself.

High-Pressure Round Body Ball Valve - Type BBV27/28 6000 PSI Flange Connection (ISO 6162-2)



Flange Position



6000 PSI
(Code 62)

When ordering the standard option as indicated in the table below, the following materials will be supplied:

- Body, ball and stem: Stainless Steel
- Lever: Carbon Steel
- Ball seat: Delrin® (POM)
- O-rings: FPM (Viton®)

6000 PSI Series (Code 62) - Unified Coarse (UNC) Threads

STAUFF Size	SAE Flange Size	Nominal Size DN	Dimensions (mm/in)													Nom. Pressure (bar/PSI)	Weight (kg/lbs)	Order Codes (Standard Option)
			LW	L	I	D	H	c	V	K	SW	a	b	M	t			
40	2-1/2	65	63	170	75	218	275	100	20	600	16	123,8	58,8	7/8-9 UNC	41	420	44,50	BBV28400001M
			2.48	6.69	2.95	8.58	10.83	3.94	.79	23.62	.63	4.87	2.31		1.61	6000	97.90	
48	3	80	76	170	70	248	307	111	21	600	19	152,4	71,4	1-1/8-7 UNC	47	420	55,00	BBV28480001M
			2.99	6.69	2.76	9.76	12.09	4.37	.83	23.62	.75	6.00	2.81		1.85	6000	121.00	

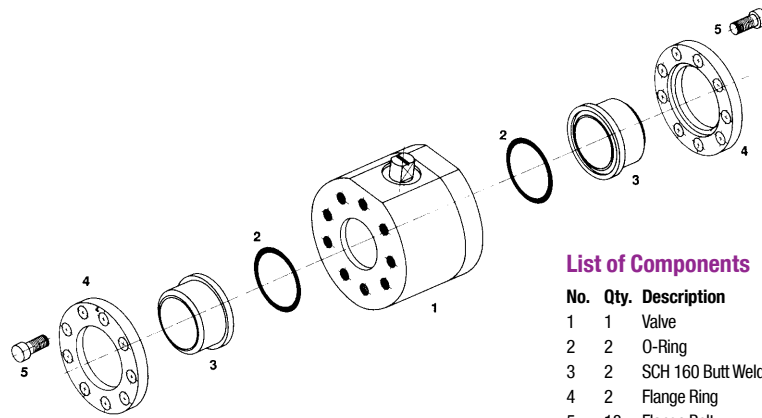
6000 PSI Series (Code 62) - Metric ISO Threads

STAUFF Size	SAE Flange Size	Nominal Size DN	Dimensions (mm/in)													Nom. Pressure (bar/PSI)	Weight (kg/lbs)	Order Codes (Standard Option)
			LW	L	I	D	H	c	V	K	SW	a	b	M	t			
40	2-1/2	65	63	170	75	218	275	100	20	600	16	123,8	58,8	M24	41	420	44,50	BBV28M400001M
			2.48	6.69	2.95	8.58	10.83	3.94	.79	23.62	.63	4.87	2.31		1.61	6000	97.90	
48	3	80	76	170	70	248	307	111	21	600	19	152,4	71,4	M30	47	420	55,00	BBV28M480001M
			2.99	6.69	2.76	9.76	12.09	4.37	.83	23.62	.75	6.00	2.81		1.85	6000	121.00	

Please note: The final maximum working pressure is determined by flange and pipe/tubing rating.

Lever must be fixed in central position during operation. In case of vibration, the lever may otherwise operate the valve by itself.

High-Pressure Round Body Ball Valve - Type BBVF



List of Components

No.	Qty.	Description
1	1	Valve
2	2	O-Ring
3	2	SCH 160 Butt Weld End
4	2	Flange Ring
5	18	Flange Bolt

Characteristics

Two-way high-pressure round body ball valves designed for use as on/off devices for hydraulic applications

Standard Construction

- Round body design for in-line assembly
- Machined parts for reduced torque operation
- Designed for direct mount to reduce threads in fluid flow
- High-pressure DIN flange connection
- Supplied with removable, adjustable lever

Standard Materials

- Body: Carbon Steel, zinc/iron-plated
- Ball: Carbon Steel, hard chrome-plated
- Stem: Carbon Steel
- Lever: Carbon Steel
- Ball seat: Delrin® (POM)
- O-rings: FPM (Viton®)

Standard Connections Styles / Sizes

- DIN flange connection with SCH 160 butt weld ends

Pressure Range

- Pressure range: up to 345 bar / 5000 PSI (depending on size and material combination of the ball valve)

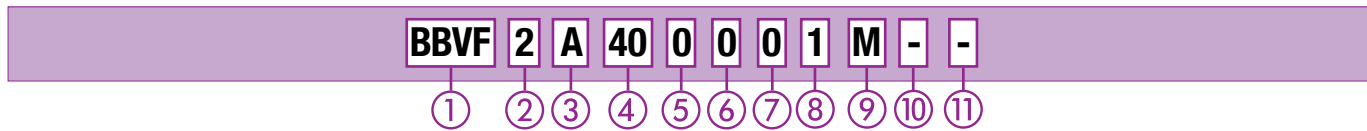
Temperature Range

- Operating temperature range: -20°C ... +100°C / -4°F ... + 212°F

Options / Accessories

- Locking devices (see pages F99-F101)
- Pneumatic actuator packages (see page F102)
- Limit switches (see page F102)
- Stainless Steel body
- Stainless Steel ball and stem
- Special ball seat and O-ring materials available for lower/higher temperatures and more aggressive media
- Electrical actuators available on request. Please consult STAUFF for further information.

Order Codes



① Type

High-Pressure Round Body Ball Valve **BBVF**

② Number of Ports

Two Ports (Two-Way Ball Valve) **2**

③ Connection Style

DIN Flange Connection with Butt Weld Ends with Unified Coarse (UNC) Bolts **A**

Please consult STAUFF for alternative connection styles.

④ Connection Size

STAUFF Size (according to dimension table):

40	48	64	80
----	----	----	----

Please consult STAUFF for alternative connection sizes.

⑤ Body Material / Surface Finishing

Carbon Steel, zinc/iron-plated **0**
 Stainless Steel V4A (AISI 316Ti) **1**

Alternative materials / surface finishings are available upon request. Consult STAUFF for further information.

⑥ Ball / Stem Material

Ball: Carbon Steel, hard chrome-plated **0**
 Stem: Carbon Steel **1**
 Ball / Stem: Stainless Steel V4A (AISI 316Ti) **1**

Alternative materials / surface finishings are available upon request. Consult STAUFF for further information.

⑦ Ball Seat Material

Delrin® (POM) **0**

Alternative materials are available upon request. Consult STAUFF for further information.

⑧ O-Ring Material

NBR (Buna-N®) **0**
 FPM (Viton®) **1**

Alternative materials are available upon request. Consult STAUFF for further information.

⑨ Manufacturing Code

Manufacturing code for all connection styles **M**

⑩ Lever Options

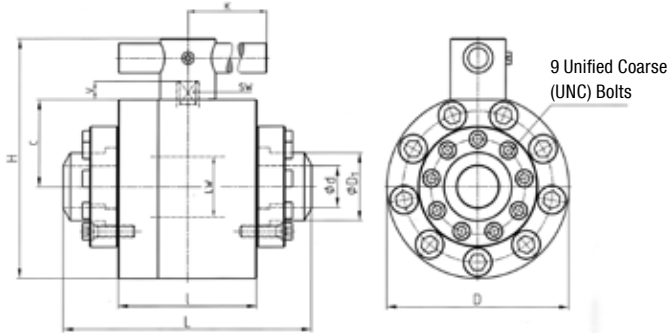
Supplied with standard lever (according to table) **-**
 Supplied without lever **-0**

Alternative levers can be ordered separately. Please see page F98 for further information.

⑪ Accessories / Options

Supplied without accessories **-**
 Supplied with Locking Device LD5A (standard) **-LD5A**
 Supplied with Locking Device LD5B **-LD5B**
 Supplied with Double-Acting Pneumatic Actuator (Please add size **) **-EDA****
 Supplied with Single-Acting Pneumatic Actuator (Please add size **) **-ESA****
 Supplied with Limit Switch in open position **-LS-0**
 Supplied with Limit Switch in closed position **-LS-C**
 Supplied with Limit Switch in open and closed position **-LS-OC**

Please see page F99 for further information.

**High-Pressure Round Body Ball Valve - Type BBVF
DIN Flange Connection with Butt Weld Ends**


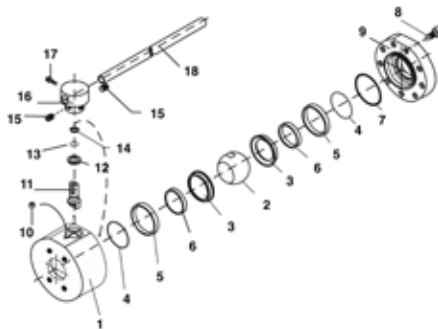
When ordering the standard option as indicated in the table below, the following materials will be supplied:

- Body, ball and stem: Carbon Steel
- Lever: Carbon Steel
- Ball seat: Delrin® (POM)
- O-rings: FPM (Viton®)

STAUFF Size	Nominal Size DN	Dimensions (mm/in)											Nom. Pressure (bar/PSI)	Weight (kg/lbs)	Order Codes (Standard Option)	
		LW	L	I	D	H	c	V	K	SW	d	D1				Bolt Type
40	65	65	250	150	198	259	94	21	600	16	45	73	1/2-13 UNC x 1-3/4 (Grade 8)	475	40	BBVF2A400001M
		2.56	9.84	5.91	7.80	10.20	3.70	.83	23.62	.63	1.77	2.87		6800	88.00	
48	80	76	260	140	210	277	100	26	600	19	58,4	88,9	5/8-11 UNC x 1-3/4 (Grade 8)	420	45,5	BBVF2A480001M
		2.99	10.24	5.51	8.27	10.91	3.94	1.02	23.62	.75	2.30	3.50		6000	100.10	
64	100	100	330	170	260	327	122	27	900	24	80,1	114,3	5/8-11 UNC x 1-3/4 (Grade 8)	365	75	BBVF2A640001M
		3.94	12.99	6.69	10.24	12.87	4.80	1.06	35.43	0.94	3.15	4.50		5200	165.00	
80	125	118	370	210	300	380	140	33	900	36	103,2	141,3	3/4-10 UNC x 2-1/4 (Grade 8)	329	120	BBVF2A800001M
		4.65	14.57	8.27	11.81	14.96	5.51	1.30	35.43	1.42	4.06	5.56		4700	264.00	

Please note: Lever must be fixed in central position during operation. In case of vibration, the lever may otherwise operate the valve by itself.

High-Pressure Round Body Ball Valve - Type BBV



List of Components

No.	Qty.	Description
1	1	Housing
2	1	Ball
3*	2	Seat
4*	2	O-Ring
5	2	Outer S/S Support Ring
6	2	Inner S/S Support Ring
7*	1	Cover O-Ring
8	9	Cover Bolts
9	1	Cover
10	1	Stop Screw
11	1	Stem
12*	1	Thrust Ring
13*	1	Stem O-Ring
14*	1	Back-up Ring
15	2	Set Screws
16	1	Stem/Handle Adaptor
17	1	Screw
18	1	Steel Handle

* Included in seal kit

Characteristics

Two-way high-pressure round body ball valves designed for use as on/off devices for hydraulic applications

Standard Construction

- Round body design for in-line assembly
- Machined parts for reduced torque operation
- Designed for direct mount to reduce threads in fluid flow
- Supplied with lever

Standard Materials

- Body: Carbon Steel, zinc/iron-plated
- Ball: Carbon Steel, hard chrome-plated
- Stem: Carbon Steel
- Lever: Aluminium (STAUFF Size 08)
Zinc (STAUFF Sizes 12 and 16)
Carbon Steel (STAUFF Sizes 20 and 64)
- Ball seat: Delrin® (POM)
- O-rings: FPM (Viton®)

Standard Connections Styles / Sizes

- 250 bar / 3600 PSI series ISO 6164 flange connection
- 400 bar / 5800 PSI series ISO 6164 flange connection
- Metric ISO threads

Pressure Range

- Pressure range: up to 400 bar / 5800 PSI (depending on size and material combination of the ball valve)

Please note: The final maximum working pressure is determined by flange and pipe/tubing rating.

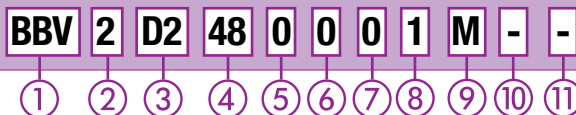
Temperature Range

- Operating temperature range:
-20 °C ... +100 °C / -4 °F ... + 212 °F

Options / Accessories

- Alternative lever designs/materials (see page F98)
- Locking devices (see pages F99-F101)
- Pneumatic actuator packages (see page F102)
- Limit switches (see page F102)
- Stainless Steel body
- Stainless Steel ball and stem
- Special ball seat and O-ring materials available for lower/higher temperatures and more aggressive media
- Electrical actuators available on request. Please consult STAUFF for further information.

Order Codes



① Type

High-Pressure Round Body Ball Valve **BBV**

② Number of Ports

Two Ports (Two-Way Ball Valve) **2**

③ Connection Style

250 bar / 3600 PSI Series ISO 6164 Flange Connection with Metric ISO Threads	D1
400 bar / 5800 PSI Series ISO 6164 Flange Connection with Metric ISO Threads	D2
250 bar / 3600 PSI Series and 400 bar / 5800 PSI Series ISO 6164 Flange Connection with Metric ISO Threads	D(1-2)

Please consult STAUFF for alternative connection styles.

④ Connection Size

STAUFF Size (according to dimension table):
08 12 16 20 24 32 40 48 64

Please consult STAUFF for alternative connection sizes.

⑤ Body Material / Surface Finishing

Carbon Steel, zinc/iron-plated	0
Stainless Steel V4A (AISI 316Ti)	1

Alternative materials / surface finishings are available upon request. Consult STAUFF for further information.

⑥ Ball / Stem Material

Ball: Carbon Steel, hard chrome-plated Stem: Carbon Steel	0
Ball / Stem: Stainless Steel V4A (AISI 316Ti)	1

Alternative materials / surface finishings are available upon request. Consult STAUFF for further information.

⑦ Ball Seat Material

Delrin® (POM)	0
---------------	----------

Alternative materials are available upon request. Consult STAUFF for further information.

⑧ O-Ring Material

NBR (Buna-N®)	0
FPM (Viton®)	1

Alternative materials are available upon request. Consult STAUFF for further information.

⑨ Manufacturing Code

Manufacturing code for all connection styles **M**

⑩ Lever Options

Supplied with standard lever (according to table)	-
Supplied without lever	-0

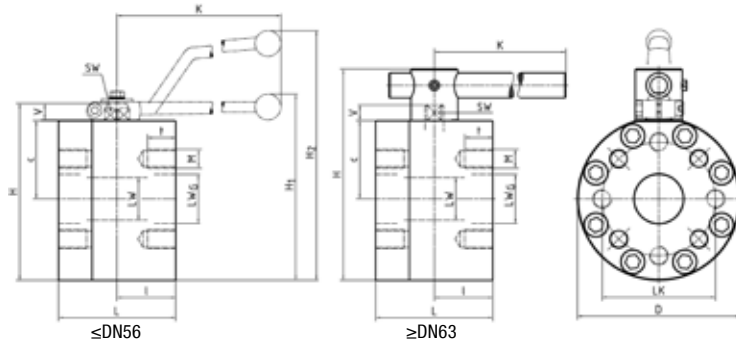
Alternative levers can be ordered separately. Please see page F98 for further information.

⑪ Accessories / Options

Supplied without accessories	-
Supplied with Locking Device LD4	-LD4
Supplied with Locking Device LD5B (standard)	-LD5B
Supplied with Double-Acting Pneumatic Actuator (Please add size **)	-EDA**
Supplied with Single-Acting Pneumatic Actuator (Please add size **)	-ESA*
Supplied with Limit Switch in open position	-LS-0
Supplied with Limit Switch in closed position	-LS-C
Supplied with Limit Switch in open and closed position	-LS-OC

Please see page F99 for further information.

High-Pressure Round Body Ball Valve - Type BBV ISO Flange Connection (ISO 6164)



When ordering the standard option as indicated in the table below, the following materials will be supplied:

- Body, ball and stem: Carbon Steel
- Lever: Aluminium (STAUFF Size 08)
Zinc (STAUFF Sizes 12 and 16)
Carbon Steel (STAUFF Sizes 20 to 64)
- Ball seat: Delrin® (POM)
- O-rings: FPM (Viton®)

250 bar / 3600 PSI Series (ISO 6164) - Metric ISO Threads

STAUFF Size	Nominal Size DN	Dimensions (mm/in)														Nom. Pressure (bar/PSI)		Weight (kg/lbs)	Order Codes (Standard Option)	
		LW	LWG	L	I	D	H	c	V	K	SW	LK	M	t	H1	H2				
08	13	15	15	85	45	78	83	31	13	160	12	42 ¹	4 x M8	16	127	5.00	250	400	2,90	BBV2D(1-2)080001M ²
		.59	.59	3.35	1.77	3.07	3.27	1.22	.51	6.30	.47	1.65 ¹		.63			3600	5800	4.84	
12	19	20	20	88	38	119	110	36.5	14	200	14	50	4 x M8	15	114	5.00	250	400	6,80	BBV2D(1-2)120001M ²
		.79	.79	3.46	1.50	4.69	4.33	1.44	.55	7.87	.55	1.97		.59	4.49		3600	5800	14.96	
16	25	25	25	88	38	126	117	39.5	14	200	14	62	4 x M10	20	120	5.00	250	400	7,20	BBV2D(1-2)160001M ²
		.98	.98	3.46	1.50	4.96	4.61	1.56	.55	7.87	.55	2.44		.79	4.72		3600	5800	15.84	
20	32	32	32	105	50	145	158	68	17	320	17	73	4 x M12	21	167	5.00	250	400	12,50	BBV2D(1-2)200001M ²
		1.26	1.26	4.13	1.97	5.71	6.22	2.68	.67	12.60	.67	2.87		.83	6.57		3600	5800	27.50	
24	38	38	38	110	55	165	178	78	17	320	17	85	4 x M16	24.5	187	5.00	250	400	16,60	BBV2D(1-2)240001M ²
		1.50	1.50	4.33	2.17	6.50	7.01	3.07	.67	12.60	.67	3.35		.96	7.36		3600	5800	36.52	
32	51	48	47	116	58	198	210	94	17	320	17	98	4 x M16	25.5	219	5.00	250	400	24,90	BBV2D(1-2)320001M ²
		1.89	1.85	4.57	2.28	7.80	8.27	3.70	.67	12.60	.67	3.86		1.00	8.62		3600	5800	54.78	
40	56	48	58	123	58	198	210	94	17	320	17	118	4 x M20	33	219	5.00	250	400	26,60	BBV2D(1-2)400001M ²
		1.89	2.28	4.84	2.28	7.80	8.27	3.70	.67	12.60	.67	4.65		1.30	8.62		3600	5800	58.52	
48	63	63	70	150	75	208	270	100	20	600	16	145	4 x M20	33	1.30	5.00	250		36,90	BBV2D1480001M
		2.48	2.76	5.91	2.95	8.19	1.63	3.94	.79	23.62	.63	5.71		3600			5800	81.18		

400 bar / 5800 PSI Series (ISO 6164) - Metric ISO Threads

STAUFF Size	Nominal Size DN	Dimensions (mm/in)														Nom. Pressure (bar/PSI)		Weight (kg/lbs)	Order Codes (Standard Option)	
		LW	LWG	L	I	D	H	c	V	K	SW	LK	M	t	H1	H2				
08	13	15	15	85	45	78	83	31	13	160	12	42 ¹	4 x M8	16	127	5.00	400		2,90	BBV2D(1-2)080001M ²
		.59	.59	3.35	1.77	3.07	3.27	1.22	.51	6.30	.47	1.65 ¹		.63			5800	4.84		
12	19	20	20	88	38	119	110	36.5	14	200	14	50	4 x M8	15	114	5.00	400		6,80	BBV2D(1-2)120001M ²
		.79	.79	3.46	1.50	4.69	4.33	1.44	.55	7.87	.55	1.97		.59	4.49		5800	14.96		
16	25	25	25	88	38	126	117	39.5	14	200	14	62	4 x M10	20	120	5.00	400		7,20	BBV2D(1-2)160001M ²
		.98	.98	3.46	1.50	4.96	4.61	1.56	.55	7.87	.55	2.44		.79	4.72		5800	15.84		
20	32	32	32	105	50	145	158	68	17	320	17	73	4 x M12	21	167	5.00	400		12,50	BBV2D(1-2)200001M ²
		1.26	1.26	4.13	1.97	5.71	6.22	2.68	.67	12.60	.67	2.87		.83	6.57		5800	27.50		
24	38	38	38	110	55	165	178	78	17	320	17	85	4 x M16	24.5	187	5.00	400		16,60	BBV2D(1-2)240001M ²
		1.50	1.50	4.33	2.17	6.50	7.01	3.07	.67	12.60	.67	3.35		.96	7.36		5800	36.52		
32	51	48	47	116	58	198	210	94	17	320	17	98	4 x M16	25.5	219	5.00	400		24,90	BBV2D(1-2)320001M ²
		1.89	1.85	4.57	2.28	7.80	8.27	3.70	.67	12.60	.67	3.86		1.00	8.62		5800	54.78		
40	56	48	58	123	58	198	210	94	17	320	17	118	4 x M20	33	219	5.00	400		26,60	BBV2D(1-2)400001M ²
		1.89	2.28	4.84	2.28	7.80	8.27	3.70	.67	12.60	.67	4.65		1.30	8.62		5800	58.52		
48	63	65	58	150	75	224	286	108	20	600	16	145	4 x M24	37.5	1.47	5.00	400		42,53	BBV2D2480001M
		2.56	2.28	5.91	2.95	8.82	11.26	4.25	.79	23.62	.63	5.71		5800			93.56			
64	80	76	74	140	70	228	293	107	25	600	19	175	4 x M30	35	1.38	5.00	400		51,00	BBV2D2640001M
		2.99	2.91	5.51	2.76	8.98	11.54	4.21	.98	23.62	.75	6.89		5800			112.20			

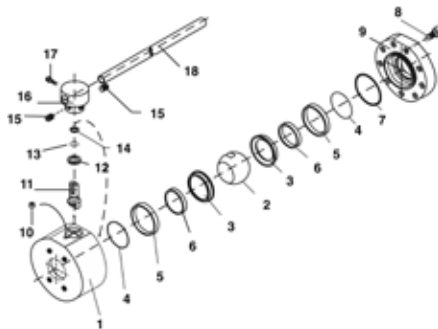
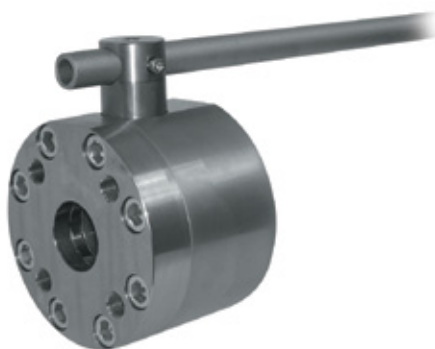
Please note: The final maximum working pressure is determined by flange and pipe/tubing rating.

Lever must be fixed in central position during operation. In case of vibration, the lever may otherwise operate the valve by itself.

¹ Dimension LK turned by 45°.

² Suitable for 250 bar / 3600 PSI series and 400 bar / 5800 PSI series.

High-Pressure Round Body Ball Valve - Type BBV



List of Components

No.	Qty.	Description
1	1	Housing
2	1	Ball
3*	2	Seat
4*	2	O-Ring
5	2	Outer S/S Support Ring
6	2	Inner S/S Support Ring
7*	1	Cover O-Ring
8	9	Cover Bolts
9	1	Cover
10	1	Stop Screw
11	1	Stem
12*	1	Thrust Ring
13*	1	Stem O-Ring
14*	1	Back-up Ring
15	2	Set Screws
16	1	Stem/Handle Adaptor
17	1	Screw
18	1	Steel Handle

* Included in seal kit

Characteristics

Two-way high-pressure round body ball valves designed for use as on/off devices for hydraulic applications

Standard Construction

- Round body design for in-line assembly
- Machined parts for reduced torque operation
- Designed for direct mount to reduce threads in fluid flow
- Supplied with lever

Standard Materials

- Body: Carbon Steel, zinc/iron-plated
- Ball: Carbon Steel, hard chrome-plated
- Stem: Carbon Steel
- Lever: Carbon Steel
- Ball seat: Delrin® (POM)
- O-rings: FPM (Viton®)

Standard Connections Styles / Sizes

- 250 bar / 3600 PSI series CETOP RP 63 H flange connection
- 400 bar / 5800 PSI series CETOP RP 63 H flange connection
- Metric ISO threads

Pressure Range

- Pressure range: up to 400 bar / 5800 PSI (depending on size and material combination of the ball valve)

Please note: The final maximum working pressure is determined by flange and pipe/tubing rating.

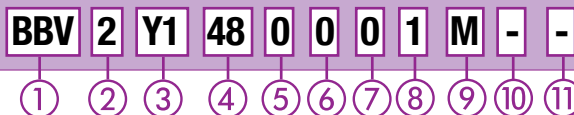
Temperature Range

- Operating temperature range: -20°C ... +100°C / -4°F ... + 212°F

Options / Accessories

- Alternative lever designs/materials (see page F98)
- Locking devices (see pages F99-F101)
- Pneumatic actuator packages (see page F102)
- Limit switches (see page F102)
- Stainless Steel body
- Stainless Steel ball and stem
- Special ball seat and O-ring materials available for lower/higher temperatures and more aggressive media
- Electrical actuators available on request. Please consult STAUFF for further information.

Order Codes



① Type

High-Pressure Round Body Ball Valve **BBV**

② Number of Ports

Two Ports (Two-Way Ball Valve) **2**

③ Connection Style

250 bar / 3600 PSI Series CETOP Flange Connection with Metric ISO Threads	Y1
400 bar / 5800 PSI Series CETOP Flange Connection with Metric ISO Threads	Y2
250 bar / 3600 PSI Series and 400 bar / 5800 PSI Series CETOP Flange Connection with Metric ISO Threads	Y(1-2)

Please consult STAUFF for alternative connection styles.

④ Connection Size

STAUFF Size (according to dimension table):
08 12 16 20 24 32 40 48 64

Please consult STAUFF for alternative connection sizes.

⑤ Body Material / Surface Finishing

Carbon Steel, zinc/iron-plated **0**
Stainless Steel V4A (AISI 316Ti) **1**

Alternative materials / surface finishings are available upon request. Consult STAUFF for further information.

⑥ Ball / Stem Material

Ball: Carbon Steel, hard chrome-plated **0**
Stem: Carbon Steel **0**
Ball / Stem: Stainless Steel V4A (AISI 316Ti) **1**

Alternative materials / surface finishings are available upon request. Consult STAUFF for further information.

⑦ Ball Seat Material

Delrin® (POM) **0**

Alternative materials are available upon request. Consult STAUFF for further information.

⑧ O-Ring Material

NBR (Buna-N®) **0**
FPM (Viton®) **1**

Alternative materials are available upon request. Consult STAUFF for further information.

⑨ Manufacturing Code

Manufacturing code for all connection styles **M**

⑩ Lever Options

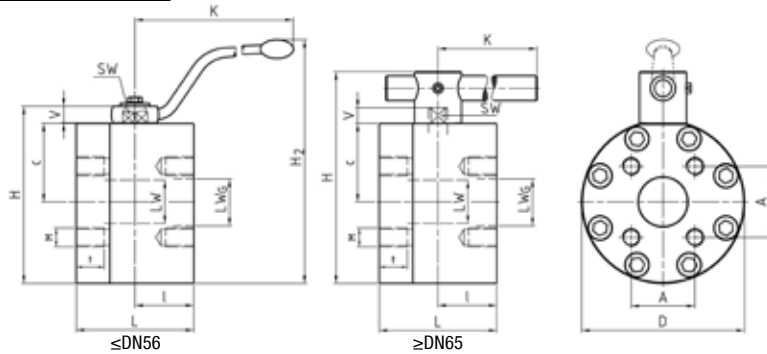
Supplied with standard lever (according to table) **-**
Supplied without lever **-0**

Alternative levers can be ordered separately. Please see page F98 for further information.

⑪ Accessories / Options

Supplied without accessories **-**
Supplied with Locking Device LD4 **-LD4**
Supplied with Locking Device LD5B (standard) **-LD5B**
Supplied with Double-Acting Pneumatic Actuator (Please add size **) **-EDA****
Supplied with Single-Acting Pneumatic Actuator (Please add size **) **-ESA****
Supplied with Limit Switch in open position **-LS-0**
Supplied with Limit Switch in closed position **-LS-C**
Supplied with Limit Switch in open and closed position **-LS-OC**

Please see page F99 for further information.



High-Pressure Round Body Ball Valve - Type BBV CETOP Flange Connection (CETOP RP 63 H)

When ordering the standard option as indicated in the table below, the following materials will be supplied:

- Body, ball and stem: Carbon Steel
- Lever: Carbon Steel
- Ball seat: Delrin® (POM)
- O-rings: FPM (Viton®)

250 bar / 3600 PSI Series (CETOP RP 63 H) - Metric ISO Threads

STAUFF Size	Flange Size	Nominal Size DN	Dimensions (mm/in)														Nom. Pressure (bar/PSI)		Weight (kg/lbs)	Order Codes (Standard Option)
			LW	LWG	L	I	D	H	c	V	K	SW	A	M	t	H2				
32	2	51	48	47	116	58	198	210	94	17	320	17	69,4	M16	24,5	219	250	400	24,90	BBV2Y(1-2)320001M ¹
			1.89	1.85	4.57	2.28	7.80	8.27	3.70	.67	12.60	.67	2.73		.96	8.62	3600	5800	54.78	
40	2-1/2	56	48	58	123	58	198	210	94	17	320	17	83,4	M20	33	219	250	400	26,60	BBV2Y(1-2)400001M ¹
			1.89	2.28	4.84	2.28	7.80	8.27	3.70	.67	12.60	.67	3.28		1.30	8.62	3600	5800	58.52	
48	3	65	63	70	150	75	208	270	100	20	600	16	102,5	M20	33	/	250		36,90	BBV2Y1480001M
			2.48	2.76	5.91	2.95	8.19	1.63	3.94	.79	23.62	.63	4.04		1.30		3600	81.18		
64	4	100	100	90	200	100	258	326	122	26	900	24	113,2	M24	40	/	250		70,40	BBV2Y1640001M
			3.94	3.54	7.87	3.93	10.16	12.83	4.80	1.02	35.43	.94	4.46		1.57		3600	154.88		

400 bar / 5800 PSI Series (CETOP RP 63 H) - Metric ISO Threads

STAUFF Size	Flange Size	Nominal Size DN	Dimensions (mm/in)														Nom. Pressure (bar/PSI)		Weight (kg/lbs)	Order Codes (Standard Option)
			LW	LWG	L	I	D	H	c	V	K	SW	A	M	t	H2				
32	2	51	48	47	116	58	198	210	94	17	320	17	69,4	M16	24,5	219	250	400	24,90	BBV2Y(1-2)320001M ¹
			1.89	1.85	4.57	2.28	7.80	8.27	3.70	.67	12.60	.67	2.73		.96	8.62	3600	5800	54.78	
40	2-1/2	56	48	58	123	58	198	210	94	17	320	17	83,4	M20	33	219	250	400	26,60	BBV2Y(1-2)400001M ¹
			1.89	2.28	4.84	2.28	7.80	8.27	3.70	.67	12.60	.67	3.28		1.30	8.62	3600	5800	58.52	
48	3	65	63	58	150	75	224	286	108	20	600	16	102,5	M20	37,5	/	400		42,53	BBV2Y2480001M ²
			2.56	2.28	5.91	2.95	8.82	11.26	4.25	.79	23.62	.63	4.04		1.47		5800	93.56		
64	4	80	76	74	140	70	228	293	107	25	600	19	113,2	M24	35	/	400		51,00	BBV2Y2640001M ²
			2.99	2.91	5.51	2.76	8.98	11.54	4.21	.98	23.62	.75	4.46		1.38		5800	112.20		

Please note: The final maximum working pressure is determined by flange and pipe/tubing rating.

Lever must be fixed in central position during operation. In case of vibration, the lever may otherwise operate the valve by itself.

¹ Suitable for 250 bar / 3600 PSI series and 400 bar / 5800 PSI series.

² Available on request.

High-Pressure Block Body Ball Valve - Type KHZ



Characteristics

Two-way high-pressure block body ball valves designed for use as on/off devices for hydraulic applications

Standard Construction

- Compact block body design for manifold mounting or in-line assembly
- Supplied with off-set lever

Please note: Manifold side of valve must be secured to manifold or flange prior to operation. Failure to comply could lead to serious injury or death.

Standard Materials

- Body: Carbon Steel, zinc/iron-plated
- Ball: Carbon Steel, hard chrome-plated
- Stem: Carbon Steel
- Lever: Carbon Steel
- Ball seat: Delrin® (POM)
- O-rings: FPM (Viton®)

Standard Connections Styles / Sizes

- 3000 PSI (code 61) SAE flange bore patterns
- 6000 PSI (code 62) SAE flange bore patterns
- Metric ISO and unified coarse (UNC) threads

Pressure Range

- Pressure range: up to 420 bar / 6000 PSI (depending on size and material combination of the ball valve)

Please note: The final maximum working pressure is determined by flange and pipe/tubing rating.

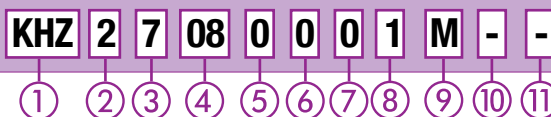
Temperature Range

- Operating temperature range: -20 °C ... +100 °C / -4 °F ... + 212 °F

Options / Accessories

- Flanges and flange kits (see Flanges section)
- Alternative lever designs/materials (see page F98)
- Locking devices (see pages F99-F101)
- Pneumatic actuator packages (see page F102)
- Limit switches (see page F102)
- Special ball seat and O-ring materials available for lower/higher temperatures and more aggressive media
- Electrical actuators available on request. Please consult STAUFF for further information.

Order Codes



① Type

High-Pressure Compact Block Body Ball Valve **KHZ**

② Number of Ports

Two Ports (Two-Way Ball Valve) **2**

③ Connection Style

3000 PSI (code 61) SAE Flange Bore Patterns and Unified Coarse (UNC) Threads	7
3000 PSI (code 61) SAE Flange Bore Patterns and Metric ISO Threads	7M
6000 PSI (code 62) SAE Flange Bore Patterns and Unified Coarse (UNC) Threads	8
6000 PSI (code 62) SAE Flange Bore Patterns and Metric ISO Threads	8M

Please consult STAUFF for alternative connection styles.

④ Connection Size

STAUFF Size (according to dimension table):

08	12	16	20	24	32
-----------	-----------	-----------	-----------	-----------	-----------

Please consult STAUFF for alternative connection sizes.

⑤ Body Material / Surface Finishing

Carbon Steel, zinc/iron-plated **0**

Alternative materials / surface finishings are available upon request. Consult STAUFF for further information.

⑥ Ball / Stem Material

Ball: Carbon Steel, hard chrome-plated
Stem: Carbon Steel **0**

Alternative materials / surface finishings are available upon request. Consult STAUFF for further information.

⑦ Ball Seat Material

Delrin® (POM) **0**

Alternative materials are available upon request. Consult STAUFF for further information.

⑧ O-Ring Material

NBR (Buna-N®) **0**
FPM (Viton®) **1**

Alternative materials are available upon request. Consult STAUFF for further information.

⑨ Manufacturing Code

Manufacturing code for all connection styles **M**

⑩ Lever Options

Supplied with standard lever (according to table)	-
Supplied without lever	-0

Alternative levers can be ordered separately. Please see page F98 for further information.

⑪ Accessories / Options

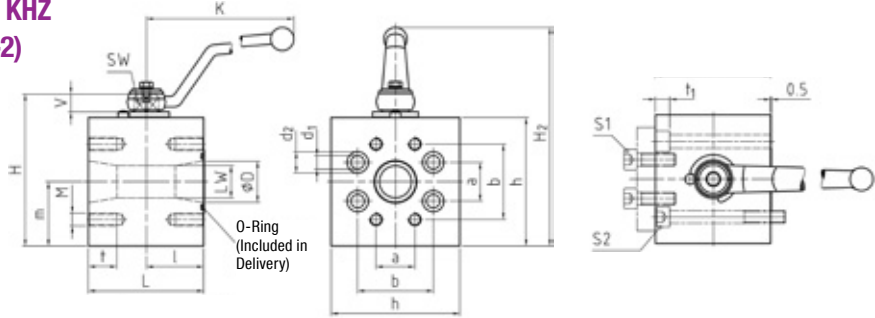
Supplied without accessories	-
Supplied with Locking Device LD1 (standard)	-LD1
Supplied with Double-Acting Pneumatic Actuator (Please add size **)	-EDA**
Supplied with Single-Acting Pneumatic Actuator (Please add size **)	-ESA**
Supplied with Limit Switch in open position	-LS-0
Supplied with Limit Switch in closed position	-LS-C
Supplied with Limit Switch in open and closed position	-LS-OC

Please see page F99 for further information.

High-Pressure Block Body Ball Valve - Type KHZ
6000 PSI SAE Flange Connection (ISO 6162-2)

When ordering the standard option as indicated in the table below, the following materials will be supplied:

- Body, ball and stem: Carbon Steel
- Lever: Carbon Steel
- Ball seat: Delrin® (POM)
- O-rings: FPM (Viton®)



6000 PSI Series (Code 62) - Unified Coarse (UNC) Threads

STAUFF Size	Flange Size	Nominal Size DN	Dimensions (mm/in)														Nom. Pressure (bar/PSI)	Weight (kg/lbs)	Order Codes (Standard Option)				
			LW	D	L	I	H	h	m	K	SW	V	a	b	M	t				d1	d2	t1	H2
08	1/2	13	13	13	68	34	72	58	30	115	9	11	18,2	40,5	5/16-18 UNC	15	8,5	13,5	9	109	420	1,80	KHZ28080001M
			.51	.51	2.68	1.34	2.83	2.28	1.18	4.53	.35	.43	.72	1.59		.59	.33	.53	.35	4.29	6000	3.96	
12	3/4	20	20	20	70	35	93	75	37,5	170	14	14	23,8	50,8	3/8-16 UNC	17	10,5	16,5	11	146	420	2,80	KHZ28120001M
			.79	.79	2.76	1.38	3.66	2.95	1.48	6.69	.55	.55	.94	2.00		.67	.41	.65	.43	5.75	6000	6.16	
16	1	25	25	25	78	39	103	84,5	44	170	14	14	27,8	57,2	7/16-14 UNC	21	13	19	13	155	420	3,90	KHZ28160001M
			.98	.98	3.07	1.54	4.06	3.33	1.73	6.69	.55	.55	1.09	2.25		.83	.51	.75	.51	6.10	6000	8.58	
20	1-1/4	32	25	32	90	45	118,5	100	50	170	14	14	31,8	66,6	1/2-13 UNC	20	13	19	13	171	420	6,50	KHZ28200001M
			.98	1.26	3.54	1.77	4.67	3.94	1.97	6.69	.55	.55	1.25	2.62		.79	.51	.75	.51	6.73	6000	14.30	
24	1-1/2	40	32	38	99	49,5	141,5	120	60	306	17	17	36,5	79,3	5/8-11 UNC	26	17	25	17,5	206	420	10,50	KHZ28240001M
			1.26	1.50	3.90	1.95	5.57	4.72	2.36	12.05	.67	.67	1.44	3.12		1.02	.67	.98	.69	8.11	6000	23.10	
32	2	50	38	49	120	60	158,5	137,5	70	306	17	17	44,5	96,8	3/4-10 UNC	34	21	31	21,5	223	420	16,50	KHZ28320001M
			1.50	1.93	4.72	2.36	6.24	5.41	2.76	12.05	.67	.67	1.75	3.81		1.34	.83	1.22	.85	8.78	6000	36.30	

6000 PSI Series (Code 62) - Metric ISO Threads

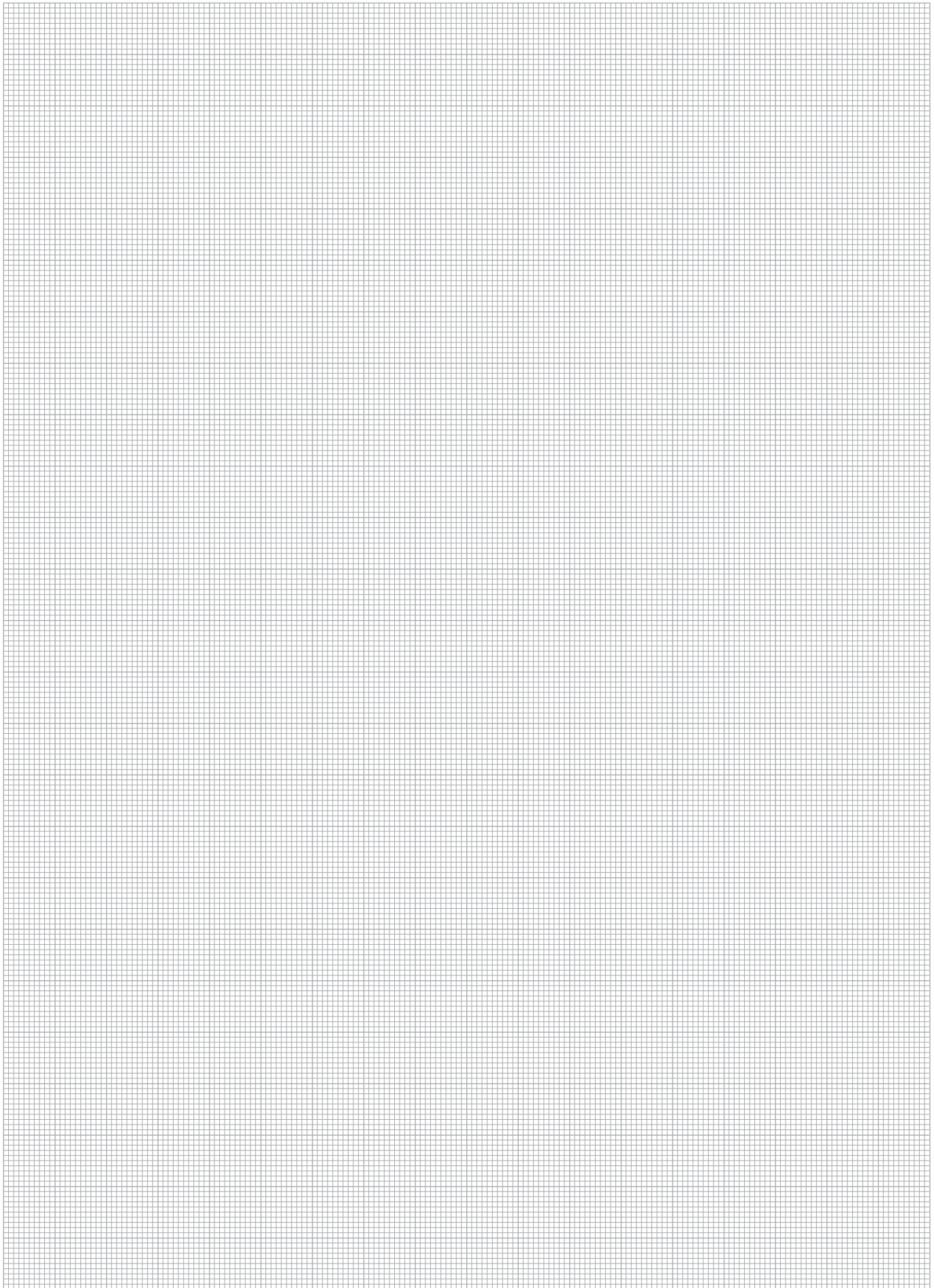
STAUFF Size	Flange Size	Nominal Size DN	Dimensions (mm/in)														Nom. Pressure (bar/PSI)	Weight (kg/lbs)	Order Codes (Standard Option)				
			LW	D	L	I	H	h	m	K	SW	V	a	b	M	t				d1	d2	t1	H2
08	1/2	13	13	13	68	34	72	58	30	115	9	11	18,2	40,5	M8	15	8,5	13,5	9	109	420	1,80	KHZ28M080001M
			.51	.51	2.68	1.34	2.83	2.28	1.18	4.53	.35	.43	.72	1.59		.59	.33	.53	.35	4.29	6000	3.96	
12	3/4	20	20	20	70	35	93	75	37,5	170	14	14	23,8	50,8	M10	17	10,5	16,5	11	146	420	2,80	KHZ28M120001M
			.79	.79	2.76	1.38	3.66	2.95	1.48	6.69	.55	.55	.94	2.00		.67	.41	.65	.43	5.75	6000	6.16	
16	1	25	25	25	78	39	103	84,5	44	170	14	14	27,8	57,2	M12	21	13	19	13	155	420	3,90	KHZ28M160001M
			.98	.98	3.07	1.54	4.06	3.33	1.73	6.69	.55	.55	1.09	2.25		.83	.51	.75	.51	6.10	6000	8.58	
20	1-1/4	32	25	32	90	45	118,5	100	50	170	14	14	31,8	66,6	M12	20	13	19	13	171	420	6,50	KHZ28M200001M
			.98	1.26	3.54	1.77	4.67	3.94	1.97	6.69	.55	.55	1.25	2.62		.79	.51	.75	.51	6.73	6000	14.30	
24	1-1/2	40	32	38	99	49,5	141,5	120	60	306	17	17	36,5	79,3	M16	26	17	25	17,5	206	420	10,50	KHZ28M240001M
			1.26	1.50	3.90	1.95	5.57	4.72	2.36	12.05	.67	.67	1.44	3.12		1.02	.67	.98	.69	8.11	6000	23.10	
32	2	50	38	49	120	60	158,5	137,5	70	306	17	17	44,5	96,8	M20	34	21	31	21,5	223	420	16,50	KHZ28M320001M
			1.50	1.93	4.72	2.36	6.24	5.41	2.76	12.05	.67	.67	1.75	3.81		1.34	.83	1.22	.85	8.78	6000	36.30	

Recommended Bolts and O-Rings

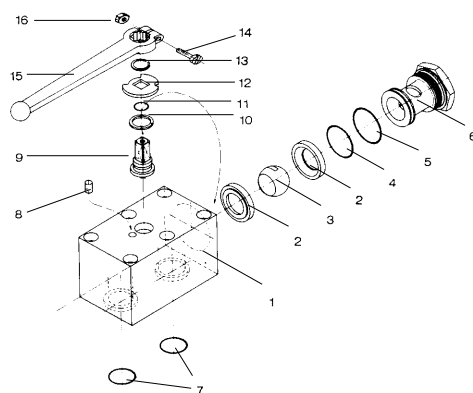
STAUFF Size	Nominal Size DN	Recommendations		
		Bolt S1 (min)	Bolt S2 (min)	O-ring (Included in Delivery)
08	13	M8 x 30 - 10.9	M8 x 70 - 10.9	18,64 x 3,53
		5/16-18 UNC x 1-1/4 - Gr. 8	5/16-18 UNC x 2-3/4 - Gr. 8	
12	20	M10 x 35 - 12.9	M10 x 80 - 12.9	24,99 x 3,53
		3/8-16UNC x 1-1/2 - Gr. 10	3/8-16UNC x 3-1/4 - Gr. 10	
16	25	M12 x 45 - 10.9	M12 x 80 - 10.9	32,92 x 3,53
		7/16-14 UNC x 1-3/4 - Gr. 8	7/16-14 UNC x 3-1/4 - Gr. 8	
20	32	M12 x 45 - 10.9	M12 x 90 - 10.9	37,69 x 3,53
		7/16-14 UNC x 1-3/4 - Gr. 8	7/16-14 UNC x 3-1/2 - Gr. 8	
24	40	M16 x 55 - 10.9	M16 x 100 - 10.9	47,22 x 3,53
		5/8-11 UNC x 2-1/4 - Gr. 8	5/8-11 UNC x 4 - Gr. 8	
32	50	M20 x 70 - 10.9	M20 x 130 - 10.9	56,74 x 3,53
		3/4-10 UNC x 2-3/4 - Gr. 8	3/4-10 UNC x 5-1/4 - Gr. 8	

Please note: The final maximum working pressure is determined by flange and pipe/tubing rating.

Flanges and bolts are not included in delivery.



High-Pressure Block Body Ball Valve - Type BBV25



List of Components

No.	Qty.	Description
1	1	Body
2*	1	Seats
3	2	Ball
4*	2	O-Ring
5*	2	O-Ring
6	2	Retainer Plug
7*	2	O-Ring
8	1	Stop Pin
9	1	Stem
10*	1	Thrust Ring
11	1	O-Ring
12	1	Cam Plate
13	1	Snap Ring
14	1	Clamping Screw
15	1	Handle
16	1	Clamping Nut

* Included in seal kit

Characteristics

Two-way high-pressure block body ball valves designed for use as on/off devices for hydraulic applications

Standard Construction

- Block body design for manifold mounting
- Improved manifold design eliminates external piping and connectors
- Supplied with lever

Standard Materials

- Body: Carbon Steel, zinc/iron-plated
- Ball: Carbon Steel, hard chrome-plated
- Stem: Carbon Steel
- Lever: Zinc (STAUFF Sizes 04 to 16)
Carbon Steel (STAUFF Sizes 20 to 32)
- Ball seat: Delrin® (POM)
- O-rings: FPM (Viton®)

Standard Connections Styles / Sizes

- Manifold mounting
- Either 4 or 6 mounting holes for added safety (bolts are not included in delivery)

Pressure Range

- Pressure range: up to 500 bar / 7250 PSI (depending on size and material combination of the ball valve)

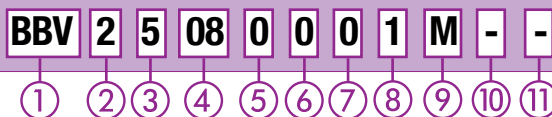
Temperature Range

- Operating temperature range:
-20 °C ... +100 °C / -4 °F ... + 212 °F

Options / Accessories

- Three-way version with 90° operation (see pages F38-F39)
- Three-way version with 180° operation (see pages F40-F41)
- Alternative lever designs/materials (see page F98)
- Locking devices (see pages F99-F101)
- Pneumatic actuator packages (see page F102)
- Limit switches (see page F102)
- Stainless Steel body
- Stainless Steel ball and stem
- Special ball seat and O-ring materials available for lower/higher temperatures and more aggressive media
- Electrical actuators available on request. Please consult STAUFF for further information.

Order Codes



① Type

High-Pressure Block Body Ball Valve **BBV**

② Number of Ports

Two Ports (Two-Way Ball Valve) **2**

③ Connection Style

Manifold Mounting **5**

Please consult STAUFF for alternative connection styles.

④ Connection Size

STAUFF Size (according to dimension table):
04 06 08 12 16 20 24 32

Please consult STAUFF for alternative connection sizes.

⑤ Body Material / Surface Finishing

Carbon Steel, zinc/iron-plated **0**
Stainless Steel V4A (AISI 316Ti) **1**

Alternative materials / surface finishings are available upon request. Consult STAUFF for further information.

⑥ Ball / Stem Material

Ball: Carbon Steel, hard chrome-plated **0**
Stem: Carbon Steel
Ball / Stem: Stainless Steel V4A (AISI 316Ti) **1**

Alternative materials / surface finishings are available upon request. Consult STAUFF for further information.

⑦ Ball Seat Material

Delrin® (POM) **0**
PEEK **G**
Delrin® (POM) with Stainless Steel
Inner Support Ring **H**

Alternative materials are available upon request. Consult STAUFF for further information.

⑧ O-Ring Material

NBR (Buna-N®) **0**
FPM (Viton®) **1**
EPDM **3**

Alternative materials are available upon request. Consult STAUFF for further information.

⑨ Manufacturing Code

Manufacturing code for all connection styles **M**

⑩ Lever Options

Supplied with standard lever (according to table) **-**
Supplied without lever **-0**

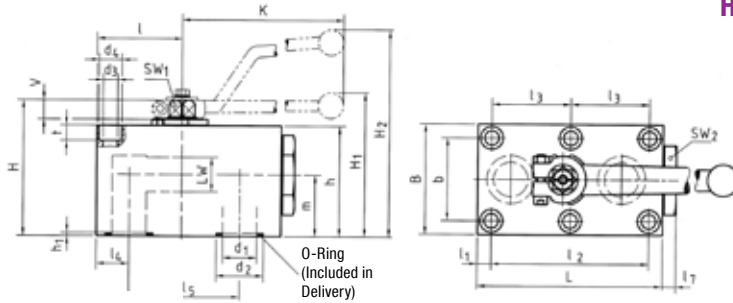
Alternative levers can be ordered separately. Please see page F98 for further information.

⑪ Accessories / Options

Supplied without accessories **-**
Supplied with Locking Device LD1 **-LD1**
Supplied with Locking Device LD4 (standard) **-LD4**
Supplied with Double-Acting Pneumatic Actuator (Please add size **) **-EDA****
Supplied with Single-Acting Pneumatic Actuator (Please add size **) **-ESA****
Supplied with Limit Switch in open position **-LS-0**
Supplied with Limit Switch in closed position **-LS-C**
Supplied with Limit Switch in open and closed position **-LS-OC**

Please see page F99 for further information.

High-Pressure Block Body Ball Valve - Type BBV25 Manifold Mounting



When ordering the standard option as indicated in the table below, the following materials will be supplied:

- Body, ball and stem: Carbon Steel
- Lever: Zinc (STAUFF Sizes 04 to 16)
Carbon Steel (STAUFF Sizes 20 to 32)
- Ball seat: Delrin® (POM)
- O-rings: FPM (Viton®)

STAUFF Size	Nominal Size DN	Dimensions (mm/in)																				Nom. Pressure (bar/PSI)	Weight (kg/lbs)	Order Codes (Standard Option)			
		I	I1	I2	I3	I4	I5	I7	L	B	b	H	h	m	V	SW1	SW2	K	LW	H1	H2	d1	d2	h1			
04	6	26	8,5	35		8,5	35	6	57	40	27	43	35	19,5	6	7	19	80	6		67	6	11,8	1,9	500	0,60	BBV25040001M
			1.02	.33	1.38		.33	1.38	.24	2.24	1.57	1.06	1.69	1.38	.77	.24	.28	.75	3.15	.24		2.64	.24	.46	.07	7250	
06	10	29	7,5	55		10	44	10	70	55	40	59	45	24,5	11	9	30	115	10		93	9,5	14,9	1,9	500	1,30	BBV25060001M
			1.14	.30	2.17		.39	1.73	.39	2.76	2.17	1.57	2.32	1.77	.96	.43	.35	1.18	4.53	.39		3.66	.37	.59	.07	7250	
08	13	42,5	7,5	83	41,5	16	58	10	98	60	45	69	55	34	11	9	32	115	13		104	13	24,9	1,9	400	2,20	BBV25080001M
			1.67	.30	3.27	1.63	.63	2.28	.39	3.86	2.36	1.77	2.72	2.17	1.34	.43	.35	1.26	4.53	.51		4.09	.51	.98	.07	5800	
12	20	51	10	97	48,5	20	69	10	117	70	51	88	70	37,5	14	14	46	200	20	92		20	29	2	315	3,90	BBV25120001M
			2.01	.39	3.82	1.91	.79	2.72	.39	4.61	2.76	2.01	3.46	2.76	1.48	.55	.55	1.81	7.87	.79	3.62		.79	1.14	.08	4500	
16	25	62	10	115	57,5	24	81	10	135	80	60	98	80	44,5	14	14	50	200	25	102		25	34,9	2,3	315	5,65	BBV25160001M
			2.44	.39	4.53	2.26	.94	3.19	.39	5.31	3.15	2.36	3.86	3.15	1.75	.55	.55	1.97	7.87	.98	4.02		.98	1.37	.09	4500	
20	32	75	12	136	68	29	96	10	165	100	78	121	100	54,5	17	17	65	320	32	130		32	40	2	315	11,10	BBV25200001M
			2.95	.47	5.35	2.68	1.14	3.78	.39	6.50	3.94	3.07	4.76	3.94	2.15	.67	.67	2.56	12.60	1.26	5.12		1.26	1.57	.08	4500	
24	40	84,5	28,5	112	56	28,5	112	17	200	130	95	131	110	57	17	17	80	320	38	140		38	47,7	2,3	420	19,00	BBV25240001M
			3.33	1.12	4.41	2.20	1.12	4.41	.67	7.87	5.12	3.74	5.16	4.33	2.24	.67	.67	3.15	12.60	1.50	5.51		1.50	1.88	.09	6000	
32	50	106	38	136	68	38	136	15	240	150	112	150	129	71	17	17	90	320	48	159		48	59,8	2,3	420	29,30	BBV25320001M
			4.17	1.50	5.35	2.68	1.50	5.35	.59	9.45	5.91	4.41	5.91	5.08	2.80	.67	.67	3.54	12.60	1.89	6.26		1.89	2.35	.09	6000	

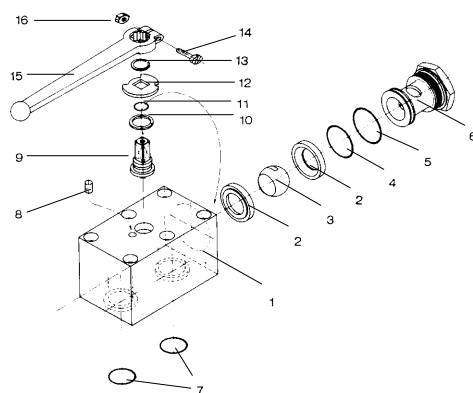
Recommended Bolts, Tightening Torques and O-Rings

STAUFF Size	Nominal Size DN	Recommendations		Dimensions (mm/in)			Tightening Torque	O-Ring (Included in Delivery)
		Bolt (min)		d3	d4	t		
04	6	4 x M6 x 40 - 8.8		6,5	10,5	6,8	9 N·m	7x2,5
		4 x 1/4-20 x 1-1/2 UNC - Gr. 5		.26	.41	.27	10 ft·lb	
06	10	4 x M8 x 50 - 8.8		8,4	13,5	8,5	21 N·m	10x2,5
		4 x 1/4-20 x 2 UNC - Gr. 5		.33	.53	.33	10 ft·lb	
08	13	6 x M8 x 60 - 10.9		8,4	13,5	7	30 N·m	20x2,5
		6 x 5/16-18 x 2-1/2 UNC - Gr. 8		.33	.53	.28	29 ft·lb	
12	20	6 x M10 x 80 - 10.9		10,5	16,5	10,5	60 N·m	23,47x2,62
		6 x 3/8-16 x 3-1/4 UNC - Gr. 10		.41	.65	.41	58 ft·lb	
16	25	6 x M10 x 90 - 12.9		10,5	16,5	10,5	70 N·m	29x3
		6 x 3/8-16 x 3-1/2 UNC - Gr. 10		.41	.65	.41	58 ft·lb	
20	32	6 x M12 x 110 - 10.9		13	19	12	100 N·m	34,59x2,62
		6 x 7/16-14 x 4-1/2 UNC - Gr. 8		.51	.75	.47	70 ft·lb	
24	40	6 x M16 x 120 - 12.9		16,5	25	19	300 N·m	42x3
		6 x 5/8-11 x 5 UNC - Gr. 8		.65	.98	.75	170 ft·lb	
32	50	6 x M20 x 140 - 10.9		21	31	21,5	600 N·m	54x3
		6 x 3/4-10 x 5-1/2 UNC - Gr. 8		.83	1.22	.85	200 ft·lb	

Please note: Bolts are not included in delivery.

We recommend to use socket cap screws according to ISO 4762 or ANSI / ASME B18.3 for installation.

High-Pressure Block Body Ball Valve - Type BBV35



List of Components

No.	Qty.	Description
1	1	Body
2*	1	Seats
3	2	Ball
4*	2	O-Ring
5*	2	O-Ring
6	2	Retainer Plug
7*	2	O-Ring
8	1	Stop Pin
9	1	Stem
10*	1	Thrust Ring
11	1	O-Ring
12	1	Cam Plate
13	1	Snap Ring
14	1	Clamping Screw
15	1	Handle
16	1	Clamping Nut

* Included in seal kit

Characteristics

Three-way high-pressure manifold mounted selector valve (L-bore, 90° operation) for hydraulic applications

Standard Construction

- Block body design for manifold mounting
- Improved manifold design eliminates external piping and connectors
- Supplied with lever

Standard Materials

- Body: Carbon Steel, zinc/iron-plated
- Ball: Carbon Steel, hard chrome-plated
- Stem: Carbon Steel
- Lever: Zinc (STAUFF Sizes 04 to 16)
Carbon Steel (STAUFF Sizes 20 to 32)
- Ball seat: Delrin® (POM)
- O-rings: FPM (Viton®)

Standard Connections Styles / Sizes

- Manifold mounting
- Either 4 or 6 mounting holes for added safety (bolts are not included in delivery)

Pressure inlet only from the center port!
See page F113 for sealing details.

Pressure Range

- Pressure range: up to 500 bar / 7250 PSI (depending on size and material combination of the ball valve)

Temperature Range

- Operating temperature range: -20 °C ... +100 °C / -4 °F ... + 212 °F

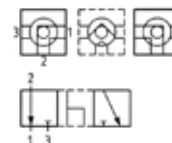
Options / Accessories

- Alternative lever designs/materials (see page F98)
- Locking devices (see pages F99-F101)
- Pneumatic actuator packages (see page F102)
Electrical actuators available on request.
- Limit switches (see page F102)
- Stainless Steel body
- Stainless Steel ball and stem
- Special ball seat and O-ring materials available for lower/higher temperatures and more aggressive media

Porting Pattern

(Ref. Code: 58-BBV35)

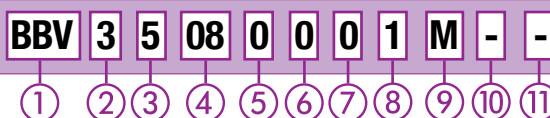
- Symbol: LLU
- Overlap: negative
- Operating: 90°



- Stop of end position:

Please see pages F104-F105 for alternative porting patterns.

Order Codes



① Type

High-Pressure Block Body Ball Valve **BBV**

② Number of Ports

Three Ports (Three-Way Ball Valve) **3**

③ Connection Style

Manifold Mounting **5**

Please consult STAUFF for alternative connection styles.

④ Connection Size

STAUFF Size (according to dimension table):
04 06 08 12 16 20 24 32

Please consult STAUFF for alternative connection sizes.

⑤ Body Material / Surface Finishing

Carbon Steel, zinc/iron-plated **0**
Stainless Steel V4A (AISI 316Ti) **1**

Alternative materials / surface finishings are available upon request. Consult STAUFF for further information.

⑥ Ball / Stem Material

Ball: Carbon Steel, hard chrome-plated **0**
Stem: Carbon Steel **0**
Ball / Stem: Stainless Steel V4A (AISI 316Ti) **1**

Alternative materials / surface finishings are available upon request. Consult STAUFF for further information.

⑦ Ball Seat Material

Delrin® (POM) **0**
PEEK **G**
Delrin® (POM) with Stainless Steel **H**
Inner Support Ring **H**

Alternative materials are available upon request. Consult STAUFF for further information.

⑧ O-Ring Material

NBR (Buna-N®) **0**
FPM (Viton®) **1**
EPDM **3**

Alternative materials are available upon request. Consult STAUFF for further information.

⑨ Manufacturing Code

Manufacturing code for all connection styles **M**

⑩ Lever Options

Supplied with standard lever (according to table) **-**
Supplied without lever **-0**

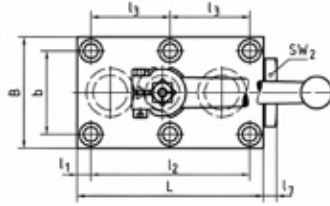
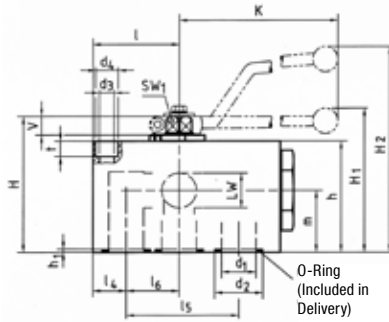
Alternative levers can be ordered separately. Please see page F98 for further information.

⑪ Accessories / Options

Supplied without accessories **-**
Supplied with Locking Device LD1 **-LD1**
Supplied with Locking Device LD4 (standard) **-LD4**
Supplied with Double-Acting Pneumatic Actuator (Please add size **) **-EDA****
Supplied with Single-Acting Pneumatic Actuator (Please add size **) **-ESA****
Supplied with Limit Switch in open position **-LS-0**
Supplied with Limit Switch in closed position **-LS-C**
Supplied with Limit Switch in open and closed position **-LS-OC**

Please see page F99 for further information.

High-Pressure Block Body Ball Valve - Type BBV35 L-Bore Three-Way Selector for Manifold Mounting



When ordering the standard option as indicated in the table below, the following materials will be supplied:

- Body, ball and stem: Carbon Steel
- Lever: Zinc (STAUFF Sizes 04 to 16)
Carbon Steel (STAUFF Sizes 20 to 32)
- Ball seat: Delrin® (POM)
- O-rings: FPM (Viton®)

Pressure Inlet only from the Center Port = 90° Operation

STAUFF Size	Nominal Size DN	Dimensions (mm/in)																				Nom. Pressure (bar/PSI)	Weight (kg/lbs)	Order Codes (Standard Option)				
		l	l1	l2	l3	l4	l5	l6	l7	L	B	b	H	h	m	V	SW1	SW2	K	LW	H1	H2	d1	d2	h1			
04	6	26	8,5	35	13	8,5	35	17,5	6	57	40	27	43	35	19,5	6	7	19	80	6	67	6	11,8	1,9	500	0,60	BBV35040001M	
		1.02	.33	1.38		.33	1.38	.69	.24	2.24	1.57	1.06	1.69	1.38	.77	.24	.28	.75	3.15	.24	2.64	.24	.46	.07	7250	1.32		
06	10	29	7,5	55	13	10	44	19	10	70	55	40	59	45	24,5	11	9	30	115	10	93	9,5	14,9	1,9	500	1,30	BBV35060001M	
		1.14	.30	2.17		.39	1.73	.75	.39	2.76	2.17	1.57	2.32	1.77	.96	.43	.35	1.18	4.53	.39	3.66	.37	.59	.07	7250	2.86		
08	13	42,5	7,5	83	13	41,5	16	58	26,5	10	98	60	45	69	55	34	11	9	32	115	13	104	13	24,9	1,9	400	2,20	BBV35080001M
		1.67	.30	3.27		1.63	.63	2.28	1.04	.39	3.86	2.36	1.77	2.72	2.17	1.34	.43	.35	1.26	4.53	.51	4.09	.51	.98	.07	5800	4.84	
12	20	51	10	97	13	48,5	20	69	31,5	10	117	70	51	88	70	37,5	14	14	46	200	20	92	20	29	2	315	3,90	BBV35120001M
		2.01	.39	3.82		1.91	.79	2.72	1.24	.39	4.61	2.76	2.01	3.46	2.76	1.48	.55	.55	1.81	7.87	.79	3.62	.79	1.14	.08	4500	8.58	
16	25	62	10	115	13	57,5	24	81	38	10	135	80	60	98	80	44,5	14	14	50	200	25	102	25	34,9	2,3	315	5,65	BBV35160001M
		2.44	.39	4.53		2.26	.94	3.19	1.50	.39	5.31	3.15	2.36	3.86	3.15	1.75	.55	.55	1.97	7.87	.98	4.02	.98	1.37	.09	4500	12.43	
20	32	75	12	136	13	68	29	96	46	10	165	100	78	121	100	54,5	16,5	17	65	320	32	130	32	40	2	315	11,10	BBV35200001M
		2.95	.47	5.35		2.68	1.14	3.78	1.81	.39	6.50	3.94	3.07	4.76	3.94	2.15	.65	.67	2.56	12.60	1.26	5.12	1.26	1.57	.08	4500	24.42	
24	40	84,5	28,5	112	13	56	28,5	112	56	17	200	130	95	131	110	57	16,5	17	80	320	38	140	38	47,7	2,3	420	19,00	BBV35240001M
		3.33	1.12	4.41		2.20	1.12	4.41	2.20	.67	7.87	5.12	3.74	5.16	4.33	2.24	.65	.67	3.15	12.60	1.50	5.51	1.50	1.88	.09	6000	41.80	
32	50	106	38	136	13	68	38	136	68	15	240	150	112	150	129	71	16,5	17	90	320	48	159	48	59,8	2,3	420	29,30	BBV35320001M
		4.17	1.50	5.35		2.68	1.50	5.35	2.68	.59	9.45	5.91	4.41	5.91	5.08	2.80	.65	.67	3.54	12.60	1.89	6.26	1.89	2.35	.09	6000	64.46	

Recommended Bolts, Tightening Torques and O-Rings

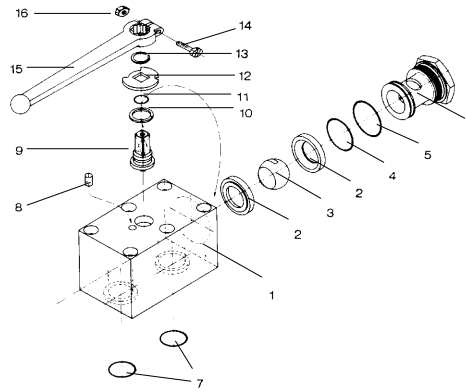
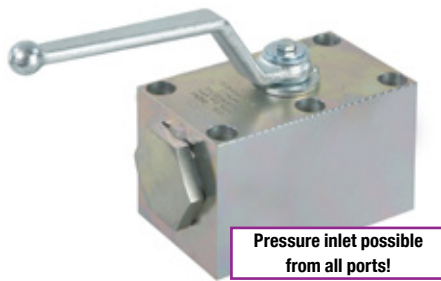
STAUFF Size	Nominal Size DN	Recommendations		Dimensions (mm/in)			Tightening Torque	O-Ring (Included in Delivery)
		Bolt (min)		d3	d4	t		
04	6	4 x M6 x 40 - 8.8		6,5	10,5	6,8	9 N·m	7x2,5
		4 x 1/4-20 x 1-1/2 UNC - Gr. 5		.26	.41	.27	10 ft·lb	
06	10	4 x M8 x 50 - 8.8		8,4	13,5	8,5	21 N·m	10x2,5
		4 x 1/4-20 x 2 UNC - Gr. 5		.33	.53	.33	10 ft·lb	
08	13	6 x M8 x 60 - 10.9		8,4	13,5	7	30 N·m	20x2,5
		6 x 5/16-18 x 2-1/2 UNC - Gr. 8		.33	.53	.28	29 ft·lb	
12	20	6 x M10 x 80 - 10.9		10,5	16,5	10,5	60 N·m	23,47x2,62
		6 x 3/8-16 x 3-1/4 UNC - Gr. 10		.41	.65	.41	58 ft·lb	
16	25	6 x M10 x 90 - 12.9		10,5	16,5	10,5	70 N·m	29x3
		6 x 3/8-16 x 3-1/2 UNC - Gr. 10		.41	.65	.41	58 ft·lb	
20	32	6 x M12 x 110 - 10.9		13	19	12	100 N·m	34,59x2,62
		6 x 7/16-14 x 4-1/2 UNC - Gr. 8		.51	.75	.47	70 ft·lb	
24	40	6 x M16 x 120 - 12.9		16,5	25	19	300 N·m	42x3
		6 x 5/8-11 x 5 UNC - Gr. 8		.65	.98	.75	170 ft·lb	
32	50	6 x M20 x 140 - 10.9		21	31	21,5	600 N·m	54x3
		6 x 3/4-10 x 5-1/2 UNC - Gr. 8		.83	1.22	.85	200 ft·lb	

Pressure inlet only from the center port!

Please note: Bolts are not included in delivery.

We recommend to use socket cap screws according to ISO 4762 or ANSI / ASME B18.3 for installation.

High-Pressure Block Body Ball Valve - Type BBVS35



List of Components

No.	Qty.	Description
1	1	Body
2*	1	Seats
3	2	Ball
4*	2	O-Ring
5*	2	O-Ring
6	2	Retainer Plug
7*	2	O-Ring
8	1	Stop Pin
9	1	Stem
10*	1	Thrust Ring
11	1	O-Ring
12	1	Cam Plate
13	1	Snap Ring
14	1	Clamping Screw
15	1	Handle
16	1	Clamping Nut

* Included in seal kit

Characteristics

Three-way high-pressure manifold mounted selector valve (L-bore, 180° operation) for hydraulic applications

Standard Construction

- Block body design for manifold mounting
- Improved manifold design eliminates external piping and connectors
- Supplied with lever

Standard Materials

- Body: Carbon Steel, zinc/iron-plated
- Ball: Carbon Steel, hard chrome-plated
- Stem: Carbon Steel
- Lever: Zinc (STAUFF Sizes 04 to 16)
Carbon Steel (STAUFF Sizes 20 to 32)
- Ball seat: Delrin® (POM)
- O-rings: FPM (Viton®)

Standard Connections Styles / Sizes

- Manifold mounting
- Either 4 or 6 mounting holes for added safety (bolts are not included in delivery)

Pressure inlet possible from all ports!
See page F113 for sealing details.

Pressure Range

- Pressure range: up to 500 bar / 7250 PSI (depending on size and material combination of the ball valve)

Temperature Range

- Operating temperature range: -20 °C ... +100 °C / -4 °F ... + 212 °F

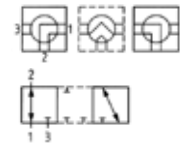
Options / Accessories

- Alternative lever designs/materials (see page F98)
- Locking devices (see pages F99-F101)
- Pneumatic actuator packages (see page F102)
Electrical actuators available on request.
- Limit switches (see page F102)
- Stainless Steel body
- Stainless Steel ball and stem
- Special ball seat and O-ring materials available for lower/higher temperatures and more aggressive media

Porting Pattern

(Ref. Code: 57-BBVS35)

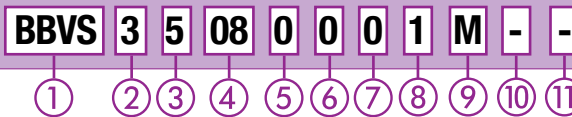
- Symbol : LU
- Overlap: positive
- Operating: 180°



- Stop of end position:

Please see pages F104-F105 for alternative porting patterns.

Order Codes



① Type

High-Pressure Block Body Ball Valve with Pressure Inlet Possible from all Ports	BBVS
---	-------------

② Number of Ports

Three Ports (Three-Way Ball Valve)	3
------------------------------------	----------

③ Connection Style

Manifold Mounting	5
-------------------	----------

Please consult STAUFF for alternative connection styles.

④ Connection Size

STAUFF Size (according to dimension table):	04 06 08 12 16 20 24 32
---	--------------------------------

Please consult STAUFF for alternative connection sizes.

⑤ Body Material / Surface Finishing

Carbon Steel, zinc/iron-plated	0
Stainless Steel V4A (AISI 316Ti)	1

Alternative materials / surface finishings are available upon request. Consult STAUFF for further information.

⑥ Ball / Stem Material

Ball: Carbon Steel, hard chrome-plated	0
Stem: Carbon Steel	
Ball / Stem: Stainless Steel V4A (AISI 316Ti)	1

Alternative materials / surface finishings are available upon request. Consult STAUFF for further information.

⑦ Ball Seat Material

Delrin® (POM)	0
PEEK	G
Delrin® (POM) with Stainless Steel	
Inner Support Ring	H

Alternative materials are available upon request. Consult STAUFF for further information.

⑧ O-Ring Material

NBR (Buna-N®)	0
FPM (Viton®)	1
EPDM	3

Alternative materials are available upon request. Consult STAUFF for further information.

⑨ Manufacturing Code

Manufacturing code for all connection styles	M
--	----------

⑩ Lever Options

Supplied with standard lever (according to table)	-
Supplied without lever	-0

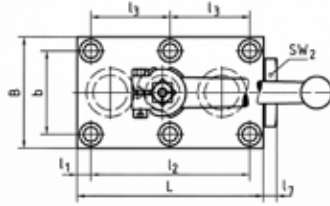
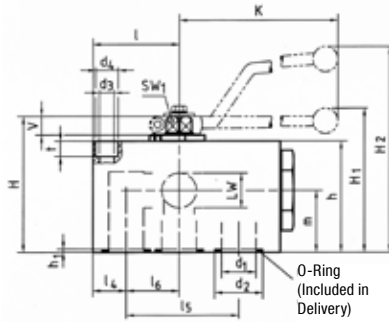
Alternative levers can be ordered separately. Please see page F98 for further information.

⑪ Accessories / Options

Supplied without accessories	-
Supplied with Locking Device LD1	-LD1
Supplied with Locking Device LD4 (standard)	-LD4
Supplied with Double-Acting Pneumatic Actuator (Please add size **)	-EDA**
Supplied with Single-Acting Pneumatic Actuator (Please add size **)	-ESA**
Supplied with Limit Switch in open position	-LS-0
Supplied with Limit Switch in closed position	-LS-C
Supplied with Limit Switch in open and closed position	-LS-OC

Please see page F99 for further information.

High-Pressure Block Body Ball Valve - Type BBVS35 L-Bore Three-Way Selector for Manifold Mounting



When ordering the standard option as indicated in the table below, the following materials will be supplied:

- Body, ball and stem: Carbon Steel
- Lever: Zinc (STAUFF Sizes 04 to 16)
Carbon Steel (STAUFF Sizes 20 to 32)
- Ball seat: Delrin® (POM)
- O-rings: FPM (Viton®)

Pressure Inlet possible from all Ports - 180° Operation

STAUFF Size	Nominal Size DN	Dimensions (mm/in)																				Nom. Pressure (bar/psi)	Weight (kg/lbs)	Order Codes (Standard Option)				
		l	l1	l2	l3	l4	l5	l6	l7	L	B	b	H	h	m	V	SW1	SW2	K	LW	H1				H2	d1	d2	h1
04	6	26	8,5	35	/	8,5	35	17,5	6	57	40	27	43	35	19,5	6	7	19	80	6	/	67	6	11,8	1,9	500	0,60	BBVS35040001M
		1.02	.33	1.38	/	.33	1.38	.69	.24	2.24	1.57	1.06	1.69	1.38	.77	.24	.28	.75	3.15	.24	/	2.64	.24	.46	.07	7250	1.32	
06	10	29	7,5	55	/	10	44	19	10	70	55	40	59	45	24,5	11	9	30	115	10	/	93	9,5	14,9	1,9	500	1,30	BBVS35060001M
		1.14	.30	2.17	/	.39	1.73	.75	.39	2.76	2.17	1.57	2.32	1.77	.96	.43	.35	1.18	4.53	.39	/	3.66	.37	.59	.07	7250	2.86	
08	13	42,5	7,5	83	41,5	16	58	26,5	10	98	60	45	69	55	34	11	9	32	115	13	/	104	13	24,9	1,9	400	2,20	BBVS35080001M
		1.67	.30	3.27	1.63	.63	2.28	1.04	.39	3.86	2.36	1.77	2.72	2.17	1.34	.43	.35	1.26	4.53	.51	/	4.09	.51	.98	.07	5800	4.84	
12	20	51	10	97	48,5	20	69	31,5	10	117	70	51	88	70	37,5	14	14	46	200	20	92	/	20	29	2	315	3,90	BBVS35120001M
		2.01	.39	3.82	1.91	.79	2.72	1.24	.39	4.61	2.76	2.01	3.46	2.76	1.48	.55	.55	1.81	7.87	.79	3.62	/	.79	1.14	.08	4500	8.58	
16	25	62	10	115	57,5	24	81	38	10	135	80	60	98	80	44,5	14	14	50	200	25	102	/	25	34,9	2,3	315	5,65	BBVS35160001M
		2.44	.39	4.53	2.26	.94	3.19	1.50	.39	5.31	3.15	2.36	3.86	3.15	1.75	.55	.55	1.97	7.87	.98	4.02	/	.98	1.37	.09	4500	12.43	
20	32	75	12	136	68	29	96	46	10	165	100	78	121	100	54,5	16,5	17	65	320	32	130	/	32	40	2	315	11,10	BBVS35200001M
		2.95	.47	5.35	2.68	1.14	3.78	1.81	.39	6.50	3.94	3.07	4.76	3.94	2.15	.65	.67	2.56	12.60	1.26	5.12	/	1.26	1.57	.08	4500	24.42	
24	40	84,5	28,5	112	56	28,5	112	56	17	200	130	95	131	110	57	16,5	17	80	320	38	140	/	38	47,7	2,3	420	19,00	BBVS35240001M
		3.33	1.12	4.41	2.20	1.12	4.41	2.20	.67	7.87	5.12	3.74	5.16	4.33	2.24	.65	.67	3.15	12.60	1.50	5.51	/	1.50	1.88	.09	6000	41.80	
32	50	106	38	136	68	38	136	68	15	240	150	112	150	129	71	16,5	17	90	320	48	159	/	48	59,8	2,3	420	29,30	BBVS35320001M
		4.17	1.50	5.35	2.68	1.50	5.35	2.68	.59	9.45	5.91	4.41	5.91	5.08	2.80	.65	.67	3.54	12.60	1.89	6.26	/	1.89	2.35	.09	6000	64.46	

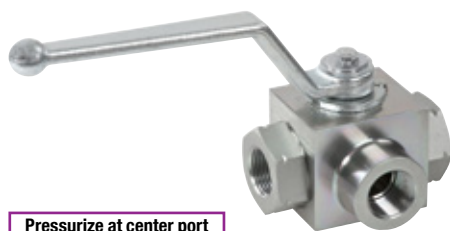
Recommended Bolts, Tightening Torques and O-Rings

STAUFF Size	Nominal Size DN	Recommendations		Dimensions (mm/in)			Tightening Torque	O-Ring (Included in Delivery)
		Bolt (min)		d3	d4	t		
04	6	4 x M6 x 40 - 8.8		6,5	10,5	6,8	9 N·m	7x2,5
		4 x 1/4-20 x 1-1/2 UNC - Gr. 5		.26	.41	.27	10 ft·lb	
06	10	4 x M8 x 50 - 8.8		8,4	13,5	8,5	21 N·m	10x2,5
		4 x 1/4-20 x 2 UNC - Gr. 5		.33	.53	.33	10 ft·lb	
08	13	6 x M8 x 60 - 10.9		8,4	13,5	7	30 N·m	20x2,5
		6 x 5/16-18 x 2-1/2 UNC - Gr. 8		.33	.53	.28	29 ft·lb	
12	20	6 x M10 x 80 - 10.9		10,5	16,5	10,5	60 N·m	23,47x2,62
		6 x 3/8-16 x 3-1/4 UNC - Gr. 10		.41	.65	.41	58 ft·lb	
16	25	6 x M10 x 90 - 12.9		10,5	16,5	10,5	70 N·m	29x3
		6 x 3/8-16 x 3-1/2 UNC - Gr. 10		.41	.65	.41	58 ft·lb	
20	32	6 x M12 x 110 - 10.9		13	19	12	100 N·m	34,59x2,62
		6 x 7/16-14 x 4-1/2 UNC - Gr. 8		.51	.75	.47	70 ft·lb	
24	40	6 x M16 x 120 - 12.9		16,5	25	19	300 N·m	42x3
		6 x 5/8-11 x 5 UNC - Gr. 8		.65	.98	.75	170 ft·lb	
32	50	6 x M20 x 140 - 10.9		21	31	21,5	600 N·m	54x3
		6 x 3/4-10 x 5-1/2 UNC - Gr. 8		.83	1.22	.85	200 ft·lb	

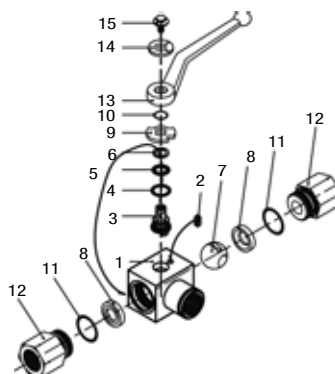
Pressure inlet possible from all ports!
Must be operated without pressure!

Please note: Bolts are not included in delivery.
We recommend to use socket cap screws according to ISO 4762 or ANSI / ASME B18.3 for installation.

High-Pressure Block Body Ball Valve - Type CBV



Pressurize at center port to avoid internal leakage



List of Components

No.	Qty.	Description
1	1	Body
2	1	Stop Pin
3*	1	Stem
4*	1	Thrust Ring
5*	1	Stem O-Ring
6*	1	Stem Back Up Ring
7	1	Ball
8*	2	Ball Seat
9	1	Cam Plate
10	1	Snap Ring
11	2	Connector O-Ring
12	2	Connector
13	1	Handle
14	1	Flow Indicator
15	1	Stem Bolt

* Included in seal kit

Characteristics

Compact three-way high-pressure block body ball valves designed for use as three-way selectors (L-bore, 90° operation) for hydraulic applications

Standard Construction

- Block body design for in-line assembly
- Compact diverter style
- Supplied with off-set lever

Standard Materials

- Body: Carbon Steel, zinc/iron-plated
- Ball: Carbon Steel, hard chrome-plated
- Stem: Carbon Steel
- Lever: Zinc (STAUFF Sizes 02 to 08)
Carbon Steel (STAUFF Sizes 12 to 32)
- Ball seat: Delrin® (POM)
- O-rings: FPM (Viton®)

Standard Connections Styles / Sizes

- Female NPT thread (ANSI B1.20.1) >2 NPT
- Female BSP thread (DIN ISO 228) >G 2 BSP
- Female UN/UNF thread (SAE J 514) >2-1/2-12 UN (2" SAE)
- 24° cone connection (DIN 2353); Light Series >35L
- 24° cone connection (DIN 2353); Heavy Series >38S

Pressure inlet only from the center port!
See page F113 for sealing details.

Pressure Range

- Pressure range: up to 500 bar / 7250 PSI (depending on size and material combination of the ball valve)

Temperature Range

- Operating temperature range:
-20°C ... +100°C / -4°F ... + 212°F

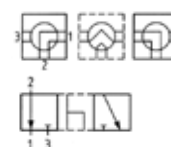
Options / Accessories

- Alternative lever designs/materials (see page F98)
- Locking devices (see pages F99-F101)
- Pneumatic actuator packages (see page F102)
Electrical actuators available on request.
- Limit switches (see page F102)
- Stainless Steel body
- Stainless Steel ball and stem
- Special ball seat and O-ring materials available for lower/higher temperatures and more aggressive media
- Additional assembling threads (see page F103)

Porting Pattern

- Symbol : L
- Overlap: negative
- Operating: 90°

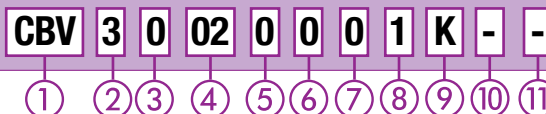
(Ref. Code: 50-CBV)



- Stop of end position:

Please see pages F104-F105 for alternative porting patterns.

Order Codes



① Type

Compact High-Pressure Block Body Ball Valve **CBV**

② Number of Ports

Three Ports (Three-Way Ball Valve) **3**

③ Connection Style

Female NPT Thread (ANSI B1.20.1)	0
Female BSP Thread (DIN ISO 228)	G
Female UN/UNF Thread (SAE J 514)	1
24° Cone Connection (Light / Heavy Series)	
DN04 DN06 DN08 DN10 DN13 DN16 DN20 DN25	

Please consult STAUFF for alternative connection styles.

④ Connection Size

STAUFF Size (according to dimension table) for connection styles 0, G and 1:										
02	04	06	08	10	12	16	20	24	32	
Tube Size (according to dimension table) for 24° Cone Connection (Light Series):										
06L	08L	10L	12L	15L	18L	22L	28L	35L		
Tube Size (according to dimension table) for 24° Cone Connection (Heavy Series):										
08S	10S	12S	14S	16S	20S	25S	30S	38S		

Please consult STAUFF for alternative connection sizes.

⑤ Body Material / Surface Finishing

Carbon Steel, zinc/iron-plated	0
Stainless Steel V4A (AISI 316Ti)	1

Alternative materials / surface finishings are available upon request. Consult STAUFF for further information.

⑥ Ball / Stem Material

Ball: Carbon Steel, hard chrome-plated	0
Stem: Carbon Steel	
Ball / Stem: Stainless Steel V4A (AISI 316Ti)	1

Alternative materials / surface finishings are available upon request. Consult STAUFF for further information.

⑦ Ball Seat Material

Delrin® (POM)	0
---------------	----------

Alternative materials are available upon request. Consult STAUFF for further information.

⑧ O-Ring Material

NBR (Buna-N®)	0
FPM (Viton®)	1
EPDM	3

Alternative materials are available upon request. Consult STAUFF for further information.

⑨ Manufacturing Code

Manufacturing code for all connection styles (except Female NPT Thread)	M
Manufacturing code (only for Female NPT Thread)	K

⑩ Lever Options

Supplied with standard lever (according to table)	-
Supplied without lever	-0

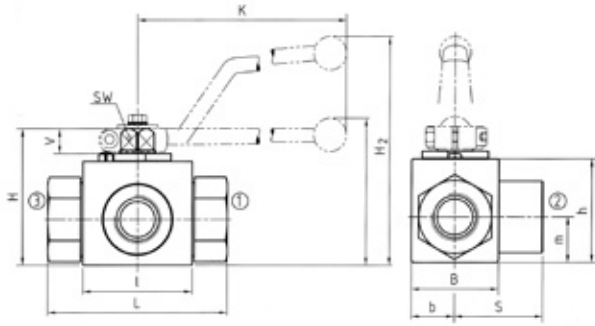
Alternative levers can be ordered separately. Please see page F98 for further information.

⑪ Accessories / Options

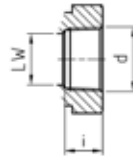
Supplied without accessories	-
Supplied with Locking Device LD1	-LD1
Supplied with Locking Device LD2	-LD2
Supplied with Locking Device LD3	-LD3
Supplied with Locking Device LD4 (standard)	-LD4
Supplied with Double-Acting Pneumatic Actuator (Please add size **)	-EDA**
Supplied with Single-Acting Pneumatic Actuator (Please add size **)	-ESA**
Supplied with Limit Switch in open position	-LS-0
Supplied with Limit Switch in closed position	-LS-C
Supplied with Limit Switch in open and closed position	-LS-OC

Please see page F99 for further information.

High-Pressure Block Body Ball Valve - Type CBV L-Bore Three-Way Selector - Female NPT Thread (ANSI B1.20.1)



Female NPT Thread (ANSI B1.20.1)



When ordering the standard option as indicated in the table below, the following materials will be supplied:

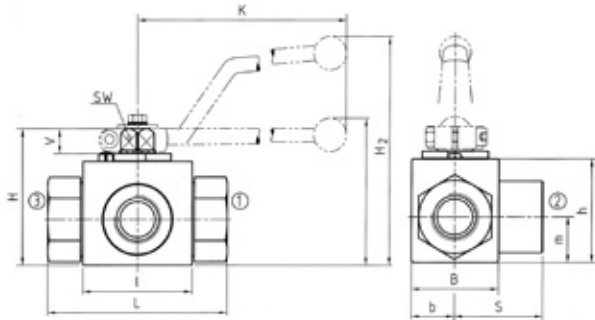
- Body, ball and stem: Carbon Steel
- Lever: Zinc (STAUFF Sizes 02 to 08)
Carbon Steel (STAUFF Sizes 12 to 32)
- Ball seat: Delrin® (POM)
- O-rings: FPM (Viton®)

Pressure Inlet only from the Center Port

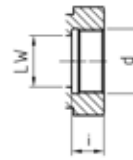
STAUFF Size	Thread Size d	NoKinal Size DN	Dimensions (mm/in)														Nom. Pressure (bar/PSI)	Weight (kg/lbs)	Order Codes (Standard Option)		
			LW	L	I	b	B	H	h	K	S	V	SW	K	i	H2					
02	1/8 NPT	4	5	69	40	13	29	47	33	13,5	34,5	11	9	115	10,5	82	500	0,40	CBV30020001K		
			.20	2.72	1.57	.51	1.14	1.85	1.30	.53	1.36	.43	.35	4.53	.41	3.23	7250	.88			
04	1/4 NPT	6	6	69	40	13	29	47	33	13,5	34,5	11	9	115	13,7	82	500	0,46	CBV30040001K		
			.24	2.72	1.57	.51	1.14	1.85	1.30	.53	1.36	.43	.35	4.53	.54	3.23	7250	1.01			
06	3/8 NPT	10	10	72	43	16	35	52	38	17,5	36	11	9	115	13,5	87	500	0,60	CBV30060001K		
			.39	2.83	1.69	.63	1.38	2.05	1.50	.69	1.42	.43	.35	4.53	.53	3.42	7250	1.32			
08	1/2 NPT	13	13	83	48	17,5	38	54	40	19	41,5	11	9	115	17	89	500	0,70	CBV30080001K		
			.51	3.27	1.89	.69	1.50	2.13	1.57	.75	1.63	.43	.35	4.53	.67	3.50	7250	1.54			
12	3/4NPT	20	20	95	62	24,5	52	75	57	24,5	47,5	14	14	170	18,3	126	315	1,80	CBV30120001K		
			.79	3.74	2.44	.96	2.05	2.95	2.24	.96	1.87	.55	.55	6.69	.72	4.96	4567	3.96			
16	1 NPT	25	25	113	66	29	61	83	65	29,5	56,5	14	14	170	21,6	134	315	2,40	CBV30160001K		
			.98	4.45	2.60	1.14	2.40	3.27	2.56	1.16	2.22	.55	.55	6.69	.85	5.73	4567	5.28			
20	1-1/4 NPT	32	30	120	81	39				106	84,5	39	55	16,5	17	320	22,1	170	350	3,80	CBV30200001K
			1.18	4.72	3.19	1.54				4.17	3.33	1.54	2.17	.65	.67	12.60	.87	6.69	5075	8.36	
24	1-1/2 NPT	40	38	140	104	53				127	106	53	65	16,5	17	320	22,1	191	350	6,20	CBV30240001K
			1.50	5.51	4.09	2.09				5.00	4.17	2.09	2.56	.65	.67	12.60	.87	7.52	5075	13.64	
32	2 NPT	50	48	150	118	58	116	137	116	58	75	16,5	17	320	30,2	201	350	7,80	CBV30320001K		
			1.89	5.91	4.65	2.28	4.57	5.39	4.57	2.28	2.95	.65	.67	12.60	1.19	7.91	5075	17.16			

Please note the pressure ratings of the tube connections.

High-Pressure Block Body Ball Valve - Type CBV L-Bore Three-Way Selector - Female BSP Thread (DIN ISO 228)



Female BSP Thread (DIN ISO 228)



When ordering the standard option as indicated in the table below, the following materials will be supplied:

- Body, ball and stem: Carbon Steel
- Lever: Zinc (STAUFF Sizes 02 to 08)
Carbon Steel (STAUFF Sizes 12 to 32)
- Ball seat: Delrin® (POM)
- O-rings: FPM (Viton®)

Pressure Inlet only from the Center Port

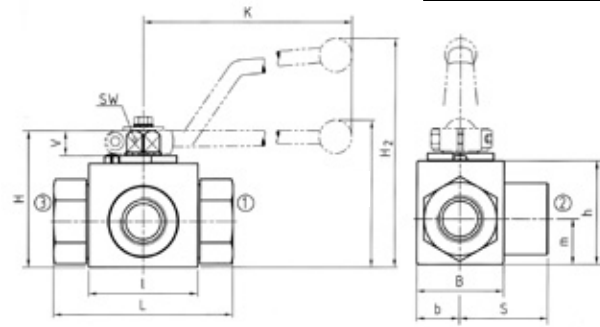
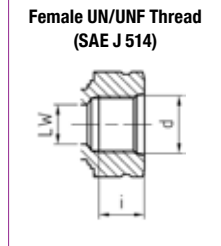
STAUFF Size	Thread Size d	Nominal Size DN	Dimensions (mm/in)														Nom. Pressure (bar/PSI)	Weight (kg/lbs)	Order Codes (Standard Option)		
			LW	L	I	b	B	H	h	m	S	V	SW	K	i	H2					
02	G 1/8 BSP	4	5	69	40	13	29	47	33	13,5	34,5	11	9	115	10	82	500	0,40	CBV3G020001M		
			.20	2.72	1.57	.51	1.14	1.85	1.30	.53	1.36	.43	.35	4.53	.39	3.23	7250	.88			
04	G 1/4 BSP	6	6	69	40	13	29	47	33	13,5	34,5	11	9	115	14	82	500	0,46	CBV3G040001M		
			.24	2.72	1.57	.51	1.14	1.85	1.30	.53	1.36	.43	.35	4.53	.55	3.23	7250	1.01			
06	G 3/8 BSP	10	10	72	43	16	35	52	38	17,5	36	11	9	115	14	87	500	0,60	CBV3G060001M		
			.39	2.83	1.69	.63	1.38	2.05	1.50	.69	1.42	.43	.35	4.53	.55	3.42	7250	1.32			
08	G 1/2 BSP	13	13	83	48	17,5	38	54	40	19	41,5	11	9	115	16,3	89	500	0,70	CBV3G080001M		
			.51	3.27	1.89	.69	1.50	2.13	1.57	.75	1.63	.43	.35	4.53	.64	3.50	7250	1.54			
12	G 3/4BSP	20	20	95	62	24,5	52	75	57	24,5	47,5	14	14	170	18	126	315	1,80	CBV3G120001M		
			.79	3.74	2.44	.96	2.05	2.95	2.24	.96	1.87	.55	.55	6.69	.71	4.96	4567	3.96			
16	G 1 BSP	25	25	113	66	29	61	83	65	29,5	56,5	14	14	170	20	134	315	2,40	CBV3G160001M		
			.98	4.45	2.60	1.14	2.40	3.27	2.56	1.16	2.22	.55	.55	6.69	.79	5.73	4567	5.28			
20	G 1-1/4 BSP	32	30	111	81	39				106	84,5	39	55	16,5	17	320	22	170	350	3,80	CBV3G200001M
			1.18	4.37	3.19	1.54				4.17	3.33	1.54	2.17	.65	.67	12.60	.87	6.69	5075	8.36	
24	G 1-1/2 BSP	40	38	130	104	53				127	106	53	65	16,5	17	320	24	191	350	6,20	CBV3G240001M
			1.50	5.12	4.09	2.09				5.00	4.17	2.09	2.56	.65	.67	12.60	.94	7.52	5075	13.64	
32	G 2 BSP	50	48	150	118	58	116	137	116	58	75	16,5	17	320	26	201	350	7,80	CBV3G320001M		
			1.89	5.91	4.65	2.28	4.57	5.39	4.57	2.28	2.95	.65	.67	12.60	1.02	7.91	5075	17.16			

Please note the pressure ratings of the tube connections.

High-Pressure Block Body Ball Valve - Type CBV
L-Bore Three-Way Selector - Female UN/UNF Thread (SAE J 514)

When ordering the standard option as indicated in the table below, the following materials will be supplied:

- Body, ball and stem: Carbon Steel
- Lever: Zinc (STAUFF Sizes 04 to 08)
Carbon Steel (STAUFF Sizes 12 to 32)
- Ball seat: Delrin® (POM)
- O-rings: FPM (Viton®)

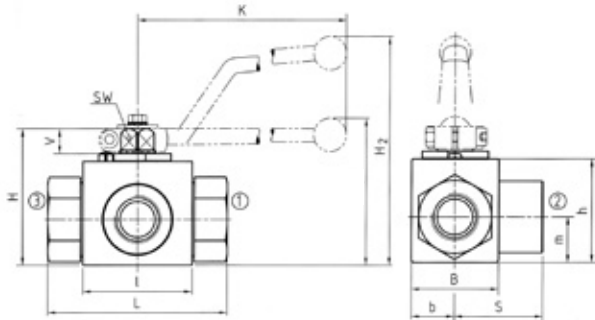


Pressure Inlet only from the Center Port

STAUFF Size	Thread Size d	Nominal Size DN	Dimensions (mm/in)														Nom. Pressure (bar/PSI)	Weight (kg/lbs)	Order Codes (Standard Option)
			LW	L	l	b	B	H	h	K	S	V	SW	K	i	H2			
04	7/16-20 UNF (1/4" SAE)	6	5	69	40	13	29	47	33	13,5	34,5	11	9	115	12	82	500	0,46	CBV31040001K
			.20	2.72	1.57	.51	1.14	1.85	1.30	.53	1.36	.43	.35	4.53	.47	3.23	7250	1.01	
06	9/16-18 UNF (3/4" SAE)	10	10	72	43	16	35	52	38	17,5	36	11	9	115	13	87	500	0,60	CBV31060001K
			.39	2.83	1.69	.63	1.38	2.05	1.50	.69	1.42	.43	.35	4.53	.51	3.42	7250	1.32	
08	3/4-16 UNF (1/2" SAE)	13	13	83	48	17,5	38	54	40	19	41,5	11	9	115	15	89	500	0,70	CBV31080001K
			.51	3.27	1.89	.69	1.50	2.13	1.57	.75	1.63	.43	.35	4.53	.59	3.50	7250	1.54	
12	1-1/16-12 UN (3/4" SAE)	20	20	95	62	24,5	52	75	57	24,5	47,5	14	14	170	20	126	315	1,80	CBV31120001K
			.79	3.74	2.44	.96	2.05	2.95	2.24	.96	1.87	.55	.55	6.69	.79	4.96	4567	3.96	
16	1-5/16-12 UN (1" SAE)	25	25	113	66	29	61	83	65	29,5	56,5	14	14	170	20	134	315	2,40	CBV31160001K
			.98	4.45	2.60	1.14	2.40	3.27	2.56	1.16	2.22	.55	.55	6.69	.79	5.73	4567	5.28	
20	1-5/8-12 UN (1-1/4" SAE)	32	30	111	81	39		106	84,5	39	55	16,5	17	320	20	170	350	3,80	CBV31200001K
			1.18	4.37	3.19	1.54		4.17	3.33	1.54	2.17	.65	.67	12.60	.79	6.69	5075	8.36	
24	1-7/8-12 UN (1-1/2" SAE)	40	38	130	104	53		127	106	53	65	16,5	17	320	20	191	350	6,20	CBV31240001K
			1.50	5.12	4.09	2.09		5.00	4.17	2.09	2.56	.65	.67	12.60	.79	7.52	5075	13.64	
32	2-1/2-12 UN (2" SAE)	50	48	150	118	58	116	137	116	58	75	16,5	17	320	20	201	350	7,80	CBV31320001K
			1.89	5.91	4.65	2.28	4.57	5.39	4.57	2.28	2.95	.65	.67	12.60	.79	7.91	5075	17.16	

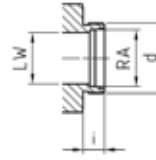
Please note the pressure ratings of the tube connections.

High-Pressure Block Body Ball Valve - Type CBV L-Bore Three-Way Selector - 24° Cone Connection Light Series (DIN 2353 / ISO 8434-1)



Hex nuts and cutting rings are not included in delivery.

24° Cone Connection
(DIN 2353 / ISO 8434-1)



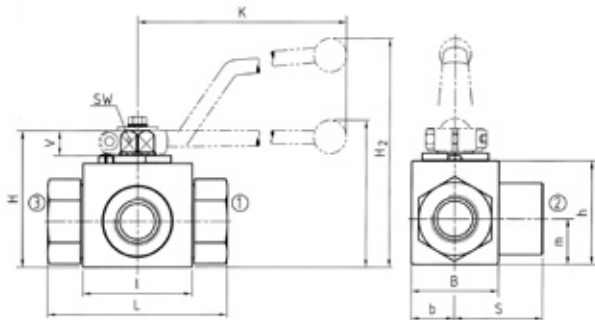
When ordering the standard option as indicated in the table below, the following materials will be supplied:

- Body, ball and stem: Carbon Steel
- Lever: Zinc (STAUFF Sizes 02 to 08)
Carbon Steel (STAUFF Sizes 12 to 16)
- Ball seat: Delrin® (POM)
- O-rings: FPM (Viton®)

Pressure Inlet only from the Center Port

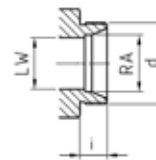
STAUFF Size	Tube/Thread Size d	Nominal Size DN	Dimensions (mm/in)														Nom. Pressure (bar/PSI)	Weight (kg/lbs)	Order Codes (Standard Option)	
			RA	LW	L	l	b	B	H	h	m	S	V	SW	K	i				H2
02	06L / M12 x 1,5	4	6	5	69	40	13	29	47	33	13,5	34,5	11	9	115	10	82	500	0,30	CBV3DN0406L0001M
			.24	.20	2.72	1.57	.51	1.14	1.85	1.30	.53	1.36	.43	.35	4.53	.39	3.23	7250	.66	
04	08L / M14 x 1,5	6	8	6	69	40	13	29	47	33	13,5	34,5	11	9	115	10	82	500	0,40	CBV3DN0608L0001M
			.31	.24	2.72	1.57	.51	1.14	1.85	1.30	.53	1.36	.43	.35	4.53	.39	3.23	7250	.88	
05	10L / M16 x 1,5	8	10	6	69	40	13	29	47	33	13,5	34,5	11	9	115	11	82	500	0,40	CBV3DN0810L0001M
			.39	.24	2.72	1.57	.51	1.14	1.85	1.30	.53	1.36	.43	.35	4.53	.43	3.23	7250	.88	
06	12L / M18 x 1,5	10	12	10	72	43	16	35	52	38	17,5	36	11	9	115	11	87	500	0,50	CBV3DN1012L0001M
			.47	.39	2.83	1.69	.63	1.38	2.05	1.50	.69	1.42	.43	.35	4.53	.43	3.42	7250	1.10	
08	15L / M22 x 1,5	13	15	13	83	48	17,5	38	54	40	19	41,5	11	9	115	12	89	500	0,65	CBV3DN1315L0001M
			.59	.51	3.27	1.89	.69	1.50	2.13	1.57	.75	1.63	.43	.35	4.53	.47	3.50	7250	1.43	
08	18L / M26 x 1,5	13	18	13	83	48	17,5	38	54	40	19	41,5	11	9	115	12	89	500	0,69	CBV3DN1318L0001M
			.71	.51	3.27	1.89	.69	1.50	2.13	1.57	.75	1.63	.43	.35	4.53	.47	3.50	7250	1.52	
12	22L / M30 x 2	20	22	20	95	62	24,5	52	75	57	24,5	47,5	14	14	170	14	126	315	1,50	CBV3DN2022L0001M
			.87	.79	3.74	2.44	.96	2.05	2.95	2.24	.96	1.87	.55	.55	6.69	.55	4.96	4567	3.30	
16	28L / M36 x 2	25	28	25	113	66	29	61	83	65	29,5	56,5	14	14	170	14	134	315	2,10	CBV3DN2528L0001M
			1.10	.98	4.45	2.60	1.14	2.40	3.27	2.56	1.16	2.22	.55	.55	6.69	.55	5.73	4567	4.62	
16	35L / M45 x 2	25/32	35	25	113	66	29	61	83	65	29,5	56,5	14	14	170	16	134	315	2,50	CBV3DN2535L0001M
			1.38	.98	4.45	2.60	1.14	2.40	3.27	2.56	1.16	2.22	.55	.55	6.69	.63	5.73	4567	5.50	

Please note the pressure ratings of the tube connections.



Hex nuts and cutting rings are not included in delivery.

24° Cone Connection
(DIN 2353 / ISO 8434-1)



When ordering the standard option as indicated in the table below, the following materials will be supplied:

- Body, ball and stem: Carbon Steel
- Lever: Zinc (STAUFF Sizes 02 to 08)
Carbon Steel (STAUFF Sizes 12 to 16)
- Ball seat: Delrin® (POM)
- O-rings: FPM (Viton®)

Pressure Inlet only from the Center Port

STAUFF Size	Tube/Thread Size d	Nominal Size DN	Dimensions (mm/in)														Nom. Pressure (bar/PSI)	Weight (kg/lbs)	Order Codes (Standard Option)	
			RA	LW	L	l	b	B	H	h	m	S	V	SW	K	i				H2
02	08S / M16 x 1,5	4	8	5	73	40	13	29	47	33	13,5	34,5	11	9	115	12	82	500	0,42	CBV3DN0408S0001M
			.31	.20	2.87	1.57	.51	1.14	1.85	1.30	.53	1.36	.43	.35	4.53	.47	3.23	7250	.92	
04	10S / M18 x 1,5	6	10	6	73	40	13	29	47	33	13,5	34,5	11	9	115	12	82	500	0,43	CBV3DN0610S0001M
			.39	.24	2.87	1.57	.51	1.14	1.85	1.30	.53	1.36	.43	.35	4.53	.47	3.23	7250	.95	
05	12S / M20 x 1,5	8	12	6	76	40	13	29	47	33	13,5	34,5	11	9	115	12	82	500	0,44	CBV3DN0812S0001M
			.47	.24	2.99	1.57	.51	1.14	1.85	1.30	.53	1.36	.43	.35	4.53	.47	3.23	7250	.97	
06	14S / M22 x 1,5	10	14	10	80	43	16	35	52	38	17,5	36,5	11	9	115	14	87	500	0,50	CBV3DN1014S0001M
			.55	.39	3.15	1.69	.63	1.38	2.05	1.50	.69	1.43	.43	.35	4.53	.55	3.42	7250	1.10	
08	16S / M24 x 1,5	13	16	13	86	48	17,5	38	54	40	19	43	11	9	115	14	89	500	0,65	CBV3DN1316S0001M
			.63	.51	3.39	1.89	.69	1.50	2.13	1.57	.75	1.69	.43	.35	4.53	.55	3.50	7250	1.43	
08	20S / M30 x 2	13	20	13	90	48	17,5	38	54	40	19	43	11	9	115	16	89	500	0,70	CBV3DN1320S0001M
			.79	.51	3.54	1.89	.69	1.50	2.13	1.57	.75	1.69	.43	.35	4.53	.63	3.50	7250	1.54	
12	25S / M36 x 2	20	25	20	109	62	24,5	52	75	57	24,5	48	14	14	170	18	126	315	1,70	CBV3DN2025S0001M
			.98	.79	4.29	2.44	.96	2.05	2.95	2.24	.96	1.89	.55	.55	6.69	.71	4.96	4567	3.74	
16	30S / M42 x 2	25	30	25	120	66	29	61	83	65	29,5	57,5	14	14	170	20	134	315	2,40	CBV3DN2530S0001M
			1.18	.98	4.72	2.60	1.14	2.40	3.27	2.56	1.16	2.26	.55	.55	6.69	.79	5.73	4567	5.28	
16	38S / M52 x 2	25/32	38	25	124	66	29	61	83	65	29,5	57,5	14	14	170	22	134	315	2,80	CBV3DN2538S0001M
			1.50	.98	4.88	2.60	1.14	2.40	3.27	2.56	1.16	2.26	.55	.55	6.69	.87	5.73	4567	6.16	

Please note the pressure ratings of the tube connections.

High-Pressure Block Body Ball Valve - Type CBV



Characteristics

Compact three-way high-pressure block body ball valves designed for use as three-way selectors (L-bore, 90° operation) for hydraulic applications

Standard Construction

- Block body design for in-line assembly
- Compact diverter style
- Supplied with off-set lever

Standard Materials

- Body: Carbon Steel, zinc/iron-plated
- Ball: Carbon Steel, hard chrome-plated
- Stem: Carbon Steel
- Lever: Carbon Steel
- Ball seat: Delrin® (POM)
- O-rings: FPM (Viton®)

Standard Connections Styles / Sizes

- 6000 PSI (code 62) direct SAE flange connection
- Metric ISO and unified coarse (UNC) threads

See page F113 for sealing details.

Pressure Range

- Pressure range: up to 420 bar / 6000 PSI (depending on size and material combination of the ball valve)

Please note: The final maximum working pressure is determined by flange and pipe/tubing rating.

Temperature Range

- Operating temperature range: -20 °C ... +100 °C / -4 °F ... + 212 °F

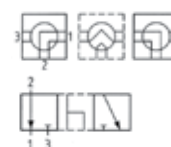
Options / Accessories

- Flanges and flange kits (see Flanges section)
- Alternative lever designs/materials (see page F98)
- Locking devices (see pages F99-F101)
- Pneumatic actuator packages (see page F102)
Electrical actuators available on request.
- Limit switches (see page F102)
- Stainless Steel body
- Stainless Steel ball and stem
- Special ball seat and O-ring materials available for lower/higher temperatures and more aggressive media

Porting Pattern

- Symbol : L
- Overlap: negative
- Operating: 90°

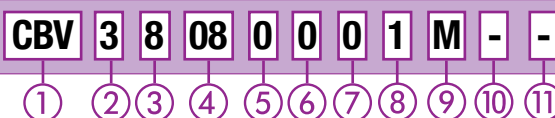
(Ref. Code: 50-CBV)



- Stop of end position:

Please see pages F104-F105 for alternative porting patterns.

Order Codes



① Type

Compact High-Pressure Block Body Ball Valve **CBV**

② Number of Ports

Three Ports (Three-Way Ball Valve) **3**

③ Connection Style

6000 PSI (Code 62) SAE Direct Flange Connection with Unified Coarse (UNC) Threads **8**
6000 PSI (Code 62) SAE Direct Flange Connection with Metric ISO Threads **8M**

Please consult STAUFF for alternative connection styles.

④ Connection Size

STAUFF Size (according to dimension table):
08 12 16 20 24 32

Please consult STAUFF for alternative connection sizes.

⑤ Body Material / Surface Finishing

Carbon Steel, zinc/iron-plated **0**
Stainless Steel V4A (AISI 316Ti) **1**

Alternative materials / surface finishings are available upon request. Consult STAUFF for further information.

⑥ Ball / Stem Material

Ball: Carbon Steel, hard chrome-plated **0**
Stem: Carbon Steel
Ball / Stem: Stainless Steel V4A (AISI 316Ti) **1**

Alternative materials / surface finishings are available upon request. Consult STAUFF for further information.

⑦ Ball Seat Material

Delrin® (POM) **0**

Alternative materials are available upon request. Consult STAUFF for further information.

⑧ O-Ring Material

NBR (Buna-N®) **0**
FPM (Viton®) **1**
EPDM **3**

Alternative materials are available upon request. Consult STAUFF for further information.

⑨ Manufacturing Code

Manufacturing code for all connection styles **M**

⑩ Lever Options

Supplied with standard lever (according to table) **-**
Supplied without lever **-0**

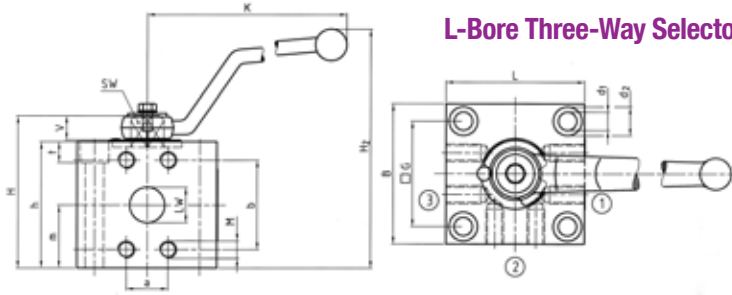
Alternative levers can be ordered separately. Please see page F98 for further information.

⑪ Accessories / Options

Supplied without accessories **-**
Supplied with Locking Device LD1 (standard) **-LD1**
Supplied with Double-Acting Pneumatic Actuator (Please add size **) **-EDA****
Supplied with Single-Acting Pneumatic Actuator (Please add size **) **-ESA****
Supplied with Limit Switch in open position **-LS-0**
Supplied with Limit Switch in closed position **-LS-C**
Supplied with Limit Switch in open and closed position **-LS-OC**

Please see page F99 for further information.

High-Pressure Block Body Ball Valve - Type CBV L-Bore Three-Way Selector - 6000 PSI SAE Flange Connection (ISO 6162-2)



When ordering the standard option as indicated in the table below, the following materials will be supplied:

- Body, ball and stem: Carbon Steel
- Lever: Carbon Steel
- Ball seat: Delrin® (POM)
- O-rings: FPM (Viton®)

6000 PSI Series (Code 62) - Unified Coarse (UNC) Threads

STAUFF Size	SAE Flange Size	Nominal Size DN	Dimensions (mm/in)													Nom. Pressure (Psi)	Weight (lbs)	Order Codes (Standard Option)				
			LW	L	B	H	h	m	V	SW	K	a	b	M	G				d1	d2	t	H2
08	1/2	13	13	70	70	63	56	28	11	9	115	18,2	40,5	5/16-18 UNC	43	8,5	13,5	9	101	420	2,00	CBV38080001M
			.51	2.76	2.76	2.48	2.20	1.10	.43	.35	4.53	.72	1.59		1.69	.33	.53	.35	3.98	6000	4.40	
12	3/4	20	20	80	80	87	72	36	14	14	170	23,8	50,8	3/8-16 UNC	60	10,5	16,5	11	137	420	3,40	CBV38120001M
			.79	3.15	3.15	3.43	2.83	1.42	.55	.55	6.69	.94	2.00		2.36	.41	.65	.43	5.39	6000	7.48	
16	1	25	25	94	94	96	81	42	14	14	170	27,8	57,2	7/16-14 UNC	70	10,5	16,5	11	147	420	5,40	CBV38160001M
			.98	3.70	3.70	3.78	3.19	1.65	.55	.55	6.69	1.09	2.25		2.76	.41	.65	.43	5.79	6000	11.88	
20	1-1/4	32	30	100	100	117	100	50,5	16,5	17	306	31,8	66,6	1/2-13 UNC	76	13	19	13	181	420	6,80	CBV38200001M
			1.18	3.94	3.94	4.61	3.94	1.99	.65	.67	12.05	1.25	2.62		2.99	.51	.75	.51	7.13	6000	14.96	
24	1-1/2	40	38	110	110	129	112	55	16,5	17	306	36,5	79,4	5/8-11 UNC	84	13	19	13	193	420	10,20	CBV38240001M
			1.50	4.33	4.33	5.08	4.41	2.17	.65	.67	12.05	1.44	3.13		3.31	.51	.75	.51	7.60	6000	22.44	
32	2	50	48	135	135	147	135	67,5	16,5	17	306	44,5	96,8	3/4-10 UNC	108	13	19	13	211	420	18,50	CBV38320001M
			1.89	5.31	5.31	5.79	5.31	2.66	.65	.67	12.05	1.75	3.81		4.25	.51	.75	.51	8.31	6000	40.70	

Please note: The final maximum working pressure is determined by flange and pipe/tubing rating.

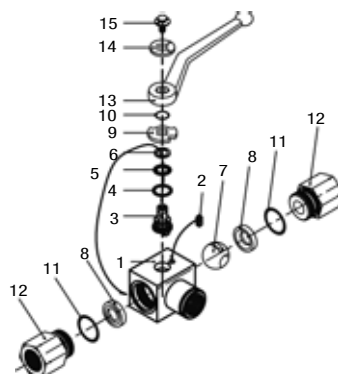
6000 PSI Series (Code 62) - Metric ISO Threads

STAUFF Size	SAE Flange Size	Nominal Size DN	Dimensions (mm/in)													Nom. Pressure (Psi)	Weight (lbs)	Order Codes (Standard Option)				
			LW	L	B	H	h	m	V	SW	K	a	b	M	G				d1	d2	t	H2
08	1/2	13	13	70	70	63	56	28	11	9	115	18,2	40,5	M8	43	8,5	13,5	9	101	420	2,00	CBV38M080001M
			.51	2.76	2.76	2.48	2.20	1.10	.43	.35	4.53	.72	1.59		1.69	.33	.53	.35	3.98	6000	4.40	
12	3/4	20	20	80	80	87	72	36	14	14	170	23,8	50,8	M10	60	10,5	16,5	11	137	420	3,40	CBV38M120001M
			.79	3.15	3.15	3.43	2.83	1.42	.55	.55	6.69	.94	2.00		2.36	.41	.65	.43	5.39	6000	7.48	
16	1	25	25	94	94	96	81	42	14	14	170	27,8	57,2	M12	70	10,5	16,5	11	147	420	5,40	CBV38M160001M
			.98	3.70	3.70	3.78	3.19	1.65	.55	.55	6.69	1.09	2.25		2.76	.41	.65	.43	5.79	6000	11.88	
20	1-1/4	32	30	100	100	117	100	50,5	16,5	17	306	31,8	66,6	M12	76	13	19	13	181	420	6,80	CBV38M200001M
			1.18	3.94	3.94	4.61	3.94	1.99	.65	.67	12.05	1.25	2.62		2.99	.51	.75	.51	7.13	6000	14.96	
24	1-1/2	40	38	110	110	129	112	55	16,5	17	306	36,5	79,4	M16	84	13	19	13	193	420	10,20	CBV38M240001M
			1.50	4.33	4.33	5.08	4.41	2.17	.65	.67	12.05	1.44	3.13		3.31	.51	.75	.51	7.60	6000	22.44	
32	2	50	48	135	135	147	135	67,5	16,5	17	306	44,5	96,8	M20	108	13	19	13	211	420	18,50	CBV38M320001M
			1.89	5.31	5.31	5.79	5.31	2.66	.65	.67	12.05	1.75	3.81		4.25	.51	.75	.51	8.31	6000	40.70	

High-Pressure Block Body Ball Valve - Type CBVS



Pressure inlet possible from all ports!



List of Components

No.	Qty.	Description
1	1	Body
2	1	Stop Pin
3*	1	Stem
4*	1	Thrust Ring
5*	1	Stem O-Ring
6*	1	Stem Back Up Ring
7	1	Ball
8*	2	Ball Seat
9	1	Cam Plate
10	1	Snap Ring
11	2	Connector O-Ring
12	2	Connector
13	1	Handle
14	1	Flow Indicator
15	1	Stem Bolt

* Included in seal kit

Characteristics

Compact three-way high-pressure block body ball valves designed for use as three-way selectors (L-bore, 90° operation) for hydraulic applications

Standard Construction

- Block body design for in-line assembly
- Compact diverter style
- Supplied with off-set lever

Standard Materials

- Body: Carbon Steel, zinc/iron-plated
- Ball: Carbon Steel, hard chrome-plated
- Stem: Carbon Steel
- Lever: Zinc (STAUFF Sizes 02 to 08)
Carbon Steel (STAUFF Sizes 12 to 32)
- Ball seat: Delrin® (POM)
- O-rings: FPM (Viton®)

Standard Connections Styles / Sizes

- Female NPT thread (ANSI B1.20.1) >2 NPT
- Female BSP thread (DIN ISO 228) >G 2 BSP
- Female UN/UNF thread (SAE J 514) >2-1/2-12 UN (2" SAE)
- 24° cone connection (DIN 2353); Light Series >35L
- 24° cone connection (DIN 2353); Heavy Series >38S

Pressure inlet possible from all ports!

Must be operated without pressure!
See page F113 for sealing details.

Pressure Range

- Pressure range: up to 500 bar / 7250 PSI (depending on size and material combination of the ball valve)

Temperature Range

- Operating temperature range:
-20°C ... +100°C / -4°F ... +212°F

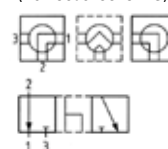
Options / Accessories

- Alternative lever designs/materials (see page F98)
- Locking devices (see pages F99-F101)
- Pneumatic actuator packages (see page F102)
Electrical actuators available on request.
- Limit switches (see page F102)
- Stainless Steel body
- Stainless Steel ball and stem
- Special ball seat and O-ring materials available for lower/higher temperatures and more aggressive media
- Additional assembling threads (see page F103)

Porting Pattern

- Symbol: L
- Overlap: negative
- Operating: 90°

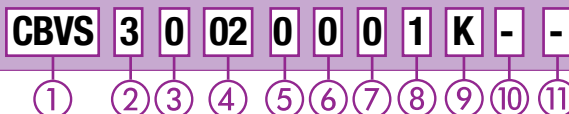
(Ref. Code: 55-CBVS)



- Stop of end position:

Please see pages F104-F105 for alternative porting patterns.

Order Codes



① Type

Compact High-Pressure Block Body Ball Valve with Pressure Inlet Possible from all Ports **CBVS**

② Number of Ports

Three Ports (Three-Way Ball Valve) **3**

③ Connection Style

Female NPT Thread (ANSI B1.20.1) **0**
Female BSP Thread (DIN ISO 228) **G**
Female UN/UNF Thread (SAE J 514) **1**

24° Cone Connection (Light / Heavy Series)
DN04 DN06 DN08 DN10 DN13 DN16 DN20 DN25

Please consult STAUFF for alternative connection styles.

④ Connection Size

STAUFF Size (according to dimension table) for connection styles O, G and 1:
02 04 06 08 10 12 16 20 24 32

Tube Size (according to dimension table) for 24° Cone Connection (Light Series):
06L 08L 10L 12L 15L 18L 22L 28L 35L

Tube Size (according to dimension table) for 24° Cone Connection (Heavy Series):
08S 10S 12S 14S 16S 20S 25S 30S 38S

Please consult STAUFF for alternative connection sizes.

⑤ Body Material / Surface Finishing

Carbon Steel, zinc/iron-plated **0**
Stainless Steel V4A (AISI 316Ti) **1**

Alternative materials / surface finishings are available upon request. Consult STAUFF for further information.

⑥ Ball / Stem Material

Ball: Carbon Steel, hard chrome-plated **0**
Stem: Carbon Steel **0**
Ball / Stem: Stainless Steel V4A (AISI 316Ti) **1**

Alternative materials / surface finishings are available upon request. Consult STAUFF for further information.

⑦ Ball Seat Material

Delrin® (POM) **0**

Alternative materials are available upon request. Consult STAUFF for further information.

⑧ O-Ring Material

NBR (Buna-N®) **0**
FPM (Viton®) **1**
EPDM **3**

Alternative materials are available upon request. Consult STAUFF for further information.

⑨ Manufacturing Code

Manufacturing code for all connection styles (except Female NPT Thread) **M**
Manufacturing code (only for Female NPT Thread) **K**

⑩ Lever Options

Supplied with standard lever (according to table) **-**
Supplied without lever **-0**

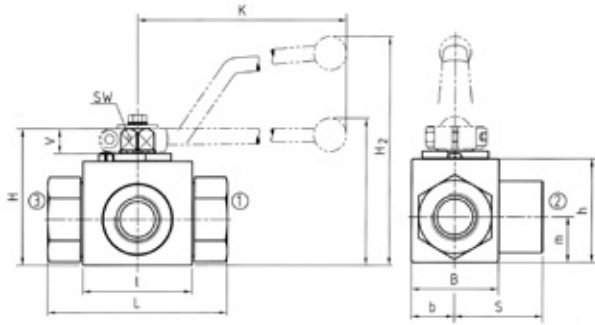
Alternative levers can be ordered separately. Please see page F98 for further information.

⑪ Accessories / Options

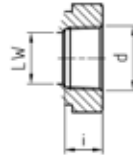
Supplied without accessories **-**
Supplied with Locking Device LD1 **-LD1**
Supplied with Locking Device LD4 (standard) **-LD4**
Supplied with Double-Acting Pneumatic Actuator (Please add size **) **-EDA****
Supplied with Single-Acting Pneumatic Actuator (Please add size **) **-ESA****
Supplied with Limit Switch in open position **-LS-0**
Supplied with Limit Switch in closed position **-LS-C**
Supplied with Limit Switch in open and closed position **-LS-OC**

Please see page F99 for further information.

High-Pressure Block Body Ball Valve - Type CBVS L-Bore Three-Way Selector - Female NPT Thread (ANSI B1.20.1)



Female NPT Thread (ANSI B1.20.1)



When ordering the standard option as indicated in the table below, the following materials will be supplied:

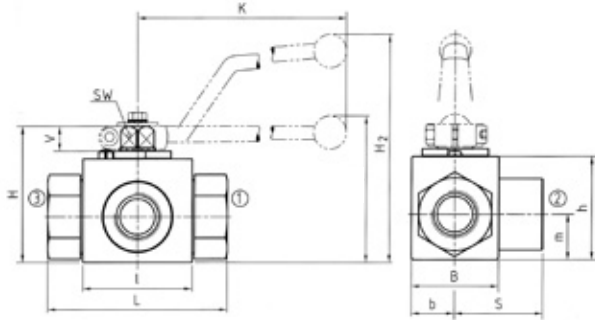
- Body, ball and stem: Carbon Steel
- Lever: Zinc (STAUFF Sizes 02 to 08)
Carbon Steel (STAUFF Sizes 12 to 32)
- Ball seat: Delrin® (POM)
- O-rings: FPM (Viton®)

Pressure Inlet possible from all Ports

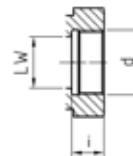
STAUFF Size	Thread Size d	Nominal Size DN	Dimensions (mm/in)														Nom. Pressure (bar/psi)	Weight (kg/lbs)	Order Codes (Standard Option)	
			LW	L	l	b	B	H	h	K	S	V	SW	K	i	H2				
02	1/8 NPT	4	5	69	40	13	29	47	33	13,5	34,5	11	9	115	10,5	82	500	0,40	CBVS30020001K	
			.20	2.72	1.57	.51	1.14	1.85	1.30	.53	1.36	.43	.35	4.53	.41	3.23	7250	.88		
04	1/4 NPT	6	6	69	40	13	29	47	33	13,5	34,5	11	9	115	13,7	82	500	0,46	CBVS30040001K	
			.24	2.72	1.57	.51	1.14	1.85	1.30	.53	1.36	.43	.35	4.53	.54	3.23	7250	1.01		
06	3/8 NPT	10	10	72	43	16	35	52	38	17,5	36	11	9	115	13,5	87	500	0,60	CBVS30060001K	
			.39	2.83	1.69	.63	1.38	2.05	1.50	.69	1.42	.43	.35	4.53	.53	3.42	7250	1.32		
08	1/2 NPT	13	13	83	48	17,5	38	54	40	19	41,5	11	9	115	17	89	500	0,70	CBVS30080001K	
			.51	3.27	1.89	.69	1.50	2.13	1.57	.75	1.63	.43	.35	4.53	.67	3.50	7250	1.54		
12	3/4 NPT	20	20	95	62	24,5	52	75	57	24,5	47,5	14	14	170	18,3	126	315	1,80	CBVS30120001K	
			.79	3.74	2.44	.96	2.05	2.95	2.24	.96	1.87	.55	.55	6.69	.72	4.96	4567	3.96		
16	1 NPT	25	25	113	66	29	61	83	65	29,5	56,5	14	14	170	21,6	134	315	2,40	CBVS30160001K	
			.98	4.45	2.60	1.14	2.40	3.27	2.56	1.16	2.22	.55	.55	6.69	.85	5.73	4567	5.28		
20	1-1/4 NPT	32	30	120	81	39			106	84,5	39	55	16,5	17	320	22,1	170	350	3,80	CBVS30200001K
			1.18	4.72	3.19	1.54			4.17	3.33	1.54	2.17	.65	.67	12.60	.87	6.69	5075	8.36	
24	1-1/2 NPT	40	38	140	104	53			127	106	53	65	16,5	17	320	22,1	191	350	6,20	CBVS30240001K
			1.50	5.51	4.09	2.09			5.00	4.17	2.09	2.56	.65	.67	12.60	.87	7.52	5075	13.64	
32	2 NPT	50	48	150	118	58	116	137	116	58	75	16,5	17	320	30,2	201	350	7,80	CBVS30320001K	
			1.89	5.91	4.65	2.28	4.57	5.39	4.57	2.28	2.95	.65	.67	12.60	1.19	7.91	5075	17.16		

Please note the pressure ratings of the tube connections.

High-Pressure Block Body Ball Valve - Type CBVS L-Bore Three-Way Selector - Female BSP Thread (DIN ISO 228)



Female BSP Thread (DIN ISO 228)



When ordering the standard option as indicated in the table below, the following materials will be supplied:

- Body, ball and stem: Carbon Steel
- Lever: Zinc (STAUFF Sizes 02 to 08)
Carbon Steel (STAUFF Sizes 12 to 32)
- Ball seat: Delrin® (POM)
- O-rings: FPM (Viton®)

Pressure Inlet possible from all Ports

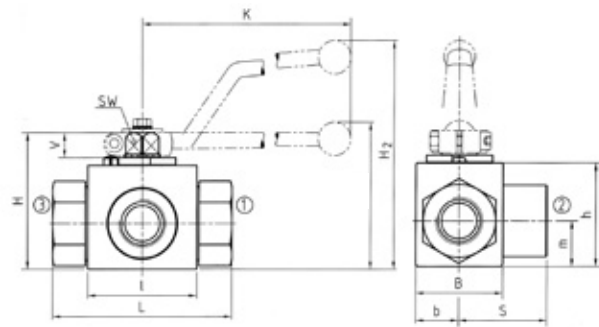
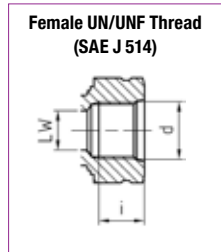
STAUFF Size	Thread Size d	Nominal Size DN	Dimensions (mm/in)														Nom. Pressure (bar/psi)	Weight (kg/lbs)	Order Codes (Standard Option)	
			LW	L	l	b	B	H	h	m	S	V	SW	K	i	H2				
02	G 1/8 BSP	4	5	69	40	13	29	47	33	13,5	34,5	11	9	115	10	82	500	0,40	CBVS3G020001M	
			.20	2.72	1.57	.51	1.14	1.85	1.30	.53	1.36	.43	.35	4.53	.39	3.23	7250	.88		
04	G 1/4 BSP	6	6	69	40	13	29	47	33	13,5	34,5	11	9	115	14	82	500	0,46	CBVS3G040001M	
			.24	2.72	1.57	.51	1.14	1.85	1.30	.53	1.36	.43	.35	4.53	.55	3.23	7250	1.01		
06	G 3/8 BSP	10	10	72	43	16	35	52	38	17,5	36	11	9	115	14	87	500	0,60	CBVS3G060001M	
			.39	2.83	1.69	.63	1.38	2.05	1.50	.69	1.42	.43	.35	4.53	.55	3.42	7250	1.32		
08	G 1/2 BSP	13	13	83	48	17,5	38	54	40	19	41,5	11	9	115	16,3	89	500	0,70	CBVS3G080001M	
			.51	3.27	1.89	.69	1.50	2.13	1.57	.75	1.63	.43	.35	4.53	.64	3.50	7250	1.54		
12	G 3/4 BSP	20	20	95	62	24,5	52	75	57	24,5	47,5	14	14	170	18	126	315	1,80	CBVS3G120001M	
			.79	3.74	2.44	.96	2.05	2.95	2.24	.96	1.87	.55	.55	6.69	.71	4.96	4567	3.96		
16	G 1 BSP	25	25	113	66	29	61	83	65	29,5	56,5	14	14	170	20	134	315	2,40	CBVS3G160001M	
			.98	4.45	2.60	1.14	2.40	3.27	2.56	1.16	2.22	.55	.55	6.69	.79	5.73	4567	5.28		
20	G 1-1/4 BSP	32	30	111	81	39			106	84,5	39	55	16,5	17	320	22	170	350	3,80	CBVS3G200001M
			1.18	4.37	3.19	1.54			4.17	3.33	1.54	2.17	.65	.67	12.60	.87	6.69	5075	8.36	
24	G 1-1/2 BSP	40	38	130	104	53			127	106	53	65	16,5	17	320	24	191	350	6,20	CBVS3G240001M
			1.50	5.12	4.09	2.09			5.00	4.17	2.09	2.56	.65	.67	12.60	.94	7.52	5075	13.64	
32	G 2 BSP	50	48	150	118	58	116	137	116	58	75	16,5	17	320	26	201	350	7,80	CBVS3G320001M	
			1.89	5.91	4.65	2.28	4.57	5.39	4.57	2.28	2.95	.65	.67	12.60	1.02	7.91	5075	17.16		

Please note the pressure ratings of the tube connections.

High-Pressure Block Body Ball Valve - Type CBVS
L-Bore Three-Way Selector - Female UN/UNF Thread (SAE J 514)

When ordering the standard option as indicated in the table below, the following materials will be supplied:

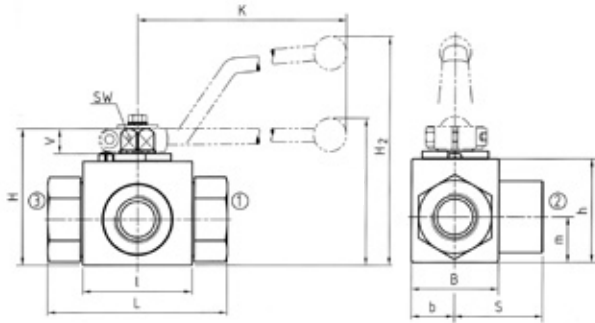
- Body, ball and stem: Carbon Steel
- Lever: Zinc (STAUFF Sizes 04 to 08)
Carbon Steel (STAUFF Sizes 12 to 32)
- Ball seat: Delrin® (POM)
- O-rings: FPM (Viton®)



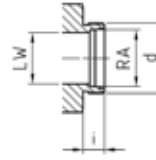
Pressure Inlet possible from all Ports

STAUFF Size	Thread Size d	Nominal Size DN	Dimensions (mm/in)														Nom. Pressure (bar/PSI)	Weight (kg/lbs)	Order Codes (Standard Option)
			LW	L	l	b	B	H	h	K	S	V	SW	K	i	H2			
04	7/16-20 UNF (1/4" SAE)	6	5	69	40	13	29	47	33	13,5	34,5	11	9	115	12	82	500	0,46	CBVS31040001M
			.20	2.72	1.57	.51	1.14	1.85	1.30	.53	1.36	.43	.35	4.53	.47	3.23	7250	1.01	
06	9/16-18 UNF (3/8" SAE)	10	10	72	43	16	35	52	38	17,5	36	11	9	115	13	87	500	0,60	CBVS31060001M
			.39	2.83	1.69	.63	1.38	2.05	1.50	.69	1.42	.43	.35	4.53	.51	3.42	7250	1.32	
08	3/4-16 UNF (1/2" SAE)	13	13	83	48	17,5	38	54	40	19	41,5	11	9	115	15	89	500	0,70	CBVS31080001M
			.51	3.27	1.89	.69	1.50	2.13	1.57	.75	1.63	.43	.35	4.53	.59	3.50	7250	1.54	
12	1-1/16-12 UN (3/4" SAE)	20	20	95	62	24,5	52	75	57	24,5	47,5	14	14	170	20	126	315	1,80	CBVS31120001M
			.79	3.74	2.44	.96	2.05	2.95	2.24	.96	1.87	.55	.55	6.69	.79	4.96	4567	3.96	
16	1-5/16-12 UN (1" SAE)	25	25	113	66	29	61	83	65	29,5	56,5	14	14	170	20	134	315	2,40	CBVS31160001M
			.98	4.45	2.60	1.14	2.40	3.27	2.56	1.16	2.22	.55	.55	6.69	.79	5.73	4567	5.28	
20	1-5/8-12 UN (1-1/4" SAE)	32	30	111	81	39		106	84,5	39	55	16,5	17	320	20	170	350	3,80	CBVS31200001M
			1.18	4.37	3.19	1.54		4.17	3.33	1.54	2.17	.65	.67	12.60	.79	6.69	5075	8.36	
24	1-7/8-12 UN (1-1/2" SAE)	40	38	130	104	53		127	106	53	65	16,5	17	320	20	191	350	6,20	CBVS31240001M
			1.50	5.12	4.09	2.09		5.00	4.17	2.09	2.56	.65	.67	12.60	.79	7.52	5075	13.64	
32	2-1/2-12 UN (2" SAE)	50	48	150	118	58	116	137	116	58	75	16,5	17	320	20	201	350	7,80	CBVS31320001M
			1.89	5.91	4.65	2.28	4.57	5.39	4.57	2.28	2.95	.65	.67	12.60	.79	7.91	5075	17.16	

Please note the pressure ratings of the tube connections.



Hex nuts and cutting rings are not included in delivery.

**24° Cone Connection
(DIN 2353 / ISO 8434-1)**


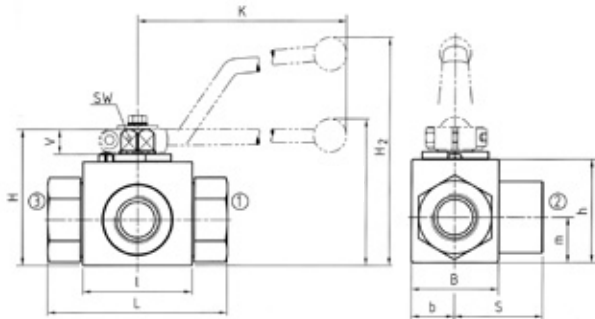
When ordering the standard option as indicated in the table below, the following materials will be supplied:

- Body, ball and stem: Carbon Steel
- Lever: Zinc (STAUFF Sizes 02 to 08)
Carbon Steel (STAUFF Sizes 12 to 16)
- Ball seat: Delrin® (POM)
- O-rings: FPM (Viton®)

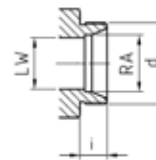
Pressure Inlet possible from all Ports

STAUFF Size	Tube/Thread Size d	Nominal Size DN	Dimensions (mm/in)														Nom. Pressure (bar/PSI)	Weight (kg/lbs)	Order Codes (Standard Option)	
			RA	LW	L	l	b	B	H	h	m	S	V	SW	K	i				H2
02	06L / M12 x 1,5	4	6	5	69	40	13	29	47	33	13,5	34,5	11	9	115	10	82	500	0,30	CBVS3DN0406L0001M
			.24	.20	2.72	1.57	.51	1.14	1.85	1.30	.53	1.36	.43	.35	4.53	.39	3.23	7250	.66	
04	08L / M14 x 1,5	6	8	6	69	40	13	29	47	33	13,5	34,5	11	9	115	10	82	500	0,40	CBVS3DN0608L0001M
			.31	.24	2.72	1.57	.51	1.14	1.85	1.30	.53	1.36	.43	.35	4.53	.39	3.23	7250	.88	
05	10L / M16 x 1,5	8	10	6	69	40	13	29	47	33	13,5	34,5	11	9	115	11	82	500	0,40	CBVS3DN0810L0001M
			.39	.24	2.72	1.57	.51	1.14	1.85	1.30	.53	1.36	.43	.35	4.53	.43	3.23	7250	.88	
06	12L / M18 x 1,5	10	12	10	72	43	16	35	52	38	17,5	36	11	9	115	11	87	500	0,50	CBVS3DN1012L0001M
			.47	.39	2.83	1.69	.63	1.38	2.05	1.50	.69	1.42	.43	.35	4.53	.43	3.42	7250	1.10	
08	15L / M22 x 1,5	13	15	13	83	48	17,5	38	54	40	19	41,5	11	9	115	12	89	500	0,65	CBVS3DN1315L0001M
			.59	.51	3.27	1.89	.69	1.50	2.13	1.57	.75	1.63	.43	.35	4.53	.47	3.50	7250	1.43	
08	18L / M26 x 1,5	13	18	13	83	48	17,5	38	54	40	19	41,5	11	9	115	12	89	500	0,69	CBVS3DN1318L0001M
			.71	.51	3.27	1.89	.69	1.50	2.13	1.57	.75	1.63	.43	.35	4.53	.47	3.50	7250	1.52	
12	22L / M30 x 2	20	22	20	95	62	24,5	52	75	57	24,5	47,5	14	14	170	14	126	315	1,50	CBVS3DN2022L0001M
			.87	.79	3.74	2.44	.96	2.05	2.95	2.24	.96	1.87	.55	.55	6.69	.55	4.96	4567	3.30	
16	28L / M36 x 2	25	28	25	113	66	29	61	83	65	29,5	56,5	14	14	170	14	134	315	2,10	CBVS3DN2528L0001M
			1.10	.98	4.45	2.60	1.14	2.40	3.27	2.56	1.16	2.22	.55	.55	6.69	.55	5.73	4567	4.62	
16	35L / M45 x 2	25/32	35	25	113	66	29	61	83	65	29,5	56,5	14	14	170	16	134	315	2,50	CBVS3DN2535L0001M
			1.38	.98	4.45	2.60	1.14	2.40	3.27	2.56	1.16	2.22	.55	.55	6.69	.63	5.73	4567	5.50	

Please note the pressure ratings of the tube connections.



Hex nuts and cutting rings are not included in delivery.

**24° Cone Connection
(DIN 2353 / ISO 8434-1)**


When ordering the standard option as indicated in the table below, the following materials will be supplied:

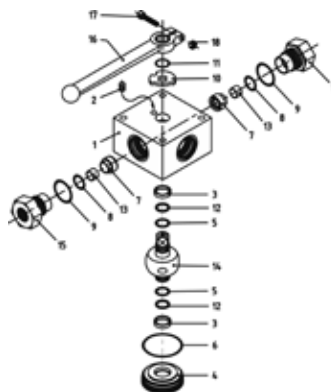
- Body, ball and stem: Carbon Steel
- Lever: Zinc (STAUFF Sizes 02 to 08)
Carbon Steel (STAUFF Sizes 12 to 16)
- Ball seat: Delrin® (POM)
- O-rings: FPM (Viton®)

Pressure Inlet possible from all Ports

STAUFF Size	Tube/Thread Size d	Nominal Size DN	Dimensions (mm/in)														Nom. Pressure (bar/PSI)	Weight (kg/lbs)	Order Codes (Standard Option)	
			RA	LW	L	l	b	B	H	h	m	S	V	SW	K	i				H2
02	08S / M16 x 1,5	4	8	5	73	40	13	29	47	33	13,5	34,5	11	9	115	12	82	500	0,42	CBVS3DN0408S0001M
			.31	.20	2.87	1.57	.51	1.14	1.85	1.30	.53	1.36	.43	.35	4.53	.47	3.23	7250	.92	
04	10S / M18 x 1,5	6	10	6	73	40	13	29	47	33	13,5	34,5	11	9	115	12	82	500	0,43	CBVS3DN0610S0001M
			.39	.24	2.87	1.57	.51	1.14	1.85	1.30	.53	1.36	.43	.35	4.53	.47	3.23	7250	.95	
05	12S / M20 x 1,5	8	12	6	76	40	13	29	47	33	13,5	34,5	11	9	115	12	82	500	0,44	CBVS3DN0812S0001M
			.47	.24	2.99	1.57	.51	1.14	1.85	1.30	.53	1.36	.43	.35	4.53	.47	3.23	7250	.97	
06	14S / M22 x 1,5	10	14	10	80	43	16	35	52	38	17,5	36,5	11	9	115	14	87	500	0,50	CBVS3DN1014S0001M
			.55	.39	3.15	1.69	.63	1.38	2.05	1.50	.69	1.43	.43	.35	4.53	.55	3.42	7250	1.10	
08	16S / M24 x 1,5	13	16	13	86	48	17,5	38	54	40	19	43	11	9	115	14	89	500	0,65	CBVS3DN1316S0001M
			.63	.51	3.39	1.89	.69	1.50	2.13	1.57	.75	1.69	.43	.35	4.53	.55	3.50	7250	1.43	
08	20S / M30 x 2	13	20	13	90	48	17,5	38	54	40	19	43	11	9	115	16	89	500	0,70	CBVS3DN1320S0001M
			.79	.51	3.54	1.89	.69	1.50	2.13	1.57	.75	1.69	.43	.35	4.53	.63	3.50	7250	1.54	
12	25S / M36 x 2	20	25	20	109	62	24,5	52	75	57	24,5	48	14	14	170	18	126	315	1,70	CBVS3DN2025S0001M
			.98	.79	4.29	2.44	.96	2.05	2.95	2.24	.96	1.89	.55	.55	6.69	.71	4.96	4567	3.74	
16	30S / M42 x 2	25	30	25	120	66	29	61	83	65	29,5	57,5	14	14	170	20	134	315	2,40	CBVS3DN2530S0001M
			1.18	.98	4.72	2.60	1.14	2.40	3.27	2.56	1.16	2.26	.55	.55	6.69	.79	5.73	4567	5.28	
16	38S / M52 x 2	25/32	38	25	124	66	29	61	83	65	29,5	57,5	14	14	170	22	134	315	2,80	CBVS3DN2538S0001M
			1.50	.98	4.88	2.60	1.14	2.40	3.27	2.56	1.16	2.26	.55	.55	6.69	.87	5.73	4567	6.16	

Please note the pressure ratings of the tube connections.

High-Pressure Block Body Ball Valve - Type LBV



List of Components

No.	Qty.	Description
1	1	Body
2	1	Stop Pin
3*	2	Bearing
4	1	Trunnion Retainer
5*	2	Trunnion O-Ring
6*	1	Retainer O-Ring
7*	3	Ball Seat
8*	3	Seat O-Ring
9*	3	Connector O-Ring
10	1	Cam Plate
11	1	Snap Ring
12*	2	Trunnion Back Up Ring
13	3	Seat Support
14	1	Trunnion Ball
15	3	Connector
16	1	Handle
17	1	Handle Bolt

* Included in seal kit

Characteristics

Three-way high-pressure block body ball valves designed for use as three-way selectors (L-bore, 90° operation) for hydraulic applications

Standard Construction

- Block body design for in-line assembly
- Multi-way valve with trunnion-style ball
- Supplied with lever

Standard Materials

- Body: Carbon Steel, zinc/iron-plated
- Ball: Carbon Steel, hard chrome-plated
- Stem: Carbon Steel
- Lever: Aluminium (STAUFF Sizes 02 and 04)
Zinc (STAUFF Sizes 06 to 10)
Aluminium (STAUFF Sizes 12 to 24)
- Ball seat: Delrin® (POM)
- O-rings: FPM (Viton®)

Standard Connections Styles / Sizes

- Female NPT thread (ANSI B1.20.1) >1-1/2 NPT
- Female BSP thread (DIN ISO 228) >G 1-1/2 BSP
- Female UN/UNF thread (SAE J 514) >1-5/16-12 UN (1" SAE)
- 24° cone connection (DIN 2353); Light Series >35L
- 24° cone connection (DIN 2353); Heavy Series >38S

See page F113 for sealing details.

Pressure Range

- Pressure range: up to 500 bar / 7250PSI (depending on size and material combination of the ball valve)

Temperature Range

- Operating temperature range: -20°C ... +100°C / -4°F ... + 212°F

Options / Accessories

- Alternative lever designs/materials (see page F98)
- Locking devices (see pages F99-F101)
- Pneumatic actuator packages (see page F102)
Electrical actuators available on request.
- Limit switches (see page F102)
- Stainless Steel body
- Stainless Steel ball and stem
- Special ball seat and O-ring materials available for lower/higher temperatures and more aggressive media

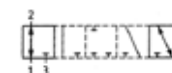
Porting Pattern

- Symbol : L
- Overlap: positive
- Operating: 90°

(Ref. Code: 01-LBV)

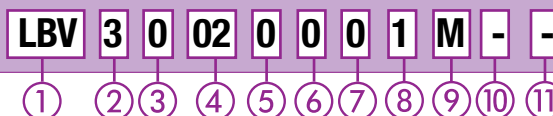


- Stop of end position:



Please see pages F104-F105 for alternative porting patterns.

Order Codes



① Type

Multi-Way L-Bore Ball Valve **LBV**

② Number of Ports

Three Ports (Three-Way Ball Valve) **3**

③ Connection Style

Female NPT Thread (ANSI B1.20.1)	0
Female BSP Thread (DIN ISO 228)	G
Female UN/UNF Thread (SAE J 514)	1
24° Cone Connection (Light / Heavy Series)	
DN04 DN06 DN08 DN10 DN13 DN16 DN20 DN25	

Please consult STAUFF for alternative connection styles.

④ Connection Size

STAUFF Size (according to dimension table) for connection styles 0, G and 1:										
02	04	06	08	10	12	16	20	24		
Tube Size (according to dimension table) for 24° Cone Connection (Light Series):										
06L	08L	10L	12L	15L	18L	22L	28L	35L		
Tube Size (according to dimension table) for 24° Cone Connection (Heavy Series):										
08S	10S	12S	14S	16S	20S	25S	30S	38S		

Please consult STAUFF for alternative connection sizes.

⑤ Body Material / Surface Finishing

Carbon Steel, zinc/iron-plated **0**
Stainless Steel V4A (AISI 316Ti) **1**

Alternative materials / surface finishings are available upon request. Consult STAUFF for further information.

⑥ Ball / Stem Material

Ball: Carbon Steel, hard chrome-plated **0**
Stem: Carbon Steel **0**
Ball / Stem: Stainless Steel V4A (AISI 316Ti) **1**

Alternative materials / surface finishings are available upon request. Consult STAUFF for further information.

⑦ Ball Seat Material

Delrin® (POM) **0**

Alternative materials are available upon request. Consult STAUFF for further information.

⑧ O-Ring Material

NBR (Buna-N®) **0**
FPM (Viton®) **1**
EPDM **3**

Alternative materials are available upon request. Consult STAUFF for further information.

⑨ Manufacturing Code

Manufacturing code for all connection styles **M**

⑩ Lever Options

Supplied with standard lever (according to table) **-**
Supplied without lever **-0**

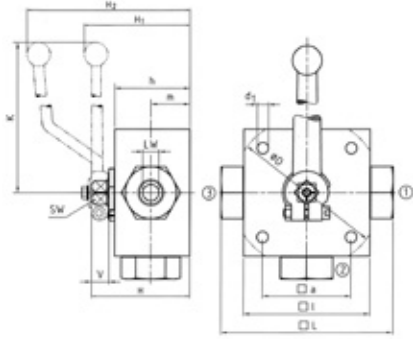
Alternative levers can be ordered separately. Please see page F98 for further information.

⑪ Accessories / Options

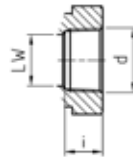
Supplied without accessories	-
Supplied with Locking Device LD4 (standard)	-LD4
Supplied with Double-Acting Pneumatic Actuator (Please add size **)	-EDA**
Supplied with Single-Acting Pneumatic Actuator (Please add size **)	-ESA**
Supplied with Limit Switch in open position	-LS-0
Supplied with Limit Switch in closed position	-LS-C
Supplied with Limit Switch in open and closed position	-LS-OC

Please see page F99 for further information.

High-Pressure Block Body Ball Valve - Type LBV L-Bore Three-Way Selector - Female NPT Thread (ANSI B1.20.1)



Female NPT Thread (ANSI B1.20.1)



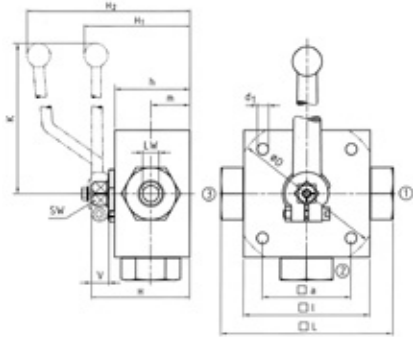
When ordering the standard option as indicated in the table below, the following materials will be supplied:

- Body, ball and stem: Carbon Steel
- Lever: Aluminium (STAUFF Sizes 02 and 04)
Zinc (STAUFF Sizes 06 to 10)
Aluminium (STAUFF Sizes 12 to 24)
Delrin® (POM)
- Ball seat: Delrin® (POM)
- O-rings: FPM (Viton®)

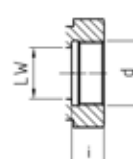
STAUFF Size	Thread Size d	Nominal Size DN	Dimensions (mm/in)														Nom. Pressure (bar/psi)	Weight (kg/lbs)	Order Codes (Standard Option)	
			LW	L	D	l	a	H	h	m	K	V	SW	i	d1	H1				H2
02	1/8 NPT	4	5	100		70	55	58	40	22	160	14	12	10,5	6,5		101	500	1,60	LBV30020001M
			.20	3.94		2.76	2.17	2.28	1.57	.87	6.30	.55	.47	.41	.26		3.98	7250	3.52	
04	1/4 NPT	6	5	100		70	55	58	40	22	160	14	12	13,7	6,5		101	500	1,60	LBV30040001M
			.20	3.94		2.76	2.17	2.28	1.57	.87	6.30	.55	.47	.54	.26		3.98	7250	3.52	
06	3/8 NPT	10	8	115		80	65	68	50	27	200	14	14	13,5	6,5	72		500	2,80	LBV30060001M
			.31	4.53		3.15	2.56	2.68	1.97	1.06	7.87	.55	.55	.53	.26	2.83		7250	6.16	
08	1/2 NPT	13	100	136		100	80	78	60	31	200	14	14	17	9	82		400	5,20	LBV30080001M
			.51	5.35		3.94	3.15	3.07	2.36	1.22	7.87	.55	.55	.67	.35	3.23		5800	11.44	
12	3/4 NPT	20	18	154	138	113	85	88	67	36,5	320	16,5	17	18,3	8,5	96		315	6,80	LBV30120001M
			.71	6.06	5.43	4.45	3.35	3.46	2.64	1.44	12.60	.65	.67	.72	.33	3.78		4567	14.96	
16	1 NPT	25	23	172	138	119	85	103	82	47,5	320	16,5	17	21,6	8,5	112		315	8,50	LBV30160001M
			.91	6.77	5.43	4.69	3.35	4.06	3.23	1.87	12.60	.65	.67	.85	.33	4.41		4567	18.70	
20	1-1/4 NPT	25/32	23	180	138	119	85	103	82	47,5	320	16,5	17	22,1	8,5	112		315	8,80	LBV30200001M
			.91	7.09	5.43	4.69	3.35	4.06	3.23	1.87	12.60	.65	.67	.87	.33	4.41		4567	19.36	
24	1-1/2 NPT	25/40	23	180	138	119	85	103	82	47,5	320	16,5	17	22,1	8,5	112		250	8,80	LBV30240001M
			.91	7.09	5.43	4.69	3.35	4.06	3.23	1.87	12.60	.65	.67	.87	.33	4.41		3625	19.36	

Please note the pressure ratings of the tube connections.

High-Pressure Block Body Ball Valve - Type LBV L-Bore Three-Way Selector - Female BSP Thread (DIN ISO 228)



Female BSP Thread (DIN ISO 228)



When ordering the standard option as indicated in the table below, the following materials will be supplied:

- Body, ball and stem: Carbon Steel
- Lever: Aluminium (STAUFF Sizes 02 and 04)
Zinc (STAUFF Sizes 06 to 10)
Aluminium (STAUFF Sizes 12 to 24)
Delrin® (POM)
- Ball seat: Delrin® (POM)
- O-rings: FPM (Viton®)

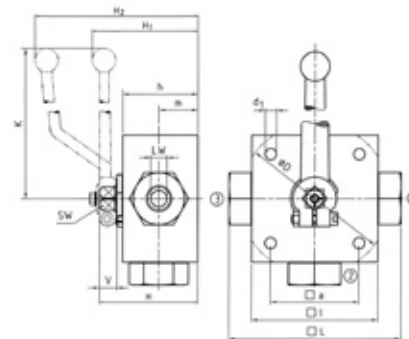
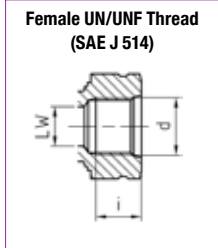
STAUFF Size	Thread Size d	Nominal Size DN	Dimensions (mm/in)														Nom. Pressure (bar/psi)	Weight (kg/lbs)	Order Codes (Standard Option)	
			LW	L	D	l	a	H	h	m	K	V	SW	i	d1	H1				H2
02	G 1/8 BSP	4	5	100		70	55	58	40	22	160	14	12	10	6,5		101	500	1,60	LBV3G020001M
			.20	3.94		2.76	2.17	2.28	1.57	.87	6.30	.55	.47	.39	.26		3.98	7250	3.52	
04	G 1/4 BSP	6	5	100		70	55	58	40	22	160	14	12	14	6,5		101	500	1,60	LBV3G040001M
			.20	3.94		2.76	2.17	2.28	1.57	.87	6.30	.55	.47	.55	.26		3.98	7250	3.52	
06	G 3/8 BSP	10	8	115		80	65	68	50	27	200	14	14	14	6,5	72		500	2,70	LBV3G060001M
			.31	4.53		3.15	2.56	2.68	1.97	1.06	7.87	.55	.55	.55	.26	2.83		7250	5.94	
08	G 1/2 BSP	13	100	136		100	80	78	60	31	200	14	14	16,3	9	82		400	4,90	LBV3G080001M
			.51	5.35		3.94	3.15	3.07	2.36	1.22	7.87	.55	.55	.64	.35	3.23		5800	10.78	
10	G 5/8 BSP	16	13	139		100	80	78	60	31	200	14	14	18	9	82		400	4,90	LBV3G100001M
			.51	5.47		3.94	3.15	3.07	2.36	1.22	7.87	.55	.55	.71	.35	3.23		5800	10.78	
12	G 3/4 BSP	20	18	154	138	113	85	88	67	36,5	320	16,5	17	18	8,5	96		315	6,70	LBV3G120001M
			.71	6.06	5.43	4.45	3.35	3.46	2.64	1.44	12.60	.65	.67	.71	.33	3.78		4567	14.74	
16	G 1 BSP	25	23	172	138	119	85	103	82	47,5	320	16,5	17	20	8,5	112		315	8,30	LBV3G160001M
			.91	6.77	5.43	4.69	3.35	4.06	3.23	1.87	12.60	.65	.67	.79	.33	4.41		4567	18.26	
20	G 1-1/4 BSP	25/32	23	180	138	119	85	103	82	47,5	320	16,5	17	22	8,5	112		315	8,50	LBV3G200001M
			.91	7.09	5.43	4.69	3.35	4.06	3.23	1.87	12.60	.65	.67	.87	.33	4.41		4567	18.70	
24	G 1-1/2 BSP	25/40	23	180	138	119	85	103	82	47,5	320	16,5	17	24	8,5	112		250	8,50	LBV3G240001M
			.91	7.09	5.43	4.69	3.35	4.06	3.23	1.87	12.60	.65	.67	.94	.33	4.41		3625	18.70	

Please note the pressure ratings of the tube connections.

High-Pressure Block Body Ball Valve - Type LBV
L-Bore Three-Way Selector - Female UN/UNF Thread (SAE J 514)

When ordering the standard option as indicated in the table below, the following materials will be supplied:

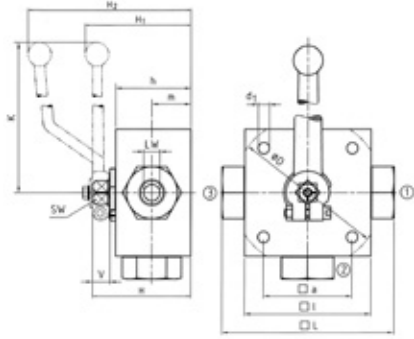
- Body, ball and stem: Carbon Steel
- Lever: Aluminium (STAUFF Size 04)
Zinc (STAUFF Sizes 06 and 08)
Aluminium (STAUFF Sizes 12 and 16)
- Ball seat: Delrin® (POM)
- O-rings: FPM (Viton®)



STAUFF Size	Thread Size d	Nominal Size DN	Dimensions (mm/in)														Nom. Pressure (bar/PSI)	Weight (kg/lbs)	Order Codes (Standard Option)
			LW	L	D	i	a	H	h	m	K	V	SW	i	d1	H1			
04	7/16-20 UNF (1/4" SAE)	6	5	100	/	70	55	58	40	22	160	14	12	14	6,5	101	500	1,60	LBV31040001M
			.20	3.94		2.76	2.17	2.28	1.57	.87	6.30	.55	.47	.55	.26	3.98	7250	3.52	
06	9/16-18 UNF (3/4" SAE)	10	8	115	/	80	65	68	50	27	200	14	14	14	6,5	72	500	2,80	LBV31060001M
			.31	4.53		3.15	2.56	2.68	1.97	1.06	7.87	.55	.55	.55	.26	2.83	7250	6.16	
08	3/4-16 UNF (1/2" SAE)	13	13	144	/	100	80	78	60	31	200	14	14	16,3	9	82	400	5,20	LBV31080001M
			.51	5.67		3.94	3.15	3.07	2.36	1.22	7.87	.55	.55	.64	.35	3.23	5800	11.44	
12	1-1/16-12 UN (3/4" SAE)	20	18	164	138	113	85	88	67	36,5	320	16,5	17	18	8,5	96	315	6,80	LBV31120001M
			.71	6.46	5.43	4.45	3.35	3.46	2.64	1.44	12.60	.65	.67	.71	.33	3.78	4567	14.96	
16	1-5/16-12 UN (1" SAE)	25	23	180	138	119	85	103	82	47,5	320	16,5	17	20	8,5	112	315	8,50	LBV31160001M
			.91	7.09	5.43	4.69	3.35	4.06	3.23	1.87	12.60	.65	.67	.79	.33	4.41	4567	18.70	

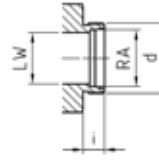
Please note the pressure ratings of the tube connections.

High-Pressure Block Body Ball Valve - Type LBV L-Bore Three-Way Selector - 24° Cone Connection Light Series (DIN 2353 / ISO 8434-1)



Hex nuts and cutting rings are not included in delivery.

24° Cone Connection
(DIN 2353 / ISO 8434-1)

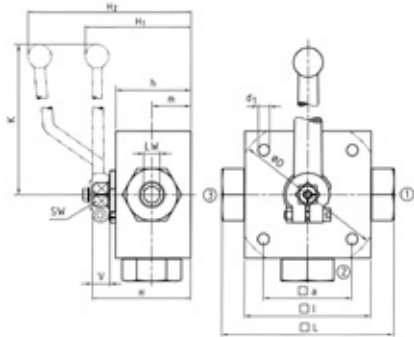


When ordering the standard option as indicated in the table below, the following materials will be supplied:

- Body, ball and stem: Carbon Steel
- Lever: Aluminium (STAUFF Sizes 02 and 04)
Zinc (STAUFF Sizes 05 to 10)
Aluminium (STAUFF Sizes 12 to 20)
- Ball seat: Delrin® (POM)
- O-rings: FPM (Viton®)

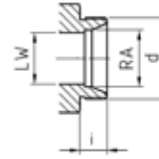
STAUFF Size	Tube/Thread Size d	Nominal Size DN	Dimensions (mm/in)													Nom. Pressure (bar/psi)	Weight (kg/lbs)	Order Codes (Standard Option)			
			RA	LW	L	D	l	a	H	h	m	K	V	SW	i				d1	H1	H2
02	06L / M12 x 1,5	4	6	5	105	70	55	58	40	22	160	14	12	10	6,5	101	3,98	500	1,60	LBV3DN0406L0001M	
			.24	.20	4.13		2.76	2.17	2.28	1.57	.87	6.30	.55	.47	.39			.26	7250		3.52
04	08L / M14 x 1,5	6	8	5	105	70	55	58	40	22	160	14	12	10	6,5	101	3,98	500	1,80	LBV3DN0608L0001M	
			.31	.20	4.13		2.76	2.17	2.28	1.57	.87	6.30	.55	.47	.39			.26	7250		3.96
05	10L / M16 x 1,5	8	10	8	114	80	65	68	50	27	200	14	14	11	6,5	72	2,83	500	2,60	LBV3DN0810L0001M	
			.39	.31	4.49		3.15	2.56	2.68	1.97	1.06	7.87	.55	.55	.43			.26	7250		5.72
06	12L / M18 x 1,5	10	12	8	114	80	65	68	50	27	200	14	14	11	6,5	72	2,83	500	2,60	LBV3DN1012L0001M	
			.47	.31	4.49		3.15	2.56	2.68	1.97	1.06	7.87	.55	.55	.43			.26	7250		5.72
08	15L / M22 x 1,5	13	15	13	137	100	80	78	60	31	200	14	14	12	9	82	3,23	400	4,70	LBV3DN1315L0001M	
			.59	.51	5.39		3.94	3.15	3.07	2.36	1.22	7.87	.55	.55	.47			.35	5800		10.34
10	18L / M26 x 1,5	16	18	18	137	113	85	88	67	36,5	320	16,5	17	12	8,5	82	3,23	400	4,70	LBV3DN1618L0001M	
			.71	.71	5.39		4.45	3.35	3.46	2.64	1.44	12.60	.65	.67	.47			.33	5800		10.34
12	22L / M30 x 2	20	22	23	152	138	119	85	103	82	47,5	320	16,5	17	14	8,5	96	3,78	315	6,60	LBV3DN2022L0001M
			.87	.91	5.98	5.43	4.69	3.35	4.06	3.23	1.87	12.60	.65	.67	.55	.33			4567	14.52	
16	28L / M36 x 2	25	28	23	166	138	119	85	103	82	47,5	320	16,5	17	14	8,5	112	4,41	315	8,00	LBV3DN2528L0001M
			1.10	.91	6.54	5.43	4.69	3.35	4.06	3.23	1.87	12.60	.65	.67	.55	.33			4567	17.60	
20	35L / M45 x 2	25/32	35	23	170	138	119	85	103	82	47,5	320	16,5	17	16	8,5	112	4,41	315	8,12	LBV3DN2535L0001M
			1.38	.91	6.69	5.43	4.69	3.35	4.06	3.23	1.87	12.60	.65	.67	.63	.33			4567	17.86	

Please note the pressure ratings of the tube connections.



Hex nuts and cutting rings are not included in delivery.

24° Cone Connection
(DIN 2353 / ISO 8434-1)



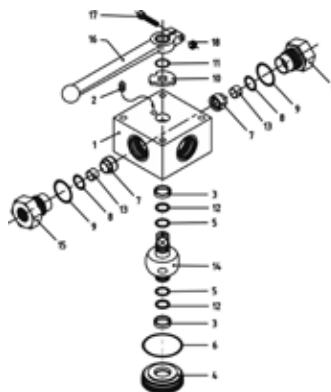
When ordering the standard option as indicated in the table below, the following materials will be supplied:

- Body, ball and stem: Carbon Steel
- Lever: Aluminium (STAUFF Sizes 02 and 04)
Zinc (STAUFF Sizes 05 to 10)
Aluminium (STAUFF Sizes 12 to 20)
- Ball seat: Delrin® (POM)
- O-rings: FPM (Viton®)

STAUFF Size	Tube/Thread Size d	Nominal Size DN	Dimensions (mm/in)													Nom. Pressure (bar/psi)	Weight (kg/lbs)	Order Codes (Standard Option)			
			RA	LW	L	D	l	a	H	h	m	K	V	SW	i				d1	H1	H2
02	08S / M16 x 1,5	4	8	5	105	70	55	58	40	22	160	14	12	12	6,5	101	3,98	500	1,60	LBV3DN0408S0001M	
			.31	.20	4.13		2.76	2.17	2.28	1.57	.87	6.30	.55	.47	.47			.26	7250		3.52
04	10S / M18 x 1,5	6	10	5	105	70	55	58	40	22	160	14	12	12	6,5	101	3,98	500	1,80	LBV3DN0610S0001M	
			.39	.20	4.13		2.76	2.17	2.28	1.57	.87	6.30	.55	.47	.47			.26	7250		3.96
05	12S / M20 x 1,5	8	12	8	116	80	65	68	50	27	200	14	14	12	6,5	72	2,83	500	2,60	LBV3DN0812S0001M	
			.47	.31	4.57		3.15	2.56	2.68	1.97	1.06	7.87	.55	.55	.47			.26	7250		5.72
06	14S / M22 x 1,5	10	14	8	120	80	65	68	50	27	200	14	14	14	6,5	72	2,83	500	2,60	LBV3DN1014S0001M	
			.55	.31	4.72		3.15	2.56	2.68	1.97	1.06	7.87	.55	.55	.55			.26	7250		5.72
08	16S / M24 x 1,5	13	16	13	141	100	80	78	60	31	200	14	14	14	9	82	3,23	400	4,70	LBV3DN1316S0001M	
			.63	.51	5.55		3.94	3.15	3.07	2.36	1.22	7.87	.55	.55	.55			.35	5800		10.34
10	20S / M30 x 2	16	20	18	145	113	85	88	67	36,5	320	16,5	17	16	8,5	82	3,23	400	4,70	LBV3DN1620S0001M	
			.79	.71	5.71		4.45	3.35	3.46	2.64	1.44	12.60	.65	.67	.63			.33	5800		10.34
12	25S / M36 x 2	20	25	23	160	138	119	85	103	82	47,5	320	16,5	17	18	8,5	96	3,78	315	6,60	LBV3DN2025S0001M
			.98	.91	6.30	5.43	4.69	3.35	4.06	3.23	1.87	12.60	.65	.67	.71	.33			4567	14.52	
16	30S / M42 x 2	25	30	23	176	138	119	85	103	82	47,5	320	16,5	17	20	8,5	112	4,41	315	8,00	LBV3DN2530S0001M
			1.18	.91	6.93	5.43	4.69	3.35	4.06	3.23	1.87	12.60	.65	.67	.79	.33			4567	17.60	
20	38S / M52 x 2	25/32	38	23	180	138	119	85	103	82	47,5	320	16,5	17	22	8,5	112	4,41	315	8,12	LBV3DN2538S0001M
			1.50	.91	7.09	5.43	4.69	3.35	4.06	3.23	1.87	12.60	.65	.67	.87	.33			4567	17.86	

Please note the pressure ratings of the tube connections.

High-Pressure Block Body Ball Valve - Type TBV



List of Components

No.	Qty.	Description
1	1	Body
2	1	Stop Pin
3*	2	Bearing
4	1	Trunnion Retainer
5*	2	Trunnion O-Ring
6*	1	Retainer O-Ring
7*	3	Ball Seat
8*	3	Seat O-Ring
9*	3	Connector O-Ring
10	1	Cam Plate
11	1	Snap Ring
12*	2	Trunnion Back Up Ring
13	3	Seat Support
14	1	Trunnion Ball
15	3	Connector
16	1	Handle
17	1	Handle Bolt

* Included in seal kit

Characteristics

Three-way high-pressure block body ball valves designed for use as three-way selectors (T-bore, 90° operation) for hydraulic applications

Standard Construction

- Block body design for in-line assembly
- Multi-way valve with trunnion-style ball
- Supplied with lever

Standard Materials

- Body: Carbon Steel, zinc/iron-plated
- Ball: Carbon Steel, hard chrome-plated
- Stem: Carbon Steel
- Lever: Aluminium (STAUFF Sizes 02 and 04)
Zinc (STAUFF Sizes 06 to 10)
Aluminium (STAUFF Sizes 12 to 24)
- Ball seat: Delrin® (POM)
- O-rings: FPM (Viton®)

Standard Connections Styles / Sizes

- Female NPT thread (ANSI B1.20.1) >1-1/2 NPT
- Female BSP thread (DIN ISO 228) >G 1-1/2 BSP
- Female UN/UNF thread (SAE J 514) >1-5/16-12 UN (1" SAE)
- 24° cone connection (DIN 2353); Light Series >35L
- 24° cone connection (DIN 2353); Heavy Series >38S

See page F113 for sealing details.

Pressure Range

- Pressure range: up to 500 bar / 7250PSI (depending on size and material combination of the ball valve)

Temperature Range

- Operating temperature range: -20°C ... +100°C / -4°F ... + 212°F

Options / Accessories

- Alternative lever designs/materials (see page F98)
- Locking devices (see pages F99-F101)
- Pneumatic actuator packages (see page F102)
Electrical actuators available on request.
- Limit switches (see page F102)
- Stainless Steel body
- Stainless Steel ball and stem
- Special ball seat and O-ring materials available for lower/higher temperatures and more aggressive media

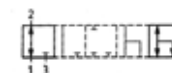
Porting Pattern

- Symbol : T
- Overlap: positive
- Operating: 90°

(Ref. Code: 02-TBV)

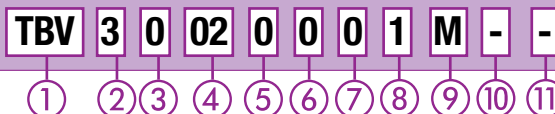


- Stop of end position:



Please see pages F104-F105 for alternative porting patterns.

Order Codes



① Type

Multi-Way T-Bore Ball Valve **TBV**

② Number of Ports

Three Ports (Three-Way Ball Valve) **3**

③ Connection Style

Female NPT Thread (ANSI B1.20.1)	0
Female BSP Thread (DIN ISO 228)	G
Female UN/UNF Thread (SAE J 514)	1
24° Cone Connection (Light / Heavy Series)	
DN04 DN06 DN08 DN10 DN13 DN16 DN20 DN25	

Please consult STAUFF for alternative connection styles.

④ Connection Size

STAUFF Size (according to dimension table) for connection styles 0, G and 1:	02 04 06 08 10 12 16 20 24
Tube Size (according to dimension table) for 24° Cone Connection (Light Series):	06L 08L 10L 12L 15L 18L 22L 28L 35L
Tube Size (according to dimension table) for 24° Cone Connection (Heavy Series):	08S 10S 12S 14S 16S 20S 25S 30S 38S

Please consult STAUFF for alternative connection sizes.

⑤ Body Material / Surface Finishing

Carbon Steel, zinc/iron-plated	0
Stainless Steel V4A (AISI 316Ti)	1

Alternative materials / surface finishings are available upon request. Consult STAUFF for further information.

⑥ Ball / Stem Material

Ball: Carbon Steel, hard chrome-plated	0
Stem: Carbon Steel	
Ball / Stem: Stainless Steel V4A (AISI 316Ti)	1

Alternative materials / surface finishings are available upon request. Consult STAUFF for further information.

⑦ Ball Seat Material

Delrin® (POM)	0
---------------	----------

Alternative materials are available upon request. Consult STAUFF for further information.

⑧ O-Ring Material

NBR (Buna-N®)	0
FPM (Viton®)	1
EPDM	3

Alternative materials are available upon request. Consult STAUFF for further information.

⑨ Manufacturing Code

Manufacturing code for all connection styles **M**

⑩ Lever Options

Supplied with standard lever (according to table) **-**
Supplied without lever **-0**

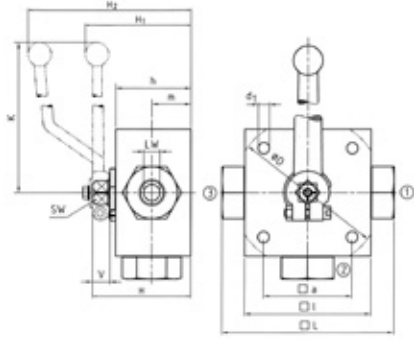
Alternative levers can be ordered separately. Please see page F98 for further information.

⑪ Accessories / Options

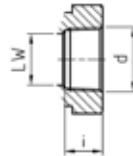
Supplied without accessories	-
Supplied with Locking Device LD4 (standard)	-LD4
Supplied with Double-Acting Pneumatic Actuator (Please add size **)	-EDA**
Supplied with Single-Acting Pneumatic Actuator (Please add size **)	-ESA**
Supplied with Limit Switch in open position	-LS-0
Supplied with Limit Switch in closed position	-LS-C
Supplied with Limit Switch in open and closed position	-LS-OC

Please see page F99 for further information.

High-Pressure Block Body Ball Valve - Type TBV T-Bore Three-Way Selector - Female NPT Thread (ANSI B1.20.1)



Female NPT Thread (ANSI B1.20.1)



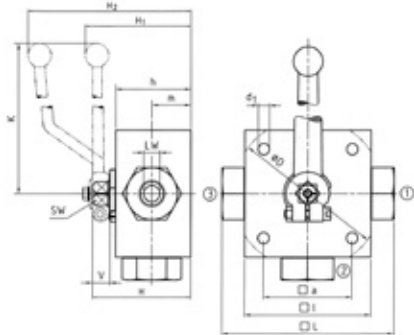
When ordering the standard option as indicated in the table below, the following materials will be supplied:

- Body, ball and stem: Carbon Steel
- Lever: Aluminium (STAUFF Sizes 02 and 04)
Zinc (STAUFF Sizes 06 to 10)
Aluminium (STAUFF Sizes 12 to 24)
- Ball seat: Delrin® (POM)
- O-rings: FPM (Viton®)

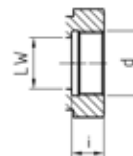
STAUFF Size	Thread Size d	Nominal Size DN	Dimensions (mm/in)													Nom. Pressure (bar/PSI)	Weight (kg/lbs)	Order Codes (Standard Option)		
			LW	L	D	l	a	H	h	m	K	V	SW	i	d1	H1	H2			
02	1/8 NPT	4	5	100	70	55	58	40	22	160	14	12	10,5	6,5	101	3,98	500	1,60	TBV30020001M	
			.20	3.94		2.76	2.17	2.28	1.57	.87	6.30	.55	.47	.41			.26	7250		3.52
04	1/4 NPT	6	5	100	70	55	58	40	22	160	14	12	13,7	6,5	101	3,98	500	1,60	TBV30040001M	
			.20	3.94		2.76	2.17	2.28	1.57	.87	6.30	.55	.47	.54			.26	7250		3.52
06	3/8 NPT	10	8	115	80	65	68	50	27	200	14	14	13,5	6,5	72	2,83	500	2,80	TBV30060001M	
			.31	4.53		3.15	2.56	2.68	1.97	1.06	7.87	.55	.55	.53			.26	7250		6.16
08	1/2 NPT	13	13	136	100	80	78	60	31	200	14	14	17	9	82	3,23	400	5,20	TBV30080001M	
			.51	5.35		3.94	3.15	3.07	2.36	1.22	7.87	.55	.55	.67			.35	5800		11.44
12	3/4 NPT	20	18	154	138	113	85	88	67	36,5	320	16,5	17	18,3	8,5	96	4,567	315	6,80	TBV30120001M
			.71	6.06	5.43	4.45	3.35	3.46	2.64	1.44	12.60	.65	.67	.72	.33	3.78		4567	14.96	
16	1 NPT	25	23	172	138	119	85	103	82	47,5	320	16,5	17	21,6	8,5	112	4,567	315	8,50	TBV30160001M
			.91	6.77	5.43	4.69	3.35	4.06	3.23	1.87	12.60	.65	.67	.85	.33	4.41		4567	18.70	
20	1-1/4 NPT	25/32	23	180	138	119	85	103	82	47,5	320	16,5	17	22,1	8,5	112	4,567	315	8,80	TBV30200001M
			.91	7.09	5.43	4.69	3.35	4.06	3.23	1.87	12.60	.65	.67	.87	.33	4.41		4567	19.36	
24	1-1/2 NPT	25/40	23	180	138	119	85	103	82	47,5	320	16,5	17	22,1	8,5	112	4,567	250	8,80	TBV30240001M
			.91	7.09	5.43	4.69	3.35	4.06	3.23	1.87	12.60	.65	.67	.87	.33	4.41		3625	19.36	

Please note the pressure ratings of the tube connections.

High-Pressure Block Body Ball Valve - Type TBV T-Bore Three-Way Selector - Female BSP Thread (DIN ISO 228)



Female BSP Thread (DIN ISO 228)



When ordering the standard option as indicated in the table below, the following materials will be supplied:

- Body, ball and stem: Carbon Steel
- Lever: Aluminium (STAUFF Sizes 02 and 04)
Zinc (STAUFF Sizes 06 to 10)
Aluminium (STAUFF Sizes 12 to 24)
- Ball seat: Delrin® (POM)
- O-rings: FPM (Viton®)

STAUFF Size	Thread Size d	Nominal Size DN	Dimensions (mm/in)													Nom. Pressure (bar/PSI)	Weight (kg/lbs)	Order Codes (Standard Option)		
			LW	L	D	l	a	H	h	m	K	V	SW	i	d1	H1	H2			
02	G 1/8 BSP	4	5	100	70	55	58	40	22	160	14	12	10	6,5	101	3,98	500	1,60	TBV3G020001M	
			.20	3.94		2.76	2.17	2.28	1.57	.87	6.30	.55	.47	.39			.26	7250		3.52
04	G 1/4 BSP	6	5	100	70	55	58	40	22	160	14	12	14	6,5	101	3,98	500	1,60	TBV3G040001M	
			.20	3.94		2.76	2.17	2.28	1.57	.87	6.30	.55	.47	.55			.26	7250		3.52
06	G 3/8 BSP	10	8	115	80	65	68	50	27	200	14	14	14	6,5	72	2,83	500	2,70	TBV3G060001M	
			.31	4.53		3.15	2.56	2.68	1.97	1.06	7.87	.55	.55	.55			.26	7250		5.94
08	G 1/2 BSP	13	13	136	100	80	78	60	31	200	14	14	16,3	9	82	3,23	400	4,90	TBV3G080001M	
			.51	5.35		3.94	3.15	3.07	2.36	1.22	7.87	.55	.55	.64			.35	5800		10.78
10	G 5/8 BSP	16	13	139	100	80	78	60	31	200	14	14	18	9	82	3,23	400	4,90	TBV3G100001M	
			.51	5.47		3.94	3.15	3.07	2.36	1.22	7.87	.55	.55	.71			.35	5800		10.78
12	G 3/4 BSP	20	18	154	138	113	85	88	67	36,5	320	16,5	17	18	8,5	96	4,567	315	6,70	TBV3G120001M
			.71	6.06	5.43	4.45	3.35	3.46	2.64	1.44	12.60	.65	.67	.71	.33	3.78		4567	14.74	
16	G 1 BSP	25	23	172	138	119	85	103	82	47,5	320	16,5	17	20	8,5	112	4,567	315	8,30	TBV3G160001M
			.91	6.77	5.43	4.69	3.35	4.06	3.23	1.87	12.60	.65	.67	.79	.33	4.41		4567	18.26	
20	G 1-1/4 BSP	25/32	23	180	138	119	85	103	82	47,5	320	16,5	17	22	8,5	112	4,567	315	8,50	TBV3G200001M
			.91	7.09	5.43	4.69	3.35	4.06	3.23	1.87	12.60	.65	.67	.87	.33	4.41		4567	18.70	
24	G 1-1/2 BSP	25/40	23	180	138	119	85	103	82	47,5	320	16,5	17	24	8,5	112	4,567	250	8,50	TBV3G240001M
			.91	7.09	5.43	4.69	3.35	4.06	3.23	1.87	12.60	.65	.67	.94	.33	4.41		3625	18.70	

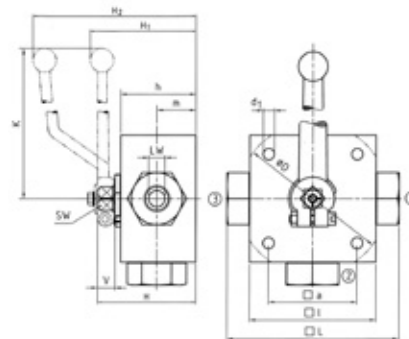
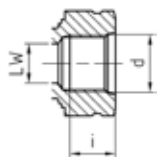
Please note the pressure ratings of the tube connections.

High-Pressure Block Body Ball Valve - Type TBV
T-Bore Three-Way Selector - Female UN/UNF Thread (SAE J 514)

When ordering the standard option as indicated in the table below, the following materials will be supplied:

- Body, ball and stem: Carbon Steel
- Lever: Aluminium (STAUFF Size 04)
Zinc (STAUFF Sizes 06 and 08)
Aluminium (STAUFF Sizes 12 and 16)
- Ball seat: Delrin® (POM)
- O-rings: FPM (Viton®)

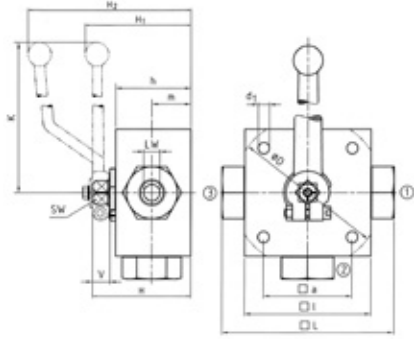
Female UN/UNF Thread (SAE J 514)



STAUFF Size	Thread Size d	Nominal Size DN	Dimensions (mm/in)															Nom. Pressure (bar/PSI)	Weight (kg/lbs)	Order Codes (Standard Option)
			LW	L	D	i	a	H	h	m	K	V	SW	i	d1	H1	H2			
04	7/16-20 UNF (1/4" SAE)	6	5	100	/	70	55	58	40	22	160	14	12	14	6,5	101	500	1,60	TBV31040001M	
			0,20	3,94		2,76	2,17	2,28	1,57	0,87	6,30	0,55	0,47	0,55	0,26	3,98	7250	3,52		
06	9/16-18 UNF (3/8" SAE)	10	8	115	/	80	65	68	50	27	200	14	14	14	6,5	72	500	2,80	TBV31060001M	
			0,31	4,53		3,15	2,56	2,68	1,97	1,06	7,87	0,55	0,55	0,55	0,26	2,83	7250	6,16		
08	3/4-16 UNF (1/2" SAE)	13	13	144	/	100	80	78	60	31	200	14	14	16,3	9	82	400	5,20	TBV31080001M	
			0,51	5,67		3,94	3,15	3,07	2,36	1,22	7,87	0,55	0,55	0,64	0,35	3,23	5800	11,44		
12	1-1/16-12 UN (3/4" SAE)	20	18	164	138	113	85	88	67	36,5	320	16,5	17	18	8,5	96	315	6,80	TBV31120001M	
			0,71	6,46	5,43	4,45	3,35	3,46	2,64	1,44	12,60	0,65	0,67	0,71	0,33	3,78	4567	14,96		
16	1-5/16-12 UN (1" SAE)	25	23	180	138	119	85	103	82	47,5	320	16,5	17	20	8,5	112	315	8,50	TBV31160001M	
			0,91	7,09	5,43	4,69	3,35	4,06	3,23	1,87	12,60	0,65	0,67	0,79	0,33	4,41	4567	18,70		

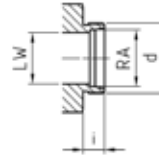
Please note the pressure ratings of the tube connections.

High-Pressure Block Body Ball Valve - Type TBV T-Bore Three-Way Selector - 24° Cone Connection Light Series (DIN 2353 / ISO 8434-1)



Hex nuts and cutting rings are not included in delivery.

**24° Cone Connection
(DIN 2353 / ISO 8434-1)**

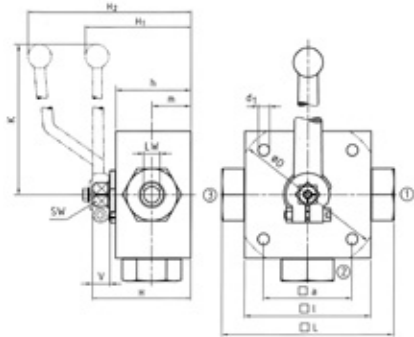


When ordering the standard option as indicated in the table below, the following materials will be supplied:

- Body, ball and stem: Carbon Steel
- Lever: Aluminium (STAUFF Sizes 02 and 04)
Zinc (STAUFF Sizes 05 to 10)
Aluminium (STAUFF Sizes 12 to 20)
- Ball seat: Delrin® (POM)
- O-rings: FPM (Viton®)

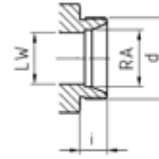
STAUFF Size	Tube/Thread Size d	Nominal Size DN	Dimensions (mm/in)														Nom. Pressure (^{bar} / _{psi})	Weight (^{kg} / _{lbs})	Order Codes (Standard Option)		
			RA	LW	L	D	l	a	H	h	m	K	V	SW	i	d1				H1	H2
02	06L / M12 x 1,5	4	6	5	105	70	55	58	40	22	160	14	12	10	6,5	101	3,98	500	1,60	TBV3DN0406L0001M	
			.24	.20	4.13		2.76	2.17	2.28	1.57	.87	6.30	.55	.47	.39			.26	7250		3.52
04	08L / M14 x 1,5	6	8	5	105	70	55	58	40	22	160	14	12	10	6,5	101	3,98	500	1,80	TBV3DN0608L0001M	
			.31	.20	4.13		2.76	2.17	2.28	1.57	.87	6.30	.55	.47	.39			.26	7250		3.96
05	10L / M16 x 1,5	8	10	8	114	80	65	68	50	27	200	14	14	11	6,5	72	2,83	500	2,60	TBV3DN0810L0001M	
			.39	.31	4.49		3.15	2.56	2.68	1.97	1.06	7.87	.55	.55	.43			.26	7250		5.72
06	12L / M18 x 1,5	10	12	8	114	80	65	68	50	27	200	14	14	11	6,5	72	2,83	500	2,60	TBV3DN1012L0001M	
			.47	.31	4.49		3.15	2.56	2.68	1.97	1.06	7.87	.55	.55	.43			.26	7250		5.72
08	15L / M22 x 1,5	13	15	13	137	100	80	78	60	31	200	14	14	12	9	82	3,23	400	4,70	TBV3DN1315L0001M	
			.59	.51	5.39		3.94	3.15	3.07	2.36	1.22	7.87	.55	.55	.47			.35	5800		10.34
10	18L / M26 x 1,5	16	18	18	137	113	85	88	67	36,5	320	16,5	17	12	8,5	82	3,23	400	4,70	TBV3DN1618L0001M	
			.71	.71	5.39		4.45	3.35	3.46	2.64	1.44	12.60	.65	.67	.47			.33	5800		10.34
12	22L / M30 x 2	20	22	23	152	138	119	85	103	82	47,5	320	16,5	17	14	8,5	96	3,78	315	6,60	TBV3DN2022L0001M
			.87	.91	5.98	5.43	4.69	3.35	4.06	3.23	1.87	12.60	.65	.67	.55	.33			4567	14.52	
16	28L / M36 x 2	25	28	23	166	138	119	85	103	82	47,5	320	16,5	17	14	8,5	112	4,41	315	8,00	TBV3DN2528L0001M
			1.10	.91	6.54	5.43	4.69	3.35	4.06	3.23	1.87	12.60	.65	.67	.55	.33			4567	17.60	
20	35L / M45 x 2	25/32	35	23	170	138	119	85	103	82	47,5	320	16,5	17	16	8,5	112	4,41	315	8,12	TBV3DN2535L0001M
			1.38	.91	6.69	5.43	4.69	3.35	4.06	3.23	1.87	12.60	.65	.67	.63	.33			4567	17.86	

Please note the pressure ratings of the tube connections.



Hex nuts and cutting rings are not included in delivery.

**24° Cone Connection
(DIN 2353 / ISO 8434-1)**



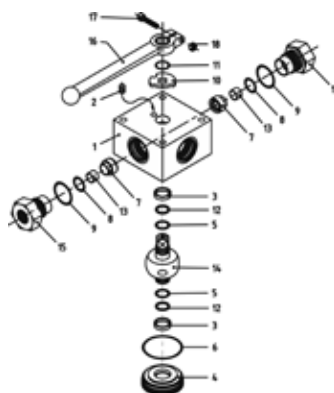
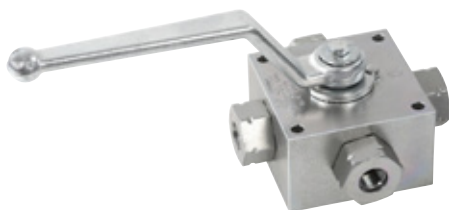
When ordering the standard option as indicated in the table below, the following materials will be supplied:

- Body, ball and stem: Carbon Steel
- Lever: Aluminium (STAUFF Sizes 02 and 04)
Zinc (STAUFF Sizes 05 to 10)
Aluminium (STAUFF Sizes 12 to 20)
- Ball seat: Delrin® (POM)
- O-rings: FPM (Viton®)

STAUFF Size	Tube/Thread Size d	Nominal Size DN	Dimensions (mm/in)														Nom. Pressure (^{bar} / _{psi})	Weight (^{kg} / _{lbs})	Order Codes (Standard Option)		
			RA	LW	L	D	l	a	H	h	m	K	V	SW	i	d1				H1	H2
02	08S / M16 x 1,5	4	8	5	105	70	55	58	40	22	160	14	12	12	6,5	101	3,98	500	1,60	TBV3DN0408S0001M	
			.31	.20	4.13		2.76	2.17	2.28	1.57	.87	6.30	.55	.47	.47			.26	7250		3.52
04	10S / M18 x 1,5	6	10	5	105	70	55	58	40	22	160	14	12	12	6,5	101	3,98	500	1,80	TBV3DN0610S0001M	
			.39	.20	4.13		2.76	2.17	2.28	1.57	.87	6.30	.55	.47	.47			.26	7250		3.96
05	12S / M20 x 1,5	8	12	8	116	80	65	68	50	27	200	14	14	12	6,5	72	2,83	500	2,60	TBV3DN0812S0001M	
			.47	.31	4.57		3.15	2.56	2.68	1.97	1.06	7.87	.55	.55	.47			.26	7250		5.72
06	14S / M22 x 1,5	10	14	8	120	80	65	68	50	27	200	14	14	14	6,5	72	2,83	500	2,60	TBV3DN1014S0001M	
			.55	.31	4.72		3.15	2.56	2.68	1.97	1.06	7.87	.55	.55	.55			.26	7250		5.72
08	16S / M24 x 1,5	13	16	13	141	100	80	78	60	31	200	14	14	14	9	82	3,23	400	4,70	TBV3DN1316S0001M	
			.63	.51	5.55		3.94	3.15	3.07	2.36	1.22	7.87	.55	.55	.55			.35	5800		10.34
10	20S / M30 x 2	16	20	18	145	113	85	88	67	36,5	320	16,5	17	16	8,5	82	3,23	400	4,70	TBV3DN1620S0001M	
			.79	.71	5.71		4.45	3.35	3.46	2.64	1.44	12.60	.65	.67	.63			.33	5800		10.34
12	25S / M36 x 2	20	25	23	160	138	119	85	103	82	47,5	320	16,5	17	18	8,5	96	3,78	315	6,60	TBV3DN2025S0001M
			.98	.91	6.30	5.43	4.69	3.35	4.06	3.23	1.87	12.60	.65	.67	.71	.33			4567	14.52	
16	30S / M42 x 2	25	30	23	176	138	119	85	103	82	47,5	320	16,5	17	20	8,5	112	4,41	315	8,00	TBV3DN2530S0001M
			1.18	.91	6.93	5.43	4.69	3.35	4.06	3.23	1.87	12.60	.65	.67	.79	.33			4567	17.60	
20	38S / M52 x 2	25/32	38	23	180	138	119	85	103	82	47,5	320	16,5	17	22	8,5	112	4,41	315	8,12	TBV3DN2538S0001M
			1.50	.91	7.09	5.43	4.69	3.35	4.06	3.23	1.87	12.60	.65	.67	.87	.33			4567	17.86	

Please note the pressure ratings of the tube connections.

High-Pressure Block Body Ball Valve - Type TBV



List of Components

No.	Qty.	Description
1	1	Body
2	1	Stop Pin
3*	2	Bearing
4	1	Trunnion Retainer
5*	2	Trunnion O-Ring
6*	1	Retainer O-Ring
7*	4	Ball Seat
8*	4	Seat O-Ring
9*	4	Connector O-Ring
10	1	Cam Plate
11	1	Snap Ring
12*	2	Trunnion Back Up Ring
13	4	Seat Support
14	1	Trunnion Ball
15	4	Connector
16	1	Handle
17	1	Handle Bolt

* Included in seal kit

Characteristics

Four-way high-pressure block body ball valves designed for use as 4-way selectors (T-bore, 90° operation) for hydraulic applications

Standard Construction

- Block body design for in-line assembly
- Multi-way valve with trunnion-style ball
- Supplied with lever

Standard Materials

- Body: Carbon Steel, zinc/iron-plated
- Ball: Carbon Steel, hard chrome-plated
- Stem: Carbon Steel
- Lever: Aluminium (STAUFF Sizes 02 and 04)
Zinc (STAUFF Sizes 06 to 10)
Aluminium (STAUFF Sizes 12 to 24)
- Ball seat: Delrin® (POM)
- O-rings: FPM (Viton®)

Standard Connections Styles / Sizes

- Female NPT thread (ANSI B1.20.1) >1-1/2 NPT
- Female BSP thread (DIN ISO 228) >G 1-1/2 BSP
- Female UN/UNF thread (SAE J 514) >1-5/16-12 UN (1" SAE)
- 24° cone connection (DIN 2353); Light Series >35L
- 24° cone connection (DIN 2353); Heavy Series >38S

See page F113 for sealing details.

Pressure Range

- Pressure range: up to 500 bar / 7250PSI (depending on size and material combination of the ball valve)

Temperature Range

- Operating temperature range: -20 °C ... +100 °C / -4 °F ... + 212 °F

Options / Accessories

- Alternative lever designs/materials (see page F98)
- Locking devices (see pages F99-F101)
- Pneumatic actuator packages (see page F102)
Electrical actuators available on request.
- Limit switches (see page F102)
- Stainless Steel body
- Stainless Steel ball and stem
- Special ball seat and O-ring materials available for lower/higher temperatures and more aggressive media

Porting Pattern

- Symbol : T
- Overlap: positive
- Operating: 90°

(Ref. Code: 13-TBV)

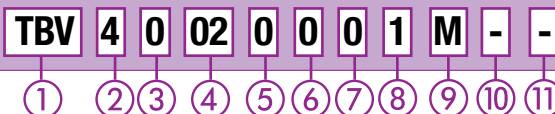


- Stop of end position:



Please see pages F104-F105 for alternative porting patterns.

Order Codes



① Type

Multi-Way T-Bore Ball Valve **TBV**

② Number of Ports

Four Ports (Four-Way Ball Valve) **4**

③ Connection Style

Female NPT Thread (ANSI B1.20.1)	0
Female BSP Thread (DIN ISO 228)	G
Female UN/UNF Thread (SAE J 514)	1
24° Cone Connection (Light / Heavy Series)	
DN04 DN06 DN08 DN10 DN13 DN16 DN20 DN25	

Please consult STAUFF for alternative connection styles.

④ Connection Size

STAUFF Size (according to dimension table) for connection styles 0, G and 1:	02 04 06 08 10 12 16 20 24
Tube Size (according to dimension table) for 24° Cone Connection (Light Series):	06L 08L 10L 12L 15L 18L 22L 28L 35L
Tube Size (according to dimension table) for 24° Cone Connection (Heavy Series):	08S 10S 12S 14S 16S 20S 25S 30S 38S

Please consult STAUFF for alternative connection sizes.

⑤ Body Material / Surface Finishing

Carbon Steel, zinc/iron-plated **0**
Stainless Steel V4A (AISI 316Ti) **1**

Alternative materials / surface finishings are available upon request. Consult STAUFF for further information.

⑥ Ball / Stem Material

Ball: Carbon Steel, hard chrome-plated **0**
Stem: Carbon Steel **0**
Ball / Stem: Stainless Steel V4A (AISI 316Ti) **1**

Alternative materials / surface finishings are available upon request. Consult STAUFF for further information.

⑦ Ball Seat Material

Delrin® (POM) **0**

Alternative materials are available upon request. Consult STAUFF for further information.

⑧ O-Ring Material

NBR (Buna-N®) **0**
FPM (Viton®) **1**
EPDM **3**

Alternative materials are available upon request. Consult STAUFF for further information.

⑨ Manufacturing Code

Manufacturing code for all connection styles **M**

⑩ Lever Options

Supplied with standard lever (according to table) **-**
Supplied without lever **-0**

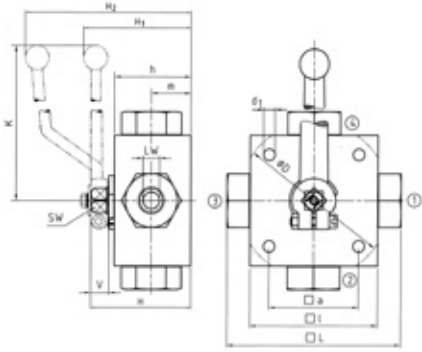
Alternative levers can be ordered separately. Please see page F98 for further information.

⑪ Accessories / Options

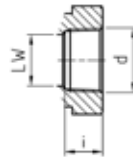
Supplied without accessories	-
Supplied with Locking Device LD4 (standard)	-LD4
Supplied with Double-Acting Pneumatic Actuator (Please add size **)	-EDA**
Supplied with Single-Acting Pneumatic Actuator (Please add size **)	-ESA**
Supplied with Limit Switch in open position	-LS-0
Supplied with Limit Switch in closed position	-LS-C
Supplied with Limit Switch in open and closed position	-LS-OC

Please see page F99 for further information.

High-Pressure Block Body Ball Valve - Type TBV T-Bore Four-Way Selector - Female NPT Thread (ANSI B1.20.1)



Female NPT Thread (ANSI B1.20.1)

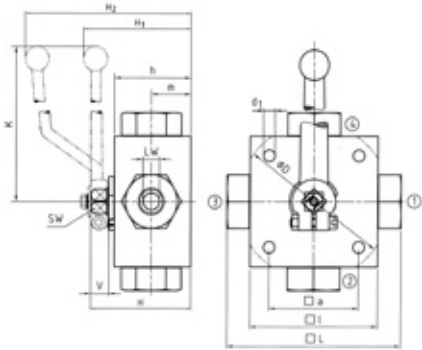


When ordering the standard option as indicated in the table below, the following materials will be supplied:

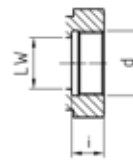
- Body, ball and stem: Carbon Steel
- Lever: Aluminium (STAUFF Sizes 02 and 04)
Zinc (STAUFF Sizes 06 to 10)
Aluminium (STAUFF Sizes 12 to 24)
- Ball seat: Delrin® (POM)
- O-rings: FPM (Viton®)

STAUFF Size	Thread Size d	Nominal Size DN	Dimensions (mm/in)													Nom. Pressure (bar/PSI)	Weight (kg/lbs)	Order Codes (Standard Option)	
			LW	L	D	l	a	H	h	m	K	V	SW	i	d1				H1
02	1/8 NPT	4	5	100	70	55	58	40	22	160	14	12	10,5	6,5	101	500	1,60	TBV40020001M	
			.20	3.94		2.76	2.17	2.28	1.57	.87	6.30	.55	.47	.41		.26	3.98		7250
04	1/4 NPT	6	5	100	70	55	58	40	22	160	14	12	13,7	6,5	101	500	1,60	TBV40040001M	
			.20	3.94		2.76	2.17	2.28	1.57	.87	6.30	.55	.47	.54		.26	3.98		7250
06	3/8 NPT	10	8	115	80	65	68	50	27	200	14	14	13,5	6,5	72	500	2,80	TBV40060001M	
			.31	4.53		3.15	2.56	2.68	1.97	1.06	7.87	.55	.55	.53		.26	2.83		7250
08	1/2 NPT	13	13	136	100	80	78	60	31	200	14	14	17	9	82	400	4,90	TBV40080001M	
			.51	5.35		3.94	3.15	3.07	2.36	1.22	7.87	.55	.55	.67		.35	3.23		5800
12	3/4 NPT	20	18	154	138	113	85	88	67	36,5	320	16,5	17	18,3	8,5	96	315	6,80	TBV40120001M
			.71	6.06	5.43	4.45	3.35	3.46	2.64	1.44	12.60	.65	.67	.72	.33	3.78	4567	14.96	
16	1 NPT	25	23	172	138	119	85	103	82	47,5	320	16,5	17	21,6	8,5	112	315	8,50	TBV40160001M
			.91	6.77	5.43	4.69	3.35	4.06	3.23	1.87	12.60	.65	.67	.85	.33	4.41	4567	18.70	
20	1-1/4 NPT	25/32	23	180	138	119	85	103	82	47,5	320	16,5	17	22,1	8,5	112	315	8,80	TBV40200001M
			.91	7.09	5.43	4.69	3.35	4.06	3.23	1.87	12.60	.65	.67	.87	.33	4.41	4567	19.36	
24	1-1/2 NPT	25/40	23	180	138	119	85	103	82	47,5	320	16,5	17	22,1	8,5	112	250	8,80	TBV40240001M
			.91	7.09	5.43	4.69	3.35	4.06	3.23	1.87	12.60	.65	.67	.87	.33	4.41	3625	19.36	

Please note the pressure ratings of the tube connections.



Female BSP Thread (DIN ISO 228)



When ordering the standard option as indicated in the table below, the following materials will be supplied:

- Body, ball and stem: Carbon Steel
- Lever: Aluminium (STAUFF Sizes 02 and 04)
Zinc (STAUFF Sizes 06 to 10)
Aluminium (STAUFF Sizes 12 to 24)
- Ball seat: Delrin® (POM)
- O-rings: FPM (Viton®)

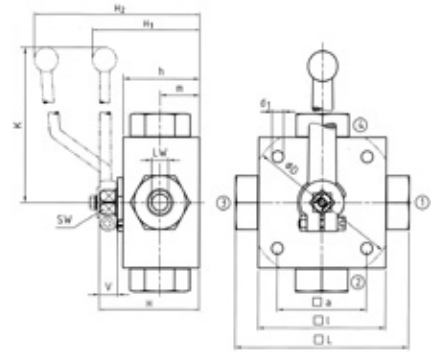
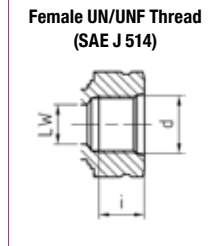
STAUFF Size	Thread Size d	Nominal Size DN	Dimensions (mm/in)													Nom. Pressure (bar/PSI)	Weight (kg/lbs)	Order Codes (Standard Option)	
			LW	L	D	l	a	H	h	m	K	V	SW	i	d1				H1
02	G 1/8 BSP	4	5	100	70	55	58	40	22	160	14	12	10	6,5	101	500	1,60	TBV4G020001M	
			.20	3.94		2.76	2.17	2.28	1.57	.87	6.30	.55	.47	.39		.26	3.98		7250
04	G 1/4 BSP	6	5	100	70	55	58	40	22	160	14	12	14	6,5	101	500	1,60	TBV4G040001M	
			.20	3.94		2.76	2.17	2.28	1.57	.87	6.30	.55	.47	.55		.26	3.98		7250
06	G 3/8 BSP	10	8	115	80	65	68	50	27	200	14	14	14	6,5	72	500	2,80	TBV4G060001M	
			.31	4.53		3.15	2.56	2.68	1.97	1.06	7.87	.55	.55	.55		.26	2.83		7250
08	G 1/2 BSP	13	13	136	100	80	78	60	31	200	14	14	16,3	9	82	400	4,90	TBV4G080001M	
			.51	5.35		3.94	3.15	3.07	2.36	1.22	7.87	.55	.55	.64		.35	3.23		5800
10	G 5/8 BSP	16	13	139	100	80	78	60	31	200	14	14	18	9	82	400	4,90	TBV4G100001M	
			.51	5.47		3.94	3.15	3.07	2.36	1.22	7.87	.55	.55	.71		.35	3.23		5800
12	G 3/4 BSP	20	18	154	138	113	85	88	67	36,5	320	16,5	17	18	8,5	96	315	6,80	TBV4G120001M
			.71	6.06	5.43	4.45	3.35	3.46	2.64	1.44	12.60	.65	.67	.71	.33	3.78	4567	14.96	
16	G 1 BSP	25	23	172	138	119	85	103	82	47,5	320	16,5	17	20	8,5	112	315	8,50	TBV4G160001M
			.91	6.77	5.43	4.69	3.35	4.06	3.23	1.87	12.60	.65	.67	.79	.33	4.41	4567	18.70	
20	G 1-1/4 BSP	25/32	23	180	138	119	85	103	82	47,5	320	16,5	17	22	8,5	112	315	8,80	TBV4G200001M
			.91	7.09	5.43	4.69	3.35	4.06	3.23	1.87	12.60	.65	.67	.87	.33	4.41	4567	19.36	
24	G 1-1/2 BSP	25/40	23	180	138	119	85	103	82	47,5	320	16,5	17	24	8,5	112	250	8,80	TBV4G240001M
			.91	7.09	5.43	4.69	3.35	4.06	3.23	1.87	12.60	.65	.67	.94	.33	4.41	3625	19.36	

Please note the pressure ratings of the tube connections.

High-Pressure Block Body Ball Valve - Type TBV
T-Bore Four-Way Selector - Female UN/UNF Thread (SAE J 514)

When ordering the standard option as indicated in the table below, the following materials will be supplied:

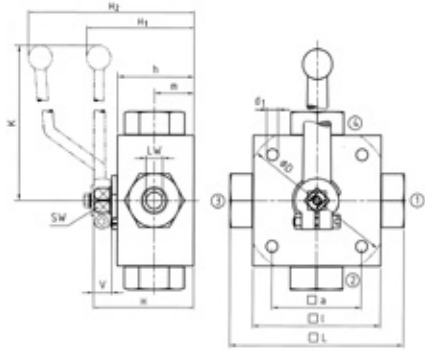
- Body, ball and stem: Carbon Steel
- Lever: Aluminium (STAUFF Size 04)
Zinc (STAUFF Sizes 06 and 08)
Aluminium (STAUFF Sizes 12 and 16)
- Ball seat: Delrin® (POM)
- O-rings: FPM (Viton®)



STAUFF Size	Thread Size d	Nominal Size DN	Dimensions (mm/in)															Nom. Pressure (bar/psi)	Weight (kg/lbs)	Order Codes (Standard Option)
			LW	L	D	i	a	H	h	m	K	V	SW	i	d1	H1	H2			
04	7/16-20 UNF (1/4" SAE)	6	5	100	/	70	55	58	40	22	160	14	12	14	6,5	101	500	1,60	TBV41040001M	
			0,20	3,94	/	2,76	2,17	2,28	1,57	0,87	6,30	0,55	0,47	0,55	0,26	3,98	7250	3,52		
06	9/16-18 UNF (3/8" SAE)	10	8	115	/	80	65	68	50	27	200	14	14	14	6,5	72	500	2,80	TBV41060001M	
			0,31	4,53	/	3,15	2,56	2,68	1,97	1,06	7,87	0,55	0,55	0,55	0,26	2,83	7250	6,16		
08	3/4-16 UNF (1/2" SAE)	13	13	144	/	100	80	78	60	31	200	14	14	16,3	9	82	400	5,20	TBV41080001M	
			0,51	5,67	/	3,94	3,15	3,07	2,36	1,22	7,87	0,55	0,55	0,64	0,35	3,23	5800	11,44		
12	1-1/16-12 UN (3/4" SAE)	20	18	164	138	113	85	88	67	36,5	320	16,5	17	18	8,5	96	315	6,80	TBV41120001M	
			0,71	6,46	5,43	4,45	3,35	3,46	2,64	1,44	12,60	0,65	0,67	0,71	0,33	3,78	4567	14,96		
16	1-5/16-12 UN (1" SAE)	25	23	180	138	119	85	103	82	47,5	320	16,5	17	20	8,5	112	315	8,50	TBV41160001M	
			0,91	7,09	5,43	4,69	3,35	4,06	3,23	1,87	12,60	0,65	0,67	0,79	0,33	4,41	4567	18,70		

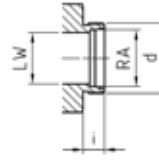
Please note the pressure ratings of the tube connections.

High-Pressure Block Body Ball Valve - Type TBV T-Bore Four-Way Selector - 24° Cone Connection Light Series (DIN 2353 / ISO 8434-1)



Hex nuts and cutting rings are not included in delivery.

24° Cone Connection (DIN 2353 / ISO 8434-1)

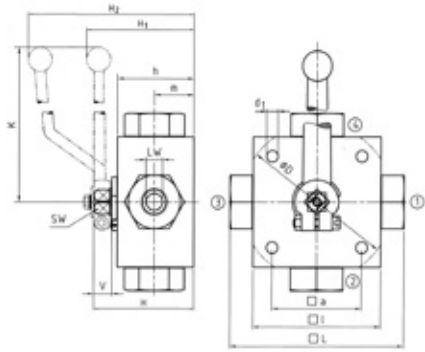


When ordering the standard option as indicated in the table below, the following materials will be supplied:

- Body, ball and stem: Carbon Steel
- Lever: Aluminium (STAUFF Sizes 02 and 04)
Zinc (STAUFF Sizes 05 to 10)
Aluminium (STAUFF Sizes 12 to 20)
- Ball seat: Delrin® (POM)
- O-rings: FPM (Viton®)

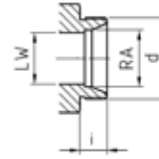
STAUFF Size	Tube/Thread Size d	Nominal Size DN	Dimensions (mm/in)														Nom. Pressure (bar/psi)	Weight (kg/lbs)	Order Codes (Standard Option)		
			RA	LW	L	D	l	a	H	h	m	K	V	SW	i	d1				H1	H2
02	06L / M12 x 1,5	4	6	5	105	70	55	58	40	22	160	14	12	10	6,5	101	3,98	500	1,60	TBV4DN0406L0001M	
			.24	.20	4.13		2.76	2.17	2.28	1.57	.87	6.30	.55	.47	.39		.26	7250	3.52		
04	08L / M14 x 1,5	6	8	5	105	70	55	58	40	22	160	14	12	10	6,5	101	3,98	500	1,80	TBV4DN0608L0001M	
			.31	.20	4.13		2.76	2.17	2.28	1.57	.87	6.30	.55	.47	.39		.26	7250	3.96		
05	10L / M16 x 1,5	8	10	8	114	80	65	68	50	27	200	14	14	11	6,5	72	2,83	500	2,60	TBV4DN0810L0001M	
			.39	.31	4.49		3.15	2.56	2.68	1.97	1.06	7.87	.55	.55	.43		.26	7250	5.72		
06	12L / M18 x 1,5	10	12	8	114	80	65	68	50	27	200	14	14	11	6,5	72	2,83	500	2,60	TBV4DN1012L0001M	
			.47	.31	4.49		3.15	2.56	2.68	1.97	1.06	7.87	.55	.55	.43		.26	7250	5.72		
08	15L / M22 x 1,5	13	15	13	137	100	80	78	60	31	200	14	14	12	9	82	3,23	400	4,70	TBV4DN1315L0001M	
			.59	.51	5.39		3.94	3.15	3.07	2.36	1.22	7.87	.55	.55	.47		.35	5800	10.34		
10	18L / M26 x 1,5	16	18	18	137	113	85	88	67	36,5	320	16,5	17	12	8,5	82	3,23	400	4,70	TBV4DN1618L0001M	
			.71	.71	5.39		4.45	3.35	3.46	2.64	1.44	12.60	.65	.67	.47		.33	5800	10.34		
12	22L / M30 x 2	20	22	23	152	138	119	85	103	82	47,5	320	16,5	17	14	8,5	96	3,78	315	6,60	TBV4DN2022L0001M
			.87	.91	5.98	5.43	4.69	3.35	4.06	3.23	1.87	12.60	.65	.67	.55	.33		4567	14.52		
16	28L / M36 x 2	25	28	23	166	138	119	85	103	82	47,5	320	16,5	17	14	8,5	112	4,41	315	8,00	TBV4DN2528L0001M
			1.10	.91	6.54	5.43	4.69	3.35	4.06	3.23	1.87	12.60	.65	.67	.55	.33		4567	17.60		
20	35L / M45 x 2	25/32	35	23	170	138	119	85	103	82	47,5	320	16,5	17	16	8,5	112	4,41	315	8,12	TBV4DN2535L0001M
			1.38	.91	6.69	5.43	4.69	3.35	4.06	3.23	1.87	12.60	.65	.67	.63	.33		4567	17.86		

Please note the pressure ratings of the tube connections.



Hex nuts and cutting rings are not included in delivery.

24° Cone Connection (DIN 2353 / ISO 8434-1)



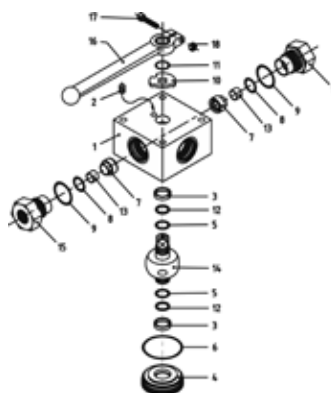
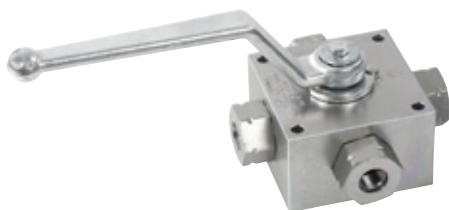
When ordering the standard option as indicated in the table below, the following materials will be supplied:

- Body, ball and stem: Carbon Steel
- Lever: Aluminium (STAUFF Sizes 02 and 04)
Zinc (STAUFF Sizes 05 to 10)
Aluminium (STAUFF Sizes 12 to 20)
- Ball seat: Delrin® (POM)
- O-rings: FPM (Viton®)

STAUFF Size	Tube/Thread Size d	Nominal Size DN	Dimensions (mm/in)														Nom. Pressure (bar/psi)	Weight (kg/lbs)	Order Codes (Standard Option)		
			RA	LW	L	D	l	a	H	h	m	K	V	SW	i	d1				H1	H2
02	08S / M16 x 1,5	4	8	5	105	70	55	58	40	22	160	14	12	12	6,5	101	3,98	500	1,60	TBV4DN0408S0001M	
			.31	.20	4.13		2.76	2.17	2.28	1.57	.87	6.30	.55	.47	.47		.26	7250	3.52		
04	10S / M18 x 1,5	6	10	5	105	70	55	58	40	22	160	14	12	12	6,5	101	3,98	500	1,80	TBV4DN0610S0001M	
			.39	.20	4.13		2.76	2.17	2.28	1.57	.87	6.30	.55	.47	.47		.26	7250	3.96		
05	12S / M20 x 1,5	8	12	8	116	80	65	68	50	27	200	14	14	12	6,5	72	2,83	500	2,60	TBV4DN0812S0001M	
			.47	.31	4.57		3.15	2.56	2.68	1.97	1.06	7.87	.55	.55	.47		.26	7250	5.72		
06	14S / M22 x 1,5	10	14	8	120	80	65	68	50	27	200	14	14	14	6,5	72	2,83	500	2,60	TBV4DN1014S0001M	
			.55	.31	4.72		3.15	2.56	2.68	1.97	1.06	7.87	.55	.55	.55		.26	7250	5.72		
08	16S / M24 x 1,5	13	16	13	141	100	80	78	60	31	200	14	14	14	9	82	3,23	400	4,70	TBV4DN1316S0001M	
			.63	.51	5.55		3.94	3.15	3.07	2.36	1.22	7.87	.55	.55	.55		.35	5800	10.34		
10	20S / M30 x 2	16	20	18	145	113	85	88	67	36,5	320	16,5	17	16	8,5	82	3,23	400	4,70	TBV4DN1620S0001M	
			.79	.71	5.71		4.45	3.35	3.46	2.64	1.44	12.60	.65	.67	.63		.33	5800	10.34		
12	25S / M36 x 2	20	25	23	160	138	119	85	103	82	47,5	320	16,5	17	18	8,5	96	3,78	315	6,60	TBV4DN2025S0001M
			.98	.91	6.30	5.43	4.69	3.35	4.06	3.23	1.87	12.60	.65	.67	.71	.33		4567	14.52		
16	30S / M42 x 2	25	30	23	176	138	119	85	103	82	47,5	320	16,5	17	20	8,5	112	4,41	315	8,00	TBV4DN2530S0001M
			1.18	.91	6.93	5.43	4.69	3.35	4.06	3.23	1.87	12.60	.65	.67	.79	.33		4567	17.60		
20	38S / M52 x 2	25/32	38	23	180	138	119	85	103	82	47,5	320	16,5	17	22	8,5	112	4,41	315	8,12	TBV4DN2538S0001M
			1.50	.91	7.09	5.43	4.69	3.35	4.06	3.23	1.87	12.60	.65	.67	.87	.33		4567	17.86		

Please note the pressure ratings of the tube connections.

High-Pressure Block Body Ball Valve - Type XBV



List of Components

No.	Qty.	Description
1	1	Body
2	1	Stop Pin
3*	2	Bearing
4	1	Trunnion Retainer
5*	2	Trunnion O-Ring
6*	1	Retainer O-Ring
7*	4	Ball Seat
8*	4	Seat O-Ring
9*	4	Connector O-Ring
10	1	Cam Plate
11	1	Snap Ring
12*	2	Trunnion Back Up Ring
13	4	Seat Support
14	1	Trunnion Ball
15	4	Connector
16	1	Handle
17	1	Handle Bolt

* Included in seal kit

Characteristics

Four-way high-pressure block body ball valves designed for use as 4-way selectors (double L-bore, 90° operation with closed position) for hydraulic applications

Standard Construction

- Block body design for in-line assembly
- Multi-way valve with trunnion-style ball
- Supplied with lever

Standard Materials

- Body: Carbon Steel, zinc/iron-plated
- Ball: Carbon Steel, hard chrome-plated
- Stem: Carbon Steel
- Lever: Aluminium (STAUFF Sizes 02 and 04)
Zinc (STAUFF Sizes 06 to 10)
Aluminium (STAUFF Sizes 12 to 24)
- Ball seat: Delrin® (POM)
- O-rings: FPM (Viton®)

Standard Connections Styles / Sizes

- Female NPT thread (ANSI B1.20.1) >1-1/2 NPT
- Female BSP thread (DIN ISO 228) >G 1-1/2 BSP
- Female UN/UNF thread (SAE J 514) >1-5/16-12 UN (1" SAE)
- 24° cone connection (DIN 2353); Light Series >35L
- 24° cone connection (DIN 2353); Heavy Series >38S

See page F113 for sealing details.

Pressure Range

- Pressure range: up to 500 bar / 7250PSI (depending on size and material combination of the ball valve)

Temperature Range

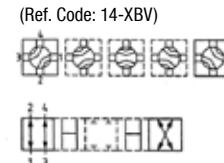
- Operating temperature range: -20 °C ... +100 °C / -4 °F ... + 212 °F

Options / Accessories

- Alternative lever designs/materials (see page F98)
- Locking devices (see pages F99-F101)
- Pneumatic actuator packages (see page F102)
Electrical actuators available on request.
- Limit switches (see page F102)
- Stainless Steel body
- Stainless Steel ball and stem
- Special ball seat and O-ring materials available for lower/higher temperatures and more aggressive media

Porting Pattern

- Symbol : X (Ref. Code: 14-XBV)
- Overlap: positive
- Operating: 90° with closed position
- Stop of end position:



Please see pages F104-F105 for alternative porting patterns.

Order Codes

XBV
4
0
02
0
0
0
1
M
-
-

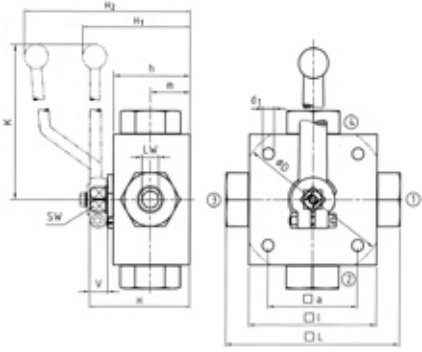
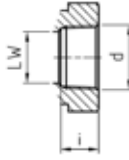
1
2
3
4
5
6
7
8
9
10
11

① Type	Multi-Way Double L-Bore Ball Valve	XBV
② Number of Ports	Four Ports (Four-Way Ball Valve)	4
③ Connection Style	Female NPT Thread (ANSI B1.20.1)	0
	Female BSP Thread (DIN ISO 228)	G
	Female UN/UNF Thread (SAE J 514)	1
	24° Cone Connection (Light / Heavy Series)	
	DN04 DN06 DN08 DN10 DN13 DN16 DN20 DN25	
	Please consult STAUFF for alternative connection styles.	
④ Connection Size	STAUFF Size (according to dimension table) for connection styles 0, G and 1:	
	02 04 06 08 10 12 16 20 24	
	Tube Size (according to dimension table) for 24° Cone Connection (Light Series):	
	06L 08L 10L 12L 15L 18L 22L 28L 35L	
	Tube Size (according to dimension table) for 24° Cone Connection (Heavy Series):	
	08S 10S 12S 14S 16S 20S 25S 30S 38S	
	Please consult STAUFF for alternative connection sizes.	

⑤ Body Material / Surface Finishing	Carbon Steel, zinc/iron-plated	0
	Stainless Steel V4A (AISI 316Ti)	1
	Alternative materials / surface finishings are available upon request. Consult STAUFF for further information.	
⑥ Ball / Stem Material	Ball: Carbon Steel, hard chrome-plated	0
	Stem: Carbon Steel	
	Ball / Stem: Stainless Steel V4A (AISI 316Ti)	1
	Alternative materials / surface finishings are available upon request. Consult STAUFF for further information.	
⑦ Ball Seat Material	Delrin® (POM)	0
	Alternative materials are available upon request. Consult STAUFF for further information.	
⑧ O-Ring Material	NBR (Buna-N®)	0
	FPM (Viton®)	1
	EPDM	3
	Alternative materials are available upon request. Consult STAUFF for further information.	

⑨ Manufacturing Code	Manufacturing code for all connection styles	M
⑩ Lever Options	Supplied with standard lever (according to table)	-
	Supplied without lever	-0
	Alternative levers can be ordered separately. Please see page F98 for further information.	
⑪ Accessories / Options	Supplied without accessories	-
	Supplied with Locking Device LD4 (standard)	-LD4
	Supplied with Double-Acting Pneumatic Actuator (Please add size **)	-EDA**
	Supplied with Single-Acting Pneumatic Actuator (Please add size **)	-ESA**
	Supplied with Limit Switch in open position	-LS-0
	Supplied with Limit Switch in closed position	-LS-C
	Supplied with Limit Switch in open and closed position	-LS-OC
	Please see page F99 for further information.	

High-Pressure Block Body Ball Valve - Type XBV Double L-Bore Four-Way Selector - Female NPT Thread (ANSI B1.20.1)


**Female NPT Thread
(ANSI B1.20.1)**


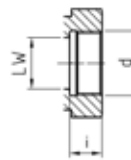
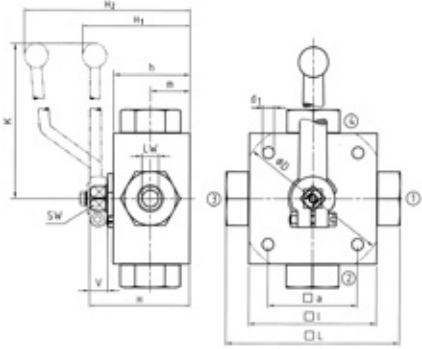
When ordering the standard option as indicated in the table below, the following materials will be supplied:

- Body, ball and stem: Carbon Steel
- Lever: Aluminium (STAUFF Sizes 02 and 04)
Zinc (STAUFF Sizes 06 to 10)
Aluminium (STAUFF Sizes 12 to 24)
- Ball seat: Delrin® (POM)
- O-rings: FPM (Viton®)

STAUFF Size	Thread Size d	Nominal Size DN	Dimensions (mm/in)													Nom. Pressure (bar/psi)	Weight (kg/lbs)	Order Codes (Standard Option)			
			LW	L	D	l	a	H	h	m	K	V	SW	i	d1				H1	H2	
02	1/8 NPT	4	4	100		70	55	58	40	22	160	14	12	10,5	6,5			101	500	1,60	XBV40020001M
			.16	3.94		2.76	2.17	2.28	1.57	.87	6.30	.55	.47	.41	.26			3.98	7250	3.52	
04	1/4 NPT	6	4	100		70	55	58	40	22	160	14	12	13,7	6,5			101	500	1,60	XBV40040001M
			.16	3.94		2.76	2.17	2.28	1.57	.87	6.30	.55	.47	.54	.26			3.98	7250	3.52	
06	3/8 NPT	10	7	115		80	65	68	50	27	200	14	14	13,5	6,5	72		500	2,80	XBV40060001M	
			.28	4.53		3.15	2.56	2.68	1.97	1.06	7.87	.55	.55	.53	.26	2.83		7250	6.16		
08	1/2 NPT	13	10	136		100	80	78	60	31	200	14	14	17	9	82		400	4,90	XBV40080001M	
			.39	5.35		3.94	3.15	3.07	2.36	1.22	7.87	.55	.55	.67	.35	3.23		5800	10.78		
12	3/4 NPT	20	14	154	138	113	85	88	67	36,5	320	16,5	17	18,3	8,5	96		315	6,80	XBV40120001M	
			.55	6.06	5.43	4.45	3.35	3.46	2.64	1.44	12.60	.65	.67	.72	.33	3.78		4567	14.96		
16	1 NPT	25	17	172	138	119	85	103	82	47,5	320	16,5	17	21,6	8,5	112		315	8,50	XBV40160001M	
			.67	6.77	5.43	4.69	3.35	4.06	3.23	1.87	12.60	.65	.67	.85	.33	4.41		4567	18.70		
20	1-1/4 NPT	25/32	17	180	138	119	85	103	82	47,5	320	16,5	17	22,1	8,5	112		315	8,80	XBV40200001M	
			.67	7.09	5.43	4.69	3.35	4.06	3.23	1.87	12.60	.65	.67	.87	.33	4.41		4567	19.36		
24	1-1/2 NPT	25/40	17	180	138	119	85	103	82	47,5	320	16,5	17	22,1	8,5	112		250	8,80	XBV40240001M	
			.67	7.09	5.43	4.69	3.35	4.06	3.23	1.87	12.60	.65	.67	.87	.33	4.41		3625	19.36		

Please note the pressure ratings of the tube connections.

High-Pressure Block Body Ball Valve - Type XBV Double L-Bore Four-Way Selector - Female BSP Thread (DIN ISO 228)



When ordering the standard option as indicated in the table below, the following materials will be supplied:

- Body, ball and stem: Carbon Steel
- Lever: Aluminium (STAUFF Sizes 02 and 04)
Zinc (STAUFF Sizes 06 to 10)
Aluminium (STAUFF Sizes 12 to 24)
- Ball seat: Delrin® (POM)
- O-rings: FPM (Viton®)

STAUFF Size	Thread Size d	Nominal Size DN	Dimensions (mm/in)													Nom. Pressure (bar/psi)	Weight (kg/lbs)	Order Codes (Standard Option)			
			LW	L	D	l	a	H	h	m	K	V	SW	i	d1				H1	H2	
02	G 1/8 BSP	4	4	100		70	55	58	40	22	160	14	12	10	6,5			101	500	1,60	XBV4G020001M
			.16	3.94		2.76	2.17	2.28	1.57	.87	6.30	.55	.47	.39	.26			3.98	7250	3.52	
04	G 1/4 BSP	6	4	100		70	55	58	40	22	160	14	12	14	6,5			101	500	1,60	XBV4G040001M
			.16	3.94		2.76	2.17	2.28	1.57	.87	6.30	.55	.47	.55	.26			3.98	7250	3.52	
06	G 3/8 BSP	10	7	115		80	65	68	50	27	200	14	14	14	6,5	72		500	2,80	XBV4G060001M	
			.28	4.53		3.15	2.56	2.68	1.97	1.06	7.87	.55	.55	.55	.26	2.83		7250	6.16		
08	G 1/2 BSP	13	10	136		100	80	78	60	31	200	14	14	16,3	9	82		400	4,90	XBV4G080001M	
			.39	5.35		3.94	3.15	3.07	2.36	1.22	7.87	.55	.55	.64	.35	3.23		5800	10.78		
10	G 5/8 BSP	16	10	139		100	80	78	60	31	200	14	14	18	9	82		400	4,90	XBV4G100001M	
			.39	5.47		3.94	3.15	3.07	2.36	1.22	7.87	.55	.55	.71	.35	3.23		5800	10.78		
12	G 3/4 BSP	20	14	154	138	113	85	88	67	36,5	320	16,5	17	18	8,5	96		315	6,80	XBV4G120001M	
			.55	6.06	5.43	4.45	3.35	3.46	2.64	1.44	12.60	.65	.67	.71	.33	3.78		4567	14.96		
16	G 1 BSP	25	17	172	138	119	85	103	82	47,5	320	16,5	17	20	8,5	112		315	8,50	XBV4G160001M	
			.67	6.77	5.43	4.69	3.35	4.06	3.23	1.87	12.60	.65	.67	.79	.33	4.41		4567	18.70		
20	G 1-1/4 BSP	25/32	17	180	138	119	85	103	82	47,5	320	16,5	17	22	8,5	112		315	8,80	XBV4G200001M	
			.67	7.09	5.43	4.69	3.35	4.06	3.23	1.87	12.60	.65	.67	.87	.33	4.41		4567	19.36		
24	G 1-1/2 BSP	25/40	17	180	138	119	85	103	82	47,5	320	16,5	17	24	8,5	112		250	8,80	XBV4G240001M	
			.67	7.09	5.43	4.69	3.35	4.06	3.23	1.87	12.60	.65	.67	.94	.33	4.41		3625	19.36		

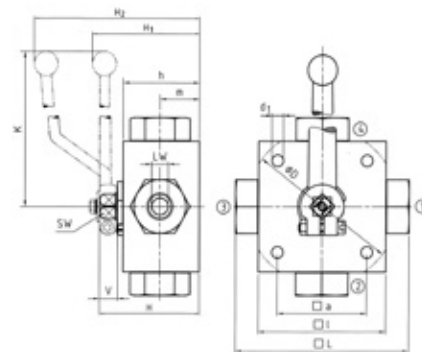
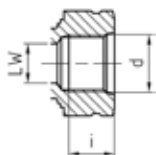
Please note the pressure ratings of the tube connections.

High-Pressure Block Body Ball Valve - Type XBV
Double L-Bore Four-Way Selector - Female UN/UNF Thread (SAE J 514)

When ordering the standard option as indicated in the table below, the following materials will be supplied:

- Body, ball and stem: Carbon Steel
- Lever: Aluminium (STAUFF Size 04)
Zinc (STAUFF Sizes 06 and 08)
Aluminium (STAUFF Sizes 12 and 16)
- Ball seat: Delrin® (POM)
- O-rings: FPM (Viton®)

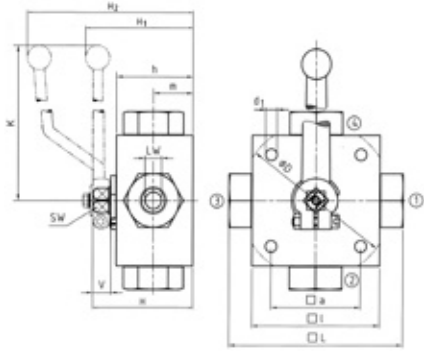
Female UN/UNF Thread (SAE J 514)



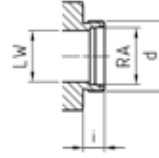
STAUFF Size	Thread Size d	Nominal Size DN	Dimensions (mm/in)															Nom. Pressure (bar/psi)	Weight (kg/lbs)	Order Codes (Standard Option)
			LW	L	D	i	a	H	h	m	K	V	SW	i	d1	H1	H2			
04	7/16-20 UNF (1/4" SAE)	6	4	100	/	70	55	58	40	22	160	14	12	14	6,5	101	500	1,60	XBV41040001M	
			.16	3,94	/	2,76	2,17	2,28	1,57	0,87	6,30	0,55	0,47	0,55	0,26	3,98	7250	3,52		
06	9/16-18 UNF (3/8" SAE)	10	7	115	/	80	65	68	50	27	200	14	14	14	6,5	72	500	2,80	XBV41060001M	
			.28	4,53	/	3,15	2,56	2,68	1,97	1,06	7,87	0,55	0,55	0,55	0,26	2,83	7250	6,16		
08	3/4-16 UNF (1/2" SAE)	13	10	144	/	100	80	78	60	31	200	14	14	16,3	9	82	400	5,20	XBV41080001M	
			.39	5,67	/	3,94	3,15	3,07	2,36	1,22	7,87	0,55	0,55	0,64	0,35	3,23	5800	11,44		
12	1-1/16-12 UN (3/4" SAE)	20	14	164	138	113	85	88	67	36,5	320	16,5	17	18	8,5	96	315	6,80	XBV41120001M	
			.55	6,46	5,43	4,45	3,35	3,46	2,64	1,44	12,60	0,65	0,67	0,71	0,33	3,78	4567	14,96		
16	1-5/16-12 UN (1" SAE)	25	17	180	138	119	85	103	82	47,5	320	16,5	17	20	8,5	112	315	8,50	XBV41160001M	
			.67	7,09	5,43	4,69	3,35	4,06	3,23	1,87	12,60	0,65	0,67	0,79	0,33	4,41	4567	18,70		

Please note the pressure ratings of the tube connections.

High-Pressure Block Body Ball Valve - Type XBV Double L-Bore Four-Way Selector - 24° Cone Connection Light Series (DIN 2353 / ISO 8434-1)



Hex nuts and cutting rings are not included in delivery.

**24° Cone Connection
(DIN 2353 / ISO 8434-1)**


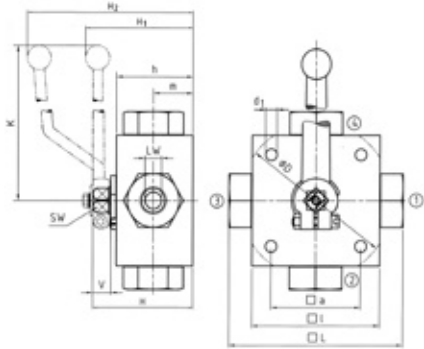
When ordering the standard option as indicated in the table below, the following materials will be supplied:

- Body, ball and stem: Carbon Steel
- Lever: Aluminium (STAUFF Sizes 02 and 04)
Zinc (STAUFF Sizes 05 to 10)
Aluminium (STAUFF Sizes 12 to 20)
- Ball seat: Delrin® (POM)
- O-rings: FPM (Viton®)

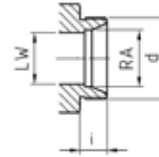
STAUFF Size	Tube/Thread Size d	Nominal Size DN	Dimensions (mm/in)															Nom. Pressure (bar/PSI)	Weight (kg/lbs)	Order Codes (Standard Option)
			RA	LW	L	D	l	a	H	h	m	K	V	SW	i	d1	H1			
02	06L / M12 x 1,5	4	6	4	105	70	55	58	40	22	160	14	12	10	6,5	101	500	1,60	XBV4DN0406L0001M	
			.24	.16	4.13	2.76	2.17	2.28	1.57	.87	6.30	.55	.47	.39	.26	3.98	7250	3.52		
04	08L / M14 x 1,5	6	8	4	105	70	55	58	40	22	160	14	12	10	6,5	101	500	1,80	XBV4DN0608L0001M	
			.31	.16	4.13	2.76	2.17	2.28	1.57	.87	6.30	.55	.47	.39	.26	3.98	7250	3.96		
05	10L / M16 x 1,5	8	10	7	114	80	65	68	50	27	200	14	14	11	6,5	72	500	2,60	XBV4DN0810L0001M	
			.39	.28	4.49	3.15	2.56	2.68	1.97	1.06	7.87	.55	.55	.43	.26	2.83	7250	5.72		
06	12L / M18 x 1,5	10	12	7	114	80	65	68	50	27	200	14	14	11	6,5	72	500	2,60	XBV4DN1012L0001M	
			.47	.28	4.49	3.15	2.56	2.68	1.97	1.06	7.87	.55	.55	.43	.26	2.83	7250	5.72		
08	15L / M22 x 1,5	13	15	10	137	100	80	78	60	31	200	14	14	12	9	82	400	4,70	XBV4DN1315L0001M	
			.59	.39	5.39	3.94	3.15	3.07	2.36	1.22	7.87	.55	.55	.47	.35	3.23	5800	10.34		
10	18L / M26 x 1,5	16	18	10	137	113	85	88	67	36.5	320	16.5	17	12	8,5	82	400	4,70	XBV4DN1618L0001M	
			.71	.39	5.39	4.45	3.35	3.46	2.64	1.44	12.60	.65	.67	.47	.33	3.23	5800	10.34		
12	22L / M30 x 2	20	22	14	152	138	119	85	103	82	47.5	320	16.5	17	14	8,5	96	315	6,60	XBV4DN2022L0001M
			.87	.55	5.98	5.43	4.69	3.35	4.06	3.23	1.87	12.60	.65	.67	.55	.33	3.78	4567	14.52	
16	28L / M36 x 2	25	28	17	166	138	119	85	103	82	47.5	320	16.5	17	14	8,5	112	315	8,00	XBV4DN2528L0001M
			1.10	.67	6.54	5.43	4.69	3.35	4.06	3.23	1.87	12.60	.65	.67	.55	.33	4.41	4567	17.60	
20	35L / M45 x 2	25/32	35	17	170	138	119	85	103	82	47.5	320	16.5	17	16	8,5	112	315	8,12	XBV4DN2535L0001M
			1.38	.67	6.69	5.43	4.69	3.35	4.06	3.23	1.87	12.60	.65	.67	.63	.33	4.41	4567	17.86	

Please note the pressure ratings of the tube connections.

High-Pressure Block Body Ball Valve - Type XBV Double L-Bore Four-Way Selector - 24° Cone Connection Heavy Series (DIN 2353 / ISO 8434-1)



Hex nuts and cutting rings are not included in delivery.

**24° Cone Connection
(DIN 2353 / ISO 8434-1)**


When ordering the standard option as indicated in the table below, the following materials will be supplied:

- Body, ball and stem: Carbon Steel
- Lever: Aluminium (STAUFF Sizes 04 and 08)
Zinc (STAUFF Sizes 10 to 16)
Aluminium (STAUFF Sizes 20 to 25)
- Ball seat: Delrin® (POM)
- O-rings: FPM (Viton®)

STAUFF Size	Thread Size d	Nominal Size DN	Dimensions (mm/in)															Nom. Pressure (bar/PSI)	Weight (kg/lbs)	Order Codes (Standard Option)
			RA	LW	L	D	l	a	H	h	m	K	V	SW	i	d1	H1			
02	08S / M16 x 1,5	4	8	4	105	70	55	58	40	22	160	14	12	12	6,5	101	500	1,60	XBV4DN0408S0001M	
			.31	.16	4.13	2.76	2.17	2.28	1.57	.87	6.30	.55	.47	.47	.26	3.98	7250	3.52		
04	10S / M18 x 1,5	6	10	4	105	70	55	58	40	22	160	14	12	12	6,5	101	500	1,80	XBV4DN0610S0001M	
			.39	.16	4.13	2.76	2.17	2.28	1.57	.87	6.30	.55	.47	.47	.26	3.98	7250	3.96		
05	12S / M20 x 1,5	8	12	7	116	80	65	68	50	27	200	14	14	12	6,5	72	500	2,60	XBV4DN0812S0001M	
			.47	.28	4.57	3.15	2.56	2.68	1.97	1.06	7.87	.55	.55	.47	.26	2.83	7250	5.72		
06	14S / M22 x 1,5	10	14	7	120	80	65	68	50	27	200	14	14	14	6,5	72	500	2,60	XBV4DN1014S0001M	
			.55	.28	4.72	3.15	2.56	2.68	1.97	1.06	7.87	.55	.55	.55	.26	2.83	7250	5.72		
08	16S / M24 x 1,5	13	16	10	141	100	80	78	60	31	200	14	14	14	9	82	400	4,70	XBV4DN1316S0001M	
			.63	.39	5.55	3.94	3.15	3.07	2.36	1.22	7.87	.55	.55	.55	.35	3.23	5800	10.34		
10	20S / M30 x 2	16	20	10	145	113	85	88	67	36.5	320	16.5	17	16	8,5	82	400	4,70	XBV4DN1620S0001M	
			.79	.39	5.71	4.45	3.35	3.46	2.64	1.44	12.60	.65	.67	.63	.33	3.23	5800	10.34		
12	25S / M36 x 2	20	25	14	160	138	119	85	103	82	47.5	320	16.5	17	18	8,5	96	315	6,60	XBV4DN2025S0001M
			.98	.55	6.30	5.43	4.69	3.35	4.06	3.23	1.87	12.60	.65	.67	.71	.33	3.78	4567	14.52	
16	30S / M42 x 2	25	30	17	176	138	119	85	103	82	47.5	320	16.5	17	20	8,5	112	315	8,00	XBV4DN2530S0001M
			1.18	.67	6.93	5.43	4.69	3.35	4.06	3.23	1.87	12.60	.65	.67	.79	.33	4.41	4567	17.60	
20	38S / M52 x 2	25/32	38	17	180	138	119	85	103	82	47.5	320	16.5	17	22	8,5	112	315	8,12	XBV4DN2538S0001M
			1.50	.67	7.09	5.43	4.69	3.35	4.06	3.23	1.87	12.60	.65	.67	.87	.33	4.41	4567	17.86	

Please note the pressure ratings of the tube connections.

Two-Piece Hex Body Ball Valve - Type 2BVM



Characteristics

Two-way medium pressure ball valves designed for use as a on/off devices for hydraulic applications

Features

- Two-piece hex bar stock construction
- Body made of Carbon Steel, black phosphate-coated
- Ball made of Carbon Steel, chrome-plated
- Female NPT connection

Options

- Locking devices

Media Compatibility

- Suitable for hydraulic fluids

Please consult STAUFF before using with other media.

Materials

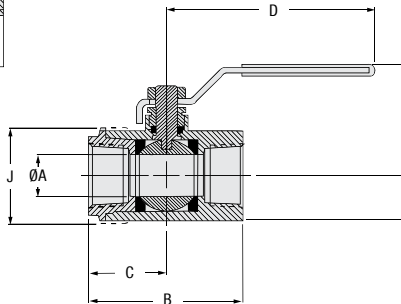
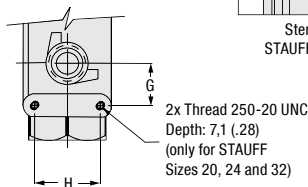
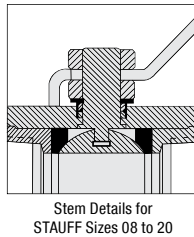
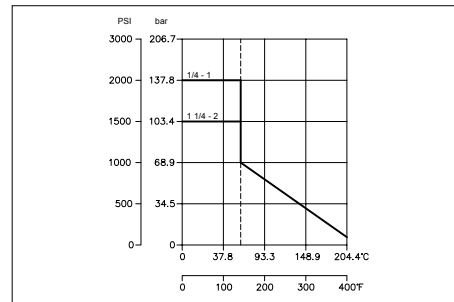
- Body: Carbon Steel, black phosphate-coated
- Stem: Carbon Steel, nickel-plated
- Ball: Carbon Steel, chrome-plated
- Seals: Reinforced Teflon® (PTFE)
- Ball seats: Reinforced Teflon® (PTFE)
- Handle: Carbon Steel, zinc plated, vinyl grip

Technical Data

- Operation Pressure:
 - For STAUFF Sizes 04 to 16: 138 bar / 2000 PSI (cold, non-shock)
 - For STAUFF Sizes 20 to 32: 103 bar / 1500 PSI (cold, non-shock)
- Operating temperature range:
 - 7°C ... +82°C / +20°F ... +180°F

Please see the pressure / temperature rating chart for details.

Pressure / Temperature Rating



Dimensions & Order Codes

STAUFF Size	Thread Size	Dimensions (mm/in)									Flow Factor Cv	Weight (kg/lbs)	Order Codes (Standard Option)
		ØA	B	C	D	E	F	G	H	J			
04	1/4 NPT	10 .39	51 2.01	25 0.98	96 3.78	41 1.61	13 .51				6	0,60 .27	2BVM-20 04 S
06	3/8 NPT	10 .39	51 2.01	25 .98	96 3.78	41 1.61	13 .51				12	0,60 .27	2BVM-20 06 S
08	1/2 NPT	14 .55	60 2.36	28 1.10	96 3.78	44 1.73	16 .63				15	0,80 .36	2BVM-20 08 S
12	3/4 NPT	17 .67	74 2.91	36 1.42	130 5.12	53 2.09	21 .83				23	1,40 .63	2BVM-20 12 S
16	1 NPT	22 .87	87 3.43	42 1.65	130 5.12	58 2.28	25 .98				36	2,40 1.09	2BVM-20 16 S
20	1-1/4 NPT	25 .98	100 3.94	51 2.01	155 6.10	70 2.76	29 1.14	24 .94	38 1.50		44	2,70 1.22	2BVM-20 20 S
24	1-1/2 NPT	32 1.26	118 4.65	60 2.36	155 6.10	76 2.99	34 1.34	24 .94	38 1.50	70 2.76	64	6,50 3.04	2BVM-20 24 S
32	2 NPT	38 1.50	127 5.00	65 2.56	218 8.58	90 3.54	39 1.54	26 1.02	51 2.01		114	6,10 2.77	2BVM-20 32 S

Order Codes

2BVM 2 0 - 08 S LD



① **Type**
Two-Piece Hex-Body Valve **2BVM**

② **Number of Ports**
Two Ports (Two Way Ball Valve) **2**

③ **Connection Style**
Female NPT Thread (ANSI B1.20.1) **0**

④ **Connection Size**
STAUFF Size
04 06 08 12 16 20 24 32

Please consult STAUFF for alternative connection sizes.

⑤ **Manufacturing Code**
Manufacturing code for all connection styles **S**

⑥ **Accessories / Options**
Supplied without accessories **-**
Supplied with Locking Device **LD**

Two-Piece Brass Body Valve ■ Type 2BVL

Characteristics

Two-way low pressure ball valves designed for use as a on/off devices for hydraulic applications

Features

- Forged / cast construction with blow-out proof stem
- Body and ball made of Brass
- Female NPT or SAE connections
(modified BSPP O-ring port for sizes 40, 48 and 64)

Options

- Locking devices
- Limit switches
- Actuator packages

Please see page F76 for detailed ordering information.

Media Compatibility

- Suitable for hydraulic fluids

Please consult STAUFF before using with other media.

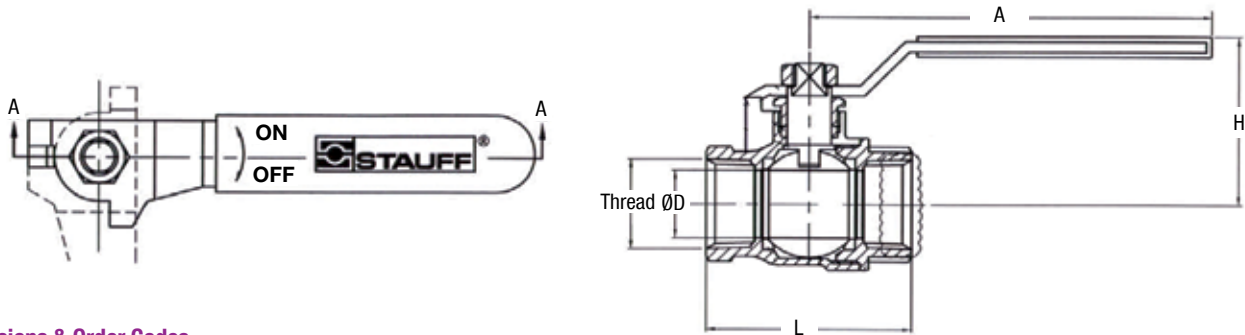
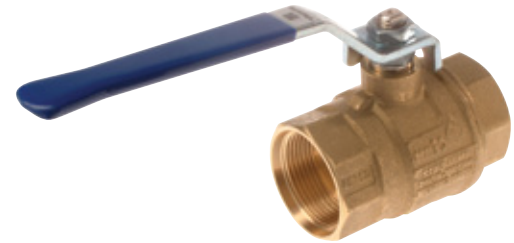
Materials

- Body: Forged Brass for Sizes 04 to 24
Cast Brass for Sizes 32 to 64
- Stem: Brass
- Ball: Brass, chrome plated
- Seals: Teflon® (PTFE)
- Ball seats: Teflon® (PTFE)
- Handle: Carbon Steel, zinc plated, vinyl grip

Technical Data

- Operation Pressure:
For STAUFF Sizes 04 and 06: 40 bar / 600 PSI
For STAUFF Sizes 08 to 16: 30 bar / 435 PS
For STAUFF Sizes 20 to 64: 25 bar / 362 PSI
- Operating temperature range up to +160 °C / +366 °F

Please see the pressure / temperature rating chart on page F76 for details.



Dimensions & Order Codes

STAUFF Size	Thread Size	Dimensions (mm/m)				Flow Factor Cv	Max. Working Pressure (bar/PSI)	Weight (kg/lbs)	Order Codes (NPT + SAE Version)
		ØD	L	A	H				
04	1/4 NPT	10	46	84	44,5	6	40	0,13	2BVL-20 04 F 2BVL-21 04 F
	1/4" SAE (7/16-20 UNF)	.39	1.81	3.31	1.75		600	.30	
06	3/8 NPT	10	46	84	44,5	7	40	0,13	2BVL-21 06 F 2BVL-21 06 F
	3/8" SAE (9/16-18 UNF)	.39	1.81	3.31	1.75		600	.28	
08	1/2 NPT	12,7	55	84	48	19	30	0,19	2BVL-20 08 F 2BVL-21 08 F
	1/2" SAE (3/4-16 UNF)	.50	2.17	3.31	1.88		435	.41	
12	3/4 NPT	20	64	84	58	34	30	0,30	2BVL-20 12 F 2BVL-21 12 F
	3/4" SAE (1-1/16-12 UN)	.78	2.52	3.31	2.28		435	.67	
16	1 NPT	25	76	118	62	50	30	0,50	2BVL-20 16 F 2BVL-21 16 F
	1" SAE (1-5/16-12 UN)	.98	2.99	4.65	2.44		435	1.09	
20	1-1/4 NPT	32	87	118	78	104	30	0,90	2BVL-20 20 F 2BVL-21 20 F
	1-1/4" SAE (1-5/8-12 UN)	1.25	3.43	4.65	3.07		435	2.01	
24	1-1/2 NPT	38	93	134	85	268	25	1,40	2BVL-20 24 F 2BVL-21 24 F
	1-1/2" SAE (1-7/8-12 UN)	1.50	3.66	5.28	3.34		362	3.08	
32	2 NPT	50	110	134	96,5	309	25	1,90	2BVL-20 32 F 2BVL-21 32 F
	2" SAE (2-1/2-12 UN)	1.96	4.33	5.28	3.79		362	4.18	
40	2-1/2 NPT	63	131	200	127,5	629	25	3,60	2BVL-20 40 F 2BVL-2R 40 F
	2-1/2-11 BSPP *	2.48	5.16	7.88	5.02		362	8.00	
48	3 NPT	75	150	200	138,5	1018	25	5,90	2BVL-20 48 F 2BVL-2R 48 F
	3-11 BSPP *	2.95	5.91	7.88	5.45		362	12.90	
64	4 NPT	100	214	260	161	1622	25	10,00	2BVL-20 64 B 2BVL-2R 64 B
	4-11 BSPP *	3.94	8.43	10.23	6.34		362	22.04	

* Please note: STAUFF Size 40, 48 and 64 ball valves are not equipped with a standard SAE port.

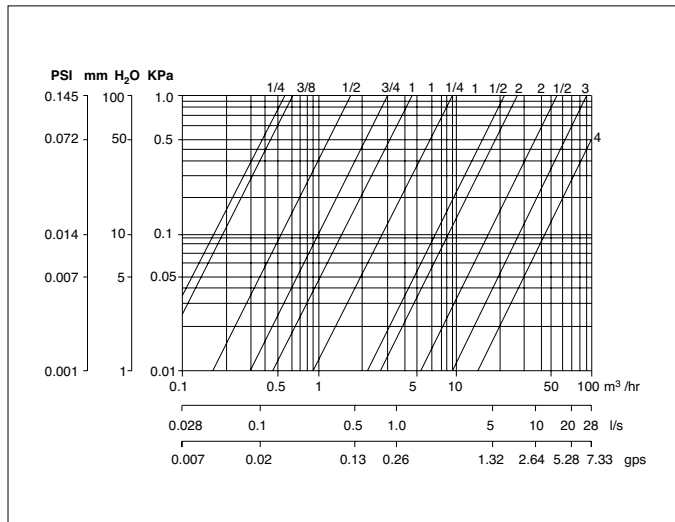
The O-ring port is a modified BSPP port to duplicate the benefits of an O-ring seal such as SAE that is only available up to STAUFF Size 32.



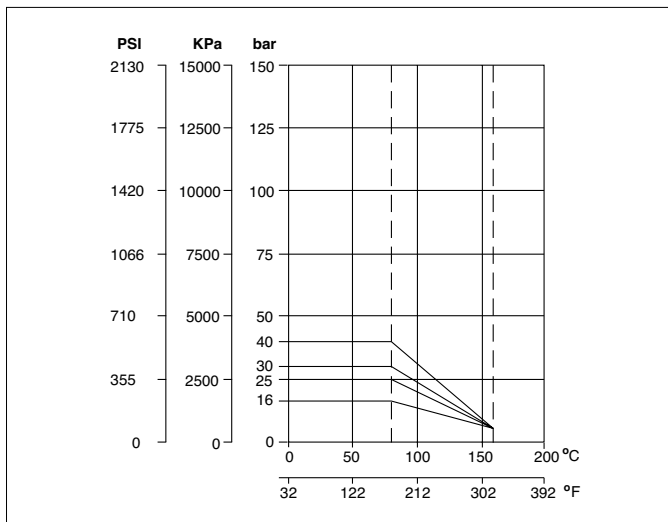
These valves can be used with a wide range of STAUFF port adapters. See pages F77 and F78 for details.

Two-Piece Brass Body Valve - Type 2BVL

Pressure Drop Flow Curves



Pressure / Temperature Rating



Order Codes

2BVL 2 0 - 08 F L

① ② ③ ④ ⑤ ⑥

① Type

Two-Piece Brass Body Valve **2BVL**

② Number of Ports

Two Ports (Two Way Ball Valve) **2**

③ Connection Style

Female NPT Thread (ANSI B1.20.1) **0**
 Female UN/UNF Thread (SAE J 514) **1**
 Modified Female BSPP Thread (DIN ISO 228)
 (For connection sizes 40, 48 and 64 only) **R**

Please consult STAUFF for alternative connection styles.

④ Connection Size

STAUFF Size
04 06 08 12 16 20 24 32 40 48 64

Please consult STAUFF for alternative connection sizes.

⑤ Manufacturing Code

Manufacturing code for all connection styles **F**

⑥ Accessories / Options

Supplied without accessories **-**
 Supplied with Locking Device **L**
 Supplied with Limit Switch **S**
 Supplied with Locking Device and Limit Switch **X**

Characteristics

- Leak Free O-Ring Sealing to 4" with a Variety of Connection Options: Socket Weld, Hose Barb (Straight 45° & 90°) or Split Flange
- Carbon Steel Construction
- Lock Nut Design Simplifies the Positioning of Valves and Eliminates Weld Damage to Valve
- Buna-N Seals

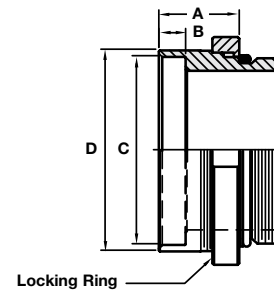
Options

- Viton Seals
- Step Sizes Available (Consult Factory)
- 1/2 or 3/4 Sizes Available (Consult Factory)

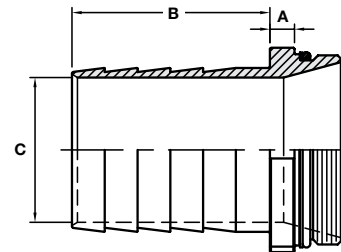


Please note: All O-ring seals should be lubricated before assembly.

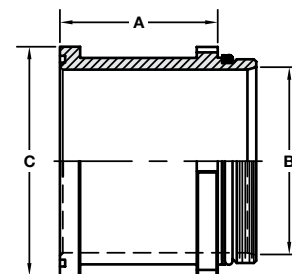
STAUFF Size	Thread Size	Dimensions (mm/in)				Order Codes (Standard Option)
		A	B	C	D	
16 / 1"	1-5/16-12 UN - 2B	22,4	6,4	33,8	41,4	SWA-16
		.88	.25	1.33	1.63	
20 / 1-1/4"	1-5/8-12 UN - 2B	22,4	6,4	42,4	50,8	SWA-20
		.88	.25	1.67	2.00	
24 / 1-1/2"	1-7/8-12 UN - 2B	22,4	6,4	48,5	57,2	SWA-24
		.88	.25	1.91	2.25	
32 / 2"	2-1/2-12 UN - 2B	25,4	6,4	60,7	69,9	SWA-32
		1.00	.25	2.39	2.75	
40 2-1/2"	2-1/2-11 BSPP	38,1	.50	73,4	82,6	SWA-40
		1.50	12,7	2.89	3.25	
48 / 3"	3-11 BSPP	38,1	.50	89,2	95,3	SWA-48
		1.50	12,7	3.51	3.75	
64 / 4"	4-11 BSPP	38,1	.50	114,6	120,7	SWA-64
		1.50	12,7	4.51	4.75	

Swivel Socket Weld Adaptor - Type SWA


STAUFF Size	Thread Size	Dimensions (mm/in)			Order Codes (Standard Option)
		A	B	C	
16 / 1"	1-5/16-12 UN - 2B	9,7	34,8	21,3	HA-16
		.38	1.37	.84	
20 / 1-1/4"	1-5/8-12 UN - 2B	10,2	48,3	26,9	HA-20
		.40	1.90	1.06	
24 / 1-1/2"	1-7/8-12 UN - 2B	10,2	49,3	31,8	HA-24
		.40	1.94	1.25	
32 / 2"	2-1/2-12 UN - 2B	10,4	61,7	43,2	HA-32
		.41	2.43	1.70	
40 2-1/2"	2-1/2-11 BSPP	11,4	78,5	54,6	HA-40
		.45	3.09	2.15	
48 / 3"	3-11 BSPP	11,4	91,9	67,3	HA-48
		.45	3.62	2.65	
64 / 4"	4-11 BSPP	11,4	124,5	92,7	HA-64
		.45	4.90	3.65	

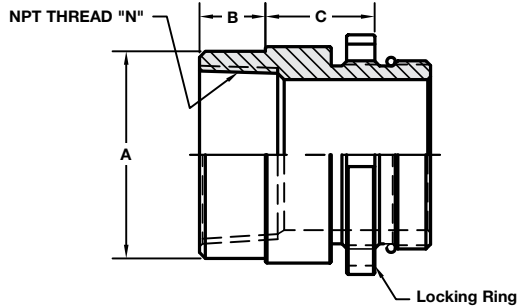
SAE Swivel to Hose Barb Adaptor - Type HA


STAUFF Size	Thread Size	Dimensions (mm/in)			Order Codes (Standard Option)
		A	B	C	
16 / 1"	1-5/16-12 UN - 2B	61,0	25,4	44,5	SAS-16
		2.40	1.00	1.75	
20 / 1-1/4"	1-5/8-12 UN - 2B	69,1	31,8	50,8	SAS-20
		2.72	1.25	2.00	
24 / 1-1/2"	1-7/8-12 UN - 2B	69,1	38,1	60,5	SAS-24
		2.72	1.50	2.38	
32 / 2"	2-1/2-12 UN - 2B	75,4	50,8	71,4	SAS-32
		2.97	2.00	2.81	
40 2-1/2"	2-1/2-11 BSPP	80,8	63,5	84,1	SAS-40
		3.18	2.50	3.31	
48 / 3"	3-11 BSPP	80,8	76,2	101,6	SAS-48
		3.18	3.00	4.00	
64 / 4"	4-11 BSPP	87,4	101,6	127,0	SAS-64
		3.44	4.00	5.00	

SAE to Split Flange (Code 61) Adaptor - Type SAS


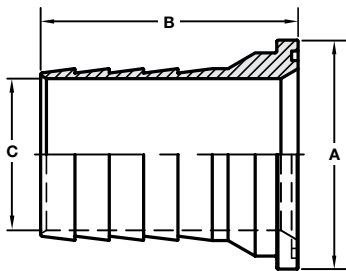
Port Adaptors

SAE Swivel to NPT Female Adaptor - Type SNN



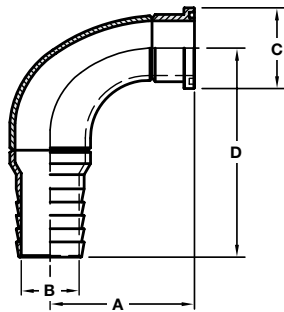
STAUFF Size	Thread Size	Dimensions (mm/in)			Order Codes (Standard Option)
		A	B	C	
16 / 1"	1-5/16-12 UN - 2B	41,4 1,63	22,4 .88	38,1 1,50	SNN-16
20 / 1-1/4"	1-5/8-12 UN - 2B	47,8 1,88	22,4 .88	39,6 1,56	SNN-20
24 / 1-1/2"	1-7/8-12 UN - 2B	57,2 2,25	22,4 .88	39,6 1,56	SNN-24
32 / 2"	2-1/2-12 UN - 2B	69,9 2,75	22,4 .88	44,5 1,75	SNN-32
40 2-1/2"	2-1/2-11 BSPP	79,5 3,13	25,4 1,00	44,5 1,75	SNN-40
48 / 3"	3-11 BSPP	98,6 3,88	25,4 1,00	44,5 1,75	SNN-48
64 / 4"	4-11 BSPP	124,0 4,88	25,4 1,00	44,5 1,75	SNN-64

Split Flange to Hose Barb Adaptor - Type HAS



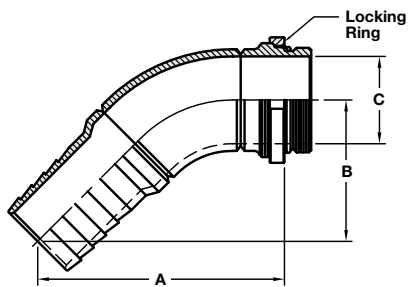
STAUFF Size	Thread Size	Dimensions (mm/in)			Order Codes (Standard Option)
		A	B	C	
16 / 1"	Code 61	44,5 1,75	66,8 2,63	21,3 .84	HAS-16
20 / 1-1/4"	Code 61	50,8 2,00	76,2 3,00	26,9 1,06	HAS-20
24 / 1-1/2"	Code 61	60,5 2,38	76,2 3,00	31,8 1,25	HAS-24
32 / 2"	Code 61	71,4 2,81	82,6 3,25	43,2 1,70	HAS-32
40 2-1/2"	Code 61	84,1 3,31	101,6 4,00	54,6 2,15	HAS-40
48 / 3"	Code 61	101,6 4,00	114,3 4,50	67,3 2,65	HAS-48
64 / 4"	Code 61	127,0 5,00	127,0 5,00	92,7 3,65	HAS-64

Split Flange to Hose Barb Elbow 90° Adaptor - Type HAS90



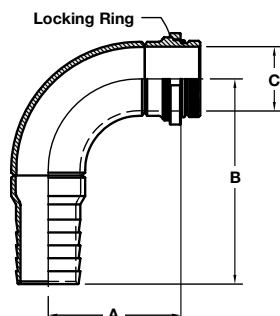
STAUFF Size	Dimensions (mm/in)				Order Codes (Standard Option)
	A	B	C	D	
16 / 1"	69,9 2,75	25,4 1,00	44,5 1,75	92,2 3,63	HAS90-16
20 / 1-1/4"	82,6 3,25	31,8 1,25	50,8 2,00	117,6 4,63	HAS90-20
24 / 1-1/2"	165,1 6,50	38,1 1,50	60,5 2,38	127,0 5,00	HAS90-24
32 / 2"	108,0 4,25	50,8 2,00	71,4 2,81	158,8 6,25	HAS90-32
40 2-1/2"	139,7 5,50	63,5 2,50	84,1 3,31	200,2 7,88	HAS90-40
48 / 3"	162,1 6,38	76,2 3,00	101,6 4,00	228,6 9,00	HAS90-48
64 / 4"	203,2 8,00	101,6 4,00	127,0 5,00	289,1 11,38	HAS90-64

SAE Swivel to Hose Barb Elbow 45° Adaptor - Type HA45



STAUFF Size	Thread Size	Dimensions (mm/in)			Order Codes (Standard Option)
		A	B	C	
16 / 1"	1-5/16-12 UN - 2B	88,9 3,50	50,8 2,00	25,4 1,00	HA45-16
20 / 1-1/4"	1-5/8-12 UN - 2B	108,0 4,25	63,5 2,50	31,8 1,25	HA45-20
24 / 1-1/2"	1-7/8-12 UN - 2B	111,3 4,38	63,5 2,50	38,1 1,50	HA45-24
32 / 2"	2-1/2-12 UN - 2B	136,7 5,38	79,5 3,13	50,8 2,00	HA45-32
40 2-1/2"	2-1/2-11 BSPP	177,8 7,00	101,6 4,00	63,5 2,50	HA45-40
48 / 3"	3-11 BSPP	203,2 8,00	117,9 4,64	76,2 3,00	HA45-48
64 / 4"	4-11 BSPP	241,3 9,50	139,7 5,50	101,6 4,00	HA45-64

SAE Swivel to Hose Barb Elbow 90° Adaptor - Type HA90



STAUFF Size	Thread Size	Dimensions (mm/in)			Order Codes (Standard Option)
		A	B	C	
16 / 1"	1-5/16-12 UN - 2B	60,5 2,38	92,2 3,63	25,4 1,00	HA90-16
20 / 1-1/4"	1-5/8-12 UN - 2B	69,9 2,75	114,3 4,50	31,8 1,25	HA90-20
24 / 1-1/2"	1-7/8-12 UN - 2B	79,5 3,13	127,0 5,00	38,1 1,50	HA90-24
32 / 2"	2-1/2-12 UN - 2B	101,6 4,00	158,8 6,25	50,8 2,00	HA90-32
40 2-1/2"	2-1/2-11 BSPP	133,4 5,25	204,7 8,06	63,5 2,50	HA90-40
48 / 3"	3-11 BSPP	152,4 6,00	230,1 9,06	76,2 3,00	HA90-48
64 / 4"	4-11 BSPP	196,9 7,75	289,1 11,38	101,6 4,00	HA90-64

Two-Way Stainless Steel Valve - Type 2BVM

Characteristics

Two-way Stainless Steel ball valves designed for use as a on/off devices

Features

- Two-piece body made of Stainless Steel
- Seats and seals made of Teflon® (PTFE)
- Female NPT connection
- Full and reduced port (see chart below)
- Blowout-proof stem
- Anti-static device
- Adjustable packing nut
- Locking handle standard
- Mounting pad

Options

- Full ports for STAUFF Sizes 16 to 32
- Pneumatic and electric actuator packages
- Sanitary connections
- STAUFF sizes 40 to 64

Consult STAUFF for details.

Media Compatibility

- Suitable for a wide range of Chemicals

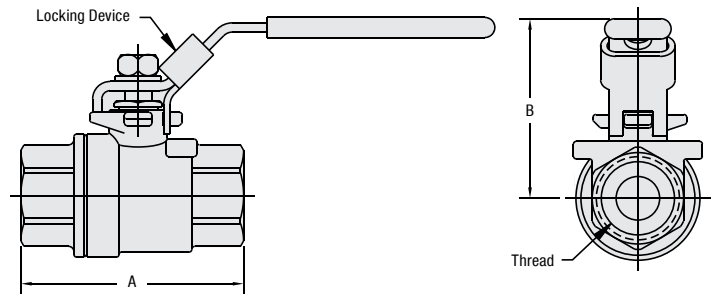
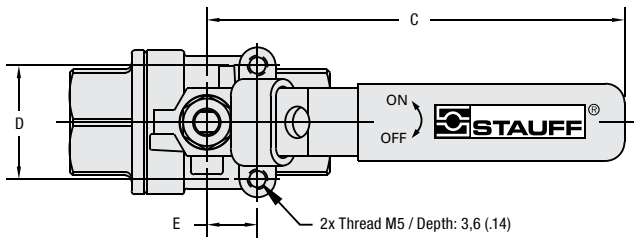
Materials

- Body: Stainless Steel A351-CF8M (316)
- Stem: Stainless Steel A351-CF8M (316)
- Ball: Stainless Steel A351-CF8M (316)
- Seals: Teflon® (PTFE)
- Ball seats: Teflon® (PTFE)
- Handle: Stainless Steel (304), PVC grip

Technical Data

- Operating Pressure: 140 bar / 2000 PSI (cold, non-shock)
- Operating temperature range: -29°C ... +200 °C / -20 °F ... +400 °F

Please see the pressure / temperature rating chart for details.

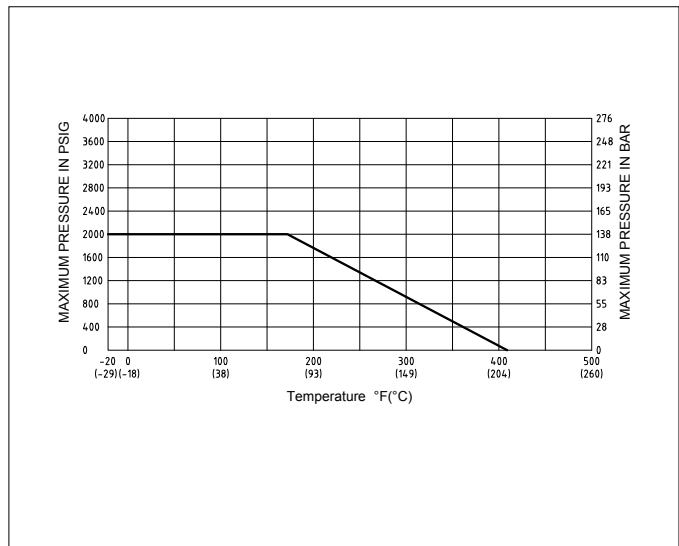


Dimensions & Order Codes

STAUFF Size	Thread Size	Dimensions (mm/in)					Order Codes (Standard Option)
		A	B	C	D	E	
04	1/4 NPT	51	48	120	28.5	12,7	2BVM20041144G/LD
		2.01	1.89	4.72	1.12	.50	
06	3/8 NPT	51	48	120	28.5	12,7	2BVM20061144G/LD
		2.01	1.89	4.72	1.12	.50	
08	1/2 NPT	51	49	120	28.5	12,7	2BVM20081144G/LD
		2.01	1.93	4.72	1.12	.50	
12	3/4 NPT	68	55	130	22,4	36	2BVM20121144G/LD
		2.68	2.17	5.12	.88	1.42	
16 *	1 NPT	83	69	155	22,4	36	2BVM20161144G/LD
		3.27	2.72	6.10	.88	1.42	
20 *	1-1/4 NPT	90	77	155	22,4	36	2BVM20201144G/LD
		3.54	3.03	6.10	.88	1.42	
24 *	1-1/2 NPT	104	84	185	25,4	38,1	2BVM20241144G/LD
		4.09	3.31	7.28	1.00	1.50	
32 *	2 NPT	117	93	185	25,4	38,1	2BVM20321144G/LD
		4.61	3.66	7.28	1.00	1.50	

* Reduced Bore

Pressure / Temperature Rating



Two-Piece Three-Way Stainless Steel Valve - Type 2BVM3



Characteristics

Three-way Stainless Steel ball valves designed for use as flow diverter style valves

Features

- Two-piece body made of Stainless Steel
- Seats and seals made of Teflon® (PTFE)
- Female NPT connection
- Full and reduced port (see chart below)
- L bore
- Blowout-proof stem
- Anti-static device
- Adjustable packing nut
- Locking handle standard
- Mounting pad to ISO 5211

Options

- T bore
- Pneumatic and electric actuator packages

Consult STAUFF for details.

Media Compatibility

- Suitable for a wide range of Chemicals

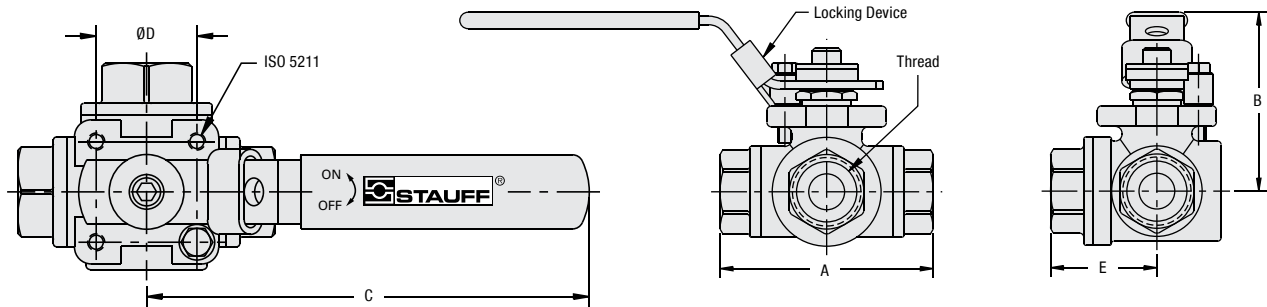
Materials

- Body: Stainless Steel A351-CF8M (316)
- Stem: Stainless Steel A351-CF8M (316)
- Ball: Stainless Steel A351-CF8M (316)
- Seals: Teflon® (PTFE)
- Ball seats: Teflon® (PTFE)
- Handle: Stainless Steel (304), PVC grip

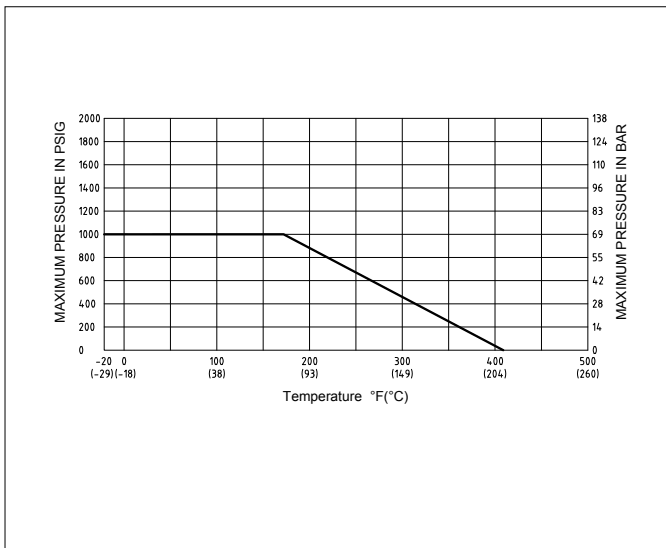
Technical Data

- Operating Pressure: 70 bar / 1000 PSI (cold, non-shock)
- Operating temperature range: -29 °C ... +200 °C / -20 °F ... +400 °F

Please see the pressure / temperature rating chart for details.



Pressure / Temperature Rating



Dimensions & Order Codes

STAUFF Size	Thread Size	Dimensions (mm/in)					Order Codes (Standard Option)
		A	B	C	ØD	E	
08	1/2 NPT	75	42	106	36	38,1	2BVM30081144G/LD
		2,95	1,65	4,17	1,42	1,50	
12 *	3/4 NPT	86	46,5	133	42	43,8	2BVM30121144G/LD
		3,39	1,83	5,24	1,65	1,72	
16 *	1 NPT	101	55	133	42	50,3	2BVM30161144G/LD
		3,98	2,17	5,24	1,65	1,98	
20 *	1-1/4 NPT	115	63	133	50	57,5	2BVM30201144G/LD
		4,53	2,48	5,24	1,97	2,26	
24 *	1-1/2 NPT	125	74	187	50	64	2BVM30241144G/LD
		4,92	2,91	7,36	1,97	2,52	
32 *	2 NPT	149	88,3	187	70	75,5	2BVM30321144G/LD
		5,87	3,48	7,36	2,76	2,97	

* Reduced Bore

Three-Piece Two-Way Stainless Steel Valve - Type 3BVM

Characteristics

Two-way Stainless Steel ball valves designed for use as a on/off devices

Features

- Three-piece body made of Stainless Steel
- Seats and seals made of Teflon® (PTFE)
- Female NPT connection (1/2 to 4)
- Full port
- Swing-out design for easy repair
- Blowout-proof stem
- Anti-static device
- Adjustable packing nut
- Locking handle standard
- Mounting pad to ISO 5211

Options

- Pneumatic and electric actuator packages

Consult STAUFF for details.

Media Compatibility

- Suitable for a wide range of Chemicals

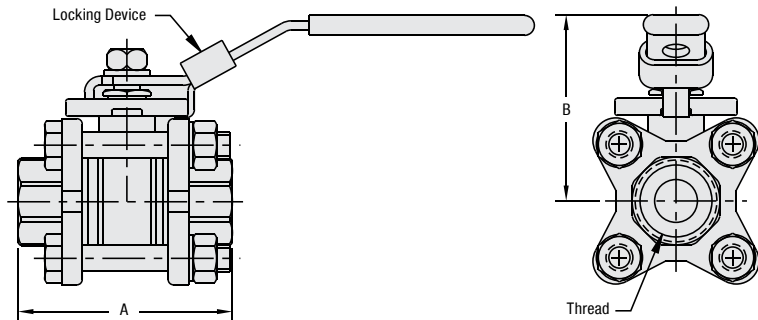
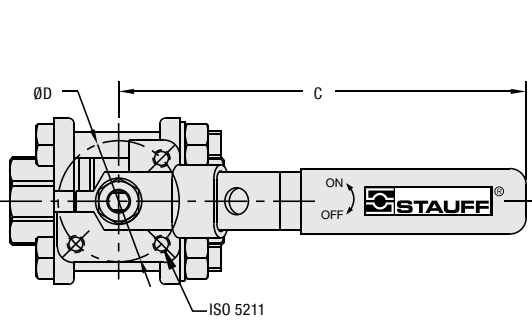
Materials

- Body: Stainless Steel A351-CF8M (316)
- Stem: Stainless Steel A351-CF8M (316)
- Ball: Stainless Steel A351-CF8M (316)
- Seals: Teflon® (PTFE)
- Ball seats: Teflon® (PTFE)
- Handle: Stainless Steel (304), PVC grip

Technical Data

- Operating Pressure: 70 bar / 1000 PSI (cold, non-shock)
- Operating temperature range: -29°C ... +202°C / -20°F ... +400°F

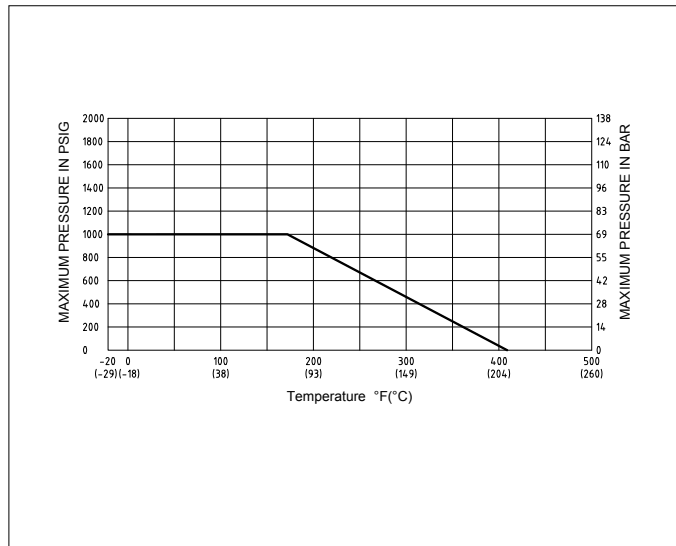
Please see the pressure / temperature rating chart for details.



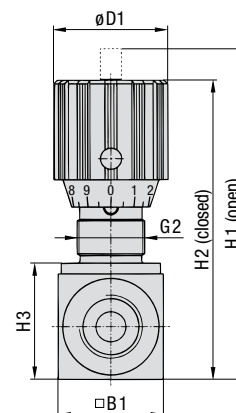
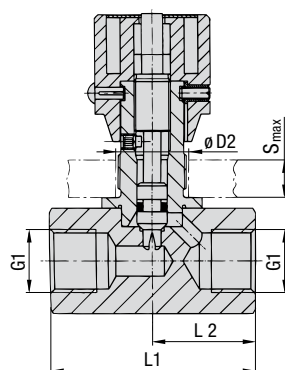
Dimensions & Order Codes

STAUFF Size	Thread Size	Dimensions (mm/in)				Order Codes (Standard Option)
		A	B	C	ØD	
08	1/2 NPT	65	53	100	36	3BVM20081144G/LD
		2.56	2.09	3.94	1.42	
12	3/4 NPT	75	58	103	36	3BVM20121144G/LD
		2.95	2.28	4.06	1.42	
16	1 NPT	85	70	158	42	3BVM20161144G/LD
		3.35	2.76	6.22	1.65	
20	1-1/4 NPT	100	76	158	42	3BVM20201144G/LD
		3.94	2.99	6.22	1.65	
24	1-1/2 NPT	110	88	183	50	3BVM20241144G/LD
		4.33	3.46	7.20	1.97	
32	2 NPT	130	95	183	50	3BVM20321144G/LD
		5.12	3.74	7.20	1.97	
40	2-1/2 NPT	160	135	243	70	3BVM20401144G/LD
		6.30	5.31	9.57	2.76	
48	3 NPT	185	145	243	70	3BVM20481144G/LD
		7.28	5.71	9.57	2.76	
64	4 NPT	220	165	328	102	3BVM20641144G/LD
		8.66	6.50	12.91	4.02	

Pressure / Temperature Rating



Heavy-Duty Throttle / Shut-Off Valve - Type DV (In-Line Assembly)



Characteristics

Throttle and shut-off the flow of liquid media in both directions

Features

- Designed for in-line assembly with female NPT, SAE and BSP threaded connections
- Panel mounting nuts available on request
- Graduated turning knob and coded spindle to accurately control flow
- Set-screw located on side of turning knob to lock valve in position

Media Compatibility

- Suitable for hydraulic fluids

Please consult STAUFF before using with other media.

Materials

- Body and spindle made of Steel (1.0715), zinc/iron-plated (Fe/Zn Fe Co 8 C) and free of hexavalent chromium CrVI (standard option); Stainless Steel (1.4571) version available
- Turning knob made of Polyamide (PA)
- O-rings made of FPM (Viton®); NBR (Buna-N®) and EPDM sealed version available

Consult STAUFF for alternative materials.

Technical Data

- Maximum working pressure: 350 bar / 5000 PSI (for all sizes)
- Operating temperature range: -20°C ... +100°C / -4°F ... +212°F

Please see page F94 for detailed flow characteristics.

Accessories / Spare Parts

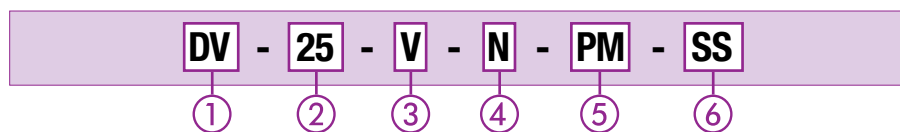
Panel Mounting Kits

- for DV/DRV/DVP/DRVP-8 (thread size PG 11): **PMK-8-10-M**
- for DV/DRV/DVP/DRVP-10 (thread size PG 11): **PMK-8-10-M**
- for DV/DRV/DVP/DRVP-12 (thread size PG 16): **PMK-12-16-M**
- for DV/DRV/DVP/DRVP-16 (thread size PG 16): **PMK-12-16-M**
- for DV/DRV/DVP/DRVP-20 (thread size PG 29): **PMK-20-40-M**
- for DV/DRV/DVP/DRVP-25 (thread size PG 29): **PMK-20-40-M**
- for DV/DRV/DVP/DRVP-30 (thread size PG 29): **PMK-20-40-M**
- for DV/DRV/DVP/DRVP-40 (thread size PG 29): **PMK-20-40-M**

Dimensions

Type + Nominal Size	Thread Options G1	Dimensions (mm/in) G2	Dimensions (mm/in)			B1	ØD1	ØD2	S (Max.)	L1	L2	Weight (kg/lbs)
			H1	H2	H3							
DV-06	1/8 NPT G1/8 BSP	PG 7	64	59	18	16	24	13	3	38	19	0,12
			2.52	2.32	.71	.63	.94	.51	.12	1.50	.75	.26
DV-08	1/4 NPT 7/16-20 UNF (1/4" SAE) G1/4 BSP	PG 11	83,5	77,5	27	25	29	19	7	48	24	0,25
			3.29	3.05	1.06	.98	1.14	.75	.28	1.89	.94	.55
DV-10	3/8 NPT 9/16-18 UNF (3/4" SAE) G3/8 BSP	PG 11	90	83	32	30	29	19	7	58	29	0,40
			3.54	3.27	1.26	1.18	1.14	.75	.28	2.28	1.14	.88
DV-12	1/2 NPT 3/4-16 UNF (1/2" SAE) G1/2 BSP	PG 11	109,5	99,5	38	35	38	23	7	68	34	0,60
			4.31	3.92	1.50	1.38	1.50	.91	.28	2.68	1.34	1.32
DV-16	3/4 NPT 1-1/16-12 UN (3/4" SAE) G3/4 BSP	PG 16	128,5	118,5	48	45	38	23	7	78	39	1,10
			5.06	4.67	1.89	1.77	1.50	.91	.28	3.07	1.54	2.43
DV-20	1 NPT 1-5/16-12 UN (1" SAE) G1 BSP	PG 16	159	146	55	50	49	38	10	108	54	2,40
			6.26	5.75	2.17	1.97	1.93	1.50	.39	4.25	2.13	5.29
DV-25	1-1/4 NPT 1-5/8-12 UN (1-1/4" SAE) G1-1/4 BSP	PG 29	169	156	65	60	49	38	10	108	54	2,80
			6.65	6.14	2.56	2.36	1.93	1.50	.39	4.25	2.13	6.17
DV-30	1-1/2 NPT 1-7/8-12 UN (1-1/2" SAE) G1-1/2 BSP	PG 29	175	166	75	70	49	38	10	108	54	3,50
			6.89	6.54	2.95	2.76	1.93	1.50	.39	4.25	2.13	7.72
DV-40	2 NPT 2-1/2-12 UN (2" SAE) G2 BSP	PG 29	199	186	95	90	49	38	10	120	60	6,30
			7.83	7.32	3.74	3.54	1.93	1.50	.39	4.72	2.36	13.89

Order Codes



① Type

Heavy-Duty Throttle / Shut-Off Valve (In-Line Assembly) **DV**

② Nominal Size DN

06 08 10 12 16 20 25 30 40

③ Sealing Material

FPM (Viton®) (standard option) **V**
NBR (Buna-N®) **P**
EPDM **E**

④ Connection

Female NPT threads (ANSI B1.20.1) **N**
Female UN/UNF threads (SAE J514) **S**
Female BSP threads (ISO 228) **B**

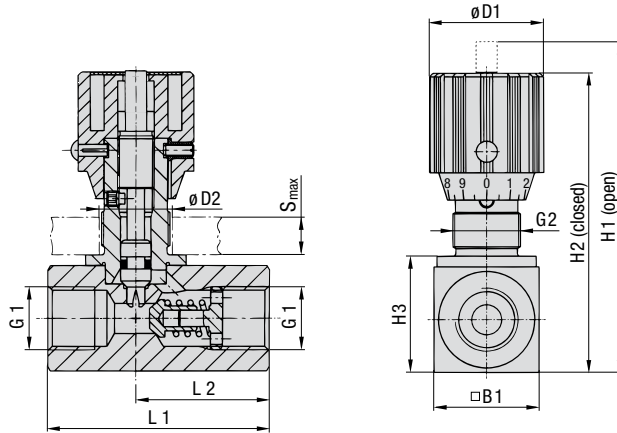
⑤ Panel Mounting Nut

Without panel mounting nut (standard option) **-**
With panel mounting nut **PM**

⑥ Body / Spindle Material

Steel (standard option) **-**
Stainless Steel **SS**

Heavy-Duty Flow Control Valve - Type DRV (In-Line Assembly)



Dimensions

Type + Nominal Size	Thread Options G1	Dimensions (mm/in) G2	Dimensions (mm/in)								Weight (kg/lbs)	
			H1	H2	H3	B1	ØD1	ØD2	S (Max)	L1		L2
DRV-06	1/8 NPT G1/8 BSP	PG 7	64	59	18	16	24	13	3	45	26	0,10
			2.52	2.32	.71	.63	.94	.51	.12	1.77	1.02	.22
DRV-08	1/4 NPT 7/16-20UNF (1/4" SAE) G1/4 BSP	PG 11	83,5	77,5	27	25	29	19	7	55	34	0,30
			3.29	3.05	1.06	.98	1.14	.75	.28	2.17	1.32	.66
DRV-10	3/8 NPT 9/16-18UNF (3/4" SAE) G3/8 BSP	PG 11	90	83	32	30	29	19	7	65	41	0,45
			3.54	3.27	1.26	1.18	1.14	.75	.28	2.56	1.61	.99
DRV-12	1/2 NPT 3/4-16UNF (1/2" SAE) G1/2 BSP	PG 11	109,5	99,5	38	35	38	23	7	73	44	0,70
			4.31	3.92	1.50	1.38	1.50	.91	.28	2.87	1.73	1.54
DRV-16	3/4 NPT 1-1/16-12UN (3/4" SAE) G3/4 BSP	PG 16	128,5	118,5	48	45	38	23	7	88	57	1,26
			5.06	4.67	1.89	1.77	1.50	.91	.28	3.46	2.24	2.78
DRV-20	1 NPT 1-5/16-12UN (1" SAE) G1 BSP	PG 16	159	146	55	50	49	38	10	127	77	2,60
			6.26	5.75	2.17	1.97	1.93	1.50	.39	5.00	3.03	5.73
DRV-25	1-1/4 NPT 1-5/8-12UN (1-1/4" SAE) G1-1/4 BSP	PG 29	169	156	65	60	49	38	10	143	93	3,70
			6.65	6.14	2.56	2.36	1.93	1.50	.39	5.63	3.66	8.16
DRV-30	1-1/2 NPT 1-7/8-12UN (1-1/2" SAE) G1-1/2 BSP	PG 29	175	166	75	70	49	38	10	143	91	4,76
			6.89	6.54	2.95	2.76	1.93	1.50	.39	5.63	3.58	10.49
DRV-40	2 NPT 2-1/2-12UN (2" SAE) G2 BSP	PG 29	199	186	95	90	49	38	10	165	111	8,52
			7.83	7.32	3.74	3.54	1.93	1.50	.39	6.50	4.37	18.78

Characteristics

Throttle and shut-off the flow of liquid media in direction A-B (free flow in reverse direction)

Features

- Designed for in-line assembly with female NPT, SAE and BSP threaded connections
- Panel mounting nuts available on request
- Graduated turning knob and coded spindle to accurately control flow
- Set-screw located on side of turning knob to lock valve in position

Media Compatibility

- Suitable for hydraulic fluids

Please consult STAUFF before using with other media.

Materials

- Body and spindle made of Steel (1.0715), zinc/iron-plated (Fe/Zn Fe Co 8 C) and free of hexavalent chromium CrVI (standard option); Stainless Steel (1.4571) version available
- Turning knob made of Polyamide (PA)
- O-rings made of FPM (Viton®); NBR (Buna-N®) and EPDM sealed version available

Consult STAUFF for alternative materials.

Technical Data

- Opening pressure: 0,5 bar / 7 PSI (4,5 bar / 65 PSI available on request)
- Maximum working pressure: 350 bar / 5000 PSI (for all sizes)
- Operating temperature range: -20 °C ... +100 °C / -4 °F ... +212 °F

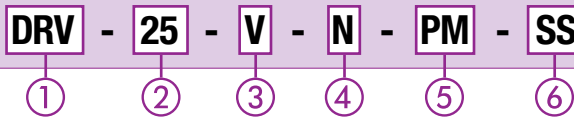
Please see page F94 for detailed flow characteristics.

Accessories / Spare Parts

Panel Mounting Kits

- for DV/DRV/DVP/DRVP-8 (thread size PG 11): **PMK-8-10-M**
- for DV/DRV/DVP/DRVP-10 (thread size PG 11): **PMK-8-10-M**
- for DV/DRV/DVP/DRVP-12 (thread size PG 16): **PMK-12-16-M**
- for DV/DRV/DVP/DRVP-16 (thread size PG 16): **PMK-12-16-M**
- for DV/DRV/DVP/DRVP-20 (thread size PG 29): **PMK-20-40-M**
- for DV/DRV/DVP/DRVP-25 (thread size PG 29): **PMK-20-40-M**
- for DV/DRV/DVP/DRVP-30 (thread size PG 29): **PMK-20-40-M**
- for DV/DRV/DVP/DRVP-40 (thread size PG 29): **PMK-20-40-M**

Order Codes



① Type

Heavy-Duty Flow Control Valve (In-Line Assembly) **DRV**

② Nominal Size DN

06 08 10 12 16 20 25 30 40

③ Sealing Material

FPM (Viton®) (standard option) **V**
NBR (Buna-N®) **P**
EPDM **E**

④ Connection

Female NPT threads (ANSI B1.20.1) **N**
Female UN/UNF threads (SAE J514) **S**
Female BSP threads (ISO 228) **B**

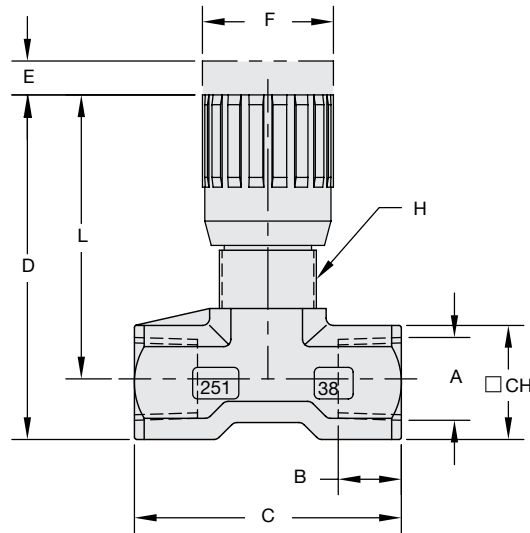
⑤ Panel Mounting Nut

Without panel mounting nut (standard option) **-**
With panel mounting nut **PM**

⑥ Body / Spindle Material

Steel (standard option) **-**
Stainless Steel **SS**

**Medium-Duty Throttle / Shut-Off Valve - NVH
(In-Line Assembly)**



Characteristics

Throttle and shut-off the flow of liquid media in both directions

Features

- Designed for in-line assembly with female NPT and SAE threaded connections; female BSP threaded connections available on request
- Ideal for medium-duty applications
- Panel mounting kits available on request
- Graduated turning knob to accurately control flow
- Set-screw located on side of turning knob to lock valve in position

Media Compatibility

- Suitable for hydraulic fluids

Please consult STAUFF before using with other media.

Materials

- Body made of Steel, nickel-plated
- Internal components made of Stainless Steel
- O-rings made of NBR (Buna-N®); FPM (Viton®) sealed version available
- Anti-extrusion ring made of PTFE

Consult STAUFF for alternative materials.

Technical Data

- Maximum working pressure: 350 bar / 5000 PSI (for all sizes)
- Operating temperature range: -34 °C ... +121 °C / -30 °F ... +250 °F

Accessories / Spare Parts

Panel Mounting Kits

- for NVH/FCH/NVW/FCM-08 (thread size M17x1): **PMK-8-T**
- for NVH/FCH/NVW/FCM-10 (thread size M20x1): **PMK-810-T**
- for NVH/FCH/NVW/FCM-12 (thread size M25x1,5): **PMK-1012-T**

Dimensions

Type + Nominal Size	Thread Options A	Dimensions (mm/in)						Thread H	L	□ CH	Weight (kg/lbs)
		B	C	D	E	F					
NVH-8	1/4 NPT	12	46	61	4,5	22	M17x1	52,5	17	0,12	
	7/16-20 UNF (1/4" SAE)	.47	1.81	2.40	.18	.87					2.07
NVH-10	3/8 NPT	13	55	74	7	27	M20x1	63	22	0,23	
	9/16-18 UNF (3/4" SAE)	.51	2.17	2.91	.28	1.06					2.48
NVH-12	1/2 NPT	16	82	85,5	10	33	M25x1,5	72	27	0,45	
	3/4-16 UNF (1/2" SAE)	.63	2.76	3.37	.39	1.30					2.83

Order Codes

NVH - 8 N

①

Type

Medium-Duty Throttle / Shut-Off Valve (In-Line Assembly) **NVH**

②

STAUFF Size

08	10	12
----	----	----

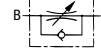
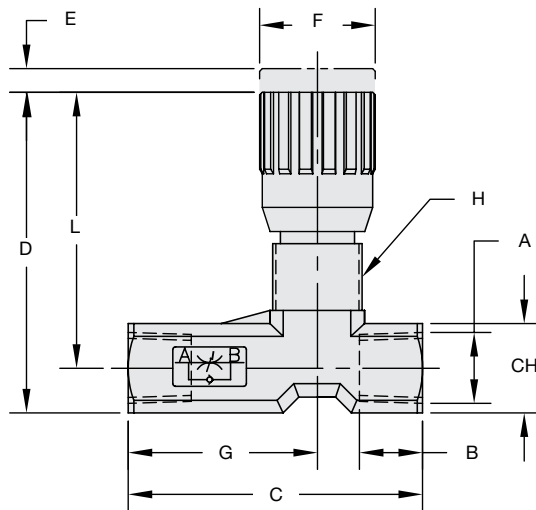
③

Connection

Female NPT threads (ANSI B1.20.1) **N**
 Female UN/UNF thread (SAE J514) **S**

 Female BSP threads (ISO 228) available on request.

Medium-Duty Flow Control Valve - Type FCH (In-Line Assembly)



Dimensions

Type + Nominal Size	Thread Options A	Dimensions (mm/in)						Thread H	L	□ CH	Weight (kg/lbs)
		B	C	D	E	F	G				
FCH-8	1/4 NPT	12	56	61	4,5	22	36	M17x1	52,5	17	0,14
	7/16-20 UNF (1/4" SAE)	.47	2.20	2.40	.18	.87	1.42				
FCH-10	3/8 NPT	13	64,5	74	7	27	41,5	M20x1	63	22	0,26
	9/16-18 UNF (3/4" SAE)	.51	2.54	2.91	.28	1.06	1.63				
FCH-12	1/2 NPT	16	87	85,5	10	33	57	M25x1,5	72	27	0,49
	3/4-16 UNF (1/2" SAE)	.63	3.42	3.37	.39	1.30	2.24				

Characteristics

Throttle and shut-off the flow of liquid media in direction A-B (free flow in reverse direction)

Features

- Designed for in-line assembly with female NPT and SAE threaded connections; female BSP threaded connections available on request
- Ideal for medium-duty applications
- Panel mounting kits available on request
- Graduated turning knob to accurately control flow
- Set-screw located on side of turning knob to lock valve in position

Media Compatibility

- Suitable for hydraulic fluids

Please consult STAUFF before using with other media.

Materials

- Body made of Steel, nickel-plated
- Internal components made of Stainless Steel
- O-rings made of NBR (Buna-N®); FPM (Viton®) sealed version available
- Anti-extrusion ring made of PTFE

Consult STAUFF for alternative materials.

Technical Data

- Maximum working pressure: 350 bar / 5000 PSI (for all sizes)
- Operating temperature range: -34 °C ... +121 °C / -30 °F ... +250 °F

Accessories / Spare Parts

Panel Mounting Kits

- for NVH/FCH/NVW/FCM-08 (thread size M17x1): **PMK-8-T**
- for NVH/FCH/NVW/FCM-10 (thread size M20x1): **PMK-810-T**
- for NVH/FCH/NVW/FCM-12 (thread size M25x1,5): **PMK-1012-T**

Order Codes

FCH - 8 N



① Type

Medium-Duty Flow Control Valve
(In-Line Assembly)

FCH

② STAUFF Size

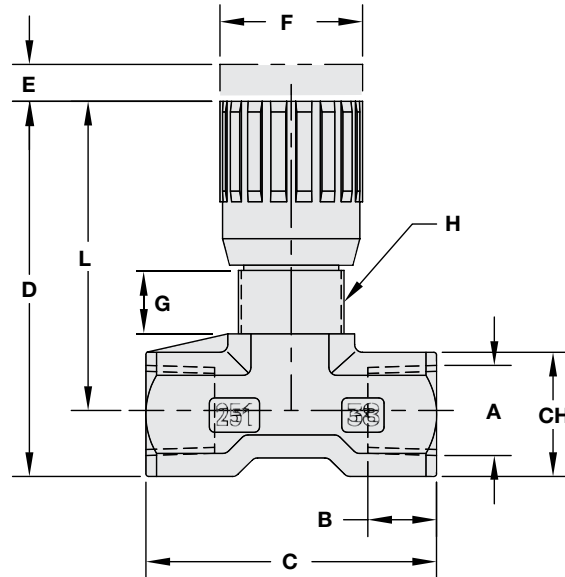
08 10 12

③ Connection

Female NPT threads (ANSI B1.20.1) **N**
Female UN/UNF thread (SAE J514) **S**

Female BSP threads (ISO 228) available on request.

Medium-Pressure Brass Throttle / Shut-Off Valve - Type NVM (In-Line Assembly)



Characteristics

Throttle and shut-off the flow of liquid media in both directions

Features

- Designed for in-line assembly with female NPT, SAE and BSP threaded connections
- Ideal for medium-pressure applications
- Panel mounting kits available on request
- Graduated turning knob to accurately control flow
- Set-screw located on side of turning knob to lock valve in position

Media Compatibility

- Suitable for hydraulic fluids

Please consult STAUFF before using with other media.

Materials

- Body made of Brass, nickel-plated
- Internal components made of Stainless Steel
- O-rings made of NBR (Buna-N®); FPM (Viton®) sealed version available
- Anti-extrusion ring made of PTFE

Consult STAUFF for alternative materials.

Technical Data

- Maximum working pressure: 200 bar / 3000 PSI (for all sizes)
- Operating temperature range: -34°C ... +121°C / -30°F ... +250°F

Accessories / Spare Parts

Panel Mounting Kits

- for NVH/FCH/NVW/FCM-08 (thread size M17x1): **PMK-8-T**
- for NVH/FCH/NVW/FCM-10 (thread size M20x1): **PMK-810-T**
- for NVH/FCH/NVW/FCM-12 (thread size M25x1,5): **PMK-1012-T**

Dimensions

Type + Nominal Size	Thread Options A	Dimensions (mm/in)								Weight (kg/lbs)	
		B	C	D	E	F	Thread H	L	CH		
NVM-8	1/4 NPT										
	7/16-20 UNF (1/4" SAE)	12 .47	46 1.81	57 2.24	4,5 .18	22 .87	M17x1	11 .43	17 .67	0,12 .26	
	1/4 BSP										
NVM-10	3/8 NPT										
	9/16-18 UNF (3/4" SAE)	13 .51	55 2.17	69 2.72	7 .28	27 1.06	M20x1	15 .59	22 .97	0,23 .51	
	3/8 BSP										
NVM-12	1/2 NPT										
	3/4-16 UNF (1/2" SAE)	16 .63	70 2.76	82 3.23	10 .39	33 1.30	M25x1,5	19 .75	27 1.06	0,45 1.00	
	1/2 BSP										

Order Codes

NVM - 8 N

①

1 Type

Medium-Pressure Throttle / Shut-Off Valve (In-Line Assembly) **NVM**

②

2 STAUFF Size

08	10	12
----	----	----

③

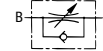
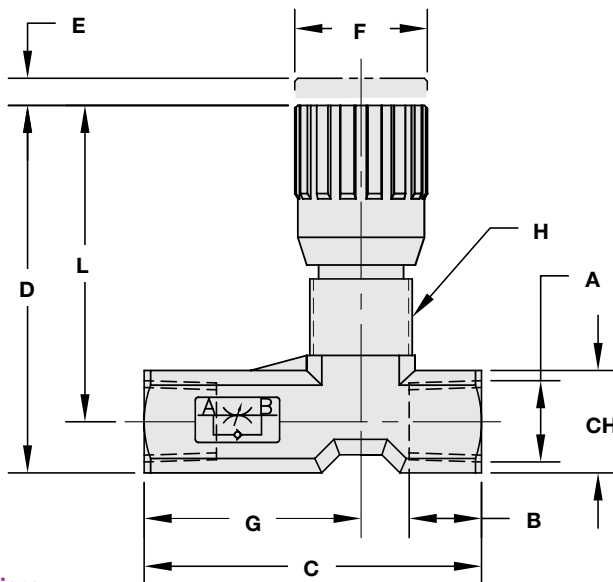
3 Connection

Female NPT threads (ANSI B1.20.1) (standard option) **N**

Female UN/UNF thread (SAE J514) **S**

Female BSP threads (ISO 228) **B**

Medium-Pressure Brass Flow Control Valve - Type FCM (In-Line Assembly)



Dimensions

Type + Nominal Size	Thread Options A	Dimensions (mm/in)							Thread H	L	□ CH	Weight (kg/lbs)
		B	C	D	E	F	G					
FCM-8	1/4 NPT											0,14 .31
	7/16-20 UNF (1/4" SAE)	12 .47	56 2.20	61 2.40	4,5 .18	22 .87	11,5 .45	M17x1	11 .43	17 .67		
	1/4 BSP											
FCM-10	3/8 NPT											0,26 .57
	9/16-18 UNF (3/4" SAE)	13 .51	64,5 2.54	74 2.91	7 .28	27 1.06	12,5 .49	M20x1	15 .59	22 .97		
	3/8 BSP											
FCM-12	1/2 NPT											0,49 1.08
	3/4-16 UNF (1/2" SAE)	16 .63	87 3.42	82 3.23	10 .39	33 1.30	13 .51	M25x1,5	19 .75	27 1.06		
	1/2 BSP											

Characteristics

Throttle and shut-off the flow of liquid media in direction A-B (free flow in reverse direction)

Features

- Designed for in-line assembly with female NPT, SAE and BSP threaded connections
- Ideal for medium-pressure applications
- Panel mounting kits available on request
- Graduated turning knob to accurately control flow
- Set-screw located on side of turning knob to lock valve in position

Media Compatibility

- Suitable for hydraulic fluids

Please consult STAUFF before using with other media.

Materials

- Body made of Brass, nickel-plated
- Internal components made of Stainless Steel
- O-rings made of NBR (Buna-N®); FPM (Viton®) sealed version available
- Anti-extrusion ring made of PTFE

Consult STAUFF for alternative materials.

Technical Data

- Maximum working pressure: 200 bar / 3000 PSI (for all sizes)
- Operating temperature range: -34 °C ... +121 °C / -30 °F ... +250 °F

Order Codes

FCM - 8 N



① Type

Medium-Pressure Flow Control Valve
(In-Line Assembly)

FCM

② STAUFF Size

08 10 12

③ Connection

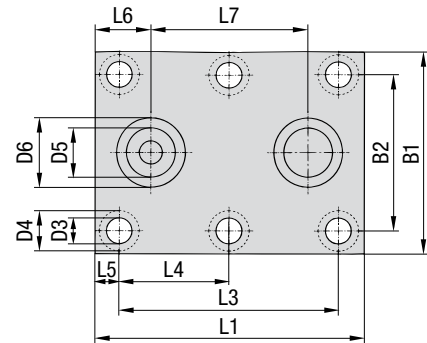
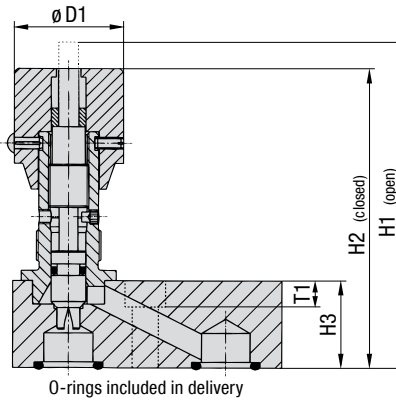
Female NPT threads (ANSI B1.20.1) (standard option) **N**
 Female UN/UNF thread (SAE J514) **S**
 Female BSP threads (ISO 228) **B**

Accessories / Spare Parts

Panel Mounting Kits

- for NVH/FCH/NVW/FCM-08 (thread size M17x1): **PMK-8-T**
- for NVH/FCH/NVW/FCM-10 (thread size M20x1): **PMK-810-T**
- for NVH/FCH/NVW/FCM-12 (thread size M25x1,5): **PMK-1012-T**

Throttle / Shut-Off Valve - Type DVP (Manifold Assembly)



Characteristics

Throttle and shut-off the flow of liquid media in both directions

Features

- Designed for manifold mounting
- Panel mounting nuts available on request
- Graduated turning knob and coded spindle to accurately control flow
- Set-screw located on side of turning knob to lock valve in position

Media Compatibility

- Suitable for hydraulic fluids

Please consult STAUFF before using with other media.

Materials

- Body and spindle made of Steel (1.0715), zinc/iron-plated (Fe/Zn Fe Co 8 C) and free of hexavalent chromium CrVI (standard option); Stainless Steel (1.4571) version available
- Turning knob made of Polyamide (PA)
- O-rings made of FPM (Viton®); NBR (Buna-N®) and EPDM sealed version available

Consult STAUFF for alternative materials.

Technical Data

- Maximum working pressure: 350 bar / 5000 PSI (for all sizes)
- Operating temperature range: -20°C ... +100°C / -4°F ... +212°F

Please see page F94 for detailed flow characteristics.

Recommended Bolts / Tightening Torques

- Socket cap screws according to ISO 4762 or ANSI / ASME B18.3 recommended for installation (not included in delivery):

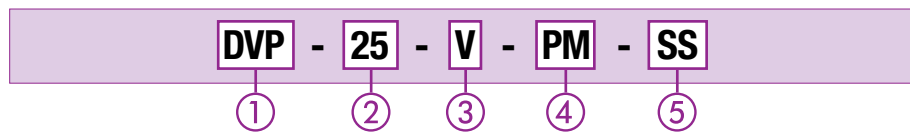
DVP-06	M6 x 20 - 8.8 (9 N·m) 1/4-20 UNC x 3/4 - Gr. 5 (10 ft·lb)
DVP-08	M6 x 25 - 8.8 (9 N·m) 1/4-20 UNC x 1 - Gr. 5 (10 ft·lb)
DVP-10	M6 x 30 - 10.9 (12 N·m) 1/4-20 UNC x 1-1/4 - Gr. 8 (12 ft·lb)
DVP-12	M6 x 30 - 12.9 (15 N·m) 1/4-20 UNC x 1-1/4 - Gr. 10 (14 ft·lb)
DVP-16	M8 x 35 - 10.9 (30 N·m) 5/16-18 UNC x 1-1/2 - Gr. 8 (24 ft·lb)
DVP-20	M8 x 50 - 12.9 (35 N·m) 5/16-18 UNC x 2 - Gr. 10 (29 ft·lb)
DVP-25	M10 x 50 - 12.9 (70 N·m) 3/8-16 UNC x 2 - Gr. 10 (58 ft·lb)
DVP-30	M12 x 60 - 10.9 (100 N·m) 7/16-14 UNC x 2-1/2 - Gr. 8 (63 ft·lb)

Dimensions

For panel mounting, please see dimensions G2, D2 and S (Max.) on page F82.

Type + Nom. Size	Dimensions (mm/in)														O-ring	Weight (kg/lbs)			
	ØD1	ØD3	ØD4	ØD5	ØD6	L1	L3	L4	L5	L6	L7	B1	B2	T1	H1	H2	H3		
DVP-06	24	6,5	10,5	5	9,8	35	19		8	9,5	16	41,5	28,5	6,8	64	59	16	6,35 x 1,78	0,20
	.94	.26	.41	.20	.39	1.38	.75		.31	.37	.63	1.63	1.12	.27	2.52	2.32	.63		.44
DVP-08	29	6,5	10,5	7	12,4	47,5	35		6,5	11	25,5	46	33,5	6,8	79	72	20	8,5 x 2	0,40
	1.14	.26	.41	.28	.49	1.87	1.38		.26	.43	1.00	1.81	1.32	.27	3.11	2.83	.79		.88
DVP-10	29	6,5	10,5	10	15,7	51	33,5		8,5	12,7	25,5	51	38	6,8	84	78	25	12 x 2	0,60
	1.14	.26	.41	.39	.62	2.01	1.32		.33	.50	1.00	2.01	1.50	.27	3.31	3.07	.98		1.32
DVP-12	38	6,5	10,5	13	18,7	75	38		18,5	22,5	30	57,5	44,5	6,8	100	89	25	15 x 2	1,00
	1.50	.26	.41	.51	.74	2.95	1.50		.73	.89	1.18	2.26	1.75	.27	3.94	3.50	.98		2.20
DVP-16	38	8,5	13,5	17	23,9	93,5	76	38	8,5	19,5	54	70	54	9	113	103	30	19 x 2,5	1,50
	1.50	.33	.53	.67	.94	3.68	2.99	1.50	.33	.77	2.13	2.76	2.13	.35	4.45	4.06	1.18		3.31
DVP-20	49	8,5	13,5	22	30,5	111	95	47,5	8	27	57	76,5	60	9	154	142	45	25 x 3	3,40
	1.93	.33	.53	.87	1.20	4.37	3.74	1.87	.31	1.06	2.24	3.01	2.36	.35	6.06	5.59	1.77		7.50
DVP-25	49	10,5	16,5	28,5	37,5	143	120	60	11	32	79,5	100	76	11	154	142	45	32 x 3	5,15
	1.93	.41	.65	1.12	1.48	5.63	4.72	2.36	.43	1.26	3.13	3.94	2.99	.43	6.06	5.59	1.77		11.35
DVP-30	49	13	19	35	43,5	171	143	71,5	15	39	95	115	92	13	159	147	50	38 x 3	7,50
	1.93	.51	.75	1.38	1.71	6.73	5.63	2.81	.59	1.54	3.74	4.53	3.62	.51	6.26	5.79	1.97		16.53

Order Codes



① Type

Throttle / Shut-Off Valve (Manifold Assembly) **DVP**

② Nominal Size DN

06 08 10 12 16 20 25 30

③ Sealing Material

FPM (Viton®) (standard option) **V**
 NBR (Buna-N®) **P**
 EPDM **E**

④ Panel Mounting Nut

Without panel mounting nut (standard option) **-**
 With panel mounting nut **PM**

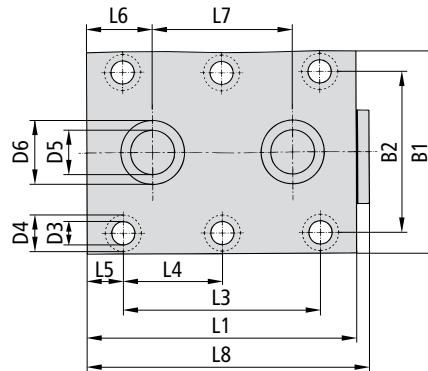
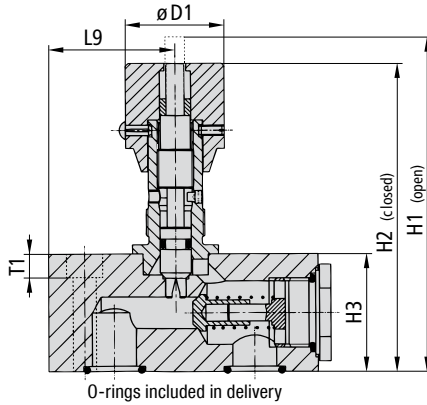
⑤ Body / Spindle Material

Steel (standard option) **-**
 Stainless Steel **SS**

Accessories / Spare Parts

Panel Mounting Kits

- See Page F83 for details.

Flow Control Valve - Type DRVP
(Manifold Assembly)


Dimensions

For panel mounting, please see dimensions G2, D2 and S (Max.) on page F83.

Type + Nom. Size	Dimensions (mm/in)																	Weight (kg/lbs)			
	ØD1	ØD3	ØD4	ØD5	ØD6	L1	L3	L4	L5	L6	L7	L8	L9	B1	B2	T1	H1	H2	H3	O-ring	
DRVP-06	24	6,5	10,5	5	9,8	41,5	19		6,4	8	16	47	13,5	41,5	28,5	6,8	64	59	16	6,35 x 1,78	0,26
	.94	.26	.41	.20	.39	1.63	.75		.25	.31	.63	1.85	.53	1.63	1.12	.27	2.52	2.32	.63		.57
DRVP-08	29	6,5	10,5	7	12,4	63,5	35		14,2	18,7	25,5	70	31	46	33,5	6,8	79	72	20	8,5 x 2	0,50
	1.14	.26	.41	.28	.49	2.50	1.38		.56	.74	1.00	2.76	1.22	1.81	1.32	.27	3.11	2.83	.79		1.10
DRVP-10	29	6,5	10,5	10	15,7	70	33,5		18	22,0	25,5	75	29,5	51	38	6,8	84	78	25	12 x 2	0,80
	1.14	.26	.41	.39	.62	2.76	1.32		.71	.87	1.00	2.95	1.16	2.01	1.50	.27	3.31	3.07	.98		1.76
DRVP-12	38	6,5	10,5	13	18,7	80	38		21	25,0	30	86	36,5	57,5	44,5	6,8	107	96	32	15 x 2	1,20
	1.50	.26	.41	.51	.74	3.15	1.50		.83	.98	1.18	3.39	1.44	2.26	1.75	.27	4.21	3.78	1.26		2.65
DRVP-16	38	8,5	13,5	17	23,9	104	76	38	14	25,4	54	110	49	70	54	9	128	118	45	19 x 2,5	2,50
	1.50	.33	.53	.67	.94	4.09	2.99	1.50	.55	1.00	2.13	4.33	1.93	2.76	2.13	.35	5.04	4.65	1.77		5.51
DRVP-20	49	8,5	13,5	22	30,5	127	95	47,5	16	35	57	133	49	76,5	60	9	159	147	50	25 x 3	3,90
	1.93	.33	.53	.87	1.20	5.00	3.74	1.87	.63	1.38	2.24	5.24	1.93	3.01	2.36	.35	6.26	5.79	1.97		8.60
DRVP-25	49	10,5	16,5	28,5	37,5	165	120	60	15	35,6	79,5	171	77	100	76	11	164	152	55	32 x 3	6,70
	1.93	.41	.65	1.12	1.48	6.50	4.72	2.36	.59	1.40	3.13	6.73	3.03	3.94	2.99	.43	6.46	5.98	2.17		14.77
DRVP-30	49	13	19	35	43,5	186	143	71,5	15	38,8	95	192	85	115	92	13	184	172	75	38 x 3	11,00
	1.93	.51	.75	1.38	1.71	7.32	5.63	2.81	.59	1.53	3.74	7.56	3.35	4.53	3.62	.51	7.24	6.77	2.95		24.25
DRVP-40	49	13	19	47,5	57,5	192	133,5	67,5	16	41,5	89	197	64	140	111	13	209	197	100	52 x 3	18,80
	1.93	.51	.75	1.87	2.26	7.56	5.25	2.66	.63	1.63	3.50	7.76	2.52	5.51	4.37	.51	8.23	7.76	3.94		41.45

Characteristics

Throttle and shut-off the flow of liquid media in direction A-B (free flow in reverse direction)

Features

- Designed for manifold mounting
- Panel mounting nuts available on request
- Graduated turning knob and coded spindle to accurately control flow
- Set-screw located on side of turning knob to lock valve in position

Media Compatibility

- Suitable for hydraulic fluids

Please consult STAUFF before using with other media.

Materials

- Body and spindle made of Steel (1.0715), zinc/iron-plated (Fe/Zn Fe Co 8 C) and free of hexavalent chromium CrVI (standard option); Stainless Steel (1.4571) version available
- Turning knob made of Polyamide (PA)
- O-rings made of FPM (Viton®); NBR (Buna-N®) and EPDM sealed version available

Consult STAUFF for alternative materials.

Technical Data

- Opening pressure: 0,5 bar / 7 PSI (4,5 bar / 65 PSI available on request)
- Maximum working pressure: 350 bar / 5000 PSI (for all sizes)
- Operating temperature range: -20 °C ... +100 °C / -4 °F ... +212 °F

Please see page F94 for detailed flow characteristics.

Recommended Bolts / Tightening Torques

- Socket cap screws according to ISO 4762 or ANSI / ASME B18.3 recommended for installation (not included in delivery):

DRVP-06 M6 x 20 - 8.8 (9 N-m)
1/4-20 UNC x 3/4 - Gr. 5 (10 ft-lb)

DRVP-08 M6 x 25 - 8.8 (9 N-m)
1/4-20 UNC x 1 - Gr. 5 (10 ft-lb)

DRVP-10 M6 x 30 - 10.9 (12 N-m)
1/4-20 UNC x 1-1/4 - Gr. 8 (12 ft-lb)

DRVP-12 M6 x 35 - 12.9 (15 N-m)
1/4-20 UNC x 1-1/2 - Gr. 10 (14 ft-lb)

DRVP-16 M8 x 50 - 10.9 (30 N-m)
5/16-18 UNC x 2 - Gr. 8 (24 ft-lb)

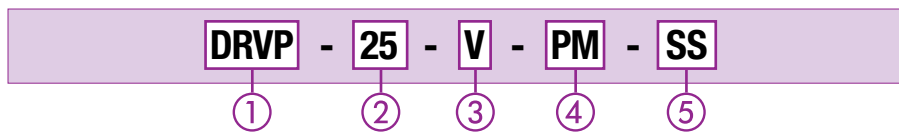
DRVP-20 M8 x 55 - 12.9 (35 N-m)
5/16-18 UNC x 2-1/4 - Gr. 10 (29 ft-lb)

DRVP-25 M10 x 60 - 12.9 (70 N-m)
3/8-16 UNC x 2-1/2 - Gr. 10 (58 ft-lb)

DRVP-30 M12 x 85 - 10.9 (100 N-m)
7/16-14 x 3-1/2 - Gr. 8 (63 ft-lb)

DRVP-40 M12 x 100 - 12.9 (130 N-m)
7/16-14 x 4 - Gr. 10 (70 ft-lb)

Order Codes



① Type

 Flow Control Valve (Manifold Assembly) **DRVP**

② Nominal Size DN

06 08 10 12 16 20 25 30 40

③ Sealing Material

 FPM (Viton®) (standard option) **V**
 NBR (Buna-N®) **P**
 EPDM **E**

④ Panel Mounting Nut

 Without panel mounting nut (standard option) **-**
 With panel mounting nut **PM**

⑤ Body / Spindle Material

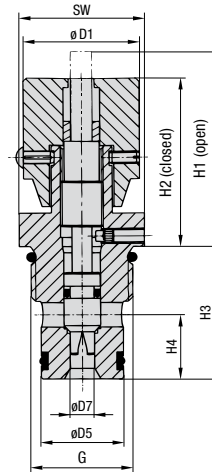
 Steel (standard option) **-**
 Stainless Steel **SS**

Accessories / Spare Parts

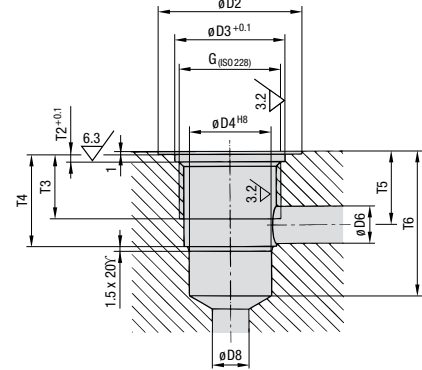
Panel Mounting Kits

- See Page F83 for details.

Throttle / Shut-Off Valve - Type DVE (Cartridge Assembly)



Installation Details



Characteristics

Throttle and shut-off the flow of liquid media in both directions

Features

- Designed for direct installation into hydraulic manifolds with male BSP threaded stud
- Graduated turning knob and coded spindle to accurately control flow
- Set-screw located on side of turning knob to lock valve in position

Media Compatibility

- Suitable for hydraulic fluids

Please consult STAUFF before using with other media.

Materials

- Body and spindle made of Steel (1.0715), zinc/iron-plated (Fe/Zn Fe Co 8 C) and free of hexavalent chromium CrVI (standard option); Stainless Steel (1.4571) version available
- Turning knob made of Polyamide (PA)
- O-rings made of NBR (Buna-N®); FPM (Viton®) and EPDM sealed version available

Consult STAUFF for alternative materials.

Technical Data

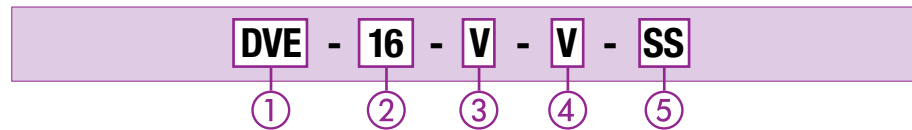
- Maximum working pressure: 350 bar / 5000 PSI (for all sizes)
- Operating temperature range: -20 °C ... +100 °C / -4 °F ... +212 °F

Please see page F94 for detailed flow characteristics.

Dimensions

Type + Nom. Size	Thread Options G	Dimensions (mm/in)														Weight (kg/lbs)				
		H1	H2	H3	H4	ØD1	ØD2	ØD3	ØD4	ØD5	ØD6	ØD7	ØD8	SW	T2		T3	T4	T5	T6
DVE-08	G1/2 BSP	47	41	28	12,0	29	32	24	14	14	5	5	5	27	1,9	14	17,5	15	29	0,15
		1.85	1.61	1.08	.47	1.14	1.26	.94	.55	.55	.20	.20	.20	1.06	.07	.55	.69	.59	1.14	.33
DVE-10	G1/2 BSP	64	54	31	14,5	38	32	24	16	16	8	6	8	27	1,9	14	20,5	17	33	0,25
		2.52	2.13	1.21	.57	1.50	1.26	.94	.63	.63	.31	.24	.31	1.06	.07	.55	.81	.67	1.30	.55
DVE-12	G3/4 BSP	65	55	40	17,5	38	37	30	19	19	10	8	10	32	1,9	21	29,0	24	43	0,50
		2.56	2.17	1.57	.69	1.50	1.46	1.18	.75	.75	.39	.31	.39	1.26	.07	.83	1.14	.94	1.69	1.10
DVE-16	G1 BSP	65	55	44	21,1	38	47	36	27	27	12	8	12	41	1,9	21	30,0	24	47	0,70
		2.56	2.17	1.71	.83	1.50	1.85	1.42	1.06	1.06	.47	.31	.47	1.61	.07	.83	1.18	.94	1.85	1.54

Order Codes



① Type

Throttle / Shut-Off Valve (Cartridge Assembly) **DVE**

② Nominal Size DN

08 **10** **12** **16**

③ Sealing Material

FPM (Viton®) (standard option) **V**
 NBR (Buna-N®) **P**
 EPDM **E**

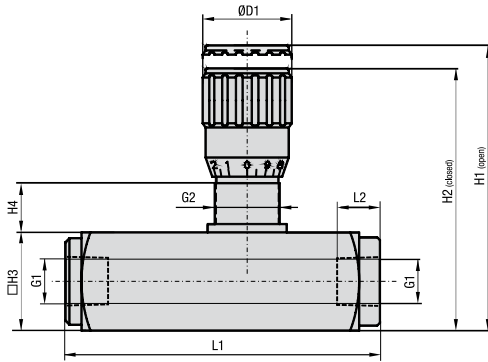
④ Connection

Male BSP thread (ISO 228) **B**

⑤ Body / Spindle Material

Steel (standard option) **-**
 Stainless Steel **SS**

Pressure Compensated Flow Control Valve - Type PNDRV (In-Line Assembly)



Dimensions

Type + Nominal Size	Thread Options G1	Dimensions (mm/in)							Weight (kg/lbs)
		L1	L2	H1	H2	H3	H4	G2	
PNDRV-08	1/4 NPT	94	12,5	88,5	81,5	30	15	M20 x 1	0,58
	7/16-20 UNF (1/4" SAE)								
	G1/4 BSP	3.70	.49	3.48	3.21	1.18	.59		.77
PNDRV-10	3/8 NPT	110,5	13	103	94,5	35	17	M25 x 1,5	0,94
	9/16-18 UNF (3/4" SAE)								
	G3/8 BSP	4.35	.51	4.06	3.72	1.38	.67		2.09
PNDRV-12	1/2 NPT	137	15,5	122	112	45	18	M30 x 1,5*	1,83
	3/4-16 UNF (1/2" SAE)								
	G1/2 BSP	5.39	.61	4.80	4.41	1.77	.71		4.07
PNDRV-16	3/4 NPT	163	17	150	138	55	24	M40 x 1,5	3,35
	1-1/16-12 UN (3/4" SAE)								
	G3/4 BSP	6.42	.67	5.91	5.43	2.17	.94		7.44

* M25 x 1,5 for version with female UN/UNF thread (SAE J514)

Characteristics

Throttle and shut-off the flow of liquid media in direction A-B (free flow in reverse direction) with pressure compensating feature via built-in compensating piston

Features

- Designed for in-line assembly with female NPT, SAE and BSP threaded connections
- Panel mounting nuts available on request
- Graduated turning knob to accurately control flow
- Set-screw located on side of turning knob to lock valve in position

Media Compatibility

- Suitable for hydraulic fluids

Please consult STAUFF before using with other media.

Materials

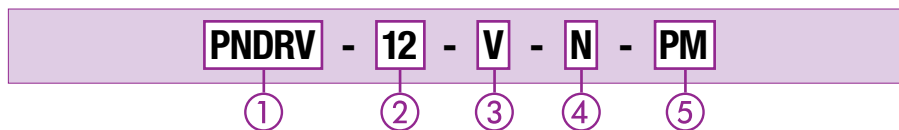
- Body made of Steel, phosphated
- Internal components made of Stainless Steel
- Turning knob made of Aluminium
- O-rings made of FPM (Viton®)
- Anti-extrusion ring made of PTFE

Consult STAUFF for alternative materials.

Technical Data

- Maximum working pressure: 210 bar / 3000 PSI (for all sizes)
- Operating temperature range: -20°C ... +120°C / -4°F ... +248°F
- Minimum filtration grade: 25 µm (absolute) to ensure the correct functioning, reduce wear and tear and increase the service life of the valve

Order Codes



① Type

Pressure Compensated Flow Control Valve (In-Line Assembly) **PNDRV**

② Nominal Size DN

08 **10** **12** **16**

③ Sealing Material

FPM (Viton®) (standard option) **V**
NBR (Buna-N®) **P**
EPDM **E**

④ Connection

Female NPT thread (ANSI B1.20.1) **N**
Female UN/UNF thread (SAE J514) **S**
Female BSP thread (ISO 228) **B**

⑤ Panel Mounting Nut

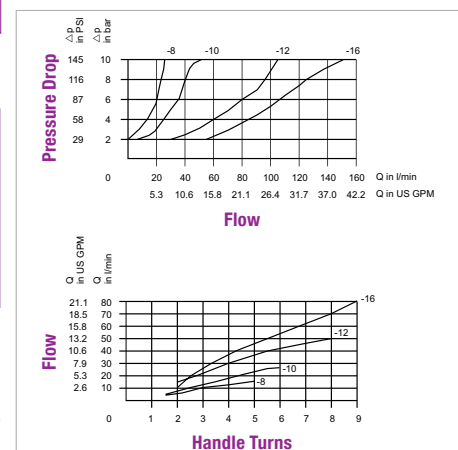
Without panel mounting nut (standard option) **-**
With panel mounting nut **PM**

Accessories / Spare Parts

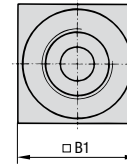
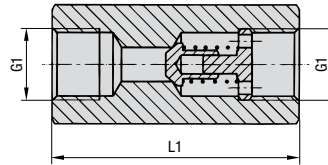
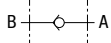
Panel Mounting Kits

- for PNDRV-08 (thread size M20x1): **PMK-810-T**
- for PNDRV-10 / 12S (thread size M25x1,5): **PMK-1012-T**
- for PNDRV-12N / -12S (thread size M30x1,5): **PMK-1212-T**
- for PNDRV-16 (thread size M40x1,5): **PMK-1616-T**

Flow Characteristics



**Heavy-Duty Check Valve - Type RV
(In-Line Assembly)**



Characteristics

Allows a single-directional flow only

Features

- Designed for in-line assembly with female NPT, SAE and BSP threaded connections
- Metal-to-metal seat

Media Compatibility

- Suitable for hydraulic fluids

Please consult STAUFF before using with other media.

Materials

- Body made of Steel (1.0715), zinc/iron-plated (Fe/Zn Fe Co 8 C) and free of hexavalent chromium CrVI (standard option); Stainless Steel (1.4571) version available

Technical Data

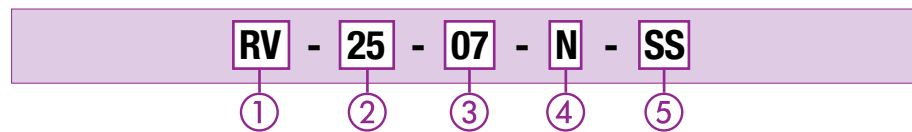
- Opening pressure: 0,5 bar / 7 PSI (4,5 bar / 65 PSI available on request)
- Maximum working pressure: 500 bar / 7250 PSI (depending on size)
- Operating temperature range: -20°C ... +100°C / -4°F ... +212°F

Please see page F94 for detailed flow characteristics.

Dimensions

Type + Nominal Size	Thread Options G1	Dimensions (mm/in)		Working Pressure PN (bar/PSI)	Weight (kg/lbs)
		L1	B1		
RV-06	1/8 NPT	45	16	500	0,10
	G1/8 BSP	1.77	.63	7250	.22
RV-08	1/4 NPT	55	25	500	0,20
	7/16-20 UNF (1/4" SAE) G1/4 BSP	2.17	.98	7250	.44
RV-10	3/8 NPT	65	30	500	0,40
	9/16-18 UNF (3/4" SAE) G3/8 BSP	2.56	1.18	7250	.88
RV-12	1/2 NPT	73	35	500	0,70
	3/4-16 UNF (1/2" SAE) G1/2 BSP	2.87	1.38	7250	1.54
RV-16	3/4 NPT	88	45	500	1,20
	1-1/16-12 UN (3/4" SAE) G3/4 BSP	3.46	1.77	7250	2.64
RV-20	1 NPT	127	50	500	2,00
	1-5/16-12 UN (1" SAE) G1 BSP	5.00	1.97	7250	4.40
RV-25	1-1/4 NPT	143	60	400	3,30
	1-5/8-12 UN (1-1/4" SAE) G1-1/4 BSP	5.63	2.36	5800	7.26
RV-30	1-1/2 NPT	143	70	315	4,20
	1-7/8-12 UN (1-1/2" SAE) G1-1/2 BSP	5.63	2.75	4500	9.24
RV-40	2 NPT	165	90	315	7,20
	2-1/2-12 UN (2" SAE) G2 BSP	6.49	3.54	4500	15.84

Order Codes



① **Type**

Heavy-Duty Check Valve (In-Line Assembly) **RV**

② **Nominal Size DN**

06 08 10 12 16 20 25 30 40

③ **Opening Pressure**

0,5 bar / 7 PSI (standard option) **07**
4,5 bar / 65 PSI **65**

④ **Connection**

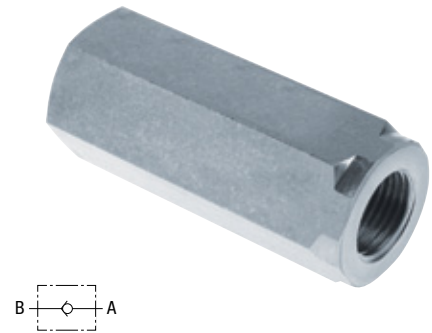
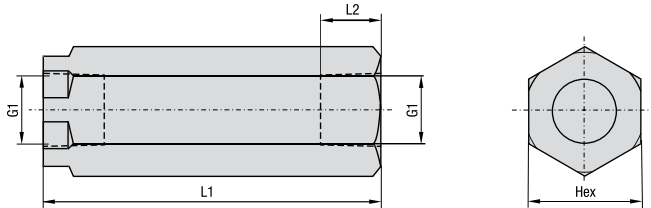
Female NPT thread (ANSI B1.20.1) **N**
Female UN/UNF thread (SAE J514) **S**
Female BSP thread (ISO 228) **B**

⑤ **Body Material**

Steel (standard option) **-**
Stainless Steel **SS**

Consult STAUFF for alternative opening pressures.

Medium-Duty Check Valve - Type RVM (In-Line Assembly)



Dimensions

Type + Nominal Size	Thread Options G1	Dimensions (mm/in)			Working Pressure PN (bar/PSI)	Weight (kg/lbs)
		L1	L2	Hex		
RVM-08	1/4 NPT G1/4 BSP	63,0	12,5	22	400	0,17
		2.48	.49	.87	5800	.38
RVM-10	3/8 NPT G3/8 BSP	69,0	12,5	27	400	0,26
		2.72	.49	1.06	5800	.58
RVM-12	1/2 NPT G1/2 BSP	80,5	15,5	32	400	0,42
		3.17	.61	1.26	5800	.93
RVM-16	3/4 NPT G3/4 BSP	99,5	17,0	36	400	0,61
		3.92	.67	1.42	5800	1.36

Characteristics

Allows a single-directional flow only

Features

- Designed for in-line assembly with female NPT and BSP threaded connections
- Ideal for medium-duty applications
- Metal-to-metal seat

Media Compatibility

- Suitable for hydraulic fluids

Please consult STAUFF before using with other media.

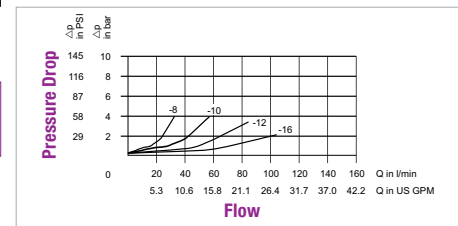
Materials

- Body made of Steel, zinc/nickel-coated (free of hexavalent chromium CrVI)
- Ball made of Stainless Steel

Technical Data

- Opening pressure: 0,5 bar / 7 PSI
- Field replaceable springs with a pressure setting of 2 bar / 30 PSI or 4 bar / 60 PSI
- Maximum working pressure: 400 bar / 5800 PSI (for all sizes)
- Operating temperature range: -20 °C ... +100 °C / -4 °F ... +212 °F

Flow Characteristics



Order Codes

RVM - 12 - 07 - N

① ② ③ ④

① Type

Medium-Duty Check Valve (In-Line Assembly) **RVM**

② Nominal Size DN

08 10 12 16

③ Opening Pressure

0,5 bar / 7 PSI (standard option) **07**
 2 bar / 30 PSI **30**
 4 bar / 60 PSI **60**

Consult STAUFF for alternative opening pressures.

④ Connection

Female NPT thread (ANSI B1.20.1) **N**
 Female BSP thread (ISO 228) **B**

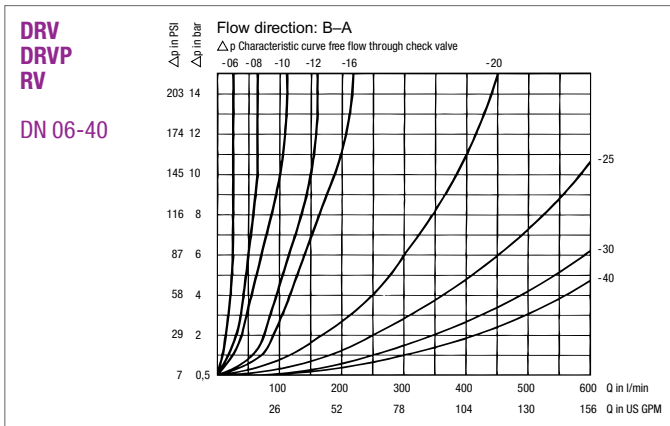
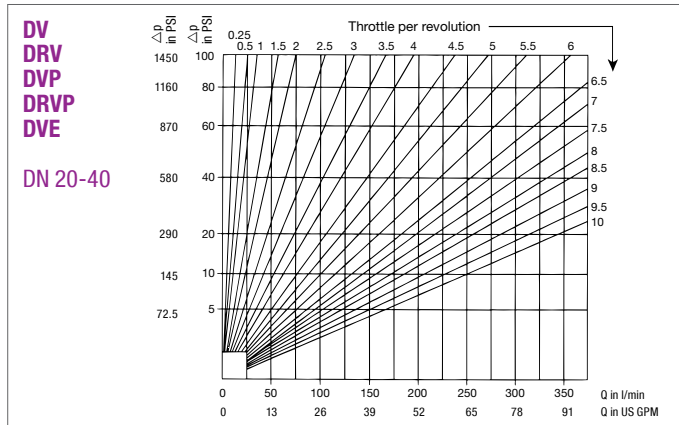
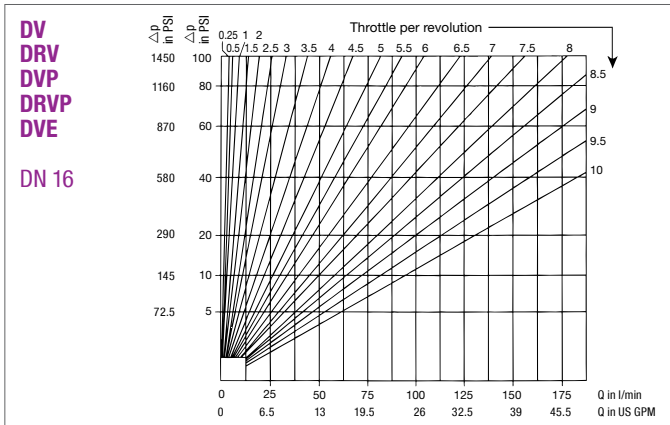
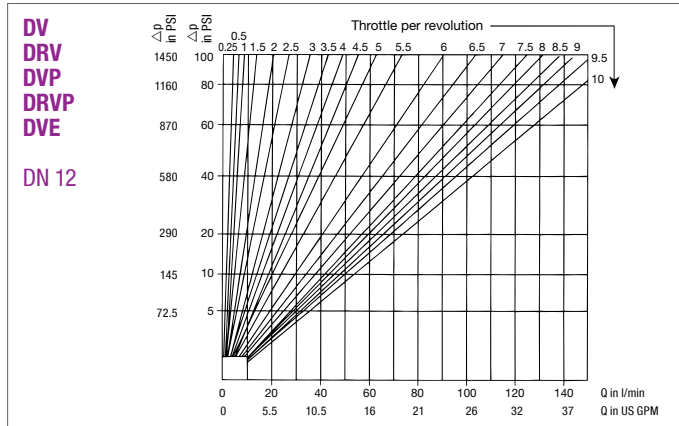
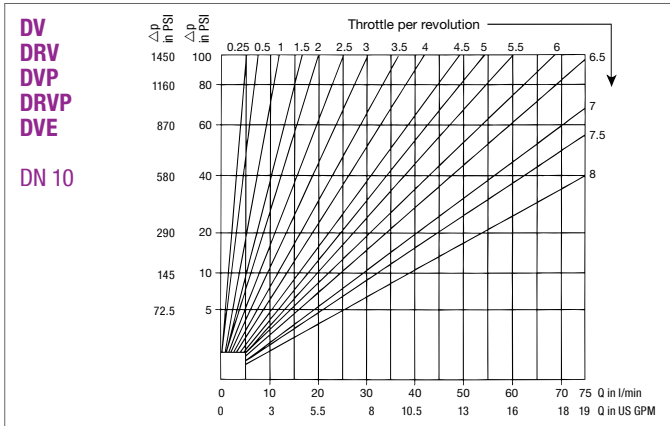
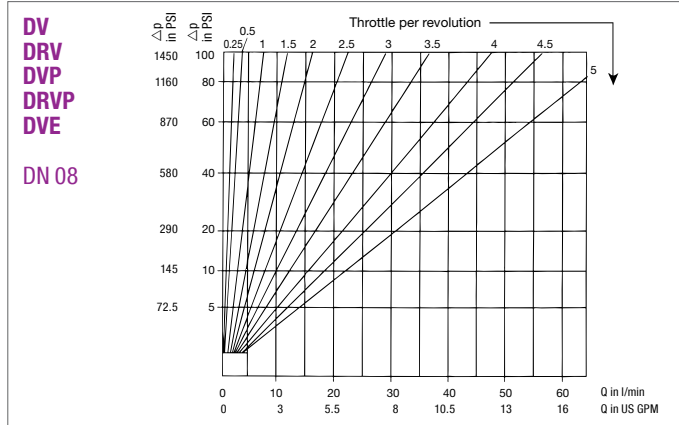
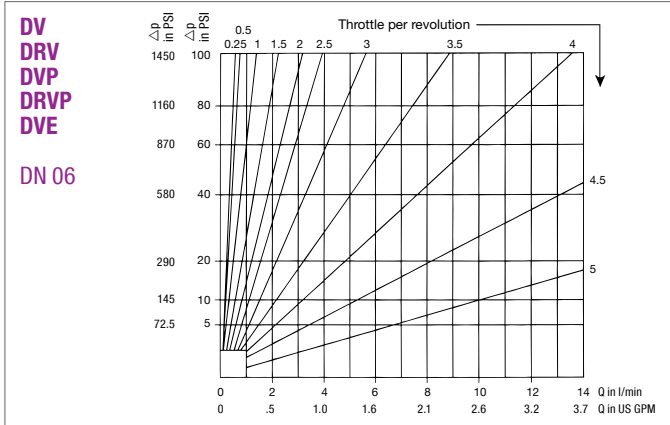
Accessories / Spare Parts

Field replaceable springs

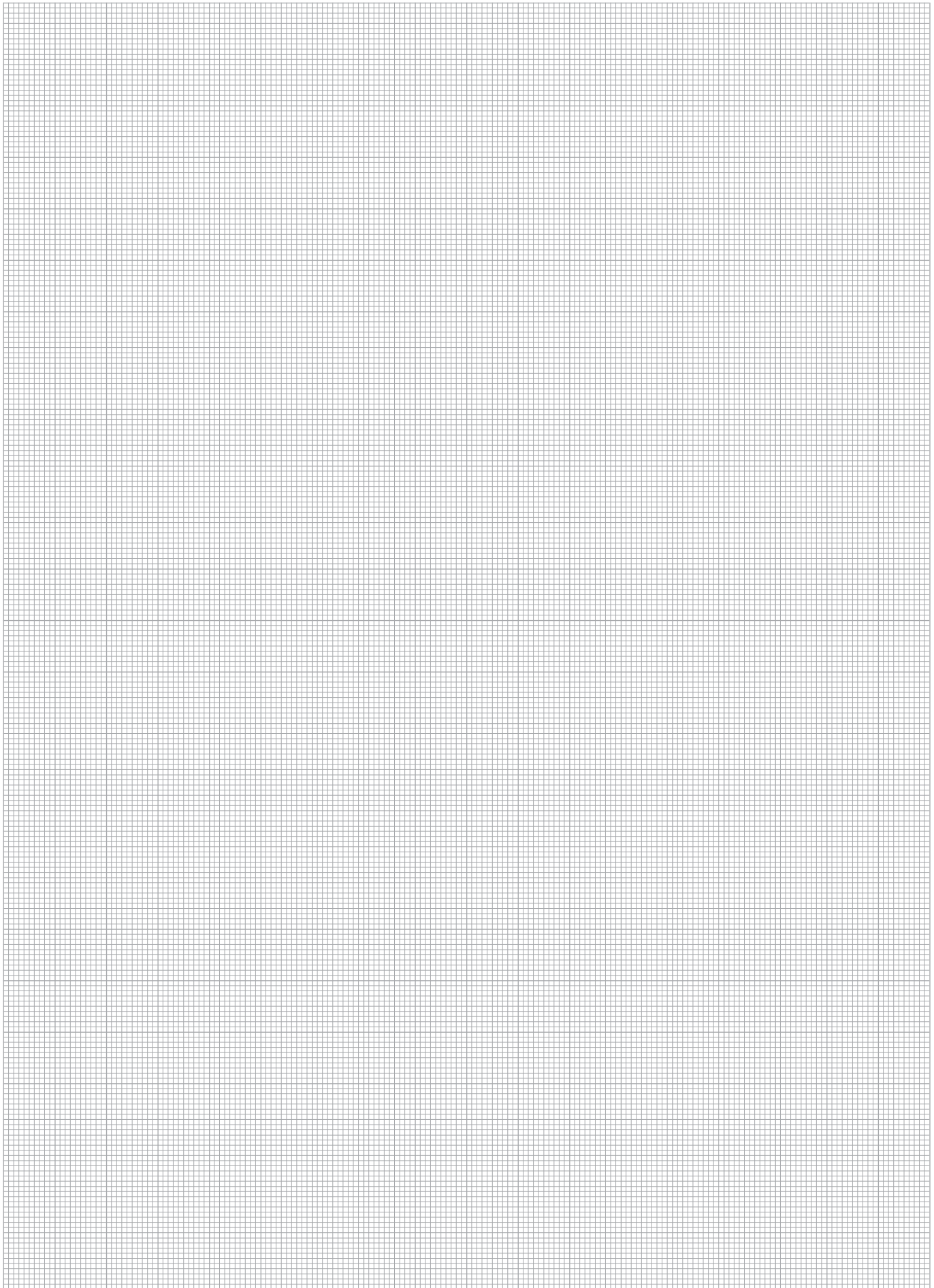
- for RVM-08 (setting of 2 bar / 30 PSI): **RVM-08-30**
- for RVM-08 (setting of 4 bar / 60 PSI): **RVM-08-60**
- for RVM-10 (setting of 2 bar / 30 PSI): **RVM-10-30**
- for RVM-10 (setting of 4 bar / 60 PSI): **RVM-10-60**
- for RVM-12 (setting of 2 bar / 30 PSI): **RVM-12-30**
- for RVM-12 (setting of 4 bar / 60 PSI): **RVM-12-60**
- for RVM-16 (setting of 2 bar / 30 PSI): **RVM-16-30**
- for RVM-16 (setting of 4 bar / 60 PSI): **RVM-16-60**

Consult STAUFF for alternative pressure settings.

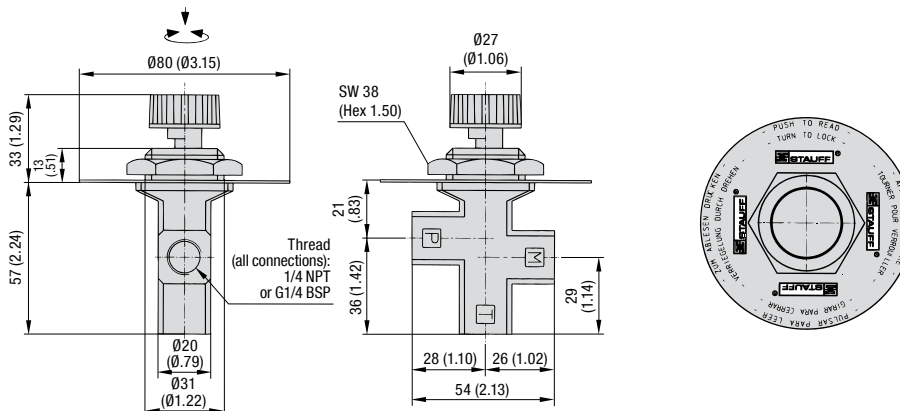
Nominal Flow Rate vs. Pressure Drop



Please note: The flow characteristics mentioned on this page are valid for mineral oils with a density of 0,86 kg/dm³ and the kinematic viscosity of 35 mm²/s (35 cSt). The characteristics have been determined in accordance to ISO 3968.



Gauge Isolator Valve - Type SWS-S1 (Single Station)



Characteristics

Effective protection of pressure gauges against overload caused by pressure peaks

Features

- Suitable for panel installation
- Max. panel thickness of 5 mm / .20 in
- Fixed with hexagonal nut
- Push button to read and turn to lock
- Multilingual instructions printed on face plate

Media Compatibility

- Suitable for hydraulic fluids

Please consult STAUFF before using with other media.

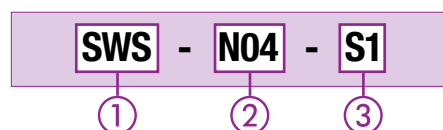
Materials

- Body made of Cast Iron
- Spindle made of Steel
- Push / turn button made of Polyamide (PA)
- Face plate made of Aluminium
- O-rings made of NBR (Buna-N®)

Technical Data

- Maximum working pressure: 400 bar / 5800 PSI
- Operating temperature range: -30°C ... +115°C / -22°F ... +239°F

Order Codes



1 Type

Gauge Isolator Valve **SWS**

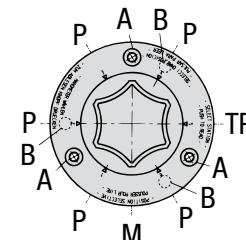
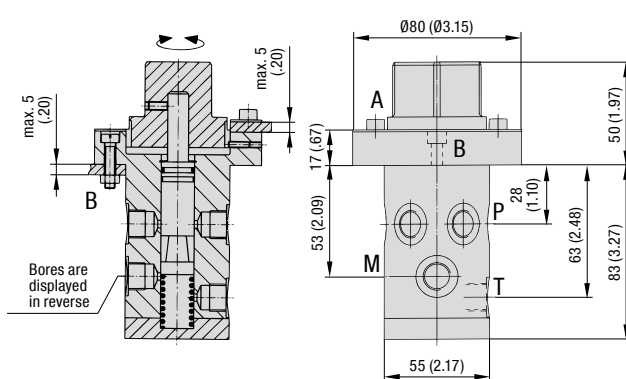
2 Connection Thread

1/4 NPT (for all connections) **N04**
G1/4 BSP (for all connections) **B04**

3 Style

Single station **S1**

Gauge Isolator Valve - Type SWS-M (Multi Station)



Mounting Bores ($\varnothing 6$ mm / .24 in)

- A** 3 bores, equally spaced (120°), BCD $\varnothing 65$ mm / 2.56 in
- B** 3 bores, equally spaced (120°), BCD $\varnothing 65$ mm / 2.56 in

Connections (7/16–20 UNF or G1/4 BSP)

- P** 6 bores, equally spaced (60°)
- M** 1 bore
- T** 1 bore

Characteristics

Pressure measurement on six positions in the hydraulic circuit with only one pressure gauge

Features

- Suitable for bulkhead installation
- Max. panel thickness of 5 mm / .20 in
- Fixed with connection flange and screws: 3 hexagon head bolts M5 x 10 (DIN 933) for mounting the printed panel and 3 socket cap screws M5 x 25 (DIN 912) with washers (DIN 127) and nut (DIN 934) for panel installation included in delivery
- Turn button to select position of measurement
- Multilingual instructions printed on panel

Media Compatibility

- Suitable for hydraulic fluids

Please consult STAUFF before using with other media.

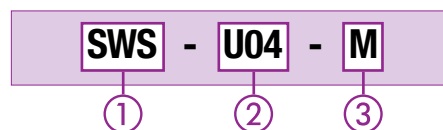
Materials

- Body made of Cast Iron
- Spindle made of Steel
- Push / turn button made of Polyamide (PA)
- Face plate and end cover made of Aluminium
- O-rings made of NBR (Buna-N®)

Technical Data

- Maximum working pressure: 400 bar / 5800 PSI
- Operating temperature range: -30°C ... +115°C / -22°F ... +239°F

Order Codes



1 Type

Gauge Isolator Valve **SWS**

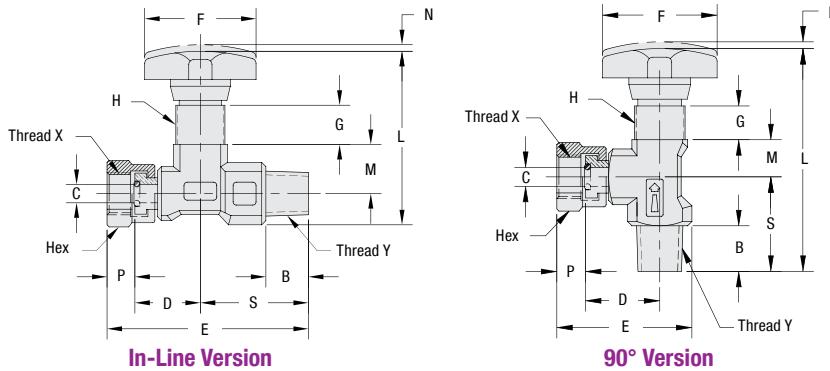
2 Connection Thread

7/16–20 UNF (1/4" SAE) for all connections **U04**
G1/4 BSP for all connections **B04**

3 Style

Multi station **M**

Gauge Isolator Needle Valve - Types SWS-A1/A2 (Single Station)



Dimensions

Type	Thread X (Female)	Thread Y (Male)	Dimensions (mm/in)													Weight (kg/lbs)
			B	C	D	E	F	G	H	L	M	N	P	S	Hex	
SWS-A1	1/4 NPT G1/4 BSP	1/4 NPT 7/16-20 UNF (1/4" SAE) R1/4 BSPT	13	5,6	20	61,5	34	12	M15x1	53	15	2	8,5	33	18	0,13
			.51	.22	.78	2.42	1.34	.47		2.09	.59	.08	.33	1.30	.71	.22
SWS-A2	1/4 NPT G1/4 BSP	1/4 NPT R1/4 BSPT	13,5	5,6	22	40	34	10	M15x1	66	11	2	8,5	28	18	0,11
			.53	.22	.87	1.57	1.34	.39		2.60	.43	.08	.33	1.10	.71	.44

Characteristics

Effective protection of pressure gauges against overload caused by pressure peaks

Features

- Designed for in-line assembly (type A1) or 90° assembly (type A2) with female NPT / male NPT, female NPT / male SAE or female BSP / male BSPT threaded connections
- Panel mounting nuts available on request
- Rotating swivel nut allows for accurate orientation of the pressure gauge

Materials

- Body made of Steel, zinc/nickel-coated (free of hexavalent chromium CrVI)
- Spindle made of Steel
- Hand-wheel made of Polyamide (PA)
- O-rings made of NBR (Buna-N®)
- Anti-extrusion ring made of PTFE

Consult STAUFF for alternative materials.

Technical Data

- Maximum working pressure: 400 bar / 5800 PSI (for all sizes)
- Operating temperature range: -20 °C ... +100 °C / -4 °F ... +212 °F

Order Codes

SWS - N04 - A1 - PM

①

②

③

④

① Type

Gauge Isolator Valve **SWS**

② Connection Threads

Female 1/4 NPT and Male 1/4 NPT **N04**

Female 1/4 NPT and Male 7/16-20 UNF (1/4" SAE) (only available for in-line version) **S04**

Female G1/4 BSP and Male R1/4 BSPT **B04**

③ Style

Single station, in-line version **A1**

Single station, 90° version **A2**

④ Panel Mounting Kit

Without panel mounting kit (standard option) **-**

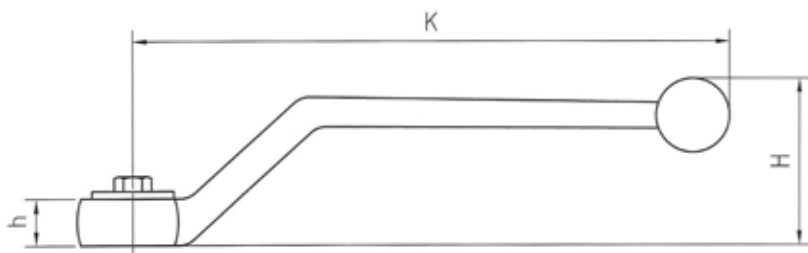
With panel mounting kit **PM**

Pressure Gauges



Please see the **Diagtronics** section of this product catalogue for details on our full range of analog and digital pressure measurement equipment.

Levers



Zinc - Off-Set Design

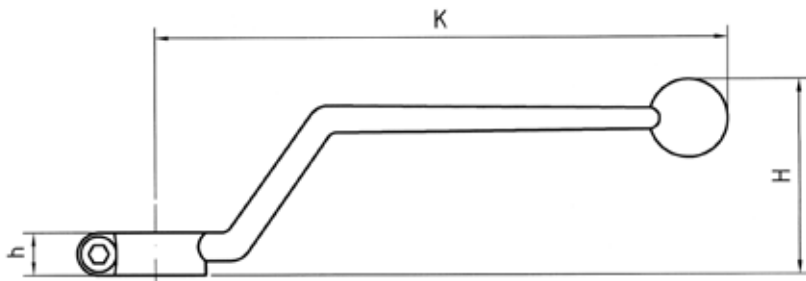
Steel - Off-Set Design

Stainless Steel V4A - Off-Set Design

SW	Dimensions (mm/in)			Weight (kg/lbs)	Order Codes
	K	h	H		
7	80	6,5	30	0,03	SW7/OS-ZN
	3.15	.26	1.18	.07	
9	115	8,7	45	0,09	SW9/OS-ZN
	4.52	.34	1.77	.20	

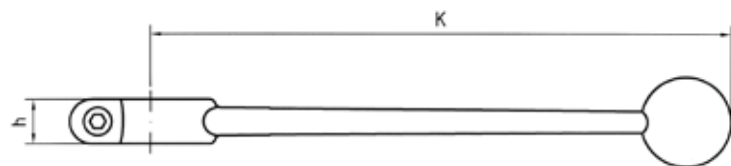
SW	Dimensions (mm/in)				Weight (kg/lbs)	Order Codes
	K	h	H			
7	80	6,5	30	0,05	SW7/OS-S	
	3.15	.26	1.18	.11		
9	115	9	47	0,09	SW9/OS-S	
	4.52	.35	1.85	.20		
14	117	12	64	0,23	SW14/OS-S	
	4.61	.47	2.52	.51		
17	306	17	80	0,66	SW17/OS-S	
	12.04	.69	3.15	1.45		

SW	Dimensions (mm/in)			Weight (kg/lbs)	Order Codes
	K	h	H		
7	60	6,5	22	0,04	SW7/OS-SS
	2.36	.26	.87	.09	
9	115	9	47	0,10	SW9/OS-SS
	4.52	.35	1.85	.22	
14	173	12	64	0,23	SW14/OS-SS
	6.8	.47	2.52	.51	
17	227,5	15	90	0,66	SW17/OS-SS
	8.96	.59	3.54	1.45	



Aluminium - Off-Set Design

SW	Dimensions (mm/in)			Weight (kg/lbs)	Order Codes
	K	h	H		
12	160	12	55	0,07	SW12/OS-AL
	6.30	.47	2.17	1.54	



Zinc - Straight Design

Aluminium - Straight Design

SW	Dimensions (mm/in)			Weight (kg/lbs)	Order Codes
	K	h			
9	155	10	0,09	SW9/ST-ZN	
	6.10	.29	.20		
14	200	14	0,22	SW14/ST-ZN	
	7.87	.55	.48		

SW	Dimensions (mm/in)			Weight (kg/lbs)	Order Codes
	K	h			
9	150	11	0,06	SW9/ST-AL	
	5.91	.43	.13		
14	200	12	0,11	SW14/ST-AL	
	7.87	.47	.24		
17	320	16	0,27	SW17/ST-AL	
	12.60	.63	.59		

Locking Device - Type LD1
Dimensions / Order Codes

Nominal Size DN	SW	Dimensions (mm/in)		Order Codes
		B	L1	
4-13	9	9	25	LD1-SW9
		.35	.98	
16	12	12	40	LD1-SW12
		.47	1.57	
20-25	14	14	40	LD1-SW14
		.55	1.57	
32-50	17	17	50	LD1-SW17
		.67	1.97	

Characteristics

Locking kit consisting of shackle, sliding sleeve, link with screw and Steel lever.

Features

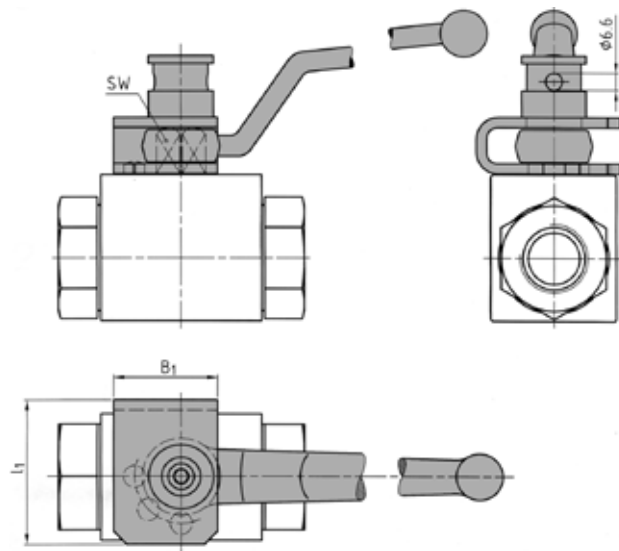
- Universal field-installed locking device
- High security: Cannot be dismounted when locked

Suitability

Type	Description
BBV	Block Body Valve with Threaded Connections (SW 9-14)
FBV	Forged Body Valve with Threaded Connections (SW 17)
HBV	High-Pressure Block Body Valve with Threaded Connections (SW 9-14)
BBV22/23	Block Body Valve with SAE Split Flange Connections (SW 9-14)
FBV22/23	Forged Body Valve with SAE Split Flange Connections (SW 17)

Type	Description
BBV	Block Body Valve with SAE Flange Connections (SW 9-14)
FBV	Forged Body Valve with SAE Flange Connections (SW 17)
BBV25	Block Body Valve (Two-Way Selector) for Manifold Mounting (SW 9-17)
BBV35	Block Body Valve (Three-Way Selector) for Manifold Mounting (SW 9-17)
BBVS35	Block Body Valve (Three-Way Selector) for Manifold Mounting (SW 9-17)

Type	Description
CBV	Block Body Valve (Three-Way Selector) with Threaded Connections (SW 9-17)
CBVS	Block Body Valve (Three-Way Selector) with Threaded Connections (SW 9-17)
KHZ	Compact Block Body Valve for Manifold or In-Line Assembly


Locking Device - Type LD2
Dimensions / Order Codes

Nominal Size DN	SW	Dimensions (mm/in)				Order Codes
		H	B1	B2	B3	
4-8	9	3,5	61	24	10	LD2-DN4-8
		.14	2.41	.94	.39	
10-13	9	3,5	61	24	10	LD2-DN10-13
		.14	2.41	.94	.39	
16	12	4,5	64	25,5	12	LD2-DN16
		.18	2.52	1.00	.47	
20-25	14	4,5	84	35,5	14	LD2-DN20-25
		.18	3.31	1.40	.55	
32-50	17	4,5	136	61,5	15	LD2-DN32-50
		.18	5.35	2.42	.59	

Characteristics

Locking kit consisting of locking plate, stopping disk and ring.

Features

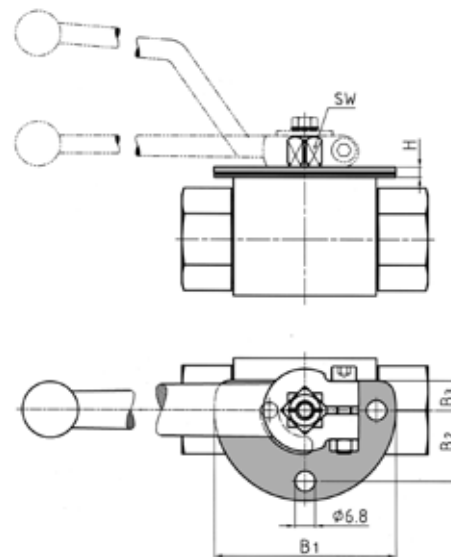
- Field-installed locking device
- Can be dismounted after disassembly of lever

Suitability

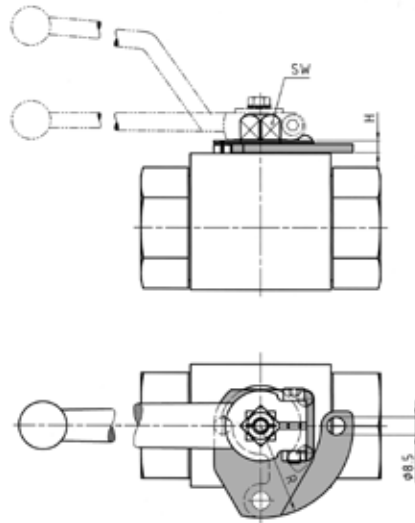
Type	Description
BBV	Block Body Valve with Threaded Connections (SW 9-14)
FBV	Forged Body Valve with Threaded Connections (SW 17)

Type	Description
BBV22/23	Block Body Valve with SAE Split Flange Connections (SW 9-14)
FBV22/23	Forged Body Valve with SAE Split Flange Connections (SW 17)

Type	Description
CBV (≤DN25)	Block Body Valve (Three-Way Selector) with Threaded Connections



Locking Device - Type LD3



Dimensions / Order Codes

Nominal Size DN	SW	Dimensions (mm/in)		Order Codes
		H	R	
4-13	9	4	37	LD3-SW9-SS
		.16	1.47	
16	12	4,3	40	LD3-SW12-SS
		.17	1.57	
20-25	14	5,5	43,5	LD3-SW14-SS
		.22	1.71	
32-50	17	6	69,5	LD3-SW17-SS
		.24	2.74	

Characteristics

Only available in combination with suitable ball valve.

Features

- Factory-installed locking device
- High security: Cannot be dismantled when locked

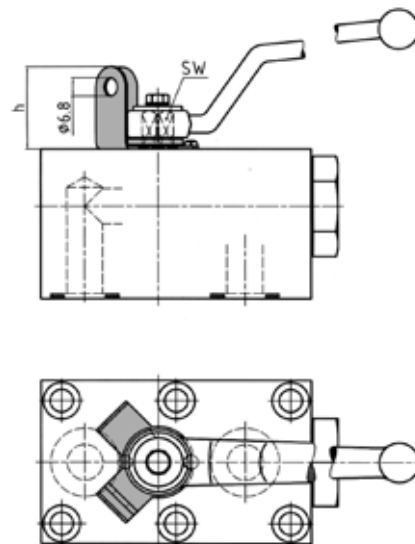
Suitability

Type	Description
BBV	Block Body Valve with Threaded Connections

Type	Description
FBV	Forged Body Valve with Threaded Connections

Type	Description
CBV (≤DN25)	Block Body Valve (Three-Way Selector) with Threaded Connections

Locking Device - Type LD4



Dimensions / Order Codes

SW	Dimensions (mm/in)		Order Codes
	H		
7	24		LD4-SW7-SS
	.94		
9 *	28		LD4-SW9-SS
	1.10		
14 *	34,5		LD4-SW14-SS
	1.36		
17	44		LD4-SW17-SS
	1.73		

* Lever displaced by 180°

Characteristics

Locking kit consisting of locking plate, stopping disk and ring.

Features

- Universal field-installed locking device (for off-set lever)
- Can be dismantled after disassembly of lever

Suitability

Type	Description
BBV	Block Body Valve with Threaded Connections
FBV	Forged Body Valve with Threaded Connections
HBV	High-Pressure Block Body Valve with Threaded Connections
BBV29	Round Body Valve with Direct SAE Flange Connections
BBV2D	Round Body Valve with ISO Flange Connections
BBV2Y	Round Body Valve with CETOP Flange Connections

Type	Description
BBV25	Block Body Valve (Two-Way Selector) for Manifold Mounting
BBV35	Block Body Valve (Three-Way Selector) for Manifold Mounting
BBVS35	Block Body Valve (Three-Way Selector) for Manifold Mounting
CBV	Block Body Valve (Three-Way Selector) with Threaded Connections
CBV	Block Body Valve (Three-Way Selector) with SAE Flange Connections
CBVS	Block Body Valve (Three-Way Selector) with Threaded Connections
LBV	Block Body Valve (Three-Way Selector) with Threaded Connections
TBV	Block Body Valve (Three-Way Selector) with Threaded Connections
TBV	Block Body Valve (Four-Way Selector) with Threaded Connections
XBV	Block Body Valve (Four-Way Selector) with Threaded Connections

Locking Device - Type LD5A

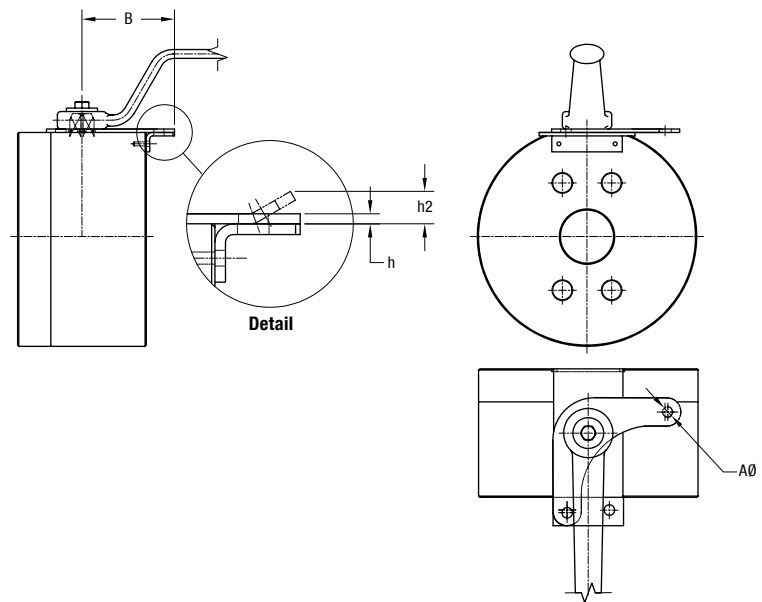
Dimensions / Order Codes

STAUFF Size	SW	Dimensions (mm/in)					Order Codes
		ØA	B	h	h2		
08	12	8,5 .33	59 2.32	2 .08		LD5A-SW12	
12-16	14	8,5 .33	64 2.52	2 .08		LD5A-SW14	
20-32	17	9,5 .37	83 3.27	2 .08		LD5A-SW17	
40	16	9,5 .37	102 4.01	3 .12		LD5A-40	
48	19	9,5 .37	93 3.66	2 1.06	27	LD5A-48	
64	24	9,5 .37	113 4.45	3 .12		LD5A-64	
80	36	9,5 .37	134 5.28	3 .12		LD5A-80	

Suitability

Type	Description
BBV29	Round Body Valve
BBV27/28	Round Body Valve
BBVF	Round Body Valve

Please consult STAUFF for use with types BBV2D (direct ISO 6164 flange connection) and BBV2Y (direct CETOP flange connection).



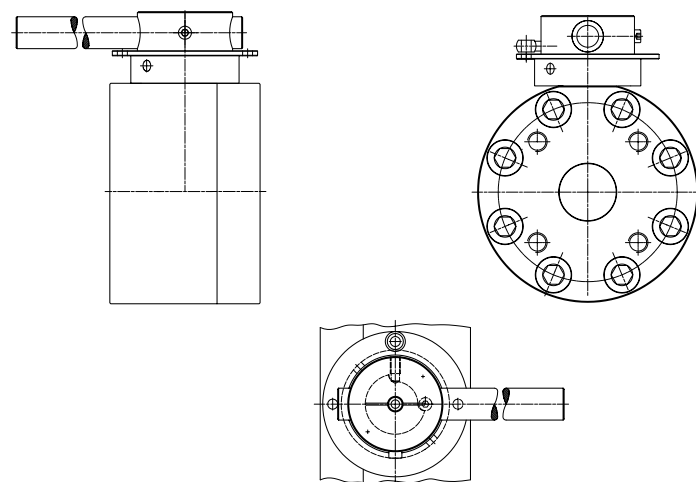
Locking Device - Type LD5B

Order Codes

STAUFF Size	SW	Order Codes
40	16	LD5B-40
48	19	LD5B-48
64	24	LD5B-64

Suitability

Type	Description
BBV27/28	Round Body Valve with Direct SAE Flange Connections
BBVF	Round Body Valve with DIN Flange Connections with Butt Weld Ends
BBV2Y	Round Body Valve with Direct ISO 6164 Flange Connection
BBV2D	Round Body Valve with Direct CETOP Flange Connection



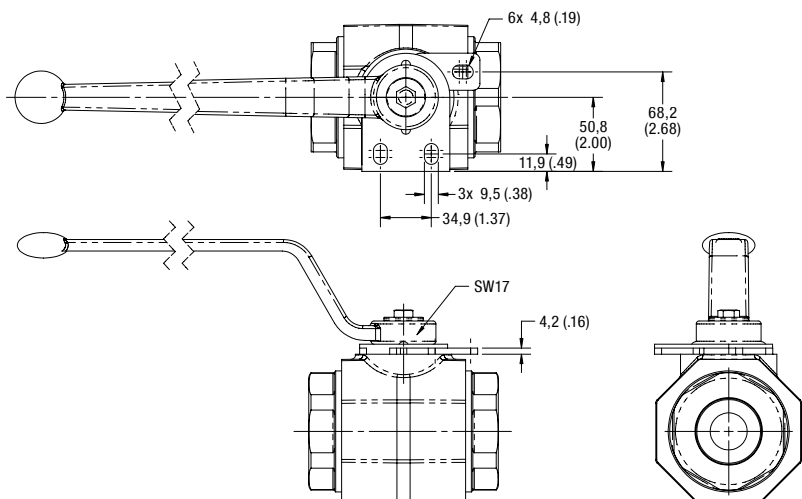
Locking Device - Type LD6

Order Codes

Nominal Size DN	SW	Order Codes
20-32	17	LD6-SW17

Suitability

Type	Description
FBV	Forged Body Valve with Threaded Connections
FBV22/23	Forged Body Valve with SAE Split Flange Connections
FBV	Forged Body Valve with SAE Flange Connections



Double-Acting Pneumatic Actuators - Type EDA
Single-Acting Pneumatic Actuators - Type ESA

Warning: The selection charts are only valid for the following ball valve types supplied by STAUFF: BBV, FBV or CBV (all ending in ... K, ... M or ... H)



Most STAUFF ball valves can be factory-mounted to compact, efficient double-acting or single-acting pneumatic actuators for both high-pressure and low-pressure applications.

The actuators feature simple, robust construction and are suitable for applications with high cycle requirements.

Please note: The minimum air supply for STAUFF actuators is usually 5,5 bar / 80 PSI. They are designed for 90° open / close applications only and should not be used for valve throttling.

Select the size of your pneumatic actuator from the selection charts on the right and consult STAUFF for further information.

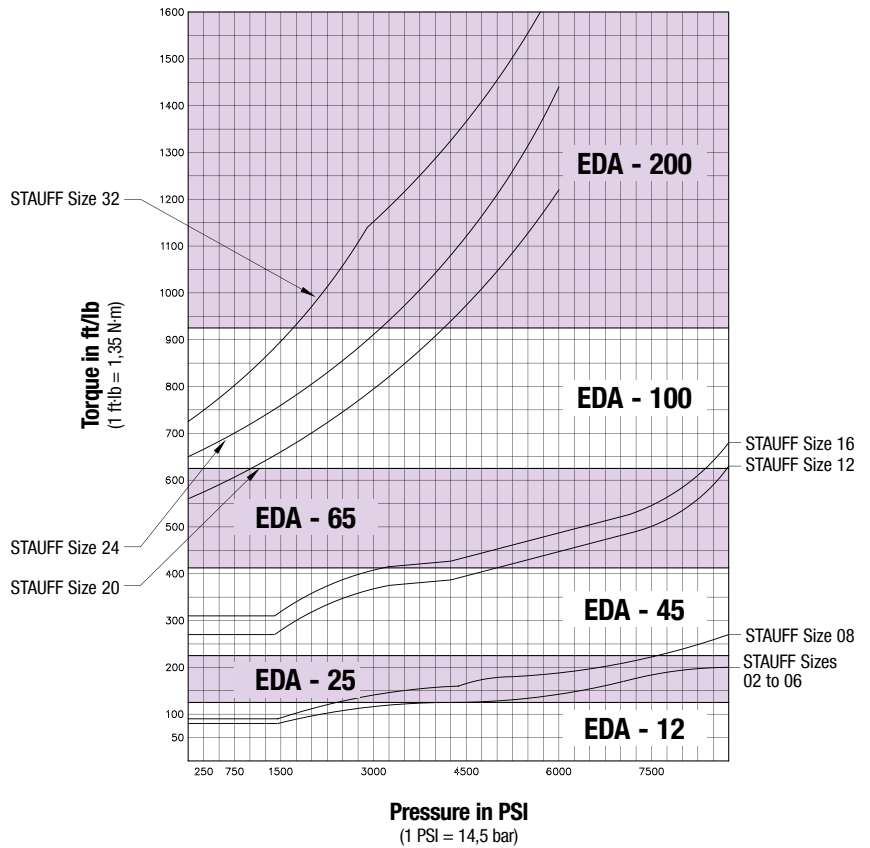
Limit Switches



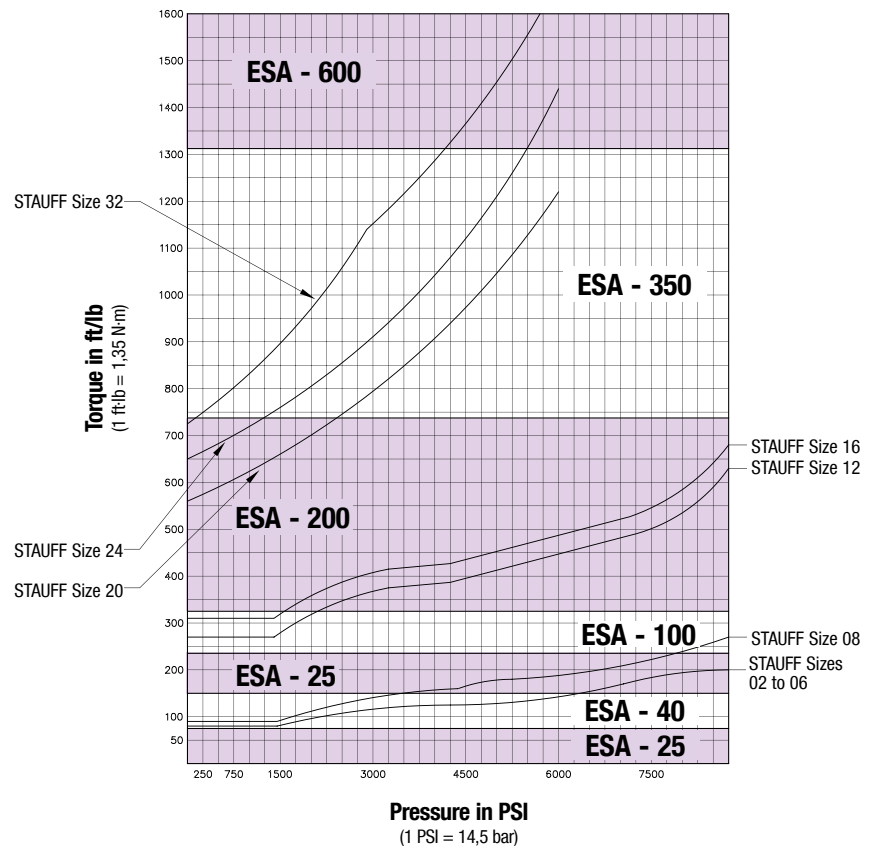
Electric actuator packages as well as solenoid valves and limit switches are also available and can also be offered for different valve styles and sizes.

Please consult STAUFF for further information.

Selection Chart for Double-Acting Pneumatic Actuators EDA
 for Two-Way Ball Valves used with Standard Mineral Oil according to DIN 51524 T1 and T2



Selection Chart for Single-Acting Pneumatic Actuators ESA
 for Two-Way Ball Valves used with Standard Mineral Oil according to DIN 51524 T1 and T2

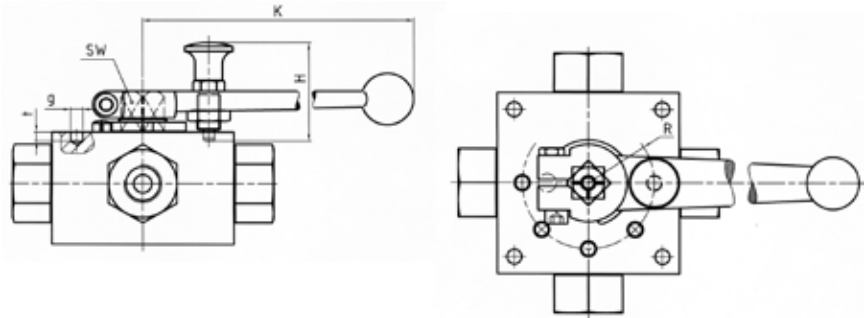


Ball Valves with Detent

Dimensions

Multi-Way Ball Valves (Types LBV / TBV / XBV)

STAUFF Size	Nominal Size DN	Dimensions (mm/in)					
		SW	K	H	R	g	t
02	4	12	175	45	20	6	7
		.47	6.89	1.77	.79	.24	.28
04	6	12	175	45	20	6	7
		.47	6.89	1.77	.79	.24	.28
05	8	14	200	45	29	6	4
		.55	7.87	1.77	1.14	.24	.16
06	10	14	200	45	29	6	4
		.55	7.87	1.77	1.14	.24	.16
08	13	14	200	45	29	6	4
		.55	7.87	1.77	1.14	.24	.16
10	16	17	200	45	29	6	4
		.67	7.87	1.77	1.14	.24	.16
12	20	17	240	45	28	6	4
		.67	9.45	1.77	1.10	.24	.16
16	25	17	240	45	28	6	4
		.67	9.45	1.77	1.10	.24	.16



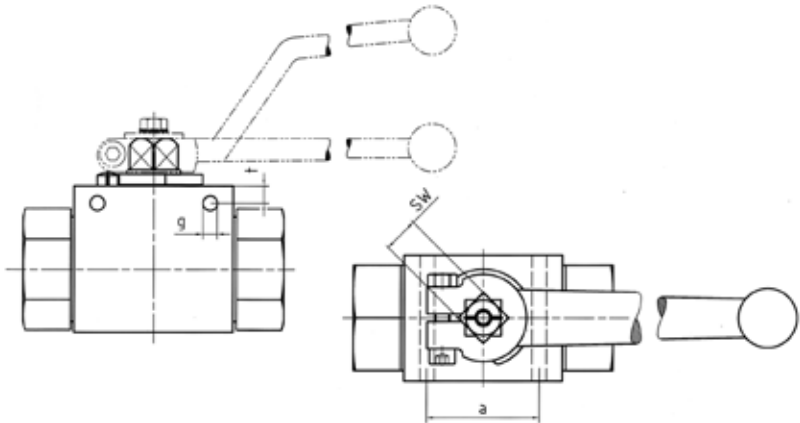
Please consult STAUFF for further information.

Ball Valves with Assembly Holes

Dimensions

Block Body Ball Valves (Types BBV / CBV / CBVS)

STAUFF Size	Nominal Size DN	Dimensions (mm/in)			
		SW	a	g	t
02	4	9	31	4,3	4,5
		.35	1.22	.17	.18
04	6	9	31	4,3	4,5
		.35	1.22	.17	.18
05	8	9	31	4,3	4,5
		.35	1.22	.17	.18
06	10	9	32	4,3	4
		.35	1.26	.17	.16
08	13	9	32	4,3	4
		.35	1.26	.17	.16
10	16	12	32	5,2	6
		.47	1.26	.20	.24
12	20	14	44	6,2	6
		.55	1.73	2.44	.24
16	25	14	44	6,3	6
		.55	1.73	.25	.24



Please consult STAUFF for further information.

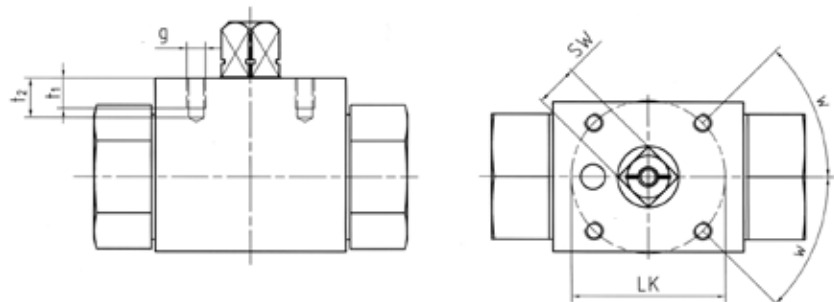
Ball Valves with Assembly Threads

Dimensions

Block Body Ball Valves (Types BBV / HBV / CBV / CBVS up to STAUFF Size 16)

Forged Body Ball Valves (Types FBV from STAUFF Size 20 on)

STAUFF Size	Nominal Size DN	Dimensions (mm/in)							ISO 5211
		SW	LK	g	t1	t2	w		
02	4	9	36	M5	6	7,5	30°*	F03*	
		.35	1.42		.24	.30			
04	6	9	36	M5	6	7,5	30°*	F03*	
		.35	1.42		.24	.30			
05	8	9	36	M5	6	7,5	30°*	F03*	
		.35	1.42		.24	.30			
06	10	9	36	M5	7	9	45°	F03	
		.35	1.42		.28	.35			
08	13	9	36	M5	6	8	45°	F03	
		.35	1.42		.24	.31			
10	16	12	42	M5	8	10	45°	F04	
		.47	1.65		.31	.39			
12	20	14	50	M6	10	14	45°	F05	
		.55	1.97		.39	.55			
16	25	14	50	M6	10	12	45°	F05	
		.55	1.97		.39	.47			
20	32	17	50	M6	8	12	45°	F05	
		.67	1.97		.31	.47			
24	40	17	50	M6	8	12	45°	F05	
		.67	1.97		.31	.47			
32	50	17	50	M6	8	12	45°	F05	
		.67	1.97		.31	.47			



* 30° is not corresponding to ISO 5211
Please consult STAUFF for further information.

Alternative Porting Patterns

Type	Symbol	Porting Pattern		Stop of End Position	Operating Angle	Overlap
BBV35	LLu		58-BBV35		90°	negative
BBVS358	Lu		57-BBVS35		180°	negative
* Pressure inlet possible from all ports! Must be operated without pressure!						
CBV	L		50-CBV		90°	negative
	T		51-CBV		90°	negative
CBVS	L		55-CBVS *		90°	negative
	T		56-CBVS *		90°	negative
* Pressure inlet possible from all ports! Must be operated without pressure!						
Not Allowed	T					
Three-Way LBV/ TBV with Stop of End Position	L		01		90°	positive
	T		02		90°	positive
	LL		03		45°	negative
	TL		04		45°	negative
	LI		06		90°	negative
	TL		08		90°	negative
	TI		09		90°	negative

Alternative Porting Patterns

Type	Symbol	Porting Pattern	Stop of End Position	Operating Angle	Overlap
Four-Way TBV / XBV with Stop of End Position	T		13	90°	positive
	X		16	90°	negative with closed position
	X		15	45°	negative
	XI		16	45°	negative
	XI		17	90°	negative
	LI		18	90°	negative
	XT		19	90°	negative
	TL		21	90°	negative
	XL		22	90°	negative
	XL		23	90°	negative
	L		24	180°	positive

Highest-Pressure Ball Valves



800 bar / 1200 PSI ball valve combination for alternating pressure demands from 6 bar / 87 PSI up to 800 bar / 12000 PSI working in a hose testing plant.

The STAUFF range of valves have stood the test of time for ultra high pressure applications up to 800 bar / 12000 PSI.

The high demands on ball valves will be maintained through the utilisation of high quality STAUFF specified materials. The extreme loads on the seals caused by the high pressures will be absorbed by a special chambering of the seals. Additionally the sealing system is protected against erosion and therefore rapid wear.

The ball valves are utilised in Test Stations, Steel Works, Cleaning and Cutting Systems.



Ball valve for a test bed: The customers demand was to apply high pressure and great volume to the specimen in a short time.

These valves are being utilised:

For High pressure water blasting

- internal cleaning of reactors, containers and mixers
- sewer cleaning
- pipe cleaning
- surface treatment like chamfering, descaling, varnish removal

For process and industrial technology

- CO₂ – extraction
- hydroforming
- test bed technology
- water jet cutting systems



Descaling of steel sheets and profiles.

High-Temperature Ball Valves



In order to provide the many advantages of ball valves in high temperature applications, STAUFF has developed the FBVT series of ball valves.

These valves are designed with a gland packing of special material. This sealing allows applications with high pressure and simultaneously high temperatures.

Up to a temperature of +260 °C / +500 °F high quality plastic seats are being utilised. These are suitable for high pressure and temperature loads due to their proven chambering.

For temperatures up to +500 °C / +932 °F STAUFF has developed a special sealing system with metal seats. Despite the additional demands on compression, wear and corrosion under high temperatures, the leak rate of these ball valves can be compared with standard valves.

High temperature ball valves with heating elements for polymer production.

Ball Valves for Gas Applications

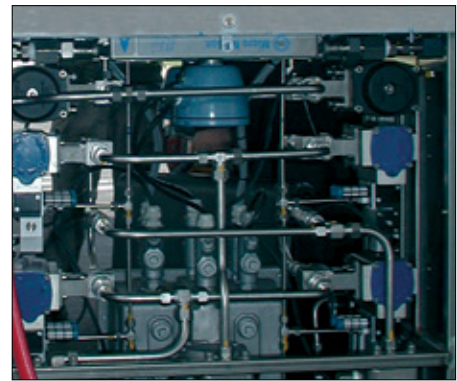
STAUFF ball valves are used for many gas applications, such as:

- General gas supply systems,
- Filling plants,
- compressor stations,
- gas stations,
- analysis equipment

The design follows the Pressure Equipment Directive 97/23/EC.

The ATEX Directive for hazardous location EX II 2G c will be proved in single test on demand.

The materials for body, ball and seals are dependant on the gas and application in consideration of the directives.



Ball valves with pneumatic actuator in gas stations.

Ball Valve Type	DN	PN (bar)	Approved Material Combination	Approved Material Combination for Hazardous Location EXII 2G c (ATEX)
BBV	6 - 25	16	Carbon or Stainless Steel / NBR (Buna-N®)	11aA / 44aA
FBV	32 - 50	16	Carbon or Stainless Steel / NBR (Buna-N®)	21 aA / 44aA
BBV	6 - 25	100	Carbon or Stainless Steel / NBR (Buna-N®)	11 aA / 44aA
BBV	6 - 25	500 / 315*	24HA / 44HA	21aA / 44aA
FBV	32 - 50	315*	24HA / 44HA	24aA / 44aA

* Pressure up to max. allowed nominal pressure of the ball valve

Further ball valves up to DN 200 with flange connector, as well as 3/2-way-selector ball valves, multi-way ball valves and ball valves for manifold mounting and cartridge ball valves are also available.

The requirements and tests are in accordance to DIN 3230 Part 5, test group PG1 or PG2, Material and test certificate DIN EN 10204-3.1, Certification to Pressure Equipment Directive 97/23/EC.

The leaking rate can be proved with a Helium leakage test device up to a leakage rate of 10^{-9} mbar x l/sec.

STAUFF recommends the use of the version with erosion protection ring in order to extend the lifetime of the seats look page 101.

Only if the most important parameters like pressure, medium, temperature, medium concentration and operation cycles are known the best or most suitable material combination and the most economical solution can be offered.

Except the general suggestions for the material combinations the chemical resistance and further directives are to be considered. For Fluids like oxygen, hydrogen, argon, helium and sour gas we request a consultation.

Sour gas application: For fluids with hydrogen sulphide (H₂S) – parts ball valves can be delivered in accordance to the NACE Standard MR0175.



Double block and bleed valve for sampling.



Filter station for the filtration of gases with STAUFF-3-way-selector ball valves for 250 bar / 3600 PSI and +200°C / +392 °F.

Gas stations:

For gas pumps both ball valves with floating ball and with trunnion ball are suitable. Most important for the design are the frequency of operation cycles in use with actuators. Assembling of actuators to ISO 5211 or direct mounting.

In case of maintenance the gas flow is diverted by a 3-way-selector valve combination allowing the filter elements to be changed. Due to the excellent KV-value this valve is the ideal switch over unit for use in high leak-tightness application.

Ball valves for analysis techniques and Sampling

Ball valves are deliverable as "double block and bleed valve". Part of this product range are the TALFIRE – ball valves. These ball valves meet the requirements of the TA-Luft (technical directive for clean air). They are used in applications with air pollution substances.

Ball Valves for Paints and Lacquers



Ball valve application in airless spraying device.

Ball valves for paints and lacquers must be resistant against the varying viscosities and dye particles in the fluid.

The sealing material is the determining factor to guarantee an optimal lifetime. The choice of the seals is depending on the required operating cycles and after consideration of the pressure differential.

In case of operating the ball valve without differential pressure, standard ball seats can be used.

To increase the lifetime we recommend a seat version with erosion protection ring. For a further increase of the lifetime and also a reduction of repair and maintenance time, a metal seat is the best solution.

The specified material combinations are suitable for most applications.

The chemical resistance to the used solvent has to be tested when selecting the ball valve.

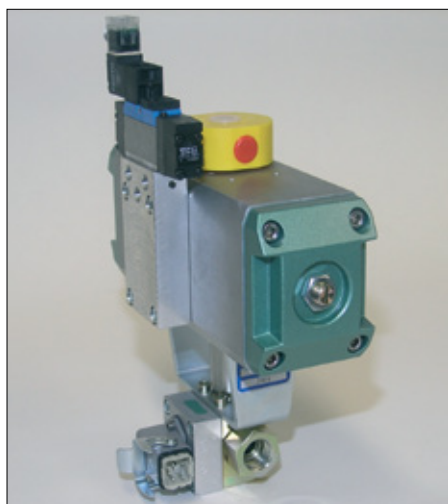
To maintain or repair the valve, it is necessary that the return and non-return lines in colour spraying plants can be blocked off.

Due to the opening of the bypass ball valve, an un-pressurised circulation has to be guaranteed.

The locking or opening of the bypass line is carried out manually, thereby incorrect operation is impossible.



Ball Valves for Isocyanates



Isocyanates react with humidity and develop crystalline particles. To avoid that the isocyanates get in contact with environmental humidity, the ball valves have to be completely leakproof.

On the other hand the crystalline particles in the fluid mustn't damage the ball seats. Special seats are used because standard plastic seats can be damaged by crystalline particles.

With these sealing system from STAUFF a ball valve provides extended lifetime.

These valves are being used in the foaming systems and pasters. Ball valves are also available with heating devices and temperature sensors in order to keep the temperature regulated during the manufacturing process.

Equipped with actuators and limit switches STAUFF ball valves being operated in many instances by robots.

Ball Valves with Fire-Safe Approval



When handling flammable liquids safety must be a prime consideration. Great importance is therefore attributed to the design of "fire-safe" shut-off valves utilized in many industrial environments including:

This is most important for:

- Chemical Plants
- Petrochemical Plants
- Oil Drilling
- On-Shore and Off-Shore Installations
- Oil Refineries

When fire does break out, it is important that it does not spread through failures in pipe-work systems. Even under the most extreme conditions shut-off valves must provide:

- Secure Operation
- Reliable Sealing in shut-off position
- Reliable Sealing to the outside

Due to their quarter turn shut-off design, STAUFF ball valves provide a solution to meet these demands.

Metal seat edges at the ball seats guarantee the sealing function during and after contact with fire, even if the seals themselves are burnt.

In addition both housings and shafts are also sealed with heat resistant seats ensuring their continued operation.

The "fire-safe" test undergone by STAUFF ball valves subjected them to flames and a resulting temperature of +760 °C / +1400 °F where the ball valve is heated to a general temperature of min. +650 °C / +1202 °F.

The STAUFF "fire-safe" design ensured that after this burn period of 30 min. the valves remained operable and that a continued "emergency" sealing of the valve could be guaranteed.

The test conditions under which "fire-safe" requirements are specified are characterised in various international standards.

STAUFF ball valves of the BBV series have been tested successfully according to British Standard BS 6755 T.2, API 6 FA and ISO 10497. The tests were testified by the German TÜV Inspectorate.

At this time, certification as "fire-safe" relates to our BBV series with threaded connections and nominal sizes from DN 25 to DN 50 and the BBV series with flange connections and nominal sizes from DN 25 to DN 125 and within a nominal pressure range from 260 ... 420 bar / 3700 PSI ... PN 6000 PSI.

The material utilized for the soft seals in "fire-safe" valves remains dependant upon the required chemical resistance to suit the fluid, the application and operation conditions.

A wide variety of ball valve terminations are available from STAUFF to suit the individual applications or requirements and additionally other characteristics such as antistatic design can be incorporated within the STAUFF product.

Nomenclature Definitions

Nominal Pressure PN

The nominal pressure indicates the pressure rate of a hydraulic component and continuous dynamic application. The number is rounded up in order to comply with the internationally specified terms.

These nominal pressure values are internationally recognised and assist to appoint common component dimensions. For all ball valves conform to a design and test pressure 1.5 x PN according to DIN 3230 T5 and ISO 5108 for body. For ball seats we admit 1,1 x PN.

The nominal pressure specifies the admissible working overpressure at +20 °C / 68 °F. Please consider the pressure reduction at higher temperature.

Maximum Working Pressure P_{max}

P_{max} is the maximum working pressure of a component including pressure peaks for limited duration of dynamic application resp. the maximum working pressure which considers temperature reduction ratings.

Burst Pressure P_{Burst}

The safety factor for burst pressure tests is a minimum of 2.4 times the nominal pressure.

$$P_{Burst} = 2.4 \times PN$$

Nominal Diameter DN

The nominal diameter is a numeric dimension of mating parts without indication of outer tube diameter or thread size, for example flanges. The nominal diameters match approximately the clear diameter of the ball valves in mm. Reduced diameters are marked by STAUFF with for example DN25/32. That corresponds to the ball valve being DN 25 and the adapter being DN 32.

Leakage Rate

Leakage rate of ball valves with synthetic ball seats: DIN EN 12266 leakage rate A (No visually noticeable leakage during the duration of the test with fluid or air).

Standard Materials

Valve Body, Connections Adapters, Stem and Ball

Material Description	Standard	Temperature Range ¹	Applications
Free Cutting Steel 11SMn30 (formerly 9SMn28K)	1.0715 / DIN EN 10277-3 (SAE 1213)	-20°C ... +120°C -4°F ... +248°F	General oil hydraulics without special requirements on the material
Low Alloy Steel S355J2G3 (formerly St52-3)	1.0570 / DIN EN 10025	-40°C ... +120°C -40°F ... +248°F	General oil and water hydraulics as well as gas applications with special requirements to the yield stress
Stainless Steel X6CrNiMoTi17-12-2 X5CrNiMo17-12-2 X2CrNiMo17-13-2	DIN EN 10088 1.4571 (AISI 316 Ti) 1.4401 (AISI 316) 1.4404 (AISI 316 L)	-200°C ... +200°C -328°F ... +392°F	Special applications in the chemical and power industries with specific requirements on the material and corrosion protection

Ball Seats

Material Description	Trade Name	Temperature Range	Applications
Polyacetal POM	Delrin Hostaform C Ultraform	-30°C ... +100°C -86°F ... +212°F	High pressure and wear resistance, low water absorption, particularly suitable for hydraulic oils, other oils and water based hydraulic fluids
Polytetrafluorethylene PTFE	Teflon Hostflon Fluon	-200°C to +220°C ² -328°F ... +428°F ²	Excellent chemical resistance to almost all fluids, no water absorption, low surface friction. (Suitable for food FDA-US Food and Drug Administration) Higher characteristic compounds available.
Polyvinnylidenfluorid PVDF	Dyflor Kynar Solef	-40°C ... +120°C ² -40°F ... +302°F ²	Mechanical properties like Teflon, but higher rigidity and lower thermal stability, resistant to ketones and esters at higher temperatures
Polyetheretherketone PEEK	Arlon Victrex	-40°C ... +250°C -40°F ... +482°F	Good chemical resistance to many mediums, suitable for steam, high temperature resistance, high wearability
Cast iron GG25	0.60257 DIN 1651	-40°C ... +250°C -40°F ... +482°F	Applications for abrasive fluids

Stem and Adapter Sealing Materials

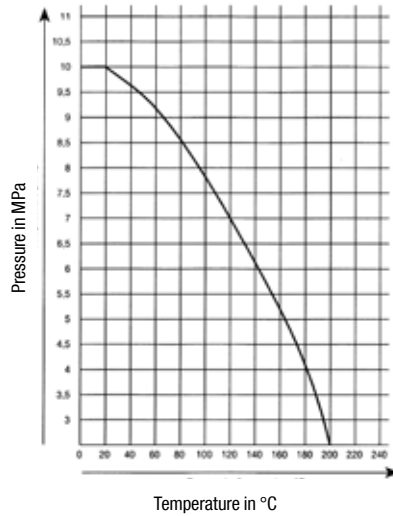
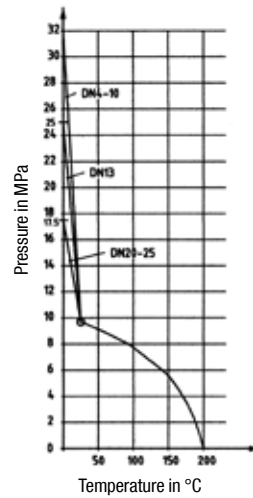
Material description	Trade Name	Temperature Range	Applications
Acrylonitrile Butadiene Rubber NBR	Buna N Perbunan Hycar Chemigum	-30°C ... +100°C -86°F ... +212°F	Good technical properties, therefore especially suitable for oils and gaseous mediums
Fluor Rubber FPM	Viton Fuorel Tecnoflon	-20°C ... +200°C -4°C ... +392°F	High chemical resistance to various mediums, in particular mineral oils, fuels and concentrated acids
Ethylene Propylene Diene Monomer Rubber EPDM	Buna AP Nordel	-50°C ... +130°C -58°C ... 266°F	Good ageing stability, low wear, especially suitable for actylene, brake fluids, hot water, superheated steam, cooling gases, low-flammable liquids based upon Phosphoric acid
Polytetrafluorethylene PTFE	Teflon Hostflon Fluon	-200°C ... +220°C ² -328°F ... +428°F ²	Excellent chemical resistance to almost all fluids, no water absorption, low surface friction. (Suitable for food FDA-US Food and Drug Administration) Higher characteristic compounds available.

¹ General temperature limits: A rating above the indicated limits is possible when the temperature reduction ratings are taken into consideration.

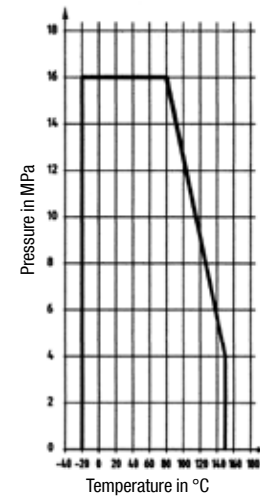
² Pressure / temperature curve must be observed.

Admissible Working Pressures

PTFE Ball Seats


 PTFE Ball Seats
Glass-Fibre Reinforced


PVDV Ball Seats



Surface Coatings

Zinc/Iron-Coating

Carbon steel products are supplied as standard with a high-quality zinc/iron-coating, which is a CrVI-free galvanic plated surface protection, corresponding to all demands according to the valid European regulations of the automobile industry, as well as the RoHS decree.

This surface protection also has a visual effect. It can be easily varnished to suit any product design, if required. The achieved corrosion protection is excellent and more effective than the protection of the yellow chrome-plating. The cathodic remote protective action prevents early occurring corruptions, that are due to handling or assembly damages.

As opposed to yellow plated surfaces zinc/iron-coated surfaces do not lose on corrosion protection with increasing thermal load from +80 ... +90°C / +176 ... +194°F. In the contrary, temperatures from approximately +100°C / +212°F increase the corrosion protection.

- Fe / ZnFe8 / Cn according to DIN 50979
- Approx. 96 hours resistance against white rust in the salt spray test to DIN EN ISO 9227
- Approx. 300 hours resistance against red rust in the salt spray test to DIN EN ISO 9227
- Free of hexavalent chromium Cr(VI)
- RoHS compliant according to 2002/95/EC (Restrictions of the Use of Hazardous Substances)
- ELV compliant according to 2000/53/EC (End of Life Vehicles Directive)

Besides the standard zinc/iron-coating, STAUFF can also supply the following surface coatings or surface treatments for the body materials:

Carbon Steel

- chemically nickel-plated
- varnished

Stainless Steel

- rotary or traction quality
- glass bead blasted
- electro polished
- ceramic finished

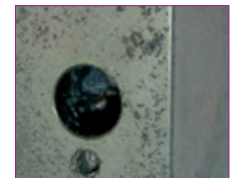
Aluminium

- anodised
- hard anodised

Please consult STAUFF for further information.

STAUFF Zinc/Iron-Coating

Approx. **96 hours** resistance against white rust
Approx. **300 hours** resistance against red rust
in the salt spray test to DIN EN ISO 9227


Yellow Zinc Plating

Corrosion clearly visible after **154 hours**
in the salt spray test to DIN EN ISO 9227


Phosphating

Corrosion clearly visible after **19.5 hours**
in the salt spray test to DIN EN ISO 9227



Determination of the Nominal Diameter

Using a Nomogram

This nomogram provides a guide for the determination of the nominal diameter (DN). We recommend to use the following flow rates as a basic guideline:

- Suction lines: 0,5 ... 0,8 m/sec (.1524 ft/sec)
- Return lines: 2,0 ... 4,0 m/sec (.61 ... 1.22 ft/sec)
- Pressure lines >10 MPa: 2,0 ... 4,0 m/sec (.61 ... 1.22 ft/sec)
- Pressure lines >50 MPa: 3,0 ... 12,0 m/sec (.91 ... 3.66 ft/sec)

Example 1

Velocity $v = 8$ m/sec (2.44 ft/sec)
Flow rate $Q = 150$ l/min (40 US GPM)

The straight line linking these two values on the outer scales intersects the nominal diameter DN 20 on the middle scale.

Example 2

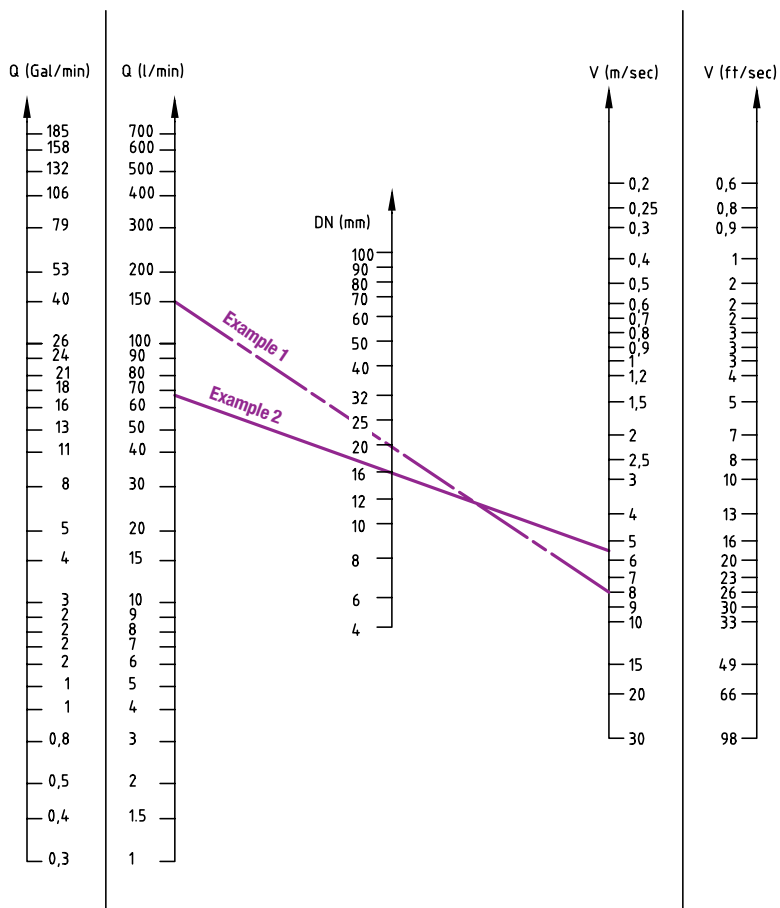
Velocity $v = 5,5$ m/sec (1.68 ft/sec)
Flow rate $Q = 66$ l/min (17 US GPM)

The straight line linking these two values on the outer scales intersects the nominal diameter DN 16 on the middle scale.

Please note:

No allowance is incorporated for the resistance of the pipes, elbows and valves, viscosity, the effect to temperature on viscosity and other factors.

Consult STAUFF for further information.



Determination of the Nominal Diameter

Using a List of Nominal Flow Rates

The indicated flow rates have been determined for ball valves in open position with water at a temperature of +15°C / +60°F.

K_v Coefficient

The nominal flow rate coefficient K_v , according to German standard VDI/VDE 2173 indicates the quantity of water in cubic meter per hour (m³/h) at

$$\Delta p = 1 \text{ bar} / 14.5 \text{ PSI and } 35 \text{ mm}^2/\text{s (cSt)} \\ \text{at } +5 \dots +30^\circ\text{C} / +41 \dots +86^\circ\text{C}.$$

C_v Coefficient

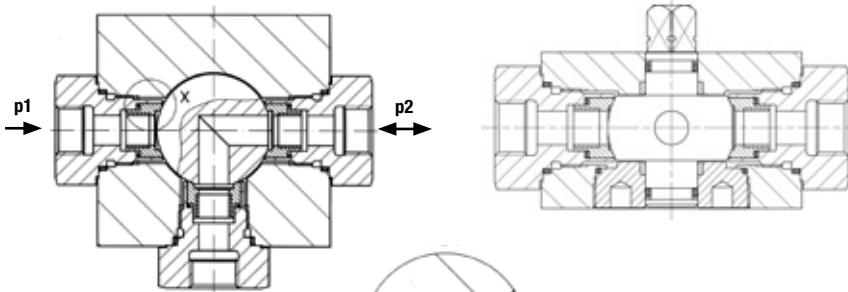
The C_v value (which is still common practice in USA) specifies how much US gallons of water flow through the valve per minute (US GPM) at

$$\Delta p = 1 \text{ bar} / 14.5 \text{ PSI at } +15^\circ\text{C} / +60^\circ\text{F}.$$

Consult STAUFF for further information.

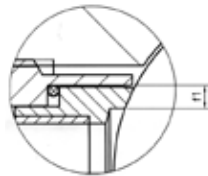
Nominal Size DN		K _v (m ³ /h)	C _v (US GPM)
(mm)	(in)		
15	1/2	19,4	22,6
20	3/4	45,6	53,0
25	1	71,5	83,1
32	1-1/4	105	122,1
40	1-1/2	170	197,7
50	2	275	319,8
65	2-1/2	507	589,5
80	3	905	1052,3
100	4	1414	1644,2
125	5	2362	2746,5
150	6	3694	4295,3

Multi-Way Ball Valves



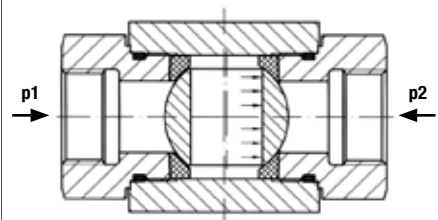
This valve has a trunnion ball.

The sealing element seals from the upstream side. The sealing is guaranteed under all pressure conditions. It is achieved by the sealing element being forced against the ball.



X3:1

Two-Way Ball Valves (Type LBV)

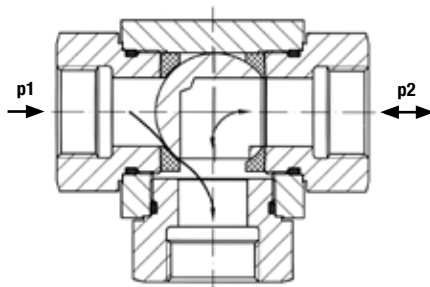


This valve has a floating ball.

The ball seats act as bearing seats for the ball. Sealing is achieved by the ball being pushed against the downstream seal due to the pressure p_1 at .

Without pressure the sealing is guaranteed by the preloading of the sealing elements.

Three-Way Ball Valves (Type CBV)



The selector ball valve has 2 seats and a floating ball.

If the shut-off port is pressurised and p_1 is higher than p_2 , then the ball is being forced against the opposite sealing element.

A gap forms and the ball valve is leaking.

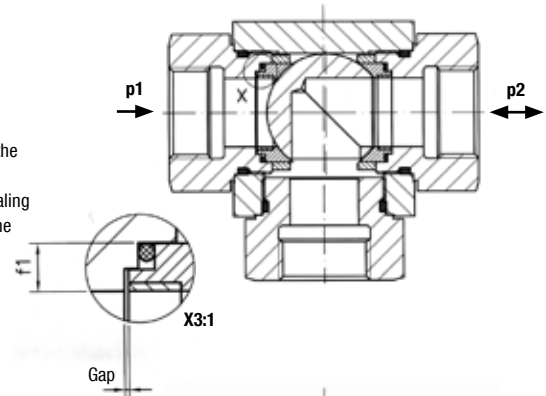
Three-Way Ball Valves (Type CBVS)

The selector ball valve has 2 front side sealing seats and a floating ball.

$p_1 > p_2$

Due to the forming of the ring surface „f1“ and the pressure (p_1-p_2) the left sealing element will be forced against the ball and consequently the sealing is achieved. The „floating“ ball moves against the right sealing surface - the ball valve remains sealed.

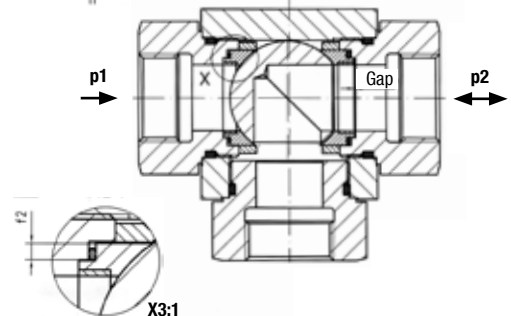
**Pressure inlet possible from all ports!
Must be operated without pressure!**



$p_1 < p_2$

Due to the ring surface „f2“ and the pressure (p_2-p_1) the right sealing element will also be forced against the ball and consequently the sealing is achieved. The „floating“ ball moves against the left sealing surface - the ball valve remains sealed.

**Pressure inlet possible from all ports!
Must be operated without pressure!**



For compressible and abrasive media special protected seats are utilised.

During the first part opening of the ball valve, standard plastic seats are located unprotected in the critical cross sectional area.

During gas applications and with all kinds of compressive media this narrowest cross section can result in a very high flow rate that cause erosion of the seats.

If media contain solids, for example paint, the abrasion risk in the first opening section is extremely high.

Ball valves with standard seats can quickly become inoperative.

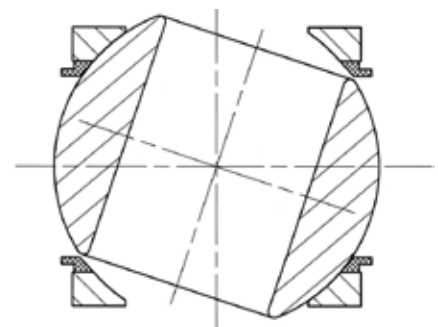
For this application, STAUFF has designed a sealing version with erosion protection ring. This ring is made of special material and keeps the high flow forces and the abrasive solids away from the plastic seals.

Tests and long term experience with this application have shown that ball valves with this sealing system provide substantially improved life times.

Times of non-use as well as maintenance and repair times are therefore reduced.

A further increase of the lifetime is possible by using metal seating elements.

Special Protected Seats



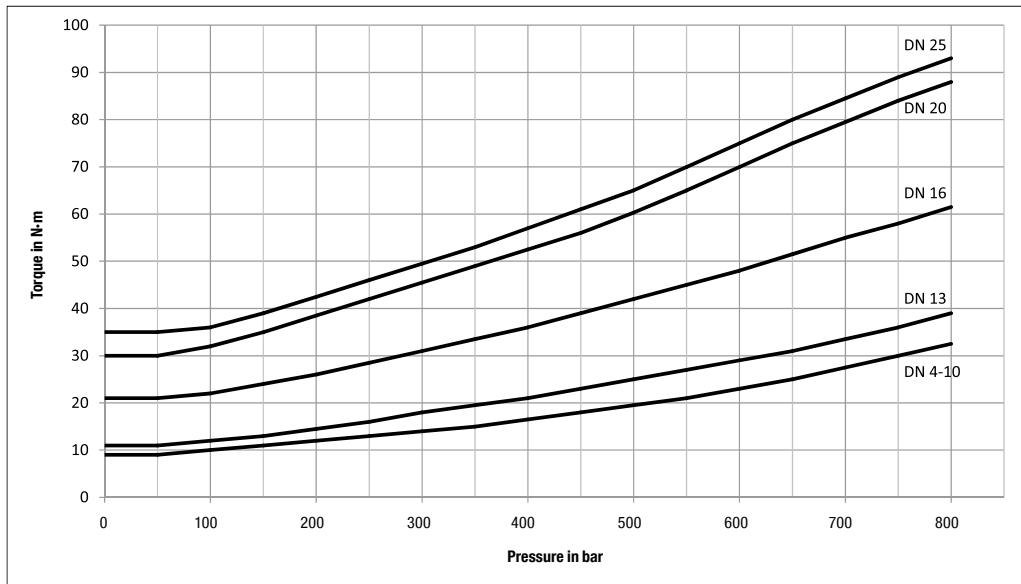
The ring is made of special material and protects the seats against erosion.

Torque Figures

Torque / Operation Pressure Curves

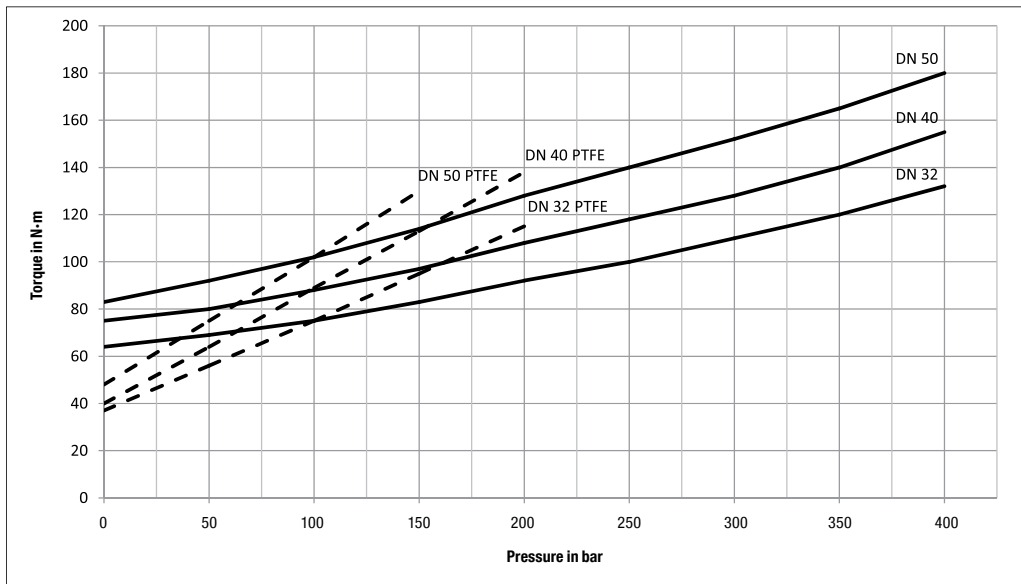
Operating torque
for ball valves with
POM seats

BBV
CBV
BBV22/23



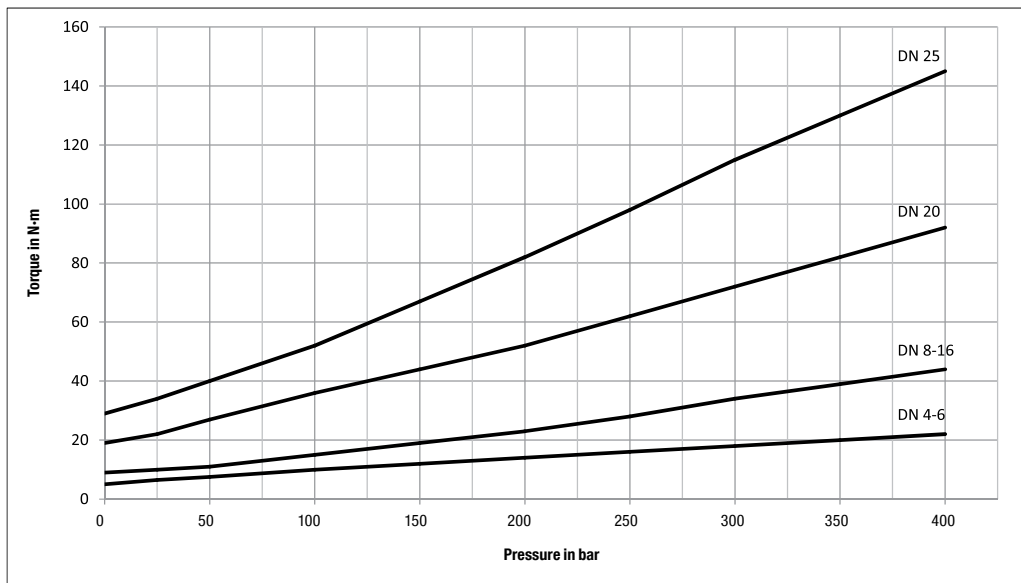
Operating torque
for ball valves with
Teflon or POM seats

FBV
FBV22/23



Operating torque
for ball valves with
POM seats

LBV
TBV
XBV



Pressure Equipment Directive CE-Marking of STAUFF Valves

Information about essential contents and consequences of the Pressure Equipment Directive (PED 97/23 EC) and the CE-marking for STAUFF valves

From 29th May 2002 the application of the Pressure Equipment Directive (PED 97/23 EC) is mandatory throughout in the European Community.

Responsibility

Manufacturers are obliged to ensure that products which are placed on the market in the European Community are designed and manufactured according to the regulations of the Pressure Equipment Directive.

The company is only allowed to purchase and use pressure equipment which corresponds to the regulations of the Pressure Equipment Directive.

Procedure

Valves have to be classified in categories (category I to III). Category I relates to the lowest, category III to the highest, hazard category.

The classification is carried out under consideration of

- diameter
- pressure
- medium-hazardous or harmless gases or liquids

Group 1 comprises hazardous mediums

- explosive
- extremely flammable
- highly flammable
- flammable (where the maximum allowable temperature is above flashpoint)
- very toxic
- toxic
- oxidising

Group 2 comprises all harmless mediums which are not listed in Group 1 such as hydraulic oil, water, air and oxygen.

Consequences

No CE-marking for:

- All valves < DN200 for harmless liquids of Group 2, such as hydraulic oil, water
- All valves up to and including DN 25 for all mediums in Group 1 and 2 (gaseous and liquid)

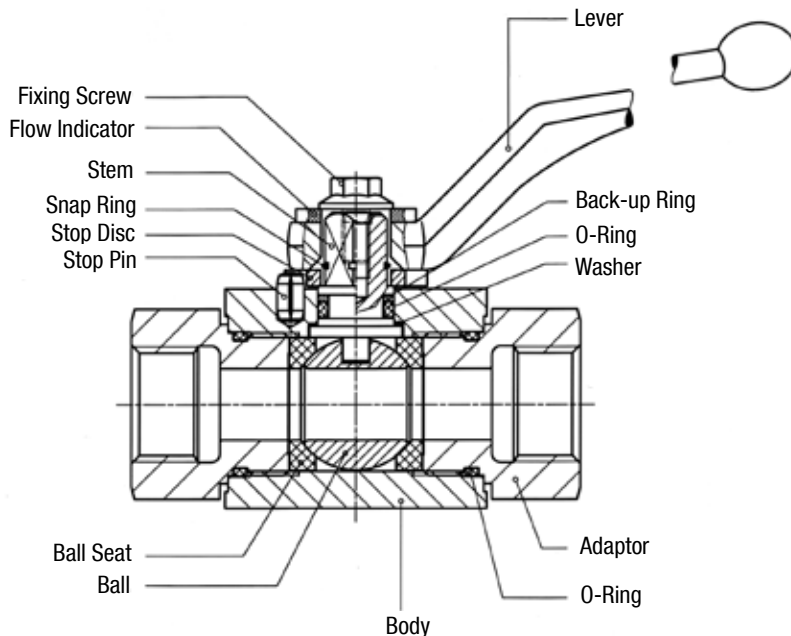
CE-marking for valves ≥ DN 32:

- With regards to valves of category I and II, STAUFF prepares a declaration of conformity.
- With regards to valves of category III an external conformity examination is necessary.
- The resulting costs will be included in our quotation.

Concerning valves of the categories I to III, it has to be observed that:

- a certification of conformity has to be enclosed with each delivery.
- operating instructions have to be enclosed with each packing unity.
- the traceability of products must be guaranteed.

Storing and Assembling Instructions



The assembly of the lever and the flow indicator has to be carried out the way that the groove of the stem and the groove of the indicator are identical in direction.

STAUFF delivers ball valves of first-class quality. This is guaranteed by the utmost care as far as construction and production of our products are concerned. All STAUFF products must pass our rigid quality assurance system ensuring the high standard of quality. As a matter of course, quality approvals can be supplied on request.

In order to guarantee the proper function of our products, the following criteria must be adhered to (non-observance can lead to expiration of this guarantee):

1. After receipt of order, the goods must be kept from moisture, erosion and thermal shock.

2. Ball valves are being delivered in open position. Store in a dry and clean place. Do not remove protective dust caps until final installation.

3. Pipe systems must be flushed before installing ball valves (dirt and other residues can damage seals).

4. It is possible to change the switching direction from our standard „clockwise“ to „counter clockwise“ by reversing the stop disc (see illustration).

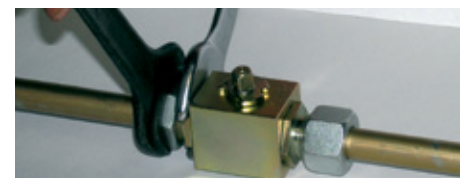
5. When mounting pipes or fittings to the ball valve, the valve connectors must be held in place at the hexagon with a suitable tool (open end wrench) to prevent expanding the end connectors.

6. Pressure test max. with 1,1 x PN with closed ball valve; 1,5 x PN in half opened position.

Flanged ball valves and ball valves in larger nominal diameters must be carefully aligned with pipe to prevent line stress. When welding ball valves into the pipe system, the temperature at the body must not exceed +200°C / +392°C.

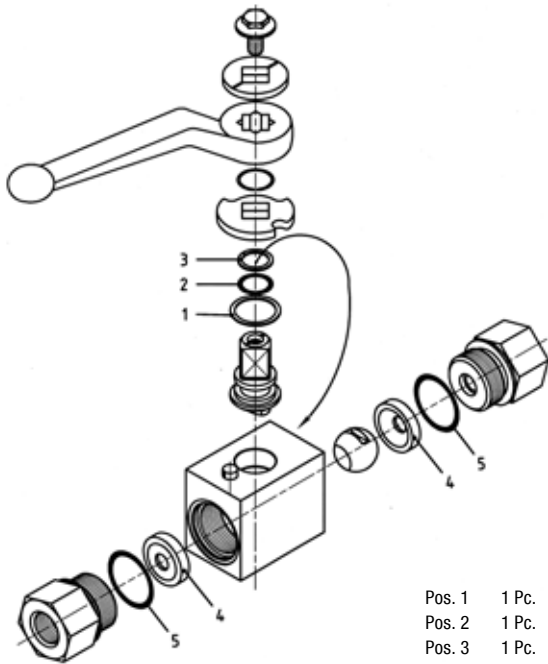
When bleeding a pipe system, the ball valve must be opened 45° to assure complete drainage.

In case of a defect please contact the factory prior to disassembly of our ball valves.



Seal Kits

Seal Kit for Two/Three-Way Block Body Valves



Pos. 1	1 Pc.	Thrust washer
Pos. 2	1 Pc.	O-ring for stem
Pos. 3	1 Pc.	Back-up ring for stem
Pos. 4	2 Pcs.	Ball seat for ball
Pos. 5	2 Pcs.	O-ring for adapter

Assembly Instructions

Notice: The change of seals should only be undertaken by experienced and qualified experts. We recommend that seals are only replaced at STAUFF or by one of our authorized distributors, so that the quality of repair can be guaranteed.

1. Dismantlement: Release any remaining fluid from the valve by first placing the ball in the HALF OPEN position and then to the OPEN position. Unscrew both adapters (anti-clockwise). Remove seals (note order and direction that these are in). The ball can only be removed when the valve is in the CLOSED position. Disassemble the stem by pressing it into the body of the valve. Remove all O-rings from the stem with suitable tools (e.g. small screw driver). Remove the thrust washer (on the stem collar) from the stem.

2. Preparation: Prior to replacing seals ensure that all components are clean and free of any contamination. All seal elements and O-rings as well as the areas of the valves that will be in contact with the seals have to be greased slightly with Vaseline.

3. Pre-Assembly: Mount the thrust washer (Pos.1) onto the stem collar. Replace O-rings (Pos.2+5) (using suitable tools) onto the stem and onto each adapter. Ensure that O-rings are not damaged on keen edges or overstretched, (e.g. by covering screw threads resp. of the shaft square by using suitable tools, alternatively by using a thin and soft foil).

Back-up rings (Pos.3) are located above the stem O-ring (Pos.2), e.g. on the pressure less side. Ensure that the back-up ring is located in the groove to avoid any damages by assembling the stem to the body.

4. Assembly: Reassemble the stem to the body by pressing and turning at the same time, and then align the body axially to the ball operating claw.

Then put the ball in and centre it. Turn the shaft 90° (CLOSED position) in order to retain the ball within the body. Place the new seals into the body ensuring that the concave areas face the ball. Gently screw the adapters into the body and make sure that the O-ring will not be damaged.

Tighten to the prescribed torque settings as indicated below:

DN4-6:	48 Nm
DN10:	90 Nm
DN13:	110 Nm
DN16:	110 Nm
DN20:	220 Nm
DN25:	250 Nm

Place stop disc over the shaft square ensuring that the valve closes when turned to the right and secure with a snap ring. Assemble handle or actuator.

5. Test: Test to ensure that the valve can be opened and closed easily. We recommend that the valve is tested with air at 0,6 MPa and under working pressure with a compatible liquid, max. 1,1 x PN in closed position of the ball. If water is used for testing ensure after the test procedure has been carried out that all water is removed from the valve. This is best achieved by blowing through the valve with air, whilst the valve is in a half open position. Treat with an anti-corrosion treatment.

Store the valve in the OPEN position.

Order Codes for Seal Kit

Ordering Guide for Block Body Ball Valves ending in ...01M (Delrin/Viton seat/seal combination)

Threaded and SAE Flange Connections Types BBV and CBV

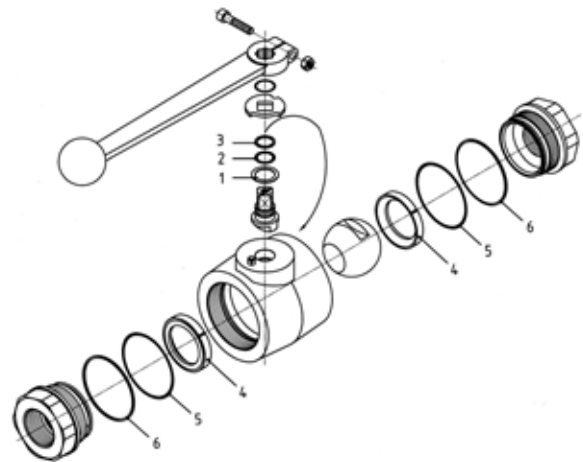
STAUFF Size	Order Codes
04	BBVS/K047101M
06	BBVS/K067101M
08	BBVS/K087101M
12	BBVS/K124501M
16	BBVS/K164501M

Direct Mount Flange Connections Types BBV27/29 and BBVF

STAUFF Size	Order Codes
24	BBVS/K242701M
32	BBVS/K322701M
48	BBVS/K482701M
60	BBVS/K602701M

Seal Kits

Seal Kit for Two-Way Forged Body Valves



Pos. 1	1 Pc.	Thrust washer
Pos. 2	1 Pc.	O-ring for stem
Pos. 3	1 Pc.	Back-up ring for stem
Pos. 4	2 Pcs.	Ball seat for ball
Pos. 5	2 Pcs.	O-ring for adapter
Pos. 6	2 Pcs.	Back-up ring for adapter

Assembly Instructions

Note: The change of seals should only be undertaken by experienced and qualified experts. We recommend that seals are only replaced at STAUFF or by one of our authorized distributors to guarantee the quality of repair.

1. Dismantlement: Release any remaining fluid from the valve by first placing the ball in the HALF OPEN and then to the OPEN position. Unscrew both adapters (anti-clockwise). Remove seals (note the order and direction that these are in). The ball can only be removed when the valve is in CLOSED position. Disassemble the stem by pressing it into the body of the valve. Remove all O-rings from the stem with suitable tools (e.g. small screw driver). Remove the thrust washer (on the stem collar) from the stem.

2. Preparation: Prior to replacing seals ensure that all components are clean and free of any contamination. Slightly grease all seals and O-rings as well as the areas of the valves that will be in contact with the seals with Vaseline.

3. Pre-Assembly: Mount the thrust washer (Pos.1) onto the stem collar. Mount o-ring (Pos.2) and back-up ring (Pos.3) carefully onto the stem using suitable tools and avoid damages through sharp edges or overstretching (e.g. by covering screw threads resp. of the shaft square by using suitable tools, alternatively by using a thin and soft foil). Mount the stem back-up ring (Pos.3) on top of the stem o-ring (Pos.2), e.g. on the pressure less side. Ensure that the back-up ring is located in the groove to avoid any damages by assembling the stem to the body. Mounting of the endless back-up ring to the adapter.

Mount the back-up ring (Pos.6) carefully onto the adapter by using a rounded tool (no sharp edges), but ensure to stretch it as little and constantly as possible. After a short time (approx. 30 to 60 sec.) the back-up ring returns to its original form and size. Push the back-up ring towards the threads and mount the O-ring (Pos.5).

4. Assembly: Reassemble the stem to the body by pressing and turning at the same time, and then align the ball operating claw axially to the body. Insert the ball and centre it. Turn the shaft 90° (CLOSED position) in order to retain the ball within the body. Place the new seals into the body ensuring that the concave areas face the ball. Gently screw the adapters into the body and make sure that the O-ring will not be damaged.

Tighten to the prescribed torque settings as indicated below:

DN32-DN50: 800Nm

Place stop disc over the stem square ensuring that the valve closes when turned to the right and secure with the snap ring. Assemble handle or actuator.

5. Test: Check that the valve can be opened and closed easily. We recommend that the valve is tested with air at 0,6 MPa and under working pressure with a compatible liquid (e.g. water), max. 1,1 x PN in closed position of the ball. Afterwards all the fluid has to be removed again from the valve. This can be achieved by blowing air through the valve, whilst in HALF OPEN position. Let completely dry and treat with an anti-corrosive agent, if necessary.

Store the valve in the OPEN position.

Please consult STAUFF for details on the recommended assembling tool for back-up ring assembly on adapter.

Order Codes for Seal Kit

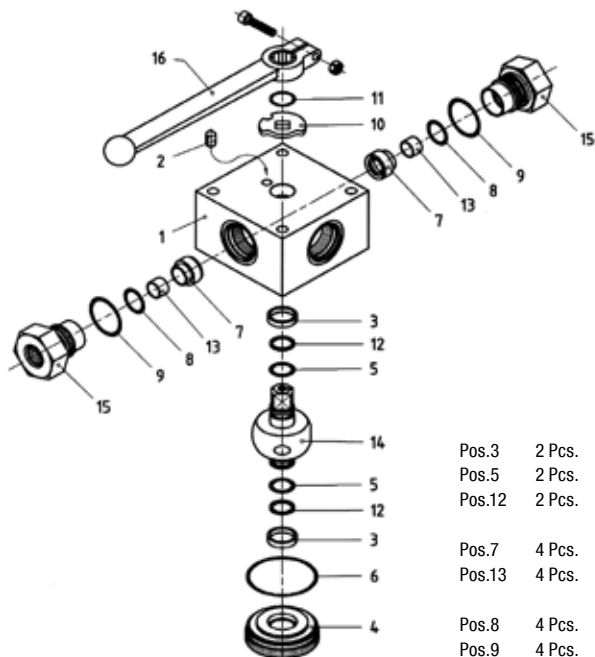
Ordering Guide for Two-Way Forged Body Ball Valves ending in ...01M (Delrin/Viton seat/seal combination)

 Threaded and SAE Flange Connections
Types FBV

STAUFF Size	Order Codes
20	FBVS/K204501M
24	FBVS/K244501M
32	FBVS/K324501M

Seal Kits

Seal Kit for Multi-Way Block Body Valves



- Pos.3 2 Pcs. Bearing
- Pos.5 2 Pcs. O-ring for trunnion
- Pos.12 2 Pcs. back-up ring for O-ring on trunnion
- Pos.7 4 Pcs. Ball seats
- Pos.13 4 Pcs. Mounting tube for ball seat
- Pos.8 4 Pcs. O-ring for ball seat
- Pos.9 4 Pcs. O-ring for adapter
- Pos.6 1 Pc. O-ring for cap

Assembly Instructions

Notice: The change of seals should only be undertaken by experienced and qualified experts. We recommend that seals are only replaced at STAUFF or by one of our authorized distributors, so that the quality of repair can be guaranteed.

1. Dismantlement: In order to release the remaining pressure, carry out 1x reciprocating movement.

Disassemble the shaft handle (Pos.16). Unscrew all adapters (Pos.15) anti-clockwise. Remove seals (Pos.7). Unscrew cap (Pos.4) at body bottom with suitable tools anti-clockwise. Remove trunnions (Pos.14) and bearing shells (Pos.3). Remove all O-rings and back-up rings from trunnion resp. adapters and cap with suitable tools (for example with a small screw driver).

2. Preparation: Prior to replacing seals ensure that all components are clean and free of any contamination. Grease slightly with Vaseline all sealing elements and O-rings as well as the areas of the valves that will be in contact with the seals.

3. Pre-Assembly: Assemble O-rings (Pos.5) and back-up rings (Pos.12) in the grooves of the trunnion, back-up rings outwards to the pressure end.

Mount carefully O-rings on to the (Pos.9) adapters (Pos.15) by using suitable tools (at DN20 u. -25).

Attention: Ensure that O-rings are not damaged on keen edges or overstretched, (for example by covering screw threads resp. of the shaft square by using suitable tools, alternatively by using a thin and soft foil).

At DN4 to DN16: Place mounting tubes (Pos.13) in the provided bore of the seal elements (Pos.7), resp. at DN20 and DN25: place seal element in the sleeve (no description in this figure), spherical side directed to the exterior.

Push O-ring for sealing element (Pos.8) on to the sealing element (Pos.7), (resp. at DN20 and DN25 push on to sleeve) and place together in adapter.

Pre-assemble O-ring (Pos.6) on to the cap (Pos.4). (notice: ensure that there cannot occur any damages!).

4. Assembly: First assemble the bearing shells (bushing) (=Pos.3) in the body (Pos.1) and cap (Pos.4) so that the bevel shows towards the ball valve center and thus it can be used as chamfer for the O-ring (and back-up ring) of the trunnion.

Notice: Ensure that the back-up rings lie close to each other in the groove so that during the assembly process to the body and cap they are not damaged.

Assemble the shaft end of the trunnion (shaft square shows towards exterior) to the cap (Pos.4) by pressing and turning at the same time.

Order Codes for Seal Kit

Ordering Guide for Block Body Ball Valves ending in ...01M (Delrin/Viton seat/seal combination)

Threaded Connections Types LBV / TBV / XBV

STAUFF Size	Order Codes
04	XBVS/K047101M
06	XBVS/K067101M
08	XBVS/K085801M
12	XBVS/K124501M
16	XBVS/K164501M
20	XBVS/K164501M
24	XBVS/K164501M

DN4 to DN16: place O-ring for cap (Pos.6) in the body.

Push the trunnion (together with cap) in the body, until the cap thread touches the body thread, afterwards screw in the cap and tighten to the prescribed torque. (see table).

Gently screw in the pre-assembled adapters into the body and ensure that the O-ring is not damaged. Tighten the adapters with the prescribed torque.

Replace stop disc (Pos.10) over the shaft square so that the desired operation function is achieved, secure with snap ring (Pos.11). Assemble the handle (Pos.16) or the actuator (after it had been tested).

5. Test: Test to ensure that the valve can be opened and closed easily. We recommend that the valve is tested with 6 bar air and under working pressure with a compatible liquid, max. 1,1 x PN. If water is used for testing ensure the after the test procedure has been carried out that all water is removed from the valve.

This is best achieved by blowing air through the valve, whilst the valve is in a half open position. Treat with anti-corrosion treatment.

Store the valve in the „OPEN“ or „CLOSED“ position, resp. end position.

Tightening Torques of Adaptors and Endcaps

Nominal Size	Adapter Tightening Torque in N·m	Thread	Endcap Tightening Torque in N·m	Thread
DN 4-6	40	M18 x 1,5	120 ... 140	M38 x 1,5
DN 8-10	70	M22 x 1,5	140 ... 160	M45 x 1,5
DN 13-16	110	M30 x 1,5	320 ... 350	M60 x 1,5
DN 20	180	M38 x 1,5	550 ... 600	M80 x 2
DN 25 (-32, -40)	250	M45 x 1,5	650 ... 700	M92 x 3

