



**EXTENDED COVERAGE
ORDINARY HAZARD
AUTOMATIC SPRINKLERS
GL1121 & GL1113
UPRIGHT • PENDENT
RECESSED PENDENT**

DESCRIPTION AND OPERATION

The Globe Series GL-ECOH Extended Coverage Ordinary Hazard Extra Large Orifice Sprinkler is a low profile yet durable design which utilizes a 3mm frangible glass ampule as the thermosensitive element. While the sprinkler provides an aesthetically pleasing appearance, it serves to protect various areas of coverage. This sprinkler series is available in various styles, temperature ratings and several finishes to meet many varying design requirements. The Globe Series GL-ECOH Extended Coverage Ordinary Hazard Extra Large Orifice Sprinkler is to be installed per NFPA 13 guidelines.

The heart of Globe's Series GL sprinkler proven actuating assembly is a hermetically sealed frangible glass ampule that contains a precisely measured amount of fluid. When heat is absorbed, the liquid within the bulb expands increasing the internal pressure. At the prescribed temperature the internal pressure within the ampule exceeds the strength of the glass causing the glass to shatter. This results in water discharge which is distributed in an approved pattern depending upon the deflector style used.



**SERIES GL-ECOH
EXTENDED COVERAGE
ORDINARY HAZARD UPRIGHT
GL1121**



**SERIES GL-ECOH
EXTENDED COVERAGE
ORDINARY HAZARD
PENDENT • RECESSED PENDENT
GL1113**

TECHNICAL DATA

- See reverse side for Approvals and Specifications.
- Temperature Ratings - 155°F (68°C), 175°F (79°C), 200°F (93°C), 286°F (141°C)
- Water Working Pressure Rating - 175 psi (12 Bars)
- Factory tested hydrostatically to 500 psi (34 Bars)
- Maximum low temperature glass bulb rating is 67°F(-55°C)
- Frame - bronze • Deflector - brass • Screw - brass
- Bulb seat - copper • Spring - nickel alloy • Seal - teflon
- Bulb - glass with alcohol based solution, 3mm size
- Escutcheon Assembly - steel

• SPRINKLER TEMPERATURE RATING/CLASSIFICATION and COLOR CODING

CLASSIFICATION	AVAILABLE SPRINKLER TEMPERATURES		BULB COLOR	N.F.P.A. MAXIMUM CEILING TEMPERATURE	
ORDINARY	155°F	68°C	RED	100°F	38°C
INTERMEDIATE	175°F/200°F	79°C/93°C	YELLOW/GREEN	150°F	66°C
HIGH	286°F	141°C	BLUE	225°F	107°C

EXTENDED COVERAGE ORDINARY HAZARD EXTRA LARGE ORIFICE AUTOMATIC SPRINKLERS GL1121 & GL1113 UPRIGHT • PENDENT • PENDENT RECESSED

SPECIFICATIONS AND APPROVALS

NOMINAL "K" FACTOR	THREAD SIZE	LENGTH	FINISHES	cULus
11.2 (160 metric)	3/4"NPT (20mm)	2 7/16" (6.2cm)	Factory Bronze Chrome White Polyester ³ Black Polyester ^{2,3}	X

NOTE: METRIC CONVERSIONS ARE APPROXIMATE.

² FINISHES AVAILABLE ON SPECIAL ORDER.

³ AVAILABLE AS cULus LISTED CORROSION RESISTANT WHEN SPECIFIED ON ORDER.

cULus LISTING DESIGN - USE REQUIREMENTS FOR ORDINARY HAZARD ONLY

RESPONSE	SIN	STYLE	TEMPERATURES				MAX. AREA OF COVERAGE LENGTH x WIDTH Feet (Meters)	ORDINARY GROUP 1		ORDINARY GROUP 2	
			155°F (68°C)	175°F (79°C)	200°F (93°C)	286°F (141°C)		MIN. PRESSURE P.S.I. (bars)	MIN. FLOW G.P.M. (L/min.)	MIN. PRESSURE P.S.I. (bars)	MIN. FLOW G.P.M. (L/min.)
QUICK RESPONSE	GL1121	UPRIGHT	X	---	X	---	14 (4.3) x 14 (4.3)	7 (.48)	30 (114)	12 (.83)	39 (148)
	GL1113	PENDENT RECESSED PENDENT									
STANDARD RESPONSE	GL1121	UPRIGHT	X	X	X	X	16 (4.9) x 16 (4.9)	12 (.83)	39 (148)	21 (1.45)	51 (193)
	GL1113	PENDENT RECESSED PENDENT					18 (5.5) x 18 (5.5)	19 (1.31)	49 (185)	34 (2.34)	65 (246)
							20 (6.1) x 20 (6.1)	29 (2.0)	60 (227)	51 (3.52)	80 (303)

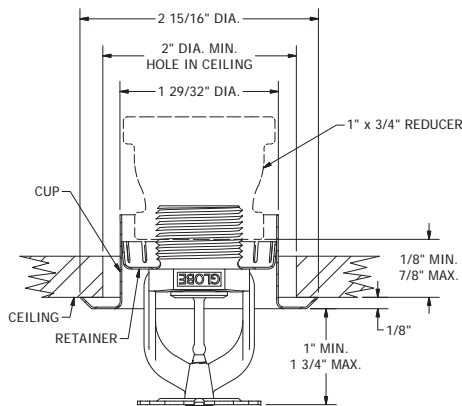
NOTE: METRIC CONVERSIONS ARE APPROXIMATE.

SPRINKLERS SHALL BE LIMITED AS PER THE REQUIREMENTS OF NFPA13 AND ANY OTHER RELATED DOCUMENTS.

FOR COVERAGE AREA DIMENSIONS LESS THAN OR BETWEEN THOSE INDICATED, USE THE MINIMUM FLOW FOR THE NEXT HIGHEST COVERAGE AREA FOR WHICH HYDRAULIC DESIGN CRITERIA ARE STATED.

MINIMUM DISTANCE BETWEEN UPRIGHT SPRINKLERS (GL1121) IS 11 FEET (3.4 METERS).

MINIMUM DISTANCE BETWEEN PENDENT SPRINKLERS (GL1113) IS 9 FEET (2.7 METERS).



CROSS SECTION

ORDERING INFORMATION

SPECIFY

- Quantity • SIN • Style • Orifice
- Thread Size • Temperature • Finishes desired
- Quantity - Wrenches - P/N 333010
- Quantity - Recessed Wrenches - P/N 333011

GLOBE® PRODUCT WARRANTY

Globe agrees to repair or replace any of its own manufactured products found to be defective in material or workmanship for a period of one year from date of shipment.

For specific details of our warranty please refer to Price List Terms and Conditions of Sale (Our Price List).



DEC 2017

PRINTED U.S.A.

4077 AIRPARK DRIVE, STANDISH, MICHIGAN 48658
989-846-4583 FAX 989-846-9231
1-800-248-0278 www.globesprinkler.com

GFS-255 (Formerly A-79)