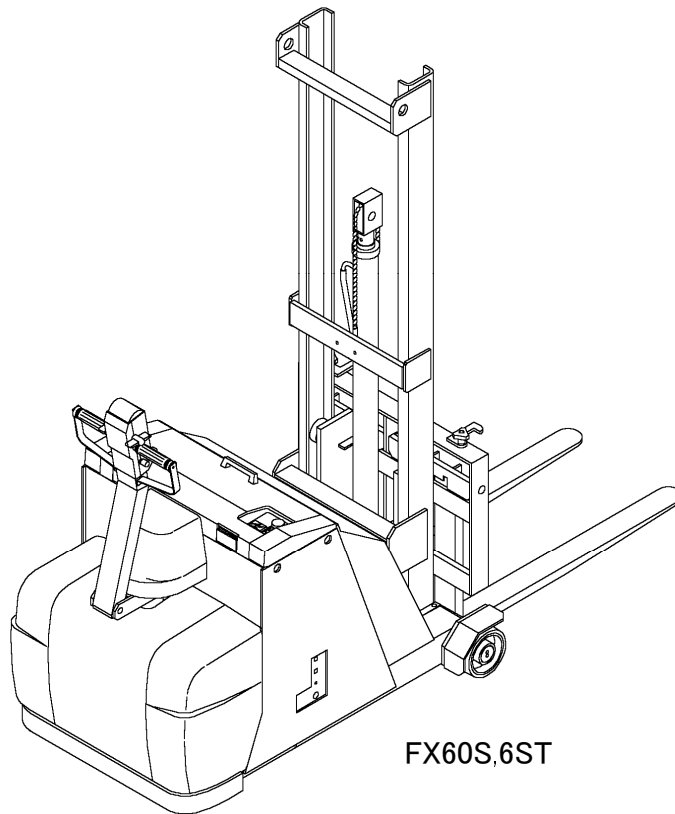


WALKIE COUNTER FORKLIFT
FX60S,6ST,60W,6WT
FX90S,9ST,90W,9WT

PARTS LIST



FX60S,6ST

ANYTIME PLEASE USED IT CAREFULLY.

Doc. No.	DFX-001-00
DATE	2017. 03

UHDFX-001-00

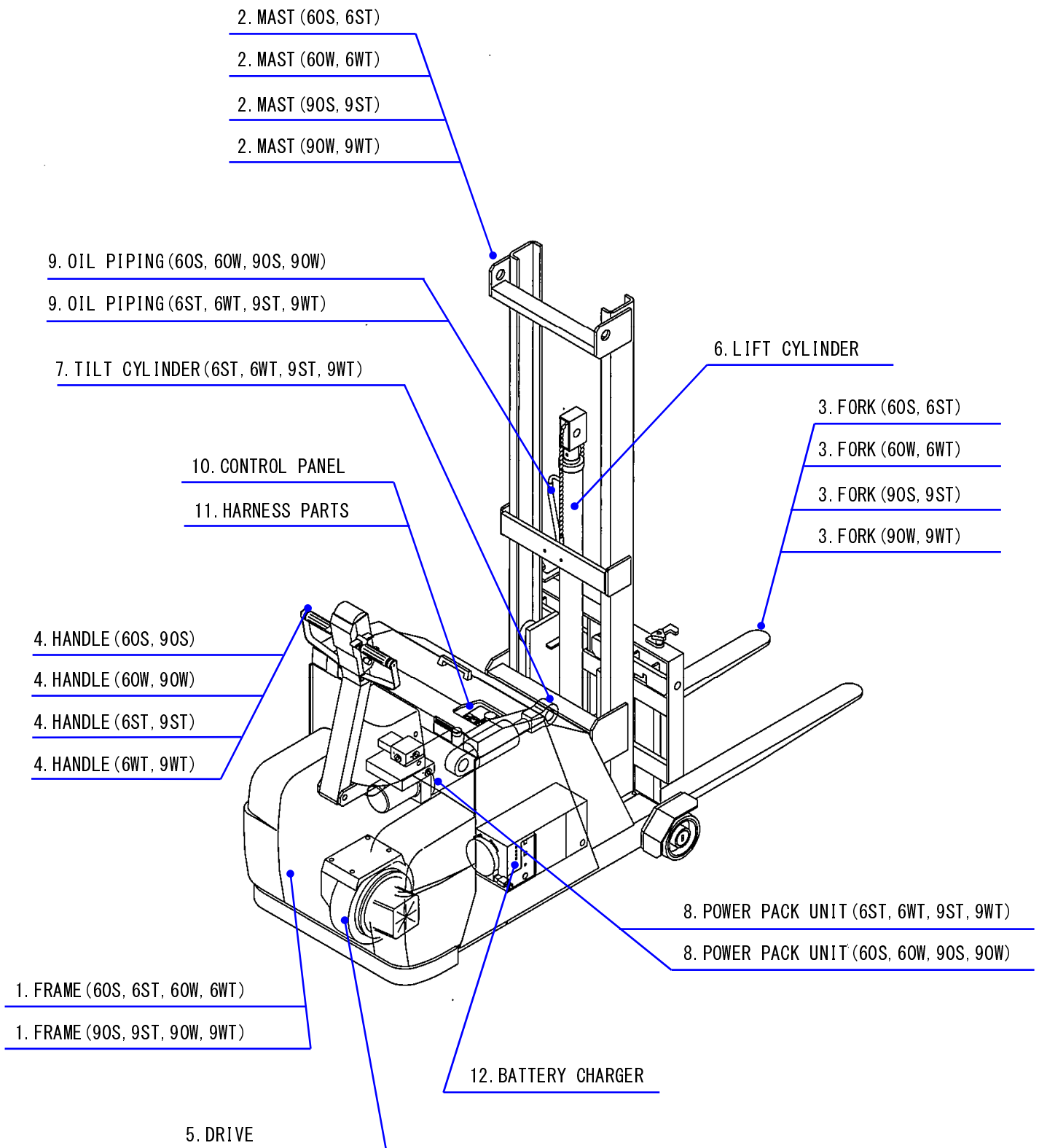
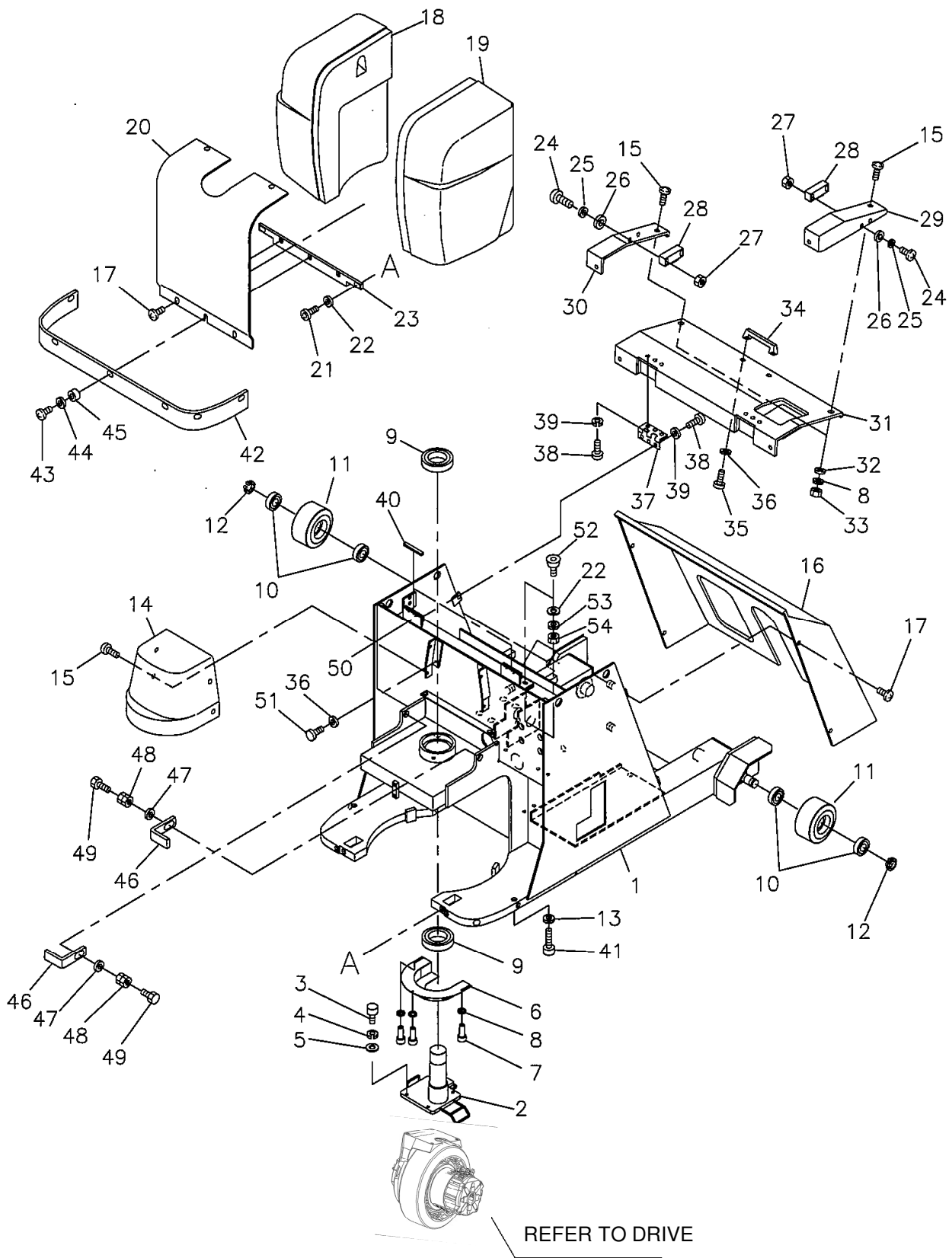


TABLE OF CONTENTS

1.	FRAME 1(60S,6ST,60W,6WT)	1
1.	FRAME 2(60S,6ST,60W,6WT)	4
1.	FRAME 1(90S,9ST,90W,9WT)	6
1.	FRAME 2(90S,9ST,90W,9WT)	9
2.	MAST(60S,6ST)	11
2.	MAST(60W,6WT)	13
2.	MAST(90S,9ST)	15
2.	MAST(90W,9WT)	17
3.	FORK(60S,6ST)	19
3.	FORK(60W,6WT)	21
3.	FORK(90S,9ST)	23
3.	FORK(90W,9WT)	25
4.	HANDLE 1(60S,90S)	27
4.	HANDLE 2(60S,90S)	29
4.	HANDLE 1(60W,90W)	31
4.	HANDLE 2(60W,90W)	33
4.	HANDLE 1(6ST,9ST)	35
4.	HANDLE 2(6ST,9ST)	37
4.	HANDLE 1(6WT,9WT)	39
4.	HANDLE 2(6WT,9WT)	41
5.	DRIVE	43
6.	LIFT CYLINDER	45
7.	TILT CYLINDER(6ST,6WT,9ST,9WT)	47
8.	POWER PACK UNIT(60S,60W,90S,90W)	49
8.	POWER PACK UNIT(6ST,6WT,9ST,9WT)	51
9.	OIL PIPING(60S,60W,90S,90W)	53

9.	OIL PIPING(6ST,6WT,9ST,9WT)	55
10.	CONTROL PANEL	57
11.	HARNESS PARTS	59
12.	BATTERY CHARGER	61

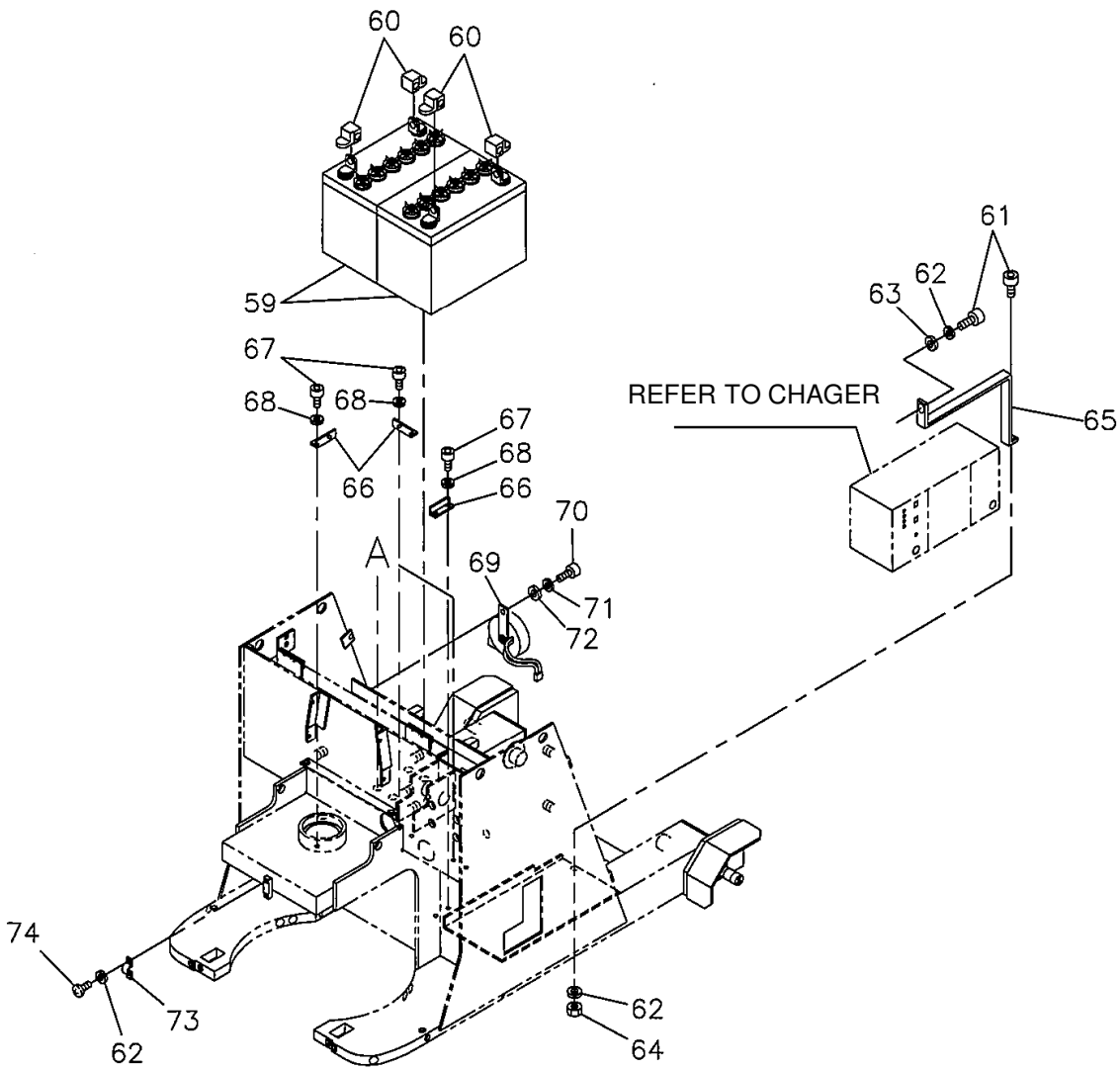
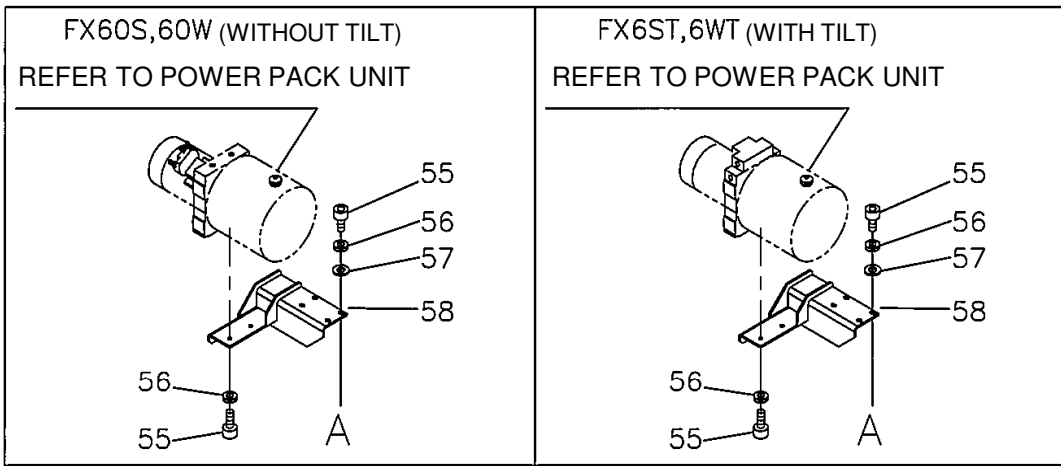
1 FRAME 1(60S,6ST,60W,6WT)



1 FRAME 1(60S,6ST,60W,6WT)

No.	PARTS NO.	UD	DRAWING NO./MODEL NO.	PARTS NAME	Q'TY	60S	6ST	60W	6WT	REMARKS	
1	10040-01010	00	2013823F	FRAME	1						2
2	10080-04055	00	2014802	HANDLE SHAFT	1						
3	90000-01030			HEX-BOLT	4					M10×30L	
4	90200-00010			SPRING WASHER	4					10	
5	90201-00010			PLAIN WASHER	4					10	
6	10080-01068	00	3007069	GUARD HARNESS	1						
7	90001-00512			HEX SOCKET BOLT	3					M5×12L	
8	90200-00005			SPRING WASHER	7					5	
9	90600-36012		6012LLU	BALL BEARING	2					6012LLU	
10	90600-06205		6205ZZ	BALL BEARING	4					6205ZZ	
11	10080-01069	00	2014690A	LOAD WHEEL	2					φ 150x64	
12	90700-00025			SNAP RING	2					25	
13	90200-00012			SPRING WASHER	2					12	
14	10080-01004	00	F8049-F9017	CYLINDER COVER	1						
15	90111-00515			TRUSS HEAD SCREW (BLACK)	8					M5×15L	
16	10080-01005	00	F8049-F9014	FRONT COVER	1						
17	90111-00510			TRUSS HEAD SCREW (BLACK)	8					M5×10L	
18	10080-01070	00	F8049-F9009B	COUNTER WEIGHT (L)	1						
19	10080-01071	00	F8049-F9010B	COUNTER WEIGHT (R)	1						
20	10080-05000	00	4012674	DRIVE COVER	1						
21	90052-00001		CBSS8-16 (MISUMI)	EXTRA LOW HEAD CAP SCREW	2					CBSS8-16	
22	90201-00008			PLAIN WASHER	6					8	
23	10080-05001	00	4012673	BUMPER SUPPORT	1						
24	90104-00320			PAN HEAD SCREW	4					M3×20L	
25	90200-00003			SPRING WASHER	4					3	
26	90201-00003			PLAIN WASHER	4					3	
27	90300-00003			HEX-NUT	4					M3	
28	99000-00003		C-93 (TAKIGEN)	MAGNET CATCH	2					C-93	
29	10080-01010	00	F8050-F6005	BATTERY COVER END(R)	1						
30	10080-01011	00	F8050-F6005	BATTERY COVER END(L)	1						
31	10080-05002	00	2014687B	BATTERY COVER	1						
32	90201-00005			PLAIN WASHER	4					5	
33	90300-00005			HEX-NUT	4					M5	
34	99000-00048		DHURI-110 (DARSHANA)	HANDLE	1					DHURI-110	
35	90104-00320			PAN HEAD SCREW	2					M6×12L	
36	90200-00006			SPRING WASHER	4					6	
37	99000-00049		DHIM-75-30-2 (DARSHANA)	HINGE	2					DHIM-75-30-2	
38	90111-00408			TRUSS HEAD SCREW (BLACK)	12					M4×8L	
39	90200-00004			SPRING WASHER	12					4	
40	10080-05004	00	4012677	BATTERY COVER STOPPER	2						
41	90001-01235			HEX SOCKET BOLT	2					M12×35L	
42	EK00-0610	00	4012672	BUMPER RUBBER	1						
43	EK00-0703			TRUSS HEAD SCREW (BLACK)	7					M6×20L	
44	EK00-0704	00	24311-05-11160	WASHER	7						
45	EK00-0615	00	24311-05-11140	SPACER	7						
46	10080-01072	00	4012678	LOCK PLATE	2						
47	90201-00012			PLAIN WASHER	2					12	
48	90308-00012			HARD LOCK NUT	2					M12	
49	90000-01250			HEX-BOLT	2					M12×50L	
50	10080-05007	00	2014686	BRACKET CYLINDER COVER	1						

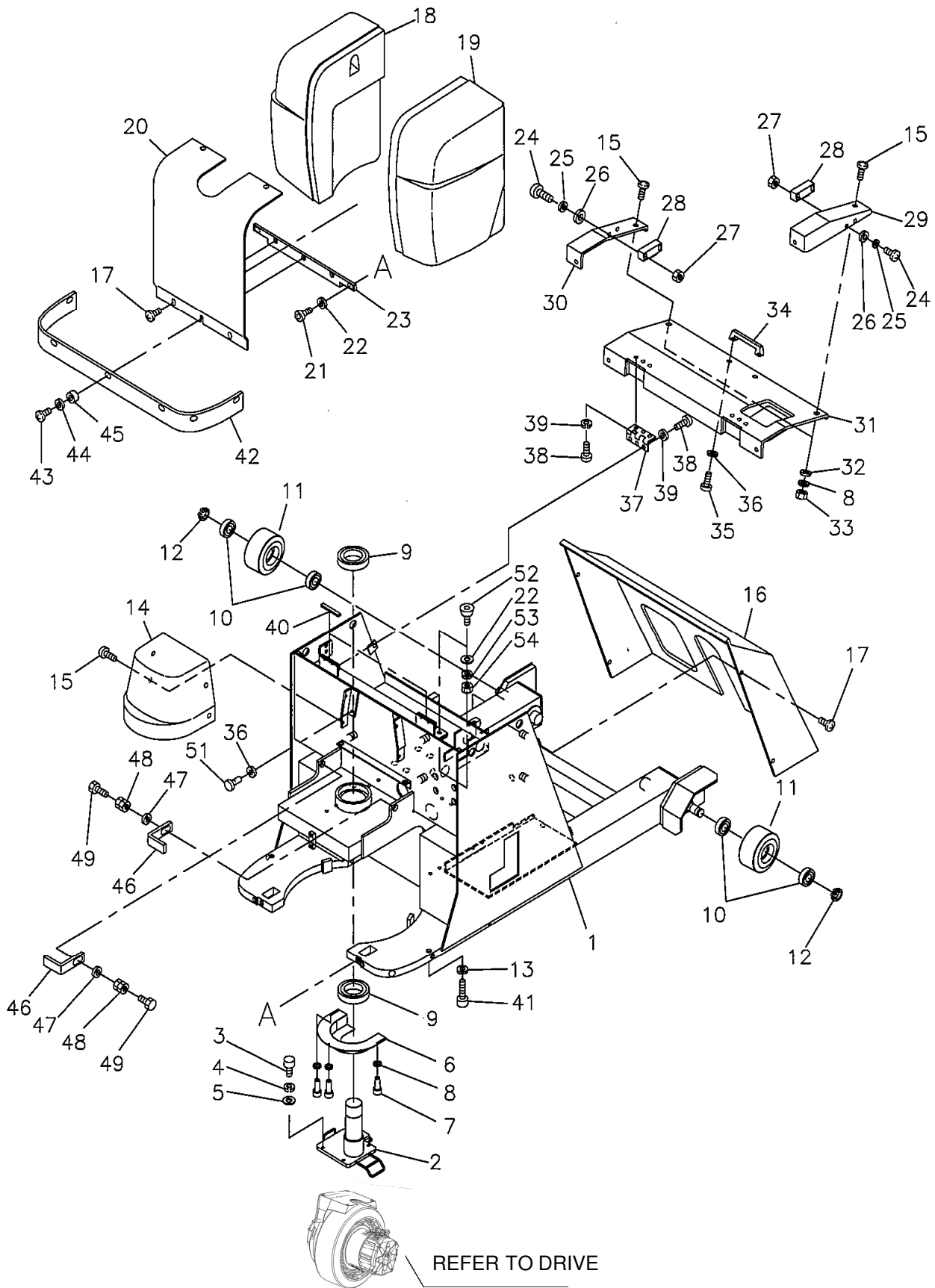
1 FRAME 2(60S,6ST,60W,6WT)



1 FRAME 2(60S,6ST,60W,6WT)

No.	PARTS NO.	UD	DRAWING NO./MODEL NO.	PARTS NAME	Q'TY	60S	6ST	60W	6WT	REMARKS
55	90001-01020			HEX SOCKET BOLT	6					M10×20L
56	90200-00010			SPRING WASHER	6					10
57	90201-00010			PLAIN WASHER	4					10
58	10080-30001	00	2014401D	PACKAGE BRACKET	1					
59	95007-00005		EB65	BATTERY	2					EB65
60	95007-00006			BATTERY TERMINAL COVER	4					GIC 228
61	90001-00514			HEX SOCKET BOLT	2					M5×14L
62	90200-00005			SPRING WASHER	4					05
63	90201-00005			PLAIN WASHER	1					05
64	90300-00005			HEX-NUT	1					M5
65	10080-01072	00	4012681	CHARGER HOLDER	1					
66	10080-01073	00	4001721B	BATTERY STOPPER	4					
67	90001-00608			HEX SOCKET BOLT	8					M6×8L
68	90200-00006			SPRING WASHER	8					06
69	95005-00009		24V/2.0A (ROOTS)	HORN	1					24V/2.0
70	90001-00816			HEX SOCKET BOLT	1					M8×16L
71	90200-00008			SPRING WASHER	1					08
72	90201-00008			PLAIN WASHER	1					08
73	99000-00007			SADDLE	1					ST-19
74	90102-00510			TRUSS HEAD SCREW	2					M5×10L

1 FRAME 1(90S,9ST,90W,9WT)

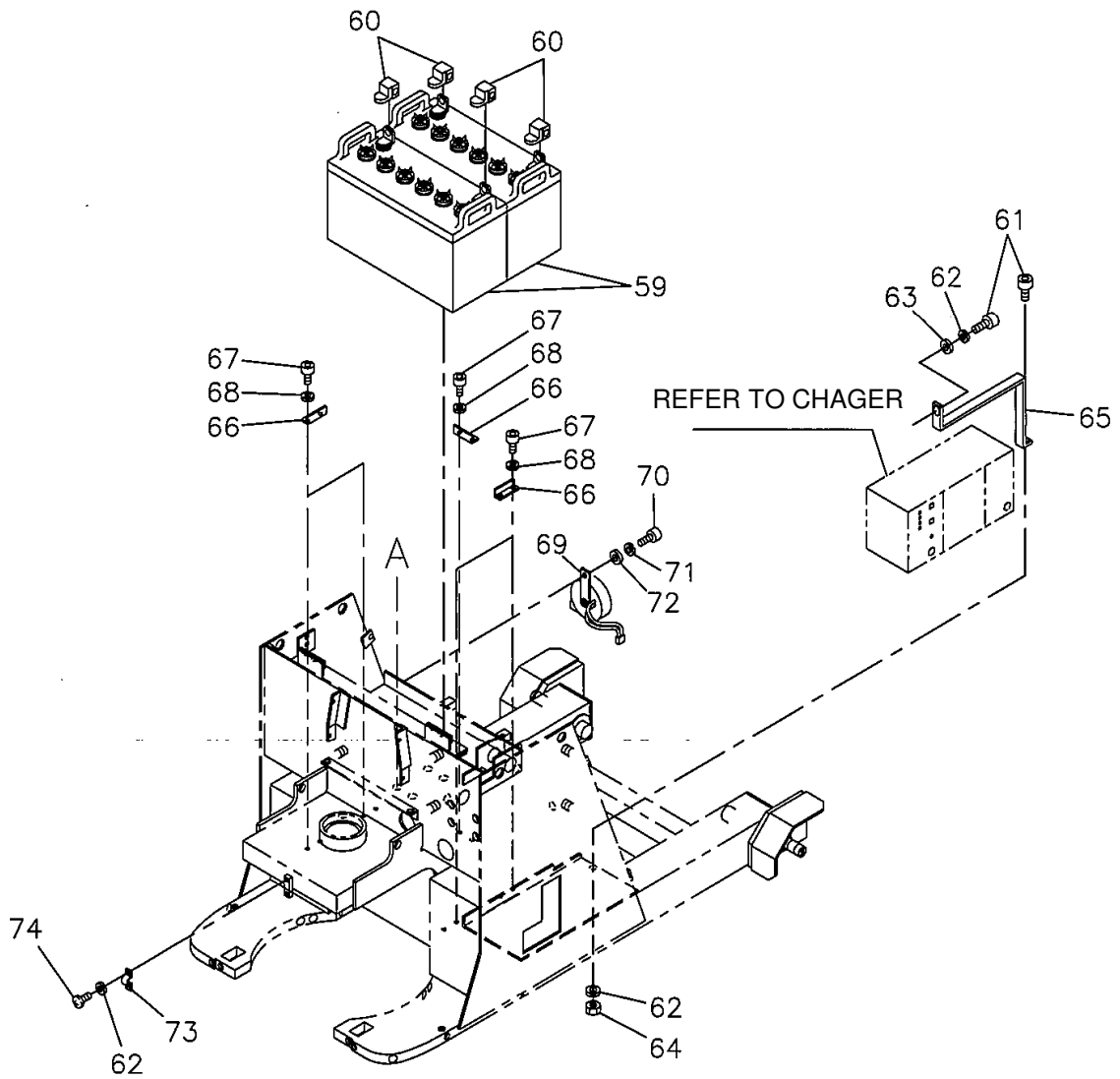
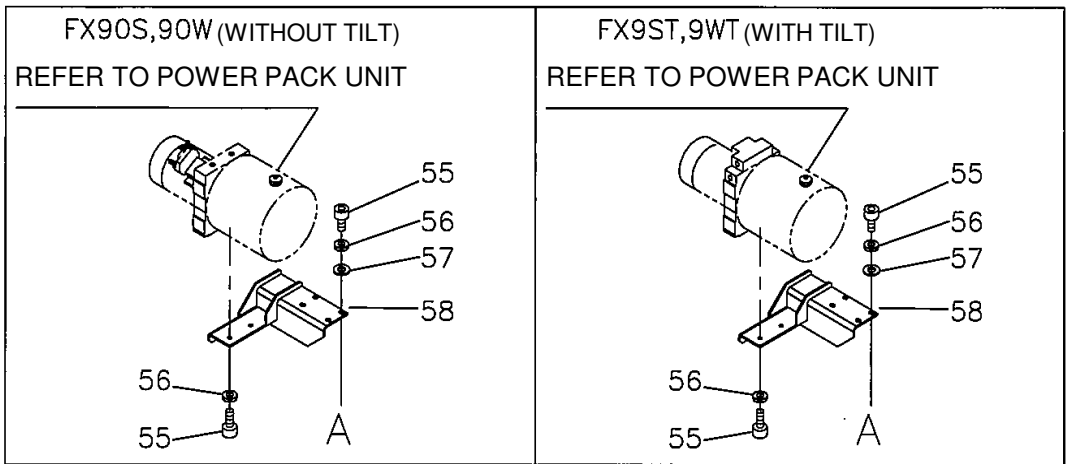


U10050-01-000-AA-1

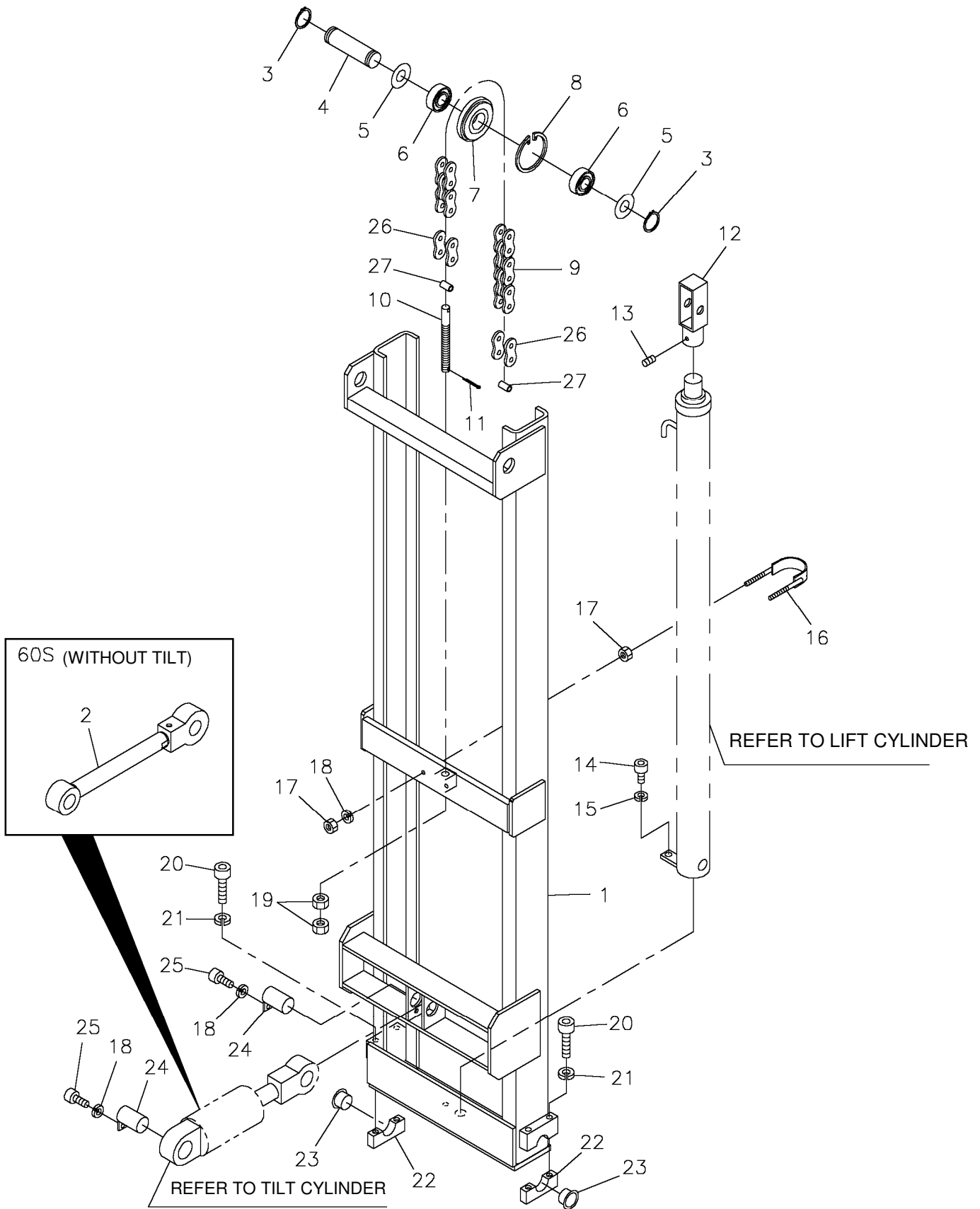
1 FRAME 1(90S,9ST,90W,9WT)

No.	PARTS NO.	UD	DRAWING NO./MODEL NO.	PARTS NAME	Q'TY	90S	9ST	90W	9WT	REMARKS
1	10080-01074	00	2013828G	FRAME	1					2
2	10080-04055	00	2014802	HANDLE SHAFT	1					
3	90000-01030			HEX-BOLT	4					M10×30L
4	90200-00010			SPRING WASHER	4					10
5	90201-00010			PLAIN WASHER	4					10
6	10080-01068	00	3007069	GUARD HARNESS	1					
7	90001-00512			HEX SOCKET BOLT	3					M5×12L
8	90200-00005			SPRING WASHER	7					5
9	90600-36012		6012LLU	BALL BEARING	2					6012LLU
10	90600-06205		6205ZZ	BALL BEARING	4					6205ZZ
11	10080-01069	00	2014690A	LOAD WHEEL	2					φ 150x64
12	90700-00025			SNAP RING	2					25
13	90200-00012			SPRING WASHER	2					12
14	10080-01004	00	F8049-F9017	CYLINDER COVER	1					
15	90111-00515			TRUSS HEAD SCREW (BLACK)	8					M5×15L
16	10080-01005	00	F8049-F9014	FRONT COVER	1					
17	90111-00510			TRUSS HEAD SCREW (BLACK)	8					M5×10L
18	10080-01070	00	F8049-F9009B	COUNTER WEIGHT (L)	1					
19	10080-01071	00	F8049-F9010B	COUNTER WEIGHT (R)	1					
20	10080-05000	00	4012674	DRIVE COVER	1					
21	90052-00001		CBSS8-16 (MISUMI)	EXTRA LOW HEAD CAP SCREW	2					CBSS8-16
22	90201-00008			PLAIN WASHER	6					8
23	10080-05001	00	4012673	BUMPER SUPPORT	1					
24	90104-00320			PAN HEAD SCREW	4					M3×20L
25	90200-00003			SPRING WASHER	4					3
26	90201-00003			PLAIN WASHER	4					3
27	90300-00003			HEX-NUT	4					M3
28	99000-00003		C-93 (TAKIGEN)	MAGNET CATCH	2					C-93
29	10080-01010	00	F8050-F6005	BATTERY COVER END(R)	1					
30	10080-01011	00	F8050-F6005	BATTERY COVER END(L)	1					
31	10080-05002	00	2014687B	BATTERY COVER	1					
32	90201-00005			PLAIN WASHER	4					5
33	90300-00005			HEX-NUT	4					M5
34	99000-00048		DHURI-110 (DARSHANA)	HANDLE	1					DHURI-110
35	90104-00320			PAN HEAD SCREW	2					M6×12L
36	90200-00006			SPRING WASHER	4					6
37	99000-00049		DHIM-75-30-2 (DARSHANA)	HINGE	2					DHIM-75-30-2
38	90111-00408			TRUSS HEAD SCREW (BLACK)	12					M4×8L
39	90200-00004			SPRING WASHER	12					4
40	10080-05004	00	4012677	BATTERY COVER STOPPER	2					
41	90001-01235			HEX SOCKET BOLT	2					M12×35L
42	EK00-0610	00	4012672	BUMPER RUBBER	1					
43	EK00-0703			TRUSS HEAD SCREW (BLACK)	7					M6×20L
44	EK00-0704	00	24311-05-11160	WASHER	7					
45	EK00-0615	00	24311-05-11140	SPACER	7					
46	10080-01072	00	4012678	LOCK PLATE	2					
47	90201-00012			PLAIN WASHER	2					12
48	90308-00012			HARD LOCK NUT	2					M12
49	90000-01250			HEX-BOLT	2					M12×50L
50	10080-05007	00	2014686	BRACKET CYLINDER COVER	1					

1 FRAME 2(90S,9ST,90W,9WT)



2 MAST(60S,6ST)



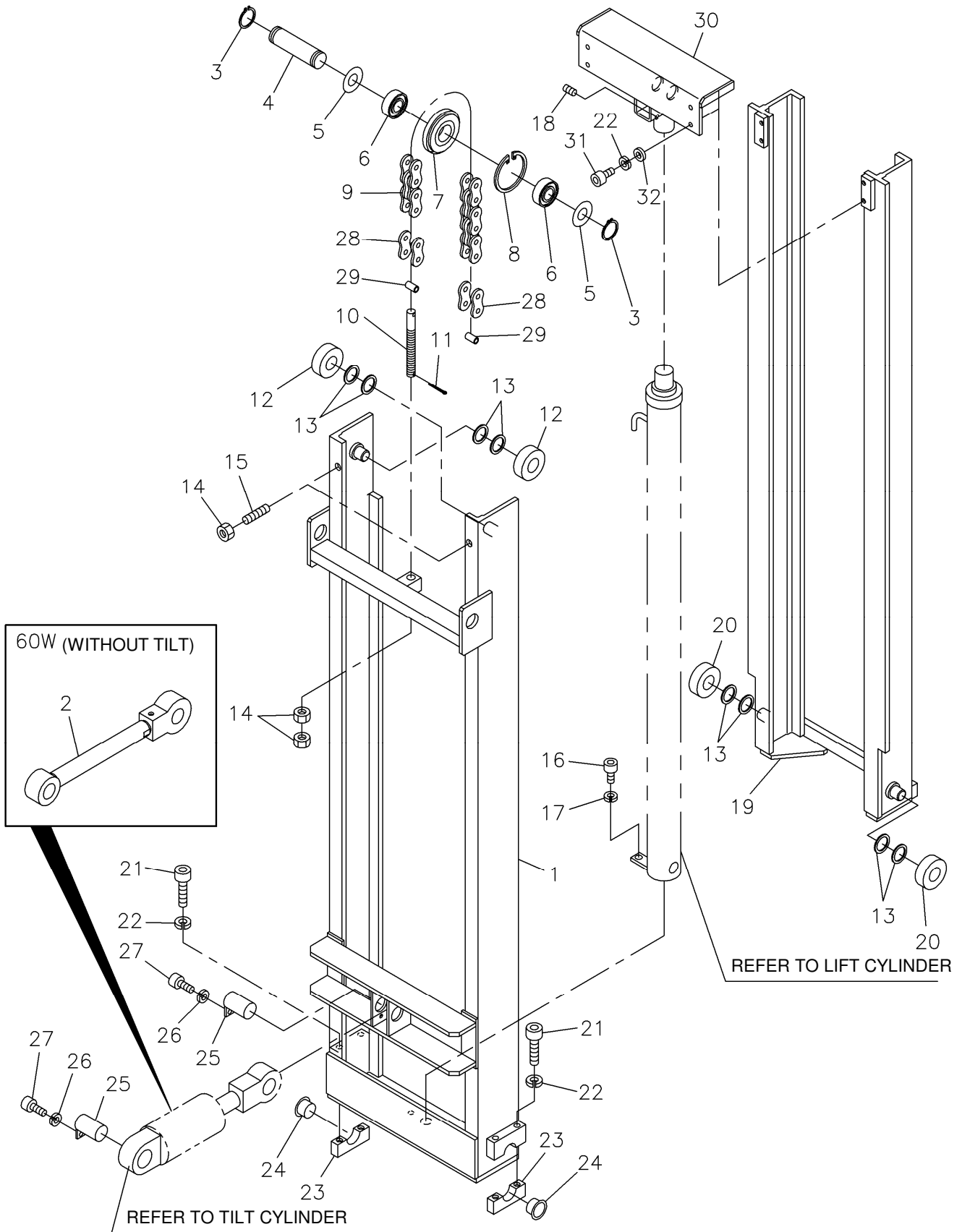
U10010-02-000-AA

2

MAST(60S,6ST)

No.	PARTS NO.	UD	DRAWING NO./MODEL NO.	PARTS NAME	Q'TY	60S	6ST	REMARKS
1	10010-02001	00	F8050-F6305	OUTER MAST	1			
2	10050-02016	00	3003082A	MAST BRACE		1		
3	90700-00020			SNAP RING	2		20	
4	10040-02001	00	E-7360B-1	CHAIN WHEEL PIN	1			
5	99090-00001		SMKB6-10	SPACER	2		SMKB6-10	
6	90600-06204		6204ZZ	BALL BEARING	2		6204ZZ	
7	10040-02002	00	E-7359B-7	CHAIN WHEEL	1			
8	90701-00047			SNAP RING	1		47	
9	93001-00007		#60	CHAIN	1		#60 1. 60M	
10	10040-02003	00	EX-1268D	CHAIN END BOLT	1			
11	90402-00330			SPLIT PIN	1		3×30	
12	10010-02004	00	3003099	CHAIN WHEEL BRACKET	1			
13	90100-00810			SET SCREW	1		M8×10L	
14	90001-01020			HEX SOCKET BOLT	1		M10×20L	
15	90200-00010			SPRING WASHER	1		10	
16	10010-02007	00	EX-0835A	CYLINDER BAND	1		EX-0835B	
17	90300-00008			HEX-NUT	4		M8	
18	90200-00008			SPRING WASHER	4		8	
19	90300-00016			HEX-NUT	2		M16	
20	90001-01255			HEX SOCKET BOLT	4		M12×55L	
21	90200-00012			SPRING WASHER	4		12	
22	10080-02005		37120-F9005	MAST HINGE BLOCK	2			
23	90659-00001			BUSHING	2		BM3520F49FB	
24	10080-02034	00	4010182	TILT ROD PIN	2			
25	90001-00815			HEX SOCKET BOLT	2		M8×15L	
26	93001-00015			CHAIN JOINT	2		#60	
27	93001-00016			CHAIN BUSH	2		#60	

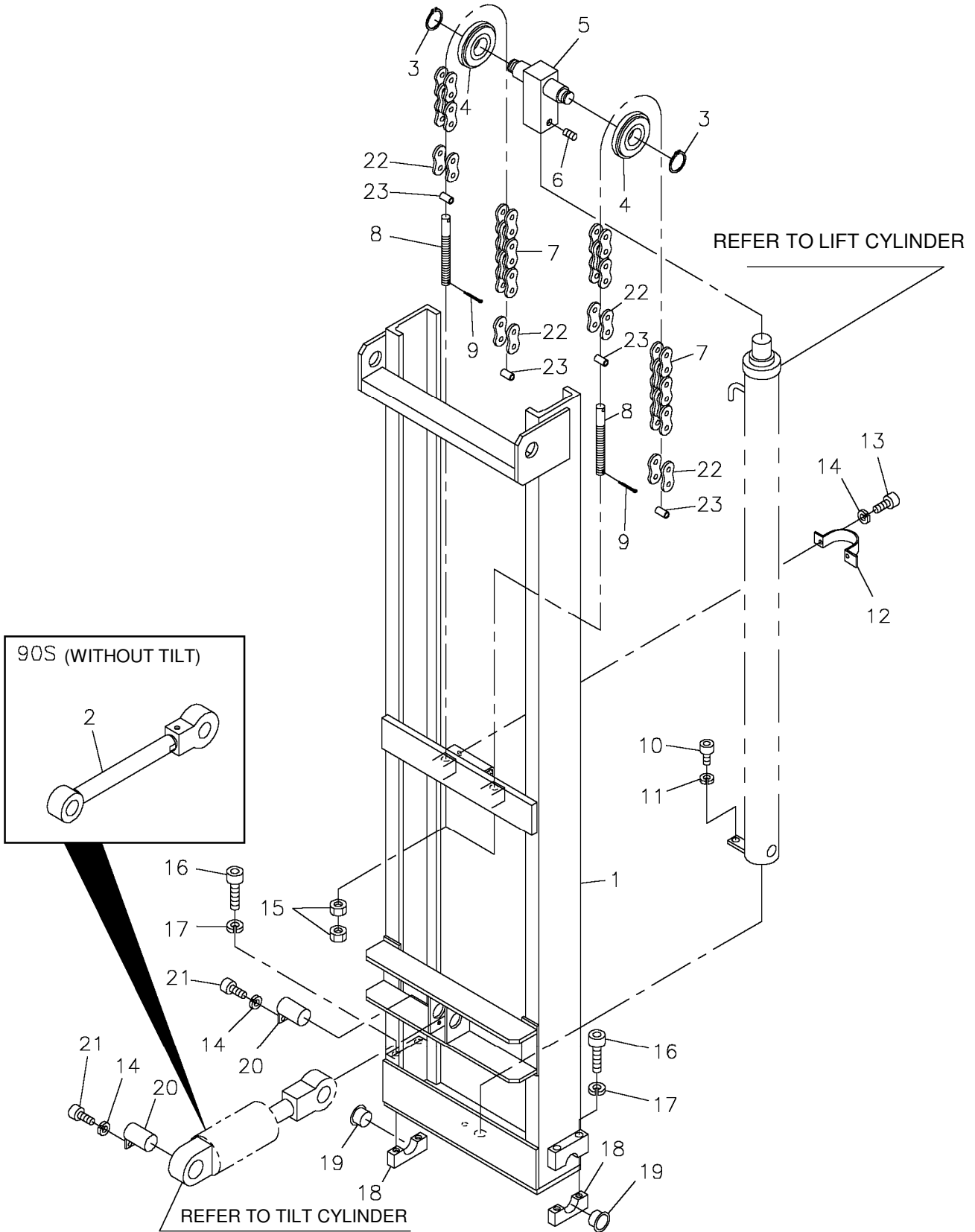
2 MAST(60W,6WT)



2	MAST(60W,6WT)
---	---------------

No.	PARTS NO.	UD	DRAWING NO./MODEL NO.	PARTS NAME	Q'TY	60W	6WT	REMARKS	
1	10040-02004	00	F8050-F6007	OUTER MAST	1				2
2	10050-02016	00	3003082A	MAST BRACE		1			
3	90700-00020			SNAP RING	2			20	
4	10040-02001	00	E-7360B-1	CHAIN WHEEL PIN	1				
5	99090-00001		SMKB6-10	SPACER	2			SMKB6-10	
6	90600-06204		6204ZZ	BALL BEARING	2			6204ZZ	
7	10040-02002	00	E-7359B-7	CHAIN WHEEL	1				
8	90701-00047			SNAP RING	1			47	
9	93001-00007		#60	CHAIN	1			#60 1.60M	
10	10040-02003	00	EX-1268D	CHAIN END BOLT	1				
11	90402-00330			SPLIT PIN	1			3×30	
12	94001-00002		25BFM7903QAV2M	MAST ROLLER	2			25BFM7903QAV2M	
13	94001-00003			MAST ROLLER SHIM				$\phi 35 \times \phi 25.3 \times t1.0$	
14	90300-00016			HEX-NUT	4			M16	
15	10080-02004	00	EX-1338	SLIDE PIN	2			EX-1338	
16	90001-01020			HEX SOCKET BOLT	1			M10×20L	
17	90200-00010			SPRING WASHER	1			10	
18	90100-00810			SET SCREW	1			M8×10L	
19	10080-02021	00	2012464B	INNER MAST	1				2
20	94001-00001		25BFM9501QAV2M	MAST ROLLER	2			25BFM9501QAV2M	
21	90001-01255			HEX SOCKET BOLT	4			M12×55L	
22	90200-00012			SPRING WASHER	8			12	
23	10080-02005	00	37120-F9005	MAST HINGE BLOCK	2				
24	90659-00001			BUSHING	2			BM3520F49FB	
25	10080-02034	00	4010182	TILT ROD PIN	2				
26	90200-00008			SPRING WASHER	2			8	
27	90001-00815			HEX SOCKET BOLT	2			M8×15L	
28	93001-00015			CHAIN JOINT	2			#60	
29	93001-00016			CHAIN BUSH	2			#60	
30	10040-02005	00	2012476A	INNER MAST BRACKET	1				
31	90001-01225			HEX SOCKET BOLT	4			M12×25L	
32	90201-00012			PLAIN WASHER	4			12	

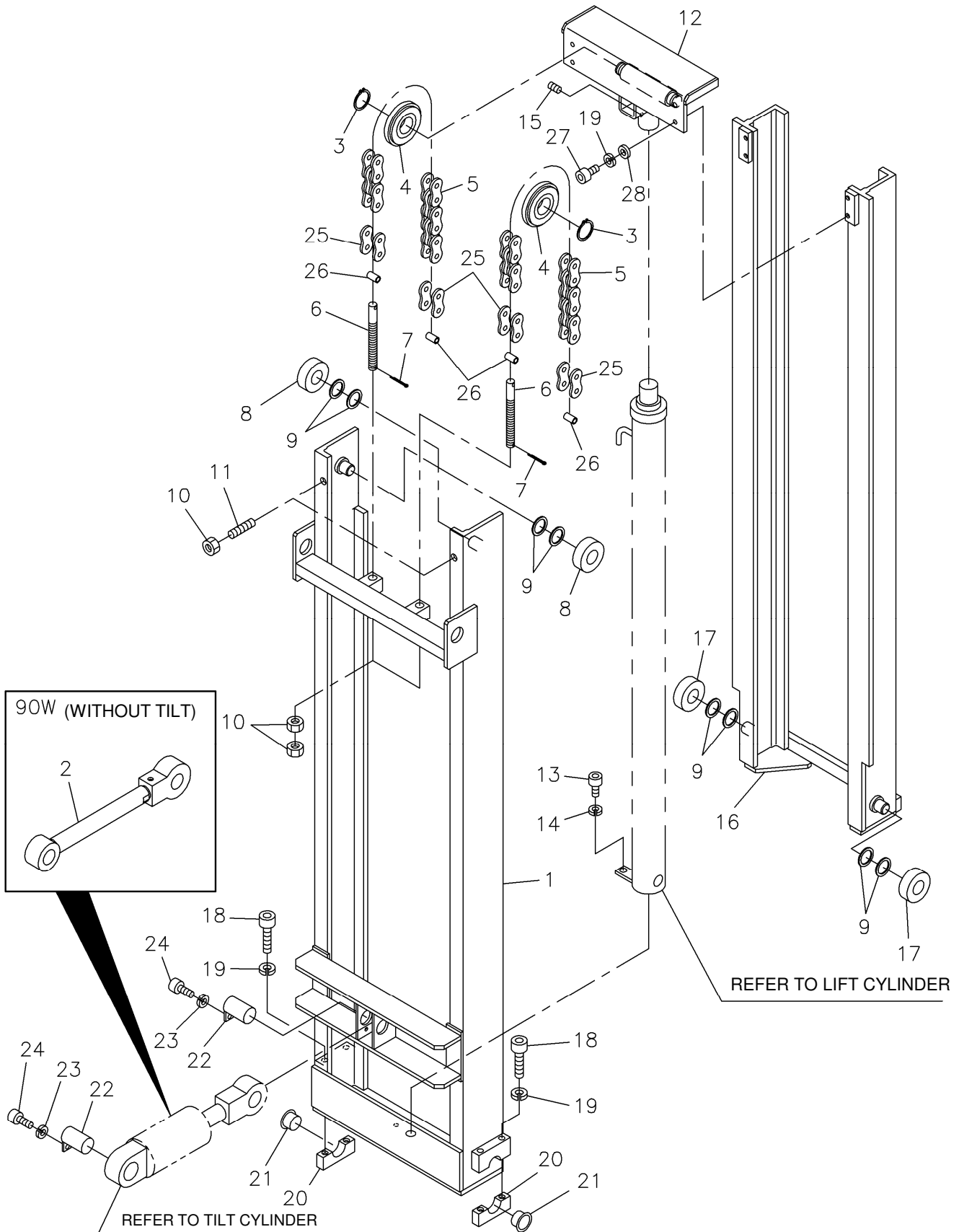
2 MAST(90S,9ST)



2	MAST(90S,9ST)	
---	---------------	--

No.	PARTS NO.	UD	DRAWING NO./MODEL NO.	PARTS NAME	Q'TY	90S	9ST	REMARKS	
1	10050-02003	00	F8049-F9313	OUTER MAST	1				2
2	10050-02016	00	3003082A	MAST BRACE		1			
3	90700-00030			SNAP RING	2			30	
4	10080-02002	00	4010139	CHAIN WHEEL	2				
5	10050-02020	00		CHAIN WHEEL BRACKET	1				
6	90100-00810			SET SCREW	1			M8 × 10L	
7	93001-00001		#50	CHAIN	2			#50 1.60m	
8	10080-02003	00	EX-1705A	CHAIN END BOLT	2				
9	90402-00330			SPLIT PIN	2			3 × 30	
10	90001-01020			HEX SOCKET BOLT	1			M10 × 20L	
11	90200-00010			SPRING WASHER	1			10	
12	10050-02002	00	4010220	CYLINDER BAND	1				
13	90001-00820			HEX SOCKET BOLT	2			M8 × 20L	
14	90200-00008			SPRING WASHER	4			8	
15	90300-00016			HEX-NUT	4			M16	
16	90001-01255			HEX SOCKET BOLT	4			M12 × 55L	
17	90200-00012			SPRING WASHER	4			12	
18	10080-02005	00	37120-F9005	MAST HINGE BLOCK	2				
19	90659-00001			BUSHING	2			BM3520F49FB	
20	10080-02034	00	4010182	TILT ROD PIN	2				
21	90001-00815			HEX SOCKET BOLT	2			M8 × 15L	
22	93001-00002			CHAIN JOINT	4			#50	
23	93001-00003			CHAIN BUSH	4			#50	

2 MAST(90W,9WT)

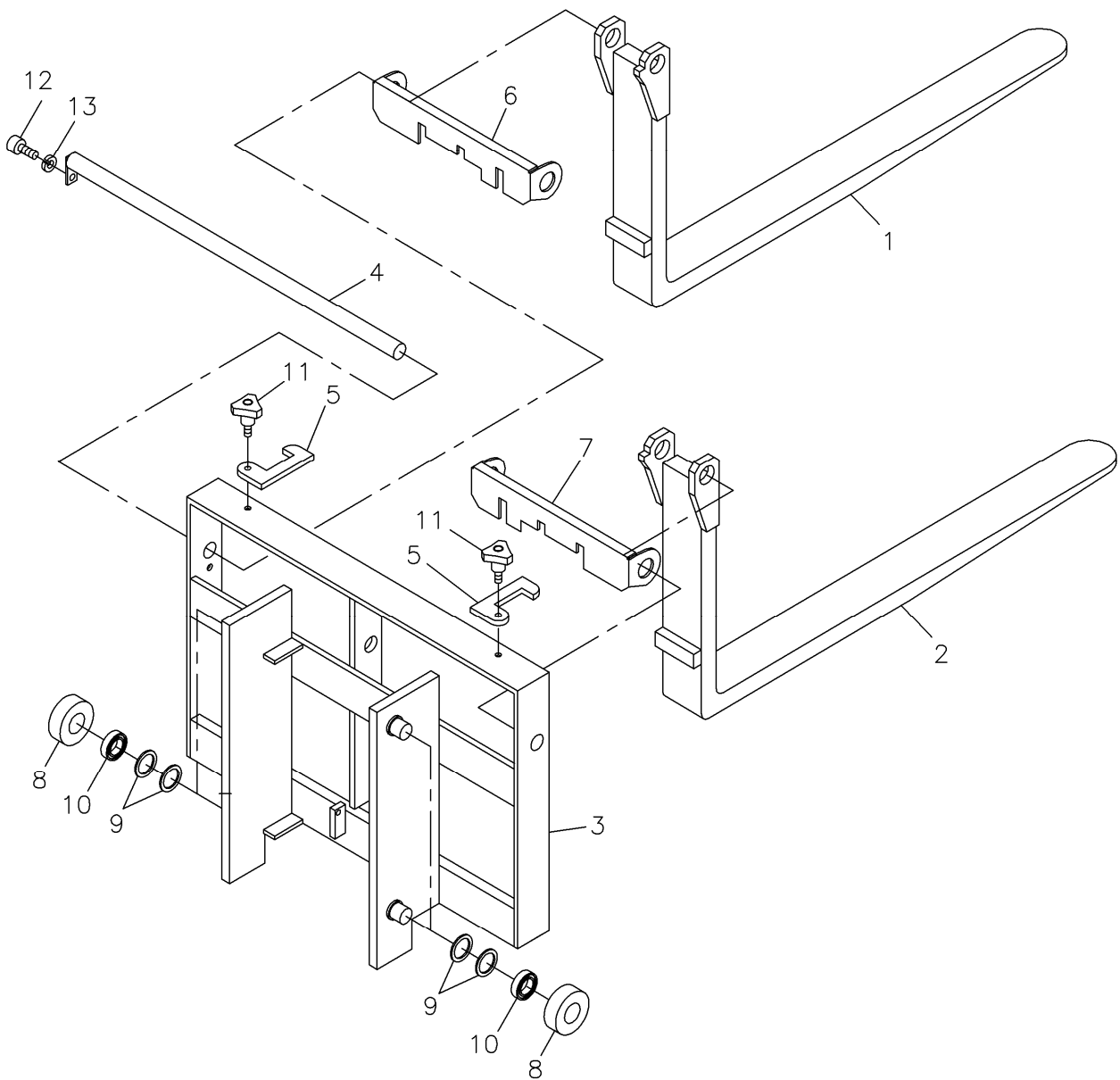


U10060-02-000-AA

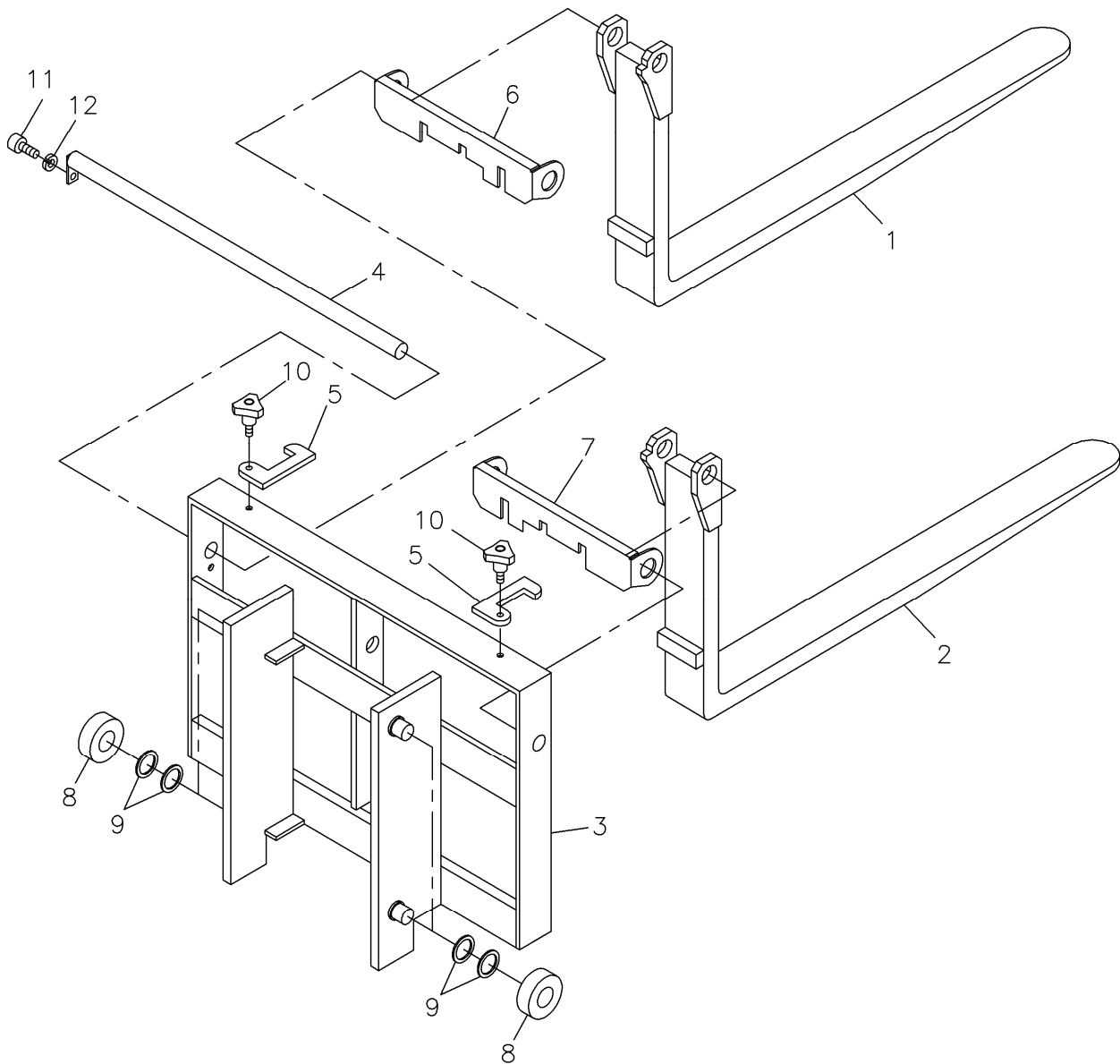
2	MAST(90W,9WT)
---	----------------------

No.	PARTS NO.	UD	DRAWING NO./MODEL NO.	PARTS NAME	Q'TY	90W	9WT	REMARKS	
1	10080-02006	00	F8049-F9019	OUTER MAST	1				2
2	10050-02016	00	3003082A	MAST BRACE		1			
3	90700-00030			SNAP RING	2			30	
4	10080-02002	00	4010139	CHAIN WHEEL	2				
5	93001-00001		#50	CHAIN	2			#50 1.60m	
6	10080-02003	00	EX-1705A	CHAIN END BOLT	2				
7	90402-00330			SPLIT PIN	2			3×30	
8	94001-00002		25BFM7903QAV2M	MAST ROLLER	2			25BFM7903QAV2M	
9	94001-00003			MAST ROLLER SHIM				$\phi 35 \times \phi 25.3 \times t1.0$	
10	90300-00016			HEX-NUT	6			M16	
11	10080-02004	00	EX-1338	SLIDE PIN	2			EX-1338	
12	10080-02027	00		INNER MAST BRACKET	1				
13	90001-01020			HEX SOCKET BOLT	1			M10×20L	
14	90200-00010			SPRING WASHER	1			10	
15	90100-00810			HEX SOCKET BOLT	1			M8×10L	
16	10080-02021	00	2012464B	INNER MAST	1				2
17	94001-00001		25BFM9501QAV2M	MAST ROLLER	2			25BFM9501QAV2M	
18	90001-01255			HEX SOCKET BOLT	4			M12×55L	
19	90200-00012			SPRING WASHER	8			12	
20	10080-02005	00	37120-F9005	MAST HINGE BLOCK	2				
21	90659-00001			BUSHING	2			BM3520F49FB	
22	10080-02034	00	4010182	TILT ROD PIN	2				
23	90200-00008			SPRING WASHER	2			8	
24	90001-00815			HEX SOCKET BOLT	2			M8×15L	
25	93001-00002			CHAIN JOINT	4			#50	
26	93001-00003			CHAIN BUSH	4			#50	
27	90001-01225			HEX SOCKET BOLT	4			M12×25L	
28	90201-00012			PLAIN WASHER	4			12	

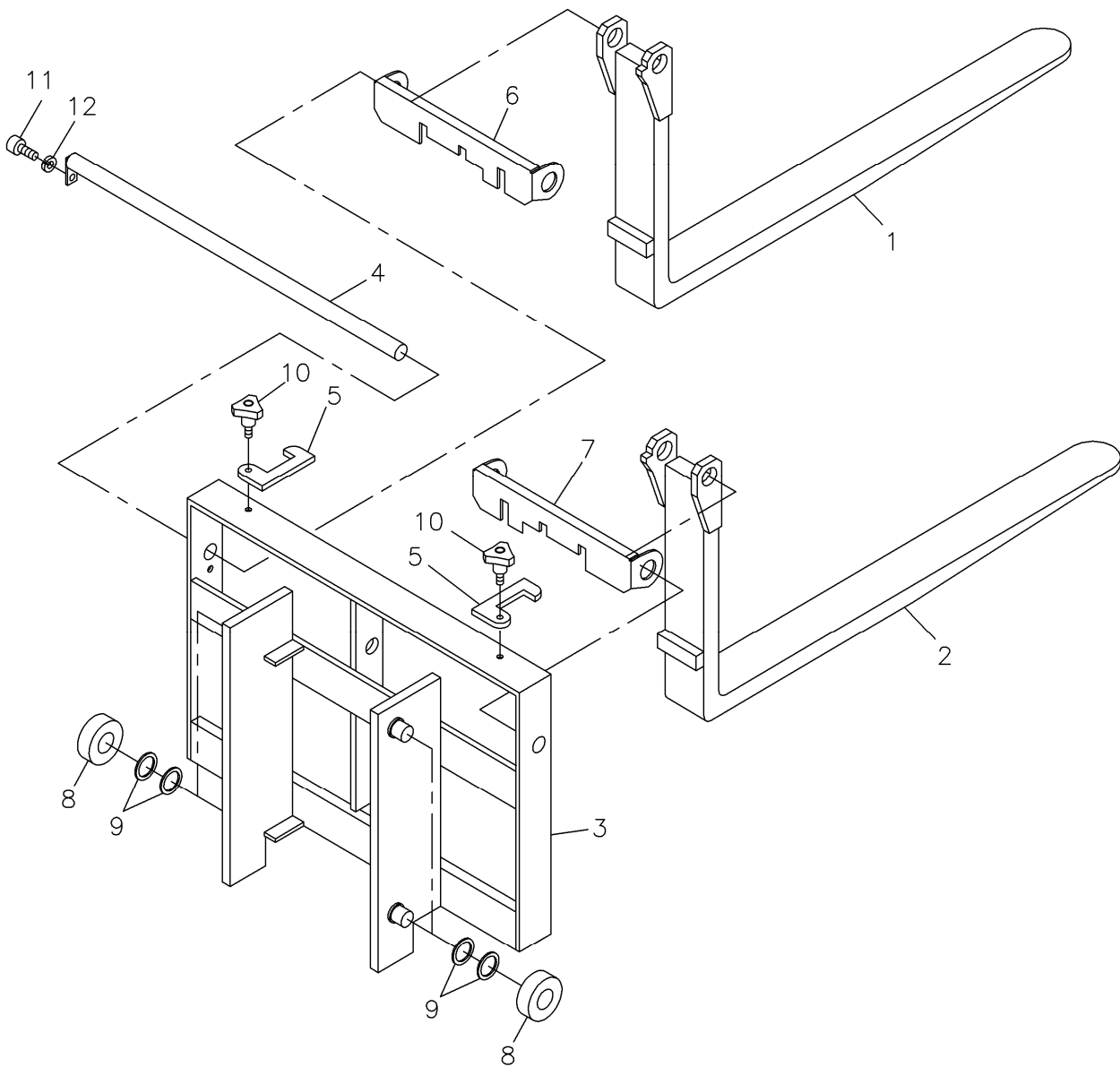
3 FORK(60S,6ST)



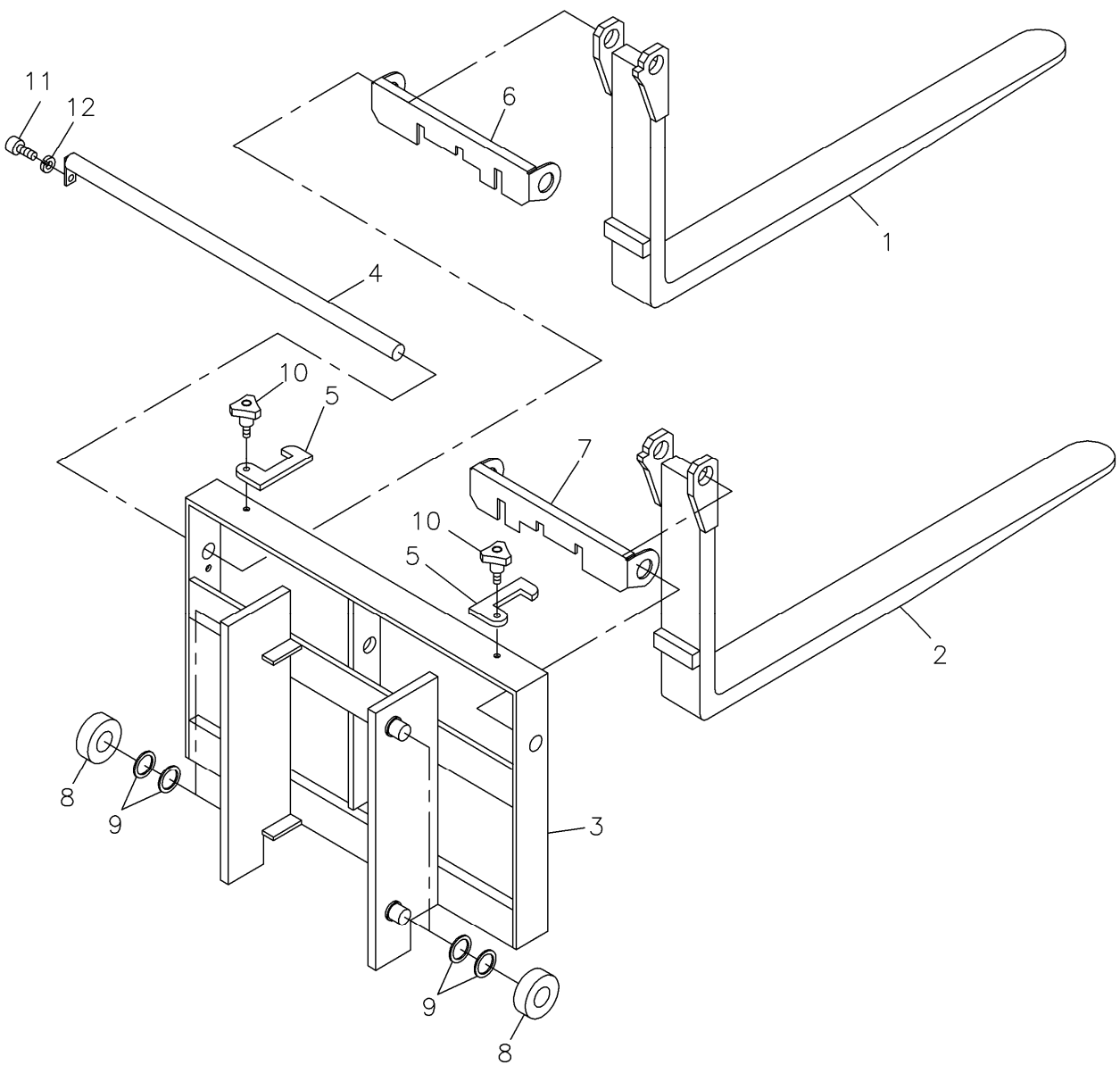
3 FORK(60W,6WT)



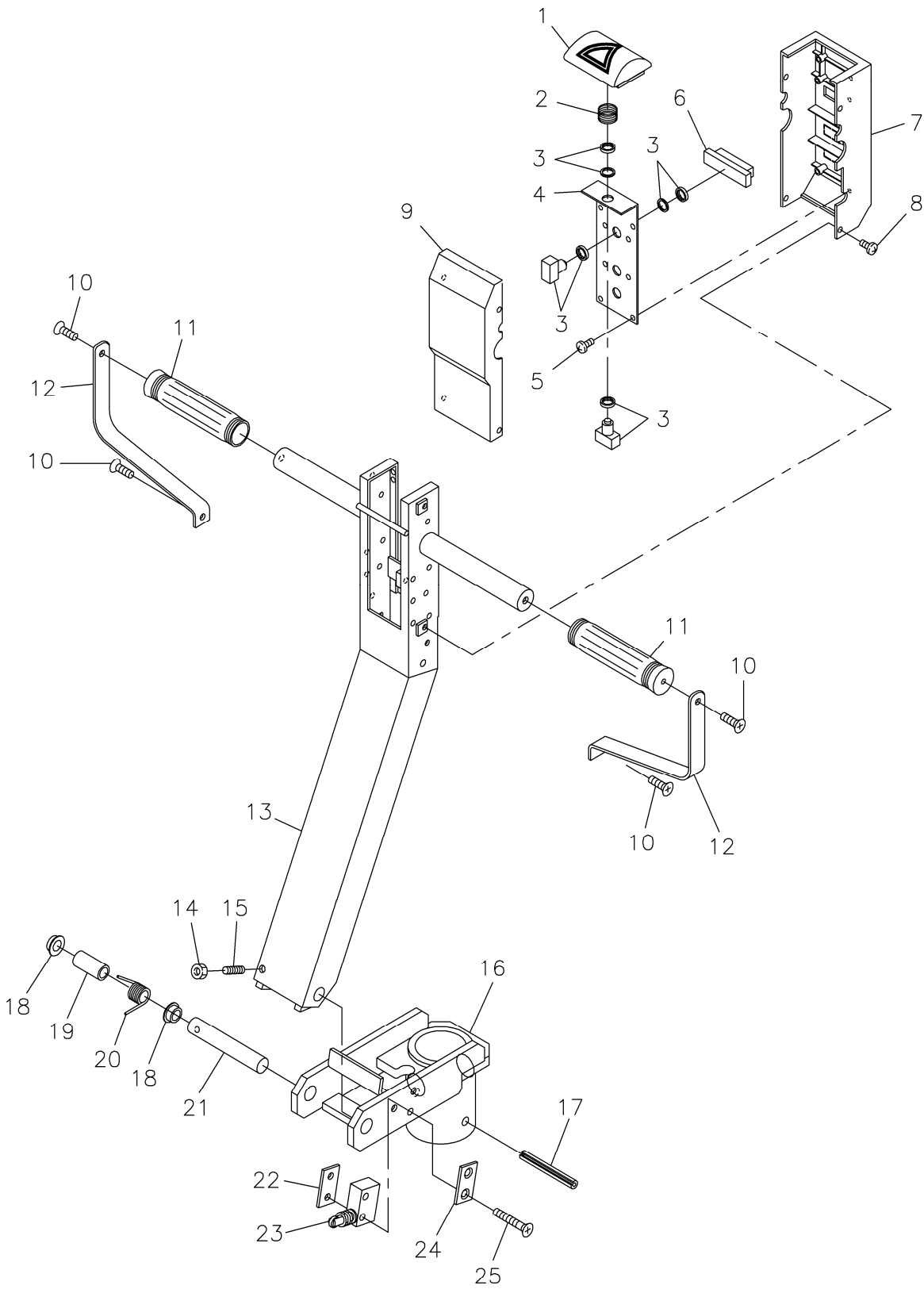
3 FORK(90S,9ST)



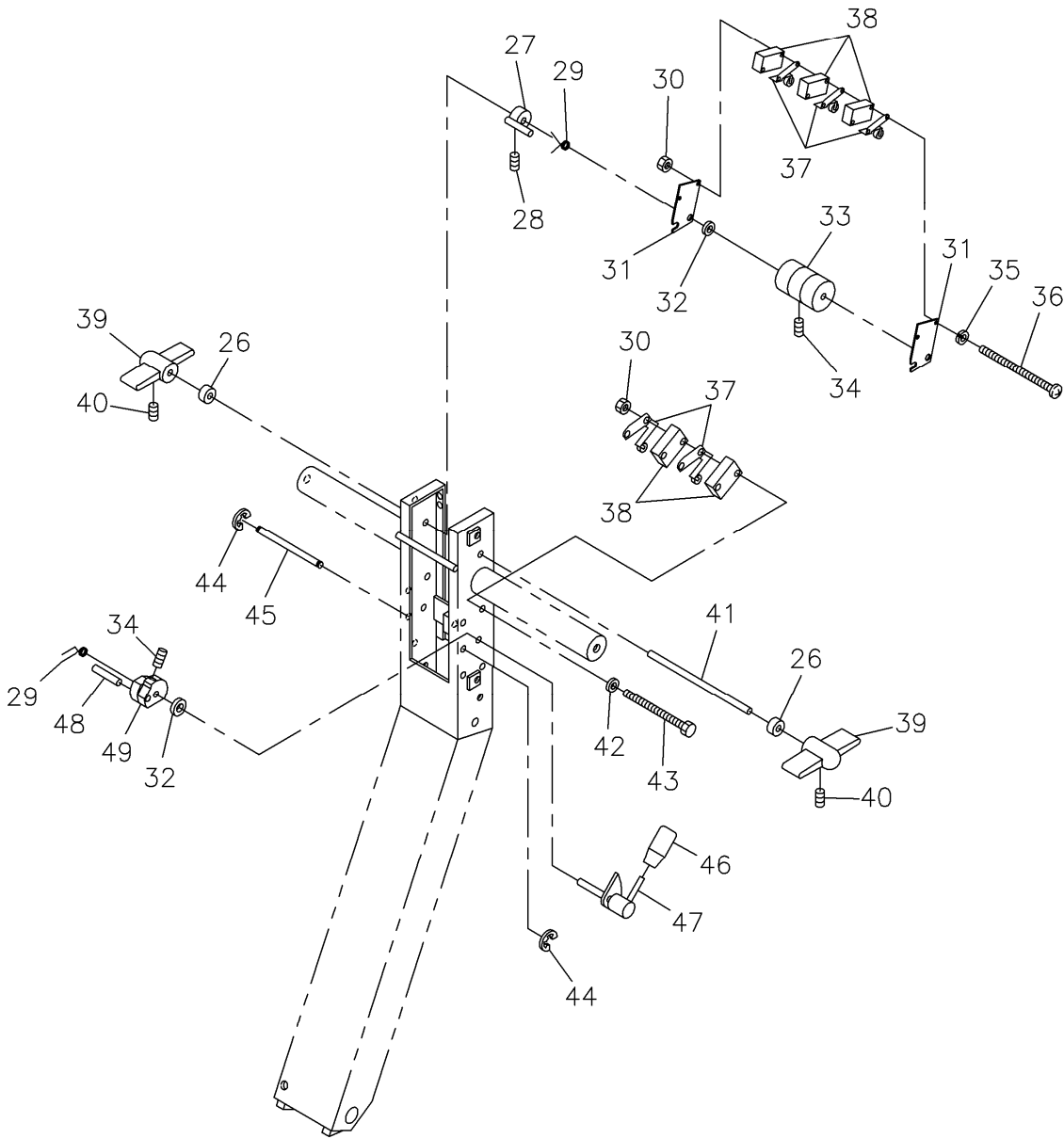
3 FORK(90W,9WT)



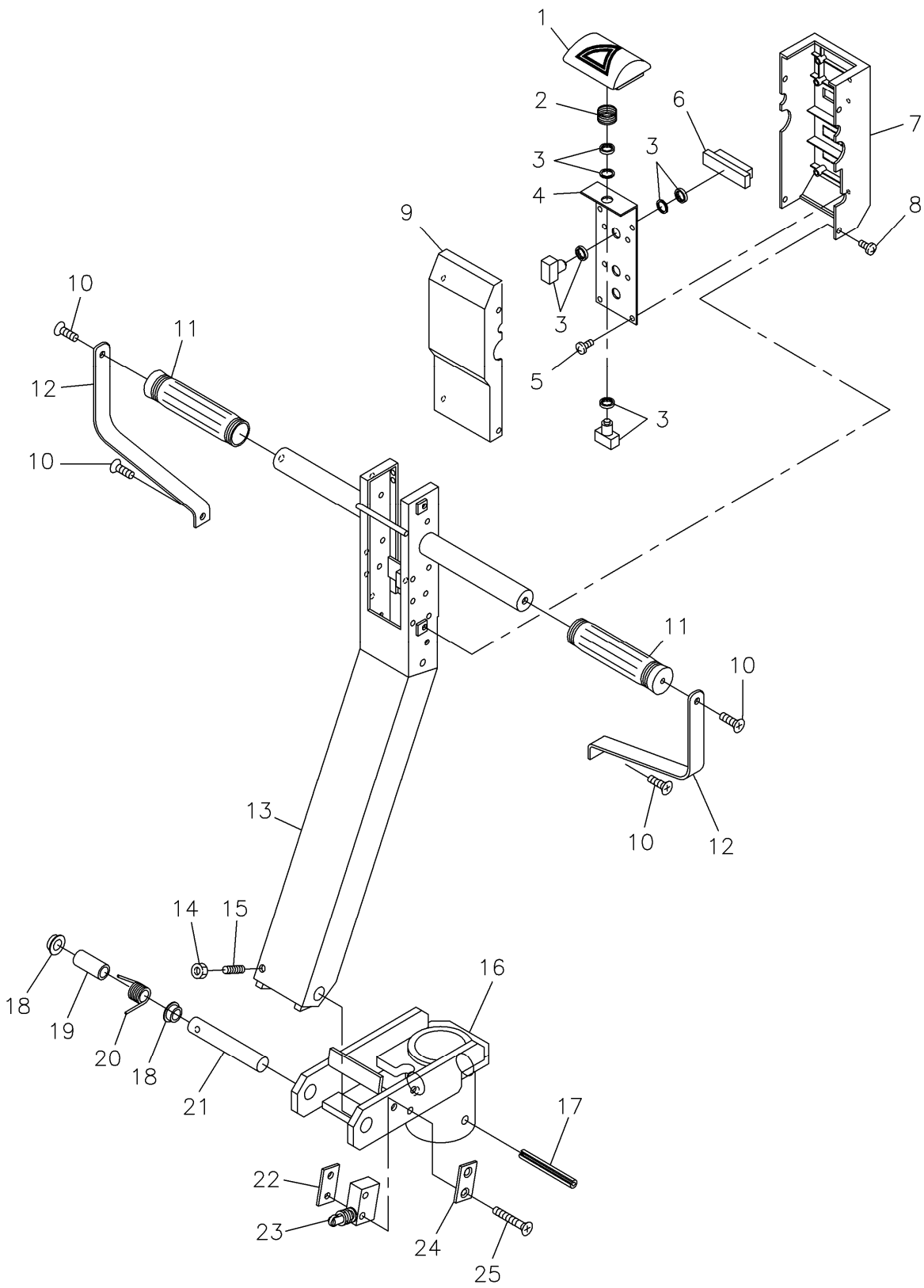
4 HANDLE 1(60S,90S)



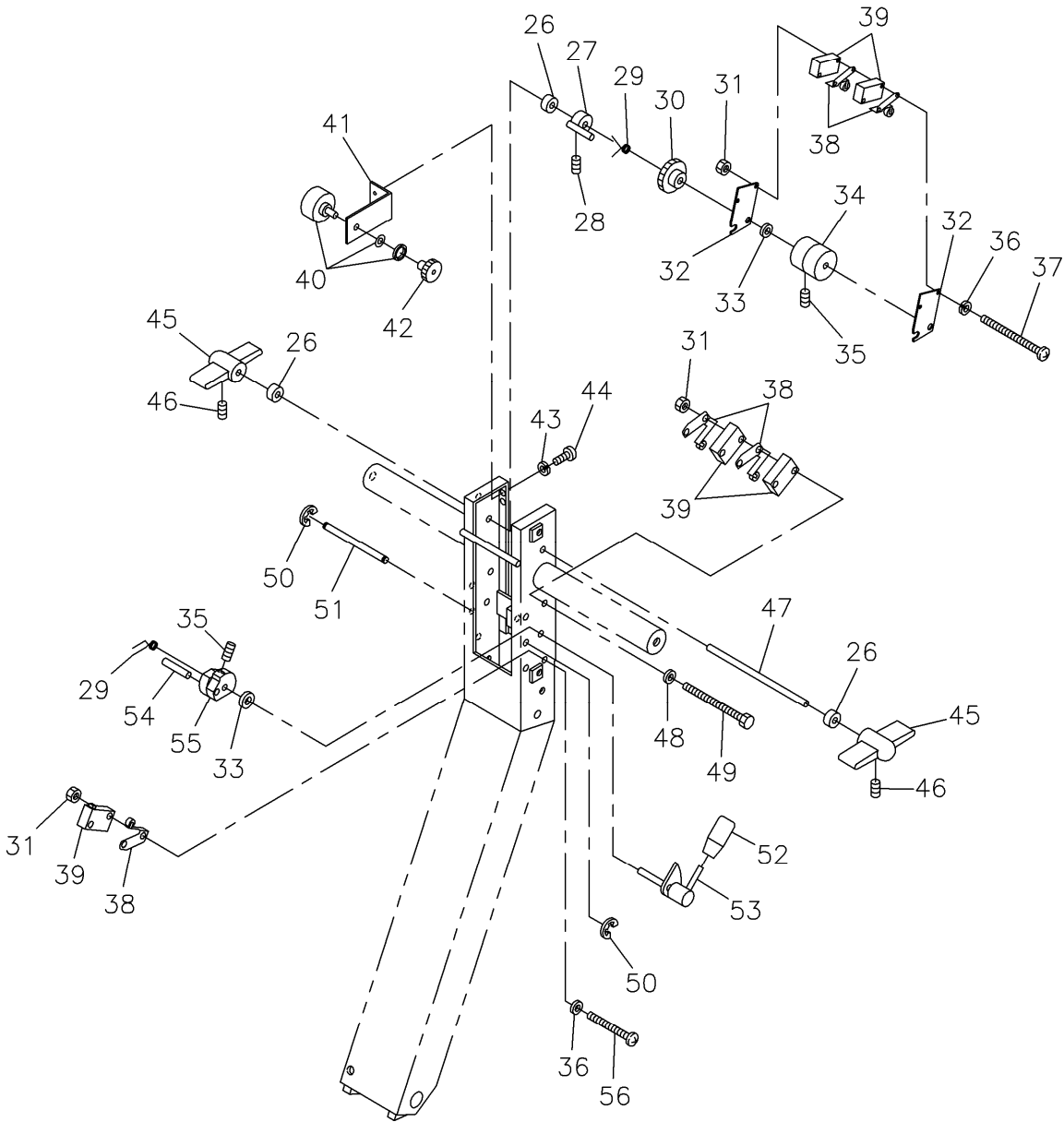
4 HANDLE 2(60S,90S)



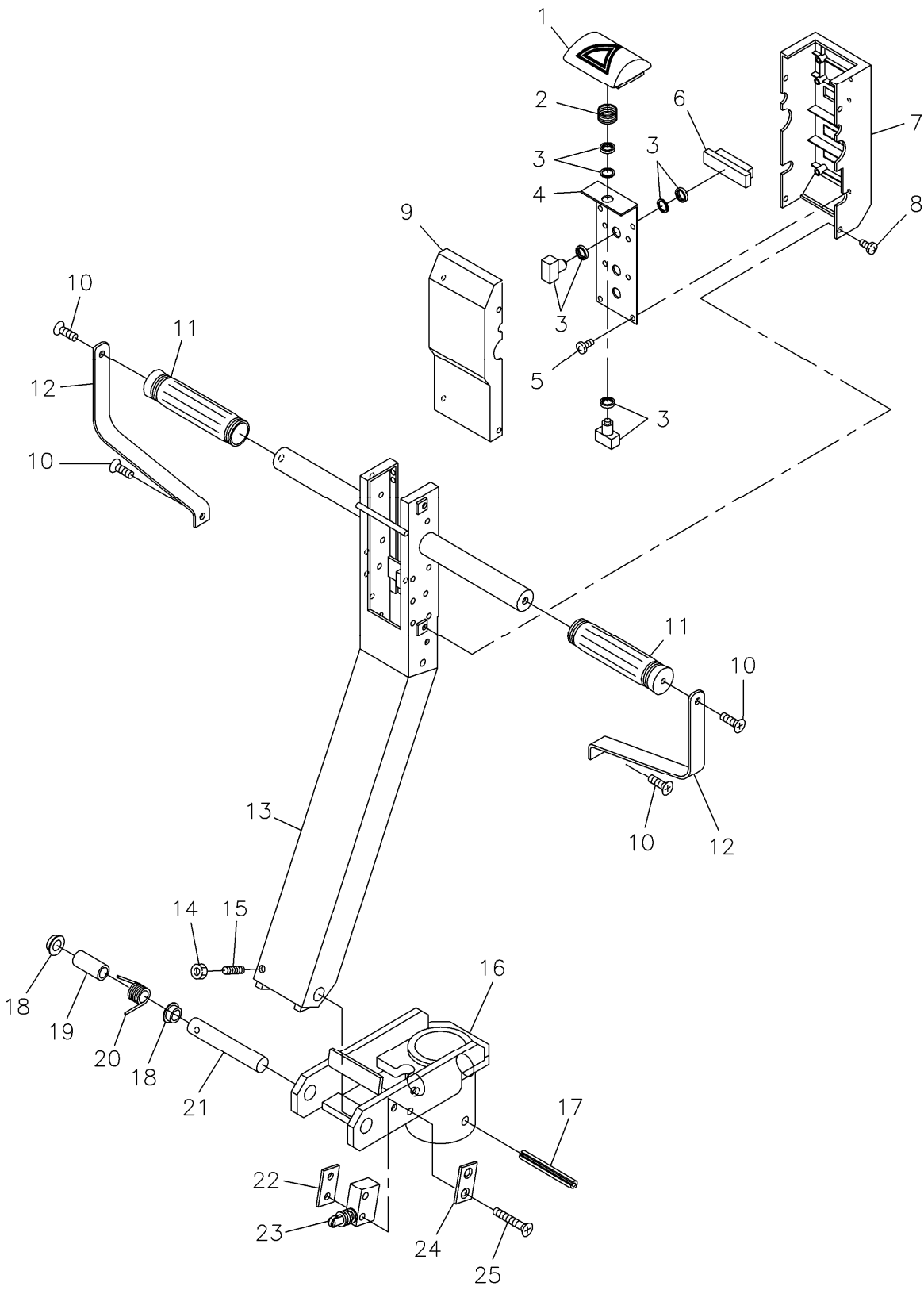
4 HANDLE 1(60W,90W)



4 HANDLE 2(60W,90W)



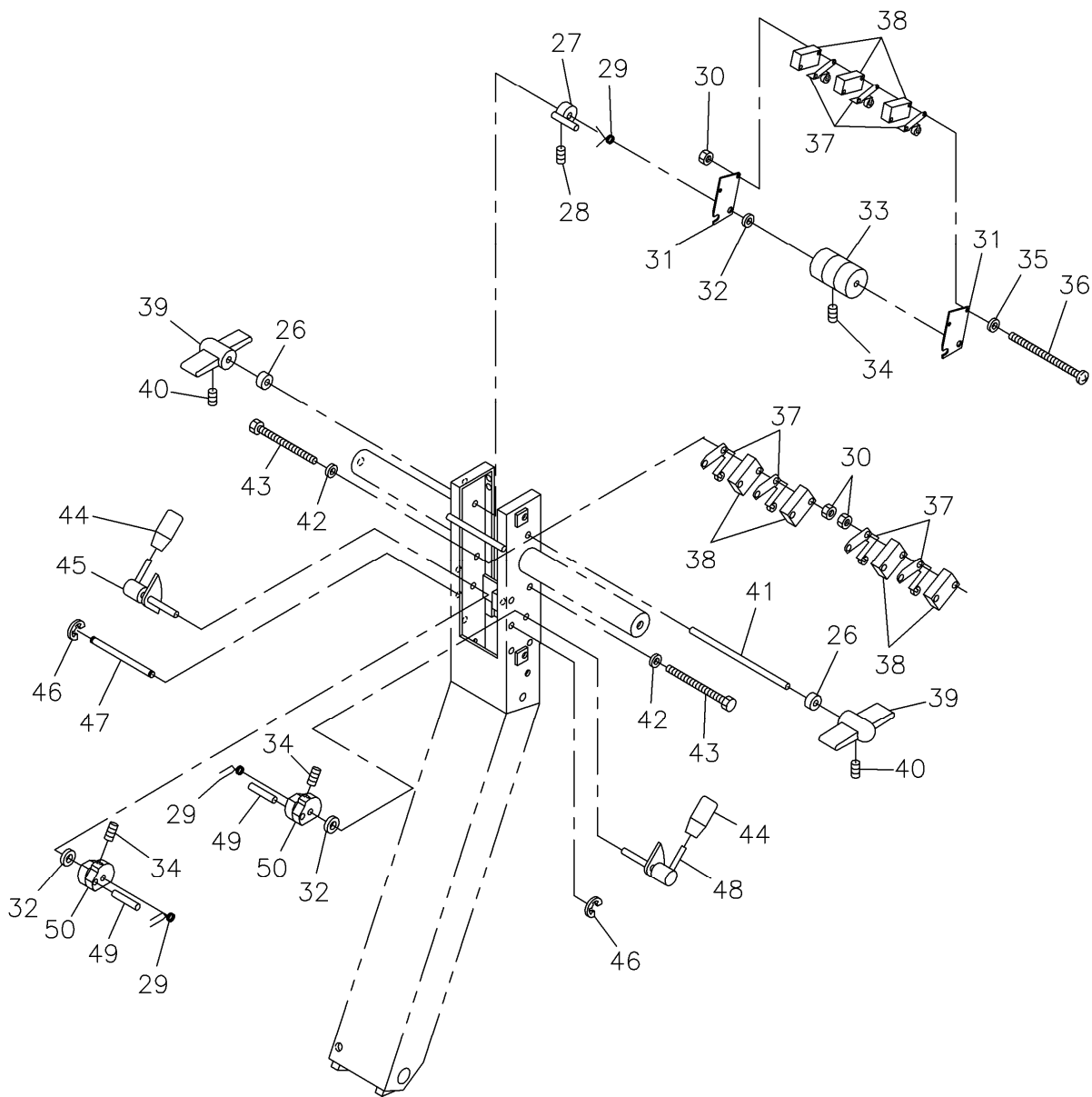
4 HANDLE 1(6ST,9ST)



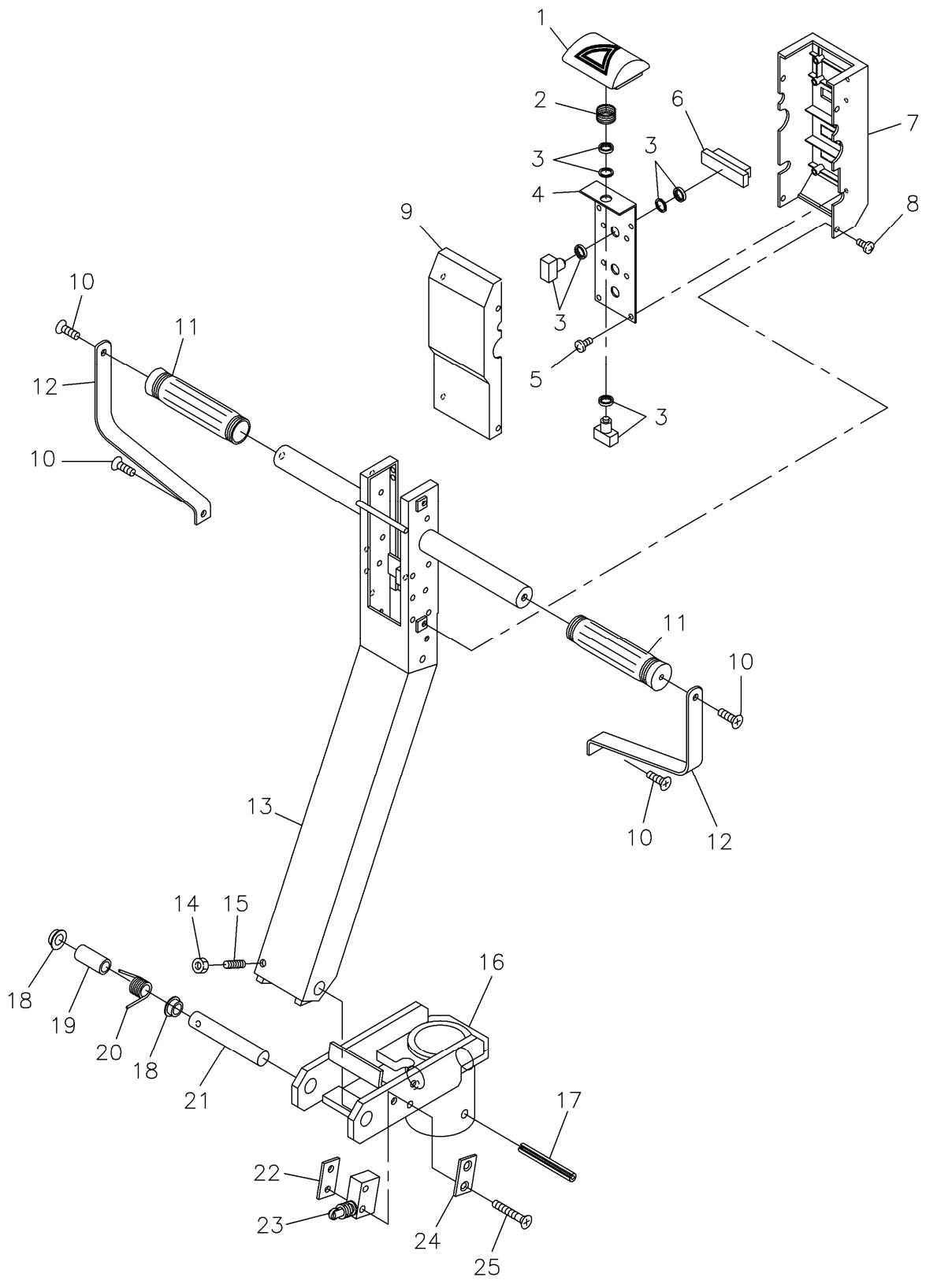
4 HANDLE 1(6ST,9ST)

No.	PARTS NO.	UD	DRAWING NO./MODEL NO.	PARTS NAME	Q'TY	REMARKS	
1	10080-04006	00	F8049-F9035	REVERSED SWITCH	1		
2	10080-04007	00	4006089C	SPRING	1		
3	95003-00002		SB-221N/0	PUSH BUTTON SWITCH	2	SB-221N/0	
4	10080-04008	00	4010194A	SWITCH BASE	1		
5	90101-00416			TAPPING SCEW	4	M4×16L	
6	10080-04010	00	4008506A	SWITCH COVER (HORN)	1		
7	10080-04009	00	2010880A	HANDLE COVER B	1		
8	90111-00046			TRUSS HEAD SCREW (BLACK)	4	M4×6L	
9	10080-04011	00	F8049-F9039	HANDLE COVER A	1		
10	90105-00510			COUNTERSUNK HEAD SCREW	4	M5×10L	
11	99000-00004		BK-8	GRIP	2	BK-8	
12	10080-04002	00	4006552A	GRIP GUARD	2	4006552B	
13	10080-04024	00	2012897	HANDLE POST	1		
14	90300-00005			HEX-NUT	1	M5	
15	90100-00520			SET SCREW	1	M5×20L	
16	10080-04039	00	F8049-F9028	HANDLE BRACKET	1		
17	90403-01080			SPRING PIN	1	10×80	
18	90658-00001			BUSHING	2	BM1615F24FB	
19	10080-04005	00	4004956A	SPRING COLLAR	1		
20	10080-04004	00	3004550	RETURN SPRING	1		
21	10080-04003	00	EX-3764	HANDLE BRACKET PIN	1	EX-3764A	
22	10080-04012	00		TAP SHEET	1	4004059A-2	2
23	95003-00001		Z-15GQ22-B	MICROSWITCH	1	Z-15GQ22-B	
24	10080-04013	00	F8049-F9030	SENSOR PLATE	1		
25	90105-00435			COUNTERSUNK HEAD SCREW	2	M4×35L	

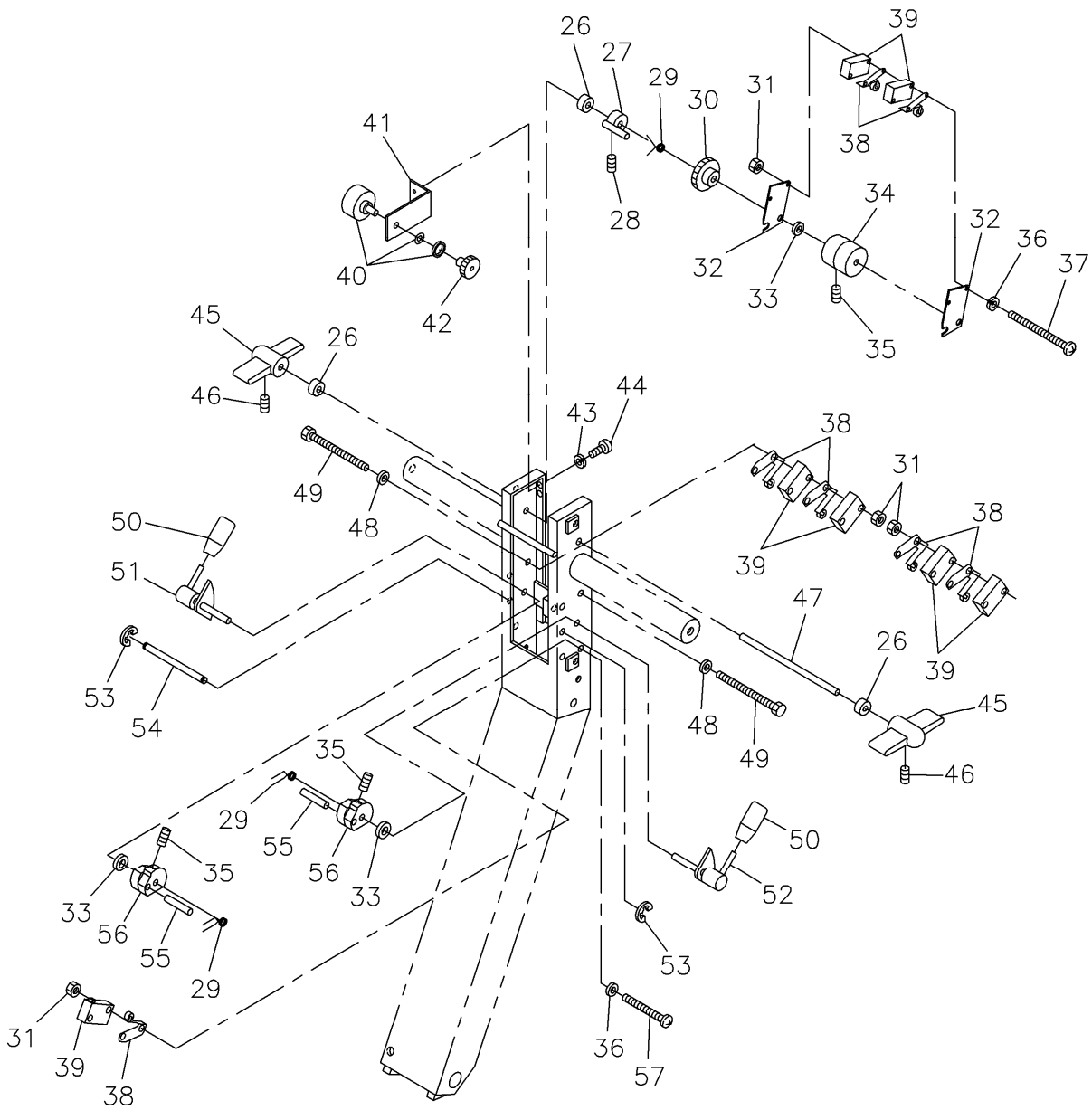
4 HANDLE 2(6ST,9ST)



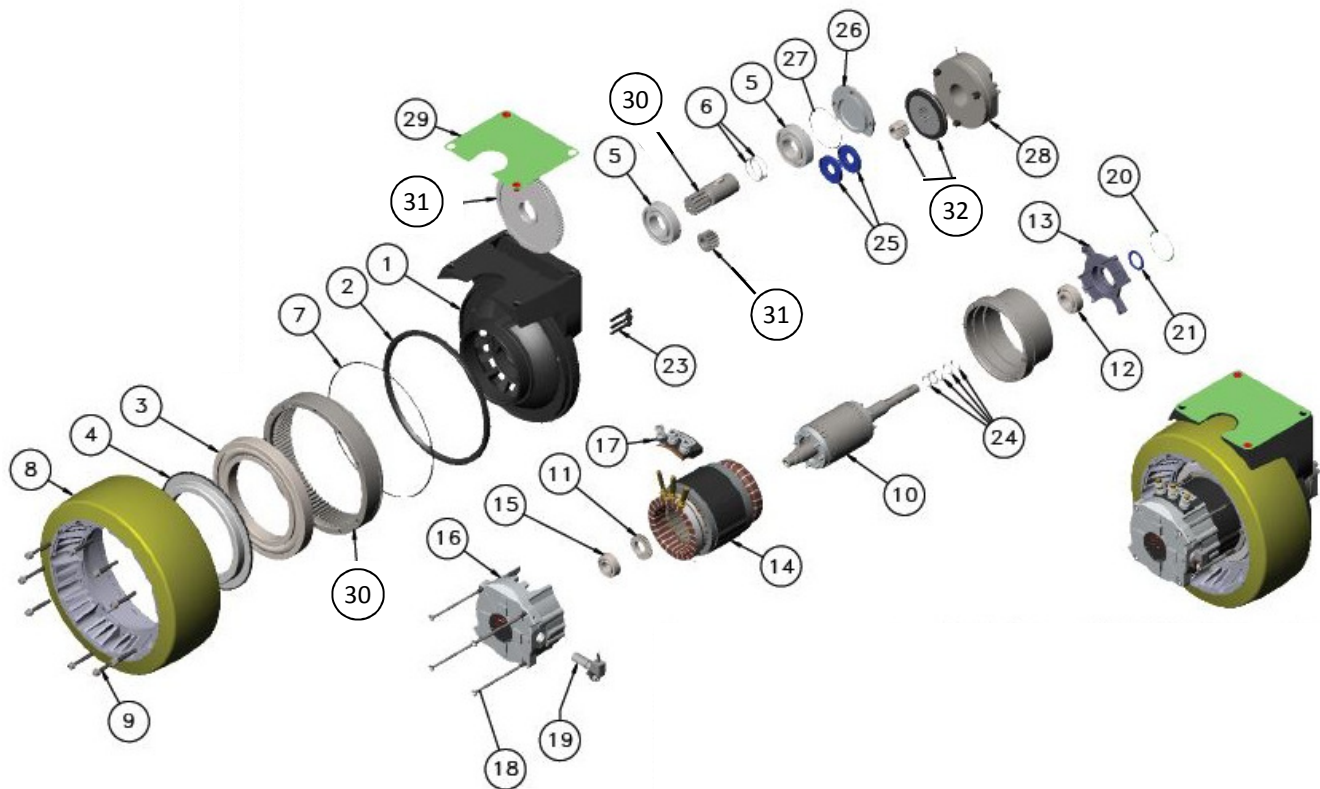
4 HANDLE 1(6WT,9WT)



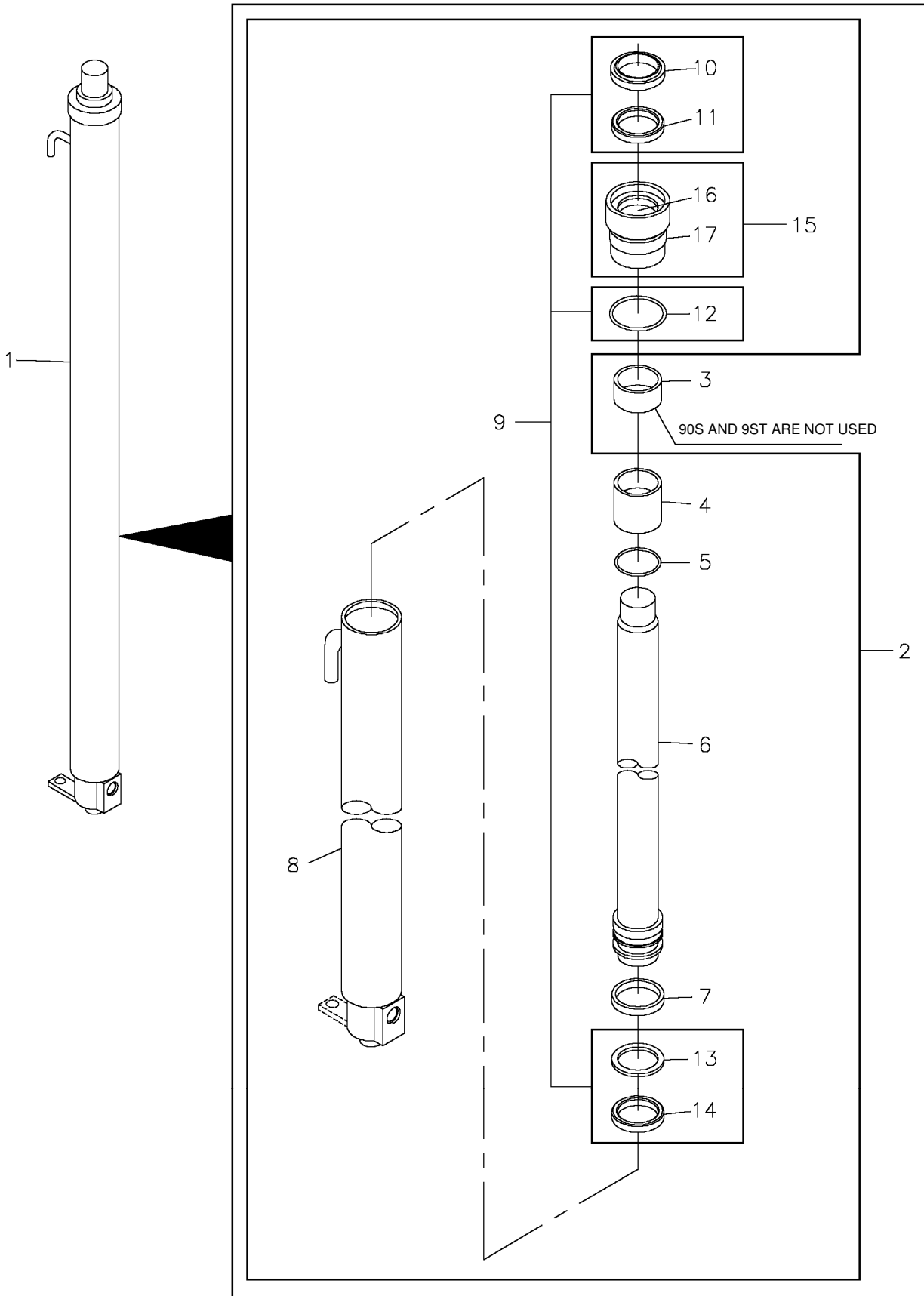
4 HANDLE 2(6WT,9WT)



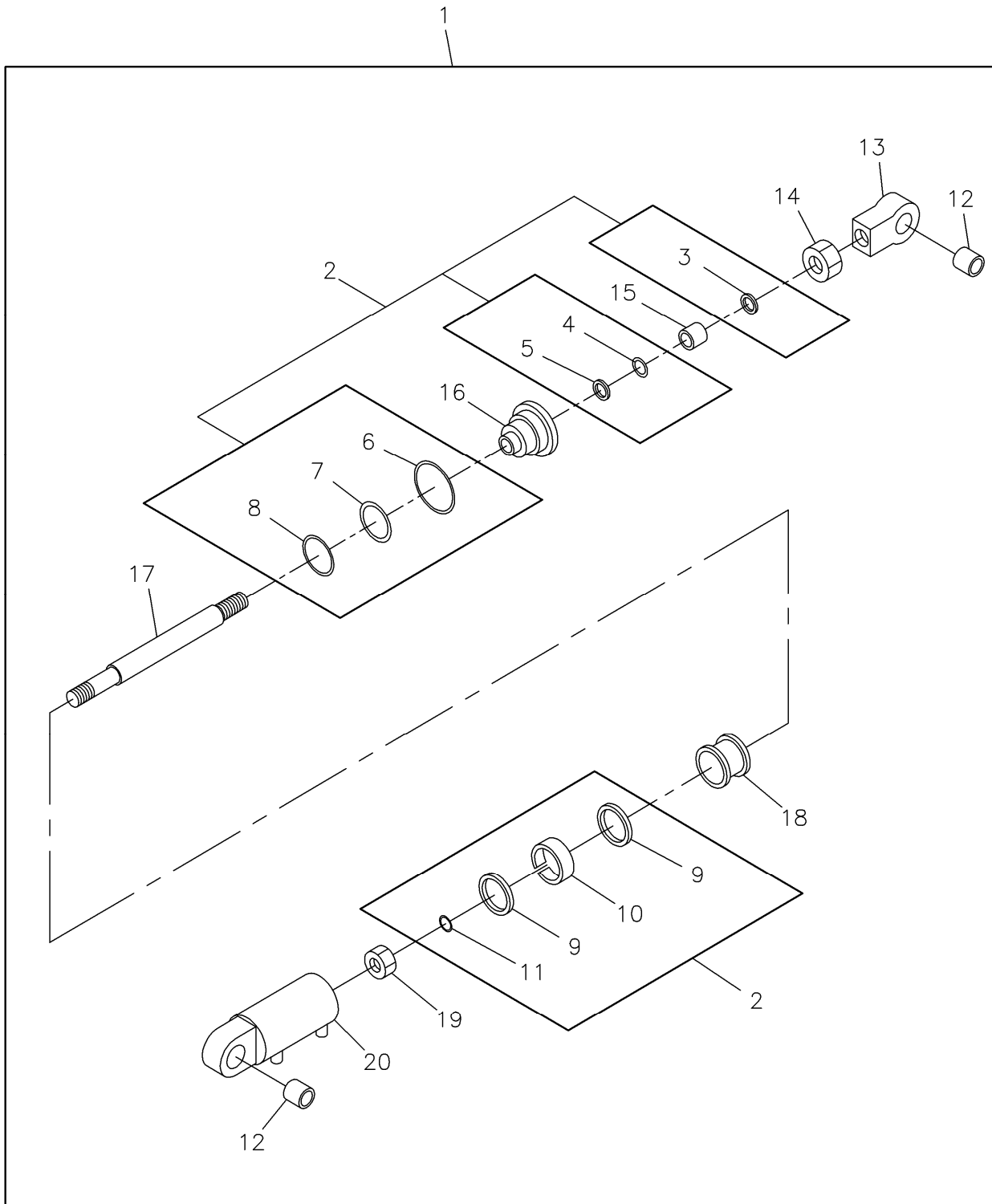
5 DRIVE



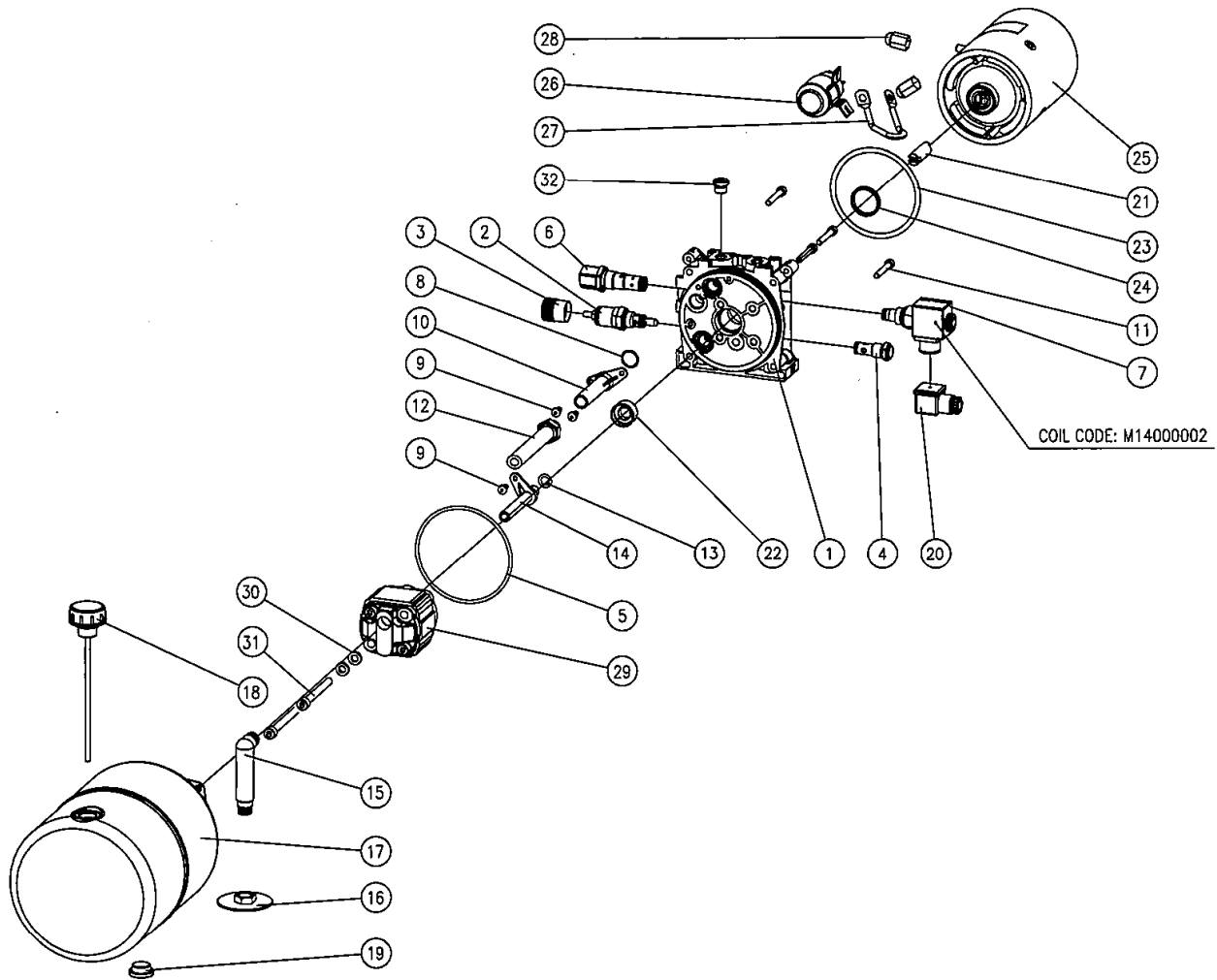
6 LIFT CYLINDER



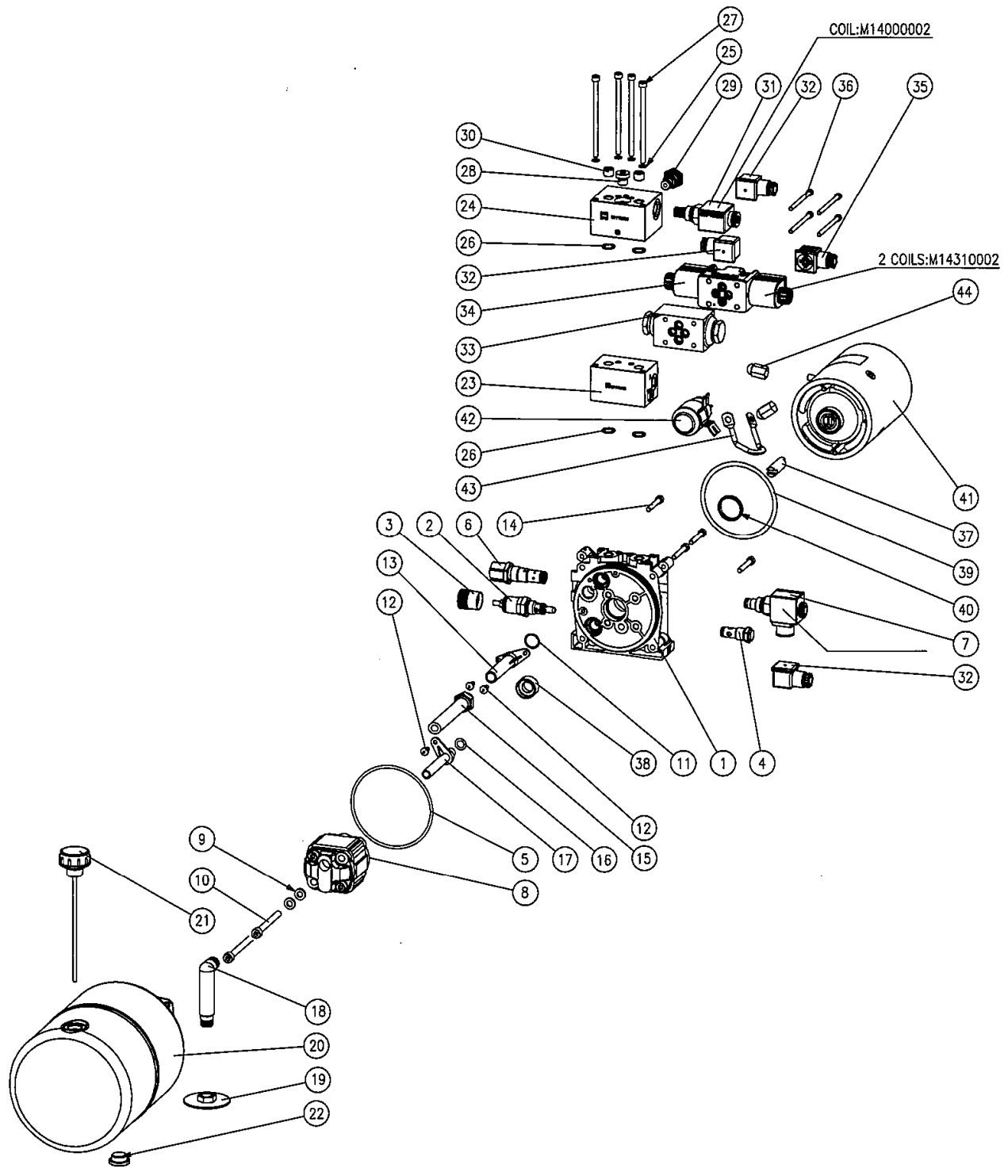
7 TILT CYLINDER(6ST,6WT,9ST,9WT)



8 POWER PACK UNIT(60S,60W,90S,90W)

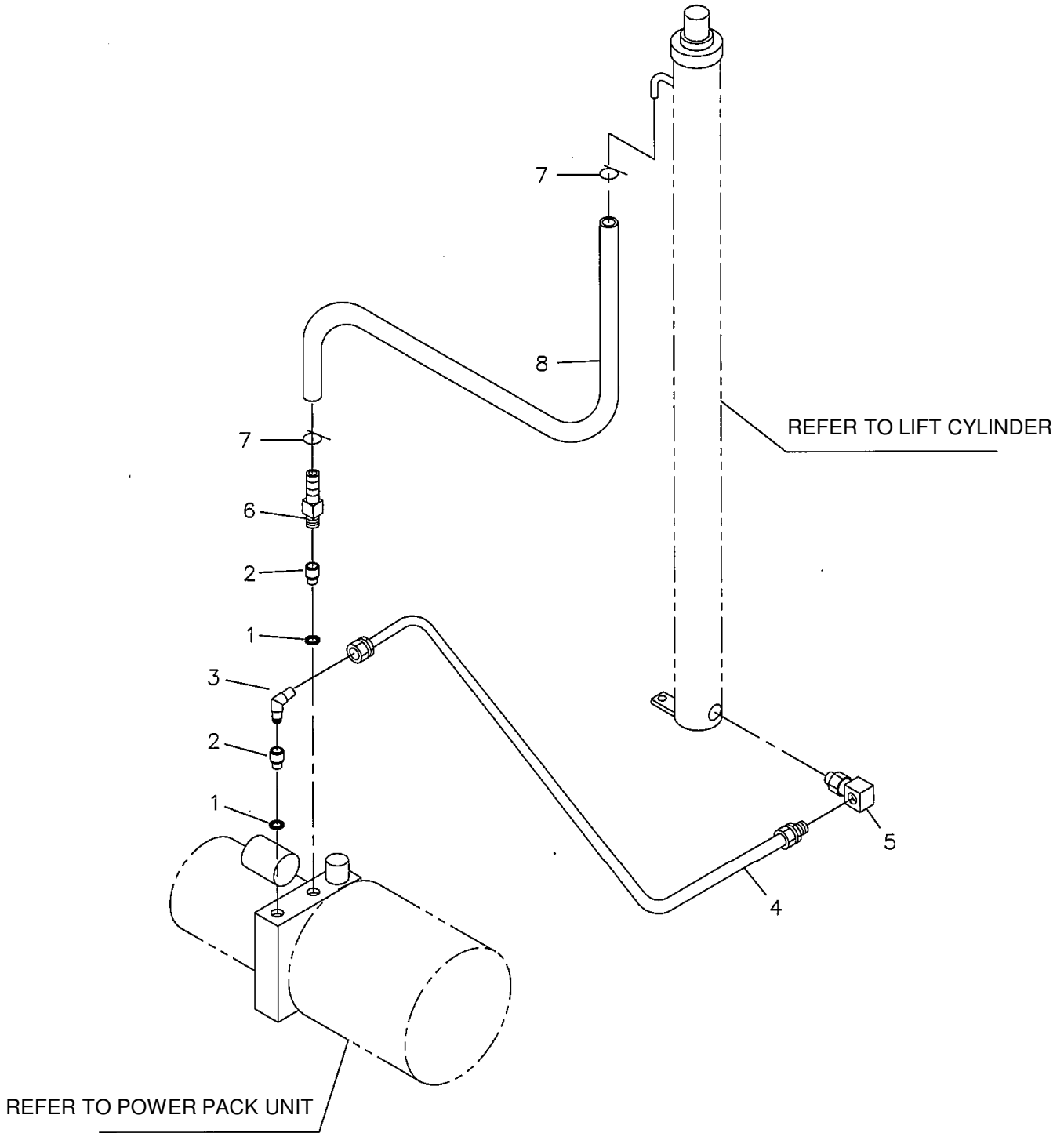


8 POWER PACK UNIT 2(6ST,6WT,9ST,9WT) EK10-BR003

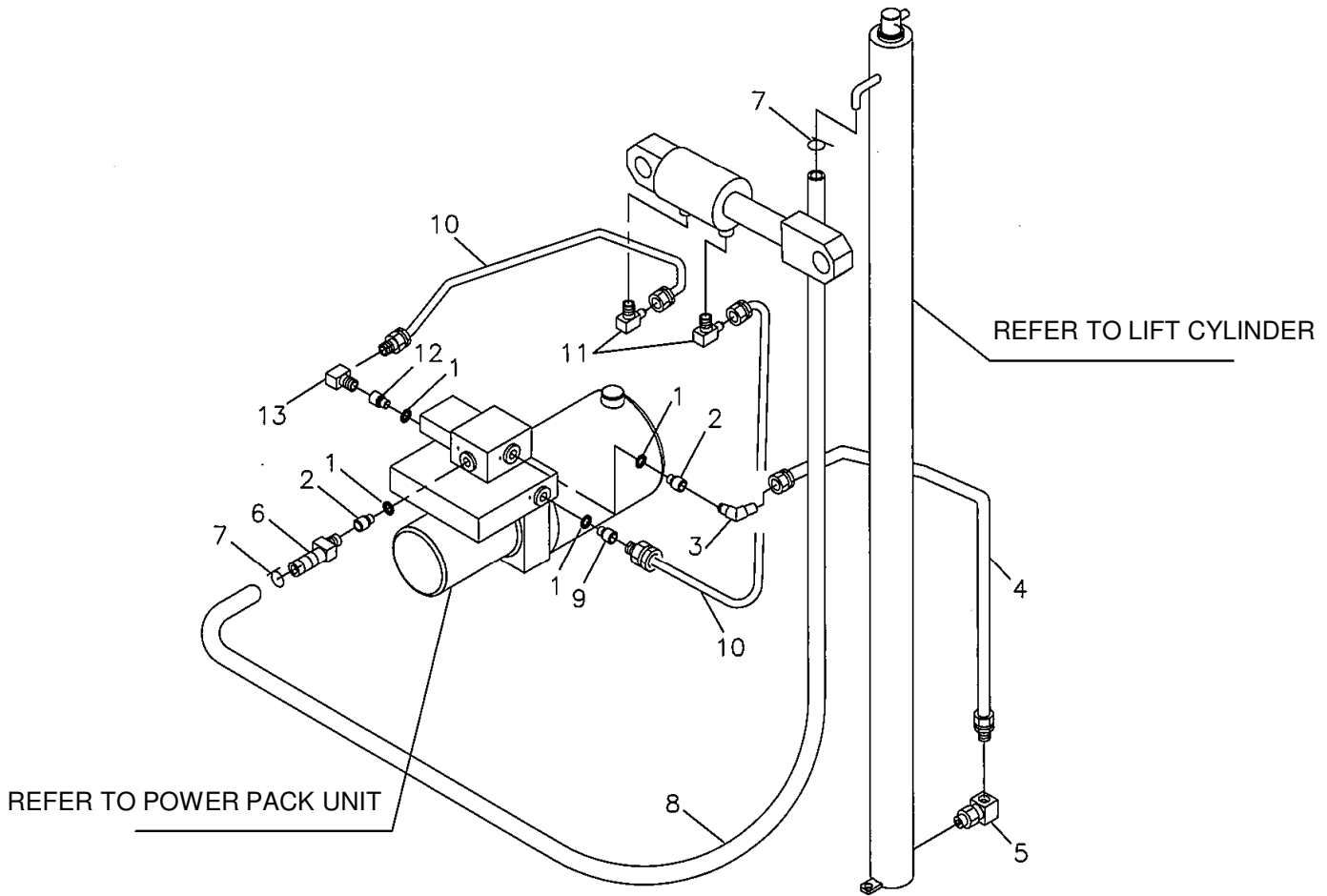


No.	PARTS NO.	UD	DRAWING NO./MODEL NO.	PARTS NAME	QTY	REMARKS
1	96004-00010		71013000.000	MC FLANGE-F	1	
2	96004-00011		21000001.000	MC RELIEF VALVE-B	1	
3	96004-00012		60309100	PROTECTION CAP	1	
4	96004-00013		20020400	MC CHECK VALVE	1	
5	96004-00014		Q25830248	O-RING	1	110. 72x3. 53 NBR 70sh
6	96004-00015		21000020.000	FLOW CONTROL VALVE	1	
7	96004-00016		CRP0418NCASM002	SOLENOID VALVE	1	
8	96004-00017		23000600.018	MC/FP PUMP KIT	1	
9	96004-00018		Q26002002	FLAT WASHER	2	
10	96004-00019		Q26074114	SCREW TCEI	2	M8x80L
11	96004-00020		Q25830024	O-RING	1	
12	96004-00021		Q26000008	SCREW TC	3	
13	96004-00022		60717500	PLASTIC HOSE	1	
14	96004-00023		Q26074090	SCREW TCEI	4	M6x40L
15	96004-00024		60714700	PLASTIC HOSE	1	
16	96004-00025		Q25830083	O-RING	1	10. 77x2. 62 NBR 70sh
17	96004-00026		60714500	DRAIN TUBE RELIEF VALVE	1	
18	96004-00027		60518500	ELBOW	1	
19	96004-00028		49122100	SUCTION FILTER	1	
20	96004-00029		22000100	MC/FP STEEL TANK	1	
21	96004-00030		49107500	BREATHER FILLING PLUG	1	
22	96004-00031		R78100021	DRAIN PLUG	1	
23	96004-00032		61111400	MODULAR BLOCK-A	1	
24	96004-00033		61118000	MANIFOLD-13	1	
25	96004-00034		Q26800006	WASHER SCHNORR	4	
26	96004-00035		Q25831022	O-RING	4	14x1. 78 NBR 90sh
27	96004-00036		Q26074302	SCREW TCEI	4	M6x110L
28	96004-00037		Q26630004	PLUG TCEI	1	
29	96004-00038		20018000	PLUG	1	
30	96004-00039		Q26620048	CONICAL PLUG	2	
31	96004-00040		CRD0418NCAEM002	SOLENOID VALVE	1	
32	96004-00041		V86050002	CONNECTOR	3	
33	96004-00042		AM3UPAB5003	CHECK VALVE	1	
34	96004-00043		ADC3E01CMS11	SOLENOID VALVE	1	
35	96004-00044		V86050004	CONNECTOR	1	
36	96004-00045		Q26074075	SCREW TCEI	4	M5x70L
37	96004-00046		60410600	TANG COUPLING	1	
38	96004-00047		61219800	GUIDE BUSHING	1	
39	96004-00048		61200100	GASKET	1	
40	96004-00049		60507900	MOTOR SPACER	1	
41	96004-00050		24012900	MC/FP DC MOTOR	1	
42	96004-00051		46116500	START SWITCH	1	
43	96004-00052		46118700	START SWITCH CONNECTION	1	
44	96004-00053		49160300	BLACK CAP	2	

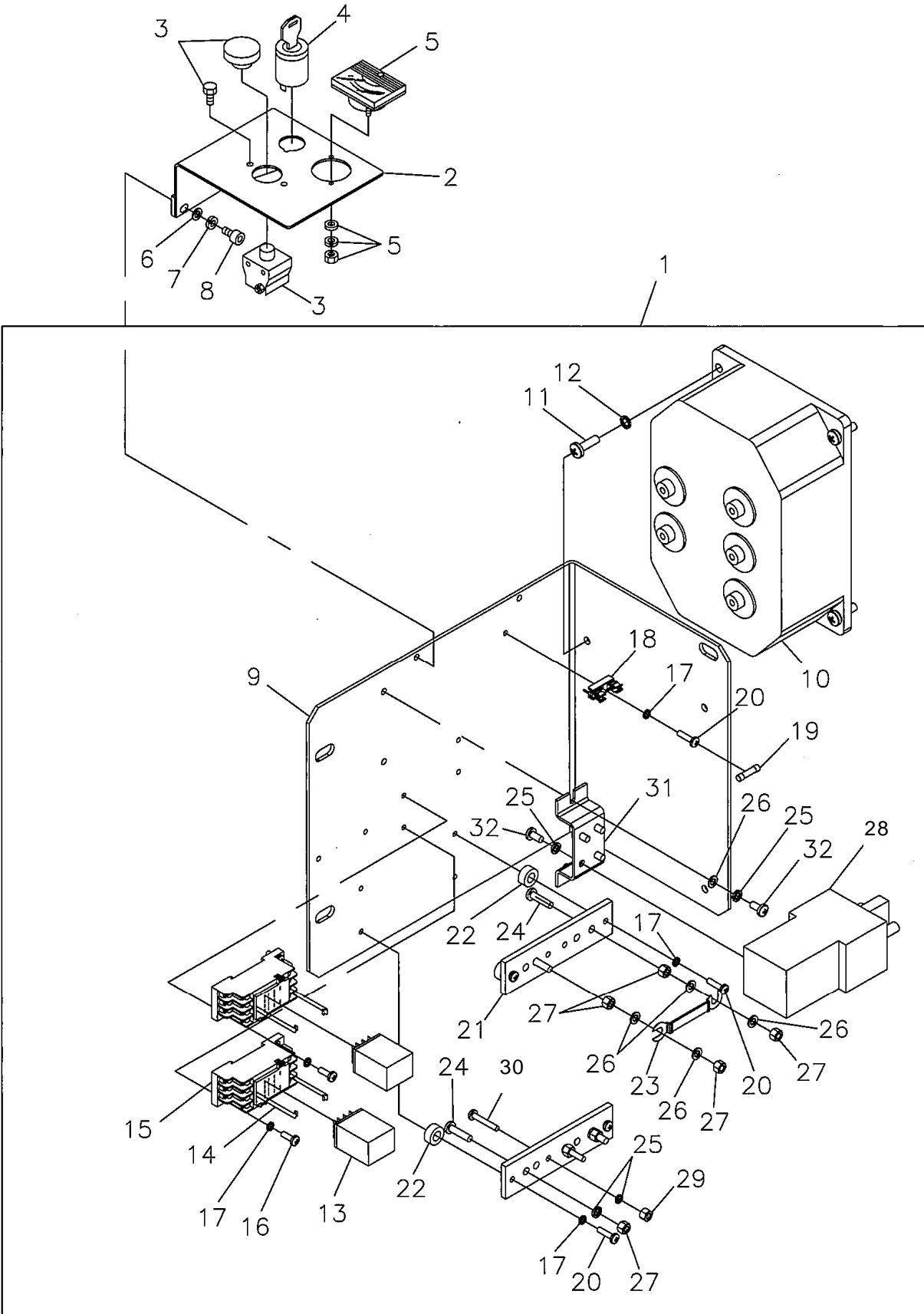
9 OIL PIPING(60S,60W,90S,90W)



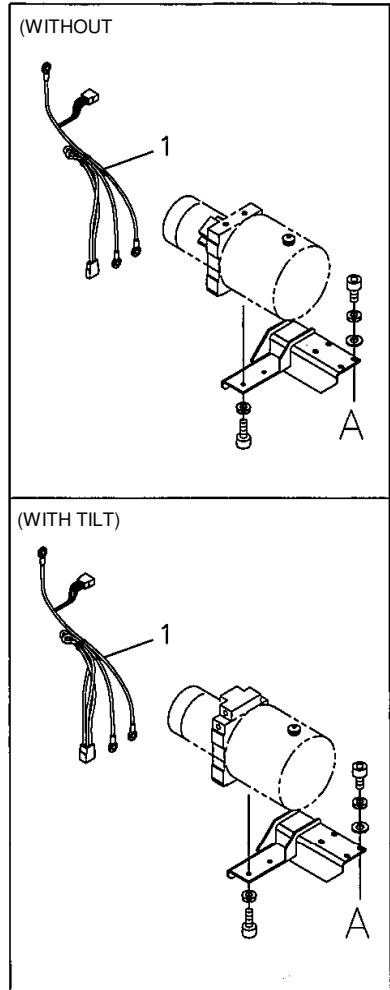
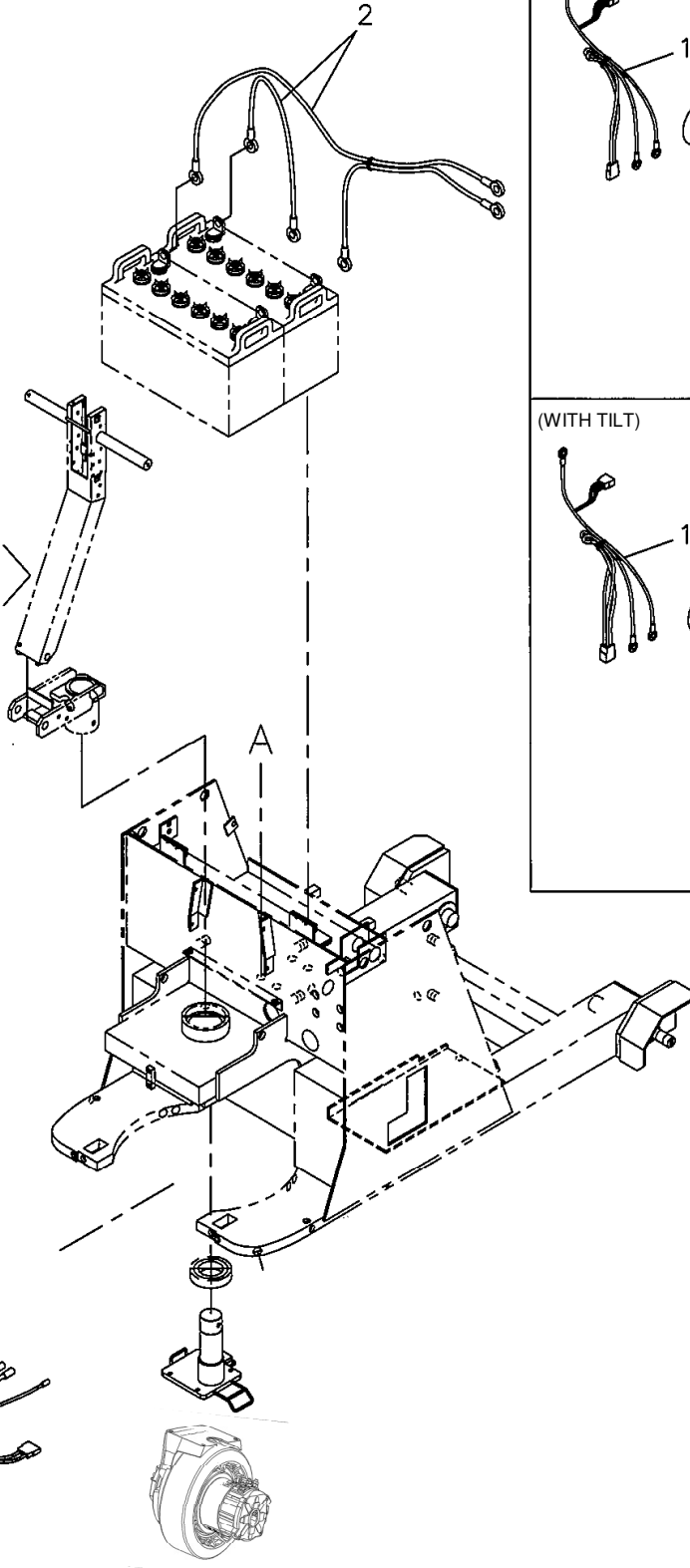
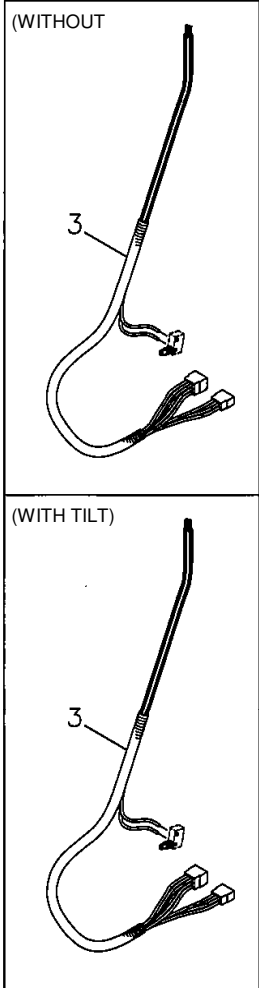
9 OIL PIPING(6ST,6WT,9ST,9WT)



10 CONTROL PANEL



11 HARNESS PARTS



12 BATTERY CHARGER

