



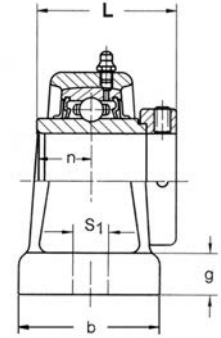
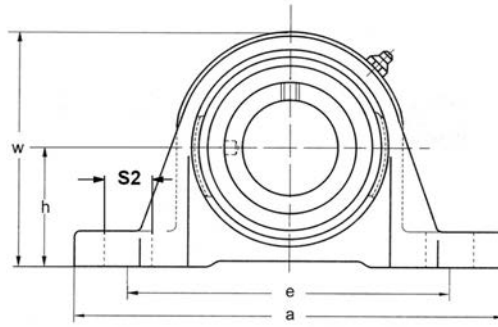
# BEARING UNITS



## PILLOW BLOCKS - Standard Shaft Height

### HCPE 200 Series

Normal Duty  
Eccentric Collar Locking  
Solid Base



Unit No.	Shaft Dia.		Dimensions inch / mm										Bolt Size	Bearing No.	Housing No.	Weight Lbs kg
	In.	mm	h	a	e	b	S1	S2	g	w	L	n				
HCPE 201-8	1/2													HC 201-8		
202-10	5/8	20	1-5/16	5	3-3/4	1-1/2	1/2	5/8	19/32	2-9/16	1.713	0.669	3/8	202-10	PE204	1.87
204			33.3	127.0	95.3	38.1	12.7	15.9	15.1	65.1	43.5	17.0	M10	204		0.85
204-12	3/4													204-12		
HCPE 205		25												HC 205		
205-14	7/8		1-7/16	5-1/2	4-1/8	1-1/2	1/2	5/8	5/8	2-3/4	1.744	0.685	3/8	205-14	PE205	2.33
205-15	15/16		36.5	139.7	104.8	38.1	12.7	15.9	15.9	69.9	44.3	17.4	M10	205-15		1.06
205-16	1													205-16		
HCPE 206		30												HC 206		
206-17	1-1/16		1-11/16	6-1/2	4-49/64	1-7/8	21/32	13/16	23/32	3-9/32	1.902	0.717	1/2	206-17	PE206	3.74
206-18	1-1/8		42.9	165.1	121.0	47.6	16.7	20.6	18.3	83.3	48.3	18.2	M14	206-18		1.70
206-19	1-3/16													206-19		
206-20	1-1/4S													206-20		
HCPE 207		35												HC 207		
207-20	1-1/4		1-7/8	6-9/16	5	1-7/8	21/32	13/16	3/4	3-11/16	2.012	0.740	1/2	207-20	PE207	4.95
207-21	1-5/16		47.6	166.7	127.0	47.6	16.7	20.6	19.1	93.7	51.1	18.8	M14	207-21		2.25
207-22	1-3/8													207-22		
207-23	1-7/16													207-23		
HCPE 208		40												HC 208		
208-24	1-1/2		1-15/16	7-1/4	5-25/64	2-1/8	21/32	31/32	3/4	3-15/16	2.217	0.843	1/2	208-24	PE208	6.16
208-25	1-9/16		49.2	184.2	136.9	54.0	16.7	24.6	19.1	100.0	56.3	21.4	M14	208-25		2.80
HCPE 209		45												HC 209		
209-26	1-5/8		2-1/8	7-15/32	5-3/4	2-1/8	21/32	31/32	25/32	4-1/4	2.217	0.843	1/2	209-26	PE209	6.93
209-27	1-11/16		54.0	189.7	146.1	54.0	16.7	24.6	19.8	108.0	56.3	21.4	M14	209-27		3.15
209-28	1-3/4													209-28		
HCPE 210		50												HC 210		
210-30	1-7/8		2-1/4	8-1/8	6-1/4	2-3/8	25/32	31/32	7/8	4-1/2	2.469	0.969	5/8	210-30	PE210	8.36
210-31	1-15/16		57.2	206.4	158.8	60.3	19.8	24.6	22.2	114.3	62.7	24.6	M16	210-31		3.8.0
210-32	2S													210-32		
HCPE 211		55												HC 211		
211-32	2		2-1/2	8-5/8	6-23/32	2-3/8	25/32	31/32	7/8	4-31/32	2.811	1.091	5/8	211-32	PE211	10.34
211-34	2-1/8		63.5	219.1	170.7	60.3	19.8	24.6	22.2	126.2	71.4	27.7	M16	211-34		4.70
211-35	2-3/16													211-35		
HCPE 212		60												HC 212		
212-36	2-1/4		2-3/4	9-1/2	7-1/4	2-3/4	25/32	31/32	31/32	5-7/16	3.059	1.217	5/8	212-36	PE212	14.52
212-37	2-5/16		69.9	241.3	184.2	69.9	19.8	24.6	24.6	138.1	77.7	30.9	M16	212-37		6.60
212-38	2-3/8													212-38		
212-39	2-7/16													212-39		
HCPE 213		65												HC 213		
213-41	2-9/16		3	10-7/16	8	2-3/4	31/32	1-3/16	1-1/16	5-29/64	3.374	1.343	3/4	213-41	PE213	16.50
			76.2	265.1	203.2	69.9	24.6	30.2	27.0	138.5	85.7	34.1	M20			7.50
HCPE 214		70												HC 214		
214-42	2-5/8		3-1/8	10-15/32	8-9/32	2-27/32	31/32	1-1/4	1-1/16	6-3/16	3.374	1.343	3/4	214-42	PE214	17.60
214-43	2-11/16		79.4	265.9	210.3	72.2	24.6	31.8	27.0	157.2	85.7	34.1	M20	214-43		8.00
214-44	2-3/4													214-44		
HCPE 215		75												HC 215		
215-45	2-13/16		3-1/4	10-13/16	8-17/32	2-29/32	31/32	1-1/4	1-3/32	6-13/32	3.626	1.469	3/4	215-45	PE215	19.80
215-46	2-7/8		82.6	274.6	216.7	73.8	24.6	31.8	27.8	162.7	92.1	37.3	M20	215-46		9.00
215-47	2-15/16													215-47		
215-48	3													215-48		