

Manifold EI-Check

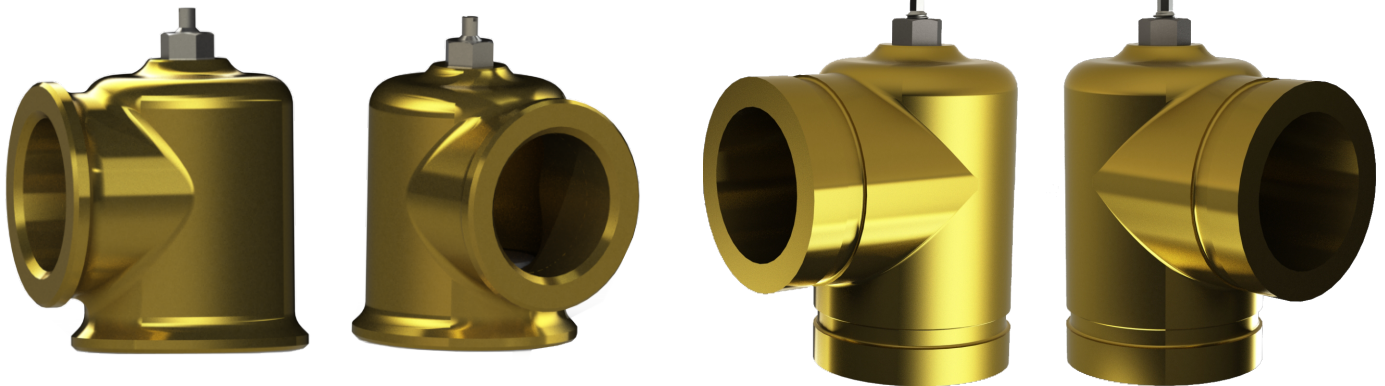
FEATURES

- For Approvals, see the “Compatibility” table.

- RoHS Compliant

1.5 and 2 inch EI-Checks

3 inch EI-Checks



Description

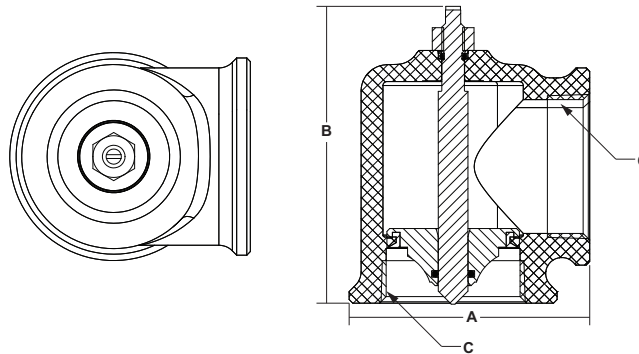
Manifold EI-Checks are installed at the discharge manifold in a multiple cylinder arrangement to allow removal of an agent cylinder from the manifold while still retaining a closed system.

Note: EI-Checks are to be installed at system manifold in vertical direction, as shown.

MATERIALS

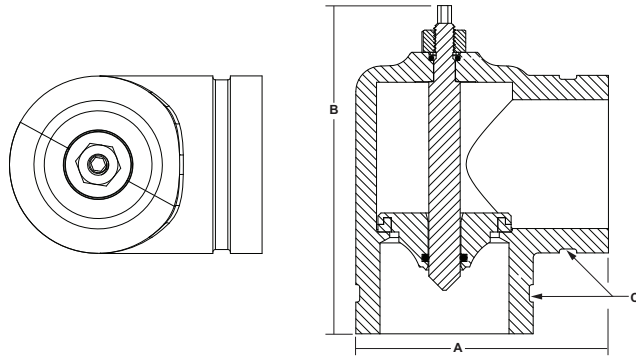
- Valve Body: Forging Brass
- Check: Stainless Steel

1.5 and 2 inch EI-Checks



P/N	Size (in.)	A (in.)	B (in.)	C	Equivalent Length
WK-877690-150	1.5	3.2	3.9	1 1/2 in. NPT	10.6 ft.
WK-877690-200	2	3.9	4.9	2-11 1/2 NPT	16.0 ft.

3 inch EI-Checks



P/N	Size (in.)	A (in.)	B (in.)	C	Equivalent Length
WK-877690-300	3	5.0	6.5	Victaulic 25.01 OGS DN80	108.6 ft.

COMPATIBILITY

Series	DIOM P/N	Approvals
Kidde Fire Systems ECS-500™ System	06-237585-001	UL, ULC, FM
Kidde Fire Systems ECS-500™ Marine System	06-237589-001	UL, ULC, USCG
Kidde Fire Systems ADS™ for use with Fluoroketone Fire Suppression Agents	06-237256-001	UL, ULC, FM
Kidde Fire Systems ADS™ Marine for use with Fluoroketone Fire Suppression Agents	06-237257-001	UL, ULC, USCG
Kidde Fire Systems ADS™ with HFC-227ea Agent	06-236068-001	UL, ULC, FM
Kidde Fire Systems ADS™ Marine with HFC-227ea Agent	06-236595-001	UL, ULC, USCG
Kidde Fire Systems ECS™ 360 for use with Fluoroketone Fire Suppression Agents	06-236553-001	UL, ULC, FM
Kidde Fire Systems ECS™ 360 Marine for use with Fluoroketone Fire Suppression Agents	06-236559-001	UL, ULC, USCG
Kidde Fire Systems ECS™ 360 with HFC-227ea Agent	06-236115-001	UL, ULC, FM
Kidde Fire Systems Modular ECS™ 360 with HFC-227ea Agent	06-236116-001	UL, ULC, FM
Kidde Fire Systems ECS™ 360 Marine with HFC-227ea Agent	06-236225-001	UL, USCG

EXPORT INFORMATION (USA)

Jurisdiction: EAR
Classification: EAR99

This document contains technical data subject to the EAR.

All trademarks are the property of their respective owners.

This literature is provided for informational purposes only. KIDDE-FENWAL, INC. believes this data to be accurate, but it is published and presented without any guarantee or warranty whatsoever. KIDDE-FENWAL, INC. assumes no responsibility for the product's suitability for a particular application. The fire suppression system design, installation, maintenance, service and troubleshooting must be performed by trained, authorized Kidde Fire Systems distributors for the product to work correctly. If you need more information on this product, or if you have a particular problem or question, contact: KIDDE-FENWAL, INC., Ashland, MA 01721 USA, Telephone: (508) 881-2000.