

JIN

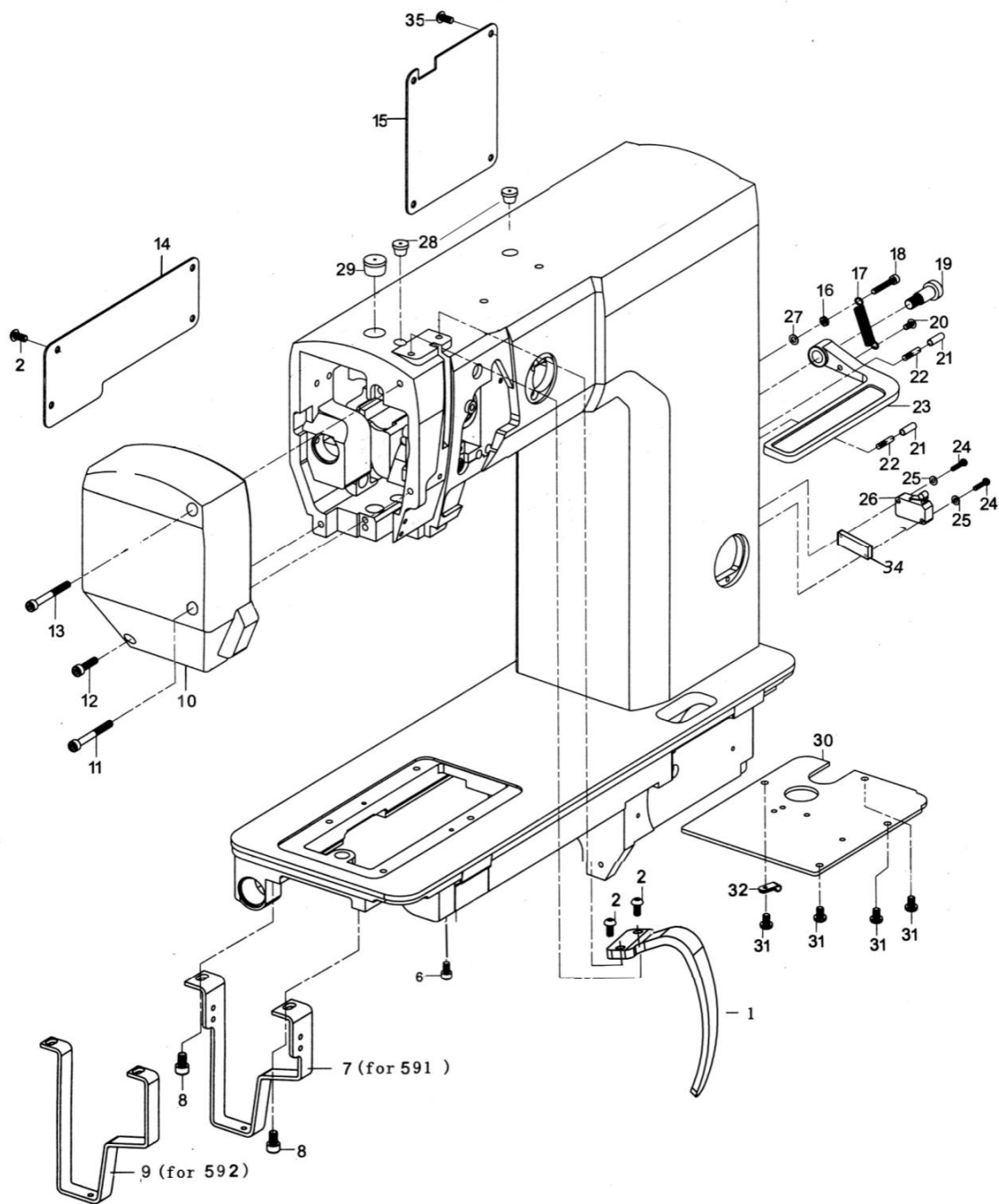
NA-35DUT-1

Direct Drive, 1-needle, Post-bed, Top and Bottom Wheel-Feed and Needle-Feed, Lockstitch Machine with Automatic Thread trimmer (Digital Stitch Length Control)

直驱单针柱状上下罗拉送布&针送布平缝自动切线机(数码针距设定)

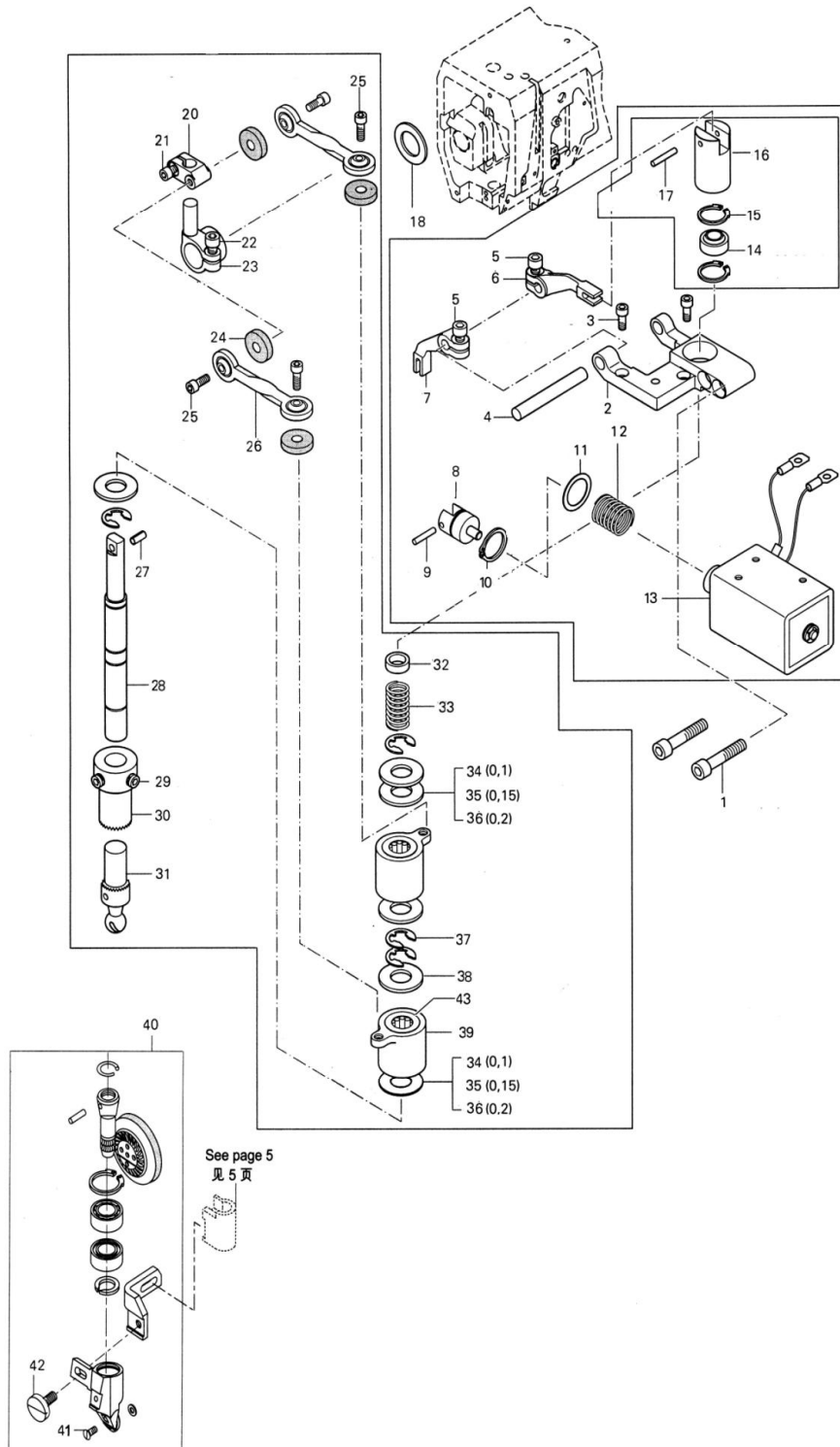
PARTS LIST
零件部分

1. 机身部件 Housing sections



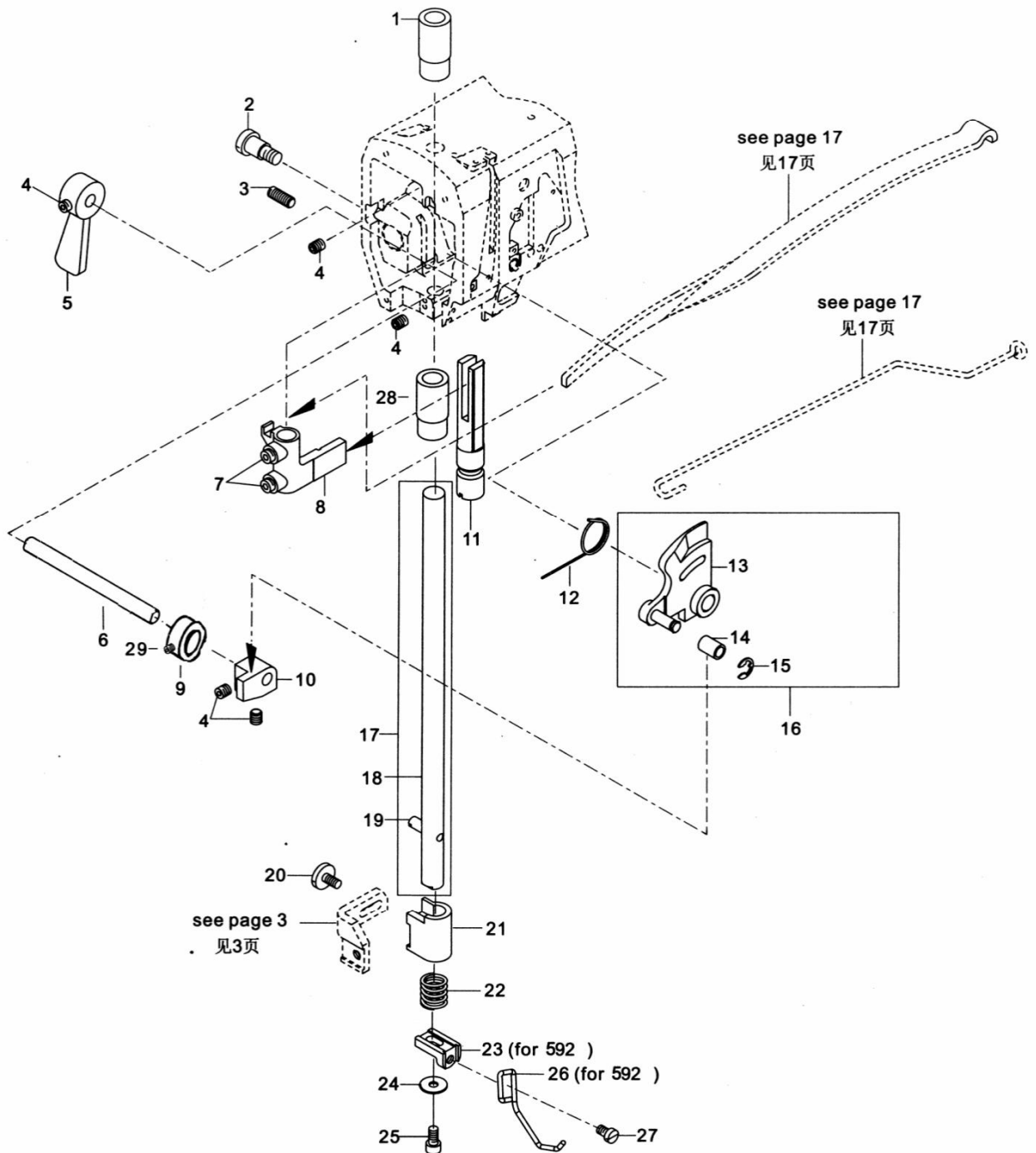
Per. No	Part No	Description	Qty
01	JINPFNA0101	protecting mask	1
02	JINPFNA0102	Screw M5x10	8
05	JINPFNA0105	Trestle board	1
06	JINPFNA0106	Screw M6x 10	1
07	JINPFNA0107	Bracket (For 591)	1
08	JINPFNA0106	Screw M6x 10	2
09	JINPFNB0109	Bracket (For 592)	1
10	JINPFNA011001	Panel	1
11	JINPFNA0111	Screw M5x60	1
12	JINPFNA0112	Screw M5x25	1
13	JINPFNA0113	Screw M5x78	1
14	JINPFNA0114	Back cover board painting	1
15	JINPFNA0115	Back cover board	1
16	JINPFNA0116	NUT M4	1
17	JINPFNA0117	Spring	1
18	JINPFNA0118	Screw M4x25	1
19	JINPFNA0119	Screw M5x12	1
20	JINPFNA0120	Screw M4x6	1
21	JINPFNA0121	Oil pipe $\phi 3 \times \phi 5$	2
22	JINPFNA0122	Screw M4x8	2
23	JINPFNA012301	Spanner of reversal stitch	1
24	JINPFNA0124	Screw M3x14	2
25	JINPFNA0125	Washer	2
26	JINPFNA0126	Power switch	1
27	JINPFNA0127	Washer $\phi 4$	1
28	JINPFNA0128	Oil dam	4
29	JINPFNA0129	Oil dam	1
30	JINPFNA0130	plate	1
31	JINPFNA0131	Screw M5X8	3
32	JINSCJ5033	Clamp	1
33	JIN035NA0133B	Enclosure	1
34	JINPFNA0134	Electric switch pad	1
35	JINPFNA0135	Screw M5x 16	2

2. 机头零件(1) Needle head parts (1)



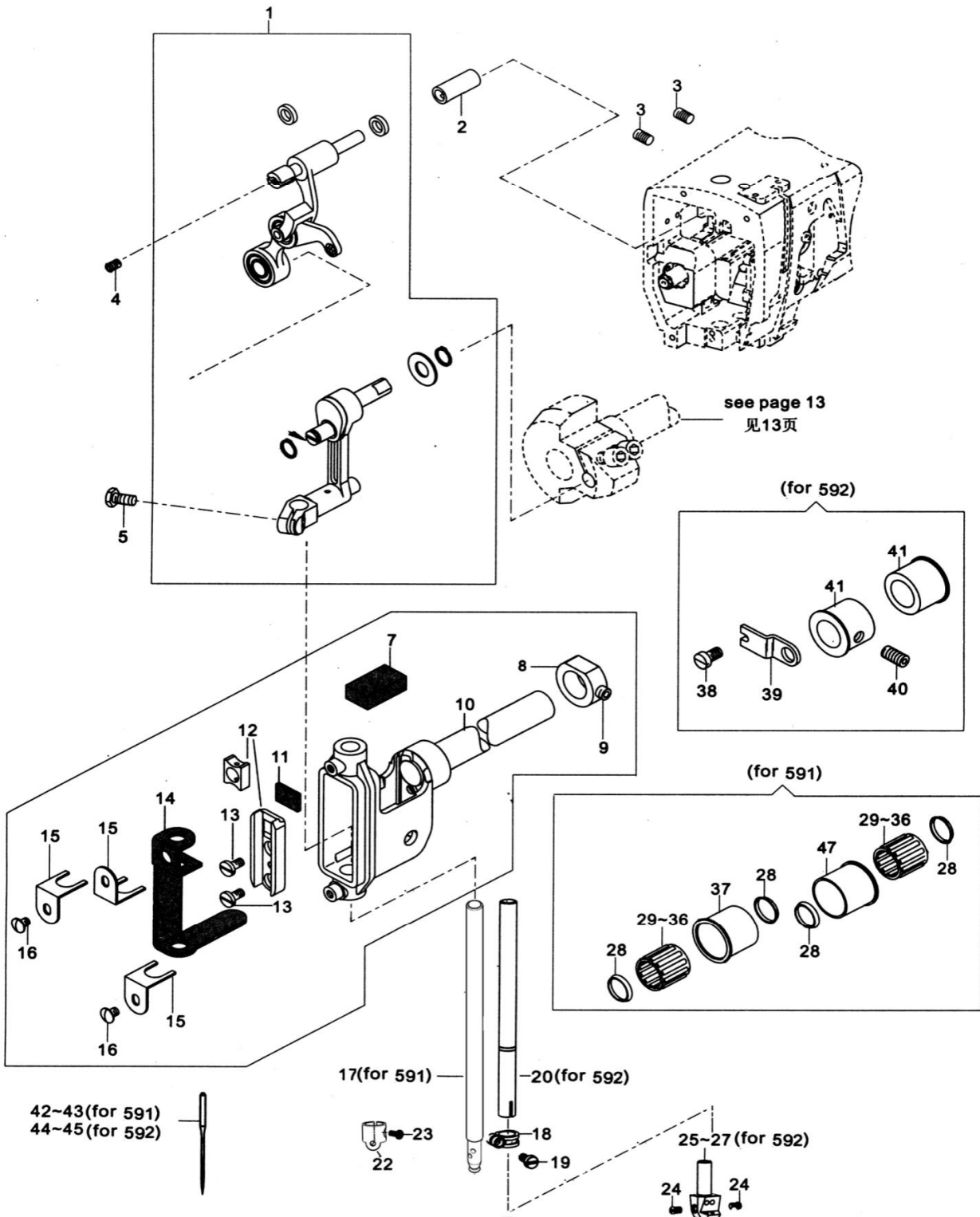
Per. No	Part No	Description	Qty
01	JINPFNA0201	Screw	2
02	JINPFNA0202	Electromagnet plate	1
03	JINPFNA0325	Screw M4x10	2
04	JINPFNA0204	Needle roller	1
05	JINPFNA0131	Screw M5x10	2
06	JINPFNA0206	HEBEL	1
07	JINPFNA0207	HEBEL	1
08	JINPFNA0208	Gabelkopf	1
09	JINPFNA0209	Pin 4x18	1
10	JINPFNA0210	Collar	1
11	JINPFNA0211	Washer	1
12	JINPFNA0212	Pressure spring	1
13	JINPFNA0213	Bobbin join electromagnet	1
14	JINPFNA0214	Crank bearing	1
15	JINPFNA0215	Retaining ring	2
16	JINPFNA0216	BUSHING	1
17	JINPFNA0217	Pin	1
18	JINPFNA0218	Washer 15.1x24.5x1.5	1
20	JINPFNA0220	Base frame	1
21	JINPFNA0203	Screw M4x 10	1
22	JINPFNA0131	Screw M5x 10	1
23	JINPFNA0223	Union	1
24	JINPFNA0224	Felt	4
25	JINPFNA0325	Screw M4X10	4
26	JINPFNA0226	Ball connecting rod	2
27	JINSCJ4020	Pin 3x10	1
28	JINPFNA0228	Roller wheel coupling spindle	1
29	JINPFNA0229	Screw M6X5	2
30	JINPFNA0230	Wheel Gear	1
31	JINPFNA0231	Lower segment	1
32	JINPFNA0232	WASHER	1
33	JINPFNA0233	Pressure spring	1
34	JINPFNA0234	Adjusting washer A	4
35	JINPFNA0235	Adjusting washer B	4
36	JINPFNA0236	Adjusting washer C	4
37	JINSCJ1013	Collar	4
38	JINPFNA0238	washer	4
39	JINPFNA0239	bearing seat asm	2
40	JINPFNA0240	φ 30 Idler wheel foot asm	1
41	JINPFNA0241	Screw M4x8	1
42	JINPFNA0242	Screw M2.5x6	1
43	JINPFNA0243	One way bearing	4
46	JINPFNA0246	φ 30 Idler wheel foot asm	1
47	JINPFNA0247	φ 26 Idler wheel foot asm	1

3. 机头零件(2) Needle head parts (2)



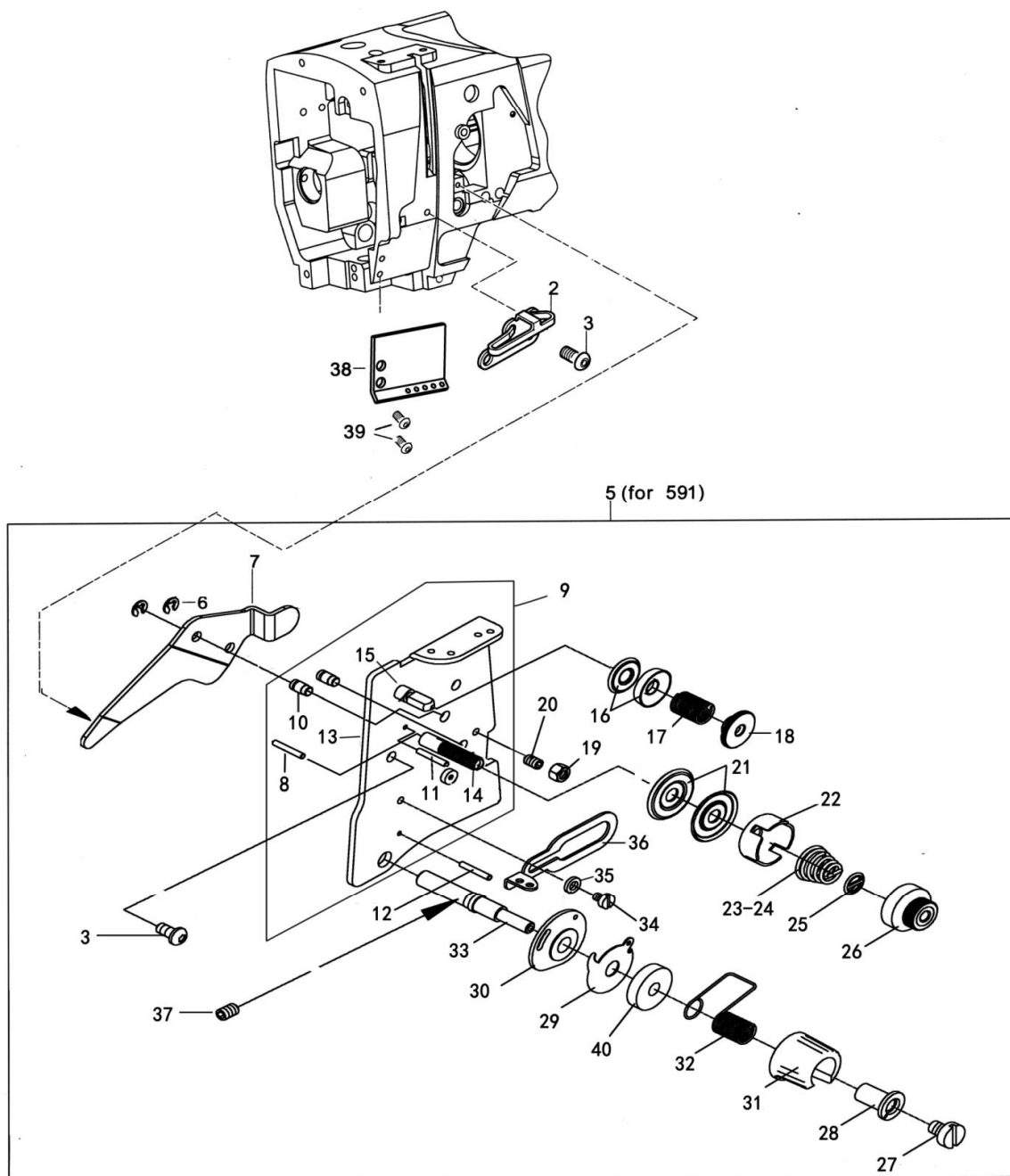
Per. No	Part No	Description	Qty
01	JINPFNA0301	Strut bar bearing	1
02	JINPFNA0302	Screw M6x8	1
03	JINPFNA0303	Screw M6X8	1
04	JINPFNA0304	Screw M5X5	5
05	JINPFNA0305	Presserfoot spanner	1
06	JINPFNA0306	Presser foot lift axle	1
07	JINPFNA0229	Screw M6x5	2
08	JINPFNA0308	Strut bar slides	1
09	JINPFNA0309	Presser feet handle bushing	1
10	JINPFNA0310	Presser foot lift bump	1
11	JINPFNA0311	Strut bar slides guide bar	1
12	JINPFNA0312	Replacement spring	1
13	JINPFNA0313	Presser foot lift jointing	1
14	JINPFNA0314	Presser foot lift pin	1
15	JINPFNA0315	Collar	1
16	JINPFNA0316	Presser foot lift asm	1
17	JINPFNA0317	Presser feet assembly	1
18	JINPFNA0318	Presser feet	1
19	JINPFNA0319	Screw M4x5.2	1
20	JINPFNA0320	Screw M4X8	1
21	JINPFNA0321	Presser feet handle	1
22	JINPFNA0322	Pressure sprimg	1
23	JINPFNB0323	Eccentric swage locating seat (for 592)	1
24	JINPFNA0324	Washer ϕ 4	1
25	JINPFNA0325	Screw M4X8	1
26	JINPFNB0326	Eccentric swage spring (for 592)	1
27	JINPFNB0327	Screw M4X6	1
28	JINPFNA0328	Pressure bar sleeve	1
29	JINPFNA1810	Screw M4X6	1

4. 机头零件(3) Needle head parts (3)



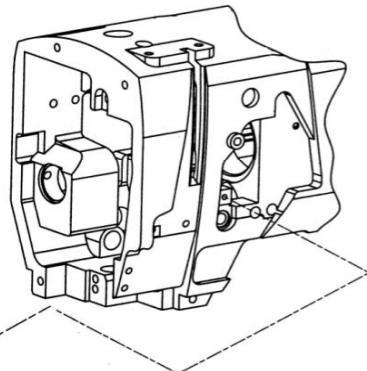
Per. No	Part No	Description	Qty
01	JINPFNA0401	Takeuplever assembly	1
02	JINPFNA0402	Takeuplever pin bushing	1
03	JINPFNA0403	Screw M5x8	2
04	JINPFNA1810	Screw M4x5	1
05	JINPFNA0131	Screw M5x10	1
08	JINPFNA0408	Uper check ring	1
09	JINPFNA0229	Screw M6x0.75x5	1
10	JINPFNA0410	Needle bar assembly	1
12	JINPFNA0412	Needle slider groove asm	1
13	JINPFNA0413	Screw M4x4.5	2
14	JINPFNA0414	Felt	1
15	JINPFNA0415	Linoleum clamp	3
16	JINPFNA0120	Screw M4x4.5	2
17	JINPFNA0417	Needle bar	1
18	JINPFNB0418	Needle bar clamp ring	1
19	JINPFNB0419	Screw M4x8	1
20	JINPFNB0420	Needle bar uper	1
22	JINPF55500311	Arm thread guide	1
23	JINPF1790S0639	Screw M3x8	1
24	JINPFNB0424	Screw M3x3.2	2
25	JINPFNB0425	Pin chuck 3.2 (For 592)	1
26	JINPFNB0426	Pin chuck 2.8 (For592)	1
27	JINPFNB0427	Pin chuck 2.4 (For592)	1
28	JINPFNB0428	Inner retainer ring	4
29	JINPFNB0429	Needle bearing	2
30	JINPFNB0430	Needle bearing	2
31	JINPFNB0431	Needle bearing	2
32	JINPFNB0432	Needle bearing	2
33	JINPFNB0433	Needle bearing	2
34	JINPFNB0434	Needle bearing	2
35	JINPFNB0435	Needle bearing	2
36	JINPFNB0436	Needle bearing	2
37	JINPFNA1114	Bearing bush	1
38	JINPFNB0438	Screw M5x6	2
39	JINPFNB0439	Guide plate	1
40	JINPFNB0440	Screw M6x14	1
41	JINPFNB0441	Needle bar bush	2
42	JINPFDTDP516	Neddie 134PCL 100/16 (for591)	1
43	JINPFDTDP521	Neddie 134PCL 130/21 (for591)	1
44	JINPFDTDP516	Neddie 134PCL 100/16 (for592)	2
45	JINPFDTDP521	Neddie 134PCL 130/21 (for592)	2
46	JINPFNA0127	Washer ϕ 4	2
47	JINPFNA1115	Bearing bush assy	1

5. 机头零件(4) Needle head parts (4)

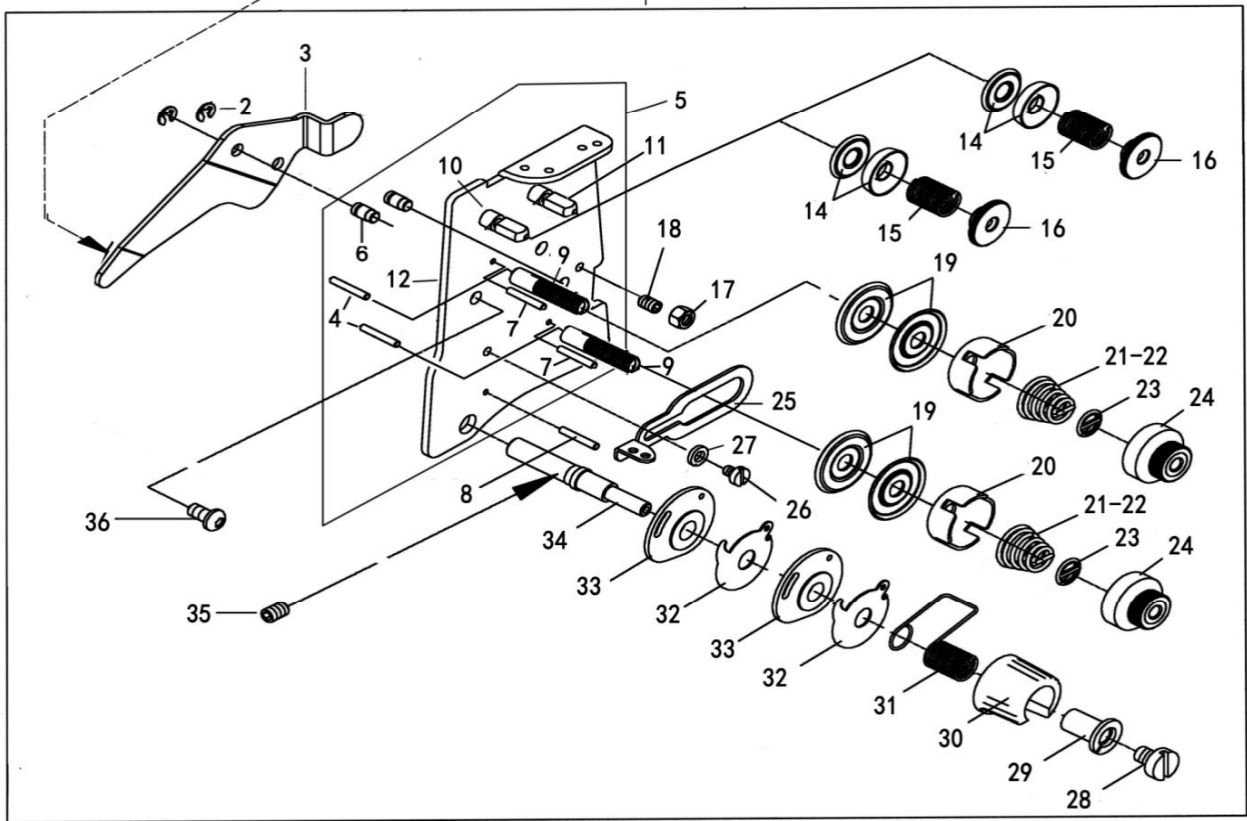


Per. No	Part No	Description	Qty
02	JINPFNA0502	Left and right wire hook	1
03	JINPFNA0102	Screw M5X10	2
05	JINPFNA050501	Conductor holder (for 591)	1
06	JINPFNA0506	Collar	2
07	JINPFNA0507	Spring guard	1
08	JINPFNA0508	Pin	1
09	JINPFNA0509	Clamp plate assembly	1
10	JINPFNA0510	Screw pin 5x8	2
11	JINPFNA0511	Screw pin 5x20	1
12	JINPFNA0512	Screw pin 5x8	1
13	JINPFNA0513	Bobbin winder tension disc	1
14	JINPFNA0514	Screw	1
15	JINPFNA0515	Screw	1
16	JINPFNA0516	Thred tension disk	2
17	JINPFNA0517	Spring	1
18	JINPFNA0518	Screw M6	1
19	JINPFNA0519	Screw M4	1
20	JINPFNA0520	Screw M4x8	1
21	JINPFNA0521	Thread guide plate	2
22	JINPFNA0522	Split line spring plate	1
23	JINPFNA0523	Split line spring (for —M Model)	1
24	JINPFNA0524	Split line spring (for —H Model)	1
25	JINPFNA0525	Spring plate	1
26	JINPFNA0526	NUT	1
27	JINPFNA0527	Screw M3X8	1
28	JINPFNA0528	Pipe casing	1
29	JINPFNA0529	Balance thread guide	1
30	JINPFNA0530	Partition board	1
31	JINPFNA0531	Limit nut	1
32	JINPFNA0532	Spring	1
33	JINPFNA0533	Thread guide spindle	1
34	JINPFNA0534	Screw M4x6	1
35	JINPFNA0535	Washer $\phi 4$	1
36	JINPFNA0536	Thread guide plate	1
37	JINPFNA0403	Screw	1
38	JINPFNA0538	Large crossing hook	1
39	JINPFNA0539	Screw M4x 10	2
40	JINPFNA0540	Heel	1

6. 机头零件(5) Needle head parts (5)

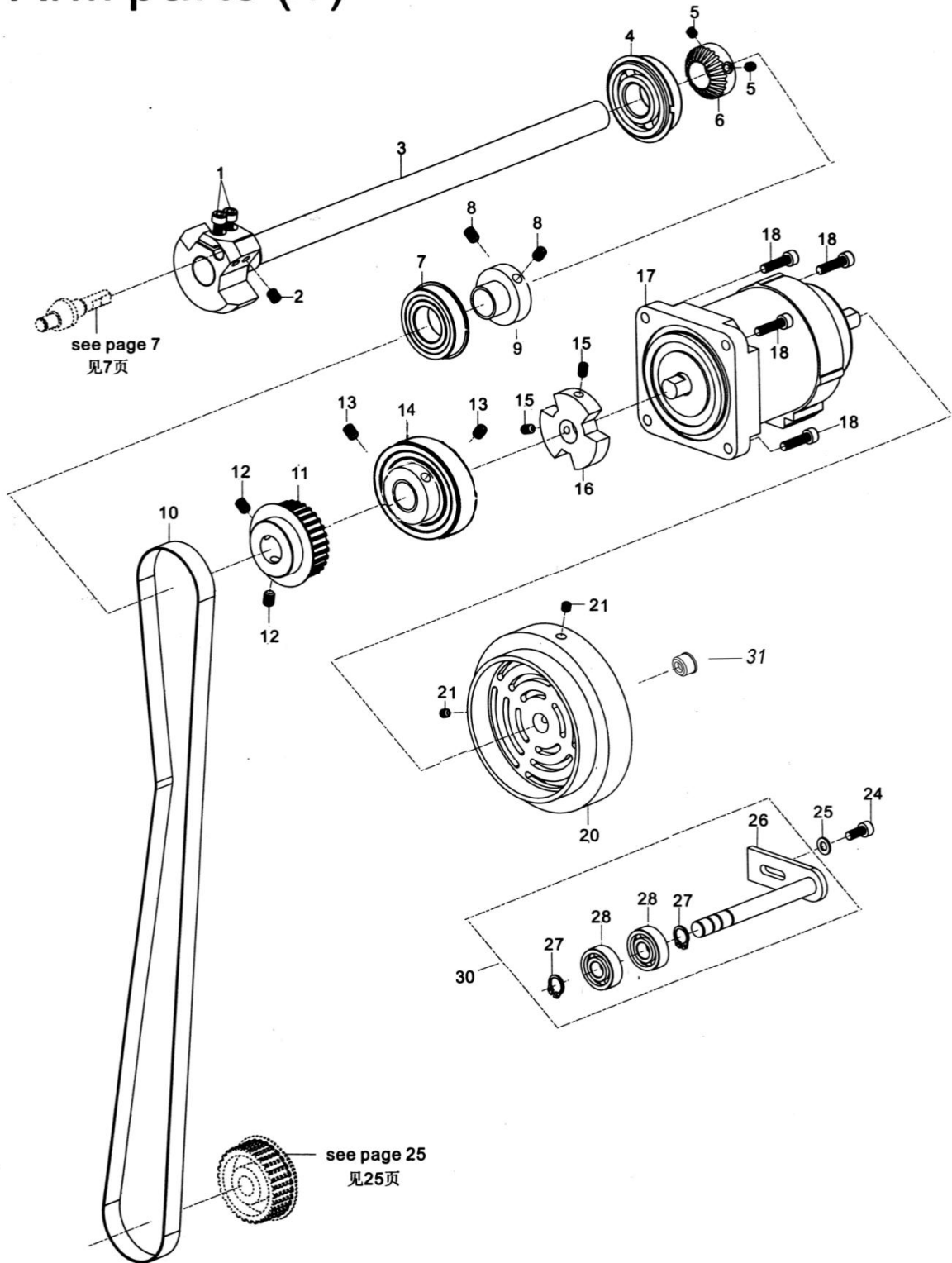


1 (For 592)



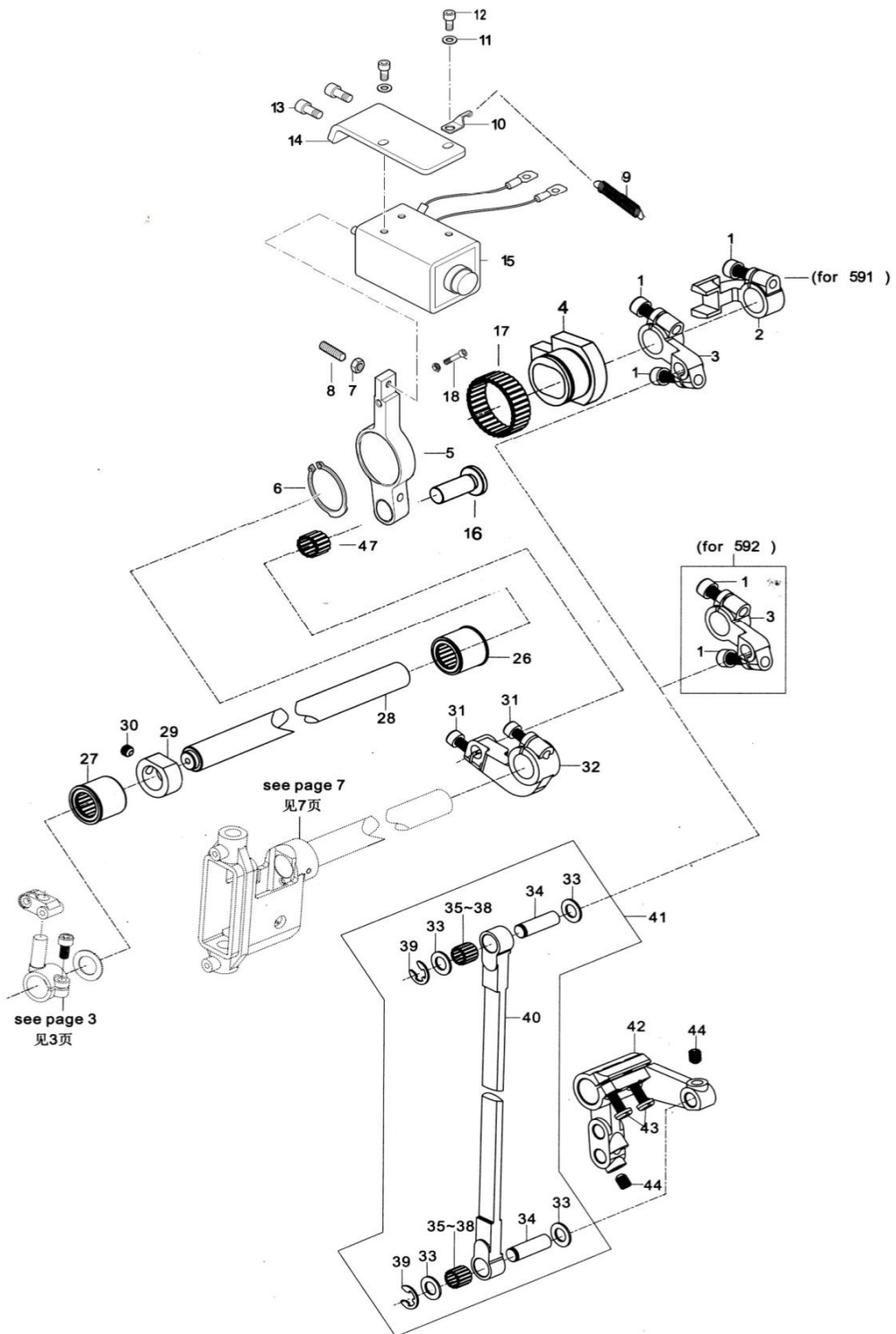
Per. No	Part No	Description	Qty
01	JINPFNB060101	Conductor holder (for592)	1
02	JINPFNB0602	Collar	2
03	JINPFNB0603	Spring guard	1
04	JINPFNB0604	Pin	1
05	JINPFNB0605	Bobbin winder tension disc asm	1
06	JINPFNB0606	Screw pin 5x8	2
07	JINPFNB0607	Screw pin 2X20	2
08	JINPFNB0608	Screw pin 2x8	1
09	JINPFNB0609	Screw	2
10	JINPFNB0610	Screw	1
11	JINPFNB0611	Screw	1
12	JINPFNB0612	Bobbin winder tension disc	1
14	JINPFNB0614	Thred tension disk	4
15	JINPFNB0615	Spring	2
16	JINPFNB0616	Nut M6	2
17	JINPFNB0617	Nut M4	1
18	JINPFNB0618	Screw M4X8	1
19	JINPFNB0619	Thread guide plate	4
20	JINPFNB0620	Split line spring plate	2
21	JINPFNB0621	Split line spring (for —M Model)	2
22	JINPFNB0622	Split line spring (for —H Model)	2
23	JINPFNB0623	Spring plate	2
24	JINPFNB0624	Nut	2
25	JINPFNB0625	Thread guide plate	1
26	JINPFNB0626	Screw M4x6	1
27	JINPFNB0627	Washer ϕ 4	1
28	JINPFNB0628	Screw M3x8	1
29	JINPFNB0629	Pipe casing	1
30	JINPFNB0630	Limit nut	1
31	JINPFNB0631	Spring	1
32	JINPFNB0632	Balance thread guide	1
33	JINPFNB0633	Partition board	1
34	JINPFNB0634	Adjustment axle	1
35	JINPFNB0635	Screw	1
36	JINPFNB0636	Screw M5x 10	1

7. 机臂零件(1) Arm parts (1)



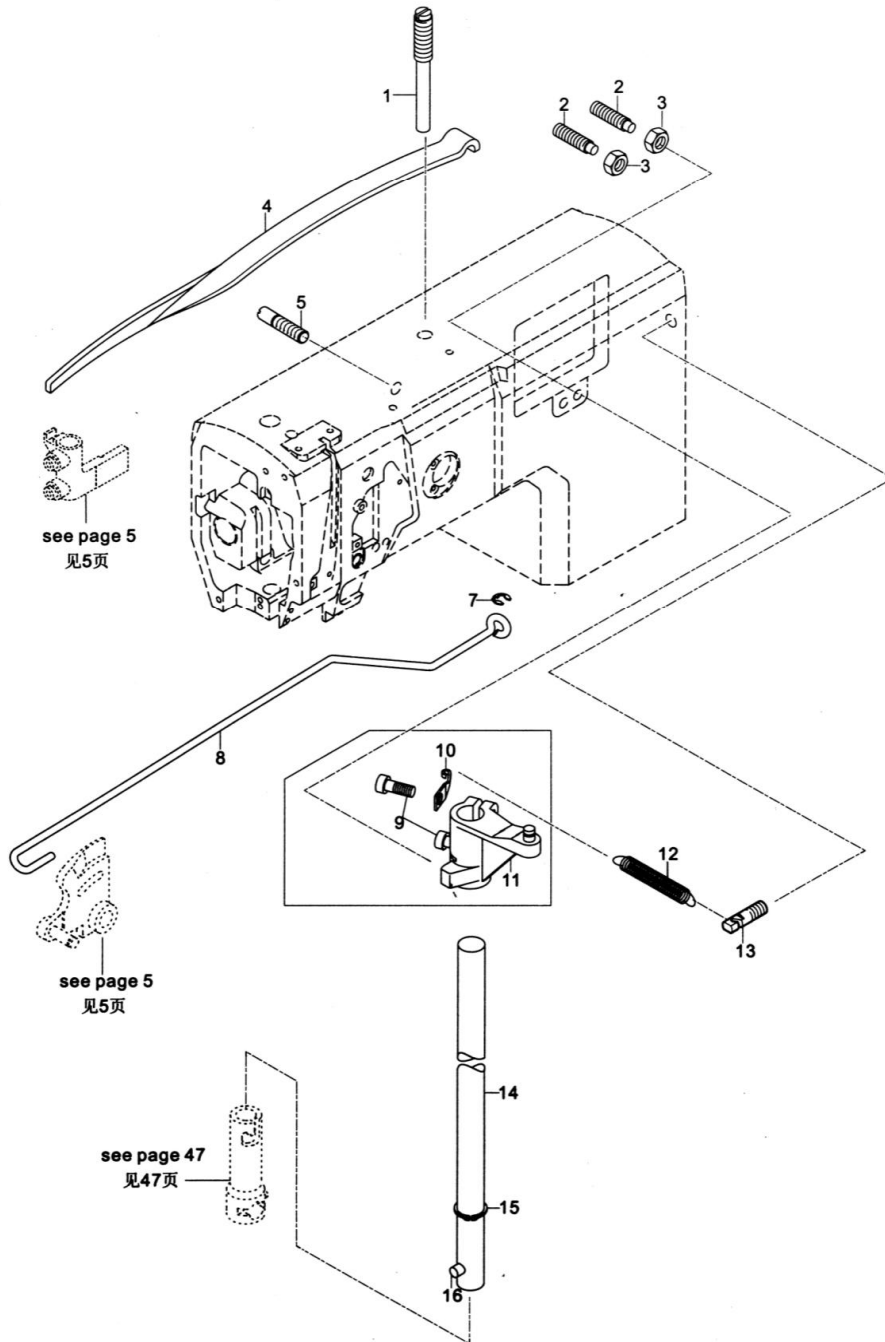
Per. No	Part No	Description	Qty
01	JINPFNA0131	Screw M5x10	2
02	JINPFNA0713	Screw M6x0.75X7	1
03	JINPFNA0703	Counter weight assy	1
04	JINPFNA0704	Bearing 6204ZZNR	1
05	JINPFNA0304	Screw M5x5	2
06	JINPFNA0706	Pulley	1
07	JINPFNA0707	Synchronous belt	1
08	JINPF1790S0539	Screw M6X8	2
09	JINPFNA0709	Rear bush	1
10	JINPFNA0710	Synchronous belt	1
11	JINPFNA0711	Spindle Pulley	1
12	JINPFNA0303	Screw M6X8	2
13	JINPFNA0713	Screw M6X0.75X8	2
14	JINPFNA0714	BearingS6907RZ	1
15	JINPFNA0713	Screw M5X8	2
16	JINPFNA0716	Coupling rubber	1
17	JINPFNA0717	Electric machinery	1
18	JINPFNA0718	Screw M5x 18.5	4
20	PFNA072001	Uppper wheel	1
21	JINPFNA0303	Screw M5X5	2
24	JINPFNA0724	Screw M5X12	1
25	JINPFNA0725	Washer ϕ 5	1
26	JINPFNA0726	Seal part	1
27	JINPFNA0727	Collar	2
28	JINPFNA0728	Bearing 6000ZZ	1
29	JINPFNA0729	Bearing bush	1
30	JINPFNA0730	Synchronous belt compression	1
31	JINPF9820Z85	Oil dam	1

8. 机臂零件(2) Arm parts (2)



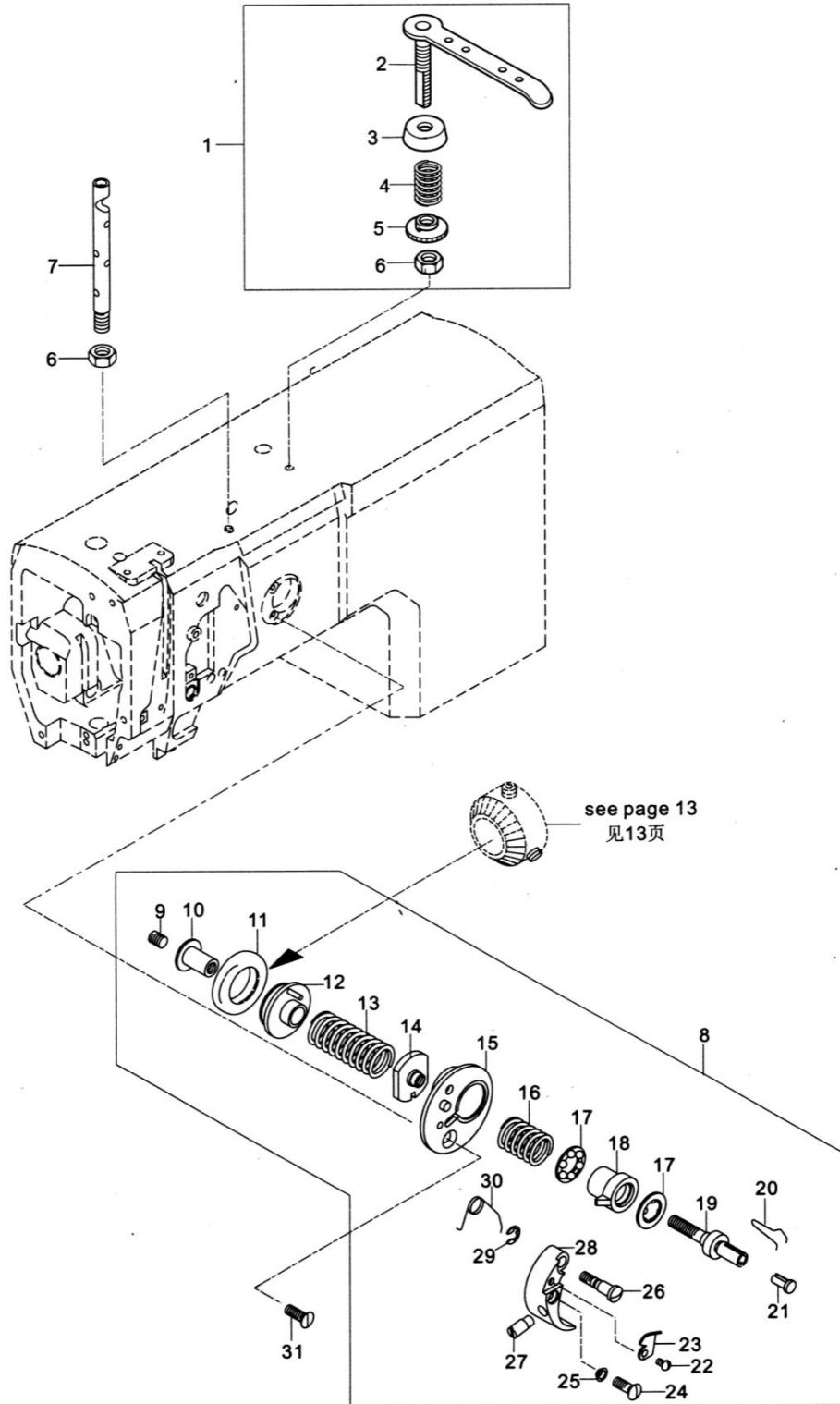
Per. No	Part No	Description	Qty
01	JINPFNA0801	Screw M6 x16	3
02	JINPFNA0802	Crank slider groove	1
03	JINPFNA0803	Crank	1
04	JINPFNA0804	Crank slider	1
05	JINPFNA0805	Crank	1
06	JINPFNA0806	Thrust collar	1
07	JINPFNA0116	NUT	1
08	JINPFNA0808	Screw	1
09	JINPFNA0809	Spring	1
10	JINPFNA0810	Spring hook	1
11	JINPFNA0127	CollarM4	2
12	JINPFNA0325	ScrewM4X8	2
13	JINPFNA0131	ScrewM5X10	2
14	JINPFNA0814	Plate	1
15	JINPFNA0815	Swing span electromagnet	1
16	JINPFNA0816	Needle pitch adjusting screw pin	1
17	JINPFNA0817	Bearing	1
18	JINPFNA0818	Screw M4x40	1
26	JINPFNA1114	Needle bar rock shaft bush	1
27	JINPFNA1115	Needle bar rock shaft bush	1
28	JINPFNA0828	Upper shaft assy	1
29	JINPFNA0408	Thrust collar	1
30	JINPFNA0229	Screw M6x0.75x5	1
31	JINPFNA0724	Screw M5x12	2
32	JINPFNA0832	Crank	1
33	JINPFNA0833	Washer ϕ 8	4
34	JINPFNA0834	Shaft	2
35	JINPFNA0835	Needle bearing	2
36	JINPFNA0836	Needle bearing	2
37	JINPFNA0837	Needle bearing	2
38	JINPFNA0838	Needle bearing	2
39	JINPFNA0839	Thrust collar	2
40	JINPFNA0840	Link shaft	1
41	JINPFNA0841	Link shaft assy	1
42	JINPFNA0842	Link	1
43	JINPFNA0843	Screw M5x12	2
44	JINPFNA0229	Screw M6x0.75x8	2
47	JINPFNA1327	needle bearing	1

9. 机臂零件(3) Arm parts (3)



Per. No	Part No	Description	Qty
01	JINPFNA0901	Spring pin	1
02	JINPFNA0902	Screw M6x30	2
03	JINPFNA0903	Nut M6	2
04	JINPFNA0904	compress lever	1
05	JINPFNA0905	Screw M6x7.2	1
07	JINSCJ1004	collar	1
08	JINPFNA0908	Connecting rod	1
09	JINPFNA0724	Screw M5x12	2
10	JINPFNA0810	Spring Board	1
11	JINPFNA0911	Crank	1
12	JINPFNA0912	Spring	1
13	JINPFNA0913	Screw M6x8	1
14	JINPFNA0914	Moving axis assm	1
15	JINSCJ1018	Collar	1
16	JINPFNA0915	Pin 5x14	1

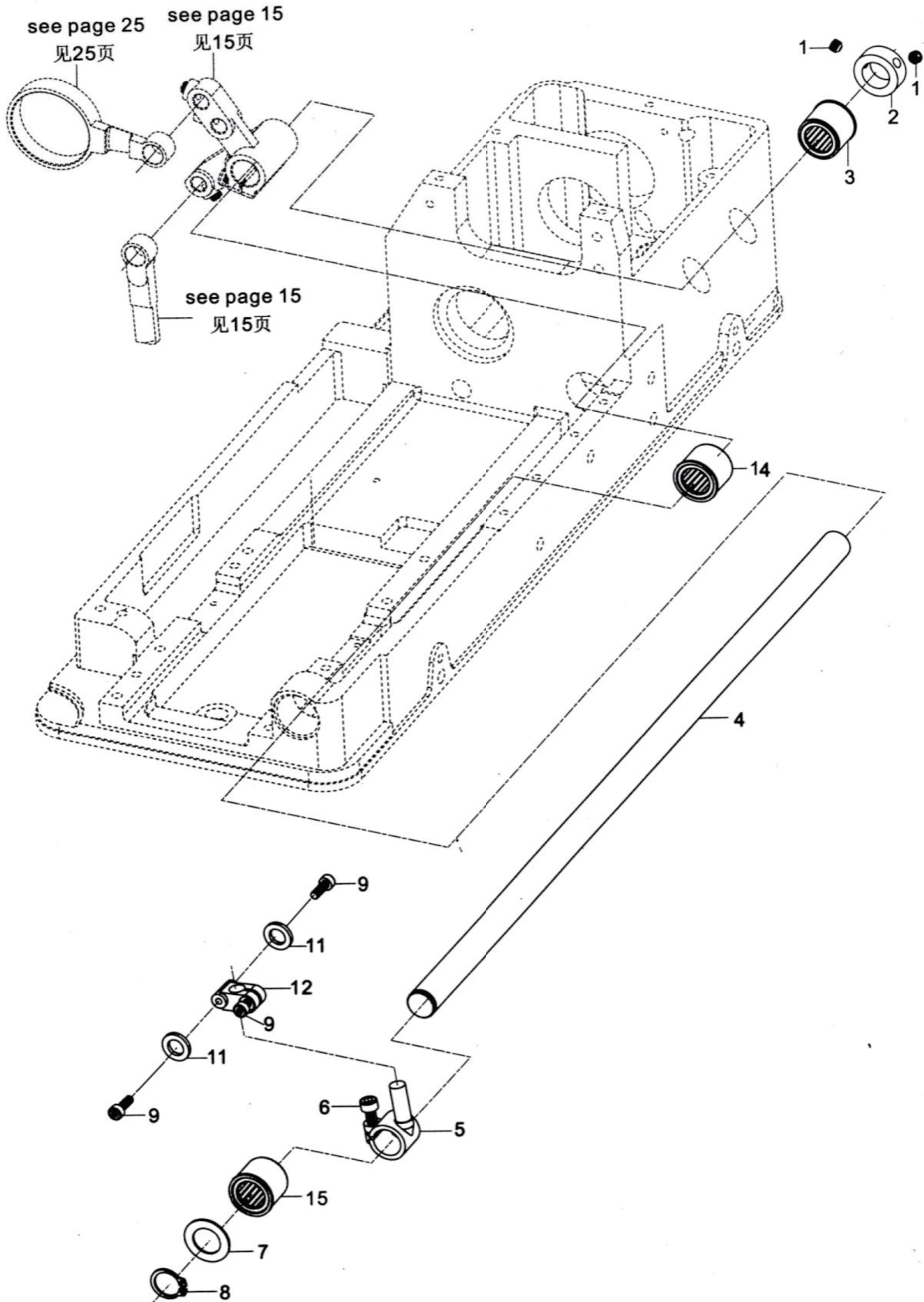
10. 机臂零件(4) Arm parts (4)



Per. No	Part No	Description	Qty
01	JINPFNA1001	Thread guide	1
02	JINPFNA1002	Thread crossing column assy	1
03	JINPFNA1003	Thred tension disk	1
04	JINPFNA1004	Spring	1
05	JINPFNA1005	Nut M6	1
06	JINPFNA1006	Nut M6	1
07	JINPFNA1007	Thread crossing column	1
08	JINPFNA1008	Bobbin winder unit	1
09	JINPFNA1009	Screw M5x5	1
10	JINPFNA1010	Screw plate	1
11	JINPFNA1011	Ring	1
12	JINPFNA1012	Bobbin winder shaft compl.	1
13	JINPFNA1013	Compression spring	1
14	JINPFNA1014	Compression spring seat	1
15	JINPFNA1015	Retaining ring assy	1
16	JINPFNA1016	Compressing spring	1
17	JINPFNA1017	Edge bearing	2
18	JINPFNA1018	Shaft bush	1
19	JINPFNA1019	Shaft	1
20	JINPFNA1020	Shuttle spring	1
21	JINPFNA1021	Shuttle bush	1
22	JINPFNA1022	Screw	1
23	JINPFNA1023	Knife	1
24	JINPFNA1024	Screw M3x8	1
25	JINPFNA1025	Washer	1
26	JINPFNA1026	Screw M4x4	1
27	JINPFNA1027	Pin	1
28	JINPFNA1028	Plate	1
29	JINPFNA1029	Collar	1
30	JINPFNA1030	Spring	1
31	JINPF1310D137	Screw M4x8	1

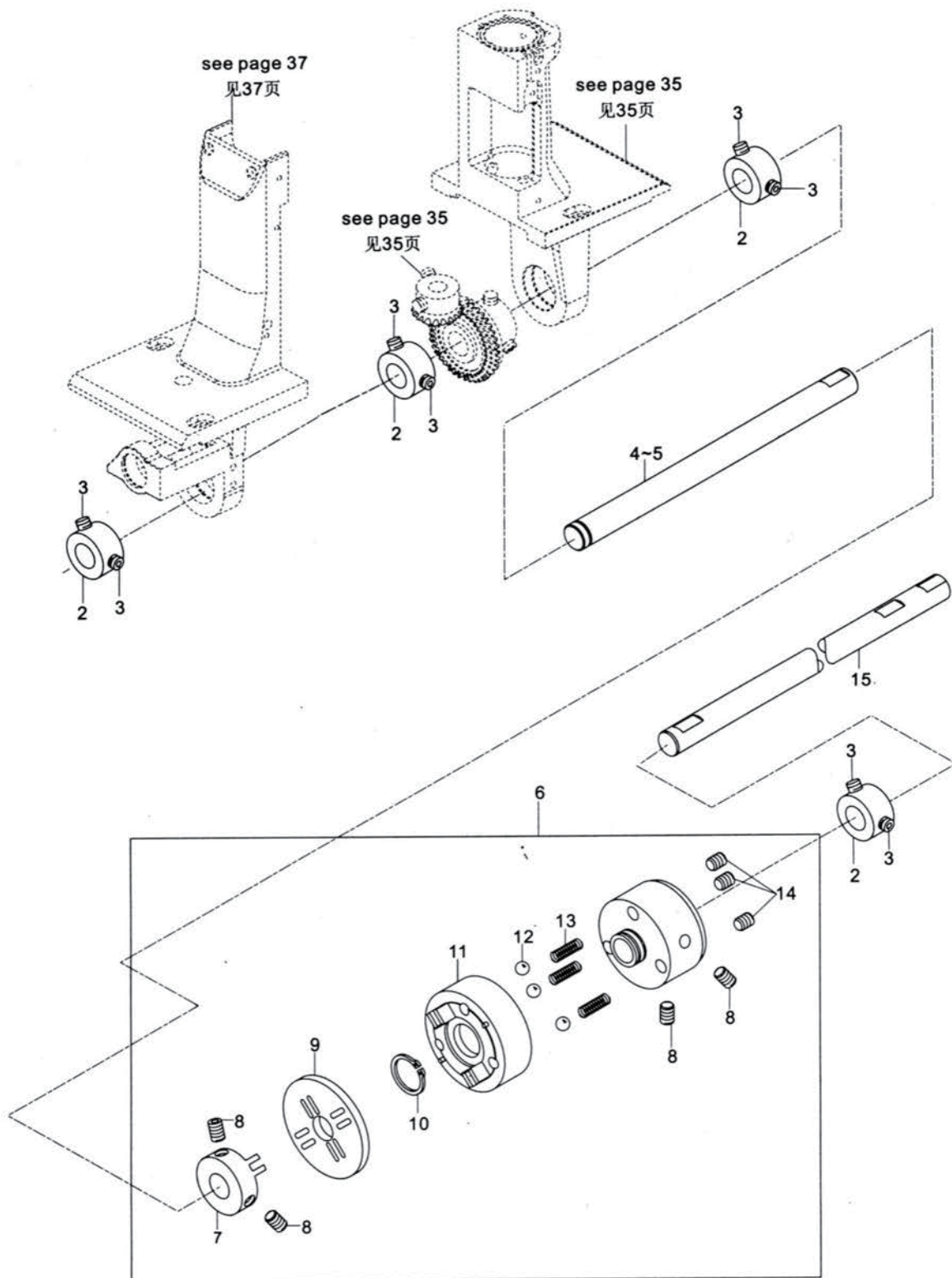
11. 底板零件(1)

Bedplate parts (1)



Per. No	Part No	Description	Qty
01	JINPFNA0229	Screw M6x0.75x5	2
02	JINPFNA1102	Shaft collar	1
03	JINPFNA1103	Bearing bush assy	1
04	JINPFNA1104	Transport major axis	1
05	JINPFNA0223	Universal coupling head	1
06	JINPFNA0131	Screw M5x10	1
07	JINPFNA0218	Washer	1
08	JINSCJ1019	Collar	1
09	JINPFNA0203	Screw M4x 10	1
11	JINPFNA0224	Oil reservoir gasket	4
12	JINPFNA0220	Base frame	1
14	JINPFNA1114	Bearing bush assy	1
15	JINPFNA1115	Bearing bush assy	1

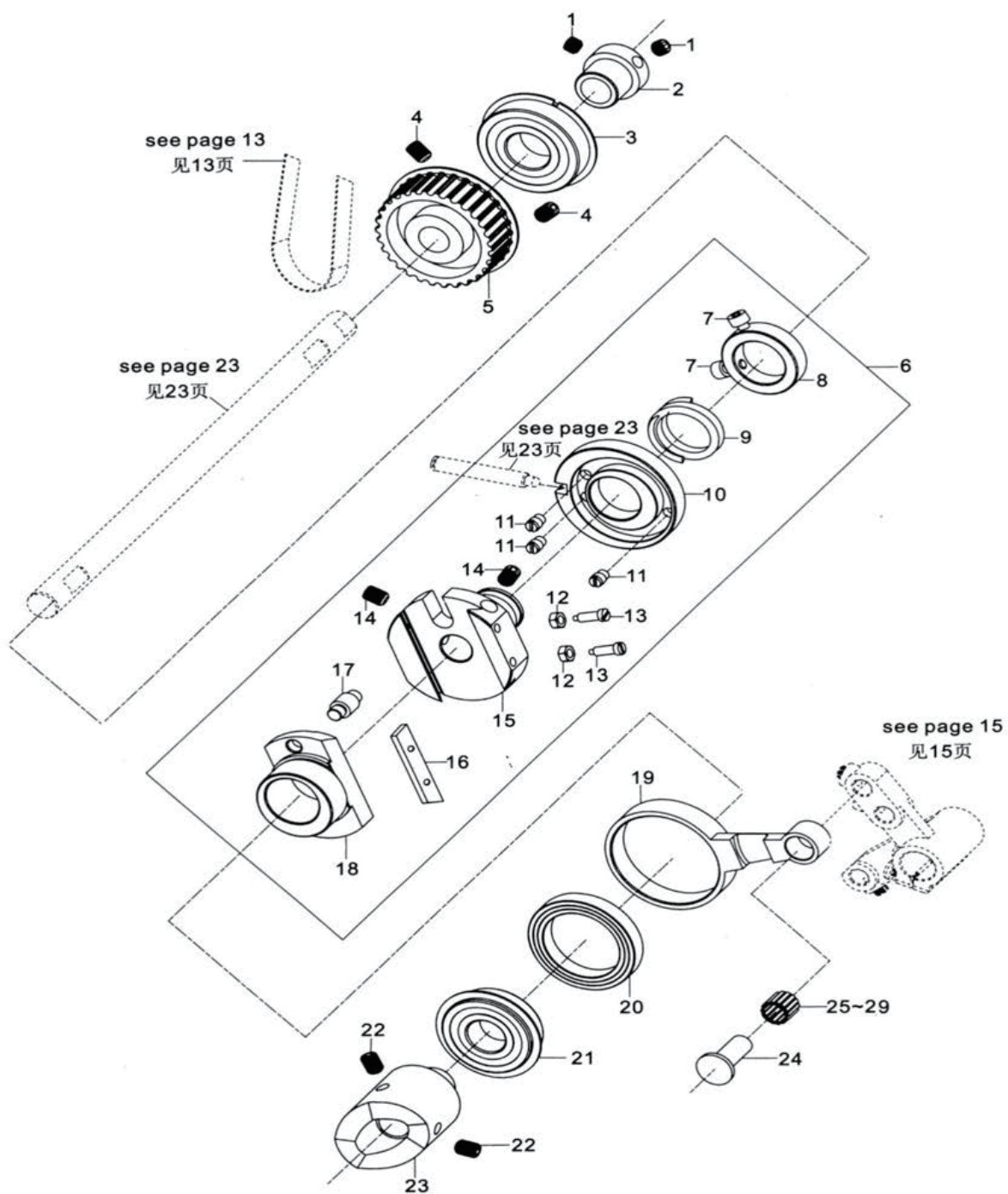
12. 底板零件(2) Bedplate parts (2)



Per. No	Part No	Description	Qty
02	JINPFNA1202	shaft collar	4
03	JINPF1790S0539	Screw M5x5	8
04	JINPFNA1204	Universal coupling spindle A (for 591)	1
05	JINPFNB1205	Universal coupling spindle (for 592)	1
06	JINPFNA1206	Clutch	1
07	JINPFNA1207	Clutch minor connector	1
08	JINPFNA0713	Screw M6x0.75x8	2
09	JINPFNA1208	Clutch gusset	1
10	JINPFNA1209	Collar	1
11	JINPFNA1210	Clutch connector	1
12	JINPFNA1211	Steel ball	3
13	JINPFNA1212	spring	3
14	JINPFNA1213	Screw M6x0.75x6	3
15	JINPFNA1215	Lower shaft	1

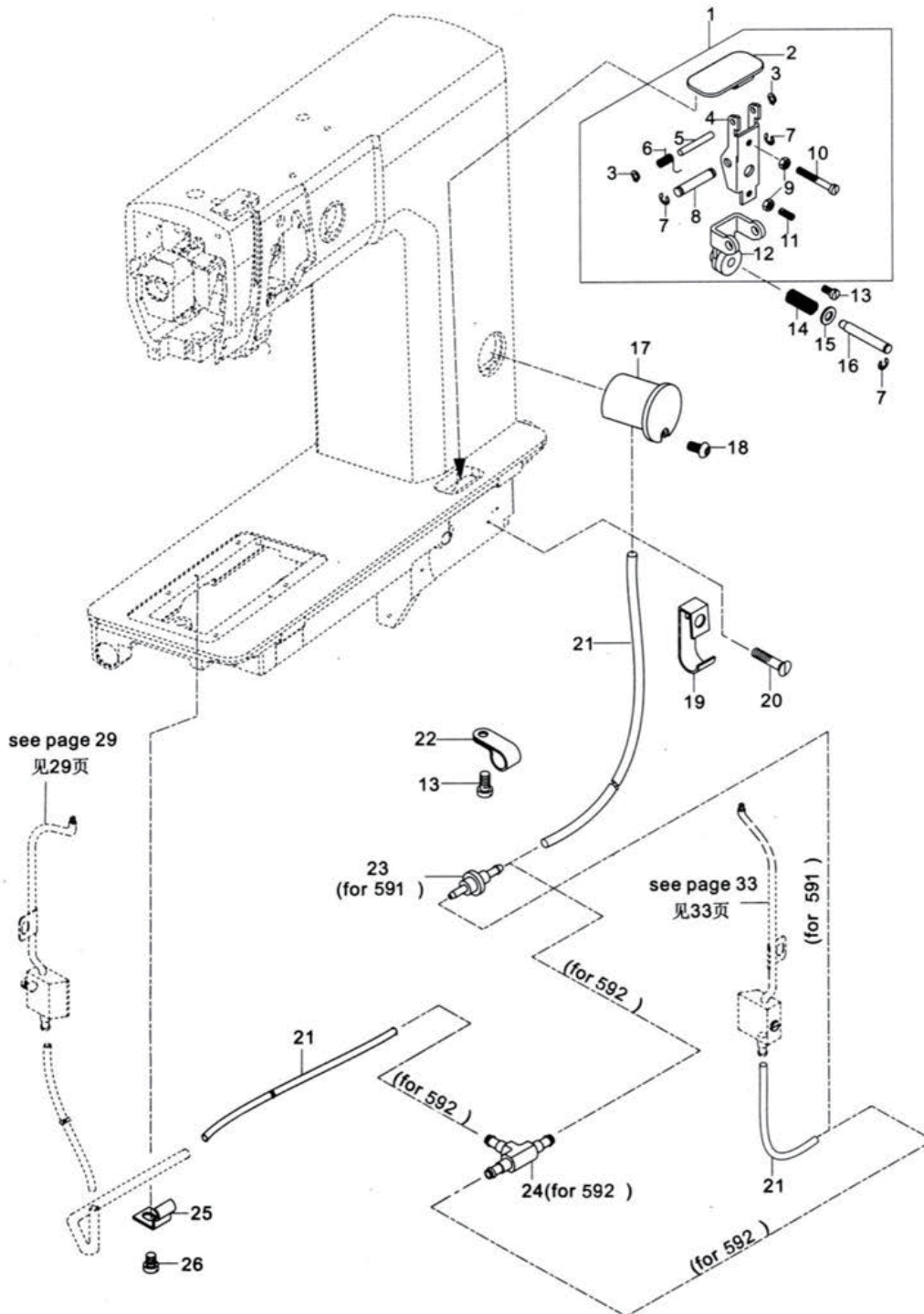
13. 底板零件(3)

Bedplate parts (3)



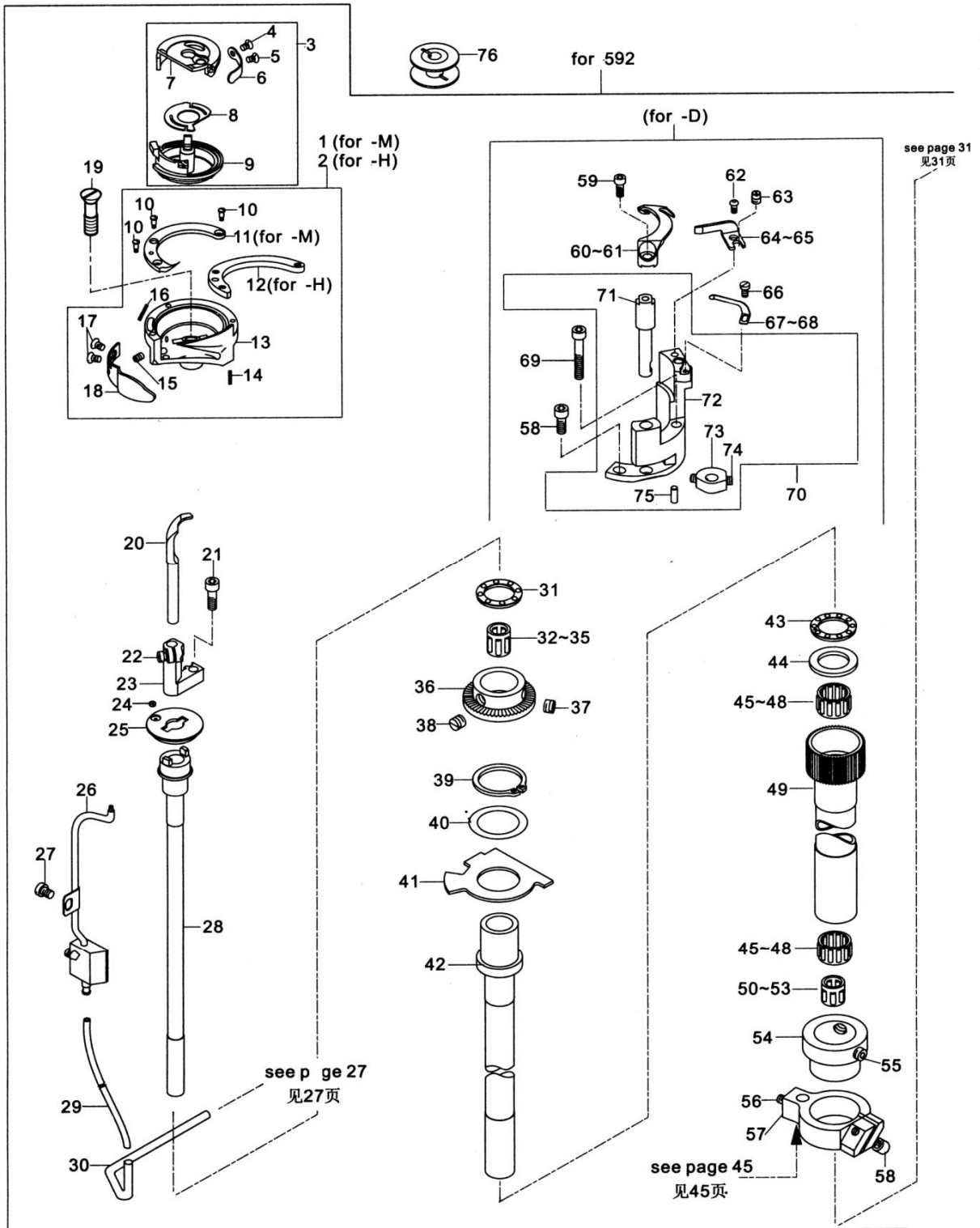
Per. No	Part No	Description	Qty
01	JINPFNA0304	Screw M6x5	2
02	JINPFNA1302	Lower shaft rear bush	1
03	JINPFNA1303	Bearing	1
04	JINPFNA0303	Screw M6x8	2
05	JINPFNA1305	Lower shaft sprocket	1
06	JINPFNA1306	Guage regulator component	1
07	JINPFNA1307	Screw M4x8	2
08	JINPFNA1308	Collar	1
09	JINPFNA1309	compression spring	1
10	JINPFNA1310	Adjustment wheel	1
11	JINPFNA1311	Screw	3
12	JINPFNA1312	Nut	2
13	JINPFNA1313	Screw	2
14	JINPFNA0303	Screw M6x8	2
15	JINPFNA1314	Slider groove	1
16	JINPFNA1315	Adjustment plate	1
17	JINPFNA1316	Pin	1
18	JINPFNA1317	Slider	1
19	JINPFNA1318	Connecting rol	1
20	JINPFNA1320	Bearing	1
21	JINPFNA1321	Bearing	1
22	JINPFNA0713	Screw M6x0.75x8	2
23	JINPFNA1323	Thread trimming cam	1
24	JINPFNA1324	Connecting pin	1
25	JINPFNA1325	Needle bearing	1
26	JINPFNA1551	Needle bearing	1
27	JINPFNA1552	Needle bearing	1
28	JINPFNA1553	Needle bearing	1
29	JINPFNA1554	Needle bearing	1

14. 底板零件(4) Bedplate parts (4)



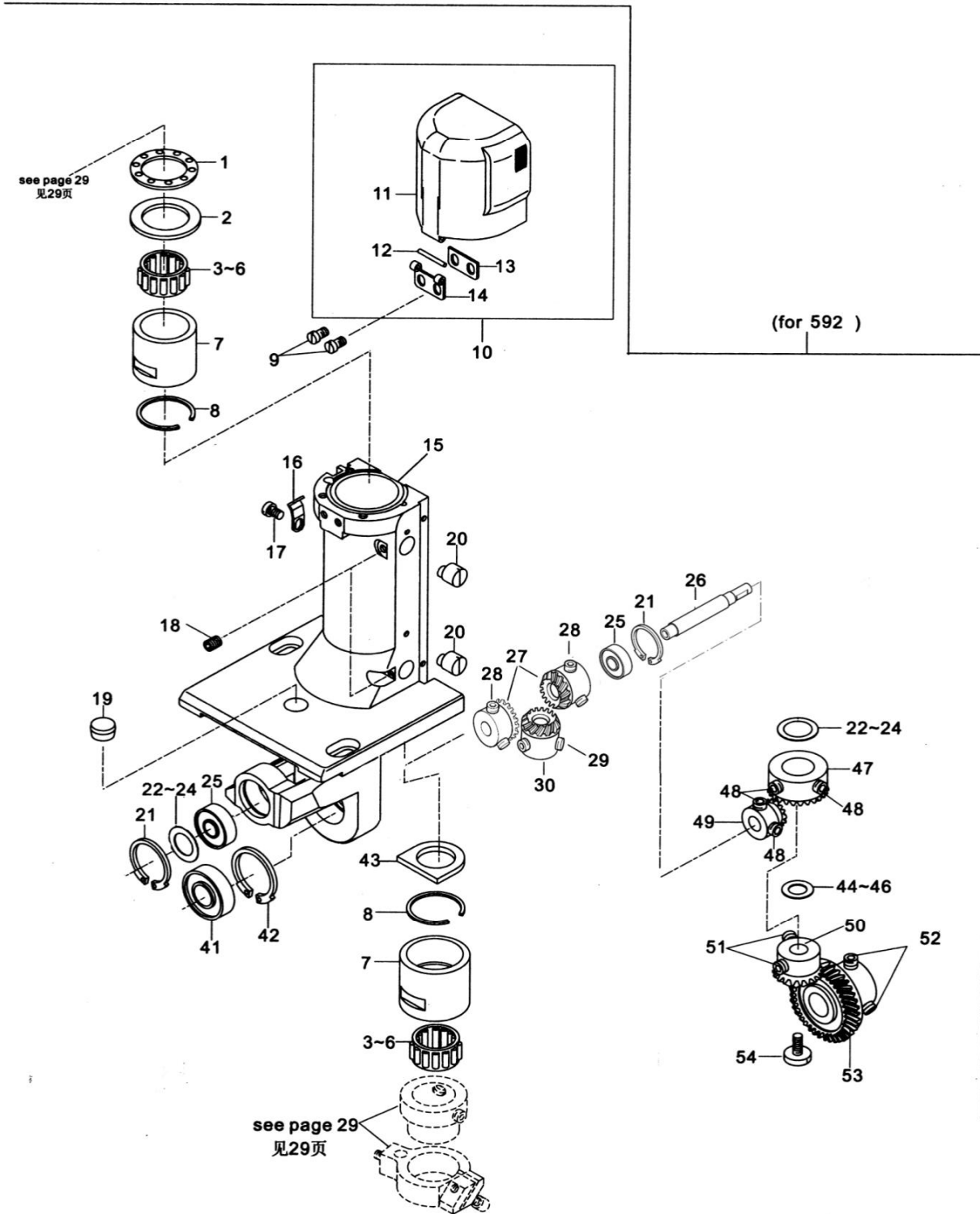
Per. No	Part No	Description	Qty
01	JINPFNA1401	Stitch adjusting assembly	1
02	JINPFNA1402	Adjusting plate	1
03	JINPFNA1403	Ccollar	2
04	JINPFNA1404	Angle adjustment	1
05	JINPFNA1405	Pin 4x30	1
06	JINPFNA1406	Spring	1
07	JINSCJ1004	Collar	1
08	JINPFNA1407	Shaft	1
09	JINPFNA1408	Nut M4	2
10	JINPFNA1409	Screw M4x 32	1
11	JINPFNA1410	Screw M4x 10	1
12	JINPFNA1411	Adjusting plate	1
13	JINPFNA0203	Screw M4x8	2
14	JINPFNA1414	Compress spring	1
15	JINPFNA1415	Washer ϕ 6	1
16	JINPFNA1416	Adjusting pin	1
17	JINPFNA1417	Oil tank assy	1
18	JINPFNA0120	Screw M4x6	1
19	JINPFNA1419	Oil pipe clip	1
20	JINPFNA2112	Screw M4x14	1
21	JINPFNA0121	Oil tube	2
22	JINPFNA0132	Oil pipe clip	1
23	JINPFNA1423	Terminall	1
24	JINPFNB1424	Terminall	1
25	JINPFNB1425	Oil tube support	1
26	JINPFNB1426	Screw M4x5	1

15. 旋梭左支座(1) Hook post, left(1)



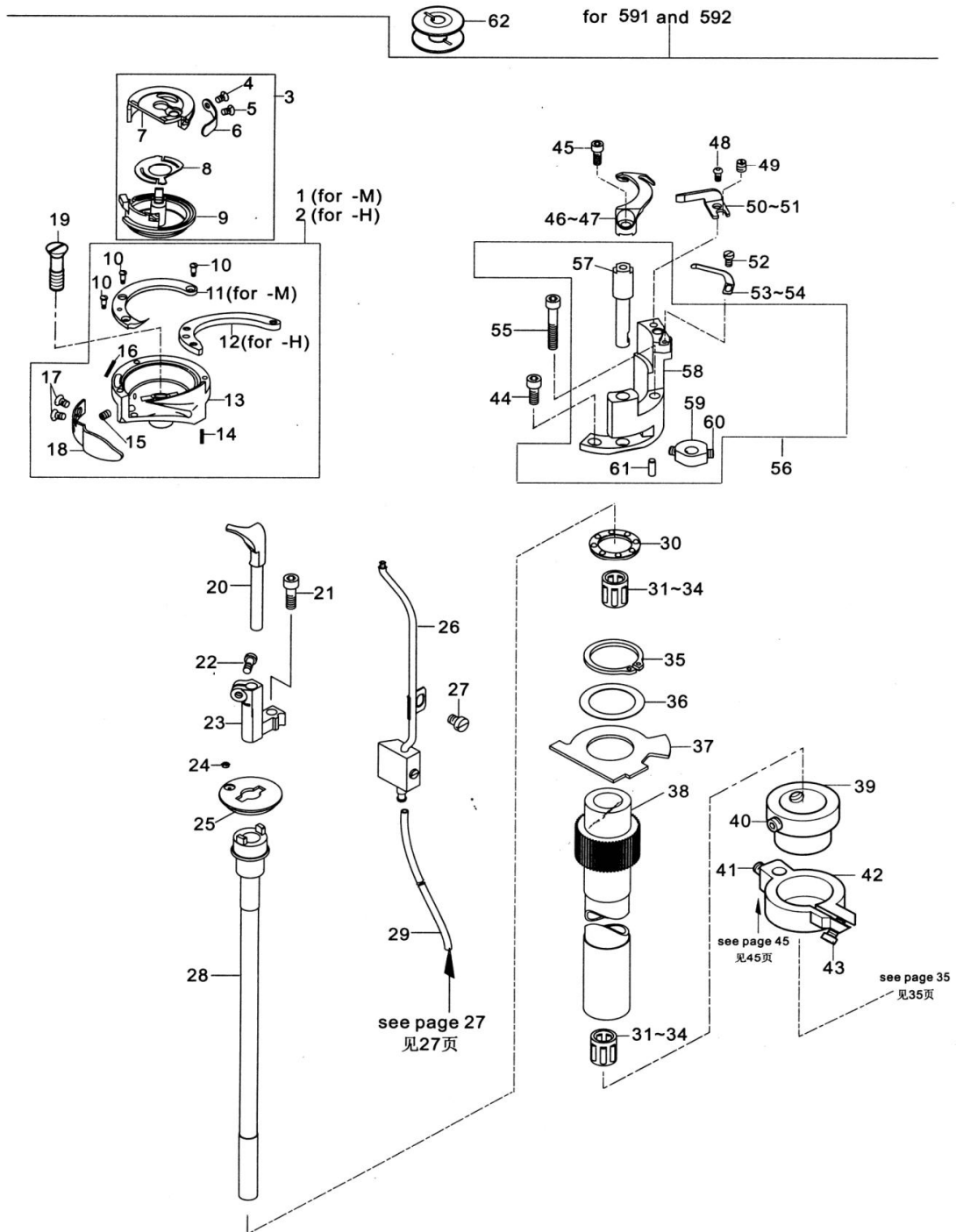
Per.No	Part No	Description	Qty
01	JINPFNA1701	Import Hook-thickness	1
02	JINPFNA1702	Domestic Hook-thickness	1
03	JINPFNA1703	Bobbin case asm	1
04	JINPFNA1704	Screw	1
05	JINPFNA1705	Screw	1
06	JINPFNA1706	Plate spring	1
07	JINPFNA1707	Hook-top	1
08	JINPFNA1708	Spring	1
09	JINPFNA1709	Shuttle wan	1
10	JINPFNA1710	Screw	3
11	JINPFNA1711	Shuttle' tongue (for-M)	1
12	JINPFNA1712	Shuttle' tongue (for -H)	1
13	JINPFNA1713	Bobbin case	1
14	JINPFNA1714	Wick	1
15	JINPFNA1715	Oil felt wick	1
16	JINPFNA1716	Screw M3x4	1
17	JINPFNA1717	Screw M2.6x4	2
18	JINPFNA1718	Needle protected plate	1
19	JINPFNA1719	Screw M5x20	1
20	JINPFNA1720	Positioning finger	1
21	JINPFNA0203	Screw M4x'12	1
22	JINPFNA0325	Screw M4x6	1
23	JINPFNA1723	Positioning finger plate	1
24	JINPFNA1724	O ring	2
25	JINPFNA1725	hook fid	1
26	JINPFNA1726	Rubber assy	1
27	JINPFNA1426	Screw M4x5	1
28	JINPFNB1528	Hook transmission mandrel	1
29	JINPFNA0121	Oil felt	1
30	JINPFNB1530	Copper tubing	1
31	JINPFNA1730	Small end bearing	1
32	JINPFNA1731	Needle bearing	1
33	JINPFNA1732	Needle bearing	1
34	JINPFNA1733	Needle bearing	1
35	JINPFNA1734	Needle bearing	1
36	JINPFNB1536	Feeding wheel	1
37	JINPFNB1537	Screw M6x0.75x3	1
38	JINPF1310B08	Screw M6x0.75>c3	1
39	JINPFNA1735	Collar	1
40	JINPFNA1736	Collar	1
41	JINPFNA1737	Armor pieces	1
42	JINPFNB1542	592 feeding drive shaft	1
43	JINPFNB1543	592 end bearing	1
44	JINPFNB1544	Washer	1
45	JINPFNB1545	Needle bearing	2
46	JINPFNB1546	Needle bearing	2
47	JINPFNB1547	Needle bearing	2
48	JINPFNB1548	Needle bearing	2
49	JINPFNB1549	574 hook shaft	1
50	JINPFNB1550	Needle bearing	1
51	JINPFNB1551	Needle bearing	1
52	JINPFNB1552	Needle bearing	1
53	JINPFNB1553	Needle bearing	1
54	JINPFNA1739	Retaining ring	1
55	JINPFNA0229	Screw M6X0.75X5	2
56	JINPFNA0304	Screw M5x5	1
57	JINPFNB1557	Crank	1
58	JINPFNA0203	Screw M4x10	2
59	JINPFNA0203	Screw M4x10	1
60	JINPFNA1746	Movable knife(Made in Taiwan)	1
61	JINPFNA1747	Movable knife (Made in China)	1
62	JINPFNA0120	Screw M4x6	1
63	JINPFNA1749	Eccentric pin	1
64	JINPFNA1750	Fixed knife (Made in Taiwan)	1
65	JINPFNA1751	Fixed knit© (Made in China)	1
66	JINPFNA1752	Screw M2.5x3	1
67	JINPFNA1753	Wire clip (Made in Taiwan)	1
68	JINPFNA1754	Wire clip (Made in China)	1
69	JINPFNA0118	Screw M4x25	1
70	JINPFNA1756	Moveble knife lever	1
71	JINPFNA1757	Knife holder	1
72	JINPFNA1758	Fixed knife bracket seat	1
73	JINPFNA1759	Transmission gear	1
74	JINPFNA1760	Screw M4x4	2
75	JINPFNA1761	Pin 3x10	1
76	JINPFNA1762	Bobbin	1

16. 旋梭左支座(2) Hook post, left(2)



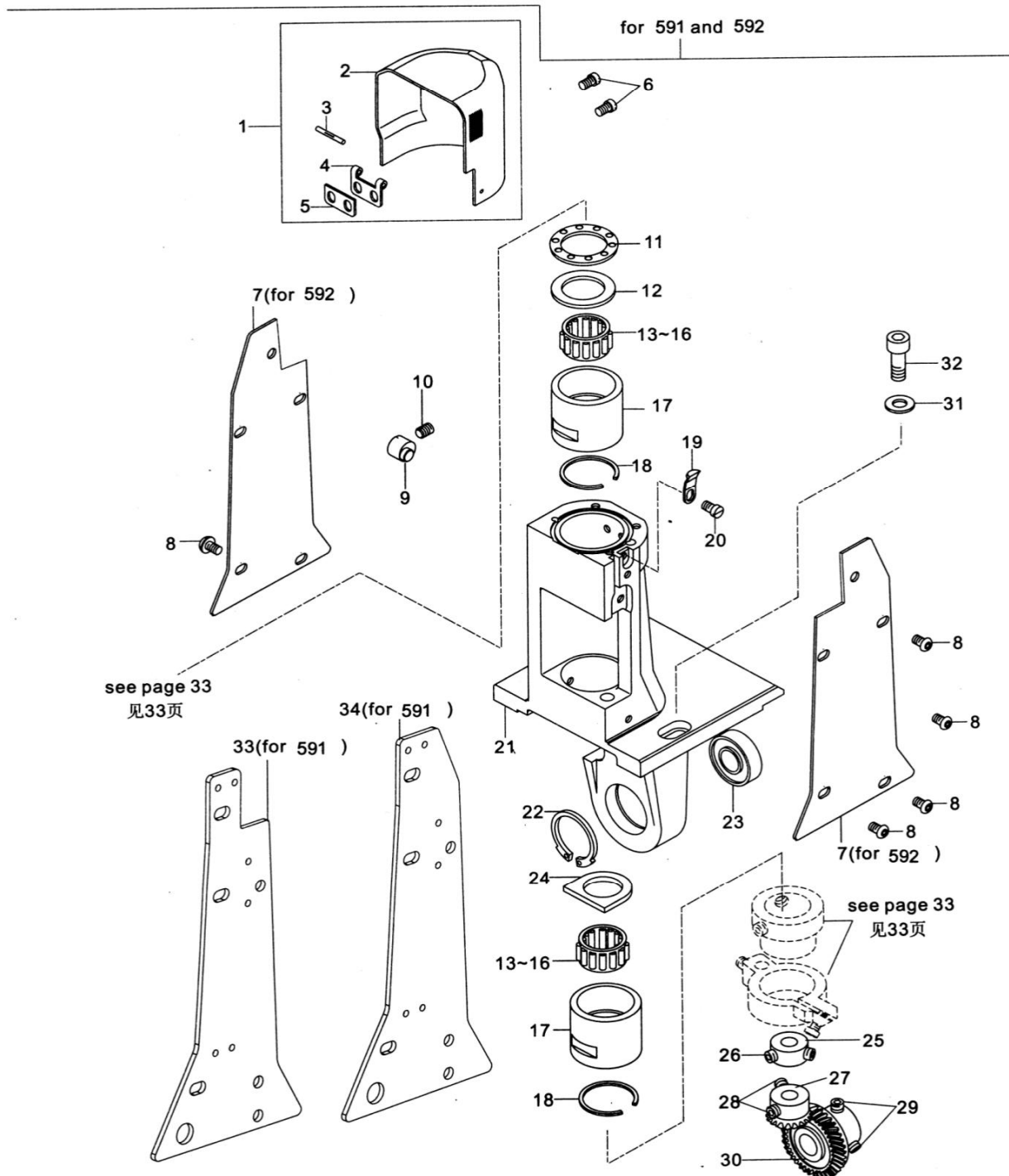
Per. No	Part No	Description	Qty
01	JINPFNA1811	End bearing	1
02	JINPFNA1812	Washer	1
03	JINPFNA1813	Needle bearing	2
04	JINPFNA1813	Needle bearing	2
05	JINPFNA1814	Needle bearing	2
06	JINPFNA1815	Needle bearing	2
07	JINPFNA1817	Hook shaft sleeve	2
08	JINPFNA1818	Collar	2
09	JINPFNA0120	Screw M4x8	2
10	JINPFNA1801	Hook shield components	1
11	JINPFNA1802	Hook shield	1
12	JINPFNA1803	Pin	1
13	JINPFNA1804	Washer	1
14	JINPFNA1805	Shield driving seat	1
15	JINPFNB1615	Hook the left bearing	1
16	JINPFNA1819	Spring plate	1
17	JINPFNA1426	Screw M4x6	1
18	JINPFNA1810	Screw M4x6	2
19	JINPFNA1906	Oil plug	1
20	JINPFNA1809	Eccentric pin	2
21	JINPFNA1908	Collar	2
22	JINPFNA1909	Washer	1
23	JINPFNA1910	Washer	1
24	JINPFNA1911	Washer	1
25	JINPFNA1912	Bearing	2
26	JINPFNB1626	Feeding drive shaft	1
27	JINPFNB1627	Feeding gear	2
28	JINPFNB1628	Screw	4
29	JINPFNB1629	Screw	2
30	JINPFNB1630	Screw	1
41	JINPFNA1823	Bearing	1
42	JINPFNA1822	Collar	1
43	JINPFNA1824	Oil felt	1
44	JINPFNB1644	Washer	3
45	JINPFNB1645	Washer	3
46	JINPFNB1646	Washer	3
47	JINPFNB1647	592 feeding drive gear components II	1
48	JINPFNA0229	Screw M6x0.75x5	4
49	JINPFNB1649	592 feeding drive gear I	1
50	JINPFNA1827	The hook driving gear II	1
51	JINPFNA0229	Screw M6x0.75x5	2
52	JINPFNA0229	Screw M6x0.75x6	2
53	JINPFNA1830	The hook driving gear components 11	1
54	JINPFNB1654	Screw M4x 10	1

17. 旋梭右支座(1) Hook post, right(1)



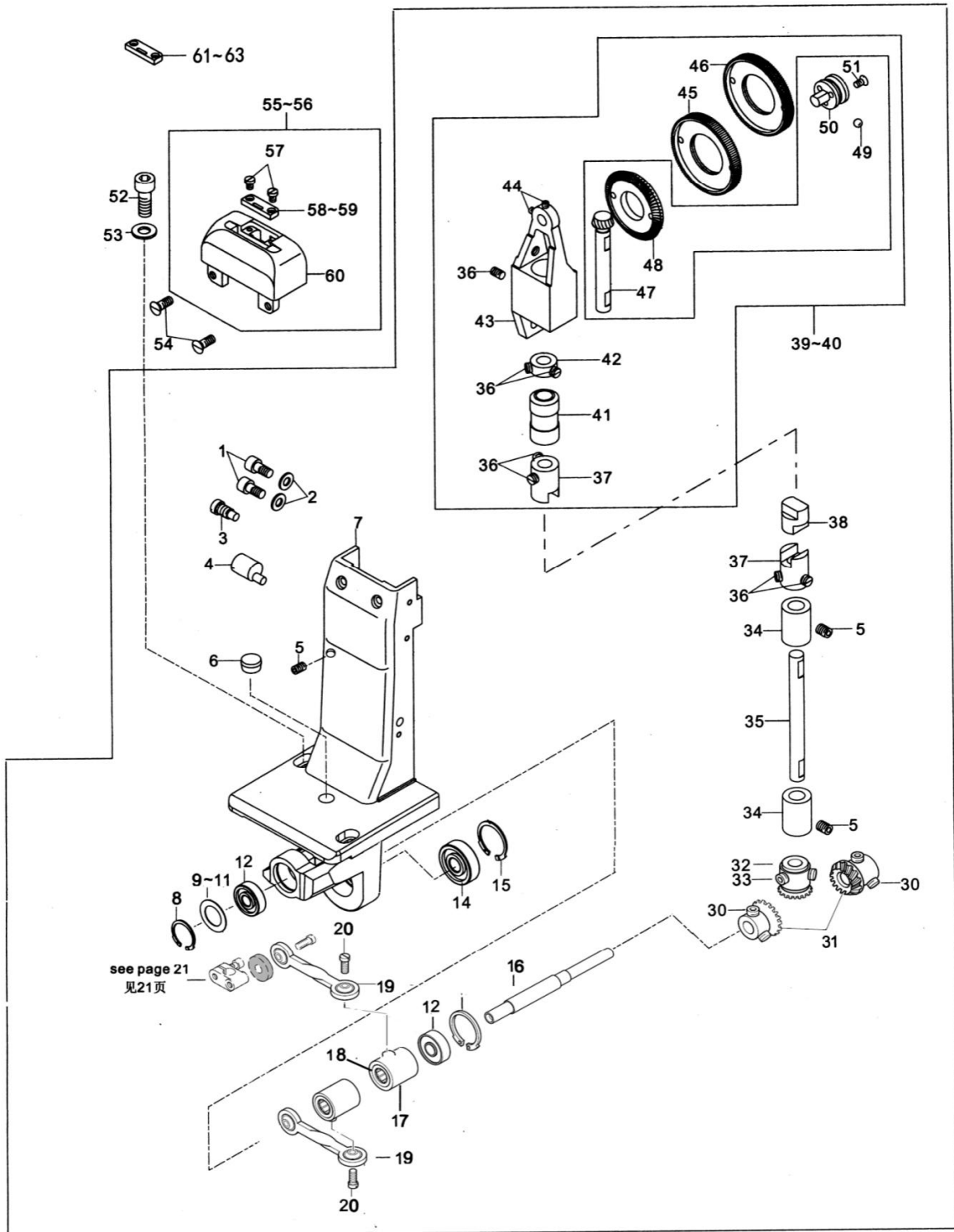
Per. No	Part No	Description	Qty
01	JINPFNA1701	Import Hook-thickness	1
02	JINPFNA1702	Domestic Hook-thickness	1
03	JINPFNA1703	Bobbin case asm	1
04	JINPFNA1704	Screw	1
05	JINPFNA1705	Screw	1
06	JINPFNA1706	Spring plate	1
07	JINPFNA1707	Hook-top	1
08	JINPFNA1708	Spring	1
09	JINPFNA1709	Shuttle wan	1
10	JINPFNA1710	Screw	3
11	JINPFNA1711	Shuttle' tongue (for-M)	1
12	JINPFNA1712	Shuttle' tongue (for -H)	1
13	JINPFNA1713	Bobbin case	1
14	JINPFNA1714	Wick	1
15	JINPFNA1715	Oil felt wick	1
16	JINPFNA1716	Screw M3x4	1
17	JINPFNA1717	M2. 6x4	1
18	JINPFNA1718	Needle protected plate	1
19	JINPFNA1719	Screw M5x20	1
20	JINPFNA1720	Positioning finger	1
21	JINPF1790S0326	Screw M4x12	1
22	JINPFNA0325	Screw M4x6	1
23	JINPFNA1723	Positioning finger plate	1
24	JINPFNA1724	O ring	2
25	JINPFNA1725	hook lid	1
26	JINPFNA1726	Rubber assy	1
27	JINPFNA1426	Screw M4x5	1
28	JINPFNA1728	Hook transmission mandrel	1
29	JINPFNA0121	Oil felt	1
30	JINPFNA1730	End bearing	1
31	JINPFNA1731	Needle bearing	2
32	JINPFNA1732	Needle bearing	2
33	JINPFNA1733	Needle bearing	2
34	JINPFNA1734	Needle bearing	2
35	JINPFNA1735	Collar	1
36	JINPFNA1736	Washer	1
37	JINPFNA1737	Armor pieces	1
38	JINPFNA1738	hook shaft	1
39	JINPFNA1739	Collar	1
40	JINPFNA0229	Screw M6x0. 75x5	2
41	JINPFNA0304	Screw M5x5	1
42	JINPFNA1742	Crank	1
43	JINPFNA0131	Screw M4x10	1
44	JINPFNA0203	Screw M4x10	2
45	JINPFNA0203	Screw M4x10	1
46	JINPFNA1746	Movable knife (Made in Taiwan)	1
47	JINPFNA1747	Movable knife (Made in China)	1
48	JINPFNA1748	Screw M4x6	1
49	JINPFNA1749	Eccentric pin	1
50	JINPFNA1750	Fixed knife (Made in Taiwan)	1
51	JINPFNA1751	Fixed knife (Made in China)	1
52	JINPFNA1752	Screw M2. 5x3	1
53	JINPFNA1753	Wire clip (Made in Taiwan)	1
54	JINPFNA1754	Wire clip (Made in China)	1
55	JINPFNA0118	Screw M4x25	1
56	JINPFNA1756	Moveble knife lever	1
57	JINPFNA1757	Knife holder	1
58	JINPFNA1758	Fixed knife bracket seat	1
59	JINPFNA1759	Transmission gear	1
60	JINPFNA1760	Screw M4x4	2
61	JINPFNA1761	Pin 3x10	1
62	JINPFNA1762	Bobbin	1

18. 旋梭右支座(2) Hook post, right(2)



Per. No	Part No	Description	Qty
01	JINPFNA1801	Hook shield components	1
02	JINPFNA1802	Hook shield	1
03	JINPFNA1803	Pin	1
04	JINPFNA1804	Shield driving seat	1
05	JINPFNA1805	Washer	1
06	JINPFNA0539	Screw M4x8	2
07	JINPFNB1807	Double needle plate measuring (for592)	2
08	JINPFNA0120	Screw M4x6	10
09	JINPFNA1809	Eccentric pin	2
10	JINPFNA1810	Screw M4x6	2
11	JINPFNA1811	End bearing	1
12	JINPFNA1812	Washer	1
13	JINPFNA1813	Needle bearing	2
14	JINPFNA1814	Needle bearing	3
15	JINPFNA1815	Needle bearing	4
16	JINPFNA1816	Needle bearing	5
17	JINPFNA1817	Hook shaft sleeve	2
18	JINPFNA1818	Collar	2
19	JINPFNA1819	Spring plate	1
20	JINPFNA1426	Screw M4x6	1
21	JINPFNA1821	Hook the right bearing	1
22	JINPFNA1822	Collar	1
23	JINPFNA1823	Bearing 6001ZZ	1
24	JINPFNA1824	Oil felt	1
25	JINPFNA1825	Collar	1
26	JINPFNA0229	Screw M6x0.75x5	2
27	JINPFNA1827	The hook driving gear II	1
28	JINPFNA0229	Screw M6x0.75x5	2
29	JINPFNA0229	Screw M6x0.75x6	2
30	JINPFNA1830	The hook driving gear I	1
31	JINPFNA1831	Washer ϕ 6	2
32	JINPFNA0801	Screw M6x 16	2
33	JINPFNA1833	One needle plate measuring (for 591)	1
34	JINPFNA1834	Plate measuring (for 591)	1
40	JINPFNA1840	Needle bearing	2
41	JINPFNA1841	Needle bearing	2

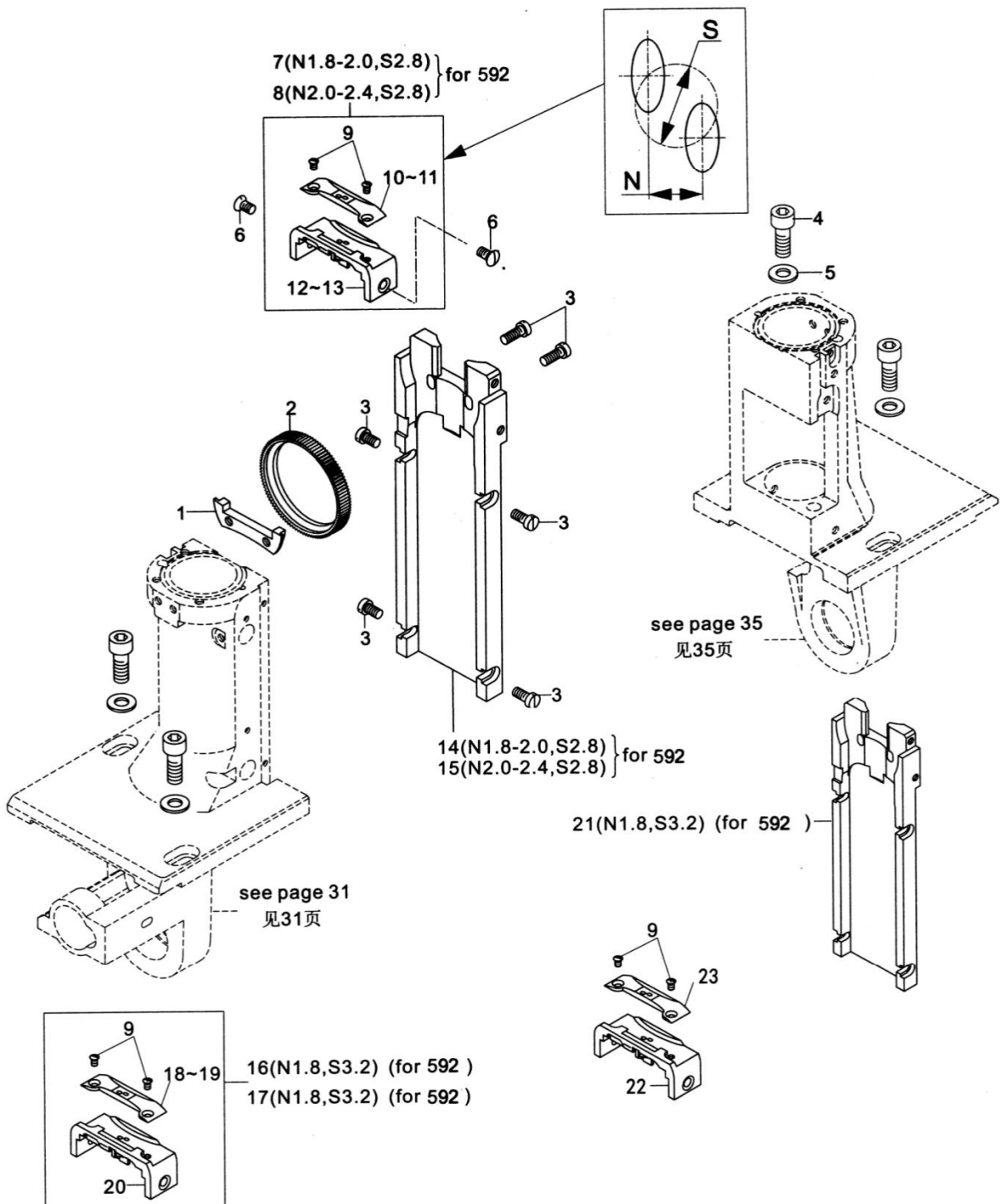
19. 送料支座 Feed wheel post, left



Per. No	Part No	Description	Qty
01	JINPFNA0724	Screw M5x12	2
02	JINPFNA0725	Washer ϕ 5	2
03	JINPFNA1903	Screw M6x8	1
04	JINPFNA1904	Pin	1
05	JINPFNA1810	Screw M4x6	3
06	JINPFNA0128	Oil wick	1
07	JINPFNA1907	Feeding support D paint.	1
08	JINPFNA1908	Collar	2
09	JINPFNA1909	Washer	2
10	JINPFNA1910	Washer	3
11	JINPFNA1911	Washer	3
12	JINPFNA1912	Bearing 608ZZ	2
14	JINPFNA1823	Bearing 6001 ZZ	1
15	JINPFNA1822	Colar	1
16	JINPFNA1916	Feeding drive shaft	1
17	JINPFNA1917	Bearing seat asm	2
18	JINPFNA0243	One way bearing	2
19	JINPFNA0226	Ball connecting rod component	2
20	JINPFNA0325	Screw	4
30	JINPFNA0229	Screw M6x0.7x6	2
31	JINPFNA1931	Feeding mechanism of gear I	2
32	JINPFNA1932	Feeding mechanism of gear II	1
33	JINPFNA0229	Screw M6x0.75x5	2
34	JINPFNA1934	Axle sleeve	2
35	JINPFNA1935	Feeding transmission shaft	1
36	JINPFNA0304	Screw M5x5	2
37	JINPFNA1937	Coupling bushing	1
38	JINPFNA1938	Connecting block	1
39	JINPFNA1939	Straight tooth feeding mechanism	1
40	JINPFNA1940	Knurling tooth feeding mechanism	1
41	JINPFNA1941	Axle sleeve	1
42	JINPFNA1942	Collar	1
43	JINPFNA1943	Feeding mechanism of bearing	1
44	JINPFNA1944	Screw M3x4	2
45	JINPFNA1945	Feeding straight tooth	1
46	JINPFNA1946	Knurling tooth feed tray	1
47	JINPFNA1947	The feed driving bevel gear I	1
48	JINPFNA1948	The feed driving bevel gear II	1
49	JINPFNA1949	Steel ball ϕ 2	23
50	JINPFNA1950	The Connecting block assembly	1
51	JINPFNA1951	Screw M2.5x4	3
52	JINPFNA0801	Screw M6x 16	2
53	JINPFNA1831	Washer ϕ 6	2
54	JINPFNA1031	Screw M4x8	2
55	JINPFNA1955	Single needle plate assembly (-M)	1
56	JINPFNA1956	Single needle plate assembly (-H)	1
57	JINPFNA1957	Screw M2x3	2
58	JINPFNA1958	Small needle plate -thin (for -M)	1
59	JINPFNA1959	Small needle plate -thick (for -H)	1
60	JINPFNA1960	needle plate seat	1
61	JINPFNA1961	Small needle plate -thick (1.6*3.7)	1
62	JINPFNA1962	Small needle plate -thick (1.8*3.9)	1
63	JINPFNA1963	Small needle plate -thick (2.3*4.7)	1

20. 送料轮托盘

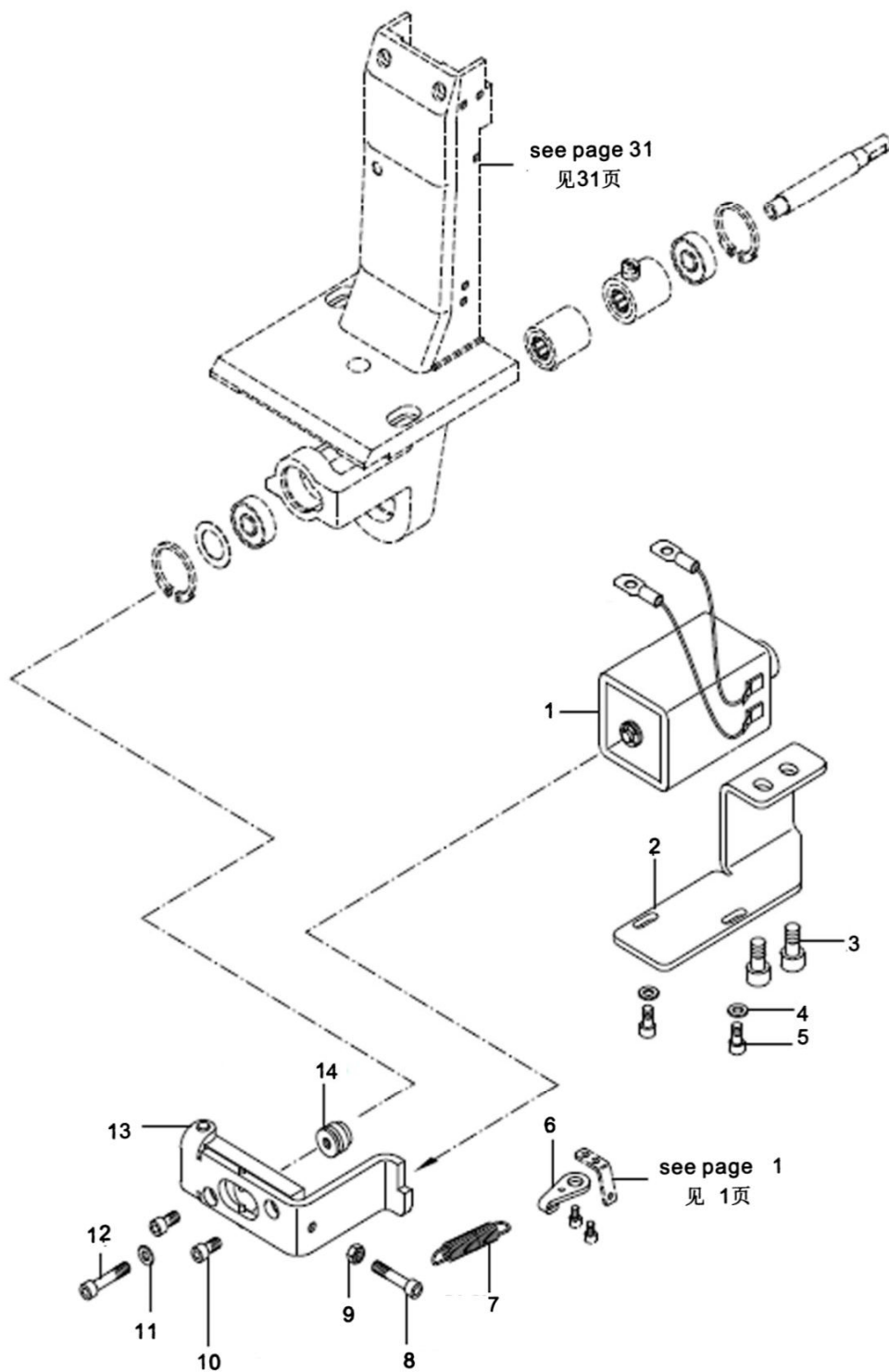
Feed wheel mounting plate



Per. No	Part No	Description	Qty
01	JINPFNB2001	Feeding wheel adjusting block	1
02	JINPFNB2002	Feeding wheel	1
03	JINPFNB2003	Screw M4x 10	6
04	JINPFNA0801	Screw M6x10	4
05	JINPFNA1831	Washer ϕ 6	4
06	JINPFNB2006	Screw M4x6	2
07	JINPFNB2007	Double needle plate assembly (N1.2-1.8)	1
08	JINPFNB2008	Double needle plate assembly (N2.0-2.4)	1
09	JINPFNB2009	Screw M3x 3.2	2
10	JINPFNB2010	Small double needle plate (N1.2-1.8)	1
11	JINPFNB2011	Small double needle plate (N2.0-2.4)	1
12	JINPFNB2012	Double needle plate cover (N1.2-1.8)	1
13	JINPFNB2013	Double needle plate cover (N2.0-2.4)	1
14	JINPFNB2014	Double needle plate cover seat (N1.2-1.8)	1
15	JINPFNB2015	Double needle plate cover seat (N2.0-2.4)	1
16	JINPFNB2016	Double needle plate assembly (N1.8)	1
17	JINPFNB2017	Double needle plate assembly (N1.8)	1
18	JINPFNB2018	Small double needle plate (N1.8)	1
19	JINPFNB2019	Small double needle plate (N1.8)	1
20	JINPFNB2020	Double needle plate cover (N1.8)	1
21	JINPFNB2021	Double needle plate cover seat (N1.8)	1
22	JINPFNB2022	Double needle plate assembly (2.2-2.6)	1
23	JINPFNB2023	Small double needle plate (N2.2-2.6)	1

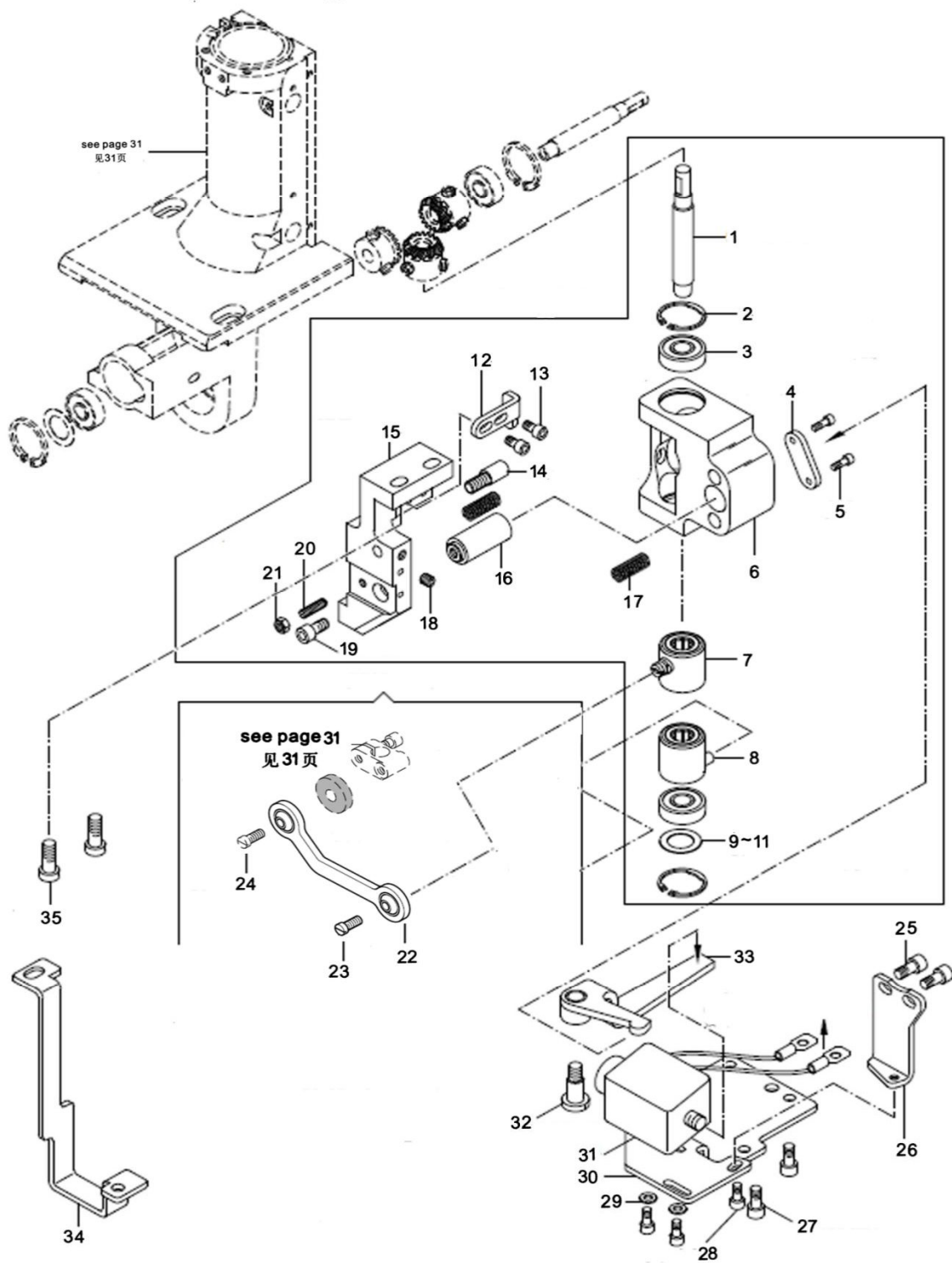
21. 倒缝装置

Backtacking mechanism



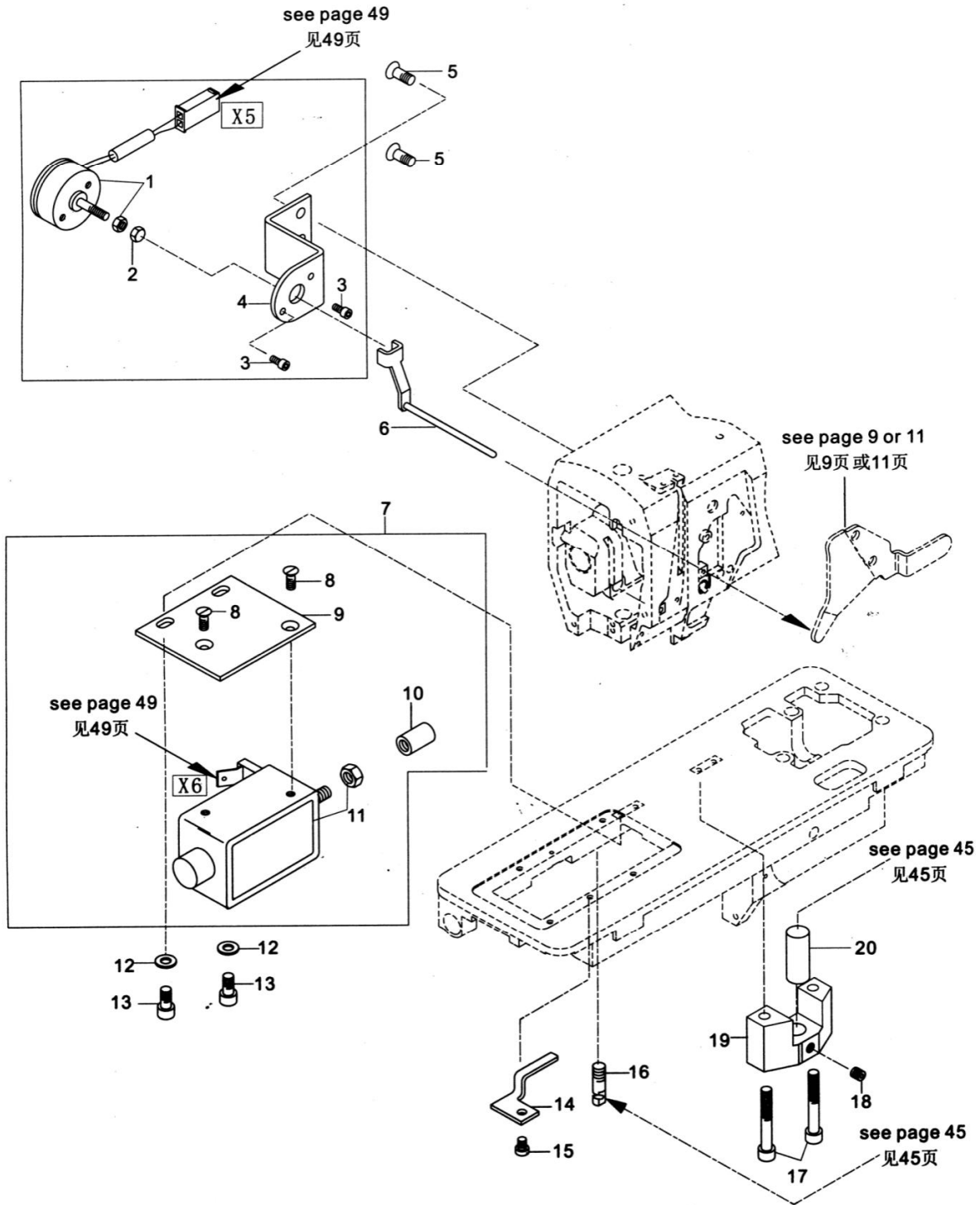
Per. No	Part No	Description	Qty
01	JINPFNA2101	Backstitch electromagnet	1
02	JINPFNA2102	Electromagnet bracket	1
03	JINPFNA0106	Screw M6x 10	2
04	JINPFNA0127	Washer ϕ 4	2
05	JINPFNA0325	Screw M4x6	2
06	JINPFNA2106	Spring Board	1
07	JINPFNA2107	Reset spring	1
08	JINPFNA2108	Screw	1
09	JINPFNA2109	Nut M5	1
10	JINPFNA0203	Screw	2
11	JINPFNA0127	Washer ϕ 4	1
12	JINPFNA2112	Screw	1
13	JINPFNA2113	Backstitch transmission	1
14	JINPFNA2114	Backstitch Connector	1

22. 倒缝装置 Backtacking mechanism



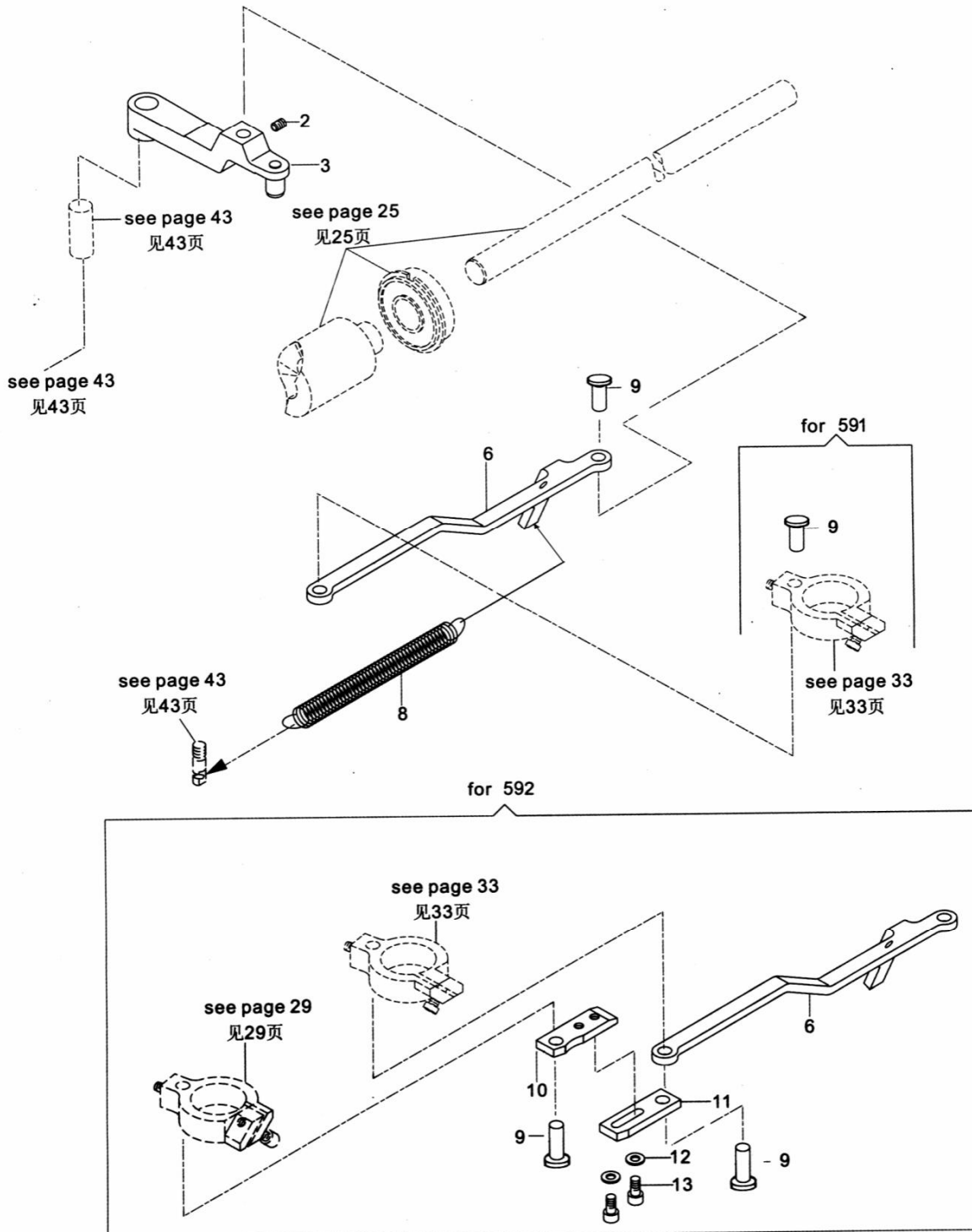
Per. No	Part No	Description	Qty
01	JINPFNB1626	Shaft	1
02	JINPFNA1908	Collar	2
03	JINPFNA1912	Bearing 608ZZ	1
04	JINPFNB2204	PLATE	1
05	JINPFNB2205	Screw M4x8	2
06	JINPFNB2206	Backstitch transmission	1
07	JINPFNB2207	Bearing seat	2
08	JINPFNB2208	One way bearing	2
09	JINPFNA1909	Washer	1
10	JINPFNA1910	Washer	1
11	JINPFNA1911	Washer	1
12	JINPFNB2212	Positioning piece	1
13	JINPFNB2213	Screw	2
14	JINPFNB2214	Eccentric pin	1
15	JINPFNB2215	Twist seat	1
16	JINPFNB2216	Connection pin	2
17	JINPFNB2217	spring	1
18	JINPFNA0304	Screw	1
19	JINPFNA0131	Screw	1
20	JINPFNA0808	Screw	1
21	JINPFNA0116	NUT	1
22	JINPFNB2222	Ball connecting rod assembly	1
23	JINPFNA1920	Screw	1
24	JINPFNA1920	Screw	1
25	JINPFNA0131	Screw	2
26	JINPFNB2226	Backstitch side plate	1
27	JINPFNA0131	Screw	2
28	JINPFNA0325	Screw	4
29	JINPFNA0127	Washer	2
30	JINPFNB2230	Electromagnet mount	1
31	JINPFNB2231	Reverse stitch electromagnet	1
32	JINPFNB2232	Screw	1
33	JINPFNB2233	Backstitch crank	1
34	JINPFNB2234	Bracket	1
35	JINPFNB2235	Screw	2

23. 剪线结构(-D) Thread trimmer (-D)



Per. No	Part No	Description	Qty
01	JINPFNA2301	Loose line electromagnet	1
02	JINPFNA2302	Nut M4	1
03	JINBF140130	Screw M3x5	2
04	JINPFNA2304	Mounting plate.	1
05	JINPFNA2305	Screw M5x10	2
06	JINPFNA2306	Tension release pin	1
07	JINPFNA2307	Shear line electromagnet assembly	1
08	JINPF1900A0643	Screw M4x6	2
09	JINPFNA2308	Mounting plate	1
10	JINPFNA2309	Connecting block	1
11	JINPFNA2310	Shear line electromagnet	1
12	JINPFNA0725	Washer $\phi 5$	2
13	JINPFNA0131	Screw M5x10	2
14	JINPFNA2314	Oil line baffle	1
15	JINPFNA0325	Screw M4x5	1
16	JINPFNA0913	Screw M6x8	1
17	JINPFNA2108	Screw M5x30	2
18	JINPFNA0304	Screw M5x5	1
19	JINPFNA2319	Shear line swing rod seat	1
20	JINPFNA2320	Pin 10x32	1

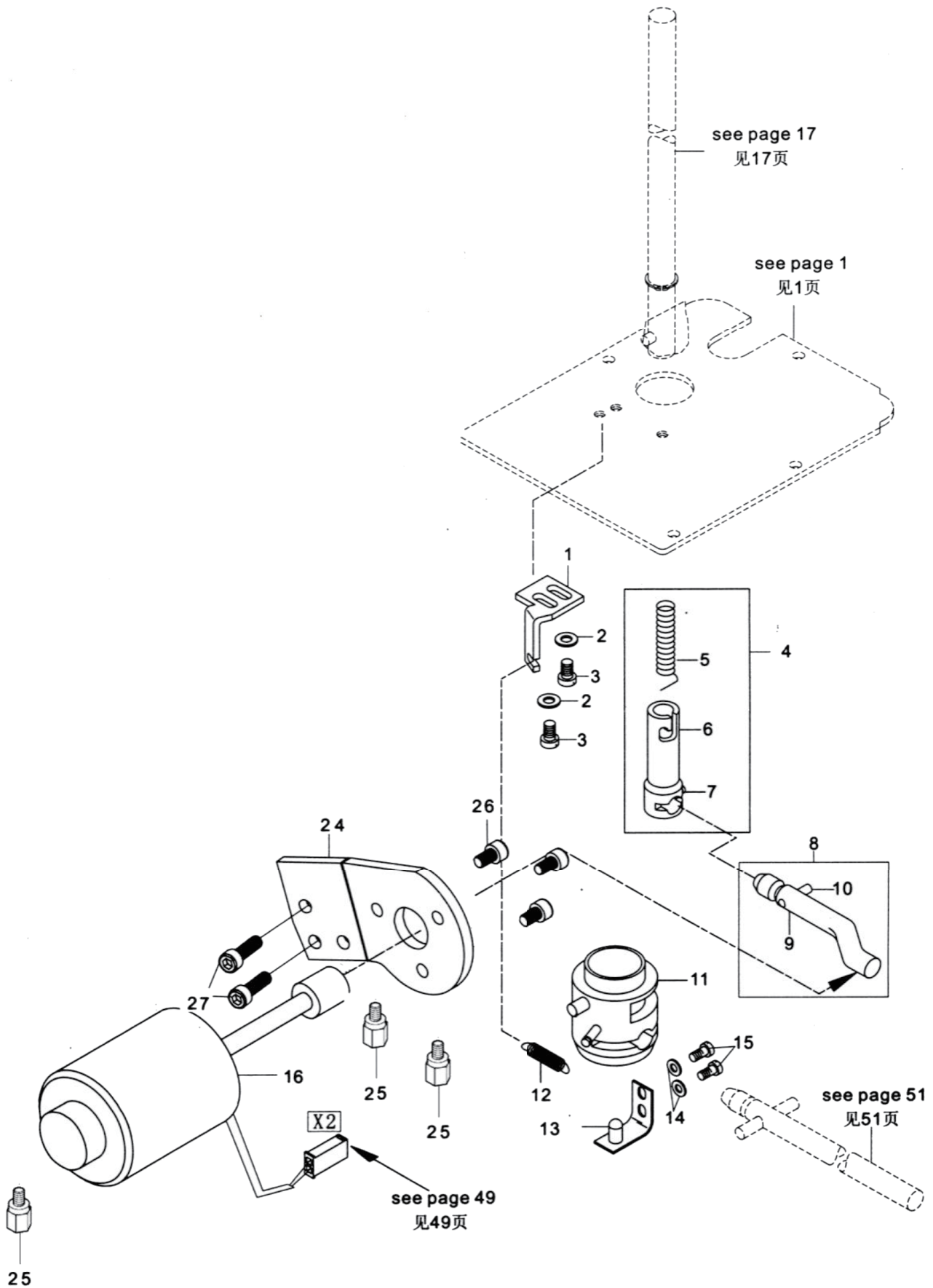
24. 剪线结构(-D) Thread trimmer (-D)



Per. No	Part No	Description	Qty
01	JINPFNA2409	Pin	1
02	JINPFNA0304	Screw M5x5	1
03	JINPFNA2403	Swing rod assembly	1
06	JINPFNA2406	Shear line swing rod	1
08	JINPFNA2408	Spring	1
09	JINPFNA2409	Pin	1
10	JINPFNA2410	Connecting plate II	1
11	JINPFNA2411	Connecting plate I	1
12	JINPFNA0127	Washer $\phi 4$	2
13	JINPFNA0325	Screw M4x8	2

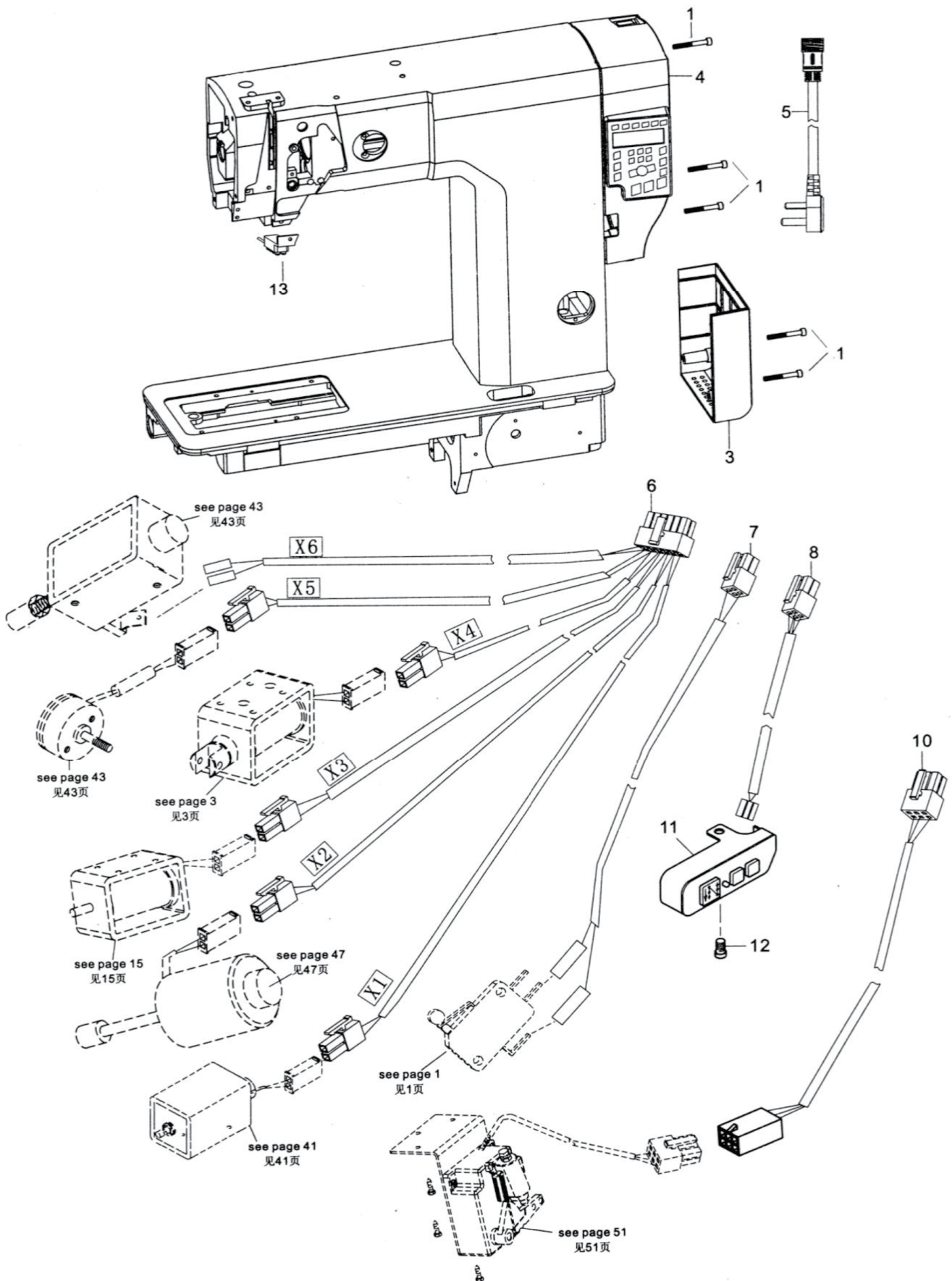
25 . 自动抬压脚

Automatic presser foot lifter



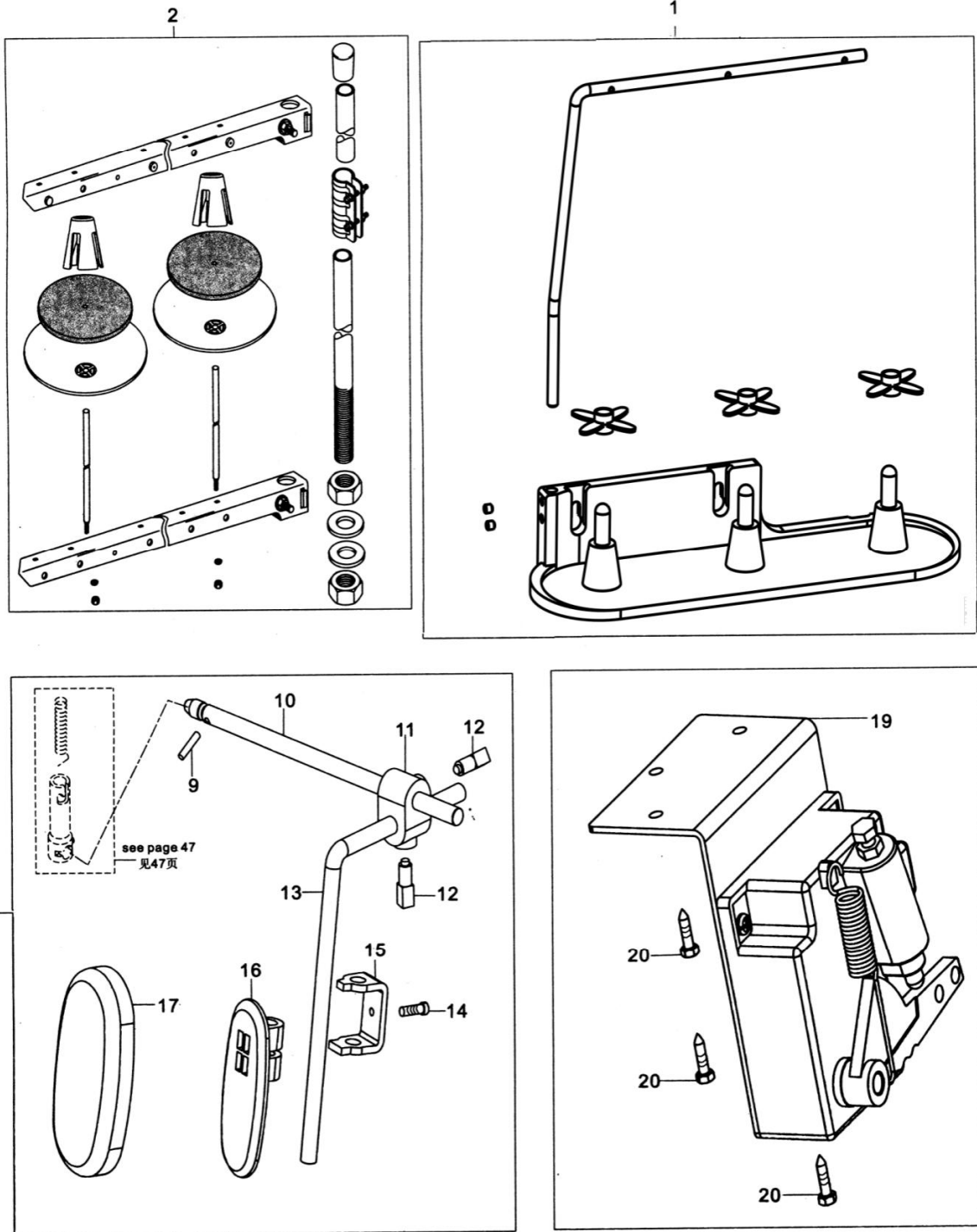
Per. No	Part No	Description	Qty
01	JINPFNA2501	Reset plate	1
02	JINPFNA0127	Washer ϕ 4	2
03	JINPFNA0131	Screw M5x10	2
04	JINPFNA2504	Manipulating the top column assembly	1
05	JINPFNA2505	Spring	1
06	JINPFNA2506	Manipulating of the top pillar	1
07	JINPFNA2507	Screw M4x6	1
08	JINPFNA2508	Control rod bending component	1
09	JINPFNA2509	Control rod bending	1
10	JINPFNA2510	Pin	1
11	JINPFNA2511	Presser foot lifting component of knee	1
12	JINPFNA2107	Spring	1
13	JINPFNA2513	Baffle assembly	1
14	JINPFNA0127	Washer ϕ 4	2
15	JINPFNA0325	Screw M4x6	2
16	JINPFNA2516	Presser foot lifting electromagnet	1
24	JINPFNA2524	One way bearing electromagnet mounting base	1
25	JINPFNA2525	Screw	2
26	JINPFNA0106	Screw M6x 10	3
27	JINPFNA0201	Screw M6x 30	2

26. 电控 Electric control



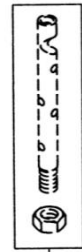
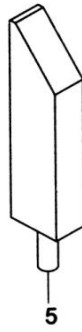
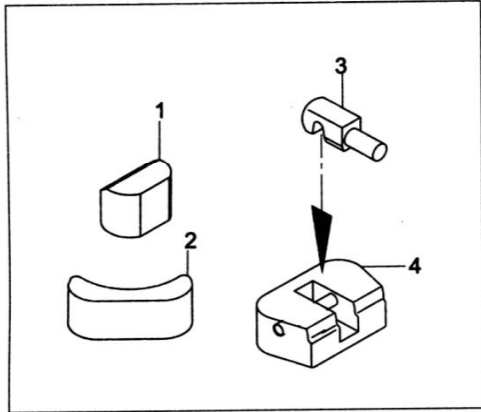
Per. No	Part No	Description	Qty
01	JINPFNA0718	Screw M5x20	1
02	JINPFNA0718	Screw M5x40	4
03	JINPFNA2603	Cover	1
04	JINPFNA2604	Electronic control	1
05	JINPFNA2605	The power adapter cable	1
06	JINPFNA2606	Main control line	1
07	JINPFNA2607	Swich line	1
08	JINPFNA2608	Reverse stitching switch wiring	1
09	JINPFNA2609	head lamp adapter	1
10	JINPFNA2610	Redal switch line	1
11	JINPFNA261301	Reverse stitching switch	1
12	JINPFNA0102	Screw M5x 10	1

27. 附件(1) Accessories components (1)

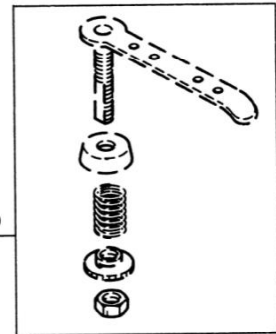
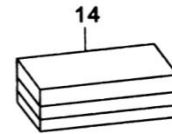
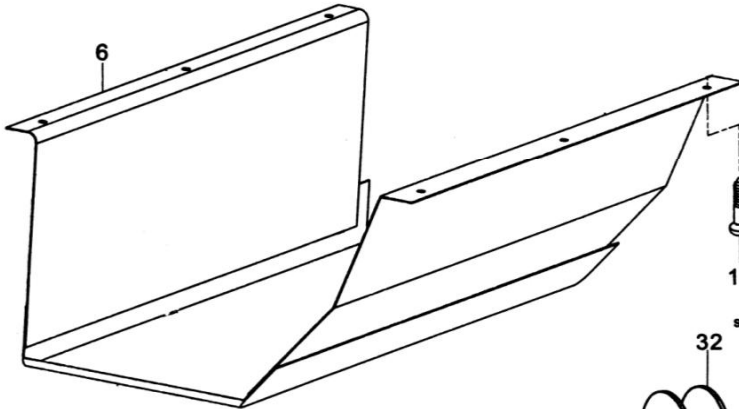


Per. No	Part No	Description	Qty
01	JINPFNA2701	Two wire frame component	1
02	JINPF55501127	Three wire frame component	1
09	JINPFNA2709	Pin 4x18	1
10	JINPFNA2710	Control rod	1
11	JINPFNA2711	Control rod joints	1
12	JINPFNA2712	Screw M8x14	2
13	JINPFNA2713	Control stick	1
14	JINPFNA2714	Screw M5x13.3	1
15	JINPFNA2715	Knee control adjusting bracket	1
16	JINPFNA2716	Knee control frame	1
17	JINPFNA2717	Knee control pad	1
18	JINPFNA2718	Knee control assembly	1
19	JINPFNA2604	Pedal	1
20	JINPFNA2720	Self tapping Screw	3
21	JINPFNA2721	Lever pad	1

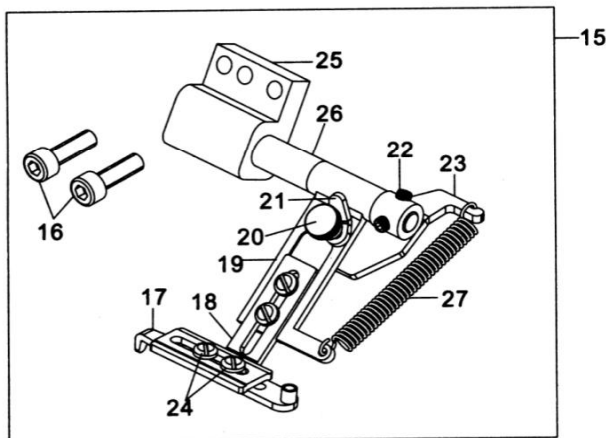
28. 附件(2) Accessories components (2)



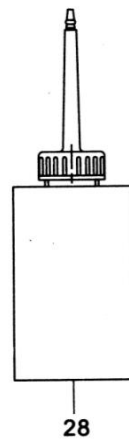
see page 19
见19页



see page 19
见19页



33-34 (for 591)
35-36 (for 592)

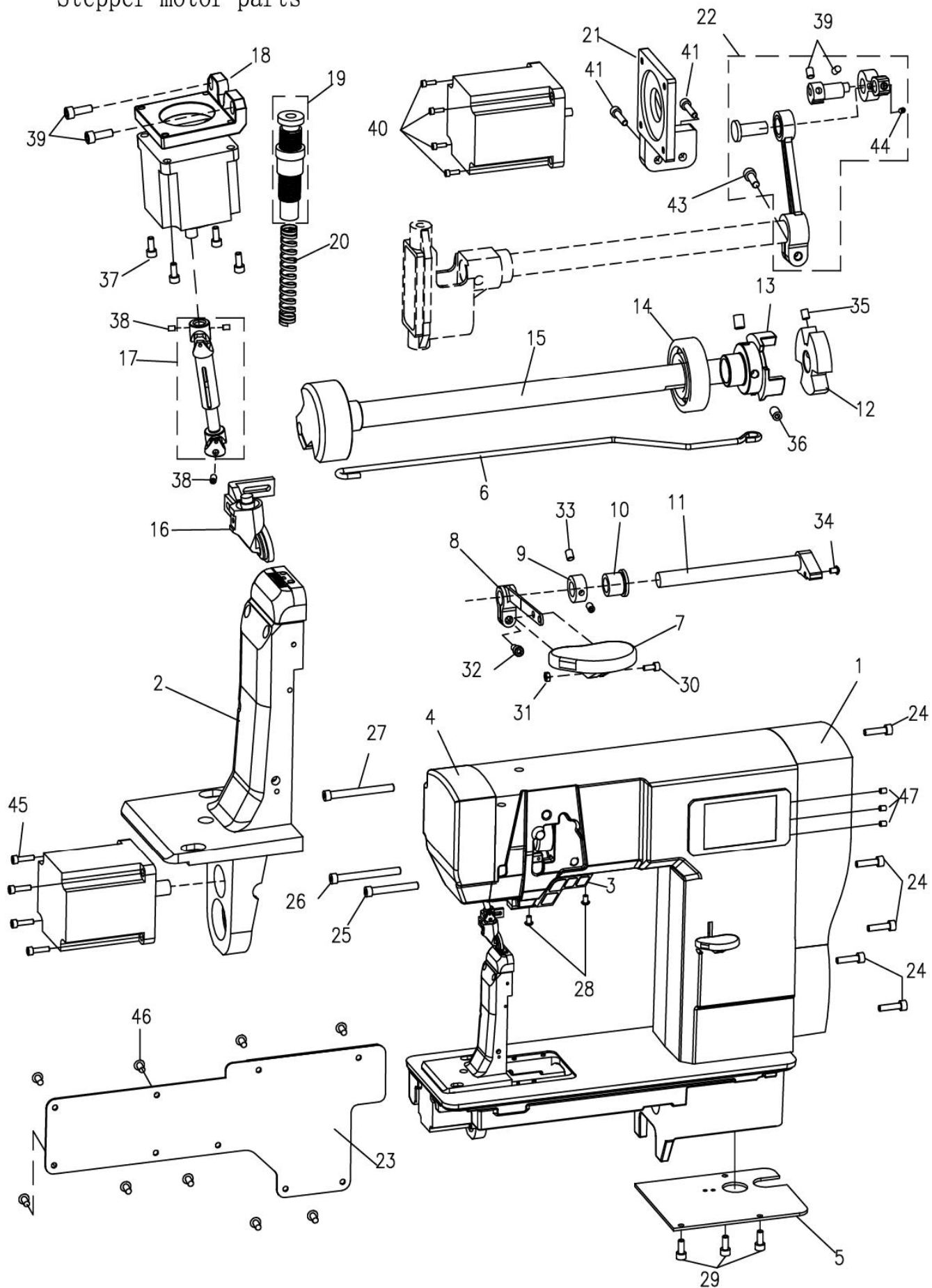


—41

Per. No	Part No	Description	Qty
01	JINPFNA2801	Head support	2
02	JINPFNA2802	Head cushion	2
03	JINPFNA2803	Head hinge	2
04	JINPFNA2804	Head hinge base assembly	2
05	JINPFNA2805	Wood bracket assembly	1
06	JINPFNA2806	Head pan	1
12	JINPFNA2812	Wood screw ST4.2x20-C-H	6
14	JINPFNA2814	Head cover	1
15	JINPFNA2815	Pull device	1
16	JINPFNA2816	Screw M5x16	2
17	JINPFNA2817	Side plate assembly	1
18	JINPFNA2818	Adjusting plate	1
19	JINPFNA2819	Welding guide plate	1
20	JINPFNA2820	Screw M4x12	1
21	JINPFNA2821	Fastening wrench	1
22	JINPFNA2822	Screw M6x5	1
23	JINPFNA2823	Welding adjustment	1
24	JINPFNA2824	Screw M4x5	4
25	JINPFNA2825	Mounting seat	1
26	JINPFNA2826	Shaft	1
27	JINPFNA2827	Drag spring	1
28	JINPFNA2828	Oil pot	1
29	JINPFNA2829	Inner six angle wrench	1
30	JINPFNA2830	Small screwdriver	1
31	JINPFNA2831	Medium screwdriver	1
32	JINPFNA1762	Bobbin	3
33	JINPFDTDP516	Neddie 134PCL 100/16 (for591)	4
34	JINPFDTDP521	Neddie 134PCL 130/21 (for591)	4
35	JINPFDTDP516	Neddie 134PCL 100/16 (for592)	4
36	JINPFDTDP521	Neddie 134PCL 130/21 (for592)	4
37	JINPFNA2837	Oil pot label	1
40	JINPFNA2840	Fork screw M6	2
41	JINPF8420M-D31523	Gasket M6	4

29. 步进款专用件

Stepper motor parts



Per. No	Part No	Description	Qty
01	JINPFNC0126	Electronic control	1
02	JINPFNC0102	Feed support	1
03	JINPFNC010301	Dichromatic light	1
04	JINPFNC010401	Panel	1
05	JINPFNC0105	Bottom plate	1
06	JINPFNC0106	Connecting rod	1
07	JINPFNC0107	Spanner of reversal stitch	1
08	JINPFNC0108	handle bushing	1
09	JINPFNC0109	Link	1
10	JINPFNC0110	bushing	1
11	JINPFNC0111	Actuating switch shaft	1
12	JINPFNC0112	Coupling rubber	1
13	JINPFNC0113	Bearing sleeve	1
14	JINPFNC0114	Bearing60/22-Z	1
15	JINPFNC0115	Counter weight assy	1
16	JINPFNC0116	Idler wheel foot asm	1
17	JINPFNC0117	Universal Joint Assembly	1
18	JINPFNC0118	Motor mounting platel	1
19	JINPFNC0119	PRESSER ADJUSTING SCREW	1
20	JINPFNC0120	PRESSER BAR SPRING	1
21	JINPFNC0121	Motor mounting plate2	1
22	JINPFNC0122	Connecting Rod Assembly	1
23	JINPFNC0123	Back cover board	1
24	JINPFNA0718	Screw M5x20	5
25	JINPFNA0112	Screw M5x35	1
26	JINPFNA0111	Screw M5x60	1
27	JINPFNA0111	Screw M5x60	1
28	JINPFNA0120	Screw M4x6	2
29	JINPFNA0131	Screw M5x10	3
30	JINPFNA0325	Screw M4x10	1
31	JINPFNA0116	NutM4	1
32	JINPFNA0131	Screw M5x10	1
33	JINPFNA1810	Screw M4x6	2
34	JINPFNA0120	Screw M4x6	1
35	JINPFNA0713	Screw M6x8	2
36	JINPFNA0713	Screw M6x8	2
37	JINPFNA0724	Screw M5x12	4
38	JINPFNA1810	Screw M4x6	4
39	JINPFNA0801	Screw M6x16	2
40	JINPF1790S0326	Screw M4x12	4
41	JINPFNA0718	Screw M5x20	2
43	JINPFNA0801	Screw M6x16	1
44	JINPFNA1810	Screw M4x6	1
45	JINPFNA0718	Screw M5x20	4
46	JINPFNA0102	Screw M5x10	9
47	JINPFNA1810	Screw M4x6	3