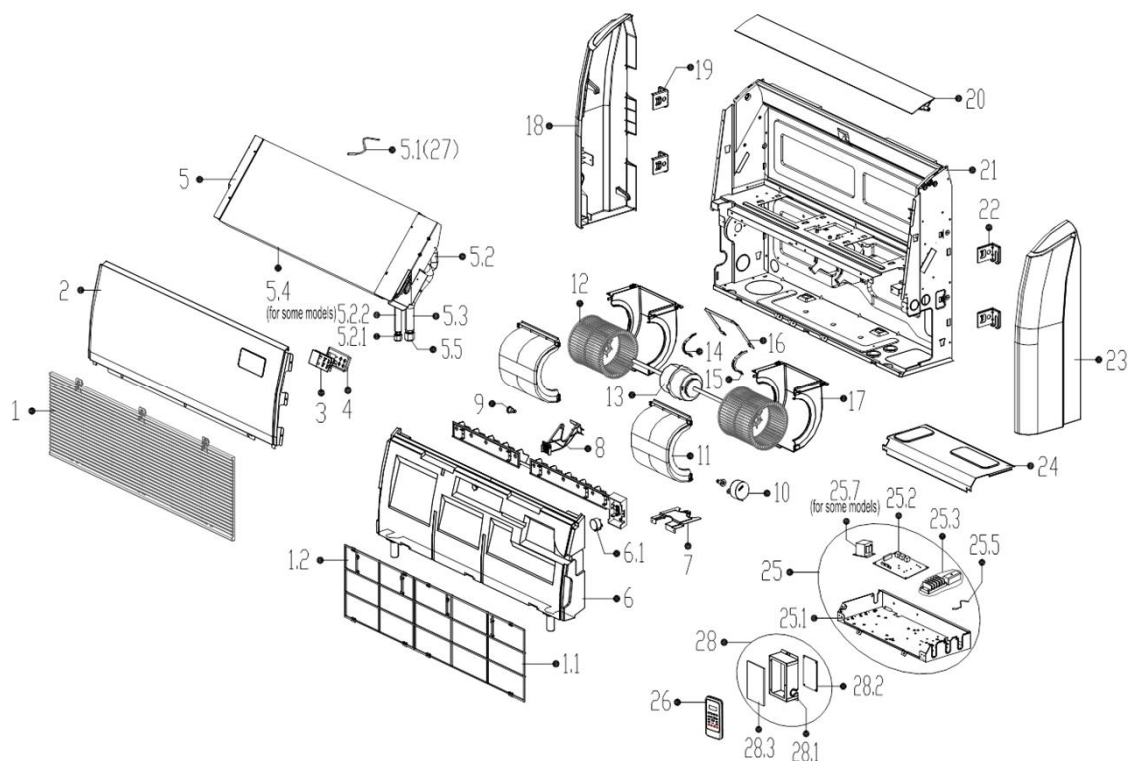


Exploded View



JCI Model:	YFJE18BXJ6AM-RX			
Factory Model:	22022711000996			
Power Supply:	208_230V_1Ph,FREQUENCY_60HZ	Export Time:	2016-06-02 15:43:08	



No.	Part Name	Quantity	BOM Code	Price
1	Air Returning Grille Subassembly	1.0	121M22700A00328	
1.1	Air Filter	1.0	121M00204000718	
1.2	Air Filter	1.0	121M00204000719	
2	Top cover	1.0	122M22700000096	
3	VLED Display Module	1.0	171M22700A00005	
4	Display panel box	1.0	121M22700000044	
5	Evaporator assembly	1.0	158M22700000557	
5.1	Temperature Sensor	1.0	112M01007000006	
5.2	Input pipes of Evaporator assemblyJoint board of Evaporator	1.0	151M22700000236	
5.2.1	Copper nut	1.0	155M00406000016	
5.3	Outlet Pipes of Evaporator	1.0	151M22700000202	
5.4	Evaporator	1.0	158M22700000598	
5.5	Copper nut	1.0	155M00406000012	
6	Water receiver subassembly	1.0	128M22700000010	
6.1	Stepper motor	1.0	110M02010000546	
7	Connecting pipe clamp	1.0	122M22700000054	
8	Guide holder	1.0	121M22700000150	
9	Electricity preventing axis	2.0	121M22000000344	
10	stepper motor	1.0	110M02010000057	
11	Upper Volute	2.0	121M22700000049	
12	Plastic Fan Wheel	2.0	121M00103000165	
13	Brushless DC Motor	1.0	110M02015000043	
14	Motor clamp	1.0	122M22500000255	
15	Motor clamp	1.0	122M22500000253	
16	Motor Boarding	1.0	122M22300000230	

17	Lower Scroll	2.0	121M22700000113	
18	Cover plate (right)	1.0	121M22700000087	
19	Installation Right Hanger	2.0	122M22700000018	
20	Subassembly of Air Guide Strip	1.0	121M22700000061	
21	Chassis assembly	1.0	122M22700000229	
22	Installation Left Hanger	2.0	122M22700000016	
23	Cover plate (left)	1.0	121M22700000093	
24	E-Part Box Cover Subassembly	1.0	122M22700000058	
25	E-Parts Box assembly	1.0	172M22700000538	
25.1	Welding Parts of Electrical Control Box	1.0	122M22700000083	
25.2	Indoor Main Control Board Subassembly (Tie-in, RoHS)	1.0	171M22700000635	
25.3	Wire joint	1.0	174M00401000020	
25.3	Wire holder	1.0	174M00401000075	
25.5	Room Temperature Sensor	1.0	112M01007000073	
25.7	Reactance	1.0	174M00306000070	
26	Remote Controller	1.0	173M17000001394	
26.1	Holder for remote controller	1.0	121M17000000104	
27	Temperature Sensor	1.0	112M01007000266	
28	Electrical Control Box Subassembly	1.0	172M22700000159	
28.1	Electrical Control Box	1.0	122M23000000052	
28.2	Inverter Module Subassembly (Sticker)	1.0	171M22000008562	
28.3	Radiator	1.0	112M03803000154	