



## TECHNICAL GUIDE

### R-410A

### J\*\*ZH/ZJ/ZR SERIES

### 3 - 12.5 TON

### 60 Hertz



J\*\*ZH/ZJ/ZR 3 THROUGH 10 TON



J\*\*ZH/ZJ/ZR 12.5 TON

## Description

### ASHRAE 90.1 COMPLIANT

Johnson Controls Series 10 J\*\*ZH/ZJ/ZR units are convertible single packages with a common footprint cabinet and common roof curb for all 3 through 12.5 ton models. All 6.5 through 12.5 ton units have two compressors with independent refrigeration circuits to provide 2 stages of cooling. The units were designed for light commercial applications and can be easily installed on a roof curb, slab, or frame.

J\*\*ZH/ZJ/ZR units are self-contained and assembled on rigid full perimeter base rails allowing for 3-way forklift access and overhead rigging. Every unit is completely charged, wired, piped, and tested at the factory to provide a quick and easy field installation.

All units in all tonnage sizes are convertible between side airflow and down airflow, with corresponding economizer if economizer option is desired.

J\*\*ZH/ZJ/ZR units are available in the following configurations: cooling only, cooling with electric heat, cooling with gas heat, reheat only, reheat with electric heat and reheat with gas heat. Electric heaters are available as factory-installed options or field-installed accessories.

All units provide constant supply air volume. A variable air volume (VAV) option, which features a variable frequency drive (VFD), is available on 6.5 through 12.5 ton J\*\*ZH/ZJ models only.

Tested in accordance with:

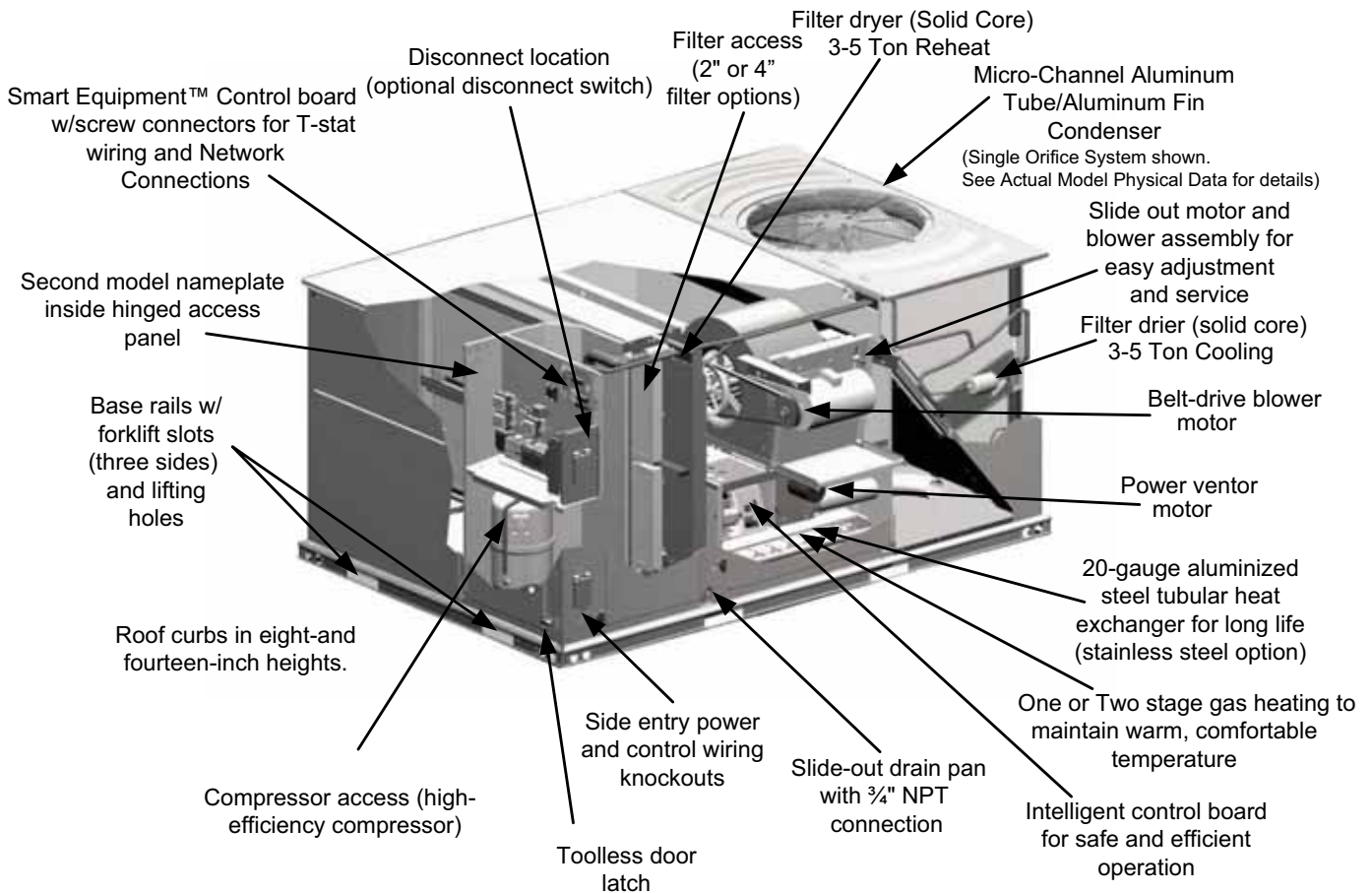


## Table of Contents

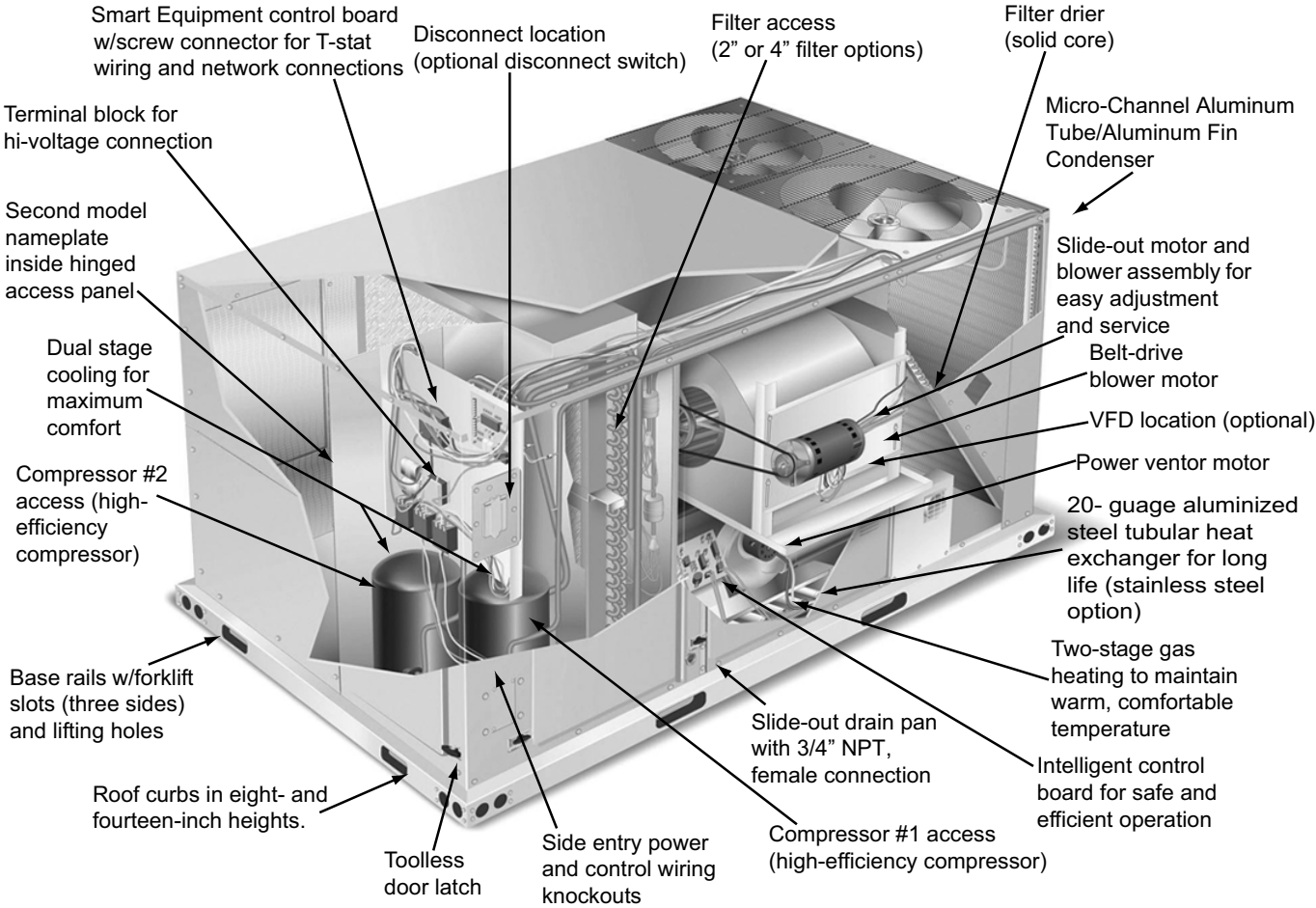
|                               |     |
|-------------------------------|-----|
| Description .....             | 1   |
| Table of Contents .....       | 2   |
| Component Location .....      | 2   |
| Nomenclature .....            | 4   |
| Prior Nomenclature .....      | 5   |
| Features and Benefits .....   | 6   |
| Guide Specifications .....    | 13  |
| Physical Data .....           | 17  |
| Capacity Performance .....    | 36  |
| Airflow Performance .....     | 105 |
| Sound Performance .....       | 123 |
| Electrical Data .....         | 137 |
| Typical Wiring Diagrams ..... | 173 |
| Weights and Dimensions .....  | 195 |
| Weights and Dimensions .....  | 196 |
| Economizer Options .....      | 206 |

## Component Location

### Cooling With Gas Heat (3 Through 5 Ton)

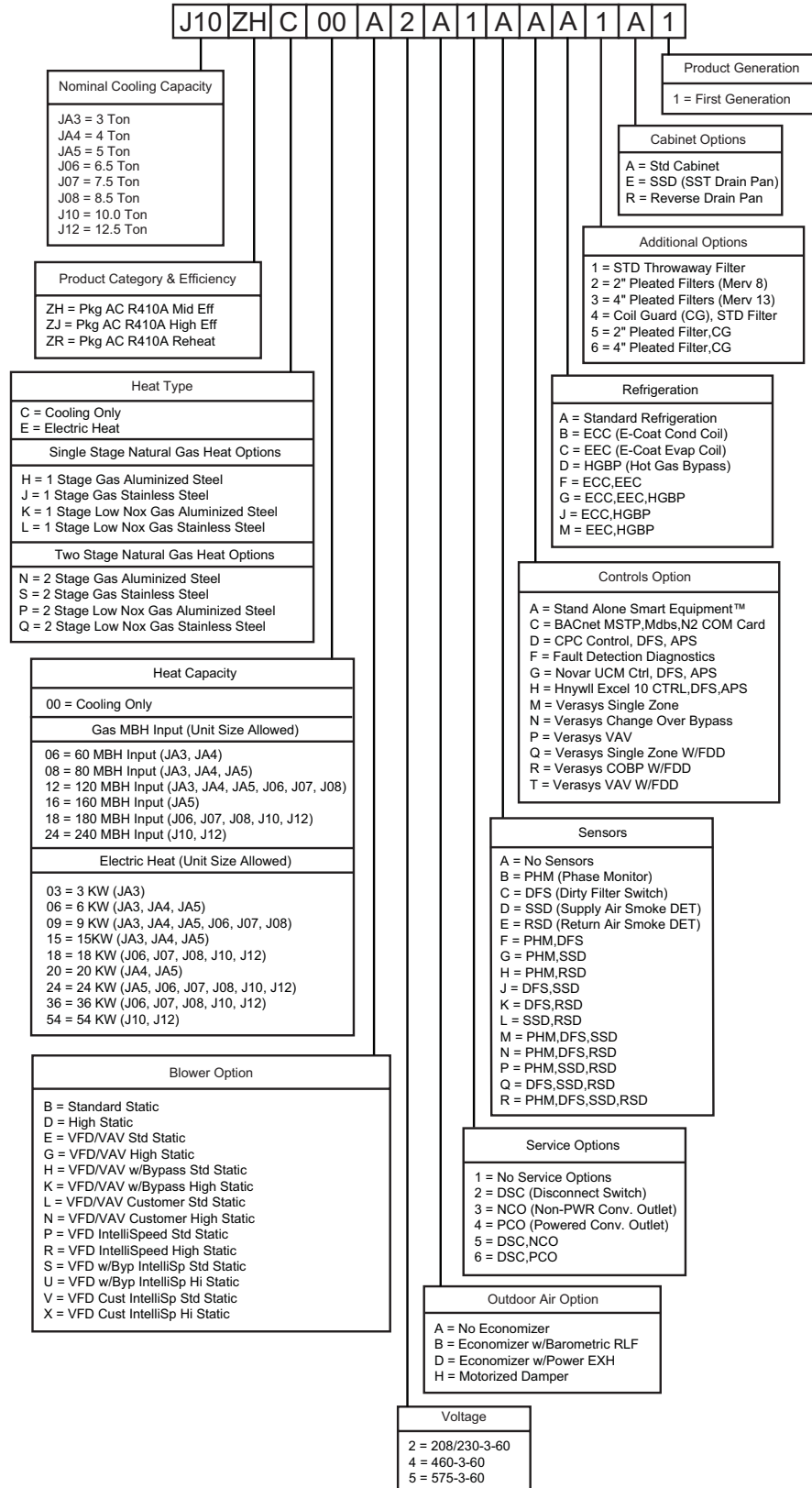


Cooling With Gas Heat (6.5 Through 10 Tons)



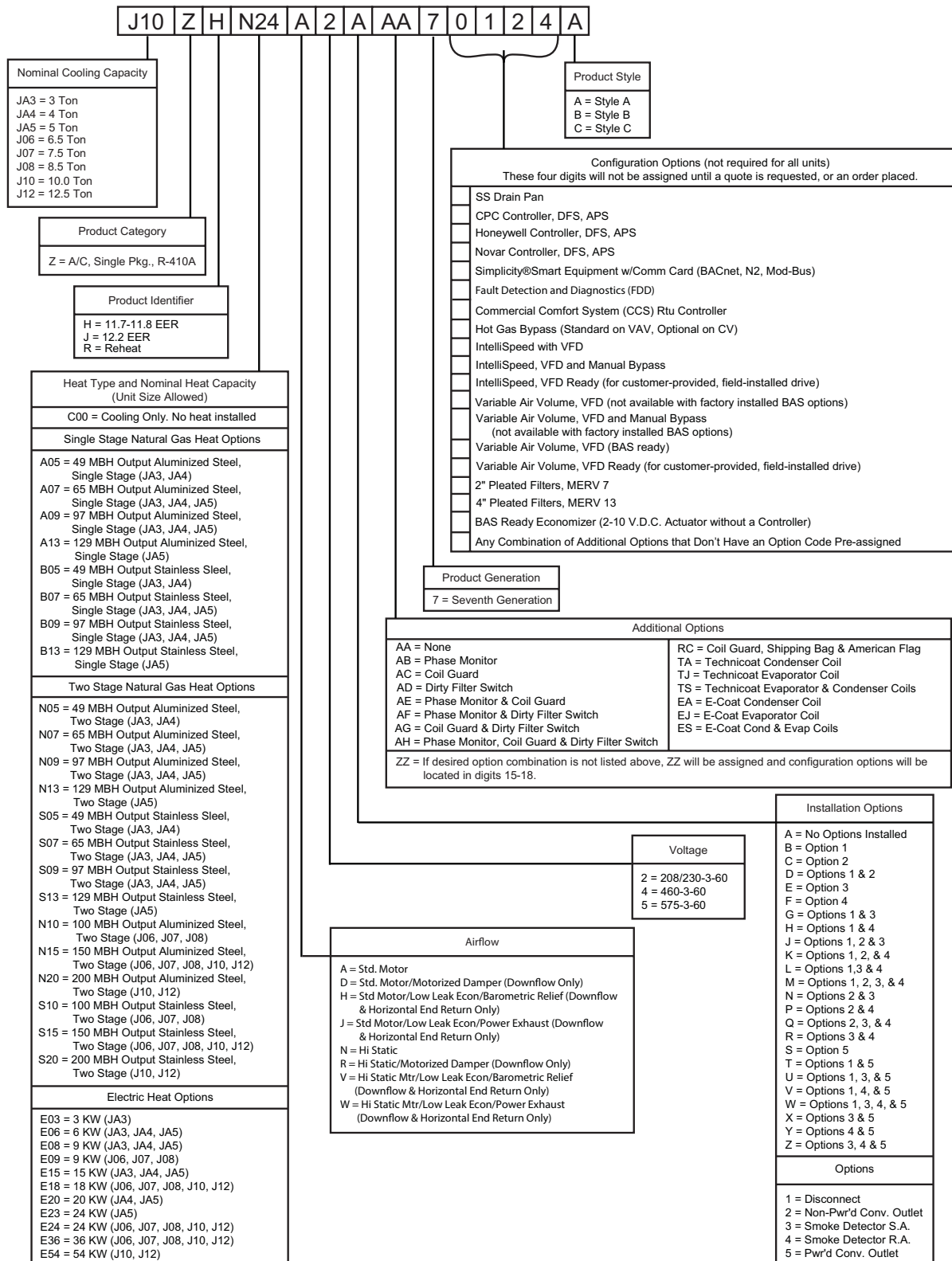
# Nomenclature

## 3-12.5 Ton Johnson Controls® Model Number Nomenclature



Prior Nomenclature

3-12.5 Ton JCI Series 10 Model Number Nomenclature  
For Units Produced Before 2-01-2016



## Features and Benefits

### Standard Features

- **Service Friendly** - The J\*\*ZH/ZJ/ZR incorporates a number of key features for ease of serviceability.

The motor and blower slide out of the unit as a common assembly. This facilitates greater access to all the indoor airflow components, thus simplifying maintenance and adjustment.

Service time is reduced through the use of hinged, toolless panels. Such panels provide access to frequently inspected components and areas, including the control box, compressors, filters, indoor motor & blower, and the heating section. The panels are screwed in place at the factory to prevent access by children or other unauthorized persons. It is recommended that the panels be secured with screws once service is complete.

Service windows have been placed in both condenser section walls. Rotation of the cover allows easy access to the condenser coils for cleaning or inspection.

The Smart Equipment™ control board provides alarm messages to help quickly identify any faults.

All units use four filters of the same standard size. This standardization simplifies selections for filter replacement.

The non-corrosive drain pan slides out of the unit to permit easy cleaning. The drain pan is accessed by removing the drain pan cover plate on the rear of the unit. Once the plate is removed, the drain pan slides out through the rear of the unit.

All J\*\*ZH/ZJ/ZR units have a second model nameplate located inside the control access door. This is to prevent deterioration of the nameplate through weathering.

- **Coil Technology** – All J\*\*ZH/ZJ condensers utilize Micro-Channel “all-aluminum” condensers which provide improved heat transfer capabilities and reduced charge volumes. All evaporators utilize a conventional copper tube/aluminum fin design for proven reliability and performance. JA3 thru A5ZR models utilize Micro-Channel condenser coils, J05 thru 12ZR models utilize copper tube/aluminum fin or Micro-Channel condenser coils. For specific unit model information see Physical Data Tables.
- **Environmentally Aware** - For improved Indoor Air Quality, a combination of aluminum foil faced and

elastometric rubber insulations are used exclusively throughout the units.

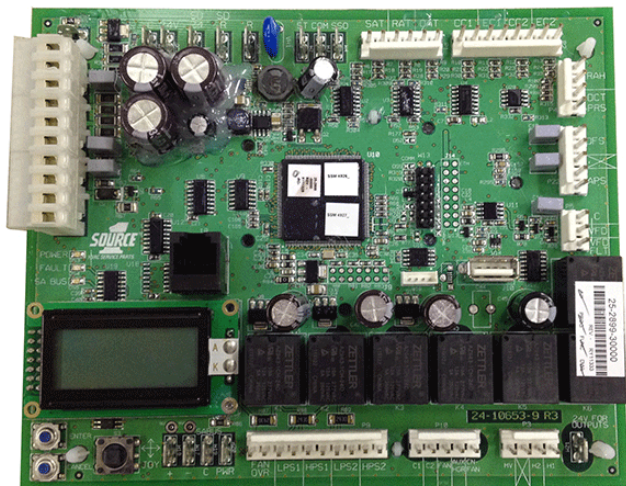
- **Balanced Heating** - The J\*\*ZH/ZJ/ZR two stage gas heating offers "Ultimate Heating Comfort" with a balance between 1st and 2nd stage gas heating to provide a well maintained desired temperature.

| Unit Tonnage   | 1st. Stage                    | 2nd. Stage               |
|----------------|-------------------------------|--------------------------|
| 3-5 Ton        | 70 to 75% of Heating Capacity | 100% of Heating Capacity |
| 6.5 - 12.5 Ton | 60% of Heating Capacity       | 100% of Heating Capacity |

- **Convertible Airflow Design** – The side duct openings are covered when they leave the factory. If a side supply/return is desired, the installer simply removes the two side duct covers from the outside of the unit and installs them over the down shot openings. No panel cutting is required. Convertible airflow design allows maximum field flexibility and minimum inventory.
- **System Protection** - Suction line freezestats are supplied on all units to protect against loss of charge and coil frosting when the economizer operates at low outdoor air temperatures while the compressors are running. Every unit has solid-core liquid line filter-driers and high and low-pressure switches. Internal compressor protection is standard on all compressors. Phase Monitors are standard on units with scroll compressors. This accessory monitors the incoming power to the unit and protects the unit from phase loss and reversed phase rotation.
- **Advanced Controls** - Smart Equipment™ control boards have standardized a number of features previously available only as options or by utilizing additional controls.

### CAUTION

The Smart Equipment™ control board used in this product will effectively operate the cooling system down to 0°F when this product is applied in a comfort cooling application for people. An economizer is typically included in this type of application. When applying this product for process cooling applications (computer rooms, switchgear, etc.), call the applications department for Unitary Products @ 1-877-UPG-SERV for guidance. Additional accessories may be needed for stable operation at temperatures below 30°F.



- **Units will come with the new state of the art Smart Equipment™ control system.** The new unit control incorporates the best of the already proven Simplicity™ unitary controls and creates a more robust, intelligent control. The goal of this control is to utilize cutting edge technology making the equipment easier to install, operate, and service. All units are Factory commissioned, configured, and run tested.
- **Versatile** - The Smart Equipment™ control can be configured to use with a standard thermostat (easy to connect screw terminals), A zone sensor, or can be setup to communicate with multiple BAS communication protocols to integrate with building automation systems.
- **Reduce field installed complexity** - Each unit will come equipped with factory installed supply air, return air, and outdoor air temperature sensors providing key temperature readings thus reduce field installed complexity.
- **On-board USB Port** - The new control comes with a long list of features including data logging, current and previous system faults and software update capabilities using the on board USB port and common flash drive. Energy use monitoring capabilities allow custom tailoring to allow a system to work more efficiently at all times and occupancy levels. Self test and start-up reports also available from the board VIA the USB port.
- **Embedded LCD Display** - The board has a easy to read, built-in LCD display and easy to use navigation joystick and buttons allowing the user to quickly navigate the menus displaying unit status, options, current function, supply, return and outdoor temperatures, fault codes and other information.
- **Safety Monitoring** - The control monitors the outdoor, supply, and return air temperatures and the high and low pressure switch status on the independent refrigerant circuits. On units with heating the gas valve and high temperature limit switches are monitored on gas and electric heating units. The control also monitors the voltage supplied to the unit and will protect the unit if low voltage due to a brown out, or other electrical issue occurs.
- **Low Ambient** - An integrated low-ambient control allows units to operate in the cooling mode down to 0°F outdoor ambient without additional components or intervention. Optionally, the control board can be programmed to lockout the compressors when the outdoor air temperature is low or when free cooling is available.
- **Anti-Short Cycle Protection** - To aid compressor life, an anti- short cycle delay is incorporated into the standard control. Compressor reliability is further ensured by programmable minimum run times. For testing, the anti-short cycle delay can be temporarily overridden with the push of a button.
- **Fan Delays** - Fan on and fan off delays are fully programmable. Furthermore, the heating and cooling fan delay times are independent of one another. All units are programmed with default values based upon their configuration of cooling and/or heating capacity.
- **Nuisance Trip Protection and Three Strikes** - To prevent nuisance calls, the control board uses a three times, you're out philosophy. The high, low-pressure switch, anti-freeze protection, low voltage or heating high limit must trip three times within two hours before the unit control board will lock out the associated compressor. An alarm message will be displayed on the LCD screen.
- **Lead-Lag** - An integrated Lead-Lag option allows equal run time hours on all compressors, thereby extending the life of all compressors. This option is selectable on the unit control board.
- **Low Limit Control (LLC)** - To prevent the supply air from dropping below a specified set point, when there is a demand for cooling during cold outside conditions. (Programmable Set point)
- **Reliable** - From the beginning - All units undergo computer automated testing before they leave the factory. Units are tested for refrigerant charge and pressure, unit amperage, and 100% functionality. For the long term - All units are painted with a long lasting, powder paint that stands up over the life of the unit. The paint used has been proven by a 1000 hour salt spray test.
- **Full Perimeter Base Rails** - The permanently attached base rails provide a solid foundation for the entire unit and protect the unit during shipment. The rails offer rigging holes so that an overhead crane can be used to place the units on a roof.
- **Easy Installation** - Gas and electric utility knockouts are supplied in the unit underside as well as the side of the unit. Utility connections can be made quickly and with a minimum amount of field labor. All units are shipped with 2" throw-away filters installed.
- **Wide Range of Indoor Airflows** - All supply air blowers are equipped with a belt drive that can be adjusted to meet the exact requirements of the job. A high static drive option is available for applications with a higher CFM and/or static pressure requirement.
- **Warranty** - All models include a 1-year limited warranty on the complete unit. Compressors and electric heater

elements each carry a 5-year warranty. Aluminized steel (10 yr.) and stainless steel tubular heat exchangers carry a 15- year warranty.

## Factory Installed Options

Johnson Controls offers several equipment options factory installed, for the J\*\*ZH/ZJ/ZR line.

- **Optional Factory Installed Economizers** - J\*\*ZH/ZJ/ZR units offer a variety of optional factory installed economizers with low leak dampers. The outdoor air dry bulb sensor enables economizer operation if the outdoor air temperature is less than the set point of the economizer logic module. See economizer options section to determine the correct economizer for your application.
- **Down flow / End Return Economizers (with barometric relief and fresh air hood)** - All units offer a variety of optional factory installed down flow economizers that are shipped, installed and wired with low leak dampers designed to meet ASHRAE 90.1-2010, AMCA 511 Class 1A damper, and the International Energy Conservation Code (IECC) certification requirements by achieving leakage rates of 3 cfm/sq. ft. at 1" of static pressure. Each economizer goes through a rigorous 60,000 cycle test. Dry bulb, single enthalpy, and dual enthalpy (with field installed kit) can be selected. The economizer has spring return, fully modulating damper actuators and is capable of introducing up to 100% outdoor air. As the outdoor air intake dampers open, the return air dampers close. The changeover from mechanical refrigeration to economizer operation is regulated by the outdoor air dry bulb temperature or the outdoor air enthalpy input. The optional (field installed) single or dual enthalpy kits provide additional inputs to monitor outdoor air/ or return air humidity and temperature for true enthalpy control. The installer needs only to assemble the outdoor air hood, attach the enthalpy control the hood and mount the hood to the unit (Hood and control are provided).
- **Power Exhaust** - This factory option allows down flow or horizontal end return economizer operation. **The power exhaust must be removed from the unit and mounted in the horizontal end return duct work when applying the product in the horizontal, end return configuration.**
- **Motorized Outdoor Air Damper** - The motorized outdoor air damper includes a slide-in/plug-in damper assembly with an outdoor air hood and filters. The outdoor air dampers open to the preset position when the indoor fan motor is energized. The damper has a range of 0% to 100% outdoor air entry.
- **Alternate Indoor Blower Motor** - For applications with high static restrictions, units are offered with optional indoor motors that provide higher static output and/or higher airflow, depending upon the installer's needs.
- **Variable Air Volume (VAV; 6.5 through 12.5 ton, only)** - A factory-installed variable frequency drive (VFD), mounted in the Blower Access compartment, is used to control the speed of the indoor blower motor in order to maintain a constant static pressure in the supply duct. A duct pressure transducer is provided with the unit. The

drive comes completely wired and pre-programmed from the factory.

An optional, factory-installed manual bypass switch available with factory-installed VFD can be found in the Blower Motor Access compartment. The switch can be used to either route power to the VFD for modulating control of the blower motor, to bypass the drive and operate the motor at full speed, or to power the drive (and not the motor) for diagnostic purposes.

VAV is not available with the factory-installed 3rd. party BAS controllers. VAV is only factory installed with the Smart Equipment™ Controller.

A 'VFD-ready' option provides the provisions for a customer-installed drive. The unit comes with a mounting bracket installed in the Blower Access compartment which may accommodate other vendor's drives depending on their size. In order to utilize the unit's mounting bracket, the maximum recommended drive dimensions are limited to approximately 9" H x 5" W x 7.5" D.

If the drive will not fit in the allotted space, then it will have to be mounted elsewhere; either within the building on a perpendicular wall which is not subjected to excessive temperature, vibration, humidity, dust, corrosive gas, explosive gas, etc., or within an appropriate enclosure rated for outside installation to safeguard against moisture, dust and excessive heat. A terminal block located in the control box is provided for field connection of the VFD controls.

- **IntelliSpeed™ Supply Fan Control Option (ASHRAE 90.1 compliant)** - Units configured with the **IntelliSpeed™** Supply Fan Option will contain a VFD for multi-speed supply fan operation. This option allows the supply fan RPM to vary based on the number of compressors or heating stages energized. The economizer's minimum position will also be configurable to vary based on the supply fan VFD frequency output.
- **Aluminized Steel Gas Heat Exchanger** - For applications in non-corrosive environments.
- **Stainless Steel Gas Heat Exchanger** - For applications in corrosive environments, this option provides a full stainless steel heat exchanger assembly.
- **Stainless Steel Drain Pan** - An optional rust-proof stainless steel drain pan is available to provide years of trouble-free operation in corrosive environments.
- **Low NOx Option** - For units with gas furnaces in locations where codes require that the Oxides of Nitrogen emissions from the furnace be below 40 Nano grams per joule.
- **Electric Heaters** - The electric heaters range from 3kW to 54kW and are available in all the voltage options of the base units. All heaters are intended for single point power supply.
- **Disconnect Switch** - For gas heat units and cooling units with electric heat, a HACR breaker sized to the unit is provided. For cooling only units, a switch sized to the largest electric heat available for the particular unit is provided. Factory installed option only.
- **Convenience Outlet - (Non-Powered/Powered)** - This option locates a 120V single-phase GFCI outlet with cover,



on the corner of the unit housing adjacent to the compressors. The "Non-powered" option requires the installer to provide the 120V single-phase power source and wiring. The "Powered" option is powered by a stepdown transformer in the unit. Factory installed option only.

- **Smoke Detectors** - The smoke detectors stop operation of the unit and provide a fault message to the control board. Smoke detectors are available for both the supply and/or return air configurations.
- **Filters** - 2" Pleated MERV 8 or 4" Pleated MERV 13 are available to meet LEED requirements. A 2" Throwaway is shipped as standard.

## ▲ WARNING

Factory-installed smoke detectors may be subjected to extreme temperatures during "off" times due to outside air infiltration. These smoke detectors have an operational limit of -4°F to 158°F. Smoke detectors installed in areas that could be outside this range will have to be relocated to prevent false alarms.

- **Phase Monitors** - Designed to prevent unit damage. The phase monitor will shut the unit down in an out-of phase condition. **(Standard on units with Scroll Compressors.)**
- **Coil Guard** - Customers can purchase a coil guard kit to protect the condenser coil from damage. Additionally, this kit stops animals and foreign objects from entering the space between the inner condenser coil and the main cabinet. This is not a hail guard kit.
- **Dirty Filter Switch** - This kit includes a differential pressure switch that energizes the fault light on the unit thermostat, indicating that there is an abnormally high pressure drop across the filters. Factory installed option or field installed accessory.
- **E-Coat Condenser Coils** - The condenser coils are coated with an epoxy polymer coating to protect against corrosion.
- **E-Coat Evaporator Coils** - The evaporator coils are coated with an epoxy polymer coating to protect against corrosion.
- **Hot Gas Bypass** - Allows operation during low load conditions while avoiding coil frosting and damage to compressor. When suction pressure falls below valve setpoint, the valve modulates hot gas to the inlet of the evaporator. HGBP is standard on all units with VAV and optional with constant-volume units.

### Control Options

- **Smart Equipment™ with Communication Option Control** - The Johnson Controls Smart Equipment™ with Communication Option Control is factory installed. It includes all the features of the Smart Equipment™ control with an additional gateway to BACnet MS/TP (programmable to Modbus or N2 protocols).
- **FDD (Fault Detection and Diagnostics) - Refrigerant side** A factory installed control system option on the commercial equipment that constantly monitors

refrigerant circuit pressures, refrigerant circuit temperatures, as well as the environmental temperatures and humidity via multiple sensor inputs.

- Provides a building owner, technician or contractor with the operational characteristics of the RTUs entire refrigerant circuit to ensure the unit is functioning at its specified performance level.
- Provides alarms if the unit is not functioning optimally.
- Remotely accessible via the Mobile Access Portal (MAP) gateway as well as scrolled on the UCB LCD screen.
- **Novar® BAS Control** - The Novar® building automation system controller is factory installed. Includes supply air sensor, return air sensor, dirty filter indicator switch, and air proving switch.
- **CPC BAS Control** - The Computer Process Controls Model 810-3060 ARTC Advanced Rooftop building automation system controller is factory installed. Includes supply air sensor, return air sensor, with optional dirty filter indicator switch and air proving switch.
- **Honeywell BAS Control** - The Honeywell W7750C building automation system controller is factory installed. Includes air supply sensor, return air sensor, with optional dirty filter indicator switch, and air proving switch.

### Field Installed Accessories

Johnson Controls offers several equipment accessories for field installation, for the J\*\*ZH/ZJ/ZR line.

- **Down flow and End Return Economizers (with fresh air hood and barometric relief)** - All units offer a variety of optional factory installed down flow economizers that are shipped, installed and wired with low leak dampers designed to meet ASHRAE 90.1-2010, AMCA 511 Class 1A damper, and the International Energy Conservation Code (IECC) certification requirements by achieving leakage rates of 3 cfm/sq. ft. at 1" of static pressure. Each economizer goes through a rigorous 60,000 cycle test. Dry bulb, single enthalpy, and dual enthalpy (with field installed kit) can be selected. The economizer has spring return, fully modulating damper actuators and is capable of introducing up to 100% outdoor air. As the outdoor air intake dampers open, the return air dampers close. The changeover from mechanical refrigeration to economizer operation is regulated by the outdoor air dry bulb temperature or the outdoor air enthalpy input. The dual enthalpy kit provides a second input used to monitor the return air (field installed). The installer needs only to assemble the outdoor air hood, attach the enthalpy control the hood and mount the hood to the unit (Hood and control are provided).
- **Single or Dual Enthalpy Control, Accessories** - These kits contain the required components to convert a dry bulb economizer to a single enthalpy and/or dual enthalpy economizer.
- **Barometric Relief Damper** - Zero to 100% capacity barometric relief dampers for use with horizontal flow, or field installed economizers.
- **Power Exhaust** - This accessory installs in the unit with a down flow or horizontal end return economizer. Power

exhaust plugs into the connector in the unit bulkhead.

**User must purchase the 1EH0408 barometric relief and hood kit when applying the product in a horizontal flow application. The power exhaust must be mounted in the horizontal end return ductwork.**

- **Manual Outdoor Air Damper** - Like the motorized outdoor air damper, each manual outdoor air damper includes a slide-in damper assembly with an outdoor air hood and filters. Customers have a choice of dampers with ranges of 0% to 100% or 0% to 35% outdoor air entry.
- **Motorized Outdoor Air Damper** - The motorized outdoor air damper includes a slide-in/plug-in damper assembly with an outdoor air hood and filters. The outdoor air dampers open to the preset position when the indoor fan motor is energized. The damper has a range of 0% to 100% outdoor air entry. Factory installed option or field installed accessory.
- **Smoke Detectors** - The smoke detectors stop operation of the unit by interrupting power to the control board if smoke is detected within the air compartment.
- **CO<sub>2</sub> Sensor** - Senses CO<sub>2</sub> levels and automatically overrides the economizer when levels rise above the preset limits.
- **Dirty Filter Switch** - This kit includes a differential pressure switch that energizes the fault light on the unit thermostat, indicating that there is an abnormally high pressure drop across the filters.
- **Coil Guard** - Field installed decorative wire coil guard.
- **Hail Guard** - This kit includes a sloped hood which installs over the outside condenser coil and prevents damage to the coil fins from hail strikes. Field installed accessory only.
- **Flue Exhaust Extension Kit** - In locations with wind or weather conditions which may interfere with proper exhausting of furnace combustion products, this kit can be installed to prevent the flue exhaust from entering nearby fresh air intakes.
- **Gas Heat High Altitude Kit** - This kit converts a gas heat unit to operate at high altitudes, 2,000 to 6,000 feet. Conversion kits are available for natural gas and propane.
- **Gas Heat Propane Conversion Kit** - This kit converts a gas-fired heater from natural gas to propane. It contains the main burner orifices and gas valve replacement springs.
- **Low NOx Kit** - For units with gas furnaces in locations where codes require that the Oxides of Nitrogen emissions from the furnace be below 40 Nano grams per joule.
- **Gas Piping Kit** - Contains pipe nipples, fittings and gas cock required for gas supply connection with external shut off.
- **Electric Heaters** - The electric heaters range from 3kW to 54kW and are available in all the voltage options of the base units. The 54kW/208-240 volt, field-installed heater kit is not available with VAV units due to a lack of space to accommodate the heater's fuse block accessory.  
All heaters are dual staged. Cooling units include an adapter panel for easy installation of the electric heaters. Necessary hardware and connectors are included with the heaters. All heaters are intended for single point power supply.
- **Metal Frame Filter Kit** - Metal frame with polyester filter medium.
- **Permanent Filters** - Permanent filters are available.
- **Roof Curbs** - The roof curbs have insulated decks and are shipped disassembled. The roof curbs are available in 8" and 14" heights. For applications with security concerns, burglar bars are available for the duct openings of the roof curbs.
- **Roof Curb Transition** - Single Piece Adapter (10" High) - Roof curbs for transitioning from Series 10 units to J\*\*ZH/ZJ/ZR units. Fits 7.5 to 12.5 Series 10 roof curbs only.
- **Burglar Bars** - Mount in the supply and return openings to prevent entry into the duct work.
- **Thermostat** - The units are designed to operate with 24-volt electronic and electro-mechanical thermostats. All 6.5 thru 12.5 ton J\*\*ZH/ZJ units and all 3 thru 12.5 ton J\*\*ZR units (with or without an economizer) operate with two-stage heat/two-stage cool or two-stage cooling only thermostats, depending upon unit configuration.

## Accessories

### Field Installed Accessories - Non-Electrical

| MODEL   | VOLTAGE | DESCRIPTION  | WHERE USED  |
|---------|---------|--|---|
| 1BD0408 | All     | Burglar Bars, Downflow   | All Cabinets  |
| 1CG0419 | All     | Coil Guard   | (Electric / Electric Models), 50" Tall Standard Cabinets        |
| 1CG0420 | All     | Coil Guard   | (Gas / Electric Models), 50" Tall Standard Cabinets             |
| 1CG0427 | All     | Coil Guard   | (Electric / Electric Models), 42" Tall Cabinets                 |
| 1CG0428 | All     | Coil Guard   | (Gas / Electric Models), 42" Tall Cabinets                      |
| 1HG0411 | All     | Hail Guard Kit   | All Tall (50") Standard Cabinets, (Excludes 12.5T "V" cabinets) |
| 1HG0415 | All     | Hail Guard Kit   | All Short (42") Standard Cabinets                               |
| 1FE0412 | All     | Flue Exhaust Extension Kit                                     | All Cabinets  |
| 1FF0414 | All     | 2" only Metal Filter Frame Kit                                 | All Tall 50" Cabinets   |
| 1FF0415 | All     | 2" only Metal Filter Frame Kit                                 | All Tall 42" Cabinets   |
| 1FL0402 | All     | Permanent 2" only Filter Kit Includes (4) Four Filters)        | All Tall 50" Cabinets   |
| 1FL0423 | All     | Permanent 2" only Filter Kit (Includes (4) four Filters)       | All Tall 42" Cabinets   |
| 1GP0405 | All     | Gas Piping Kit   | All Cabinets  |
| 1HA0442 | All     | High Altitude Kit for Natural Gas                              | All 6 - 12T Cabinets  |
| 1HA0450 | All     | High Altitude Kit for Natural Gas                              | 3 - 5T (80, 120 & 160 MBH Input)                                |
| 1HA0451 | All     | High Altitude Kit for Natural Gas                              | 3 - 4T (60 MBH Input)   |
| 1HA0443 | All     | High Altitude Kit for Propane                                  | All 6 - 12T Cabinets  |
| 1HA0452 | All     | High Altitude Kit for Propane                                  | 3 - 5T (80, 120 & 160 MBH Input)                                |
| 1HA0453 | All     | High Altitude Kit for Propane                                  | 3 - 4T (60 MBH Input)   |
| 1NP0442 | All     | Propane Conversion Kit   | All 6 - 12T Cabinets  |
| 1NP0454 | All     | Propane Conversion Kit   | 3 - 5T (80, 120 & 160 MBH Input)                                |
| 1NP0455 | All     | Propane Conversion Kit   | 3 - 4T (60 MBH Input)   |
| 1RC0470 | All     | Roof Curb, 8" Height   | All Cabinets  |
| 1RC0471 | All     | Roof Curb, 14" Height  | All Cabinets  |
| 1RC0472 | All     | Roof Curb, Transition (7.5 T thru 12.5T to 3T- 12T)            | All Cabinets  |
| 1WC0412 | All     | Wooden Crate for extra protection during shipping and handling | Standard Cabinets Only (not applicable to units 119" in length) |
| 1LN0407 | All     | Low NOx Kit  | 3 - 5T (80, 120 & 160 MBH Input)                                |
| 1LN0408 | All     | Low NOx Kit  | 3 - 5T (60 MBH Input)   |

**Accessories (Continued)****Field Installed Accessories - Electric Heat**

| MODEL       | VOLTAGE | DESCRIPTION        | WHERE USED                                       |
|-------------|---------|--------------------|--|
| 2TP04520925 | 230     | 9kW Electric Heat  | All 50" Cabinet 6.5 and 8.5 Ton Models           |
| 2TP04520946 | 460     |                    |  |
| 2TP04520958 | 575     |                    |  |
| 2TP04531825 | 230     | 18kW Electric Heat | All 50" Cabinet 6.5, 8.5, 10 and 12.5 Ton Models |
| 2TP04531846 | 460     |                    |  |
| 2TP04521858 | 575     |                    |  |
| 2TP04532425 | 230     | 24kW Electric Heat | All 50" Cabinet 6.5, 8.5, 10 and 12.5 Ton Models |
| 2TP04532446 | 460     |                    |  |
| 2TP04522458 | 575     |                    |  |
| 2TP04533625 | 230     | 36kW Electric Heat | All 50" Cabinet 6.5, 8.5, 10 and 12.5 Ton Models |
| 2TP04533646 | 460     |                    |  |
| 2TP04523658 | 575     |                    |  |
| 2TP04525425 | 230     | 54kW Electric Heat | All 50" 10 and 12.5 Ton Models                   |
| 2TP04525446 | 460     |                    |  |
| 2TP04525458 | 575     |                    |  |
| 2TP04540925 | 230     | 9kW Electric Heat  | All 42" Cabinet 6.5, 7.5 and 8.5 Ton Models      |
| 2TP04540946 | 460     |                    |  |
| 2TP04540958 | 575     |                    |  |
| 2TP04541825 | 230     | 18kW Electric Heat | All 42" 6.5, 7.5 and 8.5 Ton Models              |
| 2TP04541846 | 460     |                    |  |
| 2TP04541858 | 575     |                    |  |
| 2TP04542425 | 230     | 24kW Electric Heat | All 42" Cabinet 6.5, 7.5 and 8.5 Ton Models      |
| 2TP04542446 | 460     |                    |  |
| 2TP04542458 | 575     |                    |  |
| 2TP04543625 | 230     | 36kW Electric Heat | All 42" Cabinet 6.5, 7.5 and 8.5 Ton Models      |
| 2TP04543646 | 460     |                    |  |
| 2TP04543658 | 575     |                    |  |
| 2TP04510325 | 230     | 3kW Electric Heat  | All 42" Cabinet 3 Ton Models                     |
| 2TP04510346 | 460     |                    |  |
| 2TP04510625 | 230     | 6kW Electric Heat  | All 42" Cabinet 3, 4 and 5 Ton Models            |
| 2TP04510646 | 460     |                    |  |
| 2TP04510825 | 230     | 9kW Electric Heat  | All 42" Cabinet 3, 4 and 5 Ton Models            |
| 2TP04510846 | 460     |                    |  |
| 2TP04510858 | 575     |                    |  |
| 2TP04511525 | 230     | 15kW Electric Heat | All 42" Cabinet 3, 4 and 5 Ton Models            |
| 2TP04511546 | 460     |                    |  |
| 2TP04511558 | 575     |                    |  |
| 2TP04512025 | 230     | 20kW Electric Heat | All 42" 4 and 5 Ton Models                       |
| 2TP04512046 | 460     |                    |  |
| 2TP04512058 | 575     |                    |  |
| 2TP04512325 | 230     | 24kW Electric Heat | All 42" Cabinet 5 Ton Models                     |
| 2TP04512346 | 460     |                    |  |
| 2TP04512358 | 575     |                    |  |

**Accessories (Continued)****Field Installed Accessories - Fresh Air**

| MODEL       | VOLTAGE | DESCRIPTION   | WHERE USED       |
|-------------|---------|---|------------------|
| 1FA0413     | All     | Manual Outside Air Damper 0-35%, Downflow   | All Cabinets     |
| 1FA0414     | All     | Manual Outside Air Damper 0-100%, Downflow  | All Cabinets     |
| 1EH0408     | All     | Barometric Relief Kit for Power Exhaust, Horizontal Application   | All Cabinets     |
| 2EC0401     | All     | Single Enthalpy Control   | All Cabinets     |
| 2EC0402     | All     | Dual Enthalpy Control (Includes 2 Sensors)  | All Cabinets     |
| 2EE04707624 | All     | Economizer for Downflow, End Return Horizontal, or ERV Applications. Includes FA Hood, Exhaust Hood w/Baro Relief | All 50" Cabinets |
| 2EE04707424 | All     | Economizer for Downflow, End Return Horizontal, or ERV Applications. Includes FA Hood, Exhaust Hood w/Baro Relief | All 42" Cabinets |
| 2EE04706924 | All     | Horizontal Economizer without Barometric Relief   | All Cabinets     |
| 2MD04703824 | All     | Motorized Damper, Downflow without Barometric Relief  | All Cabinets     |
| 2MD04703924 | All     | Motorized Damper, Horizontal without Barometric Relief  | All Cabinets     |
| 2PE04704706 | 230     | Power Exhaust 230V Downflow or Horizontal   | All Cabinets     |
| 2PE04704746 | 460     | Power Exhaust 460V Downflow or Horizontal   | All Cabinets     |
| 2PE04704758 | 575     | Power Exhaust 575V Downflow or Horizontal   | All Cabinets     |

**Field Installed Accessories - Controls**

| MODEL            | VOLTAGE | DESCRIPTION   | WHERE USED                                       |
|------------------|---------|---|--|
| 2AP0401          | All     | Air Proving Switch  | All Units  |
| 2AQ04700324B     | All     | CO <sup>2</sup> Space Accessory   | All Units  |
| 2AQ04700424C     | All     | CO <sup>2</sup> Unit Accessory  | All Units  |
| 2DF0402          | All     | Dirty Air Switch  | All Units  |
| 2SH0401          | All     | Wall Mounted humidity sensor-For use with MagnaDry Reheat or space humidity input to Smart Equipment™ board.  | All Cabinets                                     |
| 2SD04700824      | All     | Smoke Detector for Supply   | All Gen 5 and greater units with 2" & 4" Filters |
| 2SD04700924      | All     | Smoke Detector for Return   | All Gen 5 and greater units with 2" & 4" Filters |
| 2SD04701024      | All     | Smoke Detector for Supply and Return  | All Gen 5 and greater units with 2" & 4" Filters |
| S1-YK-MAP1810-0P | All     | MAP (Mobile Access Portal) Gateway- For use with Smart Equipment™ Control.  | All Units  |
| S1-MP-PRTKIT-0P  | All     | MAP (Mobile Access Portal) Gateway Kit- Replacement MAP gateway protective case, lanyard and communication cable. Use only to replace worn or damaged components. | All Units  |

**Field Installed Accessories - Electrical**

| MODEL       | VOLTAGE | DESCRIPTION     | WHERE USED                            |
|-------------|---------|-----------------|---------------------------------------|
| 2LA04704632 | All     | Low Ambient Kit | All 3 - 10T units (excludes ZT Units) |
| 2LA04704633 | All     | Low Ambient Kit | All 12.5T cabinets                    |
| 2LA04704632 | All     | Low Ambient Kit | All 3 - 5T Reheat Units Only          |

**Guide Specifications****GENERAL**

Units shall be manufactured by Unitary Products in an ISO 9001 certified facility. Johnson Controls J\*\*ZH/ZJ/ZR units are convertible single packages with a common footprint cabinet and common roof curb for all 3 through 12.5 ton models. All 6.5 through 12.5 ton units have two compressors with independent R-410A refrigeration circuits to provide 2 stages of cooling. The units were designed for light commercial applications and can be easily installed on a roof curb, slab, or frame. All J\*\*ZH/ZJ/ZR units are self-contained and assembled on rigid full perimeter base rails allowing for 3-way forklift access and overhead rigging. Every unit is completely charged with R-410A, wired, piped, and tested at the factory to provide a quick and easy field installation. All units are convertible between side and down airflow. Independent economizer designs are used on side and down discharge applications, as well as all

tonnage sizes. J\*\*ZH/ZJ/ZR units are available in the following configurations: cooling only, cooling with electric heat, cooling with gas heat, reheat only, reheat with electric heat and reheat with gas heat. Electric heaters are available as factory-installed options or field-installed accessories.

**DESCRIPTION**

Units shall be factory assembled, single package, (Elec/Elec, Gas/Elec), designed for outdoor installation. They shall have built in field convertible duct connections for down discharge supply/return or horizontal discharge supply/return and be available with factory installed options or field installed accessories. The units shall be factory wired, piped and charged with R-410A refrigerant and factory tested prior to shipment. All unit wiring shall be both numbered and color coded. The cooling performance shall be rated in accordance with DOE and AHRI test procedures. Units shall be CSA certified to ANSI Z21.47 and UL 1995/CAN/CSA No. 236-M90 standards.

## UNIT CABINET

Unit cabinet shall be constructed of galvanized steel with exterior surfaces coated with a non-chalking, powder paint finish, certified at 1000 hour salt spray test per ASTM-B117 standards. Indoor blower sections shall be insulated with up to 1" thick insulation coated on the airside. Either aluminum foil faced or elastometric rubber insulation shall be used in the unit's compartments and be fastened to prevent insulation from entering the air stream. Cabinet doors shall be hinged with toolless access for easy servicing and maintenance. Full perimeter base rails shall be provided to assure reliable transit of equipment, overhead rigging, fork truck access and proper sealing on roof curb applications. Disposable 2" filters shall be furnished as standard and be accessible through hinged access door. Fan performance measuring ports shall be provided on the outside of the cabinet to allow accurate air measurements of evaporator fan performance without removing panels or creating bypass of the coils. Condensate pan shall be slide out design, constructed of a non corrosive material, internally sloped and conforming to ASHRAE 62-B9 standards. Condensate connection shall be a minimum of 3/4" I.D. female and be rigid mount connection.

## INDOOR (EVAPORATOR) FAN ASSEMBLY

Fan shall be a belt drive assembly and include an adjustable pitch motor pulley. Job site selected brake horsepower shall not exceed the motors nameplate horsepower rating plus the service factor. Units shall be designed to operate within the service factor. Fan wheel shall be double inlet type with forward curve blades, dynamically balanced to operate smoothly throughout the entire range of operation. Airflow design shall be constant volume. Bearings shall be sealed and permanently lubricated for longer life and no maintenance. Entire blower assembly and motor shall be slide out design.

## OUTDOOR (CONDENSER) FAN ASSEMBLY

The outdoor fans shall be of the direct drive type, discharge air vertically, have aluminum blades riveted to corrosion resistant steel spider brackets and shall be dynamically balanced for smooth operation. The outdoor fan motors shall have permanently lubricated bearings internally protected against overload conditions and staged independently. A cleaning window shall be provided on two sides of the units for coil cleaning.

## REFRIGERANT COMPONENTS

### Compressors:

- a. Shall be fully hermetic type, direct drive, internally protected with internal high-pressure relief and over temperature protection. The hermetic motor shall be suction gas cooled and have a voltage range of + or - 10% of the unit nameplate voltage.
- b. Shall have internal spring isolation and sound muffling to minimize vibration and noise, and be externally isolated on a dedicated, independent mounting.

### Coils:

- a. Evaporator coils shall have aluminum plate fins mechanically bonded to seamless internally enhanced copper tubes with all joints brazed. Special Phenolic coating shall be available as a factory option.
- b. Evaporator coils shall be of the direct expansion, draw-thru design.
- c. Condenser coils shall have aluminum plate fins mechanically bonded to seamless internally enhanced copper tubes with all joints brazed or Micro-Channel aluminum tube, aluminum fins.
- d. Condenser coils shall be of the draw-thru design.

Refrigerant Circuit and Refrigerant Safety Components shall include:

- a. Independent fixed-orifice or thermally operated expansion devices.
- b. Solid core filter drier/strainer to eliminate any moisture or foreign matter.
- c. Accessible service gage connections on both suction and discharge lines to charge, evacuate, and measure refrigerant pressure during any necessary servicing or troubleshooting, without losing charge.
- d. The 6.5 through 12.5 ton unit shall have two independent refrigerant circuits, equally split in 50% capacity increments.

### Unit Controls:

- a. Unit shall be complete with self-contained low-voltage control circuit protected by a resettable circuit breaker on the 24-volt transformer side.
- b. Unit shall incorporate a lockout circuit which provides reset capability at the space thermostat or base unit, should any of the following standard safety devices trip and shut off compressor.
  1. Loss-of-charge/Low-pressure switch.
  2. High-pressure switch.
  3. Freeze condition sensor on evaporator coil. If any of these safety devices trip, the LCD screen will display the alarm message.
- c. Unit shall incorporate "AUTO RESET" compressor over temperature, over current protection.
- d. Unit shall operate with conventional thermostat designs and have a low voltage terminal strip for easy hook-up.
- e. Unit control board shall have on-board diagnostics and fault message display.
- f. Standard controls shall include anti-short cycle and low voltage protection, and permit cooling operation down to a selectable value as low as 0 °F.
- g. Control board shall monitor each refrigerant safety switch independently.

## GAS HEATING SECTION (IF EQUIPPED)

Heat exchanger and exhaust system shall be constructed of aluminized steel, and be designed with induced draft combustion with post purge logic, energy saving direct spark ignition, and redundant main gas valve. The heat exchanger shall be of the tubular type, constructed of T1-40 aluminized steel for corrosion resistance and allowing minimum mixed air entering temperature of 40 °F. Burners shall be of the in-shot type, constructed of aluminum-coated steel. All gas piping shall enter the unit cabinet at a single location, through either the side or bottom, without any field modifications. An integrated control board shall provide timed control of evaporator fan functioning and burner ignition. Heating section shall be provided with the following minimum protection:

- a. Primary and auxiliary high-temperature limit switches.
- b. Induced draft pressure sensor.
- c. Flame roll out switch (manual reset).
- d. Flame proving controls.
- e. All two stage gas units shall have two independent stages of capacity as shown on Page 5.

## ELECTRIC HEATING SECTION (IF EQUIPPED)

An electric heating section, with nickel chromium elements, shall be provided in a range of 3 thru 54KW. The heating section shall have a primary limit control(s) (automatic reset) to prevent the heating element system from operating at an excessive temperature. The Heating Section assembly shall slide out of the unit for easy maintenance and service. Units with Electric Heating Sections shall be wired for a single point power supply with branch circuit fusing (where required).

## UNIT OPERATING CHARACTERISTICS

Unit shall be capable of starting and running at 125 °F outdoor temperature, exceeding maximum load criteria of AHRI Standard 340/360. The compressor, with standard controls, shall be capable of operation down to 0 °F outdoor temperature. Unit shall be provided with fan time delay to prevent cold air delivery before heat exchanger warms up. (Gas heat only)

**ELECTRICAL REQUIREMENTS** - All unit power wiring shall enter unit cabinet at a single factory provided location and be capable of side or bottom entry to minimize roof penetrations and avoid unit field modifications. Separate side and bottom openings shall be provided for the control wiring.

**STANDARD LIMITED WARRANTIES** - Compressor – 5 Years, Heat Exchanger – 10 Years, Elect. Heat Elem. – 5 Years, Parts – 1 Year

**OPTIONAL OUTDOOR AIR** (Shall be made available by either/or):

- **DRY BULB AUTOMATIC ECONOMIZER** - Outdoor and return air dampers that are interlocked and positioned by a fully-modulating, spring-return damper actuator. The maximum leakage rate for the outdoor air intake dampers shall be designed to meet ASHRAE 90.1-2010, AMCA

511 Class 1A damper, and the International Energy Conservation Code (IECC) certification requirements by achieving leakage rates of 3 cfm/sq. ft. at 1" of static pressure. Changeover from compressor to economizer operation shall be provided by an integral electronic enthalpy control that feeds input into the basic module. The outdoor intake opening shall be covered with a rain hood that matches the exterior of the unit. Water eliminator/filters shall be provided.

Simultaneous economizer/compressor operation is also possible. Dampers shall fully close on power loss. Available with barometric relief and power exhaust.

- **MOTORIZED OUTDOOR AIR DAMPERS** - Outdoor and return air dampers that are interlocked and positioned by a 2- position, spring-return damper actuator. A unit-mounted potentiometer shall be provided to adjust the outdoor and return air damper assembly to take in the design CFM of outdoor air to meet the ventilation requirements of the conditioned space during normal operation. Whenever the indoor fan motor is energized, the dampers open up to one of two pre-selected positions - regardless of the outdoor air enthalpy. Dampers return to the fully closed position when the indoor fan motor is de-energized. Dampers shall fully close on power loss.

## ADDITIONAL FACTORY INSTALLED OPTIONS

- **ALTERNATE INDOOR BLOWER MOTOR** – For applications with high restrictions, units are available with optional indoor blower motors that provide higher static output and/or higher airflow.
- **VARIABLE AIR VOLUME (VAV)** - The VAV option using a variable frequency drive (VFD) shall be available on 6.5 through 12.5 ton models for applications requiring a constant supply-duct static pressure. Units equipped for VAV shall be controlled by a duct pressure transducer with a 0 - 5" WC pressure range. The pressure transducer shall provide a 0 - 5 VDC output signal to a VAV control board which, in turn shall provide a 2 - 10 VDC speed reference signal to the VFD. The control board shall operate using factory-installed Supply Air, Return Air and Outside Air Temperature Sensors with a nominal resistance of 10,000 Ohms. Units equipped with VFD's shall have factory-installed manual bypass as an option.
- **CONVENIENCE OUTLET (POWERED/NON-POWERED)**— Unit can be provided with an optional 120VAC GFCI outlet with cover on the corner of the unit housing the compressors.
- **ELECTRIC HEAT** - Electric Heaters range from 3kW to 54kW and are available in all the voltage options of the base unit.
- **PHASE MONITOR** - Designed to prevent damage in out-of-phase condition.
- **COIL GUARD** - Designed to prevent condenser coil damage.
- **BAS CONTROLS HARDWARE** - Include supply air sensor, return air sensor, dirty filter indicator and air proving switch.

- **DIRTY FILTER SWITCH** – This kit includes a differential pressure switch that energizes the fault light on the unit thermostat, indicating that there is an abnormally high-pressure drop across the filters.
- **BREAKER** – An HACR breaker can be factory installed on gas heat units or cooling units with electric heat.
- **DISCONNECT SWITCH** - A disconnect can be factory installed on a cooling only units sized for the largest electric heat available.
- **STAINLESS STEEL HEAT EXCHANGER** – For applications in a corrosive environment, this option provides a full stainless steel heat exchanger assembly.
- **SMOKE DETECTOR** – A smoke detector can be factory mounted and wired in the supply and/or return air compartments.

#### **OTHER PRE-ENGINEERED ACCESSORIES AVAILABLE**

- **ROOF CURB** - 14” and 8” high, full perimeter knockdown curb, with hinged design for quick assembly.
- **BAROMETRIC RELIEF DAMPER** – (Unit mounted – Downflow, Duct Mounted – Horizontal) – Contains a rain hood, air inlet screen, exhaust damper and mounting hardware. Used to relieve internal air pressure through the unit during economizer operation.
- **PROPANE CONVERSION KIT** – Contains new orifices and gas valve springs to convert from natural to L.P. gas.
- **ECONOMIZER** (Downflow and Horizontal flow)
- **POWER EXHAUST** – (Unit mount – Downflow, Duct mount – Horizontal flow)
- **DUAL ENTHALPY KIT** - Provides a second input to economizer to monitor return air.



## Physical Data

### JA3 thru A5ZH Single Stage Gas Physical Data

| Component                           | Models              |         |         |                     |         |         |                     |         |         |
|-------------------------------------|---------------------|---------|---------|---------------------|---------|---------|---------------------|---------|---------|
|                                     | JA3ZH               |         |         | JA4ZH               |         |         | JA5ZH               |         |         |
| Nominal Tonnage                     | 3.0                 |         |         | 4.0                 |         |         | 5.0                 |         |         |
| <b>AHRI COOLING PERFORMANCE</b>     |                     |         |         |                     |         |         |                     |         |         |
| Gross Capacity @ AHRI A point (MBh) | 37000               |         |         | 50000               |         |         | 61000               |         |         |
| AHRI net capacity (MBh)             | 36000               |         |         | 48000               |         |         | 58000               |         |         |
| EER                                 | 11.8                |         |         | 11.8                |         |         | 11.8                |         |         |
| SEER                                | 14                  |         |         | 14                  |         |         | 14                  |         |         |
| CFM                                 | 1200                |         |         | 1600                |         |         | 2000                |         |         |
| System power (KW)                   | 3.05                |         |         | 4.07                |         |         | 4.90                |         |         |
| Refrigerant type                    | R-410A              |         |         | R-410A              |         |         | R-410A              |         |         |
| Refrigerant charge (lb-oz)          |                     |         |         |                     |         |         |                     |         |         |
| System 1                            | 7-4                 |         |         | 6-14                |         |         | 7-12                |         |         |
| System 2                            | -                   |         |         | -                   |         |         | -                   |         |         |
| <b>AHRI HEATING PERFORMANCE</b>     |                     |         |         |                     |         |         |                     |         |         |
| Heating model                       | H06                 | H08     | H12     | H06                 | H08     | H12     | H08                 | H12     | H16     |
| Heat input (K Btu)                  | 60                  | 80      | 120     | 60                  | 80      | 120     | 80                  | 120     | 160     |
| Heat output (K Btu)                 | 49                  | 65      | 97      | 49                  | 65      | 97      | 65                  | 97      | 129     |
| AFUE %                              | -                   |         | -       | -                   |         | -       | -                   |         | -       |
| Steady state efficiency (%)         | 81.5                | 81      | 81      | 81.5                | 81      | 81      | 81                  | 81      | 80.5    |
| No. burners                         | 4                   | 4       | 6       | 4                   | 4       | 6       | 4                   | 6       | 8       |
| No. stages                          | 1                   | 1       | 1       | 1                   | 1       | 1       | 1                   | 1       | 1       |
| Temperature Rise Range (°F)         | 20-50°F             | 25-65°F | 50-80°F | 20-50°F             | 25-65°F | 40-70°F | 25-65°F             | 35-65°F | 45-75°F |
| Gas Limit Setting (°F)              | 235°F               | 200°F   | 255°F   | 235°F               | 200°F   | 255°F   | 200°F               | 245°F   | 240°F   |
| Gas piping connection (in.)         | 3/4                 | 3/4     | 3/4     | 3/4                 | 3/4     | 3/4     | 3/4                 | 3/4     | 3/4     |
| <b>DIMENSIONS (inches)</b>          |                     |         |         |                     |         |         |                     |         |         |
| Length                              | 89                  |         |         | 89                  |         |         | 89                  |         |         |
| Width                               | 59                  |         |         | 59                  |         |         | 59                  |         |         |
| Height                              | 42                  |         |         | 42                  |         |         | 42                  |         |         |
| <b>OPERATING WT. (lbs.)</b>         |                     |         |         |                     |         |         |                     |         |         |
| 723                                 |                     |         |         |                     |         |         |                     |         |         |
| 763                                 |                     |         |         |                     |         |         |                     |         |         |
| 864                                 |                     |         |         |                     |         |         |                     |         |         |
| <b>COMPRESSORS<sup>1</sup></b>      |                     |         |         |                     |         |         |                     |         |         |
| Type                                | Recip               |         |         | Recip               |         |         | Recip               |         |         |
| Quantity                            | 1                   |         |         | 1                   |         |         | 1                   |         |         |
| Unit Capacity Steps (%)             | 100                 |         |         | 100                 |         |         | 100                 |         |         |
| <b>CONDENSER COIL DATA</b>          |                     |         |         |                     |         |         |                     |         |         |
| Face area (Sq. Ft.)                 | 11.9                |         |         | 18.5                |         |         | 21.1                |         |         |
| Rows                                | 1                   |         |         | 1                   |         |         | 1                   |         |         |
| Fins per inch                       | 23                  |         |         | 23                  |         |         | 23                  |         |         |
| Tube diameter (in./MM)              | 1/25                |         |         | .71/18              |         |         | .71/18              |         |         |
| Circuitry Type                      | 2-pass Microchannel |         |         | 2-pass Microchannel |         |         | 2-pass Microchannel |         |         |
| <b>EVAPORATOR COIL DATA</b>         |                     |         |         |                     |         |         |                     |         |         |
| Face area (Sq. Ft.)                 | 8                   |         |         | 8                   |         |         | 10.6                |         |         |
| Rows                                | 3                   |         |         | 3                   |         |         | 3                   |         |         |
| Fins per inch                       | 15                  |         |         | 15                  |         |         | 15                  |         |         |
| Tube diameter                       | 0.375               |         |         | 0.375               |         |         | 0.375               |         |         |
| Refrigerant control                 | TXV                 |         |         | TXV                 |         |         | TXV                 |         |         |

## JA3 thru A5ZH Single Stage Gas Physical Data (Continued)

| Component                       | Models                           |  |       |                                  |  |       |                                  |  |       |
|---------------------------------|----------------------------------|--|-------|----------------------------------|--|-------|----------------------------------|--|-------|
|                                 | JA3ZH                            |  |       | JA4ZH                            |  |       | JA5ZH                            |  |       |
| Nominal Tonnage                 | 3.0                              |  |       | 4.0                              |  |       | 5.0                              |  |       |
| <b>CONDENSER FAN DATA</b>       |                                  |  |       |                                  |  |       |                                  |  |       |
| Quantity of fans                | 1                                |  |       | 1                                |  |       | 2                                |  |       |
| Fan diameter (Inch)             | 24                               |  |       | 24                               |  |       | 24                               |  |       |
| Type                            | Prop                             |  |       | Prop                             |  |       | Prop                             |  |       |
| Drive type                      | Direct                           |  |       | Direct                           |  |       | Direct                           |  |       |
| Quantity of motors              | 1                                |  |       | 1                                |  |       | 2                                |  |       |
| Motor HP each                   | 1/3                              |  |       | 1/3                              |  |       | 1/3                              |  |       |
| No. speeds                      | 1                                |  |       | 1                                |  |       | 1                                |  |       |
| RPM                             | 850                              |  |       | 850                              |  |       | 850                              |  |       |
| Total CFM                       | 3300                             |  |       | 3700                             |  |       | 6700                             |  |       |
| <b>BELT DRIVE EVAP FAN DATA</b> |                                  |  |       |                                  |  |       |                                  |  |       |
| Quantity                        | 1                                |  |       | 1                                |  |       | 1                                |  |       |
| Fan Size (Inch)                 | 12 x 9                           |  |       | 12 x 9                           |  |       | 12 x 9                           |  |       |
| Type                            | Centrifugal                      |  |       | Centrifugal                      |  |       | Centrifugal                      |  |       |
| Motor Sheave                    | 1VM34                            |  | 1VL44 | 1VM34                            |  | 1VL44 | 1VL40                            |  | 1VP56 |
| Blower Sheave                   | AK69                             |  | AK69  | AK56                             |  | AK56  | AK61                             |  | AK74  |
| Belt                            | A47                              |  | A47   | A47                              |  | A47   | A47                              |  | A51   |
| Motor HP each                   | 1-1/2                            |  | 1-1/2 | 1-1/2                            |  | 1-1/2 | 1-1/2                            |  | 2     |
| RPM                             | 1725                             |  | 1725  | 1725                             |  | 1725  | 1725                             |  | 1725  |
| Frame size                      | 56                               |  | 56    | 56                               |  | 56    | 56                               |  | 56    |
| <b>FILTERS</b>                  |                                  |  |       |                                  |  |       |                                  |  |       |
| Quantity - Size                 | 4 - (24 x 16 x 2) <sup>2,3</sup> |  |       | 4 - (24 x 16 x 2) <sup>2,3</sup> |  |       | 4 - (24 x 16 x 2) <sup>2,3</sup> |  |       |
|                                 | 4 - (24 x 16 x 4) <sup>4</sup>   |  |       | 4 - (24 x 16 x 4) <sup>4</sup>   |  |       | 4 - (24 x 16 x 4) <sup>4</sup>   |  |       |

1. JA3ZH, JA4ZH (575V ONLY), JA5ZH have crankcase heaters standard.
2. 2 In. Throwaway, Standard, MERV (Minimum Efficiency Reporting Value).
3. 2 In. Pleated, Optional, MERV 8.
4. 4 In. Pleated, Optional, MERV 13.

## JA3 thru A5ZH Two Stage Gas Physical Data

| Component                           | Models              |                |                |                     |                |                |                     |                |                |
|-------------------------------------|---------------------|----------------|----------------|---------------------|----------------|----------------|---------------------|----------------|----------------|
|                                     | JA3ZH               |                |                | JA4ZH               |                |                | JA5ZH               |                |                |
| Nominal Tonnage                     | 3.0                 |                |                | 4.0                 |                |                | 5.0                 |                |                |
| <b>AHRI COOLING PERFORMANCE</b>     |                     |                |                |                     |                |                |                     |                |                |
| Gross Capacity @ AHRI A point (MBh) | 37000               |                |                | 50000               |                |                | 61000               |                |                |
| AHRI net capacity (MBh)             | 36000               |                |                | 48000               |                |                | 58000               |                |                |
| EER                                 | 11.8                |                |                | 11.8                |                |                | 11.8                |                |                |
| SEER                                | 14                  |                |                | 14                  |                |                | 14                  |                |                |
| CFM                                 | 1200                |                |                | 1600                |                |                | 2000                |                |                |
| System power (KW)                   | 3.05                |                |                | 4.07                |                |                | 4.90                |                |                |
| Refrigerant type                    | R-410A              |                |                | R-410A              |                |                | R-410A              |                |                |
| Refrigerant charge (lb-oz)          |                     |                |                |                     |                |                |                     |                |                |
| System 1                            | 7-4                 |                |                | 6-14                |                |                | 7-12                |                |                |
| System 2                            | -                   |                |                | -                   |                |                | -                   |                |                |
| <b>AHRI HEATING PERFORMANCE</b>     |                     |                |                |                     |                |                |                     |                |                |
| Heating model                       | N06                 | N08            | N12            | N06                 | N08            | N12            | N08                 | N12            | N16            |
| Heat input (K Btu)                  | 60                  | 80             | 120            | 60                  | 80             | 120            | 80                  | 120            | 160            |
| Heat output (K Btu)                 | 49                  | 65             | 97             | 49                  | 65             | 97             | 65                  | 97             | 129            |
| AFUE %                              | -                   |                | -              | -                   |                | -              | -                   |                | -              |
| Steady state efficiency (%)         | 81.5                | 81             | 81             | 81.5                | 81             | 81             | 81                  | 81             | 80.5           |
| No. burners                         | 4                   | 4              | 6              | 4                   | 4              | 6              | 4                   | 6              | 8              |
| No. stages                          | 2 <sup>1</sup>      | 2 <sup>2</sup> | 2 <sup>2</sup> | 2 <sup>1</sup>      | 2 <sup>2</sup> | 2 <sup>2</sup> | 2 <sup>2</sup>      | 2 <sup>2</sup> | 2 <sup>2</sup> |
| Temperature Rise Range (°F)         | 20-50°F             | 25-65°F        | 50-80°F        | 20-50°F             | 25-65°F        | 40-70°F        | 25-65°F             | 35-65°F        | 45-75°F        |
| Gas Limit Setting (°F)              | 235°F               | 200°F          | 255°F          | 235°F               | 200°F          | 255°F          | 200°F               | 245°F          | 240°F          |
| Gas piping connection (in.)         | 3/4                 | 3/4            | 3/4            | 3/4                 | 3/4            | 3/4            | 3/4                 | 3/4            | 3/4            |
| <b>DIMENSIONS (inches)</b>          |                     |                |                |                     |                |                |                     |                |                |
| Length                              | 89                  |                |                | 89                  |                |                | 89                  |                |                |
| Width                               | 59                  |                |                | 59                  |                |                | 59                  |                |                |
| Height                              | 42                  |                |                | 42                  |                |                | 42                  |                |                |
| <b>OPERATING WT. (lbs.)</b>         |                     |                |                |                     |                |                |                     |                |                |
|                                     | 723                 |                |                | 763                 |                |                | 864                 |                |                |
| <b>COMPRESSORS<sup>3</sup></b>      |                     |                |                |                     |                |                |                     |                |                |
| Type                                | Recip               |                |                | Recip               |                |                | Recip               |                |                |
| Quantity                            | 1                   |                |                | 1                   |                |                | 1                   |                |                |
| Unit Capacity Steps (%)             | 100                 |                |                | 100                 |                |                | 100                 |                |                |
| <b>CONDENSER COIL DATA</b>          |                     |                |                |                     |                |                |                     |                |                |
| Face area (Sq. Ft.)                 | 11.9                |                |                | 18.5                |                |                | 21.1                |                |                |
| Rows                                | 1                   |                |                | 1                   |                |                | 1                   |                |                |
| Fins per inch                       | 23                  |                |                | 23                  |                |                | 23                  |                |                |
| Tube diameter (in./MM)              | 1/25                |                |                | .71/18              |                |                | .71/18              |                |                |
| Circuitry Type                      | 2-pass Microchannel |                |                | 2-pass Microchannel |                |                | 2-pass Microchannel |                |                |
| <b>EVAPORATOR COIL DATA</b>         |                     |                |                |                     |                |                |                     |                |                |
| Face area (Sq. Ft.)                 | 8                   |                |                | 8                   |                |                | 10.6                |                |                |
| Rows                                | 3                   |                |                | 3                   |                |                | 3                   |                |                |
| Fins per inch                       | 15                  |                |                | 15                  |                |                | 15                  |                |                |
| Tube diameter                       | 0.375               |                |                | 0.375               |                |                | 0.375               |                |                |
| Refrigerant control                 | TXV                 |                |                | TXV                 |                |                | TXV                 |                |                |

## JA3 thru A5ZH Two Stage Gas Physical Data (Continued)

| Component                       | Models                           |       |                                  |       |                                  |       |  |  |
|---------------------------------|----------------------------------|-------|----------------------------------|-------|----------------------------------|-------|--|--|
|                                 | JA3ZH                            |       | JA4ZH                            |       | JA5ZH                            |       |  |  |
| Nominal Tonnage                 | 3.0                              |       | 4.0                              |       | 5.0                              |       |  |  |
| <b>CONDENSER FAN DATA</b>       |                                  |       |                                  |       |                                  |       |  |  |
| Quantity of fans                | 1                                |       | 1                                |       | 2                                |       |  |  |
| Fan diameter (Inch)             | 24                               |       | 24                               |       | 24                               |       |  |  |
| Type                            | Prop                             |       | Prop                             |       | Prop                             |       |  |  |
| Drive type                      | Direct                           |       | Direct                           |       | Direct                           |       |  |  |
| Quantity of motors              | 1                                |       | 1                                |       | 2                                |       |  |  |
| Motor HP each                   | 1/3                              |       | 1/3                              |       | 1/3                              |       |  |  |
| No. speeds                      | 1                                |       | 1                                |       | 1                                |       |  |  |
| RPM                             | 850                              |       | 850                              |       | 850                              |       |  |  |
| Total CFM                       | 3300                             |       | 3700                             |       | 6700                             |       |  |  |
| <b>BELT DRIVE EVAP FAN DATA</b> |                                  |       |                                  |       |                                  |       |  |  |
| Quantity                        | 1                                |       | 1                                |       | 1                                |       |  |  |
| Fan Size (Inch)                 | 12 x 9                           |       | 12 x 9                           |       | 12 x 9                           |       |  |  |
| Type                            | Centrifugal                      |       | Centrifugal                      |       | Centrifugal                      |       |  |  |
| Motor Sheave                    | 1VM34                            | 1VL44 | 1VM34                            | 1VL44 | 1VL40                            | 1VP56 |  |  |
| Blower Sheave                   | AK69                             | AK69  | AK56                             | AK56  | AK61                             | AK74  |  |  |
| Belt                            | A47                              | A47   | A47                              | A47   | A47                              | A51   |  |  |
| Motor HP each                   | 1-1/2                            | 1-1/2 | 1-1/2                            | 1-1/2 | 1-1/2                            | 2     |  |  |
| RPM                             | 1725                             | 1725  | 1725                             | 1725  | 1725                             | 1725  |  |  |
| Frame size                      | 56                               | 56    | 56                               | 56    | 56                               | 56    |  |  |
| <b>FILTERS</b>                  |                                  |       |                                  |       |                                  |       |  |  |
| Quantity - Size                 | 4 - (24 x 16 x 2) <sup>4,5</sup> |       | 4 - (24 x 16 x 2) <sup>4,5</sup> |       | 4 - (24 x 16 x 2) <sup>4,5</sup> |       |  |  |
|                                 | 4 - (24 x 16 x 4) <sup>6</sup>   |       | 4 - (24 x 16 x 4) <sup>6</sup>   |       | 4 - (24 x 16 x 4) <sup>6</sup>   |       |  |  |

1. 1st Stage Capacity is 75% of Full Capacity.
2. 1st Stage Capacity is 70% of Full Capacity.
3. JA3ZH, JA4ZH (575V ONLY), JA5ZH have crankcase heaters standard.
4. 2 In. Throwaway, Standard, MERV (Minimum Efficiency Reporting Value)
5. 2 In. Pleated, Optional, MERV 8.
6. 4 In. Pleated, Optional, MERV 13.

## J06 thru 12ZH Physical Data

| Component                           | Models                                 |                |                                      |                |                                      |                |                                      |                |                                      |                |
|-------------------------------------|--|----------------|--------------------------------------|----------------|--------------------------------------|----------------|--------------------------------------|----------------|--------------------------------------|----------------|
|                                     | J06ZH                                  |                | J07ZH                                |                | J08ZH                                |                | J10ZH                                |                | J12ZH                                |                |
| Nominal Tonnage                     | 6.5                                    |                | 7.5                                  |                | 8.5                                  |                | 10                                   |                | 12.5                                 |                |
| <b>AHRI COOLING PERFORMANCE</b>     |  |                |                                      |                |                                      |                |                                      |                |                                      |                |
| Gross Capacity @ AHRI A point (Btu) | 81000                                  |                | 93000                                |                | 107000                               |                | 125000                               |                | 156000                               |                |
| AHRI net capacity (Btu)             | 77000                                  |                | 88000                                |                | 100000                               |                | 118000                               |                | 150000                               |                |
| EER                                 | 11.7 <sup>1</sup> /11.5 <sup>2</sup>   |                | 11.7 <sup>1</sup> /11.5 <sup>2</sup> |                | 11.7 <sup>1</sup> /11.5 <sup>2</sup> |                | 11.7 <sup>1</sup> /11.5 <sup>2</sup> |                | 11.7 <sup>1</sup> /11.5 <sup>2</sup> |                |
| IEER with Constant Volume           | 12.9 <sup>1</sup> /12.7 <sup>2</sup>   |                | 12.9 <sup>1</sup> /12.7 <sup>2</sup> |                | 12.9 <sup>1</sup> /12.7 <sup>2</sup> |                | -                                    |                | 12.8 <sup>1</sup> /12.6 <sup>2</sup> |                |
| IEER with Intellispeed              | 14.8 <sup>1</sup> /14.6 <sup>2</sup>   |                | 14.2 <sup>1</sup> /14.0 <sup>2</sup> |                | 14.0 <sup>1</sup> /13.8 <sup>2</sup> |                | 14.8 <sup>1</sup> /14.6 <sup>2</sup> |                | 14.4 <sup>1</sup> /14.2 <sup>2</sup> |                |
| IEER with VAV                       | 13.85 <sup>1</sup> /13.65 <sup>2</sup> |                | 13.2 <sup>1</sup> /13.0 <sup>2</sup> |                | 13.0 <sup>1</sup> /12.8 <sup>2</sup> |                | 13.5 <sup>1</sup> /13.3 <sup>2</sup> |                | 13.4 <sup>1</sup> /13.2 <sup>2</sup> |                |
| CFM                                 | 2600                                   |                | 2700                                 |                | 3400                                 |                | 4000                                 |                | 3750                                 |                |
| System power (KW)                   | 6.69                                   |                | 7.70                                 |                | 9.0                                  |                | 10.40                                |                | 12.80                                |                |
| Refrigerant type                    | R-410A                                 |                | R-410A                               |                | R-410A                               |                | R-410A                               |                | R-410A                               |                |
| Refrigerant charge (lb-oz)          |  |                |                                      |                |                                      |                |                                      |                |                                      |                |
| System 1                            | 6-8                                    |                | 6-0                                  |                | 7-6                                  |                | 8-6                                  |                | 8-2                                  |                |
| System 2                            | 5-14                                   |                | 6-0                                  |                | 7-2                                  |                | 7-7                                  |                | 8-2                                  |                |
| <b>AHRI HEATING PERFORMANCE</b>     |  |                |                                      |                |                                      |                |                                      |                |                                      |                |
| Heating model                       | N12                                    | N18            | N12                                  | N18            | N12                                  | N18            | N18                                  | N24            | N18                                  | N24            |
| Heat input (K Btu)                  | 120                                    | 180            | 120                                  | 180            | 120                                  | 180            | 180                                  | 240            | 180                                  | 240            |
| Heat output (K Btu)                 | 96                                     | 144            | 96                                   | 144            | 96                                   | 144            | 144                                  | 192            | 144                                  | 192            |
| AFUE %                              | -                                      | -              | -                                    | -              | -                                    | -              | -                                    | -              | -                                    | -              |
| Steady state efficiency (%)         | 80                                     | 80             | 80                                   | 80             | 80                                   | 80             | 80                                   | 80             | 80                                   | 80             |
| No. burners                         | 4                                      | 6              | 4                                    | 6              | 4                                    | 6              | 6                                    | 8              | 6                                    | 8              |
| No. stages                          | 2 <sup>3</sup>                         | 2 <sup>3</sup> | 2 <sup>3</sup>                       | 2 <sup>3</sup> | 2 <sup>3</sup>                       | 2 <sup>3</sup> | 2 <sup>3</sup>                       | 2 <sup>3</sup> | 2 <sup>3</sup>                       | 2 <sup>3</sup> |
| Temperature Rise Range (°F)         | 20-50                                  | 35-65          | 15-45                                | 30-60          | 10-40                                | 25-55          | 20-50                                | 35-65          | 10-40                                | 25-55          |
| Gas Limit Setting (°F)              | 165                                    | 165            | 165                                  | 165            | 215                                  | 195            | 195                                  | 160            | 195                                  | 160            |
| Gas piping connection (in.)         | 3/4                                    | 3/4            | 3/4                                  | 3/4            | 3/4                                  | 3/4            | 3/4                                  | 3/4            | 3/4                                  | 3/4            |
| <b>DIMENSIONS (inches)</b>          |  |                |                                      |                |                                      |                |                                      |                |                                      |                |
| Length                              | 89                                     |                | 89                                   |                | 89                                   |                | 89                                   |                | 119-1/2                              |                |
| Width                               | 59                                     |                | 59                                   |                | 59                                   |                | 59                                   |                | 59                                   |                |
| Height                              | 42                                     |                | 42                                   |                | 50-3/4                               |                | 50-3/4                               |                | 50-3/4                               |                |
| <b>OPERATING WT. (lbs.)</b>         | 910                                    |                | 910                                  |                | 1047                                 |                | 1090                                 |                | 1280                                 |                |
| <b>COMPRESSORS<sup>4</sup></b>      |  |                |                                      |                |                                      |                |                                      |                |                                      |                |
| Type                                | Recip                                  |                | Recip                                |                | Recip                                |                | Scroll                               |                | Scroll                               |                |
| Quantity                            | 2                                      |                | 2                                    |                | 2                                    |                | 2                                    |                | 2                                    |                |
| Unit Capacity Steps (%)             | 50 / 100                               |                | 50 / 100                             |                | 50 / 100                             |                | 50 / 100                             |                | 50 / 100                             |                |
| <b>CONDENSER COIL DATA</b>          |  |                |                                      |                |                                      |                |                                      |                |                                      |                |
| Face area (Sq. Ft.)                 | 23.8                                   |                | 23.8                                 |                | 29.0                                 |                | 29.0                                 |                | 47.5                                 |                |
| Rows                                | 1                                      |                | 1                                    |                | 1                                    |                | 1                                    |                | 1                                    |                |
| Fins per inch                       | 23                                     |                | 23                                   |                | 23                                   |                | 23                                   |                | 23                                   |                |
| Tube diameter (in./MM)              | 1/25                                   |                | 1/25                                 |                | 1/25                                 |                | 1/25                                 |                | .71/18                               |                |
| Circuitry Type                      | 2-pass Microchannel                    |                | 2-pass Microchannel                  |                | 2-pass Microchannel                  |                | 2-pass Microchannel                  |                | 2-pass Microchannel                  |                |
| <b>EVAPORATOR COIL DATA</b>         |  |                |                                      |                |                                      |                |                                      |                |                                      |                |
| Face area (Sq. Ft.)                 | 10.6                                   |                | 10.6                                 |                | 13.2                                 |                | 13.2                                 |                | 13.2                                 |                |
| Rows                                | 3                                      |                | 3                                    |                | 3                                    |                | 4                                    |                | 4                                    |                |
| Fins per inch                       | 15                                     |                | 15                                   |                | 15                                   |                | 15                                   |                | 15                                   |                |
| Tube diameter                       | 0.375                                  |                | 0.375                                |                | 0.375                                |                | 0.375                                |                | 0.375                                |                |
| Circuitry Type                      | Intertwined                            |                | Intertwined                          |                | Intertwined                          |                | Intertwined                          |                | Intertwined                          |                |
| Refrigerant control                 | TXV                                    |                | TXV                                  |                | TXV                                  |                | TXV                                  |                | TXV                                  |                |

**J06 thru 12ZH Physical Data (Continued)**

| Component                       | Models                           |       |                                  |       |                                  |       |                                  |       |                                  |       |
|---------------------------------|----------------------------------|-------|----------------------------------|-------|----------------------------------|-------|----------------------------------|-------|----------------------------------|-------|
|                                 | J06ZH                            |       | J07ZH                            |       | J08ZH                            |       | J10ZH                            |       | J12ZH                            |       |
| Nominal Tonnage                 | 6.5                              |       | 7.5                              |       | 8.5                              |       | 10                               |       | 12.5                             |       |
| <b>CONDENSER FAN DATA</b>       |                                  |       |                                  |       |                                  |       |                                  |       |                                  |       |
| Quantity of fans                | 2                                |       | 2                                |       | 2                                |       | 2                                |       | 4                                |       |
| Fan diameter (Inch)             | 24                               |       | 24                               |       | 24                               |       | 24                               |       | 24                               |       |
| Type                            | Prop                             |       | Prop                             |       | Prop                             |       | Prop                             |       | Prop                             |       |
| Drive type                      | Direct                           |       | Direct                           |       | Direct                           |       | Direct                           |       | Direct                           |       |
| Quantity of motors              | 2                                |       | 2                                |       | 2                                |       | 2                                |       | 4                                |       |
| Motor HP each                   | 1/3                              |       | 3/4                              |       | 3/4                              |       | 3/4                              |       | 1/3                              |       |
| No. speeds                      | 1                                |       | 1                                |       | 1                                |       | 1                                |       | 1                                |       |
| RPM                             | 850                              |       | 1110                             |       | 1110                             |       | 1110                             |       | 850                              |       |
| Total CFM                       | 6700                             |       | 8600                             |       | 9400                             |       | 9400                             |       | 14000                            |       |
| <b>BELT DRIVE EVAP FAN DATA</b> |                                  |       |                                  |       |                                  |       |                                  |       |                                  |       |
| Quantity                        | 1                                |       | 1                                |       | 1                                |       | 1                                |       | 1                                |       |
| Fan Size (Inch)                 | 12 x 12                          |       | 12 x 12                          |       | 15 x 15                          |       | 15 x 15                          |       | 15 x 15                          |       |
| Type                            | Centrifugal                      |       | Centrifugal                      |       | Centrifugal                      |       | Centrifugal                      |       | Centrifugal                      |       |
| Motor Sheave                    | 1VM50                            | 1VM50 | 1VM50                            | 1VM50 | 1VM50                            | 1VM50 | 1VM50                            | 1VM50 | 1VM50                            | 1VP56 |
| Blower Sheave                   | AK74                             | AK64  | AK74                             | AK61  | AK94                             | AK74  | AK84                             | AK74  | AK74                             | BK77  |
| Belt                            | A49                              | A49   | A49                              | A49   | A56                              | A54   | A56                              | A54   | A54                              | BX55  |
| Motor HP each                   | 1-1/2                            | 2     | 1-1/2                            | 3     | 2                                | 3     | 2                                | 3     | 3                                | 5     |
| RPM                             | 1725                             | 1725  | 1725                             | 1725  | 1725                             | 1725  | 1725                             | 1725  | 1725                             | 1725  |
| Frame size                      | 56                               | 56    | 56                               | 56    | 56                               | 56    | 56                               | 56    | 56                               | 184T  |
| <b>FILTERS</b>                  |                                  |       |                                  |       |                                  |       |                                  |       |                                  |       |
| Quantity - Size                 | 4 - (24 x 16 x 2) <sup>5,6</sup> |       | 4 - (24 x 16 x 2) <sup>5,6</sup> |       | 4 - (24 x 20 x 2) <sup>5,6</sup> |       | 4 - (24 x 20 x 2) <sup>5,6</sup> |       | 4 - (24 x 20 x 2) <sup>5,6</sup> |       |
|                                 | 4 - (24 x 16 x 4) <sup>7</sup>   |       | 4 - (24 x 16 x 4) <sup>7</sup>   |       | 4 - (24 x 20 x 4) <sup>7</sup>   |       | 4 - (24 x 20 x 4) <sup>7</sup>   |       | 4 - (24 x 20 x 4) <sup>7</sup>   |       |

1. Cooling Only Unit or Cooling Unit with Electric Heat
2. Cooling Unit with Gas Heat
3. 1<sup>st</sup> Stage 60% of Full Capacity.
4. J10ZH and J12ZH have crankcase heaters standard.
5. 2 In. Throwaway, Standard, MERV (Minimum Efficiency Reporting Value) 3.
6. 2 In. Pleated, Optional, MERV 8.
7. 4 In. Pleated, Optional, MERV 13.

## JA3 thru A5ZJ Single Stage Gas Heat Physical Data

| Component                           | Models              |         |         |                     |         |         |                     |         |         |
|-------------------------------------|---------------------|---------|---------|---------------------|---------|---------|---------------------|---------|---------|
|                                     | JA3ZJ               |         |         | JA4ZJ               |         |         | JA5ZJ               |         |         |
| Nominal Tonnage                     | 3.0                 |         |         | 4.0                 |         |         | 5.0                 |         |         |
| <b>AHRI COOLING PERFORMANCE</b>     |                     |         |         |                     |         |         |                     |         |         |
| Gross Capacity @ AHRI A point (MBh) | 37000               |         |         | 50000               |         |         | 62000               |         |         |
| AHRI net capacity (MBh)             | 36000               |         |         | 48000               |         |         | 60000               |         |         |
| EER                                 | 12.2                |         |         | 12.2                |         |         | 12.2                |         |         |
| SEER                                | 14.5                |         |         | 15                  |         |         | 15                  |         |         |
| CFM                                 | 1300                |         |         | 1600                |         |         | 2000                |         |         |
| System power (KW)                   | 2.95                |         |         | 3.95                |         |         | 4.90                |         |         |
| Refrigerant type                    | R-410A              |         |         | R-410A              |         |         | R-410A              |         |         |
| Refrigerant charge (lb-oz)          |                     |         |         |                     |         |         |                     |         |         |
| System 1                            | 6-12                |         |         | 7-8                 |         |         | 8-4                 |         |         |
| System 2                            | -                   |         |         | -                   |         |         | -                   |         |         |
| <b>AHRI HEATING PERFORMANCE</b>     |                     |         |         |                     |         |         |                     |         |         |
| Heating model                       | H06                 | H08     | H12     | H06                 | H08     | H12     | H08                 | H12     | H16     |
| Heat input (K Btu)                  | 60                  | 80      | 120     | 60                  | 80      | 120     | 80                  | 120     | 160     |
| Heat output (K Btu)                 | 49                  | 65      | 97      | 49                  | 65      | 97      | 65                  | 97      | 129     |
| AFUE %                              | -                   |         | -       | -                   |         | -       | -                   |         | -       |
| Steady state efficiency (%)         | 81.5                | 81      | 81      | 81.5                | 81      | 81      | 81                  | 81      | 80.5    |
| No. burners                         | 4                   | 4       | 6       | 4                   | 4       | 6       | 4                   | 6       | 8       |
| No. stages                          | 1                   | 1       | 1       | 1                   | 1       | 1       | 1                   | 1       | 1       |
| Temperature Rise Range (°F)         | 20-50°F             | 25-65°F | 50-80°F | 20-50°F             | 25-65°F | 40-70°F | 25-65°F             | 35-65°F | 45-75°F |
| Gas Limit Setting (°F)              | 235°F               | 200°F   | 255°F   | 235°F               | 200°F   | 255°F   | 200°F               | 245°F   | 240°F   |
| Gas piping connection (in.)         | 3/4                 | 3/4     | 3/4     | 3/4                 | 3/4     | 3/4     | 3/4                 | 3/4     | 3/4     |
| <b>DIMENSIONS (inches)</b>          |                     |         |         |                     |         |         |                     |         |         |
| Length                              | 89                  |         |         | 89                  |         |         | 89                  |         |         |
| Width                               | 59                  |         |         | 59                  |         |         | 59                  |         |         |
| Height                              | 42                  |         |         | 42                  |         |         | 42                  |         |         |
| <b>OPERATING WT. (lbs.)</b>         |                     |         |         |                     |         |         |                     |         |         |
|                                     | 740                 |         |         | 775                 |         |         | 770                 |         |         |
| <b>COMPRESSORS<sup>1</sup></b>      |                     |         |         |                     |         |         |                     |         |         |
| Type                                | Recip               |         |         | Recip               |         |         | Recip               |         |         |
| Quantity                            | 1                   |         |         | 1                   |         |         | 1                   |         |         |
| Unit Capacity Steps (%)             | 100                 |         |         | 100                 |         |         | 100                 |         |         |
| <b>CONDENSER COIL DATA</b>          |                     |         |         |                     |         |         |                     |         |         |
| Face area (Sq. Ft.)                 | 18.5                |         |         | 23.8                |         |         | 23.8                |         |         |
| Rows                                | 1                   |         |         | 1                   |         |         | 1                   |         |         |
| Fins per inch                       | 23                  |         |         | 23                  |         |         | 23                  |         |         |
| Tube diameter (in./MM)              | .71/18              |         |         | .71/18              |         |         | .71/18              |         |         |
| Circuitry Type                      | 2-pass Microchannel |         |         | 2-pass Microchannel |         |         | 2-pass Microchannel |         |         |
| <b>EVAPORATOR COIL DATA</b>         |                     |         |         |                     |         |         |                     |         |         |
| Face area (Sq. Ft.)                 | 7.9                 |         |         | 10.5                |         |         | 10.5                |         |         |
| Rows                                | 3                   |         |         | 3                   |         |         | 3                   |         |         |
| Fins per inch                       | 15                  |         |         | 15                  |         |         | 15                  |         |         |
| Tube diameter                       | 0.375               |         |         | 0.375               |         |         | 0.375               |         |         |
| Refrigerant control                 | TXV                 |         |         | TXV                 |         |         | TXV                 |         |         |

## JA3 thru A5ZJ Single Stage Gas Heat Physical Data (Continued)

| Component                       | Models                           |       |                                  |       |                                  |       |  |  |
|---------------------------------|----------------------------------|-------|----------------------------------|-------|----------------------------------|-------|--|--|
|                                 | JA3ZJ                            |       | JA4ZJ                            |       | JA5ZJ                            |       |  |  |
| Nominal Tonnage                 | 3.0                              |       | 4.0                              |       | 5.0                              |       |  |  |
| <b>CONDENSER FAN DATA</b>       |                                  |       |                                  |       |                                  |       |  |  |
| Quantity of fans                | 1                                |       | 1                                |       | 2                                |       |  |  |
| Fan diameter (Inch)             | 24                               |       | 24                               |       | 24                               |       |  |  |
| Type                            | Prop                             |       | Prop                             |       | Prop                             |       |  |  |
| Drive type                      | Direct                           |       | Direct                           |       | Direct                           |       |  |  |
| Quantity of motors              | 1                                |       | 1                                |       | 2                                |       |  |  |
| Motor HP each                   | 1/3                              |       | 1/3                              |       | 1/3                              |       |  |  |
| No. speeds                      | 1                                |       | 1                                |       | 1                                |       |  |  |
| RPM                             | 850                              |       | 850                              |       | 850                              |       |  |  |
| Total CFM                       | 3300                             |       | 3700                             |       | 6300                             |       |  |  |
| <b>BELT DRIVE EVAP FAN DATA</b> |                                  |       |                                  |       |                                  |       |  |  |
| Quantity                        | 1                                |       | 1                                |       | 1                                |       |  |  |
| Fan Size (Inch)                 | 12 x 9                           |       | 12 x 9                           |       | 12 x 9                           |       |  |  |
| Type                            | Centrifugal                      |       | Centrifugal                      |       | Centrifugal                      |       |  |  |
| Motor Sheave                    | 1VM34                            | 1VL44 | 1VM34                            | 1VL44 | 1VL40                            | 1VP56 |  |  |
| Blower Sheave                   | AK69                             | AK69  | AK56                             | AK56  | AK61                             | AK74  |  |  |
| Belt                            | A47                              | A47   | A47                              | A47   | A47                              | A51   |  |  |
| Motor HP each                   | 1-1/2                            | 1-1/2 | 1-1/2                            | 1-1/2 | 1-1/2                            | 2     |  |  |
| RPM                             | 1725                             | 1725  | 1725                             | 1725  | 1725                             | 1725  |  |  |
| Frame size                      | 56                               | 56    | 56                               | 56    | 56                               | 56    |  |  |
| <b>FILTERS</b>                  |                                  |       |                                  |       |                                  |       |  |  |
| Quantity - Size                 | 4 - (24 x 16 x 2) <sup>2,3</sup> |       | 4 - (24 x 16 x 2) <sup>2,3</sup> |       | 4 - (24 x 16 x 2) <sup>2,3</sup> |       |  |  |
|                                 | 4 - (24 x 16 x 4) <sup>4</sup>   |       | 4 - (24 x 16 x 4) <sup>4</sup>   |       | 4 - (24 x 16 x 4) <sup>4</sup>   |       |  |  |

1. JA4ZJ and JA5ZJ have crankcase heaters standard
2. 2 In. Throwaway, Standard, MERV (Minimum Efficiency Reporting Value).
3. 2 In. Pleated, Optional, MERV 8.
4. 4 In. Pleated, Optional, MERV 13.



## JA3 thru A5ZJ Two Stage Gas Heat Physical Data

| Component                           | Models              |                |                |                     |                |                |                     |                |                |
|-------------------------------------|---------------------|----------------|----------------|---------------------|----------------|----------------|---------------------|----------------|----------------|
|                                     | JA3ZJ               |                |                | JA4ZJ               |                |                | JA5ZJ               |                |                |
| Nominal Tonnage                     | 3.0                 |                |                | 4.0                 |                |                | 5.0                 |                |                |
| <b>AHRI COOLING PERFORMANCE</b>     |                     |                |                |                     |                |                |                     |                |                |
| Gross Capacity @ AHRI A point (MBh) | 37000               |                |                | 50000               |                |                | 62000               |                |                |
| AHRI net capacity (MBh)             | 36000               |                |                | 48000               |                |                | 60000               |                |                |
| EER                                 | 12.2                |                |                | 12.2                |                |                | 12.2                |                |                |
| SEER                                | 14.5                |                |                | 15                  |                |                | 15                  |                |                |
| CFM                                 | 1300                |                |                | 1600                |                |                | 2000                |                |                |
| System power (KW)                   | 2.95                |                |                | 3.95                |                |                | 4.90                |                |                |
| Refrigerant type                    | R-410A              |                |                | R-410A              |                |                | R-410A              |                |                |
| Refrigerant charge (lb-oz)          |                     |                |                |                     |                |                |                     |                |                |
| System 1                            | 6-12                |                |                | 7-8                 |                |                | 8-4                 |                |                |
| System 2                            | -                   |                |                | -                   |                |                | -                   |                |                |
| <b>AHRI HEATING PERFORMANCE</b>     |                     |                |                |                     |                |                |                     |                |                |
| Heating model                       | N06                 | N08            | N12            | N06                 | N08            | N12            | N08                 | N12            | N16            |
| Heat input (K Btu)                  | 60                  | 80             | 120            | 60                  | 80             | 120            | 80                  | 120            | 160            |
| Heat output (K Btu)                 | 49                  | 65             | 97             | 49                  | 65             | 97             | 65                  | 97             | 129            |
| AFUE %                              | -                   |                | -              | -                   |                | -              | -                   |                | -              |
| Steady state efficiency (%)         | 81.5                | 81             | 81             | 81.5                | 81             | 81             | 81                  | 81             | 80.5           |
| No. burners                         | 4                   | 4              | 6              | 4                   | 4              | 6              | 4                   | 6              | 8              |
| No. stages                          | 2 <sup>1</sup>      | 2 <sup>2</sup> | 2 <sup>2</sup> | 2 <sup>1</sup>      | 2 <sup>2</sup> | 2 <sup>2</sup> | 2 <sup>2</sup>      | 2 <sup>2</sup> | 2 <sup>2</sup> |
| Temperature Rise Range (°F)         | 20-50°F             | 25-65°F        | 50-80°F        | 20-50°F             | 25-65°F        | 40-70°F        | 25-65°F             | 35-65°F        | 45-75°F        |
| Gas Limit Setting (°F)              | 235°F               | 200°F          | 255°F          | 235°F               | 200°F          | 255°F          | 200°F               | 245°F          | 240°F          |
| Gas piping connection (in.)         | 3/4                 | 3/4            | 3/4            | 3/4                 | 3/4            | 3/4            | 3/4                 | 3/4            | 3/4            |
| <b>DIMENSIONS (inches)</b>          |                     |                |                |                     |                |                |                     |                |                |
| Length                              | 89                  |                |                | 89                  |                |                | 89                  |                |                |
| Width                               | 59                  |                |                | 59                  |                |                | 59                  |                |                |
| Height                              | 42                  |                |                | 42                  |                |                | 42                  |                |                |
| <b>OPERATING WT. (lbs.)</b>         |                     |                |                |                     |                |                |                     |                |                |
|                                     | 740                 |                |                | 775                 |                |                | 770                 |                |                |
| <b>COMPRESSORS<sup>3</sup></b>      |                     |                |                |                     |                |                |                     |                |                |
| Type                                | Recip               |                |                | Recip               |                |                | Recip               |                |                |
| Quantity                            | 1                   |                |                | 1                   |                |                | 1                   |                |                |
| Unit Capacity Steps (%)             | 100                 |                |                | 100                 |                |                | 100                 |                |                |
| <b>CONDENSER COIL DATA</b>          |                     |                |                |                     |                |                |                     |                |                |
| Face area (Sq. Ft.)                 | 18.5                |                |                | 23.8                |                |                | 23.8                |                |                |
| Rows                                | 1                   |                |                | 1                   |                |                | 1                   |                |                |
| Fins per inch                       | 23                  |                |                | 23                  |                |                | 23                  |                |                |
| Tube diameter (in./MM)              | .71/18              |                |                | .71/18              |                |                | .71/18              |                |                |
| Circuitry Type                      | 2-pass Microchannel |                |                | 2-pass Microchannel |                |                | 2-pass Microchannel |                |                |
| <b>EVAPORATOR COIL DATA</b>         |                     |                |                |                     |                |                |                     |                |                |
| Face area (Sq. Ft.)                 | 7.9                 |                |                | 23.8                |                |                | 10.5                |                |                |
| Rows                                | 3                   |                |                | 3                   |                |                | 3                   |                |                |
| Fins per inch                       | 15                  |                |                | 15                  |                |                | 15                  |                |                |
| Tube diameter                       | 0.375               |                |                | 0.375               |                |                | 0.375               |                |                |
| Refrigerant control                 | TXV                 |                |                | TXV                 |                |                | TXV                 |                |                |

## JA3 thru A5ZJ Two Stage Gas Heat Physical Data (Continued)

| Component                       | Models                           |       |                                  |       |                                  |       |  |  |
|---------------------------------|----------------------------------|-------|----------------------------------|-------|----------------------------------|-------|--|--|
|                                 | JA3ZJ                            |       | JA4ZJ                            |       | JA5ZJ                            |       |  |  |
| Nominal Tonnage                 | 3.0                              |       | 4.0                              |       | 5.0                              |       |  |  |
| <b>CONDENSER FAN DATA</b>       |                                  |       |                                  |       |                                  |       |  |  |
| Quantity of fans                | 1                                |       | 1                                |       | 2                                |       |  |  |
| Fan diameter (Inch)             | 24                               |       | 24                               |       | 24                               |       |  |  |
| Type                            | Prop                             |       | Prop                             |       | Prop                             |       |  |  |
| Drive type                      | Direct                           |       | Direct                           |       | Direct                           |       |  |  |
| Quantity of motors              | 1                                |       | 1                                |       | 2                                |       |  |  |
| Motor HP each                   | 1/3                              |       | 1/3                              |       | 1/3                              |       |  |  |
| No. speeds                      | 1                                |       | 1                                |       | 1                                |       |  |  |
| RPM                             | 850                              |       | 850                              |       | 850                              |       |  |  |
| Total CFM                       | 3300                             |       | 3700                             |       | 6300                             |       |  |  |
| <b>BELT DRIVE EVAP FAN DATA</b> |                                  |       |                                  |       |                                  |       |  |  |
| Quantity                        | 1                                |       | 1                                |       | 1                                |       |  |  |
| Fan Size (Inch)                 | 12 x 9                           |       | 12 x 9                           |       | 12 x 9                           |       |  |  |
| Type                            | Centrifugal                      |       | Centrifugal                      |       | Centrifugal                      |       |  |  |
| Motor Sheave                    | 1VM34                            | 1VL44 | 1VM34                            | 1VL44 | 1VL40                            | 1VP56 |  |  |
| Blower Sheave                   | AK69                             | AK69  | AK56                             | AK56  | AK61                             | AK74  |  |  |
| Belt                            | A47                              | A47   | A47                              | A47   | A47                              | A51   |  |  |
| Motor HP each                   | 1-1/2                            | 1-1/2 | 1-1/2                            | 1-1/2 | 1-1/2                            | 2     |  |  |
| RPM                             | 1725                             | 1725  | 1725                             | 1725  | 1725                             | 1725  |  |  |
| Frame size                      | 56                               | 56    | 56                               | 56    | 56                               | 56    |  |  |
| <b>FILTERS</b>                  |                                  |       |                                  |       |                                  |       |  |  |
| Quantity - Size                 | 4 - (24 x 16 x 2) <sup>4,5</sup> |       | 4 - (24 x 16 x 2) <sup>4,5</sup> |       | 4 - (24 x 16 x 2) <sup>4,5</sup> |       |  |  |
|                                 | 4 - (24 x 16 x 4) <sup>6</sup>   |       | 4 - (24 x 16 x 4) <sup>6</sup>   |       | 4 - (24 x 16 x 4) <sup>6</sup>   |       |  |  |

1. 1st Stage Capacity is 75% of Full Capacity.
2. 1st Stage Capacity is 70% of Full Capacity.
3. JA4ZJ and JA5ZJ have crankcase heaters standard.
4. 2 In. Throwaway, Standard, MERV (Minimum Efficiency Reporting Value)
5. 2 In. Pleated, Optional, MERV 8.
6. 4 In. Pleated, Optional, MERV 13.

## J06 thru 12ZJ Physical Data

| Component                           | Models                               |                |                                      |                |  |                |  |                |                                      |                |
|-------------------------------------|--------------------------------------|----------------|--------------------------------------|----------------|--|----------------|--|----------------|--------------------------------------|----------------|
|                                     | J06ZJ                                |                | J07ZJ                                |                | J08ZJ                                  |                | J10ZJ                                  |                | J12ZJ                                |                |
| Nominal Tonnage                     | 6.5                                  |                | 7.5                                  |                | 8.5                                    |                | 10                                     |                | 12.5                                 |                |
| <b>AHRI COOLING PERFORMANCE</b>     |                                      |                |                                      |                |  |                |  |                |                                      |                |
| Gross Capacity @ AHRI A point (Btu) | 80000                                |                | 93000                                |                | 106000                                 |                | 124000                                 |                | 154000                               |                |
| AHRI net capacity (Btu)             | 75000                                |                | 90000                                |                | 102000                                 |                | 120000                                 |                | 150000                               |                |
| EER                                 | 12.2 <sup>1</sup> /11.8 <sup>2</sup> |                | 12.2 <sup>1</sup> /12.0 <sup>2</sup> |                | 12.2 <sup>1</sup> /12.0 <sup>2</sup>   |                | 12.0                                   |                | 12.1 <sup>1</sup> /12 <sup>2</sup>   |                |
| IEER with Constant Volume           | 14.0                                 |                | 13.2 <sup>1</sup> /13.0 <sup>2</sup> |                | 13.0                                   |                | 12.9 <sup>1</sup> /12.8 <sup>2</sup>   |                | 13.7 <sup>1</sup> /13.5 <sup>2</sup> |                |
| IEER with Intellispeed              | 14.8 <sup>1</sup> /14.6 <sup>2</sup> |                | 14.8 <sup>1</sup> /14.6 <sup>2</sup> |                | 14.0 <sup>1</sup> /13.8 <sup>2</sup>   |                | 14.8 <sup>1</sup> /14.6 <sup>2</sup>   |                | 15.2 <sup>1</sup> /15.0 <sup>2</sup> |                |
| IEER with VAV                       | 14.1 <sup>1</sup> /13.9 <sup>2</sup> |                | 13.2 <sup>1</sup> /13.0 <sup>2</sup> |                | 13.45 <sup>1</sup> /13.25 <sup>2</sup> |                | 13.85 <sup>1</sup> /13.65 <sup>2</sup> |                | 13.8 <sup>1</sup> /13.6 <sup>2</sup> |                |
| CFM                                 | 2600                                 |                | 2400                                 |                | 2800                                   |                | 3400                                   |                | 3500                                 |                |
| System power (KW)                   | 6.40                                 |                | 7.38                                 |                | 8.30                                   |                | 9.80                                   |                | 12.50                                |                |
| Refrigerant type                    | R-410A                               |                | R-410A                               |                | R-410A                                 |                | R-410A                                 |                | R-410A                               |                |
| Refrigerant charge (lb-oz)          |                                      |                |                                      |                |  |                |  |                |                                      |                |
| System 1                            | 5-10                                 |                | 7-12                                 |                | 8-8                                    |                | 7-14                                   |                | 10-8                                 |                |
| System 2                            | 5-12                                 |                | 7-10                                 |                | 8-12                                   |                | 7-14                                   |                | 9-12                                 |                |
| <b>AHRI HEATING PERFORMANCE</b>     |                                      |                |                                      |                |  |                |  |                |                                      |                |
| Heating model                       | N12                                  | N18            | N12                                  | N18            | N12                                    | N18            | N18                                    | N24            | N18                                  | N24            |
| Heat input (K Btu)                  | 120                                  | 180            | 120                                  | 180            | 120                                    | 180            | 180                                    | 240            | 180                                  | 240            |
| Heat output (K Btu)                 | 96                                   | 144            | 96                                   | 144            | 96                                     | 144            | 144                                    | 192            | 144                                  | 192            |
| AFUE %                              | -                                    | -              | -                                    | -              | -                                      | -              | -                                      | -              | -                                    | -              |
| Steady state efficiency (%)         | 80                                   | 80             | 80                                   | 80             | 80                                     | 80             | 80                                     | 80             | 80                                   | 80             |
| No. burners                         | 4                                    | 6              | 4                                    | 6              | 4                                      | 6              | 6                                      | 8              | 6                                    | 8              |
| No. stages                          | 2 <sup>3</sup>                       | 2 <sup>3</sup> | 2 <sup>3</sup>                       | 2 <sup>3</sup> | 2 <sup>3</sup>                         | 2 <sup>3</sup> | 2 <sup>3</sup>                         | 2 <sup>3</sup> | 2 <sup>3</sup>                       | 2 <sup>3</sup> |
| Temperature Rise Range (°F)         | 20-50                                | 35-65          | 15-45                                | 30-60          | 10-40                                  | 25-55          | 20-50                                  | 35-65          | 10-40                                | 25-55          |
| Gas Limit Setting (°F)              | 165                                  | 165            | 165                                  | 165            | 215                                    | 195            | 195                                    | 160            | 195                                  | 160            |
| Gas piping connection (in.)         | 3/4                                  | 3/4            | 3/4                                  | 3/4            | 3/4                                    | 3/4            | 3/4                                    | 3/4            | 3/4                                  | 3/4            |
| <b>DIMENSIONS (inches)</b>          |                                      |                |                                      |                |  |                |  |                |                                      |                |
| Length                              | 89                                   |                | 89                                   |                | 89                                     |                | 89                                     |                | 119-1/2                              |                |
| Width                               | 59                                   |                | 59                                   |                | 59                                     |                | 59                                     |                | 59                                   |                |
| Height                              | 50-3/4                               |                | 50-3/4                               |                | 50-3/4                                 |                | 50-3/4                                 |                | 50-3/4                               |                |
| <b>OPERATING WT. (lbs.)</b>         | 1030                                 |                | 1050                                 |                | 1060                                   |                | 1070                                   |                | 1280                                 |                |
| <b>COMPRESSORS<sup>4</sup></b>      |                                      |                |                                      |                |  |                |  |                |                                      |                |
| Type                                | Recip                                |                | Recip                                |                | Recip                                  |                | Scroll                                 |                | Scroll                               |                |
| Quantity                            | 2                                    |                | 2                                    |                | 2                                      |                | 2                                      |                | 2                                    |                |
| Unit Capacity Steps (%)             | 50 / 100                             |                | 50 / 100                             |                | 50 / 100                               |                | 50 / 100                               |                | 50 / 100                             |                |
| <b>CONDENSER COIL DATA</b>          |                                      |                |                                      |                |  |                |  |                |                                      |                |
| Face area (Sq. Ft.)                 | 29.0                                 |                | 23.8                                 |                | 29.0                                   |                | 29.0                                   |                | 47.5                                 |                |
| Rows                                | 1                                    |                | 1                                    |                | 1                                      |                | 1                                      |                | 1                                    |                |
| Fins per inch                       | 23                                   |                | 23                                   |                | 23                                     |                | 23                                     |                | 23                                   |                |
| Tube diameter (in./MM)              | .71/18                               |                | 1/25                                 |                | 1/25                                   |                | 1/25                                   |                | .71/18                               |                |
| Circuitry Type                      | 2-pass Microchannel                  |                | 2-pass Microchannel                  |                | 2-pass Microchannel                    |                | 2-pass Microchannel                    |                | 2-pass Microchannel                  |                |
| <b>EVAPORATOR COIL DATA</b>         |                                      |                |                                      |                |  |                |  |                |                                      |                |
| Face area (Sq. Ft.)                 | 13.2                                 |                | 13.2                                 |                | 13.2                                   |                | 13.2                                   |                | 13.2                                 |                |
| Rows                                | 3                                    |                | 4                                    |                | 4                                      |                | 4                                      |                | 4                                    |                |
| Fins per inch                       | 15                                   |                | 15                                   |                | 15                                     |                | 15                                     |                | 15                                   |                |
| Tube diameter                       | 0.375                                |                | 0.375                                |                | 0.375                                  |                | 0.375                                  |                | 0.375                                |                |
| Circuitry Type                      | Intertwined                          |                | Intertwined                          |                | Intertwined                            |                | Intertwined                            |                | Intertwined                          |                |
| Refrigerant control                 | TXV                                  |                | TXV                                  |                | TXV                                    |                | TXV                                    |                | TXV                                  |                |

**J06 thru 12ZJ Physical Data (Continued)**

| Component                       | Models                           |       |                                  |       |                                  |       |                                  |       |                                  |       |
|---------------------------------|----------------------------------|-------|----------------------------------|-------|----------------------------------|-------|----------------------------------|-------|----------------------------------|-------|
|                                 | J06ZJ                            |       | J07ZJ                            |       | J08ZJ                            |       | J10ZJ                            |       | J12ZJ                            |       |
| Nominal Tonnage                 | 6.5                              |       | 7.5                              |       | 8.5                              |       | 10                               |       | 12.5                             |       |
| <b>CONDENSER FAN DATA</b>       |                                  |       |                                  |       |                                  |       |                                  |       |                                  |       |
| Quantity of fans                | 2                                |       | 2                                |       | 2                                |       | 2                                |       | 4                                |       |
| Fan diameter (Inch)             | 24                               |       | 24                               |       | 24                               |       | 24                               |       | 24                               |       |
| Type                            | Prop                             |       | Prop                             |       | Prop                             |       | Prop                             |       | Prop                             |       |
| Drive type                      | Direct                           |       | Direct                           |       | Direct                           |       | Direct                           |       | Direct                           |       |
| Quantity of motors              | 2                                |       | 2                                |       | 2                                |       | 2                                |       | 4                                |       |
| Motor HP each                   | 1/3                              |       | 3/4                              |       | 3/4                              |       | 3/4                              |       | 1/3                              |       |
| No. speeds                      | 1                                |       | 1                                |       | 1                                |       | 1                                |       | 1                                |       |
| RPM                             | 850                              |       | 1110                             |       | 1110                             |       | 1110                             |       | 850                              |       |
| Total CFM                       | 7400                             |       | 8000                             |       | 9000                             |       | 9400                             |       | 14000                            |       |
| <b>BELT DRIVE EVAP FAN DATA</b> |                                  |       |                                  |       |                                  |       |                                  |       |                                  |       |
| Quantity                        | 1                                |       | 1                                |       | 1                                |       | 1                                |       | 1                                |       |
| Fan Size (Inch)                 | 15 x 15                          |       | 15 x 15                          |       | 15 x 15                          |       | 15 x 15                          |       | 15 x 15                          |       |
| Type                            | Centrifugal                      |       | Centrifugal                      |       | Centrifugal                      |       | Centrifugal                      |       | Centrifugal                      |       |
| Motor Sheave                    | 1VL40                            | 1VM50 | 1VL40                            | 1VM50 | 1VM50                            | 1VM50 | 1VM50                            | 1VM50 | 1VM50                            | 1VP56 |
| Blower Sheave                   | AK74                             | AK74  | AK69                             | AK69  | AK89                             | AK74  | AK84                             | AK74  | AK74                             | BK77  |
| Belt                            | A53                              | A54   | A52                              | A54   | A56                              | A54   | A56                              | A54   | A54                              | BX56  |
| Motor HP each                   | 1-1/2                            | 2     | 1-1/2                            | 3     | 2                                | 3     | 2                                | 3     | 3                                | 5     |
| RPM                             | 1725                             | 1725  | 1725                             | 1725  | 1725                             | 1725  | 1725                             | 1725  | 1725                             | 1725  |
| Frame size                      | 56                               | 56    | 56                               | 56    | 56                               | 56    | 56                               | 56    | 56                               | 184T  |
| <b>FILTERS</b>                  |                                  |       |                                  |       |                                  |       |                                  |       |                                  |       |
| Quantity - Size                 | 4 - (24 x 20 x 2) <sup>5,6</sup> |       | 4 - (24 x 20 x 2) <sup>5,6</sup> |       | 4 - (24 x 20 x 2) <sup>5,6</sup> |       | 4 - (24 x 20 x 2) <sup>5,6</sup> |       | 4 - (24 x 20 x 2) <sup>5,6</sup> |       |
|                                 | 4 - (24 x 20 x 4) <sup>7</sup>   |       | 4 - (24 x 20 x 4) <sup>7</sup>   |       | 4 - (24 x 20 x 4) <sup>7</sup>   |       | 4 - (24 x 20 x 4) <sup>7</sup>   |       | 4 - (24 x 20 x 4) <sup>7</sup>   |       |

1. Cooling Only Unit or Cooling Unit with Electric Heat
2. Cooling Unit with Gas Heat
3. 1<sup>st</sup> Stage 60% of Full Capacity.
4. J07ZJ and J12ZJ have crankcase heaters standard.
5. 2 In. Throwaway, Standard, MERV (Minimum Efficiency Reporting Value).
6. 2 In. Pleated, Optional, MERV 8.
7. 4 In. Pleated, Optional, MERV 13.

## JA3 thru A5ZR Single Stage Gas Heat Physical Data

| Component                           | Models              |         |         |                     |         |         |                     |         |         |
|-------------------------------------|---------------------|---------|---------|---------------------|---------|---------|---------------------|---------|---------|
|                                     | JA3ZR               |         |         | JA4ZR               |         |         | JA5ZR               |         |         |
| Nominal Tonnage                     | 3                   |         |         | 4                   |         |         | 5                   |         |         |
| <b>AHRI COOLING PERFORMANCE</b>     |                     |         |         |                     |         |         |                     |         |         |
| Gross Capacity @ AHRI A point (Btu) | 36500               |         |         | 49000               |         |         | 62000               |         |         |
| AHRI net capacity (Btu)             | 35500               |         |         | 46900               |         |         | 58000               |         |         |
| EER                                 | 12.2                |         |         | 12.1                |         |         | 12.1                |         |         |
| SEER                                | 14.7                |         |         | 14.5                |         |         | 14.25               |         |         |
| CFM                                 | 1200                |         |         | 1600                |         |         | 2000                |         |         |
| System power (KW)                   | 2.88                |         |         | 3.32                |         |         | 4.83                |         |         |
| Refrigerant type                    | R-410A              |         |         | R-410A              |         |         | R-410A              |         |         |
| Refrigerant charge (lb-oz)          |                     |         |         |                     |         |         |                     |         |         |
| System 1                            | 11-8                |         |         | 11-0                |         |         | 11-0                |         |         |
| System 2                            | -                   |         |         | -                   |         |         | -                   |         |         |
| <b>AHRI HEATING PERFORMANCE</b>     |                     |         |         |                     |         |         |                     |         |         |
| Heating model                       | H06                 | H08     | H12     | H06                 | H08     | H12     | H08                 | H12     | H16     |
| Heat input (K Btu)                  | 60                  | 80      | 120     | 60                  | 80      | 120     | 80                  | 120     | 160     |
| Heat output (K Btu)                 | 49                  | 65      | 97      | 49                  | 65      | 97      | 65                  | 97      | 129     |
| AFUE %                              | -                   | -       | -       | -                   | -       | -       | -                   | -       | -       |
| Steady state efficiency (%)         | 81.5                | 81      | 81      | 81.5                | 81      | 81      | 81                  | 81      | 80.5    |
| No. burners                         | 4                   | 4       | 6       | 4                   | 4       | 6       | 4                   | 6       | 8       |
| No. stages                          | 1                   | 1       | 1       | 1                   | 1       | 1       | 1                   | 1       | 1       |
| Temperature Rise Range (°F)         | 20-50°F             | 25-65°F | 35-80°F | 20-50°F             | 25-65°F | 35-80°F | 25-65°F             | 35-80°F | 45-75°F |
| Gas Limit Setting (°F)              | 200°F               | 235°F   | 290°F   | 200°F               | 235°F   | 290°F   | 235°F               | 290°F   | 240°F   |
| Gas piping connection (in.)         | 3/4                 | 3/4     | 3/4     | 3/4                 | 3/4     | 3/4     | 3/4                 | 3/4     | 3/4     |
| <b>DIMENSIONS (inches)</b>          |                     |         |         |                     |         |         |                     |         |         |
| Length                              | 89                  |         |         | 89                  |         |         | 89                  |         |         |
| Width                               | 59                  |         |         | 59                  |         |         | 59                  |         |         |
| Height                              | 42                  |         |         | 42                  |         |         | 42                  |         |         |
| <b>OPERATING WT. (lbs.)</b>         | 867                 |         |         | 880                 |         |         | 867                 |         |         |
| <b>COMPRESSORS<sup>1</sup></b>      |                     |         |         |                     |         |         |                     |         |         |
| Type                                | Recip               |         |         | Recip               |         |         | Recip               |         |         |
| Quantity                            | 1                   |         |         | 1                   |         |         | 1                   |         |         |
| Unit Capacity Steps (%)             | 100                 |         |         | 100                 |         |         | 100                 |         |         |
| <b>CONDENSER COIL DATA</b>          |                     |         |         |                     |         |         |                     |         |         |
| Face area (Sq. Ft.)                 | 11.9                |         |         | 11.9                |         |         | 11.9                |         |         |
| Rows                                | 1                   |         |         | 1                   |         |         | 1                   |         |         |
| Fins per inch                       | 23                  |         |         | 23                  |         |         | 23                  |         |         |
| Tube diameter (in./MM)              | .98/25              |         |         | .98/25              |         |         | .71/18 - .98/25     |         |         |
| Circuitry Type                      | 2-pass Microchannel |         |         | 2-pass Microchannel |         |         | 2-pass Microchannel |         |         |
| <b>EVAPORATOR COIL DATA</b>         |                     |         |         |                     |         |         |                     |         |         |
| Face area (Sq. Ft.)                 | 10.56               |         |         | 10.56               |         |         | 10.56               |         |         |
| Rows                                | 3                   |         |         | 3                   |         |         | 4                   |         |         |
| Fins per inch                       | 15                  |         |         | 15                  |         |         | 12                  |         |         |
| Tube diameter                       | 0.375               |         |         | 0.375               |         |         | 0.375               |         |         |
| Refrigerant control                 | TXV                 |         |         | TXV                 |         |         | TXV                 |         |         |
| <b>REHEAT COIL DATA</b>             |                     |         |         |                     |         |         |                     |         |         |
| Face area (Sq. Ft.)                 | 8.9                 |         |         | 8.9                 |         |         | 8.9                 |         |         |
| Rows                                | 2                   |         |         | 2                   |         |         | 2                   |         |         |
| Fins per inch                       | 15                  |         |         | 15                  |         |         | 15                  |         |         |
| Tube diameter                       | 0.375               |         |         | 0.375               |         |         | 0.375               |         |         |
| Refrigerant control                 | Solenoid            |         |         | Solenoid            |         |         | Solenoid            |         |         |

## JA3 thru A5ZR Single Stage Gas Heat Physical Data (Continued)

| Component                       | Models                           |  |       |                                  |  |       |                                  |  |       |
|---------------------------------|----------------------------------|--|-------|----------------------------------|--|-------|----------------------------------|--|-------|
|                                 | JA3ZR                            |  |       | JA4ZR                            |  |       | JA5ZR                            |  |       |
| Nominal Tonnage                 | 3                                |  |       | 4                                |  |       | 5                                |  |       |
| <b>CONDENSER FAN DATA</b>       |                                  |  |       |                                  |  |       |                                  |  |       |
| Quantity of fans                | 1                                |  |       | 2                                |  |       | 2                                |  |       |
| Fan diameter (Inch)             | 24                               |  |       | 24                               |  |       | 24                               |  |       |
| Type                            | Prop                             |  |       | Prop                             |  |       | Prop                             |  |       |
| Drive type                      | Direct                           |  |       | Direct                           |  |       | Direct                           |  |       |
| Quantity of motors              | 1                                |  |       | 2                                |  |       | 2                                |  |       |
| Motor HP each                   | 1/3                              |  |       | 1/3                              |  |       | 1/3                              |  |       |
| No. speeds                      | Var.                             |  |       | Var.                             |  |       | Var.                             |  |       |
| RPM (max.)                      | 850                              |  |       | 850                              |  |       | 850                              |  |       |
| Total CFM                       | 3500                             |  |       | 7000                             |  |       | 7000                             |  |       |
| <b>BELT DRIVE EVAP FAN DATA</b> |                                  |  |       |                                  |  |       |                                  |  |       |
| Quantity                        | 1                                |  |       | 1                                |  |       | 1                                |  |       |
| Fan Size (Inch)                 | 12 x 9                           |  |       | 12 x 9                           |  |       | 12 x 9                           |  |       |
| Type                            | Centrifugal                      |  |       | Centrifugal                      |  |       | Centrifugal                      |  |       |
| Motor Sheave                    | 1VP34                            |  | 1VL44 | 1VP34                            |  | 1VL44 | 1VP34                            |  | 1VL44 |
| Blower Sheave                   | AK61                             |  | AK59  | AK61                             |  | AK59  | AK61                             |  | AK59  |
| Belt                            | A47                              |  | A47   | A47                              |  | A47   | A47                              |  | A47   |
| Motor HP each                   | 1-1/2                            |  | 1-1/2 | 1-1/2                            |  | 1-1/2 | 1-1/2                            |  | 2     |
| RPM                             | 1725                             |  | 1725  | 1725                             |  | 1725  | 1725                             |  | 1725  |
| Frame size                      | 56                               |  | 56    | 56                               |  | 56    | 56                               |  | 56    |
| <b>FILTERS</b>                  |                                  |  |       |                                  |  |       |                                  |  |       |
| Quantity - Size                 | 4 - (24 x 16 x 2) <sup>2,3</sup> |  |       | 4 - (24 x 16 x 2) <sup>2,3</sup> |  |       | 4 - (24 x 16 x 2) <sup>2,3</sup> |  |       |
|                                 | 4 - (24 x 16 x 4) <sup>4</sup>   |  |       | 4 - (24 x 16 x 4) <sup>4</sup>   |  |       | 4 - (24 x 16 x 4) <sup>4</sup>   |  |       |

1. JA4ZR and JA5ZR have crankcase heaters standard
2. 2 In. Throwaway, Standard, MERV (Minimum Efficiency Reporting Value)
3. 2 In. Pleated, Optional, MERV 8.
4. 4 In. Pleated, Optional, MERV 13.

## JA3 thru A5ZR Two Stage Gas Heat Physical Data

| Component                           | Models              |                |                |                     |                |                |                     |                |                |
|-------------------------------------|---------------------|----------------|----------------|---------------------|----------------|----------------|---------------------|----------------|----------------|
|                                     | JA3ZR               |                |                | JA4ZR               |                |                | JA5ZR               |                |                |
| Nominal Tonnage                     | 3                   |                |                | 4                   |                |                | 5                   |                |                |
| <b>AHRI COOLING PERFORMANCE</b>     |                     |                |                |                     |                |                |                     |                |                |
| Gross Capacity @ AHRI A point (Btu) | 36500               |                |                | 49000               |                |                | 62000               |                |                |
| AHRI net capacity (Btu)             | 35600               |                |                | 47000               |                |                | 58000               |                |                |
| EER                                 | 12.2                |                |                | 12.1                |                |                | 12.1                |                |                |
| SEER                                | 14.7                |                |                | 14.5                |                |                | 14.25               |                |                |
| CFM                                 | 1200                |                |                | 1600                |                |                | 2000                |                |                |
| System power (KW)                   | 2.88                |                |                | 3.32                |                |                | 4.83                |                |                |
| Refrigerant type                    | R-410A              |                |                | R-410A              |                |                | R-410A              |                |                |
| Refrigerant charge (lb-oz)          |                     |                |                |                     |                |                |                     |                |                |
| System 1                            | 11-8                |                |                | 11-0                |                |                | 11-0                |                |                |
| System 2                            | -                   |                |                | -                   |                |                | -                   |                |                |
| <b>AHRI HEATING PERFORMANCE</b>     |                     |                |                |                     |                |                |                     |                |                |
| Heating model                       | N06                 | N08            | N12            | N06                 | N08            | N12            | N08                 | N12            | N16            |
| Heat input (K Btu)                  | 60                  | 80             | 120            | 60                  | 80             | 120            | 80                  | 120            | 160            |
| Heat output (K Btu)                 | 49                  | 65             | 97             | 49                  | 65             | 97             | 65                  | 97             | 129            |
| AFUE %                              | -                   |                | -              | -                   |                | -              | -                   |                | -              |
| Steady state efficiency (%)         | 81.5                | 81             | 81             | 81.5                | 81             | 81             | 81                  | 81             | 80.5           |
| No. burners                         | 4                   | 4              | 6              | 4                   | 4              | 6              | 4                   | 6              | 8              |
| No. stages                          | 2 <sup>1</sup>      | 2 <sup>2</sup> | 2 <sup>2</sup> | 2 <sup>1</sup>      | 2 <sup>2</sup> | 2 <sup>2</sup> | 2 <sup>2</sup>      | 2 <sup>2</sup> | 2 <sup>2</sup> |
| Temperature Rise Range (°F)         | 20-50°F             | 25-65°F        | 35-80°F        | 20-50°F             | 25-65°F        | 35-80°F        | 25-65°F             | 35-80°F        | 45-75°F        |
| Gas Limit Setting (°F)              | 200°F               | 235°F          | 290°F          | 200°F               | 235°F          | 290°F          | 235°F               | 290°F          | 240°F          |
| Gas piping connection (in.)         | 3/4                 | 3/4            | 3/4            | 3/4                 | 3/4            | 3/4            | 3/4                 | 3/4            | 3/4            |
| <b>DIMENSIONS (inches)</b>          |                     |                |                |                     |                |                |                     |                |                |
| Length                              | 89                  |                |                | 89                  |                |                | 89                  |                |                |
| Width                               | 59                  |                |                | 59                  |                |                | 59                  |                |                |
| Height                              | 42                  |                |                | 42                  |                |                | 42                  |                |                |
| <b>OPERATING WT. (lbs.)</b>         | 867                 |                |                | 880                 |                |                | 867                 |                |                |
| <b>COMPRESSORS<sup>3</sup></b>      |                     |                |                |                     |                |                |                     |                |                |
| Type                                | Recip               |                |                | Recip               |                |                | Recip               |                |                |
| Quantity                            | 1                   |                |                | 1                   |                |                | 1                   |                |                |
| Unit Capacity Steps (%)             | 100                 |                |                | 100                 |                |                | 100                 |                |                |
| <b>CONDENSER COIL DATA</b>          |                     |                |                |                     |                |                |                     |                |                |
| Face area (Sq. Ft.)                 | 11.9                |                |                | 11.9                |                |                | 11.9                |                |                |
| Rows                                | 1                   |                |                | 1                   |                |                | 1                   |                |                |
| Fins per inch                       | 23                  |                |                | 23                  |                |                | 23                  |                |                |
| Tube diameter (in./MM)              | .98/25              |                |                | .98/25              |                |                | .71/18 - .98/25     |                |                |
| Circuitry Type                      | 2-pass Microchannel |                |                | 2-pass Microchannel |                |                | 2-pass Microchannel |                |                |
| <b>EVAPORATOR COIL DATA</b>         |                     |                |                |                     |                |                |                     |                |                |
| Face area (Sq. Ft.)                 | 10.56               |                |                | 10.56               |                |                | 10.56               |                |                |
| Rows                                | 3                   |                |                | 3                   |                |                | 4                   |                |                |
| Fins per inch                       | 15                  |                |                | 15                  |                |                | 12                  |                |                |
| Tube diameter                       | 0.375               |                |                | 0.375               |                |                | 0.375               |                |                |
| Refrigerant control                 | TXV                 |                |                | TXV                 |                |                | TXV                 |                |                |
| <b>REHEAT COIL DATA</b>             |                     |                |                |                     |                |                |                     |                |                |
| Face area (Sq. Ft.)                 | 8.9                 |                |                | 8.9                 |                |                | 8.9                 |                |                |
| Rows                                | 2                   |                |                | 2                   |                |                | 2                   |                |                |
| Fins per inch                       | 15                  |                |                | 15                  |                |                | 15                  |                |                |
| Tube diameter                       | 0.375               |                |                | 0.375               |                |                | 0.375               |                |                |
| Refrigerant control                 | Solenoid            |                |                | Solenoid            |                |                | Solenoid            |                |                |

## JA3 thru A5ZR Two Stage Gas Heat Physical Data (Continued)

| Component                       | Models                           |  |       |                                  |  |       |                                  |  |       |
|---------------------------------|----------------------------------|--|-------|----------------------------------|--|-------|----------------------------------|--|-------|
|                                 | JA3ZR                            |  |       | JA4ZR                            |  |       | JA5ZR                            |  |       |
| Nominal Tonnage                 | 3                                |  |       | 4                                |  |       | 5                                |  |       |
| <b>CONDENSER FAN DATA</b>       |                                  |  |       |                                  |  |       |                                  |  |       |
| Quantity of fans                | 1                                |  |       | 2                                |  |       | 2                                |  |       |
| Fan diameter (Inch)             | 24                               |  |       | 24                               |  |       | 24                               |  |       |
| Type                            | Prop                             |  |       | Prop                             |  |       | Prop                             |  |       |
| Drive type                      | Direct                           |  |       | Direct                           |  |       | Direct                           |  |       |
| Quantity of motors              | 1                                |  |       | 2                                |  |       | 2                                |  |       |
| Motor HP each                   | 1/3                              |  |       | 1/3                              |  |       | 1/3                              |  |       |
| No. speeds                      | Var.                             |  |       | Var.                             |  |       | Var.                             |  |       |
| RPM                             | 850                              |  |       | 850                              |  |       | 850                              |  |       |
| Total CFM                       | 3500                             |  |       | 7000                             |  |       | 7000                             |  |       |
| <b>BELT DRIVE EVAP FAN DATA</b> |                                  |  |       |                                  |  |       |                                  |  |       |
| Quantity                        | 1                                |  |       | 1                                |  |       | 1                                |  |       |
| Fan Size (Inch)                 | 12 x 9                           |  |       | 12 x 9                           |  |       | 12 x 9                           |  |       |
| Type                            | Centrifugal                      |  |       | Centrifugal                      |  |       | Centrifugal                      |  |       |
| Motor Sheave                    | 1VP34                            |  | 1VL44 | 1VP34                            |  | 1VL44 | 1VP34                            |  | 1VL44 |
| Blower Sheave                   | AK61                             |  | AK59  | AK61                             |  | AK59  | AK61                             |  | AK59  |
| Belt                            | A47                              |  | A47   | A47                              |  | A47   | A47                              |  | A47   |
| Motor HP each                   | 1-1/2                            |  | 1-1/2 | 1-1/2                            |  | 1-1/2 | 1-1/2                            |  | 2     |
| RPM                             | 1725                             |  | 1725  | 1725                             |  | 1725  | 1725                             |  | 1725  |
| Frame size                      | 56                               |  | 56    | 56                               |  | 56    | 56                               |  | 56    |
| <b>FILTERS</b>                  |                                  |  |       |                                  |  |       |                                  |  |       |
| Quantity - Size                 | 4 - (24 x 16 x 2) <sup>4,5</sup> |  |       | 4 - (24 x 16 x 2) <sup>4,5</sup> |  |       | 4 - (24 x 16 x 2) <sup>4,5</sup> |  |       |
|                                 | 4 - (24 x 16 x 4) <sup>6</sup>   |  |       | 4 - (24 x 16 x 4) <sup>6</sup>   |  |       | 4 - (24 x 16 x 4) <sup>6</sup>   |  |       |

- 1<sup>st</sup> Stage Capacity is 75% of Full Capacity.
- 1<sup>st</sup> Stage Capacity is 70% of Full Capacity.
- JA4ZR and JA5ZR have crankcase heaters standard.
- 2 In. Throwaway, Standard, MERV (Minimum Efficiency Reporting Value)
- 2 In. Pleated, Optional, MERV 8.
- 4 In. Pleated, Optional, MERV 13.



## J06 thru 12ZR Physical Data

| Component                           | Models         |                |                                      |                |  |                |                                      |                |                                      |                |
|-------------------------------------|----------------|----------------|--------------------------------------|----------------|--|----------------|--------------------------------------|----------------|--------------------------------------|----------------|
|                                     | J06ZR          |                | J07ZR                                |                | J08ZR                                    |                | J10ZR                                |                | J12ZR                                |                |
| Nominal Tonnage                     | 6.5            |                | 7.5                                  |                | 8.5                                      |                | 10                                   |                | 12.5                                 |                |
| <b>AHRI COOLING PERFORMANCE</b>     |                |                |                                      |                |  |                |                                      |                |                                      |                |
| Gross Capacity @ AHRI A point (Mbh) | 80000          |                | 90000                                |                | 105000                                   |                | 124000                               |                | 157000                               |                |
| AHRI net capacity (Mbh)             | 78000          |                | 88000                                |                | 102000 <sup>1</sup> /100000 <sup>2</sup> |                | 118000                               |                | 150000                               |                |
| EER                                 | 11.2           |                | 11.2                                 |                | 11.2                                     |                | 11.2                                 |                | 11.0                                 |                |
| IEER with Intellispeed              | 13             |                | 14.0 <sup>1</sup> /13.8 <sup>2</sup> |                | 13.2 <sup>1</sup> /13.0 <sup>2</sup>     |                | 12.9 <sup>1</sup> /12.7 <sup>2</sup> |                | 13.2 <sup>1</sup> /13.0 <sup>2</sup> |                |
| CFM                                 | 2200           |                | 2775                                 |                | 3350                                     |                | 3750                                 |                | 4450                                 |                |
| System power (KW)                   | 6.96           |                | 7.77                                 |                | 9.11                                     |                | 10.71                                |                | 13.39                                |                |
| Refrigerant type                    | R-410A         |                | R-410A                               |                | R-410A                                   |                | R-410A                               |                | R-410A                               |                |
| Refrigerant charge (lb-oz)          |                |                |                                      |                |  |                |                                      |                |                                      |                |
| System 1                            | 9-0            |                | 6-12                                 |                | 11-10                                    |                | 8-11                                 |                | 20-0                                 |                |
| System 2                            | 5-8            |                | 6-0                                  |                | 10-3                                     |                | 7-8                                  |                | 19-0                                 |                |
| <b>AHRI HEATING PERFORMANCE</b>     |                |                |                                      |                |  |                |                                      |                |                                      |                |
| Heating model                       | N12            | N18            | N12                                  | N18            | N12                                      | N18            | N18                                  | N24            | N18                                  | N24            |
| Heat input (K Btu)                  | 120            | 180            | 120                                  | 180            | 120                                      | 180            | 180                                  | 240            | 180                                  | 240            |
| Heat output (K Btu)                 | 96             | 144            | 96                                   | 144            | 96                                       | 144            | 144                                  | 192            | 144                                  | 192            |
| AFUE %                              | -              | -              | -                                    | -              | -  | -              | -                                    | -              | -                                    | -              |
| Steady state efficiency (%)         | 80             | 80             | 80                                   | 80             | 80                                       | 80             | 80                                   | 80             | 80                                   | 80             |
| No. burners                         | 4              | 6              | 4                                    | 6              | 4  | 6              | 6                                    | 8              | 6                                    | 8              |
| No. stages                          | 2 <sup>3</sup> | 2 <sup>3</sup> | 2 <sup>3</sup>                       | 2 <sup>3</sup> | 2 <sup>3</sup>                           | 2 <sup>3</sup> | 2 <sup>3</sup>                       | 2 <sup>3</sup> | 2 <sup>3</sup>                       | 2 <sup>3</sup> |
| Temperature Rise Range (°F)         | 20-50          | 35-65          | 15-45                                | 30-60          | 10-40                                    | 25-55          | 20-50                                | 35-65          | 10-40                                | 25-55          |
| Gas Limit Setting (°F)              | 165            | 165            | 165                                  | 165            | 215                                      | 195            | 195                                  | 160            | 195                                  | 160            |
| Gas piping connection (in.)         | 3/4            | 3/4            | 3/4                                  | 3/4            | 3/4                                      | 3/4            | 3/4                                  | 3/4            | 3/4                                  | 3/4            |
| <b>DIMENSIONS (inches)</b>          |                |                |                                      |                |  |                |                                      |                |                                      |                |
| Length                              | 89             |                | 89                                   |                | 89                                       |                | 89                                   |                | 119-7/16                             |                |
| Width                               | 59             |                | 59                                   |                | 59                                       |                | 59                                   |                | 59                                   |                |
| Height                              | 42             |                | 42                                   |                | 50-3/4                                   |                | 50-3/4                               |                | 50-3/4                               |                |
| <b>OPERATING WT. (lbs.)</b>         | 957            |                | 965                                  |                | 1200                                     |                | 1200                                 |                | 1465                                 |                |
| <b>COMPRESSORS<sup>4</sup></b>      |                |                |                                      |                |  |                |                                      |                |                                      |                |
| Type                                | Scroll         |                | Scroll                               |                | Scroll                                   |                | Scroll                               |                | Scroll                               |                |
| Quantity                            | 2              |                | 2                                    |                | 2  |                | 2                                    |                | 2                                    |                |
| Unit Capacity Steps (%)             | 50 / 100       |                | 50 / 100                             |                | 50 / 100                                 |                | 50 / 100                             |                | 50 / 100                             |                |
| <b>CONDENSER COIL DATA</b>          |                |                |                                      |                |  |                |                                      |                |                                      |                |
| Face area (Sq. Ft.)                 | 23.8           |                | 23.8                                 |                | 29.0                                     |                | 29.0                                 |                | 47.5                                 |                |
| Rows                                | 2 / 1          |                | 1                                    |                | 2  |                | 1                                    |                | 2                                    |                |
| Fins per inch                       | 20             |                | 23                                   |                | 20                                       |                | 23                                   |                | 15                                   |                |
| Tube diameter (in.)                 | 3/8            |                | -                                    |                | 3/8                                      |                | -                                    |                | 3/8                                  |                |
| Tube diameter (in.)/MM              | -              |                | 1/25                                 |                | -  |                | 1/25                                 |                | -                                    |                |
| Circuitry Type                      | Split-face     |                | 2-pass<br>Microchannel               |                | Split-face                               |                | 2-pass<br>Microchannel               |                | Split-face                           |                |
| <b>EVAPORATOR COIL DATA</b>         |                |                |                                      |                |  |                |                                      |                |                                      |                |
| Face area (Sq. Ft.)                 | 10.6           |                | 10.6                                 |                | 13.2                                     |                | 13.2                                 |                | 13.2                                 |                |
| Rows                                | 3              |                | 3                                    |                | 4  |                | 4                                    |                | 4                                    |                |
| Fins per inch                       | 15             |                | 15                                   |                | 15                                       |                | 15                                   |                | 15                                   |                |
| Tube diameter                       | 3/8            |                | 3/8                                  |                | 3/8                                      |                | 3/8                                  |                | 3/8                                  |                |
| Circuitry Type                      | Split-face     |                | Split-face                           |                | Split-face                               |                | Split-face                           |                | Split-face                           |                |
| Refrigerant control                 | TXV            |                | TXV                                  |                | TXV                                      |                | TXV                                  |                | TXV                                  |                |

## J06 thru 12ZR Physical Data (Continued)

| Component                       | Models                           |       |                                  |       |                                  |       |                                  |       |                                  |       |
|---------------------------------|----------------------------------|-------|----------------------------------|-------|----------------------------------|-------|----------------------------------|-------|----------------------------------|-------|
|                                 | J06ZR                            |       | J07ZR                            |       | J08ZR                            |       | J10ZR                            |       | J12ZR                            |       |
| Nominal Tonnage                 | 6.5                              |       | 7.5                              |       | 8.5                              |       | 10                               |       | 12.5                             |       |
| <b>REHEAT COIL DATA</b>         |                                  |       |                                  |       |                                  |       |                                  |       |                                  |       |
| Face area (Sq. Ft.)             | 6.66                             |       | 6.66                             |       | 10                               |       | 10                               |       | 10                               |       |
| Rows                            | 2                                |       | 2                                |       | 2                                |       | 2                                |       | 2                                |       |
| Fins per inch                   | 13                               |       | 13                               |       | 13                               |       | 13                               |       | 13                               |       |
| Tube diameter (in.)             | 3/8                              |       | 3/8                              |       | 3/8                              |       | 3/8                              |       | 3/8                              |       |
| <b>CONDENSER FAN DATA</b>       |                                  |       |                                  |       |                                  |       |                                  |       |                                  |       |
| Quantity of Fans                | 2                                |       | 2                                |       | 2                                |       | 2                                |       | 4                                |       |
| Fan diameter (Inch)             | 24                               |       | 24                               |       | 24                               |       | 24                               |       | 24                               |       |
| Type                            | Prop                             |       | Prop                             |       | Prop                             |       | Prop                             |       | Prop                             |       |
| Drive type                      | Direct                           |       | Direct                           |       | Direct                           |       | Direct                           |       | Direct                           |       |
| Quantity of motors              | 2                                |       | 2                                |       | 2                                |       | 2                                |       | 4                                |       |
| Motor HP each                   | 1/3                              |       | 1/3                              |       | 1/3                              |       | 3/4                              |       | 1/3                              |       |
| No. speeds                      | 1                                |       | 1                                |       | 1                                |       | 1                                |       | 1                                |       |
| RPM                             | 850                              |       | 850                              |       | 850                              |       | 1110                             |       | 850                              |       |
| Total CFM                       | 6800                             |       | 6800                             |       | 6800                             |       | 9500                             |       | 14000                            |       |
| <b>BELT DRIVE EVAP FAN DATA</b> |                                  |       |                                  |       |                                  |       |                                  |       |                                  |       |
| Quantity                        | 1                                |       | 1                                |       | 1                                |       | 1                                |       | 1                                |       |
| Fan Size (Inch)                 | 12 x 12                          |       | 12 x 12                          |       | 15 x 15                          |       | 15 x 15                          |       | 15 x 15                          |       |
| Type                            | Centrifugal                      |       | Centrifugal                      |       | Centrifugal                      |       | Centrifugal                      |       | Centrifugal                      |       |
| Motor Sheave                    | 1VM50                            | 1VM50 | 1VM50                            | 1VM50 | 1VM50                            | 1VM50 | 1VM50                            | 1VM50 | 1VM50                            | 1VP56 |
| Blower Sheave                   | AK74                             | AK64  | AK74                             | AK61  | AK89                             | AK74  | AK84                             | AK74  | AK74                             | BK77  |
| Belt                            | A49                              | A49   | A49                              | A49   | A56                              | A54   | A56                              | A54   | A54                              | BX55  |
| Motor HP each                   | 1-1/2                            | 2     | 1-1/2                            | 3     | 2                                | 3     | 2                                | 3     | 3                                | 5     |
| RPM                             | 1725                             | 1725  | 1725                             | 1725  | 1725                             | 1725  | 1725                             | 1725  | 1725                             | 1725  |
| Frame size                      | 56                               | 56    | 56                               | 56    | 56                               | 56    | 56                               | 56    | 56                               | 184T  |
| <b>FILTERS</b>                  |                                  |       |                                  |       |                                  |       |                                  |       |                                  |       |
| Quantity - Size                 | 4 - (24 x 16 x 2) <sup>5,6</sup> |       | 4 - (24 x 16 x 2) <sup>5,6</sup> |       | 4 - (24 x 20 x 2) <sup>5,6</sup> |       | 4 - (24 x 20 x 2) <sup>5,6</sup> |       | 4 - (24 x 20 x 2) <sup>5,6</sup> |       |
|                                 | 4 - (24 x 16 x 4) <sup>7</sup>   |       | 4 - (24 x 16 x 4) <sup>7</sup>   |       | 4 - (24 x 20 x 4) <sup>7</sup>   |       | 4 - (24 x 20 x 4) <sup>7</sup>   |       | 4 - (24 x 20 x 4) <sup>7</sup>   |       |

1. Cooling Only Unit or Cooling Unit with Electric Heat
2. Cooling Unit with Gas Heat
3. 1st Stage 60% of 2nd Stage
4. J07ZR, JA8ZR, J10ZR, J12ZR have crankcase heaters standard.
5. 2 In. Throwaway, Standard, MERV (Minimum Efficiency Reporting Value) 3.
6. 2 In. Pleated, Optional, MERV 8.
7. 4 In. Pleated, Optional, MERV 13.

## JA3 thru 12ZH/ZJ/ZR Unit Limitations

| Size<br>(Tons) | Model    | Unit Voltage | Unit Limitations |     |                 |
|----------------|----------|--------------|------------------|-----|-----------------|
|                |          |              | Applied Voltage  |     | Outdoor DB Temp |
|                |          |              | Min              | Max | Max (°F)        |
| JA3<br>(3)     | ZH/ZJ/ZR | 208/230-3-60 | 187              | 252 | 125             |
|                |          | 460-3-60     | 432              | 504 | 125             |
|                |          | 575-3-60     | 540              | 630 | 125             |
| JA4<br>(4)     | ZH/ZJ/ZR | 208/230-3-60 | 187              | 252 | 125             |
|                |          | 460-3-60     | 432              | 504 | 125             |
|                |          | 575-3-60     | 540              | 630 | 125             |
| JA5<br>(5)     | ZH/ZJ/ZR | 208/230-3-60 | 187              | 252 | 125             |
|                |          | 460-3-60     | 432              | 504 | 125             |
|                |          | 575-3-60     | 540              | 630 | 125             |
| J06<br>(6.5)   | ZH/ZJ/ZR | 208/230-3-60 | 187              | 252 | 125             |
|                |          | 460-3-60     | 432              | 504 | 125             |
|                |          | 575-3-60     | 540              | 630 | 125             |
| J07<br>(7.5)   | ZH/ZJ/ZR | 208/230-3-60 | 187              | 252 | 125             |
|                |          | 460-3-60     | 432              | 504 | 125             |
|                |          | 575-3-60     | 540              | 630 | 125             |
| J08<br>(8.5)   | ZH/ZJ/ZR | 208/230-3-60 | 187              | 252 | 125             |
|                |          | 460-3-60     | 432              | 504 | 125             |
|                |          | 575-3-60     | 540              | 630 | 125             |
| J10<br>(10)    | ZH/ZJ/ZR | 208/230-3-60 | 187              | 252 | 125             |
|                |          | 460-3-60     | 432              | 504 | 125             |
|                |          | 575-3-60     | 540              | 630 | 125             |
| J12<br>(12.5)  | ZH/ZJ/ZR | 208/230-3-60 | 187              | 252 | 125             |
|                |          | 460-3-60     | 432              | 504 | 125             |
|                |          | 575-3-60     | 540              | 630 | 125             |

# Capacity Performance

## JA3 thru 12ZH Cooling Capacities

### JA3ZH (3.0 Ton)

| Air on Evaporator Coil |         | Temperature of Air on Condenser Coil |                               |                         |      |      |      |      |      |                                   |                               |                         |      |      |      |      |      |
|------------------------|---------|--------------------------------------|-------------------------------|-------------------------|------|------|------|------|------|-----------------------------------|-------------------------------|-------------------------|------|------|------|------|------|
| CFM                    | WB (°F) | Total Capacity <sup>1</sup> (MBh)    | Total Input (kW) <sup>2</sup> | Sensible Capacity (MBh) |      |      |      |      |      | Total Capacity <sup>1</sup> (MBh) | Total Input (kW) <sup>2</sup> | Sensible Capacity (MBh) |      |      |      |      |      |
|                        |         |                                      |                               | Return Dry Bulb (°F)    |      |      |      |      |      |                                   |                               | Return Dry Bulb (°F)    |      |      |      |      |      |
|                        |         |                                      |                               | 90                      | 85   | 80   | 75   | 70   | 65   |                                   |                               | 90                      | 85   | 80   | 75   | 70   | 65   |
|                        |         |                                      |                               | <b>75°F</b>             |      |      |      |      |      | <b>85°F</b>                       |                               |                         |      |      |      |      |      |
| 750                    | 77      | 49.1                                 | 2.3                           | 20.2                    | 16.8 | 13.4 | -    | -    | -    | 46.5                              | 2.5                           | 19.1                    | 15.7 | 12.4 | -    | -    |      |
|                        | 72      | 44.4                                 | 2.2                           | 25.1                    | 21.7 | 18.4 | 15.0 | -    | -    | 41.7                              | 2.5                           | 23.9                    | 20.5 | 17.2 | 13.8 | -    |      |
|                        | 67      | 39.6                                 | 2.2                           | 30.0                    | 26.6 | 23.3 | 19.9 | 16.5 | -    | 36.9                              | 2.5                           | 28.7                    | 25.3 | 22.0 | 18.6 | 15.2 |      |
|                        | 62      | 35.4                                 | 2.3                           | 35.4                    | 32.8 | 27.8 | 24.5 | 21.1 | 17.8 | 32.6                              | 2.5                           | 32.6                    | 31.3 | 26.3 | 22.9 | 19.6 | 16.2 |
| 900                    | 77      | 51.2                                 | 2.2                           | 22.9                    | 18.8 | 14.8 | -    | -    | -    | 48.2                              | 2.5                           | 21.6                    | 17.6 | 13.6 | -    | -    |      |
|                        | 72      | 46.2                                 | 2.2                           | 28.2                    | 24.2 | 20.2 | 16.1 | -    | -    | 43.2                              | 2.5                           | 26.8                    | 22.8 | 18.9 | 14.9 | -    |      |
|                        | 67      | 41.3                                 | 2.2                           | 33.6                    | 29.6 | 25.6 | 21.5 | 17.5 | -    | 38.2                              | 2.5                           | 32.1                    | 28.1 | 24.1 | 20.2 | 16.2 |      |
|                        | 62      | 36.9                                 | 2.3                           | 36.9                    | 35.1 | 30.6 | 26.5 | 22.5 | 18.5 | 33.7                              | 2.5                           | 33.7                    | 32.9 | 28.9 | 24.9 | 20.9 | 17.0 |
|                        | 57      | 35.4                                 | 2.3                           | 35.4                    | 35.4 | 32.4 | 28.4 | 24.3 | 20.3 | 33.2                              | 2.5                           | 33.2                    | 33.2 | 30.2 | 26.2 | 22.3 | 18.3 |
| 1050                   | 77      | 53.3                                 | 2.2                           | 25.5                    | 20.8 | 16.1 | -    | -    | -    | 49.9                              | 2.5                           | 24.0                    | 19.4 | 14.8 | -    | -    |      |
|                        | 72      | 48.1                                 | 2.2                           | 31.4                    | 26.7 | 22.0 | 17.3 | -    | -    | 44.7                              | 2.5                           | 29.8                    | 25.2 | 20.6 | 16.0 | -    |      |
|                        | 67      | 43.0                                 | 2.2                           | 37.3                    | 32.6 | 27.9 | 23.2 | 18.5 | -    | 39.5                              | 2.5                           | 35.5                    | 30.9 | 26.3 | 21.7 | 17.1 |      |
|                        | 62      | 38.3                                 | 2.3                           | 38.3                    | 37.5 | 33.3 | 28.6 | 23.9 | 19.2 | 34.9                              | 2.5                           | 34.9                    | 34.5 | 31.5 | 26.9 | 22.3 | 17.7 |
|                        | 57      | 36.8                                 | 2.3                           | 36.8                    | 36.8 | 35.3 | 30.6 | 25.9 | 21.2 | 34.3                              | 2.5                           | 34.3                    | 34.3 | 32.9 | 28.3 | 23.7 | 19.2 |
| 1200                   | 77      | 55.4                                 | 2.2                           | 28.2                    | 22.8 | 17.5 | -    | -    | -    | 51.5                              | 2.5                           | 26.5                    | 21.3 | 16.1 | -    | -    |      |
|                        | 72      | 50.0                                 | 2.2                           | 34.6                    | 29.2 | 23.8 | 18.4 | -    | -    | 46.2                              | 2.5                           | 32.7                    | 27.5 | 22.3 | 17.1 | -    |      |
|                        | 67      | 44.6                                 | 2.2                           | 41.0                    | 35.6 | 30.2 | 24.8 | 19.4 | -    | 40.8                              | 2.5                           | 38.9                    | 33.7 | 28.5 | 23.3 | 18.1 |      |
|                        | 62      | 39.8                                 | 2.3                           | 39.8                    | 39.8 | 36.1 | 30.7 | 25.3 | 19.9 | 36.1                              | 2.5                           | 36.1                    | 36.1 | 34.1 | 28.9 | 23.7 | 18.5 |
|                        | 57      | 38.3                                 | 2.2                           | 38.3                    | 38.3 | 38.3 | 32.9 | 27.5 | 22.1 | 35.5                              | 2.5                           | 35.5                    | 35.5 | 35.7 | 30.5 | 25.2 | 20.0 |
| 1350                   | 72      | 50.1                                 | 2.2                           | 37.2                    | 31.3 | 25.4 | 19.5 | -    | -    | 46.5                              | 2.5                           | 35.4                    | 29.6 | 23.8 | 18.1 | -    |      |
|                        | 67      | 44.7                                 | 2.2                           | 42.9                    | 38.1 | 32.2 | 26.3 | 20.4 | -    | 41.1                              | 2.5                           | 40.1                    | 36.3 | 30.5 | 24.7 | 19.0 |      |
|                        | 62      | 39.9                                 | 2.3                           | 39.9                    | 39.9 | 38.0 | 32.1 | 26.3 | 20.4 | 36.3                              | 2.5                           | 36.3                    | 36.3 | 35.3 | 29.6 | 23.8 | 18.0 |
|                        | 57      | 38.3                                 | 2.2                           | 38.3                    | 38.3 | 38.3 | 32.4 | 26.6 | 20.7 | 35.7                              | 2.5                           | 35.7                    | 35.7 | 35.8 | 30.0 | 24.3 | 18.5 |
| 1500                   | 72      | 50.1                                 | 2.2                           | 39.7                    | 33.4 | 27.0 | 20.6 | -    | -    | 46.8                              | 2.5                           | 38.0                    | 31.7 | 25.4 | 19.1 | -    |      |
|                        | 67      | 44.8                                 | 2.2                           | 44.8                    | 40.6 | 34.2 | 27.8 | 21.5 | -    | 41.3                              | 2.5                           | 41.3                    | 38.8 | 32.5 | 26.2 | 19.9 |      |
|                        | 62      | 39.9                                 | 2.3                           | 39.9                    | 39.9 | 39.9 | 33.6 | 27.2 | 20.8 | 36.5                              | 2.5                           | 36.5                    | 36.5 | 36.5 | 30.2 | 23.9 | 17.6 |
|                        | 57      | 38.4                                 | 2.3                           | 38.4                    | 38.4 | 38.4 | 32.0 | 25.6 | 19.2 | 35.9                              | 2.5                           | 35.9                    | 35.9 | 35.9 | 29.6 | 23.3 | 17.0 |
|                        |         |                                      |                               | <b>95°F</b>             |      |      |      |      |      | <b>105°F</b>                      |                               |                         |      |      |      |      |      |
| 750                    | 77      | 44.0                                 | 2.7                           | 18.0                    | 14.7 | 11.3 | -    | -    | -    | 40.2                              | 3.0                           | 15.8                    | 13.5 | 10.2 | -    | -    |      |
|                        | 72      | 39.0                                 | 2.7                           | 22.7                    | 19.3 | 16.0 | 12.6 | -    | -    | 35.5                              | 2.9                           | 21.2                    | 18.0 | 14.7 | 11.4 | -    |      |
|                        | 67      | 34.1                                 | 2.7                           | 27.4                    | 24.0 | 20.7 | 17.3 | 13.9 | -    | 30.8                              | 2.9                           | 26.6                    | 22.4 | 19.2 | 15.9 | 12.7 |      |
|                        | 62      | 29.8                                 | 2.6                           | 29.8                    | 29.8 | 24.7 | 21.4 | 18.0 | 14.7 | 27.0                              | 2.8                           | 27.0                    | 27.0 | 23.2 | 20.0 | 16.7 | 13.5 |
| 900                    | 77      | 45.2                                 | 2.7                           | 20.3                    | 16.3 | 12.4 | -    | -    | -    | 41.2                              | 3.0                           | 18.9                    | 15.0 | 11.2 | -    | -    |      |
|                        | 72      | 40.1                                 | 2.7                           | 25.4                    | 21.5 | 17.6 | 13.6 | -    | -    | 36.4                              | 3.0                           | 23.8                    | 20.0 | 16.2 | 12.4 | -    |      |
|                        | 67      | 35.1                                 | 2.7                           | 30.5                    | 26.6 | 22.7 | 18.8 | 14.9 | -    | 31.5                              | 2.9                           | 28.7                    | 24.9 | 21.1 | 17.3 | 13.5 |      |
|                        | 62      | 30.6                                 | 2.7                           | 30.6                    | 30.6 | 27.2 | 23.3 | 19.4 | 15.4 | 27.7                              | 2.9                           | 27.7                    | 27.7 | 25.6 | 21.8 | 17.9 | 14.1 |
|                        | 57      | 30.9                                 | 2.7                           | 30.9                    | 30.9 | 28.0 | 24.1 | 20.2 | 16.2 | 28.2                              | 2.9                           | 28.2                    | 28.2 | 26.0 | 22.2 | 18.4 | 14.6 |
| 1050                   | 77      | 46.5                                 | 2.8                           | 22.5                    | 18.0 | 13.5 | -    | -    | -    | 42.2                              | 3.0                           | 21.9                    | 16.6 | 12.3 | -    | -    |      |
|                        | 72      | 41.2                                 | 2.7                           | 28.1                    | 23.6 | 19.1 | 14.7 | -    | -    | 37.2                              | 3.0                           | 26.4                    | 22.0 | 17.6 | 13.3 | -    |      |
|                        | 67      | 36.0                                 | 2.7                           | 33.7                    | 29.2 | 24.8 | 20.3 | 15.8 | -    | 32.3                              | 3.0                           | 30.9                    | 27.4 | 23.0 | 18.7 | 14.3 |      |
|                        | 62      | 31.5                                 | 2.7                           | 31.5                    | 31.5 | 29.7 | 25.2 | 20.7 | 16.2 | 28.3                              | 2.9                           | 28.3                    | 28.3 | 27.9 | 23.5 | 19.2 | 14.8 |
|                        | 57      | 31.8                                 | 2.7                           | 31.8                    | 31.8 | 30.5 | 26.1 | 21.6 | 17.1 | 28.9                              | 2.9                           | 28.9                    | 28.9 | 28.4 | 24.0 | 19.7 | 15.3 |
| 1200                   | 77      | 47.7                                 | 2.8                           | 24.7                    | 19.7 | 14.7 | -    | -    | -    | 43.2                              | 3.1                           | 24.9                    | 18.2 | 13.3 | -    | -    |      |
|                        | 72      | 42.3                                 | 2.8                           | 30.8                    | 25.8 | 20.7 | 15.7 | -    | -    | 38.1                              | 3.0                           | 28.9                    | 24.0 | 19.1 | 14.2 | -    |      |
|                        | 67      | 37.0                                 | 2.8                           | 36.9                    | 31.8 | 26.8 | 21.8 | 16.7 | -    | 33.1                              | 3.0                           | 33.0                    | 29.9 | 25.0 | 20.1 | 15.1 |      |
|                        | 62      | 32.3                                 | 2.7                           | 32.3                    | 32.3 | 32.1 | 27.1 | 22.0 | 17.0 | 29.0                              | 2.9                           | 29.0                    | 29.0 | 30.2 | 25.3 | 20.4 | 15.5 |
|                        | 57      | 32.6                                 | 2.7                           | 32.6                    | 32.6 | 33.1 | 28.0 | 23.0 | 17.9 | 29.6                              | 2.9                           | 29.6                    | 29.6 | 30.7 | 25.8 | 20.9 | 16.0 |
| 1350                   | 72      | 42.9                                 | 2.8                           | 33.6                    | 27.9 | 22.3 | 16.6 | -    | -    | 38.5                              | 3.0                           | 31.7                    | 26.2 | 20.7 | 15.2 | -    |      |
|                        | 67      | 37.5                                 | 2.7                           | 37.4                    | 34.4 | 28.8 | 23.2 | 17.5 | -    | 33.4                              | 3.0                           | 33.4                    | 31.6 | 27.0 | 21.5 | 16.0 |      |
|                        | 62      | 32.7                                 | 2.7                           | 32.7                    | 32.7 | 32.6 | 27.0 | 21.3 | 15.7 | 29.3                              | 2.9                           | 29.3                    | 29.3 | 29.9 | 24.4 | 18.9 | 13.4 |
|                        | 57      | 33.0                                 | 2.7                           | 33.0                    | 33.0 | 33.3 | 27.6 | 22.0 | 16.4 | 29.9                              | 2.9                           | 29.9                    | 29.9 | 30.5 | 25.0 | 19.5 | 14.0 |
| 1500                   | 72      | 43.4                                 | 2.8                           | 36.3                    | 30.1 | 23.8 | 17.6 | -    | -    | 39.0                              | 3.0                           | 34.4                    | 28.3 | 22.2 | 16.1 | -    |      |
|                        | 67      | 37.9                                 | 2.7                           | 37.9                    | 37.1 | 30.8 | 24.6 | 18.4 | -    | 33.8                              | 3.0                           | 33.8                    | 33.4 | 29.0 | 22.9 | 16.8 |      |
|                        | 62      | 33.1                                 | 2.7                           | 33.1                    | 33.1 | 33.1 | 26.9 | 20.7 | 14.4 | 29.6                              | 2.9                           | 29.6                    | 29.6 | 29.6 | 23.6 | 17.5 | 11.4 |
|                        | 57      | 33.5                                 | 2.7                           | 33.5                    | 33.5 | 33.5 | 27.2 | 21.0 | 14.8 | 30.2                              | 2.9                           | 30.2                    | 30.2 | 30.2 | 24.1 | 18.0 | 11.9 |

## JA3ZH (3.0 Ton) (Continued)

| Air on Evaporator Coil |         | Temperature of Air on Condenser Coil |                               |                         |      |      |      |      |      |                                   |                               |                         |      |      |      |      |      |
|------------------------|---------|--------------------------------------|-------------------------------|-------------------------|------|------|------|------|------|-----------------------------------|-------------------------------|-------------------------|------|------|------|------|------|
| CFM                    | WB (°F) | Total Capacity <sup>1</sup> (MBh)    | Total Input (kW) <sup>2</sup> | Sensible Capacity (MBh) |      |      |      |      |      | Total Capacity <sup>1</sup> (MBh) | Total Input (kW) <sup>2</sup> | Sensible Capacity (MBh) |      |      |      |      |      |
|                        |         |                                      |                               | Return Dry Bulb (°F)    |      |      |      |      |      |                                   |                               | Return Dry Bulb (°F)    |      |      |      |      |      |
|                        |         |                                      |                               | 90                      | 85   | 80   | 75   | 70   | 65   |                                   |                               | 90                      | 85   | 80   | 75   | 70   | 65   |
|                        |         |                                      |                               | 115°F                   |      |      |      |      |      | 125°F                             |                               |                         |      |      |      |      |      |
| 750                    | 77      | 36.4                                 | 3.3                           | 13.7                    | 12.3 | 9.1  | -    | -    | -    | 32.6                              | 3.5                           | 12.4                    | 10.7 | 8.1  | -    | -    | -    |
|                        | 72      | 31.9                                 | 3.2                           | 19.7                    | 16.6 | 13.4 | 10.3 | -    | -    | 28.4                              | 3.4                           | 18.2                    | 15.2 | 12.2 | 9.1  | -    | -    |
|                        | 67      | 27.4                                 | 3.1                           | 25.8                    | 20.9 | 17.7 | 14.6 | 11.4 | -    | 24.1                              | 3.4                           | 24.1                    | 19.3 | 16.3 | 13.2 | 10.2 | -    |
|                        | 62      | 24.2                                 | 3.0                           | 24.2                    | 24.2 | 21.7 | 18.6 | 15.4 | 12.3 | 21.4                              | 3.2                           | 21.4                    | 21.4 | 21.4 | 17.2 | 14.1 | 11.1 |
| 900                    | 77      | 37.2                                 | 3.3                           | 17.4                    | 13.8 | 10.1 | -    | -    | -    | 33.1                              | 3.6                           | 16.7                    | 12.5 | 8.9  | -    | -    | -    |
|                        | 72      | 32.6                                 | 3.2                           | 22.2                    | 18.5 | 14.8 | 11.1 | -    | -    | 28.8                              | 3.5                           | 20.6                    | 17.0 | 13.4 | 9.8  | -    | -    |
|                        | 67      | 28.0                                 | 3.2                           | 26.9                    | 23.2 | 19.5 | 15.8 | 12.1 | -    | 24.5                              | 3.4                           | 24.5                    | 21.5 | 17.9 | 14.4 | 10.8 | -    |
|                        | 62      | 24.7                                 | 3.1                           | 24.7                    | 24.7 | 23.9 | 20.2 | 16.5 | 12.8 | 21.7                              | 3.3                           | 21.7                    | 21.7 | 21.7 | 18.7 | 15.1 | 11.5 |
|                        | 57      | 25.4                                 | 3.1                           | 25.4                    | 25.4 | 24.0 | 20.3 | 16.6 | 12.9 | 22.7                              | 3.3                           | 22.7                    | 22.7 | 22.0 | 18.4 | 14.8 | 11.3 |
| 1050                   | 77      | 37.9                                 | 3.3                           | 21.2                    | 15.2 | 11.0 | -    | -    | -    | 33.7                              | 3.6                           | 20.9                    | 14.2 | 9.7  | -    | -    | -    |
|                        | 72      | 33.2                                 | 3.2                           | 24.6                    | 20.4 | 16.2 | 11.9 | -    | -    | 29.2                              | 3.5                           | 22.9                    | 18.8 | 14.7 | 10.6 | -    | -    |
|                        | 67      | 28.6                                 | 3.2                           | 28.0                    | 25.6 | 21.3 | 17.1 | 12.9 | -    | 24.8                              | 3.4                           | 24.8                    | 23.7 | 19.6 | 15.5 | 11.4 | -    |
|                        | 62      | 25.2                                 | 3.1                           | 25.2                    | 25.2 | 26.1 | 21.9 | 17.6 | 13.4 | 22.1                              | 3.3                           | 22.1                    | 22.1 | 22.1 | 20.2 | 16.1 | 12.0 |
|                        | 57      | 26.0                                 | 3.1                           | 26.0                    | 26.0 | 26.2 | 22.0 | 17.7 | 13.5 | 23.0                              | 3.3                           | 23.0                    | 23.0 | 23.0 | 19.9 | 15.8 | 11.7 |
| 1200                   | 77      | 38.7                                 | 3.3                           | 25.0                    | 16.7 | 11.9 | -    | -    | -    | 34.2                              | 3.6                           | 25.2                    | 15.9 | 10.5 | -    | -    | -    |
|                        | 72      | 33.9                                 | 3.3                           | 27.1                    | 22.3 | 17.5 | 12.7 | -    | -    | 29.7                              | 3.5                           | 25.2                    | 20.6 | 15.9 | 11.3 | -    | -    |
|                        | 67      | 29.1                                 | 3.2                           | 29.1                    | 27.9 | 23.1 | 18.3 | 13.6 | -    | 25.2                              | 3.4                           | 25.2                    | 25.2 | 21.3 | 16.6 | 12.0 | -    |
|                        | 62      | 25.7                                 | 3.1                           | 25.7                    | 25.7 | 28.3 | 23.5 | 18.8 | 14.0 | 22.4                              | 3.3                           | 22.4                    | 22.4 | 22.4 | 21.8 | 17.1 | 12.5 |
|                        | 57      | 26.5                                 | 3.1                           | 26.5                    | 26.5 | 28.4 | 23.6 | 18.9 | 14.1 | 23.4                              | 3.3                           | 23.4                    | 23.4 | 23.4 | 21.5 | 16.8 | 12.2 |
| 1350                   | 72      | 34.2                                 | 3.3                           | 29.8                    | 24.4 | 19.1 | 13.7 | -    | -    | 29.9                              | 3.6                           | 27.9                    | 22.7 | 17.4 | 12.2 | -    | -    |
|                        | 67      | 29.4                                 | 3.2                           | 29.4                    | 28.8 | 25.2 | 19.8 | 14.4 | -    | 25.4                              | 3.5                           | 25.4                    | 25.4 | 23.3 | 18.1 | 12.9 | -    |
|                        | 62      | 25.9                                 | 3.1                           | 25.9                    | 25.9 | 27.2 | 21.9 | 16.5 | 11.2 | 22.5                              | 3.3                           | 22.5                    | 22.5 | 22.5 | 19.3 | 14.1 | 8.9  |
|                        | 57      | 26.7                                 | 3.1                           | 26.7                    | 26.7 | 27.7 | 22.3 | 17.0 | 11.6 | 23.5                              | 3.4                           | 23.5                    | 23.5 | 23.5 | 19.7 | 14.4 | 9.2  |
| 1500                   | 72      | 34.5                                 | 3.3                           | 32.5                    | 26.5 | 20.6 | 14.7 | -    | -    | 30.1                              | 3.6                           | 30.1                    | 24.8 | 19.0 | 13.2 | -    | -    |
|                        | 67      | 29.7                                 | 3.2                           | 29.7                    | 29.7 | 27.2 | 21.2 | 15.3 | -    | 25.5                              | 3.5                           | 25.5                    | 25.5 | 25.4 | 19.6 | 13.8 | -    |
|                        | 62      | 26.2                                 | 3.2                           | 26.2                    | 26.2 | 26.2 | 20.2 | 14.3 | 8.3  | 22.7                              | 3.4                           | 22.7                    | 22.7 | 22.7 | 16.9 | 11.1 | 5.3  |
|                        | 57      | 26.9                                 | 3.2                           | 26.9                    | 26.9 | 26.9 | 21.0 | 15.1 | 9.1  | 23.7                              | 3.4                           | 23.7                    | 23.7 | 23.7 | 17.9 | 12.1 | 6.3  |

1. These capacities are gross ratings. For net capacity, deduct air blower motor, MBh = 3.415 x kW. Refer to the appropriate Blower Performance Table for the kW of the supply air blower motor.
2. These ratings include the condenser fan motors (total 1 kW) and the compressor motors but not the supply air blower motor.

**JA4ZH (4.0 Ton)**

| Air on Evaporator Coil |         | Temperature of Air on Condenser Coil |                               |                         |      |      |      |      |      |                                   |                               |                         |      |      |      |      |      |
|------------------------|---------|--------------------------------------|-------------------------------|-------------------------|------|------|------|------|------|-----------------------------------|-------------------------------|-------------------------|------|------|------|------|------|
| CFM                    | WB (°F) | Total Capacity <sup>1</sup> (MBh)    | Total Input (kW) <sup>2</sup> | Sensible Capacity (MBh) |      |      |      |      |      | Total Capacity <sup>1</sup> (MBh) | Total Input (kW) <sup>2</sup> | Sensible Capacity (MBh) |      |      |      |      |      |
|                        |         |                                      |                               | Return Dry Bulb (°F)    |      |      |      |      |      |                                   |                               | Return Dry Bulb (°F)    |      |      |      |      |      |
|                        |         |                                      |                               | 90                      | 85   | 80   | 75   | 70   | 65   |                                   |                               | 90                      | 85   | 80   | 75   | 70   | 65   |
|                        |         |                                      |                               | <b>75°F</b>             |      |      |      |      |      | <b>85°F</b>                       |                               |                         |      |      |      |      |      |
| 1000                   | 77      | 65.4                                 | 3.0                           | 28.0                    | 23.5 | 19.1 | -    | -    | -    | 60.3                              | 3.3                           | 25.1                    | 20.8 | 16.4 | -    | -    | -    |
|                        | 72      | 59.2                                 | 3.0                           | 34.8                    | 30.3 | 25.9 | 21.4 | -    | -    | 54.5                              | 3.3                           | 31.8                    | 27.5 | 23.2 | 18.9 | -    | -    |
|                        | 67      | 53.0                                 | 2.9                           | 41.6                    | 37.1 | 32.7 | 28.3 | 23.8 | -    | 48.8                              | 3.2                           | 38.6                    | 34.2 | 29.9 | 25.6 | 21.3 | -    |
|                        | 62      | 47.0                                 | 2.9                           | 47.0                    | 47.0 | 40.3 | 35.9 | 31.4 | 27.0 | 43.1                              | 3.2                           | 43.1                    | 43.1 | 37.1 | 32.8 | 28.5 | 24.1 |
| 1200                   | 77      | 68.3                                 | 3.0                           | 30.8                    | 25.6 | 20.4 | -    | -    | -    | 62.9                              | 3.3                           | 27.9                    | 22.9 | 17.8 | -    | -    | -    |
|                        | 72      | 61.8                                 | 3.0                           | 38.0                    | 32.9 | 27.7 | 22.5 | -    | -    | 56.9                              | 3.3                           | 35.2                    | 30.2 | 25.1 | 20.1 | -    | -    |
|                        | 67      | 55.3                                 | 2.9                           | 45.3                    | 40.1 | 35.0 | 29.8 | 24.6 | -    | 50.9                              | 3.2                           | 42.5                    | 37.5 | 32.4 | 27.4 | 22.3 | -    |
|                        | 62      | 49.1                                 | 2.9                           | 49.1                    | 49.1 | 43.1 | 38.0 | 32.8 | 27.6 | 45.0                              | 3.2                           | 45.0                    | 45.0 | 40.2 | 35.2 | 30.1 | 25.1 |
| 1400                   | 77      | 71.2                                 | 3.0                           | 33.6                    | 27.7 | 21.8 | -    | -    | -    | 65.5                              | 3.3                           | 30.7                    | 25.0 | 19.2 | -    | -    | -    |
|                        | 72      | 64.4                                 | 3.0                           | 41.3                    | 35.4 | 29.5 | 23.6 | -    | -    | 59.2                              | 3.3                           | 38.6                    | 32.9 | 27.1 | 21.3 | -    | -    |
|                        | 67      | 57.7                                 | 2.9                           | 49.0                    | 43.1 | 37.3 | 31.4 | 25.5 | -    | 52.9                              | 3.2                           | 46.5                    | 40.7 | 35.0 | 29.2 | 23.4 | -    |
|                        | 62      | 51.1                                 | 2.9                           | 51.1                    | 51.1 | 46.0 | 40.1 | 34.2 | 28.3 | 46.8                              | 3.2                           | 46.8                    | 46.8 | 43.3 | 37.6 | 31.8 | 26.0 |
| 1600                   | 77      | 74.1                                 | 3.0                           | 36.4                    | 29.8 | 23.2 | -    | -    | -    | 68.1                              | 3.4                           | 33.6                    | 27.1 | 20.6 | -    | -    | -    |
|                        | 72      | 67.1                                 | 3.0                           | 44.6                    | 38.0 | 31.4 | 24.7 | -    | -    | 61.5                              | 3.3                           | 42.0                    | 35.5 | 29.0 | 22.5 | -    | -    |
|                        | 67      | 60.0                                 | 2.9                           | 52.8                    | 46.1 | 39.5 | 32.9 | 26.3 | -    | 55.0                              | 3.3                           | 50.5                    | 44.0 | 37.5 | 31.0 | 24.5 | -    |
|                        | 62      | 53.2                                 | 2.9                           | 53.2                    | 53.2 | 48.8 | 42.1 | 35.5 | 28.9 | 48.7                              | 3.2                           | 48.7                    | 48.7 | 46.5 | 40.0 | 33.5 | 27.0 |
| 1800                   | 72      | 69.2                                 | 3.0                           | 48.1                    | 40.9 | 33.6 | 26.4 | -    | -    | 63.4                              | 3.4                           | 45.4                    | 38.3 | 31.2 | 24.0 | -    | -    |
|                        | 67      | 62.0                                 | 3.0                           | 58.3                    | 49.6 | 42.4 | 35.2 | 28.0 | -    | 56.7                              | 3.3                           | 54.4                    | 47.4 | 40.2 | 33.1 | 26.0 | -    |
|                        | 62      | 54.9                                 | 3.0                           | 54.9                    | 54.9 | 52.7 | 45.5 | 38.3 | 31.1 | 50.1                              | 3.3                           | 50.1                    | 50.1 | 49.0 | 41.9 | 34.8 | 27.7 |
|                        | 57      | 54.8                                 | 2.9                           | 54.8                    | 54.8 | 54.9 | 47.7 | 40.5 | 33.3 | 49.9                              | 3.2                           | 49.9                    | 49.9 | 50.1 | 43.0 | 35.8 | 28.7 |
| 2000                   | 72      | 71.4                                 | 3.1                           | 51.6                    | 43.7 | 35.9 | 28.1 | -    | -    | 65.2                              | 3.4                           | 48.8                    | 41.0 | 33.3 | 25.6 | -    | -    |
|                        | 67      | 63.9                                 | 3.0                           | 63.9                    | 53.1 | 45.3 | 37.5 | 29.7 | -    | 58.3                              | 3.3                           | 58.3                    | 50.7 | 43.0 | 35.2 | 27.5 | -    |
|                        | 62      | 56.6                                 | 3.0                           | 56.6                    | 56.6 | 56.6 | 48.8 | 41.0 | 33.2 | 51.6                              | 3.3                           | 51.6                    | 51.6 | 51.6 | 43.9 | 36.1 | 28.4 |
|                        | 57      | 56.5                                 | 3.0                           | 56.5                    | 56.5 | 56.5 | 48.6 | 40.8 | 33.0 | 51.4                              | 3.3                           | 51.4                    | 51.4 | 51.4 | 43.6 | 35.9 | 28.1 |
|                        |         |                                      |                               | <b>95°F</b>             |      |      |      |      |      | <b>105°F</b>                      |                               |                         |      |      |      |      |      |
| 1000                   | 77      | 55.3                                 | 3.6                           | 22.2                    | 18.0 | 13.8 | -    | -    | -    | 50.6                              | 4.0                           | 19.3                    | 16.2 | 12.1 | -    | -    | -    |
|                        | 72      | 49.9                                 | 3.6                           | 28.9                    | 24.7 | 20.5 | 16.3 | -    | -    | 45.4                              | 3.9                           | 26.7                    | 22.7 | 18.6 | 14.5 | -    | -    |
|                        | 67      | 44.5                                 | 3.5                           | 35.5                    | 31.3 | 27.1 | 22.9 | 18.7 | -    | 40.1                              | 3.8                           | 34.2                    | 29.1 | 25.1 | 21.0 | 16.9 | -    |
|                        | 62      | 39.3                                 | 3.4                           | 39.3                    | 39.3 | 33.9 | 29.7 | 25.5 | 21.3 | 36.2                              | 3.7                           | 36.2                    | 36.2 | 30.9 | 26.9 | 22.8 | 18.7 |
| 1200                   | 77      | 57.5                                 | 3.6                           | 25.1                    | 20.1 | 15.2 | -    | -    | -    | 52.4                              | 4.0                           | 22.9                    | 18.2 | 13.4 | -    | -    | -    |
|                        | 72      | 51.9                                 | 3.6                           | 32.4                    | 27.5 | 22.6 | 17.6 | -    | -    | 47.0                              | 3.9                           | 30.1                    | 25.3 | 20.5 | 15.7 | -    | -    |
|                        | 67      | 46.4                                 | 3.5                           | 39.8                    | 34.8 | 29.9 | 25.0 | 20.0 | -    | 41.5                              | 3.8                           | 37.3                    | 32.5 | 27.7 | 22.9 | 18.1 | -    |
|                        | 62      | 40.9                                 | 3.4                           | 40.9                    | 40.9 | 37.3 | 32.4 | 27.4 | 22.5 | 37.5                              | 3.7                           | 37.5                    | 37.5 | 34.2 | 29.4 | 24.6 | 19.8 |
| 1400                   | 77      | 59.8                                 | 3.7                           | 27.9                    | 22.3 | 16.6 | -    | -    | -    | 54.3                              | 4.0                           | 26.6                    | 20.1 | 14.6 | -    | -    | -    |
|                        | 72      | 54.0                                 | 3.6                           | 35.9                    | 30.3 | 24.6 | 19.0 | -    | -    | 48.6                              | 3.9                           | 33.5                    | 28.0 | 22.5 | 17.0 | -    | -    |
|                        | 67      | 48.2                                 | 3.6                           | 44.0                    | 38.3 | 32.6 | 27.0 | 21.3 | -    | 43.0                              | 3.8                           | 40.4                    | 35.8 | 30.3 | 24.8 | 19.3 | -    |
|                        | 62      | 42.5                                 | 3.5                           | 42.5                    | 42.5 | 40.7 | 35.1 | 29.4 | 23.7 | 38.8                              | 3.8                           | 38.8                    | 38.8 | 37.4 | 31.9 | 26.4 | 20.9 |
| 1600                   | 77      | 62.0                                 | 3.7                           | 30.8                    | 24.4 | 18.0 | -    | -    | -    | 56.1                              | 4.1                           | 30.3                    | 22.1 | 15.9 | -    | -    | -    |
|                        | 72      | 56.0                                 | 3.6                           | 39.5                    | 33.1 | 26.7 | 20.3 | -    | -    | 50.2                              | 4.0                           | 36.9                    | 30.6 | 24.4 | 18.2 | -    | -    |
|                        | 67      | 50.0                                 | 3.6                           | 48.2                    | 41.8 | 35.4 | 29.0 | 22.6 | -    | 44.4                              | 3.9                           | 43.5                    | 39.2 | 32.9 | 26.7 | 20.5 | -    |
|                        | 62      | 44.1                                 | 3.5                           | 44.1                    | 44.1 | 44.1 | 37.8 | 31.4 | 25.0 | 40.1                              | 3.8                           | 40.1                    | 40.1 | 40.7 | 34.4 | 28.2 | 22.0 |
| 1800                   | 72      | 57.6                                 | 3.7                           | 42.7                    | 35.7 | 28.7 | 21.7 | -    | -    | 51.6                              | 4.0                           | 40.1                    | 33.2 | 26.3 | 19.5 | -    | -    |
|                        | 67      | 51.4                                 | 3.6                           | 50.5                    | 45.1 | 38.0 | 31.0 | 24.0 | -    | 45.6                              | 3.9                           | 45.2                    | 41.9 | 35.5 | 28.6 | 21.8 | -    |
|                        | 62      | 45.3                                 | 3.5                           | 45.3                    | 45.3 | 45.3 | 38.3 | 31.3 | 24.3 | 41.2                              | 3.8                           | 41.2                    | 41.2 | 41.5 | 34.6 | 27.7 | 20.8 |
|                        | 57      | 45.0                                 | 3.6                           | 45.0                    | 45.0 | 45.2 | 38.2 | 31.2 | 24.2 | 40.8                              | 3.8                           | 40.8                    | 40.8 | 41.0 | 34.1 | 27.2 | 20.4 |
| 2000                   | 72      | 59.1                                 | 3.7                           | 46.0                    | 38.3 | 30.7 | 23.0 | -    | -    | 53.0                              | 4.1                           | 43.3                    | 35.8 | 28.3 | 20.7 | -    | -    |
|                        | 67      | 52.7                                 | 3.7                           | 52.7                    | 48.3 | 40.7 | 33.0 | 25.3 | -    | 46.8                              | 4.0                           | 46.8                    | 44.6 | 38.1 | 30.6 | 23.1 | -    |
|                        | 62      | 46.5                                 | 3.6                           | 46.5                    | 46.5 | 46.5 | 38.9 | 31.2 | 23.6 | 42.2                              | 3.9                           | 42.2                    | 42.2 | 42.2 | 34.7 | 27.2 | 19.6 |
|                        | 57      | 46.2                                 | 3.6                           | 46.2                    | 46.2 | 46.2 | 38.6 | 30.9 | 23.2 | 41.8                              | 3.9                           | 41.8                    | 41.8 | 41.8 | 34.3 | 26.8 | 19.2 |

## JA4ZH (4.0 Ton) (Continued)

| Air on Evaporator Coil |         | Temperature of Air on Condenser Coil |                               |                         |      |      |      |      |      |                                   |                               |                         |      |      |      |      |      |
|------------------------|---------|--------------------------------------|-------------------------------|-------------------------|------|------|------|------|------|-----------------------------------|-------------------------------|-------------------------|------|------|------|------|------|
| CFM                    | WB (°F) | Total Capacity <sup>1</sup> (MBh)    | Total Input (kW) <sup>2</sup> | Sensible Capacity (MBh) |      |      |      |      |      | Total Capacity <sup>1</sup> (MBh) | Total Input (kW) <sup>2</sup> | Sensible Capacity (MBh) |      |      |      |      |      |
|                        |         |                                      |                               | Return Dry Bulb (°F)    |      |      |      |      |      |                                   |                               | Return Dry Bulb (°F)    |      |      |      |      |      |
|                        |         |                                      |                               | 90                      | 85   | 80   | 75   | 70   | 65   |                                   |                               | 90                      | 85   | 80   | 75   | 70   | 65   |
|                        |         |                                      |                               | 115°F                   |      |      |      |      |      | 125°F                             |                               |                         |      |      |      |      |      |
| 1000                   | 77      | 46.0                                 | 4.3                           | 16.4                    | 14.3 | 10.4 | -    | -    | -    | 41.4                              | 4.7                           | 13.7                    | 12.1 | 8.7  | -    | -    | -    |
|                        | 72      | 40.8                                 | 4.2                           | 24.6                    | 20.6 | 16.7 | 12.7 | -    | -    | 36.3                              | 4.5                           | 22.4                    | 18.6 | 14.8 | 11.0 | -    | -    |
|                        | 67      | 35.6                                 | 4.1                           | 32.8                    | 26.9 | 23.0 | 19.0 | 15.1 | -    | 31.2                              | 4.3                           | 31.2                    | 24.7 | 20.9 | 17.1 | 13.2 | -    |
|                        | 62      | 33.1                                 | 4.0                           | 33.1                    | 33.1 | 28.0 | 24.1 | 20.1 | 16.2 | 29.9                              | 4.3                           | 29.9                    | 29.9 | 25.1 | 21.3 | 17.5 | 13.7 |
| 1200                   | 77      | 47.4                                 | 4.4                           | 20.8                    | 16.2 | 11.5 | -    | -    | -    | 42.3                              | 4.7                           | 19.1                    | 14.2 | 9.7  | -    | -    | -    |
|                        | 72      | 42.0                                 | 4.2                           | 27.8                    | 23.1 | 18.5 | 13.8 | -    | -    | 37.1                              | 4.5                           | 25.5                    | 21.0 | 16.5 | 11.9 | -    | -    |
|                        | 67      | 36.7                                 | 4.1                           | 34.8                    | 30.1 | 25.5 | 20.8 | 16.2 | -    | 31.9                              | 4.4                           | 31.9                    | 27.8 | 23.3 | 18.7 | 14.2 | -    |
|                        | 62      | 34.0                                 | 4.0                           | 34.0                    | 34.0 | 31.1 | 26.4 | 21.8 | 17.1 | 30.6                              | 4.3                           | 30.6                    | 30.6 | 28.0 | 23.5 | 19.0 | 14.4 |
|                        | 57      | 33.6                                 | 4.0                           | 33.6                    | 33.6 | 30.2 | 25.5 | 20.8 | 16.2 | 30.1                              | 4.3                           | 30.1                    | 30.1 | 26.6 | 22.0 | 17.5 | 13.0 |
| 1400                   | 77      | 48.7                                 | 4.4                           | 25.3                    | 18.0 | 12.6 | -    | -    | -    | 43.2                              | 4.8                           | 24.6                    | 16.2 | 10.7 | -    | -    | -    |
|                        | 72      | 43.2                                 | 4.3                           | 31.0                    | 25.7 | 20.3 | 14.9 | -    | -    | 37.9                              | 4.6                           | 28.6                    | 23.4 | 18.1 | 12.9 | -    | -    |
|                        | 67      | 37.8                                 | 4.1                           | 36.8                    | 33.3 | 28.0 | 22.6 | 17.2 | -    | 32.5                              | 4.4                           | 32.5                    | 30.8 | 25.6 | 20.4 | 15.2 | -    |
|                        | 62      | 35.0                                 | 4.1                           | 35.0                    | 35.0 | 34.1 | 28.8 | 23.4 | 18.0 | 31.3                              | 4.3                           | 31.3                    | 31.3 | 30.9 | 25.6 | 20.4 | 15.2 |
|                        | 57      | 34.6                                 | 4.1                           | 34.6                    | 34.6 | 33.1 | 27.8 | 22.4 | 17.0 | 30.7                              | 4.3                           | 30.7                    | 30.7 | 29.3 | 24.1 | 18.8 | 13.6 |
| 1600                   | 77      | 50.1                                 | 4.4                           | 29.7                    | 19.9 | 13.8 | -    | -    | -    | 44.1                              | 4.8                           | 30.1                    | 18.3 | 11.7 | -    | -    | -    |
|                        | 72      | 44.4                                 | 4.3                           | 34.3                    | 28.2 | 22.1 | 16.0 | -    | -    | 38.7                              | 4.6                           | 31.7                    | 25.7 | 19.8 | 13.9 | -    | -    |
|                        | 67      | 38.8                                 | 4.2                           | 38.8                    | 36.5 | 30.5 | 24.4 | 18.3 | -    | 33.2                              | 4.4                           | 33.2                    | 33.2 | 28.0 | 22.1 | 16.2 | -    |
|                        | 62      | 36.0                                 | 4.1                           | 36.0                    | 36.0 | 37.2 | 31.1 | 25.0 | 19.0 | 31.9                              | 4.4                           | 31.9                    | 31.9 | 31.9 | 27.8 | 21.9 | 16.0 |
|                        | 57      | 35.5                                 | 4.1                           | 35.5                    | 35.5 | 36.1 | 30.0 | 23.9 | 17.9 | 31.4                              | 4.4                           | 31.4                    | 31.4 | 31.4 | 26.1 | 20.2 | 14.2 |
| 1800                   | 72      | 45.6                                 | 4.4                           | 37.5                    | 30.7 | 24.0 | 17.2 | -    | -    | 39.7                              | 4.7                           | 34.8                    | 28.2 | 21.6 | 15.0 | -    | -    |
|                        | 67      | 39.9                                 | 4.2                           | 39.9                    | 38.7 | 33.0 | 26.3 | 19.6 | -    | 34.1                              | 4.5                           | 34.1                    | 34.1 | 30.5 | 23.9 | 17.3 | -    |
|                        | 62      | 37.0                                 | 4.1                           | 37.0                    | 37.0 | 37.6 | 30.8 | 24.1 | 17.4 | 32.8                              | 4.4                           | 32.8                    | 32.8 | 32.8 | 27.1 | 20.5 | 13.9 |
|                        | 57      | 36.5                                 | 4.1                           | 36.5                    | 36.5 | 36.8 | 30.0 | 23.3 | 16.5 | 32.2                              | 4.4                           | 32.2                    | 32.2 | 32.2 | 25.9 | 19.3 | 12.7 |
| 2000                   | 72      | 46.8                                 | 4.4                           | 40.6                    | 33.2 | 25.8 | 18.4 | -    | -    | 40.7                              | 4.8                           | 38.0                    | 30.7 | 23.4 | 16.2 | -    | -    |
|                        | 67      | 40.9                                 | 4.3                           | 40.9                    | 40.9 | 35.6 | 28.2 | 20.8 | -    | 35.0                              | 4.6                           | 35.0                    | 35.0 | 33.0 | 25.8 | 18.5 | -    |
|                        | 62      | 37.9                                 | 4.2                           | 37.9                    | 37.9 | 37.9 | 30.5 | 23.1 | 15.7 | 33.6                              | 4.5                           | 33.6                    | 33.6 | 33.6 | 26.4 | 19.1 | 11.8 |
|                        | 57      | 37.4                                 | 4.2                           | 37.4                    | 37.4 | 37.4 | 30.0 | 22.6 | 15.2 | 33.1                              | 4.5                           | 33.1                    | 33.1 | 33.1 | 25.8 | 18.5 | 11.2 |

1. These capacities are gross ratings. For net capacity, deduct air blower motor, MBh = 3.415 x kW. Refer to the appropriate Blower Performance Table for the kW of the supply air blower motor.
2. These ratings include the condenser fan motors (total 1 kW) and the compressor motors but not the supply air blower motor.

**JA5ZH (5.0 Ton)**

| Air on Evaporator Coil |         | Temperature of Air on Condenser Coil |                               |                         |      |      |      |      |      |                                   |                               |                         |      |      |      |      |      |  |  |
|------------------------|---------|--------------------------------------|-------------------------------|-------------------------|------|------|------|------|------|-----------------------------------|-------------------------------|-------------------------|------|------|------|------|------|--|--|
| CFM                    | WB (°F) | Total Capacity <sup>1</sup> (MBh)    | Total Input (kW) <sup>2</sup> | Sensible Capacity (MBh) |      |      |      |      |      | Total Capacity <sup>1</sup> (MBh) | Total Input (kW) <sup>2</sup> | Sensible Capacity (MBh) |      |      |      |      |      |  |  |
|                        |         |                                      |                               | Return Dry Bulb (°F)    |      |      |      |      |      |                                   |                               | Return Dry Bulb (°F)    |      |      |      |      |      |  |  |
|                        |         |                                      |                               | 90                      | 85   | 80   | 75   | 70   | 65   |                                   |                               | 90                      | 85   | 80   | 75   | 70   | 65   |  |  |
|                        |         |                                      |                               | <b>75°F</b>             |      |      |      |      |      | <b>85°F</b>                       |                               |                         |      |      |      |      |      |  |  |
| 1250                   | 77      | 82.5                                 | 3.4                           | 36.6                    | 30.6 | 25.1 | -    | -    | -    | 75.9                              | 3.9                           | 32.9                    | 27.4 | 21.9 | -    | -    | -    |  |  |
|                        | 72      | 74.3                                 | 3.4                           | 43.9                    | 38.3 | 32.8 | 27.3 | -    | -    | 68.3                              | 3.8                           | 40.9                    | 35.3 | 29.8 | 24.3 | -    | -    |  |  |
|                        | 67      | 66.2                                 | 3.4                           | 51.1                    | 46.0 | 40.5 | 35.0 | 29.4 | -    | 60.7                              | 3.8                           | 48.8                    | 43.3 | 37.8 | 32.3 | 26.8 | -    |  |  |
|                        | 62      | 59.3                                 | 3.4                           | 59.3                    | 59.3 | 49.5 | 43.9 | 38.4 | 32.9 | 54.5                              | 3.8                           | 54.5                    | 54.5 | 46.2 | 40.7 | 35.2 | 29.7 |  |  |
| 1500                   | 77      | 84.7                                 | 3.4                           | 40.0                    | 33.6 | 27.1 | -    | -    | -    | 78.2                              | 3.9                           | 36.6                    | 30.2 | 23.8 | -    | -    | -    |  |  |
|                        | 72      | 76.3                                 | 3.4                           | 48.4                    | 41.9 | 35.4 | 29.0 | -    | -    | 70.4                              | 3.9                           | 45.3                    | 38.9 | 32.4 | 26.0 | -    | -    |  |  |
|                        | 67      | 68.0                                 | 3.4                           | 56.7                    | 50.2 | 43.8 | 37.3 | 30.8 | -    | 62.5                              | 3.8                           | 54.0                    | 47.5 | 41.1 | 34.6 | 28.2 | -    |  |  |
|                        | 62      | 60.9                                 | 3.4                           | 60.9                    | 60.9 | 53.4 | 47.0 | 40.5 | 34.1 | 56.1                              | 3.8                           | 56.1                    | 56.1 | 50.2 | 43.8 | 37.4 | 30.9 |  |  |
| 1750                   | 77      | 86.9                                 | 3.4                           | 43.5                    | 36.5 | 29.1 | -    | -    | -    | 80.5                              | 3.9                           | 40.4                    | 33.0 | 25.7 | -    | -    | -    |  |  |
|                        | 72      | 78.4                                 | 3.4                           | 52.8                    | 45.5 | 38.1 | 30.7 | -    | -    | 72.4                              | 3.9                           | 49.8                    | 42.4 | 35.0 | 27.6 | -    | -    |  |  |
|                        | 67      | 69.8                                 | 3.4                           | 62.2                    | 54.4 | 47.0 | 39.6 | 32.2 | -    | 64.4                              | 3.8                           | 59.1                    | 51.7 | 44.4 | 37.0 | 29.6 | -    |  |  |
|                        | 62      | 62.5                                 | 3.4                           | 62.5                    | 62.5 | 57.4 | 50.0 | 42.6 | 35.2 | 57.8                              | 3.8                           | 57.8                    | 57.8 | 54.3 | 46.9 | 39.5 | 32.1 |  |  |
| 2000                   | 77      | 89.2                                 | 3.4                           | 47.0                    | 39.5 | 31.2 | -    | -    | -    | 82.7                              | 3.9                           | 44.2                    | 35.9 | 27.6 | -    | -    | -    |  |  |
|                        | 72      | 80.4                                 | 3.4                           | 57.3                    | 49.0 | 40.7 | 32.4 | -    | -    | 74.5                              | 3.9                           | 54.2                    | 45.9 | 37.6 | 29.3 | -    | -    |  |  |
|                        | 67      | 71.6                                 | 3.4                           | 67.7                    | 58.6 | 50.3 | 41.9 | 33.6 | -    | 66.2                              | 3.8                           | 64.3                    | 56.0 | 47.7 | 39.3 | 31.0 | -    |  |  |
|                        | 62      | 64.1                                 | 3.4                           | 64.1                    | 64.1 | 61.4 | 53.1 | 44.7 | 36.4 | 59.4                              | 3.8                           | 59.4                    | 59.4 | 58.3 | 50.0 | 41.7 | 33.4 |  |  |
| 2250                   | 77      | 83.6                                 | 3.4                           | 61.7                    | 52.7 | 43.6 | 34.5 | -    | -    | 76.2                              | 3.9                           | 58.5                    | 49.3 | 40.2 | 31.1 | -    | -    |  |  |
|                        | 72      | 74.5                                 | 3.4                           | 72.5                    | 62.9 | 53.8 | 44.7 | 35.7 | -    | 67.7                              | 3.8                           | 66.8                    | 60.1 | 51.0 | 41.9 | 32.7 | -    |  |  |
|                        | 67      | 66.7                                 | 3.4                           | 66.7                    | 66.7 | 65.3 | 56.3 | 47.2 | 38.1 | 60.8                              | 3.8                           | 60.8                    | 60.8 | 60.2 | 51.1 | 42.0 | 32.8 |  |  |
|                        | 62      | 67.5                                 | 3.4                           | 67.5                    | 67.5 | 66.5 | 57.5 | 48.4 | 39.3 | 59.8                              | 3.8                           | 59.8                    | 59.8 | 59.8 | 50.8 | 41.7 | 32.5 |  |  |
| 2500                   | 77      | 86.9                                 | 3.4                           | 66.1                    | 56.3 | 46.5 | 36.6 | -    | -    | 77.9                              | 3.9                           | 62.7                    | 52.8 | 42.8 | 32.9 | -    | -    |  |  |
|                        | 72      | 77.3                                 | 3.4                           | 77.3                    | 67.3 | 57.3 | 47.5 | 37.7 | -    | 69.3                              | 3.8                           | 69.3                    | 64.2 | 54.3 | 44.4 | 34.4 | -    |  |  |
|                        | 67      | 69.3                                 | 3.4                           | 69.3                    | 69.3 | 69.3 | 59.5 | 49.6 | 39.8 | 62.2                              | 3.8                           | 62.2                    | 62.2 | 62.2 | 52.2 | 42.3 | 32.3 |  |  |
|                        | 62      | 70.0                                 | 3.4                           | 70.0                    | 70.0 | 70.0 | 60.2 | 50.4 | 40.5 | 61.2                              | 3.8                           | 61.2                    | 61.2 | 61.2 | 51.2 | 41.3 | 31.3 |  |  |
|                        |         |                                      |                               | <b>95°F</b>             |      |      |      |      |      | <b>105°F</b>                      |                               |                         |      |      |      |      |      |  |  |
| 1250                   | 77      | 69.3                                 | 4.3                           | 29.2                    | 24.1 | 18.6 | -    | -    | -    | 62.5                              | 4.7                           | 25.5                    | 21.7 | 16.3 | -    | -    | -    |  |  |
|                        | 72      | 62.3                                 | 4.3                           | 37.9                    | 32.4 | 26.9 | 21.4 | -    | -    | 55.9                              | 4.6                           | 35.3                    | 29.9 | 24.5 | 19.0 | -    | -    |  |  |
|                        | 67      | 55.2                                 | 4.2                           | 46.5                    | 40.6 | 35.1 | 29.6 | 24.1 | -    | 49.4                              | 4.6                           | 45.0                    | 38.1 | 32.6 | 27.2 | 21.8 | -    |  |  |
|                        | 62      | 49.7                                 | 4.1                           | 49.7                    | 49.7 | 43.0 | 37.5 | 32.0 | 26.5 | 44.7                              | 4.5                           | 44.7                    | 44.7 | 40.1 | 34.7 | 29.3 | 23.8 |  |  |
| 1500                   | 77      | 71.7                                 | 4.3                           | 33.3                    | 26.8 | 20.4 | -    | -    | -    | 64.8                              | 4.8                           | 31.0                    | 24.3 | 17.9 | -    | -    | -    |  |  |
|                        | 72      | 64.4                                 | 4.3                           | 42.3                    | 35.8 | 29.4 | 23.0 | -    | -    | 58.0                              | 4.7                           | 39.6                    | 33.3 | 26.9 | 20.5 | -    | -    |  |  |
|                        | 67      | 57.1                                 | 4.2                           | 51.3                    | 44.8 | 38.4 | 32.0 | 25.6 | -    | 51.1                              | 4.6                           | 48.2                    | 42.3 | 35.9 | 29.5 | 23.2 | -    |  |  |
|                        | 62      | 51.4                                 | 4.2                           | 51.4                    | 51.4 | 47.1 | 40.6 | 34.2 | 27.8 | 46.3                              | 4.5                           | 46.3                    | 46.3 | 44.2 | 37.8 | 31.4 | 25.1 |  |  |
| 1750                   | 77      | 74.0                                 | 4.3                           | 37.3                    | 29.5 | 22.2 | -    | -    | -    | 67.1                              | 4.8                           | 36.5                    | 26.8 | 19.5 | -    | -    | -    |  |  |
|                        | 72      | 66.5                                 | 4.3                           | 46.7                    | 39.3 | 31.9 | 24.6 | -    | -    | 60.0                              | 4.7                           | 44.0                    | 36.7 | 29.3 | 22.0 | -    | -    |  |  |
|                        | 67      | 58.9                                 | 4.2                           | 56.0                    | 49.1 | 41.7 | 34.4 | 27.0 | -    | 52.9                              | 4.6                           | 51.5                    | 46.5 | 39.2 | 31.8 | 24.5 | -    |  |  |
|                        | 62      | 53.0                                 | 4.2                           | 53.0                    | 53.0 | 51.1 | 43.8 | 36.4 | 29.0 | 47.9                              | 4.5                           | 47.9                    | 47.9 | 48.3 | 40.9 | 33.6 | 26.3 |  |  |
| 2000                   | 77      | 76.3                                 | 4.4                           | 41.4                    | 32.2 | 23.9 | -    | -    | -    | 69.3                              | 4.8                           | 42.0                    | 29.4 | 21.1 | -    | -    | -    |  |  |
|                        | 72      | 68.6                                 | 4.3                           | 51.1                    | 42.8 | 34.5 | 26.2 | -    | -    | 62.0                              | 4.7                           | 48.4                    | 40.1 | 31.8 | 23.5 | -    | -    |  |  |
|                        | 67      | 60.8                                 | 4.2                           | 60.8                    | 53.3 | 45.0 | 36.8 | 28.5 | -    | 54.7                              | 4.6                           | 54.7                    | 50.7 | 42.4 | 34.1 | 25.9 | -    |  |  |
|                        | 62      | 54.7                                 | 4.2                           | 54.7                    | 54.7 | 55.2 | 46.9 | 38.6 | 30.3 | 49.6                              | 4.5                           | 49.6                    | 49.6 | 52.4 | 44.1 | 35.8 | 27.5 |  |  |
| 2250                   | 77      | 68.8                                 | 4.3                           | 55.2                    | 46.0 | 36.9 | 27.7 | -    | -    | 62.0                              | 4.7                           | 52.4                    | 43.2 | 34.0 | 24.9 | -    | -    |  |  |
|                        | 72      | 61.0                                 | 4.2                           | 61.0                    | 57.3 | 48.2 | 39.0 | 29.8 | -    | 54.7                              | 4.6                           | 54.7                    | 52.7 | 45.5 | 36.3 | 27.1 | -    |  |  |
|                        | 67      | 54.9                                 | 4.2                           | 54.9                    | 54.9 | 55.1 | 45.9 | 36.7 | 27.6 | 49.5                              | 4.5                           | 49.5                    | 49.5 | 50.9 | 41.8 | 32.6 | 23.4 |  |  |
|                        | 62      | 52.2                                 | 4.2                           | 52.2                    | 52.2 | 53.3 | 44.1 | 34.9 | 25.7 | 47.2                              | 4.6                           | 47.2                    | 47.2 | 48.5 | 39.3 | 30.1 | 21.0 |  |  |
| 2500                   | 77      | 69.0                                 | 4.3                           | 59.4                    | 49.3 | 39.2 | 29.2 | -    | -    | 62.0                              | 4.7                           | 56.4                    | 46.4 | 36.3 | 26.3 | -    | -    |  |  |
|                        | 72      | 61.2                                 | 4.2                           | 61.2                    | 61.2 | 51.3 | 41.2 | 31.1 | -    | 54.7                              | 4.6                           | 54.7                    | 54.7 | 48.5 | 38.5 | 28.4 | -    |  |  |
|                        | 67      | 55.0                                 | 4.2                           | 55.0                    | 55.0 | 55.0 | 45.0 | 34.9 | 24.8 | 49.5                              | 4.5                           | 49.5                    | 49.5 | 49.5 | 39.5 | 29.4 | 19.4 |  |  |
|                        | 62      | 52.3                                 | 4.2                           | 52.3                    | 52.3 | 52.3 | 42.3 | 32.2 | 22.1 | 47.2                              | 4.6                           | 47.2                    | 47.2 | 47.2 | 37.1 | 27.1 | 17.0 |  |  |



## JA5ZH (5.0 Ton) (Continued)

| Air on Evaporator Coil |         | Temperature of Air on Condenser Coil |                               |                         |      |      |      |      |      |                                   |                               |                         |      |      |      |      |      |
|------------------------|---------|--------------------------------------|-------------------------------|-------------------------|------|------|------|------|------|-----------------------------------|-------------------------------|-------------------------|------|------|------|------|------|
| CFM                    | WB (°F) | Total Capacity <sup>1</sup> (MBh)    | Total Input (kW) <sup>2</sup> | Sensible Capacity (MBh) |      |      |      |      |      | Total Capacity <sup>1</sup> (MBh) | Total Input (kW) <sup>2</sup> | Sensible Capacity (MBh) |      |      |      |      |      |
|                        |         |                                      |                               | Return Dry Bulb (°F)    |      |      |      |      |      |                                   |                               | Return Dry Bulb (°F)    |      |      |      |      |      |
|                        |         |                                      |                               | 90                      | 85   | 80   | 75   | 70   | 65   |                                   |                               | 90                      | 85   | 80   | 75   | 70   | 65   |
|                        |         |                                      |                               | 115°F                   |      |      |      |      |      | 125°F                             |                               |                         |      |      |      |      |      |
| 1250                   | 77      | 55.7                                 | 5.2                           | 21.9                    | 19.2 | 13.9 | -    | -    | -    | 48.9                              | 5.6                           | 22.6                    | 15.3 | 11.5 | -    | -    | -    |
|                        | 72      | 49.6                                 | 5.0                           | 32.7                    | 27.4 | 22.0 | 16.7 | -    | -    | 43.3                              | 5.4                           | 30.1                    | 24.9 | 19.6 | 14.4 | -    | -    |
|                        | 67      | 43.5                                 | 4.9                           | 43.5                    | 35.5 | 30.2 | 24.9 | 19.5 | -    | 37.6                              | 5.3                           | 37.6                    | 33.4 | 27.7 | 22.5 | 17.3 | -    |
|                        | 62      | 39.7                                 | 4.8                           | 39.7                    | 39.7 | 37.2 | 31.8 | 26.5 | 21.2 | 34.7                              | 5.1                           | 34.7                    | 34.7 | 34.7 | 29.0 | 23.8 | 18.5 |
| 1500                   | 77      | 57.9                                 | 5.2                           | 28.8                    | 21.7 | 15.4 | -    | -    | -    | 51.1                              | 5.6                           | 29.5                    | 19.1 | 12.9 | -    | -    | -    |
|                        | 72      | 51.6                                 | 5.1                           | 37.0                    | 30.7 | 24.4 | 18.1 | -    | -    | 45.2                              | 5.5                           | 34.4                    | 28.1 | 21.9 | 15.6 | -    | -    |
|                        | 67      | 45.2                                 | 4.9                           | 45.2                    | 39.7 | 33.4 | 27.1 | 20.8 | -    | 39.2                              | 5.3                           | 39.2                    | 37.1 | 30.9 | 24.6 | 18.4 | -    |
|                        | 62      | 41.3                                 | 4.8                           | 41.3                    | 41.3 | 41.3 | 35.0 | 28.7 | 22.3 | 36.2                              | 5.2                           | 36.2                    | 36.2 | 36.2 | 32.1 | 25.9 | 19.6 |
|                        | 57      | 39.4                                 | 4.9                           | 39.4                    | 39.4 | 37.9 | 31.6 | 25.3 | 19.0 | 34.7                              | 5.2                           | 34.7                    | 34.7 | 33.8 | 27.5 | 21.3 | 15.0 |
| 1750                   | 77      | 60.1                                 | 5.2                           | 35.7                    | 24.1 | 16.8 | -    | -    | -    | 53.2                              | 5.7                           | 36.4                    | 22.9 | 14.2 | -    | -    | -    |
|                        | 72      | 53.5                                 | 5.1                           | 41.3                    | 34.0 | 26.7 | 19.4 | -    | -    | 47.1                              | 5.5                           | 38.6                    | 31.4 | 24.1 | 16.9 | -    | -    |
|                        | 67      | 46.9                                 | 5.0                           | 46.9                    | 43.9 | 36.6 | 29.3 | 22.0 | -    | 40.9                              | 5.3                           | 40.9                    | 40.9 | 34.1 | 26.8 | 19.5 | -    |
|                        | 62      | 42.8                                 | 4.9                           | 42.8                    | 42.8 | 45.4 | 38.1 | 30.8 | 23.5 | 37.8                              | 5.2                           | 37.8                    | 37.8 | 37.8 | 35.3 | 28.0 | 20.7 |
|                        | 57      | 40.9                                 | 4.9                           | 40.9                    | 40.9 | 41.6 | 34.3 | 27.0 | 19.7 | 36.2                              | 5.3                           | 36.2                    | 36.2 | 36.2 | 30.0 | 22.7 | 15.5 |
| 2000                   | 77      | 62.3                                 | 5.3                           | 42.7                    | 26.6 | 18.3 | -    | -    | -    | 55.4                              | 5.7                           | 43.3                    | 26.7 | 15.5 | -    | -    | -    |
|                        | 72      | 55.5                                 | 5.1                           | 45.6                    | 37.4 | 29.1 | 20.8 | -    | -    | 49.0                              | 5.5                           | 42.9                    | 34.6 | 26.4 | 18.1 | -    | -    |
|                        | 67      | 48.6                                 | 5.0                           | 48.6                    | 48.1 | 39.8 | 31.5 | 23.3 | -    | 42.5                              | 5.4                           | 42.5                    | 42.5 | 37.2 | 28.9 | 20.7 | -    |
|                        | 62      | 44.4                                 | 4.9                           | 44.4                    | 44.4 | 49.5 | 41.2 | 33.0 | 24.7 | 39.3                              | 5.2                           | 39.3                    | 39.3 | 39.3 | 38.4 | 30.1 | 21.9 |
|                        | 57      | 42.4                                 | 4.9                           | 42.4                    | 42.4 | 45.2 | 36.9 | 28.7 | 20.4 | 37.6                              | 5.3                           | 37.6                    | 37.6 | 37.6 | 32.4 | 24.2 | 15.9 |
| 2250                   | 72      | 55.2                                 | 5.1                           | 49.5                    | 40.4 | 31.2 | 22.1 | -    | -    | 48.4                              | 5.6                           | 46.7                    | 37.6 | 28.4 | 19.3 | -    | -    |
|                        | 67      | 48.4                                 | 5.0                           | 48.4                    | 48.1 | 42.8 | 33.6 | 24.5 | -    | 42.1                              | 5.4                           | 42.1                    | 42.1 | 40.1 | 31.0 | 21.8 | -    |
|                        | 62      | 44.2                                 | 4.9                           | 44.2                    | 44.2 | 46.7 | 37.6 | 28.4 | 19.3 | 38.9                              | 5.3                           | 38.9                    | 38.9 | 38.9 | 33.4 | 24.3 | 15.1 |
|                        | 57      | 42.2                                 | 4.9                           | 42.2                    | 42.2 | 43.6 | 34.5 | 25.3 | 16.2 | 37.2                              | 5.3                           | 37.2                    | 37.2 | 37.2 | 29.6 | 20.5 | 11.4 |
| 2500                   | 72      | 54.9                                 | 5.2                           | 53.5                    | 43.4 | 33.4 | 23.4 | -    | -    | 47.9                              | 5.6                           | 47.9                    | 40.5 | 30.5 | 20.5 | -    | -    |
|                        | 67      | 48.2                                 | 5.0                           | 48.2                    | 48.2 | 45.7 | 35.7 | 25.7 | -    | 41.6                              | 5.4                           | 41.6                    | 41.6 | 41.6 | 33.0 | 23.0 | -    |
|                        | 62      | 44.0                                 | 4.9                           | 44.0                    | 44.0 | 44.0 | 34.0 | 23.9 | 13.9 | 38.5                              | 5.3                           | 38.5                    | 38.5 | 38.5 | 28.4 | 18.4 | 8.4  |
|                        | 57      | 42.0                                 | 5.0                           | 42.0                    | 42.0 | 42.0 | 32.0 | 22.0 | 11.9 | 36.9                              | 5.4                           | 36.9                    | 36.9 | 36.9 | 26.8 | 16.8 | 6.8  |

1. These capacities are gross ratings. For net capacity, deduct air blower motor, MBh = 3.415 x kW. Refer to the appropriate Blower Performance Table for the kW of the supply air blower motor.
2. These ratings include the condenser fan motors (total 1 kW) and the compressor motors but not the supply air blower motor.

**J06ZH (6.5 Ton)**

| Air on Evaporator Coil |         | Temperature of Air on Condenser Coil |                               |                         |      |      |      |      |      |                                   |                               |                         |      |      |      |      |      |  |  |
|------------------------|---------|--------------------------------------|-------------------------------|-------------------------|------|------|------|------|------|-----------------------------------|-------------------------------|-------------------------|------|------|------|------|------|--|--|
| CFM                    | WB (°F) | Total Capacity <sup>1</sup> (MBh)    | Total Input (kW) <sup>2</sup> | Sensible Capacity (MBh) |      |      |      |      |      | Total Capacity <sup>1</sup> (MBh) | Total Input (kW) <sup>2</sup> | Sensible Capacity (MBh) |      |      |      |      |      |  |  |
|                        |         |                                      |                               | Return Dry Bulb (°F)    |      |      |      |      |      |                                   |                               | Return Dry Bulb (°F)    |      |      |      |      |      |  |  |
|                        |         |                                      |                               | 90                      | 85   | 80   | 75   | 70   | 65   |                                   |                               | 90                      | 85   | 80   | 75   | 70   | 65   |  |  |
|                        |         |                                      |                               | <b>75°F</b>             |      |      |      |      |      | <b>85°F</b>                       |                               |                         |      |      |      |      |      |  |  |
| 1625                   | 77      | 100.1                                | 4.7                           | 38.5                    | 33.6 | 28.8 | -    | -    | -    | 98.1                              | 5.3                           | 39.7                    | 32.9 | 26.1 | -    | -    | -    |  |  |
|                        | 72      | 92.7                                 | 4.7                           | 49.4                    | 44.5 | 39.7 | 34.9 | -    | -    | 89.4                              | 5.3                           | 50.8                    | 44.0 | 37.2 | 30.4 | -    | -    |  |  |
|                        | 67      | 85.4                                 | 4.7                           | 60.2                    | 55.4 | 50.6 | 45.7 | 40.9 | -    | 80.6                              | 5.2                           | 61.9                    | 55.1 | 48.3 | 41.5 | 34.7 | -    |  |  |
|                        | 62      | 74.8                                 | 4.7                           | 74.8                    | 69.6 | 61.2 | 56.4 | 51.6 | 46.7 | 72.6                              | 5.2                           | 72.6                    | 68.6 | 58.8 | 52.1 | 45.3 | 38.5 |  |  |
| 1950                   | 77      | 105.7                                | 4.7                           | 47.6                    | 39.7 | 31.8 | -    | -    | -    | 102.0                             | 5.3                           | 44.7                    | 36.8 | 28.8 | -    | -    | -    |  |  |
|                        | 72      | 97.9                                 | 4.7                           | 59.7                    | 51.8 | 43.9 | 35.9 | -    | -    | 92.9                              | 5.3                           | 57.0                    | 49.0 | 41.0 | 33.1 | -    | -    |  |  |
|                        | 67      | 90.1                                 | 4.7                           | 71.7                    | 63.8 | 55.9 | 48.0 | 40.1 | -    | 83.9                              | 5.3                           | 69.2                    | 61.2 | 53.3 | 45.3 | 37.3 | -    |  |  |
|                        | 62      | 79.0                                 | 4.7                           | 79.0                    | 75.6 | 67.6 | 59.7 | 51.8 | 43.9 | 75.5                              | 5.2                           | 75.5                    | 72.8 | 64.9 | 56.9 | 48.9 | 41.0 |  |  |
| 2275                   | 77      | 111.4                                | 4.7                           | 56.8                    | 45.8 | 34.8 | -    | -    | -    | 105.9                             | 5.3                           | 49.8                    | 40.6 | 31.5 | -    | -    | -    |  |  |
|                        | 72      | 103.1                                | 4.7                           | 70.0                    | 59.0 | 48.0 | 37.0 | -    | -    | 96.5                              | 5.3                           | 63.1                    | 54.0 | 44.8 | 35.7 | -    | -    |  |  |
|                        | 67      | 94.8                                 | 4.8                           | 83.2                    | 72.2 | 61.2 | 50.2 | 39.2 | -    | 87.1                              | 5.3                           | 76.5                    | 67.3 | 58.2 | 49.1 | 39.9 | -    |  |  |
|                        | 62      | 83.3                                 | 4.7                           | 83.3                    | 81.5 | 74.1 | 63.1 | 52.1 | 41.1 | 78.4                              | 5.2                           | 78.4                    | 77.1 | 70.9 | 61.7 | 52.6 | 43.5 |  |  |
| 2600                   | 77      | 117.0                                | 4.7                           | 66.0                    | 51.9 | 37.8 | -    | -    | -    | 109.8                             | 5.3                           | 54.8                    | 44.5 | 34.1 | -    | -    | -    |  |  |
|                        | 72      | 108.3                                | 4.7                           | 80.3                    | 66.2 | 52.2 | 38.1 | -    | -    | 100.1                             | 5.3                           | 69.3                    | 58.9 | 48.6 | 38.3 | -    | -    |  |  |
|                        | 67      | 99.5                                 | 4.8                           | 94.6                    | 80.5 | 66.5 | 52.4 | 38.4 | -    | 90.3                              | 5.3                           | 83.8                    | 73.4 | 63.1 | 52.8 | 42.5 | -    |  |  |
|                        | 62      | 87.5                                 | 4.7                           | 87.5                    | 87.5 | 80.5 | 66.4 | 52.4 | 38.3 | 81.3                              | 5.2                           | 81.3                    | 81.3 | 76.9 | 66.6 | 56.3 | 45.9 |  |  |
| 2925                   | 77      | 110.3                                | 4.7                           | 82.3                    | 69.0 | 55.6 | 42.3 | -    | -    | 102.7                             | 5.3                           | 74.5                    | 63.2 | 51.8 | 40.5 | -    | -    |  |  |
|                        | 72      | 101.4                                | 4.8                           | 99.0                    | 84.2 | 70.9 | 57.6 | 44.2 | -    | 92.7                              | 5.3                           | 89.4                    | 78.6 | 67.3 | 55.9 | 44.6 | -    |  |  |
|                        | 67      | 89.1                                 | 4.7                           | 89.1                    | 89.1 | 85.6 | 72.3 | 58.9 | 45.6 | 83.4                              | 5.3                           | 83.4                    | 83.4 | 81.2 | 69.9 | 58.5 | 47.2 |  |  |
|                        | 62      | 87.7                                 | 4.7                           | 87.7                    | 87.7 | 87.5 | 74.2 | 60.9 | 47.5 | 83.3                              | 5.2                           | 83.3                    | 83.3 | 82.8 | 71.5 | 60.1 | 48.8 |  |  |
| 3250                   | 72      | 112.3                                | 4.7                           | 84.4                    | 71.7 | 59.1 | 46.5 | -    | -    | 105.4                             | 5.3                           | 79.8                    | 67.4 | 55.0 | 42.7 | -    | -    |  |  |
|                        | 67      | 103.3                                | 4.7                           | 103.3                   | 88.0 | 75.3 | 62.7 | 50.1 | -    | 95.1                              | 5.3                           | 95.1                    | 83.8 | 71.4 | 59.1 | 46.7 | -    |  |  |
|                        | 62      | 90.7                                 | 4.7                           | 90.7                    | 90.7 | 90.7 | 78.1 | 65.5 | 52.8 | 85.6                              | 5.3                           | 85.6                    | 85.6 | 85.6 | 73.2 | 60.8 | 48.4 |  |  |
|                        | 57      | 89.3                                 | 4.7                           | 89.3                    | 89.3 | 89.3 | 76.7 | 64.1 | 51.4 | 85.4                              | 5.3                           | 85.4                    | 85.4 | 85.4 | 73.1 | 60.7 | 48.3 |  |  |
|                        |         |                                      |                               | <b>95°F</b>             |      |      |      |      |      | <b>105°F</b>                      |                               |                         |      |      |      |      |      |  |  |
| 1625                   | 77      | 96.1                                 | 5.9                           | 41.0                    | 32.2 | 23.5 | -    | -    | -    | 87.2                              | 6.5                           | 36.1                    | 29.5 | 21.5 | -    | -    | -    |  |  |
|                        | 72      | 86.0                                 | 5.8                           | 52.3                    | 43.5 | 34.8 | 26.0 | -    | -    | 78.4                              | 6.3                           | 48.5                    | 40.4 | 32.4 | 24.4 | -    | -    |  |  |
|                        | 67      | 75.9                                 | 5.8                           | 63.6                    | 54.8 | 46.1 | 37.3 | 28.6 | -    | 69.5                              | 6.2                           | 60.8                    | 51.4 | 43.4 | 35.4 | 27.4 | -    |  |  |
|                        | 62      | 70.3                                 | 5.8                           | 70.3                    | 67.6 | 56.5 | 47.7 | 39.0 | 30.2 | 63.1                              | 6.1                           | 63.1                    | 61.7 | 53.8 | 45.8 | 37.8 | 29.8 |  |  |
| 1950                   | 77      | 98.3                                 | 6.0                           | 41.8                    | 33.8 | 25.8 | -    | -    | -    | 89.3                              | 6.5                           | 39.9                    | 31.7 | 23.6 | -    | -    | -    |  |  |
|                        | 72      | 88.0                                 | 5.9                           | 54.3                    | 46.2 | 38.2 | 30.2 | -    | -    | 80.2                              | 6.4                           | 51.9                    | 43.8 | 35.7 | 27.6 | -    | -    |  |  |
|                        | 67      | 77.7                                 | 5.8                           | 66.7                    | 58.7 | 50.6 | 42.6 | 34.6 | -    | 71.2                              | 6.3                           | 64.0                    | 55.9 | 47.8 | 39.7 | 31.5 | -    |  |  |
|                        | 62      | 71.9                                 | 5.8                           | 71.9                    | 70.1 | 62.1 | 54.1 | 46.0 | 38.0 | 64.6                              | 6.2                           | 64.6                    | 63.7 | 59.2 | 51.1 | 43.0 | 34.8 |  |  |
| 2275                   | 77      | 100.5                                | 6.0                           | 42.7                    | 35.4 | 28.1 | -    | -    | -    | 91.3                              | 6.5                           | 43.6                    | 34.0 | 25.8 | -    | -    | -    |  |  |
|                        | 72      | 89.9                                 | 5.9                           | 56.3                    | 49.0 | 41.7 | 34.4 | -    | -    | 82.1                              | 6.4                           | 55.4                    | 47.2 | 38.9 | 30.7 | -    | -    |  |  |
|                        | 67      | 79.4                                 | 5.8                           | 69.8                    | 62.5 | 55.2 | 47.9 | 40.6 | -    | 72.8                              | 6.3                           | 67.2                    | 60.4 | 52.1 | 43.9 | 35.7 | -    |  |  |
|                        | 62      | 73.5                                 | 5.8                           | 73.5                    | 72.6 | 67.7 | 60.4 | 53.1 | 45.8 | 66.1                              | 6.2                           | 66.1                    | 65.6 | 64.6 | 56.4 | 48.1 | 39.9 |  |  |
| 2600                   | 77      | 102.6                                | 6.0                           | 43.6                    | 37.0 | 30.4 | -    | -    | -    | 93.4                              | 6.5                           | 47.4                    | 36.3 | 27.9 | -    | -    | -    |  |  |
|                        | 72      | 91.9                                 | 5.9                           | 58.2                    | 51.7 | 45.1 | 38.5 | -    | -    | 83.9                              | 6.4                           | 58.9                    | 50.6 | 42.2 | 33.8 | -    | -    |  |  |
|                        | 67      | 81.1                                 | 5.8                           | 72.9                    | 66.3 | 59.8 | 53.2 | 46.6 | -    | 74.5                              | 6.3                           | 70.4                    | 64.8 | 56.5 | 48.1 | 39.8 | -    |  |  |
|                        | 62      | 75.1                                 | 5.8                           | 75.1                    | 75.1 | 73.3 | 66.7 | 60.2 | 53.6 | 67.5                              | 6.2                           | 67.5                    | 67.5 | 70.0 | 61.6 | 53.3 | 44.9 |  |  |
| 2925                   | 77      | 95.2                                 | 5.9                           | 66.8                    | 57.4 | 48.0 | 38.7 | -    | -    | 86.3                              | 6.5                           | 65.6                    | 55.3 | 45.1 | 34.8 | -    | -    |  |  |
|                        | 72      | 84.0                                 | 5.8                           | 79.9                    | 73.0 | 63.7 | 54.3 | 45.0 | -    | 76.6                              | 6.3                           | 74.5                    | 69.9 | 60.4 | 50.1 | 39.9 | -    |  |  |
|                        | 67      | 77.8                                 | 5.8                           | 77.8                    | 77.8 | 76.9 | 67.5 | 58.2 | 48.8 | 69.4                              | 6.2                           | 69.4                    | 69.4 | 70.7 | 60.4 | 50.2 | 39.9 |  |  |
|                        | 62      | 78.8                                 | 5.8                           | 78.8                    | 78.8 | 78.1 | 68.8 | 59.4 | 50.1 | 72.2                              | 6.3                           | 72.2                    | 72.2 | 71.5 | 61.2 | 51.0 | 40.7 |  |  |
| 3250                   | 72      | 98.5                                 | 5.9                           | 75.3                    | 63.1 | 51.0 | 38.8 | -    | -    | 88.6                              | 6.5                           | 72.3                    | 60.1 | 48.0 | 35.8 | -    | -    |  |  |
|                        | 67      | 87.0                                 | 5.9                           | 87.0                    | 79.7 | 67.6 | 55.4 | 43.3 | -    | 78.6                              | 6.4                           | 78.6                    | 75.0 | 64.2 | 52.1 | 40.0 | -    |  |  |
|                        | 62      | 80.5                                 | 5.9                           | 80.5                    | 80.5 | 80.5 | 68.4 | 56.2 | 44.1 | 71.3                              | 6.3                           | 71.3                    | 71.3 | 71.3 | 59.2 | 47.1 | 34.9 |  |  |
|                        | 57      | 81.6                                 | 5.8                           | 81.6                    | 81.6 | 81.6 | 69.4 | 57.3 | 45.1 | 74.1                              | 6.3                           | 74.1                    | 74.1 | 74.1 | 62.0 | 49.9 | 37.7 |  |  |

## J06ZH (6.5 Ton) (Continued)

| Air on Evaporator Coil |         | Temperature of Air on Condenser Coil |                               |                         |      |      |      |      |      |                                   |                               |                         |      |      |      |      |      |
|------------------------|---------|--------------------------------------|-------------------------------|-------------------------|------|------|------|------|------|-----------------------------------|-------------------------------|-------------------------|------|------|------|------|------|
| CFM                    | WB (°F) | Total Capacity <sup>1</sup> (MBh)    | Total Input (kW) <sup>2</sup> | Sensible Capacity (MBh) |      |      |      |      |      | Total Capacity <sup>1</sup> (MBh) | Total Input (kW) <sup>2</sup> | Sensible Capacity (MBh) |      |      |      |      |      |
|                        |         |                                      |                               | Return Dry Bulb (°F)    |      |      |      |      |      |                                   |                               | Return Dry Bulb (°F)    |      |      |      |      |      |
|                        |         |                                      |                               | 90                      | 85   | 80   | 75   | 70   | 65   |                                   |                               | 90                      | 85   | 80   | 75   | 70   | 65   |
|                        |         |                                      |                               | 115°F                   |      |      |      |      |      | 125°F                             |                               |                         |      |      |      |      |      |
| 1625                   | 77      | 78.3                                 | 7.0                           | 31.2                    | 26.7 | 19.5 | -    | -    | -    | 69.4                              | 7.5                           | 24.9                    | 23.7 | 17.5 | -    | -    | -    |
|                        | 72      | 70.7                                 | 6.8                           | 44.7                    | 37.4 | 30.1 | 22.9 | -    | -    | 63.1                              | 7.3                           | 40.9                    | 34.3 | 27.8 | 21.3 | -    | -    |
|                        | 67      | 63.2                                 | 6.7                           | 58.1                    | 48.0 | 40.8 | 33.5 | 26.2 | -    | 56.8                              | 7.1                           | 56.8                    | 44.7 | 38.1 | 31.6 | 25.1 | -    |
|                        | 62      | 55.8                                 | 6.5                           | 55.8                    | 55.8 | 51.1 | 43.9 | 36.6 | 29.3 | 48.6                              | 6.9                           | 48.6                    | 48.6 | 48.6 | 41.9 | 35.4 | 28.9 |
| 1950                   | 77      | 80.3                                 | 7.0                           | 37.9                    | 29.7 | 21.4 | -    | -    | -    | 71.3                              | 7.6                           | 36.4                    | 27.6 | 19.3 | -    | -    | -    |
|                        | 72      | 72.5                                 | 6.9                           | 49.6                    | 41.4 | 33.2 | 24.9 | -    | -    | 64.8                              | 7.4                           | 47.3                    | 39.0 | 30.7 | 22.3 | -    | -    |
|                        | 67      | 64.7                                 | 6.7                           | 61.4                    | 53.1 | 44.9 | 36.7 | 28.5 | -    | 58.3                              | 7.2                           | 58.3                    | 50.4 | 42.1 | 33.7 | 25.4 | -    |
|                        | 62      | 57.2                                 | 6.6                           | 57.2                    | 57.2 | 56.3 | 48.1 | 39.9 | 31.6 | 49.9                              | 6.9                           | 49.9                    | 49.9 | 49.9 | 45.1 | 36.8 | 28.5 |
|                        | 57      | 61.4                                 | 6.6                           | 61.4                    | 61.3 | 53.1 | 44.9 | 36.7 | 28.4 | 55.7                              | 7.1                           | 55.7                    | 55.7 | 48.0 | 39.7 | 31.4 | 23.1 |
| 2275                   | 77      | 82.2                                 | 7.1                           | 44.6                    | 32.6 | 23.4 | -    | -    | -    | 73.1                              | 7.6                           | 47.8                    | 31.5 | 21.1 | -    | -    | -    |
|                        | 72      | 74.2                                 | 6.9                           | 54.6                    | 45.4 | 36.2 | 27.0 | -    | -    | 66.4                              | 7.4                           | 53.8                    | 43.6 | 33.5 | 23.4 | -    | -    |
|                        | 67      | 66.3                                 | 6.8                           | 64.6                    | 58.2 | 49.1 | 39.9 | 30.7 | -    | 59.7                              | 7.3                           | 59.7                    | 56.1 | 46.0 | 35.9 | 25.7 | -    |
|                        | 62      | 58.6                                 | 6.6                           | 58.6                    | 58.6 | 61.5 | 52.3 | 43.1 | 34.0 | 51.2                              | 7.0                           | 51.2                    | 51.2 | 51.2 | 48.3 | 38.2 | 28.0 |
|                        | 57      | 62.9                                 | 6.7                           | 62.9                    | 62.9 | 58.0 | 48.8 | 39.6 | 30.5 | 57.1                              | 7.1                           | 57.1                    | 57.1 | 52.5 | 42.4 | 32.3 | 22.1 |
| 2600                   | 77      | 84.1                                 | 7.1                           | 51.3                    | 35.5 | 25.4 | -    | -    | -    | 74.9                              | 7.7                           | 59.3                    | 35.4 | 22.9 | -    | -    | -    |
|                        | 72      | 76.0                                 | 7.0                           | 59.6                    | 49.4 | 39.3 | 29.1 | -    | -    | 68.1                              | 7.5                           | 60.2                    | 48.3 | 36.4 | 24.5 | -    | -    |
|                        | 67      | 67.9                                 | 6.8                           | 67.9                    | 63.3 | 53.2 | 43.1 | 32.9 | -    | 61.2                              | 7.3                           | 61.2                    | 61.2 | 49.9 | 38.0 | 26.0 | -    |
|                        | 62      | 60.0                                 | 6.6                           | 60.0                    | 60.0 | 66.7 | 56.6 | 46.4 | 36.3 | 52.4                              | 7.1                           | 52.4                    | 52.4 | 52.4 | 51.5 | 39.6 | 27.6 |
|                        | 57      | 64.4                                 | 6.7                           | 64.4                    | 64.4 | 62.9 | 52.8 | 42.6 | 32.5 | 58.5                              | 7.2                           | 58.5                    | 58.5 | 57.0 | 45.1 | 33.1 | 21.2 |
| 2925                   | 72      | 77.4                                 | 7.0                           | 64.4                    | 53.3 | 42.1 | 31.0 | -    | -    | 68.5                              | 7.5                           | 63.2                    | 51.2 | 39.2 | 27.2 | -    | -    |
|                        | 67      | 69.1                                 | 6.8                           | 69.1                    | 66.8 | 57.0 | 45.9 | 34.8 | -    | 61.6                              | 7.3                           | 61.6                    | 61.6 | 53.7 | 41.7 | 29.7 | -    |
|                        | 62      | 61.1                                 | 6.7                           | 61.1                    | 61.1 | 64.4 | 53.3 | 42.2 | 31.0 | 52.7                              | 7.1                           | 52.7                    | 52.7 | 52.7 | 46.2 | 34.2 | 22.1 |
|                        | 57      | 65.6                                 | 6.7                           | 65.6                    | 65.6 | 64.8 | 53.7 | 42.5 | 31.4 | 58.9                              | 7.2                           | 58.9                    | 58.9 | 58.2 | 46.1 | 34.1 | 22.1 |
| 3250                   | 72      | 78.8                                 | 7.0                           | 69.2                    | 57.1 | 45.0 | 32.9 | -    | -    | 68.9                              | 7.6                           | 66.2                    | 54.1 | 42.0 | 29.9 | -    | -    |
|                        | 67      | 70.3                                 | 6.9                           | 70.3                    | 70.3 | 60.9 | 48.8 | 36.6 | -    | 62.0                              | 7.4                           | 62.0                    | 62.0 | 57.6 | 45.5 | 33.3 | -    |
|                        | 62      | 62.2                                 | 6.7                           | 62.2                    | 62.2 | 62.2 | 50.0 | 37.9 | 25.8 | 53.0                              | 7.1                           | 53.0                    | 53.0 | 53.0 | 40.9 | 28.8 | 16.7 |
|                        | 57      | 66.7                                 | 6.8                           | 66.7                    | 66.7 | 66.7 | 54.6 | 42.5 | 30.3 | 59.3                              | 7.2                           | 59.3                    | 59.3 | 59.3 | 47.2 | 35.1 | 23.0 |

1. These capacities are gross ratings. For net capacity, deduct air blower motor, MBh = 3.415 x kW. Refer to the appropriate Blower Performance Table for the kW of the supply air blower motor.
2. These ratings include the condenser fan motors (total 1 kW) and the compressor motors but not the supply air blower motor.

**J07ZH (7.5 Ton)**

| Air on Evaporator Coil |         | Temperature of Air on Condenser Coil |                               |                         |       |       |      |      |      |                                   |                               |                         |      |      |      |      |      |
|------------------------|---------|--------------------------------------|-------------------------------|-------------------------|-------|-------|------|------|------|-----------------------------------|-------------------------------|-------------------------|------|------|------|------|------|
| CFM                    | WB (°F) | Total Capacity <sup>1</sup> (MBh)    | Total Input (kW) <sup>2</sup> | Sensible Capacity (MBh) |       |       |      |      |      | Total Capacity <sup>1</sup> (MBh) | Total Input (kW) <sup>2</sup> | Sensible Capacity (MBh) |      |      |      |      |      |
|                        |         |                                      |                               | Return Dry Bulb (°F)    |       |       |      |      |      |                                   |                               | Return Dry Bulb (°F)    |      |      |      |      |      |
|                        |         |                                      |                               | 90                      | 85    | 80    | 75   | 70   | 65   |                                   |                               | 90                      | 85   | 80   | 75   | 70   | 65   |
|                        |         |                                      |                               | <b>75°F</b>             |       |       |      |      |      | <b>85°F</b>                       |                               |                         |      |      |      |      |      |
| 1875                   | 77      | 113.8                                | 5.8                           | 49.0                    | 41.0  | 33.1  | -    | -    | -    | 112.1                             | 6.5                           | 46.6                    | 38.6 | 30.6 | -    | -    | -    |
|                        | 72      | 106.0                                | 5.8                           | 62.6                    | 54.6  | 46.7  | 38.7 | -    | -    | 102.9                             | 6.4                           | 59.9                    | 51.9 | 43.9 | 35.9 | -    | -    |
|                        | 67      | 98.1                                 | 5.8                           | 76.2                    | 68.3  | 60.3  | 52.3 | 44.4 | -    | 93.8                              | 6.4                           | 73.2                    | 65.2 | 57.2 | 49.2 | 41.2 | -    |
|                        | 62      | 86.5                                 | 5.8                           | 86.5                    | 80.4  | 71.9  | 64.0 | 56.0 | 48.1 | 83.9                              | 6.4                           | 83.9                    | 79.0 | 68.5 | 60.5 | 52.5 | 44.4 |
| 2250                   | 77      | 121.4                                | 5.8                           | 54.8                    | 45.5  | 36.3  | -    | -    | -    | 116.8                             | 6.5                           | 51.9                    | 42.7 | 33.5 | -    | -    | -    |
|                        | 72      | 112.9                                | 5.8                           | 69.7                    | 60.4  | 51.2  | 41.9 | -    | -    | 107.3                             | 6.4                           | 66.5                    | 57.2 | 48.0 | 38.8 | -    | -    |
|                        | 67      | 104.5                                | 5.8                           | 84.6                    | 75.3  | 66.1  | 56.8 | 47.5 | -    | 97.7                              | 6.4                           | 81.0                    | 71.8 | 62.6 | 53.3 | 44.1 | -    |
|                        | 62      | 92.2                                 | 5.8                           | 92.2                    | 88.1  | 78.8  | 69.6 | 60.3 | 51.0 | 87.5                              | 6.4                           | 87.5                    | 84.1 | 74.9 | 65.7 | 56.5 | 47.3 |
| 2625                   | 77      | 128.9                                | 5.8                           | 60.6                    | 50.0  | 39.4  | -    | -    | -    | 121.5                             | 6.5                           | 57.2                    | 46.8 | 36.3 | -    | -    | -    |
|                        | 72      | 119.9                                | 5.8                           | 76.8                    | 66.2  | 55.6  | 45.0 | -    | -    | 111.6                             | 6.5                           | 73.0                    | 62.6 | 52.1 | 41.7 | -    | -    |
|                        | 67      | 110.9                                | 5.9                           | 93.0                    | 82.4  | 71.9  | 61.3 | 50.7 | -    | 101.7                             | 6.4                           | 88.8                    | 78.4 | 67.9 | 57.5 | 47.1 | -    |
|                        | 62      | 97.9                                 | 5.9                           | 97.9                    | 95.8  | 85.7  | 75.1 | 64.5 | 54.0 | 91.0                              | 6.4                           | 91.0                    | 89.3 | 81.4 | 70.9 | 60.5 | 50.1 |
| 3000                   | 77      | 136.5                                | 5.8                           | 66.4                    | 54.5  | 42.6  | -    | -    | -    | 126.2                             | 6.5                           | 62.5                    | 50.8 | 39.2 | -    | -    | -    |
|                        | 72      | 126.9                                | 5.8                           | 83.9                    | 72.0  | 60.1  | 48.2 | -    | -    | 115.9                             | 6.5                           | 79.5                    | 67.9 | 56.3 | 44.6 | -    | -    |
|                        | 67      | 117.3                                | 5.9                           | 101.4                   | 89.5  | 77.6  | 65.7 | 53.8 | -    | 105.6                             | 6.5                           | 96.6                    | 85.0 | 73.3 | 61.7 | 50.0 | -    |
|                        | 62      | 103.6                                | 5.9                           | 103.6                   | 103.6 | 92.6  | 80.7 | 68.8 | 56.9 | 94.5                              | 6.4                           | 94.5                    | 94.5 | 87.8 | 76.1 | 64.5 | 52.9 |
| 3375                   | 77      | 128.9                                | 5.8                           | 88.3                    | 75.7  | 63.2  | 50.6 | -    | -    | 118.6                             | 6.5                           | 84.9                    | 72.3 | 59.8 | 47.2 | -    | -    |
|                        | 72      | 119.1                                | 5.8                           | 110.1                   | 94.1  | 81.6  | 69.0 | 56.4 | -    | 108.1                             | 6.5                           | 103.0                   | 90.4 | 77.9 | 65.3 | 52.8 | -    |
|                        | 67      | 105.2                                | 5.9                           | 105.2                   | 105.2 | 99.6  | 87.0 | 74.4 | 61.8 | 96.7                              | 6.4                           | 96.7                    | 96.7 | 93.2 | 80.7 | 68.1 | 55.6 |
|                        | 62      | 103.4                                | 5.8                           | 103.4                   | 103.4 | 102.6 | 90.1 | 77.5 | 64.9 | 96.9                              | 6.4                           | 96.9                    | 96.9 | 96.4 | 83.9 | 71.3 | 58.8 |
| 3750                   | 77      | 130.9                                | 5.8                           | 92.7                    | 79.5  | 66.2  | 53.0 | -    | -    | 121.2                             | 6.5                           | 90.2                    | 76.7 | 63.3 | 49.8 | -    | -    |
|                        | 72      | 121.0                                | 5.8                           | 118.7                   | 98.7  | 85.5  | 72.2 | 59.0 | -    | 110.5                             | 6.5                           | 109.4                   | 95.9 | 82.4 | 69.0 | 55.5 | -    |
|                        | 67      | 106.8                                | 5.8                           | 106.8                   | 106.8 | 106.5 | 93.2 | 80.0 | 66.7 | 98.9                              | 6.4                           | 98.9                    | 98.9 | 98.7 | 85.2 | 71.8 | 58.3 |
|                        | 62      | 104.9                                | 5.8                           | 104.9                   | 104.9 | 104.9 | 91.7 | 78.4 | 65.2 | 99.1                              | 6.4                           | 99.1                    | 99.1 | 99.1 | 85.7 | 72.2 | 58.7 |
|                        |         |                                      |                               | <b>95°F</b>             |       |       |      |      |      | <b>105°F</b>                      |                               |                         |      |      |      |      |      |
| 1875                   | 77      | 110.3                                | 7.1                           | 44.2                    | 36.2  | 28.1  | -    | -    | -    | 103.5                             | 7.7                           | 38.5                    | 33.2 | 25.2 | -    | -    | -    |
|                        | 72      | 99.9                                 | 7.0                           | 57.2                    | 49.2  | 41.1  | 33.0 | -    | -    | 93.1                              | 7.6                           | 54.2                    | 46.2 | 38.2 | 30.3 | -    | -    |
|                        | 67      | 89.5                                 | 7.0                           | 70.2                    | 62.2  | 54.1  | 46.0 | 37.9 | -    | 82.7                              | 7.5                           | 69.8                    | 59.2 | 51.2 | 43.3 | 35.3 | -    |
|                        | 62      | 81.3                                 | 6.9                           | 81.3                    | 77.5  | 65.0  | 57.0 | 48.9 | 40.8 | 78.3                              | 7.4                           | 78.3                    | 75.8 | 62.2 | 54.2 | 46.2 | 38.3 |
| 2250                   | 77      | 112.2                                | 7.1                           | 49.0                    | 39.8  | 30.7  | -    | -    | -    | 103.5                             | 7.8                           | 45.5                    | 36.5 | 27.4 | -    | -    | -    |
|                        | 72      | 101.6                                | 7.1                           | 63.2                    | 54.0  | 44.9  | 35.7 | -    | -    | 93.1                              | 7.7                           | 59.6                    | 50.6 | 41.5 | 32.5 | -    | -    |
|                        | 67      | 91.0                                 | 7.0                           | 77.4                    | 68.2  | 59.1  | 49.9 | 40.7 | -    | 82.7                              | 7.5                           | 73.7                    | 64.7 | 55.7 | 46.6 | 37.6 | -    |
|                        | 62      | 82.7                                 | 6.9                           | 82.7                    | 80.2  | 71.0  | 61.8 | 52.7 | 43.5 | 78.2                              | 7.4                           | 78.2                    | 76.6 | 67.5 | 58.5 | 49.5 | 40.4 |
| 2625                   | 77      | 114.1                                | 7.2                           | 53.8                    | 43.5  | 33.2  | -    | -    | -    | 103.5                             | 7.8                           | 52.4                    | 39.7 | 29.6 | -    | -    | -    |
|                        | 72      | 103.3                                | 7.1                           | 69.2                    | 58.9  | 48.6  | 38.4 | -    | -    | 93.1                              | 7.7                           | 65.0                    | 54.9 | 44.8 | 34.7 | -    | -    |
|                        | 67      | 92.5                                 | 7.0                           | 84.6                    | 74.3  | 64.0  | 53.8 | 43.5 | -    | 82.7                              | 7.6                           | 77.6                    | 70.2 | 60.1 | 50.0 | 39.9 | -    |
|                        | 62      | 84.1                                 | 6.9                           | 84.1                    | 82.8  | 77.0  | 66.7 | 56.4 | 46.2 | 78.2                              | 7.5                           | 78.2                    | 77.4 | 72.9 | 62.8 | 52.7 | 42.6 |
| 3000                   | 77      | 115.9                                | 7.2                           | 58.6                    | 47.2  | 35.8  | -    | -    | -    | 103.4                             | 7.9                           | 59.4                    | 43.0 | 31.8 | -    | -    | -    |
|                        | 72      | 105.0                                | 7.1                           | 75.2                    | 63.8  | 52.4  | 41.0 | -    | -    | 93.1                              | 7.7                           | 70.5                    | 59.3 | 48.1 | 37.0 | -    | -    |
|                        | 67      | 94.0                                 | 7.1                           | 91.7                    | 80.4  | 69.0  | 57.6 | 46.3 | -    | 82.7                              | 7.6                           | 81.6                    | 75.7 | 64.5 | 53.3 | 42.1 | -    |
|                        | 62      | 85.5                                 | 7.0                           | 85.5                    | 85.5  | 83.0  | 71.6 | 60.2 | 48.8 | 78.1                              | 7.5                           | 78.1                    | 78.1 | 78.2 | 67.1 | 55.9 | 44.7 |
| 3375                   | 77      | 108.3                                | 7.1                           | 81.4                    | 68.9  | 56.4  | 43.8 | -    | -    | 97.2                              | 7.8                           | 76.7                    | 64.4 | 52.1 | 39.8 | -    | -    |
|                        | 72      | 97.0                                 | 7.1                           | 95.9                    | 86.7  | 74.2  | 61.7 | 49.1 | -    | 86.4                              | 7.6                           | 85.8                    | 81.1 | 69.8 | 57.5 | 45.2 | -    |
|                        | 67      | 88.2                                 | 7.0                           | 88.2                    | 88.2  | 86.9  | 74.4 | 61.9 | 49.3 | 81.6                              | 7.5                           | 81.6                    | 81.6 | 81.7 | 69.4 | 57.1 | 44.8 |
|                        | 62      | 90.5                                 | 7.0                           | 90.5                    | 90.5  | 90.2  | 77.7 | 65.1 | 52.6 | 83.5                              | 7.5                           | 83.5                    | 83.5 | 83.9 | 71.6 | 59.3 | 47.0 |
| 3750                   | 77      | 111.6                                | 7.2                           | 87.7                    | 74.0  | 60.3  | 46.6 | -    | -    | 101.3                             | 7.8                           | 82.8                    | 69.4 | 56.0 | 42.6 | -    | -    |
|                        | 72      | 100.0                                | 7.1                           | 100.0                   | 93.1  | 79.4  | 65.7 | 52.0 | -    | 90.0                              | 7.7                           | 90.0                    | 86.6 | 75.0 | 61.6 | 48.2 | -    |
|                        | 67      | 90.9                                 | 7.0                           | 90.9                    | 90.9  | 90.9  | 77.2 | 63.5 | 49.9 | 85.1                              | 7.5                           | 85.1                    | 85.1 | 85.1 | 71.7 | 58.3 | 44.9 |
|                        | 62      | 93.3                                 | 7.0                           | 93.3                    | 93.3  | 93.3  | 79.7 | 66.0 | 52.3 | 87.0                              | 7.5                           | 87.0                    | 87.0 | 87.0 | 73.6 | 60.2 | 46.8 |

## J07ZH (7.5 Ton) (Continued)

| Air on Evaporator Coil |         | Temperature of Air on Condenser Coil |                               |                         |      |      |      |      |      |                                   |                               |                         |      |      |      |      |      |
|------------------------|---------|--------------------------------------|-------------------------------|-------------------------|------|------|------|------|------|-----------------------------------|-------------------------------|-------------------------|------|------|------|------|------|
| CFM                    | WB (°F) | Total Capacity <sup>1</sup> (MBh)    | Total Input (kW) <sup>2</sup> | Sensible Capacity (MBh) |      |      |      |      |      | Total Capacity <sup>1</sup> (MBh) | Total Input (kW) <sup>2</sup> | Sensible Capacity (MBh) |      |      |      |      |      |
|                        |         |                                      |                               | Return Dry Bulb (°F)    |      |      |      |      |      |                                   |                               | Return Dry Bulb (°F)    |      |      |      |      |      |
|                        |         |                                      |                               | 90                      | 85   | 80   | 75   | 70   | 65   |                                   |                               | 90                      | 85   | 80   | 75   | 70   | 65   |
|                        |         |                                      |                               | <b>115°F</b>            |      |      |      |      |      | <b>125°F</b>                      |                               |                         |      |      |      |      |      |
| 1875                   | 77      | 96.7                                 | 8.4                           | 32.9                    | 30.3 | 22.4 | -    | -    | -    | 89.9                              | 9.0                           | 27.0                    | 24.2 | 19.6 | -    | -    | -    |
|                        | 72      | 86.3                                 | 8.2                           | 51.1                    | 43.3 | 35.4 | 27.5 | -    | -    | 79.5                              | 8.8                           | 48.1                    | 40.3 | 32.5 | 24.8 | -    | -    |
|                        | 67      | 75.9                                 | 8.0                           | 69.4                    | 56.2 | 48.4 | 40.5 | 32.6 | -    | 69.1                              | 8.5                           | 69.1                    | 53.3 | 45.5 | 37.8 | 30.0 | -    |
|                        | 62      | 75.3                                 | 7.9                           | 75.3                    | 74.0 | 59.3 | 51.5 | 43.6 | 35.7 | 72.2                              | 8.4                           | 72.2                    | 72.2 | 56.5 | 48.7 | 40.9 | 33.2 |
| 2250                   | 77      | 94.8                                 | 8.4                           | 42.0                    | 33.1 | 24.2 | -    | -    | -    | 86.1                              | 9.1                           | 38.7                    | 29.7 | 20.9 | -    | -    | -    |
|                        | 72      | 84.6                                 | 8.2                           | 56.0                    | 47.1 | 38.2 | 29.3 | -    | -    | 76.1                              | 8.8                           | 52.4                    | 43.7 | 34.9 | 26.1 | -    | -    |
|                        | 67      | 74.4                                 | 8.1                           | 70.0                    | 61.1 | 52.2 | 43.3 | 34.4 | -    | 66.1                              | 8.6                           | 66.1                    | 57.6 | 48.8 | 40.1 | 31.3 | -    |
|                        | 62      | 73.8                                 | 7.9                           | 73.8                    | 73.0 | 64.1 | 55.2 | 46.3 | 37.4 | 69.3                              | 8.4                           | 69.3                    | 69.3 | 60.6 | 51.8 | 43.1 | 34.3 |
|                        | 57      | 75.0                                 | 7.9                           | 75.0                    | 73.8 | 64.9 | 56.0 | 47.1 | 38.2 | 70.1                              | 8.5                           | 70.1                    | 68.9 | 60.1 | 51.3 | 42.6 | 33.8 |
| 2625                   | 77      | 92.9                                 | 8.5                           | 51.1                    | 35.9 | 26.0 | -    | -    | -    | 82.3                              | 9.1                           | 50.5                    | 35.2 | 22.3 | -    | -    | -    |
|                        | 72      | 82.9                                 | 8.3                           | 60.9                    | 51.0 | 41.0 | 31.1 | -    | -    | 72.7                              | 8.9                           | 56.8                    | 47.0 | 37.2 | 27.5 | -    | -    |
|                        | 67      | 72.9                                 | 8.1                           | 70.7                    | 66.0 | 56.1 | 46.2 | 36.2 | -    | 63.1                              | 8.6                           | 63.1                    | 61.9 | 52.1 | 42.4 | 32.6 | -    |
|                        | 62      | 72.3                                 | 8.0                           | 72.3                    | 71.9 | 68.8 | 58.9 | 48.9 | 39.0 | 66.4                              | 8.5                           | 66.4                    | 66.4 | 64.7 | 54.9 | 45.2 | 35.4 |
|                        | 57      | 73.5                                 | 8.0                           | 73.5                    | 72.9 | 69.7 | 59.8 | 49.8 | 39.9 | 67.1                              | 8.5                           | 67.1                    | 66.5 | 64.2 | 54.4 | 44.6 | 34.8 |
| 3000                   | 77      | 91.0                                 | 8.5                           | 60.2                    | 38.7 | 27.8 | -    | -    | -    | 78.5                              | 9.2                           | 62.2                    | 40.6 | 23.7 | -    | -    | -    |
|                        | 72      | 81.2                                 | 8.3                           | 65.8                    | 54.8 | 43.9 | 32.9 | -    | -    | 69.3                              | 8.9                           | 61.2                    | 50.4 | 39.6 | 28.8 | -    | -    |
|                        | 67      | 71.4                                 | 8.2                           | 71.4                    | 70.9 | 60.0 | 49.0 | 38.0 | -    | 60.1                              | 8.7                           | 60.1                    | 60.1 | 55.5 | 44.7 | 33.9 | -    |
|                        | 62      | 70.8                                 | 8.0                           | 70.8                    | 70.8 | 73.5 | 62.6 | 51.6 | 40.6 | 63.5                              | 8.5                           | 63.5                    | 63.5 | 63.5 | 58.1 | 47.3 | 36.5 |
|                        | 57      | 72.0                                 | 8.0                           | 72.0                    | 72.0 | 74.5 | 63.5 | 52.5 | 41.6 | 64.1                              | 8.6                           | 64.1                    | 64.1 | 64.1 | 57.5 | 46.7 | 35.9 |
| 3375                   | 72      | 86.1                                 | 8.4                           | 71.9                    | 59.9 | 47.8 | 35.7 | -    | -    | 75.0                              | 9.0                           | 67.2                    | 55.3 | 43.5 | 31.7 | -    | -    |
|                        | 67      | 75.7                                 | 8.2                           | 75.7                    | 75.5 | 65.3 | 53.3 | 41.2 | -    | 65.1                              | 8.7                           | 65.1                    | 65.1 | 60.9 | 49.1 | 37.2 | -    |
|                        | 62      | 75.1                                 | 8.1                           | 75.1                    | 75.1 | 76.5 | 64.4 | 52.3 | 40.3 | 68.6                              | 8.6                           | 68.6                    | 68.6 | 68.6 | 59.4 | 47.5 | 35.7 |
|                        | 57      | 76.4                                 | 8.1                           | 76.4                    | 76.4 | 77.6 | 65.5 | 53.5 | 41.4 | 69.3                              | 8.6                           | 69.3                    | 69.3 | 69.3 | 59.5 | 47.6 | 35.8 |
| 3750                   | 72      | 91.0                                 | 8.4                           | 78.0                    | 64.9 | 51.7 | 38.5 | -    | -    | 80.7                              | 9.0                           | 73.2                    | 60.3 | 47.4 | 34.5 | -    | -    |
|                        | 67      | 80.1                                 | 8.2                           | 80.1                    | 80.1 | 70.7 | 57.5 | 44.4 | -    | 70.1                              | 8.8                           | 70.1                    | 70.1 | 66.3 | 53.4 | 40.5 | -    |
|                        | 62      | 79.4                                 | 8.1                           | 79.4                    | 79.4 | 79.4 | 66.2 | 53.1 | 39.9 | 73.6                              | 8.6                           | 73.6                    | 73.6 | 73.6 | 60.7 | 47.8 | 34.9 |
|                        | 57      | 80.7                                 | 8.1                           | 80.7                    | 80.7 | 80.7 | 67.6 | 54.4 | 41.2 | 74.4                              | 8.6                           | 74.4                    | 74.4 | 74.4 | 61.5 | 48.6 | 35.7 |

1. These capacities are gross ratings. For net capacity, deduct air blower motor, MBh = 3.415 x kW. Refer to the appropriate Blower Performance Table for the kW of the supply air blower motor.
2. These ratings include the condenser fan motors (total 1 kW) and the compressor motors but not the supply air blower motor.

**J08ZH (8.5 Ton)**

| Air on Evaporator Coil |         | Temperature of Air on Condenser Coil |                               |                         |       |       |       |      |      |                                   |                               |                         |       |       |      |      |      |  |  |
|------------------------|---------|--------------------------------------|-------------------------------|-------------------------|-------|-------|-------|------|------|-----------------------------------|-------------------------------|-------------------------|-------|-------|------|------|------|--|--|
| CFM                    | WB (°F) | Total Capacity <sup>1</sup> (MBh)    | Total Input (kW) <sup>2</sup> | Sensible Capacity (MBh) |       |       |       |      |      | Total Capacity <sup>1</sup> (MBh) | Total Input (kW) <sup>2</sup> | Sensible Capacity (MBh) |       |       |      |      |      |  |  |
|                        |         |                                      |                               | Return Dry Bulb (°F)    |       |       |       |      |      |                                   |                               | Return Dry Bulb (°F)    |       |       |      |      |      |  |  |
|                        |         |                                      |                               | 90                      | 85    | 80    | 75    | 70   | 65   |                                   |                               | 90                      | 85    | 80    | 75   | 70   | 65   |  |  |
|                        |         |                                      |                               | <b>75°F</b>             |       |       |       |      |      | <b>85°F</b>                       |                               |                         |       |       |      |      |      |  |  |
| 2125                   | 77      | 136.4                                | 6.4                           | 58.7                    | 49.1  | 39.5  | -     | -    | -    | 134.8                             | 7.0                           | 57.4                    | 47.9  | 38.4  | -    | -    | -    |  |  |
|                        | 72      | 127.5                                | 6.3                           | 74.7                    | 65.1  | 55.5  | 45.9  | -    | -    | 122.9                             | 7.0                           | 72.2                    | 62.7  | 53.1  | 43.6 | -    | -    |  |  |
|                        | 67      | 118.6                                | 6.3                           | 90.7                    | 81.1  | 71.5  | 61.9  | 52.3 | -    | 111.0                             | 6.9                           | 86.9                    | 77.4  | 67.9  | 58.4 | 48.9 | -    |  |  |
|                        | 62      | 103.1                                | 6.3                           | 103.1                   | 94.8  | 83.2  | 73.6  | 64.0 | 54.4 | 99.3                              | 6.9                           | 99.3                    | 92.9  | 80.2  | 70.6 | 61.1 | 51.6 |  |  |
| 2550                   | 77      | 142.1                                | 6.4                           | 65.3                    | 54.2  | 43.1  | -     | -    | -    | 138.4                             | 7.1                           | 63.5                    | 52.6  | 41.6  | -    | -    | -    |  |  |
|                        | 72      | 132.8                                | 6.3                           | 82.7                    | 71.6  | 60.6  | 49.5  | -    | -    | 126.2                             | 7.0                           | 79.5                    | 68.5  | 57.5  | 46.5 | -    | -    |  |  |
|                        | 67      | 123.4                                | 6.3                           | 100.2                   | 89.1  | 78.0  | 66.9  | 55.8 | -    | 114.0                             | 6.9                           | 95.5                    | 84.5  | 73.5  | 62.5 | 51.5 | -    |  |  |
|                        | 62      | 107.3                                | 6.4                           | 107.3                   | 101.8 | 90.7  | 79.6  | 68.6 | 57.5 | 102.0                             | 6.9                           | 102.0                   | 97.8  | 86.8  | 75.8 | 64.8 | 53.8 |  |  |
| 2975                   | 77      | 147.8                                | 6.4                           | 71.8                    | 59.3  | 46.7  | -     | -    | -    | 142.1                             | 7.1                           | 69.7                    | 57.2  | 44.7  | -    | -    | -    |  |  |
|                        | 72      | 138.0                                | 6.4                           | 90.7                    | 78.1  | 65.6  | 53.0  | -    | -    | 129.5                             | 7.0                           | 86.9                    | 74.4  | 61.9  | 49.4 | -    | -    |  |  |
|                        | 67      | 128.1                                | 6.3                           | 109.6                   | 97.0  | 84.5  | 71.9  | 59.4 | -    | 117.0                             | 7.0                           | 104.0                   | 91.6  | 79.1  | 66.6 | 54.1 | -    |  |  |
|                        | 62      | 111.6                                | 6.4                           | 111.6                   | 108.8 | 98.3  | 85.7  | 73.2 | 60.6 | 104.7                             | 7.0                           | 104.7                   | 102.6 | 93.4  | 80.9 | 68.4 | 55.9 |  |  |
| 3400                   | 77      | 153.6                                | 6.4                           | 78.4                    | 64.3  | 50.3  | -     | -    | -    | 145.7                             | 7.1                           | 75.8                    | 61.8  | 47.9  | -    | -    | -    |  |  |
|                        | 72      | 143.2                                | 6.4                           | 98.7                    | 84.7  | 70.6  | 56.6  | -    | -    | 132.8                             | 7.1                           | 94.2                    | 80.2  | 66.3  | 52.3 | -    | -    |  |  |
|                        | 67      | 132.9                                | 6.3                           | 119.0                   | 105.0 | 91.0  | 76.9  | 62.9 | -    | 120.0                             | 7.0                           | 112.6                   | 98.6  | 84.7  | 70.7 | 56.8 | -    |  |  |
|                        | 62      | 115.8                                | 6.4                           | 115.8                   | 115.8 | 105.8 | 91.8  | 77.7 | 63.7 | 107.4                             | 7.0                           | 107.4                   | 107.4 | 100.0 | 86.0 | 72.0 | 58.1 |  |  |
| 3825                   | 72      | 145.4                                | 6.4                           | 105.1                   | 89.8  | 74.5  | 59.1  | -    | -    | 135.6                             | 7.1                           | 101.0                   | 85.8  | 70.5  | 55.2 | -    | -    |  |  |
|                        | 67      | 135.0                                | 6.3                           | 128.0                   | 111.2 | 95.9  | 80.6  | 65.3 | -    | 122.5                             | 7.0                           | 118.8                   | 105.3 | 90.1  | 74.8 | 59.6 | -    |  |  |
|                        | 62      | 117.5                                | 6.4                           | 117.5                   | 117.5 | 112.6 | 97.2  | 81.9 | 66.6 | 109.6                             | 7.0                           | 109.6                   | 109.6 | 105.9 | 90.7 | 75.4 | 60.1 |  |  |
|                        | 57      | 113.5                                | 6.3                           | 113.5                   | 113.5 | 113.1 | 97.8  | 82.5 | 67.2 | 106.0                             | 7.0                           | 106.0                   | 106.0 | 105.8 | 90.6 | 75.3 | 60.0 |  |  |
| 4250                   | 72      | 147.6                                | 6.4                           | 111.5                   | 94.9  | 78.3  | 61.7  | -    | -    | 138.4                             | 7.1                           | 107.8                   | 91.3  | 74.7  | 58.2 | -    | -    |  |  |
|                        | 67      | 137.0                                | 6.3                           | 137.0                   | 117.5 | 100.9 | 84.2  | 67.6 | -    | 124.9                             | 7.0                           | 124.9                   | 112.0 | 95.5  | 78.9 | 62.4 | -    |  |  |
|                        | 62      | 119.3                                | 6.4                           | 119.3                   | 119.3 | 119.3 | 102.7 | 86.1 | 69.5 | 111.8                             | 7.0                           | 111.8                   | 111.8 | 111.8 | 95.3 | 78.7 | 62.2 |  |  |
|                        | 57      | 115.2                                | 6.3                           | 115.2                   | 115.2 | 115.2 | 98.6  | 82.0 | 65.4 | 108.1                             | 7.0                           | 108.1                   | 108.1 | 108.1 | 91.6 | 75.0 | 58.5 |  |  |
|                        |         |                                      |                               | <b>95°F</b>             |       |       |       |      |      | <b>105°F</b>                      |                               |                         |       |       |      |      |      |  |  |
| 2125                   | 77      | 133.1                                | 7.7                           | 56.1                    | 46.7  | 37.3  | -     | -    | -    | 116.2                             | 8.5                           | 48.4                    | 41.1  | 31.9  | -    | -    | -    |  |  |
|                        | 72      | 118.2                                | 7.6                           | 69.6                    | 60.2  | 50.8  | 41.4  | -    | -    | 104.5                             | 8.3                           | 63.9                    | 54.7  | 45.5  | 36.2 | -    | -    |  |  |
|                        | 67      | 103.3                                | 7.6                           | 83.1                    | 73.7  | 64.3  | 54.9  | 45.5 | -    | 92.7                              | 8.2                           | 79.5                    | 68.3  | 59.0  | 49.8 | 40.5 | -    |  |  |
|                        | 62      | 95.6                                 | 7.4                           | 95.6                    | 91.1  | 77.1  | 67.7  | 58.3 | 48.9 | 84.7                              | 8.0                           | 84.7                    | 82.5  | 69.4  | 60.1 | 50.9 | 41.6 |  |  |
| 2550                   | 77      | 134.7                                | 7.7                           | 61.8                    | 50.9  | 40.0  | -     | -    | -    | 118.6                             | 8.5                           | 56.1                    | 45.3  | 34.6  | -    | -    | -    |  |  |
|                        | 72      | 119.6                                | 7.7                           | 76.3                    | 65.4  | 54.5  | 43.6  | -    | -    | 106.6                             | 8.4                           | 70.9                    | 60.1  | 49.3  | 38.5 | -    | -    |  |  |
|                        | 67      | 104.5                                | 7.6                           | 90.8                    | 79.9  | 69.0  | 58.1  | 47.2 | -    | 94.6                              | 8.2                           | 85.7                    | 74.9  | 64.1  | 53.3 | 42.5 | -    |  |  |
|                        | 62      | 96.7                                 | 7.5                           | 96.7                    | 93.7  | 82.8  | 71.9  | 61.0 | 50.1 | 86.5                              | 8.1                           | 86.5                    | 85.0  | 75.3  | 64.5 | 53.7 | 42.9 |  |  |
| 2975                   | 77      | 136.3                                | 7.8                           | 67.5                    | 55.1  | 42.7  | -     | -    | -    | 121.0                             | 8.6                           | 63.9                    | 49.6  | 37.3  | -    | -    | -    |  |  |
|                        | 72      | 121.0                                | 7.7                           | 83.0                    | 70.6  | 58.2  | 45.8  | -    | -    | 108.8                             | 8.4                           | 77.9                    | 65.5  | 53.2  | 40.9 | -    | -    |  |  |
|                        | 67      | 105.8                                | 7.7                           | 98.5                    | 86.1  | 73.7  | 61.3  | 48.9 | -    | 96.5                              | 8.3                           | 91.9                    | 81.5  | 69.2  | 56.8 | 44.5 | -    |  |  |
|                        | 62      | 97.8                                 | 7.5                           | 97.8                    | 96.3  | 88.5  | 76.1  | 63.7 | 51.3 | 88.3                              | 8.1                           | 88.3                    | 87.5  | 81.2  | 68.9 | 56.5 | 44.2 |  |  |
| 3400                   | 77      | 137.9                                | 7.8                           | 73.2                    | 59.4  | 45.5  | -     | -    | -    | 123.4                             | 8.6                           | 71.6                    | 53.8  | 39.9  | -    | -    | -    |  |  |
|                        | 72      | 122.4                                | 7.8                           | 89.7                    | 75.8  | 62.0  | 48.1  | -    | -    | 110.9                             | 8.5                           | 84.8                    | 71.0  | 57.1  | 43.2 | -    | -    |  |  |
|                        | 67      | 107.0                                | 7.7                           | 106.2                   | 92.3  | 78.4  | 64.5  | 50.7 | -    | 98.5                              | 8.3                           | 98.1                    | 88.1  | 74.2  | 60.3 | 46.5 | -    |  |  |
|                        | 62      | 99.0                                 | 7.6                           | 99.0                    | 99.0  | 94.1  | 80.2  | 66.4 | 52.5 | 90.0                              | 8.2                           | 90.0                    | 90.0  | 87.1  | 73.2 | 59.4 | 45.5 |  |  |
| 3825                   | 72      | 125.8                                | 7.8                           | 96.9                    | 81.7  | 66.6  | 51.4  | -    | -    | 112.9                             | 8.5                           | 91.2                    | 76.2  | 61.1  | 46.1 | -    | -    |  |  |
|                        | 67      | 109.9                                | 7.7                           | 109.5                   | 99.4  | 84.2  | 69.1  | 53.9 | -    | 100.2                             | 8.4                           | 100.0                   | 93.4  | 79.5  | 64.4 | 49.4 | -    |  |  |
|                        | 62      | 101.7                                | 7.6                           | 101.7                   | 101.7 | 99.3  | 84.1  | 68.9 | 53.7 | 91.6                              | 8.2                           | 91.6                    | 91.6  | 90.1  | 75.1 | 60.0 | 45.0 |  |  |
|                        | 57      | 98.4                                 | 7.6                           | 98.4                    | 98.4  | 98.5  | 83.3  | 68.1 | 52.9 | 89.8                              | 8.3                           | 89.8                    | 89.8  | 89.6  | 74.6 | 59.5 | 44.5 |  |  |
| 4250                   | 72      | 129.2                                | 7.8                           | 104.1                   | 87.6  | 71.2  | 54.7  | -    | -    | 114.8                             | 8.6                           | 97.6                    | 81.4  | 65.2  | 49.0 | -    | -    |  |  |
|                        | 67      | 112.9                                | 7.8                           | 112.9                   | 106.6 | 90.1  | 73.6  | 57.1 | -    | 101.9                             | 8.4                           | 101.9                   | 98.7  | 84.7  | 68.5 | 52.3 | -    |  |  |
|                        | 62      | 104.4                                | 7.6                           | 104.4                   | 104.4 | 104.4 | 87.9  | 71.4 | 54.9 | 93.1                              | 8.3                           | 93.1                    | 93.1  | 93.1  | 76.9 | 60.7 | 44.5 |  |  |
|                        | 57      | 101.0                                | 7.7                           | 101.0                   | 101.0 | 101.0 | 84.5  | 68.0 | 51.5 | 91.3                              | 8.3                           | 91.3                    | 91.3  | 91.3  | 75.1 | 58.9 | 42.7 |  |  |

## J08ZH (8.5 Ton) (Continued)

| Air on Evaporator Coil |         | Temperature of Air on Condenser Coil |                               |                         |      |      |      |      |      |                                   |                               |                         |      |      |      |      |      |
|------------------------|---------|--------------------------------------|-------------------------------|-------------------------|------|------|------|------|------|-----------------------------------|-------------------------------|-------------------------|------|------|------|------|------|
| CFM                    | WB (°F) | Total Capacity <sup>1</sup> (MBh)    | Total Input (kW) <sup>2</sup> | Sensible Capacity (MBh) |      |      |      |      |      | Total Capacity <sup>1</sup> (MBh) | Total Input (kW) <sup>2</sup> | Sensible Capacity (MBh) |      |      |      |      |      |
|                        |         |                                      |                               | Return Dry Bulb (°F)    |      |      |      |      |      |                                   |                               | Return Dry Bulb (°F)    |      |      |      |      |      |
|                        |         |                                      |                               | 90                      | 85   | 80   | 75   | 70   | 65   |                                   |                               | 90                      | 85   | 80   | 75   | 70   | 65   |
|                        |         |                                      |                               | <b>115°F</b>            |      |      |      |      |      | <b>125°F</b>                      |                               |                         |      |      |      |      |      |
| 2125                   | 77      | 99.3                                 | 9.3                           | 40.7                    | 35.5 | 26.4 | -    | -    | -    | 82.4                              | 10.1                          | 33.8                    | 29.9 | 21.0 | -    | -    | -    |
|                        | 72      | 90.7                                 | 9.0                           | 58.3                    | 49.2 | 40.1 | 31.0 | -    | -    | 76.9                              | 9.7                           | 52.6                    | 43.7 | 34.8 | 25.9 | -    | -    |
|                        | 67      | 82.0                                 | 8.8                           | 75.8                    | 62.9 | 53.8 | 44.7 | 35.6 | -    | 71.4                              | 9.4                           | 71.4                    | 57.5 | 48.5 | 39.6 | 30.7 | -    |
|                        | 62      | 73.9                                 | 8.6                           | 73.9                    | 73.9 | 61.6 | 52.5 | 43.4 | 34.3 | 63.1                              | 9.2                           | 63.1                    | 63.1 | 53.8 | 44.9 | 35.9 | 27.0 |
| 2550                   | 77      | 102.5                                | 9.4                           | 50.5                    | 39.8 | 29.1 | -    | -    | -    | 86.4                              | 10.2                          | 45.4                    | 34.2 | 23.7 | -    | -    | -    |
|                        | 72      | 93.6                                 | 9.1                           | 65.5                    | 54.8 | 44.1 | 33.5 | -    | -    | 80.6                              | 9.8                           | 60.1                    | 49.5 | 39.0 | 28.4 | -    | -    |
|                        | 67      | 84.7                                 | 8.8                           | 80.5                    | 69.9 | 59.2 | 48.5 | 37.8 | -    | 74.8                              | 9.4                           | 74.8                    | 64.9 | 54.3 | 43.7 | 33.2 | -    |
|                        | 62      | 76.3                                 | 8.7                           | 76.3                    | 76.3 | 67.7 | 57.1 | 46.4 | 35.7 | 66.1                              | 9.3                           | 66.1                    | 66.1 | 60.2 | 49.7 | 39.1 | 28.5 |
|                        | 57      | 76.1                                 | 8.7                           | 76.1                    | 76.1 | 67.6 | 56.9 | 46.2 | 35.6 | 67.3                              | 9.3                           | 67.3                    | 67.3 | 59.2 | 48.6 | 38.0 | 27.5 |
| 2975                   | 77      | 105.7                                | 9.4                           | 60.2                    | 44.0 | 31.8 | -    | -    | -    | 90.4                              | 10.2                          | 57.1                    | 38.5 | 26.3 | -    | -    | -    |
|                        | 72      | 96.5                                 | 9.1                           | 72.7                    | 60.5 | 48.2 | 35.9 | -    | -    | 84.3                              | 9.8                           | 67.6                    | 55.4 | 43.2 | 30.9 | -    | -    |
|                        | 67      | 87.3                                 | 8.9                           | 85.3                    | 76.9 | 64.6 | 52.3 | 40.0 | -    | 78.1                              | 9.5                           | 78.1                    | 72.3 | 60.0 | 47.8 | 35.6 | -    |
|                        | 62      | 78.7                                 | 8.7                           | 78.7                    | 78.7 | 73.9 | 61.7 | 49.4 | 37.1 | 69.1                              | 9.3                           | 69.1                    | 69.1 | 66.7 | 54.4 | 42.2 | 30.0 |
|                        | 57      | 78.4                                 | 8.8                           | 78.4                    | 78.4 | 73.8 | 61.5 | 49.2 | 36.9 | 70.3                              | 9.4                           | 70.3                    | 70.3 | 65.5 | 53.3 | 41.1 | 28.9 |
| 3400                   | 77      | 108.9                                | 9.5                           | 69.9                    | 48.3 | 34.4 | -    | -    | -    | 94.4                              | 10.3                          | 68.7                    | 42.8 | 28.9 | -    | -    | -    |
|                        | 72      | 99.4                                 | 9.2                           | 79.9                    | 66.1 | 52.2 | 38.3 | -    | -    | 87.9                              | 9.9                           | 75.1                    | 61.2 | 47.3 | 33.5 | -    | -    |
|                        | 67      | 90.0                                 | 8.9                           | 90.0                    | 83.9 | 70.0 | 56.1 | 42.3 | -    | 81.5                              | 9.5                           | 81.5                    | 79.6 | 65.8 | 51.9 | 38.1 | -    |
|                        | 62      | 81.1                                 | 8.8                           | 81.1                    | 81.1 | 80.1 | 66.2 | 52.4 | 38.5 | 72.1                              | 9.4                           | 72.1                    | 72.1 | 72.1 | 59.2 | 45.4 | 31.5 |
|                        | 57      | 80.8                                 | 8.8                           | 80.8                    | 80.8 | 79.9 | 66.0 | 52.2 | 38.3 | 73.3                              | 9.4                           | 73.3                    | 73.3 | 71.9 | 58.0 | 44.2 | 30.3 |
| 3825                   | 72      | 99.9                                 | 9.3                           | 85.5                    | 70.6 | 55.7 | 40.8 | -    | -    | 87.0                              | 10.0                          | 79.8                    | 65.0 | 50.3 | 35.6 | -    | -    |
|                        | 67      | 90.4                                 | 9.0                           | 90.4                    | 87.4 | 74.7 | 59.8 | 44.9 | -    | 80.6                              | 9.6                           | 80.6                    | 80.6 | 69.9 | 55.2 | 40.5 | -    |
|                        | 62      | 81.5                                 | 8.9                           | 81.5                    | 81.5 | 81.0 | 66.1 | 51.2 | 36.3 | 71.4                              | 9.5                           | 71.4                    | 71.4 | 71.4 | 57.1 | 42.4 | 27.6 |
|                        | 57      | 81.2                                 | 8.9                           | 81.2                    | 81.2 | 80.8 | 65.9 | 51.0 | 36.1 | 72.6                              | 9.6                           | 72.6                    | 71.9 | 57.2 | 42.4 | 27.7 | -    |
| 4250                   | 72      | 100.4                                | 9.4                           | 91.0                    | 75.1 | 59.2 | 43.3 | -    | -    | 86.0                              | 10.1                          | 84.5                    | 68.9 | 53.3 | 37.6 | -    | -    |
|                        | 67      | 90.8                                 | 9.1                           | 90.8                    | 90.8 | 79.4 | 63.5 | 47.6 | -    | 79.8                              | 9.8                           | 79.8                    | 79.8 | 74.1 | 58.5 | 42.9 | -    |
|                        | 62      | 81.9                                 | 9.0                           | 81.9                    | 81.9 | 81.9 | 66.0 | 50.1 | 34.2 | 70.6                              | 9.6                           | 70.6                    | 70.6 | 70.6 | 55.0 | 39.4 | 23.8 |
|                        | 57      | 81.6                                 | 9.0                           | 81.6                    | 81.6 | 81.6 | 65.7 | 49.8 | 33.9 | 71.9                              | 9.7                           | 71.9                    | 71.9 | 71.9 | 56.3 | 40.7 | 25.1 |

1. These capacities are gross ratings. For net capacity, deduct air blower motor, MBh = 3.415 x kW. Refer to the appropriate Blower Performance Table for the kW of the supply air blower motor.
2. These ratings include the condenser fan motors (total 1 kW) and the compressor motors but not the supply air blower motor.

**J10ZH (10 Ton)**

| Air on Evaporator Coil |         | Temperature of Air on Condenser Coil |                               |                         |       |       |       |       |       |                                   |                               |                         |       |       |       |       |       |
|------------------------|---------|--------------------------------------|-------------------------------|-------------------------|-------|-------|-------|-------|-------|-----------------------------------|-------------------------------|-------------------------|-------|-------|-------|-------|-------|
| CFM                    | WB (°F) | Total Capacity <sup>1</sup> (MBh)    | Total Input (kW) <sup>2</sup> | Sensible Capacity (MBh) |       |       |       |       |       | Total Capacity <sup>1</sup> (MBh) | Total Input (kW) <sup>2</sup> | Sensible Capacity (MBh) |       |       |       |       |       |
|                        |         |                                      |                               | Return Dry Bulb (°F)    |       |       |       |       |       |                                   |                               | Return Dry Bulb (°F)    |       |       |       |       |       |
|                        |         |                                      |                               | 90                      | 85    | 80    | 75    | 70    | 65    |                                   |                               | 90                      | 85    | 80    | 75    | 70    | 65    |
|                        |         |                                      |                               | 75°F                    |       |       |       |       |       | 85°F                              |                               |                         |       |       |       |       |       |
| 2500                   | 77      | 148.4                                | 7.2                           | 37.9                    | 39.0  | 40.1  | -     | -     | -     | 145.3                             | 7.9                           | 35.2                    | 36.6  | 38.0  | -     | -     | -     |
|                        | 72      | 138.6                                | 7.0                           | 56.2                    | 57.2  | 58.3  | 59.4  | -     | -     | 134.2                             | 7.7                           | 53.1                    | 54.5  | 55.9  | 57.3  | -     | -     |
|                        | 67      | 128.8                                | 6.7                           | 74.4                    | 75.5  | 76.5  | 77.6  | 78.7  | -     | 123.2                             | 7.6                           | 70.9                    | 72.3  | 73.7  | 75.1  | 76.5  | -     |
|                        | 62      | 119.6                                | 6.7                           | 103.4                   | 95.5  | 94.1  | 95.2  | 96.2  | 97.3  | 115.1                             | 7.6                           | 100.5                   | 93.0  | 90.7  | 92.1  | 93.5  | 94.9  |
| 3000                   | 77      | 155.1                                | 7.2                           | 54.6                    | 49.4  | 44.1  | -     | -     | -     | 150.7                             | 7.9                           | 51.9                    | 46.8  | 41.8  | -     | -     | -     |
|                        | 72      | 144.8                                | 7.0                           | 74.7                    | 69.4  | 64.2  | 59.0  | -     | -     | 139.3                             | 7.8                           | 71.5                    | 66.5  | 61.4  | 56.4  | -     | -     |
|                        | 67      | 134.6                                | 6.7                           | 94.8                    | 89.5  | 84.3  | 79.0  | 73.8  | -     | 127.8                             | 7.6                           | 91.1                    | 86.1  | 81.0  | 76.0  | 71.0  | -     |
|                        | 62      | 124.9                                | 6.7                           | 114.1                   | 108.9 | 103.6 | 98.4  | 93.2  | 87.9  | 119.5                             | 7.6                           | 109.7                   | 104.7 | 99.7  | 94.6  | 89.6  | 84.5  |
|                        | 57      | 122.1                                | 6.7                           | 116.9                   | 111.7 | 106.4 | 101.2 | 95.9  | 90.7  | 116.7                             | 7.6                           | 111.4                   | 106.3 | 101.3 | 96.3  | 91.2  | 86.2  |
| 3500                   | 77      | 161.8                                | 7.2                           | 71.2                    | 59.7  | 48.2  | -     | -     | -     | 156.2                             | 7.9                           | 68.5                    | 57.1  | 45.6  | -     | -     | -     |
|                        | 72      | 151.1                                | 6.9                           | 93.2                    | 81.6  | 70.1  | 58.6  | -     | -     | 144.3                             | 7.8                           | 89.9                    | 78.5  | 67.0  | 55.5  | -     | -     |
|                        | 67      | 140.3                                | 6.7                           | 115.1                   | 103.6 | 92.0  | 80.5  | 68.9  | -     | 132.5                             | 7.6                           | 111.3                   | 99.8  | 88.4  | 76.9  | 65.4  | -     |
|                        | 62      | 130.3                                | 6.7                           | 124.9                   | 122.3 | 113.2 | 101.6 | 90.1  | 78.6  | 123.8                             | 7.6                           | 118.9                   | 116.4 | 108.7 | 97.2  | 85.7  | 74.2  |
|                        | 57      | 127.3                                | 6.7                           | 124.7                   | 122.1 | 116.2 | 104.7 | 93.1  | 81.6  | 121.0                             | 7.6                           | 118.3                   | 115.8 | 110.4 | 99.0  | 87.5  | 76.0  |
| 4000                   | 77      | 168.5                                | 7.2                           | 87.9                    | 70.1  | 52.2  | -     | -     | -     | 161.7                             | 7.9                           | 85.2                    | 67.3  | 49.4  | -     | -     | -     |
|                        | 72      | 157.3                                | 6.9                           | 111.7                   | 93.8  | 76.0  | 58.2  | -     | -     | 149.4                             | 7.8                           | 108.4                   | 90.4  | 72.5  | 54.6  | -     | -     |
|                        | 67      | 146.1                                | 6.7                           | 135.4                   | 117.6 | 99.8  | 81.9  | 64.1  | -     | 137.1                             | 7.7                           | 131.5                   | 113.6 | 95.7  | 77.8  | 59.9  | -     |
|                        | 62      | 135.7                                | 6.6                           | 135.7                   | 135.7 | 122.7 | 104.9 | 87.0  | 69.2  | 128.2                             | 7.6                           | 128.2                   | 128.2 | 117.7 | 99.8  | 81.8  | 63.9  |
|                        | 57      | 132.6                                | 6.6                           | 132.6                   | 126.0 | 108.1 | 90.3  | 72.5  | 57.5  | 125.2                             | 7.6                           | 125.2                   | 125.2 | 119.6 | 101.7 | 83.8  | 65.8  |
| 4500                   | 72      | 157.8                                | 7.0                           | 102.0                   | 89.8  | 77.6  | 65.4  | -     | -     | 150.2                             | 7.8                           | 98.7                    | 86.5  | 74.4  | 62.3  | -     | -     |
|                        | 67      | 146.6                                | 6.8                           | 126.3                   | 114.1 | 101.9 | 89.7  | 77.5  | -     | 137.9                             | 7.7                           | 122.4                   | 110.3 | 98.2  | 86.0  | 73.9  | -     |
|                        | 62      | 136.1                                | 6.8                           | 136.1                   | 136.1 | 125.3 | 113.1 | 100.9 | 88.7  | 128.9                             | 7.6                           | 128.9                   | 128.9 | 120.7 | 108.6 | 96.5  | 84.3  |
|                        | 57      | 133.0                                | 6.8                           | 133.0                   | 133.0 | 128.9 | 116.7 | 104.5 | 92.3  | 125.9                             | 7.6                           | 125.9                   | 125.9 | 122.7 | 110.6 | 98.4  | 86.3  |
| 5000                   | 72      | 158.3                                | 7.2                           | 92.4                    | 85.8  | 79.3  | 72.7  | -     | -     | 151.1                             | 7.9                           | 89.0                    | 82.6  | 76.3  | 69.9  | -     | -     |
|                        | 67      | 147.1                                | 6.9                           | 117.2                   | 110.6 | 104.1 | 97.5  | 91.0  | -     | 138.6                             | 7.8                           | 113.3                   | 107.0 | 100.6 | 94.3  | 87.9  | -     |
|                        | 62      | 136.6                                | 6.9                           | 136.6                   | 136.6 | 128.0 | 121.4 | 114.9 | 108.3 | 129.6                             | 7.7                           | 129.6                   | 129.6 | 123.8 | 117.4 | 111.1 | 104.7 |
|                        | 57      | 133.4                                | 6.9                           | 133.4                   | 133.4 | 131.8 | 125.2 | 118.6 | 112.1 | 126.6                             | 7.7                           | 126.6                   | 126.6 | 125.8 | 119.4 | 113.1 | 106.7 |
|                        |         |                                      |                               | 95°F                    |       |       |       |       |       | 105°F                             |                               |                         |       |       |       |       |       |
| 2500                   | 77      | 142.1                                | 8.5                           | 32.5                    | 34.3  | 36.0  | -     | -     | -     | 130.2                             | 9.7                           | 26.3                    | 30.7  | 32.7  | -     | -     | -     |
|                        | 72      | 129.8                                | 8.5                           | 50.0                    | 51.7  | 53.4  | 55.2  | -     | -     | 120.3                             | 9.7                           | 46.3                    | 48.4  | 50.4  | 52.5  | -     | -     |
|                        | 67      | 117.5                                | 8.5                           | 67.4                    | 69.2  | 70.9  | 72.6  | 74.4  | -     | 110.4                             | 9.7                           | 66.3                    | 66.1  | 68.2  | 70.2  | 72.3  | -     |
|                        | 62      | 110.7                                | 8.4                           | 97.7                    | 90.5  | 87.2  | 88.9  | 90.7  | 92.4  | 104.5                             | 9.6                           | 92.5                    | 85.6  | 82.2  | 84.3  | 86.3  | 88.4  |
| 3000                   | 77      | 146.4                                | 8.5                           | 49.2                    | 44.3  | 39.5  | -     | -     | -     | 133.8                             | 9.8                           | 45.2                    | 40.5  | 35.9  | -     | -     | -     |
|                        | 72      | 133.7                                | 8.5                           | 68.3                    | 63.5  | 58.7  | 53.8  | -     | -     | 123.6                             | 9.7                           | 64.6                    | 59.9  | 55.3  | 50.6  | -     | -     |
|                        | 67      | 121.1                                | 8.6                           | 87.5                    | 82.7  | 77.8  | 73.0  | 68.1  | -     | 113.4                             | 9.7                           | 84.0                    | 79.3  | 74.7  | 70.0  | 65.4  | -     |
|                        | 62      | 114.0                                | 8.5                           | 105.4                   | 100.5 | 95.7  | 90.8  | 86.0  | 81.2  | 107.3                             | 9.6                           | 99.4                    | 94.7  | 90.1  | 85.4  | 80.8  | 76.1  |
|                        | 57      | 111.4                                | 8.5                           | 105.8                   | 101.0 | 96.2  | 91.3  | 86.5  | 81.6  | 104.7                             | 9.6                           | 99.7                    | 95.1  | 90.4  | 85.8  | 81.1  | 76.5  |
| 3500                   | 77      | 150.6                                | 8.5                           | 65.8                    | 54.4  | 43.0  | -     | -     | -     | 137.3                             | 9.8                           | 64.0                    | 50.3  | 39.0  | -     | -     | -     |
|                        | 72      | 137.6                                | 8.6                           | 86.7                    | 75.3  | 63.9  | 52.4  | -     | -     | 126.9                             | 9.8                           | 82.8                    | 71.4  | 60.1  | 48.7  | -     | -     |
|                        | 67      | 124.6                                | 8.6                           | 107.6                   | 96.1  | 84.7  | 73.3  | 61.9  | -     | 116.5                             | 9.7                           | 101.6                   | 92.5  | 81.2  | 69.8  | 58.5  | -     |
|                        | 62      | 117.3                                | 8.5                           | 113.0                   | 110.6 | 104.2 | 92.8  | 81.3  | 69.9  | 110.2                             | 9.7                           | 106.2                   | 103.9 | 97.9  | 86.6  | 75.2  | 63.9  |
|                        | 57      | 114.6                                | 8.5                           | 111.9                   | 109.4 | 104.7 | 93.3  | 81.9  | 70.4  | 107.4                             | 9.6                           | 105.0                   | 102.6 | 98.3  | 87.0  | 75.6  | 64.3  |
| 4000                   | 77      | 154.9                                | 8.6                           | 82.5                    | 64.5  | 46.5  | -     | -     | -     | 140.9                             | 9.8                           | 82.8                    | 60.2  | 42.1  | -     | -     | -     |
|                        | 72      | 141.5                                | 8.6                           | 105.1                   | 87.1  | 69.1  | 51.1  | -     | -     | 130.2                             | 9.8                           | 101.0                   | 83.0  | 64.9  | 46.8  | -     | -     |
|                        | 67      | 128.1                                | 8.6                           | 127.6                   | 109.6 | 91.6  | 73.6  | 55.6  | -     | 119.5                             | 9.8                           | 119.2                   | 105.7 | 87.7  | 69.6  | 51.6  | -     |
|                        | 62      | 120.7                                | 8.5                           | 120.7                   | 120.7 | 112.7 | 94.7  | 76.7  | 58.7  | 113.0                             | 9.7                           | 113.0                   | 113.0 | 105.8 | 87.7  | 69.7  | 51.6  |
|                        | 57      | 117.9                                | 8.5                           | 117.9                   | 117.9 | 113.2 | 95.2  | 77.2  | 59.2  | 110.2                             | 9.6                           | 110.2                   | 110.2 | 106.2 | 88.1  | 70.1  | 52.0  |
| 4500                   | 72      | 142.7                                | 8.6                           | 95.3                    | 83.2  | 71.2  | 59.1  | -     | -     | 131.2                             | 9.8                           | 91.1                    | 79.1  | 67.1  | 55.1  | -     | -     |
|                        | 67      | 129.1                                | 8.6                           | 118.5                   | 106.5 | 94.4  | 82.3  | 70.3  | -     | 120.4                             | 9.8                           | 112.4                   | 102.7 | 90.7  | 78.7  | 66.7  | -     |
|                        | 62      | 121.6                                | 8.5                           | 121.6                   | 121.6 | 116.1 | 104.0 | 92.0  | 79.9  | 113.9                             | 9.7                           | 113.9                   | 113.9 | 109.4 | 97.4  | 85.4  | 73.5  |
|                        | 57      | 118.8                                | 8.5                           | 118.8                   | 118.8 | 116.5 | 104.5 | 92.4  | 80.3  | 111.0                             | 9.6                           | 111.0                   | 111.0 | 109.0 | 97.1  | 85.1  | 73.1  |
| 5000                   | 72      | 143.8                                | 8.6                           | 85.5                    | 79.4  | 73.3  | 67.1  | -     | -     | 132.2                             | 9.8                           | 81.2                    | 75.3  | 69.4  | 63.4  | -     | -     |
|                        | 67      | 130.2                                | 8.6                           | 109.4                   | 103.3 | 97.2  | 91.1  | 84.9  | -     | 121.3                             | 9.8                           | 105.5                   | 99.6  | 93.7  | 87.8  | 81.9  | -     |
|                        | 62      | 122.6                                | 8.5                           | 122.6                   | 122.6 | 119.5 | 113.4 | 107.3 | 101.1 | 114.8                             | 9.7                           | 114.8                   | 114.8 | 113.0 | 107.1 | 101.2 | 95.3  |
|                        | 57      | 119.8                                | 8.5                           | 119.8                   | 119.8 | 119.8 | 113.7 | 107.5 | 101.4 | 111.9                             | 9.6                           | 111.9                   | 111.9 | 111.9 | 106.0 | 100.1 | 94.2  |



## J10ZH (10 Ton) (Continued)

| Air on Evaporator Coil |         | Temperature of Air on Condenser Coil |                               |                         |       |       |       |      |      |                                   |                               |                         |      |      |      |      |      |
|------------------------|---------|--------------------------------------|-------------------------------|-------------------------|-------|-------|-------|------|------|-----------------------------------|-------------------------------|-------------------------|------|------|------|------|------|
| CFM                    | WB (°F) | Total Capacity <sup>1</sup> (MBh)    | Total Input (kW) <sup>2</sup> | Sensible Capacity (MBh) |       |       |       |      |      | Total Capacity <sup>1</sup> (MBh) | Total Input (kW) <sup>2</sup> | Sensible Capacity (MBh) |      |      |      |      |      |
|                        |         |                                      |                               | Return Dry Bulb (°F)    |       |       |       |      |      |                                   |                               | Return Dry Bulb (°F)    |      |      |      |      |      |
|                        |         |                                      |                               | 90                      | 85    | 80    | 75    | 70   | 65   |                                   |                               | 90                      | 85   | 80   | 75   | 70   | 65   |
|                        |         |                                      |                               | 115°F                   |       |       |       |      |      | 125°F                             |                               |                         |      |      |      |      |      |
| 2500                   | 77      | 118.3                                | 11.0                          | 20.1                    | 27.1  | 29.5  | -     | -    | -    | 106.4                             | 12.3                          | 13.8                    | 23.5 | 26.2 | -    | -    | -    |
|                        | 72      | 110.8                                | 10.9                          | 42.7                    | 45.0  | 47.4  | 49.8  | -    | -    | 101.3                             | 12.2                          | 39.0                    | 41.7 | 44.4 | 47.1 | -    | -    |
|                        | 67      | 103.3                                | 10.9                          | 65.2                    | 63.0  | 65.4  | 67.8  | 70.2 | -    | 96.2                              | 12.0                          | 64.1                    | 59.9 | 62.6 | 65.4 | 68.1 | -    |
|                        | 62      | 98.3                                 | 10.8                          | 87.3                    | 80.7  | 77.2  | 79.6  | 82.0 | 84.4 | 92.1                              | 12.0                          | 82.1                    | 75.7 | 72.3 | 75.0 | 77.7 | 80.4 |
| 3000                   | 77      | 121.2                                | 11.0                          | 41.1                    | 36.7  | 32.2  | -     | -    | -    | 108.6                             | 12.3                          | 37.1                    | 32.8 | 28.6 | -    | -    | -    |
|                        | 72      | 113.5                                | 10.9                          | 60.8                    | 56.3  | 51.9  | 47.4  | -    | -    | 103.4                             | 12.1                          | 57.0                    | 52.7 | 48.5 | 44.2 | -    | -    |
|                        | 67      | 105.8                                | 10.9                          | 80.4                    | 76.0  | 71.5  | 67.1  | 62.6 | -    | 98.2                              | 12.0                          | 76.9                    | 72.6 | 68.4 | 64.1 | 59.8 | -    |
|                        | 62      | 100.7                                | 10.8                          | 93.4                    | 88.9  | 84.5  | 80.0  | 75.6 | 71.1 | 94.0                              | 12.0                          | 87.3                    | 83.1 | 78.8 | 74.6 | 70.3 | 66.1 |
|                        | 57      | 97.9                                 | 10.7                          | 93.6                    | 89.1  | 84.7  | 80.2  | 75.8 | 71.3 | 91.2                              | 11.8                          | 87.5                    | 83.2 | 79.0 | 74.7 | 70.4 | 66.2 |
| 3500                   | 77      | 124.0                                | 11.0                          | 62.1                    | 46.3  | 35.0  | -     | -    | -    | 110.7                             | 12.3                          | 60.4                    | 42.2 | 31.0 | -    | -    | -    |
|                        | 72      | 116.2                                | 10.9                          | 78.9                    | 67.6  | 56.3  | 45.0  | -    | -    | 105.5                             | 12.1                          | 75.0                    | 63.7 | 52.5 | 41.3 | -    | -    |
|                        | 67      | 108.3                                | 10.9                          | 95.6                    | 88.9  | 77.6  | 66.3  | 55.0 | -    | 100.2                             | 12.0                          | 89.7                    | 85.3 | 74.1 | 62.8 | 51.6 | -    |
|                        | 62      | 103.0                                | 10.8                          | 99.4                    | 97.2  | 91.7  | 80.4  | 69.1 | 57.8 | 95.9                              | 12.0                          | 92.6                    | 90.4 | 85.4 | 74.2 | 63.0 | 51.8 |
|                        | 57      | 100.2                                | 10.7                          | 98.1                    | 95.8  | 91.9  | 80.6  | 69.4 | 58.1 | 93.0                              | 11.8                          | 91.2                    | 89.1 | 85.5 | 74.3 | 63.1 | 51.9 |
| 4000                   | 77      | 126.9                                | 11.0                          | 83.1                    | 55.8  | 37.7  | -     | -    | -    | 112.9                             | 12.3                          | 83.6                    | 51.5 | 33.3 | -    | -    | -    |
|                        | 72      | 118.9                                | 11.0                          | 97.0                    | 78.8  | 60.7  | 42.6  | -    | -    | 107.5                             | 12.1                          | 92.9                    | 74.7 | 56.6 | 38.4 | -    | -    |
|                        | 67      | 110.8                                | 10.9                          | 110.8                   | 101.8 | 83.7  | 65.6  | 47.5 | -    | 102.2                             | 12.0                          | 102.2                   | 98.0 | 79.8 | 61.6 | 43.4 | -    |
|                        | 62      | 105.4                                | 10.8                          | 105.4                   | 105.4 | 98.9  | 80.8  | 62.6 | 44.5 | 97.8                              | 12.0                          | 97.8                    | 97.8 | 92.0 | 73.8 | 55.6 | 37.4 |
|                        | 57      | 102.5                                | 10.7                          | 102.5                   | 102.5 | 99.2  | 81.0  | 62.9 | 44.8 | 94.9                              | 11.8                          | 94.9                    | 94.9 | 92.1 | 73.9 | 55.8 | 37.6 |
| 4500                   | 72      | 119.7                                | 10.9                          | 86.9                    | 75.0  | 63.1  | 51.2  | -    | -    | 108.2                             | 12.1                          | 82.7                    | 70.9 | 59.1 | 47.2 | -    | -    |
|                        | 67      | 111.6                                | 10.9                          | 106.2                   | 98.9  | 87.0  | 75.1  | 63.2 | -    | 102.8                             | 12.0                          | 100.1                   | 95.1 | 83.3 | 71.4 | 59.6 | -    |
|                        | 62      | 106.2                                | 10.8                          | 106.2                   | 106.2 | 102.7 | 90.8  | 78.9 | 67.0 | 98.4                              | 12.0                          | 98.4                    | 98.4 | 96.0 | 84.2 | 72.4 | 60.6 |
|                        | 57      | 103.3                                | 10.7                          | 103.3                   | 103.3 | 101.6 | 89.7  | 77.8 | 65.9 | 95.5                              | 11.8                          | 95.5                    | 95.5 | 94.1 | 82.3 | 70.5 | 58.6 |
| 5000                   | 72      | 120.5                                | 10.9                          | 76.8                    | 71.1  | 65.5  | 59.8  | -    | -    | 108.9                             | 12.1                          | 72.5                    | 67.0 | 61.5 | 56.1 | -    | -    |
|                        | 67      | 112.4                                | 10.9                          | 101.6                   | 95.9  | 90.2  | 84.6  | 78.9 | -    | 103.5                             | 12.0                          | 97.7                    | 92.2 | 86.8 | 81.3 | 75.8 | -    |
|                        | 62      | 106.9                                | 10.8                          | 106.9                   | 106.9 | 106.6 | 100.9 | 95.2 | 89.5 | 99.0                              | 12.0                          | 99.0                    | 99.0 | 99.0 | 94.6 | 89.2 | 83.7 |
|                        | 57      | 104.0                                | 10.7                          | 104.0                   | 104.0 | 104.0 | 98.3  | 92.6 | 86.9 | 96.1                              | 11.8                          | 96.1                    | 96.1 | 96.1 | 90.6 | 85.2 | 79.7 |

1. These capacities are gross ratings. For net capacity, deduct air blower motor, MBh = 3.415 x kW. Refer to the appropriate Blower Performance Table for the kW of the supply air blower motor.
2. These ratings include the condenser fan motors (total 1 kW) and the compressor motors but not the supply air blower motor.

**J12ZH (12.5 Ton)**

| Air on Evaporator Coil |         | Temperature of Air on Condenser Coil |                               |                         |       |       |       |       |       |                                   |                               |                         |       |       |       |       |      |  |  |
|------------------------|---------|--------------------------------------|-------------------------------|-------------------------|-------|-------|-------|-------|-------|-----------------------------------|-------------------------------|-------------------------|-------|-------|-------|-------|------|--|--|
| CFM                    | WB (°F) | Total Capacity <sup>1</sup> (MBh)    | Total Input (kW) <sup>2</sup> | Sensible Capacity (MBh) |       |       |       |       |       | Total Capacity <sup>1</sup> (MBh) | Total Input (kW) <sup>2</sup> | Sensible Capacity (MBh) |       |       |       |       |      |  |  |
|                        |         |                                      |                               | Return Dry Bulb (°F)    |       |       |       |       |       |                                   |                               | Return Dry Bulb (°F)    |       |       |       |       |      |  |  |
|                        |         |                                      |                               | 90                      | 85    | 80    | 75    | 70    | 65    |                                   |                               | 90                      | 85    | 80    | 75    | 70    | 65   |  |  |
|                        |         |                                      |                               | <b>75°F</b>             |       |       |       |       |       | <b>85°F</b>                       |                               |                         |       |       |       |       |      |  |  |
| 3125                   | 77      | 204.4                                | 9.6                           | 82.4                    | 68.5  | 54.6  | -     | -     | -     | 192.2                             | 10.6                          | 77.2                    | 63.6  | 50.0  | -     | -     | -    |  |  |
|                        | 72      | 186.6                                | 9.3                           | 106.6                   | 92.6  | 78.7  | 64.8  | -     | -     | 176.1                             | 10.4                          | 100.7                   | 87.2  | 73.6  | 60.0  | -     | -    |  |  |
|                        | 67      | 168.8                                | 9.1                           | 130.7                   | 116.8 | 102.9 | 88.9  | 75.0  | -     | 159.9                             | 10.2                          | 124.3                   | 110.7 | 97.1  | 83.6  | 70.0  | -    |  |  |
|                        | 62      | 153.0                                | 9.0                           | 153.0                   | 143.5 | 127.2 | 113.3 | 99.4  | 85.5  | 144.9                             | 10.0                          | 144.9                   | 138.4 | 120.1 | 106.6 | 93.0  | 79.4 |  |  |
| 3750                   | 77      | 210.2                                | 9.7                           | 89.0                    | 73.6  | 58.1  | -     | -     | -     | 197.5                             | 10.7                          | 84.3                    | 69.1  | 53.9  | -     | -     | -    |  |  |
|                        | 72      | 191.8                                | 9.4                           | 114.7                   | 99.3  | 83.9  | 68.4  | -     | -     | 180.9                             | 10.5                          | 109.7                   | 94.4  | 79.2  | 64.0  | -     | -    |  |  |
|                        | 67      | 173.5                                | 9.1                           | 140.4                   | 125.0 | 109.6 | 94.2  | 78.7  | -     | 164.3                             | 10.2                          | 135.0                   | 119.8 | 104.6 | 89.4  | 74.2  | -    |  |  |
|                        | 62      | 157.2                                | 9.0                           | 157.2                   | 150.9 | 135.5 | 120.1 | 104.7 | 89.3  | 148.9                             | 10.1                          | 148.9                   | 144.5 | 129.3 | 114.1 | 98.9  | 83.7 |  |  |
| 57                     | 152.9   | 8.9                                  | 152.9                         | 152.9                   | 144.1 | 128.7 | 113.3 | 97.8  | 146.9 | 10.0                              | 146.9                         | 146.9                   | 135.2 | 120.0 | 104.8 | 89.6  | -    |  |  |
| 4375                   | 77      | 215.9                                | 9.7                           | 95.5                    | 78.6  | 61.7  | -     | -     | -     | 202.8                             | 10.8                          | 91.4                    | 74.5  | 57.7  | -     | -     | -    |  |  |
|                        | 72      | 197.1                                | 9.4                           | 122.8                   | 105.9 | 89.0  | 72.1  | -     | -     | 185.7                             | 10.5                          | 118.6                   | 101.7 | 84.9  | 68.0  | -     | -    |  |  |
|                        | 67      | 178.3                                | 9.2                           | 150.1                   | 133.2 | 116.3 | 99.4  | 82.5  | -     | 168.6                             | 10.3                          | 145.8                   | 128.9 | 112.0 | 95.2  | 78.3  | -    |  |  |
|                        | 62      | 161.5                                | 9.1                           | 161.5                   | 158.4 | 143.8 | 126.9 | 110.0 | 93.1  | 152.8                             | 10.1                          | 152.8                   | 150.7 | 138.5 | 121.7 | 104.8 | 88.0 |  |  |
| 57                     | 157.1   | 9.0                                  | 157.1                         | 157.1                   | 152.9 | 136.0 | 119.1 | 102.2 | 150.8 | 10.1                              | 150.8                         | 150.8                   | 144.8 | 128.0 | 111.1 | 94.3  | -    |  |  |
| 5000                   | 77      | 221.6                                | 9.8                           | 102.1                   | 83.7  | 65.3  | -     | -     | -     | 208.0                             | 10.8                          | 98.5                    | 80.0  | 61.5  | -     | -     | -    |  |  |
|                        | 72      | 202.3                                | 9.5                           | 130.9                   | 112.6 | 94.2  | 75.8  | -     | -     | 190.5                             | 10.6                          | 127.5                   | 109.0 | 90.5  | 72.0  | -     | -    |  |  |
|                        | 67      | 183.0                                | 9.2                           | 159.8                   | 141.4 | 123.0 | 104.6 | 86.2  | -     | 173.0                             | 10.4                          | 156.5                   | 138.0 | 119.5 | 101.0 | 82.5  | -    |  |  |
|                        | 62      | 165.8                                | 9.1                           | 165.8                   | 165.8 | 152.1 | 133.7 | 115.3 | 96.9  | 156.8                             | 10.2                          | 156.8                   | 156.8 | 147.8 | 129.3 | 110.8 | 92.3 |  |  |
| 57                     | 161.2   | 9.0                                  | 161.2                         | 161.2                   | 161.8 | 143.4 | 125.0 | 106.6 | 154.8 | 10.1                              | 154.8                         | 154.8                   | 154.5 | 136.0 | 117.5 | 99.0  | -    |  |  |
| 5625                   | 72      | 206.6                                | 9.5                           | 140.7                   | 121.0 | 101.3 | 81.6  | -     | -     | 193.5                             | 10.6                          | 136.3                   | 116.5 | 96.7  | 76.9  | -     | -    |  |  |
|                        | 67      | 186.9                                | 9.2                           | 174.9                   | 152.0 | 132.3 | 112.6 | 92.9  | -     | 175.7                             | 10.4                          | 167.3                   | 147.5 | 127.7 | 107.9 | 88.1  | -    |  |  |
|                        | 62      | 169.3                                | 9.2                           | 169.3                   | 169.3 | 162.5 | 142.8 | 123.1 | 103.4 | 159.3                             | 10.2                          | 159.3                   | 159.3 | 154.7 | 135.0 | 115.2 | 95.4 |  |  |
|                        | 57      | 164.7                                | 9.0                           | 164.7                   | 164.7 | 165.0 | 145.3 | 125.6 | 105.8 | 157.2                             | 10.1                          | 157.2                   | 157.2 | 157.0 | 137.2 | 117.5 | 97.7 |  |  |
| 6250                   | 72      | 210.9                                | 9.5                           | 150.5                   | 129.4 | 108.4 | 87.4  | -     | -     | 196.5                             | 10.6                          | 145.1                   | 124.0 | 102.9 | 81.8  | -     | -    |  |  |
|                        | 67      | 190.8                                | 9.3                           | 190.0                   | 162.7 | 141.6 | 120.6 | 99.6  | -     | 178.4                             | 10.4                          | 178.0                   | 157.0 | 135.9 | 114.8 | 93.7  | -    |  |  |
|                        | 62      | 172.9                                | 9.2                           | 172.9                   | 172.9 | 172.9 | 151.8 | 130.8 | 109.8 | 161.7                             | 10.2                          | 161.7                   | 161.7 | 161.7 | 140.6 | 119.6 | 98.5 |  |  |
|                        | 57      | 168.1                                | 9.0                           | 168.1                   | 168.1 | 168.1 | 147.1 | 126.1 | 105.0 | 159.6                             | 10.2                          | 159.6                   | 159.6 | 159.6 | 138.5 | 117.4 | 96.4 |  |  |
|                        |         |                                      |                               | <b>95°F</b>             |       |       |       |       |       | <b>105°F</b>                      |                               |                         |       |       |       |       |      |  |  |
| 3125                   | 77      | 180.0                                | 11.6                          | 71.9                    | 58.7  | 45.5  | -     | -     | -     | 169.2                             | 13.1                          | 68.8                    | 56.1  | 43.0  | -     | -     | -    |  |  |
|                        | 72      | 165.5                                | 11.4                          | 94.9                    | 81.7  | 68.5  | 55.2  | -     | -     | 155.1                             | 13.0                          | 91.6                    | 78.5  | 65.5  | 52.4  | -     | -    |  |  |
|                        | 67      | 151.0                                | 11.3                          | 117.8                   | 104.6 | 91.4  | 78.2  | 65.0  | -     | 140.9                             | 12.8                          | 114.3                   | 100.9 | 87.9  | 74.9  | 61.8  | -    |  |  |
|                        | 62      | 136.9                                | 11.0                          | 136.9                   | 133.3 | 113.0 | 99.8  | 86.6  | 73.4  | 128.7                             | 12.5                          | 128.7                   | 126.9 | 108.9 | 95.8  | 82.8  | 69.8 |  |  |
| 3750                   | 77      | 184.8                                | 11.7                          | 79.6                    | 64.6  | 49.6  | -     | -     | -     | 173.5                             | 13.2                          | 76.3                    | 61.6  | 46.8  | -     | -     | -    |  |  |
|                        | 72      | 169.9                                | 11.5                          | 104.6                   | 89.6  | 74.6  | 59.6  | -     | -     | 159.0                             | 13.0                          | 100.7                   | 86.0  | 71.2  | 56.5  | -     | -    |  |  |
|                        | 67      | 155.0                                | 11.4                          | 129.6                   | 114.6 | 99.6  | 84.6  | 69.6  | -     | 144.5                             | 12.8                          | 125.1                   | 110.4 | 95.6  | 80.9  | 66.1  | -    |  |  |
|                        | 62      | 140.5                                | 11.1                          | 140.5                   | 138.1 | 123.1 | 108.1 | 93.1  | 78.1  | 131.9                             | 12.6                          | 131.9                   | 130.7 | 118.4 | 103.7 | 88.9  | 74.1 |  |  |
| 57                     | 141.0   | 11.0                                 | 141.0                         | 141.0                   | 126.3 | 111.3 | 96.3  | 81.3  | 131.4 | 12.6                              | 131.4                         | 131.4                   | 118.3 | 103.5 | 88.8  | 74.0  |      |  |  |
| 4375                   | 77      | 189.6                                | 11.8                          | 87.3                    | 70.5  | 53.7  | -     | -     | -     | 177.8                             | 13.2                          | 83.9                    | 67.1  | 50.6  | -     | -     | -    |  |  |
|                        | 72      | 174.3                                | 11.6                          | 114.3                   | 97.5  | 80.7  | 63.9  | -     | -     | 162.9                             | 13.1                          | 109.9                   | 93.4  | 77.0  | 60.5  | -     | -    |  |  |
|                        | 67      | 159.0                                | 11.5                          | 141.4                   | 124.6 | 107.8 | 91.0  | 74.2  | -     | 148.1                             | 12.9                          | 135.9                   | 119.8 | 103.3 | 86.9  | 70.4  | -    |  |  |
|                        | 62      | 144.2                                | 11.2                          | 144.2                   | 143.0 | 133.3 | 116.5 | 99.7  | 82.9  | 135.2                             | 12.6                          | 135.2                   | 134.6 | 128.0 | 111.5 | 95.0  | 78.5 |  |  |
| 57                     | 144.6   | 11.1                                 | 144.6                         | 144.6                   | 136.7 | 119.9 | 103.1 | 86.3  | 134.6 | 12.6                              | 134.6                         | 134.6                   | 127.8 | 111.4 | 94.9  | 78.4  |      |  |  |
| 5000                   | 77      | 194.4                                | 11.9                          | 94.9                    | 76.3  | 57.7  | -     | -     | -     | 182.0                             | 13.3                          | 91.5                    | 72.6  | 54.4  | -     | -     | -    |  |  |
|                        | 72      | 178.7                                | 11.7                          | 124.1                   | 105.5 | 86.9  | 68.3  | -     | -     | 166.8                             | 13.1                          | 119.1                   | 100.9 | 82.7  | 64.5  | -     | -    |  |  |
|                        | 67      | 163.0                                | 11.6                          | 153.2                   | 134.6 | 116.0 | 97.4  | 78.8  | -     | 151.6                             | 12.9                          | 146.7                   | 129.2 | 111.0 | 92.9  | 74.7  | -    |  |  |
|                        | 62      | 147.8                                | 11.3                          | 147.8                   | 147.8 | 143.4 | 124.8 | 106.2 | 87.6  | 138.4                             | 12.7                          | 138.4                   | 138.4 | 137.5 | 119.3 | 101.1 | 82.9 |  |  |
| 57                     | 148.3   | 11.2                                 | 148.3                         | 148.3                   | 147.1 | 128.5 | 109.9 | 91.3  | 137.8 | 12.7                              | 137.8                         | 137.8                   | 137.4 | 119.2 | 101.0 | 82.8  |      |  |  |
| 5625                   | 72      | 180.4                                | 11.7                          | 131.9                   | 112.0 | 92.2  | 72.3  | -     | -     | 168.0                             | 13.2                          | 127.6                   | 107.9 | 88.2  | 68.6  | -     | -    |  |  |
|                        | 67      | 164.5                                | 11.6                          | 159.6                   | 142.9 | 123.1 | 103.2 | 83.3  | -     | 152.7                             | 13.0                          | 150.2                   | 137.8 | 118.5 | 98.8  | 79.1  | -    |  |  |
|                        | 62      | 149.2                                | 11.3                          | 149.2                   | 149.2 | 147.0 | 127.1 | 107.3 | 87.4  | 139.4                             | 12.7                          | 139.4                   | 139.4 | 138.9 | 119.3 | 99.6  | 80.0 |  |  |
|                        | 57      | 149.7                                | 11.2                          | 149.7                   | 149.7 | 149.1 | 129.2 | 109.4 | 89.5  | 138.8                             | 12.7                          | 138.8                   | 138.8 | 138.6 | 118.9 | 99.3  | 79.6 |  |  |
| 6250                   | 72      | 182.1                                | 11.8                          | 139.7                   | 118.6 | 97.4  | 76.3  | -     | -     | 169.2                             | 13.2                          | 136.0                   | 114.9 | 93.8  | 72.6  | -     | -    |  |  |
|                        | 67      | 166.1                                | 11.6                          | 166.1                   | 151.3 | 130.1 | 109.0 | 87.9  | -     | 153.7                             | 13.0                          | 153.7                   | 146.3 | 125.9 | 104.8 | 83.6  | -    |  |  |
|                        | 62      | 150.6                                | 11.3                          | 150.6                   | 150.6 | 150.6 | 129.5 | 108.3 | 87.2  | 140.4                             | 12.7                          | 140.4                   | 140.4 | 140.4 | 119.2 | 98.1  | 77.0 |  |  |
|                        | 57      | 151.1                                | 11.3                          | 151.1                   | 151.1 | 151.1 | 130.0 | 108.8 | 87.7  | 139.8                             | 12.7                          | 139.8                   | 139.8 | 139.8 | 118.6 | 97.5  | 76.4 |  |  |

## J12ZH (12.5 Ton) (Continued)

| Air on Evaporator Coil |         | Temperature of Air on Condenser Coil |                               |                         |       |       |       |      |      |       |      |                                   |                               |                         |       |      |      |  |  |
|------------------------|---------|--------------------------------------|-------------------------------|-------------------------|-------|-------|-------|------|------|-------|------|-----------------------------------|-------------------------------|-------------------------|-------|------|------|--|--|
| CFM                    | WB (°F) | Total Capacity <sup>1</sup> (MBh)    | Total Input (kW) <sup>2</sup> | Sensible Capacity (MBh) |       |       |       |      |      |       |      | Total Capacity <sup>1</sup> (MBh) | Total Input (kW) <sup>2</sup> | Sensible Capacity (MBh) |       |      |      |  |  |
|                        |         |                                      |                               | Return Dry Bulb (°F)    |       |       |       |      |      |       |      |                                   |                               | Return Dry Bulb (°F)    |       |      |      |  |  |
|                        |         |                                      |                               | 90                      | 85    | 80    | 75    | 70   | 65   | 90    | 85   |                                   |                               | 80                      | 75    | 70   | 65   |  |  |
|                        |         |                                      |                               | 115°F                   |       |       |       |      |      |       |      | 125°F                             |                               |                         |       |      |      |  |  |
| 3125                   | 77      | 158.4                                | 14.6                          | 65.6                    | 53.5  | 40.6  | -     | -    | -    | 147.6 | 16.1 | 60.0                              | 50.8                          | 38.1                    | -     | -    | -    |  |  |
|                        | 72      | 144.6                                | 14.5                          | 88.2                    | 75.4  | 62.5  | 49.6  | -    | -    | 134.2 | 16.0 | 84.9                              | 72.2                          | 59.5                    | 46.8  | -    | -    |  |  |
|                        | 67      | 130.9                                | 14.3                          | 110.9                   | 97.3  | 84.4  | 71.5  | 58.7 | -    | 120.9 | 15.8 | 107.4                             | 93.6                          | 80.9                    | 68.2  | 55.5 | -    |  |  |
|                        | 62      | 120.5                                | 14.0                          | 120.5                   | 120.5 | 104.7 | 91.9  | 79.0 | 66.1 | 112.3 | 15.6 | 112.3                             | 112.3                         | 100.7                   | 87.9  | 75.2 | 62.5 |  |  |
| 3750                   | 77      | 162.2                                | 14.7                          | 73.1                    | 58.6  | 44.1  | -     | -    | -    | 150.8 | 16.1 | 69.9                              | 55.6                          | 41.3                    | -     | -    | -    |  |  |
|                        | 72      | 148.1                                | 14.5                          | 96.9                    | 82.4  | 67.9  | 53.3  | -    | -    | 137.2 | 16.0 | 93.0                              | 78.7                          | 64.5                    | 50.2  | -    | -    |  |  |
|                        | 67      | 134.0                                | 14.3                          | 120.6                   | 106.1 | 91.6  | 77.1  | 62.6 | -    | 123.5 | 15.8 | 116.2                             | 101.9                         | 87.6                    | 73.4  | 59.1 | -    |  |  |
|                        | 62      | 123.3                                | 14.1                          | 123.3                   | 123.3 | 113.7 | 99.2  | 84.7 | 70.2 | 114.8 | 15.6 | 114.8                             | 114.8                         | 109.0                   | 94.7  | 80.5 | 66.2 |  |  |
|                        | 57      | 121.8                                | 14.1                          | 121.8                   | 121.8 | 110.3 | 95.8  | 81.2 | 66.7 | 112.1 | 15.6 | 112.1                             | 112.1                         | 102.2                   | 88.0  | 73.7 | 59.4 |  |  |
| 4375                   | 77      | 165.9                                | 14.7                          | 80.6                    | 63.7  | 47.6  | -     | -    | -    | 154.1 | 16.1 | 79.7                              | 60.3                          | 44.5                    | -     | -    | -    |  |  |
|                        | 72      | 151.5                                | 14.5                          | 105.5                   | 89.4  | 73.2  | 57.1  | -    | -    | 140.1 | 15.9 | 101.1                             | 85.3                          | 69.5                    | 53.6  | -    | -    |  |  |
|                        | 67      | 137.1                                | 14.3                          | 130.4                   | 115.0 | 98.9  | 82.7  | 66.6 | -    | 126.2 | 15.8 | 125.0                             | 110.2                         | 94.4                    | 78.6  | 62.7 | -    |  |  |
|                        | 62      | 126.2                                | 14.1                          | 126.2                   | 126.2 | 122.7 | 106.5 | 90.4 | 74.2 | 117.2 | 15.5 | 117.2                             | 117.2                         | 117.2                   | 101.6 | 85.7 | 69.9 |  |  |
|                        | 57      | 124.6                                | 14.1                          | 124.6                   | 124.6 | 119.0 | 102.8 | 86.7 | 70.5 | 114.6 | 15.6 | 114.6                             | 114.6                         | 110.1                   | 94.3  | 78.4 | 62.6 |  |  |
| 5000                   | 77      | 169.7                                | 14.7                          | 88.1                    | 68.8  | 51.0  | -     | -    | -    | 157.3 | 16.1 | 89.6                              | 65.1                          | 47.7                    | -     | -    | -    |  |  |
|                        | 72      | 155.0                                | 14.5                          | 114.2                   | 96.4  | 78.6  | 60.8  | -    | -    | 143.1 | 15.9 | 109.2                             | 91.8                          | 74.4                    | 57.0  | -    | -    |  |  |
|                        | 67      | 140.2                                | 14.3                          | 140.2                   | 123.9 | 106.1 | 88.3  | 70.5 | -    | 128.9 | 15.7 | 128.9                             | 118.6                         | 101.1                   | 83.7  | 66.3 | -    |  |  |
|                        | 62      | 129.1                                | 14.1                          | 129.1                   | 129.1 | 131.7 | 113.9 | 96.1 | 78.3 | 119.7 | 15.5 | 119.7                             | 119.7                         | 119.7                   | 108.4 | 91.0 | 73.6 |  |  |
|                        | 57      | 127.4                                | 14.2                          | 127.4                   | 127.4 | 127.7 | 109.9 | 92.1 | 74.3 | 117.0 | 15.6 | 117.0                             | 117.0                         | 117.0                   | 100.6 | 83.2 | 65.7 |  |  |
| 5625                   | 72      | 155.6                                | 14.6                          | 123.2                   | 103.8 | 84.3  | 64.9  | -    | -    | 143.2 | 16.0 | 118.9                             | 99.7                          | 80.4                    | 61.2  | -    | -    |  |  |
|                        | 67      | 140.8                                | 14.4                          | 140.8                   | 132.6 | 113.9 | 94.4  | 74.9 | -    | 128.9 | 15.8 | 128.9                             | 127.5                         | 109.3                   | 90.0  | 70.8 | -    |  |  |
|                        | 62      | 129.6                                | 14.1                          | 129.6                   | 129.6 | 130.9 | 111.4 | 92.0 | 72.5 | 119.8 | 15.6 | 119.8                             | 119.8                         | 119.8                   | 103.6 | 84.3 | 65.1 |  |  |
|                        | 57      | 127.9                                | 14.2                          | 127.9                   | 127.9 | 128.1 | 108.6 | 89.1 | 69.7 | 117.0 | 15.6 | 117.0                             | 117.0                         | 117.0                   | 98.3  | 79.0 | 59.8 |  |  |
| 6250                   | 72      | 156.2                                | 14.6                          | 132.3                   | 111.2 | 90.1  | 69.0  | -    | -    | 143.3 | 16.0 | 128.6                             | 107.5                         | 86.4                    | 65.3  | -    | -    |  |  |
|                        | 67      | 141.4                                | 14.4                          | 141.4                   | 141.4 | 121.6 | 100.5 | 79.4 | -    | 129.0 | 15.8 | 129.0                             | 129.0                         | 117.4                   | 96.3  | 75.2 | -    |  |  |
|                        | 62      | 130.1                                | 14.2                          | 130.1                   | 130.1 | 130.1 | 109.0 | 87.9 | 66.8 | 119.9 | 15.6 | 119.9                             | 119.9                         | 119.9                   | 98.8  | 77.7 | 56.5 |  |  |
|                        | 57      | 128.4                                | 14.2                          | 128.4                   | 128.4 | 128.4 | 107.3 | 86.2 | 65.1 | 117.1 | 15.7 | 117.1                             | 117.1                         | 117.1                   | 96.0  | 74.9 | 53.8 |  |  |

1. These capacities are gross ratings. For net capacity, deduct air blower motor, MBh = 3.415 x kW. Refer to the appropriate Blower Performance Table for the kW of the supply air blower motor.
2. These ratings include the condenser fan motors (total 1 kW) and the compressor motors but not the supply air blower motor.

**JA3 thru 12ZJ Cooling Capacities**

**JA3ZJ (3.0 Ton)**

| Air on Evaporator Coil |         | Temperature of Air on Condenser Coil |                               |                         |      |      |      |      |      |                                   |                               |                         |      |      |      |      |      |
|------------------------|---------|--------------------------------------|-------------------------------|-------------------------|------|------|------|------|------|-----------------------------------|-------------------------------|-------------------------|------|------|------|------|------|
| CFM                    | WB (°F) | Total Capacity <sup>1</sup> (MBh)    | Total Input (kW) <sup>2</sup> | Sensible Capacity (MBh) |      |      |      |      |      | Total Capacity <sup>1</sup> (MBh) | Total Input (kW) <sup>2</sup> | Sensible Capacity (MBh) |      |      |      |      |      |
|                        |         |                                      |                               | Return Dry Bulb (°F)    |      |      |      |      |      |                                   |                               | Return Dry Bulb (°F)    |      |      |      |      |      |
|                        |         |                                      |                               | 90                      | 85   | 80   | 75   | 70   | 65   |                                   |                               | 90                      | 85   | 80   | 75   | 70   | 65   |
|                        |         |                                      |                               | <b>75°F</b>             |      |      |      |      |      | <b>85°F</b>                       |                               |                         |      |      |      |      |      |
| 750                    | 77      | 49.2                                 | 2.1                           | 19.7                    | 16.4 | 13.1 | -    | -    | -    | 45.1                              | 2.3                           | 18.0                    | 14.8 | 11.6 | -    | -    | -    |
|                        | 72      | 43.8                                 | 2.0                           | 24.5                    | 21.2 | 17.9 | 14.6 | -    | -    | 40.2                              | 2.3                           | 22.8                    | 19.6 | 16.4 | 13.2 | -    | -    |
|                        | 67      | 38.4                                 | 2.0                           | 29.4                    | 26.1 | 22.8 | 19.5 | 16.2 | -    | 35.2                              | 2.2                           | 27.5                    | 24.3 | 21.1 | 17.9 | 14.7 | -    |
|                        | 62      | 33.2                                 | 2.0                           | 33.2                    | 33.2 | 27.2 | 23.9 | 20.6 | 17.3 | 30.4                              | 2.2                           | 30.4                    | 30.4 | 25.3 | 22.0 | 18.8 | 15.6 |
| 900                    | 77      | 51.6                                 | 2.0                           | 22.2                    | 18.3 | 14.5 | -    | -    | -    | 47.4                              | 2.3                           | 20.6                    | 16.8 | 13.0 | -    | -    | -    |
|                        | 72      | 45.9                                 | 2.0                           | 27.6                    | 23.7 | 19.8 | 15.9 | -    | -    | 42.2                              | 2.3                           | 25.9                    | 22.1 | 18.3 | 14.4 | -    | -    |
|                        | 67      | 40.3                                 | 2.0                           | 33.0                    | 29.1 | 25.2 | 21.3 | 17.4 | -    | 37.0                              | 2.2                           | 31.1                    | 27.3 | 23.5 | 19.7 | 15.9 | -    |
|                        | 62      | 34.8                                 | 2.0                           | 34.8                    | 34.8 | 30.1 | 26.2 | 22.3 | 18.4 | 31.9                              | 2.2                           | 31.9                    | 31.9 | 28.2 | 24.4 | 20.6 | 16.8 |
|                        | 57      | 29.4                                 | 2.0                           | 29.4                    | 29.4 | 31.7 | 27.8 | 23.9 | 20.0 | 28.9                              | 2.2                           | 28.9                    | 28.9 | 28.9 | 25.1 | 21.3 | 17.5 |
| 1050                   | 77      | 54.0                                 | 2.0                           | 24.8                    | 20.3 | 15.8 | -    | -    | -    | 49.7                              | 2.3                           | 23.1                    | 18.7 | 14.3 | -    | -    | -    |
|                        | 72      | 48.1                                 | 2.0                           | 30.7                    | 26.2 | 21.7 | 17.3 | -    | -    | 44.2                              | 2.3                           | 28.9                    | 24.5 | 20.1 | 15.7 | -    | -    |
|                        | 67      | 42.2                                 | 2.0                           | 36.6                    | 32.1 | 27.6 | 23.2 | 18.7 | -    | 38.7                              | 2.2                           | 34.8                    | 30.4 | 26.0 | 21.6 | 17.2 | -    |
|                        | 62      | 36.4                                 | 2.0                           | 36.4                    | 36.4 | 33.0 | 28.5 | 24.0 | 19.5 | 33.5                              | 2.2                           | 33.5                    | 33.5 | 31.1 | 26.7 | 22.3 | 17.9 |
|                        | 57      | 30.8                                 | 2.0                           | 30.8                    | 30.8 | 38.9 | 32.1 | 29.9 | 25.4 | 30.3                              | 2.2                           | 30.3                    | 30.3 | 33.9 | 28.4 | 25.1 | 20.7 |
| 1200                   | 77      | 56.4                                 | 2.0                           | 27.4                    | 22.3 | 17.2 | -    | -    | -    | 52.0                              | 2.3                           | 25.6                    | 20.6 | 15.6 | -    | -    | -    |
|                        | 72      | 50.2                                 | 2.0                           | 33.8                    | 28.7 | 23.7 | 18.6 | -    | -    | 46.3                              | 2.3                           | 32.0                    | 27.0 | 22.0 | 17.0 | -    | -    |
|                        | 67      | 44.1                                 | 2.0                           | 40.2                    | 35.2 | 30.1 | 25.0 | 19.9 | -    | 40.5                              | 2.2                           | 38.4                    | 33.4 | 28.4 | 23.4 | 18.4 | -    |
|                        | 62      | 38.1                                 | 2.0                           | 38.1                    | 38.1 | 35.9 | 30.8 | 25.7 | 20.6 | 35.0                              | 2.2                           | 35.0                    | 35.0 | 34.0 | 29.0 | 24.0 | 19.0 |
|                        | 57      | 32.2                                 | 2.0                           | 32.2                    | 32.2 | 46.0 | 36.4 | 35.8 | 30.7 | 31.7                              | 2.2                           | 31.7                    | 31.7 | 38.9 | 31.7 | 28.9 | 23.9 |
| 1350                   | 72      | 51.5                                 | 2.0                           | 36.7                    | 31.0 | 25.4 | 19.7 | -    | -    | 47.2                              | 2.3                           | 34.8                    | 29.2 | 23.6 | 18.1 | -    | -    |
|                        | 67      | 45.1                                 | 2.0                           | 43.2                    | 37.9 | 32.3 | 26.6 | 20.9 | -    | 41.3                              | 2.2                           | 40.3                    | 36.1 | 30.5 | 24.9 | 19.4 | -    |
|                        | 62      | 39.0                                 | 2.0                           | 39.0                    | 39.0 | 37.9 | 32.2 | 26.6 | 20.9 | 35.7                              | 2.2                           | 35.7                    | 35.7 | 35.2 | 29.6 | 24.1 | 18.5 |
|                        | 57      | 33.0                                 | 2.0                           | 33.0                    | 33.0 | 39.9 | 31.9 | 28.6 | 22.9 | 32.3                              | 2.2                           | 32.3                    | 32.3 | 35.9 | 29.3 | 24.8 | 19.3 |
| 1500                   | 72      | 52.7                                 | 2.0                           | 39.6                    | 33.3 | 27.1 | 20.9 | -    | -    | 48.1                              | 2.3                           | 37.5                    | 31.4 | 25.3 | 19.2 | -    | -    |
|                        | 67      | 46.2                                 | 2.0                           | 46.2                    | 40.7 | 34.4 | 28.2 | 22.0 | -    | 42.2                              | 2.2                           | 42.2                    | 38.7 | 32.6 | 26.5 | 20.4 | -    |
|                        | 62      | 39.9                                 | 2.0                           | 39.9                    | 39.9 | 39.9 | 33.7 | 27.4 | 21.2 | 36.4                              | 2.2                           | 36.4                    | 36.4 | 36.4 | 30.3 | 24.2 | 18.1 |
|                        | 57      | 33.8                                 | 2.0                           | 33.8                    | 33.8 | 33.8 | 27.5 | 21.3 | 15.0 | 32.9                              | 2.2                           | 32.9                    | 32.9 | 32.9 | 26.8 | 20.7 | 14.6 |
|                        |         |                                      |                               | <b>95°F</b>             |      |      |      |      |      | <b>105°F</b>                      |                               |                         |      |      |      |      |      |
| 750                    | 77      | 41.1                                 | 2.6                           | 16.4                    | 13.3 | 10.2 | -    | -    | -    | 36.8                              | 2.8                           | 13.8                    | 11.6 | 8.6  | -    | -    | -    |
|                        | 72      | 36.5                                 | 2.5                           | 21.0                    | 17.9 | 14.8 | 11.7 | -    | -    | 32.9                              | 2.7                           | 19.3                    | 16.3 | 13.3 | 10.3 | -    | -    |
|                        | 67      | 31.9                                 | 2.4                           | 25.6                    | 22.5 | 19.4 | 16.3 | 13.2 | -    | 28.9                              | 2.7                           | 24.9                    | 21.0 | 18.0 | 15.0 | 12.0 | -    |
|                        | 62      | 27.6                                 | 2.4                           | 27.6                    | 27.6 | 23.3 | 20.2 | 17.1 | 14.0 | 24.9                              | 2.6                           | 24.9                    | 24.9 | 21.8 | 18.8 | 15.8 | 12.8 |
| 900                    | 77      | 43.3                                 | 2.6                           | 18.9                    | 15.2 | 11.5 | -    | -    | -    | 38.6                              | 2.8                           | 16.9                    | 13.3 | 9.7  | -    | -    | -    |
|                        | 72      | 38.5                                 | 2.5                           | 24.1                    | 20.4 | 16.7 | 13.0 | -    | -    | 34.5                              | 2.7                           | 22.2                    | 18.6 | 15.0 | 11.4 | -    | -    |
|                        | 67      | 33.6                                 | 2.4                           | 29.3                    | 25.6 | 21.9 | 18.1 | 14.4 | -    | 30.3                              | 2.7                           | 27.6                    | 24.0 | 20.4 | 16.8 | 13.2 | -    |
|                        | 62      | 29.0                                 | 2.4                           | 29.0                    | 29.0 | 26.2 | 22.5 | 18.8 | 15.1 | 26.1                              | 2.6                           | 26.1                    | 26.1 | 24.6 | 21.0 | 17.4 | 13.8 |
|                        | 57      | 28.3                                 | 2.4                           | 28.3                    | 28.3 | 26.0 | 22.3 | 18.6 | 14.9 | 25.5                              | 2.6                           | 25.5                    | 25.5 | 23.6 | 20.0 | 16.4 | 12.8 |
| 1050                   | 77      | 45.4                                 | 2.6                           | 21.4                    | 17.1 | 12.7 | -    | -    | -    | 40.4                              | 2.8                           | 20.0                    | 15.0 | 10.8 | -    | -    | -    |
|                        | 72      | 40.4                                 | 2.5                           | 27.2                    | 22.8 | 18.5 | 14.2 | -    | -    | 36.1                              | 2.8                           | 25.1                    | 20.9 | 16.8 | 12.6 | -    | -    |
|                        | 67      | 35.3                                 | 2.5                           | 32.9                    | 28.6 | 24.3 | 20.0 | 15.7 | -    | 31.7                              | 2.7                           | 30.2                    | 26.9 | 22.7 | 18.5 | 14.3 | -    |
|                        | 62      | 30.5                                 | 2.4                           | 30.5                    | 30.5 | 29.1 | 24.8 | 20.5 | 16.2 | 27.3                              | 2.6                           | 27.3                    | 27.3 | 27.4 | 23.3 | 19.1 | 14.9 |
|                        | 57      | 29.7                                 | 2.4                           | 29.7                    | 29.7 | 29.0 | 24.6 | 20.3 | 16.0 | 26.7                              | 2.6                           | 26.7                    | 26.7 | 26.4 | 22.2 | 18.0 | 13.8 |
| 1200                   | 77      | 47.6                                 | 2.6                           | 23.9                    | 19.0 | 14.0 | -    | -    | -    | 42.2                              | 2.9                           | 23.1                    | 16.7 | 11.9 | -    | -    | -    |
|                        | 72      | 42.3                                 | 2.5                           | 30.2                    | 25.3 | 20.4 | 15.5 | -    | -    | 37.7                              | 2.8                           | 28.0                    | 23.3 | 18.5 | 13.7 | -    | -    |
|                        | 67      | 37.0                                 | 2.5                           | 36.6                    | 31.7 | 26.8 | 21.8 | 16.9 | -    | 33.1                              | 2.7                           | 32.9                    | 29.8 | 25.0 | 20.3 | 15.5 | -    |
|                        | 62      | 32.0                                 | 2.4                           | 32.0                    | 32.0 | 32.1 | 27.2 | 22.2 | 17.3 | 28.5                              | 2.6                           | 28.5                    | 28.5 | 30.3 | 25.5 | 20.7 | 15.9 |
|                        | 57      | 31.2                                 | 2.4                           | 31.2                    | 31.2 | 31.9 | 27.0 | 22.0 | 17.1 | 27.9                              | 2.7                           | 27.9                    | 27.9 | 29.1 | 24.3 | 19.5 | 14.7 |
| 1350                   | 72      | 43.0                                 | 2.5                           | 32.8                    | 27.4 | 21.9 | 16.5 | -    | -    | 38.2                              | 2.8                           | 30.5                    | 25.2 | 19.9 | 14.6 | -    | -    |
|                        | 67      | 37.6                                 | 2.5                           | 37.4                    | 34.2 | 28.7 | 23.3 | 17.9 | -    | 33.6                              | 2.7                           | 33.5                    | 31.6 | 27.0 | 21.7 | 16.4 | -    |
|                        | 62      | 32.4                                 | 2.4                           | 32.4                    | 32.4 | 32.5 | 27.1 | 21.6 | 16.2 | 28.9                              | 2.7                           | 28.9                    | 28.9 | 29.8 | 24.5 | 19.2 | 13.9 |
|                        | 57      | 31.6                                 | 2.4                           | 31.6                    | 31.6 | 32.0 | 26.6 | 21.1 | 15.7 | 28.3                              | 2.7                           | 28.3                    | 28.3 | 28.9 | 23.6 | 18.3 | 13.0 |
| 1500                   | 72      | 43.6                                 | 2.5                           | 35.4                    | 29.4 | 23.4 | 17.5 | -    | -    | 38.7                              | 2.8                           | 32.9                    | 27.1 | 21.3 | 15.5 | -    | -    |
|                        | 67      | 38.1                                 | 2.5                           | 38.1                    | 36.7 | 30.7 | 24.8 | 18.8 | -    | 34.0                              | 2.7                           | 34.0                    | 33.3 | 28.9 | 23.0 | 17.2 | -    |
|                        | 62      | 32.9                                 | 2.4                           | 32.9                    | 32.9 | 32.9 | 27.0 | 21.0 | 15.1 | 29.3                              | 2.7                           | 29.3                    | 29.3 | 29.3 | 23.5 | 17.6 | 11.8 |
|                        | 57      | 32.1                                 | 2.4                           | 32.1                    | 32.1 | 32.1 | 26.2 | 20.2 | 14.2 | 28.7                              | 2.7                           | 28.7                    | 28.7 | 28.7 | 22.9 | 17.0 | 11.2 |

## JA3ZJ (3.0 Ton) (Continued)

| Air on Evaporator Coil |         | Temperature of Air on Condenser Coil |                               |                         |      |      |      |      |      |                                   |                               |                         |      |      |      |      |      |
|------------------------|---------|--------------------------------------|-------------------------------|-------------------------|------|------|------|------|------|-----------------------------------|-------------------------------|-------------------------|------|------|------|------|------|
| CFM                    | WB (°F) | Total Capacity <sup>1</sup> (MBh)    | Total Input (kW) <sup>2</sup> | Sensible Capacity (MBh) |      |      |      |      |      | Total Capacity <sup>1</sup> (MBh) | Total Input (kW) <sup>2</sup> | Sensible Capacity (MBh) |      |      |      |      |      |
|                        |         |                                      |                               | Return Dry Bulb (°F)    |      |      |      |      |      |                                   |                               | Return Dry Bulb (°F)    |      |      |      |      |      |
|                        |         |                                      |                               | 90                      | 85   | 80   | 75   | 70   | 65   |                                   |                               | 90                      | 85   | 80   | 75   | 70   | 65   |
|                        |         |                                      |                               | <b>115°F</b>            |      |      |      |      |      | <b>125°F</b>                      |                               |                         |      |      |      |      |      |
| 750                    | 77      | 32.6                                 | 3.1                           | 11.2                    | 9.9  | 7.0  | -    | -    | -    | 28.3                              | 3.3                           | 9.2                     | 7.9  | 5.4  | -    | -    | -    |
|                        | 72      | 29.2                                 | 3.0                           | 17.7                    | 14.8 | 11.8 | 8.9  | -    | -    | 25.6                              | 3.2                           | 16.0                    | 13.2 | 10.3 | 7.5  | -    | -    |
|                        | 67      | 25.9                                 | 2.9                           | 24.2                    | 19.6 | 16.6 | 13.7 | 10.8 | -    | 22.9                              | 3.1                           | 22.9                    | 18.1 | 15.3 | 12.4 | 9.6  | -    |
|                        | 62      | 22.2                                 | 2.8                           | 22.2                    | 22.2 | 20.3 | 17.4 | 14.4 | 11.5 | 19.5                              | 3.0                           | 19.5                    | 19.5 | 19.5 | 16.0 | 13.1 | 10.3 |
| 900                    | 77      | 34.0                                 | 3.1                           | 14.9                    | 11.4 | 7.9  | -    | -    | -    | 29.4                              | 3.4                           | 13.4                    | 9.6  | 6.2  | -    | -    | -    |
|                        | 72      | 30.5                                 | 3.0                           | 20.4                    | 16.9 | 13.4 | 9.9  | -    | -    | 26.5                              | 3.2                           | 18.6                    | 15.2 | 11.8 | 8.4  | -    | -    |
|                        | 67      | 27.0                                 | 2.9                           | 25.9                    | 22.4 | 18.9 | 15.4 | 11.9 | -    | 23.7                              | 3.1                           | 23.7                    | 20.8 | 17.4 | 14.0 | 10.6 | -    |
|                        | 62      | 23.1                                 | 2.8                           | 23.1                    | 23.1 | 23.0 | 19.5 | 16.0 | 12.5 | 20.2                              | 3.0                           | 20.2                    | 20.2 | 20.2 | 18.0 | 14.7 | 11.3 |
|                        | 57      | 22.8                                 | 2.8                           | 22.8                    | 22.8 | 21.2 | 17.8 | 14.3 | 10.8 | 20.0                              | 3.1                           | 20.0                    | 20.0 | 18.8 | 15.5 | 12.1 | 8.7  |
| 1050                   | 77      | 35.4                                 | 3.1                           | 18.7                    | 12.9 | 8.9  | -    | -    | -    | 30.4                              | 3.4                           | 17.6                    | 11.3 | 7.0  | -    | -    | -    |
|                        | 72      | 31.8                                 | 3.0                           | 23.1                    | 19.1 | 15.0 | 10.9 | -    | -    | 27.5                              | 3.3                           | 21.1                    | 17.2 | 13.2 | 9.3  | -    | -    |
|                        | 67      | 28.1                                 | 2.9                           | 27.5                    | 25.2 | 21.1 | 17.0 | 13.0 | -    | 24.5                              | 3.1                           | 24.5                    | 23.4 | 19.5 | 15.6 | 11.7 | -    |
|                        | 62      | 24.1                                 | 2.8                           | 24.1                    | 24.1 | 25.7 | 21.7 | 17.6 | 13.6 | 20.9                              | 3.0                           | 20.9                    | 20.9 | 20.9 | 20.1 | 16.2 | 12.2 |
|                        | 57      | 23.7                                 | 2.9                           | 23.7                    | 23.7 | 23.8 | 19.7 | 15.6 | 11.6 | 20.7                              | 3.1                           | 20.7                    | 20.7 | 20.7 | 17.2 | 13.3 | 9.4  |
| 1200                   | 77      | 36.8                                 | 3.1                           | 22.4                    | 14.5 | 9.8  | -    | -    | -    | 31.4                              | 3.4                           | 21.9                    | 12.9 | 7.7  | -    | -    | -    |
|                        | 72      | 33.0                                 | 3.0                           | 25.8                    | 21.2 | 16.6 | 12.0 | -    | -    | 28.4                              | 3.3                           | 23.6                    | 19.1 | 14.7 | 10.2 | -    | -    |
|                        | 67      | 29.2                                 | 2.9                           | 29.2                    | 28.0 | 23.3 | 18.7 | 14.1 | -    | 25.4                              | 3.1                           | 25.4                    | 25.4 | 21.6 | 17.2 | 12.7 | -    |
|                        | 62      | 25.0                                 | 2.8                           | 25.0                    | 25.0 | 28.5 | 23.8 | 19.2 | 14.6 | 21.6                              | 3.0                           | 21.6                    | 21.6 | 21.6 | 21.6 | 17.7 | 13.2 |
|                        | 57      | 24.7                                 | 2.9                           | 24.7                    | 24.7 | 26.3 | 21.6 | 17.0 | 12.4 | 21.4                              | 3.1                           | 21.4                    | 21.4 | 21.4 | 19.0 | 14.5 | 10.0 |
| 1350                   | 72      | 33.4                                 | 3.0                           | 28.2                    | 23.0 | 17.9 | 12.7 | -    | -    | 28.6                              | 3.3                           | 25.9                    | 20.9 | 15.9 | 10.9 | -    | -    |
|                        | 67      | 29.6                                 | 2.9                           | 29.6                    | 28.9 | 25.2 | 20.0 | 14.9 | -    | 25.6                              | 3.2                           | 25.6                    | 25.6 | 23.4 | 18.4 | 13.4 | -    |
|                        | 62      | 25.3                                 | 2.9                           | 25.3                    | 25.3 | 27.0 | 21.9 | 16.7 | 11.6 | 21.8                              | 3.1                           | 21.8                    | 21.8 | 21.8 | 19.3 | 14.3 | 9.3  |
|                        | 57      | 24.9                                 | 2.9                           | 24.9                    | 24.9 | 25.7 | 20.6 | 15.4 | 10.3 | 21.6                              | 3.1                           | 21.6                    | 21.6 | 21.6 | 17.6 | 12.6 | 7.6  |
| 1500                   | 72      | 33.8                                 | 3.1                           | 30.5                    | 24.8 | 19.2 | 13.5 | -    | -    | 28.9                              | 3.3                           | 28.1                    | 22.6 | 17.0 | 11.5 | -    | -    |
|                        | 67      | 29.9                                 | 3.0                           | 29.9                    | 29.9 | 27.0 | 21.3 | 15.6 | -    | 25.8                              | 3.2                           | 25.8                    | 25.8 | 25.1 | 19.6 | 14.0 | -    |
|                        | 62      | 25.6                                 | 2.9                           | 25.6                    | 25.6 | 25.6 | 19.9 | 14.3 | 8.6  | 22.0                              | 3.1                           | 22.0                    | 22.0 | 22.0 | 16.4 | 10.9 | 5.4  |
|                        | 57      | 25.2                                 | 2.9                           | 25.2                    | 25.2 | 25.2 | 19.6 | 13.9 | 8.2  | 21.8                              | 3.2                           | 21.8                    | 21.8 | 21.8 | 16.2 | 10.7 | 5.2  |

1. These capacities are gross ratings. For net capacity, deduct air blower motor, MBh = 3.415 x kW. Refer to the appropriate Blower Performance Table for the kW of the supply air blower motor.
2. These ratings include the condenser fan motors (total 1 kW) and the compressor motors but not the supply air blower motor.

**JA4ZJ (4.0 Ton)**

| Air on Evaporator Coil |         | Temperature of Air on Condenser Coil |                               |                         |      |      |      |      |      |                                   |                               |                         |      |      |      |      |      |  |  |
|------------------------|---------|--------------------------------------|-------------------------------|-------------------------|------|------|------|------|------|-----------------------------------|-------------------------------|-------------------------|------|------|------|------|------|--|--|
| CFM                    | WB (°F) | Total Capacity <sup>1</sup> (MBh)    | Total Input (kW) <sup>2</sup> | Sensible Capacity (MBh) |      |      |      |      |      | Total Capacity <sup>1</sup> (MBh) | Total Input (kW) <sup>2</sup> | Sensible Capacity (MBh) |      |      |      |      |      |  |  |
|                        |         |                                      |                               | Return Dry Bulb (°F)    |      |      |      |      |      |                                   |                               | Return Dry Bulb (°F)    |      |      |      |      |      |  |  |
|                        |         |                                      |                               | 90                      | 85   | 80   | 75   | 70   | 65   |                                   |                               | 90                      | 85   | 80   | 75   | 70   | 65   |  |  |
|                        |         |                                      |                               | <b>75°F</b>             |      |      |      |      |      |                                   |                               | <b>85°F</b>             |      |      |      |      |      |  |  |
| 1000                   | 77      | 79.0                                 | 3.0                           | 29.4                    | 25.1 | 20.7 | -    | -    | -    | 65.9                              | 3.2                           | 26.7                    | 22.4 | 18.1 | -    | -    | -    |  |  |
|                        | 72      | 68.7                                 | 2.9                           | 35.7                    | 31.3 | 27.0 | 22.6 | -    | -    | 58.0                              | 3.2                           | 32.8                    | 28.5 | 24.2 | 20.0 | -    | -    |  |  |
|                        | 67      | 58.4                                 | 2.8                           | 42.0                    | 37.6 | 33.3 | 28.9 | 24.5 | -    | 50.1                              | 3.1                           | 38.9                    | 34.6 | 30.3 | 26.1 | 21.8 | -    |  |  |
|                        | 62      | 54.5                                 | 2.9                           | 54.5                    | 51.1 | 39.9 | 35.5 | 31.2 | 26.8 | 45.3                              | 3.1                           | 45.3                    | 43.6 | 36.8 | 32.6 | 28.3 | 24.0 |  |  |
| 1200                   | 77      | 78.9                                 | 3.0                           | 32.6                    | 27.5 | 22.4 | -    | -    | -    | 67.5                              | 3.2                           | 29.9                    | 24.8 | 19.8 | -    | -    | -    |  |  |
|                        | 72      | 68.5                                 | 2.9                           | 39.4                    | 34.3 | 29.2 | 24.1 | -    | -    | 59.5                              | 3.2                           | 36.6                    | 31.5 | 26.5 | 21.4 | -    | -    |  |  |
|                        | 67      | 58.2                                 | 2.8                           | 46.2                    | 41.1 | 36.0 | 30.9 | 25.8 | -    | 51.4                              | 3.1                           | 43.2                    | 38.2 | 33.1 | 28.1 | 23.1 | -    |  |  |
|                        | 62      | 54.4                                 | 2.9                           | 54.4                    | 52.2 | 43.1 | 38.0 | 32.9 | 27.8 | 46.4                              | 3.1                           | 46.4                    | 45.3 | 40.3 | 35.2 | 30.2 | 25.1 |  |  |
| 1400                   | 77      | 78.8                                 | 2.9                           | 35.8                    | 29.9 | 24.1 | -    | -    | -    | 69.2                              | 3.2                           | 33.1                    | 27.3 | 21.5 | -    | -    | -    |  |  |
|                        | 72      | 68.4                                 | 2.9                           | 43.0                    | 37.2 | 31.4 | 25.5 | -    | -    | 60.9                              | 3.2                           | 40.4                    | 34.5 | 28.7 | 22.9 | -    | -    |  |  |
|                        | 67      | 58.0                                 | 2.8                           | 50.3                    | 44.5 | 38.7 | 32.8 | 27.0 | -    | 52.6                              | 3.1                           | 47.6                    | 41.8 | 36.0 | 30.2 | 24.3 | -    |  |  |
|                        | 62      | 54.4                                 | 2.8                           | 54.4                    | 53.2 | 46.3 | 40.5 | 34.7 | 28.8 | 47.5                              | 3.1                           | 47.5                    | 47.0 | 43.7 | 37.9 | 32.1 | 26.2 |  |  |
| 1600                   | 77      | 78.7                                 | 2.9                           | 38.9                    | 32.4 | 25.8 | -    | -    | -    | 70.8                              | 3.2                           | 36.4                    | 29.8 | 23.2 | -    | -    | -    |  |  |
|                        | 72      | 68.2                                 | 2.9                           | 46.7                    | 40.1 | 33.6 | 27.0 | -    | -    | 62.3                              | 3.2                           | 44.2                    | 37.6 | 31.0 | 24.4 | -    | -    |  |  |
|                        | 67      | 57.8                                 | 2.8                           | 54.5                    | 47.9 | 41.4 | 34.8 | 28.2 | -    | 53.9                              | 3.1                           | 52.0                    | 45.4 | 38.8 | 32.2 | 25.6 | -    |  |  |
|                        | 62      | 54.3                                 | 2.8                           | 54.3                    | 54.3 | 49.6 | 43.0 | 36.4 | 29.8 | 48.7                              | 3.1                           | 48.7                    | 48.7 | 47.1 | 40.5 | 33.9 | 27.4 |  |  |
| 1800                   | 77      | 78.7                                 | 2.9                           | 38.9                    | 32.4 | 25.8 | -    | -    | -    | 70.8                              | 3.2                           | 36.4                    | 29.8 | 23.2 | -    | -    | -    |  |  |
|                        | 72      | 68.2                                 | 2.9                           | 46.7                    | 40.1 | 33.6 | 27.0 | -    | -    | 62.3                              | 3.2                           | 44.2                    | 37.6 | 31.0 | 24.4 | -    | -    |  |  |
|                        | 67      | 57.8                                 | 2.8                           | 54.5                    | 47.9 | 41.4 | 34.8 | 28.2 | -    | 53.9                              | 3.1                           | 52.0                    | 45.4 | 38.8 | 32.2 | 25.6 | -    |  |  |
|                        | 62      | 54.3                                 | 2.8                           | 54.3                    | 54.3 | 49.6 | 43.0 | 36.4 | 29.8 | 48.7                              | 3.1                           | 48.7                    | 48.7 | 47.1 | 40.5 | 33.9 | 27.4 |  |  |
| 2000                   | 77      | 78.7                                 | 2.9                           | 38.9                    | 32.4 | 25.8 | -    | -    | -    | 70.8                              | 3.2                           | 36.4                    | 29.8 | 23.2 | -    | -    | -    |  |  |
|                        | 72      | 68.2                                 | 2.9                           | 46.7                    | 40.1 | 33.6 | 27.0 | -    | -    | 62.3                              | 3.2                           | 44.2                    | 37.6 | 31.0 | 24.4 | -    | -    |  |  |
|                        | 67      | 57.8                                 | 2.8                           | 54.5                    | 47.9 | 41.4 | 34.8 | 28.2 | -    | 53.9                              | 3.1                           | 52.0                    | 45.4 | 38.8 | 32.2 | 25.6 | -    |  |  |
|                        | 62      | 54.3                                 | 2.8                           | 54.3                    | 54.3 | 49.6 | 43.0 | 36.4 | 29.8 | 48.7                              | 3.1                           | 48.7                    | 48.7 | 47.1 | 40.5 | 33.9 | 27.4 |  |  |
| 1000                   | 77      | 78.8                                 | 2.9                           | 35.8                    | 29.9 | 24.1 | -    | -    | -    | 69.2                              | 3.2                           | 33.1                    | 27.3 | 21.5 | -    | -    | -    |  |  |
|                        | 72      | 68.4                                 | 2.9                           | 43.0                    | 37.2 | 31.4 | 25.5 | -    | -    | 60.9                              | 3.2                           | 40.4                    | 34.5 | 28.7 | 22.9 | -    | -    |  |  |
|                        | 67      | 58.0                                 | 2.8                           | 50.3                    | 44.5 | 38.7 | 32.8 | 27.0 | -    | 52.6                              | 3.1                           | 47.6                    | 41.8 | 36.0 | 30.2 | 24.3 | -    |  |  |
|                        | 62      | 54.4                                 | 2.8                           | 54.4                    | 53.2 | 46.3 | 40.5 | 34.7 | 28.8 | 47.5                              | 3.1                           | 47.5                    | 47.0 | 43.7 | 37.9 | 32.1 | 26.2 |  |  |
| 1200                   | 77      | 78.9                                 | 3.0                           | 32.6                    | 27.5 | 22.4 | -    | -    | -    | 67.5                              | 3.2                           | 29.9                    | 24.8 | 19.8 | -    | -    | -    |  |  |
|                        | 72      | 68.5                                 | 2.9                           | 39.4                    | 34.3 | 29.2 | 24.1 | -    | -    | 59.5                              | 3.2                           | 36.6                    | 31.5 | 26.5 | 21.4 | -    | -    |  |  |
|                        | 67      | 58.2                                 | 2.8                           | 46.2                    | 41.1 | 36.0 | 30.9 | 25.8 | -    | 51.4                              | 3.1                           | 43.2                    | 38.2 | 33.1 | 28.1 | 23.1 | -    |  |  |
|                        | 62      | 54.4                                 | 2.9                           | 54.4                    | 52.2 | 43.1 | 38.0 | 32.9 | 27.8 | 46.4                              | 3.1                           | 46.4                    | 45.3 | 40.3 | 35.2 | 30.2 | 25.1 |  |  |
| 1400                   | 77      | 78.8                                 | 2.9                           | 35.8                    | 29.9 | 24.1 | -    | -    | -    | 69.2                              | 3.2                           | 33.1                    | 27.3 | 21.5 | -    | -    | -    |  |  |
|                        | 72      | 68.4                                 | 2.9                           | 43.0                    | 37.2 | 31.4 | 25.5 | -    | -    | 60.9                              | 3.2                           | 40.4                    | 34.5 | 28.7 | 22.9 | -    | -    |  |  |
|                        | 67      | 58.0                                 | 2.8                           | 50.3                    | 44.5 | 38.7 | 32.8 | 27.0 | -    | 52.6                              | 3.1                           | 47.6                    | 41.8 | 36.0 | 30.2 | 24.3 | -    |  |  |
|                        | 62      | 54.4                                 | 2.8                           | 54.4                    | 53.2 | 46.3 | 40.5 | 34.7 | 28.8 | 47.5                              | 3.1                           | 47.5                    | 47.0 | 43.7 | 37.9 | 32.1 | 26.2 |  |  |
| 1600                   | 77      | 78.7                                 | 2.9                           | 38.9                    | 32.4 | 25.8 | -    | -    | -    | 70.8                              | 3.2                           | 36.4                    | 29.8 | 23.2 | -    | -    | -    |  |  |
|                        | 72      | 68.2                                 | 2.9                           | 46.7                    | 40.1 | 33.6 | 27.0 | -    | -    | 62.3                              | 3.2                           | 44.2                    | 37.6 | 31.0 | 24.4 | -    | -    |  |  |
|                        | 67      | 57.8                                 | 2.8                           | 54.5                    | 47.9 | 41.4 | 34.8 | 28.2 | -    | 53.9                              | 3.1                           | 52.0                    | 45.4 | 38.8 | 32.2 | 25.6 | -    |  |  |
|                        | 62      | 54.3                                 | 2.8                           | 54.3                    | 54.3 | 49.6 | 43.0 | 36.4 | 29.8 | 48.7                              | 3.1                           | 48.7                    | 48.7 | 47.1 | 40.5 | 33.9 | 27.4 |  |  |
| 1800                   | 77      | 78.7                                 | 2.9                           | 38.9                    | 32.4 | 25.8 | -    | -    | -    | 70.8                              | 3.2                           | 36.4                    | 29.8 | 23.2 | -    | -    | -    |  |  |
|                        | 72      | 68.2                                 | 2.9                           | 46.7                    | 40.1 | 33.6 | 27.0 | -    | -    | 62.3                              | 3.2                           | 44.2                    | 37.6 | 31.0 | 24.4 | -    | -    |  |  |
|                        | 67      | 57.8                                 | 2.8                           | 54.5                    | 47.9 | 41.4 | 34.8 | 28.2 | -    | 53.9                              | 3.1                           | 52.0                    | 45.4 | 38.8 | 32.2 | 25.6 | -    |  |  |
|                        | 62      | 54.3                                 | 2.8                           | 54.3                    | 54.3 | 49.6 | 43.0 | 36.4 | 29.8 | 48.7                              | 3.1                           | 48.7                    | 48.7 | 47.1 | 40.5 | 33.9 | 27.4 |  |  |
| 2000                   | 77      | 78.7                                 | 2.9                           | 38.9                    | 32.4 | 25.8 | -    | -    | -    | 70.8                              | 3.2                           | 36.4                    | 29.8 | 23.2 | -    | -    | -    |  |  |
|                        | 72      | 68.2                                 | 2.9                           | 46.7                    | 40.1 | 33.6 | 27.0 | -    | -    | 62.3                              | 3.2                           | 44.2                    | 37.6 | 31.0 | 24.4 | -    | -    |  |  |
|                        | 67      | 57.8                                 | 2.8                           | 54.5                    | 47.9 | 41.4 | 34.8 | 28.2 | -    | 53.9                              | 3.1                           | 52.0                    | 45.4 | 38.8 | 32.2 | 25.6 | -    |  |  |
|                        | 62      | 54.3                                 | 2.8                           | 54.3                    | 54.3 | 49.6 | 43.0 | 36.4 | 29.8 | 48.7                              | 3.1                           | 48.7                    | 48.7 | 47.1 | 40.5 | 33.9 | 27.4 |  |  |
| 1000                   | 77      | 78.8                                 | 2.9                           | 35.8                    | 29.9 | 24.1 | -    | -    | -    | 69.2                              | 3.2                           | 33.1                    | 27.3 | 21.5 | -    | -    | -    |  |  |
|                        | 72      | 68.4                                 | 2.9                           | 43.0                    | 37.2 | 31.4 | 25.5 | -    | -    | 60.9                              | 3.2                           | 40.4                    | 34.5 | 28.7 | 22.9 | -    | -    |  |  |
|                        | 67      | 58.0                                 | 2.8                           | 50.3                    | 44.5 | 38.7 | 32.8 | 27.0 | -    | 52.6                              | 3.1                           | 47.6                    | 41.8 | 36.0 | 30.2 | 24.3 | -    |  |  |
|                        | 62      | 54.4                                 | 2.8                           | 54.4                    | 53.2 | 46.3 | 40.5 | 34.7 | 28.8 | 47.5                              | 3.1                           | 47.5                    | 47.0 | 43.7 | 37.9 | 32.1 | 26.2 |  |  |
| 1200                   | 77      | 78.9                                 | 3.0                           | 32.6                    | 27.5 | 22.4 | -    | -    | -    | 67.5                              | 3.2                           | 29.9                    | 24.8 | 19.8 | -    | -    | -    |  |  |
|                        | 72      | 68.5                                 | 2.9                           | 39.4                    | 34.3 | 29.2 | 24.1 | -    | -    | 59.5                              | 3.2                           | 36.6                    | 31.5 | 26.5 | 21.4 | -    | -    |  |  |
|                        | 67      | 58.2                                 | 2.8                           | 46.2                    | 41.1 | 36.0 | 30.9 | 25.8 | -    | 51.4                              | 3.1                           | 43.2                    | 38.2 | 33.1 | 28.1 | 23.1 | -    |  |  |
|                        | 62      | 54.4                                 | 2.9                           | 54.4                    | 52.2 | 43.1 | 38.0 | 32.9 | 27.8 | 46.4                              | 3.1                           | 46.4                    | 45.3 | 40.3 | 35.2 | 30.2 | 25.1 |  |  |
| 1400                   | 77      | 78.8                                 | 2.9                           | 35.8                    | 29.9 | 24.1 | -    | -    | -    | 69.2                              | 3.2                           | 33.1                    | 27.3 | 21.5 | -    | -    | -    |  |  |
|                        | 72      | 68.4                                 | 2.9                           | 43.0                    | 37.2 | 31.4 | 25.5 | -    | -    | 60.9                              | 3.2                           | 40.4                    | 34.5 | 28.7 | 22.9 | -    | -    |  |  |
|                        | 67      | 58.0                                 | 2.8                           | 50.3                    | 44.5 | 38.7 | 32.8 | 27.0 | -    | 52.6                              | 3.1                           | 47.6                    | 41.8 | 36.0 | 30.2 | 24.3 | -    |  |  |
|                        | 62      | 54.4                                 | 2.8                           | 54.4                    | 53.2 | 46.3 | 40.5 | 34.7 | 28.8 | 47.5                              | 3.1                           | 47.5                    | 47.0 | 43.7 | 37.9 | 32.1 | 26.2 |  |  |
| 1600                   | 77      | 78.7                                 | 2.9                           | 38.9                    | 32.4 | 25.8 | -    | -    | -    | 70.8                              | 3.2                           | 36.4                    | 29.8 | 23.2 | -    | -    | -    |  |  |
|                        | 72      | 68.2                                 | 2.9                           | 46.7                    | 40.1 | 33.6 | 27.0 | -    | -    | 62.3                              | 3.2                           | 44.2                    | 37.6 | 31.0 | 24.4 | -    | -    |  |  |
|                        | 67      | 57.8                                 | 2.8                           | 54.5                    | 47.9 | 41.4 | 34.8 | 28.2 | -    | 53.9                              | 3.1                           | 52.0                    | 45.4 | 38.8 | 32.2 | 25.6 | -    |  |  |
|                        | 62      | 54.3                                 | 2.8                           | 54.3                    | 54.3 | 49.6 | 43.0 | 36.4 | 29.8 | 48.7                              | 3.1                           | 48.7                    | 48.7 | 47.1 | 40.5 | 33.9 | 27.4 |  |  |
| 1800                   | 77      | 78.7                                 | 2.9                           | 38.9                    | 32.4 | 25.8 | -    | -    | -    | 70.8                              | 3.2                           | 36.4                    | 29.8 | 23.2 | -    | -    | -    |  |  |
|                        | 72      | 68.2                                 | 2.9                           | 46.7                    | 40.1 | 33.6 | 27.0 | -    | -    | 62.3                              | 3.2                           | 44.2                    | 37.6 | 31.0 | 24.4 | -    | -    |  |  |
|                        | 67      | 57.8                                 | 2.8                           | 54.5                    | 47.9 | 41.4 | 34.8 | 28.2 | -    | 53.9                              | 3.1                           | 52.0                    | 45.4 | 38.8 | 32.2 | 25.6 | -    |  |  |
|                        | 62      | 54.3                                 | 2.8                           | 54.3                    | 54.3 | 49.6 | 43.0 | 36.4 | 29.8 | 48.7                              | 3.1                           | 48.7                    | 48.7 | 47.1 | 40.5 | 33.9 | 27.4 |  |  |
| 2000                   | 77      | 78.7                                 | 2.9                           | 38.9                    | 32.4 | 25.8 | -    | -    | -    | 70.8                              | 3.2                           | 36.4                    | 29.8 | 23.2 | -    | -    | -    |  |  |
|                        | 72      | 68.2                                 | 2.9                           | 46.7                    | 40.1 | 33.6 | 27.0 | -    | -    | 62.3                              | 3.2                           | 44.2                    | 37.6 | 31.0 | 24.4 | -    | -    |  |  |
|                        | 67      | 57.8                                 | 2.8                           | 54.5                    | 47.9 | 41.4 | 34.8 | 28.2 | -    | 53.9                              | 3.1                           | 52.0                    | 45.4 | 38.8 | 32.2 | 25.6 | -    |  |  |
|                        | 62      | 54.3                                 | 2.8                           | 54.3                    | 54.3 | 49.6 | 43.0 | 36.4 | 29.8 | 48.7                              | 3.1                           | 48.7                    | 48.7 | 47.1 | 40.5 | 33.9 | 27.4 |  |  |
| 1000                   | 77      | 78.8</                               |                               |                         |      |      |      |      |      |                                   |                               |                         |      |      |      |      |      |  |  |

## JA4ZJ (4.0 Ton) (Continued)

| Air on Evaporator Coil |         | Temperature of Air on Condenser Coil |                               |                         |      |      |      |      |      |                                   |                               |                         |      |      |      |      |      |
|------------------------|---------|--------------------------------------|-------------------------------|-------------------------|------|------|------|------|------|-----------------------------------|-------------------------------|-------------------------|------|------|------|------|------|
| CFM                    | WB (°F) | Total Capacity <sup>1</sup> (MBh)    | Total Input (kW) <sup>2</sup> | Sensible Capacity (MBh) |      |      |      |      |      | Total Capacity <sup>1</sup> (MBh) | Total Input (kW) <sup>2</sup> | Sensible Capacity (MBh) |      |      |      |      |      |
|                        |         |                                      |                               | Return Dry Bulb (°F)    |      |      |      |      |      |                                   |                               | Return Dry Bulb (°F)    |      |      |      |      |      |
|                        |         |                                      |                               | 90                      | 85   | 80   | 75   | 70   | 65   |                                   |                               | 90                      | 85   | 80   | 75   | 70   | 65   |
|                        |         |                                      |                               | <b>115°F</b>            |      |      |      |      |      | <b>125°F</b>                      |                               |                         |      |      |      |      |      |
| 1000                   | 77      | 45.4                                 | 4.2                           | 14.8                    | 14.2 | 10.4 | -    | -    | -    | 41.7                              | 4.6                           | 12.4                    | 9.6  | 7.9  | -    | -    | -    |
|                        | 72      | 39.8                                 | 4.1                           | 24.2                    | 20.2 | 16.3 | 12.3 | -    | -    | 36.1                              | 4.4                           | 21.4                    | 17.5 | 13.6 | 9.8  | -    | -    |
|                        | 67      | 34.3                                 | 4.0                           | 33.7                    | 26.3 | 22.1 | 18.1 | 14.1 | -    | 30.5                              | 4.3                           | 30.5                    | 23.8 | 19.4 | 15.5 | 11.6 | -    |
|                        | 62      | 31.6                                 | 3.9                           | 31.6                    | 31.6 | 26.1 | 22.1 | 18.1 | 14.2 | 29.4                              | 4.2                           | 29.4                    | 29.4 | 22.3 | 18.4 | 14.5 | 10.6 |
| 1200                   | 77      | 46.9                                 | 4.3                           | 21.7                    | 16.8 | 11.9 | -    | -    | -    | 42.3                              | 4.6                           | 20.6                    | 14.1 | 9.3  | -    | -    | -    |
|                        | 72      | 41.2                                 | 4.1                           | 28.4                    | 23.5 | 18.6 | 13.7 | -    | -    | 36.6                              | 4.5                           | 25.7                    | 20.9 | 16.0 | 11.1 | -    | -    |
|                        | 67      | 35.5                                 | 4.0                           | 35.1                    | 30.1 | 25.2 | 20.3 | 15.4 | -    | 30.9                              | 4.3                           | 30.9                    | 27.6 | 22.7 | 17.8 | 12.9 | -    |
|                        | 62      | 32.7                                 | 3.9                           | 32.7                    | 32.7 | 29.8 | 24.9 | 20.0 | 15.1 | 29.9                              | 4.2                           | 29.9                    | 29.9 | 26.0 | 21.1 | 16.3 | 11.4 |
|                        | 57      | 32.6                                 | 3.9                           | 32.6                    | 32.6 | 29.6 | 24.7 | 19.8 | 14.9 | 30.0                              | 4.2                           | 30.0                    | 30.0 | 26.0 | 21.1 | 16.2 | 11.3 |
| 1400                   | 77      | 48.5                                 | 4.3                           | 28.7                    | 19.5 | 13.4 | -    | -    | -    | 43.0                              | 4.7                           | 28.8                    | 18.7 | 10.7 | -    | -    | -    |
|                        | 72      | 42.6                                 | 4.2                           | 32.6                    | 26.7 | 20.9 | 15.0 | -    | -    | 37.1                              | 4.5                           | 30.1                    | 24.2 | 18.3 | 12.4 | -    | -    |
|                        | 67      | 36.7                                 | 4.1                           | 36.4                    | 34.0 | 28.4 | 22.5 | 16.7 | -    | 31.3                              | 4.3                           | 31.3                    | 31.3 | 25.9 | 20.0 | 14.1 | -    |
|                        | 62      | 33.8                                 | 4.0                           | 33.8                    | 33.8 | 33.5 | 27.7 | 21.8 | 16.0 | 30.3                              | 4.3                           | 30.3                    | 30.3 | 29.8 | 23.9 | 18.0 | 12.1 |
|                        | 57      | 33.7                                 | 4.0                           | 33.7                    | 33.7 | 33.3 | 27.4 | 21.6 | 15.7 | 30.5                              | 4.3                           | 30.5                    | 30.5 | 29.7 | 23.9 | 18.0 | 12.1 |
| 1600                   | 77      | 50.1                                 | 4.3                           | 35.7                    | 22.1 | 14.9 | -    | -    | -    | 43.6                              | 4.7                           | 37.0                    | 23.2 | 12.0 | -    | -    | -    |
|                        | 72      | 43.9                                 | 4.2                           | 36.8                    | 30.0 | 23.2 | 16.4 | -    | -    | 37.7                              | 4.5                           | 34.4                    | 27.5 | 20.6 | 13.7 | -    | -    |
|                        | 67      | 37.8                                 | 4.1                           | 37.8                    | 37.8 | 31.5 | 24.7 | 17.9 | -    | 31.8                              | 4.4                           | 31.8                    | 31.8 | 29.2 | 22.3 | 15.4 | -    |
|                        | 62      | 34.9                                 | 4.0                           | 34.9                    | 34.9 | 37.3 | 30.5 | 23.7 | 16.9 | 30.8                              | 4.3                           | 30.8                    | 30.8 | 30.8 | 26.7 | 19.8 | 12.9 |
|                        | 57      | 34.8                                 | 4.0                           | 34.8                    | 34.8 | 37.0 | 30.2 | 23.4 | 16.6 | 31.0                              | 4.3                           | 31.0                    | 31.0 | 31.0 | 26.6 | 19.7 | 12.8 |
| 1800                   | 72      | 43.2                                 | 4.2                           | 39.6                    | 32.5 | 25.0 | 17.4 | -    | -    | 36.5                              | 4.6                           | 36.5                    | 29.9 | 22.3 | 14.7 | -    | -    |
|                        | 67      | 37.2                                 | 4.1                           | 37.2                    | 37.2 | 33.9 | 26.4 | 18.9 | -    | 30.7                              | 4.4                           | 30.7                    | 30.7 | 30.7 | 23.9 | 16.3 | -    |
|                        | 62      | 34.3                                 | 4.0                           | 34.3                    | 34.3 | 35.5 | 27.9 | 20.4 | 12.9 | 29.9                              | 4.3                           | 29.9                    | 29.9 | 29.9 | 23.6 | 15.9 | 8.3  |
|                        | 57      | 34.2                                 | 4.0                           | 34.2                    | 34.2 | 35.3 | 27.8 | 20.2 | 12.7 | 30.1                              | 4.3                           | 30.1                    | 30.1 | 30.1 | 23.7 | 16.0 | 8.4  |
| 2000                   | 72      | 42.4                                 | 4.3                           | 42.4                    | 35.0 | 26.7 | 18.5 | -    | -    | 35.2                              | 4.6                           | 35.2                    | 32.4 | 24.0 | 15.6 | -    | -    |
|                        | 67      | 36.5                                 | 4.1                           | 36.5                    | 36.5 | 36.3 | 28.1 | 19.8 | -    | 29.7                              | 4.4                           | 29.7                    | 29.7 | 29.7 | 25.5 | 17.1 | -    |
|                        | 62      | 33.7                                 | 4.0                           | 33.7                    | 33.7 | 33.7 | 25.4 | 17.2 | 8.9  | 28.9                              | 4.4                           | 28.9                    | 28.9 | 28.9 | 20.5 | 12.1 | 3.7  |
|                        | 57      | 33.6                                 | 4.0                           | 33.6                    | 33.6 | 33.6 | 25.3 | 17.0 | 8.8  | 29.1                              | 4.4                           | 29.1                    | 29.1 | 29.1 | 20.7 | 12.3 | 3.9  |

1. These capacities are gross ratings. For net capacity, deduct air blower motor, MBh = 3.415 x kW. Refer to the appropriate Blower Performance Table for the kW of the supply air blower motor.
2. These ratings include the condenser fan motors (total 1 kW) and the compressor motors but not the supply air blower motor.

**JA5ZJ (5.0 Ton)**

| Air on Evaporator Coil |         | Temperature of Air on Condenser Coil |                               |                         |      |      |      |      |      |                                   |                               |                         |      |      |      |      |      |  |  |
|------------------------|---------|--------------------------------------|-------------------------------|-------------------------|------|------|------|------|------|-----------------------------------|-------------------------------|-------------------------|------|------|------|------|------|--|--|
| CFM                    | WB (°F) | Total Capacity <sup>1</sup> (MBh)    | Total Input (kW) <sup>2</sup> | Sensible Capacity (MBh) |      |      |      |      |      | Total Capacity <sup>1</sup> (MBh) | Total Input (kW) <sup>2</sup> | Sensible Capacity (MBh) |      |      |      |      |      |  |  |
|                        |         |                                      |                               | Return Dry Bulb (°F)    |      |      |      |      |      |                                   |                               | Return Dry Bulb (°F)    |      |      |      |      |      |  |  |
|                        |         |                                      |                               | 90                      | 85   | 80   | 75   | 70   | 65   |                                   |                               | 90                      | 85   | 80   | 75   | 70   | 65   |  |  |
|                        |         |                                      |                               | <b>75°F</b>             |      |      |      |      |      | <b>85°F</b>                       |                               |                         |      |      |      |      |      |  |  |
| 1250                   | 77      | 79.8                                 | 3.1                           | 35.0                    | 28.5 | 22.5 | -    | -    | -    | 74.2                              | 3.6                           | 32.0                    | 26.2 | 20.4 | -    | -    | -    |  |  |
|                        | 72      | 72.2                                 | 3.1                           | 42.9                    | 36.9 | 30.9 | 24.9 | -    | -    | 67.2                              | 3.6                           | 40.3                    | 34.4 | 28.6 | 22.8 | -    | -    |  |  |
|                        | 67      | 64.6                                 | 3.2                           | 50.8                    | 45.3 | 39.3 | 33.2 | 27.2 | -    | 60.1                              | 3.6                           | 48.5                    | 42.7 | 36.9 | 31.1 | 25.3 | -    |  |  |
|                        | 62      | 57.1                                 | 3.1                           | 57.1                    | 57.1 | 47.4 | 41.4 | 35.4 | 29.4 | 53.6                              | 3.5                           | 53.6                    | 53.6 | 44.7 | 38.9 | 33.0 | 27.2 |  |  |
| 1500                   | 77      | 83.4                                 | 3.1                           | 38.6                    | 31.7 | 24.8 | -    | -    | -    | 77.3                              | 3.6                           | 36.0                    | 29.3 | 22.5 | -    | -    | -    |  |  |
|                        | 72      | 75.5                                 | 3.2                           | 47.8                    | 40.9 | 34.0 | 27.1 | -    | -    | 70.0                              | 3.6                           | 45.1                    | 38.4 | 31.6 | 24.9 | -    | -    |  |  |
|                        | 67      | 67.5                                 | 3.2                           | 57.1                    | 50.1 | 43.2 | 36.3 | 29.3 | -    | 62.7                              | 3.6                           | 54.3                    | 47.5 | 40.8 | 34.0 | 27.3 | -    |  |  |
|                        | 62      | 59.7                                 | 3.1                           | 59.7                    | 59.7 | 52.2 | 45.2 | 38.3 | 31.4 | 55.9                              | 3.5                           | 55.9                    | 55.9 | 49.4 | 42.6 | 35.9 | 29.1 |  |  |
| 1750                   | 77      | 87.0                                 | 3.2                           | 42.3                    | 34.9 | 27.0 | -    | -    | -    | 80.4                              | 3.7                           | 40.0                    | 32.3 | 24.7 | -    | -    | -    |  |  |
|                        | 72      | 78.8                                 | 3.2                           | 52.8                    | 44.9 | 37.1 | 29.2 | -    | -    | 72.8                              | 3.7                           | 50.0                    | 42.3 | 34.7 | 27.0 | -    | -    |  |  |
|                        | 67      | 70.5                                 | 3.2                           | 63.3                    | 55.0 | 47.1 | 39.3 | 31.4 | -    | 65.2                              | 3.6                           | 60.0                    | 52.3 | 44.7 | 37.0 | 29.3 | -    |  |  |
|                        | 62      | 62.4                                 | 3.1                           | 62.3                    | 62.3 | 56.9 | 49.1 | 41.2 | 33.4 | 58.1                              | 3.6                           | 58.1                    | 58.1 | 54.1 | 46.4 | 38.7 | 31.0 |  |  |
| 2000                   | 77      | 90.6                                 | 3.2                           | 45.9                    | 38.0 | 29.3 | -    | -    | -    | 83.5                              | 3.7                           | 44.0                    | 35.4 | 26.8 | -    | -    | -    |  |  |
|                        | 72      | 82.0                                 | 3.2                           | 57.7                    | 48.9 | 40.2 | 31.4 | -    | -    | 75.6                              | 3.7                           | 54.9                    | 46.3 | 37.7 | 29.1 | -    | -    |  |  |
|                        | 67      | 73.4                                 | 3.2                           | 69.5                    | 59.8 | 51.1 | 42.3 | 33.6 | -    | 67.7                              | 3.7                           | 65.7                    | 57.1 | 48.5 | 39.9 | 31.3 | -    |  |  |
|                        | 62      | 64.9                                 | 3.2                           | 64.9                    | 64.9 | 61.7 | 52.9 | 44.2 | 35.4 | 60.4                              | 3.6                           | 60.4                    | 60.4 | 58.8 | 50.2 | 41.5 | 32.9 |  |  |
| 2250                   | 72      | 84.2                                 | 3.2                           | 62.2                    | 52.6 | 43.0 | 33.4 | -    | -    | 77.4                              | 3.7                           | 59.3                    | 49.9 | 40.4 | 30.9 | -    | -    |  |  |
|                        | 67      | 75.4                                 | 3.2                           | 73.4                    | 64.3 | 54.7 | 45.1 | 35.5 | -    | 69.3                              | 3.7                           | 68.3                    | 61.5 | 52.0 | 42.6 | 33.1 | -    |  |  |
|                        | 62      | 66.6                                 | 3.2                           | 66.6                    | 66.6 | 65.0 | 55.4 | 45.8 | 36.2 | 61.8                              | 3.6                           | 61.8                    | 61.8 | 61.0 | 51.5 | 42.1 | 32.6 |  |  |
|                        | 57      | 66.8                                 | 3.2                           | 66.8                    | 66.8 | 67.3 | 57.7 | 48.1 | 38.5 | 60.7                              | 3.6                           | 60.7                    | 60.7 | 61.0 | 51.5 | 42.1 | 32.6 |  |  |
| 2500                   | 72      | 86.4                                 | 3.2                           | 66.8                    | 56.3 | 45.9 | 35.5 | -    | -    | 79.2                              | 3.7                           | 63.7                    | 53.4 | 43.1 | 32.8 | -    | -    |  |  |
|                        | 67      | 77.3                                 | 3.2                           | 77.3                    | 68.8 | 58.3 | 47.9 | 37.5 | -    | 70.9                              | 3.7                           | 70.9                    | 65.9 | 55.6 | 45.2 | 34.9 | -    |  |  |
|                        | 62      | 68.4                                 | 3.2                           | 68.4                    | 68.4 | 68.4 | 57.9 | 47.5 | 37.1 | 63.2                              | 3.6                           | 63.2                    | 63.2 | 63.2 | 52.9 | 42.6 | 32.3 |  |  |
|                        | 57      | 68.5                                 | 3.2                           | 68.5                    | 68.5 | 68.5 | 58.1 | 47.6 | 37.2 | 62.1                              | 3.6                           | 62.1                    | 62.1 | 62.1 | 51.8 | 41.5 | 31.1 |  |  |
|                        |         |                                      |                               | <b>95°F</b>             |      |      |      |      |      | <b>105°F</b>                      |                               |                         |      |      |      |      |      |  |  |
| 1250                   | 77      | 68.5                                 | 4.1                           | 29.0                    | 23.9 | 18.2 | -    | -    | -    | 63.5                              | 4.5                           | 25.6                    | 22.1 | 16.6 | -    | -    | -    |  |  |
|                        | 72      | 62.1                                 | 4.1                           | 37.6                    | 32.0 | 26.4 | 20.8 | -    | -    | 57.3                              | 4.4                           | 35.7                    | 30.1 | 24.6 | 19.1 | -    | -    |  |  |
|                        | 67      | 55.7                                 | 4.0                           | 46.2                    | 40.1 | 34.5 | 28.9 | 23.3 | -    | 51.0                              | 4.4                           | 45.7                    | 38.1 | 32.6 | 27.1 | 21.5 | -    |  |  |
|                        | 62      | 50.1                                 | 4.0                           | 50.1                    | 50.1 | 41.9 | 36.3 | 30.7 | 25.1 | 46.7                              | 4.3                           | 46.7                    | 46.7 | 38.4 | 32.8 | 27.3 | 21.8 |  |  |
| 1500                   | 77      | 71.1                                 | 4.1                           | 33.4                    | 26.8 | 20.3 | -    | -    | -    | 65.8                              | 4.5                           | 31.5                    | 25.0 | 18.5 | -    | -    | -    |  |  |
|                        | 72      | 64.5                                 | 4.1                           | 42.4                    | 35.9 | 29.3 | 22.7 | -    | -    | 59.3                              | 4.5                           | 40.4                    | 33.9 | 27.4 | 20.9 | -    | -    |  |  |
|                        | 67      | 57.8                                 | 4.1                           | 51.5                    | 44.9 | 38.3 | 31.8 | 25.2 | -    | 52.8                              | 4.4                           | 49.3                    | 42.8 | 36.3 | 29.8 | 23.3 | -    |  |  |
|                        | 62      | 52.0                                 | 4.0                           | 52.0                    | 52.0 | 46.6 | 40.0 | 33.4 | 26.9 | 48.4                              | 4.3                           | 48.4                    | 48.4 | 42.7 | 36.2 | 29.7 | 23.2 |  |  |
| 1750                   | 77      | 73.7                                 | 4.2                           | 37.8                    | 29.8 | 22.3 | -    | -    | -    | 68.1                              | 4.6                           | 37.3                    | 27.8 | 20.4 | -    | -    | -    |  |  |
|                        | 72      | 66.8                                 | 4.1                           | 47.3                    | 39.7 | 32.2 | 24.7 | -    | -    | 61.4                              | 4.5                           | 45.1                    | 37.7 | 30.2 | 22.7 | -    | -    |  |  |
|                        | 67      | 59.9                                 | 4.1                           | 56.7                    | 49.7 | 42.2 | 34.7 | 27.2 | -    | 54.7                              | 4.5                           | 52.9                    | 47.5 | 40.0 | 32.5 | 25.1 | -    |  |  |
|                        | 62      | 53.9                                 | 4.0                           | 53.9                    | 53.9 | 51.2 | 43.7 | 36.2 | 28.7 | 50.1                              | 4.4                           | 50.1                    | 50.1 | 47.1 | 39.6 | 32.1 | 24.7 |  |  |
| 2000                   | 77      | 76.3                                 | 4.2                           | 42.2                    | 32.8 | 24.3 | -    | -    | -    | 70.4                              | 4.6                           | 43.1                    | 30.7 | 22.3 | -    | -    | -    |  |  |
|                        | 72      | 69.2                                 | 4.1                           | 52.1                    | 43.6 | 35.2 | 26.7 | -    | -    | 63.5                              | 4.5                           | 49.8                    | 41.4 | 33.0 | 24.6 | -    | -    |  |  |
|                        | 67      | 62.0                                 | 4.1                           | 62.0                    | 54.5 | 46.0 | 37.5 | 29.1 | -    | 56.5                              | 4.5                           | 56.5                    | 52.1 | 43.7 | 35.3 | 26.9 | -    |  |  |
|                        | 62      | 55.8                                 | 4.0                           | 55.8                    | 55.8 | 55.9 | 47.4 | 38.9 | 30.5 | 51.8                              | 4.4                           | 51.8                    | 51.8 | 51.4 | 43.0 | 34.6 | 26.2 |  |  |
| 2250                   | 72      | 70.6                                 | 4.2                           | 56.4                    | 47.1 | 37.7 | 28.4 | -    | -    | 64.6                              | 4.6                           | 54.1                    | 44.8 | 35.5 | 26.2 | -    | -    |  |  |
|                        | 67      | 63.3                                 | 4.1                           | 63.3                    | 58.7 | 49.4 | 40.1 | 30.7 | -    | 57.6                              | 4.5                           | 57.6                    | 55.0 | 47.0 | 37.8 | 28.5 | -    |  |  |
|                        | 62      | 57.0                                 | 4.0                           | 57.0                    | 57.0 | 57.0 | 47.7 | 38.3 | 29.0 | 52.8                              | 4.4                           | 52.8                    | 52.8 | 52.6 | 43.3 | 34.0 | 24.7 |  |  |
|                        | 57      | 54.5                                 | 4.0                           | 54.5                    | 54.5 | 54.7 | 45.4 | 36.0 | 26.7 | 50.6                              | 4.4                           | 50.6                    | 50.6 | 50.8 | 41.6 | 32.3 | 23.0 |  |  |
| 2500                   | 72      | 72.0                                 | 4.2                           | 60.7                    | 50.5 | 40.3 | 30.1 | -    | -    | 65.8                              | 4.6                           | 58.3                    | 48.2 | 38.0 | 27.9 | -    | -    |  |  |
|                        | 67      | 64.6                                 | 4.1                           | 64.6                    | 63.0 | 52.8 | 42.6 | 32.4 | -    | 58.6                              | 4.5                           | 58.6                    | 57.8 | 50.4 | 40.2 | 30.1 | -    |  |  |
|                        | 62      | 58.1                                 | 4.0                           | 58.1                    | 58.1 | 58.1 | 48.0 | 37.8 | 27.6 | 53.7                              | 4.4                           | 53.7                    | 53.7 | 53.7 | 43.6 | 33.4 | 23.3 |  |  |
|                        | 57      | 55.7                                 | 4.0                           | 55.7                    | 55.7 | 55.7 | 45.5 | 35.3 | 25.1 | 51.5                              | 4.4                           | 51.5                    | 51.5 | 51.5 | 41.4 | 31.2 | 21.1 |  |  |



## JA5ZJ (5.0 Ton) (Continued)

| Air on Evaporator Coil |         | Temperature of Air on Condenser Coil |                               |                         |      |      |      |      |      |                                   |                               |                         |      |      |      |      |      |
|------------------------|---------|--------------------------------------|-------------------------------|-------------------------|------|------|------|------|------|-----------------------------------|-------------------------------|-------------------------|------|------|------|------|------|
| CFM                    | WB (°F) | Total Capacity <sup>1</sup> (MBh)    | Total Input (kW) <sup>2</sup> | Sensible Capacity (MBh) |      |      |      |      |      | Total Capacity <sup>1</sup> (MBh) | Total Input (kW) <sup>2</sup> | Sensible Capacity (MBh) |      |      |      |      |      |
|                        |         |                                      |                               | Return Dry Bulb (°F)    |      |      |      |      |      |                                   |                               | Return Dry Bulb (°F)    |      |      |      |      |      |
|                        |         |                                      |                               | 90                      | 85   | 80   | 75   | 70   | 65   |                                   |                               | 90                      | 85   | 80   | 75   | 70   | 65   |
|                        |         |                                      |                               | <b>115°F</b>            |      |      |      |      |      | <b>125°F</b>                      |                               |                         |      |      |      |      |      |
| 1250                   | 77      | 58.5                                 | 4.9                           | 22.3                    | 20.4 | 14.9 | -    | -    | -    | 53.4                              | 5.3                           | 21.9                    | 17.7 | 13.3 | -    | -    | -    |
|                        | 72      | 52.4                                 | 4.8                           | 33.7                    | 28.3 | 22.8 | 17.4 | -    | -    | 47.6                              | 5.2                           | 31.8                    | 26.4 | 21.0 | 15.6 | -    | -    |
|                        | 67      | 46.3                                 | 4.7                           | 45.1                    | 36.1 | 30.7 | 25.2 | 19.8 | -    | 41.7                              | 5.1                           | 41.7                    | 34.1 | 28.7 | 23.4 | 18.0 | -    |
|                        | 62      | 43.3                                 | 4.7                           | 43.3                    | 43.3 | 34.8 | 29.3 | 23.9 | 18.4 | 40.0                              | 5.0                           | 40.0                    | 40.0 | 31.2 | 25.8 | 20.5 | 15.1 |
| 1500                   | 77      | 60.5                                 | 4.9                           | 29.6                    | 23.1 | 16.7 | -    | -    | -    | 55.1                              | 5.3                           | 29.6                    | 21.3 | 14.9 | -    | -    | -    |
|                        | 72      | 54.2                                 | 4.9                           | 38.3                    | 31.9 | 25.5 | 19.0 | -    | -    | 49.1                              | 5.3                           | 36.3                    | 29.9 | 23.6 | 17.2 | -    | -    |
|                        | 67      | 47.9                                 | 4.8                           | 47.1                    | 40.7 | 34.3 | 27.8 | 21.4 | -    | 43.0                              | 5.2                           | 43.0                    | 38.6 | 32.2 | 25.8 | 19.5 | -    |
|                        | 62      | 44.8                                 | 4.7                           | 44.8                    | 44.8 | 38.9 | 32.4 | 26.0 | 19.6 | 41.2                              | 5.1                           | 41.2                    | 41.2 | 35.0 | 28.6 | 22.3 | 15.9 |
|                        | 57      | 43.1                                 | 4.7                           | 43.1                    | 43.1 | 38.5 | 32.1 | 25.7 | 19.2 | 39.7                              | 5.1                           | 39.7                    | 39.7 | 35.4 | 29.0 | 22.6 | 16.3 |
| 1750                   | 77      | 62.5                                 | 5.0                           | 36.8                    | 25.9 | 18.4 | -    | -    | -    | 56.8                              | 5.4                           | 37.4                    | 24.8 | 16.5 | -    | -    | -    |
|                        | 72      | 56.0                                 | 4.9                           | 43.0                    | 35.6 | 28.1 | 20.7 | -    | -    | 50.6                              | 5.3                           | 40.8                    | 33.5 | 26.1 | 18.7 | -    | -    |
|                        | 67      | 49.5                                 | 4.8                           | 49.1                    | 45.3 | 37.8 | 30.4 | 23.0 | -    | 44.3                              | 5.2                           | 44.3                    | 43.0 | 35.7 | 28.3 | 20.9 | -    |
|                        | 62      | 46.3                                 | 4.7                           | 46.3                    | 46.3 | 42.9 | 35.5 | 28.1 | 20.7 | 42.5                              | 5.1                           | 42.5                    | 42.5 | 38.8 | 31.4 | 24.1 | 16.7 |
|                        | 57      | 44.5                                 | 4.7                           | 44.5                    | 44.5 | 42.6 | 35.1 | 27.7 | 20.3 | 40.9                              | 5.1                           | 40.9                    | 40.9 | 39.2 | 31.8 | 24.5 | 17.1 |
| 2000                   | 77      | 64.5                                 | 5.0                           | 44.1                    | 28.6 | 20.2 | -    | -    | -    | 58.5                              | 5.5                           | 45.1                    | 28.4 | 18.1 | -    | -    | -    |
|                        | 72      | 57.8                                 | 5.0                           | 47.6                    | 39.2 | 30.8 | 22.4 | -    | -    | 52.1                              | 5.4                           | 45.4                    | 37.0 | 28.6 | 20.3 | -    | -    |
|                        | 67      | 51.1                                 | 4.9                           | 51.1                    | 49.8 | 41.4 | 33.0 | 24.6 | -    | 45.6                              | 5.3                           | 45.6                    | 45.6 | 39.2 | 30.8 | 22.4 | -    |
|                        | 62      | 47.8                                 | 4.8                           | 47.8                    | 47.8 | 47.0 | 38.6 | 30.2 | 21.8 | 43.8                              | 5.2                           | 43.8                    | 43.8 | 42.6 | 34.2 | 25.9 | 17.5 |
|                        | 57      | 45.9                                 | 4.8                           | 45.9                    | 45.9 | 46.6 | 38.2 | 29.8 | 21.4 | 42.2                              | 5.2                           | 42.2                    | 42.2 | 42.2 | 34.7 | 26.3 | 17.9 |
| 2250                   | 72      | 58.7                                 | 5.0                           | 51.8                    | 42.5 | 33.3 | 24.0 | -    | -    | 52.7                              | 5.4                           | 49.5                    | 40.2 | 31.0 | 21.8 | -    | -    |
|                        | 67      | 51.9                                 | 4.9                           | 51.9                    | 51.3 | 44.7 | 35.5 | 26.2 | -    | 46.2                              | 5.3                           | 46.2                    | 46.2 | 42.4 | 33.1 | 23.9 | -    |
|                        | 62      | 48.6                                 | 4.8                           | 48.6                    | 48.6 | 48.2 | 38.9 | 29.6 | 20.4 | 44.3                              | 5.2                           | 44.3                    | 44.3 | 43.7 | 34.5 | 25.3 | 16.1 |
|                        | 57      | 46.7                                 | 4.8                           | 46.7                    | 46.7 | 47.0 | 37.7 | 28.5 | 19.2 | 42.7                              | 5.2                           | 42.7                    | 42.7 | 42.7 | 33.9 | 24.7 | 15.5 |
| 2500                   | 72      | 59.6                                 | 5.0                           | 55.9                    | 45.8 | 35.7 | 25.6 | -    | -    | 53.4                              | 5.4                           | 53.4                    | 43.4 | 33.4 | 23.3 | -    | -    |
|                        | 67      | 52.7                                 | 4.9                           | 52.7                    | 52.7 | 48.0 | 37.9 | 27.7 | -    | 46.8                              | 5.3                           | 46.8                    | 46.8 | 45.6 | 35.5 | 25.4 | -    |
|                        | 62      | 49.3                                 | 4.8                           | 49.3                    | 49.3 | 49.3 | 39.2 | 29.1 | 19.0 | 44.9                              | 5.2                           | 44.9                    | 44.9 | 44.9 | 34.8 | 24.7 | 14.6 |
|                        | 57      | 47.4                                 | 4.8                           | 47.4                    | 47.4 | 47.4 | 37.3 | 27.1 | 17.0 | 43.3                              | 5.2                           | 43.3                    | 43.3 | 43.3 | 33.2 | 23.1 | 13.0 |

1. These capacities are gross ratings. For net capacity, deduct air blower motor, MBh = 3.415 x kW. Refer to the appropriate Blower Performance Table for the kW of the supply air blower motor.
2. These ratings include the condenser fan motors (total 1 kW) and the compressor motors but not the supply air blower motor.

**J06ZJ (6.5 Ton)**

| Air on Evaporator Coil |         | Temperature of Air on Condenser Coil |                               |                         |      |      |      |      |      |                                   |                               |                         |      |      |      |      |      |
|------------------------|---------|--------------------------------------|-------------------------------|-------------------------|------|------|------|------|------|-----------------------------------|-------------------------------|-------------------------|------|------|------|------|------|
| CFM                    | WB (°F) | Total Capacity <sup>1</sup> (MBh)    | Total Input (kW) <sup>2</sup> | Sensible Capacity (MBh) |      |      |      |      |      | Total Capacity <sup>1</sup> (MBh) | Total Input (kW) <sup>2</sup> | Sensible Capacity (MBh) |      |      |      |      |      |
|                        |         |                                      |                               | Return Dry Bulb (°F)    |      |      |      |      |      |                                   |                               | Return Dry Bulb (°F)    |      |      |      |      |      |
|                        |         |                                      |                               | 90                      | 85   | 80   | 75   | 70   | 65   |                                   |                               | 90                      | 85   | 80   | 75   | 70   | 65   |
|                        |         |                                      |                               | <b>75°F</b>             |      |      |      |      |      | <b>85°F</b>                       |                               |                         |      |      |      |      |      |
| 1625                   | 77      | 106.7                                | 4.6                           | 46.4                    | 38.6 | 31.0 | -    | -    | -    | 98.2                              | 5.1                           | 42.4                    | 35.0 | 27.6 | -    | -    | -    |
|                        | 72      | 97.0                                 | 4.5                           | 57.0                    | 49.4 | 41.7 | 34.1 | -    | -    | 89.3                              | 5.0                           | 53.2                    | 45.8 | 38.4 | 31.0 | -    | -    |
|                        | 67      | 87.2                                 | 4.5                           | 67.6                    | 60.1 | 52.4 | 44.8 | 37.2 | -    | 80.3                              | 5.0                           | 63.9                    | 56.5 | 49.1 | 41.7 | 34.3 | -    |
|                        | 62      | 78.3                                 | 4.6                           | 78.3                    | 71.0 | 62.1 | 54.4 | 46.8 | 39.1 | 72.1                              | 5.0                           | 72.1                    | 67.6 | 57.7 | 50.3 | 42.9 | 35.5 |
| 1950                   | 77      | 109.7                                | 4.6                           | 50.9                    | 42.2 | 33.4 | -    | -    | -    | 101.0                             | 5.1                           | 47.1                    | 38.5 | 30.0 | -    | -    | -    |
|                        | 72      | 99.7                                 | 4.6                           | 62.4                    | 53.7 | 45.0 | 36.2 | -    | -    | 91.8                              | 5.1                           | 58.7                    | 50.2 | 41.7 | 33.2 | -    | -    |
|                        | 67      | 89.6                                 | 4.5                           | 73.9                    | 65.2 | 56.5 | 47.8 | 39.1 | -    | 82.6                              | 5.0                           | 70.4                    | 61.9 | 53.3 | 44.8 | 36.3 | -    |
|                        | 62      | 80.4                                 | 4.6                           | 80.4                    | 75.6 | 66.9 | 58.1 | 49.4 | 40.7 | 74.1                              | 5.0                           | 74.1                    | 71.1 | 62.6 | 54.1 | 45.6 | 37.1 |
| 2275                   | 77      | 112.6                                | 4.6                           | 55.3                    | 45.7 | 35.9 | -    | -    | -    | 103.8                             | 5.1                           | 51.7                    | 42.0 | 32.4 | -    | -    | -    |
|                        | 72      | 102.3                                | 4.6                           | 67.8                    | 58.0 | 48.2 | 38.4 | -    | -    | 94.4                              | 5.1                           | 64.2                    | 54.6 | 45.0 | 35.4 | -    | -    |
|                        | 67      | 92.1                                 | 4.5                           | 80.3                    | 70.4 | 60.6 | 50.8 | 41.0 | -    | 84.9                              | 5.0                           | 76.8                    | 67.2 | 57.6 | 47.9 | 38.3 | -    |
|                        | 62      | 82.6                                 | 4.6                           | 82.6                    | 80.2 | 71.7 | 61.9 | 52.1 | 42.3 | 76.2                              | 5.0                           | 76.2                    | 74.7 | 67.6 | 58.0 | 48.3 | 38.7 |
| 2600                   | 77      | 115.6                                | 4.6                           | 59.8                    | 49.2 | 38.3 | -    | -    | -    | 106.6                             | 5.2                           | 56.3                    | 45.5 | 34.8 | -    | -    | -    |
|                        | 72      | 105.0                                | 4.6                           | 73.2                    | 62.3 | 51.4 | 40.6 | -    | -    | 96.9                              | 5.1                           | 69.8                    | 59.0 | 48.3 | 37.6 | -    | -    |
|                        | 67      | 94.5                                 | 4.5                           | 86.6                    | 75.5 | 64.6 | 53.7 | 42.9 | -    | 87.2                              | 5.1                           | 83.3                    | 72.5 | 61.8 | 51.1 | 40.3 | -    |
|                        | 62      | 84.8                                 | 4.6                           | 84.8                    | 84.8 | 76.5 | 65.6 | 54.7 | 43.8 | 78.2                              | 5.1                           | 78.2                    | 78.2 | 72.6 | 61.8 | 51.1 | 40.3 |
| 2925                   | 77      | 107.5                                | 4.6                           | 78.5                    | 66.6 | 54.8 | 43.0 | -    | -    | 99.1                              | 5.1                           | 74.7                    | 63.0 | 51.4 | 39.7 | -    | -    |
|                        | 72      | 96.7                                 | 4.6                           | 92.7                    | 80.7 | 68.8 | 57.0 | 45.2 | -    | 89.2                              | 5.1                           | 87.2                    | 77.4 | 65.7 | 54.1 | 42.5 | -    |
|                        | 67      | 86.7                                 | 4.6                           | 86.7                    | 86.7 | 82.6 | 70.8 | 58.9 | 47.1 | 80.0                              | 5.1                           | 80.0                    | 80.0 | 77.2 | 65.5 | 53.9 | 42.2 |
|                        | 62      | 89.6                                 | 4.6                           | 89.6                    | 89.6 | 87.0 | 75.2 | 63.3 | 51.5 | 80.1                              | 5.1                           | 80.1                    | 80.1 | 79.7 | 68.1 | 56.4 | 44.8 |
| 3250                   | 77      | 109.9                                | 4.6                           | 83.7                    | 70.9 | 58.2 | 45.4 | -    | -    | 101.3                             | 5.1                           | 79.5                    | 67.0 | 54.5 | 41.9 | -    | -    |
|                        | 72      | 98.8                                 | 4.6                           | 98.8                    | 85.8 | 73.1 | 60.3 | 47.5 | -    | 91.2                              | 5.1                           | 91.2                    | 82.2 | 69.7 | 57.2 | 44.6 | -    |
|                        | 67      | 88.7                                 | 4.6                           | 88.7                    | 88.7 | 88.7 | 75.9 | 63.2 | 50.4 | 81.8                              | 5.1                           | 81.8                    | 81.8 | 81.8 | 69.2 | 56.7 | 44.1 |
|                        | 62      | 91.6                                 | 4.6                           | 91.6                    | 91.6 | 91.6 | 78.9 | 66.1 | 53.3 | 81.9                              | 5.1                           | 81.9                    | 81.9 | 81.9 | 69.3 | 56.8 | 44.3 |
|                        |         |                                      |                               | <b>95°F</b>             |      |      |      |      |      | <b>105°F</b>                      |                               |                         |      |      |      |      |      |
| 1625                   | 77      | 89.6                                 | 5.6                           | 38.5                    | 31.4 | 24.3 | -    | -    | -    | 80.9                              | 6.2                           | 33.0                    | 28.4 | 21.5 | -    | -    | -    |
|                        | 72      | 81.5                                 | 5.5                           | 49.3                    | 42.2 | 35.0 | 27.9 | -    | -    | 73.1                              | 6.1                           | 45.5                    | 38.6 | 31.8 | 25.0 | -    | -    |
|                        | 67      | 73.4                                 | 5.5                           | 60.2                    | 52.9 | 45.8 | 38.6 | 31.5 | -    | 65.3                              | 6.0                           | 57.9                    | 48.9 | 42.1 | 35.2 | 28.4 | -    |
|                        | 62      | 65.8                                 | 5.4                           | 65.8                    | 64.2 | 53.3 | 46.1 | 39.0 | 31.8 | 58.3                              | 5.9                           | 58.3                    | 57.5 | 47.9 | 41.1 | 34.2 | 27.4 |
| 1950                   | 77      | 92.3                                 | 5.6                           | 43.2                    | 34.9 | 26.6 | -    | -    | -    | 83.8                              | 6.2                           | 40.0                    | 31.9 | 23.9 | -    | -    | -    |
|                        | 72      | 84.0                                 | 5.6                           | 55.0                    | 46.7 | 38.4 | 30.1 | -    | -    | 75.7                              | 6.1                           | 51.4                    | 43.3 | 35.3 | 27.2 | -    | -    |
|                        | 67      | 75.6                                 | 5.5                           | 66.8                    | 58.5 | 50.2 | 41.9 | 33.6 | -    | 67.7                              | 6.0                           | 62.8                    | 54.7 | 46.7 | 38.6 | 30.5 | -    |
|                        | 62      | 67.8                                 | 5.5                           | 67.8                    | 66.7 | 58.4 | 50.1 | 41.8 | 33.5 | 60.4                              | 5.9                           | 60.4                    | 59.9 | 53.1 | 45.0 | 37.0 | 28.9 |
| 2275                   | 77      | 95.0                                 | 5.7                           | 48.0                    | 38.4 | 29.0 | -    | -    | -    | 86.7                              | 6.3                           | 46.9                    | 35.5 | 26.2 | -    | -    | -    |
|                        | 72      | 86.4                                 | 5.6                           | 60.7                    | 51.2 | 41.8 | 32.3 | -    | -    | 78.4                              | 6.1                           | 57.2                    | 48.0 | 38.7 | 29.4 | -    | -    |
|                        | 67      | 77.8                                 | 5.5                           | 73.4                    | 64.0 | 54.6 | 45.1 | 35.7 | -    | 70.1                              | 6.0                           | 67.6                    | 60.5 | 51.2 | 42.0 | 32.7 | -    |
|                        | 62      | 69.8                                 | 5.5                           | 69.8                    | 69.2 | 63.5 | 54.1 | 44.6 | 35.2 | 62.5                              | 5.9                           | 62.5                    | 62.2 | 58.3 | 49.0 | 39.7 | 30.5 |
| 2600                   | 77      | 97.6                                 | 5.7                           | 52.7                    | 41.9 | 31.3 | -    | -    | -    | 89.7                              | 6.3                           | 53.8                    | 39.0 | 28.5 | -    | -    | -    |
|                        | 72      | 88.8                                 | 5.6                           | 66.4                    | 55.8 | 45.1 | 34.5 | -    | -    | 81.0                              | 6.2                           | 63.1                    | 52.6 | 42.2 | 31.7 | -    | -    |
|                        | 67      | 80.0                                 | 5.6                           | 80.0                    | 69.6 | 59.0 | 48.4 | 37.8 | -    | 72.4                              | 6.1                           | 72.4                    | 66.3 | 55.8 | 45.3 | 34.8 | -    |
|                        | 62      | 71.7                                 | 5.5                           | 71.7                    | 71.7 | 68.7 | 58.1 | 47.5 | 36.8 | 64.6                              | 6.0                           | 64.6                    | 64.6 | 63.5 | 53.0 | 42.5 | 32.0 |
| 2925                   | 77      | 90.7                                 | 5.7                           | 70.9                    | 59.4 | 47.9 | 36.5 | -    | -    | 82.6                              | 6.2                           | 67.2                    | 55.9 | 44.7 | 33.4 | -    | -    |
|                        | 72      | 81.7                                 | 5.6                           | 81.7                    | 74.1 | 62.7 | 51.2 | 39.7 | -    | 73.8                              | 6.1                           | 73.8                    | 69.5 | 59.1 | 47.8 | 36.6 | -    |
|                        | 67      | 73.3                                 | 5.5                           | 73.3                    | 73.3 | 71.7 | 60.3 | 48.8 | 37.4 | 65.9                              | 6.0                           | 65.9                    | 65.9 | 65.3 | 54.0 | 42.7 | 31.5 |
|                        | 62      | 70.6                                 | 5.5                           | 70.6                    | 70.6 | 72.5 | 61.0 | 49.5 | 38.1 | 66.6                              | 6.0                           | 66.6                    | 66.6 | 67.2 | 55.9 | 44.7 | 33.4 |
| 3250                   | 77      | 92.7                                 | 5.7                           | 75.4                    | 63.1 | 50.7 | 38.4 | -    | -    | 84.2                              | 6.2                           | 71.3                    | 59.2 | 47.2 | 35.1 | -    | -    |
|                        | 72      | 83.5                                 | 5.6                           | 83.5                    | 78.6 | 66.3 | 54.0 | 41.7 | -    | 75.2                              | 6.1                           | 75.2                    | 72.8 | 62.4 | 50.4 | 38.3 | -    |
|                        | 67      | 74.8                                 | 5.5                           | 74.8                    | 74.8 | 74.8 | 62.5 | 50.2 | 37.9 | 67.1                              | 6.0                           | 67.1                    | 67.1 | 67.1 | 55.1 | 43.0 | 30.9 |
|                        | 62      | 72.1                                 | 5.5                           | 72.1                    | 72.1 | 72.1 | 59.8 | 47.5 | 35.2 | 67.8                              | 6.0                           | 67.8                    | 67.8 | 67.8 | 55.7 | 43.7 | 31.6 |

## J06ZJ (6.5 Ton) (Continued)

| Air on Evaporator Coil |         | Temperature of Air on Condenser Coil |                               |                         |      |      |      |      |      |                                   |                               |                         |      |      |      |      |      |
|------------------------|---------|--------------------------------------|-------------------------------|-------------------------|------|------|------|------|------|-----------------------------------|-------------------------------|-------------------------|------|------|------|------|------|
| CFM                    | WB (°F) | Total Capacity <sup>1</sup> (MBh)    | Total Input (kW) <sup>2</sup> | Sensible Capacity (MBh) |      |      |      |      |      | Total Capacity <sup>1</sup> (MBh) | Total Input (kW) <sup>2</sup> | Sensible Capacity (MBh) |      |      |      |      |      |
|                        |         |                                      |                               | Return Dry Bulb (°F)    |      |      |      |      |      |                                   |                               | Return Dry Bulb (°F)    |      |      |      |      |      |
|                        |         |                                      |                               | 90                      | 85   | 80   | 75   | 70   | 65   |                                   |                               | 90                      | 85   | 80   | 75   | 70   | 65   |
|                        |         |                                      |                               | 115°F                   |      |      |      |      |      | 125°F                             |                               |                         |      |      |      |      |      |
| 1625                   | 77      | 72.1                                 | 6.8                           | 27.6                    | 25.3 | 18.8 | -    | -    | -    | 63.3                              | 7.3                           | 26.5                    | 21.1 | 16.1 | -    | -    | -    |
|                        | 72      | 64.6                                 | 6.6                           | 41.6                    | 35.1 | 28.6 | 22.1 | -    | -    | 56.2                              | 7.1                           | 37.8                    | 31.6 | 25.4 | 19.2 | -    | -    |
|                        | 67      | 57.2                                 | 6.4                           | 55.6                    | 44.9 | 38.4 | 31.9 | 25.4 | -    | 49.1                              | 6.9                           | 49.1                    | 40.9 | 34.7 | 28.5 | 22.3 | -    |
|                        | 62      | 50.7                                 | 6.3                           | 50.7                    | 50.7 | 42.5 | 36.0 | 29.5 | 23.0 | 43.2                              | 6.8                           | 43.2                    | 43.2 | 37.2 | 31.0 | 24.8 | 18.6 |
| 1950                   | 77      | 75.3                                 | 6.8                           | 36.7                    | 28.9 | 21.1 | -    | -    | -    | 66.8                              | 7.4                           | 36.3                    | 25.9 | 18.4 | -    | -    | -    |
|                        | 72      | 67.5                                 | 6.6                           | 47.7                    | 39.9 | 32.1 | 24.3 | -    | -    | 59.3                              | 7.2                           | 44.1                    | 36.5 | 29.0 | 21.4 | -    | -    |
|                        | 67      | 59.8                                 | 6.5                           | 58.7                    | 50.9 | 43.1 | 35.3 | 27.5 | -    | 51.8                              | 7.0                           | 51.8                    | 47.1 | 39.6 | 32.1 | 24.5 | -    |
|                        | 62      | 53.0                                 | 6.4                           | 53.0                    | 53.0 | 47.8 | 40.0 | 32.2 | 24.4 | 45.6                              | 6.8                           | 45.6                    | 45.6 | 42.5 | 34.9 | 27.4 | 19.8 |
|                        | 57      | 56.6                                 | 6.4                           | 56.6                    | 56.6 | 49.6 | 41.8 | 34.0 | 26.2 | 52.3                              | 6.9                           | 52.3                    | 52.3 | 43.4 | 35.9 | 28.4 | 20.8 |
| 2275                   | 77      | 78.5                                 | 6.8                           | 45.8                    | 32.5 | 23.4 | -    | -    | -    | 70.2                              | 7.4                           | 46.1                    | 30.7 | 20.7 | -    | -    | -    |
|                        | 72      | 70.4                                 | 6.7                           | 53.8                    | 44.7 | 35.6 | 26.6 | -    | -    | 62.4                              | 7.2                           | 50.3                    | 41.5 | 32.6 | 23.7 | -    | -    |
|                        | 67      | 62.3                                 | 6.5                           | 61.8                    | 56.9 | 47.8 | 38.8 | 29.7 | -    | 54.6                              | 7.0                           | 54.6                    | 53.4 | 44.5 | 35.6 | 26.7 | -    |
|                        | 62      | 55.3                                 | 6.4                           | 55.3                    | 55.3 | 53.0 | 43.9 | 34.9 | 25.8 | 48.0                              | 6.8                           | 48.0                    | 48.0 | 47.8 | 38.9 | 30.0 | 21.1 |
|                        | 57      | 59.1                                 | 6.4                           | 59.1                    | 59.1 | 55.0 | 46.0 | 36.9 | 27.8 | 55.0                              | 6.9                           | 55.0                    | 55.0 | 48.9 | 40.0 | 31.1 | 22.2 |
| 2600                   | 77      | 81.7                                 | 6.9                           | 54.9                    | 36.1 | 25.7 | -    | -    | -    | 73.7                              | 7.5                           | 56.0                    | 35.5 | 23.0 | -    | -    | -    |
|                        | 72      | 73.3                                 | 6.7                           | 59.9                    | 49.5 | 39.2 | 28.8 | -    | -    | 65.5                              | 7.2                           | 56.6                    | 46.4 | 36.2 | 25.9 | -    | -    |
|                        | 67      | 64.9                                 | 6.6                           | 64.9                    | 62.9 | 52.6 | 42.2 | 31.9 | -    | 57.3                              | 7.0                           | 57.3                    | 57.3 | 49.4 | 39.1 | 28.9 | -    |
|                        | 62      | 57.5                                 | 6.4                           | 57.5                    | 57.5 | 58.3 | 47.9 | 37.5 | 27.2 | 50.4                              | 6.9                           | 50.4                    | 50.4 | 50.4 | 42.8 | 32.6 | 22.3 |
|                        | 57      | 61.5                                 | 6.5                           | 61.5                    | 61.5 | 60.5 | 50.1 | 39.7 | 29.4 | 57.6                              | 7.0                           | 57.6                    | 57.6 | 54.3 | 44.1 | 33.8 | 23.6 |
| 2925                   | 72      | 74.5                                 | 6.7                           | 63.6                    | 52.5 | 41.4 | 30.3 | -    | -    | 66.4                              | 7.3                           | 59.9                    | 49.0 | 38.1 | 27.2 | -    | -    |
|                        | 67      | 65.9                                 | 6.6                           | 65.9                    | 65.0 | 55.6 | 44.5 | 33.4 | -    | 58.0                              | 7.1                           | 58.0                    | 58.0 | 52.0 | 41.1 | 30.2 | -    |
|                        | 62      | 58.5                                 | 6.5                           | 58.5                    | 58.5 | 58.8 | 47.7 | 36.6 | 25.5 | 51.1                              | 6.9                           | 51.1                    | 51.1 | 51.1 | 41.5 | 30.6 | 19.6 |
|                        | 57      | 62.5                                 | 6.5                           | 62.5                    | 62.5 | 62.0 | 50.9 | 39.8 | 28.7 | 58.4                              | 7.0                           | 58.4                    | 58.4 | 56.8 | 45.8 | 34.9 | 24.0 |
| 3250                   | 72      | 75.7                                 | 6.8                           | 67.3                    | 55.4 | 43.6 | 31.8 | -    | -    | 67.2                              | 7.3                           | 63.2                    | 51.6 | 40.0 | 28.4 | -    | -    |
|                        | 67      | 67.0                                 | 6.6                           | 67.0                    | 67.0 | 58.5 | 46.7 | 34.9 | -    | 58.8                              | 7.1                           | 58.8                    | 58.8 | 54.7 | 43.1 | 31.5 | -    |
|                        | 62      | 59.4                                 | 6.5                           | 59.4                    | 59.4 | 59.4 | 47.6 | 35.8 | 23.9 | 51.7                              | 7.0                           | 51.7                    | 51.7 | 51.7 | 40.1 | 28.5 | 16.9 |
|                        | 57      | 63.5                                 | 6.5                           | 63.5                    | 63.5 | 63.5 | 51.7 | 39.8 | 28.0 | 59.2                              | 7.1                           | 59.2                    | 59.2 | 59.2 | 47.6 | 36.0 | 24.4 |

1. These capacities are gross ratings. For net capacity, deduct air blower motor, MBh = 3.415 x kW. Refer to the appropriate Blower Performance Table for the kW of the supply air blower motor.
2. These ratings include the condenser fan motors (total 1 kW) and the compressor motors but not the supply air blower motor.

**J07ZJ (7.5 Ton)**

| Air on Evaporator Coil |         | Temperature of Air on Condenser Coil |                               |                         |       |       |      |      |      |                                   |                               |                         |       |      |      |      |      |
|------------------------|---------|--------------------------------------|-------------------------------|-------------------------|-------|-------|------|------|------|-----------------------------------|-------------------------------|-------------------------|-------|------|------|------|------|
| CFM                    | WB (°F) | Total Capacity <sup>1</sup> (MBh)    | Total Input (kW) <sup>2</sup> | Sensible Capacity (MBh) |       |       |      |      |      | Total Capacity <sup>1</sup> (MBh) | Total Input (kW) <sup>2</sup> | Sensible Capacity (MBh) |       |      |      |      |      |
|                        |         |                                      |                               | Return Dry Bulb (°F)    |       |       |      |      |      |                                   |                               | Return Dry Bulb (°F)    |       |      |      |      |      |
|                        |         |                                      |                               | 90                      | 85    | 80    | 75   | 70   | 65   |                                   |                               | 90                      | 85    | 80   | 75   | 70   | 65   |
|                        |         |                                      |                               | <b>75°F</b>             |       |       |      |      |      | <b>85°F</b>                       |                               |                         |       |      |      |      |      |
| 1875                   | 77      | 125.0                                | 5.7                           | 53.1                    | 44.4  | 35.6  | -    | -    | -    | 116.4                             | 6.3                           | 49.2                    | 40.5  | 31.7 | -    | -    | -    |
|                        | 72      | 113.1                                | 5.6                           | 65.8                    | 57.1  | 48.3  | 39.5 | -    | -    | 105.3                             | 6.2                           | 62.2                    | 53.5  | 44.7 | 36.0 | -    | -    |
|                        | 67      | 101.1                                | 5.6                           | 78.5                    | 69.8  | 61.0  | 52.2 | 43.5 | -    | 94.3                              | 6.1                           | 75.2                    | 66.5  | 57.7 | 49.0 | 40.3 | -    |
|                        | 62      | 88.8                                 | 5.5                           | 88.8                    | 88.8  | 73.3  | 64.6 | 55.8 | 47.0 | 83.0                              | 6.1                           | 83.0                    | 83.0  | 70.3 | 61.5 | 52.8 | 44.0 |
| 2250                   | 77      | 131.0                                | 5.7                           | 59.5                    | 49.2  | 39.0  | -    | -    | -    | 121.4                             | 6.4                           | 55.1                    | 45.0  | 34.8 | -    | -    | -    |
|                        | 72      | 118.5                                | 5.7                           | 73.4                    | 63.2  | 52.9  | 42.7 | -    | -    | 109.8                             | 6.3                           | 69.4                    | 59.2  | 49.0 | 38.8 | -    | -    |
|                        | 67      | 106.0                                | 5.6                           | 87.3                    | 77.1  | 66.8  | 56.6 | 46.4 | -    | 98.3                              | 6.2                           | 83.6                    | 73.4  | 63.3 | 53.1 | 42.9 | -    |
|                        | 62      | 93.1                                 | 5.6                           | 93.1                    | 93.1  | 80.4  | 70.2 | 59.9 | 49.7 | 86.5                              | 6.1                           | 86.5                    | 86.5  | 77.0 | 66.8 | 56.6 | 46.4 |
| 2625                   | 77      | 137.0                                | 5.7                           | 65.8                    | 54.1  | 42.4  | -    | -    | -    | 126.3                             | 6.4                           | 61.1                    | 49.4  | 37.8 | -    | -    | -    |
|                        | 72      | 123.9                                | 5.7                           | 80.9                    | 69.3  | 57.6  | 45.9 | -    | -    | 114.3                             | 6.3                           | 76.5                    | 64.9  | 53.3 | 41.7 | -    | -    |
|                        | 67      | 110.8                                | 5.6                           | 96.1                    | 84.4  | 72.7  | 61.0 | 49.3 | -    | 102.3                             | 6.2                           | 92.0                    | 80.4  | 68.8 | 57.1 | 45.5 | -    |
|                        | 62      | 97.3                                 | 5.6                           | 97.3                    | 97.3  | 87.5  | 75.8 | 64.1 | 52.4 | 90.0                              | 6.1                           | 90.0                    | 90.0  | 83.7 | 72.0 | 60.4 | 48.8 |
| 3000                   | 77      | 142.9                                | 5.8                           | 72.1                    | 59.0  | 45.8  | -    | -    | -    | 131.3                             | 6.5                           | 67.0                    | 53.9  | 40.8 | -    | -    | -    |
|                        | 72      | 129.3                                | 5.7                           | 88.5                    | 75.4  | 62.2  | 49.1 | -    | -    | 118.8                             | 6.4                           | 83.7                    | 70.6  | 57.6 | 44.5 | -    | -    |
|                        | 67      | 115.7                                | 5.7                           | 104.9                   | 91.7  | 78.6  | 65.4 | 52.3 | -    | 106.3                             | 6.3                           | 100.4                   | 87.4  | 74.3 | 61.2 | 48.1 | -    |
|                        | 62      | 101.6                                | 5.6                           | 101.6                   | 101.6 | 94.5  | 81.3 | 68.2 | 55.0 | 93.6                              | 6.2                           | 93.6                    | 93.6  | 90.4 | 77.3 | 64.2 | 51.2 |
| 3375                   | 77      | 132.4                                | 5.7                           | 95.5                    | 80.9  | 66.2  | 51.6 | -    | -    | 121.6                             | 6.4                           | 90.7                    | 76.2  | 61.6 | 47.0 | -    | -    |
|                        | 72      | 118.4                                | 5.7                           | 113.0                   | 98.3  | 83.7  | 69.0 | 54.4 | -    | 108.8                             | 6.3                           | 105.8                   | 94.1  | 79.5 | 65.0 | 50.4 | -    |
|                        | 67      | 104.0                                | 5.6                           | 104.0                   | 104.0 | 100.5 | 85.8 | 71.2 | 56.6 | 95.7                              | 6.2                           | 95.7                    | 95.7  | 94.1 | 79.6 | 65.0 | 50.5 |
|                        | 62      | 104.6                                | 5.6                           | 104.6                   | 104.6 | 104.8 | 90.1 | 75.5 | 60.9 | 96.7                              | 6.2                           | 96.7                    | 96.7  | 96.3 | 81.7 | 67.2 | 52.6 |
| 3750                   | 77      | 135.5                                | 5.7                           | 102.5                   | 86.4  | 70.3  | 54.2 | -    | -    | 124.3                             | 6.4                           | 97.7                    | 81.7  | 65.7 | 49.6 | -    | -    |
|                        | 72      | 121.2                                | 5.7                           | 121.2                   | 104.8 | 88.7  | 72.7 | 56.6 | -    | 111.2                             | 6.3                           | 111.2                   | 100.8 | 84.7 | 68.7 | 52.7 | -    |
|                        | 67      | 106.4                                | 5.6                           | 106.4                   | 106.4 | 106.4 | 90.3 | 74.2 | 58.2 | 97.9                              | 6.2                           | 97.9                    | 97.9  | 97.9 | 81.9 | 65.8 | 49.8 |
|                        | 62      | 107.0                                | 5.6                           | 107.0                   | 107.0 | 107.0 | 90.9 | 74.8 | 58.7 | 98.8                              | 6.2                           | 98.8                    | 98.8  | 98.8 | 82.8 | 66.8 | 50.7 |
|                        |         |                                      |                               | <b>95°F</b>             |       |       |      |      |      | <b>105°F</b>                      |                               |                         |       |      |      |      |      |
| 1875                   | 77      | 107.8                                | 7.0                           | 45.3                    | 36.6  | 27.9  | -    | -    | -    | 99.1                              | 7.6                           | 39.5                    | 33.4  | 24.8 | -    | -    | -    |
|                        | 72      | 97.6                                 | 6.9                           | 58.6                    | 49.9  | 41.2  | 32.5 | -    | -    | 89.4                              | 7.5                           | 55.1                    | 46.5  | 37.9 | 29.3 | -    | -    |
|                        | 67      | 87.4                                 | 6.7                           | 71.9                    | 63.2  | 54.5  | 45.8 | 37.1 | -    | 79.6                              | 7.3                           | 70.7                    | 59.6  | 51.0 | 42.4 | 33.8 | -    |
|                        | 62      | 77.1                                 | 6.6                           | 77.1                    | 77.1  | 67.2  | 58.4 | 49.7 | 41.0 | 70.5                              | 7.1                           | 70.5                    | 70.5  | 63.1 | 54.5 | 45.9 | 37.3 |
| 2250                   | 77      | 111.8                                | 7.1                           | 50.8                    | 40.7  | 30.5  | -    | -    | -    | 102.3                             | 7.7                           | 47.3                    | 37.3  | 27.3 | -    | -    | -    |
|                        | 72      | 101.2                                | 6.9                           | 65.4                    | 55.2  | 45.1  | 35.0 | -    | -    | 92.2                              | 7.5                           | 61.7                    | 51.7  | 41.7 | 31.6 | -    | -    |
|                        | 67      | 90.6                                 | 6.8                           | 79.9                    | 69.8  | 59.7  | 49.5 | 39.4 | -    | 82.2                              | 7.3                           | 76.1                    | 66.0  | 56.0 | 46.0 | 36.0 | -    |
|                        | 62      | 79.9                                 | 6.7                           | 79.9                    | 79.9  | 73.5  | 63.4 | 53.2 | 43.1 | 72.7                              | 7.2                           | 72.7                    | 72.7  | 69.3 | 59.3 | 49.3 | 39.3 |
| 2625                   | 77      | 115.7                                | 7.1                           | 56.3                    | 44.7  | 33.2  | -    | -    | -    | 105.4                             | 7.8                           | 55.1                    | 41.1  | 29.7 | -    | -    | -    |
|                        | 72      | 104.8                                | 7.0                           | 72.1                    | 60.6  | 49.0  | 37.4 | -    | -    | 95.1                              | 7.6                           | 68.3                    | 56.8  | 45.4 | 34.0 | -    | -    |
|                        | 67      | 93.8                                 | 6.8                           | 88.0                    | 76.4  | 64.8  | 53.3 | 41.7 | -    | 84.7                              | 7.4                           | 81.4                    | 72.5  | 61.1 | 49.6 | 38.2 | -    |
|                        | 62      | 82.8                                 | 6.7                           | 82.8                    | 82.8  | 79.9  | 68.3 | 56.8 | 45.2 | 75.0                              | 7.2                           | 75.0                    | 75.0  | 75.5 | 64.1 | 52.7 | 41.2 |
| 3000                   | 77      | 119.7                                | 7.2                           | 61.8                    | 48.8  | 35.8  | -    | -    | -    | 108.6                             | 7.8                           | 62.9                    | 45.0  | 32.2 | -    | -    | -    |
|                        | 72      | 108.3                                | 7.0                           | 78.9                    | 65.9  | 52.9  | 39.9 | -    | -    | 97.9                              | 7.6                           | 74.8                    | 62.0  | 49.1 | 36.3 | -    | -    |
|                        | 67      | 97.0                                 | 6.9                           | 96.0                    | 83.0  | 70.0  | 57.0 | 44.0 | -    | 87.3                              | 7.4                           | 86.7                    | 79.0  | 66.1 | 53.3 | 40.4 | -    |
|                        | 62      | 85.6                                 | 6.8                           | 85.6                    | 85.6  | 86.3  | 73.3 | 60.3 | 47.3 | 77.2                              | 7.3                           | 77.2                    | 77.2  | 81.8 | 68.9 | 56.0 | 43.2 |
| 3375                   | 77      | 110.7                                | 7.0                           | 86.0                    | 71.5  | 57.0  | 42.5 | -    | -    | 99.7                              | 7.7                           | 81.7                    | 67.4  | 53.0 | 38.6 | -    | -    |
|                        | 72      | 99.2                                 | 6.9                           | 98.6                    | 89.9  | 75.4  | 60.9 | 46.4 | -    | 88.9                              | 7.5                           | 88.6                    | 83.6  | 71.3 | 57.0 | 42.6 | -    |
|                        | 67      | 87.5                                 | 6.8                           | 87.5                    | 87.5  | 87.8  | 73.3 | 58.8 | 44.3 | 78.7                              | 7.3                           | 78.7                    | 78.7  | 80.9 | 66.6 | 52.2 | 37.9 |
|                        | 62      | 88.8                                 | 6.7                           | 88.8                    | 88.8  | 87.8  | 73.3 | 58.8 | 44.3 | 81.1                              | 7.3                           | 81.1                    | 81.1  | 80.7 | 66.4 | 52.0 | 37.7 |
| 3750                   | 77      | 113.1                                | 7.0                           | 93.0                    | 77.0  | 61.0  | 45.0 | -    | -    | 101.6                             | 7.7                           | 88.6                    | 72.8  | 56.9 | 41.0 | -    | -    |
|                        | 72      | 101.3                                | 6.9                           | 101.3                   | 96.7  | 80.7  | 64.7 | 48.7 | -    | 90.5                              | 7.5                           | 90.5                    | 88.2  | 76.5 | 60.7 | 44.8 | -    |
|                        | 67      | 89.4                                 | 6.8                           | 89.4                    | 89.4  | 89.4  | 73.4 | 57.4 | 41.4 | 80.1                              | 7.3                           | 80.1                    | 80.1  | 80.1 | 64.3 | 48.4 | 32.5 |
|                        | 62      | 90.7                                 | 6.8                           | 90.7                    | 90.7  | 90.7  | 74.7 | 58.7 | 42.7 | 82.5                              | 7.3                           | 82.5                    | 82.5  | 82.5 | 66.7 | 50.8 | 34.9 |

## J07ZJ (7.5 Ton) (Continued)

| Air on Evaporator Coil |         | Temperature of Air on Condenser Coil |                               |                         |      |      |      |      |      |                                   |                               |                         |      |      |      |      |      |
|------------------------|---------|--------------------------------------|-------------------------------|-------------------------|------|------|------|------|------|-----------------------------------|-------------------------------|-------------------------|------|------|------|------|------|
| CFM                    | WB (°F) | Total Capacity <sup>1</sup> (MBh)    | Total Input (kW) <sup>2</sup> | Sensible Capacity (MBh) |      |      |      |      |      | Total Capacity <sup>1</sup> (MBh) | Total Input (kW) <sup>2</sup> | Sensible Capacity (MBh) |      |      |      |      |      |
|                        |         |                                      |                               | Return Dry Bulb (°F)    |      |      |      |      |      |                                   |                               | Return Dry Bulb (°F)    |      |      |      |      |      |
|                        |         |                                      |                               | 90                      | 85   | 80   | 75   | 70   | 65   |                                   |                               | 90                      | 85   | 80   | 75   | 70   | 65   |
|                        |         |                                      |                               | <b>115°F</b>            |      |      |      |      |      | <b>125°F</b>                      |                               |                         |      |      |      |      |      |
| 1875                   | 77      | 90.4                                 | 8.3                           | 33.6                    | 30.2 | 21.8 | -    | -    | -    | 81.7                              | 8.9                           | 32.0                    | 25.5 | 18.7 | -    | -    | -    |
|                        | 72      | 81.1                                 | 8.0                           | 51.6                    | 43.1 | 34.6 | 26.2 | -    | -    | 72.9                              | 8.6                           | 48.1                    | 39.7 | 31.4 | 23.0 | -    | -    |
|                        | 67      | 71.9                                 | 7.8                           | 69.5                    | 56.0 | 47.5 | 39.0 | 30.6 | -    | 64.1                              | 8.3                           | 64.1                    | 52.4 | 44.0 | 35.7 | 27.3 | -    |
|                        | 62      | 63.9                                 | 7.6                           | 63.9                    | 63.9 | 59.0 | 50.5 | 42.0 | 33.6 | 57.3                              | 8.1                           | 57.3                    | 57.3 | 57.3 | 46.5 | 38.2 | 29.8 |
| 2250                   | 77      | 92.7                                 | 8.3                           | 43.8                    | 33.9 | 24.0 | -    | -    | -    | 83.2                              | 9.0                           | 43.2                    | 30.5 | 20.7 | -    | -    | -    |
|                        | 72      | 83.2                                 | 8.1                           | 58.0                    | 48.1 | 38.2 | 28.3 | -    | -    | 74.3                              | 8.7                           | 54.3                    | 44.5 | 34.8 | 25.0 | -    | -    |
|                        | 67      | 73.7                                 | 7.9                           | 72.2                    | 62.3 | 52.4 | 42.5 | 32.6 | -    | 65.3                              | 8.4                           | 65.3                    | 58.5 | 48.8 | 39.0 | 29.3 | -    |
|                        | 62      | 65.6                                 | 7.7                           | 65.6                    | 65.6 | 65.1 | 55.2 | 45.3 | 35.4 | 58.4                              | 8.2                           | 58.4                    | 58.4 | 58.4 | 51.1 | 41.3 | 31.6 |
|                        | 57      | 68.8                                 | 7.7                           | 68.8                    | 68.8 | 61.5 | 51.6 | 41.7 | 31.8 | 62.7                              | 8.3                           | 62.7                    | 62.7 | 56.0 | 46.3 | 36.5 | 26.8 |
| 2625                   | 77      | 95.1                                 | 8.4                           | 53.9                    | 37.5 | 26.3 | -    | -    | -    | 84.8                              | 9.1                           | 54.4                    | 35.5 | 22.8 | -    | -    | -    |
|                        | 72      | 85.4                                 | 8.2                           | 64.4                    | 53.1 | 41.8 | 30.5 | -    | -    | 75.7                              | 8.8                           | 60.5                    | 49.3 | 38.2 | 27.0 | -    | -    |
|                        | 67      | 75.6                                 | 7.9                           | 74.8                    | 68.6 | 57.3 | 46.0 | 34.7 | -    | 66.5                              | 8.5                           | 66.5                    | 64.7 | 53.5 | 42.4 | 31.2 | -    |
|                        | 62      | 67.2                                 | 7.7                           | 67.2                    | 67.2 | 71.2 | 59.9 | 48.6 | 37.3 | 59.5                              | 8.2                           | 59.5                    | 59.5 | 59.5 | 55.6 | 44.5 | 33.3 |
|                        | 57      | 70.6                                 | 7.8                           | 70.6                    | 70.6 | 67.2 | 55.9 | 44.6 | 33.3 | 63.9                              | 8.4                           | 63.9                    | 63.9 | 61.5 | 50.4 | 39.2 | 28.0 |
| 3000                   | 77      | 97.5                                 | 8.5                           | 64.0                    | 41.2 | 28.5 | -    | -    | -    | 86.4                              | 9.1                           | 65.7                    | 40.5 | 24.8 | -    | -    | -    |
|                        | 72      | 87.5                                 | 8.2                           | 70.8                    | 58.1 | 45.4 | 32.6 | -    | -    | 77.1                              | 8.8                           | 66.7                    | 54.1 | 41.6 | 29.0 | -    | -    |
|                        | 67      | 77.5                                 | 8.0                           | 77.5                    | 74.9 | 62.2 | 49.5 | 36.8 | -    | 67.8                              | 8.6                           | 67.8                    | 67.8 | 58.3 | 45.8 | 33.2 | -    |
|                        | 62      | 68.9                                 | 7.8                           | 68.9                    | 68.9 | 77.2 | 64.5 | 51.8 | 39.1 | 60.6                              | 8.3                           | 60.6                    | 60.6 | 60.6 | 60.2 | 47.6 | 35.0 |
|                        | 57      | 72.3                                 | 7.9                           | 72.3                    | 72.3 | 73.0 | 60.3 | 47.6 | 34.8 | 65.1                              | 8.4                           | 65.1                    | 65.1 | 65.1 | 54.4 | 41.9 | 29.3 |
| 3375                   | 72      | 88.7                                 | 8.3                           | 77.5                    | 63.3 | 49.1 | 34.8 | -    | -    | 77.7                              | 8.9                           | 73.3                    | 59.2 | 45.1 | 31.0 | -    | -    |
|                        | 67      | 78.6                                 | 8.0                           | 78.6                    | 77.3 | 67.3 | 53.1 | 38.8 | -    | 68.3                              | 8.6                           | 68.3                    | 68.3 | 63.3 | 49.2 | 35.1 | -    |
|                        | 62      | 69.9                                 | 7.8                           | 69.9                    | 69.9 | 74.1 | 59.8 | 45.6 | 31.4 | 61.1                              | 8.4                           | 61.1                    | 61.1 | 61.1 | 53.1 | 39.0 | 24.9 |
|                        | 57      | 73.4                                 | 7.9                           | 73.4                    | 73.4 | 73.7 | 59.5 | 45.2 | 31.0 | 65.7                              | 8.5                           | 65.7                    | 65.7 | 65.7 | 52.5 | 38.4 | 24.3 |
| 3750                   | 72      | 90.0                                 | 8.3                           | 84.3                    | 68.5 | 52.8 | 37.0 | -    | -    | 78.4                              | 8.9                           | 78.4                    | 64.3 | 48.6 | 33.0 | -    | -    |
|                        | 67      | 79.7                                 | 8.1                           | 79.7                    | 79.7 | 72.4 | 56.6 | 40.9 | -    | 68.9                              | 8.6                           | 68.9                    | 68.9 | 68.2 | 52.6 | 37.0 | -    |
|                        | 62      | 70.9                                 | 7.9                           | 70.9                    | 70.9 | 70.9 | 55.1 | 39.4 | 23.6 | 61.6                              | 8.4                           | 61.6                    | 61.6 | 61.6 | 46.0 | 30.4 | 14.8 |
|                        | 57      | 74.4                                 | 7.9                           | 74.4                    | 74.4 | 74.4 | 58.7 | 42.9 | 27.2 | 66.3                              | 8.5                           | 66.3                    | 66.3 | 66.3 | 50.6 | 35.0 | 19.4 |

1. These capacities are gross ratings. For net capacity, deduct air blower motor, MBh = 3.415 x kW. Refer to the appropriate Blower Performance Table for the kW of the supply air blower motor.
2. These ratings include the condenser fan motors (total 1 kW) and the compressor motors but not the supply air blower motor.

**J08ZJ (8.5 Ton)**

| Air on Evaporator Coil |         | Temperature of Air on Condenser Coil |                               |                         |       |       |      |      |      |                                   |                               |                         |       |       |      |      |      |  |  |
|------------------------|---------|--------------------------------------|-------------------------------|-------------------------|-------|-------|------|------|------|-----------------------------------|-------------------------------|-------------------------|-------|-------|------|------|------|--|--|
| CFM                    | WB (°F) | Total Capacity <sup>1</sup> (MBh)    | Total Input (kW) <sup>2</sup> | Sensible Capacity (MBh) |       |       |      |      |      | Total Capacity <sup>1</sup> (MBh) | Total Input (kW) <sup>2</sup> | Sensible Capacity (MBh) |       |       |      |      |      |  |  |
|                        |         |                                      |                               | Return Dry Bulb (°F)    |       |       |      |      |      |                                   |                               | Return Dry Bulb (°F)    |       |       |      |      |      |  |  |
|                        |         |                                      |                               | 90                      | 85    | 80    | 75   | 70   | 65   |                                   |                               | 90                      | 85    | 80    | 75   | 70   | 65   |  |  |
|                        |         |                                      |                               | <b>75°F</b>             |       |       |      |      |      |                                   |                               | <b>85°F</b>             |       |       |      |      |      |  |  |
| 2125                   | 77      | 136.0                                | 6.1                           | 61.5                    | 49.5  | 38.6  | -    | -    | -    | 127.6                             | 6.8                           | 56.3                    | 45.7  | 35.0  | -    | -    | -    |  |  |
|                        | 72      | 124.0                                | 6.0                           | 74.1                    | 63.2  | 52.4  | 41.5 | -    | -    | 116.0                             | 6.7                           | 70.2                    | 59.6  | 48.9  | 38.3 | -    | -    |  |  |
|                        | 67      | 112.1                                | 5.9                           | 86.7                    | 77.0  | 66.1  | 55.3 | 44.4 | -    | 104.3                             | 6.6                           | 84.1                    | 73.5  | 62.8  | 52.2 | 41.5 | -    |  |  |
|                        | 62      | 99.3                                 | 6.2                           | 99.3                    | 95.1  | 77.6  | 66.8 | 55.9 | 45.0 | 91.6                              | 6.7                           | 91.6                    | 89.5  | 74.0  | 63.3 | 52.7 | 42.0 |  |  |
| 2550                   | 77      | 141.0                                | 6.1                           | 67.2                    | 54.7  | 42.3  | -    | -    | -    | 132.1                             | 6.8                           | 63.0                    | 50.7  | 38.4  | -    | -    | -    |  |  |
|                        | 72      | 128.6                                | 6.0                           | 82.2                    | 69.8  | 57.4  | 44.9 | -    | -    | 120.0                             | 6.7                           | 78.2                    | 65.9  | 53.6  | 41.3 | -    | -    |  |  |
|                        | 67      | 116.2                                | 5.9                           | 97.3                    | 84.9  | 72.5  | 60.0 | 47.6 | -    | 107.9                             | 6.6                           | 93.5                    | 81.2  | 68.9  | 56.6 | 44.3 | -    |  |  |
|                        | 62      | 102.9                                | 6.2                           | 102.9                   | 100.1 | 85.0  | 72.6 | 60.1 | 47.7 | 94.8                              | 6.7                           | 94.8                    | 93.4  | 81.1  | 68.8 | 56.5 | 44.2 |  |  |
| 2975                   | 77      | 146.0                                | 6.1                           | 72.8                    | 60.0  | 46.0  | -    | -    | -    | 136.5                             | 6.8                           | 69.7                    | 55.7  | 41.8  | -    | -    | -    |  |  |
|                        | 72      | 133.1                                | 6.0                           | 90.4                    | 76.4  | 62.4  | 48.4 | -    | -    | 124.0                             | 6.7                           | 86.3                    | 72.3  | 58.4  | 44.4 | -    | -    |  |  |
|                        | 67      | 120.3                                | 5.9                           | 107.9                   | 92.8  | 78.8  | 64.8 | 50.8 | -    | 111.6                             | 6.6                           | 102.9                   | 88.9  | 75.0  | 61.0 | 47.0 | -    |  |  |
|                        | 62      | 106.5                                | 6.1                           | 106.5                   | 105.1 | 92.4  | 78.4 | 64.4 | 50.4 | 98.0                              | 6.7                           | 98.0                    | 97.3  | 88.3  | 74.3 | 60.4 | 46.4 |  |  |
| 3400                   | 77      | 151.0                                | 6.0                           | 78.5                    | 65.2  | 49.7  | -    | -    | -    | 141.0                             | 6.8                           | 76.4                    | 60.8  | 45.2  | -    | -    | -    |  |  |
|                        | 72      | 137.7                                | 5.9                           | 98.5                    | 82.9  | 67.4  | 51.8 | -    | -    | 128.1                             | 6.7                           | 94.3                    | 78.7  | 63.1  | 47.5 | -    | -    |  |  |
|                        | 67      | 124.4                                | 5.8                           | 118.5                   | 100.6 | 85.1  | 69.5 | 53.9 | -    | 115.2                             | 6.6                           | 112.3                   | 96.6  | 81.0  | 65.4 | 49.8 | -    |  |  |
|                        | 62      | 110.2                                | 6.1                           | 110.2                   | 110.2 | 99.8  | 84.3 | 68.7 | 53.1 | 101.2                             | 6.8                           | 101.2                   | 101.2 | 95.4  | 79.8 | 64.2 | 48.6 |  |  |
| 3825                   | 72      | 141.1                                | 6.0                           | 105.2                   | 88.2  | 71.1  | 54.0 | -    | -    | 131.1                             | 6.7                           | 101.2                   | 84.1  | 67.1  | 50.0 | -    | -    |  |  |
|                        | 67      | 127.5                                | 5.9                           | 124.6                   | 106.8 | 89.8  | 72.7 | 55.6 | -    | 117.9                             | 6.6                           | 116.4                   | 103.2 | 86.1  | 69.1 | 52.0 | -    |  |  |
|                        | 62      | 112.9                                | 6.2                           | 112.9                   | 112.9 | 107.7 | 90.6 | 73.6 | 56.5 | 103.5                             | 6.8                           | 103.5                   | 103.5 | 100.7 | 83.6 | 66.5 | 49.5 |  |  |
|                        | 57      | 109.1                                | 8.7                           | 109.1                   | 109.1 | 109.4 | 92.3 | 75.2 | 58.2 | 102.2                             | 6.6                           | 102.2                   | 102.2 | 102.4 | 85.4 | 68.3 | 51.3 |  |  |
| 4250                   | 72      | 144.5                                | 6.1                           | 112.0                   | 93.4  | 74.8  | 56.3 | -    | -    | 134.0                             | 6.8                           | 108.0                   | 89.5  | 71.0  | 52.5 | -    | -    |  |  |
|                        | 67      | 130.6                                | 6.0                           | 130.6                   | 113.0 | 94.5  | 75.9 | 57.3 | -    | 120.6                             | 6.7                           | 120.6                   | 109.7 | 91.2  | 72.7 | 54.2 | -    |  |  |
|                        | 62      | 115.6                                | 6.2                           | 115.6                   | 115.6 | 115.6 | 97.0 | 78.4 | 59.9 | 105.9                             | 6.8                           | 105.9                   | 105.9 | 105.9 | 87.4 | 68.9 | 50.4 |  |  |
|                        | 57      | 111.7                                | 8.8                           | 111.7                   | 111.7 | 111.7 | 93.2 | 74.6 | 56.0 | 104.5                             | 6.6                           | 104.5                   | 104.5 | 104.5 | 86.0 | 67.5 | 49.0 |  |  |
|                        |         |                                      |                               | <b>95°F</b>             |       |       |      |      |      |                                   |                               | <b>105°F</b>            |       |       |      |      |      |  |  |
| 2125                   | 77      | 119.3                                | 7.4                           | 51.1                    | 41.8  | 31.4  | -    | -    | -    | 108.3                             | 8.2                           | 44.7                    | 38.5  | 28.3  | -    | -    | -    |  |  |
|                        | 72      | 107.9                                | 7.3                           | 66.3                    | 55.9  | 45.4  | 35.0 | -    | -    | 97.7                              | 8.0                           | 62.2                    | 52.0  | 41.8  | 31.6 | -    | -    |  |  |
|                        | 67      | 96.5                                 | 7.2                           | 81.5                    | 69.9  | 59.5  | 49.1 | 38.6 | -    | 87.1                              | 7.8                           | 79.6                    | 65.5  | 55.3  | 45.1 | 34.9 | -    |  |  |
|                        | 62      | 84.0                                 | 7.3                           | 84.0                    | 84.0  | 70.3  | 59.9 | 49.5 | 39.1 | 77.3                              | 7.9                           | 77.3                    | 77.3  | 65.1  | 54.9 | 44.7 | 34.5 |  |  |
| 2550                   | 77      | 123.1                                | 7.5                           | 58.8                    | 46.7  | 34.5  | -    | -    | -    | 111.8                             | 8.2                           | 55.2                    | 43.2  | 31.2  | -    | -    | -    |  |  |
|                        | 72      | 111.4                                | 7.4                           | 74.2                    | 62.1  | 49.9  | 37.7 | -    | -    | 100.9                             | 8.1                           | 70.1                    | 58.1  | 46.2  | 34.2 | -    | -    |  |  |
|                        | 67      | 99.7                                 | 7.2                           | 89.7                    | 77.5  | 65.3  | 53.1 | 41.0 | -    | 90.0                              | 7.9                           | 85.0                    | 73.0  | 61.1  | 49.1 | 37.2 | -    |  |  |
|                        | 62      | 86.7                                 | 7.3                           | 86.7                    | 86.7  | 77.2  | 65.1 | 52.9 | 40.7 | 79.8                              | 7.9                           | 79.8                    | 79.8  | 71.9  | 60.0 | 48.0 | 36.1 |  |  |
| 2975                   | 77      | 127.0                                | 7.5                           | 66.6                    | 51.5  | 37.6  | -    | -    | -    | 115.3                             | 8.3                           | 65.6                    | 47.9  | 34.2  | -    | -    | -    |  |  |
|                        | 72      | 114.9                                | 7.4                           | 82.2                    | 68.3  | 54.4  | 40.5 | -    | -    | 104.1                             | 8.1                           | 78.0                    | 64.3  | 50.6  | 36.9 | -    | -    |  |  |
|                        | 67      | 102.8                                | 7.3                           | 97.8                    | 85.1  | 71.2  | 57.2 | 43.3 | -    | 92.8                              | 7.9                           | 90.3                    | 80.6  | 66.9  | 53.2 | 39.5 | -    |  |  |
|                        | 62      | 89.5                                 | 7.4                           | 89.5                    | 89.5  | 84.1  | 70.2 | 56.3 | 42.4 | 82.3                              | 7.9                           | 82.3                    | 82.3  | 78.8  | 65.1 | 51.4 | 37.6 |  |  |
| 3400                   | 77      | 130.9                                | 7.6                           | 74.3                    | 56.3  | 40.7  | -    | -    | -    | 118.9                             | 8.3                           | 76.1                    | 52.6  | 37.2  | -    | -    | -    |  |  |
|                        | 72      | 118.5                                | 7.4                           | 90.2                    | 74.5  | 58.8  | 43.2 | -    | -    | 107.3                             | 8.1                           | 85.9                    | 70.4  | 55.0  | 39.5 | -    | -    |  |  |
|                        | 67      | 106.0                                | 7.3                           | 106.0                   | 92.7  | 77.0  | 61.3 | 45.7 | -    | 95.7                              | 8.0                           | 95.7                    | 88.2  | 72.7  | 57.3 | 41.8 | -    |  |  |
|                        | 62      | 92.2                                 | 7.4                           | 92.2                    | 92.2  | 91.0  | 75.4 | 59.7 | 44.1 | 84.8                              | 8.0                           | 84.8                    | 84.8  | 85.6  | 70.2 | 54.7 | 39.2 |  |  |
| 3825                   | 72      | 121.0                                | 7.5                           | 97.1                    | 80.1  | 63.0  | 46.0 | -    | -    | 109.5                             | 8.2                           | 92.8                    | 75.9  | 59.0  | 42.1 | -    | -    |  |  |
|                        | 67      | 108.3                                | 7.3                           | 108.3                   | 99.5  | 82.5  | 65.4 | 48.4 | -    | 97.7                              | 8.0                           | 97.7                    | 92.9  | 78.1  | 61.2 | 44.3 | -    |  |  |
|                        | 62      | 94.2                                 | 7.4                           | 94.2                    | 94.2  | 93.6  | 76.5 | 59.5 | 42.5 | 86.6                              | 8.0                           | 86.6                    | 86.6  | 87.0  | 70.1 | 53.2 | 36.3 |  |  |
|                        | 57      | 95.3                                 | 7.2                           | 95.3                    | 95.3  | 95.5  | 78.5 | 61.4 | 44.4 | 87.5                              | 7.9                           | 87.5                    | 87.5  | 87.8  | 70.9 | 54.0 | 37.1 |  |  |
| 4250                   | 72      | 123.5                                | 7.5                           | 104.1                   | 85.6  | 67.2  | 48.8 | -    | -    | 111.7                             | 8.2                           | 99.6                    | 81.3  | 63.0  | 44.7 | -    | -    |  |  |
|                        | 67      | 110.5                                | 7.4                           | 110.5                   | 106.4 | 87.9  | 69.5 | 51.1 | -    | 99.6                              | 8.0                           | 99.6                    | 97.6  | 83.4  | 65.1 | 46.8 | -    |  |  |
|                        | 62      | 96.2                                 | 7.5                           | 96.2                    | 96.2  | 96.2  | 77.7 | 59.3 | 40.8 | 88.4                              | 8.0                           | 88.4                    | 88.4  | 88.4  | 70.1 | 51.7 | 33.4 |  |  |
|                        | 57      | 97.3                                 | 7.3                           | 97.3                    | 97.3  | 97.3  | 78.8 | 60.4 | 41.9 | 89.3                              | 7.9                           | 89.3                    | 89.3  | 89.3  | 71.0 | 52.7 | 34.4 |  |  |

## J08ZJ (8.5 Ton) (Continued)

| Air on Evaporator Coil |         | Temperature of Air on Condenser Coil |                               |                         |      |      |      |      |      |                                   |                               |                         |      |      |      |      |      |
|------------------------|---------|--------------------------------------|-------------------------------|-------------------------|------|------|------|------|------|-----------------------------------|-------------------------------|-------------------------|------|------|------|------|------|
| CFM                    | WB (°F) | Total Capacity <sup>1</sup> (MBh)    | Total Input (kW) <sup>2</sup> | Sensible Capacity (MBh) |      |      |      |      |      | Total Capacity <sup>1</sup> (MBh) | Total Input (kW) <sup>2</sup> | Sensible Capacity (MBh) |      |      |      |      |      |
|                        |         |                                      |                               | Return Dry Bulb (°F)    |      |      |      |      |      |                                   |                               | Return Dry Bulb (°F)    |      |      |      |      |      |
|                        |         |                                      |                               | 90                      | 85   | 80   | 75   | 70   | 65   |                                   |                               | 90                      | 85   | 80   | 75   | 70   | 65   |
|                        |         |                                      |                               | 115°F                   |      |      |      |      |      | 125°F                             |                               |                         |      |      |      |      |      |
| 2125                   | 77      | 97.3                                 | 9.0                           | 38.3                    | 35.1 | 25.1 | -    | -    | -    | 86.3                              | 9.7                           | 39.4                    | 29.5 | 21.9 | -    | -    | -    |
|                        | 72      | 87.5                                 | 8.7                           | 58.0                    | 48.0 | 38.1 | 28.1 | -    | -    | 77.4                              | 9.4                           | 53.9                    | 44.1 | 34.4 | 24.6 | -    | -    |
|                        | 67      | 77.8                                 | 8.5                           | 77.8                    | 61.0 | 51.1 | 41.1 | 31.1 | -    | 68.4                              | 9.1                           | 68.4                    | 56.6 | 46.8 | 37.1 | 27.4 | -    |
|                        | 62      | 70.6                                 | 8.4                           | 70.6                    | 70.6 | 59.8 | 49.8 | 39.8 | 29.9 | 63.9                              | 9.0                           | 63.9                    | 63.9 | 54.5 | 44.8 | 35.0 | 25.3 |
| 2550                   | 77      | 100.5                                | 9.0                           | 51.5                    | 39.7 | 28.0 | -    | -    | -    | 89.1                              | 9.8                           | 52.8                    | 36.2 | 24.7 | -    | -    | -    |
|                        | 72      | 90.4                                 | 8.8                           | 65.9                    | 54.1 | 42.4 | 30.7 | -    | -    | 79.9                              | 9.5                           | 61.7                    | 50.2 | 38.7 | 27.1 | -    | -    |
|                        | 67      | 80.3                                 | 8.5                           | 80.3                    | 68.6 | 56.9 | 45.1 | 33.4 | -    | 70.6                              | 9.2                           | 70.6                    | 64.2 | 52.6 | 41.1 | 29.6 | -    |
|                        | 62      | 72.9                                 | 8.4                           | 72.9                    | 72.9 | 66.6 | 54.9 | 43.1 | 31.4 | 66.0                              | 9.0                           | 66.0                    | 66.0 | 61.3 | 49.8 | 38.2 | 26.7 |
|                        | 57      | 73.6                                 | 8.4                           | 73.6                    | 73.6 | 65.4 | 53.7 | 41.9 | 30.2 | 66.6                              | 10.4                          | 66.6                    | 66.6 | 58.3 | 46.8 | 35.3 | 23.8 |
| 2975                   | 77      | 103.6                                | 9.1                           | 64.7                    | 44.3 | 30.8 | -    | -    | -    | 91.9                              | 9.8                           | 66.2                    | 42.9 | 27.4 | -    | -    | -    |
|                        | 72      | 93.2                                 | 8.8                           | 73.7                    | 60.2 | 46.7 | 33.2 | -    | -    | 82.4                              | 9.5                           | 69.5                    | 56.2 | 42.9 | 29.6 | -    | -    |
|                        | 67      | 82.8                                 | 8.6                           | 82.8                    | 76.2 | 62.7 | 49.2 | 35.7 | -    | 72.8                              | 9.2                           | 72.8                    | 71.7 | 58.4 | 45.2 | 31.9 | -    |
|                        | 62      | 75.2                                 | 8.5                           | 75.2                    | 75.2 | 73.4 | 59.9 | 46.4 | 32.9 | 68.0                              | 9.0                           | 68.0                    | 68.0 | 68.0 | 54.7 | 41.5 | 28.2 |
|                        | 57      | 75.9                                 | 8.4                           | 75.9                    | 75.9 | 72.1 | 58.6 | 45.1 | 31.6 | 68.7                              | 10.4                          | 68.7                    | 68.7 | 64.8 | 51.5 | 38.2 | 24.9 |
| 3400                   | 77      | 106.8                                | 9.1                           | 77.9                    | 48.9 | 33.7 | -    | -    | -    | 94.7                              | 9.9                           | 79.6                    | 49.5 | 30.2 | -    | -    | -    |
|                        | 72      | 96.1                                 | 8.9                           | 81.6                    | 66.3 | 51.1 | 35.8 | -    | -    | 84.9                              | 9.6                           | 77.3                    | 62.3 | 47.2 | 32.1 | -    | -    |
|                        | 67      | 85.3                                 | 8.6                           | 85.3                    | 83.8 | 68.5 | 53.2 | 38.0 | -    | 75.0                              | 9.3                           | 75.0                    | 75.0 | 64.2 | 49.2 | 34.1 | -    |
|                        | 62      | 77.5                                 | 8.5                           | 77.5                    | 77.5 | 80.2 | 64.9 | 49.7 | 34.4 | 70.1                              | 9.1                           | 70.1                    | 70.1 | 70.1 | 59.7 | 44.7 | 29.6 |
|                        | 57      | 78.3                                 | 8.4                           | 78.3                    | 78.3 | 78.8 | 63.5 | 48.2 | 33.0 | 70.7                              | 10.5                          | 70.7                    | 70.7 | 70.7 | 56.2 | 41.1 | 26.1 |
| 3825                   | 72      | 98.0                                 | 8.9                           | 88.4                    | 71.7 | 55.0 | 38.2 | -    | -    | 86.5                              | 9.6                           | 84.0                    | 67.5 | 50.9 | 34.4 | -    | -    |
|                        | 67      | 87.0                                 | 8.7                           | 87.0                    | 86.3 | 73.7 | 57.0 | 40.3 | -    | 76.4                              | 9.3                           | 76.4                    | 76.4 | 69.3 | 52.8 | 36.2 | -    |
|                        | 62      | 79.0                                 | 8.6                           | 79.0                    | 79.0 | 80.4 | 63.7 | 46.9 | 30.2 | 71.4                              | 9.1                           | 71.4                    | 71.4 | 71.4 | 57.2 | 40.7 | 24.1 |
|                        | 57      | 79.8                                 | 8.5                           | 79.8                    | 79.8 | 80.1 | 63.4 | 46.6 | 29.9 | 72.1                              | 10.5                          | 72.1                    | 72.1 | 72.1 | 55.8 | 39.2 | 22.7 |
| 4250                   | 72      | 99.9                                 | 8.9                           | 95.2                    | 77.0 | 58.8 | 40.7 | -    | -    | 88.1                              | 9.7                           | 88.1                    | 72.7 | 54.7 | 36.6 | -    | -    |
|                        | 67      | 88.8                                 | 8.7                           | 88.8                    | 88.8 | 78.9 | 60.7 | 42.5 | -    | 77.9                              | 9.4                           | 77.9                    | 77.9 | 74.4 | 56.3 | 38.3 | -    |
|                        | 62      | 80.6                                 | 8.6                           | 80.6                    | 80.6 | 80.6 | 62.4 | 44.2 | 26.0 | 72.8                              | 9.2                           | 72.8                    | 72.8 | 72.8 | 54.7 | 36.7 | 18.6 |
|                        | 57      | 81.4                                 | 8.5                           | 81.4                    | 81.4 | 81.4 | 63.2 | 45.0 | 26.9 | 73.5                              | 10.6                          | 73.5                    | 73.5 | 73.5 | 55.4 | 37.4 | 19.3 |

1. These capacities are gross ratings. For net capacity, deduct air blower motor, MBh = 3.415 x kW. Refer to the appropriate Blower Performance Table for the kW of the supply air blower motor.
2. These ratings include the condenser fan motors (total 1 kW) and the compressor motors but not the supply air blower motor.

**J10ZJ (10 Ton)**

| Air on Evaporator Coil |         | Temperature of Air on Condenser Coil |                               |                         |       |       |       |       |      |                                   |                               |                         |       |       |       |      |      |  |  |
|------------------------|---------|--------------------------------------|-------------------------------|-------------------------|-------|-------|-------|-------|------|-----------------------------------|-------------------------------|-------------------------|-------|-------|-------|------|------|--|--|
| CFM                    | WB (°F) | Total Capacity <sup>1</sup> (MBh)    | Total Input (kW) <sup>2</sup> | Sensible Capacity (MBh) |       |       |       |       |      | Total Capacity <sup>1</sup> (MBh) | Total Input (kW) <sup>2</sup> | Sensible Capacity (MBh) |       |       |       |      |      |  |  |
|                        |         |                                      |                               | Return Dry Bulb (°F)    |       |       |       |       |      |                                   |                               | Return Dry Bulb (°F)    |       |       |       |      |      |  |  |
|                        |         |                                      |                               | 90                      | 85    | 80    | 75    | 70    | 65   |                                   |                               | 90                      | 85    | 80    | 75    | 70   | 65   |  |  |
|                        |         |                                      |                               | <b>75°F</b>             |       |       |       |       |      | <b>85°F</b>                       |                               |                         |       |       |       |      |      |  |  |
| 2500                   | 77      | 159.5                                | 7.3                           | 63.5                    | 52.6  | 41.7  | -     | -     | -    | 148.2                             | 8.2                           | 61.1                    | 50.3  | 39.4  | -     | -    | -    |  |  |
|                        | 72      | 145.9                                | 7.2                           | 83.1                    | 72.2  | 61.3  | 50.4  | -     | -    | 136.1                             | 8.1                           | 80.2                    | 69.3  | 58.4  | 47.6  | -    | -    |  |  |
|                        | 67      | 132.2                                | 7.1                           | 102.7                   | 91.8  | 80.9  | 70.0  | 59.1  | -    | 124.0                             | 8.0                           | 99.3                    | 88.4  | 77.5  | 66.6  | 55.8 | -    |  |  |
|                        | 62      | 123.1                                | 7.0                           | 123.1                   | 118.4 | 99.0  | 88.1  | 77.2  | 66.3 | 114.8                             | 7.9                           | 114.8                   | 112.5 | 95.6  | 84.8  | 73.9 | 63.0 |  |  |
| 3000                   | 77      | 164.8                                | 7.4                           | 71.2                    | 58.4  | 45.5  | -     | -     | -    | 153.7                             | 8.2                           | 68.6                    | 55.9  | 43.1  | -     | -    | -    |  |  |
|                        | 72      | 150.7                                | 7.2                           | 92.6                    | 79.8  | 67.0  | 54.2  | -     | -    | 141.1                             | 8.1                           | 89.5                    | 76.7  | 64.0  | 51.3  | -    | -    |  |  |
|                        | 67      | 136.6                                | 7.1                           | 114.0                   | 101.2 | 88.4  | 75.6  | 62.8  | -    | 128.6                             | 8.0                           | 110.4                   | 97.6  | 84.9  | 72.2  | 59.5 | -    |  |  |
|                        | 62      | 127.2                                | 7.0                           | 127.2                   | 124.1 | 108.2 | 95.4  | 82.6  | 69.8 | 119.0                             | 7.9                           | 119.0                   | 117.5 | 104.8 | 92.1  | 79.3 | 66.6 |  |  |
| 3500                   | 77      | 170.1                                | 7.4                           | 78.9                    | 64.2  | 49.4  | -     | -     | -    | 159.1                             | 8.2                           | 76.0                    | 61.5  | 46.9  | -     | -    | -    |  |  |
|                        | 72      | 155.5                                | 7.3                           | 102.1                   | 87.4  | 72.7  | 57.9  | -     | -    | 146.1                             | 8.1                           | 98.7                    | 84.2  | 69.6  | 55.0  | -    | -    |  |  |
|                        | 67      | 140.9                                | 7.1                           | 125.4                   | 110.6 | 95.9  | 81.2  | 66.5  | -    | 133.1                             | 8.1                           | 121.5                   | 106.9 | 92.3  | 77.7  | 63.2 | -    |  |  |
|                        | 62      | 131.2                                | 7.1                           | 131.2                   | 129.7 | 117.5 | 102.7 | 88.0  | 73.3 | 123.3                             | 8.0                           | 123.3                   | 122.5 | 113.9 | 99.3  | 84.8 | 70.2 |  |  |
| 4000                   | 77      | 175.4                                | 7.4                           | 86.6                    | 70.0  | 53.3  | -     | -     | -    | 164.5                             | 8.3                           | 83.5                    | 67.1  | 50.7  | -     | -    | -    |  |  |
|                        | 72      | 160.3                                | 7.3                           | 111.7                   | 95.0  | 78.4  | 61.7  | -     | -    | 151.1                             | 8.2                           | 108.0                   | 91.6  | 75.2  | 58.8  | -    | -    |  |  |
|                        | 67      | 145.3                                | 7.2                           | 136.7                   | 120.1 | 103.4 | 86.8  | 70.1  | -    | 137.6                             | 8.1                           | 132.5                   | 116.1 | 99.7  | 83.3  | 66.9 | -    |  |  |
|                        | 62      | 135.3                                | 7.1                           | 135.3                   | 135.3 | 126.7 | 110.0 | 93.4  | 76.7 | 127.5                             | 8.0                           | 127.5                   | 127.5 | 123.0 | 106.6 | 90.2 | 73.8 |  |  |
| 4500                   | 72      | 164.1                                | 7.4                           | 118.0                   | 100.1 | 82.2  | 64.4  | -     | -    | 154.0                             | 8.2                           | 115.6                   | 97.7  | 79.8  | 61.9  | -    | -    |  |  |
|                        | 67      | 148.7                                | 7.2                           | 144.4                   | 126.4 | 108.5 | 90.7  | 72.8  | -    | 140.3                             | 8.1                           | 137.7                   | 123.7 | 105.8 | 87.9  | 70.1 | -    |  |  |
|                        | 62      | 138.4                                | 7.1                           | 138.4                   | 138.4 | 134.1 | 116.3 | 98.4  | 80.5 | 129.9                             | 8.0                           | 129.9                   | 129.9 | 127.7 | 109.8 | 91.9 | 74.0 |  |  |
|                        | 57      | 137.0                                | 7.1                           | 137.0                   | 137.0 | 136.4 | 118.6 | 100.7 | 82.8 | 129.3                             | 8.0                           | 129.3                   | 129.3 | 128.8 | 110.9 | 93.0 | 75.1 |  |  |
| 5000                   | 72      | 167.8                                | 7.4                           | 124.3                   | 105.2 | 86.1  | 67.0  | -     | -    | 156.8                             | 8.2                           | 123.1                   | 103.7 | 84.4  | 65.0  | -    | -    |  |  |
|                        | 67      | 152.0                                | 7.3                           | 152.0                   | 132.7 | 113.6 | 94.5  | 75.5  | -    | 142.9                             | 8.1                           | 142.9                   | 131.3 | 111.9 | 92.6  | 73.2 | -    |  |  |
|                        | 62      | 141.6                                | 7.2                           | 141.6                   | 141.6 | 141.6 | 122.5 | 103.4 | 84.3 | 132.3                             | 8.0                           | 132.3                   | 132.3 | 132.3 | 112.9 | 93.6 | 74.2 |  |  |
|                        | 57      | 140.1                                | 7.2                           | 140.1                   | 140.1 | 140.1 | 121.0 | 101.9 | 82.9 | 131.7                             | 8.0                           | 131.7                   | 131.7 | 131.7 | 112.4 | 93.0 | 73.7 |  |  |
|                        |         |                                      |                               | <b>95°F</b>             |       |       |       |       |      | <b>105°F</b>                      |                               |                         |       |       |       |      |      |  |  |
| 2500                   | 77      | 136.9                                | 9.0                           | 58.8                    | 47.9  | 37.1  | -     | -     | -    | 125.0                             | 10.0                          | 52.9                    | 44.3  | 33.5  | -     | -    | -    |  |  |
|                        | 72      | 126.4                                | 8.9                           | 77.3                    | 66.5  | 55.6  | 44.8  | -     | -    | 115.5                             | 10.0                          | 73.3                    | 62.5  | 51.7  | 40.9  | -    | -    |  |  |
|                        | 67      | 115.8                                | 8.9                           | 95.9                    | 85.0  | 74.1  | 63.3  | 52.4  | -    | 105.9                             | 10.0                          | 93.6                    | 80.7  | 69.9  | 59.1  | 48.3 | -    |  |  |
|                        | 62      | 106.6                                | 8.8                           | 106.6                   | 106.6 | 92.2  | 81.4  | 70.5  | 59.7 | 98.2                              | 9.9                           | 98.2                    | 98.2  | 86.0  | 75.2  | 64.5 | 53.7 |  |  |
| 3000                   | 77      | 142.5                                | 9.0                           | 66.0                    | 53.4  | 40.7  | -     | -     | -    | 131.1                             | 10.1                          | 62.3                    | 49.7  | 37.2  | -     | -    | -    |  |  |
|                        | 72      | 131.5                                | 9.0                           | 86.3                    | 73.7  | 61.1  | 48.5  | -     | -    | 121.1                             | 10.0                          | 82.5                    | 69.9  | 57.3  | 44.7  | -    | -    |  |  |
|                        | 67      | 120.5                                | 8.9                           | 106.7                   | 94.1  | 81.4  | 68.8  | 56.2  | -    | 111.1                             | 10.0                          | 102.6                   | 90.0  | 77.5  | 64.9  | 52.3 | -    |  |  |
|                        | 62      | 110.9                                | 8.8                           | 110.9                   | 110.9 | 101.3 | 88.7  | 76.0  | 63.4 | 102.9                             | 9.9                           | 102.9                   | 102.9 | 95.3  | 82.7  | 70.2 | 57.6 |  |  |
| 3500                   | 77      | 148.1                                | 9.1                           | 73.2                    | 58.8  | 44.4  | -     | -     | -    | 137.1                             | 10.1                          | 71.7                    | 55.1  | 40.8  | -     | -    | -    |  |  |
|                        | 72      | 136.7                                | 9.0                           | 95.4                    | 80.9  | 66.5  | 52.1  | -     | -    | 126.7                             | 10.1                          | 91.6                    | 77.3  | 62.9  | 48.5  | -    | -    |  |  |
|                        | 67      | 125.3                                | 9.0                           | 117.5                   | 103.1 | 88.7  | 74.3  | 59.9  | -    | 116.2                             | 10.1                          | 111.6                   | 99.4  | 85.0  | 70.7  | 56.3 | -    |  |  |
|                        | 62      | 115.3                                | 8.9                           | 115.3                   | 115.3 | 110.4 | 96.0  | 81.6  | 67.2 | 107.7                             | 10.0                          | 107.7                   | 107.7 | 104.6 | 90.3  | 75.9 | 61.5 |  |  |
| 4000                   | 77      | 153.7                                | 9.1                           | 80.4                    | 64.2  | 48.0  | -     | -     | -    | 143.2                             | 10.2                          | 81.1                    | 60.5  | 44.4  | -     | -    | -    |  |  |
|                        | 72      | 141.9                                | 9.0                           | 104.4                   | 88.2  | 72.0  | 55.8  | -     | -    | 132.3                             | 10.2                          | 100.8                   | 84.7  | 68.5  | 52.3  | -    | -    |  |  |
|                        | 67      | 130.0                                | 9.0                           | 128.3                   | 112.2 | 96.0  | 79.8  | 63.7  | -    | 121.4                             | 10.1                          | 120.5                   | 108.8 | 92.6  | 76.4  | 60.3 | -    |  |  |
|                        | 62      | 119.6                                | 8.9                           | 119.6                   | 119.6 | 119.4 | 103.3 | 87.1  | 70.9 | 112.5                             | 10.0                          | 112.5                   | 112.5 | 113.9 | 97.8  | 81.6 | 65.4 |  |  |
| 4500                   | 72      | 143.9                                | 9.1                           | 113.1                   | 95.2  | 77.3  | 59.4  | -     | -    | 133.6                             | 10.1                          | 109.0                   | 91.2  | 73.5  | 55.7  | -    | -    |  |  |
|                        | 67      | 131.8                                | 9.0                           | 131.0                   | 121.0 | 103.1 | 85.2  | 67.3  | -    | 122.6                             | 10.1                          | 122.2                   | 115.3 | 99.4  | 81.6  | 63.8 | -    |  |  |
|                        | 62      | 121.3                                | 8.9                           | 121.3                   | 121.3 | 121.2 | 103.3 | 85.4  | 67.5 | 113.6                             | 10.0                          | 113.6                   | 113.6 | 114.3 | 96.6  | 78.8 | 61.1 |  |  |
|                        | 57      | 121.7                                | 8.9                           | 121.7                   | 121.7 | 121.1 | 103.2 | 85.3  | 67.5 | 113.8                             | 10.0                          | 113.8                   | 113.8 | 113.1 | 95.4  | 77.6 | 59.8 |  |  |
| 5000                   | 72      | 145.9                                | 9.1                           | 121.9                   | 102.3 | 82.7  | 63.1  | -     | -    | 134.9                             | 10.1                          | 117.2                   | 97.8  | 78.5  | 59.1  | -    | -    |  |  |
|                        | 67      | 133.7                                | 9.0                           | 133.7                   | 129.8 | 110.2 | 90.6  | 71.0  | -    | 123.8                             | 10.1                          | 123.8                   | 121.9 | 106.1 | 86.8  | 67.4 | -    |  |  |
|                        | 62      | 123.0                                | 8.9                           | 123.0                   | 123.0 | 123.0 | 103.4 | 83.8  | 64.2 | 114.7                             | 10.0                          | 114.7                   | 114.7 | 114.7 | 95.4  | 76.1 | 56.7 |  |  |
|                        | 57      | 123.4                                | 8.9                           | 123.4                   | 123.4 | 123.4 | 103.7 | 84.1  | 64.5 | 114.9                             | 10.0                          | 114.9                   | 114.9 | 114.9 | 95.5  | 76.2 | 56.8 |  |  |



**J10ZJ (10 Ton) (Continued)**

| Air on Evaporator Coil |         | Temperature of Air on Condenser Coil |                               |                         |       |       |      |      |      |                                   |                               |                         |       |      |      |      |      |
|------------------------|---------|--------------------------------------|-------------------------------|-------------------------|-------|-------|------|------|------|-----------------------------------|-------------------------------|-------------------------|-------|------|------|------|------|
| CFM                    | WB (°F) | Total Capacity <sup>1</sup> (MBh)    | Total Input (kW) <sup>2</sup> | Sensible Capacity (MBh) |       |       |      |      |      | Total Capacity <sup>1</sup> (MBh) | Total Input (kW) <sup>2</sup> | Sensible Capacity (MBh) |       |      |      |      |      |
|                        |         |                                      |                               | Return Dry Bulb (°F)    |       |       |      |      |      |                                   |                               | Return Dry Bulb (°F)    |       |      |      |      |      |
|                        |         |                                      |                               | 90                      | 85    | 80    | 75   | 70   | 65   |                                   |                               | 90                      | 85    | 80   | 75   | 70   | 65   |
|                        |         |                                      |                               | <b>115°F</b>            |       |       |      |      |      | <b>125°F</b>                      |                               |                         |       |      |      |      |      |
| 2500                   | 77      | 113.0                                | 11.0                          | 47.0                    | 40.7  | 30.0  | -    | -    | -    | 101.1                             | 12.1                          | 44.1                    | 37.0  | 26.4 | -    | -    | -    |
|                        | 72      | 104.5                                | 11.0                          | 69.2                    | 58.5  | 47.8  | 37.1 | -    | -    | 93.6                              | 12.1                          | 65.1                    | 54.5  | 43.9 | 33.3 | -    | -    |
|                        | 67      | 96.0                                 | 11.0                          | 91.4                    | 76.3  | 65.6  | 55.0 | 44.3 | -    | 86.1                              | 12.1                          | 86.1                    | 72.0  | 61.4 | 50.8 | 40.2 | -    |
|                        | 62      | 89.7                                 | 11.0                          | 89.7                    | 89.7  | 79.8  | 69.1 | 58.4 | 47.7 | 81.3                              | 12.1                          | 81.3                    | 81.3  | 74.1 | 63.0 | 52.3 | 41.7 |
| 3000                   | 77      | 119.6                                | 11.1                          | 58.6                    | 46.1  | 33.6  | -    | -    | -    | 108.1                             | 12.1                          | 57.2                    | 42.5  | 30.0 | -    | -    | -    |
|                        | 72      | 110.6                                | 11.1                          | 78.6                    | 66.1  | 53.5  | 41.0 | -    | -    | 100.1                             | 12.2                          | 74.7                    | 62.2  | 49.8 | 37.3 | -    | -    |
|                        | 67      | 101.6                                | 11.1                          | 98.5                    | 86.0  | 73.5  | 61.0 | 48.5 | -    | 92.1                              | 12.2                          | 92.1                    | 82.0  | 69.5 | 57.1 | 44.6 | -    |
|                        | 62      | 94.9                                 | 11.0                          | 94.9                    | 94.9  | 89.3  | 76.8 | 64.3 | 51.8 | 87.0                              | 12.2                          | 87.0                    | 87.0  | 83.3 | 70.9 | 58.4 | 46.0 |
|                        | 57      | 94.9                                 | 11.0                          | 94.9                    | 94.9  | 85.5  | 73.0 | 60.5 | 47.9 | 86.7                              | 12.0                          | 86.7                    | 86.7  | 77.8 | 65.3 | 52.9 | 40.4 |
| 3500                   | 77      | 126.1                                | 11.2                          | 70.2                    | 51.5  | 37.2  | -    | -    | -    | 115.1                             | 12.2                          | 70.3                    | 47.9  | 33.6 | -    | -    | -    |
|                        | 72      | 116.6                                | 11.2                          | 87.9                    | 73.6  | 59.3  | 44.9 | -    | -    | 106.6                             | 12.3                          | 84.2                    | 69.9  | 55.6 | 41.3 | -    | -    |
|                        | 67      | 107.2                                | 11.2                          | 105.6                   | 95.7  | 81.4  | 67.0 | 52.7 | -    | 98.1                              | 12.3                          | 98.1                    | 92.0  | 77.7 | 63.4 | 49.1 | -    |
|                        | 62      | 100.1                                | 11.1                          | 100.1                   | 100.1 | 98.9  | 84.6 | 70.2 | 55.9 | 92.6                              | 12.3                          | 92.6                    | 92.6  | 92.6 | 78.8 | 64.6 | 50.3 |
|                        | 57      | 100.1                                | 11.0                          | 100.1                   | 100.1 | 94.6  | 80.3 | 66.0 | 51.6 | 92.3                              | 12.1                          | 92.3                    | 92.3  | 87.0 | 72.7 | 58.4 | 44.1 |
| 4000                   | 77      | 132.7                                | 11.3                          | 81.8                    | 56.9  | 40.8  | -    | -    | -    | 122.2                             | 12.3                          | 83.4                    | 53.3  | 37.1 | -    | -    | -    |
|                        | 72      | 122.7                                | 11.3                          | 97.3                    | 81.1  | 65.0  | 48.8 | -    | -    | 113.1                             | 12.4                          | 93.7                    | 77.6  | 61.5 | 45.3 | -    | -    |
|                        | 67      | 112.7                                | 11.3                          | 112.7                   | 105.4 | 89.2  | 73.1 | 56.9 | -    | 104.1                             | 12.4                          | 104.1                   | 102.0 | 85.8 | 69.7 | 53.6 | -    |
|                        | 62      | 105.3                                | 11.2                          | 105.3                   | 105.3 | 108.4 | 92.3 | 76.1 | 60.0 | 98.2                              | 12.4                          | 98.2                    | 98.2  | 98.2 | 86.8 | 70.7 | 54.5 |
|                        | 57      | 105.3                                | 11.1                          | 105.3                   | 105.3 | 103.7 | 87.6 | 71.5 | 55.3 | 98.0                              | 12.2                          | 98.0                    | 98.0  | 96.2 | 80.0 | 63.9 | 47.8 |
| 4500                   | 72      | 123.4                                | 11.2                          | 104.9                   | 87.3  | 69.6  | 52.0 | -    | -    | 113.1                             | 12.3                          | 100.8                   | 83.3  | 65.8 | 48.3 | -    | -    |
|                        | 67      | 113.3                                | 11.2                          | 113.3                   | 109.7 | 95.6  | 78.0 | 60.4 | -    | 104.1                             | 12.3                          | 104.1                   | 104.0 | 91.9 | 74.4 | 56.9 | -    |
|                        | 62      | 105.9                                | 11.2                          | 105.9                   | 105.9 | 107.5 | 89.8 | 72.2 | 54.6 | 98.2                              | 12.3                          | 98.2                    | 98.2  | 98.2 | 83.1 | 65.6 | 48.1 |
|                        | 57      | 105.9                                | 11.1                          | 105.9                   | 105.9 | 105.1 | 87.5 | 69.9 | 52.2 | 98.0                              | 12.2                          | 98.0                    | 98.0  | 97.1 | 79.6 | 62.1 | 44.6 |
| 5000                   | 72      | 124.0                                | 11.2                          | 112.5                   | 93.4  | 74.3  | 55.2 | -    | -    | 113.1                             | 12.3                          | 107.8                   | 89.0  | 70.1 | 51.3 | -    | -    |
|                        | 67      | 113.9                                | 11.2                          | 113.9                   | 113.9 | 102.0 | 82.9 | 63.8 | -    | 104.1                             | 12.3                          | 104.1                   | 104.1 | 97.9 | 79.1 | 60.3 | -    |
|                        | 62      | 106.5                                | 11.2                          | 106.5                   | 106.5 | 106.5 | 87.4 | 68.3 | 49.2 | 98.2                              | 12.3                          | 98.2                    | 98.2  | 98.2 | 79.4 | 60.6 | 41.7 |
|                        | 57      | 106.4                                | 11.1                          | 106.4                   | 106.4 | 106.4 | 87.3 | 68.3 | 49.2 | 98.0                              | 12.1                          | 98.0                    | 98.0  | 98.0 | 79.1 | 60.3 | 41.5 |

1. These capacities are gross ratings. For net capacity, deduct air blower motor, MBh = 3.415 x kW. Refer to the appropriate Blower Performance Table for the kW of the supply air blower motor.
2. These ratings include the condenser fan motors (total 1 kW) and the compressor motors but not the supply air blower motor.

**J12ZJ (12.5 Ton)**

| Air on Evaporator Coil |         | Temperature of Air on Condenser Coil |                               |                         |       |       |       |       |       |                                   |                               |                         |       |       |       |       |       |
|------------------------|---------|--------------------------------------|-------------------------------|-------------------------|-------|-------|-------|-------|-------|-----------------------------------|-------------------------------|-------------------------|-------|-------|-------|-------|-------|
| CFM                    | WB (°F) | Total Capacity <sup>1</sup> (MBh)    | Total Input (kW) <sup>2</sup> | Sensible Capacity (MBh) |       |       |       |       |       | Total Capacity <sup>1</sup> (MBh) | Total Input (kW) <sup>2</sup> | Sensible Capacity (MBh) |       |       |       |       |       |
|                        |         |                                      |                               | Return Dry Bulb (°F)    |       |       |       |       |       |                                   |                               | Return Dry Bulb (°F)    |       |       |       |       |       |
|                        |         |                                      |                               | 90                      | 85    | 80    | 75    | 70    | 65    |                                   |                               | 90                      | 85    | 80    | 75    | 70    | 65    |
|                        |         |                                      |                               | <b>75°F</b>             |       |       |       |       |       | <b>85°F</b>                       |                               |                         |       |       |       |       |       |
| 3125                   | 77      | 191.5                                | 9.8                           | 80.3                    | 66.9  | 53.5  | -     | -     | -     | 184.5                             | 10.7                          | 76.0                    | 62.6  | 49.3  | -     | -     | -     |
|                        | 72      | 178.7                                | 9.5                           | 103.3                   | 89.9  | 76.4  | 63.0  | -     | -     | 171.3                             | 10.5                          | 99.0                    | 85.7  | 72.3  | 59.0  | -     | -     |
|                        | 67      | 165.9                                | 9.2                           | 126.3                   | 112.8 | 99.4  | 86.0  | 72.6  | -     | 158.1                             | 10.2                          | 122.1                   | 108.8 | 95.4  | 82.1  | 68.7  | -     |
|                        | 62      | 149.9                                | 9.1                           | 149.9                   | 139.5 | 122.9 | 109.5 | 96.1  | 82.7  | 143.1                             | 10.1                          | 143.1                   | 135.8 | 117.5 | 104.2 | 90.8  | 77.5  |
| 3750                   | 77      | 201.3                                | 9.8                           | 89.4                    | 74.2  | 58.9  | -     | -     | -     | 193.5                             | 10.7                          | 85.1                    | 69.8  | 54.5  | -     | -     | -     |
|                        | 72      | 187.9                                | 9.5                           | 114.7                   | 99.5  | 84.2  | 69.0  | -     | -     | 179.6                             | 10.5                          | 110.6                   | 95.3  | 80.0  | 64.6  | -     | -     |
|                        | 67      | 174.5                                | 9.3                           | 140.0                   | 124.8 | 109.5 | 94.3  | 79.1  | -     | 165.8                             | 10.3                          | 136.1                   | 120.8 | 105.5 | 90.1  | 74.8  | -     |
|                        | 62      | 157.6                                | 9.1                           | 157.6                   | 150.7 | 135.4 | 120.2 | 105.0 | 89.7  | 150.1                             | 10.1                          | 150.1                   | 145.2 | 129.9 | 114.6 | 99.3  | 83.9  |
| 57                     | 152.3   | 9.1                                  | 152.3                         | 152.3                   | 140.7 | 125.5 | 110.2 | 95.0  | 145.8 | 10.1                              | 145.8                         | 145.8                   | 134.0 | 118.7 | 103.3 | 88.0  |       |
| 4375                   | 77      | 211.1                                | 9.8                           | 98.5                    | 81.5  | 64.4  | -     | -     | -     | 202.4                             | 10.8                          | 94.2                    | 76.9  | 59.6  | -     | -     | -     |
|                        | 72      | 197.0                                | 9.6                           | 126.2                   | 109.1 | 92.0  | 75.0  | -     | -     | 187.9                             | 10.6                          | 122.1                   | 104.9 | 87.6  | 70.3  | -     | -     |
|                        | 67      | 183.0                                | 9.3                           | 153.8                   | 136.7 | 119.7 | 102.6 | 85.5  | -     | 173.5                             | 10.3                          | 150.1                   | 132.8 | 115.5 | 98.2  | 80.9  | -     |
|                        | 62      | 165.3                                | 9.1                           | 165.3                   | 161.8 | 148.0 | 130.9 | 113.8 | 96.8  | 157.0                             | 10.1                          | 157.0                   | 154.6 | 142.3 | 125.0 | 107.7 | 90.4  |
| 57                     | 159.7   | 9.1                                  | 159.7                         | 153.7                   | 136.6 | 119.6 | 102.5 | -     | 152.6 | 10.2                              | 152.6                         | 152.6                   | 146.7 | 129.4 | 112.2 | 94.9  |       |
| 5000                   | 77      | 221.0                                | 9.9                           | 107.6                   | 88.8  | 69.9  | -     | -     | -     | 211.4                             | 10.9                          | 103.3                   | 84.1  | 64.8  | -     | -     | -     |
|                        | 72      | 206.2                                | 9.6                           | 137.6                   | 118.7 | 99.8  | 80.9  | -     | -     | 196.3                             | 10.6                          | 133.7                   | 114.4 | 95.2  | 75.9  | -     | -     |
|                        | 67      | 191.5                                | 9.3                           | 167.5                   | 148.7 | 129.8 | 110.9 | 92.0  | -     | 181.2                             | 10.4                          | 164.1                   | 144.8 | 125.5 | 106.3 | 87.0  | -     |
|                        | 62      | 173.0                                | 9.1                           | 173.0                   | 173.0 | 160.5 | 141.6 | 122.7 | 103.8 | 164.0                             | 10.2                          | 164.0                   | 164.0 | 154.6 | 135.4 | 116.1 | 96.9  |
| 57                     | 167.2   | 9.1                                  | 167.2                         | 167.2                   | 166.7 | 147.8 | 129.0 | 110.1 | 159.3 | 10.2                              | 159.3                         | 159.3                   | 159.5 | 140.2 | 121.0 | 101.7 |       |
| 5625                   | 72      | 215.4                                | 9.6                           | 150.0                   | 129.1 | 108.3 | 87.5  | -     | -     | 204.6                             | 10.7                          | 146.0                   | 124.7 | 103.5 | 82.2  | -     | -     |
|                        | 67      | 200.0                                | 9.3                           | 185.5                   | 161.6 | 140.8 | 119.9 | 99.1  | -     | 188.8                             | 10.4                          | 179.0                   | 157.7 | 136.5 | 115.2 | 93.9  | -     |
|                        | 62      | 180.7                                | 9.2                           | 180.7                   | 180.7 | 174.4 | 153.6 | 132.8 | 111.9 | 170.9                             | 10.2                          | 170.9                   | 170.9 | 166.3 | 145.0 | 123.7 | 102.4 |
|                        | 57      | 174.6                                | 9.1                           | 174.6                   | 174.6 | 174.4 | 153.5 | 132.7 | 111.9 | 166.1                             | 10.3                          | 166.1                   | 166.1 | 166.2 | 144.9 | 123.6 | 102.3 |
| 6250                   | 72      | 224.6                                | 9.6                           | 162.3                   | 139.5 | 116.7 | 94.0  | -     | -     | 212.9                             | 10.7                          | 158.4                   | 135.1 | 111.7 | 88.4  | -     | -     |
|                        | 67      | 208.5                                | 9.3                           | 203.5                   | 174.5 | 151.8 | 129.0 | 106.2 | -     | 196.5                             | 10.5                          | 194.0                   | 170.7 | 147.4 | 124.1 | 100.8 | -     |
|                        | 62      | 188.4                                | 9.2                           | 188.4                   | 188.4 | 188.4 | 165.6 | 142.8 | 120.0 | 177.9                             | 10.3                          | 177.9                   | 177.9 | 177.9 | 154.6 | 131.3 | 108.0 |
|                        | 57      | 182.0                                | 9.2                           | 182.0                   | 182.0 | 182.0 | 159.2 | 136.5 | 113.7 | 172.8                             | 10.3                          | 172.8                   | 172.8 | 172.8 | 149.5 | 126.2 | 102.9 |
|                        |         |                                      |                               | <b>95°F</b>             |       |       |       |       |       | <b>105°F</b>                      |                               |                         |       |       |       |       |       |
| 3125                   | 77      | 177.5                                | 11.6                          | 71.6                    | 58.3  | 45.1  | -     | -     | -     | 168.0                             | 12.8                          | 67.5                    | 55.1  | 42.0  | -     | -     | -     |
|                        | 72      | 163.9                                | 11.4                          | 94.8                    | 81.5  | 68.2  | 55.0  | -     | -     | 154.2                             | 12.7                          | 90.8                    | 77.7  | 64.5  | 51.4  | -     | -     |
|                        | 67      | 150.3                                | 11.2                          | 118.0                   | 104.7 | 91.4  | 78.1  | 64.9  | -     | 140.3                             | 12.6                          | 114.2                   | 100.2 | 87.1  | 73.9  | 60.8  | -     |
|                        | 62      | 136.4                                | 11.0                          | 136.4                   | 132.1 | 112.1 | 98.9  | 85.6  | 72.3  | 128.6                             | 12.4                          | 128.6                   | 126.4 | 106.8 | 93.6  | 80.5  | 67.3  |
| 3750                   | 77      | 185.6                                | 11.7                          | 80.8                    | 65.4  | 50.0  | -     | -     | -     | 175.2                             | 12.9                          | 77.1                    | 61.9  | 46.7  | -     | -     | -     |
|                        | 72      | 171.4                                | 11.5                          | 106.5                   | 91.1  | 75.7  | 60.3  | -     | -     | 160.8                             | 12.8                          | 102.2                   | 86.9  | 71.7  | 56.5  | -     | -     |
|                        | 67      | 157.2                                | 11.3                          | 132.2                   | 116.8 | 101.4 | 86.0  | 70.6  | -     | 146.4                             | 12.7                          | 127.2                   | 112.0 | 96.8  | 81.6  | 66.4  | -     |
|                        | 62      | 142.6                                | 11.1                          | 142.6                   | 139.7 | 124.3 | 109.0 | 93.6  | 78.2  | 134.1                             | 12.5                          | 134.1                   | 132.7 | 118.7 | 103.5 | 88.2  | 73.0  |
| 57                     | 139.4   | 11.1                                 | 139.4                         | 139.4                   | 127.2 | 111.8 | 96.5  | 81.1  | 131.5 | 12.5                              | 131.5                         | 131.5                   | 118.9 | 103.7 | 88.5  | 73.3  |       |
| 4375                   | 77      | 193.7                                | 11.8                          | 89.9                    | 72.4  | 54.9  | -     | -     | -     | 182.4                             | 13.0                          | 86.7                    | 68.6  | 51.3  | -     | -     | -     |
|                        | 72      | 178.9                                | 11.6                          | 118.1                   | 100.6 | 83.1  | 65.6  | -     | -     | 167.4                             | 12.9                          | 113.5                   | 96.2  | 78.9  | 61.6  | -     | -     |
|                        | 67      | 164.0                                | 11.4                          | 146.4                   | 128.8 | 111.3 | 93.8  | 76.3  | -     | 152.4                             | 12.8                          | 140.3                   | 123.8 | 106.5 | 89.2  | 71.9  | -     |
|                        | 62      | 148.8                                | 11.2                          | 148.8                   | 147.4 | 136.6 | 119.1 | 101.5 | 84.0  | 139.6                             | 12.6                          | 139.6                   | 138.9 | 130.6 | 113.3 | 96.0  | 78.7  |
| 57                     | 145.4   | 11.2                                 | 145.4                         | 145.4                   | 139.7 | 122.2 | 104.7 | 87.2  | 136.9 | 12.6                              | 136.9                         | 136.9                   | 130.9 | 113.6 | 96.3  | 79.0  |       |
| 5000                   | 77      | 201.8                                | 11.9                          | 99.1                    | 79.4  | 59.8  | -     | -     | -     | 189.6                             | 13.1                          | 96.3                    | 75.4  | 56.0  | -     | -     | -     |
|                        | 72      | 186.3                                | 11.7                          | 129.8                   | 110.2 | 90.5  | 70.9  | -     | -     | 174.0                             | 13.0                          | 124.8                   | 105.5 | 86.1  | 66.8  | -     | -     |
|                        | 67      | 170.8                                | 11.5                          | 160.6                   | 140.9 | 121.3 | 101.7 | 82.0  | -     | 158.5                             | 12.9                          | 153.3                   | 135.6 | 116.2 | 96.9  | 77.5  | -     |
|                        | 62      | 155.0                                | 11.3                          | 155.0                   | 155.0 | 148.8 | 129.2 | 109.5 | 89.9  | 145.1                             | 12.7                          | 145.1                   | 145.1 | 142.5 | 123.2 | 103.8 | 84.5  |
| 57                     | 151.5   | 11.3                                 | 151.5                         | 151.5                   | 152.2 | 132.6 | 113.0 | 93.4  | 142.3 | 12.7                              | 142.3                         | 142.3                   | 142.8 | 123.4 | 104.1 | 84.7  |       |
| 5625                   | 72      | 193.8                                | 11.8                          | 142.1                   | 120.4 | 98.6  | 76.9  | -     | -     | 180.7                             | 13.1                          | 136.9                   | 115.4 | 94.0  | 72.5  | -     | -     |
|                        | 67      | 177.7                                | 11.6                          | 172.5                   | 153.9 | 132.1 | 110.4 | 88.7  | -     | 164.5                             | 13.0                          | 161.9                   | 148.3 | 126.8 | 105.3 | 83.9  | -     |
|                        | 62      | 161.2                                | 11.3                          | 161.2                   | 161.2 | 158.1 | 136.4 | 114.6 | 92.9  | 150.7                             | 12.8                          | 150.7                   | 150.7 | 149.3 | 127.9 | 106.4 | 84.9  |
|                        | 57      | 157.6                                | 11.4                          | 157.6                   | 157.6 | 157.9 | 136.2 | 114.5 | 92.7  | 147.8                             | 12.8                          | 147.8                   | 147.8 | 148.0 | 126.5 | 105.0 | 83.6  |
| 6250                   | 72      | 201.2                                | 11.9                          | 154.4                   | 130.6 | 106.7 | 82.9  | -     | -     | 187.3                             | 13.2                          | 149.0                   | 125.4 | 101.8 | 78.2  | -     | -     |
|                        | 67      | 184.5                                | 11.7                          | 184.5                   | 166.8 | 143.0 | 119.2 | 95.3  | -     | 170.5                             | 13.1                          | 170.5                   | 161.0 | 137.4 | 113.8 | 90.2  | -     |
|                        | 62      | 167.4                                | 11.4                          | 167.4                   | 167.4 | 167.4 | 143.6 | 119.7 | 95.9  | 156.2                             | 12.9                          | 156.2                   | 156.2 | 156.2 | 132.6 | 109.0 | 85.4  |
|                        | 57      | 163.6                                | 11.5                          | 163.6                   | 163.6 | 163.6 | 139.8 | 116.0 | 92.1  | 153.2                             | 12.9                          | 153.2                   | 153.2 | 153.2 | 129.6 | 106.0 | 82.4  |

**J12ZJ (12.5 Ton) (Continued)**

| Air on Evaporator Coil |         | Temperature of Air on Condenser Coil |                               |                         |       |       |       |      |      |                                   |                               |                         |       |       |       |      |      |
|------------------------|---------|--------------------------------------|-------------------------------|-------------------------|-------|-------|-------|------|------|-----------------------------------|-------------------------------|-------------------------|-------|-------|-------|------|------|
| CFM                    | WB (°F) | Total Capacity <sup>1</sup> (MBh)    | Total Input (kW) <sup>2</sup> | Sensible Capacity (MBh) |       |       |       |      |      | Total Capacity <sup>1</sup> (MBh) | Total Input (kW) <sup>2</sup> | Sensible Capacity (MBh) |       |       |       |      |      |
|                        |         |                                      |                               | Return Dry Bulb (°F)    |       |       |       |      |      |                                   |                               | Return Dry Bulb (°F)    |       |       |       |      |      |
|                        |         |                                      |                               | 90                      | 85    | 80    | 75    | 70   | 65   |                                   |                               | 90                      | 85    | 80    | 75    | 70   | 65   |
|                        |         |                                      |                               | <b>115°F</b>            |       |       |       |      |      | <b>125°F</b>                      |                               |                         |       |       |       |      |      |
| 3125                   | 77      | 158.4                                | 14.0                          | 63.3                    | 51.9  | 38.9  | -     | -    | -    | 148.8                             | 15.3                          | 56.6                    | 48.7  | 35.8  | -     | -    | -    |
|                        | 72      | 144.4                                | 14.0                          | 86.9                    | 73.8  | 60.8  | 47.8  | -    | -    | 134.6                             | 15.3                          | 82.9                    | 70.0  | 57.1  | 44.2  | -    | -    |
|                        | 67      | 130.4                                | 14.0                          | 110.4                   | 95.8  | 82.7  | 69.7  | 56.7 | -    | 120.4                             | 15.4                          | 106.6                   | 91.3  | 78.4  | 65.5  | 52.6 | -    |
|                        | 62      | 120.7                                | 13.8                          | 120.7                   | 120.7 | 101.4 | 88.4  | 75.3 | 62.3 | 112.9                             | 15.2                          | 112.9                   | 112.9 | 96.0  | 83.1  | 70.2 | 57.3 |
| 3750                   | 77      | 164.8                                | 14.1                          | 73.4                    | 58.4  | 43.3  | -     | -    | -    | 154.3                             | 15.4                          | 69.8                    | 54.9  | 40.0  | -     | -    | -    |
|                        | 72      | 150.2                                | 14.1                          | 97.9                    | 82.8  | 67.8  | 52.7  | -    | -    | 139.6                             | 15.4                          | 93.6                    | 78.7  | 63.8  | 48.9  | -    | -    |
|                        | 67      | 135.6                                | 14.1                          | 122.3                   | 107.3 | 92.2  | 77.2  | -    | -    | 124.8                             | 15.5                          | 117.4                   | 102.5 | 87.6  | 72.7  | 57.9 | -    |
|                        | 62      | 125.6                                | 13.9                          | 125.6                   | 125.6 | 113.0 | 98.0  | 82.9 | 67.9 | 117.1                             | 15.3                          | 117.1                   | 117.1 | 107.3 | 92.5  | 77.6 | 62.7 |
|                        | 57      | 123.7                                | 13.9                          | 123.7                   | 123.7 | 110.6 | 95.6  | 80.5 | 65.5 | 115.8                             | 15.3                          | 115.8                   | 115.8 | 102.3 | 87.4  | 72.5 | 57.7 |
| 4375                   | 77      | 171.1                                | 14.2                          | 83.5                    | 64.8  | 47.8  | -     | -    | -    | 159.8                             | 15.5                          | 82.9                    | 61.1  | 44.2  | -     | -    | -    |
|                        | 72      | 156.0                                | 14.2                          | 108.8                   | 91.8  | 74.7  | 57.7  | -    | -    | 144.5                             | 15.5                          | 104.2                   | 87.4  | 70.5  | 53.7  | -    | -    |
|                        | 67      | 140.8                                | 14.2                          | 134.2                   | 118.7 | 101.7 | 84.6  | 67.6 | -    | 129.2                             | 15.6                          | 128.1                   | 113.7 | 96.9  | 80.0  | 63.2 | -    |
|                        | 62      | 130.4                                | 14.0                          | 130.4                   | 130.4 | 124.6 | 107.6 | 90.5 | 73.4 | 121.2                             | 15.4                          | 121.2                   | 121.2 | 118.6 | 101.8 | 85.0 | 68.1 |
|                        | 57      | 128.4                                | 14.0                          | 128.4                   | 128.4 | 122.0 | 104.9 | 87.9 | 70.8 | 119.9                             | 15.5                          | 119.9                   | 119.9 | 113.1 | 96.3  | 79.4 | 62.6 |
| 5000                   | 77      | 177.5                                | 14.4                          | 93.6                    | 71.3  | 52.2  | -     | -    | -    | 165.3                             | 15.6                          | 96.0                    | 67.2  | 48.5  | -     | -    | -    |
|                        | 72      | 161.8                                | 14.3                          | 119.8                   | 100.8 | 81.7  | 62.6  | -    | -    | 149.5                             | 15.7                          | 114.8                   | 96.1  | 77.3  | 58.5  | -    | -    |
|                        | 67      | 146.1                                | 14.3                          | 146.1                   | 130.2 | 111.2 | 92.1  | 73.0 | -    | 133.7                             | 15.7                          | 133.7                   | 124.9 | 106.1 | 87.3  | 68.5 | -    |
|                        | 62      | 135.3                                | 14.1                          | 135.3                   | 135.3 | 136.2 | 117.2 | 98.1 | 79.0 | 125.4                             | 15.5                          | 125.4                   | 125.4 | 125.4 | 111.1 | 92.4 | 73.6 |
|                        | 57      | 133.2                                | 14.1                          | 133.2                   | 133.2 | 133.3 | 114.3 | 95.2 | 76.1 | 124.1                             | 15.6                          | 124.1                   | 124.1 | 123.9 | 105.1 | 86.3 | 67.5 |
| 5625                   | 72      | 167.6                                | 14.4                          | 131.7                   | 110.5 | 89.3  | 68.1  | -    | -    | 154.5                             | 15.8                          | 126.5                   | 105.6 | 84.6  | 63.6  | -    | -    |
|                        | 67      | 151.3                                | 14.4                          | 151.3                   | 142.7 | 121.5 | 100.3 | 79.0 | -    | 138.1                             | 15.8                          | 138.1                   | 137.1 | 116.1 | 95.2  | 74.2 | -    |
|                        | 62      | 140.1                                | 14.2                          | 140.1                   | 140.1 | 140.6 | 119.4 | 98.1 | 76.9 | 129.6                             | 15.6                          | 129.6                   | 129.6 | 129.6 | 110.9 | 89.9 | 68.9 |
|                        | 57      | 138.0                                | 14.2                          | 138.0                   | 138.0 | 138.0 | 116.8 | 95.6 | 74.4 | 128.2                             | 15.7                          | 128.2                   | 128.2 | 128.1 | 107.1 | 86.1 | 65.2 |
| 6250                   | 72      | 173.4                                | 14.5                          | 143.6                   | 120.2 | 96.9  | 73.5  | -    | -    | 159.4                             | 15.9                          | 138.2                   | 115.1 | 91.9  | 68.8  | -    | -    |
|                        | 67      | 156.5                                | 14.5                          | 156.5                   | 155.2 | 131.8 | 108.4 | 85.0 | -    | 142.5                             | 15.9                          | 142.5                   | 142.5 | 126.2 | 103.0 | 79.9 | -    |
|                        | 62      | 145.0                                | 14.3                          | 145.0                   | 145.0 | 145.0 | 121.6 | 98.2 | 74.8 | 133.7                             | 15.7                          | 133.7                   | 133.7 | 133.7 | 110.6 | 87.4 | 64.3 |
|                        | 57      | 142.7                                | 14.3                          | 142.7                   | 142.7 | 142.7 | 119.4 | 96.0 | 72.6 | 132.3                             | 15.8                          | 132.3                   | 132.3 | 132.3 | 109.1 | 86.0 | 62.8 |

1. These capacities are gross ratings. For net capacity, deduct air blower motor, MBh = 3.415 x kW. Refer to the appropriate Blower Performance Table for the kW of the supply air blower motor.
2. These ratings include the condenser fan motors (total 1 kW) and the compressor motors but not the supply air blower motor.

**JA3 thru 12ZR Cooling and Reheat Capacities**

**JA3ZR (3.0 Ton) Cooling**

| Air on Evaporator Coil |         | Temperature of Air on Condenser Coil |                               |                         |      |      |      |      |      |                                   |                               |                         |      |      |      |      |      |  |  |
|------------------------|---------|--------------------------------------|-------------------------------|-------------------------|------|------|------|------|------|-----------------------------------|-------------------------------|-------------------------|------|------|------|------|------|--|--|
| CFM                    | WB (°F) | Total Capacity <sup>1</sup> (MBh)    | Total Input (kW) <sup>2</sup> | Sensible Capacity (MBh) |      |      |      |      |      | Total Capacity <sup>1</sup> (MBh) | Total Input (kW) <sup>2</sup> | Sensible Capacity (MBh) |      |      |      |      |      |  |  |
|                        |         |                                      |                               | Return Dry Bulb (°F)    |      |      |      |      |      |                                   |                               | Return Dry Bulb (°F)    |      |      |      |      |      |  |  |
|                        |         |                                      |                               | 90                      | 85   | 80   | 75   | 70   | 65   |                                   |                               | 90                      | 85   | 80   | 75   | 70   | 65   |  |  |
|                        |         | <b>75°F</b>                          |                               |                         |      |      |      |      |      |                                   | <b>85°F</b>                   |                         |      |      |      |      |      |  |  |
| 750                    | 77      | 48.2                                 | 0.2                           | 20.1                    | 16.2 | 13.0 | -    | -    | -    | 43.5                              | 1.6                           | 17.0                    | 13.9 | 10.7 | -    | -    | -    |  |  |
|                        | 72      | 43.9                                 | 0.8                           | 24.6                    | 21.3 | 18.1 | 14.9 | -    | -    | 39.8                              | 1.8                           | 22.2                    | 19.1 | 16.0 | 12.8 | -    | -    |  |  |
|                        | 67      | 39.6                                 | 1.3                           | 29.0                    | 26.5 | 23.3 | 20.1 | 16.8 | -    | 36.0                              | 2.0                           | 27.5                    | 24.3 | 21.2 | 18.1 | 14.9 | -    |  |  |
|                        | 62      | 35.5                                 | 1.1                           | 35.5                    | 32.6 | 28.4 | 25.1 | 21.9 | 18.7 | 31.4                              | 1.9                           | 31.4                    | 29.6 | 24.7 | 21.6 | 18.4 | 15.3 |  |  |
| 900                    | 77      | 50.4                                 | 0.5                           | 22.1                    | 18.2 | 14.3 | -    | -    | -    | 45.5                              | 1.7                           | 19.7                    | 15.9 | 12.1 | -    | -    | -    |  |  |
|                        | 72      | 45.9                                 | 1.1                           | 27.8                    | 23.9 | 20.0 | 16.1 | -    | -    | 41.6                              | 1.9                           | 25.6                    | 21.8 | 18.0 | 14.2 | -    | -    |  |  |
|                        | 67      | 41.4                                 | 1.6                           | 33.4                    | 29.5 | 25.6 | 21.7 | 17.8 | -    | 37.6                              | 2.1                           | 31.5                    | 27.7 | 23.9 | 20.1 | 16.3 | -    |  |  |
|                        | 62      | 37.1                                 | 1.4                           | 37.1                    | 35.2 | 31.3 | 27.4 | 23.5 | 19.6 | 32.8                              | 2.0                           | 32.8                    | 31.6 | 27.8 | 24.0 | 20.2 | 16.4 |  |  |
|                        | 57      | 33.3                                 | 1.3                           | 33.3                    | 33.4 | 30.5 | 26.6 | 22.7 | 18.8 | 29.7                              | 1.9                           | 29.7                    | 29.7 | 26.4 | 22.6 | 18.8 | 15.0 |  |  |
| 1050                   | 77      | 52.7                                 | 0.8                           | 24.1                    | 20.3 | 15.7 | -    | -    | -    | 47.4                              | 1.8                           | 22.3                    | 17.9 | 13.4 | -    | -    | -    |  |  |
|                        | 72      | 47.9                                 | 1.3                           | 31.0                    | 26.4 | 21.8 | 17.2 | -    | -    | 43.3                              | 2.0                           | 28.9                    | 24.4 | 20.0 | 15.5 | -    | -    |  |  |
|                        | 67      | 43.2                                 | 1.9                           | 37.8                    | 32.5 | 27.9 | 23.4 | 18.8 | -    | 39.2                              | 2.1                           | 35.4                    | 31.0 | 26.5 | 22.1 | 17.6 | -    |  |  |
|                        | 62      | 38.7                                 | 1.7                           | 38.7                    | 37.8 | 34.2 | 29.6 | 25.0 | 20.5 | 34.2                              | 2.1                           | 34.2                    | 33.6 | 30.9 | 26.4 | 21.9 | 17.5 |  |  |
|                        | 57      | 34.7                                 | 1.6                           | 34.7                    | 34.8 | 33.3 | 28.8 | 24.2 | 19.6 | 31.0                              | 1.9                           | 31.0                    | 31.0 | 29.3 | 24.9 | 20.4 | 15.9 |  |  |
| 1200                   | 77      | 54.9                                 | 1.0                           | 26.1                    | 22.3 | 17.0 | -    | -    | -    | 49.4                              | 1.9                           | 25.0                    | 19.9 | 14.8 | -    | -    | -    |  |  |
|                        | 72      | 50.0                                 | 1.6                           | 34.2                    | 28.9 | 23.6 | 18.4 | -    | -    | 45.1                              | 2.1                           | 32.2                    | 27.1 | 22.0 | 16.8 | -    | -    |  |  |
|                        | 67      | 45.1                                 | 2.2                           | 42.2                    | 35.5 | 30.3 | 25.0 | 19.8 | -    | 40.9                              | 2.2                           | 39.4                    | 34.3 | 29.2 | 24.0 | 18.9 | -    |  |  |
|                        | 62      | 40.4                                 | 2.0                           | 40.4                    | 40.4 | 37.1 | 31.8 | 26.6 | 21.3 | 35.6                              | 2.2                           | 35.6                    | 35.6 | 34.0 | 28.8 | 23.7 | 18.6 |  |  |
|                        | 57      | 36.2                                 | 1.8                           | 36.2                    | 36.2 | 36.2 | 30.9 | 25.7 | 20.4 | 32.3                              | 2.0                           | 32.3                    | 32.3 | 32.3 | 27.1 | 22.0 | 16.9 |  |  |
| 1350                   | 72      | 50.0                                 | 1.4                           | 36.8                    | 31.0 | 25.2 | 19.5 | -    | -    | 45.0                              | 2.0                           | 34.6                    | 28.9 | 23.2 | 17.5 | -    | -    |  |  |
|                        | 67      | 45.0                                 | 2.0                           | 43.6                    | 38.2 | 32.3 | 26.6 | 20.8 | -    | 40.8                              | 2.1                           | 40.1                    | 36.5 | 30.8 | 25.1 | 19.4 | -    |  |  |
|                        | 62      | 40.4                                 | 1.8                           | 40.4                    | 40.4 | 38.7 | 33.0 | 27.2 | 21.5 | 35.5                              | 2.1                           | 35.5                    | 35.5 | 34.7 | 29.0 | 23.3 | 17.6 |  |  |
|                        | 57      | 36.2                                 | 1.6                           | 36.2                    | 36.2 | 36.2 | 30.4 | 24.7 | 18.9 | 32.2                              | 1.9                           | 32.2                    | 32.2 | 32.2 | 26.5 | 20.8 | 15.1 |  |  |
| 1500                   | 72      | 49.9                                 | 1.2                           | 39.3                    | 33.1 | 26.8 | 20.6 | -    | -    | 45.0                              | 1.9                           | 36.9                    | 30.6 | 24.4 | 18.1 | -    | -    |  |  |
|                        | 67      | 45.0                                 | 1.8                           | 45.0                    | 40.9 | 34.4 | 28.2 | 21.9 | -    | 40.7                              | 2.1                           | 40.7                    | 38.6 | 32.4 | 26.1 | 19.9 | -    |  |  |
|                        | 62      | 40.3                                 | 1.6                           | 40.3                    | 40.3 | 40.3 | 34.1 | 27.8 | 21.6 | 35.5                              | 2.0                           | 35.5                    | 35.5 | 35.5 | 29.2 | 23.0 | 16.7 |  |  |
|                        | 57      | 36.2                                 | 1.5                           | 36.2                    | 36.2 | 36.2 | 29.9 | 23.7 | 17.4 | 32.1                              | 1.9                           | 32.1                    | 32.1 | 32.1 | 25.9 | 19.6 | 13.4 |  |  |
|                        |         | <b>95°F</b>                          |                               |                         |      |      |      |      |      |                                   | <b>105°F</b>                  |                         |      |      |      |      |      |  |  |
| 750                    | 77      | 38.8                                 | 3.1                           | 13.9                    | 11.6 | 8.5  | -    | -    | -    | 36.4                              | 2.7                           | 12.7                    | 11.2 | 8.3  | -    | -    | -    |  |  |
|                        | 72      | 35.6                                 | 2.8                           | 19.9                    | 16.9 | 13.8 | 10.8 | -    | -    | 32.8                              | 2.7                           | 19.0                    | 16.1 | 13.1 | 10.2 | -    | -    |  |  |
|                        | 67      | 32.5                                 | 2.6                           | 25.9                    | 22.2 | 19.1 | 16.1 | 13.0 | -    | 29.2                              | 2.6                           | 25.3                    | 20.9 | 17.9 | 15.0 | 12.1 | -    |  |  |
|                        | 62      | 27.3                                 | 2.7                           | 27.3                    | 26.6 | 21.0 | 18.0 | 14.9 | 11.9 | 25.0                              | 2.6                           | 25.0                    | 24.7 | 19.5 | 16.5 | 13.6 | 10.7 |  |  |
| 900                    | 77      | 40.5                                 | 3.0                           | 17.2                    | 13.5 | 9.8  | -    | -    | -    | 37.5                              | 2.7                           | 16.5                    | 13.0 | 9.4  | -    | -    | -    |  |  |
|                        | 72      | 37.2                                 | 2.7                           | 23.4                    | 19.7 | 16.0 | 12.3 | -    | -    | 33.8                              | 2.7                           | 22.0                    | 18.4 | 14.9 | 11.3 | -    | -    |  |  |
|                        | 67      | 33.9                                 | 2.5                           | 29.5                    | 25.8 | 22.1 | 18.4 | 14.7 | -    | 30.1                              | 2.6                           | 27.5                    | 23.9 | 20.3 | 16.8 | 13.2 | -    |  |  |
|                        | 62      | 28.5                                 | 2.7                           | 28.5                    | 28.0 | 24.3 | 20.6 | 16.9 | 13.2 | 25.8                              | 2.6                           | 25.8                    | 25.5 | 22.1 | 18.5 | 14.9 | 11.4 |  |  |
|                        | 57      | 26.2                                 | 2.4                           | 26.2                    | 26.0 | 22.3 | 18.6 | 14.9 | 11.2 | 24.9                              | 2.4                           | 24.9                    | 24.9 | 21.4 | 17.8 | 14.2 | 10.6 |  |  |
| 1050                   | 77      | 42.2                                 | 2.8                           | 20.6                    | 15.5 | 11.2 | -    | -    | -    | 38.6                              | 2.7                           | 20.4                    | 14.7 | 10.5 | -    | -    | -    |  |  |
|                        | 72      | 38.7                                 | 2.6                           | 26.8                    | 22.5 | 18.1 | 13.8 | -    | -    | 34.8                              | 2.7                           | 25.0                    | 20.8 | 16.6 | 12.4 | -    | -    |  |  |
|                        | 67      | 35.3                                 | 2.4                           | 33.1                    | 29.4 | 25.1 | 20.7 | 16.4 | -    | 31.0                              | 2.6                           | 29.7                    | 26.9 | 22.7 | 18.5 | 14.3 | -    |  |  |
|                        | 62      | 29.7                                 | 2.6                           | 29.7                    | 29.4 | 27.6 | 23.2 | 18.9 | 14.5 | 26.5                              | 2.6                           | 26.5                    | 26.4 | 24.7 | 20.5 | 16.3 | 12.1 |  |  |
|                        | 57      | 27.2                                 | 2.3                           | 27.2                    | 27.2 | 25.3 | 21.0 | 16.6 | 12.3 | 25.6                              | 2.5                           | 25.6                    | 25.6 | 23.9 | 19.6 | 15.4 | 11.2 |  |  |
| 1200                   | 77      | 43.9                                 | 2.7                           | 23.9                    | 17.5 | 12.5 | -    | -    | -    | 39.7                              | 2.7                           | 24.2                    | 16.4 | 11.6 | -    | -    | -    |  |  |
|                        | 72      | 40.3                                 | 2.5                           | 30.3                    | 25.3 | 20.3 | 15.3 | -    | -    | 35.8                              | 2.7                           | 28.0                    | 23.2 | 18.4 | 13.5 | -    | -    |  |  |
|                        | 67      | 36.7                                 | 2.3                           | 36.7                    | 33.1 | 28.1 | 23.1 | 18.1 | -    | 31.9                              | 2.6                           | 31.9                    | 30.0 | 25.1 | 20.3 | 15.4 | -    |  |  |
|                        | 62      | 30.8                                 | 2.5                           | 30.8                    | 30.8 | 30.8 | 25.8 | 20.8 | 15.8 | 27.3                              | 2.6                           | 27.3                    | 27.3 | 27.3 | 22.5 | 17.6 | 12.8 |  |  |
|                        | 57      | 28.3                                 | 2.2                           | 28.3                    | 28.3 | 28.3 | 23.3 | 18.3 | 13.3 | 26.4                              | 2.5                           | 26.4                    | 26.4 | 26.4 | 21.5 | 16.7 | 11.8 |  |  |
| 1350                   | 72      | 40.1                                 | 2.5                           | 32.4                    | 26.7 | 21.1 | 15.5 | -    | -    | 35.8                              | 2.6                           | 30.4                    | 24.9 | 19.5 | 14.0 | -    | -    |  |  |
|                        | 67      | 36.5                                 | 2.3                           | 36.5                    | 34.7 | 29.2 | 23.6 | 17.9 | -    | 31.9                              | 2.6                           | 31.9                    | 30.9 | 26.7 | 21.2 | 15.7 | -    |  |  |
|                        | 62      | 30.7                                 | 2.5                           | 30.7                    | 30.7 | 30.7 | 25.1 | 19.5 | 13.8 | 27.3                              | 2.5                           | 27.3                    | 27.3 | 27.3 | 21.9 | 16.4 | 10.9 |  |  |
|                        | 57      | 28.2                                 | 2.2                           | 28.2                    | 28.2 | 28.2 | 22.6 | 17.0 | 11.3 | 26.4                              | 2.4                           | 26.4                    | 26.4 | 26.4 | 20.9 | 15.5 | 10.0 |  |  |
| 1500                   | 72      | 40.0                                 | 2.5                           | 34.4                    | 28.2 | 21.9 | 15.6 | -    | -    | 35.8                              | 2.6                           | 32.7                    | 26.7 | 20.6 | 14.5 | -    | -    |  |  |
|                        | 67      | 36.4                                 | 2.3                           | 36.4                    | 36.4 | 30.3 | 24.1 | 17.8 | -    | 31.9                              | 2.5                           | 31.9                    | 31.9 | 28.2 | 22.1 | 16.0 | -    |  |  |
|                        | 62      | 30.6                                 | 2.5                           | 30.6                    | 30.6 | 30.6 | 24.3 | 18.1 | 11.8 | 27.3                              | 2.5                           | 27.3                    | 27.3 | 27.3 | 21.2 | 15.2 | 9.1  |  |  |
|                        | 57      | 28.1                                 | 2.2                           | 28.1                    | 28.1 | 28.1 | 21.8 | 15.6 | 9.3  | 26.4                              | 2.4                           | 26.4                    | 26.4 | 26.4 | 20.3 | 14.2 | 8.2  |  |  |

## JA3ZR (3.0 Ton) Cooling (Continued)

| Air on Evaporator Coil |         | Temperature of Air on Condenser Coil |                               |                         |      |      |      |      |      |                                   |                               |                         |      |      |      |      |     |
|------------------------|---------|--------------------------------------|-------------------------------|-------------------------|------|------|------|------|------|-----------------------------------|-------------------------------|-------------------------|------|------|------|------|-----|
| CFM                    | WB (°F) | Total Capacity <sup>1</sup> (MBh)    | Total Input (kW) <sup>2</sup> | Sensible Capacity (MBh) |      |      |      |      |      | Total Capacity <sup>1</sup> (MBh) | Total Input (kW) <sup>2</sup> | Sensible Capacity (MBh) |      |      |      |      |     |
|                        |         |                                      |                               | Return Dry Bulb (°F)    |      |      |      |      |      |                                   |                               | Return Dry Bulb (°F)    |      |      |      |      |     |
|                        |         |                                      |                               | 90                      | 85   | 80   | 75   | 70   | 65   |                                   |                               | 90                      | 85   | 80   | 75   | 70   | 65  |
| <b>115°F</b>           |         |                                      |                               |                         |      |      |      |      |      | <b>125°F</b>                      |                               |                         |      |      |      |      |     |
| 750                    | 77      | 34.0                                 | 2.4                           | 11.6                    | 10.9 | 8.1  | -    | -    | -    | 31.5                              | 2.1                           | 11.5                    | 9.9  | 7.9  | -    | -    | -   |
|                        | 72      | 30.0                                 | 2.5                           | 18.1                    | 15.3 | 12.4 | 9.6  | -    | -    | 27.2                              | 2.3                           | 17.2                    | 14.5 | 11.7 | 9.0  | -    | -   |
|                        | 67      | 26.0                                 | 2.6                           | 24.6                    | 19.6 | 16.8 | 13.9 | 11.1 | -    | 22.8                              | 2.6                           | 22.8                    | 18.3 | 15.6 | 12.9 | 10.1 | -   |
|                        | 62      | 22.8                                 | 2.4                           | 22.8                    | 22.8 | 18.0 | 15.1 | 12.3 | 9.5  | 20.5                              | 2.2                           | 20.5                    | 20.5 | 16.5 | 13.7 | 11.0 | 8.3 |
| 900                    | 77      | 34.5                                 | 2.5                           | 15.9                    | 12.4 | 9.0  | -    | -    | -    | 31.4                              | 2.3                           | 15.9                    | 11.8 | 8.5  | -    | -    | -   |
|                        | 72      | 30.4                                 | 2.6                           | 20.7                    | 17.2 | 13.8 | 10.3 | -    | -    | 27.1                              | 2.5                           | 19.3                    | 16.0 | 12.7 | 9.3  | -    | -   |
|                        | 67      | 26.4                                 | 2.7                           | 25.5                    | 22.0 | 18.6 | 15.1 | 11.7 | -    | 22.7                              | 2.8                           | 22.7                    | 20.1 | 16.8 | 13.5 | 10.2 | -   |
|                        | 62      | 23.1                                 | 2.5                           | 23.1                    | 23.1 | 19.9 | 16.5 | 13.0 | 9.6  | 20.4                              | 2.4                           | 20.4                    | 20.4 | 17.7 | 14.4 | 11.1 | 7.7 |
|                        | 57      | 23.7                                 | 2.5                           | 23.7                    | 23.7 | 20.4 | 17.0 | 13.5 | 10.1 | 22.5                              | 2.5                           | 22.5                    | 22.5 | 19.5 | 16.2 | 12.8 | 9.5 |
| 1050                   | 77      | 35.0                                 | 2.6                           | 20.1                    | 13.9 | 9.8  | -    | -    | -    | 31.3                              | 2.5                           | 20.3                    | 13.7 | 9.2  | -    | -    | -   |
|                        | 72      | 30.9                                 | 2.7                           | 23.2                    | 19.2 | 15.1 | 11.0 | -    | -    | 26.9                              | 2.8                           | 21.4                    | 17.5 | 13.6 | 9.7  | -    | -   |
|                        | 67      | 26.8                                 | 2.8                           | 26.3                    | 24.4 | 20.4 | 16.3 | 12.2 | -    | 22.6                              | 3.0                           | 22.6                    | 21.9 | 18.0 | 14.1 | 10.2 | -   |
|                        | 62      | 23.4                                 | 2.6                           | 23.4                    | 23.4 | 21.8 | 17.8 | 13.7 | 9.6  | 20.3                              | 2.6                           | 20.3                    | 20.3 | 19.0 | 15.0 | 11.1 | 7.2 |
|                        | 57      | 24.0                                 | 2.6                           | 24.0                    | 24.0 | 22.4 | 18.3 | 14.3 | 10.2 | 22.5                              | 2.7                           | 22.5                    | 22.5 | 21.0 | 17.0 | 13.1 | 9.2 |
| 1200                   | 77      | 35.4                                 | 2.7                           | 24.4                    | 15.4 | 10.7 | -    | -    | -    | 31.2                              | 2.7                           | 24.7                    | 15.6 | 9.8  | -    | -    | -   |
|                        | 72      | 31.3                                 | 2.8                           | 25.8                    | 21.1 | 16.4 | 11.8 | -    | -    | 26.8                              | 3.0                           | 23.6                    | 19.0 | 14.5 | 10.0 | -    | -   |
|                        | 67      | 27.2                                 | 2.9                           | 27.2                    | 26.9 | 22.2 | 17.5 | 12.8 | -    | 22.4                              | 3.3                           | 22.4                    | 22.4 | 19.2 | 14.7 | 10.2 | -   |
|                        | 62      | 23.8                                 | 2.7                           | 23.8                    | 23.8 | 23.8 | 19.1 | 14.4 | 9.7  | 20.2                              | 2.8                           | 20.2                    | 20.2 | 20.2 | 15.7 | 11.2 | 6.7 |
|                        | 57      | 24.4                                 | 2.7                           | 24.4                    | 24.4 | 24.4 | 19.7 | 15.0 | 10.3 | 22.4                              | 2.9                           | 22.4                    | 22.4 | 22.4 | 17.9 | 13.4 | 8.9 |
| 1350                   | 72      | 31.5                                 | 2.7                           | 28.4                    | 23.1 | 17.9 | 12.6 | -    | -    | 27.1                              | 2.9                           | 26.5                    | 21.4 | 16.3 | 11.2 | -    | -   |
|                        | 67      | 27.3                                 | 2.9                           | 27.3                    | 27.1 | 24.1 | 18.8 | 13.6 | -    | 22.7                              | 3.1                           | 22.7                    | 22.7 | 21.6 | 16.5 | 11.4 | -   |
|                        | 62      | 23.9                                 | 2.6                           | 23.9                    | 23.9 | 23.9 | 18.6 | 13.3 | 8.1  | 20.5                              | 2.7                           | 20.5                    | 20.5 | 20.5 | 15.4 | 10.3 | 5.2 |
|                        | 57      | 24.5                                 | 2.6                           | 24.5                    | 24.5 | 24.5 | 19.2 | 14.0 | 8.7  | 22.7                              | 2.8                           | 22.7                    | 22.7 | 22.7 | 17.6 | 12.5 | 7.4 |
| 1500                   | 72      | 31.6                                 | 2.7                           | 31.1                    | 25.2 | 19.3 | 13.4 | -    | -    | 27.4                              | 2.7                           | 27.4                    | 23.7 | 18.0 | 12.3 | -    | -   |
|                        | 67      | 27.4                                 | 2.8                           | 27.4                    | 27.4 | 26.0 | 20.2 | 14.3 | -    | 23.0                              | 3.0                           | 23.0                    | 23.0 | 23.0 | 18.2 | 12.6 | -   |
|                        | 62      | 24.0                                 | 2.5                           | 24.0                    | 24.0 | 24.0 | 18.1 | 12.3 | 6.4  | 20.7                              | 2.6                           | 20.7                    | 20.7 | 20.7 | 15.0 | 9.3  | 3.7 |
|                        | 57      | 24.6                                 | 2.5                           | 24.6                    | 24.6 | 24.6 | 18.8 | 12.9 | 7.0  | 22.9                              | 2.7                           | 22.9                    | 22.9 | 22.9 | 17.2 | 11.5 | 5.9 |

1. These capacities are gross ratings. For net capacity, deduct air blower motor, MBh = 3.415 x kW. Refer to the appropriate Blower Performance Table for the kW of the supply air blower motor.
2. These ratings include the condenser fan motors (total 1 kW) and the compressor motors but not the supply air blower motor.

**JA3ZR (3.0 Ton) Reheat**

| Air on Evaporator Coil |         | Temperature of Air on Condenser Coil |                               |  |                                   |                               |  |
|------------------------|---------|--------------------------------------|-------------------------------|--|-----------------------------------|-------------------------------|--|
|                        |         | Total Capacity <sup>1</sup> (MBh)    | Total Input (kW) <sup>2</sup> | Sensible Capacity (MBh)<br>(- indicates heating) | Total Capacity <sup>1</sup> (MBh) | Total Input (kW) <sup>2</sup> | Sensible Capacity (MBh)<br>(- indicates heating) |
| Return Dry Bulb (°F)   |         |                                      |                               | Return Dry Bulb (°F)                             |                                   |                               |  |
| CFM                    | WB (°F) |                                      |                               | 75   |                                   |                               | 75   |
|                        |         | <b>40 °F</b>                         |                               |  | <b>50 °F</b>                      |                               |  |
| 1050                   | 62.5    | 14.1                                 | 1.3                           | 8.9  | 19.7                              | 2.0                           | 8.9  |
|                        | 64      | 15.3                                 | 1.3                           | 8.1  | 21.3                              | 2.0                           | 7.5  |
|                        | 65.3    | 17.0                                 | 1.4                           | 7.1  | 22.5                              | 2.0                           | 6.2  |
| 1200                   | 62.5    | 14.9                                 | 1.3                           | 9.7  | 20.3                              | 2.0                           | 9.8  |
|                        | 64      | 15.6                                 | 1.3                           | 8.7  | 21.2                              | 2.0                           | 8.3  |
|                        | 65.3    | 16.1                                 | 1.3                           | 7.8  | 23.1                              | 2.0                           | 7.1  |
| 1350                   | 62.5    | 21.7                                 | 1.9                           | 11.1   | 21.6                              | 2.0                           | 10.9   |
|                        | 64      | 22.3                                 | 1.9                           | 9.3  | 23.1                              | 2.0                           | 9.7  |
|                        | 65.3    | 22.5                                 | 1.8                           | 8.0  | 24.7                              | 2.0                           | 8.2  |
|                        |         | <b>60 °F</b>                         |                               |  | <b>70 °F</b>                      |                               |  |
| 1050                   | 62.5    | 18.5                                 | 2.0                           | 8.1  | 17.0                              | 2.1                           | 6.8  |
|                        | 64      | 19.7                                 | 2.0                           | 6.6  | 18.4                              | 2.1                           | 5.5  |
|                        | 65.3    | 20.9                                 | 2.0                           | 5.4  | 19.6                              | 2.1                           | 4.4  |
| 1200                   | 62.5    | 19.2                                 | 2.0                           | 9.0  | 17.0                              | 2.1                           | 7.9  |
|                        | 64      | 20.3                                 | 2.0                           | 7.6  | 18.5                              | 2.1                           | 6.6  |
|                        | 65.3    | 22.2                                 | 2.0                           | 6.3  | 19.9                              | 2.1                           | 5.5  |
| 1350                   | 62.5    | 19.8                                 | 2.0                           | 9.8  | 16.1                              | 2.1                           | 8.4  |
|                        | 64      | 21.1                                 | 2.0                           | 8.4  | 17.3                              | 2.1                           | 6.8  |
|                        | 62      | 22.3                                 | 2.0                           | 7.2  | 18.8                              | 2.1                           | 5.7  |
|                        |         | <b>75 °F</b>                         |                               |  | <b>80 °F</b>                      |                               |  |
| 1050                   | 62.5    | 16.3                                 | 2.1                           | 7.2  | 15.0                              | 2.1                           | 5.9  |
|                        | 64      | 17.6                                 | 2.1                           | 5.5  | 16.2                              | 2.1                           | 4.5  |
|                        | 65.3    | 18.8                                 | 2.1                           | 4.0  | 16.6                              | 2.1                           | 3.6  |
| 1200                   | 62.5    | 16.6                                 | 2.1                           | 7.4  | 14.9                              | 2.1                           | 6.7  |
|                        | 64      | 18.0                                 | 2.1                           | 6.1  | 16.1                              | 2.1                           | 5.5  |
|                        | 65.3    | 18.9                                 | 2.1                           | 5.0  | 17.2                              | 2.1                           | 3.9  |
| 1350                   | 62.5    | 15.8                                 | 2.1                           | 7.8  | 14.4                              | 2.1                           | 7.1  |
|                        | 64      | 17.3                                 | 2.1                           | 6.7  | 15.6                              | 2.1                           | 5.8  |
|                        | 65.3    | 18.5                                 | 2.1                           | 5.2  | 16.7                              | 2.1                           | 4.4  |
|                        |         | <b>85 °F</b>                         |                               |  | <b>95 °F</b>                      |                               |  |
| 1050                   | 62.5    | 12.0                                 | 2.2                           | 4.5  | 7.5                               | 2.3                           | 1.7  |
|                        | 64      | 12.5                                 | 2.2                           | 3.1  | 8.5                               | 2.3                           | 0.5  |
|                        | 65.3    | 13.4                                 | 2.2                           | 1.9  | 9.3                               | 2.4                           | -0.9   |
| 1200                   | 62.5    | 11.8                                 | 2.2                           | 5.0  | 8.8                               | 2.3                           | -0.6   |
|                        | 64      | 12.9                                 | 2.2                           | 3.7  | 8.0                               | 2.3                           | 0.6  |
|                        | 65.3    | 13.9                                 | 2.2                           | 2.3  | 8.2                               | 2.4                           | -0.9   |
| 1350                   | 62.5    | 11.7                                 | 2.2                           | 5.6  | 6.0                               | 2.3                           | 1.9  |
|                        | 64      | 12.6                                 | 2.2                           | 4.0  | 6.7                               | 2.3                           | 0.6  |
|                        | 62      | 13.6                                 | 2.2                           | 2.7  | 7.7                               | 2.3                           | -0.7   |

1. These capacities are gross ratings. For net capacity, deduct air blower motor, MBh = 3.415 x kW. Refer to the appropriate Blower Performance Table for the kW of the supply air blower motor.
2. These ratings include the condenser fan motors (total 1 kW) and the compressor motors but not the supply air blower motor.

**JA4ZR (4.0 Ton) Cooling**

| Air on Evaporator Coil |         | Temperature of Air on Condenser Coil |                               |                         |      |      |      |      |      |                                   |                               |                         |      |      |      |      |      |  |  |
|------------------------|---------|--------------------------------------|-------------------------------|-------------------------|------|------|------|------|------|-----------------------------------|-------------------------------|-------------------------|------|------|------|------|------|--|--|
| CFM                    | WB (°F) | Total Capacity <sup>1</sup> (MBh)    | Total Input (kW) <sup>2</sup> | Sensible Capacity (MBh) |      |      |      |      |      | Total Capacity <sup>1</sup> (MBh) | Total Input (kW) <sup>2</sup> | Sensible Capacity (MBh) |      |      |      |      |      |  |  |
|                        |         |                                      |                               | Return Dry Bulb (°F)    |      |      |      |      |      |                                   |                               | Return Dry Bulb (°F)    |      |      |      |      |      |  |  |
|                        |         |                                      |                               | 90                      | 85   | 80   | 75   | 70   | 65   |                                   |                               | 90                      | 85   | 80   | 75   | 70   | 65   |  |  |
|                        |         |                                      |                               | <b>75°F</b>             |      |      |      |      |      |                                   |                               | <b>85°F</b>             |      |      |      |      |      |  |  |
| 1000                   | 77      | 70.8                                 | 1.6                           | 27.3                    | 22.8 | 18.2 | -    | -    | -    | 61.5                              | 3.0                           | 26.1                    | 21.6 | 17.2 | -    | -    | -    |  |  |
|                        | 72      | 62.1                                 | 2.0                           | 34.1                    | 29.5 | 24.9 | 20.3 | -    | -    | 55.0                              | 3.0                           | 32.3                    | 27.8 | 23.4 | 18.9 | -    | -    |  |  |
|                        | 67      | 53.5                                 | 2.4                           | 40.8                    | 36.2 | 31.6 | 27.0 | 22.4 | -    | 48.5                              | 2.9                           | 38.5                    | 34.1 | 29.6 | 25.2 | 20.7 | -    |  |  |
|                        | 62      | 48.3                                 | 2.0                           | 48.3                    | 46.8 | 37.7 | 33.1 | 28.5 | 23.9 | 43.1                              | 2.9                           | 43.1                    | 42.3 | 35.8 | 31.3 | 26.9 | 22.4 |  |  |
| 1200                   | 77      | 73.1                                 | 1.8                           | 30.4                    | 25.1 | 19.9 | -    | -    | -    | 63.8                              | 3.0                           | 29.0                    | 23.9 | 18.7 | -    | -    | -    |  |  |
|                        | 72      | 64.2                                 | 2.2                           | 37.7                    | 32.5 | 27.3 | 22.0 | -    | -    | 57.1                              | 3.0                           | 35.8                    | 30.7 | 25.5 | 20.4 | -    | -    |  |  |
|                        | 67      | 55.3                                 | 2.6                           | 45.1                    | 39.9 | 34.6 | 29.4 | 24.2 | -    | 50.3                              | 2.9                           | 42.6                    | 37.5 | 32.3 | 27.2 | 22.0 | -    |  |  |
|                        | 62      | 50.0                                 | 2.2                           | 50.0                    | 48.9 | 41.3 | 36.1 | 30.9 | 25.6 | 44.7                              | 2.9                           | 44.7                    | 44.2 | 39.1 | 33.9 | 28.8 | 23.6 |  |  |
| 1400                   | 77      | 75.5                                 | 2.1                           | 33.4                    | 27.5 | 21.6 | -    | -    | -    | 66.1                              | 3.0                           | 32.0                    | 26.1 | 20.3 | -    | -    | -    |  |  |
|                        | 72      | 66.3                                 | 2.4                           | 41.4                    | 35.5 | 29.6 | 23.8 | -    | -    | 59.1                              | 3.0                           | 39.3                    | 33.5 | 27.7 | 21.8 | -    | -    |  |  |
|                        | 67      | 57.1                                 | 2.8                           | 49.4                    | 43.5 | 37.6 | 31.8 | 25.9 | -    | 52.2                              | 2.9                           | 46.7                    | 40.9 | 35.0 | 29.2 | 23.3 | -    |  |  |
|                        | 62      | 51.6                                 | 2.4                           | 51.6                    | 51.1 | 44.9 | 39.0 | 33.1 | 27.3 | 46.3                              | 2.9                           | 46.3                    | 46.1 | 42.3 | 36.5 | 30.6 | 24.8 |  |  |
| 1600                   | 77      | 77.9                                 | 2.3                           | 36.5                    | 29.9 | 23.4 | -    | -    | -    | 68.4                              | 3.0                           | 34.9                    | 28.4 | 21.9 | -    | -    | -    |  |  |
|                        | 72      | 68.4                                 | 2.6                           | 45.1                    | 38.6 | 32.0 | 25.5 | -    | -    | 61.2                              | 3.0                           | 42.9                    | 36.3 | 29.8 | 23.3 | -    | -    |  |  |
|                        | 67      | 58.9                                 | 3.0                           | 53.7                    | 47.2 | 40.7 | 34.1 | 27.6 | -    | 54.0                              | 2.9                           | 50.8                    | 44.3 | 37.7 | 31.2 | 24.7 | -    |  |  |
|                        | 62      | 53.2                                 | 2.6                           | 53.2                    | 53.2 | 48.5 | 42.0 | 35.4 | 28.9 | 47.9                              | 2.9                           | 47.9                    | 47.9 | 45.6 | 39.1 | 32.5 | 26.0 |  |  |
| 1800                   | 77      | 70.3                                 | 2.4                           | 48.1                    | 40.9 | 33.7 | 26.6 | -    | -    | 62.2                              | 3.0                           | 46.1                    | 38.9 | 31.7 | 24.5 | -    | -    |  |  |
|                        | 72      | 60.5                                 | 2.8                           | 57.9                    | 50.0 | 42.8 | 35.7 | 28.5 | -    | 54.8                              | 2.9                           | 53.3                    | 47.3 | 40.2 | 33.0 | 25.8 | -    |  |  |
|                        | 67      | 54.7                                 | 2.4                           | 54.7                    | 54.7 | 52.3 | 45.1 | 38.0 | 30.8 | 48.7                              | 2.9                           | 48.7                    | 48.7 | 47.5 | 40.3 | 33.2 | 26.0 |  |  |
|                        | 62      | 53.2                                 | 2.4                           | 53.2                    | 53.2 | 53.2 | 46.1 | 38.9 | 31.7 | 48.0                              | 2.9                           | 48.0                    | 48.0 | 48.0 | 40.9 | 33.7 | 26.5 |  |  |
| 2000                   | 77      | 72.1                                 | 2.2                           | 51.0                    | 43.2 | 35.4 | 27.7 | -    | -    | 63.1                              | 3.0                           | 49.3                    | 41.5 | 33.6 | 25.8 | -    | -    |  |  |
|                        | 72      | 62.1                                 | 2.6                           | 62.1                    | 52.8 | 45.0 | 37.2 | 29.4 | -    | 55.7                              | 2.9                           | 55.7                    | 50.4 | 42.6 | 34.8 | 27.0 | -    |  |  |
|                        | 67      | 56.1                                 | 2.2                           | 56.1                    | 56.1 | 56.1 | 48.3 | 40.5 | 32.7 | 49.5                              | 2.9                           | 49.5                    | 49.5 | 49.5 | 41.6 | 33.8 | 26.0 |  |  |
|                        | 62      | 54.7                                 | 2.2                           | 54.7                    | 54.7 | 54.7 | 46.9 | 39.1 | 31.3 | 48.8                              | 2.9                           | 48.8                    | 48.8 | 48.8 | 41.0 | 33.1 | 25.3 |  |  |
|                        |         |                                      |                               | <b>95°F</b>             |      |      |      |      |      |                                   |                               | <b>105°F</b>            |      |      |      |      |      |  |  |
| 1000                   | 77      | 52.2                                 | 4.4                           | 24.8                    | 20.5 | 16.1 | -    | -    | -    | 51.3                              | 4.2                           | 21.3                    | 18.4 | 14.1 | -    | -    | -    |  |  |
|                        | 72      | 47.9                                 | 3.9                           | 30.5                    | 26.2 | 21.9 | 17.6 | -    | -    | 45.4                              | 3.9                           | 28.4                    | 24.1 | 19.9 | 15.6 | -    | -    |  |  |
|                        | 67      | 43.6                                 | 3.4                           | 36.3                    | 31.9 | 27.6 | 23.3 | 19.0 | -    | 39.6                              | 3.6                           | 35.5                    | 29.8 | 25.6 | 21.3 | 17.1 | -    |  |  |
|                        | 62      | 37.9                                 | 3.9                           | 37.9                    | 37.9 | 33.9 | 29.5 | 25.2 | 20.9 | 34.1                              | 3.8                           | 34.1                    | 34.1 | 29.2 | 25.0 | 20.7 | 16.5 |  |  |
| 1200                   | 77      | 54.4                                 | 4.2                           | 27.7                    | 22.6 | 17.5 | -    | -    | -    | 52.8                              | 4.1                           | 25.3                    | 20.4 | 15.4 | -    | -    | -    |  |  |
|                        | 72      | 49.9                                 | 3.7                           | 33.9                    | 28.8 | 23.8 | 18.7 | -    | -    | 46.8                              | 3.8                           | 31.6                    | 26.6 | 21.7 | 16.7 | -    | -    |  |  |
|                        | 67      | 45.4                                 | 3.2                           | 40.1                    | 35.1 | 30.0 | 25.0 | 19.9 | -    | 40.8                              | 3.5                           | 37.8                    | 32.9 | 27.9 | 22.9 | 18.0 | -    |  |  |
|                        | 62      | 39.5                                 | 3.6                           | 39.5                    | 39.5 | 36.8 | 31.7 | 26.7 | 21.6 | 35.1                              | 3.7                           | 35.1                    | 35.1 | 31.9 | 26.9 | 22.0 | 17.0 |  |  |
| 1400                   | 77      | 56.6                                 | 4.0                           | 30.5                    | 24.7 | 18.9 | -    | -    | -    | 54.3                              | 4.0                           | 29.4                    | 22.4 | 16.7 | -    | -    | -    |  |  |
|                        | 72      | 51.9                                 | 3.5                           | 37.3                    | 31.5 | 25.7 | 19.9 | -    | -    | 48.2                              | 3.7                           | 34.8                    | 29.1 | 23.5 | 17.8 | -    | -    |  |  |
|                        | 67      | 47.3                                 | 3.0                           | 44.0                    | 38.2 | 32.4 | 26.6 | 20.8 | -    | 42.0                              | 3.4                           | 40.2                    | 35.9 | 30.2 | 24.6 | 18.9 | -    |  |  |
|                        | 62      | 41.1                                 | 3.4                           | 41.1                    | 41.1 | 39.7 | 33.9 | 28.1 | 22.3 | 36.2                              | 3.6                           | 36.2                    | 36.2 | 34.6 | 28.9 | 23.2 | 17.5 |  |  |
| 1600                   | 77      | 58.8                                 | 3.7                           | 33.4                    | 26.9 | 20.3 | -    | -    | -    | 55.8                              | 3.9                           | 33.5                    | 24.4 | 18.0 | -    | -    | -    |  |  |
|                        | 72      | 54.0                                 | 3.3                           | 40.7                    | 34.1 | 27.6 | 21.0 | -    | -    | 49.5                              | 3.6                           | 38.0                    | 31.7 | 25.3 | 18.9 | -    | -    |  |  |
|                        | 67      | 49.1                                 | 2.9                           | 47.9                    | 41.3 | 34.8 | 28.3 | 21.7 | -    | 43.2                              | 3.4                           | 42.6                    | 39.0 | 32.6 | 26.2 | 19.8 | -    |  |  |
|                        | 62      | 42.7                                 | 3.2                           | 42.7                    | 42.7 | 42.7 | 36.1 | 29.6 | 23.1 | 37.2                              | 3.5                           | 37.2                    | 37.2 | 37.2 | 30.8 | 24.5 | 18.1 |  |  |
| 1800                   | 77      | 54.1                                 | 3.5                           | 44.1                    | 36.9 | 29.7 | 22.5 | -    | -    | 49.9                              | 3.7                           | 41.5                    | 34.4 | 27.3 | 20.3 | -    | -    |  |  |
|                        | 72      | 49.2                                 | 3.1                           | 48.6                    | 44.7 | 37.5 | 30.3 | 23.1 | -    | 43.5                              | 3.5                           | 43.2                    | 41.1 | 35.2 | 28.1 | 21.1 | -    |  |  |
|                        | 67      | 42.7                                 | 3.4                           | 42.7                    | 42.7 | 42.7 | 35.5 | 28.4 | 21.2 | 37.5                              | 3.6                           | 37.5                    | 37.5 | 37.5 | 30.4 | 23.4 | 16.3 |  |  |
|                        | 62      | 42.8                                 | 3.4                           | 42.8                    | 42.8 | 42.8 | 35.6 | 28.4 | 21.3 | 38.1                              | 3.6                           | 38.1                    | 38.1 | 38.1 | 31.1 | 24.0 | 16.9 |  |  |
| 2000                   | 77      | 54.2                                 | 3.7                           | 47.5                    | 39.7 | 31.8 | 24.0 | -    | -    | 50.3                              | 3.9                           | 44.9                    | 37.1 | 29.4 | 21.6 | -    | -    |  |  |
|                        | 72      | 49.3                                 | 3.3                           | 49.3                    | 48.0 | 40.2 | 32.3 | 24.5 | -    | 43.8                              | 3.6                           | 43.8                    | 43.2 | 37.9 | 30.1 | 22.4 | -    |  |  |
|                        | 67      | 42.8                                 | 3.7                           | 42.8                    | 42.8 | 42.8 | 35.0 | 27.1 | 19.3 | 37.8                              | 3.7                           | 37.8                    | 37.8 | 37.8 | 30.0 | 22.3 | 14.5 |  |  |
|                        | 62      | 42.9                                 | 3.7                           | 42.9                    | 42.9 | 42.9 | 35.1 | 27.2 | 19.4 | 38.4                              | 3.7                           | 38.4                    | 38.4 | 38.4 | 30.7 | 22.9 | 15.2 |  |  |

**JA4ZR (4.0 Ton) Cooling (Continued)**

| Air on Evaporator Coil |         | Temperature of Air on Condenser Coil |                               |                         |      |      |      |      |      |                      |     |                                   |                               |                         |      |      |     |  |  |
|------------------------|---------|--------------------------------------|-------------------------------|-------------------------|------|------|------|------|------|----------------------|-----|-----------------------------------|-------------------------------|-------------------------|------|------|-----|--|--|
| CFM                    | WB (°F) | Total Capacity <sup>1</sup> (MBh)    | Total Input (kW) <sup>2</sup> | Sensible Capacity (MBh) |      |      |      |      |      |                      |     | Total Capacity <sup>1</sup> (MBh) | Total Input (kW) <sup>2</sup> | Sensible Capacity (MBh) |      |      |     |  |  |
|                        |         |                                      |                               | Return Dry Bulb (°F)    |      |      |      |      |      | Return Dry Bulb (°F) |     |                                   |                               |                         |      |      |     |  |  |
|                        |         |                                      |                               | 90                      | 85   | 80   | 75   | 70   | 65   | 90                   | 85  |                                   |                               | 80                      | 75   | 70   | 65  |  |  |
|                        |         |                                      |                               | <b>115°F</b>            |      |      |      |      |      |                      |     | <b>125°F</b>                      |                               |                         |      |      |     |  |  |
| 1000                   | 77      | 50.4                                 | 4.0                           | 17.7                    | 16.3 | 12.1 | -    | -    | -    | 49.5                 | 3.7 | 16.5                              | 12.8                          | 10.1                    | -    | -    | -   |  |  |
|                        | 72      | 43.0                                 | 3.9                           | 26.2                    | 22.0 | 17.8 | 13.6 | -    | -    | 40.5                 | 3.9 | 24.0                              | 19.9                          | 15.8                    | 11.7 | -    | -   |  |  |
|                        | 67      | 35.6                                 | 3.8                           | 34.6                    | 27.7 | 23.5 | 19.3 | 15.2 | -    | 31.5                 | 4.0 | 31.5                              | 25.6                          | 21.5                    | 17.4 | 13.3 | -   |  |  |
|                        | 62      | 30.3                                 | 3.7                           | 30.3                    | 30.3 | 24.6 | 20.5 | 16.3 | 12.1 | 26.5                 | 3.6 | 26.5                              | 26.5                          | 20.0                    | 15.9 | 11.8 | 7.7 |  |  |
| 1200                   | 77      | 51.2                                 | 4.0                           | 23.0                    | 18.1 | 13.3 | -    | -    | -    | 49.6                 | 3.9 | 22.4                              | 15.9                          | 11.2                    | -    | -    | -   |  |  |
|                        | 72      | 43.7                                 | 3.9                           | 29.3                    | 24.4 | 19.5 | 14.7 | -    | -    | 40.6                 | 4.0 | 26.9                              | 22.2                          | 17.4                    | 12.7 | -    | -   |  |  |
|                        | 67      | 36.1                                 | 3.8                           | 35.5                    | 30.7 | 25.8 | 20.9 | 16.1 | -    | 31.5                 | 4.1 | 31.5                              | 28.4                          | 23.7                    | 18.9 | 14.2 | -   |  |  |
|                        | 62      | 30.8                                 | 3.7                           | 30.8                    | 30.8 | 27.0 | 22.1 | 17.3 | 12.4 | 26.5                 | 3.8 | 26.5                              | 26.5                          | 22.1                    | 17.4 | 12.6 | 7.8 |  |  |
|                        | 57      | 31.9                                 | 3.8                           | 31.9                    | 31.9 | 28.0 | 23.2 | 18.3 | 13.4 | 28.1                 | 3.8 | 28.1                              | 28.1                          | 23.6                    | 18.8 | 14.1 | 9.3 |  |  |
| 1400                   | 77      | 52.0                                 | 4.0                           | 28.3                    | 20.0 | 14.5 | -    | -    | -    | 49.7                 | 4.0 | 28.4                              | 19.0                          | 12.2                    | -    | -    | -   |  |  |
|                        | 72      | 44.4                                 | 3.9                           | 32.3                    | 26.8 | 21.3 | 15.7 | -    | -    | 40.6                 | 4.1 | 29.9                              | 24.5                          | 19.0                    | 13.6 | -    | -   |  |  |
|                        | 67      | 36.7                                 | 3.8                           | 36.4                    | 33.6 | 28.1 | 22.5 | 17.0 | -    | 31.4                 | 4.2 | 31.4                              | 31.3                          | 25.9                    | 20.5 | 15.1 | -   |  |  |
|                        | 62      | 31.3                                 | 3.7                           | 31.3                    | 31.3 | 29.4 | 23.8 | 18.3 | 12.8 | 26.4                 | 3.9 | 26.4                              | 26.4                          | 24.2                    | 18.8 | 13.4 | 8.0 |  |  |
|                        | 57      | 32.4                                 | 3.8                           | 32.4                    | 32.4 | 30.5 | 24.9 | 19.4 | 13.8 | 28.1                 | 3.9 | 28.1                              | 28.1                          | 25.8                    | 20.4 | 15.0 | 9.6 |  |  |
| 1600                   | 77      | 52.9                                 | 4.0                           | 33.6                    | 21.9 | 15.6 | -    | -    | -    | 49.9                 | 4.2 | 34.3                              | 22.2                          | 13.3                    | -    | -    | -   |  |  |
|                        | 72      | 45.1                                 | 3.9                           | 35.4                    | 29.2 | 23.0 | 16.8 | -    | -    | 40.6                 | 4.3 | 32.8                              | 26.8                          | 20.7                    | 14.6 | -    | -   |  |  |
|                        | 67      | 37.3                                 | 3.8                           | 37.3                    | 36.6 | 30.3 | 24.1 | 17.9 | -    | 31.3                 | 4.3 | 31.3                              | 31.3                          | 28.1                    | 22.0 | 15.9 | -   |  |  |
|                        | 62      | 31.8                                 | 3.8                           | 31.8                    | 31.8 | 31.8 | 25.5 | 19.3 | 13.1 | 26.3                 | 4.0 | 26.3                              | 26.3                          | 26.3                    | 20.2 | 14.2 | 8.1 |  |  |
|                        | 57      | 32.9                                 | 3.8                           | 32.9                    | 32.9 | 32.9 | 26.7 | 20.5 | 14.3 | 28.0                 | 4.1 | 28.0                              | 28.0                          | 28.0                    | 22.0 | 15.9 | 9.8 |  |  |
| 1800                   | 72      | 45.7                                 | 3.9                           | 38.8                    | 31.9 | 24.9 | 18.0 | -    | -    | 41.6                 | 4.2 | 36.2                              | 29.4                          | 22.6                    | 15.7 | -    | -   |  |  |
|                        | 67      | 37.8                                 | 3.9                           | 37.8                    | 37.5 | 32.9 | 26.0 | 19.0 | -    | 32.2                 | 4.3 | 32.2                              | 32.2                          | 30.6                    | 23.8 | 17.0 | -   |  |  |
|                        | 62      | 32.2                                 | 3.8                           | 32.2                    | 32.2 | 32.2 | 25.3 | 18.4 | 11.4 | 27.0                 | 3.9 | 27.0                              | 27.0                          | 27.0                    | 20.2 | 13.4 | 6.6 |  |  |
|                        | 57      | 33.5                                 | 3.8                           | 33.5                    | 33.5 | 33.5 | 26.5 | 19.6 | 12.6 | 28.8                 | 4.0 | 28.8                              | 28.8                          | 28.8                    | 21.9 | 15.1 | 8.3 |  |  |
| 2000                   | 72      | 46.4                                 | 4.0                           | 42.2                    | 34.6 | 26.9 | 19.3 | -    | -    | 42.6                 | 4.1 | 39.5                              | 32.0                          | 24.4                    | 16.9 | -    | -   |  |  |
|                        | 67      | 38.4                                 | 3.9                           | 38.4                    | 38.4 | 35.5 | 27.9 | 20.2 | -    | 33.0                 | 4.2 | 33.0                              | 33.0                          | 33.0                    | 25.6 | 18.1 | -   |  |  |
|                        | 62      | 32.7                                 | 3.8                           | 32.7                    | 32.7 | 32.7 | 25.1 | 17.4 | 9.8  | 27.7                 | 3.8 | 27.7                              | 27.7                          | 27.7                    | 20.1 | 12.6 | 5.0 |  |  |
|                        | 57      | 34.0                                 | 3.8                           | 34.0                    | 34.0 | 34.0 | 26.3 | 18.6 | 11.0 | 29.5                 | 3.9 | 29.5                              | 29.5                          | 29.5                    | 21.9 | 14.4 | 6.8 |  |  |

1. These capacities are gross ratings. For net capacity, deduct air blower motor, MBh = 3.415 x kW. Refer to the appropriate Blower Performance Table for the kW of the supply air blower motor.
2. These ratings include the condenser fan motors (total 1 kW) and the compressor motors but not the supply air blower motor.



## JA4ZR (4.0 Ton) Reheat

| Air on Evaporator Coil |                      | Temperature of Air on Condenser Coil |                               |  |                                   |                               |  |
|------------------------|----------------------|--------------------------------------|-------------------------------|--|-----------------------------------|-------------------------------|--|
|                        |                      | Total Capacity <sup>1</sup> (MBh)    | Total Input (kW) <sup>2</sup> | Sensible Capacity (MBh)<br>(- indicates heating) | Total Capacity <sup>1</sup> (MBh) | Total Input (kW) <sup>2</sup> | Sensible Capacity (MBh)<br>(- indicates heating) |
| Return Dry Bulb (°F)   | Return Dry Bulb (°F) |                                      |                               |  |                                   |                               |  |
| CFM                    | WB (°F)              |                                      |                               | 75   |                                   |                               | 75   |
|                        |                      | 40 °F                                |                               |  | 50 °F                             |                               |  |
| 1200                   | 62.5                 | 24.5                                 | 2.5                           | 9.1  | 22.9                              | 2.6                           | 8.0  |
|                        | 64                   | 25.7                                 | 2.5                           | 7.4  | 26.9                              | 2.7                           | 7.2  |
|                        | 65.3                 | 26.6                                 | 2.5                           | 6.1  | 27.1                              | 2.6                           | 5.5  |
| 1600                   | 62.5                 | 24.0                                 | 2.5                           | 12.4   | 24.5                              | 2.6                           | 11.2   |
|                        | 64                   | 25.8                                 | 2.5                           | 10.0   | 26.7                              | 2.6                           | 9.2  |
|                        | 65.3                 | 27.1                                 | 2.5                           | 8.3  | 28.5                              | 2.6                           | 7.7  |
| 2000                   | 62.5                 | 24.3                                 | 2.5                           | 12.9   | 22.7                              | 2.6                           | 11.6   |
|                        | 64                   | 26.2                                 | 2.5                           | 11.1   | 24.7                              | 2.6                           | 10.0   |
|                        | 65.3                 | 27.1                                 | 2.5                           | 9.2  | 26.5                              | 2.6                           | 8.5  |
|                        |                      | 60 °F                                |                               |  | 70 °F                             |                               |  |
| 1200                   | 62.5                 | 21.8                                 | 2.6                           | 7.1  | 19.8                              | 2.7                           | 6.2  |
|                        | 64                   | 25.3                                 | 2.7                           | 6.3  | 23.0                              | 2.8                           | 0.0  |
|                        | 65.3                 | 26.9                                 | 2.7                           | 4.8  | 23.5                              | 2.7                           | 2.9  |
| 1600                   | 62.5                 | 22.7                                 | 2.7                           | 9.9  | 20.6                              | 2.7                           | 8.8  |
|                        | 64                   | 25.4                                 | 2.7                           | 8.8  | 22.4                              | 2.8                           | 6.8  |
|                        | 65.3                 | 26.9                                 | 2.7                           | 7.5  | 24.4                              | 2.8                           | 5.9  |
| 2000                   | 62.5                 | 20.1                                 | 2.6                           | 10.2   | 18.2                              | 2.7                           | 8.9  |
|                        | 64                   | 22.3                                 | 2.6                           | 8.6  | 20.5                              | 2.7                           | 7.7  |
|                        | 62                   | 23.7                                 | 2.6                           | 6.9  | 21.4                              | 2.7                           | 5.3  |
|                        |                      | 75 °F                                |                               |  | 80 °F                             |                               |  |
| 1200                   | 62.5                 | 19.0                                 | 2.7                           | 5.5  | 17.6                              | 2.8                           | 4.7  |
|                        | 64                   | 21.5                                 | 2.8                           | 5.1  | 20.9                              | 2.9                           | 3.7  |
|                        | 65.3                 | 22.2                                 | 2.8                           | 2.8  | 21.5                              | 2.9                           | 2.3  |
| 1600                   | 62.5                 | 19.3                                 | 2.8                           | 8.1  | 17.9                              | 2.9                           | 7.5  |
|                        | 64                   | 21.3                                 | 2.8                           | 6.3  | 19.9                              | 2.9                           | 5.7  |
|                        | 65.3                 | 22.6                                 | 2.8                           | 4.7  | 21.1                              | 2.9                           | 4.1  |
| 2000                   | 62.5                 | 16.9                                 | 2.7                           | 7.9  | 15.1                              | 2.8                           | 7.1  |
|                        | 64                   | 18.2                                 | 2.7                           | 6.3  | 16.7                              | 2.8                           | 5.6  |
|                        | 65.3                 | 19.9                                 | 2.8                           | 4.8  | 18.3                              | 2.8                           | 4.0  |
|                        |                      | 85 °F                                |                               |  | 95 °F                             |                               |  |
| 1200                   | 62.5                 | 17.7                                 | 2.9                           | 5.0  | 12.8                              | 3.1                           | 3.5  |
|                        | 64                   | 19.0                                 | 2.9                           | 3.4  | 13.8                              | 3.2                           | -0.2   |
|                        | 65.3                 | 20.4                                 | 2.9                           | 2.1  | 14.0                              | 3.1                           | -1.5   |
| 1600                   | 62.5                 | 16.2                                 | 2.9                           | 6.4  | 9.7                               | 3.1                           | 2.4  |
|                        | 64                   | 18.2                                 | 3.0                           | 5.0  | 10.8                              | 3.2                           | 1.0  |
|                        | 65.3                 | 19.6                                 | 3.0                           | 3.1  | 12.2                              | 3.2                           | -0.7   |
| 2000                   | 62.5                 | 13.3                                 | 2.9                           | 6.6  | 6.2                               | 3.0                           | 1.4  |
|                        | 64                   | 14.8                                 | 2.9                           | 4.7  | 7.2                               | 3.0                           | -0.1   |
|                        | 62                   | 15.8                                 | 2.9                           | 3.1  | 8.0                               | 3.0                           | -1.5   |

1. These capacities are gross ratings. For net capacity, deduct air blower motor, MBh = 3.415 x kW. Refer to the appropriate Blower Performance Table for the kW of the supply air blower motor.

2. These ratings include the condenser fan motors (total 1 kW) and the compressor motors but not the supply air blower motor.

**JA5ZR (5.0 Ton) Cooling**

| Air on Evaporator Coil |         | Temperature of Air on Condenser Coil |                               |                         |      |      |      |      |      |                                   |                               |                         |      |      |      |      |      |
|------------------------|---------|--------------------------------------|-------------------------------|-------------------------|------|------|------|------|------|-----------------------------------|-------------------------------|-------------------------|------|------|------|------|------|
| CFM                    | WB (°F) | Total Capacity <sup>1</sup> (MBh)    | Total Input (kW) <sup>2</sup> | Sensible Capacity (MBh) |      |      |      |      |      | Total Capacity <sup>1</sup> (MBh) | Total Input (kW) <sup>2</sup> | Sensible Capacity (MBh) |      |      |      |      |      |
|                        |         |                                      |                               | Return Dry Bulb (°F)    |      |      |      |      |      |                                   |                               | Return Dry Bulb (°F)    |      |      |      |      |      |
|                        |         |                                      |                               | 90                      | 85   | 80   | 75   | 70   | 65   |                                   |                               | 90                      | 85   | 80   | 75   | 70   | 65   |
|                        |         |                                      |                               | <b>75°F</b>             |      |      |      |      |      | <b>85°F</b>                       |                               |                         |      |      |      |      |      |
| 1250                   | 77      | 81.7                                 | 5.9                           | 33.6                    | 27.7 | 21.9 | -    | -    | -    | 76.2                              | 4.8                           | 32.2                    | 26.5 | 20.8 | -    | -    | -    |
|                        | 72      | 72.8                                 | 5.0                           | 41.9                    | 36.1 | 30.2 | 24.3 | -    | -    | 67.8                              | 4.3                           | 40.1                    | 34.3 | 28.6 | 22.9 | -    | -    |
|                        | 67      | 64.0                                 | 4.0                           | 50.2                    | 44.4 | 38.5 | 32.6 | 26.7 | -    | 59.4                              | 3.8                           | 47.9                    | 42.1 | 36.4 | 30.7 | 25.0 | -    |
|                        | 62      | 57.0                                 | 3.6                           | 57.0                    | 57.0 | 45.7 | 39.9 | 33.9 | 28.1 | 52.5                              | 3.8                           | 52.5                    | 52.5 | 43.6 | 37.8 | 32.1 | 26.4 |
| 1500                   | 77      | 85.0                                 | 5.4                           | 37.9                    | 31.1 | 24.3 | -    | -    | -    | 79.0                              | 4.6                           | 36.2                    | 29.6 | 23.0 | -    | -    | -    |
|                        | 72      | 75.8                                 | 4.5                           | 47.1                    | 40.4 | 33.6 | 26.8 | -    | -    | 70.3                              | 4.1                           | 44.8                    | 38.2 | 31.6 | 25.0 | -    | -    |
|                        | 67      | 66.6                                 | 3.6                           | 56.4                    | 49.6 | 42.9 | 36.1 | 29.3 | -    | 61.6                              | 3.7                           | 53.4                    | 46.8 | 40.2 | 33.6 | 27.0 | -    |
|                        | 62      | 59.3                                 | 3.2                           | 59.3                    | 59.3 | 50.9 | 44.1 | 37.4 | 30.6 | 54.5                              | 3.6                           | 54.5                    | 54.5 | 48.1 | 41.4 | 34.8 | 28.2 |
| 1750                   | 77      | 88.3                                 | 4.9                           | 42.1                    | 34.4 | 26.8 | -    | -    | -    | 81.9                              | 4.3                           | 40.1                    | 32.6 | 25.1 | -    | -    | -    |
|                        | 72      | 78.7                                 | 4.1                           | 52.3                    | 44.6 | 37.0 | 29.4 | -    | -    | 72.9                              | 3.9                           | 49.5                    | 42.0 | 34.5 | 27.0 | -    | -    |
|                        | 67      | 69.2                                 | 3.2                           | 62.5                    | 54.8 | 47.2 | 39.5 | 31.9 | -    | 63.9                              | 3.5                           | 59.0                    | 51.5 | 43.9 | 36.4 | 28.9 | -    |
|                        | 62      | 61.6                                 | 2.8                           | 61.6                    | 61.6 | 56.0 | 48.4 | 40.7 | 33.1 | 56.4                              | 3.4                           | 56.4                    | 56.4 | 52.5 | 45.0 | 37.5 | 30.0 |
| 2000                   | 77      | 91.6                                 | 4.4                           | 46.3                    | 37.8 | 29.3 | -    | -    | -    | 84.7                              | 4.1                           | 44.0                    | 35.6 | 27.2 | -    | -    | -    |
|                        | 72      | 81.7                                 | 3.6                           | 57.5                    | 48.9 | 40.4 | 31.9 | -    | -    | 75.4                              | 3.7                           | 54.3                    | 45.9 | 37.5 | 29.1 | -    | -    |
|                        | 67      | 71.8                                 | 2.8                           | 68.6                    | 60.1 | 51.5 | 43.0 | 34.5 | -    | 66.1                              | 3.3                           | 64.5                    | 56.1 | 47.7 | 39.3 | 30.9 | -    |
|                        | 62      | 63.9                                 | 2.5                           | 63.9                    | 63.9 | 61.2 | 52.7 | 44.1 | 35.6 | 58.4                              | 3.2                           | 58.4                    | 58.4 | 57.0 | 48.6 | 40.2 | 31.8 |
| 2250                   | 72      | 82.5                                 | 3.9                           | 60.8                    | 51.6 | 42.4 | 33.2 | -    | -    | 75.9                              | 3.9                           | 57.9                    | 48.8 | 39.7 | 30.6 | -    | -    |
|                        | 67      | 72.5                                 | 3.0                           | 70.9                    | 63.3 | 54.1 | 44.9 | 35.8 | -    | 66.5                              | 3.5                           | 65.7                    | 59.6 | 50.5 | 41.4 | 32.3 | -    |
|                        | 62      | 64.5                                 | 2.6                           | 64.5                    | 64.5 | 63.2 | 54.0 | 44.8 | 35.6 | 58.8                              | 3.5                           | 58.8                    | 58.8 | 58.1 | 49.0 | 39.9 | 30.8 |
|                        | 57      | 63.3                                 | 3.5                           | 63.3                    | 63.3 | 63.3 | 54.1 | 44.9 | 35.7 | 58.2                              | 3.9                           | 58.2                    | 58.2 | 58.2 | 49.1 | 39.9 | 30.8 |
| 2500                   | 72      | 83.4                                 | 4.2                           | 64.2                    | 54.3 | 44.5 | 34.6 | -    | -    | 76.4                              | 4.1                           | 61.6                    | 51.7 | 41.9 | 32.1 | -    | -    |
|                        | 67      | 73.2                                 | 3.3                           | 73.2                    | 66.6 | 56.7 | 46.9 | 37.1 | -    | 66.9                              | 3.7                           | 66.9                    | 63.2 | 53.4 | 43.5 | 33.7 | -    |
|                        | 62      | 65.2                                 | 2.8                           | 65.2                    | 65.2 | 65.2 | 55.3 | 45.5 | 35.6 | 59.2                              | 3.7                           | 59.2                    | 59.2 | 59.2 | 49.3 | 39.5 | 29.7 |
|                        | 57      | 63.9                                 | 3.7                           | 63.9                    | 63.9 | 63.9 | 54.0 | 44.2 | 34.4 | 58.5                              | 4.1                           | 58.5                    | 58.5 | 58.5 | 48.7 | 38.9 | 29.1 |
|                        |         |                                      |                               | <b>95°F</b>             |      |      |      |      |      | <b>105°F</b>                      |                               |                         |      |      |      |      |      |
| 1250                   | 77      | 70.7                                 | 3.7                           | 30.8                    | 25.3 | 19.7 | -    | -    | -    | 65.8                              | 4.9                           | 25.3                    | 21.7 | 16.5 | -    | -    | -    |
|                        | 72      | 62.8                                 | 3.7                           | 38.2                    | 32.6 | 27.0 | 21.5 | -    | -    | 57.8                              | 4.6                           | 35.2                    | 29.7 | 24.3 | 18.9 | -    | -    |
|                        | 67      | 54.8                                 | 3.7                           | 45.5                    | 39.9 | 34.3 | 28.8 | 23.2 | -    | 49.8                              | 4.3                           | 45.1                    | 37.8 | 32.1 | 26.6 | 21.2 | -    |
|                        | 62      | 48.1                                 | 4.0                           | 48.1                    | 48.1 | 41.4 | 35.8 | 30.3 | 24.7 | 43.0                              | 4.6                           | 43.0                    | 43.0 | 35.7 | 30.3 | 24.8 | 19.4 |
| 1500                   | 77      | 73.1                                 | 3.8                           | 34.5                    | 28.0 | 21.6 | -    | -    | -    | 67.2                              | 4.8                           | 31.0                    | 24.5 | 18.1 | -    | -    | -    |
|                        | 72      | 64.9                                 | 3.7                           | 42.5                    | 36.0 | 29.5 | 23.1 | -    | -    | 59.0                              | 4.5                           | 39.4                    | 33.0 | 26.6 | 20.2 | -    | -    |
|                        | 67      | 56.7                                 | 3.7                           | 50.5                    | 44.0 | 37.5 | 31.1 | 24.6 | -    | 50.8                              | 4.3                           | 47.7                    | 41.5 | 35.1 | 28.7 | 22.3 | -    |
|                        | 62      | 49.7                                 | 4.0                           | 49.7                    | 49.7 | 45.2 | 38.8 | 32.3 | 25.8 | 43.9                              | 4.6                           | 43.9                    | 43.9 | 39.1 | 32.7 | 26.3 | 19.9 |
| 1750                   | 77      | 75.5                                 | 3.8                           | 38.2                    | 30.8 | 23.4 | -    | -    | -    | 68.6                              | 4.7                           | 36.8                    | 27.3 | 19.7 | -    | -    | -    |
|                        | 72      | 67.0                                 | 3.7                           | 46.8                    | 39.4 | 32.1 | 24.7 | -    | -    | 60.3                              | 4.5                           | 43.6                    | 36.2 | 28.9 | 21.6 | -    | -    |
|                        | 67      | 58.5                                 | 3.7                           | 55.4                    | 48.1 | 40.7 | 33.3 | 26.0 | -    | 51.9                              | 4.2                           | 50.4                    | 45.2 | 38.1 | 30.8 | 23.5 | -    |
|                        | 62      | 51.3                                 | 4.0                           | 51.3                    | 51.3 | 49.1 | 41.7 | 34.3 | 27.0 | 44.9                              | 4.5                           | 44.9                    | 44.9 | 42.5 | 35.1 | 27.8 | 20.4 |
| 2000                   | 77      | 77.9                                 | 3.8                           | 41.8                    | 33.5 | 25.2 | -    | -    | -    | 70.0                              | 4.7                           | 42.5                    | 30.0 | 21.2 | -    | -    | -    |
|                        | 72      | 69.1                                 | 3.8                           | 51.1                    | 42.8 | 34.6 | 26.3 | -    | -    | 61.5                              | 4.4                           | 47.8                    | 39.5 | 31.2 | 22.9 | -    | -    |
|                        | 67      | 60.4                                 | 3.7                           | 60.4                    | 52.2 | 43.9 | 35.6 | 27.3 | -    | 53.0                              | 4.1                           | 53.0                    | 48.9 | 41.2 | 32.9 | 24.6 | -    |
|                        | 62      | 52.9                                 | 4.0                           | 52.9                    | 52.9 | 52.9 | 44.6 | 36.4 | 28.1 | 45.8                              | 4.4                           | 45.8                    | 45.8 | 45.8 | 37.5 | 29.2 | 21.0 |
| 2250                   | 72      | 69.3                                 | 3.9                           | 55.0                    | 46.0 | 37.0 | 27.9 | -    | -    | 61.6                              | 4.6                           | 51.5                    | 42.5 | 33.4 | 24.3 | -    | -    |
|                        | 67      | 60.5                                 | 3.9                           | 60.5                    | 56.0 | 46.9 | 37.9 | 28.9 | -    | 53.1                              | 4.3                           | 53.1                    | 50.8 | 44.1 | 35.0 | 26.0 | -    |
|                        | 62      | 53.0                                 | 4.3                           | 53.0                    | 53.0 | 53.0 | 44.0 | 35.0 | 25.9 | 45.9                              | 4.6                           | 45.9                    | 45.9 | 45.9 | 36.8 | 27.7 | 18.7 |
|                        | 57      | 53.1                                 | 4.3                           | 53.1                    | 53.1 | 53.1 | 44.0 | 35.0 | 26.0 | 46.9                              | 4.7                           | 46.9                    | 46.9 | 46.9 | 37.8 | 28.7 | 19.7 |
| 2500                   | 72      | 69.4                                 | 4.1                           | 58.9                    | 49.1 | 39.4 | 29.6 | -    | -    | 61.6                              | 4.8                           | 55.3                    | 45.5 | 35.6 | 25.8 | -    | -    |
|                        | 67      | 60.7                                 | 4.1                           | 60.7                    | 59.8 | 50.0 | 40.2 | 30.4 | -    | 53.1                              | 4.5                           | 53.1                    | 52.7 | 47.0 | 37.2 | 27.3 | -    |
|                        | 62      | 53.2                                 | 4.5                           | 53.2                    | 53.2 | 53.2 | 43.4 | 33.6 | 23.8 | 45.9                              | 4.8                           | 45.9                    | 45.9 | 45.9 | 36.1 | 26.2 | 16.4 |
|                        | 57      | 53.2                                 | 4.5                           | 53.2                    | 53.2 | 53.2 | 43.4 | 33.6 | 23.8 | 46.9                              | 4.9                           | 46.9                    | 46.9 | 46.9 | 37.1 | 27.2 | 17.4 |

## JA5ZR (5.0 Ton) Cooling (Continued)

| Air on Evaporator Coil |         | Temperature of Air on Condenser Coil |                               |                         |      |      |      |      |      |                                   |                               |                         |      |      |      |      |      |
|------------------------|---------|--------------------------------------|-------------------------------|-------------------------|------|------|------|------|------|-----------------------------------|-------------------------------|-------------------------|------|------|------|------|------|
| CFM                    | WB (°F) | Total Capacity <sup>1</sup> (MBh)    | Total Input (kW) <sup>2</sup> | Sensible Capacity (MBh) |      |      |      |      |      | Total Capacity <sup>1</sup> (MBh) | Total Input (kW) <sup>2</sup> | Sensible Capacity (MBh) |      |      |      |      |      |
|                        |         |                                      |                               | Return Dry Bulb (°F)    |      |      |      |      |      |                                   |                               | Return Dry Bulb (°F)    |      |      |      |      |      |
|                        |         |                                      |                               | 90                      | 85   | 80   | 75   | 70   | 65   |                                   |                               | 90                      | 85   | 80   | 75   | 70   | 65   |
|                        |         |                                      |                               | 115°F                   |      |      |      |      |      | 125°F                             |                               |                         |      |      |      |      |      |
| 1250                   | 77      | 60.8                                 | 6.1                           | 19.8                    | 18.1 | 13.3 | -    | -    | -    | 55.9                              | 7.3                           | 18.9                    | 12.5 | 10.1 | -    | -    | -    |
|                        | 72      | 52.8                                 | 5.6                           | 32.2                    | 26.9 | 21.6 | 16.2 | -    | -    | 47.8                              | 6.5                           | 29.2                    | 24.0 | 18.8 | 13.6 | -    | -    |
|                        | 67      | 44.7                                 | 5.0                           | 44.7                    | 35.7 | 29.8 | 24.5 | 19.1 | -    | 39.6                              | 5.7                           | 39.6                    | 34.3 | 27.5 | 22.3 | 17.1 | -    |
|                        | 62      | 37.9                                 | 5.3                           | 37.9                    | 37.9 | 30.0 | 24.7 | 19.4 | 14.0 | 32.9                              | 5.9                           | 32.9                    | 32.9 | 24.3 | 19.1 | 13.9 | 8.7  |
| 1500                   | 77      | 61.3                                 | 5.9                           | 27.6                    | 20.9 | 14.6 | -    | -    | -    | 55.4                              | 7.0                           | 27.2                    | 17.4 | 11.1 | -    | -    | -    |
|                        | 72      | 53.2                                 | 5.4                           | 36.3                    | 30.0 | 23.6 | 17.3 | -    | -    | 47.3                              | 6.2                           | 33.2                    | 27.0 | 20.7 | 14.4 | -    | -    |
|                        | 67      | 45.0                                 | 4.8                           | 45.0                    | 39.0 | 32.7 | 26.4 | 20.0 | -    | 39.2                              | 5.4                           | 39.2                    | 36.5 | 30.3 | 24.0 | 17.8 | -    |
|                        | 62      | 38.2                                 | 5.1                           | 38.2                    | 38.2 | 32.9 | 26.6 | 20.3 | 14.0 | 32.5                              | 5.7                           | 32.5                    | 32.5 | 26.8 | 20.5 | 14.3 | 8.0  |
|                        | 57      | 40.1                                 | 5.2                           | 40.1                    | 40.1 | 34.6 | 28.3 | 22.0 | 15.6 | 35.4                              | 5.8                           | 35.4                    | 35.4 | 29.3 | 23.0 | 16.8 | 10.5 |
| 1750                   | 77      | 61.7                                 | 5.7                           | 35.4                    | 23.8 | 15.9 | -    | -    | -    | 54.8                              | 6.7                           | 35.6                    | 22.3 | 12.2 | -    | -    | -    |
|                        | 72      | 53.5                                 | 5.2                           | 40.4                    | 33.1 | 25.7 | 18.4 | -    | -    | 46.8                              | 5.9                           | 37.2                    | 29.9 | 22.6 | 15.3 | -    | -    |
|                        | 67      | 45.3                                 | 4.7                           | 45.3                    | 42.3 | 35.6 | 28.3 | 20.9 | -    | 38.8                              | 5.2                           | 38.8                    | 38.8 | 33.0 | 25.7 | 18.4 | -    |
|                        | 62      | 38.5                                 | 4.9                           | 38.5                    | 38.5 | 35.8 | 28.5 | 21.2 | 13.9 | 32.1                              | 5.4                           | 32.1                    | 32.1 | 29.2 | 21.9 | 14.7 | 7.4  |
|                        | 57      | 40.4                                 | 5.0                           | 40.4                    | 40.4 | 37.7 | 30.3 | 23.0 | 15.7 | 35.0                              | 5.5                           | 35.0                    | 35.0 | 31.9 | 24.7 | 17.4 | 10.1 |
| 2000                   | 77      | 62.2                                 | 5.5                           | 43.2                    | 26.6 | 17.2 | -    | -    | -    | 54.3                              | 6.4                           | 43.9                    | 27.2 | 13.2 | -    | -    | -    |
|                        | 72      | 53.9                                 | 5.0                           | 44.4                    | 36.1 | 27.8 | 19.5 | -    | -    | 46.3                              | 5.7                           | 41.1                    | 32.8 | 24.5 | 16.1 | -    | -    |
|                        | 67      | 45.7                                 | 4.5                           | 45.7                    | 45.7 | 38.5 | 30.1 | 21.8 | -    | 38.3                              | 4.9                           | 38.3                    | 38.3 | 35.7 | 27.4 | 19.1 | -    |
|                        | 62      | 38.8                                 | 4.8                           | 38.8                    | 38.8 | 38.8 | 30.4 | 22.1 | 13.8 | 31.7                              | 5.1                           | 31.7                    | 31.7 | 31.7 | 23.4 | 15.0 | 6.7  |
|                        | 57      | 40.7                                 | 4.8                           | 40.7                    | 40.7 | 40.7 | 32.4 | 24.1 | 15.8 | 34.6                              | 5.2                           | 34.6                    | 34.6 | 34.6 | 26.3 | 18.0 | 9.6  |
| 2250                   | 72      | 53.9                                 | 5.2                           | 48.1                    | 38.9 | 29.8 | 20.7 | -    | -    | 46.2                              | 5.9                           | 44.6                    | 35.4 | 26.3 | 17.1 | -    | -    |
|                        | 67      | 45.6                                 | 4.7                           | 45.6                    | 45.6 | 41.2 | 32.1 | 23.0 | -    | 38.2                              | 5.1                           | 38.2                    | 38.2 | 38.2 | 29.3 | 20.1 | -    |
|                        | 62      | 38.7                                 | 5.0                           | 38.7                    | 38.7 | 38.7 | 29.6 | 20.5 | 11.4 | 31.6                              | 5.4                           | 31.6                    | 31.6 | 31.6 | 22.4 | 13.3 | 4.1  |
|                        | 57      | 40.7                                 | 5.1                           | 40.7                    | 40.7 | 40.7 | 31.6 | 22.5 | 13.4 | 34.5                              | 5.5                           | 34.5                    | 34.5 | 34.5 | 25.3 | 16.2 | 7.1  |
| 2500                   | 72      | 53.8                                 | 5.5                           | 51.7                    | 41.8 | 31.9 | 22.0 | -    | -    | 46.0                              | 6.1                           | 46.0                    | 38.1 | 28.1 | 18.2 | -    | -    |
|                        | 67      | 45.6                                 | 4.9                           | 45.6                    | 45.6 | 44.0 | 34.1 | 24.2 | -    | 38.1                              | 5.3                           | 38.1                    | 38.1 | 38.1 | 31.1 | 21.2 | -    |
|                        | 62      | 38.7                                 | 5.2                           | 38.7                    | 38.7 | 38.7 | 28.8 | 18.9 | 9.0  | 31.5                              | 5.6                           | 31.5                    | 31.5 | 31.5 | 21.5 | 11.5 | 1.6  |
|                        | 57      | 40.6                                 | 5.3                           | 40.6                    | 40.6 | 40.6 | 30.7 | 20.8 | 10.9 | 34.4                              | 5.7                           | 34.4                    | 34.4 | 34.4 | 24.4 | 14.5 | 4.5  |

1. These capacities are gross ratings. For net capacity, deduct air blower motor, MBh = 3.415 x kW. Refer to the appropriate Blower Performance Table for the kW of the supply air blower motor.
2. These ratings include the condenser fan motors (total 1 kW) and the compressor motors but not the supply air blower motor.

**JA5ZR (5.0 Ton) Reheat**

| Air on Evaporator Coil |         | Temperature of Air on Condenser Coil |                               |  |                                   |                               |  |
|------------------------|---------|--------------------------------------|-------------------------------|--|-----------------------------------|-------------------------------|--|
|                        |         | Total Capacity <sup>1</sup> (MBh)    | Total Input (kW) <sup>2</sup> | Sensible Capacity (MBh)<br>(- indicates heating) | Total Capacity <sup>1</sup> (MBh) | Total Input (kW) <sup>2</sup> | Sensible Capacity (MBh)<br>(- indicates heating) |
| Return Dry Bulb (°F)   |         |                                      |                               | Return Dry Bulb (°F)                             |                                   |                               |  |
| CFM                    | WB (°F) | 75                                   |                               |  | 75                                |                               |  |
|                        |         | <b>40 °F</b>                         |                               |  | <b>50 °F</b>                      |                               |  |
| 1750                   | 62.5    | 26.8                                 | 3.1                           | 8.4  | 29.3                              | 3.2                           | 10.7   |
|                        | 64      | 28.9                                 | 3.1                           | 6.4  | 32.4                              | 3.2                           | 9.2  |
|                        | 65.3    | 30.0                                 | 3.1                           | 4.8  | 34.7                              | 3.2                           | 7.3  |
| 2000                   | 62.5    | 29.2                                 | 3.1                           | 11.0   | 30.3                              | 3.2                           | 11.9   |
|                        | 64      | 30.8                                 | 3.1                           | 8.6  | 32.3                              | 3.2                           | 9.9  |
|                        | 65.3    | 31.4                                 | 3.1                           | 5.8  | 35.3                              | 3.2                           | 8.4  |
| 2250                   | 62.5    | 29.8                                 | 3.1                           | 10.5   | 29.6                              | 3.2                           | 11.1   |
|                        | 64      | 31.2                                 | 3.1                           | 7.6  | 32.1                              | 3.2                           | 8.5  |
|                        | 65.3    | 31.4                                 | 3.1                           | 6.0  | 34.5                              | 3.2                           | 6.2  |
|                        |         | <b>60 °F</b>                         |                               |  | <b>70 °F</b>                      |                               |  |
| 1750                   | 62.5    | 26.7                                 | 3.3                           | 9.2  | 24.5                              | 3.4                           | 8.0  |
|                        | 64      | 28.9                                 | 3.3                           | 6.9  | 27.0                              | 3.4                           | 6.4  |
|                        | 65.3    | 31.6                                 | 3.3                           | 5.4  | 28.7                              | 3.4                           | 4.3  |
| 2000                   | 62.5    | 27.9                                 | 3.3                           | 10.9   | 25.0                              | 3.4                           | 9.0  |
|                        | 64      | 31.0                                 | 3.3                           | 8.4  | 27.3                              | 3.4                           | 6.9  |
|                        | 65.3    | 32.9                                 | 3.3                           | 6.7  | 29.6                              | 3.4                           | 4.9  |
| 2250                   | 62.5    | 26.8                                 | 3.3                           | 9.5  | 23.6                              | 3.4                           | 7.3  |
|                        | 64      | 29.5                                 | 3.3                           | 6.9  | 26.1                              | 3.4                           | 4.7  |
|                        | 62      | 31.7                                 | 3.3                           | 4.5  | 28.2                              | 3.4                           | 2.7  |
|                        |         | <b>75 °F</b>                         |                               |  | <b>80 °F</b>                      |                               |  |
| 1750                   | 62.5    | 22.8                                 | 3.5                           | 7.1  | 21.3                              | 3.5                           | 6.3  |
|                        | 64      | 25.5                                 | 3.5                           | 5.1  | 23.9                              | 3.5                           | 4.6  |
|                        | 65.3    | 27.8                                 | 3.5                           | 3.3  | 25.8                              | 3.5                           | 2.7  |
| 2000                   | 62.5    | 23.2                                 | 3.5                           | 8.0  | 21.3                              | 3.5                           | 7.3  |
|                        | 64      | 25.7                                 | 3.5                           | 5.9  | 23.7                              | 3.5                           | 5.3  |
|                        | 65.3    | 27.8                                 | 3.5                           | 4.3  | 25.7                              | 3.5                           | 3.6  |
| 2250                   | 62.5    | 21.6                                 | 3.4                           | 6.8  | 19.5                              | 3.5                           | 5.6  |
|                        | 64      | 23.8                                 | 3.5                           | 4.5  | 22.0                              | 3.5                           | 3.1  |
|                        | 65.3    | 26.1                                 | 3.5                           | 1.9  | 24.1                              | 3.5                           | 1.0  |
|                        |         | <b>85 °F</b>                         |                               |  | <b>95 °F</b>                      |                               |  |
| 1750                   | 62.5    | 17.4                                 | 3.5                           | 3.9  | 8.3                               | 3.8                           | -1.8   |
|                        | 64      | 19.7                                 | 3.6                           | 2.0  | 9.8                               | 3.8                           | -3.9   |
|                        | 65.3    | 21.6                                 | 3.6                           | -0.3   | 11.2                              | 3.9                           | -5.3   |
| 2000                   | 62.5    | 17.3                                 | 3.6                           | 5.0  | 7.1                               | 3.8                           | -0.9   |
|                        | 64      | 19.4                                 | 3.6                           | 2.5  | 8.8                               | 3.8                           | -3.0   |
|                        | 65.3    | 20.9                                 | 3.6                           | 0.5  | 10.3                              | 3.9                           | -5.2   |
| 2250                   | 62.5    | 16.0                                 | 3.5                           | 3.5  | 5.0                               | 3.8                           | -3.3   |
|                        | 64      | 18.0                                 | 3.6                           | 0.4  | 6.1                               | 3.8                           | -6.2   |
|                        | 62      | 19.4                                 | 3.6                           | -1.7   | 8.3                               | 3.9                           | -8.0   |

1. These capacities are gross ratings. For net capacity, deduct air blower motor, MBh = 3.415 x kW. Refer to the appropriate Blower Performance Table for the kW of the supply air blower motor.
2. These ratings include the condenser fan motors (total 1 kW) and the compressor motors but not the supply air blower motor.

## J06ZR (6.5 Ton) Cooling

| Air on Evaporator Coil |         | Temperature of Air on Condenser Coil |                               |                         |      |      |      |      |      |                                   |                               |                         |      |      |      |      |      |
|------------------------|---------|--------------------------------------|-------------------------------|-------------------------|------|------|------|------|------|-----------------------------------|-------------------------------|-------------------------|------|------|------|------|------|
| CFM                    | WB (°F) | Total Capacity <sup>1</sup> (MBh)    | Total Input (kW) <sup>2</sup> | Sensible Capacity (MBh) |      |      |      |      |      | Total Capacity <sup>1</sup> (MBh) | Total Input (kW) <sup>2</sup> | Sensible Capacity (MBh) |      |      |      |      |      |
|                        |         |                                      |                               | Return Dry Bulb (°F)    |      |      |      |      |      |                                   |                               | Return Dry Bulb (°F)    |      |      |      |      |      |
|                        |         |                                      |                               | 90                      | 85   | 80   | 75   | 70   | 65   |                                   |                               | 90                      | 85   | 80   | 75   | 70   | 65   |
|                        |         |                                      |                               | 75°F                    |      |      |      |      |      | 85°F                              |                               |                         |      |      |      |      |      |
| 1625                   | 77      | 99.9                                 | 5.1                           | 39.3                    | 33.2 | 27.1 | -    | -    | -    | 90.5                              | 5.8                           | 36.9                    | 30.8 | 24.7 | -    | -    | -    |
|                        | 72      | 91.5                                 | 5.0                           | 50.3                    | 44.2 | 38.1 | 32.1 | -    | -    | 83.7                              | 5.7                           | 48.0                    | 41.8 | 35.7 | 29.6 | -    | -    |
|                        | 67      | 83.0                                 | 5.0                           | 61.3                    | 55.2 | 49.2 | 43.1 | 37.0 | -    | 76.9                              | 5.7                           | 59.0                    | 52.9 | 46.8 | 40.7 | 34.5 | -    |
|                        | 62      | 72.4                                 | 4.9                           | 72.4                    | 70.1 | 60.9 | 54.9 | 48.8 | 42.7 | 68.7                              | 5.7                           | 68.7                    | 66.7 | 57.6 | 51.5 | 45.4 | 39.3 |
| 1950                   | 77      | 106.5                                | 5.1                           | 45.5                    | 37.9 | 30.3 | -    | -    | -    | 96.8                              | 5.9                           | 42.8                    | 35.2 | 27.7 | -    | -    | -    |
|                        | 72      | 97.5                                 | 5.1                           | 57.8                    | 50.2 | 42.6 | 35.1 | -    | -    | 89.5                              | 5.8                           | 55.1                    | 47.6 | 40.0 | 32.5 | -    | -    |
|                        | 67      | 88.5                                 | 5.1                           | 70.1                    | 62.5 | 54.9 | 47.4 | 39.8 | -    | 82.2                              | 5.8                           | 67.5                    | 60.0 | 52.4 | 44.9 | 37.3 | -    |
|                        | 62      | 77.2                                 | 5.0                           | 77.2                    | 75.6 | 68.1 | 60.5 | 52.9 | 45.4 | 73.4                              | 5.7                           | 73.4                    | 72.1 | 64.6 | 57.0 | 49.5 | 41.9 |
| 57                     | 78.2    | 5.0                                  | 78.2                          | 78.2                    | 72.6 | 65.0 | 57.5 | 49.9 | 70.6 | 5.7                               | 70.6                          | 70.6                    | 65.6 | 58.0 | 50.5 | 43.0 |      |
| 2275                   | 77      | 113.1                                | 5.2                           | 51.6                    | 42.6 | 33.5 | -    | -    | -    | 103.0                             | 5.9                           | 48.6                    | 39.6 | 30.7 | -    | -    | -    |
|                        | 72      | 103.5                                | 5.2                           | 65.2                    | 56.2 | 47.1 | 38.0 | -    | -    | 95.2                              | 5.9                           | 62.3                    | 53.3 | 44.4 | 35.4 | -    | -    |
|                        | 67      | 93.9                                 | 5.1                           | 78.8                    | 69.8 | 60.7 | 51.6 | 42.6 | -    | 87.5                              | 5.8                           | 76.0                    | 67.0 | 58.1 | 49.1 | 40.1 | -    |
|                        | 62      | 81.9                                 | 5.1                           | 81.9                    | 81.2 | 75.2 | 66.2 | 57.1 | 48.0 | 78.1                              | 5.8                           | 78.1                    | 77.5 | 71.5 | 62.6 | 53.6 | 44.6 |
| 57                     | 83.1    | 5.1                                  | 83.1                          | 83.1                    | 80.3 | 71.2 | 62.1 | 53.1 | 75.2 | 5.8                               | 75.2                          | 75.2                    | 72.7 | 63.7 | 54.7 | 45.8 |      |
| 2600                   | 77      | 119.7                                | 5.3                           | 57.8                    | 47.3 | 36.7 | -    | -    | -    | 109.3                             | 6.0                           | 54.4                    | 44.0 | 33.6 | -    | -    | -    |
|                        | 72      | 109.5                                | 5.2                           | 72.7                    | 62.2 | 51.6 | 41.0 | -    | -    | 101.0                             | 6.0                           | 69.5                    | 59.1 | 48.7 | 38.3 | -    | -    |
|                        | 67      | 99.4                                 | 5.2                           | 87.6                    | 77.0 | 66.5 | 55.9 | 45.3 | -    | 92.8                              | 5.9                           | 84.5                    | 74.1 | 63.7 | 53.3 | 42.9 | -    |
|                        | 62      | 86.7                                 | 5.1                           | 86.7                    | 86.7 | 82.4 | 71.8 | 61.3 | 50.7 | 82.9                              | 5.9                           | 82.9                    | 82.9 | 78.5 | 68.1 | 57.7 | 47.3 |
| 57                     | 87.9    | 5.2                                  | 87.9                          | 87.9                    | 87.9 | 77.4 | 66.8 | 56.2 | 79.7 | 5.9                               | 79.7                          | 79.7                    | 79.7 | 69.3 | 59.0 | 48.6 |      |
| 2925                   | 72      | 109.6                                | 5.2                           | 74.8                    | 64.0 | 53.1 | 42.2 | -    | -    | 100.2                             | 5.9                           | 71.6                    | 60.8 | 50.0 | 39.3 | -    | -    |
|                        | 67      | 99.5                                 | 5.1                           | 91.9                    | 79.3 | 68.4 | 57.5 | 46.7 | -    | 92.0                              | 5.9                           | 87.0                    | 76.3 | 65.5 | 54.7 | 44.0 | -    |
|                        | 62      | 86.8                                 | 5.1                           | 86.8                    | 86.8 | 84.6 | 73.8 | 62.9 | 52.0 | 82.2                              | 5.8                           | 82.2                    | 82.2 | 80.0 | 69.3 | 58.5 | 47.7 |
|                        | 57      | 88.0                                 | 5.1                           | 88.0                    | 88.0 | 88.0 | 77.1 | 66.2 | 55.3 | 79.1                              | 5.8                           | 79.1                    | 79.1 | 79.1 | 68.3 | 57.6 | 46.8 |
| 3250                   | 72      | 109.7                                | 5.1                           | 76.9                    | 65.7 | 54.6 | 43.4 | -    | -    | 99.4                              | 5.8                           | 73.7                    | 62.5 | 51.4 | 40.3 | -    | -    |
|                        | 67      | 99.6                                 | 5.1                           | 96.1                    | 81.5 | 70.3 | 59.1 | 48.0 | -    | 91.3                              | 5.8                           | 89.5                    | 78.4 | 67.3 | 56.1 | 45.0 | -    |
|                        | 62      | 86.9                                 | 5.0                           | 86.9                    | 86.9 | 86.9 | 75.7 | 64.5 | 53.4 | 81.5                              | 5.8                           | 81.5                    | 81.5 | 81.5 | 70.4 | 59.3 | 48.1 |
|                        | 57      | 88.0                                 | 5.0                           | 88.0                    | 88.0 | 88.0 | 76.8 | 65.6 | 54.4 | 78.5                              | 5.8                           | 78.5                    | 78.5 | 78.5 | 67.3 | 56.2 | 45.1 |
|                        |         |                                      |                               | 95°F                    |      |      |      |      |      | 105°F                             |                               |                         |      |      |      |      |      |
| 1625                   | 77      | 81.2                                 | 6.5                           | 34.6                    | 28.4 | 22.3 | -    | -    | -    | 76.9                              | 7.3                           | 31.0                    | 26.2 | 20.1 | -    | -    | -    |
|                        | 72      | 75.9                                 | 6.5                           | 45.6                    | 39.5 | 33.3 | 27.2 | -    | -    | 70.8                              | 7.3                           | 43.2                    | 37.1 | 31.0 | 24.8 | -    | -    |
|                        | 67      | 70.7                                 | 6.4                           | 56.7                    | 50.5 | 44.4 | 38.2 | 32.1 | -    | 64.7                              | 7.2                           | 55.3                    | 47.9 | 41.8 | 35.7 | 29.6 | -    |
|                        | 62      | 64.9                                 | 6.4                           | 64.9                    | 63.3 | 54.3 | 48.1 | 42.0 | 35.8 | 59.4                              | 7.2                           | 59.4                    | 58.5 | 49.9 | 43.8 | 37.7 | 31.6 |
| 1950                   | 77      | 87.0                                 | 6.6                           | 40.1                    | 32.5 | 25.0 | -    | -    | -    | 81.8                              | 7.4                           | 37.4                    | 30.0 | 22.6 | -    | -    | -    |
|                        | 72      | 81.4                                 | 6.5                           | 52.5                    | 45.0 | 37.5 | 30.0 | -    | -    | 75.3                              | 7.4                           | 49.6                    | 42.2 | 34.8 | 27.4 | -    | -    |
|                        | 67      | 75.8                                 | 6.5                           | 64.9                    | 57.4 | 49.9 | 42.4 | 34.9 | -    | 68.8                              | 7.3                           | 61.8                    | 54.4 | 47.0 | 39.6 | 32.1 | -    |
|                        | 62      | 69.7                                 | 6.4                           | 69.7                    | 68.6 | 61.0 | 53.5 | 46.0 | 38.5 | 63.2                              | 7.3                           | 63.2                    | 62.6 | 56.1 | 48.7 | 41.3 | 33.9 |
| 57                     | 63.0    | 6.5                                  | 63.0                          | 63.0                    | 58.6 | 51.1 | 43.5 | 36.0 | 61.6 | 7.3                               | 61.6                          | 61.4                    | 55.5 | 48.1 | 40.6 | 33.2 |      |
| 2275                   | 77      | 92.9                                 | 6.7                           | 45.5                    | 36.7 | 27.8 | -    | -    | -    | 86.7                              | 7.5                           | 43.8                    | 33.8 | 25.1 | -    | -    | -    |
|                        | 72      | 87.0                                 | 6.6                           | 59.3                    | 50.5 | 41.6 | 32.8 | -    | -    | 79.8                              | 7.5                           | 56.0                    | 47.3 | 38.6 | 29.9 | -    | -    |
|                        | 67      | 81.0                                 | 6.6                           | 73.2                    | 64.3 | 55.4 | 46.6 | 37.7 | -    | 73.0                              | 7.4                           | 68.3                    | 60.9 | 52.2 | 43.5 | 34.7 | -    |
|                        | 62      | 74.4                                 | 6.5                           | 74.4                    | 73.8 | 67.8 | 59.0 | 50.1 | 41.2 | 67.0                              | 7.3                           | 67.0                    | 66.7 | 62.3 | 53.6 | 44.9 | 36.2 |
| 57                     | 67.3    | 6.5                                  | 67.3                          | 67.3                    | 65.1 | 56.2 | 47.3 | 38.5 | 65.2 | 7.4                               | 65.2                          | 65.1                    | 61.6 | 52.9 | 44.2 | 35.5 |      |
| 2600                   | 77      | 98.8                                 | 6.7                           | 51.0                    | 40.8 | 30.6 | -    | -    | -    | 91.6                              | 7.6                           | 50.2                    | 37.6 | 27.6 | -    | -    | -    |
|                        | 72      | 92.5                                 | 6.7                           | 66.2                    | 56.0 | 45.8 | 35.6 | -    | -    | 84.3                              | 7.6                           | 62.5                    | 52.5 | 42.5 | 32.5 | -    | -    |
|                        | 67      | 86.1                                 | 6.6                           | 81.4                    | 71.2 | 61.0 | 50.8 | 40.5 | -    | 77.1                              | 7.5                           | 74.7                    | 67.3 | 57.3 | 47.3 | 37.3 | -    |
|                        | 62      | 79.1                                 | 6.6                           | 79.1                    | 79.1 | 74.6 | 64.4 | 54.2 | 43.9 | 70.8                              | 7.4                           | 70.8                    | 70.8 | 68.5 | 58.5 | 48.5 | 38.5 |
| 57                     | 71.5    | 6.6                                  | 71.5                          | 71.5                    | 71.5 | 61.3 | 51.1 | 40.9 | 68.9 | 7.4                               | 68.9                          | 68.9                    | 67.7 | 57.7 | 47.7 | 37.7 |      |
| 2925                   | 72      | 90.8                                 | 6.6                           | 68.3                    | 57.6 | 47.0 | 36.3 | -    | -    | 83.1                              | 7.5                           | 64.7                    | 54.2 | 43.8 | 33.3 | -    | -    |
|                        | 67      | 84.5                                 | 6.6                           | 82.2                    | 73.2 | 62.6 | 51.9 | 41.3 | -    | 75.9                              | 7.4                           | 74.8                    | 69.1 | 59.1 | 48.7 | 38.2 | -    |
|                        | 62      | 77.6                                 | 6.5                           | 77.6                    | 77.6 | 75.4 | 64.7 | 54.1 | 43.4 | 69.7                              | 7.4                           | 69.7                    | 69.7 | 68.6 | 58.1 | 47.7 | 37.2 |
|                        | 57      | 70.2                                 | 6.6                           | 70.2                    | 70.2 | 70.2 | 59.6 | 48.9 | 38.3 | 67.9                              | 7.4                           | 67.9                    | 67.9 | 67.3 | 56.8 | 46.4 | 35.9 |
| 3250                   | 72      | 89.1                                 | 6.6                           | 70.4                    | 59.3 | 48.2 | 37.1 | -    | -    | 81.8                              | 7.4                           | 66.9                    | 56.0 | 45.1 | 34.2 | -    | -    |
|                        | 67      | 83.0                                 | 6.5                           | 83.0                    | 75.3 | 64.2 | 53.1 | 42.0 | -    | 74.8                              | 7.4                           | 74.8                    | 70.9 | 60.9 | 50.0 | 39.1 | -    |
|                        | 62      | 76.2                                 | 6.5                           | 76.2                    | 76.2 | 76.2 | 65.1 | 54.0 | 42.9 | 68.6                              | 7.3                           | 68.6                    | 68.6 | 68.6 | 57.7 | 46.8 | 35.9 |
|                        | 57      | 68.9                                 | 6.5                           | 68.9                    | 68.9 | 68.9 | 57.8 | 46.8 | 35.7 | 66.9                              | 7.3                           | 66.9                    | 66.9 | 66.9 | 56.0 | 45.1 | 34.2 |

**J06ZR (6.5 Ton) Cooling (Continued)**

| Air on Evaporator Coil |         | Temperature of Air on Condenser Coil |                               |                         |      |      |      |      |      |      |     |                                   |                               |                         |      |      |      |  |  |
|------------------------|---------|--------------------------------------|-------------------------------|-------------------------|------|------|------|------|------|------|-----|-----------------------------------|-------------------------------|-------------------------|------|------|------|--|--|
| CFM                    | WB (°F) | Total Capacity <sup>1</sup> (MBh)    | Total Input (kW) <sup>2</sup> | Sensible Capacity (MBh) |      |      |      |      |      |      |     | Total Capacity <sup>1</sup> (MBh) | Total Input (kW) <sup>2</sup> | Sensible Capacity (MBh) |      |      |      |  |  |
|                        |         |                                      |                               | Return Dry Bulb (°F)    |      |      |      |      |      |      |     |                                   |                               | Return Dry Bulb (°F)    |      |      |      |  |  |
|                        |         |                                      |                               | 90                      | 85   | 80   | 75   | 70   | 65   | 90   | 85  |                                   |                               | 80                      | 75   | 70   | 65   |  |  |
|                        |         |                                      |                               | <b>115°F</b>            |      |      |      |      |      |      |     | <b>125°F</b>                      |                               |                         |      |      |      |  |  |
| 1625                   | 77      | 72.6                                 | 8.1                           | 27.5                    | 24.0 | 18.0 | -    | -    | -    | 68.3 | 9.0 | 24.0                              | 21.5                          | 15.8                    | -    | -    | -    |  |  |
|                        | 72      | 65.6                                 | 8.1                           | 40.7                    | 34.7 | 28.6 | 22.5 | -    | -    | 60.4 | 8.9 | 38.3                              | 32.2                          | 26.2                    | 20.2 | -    | -    |  |  |
|                        | 67      | 58.6                                 | 8.1                           | 54.0                    | 45.3 | 39.2 | 33.1 | 27.1 | -    | 52.6 | 8.9 | 52.6                              | 42.6                          | 36.6                    | 30.6 | 24.6 | -    |  |  |
|                        | 62      | 53.8                                 | 8.0                           | 53.8                    | 53.8 | 45.6 | 39.5 | 33.4 | 27.4 | 48.2 | 8.8 | 48.2                              | 48.2                          | 41.2                    | 35.2 | 29.2 | 23.1 |  |  |
| 1950                   | 77      | 76.5                                 | 8.2                           | 34.8                    | 27.5 | 20.2 | -    | -    | -    | 71.2 | 9.1 | 33.0                              | 25.0                          | 17.8                    | -    | -    | -    |  |  |
|                        | 72      | 69.1                                 | 8.2                           | 46.7                    | 39.4 | 32.1 | 24.8 | -    | -    | 63.0 | 9.0 | 43.9                              | 36.6                          | 29.4                    | 22.2 | -    | -    |  |  |
|                        | 67      | 61.8                                 | 8.2                           | 58.7                    | 51.4 | 44.0 | 36.7 | 29.4 | -    | 54.7 | 9.0 | 54.7                              | 48.3                          | 41.1                    | 33.9 | 26.7 | -    |  |  |
|                        | 62      | 56.7                                 | 8.1                           | 56.7                    | 56.7 | 51.2 | 43.9 | 36.6 | 29.3 | 50.2 | 8.9 | 50.2                              | 50.2                          | 46.3                    | 39.1 | 31.9 | 24.7 |  |  |
|                        | 57      | 60.1                                 | 8.1                           | 60.1                    | 59.7 | 52.4 | 45.1 | 37.7 | 30.4 | 58.7 | 8.9 | 58.7                              | 58.0                          | 49.3                    | 42.1 | 34.8 | 27.6 |  |  |
| 2275                   | 77      | 80.4                                 | 8.4                           | 42.1                    | 31.0 | 22.4 | -    | -    | -    | 74.1 | 9.2 | 42.0                              | 28.4                          | 19.7                    | -    | -    | -    |  |  |
|                        | 72      | 72.7                                 | 8.3                           | 52.7                    | 44.2 | 35.6 | 27.1 | -    | -    | 65.5 | 9.2 | 49.4                              | 41.0                          | 32.6                    | 24.2 | -    | -    |  |  |
|                        | 67      | 64.9                                 | 8.3                           | 63.4                    | 57.4 | 48.9 | 40.3 | 31.8 | -    | 56.9 | 9.1 | 56.9                              | 54.0                          | 45.6                    | 37.2 | 28.8 | -    |  |  |
|                        | 62      | 59.6                                 | 8.2                           | 59.6                    | 59.6 | 56.8 | 48.3 | 39.7 | 31.2 | 52.2 | 9.0 | 52.2                              | 52.2                          | 51.4                    | 43.0 | 34.6 | 26.2 |  |  |
|                        | 57      | 63.2                                 | 8.2                           | 63.2                    | 63.0 | 58.1 | 49.6 | 41.0 | 32.5 | 61.2 | 9.0 | 61.2                              | 60.8                          | 54.7                    | 46.3 | 37.9 | 29.5 |  |  |
| 2600                   | 77      | 84.3                                 | 8.5                           | 49.4                    | 34.4 | 24.6 | -    | -    | -    | 77.1 | 9.3 | 51.0                              | 31.8                          | 21.6                    | -    | -    | -    |  |  |
|                        | 72      | 76.2                                 | 8.4                           | 58.8                    | 49.0 | 39.2 | 29.4 | -    | -    | 68.1 | 9.3 | 55.0                              | 45.4                          | 35.9                    | 26.3 | -    | -    |  |  |
|                        | 67      | 68.1                                 | 8.4                           | 68.1                    | 63.5 | 53.7 | 43.9 | 34.1 | -    | 59.1 | 9.2 | 59.1                              | 59.1                          | 50.1                    | 40.5 | 30.9 | -    |  |  |
|                        | 62      | 62.5                                 | 8.3                           | 62.5                    | 62.5 | 62.5 | 52.7 | 42.9 | 33.1 | 54.2 | 9.1 | 54.2                              | 54.2                          | 54.2                    | 46.8 | 37.2 | 27.7 |  |  |
|                        | 57      | 66.3                                 | 8.3                           | 66.3                    | 66.3 | 63.9 | 54.1 | 44.3 | 34.5 | 63.6 | 9.1 | 63.6                              | 63.6                          | 60.0                    | 50.5 | 40.9 | 31.3 |  |  |
| 2925                   | 72      | 75.4                                 | 8.3                           | 61.1                    | 50.8 | 40.6 | 30.3 | -    | -    | 67.6 | 9.2 | 57.5                              | 47.4                          | 37.4                    | 27.3 | -    | -    |  |  |
|                        | 67      | 67.3                                 | 8.3                           | 67.3                    | 65.0 | 55.7 | 45.4 | 35.1 | -    | 58.7 | 9.2 | 58.7                              | 58.7                          | 52.2                    | 42.1 | 32.1 | -    |  |  |
|                        | 62      | 61.8                                 | 8.2                           | 61.8                    | 61.8 | 61.8 | 51.5 | 41.3 | 31.0 | 53.8 | 9.0 | 53.8                              | 53.8                          | 53.8                    | 44.9 | 34.9 | 24.8 |  |  |
|                        | 57      | 65.5                                 | 8.2                           | 65.5                    | 65.5 | 64.3 | 54.1 | 43.8 | 33.6 | 63.2 | 9.0 | 63.2                              | 63.2                          | 61.4                    | 51.3 | 41.3 | 31.2 |  |  |
| 3250                   | 72      | 74.5                                 | 8.3                           | 63.4                    | 52.7 | 42.0 | 31.3 | -    | -    | 67.2 | 9.1 | 59.9                              | 49.4                          | 38.9                    | 28.3 | -    | -    |  |  |
|                        | 67      | 66.6                                 | 8.2                           | 66.6                    | 66.6 | 57.6 | 46.9 | 36.2 | -    | 58.4 | 9.1 | 58.4                              | 58.4                          | 54.3                    | 43.7 | 33.2 | -    |  |  |
|                        | 62      | 61.1                                 | 8.1                           | 61.1                    | 61.1 | 61.1 | 50.4 | 39.7 | 28.9 | 53.5 | 8.9 | 53.5                              | 53.5                          | 53.5                    | 43.0 | 32.5 | 22.0 |  |  |
|                        | 57      | 64.8                                 | 8.1                           | 64.8                    | 64.8 | 64.8 | 54.1 | 43.4 | 32.7 | 62.7 | 9.0 | 62.7                              | 62.7                          | 62.7                    | 52.2 | 41.7 | 31.2 |  |  |

1. These capacities are gross ratings. For net capacity, deduct air blower motor, MBh = 3.415 x kW. Refer to the appropriate Blower Performance Table for the kW of the supply air blower motor.
2. These ratings include the condenser fan motors (total 1 kW) and the compressor motors but not the supply air blower motor.

## J06ZR (6.5 Ton) Reheat

| Air on Evaporator Coil |         | Temperature of Air on Condenser Coil |                               |                         |      |      |      |      |                                   |                               |                         |      |      |      |      |
|------------------------|---------|--------------------------------------|-------------------------------|-------------------------|------|------|------|------|-----------------------------------|-------------------------------|-------------------------|------|------|------|------|
| CFM                    | WB (°F) | Total Capacity <sup>1</sup> (MBh)    | Total Input (kW) <sup>2</sup> | Sensible Capacity (MBh) |      |      |      |      | Total Capacity <sup>1</sup> (MBh) | Total Input (kW) <sup>2</sup> | Sensible Capacity (MBh) |      |      |      |      |
|                        |         |                                      |                               | Return Dry Bulb (°F)    |      |      |      |      |                                   |                               | Return Dry Bulb (°F)    |      |      |      |      |
|                        |         |                                      |                               | 85                      | 80   | 75   | 70   | 65   |                                   |                               | 85                      | 80   | 75   | 70   | 65   |
|                        |         | 35°F                                 |                               |                         |      |      |      |      | 45°F                              |                               |                         |      |      |      |      |
| 1625                   | 72      | 31.6                                 | 4.5                           | 1.6                     | 1.5  | 1.5  | -    | -    | 34.9                              | 5.1                           | -                       | -    | -    | -    | -    |
|                        | 67      | 32.2                                 | 4.6                           | 1.5                     | 1.5  | 1.4  | 1.4  | -    | 35.2                              | 4.9                           | 2.5                     | 2.2  | 1.9  | 1.7  | -    |
|                        | 62      | 28.5                                 | 4.4                           | 1.6                     | 1.6  | 1.5  | 1.5  | 1.4  | 32.0                              | 4.9                           | 5.2                     | 4.9  | 4.6  | 4.4  | 4.1  |
| 1950                   | 72      | 36.1                                 | 4.3                           | 2.2                     | 1.6  | 0.9  | -    | -    | 37.2                              | 4.9                           | -                       | -    | -    | -    | -    |
|                        | 67      | 36.7                                 | 4.5                           | 6.6                     | 5.9  | 5.3  | 4.6  | -    | 37.6                              | 4.7                           | 6.2                     | 5.6  | 4.9  | 4.2  | -    |
|                        | 62      | 32.6                                 | 4.3                           | 10.8                    | 10.1 | 9.4  | 8.8  | 8.1  | 34.2                              | 4.7                           | 13.0                    | 12.4 | 11.7 | 11.1 | 10.4 |
|                        | 57      | 34.2                                 | 4.4                           | 17.1                    | 16.4 | 15.8 | 15.1 | 14.5 | 34.5                              | 4.7                           | 18.2                    | 17.6 | 16.9 | 16.3 | 15.6 |
| 2275                   | 72      | 40.5                                 | 4.2                           | 2.9                     | 1.7  | 0.4  | -    | -    | 39.6                              | 4.7                           | -                       | -    | -    | -    | -    |
|                        | 67      | 41.2                                 | 4.3                           | 11.6                    | 10.4 | 9.1  | 7.8  | -    | 39.9                              | 4.5                           | 9.9                     | 8.9  | 7.9  | 6.8  | -    |
|                        | 62      | 36.7                                 | 4.2                           | 19.9                    | 18.6 | 17.4 | 16.1 | 14.8 | 36.3                              | 4.5                           | 20.9                    | 19.8 | 18.8 | 17.8 | 16.7 |
|                        | 57      | 38.3                                 | 4.2                           | 29.8                    | 29.5 | 28.2 | 26.9 | 25.7 | 36.6                              | 4.5                           | 28.5                    | 28.2 | 27.2 | 26.1 | 25.1 |
| 2600                   | 72      | 45.0                                 | 4.1                           | 3.6                     | 1.7  | -0.1 | -    | -    | 41.9                              | 4.5                           | -                       | -    | -    | -    | -    |
|                        | 67      | 45.7                                 | 4.2                           | 16.7                    | 14.8 | 12.9 | 11.1 | -    | 42.3                              | 4.3                           | 13.7                    | 12.3 | 10.8 | 9.4  | -    |
|                        | 62      | 40.8                                 | 4.0                           | 29.0                    | 27.1 | 25.3 | 23.4 | 21.6 | 38.4                              | 4.3                           | 28.7                    | 27.3 | 25.9 | 24.5 | 23.1 |
|                        | 57      | 42.5                                 | 4.1                           | 42.5                    | 42.5 | 40.6 | 38.7 | 36.9 | 38.8                              | 4.4                           | 38.8                    | 38.8 | 37.4 | 36.0 | 34.5 |
| 2925                   | 72      | 42.5                                 | 4.0                           | 4.6                     | 2.8  | 1.0  | -    | -    | 40.8                              | 4.6                           | -                       | -    | -    | -    | -    |
|                        | 67      | 43.2                                 | 4.1                           | 17.5                    | 15.7 | 13.9 | 12.1 | -    | 41.1                              | 4.4                           | 15.2                    | 13.7 | 12.2 | 10.8 | -    |
|                        | 62      | 38.5                                 | 4.0                           | 31.6                    | 29.1 | 27.3 | 25.5 | 23.7 | 37.4                              | 4.4                           | 32.0                    | 30.5 | 29.1 | 27.6 | 26.1 |
|                        | 57      | 40.2                                 | 4.0                           | 40.2                    | 40.2 | 38.3 | 36.5 | 34.7 | 37.7                              | 4.4                           | 37.7                    | 37.7 | 36.2 | 34.8 | 33.3 |
| 3250                   | 72      | 40.0                                 | 3.9                           | 5.7                     | 3.9  | 2.1  | -    | -    | 39.6                              | 4.6                           | -                       | -    | -    | -    | -    |
|                        | 67      | 40.6                                 | 4.0                           | 18.4                    | 16.6 | 14.8 | 13.0 | -    | 40.0                              | 4.4                           | 16.7                    | 15.2 | 13.6 | 12.1 | -    |
|                        | 62      | 36.2                                 | 3.9                           | 34.2                    | 31.1 | 29.3 | 27.5 | 25.8 | 36.3                              | 4.4                           | 35.3                    | 33.8 | 32.3 | 30.7 | 29.2 |
|                        | 57      | 37.9                                 | 4.0                           | 37.9                    | 37.9 | 36.1 | 34.3 | 32.5 | 36.7                              | 4.5                           | 36.7                    | 36.7 | 35.1 | 33.6 | 32.0 |
|                        |         | 55°F                                 |                               |                         |      |      |      |      | 65°F                              |                               |                         |      |      |      |      |
| 1625                   | 72      | 38.2                                 | 5.7                           | -                       | -    | -    | -    | -    | 36.3                              | 5.7                           | -                       | -    | -    | -    | -    |
|                        | 67      | 38.2                                 | 5.1                           | 3.4                     | 2.9  | 2.4  | 1.9  | -    | 36.2                              | 5.3                           | 2.4                     | 2.1  | 1.8  | 1.5  | -    |
|                        | 62      | 35.5                                 | 5.3                           | 8.8                     | 8.3  | 7.8  | 7.3  | 6.7  | 33.1                              | 5.2                           | 6.5                     | 6.2  | 5.9  | 5.6  | 5.3  |
| 1950                   | 72      | 38.4                                 | 5.5                           | -                       | -    | -    | -    | -    | 36.8                              | 5.6                           | -                       | -    | -    | -    | -    |
|                        | 67      | 38.4                                 | 4.9                           | 5.8                     | 5.2  | 4.5  | 3.9  | -    | 36.7                              | 5.2                           | 4.9                     | 4.3  | 3.8  | 3.2  | -    |
|                        | 62      | 35.7                                 | 5.1                           | 15.3                    | 14.7 | 14.0 | 13.3 | 12.7 | 33.5                              | 5.0                           | 13.9                    | 13.3 | 12.7 | 12.2 | 11.6 |
|                        | 57      | 34.7                                 | 5.1                           | 19.4                    | 18.7 | 18.1 | 17.4 | 16.8 | 32.9                              | 5.0                           | 17.0                    | 16.5 | 15.9 | 15.3 | 14.8 |
| 2275                   | 72      | 38.6                                 | 5.2                           | -                       | -    | -    | -    | -    | 37.3                              | 5.4                           | -                       | -    | -    | -    | -    |
|                        | 67      | 38.6                                 | 4.7                           | 8.3                     | 7.5  | 6.6  | 5.8  | -    | 37.2                              | 5.0                           | 7.4                     | 6.6  | 5.8  | 5.0  | -    |
|                        | 62      | 35.9                                 | 4.9                           | 21.9                    | 21.0 | 20.2 | 19.4 | 18.6 | 34.0                              | 4.9                           | 21.2                    | 20.4 | 19.6 | 18.8 | 18.0 |
|                        | 57      | 34.9                                 | 4.8                           | 27.2                    | 26.9 | 26.1 | 25.3 | 24.5 | 33.4                              | 4.9                           | 25.4                    | 25.2 | 24.3 | 23.5 | 22.7 |
| 2600                   | 72      | 38.8                                 | 5.0                           | -                       | -    | -    | -    | -    | 37.8                              | 5.3                           | -                       | -    | -    | -    | -    |
|                        | 67      | 38.9                                 | 4.4                           | 10.7                    | 9.7  | 8.8  | 7.8  | -    | 37.7                              | 4.9                           | 9.9                     | 8.9  | 7.8  | 6.8  | -    |
|                        | 62      | 36.1                                 | 4.6                           | 28.4                    | 27.4 | 26.5 | 25.5 | 24.6 | 34.4                              | 4.8                           | 28.5                    | 27.5 | 26.4 | 25.3 | 24.3 |
|                        | 57      | 35.1                                 | 4.6                           | 35.1                    | 35.1 | 34.1 | 33.2 | 32.2 | 33.8                              | 4.8                           | 33.8                    | 33.8 | 32.8 | 31.7 | 30.7 |
| 2925                   | 72      | 39.0                                 | 5.2                           | -                       | -    | -    | -    | -    | 38.0                              | 5.4                           | -                       | -    | -    | -    | -    |
|                        | 67      | 39.1                                 | 4.6                           | 12.9                    | 11.7 | 10.6 | 9.5  | -    | 38.0                              | 5.0                           | 12.2                    | 10.9 | 9.7  | 8.4  | -    |
|                        | 62      | 36.3                                 | 4.8                           | 32.4                    | 32.0 | 30.8 | 29.7 | 28.6 | 34.6                              | 4.9                           | 31.7                    | 31.2 | 29.9 | 28.7 | 27.4 |
|                        | 57      | 35.3                                 | 4.8                           | 35.3                    | 35.3 | 34.2 | 33.0 | 31.9 | 34.1                              | 4.9                           | 34.1                    | 34.1 | 32.8 | 31.6 | 30.3 |
| 3250                   | 72      | 39.2                                 | 5.3                           | -                       | -    | -    | -    | -    | 38.2                              | 5.5                           | -                       | -    | -    | -    | -    |
|                        | 67      | 39.3                                 | 4.8                           | 15.0                    | 13.7 | 12.5 | 11.2 | -    | 38.2                              | 5.0                           | 14.4                    | 13.0 | 11.6 | 10.1 | -    |
|                        | 62      | 36.5                                 | 5.0                           | 36.5                    | 36.5 | 35.2 | 33.9 | 32.6 | 34.8                              | 4.9                           | 34.8                    | 34.8 | 33.4 | 32.0 | 30.5 |
|                        | 57      | 35.5                                 | 5.0                           | 35.5                    | 35.5 | 34.2 | 32.9 | 31.6 | 34.3                              | 4.9                           | 34.3                    | 34.3 | 32.8 | 31.4 | 29.9 |

**J06ZR (6.5 Ton) Reheat (Continued)**

| Air on Evaporator Coil |         | Temperature of Air on Condenser Coil |                               |                         |      |      |      |      |                                   |                               |                         |      |      |      |      |
|------------------------|---------|--------------------------------------|-------------------------------|-------------------------|------|------|------|------|-----------------------------------|-------------------------------|-------------------------|------|------|------|------|
| CFM                    | WB (°F) | Total Capacity <sup>1</sup> (MBh)    | Total Input (kW) <sup>2</sup> | Sensible Capacity (MBh) |      |      |      |      | Total Capacity <sup>1</sup> (MBh) | Total Input (kW) <sup>2</sup> | Sensible Capacity (MBh) |      |      |      |      |
|                        |         |                                      |                               | Return Dry Bulb (°F)    |      |      |      |      |                                   |                               | Return Dry Bulb (°F)    |      |      |      |      |
|                        |         |                                      |                               | 85                      | 80   | 75   | 70   | 65   |                                   |                               | 85                      | 80   | 75   | 70   | 65   |
|                        |         |                                      |                               | <b>75°F</b>             |      |      |      |      | <b>85°F</b>                       |                               |                         |      |      |      |      |
| 1625                   | 72      | 34.3                                 | 5.7                           | -                       | -    | -    | -    | -    | 32.4                              | 5.6                           | -                       | -    | -    | -    | -    |
|                        | 67      | 34.2                                 | 5.4                           | 1.3                     | 1.2  | 1.1  | 1.0  | -    | 32.2                              | 5.6                           | 0.3                     | 0.4  | 0.5  | 0.6  | -    |
|                        | 62      | 30.6                                 | 5.0                           | 4.3                     | 4.2  | 4.1  | 4.0  | 3.9  | 28.2                              | 4.8                           | 2.1                     | 2.2  | 2.2  | 2.3  | 2.4  |
| 1950                   | 72      | 35.1                                 | 5.7                           | -                       | -    | -    | -    | -    | 33.5                              | 5.8                           | -                       | -    | -    | -    | -    |
|                        | 67      | 35.0                                 | 5.4                           | 4.0                     | 3.5  | 3.0  | 2.6  | -    | 33.3                              | 5.7                           | 3.0                     | 2.7  | 2.3  | 1.9  | -    |
|                        | 62      | 31.3                                 | 5.0                           | 12.4                    | 12.0 | 11.5 | 11.0 | 10.6 | 29.1                              | 4.9                           | 11.0                    | 10.6 | 10.3 | 9.9  | 9.5  |
|                        | 57      | 31.2                                 | 5.0                           | 14.6                    | 14.2 | 13.7 | 13.3 | 12.8 | 29.4                              | 4.9                           | 12.2                    | 11.9 | 11.5 | 11.2 | 10.8 |
| 2275                   | 72      | 35.9                                 | 5.7                           | -                       | -    | -    | -    | -    | 34.5                              | 5.9                           | -                       | -    | -    | -    | -    |
|                        | 67      | 35.8                                 | 5.4                           | 6.6                     | 5.8  | 5.0  | 4.2  | -    | 34.4                              | 5.8                           | 5.7                     | 4.9  | 4.1  | 3.3  | -    |
|                        | 62      | 32.0                                 | 5.0                           | 20.5                    | 19.7 | 18.9 | 18.1 | 17.3 | 30.1                              | 5.1                           | 19.9                    | 19.1 | 18.3 | 17.4 | 16.6 |
|                        | 57      | 31.9                                 | 5.0                           | 23.6                    | 23.4 | 22.6 | 21.8 | 21.0 | 30.4                              | 5.0                           | 21.8                    | 21.6 | 20.8 | 20.0 | 19.2 |
| 2600                   | 72      | 36.7                                 | 5.7                           | -                       | -    | -    | -    | -    | 35.6                              | 6.0                           | -                       | -    | -    | -    | -    |
|                        | 67      | 36.6                                 | 5.4                           | 9.2                     | 8.1  | 6.9  | 5.7  | -    | 35.5                              | 5.9                           | 8.5                     | 7.2  | 6.0  | 4.7  | -    |
|                        | 62      | 32.7                                 | 5.0                           | 28.7                    | 27.5 | 26.3 | 25.2 | 24.0 | 31.0                              | 5.2                           | 28.8                    | 27.5 | 26.3 | 25.0 | 23.8 |
|                        | 57      | 32.6                                 | 5.0                           | 32.6                    | 32.6 | 31.4 | 30.3 | 29.1 | 31.3                              | 5.2                           | 31.3                    | 31.3 | 30.1 | 28.8 | 27.6 |
| 2925                   | 72      | 37.0                                 | 5.6                           | -                       | -    | -    | -    | -    | 35.9                              | 5.8                           | -                       | -    | -    | -    | -    |
|                        | 67      | 36.9                                 | 5.4                           | 11.5                    | 10.2 | 8.8  | 7.4  | -    | 35.8                              | 5.8                           | 10.9                    | 9.4  | 7.9  | 6.4  | -    |
|                        | 62      | 33.0                                 | 4.9                           | 30.9                    | 30.4 | 29.0 | 27.6 | 26.2 | 31.3                              | 5.0                           | 30.2                    | 29.6 | 28.0 | 26.5 | 25.0 |
|                        | 57      | 32.8                                 | 4.9                           | 32.8                    | 32.8 | 31.5 | 30.1 | 28.7 | 31.6                              | 5.0                           | 31.6                    | 31.6 | 30.1 | 28.6 | 27.1 |
| 3250                   | 72      | 37.2                                 | 5.6                           | -                       | -    | -    | -    | -    | 36.2                              | 5.7                           | -                       | -    | -    | -    | -    |
|                        | 67      | 37.1                                 | 5.3                           | 13.9                    | 12.3 | 10.7 | 9.1  | -    | 36.1                              | 5.6                           | 13.3                    | 11.5 | 9.8  | 8.0  | -    |
|                        | 62      | 33.2                                 | 4.9                           | 33.2                    | 33.2 | 31.6 | 30.0 | 28.4 | 31.6                              | 4.9                           | 31.6                    | 31.6 | 29.8 | 28.1 | 26.3 |
|                        | 57      | 33.1                                 | 4.9                           | 33.1                    | 33.1 | 31.5 | 29.9 | 28.3 | 31.9                              | 4.9                           | 31.9                    | 31.9 | 30.1 | 28.4 | 26.6 |

1. These capacities are gross ratings. For net capacity, deduct air blower motor, MBh = 3.415 x kW. Refer to the appropriate Blower Performance Table for the kW of the supply air blower motor.
2. These ratings include the condenser fan motors (total 1 kW) and the compressor motors but not the supply air blower motor.



**J07ZR (7.5 Ton) Cooling**

| Air on Evaporator Coil |         | Temperature of Air on Condenser Coil |                               |                         |      |      |      |      |      |                                   |                               |                         |      |      |      |      |      |
|------------------------|---------|--------------------------------------|-------------------------------|-------------------------|------|------|------|------|------|-----------------------------------|-------------------------------|-------------------------|------|------|------|------|------|
| CFM                    | WB (°F) | Total Capacity <sup>1</sup> (MBh)    | Total Input (kW) <sup>2</sup> | Sensible Capacity (MBh) |      |      |      |      |      | Total Capacity <sup>1</sup> (MBh) | Total Input (kW) <sup>2</sup> | Sensible Capacity (MBh) |      |      |      |      |      |
|                        |         |                                      |                               | Return Dry Bulb (°F)    |      |      |      |      |      |                                   |                               | Return Dry Bulb (°F)    |      |      |      |      |      |
|                        |         |                                      |                               | 90                      | 85   | 80   | 75   | 70   | 65   |                                   |                               | 90                      | 85   | 80   | 75   | 70   | 65   |
|                        |         |                                      |                               | 75°F                    |      |      |      |      |      | 85°F                              |                               |                         |      |      |      |      |      |
| 1875                   | 77      | 95.3                                 | 5.1                           | 41.7                    | 33.4 | 25.0 | -    | -    | -    | 98.4                              | 5.8                           | 42.5                    | 34.5 | 26.4 | -    | -    | -    |
|                        | 72      | 88.9                                 | 5.0                           | 49.7                    | 41.3 | 33.0 | 24.6 | -    | -    | 91.0                              | 5.8                           | 52.7                    | 44.7 | 36.7 | 28.6 | -    | -    |
|                        | 67      | 82.4                                 | 4.9                           | 57.7                    | 49.3 | 41.0 | 32.6 | 24.2 | -    | 83.6                              | 5.7                           | 63.0                    | 54.9 | 46.9 | 38.9 | 30.8 | -    |
|                        | 62      | 72.3                                 | 4.9                           | 72.3                    | 63.4 | 49.7 | 41.3 | 32.9 | 24.6 | 74.5                              | 5.7                           | 74.5                    | 70.1 | 57.5 | 49.5 | 41.5 | 33.4 |
| 2250                   | 77      | 104.3                                | 5.1                           | 50.1                    | 40.6 | 31.2 | -    | -    | -    | 104.3                             | 5.9                           | 49.0                    | 39.9 | 30.7 | -    | -    | -    |
|                        | 72      | 97.2                                 | 5.0                           | 60.3                    | 50.9 | 41.4 | 32.0 | -    | -    | 96.4                              | 5.8                           | 60.9                    | 51.8 | 42.6 | 33.5 | -    | -    |
|                        | 67      | 90.1                                 | 5.0                           | 70.6                    | 61.1 | 51.7 | 42.2 | 32.8 | -    | 88.5                              | 5.8                           | 72.8                    | 63.7 | 54.5 | 45.4 | 36.3 | -    |
|                        | 62      | 79.1                                 | 4.9                           | 79.1                    | 73.2 | 62.8 | 53.3 | 43.9 | 34.4 | 79.0                              | 5.7                           | 79.0                    | 76.0 | 66.9 | 57.8 | 48.6 | 39.5 |
| 2625                   | 77      | 113.3                                | 5.2                           | 58.4                    | 47.9 | 37.4 | -    | -    | -    | 110.2                             | 5.9                           | 55.5                    | 45.3 | 35.0 | -    | -    | -    |
|                        | 72      | 105.5                                | 5.1                           | 70.9                    | 60.4 | 49.9 | 39.4 | -    | -    | 101.9                             | 5.8                           | 69.1                    | 58.9 | 48.6 | 38.4 | -    | -    |
|                        | 67      | 97.8                                 | 5.0                           | 83.4                    | 72.9 | 62.4 | 51.9 | 41.3 | -    | 93.5                              | 5.8                           | 82.7                    | 72.4 | 62.2 | 52.0 | 41.7 | -    |
|                        | 62      | 85.9                                 | 5.0                           | 85.9                    | 82.9 | 75.8 | 65.3 | 54.8 | 44.3 | 83.4                              | 5.7                           | 83.4                    | 82.0 | 76.3 | 66.1 | 55.8 | 45.6 |
| 3000                   | 77      | 122.2                                | 5.2                           | 66.8                    | 55.2 | 43.6 | -    | -    | -    | 116.0                             | 5.9                           | 62.0                    | 50.7 | 39.4 | -    | -    | -    |
|                        | 72      | 113.8                                | 5.1                           | 81.6                    | 69.9 | 58.3 | 46.7 | -    | -    | 107.3                             | 5.9                           | 77.3                    | 65.9 | 54.6 | 43.3 | -    | -    |
|                        | 67      | 105.4                                | 5.1                           | 96.3                    | 84.7 | 73.1 | 61.5 | 49.9 | -    | 98.5                              | 5.8                           | 92.5                    | 81.2 | 69.9 | 58.5 | 47.2 | -    |
|                        | 62      | 92.7                                 | 5.0                           | 92.7                    | 92.7 | 88.9 | 77.3 | 65.7 | 54.1 | 87.9                              | 5.8                           | 87.9                    | 87.9 | 85.7 | 74.3 | 63.0 | 51.7 |
| 3375                   | 72      | 116.9                                | 5.2                           | 86.8                    | 74.3 | 61.8 | 49.4 | -    | -    | 109.2                             | 5.9                           | 82.5                    | 70.2 | 58.0 | 45.8 | -    | -    |
|                        | 67      | 108.2                                | 5.1                           | 103.7                   | 89.9 | 77.5 | 65.0 | 52.5 | -    | 100.3                             | 5.8                           | 97.3                    | 86.4 | 74.2 | 62.0 | 49.7 | -    |
|                        | 62      | 95.1                                 | 5.1                           | 95.1                    | 95.1 | 93.3 | 80.8 | 68.4 | 55.9 | 89.4                              | 5.8                           | 89.4                    | 89.4 | 88.3 | 76.1 | 63.9 | 51.6 |
|                        | 57      | 92.7                                 | 5.1                           | 92.7                    | 92.7 | 92.7 | 80.2 | 67.7 | 55.3 | 87.9                              | 5.8                           | 87.9                    | 87.9 | 87.9 | 75.6 | 63.4 | 51.2 |
| 3750                   | 72      | 119.9                                | 5.2                           | 92.0                    | 78.7 | 65.3 | 52.0 | -    | -    | 111.1                             | 5.9                           | 87.7                    | 74.5 | 61.4 | 48.3 | -    | -    |
|                        | 67      | 111.0                                | 5.1                           | 111.0                   | 95.2 | 81.9 | 68.5 | 55.2 | -    | 102.0                             | 5.8                           | 102.0                   | 91.7 | 78.5 | 65.4 | 52.3 | -    |
|                        | 62      | 97.6                                 | 5.1                           | 97.6                    | 97.6 | 97.6 | 84.3 | 71.0 | 57.7 | 91.0                              | 5.8                           | 91.0                    | 91.0 | 91.0 | 77.9 | 64.7 | 51.6 |
|                        | 57      | 95.1                                 | 5.1                           | 95.1                    | 95.1 | 95.1 | 81.8 | 68.4 | 55.1 | 89.4                              | 5.8                           | 89.4                    | 89.4 | 89.4 | 76.3 | 63.1 | 50.0 |
|                        |         |                                      |                               | 95°F                    |      |      |      |      |      | 105°F                             |                               |                         |      |      |      |      |      |
| 1875                   | 77      | 101.5                                | 6.6                           | 43.2                    | 35.6 | 27.9 | -    | -    | -    | 94.5                              | 7.5                           | 39.4                    | 33.0 | 25.5 | -    | -    | -    |
|                        | 72      | 93.1                                 | 6.6                           | 55.7                    | 48.0 | 40.3 | 32.7 | -    | -    | 86.4                              | 7.5                           | 52.8                    | 45.3 | 37.7 | 30.2 | -    | -    |
|                        | 67      | 84.7                                 | 6.5                           | 68.2                    | 60.5 | 52.8 | 45.1 | 37.4 | -    | 78.3                              | 7.5                           | 66.2                    | 57.5 | 50.0 | 42.5 | 34.9 | -    |
|                        | 62      | 76.8                                 | 6.5                           | 76.8                    | 76.8 | 65.4 | 57.7 | 50.0 | 42.3 | 71.2                              | 7.4                           | 71.2                    | 71.2 | 60.6 | 53.1 | 45.5 | 38.0 |
| 2250                   | 77      | 104.3                                | 6.6                           | 47.9                    | 39.1 | 30.3 | -    | -    | -    | 96.9                              | 7.5                           | 45.1                    | 36.4 | 27.7 | -    | -    | -    |
|                        | 72      | 95.7                                 | 6.6                           | 61.5                    | 52.7 | 43.9 | 35.0 | -    | -    | 88.5                              | 7.5                           | 58.4                    | 49.7 | 41.0 | 32.3 | -    | -    |
|                        | 67      | 87.0                                 | 6.5                           | 75.0                    | 66.2 | 57.4 | 48.6 | 39.8 | -    | 80.2                              | 7.4                           | 71.7                    | 63.0 | 54.3 | 45.6 | 36.9 | -    |
|                        | 62      | 78.9                                 | 6.5                           | 78.9                    | 78.9 | 71.0 | 62.2 | 53.4 | 44.6 | 73.0                              | 7.4                           | 73.0                    | 73.0 | 65.8 | 57.1 | 48.4 | 39.7 |
| 2625                   | 77      | 107.1                                | 6.6                           | 52.6                    | 42.6 | 32.7 | -    | -    | -    | 99.2                              | 7.5                           | 50.7                    | 39.7 | 29.8 | -    | -    | -    |
|                        | 72      | 98.2                                 | 6.6                           | 67.2                    | 57.3 | 47.4 | 37.4 | -    | -    | 90.6                              | 7.5                           | 63.9                    | 54.1 | 44.2 | 34.3 | -    | -    |
|                        | 67      | 89.3                                 | 6.5                           | 81.9                    | 72.0 | 62.0 | 52.1 | 42.1 | -    | 82.1                              | 7.4                           | 77.1                    | 68.4 | 58.6 | 48.7 | 38.8 | -    |
|                        | 62      | 81.0                                 | 6.5                           | 81.0                    | 81.0 | 76.7 | 66.8 | 56.9 | 46.9 | 74.7                              | 7.4                           | 74.7                    | 74.7 | 70.9 | 61.1 | 51.2 | 41.4 |
| 3000                   | 77      | 109.9                                | 6.6                           | 57.3                    | 46.2 | 35.1 | -    | -    | -    | 101.5                             | 7.5                           | 56.4                    | 43.0 | 32.0 | -    | -    | -    |
|                        | 72      | 100.7                                | 6.6                           | 73.0                    | 61.9 | 50.9 | 39.8 | -    | -    | 92.7                              | 7.5                           | 69.5                    | 58.5 | 47.4 | 36.4 | -    | -    |
|                        | 67      | 91.6                                 | 6.5                           | 88.7                    | 77.7 | 66.6 | 55.6 | 44.5 | -    | 84.0                              | 7.4                           | 82.6                    | 73.9 | 62.8 | 51.8 | 40.8 | -    |
|                        | 62      | 83.1                                 | 6.5                           | 83.1                    | 83.1 | 82.4 | 71.4 | 60.3 | 49.2 | 76.5                              | 7.4                           | 76.5                    | 76.5 | 76.1 | 65.1 | 54.1 | 43.0 |
| 3375                   | 72      | 101.5                                | 6.6                           | 78.2                    | 66.2 | 54.2 | 42.2 | -    | -    | 93.0                              | 7.4                           | 74.7                    | 62.7 | 50.8 | 38.8 | -    | -    |
|                        | 67      | 92.3                                 | 6.5                           | 90.9                    | 82.9 | 70.9 | 58.9 | 46.9 | -    | 84.3                              | 7.4                           | 83.5                    | 78.0 | 67.3 | 55.3 | 43.4 | -    |
|                        | 62      | 83.7                                 | 6.5                           | 83.7                    | 83.7 | 83.4 | 71.4 | 59.4 | 47.4 | 76.7                              | 7.4                           | 76.7                    | 76.7 | 76.5 | 64.6 | 52.6 | 40.6 |
|                        | 57      | 83.1                                 | 6.5                           | 83.1                    | 83.1 | 83.1 | 71.1 | 59.1 | 47.1 | 76.7                              | 7.4                           | 76.7                    | 76.7 | 76.7 | 64.8 | 52.8 | 40.8 |
| 3750                   | 72      | 102.3                                | 6.6                           | 83.3                    | 70.4 | 57.5 | 44.5 | -    | -    | 93.3                              | 7.4                           | 79.9                    | 67.0 | 54.1 | 41.2 | -    | -    |
|                        | 67      | 93.0                                 | 6.6                           | 93.0                    | 88.2 | 75.2 | 62.3 | 49.4 | -    | 84.5                              | 7.4                           | 84.5                    | 82.1 | 71.7 | 58.8 | 46.0 | -    |
|                        | 62      | 84.3                                 | 6.5                           | 84.3                    | 84.3 | 84.3 | 71.4 | 58.5 | 45.5 | 76.9                              | 7.4                           | 76.9                    | 76.9 | 76.9 | 64.0 | 51.1 | 38.2 |
|                        | 57      | 83.7                                 | 6.5                           | 83.7                    | 83.7 | 83.7 | 70.7 | 57.8 | 44.9 | 76.9                              | 7.4                           | 76.9                    | 76.9 | 76.9 | 64.0 | 51.1 | 38.3 |

**J07ZR (7.5 Ton) Cooling (Continued)**

| Air on Evaporator Coil |         | Temperature of Air on Condenser Coil |                               |                         |      |      |      |      |      |                                   |                               |                         |      |      |      |      |      |
|------------------------|---------|--------------------------------------|-------------------------------|-------------------------|------|------|------|------|------|-----------------------------------|-------------------------------|-------------------------|------|------|------|------|------|
| CFM                    | WB (°F) | Total Capacity <sup>1</sup> (MBh)    | Total Input (kW) <sup>2</sup> | Sensible Capacity (MBh) |      |      |      |      |      | Total Capacity <sup>1</sup> (MBh) | Total Input (kW) <sup>2</sup> | Sensible Capacity (MBh) |      |      |      |      |      |
|                        |         |                                      |                               | Return Dry Bulb (°F)    |      |      |      |      |      |                                   |                               | Return Dry Bulb (°F)    |      |      |      |      |      |
|                        |         |                                      |                               | 90                      | 85   | 80   | 75   | 70   | 65   |                                   |                               | 90                      | 85   | 80   | 75   | 70   | 65   |
|                        |         |                                      |                               | 115°F                   |      |      |      |      |      | 125°F                             |                               |                         |      |      |      |      |      |
| 1875                   | 77      | 87.6                                 | 8.4                           | 35.5                    | 30.5 | 23.1 | -    | -    | -    | 80.6                              | 9.2                           | 30.9                    | 27.9 | 20.7 | -    | -    | -    |
|                        | 72      | 79.7                                 | 8.4                           | 49.9                    | 42.5 | 35.1 | 27.8 | -    | -    | 73.0                              | 9.2                           | 47.0                    | 39.8 | 32.5 | 25.3 | -    | -    |
|                        | 67      | 71.9                                 | 8.4                           | 64.3                    | 54.6 | 47.2 | 39.8 | 32.4 | -    | 65.5                              | 9.3                           | 62.3                    | 51.6 | 44.4 | 37.2 | 29.9 | -    |
|                        | 62      | 65.7                                 | 8.3                           | 65.7                    | 65.7 | 55.8 | 48.4 | 41.1 | 33.7 | 60.2                              | 9.3                           | 60.2                    | 60.2 | 51.0 | 43.8 | 36.6 | 29.4 |
| 2250                   | 77      | 89.4                                 | 8.3                           | 42.2                    | 33.6 | 25.0 | -    | -    | -    | 82.0                              | 9.2                           | 39.3                    | 30.9 | 22.4 | -    | -    | -    |
|                        | 72      | 81.4                                 | 8.3                           | 55.2                    | 46.7 | 38.1 | 29.5 | -    | -    | 74.3                              | 9.2                           | 52.1                    | 43.7 | 35.2 | 26.7 | -    | -    |
|                        | 67      | 73.4                                 | 8.4                           | 68.3                    | 59.7 | 51.1 | 42.6 | 34.0 | -    | 66.6                              | 9.3                           | 64.9                    | 56.5 | 48.0 | 39.5 | 31.1 | -    |
|                        | 62      | 67.1                                 | 8.3                           | 67.1                    | 67.1 | 60.5 | 51.9 | 43.3 | 34.7 | 61.2                              | 9.2                           | 61.2                    | 61.2 | 55.2 | 46.7 | 38.3 | 29.8 |
|                        | 57      | 67.8                                 | 8.3                           | 67.8                    | 67.8 | 61.1 | 52.5 | 43.9 | 35.4 | 62.5                              | 9.2                           | 62.5                    | 62.5 | 56.1 | 47.7 | 39.2 | 30.7 |
| 2625                   | 77      | 91.2                                 | 8.3                           | 48.9                    | 36.8 | 27.0 | -    | -    | -    | 83.3                              | 9.2                           | 47.7                    | 33.8 | 24.1 | -    | -    | -    |
|                        | 72      | 83.1                                 | 8.3                           | 60.6                    | 50.8 | 41.0 | 31.2 | -    | -    | 75.5                              | 9.2                           | 57.3                    | 47.6 | 37.9 | 28.2 | -    | -    |
|                        | 67      | 74.9                                 | 8.3                           | 72.3                    | 64.9 | 55.1 | 45.3 | 35.5 | -    | 67.7                              | 9.2                           | 67.6                    | 61.3 | 51.6 | 41.9 | 32.2 | -    |
|                        | 62      | 68.5                                 | 8.3                           | 68.5                    | 68.5 | 65.2 | 55.4 | 45.6 | 35.8 | 62.2                              | 9.2                           | 62.2                    | 62.2 | 59.4 | 49.7 | 40.0 | 30.2 |
|                        | 57      | 69.2                                 | 8.3                           | 69.2                    | 69.2 | 65.8 | 56.0 | 46.3 | 36.5 | 63.6                              | 9.2                           | 63.6                    | 63.6 | 60.4 | 50.7 | 40.9 | 31.2 |
| 3000                   | 77      | 93.1                                 | 8.3                           | 55.5                    | 39.9 | 28.9 | -    | -    | -    | 84.7                              | 9.2                           | 56.1                    | 36.7 | 25.8 | -    | -    | -    |
|                        | 72      | 84.7                                 | 8.3                           | 66.0                    | 55.0 | 44.0 | 33.0 | -    | -    | 76.7                              | 9.2                           | 62.4                    | 51.5 | 40.5 | 29.6 | -    | -    |
|                        | 67      | 76.4                                 | 8.3                           | 76.4                    | 70.0 | 59.1 | 48.1 | 37.1 | -    | 68.8                              | 9.2                           | 68.8                    | 66.2 | 55.3 | 44.3 | 33.4 | -    |
|                        | 62      | 69.8                                 | 8.3                           | 69.8                    | 69.8 | 69.8 | 58.8 | 47.9 | 36.9 | 63.2                              | 9.2                           | 63.2                    | 63.2 | 63.2 | 52.6 | 41.6 | 30.7 |
|                        | 57      | 70.6                                 | 8.3                           | 70.6                    | 70.6 | 70.6 | 59.6 | 48.6 | 37.6 | 64.6                              | 9.2                           | 64.6                    | 64.6 | 64.6 | 53.6 | 42.7 | 31.7 |
| 3375                   | 72      | 84.5                                 | 8.3                           | 71.2                    | 59.3 | 47.4 | 35.5 | -    | -    | 76.0                              | 9.2                           | 67.8                    | 55.9 | 44.0 | 32.1 | -    | -    |
|                        | 67      | 76.2                                 | 8.3                           | 76.2                    | 73.0 | 63.6 | 51.7 | 39.8 | -    | 68.1                              | 9.2                           | 68.1                    | 68.1 | 60.0 | 48.1 | 36.2 | -    |
|                        | 62      | 69.6                                 | 8.3                           | 69.6                    | 69.6 | 69.6 | 57.7 | 45.8 | 33.9 | 62.6                              | 9.2                           | 62.6                    | 62.6 | 62.6 | 50.9 | 39.0 | 27.1 |
|                        | 57      | 70.4                                 | 8.3                           | 70.4                    | 70.4 | 70.4 | 58.4 | 46.5 | 34.6 | 64.0                              | 9.1                           | 64.0                    | 64.0 | 64.0 | 52.1 | 40.3 | 28.4 |
| 3750                   | 72      | 84.3                                 | 8.3                           | 76.5                    | 63.7 | 50.8 | 38.0 | -    | -    | 75.3                              | 9.1                           | 73.1                    | 60.3 | 47.5 | 34.7 | -    | -    |
|                        | 67      | 76.0                                 | 8.3                           | 76.0                    | 76.0 | 68.2 | 55.4 | 42.5 | -    | 67.5                              | 9.2                           | 67.5                    | 67.5 | 64.7 | 51.9 | 39.1 | -    |
|                        | 62      | 69.5                                 | 8.3                           | 69.5                    | 69.5 | 69.5 | 56.6 | 43.8 | 30.9 | 62.0                              | 9.2                           | 62.0                    | 62.0 | 62.0 | 49.2 | 36.4 | 23.6 |
|                        | 57      | 70.2                                 | 8.2                           | 70.2                    | 70.2 | 70.2 | 57.3 | 44.5 | 31.6 | 63.4                              | 9.1                           | 63.4                    | 63.4 | 63.4 | 50.6 | 37.8 | 25.0 |

1. These capacities are gross ratings. For net capacity, deduct air blower motor, MBh = 3.415 x kW. Refer to the appropriate Blower Performance Table for the kW of the supply air blower motor.
2. These ratings include the condenser fan motors (total 1 kW) and the compressor motors but not the supply air blower motor.

## J07ZR (7.5 Ton) Reheat

| Air on Evaporator Coil |         | Temperature of Air on Condenser Coil |                               |                         |      |      |      |      |      |                                   |                               |                         |      |      |      |      |      |
|------------------------|---------|--------------------------------------|-------------------------------|-------------------------|------|------|------|------|------|-----------------------------------|-------------------------------|-------------------------|------|------|------|------|------|
| CFM                    | WB (°F) | Total Capacity <sup>1</sup> (MBh)    | Total Input (kW) <sup>2</sup> | Sensible Capacity (MBh) |      |      |      |      |      | Total Capacity <sup>1</sup> (MBh) | Total Input (kW) <sup>2</sup> | Sensible Capacity (MBh) |      |      |      |      |      |
|                        |         |                                      |                               | Return Dry Bulb (°F)    |      |      |      |      |      |                                   |                               | Return Dry Bulb (°F)    |      |      |      |      |      |
|                        |         |                                      |                               | 90                      | 85   | 80   | 75   | 70   | 65   |                                   |                               | 90                      | 85   | 80   | 75   | 70   | 65   |
|                        |         |                                      |                               | 35°F                    |      |      |      |      |      | 45°F                              |                               |                         |      |      |      |      |      |
| 1875                   | 77      | 57.4                                 | 4.6                           | -                       | -    | -    | -    | -    | -    | 58.7                              | 4.9                           | -                       | -    | -    | -    | -    | -    |
|                        | 72      | 54.9                                 | 4.4                           | 7.7                     | 6.3  | 4.9  | 3.5  | -    | -    | 54.6                              | 4.7                           | 5.8                     | 4.5  | 3.2  | 1.9  | -    | -    |
|                        | 67      | 52.4                                 | 4.3                           | 14.9                    | 13.5 | 12.1 | 10.7 | 9.3  | -    | 50.5                              | 4.5                           | 13.7                    | 12.4 | 11.1 | 9.9  | 8.6  | -    |
|                        | 62      | 48.7                                 | 4.1                           | 21.7                    | 20.3 | 18.9 | 17.5 | 16.1 | 14.7 | 46.6                              | 4.3                           | 21.9                    | 20.7 | 19.4 | 18.1 | 16.8 | 15.5 |
| 2250                   | 77      | 62.8                                 | 4.5                           | -                       | -    | -    | -    | -    | -    | 62.7                              | 4.8                           | -                       | -    | -    | -    | -    | -    |
|                        | 72      | 60.0                                 | 4.4                           | 11.2                    | 9.1  | 7.0  | 4.9  | -    | -    | 58.3                              | 4.6                           | 8.3                     | 6.4  | 4.6  | 2.7  | -    | -    |
|                        | 67      | 57.2                                 | 4.2                           | 22.2                    | 20.1 | 18.0 | 15.9 | 13.8 | -    | 53.9                              | 4.4                           | 19.6                    | 17.7 | 15.9 | 14.0 | 12.1 | -    |
|                        | 62      | 53.0                                 | 4.0                           | 32.6                    | 30.5 | 28.4 | 26.3 | 24.2 | 22.1 | 49.8                              | 4.2                           | 31.3                    | 29.4 | 27.6 | 25.7 | 23.8 | 22.0 |
| 2625                   | 77      | 68.1                                 | 4.5                           | -                       | -    | -    | -    | -    | -    | 66.6                              | 4.8                           | -                       | -    | -    | -    | -    | -    |
|                        | 72      | 65.0                                 | 4.3                           | 14.8                    | 12.0 | 9.2  | 6.4  | -    | -    | 62.0                              | 4.6                           | 10.8                    | 8.4  | 5.9  | 3.5  | -    | -    |
|                        | 67      | 61.9                                 | 4.2                           | 29.5                    | 26.7 | 23.9 | 21.1 | 18.3 | -    | 57.3                              | 4.4                           | 25.4                    | 23.0 | 20.6 | 18.1 | 15.7 | -    |
|                        | 62      | 57.4                                 | 4.0                           | 43.6                    | 40.8 | 38.0 | 35.2 | 32.4 | 29.6 | 53.0                              | 4.2                           | 40.6                    | 38.2 | 35.8 | 33.3 | 30.9 | 28.5 |
| 3000                   | 77      | 73.4                                 | 4.5                           | -                       | -    | -    | -    | -    | -    | 70.6                              | 4.8                           | -                       | -    | -    | -    | -    | -    |
|                        | 72      | 70.0                                 | 4.3                           | 18.4                    | 14.9 | 11.4 | 7.9  | -    | -    | 65.7                              | 4.6                           | 13.3                    | 10.3 | 7.3  | 4.3  | -    | -    |
|                        | 67      | 66.6                                 | 4.2                           | 36.8                    | 33.3 | 29.8 | 26.3 | 22.8 | -    | 60.8                              | 4.4                           | 31.3                    | 28.3 | 25.3 | 22.3 | 19.3 | -    |
|                        | 62      | 61.8                                 | 4.0                           | 54.5                    | 51.0 | 47.5 | 44.0 | 40.5 | 37.0 | 56.1                              | 4.2                           | 50.0                    | 47.0 | 44.0 | 40.9 | 37.9 | 34.9 |
| 3375                   | 77      | 71.8                                 | 4.3                           | 18.9                    | 15.5 | 12.1 | 8.6  | -    | -    | 67.4                              | 4.6                           | 14.3                    | 11.1 | 7.9  | 4.7  | -    | -    |
|                        | 67      | 68.3                                 | 4.2                           | 37.5                    | 34.0 | 30.6 | 27.2 | 23.8 | -    | 62.3                              | 4.4                           | 33.7                    | 30.5 | 27.3 | 24.1 | 20.9 | -    |
|                        | 62      | 63.3                                 | 4.0                           | 58.3                    | 53.2 | 48.3 | 44.9 | 41.4 | 38.0 | 57.6                              | 4.2                           | 53.8                    | 50.6 | 47.4 | 44.2 | 41.0 | 37.8 |
|                        | 57      | 59.3                                 | 3.9                           | 59.3                    | 59.3 | 57.9 | 54.5 | 51.1 | 47.6 | 55.3                              | 4.1                           | 55.3                    | 55.3 | 54.3 | 51.1 | 47.9 | 44.7 |
| 3750                   | 72      | 73.5                                 | 4.3                           | 19.4                    | 16.1 | 12.7 | 9.4  | -    | -    | 69.1                              | 4.6                           | 15.2                    | 11.8 | 8.4  | 5.1  | -    | -    |
|                        | 67      | 69.9                                 | 4.2                           | 38.2                    | 34.8 | 31.4 | 28.1 | 24.7 | -    | 63.9                              | 4.4                           | 36.0                    | 32.6 | 29.3 | 25.9 | 22.5 | -    |
|                        | 62      | 64.9                                 | 4.0                           | 62.1                    | 55.3 | 49.1 | 45.7 | 42.4 | 39.0 | 59.0                              | 4.2                           | 57.6                    | 54.3 | 50.9 | 47.5 | 44.1 | 40.7 |
|                        | 57      | 60.7                                 | 3.9                           | 60.7                    | 60.7 | 60.7 | 57.4 | 54.0 | 50.6 | 56.7                              | 4.1                           | 56.7                    | 56.7 | 56.7 | 53.3 | 50.0 | 46.6 |
|                        |         |                                      |                               | 55°F                    |      |      |      |      |      | 65°F                              |                               |                         |      |      |      |      |      |
| 1875                   | 77      | 59.9                                 | 5.1                           | -                       | -    | -    | -    | -    | -    | 57.9                              | 5.4                           | -                       | -    | -    | -    | -    | -    |
|                        | 72      | 54.2                                 | 4.9                           | 3.9                     | 2.7  | 1.6  | -    | -    | -    | 51.6                              | 5.2                           | 1.5                     | -    | -    | -    | -    | -    |
|                        | 67      | 48.5                                 | 4.7                           | 12.6                    | 11.4 | 10.2 | 9.0  | 7.9  | -    | 45.3                              | 5.0                           | 11.0                    | 10.0 | 9.0  | 7.9  | 6.9  | -    |
|                        | 62      | 44.6                                 | 4.5                           | 22.2                    | 21.0 | 19.9 | 18.7 | 17.5 | 16.4 | 42.1                              | 4.8                           | 22.4                    | 21.4 | 20.4 | 19.3 | 18.3 | 17.3 |
| 2250                   | 77      | 62.6                                 | 5.1                           | -                       | -    | -    | -    | -    | -    | 59.7                              | 5.4                           | -                       | -    | -    | -    | -    | -    |
|                        | 72      | 56.6                                 | 4.9                           | 5.4                     | 3.7  | 2.1  | -    | -    | -    | 53.2                              | 5.2                           | 2.2                     | -    | -    | -    | -    | -    |
|                        | 67      | 50.7                                 | 4.7                           | 17.0                    | 15.4 | 13.7 | 12.1 | 10.5 | -    | 46.6                              | 4.9                           | 14.3                    | 12.9 | 11.6 | 10.2 | 8.9  | -    |
|                        | 62      | 46.6                                 | 4.5                           | 29.9                    | 28.3 | 26.7 | 25.1 | 23.5 | 21.8 | 43.4                              | 4.7                           | 28.8                    | 27.5 | 26.1 | 24.7 | 23.4 | 22.0 |
| 2625                   | 77      | 65.2                                 | 5.1                           | -                       | -    | -    | -    | -    | -    | 61.4                              | 5.4                           | -                       | -    | -    | -    | -    | -    |
|                        | 72      | 59.0                                 | 4.9                           | 6.8                     | 4.7  | 2.7  | -    | -    | -    | 54.7                              | 5.1                           | 2.9                     | 1.2  | -    | -    | -    | -    |
|                        | 67      | 52.8                                 | 4.6                           | 21.4                    | 19.3 | 17.3 | 15.2 | 13.1 | -    | 48.0                              | 4.9                           | 17.6                    | 15.9 | 14.2 | 12.5 | 10.8 | -    |
|                        | 62      | 48.5                                 | 4.4                           | 37.7                    | 35.6 | 33.6 | 31.5 | 29.4 | 27.3 | 44.7                              | 4.7                           | 35.2                    | 33.5 | 31.8 | 30.1 | 28.4 | 26.7 |
| 3000                   | 77      | 67.8                                 | 5.1                           | -                       | -    | -    | -    | -    | -    | 63.1                              | 5.3                           | -                       | -    | -    | -    | -    | -    |
|                        | 72      | 61.4                                 | 4.8                           | 8.2                     | 5.7  | 3.2  | -    | -    | -    | 56.2                              | 5.1                           | 3.6                     | 1.5  | -    | -    | -    | -    |
|                        | 67      | 54.9                                 | 4.6                           | 25.8                    | 23.3 | 20.8 | 18.3 | 15.7 | -    | 49.4                              | 4.9                           | 20.9                    | 18.9 | 16.8 | 14.7 | 12.7 | -    |
|                        | 62      | 50.5                                 | 4.4                           | 45.4                    | 42.9 | 40.4 | 37.9 | 35.4 | 32.8 | 45.9                              | 4.7                           | 41.7                    | 39.6 | 37.6 | 35.5 | 33.5 | 31.4 |
| 3375                   | 72      | 63.0                                 | 4.8                           | 9.6                     | 6.6  | 3.7  | -    | -    | -    | 57.9                              | 5.1                           | 4.1                     | 1.5  | -    | -    | -    | -    |
|                        | 67      | 56.4                                 | 4.6                           | 29.8                    | 26.9 | 23.9 | 21.0 | 18.0 | -    | 50.8                              | 4.9                           | 25.7                    | 23.2 | 20.6 | 18.0 | 15.5 | -    |
|                        | 62      | 51.8                                 | 4.4                           | 49.3                    | 48.0 | 46.5 | 43.6 | 40.6 | 37.6 | 47.3                              | 4.7                           | 45.2                    | 44.1 | 43.0 | 40.4 | 37.9 | 35.3 |
|                        | 57      | 51.4                                 | 4.3                           | 51.4                    | 51.4 | 50.6 | 47.6 | 44.7 | 41.7 | 46.5                              | 4.6                           | 46.5                    | 46.5 | 46.1 | 43.6 | 41.0 | 38.4 |
| 3750                   | 72      | 64.6                                 | 4.8                           | 11.0                    | 7.6  | 4.2  | -    | -    | -    | 59.6                              | 5.1                           | 4.6                     | 1.5  | -    | -    | -    | -    |
|                        | 67      | 57.9                                 | 4.6                           | 33.9                    | 30.5 | 27.1 | 23.7 | 20.3 | -    | 52.3                              | 4.9                           | 30.5                    | 27.5 | 24.4 | 21.3 | 18.2 | -    |
|                        | 62      | 53.2                                 | 4.4                           | 53.2                    | 53.2 | 52.7 | 49.3 | 45.9 | 42.5 | 48.7                              | 4.7                           | 48.7                    | 48.7 | 48.4 | 45.3 | 42.2 | 39.2 |
|                        | 57      | 52.7                                 | 4.3                           | 52.7                    | 52.7 | 52.7 | 49.3 | 45.9 | 42.5 | 47.9                              | 4.6                           | 47.9                    | 47.9 | 47.9 | 44.8 | 41.7 | 38.6 |

**J07ZR (7.5 Ton) Reheat (Continued)**

| Air on Evaporator Coil |         | Temperature of Air on Condenser Coil |                               |                         |      |      |      |      |      |                                   |                               |                         |      |      |      |      |      |
|------------------------|---------|--------------------------------------|-------------------------------|-------------------------|------|------|------|------|------|-----------------------------------|-------------------------------|-------------------------|------|------|------|------|------|
| CFM                    | WB (°F) | Total Capacity <sup>1</sup> (MBh)    | Total Input (kW) <sup>2</sup> | Sensible Capacity (MBh) |      |      |      |      |      | Total Capacity <sup>1</sup> (MBh) | Total Input (kW) <sup>2</sup> | Sensible Capacity (MBh) |      |      |      |      |      |
|                        |         |                                      |                               | Return Dry Bulb (°F)    |      |      |      |      |      |                                   |                               | Return Dry Bulb (°F)    |      |      |      |      |      |
|                        |         |                                      |                               | 90                      | 85   | 80   | 75   | 70   | 65   |                                   |                               | 90                      | 85   | 80   | 75   | 70   | 65   |
|                        |         |                                      |                               | 75°F                    |      |      |      |      |      | 85°F                              |                               |                         |      |      |      |      |      |
| 1875                   | 77      | 56.0                                 | 5.7                           | -                       | -    | -    | -    | -    | -    | 54.0                              | 6.0                           | -                       | -    | -    | -    | -    | -    |
|                        | 72      | 49.0                                 | 5.5                           | -                       | -    | -    | -    | -    | -    | 46.3                              | 5.8                           | -                       | -    | -    | -    | -    | -    |
|                        | 67      | 42.0                                 | 5.2                           | 9.4                     | 8.6  | 7.7  | 6.8  | 6.0  | -    | 38.7                              | 5.5                           | 7.8                     | 7.1  | 6.4  | 5.8  | 5.1  | -    |
|                        | 62      | 39.6                                 | 5.0                           | 22.6                    | 21.7 | 20.9 | 20.0 | 19.1 | 18.3 | 37.2                              | 5.3                           | 22.7                    | 22.0 | 21.3 | 20.7 | 20.0 | 19.3 |
| 2250                   | 77      | 56.8                                 | 5.7                           | -                       | -    | -    | -    | -    | -    | 53.9                              | 6.0                           | -                       | -    | -    | -    | -    | -    |
|                        | 72      | 49.7                                 | 5.5                           | -                       | -    | -    | -    | -    | -    | 46.2                              | 5.7                           | -                       | -    | -    | -    | -    | -    |
|                        | 67      | 42.6                                 | 5.2                           | 11.6                    | 10.5 | 9.4  | 8.3  | 7.2  | -    | 38.6                              | 5.5                           | 8.9                     | 8.1  | 7.3  | 6.4  | 5.6  | -    |
|                        | 62      | 40.2                                 | 5.0                           | 27.7                    | 26.6 | 25.5 | 24.4 | 23.3 | 22.2 | 37.0                              | 5.3                           | 26.5                    | 25.7 | 24.9 | 24.0 | 23.2 | 22.4 |
| 2625                   | 77      | 57.6                                 | 5.7                           | -                       | -    | -    | -    | -    | -    | 53.8                              | 5.9                           | -                       | -    | -    | -    | -    | -    |
|                        | 72      | 50.4                                 | 5.4                           | -                       | -    | -    | -    | -    | -    | 46.1                              | 5.7                           | -                       | -    | -    | -    | -    | -    |
|                        | 67      | 43.2                                 | 5.2                           | 13.8                    | 12.5 | 11.1 | 9.8  | 8.4  | -    | 38.4                              | 5.5                           | 10.0                    | 9.0  | 8.1  | 7.1  | 6.1  | -    |
|                        | 62      | 40.8                                 | 5.0                           | 32.8                    | 31.5 | 30.1 | 28.8 | 27.4 | 26.1 | 36.9                              | 5.3                           | 30.4                    | 29.4 | 28.4 | 27.4 | 26.4 | 25.5 |
| 3000                   | 77      | 58.4                                 | 5.6                           | -                       | -    | -    | -    | -    | -    | 53.6                              | 5.9                           | -                       | -    | -    | -    | -    | -    |
|                        | 72      | 51.1                                 | 5.4                           | -                       | -    | -    | -    | -    | -    | 45.9                              | 5.7                           | -                       | -    | -    | -    | -    | -    |
|                        | 67      | 43.8                                 | 5.2                           | 16.0                    | 14.4 | 12.8 | 11.2 | 9.7  | -    | 38.2                              | 5.4                           | 11.1                    | 10.0 | 8.9  | 7.7  | 6.6  | -    |
|                        | 62      | 41.4                                 | 5.0                           | 37.9                    | 36.3 | 34.7 | 33.2 | 31.6 | 30.0 | 36.8                              | 5.3                           | 34.2                    | 33.0 | 31.9 | 30.8 | 29.7 | 28.5 |
| 3375                   | 77      | 52.8                                 | 5.4                           | -                       | -    | -    | -    | -    | -    | 47.7                              | 5.7                           | -                       | -    | -    | -    | -    | -    |
|                        | 67      | 45.3                                 | 5.2                           | 21.6                    | 19.4 | 17.3 | 15.1 | 12.9 | -    | 39.7                              | 5.4                           | 17.5                    | 15.7 | 13.9 | 12.2 | 10.4 | -    |
|                        | 62      | 42.8                                 | 5.0                           | 41.0                    | 40.2 | 39.4 | 37.3 | 35.1 | 32.9 | 38.2                              | 5.2                           | 36.9                    | 36.3 | 35.9 | 34.1 | 32.4 | 30.6 |
|                        | 57      | 41.6                                 | 4.9                           | 41.6                    | 41.6 | 41.6 | 39.5 | 37.3 | 35.1 | 36.7                              | 5.2                           | 36.7                    | 36.7 | 36.7 | 35.4 | 33.6 | 31.8 |
| 3750                   | 77      | 54.5                                 | 5.4                           | -                       | -    | -    | -    | -    | -    | 49.5                              | 5.6                           | -                       | -    | -    | -    | -    | -    |
|                        | 67      | 46.8                                 | 5.1                           | 27.2                    | 24.4 | 21.7 | 18.9 | 16.2 | -    | 41.2                              | 5.4                           | 23.9                    | 21.4 | 19.0 | 16.6 | 14.1 | -    |
|                        | 62      | 44.1                                 | 4.9                           | 44.1                    | 44.1 | 44.1 | 41.4 | 38.6 | 35.9 | 39.6                              | 5.2                           | 39.6                    | 39.6 | 39.6 | 37.5 | 35.0 | 32.6 |
|                        | 57      | 43.0                                 | 4.9                           | 43.0                    | 43.0 | 43.0 | 40.2 | 37.5 | 34.7 | 38.1                              | 5.1                           | 38.1                    | 38.1 | 38.1 | 35.7 | 33.3 | 30.8 |

1. These capacities are gross ratings. For net capacity, deduct air blower motor, MBh = 3.415 x kW. Refer to the appropriate Blower Performance Table for the kW of the supply air blower motor.
2. These ratings include the condenser fan motors (total 1 kW) and the compressor motors but not the supply air blower motor.

**J08ZR (8.5 Ton) Cooling**

| Air on Evaporator Coil |         | Temperature of Air on Condenser Coil |                               |                         |       |       |       |      |       |                                   |                               |                         |       |       |      |      |      |  |  |
|------------------------|---------|--------------------------------------|-------------------------------|-------------------------|-------|-------|-------|------|-------|-----------------------------------|-------------------------------|-------------------------|-------|-------|------|------|------|--|--|
| CFM                    | WB (°F) | Total Capacity <sup>1</sup> (MBh)    | Total Input (kW) <sup>2</sup> | Sensible Capacity (MBh) |       |       |       |      |       | Total Capacity <sup>1</sup> (MBh) | Total Input (kW) <sup>2</sup> | Sensible Capacity (MBh) |       |       |      |      |      |  |  |
|                        |         |                                      |                               | Return Dry Bulb (°F)    |       |       |       |      |       |                                   |                               | Return Dry Bulb (°F)    |       |       |      |      |      |  |  |
|                        |         |                                      |                               | 90                      | 85    | 80    | 75    | 70   | 65    |                                   |                               | 90                      | 85    | 80    | 75   | 70   | 65   |  |  |
|                        |         |                                      |                               | <b>75°F</b>             |       |       |       |      |       |                                   |                               | <b>85°F</b>             |       |       |      |      |      |  |  |
| 2125                   | 77      | 121.9                                | 6.4                           | 54.3                    | 43.2  | 32.9  | -     | -    | -     | 118.7                             | 7.4                           | 52.3                    | 42.1  | 32.0  | -    | -    | -    |  |  |
|                        | 72      | 118.1                                | 6.4                           | 71.1                    | 60.8  | 50.5  | 40.2  | -    | -     | 112.8                             | 7.3                           | 69.0                    | 58.8  | 48.6  | 38.5 | -    | -    |  |  |
|                        | 67      | 114.3                                | 6.3                           | 87.8                    | 78.4  | 68.1  | 57.8  | 47.5 | -     | 106.9                             | 7.2                           | 85.6                    | 75.4  | 65.3  | 55.1 | 45.0 | -    |  |  |
|                        | 62      | 105.8                                | 6.2                           | 105.8                   | 98.7  | 83.7  | 73.4  | 63.1 | 52.8  | 98.9                              | 7.0                           | 98.9                    | 95.3  | 80.2  | 70.1 | 59.9 | 49.8 |  |  |
| 2550                   | 77      | 126.3                                | 6.5                           | 59.7                    | 47.9  | 36.1  | -     | -    | -     | 122.9                             | 7.4                           | 58.7                    | 46.9  | 35.2  | -    | -    | -    |  |  |
|                        | 72      | 122.4                                | 6.4                           | 79.1                    | 67.3  | 55.5  | 43.7  | -    | -     | 116.8                             | 7.3                           | 77.0                    | 65.3  | 53.5  | 41.8 | -    | -    |  |  |
|                        | 67      | 118.4                                | 6.4                           | 98.4                    | 86.6  | 74.8  | 63.0  | 51.2 | -     | 110.7                             | 7.2                           | 95.3                    | 83.6  | 71.9  | 60.1 | 48.4 | -    |  |  |
|                        | 62      | 109.7                                | 6.2                           | 109.7                   | 104.9 | 92.0  | 80.2  | 68.4 | 56.6  | 102.4                             | 7.1                           | 102.4                   | 100.1 | 88.3  | 76.6 | 64.9 | 53.1 |  |  |
| 57                     | 107.0   | 6.3                                  | 107.0                         | 107.0                   | 97.1  | 85.3  | 73.5  | 61.7 | 99.6  | 7.1                               | 99.6                          | 99.6                    | 90.0  | 78.3  | 66.5 | 54.8 | -    |  |  |
| 2975                   | 77      | 130.7                                | 6.5                           | 65.1                    | 52.7  | 39.4  | -     | -    | -     | 127.2                             | 7.4                           | 65.0                    | 51.7  | 38.4  | -    | -    | -    |  |  |
|                        | 72      | 126.6                                | 6.4                           | 87.0                    | 73.7  | 60.5  | 47.2  | -    | -     | 120.9                             | 7.3                           | 85.0                    | 71.7  | 58.4  | 45.1 | -    | -    |  |  |
|                        | 67      | 122.6                                | 6.4                           | 108.9                   | 94.8  | 81.5  | 68.2  | 54.9 | -     | 114.6                             | 7.2                           | 105.1                   | 91.7  | 78.4  | 65.1 | 51.8 | -    |  |  |
|                        | 62      | 113.5                                | 6.3                           | 113.5                   | 111.1 | 100.2 | 86.9  | 73.6 | 60.3  | 106.0                             | 7.1                           | 106.0                   | 104.8 | 96.4  | 83.1 | 69.8 | 56.5 |  |  |
| 57                     | 110.8   | 6.3                                  | 110.8                         | 105.8                   | 92.5  | 79.2  | 65.9  | -    | 103.0 | 7.2                               | 103.0                         | 103.0                   | 98.2  | 84.9  | 71.6 | 58.3 | -    |  |  |
| 3400                   | 77      | 135.1                                | 6.5                           | 70.6                    | 57.4  | 42.6  | -     | -    | -     | 131.4                             | 7.4                           | 71.4                    | 56.5  | 41.7  | -    | -    | -    |  |  |
|                        | 72      | 130.9                                | 6.5                           | 95.0                    | 80.2  | 65.4  | 50.6  | -    | -     | 124.9                             | 7.3                           | 93.1                    | 78.2  | 63.3  | 48.4 | -    | -    |  |  |
|                        | 67      | 126.7                                | 6.4                           | 119.5                   | 103.0 | 88.2  | 73.4  | 58.6 | -     | 118.4                             | 7.2                           | 114.8                   | 99.9  | 85.0  | 70.1 | 55.2 | -    |  |  |
|                        | 62      | 117.3                                | 6.3                           | 117.3                   | 117.3 | 108.5 | 93.7  | 78.9 | 64.1  | 109.5                             | 7.1                           | 109.5                   | 109.5 | 104.5 | 89.6 | 74.7 | 59.8 |  |  |
| 57                     | 114.5   | 6.4                                  | 114.5                         | 114.5                   | 114.5 | 99.7  | 84.9  | 70.1 | 106.5 | 7.2                               | 106.5                         | 106.5                   | 106.5 | 91.6  | 76.7 | 61.8 | -    |  |  |
| 3825                   | 72      | 130.9                                | 6.5                           | 99.4                    | 84.1  | 68.8  | 53.5  | -    | -     | 125.4                             | 7.4                           | 98.3                    | 82.6  | 66.9  | 51.2 | -    | -    |  |  |
|                        | 67      | 126.8                                | 6.4                           | 123.1                   | 108.1 | 92.8  | 77.5  | 62.2 | -     | 118.8                             | 7.3                           | 117.0                   | 105.4 | 89.7  | 74.0 | 58.4 | -    |  |  |
|                        | 62      | 117.4                                | 6.3                           | 117.4                   | 117.4 | 112.9 | 97.6  | 82.3 | 67.0  | 109.9                             | 7.1                           | 109.9                   | 109.9 | 107.4 | 91.7 | 76.0 | 60.3 |  |  |
|                        | 57      | 114.5                                | 6.4                           | 114.5                   | 114.5 | 114.5 | 99.2  | 83.9 | 68.6  | 106.9                             | 7.2                           | 106.9                   | 106.9 | 106.9 | 91.2 | 75.5 | 59.8 |  |  |
| 4250                   | 72      | 131.0                                | 6.5                           | 103.7                   | 87.9  | 72.1  | 56.3  | -    | -     | 125.9                             | 7.4                           | 103.4                   | 86.9  | 70.4  | 53.9 | -    | -    |  |  |
|                        | 67      | 126.8                                | 6.5                           | 126.8                   | 113.1 | 97.3  | 81.5  | 65.7 | -     | 119.3                             | 7.3                           | 119.3                   | 111.0 | 94.5  | 78.0 | 61.5 | -    |  |  |
|                        | 62      | 117.4                                | 6.3                           | 117.4                   | 117.4 | 117.4 | 101.6 | 85.8 | 70.0  | 110.4                             | 7.2                           | 110.4                   | 110.4 | 110.4 | 93.8 | 77.3 | 60.8 |  |  |
|                        | 57      | 114.6                                | 6.4                           | 114.6                   | 114.6 | 114.6 | 98.8  | 83.0 | 67.2  | 107.3                             | 7.2                           | 107.3                   | 107.3 | 107.3 | 90.7 | 74.2 | 57.7 |  |  |
|                        |         |                                      |                               | <b>95°F</b>             |       |       |       |      |       |                                   |                               | <b>105°F</b>            |       |       |      |      |      |  |  |
| 2125                   | 77      | 115.5                                | 8.3                           | 50.3                    | 41.1  | 31.1  | -     | -    | -     | 108.8                             | 9.3                           | 44.7                    | 38.2  | 28.2  | -    | -    | -    |  |  |
|                        | 72      | 107.5                                | 8.1                           | 66.9                    | 56.8  | 46.8  | 36.8  | -    | -     | 100.5                             | 9.1                           | 63.5                    | 53.6  | 43.7  | 33.8 | -    | -    |  |  |
|                        | 67      | 99.5                                 | 8.0                           | 83.4                    | 72.5  | 62.5  | 52.5  | 42.4 | -     | 92.1                              | 9.0                           | 82.4                    | 69.0  | 59.1  | 49.2 | 39.3 | -    |  |  |
|                        | 62      | 91.9                                 | 7.9                           | 91.9                    | 91.9  | 76.8  | 66.8  | 56.7 | 46.7  | 85.2                              | 8.9                           | 85.2                    | 85.2  | 70.3  | 60.4 | 50.5 | 40.6 |  |  |
| 2550                   | 77      | 119.5                                | 8.3                           | 57.6                    | 46.0  | 34.3  | -     | -    | -     | 112.4                             | 9.3                           | 54.4                    | 42.9  | 31.3  | -    | -    | -    |  |  |
|                        | 72      | 111.3                                | 8.2                           | 75.0                    | 63.3  | 51.6  | 39.9  | -    | -     | 103.8                             | 9.2                           | 71.5                    | 60.0  | 48.4  | 36.8 | -    | -    |  |  |
|                        | 67      | 103.0                                | 8.0                           | 92.3                    | 80.6  | 68.9  | 57.2  | 45.6 | -     | 95.1                              | 9.0                           | 88.6                    | 77.1  | 65.5  | 53.9 | 42.3 | -    |  |  |
|                        | 62      | 95.2                                 | 7.9                           | 95.2                    | 95.2  | 84.7  | 73.0  | 61.3 | 49.7  | 88.0                              | 8.9                           | 88.0                    | 88.0  | 77.9  | 66.3 | 54.7 | 43.1 |  |  |
| 57                     | 92.1    | 7.9                                  | 92.1                          | 92.1                    | 82.9  | 71.2  | 59.6  | 47.9 | 85.8  | 9.0                               | 85.8                          | 85.8                    | 76.4  | 64.9  | 53.3 | 41.7 |      |  |  |
| 2975                   | 77      | 123.6                                | 8.3                           | 64.9                    | 50.8  | 37.5  | -     | -    | -     | 115.9                             | 9.4                           | 64.2                    | 47.5  | 34.3  | -    | -    | -    |  |  |
|                        | 72      | 115.1                                | 8.2                           | 83.1                    | 69.7  | 56.4  | 43.1  | -    | -     | 107.0                             | 9.2                           | 79.5                    | 66.3  | 53.1  | 39.8 | -    | -    |  |  |
|                        | 67      | 106.5                                | 8.0                           | 101.2                   | 88.7  | 75.3  | 62.0  | 48.7 | -     | 98.1                              | 9.0                           | 94.9                    | 85.1  | 71.8  | 58.6 | 45.4 | -    |  |  |
|                        | 62      | 98.5                                 | 7.9                           | 98.5                    | 98.5  | 92.6  | 79.3  | 65.9 | 52.6  | 90.8                              | 8.9                           | 90.8                    | 90.8  | 85.4  | 72.2 | 58.9 | 45.7 |  |  |
| 57                     | 95.2    | 8.0                                  | 95.2                          | 95.2                    | 90.7  | 77.3  | 64.0  | 50.7 | 88.5  | 9.0                               | 88.5                          | 88.5                    | 83.8  | 70.6  | 57.4 | 44.1 |      |  |  |
| 3400                   | 77      | 127.7                                | 8.4                           | 72.3                    | 55.6  | 40.7  | -     | -    | -     | 119.5                             | 9.4                           | 74.0                    | 52.2  | 37.3  | -    | -    | -    |  |  |
|                        | 72      | 118.9                                | 8.2                           | 91.2                    | 76.2  | 61.2  | 46.3  | -    | -     | 110.3                             | 9.2                           | 87.6                    | 72.7  | 57.8  | 42.9 | -    | -    |  |  |
|                        | 67      | 110.1                                | 8.1                           | 110.1                   | 96.7  | 81.8  | 66.8  | 51.8 | -     | 101.2                             | 9.1                           | 101.2                   | 93.1  | 78.2  | 63.3 | 48.4 | -    |  |  |
|                        | 62      | 101.7                                | 8.0                           | 101.7                   | 101.7 | 100.5 | 85.5  | 70.6 | 55.6  | 93.6                              | 8.9                           | 93.6                    | 93.6  | 93.0  | 78.1 | 63.2 | 48.3 |  |  |
| 57                     | 98.4    | 8.0                                  | 98.4                          | 98.4                    | 98.4  | 83.4  | 68.5  | 53.5 | 91.2  | 9.0                               | 91.2                          | 91.2                    | 91.2  | 76.4  | 61.5 | 46.6 |      |  |  |
| 3825                   | 72      | 119.8                                | 8.3                           | 97.1                    | 81.0  | 64.9  | 48.8  | -    | -     | 111.2                             | 9.3                           | 93.4                    | 77.4  | 61.3  | 45.3 | -    | -    |  |  |
|                        | 67      | 110.9                                | 8.1                           | 110.9                   | 102.8 | 86.7  | 70.6  | 54.5 | -     | 102.0                             | 9.1                           | 102.0                   | 97.2  | 83.0  | 67.0 | 51.0 | -    |  |  |
|                        | 62      | 102.5                                | 8.0                           | 102.5                   | 102.5 | 101.9 | 85.8  | 69.7 | 53.6  | 94.3                              | 9.0                           | 94.3                    | 94.3  | 94.0  | 78.0 | 61.9 | 45.9 |  |  |
|                        | 57      | 99.2                                 | 8.0                           | 99.2                    | 99.2  | 99.2  | 83.1  | 67.0 | 50.9  | 92.0                              | 9.1                           | 92.0                    | 92.0  | 92.0  | 75.9 | 59.9 | 43.9 |  |  |
| 4250                   | 72      | 120.8                                | 8.3                           | 103.1                   | 85.9  | 68.6  | 51.4  | -    | -     | 112.1                             | 9.3                           | 99.2                    | 82.1  | 64.9  | 47.7 | -    | -    |  |  |
|                        | 67      | 111.8                                | 8.1                           | 111.8                   | 108.9 | 91.7  | 74.4  | 57.2 | -     | 102.8                             | 9.1                           | 102.8                   | 101.3 | 87.8  | 70.7 | 53.5 | -    |  |  |
|                        | 62      | 103.3                                | 8.0                           | 103.3                   | 103.3 | 103.3 | 86.1  | 68.9 | 51.6  | 95.1                              | 9.0                           | 95.1                    | 95.1  | 95.1  | 77.9 | 60.7 | 43.5 |  |  |
|                        | 57      | 99.9                                 | 8.1                           | 99.9                    | 99.9  | 99.9  | 82.7  | 65.5 | 48.3  | 92.7                              | 9.1                           | 92.7                    | 92.7  | 92.7  | 75.5 | 58.4 | 41.2 |  |  |

**J08ZR (8.5 Ton) Cooling (Continued)**

| Air on Evaporator Coil |         | Temperature of Air on Condenser Coil |                               |                         |      |      |      |      |      |                                   |                               |                         |      |      |      |      |      |
|------------------------|---------|--------------------------------------|-------------------------------|-------------------------|------|------|------|------|------|-----------------------------------|-------------------------------|-------------------------|------|------|------|------|------|
| CFM                    | WB (°F) | Total Capacity <sup>1</sup> (MBh)    | Total Input (kW) <sup>2</sup> | Sensible Capacity (MBh) |      |      |      |      |      | Total Capacity <sup>1</sup> (MBh) | Total Input (kW) <sup>2</sup> | Sensible Capacity (MBh) |      |      |      |      |      |
|                        |         |                                      |                               | Return Dry Bulb (°F)    |      |      |      |      |      |                                   |                               | Return Dry Bulb (°F)    |      |      |      |      |      |
|                        |         |                                      |                               | 90                      | 85   | 80   | 75   | 70   | 65   |                                   |                               | 90                      | 85   | 80   | 75   | 70   | 65   |
|                        |         |                                      |                               | <b>115°F</b>            |      |      |      |      |      | <b>125°F</b>                      |                               |                         |      |      |      |      |      |
| 2125                   | 77      | 102.2                                | 10.3                          | 39.0                    | 35.2 | 25.4 | -    | -    | -    | 95.6                              | 11.4                          | 36.2                    | 31.0 | 22.6 | -    | -    | -    |
|                        | 72      | 93.5                                 | 10.1                          | 60.2                    | 50.4 | 40.6 | 30.8 | -    | -    | 86.5                              | 11.1                          | 56.8                    | 47.1 | 37.5 | 27.8 | -    | -    |
|                        | 67      | 84.8                                 | 10.0                          | 81.3                    | 65.5 | 55.8 | 46.0 | 36.2 | -    | 77.4                              | 10.9                          | 77.4                    | 62.1 | 52.4 | 42.7 | 33.1 | -    |
|                        | 62      | 78.5                                 | 9.9                           | 78.5                    | 78.5 | 63.8 | 54.0 | 44.2 | 34.4 | 71.8                              | 10.8                          | 71.8                    | 71.8 | 57.3 | 47.7 | 38.0 | 28.3 |
| 2550                   | 77      | 105.2                                | 10.4                          | 51.2                    | 39.7 | 28.3 | -    | -    | -    | 98.0                              | 11.4                          | 49.9                    | 36.6 | 25.3 | -    | -    | -    |
|                        | 72      | 96.2                                 | 10.2                          | 68.1                    | 56.6 | 45.2 | 33.7 | -    | -    | 88.7                              | 11.2                          | 64.7                    | 53.3 | 41.9 | 30.6 | -    | -    |
|                        | 67      | 87.3                                 | 10.0                          | 85.0                    | 73.5 | 62.0 | 50.6 | 39.1 | -    | 79.4                              | 11.0                          | 79.4                    | 70.0 | 58.6 | 47.3 | 35.9 | -    |
|                        | 62      | 80.8                                 | 9.9                           | 80.8                    | 80.8 | 71.0 | 59.6 | 48.1 | 36.6 | 73.6                              | 10.9                          | 73.6                    | 73.6 | 64.2 | 52.8 | 41.5 | 30.1 |
| 2975                   | 77      | 108.2                                | 10.4                          | 63.4                    | 44.3 | 31.1 | -    | -    | -    | 100.5                             | 11.4                          | 63.7                    | 42.3 | 28.0 | -    | -    | -    |
|                        | 72      | 99.0                                 | 10.2                          | 76.0                    | 62.9 | 49.7 | 36.6 | -    | -    | 90.9                              | 11.2                          | 72.5                    | 59.5 | 46.4 | 33.4 | -    | -    |
|                        | 67      | 89.8                                 | 10.0                          | 88.6                    | 81.5 | 68.3 | 55.2 | 42.1 | -    | 81.4                              | 11.0                          | 81.4                    | 77.9 | 64.8 | 51.8 | 38.7 | -    |
|                        | 62      | 83.1                                 | 9.9                           | 83.1                    | 83.1 | 78.2 | 65.1 | 51.9 | 38.8 | 75.4                              | 10.9                          | 75.4                    | 75.4 | 71.0 | 58.0 | 44.9 | 31.9 |
| 3400                   | 77      | 111.2                                | 10.4                          | 75.7                    | 48.8 | 34.0 | -    | -    | -    | 102.9                             | 11.4                          | 77.4                    | 47.9 | 30.7 | -    | -    | -    |
|                        | 72      | 101.7                                | 10.2                          | 84.0                    | 69.1 | 54.3 | 39.5 | -    | -    | 93.1                              | 11.2                          | 80.4                    | 65.6 | 50.9 | 36.1 | -    | -    |
|                        | 67      | 92.3                                 | 10.0                          | 92.3                    | 89.5 | 74.6 | 59.8 | 45.0 | -    | 83.3                              | 11.0                          | 83.3                    | 83.3 | 71.1 | 56.3 | 41.6 | -    |
|                        | 62      | 85.4                                 | 9.9                           | 85.4                    | 85.4 | 85.4 | 70.6 | 55.8 | 41.0 | 77.3                              | 10.9                          | 77.3                    | 77.3 | 77.3 | 63.1 | 48.4 | 33.6 |
| 3825                   | 72      | 102.6                                | 10.3                          | 89.7                    | 73.7 | 57.7 | 41.8 | -    | -    | 93.9                              | 11.3                          | 86.0                    | 70.1 | 54.1 | 38.2 | -    | -    |
|                        | 67      | 93.0                                 | 10.1                          | 93.0                    | 91.6 | 79.3 | 63.3 | 47.4 | -    | 84.0                              | 11.1                          | 84.0                    | 84.0 | 75.6 | 59.7 | 43.8 | -    |
|                        | 62      | 86.1                                 | 10.0                          | 86.1                    | 86.1 | 86.1 | 70.1 | 54.2 | 38.2 | 77.9                              | 11.0                          | 77.9                    | 77.9 | 77.9 | 62.3 | 46.4 | 30.5 |
|                        | 57      | 84.8                                 | 10.1                          | 84.8                    | 84.8 | 84.8 | 68.8 | 52.8 | 36.9 | 77.6                              | 11.1                          | 77.6                    | 77.6 | 77.6 | 61.7 | 45.8 | 29.8 |
| 4250                   | 72      | 103.4                                | 10.3                          | 95.4                    | 78.3 | 61.1 | 44.0 | -    | -    | 94.7                              | 11.4                          | 91.6                    | 74.5 | 57.4 | 40.3 | -    | -    |
|                        | 67      | 93.8                                 | 10.1                          | 93.8                    | 93.8 | 84.0 | 66.9 | 49.7 | -    | 84.7                              | 11.1                          | 84.7                    | 84.7 | 80.2 | 63.1 | 46.0 | -    |
|                        | 62      | 86.8                                 | 10.0                          | 86.8                    | 86.8 | 86.8 | 69.7 | 52.6 | 35.4 | 78.6                              | 11.1                          | 78.6                    | 78.6 | 78.6 | 61.5 | 44.4 | 27.3 |
|                        | 57      | 85.5                                 | 10.1                          | 85.5                    | 85.5 | 85.5 | 68.3 | 51.2 | 34.1 | 78.2                              | 11.2                          | 78.2                    | 78.2 | 78.2 | 61.2 | 44.1 | 27.0 |

1. These capacities are gross ratings. For net capacity, deduct air blower motor, MBh = 3.415 x kW. Refer to the appropriate Blower Performance Table for the kW of the supply air blower motor.
2. These ratings include the condenser fan motors (total 1 kW) and the compressor motors but not the supply air blower motor.

## J08ZR (8.5 Ton) Reheat

| Air on Evaporator Coil |         | Temperature of Air on Condenser Coil |                               |                         |      |      |      |      |                                   |                               |                         |      |      |      |      |
|------------------------|---------|--------------------------------------|-------------------------------|-------------------------|------|------|------|------|-----------------------------------|-------------------------------|-------------------------|------|------|------|------|
| CFM                    | WB (°F) | Total Capacity <sup>1</sup> (MBh)    | Total Input (kW) <sup>2</sup> | Sensible Capacity (MBh) |      |      |      |      | Total Capacity <sup>1</sup> (MBh) | Total Input (kW) <sup>2</sup> | Sensible Capacity (MBh) |      |      |      |      |
|                        |         |                                      |                               | Return Dry Bulb (°F)    |      |      |      |      |                                   |                               | Return Dry Bulb (°F)    |      |      |      |      |
|                        |         |                                      |                               | 85                      | 80   | 75   | 70   | 65   |                                   |                               | 85                      | 80   | 75   | 70   | 65   |
|                        |         | 35°F                                 |                               |                         |      |      |      |      | 45°F                              |                               |                         |      |      |      |      |
| 2125                   | 72      | 72.0                                 | 5.0                           | 8.5                     | 7.1  | 5.7  | -    | -    | 62.7                              | 5.5                           | 3.5                     | 2.4  | 1.3  | -    | -    |
|                        | 67      | 74.0                                 | 4.9                           | 11.6                    | 10.2 | 8.8  | 7.3  | -    | 61.5                              | 5.3                           | 9.5                     | 8.4  | 7.2  | 6.1  | -    |
|                        | 62      | 61.6                                 | 5.1                           | 21.8                    | 20.4 | 18.9 | 17.5 | 16.1 | 53.9                              | 5.3                           | 18.2                    | 17.1 | 16.0 | 14.9 | 13.8 |
| 2550                   | 72      | 73.3                                 | 4.9                           | 13.4                    | 11.3 | 9.2  | -    | -    | 64.8                              | 5.5                           | 5.6                     | 3.8  | 2.1  | -    | -    |
|                        | 67      | 75.3                                 | 4.8                           | 17.9                    | 15.8 | 13.7 | 11.6 | -    | 63.6                              | 5.3                           | 14.9                    | 13.2 | 11.4 | 9.7  | -    |
|                        | 62      | 62.6                                 | 5.0                           | 33.6                    | 31.5 | 29.4 | 27.3 | 25.2 | 55.8                              | 5.2                           | 28.7                    | 26.9 | 25.2 | 23.4 | 21.7 |
|                        | 57      | 58.2                                 | 4.7                           | 37.4                    | 35.3 | 33.2 | 31.2 | 29.1 | 50.7                              | 5.0                           | 33.0                    | 31.2 | 29.5 | 27.7 | 26.0 |
| 2975                   | 72      | 74.5                                 | 4.8                           | 18.2                    | 15.5 | 12.7 | -    | -    | 66.9                              | 5.4                           | 7.6                     | 5.2  | 2.8  | -    | -    |
|                        | 67      | 76.7                                 | 4.7                           | 24.1                    | 21.4 | 18.7 | 15.9 | -    | 65.7                              | 5.2                           | 20.4                    | 18.0 | 15.6 | 13.2 | -    |
|                        | 62      | 63.6                                 | 5.0                           | 45.3                    | 42.6 | 39.9 | 37.1 | 34.4 | 57.6                              | 5.2                           | 39.2                    | 36.8 | 34.4 | 32.0 | 29.6 |
|                        | 57      | 59.2                                 | 4.7                           | 48.8                    | 47.8 | 45.0 | 42.3 | 39.6 | 52.4                              | 5.0                           | 43.5                    | 42.6 | 40.2 | 37.8 | 35.4 |
| 3400                   | 72      | 75.7                                 | 4.7                           | 23.0                    | 19.6 | 16.2 | -    | -    | 69.1                              | 5.3                           | 9.7                     | 6.6  | 3.6  | -    | -    |
|                        | 67      | 78.1                                 | 4.6                           | 30.4                    | 27.0 | 23.6 | 20.2 | -    | 67.8                              | 5.1                           | 25.8                    | 22.8 | 19.7 | 16.7 | -    |
|                        | 62      | 64.7                                 | 4.9                           | 57.1                    | 53.7 | 50.4 | 47.0 | 43.6 | 59.5                              | 5.1                           | 49.7                    | 46.6 | 43.6 | 40.5 | 37.5 |
|                        | 57      | 60.2                                 | 4.6                           | 60.2                    | 60.2 | 56.8 | 53.5 | 50.1 | 54.0                              | 4.9                           | 54.0                    | 54.0 | 51.0 | 47.9 | 44.9 |
| 3825                   | 72      | 73.9                                 | 4.7                           | 25.8                    | 22.4 | 18.9 | -    | -    | 70.1                              | 5.3                           | 10.9                    | 7.5  | 4.2  | -    | -    |
|                        | 67      | 76.5                                 | 4.6                           | 33.7                    | 30.2 | 26.8 | 23.3 | -    | 68.7                              | 5.1                           | 29.2                    | 25.8 | 22.5 | 19.1 | -    |
|                        | 62      | 63.0                                 | 4.9                           | 62.0                    | 60.1 | 56.7 | 53.2 | 49.8 | 60.3                              | 5.1                           | 55.4                    | 52.9 | 49.5 | 46.1 | 42.8 |
|                        | 57      | 58.8                                 | 4.6                           | 58.8                    | 58.8 | 55.4 | 51.9 | 48.4 | 54.8                              | 4.9                           | 54.8                    | 54.8 | 51.4 | 48.1 | 44.7 |
| 4250                   | 72      | 72.0                                 | 4.7                           | 28.7                    | 25.1 | 21.6 | -    | -    | 71.0                              | 5.3                           | 12.1                    | 8.4  | 4.7  | -    | -    |
|                        | 67      | 75.0                                 | 4.6                           | 37.0                    | 33.5 | 29.9 | 26.4 | -    | 69.7                              | 5.1                           | 32.5                    | 28.9 | 25.2 | 21.5 | -    |
|                        | 62      | 61.4                                 | 4.9                           | 61.4                    | 61.4 | 61.4 | 59.5 | 55.9 | 61.2                              | 5.1                           | 61.2                    | 59.1 | 55.4 | 51.7 | 48.0 |
|                        | 57      | 57.4                                 | 4.6                           | 57.4                    | 57.4 | 53.9 | 50.4 | 46.8 | 55.6                              | 4.9                           | 55.6                    | 55.6 | 51.9 | 48.2 | 44.5 |
|                        |         | 55°F                                 |                               |                         |      |      |      |      | 65°F                              |                               |                         |      |      |      |      |
| 2125                   | 72      | 53.3                                 | 6.1                           | -                       | -    | -    | -    | -    | 48.0                              | 6.2                           | -                       | -    | -    | -    | -    |
|                        | 67      | 49.0                                 | 5.8                           | 7.3                     | 6.5  | 5.7  | 4.9  | -    | 42.2                              | 6.1                           | 4.4                     | 4.0  | 3.5  | 3.1  | -    |
|                        | 62      | 46.3                                 | 5.4                           | 14.6                    | 13.9 | 13.1 | 12.3 | 11.5 | 39.1                              | 5.8                           | 9.5                     | 9.1  | 8.6  | 8.2  | 7.7  |
| 2550                   | 72      | 56.3                                 | 6.0                           | -                       | -    | -    | -    | -    | 53.6                              | 6.1                           | -                       | -    | -    | -    | -    |
|                        | 67      | 51.8                                 | 5.7                           | 11.9                    | 10.5 | 9.1  | 7.7  | -    | 47.0                              | 6.1                           | 9.1                     | 8.0  | 6.9  | 5.8  | -    |
|                        | 62      | 49.0                                 | 5.4                           | 23.8                    | 22.4 | 21.0 | 19.6 | 18.1 | 43.5                              | 5.7                           | 20.2                    | 19.1 | 18.0 | 16.9 | 15.8 |
|                        | 57      | 43.2                                 | 5.3                           | 28.6                    | 27.1 | 25.7 | 24.3 | 22.9 | 36.3                              | 5.7                           | 22.6                    | 21.5 | 20.4 | 19.3 | 18.2 |
| 2975                   | 72      | 59.4                                 | 6.0                           | -                       | -    | -    | -    | -    | 59.2                              | 6.1                           | -                       | -    | -    | -    | -    |
|                        | 67      | 54.6                                 | 5.7                           | 16.6                    | 14.5 | 12.5 | 10.4 | -    | 51.7                              | 6.0                           | 13.7                    | 12.0 | 10.2 | 8.5  | -    |
|                        | 62      | 51.6                                 | 5.4                           | 33.0                    | 31.0 | 28.9 | 26.8 | 24.8 | 47.8                              | 5.7                           | 30.9                    | 29.1 | 27.4 | 25.7 | 23.9 |
|                        | 57      | 45.5                                 | 5.3                           | 38.2                    | 37.5 | 35.4 | 33.4 | 31.3 | 39.8                              | 5.6                           | 33.0                    | 32.4 | 30.7 | 28.9 | 27.2 |
| 3400                   | 72      | 62.4                                 | 6.0                           | -                       | -    | -    | -    | -    | 64.8                              | 6.1                           | -                       | -    | -    | -    | -    |
|                        | 67      | 57.4                                 | 5.7                           | 21.3                    | 18.5 | 15.8 | 13.1 | -    | 56.5                              | 6.0                           | 18.3                    | 15.9 | 13.6 | 11.2 | -    |
|                        | 62      | 54.3                                 | 5.3                           | 42.2                    | 39.5 | 36.8 | 34.1 | 31.4 | 52.2                              | 5.7                           | 41.6                    | 39.2 | 36.8 | 34.4 | 32.0 |
|                        | 57      | 47.9                                 | 5.2                           | 47.9                    | 47.9 | 45.2 | 42.4 | 39.7 | 43.3                              | 5.6                           | 43.3                    | 43.3 | 41.0 | 38.6 | 36.2 |
| 3825                   | 72      | 66.2                                 | 5.9                           | -                       | -    | -    | -    | -    | 67.4                              | 6.0                           | -                       | -    | -    | -    | -    |
|                        | 67      | 60.9                                 | 5.6                           | 24.7                    | 21.4 | 18.1 | 14.9 | -    | 58.8                              | 6.0                           | 22.2                    | 19.2 | 16.3 | 13.3 | -    |
|                        | 62      | 57.6                                 | 5.3                           | 48.8                    | 45.6 | 42.3 | 39.0 | 35.8 | 54.4                              | 5.6                           | 47.7                    | 45.5 | 42.6 | 39.6 | 36.6 |
|                        | 57      | 50.8                                 | 5.2                           | 50.8                    | 50.8 | 47.5 | 44.3 | 41.0 | 45.2                              | 5.6                           | 45.2                    | 45.2 | 42.2 | 39.3 | 36.3 |
| 4250                   | 72      | 70.1                                 | 5.9                           | -                       | -    | -    | -    | -    | 70.0                              | 6.0                           | -                       | -    | -    | -    | -    |
|                        | 67      | 64.5                                 | 5.6                           | 28.1                    | 24.2 | 20.4 | 16.6 | -    | 61.1                              | 5.9                           | 26.0                    | 22.5 | 19.0 | 15.4 | -    |
|                        | 62      | 60.9                                 | 5.3                           | 55.5                    | 51.6 | 47.8 | 44.0 | 40.2 | 56.5                              | 5.6                           | 53.8                    | 51.9 | 48.3 | 44.8 | 41.2 |
|                        | 57      | 53.7                                 | 5.2                           | 53.7                    | 53.7 | 49.9 | 46.1 | 42.3 | 47.1                              | 5.5                           | 47.1                    | 47.1 | 43.5 | 40.0 | 36.4 |

**J08ZR (8.5 Ton) Reheat (Continued)**

| Air on Evaporator Coil |         | Temperature of Air on Condenser Coil |                               |                         |      |      |      |      |                                   |                               |                         |      |      |      |      |
|------------------------|---------|--------------------------------------|-------------------------------|-------------------------|------|------|------|------|-----------------------------------|-------------------------------|-------------------------|------|------|------|------|
| CFM                    | WB (°F) | Total Capacity <sup>1</sup> (MBh)    | Total Input (kW) <sup>2</sup> | Sensible Capacity (MBh) |      |      |      |      | Total Capacity <sup>1</sup> (MBh) | Total Input (kW) <sup>2</sup> | Sensible Capacity (MBh) |      |      |      |      |
|                        |         |                                      |                               | Return Dry Bulb (°F)    |      |      |      |      |                                   |                               | Return Dry Bulb (°F)    |      |      |      |      |
|                        |         |                                      |                               | 85                      | 80   | 75   | 70   | 65   |                                   |                               | 85                      | 80   | 75   | 70   | 65   |
|                        |         |                                      |                               | <b>75°F</b>             |      |      |      |      | <b>85°F</b>                       |                               |                         |      |      |      |      |
| 2125                   | 72      | 42.8                                 | 6.3                           | -                       | -    | -    | -    | -    | 37.6                              | 6.4                           | -                       | -    | -    | -    | -    |
|                        | 67      | 35.4                                 | 6.5                           | 1.6                     | 1.5  | 1.4  | 1.2  | -    | 28.6                              | 6.8                           | -                       | -    | -    | -    | -    |
|                        | 62      | 31.9                                 | 6.2                           | 4.4                     | 4.3  | 4.2  | 4.1  | 4.0  | 24.7                              | 6.5                           | -                       | -    | -    | -    | -    |
| 2550                   | 72      | 50.9                                 | 6.2                           | -                       | -    | -    | -    | -    | 48.3                              | 6.4                           | -                       | -    | -    | -    | -    |
|                        | 67      | 42.1                                 | 6.4                           | 6.2                     | 5.4  | 4.7  | 3.9  | -    | 37.3                              | 6.8                           | 3.3                     | 2.9  | 2.5  | 2.0  | -    |
|                        | 62      | 38.0                                 | 6.1                           | 16.6                    | 15.8 | 15.0 | 14.3 | 13.5 | 32.5                              | 6.5                           | 13.0                    | 12.5 | 12.1 | 11.6 | 11.2 |
|                        | 57      | 29.4                                 | 6.1                           | 16.6                    | 15.8 | 15.0 | 14.3 | 13.5 | 22.5                              | 6.4                           | 10.6                    | 10.1 | 9.7  | 9.3  | 8.8  |
| 2975                   | 72      | 59.1                                 | 6.2                           | -                       | -    | -    | -    | -    | 58.9                              | 6.3                           | -                       | -    | -    | -    | -    |
|                        | 67      | 48.9                                 | 6.4                           | 10.8                    | 9.4  | 8.0  | 6.6  | -    | 46.0                              | 6.7                           | 7.9                     | 6.8  | 5.7  | 4.6  | -    |
|                        | 62      | 44.0                                 | 6.1                           | 28.7                    | 27.3 | 25.9 | 24.5 | 23.1 | 40.2                              | 6.4                           | 26.6                    | 25.5 | 24.4 | 23.3 | 22.2 |
|                        | 57      | 34.1                                 | 6.0                           | 27.7                    | 27.3 | 25.9 | 24.5 | 23.1 | 28.4                              | 6.4                           | 22.4                    | 22.2 | 21.1 | 20.0 | 19.0 |
| 3400                   | 72      | 67.2                                 | 6.2                           | -                       | -    | -    | -    | -    | 69.6                              | 6.3                           | -                       | -    | -    | -    | -    |
|                        | 67      | 55.6                                 | 6.3                           | 15.4                    | 13.3 | 11.3 | 9.2  | -    | 54.7                              | 6.7                           | 12.5                    | 10.7 | 9.0  | 7.3  | -    |
|                        | 62      | 50.1                                 | 6.0                           | 40.9                    | 38.8 | 36.8 | 34.7 | 32.6 | 48.0                              | 6.4                           | 40.2                    | 38.5 | 36.7 | 35.0 | 33.3 |
|                        | 57      | 38.8                                 | 6.0                           | 38.8                    | 38.8 | 36.8 | 34.7 | 32.6 | 34.3                              | 6.3                           | 34.3                    | 34.3 | 32.6 | 30.8 | 29.1 |
| 3825                   | 72      | 68.6                                 | 6.1                           | -                       | -    | -    | -    | -    | 69.7                              | 6.2                           | -                       | -    | -    | -    | -    |
|                        | 67      | 56.7                                 | 6.3                           | 19.7                    | 17.0 | 14.4 | 11.7 | -    | 54.6                              | 6.6                           | 17.2                    | 14.9 | 12.5 | 10.2 | -    |
|                        | 62      | 51.1                                 | 6.0                           | 46.5                    | 45.5 | 42.8 | 40.1 | 37.5 | 47.9                              | 6.3                           | 45.3                    | 45.4 | 43.1 | 40.7 | 38.3 |
|                        | 57      | 39.6                                 | 5.9                           | 39.6                    | 39.6 | 36.9 | 34.3 | 31.6 | 34.0                              | 6.3                           | 34.0                    | 34.0 | 31.6 | 29.3 | 26.9 |
| 4250                   | 72      | 69.9                                 | 6.1                           | -                       | -    | -    | -    | -    | 69.8                              | 6.2                           | -                       | -    | -    | -    | -    |
|                        | 67      | 57.8                                 | 6.3                           | 24.0                    | 20.8 | 17.5 | 14.2 | -    | 54.5                              | 6.6                           | 22.0                    | 19.0 | 16.0 | 13.1 | -    |
|                        | 62      | 52.1                                 | 5.9                           | 52.1                    | 52.1 | 48.8 | 45.6 | 42.3 | 47.7                              | 6.3                           | 47.7                    | 47.7 | 47.7 | 46.4 | 43.4 |
|                        | 57      | 40.4                                 | 5.9                           | 40.4                    | 40.4 | 37.1 | 33.9 | 30.6 | 33.7                              | 6.2                           | 33.7                    | 33.7 | 30.7 | 27.8 | 24.8 |

1. These capacities are gross ratings. For net capacity, deduct air blower motor, MBh = 3.415 x kW. Refer to the appropriate Blower Performance Table for the kW of the supply air blower motor.
2. These ratings include the condenser fan motors (total 1 kW) and the compressor motors but not the supply air blower motor.



**J10ZR (10 Ton) Cooling**

| Air on Evaporator Coil |         | Temperature of Air on Condenser Coil |                               |                         |       |       |       |      |       |                                   |                               |                         |       |       |       |      |      |  |  |
|------------------------|---------|--------------------------------------|-------------------------------|-------------------------|-------|-------|-------|------|-------|-----------------------------------|-------------------------------|-------------------------|-------|-------|-------|------|------|--|--|
| CFM                    | WB (°F) | Total Capacity <sup>1</sup> (MBh)    | Total Input (kW) <sup>2</sup> | Sensible Capacity (MBh) |       |       |       |      |       | Total Capacity <sup>1</sup> (MBh) | Total Input (kW) <sup>2</sup> | Sensible Capacity (MBh) |       |       |       |      |      |  |  |
|                        |         |                                      |                               | Return Dry Bulb (°F)    |       |       |       |      |       |                                   |                               | Return Dry Bulb (°F)    |       |       |       |      |      |  |  |
|                        |         |                                      |                               | 90                      | 85    | 80    | 75    | 70   | 65    |                                   |                               | 90                      | 85    | 80    | 75    | 70   | 65   |  |  |
|                        |         |                                      |                               | 75°F                    |       |       |       |      |       |                                   |                               | 85°F                    |       |       |       |      |      |  |  |
| 2500                   | 77      | 137.8                                | 7.3                           | 67.5                    | 55.5  | 43.9  | -     | -    | -     | 132.5                             | 8.2                           | 62.6                    | 51.3  | 40.0  | -     | -    | -    |  |  |
|                        | 72      | 131.8                                | 7.1                           | 85.5                    | 73.9  | 62.3  | 50.6  | -    | -     | 125.8                             | 8.1                           | 80.7                    | 69.5  | 58.2  | 46.9  | -    | -    |  |  |
|                        | 67      | 125.8                                | 7.0                           | 103.5                   | 92.3  | 80.6  | 69.0  | 57.4 | -     | 119.1                             | 8.0                           | 98.9                    | 87.6  | 76.4  | 65.1  | 53.9 | -    |  |  |
|                        | 62      | 113.9                                | 6.9                           | 113.9                   | 112.8 | 97.5  | 85.8  | 74.2 | 62.6  | 108.5                             | 7.9                           | 108.5                   | 107.0 | 91.1  | 79.8  | 68.6 | 57.3 |  |  |
| 3000                   | 77      | 143.9                                | 7.4                           | 73.5                    | 60.4  | 47.3  | -     | -    | -     | 138.1                             | 8.3                           | 69.4                    | 56.5  | 43.6  | -     | -    | -    |  |  |
|                        | 72      | 137.6                                | 7.2                           | 93.3                    | 80.2  | 67.1  | 54.0  | -    | -     | 131.1                             | 8.2                           | 89.1                    | 76.3  | 63.4  | 50.5  | -    | -    |  |  |
|                        | 67      | 131.3                                | 7.0                           | 113.1                   | 100.0 | 86.9  | 73.8  | 60.7 | -     | 124.1                             | 8.0                           | 108.9                   | 96.0  | 83.1  | 70.2  | 57.4 | -    |  |  |
|                        | 62      | 118.9                                | 6.9                           | 118.9                   | 118.2 | 105.1 | 92.0  | 78.9 | 65.8  | 113.1                             | 8.0                           | 113.1                   | 112.1 | 99.2  | 86.3  | 73.4 | 60.5 |  |  |
| 57                     | 114.8   | 6.9                                  | 114.8                         | 114.8                   | 108.3 | 95.2  | 82.2  | 69.1 | 110.6 | 7.9                               | 110.6                         | 110.6                   | 102.2 | 89.3  | 76.4  | 63.5 |      |  |  |
| 3500                   | 77      | 150.0                                | 7.4                           | 79.5                    | 65.3  | 50.8  | -     | -    | -     | 143.7                             | 8.3                           | 76.2                    | 61.7  | 47.1  | -     | -    | -    |  |  |
|                        | 72      | 143.4                                | 7.2                           | 101.1                   | 86.5  | 72.0  | 57.4  | -    | -     | 136.4                             | 8.2                           | 97.6                    | 83.0  | 68.5  | 54.0  | -    | -    |  |  |
|                        | 67      | 136.9                                | 7.1                           | 122.7                   | 107.7 | 93.2  | 78.6  | 64.0 | -     | 129.1                             | 8.1                           | 119.0                   | 104.4 | 89.9  | 75.4  | 60.9 | -    |  |  |
|                        | 62      | 123.9                                | 7.0                           | 123.9                   | 123.6 | 112.7 | 98.1  | 83.5 | 69.0  | 117.7                             | 8.0                           | 117.7                   | 117.1 | 107.2 | 92.7  | 78.2 | 63.7 |  |  |
| 57                     | 119.6   | 7.0                                  | 119.6                         | 119.6                   | 116.2 | 101.6 | 87.0  | 72.5 | 115.1 | 8.0                               | 115.1                         | 115.1                   | 110.5 | 96.0  | 81.5  | 67.0 |      |  |  |
| 4000                   | 77      | 156.1                                | 7.4                           | 85.5                    | 70.2  | 54.2  | -     | -    | -     | 149.3                             | 8.4                           | 83.0                    | 66.8  | 50.7  | -     | -    | -    |  |  |
|                        | 72      | 149.3                                | 7.3                           | 108.9                   | 92.8  | 76.8  | 60.8  | -    | -     | 141.7                             | 8.2                           | 106.0                   | 89.8  | 73.7  | 57.5  | -    | -    |  |  |
|                        | 67      | 142.5                                | 7.1                           | 132.2                   | 115.4 | 99.4  | 83.4  | 67.4 | -     | 134.1                             | 8.1                           | 129.0                   | 112.8 | 96.7  | 80.5  | 64.4 | -    |  |  |
|                        | 62      | 129.0                                | 7.0                           | 129.0                   | 129.0 | 120.2 | 104.2 | 88.2 | 72.2  | 122.2                             | 8.0                           | 122.2                   | 122.2 | 115.3 | 99.2  | 83.0 | 66.8 |  |  |
| 57                     | 124.5   | 7.0                                  | 124.5                         | 124.5                   | 124.0 | 108.0 | 91.9  | 75.9 | 119.6 | 8.0                               | 119.6                         | 119.6                   | 118.9 | 102.7 | 86.5  | 70.4 |      |  |  |
| 4500                   | 72      | 151.7                                | 7.3                           | 116.7                   | 99.1  | 81.6  | 64.0  | -    | -     | 143.8                             | 8.2                           | 113.4                   | 95.8  | 78.1  | 60.5  | -    | -    |  |  |
|                        | 67      | 144.8                                | 7.1                           | 139.7                   | 123.1 | 105.6 | 88.0  | 70.5 | -     | 136.2                             | 8.1                           | 133.6                   | 120.2 | 102.5 | 84.9  | 67.2 | -    |  |  |
|                        | 62      | 131.1                                | 7.0                           | 131.1                   | 131.1 | 126.7 | 109.2 | 91.6 | 74.1  | 124.1                             | 8.0                           | 124.1                   | 124.1 | 120.6 | 103.0 | 85.3 | 67.6 |  |  |
|                        | 57      | 126.6                                | 7.0                           | 126.6                   | 126.6 | 126.3 | 108.8 | 91.2 | 73.7  | 121.4                             | 8.0                           | 121.4                   | 121.4 | 121.0 | 103.4 | 85.7 | 68.1 |  |  |
| 5000                   | 72      | 154.2                                | 7.3                           | 124.5                   | 105.4 | 86.4  | 67.3  | -    | -     | 146.0                             | 8.3                           | 120.9                   | 101.7 | 82.6  | 63.4  | -    | -    |  |  |
|                        | 67      | 147.2                                | 7.2                           | 147.2                   | 130.9 | 111.8 | 92.7  | 73.6 | -     | 138.2                             | 8.1                           | 138.2                   | 127.5 | 108.3 | 89.2  | 70.0 | -    |  |  |
|                        | 62      | 133.3                                | 7.1                           | 133.3                   | 133.3 | 133.3 | 114.2 | 95.1 | 76.0  | 125.9                             | 8.1                           | 125.9                   | 125.9 | 125.9 | 106.8 | 87.6 | 68.5 |  |  |
|                        | 57      | 128.6                                | 7.1                           | 128.6                   | 128.6 | 128.6 | 109.6 | 90.5 | 71.4  | 123.2                             | 8.0                           | 123.2                   | 123.2 | 123.2 | 104.1 | 84.9 | 65.7 |  |  |
|                        |         |                                      |                               | 95°F                    |       |       |       |      |       |                                   |                               | 105°F                   |       |       |       |      |      |  |  |
| 2500                   | 77      | 127.3                                | 9.2                           | 57.6                    | 47.1  | 36.2  | -     | -    | -     | 117.5                             | 10.5                          | 52.8                    | 44.2  | 33.5  | -     | -    | -    |  |  |
|                        | 72      | 119.8                                | 9.1                           | 75.9                    | 65.0  | 54.1  | 43.3  | -    | -     | 110.8                             | 10.4                          | 72.3                    | 61.6  | 50.9  | 40.3  | -    | -    |  |  |
|                        | 67      | 112.4                                | 9.0                           | 94.3                    | 83.0  | 72.1  | 61.2  | 50.3 | -     | 104.0                             | 10.3                          | 91.8                    | 79.1  | 68.4  | 57.7  | 47.0 | -    |  |  |
|                        | 62      | 103.2                                | 9.0                           | 103.2                   | 101.2 | 84.7  | 73.8  | 62.9 | 52.0  | 96.1                              | 10.2                          | 96.1                    | 95.1  | 80.3  | 69.6  | 58.9 | 48.2 |  |  |
| 3000                   | 77      | 132.4                                | 9.2                           | 65.2                    | 52.5  | 39.8  | -     | -    | -     | 122.4                             | 10.5                          | 61.8                    | 49.3  | 36.9  | -     | -    | -    |  |  |
|                        | 72      | 124.6                                | 9.1                           | 85.0                    | 72.3  | 59.6  | 46.9  | -    | -     | 115.4                             | 10.4                          | 81.0                    | 68.5  | 56.1  | 43.7  | -    | -    |  |  |
|                        | 67      | 116.9                                | 9.0                           | 104.8                   | 92.1  | 79.4  | 66.7  | 54.0 | -     | 108.3                             | 10.3                          | 100.2                   | 87.8  | 75.3  | 62.9  | 50.5 | -    |  |  |
|                        | 62      | 107.3                                | 9.0                           | 107.3                   | 106.0 | 93.3  | 80.6  | 67.9 | 55.2  | 100.1                             | 10.2                          | 100.1                   | 99.4  | 88.5  | 76.0  | 63.6 | 51.2 |  |  |
| 57                     | 106.5   | 8.9                                  | 106.5                         | 106.5                   | 96.1  | 83.4  | 70.7  | 58.0 | 99.2  | 10.2                              | 99.2                          | 99.2                    | 89.5  | 77.0  | 64.6  | 52.2 |      |  |  |
| 3500                   | 77      | 137.4                                | 9.2                           | 72.9                    | 58.0  | 43.5  | -     | -    | -     | 127.3                             | 10.5                          | 70.7                    | 54.5  | 40.3  | -     | -    | -    |  |  |
|                        | 72      | 129.4                                | 9.2                           | 94.1                    | 79.6  | 65.1  | 50.6  | -    | -     | 120.0                             | 10.4                          | 89.6                    | 75.5  | 61.3  | 47.2  | -    | -    |  |  |
|                        | 67      | 121.3                                | 9.1                           | 115.3                   | 101.2 | 86.7  | 72.2  | 57.7 | -     | 112.6                             | 10.3                          | 108.6                   | 96.5  | 82.3  | 68.1  | 54.0 | -    |  |  |
|                        | 62      | 111.4                                | 9.0                           | 111.4                   | 110.7 | 101.8 | 87.3  | 72.8 | 58.3  | 104.0                             | 10.2                          | 104.0                   | 103.7 | 96.6  | 82.5  | 68.3 | 54.2 |  |  |
| 57                     | 110.6   | 9.0                                  | 110.6                         | 110.6                   | 104.9 | 90.4  | 75.9  | 61.4 | 103.2 | 10.2                              | 103.2                         | 103.2                   | 97.7  | 83.6  | 69.4  | 55.3 |      |  |  |
| 4000                   | 77      | 142.5                                | 9.3                           | 80.5                    | 63.5  | 47.2  | -     | -    | -     | 132.1                             | 10.5                          | 79.6                    | 59.6  | 43.7  | -     | -    | -    |  |  |
|                        | 72      | 134.1                                | 9.2                           | 103.1                   | 86.8  | 70.5  | 54.3  | -    | -     | 124.6                             | 10.4                          | 98.3                    | 82.4  | 66.5  | 50.6  | -    | -    |  |  |
|                        | 67      | 125.8                                | 9.1                           | 125.8                   | 110.2 | 93.9  | 77.6  | 61.3 | -     | 117.0                             | 10.3                          | 117.0                   | 105.2 | 89.3  | 73.4  | 57.5 | -    |  |  |
|                        | 62      | 115.5                                | 9.0                           | 115.5                   | 115.5 | 110.4 | 94.1  | 77.8 | 61.5  | 108.0                             | 10.2                          | 108.0                   | 108.0 | 104.8 | 88.9  | 73.0 | 57.1 |  |  |
| 57                     | 114.7   | 9.0                                  | 114.7                         | 114.7                   | 113.7 | 97.4  | 81.1  | 64.8 | 107.1 | 10.2                              | 107.1                         | 107.1                   | 106.0 | 90.1  | 74.2  | 58.3 |      |  |  |
| 4500                   | 72      | 136.0                                | 9.2                           | 110.2                   | 92.4  | 74.7  | 56.9  | -    | -     | 126.1                             | 10.4                          | 105.2                   | 87.8  | 70.5  | 53.1  | -    | -    |  |  |
|                        | 67      | 127.5                                | 9.1                           | 127.5                   | 117.2 | 99.4  | 81.7  | 63.9 | -     | 118.4                             | 10.3                          | 118.4                   | 111.2 | 94.6  | 77.2  | 59.9 | -    |  |  |
|                        | 62      | 117.1                                | 9.0                           | 117.1                   | 117.1 | 114.5 | 96.7  | 79.0 | 61.2  | 109.4                             | 10.2                          | 109.4                   | 109.4 | 107.8 | 90.4  | 73.1 | 55.7 |  |  |
|                        | 57      | 116.2                                | 9.0                           | 116.2                   | 116.2 | 115.8 | 98.0  | 80.2 | 62.5  | 108.4                             | 10.2                          | 108.4                   | 108.4 | 107.9 | 90.5  | 73.2 | 55.8 |  |  |
| 5000                   | 72      | 137.8                                | 9.2                           | 117.3                   | 98.0  | 78.8  | 59.5  | -    | -     | 127.6                             | 10.4                          | 112.0                   | 93.2  | 74.4  | 55.6  | -    | -    |  |  |
|                        | 67      | 129.2                                | 9.1                           | 129.2                   | 124.2 | 104.9 | 85.7  | 66.4 | -     | 119.8                             | 10.3                          | 119.8                   | 117.3 | 99.9  | 81.1  | 62.2 | -    |  |  |
|                        | 62      | 118.6                                | 9.0                           | 118.6                   | 118.6 | 118.6 | 99.4  | 80.2 | 60.9  | 110.7                             | 10.2                          | 110.7                   | 110.7 | 110.7 | 91.9  | 73.1 | 54.3 |  |  |
|                        | 57      | 117.8                                | 9.0                           | 117.8                   | 117.8 | 117.8 | 98.6  | 79.3 | 60.1  | 109.8                             | 10.2                          | 109.8                   | 109.8 | 109.8 | 91.0  | 72.1 | 53.3 |  |  |

**J10ZR (10 Ton) Cooling (Continued)**

| Air on Evaporator Coil |         | Temperature of Air on Condenser Coil |                               |                         |       |       |      |      |      |                                   |                               |                         |       |      |      |      |      |
|------------------------|---------|--------------------------------------|-------------------------------|-------------------------|-------|-------|------|------|------|-----------------------------------|-------------------------------|-------------------------|-------|------|------|------|------|
| CFM                    | WB (°F) | Total Capacity <sup>1</sup> (MBh)    | Total Input (kW) <sup>2</sup> | Sensible Capacity (MBh) |       |       |      |      |      | Total Capacity <sup>1</sup> (MBh) | Total Input (kW) <sup>2</sup> | Sensible Capacity (MBh) |       |      |      |      |      |
|                        |         |                                      |                               | Return Dry Bulb (°F)    |       |       |      |      |      |                                   |                               | Return Dry Bulb (°F)    |       |      |      |      |      |
|                        |         |                                      |                               | 90                      | 85    | 80    | 75   | 70   | 65   |                                   |                               | 90                      | 85    | 80   | 75   | 70   | 65   |
|                        |         |                                      |                               | 115°F                   |       |       |      |      |      | 125°F                             |                               |                         |       |      |      |      |      |
| 2500                   | 77      | 107.7                                | 11.9                          | 48.1                    | 41.3  | 30.8  | -    | -    | -    | 98.0                              | 13.2                          | 43.3                    | 38.4  | 28.1 | -    | -    | -    |
|                        | 72      | 101.7                                | 11.7                          | 68.7                    | 58.2  | 47.7  | 37.3 | -    | -    | 92.6                              | 13.0                          | 65.1                    | 54.8  | 44.5 | 34.3 | -    | -    |
|                        | 67      | 95.6                                 | 11.6                          | 89.3                    | 75.1  | 64.6  | 54.2 | 43.7 | -    | 87.3                              | 12.8                          | 86.8                    | 71.2  | 60.9 | 50.6 | 40.4 | -    |
|                        | 62      | 89.0                                 | 11.4                          | 89.0                    | 89.0  | 75.9  | 65.4 | 54.9 | 44.4 | 81.8                              | 12.6                          | 81.8                    | 81.8  | 71.4 | 61.2 | 50.9 | 40.6 |
| 3000                   | 77      | 112.4                                | 11.8                          | 58.3                    | 46.1  | 34.0  | -    | -    | -    | 102.5                             | 13.1                          | 54.8                    | 42.9  | 31.1 | -    | -    | -    |
|                        | 72      | 106.1                                | 11.7                          | 76.9                    | 64.8  | 52.6  | 40.5 | -    | -    | 96.9                              | 13.0                          | 72.9                    | 61.0  | 49.2 | 37.3 | -    | -    |
|                        | 67      | 99.8                                 | 11.5                          | 95.6                    | 83.4  | 71.3  | 59.1 | 47.0 | -    | 91.3                              | 12.8                          | 91.0                    | 79.1  | 67.2 | 55.4 | 43.5 | -    |
|                        | 62      | 92.8                                 | 11.3                          | 92.8                    | 92.8  | 83.7  | 71.5 | 59.4 | 47.2 | 85.6                              | 12.5                          | 85.6                    | 85.6  | 78.9 | 67.0 | 55.1 | 43.2 |
| 3500                   | 77      | 117.1                                | 11.8                          | 68.5                    | 51.0  | 37.2  | -    | -    | -    | 107.0                             | 13.1                          | 66.3                    | 47.5  | 34.0 | -    | -    | -    |
|                        | 72      | 110.6                                | 11.7                          | 85.2                    | 71.4  | 57.5  | 43.7 | -    | -    | 101.2                             | 12.9                          | 80.8                    | 67.3  | 53.8 | 40.3 | -    | -    |
|                        | 67      | 104.0                                | 11.5                          | 101.9                   | 91.8  | 77.9  | 64.1 | 50.3 | -    | 95.3                              | 12.7                          | 95.2                    | 87.1  | 73.6 | 60.1 | 46.6 | -    |
|                        | 62      | 96.7                                 | 11.3                          | 96.7                    | 96.7  | 91.5  | 77.6 | 63.8 | 50.0 | 89.4                              | 12.5                          | 89.4                    | 89.4  | 86.3 | 72.8 | 59.3 | 45.8 |
| 4000                   | 77      | 121.8                                | 11.8                          | 78.7                    | 55.8  | 40.3  | -    | -    | -    | 111.5                             | 13.0                          | 77.8                    | 52.0  | 36.9 | -    | -    | -    |
|                        | 72      | 115.0                                | 11.6                          | 93.4                    | 77.9  | 62.5  | 47.0 | -    | -    | 105.4                             | 12.8                          | 88.6                    | 73.5  | 58.4 | 43.3 | -    | -    |
|                        | 67      | 108.2                                | 11.5                          | 108.2                   | 100.1 | 84.6  | 69.1 | 53.6 | -    | 99.3                              | 12.7                          | 99.3                    | 95.0  | 79.9 | 64.8 | 49.7 | -    |
|                        | 62      | 100.6                                | 11.3                          | 100.6                   | 100.6 | 99.3  | 83.8 | 68.3 | 52.8 | 93.1                              | 12.4                          | 93.1                    | 93.1  | 93.1 | 78.6 | 63.5 | 48.4 |
| 4500                   | 77      | 116.2                                | 11.6                          | 100.1                   | 83.2  | 66.2  | 49.3 | -    | -    | 106.4                             | 12.9                          | 95.1                    | 78.5  | 62.0 | 45.5 | -    | -    |
|                        | 67      | 109.3                                | 11.5                          | 109.3                   | 105.3 | 89.7  | 72.8 | 55.8 | -    | 100.2                             | 12.7                          | 100.2                   | 99.3  | 84.8 | 68.3 | 51.8 | -    |
|                        | 62      | 101.7                                | 11.3                          | 101.7                   | 101.7 | 101.0 | 84.1 | 67.1 | 50.2 | 94.0                              | 12.4                          | 94.0                    | 94.0  | 94.0 | 77.7 | 61.2 | 44.7 |
|                        | 57      | 100.6                                | 11.4                          | 100.6                   | 100.6 | 100.0 | 83.1 | 66.1 | 49.2 | 92.9                              | 12.6                          | 92.9                    | 92.9  | 92.1 | 75.6 | 59.1 | 42.5 |
| 5000                   | 72      | 117.5                                | 11.7                          | 106.8                   | 88.4  | 70.0  | 51.6 | -    | -    | 107.3                             | 12.9                          | 101.5                   | 83.6  | 65.6 | 47.7 | -    | -    |
|                        | 67      | 110.5                                | 11.5                          | 110.5                   | 110.5 | 94.8  | 76.4 | 58.1 | -    | 101.1                             | 12.7                          | 101.1                   | 101.1 | 89.8 | 71.8 | 53.9 | -    |
|                        | 62      | 102.7                                | 11.3                          | 102.7                   | 102.7 | 102.7 | 84.4 | 66.0 | 47.6 | 94.8                              | 12.5                          | 94.8                    | 94.8  | 94.8 | 76.8 | 58.9 | 40.9 |
|                        | 57      | 101.7                                | 11.4                          | 101.7                   | 101.7 | 101.7 | 83.3 | 65.0 | 46.6 | 93.7                              | 12.7                          | 93.7                    | 93.7  | 93.7 | 75.7 | 57.8 | 39.8 |

1. These capacities are gross ratings. For net capacity, deduct air blower motor, MBh = 3.415 x kW. Refer to the appropriate Blower Performance Table for the kW of the supply air blower motor.
2. These ratings include the condenser fan motors (total 1 kW) and the compressor motors but not the supply air blower motor.

**J10ZR (10 Ton) Reheat**

| Air on Evaporator Coil |         | Temperature of Air on Condenser Coil |                               |                         |      |      |      |      |      |                                   |                               |                         |      |      |      |      |      |
|------------------------|---------|--------------------------------------|-------------------------------|-------------------------|------|------|------|------|------|-----------------------------------|-------------------------------|-------------------------|------|------|------|------|------|
| CFM                    | WB (°F) | Total Capacity <sup>1</sup> (MBh)    | Total Input (kW) <sup>2</sup> | Sensible Capacity (MBh) |      |      |      |      |      | Total Capacity <sup>1</sup> (MBh) | Total Input (kW) <sup>2</sup> | Sensible Capacity (MBh) |      |      |      |      |      |
|                        |         |                                      |                               | Return Dry Bulb (°F)    |      |      |      |      |      |                                   |                               | Return Dry Bulb (°F)    |      |      |      |      |      |
|                        |         |                                      |                               | 90                      | 85   | 80   | 75   | 70   | 65   |                                   |                               | 90                      | 85   | 80   | 75   | 70   | 65   |
|                        |         |                                      |                               | 35°F                    |      |      |      |      |      | 45°F                              |                               |                         |      |      |      |      |      |
| 2500                   | 77      | 81.3                                 | 6.2                           | -                       | -    | -    | -    | -    | -    | 66.7                              | 6.8                           | -                       | -    | -    | -    | -    | -    |
|                        | 72      | 75.9                                 | 6.1                           | 12.0                    | 9.6  | 7.1  | 4.7  | -    | -    | 65.6                              | 6.5                           | 6.6                     | 4.6  | 2.7  | -    | -    | -    |
|                        | 67      | 70.6                                 | 6.0                           | 26.3                    | 23.9 | 21.5 | 19.1 | 16.6 | -    | 64.5                              | 6.2                           | 21.3                    | 19.3 | 17.3 | 15.4 | 13.4 | -    |
|                        | 62      | 72.8                                 | 5.8                           | 42.2                    | 39.7 | 37.3 | 34.9 | 32.5 | 30.0 | 62.5                              | 6.0                           | 35.2                    | 33.2 | 31.3 | 29.3 | 27.4 | 25.4 |
| 3000                   | 77      | 82.4                                 | 6.2                           | -                       | -    | -    | -    | -    | -    | 69.4                              | 6.8                           | -                       | -    | -    | -    | -    | -    |
|                        | 72      | 76.7                                 | 6.0                           | 15.1                    | 12.1 | 9.2  | 6.2  | -    | -    | 68.3                              | 6.5                           | 8.5                     | 6.0  | 3.4  | -    | -    | -    |
|                        | 67      | 71.0                                 | 5.9                           | 31.5                    | 28.6 | 25.6 | 22.7 | 19.7 | -    | 67.1                              | 6.2                           | 27.0                    | 24.4 | 21.8 | 19.3 | 16.7 | -    |
|                        | 62      | 73.6                                 | 5.7                           | 50.1                    | 47.2 | 44.2 | 41.3 | 38.3 | 35.4 | 65.0                              | 6.0                           | 44.6                    | 42.0 | 39.4 | 36.8 | 34.2 | 31.6 |
|                        | 57      | 65.6                                 | 5.7                           | 56.8                    | 53.9 | 50.9 | 48.0 | 45.0 | 42.1 | 60.6                              | 5.9                           | 51.5                    | 48.9 | 46.3 | 43.7 | 41.1 | 38.6 |
| 3500                   | 77      | 83.5                                 | 6.1                           | -                       | -    | -    | -    | -    | -    | 72.1                              | 6.7                           | -                       | -    | -    | -    | -    | -    |
|                        | 72      | 77.5                                 | 6.0                           | 18.1                    | 14.7 | 11.2 | 7.8  | -    | -    | 70.9                              | 6.5                           | 10.5                    | 7.3  | 4.1  | -    | -    | -    |
|                        | 67      | 71.5                                 | 5.9                           | 36.6                    | 33.2 | 29.7 | 26.3 | 22.8 | -    | 69.7                              | 6.2                           | 32.8                    | 29.6 | 26.3 | 23.1 | 19.9 | -    |
|                        | 62      | 74.3                                 | 5.7                           | 58.0                    | 54.6 | 51.1 | 47.7 | 44.2 | 40.8 | 67.6                              | 6.0                           | 53.9                    | 50.7 | 47.5 | 44.3 | 41.1 | 37.8 |
|                        | 57      | 66.1                                 | 5.6                           | 61.7                    | 60.2 | 58.7 | 55.3 | 51.8 | 48.4 | 63.0                              | 5.9                           | 58.4                    | 57.1 | 55.9 | 52.6 | 49.4 | 46.2 |
| 4000                   | 77      | 84.7                                 | 6.1                           | -                       | -    | -    | -    | -    | -    | 74.9                              | 6.7                           | -                       | -    | -    | -    | -    | -    |
|                        | 72      | 78.3                                 | 6.0                           | 21.2                    | 17.2 | 13.3 | 9.3  | -    | -    | 73.6                              | 6.4                           | 12.5                    | 8.6  | 4.8  | -    | -    | -    |
|                        | 67      | 71.9                                 | 5.9                           | 41.8                    | 37.8 | 33.9 | 29.9 | 25.9 | -    | 72.4                              | 6.2                           | 38.5                    | 34.7 | 30.8 | 27.0 | 23.1 | -    |
|                        | 62      | 75.1                                 | 5.7                           | 66.0                    | 62.0 | 58.0 | 54.1 | 50.1 | 46.1 | 70.1                              | 5.9                           | 63.3                    | 59.4 | 55.6 | 51.7 | 47.9 | 44.1 |
|                        | 57      | 66.6                                 | 5.6                           | 66.6                    | 66.6 | 66.6 | 62.6 | 58.6 | 54.7 | 65.4                              | 5.9                           | 65.4                    | 65.4 | 65.4 | 61.5 | 57.7 | 53.8 |
| 4500                   | 72      | 79.5                                 | 6.0                           | 22.5                    | 18.3 | 14.1 | 9.9  | -    | -    | 73.1                              | 6.5                           | 13.3                    | 9.2  | 5.1  | -    | -    | -    |
|                        | 67      | 73.3                                 | 5.9                           | 44.3                    | 40.1 | 35.9 | 31.7 | 27.5 | -    | 71.9                              | 6.2                           | 41.1                    | 36.9 | 32.8 | 28.7 | 24.6 | -    |
|                        | 62      | 76.3                                 | 5.7                           | 71.7                    | 67.7 | 61.5 | 57.3 | 53.1 | 49.0 | 69.7                              | 6.0                           | 66.2                    | 63.3 | 59.2 | 55.1 | 50.9 | 46.8 |
|                        | 57      | 67.8                                 | 5.6                           | 67.8                    | 67.8 | 67.8 | 63.6 | 59.4 | 55.2 | 64.9                              | 5.9                           | 64.9                    | 64.9 | 64.9 | 60.8 | 56.7 | 52.6 |
|                        | 5000    | 72                                   | 80.8                          | 6.0                     | 23.8 | 19.4 | 15.0 | 10.6 | -    | -                                 | 72.6                          | 6.5                     | 14.1 | 9.8  | 5.4  | -    | -    |
| 67                     |         | 74.7                                 | 5.9                           | 46.7                    | 42.3 | 38.0 | 33.6 | 29.2 | -    | 71.4                              | 6.2                           | 43.6                    | 39.2 | 34.8 | 30.4 | 26.0 | -    |
| 62                     |         | 77.5                                 | 5.7                           | 77.5                    | 73.5 | 65.0 | 60.6 | 56.2 | 51.8 | 69.2                              | 6.0                           | 69.2                    | 67.2 | 62.8 | 58.4 | 54.0 | 49.6 |
| 57                     |         | 69.0                                 | 5.6                           | 69.0                    | 69.0 | 69.0 | 64.6 | 60.2 | 55.8 | 64.5                              | 5.9                           | 64.5                    | 64.5 | 64.5 | 60.1 | 55.7 | 51.3 |
|                        |         |                                      |                               | 55°F                    |      |      |      |      |      | 65°F                              |                               |                         |      |      |      |      |      |
| 2500                   | 77      | 52.1                                 | 7.4                           | -                       | -    | -    | -    | -    | -    | 46.4                              | 7.7                           | -                       | -    | -    | -    | -    | -    |
|                        | 72      | 55.3                                 | 6.9                           | 1.2                     | -    | -    | -    | -    | -    | 49.0                              | 7.3                           | -                       | -    | -    | -    | -    | -    |
|                        | 67      | 58.4                                 | 6.5                           | 16.2                    | 14.7 | 13.2 | 11.7 | 10.2 | -    | 51.6                              | 6.9                           | 13.0                    | 11.8 | 10.6 | 9.4  | 8.2  | -    |
|                        | 62      | 52.2                                 | 6.2                           | 28.2                    | 26.7 | 25.2 | 23.7 | 22.3 | 20.8 | 46.1                              | 6.5                           | 23.7                    | 22.5 | 21.3 | 20.0 | 18.8 | 17.6 |
| 3000                   | 77      | 56.5                                 | 7.4                           | -                       | -    | -    | -    | -    | -    | 51.3                              | 7.7                           | -                       | -    | -    | -    | -    | -    |
|                        | 72      | 59.8                                 | 6.9                           | 2.0                     | -    | -    | -    | -    | -    | 54.1                              | 7.3                           | -                       | -    | -    | -    | -    | -    |
|                        | 67      | 63.2                                 | 6.5                           | 22.5                    | 20.3 | 18.1 | 15.8 | 13.6 | -    | 57.0                              | 6.8                           | 19.4                    | 17.4 | 15.4 | 13.5 | 11.5 | -    |
|                        | 62      | 56.5                                 | 6.2                           | 39.0                    | 36.8 | 34.5 | 32.3 | 30.1 | 27.8 | 50.8                              | 6.5                           | 34.9                    | 33.0 | 31.0 | 29.0 | 27.1 | 25.1 |
|                        | 57      | 55.7                                 | 6.1                           | 46.2                    | 44.0 | 41.7 | 39.5 | 37.3 | 35.0 | 50.2                              | 6.5                           | 40.6                    | 38.6 | 36.6 | 34.7 | 32.7 | 30.7 |
| 3500                   | 77      | 60.8                                 | 7.3                           | -                       | -    | -    | -    | -    | -    | 56.1                              | 7.7                           | -                       | -    | -    | -    | -    | -    |
|                        | 72      | 64.4                                 | 6.9                           | 2.9                     | -    | -    | -    | -    | -    | 59.2                              | 7.3                           | -                       | -    | -    | -    | -    | -    |
|                        | 67      | 68.0                                 | 6.5                           | 28.9                    | 25.9 | 22.9 | 20.0 | 17.0 | -    | 62.3                              | 6.8                           | 25.7                    | 23.0 | 20.2 | 17.5 | 14.8 | -    |
|                        | 62      | 60.8                                 | 6.2                           | 49.8                    | 46.8 | 43.9 | 40.9 | 37.9 | 34.9 | 55.6                              | 6.5                           | 46.2                    | 43.5 | 40.7 | 38.0 | 35.3 | 32.5 |
|                        | 57      | 60.0                                 | 6.1                           | 55.2                    | 54.1 | 53.0 | 50.0 | 47.0 | 44.0 | 54.9                              | 6.5                           | 50.1                    | 49.1 | 48.1 | 45.4 | 42.6 | 39.9 |
| 4000                   | 77      | 65.1                                 | 7.3                           | -                       | -    | -    | -    | -    | -    | 60.9                              | 7.7                           | -                       | -    | -    | -    | -    | -    |
|                        | 72      | 69.0                                 | 6.9                           | 3.7                     | -    | -    | -    | -    | -    | 64.3                              | 7.2                           | -                       | -    | -    | -    | -    | -    |
|                        | 67      | 72.8                                 | 6.5                           | 35.3                    | 31.5 | 27.8 | 24.1 | 20.4 | -    | 67.6                              | 6.8                           | 32.0                    | 28.5 | 25.1 | 21.6 | 18.1 | -    |
|                        | 62      | 65.2                                 | 6.2                           | 60.6                    | 56.9 | 53.2 | 49.4 | 45.7 | 42.0 | 60.4                              | 6.5                           | 57.5                    | 54.0 | 50.5 | 47.0 | 43.5 | 40.0 |
|                        | 57      | 64.2                                 | 6.1                           | 64.2                    | 64.2 | 64.2 | 60.5 | 56.8 | 53.0 | 59.6                              | 6.5                           | 59.6                    | 59.6 | 59.6 | 56.1 | 52.6 | 49.1 |
| 4500                   | 72      | 66.7                                 | 7.0                           | 4.1                     | -    | -    | -    | -    | -    | 63.3                              | 7.3                           | -                       | -    | -    | -    | -    | -    |
|                        | 67      | 70.4                                 | 6.6                           | 37.8                    | 33.8 | 29.7 | 25.7 | 21.6 | -    | 66.7                              | 6.9                           | 36.0                    | 32.0 | 28.0 | 24.0 | 20.0 | -    |
|                        | 62      | 63.0                                 | 6.3                           | 60.7                    | 58.9 | 56.8 | 52.8 | 48.7 | 44.7 | 59.5                              | 6.6                           | 58.0                    | 56.3 | 54.5 | 50.5 | 46.5 | 42.5 |
|                        | 57      | 62.1                                 | 6.2                           | 62.1                    | 62.1 | 62.1 | 58.0 | 54.0 | 49.9 | 58.8                              | 6.5                           | 58.8                    | 58.8 | 58.7 | 54.7 | 50.7 | 46.7 |
|                        | 5000    | 72                                   | 64.4                          | 7.0                     | 4.5  | -    | -    | -    | -    | -                                 | 62.4                          | 7.3                     | -    | -    | -    | -    | -    |
| 67                     |         | 68.0                                 | 6.6                           | 40.4                    | 36.0 | 31.7 | 27.3 | 22.9 | -    | 65.7                              | 6.9                           | 40.0                    | 35.5 | 31.0 | 26.5 | 22.0 | -    |
| 62                     |         | 60.9                                 | 6.3                           | 60.9                    | 60.9 | 60.5 | 56.2 | 51.8 | 47.4 | 58.6                              | 6.6                           | 58.6                    | 58.6 | 58.5 | 53.9 | 49.4 | 44.9 |
| 57                     |         | 60.0                                 | 6.2                           | 60.0                    | 60.0 | 60.0 | 55.6 | 51.2 | 46.8 | 57.9                              | 6.5                           | 57.9                    | 57.9 | 57.9 | 53.4 | 48.9 | 44.4 |

**J10ZR (10 Ton) Reheat (Continued)**

| Air on Evaporator Coil |         | Temperature of Air on Condenser Coil |                               |                         |      |      |      |      |      |                                   |                               |                         |      |      |      |      |      |
|------------------------|---------|--------------------------------------|-------------------------------|-------------------------|------|------|------|------|------|-----------------------------------|-------------------------------|-------------------------|------|------|------|------|------|
| CFM                    | WB (°F) | Total Capacity <sup>1</sup> (MBh)    | Total Input (kW) <sup>2</sup> | Sensible Capacity (MBh) |      |      |      |      |      | Total Capacity <sup>1</sup> (MBh) | Total Input (kW) <sup>2</sup> | Sensible Capacity (MBh) |      |      |      |      |      |
|                        |         |                                      |                               | Return Dry Bulb (°F)    |      |      |      |      |      |                                   |                               | Return Dry Bulb (°F)    |      |      |      |      |      |
|                        |         |                                      |                               | 90                      | 85   | 80   | 75   | 70   | 65   |                                   |                               | 90                      | 85   | 80   | 75   | 70   | 65   |
|                        |         |                                      |                               | 75°F                    |      |      |      |      |      | 85°F                              |                               |                         |      |      |      |      |      |
| 2500                   | 77      | 40.8                                 | 8.0                           | -                       | -    | -    | -    | -    | -    | 35.1                              | 8.4                           | -                       | -    | -    | -    | -    | -    |
|                        | 72      | 42.8                                 | 7.6                           | -                       | -    | -    | -    | -    | -    | 36.6                              | 8.0                           | -                       | -    | -    | -    | -    | -    |
|                        | 67      | 44.9                                 | 7.2                           | 9.9                     | 9.0  | 8.1  | 7.1  | 6.2  | -    | 38.1                              | 7.5                           | 6.8                     | 6.1  | 5.5  | 4.8  | 4.2  | -    |
|                        | 62      | 39.9                                 | 6.9                           | 19.1                    | 18.2 | 17.3 | 16.3 | 15.4 | 14.5 | 33.8                              | 7.2                           | 14.6                    | 13.9 | 13.3 | 12.6 | 12.0 | 11.3 |
| 3000                   | 77      | 46.1                                 | 8.0                           | -                       | -    | -    | -    | -    | -    | 40.9                              | 8.4                           | -                       | -    | -    | -    | -    | -    |
|                        | 72      | 48.4                                 | 7.6                           | -                       | -    | -    | -    | -    | -    | 42.7                              | 7.9                           | -                       | -    | -    | -    | -    | -    |
|                        | 67      | 50.7                                 | 7.2                           | 16.2                    | 14.5 | 12.8 | 11.1 | 9.4  | -    | 44.5                              | 7.5                           | 13.0                    | 11.6 | 10.2 | 8.7  | 7.3  | -    |
|                        | 62      | 45.2                                 | 6.8                           | 30.9                    | 29.2 | 27.5 | 25.7 | 24.0 | 22.3 | 39.5                              | 7.2                           | 26.8                    | 25.3 | 23.9 | 22.5 | 21.0 | 19.6 |
|                        | 57      | 44.8                                 | 6.8                           | 34.9                    | 33.2 | 31.5 | 29.8 | 28.1 | 26.4 | 39.3                              | 7.1                           | 29.3                    | 27.9 | 26.4 | 25.0 | 23.6 | 22.1 |
| 3500                   | 77      | 51.4                                 | 8.0                           | -                       | -    | -    | -    | -    | -    | 46.7                              | 8.3                           | -                       | -    | -    | -    | -    | -    |
|                        | 72      | 54.0                                 | 7.6                           | -                       | -    | -    | -    | -    | -    | 48.8                              | 7.9                           | -                       | -    | -    | -    | -    | -    |
|                        | 67      | 56.6                                 | 7.1                           | 22.5                    | 20.0 | 17.5 | 15.1 | 12.6 | -    | 50.9                              | 7.5                           | 19.3                    | 17.1 | 14.8 | 12.6 | 10.4 | -    |
|                        | 62      | 50.4                                 | 6.8                           | 42.6                    | 40.1 | 37.6 | 35.1 | 32.7 | 30.2 | 45.1                              | 7.1                           | 39.0                    | 36.8 | 34.5 | 32.3 | 30.0 | 27.8 |
|                        | 57      | 49.9                                 | 6.8                           | 45.0                    | 44.2 | 43.2 | 40.7 | 38.3 | 35.8 | 44.9                              | 7.1                           | 39.9                    | 39.2 | 38.4 | 36.1 | 33.9 | 31.6 |
| 4000                   | 77      | 56.7                                 | 8.0                           | -                       | -    | -    | -    | -    | -    | 52.5                              | 8.3                           | -                       | -    | -    | -    | -    | -    |
|                        | 72      | 59.6                                 | 7.6                           | -                       | -    | -    | -    | -    | -    | 54.9                              | 7.9                           | -                       | -    | -    | -    | -    | -    |
|                        | 67      | 62.4                                 | 7.1                           | 28.8                    | 25.6 | 22.3 | 19.0 | 15.8 | -    | 57.3                              | 7.4                           | 25.6                    | 22.6 | 19.5 | 16.5 | 13.4 | -    |
|                        | 62      | 55.6                                 | 6.8                           | 54.3                    | 51.1 | 47.8 | 44.6 | 41.3 | 38.0 | 50.8                              | 7.1                           | 50.8                    | 48.2 | 45.1 | 42.1 | 39.1 | 36.0 |
|                        | 57      | 55.1                                 | 6.8                           | 55.1                    | 55.1 | 54.9 | 51.7 | 48.4 | 45.1 | 50.5                              | 7.1                           | 50.5                    | 50.5 | 50.3 | 47.2 | 44.2 | 41.2 |
| 4500                   | 72      | 60.0                                 | 7.6                           | -                       | -    | -    | -    | -    | -    | 56.7                              | 7.9                           | -                       | -    | -    | -    | -    | -    |
|                        | 67      | 62.9                                 | 7.2                           | 34.2                    | 30.3 | 26.3 | 22.4 | 18.4 | -    | 59.2                              | 7.5                           | 32.4                    | 28.5 | 24.6 | 20.7 | 16.8 | -    |
|                        | 62      | 56.0                                 | 6.9                           | 55.4                    | 53.7 | 52.1 | 48.1 | 44.2 | 40.2 | 52.5                              | 7.2                           | 52.5                    | 51.2 | 49.7 | 45.8 | 41.9 | 38.0 |
|                        | 57      | 55.5                                 | 6.8                           | 55.5                    | 55.5 | 55.4 | 51.4 | 47.5 | 43.5 | 52.2                              | 7.1                           | 52.2                    | 52.2 | 52.1 | 48.2 | 44.2 | 40.3 |
| 5000                   | 72      | 60.5                                 | 7.7                           | -                       | -    | -    | -    | -    | -    | 58.5                              | 8.0                           | -                       | -    | -    | -    | -    | -    |
|                        | 67      | 63.4                                 | 7.2                           | 39.7                    | 35.0 | 30.4 | 25.7 | 21.0 | -    | 61.0                              | 7.5                           | 39.3                    | 34.5 | 29.7 | 24.9 | 20.1 | -    |
|                        | 62      | 56.4                                 | 6.9                           | 56.4                    | 56.4 | 56.4 | 51.7 | 47.1 | 42.4 | 54.2                              | 7.2                           | 54.2                    | 54.2 | 54.2 | 49.5 | 44.7 | 39.9 |
|                        | 57      | 55.9                                 | 6.9                           | 55.9                    | 55.9 | 55.9 | 51.2 | 46.6 | 41.9 | 53.9                              | 7.2                           | 53.9                    | 53.9 | 53.9 | 49.1 | 44.3 | 39.5 |

1. These capacities are gross ratings. For net capacity, deduct air blower motor, MBh = 3.415 x kW. Refer to the appropriate Blower Performance Table for the kW of the supply air blower motor.
2. These ratings include the condenser fan motors (total 1 kW) and the compressor motors but not the supply air blower motor.

## J12ZR (12.5 Ton) Cooling

| Air on Evaporator Coil |         | Temperature of Air on Condenser Coil |                               |                         |       |       |       |       |       |                                   |                               |                         |       |       |       |       |       |
|------------------------|---------|--------------------------------------|-------------------------------|-------------------------|-------|-------|-------|-------|-------|-----------------------------------|-------------------------------|-------------------------|-------|-------|-------|-------|-------|
| CFM                    | WB (°F) | Total Capacity <sup>1</sup> (MBh)    | Total Input (kW) <sup>2</sup> | Sensible Capacity (MBh) |       |       |       |       |       | Total Capacity <sup>1</sup> (MBh) | Total Input (kW) <sup>2</sup> | Sensible Capacity (MBh) |       |       |       |       |       |
|                        |         |                                      |                               | Return Dry Bulb (°F)    |       |       |       |       |       |                                   |                               | Return Dry Bulb (°F)    |       |       |       |       |       |
|                        |         |                                      |                               | 90                      | 85    | 80    | 75    | 70    | 65    |                                   |                               | 90                      | 85    | 80    | 75    | 70    | 65    |
|                        |         |                                      |                               | 75°F                    |       |       |       |       |       | 85°F                              |                               |                         |       |       |       |       |       |
| 3125                   | 77      | 190.5                                | 9.0                           | 87.6                    | 73.4  | 59.1  | -     | -     | -     | 185.2                             | 10.5                          | 81.6                    | 67.3  | 53.0  | -     | -     | -     |
|                        | 72      | 180.7                                | 9.2                           | 111.5                   | 97.2  | 83.0  | 68.8  | -     | -     | 172.9                             | 10.5                          | 105.4                   | 91.1  | 76.8  | 62.5  | -     | -     |
|                        | 67      | 171.0                                | 9.3                           | 135.4                   | 121.1 | 106.9 | 92.7  | 78.4  | -     | 160.6                             | 10.5                          | 129.2                   | 114.9 | 100.6 | 86.3  | 72.0  | -     |
|                        | 62      | 158.6                                | 9.1                           | 158.6                   | 158.6 | 158.6 | 150.5 | 136.2 | 122.0 | 148.0                             | 10.3                          | 148.0                   | 148.0 | 139.6 | 125.3 | 111.1 | 96.8  |
| 3750                   | 77      | 199.8                                | 9.2                           | 94.7                    | 78.6  | 62.4  | -     | -     | -     | 194.0                             | 10.6                          | 89.0                    | 72.9  | 56.8  | -     | -     | -     |
|                        | 72      | 189.6                                | 9.3                           | 119.8                   | 103.7 | 87.5  | 71.3  | -     | -     | 181.1                             | 10.6                          | 114.4                   | 98.3  | 82.2  | 66.1  | -     | -     |
|                        | 67      | 179.4                                | 9.4                           | 145.0                   | 128.8 | 112.6 | 96.4  | 80.3  | -     | 168.3                             | 10.6                          | 139.9                   | 123.8 | 107.7 | 91.6  | 75.5  | -     |
|                        | 62      | 166.3                                | 9.2                           | 166.3                   | 166.3 | 166.3 | 157.9 | 141.8 | 125.6 | 155.1                             | 10.4                          | 155.1                   | 155.1 | 149.5 | 133.4 | 117.3 | 101.2 |
| 57                     | 154.4   | 9.2                                  | 154.4                         | 154.4                   | 148.9 | 132.7 | 116.6 | 100.4 | 146.9 | 10.4                              | 146.9                         | 146.9                   | 137.3 | 121.2 | 105.2 | 89.1  | -     |
| 4375                   | 77      | 209.1                                | 9.3                           | 101.9                   | 83.8  | 65.7  | -     | -     | -     | 202.8                             | 10.7                          | 96.3                    | 78.4  | 60.5  | -     | -     | -     |
|                        | 72      | 198.4                                | 9.4                           | 128.2                   | 110.1 | 92.0  | 73.9  | -     | -     | 189.3                             | 10.7                          | 123.4                   | 105.5 | 87.6  | 69.7  | -     | -     |
|                        | 67      | 187.7                                | 9.6                           | 154.5                   | 136.4 | 118.3 | 100.2 | 82.1  | -     | 175.9                             | 10.7                          | 150.6                   | 132.7 | 114.8 | 96.9  | 79.0  | -     |
|                        | 62      | 174.1                                | 9.4                           | 174.1                   | 174.1 | 174.1 | 165.4 | 147.3 | 129.2 | 162.1                             | 10.5                          | 162.1                   | 162.1 | 159.3 | 141.4 | 123.5 | 105.6 |
| 57                     | 161.6   | 9.3                                  | 161.6                         | 161.6                   | 156.6 | 138.5 | 120.4 | 102.3 | 153.5 | 10.5                              | 153.5                         | 153.5                   | 146.4 | 128.5 | 110.6 | 92.7  | -     |
| 5000                   | 77      | 218.4                                | 9.4                           | 109.0                   | 89.0  | 68.9  | -     | -     | -     | 211.6                             | 10.8                          | 103.6                   | 83.9  | 64.2  | -     | -     | -     |
|                        | 72      | 207.3                                | 9.6                           | 136.6                   | 116.5 | 96.5  | 76.5  | -     | -     | 197.5                             | 10.8                          | 132.4                   | 112.7 | 93.0  | 73.3  | -     | -     |
|                        | 67      | 196.1                                | 9.7                           | 164.1                   | 144.1 | 124.1 | 104.0 | 84.0  | -     | 183.5                             | 10.8                          | 161.2                   | 141.5 | 121.8 | 102.1 | 82.4  | -     |
|                        | 62      | 181.8                                | 9.5                           | 181.8                   | 181.8 | 181.8 | 172.9 | 152.9 | 132.8 | 169.1                             | 10.6                          | 169.1                   | 169.1 | 169.1 | 149.4 | 129.7 | 110.0 |
| 57                     | 168.8   | 9.5                                  | 168.8                         | 168.8                   | 164.4 | 144.3 | 124.3 | 104.2 | 160.2 | 10.6                              | 160.2                         | 160.2                   | 155.4 | 135.7 | 116.0 | 96.3  | -     |
| 5625                   | 72      | 211.2                                | 9.6                           | 148.0                   | 126.6 | 105.3 | 83.9  | -     | -     | 202.2                             | 10.8                          | 143.3                   | 122.0 | 100.8 | 79.5  | -     | -     |
|                        | 67      | 199.9                                | 9.7                           | 179.4                   | 156.7 | 135.4 | 114.0 | 92.7  | -     | 187.8                             | 10.8                          | 174.5                   | 153.2 | 131.9 | 110.7 | 89.4  | -     |
|                        | 62      | 185.3                                | 9.5                           | 185.3                   | 185.3 | 185.3 | 169.5 | 148.2 | 126.8 | 173.1                             | 10.6                          | 173.1                   | 173.1 | 173.1 | 151.9 | 130.6 | 109.3 |
|                        | 57      | 172.0                                | 9.5                           | 172.0                   | 172.0 | 169.8 | 148.5 | 127.1 | 105.8 | 164.0                             | 10.6                          | 164.0                   | 164.0 | 161.6 | 140.3 | 119.1 | 97.8  |
| 6250                   | 72      | 215.2                                | 9.5                           | 159.4                   | 136.7 | 114.0 | 91.4  | -     | -     | 206.9                             | 10.8                          | 154.1                   | 131.3 | 108.5 | 85.6  | -     | -     |
|                        | 67      | 203.6                                | 9.7                           | 194.6                   | 169.4 | 146.7 | 124.0 | 101.4 | -     | 192.2                             | 10.8                          | 187.7                   | 164.9 | 142.0 | 119.2 | 96.4  | -     |
|                        | 62      | 188.8                                | 9.5                           | 188.8                   | 188.8 | 188.8 | 166.2 | 143.5 | 120.9 | 177.1                             | 10.6                          | 177.1                   | 177.1 | 177.1 | 154.3 | 131.5 | 108.6 |
|                        | 57      | 175.3                                | 9.4                           | 175.3                   | 175.3 | 175.3 | 152.6 | 130.0 | 107.3 | 167.8                             | 10.6                          | 167.8                   | 167.8 | 167.8 | 145.0 | 122.1 | 99.3  |
|                        |         |                                      |                               | 95°F                    |       |       |       |       |       | 105°F                             |                               |                         |       |       |       |       |       |
| 3125                   | 77      | 180.0                                | 11.9                          | 75.6                    | 61.3  | 46.9  | -     | -     | -     | 168.2                             | 13.3                          | 71.8                    | 58.0  | 43.9  | -     | -     | -     |
|                        | 72      | 165.1                                | 11.8                          | 99.3                    | 85.0  | 70.6  | 56.3  | -     | -     | 153.8                             | 13.2                          | 95.1                    | 81.0  | 66.9  | 52.8  | -     | -     |
|                        | 67      | 150.2                                | 11.7                          | 123.0                   | 108.6 | 94.3  | 80.0  | 65.6  | -     | 139.5                             | 13.0                          | 118.4                   | 103.9 | 89.8  | 75.7  | 61.6  | -     |
|                        | 62      | 137.5                                | 11.5                          | 137.5                   | 133.0 | 114.6 | 100.2 | 85.9  | 71.5  | 127.9                             | 12.9                          | 127.9                   | 125.7 | 110.1 | 96.0  | 81.9  | 67.8  |
| 3750                   | 77      | 188.2                                | 12.0                          | 83.2                    | 67.2  | 51.2  | -     | -     | -     | 175.5                             | 13.3                          | 79.5                    | 63.7  | 47.8  | -     | -     | -     |
|                        | 72      | 172.7                                | 11.9                          | 109.0                   | 93.0  | 77.0  | 60.9  | -     | -     | 160.6                             | 13.2                          | 104.5                   | 88.6  | 72.8  | 56.9  | -     | -     |
|                        | 67      | 157.1                                | 11.7                          | 134.8                   | 118.8 | 102.8 | 86.7  | 70.7  | -     | 145.6                             | 13.1                          | 129.4                   | 113.6 | 97.7  | 81.9  | 66.0  | -     |
|                        | 62      | 143.8                                | 11.6                          | 143.8                   | 140.8 | 124.8 | 108.8 | 92.8  | 76.8  | 133.5                             | 12.9                          | 133.5                   | 132.1 | 119.8 | 104.0 | 88.1  | 72.2  |
| 57                     | 139.4   | 11.6                                 | 139.4                         | 139.4                   | 125.8 | 109.8 | 93.8  | 77.7  | 130.3 | 13.0                              | 130.3                         | 130.3                   | 117.1 | 101.2 | 85.4  | 69.5  |       |
| 4375                   | 77      | 196.5                                | 12.0                          | 90.7                    | 73.0  | 55.4  | -     | -     | -     | 182.9                             | 13.4                          | 87.3                    | 69.3  | 51.7  | -     | -     | -     |
|                        | 72      | 180.3                                | 11.9                          | 118.6                   | 101.0 | 83.3  | 65.6  | -     | -     | 167.3                             | 13.3                          | 113.9                   | 96.3  | 78.7  | 61.0  | -     | -     |
|                        | 67      | 164.0                                | 11.8                          | 146.6                   | 128.9 | 111.2 | 93.5  | 75.8  | -     | 151.8                             | 13.1                          | 140.5                   | 123.3 | 105.6 | 88.0  | 70.4  | -     |
|                        | 62      | 150.1                                | 11.6                          | 150.1                   | 148.6 | 135.1 | 117.4 | 99.7  | 82.0  | 139.2                             | 13.0                          | 139.2                   | 138.4 | 129.5 | 111.9 | 94.3  | 76.6  |
| 57                     | 145.5   | 11.7                                 | 145.5                         | 145.5                   | 136.1 | 118.4 | 100.7 | 83.1  | 135.7 | 13.0                              | 135.7                         | 135.7                   | 126.6 | 109.0 | 91.3  | 73.7  |       |
| 5000                   | 77      | 204.8                                | 12.1                          | 98.3                    | 78.9  | 59.6  | -     | -     | -     | 190.3                             | 13.4                          | 95.1                    | 75.0  | 55.6  | -     | -     | -     |
|                        | 72      | 187.8                                | 12.0                          | 128.3                   | 109.0 | 89.6  | 70.2  | -     | -     | 174.1                             | 13.3                          | 123.3                   | 104.0 | 84.6  | 65.2  | -     | -     |
|                        | 67      | 170.9                                | 11.9                          | 158.4                   | 139.0 | 119.6 | 100.3 | 80.9  | -     | 157.9                             | 13.2                          | 151.6                   | 132.9 | 113.6 | 94.2  | 74.8  | -     |
|                        | 62      | 156.4                                | 11.7                          | 156.4                   | 156.4 | 145.3 | 126.0 | 106.6 | 87.2  | 144.8                             | 13.0                          | 144.8                   | 144.8 | 139.2 | 119.8 | 100.4 | 81.1  |
| 57                     | 151.6   | 11.7                                 | 151.6                         | 151.6                   | 146.4 | 127.1 | 107.7 | 88.4  | 141.2 | 13.1                              | 141.2                         | 141.2                   | 136.1 | 116.7 | 97.3  | 77.9  |       |
| 5625                   | 72      | 193.2                                | 12.0                          | 138.6                   | 117.4 | 96.2  | 75.1  | -     | -     | 178.5                             | 13.3                          | 133.3                   | 112.3 | 91.2  | 70.2  | -     | -     |
|                        | 67      | 175.8                                | 11.9                          | 169.6                   | 149.7 | 128.5 | 107.3 | 86.1  | -     | 161.8                             | 13.2                          | 158.7                   | 143.5 | 122.5 | 101.5 | 80.4  | -     |
|                        | 62      | 160.9                                | 11.7                          | 160.9                   | 160.9 | 155.4 | 134.2 | 113.0 | 91.8  | 148.4                             | 13.0                          | 148.4                   | 148.4 | 145.6 | 124.6 | 103.5 | 82.5  |
|                        | 57      | 156.0                                | 11.7                          | 156.0                   | 156.0 | 153.4 | 132.2 | 111.0 | 89.8  | 144.7                             | 13.1                          | 144.7                   | 144.7 | 142.2 | 121.1 | 100.1 | 79.1  |
| 6250                   | 72      | 198.6                                | 12.0                          | 148.9                   | 125.9 | 102.9 | 79.9  | -     | -     | 182.8                             | 13.3                          | 143.3                   | 120.6 | 97.9  | 75.2  | -     | -     |
|                        | 67      | 180.7                                | 11.9                          | 180.7                   | 160.4 | 137.4 | 114.4 | 91.4  | -     | 165.8                             | 13.2                          | 165.8                   | 154.1 | 131.4 | 108.7 | 86.1  | -     |
|                        | 62      | 165.4                                | 11.7                          | 165.4                   | 165.4 | 165.4 | 142.4 | 119.4 | 96.4  | 152.0                             | 13.0                          | 152.0                   | 152.0 | 152.0 | 129.3 | 106.6 | 84.0  |
|                        | 57      | 160.3                                | 11.8                          | 160.3                   | 160.3 | 160.3 | 137.3 | 114.3 | 91.3  | 148.3                             | 13.1                          | 148.3                   | 148.3 | 148.3 | 125.6 | 102.9 | 80.2  |

**J12ZR (12.5 Ton) Cooling (Continued)**

| Air on Evaporator Coil |         | Temperature of Air on Condenser Coil |                               |                         |       |       |       |      |      |                                   |                               |                         |       |       |       |      |      |
|------------------------|---------|--------------------------------------|-------------------------------|-------------------------|-------|-------|-------|------|------|-----------------------------------|-------------------------------|-------------------------|-------|-------|-------|------|------|
| CFM                    | WB (°F) | Total Capacity <sup>1</sup> (MBh)    | Total Input (kW) <sup>2</sup> | Sensible Capacity (MBh) |       |       |       |      |      | Total Capacity <sup>1</sup> (MBh) | Total Input (kW) <sup>2</sup> | Sensible Capacity (MBh) |       |       |       |      |      |
|                        |         |                                      |                               | Return Dry Bulb (°F)    |       |       |       |      |      |                                   |                               | Return Dry Bulb (°F)    |       |       |       |      |      |
|                        |         |                                      |                               | 90                      | 85    | 80    | 75    | 70   | 65   |                                   |                               | 90                      | 85    | 80    | 75    | 70   | 65   |
|                        |         |                                      |                               | <b>115°F</b>            |       |       |       |      |      | <b>125°F</b>                      |                               |                         |       |       |       |      |      |
| 3125                   | 77      | 156.3                                | 14.6                          | 67.9                    | 54.8  | 40.9  | -     | -    | -    | 144.5                             | 16.0                          | 60.9                    | 51.5  | 37.9  | -     | -    | -    |
|                        | 72      | 142.6                                | 14.5                          | 90.8                    | 77.0  | 63.1  | 49.3  | -    | -    | 131.3                             | 15.9                          | 86.6                    | 73.0  | 59.4  | 45.8  | -    | -    |
|                        | 67      | 128.8                                | 14.4                          | 113.7                   | 99.1  | 85.3  | 71.5  | 57.6 | -    | 118.1                             | 15.7                          | 110.3                   | 94.4  | 80.8  | 67.2  | 53.6 | -    |
|                        | 62      | 118.4                                | 14.2                          | 118.4                   | 118.4 | 105.7 | 91.8  | 78.0 | 64.1 | 108.8                             | 15.6                          | 108.8                   | 108.8 | 102.4 | 87.6  | 74.0 | 60.4 |
| 3750                   | 77      | 162.8                                | 14.7                          | 75.9                    | 60.2  | 44.5  | -     | -    | -    | 150.2                             | 16.0                          | 72.3                    | 56.7  | 41.2  | -     | -    | -    |
|                        | 72      | 148.5                                | 14.6                          | 100.0                   | 84.3  | 68.6  | 52.9  | -    | -    | 136.4                             | 15.9                          | 95.5                    | 80.0  | 64.4  | 48.9  | -    | -    |
|                        | 67      | 134.1                                | 14.4                          | 124.1                   | 108.4 | 92.7  | 77.0  | 61.3 | -    | 122.7                             | 15.8                          | 118.8                   | 103.2 | 87.7  | 72.1  | 56.6 | -    |
|                        | 62      | 123.3                                | 14.3                          | 123.3                   | 123.3 | 114.8 | 99.1  | 83.4 | 67.7 | 113.0                             | 15.6                          | 113.0                   | 113.0 | 109.8 | 94.3  | 78.7 | 63.2 |
|                        | 57      | 121.1                                | 14.3                          | 121.1                   | 121.1 | 108.4 | 92.7  | 77.0 | 61.3 | 112.0                             | 15.7                          | 112.0                   | 112.0 | 99.7  | 84.2  | 68.6 | 53.1 |
| 4375                   | 77      | 169.3                                | 14.7                          | 83.9                    | 65.6  | 48.0  | -     | -    | -    | 155.8                             | 16.1                          | 83.6                    | 61.9  | 44.4  | -     | -    | -    |
|                        | 72      | 154.4                                | 14.6                          | 109.2                   | 91.6  | 74.1  | 56.5  | -    | -    | 141.5                             | 16.0                          | 104.5                   | 87.0  | 69.5  | 52.0  | -    | -    |
|                        | 67      | 139.5                                | 14.5                          | 134.5                   | 117.6 | 100.1 | 82.5  | 65.0 | -    | 127.2                             | 15.8                          | 127.2                   | 112.0 | 94.5  | 77.0  | 59.5 | -    |
|                        | 62      | 128.2                                | 14.3                          | 128.2                   | 128.2 | 124.0 | 106.4 | 88.8 | 71.3 | 117.3                             | 15.7                          | 117.3                   | 117.3 | 117.3 | 100.9 | 83.4 | 65.9 |
|                        | 57      | 126.0                                | 14.4                          | 126.0                   | 126.0 | 117.1 | 99.5  | 81.9 | 64.4 | 116.2                             | 15.7                          | 116.2                   | 116.2 | 107.5 | 90.0  | 72.6 | 55.1 |
| 5000                   | 77      | 175.8                                | 14.8                          | 91.9                    | 71.0  | 51.6  | -     | -    | -    | 161.4                             | 16.2                          | 95.0                    | 67.0  | 47.6  | -     | -    | -    |
|                        | 72      | 160.3                                | 14.7                          | 118.4                   | 98.9  | 79.5  | 60.1  | -    | -    | 146.6                             | 16.0                          | 113.4                   | 93.9  | 74.5  | 55.1  | -    | -    |
|                        | 67      | 144.9                                | 14.5                          | 144.9                   | 126.9 | 107.5 | 88.1  | 68.6 | -    | 131.8                             | 15.9                          | 131.8                   | 120.8 | 101.4 | 82.0  | 62.5 | -    |
|                        | 62      | 133.1                                | 14.4                          | 133.1                   | 133.1 | 113.7 | 94.3  | 74.9 | -    | 121.5                             | 15.7                          | 121.5                   | 121.5 | 121.5 | 107.6 | 88.1 | 68.7 |
|                        | 57      | 130.8                                | 14.4                          | 130.8                   | 130.8 | 125.7 | 106.3 | 86.9 | 67.5 | 120.4                             | 15.8                          | 120.4                   | 120.4 | 115.4 | 95.9  | 76.5 | 57.0 |
| 5625                   | 72      | 163.7                                | 14.7                          | 128.0                   | 107.1 | 86.2  | 65.3  | -    | -    | 148.9                             | 16.0                          | 122.7                   | 102.0 | 81.2  | 60.4  | -    | -    |
|                        | 67      | 147.9                                | 14.5                          | 147.9                   | 137.4 | 116.5 | 95.6  | 74.7 | -    | 133.9                             | 15.9                          | 133.9                   | 131.3 | 110.5 | 89.7  | 69.0 | -    |
|                        | 62      | 135.9                                | 14.4                          | 135.9                   | 135.9 | 115.0 | 94.1  | 73.2 | -    | 123.4                             | 15.7                          | 123.4                   | 123.4 | 123.4 | 105.4 | 84.6 | 63.9 |
|                        | 57      | 133.5                                | 14.4                          | 133.5                   | 133.5 | 131.0 | 110.1 | 89.2 | 68.3 | 122.3                             | 15.8                          | 122.3                   | 122.3 | 119.8 | 99.0  | 78.3 | 57.5 |
| 6250                   | 72      | 167.0                                | 14.7                          | 137.7                   | 115.3 | 92.9  | 70.5  | -    | -    | 151.2                             | 16.0                          | 132.0                   | 110.0 | 87.9  | 65.8  | -    | -    |
|                        | 67      | 150.9                                | 14.5                          | 150.9                   | 147.9 | 125.5 | 103.1 | 80.7 | -    | 135.9                             | 15.8                          | 135.9                   | 135.9 | 119.6 | 97.5  | 75.4 | -    |
|                        | 62      | 138.6                                | 14.4                          | 138.6                   | 138.6 | 116.3 | 93.9  | 71.5 | -    | 125.3                             | 15.7                          | 125.3                   | 125.3 | 125.3 | 103.2 | 81.1 | 59.0 |
|                        | 57      | 136.2                                | 14.4                          | 136.2                   | 136.2 | 113.9 | 91.5  | 69.1 | -    | 124.2                             | 15.7                          | 124.2                   | 124.2 | 124.2 | 102.1 | 80.0 | 58.0 |

1. These capacities are gross ratings. For net capacity, deduct air blower motor, MBh = 3.415 x kW. Refer to the appropriate Blower Performance Table for the kW of the supply air blower motor.
2. These ratings include the condenser fan motors (total 1 kW) and the compressor motors but not the supply air blower motor.

## J12ZR (12.5 Ton) Reheat

| Air on Evaporator Coil |         | Temperature of Air on Condenser Coil |                               |                         |      |      |      |      |                                   |                               |                         |      |      |      |      |
|------------------------|---------|--------------------------------------|-------------------------------|-------------------------|------|------|------|------|-----------------------------------|-------------------------------|-------------------------|------|------|------|------|
| CFM                    | WB (°F) | Total Capacity <sup>1</sup> (MBh)    | Total Input (kW) <sup>2</sup> | Sensible Capacity (MBh) |      |      |      |      | Total Capacity <sup>1</sup> (MBh) | Total Input (kW) <sup>2</sup> | Sensible Capacity (MBh) |      |      |      |      |
|                        |         |                                      |                               | Return Dry Bulb (°F)    |      |      |      |      |                                   |                               | Return Dry Bulb (°F)    |      |      |      |      |
|                        |         |                                      |                               | 85                      | 80   | 75   | 70   | 65   |                                   |                               | 85                      | 80   | 75   | 70   | 65   |
|                        |         | 35°F                                 |                               |                         |      |      |      |      | 45°F                              |                               |                         |      |      |      |      |
| 3125                   | 72      | 87.0                                 | 7.7                           | 6.6                     | 4.8  | 3.1  | -    | -    | 85.9                              | 8.3                           | 5.6                     | 3.9  | 2.2  | -    | -    |
|                        | 67      | 84.6                                 | 7.3                           | 14.4                    | 12.7 | 11.0 | 9.2  | -    | 83.3                              | 8.0                           | 11.8                    | 10.1 | 8.4  | 6.7  | -    |
|                        | 62      | 82.9                                 | 7.3                           | 20.3                    | 18.6 | 16.9 | 15.2 | 13.5 | 80.8                              | 7.7                           | 17.7                    | 16.0 | 14.3 | 12.6 | 10.9 |
| 3750                   | 72      | 89.0                                 | 7.4                           | 11.5                    | 9.2  | 6.9  | -    | -    | 88.9                              | 8.0                           | 10.7                    | 8.3  | 5.9  | -    | -    |
|                        | 67      | 86.5                                 | 7.1                           | 26.3                    | 24.0 | 21.7 | 19.5 | -    | 86.2                              | 7.7                           | 24.1                    | 21.7 | 19.3 | 17.0 | -    |
|                        | 62      | 84.8                                 | 7.1                           | 36.7                    | 34.4 | 32.1 | 29.8 | 27.5 | 83.6                              | 7.4                           | 36.6                    | 34.2 | 31.9 | 29.5 | 27.1 |
| 57                     | 82.2    | 7.7                                  | 43.1                          | 40.9                    | 38.6 | 36.3 | 34.0 | 79.1 | 8.2                               | 40.8                          | 38.4                    | 36.0 | 33.7 | 31.3 |      |
| 4375                   | 72      | 90.9                                 | 7.2                           | 16.4                    | 13.5 | 10.7 | -    | -    | 91.8                              | 7.7                           | 15.8                    | 12.7 | 9.7  | -    | -    |
|                        | 67      | 88.4                                 | 6.9                           | 38.3                    | 35.4 | 32.5 | 29.7 | -    | 89.1                              | 7.4                           | 36.3                    | 33.3 | 30.2 | 27.2 | -    |
|                        | 62      | 86.6                                 | 6.8                           | 53.1                    | 50.2 | 47.4 | 44.5 | 41.6 | 86.4                              | 7.2                           | 55.5                    | 52.5 | 49.4 | 46.4 | 43.3 |
| 57                     | 84.0    | 7.4                                  | 63.2                          | 60.0                    | 57.1 | 54.2 | 51.4 | 81.8 | 7.9                               | 61.9                          | 58.9                    | 55.8 | 52.8 | 49.7 |      |
| 5000                   | 72      | 92.8                                 | 6.9                           | 21.3                    | 17.9 | 14.4 | -    | -    | 94.8                              | 7.4                           | 20.9                    | 17.2 | 13.4 | -    | -    |
|                        | 67      | 90.3                                 | 6.6                           | 50.2                    | 46.8 | 43.3 | 39.9 | -    | 91.9                              | 7.1                           | 48.6                    | 44.9 | 41.1 | 37.4 | -    |
|                        | 62      | 88.5                                 | 6.6                           | 69.5                    | 66.0 | 62.6 | 59.1 | 55.7 | 89.2                              | 6.9                           | 74.5                    | 70.7 | 67.0 | 63.3 | 59.5 |
| 57                     | 85.9    | 7.1                                  | 83.2                          | 79.1                    | 75.6 | 72.2 | 68.7 | 84.4 | 7.6                               | 83.1                          | 79.4                    | 75.6 | 71.9 | 68.2 |      |
| 5625                   | 72      | 94.1                                 | 7.5                           | 15.2                    | 12.5 | 9.9  | -    | -    | 96.7                              | 7.8                           | 16.3                    | 13.1 | 9.9  | -    | -    |
|                        | 67      | 91.5                                 | 7.1                           | 35.5                    | 32.8 | 30.2 | 27.5 | -    | 93.8                              | 7.6                           | 37.4                    | 34.2 | 31.0 | 27.8 | -    |
|                        | 62      | 89.7                                 | 7.1                           | 48.0                    | 45.4 | 42.7 | 40.1 | 37.4 | 91.0                              | 7.3                           | 57.1                    | 53.9 | 50.7 | 47.5 | 44.3 |
| 57                     | 87.1    | 7.7                                  | 58.0                          | 55.0                    | 52.4 | 49.7 | 47.1 | 86.1 | 8.0                               | 63.7                          | 60.5                    | 57.3 | 54.1 | 50.8 |      |
| 6250                   | 72      | 95.4                                 | 8.0                           | 9.1                     | 7.2  | 5.4  | -    | -    | 98.6                              | 8.3                           | 11.7                    | 9.0  | 6.3  | -    | -    |
|                        | 67      | 92.8                                 | 7.7                           | 20.7                    | 18.9 | 17.0 | 15.2 | -    | 95.6                              | 8.0                           | 26.2                    | 23.5 | 20.8 | 18.1 | -    |
|                        | 62      | 91.0                                 | 7.6                           | 26.6                    | 24.7 | 22.9 | 21.0 | 19.2 | 92.8                              | 7.8                           | 39.8                    | 37.1 | 34.4 | 31.7 | 29.0 |
| 57                     | 88.3    | 8.3                                  | 32.9                          | 31.0                    | 29.2 | 27.3 | 25.5 | 87.8 | 8.5                               | 44.3                          | 41.6                    | 38.9 | 36.2 | 33.5 |      |
|                        |         | 55°F                                 |                               |                         |      |      |      |      | 65°F                              |                               |                         |      |      |      |      |
| 3125                   | 72      | 84.8                                 | 8.9                           | 4.6                     | 2.9  | 1.2  | -    | -    | 84.2                              | 9.3                           | -                       | -    | -    | -    | -    |
|                        | 67      | 81.9                                 | 8.7                           | 9.3                     | 7.6  | 5.9  | 4.2  | -    | 79.1                              | 8.9                           | 10.4                    | 8.9  | 7.3  | 5.8  | -    |
|                        | 62      | 78.7                                 | 8.2                           | 15.1                    | 13.4 | 11.7 | 10.0 | 8.3  | 74.6                              | 8.4                           | 24.9                    | 23.4 | 21.8 | 20.3 | 18.7 |
| 3750                   | 72      | 88.8                                 | 8.6                           | 9.9                     | 7.4  | 5.0  | -    | -    | 87.3                              | 9.2                           | -                       | -    | -    | -    | -    |
|                        | 67      | 85.8                                 | 8.3                           | 21.9                    | 19.4 | 16.9 | 14.5 | -    | 82.0                              | 8.8                           | 18.2                    | 16.0 | 13.9 | 11.8 | -    |
|                        | 62      | 82.5                                 | 7.8                           | 36.5                    | 34.1 | 31.6 | 29.1 | 26.7 | 77.4                              | 8.3                           | 40.0                    | 37.9 | 35.8 | 33.7 | 31.5 |
| 57                     | 76.1    | 8.7                                  | 38.4                          | 36.0                    | 33.5 | 31.0 | 28.6 | 72.6 | 9.0                               | 44.1                          | 42.0                    | 39.9 | 37.8 | 35.6 |      |
| 4375                   | 72      | 92.8                                 | 8.2                           | 15.2                    | 11.9 | 8.7  | -    | -    | 90.4                              | 9.1                           | -                       | -    | -    | -    | -    |
|                        | 67      | 89.7                                 | 8.0                           | 34.4                    | 31.2 | 27.9 | 24.7 | -    | 85.0                              | 8.7                           | 25.9                    | 23.2 | 20.5 | 17.8 | -    |
|                        | 62      | 86.2                                 | 7.5                           | 58.0                    | 54.7 | 51.5 | 48.3 | 45.0 | 80.2                              | 8.2                           | 55.1                    | 52.4 | 49.8 | 47.1 | 44.4 |
| 57                     | 79.5    | 8.3                                  | 60.7                          | 57.8                    | 54.6 | 51.3 | 48.1 | 75.2 | 8.9                               | 60.3                          | 57.7                    | 55.1 | 52.4 | 49.7 |      |
| 5000                   | 72      | 96.8                                 | 7.8                           | 20.5                    | 16.5 | 12.4 | -    | -    | 93.5                              | 9.0                           | 1.1                     | -    | -    | -    | -    |
|                        | 67      | 93.6                                 | 7.6                           | 47.0                    | 42.9 | 38.9 | 34.9 | -    | 87.9                              | 8.6                           | 33.6                    | 30.4 | 27.1 | 23.8 | -    |
|                        | 62      | 89.9                                 | 7.1                           | 79.4                    | 75.4 | 71.4 | 67.4 | 63.4 | 83.0                              | 8.1                           | 70.3                    | 67.0 | 63.7 | 60.4 | 57.2 |
| 57                     | 83.0    | 8.0                                  | 83.0                          | 79.6                    | 75.6 | 71.6 | 67.6 | 77.8 | 8.8                               | 76.4                          | 73.5                    | 70.2 | 66.9 | 63.7 |      |
| 5625                   | 72      | 99.3                                 | 8.2                           | 17.4                    | 13.6 | 9.8  | -    | -    | 97.7                              | 9.2                           | -                       | -    | -    | -    | -    |
|                        | 67      | 96.0                                 | 8.0                           | 39.3                    | 35.5 | 31.8 | 28.0 | -    | 91.8                              | 8.8                           | 31.7                    | 28.3 | 25.0 | 21.6 | -    |
|                        | 62      | 92.2                                 | 7.5                           | 66.2                    | 62.4 | 58.7 | 54.9 | 51.1 | 86.6                              | 8.3                           | 69.4                    | 66.0 | 62.6 | 59.3 | 55.9 |
| 57                     | 85.1    | 8.4                                  | 69.3                          | 65.9                    | 62.1 | 58.4 | 54.6 | 81.2 | 9.0                               | 72.7                          | 70.3                    | 66.9 | 63.6 | 60.2 |      |
| 6250                   | 72      | 101.8                                | 8.6                           | 14.3                    | 10.8 | 7.3  | -    | -    | 101.9                             | 9.5                           | -                       | -    | -    | -    | -    |
|                        | 67      | 98.4                                 | 8.4                           | 31.7                    | 28.1 | 24.6 | 21.1 | -    | 95.7                              | 9.1                           | 29.8                    | 26.3 | 22.8 | 19.4 | -    |
|                        | 62      | 94.6                                 | 7.9                           | 53.0                    | 49.4 | 45.9 | 42.4 | 38.8 | 90.3                              | 8.6                           | 68.5                    | 65.0 | 61.6 | 58.1 | 54.6 |
| 57                     | 87.2    | 8.8                                  | 55.7                          | 52.2                    | 48.7 | 45.1 | 41.6 | 84.7 | 9.3                               | 68.9                          | 67.1                    | 63.7 | 60.2 | 56.8 |      |

**J12ZR (12.5 Ton) Reheat (Continued)**

| Air on Evaporator Coil |         | Temperature of Air on Condenser Coil |                               |                         |      |      |      |      |                                   |                               |                         |      |      |      |      |
|------------------------|---------|--------------------------------------|-------------------------------|-------------------------|------|------|------|------|-----------------------------------|-------------------------------|-------------------------|------|------|------|------|
| CFM                    | WB (°F) | Total Capacity <sup>1</sup> (MBh)    | Total Input (kW) <sup>2</sup> | Sensible Capacity (MBh) |      |      |      |      | Total Capacity <sup>1</sup> (MBh) | Total Input (kW) <sup>2</sup> | Sensible Capacity (MBh) |      |      |      |      |
|                        |         |                                      |                               | Return Dry Bulb (°F)    |      |      |      |      |                                   |                               | Return Dry Bulb (°F)    |      |      |      |      |
|                        |         |                                      |                               | 85                      | 80   | 75   | 70   | 65   |                                   |                               | 85                      | 80   | 75   | 70   | 65   |
|                        |         |                                      |                               | <b>75°F</b>             |      |      |      |      | <b>85°F</b>                       |                               |                         |      |      |      |      |
| 3125                   | 72      | 83.6                                 | 9.7                           | -                       | -    | -    | -    | -    | 83.0                              | 10.2                          | -                       | -    | -    | -    | -    |
|                        | 67      | 76.2                                 | 9.2                           | 11.5                    | 10.1 | 8.7  | 7.3  | -    | 73.4                              | 9.4                           | 12.6                    | 11.4 | 10.1 | 8.8  | -    |
|                        | 62      | 70.5                                 | 8.7                           | 34.8                    | 33.4 | 32.0 | 30.6 | 29.2 | 66.4                              | 8.9                           | 44.7                    | 43.4 | 42.1 | 40.9 | 39.6 |
| 3750                   | 72      | 85.8                                 | 9.9                           | -                       | -    | -    | -    | -    | 84.3                              | 10.5                          | -                       | -    | -    | -    | -    |
|                        | 67      | 78.2                                 | 9.3                           | 14.5                    | 12.7 | 10.9 | 9.1  | -    | 74.4                              | 9.7                           | 10.8                    | 9.3  | 7.9  | 6.4  | -    |
|                        | 62      | 72.3                                 | 8.8                           | 43.6                    | 41.8 | 40.0 | 38.2 | 36.4 | 67.3                              | 9.3                           | 47.1                    | 45.6 | 44.2 | 42.7 | 41.3 |
|                        | 57      | 69.0                                 | 9.3                           | 49.8                    | 48.1 | 46.3 | 44.5 | 42.7 | 65.5                              | 9.7                           | 55.5                    | 54.1 | 52.7 | 51.2 | 49.8 |
| 4375                   | 72      | 88.0                                 | 10.0                          | -                       | -    | -    | -    | -    | 85.5                              | 10.9                          | -                       | -    | -    | -    | -    |
|                        | 67      | 80.2                                 | 9.4                           | 17.4                    | 15.2 | 13.1 | 10.9 | -    | 75.5                              | 10.1                          | 8.9                     | 7.2  | 5.6  | 4.0  | -    |
|                        | 62      | 74.2                                 | 8.9                           | 52.3                    | 50.2 | 48.0 | 45.8 | 43.7 | 68.2                              | 9.6                           | 49.5                    | 47.9 | 46.2 | 44.6 | 43.0 |
|                        | 57      | 70.8                                 | 9.5                           | 59.9                    | 57.7 | 55.5 | 53.4 | 51.2 | 66.4                              | 10.0                          | 59.4                    | 57.6 | 56.0 | 54.4 | 52.8 |
| 5000                   | 72      | 90.1                                 | 10.1                          | -                       | -    | -    | -    | -    | 86.8                              | 11.3                          | -                       | -    | -    | -    | -    |
|                        | 67      | 82.2                                 | 9.5                           | 20.3                    | 17.8 | 15.2 | 12.7 | -    | 76.5                              | 10.5                          | 7.0                     | 5.2  | 3.4  | 1.6  | -    |
|                        | 62      | 76.0                                 | 9.0                           | 61.1                    | 58.5 | 56.0 | 53.5 | 50.9 | 69.1                              | 10.0                          | 51.9                    | 50.1 | 48.3 | 46.5 | 44.7 |
|                        | 57      | 72.6                                 | 9.6                           | 69.9                    | 67.3 | 64.8 | 62.3 | 59.7 | 67.4                              | 10.4                          | 63.3                    | 61.2 | 59.4 | 57.6 | 55.8 |
| 5625                   | 72      | 96.1                                 | 10.3                          | -                       | -    | -    | -    | -    | 94.4                              | 11.3                          | -                       | -    | -    | -    | -    |
|                        | 67      | 87.6                                 | 9.6                           | 24.1                    | 21.1 | 18.1 | 15.2 | -    | 83.4                              | 10.5                          | 16.4                    | 13.9 | 11.3 | 8.8  | -    |
|                        | 62      | 81.0                                 | 9.1                           | 72.5                    | 69.6 | 66.6 | 63.7 | 60.7 | 75.4                              | 9.9                           | 75.4                    | 73.1 | 70.6 | 68.0 | 65.5 |
|                        | 57      | 77.3                                 | 9.7                           | 76.0                    | 74.7 | 71.8 | 68.8 | 65.8 | 73.4                              | 10.4                          | 73.4                    | 73.4 | 73.4 | 73.4 | 71.5 |
| 6250                   | 72      | 102.0                                | 10.4                          | -                       | -    | -    | -    | -    | 102.0                             | 11.3                          | -                       | -    | -    | -    | -    |
|                        | 67      | 93.0                                 | 9.8                           | 27.8                    | 24.5 | 21.1 | 17.7 | -    | 90.3                              | 10.4                          | 25.9                    | 22.6 | 19.3 | 16.0 | -    |
|                        | 62      | 86.0                                 | 9.2                           | 84.0                    | 80.6 | 77.2 | 73.8 | 70.5 | 81.7                              | 9.9                           | 81.7                    | 81.7 | 81.7 | 81.7 | 81.7 |
|                        | 57      | 82.1                                 | 9.8                           | 82.1                    | 82.1 | 78.7 | 75.3 | 71.9 | 79.5                              | 10.3                          | 79.5                    | 79.5 | 79.5 | 79.5 | 79.5 |

1. These capacities are gross ratings. For net capacity, deduct air blower motor, MBh = 3.415 x kW. Refer to the appropriate Blower Performance Table for the kW of the supply air blower motor.
2. These ratings include the condenser fan motors (total 1 kW) and the compressor motors but not the supply air blower motor.



**Drive Selection**

1. Determine side or bottom supply duct Application.
2. Determine desired airflow.
3. Calculate or measure the amount of external static pressure.
  - Add or deduct any additional static resistance from "Additional Static Resistance Table".
4. Using the operating point determined from steps 1, 2 & 3, locate this point on the appropriate supply air blower performance table. (Linear interpolation may be necessary.)
5. Noting the RPM and BHP from step 4, locate the appropriate motor and, or drive on the RPM selection table.
6. Review the BHP compared to the motor options available. Select the appropriate motor and, or drive.
7. Review the RPM range for the motor options available. Select the appropriate drive if multiple drives are available for the chosen motor.
8. Determine turns open to obtain the desired operation point.

**Example**

1. 2600 CFM
2. 1.6 iwg
3. Using the supply air blower performance table below, the following data point was located: 1268 RPM & 1.95 BHP.
4. Using the RPM selection table below, Size X and Model Y is found.
5. 1.95 BHP exceeds the maximum continuous BHP rating of the 1.5 HP motor. The 2 HP motor is required.
6. 1268 RPM is within the range of the 2 HP drives.
7. Using the 2 HP motor and drive, .5 turns open will achieve 1268 RPM.

**Airflow Performance****Example Supply Air Blower Performance**

| Air Flow (CFM) | Available External Static Pressure - IWG |      |     |      |      |      |                         |      |      |      |      |      |                        |      |      |      |      |      |      |      |
|----------------|--|------|-----|------|------|------|-------------------------|------|------|------|------|------|------------------------|------|------|------|------|------|------|------|
|                | 0.2                                      |      | 0.4 |      | 0.6  |      | 0.8                     |      | 1.0  |      | 1.2  |      | 1.4                    |      | 1.6  |      | 1.8  |      | 2.0  |      |
|                | RPM                                      | BHP  | RPM | BHP  | RPM  | BHP  | RPM                     | BHP  | RPM  | BHP  | RPM  | BHP  | RPM                    | BHP  | RPM  | BHP  | RPM  | BHP  | RPM  | BHP  |
|                | 1.5 HP & Field Supplied Drive            |      |     |      |      |      | Standard 1.5 HP & Drive |      |      |      |      |      | Alternate 2 HP & Drive |      |      |      |      |      |      |      |
| 2200           | 804                                      | 0.50 | 866 | 0.71 | 925  | 0.90 | 982                     | 1.06 | 1038 | 1.21 | 1092 | 1.35 | 1147                   | 1.48 | 1203 | 1.61 | 1259 | 1.73 | 1317 | 1.87 |
| 2400           | 835                                      | 0.66 | 897 | 0.87 | 956  | 1.06 | 1013                    | 1.22 | 1069 | 1.37 | 1124 | 1.51 | 1178                   | 1.64 | 1234 | 1.77 | 1290 | 1.90 | 1348 | 2.03 |
| 2600           | 869                                      | 0.84 | 931 | 1.05 | 990  | 1.24 | 1047                    | 1.40 | 1103 | 1.55 | 1158 | 1.69 | 1212                   | 1.82 | 1268 | 1.95 | 1324 | 2.07 | 1382 | 2.21 |
| 2800           | 906                                      | 1.03 | 968 | 1.25 | 1027 | 1.43 | 1084                    | 1.60 | 1139 | 1.75 | 1194 | 1.89 | 1249                   | 2.02 | 1304 | 2.14 | 1361 | 2.27 | -    | -    |

**Example RPM Selection**

| Size (Tons) | Model | Airflow Option | HP  | Max BHP | Motor Sheave | Blower Sheave | 6 Turns Open | 5 Turns Open | 4 Turns Open | 3 Turns Open | 2 Turns Open | 1 Turn Open | Fully Closed |
|-------------|-------|----------------|-----|---------|--------------|---------------|--------------|--------------|--------------|--------------|--------------|-------------|--------------|
| X           | Y     | Std.           | 1.5 | 1.73    | 1VM50        | AK74          | N/A          | 897          | 945          | 991          | 1035         | 1079        | 1126         |
|             |       | H. Static      | 2   | 2.30    | 1VM50        | AK64          | N/A          | 1039         | 1094         | 1150         | 1207         | 1256        | 1308         |

**Example Additional Static Resistance**

| Size (Tons) | Model | CFM  | Cooling Only | Economizer | 4" Pleated Filter | Electric Heat kW |      |      |      |      |      |
|-------------|-------|------|--------------|------------|-------------------|------------------|------|------|------|------|------|
|             |       |      |              |            |                   | 3                | 6    | 9    | 15   | 20   | 24   |
| X           | Y     | 900  | 0.05         | -0.05      | 0.01              | 0.00             | 0.00 | 0.00 | 0.01 | 0.01 | 0.01 |
|             |       | 1000 | 0.05         | -0.03      | 0.02              | 0.00             | 0.00 | 0.00 | 0.02 | 0.02 | 0.02 |
|             |       | 1100 | 0.04         | -0.02      | 0.03              | 0.01             | 0.01 | 0.01 | 0.02 | 0.02 | 0.02 |
|             |       | 1200 | 0.04         | 0.00       | 0.04              | 0.01             | 0.01 | 0.01 | 0.02 | 0.02 | 0.02 |
|             |       | 1300 | 0.03         | 0.01       | 0.05              | 0.01             | 0.01 | 0.01 | 0.03 | 0.03 | 0.03 |

**Altitude and Temperature Correction for CFM, Static Pressure and Power.**

The information below should be used to assist in application of product when being applied at altitudes at or exceeding 1000 feet above sea level.

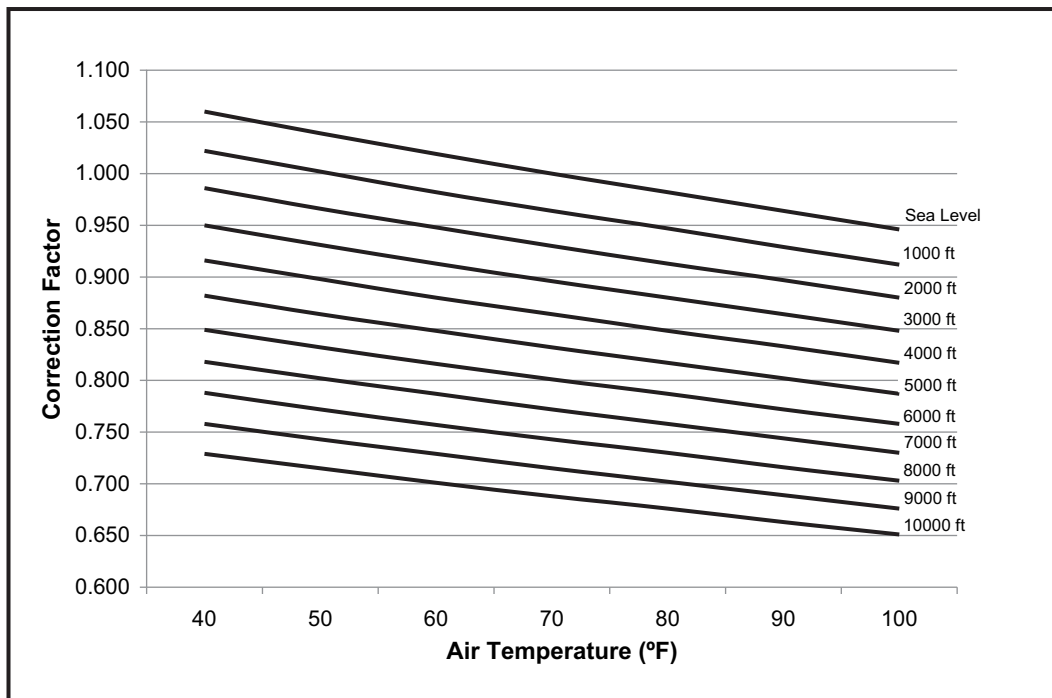
The air flow rates listed in the standard blower performance tables are based on standard air at sea level. As the altitude or temperature increases, the density of air decreases. In order to

use the indoor blower tables for high altitude applications, certain corrections are necessary.

A centrifugal fan is a "constant volume" device. This means that, if the rpm remains constant, the CFM delivered is the same regardless of the density of the air. However, since the air at high altitude is less dense, less static pressure will be generated and less power will be required than a similar application at sea level. Air density correction factors are shown in **Altitude/Temperature Correction Factors Table** and the following **Figure**..

**Altitude/Temperature Correction Factors**

| Air Temp. | Altitude (Ft.) |       |       |       |       |       |       |       |       |       |       |
|-----------|----------------|-------|-------|-------|-------|-------|-------|-------|-------|-------|-------|
|           | 0              | 1000  | 2000  | 3000  | 4000  | 5000  | 6000  | 7000  | 8000  | 9000  | 10000 |
| 40        | 1.060          | 1.022 | 0.986 | 0.950 | 0.916 | 0.882 | 0.849 | 0.818 | 0.788 | 0.758 | 0.729 |
| 50        | 1.039          | 1.002 | 0.966 | 0.931 | 0.898 | 0.864 | 0.832 | 0.802 | 0.772 | 0.743 | 0.715 |
| 60        | 1.019          | 0.982 | 0.948 | 0.913 | 0.880 | 0.848 | 0.816 | 0.787 | 0.757 | 0.729 | 0.701 |
| 70        | 1.000          | 0.964 | 0.930 | 0.896 | 0.864 | 0.832 | 0.801 | 0.772 | 0.743 | 0.715 | 0.688 |
| 80        | 0.982          | 0.947 | 0.913 | 0.880 | 0.848 | 0.817 | 0.787 | 0.758 | 0.730 | 0.702 | 0.676 |
| 90        | 0.964          | 0.929 | 0.897 | 0.864 | 0.833 | 0.802 | 0.772 | 0.744 | 0.716 | 0.689 | 0.663 |
| 100       | 0.946          | 0.912 | 0.880 | 0.848 | 0.817 | 0.787 | 0.758 | 0.730 | 0.703 | 0.676 | 0.651 |



The examples below will assist in determining the airflow performance of the product at altitude.

**Example 1:** What are the corrected CFM, static pressure, and BHP at an elevation of 5,000 ft. if the blower performance data is 6,000 CFM, 1.5 IWC and 4.0 BHP?

**Solution:** At an elevation of 5,000 ft. the indoor blower will still deliver 6,000 CFM if the rpm is unchanged. However, Airflow Performance Table must be used to determine the static pressure and BHP. Since no temperature data is given, we will assume an air temperature of 70°F. Altitude/Temperature Correction Factors Table shows the correction factor to be 0.832.

Corrected static pressure = 1.5 x 0.832 = 1.248 IWC

Corrected BHP = 4.0 x 0.832 = 3.328

**Example 2:** A system, located at 5,000 feet of elevation, is to deliver 6,000 CFM at a static pressure of 1.5". Use the unit

blower tables to select the blower speed and the BHP requirement.

**Solution:** As in the example above, no temperature information is given so 70°F is assumed.

The 1.5" static pressure given is at an elevation of 5,000 ft. The first step is to convert this static pressure to equivalent sea level conditions.

Sea level static pressure = 1.5 / .832 = 1.80"

Enter the blower table at 6000 sCFM and static pressure of 1.8". The rpm listed will be the same rpm needed at 5,000 ft.

Suppose that the corresponding BHP listed in the table is 3.2. This value must be corrected for elevation.

BHP at 5,000 ft. = 3.2 x .832 = 2.66

## Indoor Blower Specifications

| Size (Tons) | Model | Airflow Option | Motor |      |      |      |       | Motor Sheave     |            |       | Blower Sheave    |            |       | Belt |
|-------------|-------|----------------|-------|------|------|------|-------|------------------|------------|-------|------------------|------------|-------|------|
|             |       |                | HP    | RPM  | Eff. | SF   | Frame | Datum Dia. (in.) | Bore (in.) | Model | Datum Dia. (in.) | Bore (in.) | Model |      |
| JA3 (3)     | ZH    | Std.           | 1-1/2 | 1725 | 0.8  | 1.15 | 56    | 2.0 - 3.0        | 7/8        | 1VM34 | 6.5              | 1          | AK69  | A47  |
|             |       | H. Static      | 1-1/2 | 1725 | 0.8  | 1.15 | 56    | 3.0 - 4.0        | 7/8        | 1VL44 | 6.5              | 1          | AK69  | A47  |
| JA4 (4)     | ZH    | Std.           | 1-1/2 | 1725 | 0.8  | 1.15 | 56    | 2.0 - 3.0        | 7/8        | 1VM34 | 5.2              | 1          | AK56  | A47  |
|             |       | H. Static      | 1-1/2 | 1725 | 0.8  | 1.15 | 56    | 3.0 - 4.0        | 7/8        | 1VL44 | 5.2              | 1          | AK56  | A47  |
| JA5 (5)     | ZH    | Std.           | 1-1/2 | 1725 | 0.8  | 1.15 | 56    | 2.6 - 3.6        | 7/8        | 1VL40 | 5.7              | 1          | AK61  | A47  |
|             |       | H. Static      | 2     | 1725 | 0.8  | 1.15 | 56    | 4.2 - 5.2        | 7/8        | 1VP56 | 7.0              | 1          | AK74  | A51  |
| J06 (6.5)   | ZH    | Std.           | 1-1/2 | 1725 | 0.8  | 1.15 | 56    | 3.4 - 4.4        | 7/8        | 1VM50 | 7.0              | 1          | AK74  | A49  |
|             |       | H. Static      | 2     | 1725 | 0.8  | 1.15 | 56    | 3.4 - 4.4        | 7/8        | 1VM50 | 6.0              | 1          | AK64  | A49  |
| J07 (7.5)   | ZH    | Std.           | 1-1/2 | 1725 | 0.8  | 1.15 | 56    | 3.4 - 4.4        | 7/8        | 1VM50 | 7.0              | 1          | AK74  | A49  |
|             |       | H. Static      | 3     | 1725 | 0.8  | 1.15 | 56    | 3.4 - 4.4        | 7/8        | 1VM50 | 5.7              | 1          | AK61  | A49  |
| J08 (8.5)   | ZH    | Std.           | 2     | 1725 | 0.8  | 1.15 | 56    | 3.4 - 4.4        | 7/8        | 1VM50 | 9.0              | 1          | AK94  | A56  |
|             |       | H. Static      | 3     | 1725 | 0.8  | 1.15 | 56    | 3.4 - 4.4        | 7/8        | 1VM50 | 7.0              | 1          | AK74  | A54  |
| J10 (10)    | ZH    | Std.           | 2     | 1725 | 0.8  | 1.15 | 56    | 3.4 - 4.4        | 7/8        | 1VM50 | 8.0              | 1          | AK84  | A56  |
|             |       | H. Static      | 3     | 1725 | 0.8  | 1.15 | 56    | 3.4 - 4.4        | 7/8        | 1VM50 | 7.0              | 1          | AK74  | A54  |
| J12 (12.5)  | ZH    | Std.           | 3     | 1725 | 0.8  | 1.15 | 56    | 3.4 - 4.4        | 7/8        | 1VM50 | 7.0              | 1          | AK74  | A54  |
|             |       | H. Static      | 5     | 1725 | 0.87 | 1.15 | 184T  | 4.3 - 5.3        | 1-1/8      | 1VP56 | 6.7              | 1          | BK77  | BX55 |
| JA3 (3)     | ZJ    | Std.           | 1-1/2 | 1725 | 0.8  | 1.15 | 56    | 2.0 - 3.0        | 7/8        | 1VM34 | 6.5              | 1          | AK69  | A47  |
|             |       | H. Static      | 1-1/2 | 1725 | 0.8  | 1.15 | 56    | 3.0 - 4.0        | 7/8        | 1VL44 | 6.5              | 1          | AK69  | A47  |
| JA4 (4)     | ZJ    | Std.           | 1-1/2 | 1725 | 0.8  | 1.15 | 56    | 2.0 - 3.0        | 7/8        | 1VM34 | 5.2              | 1          | AK56  | A47  |
|             |       | H. Static      | 1-1/2 | 1725 | 0.8  | 1.15 | 56    | 3.0 - 4.0        | 7/8        | 1VL44 | 5.2              | 1          | AK56  | A47  |
| JA5 (5)     | ZJ    | Std.           | 1-1/2 | 1725 | 0.8  | 1.15 | 56    | 2.6 - 3.6        | 7/8        | 1VL40 | 5.7              | 1          | AK61  | A47  |
|             |       | H. Static      | 2     | 1725 | 0.8  | 1.15 | 56    | 4.2 - 5.2        | 7/8        | 1VP56 | 7.0              | 1          | AK74  | A51  |
| J06 (6.5)   | ZJ    | Std.           | 1-1/2 | 1725 | 0.8  | 1.15 | 56    | 2.6 - 3.6        | 7/8        | 1VL40 | 7.0              | 1          | AK74  | A53  |
|             |       | H. Static      | 2     | 1725 | 0.8  | 1.15 | 56    | 3.6 - 4.6        | 7/8        | 1VM50 | 7.0              | 1          | AK74  | A54  |
| J07 (7.5)   | ZJ    | Std.           | 1-1/2 | 1725 | 0.8  | 1.15 | 56    | 2.6 - 3.6        | 7/8        | 1VL40 | 6.5              | 1          | AK69  | A52  |
|             |       | H. Static      | 3     | 1725 | 0.8  | 1.15 | 56    | 3.6 - 4.6        | 7/8        | 1VM50 | 6.5              | 1          | AK69  | A54  |
| J08 (8.5)   | ZJ    | Std.           | 2     | 1725 | 0.8  | 1.15 | 56    | 3.4 - 4.4        | 7/8        | 1VM50 | 8.5              | 1          | AK89  | A56  |
|             |       | H. Static      | 3     | 1725 | 0.8  | 1.15 | 56    | 3.4 - 4.4        | 7/8        | 1VM50 | 7.0              | 1          | AK74  | A54  |
| J10 (10)    | ZJ    | Std.           | 2     | 1725 | 0.8  | 1.15 | 56    | 3.4 - 4.4        | 7/8        | 1VM50 | 8.0              | 1          | AK84  | A56  |
|             |       | H. Static      | 3     | 1725 | 0.8  | 1.15 | 56    | 3.4 - 4.4        | 7/8        | 1VM50 | 7.0              | 1          | AK74  | A54  |
| J12 (12.5)  | ZJ    | Std.           | 3     | 1725 | 0.8  | 1.15 | 56    | 3.4 - 4.4        | 7/8        | 1VM50 | 7.0              | 1          | AK74  | A54  |
|             |       | H. Static      | 5     | 1725 | 0.87 | 1.15 | 184T  | 4.3 - 5.3        | 1-1/8      | 1VP56 | 6.7              | 1          | BK77  | BX55 |
| JA3 (3)     | ZR    | Std.           | 1-1/2 | 1725 | 0.8  | 1.15 | 56    | 1.2 - 2.9        | 7/8        | 1VP34 | 5.7              | 1          | AK61  | A47  |
|             |       | H. Static      | 1-1/2 | 1725 | 0.8  | 1.15 | 56    | 3.0 - 4.0        | 7/8        | 1VL44 | 5.5              | 1          | AK59  | A47  |
| JA4 (4)     | ZR    | Std.           | 1-1/2 | 1725 | 0.8  | 1.15 | 56    | 1.2 - 2.9        | 7/8        | 1VP34 | 5.7              | 1          | AK61  | A47  |
|             |       | H. Static      | 1-1/2 | 1725 | 0.8  | 1.15 | 56    | 3.0 - 4.0        | 7/8        | 1VL44 | 5.5              | 1          | AK59  | A47  |
| JA5 (5)     | ZR    | Std.           | 1-1/2 | 1725 | 0.8  | 1.15 | 56    | 1.2 - 2.9        | 7/8        | 1VP34 | 5.7              | 1          | AK61  | A47  |
|             |       | H. Static      | 2     | 1725 | 0.8  | 1.15 | 56    | 3.0 - 4.0        | 7/8        | 1VL44 | 5.5              | 1          | AK59  | A47  |
| J06 (6.5)   | ZR    | Std.           | 1-1/2 | 1725 | 0.8  | 1.15 | 56    | 3.4 - 4.4        | 7/8        | 1VM50 | 7.0              | 1          | AK74  | A49  |
|             |       | H. Static      | 2     | 1725 | 0.8  | 1.15 | 56    | 3.4 - 4.4        | 7/8        | 1VM50 | 6.0              | 1          | AK64  | A49  |
| J07 (7.5)   | ZR    | Std.           | 1-1/2 | 1725 | 0.8  | 1.15 | 56    | 3.4 - 4.4        | 7/8        | 1VM50 | 7.0              | 1          | AK74  | A49  |
|             |       | H. Static      | 3     | 1725 | 0.8  | 1.15 | 56    | 3.4 - 4.4        | 7/8        | 1VM50 | 5.7              | 1          | AK61  | A49  |
| J08 (8.5)   | ZR    | Std.           | 2     | 1725 | 0.8  | 1.15 | 56    | 3.4 - 4.4        | 7/8        | 1VM50 | 8.5              | 1          | AK89  | A56  |
|             |       | H. Static      | 3     | 1725 | 0.8  | 1.15 | 56    | 3.4 - 4.4        | 7/8        | 1VM50 | 7.0              | 1          | AK74  | A54  |
| J10 (10)    | ZR    | Std.           | 2     | 1725 | 0.8  | 1.15 | 56    | 3.4 - 4.4        | 7/8        | 1VM50 | 8.0              | 1          | AK84  | A56  |
|             |       | H. Static      | 3     | 1725 | 0.8  | 1.15 | 56    | 3.4 - 4.4        | 7/8        | 1VM50 | 7.0              | 1          | AK74  | A54  |
| J12 (12.5)  | ZR    | Std.           | 3     | 1725 | 0.8  | 1.15 | 56    | 3.4 - 4.4        | 7/8        | 1VM50 | 7.0              | 1          | AK74  | A54  |
|             |       | H. Static      | 5     | 1725 | 0.87 | 1.15 | 184T  | 4.3 - 5.3        | 1-1/8      | 1VP56 | 6.7              | 1          | BK77  | BX55 |

## Power Exhaust Specifications

| Model       | Voltage      | Motor |                  |     | Motor |     |     | Fuse Size | CFM @ 0.1 ESP |
|-------------|--------------|-------|------------------|-----|-------|-----|-----|-----------|---------------|
|             |              | HP    | RPM <sup>1</sup> | QTY | LRA   | FLA | MCA |           |               |
| 2PE04703225 | 208/230-1-60 | 3/4   | 1075             | 1   | 7.8   | 5   | 6.3 | 10        | 3800          |
| 2PE04703246 | 460-1-60     | 3/4   | 1075             | 1   | 3.4   | 2.2 | 2.8 | 5         | 3800          |
| 2PE04703258 | 575-1-60     | 3/4   | 1050             | 1   | 2.9   | 1.5 | 1.9 | 4         | 3800          |

1. Motors are multi-tapped and factory wired for high speed.

## RPM Selection

| Size (Tons)   | Model | Airflow Option | HP  | Max BHP | Motor Sheave | Blower Sheave | 6 Turns Open | 5 Turns Open | 4 Turns Open | 3 Turns Open | 2 Turns Open | 1 Turn Open | Fully Closed |
|---------------|-------|----------------|-----|---------|--------------|---------------|--------------|--------------|--------------|--------------|--------------|-------------|--------------|
| JA3<br>(3)    | ZH    | Std.           | 1.5 | 1.5     | 1VM34        | AK69          | N/A          | 531          | 584          | 637          | 690          | 743         | 796          |
|               |       | H. Static      | 1.5 | 1.5     | 1VL44        | AK69          | N/A          | 796          | 849          | 902          | 955          | 1008        | 1062         |
| JA4<br>(4)    | ZH    | Std.           | 1.5 | 1.5     | 1VM34        | AK56          | N/A          | 663          | 730          | 796          | 863          | 929         | 995          |
|               |       | H. Static      | 1.5 | 1.5     | 1VL44        | AK56          | N/A          | 995          | 1062         | 1128         | 1194         | 1261        | 1327         |
| JA5<br>(5)    | ZH    | Std.           | 1.5 | 1.5     | 1VL40        | AK61          | N/A          | 787          | 847          | 908          | 968          | 1029        | 1089         |
|               |       | H. Static      | 2   | 2       | 1VP56        | AK74          | N/A          | 1035         | 1084         | 1134         | 1183         | 1232        | 1281         |
| J06<br>(6.5)  | ZH    | Std.           | 1.5 | 1.73    | 1VM50        | AK74          | N/A          | 887          | 936          | 986          | 1035         | 1084        | 1134         |
|               |       | H. Static      | 2   | 2.30    | 1VM50        | AK64          | N/A          | 1039         | 1094         | 1150         | 1207         | 1256        | 1308         |
| J07<br>(7.5)  | ZH    | Std.           | 1.5 | 1.73    | 1VM50        | AK74          | N/A          | 887          | 936          | 986          | 1035         | 1084        | 1134         |
|               |       | H. Static      | 3   | 3.45    | 1VM50        | AK61          | N/A          | 1088         | 1147         | 1205         | 1265         | 1312        | 1365         |
| J08<br>(8.5)  | ZH    | Std.           | 2   | 2.30    | 1VM50        | AK94          | N/A          | 690          | 728          | 767          | 805          | 843         | 882          |
|               |       | H. Static      | 3   | 3.45    | 1VM50        | AK74          | N/A          | 887          | 936          | 986          | 1035         | 1084        | 1134         |
| J10<br>(10)   | ZH    | Std.           | 2   | 2.30    | 1VM50        | AK84          | N/A          | 776          | 819          | 863          | 906          | 949         | 992          |
|               |       | H. Static      | 3   | 3.45    | 1VM50        | AK74          | N/A          | 887          | 936          | 986          | 1035         | 1084        | 1134         |
| J12<br>(12.5) | ZH    | Std.           | 3   | 3.45    | 1VM50        | AK74          | N/A          | 887          | 936          | 986          | 1035         | 1084        | 1134         |
|               |       | H. Static      | 5   | 5.75    | 1VP56        | BK77          | 1052         | 1095         | 1136         | 1175         | 1216         | 1272        | N/A          |
| JA3<br>(3)    | ZJ    | Std.           | 1.5 | 1.5     | 1VM34        | AK69          | N/A          | 531          | 584          | 637          | 690          | 743         | 796          |
|               |       | H. Static      | 1.5 | 1.5     | 1VL44        | AK69          | N/A          | 796          | 849          | 902          | 955          | 1008        | 1062         |
| JA4<br>(4)    | ZJ    | Std.           | 1.5 | 1.5     | 1VM34        | AK56          | N/A          | 663          | 730          | 796          | 863          | 929         | 995          |
|               |       | H. Static      | 1.5 | 1.5     | 1VL44        | AK56          | N/A          | 995          | 1062         | 1128         | 1194         | 1261        | 1327         |
| JA5<br>(5)    | ZJ    | Std.           | 1.5 | 1.5     | 1VL40        | AK61          | N/A          | 787          | 847          | 908          | 968          | 1029        | 1089         |
|               |       | H. Static      | 2   | 2       | 1VP56        | AK74          | N/A          | 1035         | 1084         | 1134         | 1183         | 1232        | 1281         |
| J06<br>(6.5)  | ZJ    | Std.           | 1.5 | 1.73    | 1VL40        | AK74          | N/A          | 641          | 690          | 739          | 789          | 838         | 887          |
|               |       | H. Static      | 2   | 2.30    | 1VM50        | AK74          | N/A          | 887          | 936          | 986          | 1035         | 1084        | 1134         |
| J07<br>(7.5)  | ZJ    | Std.           | 1.5 | 1.73    | 1VL40        | AK69          | N/A          | 690          | 743          | 796          | 849          | 902         | 955          |
|               |       | H. Static      | 3   | 3.45    | 1VM50        | AK69          | N/A          | 955          | 1008         | 1062         | 1115         | 1168        | 1221         |
| J08<br>(8.5)  | ZJ    | Std.           | 2   | 2.30    | 1VM50        | AK89          | N/A          | 731          | 771          | 812          | 852          | 893         | 934          |
|               |       | H. Static      | 3   | 3.45    | 1VM50        | AK74          | N/A          | 887          | 936          | 986          | 1035         | 1084        | 1134         |
| J10<br>(10)   | ZJ    | Std.           | 2   | 2.30    | 1VM50        | AK84          | N/A          | 776          | 819          | 863          | 906          | 949         | 992          |
|               |       | H. Static      | 3   | 3.45    | 1VM50        | AK74          | N/A          | 887          | 936          | 986          | 1035         | 1084        | 1134         |
| J12<br>(12.5) | ZJ    | Std.           | 3   | 3.45    | 1VM50        | AK74          | N/A          | 887          | 936          | 986          | 1035         | 1084        | 1134         |
|               |       | H. Static      | 5   | 5.75    | 1VP56        | BK77          | 1052         | 1095         | 1136         | 1175         | 1216         | 1272        | N/A          |
| JA3<br>(3.0)  | ZR    | Std.           | 1.5 | 1.5     | 1VP34        | AK61          | N/A          | 575          | 636          | 696          | 757          | 817         | 878          |
|               |       | H. Static      | 1.5 | 1.5     | 1VL44        | AK59          | N/A          | 878          | 941          | 1004         | 1066         | 1129        | 1192         |
| JA4<br>(4.0)  | ZR    | Std.           | 1.5 | 1.5     | 1VP34        | AK61          | N/A          | 575          | 636          | 696          | 757          | 817         | 878          |
|               |       | H. Static      | 1.5 | 1.5     | 1VL44        | AK59          | N/A          | 878          | 941          | 1004         | 1066         | 1129        | 1192         |
| JA5<br>(5.0)  | ZR    | Std.           | 1.5 | 1.5     | 1VP34        | AK61          | N/A          | 575          | 636          | 696          | 757          | 817         | 878          |
|               |       | H. Static      | 2   | 2       | 1VL44        | AK59          | N/A          | 878          | 941          | 1004         | 1066         | 1129        | 1192         |
| J06<br>(6.5)  | ZR    | Std.           | 1.5 | 1.73    | 1VM50        | AK74          | N/A          | 897          | 945          | 991          | 1035         | 1079        | 1126         |
|               |       | H. Static      | 2   | 2.30    | 1VM50        | AK64          | N/A          | 1039         | 1094         | 1150         | 1207         | 1256        | 1308         |
| J07<br>(7.5)  | ZR    | Std.           | 1.5 | 1.73    | 1VM50        | AK74          | N/A          | 897          | 945          | 991          | 1035         | 1079        | 1126         |
|               |       | H. Static      | 3   | 3.45    | 1VM50        | AK61          | N/A          | 1088         | 1147         | 1205         | 1265         | 1312        | 1365         |
| J08<br>(8.5)  | ZR    | Std.           | 2   | 2.30    | 1VM50        | AK89          | N/A          | 735          | 775          | 815          | 851          | 889         | 930          |
|               |       | H. Static      | 3   | 3.45    | 1VM50        | AK74          | N/A          | 880          | 928          | 972          | 1016         | 1067        | 1110         |
| J10<br>(10)   | ZR    | Std.           | 2   | 2.30    | 1VM50        | AK84          | N/A          | 785          | 821          | 858          | 901          | 940         | 980          |
|               |       | H. Static      | 3   | 3.45    | 1VM50        | AK74          | N/A          | 880          | 928          | 972          | 1016         | 1067        | 1110         |
| J12<br>(12.5) | ZR    | Std.           | 3   | 3.45    | 1VM50        | AK74          | N/A          | 880          | 928          | 972          | 1016         | 1067        | 1110         |
|               |       | H. Static      | 5   | 5.75    | 1VP56        | BK77          | 1052         | 1095         | 1136         | 1175         | 1216         | 1272        | N/A          |

## Additional Static Resistance - ZH037 thru 061

| Size (Tons)        | Model | CFM  | Cooling Only <sup>1</sup> | Economizer <sup>2 3</sup> | 4" Pleated Filter <sup>2</sup> | Electric Heat kW <sup>2</sup> |      |      |      |      |      |
|--------------------|-------|------|---------------------------|---------------------------|--------------------------------|-------------------------------|------|------|------|------|------|
|                    |       |      |                           |                           |                                | 3                             | 6    | 9    | 15   | 20   | 24   |
| JA3 (3)<br>JA4 (4) | ZH    | 900  | 0.05                      | -0.05                     | 0.01                           | 0.00                          | 0.00 | 0.00 | 0.01 | 0.01 | 0.01 |
|                    |       | 1000 | 0.05                      | -0.03                     | 0.02                           | 0.00                          | 0.00 | 0.00 | 0.02 | 0.02 | 0.02 |
|                    |       | 1100 | 0.04                      | -0.02                     | 0.03                           | 0.01                          | 0.01 | 0.01 | 0.02 | 0.02 | 0.02 |
|                    |       | 1200 | 0.04                      | 0.00                      | 0.04                           | 0.01                          | 0.01 | 0.01 | 0.02 | 0.02 | 0.02 |
|                    |       | 1300 | 0.03                      | 0.01                      | 0.05                           | 0.01                          | 0.01 | 0.01 | 0.03 | 0.03 | 0.03 |
|                    |       | 1400 | 0.03                      | 0.03                      | 0.07                           | 0.02                          | 0.02 | 0.02 | 0.03 | 0.03 | 0.03 |
|                    |       | 1500 | 0.03                      | 0.04                      | 0.08                           | 0.02                          | 0.02 | 0.02 | 0.04 | 0.04 | 0.04 |
|                    |       | 1600 | 0.02                      | 0.06                      | 0.09                           | 0.02                          | 0.02 | 0.02 | 0.04 | 0.04 | 0.04 |
|                    |       | 1700 | 0.02                      | 0.07                      | 0.10                           | 0.03                          | 0.03 | 0.03 | 0.05 | 0.05 | 0.05 |
|                    |       | 1800 | 0.01                      | 0.08                      | 0.11                           | 0.03                          | 0.03 | 0.03 | 0.05 | 0.05 | 0.05 |
|                    |       | 1900 | 0.01                      | 0.10                      | 0.13                           | 0.04                          | 0.04 | 0.04 | 0.06 | 0.06 | 0.06 |
| 2000               | 0.00  | 0.11 | 0.14                      | 0.04                      | 0.04                           | 0.04                          | 0.07 | 0.07 | 0.07 |      |      |
| JA5 (5)            | ZH    | 1500 | -0.01                     | 0.13                      | 0.07                           | 0.02                          | 0.02 | 0.02 | 0.04 | 0.04 | 0.04 |
|                    |       | 1600 | -0.01                     | 0.14                      | 0.08                           | 0.02                          | 0.02 | 0.02 | 0.04 | 0.04 | 0.04 |
|                    |       | 1700 | -0.01                     | 0.15                      | 0.08                           | 0.03                          | 0.03 | 0.03 | 0.05 | 0.05 | 0.05 |
|                    |       | 1800 | -0.02                     | 0.16                      | 0.09                           | 0.03                          | 0.03 | 0.03 | 0.05 | 0.05 | 0.05 |
|                    |       | 1900 | -0.02                     | 0.17                      | 0.10                           | 0.04                          | 0.04 | 0.04 | 0.06 | 0.06 | 0.06 |
|                    |       | 2000 | -0.02                     | 0.18                      | 0.10                           | 0.04                          | 0.04 | 0.04 | 0.07 | 0.07 | 0.07 |
|                    |       | 2100 | -0.03                     | 0.19                      | 0.11                           | 0.05                          | 0.05 | 0.05 | 0.07 | 0.07 | 0.07 |
|                    |       | 2200 | -0.03                     | 0.20                      | 0.12                           | 0.06                          | 0.06 | 0.06 | 0.08 | 0.08 | 0.08 |
|                    |       | 2300 | -0.04                     | 0.21                      | 0.12                           | 0.06                          | 0.06 | 0.06 | 0.09 | 0.09 | 0.09 |
|                    |       | 2400 | -0.04                     | 0.22                      | 0.13                           | 0.07                          | 0.07 | 0.07 | 0.10 | 0.10 | 0.10 |
| 2500               | -0.05 | 0.23 | 0.14                      | 0.08                      | 0.08                           | 0.08                          | 0.11 | 0.11 | 0.11 |      |      |

1. Add these values to the available static resistance in the respective Blower Performance Tables.
2. Deduct these values from the available external static pressure shown in the respective Blower Performance Tables.
3. The pressure drop through the economizer is greater for 100% outdoor air than for 100% return air. If the resistance of the return air duct is less than 0.25 IWG, the unit will deliver less CFM during full economizer operation.

## Additional Static Resistance - ZJ/ZR037 thru 061

| Size (Tons)        | Model | CFM  | Cooling Only <sup>1</sup> | Economizer <sup>2 3</sup> | 4" Pleated Filter <sup>2</sup> | Electric Heat kW <sup>2</sup> |      |      |      |      |      |
|--------------------|-------|------|---------------------------|---------------------------|--------------------------------|-------------------------------|------|------|------|------|------|
|                    |       |      |                           |                           |                                | 3                             | 6    | 9    | 15   | 20   | 24   |
| JA3 (3)            | ZJ/ZR | 900  | 0.05                      | -0.05                     | 0.01                           | 0.00                          | 0.00 | 0.00 | 0.01 | 0.01 | 0.01 |
|                    |       | 1000 | 0.05                      | -0.03                     | 0.02                           | 0.00                          | 0.00 | 0.00 | 0.02 | 0.02 | 0.02 |
|                    |       | 1100 | 0.04                      | -0.02                     | 0.03                           | 0.01                          | 0.01 | 0.01 | 0.02 | 0.02 | 0.02 |
|                    |       | 1200 | 0.04                      | 0.00                      | 0.04                           | 0.01                          | 0.01 | 0.01 | 0.02 | 0.02 | 0.02 |
|                    |       | 1300 | 0.03                      | 0.01                      | 0.05                           | 0.01                          | 0.01 | 0.01 | 0.03 | 0.03 | 0.03 |
|                    |       | 1400 | 0.03                      | 0.03                      | 0.07                           | 0.02                          | 0.02 | 0.02 | 0.03 | 0.03 | 0.03 |
|                    |       | 1500 | 0.03                      | 0.04                      | 0.08                           | 0.02                          | 0.02 | 0.02 | 0.04 | 0.04 | 0.04 |
| JA4 (4)<br>JA5 (5) | ZJ/ZR | 1200 | -0.01                     | 0.10                      | 0.05                           | 0.01                          | 0.01 | 0.01 | 0.02 | 0.02 | 0.02 |
|                    |       | 1300 | -0.01                     | 0.11                      | 0.06                           | 0.01                          | 0.01 | 0.01 | 0.03 | 0.03 | 0.03 |
|                    |       | 1400 | -0.01                     | 0.12                      | 0.06                           | 0.02                          | 0.02 | 0.02 | 0.03 | 0.03 | 0.03 |
|                    |       | 1500 | -0.01                     | 0.13                      | 0.07                           | 0.02                          | 0.02 | 0.02 | 0.04 | 0.04 | 0.04 |
|                    |       | 1600 | -0.01                     | 0.14                      | 0.08                           | 0.02                          | 0.02 | 0.02 | 0.04 | 0.04 | 0.04 |
|                    |       | 1700 | -0.01                     | 0.15                      | 0.08                           | 0.03                          | 0.03 | 0.03 | 0.05 | 0.05 | 0.05 |
|                    |       | 1800 | -0.02                     | 0.16                      | 0.09                           | 0.03                          | 0.03 | 0.03 | 0.05 | 0.05 | 0.05 |
|                    |       | 1900 | -0.02                     | 0.17                      | 0.10                           | 0.04                          | 0.04 | 0.04 | 0.06 | 0.06 | 0.06 |
|                    |       | 2000 | -0.02                     | 0.18                      | 0.10                           | 0.04                          | 0.04 | 0.04 | 0.07 | 0.07 | 0.07 |
|                    |       | 2100 | -0.03                     | 0.19                      | 0.11                           | 0.05                          | 0.05 | 0.05 | 0.07 | 0.07 | 0.07 |
|                    |       | 2200 | -0.03                     | 0.20                      | 0.12                           | 0.06                          | 0.06 | 0.06 | 0.08 | 0.08 | 0.08 |
|                    |       | 2300 | -0.04                     | 0.21                      | 0.12                           | 0.06                          | 0.06 | 0.06 | 0.09 | 0.09 | 0.09 |
| 2400               | -0.04 | 0.22 | 0.13                      | 0.07                      | 0.07                           | 0.07                          | 0.10 | 0.10 | 0.10 |      |      |
| 2500               | -0.05 | 0.23 | 0.14                      | 0.08                      | 0.08                           | 0.08                          | 0.11 | 0.11 | 0.11 |      |      |

1. Add these values to the available static resistance in the respective Blower Performance Tables.
2. Deduct these values from the available external static pressure shown in the respective Blower Performance Tables.
3. The pressure drop through the economizer is greater for 100% outdoor air than for 100% return air. If the resistance of the return air duct is less than 0.25 IWG, the unit will deliver less CFM during full economizer operation.

**Additional Static Resistance - ZH/ZR078 thru 150**

| Size (Tons)                         | Model | CFM  | Cooling Only <sup>1</sup> | Economizer <sup>2 3</sup> | 4" Filter <sup>2</sup> | Electric Heat kW <sup>2</sup> |      |      |      |      |
|-------------------------------------|-------|------|---------------------------|---------------------------|------------------------|-------------------------------|------|------|------|------|
|                                     |       |      |                           |                           |                        | 09                            | 18   | 24   | 36   | 54   |
| J06 (6.5)<br>J07 (7.5)              | ZH/ZR | 1900 | 0.00                      | 0.07                      | 0.10                   | 0.05                          | 0.06 | 0.07 | 0.08 | 0.10 |
|                                     |       | 2100 | -0.01                     | 0.09                      | 0.11                   | 0.06                          | 0.07 | 0.08 | 0.09 | 0.11 |
|                                     |       | 2300 | -0.01                     | 0.11                      | 0.12                   | 0.07                          | 0.08 | 0.09 | 0.10 | 0.13 |
|                                     |       | 2500 | -0.02                     | 0.13                      | 0.14                   | 0.08                          | 0.09 | 0.10 | 0.11 | 0.14 |
|                                     |       | 2700 | -0.03                     | 0.16                      | 0.15                   | 0.09                          | 0.10 | 0.12 | 0.13 | 0.16 |
|                                     |       | 2900 | -0.04                     | 0.18                      | 0.16                   | 0.10                          | 0.11 | 0.13 | 0.14 | 0.18 |
|                                     |       | 3100 | -0.05                     | 0.20                      | 0.18                   | 0.12                          | 0.13 | 0.15 | 0.16 | 0.20 |
|                                     |       | 3300 | -0.06                     | 0.22                      | 0.19                   | 0.13                          | 0.14 | 0.17 | 0.18 | 0.22 |
|                                     |       | 3500 | -0.07                     | 0.24                      | 0.20                   | 0.15                          | 0.16 | 0.19 | 0.20 | 0.24 |
|                                     |       | 3700 | -0.08                     | 0.27                      | 0.21                   | 0.17                          | 0.18 | 0.21 | 0.22 | 0.26 |
|                                     |       | 3900 | -0.09                     | 0.29                      | 0.23                   | 0.19                          | 0.20 | 0.23 | 0.24 | 0.28 |
|                                     |       | 4100 | -0.09                     | 0.31                      | 0.24                   | 0.21                          | 0.22 | 0.25 | 0.26 | 0.31 |
|                                     |       | 4300 | -0.10                     | 0.30                      | 0.25                   | 0.23                          | 0.24 | 0.28 | 0.29 | 0.34 |
|                                     |       | 4500 | -0.11                     | 0.35                      | 0.26                   | 0.25                          | 0.26 | 0.30 | 0.31 | 0.37 |
| J08 (8.5)<br>J10 (10)<br>J12 (12.5) | ZH/ZR | 1900 | 0.06                      | 0.02                      | 0.12                   | 0.05                          | 0.06 | 0.07 | 0.08 | 0.10 |
|                                     |       | 2100 | 0.07                      | 0.02                      | 0.13                   | 0.06                          | 0.07 | 0.08 | 0.09 | 0.11 |
|                                     |       | 2300 | 0.08                      | 0.04                      | 0.14                   | 0.07                          | 0.08 | 0.09 | 0.10 | 0.13 |
|                                     |       | 2500 | 0.09                      | 0.11                      | 0.16                   | 0.08                          | 0.09 | 0.10 | 0.11 | 0.14 |
|                                     |       | 2700 | 0.11                      | 0.18                      | 0.17                   | 0.09                          | 0.10 | 0.12 | 0.13 | 0.16 |
|                                     |       | 2900 | 0.12                      | 0.25                      | 0.19                   | 0.10                          | 0.11 | 0.13 | 0.14 | 0.18 |
|                                     |       | 3100 | 0.14                      | 0.31                      | 0.20                   | 0.12                          | 0.13 | 0.15 | 0.16 | 0.20 |
|                                     |       | 3300 | 0.16                      | 0.37                      | 0.22                   | 0.13                          | 0.14 | 0.17 | 0.18 | 0.22 |
|                                     |       | 3500 | 0.18                      | 0.43                      | 0.25                   | 0.15                          | 0.16 | 0.19 | 0.20 | 0.24 |
|                                     |       | 3700 | 0.20                      | 0.49                      | 0.27                   | 0.17                          | 0.18 | 0.21 | 0.22 | 0.26 |
|                                     |       | 3900 | 0.23                      | 0.54                      | 0.29                   | 0.19                          | 0.20 | 0.23 | 0.24 | 0.28 |
|                                     |       | 4100 | 0.25                      | 0.58                      | 0.32                   | 0.21                          | 0.22 | 0.25 | 0.26 | 0.31 |
|                                     |       | 4300 | 0.28                      | 0.65                      | 0.35                   | 0.23                          | 0.24 | 0.28 | 0.29 | 0.34 |
|                                     |       | 4500 | 0.30                      | 0.69                      | 0.38                   | 0.25                          | 0.26 | 0.30 | 0.31 | 0.37 |
|                                     |       | 4700 | 0.33                      | 0.74                      | 0.41                   | 0.28                          | 0.29 | 0.33 | 0.34 | 0.40 |
|                                     |       | 4900 | 0.36                      | 0.78                      | 0.44                   | 0.30                          | 0.31 | 0.35 | 0.37 | 0.43 |
|                                     |       | 5100 | 0.39                      | 0.82                      | 0.47                   | 0.33                          | 0.34 | 0.38 | 0.40 | 0.46 |
|                                     |       | 5300 | 0.42                      | 0.86                      | 0.51                   | 0.35                          | 0.37 | 0.41 | 0.43 | 0.49 |
| 5500                                | 0.45  | 0.89 | 0.56                      | 0.38                      | 0.40                   | 0.44                          | 0.46 | 0.53 |      |      |
| 5700                                | 0.48  | 0.93 | 0.58                      | 0.41                      | 0.43                   | 0.47                          | 0.49 | 0.56 |      |      |
| 5900                                | 0.52  | 0.96 | 0.62                      | 0.44                      | 0.46                   | 0.50                          | 0.53 | 0.59 |      |      |
| 6100                                | 0.56  | 0.98 | 0.67                      | 0.47                      | 0.49                   | 0.53                          | 0.56 | 0.62 |      |      |
| 6300                                | 0.60  | 1.01 | 0.71                      | 0.50                      | 0.53                   | 0.56                          | 0.59 | 0.65 |      |      |

1. Add these values to the available static resistance in the respective Blower Performance Tables.
2. Deduct these values from the available external static pressure shown in the respective Blower Performance Tables.
3. The pressure drop through the economizer is greater for 100% outdoor air than for 100% return air. If the resistance of the return air duct is less than 0.25 IWG, the unit will deliver less CFM during full economizer operation.

## Additional Static Resistance - J06 thru 12ZJ

| Size<br>(Tons)  | Model | CFM  | Cooling Only <sup>1</sup> | Economizer <sup>2,3</sup> | 4" Filter <sup>2</sup> | Electric Heat kW <sup>2</sup> |      |      |      |      |
|---|-------|------|---------------------------|---------------------------|------------------------|-------------------------------|------|------|------|------|
|   |       |      |                           |                           |                        | 9                             | 18   | 24   | 36   | 54   |
| J06 (6.5)<br>J07 (7.5)<br>J08 (8.5)<br>J10 (10)<br>J12 (12.5) | ZJ    | 1900 | 0.06                      | 0.02                      | 0.12                   | 0.05                          | 0.06 | 0.07 | 0.08 | 0.10 |
|   |       | 2100 | 0.07                      | 0.02                      | 0.13                   | 0.06                          | 0.07 | 0.08 | 0.09 | 0.11 |
|   |       | 2300 | 0.08                      | 0.04                      | 0.14                   | 0.07                          | 0.08 | 0.09 | 0.10 | 0.13 |
|   |       | 2500 | 0.09                      | 0.11                      | 0.16                   | 0.08                          | 0.09 | 0.10 | 0.11 | 0.14 |
|   |       | 2700 | 0.11                      | 0.18                      | 0.17                   | 0.09                          | 0.10 | 0.12 | 0.13 | 0.16 |
|   |       | 2900 | 0.12                      | 0.25                      | 0.19                   | 0.10                          | 0.11 | 0.13 | 0.14 | 0.18 |
|   |       | 3100 | 0.14                      | 0.31                      | 0.20                   | 0.12                          | 0.13 | 0.15 | 0.16 | 0.20 |
|   |       | 3300 | 0.16                      | 0.37                      | 0.22                   | 0.13                          | 0.14 | 0.17 | 0.18 | 0.22 |
|   |       | 3500 | 0.18                      | 0.43                      | 0.26                   | 0.15                          | 0.16 | 0.19 | 0.20 | 0.24 |
|   |       | 3700 | 0.20                      | 0.49                      | 0.27                   | 0.17                          | 0.18 | 0.21 | 0.22 | 0.26 |
|   |       | 3900 | 0.23                      | 0.54                      | 0.29                   | 0.19                          | 0.20 | 0.23 | 0.24 | 0.28 |
|   |       | 4100 | 0.25                      | 0.58                      | 0.32                   | 0.21                          | 0.22 | 0.25 | 0.26 | 0.31 |
|   |       | 4300 | 0.28                      | 0.65                      | 0.35                   | 0.23                          | 0.24 | 0.28 | 0.29 | 0.34 |
|   |       | 4500 | 0.30                      | 0.69                      | 0.38                   | 0.25                          | 0.26 | 0.30 | 0.31 | 0.37 |
|   |       | 4700 | 0.33                      | 0.74                      | 0.41                   | 0.28                          | 0.29 | 0.33 | 0.34 | 0.40 |
|   |       | 4900 | 0.36                      | 0.78                      | 0.44                   | 0.30                          | 0.31 | 0.35 | 0.37 | 0.43 |
|   |       | 5100 | 0.39                      | 0.82                      | 0.47                   | 0.33                          | 0.34 | 0.38 | 0.40 | 0.46 |
|   |       | 5300 | 0.42                      | 0.86                      | 0.51                   | 0.35                          | 0.37 | 0.41 | 0.43 | 0.49 |
| 5500  | 0.45  | 0.89 | 0.55                      | 0.38                      | 0.40                   | 0.44                          | 0.46 | 0.53 |      |      |
| 5700  | 0.48  | 0.93 | 0.58                      | 0.41                      | 0.43                   | 0.47                          | 0.49 | 0.56 |      |      |
| 5900  | 0.52  | 0.96 | 0.62                      | 0.44                      | 0.46                   | 0.50                          | 0.53 | 0.59 |      |      |
| 6100  | 0.56  | 0.98 | 0.67                      | 0.47                      | 0.49                   | 0.53                          | 0.56 | 0.62 |      |      |
| 6300  | 0.60  | 1.01 | 0.71                      | 0.50                      | 0.53                   | 0.56                          | 0.59 | 0.65 |      |      |

1. Add these values to the available static resistance in the respective Blower Performance Tables.
2. Deduct these values from the available external static pressure shown in the respective Blower Performance Tables.
3. The pressure drop through the economizer is greater for 100% outdoor air than for 100% return air. If the resistance of the return air duct is less than 0.25 IWG, the unit will deliver less CFM during full economizer operation.

**Gas Heat Minimum Supply Air**

| Size<br>(Tons) | Model    | Heat Size | Supply Air (CFM) |      |
|----------------|----------|-----------|------------------|------|
|                |          |           | Heating          |      |
|                |          |           | Min              | Max  |
| JA3<br>(3)     | ZH/ZJ/ZR | H06 / N06 | 890              | 2220 |
|                |          | H08 / N08 | 915              | 2370 |
|                |          | H12 / N12 | 1130             | 1800 |
| JA4<br>(4)     | ZH/ZJ/ZR | H06 / N06 | 890              | 2220 |
|                |          | H08 / N08 | 915              | 2370 |
|                |          | H12 / N12 | 1290             | 2250 |
| JA5<br>(5)     | ZH/ZJ/ZR | H08 / N08 | 915              | 2370 |
|                |          | H12 / N12 | 1380             | 2570 |
|                |          | H16 / N16 | 1580             | 2630 |
| J06<br>(6.5)   | ZH/ZJ/ZR | N12       | 1950             | 3250 |
|                |          | N18       | 1950             | 3250 |
| J07<br>(7.5)   | ZH/ZJ/ZR | N12       | 2250             | 3750 |
|                |          | N18       | 2250             | 3750 |
| J08<br>(8.5)   | ZH/ZJ/ZR | N12       | 2550             | 4250 |
|                |          | N18       | 2550             | 4250 |
| J10<br>(10)    | ZH/ZJ/ZR | N18       | 3000             | 5000 |
|                |          | N24       | 3000             | 5000 |
| J12<br>(12.5)  | ZH/ZJ/ZR | N18       | 3750             | 6250 |
|                |          | N24       | 3750             | 6250 |

**Electric Heat Minimum Supply Air****3 thru 5 Tons**

| Size<br>(Tons) | Model    | Voltage      | Minimum Supply Air (CFM) |      |      |      |      |      |
|----------------|----------|--------------|--------------------------|------|------|------|------|------|
|                |          |              | Heater kW                |      |      |      |      |      |
|                |          |              | 3                        | 6    | 9    | 15   | 20   | 24   |
| JA3<br>(3)     | ZH/ZJ/ZR | 208/230-3-60 | 960                      | 960  | 1020 | 1020 | -    | -    |
|                |          | 460-3-60     | 980                      | 960  | 960  | 960  | -    | -    |
|                |          | 600-3-60     | -                        | -    | 960  | 960  | -    | -    |
| JA4<br>(4)     | ZH/ZJ/ZR | 208/230-3-60 | -                        | 1280 | 1420 | 1420 | 1420 | -    |
|                |          | 460-3-60     | -                        | 1400 | 1400 | 1400 | 1400 | -    |
|                |          | 600-3-60     | -                        | -    | 1400 | 1400 | 1400 | -    |
| JA5<br>(5)     | ZH/ZJ/ZR | 208/230-3-60 | -                        | 1600 | 1600 | 1600 | 1600 | 1600 |
|                |          | 460-3-60     | -                        | 1600 | 1600 | 1600 | 1600 | 1600 |
|                |          | 600-3-60     | -                        | -    | 1600 | 1600 | 1600 | 1600 |

**6-1/2 thru 12-1/5 Tons**

| Size<br>(Tons) | Model    | Voltage      | Minimum Supply Air (CFM) |      |      |      |      |
|----------------|----------|--------------|--------------------------|------|------|------|------|
|                |          |              | Heater kW                |      |      |      |      |
|                |          |              | 9                        | 18   | 24   | 36   | 54   |
| J06<br>(6.5)   | ZH/ZJ/ZR | 208/230-3-60 | 1950                     | 1950 | 1950 | 1950 | -    |
|                |          | 460-3-60     | 1950                     | 1950 | 1950 | 1950 | -    |
|                |          | 600-3-60     | 1950                     | 1950 | 1950 | 1950 | -    |
| J07<br>(7.5)   | ZH/ZJ/ZR | 208/230-3-60 | 2250                     | 2250 | 2250 | 2250 | -    |
|                |          | 460-3-60     | 2250                     | 2250 | 2250 | 2250 | -    |
|                |          | 600-3-60     | 2250                     | 2250 | 2250 | 2250 | -    |
| J08<br>(8.5)   | ZH/ZJ/ZR | 208/230-3-60 | 2550                     | 2550 | 2550 | 2550 | -    |
|                |          | 460-3-60     | 2550                     | 2550 | 2550 | 2550 | -    |
|                |          | 600-3-60     | 2550                     | 2550 | 2550 | 2550 | -    |
| J10<br>(10)    | ZH/ZJ/ZR | 208/230-3-60 | -                        | 3000 | 3000 | 3000 | 3500 |
|                |          | 460-3-60     | -                        | 3000 | 3000 | 3000 | 3000 |
|                |          | 600-3-60     | -                        | 3000 | 3000 | 3000 | 3500 |
| J12<br>(12.5)  | ZH/ZJ/ZR | 208/230-3-60 | -                        | 3750 | 3750 | 3750 | 4000 |
|                |          | 460-3-60     | -                        | 3750 | 3750 | 3750 | 3750 |
|                |          | 600-3-60     | -                        | 3750 | 3750 | 3750 | 3750 |



## Airflow Performance

### JA3 thru 12ZH Side Duct Application

#### JA3ZH (3.0 Ton) Side Duct

| Air Flow<br>(CFM) | Available External Static Pressure - IWG <sup>1</sup> |      |     |      |     |      |                          |      |     |      |     |      |      |      |      |      |      |      |      |      |
|-------------------|---|------|-----|------|-----|------|--------------------------|------|-----|------|-----|------|------|------|------|------|------|------|------|------|
|                   | 0.2   |      | 0.4 |      | 0.6 |      | 0.8                      |      | 1.0 |      | 1.2 |      | 1.4  |      | 1.6  |      | 1.8  |      | 2.0  |      |
|                   | RPM   | BHP  | RPM | BHP  | RPM | BHP  | RPM                      | BHP  | RPM | BHP  | RPM | BHP  | RPM  | BHP  | RPM  | BHP  | RPM  | BHP  | RPM  | BHP  |
|                   | Standard 1.5 HP & Drive                               |      |     |      |     |      | Hi Static 1.5 HP & Drive |      |     |      |     |      |      |      |      |      |      |      |      |      |
| 900               | 560   | 0.29 | 628 | 0.35 | 695 | 0.42 | 760                      | 0.51 | 823 | 0.61 | 886 | 0.72 | 949  | 0.82 | 1011 | 0.92 | 1073 | 1.01 | 1136 | 1.09 |
| 1000              | 582   | 0.29 | 650 | 0.34 | 716 | 0.42 | 781                      | 0.51 | 845 | 0.61 | 908 | 0.71 | 970  | 0.82 | 1032 | 0.92 | 1095 | 1.01 | 1158 | 1.08 |
| 1100              | 601   | 0.30 | 670 | 0.35 | 736 | 0.43 | 801                      | 0.52 | 864 | 0.62 | 927 | 0.72 | 990  | 0.83 | 1052 | 0.93 | 1114 | 1.02 | 1177 | 1.09 |
| 1200              | 620   | 0.32 | 688 | 0.37 | 754 | 0.45 | 819                      | 0.54 | 883 | 0.64 | 946 | 0.74 | 1008 | 0.85 | 1070 | 0.95 | 1133 | 1.04 | 1196 | 1.11 |
| 1300              | 638   | 0.35 | 706 | 0.40 | 772 | 0.48 | 837                      | 0.57 | 901 | 0.67 | 964 | 0.77 | 1026 | 0.88 | 1088 | 0.98 | 1151 | 1.06 | 1214 | 1.14 |
| 1400              | 655   | 0.39 | 724 | 0.44 | 790 | 0.51 | 855                      | 0.60 | 918 | 0.70 | 981 | 0.81 | 1044 | 0.91 | 1106 | 1.01 | 1168 | 1.10 | 1231 | 1.18 |
| 1500              | 673   | 0.43 | 741 | 0.48 | 807 | 0.56 | 872                      | 0.65 | 936 | 0.75 | 999 | 0.85 | 1061 | 0.96 | 1124 | 1.06 | 1186 | 1.15 | 1249 | 1.22 |
|                   | 1.5 HP & Field Supplied Drive                         |      |     |      |     |      |                          |      |     |      |     |      |      |      |      |      |      |      |      |      |

- Blower performance includes gas heat exchangers and 2" filters. See STATIC RESISTANCE table for additional applications.
- See RPM SELECTION table to determine desired motor sheave setting and to determine the maximum continuous BHP.
- kw = BHP x 0.932.

#### JA4ZH (4.0 Ton) Side Duct

| Air Flow<br>(CFM) | Available External Static Pressure - IWG <sup>1</sup> |      |                         |      |     |      |     |      |                          |      |      |      |      |      |      |      |      |      |      |      |
|-------------------|---|------|-------------------------|------|-----|------|-----|------|--------------------------|------|------|------|------|------|------|------|------|------|------|------|
|                   | 0.2   |      | 0.4                     |      | 0.6 |      | 0.8 |      | 1.0                      |      | 1.2  |      | 1.4  |      | 1.6  |      | 1.8  |      | 2.0  |      |
|                   | RPM   | BHP  | RPM                     | BHP  | RPM | BHP  | RPM | BHP  | RPM                      | BHP  | RPM  | BHP  | RPM  | BHP  | RPM  | BHP  | RPM  | BHP  | RPM  | BHP  |
|                   | FS <sup>4</sup>                                       |      | Standard 1.5 HP & Drive |      |     |      |     |      | Hi Static 1.5 HP & Drive |      |      |      |      |      |      |      |      |      |      |      |
| 1200              | 620   | 0.32 | 688                     | 0.37 | 754 | 0.45 | 819 | 0.54 | 883                      | 0.64 | 946  | 0.74 | 1008 | 0.85 | 1070 | 0.95 | 1133 | 1.04 | 1196 | 1.11 |
| 1300              | 638   | 0.35 | 706                     | 0.40 | 772 | 0.48 | 837 | 0.57 | 901                      | 0.67 | 964  | 0.77 | 1026 | 0.88 | 1088 | 0.98 | 1151 | 1.06 | 1214 | 1.14 |
| 1400              | 655   | 0.39 | 724                     | 0.44 | 790 | 0.51 | 855 | 0.60 | 918                      | 0.70 | 981  | 0.81 | 1044 | 0.91 | 1106 | 1.01 | 1168 | 1.10 | 1231 | 1.18 |
| 1500              | 673   | 0.43 | 741                     | 0.48 | 807 | 0.56 | 872 | 0.65 | 936                      | 0.75 | 999  | 0.85 | 1061 | 0.96 | 1124 | 1.06 | 1186 | 1.15 | 1249 | 1.22 |
| 1600              | 691   | 0.48 | 759                     | 0.54 | 825 | 0.61 | 890 | 0.70 | 954                      | 0.80 | 1017 | 0.90 | 1079 | 1.01 | 1141 | 1.11 | 1204 | 1.20 | 1267 | 1.27 |
| 1700              | 709   | 0.54 | 777                     | 0.59 | 843 | 0.67 | 908 | 0.76 | 972                      | 0.86 | 1035 | 0.96 | 1097 | 1.07 | 1160 | 1.17 | 1222 | 1.26 | 1285 | 1.33 |
| 1800              | 728   | 0.60 | 796                     | 0.66 | 862 | 0.73 | 927 | 0.82 | 991                      | 0.92 | 1053 | 1.03 | 1116 | 1.13 | 1178 | 1.23 | 1241 | 1.32 | 1303 | 1.39 |
| 1900              | 747   | 0.67 | 815                     | 0.73 | 881 | 0.80 | 946 | 0.89 | 1010                     | 0.99 | 1073 | 1.09 | 1135 | 1.20 | 1197 | 1.30 | 1260 | 1.39 | 1323 | 1.46 |
| 2000              | 766   | 0.75 | 834                     | 0.80 | 901 | 0.87 | 966 | 0.96 | 1029                     | 1.06 | 1092 | 1.17 | 1155 | 1.27 | 1217 | 1.37 | 1279 | 1.46 | -    | -    |

- Blower performance includes gas heat exchangers and 2" filters. See STATIC RESISTANCE table for additional applications.
- See RPM SELECTION table to determine desired motor sheave setting and to determine the maximum continuous BHP.
- kw = BHP x 0.932.
- Field Supplied Drive.

#### JA5ZH (5.0 Ton) Side Duct

| Air Flow<br>(CFM) | Available External Static Pressure - IWG <sup>1</sup> |      |     |      |     |      |                         |      |      |      |      |      |                        |      |      |      |      |      |      |      |
|-------------------|---|------|-----|------|-----|------|-------------------------|------|------|------|------|------|------------------------|------|------|------|------|------|------|------|
|                   | 0.2   |      | 0.4 |      | 0.6 |      | 0.8                     |      | 1.0  |      | 1.2  |      | 1.4                    |      | 1.6  |      | 1.8  |      | 2.0  |      |
|                   | RPM   | BHP  | RPM | BHP  | RPM | BHP  | RPM                     | BHP  | RPM  | BHP  | RPM  | BHP  | RPM                    | BHP  | RPM  | BHP  | RPM  | BHP  | RPM  | BHP  |
|                   | 1.5 HP & Field Supplied Drive                         |      |     |      |     |      | Standard 1.5 HP & Drive |      |      |      |      |      | Hi Static 2 HP & Drive |      |      |      |      |      |      |      |
| 1500              | 659   | 0.35 | 719 | 0.46 | 780 | 0.57 | 843                     | 0.67 | 905  | 0.77 | 964  | 0.87 | 1020                   | 0.97 | 1071 | 1.07 | 1116 | 1.17 | 1154 | 1.28 |
| 1600              | 675   | 0.38 | 735 | 0.50 | 796 | 0.60 | 859                     | 0.71 | 920  | 0.81 | 980  | 0.91 | 1036                   | 1.01 | 1087 | 1.11 | 1132 | 1.21 | 1170 | 1.32 |
| 1700              | 691   | 0.42 | 751 | 0.54 | 812 | 0.64 | 875                     | 0.75 | 936  | 0.85 | 996  | 0.95 | 1052                   | 1.05 | 1103 | 1.15 | 1148 | 1.25 | 1186 | 1.36 |
| 1800              | 707   | 0.47 | 767 | 0.58 | 829 | 0.69 | 891                     | 0.79 | 953  | 0.90 | 1012 | 0.99 | 1069                   | 1.09 | 1120 | 1.20 | 1165 | 1.30 | 1202 | 1.41 |
| 1900              | 724   | 0.53 | 784 | 0.64 | 846 | 0.75 | 908                     | 0.85 | 970  | 0.95 | 1029 | 1.05 | 1085                   | 1.15 | 1137 | 1.25 | 1182 | 1.35 | 1219 | 1.46 |
| 2000              | 741   | 0.59 | 801 | 0.70 | 863 | 0.81 | 925                     | 0.91 | 987  | 1.01 | 1047 | 1.11 | 1103                   | 1.21 | 1154 | 1.31 | 1199 | 1.41 | 1236 | 1.52 |
| 2100              | 759   | 0.65 | 819 | 0.77 | 881 | 0.87 | 943                     | 0.98 | 1005 | 1.08 | 1065 | 1.18 | 1121                   | 1.28 | 1172 | 1.38 | 1217 | 1.48 | 1254 | 1.59 |
| 2200              | 778   | 0.73 | 838 | 0.84 | 900 | 0.95 | 962                     | 1.05 | 1024 | 1.15 | 1083 | 1.25 | 1139                   | 1.35 | 1191 | 1.45 | 1236 | 1.56 | 1273 | 1.66 |
| 2300              | 797   | 0.81 | 857 | 0.92 | 919 | 1.03 | 981                     | 1.13 | 1043 | 1.23 | 1103 | 1.33 | 1159                   | 1.43 | 1210 | 1.53 | 1255 | 1.64 | 1292 | 1.74 |
| 2400              | 817   | 0.90 | 877 | 1.01 | 939 | 1.12 | 1002                    | 1.22 | 1063 | 1.32 | 1123 | 1.42 | 1179                   | 1.52 | 1230 | 1.62 | 1275 | 1.73 | 1312 | 1.83 |
| 2500              | 838   | 1.00 | 898 | 1.11 | 960 | 1.22 | 1022                    | 1.32 | 1084 | 1.42 | 1144 | 1.52 | 1200                   | 1.62 | 1251 | 1.72 | 1296 | 1.82 | 1333 | 1.93 |
|                   | FS <sup>4</sup>                                       |      |     |      |     |      |                         |      |      |      |      |      |                        |      |      |      |      |      |      |      |

- Blower performance includes gas heat exchangers and 2" filters. See STATIC RESISTANCE table for additional applications.
- See RPM SELECTION table to determine desired motor sheave setting and to determine the maximum continuous BHP.
- kw = BHP x 0.932.
- Field Supplied Drive.

**J06ZH (6.5 Ton) Side Duct**

| Air Flow (CFM) | Available External Static Pressure - IWG <sup>1</sup> |      |      |      |      |      |                         |      |      |      |      |      |                        |      |      |      |      |      |      |      |
|----------------|---|------|------|------|------|------|-------------------------|------|------|------|------|------|------------------------|------|------|------|------|------|------|------|
|                | 0.2   |      | 0.4  |      | 0.6  |      | 0.8                     |      | 1.0  |      | 1.2  |      | 1.4                    |      | 1.6  |      | 1.8  |      | 2.0  |      |
|                | RPM   | BHP  | RPM  | BHP  | RPM  | BHP  | RPM                     | BHP  | RPM  | BHP  | RPM  | BHP  | RPM                    | BHP  | RPM  | BHP  | RPM  | BHP  | RPM  | BHP  |
|                | Field Supplied Drive                                  |      |      |      |      |      | Standard 1.5 HP & Drive |      |      |      |      |      | Hi Static 2 HP & Drive |      |      |      |      |      |      |      |
| 1800           | 751   | 0.22 | 813  | 0.43 | 872  | 0.62 | 929                     | 0.78 | 985  | 0.93 | 1040 | 1.07 | 1095                   | 1.20 | 1150 | 1.33 | 1206 | 1.46 | 1265 | 1.59 |
| 2000           | 776   | 0.35 | 838  | 0.56 | 897  | 0.75 | 954                     | 0.92 | 1010 | 1.07 | 1064 | 1.20 | 1119                   | 1.33 | 1175 | 1.46 | 1231 | 1.59 | 1289 | 1.72 |
| 2200           | 804   | 0.50 | 866  | 0.71 | 925  | 0.90 | 982                     | 1.06 | 1038 | 1.21 | 1092 | 1.35 | 1147                   | 1.48 | 1203 | 1.61 | 1259 | 1.73 | 1317 | 1.87 |
| 2400           | 835   | 0.66 | 897  | 0.87 | 956  | 1.06 | 1013                    | 1.22 | 1069 | 1.37 | 1124 | 1.51 | 1178                   | 1.64 | 1234 | 1.77 | 1290 | 1.90 | 1348 | 2.03 |
| 2600           | 869   | 0.84 | 931  | 1.05 | 990  | 1.24 | 1047                    | 1.40 | 1103 | 1.55 | 1158 | 1.69 | 1212                   | 1.82 | 1268 | 1.95 | 1324 | 2.07 | 1382 | 2.21 |
| 2800           | 906   | 1.03 | 968  | 1.25 | 1027 | 1.43 | 1084                    | 1.60 | 1139 | 1.75 | 1194 | 1.89 | 1249                   | 2.02 | 1304 | 2.14 | 1361 | 2.27 | -    | -    |
| 3000           | 945   | 1.25 | 1007 | 1.46 | 1066 | 1.65 | 1123                    | 1.81 | 1179 | 1.96 | 1234 | 2.10 | 1288                   | 2.23 | -    | -    | -    | -    | -    | -    |
| 3200           | 987   | 1.48 | 1048 | 1.69 | 1107 | 1.88 | 1165                    | 2.04 | 1220 | 2.19 | -    | -    | -                      | -    | -    | -    | -    | -    | -    | -    |
| 3400           | 1030  | 1.73 | 1092 | 1.94 | 1151 | 2.12 | 1208                    | 2.29 | -    | -    | -    | -    | -                      | -    | -    | -    | -    | -    | -    | -    |

1. Blower performance includes gas heat exchangers and 2" filters. See STATIC RESISTANCE table for additional applications.
2. See RPM SELECTION table to determine desired motor sheave setting and to determine the maximum continuous BHP.
3. kW = BHP x 0.932.

**J07ZH (7.5 Ton) Side Duct**

| Air Flow (CFM) | Available External Static Pressure - IWG <sup>1</sup> |      |      |      |                         |      |      |      |                        |      |      |      |      |      |      |      |      |      |      |      |
|----------------|---|------|------|------|-------------------------|------|------|------|------------------------|------|------|------|------|------|------|------|------|------|------|------|
|                | 0.2   |      | 0.4  |      | 0.6                     |      | 0.8  |      | 1.0                    |      | 1.2  |      | 1.4  |      | 1.6  |      | 1.8  |      | 2.0  |      |
|                | RPM   | BHP  | RPM  | BHP  | RPM                     | BHP  | RPM  | BHP  | RPM                    | BHP  | RPM  | BHP  | RPM  | BHP  | RPM  | BHP  | RPM  | BHP  | RPM  | BHP  |
|                | Field Supplied Drive                                  |      |      |      | Standard 1.5 HP & Drive |      |      |      | Hi Static 3 HP & Drive |      |      |      |      |      |      |      |      |      |      |      |
| 2000           | 776   | 0.35 | 838  | 0.56 | 897                     | 0.75 | 954  | 0.92 | 1010                   | 1.07 | 1064 | 1.20 | 1119 | 1.33 | 1175 | 1.46 | 1231 | 1.59 | 1289 | 1.72 |
| 2200           | 804   | 0.50 | 866  | 0.71 | 925                     | 0.90 | 982  | 1.06 | 1038                   | 1.21 | 1092 | 1.35 | 1147 | 1.48 | 1203 | 1.61 | 1259 | 1.73 | 1317 | 1.87 |
| 2400           | 835   | 0.66 | 897  | 0.87 | 956                     | 1.06 | 1013 | 1.22 | 1069                   | 1.37 | 1124 | 1.51 | 1178 | 1.64 | 1234 | 1.77 | 1290 | 1.90 | 1348 | 2.03 |
| 2600           | 869   | 0.84 | 931  | 1.05 | 990                     | 1.24 | 1047 | 1.40 | 1103                   | 1.55 | 1158 | 1.69 | 1212 | 1.82 | 1268 | 1.95 | 1324 | 2.07 | 1382 | 2.21 |
| 2800           | 906   | 1.03 | 968  | 1.25 | 1027                    | 1.43 | 1084 | 1.60 | 1139                   | 1.75 | 1194 | 1.89 | 1249 | 2.02 | 1304 | 2.14 | 1361 | 2.27 | 1419 | 2.40 |
| 3000           | 945   | 1.25 | 1007 | 1.46 | 1066                    | 1.65 | 1123 | 1.81 | 1179                   | 1.96 | 1234 | 2.10 | 1288 | 2.23 | 1344 | 2.36 | 1400 | 2.48 | 1458 | 2.62 |
| 3200           | 987   | 1.48 | 1048 | 1.69 | 1107                    | 1.88 | 1165 | 2.04 | 1220                   | 2.19 | 1275 | 2.33 | 1330 | 2.46 | 1385 | 2.59 | 1442 | 2.71 | 1500 | 2.85 |
| 3400           | 1030  | 1.73 | 1092 | 1.94 | 1151                    | 2.12 | 1208 | 2.29 | 1264                   | 2.44 | 1319 | 2.58 | 1374 | 2.71 | 1429 | 2.84 | 1485 | 2.96 | 1544 | 3.10 |
| 3600           | 1076  | 1.99 | 1138 | 2.20 | 1197                    | 2.39 | 1254 | 2.56 | 1310                   | 2.71 | 1364 | 2.84 | 1419 | 2.97 | 1475 | 3.10 | 1531 | 3.23 | 1589 | 3.36 |
| 3800           | 1124  | 2.27 | 1185 | 2.48 | 1245                    | 2.67 | 1302 | 2.84 | 1357                   | 2.99 | 1412 | 3.12 | 1467 | 3.25 | 1522 | 3.38 | -    | -    | -    | -    |

1. Blower performance includes gas heat exchangers and 2" filters. See STATIC RESISTANCE table for additional applications.
2. See RPM SELECTION table to determine desired motor sheave setting and to determine the maximum continuous BHP.
3. kW = BHP x 0.932.

**J08ZH (8.5 Ton) Side Duct**

| Air Flow (CFM) | Available External Static Pressure - IWG <sup>1</sup> |      |     |      |                       |      |     |      |                        |      |      |      |      |      |      |      |      |      |      |      |
|----------------|---|------|-----|------|-----------------------|------|-----|------|------------------------|------|------|------|------|------|------|------|------|------|------|------|
|                | 0.2   |      | 0.4 |      | 0.6                   |      | 0.8 |      | 1.0                    |      | 1.2  |      | 1.4  |      | 1.6  |      | 1.8  |      | 2.0  |      |
|                | RPM   | BHP  | RPM | BHP  | RPM                   | BHP  | RPM | BHP  | RPM                    | BHP  | RPM  | BHP  | RPM  | BHP  | RPM  | BHP  | RPM  | BHP  | RPM  | BHP  |
|                | Field Supplied Drive                                  |      |     |      | Standard 2 HP & Drive |      |     |      | Hi Static 3 HP & Drive |      |      |      |      |      |      |      |      |      |      |      |
| 2600           | 628   | 0.56 | 678 | 0.76 | 730                   | 0.93 | 781 | 1.09 | 833                    | 1.25 | 883  | 1.41 | 933  | 1.59 | 980  | 1.80 | 1025 | 2.05 | 1068 | 2.35 |
| 2800           | 648   | 0.67 | 698 | 0.87 | 750                   | 1.04 | 801 | 1.20 | 853                    | 1.36 | 903  | 1.52 | 953  | 1.70 | 1000 | 1.91 | 1046 | 2.16 | 1088 | 2.46 |
| 3000           | 666   | 0.80 | 717 | 1.00 | 768                   | 1.17 | 820 | 1.33 | 871                    | 1.49 | 922  | 1.65 | 971  | 1.83 | 1019 | 2.04 | 1064 | 2.29 | 1106 | 2.59 |
| 3200           | 684   | 0.95 | 735 | 1.15 | 786                   | 1.32 | 838 | 1.48 | 889                    | 1.63 | 940  | 1.80 | 989  | 1.98 | 1037 | 2.19 | 1082 | 2.44 | 1124 | 2.74 |
| 3400           | 702   | 1.11 | 753 | 1.31 | 804                   | 1.48 | 856 | 1.64 | 907                    | 1.79 | 958  | 1.96 | 1007 | 2.14 | 1055 | 2.35 | 1100 | 2.60 | 1142 | 2.90 |
| 3600           | 721   | 1.28 | 772 | 1.48 | 824                   | 1.65 | 875 | 1.81 | 927                    | 1.97 | 977  | 2.13 | 1027 | 2.31 | 1074 | 2.52 | 1119 | 2.77 | -    | -    |
| 3800           | 742   | 1.47 | 793 | 1.67 | 844                   | 1.84 | 896 | 2.00 | 947                    | 2.15 | 998  | 2.32 | 1047 | 2.50 | 1095 | 2.71 | 1140 | 2.96 | -    | -    |
| 4000           | 765   | 1.67 | 815 | 1.86 | 867                   | 2.04 | 918 | 2.19 | 970                    | 2.35 | 1020 | 2.51 | 1070 | 2.70 | 1117 | 2.91 | -    | -    | -    | -    |
| 4200           | 789   | 1.87 | 840 | 2.07 | 891                   | 2.24 | 943 | 2.40 | 995                    | 2.56 | 1045 | 2.72 | 1094 | 2.90 | -    | -    | -    | -    | -    | -    |

1. Blower performance includes gas heat exchangers and 2" filters. See STATIC RESISTANCE table for additional applications.
2. See RPM SELECTION table to determine desired motor sheave setting and to determine the maximum continuous BHP.
3. kW = BHP x 0.932.

**J10ZH (10 Ton) Side Duct**

| Air Flow<br>(CFM) | Available External Static Pressure - IWG <sup>1</sup> |      |     |      |                       |      |      |      |      |      |                        |      |      |      |      |      |      |      |      |      |
|-------------------|---|------|-----|------|-----------------------|------|------|------|------|------|------------------------|------|------|------|------|------|------|------|------|------|
|                   | 0.2   |      | 0.4 |      | 0.6                   |      | 0.8  |      | 1.0  |      | 1.2                    |      | 1.4  |      | 1.6  |      | 1.8  |      | 2.0  |      |
|                   | RPM   | BHP  | RPM | BHP  | RPM                   | BHP  | RPM  | BHP  | RPM  | BHP  | RPM                    | BHP  | RPM  | BHP  | RPM  | BHP  | RPM  | BHP  | RPM  | BHP  |
|                   | Field Supplied Drive                                  |      |     |      | Standard 2 HP & Drive |      |      |      |      |      | Hi Static 3 HP & Drive |      |      |      |      |      |      |      |      |      |
| 2600              | 675   | 0.53 | 726 | 0.74 | 776                   | 0.94 | 824  | 1.12 | 870  | 1.30 | 914                    | 1.48 | 957  | 1.65 | 1000 | 1.82 | 1041 | 1.99 | 1082 | 2.17 |
| 2800              | 686   | 0.63 | 738 | 0.84 | 787                   | 1.04 | 835  | 1.23 | 881  | 1.41 | 925                    | 1.58 | 969  | 1.76 | 1011 | 1.93 | 1052 | 2.10 | 1093 | 2.27 |
| 3000              | 699   | 0.75 | 750 | 0.96 | 800                   | 1.16 | 847  | 1.34 | 893  | 1.52 | 938                    | 1.70 | 981  | 1.87 | 1024 | 2.04 | 1065 | 2.21 | 1106 | 2.39 |
| 3200              | 713   | 0.88 | 764 | 1.09 | 814                   | 1.28 | 861  | 1.47 | 907  | 1.65 | 952                    | 1.83 | 995  | 2.00 | 1037 | 2.17 | 1079 | 2.34 | 1119 | 2.52 |
| 3400              | 728   | 1.02 | 779 | 1.23 | 829                   | 1.43 | 877  | 1.61 | 923  | 1.79 | 967                    | 1.97 | 1010 | 2.14 | 1053 | 2.31 | 1094 | 2.48 | 1135 | 2.66 |
| 3600              | 745   | 1.18 | 796 | 1.39 | 846                   | 1.59 | 893  | 1.77 | 939  | 1.95 | 984                    | 2.13 | 1027 | 2.30 | 1069 | 2.47 | 1111 | 2.64 | 1152 | 2.82 |
| 3800              | 763   | 1.36 | 815 | 1.57 | 864                   | 1.76 | 912  | 1.95 | 958  | 2.13 | 1002                   | 2.31 | 1046 | 2.48 | 1088 | 2.65 | 1129 | 2.82 | 1170 | 3.00 |
| 4000              | 783   | 1.55 | 835 | 1.76 | 884                   | 1.96 | 932  | 2.15 | 978  | 2.33 | 1022                   | 2.50 | 1066 | 2.67 | 1108 | 2.84 | 1149 | 3.02 | 1190 | 3.19 |
| 4200              | 805   | 1.77 | 856 | 1.98 | 906                   | 2.17 | 953  | 2.36 | 999  | 2.54 | 1044                   | 2.72 | 1087 | 2.89 | 1129 | 3.06 | 1171 | 3.23 | 1211 | 3.41 |
| 4400              | 828   | 2.00 | 879 | 2.21 | 929                   | 2.41 | 976  | 2.59 | 1022 | 2.77 | 1067                   | 2.95 | 1110 | 3.12 | 1152 | 3.29 | -    | -    | -    | -    |
| 4600              | 852   | 2.25 | 904 | 2.46 | 953                   | 2.66 | 1001 | 2.85 | 1047 | 3.03 | 1092                   | 3.20 | 1135 | 3.37 | -    | -    | -    | -    | -    | -    |
| 4800              | 879   | 2.52 | 930 | 2.73 | 980                   | 2.93 | 1027 | 3.12 | 1073 | 3.30 | -                      | -    | -    | -    | -    | -    | -    | -    | -    | -    |
| 5000              | 906   | 2.81 | 958 | 3.02 | 1007                  | 3.22 | 1055 | 3.41 | -    | -    | -                      | -    | -    | -    | -    | -    | -    | -    | -    | -    |
|                   | 3 HP & Field Supplied Drive                           |      |     |      |                       |      |      |      |      |      |                        |      |      |      |      |      |      |      |      |      |

1. Blower performance includes gas heat exchangers and 2" filters. See STATIC RESISTANCE table for additional applications.
2. See RPM SELECTION table to determine desired motor sheave setting and to determine the maximum continuous BHP.
3. kW = BHP x 0.932.

**J12ZH (12.5 Ton) Side Duct**

| Air Flow<br>(CFM) | Available External Static Pressure - IWG <sup>1</sup> |      |      |      |                       |      |      |                             |      |      |                        |      |      |      |      |      |      |      |      |      |
|-------------------|---|------|------|------|-----------------------|------|------|-----------------------------|------|------|------------------------|------|------|------|------|------|------|------|------|------|
|                   | 0.2   |      | 0.4  |      | 0.6                   |      | 0.8  |                             | 1.0  |      | 1.2                    |      | 1.4  |      | 1.6  |      | 1.8  |      | 2.0  |      |
|                   | RPM   | BHP  | RPM  | BHP  | RPM                   | BHP  | RPM  | BHP                         | RPM  | BHP  | RPM                    | BHP  | RPM  | BHP  | RPM  | BHP  | RPM  | BHP  | RPM  | BHP  |
|                   | Field Supplied Drive                                  |      |      |      | Standard 3 HP & Drive |      |      |                             |      |      | Hi Static 5 HP & Drive |      |      |      |      |      |      |      |      |      |
| 3200              | 713   | 0.88 | 764  | 1.09 | 814                   | 1.28 | 861  | 1.47                        | 907  | 1.65 | 952                    | 1.83 | 995  | 2.00 | 1037 | 2.17 | 1079 | 2.34 | 1119 | 2.52 |
| 3400              | 728   | 1.02 | 779  | 1.23 | 829                   | 1.43 | 877  | 1.61                        | 923  | 1.79 | 967                    | 1.97 | 1010 | 2.14 | 1053 | 2.31 | 1094 | 2.48 | 1135 | 2.66 |
| 3600              | 745   | 1.18 | 796  | 1.39 | 846                   | 1.59 | 893  | 1.77                        | 939  | 1.95 | 984                    | 2.13 | 1027 | 2.30 | 1069 | 2.47 | 1111 | 2.64 | 1152 | 2.82 |
| 3800              | 763   | 1.36 | 815  | 1.57 | 864                   | 1.76 | 912  | 1.95                        | 958  | 2.13 | 1002                   | 2.31 | 1046 | 2.48 | 1088 | 2.65 | 1129 | 2.82 | 1170 | 3.00 |
| 4000              | 783   | 1.55 | 835  | 1.76 | 884                   | 1.96 | 932  | 2.15                        | 978  | 2.33 | 1022                   | 2.50 | 1066 | 2.67 | 1108 | 2.84 | 1149 | 3.02 | 1190 | 3.19 |
| 4200              | 805   | 1.77 | 856  | 1.98 | 906                   | 2.17 | 953  | 2.36                        | 999  | 2.54 | 1044                   | 2.72 | 1087 | 2.89 | 1129 | 3.06 | 1171 | 3.23 | 1211 | 3.41 |
| 4400              | 828   | 2.00 | 879  | 2.21 | 929                   | 2.41 | 976  | 2.59                        | 1022 | 2.77 | 1067                   | 2.95 | 1110 | 3.12 | 1152 | 3.29 | 1194 | 3.46 | 1235 | 3.64 |
| 4600              | 852   | 2.25 | 904  | 2.46 | 953                   | 2.66 | 1001 | 2.85                        | 1047 | 3.03 | 1092                   | 3.20 | 1135 | 3.37 | 1177 | 3.54 | 1219 | 3.72 | 1259 | 3.89 |
| 4800              | 879   | 2.52 | 930  | 2.73 | 980                   | 2.93 | 1027 | 3.12                        | 1073 | 3.30 | 1118                   | 3.47 | 1161 | 3.65 | 1203 | 3.82 | 1245 | 3.99 | 1285 | 4.16 |
| 5000              | 906   | 2.81 | 958  | 3.02 | 1007                  | 3.22 | 1055 | 3.41                        | 1101 | 3.59 | 1146                   | 3.76 | 1189 | 3.94 | 1231 | 4.11 | 1273 | 4.28 | 1313 | 4.45 |
| 5200              | 936   | 3.12 | 987  | 3.33 | 1037                  | 3.53 | 1084 | 3.72                        | 1130 | 3.90 | 1175                   | 4.07 | 1218 | 4.24 | 1260 | 4.42 | 1302 | 4.59 | 1343 | 4.76 |
| 5400              | 966   | 3.45 | 1018 | 3.66 | 1067                  | 3.86 | 1115 | 4.05                        | 1161 | 4.23 | 1206                   | 4.40 | 1249 | 4.57 | 1291 | 4.74 | 1333 | 4.91 | 1373 | 5.09 |
| 5600              | 999   | 3.80 | 1050 | 4.01 | 1100                  | 4.20 | 1147 | 4.39                        | 1193 | 4.57 | 1238                   | 4.75 | 1281 | 4.92 | 1323 | 5.09 | 1365 | 5.26 | 1405 | 5.44 |
| 5800              | 1032  | 4.16 | 1084 | 4.37 | 1133                  | 4.57 | 1181 | 4.75                        | 1227 | 4.93 | 1271                   | 5.11 | 1315 | 5.28 | 1357 | 5.45 | 1398 | 5.62 | -    | -    |
| 6000              | 1067  | 4.54 | 1119 | 4.75 | 1168                  | 4.95 | 1216 | 5.13                        | 1262 | 5.31 | 1306                   | 5.49 | 1350 | 5.66 | -    | -    | -    | -    | -    | -    |
| 6200              | 1103  | 4.94 | 1155 | 5.15 | 1204                  | 5.34 | 1252 | 5.53                        | 1298 | 5.71 | -                      | -    | -    | -    | -    | -    | -    | -    | -    | -    |
|                   | Hi Static 5 HP & Drive                                |      |      |      |                       |      |      | 5 HP & Field Supplied Drive |      |      |                        |      |      |      |      |      |      |      |      |      |

1. Blower performance includes gas heat exchangers and 2" filters. See STATIC RESISTANCE table for additional applications.
2. See RPM SELECTION table to determine desired motor sheave setting and to determine the maximum continuous BHP.
3. kW = BHP x 0.932.

**JA3 thru 12ZH Bottom Duct Application**

**JA3ZH (3.0 Ton) Bottom Duct**

| Air Flow (CFM) | Available External Static Pressure - IWG <sup>1</sup> |      |     |      |     |      |                          |      |     |      |      |      |      |      |      |      |      |      |      |      |
|----------------|---|------|-----|------|-----|------|--------------------------|------|-----|------|------|------|------|------|------|------|------|------|------|------|
|                | 0.2   |      | 0.4 |      | 0.6 |      | 0.8                      |      | 1.0 |      | 1.2  |      | 1.4  |      | 1.6  |      | 1.8  |      | 2.0  |      |
|                | RPM   | BHP  | RPM | BHP  | RPM | BHP  | RPM                      | BHP  | RPM | BHP  | RPM  | BHP  | RPM  | BHP  | RPM  | BHP  | RPM  | BHP  | RPM  | BHP  |
|                | Standard 1.5 HP & Drive                               |      |     |      |     |      | Hi Static 1.5 HP & Drive |      |     |      |      |      |      |      |      |      |      |      |      |      |
| 900            | 605   | 0.23 | 671 | 0.33 | 738 | 0.42 | 804                      | 0.52 | 869 | 0.62 | 933  | 0.71 | 995  | 0.80 | 1054 | 0.89 | 1111 | 0.98 | 1164 | 1.07 |
| 1000           | 621   | 0.25 | 688 | 0.34 | 754 | 0.44 | 820                      | 0.53 | 885 | 0.63 | 949  | 0.72 | 1011 | 0.82 | 1071 | 0.91 | 1127 | 1.00 | 1180 | 1.09 |
| 1100           | 637   | 0.27 | 703 | 0.36 | 769 | 0.46 | 835                      | 0.56 | 900 | 0.65 | 964  | 0.74 | 1026 | 0.84 | 1086 | 0.93 | 1142 | 1.02 | 1195 | 1.11 |
| 1200           | 651   | 0.30 | 717 | 0.39 | 784 | 0.49 | 850                      | 0.58 | 915 | 0.68 | 979  | 0.77 | 1041 | 0.87 | 1100 | 0.96 | 1157 | 1.05 | 1210 | 1.13 |
| 1300           | 666   | 0.33 | 732 | 0.43 | 799 | 0.52 | 865                      | 0.62 | 930 | 0.71 | 994  | 0.81 | 1056 | 0.90 | 1115 | 0.99 | 1172 | 1.08 | 1225 | 1.17 |
| 1400           | 681   | 0.37 | 747 | 0.47 | 814 | 0.56 | 880                      | 0.66 | 945 | 0.75 | 1009 | 0.85 | 1071 | 0.94 | 1130 | 1.03 | 1187 | 1.12 | 1240 | 1.21 |
| 1500           | 697   | 0.42 | 763 | 0.51 | 830 | 0.61 | 896                      | 0.71 | 961 | 0.80 | 1025 | 0.90 | 1087 | 0.99 | 1146 | 1.08 | 1203 | 1.17 | 1256 | 1.26 |
|                | 1.5 HP & Field Supplied Drive                         |      |     |      |     |      |                          |      |     |      |      |      |      |      |      |      |      |      |      |      |

1. Blower performance includes gas heat exchangers and 2" filters. See STATIC RESISTANCE table for additional applications.
2. See RPM SELECTION table to determine desired motor sheave setting and to determine the maximum continuous BHP.
3. kW = BHP x 0.932.

**JA4ZH (4.0 Ton) Bottom Duct**

| Air Flow (CFM) | Available External Static Pressure - IWG <sup>1</sup> |      |                         |      |     |      |     |      |                          |      |      |      |      |      |      |      |      |      |      |      |
|----------------|---|------|-------------------------|------|-----|------|-----|------|--------------------------|------|------|------|------|------|------|------|------|------|------|------|
|                | 0.2   |      | 0.4                     |      | 0.6 |      | 0.8 |      | 1.0                      |      | 1.2  |      | 1.4  |      | 1.6  |      | 1.8  |      | 2.0  |      |
|                | RPM   | BHP  | RPM                     | BHP  | RPM | BHP  | RPM | BHP  | RPM                      | BHP  | RPM  | BHP  | RPM  | BHP  | RPM  | BHP  | RPM  | BHP  | RPM  | BHP  |
|                | FS <sup>4</sup>                                       |      | Standard 1.5 HP & Drive |      |     |      |     |      | Hi Static 1.5 HP & Drive |      |      |      |      |      |      |      |      |      |      |      |
| 1200           | 651   | 0.30 | 717                     | 0.39 | 784 | 0.49 | 850 | 0.58 | 915                      | 0.68 | 979  | 0.77 | 1041 | 0.87 | 1100 | 0.96 | 1157 | 1.05 | 1210 | 1.13 |
| 1300           | 666   | 0.33 | 732                     | 0.43 | 799 | 0.52 | 865 | 0.62 | 930                      | 0.71 | 994  | 0.81 | 1056 | 0.90 | 1115 | 0.99 | 1172 | 1.08 | 1225 | 1.17 |
| 1400           | 681   | 0.37 | 747                     | 0.47 | 814 | 0.56 | 880 | 0.66 | 945                      | 0.75 | 1009 | 0.85 | 1071 | 0.94 | 1130 | 1.03 | 1187 | 1.12 | 1240 | 1.21 |
| 1500           | 697   | 0.42 | 763                     | 0.51 | 830 | 0.61 | 896 | 0.71 | 961                      | 0.80 | 1025 | 0.90 | 1087 | 0.99 | 1146 | 1.08 | 1203 | 1.17 | 1256 | 1.26 |
| 1600           | 714   | 0.47 | 780                     | 0.57 | 846 | 0.66 | 913 | 0.76 | 978                      | 0.86 | 1042 | 0.95 | 1103 | 1.04 | 1163 | 1.14 | 1220 | 1.22 | 1273 | 1.31 |
| 1700           | 732   | 0.53 | 798                     | 0.63 | 864 | 0.73 | 930 | 0.82 | 996                      | 0.92 | 1059 | 1.01 | 1121 | 1.10 | 1181 | 1.20 | 1237 | 1.29 | 1291 | 1.37 |
| 1800           | 751   | 0.60 | 817                     | 0.70 | 883 | 0.79 | 950 | 0.89 | 1015                     | 0.98 | 1079 | 1.08 | 1140 | 1.17 | 1200 | 1.26 | 1257 | 1.35 | 1310 | 1.44 |
| 1900           | 771   | 0.68 | 837                     | 0.77 | 904 | 0.87 | 970 | 0.96 | 1035                     | 1.06 | 1099 | 1.15 | 1161 | 1.25 | 1220 | 1.34 | 1277 | 1.43 | -    | -    |
| 2000           | 793   | 0.75 | 859                     | 0.85 | 925 | 0.95 | 991 | 1.04 | 1056                     | 1.14 | 1120 | 1.23 | 1182 | 1.32 | 1242 | 1.42 | 1298 | 1.51 | -    | -    |

1. Blower performance includes gas heat exchangers and 2" filters. See STATIC RESISTANCE table for additional applications.
2. See RPM SELECTION table to determine desired motor sheave setting and to determine the maximum continuous BHP.
3. kW = BHP x 0.932.
4. Field Supplied Drive.

**JA5ZH (5.0 Ton) Bottom Duct**

| Air Flow (CFM) | Available External Static Pressure - IWG <sup>1</sup> |      |     |                         |      |      |      |      |      |                        |      |      |      |      |      |      |      |      |      |      |  |
|----------------|---|------|-----|-------------------------|------|------|------|------|------|------------------------|------|------|------|------|------|------|------|------|------|------|--|
|                | 0.2   |      | 0.4 |                         | 0.6  |      | 0.8  |      | 1.0  |                        | 1.2  |      | 1.4  |      | 1.6  |      | 1.8  |      | 2.0  |      |  |
|                | RPM   | BHP  | RPM | BHP                     | RPM  | BHP  | RPM  | BHP  | RPM  | BHP                    | RPM  | BHP  | RPM  | BHP  | RPM  | BHP  | RPM  | BHP  | RPM  | BHP  |  |
|                | 1.5 HP & Field Supplied Drive                         |      |     | Standard 1.5 HP & Drive |      |      |      |      |      | Hi Static 2 HP & Drive |      |      |      |      |      |      |      |      |      |      |  |
| 1500           | 673   | 0.47 | 736 | 0.54                    | 797  | 0.63 | 855  | 0.72 | 910  | 0.82                   | 964  | 0.92 | 1016 | 1.03 | 1067 | 1.14 | 1117 | 1.25 | 1166 | 1.36 |  |
| 1600           | 693   | 0.49 | 756 | 0.57                    | 817  | 0.65 | 874  | 0.75 | 930  | 0.85                   | 984  | 0.95 | 1036 | 1.06 | 1087 | 1.17 | 1137 | 1.28 | 1186 | 1.39 |  |
| 1700           | 713   | 0.53 | 777 | 0.60                    | 837  | 0.69 | 895  | 0.78 | 951  | 0.88                   | 1004 | 0.98 | 1057 | 1.09 | 1107 | 1.20 | 1157 | 1.31 | 1207 | 1.42 |  |
| 1800           | 734   | 0.57 | 797 | 0.65                    | 858  | 0.73 | 916  | 0.83 | 971  | 0.92                   | 1025 | 1.03 | 1077 | 1.14 | 1128 | 1.25 | 1178 | 1.36 | 1228 | 1.47 |  |
| 1900           | 755   | 0.62 | 819 | 0.70                    | 879  | 0.79 | 937  | 0.88 | 992  | 0.98                   | 1046 | 1.08 | 1098 | 1.19 | 1149 | 1.30 | 1199 | 1.41 | 1249 | 1.52 |  |
| 2000           | 776   | 0.69 | 840 | 0.76                    | 900  | 0.85 | 958  | 0.94 | 1014 | 1.04                   | 1067 | 1.14 | 1120 | 1.25 | 1171 | 1.36 | 1221 | 1.47 | 1270 | 1.59 |  |
| 2100           | 798   | 0.76 | 861 | 0.84                    | 921  | 0.92 | 979  | 1.02 | 1035 | 1.11                   | 1089 | 1.22 | 1141 | 1.32 | 1192 | 1.44 | 1242 | 1.55 | 1291 | 1.66 |  |
| 2200           | 819   | 0.84 | 882 | 0.92                    | 943  | 1.00 | 1001 | 1.10 | 1056 | 1.20                   | 1110 | 1.30 | 1162 | 1.41 | 1213 | 1.52 | 1263 | 1.63 | 1312 | 1.74 |  |
| 2300           | 840   | 0.93 | 903 | 1.01                    | 964  | 1.10 | 1022 | 1.19 | 1077 | 1.29                   | 1131 | 1.39 | 1183 | 1.50 | 1234 | 1.61 | 1284 | 1.72 | 1334 | 1.83 |  |
| 2400           | 861   | 1.03 | 925 | 1.11                    | 985  | 1.20 | 1043 | 1.29 | 1099 | 1.39                   | 1152 | 1.49 | 1204 | 1.60 | 1255 | 1.71 | 1305 | 1.82 | 1355 | 1.93 |  |
| 2500           | 882   | 1.14 | 946 | 1.22                    | 1006 | 1.30 | 1064 | 1.40 | 1120 | 1.50                   | 1173 | 1.60 | 1226 | 1.71 | 1276 | 1.82 | 1326 | 1.93 | 1376 | 2.04 |  |
|                | 3 HP & Field Supplied Drive                           |      |     |                         |      |      |      |      |      |                        |      |      |      |      |      |      |      |      |      |      |  |

1. Blower performance includes gas heat exchangers and 2" filters. See STATIC RESISTANCE table for additional applications.
2. See RPM SELECTION table to determine desired motor sheave setting and to determine the maximum continuous BHP.
3. kW = BHP x 0.932.

**J06ZH (6.5 Ton) Bottom Duct**

| Air Flow<br>(CFM) | Available External Static Pressure - IWG <sup>1</sup> |      |      |      |                         |      |      |      |                        |      |      |      |      |      |      |      |      |      |      |      |
|-------------------|---|------|------|------|-------------------------|------|------|------|------------------------|------|------|------|------|------|------|------|------|------|------|------|
|                   | 0.2   |      | 0.4  |      | 0.6                     |      | 0.8  |      | 1.0                    |      | 1.2  |      | 1.4  |      | 1.6  |      | 1.8  |      | 2.0  |      |
|                   | RPM   | BHP  | RPM  | BHP  | RPM                     | BHP  | RPM  | BHP  | RPM                    | BHP  | RPM  | BHP  | RPM  | BHP  | RPM  | BHP  | RPM  | BHP  | RPM  | BHP  |
|                   | Field Supplied Drive                                  |      |      |      | Standard 1.5 HP & Drive |      |      |      | Hi Static 2 HP & Drive |      |      |      |      |      |      |      |      |      |      |      |
| 1800              | 775   | 0.31 | 850  | 0.53 | 924                     | 0.72 | 998  | 0.89 | 1072                   | 1.05 | 1147 | 1.20 | 1224 | 1.35 | 1303 | 1.51 | 1384 | 1.69 | 1469 | 1.89 |
| 2000              | 803   | 0.45 | 878  | 0.67 | 952                     | 0.86 | 1026 | 1.03 | 1100                   | 1.19 | 1175 | 1.34 | 1252 | 1.49 | 1331 | 1.65 | 1412 | 1.83 | 1497 | 2.03 |
| 2200              | 838   | 0.60 | 913  | 0.82 | 986                     | 1.01 | 1060 | 1.19 | 1134                   | 1.34 | 1210 | 1.49 | 1286 | 1.65 | 1365 | 1.81 | 1447 | 1.98 | 1532 | 2.18 |
| 2400              | 878   | 0.78 | 953  | 1.00 | 1027                    | 1.19 | 1100 | 1.36 | 1174                   | 1.52 | 1250 | 1.67 | 1327 | 1.82 | 1405 | 1.98 | 1487 | 2.16 | -    | -    |
| 2600              | 923   | 0.98 | 997  | 1.20 | 1071                    | 1.39 | 1145 | 1.56 | 1219                   | 1.72 | 1294 | 1.87 | 1371 | 2.02 | 1450 | 2.18 | -    | -    | -    | -    |
| 2800              | 971   | 1.20 | 1046 | 1.42 | 1119                    | 1.61 | 1193 | 1.78 | 1267                   | 1.94 | 1343 | 2.09 | 1419 | 2.24 | -    | -    | -    | -    | -    | -    |
| 3000              | 1023  | 1.44 | 1097 | 1.66 | 1171                    | 1.85 | 1245 | 2.03 | 1319                   | 2.18 | -    | -    | -    | -    | -    | -    | -    | -    | -    | -    |
| 3200              | 1077  | 1.71 | 1151 | 1.93 | 1225                    | 2.12 | 1299 | 2.29 | -                      | -    | -    | -    | -    | -    | -    | -    | -    | -    | -    | -    |
| 3400              | 1133  | 1.99 | 1208 | 2.21 | -                       | -    | -    | -    | -                      | -    | -    | -    | -    | -    | -    | -    | -    | -    | -    | -    |

2 HP &amp; Field Supplied Drive

1. Blower performance includes gas heat exchangers and 2" filters. See STATIC RESISTANCE table for additional applications.
2. See RPM SELECTION table to determine desired motor sheave setting and to determine the maximum continuous BHP.
3. kW = BHP x 0.932.

**J07ZH (7.5 Ton) Bottom Duct**

| Air Flow<br>(CFM) | Available External Static Pressure - IWG <sup>1</sup> |      |      |      |                         |      |      |      |                        |      |      |      |      |      |      |      |      |      |      |      |
|-------------------|---|------|------|------|-------------------------|------|------|------|------------------------|------|------|------|------|------|------|------|------|------|------|------|
|                   | 0.2   |      | 0.4  |      | 0.6                     |      | 0.8  |      | 1.0                    |      | 1.2  |      | 1.4  |      | 1.6  |      | 1.8  |      | 2.0  |      |
|                   | RPM   | BHP  | RPM  | BHP  | RPM                     | BHP  | RPM  | BHP  | RPM                    | BHP  | RPM  | BHP  | RPM  | BHP  | RPM  | BHP  | RPM  | BHP  | RPM  | BHP  |
|                   | Field Supplied Drive                                  |      |      |      | Standard 1.5 HP & Drive |      |      |      | Hi Static 3 HP & Drive |      |      |      |      |      |      |      |      |      |      |      |
| 2000              | 803   | 0.45 | 878  | 0.67 | 952                     | 0.86 | 1026 | 1.03 | 1100                   | 1.19 | 1175 | 1.34 | 1252 | 1.49 | 1331 | 1.65 | 1412 | 1.83 | 1497 | 2.03 |
| 2200              | 838   | 0.60 | 913  | 0.82 | 986                     | 1.01 | 1060 | 1.19 | 1134                   | 1.34 | 1210 | 1.49 | 1286 | 1.65 | 1365 | 1.81 | 1447 | 1.98 | 1532 | 2.18 |
| 2400              | 878   | 0.78 | 953  | 1.00 | 1027                    | 1.19 | 1100 | 1.36 | 1174                   | 1.52 | 1250 | 1.67 | 1327 | 1.82 | 1405 | 1.98 | 1487 | 2.16 | 1572 | 2.36 |
| 2600              | 923   | 0.98 | 997  | 1.20 | 1071                    | 1.39 | 1145 | 1.56 | 1219                   | 1.72 | 1294 | 1.87 | 1371 | 2.02 | 1450 | 2.18 | 1532 | 2.36 | 1617 | 2.56 |
| 2800              | 971   | 1.20 | 1046 | 1.42 | 1119                    | 1.61 | 1193 | 1.78 | 1267                   | 1.94 | 1343 | 2.09 | 1419 | 2.24 | 1498 | 2.40 | 1580 | 2.58 | 1665 | 2.78 |
| 3000              | 1023  | 1.44 | 1097 | 1.66 | 1171                    | 1.85 | 1245 | 2.03 | 1319                   | 2.18 | 1394 | 2.33 | 1471 | 2.49 | 1550 | 2.65 | 1632 | 2.82 | 1717 | 3.02 |
| 3200              | 1077  | 1.71 | 1151 | 1.93 | 1225                    | 2.12 | 1299 | 2.29 | 1373                   | 2.45 | 1448 | 2.60 | 1525 | 2.75 | 1604 | 2.91 | 1686 | 3.09 | 1771 | 3.29 |
| 3400              | 1133  | 1.99 | 1208 | 2.21 | 1282                    | 2.41 | 1356 | 2.58 | 1430                   | 2.73 | 1505 | 2.88 | 1582 | 3.04 | 1661 | 3.20 | 1742 | 3.37 | -    | -    |
| 3600              | 1192  | 2.30 | 1267 | 2.52 | 1341                    | 2.71 | 1414 | 2.88 | 1489                   | 3.04 | 1564 | 3.19 | 1641 | 3.34 | -    | -    | -    | -    | -    | -    |
| 3800              | 1253  | 2.63 | 1327 | 2.85 | 1401                    | 3.04 | 1475 | 3.21 | 1549                   | 3.37 | -    | -    | -    | -    | -    | -    | -    | -    | -    | -    |

3 HP &amp; Field Supplied Drive

1. Blower performance includes gas heat exchangers and 2" filters. See STATIC RESISTANCE table for additional applications.
2. See RPM SELECTION table to determine desired motor sheave setting and to determine the maximum continuous BHP.
3. kW = BHP x 0.932.

**J08ZH (8.5 Ton) Bottom Duct**

| Air Flow<br>(CFM) | Available External Static Pressure - IWG <sup>1</sup> |      |                       |      |     |      |                        |      |      |      |      |      |      |      |      |      |      |      |      |      |
|-------------------|---|------|-----------------------|------|-----|------|------------------------|------|------|------|------|------|------|------|------|------|------|------|------|------|
|                   | 0.2   |      | 0.4                   |      | 0.6 |      | 0.8                    |      | 1.0  |      | 1.2  |      | 1.4  |      | 1.6  |      | 1.8  |      | 2.0  |      |
|                   | RPM   | BHP  | RPM                   | BHP  | RPM | BHP  | RPM                    | BHP  | RPM  | BHP  | RPM  | BHP  | RPM  | BHP  | RPM  | BHP  | RPM  | BHP  | RPM  | BHP  |
|                   | FS <sup>4</sup>                                       |      | Standard 2 HP & Drive |      |     |      | Hi Static 3 HP & Drive |      |      |      |      |      |      |      |      |      |      |      |      |      |
| 2600              | 674   | 0.71 | 731                   | 0.88 | 786 | 1.05 | 838                    | 1.24 | 887  | 1.42 | 933  | 1.59 | 974  | 1.74 | 1010 | 1.87 | 1040 | 1.97 | 1064 | 2.03 |
| 2800              | 689   | 0.86 | 746                   | 1.02 | 801 | 1.20 | 854                    | 1.38 | 903  | 1.56 | 948  | 1.73 | 989  | 1.88 | 1025 | 2.01 | 1056 | 2.11 | 1080 | 2.17 |
| 3000              | 707   | 1.01 | 764                   | 1.17 | 819 | 1.35 | 872                    | 1.53 | 921  | 1.71 | 966  | 1.88 | 1007 | 2.03 | 1043 | 2.16 | 1074 | 2.26 | 1098 | 2.32 |
| 3200              | 728   | 1.17 | 785                   | 1.33 | 840 | 1.51 | 892                    | 1.69 | 941  | 1.87 | 987  | 2.04 | 1028 | 2.20 | 1064 | 2.33 | 1094 | 2.42 | 1118 | 2.48 |
| 3400              | 751   | 1.34 | 808                   | 1.51 | 863 | 1.68 | 915                    | 1.87 | 964  | 2.05 | 1010 | 2.22 | 1051 | 2.37 | 1087 | 2.50 | 1117 | 2.60 | 1141 | 2.66 |
| 3600              | 776   | 1.53 | 833                   | 1.70 | 888 | 1.87 | 941                    | 2.06 | 990  | 2.24 | 1035 | 2.41 | 1076 | 2.56 | 1112 | 2.69 | 1142 | 2.79 | 1167 | 2.85 |
| 3800              | 804   | 1.74 | 861                   | 1.90 | 916 | 2.08 | 969                    | 2.26 | 1018 | 2.44 | 1063 | 2.61 | 1104 | 2.77 | 1140 | 2.90 | 1170 | 2.99 | -    | -    |
| 4000              | 835   | 1.97 | 892                   | 2.13 | 947 | 2.31 | 999                    | 2.49 | 1048 | 2.67 | 1094 | 2.84 | 1135 | 2.99 | -    | -    | -    | -    | -    | -    |
| 4200              | 867   | 2.21 | 924                   | 2.37 | 979 | 2.55 | 1032                   | 2.73 | 1081 | 2.91 | 1127 | 3.08 | -    | -    | -    | -    | -    | -    | -    | -    |

3 HP &amp; Field Supplied Drive

1. Blower performance includes gas heat exchangers and 2" filters. See STATIC RESISTANCE table for additional applications.
2. See RPM SELECTION table to determine desired motor sheave setting and to determine the maximum continuous BHP.
3. kW = BHP x 0.932.
4. Field Supplied Drive.

**J10ZH (10 Ton) Bottom Duct**

| Air Flow (CFM) | Available External Static Pressure - IWG <sup>1</sup> |      |                       |      |      |      |      |      |      |      |                        |      |      |      |      |      |      |      |      |      |
|----------------|---|------|-----------------------|------|------|------|------|------|------|------|------------------------|------|------|------|------|------|------|------|------|------|
|                | 0.2   |      | 0.4                   |      | 0.6  |      | 0.8  |      | 1.0  |      | 1.2                    |      | 1.4  |      | 1.6  |      | 1.8  |      | 2.0  |      |
|                | RPM   | BHP  | RPM                   | BHP  | RPM  | BHP  | RPM  | BHP  | RPM  | BHP  | RPM                    | BHP  | RPM  | BHP  | RPM  | BHP  | RPM  | BHP  | RPM  | BHP  |
|                | Field Supplied Drive                                  |      | Standard 2 HP & Drive |      |      |      |      |      |      |      | Hi Static 3 HP & Drive |      |      |      |      |      |      |      |      |      |
| 2600           | 722   | 0.83 | 776                   | 0.97 | 828  | 1.11 | 878  | 1.25 | 926  | 1.37 | 973                    | 1.50 | 1018 | 1.62 | 1063 | 1.74 | 1106 | 1.86 | 1149 | 1.99 |
| 2800           | 744   | 0.97 | 798                   | 1.12 | 850  | 1.26 | 900  | 1.39 | 949  | 1.52 | 995                    | 1.64 | 1041 | 1.76 | 1085 | 1.88 | 1128 | 2.00 | 1171 | 2.13 |
| 3000           | 769   | 1.13 | 823                   | 1.28 | 875  | 1.42 | 925  | 1.55 | 974  | 1.68 | 1020                   | 1.80 | 1066 | 1.92 | 1110 | 2.05 | 1153 | 2.17 | 1196 | 2.29 |
| 3200           | 797   | 1.32 | 851                   | 1.46 | 903  | 1.60 | 953  | 1.74 | 1001 | 1.86 | 1048                   | 1.99 | 1093 | 2.11 | 1138 | 2.23 | 1181 | 2.35 | 1224 | 2.48 |
| 3400           | 828   | 1.52 | 882                   | 1.67 | 934  | 1.81 | 983  | 1.94 | 1032 | 2.07 | 1078                   | 2.19 | 1124 | 2.32 | 1168 | 2.44 | 1212 | 2.56 | 1254 | 2.68 |
| 3600           | 861   | 1.75 | 915                   | 1.90 | 967  | 2.04 | 1017 | 2.17 | 1065 | 2.30 | 1112                   | 2.42 | 1157 | 2.54 | 1201 | 2.67 | 1245 | 2.79 | 1287 | 2.91 |
| 3800           | 897   | 2.00 | 951                   | 2.15 | 1002 | 2.29 | 1052 | 2.42 | 1101 | 2.55 | 1147                   | 2.67 | 1193 | 2.80 | 1237 | 2.92 | 1280 | 3.04 | 1323 | 3.16 |
| 4000           | 935   | 2.27 | 989                   | 2.42 | 1041 | 2.56 | 1091 | 2.69 | 1139 | 2.82 | 1186                   | 2.95 | 1231 | 3.07 | 1275 | 3.19 | 1319 | 3.31 | 1362 | 3.43 |
| 4200           | 976   | 2.57 | 1030                  | 2.72 | 1082 | 2.86 | 1132 | 2.99 | 1180 | 3.12 | 1227                   | 3.24 | 1272 | 3.36 | -    | -    | -    | -    | -    | -    |
| 4400           | 1019  | 2.88 | 1073                  | 3.03 | 1125 | 3.17 | 1175 | 3.30 | 1223 | 3.43 | -                      | -    | -    | -    | -    | -    | -    | -    | -    | -    |
| 4600           | 1065  | 3.22 | 1119                  | 3.36 | -    | -    | -    | -    | -    | -    | -                      | -    | -    | -    | -    | -    | -    | -    | -    | -    |

3 HP & Field Supplied Drive

1. Blower performance includes gas heat exchangers and 2" filters. See STATIC RESISTANCE table for additional applications.
2. See RPM SELECTION table to determine desired motor sheave setting and to determine the maximum continuous BHP.
3. kW = BHP x 0.932.

**J12ZH (12.5 Ton) Bottom Duct**

| Air Flow (CFM) | Available External Static Pressure - IWG <sup>1</sup> |      |                       |      |      |      |      |      |      |      |                        |      |      |      |      |      |      |      |      |      |
|----------------|---|------|-----------------------|------|------|------|------|------|------|------|------------------------|------|------|------|------|------|------|------|------|------|
|                | 0.2   |      | 0.4                   |      | 0.6  |      | 0.8  |      | 1.0  |      | 1.2                    |      | 1.4  |      | 1.6  |      | 1.8  |      | 2.0  |      |
|                | RPM   | BHP  | RPM                   | BHP  | RPM  | BHP  | RPM  | BHP  | RPM  | BHP  | RPM                    | BHP  | RPM  | BHP  | RPM  | BHP  | RPM  | BHP  | RPM  | BHP  |
|                | Field Supplied Drive                                  |      | Standard 3 HP & Drive |      |      |      |      |      |      |      | Hi Static 5 HP & Drive |      |      |      |      |      |      |      |      |      |
| 3200           | 797   | 1.32 | 851                   | 1.46 | 903  | 1.60 | 953  | 1.74 | 1001 | 1.86 | 1048                   | 1.99 | 1093 | 2.11 | 1138 | 2.23 | 1181 | 2.35 | 1224 | 2.48 |
| 3400           | 828   | 1.52 | 882                   | 1.67 | 934  | 1.81 | 983  | 1.94 | 1032 | 2.07 | 1078                   | 2.19 | 1124 | 2.32 | 1168 | 2.44 | 1212 | 2.56 | 1254 | 2.68 |
| 3600           | 861   | 1.75 | 915                   | 1.90 | 967  | 2.04 | 1017 | 2.17 | 1065 | 2.30 | 1112                   | 2.42 | 1157 | 2.54 | 1201 | 2.67 | 1245 | 2.79 | 1287 | 2.91 |
| 3800           | 897   | 2.00 | 951                   | 2.15 | 1002 | 2.29 | 1052 | 2.42 | 1101 | 2.55 | 1147                   | 2.67 | 1193 | 2.80 | 1237 | 2.92 | 1280 | 3.04 | 1323 | 3.16 |
| 4000           | 935   | 2.27 | 989                   | 2.42 | 1041 | 2.56 | 1091 | 2.69 | 1139 | 2.82 | 1186                   | 2.95 | 1231 | 3.07 | 1275 | 3.19 | 1319 | 3.31 | 1362 | 3.43 |
| 4200           | 976   | 2.57 | 1030                  | 2.72 | 1082 | 2.86 | 1132 | 2.99 | 1180 | 3.12 | 1227                   | 3.24 | 1272 | 3.36 | 1316 | 3.48 | 1360 | 3.60 | 1402 | 3.73 |
| 4400           | 1019  | 2.88 | 1073                  | 3.03 | 1125 | 3.17 | 1175 | 3.30 | 1223 | 3.43 | 1270                   | 3.55 | 1315 | 3.67 | 1360 | 3.80 | 1403 | 3.92 | 1446 | 4.04 |
| 4600           | 1065  | 3.22 | 1119                  | 3.36 | 1171 | 3.50 | 1221 | 3.64 | 1269 | 3.76 | 1316                   | 3.89 | 1361 | 4.01 | 1405 | 4.13 | 1449 | 4.25 | 1491 | 4.38 |
| 4800           | 1113  | 3.57 | 1167                  | 3.72 | 1219 | 3.86 | 1269 | 3.99 | 1317 | 4.12 | 1364                   | 4.24 | 1409 | 4.36 | 1453 | 4.48 | 1497 | 4.61 | 1540 | 4.73 |
| 5000           | 1163  | 3.94 | 1217                  | 4.09 | 1269 | 4.23 | 1319 | 4.36 | 1367 | 4.49 | 1414                   | 4.62 | 1459 | 4.74 | 1504 | 4.86 | 1547 | 4.98 | 1590 | 5.10 |
| 5200           | 1216  | 4.34 | 1270                  | 4.48 | 1321 | 4.62 | 1371 | 4.76 | 1420 | 4.88 | 1466                   | 5.01 | 1512 | 5.13 | 1556 | 5.25 | 1600 | 5.37 | 1642 | 5.50 |
| 5400           | 1270  | 4.75 | 1324                  | 4.89 | 1376 | 5.03 | 1426 | 5.17 | 1474 | 5.29 | 1521                   | 5.42 | 1566 | 5.54 | 1611 | 5.66 | -    | -    | -    | -    |
| 5600           | 1327  | 5.17 | 1381                  | 5.32 | 1433 | 5.46 | 1483 | 5.59 | 1531 | 5.72 | -                      | -    | -    | -    | -    | -    | -    | -    | -    | -    |
| 5800           | 1385  | 5.62 | -                     | -    | -    | -    | -    | -    | -    | -    | -                      | -    | -    | -    | -    | -    | -    | -    | -    | -    |

5 HP & Field Supplied Drive

1. Blower performance includes gas heat exchangers and 2" filters. See STATIC RESISTANCE table for additional applications.
2. See RPM SELECTION table to determine desired motor sheave setting and to determine the maximum continuous BHP.
3. kW = BHP x 0.932.

## JA3 thru 12ZJ Side Duct Application

## JA3ZJ (3.0 Ton) Side Duct

| Air Flow<br>(CFM) | Available External Static Pressure - IWG <sup>1</sup> |      |     |      |     |      |                          |      |     |      |     |      |      |      |      |      |      |      |      |      |
|-------------------|---|------|-----|------|-----|------|--------------------------|------|-----|------|-----|------|------|------|------|------|------|------|------|------|
|                   | 0.2   |      | 0.4 |      | 0.6 |      | 0.8                      |      | 1.0 |      | 1.2 |      | 1.4  |      | 1.6  |      | 1.8  |      | 2.0  |      |
|                   | RPM   | BHP  | RPM | BHP  | RPM | BHP  | RPM                      | BHP  | RPM | BHP  | RPM | BHP  | RPM  | BHP  | RPM  | BHP  | RPM  | BHP  | RPM  | BHP  |
|                   | Standard 1.5 HP & Drive                               |      |     |      |     |      | Hi Static 1.5 HP & Drive |      |     |      |     |      |      |      |      |      |      |      |      |      |
| 900               | 560   | 0.29 | 628 | 0.35 | 695 | 0.42 | 760                      | 0.51 | 823 | 0.61 | 886 | 0.72 | 949  | 0.82 | 1011 | 0.92 | 1073 | 1.01 | 1136 | 1.09 |
| 1000              | 582   | 0.29 | 650 | 0.34 | 716 | 0.42 | 781                      | 0.51 | 845 | 0.61 | 908 | 0.71 | 970  | 0.82 | 1032 | 0.92 | 1095 | 1.01 | 1158 | 1.08 |
| 1100              | 601   | 0.30 | 670 | 0.35 | 736 | 0.43 | 801                      | 0.52 | 864 | 0.62 | 927 | 0.72 | 990  | 0.83 | 1052 | 0.93 | 1114 | 1.02 | 1177 | 1.09 |
| 1200              | 620   | 0.32 | 688 | 0.37 | 754 | 0.45 | 819                      | 0.54 | 883 | 0.64 | 946 | 0.74 | 1008 | 0.85 | 1070 | 0.95 | 1133 | 1.04 | 1196 | 1.11 |
| 1300              | 638   | 0.35 | 706 | 0.40 | 772 | 0.48 | 837                      | 0.57 | 901 | 0.67 | 964 | 0.77 | 1026 | 0.88 | 1088 | 0.98 | 1151 | 1.06 | 1214 | 1.14 |
| 1400              | 655   | 0.39 | 724 | 0.44 | 790 | 0.51 | 855                      | 0.60 | 918 | 0.70 | 981 | 0.81 | 1044 | 0.91 | 1106 | 1.01 | 1168 | 1.10 | 1231 | 1.18 |
| 1500              | 673   | 0.43 | 741 | 0.48 | 807 | 0.56 | 872                      | 0.65 | 936 | 0.75 | 999 | 0.85 | 1061 | 0.96 | 1124 | 1.06 | 1186 | 1.15 | 1249 | 1.22 |
|                   | 1.5 HP & Field Supplied Drive                         |      |     |      |     |      |                          |      |     |      |     |      |      |      |      |      |      |      |      |      |

1. Blower performance includes gas heat exchangers and 2" filters. See STATIC RESISTANCE table for additional applications.
2. See RPM SELECTION table to determine desired motor sheave setting and to determine the maximum continuous BHP.
3. KW = BHP x 0.932.

## JA4ZJ (4.0 Ton) Side Duct

| Air Flow<br>(CFM) | Available External Static Pressure - IWG <sup>1</sup> |      |     |      |     |      |                         |      |     |      |      |      |                          |      |      |      |      |      |      |      |
|-------------------|---|------|-----|------|-----|------|-------------------------|------|-----|------|------|------|--------------------------|------|------|------|------|------|------|------|
|                   | 0.2   |      | 0.4 |      | 0.6 |      | 0.8                     |      | 1.0 |      | 1.2  |      | 1.4                      |      | 1.6  |      | 1.8  |      | 2.0  |      |
|                   | RPM   | BHP  | RPM | BHP  | RPM | BHP  | RPM                     | BHP  | RPM | BHP  | RPM  | BHP  | RPM                      | BHP  | RPM  | BHP  | RPM  | BHP  | RPM  | BHP  |
|                   | FS <sup>4</sup>                                       |      |     |      |     |      | Standard 1.5 HP & Drive |      |     |      |      |      | Hi Static 1.5 HP & Drive |      |      |      |      |      |      |      |
| 1200              | 608   | 0.25 | 677 | 0.34 | 744 | 0.44 | 807                     | 0.54 | 868 | 0.64 | 927  | 0.74 | 986                      | 0.84 | 1043 | 0.93 | 1101 | 1.02 | 1160 | 1.10 |
| 1300              | 623   | 0.28 | 692 | 0.37 | 758 | 0.47 | 822                     | 0.57 | 883 | 0.67 | 942  | 0.77 | 1001                     | 0.86 | 1058 | 0.96 | 1116 | 1.04 | 1175 | 1.13 |
| 1400              | 637   | 0.31 | 706 | 0.40 | 772 | 0.50 | 836                     | 0.60 | 897 | 0.70 | 956  | 0.80 | 1015                     | 0.90 | 1072 | 0.99 | 1130 | 1.08 | 1189 | 1.16 |
| 1500              | 650   | 0.35 | 720 | 0.44 | 786 | 0.54 | 849                     | 0.64 | 911 | 0.74 | 970  | 0.84 | 1028                     | 0.93 | 1086 | 1.03 | 1144 | 1.12 | 1202 | 1.20 |
| 1600              | 664   | 0.39 | 734 | 0.49 | 800 | 0.58 | 863                     | 0.68 | 924 | 0.78 | 984  | 0.88 | 1042                     | 0.98 | 1100 | 1.07 | 1158 | 1.16 | 1216 | 1.24 |
| 1700              | 678   | 0.44 | 748 | 0.54 | 814 | 0.63 | 877                     | 0.73 | 938 | 0.83 | 998  | 0.93 | 1056                     | 1.03 | 1114 | 1.12 | 1172 | 1.21 | 1230 | 1.29 |
| 1800              | 693   | 0.50 | 763 | 0.59 | 829 | 0.69 | 892                     | 0.79 | 953 | 0.89 | 1013 | 0.99 | 1071                     | 1.08 | 1129 | 1.18 | 1186 | 1.26 | 1245 | 1.35 |
| 1900              | 708   | 0.56 | 778 | 0.65 | 844 | 0.75 | 907                     | 0.85 | 968 | 0.95 | 1028 | 1.05 | 1086                     | 1.15 | 1144 | 1.24 | 1202 | 1.33 | 1260 | 1.41 |
| 2000              | 725   | 0.62 | 794 | 0.72 | 860 | 0.82 | 924                     | 0.92 | 985 | 1.02 | 1044 | 1.12 | 1102                     | 1.21 | 1160 | 1.30 | 1218 | 1.39 | 1277 | 1.47 |

1. Blower performance includes gas heat exchangers and 2" filters. See STATIC RESISTANCE table for additional applications.
2. See RPM SELECTION table to determine desired motor sheave setting and to determine the maximum continuous BHP.
3. KW = BHP x 0.932.
4. Field Supplied Drive

## JA5ZJ (5.0 Ton) Side Duct

| Air Flow<br>(CFM) | Available External Static Pressure - IWG <sup>1</sup> |      |     |      |     |      |                         |      |      |      |      |      |                        |      |      |      |      |      |      |      |
|-------------------|---|------|-----|------|-----|------|-------------------------|------|------|------|------|------|------------------------|------|------|------|------|------|------|------|
|                   | 0.2   |      | 0.4 |      | 0.6 |      | 0.8                     |      | 1.0  |      | 1.2  |      | 1.4                    |      | 1.6  |      | 1.8  |      | 2.0  |      |
|                   | RPM   | BHP  | RPM | BHP  | RPM | BHP  | RPM                     | BHP  | RPM  | BHP  | RPM  | BHP  | RPM                    | BHP  | RPM  | BHP  | RPM  | BHP  | RPM  | BHP  |
|                   | 1.5 HP & Field Supplied Drive                         |      |     |      |     |      | Standard 1.5 HP & Drive |      |      |      |      |      | Hi Static 2 HP & Drive |      |      |      |      |      |      |      |
| 1500              | 659   | 0.35 | 719 | 0.46 | 780 | 0.57 | 843                     | 0.67 | 905  | 0.77 | 964  | 0.87 | 1020                   | 0.97 | 1071 | 1.07 | 1116 | 1.17 | 1154 | 1.28 |
| 1600              | 675   | 0.38 | 735 | 0.50 | 796 | 0.60 | 859                     | 0.71 | 920  | 0.81 | 980  | 0.91 | 1036                   | 1.01 | 1087 | 1.11 | 1132 | 1.21 | 1170 | 1.32 |
| 1700              | 691   | 0.42 | 751 | 0.54 | 812 | 0.64 | 875                     | 0.75 | 936  | 0.85 | 996  | 0.95 | 1052                   | 1.05 | 1103 | 1.15 | 1148 | 1.25 | 1186 | 1.36 |
| 1800              | 707   | 0.47 | 767 | 0.58 | 829 | 0.69 | 891                     | 0.79 | 953  | 0.90 | 1012 | 0.99 | 1069                   | 1.09 | 1120 | 1.20 | 1165 | 1.30 | 1202 | 1.41 |
| 1900              | 724   | 0.53 | 784 | 0.64 | 846 | 0.75 | 908                     | 0.85 | 970  | 0.95 | 1029 | 1.05 | 1085                   | 1.15 | 1137 | 1.25 | 1182 | 1.35 | 1219 | 1.46 |
| 2000              | 741   | 0.59 | 801 | 0.70 | 863 | 0.81 | 925                     | 0.91 | 987  | 1.01 | 1047 | 1.11 | 1103                   | 1.21 | 1154 | 1.31 | 1199 | 1.41 | 1236 | 1.52 |
| 2100              | 759   | 0.65 | 819 | 0.77 | 881 | 0.87 | 943                     | 0.98 | 1005 | 1.08 | 1065 | 1.18 | 1121                   | 1.28 | 1172 | 1.38 | 1217 | 1.48 | 1254 | 1.59 |
| 2200              | 778   | 0.73 | 838 | 0.84 | 900 | 0.95 | 962                     | 1.05 | 1024 | 1.15 | 1083 | 1.25 | 1139                   | 1.35 | 1191 | 1.45 | 1236 | 1.56 | 1273 | 1.66 |
| 2300              | 797   | 0.81 | 857 | 0.92 | 919 | 1.03 | 981                     | 1.13 | 1043 | 1.23 | 1103 | 1.33 | 1159                   | 1.43 | 1210 | 1.53 | 1255 | 1.64 | 1292 | 1.74 |
| 2400              | 817   | 0.90 | 877 | 1.01 | 939 | 1.12 | 1002                    | 1.22 | 1063 | 1.32 | 1123 | 1.42 | 1179                   | 1.52 | 1230 | 1.62 | 1275 | 1.73 | 1312 | 1.83 |
| 2500              | 838   | 1.00 | 898 | 1.11 | 960 | 1.22 | 1022                    | 1.32 | 1084 | 1.42 | 1144 | 1.52 | 1200                   | 1.62 | 1251 | 1.72 | 1296 | 1.82 | 1333 | 1.93 |
|                   | FS <sup>4</sup>                                       |      |     |      |     |      |                         |      |      |      |      |      |                        |      |      |      |      |      |      |      |

1. Blower performance includes gas heat exchangers and 2" filters. See STATIC RESISTANCE table for additional applications.
2. See RPM SELECTION table to determine desired motor sheave setting and to determine the maximum continuous BHP.
3. KW = BHP x 0.932.
4. Field Supplied Drive.

**J06ZJ (6.5 Ton) Side Duct**

| Air Flow<br>(CFM) | Available External Static Pressure - IWG <sup>1</sup> |      |     |      |                         |      |     |      |     |      |                        |      |      |      |      |      |      |      |      |      |
|-------------------|---|------|-----|------|-------------------------|------|-----|------|-----|------|------------------------|------|------|------|------|------|------|------|------|------|
|                   | 0.2   |      | 0.4 |      | 0.6                     |      | 0.8 |      | 1.0 |      | 1.2                    |      | 1.4  |      | 1.6  |      | 1.8  |      | 2.0  |      |
|                   | RPM   | BHP  | RPM | BHP  | RPM                     | BHP  | RPM | BHP  | RPM | BHP  | RPM                    | BHP  | RPM  | BHP  | RPM  | BHP  | RPM  | BHP  | RPM  | BHP  |
|                   | FS <sup>4</sup>                                       |      |     |      | Standard 1.5 HP & Drive |      |     |      |     |      | Hi Static 2 HP & Drive |      |      |      |      |      |      |      |      |      |
| 1800              | 514   | 0.15 | 586 | 0.33 | 657                     | 0.52 | 727 | 0.71 | 794 | 0.89 | 857                    | 1.07 | 917  | 1.23 | 972  | 1.38 | 1021 | 1.50 | 1064 | 1.59 |
| 2000              | 529   | 0.23 | 601 | 0.41 | 672                     | 0.60 | 741 | 0.79 | 808 | 0.97 | 872                    | 1.15 | 931  | 1.31 | 986  | 1.46 | 1036 | 1.58 | 1079 | 1.67 |
| 2200              | 544   | 0.33 | 616 | 0.51 | 687                     | 0.69 | 756 | 0.88 | 823 | 1.07 | 886                    | 1.24 | 946  | 1.41 | 1001 | 1.55 | 1051 | 1.67 | 1094 | 1.77 |
| 2400              | 559   | 0.43 | 631 | 0.61 | 702                     | 0.80 | 771 | 0.98 | 838 | 1.17 | 902                    | 1.35 | 961  | 1.51 | 1016 | 1.65 | 1066 | 1.78 | 1109 | 1.87 |
| 2600              | 574   | 0.54 | 646 | 0.72 | 717                     | 0.91 | 787 | 1.10 | 853 | 1.28 | 917                    | 1.46 | 977  | 1.62 | 1032 | 1.77 | 1081 | 1.89 | 1124 | 1.98 |
| 2800              | 590   | 0.67 | 662 | 0.85 | 733                     | 1.03 | 802 | 1.22 | 869 | 1.41 | 933                    | 1.59 | 993  | 1.75 | 1047 | 1.89 | 1097 | 2.02 | 1140 | 2.11 |
| 3000              | 607   | 0.80 | 679 | 0.98 | 750                     | 1.17 | 819 | 1.36 | 886 | 1.54 | 949                    | 1.72 | 1009 | 1.88 | 1064 | 2.03 | 1113 | 2.15 | 1157 | 2.24 |
| 3200              | 624   | 0.95 | 695 | 1.13 | 766                     | 1.31 | 836 | 1.50 | 903 | 1.69 | 966                    | 1.86 | 1026 | 2.03 | 1081 | 2.17 | 1130 | 2.29 | -    | -    |
| 3400              | 641   | 1.10 | 713 | 1.28 | 784                     | 1.47 | 853 | 1.66 | 920 | 1.84 | 984                    | 2.02 | 1043 | 2.18 | 1098 | 2.33 | -    | -    | -    | -    |

1. Blower performance includes gas heat exchangers and 2" filters. See STATIC RESISTANCE table for additional applications.
2. See RPM SELECTION table to determine desired motor sheave setting and to determine the maximum continuous BHP.
3. kW = BHP x 0.932.
4. Field Supplied Drive.

**J07ZJ (7.5 Ton) Side Duct**

| Air Flow<br>(CFM) | Available External Static Pressure - IWG <sup>1</sup> |      |     |      |                         |      |     |      |     |      |                        |      |      |      |      |      |      |      |      |      |
|-------------------|---|------|-----|------|-------------------------|------|-----|------|-----|------|------------------------|------|------|------|------|------|------|------|------|------|
|                   | 0.2   |      | 0.4 |      | 0.6                     |      | 0.8 |      | 1.0 |      | 1.2                    |      | 1.4  |      | 1.6  |      | 1.8  |      | 2.0  |      |
|                   | RPM   | BHP  | RPM | BHP  | RPM                     | BHP  | RPM | BHP  | RPM | BHP  | RPM                    | BHP  | RPM  | BHP  | RPM  | BHP  | RPM  | BHP  | RPM  | BHP  |
|                   | FS <sup>4</sup>                                       |      |     |      | Standard 1.5 HP & Drive |      |     |      |     |      | Hi Static 3 HP & Drive |      |      |      |      |      |      |      |      |      |
| 2000              | -   | -    | 656 | 0.24 | 711                     | 0.48 | 768 | 0.73 | 826 | 0.96 | 886                    | 1.19 | 945  | 1.41 | 1003 | 1.61 | 1058 | 1.79 | 1110 | 1.95 |
| 2200              | 619   | 0.07 | 670 | 0.32 | 724                     | 0.57 | 781 | 0.81 | 840 | 1.04 | 899                    | 1.27 | 959  | 1.49 | 1016 | 1.69 | 1072 | 1.87 | 1124 | 2.04 |
| 2400              | 631   | 0.16 | 682 | 0.41 | 736                     | 0.66 | 793 | 0.90 | 852 | 1.14 | 911                    | 1.36 | 970  | 1.58 | 1028 | 1.78 | 1084 | 1.97 | 1136 | 2.13 |
| 2600              | 642   | 0.27 | 692 | 0.52 | 747                     | 0.76 | 804 | 1.01 | 862 | 1.24 | 922                    | 1.47 | 981  | 1.69 | 1039 | 1.89 | 1094 | 2.07 | 1146 | 2.24 |
| 2800              | 652   | 0.39 | 703 | 0.64 | 757                     | 0.88 | 814 | 1.13 | 873 | 1.36 | 932                    | 1.59 | 992  | 1.81 | 1049 | 2.01 | 1105 | 2.19 | 1157 | 2.36 |
| 3000              | 663   | 0.53 | 714 | 0.77 | 768                     | 1.02 | 825 | 1.26 | 884 | 1.50 | 943                    | 1.73 | 1003 | 1.94 | 1060 | 2.14 | 1116 | 2.33 | 1168 | 2.49 |
| 3200              | 675   | 0.68 | 726 | 0.92 | 780                     | 1.17 | 837 | 1.41 | 896 | 1.65 | 955                    | 1.88 | 1014 | 2.09 | 1072 | 2.29 | 1128 | 2.48 | 1180 | 2.64 |
| 3400              | 688   | 0.84 | 739 | 1.09 | 793                     | 1.34 | 850 | 1.58 | 909 | 1.82 | 968                    | 2.04 | 1027 | 2.26 | 1085 | 2.46 | 1141 | 2.65 | 1193 | 2.81 |
| 3600              | 703   | 1.03 | 753 | 1.28 | 807                     | 1.52 | 864 | 1.76 | 923 | 2.00 | 983                    | 2.23 | 1042 | 2.44 | 1100 | 2.64 | 1155 | 2.83 | -    | -    |
| 3800              | 718   | 1.23 | 769 | 1.47 | 823                     | 1.72 | 880 | 1.96 | 939 | 2.20 | 998                    | 2.43 | 1058 | 2.64 | 1115 | 2.84 | 1171 | 3.03 | -    | -    |

1. Blower performance includes gas heat exchangers and 2" filters. See STATIC RESISTANCE table for additional applications.
2. See RPM SELECTION table to determine desired motor sheave setting and to determine the maximum continuous BHP.
3. kW = BHP x 0.932.
4. Field Supplied Drive.

**J08ZJ (8.5 Ton) Side Duct**

| Air Flow<br>(CFM) | Available External Static Pressure - IWG <sup>1</sup> |      |     |      |                       |      |     |      |     |      |                        |      |      |      |      |      |      |      |      |      |
|-------------------|---|------|-----|------|-----------------------|------|-----|------|-----|------|------------------------|------|------|------|------|------|------|------|------|------|
|                   | 0.2   |      | 0.4 |      | 0.6                   |      | 0.8 |      | 1.0 |      | 1.2                    |      | 1.4  |      | 1.6  |      | 1.8  |      | 2.0  |      |
|                   | RPM   | BHP  | RPM | BHP  | RPM                   | BHP  | RPM | BHP  | RPM | BHP  | RPM                    | BHP  | RPM  | BHP  | RPM  | BHP  | RPM  | BHP  | RPM  | BHP  |
|                   | Field Supplied Drive                                  |      |     |      | Standard 2 HP & Drive |      |     |      |     |      | Hi Static 3 HP & Drive |      |      |      |      |      |      |      |      |      |
| 2200              | 654   | 0.32 | 706 | 0.53 | 755                   | 0.73 | 803 | 0.92 | 849 | 1.10 | 893                    | 1.27 | 937  | 1.44 | 979  | 1.62 | 1020 | 1.79 | 1061 | 1.96 |
| 2400              | 664   | 0.43 | 716 | 0.64 | 765                   | 0.83 | 813 | 1.02 | 859 | 1.20 | 904                    | 1.38 | 947  | 1.55 | 989  | 1.72 | 1030 | 1.89 | 1071 | 2.07 |
| 2600              | 675   | 0.53 | 726 | 0.74 | 776                   | 0.94 | 824 | 1.12 | 870 | 1.30 | 914                    | 1.48 | 957  | 1.65 | 1000 | 1.82 | 1041 | 1.99 | 1082 | 2.17 |
| 2800              | 686   | 0.63 | 738 | 0.84 | 787                   | 1.04 | 835 | 1.23 | 881 | 1.41 | 925                    | 1.58 | 969  | 1.76 | 1011 | 1.93 | 1052 | 2.10 | 1093 | 2.27 |
| 3000              | 699   | 0.75 | 750 | 0.96 | 800                   | 1.16 | 847 | 1.34 | 893 | 1.52 | 938                    | 1.70 | 981  | 1.87 | 1024 | 2.04 | 1065 | 2.21 | 1106 | 2.39 |
| 3200              | 713   | 0.88 | 764 | 1.09 | 814                   | 1.28 | 861 | 1.47 | 907 | 1.65 | 952                    | 1.83 | 995  | 2.00 | 1037 | 2.17 | 1079 | 2.34 | 1119 | 2.52 |
| 3400              | 728   | 1.02 | 779 | 1.23 | 829                   | 1.43 | 877 | 1.61 | 923 | 1.79 | 967                    | 1.97 | 1010 | 2.14 | 1053 | 2.31 | 1094 | 2.48 | 1135 | 2.66 |
| 3600              | 745   | 1.18 | 796 | 1.39 | 846                   | 1.59 | 893 | 1.77 | 939 | 1.95 | 984                    | 2.13 | 1027 | 2.30 | 1069 | 2.47 | 1111 | 2.64 | 1152 | 2.82 |
| 3800              | 763   | 1.36 | 815 | 1.57 | 864                   | 1.76 | 912 | 1.95 | 958 | 2.13 | 1002                   | 2.31 | 1046 | 2.48 | 1088 | 2.65 | 1129 | 2.82 | 1170 | 3.00 |
| 4000              | 783   | 1.55 | 835 | 1.76 | 884                   | 1.96 | 932 | 2.15 | 978 | 2.33 | 1022                   | 2.50 | 1066 | 2.67 | 1108 | 2.84 | 1149 | 3.02 | 1190 | 3.19 |
| 4200              | 805   | 1.77 | 856 | 1.98 | 906                   | 2.17 | 953 | 2.36 | 999 | 2.54 | 1044                   | 2.72 | 1087 | 2.89 | 1129 | 3.06 | 1171 | 3.23 | 1211 | 3.41 |

1. Blower performance includes gas heat exchangers and 2" filters. See STATIC RESISTANCE table for additional applications.
2. See RPM SELECTION table to determine desired motor sheave setting and to determine the maximum continuous BHP.
3. kW = BHP x 0.932.



**J10ZJ (10 Ton) Side Duct**

| Air Flow<br>(CFM) | Available External Static Pressure - IWG <sup>1</sup> |      |     |      |                       |      |      |      |      |      |      |      |                        |      |      |      |      |      |      |      |
|-------------------|---|------|-----|------|-----------------------|------|------|------|------|------|------|------|------------------------|------|------|------|------|------|------|------|
|                   | 0.2   |      | 0.4 |      | 0.6                   |      | 0.8  |      | 1.0  |      | 1.2  |      | 1.4                    |      | 1.6  |      | 1.8  |      | 2.0  |      |
|                   | RPM   | BHP  | RPM | BHP  | RPM                   | BHP  | RPM  | BHP  | RPM  | BHP  | RPM  | BHP  | RPM                    | BHP  | RPM  | BHP  | RPM  | BHP  | RPM  | BHP  |
|                   | Field Supplied Drive                                  |      |     |      | Standard 2 HP & Drive |      |      |      |      |      |      |      | Hi Static 3 HP & Drive |      |      |      |      |      |      |      |
| 2600              | 675   | 0.53 | 726 | 0.74 | 776                   | 0.94 | 824  | 1.12 | 870  | 1.30 | 914  | 1.48 | 957                    | 1.65 | 1000 | 1.82 | 1041 | 1.99 | 1082 | 2.17 |
| 2800              | 686   | 0.63 | 738 | 0.84 | 787                   | 1.04 | 835  | 1.23 | 881  | 1.41 | 925  | 1.58 | 969                    | 1.76 | 1011 | 1.93 | 1052 | 2.10 | 1093 | 2.27 |
| 3000              | 699   | 0.75 | 750 | 0.96 | 800                   | 1.16 | 847  | 1.34 | 893  | 1.52 | 938  | 1.70 | 981                    | 1.87 | 1024 | 2.04 | 1065 | 2.21 | 1106 | 2.39 |
| 3200              | 713   | 0.88 | 764 | 1.09 | 814                   | 1.28 | 861  | 1.47 | 907  | 1.65 | 952  | 1.83 | 995                    | 2.00 | 1037 | 2.17 | 1079 | 2.34 | 1119 | 2.52 |
| 3400              | 728   | 1.02 | 779 | 1.23 | 829                   | 1.43 | 877  | 1.61 | 923  | 1.79 | 967  | 1.97 | 1010                   | 2.14 | 1053 | 2.31 | 1094 | 2.48 | 1135 | 2.66 |
| 3600              | 745   | 1.18 | 796 | 1.39 | 846                   | 1.59 | 893  | 1.77 | 939  | 1.95 | 984  | 2.13 | 1027                   | 2.30 | 1069 | 2.47 | 1111 | 2.64 | 1152 | 2.82 |
| 3800              | 763   | 1.36 | 815 | 1.57 | 864                   | 1.76 | 912  | 1.95 | 958  | 2.13 | 1002 | 2.31 | 1046                   | 2.48 | 1088 | 2.65 | 1129 | 2.82 | 1170 | 3.00 |
| 4000              | 783   | 1.55 | 835 | 1.76 | 884                   | 1.96 | 932  | 2.15 | 978  | 2.33 | 1022 | 2.50 | 1066                   | 2.67 | 1108 | 2.84 | 1149 | 3.02 | 1190 | 3.19 |
| 4200              | 805   | 1.77 | 856 | 1.98 | 906                   | 2.17 | 953  | 2.36 | 999  | 2.54 | 1044 | 2.72 | 1087                   | 2.89 | 1129 | 3.06 | 1171 | 3.23 | 1211 | 3.41 |
| 4400              | 828   | 2.00 | 879 | 2.21 | 929                   | 2.41 | 976  | 2.59 | 1022 | 2.77 | 1067 | 2.95 | 1110                   | 3.12 | 1152 | 3.29 | -    | -    | -    | -    |
| 4600              | 852   | 2.25 | 904 | 2.46 | 953                   | 2.66 | 1001 | 2.85 | 1047 | 3.03 | 1092 | 3.20 | 1135                   | 3.37 | -    | -    | -    | -    | -    | -    |
| 4800              | 879   | 2.52 | 930 | 2.73 | 980                   | 2.93 | 1027 | 3.12 | 1073 | 3.30 | -    | -    | -                      | -    | -    | -    | -    | -    | -    | -    |
| 5000              | 906   | 2.81 | 958 | 3.02 | 1007                  | 3.22 | 1055 | 3.41 | -    | -    | -    | -    | -                      | -    | -    | -    | -    | -    | -    | -    |

3 HP &amp; Field Supplied Drive

1. Blower performance includes gas heat exchangers and 2" filters. See STATIC RESISTANCE table for additional applications.
2. See RPM SELECTION table to determine desired motor sheave setting and to determine the maximum continuous BHP.
3. kW = BHP x 0.932.

**J12ZJ (12.5 Ton) Side Duct**

| Air Flow<br>(CFM) | Available External Static Pressure - IWG <sup>1</sup> |      |      |      |                       |      |      |      |      |      |      |      |                        |      |      |      |      |      |      |      |
|-------------------|---|------|------|------|-----------------------|------|------|------|------|------|------|------|------------------------|------|------|------|------|------|------|------|
|                   | 0.2   |      | 0.4  |      | 0.6                   |      | 0.8  |      | 1.0  |      | 1.2  |      | 1.4                    |      | 1.6  |      | 1.8  |      | 2.0  |      |
|                   | RPM   | BHP  | RPM  | BHP  | RPM                   | BHP  | RPM  | BHP  | RPM  | BHP  | RPM  | BHP  | RPM                    | BHP  | RPM  | BHP  | RPM  | BHP  | RPM  | BHP  |
|                   | Field Supplied Drive                                  |      |      |      | Standard 3 HP & Drive |      |      |      |      |      |      |      | Hi Static 5 HP & Drive |      |      |      |      |      |      |      |
| 3200              | 713   | 0.88 | 764  | 1.09 | 814                   | 1.28 | 861  | 1.47 | 907  | 1.65 | 952  | 1.83 | 995                    | 2.00 | 1037 | 2.17 | 1079 | 2.34 | 1119 | 2.52 |
| 3400              | 728   | 1.02 | 779  | 1.23 | 829                   | 1.43 | 877  | 1.61 | 923  | 1.79 | 967  | 1.97 | 1010                   | 2.14 | 1053 | 2.31 | 1094 | 2.48 | 1135 | 2.66 |
| 3600              | 745   | 1.18 | 796  | 1.39 | 846                   | 1.59 | 893  | 1.77 | 939  | 1.95 | 984  | 2.13 | 1027                   | 2.30 | 1069 | 2.47 | 1111 | 2.64 | 1152 | 2.82 |
| 3800              | 763   | 1.36 | 815  | 1.57 | 864                   | 1.76 | 912  | 1.95 | 958  | 2.13 | 1002 | 2.31 | 1046                   | 2.48 | 1088 | 2.65 | 1129 | 2.82 | 1170 | 3.00 |
| 4000              | 783   | 1.55 | 835  | 1.76 | 884                   | 1.96 | 932  | 2.15 | 978  | 2.33 | 1022 | 2.50 | 1066                   | 2.67 | 1108 | 2.84 | 1149 | 3.02 | 1190 | 3.19 |
| 4200              | 805   | 1.77 | 856  | 1.98 | 906                   | 2.17 | 953  | 2.36 | 999  | 2.54 | 1044 | 2.72 | 1087                   | 2.89 | 1129 | 3.06 | 1171 | 3.23 | 1211 | 3.41 |
| 4400              | 828   | 2.00 | 879  | 2.21 | 929                   | 2.41 | 976  | 2.59 | 1022 | 2.77 | 1067 | 2.95 | 1110                   | 3.12 | 1152 | 3.29 | 1194 | 3.46 | 1235 | 3.64 |
| 4600              | 852   | 2.25 | 904  | 2.46 | 953                   | 2.66 | 1001 | 2.85 | 1047 | 3.03 | 1092 | 3.20 | 1135                   | 3.37 | 1177 | 3.54 | 1219 | 3.72 | 1259 | 3.89 |
| 4800              | 879   | 2.52 | 930  | 2.73 | 980                   | 2.93 | 1027 | 3.12 | 1073 | 3.30 | 1118 | 3.47 | 1161                   | 3.65 | 1203 | 3.82 | 1245 | 3.99 | 1285 | 4.16 |
| 5000              | 906   | 2.81 | 958  | 3.02 | 1007                  | 3.22 | 1055 | 3.41 | 1101 | 3.59 | 1146 | 3.76 | 1189                   | 3.94 | 1231 | 4.11 | 1273 | 4.28 | 1313 | 4.45 |
| 5200              | 936   | 3.12 | 987  | 3.33 | 1037                  | 3.53 | 1084 | 3.72 | 1130 | 3.90 | 1175 | 4.07 | 1218                   | 4.24 | 1260 | 4.42 | 1302 | 4.59 | 1343 | 4.76 |
| 5400              | 966   | 3.45 | 1018 | 3.66 | 1067                  | 3.86 | 1115 | 4.05 | 1161 | 4.23 | 1206 | 4.40 | 1249                   | 4.57 | 1291 | 4.74 | 1333 | 4.91 | 1373 | 5.09 |
| 5600              | 999   | 3.80 | 1050 | 4.01 | 1100                  | 4.20 | 1147 | 4.39 | 1193 | 4.57 | 1238 | 4.75 | 1281                   | 4.92 | 1323 | 5.09 | 1365 | 5.26 | 1405 | 5.44 |
| 5800              | 1032  | 4.16 | 1084 | 4.37 | 1133                  | 4.57 | 1181 | 4.75 | 1227 | 4.93 | 1271 | 5.11 | 1315                   | 5.28 | 1357 | 5.45 | 1398 | 5.62 | -    | -    |
| 6000              | 1067  | 4.54 | 1119 | 4.75 | 1168                  | 4.95 | 1216 | 5.13 | 1262 | 5.31 | 1306 | 5.49 | 1350                   | 5.66 | -    | -    | -    | -    | -    | -    |
| 6200              | 1103  | 4.94 | 1155 | 5.15 | 1204                  | 5.34 | 1252 | 5.53 | 1298 | 5.71 | -    | -    | -                      | -    | -    | -    | -    | -    | -    | -    |

1. Blower performance includes gas heat exchangers and 2" filters. See STATIC RESISTANCE table for additional applications.
2. See RPM SELECTION table to determine desired motor sheave setting and to determine the maximum continuous BHP.
3. kW = BHP x 0.932.

**JA3 thru 12ZJ Bottom Duct Application**

**JA3ZJ (3.0 Ton) Bottom Duct**

| Air Flow<br>(CFM) | Available External Static Pressure - IWG <sup>1</sup> |      |     |      |     |      |                          |      |     |      |      |      |      |      |      |      |      |      |      |      |
|-------------------|---|------|-----|------|-----|------|--------------------------|------|-----|------|------|------|------|------|------|------|------|------|------|------|
|                   | 0.2   |      | 0.4 |      | 0.6 |      | 0.8                      |      | 1.0 |      | 1.2  |      | 1.4  |      | 1.6  |      | 1.8  |      | 2.0  |      |
|                   | RPM   | BHP  | RPM | BHP  | RPM | BHP  | RPM                      | BHP  | RPM | BHP  | RPM  | BHP  | RPM  | BHP  | RPM  | BHP  | RPM  | BHP  | RPM  | BHP  |
|                   | Standard 1.5 HP & Drive                               |      |     |      |     |      | Hi Static 1.5 HP & Drive |      |     |      |      |      |      |      |      |      |      |      |      |      |
| 900               | 605   | 0.23 | 671 | 0.33 | 738 | 0.42 | 804                      | 0.52 | 869 | 0.62 | 933  | 0.71 | 995  | 0.80 | 1054 | 0.89 | 1111 | 0.98 | 1164 | 1.07 |
| 1000              | 621   | 0.25 | 688 | 0.34 | 754 | 0.44 | 820                      | 0.53 | 885 | 0.63 | 949  | 0.72 | 1011 | 0.82 | 1071 | 0.91 | 1127 | 1.00 | 1180 | 1.09 |
| 1100              | 637   | 0.27 | 703 | 0.36 | 769 | 0.46 | 835                      | 0.56 | 900 | 0.65 | 964  | 0.74 | 1026 | 0.84 | 1086 | 0.93 | 1142 | 1.02 | 1195 | 1.11 |
| 1200              | 651   | 0.30 | 717 | 0.39 | 784 | 0.49 | 850                      | 0.58 | 915 | 0.68 | 979  | 0.77 | 1041 | 0.87 | 1100 | 0.96 | 1157 | 1.05 | 1210 | 1.13 |
| 1300              | 666   | 0.33 | 732 | 0.43 | 799 | 0.52 | 865                      | 0.62 | 930 | 0.71 | 994  | 0.81 | 1056 | 0.90 | 1115 | 0.99 | 1172 | 1.08 | 1225 | 1.17 |
| 1400              | 681   | 0.37 | 747 | 0.47 | 814 | 0.56 | 880                      | 0.66 | 945 | 0.75 | 1009 | 0.85 | 1071 | 0.94 | 1130 | 1.03 | 1187 | 1.12 | 1240 | 1.21 |
| 1500              | 697   | 0.42 | 763 | 0.51 | 830 | 0.61 | 896                      | 0.71 | 961 | 0.80 | 1025 | 0.90 | 1087 | 0.99 | 1146 | 1.08 | 1203 | 1.17 | 1256 | 1.26 |
|                   | 1.5 HP & Field Supplied Drive                         |      |     |      |     |      |                          |      |     |      |      |      |      |      |      |      |      |      |      |      |

1. Blower performance includes gas heat exchangers and 2" filters. See STATIC RESISTANCE table for additional applications.
2. See RPM SELECTION table to determine desired motor sheave setting and to determine the maximum continuous BHP.
3. kW = BHP x 0.932.

**JA4ZJ (4.0 Ton) Bottom Duct**

| Air Flow<br>(CFM) | Available External Static Pressure - IWG <sup>1</sup> |      |                         |      |     |      |     |      |                          |      |      |      |      |      |      |      |      |      |      |      |
|-------------------|---|------|-------------------------|------|-----|------|-----|------|--------------------------|------|------|------|------|------|------|------|------|------|------|------|
|                   | 0.2   |      | 0.4                     |      | 0.6 |      | 0.8 |      | 1.0                      |      | 1.2  |      | 1.4  |      | 1.6  |      | 1.8  |      | 2.0  |      |
|                   | RPM   | BHP  | RPM                     | BHP  | RPM | BHP  | RPM | BHP  | RPM                      | BHP  | RPM  | BHP  | RPM  | BHP  | RPM  | BHP  | RPM  | BHP  | RPM  | BHP  |
|                   | FS <sup>4</sup>                                       |      | Standard 1.5 HP & Drive |      |     |      |     |      | Hi Static 1.5 HP & Drive |      |      |      |      |      |      |      |      |      |      |      |
| 1200              | 635   | 0.25 | 704                     | 0.34 | 770 | 0.44 | 832 | 0.54 | 893                      | 0.65 | 953  | 0.75 | 1013 | 0.85 | 1073 | 0.94 | 1134 | 1.02 | 1197 | 1.08 |
| 1300              | 648   | 0.28 | 717                     | 0.38 | 782 | 0.47 | 845 | 0.58 | 906                      | 0.68 | 966  | 0.78 | 1025 | 0.88 | 1085 | 0.97 | 1147 | 1.05 | 1210 | 1.12 |
| 1400              | 661   | 0.32 | 730                     | 0.42 | 796 | 0.51 | 858 | 0.62 | 919                      | 0.72 | 979  | 0.82 | 1039 | 0.92 | 1099 | 1.01 | 1160 | 1.09 | 1223 | 1.16 |
| 1500              | 675   | 0.37 | 744                     | 0.46 | 810 | 0.56 | 872 | 0.66 | 933                      | 0.77 | 993  | 0.87 | 1053 | 0.96 | 1113 | 1.05 | 1174 | 1.14 | 1237 | 1.20 |
| 1600              | 690   | 0.42 | 759                     | 0.51 | 825 | 0.61 | 887 | 0.72 | 948                      | 0.82 | 1008 | 0.92 | 1068 | 1.02 | 1128 | 1.11 | 1189 | 1.19 | 1252 | 1.26 |
| 1700              | 706   | 0.48 | 775                     | 0.57 | 841 | 0.67 | 903 | 0.77 | 964                      | 0.88 | 1024 | 0.98 | 1084 | 1.08 | 1144 | 1.17 | 1205 | 1.25 | 1268 | 1.31 |
| 1800              | 723   | 0.55 | 792                     | 0.64 | 857 | 0.74 | 920 | 0.84 | 981                      | 0.94 | 1041 | 1.04 | 1101 | 1.14 | 1161 | 1.23 | 1222 | 1.31 | 1285 | 1.38 |
| 1900              | 741   | 0.62 | 810                     | 0.71 | 875 | 0.81 | 938 | 0.91 | 999                      | 1.01 | 1059 | 1.11 | 1118 | 1.21 | 1178 | 1.30 | 1240 | 1.38 | 1303 | 1.45 |
| 2000              | 760   | 0.69 | 829                     | 0.79 | 894 | 0.88 | 957 | 0.99 | 1018                     | 1.09 | 1078 | 1.19 | 1137 | 1.29 | 1197 | 1.38 | 1258 | 1.46 | 1322 | 1.53 |

1. Blower performance includes gas heat exchangers and 2" filters. See STATIC RESISTANCE table for additional applications.
2. See RPM SELECTION table to determine desired motor sheave setting and to determine the maximum continuous BHP.
3. kW = BHP x 0.932.
4. Field Supplied Drive.

**JA5ZJ (5.0 Ton) Bottom Duct**

| Air Flow<br>(CFM) | Available External Static Pressure - IWG <sup>1</sup> |      |     |      |                         |      |      |      |      |      |                        |      |      |      |      |      |      |      |      |      |
|-------------------|---|------|-----|------|-------------------------|------|------|------|------|------|------------------------|------|------|------|------|------|------|------|------|------|
|                   | 0.2   |      | 0.4 |      | 0.6                     |      | 0.8  |      | 1.0  |      | 1.2                    |      | 1.4  |      | 1.6  |      | 1.8  |      | 2.0  |      |
|                   | RPM   | BHP  | RPM | BHP  | RPM                     | BHP  | RPM  | BHP  | RPM  | BHP  | RPM                    | BHP  | RPM  | BHP  | RPM  | BHP  | RPM  | BHP  | RPM  | BHP  |
|                   | 1.5 HP & Field Supplied Drive                         |      |     |      | Standard 1.5 HP & Drive |      |      |      |      |      | Hi Static 2 HP & Drive |      |      |      |      |      |      |      |      |      |
| 1500              | 673   | 0.47 | 736 | 0.54 | 797                     | 0.63 | 855  | 0.72 | 910  | 0.82 | 964                    | 0.92 | 1016 | 1.03 | 1067 | 1.14 | 1117 | 1.25 | 1166 | 1.36 |
| 1600              | 693   | 0.49 | 756 | 0.57 | 817                     | 0.65 | 874  | 0.75 | 930  | 0.85 | 984                    | 0.95 | 1036 | 1.06 | 1087 | 1.17 | 1137 | 1.28 | 1186 | 1.39 |
| 1700              | 713   | 0.53 | 777 | 0.60 | 837                     | 0.69 | 895  | 0.78 | 951  | 0.88 | 1004                   | 0.98 | 1057 | 1.09 | 1107 | 1.20 | 1157 | 1.31 | 1207 | 1.42 |
| 1800              | 734   | 0.57 | 797 | 0.65 | 858                     | 0.73 | 916  | 0.83 | 971  | 0.92 | 1025                   | 1.03 | 1077 | 1.14 | 1128 | 1.25 | 1178 | 1.36 | 1228 | 1.47 |
| 1900              | 755   | 0.62 | 819 | 0.70 | 879                     | 0.79 | 937  | 0.88 | 992  | 0.98 | 1046                   | 1.08 | 1098 | 1.19 | 1149 | 1.30 | 1199 | 1.41 | 1249 | 1.52 |
| 2000              | 776   | 0.69 | 840 | 0.76 | 900                     | 0.85 | 958  | 0.94 | 1014 | 1.04 | 1067                   | 1.14 | 1120 | 1.25 | 1171 | 1.36 | 1221 | 1.47 | 1270 | 1.59 |
| 2100              | 798   | 0.76 | 861 | 0.84 | 921                     | 0.92 | 979  | 1.02 | 1035 | 1.11 | 1089                   | 1.22 | 1141 | 1.32 | 1192 | 1.44 | 1242 | 1.55 | 1291 | 1.66 |
| 2200              | 819   | 0.84 | 882 | 0.92 | 943                     | 1.00 | 1001 | 1.10 | 1056 | 1.20 | 1110                   | 1.30 | 1162 | 1.41 | 1213 | 1.52 | 1263 | 1.63 | 1312 | 1.74 |
| 2300              | 840   | 0.93 | 903 | 1.01 | 964                     | 1.10 | 1022 | 1.19 | 1077 | 1.29 | 1131                   | 1.39 | 1183 | 1.50 | 1234 | 1.61 | 1284 | 1.72 | 1334 | 1.83 |
| 2400              | 861   | 1.03 | 925 | 1.11 | 985                     | 1.20 | 1043 | 1.29 | 1099 | 1.39 | 1152                   | 1.49 | 1204 | 1.60 | 1255 | 1.71 | 1305 | 1.82 | 1355 | 1.93 |
| 2500              | 882   | 1.14 | 946 | 1.22 | 1006                    | 1.30 | 1064 | 1.40 | 1120 | 1.50 | 1173                   | 1.60 | 1226 | 1.71 | 1276 | 1.82 | 1326 | 1.93 | 1376 | 2.04 |
|                   | 2 HP & Field Supplied Drive                           |      |     |      |                         |      |      |      |      |      |                        |      |      |      |      |      |      |      |      |      |

1. Blower performance includes gas heat exchangers and 2" filters. See STATIC RESISTANCE table for additional applications.
2. See RPM SELECTION table to determine desired motor sheave setting and to determine the maximum continuous BHP.
3. kW = BHP x 0.932.

**J06ZJ (6.5 Ton) Bottom Duct**

| Air Flow<br>(CFM) | Available External Static Pressure - IWG <sup>1</sup> |      |                         |      |     |      |     |      |                        |      |      |      |      |      |      |      |      |      |      |      |
|-------------------|---|------|-------------------------|------|-----|------|-----|------|------------------------|------|------|------|------|------|------|------|------|------|------|------|
|                   | 0.2   |      | 0.4                     |      | 0.6 |      | 0.8 |      | 1.0                    |      | 1.2  |      | 1.4  |      | 1.6  |      | 1.8  |      | 2.0  |      |
|                   | RPM   | BHP  | RPM                     | BHP  | RPM | BHP  | RPM | BHP  | RPM                    | BHP  | RPM  | BHP  | RPM  | BHP  | RPM  | BHP  | RPM  | BHP  | RPM  | BHP  |
|                   | FS <sup>4</sup>                                       |      | Standard 1.5 HP & Drive |      |     |      |     |      | Hi Static 2 HP & Drive |      |      |      |      |      |      |      |      |      |      |      |
| 1800              | 603   | 0.13 | 656                     | 0.36 | 718 | 0.58 | 784 | 0.79 | 851                    | 0.98 | 914  | 1.16 | 968  | 1.31 | 1010 | 1.43 | 1035 | 1.53 | 1039 | 1.59 |
| 2000              | 627   | 0.26 | 680                     | 0.49 | 742 | 0.71 | 808 | 0.92 | 875                    | 1.12 | 937  | 1.29 | 992  | 1.44 | 1034 | 1.57 | 1059 | 1.66 | 1063 | 1.72 |
| 2200              | 650   | 0.40 | 703                     | 0.63 | 765 | 0.85 | 831 | 1.06 | 898                    | 1.25 | 961  | 1.43 | 1015 | 1.58 | 1057 | 1.71 | 1082 | 1.80 | 1086 | 1.86 |
| 2400              | 673   | 0.55 | 726                     | 0.78 | 788 | 1.00 | 854 | 1.21 | 921                    | 1.40 | 984  | 1.58 | 1038 | 1.73 | 1080 | 1.85 | 1105 | 1.95 | 1109 | 2.01 |
| 2600              | 696   | 0.71 | 749                     | 0.94 | 811 | 1.16 | 878 | 1.37 | 944                    | 1.56 | 1007 | 1.73 | 1061 | 1.89 | 1103 | 2.01 | 1128 | 2.10 | 1133 | 2.16 |
| 2800              | 720   | 0.87 | 773                     | 1.10 | 835 | 1.32 | 902 | 1.53 | 968                    | 1.73 | 1031 | 1.90 | 1085 | 2.05 | 1127 | 2.18 | 1152 | 2.27 | 1157 | 2.33 |
| 3000              | 745   | 1.05 | 798                     | 1.28 | 860 | 1.50 | 926 | 1.71 | 993                    | 1.91 | 1056 | 2.08 | 1110 | 2.23 | 1152 | 2.36 | 1177 | 2.45 | 1181 | 2.51 |
| 3200              | 771   | 1.24 | 824                     | 1.47 | 886 | 1.69 | 952 | 1.90 | 1019                   | 2.09 | 1081 | 2.27 | 1136 | 2.42 | 1178 | 2.54 | 1203 | 2.64 | 1207 | 2.70 |
| 3400              | 797   | 1.44 | 850                     | 1.67 | 912 | 1.89 | 979 | 2.10 | 1045                   | 2.29 | 1108 | 2.47 | 1162 | 2.62 | 1204 | 2.74 | 1229 | 2.84 | 1234 | 2.90 |

3 HP &amp; Field Supplied Drive

1. Blower performance includes gas heat exchangers and 2" filters. See STATIC RESISTANCE table for additional applications.
2. See RPM SELECTION table to determine desired motor sheave setting and to determine the maximum continuous BHP.
3. kW = BHP x 0.932.
4. Field Supplied Drive.

**J07ZJ (7.5 Ton) Bottom Duct**

| Air Flow<br>(CFM) | Available External Static Pressure - IWG <sup>1</sup> |      |                         |      |     |      |      |      |                        |      |      |      |      |      |      |      |      |      |      |      |
|-------------------|---|------|-------------------------|------|-----|------|------|------|------------------------|------|------|------|------|------|------|------|------|------|------|------|
|                   | 0.2   |      | 0.4                     |      | 0.6 |      | 0.8  |      | 1.0                    |      | 1.2  |      | 1.4  |      | 1.6  |      | 1.8  |      | 2.0  |      |
|                   | RPM   | BHP  | RPM                     | BHP  | RPM | BHP  | RPM  | BHP  | RPM                    | BHP  | RPM  | BHP  | RPM  | BHP  | RPM  | BHP  | RPM  | BHP  | RPM  | BHP  |
|                   | FS <sup>4</sup>                                       |      | Standard 1.5 HP & Drive |      |     |      |      |      | Hi Static 3 HP & Drive |      |      |      |      |      |      |      |      |      |      |      |
| 2000              | 644   | 0.11 | 698                     | 0.38 | 755 | 0.62 | 814  | 0.85 | 874                    | 1.06 | 933  | 1.26 | 990  | 1.46 | 1043 | 1.66 | 1090 | 1.87 | 1131 | 2.09 |
| 2200              | 666   | 0.26 | 720                     | 0.53 | 777 | 0.77 | 836  | 1.00 | 896                    | 1.21 | 956  | 1.41 | 1012 | 1.61 | 1065 | 1.81 | 1113 | 2.02 | 1153 | 2.24 |
| 2400              | 689   | 0.42 | 743                     | 0.69 | 800 | 0.93 | 859  | 1.16 | 919                    | 1.37 | 978  | 1.57 | 1035 | 1.77 | 1088 | 1.97 | 1135 | 2.18 | 1176 | 2.40 |
| 2600              | 712   | 0.60 | 766                     | 0.87 | 823 | 1.11 | 882  | 1.34 | 942                    | 1.55 | 1002 | 1.75 | 1058 | 1.95 | 1111 | 2.15 | 1159 | 2.36 | 1199 | 2.58 |
| 2800              | 736   | 0.80 | 790                     | 1.06 | 847 | 1.31 | 906  | 1.53 | 967                    | 1.74 | 1026 | 1.94 | 1082 | 2.14 | 1135 | 2.34 | 1183 | 2.55 | 1223 | 2.78 |
| 3000              | 761   | 1.00 | 815                     | 1.27 | 872 | 1.52 | 931  | 1.74 | 991                    | 1.95 | 1051 | 2.15 | 1107 | 2.35 | 1160 | 2.55 | 1208 | 2.76 | 1248 | 2.98 |
| 3200              | 787   | 1.22 | 840                     | 1.49 | 898 | 1.74 | 957  | 1.96 | 1017                   | 2.17 | 1076 | 2.37 | 1133 | 2.57 | 1186 | 2.77 | 1233 | 2.98 | 1274 | 3.20 |
| 3400              | 813   | 1.46 | 867                     | 1.73 | 924 | 1.97 | 984  | 2.19 | 1044                   | 2.40 | 1103 | 2.61 | 1160 | 2.80 | 1212 | 3.01 | 1260 | 3.21 | -    | -    |
| 3600              | 841   | 1.70 | 894                     | 1.97 | 952 | 2.21 | 1011 | 2.44 | 1071                   | 2.65 | 1130 | 2.85 | 1187 | 3.05 | -    | -    | -    | -    | -    | -    |
| 3800              | 869   | 1.96 | 923                     | 2.22 | 980 | 2.47 | 1039 | 2.69 | 1099                   | 2.90 | 1158 | 3.10 | 1215 | 3.30 | -    | -    | -    | -    | -    | -    |

3 HP &amp; Field Supplied Drive

1. Blower performance includes gas heat exchangers and 2" filters. See STATIC RESISTANCE table for additional applications.
2. See RPM SELECTION table to determine desired motor sheave setting and to determine the maximum continuous BHP.
3. kW = BHP x 0.932.
4. Field Supplied Drive.

**J08ZJ (8.5 Ton) Bottom Duct**

| Air Flow<br>(CFM) | Available External Static Pressure - IWG <sup>1</sup> |      |                       |      |      |      |      |      |                        |      |      |      |      |      |      |      |      |      |      |      |
|-------------------|---|------|-----------------------|------|------|------|------|------|------------------------|------|------|------|------|------|------|------|------|------|------|------|
|                   | 0.2   |      | 0.4                   |      | 0.6  |      | 0.8  |      | 1.0                    |      | 1.2  |      | 1.4  |      | 1.6  |      | 1.8  |      | 2.0  |      |
|                   | RPM   | BHP  | RPM                   | BHP  | RPM  | BHP  | RPM  | BHP  | RPM                    | BHP  | RPM  | BHP  | RPM  | BHP  | RPM  | BHP  | RPM  | BHP  | RPM  | BHP  |
|                   | FS <sup>4</sup>                                       |      | Standard 2 HP & Drive |      |      |      |      |      | Hi Static 3 HP & Drive |      |      |      |      |      |      |      |      |      |      |      |
| 2200              | 685   | 0.59 | 739                   | 0.74 | 791  | 0.88 | 841  | 1.01 | 889                    | 1.14 | 936  | 1.27 | 981  | 1.39 | 1025 | 1.51 | 1069 | 1.63 | 1111 | 1.75 |
| 2400              | 702   | 0.70 | 756                   | 0.85 | 808  | 0.99 | 858  | 1.12 | 906                    | 1.25 | 953  | 1.37 | 999  | 1.49 | 1043 | 1.62 | 1086 | 1.74 | 1129 | 1.86 |
| 2600              | 722   | 0.83 | 776                   | 0.97 | 828  | 1.11 | 878  | 1.25 | 926                    | 1.37 | 973  | 1.50 | 1018 | 1.62 | 1063 | 1.74 | 1106 | 1.86 | 1149 | 1.99 |
| 2800              | 744   | 0.97 | 798                   | 1.12 | 850  | 1.26 | 900  | 1.39 | 949                    | 1.52 | 995  | 1.64 | 1041 | 1.76 | 1085 | 1.88 | 1128 | 2.00 | 1171 | 2.13 |
| 3000              | 769   | 1.13 | 823                   | 1.28 | 875  | 1.42 | 925  | 1.55 | 974                    | 1.68 | 1020 | 1.80 | 1066 | 1.92 | 1110 | 2.05 | 1153 | 2.17 | 1196 | 2.29 |
| 3200              | 797   | 1.32 | 851                   | 1.46 | 903  | 1.60 | 953  | 1.74 | 1001                   | 1.86 | 1048 | 1.99 | 1093 | 2.11 | 1138 | 2.23 | 1181 | 2.35 | 1224 | 2.48 |
| 3400              | 828   | 1.52 | 882                   | 1.67 | 934  | 1.81 | 983  | 1.94 | 1032                   | 2.07 | 1078 | 2.19 | 1124 | 2.32 | 1168 | 2.44 | 1212 | 2.56 | 1254 | 2.68 |
| 3600              | 861   | 1.75 | 915                   | 1.90 | 967  | 2.04 | 1017 | 2.17 | 1065                   | 2.30 | 1112 | 2.42 | 1157 | 2.54 | 1201 | 2.67 | 1245 | 2.79 | 1287 | 2.91 |
| 3800              | 897   | 2.00 | 951                   | 2.15 | 1002 | 2.29 | 1052 | 2.42 | 1101                   | 2.55 | 1147 | 2.67 | 1193 | 2.80 | 1237 | 2.92 | 1280 | 3.04 | 1323 | 3.16 |
| 4000              | 935   | 2.27 | 989                   | 2.42 | 1041 | 2.56 | 1091 | 2.69 | 1139                   | 2.82 | 1186 | 2.95 | 1231 | 3.07 | 1275 | 3.19 | 1319 | 3.31 | 1362 | 3.43 |
| 4200              | 976   | 2.57 | 1030                  | 2.72 | 1082 | 2.86 | 1132 | 2.99 | 1180                   | 3.12 | 1227 | 3.24 | 1272 | 3.36 | -    | -    | -    | -    | -    | -    |

3 HP &amp; Field Supplied Drive

1. Blower performance includes gas heat exchangers and 2" filters. See STATIC RESISTANCE table for additional applications.
2. See RPM SELECTION table to determine desired motor sheave setting and to determine the maximum continuous BHP.
3. kW = BHP x 0.932.
4. Field Supplied Drive.

**J10ZJ (10 Ton) Bottom Duct**

| Air Flow (CFM) | Available External Static Pressure - IWG <sup>1</sup> |      |                       |      |      |      |      |      |      |      |      |      |                        |      |      |      |      |      |      |      |
|----------------|---|------|-----------------------|------|------|------|------|------|------|------|------|------|------------------------|------|------|------|------|------|------|------|
|                | 0.2   |      | 0.4                   |      | 0.6  |      | 0.8  |      | 1.0  |      | 1.2  |      | 1.4                    |      | 1.6  |      | 1.8  |      | 2.0  |      |
|                | RPM   | BHP  | RPM                   | BHP  | RPM  | BHP  | RPM  | BHP  | RPM  | BHP  | RPM  | BHP  | RPM                    | BHP  | RPM  | BHP  | RPM  | BHP  | RPM  | BHP  |
|                | Field Supplied Drive                                  |      | Standard 2 HP & Drive |      |      |      |      |      |      |      |      |      | Hi Static 3 HP & Drive |      |      |      |      |      |      |      |
| 2600           | 722   | 0.83 | 776                   | 0.97 | 828  | 1.11 | 878  | 1.25 | 926  | 1.37 | 973  | 1.50 | 1018                   | 1.62 | 1063 | 1.74 | 1106 | 1.86 | 1149 | 1.99 |
| 2800           | 744   | 0.97 | 798                   | 1.12 | 850  | 1.26 | 900  | 1.39 | 949  | 1.52 | 995  | 1.64 | 1041                   | 1.76 | 1085 | 1.88 | 1128 | 2.00 | 1171 | 2.13 |
| 3000           | 769   | 1.13 | 823                   | 1.28 | 875  | 1.42 | 925  | 1.55 | 974  | 1.68 | 1020 | 1.80 | 1066                   | 1.92 | 1110 | 2.05 | 1153 | 2.17 | 1196 | 2.29 |
| 3200           | 797   | 1.32 | 851                   | 1.46 | 903  | 1.60 | 953  | 1.74 | 1001 | 1.86 | 1048 | 1.99 | 1093                   | 2.11 | 1138 | 2.23 | 1181 | 2.35 | 1224 | 2.48 |
| 3400           | 828   | 1.52 | 882                   | 1.67 | 934  | 1.81 | 983  | 1.94 | 1032 | 2.07 | 1078 | 2.19 | 1124                   | 2.32 | 1168 | 2.44 | 1212 | 2.56 | 1254 | 2.68 |
| 3600           | 861   | 1.75 | 915                   | 1.90 | 967  | 2.04 | 1017 | 2.17 | 1065 | 2.30 | 1112 | 2.42 | 1157                   | 2.54 | 1201 | 2.67 | 1245 | 2.79 | 1287 | 2.91 |
| 3800           | 897   | 2.00 | 951                   | 2.15 | 1002 | 2.29 | 1052 | 2.42 | 1101 | 2.55 | 1147 | 2.67 | 1193                   | 2.80 | 1237 | 2.92 | 1280 | 3.04 | 1323 | 3.16 |
| 4000           | 935   | 2.27 | 989                   | 2.42 | 1041 | 2.56 | 1091 | 2.69 | 1139 | 2.82 | 1186 | 2.95 | 1231                   | 3.07 | 1275 | 3.19 | 1319 | 3.31 | 1362 | 3.43 |
| 4200           | 976   | 2.57 | 1030                  | 2.72 | 1082 | 2.86 | 1132 | 2.99 | 1180 | 3.12 | 1227 | 3.24 | 1272                   | 3.36 | -    | -    | -    | -    | -    | -    |
| 4400           | 1019  | 2.88 | 1073                  | 3.03 | 1125 | 3.17 | 1175 | 3.30 | 1223 | 3.43 | -    | -    | -                      | -    | -    | -    | -    | -    | -    | -    |
| 4600           | 1065  | 3.22 | 1119                  | 3.36 | -    | -    | -    | -    | -    | -    | -    | -    | -                      | -    | -    | -    | -    | -    | -    | -    |
|                | 3 HP & Field Supplied Drive                           |      |                       |      |      |      |      |      |      |      |      |      |                        |      |      |      |      |      |      |      |

1. Blower performance includes gas heat exchangers and 2" filters. See STATIC RESISTANCE table for additional applications.
2. See RPM SELECTION table to determine desired motor sheave setting and to determine the maximum continuous BHP.
3. kW = BHP x 0.932.

**J12ZJ (12.5 Ton) Bottom Duct**

| Air Flow (CFM) | Available External Static Pressure - IWG <sup>1</sup> |      |                       |      |      |      |      |      |      |      |      |      |                        |      |      |      |      |      |      |      |
|----------------|---|------|-----------------------|------|------|------|------|------|------|------|------|------|------------------------|------|------|------|------|------|------|------|
|                | 0.2   |      | 0.4                   |      | 0.6  |      | 0.8  |      | 1.0  |      | 1.2  |      | 1.4                    |      | 1.6  |      | 1.8  |      | 2.0  |      |
|                | RPM   | BHP  | RPM                   | BHP  | RPM  | BHP  | RPM  | BHP  | RPM  | BHP  | RPM  | BHP  | RPM                    | BHP  | RPM  | BHP  | RPM  | BHP  | RPM  | BHP  |
|                | Field Supplied Drive                                  |      | Standard 3 HP & Drive |      |      |      |      |      |      |      |      |      | Hi Static 5 HP & Drive |      |      |      |      |      |      |      |
| 3200           | 797   | 1.32 | 851                   | 1.46 | 903  | 1.60 | 953  | 1.74 | 1001 | 1.86 | 1048 | 1.99 | 1093                   | 2.11 | 1138 | 2.23 | 1181 | 2.35 | 1224 | 2.48 |
| 3400           | 828   | 1.52 | 882                   | 1.67 | 934  | 1.81 | 983  | 1.94 | 1032 | 2.07 | 1078 | 2.19 | 1124                   | 2.32 | 1168 | 2.44 | 1212 | 2.56 | 1254 | 2.68 |
| 3600           | 861   | 1.75 | 915                   | 1.90 | 967  | 2.04 | 1017 | 2.17 | 1065 | 2.30 | 1112 | 2.42 | 1157                   | 2.54 | 1201 | 2.67 | 1245 | 2.79 | 1287 | 2.91 |
| 3800           | 897   | 2.00 | 951                   | 2.15 | 1002 | 2.29 | 1052 | 2.42 | 1101 | 2.55 | 1147 | 2.67 | 1193                   | 2.80 | 1237 | 2.92 | 1280 | 3.04 | 1323 | 3.16 |
| 4000           | 935   | 2.27 | 989                   | 2.42 | 1041 | 2.56 | 1091 | 2.69 | 1139 | 2.82 | 1186 | 2.95 | 1231                   | 3.07 | 1275 | 3.19 | 1319 | 3.31 | 1362 | 3.43 |
| 4200           | 976   | 2.57 | 1030                  | 2.72 | 1082 | 2.86 | 1132 | 2.99 | 1180 | 3.12 | 1227 | 3.24 | 1272                   | 3.36 | 1316 | 3.48 | 1360 | 3.60 | 1402 | 3.73 |
| 4400           | 1019  | 2.88 | 1073                  | 3.03 | 1125 | 3.17 | 1175 | 3.30 | 1223 | 3.43 | 1270 | 3.55 | 1315                   | 3.67 | 1360 | 3.80 | 1403 | 3.92 | 1446 | 4.04 |
| 4600           | 1065  | 3.22 | 1119                  | 3.36 | 1171 | 3.50 | 1221 | 3.64 | 1269 | 3.76 | 1316 | 3.89 | 1361                   | 4.01 | 1405 | 4.13 | 1449 | 4.25 | 1491 | 4.38 |
| 4800           | 1113  | 3.57 | 1167                  | 3.72 | 1219 | 3.86 | 1269 | 3.99 | 1317 | 4.12 | 1364 | 4.24 | 1409                   | 4.36 | 1453 | 4.48 | 1497 | 4.61 | 1540 | 4.73 |
| 5000           | 1163  | 3.94 | 1217                  | 4.09 | 1269 | 4.23 | 1319 | 4.36 | 1367 | 4.49 | 1414 | 4.62 | 1459                   | 4.74 | 1504 | 4.86 | 1547 | 4.98 | 1590 | 5.10 |
| 5200           | 1216  | 4.34 | 1270                  | 4.48 | 1321 | 4.62 | 1371 | 4.76 | 1420 | 4.88 | 1466 | 5.01 | 1512                   | 5.13 | 1556 | 5.25 | 1600 | 5.37 | 1642 | 5.50 |
| 5400           | 1270  | 4.75 | 1324                  | 4.89 | 1376 | 5.03 | 1426 | 5.17 | 1474 | 5.29 | 1521 | 5.42 | 1566                   | 5.54 | 1611 | 5.66 | -    | -    | -    | -    |
| 5600           | 1327  | 5.17 | 1381                  | 5.32 | 1433 | 5.46 | 1483 | 5.59 | 1531 | 5.72 | -    | -    | -                      | -    | -    | -    | -    | -    | -    | -    |
| 5800           | 1385  | 5.62 | -                     | -    | -    | -    | -    | -    | -    | -    | -    | -    | -                      | -    | -    | -    | -    | -    | -    | -    |
|                | 5 HP & Field Supplied Drive                           |      |                       |      |      |      |      |      |      |      |      |      |                        |      |      |      |      |      |      |      |

1. Blower performance includes gas heat exchangers and 2" filters. See STATIC RESISTANCE table for additional applications.
2. See RPM SELECTION table to determine desired motor sheave setting and to determine the maximum continuous BHP.
3. kW = BHP x 0.932.

## JA3 thru 12ZR Side Duct Application

## JA3ZR (3.0 Ton) Side Duct

| Air Flow (CFM) | Available External Static Pressure - IWG <sup>1</sup> |     |                         |     |     |     |     |     |                          |     |     |     |      |     |      |     |      |     |      |     |
|----------------|---|-----|-------------------------|-----|-----|-----|-----|-----|--------------------------|-----|-----|-----|------|-----|------|-----|------|-----|------|-----|
|                | 0.2   |     | 0.4                     |     | 0.6 |     | 0.8 |     | 1.0                      |     | 1.2 |     | 1.4  |     | 1.6  |     | 1.8  |     | 2.0  |     |
|                | RPM   | BHP | RPM                     | BHP | RPM | BHP | RPM | BHP | RPM                      | BHP | RPM | BHP | RPM  | BHP | RPM  | BHP | RPM  | BHP | RPM  | BHP |
|                | FS <sup>4</sup>                                       |     | Standard 1.5 HP & Drive |     |     |     |     |     | Hi Static 1.5 HP & Drive |     |     |     |      |     |      |     |      |     |      |     |
| 900            | 480   | 0.4 | 582                     | 0.4 | 673 | 0.5 | 756 | 0.5 | 830                      | 0.6 | 898 | 0.7 | 960  | 0.8 | 1018 | 0.9 | 1072 | 1.0 | 1124 | 1.1 |
| 1000           | 489   | 0.4 | 591                     | 0.4 | 682 | 0.5 | 764 | 0.6 | 839                      | 0.6 | 907 | 0.7 | 969  | 0.8 | 1026 | 0.9 | 1080 | 1.0 | 1132 | 1.1 |
| 1100           | 500   | 0.4 | 602                     | 0.4 | 693 | 0.5 | 776 | 0.6 | 850                      | 0.6 | 918 | 0.7 | 980  | 0.8 | 1038 | 0.9 | 1092 | 1.0 | 1144 | 1.1 |
| 1200           | 513   | 0.4 | 614                     | 0.5 | 706 | 0.5 | 788 | 0.6 | 863                      | 0.7 | 931 | 0.8 | 993  | 0.8 | 1050 | 0.9 | 1104 | 1.0 | 1156 | 1.1 |
| 1300           | 525   | 0.4 | 627                     | 0.5 | 719 | 0.6 | 801 | 0.6 | 876                      | 0.7 | 943 | 0.8 | 1005 | 0.9 | 1063 | 1.0 | 1117 | 1.1 | 1169 | 1.2 |
| 1400           | 537   | 0.5 | 639                     | 0.5 | 731 | 0.6 | 813 | 0.7 | 888                      | 0.7 | 955 | 0.8 | 1017 | 0.9 | 1075 | 1.0 | 1129 | 1.1 | 1181 | 1.2 |
| 1500           | 549   | 0.5 | 650                     | 0.6 | 742 | 0.6 | 824 | 0.7 | 899                      | 0.8 | 966 | 0.9 | 1028 | 0.9 | 1086 | 1.0 | 1140 | 1.1 | 1192 | 1.2 |

1. Blower performance includes gas heat exchangers and 2" filters. See STATIC RESISTANCE table for additional applications.
2. See RPM SELECTION table to determine desired motor sheave setting and to determine the maximum continuous BHP.
3. kW = BHP x 0.932.
4. Field Supplied Drive.

## JA4ZR (4.0 Ton) Side Duct

| Air Flow (CFM) | Available External Static Pressure - IWG <sup>1</sup> |     |                         |     |     |     |     |     |                          |     |     |     |      |     |      |     |      |     |      |     |
|----------------|---|-----|-------------------------|-----|-----|-----|-----|-----|--------------------------|-----|-----|-----|------|-----|------|-----|------|-----|------|-----|
|                | 0.2   |     | 0.4                     |     | 0.6 |     | 0.8 |     | 1.0                      |     | 1.2 |     | 1.4  |     | 1.6  |     | 1.8  |     | 2.0  |     |
|                | RPM   | BHP | RPM                     | BHP | RPM | BHP | RPM | BHP | RPM                      | BHP | RPM | BHP | RPM  | BHP | RPM  | BHP | RPM  | BHP | RPM  | BHP |
|                | 1.5 HP & Field Supplied Drive                         |     | Standard 1.5 HP & Drive |     |     |     |     |     | Hi Static 1.5 HP & Drive |     |     |     |      |     |      |     |      |     |      |     |
| 1200           | 513   | 0.4 | 614                     | 0.5 | 706 | 0.5 | 788 | 0.6 | 863                      | 0.7 | 931 | 0.8 | 993  | 0.8 | 1050 | 0.9 | 1104 | 1.0 | 1156 | 1.1 |
| 1300           | 525   | 0.4 | 627                     | 0.5 | 719 | 0.6 | 801 | 0.6 | 876                      | 0.7 | 943 | 0.8 | 1005 | 0.9 | 1063 | 1.0 | 1117 | 1.1 | 1169 | 1.2 |
| 1400           | 537   | 0.5 | 639                     | 0.5 | 731 | 0.6 | 813 | 0.7 | 888                      | 0.7 | 955 | 0.8 | 1017 | 0.9 | 1075 | 1.0 | 1129 | 1.1 | 1181 | 1.2 |
| 1500           | 549   | 0.5 | 650                     | 0.6 | 742 | 0.6 | 824 | 0.7 | 899                      | 0.8 | 966 | 0.9 | 1028 | 0.9 | 1086 | 1.0 | 1140 | 1.1 | 1192 | 1.2 |
| 1600           | 558   | 0.6 | 660                     | 0.6 | 752 | 0.7 | 834 | 0.8 | 909                      | 0.8 | 976 | 0.9 | 1038 | 1.0 | 1096 | 1.1 | 1150 | 1.2 | 1202 | 1.3 |
| 1700           | 566   | 0.6 | 668                     | 0.7 | 760 | 0.7 | 842 | 0.8 | 917                      | 0.9 | 984 | 1.0 | 1046 | 1.1 | 1104 | 1.1 | 1158 | 1.2 | 1210 | 1.4 |
| 1800           | 573   | 0.7 | 675                     | 0.7 | 766 | 0.8 | 849 | 0.9 | 923                      | 1.0 | 991 | 1.0 | 1053 | 1.1 | 1110 | 1.2 | 1164 | 1.3 | 1216 | 1.4 |
| 1900           | 577   | 0.8 | 679                     | 0.8 | 771 | 0.9 | 853 | 1.0 | 928                      | 1.0 | 995 | 1.1 | 1057 | 1.2 | 1115 | 1.3 | 1169 | 1.4 | 1221 | 1.5 |
| 2000           | 580   | 0.8 | 682                     | 0.9 | 773 | 1.0 | 856 | 1.0 | 930                      | 1.1 | 998 | 1.2 | 1060 | 1.3 | 1117 | 1.4 | 1172 | 1.5 | 1224 | 1.6 |
|                | FS <sup>4</sup>                                       |     |                         |     |     |     |     |     |                          |     |     |     |      |     |      |     |      |     |      |     |

1. Blower performance includes gas heat exchangers and 2" filters. See STATIC RESISTANCE table for additional applications.
2. See RPM SELECTION table to determine desired motor sheave setting and to determine the maximum continuous BHP.
3. kW = BHP x 0.932.
4. Field Supplied Drive.

## JA5ZR (5.0 Ton) Side Duct

| Air Flow (CFM) | Available External Static Pressure - IWG <sup>1</sup> |     |     |     |     |     |                        |     |      |     |      |     |      |     |      |     |                             |     |      |     |
|----------------|---|-----|-----|-----|-----|-----|------------------------|-----|------|-----|------|-----|------|-----|------|-----|-----------------------------|-----|------|-----|
|                | 0.2   |     | 0.4 |     | 0.6 |     | 0.8                    |     | 1.0  |     | 1.2  |     | 1.4  |     | 1.6  |     | 1.8                         |     | 2.0  |     |
|                | RPM   | BHP | RPM | BHP | RPM | BHP | RPM                    | BHP | RPM  | BHP | RPM  | BHP | RPM  | BHP | RPM  | BHP | RPM                         | BHP | RPM  | BHP |
|                | Standard 1.5 HP & Drive                               |     |     |     |     |     | Hi Static 2 HP & Drive |     |      |     |      |     |      |     |      |     |                             |     |      |     |
| 1500           | 616   | 0.5 | 685 | 0.6 | 766 | 0.7 | 833                    | 0.8 | 905  | 0.9 | 975  | 1.0 | 1035 | 1.0 | 1101 | 1.1 | 1163                        | 1.2 | 1229 | 1.3 |
| 1600           | 638   | 0.6 | 707 | 0.7 | 781 | 0.7 | 848                    | 0.8 | 920  | 0.9 | 990  | 1.0 | 1050 | 1.1 | 1104 | 1.1 | 1166                        | 1.2 | 1232 | 1.3 |
| 1700           | 655   | 0.6 | 724 | 0.7 | 796 | 0.8 | 863                    | 0.9 | 935  | 1.0 | 1005 | 1.1 | 1064 | 1.1 | 1109 | 1.2 | 1172                        | 1.3 | 1238 | 1.4 |
| 1800           | 670   | 0.7 | 739 | 0.8 | 810 | 0.8 | 877                    | 0.9 | 949  | 1.0 | 1018 | 1.1 | 1078 | 1.2 | 1117 | 1.2 | 1179                        | 1.3 | 1245 | 1.5 |
| 1900           | 686   | 0.7 | 755 | 0.8 | 823 | 0.9 | 890                    | 1.0 | 962  | 1.1 | 1032 | 1.2 | 1091 | 1.2 | 1125 | 1.3 | 1187                        | 1.4 | 1253 | 1.5 |
| 2000           | 702   | 0.8 | 772 | 0.9 | 836 | 1.0 | 903                    | 1.1 | 975  | 1.2 | 1045 | 1.3 | 1078 | 1.3 | 1135 | 1.4 | 1197                        | 1.5 | 1263 | 1.6 |
| 2100           | 722   | 0.9 | 791 | 1.0 | 849 | 1.0 | 916                    | 1.1 | 988  | 1.2 | 1058 | 1.3 | 1089 | 1.4 | 1147 | 1.5 | 1209                        | 1.6 | 1275 | 1.7 |
| 2200           | 745   | 0.9 | 814 | 1.0 | 861 | 1.1 | 928                    | 1.2 | 1000 | 1.3 | 1050 | 1.4 | 1102 | 1.5 | 1159 | 1.6 | 1221                        | 1.7 | 1287 | 1.8 |
| 2300           | 772   | 1.0 | 841 | 1.1 | 874 | 1.2 | 941                    | 1.3 | 1013 | 1.4 | 1064 | 1.5 | 1115 | 1.6 | 1173 | 1.7 | 1235                        | 1.8 | -    | -   |
| 2400           | 804   | 1.1 | 832 | 1.2 | 886 | 1.3 | 953                    | 1.4 | 1033 | 1.4 | 1078 | 1.6 | 1130 | 1.7 | 1188 | 1.8 | -                           | -   | -    | -   |
| 2500           | 841   | 1.2 | 844 | 1.3 | 898 | 1.4 | 965                    | 1.5 | 1049 | 1.5 | 1094 | 1.7 | -    | -   | -    | -   | 2 HP & Field Supplied Drive |     |      |     |

1. Blower performance includes gas heat exchangers and 2" filters. See STATIC RESISTANCE table for additional applications.
2. See RPM SELECTION table to determine desired motor sheave setting and to determine the maximum continuous BHP.
3. kW = BHP x 0.932.

**J06 thru 12ZR Side Duct Application**

**J06ZR (6.5 Ton) Side Duct**

| Air Flow (CFM) | Available External Static Pressure - IWG <sup>1</sup> |      |      |      |                         |      |      |      |      |      |                        |      |      |      |      |      |      |      |      |      |
|----------------|---|------|------|------|-------------------------|------|------|------|------|------|------------------------|------|------|------|------|------|------|------|------|------|
|                | 0.2   |      | 0.4  |      | 0.6                     |      | 0.8  |      | 1.0  |      | 1.2                    |      | 1.4  |      | 1.6  |      | 1.8  |      | 2.0  |      |
|                | RPM   | BHP  | RPM  | BHP  | RPM                     | BHP  | RPM  | BHP  | RPM  | BHP  | RPM                    | BHP  | RPM  | BHP  | RPM  | BHP  | RPM  | BHP  | RPM  | BHP  |
|                | 1.5 HP & Field Supplied Drive                         |      |      |      | Standard 1.5 HP & Drive |      |      |      |      |      | Hi Static 2 HP & Drive |      |      |      |      |      |      |      |      |      |
| 1800           | 778   | 0.37 | 838  | 0.56 | 895                     | 0.73 | 951  | 0.88 | 1005 | 1.01 | 1059                   | 1.13 | 1112 | 1.25 | 1166 | 1.36 | 1221 | 1.47 | 1278 | 1.59 |
| 2000           | 803   | 0.50 | 864  | 0.69 | 921                     | 0.85 | 977  | 1.00 | 1031 | 1.14 | 1085                   | 1.26 | 1138 | 1.37 | 1192 | 1.49 | 1247 | 1.60 | 1304 | 1.72 |
| 2200           | 833   | 0.64 | 893  | 0.83 | 951                     | 1.00 | 1006 | 1.14 | 1061 | 1.28 | 1114                   | 1.40 | 1168 | 1.51 | 1221 | 1.63 | 1276 | 1.74 | 1333 | 1.86 |
| 2400           | 866   | 0.80 | 926  | 0.99 | 984                     | 1.15 | 1039 | 1.30 | 1094 | 1.43 | 1147                   | 1.56 | 1201 | 1.67 | 1254 | 1.78 | 1309 | 1.90 | 1366 | 2.02 |
| 2600           | 902   | 0.97 | 962  | 1.16 | 1020                    | 1.33 | 1076 | 1.47 | 1130 | 1.61 | 1183                   | 1.73 | 1237 | 1.85 | 1291 | 1.96 | 1346 | 2.07 | 1402 | 2.19 |
| 2800           | 941   | 1.16 | 1002 | 1.35 | 1059                    | 1.52 | 1115 | 1.67 | 1169 | 1.80 | 1222                   | 1.92 | 1276 | 2.04 | 1330 | 2.15 | 1385 | 2.26 | -    | -    |
| 3000           | 983   | 1.37 | 1043 | 1.56 | 1101                    | 1.73 | 1157 | 1.88 | 1211 | 2.01 | 1264                   | 2.13 | 1318 | 2.25 | -    | -    | -    | -    | -    | -    |
| 3200           | 1028  | 1.60 | 1088 | 1.79 | 1145                    | 1.95 | 1201 | 2.10 | 1255 | 2.24 | -                      | -    | -    | -    | -    | -    | -    | -    | -    | -    |
| 3400           | 1074  | 1.84 | 1134 | 2.03 | 1192                    | 2.20 | -    | -    | -    | -    | -                      | -    | -    | -    | -    | -    | -    | -    | -    | -    |
|                | 2 HP & Field Supplied Drive                           |      |      |      |                         |      |      |      |      |      |                        |      |      |      |      |      |      |      |      |      |

1. Blower performance includes gas heat exchangers and 2" filters. See STATIC RESISTANCE table for additional applications.
2. See RPM SELECTION table to determine desired motor sheave setting and to determine the maximum continuous BHP.
3. kW = BHP x 0.932.

**J07ZR (7.5 Ton) Side Duct**

| Air Flow (CFM) | Available External Static Pressure - IWG <sup>1</sup> |      |      |      |                         |      |      |      |      |      |                        |      |      |      |      |      |      |      |      |      |
|----------------|---|------|------|------|-------------------------|------|------|------|------|------|------------------------|------|------|------|------|------|------|------|------|------|
|                | 0.2   |      | 0.4  |      | 0.6                     |      | 0.8  |      | 1.0  |      | 1.2                    |      | 1.4  |      | 1.6  |      | 1.8  |      | 2.0  |      |
|                | RPM   | BHP  | RPM  | BHP  | RPM                     | BHP  | RPM  | BHP  | RPM  | BHP  | RPM                    | BHP  | RPM  | BHP  | RPM  | BHP  | RPM  | BHP  | RPM  | BHP  |
|                | 1.5 HP & Field Supplied Drive                         |      |      |      | Standard 1.5 HP & Drive |      |      |      |      |      | Hi Static 3 HP & Drive |      |      |      |      |      |      |      |      |      |
| 2000           | 803   | 0.50 | 864  | 0.69 | 921                     | 0.85 | 977  | 1.00 | 1031 | 1.14 | 1085                   | 1.26 | 1138 | 1.37 | 1192 | 1.49 | 1247 | 1.60 | 1304 | 1.72 |
| 2200           | 833   | 0.64 | 893  | 0.83 | 951                     | 1.00 | 1006 | 1.14 | 1061 | 1.28 | 1114                   | 1.40 | 1168 | 1.51 | 1221 | 1.63 | 1276 | 1.74 | 1333 | 1.86 |
| 2400           | 866   | 0.80 | 926  | 0.99 | 984                     | 1.15 | 1039 | 1.30 | 1094 | 1.43 | 1147                   | 1.56 | 1201 | 1.67 | 1254 | 1.78 | 1309 | 1.90 | 1366 | 2.02 |
| 2600           | 902   | 0.97 | 962  | 1.16 | 1020                    | 1.33 | 1076 | 1.47 | 1130 | 1.61 | 1183                   | 1.73 | 1237 | 1.85 | 1291 | 1.96 | 1346 | 2.07 | 1402 | 2.19 |
| 2800           | 941   | 1.16 | 1002 | 1.35 | 1059                    | 1.52 | 1115 | 1.67 | 1169 | 1.80 | 1222                   | 1.92 | 1276 | 2.04 | 1330 | 2.15 | 1385 | 2.26 | 1442 | 2.38 |
| 3000           | 983   | 1.37 | 1043 | 1.56 | 1101                    | 1.73 | 1157 | 1.88 | 1211 | 2.01 | 1264                   | 2.13 | 1318 | 2.25 | 1372 | 2.36 | 1427 | 2.47 | 1483 | 2.59 |
| 3200           | 1028  | 1.60 | 1088 | 1.79 | 1145                    | 1.95 | 1201 | 2.10 | 1255 | 2.24 | 1309                   | 2.36 | 1362 | 2.47 | 1416 | 2.59 | 1471 | 2.70 | 1528 | 2.82 |
| 3400           | 1074  | 1.84 | 1134 | 2.03 | 1192                    | 2.20 | 1248 | 2.35 | 1302 | 2.48 | 1355                   | 2.60 | 1409 | 2.72 | 1463 | 2.83 | 1518 | 2.94 | 1574 | 3.06 |
| 3600           | 1123  | 2.10 | 1183 | 2.29 | 1241                    | 2.46 | 1297 | 2.61 | 1351 | 2.74 | 1404                   | 2.86 | 1458 | 2.98 | 1512 | 3.09 | 1567 | 3.21 | 1623 | 3.32 |
| 3800           | 1174  | 2.38 | 1234 | 2.57 | 1292                    | 2.74 | 1348 | 2.88 | 1402 | 3.02 | 1455                   | 3.14 | 1509 | 3.26 | 1562 | 3.37 | -    | -    | -    | -    |
|                | 3 HP & Field Supplied Drive                           |      |      |      |                         |      |      |      |      |      |                        |      |      |      |      |      |      |      |      |      |

1. Blower performance includes gas heat exchangers and 2" filters. See STATIC RESISTANCE table for additional applications.
2. See RPM SELECTION table to determine desired motor sheave setting and to determine the maximum continuous BHP.
3. kW = BHP x 0.932.

**J08ZR (8.5 Ton) Side Duct**

| Air Flow (CFM) | Available External Static Pressure - IWG <sup>1</sup> |      |                       |      |     |      |     |      |      |      |      |      |                        |      |      |      |      |      |      |      |
|----------------|---|------|-----------------------|------|-----|------|-----|------|------|------|------|------|------------------------|------|------|------|------|------|------|------|
|                | 0.2   |      | 0.4                   |      | 0.6 |      | 0.8 |      | 1.0  |      | 1.2  |      | 1.4                    |      | 1.6  |      | 1.8  |      | 2.0  |      |
|                | RPM   | BHP  | RPM                   | BHP  | RPM | BHP  | RPM | BHP  | RPM  | BHP  | RPM  | BHP  | RPM                    | BHP  | RPM  | BHP  | RPM  | BHP  | RPM  | BHP  |
|                | 2 HP & Field Supplied Drive                           |      | Standard 2 HP & Drive |      |     |      |     |      |      |      |      |      | Hi Static 3 HP & Drive |      |      |      |      |      |      |      |
| 2200           | 684   | 0.48 | 735                   | 0.67 | 783 | 0.84 | 829 | 1.01 | 874  | 1.17 | 918  | 1.32 | 960                    | 1.48 | 1001 | 1.63 | 1041 | 1.78 | 1081 | 1.94 |
| 2400           | 695   | 0.58 | 745                   | 0.76 | 793 | 0.94 | 840 | 1.11 | 885  | 1.27 | 928  | 1.42 | 970                    | 1.57 | 1011 | 1.73 | 1052 | 1.88 | 1091 | 2.04 |
| 2600           | 706   | 0.67 | 756                   | 0.86 | 805 | 1.04 | 851 | 1.20 | 896  | 1.36 | 939  | 1.52 | 981                    | 1.67 | 1023 | 1.82 | 1063 | 1.98 | 1103 | 2.13 |
| 2800           | 719   | 0.78 | 769                   | 0.96 | 817 | 1.14 | 863 | 1.31 | 908  | 1.47 | 952  | 1.62 | 994                    | 1.78 | 1035 | 1.93 | 1075 | 2.08 | 1115 | 2.24 |
| 3000           | 732   | 0.89 | 782                   | 1.08 | 831 | 1.25 | 877 | 1.42 | 922  | 1.58 | 965  | 1.74 | 1007                   | 1.89 | 1049 | 2.04 | 1089 | 2.19 | 1128 | 2.35 |
| 3200           | 747   | 1.02 | 797                   | 1.21 | 846 | 1.38 | 892 | 1.55 | 937  | 1.71 | 980  | 1.86 | 1023                   | 2.02 | 1064 | 2.17 | 1104 | 2.32 | 1144 | 2.48 |
| 3400           | 764   | 1.16 | 814                   | 1.35 | 862 | 1.53 | 909 | 1.69 | 954  | 1.85 | 997  | 2.01 | 1039                   | 2.16 | 1080 | 2.31 | 1121 | 2.47 | 1160 | 2.62 |
| 3600           | 783   | 1.33 | 833                   | 1.51 | 881 | 1.69 | 927 | 1.86 | 972  | 2.02 | 1016 | 2.17 | 1058                   | 2.32 | 1099 | 2.48 | 1139 | 2.63 | 1179 | 2.79 |
| 3800           | 803   | 1.51 | 853                   | 1.69 | 901 | 1.87 | 948 | 2.04 | 992  | 2.20 | 1036 | 2.35 | 1078                   | 2.50 | 1119 | 2.66 | 1159 | 2.81 | 1199 | 2.97 |
| 4000           | 825   | 1.71 | 875                   | 1.89 | 923 | 2.07 | 970 | 2.23 | 1014 | 2.39 | 1058 | 2.55 | 1100                   | 2.70 | 1141 | 2.86 | 1181 | 3.01 | 1221 | 3.16 |
| 4200           | 849   | 1.92 | 899                   | 2.11 | 947 | 2.29 | 993 | 2.45 | 1038 | 2.61 | 1082 | 2.77 | 1124                   | 2.92 | 1165 | 3.07 | 1205 | 3.23 | 1245 | 3.38 |
|                | 3 HP & Field Supplied Drive                           |      |                       |      |     |      |     |      |      |      |      |      |                        |      |      |      |      |      |      |      |

1. Blower performance includes gas heat exchangers and 2" filters. See STATIC RESISTANCE table for additional applications.
2. See RPM SELECTION table to determine desired motor sheave setting and to determine the maximum continuous BHP.
3. kW = BHP x 0.932.

## J10ZR (10 Ton) Side Duct

| Air Flow<br>(CFM) | Available External Static Pressure - IWG <sup>1</sup> |      |      |      |                       |      |      |      |                        |      |      |      |      |      |      |      |      |      |      |      |
|-------------------|---|------|------|------|-----------------------|------|------|------|------------------------|------|------|------|------|------|------|------|------|------|------|------|
|                   | 0.2   |      | 0.4  |      | 0.6                   |      | 0.8  |      | 1.0                    |      | 1.2  |      | 1.4  |      | 1.6  |      | 1.8  |      | 2.0  |      |
|                   | RPM   | BHP  | RPM  | BHP  | RPM                   | BHP  | RPM  | BHP  | RPM                    | BHP  | RPM  | BHP  | RPM  | BHP  | RPM  | BHP  | RPM  | BHP  | RPM  | BHP  |
|                   | 2 HP & Field Supplied Drive                           |      |      |      | Standard 2 HP & Drive |      |      |      | Hi Static 3 HP & Drive |      |      |      |      |      |      |      |      |      |      |      |
| 2600              | 706   | 0.67 | 756  | 0.86 | 805                   | 1.04 | 851  | 1.20 | 896                    | 1.36 | 939  | 1.52 | 981  | 1.67 | 1023 | 1.82 | 1063 | 1.98 | 1103 | 2.13 |
| 2800              | 719   | 0.78 | 769  | 0.96 | 817                   | 1.14 | 863  | 1.31 | 908                    | 1.47 | 952  | 1.62 | 994  | 1.78 | 1035 | 1.93 | 1075 | 2.08 | 1115 | 2.24 |
| 3000              | 732   | 0.89 | 782  | 1.08 | 831                   | 1.25 | 877  | 1.42 | 922                    | 1.58 | 965  | 1.74 | 1007 | 1.89 | 1049 | 2.04 | 1089 | 2.19 | 1128 | 2.35 |
| 3200              | 747   | 1.02 | 797  | 1.21 | 846                   | 1.38 | 892  | 1.55 | 937                    | 1.71 | 980  | 1.86 | 1023 | 2.02 | 1064 | 2.17 | 1104 | 2.32 | 1144 | 2.48 |
| 3400              | 764   | 1.16 | 814  | 1.35 | 862                   | 1.53 | 909  | 1.69 | 954                    | 1.85 | 997  | 2.01 | 1039 | 2.16 | 1080 | 2.31 | 1121 | 2.47 | 1160 | 2.62 |
| 3600              | 783   | 1.33 | 833  | 1.51 | 881                   | 1.69 | 927  | 1.86 | 972                    | 2.02 | 1016 | 2.17 | 1058 | 2.32 | 1099 | 2.48 | 1139 | 2.63 | 1179 | 2.79 |
| 3800              | 803   | 1.51 | 853  | 1.69 | 901                   | 1.87 | 948  | 2.04 | 992                    | 2.20 | 1036 | 2.35 | 1078 | 2.50 | 1119 | 2.66 | 1159 | 2.81 | 1199 | 2.97 |
| 4000              | 825   | 1.71 | 875  | 1.89 | 923                   | 2.07 | 970  | 2.23 | 1014                   | 2.39 | 1058 | 2.55 | 1100 | 2.70 | 1141 | 2.86 | 1181 | 3.01 | 1221 | 3.16 |
| 4200              | 849   | 1.92 | 899  | 2.11 | 947                   | 2.29 | 993  | 2.45 | 1038                   | 2.61 | 1082 | 2.77 | 1124 | 2.92 | 1165 | 3.07 | 1205 | 3.23 | 1245 | 3.38 |
| 4400              | 874   | 2.16 | 924  | 2.35 | 972                   | 2.52 | 1019 | 2.69 | 1064                   | 2.85 | 1107 | 3.01 | 1149 | 3.16 | 1190 | 3.31 | -    | -    | -    | -    |
| 4600              | 901   | 2.42 | 952  | 2.61 | 1000                  | 2.78 | 1046 | 2.95 | 1091                   | 3.11 | 1134 | 3.26 | 1177 | 3.42 | -    | -    | -    | -    | -    | -    |
| 4800              | 930   | 2.70 | 981  | 2.88 | 1029                  | 3.06 | 1075 | 3.23 | 1120                   | 3.39 | -    | -    | -    | -    | -    | -    | -    | -    | -    | -    |
| 5000              | 961   | 2.99 | 1011 | 3.18 | 1059                  | 3.35 | -    | -    | -                      | -    | -    | -    | -    | -    | -    | -    | -    | -    | -    | -    |

3 HP &amp; Field Supplied Drive

1. Blower performance includes gas heat exchangers and 2" filters. See STATIC RESISTANCE table for additional applications.
2. See RPM SELECTION table to determine desired motor sheave setting and to determine the maximum continuous BHP.
3. kW = BHP x 0.932.

## J12ZR (12.5 Ton) Side Duct

| Air Flow<br>(CFM) | Available External Static Pressure - IWG <sup>1</sup> |      |      |      |                       |      |      |      |      |      |      |      |      |      |      |      |      |      |      |      |
|-------------------|---|------|------|------|-----------------------|------|------|------|------|------|------|------|------|------|------|------|------|------|------|------|
|                   | 0.2   |      | 0.4  |      | 0.6                   |      | 0.8  |      | 1.0  |      | 1.2  |      | 1.4  |      | 1.6  |      | 1.8  |      | 2.0  |      |
|                   | RPM   | BHP  | RPM  | BHP  | RPM                   | BHP  | RPM  | BHP  | RPM  | BHP  | RPM  | BHP  | RPM  | BHP  | RPM  | BHP  | RPM  | BHP  | RPM  | BHP  |
|                   | 3 HP & Field Supplied Drive                           |      |      |      | Standard 3 HP & Drive |      |      |      |      |      |      |      |      |      |      |      |      |      |      |      |
| 3200              | 747   | 1.02 | 797  | 1.21 | 846                   | 1.38 | 892  | 1.55 | 937  | 1.71 | 980  | 1.86 | 1023 | 2.02 | 1064 | 2.17 | 1104 | 2.32 | 1144 | 2.48 |
| 3400              | 764   | 1.16 | 814  | 1.35 | 862                   | 1.53 | 909  | 1.69 | 954  | 1.85 | 997  | 2.01 | 1039 | 2.16 | 1080 | 2.31 | 1121 | 2.47 | 1160 | 2.62 |
| 3600              | 783   | 1.33 | 833  | 1.51 | 881                   | 1.69 | 927  | 1.86 | 972  | 2.02 | 1016 | 2.17 | 1058 | 2.32 | 1099 | 2.48 | 1139 | 2.63 | 1179 | 2.79 |
| 3800              | 803   | 1.51 | 853  | 1.69 | 901                   | 1.87 | 948  | 2.04 | 992  | 2.20 | 1036 | 2.35 | 1078 | 2.50 | 1119 | 2.66 | 1159 | 2.81 | 1199 | 2.97 |
| 4000              | 825   | 1.71 | 875  | 1.89 | 923                   | 2.07 | 970  | 2.23 | 1014 | 2.39 | 1058 | 2.55 | 1100 | 2.70 | 1141 | 2.86 | 1181 | 3.01 | 1221 | 3.16 |
| 4200              | 849   | 1.92 | 899  | 2.11 | 947                   | 2.29 | 993  | 2.45 | 1038 | 2.61 | 1082 | 2.77 | 1124 | 2.92 | 1165 | 3.07 | 1205 | 3.23 | 1245 | 3.38 |
| 4400              | 874   | 2.16 | 924  | 2.35 | 972                   | 2.52 | 1019 | 2.69 | 1064 | 2.85 | 1107 | 3.01 | 1149 | 3.16 | 1190 | 3.31 | 1231 | 3.47 | 1270 | 3.62 |
| 4600              | 901   | 2.42 | 952  | 2.61 | 1000                  | 2.78 | 1046 | 2.95 | 1091 | 3.11 | 1134 | 3.26 | 1177 | 3.42 | 1218 | 3.57 | 1258 | 3.72 | 1298 | 3.88 |
| 4800              | 930   | 2.70 | 981  | 2.88 | 1029                  | 3.06 | 1075 | 3.23 | 1120 | 3.39 | 1163 | 3.54 | 1206 | 3.69 | 1247 | 3.85 | 1287 | 4.00 | 1327 | 4.16 |
| 5000              | 961   | 2.99 | 1011 | 3.18 | 1059                  | 3.35 | 1106 | 3.52 | 1151 | 3.68 | 1194 | 3.84 | 1236 | 3.99 | 1277 | 4.14 | 1318 | 4.29 | 1357 | 4.45 |
| 5200              | 993   | 3.31 | 1043 | 3.49 | 1092                  | 3.67 | 1138 | 3.84 | 1183 | 4.00 | 1226 | 4.15 | 1269 | 4.30 | 1310 | 4.46 | 1350 | 4.61 | 1390 | 4.77 |
| 5400              | 1027  | 3.64 | 1077 | 3.83 | 1126                  | 4.00 | 1172 | 4.17 | 1217 | 4.33 | 1260 | 4.48 | 1302 | 4.64 | 1344 | 4.79 | 1384 | 4.94 | 1424 | 5.10 |
| 5600              | 1063  | 3.99 | 1113 | 4.18 | 1161                  | 4.35 | 1207 | 4.52 | 1252 | 4.68 | 1296 | 4.84 | 1338 | 4.99 | 1379 | 5.14 | 1419 | 5.29 | 1459 | 5.45 |
| 5800              | 1100  | 4.36 | 1150 | 4.55 | 1198                  | 4.72 | 1244 | 4.89 | 1289 | 5.05 | 1333 | 5.20 | 1375 | 5.36 | 1416 | 5.51 | 1456 | 5.66 | -    | -    |
| 6000              | 1138  | 4.75 | 1188 | 4.93 | 1237                  | 5.11 | 1283 | 5.28 | 1328 | 5.44 | 1371 | 5.59 | 1413 | 5.74 | -    | -    | -    | -    | -    | -    |
| 6200              | 1178  | 5.15 | 1228 | 5.34 | 1277                  | 5.51 | 1323 | 5.68 | -    | -    | -    | -    | -    | -    | -    | -    | -    | -    | -    | -    |

Hi Static 5 HP &amp; Drive

5 HP &amp; Field Supplied Drive

1. Blower performance includes gas heat exchangers and 2" filters. See STATIC RESISTANCE table for additional applications.
2. See RPM SELECTION table to determine desired motor sheave setting and to determine the maximum continuous BHP.
3. kW = BHP x 0.932.

**JA3 thru 12ZR Bottom Duct Application**

**JA3ZR (3.0 Ton) Bottom Duct**

| Air Flow (CFM) | Available External Static Pressure - IWG <sup>1</sup> |     |                         |     |     |     |     |     |     |     |                          |     |      |     |      |     |      |     |      |     |
|----------------|---|-----|-------------------------|-----|-----|-----|-----|-----|-----|-----|--------------------------|-----|------|-----|------|-----|------|-----|------|-----|
|                | 0.2   |     | 0.4                     |     | 0.6 |     | 0.8 |     | 1.0 |     | 1.2                      |     | 1.4  |     | 1.6  |     | 1.8  |     | 2.0  |     |
|                | RPM   | BHP | RPM                     | BHP | RPM | BHP | RPM | BHP | RPM | BHP | RPM                      | BHP | RPM  | BHP | RPM  | BHP | RPM  | BHP | RPM  | BHP |
|                | FS <sup>4</sup>                                       |     | Standard 1.5 HP & Drive |     |     |     |     |     |     |     | Hi Static 1.5 HP & Drive |     |      |     |      |     |      |     |      |     |
| 900            | 544   | 0.4 | 632                     | 0.5 | 708 | 0.5 | 774 | 0.6 | 834 | 0.7 | 889                      | 0.8 | 941  | 0.9 | 993  | 1.0 | 1047 | 1.1 | 1104 | 1.2 |
| 1000           | 549   | 0.4 | 637                     | 0.5 | 713 | 0.5 | 779 | 0.6 | 839 | 0.7 | 894                      | 0.8 | 946  | 0.9 | 998  | 1.0 | 1052 | 1.1 | 1109 | 1.2 |
| 1100           | 562   | 0.4 | 649                     | 0.5 | 725 | 0.6 | 792 | 0.6 | 852 | 0.7 | 906                      | 0.8 | 959  | 0.9 | 1010 | 1.0 | 1064 | 1.1 | 1121 | 1.2 |
| 1200           | 579   | 0.5 | 666                     | 0.5 | 742 | 0.6 | 809 | 0.6 | 868 | 0.7 | 923                      | 0.8 | 975  | 0.9 | 1027 | 1.0 | 1081 | 1.1 | 1138 | 1.2 |
| 1300           | 598   | 0.5 | 685                     | 0.5 | 761 | 0.6 | 828 | 0.7 | 887 | 0.8 | 942                      | 0.8 | 994  | 0.9 | 1046 | 1.0 | 1100 | 1.2 | 1157 | 1.3 |
| 1400           | 617   | 0.5 | 705                     | 0.6 | 781 | 0.6 | 847 | 0.7 | 907 | 0.8 | 962                      | 0.9 | 1014 | 1.0 | 1066 | 1.1 | 1119 | 1.2 | 1177 | 1.3 |
| 1500           | 637   | 0.6 | 724                     | 0.6 | 800 | 0.7 | 867 | 0.8 | 927 | 0.8 | 981                      | 0.9 | 1034 | 1.0 | 1085 | 1.1 | 1139 | 1.2 | 1196 | 1.4 |
|                | FS <sup>4</sup>                                       |     |                         |     |     |     |     |     |     |     |                          |     |      |     |      |     |      |     |      |     |

1. Blower performance includes gas heat exchangers and 2" filters. See STATIC RESISTANCE table for additional applications.
2. See RPM SELECTION table to determine desired motor sheave setting and to determine the maximum continuous BHP.
3. kW = BHP x 0.932.
4. Field Supplied Drive.

**JA4ZR (4.0 Ton) Bottom Duct**

| Air Flow (CFM) | Available External Static Pressure - IWG <sup>1</sup> |     |     |     |     |     |     |     |                          |     |      |     |      |     |      |     |      |     |      |     |
|----------------|---|-----|-----|-----|-----|-----|-----|-----|--------------------------|-----|------|-----|------|-----|------|-----|------|-----|------|-----|
|                | 0.2   |     | 0.4 |     | 0.6 |     | 0.8 |     | 1.0                      |     | 1.2  |     | 1.4  |     | 1.6  |     | 1.8  |     | 2.0  |     |
|                | RPM   | BHP | RPM | BHP | RPM | BHP | RPM | BHP | RPM                      | BHP | RPM  | BHP | RPM  | BHP | RPM  | BHP | RPM  | BHP | RPM  | BHP |
|                | Standard 1.5 HP & Drive                               |     |     |     |     |     |     |     | Hi Static 1.5 HP & Drive |     |      |     |      |     |      |     |      |     |      |     |
| 1200           | 579   | 0.5 | 666 | 0.5 | 742 | 0.6 | 809 | 0.6 | 868                      | 0.7 | 923  | 0.8 | 975  | 0.9 | 1027 | 1.0 | 1081 | 1.1 | 1138 | 1.2 |
| 1300           | 598   | 0.5 | 685 | 0.5 | 761 | 0.6 | 828 | 0.7 | 887                      | 0.8 | 942  | 0.8 | 994  | 0.9 | 1046 | 1.0 | 1100 | 1.2 | 1157 | 1.3 |
| 1400           | 617   | 0.5 | 705 | 0.6 | 781 | 0.6 | 847 | 0.7 | 907                      | 0.8 | 962  | 0.9 | 1014 | 1.0 | 1066 | 1.1 | 1119 | 1.2 | 1177 | 1.3 |
| 1500           | 637   | 0.6 | 724 | 0.6 | 800 | 0.7 | 867 | 0.8 | 927                      | 0.8 | 981  | 0.9 | 1034 | 1.0 | 1085 | 1.1 | 1139 | 1.2 | 1196 | 1.4 |
| 1600           | 655   | 0.6 | 743 | 0.7 | 819 | 0.7 | 885 | 0.8 | 945                      | 0.9 | 1000 | 1.0 | 1052 | 1.1 | 1104 | 1.2 | 1158 | 1.3 | 1215 | 1.4 |
| 1700           | 672   | 0.7 | 760 | 0.7 | 836 | 0.8 | 902 | 0.9 | 962                      | 1.0 | 1017 | 1.0 | 1069 | 1.1 | 1121 | 1.2 | 1175 | 1.3 | 1232 | 1.5 |
| 1800           | 687   | 0.7 | 775 | 0.8 | 851 | 0.9 | 918 | 0.9 | 977                      | 1.0 | 1032 | 1.1 | 1084 | 1.2 | 1136 | 1.3 | 1190 | 1.4 | 1247 | 1.5 |
| 1900           | 700   | 0.8 | 788 | 0.9 | 864 | 0.9 | 930 | 1.0 | 990                      | 1.1 | 1045 | 1.2 | 1097 | 1.3 | 1149 | 1.4 | 1202 | 1.5 | 1260 | 1.6 |
| 2000           | 711   | 0.9 | 798 | 0.9 | 874 | 1.0 | 941 | 1.1 | 1000                     | 1.2 | 1055 | 1.2 | 1107 | 1.3 | 1159 | 1.4 | 1213 | 1.6 | 1270 | 1.7 |
|                | FS <sup>4</sup>                                       |     |     |     |     |     |     |     |                          |     |      |     |      |     |      |     |      |     |      |     |

1. Blower performance includes gas heat exchangers and 2" filters. See STATIC RESISTANCE table for additional applications.
2. See RPM SELECTION table to determine desired motor sheave setting and to determine the maximum continuous BHP.
3. kW = BHP x 0.932.
4. Field Supplied Drive.

**JA5ZR (5.0 Ton) Bottom Duct**

| Air Flow (CFM) | Available External Static Pressure - IWG <sup>1</sup> |     |     |     |     |     |      |     |                        |     |      |     |      |     |                             |     |      |     |      |     |
|----------------|---|-----|-----|-----|-----|-----|------|-----|------------------------|-----|------|-----|------|-----|-----------------------------|-----|------|-----|------|-----|
|                | 0.2   |     | 0.4 |     | 0.6 |     | 0.8  |     | 1.0                    |     | 1.2  |     | 1.4  |     | 1.6                         |     | 1.8  |     | 2.0  |     |
|                | RPM   | BHP | RPM | BHP | RPM | BHP | RPM  | BHP | RPM                    | BHP | RPM  | BHP | RPM  | BHP | RPM                         | BHP | RPM  | BHP | RPM  | BHP |
|                | Standard 1.5 HP & Drive                               |     |     |     |     |     |      |     | Hi Static 2 HP & Drive |     |      |     |      |     |                             |     |      |     |      |     |
| 1500           | 613   | 0.5 | 684 | 0.6 | 759 | 0.7 | 831  | 0.7 | 928                    | 0.8 | 984  | 0.9 | 1042 | 1.0 | 1093                        | 1.1 | 1149 | 1.2 | 1201 | 1.3 |
| 1600           | 629   | 0.6 | 700 | 0.6 | 775 | 0.7 | 847  | 0.8 | 929                    | 0.8 | 985  | 0.9 | 1043 | 1.0 | 1098                        | 1.1 | 1154 | 1.2 | 1206 | 1.3 |
| 1700           | 646   | 0.6 | 717 | 0.7 | 793 | 0.8 | 864  | 0.8 | 934                    | 0.9 | 990  | 1.0 | 1048 | 1.1 | 1106                        | 1.2 | 1161 | 1.3 | 1214 | 1.4 |
| 1800           | 666   | 0.7 | 737 | 0.7 | 812 | 0.8 | 884  | 0.9 | 943                    | 1.0 | 999  | 1.1 | 1057 | 1.2 | 1116                        | 1.3 | 1172 | 1.4 | 1224 | 1.5 |
| 1900           | 687   | 0.7 | 758 | 0.8 | 833 | 0.9 | 905  | 0.9 | 954                    | 1.0 | 1010 | 1.1 | 1068 | 1.2 | 1128                        | 1.3 | 1184 | 1.4 | 1236 | 1.5 |
| 2000           | 710   | 0.8 | 781 | 0.9 | 856 | 0.9 | 927  | 1.0 | 968                    | 1.1 | 1024 | 1.2 | 1082 | 1.3 | 1142                        | 1.4 | 1198 | 1.5 | 1250 | 1.6 |
| 2100           | 733   | 0.8 | 804 | 0.9 | 879 | 1.0 | 951  | 1.1 | 983                    | 1.2 | 1039 | 1.3 | 1097 | 1.4 | 1157                        | 1.5 | 1213 | 1.6 | 1265 | 1.7 |
| 2200           | 758   | 0.9 | 828 | 1.0 | 904 | 1.1 | 947  | 1.2 | 1000                   | 1.3 | 1056 | 1.4 | 1116 | 1.5 | 1174                        | 1.6 | 1229 | 1.7 | 1281 | 1.8 |
| 2300           | 783   | 1.0 | 854 | 1.1 | 929 | 1.1 | 964  | 1.3 | 1018                   | 1.4 | 1075 | 1.5 | 1133 | 1.6 | 1191                        | 1.7 | 1246 | 1.8 | -    | -   |
| 2400           | 809   | 1.1 | 879 | 1.2 | 932 | 1.3 | 983  | 1.4 | 1037                   | 1.5 | 1094 | 1.6 | 1152 | 1.7 | 1209                        | 1.8 | -    | -   | -    | -   |
| 2500           | 835   | 1.1 | 906 | 1.2 | 951 | 1.4 | 1001 | 1.5 | 1055                   | 1.6 | 1112 | 1.7 | 1170 | 1.8 | 2 HP & Field Supplied Drive |     |      |     |      |     |

1. Blower performance includes gas heat exchangers and 2" filters. See STATIC RESISTANCE table for additional applications.
2. See RPM SELECTION table to determine desired motor sheave setting and to determine the maximum continuous BHP.
3. kW = BHP x 0.932.



## J06 thru 12ZR Bottom Duct Application

### J06ZR (6.5 Ton) Bottom Duct

| Air Flow<br>(CFM) | Available External Static Pressure - IWG <sup>1</sup> |      |      |      |                         |      |      |      |      |      |                        |      |      |      |      |      |      |      |      |      |  |  |  |
|-------------------|---|------|------|------|-------------------------|------|------|------|------|------|------------------------|------|------|------|------|------|------|------|------|------|--|--|--|
|                   | 0.2   |      | 0.4  |      | 0.6                     |      | 0.8  |      | 1.0  |      | 1.2                    |      | 1.4  |      | 1.6  |      | 1.8  |      | 2.0  |      |  |  |  |
|                   | RPM   | BHP  | RPM  | BHP  | RPM                     | BHP  | RPM  | BHP  | RPM  | BHP  | RPM                    | BHP  | RPM  | BHP  | RPM  | BHP  | RPM  | BHP  | RPM  | BHP  |  |  |  |
|                   | 1.5 HP & Field Supplied Drive                         |      |      |      | Standard 1.5 HP & Drive |      |      |      |      |      | Hi Static 2 HP & Drive |      |      |      |      |      |      |      |      |      |  |  |  |
| 1800              | 801   | 0.45 | 874  | 0.65 | 946                     | 0.82 | 1018 | 0.97 | 1090 | 1.11 | 1163                   | 1.25 | 1238 | 1.38 | 1315 | 1.52 | 1395 | 1.68 | 1477 | 1.86 |  |  |  |
| 2000              | 831   | 0.59 | 903  | 0.78 | 975                     | 0.95 | 1047 | 1.10 | 1119 | 1.24 | 1193                   | 1.38 | 1267 | 1.51 | 1344 | 1.66 | 1424 | 1.81 | 1507 | 1.99 |  |  |  |
| 2200              | 867   | 0.74 | 940  | 0.93 | 1012                    | 1.10 | 1084 | 1.25 | 1156 | 1.39 | 1229                   | 1.53 | 1304 | 1.66 | 1381 | 1.81 | 1461 | 1.96 | 1543 | 2.14 |  |  |  |
| 2400              | 910   | 0.91 | 983  | 1.10 | 1055                    | 1.27 | 1126 | 1.43 | 1199 | 1.57 | 1272                   | 1.70 | 1347 | 1.84 | 1424 | 1.98 | 1503 | 2.14 | -    | -    |  |  |  |
| 2600              | 957   | 1.10 | 1030 | 1.30 | 1102                    | 1.47 | 1174 | 1.62 | 1246 | 1.76 | 1320                   | 1.89 | 1394 | 2.03 | 1471 | 2.17 | -    | -    | -    | -    |  |  |  |
| 2800              | 1009  | 1.32 | 1082 | 1.51 | 1154                    | 1.69 | 1225 | 1.84 | 1298 | 1.98 | 1371                   | 2.11 | 1446 | 2.25 | -    | -    | -    | -    | -    | -    |  |  |  |
| 3000              | 1064  | 1.56 | 1137 | 1.75 | 1208                    | 1.92 | 1280 | 2.08 | 1353 | 2.22 | -                      | -    | -    | -    | -    | -    | -    | -    | -    | -    |  |  |  |
| 3200              | 1122  | 1.82 | 1194 | 2.02 | 1266                    | 2.19 | -    | -    | -    | -    | -                      | -    | -    | -    | -    | -    | -    | -    | -    | -    |  |  |  |
| 3400              | 1182  | 2.10 | 1254 | 2.30 | -                       | -    | -    | -    | -    | -    | -                      | -    | -    | -    | -    | -    | -    | -    | -    | -    |  |  |  |
|                   | 2 HP & Field Supplied Drive                           |      |      |      |                         |      |      |      |      |      |                        |      |      |      |      |      |      |      |      |      |  |  |  |

1. Blower performance includes gas heat exchangers and 2" filters. See STATIC RESISTANCE table for additional applications.
2. See RPM SELECTION table to determine desired motor sheave setting and to determine the maximum continuous BHP.
3. kW = BHP x 0.932.

### J07ZR (7.5 Ton) Bottom Duct

| Air Flow<br>(CFM) | Available External Static Pressure - IWG <sup>1</sup> |      |                         |      |      |      |      |      |                        |      |      |      |      |      |      |      |      |      |      |      |  |
|-------------------|---|------|-------------------------|------|------|------|------|------|------------------------|------|------|------|------|------|------|------|------|------|------|------|--|
|                   | 0.2   |      | 0.4                     |      | 0.6  |      | 0.8  |      | 1.0                    |      | 1.2  |      | 1.4  |      | 1.6  |      | 1.8  |      | 2.0  |      |  |
|                   | RPM   | BHP  | RPM                     | BHP  | RPM  | BHP  | RPM  | BHP  | RPM                    | BHP  | RPM  | BHP  | RPM  | BHP  | RPM  | BHP  | RPM  | BHP  | RPM  | BHP  |  |
|                   | 1.5 HP & Field Supplied Drive                         |      | Standard 1.5 HP & Drive |      |      |      |      |      | Hi Static 3 HP & Drive |      |      |      |      |      |      |      |      |      |      |      |  |
| 2000              | 831   | 0.59 | 903                     | 0.78 | 975  | 0.95 | 1047 | 1.10 | 1119                   | 1.24 | 1193 | 1.38 | 1267 | 1.51 | 1344 | 1.66 | 1424 | 1.81 | 1507 | 1.99 |  |
| 2200              | 867   | 0.74 | 940                     | 0.93 | 1012 | 1.10 | 1084 | 1.25 | 1156                   | 1.39 | 1229 | 1.53 | 1304 | 1.66 | 1381 | 1.81 | 1461 | 1.96 | 1543 | 2.14 |  |
| 2400              | 910   | 0.91 | 983                     | 1.10 | 1055 | 1.27 | 1126 | 1.43 | 1199                   | 1.57 | 1272 | 1.70 | 1347 | 1.84 | 1424 | 1.98 | 1503 | 2.14 | 1586 | 2.31 |  |
| 2600              | 957   | 1.10 | 1030                    | 1.30 | 1102 | 1.47 | 1174 | 1.62 | 1246                   | 1.76 | 1320 | 1.89 | 1394 | 2.03 | 1471 | 2.17 | 1551 | 2.33 | 1634 | 2.51 |  |
| 2800              | 1009  | 1.32 | 1082                    | 1.51 | 1154 | 1.69 | 1225 | 1.84 | 1298                   | 1.98 | 1371 | 2.11 | 1446 | 2.25 | 1523 | 2.39 | 1602 | 2.55 | 1685 | 2.73 |  |
| 3000              | 1064  | 1.56 | 1137                    | 1.75 | 1208 | 1.92 | 1280 | 2.08 | 1353                   | 2.22 | 1426 | 2.35 | 1501 | 2.49 | 1578 | 2.63 | 1657 | 2.79 | 1740 | 2.96 |  |
| 3200              | 1122  | 1.82 | 1194                    | 2.02 | 1266 | 2.19 | 1338 | 2.34 | 1410                   | 2.48 | 1484 | 2.61 | 1559 | 2.75 | 1636 | 2.89 | 1715 | 3.05 | 1798 | 3.23 |  |
| 3400              | 1182  | 2.10 | 1254                    | 2.30 | 1326 | 2.47 | 1398 | 2.62 | 1471                   | 2.76 | 1544 | 2.90 | 1619 | 3.03 | 1696 | 3.17 | 1775 | 3.33 | -    | -    |  |
| 3600              | 1244  | 2.41 | 1317                    | 2.60 | 1389 | 2.77 | 1461 | 2.93 | 1533                   | 3.07 | 1606 | 3.20 | 1681 | 3.33 | -    | -    | -    | -    | -    | -    |  |
| 3800              | 1308  | 2.73 | 1381                    | 2.93 | 1453 | 3.10 | 1525 | 3.25 | 1597                   | 3.39 | -    | -    | -    | -    | -    | -    | -    | -    | -    | -    |  |
|                   | 3 HP & Field Supplied Drive                           |      |                         |      |      |      |      |      |                        |      |      |      |      |      |      |      |      |      |      |      |  |

1. Blower performance includes gas heat exchangers and 2" filters. See STATIC RESISTANCE table for additional applications.
2. See RPM SELECTION table to determine desired motor sheave setting and to determine the maximum continuous BHP.
3. kW = BHP x 0.932.

### J08ZR (8.5 Ton) Bottom Duct

| Air Flow<br>(CFM) | Available External Static Pressure - IWG <sup>1</sup> |      |                       |      |      |      |      |      |                        |      |      |      |      |      |      |      |      |      |      |      |  |
|-------------------|---|------|-----------------------|------|------|------|------|------|------------------------|------|------|------|------|------|------|------|------|------|------|------|--|
|                   | 0.2   |      | 0.4                   |      | 0.6  |      | 0.8  |      | 1.0                    |      | 1.2  |      | 1.4  |      | 1.6  |      | 1.8  |      | 2.0  |      |  |
|                   | RPM   | BHP  | RPM                   | BHP  | RPM  | BHP  | RPM  | BHP  | RPM                    | BHP  | RPM  | BHP  | RPM  | BHP  | RPM  | BHP  | RPM  | BHP  | RPM  | BHP  |  |
|                   | 2 HP & Field Supplied Drive                           |      | Standard 2 HP & Drive |      |      |      |      |      | Hi Static 3 HP & Drive |      |      |      |      |      |      |      |      |      |      |      |  |
| 2200              | 715   | 0.72 | 768                   | 0.85 | 818  | 0.98 | 867  | 1.09 | 914                    | 1.21 | 960  | 1.32 | 1004 | 1.43 | 1047 | 1.53 | 1089 | 1.64 | 1131 | 1.75 |  |
| 2400              | 734   | 0.83 | 786                   | 0.96 | 837  | 1.08 | 886  | 1.20 | 933                    | 1.31 | 978  | 1.42 | 1022 | 1.53 | 1066 | 1.64 | 1108 | 1.75 | 1150 | 1.86 |  |
| 2600              | 755   | 0.95 | 808                   | 1.08 | 858  | 1.20 | 907  | 1.32 | 954                    | 1.44 | 1000 | 1.55 | 1044 | 1.65 | 1087 | 1.76 | 1129 | 1.87 | 1171 | 1.98 |  |
| 2800              | 779   | 1.09 | 832                   | 1.22 | 882  | 1.35 | 931  | 1.46 | 978                    | 1.58 | 1024 | 1.69 | 1068 | 1.80 | 1111 | 1.90 | 1153 | 2.01 | 1195 | 2.12 |  |
| 3000              | 806   | 1.25 | 859                   | 1.38 | 910  | 1.51 | 958  | 1.63 | 1005                   | 1.74 | 1051 | 1.85 | 1095 | 1.96 | 1138 | 2.07 | 1181 | 2.17 | 1222 | 2.28 |  |
| 3200              | 837   | 1.44 | 889                   | 1.57 | 940  | 1.69 | 989  | 1.81 | 1036                   | 1.93 | 1081 | 2.04 | 1125 | 2.14 | 1168 | 2.25 | 1211 | 2.36 | 1252 | 2.47 |  |
| 3400              | 870   | 1.65 | 922                   | 1.78 | 973  | 1.90 | 1022 | 2.02 | 1069                   | 2.13 | 1114 | 2.24 | 1158 | 2.35 | 1202 | 2.46 | 1244 | 2.57 | 1286 | 2.68 |  |
| 3600              | 906   | 1.88 | 959                   | 2.01 | 1009 | 2.13 | 1058 | 2.25 | 1105                   | 2.36 | 1150 | 2.47 | 1195 | 2.58 | 1238 | 2.69 | 1280 | 2.80 | 1322 | 2.91 |  |
| 3800              | 945   | 2.13 | 998                   | 2.26 | 1048 | 2.38 | 1097 | 2.50 | 1144                   | 2.61 | 1190 | 2.72 | 1234 | 2.83 | 1277 | 2.94 | 1319 | 3.05 | 1361 | 3.16 |  |
| 4000              | 987   | 2.40 | 1040                  | 2.53 | 1090 | 2.66 | 1139 | 2.78 | 1186                   | 2.89 | 1231 | 3.00 | 1276 | 3.11 | 1319 | 3.21 | 1361 | 3.32 | 1403 | 3.43 |  |
| 4200              | 1032  | 2.70 | 1084                  | 2.83 | 1135 | 2.95 | 1184 | 3.07 | 1231                   | 3.18 | 1276 | 3.29 | 1320 | 3.40 | -    | -    | -    | -    | -    | -    |  |
|                   | 3 HP & Field Supplied Drive                           |      |                       |      |      |      |      |      |                        |      |      |      |      |      |      |      |      |      |      |      |  |

1. Blower performance includes gas heat exchangers and 2" filters. See STATIC RESISTANCE table for additional applications.
2. See RPM SELECTION table to determine desired motor sheave setting and to determine the maximum continuous BHP.
3. kW = BHP x 0.932.

**J10ZR (10 Ton) Bottom Duct**

| Air Flow (CFM) | Available External Static Pressure - IWG <sup>1</sup> |      |                       |      |      |      |      |      |      |      |                        |      |      |      |      |      |      |      |      |      |
|----------------|---|------|-----------------------|------|------|------|------|------|------|------|------------------------|------|------|------|------|------|------|------|------|------|
|                | 0.2   |      | 0.4                   |      | 0.6  |      | 0.8  |      | 1.0  |      | 1.2                    |      | 1.4  |      | 1.6  |      | 1.8  |      | 2.0  |      |
|                | RPM   | BHP  | RPM                   | BHP  | RPM  | BHP  | RPM  | BHP  | RPM  | BHP  | RPM                    | BHP  | RPM  | BHP  | RPM  | BHP  | RPM  | BHP  | RPM  | BHP  |
|                | 2 HP & Field Supplied Drive                           |      | Standard 2 HP & Drive |      |      |      |      |      |      |      | Hi Static 3 HP & Drive |      |      |      |      |      |      |      |      |      |
| 2600           | 755   | 0.95 | 808                   | 1.08 | 858  | 1.20 | 907  | 1.32 | 954  | 1.44 | 1000                   | 1.55 | 1044 | 1.65 | 1087 | 1.76 | 1129 | 1.87 | 1171 | 1.98 |
| 2800           | 779   | 1.09 | 832                   | 1.22 | 882  | 1.35 | 931  | 1.46 | 978  | 1.58 | 1024                   | 1.69 | 1068 | 1.80 | 1111 | 1.90 | 1153 | 2.01 | 1195 | 2.12 |
| 3000           | 806   | 1.25 | 859                   | 1.38 | 910  | 1.51 | 958  | 1.63 | 1005 | 1.74 | 1051                   | 1.85 | 1095 | 1.96 | 1138 | 2.07 | 1181 | 2.17 | 1222 | 2.28 |
| 3200           | 837   | 1.44 | 889                   | 1.57 | 940  | 1.69 | 989  | 1.81 | 1036 | 1.93 | 1081                   | 2.04 | 1125 | 2.14 | 1168 | 2.25 | 1211 | 2.36 | 1252 | 2.47 |
| 3400           | 870   | 1.65 | 922                   | 1.78 | 973  | 1.90 | 1022 | 2.02 | 1069 | 2.13 | 1114                   | 2.24 | 1158 | 2.35 | 1202 | 2.46 | 1244 | 2.57 | 1286 | 2.68 |
| 3600           | 906   | 1.88 | 959                   | 2.01 | 1009 | 2.13 | 1058 | 2.25 | 1105 | 2.36 | 1150                   | 2.47 | 1195 | 2.58 | 1238 | 2.69 | 1280 | 2.80 | 1322 | 2.91 |
| 3800           | 945   | 2.13 | 998                   | 2.26 | 1048 | 2.38 | 1097 | 2.50 | 1144 | 2.61 | 1190                   | 2.72 | 1234 | 2.83 | 1277 | 2.94 | 1319 | 3.05 | 1361 | 3.16 |
| 4000           | 987   | 2.40 | 1040                  | 2.53 | 1090 | 2.66 | 1139 | 2.78 | 1186 | 2.89 | 1231                   | 3.00 | 1276 | 3.11 | 1319 | 3.21 | 1361 | 3.32 | 1403 | 3.43 |
| 4200           | 1032  | 2.70 | 1084                  | 2.83 | 1135 | 2.95 | 1184 | 3.07 | 1231 | 3.18 | 1276                   | 3.29 | 1320 | 3.40 | -    | -    | -    | -    | -    | -    |
| 4400           | 1079  | 3.01 | 1132                  | 3.15 | 1182 | 3.27 | 1231 | 3.39 | -    | -    | -                      | -    | -    | -    | -    | -    | -    | -    | -    | -    |
| 4600           | 1129  | 3.35 | -                     | -    | -    | -    | -    | -    | -    | -    | -                      | -    | -    | -    | -    | -    | -    | -    | -    | -    |
|                | 3 HP & Field Supplied Drive                           |      |                       |      |      |      |      |      |      |      |                        |      |      |      |      |      |      |      |      |      |

1. Blower performance includes gas heat exchangers and 2" filters. See STATIC RESISTANCE table for additional applications.
2. See RPM SELECTION table to determine desired motor sheave setting and to determine the maximum continuous BHP.
3. kW = BHP x 0.932.

**J12ZR (12.5 Ton) Bottom Duct**

| Air Flow (CFM) | Available External Static Pressure - IWG <sup>1</sup> |      |                       |      |      |      |      |      |      |      |                        |      |      |      |      |      |      |      |      |      |
|----------------|---|------|-----------------------|------|------|------|------|------|------|------|------------------------|------|------|------|------|------|------|------|------|------|
|                | 0.2   |      | 0.4                   |      | 0.6  |      | 0.8  |      | 1.0  |      | 1.2                    |      | 1.4  |      | 1.6  |      | 1.8  |      | 2.0  |      |
|                | RPM   | BHP  | RPM                   | BHP  | RPM  | BHP  | RPM  | BHP  | RPM  | BHP  | RPM                    | BHP  | RPM  | BHP  | RPM  | BHP  | RPM  | BHP  | RPM  | BHP  |
|                | 3 HP & Field Supplied Drive                           |      | Standard 3 HP & Drive |      |      |      |      |      |      |      | Hi Static 5 HP & Drive |      |      |      |      |      |      |      |      |      |
| 3200           | 837   | 1.44 | 889                   | 1.57 | 940  | 1.69 | 989  | 1.81 | 1036 | 1.93 | 1081                   | 2.04 | 1125 | 2.14 | 1168 | 2.25 | 1211 | 2.36 | 1252 | 2.47 |
| 3400           | 870   | 1.65 | 922                   | 1.78 | 973  | 1.90 | 1022 | 2.02 | 1069 | 2.13 | 1114                   | 2.24 | 1158 | 2.35 | 1202 | 2.46 | 1244 | 2.57 | 1286 | 2.68 |
| 3600           | 906   | 1.88 | 959                   | 2.01 | 1009 | 2.13 | 1058 | 2.25 | 1105 | 2.36 | 1150                   | 2.47 | 1195 | 2.58 | 1238 | 2.69 | 1280 | 2.80 | 1322 | 2.91 |
| 3800           | 945   | 2.13 | 998                   | 2.26 | 1048 | 2.38 | 1097 | 2.50 | 1144 | 2.61 | 1190                   | 2.72 | 1234 | 2.83 | 1277 | 2.94 | 1319 | 3.05 | 1361 | 3.16 |
| 4000           | 987   | 2.40 | 1040                  | 2.53 | 1090 | 2.66 | 1139 | 2.78 | 1186 | 2.89 | 1231                   | 3.00 | 1276 | 3.11 | 1319 | 3.21 | 1361 | 3.32 | 1403 | 3.43 |
| 4200           | 1032  | 2.70 | 1084                  | 2.83 | 1135 | 2.95 | 1184 | 3.07 | 1231 | 3.18 | 1276                   | 3.29 | 1320 | 3.40 | 1364 | 3.51 | 1406 | 3.62 | 1447 | 3.73 |
| 4400           | 1079  | 3.01 | 1132                  | 3.15 | 1182 | 3.27 | 1231 | 3.39 | 1278 | 3.50 | 1324                   | 3.61 | 1368 | 3.72 | 1411 | 3.83 | 1453 | 3.93 | 1495 | 4.05 |
| 4600           | 1129  | 3.35 | 1182                  | 3.48 | 1232 | 3.61 | 1281 | 3.72 | 1328 | 3.84 | 1374                   | 3.95 | 1418 | 4.06 | 1461 | 4.16 | 1503 | 4.27 | 1545 | 4.38 |
| 4800           | 1182  | 3.71 | 1235                  | 3.84 | 1285 | 3.96 | 1334 | 4.08 | 1381 | 4.20 | 1426                   | 4.31 | 1471 | 4.41 | 1514 | 4.52 | 1556 | 4.63 | 1598 | 4.74 |
| 5000           | 1237  | 4.08 | 1290                  | 4.22 | 1340 | 4.34 | 1389 | 4.46 | 1436 | 4.57 | 1481                   | 4.68 | 1526 | 4.79 | 1569 | 4.90 | 1611 | 5.01 | 1653 | 5.12 |
| 5200           | 1294  | 4.48 | 1347                  | 4.61 | 1398 | 4.74 | 1446 | 4.85 | 1493 | 4.97 | 1539                   | 5.08 | 1583 | 5.19 | 1626 | 5.29 | 1669 | 5.40 | 1710 | 5.51 |
| 5400           | 1354  | 4.89 | 1407                  | 5.03 | 1457 | 5.15 | 1506 | 5.27 | 1553 | 5.38 | 1599                   | 5.49 | 1643 | 5.60 | 1686 | 5.71 | -    | -    | -    | -    |
| 5600           | 1416  | 5.33 | 1469                  | 5.46 | 1519 | 5.58 | 1568 | 5.70 | -    | -    | -                      | -    | -    | -    | -    | -    | -    | -    | -    | -    |
| 5800           | -   | -    | -                     | -    | -    | -    | -    | -    | -    | -    | -                      | -    | -    | -    | -    | -    | -    | -    | -    | -    |
|                | 5 HP & Field Supplied Drive                           |      |                       |      |      |      |      |      |      |      |                        |      |      |      |      |      |      |      |      |      |

1. Blower performance includes gas heat exchangers and 2" filters. See STATIC RESISTANCE table for additional applications.
2. See RPM SELECTION table to determine desired motor sheave setting and to determine the maximum continuous BHP.
3. kW = BHP x 0.932.

## Sound Performance

### Indoor Sound Power Levels (3 thru 5 Ton)

#### Indoor Sound Power Levels (Horizontal Ducted Inlet, Standard Static Belt Drive)

| UNIT DESCRIPTION / MODEL       | JA3ZH/ZJ/ZR / 3 Ton / Standard Static Belt Drive |                                     |                              |                                     |
|--------------------------------|--|-------------------------------------|------------------------------|-------------------------------------|
| TEST CONFIGURATION             | Horizontal (Side Return) Ducted Inlet            |                                     |                              |                                     |
| Indoor Blower Speed (RPM)      | 612 - 3 Turns Open Equivalent                    |                                     | 709 - 1 Turn Open Equivalent |                                     |
| External Static Pressure (IWG) | 0.5  |                                     | 0.4                          |                                     |
| Airflow (CFM)                  | 850  |                                     | 1300                         |                                     |
| Blower Motor BHP               | 0.37   |                                     | 0.40                         |                                     |
| Octave Center Freq. Hz         | ID Blower Only (dB)                              | Cooling Operation <sup>1</sup> (dB) | ID Blower Only (dB)          | Cooling Operation <sup>1</sup> (dB) |
| 63                             | 73   | 77                                  | 73                           | 77                                  |
| 125                            | 61   | 70                                  | 66                           | 71                                  |
| 250                            | 56   | 63                                  | 60                           | 64                                  |
| 500                            | 51   | 56                                  | 55                           | 57                                  |
| 1000                           | 44   | 48                                  | 51                           | 52                                  |
| 2000                           | 41   | 44                                  | 48                           | 49                                  |
| 4000                           | 44   | 47                                  | 47                           | 48                                  |
| 8000                           | 42   | 44                                  | 43                           | 44                                  |

1. Cooling Operation – ID blower, compressor and outdoor fan operating at 230 VAC.

- Tested in accordance with AHRI Standard 260-2001. Refer to 2001 Standard for Sound Rating of Ducted Air Moving and Conditioning Equipment.
- Testing datum includes effect of standard inlet air filters.
- Test duct dimension: 18 in. wide x 28 in. high x 8 ft. long, no elbows.
- Test duct termination is flush with reverberant room wall.
- Duct end (sound reflection) corrections included: (7.2, 3.4, 1.2, 0.4, 0.1, 0, 0, 0) dB at (63, 125, 250, 500, 1k, 2k, 4k, 8k) Hz respectively.

| UNIT DESCRIPTION / MODEL       | JA4ZH/ZJ/ZR / 4 Ton / Standard Static Belt Drive |                                     |                              |                                     |
|--------------------------------|--|-------------------------------------|------------------------------|-------------------------------------|
| TEST CONFIGURATION             | Horizontal (Side Return) Ducted Inlet            |                                     |                              |                                     |
| Indoor Blower Speed (RPM)      | 612 - 3 Turns Open Equivalent                    |                                     | 709 - 1 Turn Open Equivalent |                                     |
| External Static Pressure (IWG) | 0.5  |                                     | 0.4                          |                                     |
| Airflow (CFM)                  | 850  |                                     | 1300                         |                                     |
| Blower Motor BHP               | 0.37   |                                     | 0.40                         |                                     |
| Octave Center Freq. Hz         | ID Blower Only (dB)                              | Cooling Operation <sup>1</sup> (dB) | ID Blower Only (dB)          | Cooling Operation <sup>1</sup> (dB) |
| 63                             | 73   | 77                                  | 73                           | 77                                  |
| 125                            | 61   | 70                                  | 66                           | 71                                  |
| 250                            | 56   | 63                                  | 60                           | 64                                  |
| 500                            | 51   | 56                                  | 55                           | 57                                  |
| 1000                           | 44   | 48                                  | 51                           | 52                                  |
| 2000                           | 41   | 44                                  | 48                           | 49                                  |
| 4000                           | 44   | 47                                  | 47                           | 48                                  |
| 8000                           | 42   | 44                                  | 43                           | 44                                  |

1. Cooling Operation – ID blower, compressor and outdoor fan operating at 230 VAC.

- Tested in accordance with AHRI Standard 260-2001. Refer to 2001 Standard for Sound Rating of Ducted Air Moving and Conditioning Equipment.
- Testing datum includes effect of standard inlet air filters.
- Test duct dimension: 18 in. wide x 28 in. high x 8 ft. long, no elbows.
- Test duct termination is flush with reverberant room wall.
- Duct end (sound reflection) corrections included: (7.2, 3.4, 1.2, 0.4, 0.1, 0, 0, 0) dB at (63, 125, 250, 500, 1k, 2k, 4k, 8k) Hz respectively.

| UNIT DESCRIPTION / MODEL       | JA5ZH/ZJ/ZR / 5 Ton / Standard Static Belt Drive |                                     |                              |                                     |
|--------------------------------|--|-------------------------------------|------------------------------|-------------------------------------|
| TEST CONFIGURATION             | Horizontal (Side Return) Ducted Inlet            |                                     |                              |                                     |
| Indoor Blower Speed (RPM)      | 814 - 3 Turns Open Equivalent                    |                                     | 918 - 1 Turn Open Equivalent |                                     |
| External Static Pressure (IWG) | 0.6  |                                     | 0.8                          |                                     |
| Airflow (CFM)                  | 1700   |                                     | 1950                         |                                     |
| Blower Motor BHP               | 0.42   |                                     | 0.88                         |                                     |
| Octave Center Freq. Hz         | ID Blower Only (dB)                              | Cooling Operation <sup>1</sup> (dB) | ID Blower Only (dB)          | Cooling Operation <sup>1</sup> (dB) |
| 63                             | 77   | 81                                  | 85                           | 82                                  |
| 125                            | 71   | 80                                  | 68                           | 81                                  |
| 250                            | 63   | 67                                  | 64                           | 68                                  |
| 500                            | 58   | 60                                  | 60                           | 61                                  |
| 1000                           | 56   | 57                                  | 58                           | 59                                  |
| 2000                           | 52   | 53                                  | 55                           | 55                                  |
| 4000                           | 51   | 51                                  | 54                           | 54                                  |
| 8000                           | 47   | 47                                  | 48                           | 48                                  |

1. Cooling Operation – ID blower, compressor and outdoor fan operating at 230 VAC.

- Tested in accordance with AHRI Standard 260-2001. Refer to 2001 Standard for Sound Rating of Ducted Air Moving and Conditioning Equipment.
- Testing datum includes effect of standard inlet air filters.
- Test duct dimension: 18 in. wide x 28 in. high x 8 ft. long, no elbows.
- Test duct termination is flush with reverberant room wall.
- Duct end (sound reflection) corrections included: (7.2, 3.4, 1.2, 0.4, 0.1, 0, 0, 0) dB at (63, 125, 250, 500, 1k, 2k, 4k, 8k) Hz respectively.

### Indoor Sound Power Levels (Horizontal Ducted Discharge, Standard Static Belt Drive)

| UNIT DESCRIPTION / MODEL       | JA3ZH/ZJ/ZR / 3 Ton / Standard Static Belt Drive |                                     |                              |                                     |
|--------------------------------|--|-------------------------------------|------------------------------|-------------------------------------|
| TEST CONFIGURATION             | Horizontal (Side Supply) Ducted Discharge        |                                     |                              |                                     |
| Indoor Blower Speed (RPM)      | 610 - 3 Turns Open Equivalent                    |                                     | 710 - 1 Turn Open Equivalent |                                     |
| External Static Pressure (IWG) | 0.5  |                                     | 0.6                          |                                     |
| Airflow (CFM)                  | 850  |                                     | 950                          |                                     |
| Blower Motor BHP               | 0.37   |                                     | 0.42                         |                                     |
| Octave Center Freq. Hz         | ID Blower Only (dB)                              | Cooling Operation <sup>1</sup> (dB) | ID Blower Only (dB)          | Cooling Operation <sup>1</sup> (dB) |
| 63                             | 77   | 78                                  | 79                           | 79                                  |
| 125                            | 74   | 75                                  | 75                           | 76                                  |
| 250                            | 66   | 68                                  | 70                           | 70                                  |
| 500                            | 61   | 61                                  | 65                           | 64                                  |
| 1000                           | 60   | 62                                  | 65                           | 66                                  |
| 2000                           | 52   | 52                                  | 58                           | 58                                  |
| 4000                           | 52   | 52                                  | 59                           | 60                                  |
| 8000                           | 44   | 44                                  | 50                           | 50                                  |

1. Cooling Operation – ID blower, compressor and outdoor fan operating at 230 VAC.

- Tested in accordance with AHRI Standard 260-2001. Refer to 2001 Standard for Sound Rating of Ducted Air Moving and Conditioning Equipment.
- Testing datum includes effect of standard inlet air filters.
- Test duct dimension: 18 in. wide x 28 in. high x 8 ft. long, no elbows.
- Test duct termination is flush with reverberant room wall.
- Duct end (sound reflection) corrections included: (7.2, 3.4, 1.2, 0.4, 0.1, 0, 0, 0) dB at (63, 125, 250, 500, 1k, 2k, 4k, 8k) Hz respectively.

| UNIT DESCRIPTION / MODEL       | JA4ZH/ZJ/ZR / 4 Ton / Standard Static Belt Drive |                                     |                              |                                     |
|--------------------------------|--|-------------------------------------|------------------------------|-------------------------------------|
| TEST CONFIGURATION             | Horizontal (Side Supply) Ducted Discharge        |                                     |                              |                                     |
| Indoor Blower Speed (RPM)      | 610 - 3 Turns Open Equivalent                    |                                     | 710 - 1 Turn Open Equivalent |                                     |
| External Static Pressure (IWG) | 0.5  |                                     | 0.6                          |                                     |
| Airflow (CFM)                  | 850  |                                     | 950                          |                                     |
| Blower Motor BHP               | 0.37   |                                     | 0.42                         |                                     |
| Octave Center Freq. Hz         | ID Blower Only (dB)                              | Cooling Operation <sup>1</sup> (dB) | ID Blower Only (dB)          | Cooling Operation <sup>1</sup> (dB) |
| 63                             | 77   | 78                                  | 79                           | 79                                  |
| 125                            | 74   | 75                                  | 75                           | 76                                  |
| 250                            | 66   | 68                                  | 70                           | 70                                  |
| 500                            | 61   | 61                                  | 65                           | 64                                  |
| 1000                           | 60   | 62                                  | 65                           | 66                                  |
| 2000                           | 52   | 52                                  | 58                           | 58                                  |
| 4000                           | 52   | 52                                  | 59                           | 60                                  |
| 8000                           | 44   | 44                                  | 50                           | 50                                  |

1. Cooling Operation – ID blower, compressor and outdoor fan operating at 230 VAC.

- Tested in accordance with AHRI Standard 260-2001. Refer to 2001 Standard for Sound Rating of Ducted Air Moving and Conditioning Equipment.
- Testing datum includes effect of standard inlet air filters.
- Test duct dimension: 18 in. wide x 28 in. high x 8 ft. long, no elbows.
- Test duct termination is flush with reverberant room wall.
- Duct end (sound reflection) corrections included: (7.2, 3.4, 1.2, 0.4, 0.1, 0, 0, 0) dB at (63, 125, 250, 500, 1k, 2k, 4k, 8k) Hz respectively.

| UNIT DESCRIPTION / MODEL       | JA5ZH/ZJ/ZR / 5 Ton / Standard Static Belt Drive |                                     |                              |                                     |
|--------------------------------|--|-------------------------------------|------------------------------|-------------------------------------|
| TEST CONFIGURATION             | Horizontal (Side Supply) Ducted Discharge        |                                     |                              |                                     |
| Indoor Blower Speed (RPM)      | 810 - 3 Turns Open Equivalent                    |                                     | 918 - 1 Turn Open Equivalent |                                     |
| External Static Pressure (IWG) | 0.4  |                                     | 0.8                          |                                     |
| Airflow (CFM)                  | 2050   |                                     | 1950                         |                                     |
| Blower Motor BHP               | 0.73   |                                     | 0.88                         |                                     |
| Octave Center Freq. Hz         | ID Blower Only (dB)                              | Cooling Operation <sup>1</sup> (dB) | ID Blower Only (dB)          | Cooling Operation <sup>1</sup> (dB) |
| 63                             | 85   | 83                                  | 83                           | 83                                  |
| 125                            | 78   | 79                                  | 76                           | 79                                  |
| 250                            | 69   | 70                                  | 69                           | 70                                  |
| 500                            | 68   | 68                                  | 68                           | 68                                  |
| 1000                           | 64   | 64                                  | 65                           | 65                                  |
| 2000                           | 63   | 63                                  | 64                           | 64                                  |
| 4000                           | 64   | 64                                  | 64                           | 64                                  |
| 8000                           | 59   | 59                                  | 59                           | 60                                  |

1. Cooling Operation – ID blower, compressor and outdoor fan operating at 230 VAC.

- Tested in accordance with AHRI Standard 260-2001. Refer to 2001 Standard for Sound Rating of Ducted Air Moving and Conditioning Equipment.
- Testing datum includes effect of standard inlet air filters.
- Test duct dimension: 18 in. wide x 28 in. high x 8 ft. long, no elbows.
- Test duct termination is flush with reverberant room wall.
- Duct end (sound reflection) corrections included: (7.2, 3.4, 1.2, 0.4, 0.1, 0, 0, 0) dB at (63, 125, 250, 500, 1k, 2k, 4k, 8k) Hz respectively.

### Indoor Sound Power Levels (Vertical Ducted Inlet, Standard Static Belt Drive)

| UNIT DESCRIPTION / MODEL       | JA3ZH/ZJ/ZR / 3 Ton / Standard Static Belt Drive |                                     |                              |                                     |
|--------------------------------|--|-------------------------------------|------------------------------|-------------------------------------|
| TEST CONFIGURATION             | Vertical (Bottom Return) Ducted Inlet            |                                     |                              |                                     |
| Indoor Blower Speed (RPM)      | 609 - 3 Turns Open Equivalent                    |                                     | 708 - 1 Turn Open Equivalent |                                     |
| External Static Pressure (IWG) | 0.4  |                                     | 0.4                          |                                     |
| Airflow (CFM)                  | 850  |                                     | 1150                         |                                     |
| Blower Motor BHP               | 0.32   |                                     | 0.38                         |                                     |
| Octave Center Freq. Hz         | ID Blower Only (dB)                              | Cooling Operation <sup>1</sup> (dB) | ID Blower Only (dB)          | Cooling Operation <sup>1</sup> (dB) |
| 63                             | 76   | 76                                  | 74                           | 76                                  |
| 125                            | 63   | 70                                  | 66                           | 70                                  |
| 250                            | 55   | 62                                  | 59                           | 62                                  |
| 500                            | 54   | 55                                  | 58                           | 59                                  |
| 1000                           | 48   | 48                                  | 53                           | 53                                  |
| 2000                           | 44   | 44                                  | 48                           | 48                                  |
| 4000                           | 41   | 44                                  | 45                           | 46                                  |
| 8000                           | 42   | 43                                  | 43                           | 44                                  |

1. Differentials for Cooling Operation (IDB, COMP, & ODF) are logarithmically calculated from the horizontal flow sound test.
- Tested in accordance with AHRI Standard 260-2001. Refer to 2001 Standard for Sound Rating of Ducted Air Moving and Conditioning Equipment.
  - Testing datum includes effect of standard inlet air filters.
  - Test duct dimension: 18 in. wide x 28 in. high x 8 ft. long, no elbows.
  - Test duct termination is flush with reverberant room wall.
  - Duct end (sound reflection) corrections included: (7.2, 3.4, 1.2, 0.4, 0.1, 0, 0, 0) dB at (63, 125, 250, 500, 1k, 2k, 4k, 8k) Hz respectively.

| UNIT DESCRIPTION / MODEL       | JA4ZH/ZJ/ZR / 4 Ton / Standard Static Belt Drive |                                     |                              |                                     |
|--------------------------------|--|-------------------------------------|------------------------------|-------------------------------------|
| TEST CONFIGURATION             | Vertical (Bottom Return) Ducted Inlet            |                                     |                              |                                     |
| Indoor Blower Speed (RPM)      | 609 - 3 Turns Open Equivalent                    |                                     | 708 - 1 Turn Open Equivalent |                                     |
| External Static Pressure (IWG) | 0.4  |                                     | 0.4                          |                                     |
| Airflow (CFM)                  | 850  |                                     | 1150                         |                                     |
| Blower Motor BHP               | 0.32   |                                     | 0.38                         |                                     |
| Octave Center Freq. Hz         | ID Blower Only (dB)                              | Cooling Operation <sup>1</sup> (dB) | ID Blower Only (dB)          | Cooling Operation <sup>1</sup> (dB) |
| 63                             | 76   | 76                                  | 74                           | 76                                  |
| 125                            | 63   | 70                                  | 66                           | 70                                  |
| 250                            | 55   | 62                                  | 59                           | 62                                  |
| 500                            | 54   | 55                                  | 58                           | 59                                  |
| 1000                           | 48   | 48                                  | 53                           | 53                                  |
| 2000                           | 44   | 44                                  | 48                           | 48                                  |
| 4000                           | 41   | 44                                  | 45                           | 46                                  |
| 8000                           | 42   | 43                                  | 43                           | 44                                  |

1. Differentials for Cooling Operation (IDB, COMP, & ODF) are logarithmically calculated from the horizontal flow sound test.
- Tested in accordance with AHRI Standard 260-2001. Refer to 2001 Standard for Sound Rating of Ducted Air Moving and Conditioning Equipment.
  - Testing datum includes effect of standard inlet air filters.
  - Test duct dimension: 18 in. wide x 28 in. high x 8 ft. long, no elbows.
  - Test duct termination is flush with reverberant room wall.
  - Duct end (sound reflection) corrections included: (7.2, 3.4, 1.2, 0.4, 0.1, 0, 0, 0) dB at (63, 125, 250, 500, 1k, 2k, 4k, 8k) Hz respectively.

| UNIT DESCRIPTION / MODEL       | JA5ZH/ZJ/ZR / 5 Ton / Standard Static Belt Drive |                                     |                             |                                     |
|--------------------------------|--|-------------------------------------|-----------------------------|-------------------------------------|
| TEST CONFIGURATION             | Vertical (Bottom Return) Ducted Inlet            |                                     |                             |                                     |
| Indoor Blower Speed (RPM)      | 812 - 3 Turns Open Equivalent                    |                                     | 915- 1 Turn Open Equivalent |                                     |
| External Static Pressure (IWG) | 0.6  |                                     | 0.8                         |                                     |
| Airflow (CFM)                  | 1575   |                                     | 1800                        |                                     |
| Blower Motor BHP               | 0.64   |                                     | 0.83                        |                                     |
| Octave Center Freq. Hz         | ID Blower Only (dB)                              | Cooling Operation <sup>1</sup> (dB) | ID Blower Only (dB)         | Cooling Operation <sup>1</sup> (dB) |
| 63                             | 75   | 78                                  | 80                          | 80                                  |
| 125                            | 66   | 80                                  | 69                          | 81                                  |
| 250                            | 59   | 66                                  | 62                          | 65                                  |
| 500                            | 60   | 60                                  | 63                          | 63                                  |
| 1000                           | 57   | 57                                  | 60                          | 60                                  |
| 2000                           | 52   | 53                                  | 55                          | 55                                  |
| 4000                           | 49   | 50                                  | 53                          | 53                                  |
| 8000                           | 44   | 45                                  | 47                          | 47                                  |

1. Differentials for Cooling Operation (IDB, COMP, & ODF) are logarithmically calculated from the horizontal flow sound test.

- Tested in accordance with AHRI Standard 260-2001. Refer to 2001 Standard for Sound Rating of Ducted Air Moving and Conditioning Equipment.
- Testing datum includes effect of standard inlet air filters.
- Test duct dimension: 18 in. wide x 28 in. high x 8 ft. long, no elbows.
- Test duct termination is flush with reverberant room wall.
- Duct end (sound reflection) corrections included: (7.2, 3.4, 1.2, 0.4, 0.1, 0, 0, 0) dB at (63, 125, 250, 500, 1k, 2k, 4k, 8k) Hz respectively.

#### Indoor Sound Power Levels (Vertical Ducted Discharge, Standard Static Belt Drive)

| UNIT DESCRIPTION / MODEL       | JA3ZH/ZJ/ZR / 3 Ton / Standard Static Belt Drive |                                     |                              |                                     |
|--------------------------------|--|-------------------------------------|------------------------------|-------------------------------------|
| TEST CONFIGURATION             | Vertical (Bottom Supply) Ducted Discharge        |                                     |                              |                                     |
| Indoor Blower Speed (RPM)      | 609 - 3 Turns Open Equivalent                    |                                     | 712 - 1 Turn Open Equivalent |                                     |
| External Static Pressure (IWG) | 0.4  |                                     | 0.6                          |                                     |
| Airflow (CFM)                  | 850  |                                     | 950                          |                                     |
| Blower Motor BHP               | 0.32   |                                     | 0.42                         |                                     |
| Octave Center Freq. Hz         | ID Blower Only (dB)                              | Cooling Operation <sup>1</sup> (dB) | ID Blower Only (dB)          | Cooling Operation <sup>1</sup> (dB) |
| 63                             | 76   | 77                                  | 81                           | 81                                  |
| 125                            | 68   | 68                                  | 72                           | 72                                  |
| 250                            | 55   | 65                                  | 57                           | 57                                  |
| 500                            | 56   | 57                                  | 57                           | 57                                  |
| 1000                           | 51   | 57                                  | 52                           | 56                                  |
| 2000                           | 49   | 49                                  | 50                           | 50                                  |
| 4000                           | 48   | 48                                  | 49                           | 51                                  |
| 8000                           | 46   | 46                                  | 47                           | 48                                  |

1. Differentials for Cooling Operation (IDB, COMP, & ODF) are logarithmically calculated from the horizontal flow sound test.

- Tested in accordance with AHRI Standard 260-2001. Refer to 2001 Standard for Sound Rating of Ducted Air Moving and Conditioning Equipment.
- Testing datum includes effect of standard inlet air filters.
- Test duct dimension: 18 in. wide x 28 in. high x 8 ft. long, no elbows.
- Test duct termination is flush with reverberant room wall.
- Duct end (sound reflection) corrections included: (7.2, 3.4, 1.2, 0.4, 0.1, 0, 0, 0) dB at (63, 125, 250, 500, 1k, 2k, 4k, 8k) Hz respectively.

| UNIT DESCRIPTION / MODEL       | JA4ZH/ZJ/ZR / 4 Ton / Standard Static Belt Drive |                                     |                              |                                     |
|--------------------------------|--|-------------------------------------|------------------------------|-------------------------------------|
| TEST CONFIGURATION             | Vertical (Bottom Supply) Ducted Discharge        |                                     |                              |                                     |
| Indoor Blower Speed (RPM)      | 609 - 3 Turns Open Equivalent                    |                                     | 712 - 1 Turn Open Equivalent |                                     |
| External Static Pressure (IWG) | 0.4  |                                     | 0.6                          |                                     |
| Airflow (CFM)                  | 850  |                                     | 950                          |                                     |
| Blower Motor BHP               | 0.32   |                                     | 0.42                         |                                     |
| Octave Center Freq. Hz         | ID Blower Only (dB)                              | Cooling Operation <sup>1</sup> (dB) | ID Blower Only (dB)          | Cooling Operation <sup>1</sup> (dB) |
| 63                             | 76   | 77                                  | 81                           | 81                                  |
| 125                            | 68   | 68                                  | 72                           | 72                                  |
| 250                            | 55   | 65                                  | 57                           | 57                                  |
| 500                            | 56   | 57                                  | 57                           | 57                                  |
| 1000                           | 51   | 57                                  | 52                           | 56                                  |
| 2000                           | 49   | 49                                  | 50                           | 50                                  |
| 4000                           | 48   | 48                                  | 49                           | 51                                  |
| 8000                           | 46   | 46                                  | 47                           | 48                                  |

1. Differentials for Cooling Operation (IDB, COMP, & ODF) are logarithmically calculated from the horizontal flow sound test.
- Tested in accordance with AHRI Standard 260-2001. Refer to 2001 Standard for Sound Rating of Ducted Air Moving and Conditioning Equipment.
  - Testing datum includes effect of standard inlet air filters.
  - Test duct dimension: 18 in. wide x 28 in. high x 8 ft. long, no elbows.
  - Test duct termination is flush with reverberant room wall.
  - Duct end (sound reflection) corrections included: (7.2, 3.4, 1.2, 0.4, 0.1, 0, 0, 0) dB at (63, 125, 250, 500, 1k, 2k, 4k, 8k) Hz respectively.

| UNIT DESCRIPTION / MODEL       | JA5ZH/ZJ/ZR / 5 Ton / Standard Static Belt Drive |                                     |                              |                                     |
|--------------------------------|--|-------------------------------------|------------------------------|-------------------------------------|
| TEST CONFIGURATION             | Vertical (Bottom Supply) Ducted Discharge        |                                     |                              |                                     |
| Indoor Blower Speed (RPM)      | 809 - 3 Turns Open Equivalent                    |                                     | 914 - 1 Turn Open Equivalent |                                     |
| External Static Pressure (IWG) | 0.5  |                                     | 0.8                          |                                     |
| Airflow (CFM)                  | 1700   |                                     | 1800                         |                                     |
| Blower Motor BHP               | 0.64   |                                     | 0.83                         |                                     |
| Octave Center Freq. Hz         | ID Blower Only (dB)                              | Cooling Operation <sup>1</sup> (dB) | ID Blower Only (dB)          | Cooling Operation <sup>1</sup> (dB) |
| 63                             | 81   | 81                                  | 79                           | 79                                  |
| 125                            | 75   | 75                                  | 75                           | 76                                  |
| 250                            | 65   | 65                                  | 63                           | 63                                  |
| 500                            | 67   | 67                                  | 67                           | 67                                  |
| 1000                           | 63   | 63                                  | 63                           | 63                                  |
| 2000                           | 61   | 62                                  | 61                           | 61                                  |
| 4000                           | 62   | 62                                  | 61                           | 61                                  |
| 8000                           | 57   | 57                                  | 56                           | 56                                  |

1. Differentials for Cooling Operation (IDB, COMP, & ODF) are logarithmically calculated from the horizontal flow sound test.
- Tested in accordance with AHRI Standard 260-2001. Refer to 2001 Standard for Sound Rating of Ducted Air Moving and Conditioning Equipment.
  - Testing datum includes effect of standard inlet air filters.
  - Test duct dimension: 18 in. wide x 28 in. high x 8 ft. long, no elbows.
  - Test duct termination is flush with reverberant room wall.
  - Duct end (sound reflection) corrections included: (7.2, 3.4, 1.2, 0.4, 0.1, 0, 0, 0) dB at (63, 125, 250, 500, 1k, 2k, 4k, 8k) Hz respectively.



### Indoor Sound Power Levels (Horizontal Ducted Inlet, High Static Belt Drive)

| UNIT DESCRIPTION / MODEL       | JA3ZH/ZJ/ZR / 3 Ton / High Static Belt Drive |                                     |                                  |                                     |  |                                     |
|--------------------------------|--|-------------------------------------|----------------------------------|-------------------------------------|--|-------------------------------------|
| TEST CONFIGURATION             | Horizontal (Side Return) Ducted Inlet        |                                     |                                  |                                     |  |                                     |
| Indoor Blower Speed (RPM)      | 876 - 4 Turns Open Equivalent                |                                     | 1,064 - 1/2 Turn Open Equivalent |                                     | 1,190 - 2.5 Turns Open Equivalent <sup>1</sup> |                                     |
| External Static Pressure (IWG) | 1.0  |                                     | 1.6                              |                                     | 2.0 <sup>1</sup>                               |                                     |
| Nominal Airflow (CFM)          | 1,200  |                                     | 1,100                            |                                     | 1,000  |                                     |
| Blower Motor BHP               | 0.64   |                                     | 0.93                             |                                     | 1.08   |                                     |
| Octave Center Freq. Hz         | ID Blower Only (dB)                          | Cooling Operation <sup>2</sup> (dB) | ID Blower Only (dB)              | Cooling Operation <sup>2</sup> (dB) | ID Blower Only (dB)                            | Cooling Operation <sup>2</sup> (dB) |
| 63                             | 75   | 80                                  | 81                               | 81                                  | 81   | 83                                  |
| 125                            | 69   | 71                                  | 71                               | 73                                  | 73   | 75                                  |
| 250                            | 62   | 68                                  | 66                               | 71                                  | 68   | 70                                  |
| 500                            | 54   | 56                                  | 57                               | 59                                  | 59   | 60                                  |
| 1000                           | 52   | 56                                  | 56                               | 58                                  | 58   | 60                                  |
| 2000                           | 47   | 49                                  | 52                               | 52                                  | 54   | 56                                  |
| 4000                           | 43   | 45                                  | 48                               | 49                                  | 51   | 53                                  |
| 8000                           | 43   | 45                                  | 45                               | 46                                  | 47   | 48                                  |

- Requires driven pulley #AK-56, normal high static pulley is an #AK-69.
- Cooling Operation – ID blower, compressor and outdoor fan operating at 230 VAC.
  - Tested in accordance with AHRI Standard 260-2001. Refer to 2001 Standard for Sound Rating of Ducted Air Moving and Conditioning Equipment.
  - Testing datum includes effect of standard inlet air filters.
  - Test duct dimension: 18 in. wide x 28 in. high x 8 ft. long, no elbows.
  - Test duct termination is flush with reverberant room wall.
  - Duct end (sound reflection) corrections included: (7.2, 3.4, 1.2, 0.4, 0.1, 0, 0, 0) dB at (63, 125, 250, 500, 1k, 2k, 4k, 8k) Hz respectively.

| UNIT DESCRIPTION / MODEL       | JA4ZH/ZJ/ZR / 4 Ton / High Static Belt Drive |                                     |                                 |                                     |                                   |                                     |
|--------------------------------|--|-------------------------------------|---------------------------------|-------------------------------------|-----------------------------------|-------------------------------------|
| TEST CONFIGURATION             | Horizontal (Side Return) Ducted Inlet        |                                     |                                 |                                     |                                   |                                     |
| Indoor Blower Speed (RPM)      | 965 - 5.5 Turns Open Equivalent              |                                     | 1,088 - 4 Turns Open Equivalent |                                     | 1,186 - 2.5 Turns Open Equivalent |                                     |
| External Static Pressure (IWG) | 1.0  |                                     | 1.6                             |                                     | 2.0                               |                                     |
| Nominal Airflow (CFM)          | 1,600  |                                     | 1,400                           |                                     | 1,200                             |                                     |
| Blower Motor BHP               | 0.86   |                                     | 1.03                            |                                     | 1.13                              |                                     |
| Octave Center Freq. Hz         | ID Blower Only (dB)                          | Cooling Operation <sup>1</sup> (dB) | ID Blower Only (dB)             | Cooling Operation <sup>1</sup> (dB) | ID Blower Only (dB)               | Cooling Operation <sup>1</sup> (dB) |
| 63                             | 74   | 80                                  | 77                              | 80                                  | 81                                | 81                                  |
| 125                            | 69   | 74                                  | 72                              | 75                                  | 75                                | 76                                  |
| 250                            | 68   | 68                                  | 68                              | 69                                  | 70                                | 71                                  |
| 500                            | 62   | 62                                  | 60                              | 61                                  | 61                                | 63                                  |
| 1000                           | 60   | 61                                  | 58                              | 58                                  | 59                                | 60                                  |
| 2000                           | 57   | 57                                  | 53                              | 54                                  | 55                                | 56                                  |
| 4000                           | 56   | 56                                  | 49                              | 50                                  | 51                                | 52                                  |
| 8000                           | 54   | 54                                  | 45                              | 47                                  | 47                                | 48                                  |

- Cooling Operation – ID blower, compressor and outdoor fan operating at 230 VAC.
  - Tested in accordance with AHRI Standard 260-2001. Refer to 2001 Standard for Sound Rating of Ducted Air Moving and Conditioning Equipment.
  - Testing datum includes effect of standard inlet air filters.
  - Test duct dimension: 18 in. wide x 28 in. high x 8 ft. long, no elbows.
  - Test duct termination is flush with reverberant room wall.
  - Duct end (sound reflection) corrections included: (7.2, 3.4, 1.2, 0.4, 0.1, 0, 0, 0) dB at (63, 125, 250, 500, 1k, 2k, 4k, 8k) Hz respectively.

| UNIT DESCRIPTION / MODEL       | JA5ZH/ZJ/ZR / 5 Ton / High Static Belt Drive |                                     |                                 |                                     |                                 |                                     |
|--------------------------------|--|-------------------------------------|---------------------------------|-------------------------------------|---------------------------------|-------------------------------------|
| TEST CONFIGURATION             | Horizontal (Side Return) Ducted Inlet        |                                     |                                 |                                     |                                 |                                     |
| Indoor Blower Speed (RPM)      | 1,012- 5.5 Turns Open Equivalent             |                                     | 1,134 - 3 Turns Open Equivalent |                                     | 1,174 - 2 Turns Open Equivalent |                                     |
| External Static Pressure (IWG) | 1.0  |                                     | 1.6                             |                                     | 2.0                             |                                     |
| Nominal Airflow (CFM)          | 2,000  |                                     | 1,800                           |                                     | 1,600                           |                                     |
| Blower Motor BHP               | 1.04   |                                     | 1.25                            |                                     | 1.39                            |                                     |
| Octave Center Freq. Hz         | ID Blower Only (dB)                          | Cooling Operation <sup>1</sup> (dB) | ID Blower Only (dB)             | Cooling Operation <sup>1</sup> (dB) | ID Blower Only (dB)             | Cooling Operation <sup>1</sup> (dB) |
| 63                             | 76   | 78                                  | 78                              | 79                                  | 79                              | 81                                  |
| 125                            | 70   | 73                                  | 73                              | 76                                  | 74                              | 77                                  |
| 250                            | 68   | 70                                  | 68                              | 69                                  | 69                              | 70                                  |
| 500                            | 61   | 62                                  | 61                              | 62                                  | 60                              | 62                                  |
| 1000                           | 61   | 62                                  | 61                              | 62                                  | 58                              | 60                                  |
| 2000                           | 57   | 58                                  | 57                              | 58                                  | 54                              | 56                                  |
| 4000                           | 56   | 56                                  | 55                              | 56                                  | 52                              | 53                                  |
| 8000                           | 50   | 50                                  | 50                              | 50                                  | 47                              | 48                                  |

1. Cooling Operation – ID blower, compressor and outdoor fan operating at 230 VAC.

- Tested in accordance with AHRI Standard 260-2001. Refer to 2001 Standard for Sound Rating of Ducted Air Moving and Conditioning Equipment.
- Testing datum includes effect of standard inlet air filters.
- Test duct dimension: 18 in. wide x 28 in. high x 8 ft. long, no elbows.
- Test duct termination is flush with reverberant room wall.
- Duct end (sound reflection) corrections included: (7.2, 3.4, 1.2, 0.4, 0.1, 0, 0, 0) dB at (63, 125, 250, 500, 1k, 2k, 4k, 8k) Hz respectively.

#### Indoor Sound Power Levels (Horizontal Ducted Discharge, High Static Belt Drive)

| UNIT DESCRIPTION / MODEL       | JA3ZH/ZJ/ZR / 3 Ton / High Static Belt Drive |                                     |                                 |                                     |  |                                     |
|--------------------------------|--|-------------------------------------|---------------------------------|-------------------------------------|--|-------------------------------------|
| TEST CONFIGURATION             | Horizontal (Side Supply) Ducted Discharge    |                                     |                                 |                                     |  |                                     |
| Indoor Blower Speed (RPM)      | 896 - 3.5 Turns Open Equivalent              |                                     | 1,072 - Fully Closed Equivalent |                                     | 1,170 - 2.5 Turns Open Equivalent <sup>1</sup> |                                     |
| External Static Pressure (IWG) | 1.0  |                                     | 1.6                             |                                     | 2.0 <sup>1</sup>                               |                                     |
| Nominal Airflow (CFM)          | 1,200  |                                     | 1,100                           |                                     | 1,000  |                                     |
| Blower Motor BHP               | 0.64   |                                     | 0.93                            |                                     | 1.08   |                                     |
| Octave Center Freq. Hz         | ID Blower Only (dB)                          | Cooling Operation <sup>2</sup> (dB) | ID Blower Only (dB)             | Cooling Operation <sup>2</sup> (dB) | ID Blower Only (dB)                            | Cooling Operation <sup>2</sup> (dB) |
| 63                             | 77   | 81                                  | 83                              | 84                                  | 83   | 84                                  |
| 125                            | 74   | 76                                  | 76                              | 77                                  | 80   | 80                                  |
| 250                            | 67   | 68                                  | 70                              | 70                                  | 72   | 73                                  |
| 500                            | 65   | 66                                  | 67                              | 67                                  | 67   | 68                                  |
| 1000                           | 61   | 62                                  | 67                              | 67                                  | 66   | 69                                  |
| 2000                           | 58   | 60                                  | 63                              | 63                                  | 63   | 64                                  |
| 4000                           | 57   | 59                                  | 62                              | 62                                  | 62   | 63                                  |
| 8000                           | 51   | 53                                  | 56                              | 57                                  | 56   | 58                                  |

1. Requires driven pulley #AK-56, normal high static pulley is an #AK-69.

2. Cooling Operation – ID blower, compressor and outdoor fan operating at 230 VAC.

- Tested in accordance with AHRI Standard 260-2001. Refer to 2001 Standard for Sound Rating of Ducted Air Moving and Conditioning Equipment.
- Testing datum includes effect of standard inlet air filters.
- Test duct dimension: 18 in. wide x 28 in. high x 8 ft. long, no elbows.
- Test duct termination is flush with reverberant room wall.
- Duct end (sound reflection) corrections included: (7.2, 3.4, 1.2, 0.4, 0.1, 0, 0, 0) dB at (63, 125, 250, 500, 1k, 2k, 4k, 8k) Hz respectively.

| UNIT DESCRIPTION / MODEL       | JA4ZH/ZJ/ZR / 4 Ton / High Static Belt Drive |                                     |                                 |                                     |                                   |                                     |
|--------------------------------|--|-------------------------------------|---------------------------------|-------------------------------------|-----------------------------------|-------------------------------------|
| TEST CONFIGURATION             | Horizontal (Side Supply) Ducted Discharge    |                                     |                                 |                                     |                                   |                                     |
| Indoor Blower Speed (RPM)      | 922 - 6 Turns Open Equivalent                |                                     | 1,069 - 4 Turns Open Equivalent |                                     | 1,165 - 2.5 Turns Open Equivalent |                                     |
| External Static Pressure (IWG) | 1.0  |                                     | 1.6                             |                                     | 2.0                               |                                     |
| Nominal Airflow (CFM)          | 1,600  |                                     | 1,400                           |                                     | 1,200                             |                                     |
| Blower Motor BHP               | 0.86   |                                     | 1.03                            |                                     | 1.13                              |                                     |
| Octave Center Freq. Hz         | ID Blower Only (dB)                          | Cooling Operation <sup>1</sup> (dB) | ID Blower Only (dB)             | Cooling Operation <sup>1</sup> (dB) | ID Blower Only (dB)               | Cooling Operation <sup>1</sup> (dB) |
| 63                             | 80   | 82                                  | 82                              | 83                                  | 84                                | 84                                  |
| 125                            | 76   | 77                                  | 76                              | 77                                  | 78                                | 79                                  |
| 250                            | 71   | 72                                  | 72                              | 72                                  | 74                                | 74                                  |
| 500                            | 69   | 69                                  | 69                              | 69                                  | 70                                | 70                                  |
| 1000                           | 65   | 65                                  | 69                              | 69                                  | 70                                | 70                                  |
| 2000                           | 64   | 64                                  | 64                              | 64                                  | 65                                | 65                                  |
| 4000                           | 63   | 63                                  | 63                              | 63                                  | 64                                | 64                                  |
| 8000                           | 58   | 58                                  | 58                              | 58                                  | 59                                | 59                                  |

1. Cooling Operation – ID blower, compressor and outdoor fan operating at 230 VAC.

- Tested in accordance with AHRI Standard 260-2001. Refer to 2001 Standard for Sound Rating of Ducted Air Moving and Conditioning Equipment.
- Testing datum includes effect of standard inlet air filters.
- Test duct dimension: 18 in. wide x 28 in. high x 8 ft. long, no elbows.
- Test duct termination is flush with reverberant room wall.
- Duct end (sound reflection) corrections included: (7.2, 3.4, 1.2, 0.4, 0.1, 0, 0, 0) dB at (63, 125, 250, 500, 1k, 2k, 4k, 8k) Hz respectively.

| UNIT DESCRIPTION / MODEL       | JA5ZH/ZJ/ZR / 5 Ton / High Static Belt Drive |                                     |                                 |                                     |                                 |                                     |
|--------------------------------|--|-------------------------------------|---------------------------------|-------------------------------------|---------------------------------|-------------------------------------|
| TEST CONFIGURATION             | Horizontal (Side Supply) Ducted Discharge    |                                     |                                 |                                     |                                 |                                     |
| Indoor Blower Speed (RPM)      | 1,009- 5.5 Turns Open Equivalent             |                                     | 1,131 - 3 Turns Open Equivalent |                                     | 1,184 - 2 Turns Open Equivalent |                                     |
| External Static Pressure (IWG) | 1.0  |                                     | 1.6                             |                                     | 2.0                             |                                     |
| Nominal Airflow (CFM)          | 2,000  |                                     | 1,800                           |                                     | 1,600                           |                                     |
| Blower Motor BHP               | 1.04   |                                     | 1.25                            |                                     | 1.39                            |                                     |
| Octave Center Freq. Hz         | ID Blower Only (dB)                          | Cooling Operation <sup>1</sup> (dB) | ID Blower Only (dB)             | Cooling Operation <sup>1</sup> (dB) | ID Blower Only (dB)             | Cooling Operation <sup>1</sup> (dB) |
| 63                             | 84   | 85                                  | 82                              | 83                                  | 82                              | 83                                  |
| 125                            | 78   | 79                                  | 79                              | 79                                  | 78                              | 79                                  |
| 250                            | 75   | 75                                  | 74                              | 75                                  | 73                              | 73                                  |
| 500                            | 71   | 71                                  | 70                              | 71                                  | 69                              | 69                                  |
| 1000                           | 69   | 69                                  | 71                              | 71                                  | 71                              | 72                                  |
| 2000                           | 66   | 67                                  | 67                              | 67                                  | 66                              | 66                                  |
| 4000                           | 66   | 66                                  | 66                              | 67                                  | 66                              | 66                                  |
| 8000                           | 61   | 62                                  | 61                              | 62                                  | 60                              | 60                                  |

1. Cooling Operation – ID blower, compressor and outdoor fan operating at 230 VAC.

- Tested in accordance with AHRI Standard 260-2001. Refer to 2001 Standard for Sound Rating of Ducted Air Moving and Conditioning Equipment.
- Testing datum includes effect of standard inlet air filters.
- Test duct dimension: 18 in. wide x 28 in. high x 8 ft. long, no elbows.
- Test duct termination is flush with reverberant room wall.
- Duct end (sound reflection) corrections included: (7.2, 3.4, 1.2, 0.4, 0.1, 0, 0, 0) dB at (63, 125, 250, 500, 1k, 2k, 4k, 8k) Hz respectively.

### Indoor Sound Power Levels (Vertical Ducted Inlet, High Static Belt Drive)

| UNIT DESCRIPTION / MODEL       | JA3ZH/ZJ/ZR / 3 Ton / High Static Belt Drive |                                     |                                  |                                     |  |                                     |
|--------------------------------|--|-------------------------------------|----------------------------------|-------------------------------------|--|-------------------------------------|
| TEST CONFIGURATION             | Vertical (Bottom Return) Ducted Inlet        |                                     |                                  |                                     |  |                                     |
| Indoor Blower Speed (RPM)      | 927 - 3 Turns Open Equivalent                |                                     | 1,085 - 1/2 Turn Open Equivalent |                                     | 1,190 - 2.5 Turns Open Equivalent <sup>1</sup> |                                     |
| External Static Pressure (IWG) | 1.0  |                                     | 1.6                              |                                     | 2.0 <sup>1</sup>                               |                                     |
| Nominal Airflow (CFM)          | 1,200  |                                     | 1,100                            |                                     | 1,000  |                                     |
| Blower Motor BHP               | 0.68   |                                     | 0.93                             |                                     | 1.09   |                                     |
| Octave Center Freq. Hz         | ID Blower Only (dB)                          | Cooling Operation <sup>2</sup> (dB) | ID Blower Only (dB)              | Cooling Operation <sup>2</sup> (dB) | ID Blower Only (dB)                            | Cooling Operation <sup>2</sup> (dB) |
| 63                             | 77   | 79                                  | 82                               | 83                                  | 79   | 81                                  |
| 125                            | 68   | 69                                  | 70                               | 71                                  | 72   | 73                                  |
| 250                            | 60   | 67                                  | 62                               | 69                                  | 64   | 67                                  |
| 500                            | 58   | 58                                  | 63                               | 63                                  | 62   | 63                                  |
| 1000                           | 54   | 55                                  | 60                               | 60                                  | 60   | 60                                  |
| 2000                           | 48   | 49                                  | 56                               | 56                                  | 55   | 55                                  |
| 4000                           | 43   | 44                                  | 48                               | 49                                  | 51   | 51                                  |
| 8000                           | 44   | 44                                  | 45                               | 46                                  | 47   | 47                                  |

- Requires driven pulley #AK-56, normal high static pulley is an #AK-69.
- Differentials for Cooling Operation (IDB, COMP, & ODF) are logarithmically calculated from the horizontal flow sound test.
  - Tested in accordance with AHRI Standard 260-2001. Refer to 2001 Standard for Sound Rating of Ducted Air Moving and Conditioning Equipment.
  - Testing datum includes effect of standard inlet air filters.
  - Test duct dimension: 18 in. wide x 28 in. high x 8 ft. long, no elbows.
  - Test duct termination is flush with reverberant room wall.
  - Duct end (sound reflection) corrections included: (7.2, 3.4, 1.2, 0.4, 0.1, 0, 0, 0) dB at (63, 125, 250, 500, 1k, 2k, 4k, 8k) Hz respectively.

| UNIT DESCRIPTION / MODEL       | JA4ZH/ZJ/ZR / 4 Ton / High Static Belt Drive |                                     |                                   |                                     |                                   |                                     |
|--------------------------------|--|-------------------------------------|-----------------------------------|-------------------------------------|-----------------------------------|-------------------------------------|
| TEST CONFIGURATION             | Vertical (Bottom Return) Ducted Inlet        |                                     |                                   |                                     |                                   |                                     |
| Indoor Blower Speed (RPM)      | 968 - 5.5 Turns Open Equivalent              |                                     | 1,120 - 3.5 Turns Open Equivalent |                                     | 1,218 - 2.0 Turns Open Equivalent |                                     |
| External Static Pressure (IWG) | 1.0  |                                     | 1.6                               |                                     | 2.0                               |                                     |
| Nominal Airflow (CFM)          | 1,600  |                                     | 1,400                             |                                     | 1,200                             |                                     |
| Blower Motor BHP               | 0.86   |                                     | 1.03                              |                                     | 1.13                              |                                     |
| Octave Center Freq. Hz         | ID Blower Only (dB)                          | Cooling Operation <sup>1</sup> (dB) | ID Blower Only (dB)               | Cooling Operation <sup>1</sup> (dB) | ID Blower Only (dB)               | Cooling Operation <sup>1</sup> (dB) |
| 63                             | 77   | 79                                  | 78                                | 78                                  | 81                                | 81                                  |
| 125                            | 69   | 73                                  | 71                                | 73                                  | 73                                | 74                                  |
| 250                            | 63   | 63                                  | 63                                | 64                                  | 66                                | 66                                  |
| 500                            | 63   | 64                                  | 62                                | 63                                  | 64                                | 64                                  |
| 1000                           | 59   | 59                                  | 59                                | 59                                  | 61                                | 61                                  |
| 2000                           | 54   | 54                                  | 53                                | 54                                  | 56                                | 56                                  |
| 4000                           | 49   | 49                                  | 48                                | 48                                  | 50                                | 51                                  |
| 8000                           | 45   | 46                                  | 45                                | 46                                  | 47                                | 47                                  |

- Differentials for Cooling Operation (IDB, COMP, & ODF) are logarithmically calculated from the horizontal flow sound test.
  - Tested in accordance with AHRI Standard 260-2001. Refer to 2001 Standard for Sound Rating of Ducted Air Moving and Conditioning Equipment.
  - Testing datum includes effect of standard inlet air filters.
  - Test duct dimension: 18 in. wide x 28 in. high x 8 ft. long, no elbows.
  - Test duct termination is flush with reverberant room wall.
  - Duct end (sound reflection) corrections included: (7.2, 3.4, 1.2, 0.4, 0.1, 0, 0, 0) dB at (63, 125, 250, 500, 1k, 2k, 4k, 8k) Hz respectively.

| UNIT DESCRIPTION / MODEL       | JA5ZH/ZJ/ZR / 5 Ton / High Static Belt Drive |                                     |                                 |                                     |                                 |                                     |
|--------------------------------|--|-------------------------------------|---------------------------------|-------------------------------------|---------------------------------|-------------------------------------|
| TEST CONFIGURATION             | Vertical (Bottom Return) Ducted Inlet        |                                     |                                 |                                     |                                 |                                     |
| Indoor Blower Speed (RPM)      | 1,039 - 5 Turns Open Equivalent              |                                     | 1,143 - 3 Turns Open Equivalent |                                     | 1,201 - 2 Turns Open Equivalent |                                     |
| External Static Pressure (IWG) | 1.0  |                                     | 1.6                             |                                     | 2.0                             |                                     |
| Nominal Airflow (CFM)          | 2,000  |                                     | 1,800                           |                                     | 1,600                           |                                     |
| Blower Motor BHP               | 1.11   |                                     | 1.25                            |                                     | 1.39                            |                                     |
| Octave Center Freq. Hz         | ID Blower Only (dB)                          | Cooling Operation <sup>1</sup> (dB) | ID Blower Only (dB)             | Cooling Operation <sup>1</sup> (dB) | ID Blower Only (dB)             | Cooling Operation <sup>1</sup> (dB) |
| 63                             | 79   | 80                                  | 77                              | 77                                  | 81                              | 81                                  |
| 125                            | 74   | 75                                  | 71                              | 73                                  | 73                              | 74                                  |
| 250                            | 63   | 65                                  | 63                              | 64                                  | 63                              | 65                                  |
| 500                            | 62   | 63                                  | 64                              | 64                                  | 62                              | 62                                  |
| 1000                           | 61   | 61                                  | 61                              | 61                                  | 59                              | 59                                  |
| 2000                           | 55   | 56                                  | 55                              | 56                                  | 54                              | 55                                  |
| 4000                           | 52   | 52                                  | 50                              | 51                                  | 50                              | 50                                  |
| 8000                           | 47   | 47                                  | 46                              | 46                                  | 46                              | 46                                  |

1. Differentials for Cooling Operation (IDB, COMP, & ODF) are logarithmically calculated from the horizontal flow sound test.

- Tested in accordance with AHRI Standard 260-2001. Refer to 2001 Standard for Sound Rating of Ducted Air Moving and Conditioning Equipment.
- Testing datum includes effect of standard inlet air filters.
- Test duct dimension: 18 in. wide x 28 in. high x 8 ft. long, no elbows.
- Test duct termination is flush with reverberant room wall.
- Duct end (sound reflection) corrections included: (7.2, 3.4, 1.2, 0.4, 0.1, 0, 0, 0) dB at (63, 125, 250, 500, 1k, 2k, 4k, 8k) Hz respectively.

### Indoor Sound Power Levels (Vertical Ducted Discharge, High Static Belt Drive)

| UNIT DESCRIPTION / MODEL       | JA3ZH/ZJ/ZR / 3 Ton / High Static Belt Drive |                                     |                                 |                                     |  |                                     |
|--------------------------------|--|-------------------------------------|---------------------------------|-------------------------------------|--|-------------------------------------|
| TEST CONFIGURATION             | Vertical (Bottom Supply) Ducted Discharge    |                                     |                                 |                                     |  |                                     |
| Indoor Blower Speed (RPM)      | 920 - 3.0 Turns Open Equivalent              |                                     | 1,074 - Fully Closed Equivalent |                                     | 1,189 - 2.0 Turns Open Equivalent <sup>1</sup> |                                     |
| External Static Pressure (IWG) | 1.0  |                                     | 1.6                             |                                     | 2.0 <sup>1</sup>                               |                                     |
| Nominal Airflow (CFM)          | 1,200  |                                     | 1,100                           |                                     | 1,000  |                                     |
| Blower Motor BHP               | 0.68   |                                     | 0.93                            |                                     | 1.09   |                                     |
| Octave Center Freq. Hz         | ID Blower Only (dB)                          | Cooling Operation <sup>2</sup> (dB) | ID Blower Only (dB)             | Cooling Operation <sup>2</sup> (dB) | ID Blower Only (dB)                            | Cooling Operation <sup>2</sup> (dB) |
| 63                             | 81   | 82                                  | 81                              | 81                                  | 82   | 82                                  |
| 125                            | 78   | 78                                  | 78                              | 78                                  | 81   | 81                                  |
| 250                            | 69   | 70                                  | 70                              | 71                                  | 74   | 74                                  |
| 500                            | 67   | 68                                  | 68                              | 69                                  | 71   | 71                                  |
| 1000                           | 62   | 63                                  | 67                              | 68                                  | 70   | 71                                  |
| 2000                           | 60   | 61                                  | 62                              | 63                                  | 65   | 66                                  |
| 4000                           | 61   | 61                                  | 63                              | 63                                  | 66   | 66                                  |
| 8000                           | 54   | 55                                  | 57                              | 57                                  | 60   | 61                                  |

1. Requires driven pulley #AK-56, normal high static pulley is an #AK-69.

2. Differentials for Cooling Operation (IDB, COMP, & ODF) are logarithmically calculated from the horizontal flow sound test.

- Tested in accordance with AHRI Standard 260-2001. Refer to 2001 Standard for Sound Rating of Ducted Air Moving and Conditioning Equipment.
- Testing datum includes effect of standard inlet air filters.
- Test duct dimension: 18 in. wide x 28 in. high x 8 ft. long, no elbows.
- Test duct termination is flush with reverberant room wall.
- Duct end (sound reflection) corrections included: (7.2, 3.4, 1.2, 0.4, 0.1, 0, 0, 0) dB at (63, 125, 250, 500, 1k, 2k, 4k, 8k) Hz respectively.

| UNIT DESCRIPTION / MODEL       | JA4ZH/ZJ/ZR / 4 Ton / High Static Belt Drive |                                     |                                   |                                     |                                   |                                     |
|--------------------------------|--|-------------------------------------|-----------------------------------|-------------------------------------|-----------------------------------|-------------------------------------|
| TEST CONFIGURATION             | Vertical (Bottom Supply) Ducted Discharge    |                                     |                                   |                                     |                                   |                                     |
| Indoor Blower Speed (RPM)      | 962 - 5.5 Turns Open Equivalent              |                                     | 1,092 - 3.5 Turns Open Equivalent |                                     | 1,190 - 2.0 Turns Open Equivalent |                                     |
| External Static Pressure (IWG) | 1.0  |                                     | 1.6                               |                                     | 2.0                               |                                     |
| Nominal Airflow (CFM)          | 1,600  |                                     | 1,400                             |                                     | 1,200                             |                                     |
| Blower Motor BHP               | 0.86   |                                     | 1.03                              |                                     | 1.13                              |                                     |
| Octave Center Freq. Hz         | ID Blower Only (dB)                          | Cooling Operation <sup>1</sup> (dB) | ID Blower Only (dB)               | Cooling Operation <sup>1</sup> (dB) | ID Blower Only (dB)               | Cooling Operation <sup>1</sup> (dB) |
| 63                             | 83   | 84                                  | 82                                | 82                                  | 83                                | 83                                  |
| 125                            | 80   | 81                                  | 79                                | 80                                  | 80                                | 81                                  |
| 250                            | 75   | 75                                  | 74                                | 75                                  | 75                                | 75                                  |
| 500                            | 71   | 72                                  | 70                                | 71                                  | 71                                | 72                                  |
| 1000                           | 66   | 67                                  | 70                                | 71                                  | 72                                | 72                                  |
| 2000                           | 63   | 64                                  | 64                                | 64                                  | 65                                | 65                                  |
| 4000                           | 64   | 64                                  | 64                                | 64                                  | 65                                | 66                                  |
| 8000                           | 58   | 59                                  | 59                                | 59                                  | 60                                | 60                                  |

1. Differentials for Cooling Operation (IDB, COMP, & ODF) are logarithmically calculated from the horizontal flow sound test.

- Tested in accordance with AHRI Standard 260-2001. Refer to 2001 Standard for Sound Rating of Ducted Air Moving and Conditioning Equipment.
- Testing datum includes effect of standard inlet air filters.
- Test duct dimension: 18 in. wide x 28 in. high x 8 ft. long, no elbows.
- Test duct termination is flush with reverberant room wall.
- Duct end (sound reflection) corrections included: (7.2, 3.4, 1.2, 0.4, 0.1, 0, 0, 0) dB at (63, 125, 250, 500, 1k, 2k, 4k, 8k) Hz respectively.

| UNIT DESCRIPTION / MODEL       | JA5ZH/ZJ/ZR / 5 Ton / High Static Belt Drive |                                     |                                 |                                     |                                   |                                     |
|--------------------------------|--|-------------------------------------|---------------------------------|-------------------------------------|-----------------------------------|-------------------------------------|
| TEST CONFIGURATION             | Vertical (Bottom Supply) Ducted Discharge    |                                     |                                 |                                     |                                   |                                     |
| Indoor Blower Speed (RPM)      | 1,033 - 5.5 Turns Open Equivalent            |                                     | 1,135 - 3 turns Open Equivalent |                                     | 1,175 - 2.5 Turns Open Equivalent |                                     |
| External Static Pressure (IWG) | 1.0  |                                     | 1.6                             |                                     | 2.0                               |                                     |
| Nominal Airflow (CFM)          | 2,000  |                                     | 1,135                           |                                     | 1,175                             |                                     |
| Blower Motor BHP               | 1.11   |                                     | 1.25                            |                                     | 1.39                              |                                     |
| Octave Center Freq. Hz         | ID Blower Only (dB)                          | Cooling Operation <sup>1</sup> (dB) | ID Blower Only (dB)             | Cooling Operation <sup>1</sup> (dB) | ID Blower Only (dB)               | Cooling Operation <sup>1</sup> (dB) |
| 63                             | 83   | 83                                  | 83                              | 83                                  | 85                                | 86                                  |
| 125                            | 84   | 84                                  | 82                              | 82                                  | 79                                | 81                                  |
| 250                            | 79   | 80                                  | 77                              | 78                                  | 66                                | 66                                  |
| 500                            | 73   | 73                                  | 70                              | 71                                  | 65                                | 66                                  |
| 1000                           | 69   | 70                                  | 69                              | 70                                  | 61                                | 65                                  |
| 2000                           | 67   | 67                                  | 65                              | 66                                  | 60                                | 61                                  |
| 4000                           | 67   | 68                                  | 66                              | 67                                  | 61                                | 62                                  |
| 8000                           | 62   | 63                                  | 60                              | 61                                  | 54                                | 54                                  |

1. Differentials for Cooling Operation (IDB, COMP, & ODF) are logarithmically calculated from the horizontal flow sound test.

- Tested in accordance with AHRI Standard 260-2001. Refer to 2001 Standard for Sound Rating of Ducted Air Moving and Conditioning Equipment.
- Testing datum includes effect of standard inlet air filters.
- Test duct dimension: 18 in. wide x 28 in. high x 8 ft. long, no elbows.
- Test duct termination is flush with reverberant room wall.
- Duct end (sound reflection) corrections included: (7.2, 3.4, 1.2, 0.4, 0.1, 0, 0, 0) dB at (63, 125, 250, 500, 1k, 2k, 4k, 8k) Hz respectively.

## Indoor Sound Power Levels (6.5 thru 12.5 Ton)

| Size<br>(Tons) | Model    | CFM  | ESP<br>(IWG) | Blower |      | Sound Power, dB ( $10^{-12}$ ) Watts |     |                                     |                                       |     |      |      |      |      |
|----------------|----------|------|--------------|--------|------|--------------------------------------|-----|-------------------------------------|---------------------------------------|-----|------|------|------|------|
|                |          |      |              |        |      | RPM                                  | BHP | Sound Rating <sup>1</sup><br>dB (A) | Octave Band Centerline Frequency (Hz) |     |      |      |      |      |
|                |          |      |              | 63     | 125  |                                      |     |                                     | 250                                   | 500 | 1000 | 2000 | 4000 | 8000 |
| J06<br>(6.5)   | ZH/ZJ/ZR | 2600 | 0.6          | 812    | 1.14 | 74                                   | 71  | 73                                  | 73                                    | 71  | 69   | 65   | 65   | 60   |
| J07<br>(7.5)   | ZH/ZJ/ZR | 3000 | 0.6          | 854    | 1.47 | 77                                   | 74  | 76                                  | 76                                    | 74  | 72   | 68   | 68   | 63   |
| J08<br>(8.5)   | ZH/ZJ/ZR | 3400 | 0.6          | 872    | 1.65 | 80                                   | 77  | 79                                  | 79                                    | 77  | 75   | 71   | 71   | 66   |
| J10<br>(10)    | ZH/ZJ/ZR | 4000 | 0.6          | 959    | 2.29 | 83                                   | 80  | 82                                  | 82                                    | 80  | 78   | 74   | 74   | 69   |
| J12<br>(12.5)  | ZH/ZJ/ZR | 5000 | 0.6          | 1132   | 3.74 | 87                                   | 84  | 86                                  | 86                                    | 84  | 82   | 78   | 78   | 73   |

1. These values have been accessed using a model of sound propagation from a point source into the hemispheric/free field. The dBA values provided are to be used for reference only. Calculation of dBA values cover matters of system design and the fan manufacture has no way of knowing the details of each system. This constitutes an exception to any specification or guarantee requiring a dBA value of sound data in any other form than sound power level ratings.

**Outdoor Sound Power Levels**  
**ZH/ZJ/ZR037-150**

| Size<br>(Tons) | Model | Sound Rating <sup>1</sup><br>dB (A) | Octave Band Centerline Frequency (Hz) |      |      |      |      |      |      |      |
|----------------|-------|-------------------------------------|---------------------------------------|------|------|------|------|------|------|------|
|                |       |                                     | 63                                    | 125  | 250  | 500  | 1000 | 2000 | 4000 | 8000 |
| JA3<br>(3)     | ZH    | 81                                  | 82.5                                  | 86.5 | 78.0 | 75.5 | 76.5 | 68.5 | 63.0 | 56.5 |
| JA4<br>(4)     | ZH    | 78                                  | 82.0                                  | 86.0 | 78.5 | 75.5 | 73.0 | 68.0 | 63.0 | 56.0 |
| JA5<br>(5)     | ZH    | 84                                  | 81.0                                  | 91.0 | 82.5 | 80.5 | 79.0 | 73.5 | 69.5 | 64.5 |
| J06<br>(6.5)   | ZH    | 87                                  | 89.0                                  | 88.5 | 84.5 | 84.5 | 82.0 | 76.5 | 72.0 | 66.5 |
| J07<br>(7.5)   | ZH    | 92                                  | 93.0                                  | 92.0 | 90.5 | 88.0 | 86.5 | 83.0 | 77.5 | 73.5 |
| J08<br>(8.5)   | ZH    | 92                                  | 97.0                                  | 94.0 | 93.5 | 90.5 | 87.0 | 81.5 | 76.0 | 69.0 |
| J10<br>(10)    | ZH    | 91                                  | 99.5                                  | 91.5 | 91.5 | 89.0 | 86.0 | 80.5 | 76.5 | 71.0 |
| J12<br>(12.5)  | ZH    | 86                                  | 89.5                                  | 91.0 | 85.5 | 84.0 | 81.0 | 76.5 | 71.0 | 62.5 |
| JA3<br>(3)     | ZJ    | 77                                  | 82.0                                  | 83.5 | 80.0 | 73.0 | 70.0 | 65.5 | 60.5 | 55.5 |
| JA4<br>(4)     | ZJ    | 80                                  | 80.0                                  | 87.0 | 77.0 | 75.5 | 75.0 | 70.5 | 65.5 | 62.0 |
| JA5<br>(5)     | ZJ    | 84                                  | 86.5                                  | 87.0 | 86.0 | 79.0 | 76.5 | 71.5 | 68.0 | 64.0 |
| J06<br>(6.5)   | ZJ    | 85                                  | 87.5                                  | 85.0 | 84.0 | 82.0 | 80.0 | 75.5 | 71.5 | 67.0 |
| J07<br>(7.5)   | ZJ    | 90                                  | 90.0                                  | 93.0 | 90.5 | 86.0 | 83.5 | 81.5 | 78.0 | 75.0 |
| J08<br>(8.5)   | ZJ    | 92                                  | 97.0                                  | 94.0 | 93.5 | 90.5 | 87.0 | 81.5 | 76.0 | 69.0 |
| J10<br>(10)    | ZJ    | 91                                  | 99.5                                  | 91.5 | 91.5 | 89.0 | 86.0 | 80.5 | 76.5 | 71.0 |
| J12<br>(12.5)  | ZJ    | 85                                  | 89.0                                  | 88.0 | 83.5 | 83.5 | 78.5 | 74.0 | 69.5 | 64.5 |
| JA3<br>(3)     | ZR    | 77                                  | 82.0                                  | 83.5 | 80.0 | 73.0 | 70.0 | 65.5 | 60.5 | 55.5 |
| JA4<br>(4)     | ZR    | 81                                  | 87.5                                  | 88.5 | 83.0 | 77.5 | 73.5 | 70.5 | 67.0 | 62.0 |
| 61<br>(5)      | ZR    | 84                                  | 86.5                                  | 87.0 | 86.0 | 79.0 | 76.5 | 71.5 | 68.0 | 64.0 |
| J06<br>(6.5)   | ZR    | 83                                  | ~                                     | 88.0 | 82.5 | 81.5 | 78.0 | 73.0 | 69.0 | 62.0 |
| J07<br>(7.5)   | ZR    | 83                                  | ~                                     | 89.5 | 83.5 | 82.0 | 78.0 | 72.5 | 68.0 | 60.5 |
| J08<br>(8.5)   | ZR    | 83                                  | ~                                     | 89.0 | 84.5 | 81.5 | 78.0 | 72.5 | 68.5 | 70.5 |
| J10<br>(10)    | ZR    | 83                                  | ~                                     | 89.5 | 83.5 | 81.0 | 78.0 | 72.0 | 68.5 | 70.5 |
| J12<br>(12.5)  | ZR    | 84                                  | ~                                     | 90.0 | 84.5 | 81.5 | 77.5 | 72.0 | 68.5 | 61.5 |

1. Rated in accordance with AHRI 270 standard.



## Electrical Data

### JA3 thru A5ZH Standard Indoor Blower - Without Powered Convenience Outlet

| Size<br>(Tons) | Volt | Compressors<br>(each) |      |      | OD Fan<br>Motors<br>(each) | Supply<br>Blower<br>Motor | Pwr<br>Exh<br>Motor | Pwr<br>Conv<br>Outlet | Electric Heat Option |      |        |      | MCA <sup>1</sup><br>(Amps) | MCA <sup>1</sup><br>w/Pwr<br>Exh<br>(Amps) | Max Fuse <sup>2</sup> /<br>Breaker <sup>3</sup><br>Size<br>(Amps) | Max Fuse <sup>2</sup> /<br>Breaker <sup>3</sup><br>Size w/<br>Pwr Exh<br>(Amps) |  |  |  |  |  |
|----------------|------|-----------------------|------|------|----------------------------|---------------------------|---------------------|-----------------------|----------------------|------|--------|------|----------------------------|--|---|---|--|--|--|--|--|
|                |      | RLA                   | LRA  | MCC  | FLA                        | FLA                       | FLA                 | FLA                   | Model                | kW   | Stages | Amps |                            |  |   |   |  |  |  |  |  |
| JA3<br>(3)     | 208  | 9.1                   | 68.0 | 14.2 | 2.1                        | 5.2                       | 5.5                 | 0.0                   | None                 | -    | -      | -    | 18.7                       | 24.2                                       | 25  | 30  |  |  |  |  |  |
|                |      |                       |      |      |                            |                           |                     |                       | E03                  | 2.3  | 1      | 6.4  | 18.7                       | 24.2                                       | 25  | 30  |  |  |  |  |  |
|                |      |                       |      |      |                            |                           |                     |                       | E06                  | 4.5  | 1      | 12.5 | 22.1                       | 29.0                                       | 25  | 30  |  |  |  |  |  |
|                |      |                       |      |      |                            |                           |                     |                       | E09                  | 6.8  | 1      | 18.9 | 30.1                       | 37.0                                       | 35  | 40  |  |  |  |  |  |
|                |      |                       |      |      |                            |                           |                     |                       | E15                  | 11.3 | 2      | 31.4 | 45.7                       | 52.6                                       | 50  | 60  |  |  |  |  |  |
|                | 230  | 9.1                   | 68.0 | 14.2 | 2.1                        | 5.2                       | 5.5                 | 0.0                   | None                 | -    | -      | -    | 18.7                       | 24.2                                       | 25  | 30  |  |  |  |  |  |
|                |      |                       |      |      |                            |                           |                     |                       | E03                  | 3.0  | 1      | 7.2  | 18.7                       | 24.2                                       | 25  | 30  |  |  |  |  |  |
|                |      |                       |      |      |                            |                           |                     |                       | E06                  | 6.0  | 1      | 14.4 | 24.5                       | 31.4                                       | 25  | 35  |  |  |  |  |  |
|                |      |                       |      |      |                            |                           |                     |                       | E09                  | 9.0  | 1      | 21.7 | 33.6                       | 40.4                                       | 35  | 45  |  |  |  |  |  |
|                |      |                       |      |      |                            |                           |                     |                       | E15                  | 15.0 | 2      | 36.1 | 51.6                       | 58.5                                       | 60  | 60  |  |  |  |  |  |
|                | 460  | 4.5                   | 34.0 | 7.0  | 1.3                        | 2.6                       | 2.2                 | 0.0                   | None                 | -    | -      | -    | 9.5                        | 11.7                                       | 15  | 15  |  |  |  |  |  |
|                |      |                       |      |      |                            |                           |                     |                       | E03                  | 3.0  | 1      | 3.6  | 9.5                        | 11.7                                       | 15  | 15  |  |  |  |  |  |
|                |      |                       |      |      |                            |                           |                     |                       | E06                  | 6.0  | 1      | 7.2  | 12.3                       | 15.0                                       | 15  | 15  |  |  |  |  |  |
|                |      |                       |      |      |                            |                           |                     |                       | E09                  | 9.0  | 1      | 10.8 | 16.8                       | 19.5                                       | 20  | 20  |  |  |  |  |  |
|                |      |                       |      |      |                            |                           |                     |                       | E15                  | 15.0 | 2      | 18.0 | 25.8                       | 28.6                                       | 30  | 30  |  |  |  |  |  |
|                | 575  | 3.8                   | 28.0 | 6.0  | 0.7                        | 2.0                       | 1.8                 | 0.0                   | None                 | -    | -      | -    | 7.4                        | 9.2  | 15  | 15  |  |  |  |  |  |
| E09            |      |                       |      |      |                            |                           |                     |                       | 9.0                  | 1    | 8.7    | 13.3 | 15.6                       | 15   | 20  |   |  |  |  |  |  |
| E15            |      |                       |      |      |                            |                           |                     |                       | 15.0                 | 2    | 14.4   | 20.5 | 22.8                       | 25   | 25  |   |  |  |  |  |  |
|                |      |                       |      |      |                            |                           |                     |                       |                      |      |        |      |                            |  |   |   |  |  |  |  |  |
|                |      |                       |      |      |                            |                           |                     |                       |                      |      |        |      |                            |  |   |   |  |  |  |  |  |
| JA4<br>(4)     | 208  | 11.6                  | 88.0 | 17.5 | 2.1                        | 5.2                       | 5.5                 | 0.0                   | None                 | -    | -      | -    | 21.8                       | 27.3                                       | 30  | 35  |  |  |  |  |  |
|                |      |                       |      |      |                            |                           |                     |                       | E06                  | 4.5  | 1      | 12.5 | 22.1                       | 29.0                                       | 30  | 35  |  |  |  |  |  |
|                |      |                       |      |      |                            |                           |                     |                       | E09                  | 6.8  | 1      | 18.9 | 30.1                       | 37.0                                       | 35  | 40  |  |  |  |  |  |
|                |      |                       |      |      |                            |                           |                     |                       | E15                  | 11.3 | 2      | 31.4 | 45.7                       | 52.6                                       | 50  | 60  |  |  |  |  |  |
|                |      |                       |      |      |                            |                           |                     |                       | E20                  | 15.0 | 2      | 41.6 | 58.5                       | 65.4                                       | 60  | 70  |  |  |  |  |  |
|                | 230  | 11.6                  | 88.0 | 17.5 | 2.1                        | 5.2                       | 5.5                 | 0.0                   | None                 | -    | -      | -    | 21.8                       | 27.3                                       | 30  | 35  |  |  |  |  |  |
|                |      |                       |      |      |                            |                           |                     |                       | E06                  | 6.0  | 1      | 14.4 | 24.5                       | 31.4                                       | 30  | 35  |  |  |  |  |  |
|                |      |                       |      |      |                            |                           |                     |                       | E09                  | 9.0  | 1      | 21.7 | 33.6                       | 40.4                                       | 35  | 45  |  |  |  |  |  |
|                |      |                       |      |      |                            |                           |                     |                       | E15                  | 15.0 | 2      | 36.1 | 51.6                       | 58.5                                       | 60  | 60  |  |  |  |  |  |
|                |      |                       |      |      |                            |                           |                     |                       | E20                  | 20.0 | 2      | 48.1 | 66.6                       | 73.5                                       | 70  | 80  |  |  |  |  |  |
|                | 460  | 5.6                   | 44.0 | 8.0  | 1.3                        | 2.6                       | 2.2                 | 0.0                   | None                 | -    | -      | -    | 10.9                       | 13.1                                       | 15  | 15  |  |  |  |  |  |
|                |      |                       |      |      |                            |                           |                     |                       | E06                  | 6.0  | 1      | 7.2  | 12.3                       | 15.0                                       | 15  | 15  |  |  |  |  |  |
|                |      |                       |      |      |                            |                           |                     |                       | E09                  | 9.0  | 1      | 10.8 | 16.8                       | 19.5                                       | 20  | 20  |  |  |  |  |  |
|                |      |                       |      |      |                            |                           |                     |                       | E15                  | 15.0 | 2      | 18.0 | 25.8                       | 28.6                                       | 30  | 30  |  |  |  |  |  |
|                |      |                       |      |      |                            |                           |                     |                       | E20                  | 20.0 | 2      | 24.1 | 33.3                       | 36.1                                       | 35  | 40  |  |  |  |  |  |
|                | 575  | 4.5                   | 36.0 | 7.0  | 0.7                        | 2.0                       | 1.8                 | 0.0                   | None                 | -    | -      | -    | 8.3                        | 10.1                                       | 15  | 15  |  |  |  |  |  |
| E09            |      |                       |      |      |                            |                           |                     |                       | 9.0                  | 1    | 8.7    | 13.3 | 15.6                       | 15   | 20  |   |  |  |  |  |  |
| E15            |      |                       |      |      |                            |                           |                     |                       | 15.0                 | 2    | 14.4   | 20.5 | 22.8                       | 25   | 25  |   |  |  |  |  |  |
| E20            |      |                       |      |      |                            |                           |                     |                       | 20.0                 | 2    | 19.2   | 26.6 | 28.8                       | 30   | 30  |   |  |  |  |  |  |
|                |      |                       |      |      |                            |                           |                     |                       |                      |      |        |      |                            |  |   |   |  |  |  |  |  |
| JA5<br>(5)     | 208  | 14.1                  | 88.0 | 22.0 | 2.1                        | 5.2                       | 5.5                 | 0.0                   | None                 | -    | -      | -    | 27.0                       | 32.5                                       | 35  | 45  |  |  |  |  |  |
|                |      |                       |      |      |                            |                           |                     |                       | E06                  | 4.5  | 1      | 12.5 | 27.0                       | 32.5                                       | 35  | 45  |  |  |  |  |  |
|                |      |                       |      |      |                            |                           |                     |                       | E09                  | 6.8  | 1      | 18.9 | 30.1                       | 37.0                                       | 40  | 45  |  |  |  |  |  |
|                |      |                       |      |      |                            |                           |                     |                       | E15                  | 11.3 | 2      | 31.4 | 45.7                       | 52.6                                       | 50  | 60  |  |  |  |  |  |
|                |      |                       |      |      |                            |                           |                     |                       | E20                  | 15.0 | 2      | 41.6 | 58.5                       | 65.4                                       | 60  | 70  |  |  |  |  |  |
|                |      |                       |      |      |                            |                           |                     |                       | E24                  | 18.0 | 2      | 50.0 | 69.0                       | 75.8                                       | 70  | 80  |  |  |  |  |  |
|                | 230  | 14.1                  | 88.0 | 22.0 | 2.1                        | 5.2                       | 5.5                 | 0.0                   | None                 | -    | -      | -    | 27.0                       | 32.5                                       | 35  | 45  |  |  |  |  |  |
|                |      |                       |      |      |                            |                           |                     |                       | E06                  | 6.0  | 1      | 14.4 | 27.0                       | 32.5                                       | 35  | 45  |  |  |  |  |  |
|                |      |                       |      |      |                            |                           |                     |                       | E09                  | 9.0  | 1      | 21.7 | 33.6                       | 40.4                                       | 40  | 45  |  |  |  |  |  |
|                |      |                       |      |      |                            |                           |                     |                       | E15                  | 15.0 | 2      | 36.1 | 51.6                       | 58.5                                       | 60  | 60  |  |  |  |  |  |
|                |      |                       |      |      |                            |                           |                     |                       | E20                  | 20.0 | 2      | 48.1 | 66.6                       | 73.5                                       | 70  | 80  |  |  |  |  |  |
|                |      |                       |      |      |                            |                           |                     |                       | E24                  | 24.0 | 2      | 57.7 | 78.7                       | 85.5                                       | 80  | 90  |  |  |  |  |  |
|                | 460  | 7.7                   | 55.0 | 12.0 | 1.3                        | 2.6                       | 2.2                 | 0.0                   | None                 | -    | -      | -    | 14.7                       | 16.9                                       | 20  | 20  |  |  |  |  |  |
|                |      |                       |      |      |                            |                           |                     |                       | E06                  | 6.0  | 1      | 7.2  | 14.7                       | 16.9                                       | 20  | 20  |  |  |  |  |  |
|                |      |                       |      |      |                            |                           |                     |                       | E09                  | 9.0  | 1      | 10.8 | 16.8                       | 19.5                                       | 20  | 20  |  |  |  |  |  |
|                |      |                       |      |      |                            |                           |                     |                       | E15                  | 15.0 | 2      | 18.0 | 25.8                       | 28.6                                       | 30  | 30  |  |  |  |  |  |
| E20            |      |                       |      |      |                            |                           |                     |                       | 20.0                 | 2    | 24.1   | 33.3 | 36.1                       | 35   | 40  |   |  |  |  |  |  |
| E24            |      |                       |      |      |                            |                           |                     |                       | 24.0                 | 2    | 28.9   | 39.3 | 42.1                       | 40   | 45  |   |  |  |  |  |  |
| 575            | 5.1  | 36.0                  | 7.5  | 0.7  | 2.0                        | 1.8                       | 0.0                 | None                  | -                    | -    | -      | 9.7  | 11.5                       | 15   | 15  |   |  |  |  |  |  |
|                |      |                       |      |      |                            |                           |                     | E09                   | 9.0                  | 1    | 8.7    | 13.3 | 15.6                       | 15   | 20  |   |  |  |  |  |  |
|                |      |                       |      |      |                            |                           |                     | E15                   | 15.0                 | 2    | 14.4   | 20.5 | 22.8                       | 25   | 25  |   |  |  |  |  |  |
|                |      |                       |      |      |                            |                           |                     | E20                   | 20.0                 | 2    | 19.2   | 26.6 | 28.8                       | 30   | 30  |   |  |  |  |  |  |
|                |      |                       |      |      |                            |                           |                     | E24                   | 24.0                 | 2    | 23.1   | 31.4 | 33.6                       | 35   | 35  |   |  |  |  |  |  |

1. Minimum Circuit Ampacity.
2. Dual Element, Time Delay Type.
3. HACR type per NEC.

**J06 thru 12ZH Standard Motor - Without Powered Convenience Outlet**

| Size (Tons)  | Volt | Compressors (each) |      |      | OD Fan Motors (each) | Supply Blower Motor | Pwr Exh Motor | Pwr Conv Outlet | Electric Heat Option |      |        |      | MCA <sup>1</sup> (Amps) | MCA <sup>1</sup> w/Pwr Exh (Amps) | Max Fuse <sup>2</sup> /<br>Breaker <sup>3</sup> Size (Amps) | Max Fuse <sup>2</sup> /<br>Breaker <sup>3</sup> Size w/ Pwr Exh (Amps) |
|--------------|------|--------------------|------|------|----------------------|---------------------|---------------|-----------------|----------------------|------|--------|------|-------------------------|-----------------------------------|---|--|
|              |      | RLA                | LRA  | MCC  | FLA                  | FLA                 | FLA           | FLA             | Model                | kW   | Stages | Amps |                         |                                   |   |  |
| J06<br>(6.5) | 208  | 9.6                | 68.0 | 14.5 | 2.1                  | 5.2                 | 5.5           | 0.0             | None                 | -    | -      | -    | 31.0                    | 36.5                              | 40  | 45   |
|              |      |                    |      |      |                      |                     |               |                 | E09                  | 6.8  | 1      | 18.9 | 31.0                    | 37.0                              | 40  | 45   |
|              |      |                    |      |      |                      |                     |               |                 | E18                  | 13.5 | 2      | 37.5 | 53.3                    | 60.2                              | 60  | 70   |
|              |      |                    |      |      |                      |                     |               |                 | E24                  | 18.0 | 2      | 50.0 | 69.0                    | 75.8                              | 70  | 80   |
|              |      |                    |      |      |                      |                     |               |                 | E36                  | 25.5 | 2      | 70.8 | 95.0                    | 101.9                             | 100   | 110  |
|              | 230  | 9.6                | 68.0 | 14.5 | 2.1                  | 5.2                 | 5.5           | 0.0             | None                 | -    | -      | -    | 31.0                    | 36.5                              | 40  | 45   |
|              |      |                    |      |      |                      |                     |               |                 | E09                  | 9.0  | 1      | 21.7 | 33.6                    | 40.4                              | 40  | 45   |
|              |      |                    |      |      |                      |                     |               |                 | E18                  | 18.0 | 2      | 43.3 | 60.6                    | 67.5                              | 70  | 70   |
|              |      |                    |      |      |                      |                     |               |                 | E24                  | 24.0 | 2      | 57.7 | 78.7                    | 85.5                              | 80  | 90   |
|              |      |                    |      |      |                      |                     |               |                 | E36                  | 34.0 | 2      | 81.8 | 108.7                   | 115.6                             | 110   | 125  |
|              | 460  | 4.9                | 34.0 | 7.7  | 1.3                  | 2.6                 | 2.2           | 0.0             | None                 | -    | -      | -    | 16.1                    | 18.3                              | 20  | 20   |
|              |      |                    |      |      |                      |                     |               |                 | E09                  | 9.0  | 1      | 10.8 | 16.8                    | 19.5                              | 20  | 20   |
|              |      |                    |      |      |                      |                     |               |                 | E18                  | 18.0 | 2      | 21.7 | 30.3                    | 33.1                              | 35  | 35   |
|              |      |                    |      |      |                      |                     |               |                 | E24                  | 24.0 | 2      | 28.9 | 39.3                    | 42.1                              | 40  | 45   |
|              |      |                    |      |      |                      |                     |               |                 | E36                  | 34.0 | 2      | 40.9 | 54.4                    | 57.1                              | 60  | 60   |
|              | 575  | 3.8                | 28.0 | 6.0  | 0.7                  | 2.0                 | 1.8           | 0.0             | None                 | -    | -      | -    | 11.9                    | 13.7                              | 15  | 15   |
|              |      |                    |      |      |                      |                     |               |                 | E09                  | 9.0  | 1      | 8.7  | 13.3                    | 15.6                              | 15  | 20   |
|              |      |                    |      |      |                      |                     |               |                 | E18                  | 18.0 | 2      | 17.3 | 24.2                    | 26.4                              | 25  | 30   |
|              |      |                    |      |      |                      |                     |               |                 | E24                  | 24.0 | 2      | 23.1 | 31.4                    | 33.6                              | 35  | 35   |
|              |      |                    |      |      |                      |                     |               |                 | E36                  | 34.0 | 2      | 32.7 | 43.4                    | 45.6                              | 45  | 50   |
| J07<br>(7.5) | 208  | 11.9               | 88.0 | 18.5 | 3.0                  | 5.2                 | 5.5           | 0.0             | None                 | -    | -      | -    | 38.0                    | 43.5                              | 45  | 50   |
|              |      |                    |      |      |                      |                     |               |                 | E09                  | 6.8  | 1      | 18.9 | 38.0                    | 43.5                              | 45  | 50   |
|              |      |                    |      |      |                      |                     |               |                 | E18                  | 13.5 | 2      | 37.5 | 53.3                    | 60.2                              | 60  | 70   |
|              |      |                    |      |      |                      |                     |               |                 | E24                  | 18.0 | 2      | 50.0 | 69.0                    | 75.8                              | 70  | 80   |
|              |      |                    |      |      |                      |                     |               |                 | E36                  | 25.5 | 2      | 70.8 | 95.0                    | 101.9                             | 100   | 110  |
|              | 230  | 11.9               | 88.0 | 18.5 | 3.0                  | 5.2                 | 5.5           | 0.0             | None                 | -    | -      | -    | 38.0                    | 43.5                              | 45  | 50   |
|              |      |                    |      |      |                      |                     |               |                 | E09                  | 9.0  | 1      | 21.7 | 38.0                    | 43.5                              | 45  | 50   |
|              |      |                    |      |      |                      |                     |               |                 | E18                  | 18.0 | 2      | 43.3 | 60.6                    | 67.5                              | 70  | 70   |
|              |      |                    |      |      |                      |                     |               |                 | E24                  | 24.0 | 2      | 57.7 | 78.7                    | 85.5                              | 80  | 90   |
|              |      |                    |      |      |                      |                     |               |                 | E36                  | 34.0 | 2      | 81.8 | 108.7                   | 115.6                             | 110   | 125  |
|              | 460  | 5.2                | 44.0 | 8.1  | 1.6                  | 2.6                 | 2.2           | 0.0             | None                 | -    | -      | -    | 17.5                    | 19.7                              | 20  | 20   |
|              |      |                    |      |      |                      |                     |               |                 | E09                  | 9.0  | 1      | 10.8 | 17.5                    | 19.7                              | 20  | 20   |
|              |      |                    |      |      |                      |                     |               |                 | E18                  | 18.0 | 2      | 21.7 | 30.3                    | 33.1                              | 35  | 35   |
|              |      |                    |      |      |                      |                     |               |                 | E24                  | 24.0 | 2      | 28.9 | 39.3                    | 42.1                              | 40  | 45   |
|              |      |                    |      |      |                      |                     |               |                 | E36                  | 34.0 | 2      | 40.9 | 54.4                    | 57.1                              | 60  | 60   |
|              | 575  | 4.8                | 36.0 | 7.5  | 1.4                  | 2.0                 | 1.8           | 0.0             | None                 | -    | -      | -    | 15.5                    | 17.3                              | 20  | 20   |
|              |      |                    |      |      |                      |                     |               |                 | E09                  | 9.0  | 1      | 8.7  | 15.5                    | 17.3                              | 20  | 20   |
|              |      |                    |      |      |                      |                     |               |                 | E18                  | 18.0 | 2      | 17.3 | 24.2                    | 26.4                              | 25  | 30   |
|              |      |                    |      |      |                      |                     |               |                 | E24                  | 24.0 | 2      | 23.1 | 31.4                    | 33.6                              | 35  | 35   |
|              |      |                    |      |      |                      |                     |               |                 | E36                  | 34.0 | 2      | 32.7 | 43.4                    | 45.6                              | 45  | 50   |
| J08<br>(8.5) | 208  | 12.2               | 88.0 | 19.0 | 3.0                  | 6.8                 | 5.5           | 0.0             | None                 | -    | -      | -    | 40.3                    | 45.8                              | 50  | 50   |
|              |      |                    |      |      |                      |                     |               |                 | E09                  | 6.8  | 1      | 18.9 | 40.3                    | 45.8                              | 50  | 50   |
|              |      |                    |      |      |                      |                     |               |                 | E18                  | 13.5 | 2      | 37.5 | 55.3                    | 62.2                              | 60  | 70   |
|              |      |                    |      |      |                      |                     |               |                 | E24                  | 18.0 | 2      | 50.0 | 71.0                    | 77.8                              | 80  | 80   |
|              |      |                    |      |      |                      |                     |               |                 | E36                  | 25.5 | 2      | 70.8 | 97.0                    | 103.9                             | 100   | 110  |
|              | 230  | 12.2               | 88.0 | 19.0 | 3.0                  | 6.8                 | 5.5           | 0.0             | None                 | -    | -      | -    | 40.3                    | 45.8                              | 50  | 50   |
|              |      |                    |      |      |                      |                     |               |                 | E09                  | 9.0  | 1      | 21.7 | 40.3                    | 45.8                              | 50  | 50   |
|              |      |                    |      |      |                      |                     |               |                 | E18                  | 18.0 | 2      | 43.3 | 62.6                    | 69.5                              | 70  | 70   |
|              |      |                    |      |      |                      |                     |               |                 | E24                  | 24.0 | 2      | 57.7 | 80.7                    | 87.5                              | 90  | 90   |
|              |      |                    |      |      |                      |                     |               |                 | E36                  | 34.0 | 2      | 81.8 | 110.7                   | 117.6                             | 125   | 125  |
|              | 460  | 5.8                | 44.0 | 9.0  | 1.6                  | 3.4                 | 2.2           | 0.0             | None                 | -    | -      | -    | 19.7                    | 21.9                              | 25  | 25   |
|              |      |                    |      |      |                      |                     |               |                 | E09                  | 9.0  | 1      | 10.8 | 19.7                    | 21.9                              | 25  | 25   |
|              |      |                    |      |      |                      |                     |               |                 | E18                  | 18.0 | 2      | 21.7 | 31.3                    | 34.1                              | 35  | 35   |
|              |      |                    |      |      |                      |                     |               |                 | E24                  | 24.0 | 2      | 28.9 | 40.3                    | 43.1                              | 45  | 45   |
|              |      |                    |      |      |                      |                     |               |                 | E36                  | 34.0 | 2      | 40.9 | 55.4                    | 58.1                              | 60  | 60   |
|              | 575  | 4.4                | 36.0 | 5.5  | 1.4                  | 2.4                 | 1.8           | 0.0             | None                 | -    | -      | -    | 15.0                    | 16.8                              | 15  | 20   |
|              |      |                    |      |      |                      |                     |               |                 | E09                  | 9.0  | 1      | 8.7  | 15.0                    | 16.8                              | 15  | 20   |
|              |      |                    |      |      |                      |                     |               |                 | E18                  | 18.0 | 2      | 17.3 | 24.7                    | 26.9                              | 25  | 30   |
|              |      |                    |      |      |                      |                     |               |                 | E24                  | 24.0 | 2      | 23.1 | 31.9                    | 34.1                              | 35  | 35   |
|              |      |                    |      |      |                      |                     |               |                 | E36                  | 34.0 | 2      | 32.7 | 43.9                    | 46.1                              | 45  | 50   |

## J06 thru 12ZH Standard Motor - Without Powered Convenience Outlet (Continued)

| Size<br>(Tons) | Volt | Compressors<br>(each) |       |      | OD Fan<br>Motors<br>(each) | Supply<br>Blower<br>Motor | Pwr<br>Exh<br>Motor | Pwr<br>Conv<br>Outlet | Electric Heat Option |      |        |       | MCA <sup>1</sup><br>(Amps) | MCA <sup>1</sup><br>w/Pwr<br>Exh<br>(Amps) | Max Fuse <sup>2</sup> /<br>Breaker <sup>3</sup><br>Size<br>(Amps) | Max Fuse <sup>2</sup> /<br>Breaker <sup>3</sup><br>Size w/<br>Pwr Exh<br>(Amps) |
|----------------|------|-----------------------|-------|------|----------------------------|---------------------------|---------------------|-----------------------|----------------------|------|--------|-------|----------------------------|--|---|---|
|                |      | RLA                   | LRA   | MCC  | FLA                        | FLA                       | FLA                 | FLA                   | Model                | kW   | Stages | Amps  |                            |  |   |   |
| J10<br>(10)    | 208  | 16.0                  | 110.0 | 24.9 | 3.0                        | 6.8                       | 5.5                 | 0.0                   | None                 | -    | -      | -     | 48.9                       | 54.4                                       | 60  | 70  |
|                |      |                       |       |      |                            |                           |                     |                       | E18                  | 13.5 | 2      | 37.5  | 55.3                       | 62.2                                       | 60  | 70  |
|                |      |                       |       |      |                            |                           |                     |                       | E24                  | 18.0 | 2      | 50.0  | 71.0                       | 77.8                                       | 80  | 80  |
|                |      |                       |       |      |                            |                           |                     |                       | E36                  | 25.5 | 2      | 70.8  | 97.0                       | 103.9                                      | 100   | 110   |
|                |      |                       |       |      |                            |                           |                     |                       | E54                  | 40.6 | 2      | 112.7 | 149.4                      | 156.2                                      | 150   | 175   |
|                | 230  | 16.0                  | 110.0 | 24.9 | 3.0                        | 6.8                       | 5.5                 | 0.0                   | None                 | -    | -      | -     | 48.9                       | 54.4                                       | 60  | 70  |
|                |      |                       |       |      |                            |                           |                     |                       | E18                  | 18.0 | 2      | 43.3  | 62.6                       | 69.5                                       | 70  | 70  |
|                |      |                       |       |      |                            |                           |                     |                       | E24                  | 24.0 | 2      | 57.7  | 80.7                       | 87.5                                       | 90  | 90  |
|                |      |                       |       |      |                            |                           |                     |                       | E36                  | 34.0 | 2      | 81.8  | 110.7                      | 117.6                                      | 125   | 125   |
|                |      |                       |       |      |                            |                           |                     |                       | E54                  | 54.0 | 2      | 129.9 | 138.4                      | 145.3                                      | 150   | 175   |
|                | 460  | 7.8                   | 52.0  | 12.1 | 1.6                        | 3.4                       | 2.2                 | 0.0                   | None                 | -    | -      | -     | 24.2                       | 26.4                                       | 30  | 30  |
|                |      |                       |       |      |                            |                           |                     |                       | E18                  | 18.0 | 2      | 21.7  | 31.3                       | 34.1                                       | 35  | 35  |
|                |      |                       |       |      |                            |                           |                     |                       | E24                  | 24.0 | 2      | 28.9  | 40.3                       | 43.1                                       | 45  | 45  |
|                |      |                       |       |      |                            |                           |                     |                       | E36                  | 34.0 | 2      | 40.9  | 55.4                       | 58.1                                       | 60  | 60  |
|                |      |                       |       |      |                            |                           |                     |                       | E54                  | 54.0 | 2      | 65.0  | 69.2                       | 72.0                                       | 80  | 80  |
|                | 575  | 5.7                   | 38.9  | 8.9  | 1.4                        | 2.4                       | 1.8                 | 0.0                   | None                 | -    | -      | -     | 17.9                       | 19.7                                       | 20  | 25  |
|                |      |                       |       |      |                            |                           |                     |                       | E18                  | 18.0 | 2      | 17.3  | 24.7                       | 26.9                                       | 25  | 30  |
|                |      |                       |       |      |                            |                           |                     |                       | E24                  | 24.0 | 2      | 23.1  | 31.9                       | 34.1                                       | 35  | 35  |
|                |      |                       |       |      |                            |                           |                     |                       | E36                  | 34.0 | 2      | 32.7  | 43.9                       | 46.1                                       | 45  | 50  |
|                |      |                       |       |      |                            |                           |                     |                       | E54                  | 54.0 | 2      | 52.0  | 55.0                       | 57.2                                       | 60  | 60  |
| J12<br>(12.5)  | 208  | 23.1                  | 160.0 | 36.0 | 2.1                        | 9.6                       | 5.5                 | 0.0                   | None                 | -    | -      | -     | 70.0                       | 75.5                                       | 90  | 90  |
|                |      |                       |       |      |                            |                           |                     |                       | E18                  | 13.5 | 2      | 37.5  | 70.0                       | 75.5                                       | 90  | 90  |
|                |      |                       |       |      |                            |                           |                     |                       | E24                  | 18.0 | 2      | 50.0  | 74.5                       | 81.3                                       | 90  | 90  |
|                |      |                       |       |      |                            |                           |                     |                       | E36                  | 25.5 | 2      | 70.8  | 100.5                      | 107.4                                      | 110   | 110   |
|                |      |                       |       |      |                            |                           |                     |                       | E54                  | 40.6 | 2      | 112.7 | 152.9                      | 159.7                                      | 175   | 175   |
|                | 230  | 23.1                  | 160.0 | 36.0 | 2.1                        | 9.6                       | 5.5                 | 0.0                   | None                 | -    | -      | -     | 70.0                       | 75.5                                       | 90  | 90  |
|                |      |                       |       |      |                            |                           |                     |                       | E18                  | 18.0 | 2      | 43.3  | 70.0                       | 75.5                                       | 90  | 90  |
|                |      |                       |       |      |                            |                           |                     |                       | E24                  | 24.0 | 2      | 57.7  | 84.2                       | 91.0                                       | 90  | 100   |
|                |      |                       |       |      |                            |                           |                     |                       | E36                  | 34.0 | 2      | 81.8  | 114.2                      | 121.1                                      | 125   | 125   |
|                |      |                       |       |      |                            |                           |                     |                       | E54                  | 54.0 | 2      | 129.9 | 141.9                      | 148.8                                      | 175   | 175   |
|                | 460  | 12.2                  | 87.0  | 19.0 | 1.3                        | 4.7                       | 2.2                 | 0.0                   | None                 | -    | -      | -     | 37.2                       | 39.4                                       | 45  | 50  |
|                |      |                       |       |      |                            |                           |                     |                       | E18                  | 18.0 | 2      | 21.7  | 37.2                       | 39.4                                       | 45  | 50  |
|                |      |                       |       |      |                            |                           |                     |                       | E24                  | 24.0 | 2      | 28.9  | 42.0                       | 44.7                                       | 45  | 50  |
|                |      |                       |       |      |                            |                           |                     |                       | E36                  | 34.0 | 2      | 40.9  | 57.0                       | 59.7                                       | 60  | 60  |
|                |      |                       |       |      |                            |                           |                     |                       | E54                  | 54.0 | 2      | 65.0  | 70.8                       | 73.6                                       | 80  | 80  |
|                | 575  | 8.7                   | 62.0  | 13.5 | 0.7                        | 3.6                       | 1.8                 | 0.0                   | None                 | -    | -      | -     | 25.8                       | 27.6                                       | 30  | 35  |
|                |      |                       |       |      |                            |                           |                     |                       | E18                  | 18.0 | 2      | 17.3  | 26.2                       | 28.4                                       | 30  | 35  |
|                |      |                       |       |      |                            |                           |                     |                       | E24                  | 24.0 | 2      | 23.1  | 33.4                       | 35.6                                       | 35  | 40  |
|                |      |                       |       |      |                            |                           |                     |                       | E36                  | 34.0 | 2      | 32.7  | 45.4                       | 47.6                                       | 50  | 50  |
|                |      |                       |       |      |                            |                           |                     |                       | E54                  | 54.0 | 2      | 52.0  | 56.5                       | 58.7                                       | 70  | 70  |

1. Minimum Circuit Ampacity.
2. Dual Element, Time Delay Type.
3. HACR type per NEC.

**JA3 thru A5ZH Hi Static Indoor Blower - Without Powered Convenience Outlet**

| Size (Tons) | Volt | Compressors (each) |      |      | OD Fan Motors (each) | Supply Blower Motor | Pwr Exh Motor | Pwr Conv Outlet | Electric Heat Option |      |        |      | MCA <sup>1</sup> (Amps) | MCA <sup>1</sup> w/Pwr Exh (Amps) | Max Fuse <sup>2</sup> / Breaker <sup>3</sup> Size (Amps) | Max Fuse <sup>2</sup> / Breaker <sup>3</sup> Size w/ Pwr Exh (Amps) |
|-------------|------|--------------------|------|------|----------------------|---------------------|---------------|-----------------|----------------------|------|--------|------|-------------------------|-----------------------------------|--|---|
|             |      | RLA                | LRA  | MCC  | FLA                  | FLA                 | FLA           | FLA             | Model                | kW   | Stages | Amps |                         |                                   |  |   |
| JA3 (3)     | 208  | 9.1                | 68.0 | 14.2 | 2.1                  | 5.2                 | 5.5           | 0.0             | None                 | -    | -      | -    | 18.7                    | 24.2                              | 25   | 30  |
|             |      |                    |      |      |                      |                     |               |                 | E03                  | 2.3  | 1      | 6.4  | 18.7                    | 24.2                              | 25   | 30  |
|             |      |                    |      |      |                      |                     |               |                 | E06                  | 4.5  | 1      | 12.5 | 22.1                    | 29.0                              | 25   | 30  |
|             |      |                    |      |      |                      |                     |               |                 | E09                  | 6.8  | 1      | 18.9 | 30.1                    | 37.0                              | 35   | 40  |
|             | 230  | 9.1                | 68.0 | 14.2 | 2.1                  | 5.2                 | 5.5           | 0.0             | E15                  | 11.3 | 2      | 31.4 | 45.7                    | 52.6                              | 50   | 60  |
|             |      |                    |      |      |                      |                     |               |                 | None                 | -    | -      | -    | 18.7                    | 24.2                              | 25   | 30  |
|             |      |                    |      |      |                      |                     |               |                 | E03                  | 3.0  | 1      | 7.2  | 18.7                    | 24.2                              | 25   | 30  |
|             |      |                    |      |      |                      |                     |               |                 | E06                  | 6.0  | 1      | 14.4 | 24.5                    | 31.4                              | 25   | 35  |
|             | 460  | 4.5                | 34.0 | 7.0  | 1.3                  | 2.6                 | 2.2           | 0.0             | E09                  | 9.0  | 1      | 21.7 | 33.6                    | 40.4                              | 35   | 45  |
|             |      |                    |      |      |                      |                     |               |                 | E15                  | 15.0 | 2      | 36.1 | 51.6                    | 58.5                              | 60   | 60  |
|             |      |                    |      |      |                      |                     |               |                 | None                 | -    | -      | -    | 9.5                     | 11.7                              | 15   | 15  |
|             |      |                    |      |      |                      |                     |               |                 | E03                  | 3.0  | 1      | 3.6  | 9.5                     | 11.7                              | 15   | 15  |
| 575         | 3.8  | 28.0               | 6.0  | 0.7  | 2.0                  | 1.8                 | 0.0           | E06             | 6.0                  | 1    | 7.2    | 12.3 | 15.0                    | 15                                | 15   |   |
|             |      |                    |      |      |                      |                     |               | E09             | 9.0                  | 1    | 10.8   | 16.8 | 19.5                    | 20                                | 20   |   |
|             |      |                    |      |      |                      |                     |               | E15             | 15.0                 | 2    | 18.0   | 25.8 | 28.6                    | 30                                | 30   |   |
|             |      |                    |      |      |                      |                     |               | None            | -                    | -    | -      | 7.4  | 9.2                     | 15                                | 15   |   |
| JA4 (4)     | 208  | 11.6               | 88.0 | 17.5 | 2.1                  | 5.2                 | 5.5           | 0.0             | E09                  | 9.0  | 1      | 8.7  | 13.3                    | 15.6                              | 15   | 20  |
|             |      |                    |      |      |                      |                     |               |                 | E15                  | 15.0 | 2      | 14.4 | 20.5                    | 22.8                              | 25   | 25  |
|             |      |                    |      |      |                      |                     |               |                 | None                 | -    | -      | -    | 21.8                    | 27.3                              | 30   | 35  |
|             |      |                    |      |      |                      |                     |               |                 | E06                  | 4.5  | 1      | 12.5 | 22.1                    | 29.0                              | 30   | 35  |
|             | 230  | 11.6               | 88.0 | 17.5 | 2.1                  | 5.2                 | 5.5           | 0.0             | E09                  | 6.8  | 1      | 18.9 | 30.1                    | 37.0                              | 35   | 40  |
|             |      |                    |      |      |                      |                     |               |                 | E15                  | 11.3 | 2      | 31.4 | 45.7                    | 52.6                              | 50   | 60  |
|             |      |                    |      |      |                      |                     |               |                 | E20                  | 15.0 | 2      | 41.6 | 58.5                    | 65.4                              | 60   | 70  |
|             |      |                    |      |      |                      |                     |               |                 | None                 | -    | -      | -    | 21.8                    | 27.3                              | 30   | 35  |
|             | 460  | 5.6                | 44.0 | 8.0  | 1.3                  | 2.6                 | 2.2           | 0.0             | E06                  | 6.0  | 1      | 14.4 | 24.5                    | 31.4                              | 30   | 35  |
|             |      |                    |      |      |                      |                     |               |                 | E09                  | 9.0  | 1      | 21.7 | 33.6                    | 40.4                              | 35   | 45  |
|             |      |                    |      |      |                      |                     |               |                 | E15                  | 15.0 | 2      | 36.1 | 51.6                    | 58.5                              | 60   | 60  |
|             |      |                    |      |      |                      |                     |               |                 | E20                  | 20.0 | 2      | 48.1 | 66.6                    | 73.5                              | 70   | 80  |
| 575         | 4.5  | 36.0               | 7.0  | 0.7  | 2.0                  | 1.8                 | 0.0           | None            | -                    | -    | -      | 10.9 | 13.1                    | 15                                | 15   |   |
|             |      |                    |      |      |                      |                     |               | E06             | 6.0                  | 1    | 7.2    | 12.3 | 15.0                    | 15                                | 15   |   |
|             |      |                    |      |      |                      |                     |               | E09             | 9.0                  | 1    | 10.8   | 16.8 | 19.5                    | 20                                | 20   |   |
|             |      |                    |      |      |                      |                     |               | E15             | 15.0                 | 2    | 18.0   | 25.8 | 28.6                    | 30                                | 30   |   |
| JA5 (5)     | 208  | 14.1               | 88.0 | 22.0 | 2.1                  | 6.8                 | 5.5           | 0.0             | E20                  | 20.0 | 2      | 24.1 | 33.3                    | 36.1                              | 35   | 40  |
|             |      |                    |      |      |                      |                     |               |                 | None                 | -    | -      | -    | 8.3                     | 10.1                              | 15   | 15  |
|             |      |                    |      |      |                      |                     |               |                 | E09                  | 9.0  | 1      | 8.7  | 13.3                    | 15.6                              | 15   | 20  |
|             |      |                    |      |      |                      |                     |               |                 | E15                  | 15.0 | 2      | 14.4 | 20.5                    | 22.8                              | 25   | 25  |
|             | 230  | 14.1               | 88.0 | 22.0 | 2.1                  | 6.8                 | 5.5           | 0.0             | E20                  | 20.0 | 2      | 19.2 | 26.6                    | 28.8                              | 30   | 30  |
|             |      |                    |      |      |                      |                     |               |                 | None                 | -    | -      | -    | 28.6                    | 34.1                              | 40   | 45  |
|             |      |                    |      |      |                      |                     |               |                 | E06                  | 4.5  | 1      | 12.5 | 28.6                    | 34.1                              | 40   | 45  |
|             |      |                    |      |      |                      |                     |               |                 | E09                  | 6.8  | 1      | 18.9 | 32.1                    | 39.0                              | 40   | 45  |
|             | 460  | 7.7                | 55.0 | 12.0 | 1.3                  | 3.4                 | 2.2           | 0.0             | E15                  | 11.3 | 2      | 31.4 | 47.7                    | 54.6                              | 50   | 60  |
|             |      |                    |      |      |                      |                     |               |                 | E20                  | 15.0 | 2      | 41.6 | 60.5                    | 67.4                              | 70   | 70  |
|             |      |                    |      |      |                      |                     |               |                 | E24                  | 18.0 | 2      | 50.0 | 71.0                    | 77.8                              | 80   | 80  |
|             |      |                    |      |      |                      |                     |               |                 | None                 | -    | -      | -    | 28.6                    | 34.1                              | 40   | 45  |
| 575         | 5.1  | 36.0               | 7.5  | 0.7  | 2.4                  | 1.8                 | 0.0           | E06             | 6.0                  | 1    | 7.2    | 15.5 | 17.7                    | 20                                | 25   |   |
|             |      |                    |      |      |                      |                     |               | E09             | 9.0                  | 1    | 10.8   | 17.8 | 20.5                    | 20                                | 25   |   |
|             |      |                    |      |      |                      |                     |               | E15             | 15.0                 | 2    | 18.0   | 26.8 | 29.6                    | 30                                | 30   |   |
|             |      |                    |      |      |                      |                     |               | E20             | 20.0                 | 2    | 24.1   | 34.3 | 37.1                    | 35                                | 40   |   |
|             |      |                    |      |      |                      |                     |               | E24             | 24.0                 | 2    | 28.9   | 40.3 | 43.1                    | 45                                | 45   |   |
|             |      |                    |      |      |                      |                     |               | None            | -                    | -    | -      | 10.1 | 11.9                    | 15                                | 15   |   |
|             |      |                    |      |      |                      |                     |               | E09             | 9.0                  | 1    | 8.7    | 13.8 | 16.1                    | 15                                | 20   |   |
|             |      |                    |      |      |                      |                     |               | E15             | 15.0                 | 2    | 14.4   | 21.0 | 23.3                    | 25                                | 25   |   |
|             |      |                    |      |      |                      |                     |               | E20             | 20.0                 | 2    | 19.2   | 27.1 | 29.3                    | 30                                | 30   |   |
|             |      |                    |      |      |                      |                     |               | E24             | 24.0                 | 2    | 23.1   | 31.9 | 34.1                    | 35                                | 35   |   |

1. Minimum Circuit Ampacity.
2. Dual Element, Time Delay Type.
3. HACR type per NEC.

## J06 thru 12ZH Hi Static Motor - Without Powered Convenience Outlet

| Size<br>(Tons) | Volt | Compressors<br>(each) |      |      | OD Fan<br>Motors<br>(each) | Supply<br>Blower<br>Motor | Pwr<br>Exh<br>Motor | Pwr<br>Conv<br>Outlet | Electric Heat Option |      |        |      | MCA <sup>1</sup><br>(Amps) | MCA <sup>1</sup><br>w/Pwr<br>Exh<br>(Amps) | Max Fuse <sup>2/</sup> /<br>Breaker <sup>3</sup><br>Size<br>(Amps) | Max Fuse <sup>2/</sup> /<br>Breaker <sup>3</sup><br>Size w/ Pwr<br>Exh<br>(Amps) |
|----------------|------|-----------------------|------|------|----------------------------|---------------------------|---------------------|-----------------------|----------------------|------|--------|------|----------------------------|--|--|--|
|                |      | RLA                   | LRA  | MCC  | FLA                        | FLA                       | FLA                 | FLA                   | Model                | kW   | Stages | Amps |                            |  |  |  |
| J06<br>(6.5)   | 208  | 9.6                   | 68.0 | 14.5 | 2.1                        | 6.8                       | 5.5                 | 0.0                   | None                 | -    | -      | -    | 32.6                       | 38.1                                       | 40   | 45   |
|                |      |                       |      |      |                            |                           |                     |                       | E09                  | 6.8  | 1      | 18.9 | 32.6                       | 39.0                                       | 40   | 45   |
|                |      |                       |      |      |                            |                           |                     |                       | E18                  | 13.5 | 2      | 37.5 | 55.3                       | 62.2                                       | 60   | 70   |
|                |      |                       |      |      |                            |                           |                     |                       | E24                  | 18.0 | 2      | 50.0 | 71.0                       | 77.8                                       | 80   | 80   |
|                |      |                       |      |      |                            |                           |                     |                       | E36                  | 25.5 | 2      | 70.8 | 97.0                       | 103.9                                      | 100  | 110  |
|                | 230  | 9.6                   | 68.0 | 14.5 | 2.1                        | 6.8                       | 5.5                 | 0.0                   | None                 | -    | -      | -    | 32.6                       | 38.1                                       | 40   | 45   |
|                |      |                       |      |      |                            |                           |                     |                       | E09                  | 9.0  | 1      | 21.7 | 35.6                       | 42.4                                       | 40   | 45   |
|                |      |                       |      |      |                            |                           |                     |                       | E18                  | 18.0 | 2      | 43.3 | 62.6                       | 69.5                                       | 70   | 70   |
|                |      |                       |      |      |                            |                           |                     |                       | E24                  | 24.0 | 2      | 57.7 | 80.7                       | 87.5                                       | 90   | 90   |
|                |      |                       |      |      |                            |                           |                     |                       | E36                  | 34.0 | 2      | 81.8 | 110.7                      | 117.6                                      | 125  | 125  |
|                | 460  | 4.9                   | 34.0 | 7.7  | 1.3                        | 3.4                       | 2.2                 | 0.0                   | None                 | -    | -      | -    | 16.9                       | 19.1                                       | 20   | 20   |
|                |      |                       |      |      |                            |                           |                     |                       | E09                  | 9.0  | 1      | 10.8 | 17.8                       | 20.5                                       | 20   | 25   |
|                |      |                       |      |      |                            |                           |                     |                       | E18                  | 18.0 | 2      | 21.7 | 31.3                       | 34.1                                       | 35   | 35   |
|                |      |                       |      |      |                            |                           |                     |                       | E24                  | 24.0 | 2      | 28.9 | 40.3                       | 43.1                                       | 45   | 45   |
|                |      |                       |      |      |                            |                           |                     |                       | E36                  | 34.0 | 2      | 40.9 | 55.4                       | 58.1                                       | 60   | 60   |
|                | 575  | 3.8                   | 28.0 | 6.0  | 0.7                        | 2.4                       | 1.8                 | 0.0                   | None                 | -    | -      | -    | 12.3                       | 14.1                                       | 15   | 15   |
|                |      |                       |      |      |                            |                           |                     |                       | E09                  | 9.0  | 1      | 8.7  | 13.8                       | 16.1                                       | 15   | 20   |
|                |      |                       |      |      |                            |                           |                     |                       | E18                  | 18.0 | 2      | 17.3 | 24.7                       | 26.9                                       | 25   | 30   |
|                |      |                       |      |      |                            |                           |                     |                       | E24                  | 24.0 | 2      | 23.1 | 31.9                       | 34.1                                       | 35   | 35   |
|                |      |                       |      |      |                            |                           |                     |                       | E36                  | 34.0 | 2      | 32.7 | 43.9                       | 46.1                                       | 45   | 50   |
| J07<br>(7.5)   | 208  | 11.9                  | 88.0 | 18.5 | 3.0                        | 9.6                       | 5.5                 | 0.0                   | None                 | -    | -      | -    | 42.4                       | 47.9                                       | 50   | 50   |
|                |      |                       |      |      |                            |                           |                     |                       | E09                  | 6.8  | 1      | 18.9 | 42.4                       | 47.9                                       | 50   | 50   |
|                |      |                       |      |      |                            |                           |                     |                       | E18                  | 13.5 | 2      | 37.5 | 58.8                       | 65.7                                       | 60   | 70   |
|                |      |                       |      |      |                            |                           |                     |                       | E24                  | 18.0 | 2      | 50.0 | 74.5                       | 81.3                                       | 80   | 90   |
|                |      |                       |      |      |                            |                           |                     |                       | E36                  | 25.5 | 2      | 70.8 | 100.5                      | 107.4                                      | 110  | 110  |
|                | 230  | 11.9                  | 88.0 | 18.5 | 3.0                        | 9.6                       | 5.5                 | 0.0                   | None                 | -    | -      | -    | 42.4                       | 47.9                                       | 50   | 50   |
|                |      |                       |      |      |                            |                           |                     |                       | E09                  | 9.0  | 1      | 21.7 | 42.4                       | 47.9                                       | 50   | 50   |
|                |      |                       |      |      |                            |                           |                     |                       | E18                  | 18.0 | 2      | 43.3 | 66.1                       | 73.0                                       | 70   | 80   |
|                |      |                       |      |      |                            |                           |                     |                       | E24                  | 24.0 | 2      | 57.7 | 84.2                       | 91.0                                       | 90   | 100  |
|                |      |                       |      |      |                            |                           |                     |                       | E36                  | 34.0 | 2      | 81.8 | 114.2                      | 121.1                                      | 125  | 125  |
|                | 460  | 5.2                   | 44.0 | 8.1  | 1.6                        | 4.7                       | 2.2                 | 0.0                   | None                 | -    | -      | -    | 19.6                       | 21.8                                       | 20   | 25   |
|                |      |                       |      |      |                            |                           |                     |                       | E09                  | 9.0  | 1      | 10.8 | 19.6                       | 22.2                                       | 20   | 25   |
|                |      |                       |      |      |                            |                           |                     |                       | E18                  | 18.0 | 2      | 21.7 | 32.9                       | 35.7                                       | 35   | 40   |
|                |      |                       |      |      |                            |                           |                     |                       | E24                  | 24.0 | 2      | 28.9 | 42.0                       | 44.7                                       | 45   | 45   |
|                |      |                       |      |      |                            |                           |                     |                       | E36                  | 34.0 | 2      | 40.9 | 57.0                       | 59.7                                       | 60   | 60   |
|                | 575  | 4.8                   | 36.0 | 7.5  | 1.4                        | 3.6                       | 1.8                 | 0.0                   | None                 | -    | -      | -    | 17.1                       | 18.9                                       | 20   | 20   |
|                |      |                       |      |      |                            |                           |                     |                       | E09                  | 9.0  | 1      | 8.7  | 17.1                       | 18.9                                       | 20   | 20   |
|                |      |                       |      |      |                            |                           |                     |                       | E18                  | 18.0 | 2      | 17.3 | 26.2                       | 28.4                                       | 30   | 30   |
|                |      |                       |      |      |                            |                           |                     |                       | E24                  | 24.0 | 2      | 23.1 | 33.4                       | 35.6                                       | 35   | 40   |
|                |      |                       |      |      |                            |                           |                     |                       | E36                  | 34.0 | 2      | 32.7 | 45.4                       | 47.6                                       | 50   | 50   |
| J08<br>(8.5)   | 208  | 12.2                  | 88.0 | 19.0 | 3.0                        | 9.6                       | 5.5                 | 0.0                   | None                 | -    | -      | -    | 43.1                       | 48.6                                       | 50   | 60   |
|                |      |                       |      |      |                            |                           |                     |                       | E09                  | 6.8  | 1      | 18.9 | 43.1                       | 48.6                                       | 50   | 60   |
|                |      |                       |      |      |                            |                           |                     |                       | E18                  | 13.5 | 2      | 37.5 | 58.8                       | 65.7                                       | 60   | 70   |
|                |      |                       |      |      |                            |                           |                     |                       | E24                  | 18.0 | 2      | 50.0 | 74.5                       | 81.3                                       | 80   | 90   |
|                |      |                       |      |      |                            |                           |                     |                       | E36                  | 25.5 | 2      | 70.8 | 100.5                      | 107.4                                      | 110  | 110  |
|                | 230  | 12.2                  | 88.0 | 19.0 | 3.0                        | 9.6                       | 5.5                 | 0.0                   | None                 | -    | -      | -    | 43.1                       | 48.6                                       | 50   | 60   |
|                |      |                       |      |      |                            |                           |                     |                       | E09                  | 9.0  | 1      | 21.7 | 43.1                       | 48.6                                       | 50   | 60   |
|                |      |                       |      |      |                            |                           |                     |                       | E18                  | 18.0 | 2      | 43.3 | 66.1                       | 73.0                                       | 70   | 80   |
|                |      |                       |      |      |                            |                           |                     |                       | E24                  | 24.0 | 2      | 57.7 | 84.2                       | 91.0                                       | 90   | 100  |
|                |      |                       |      |      |                            |                           |                     |                       | E36                  | 34.0 | 2      | 81.8 | 114.2                      | 121.1                                      | 125  | 125  |
|                | 460  | 5.8                   | 44.0 | 9.0  | 1.6                        | 4.7                       | 2.2                 | 0.0                   | None                 | -    | -      | -    | 21.0                       | 23.2                                       | 25   | 25   |
|                |      |                       |      |      |                            |                           |                     |                       | E09                  | 9.0  | 1      | 10.8 | 21.0                       | 23.2                                       | 25   | 25   |
|                |      |                       |      |      |                            |                           |                     |                       | E18                  | 18.0 | 2      | 21.7 | 32.9                       | 35.7                                       | 35   | 40   |
|                |      |                       |      |      |                            |                           |                     |                       | E24                  | 24.0 | 2      | 28.9 | 42.0                       | 44.7                                       | 45   | 45   |
|                |      |                       |      |      |                            |                           |                     |                       | E36                  | 34.0 | 2      | 40.9 | 57.0                       | 59.7                                       | 60   | 60   |
|                | 575  | 4.4                   | 36.0 | 5.5  | 1.4                        | 3.6                       | 1.8                 | 0.0                   | None                 | -    | -      | -    | 16.2                       | 18.0                                       | 20   | 20   |
|                |      |                       |      |      |                            |                           |                     |                       | E09                  | 9.0  | 1      | 8.7  | 16.2                       | 18.0                                       | 20   | 20   |
|                |      |                       |      |      |                            |                           |                     |                       | E18                  | 18.0 | 2      | 17.3 | 26.2                       | 28.4                                       | 30   | 30   |
|                |      |                       |      |      |                            |                           |                     |                       | E24                  | 24.0 | 2      | 23.1 | 33.4                       | 35.6                                       | 35   | 40   |
|                |      |                       |      |      |                            |                           |                     |                       | E36                  | 34.0 | 2      | 32.7 | 45.4                       | 47.6                                       | 50   | 50   |

**J06 thru 12ZH Hi Static Motor - Without Powered Convenience Outlet (Continued)**

| Size (Tons) | Volt | Compressors (each) |       |      | OD Fan Motors (each) | Supply Blower Motor | Pwr Exh Motor | Pwr Conv Outlet | Electric Heat Option |      |        |       | MCA <sup>1</sup> (Amps) | MCA <sup>1</sup> w/Pwr Exh (Amps) | Max Fuse <sup>2</sup> / Breaker <sup>3</sup> Size (Amps) | Max Fuse <sup>2</sup> / Breaker <sup>3</sup> Size w/ Pwr Exh (Amps) |
|-------------|------|--------------------|-------|------|----------------------|---------------------|---------------|-----------------|----------------------|------|--------|-------|-------------------------|-----------------------------------|--|---|
|             |      | RLA                | LRA   | MCC  | FLA                  | FLA                 | FLA           | FLA             | Model                | kW   | Stages | Amps  |                         |                                   |  |   |
| J10 (10)    | 208  | 16.0               | 110.0 | 24.9 | 3.0                  | 9.6                 | 5.5           | 0.0             | None                 | -    | -      | -     | 51.7                    | 57.2                              | 60   | 70  |
|             |      |                    |       |      |                      |                     |               |                 | E18                  | 13.5 | 2      | 37.5  | 58.8                    | 65.7                              | 60   | 70  |
|             |      |                    |       |      |                      |                     |               |                 | E24                  | 18.0 | 2      | 50.0  | 74.5                    | 81.3                              | 80   | 90  |
|             |      |                    |       |      |                      |                     |               |                 | E36                  | 25.5 | 2      | 70.8  | 100.5                   | 107.4                             | 110  | 110   |
|             | 230  | 16.0               | 110.0 | 24.9 | 3.0                  | 9.6                 | 5.5           | 0.0             | E54                  | 40.6 | 2      | 112.7 | 152.9                   | 159.7                             | 175  | 175   |
|             |      |                    |       |      |                      |                     |               |                 | None                 | -    | -      | -     | 51.7                    | 57.2                              | 60   | 70  |
|             |      |                    |       |      |                      |                     |               |                 | E18                  | 18.0 | 2      | 43.3  | 66.1                    | 73.0                              | 70   | 80  |
|             |      |                    |       |      |                      |                     |               |                 | E24                  | 24.0 | 2      | 57.7  | 84.2                    | 91.0                              | 90   | 100   |
|             | 460  | 7.8                | 52.0  | 12.1 | 1.6                  | 4.7                 | 2.2           | 0.0             | E36                  | 34.0 | 2      | 81.8  | 114.2                   | 121.1                             | 125  | 125   |
|             |      |                    |       |      |                      |                     |               |                 | E54                  | 54.0 | 2      | 129.9 | 141.9                   | 148.8                             | 175  | 175   |
|             |      |                    |       |      |                      |                     |               |                 | None                 | -    | -      | -     | 25.5                    | 27.7                              | 30   | 35  |
|             |      |                    |       |      |                      |                     |               |                 | E18                  | 18.0 | 2      | 21.7  | 32.9                    | 35.7                              | 35   | 40  |
|             | 575  | 5.7                | 38.9  | 8.9  | 1.4                  | 3.6                 | 1.8           | 0.0             | E24                  | 24.0 | 2      | 28.9  | 42.0                    | 44.7                              | 45   | 45  |
|             |      |                    |       |      |                      |                     |               |                 | E36                  | 34.0 | 2      | 40.9  | 57.0                    | 59.7                              | 60   | 60  |
|             |      |                    |       |      |                      |                     |               |                 | E54                  | 54.0 | 2      | 65.0  | 70.8                    | 73.6                              | 80   | 80  |
|             |      |                    |       |      |                      |                     |               |                 | None                 | -    | -      | -     | 19.1                    | 20.9                              | 20   | 25  |
| J12 (12.5)  | 208  | 23.1               | 160.0 | 36.0 | 2.1                  | 14.0                | 5.5           | 0.0             | E18                  | 18.0 | 2      | 17.3  | 26.2                    | 28.4                              | 30   | 30  |
|             |      |                    |       |      |                      |                     |               |                 | E24                  | 24.0 | 2      | 23.1  | 33.4                    | 35.6                              | 35   | 40  |
|             |      |                    |       |      |                      |                     |               |                 | E36                  | 34.0 | 2      | 32.7  | 45.4                    | 47.6                              | 50   | 50  |
|             |      |                    |       |      |                      |                     |               |                 | E54                  | 54.0 | 2      | 52.0  | 56.5                    | 58.7                              | 70   | 70  |
|             | 230  | 23.1               | 160.0 | 36.0 | 2.1                  | 14.0                | 5.5           | 0.0             | None                 | -    | -      | -     | 74.4                    | 79.9                              | 90   | 100   |
|             |      |                    |       |      |                      |                     |               |                 | E18                  | 13.5 | 2      | 37.5  | 74.4                    | 79.9                              | 90   | 100   |
|             |      |                    |       |      |                      |                     |               |                 | E24                  | 18.0 | 2      | 50.0  | 80.0                    | 86.8                              | 90   | 100   |
|             |      |                    |       |      |                      |                     |               |                 | E36                  | 25.5 | 2      | 70.8  | 106.0                   | 112.9                             | 110  | 125   |
|             | 460  | 12.2               | 87.0  | 19.0 | 1.3                  | 6.6                 | 2.2           | 0.0             | E54                  | 40.6 | 2      | 112.7 | 158.4                   | 165.2                             | 175  | 175   |
|             |      |                    |       |      |                      |                     |               |                 | None                 | -    | -      | -     | 74.4                    | 79.9                              | 90   | 100   |
|             |      |                    |       |      |                      |                     |               |                 | E18                  | 18.0 | 2      | 43.3  | 74.4                    | 79.9                              | 90   | 100   |
|             |      |                    |       |      |                      |                     |               |                 | E24                  | 24.0 | 2      | 57.7  | 89.7                    | 96.5                              | 90   | 100   |
|             | 575  | 8.7                | 62.0  | 13.5 | 0.7                  | 5.2                 | 1.8           | 0.0             | E36                  | 34.0 | 2      | 81.8  | 119.7                   | 126.6                             | 125  | 150   |
|             |      |                    |       |      |                      |                     |               |                 | E54                  | 54.0 | 2      | 129.9 | 147.4                   | 154.3                             | 175  | 175   |
|             |      |                    |       |      |                      |                     |               |                 | None                 | -    | -      | -     | 39.1                    | 41.3                              | 50   | 50  |
|             |      |                    |       |      |                      |                     |               |                 | E18                  | 18.0 | 2      | 21.7  | 39.1                    | 41.3                              | 50   | 50  |
|             |      |                    |       |      |                      |                     |               | E24             | 24.0                 | 2    | 28.9   | 44.3  | 47.1                    | 50                                | 50   |   |
|             |      |                    |       |      |                      |                     |               | E36             | 34.0                 | 2    | 40.9   | 59.4  | 62.1                    | 60                                | 70   |   |
|             |      |                    |       |      |                      |                     |               | E54             | 54.0                 | 2    | 65.0   | 73.2  | 76.0                    | 80                                | 90   |   |
|             |      |                    |       |      |                      |                     |               | None            | -                    | -    | -      | 27.4  | 29.2                    | 35                                | 35   |   |
|             |      |                    |       |      |                      |                     |               | E18             | 18.0                 | 2    | 17.3   | 28.2  | 30.4                    | 35                                | 35   |   |
|             |      |                    |       |      |                      |                     |               | E24             | 24.0                 | 2    | 23.1   | 35.4  | 37.6                    | 40                                | 40   |   |
|             |      |                    |       |      |                      |                     |               | E36             | 34.0                 | 2    | 32.7   | 47.4  | 49.6                    | 50                                | 50   |   |
|             |      |                    |       |      |                      |                     |               | E54             | 54.0                 | 2    | 52.0   | 58.5  | 60.7                    | 70                                | 70   |   |

1. Minimum Circuit Ampacity.
2. Dual Element, Time Delay Type.
3. HACR type per NEC.

## JA3 thru A5ZH Standard Indoor Blower - With Powered Convenience Outlet

| Size (Tons) | Volt | Compressors (each) |      |      | OD Fan Motors (each) | Supply Blower Motor | Pwr Exh Motor | Pwr Conv Outlet | Electric Heat Option |      |        |      | MCA <sup>1</sup> (Amps) | MCA <sup>1</sup> w/Pwr Exh (Amps) | Max Fuse <sup>2</sup> / Breaker <sup>3</sup> Size (Amps) | Max Fuse <sup>2</sup> / Breaker <sup>3</sup> Size w/ Pwr Exh (Amps) |
|-------------|------|--------------------|------|------|----------------------|---------------------|---------------|-----------------|----------------------|------|--------|------|-------------------------|-----------------------------------|--|---|
|             |      | RLA                | LRA  | MCC  | FLA                  | FLA                 | FLA           | FLA             | Model                | kW   | Stages | Amps |                         |                                   |  |   |
| JA3 (3)     | 208  | 9.1                | 68.0 | 14.2 | 2.1                  | 5.2                 | 5.5           | 10.0            | None                 | -    | -      | -    | 28.9                    | 34.4                              | 35   | 40  |
|             |      |                    |      |      |                      |                     |               |                 | E03                  | 2.3  | 1      | 6.4  | 28.9                    | 34.4                              | 35   | 40  |
|             |      |                    |      |      |                      |                     |               |                 | E06                  | 4.5  | 1      | 12.5 | 34.6                    | 41.5                              | 40   | 45  |
|             |      |                    |      |      |                      |                     |               |                 | E09                  | 6.8  | 1      | 18.9 | 42.6                    | 49.5                              | 45   | 50  |
|             | 230  | 9.1                | 68.0 | 14.2 | 2.1                  | 5.2                 | 5.5           | 10.0            | E15                  | 11.3 | 2      | 31.4 | 58.2                    | 65.1                              | 60   | 70  |
|             |      |                    |      |      |                      |                     |               |                 | None                 | -    | -      | -    | 28.9                    | 34.4                              | 35   | 40  |
|             |      |                    |      |      |                      |                     |               |                 | E03                  | 3.0  | 1      | 7.2  | 28.9                    | 34.9                              | 35   | 40  |
|             |      |                    |      |      |                      |                     |               |                 | E06                  | 6.0  | 1      | 14.4 | 37.0                    | 43.9                              | 40   | 45  |
|             | 460  | 4.5                | 34.0 | 7.0  | 1.3                  | 2.6                 | 2.2           | 5.0             | E09                  | 9.0  | 1      | 21.7 | 46.1                    | 52.9                              | 50   | 60  |
|             |      |                    |      |      |                      |                     |               |                 | E15                  | 15.0 | 2      | 36.1 | 64.1                    | 71.0                              | 70   | 80  |
|             |      |                    |      |      |                      |                     |               |                 | None                 | -    | -      | -    | 14.6                    | 16.8                              | 15   | 20  |
|             |      |                    |      |      |                      |                     |               |                 | E03                  | 3.0  | 1      | 3.6  | 14.6                    | 16.8                              | 15   | 20  |
|             | 575  | 3.8                | 28.0 | 6.0  | 0.7                  | 2.0                 | 1.8           | 4.0             | E06                  | 6.0  | 1      | 7.2  | 18.5                    | 21.3                              | 20   | 25  |
|             |      |                    |      |      |                      |                     |               |                 | E09                  | 9.0  | 1      | 10.8 | 23.0                    | 25.8                              | 25   | 30  |
|             |      |                    |      |      |                      |                     |               |                 | E15                  | 15.0 | 2      | 18.0 | 32.1                    | 34.8                              | 35   | 35  |
|             |      |                    |      |      |                      |                     |               |                 | None                 | -    | -      | -    | 11.5                    | 13.3                              | 15   | 15  |
| JA4 (4)     | 208  | 11.6               | 88.0 | 17.5 | 2.1                  | 5.2                 | 5.5           | 10.0            | E09                  | 9.0  | 1      | 8.7  | 18.3                    | 20.6                              | 20   | 25  |
|             |      |                    |      |      |                      |                     |               |                 | E15                  | 15.0 | 2      | 14.4 | 25.5                    | 27.8                              | 30   | 30  |
|             |      |                    |      |      |                      |                     |               |                 | None                 | -    | -      | -    | 31.8                    | 37.3                              | 40   | 45  |
|             |      |                    |      |      |                      |                     |               |                 | E06                  | 4.5  | 1      | 12.5 | 34.6                    | 41.5                              | 40   | 45  |
|             | 230  | 11.6               | 88.0 | 17.5 | 2.1                  | 5.2                 | 5.5           | 10.0            | E09                  | 6.8  | 1      | 18.9 | 42.6                    | 49.5                              | 45   | 50  |
|             |      |                    |      |      |                      |                     |               |                 | E15                  | 15.0 | 2      | 36.1 | 64.1                    | 71.0                              | 70   | 80  |
|             |      |                    |      |      |                      |                     |               |                 | E20                  | 15.0 | 2      | 41.6 | 71.0                    | 77.9                              | 80   | 80  |
|             |      |                    |      |      |                      |                     |               |                 | None                 | -    | -      | -    | 31.8                    | 37.3                              | 40   | 45  |
|             | 460  | 5.6                | 44.0 | 8.0  | 1.3                  | 2.6                 | 2.2           | 5.0             | E06                  | 6.0  | 1      | 7.2  | 18.5                    | 21.3                              | 20   | 25  |
|             |      |                    |      |      |                      |                     |               |                 | E09                  | 9.0  | 1      | 10.8 | 23.0                    | 25.8                              | 25   | 30  |
|             |      |                    |      |      |                      |                     |               |                 | E15                  | 15.0 | 2      | 18.0 | 32.1                    | 34.8                              | 35   | 35  |
|             |      |                    |      |      |                      |                     |               |                 | E20                  | 20.0 | 2      | 24.1 | 39.6                    | 42.3                              | 40   | 45  |
|             | 575  | 4.5                | 36.0 | 7.0  | 0.7                  | 2.0                 | 1.8           | 4.0             | None                 | -    | -      | -    | 15.9                    | 18.1                              | 20   | 20  |
|             |      |                    |      |      |                      |                     |               |                 | E06                  | 6.0  | 1      | 7.2  | 18.5                    | 21.3                              | 20   | 25  |
|             |      |                    |      |      |                      |                     |               |                 | E09                  | 9.0  | 1      | 10.8 | 23.0                    | 25.8                              | 25   | 30  |
|             |      |                    |      |      |                      |                     |               |                 | E15                  | 15.0 | 2      | 14.4 | 25.5                    | 27.8                              | 30   | 30  |
| JA5 (5)     | 208  | 14.1               | 88.0 | 22.0 | 2.1                  | 5.2                 | 5.5           | 10.0            | E20                  | 20.0 | 2      | 19.2 | 31.6                    | 33.8                              | 35   | 35  |
|             |      |                    |      |      |                      |                     |               |                 | None                 | -    | -      | -    | 37.0                    | 42.5                              | 50   | 50  |
|             |      |                    |      |      |                      |                     |               |                 | E06                  | 4.5  | 1      | 12.5 | 37.0                    | 42.5                              | 50   | 50  |
|             |      |                    |      |      |                      |                     |               |                 | E09                  | 6.8  | 1      | 18.9 | 42.6                    | 49.5                              | 50   | 50  |
|             | 230  | 14.1               | 88.0 | 22.0 | 2.1                  | 5.2                 | 5.5           | 10.0            | E15                  | 11.3 | 2      | 31.4 | 58.2                    | 65.1                              | 60   | 70  |
|             |      |                    |      |      |                      |                     |               |                 | E20                  | 15.0 | 2      | 41.6 | 71.0                    | 77.9                              | 80   | 80  |
|             |      |                    |      |      |                      |                     |               |                 | E24                  | 18.0 | 2      | 50.0 | 81.5                    | 88.3                              | 90   | 90  |
|             |      |                    |      |      |                      |                     |               |                 | None                 | -    | -      | -    | 37.0                    | 42.5                              | 50   | 50  |
|             | 460  | 7.7                | 55.0 | 12.0 | 1.3                  | 2.6                 | 2.2           | 5.0             | E06                  | 6.0  | 1      | 14.4 | 37.0                    | 43.9                              | 50   | 50  |
|             |      |                    |      |      |                      |                     |               |                 | E09                  | 9.0  | 1      | 21.7 | 46.1                    | 52.9                              | 50   | 60  |
|             |      |                    |      |      |                      |                     |               |                 | E15                  | 15.0 | 2      | 36.1 | 64.1                    | 71.0                              | 70   | 80  |
|             |      |                    |      |      |                      |                     |               |                 | E20                  | 20.0 | 2      | 48.1 | 79.1                    | 86.0                              | 80   | 90  |
|             | 575  | 5.1                | 36.0 | 7.5  | 0.7                  | 2.0                 | 1.8           | 4.0             | E24                  | 24.0 | 2      | 57.7 | 91.2                    | 98.0                              | 100  | 100   |
|             |      |                    |      |      |                      |                     |               |                 | None                 | -    | -      | -    | 19.7                    | 21.9                              | 25   | 25  |
|             |      |                    |      |      |                      |                     |               |                 | E06                  | 6.0  | 1      | 7.2  | 19.7                    | 21.9                              | 25   | 25  |
|             |      |                    |      |      |                      |                     |               |                 | E09                  | 9.0  | 1      | 10.8 | 23.0                    | 25.8                              | 25   | 30  |
| 575         | 5.1  | 36.0               | 7.5  | 0.7  | 2.0                  | 1.8                 | 4.0           | E15             | 15.0                 | 2    | 14.4   | 25.5 | 27.8                    | 30                                | 30   |   |
|             |      |                    |      |      |                      |                     |               | E20             | 20.0                 | 2    | 19.2   | 31.6 | 33.8                    | 35                                | 35   |   |
|             |      |                    |      |      |                      |                     |               | None            | -                    | -    | -      | 13.7 | 15.5                    | 15                                | 20   |   |
|             |      |                    |      |      |                      |                     |               | E09             | 9.0                  | 1    | 8.7    | 18.3 | 20.6                    | 20                                | 25   |   |
| 575         | 5.1  | 36.0               | 7.5  | 0.7  | 2.0                  | 1.8                 | 4.0           | E20             | 20.0                 | 2    | 19.2   | 31.6 | 33.8                    | 35                                | 35   |   |
|             |      |                    |      |      |                      |                     |               | E24             | 24.0                 | 2    | 23.1   | 36.4 | 38.6                    | 40                                | 40   |   |

1. Minimum Circuit Ampacity.
2. Dual Element, Time Delay Type.
3. HACR type per NEC.

**J06 thru 12ZH Standard Motor - With Powered Convenience Outlet**

| Size (Tons)  | Volt | Compressors (each) |      |      | OD Fan Motors (each) | Supply Blower Motor | Pwr Exh Motor | Pwr Conv Outlet | Electric Heat Option |      |        |      | MCA <sup>1</sup> (Amps) | MCA <sup>1</sup> w/Pwr Exh (Amps) | Max Fuse <sup>2</sup> /<br>Breaker <sup>3</sup> Size (Amps) | Max Fuse <sup>2</sup> /<br>Breaker <sup>3</sup> Size w/ Pwr Exh (Amps) |
|--------------|------|--------------------|------|------|----------------------|---------------------|---------------|-----------------|----------------------|------|--------|------|-------------------------|-----------------------------------|---|--|
|              |      | RLA                | LRA  | MCC  | FLA                  | FLA                 | FLA           | FLA             | Model                | kW   | Stages | Amps |                         |                                   |   |  |
| J06<br>(6.5) | 208  | 9.6                | 68.0 | 14.5 | 2.1                  | 5.2                 | 5.5           | 10.0            | None                 | -    | -      | -    | 41.1                    | 46.6                              | 50  | 50   |
|              |      |                    |      |      |                      |                     |               |                 | E09                  | 6.8  | 1      | 18.9 | 42.6                    | 49.5                              | 50  | 50   |
|              |      |                    |      |      |                      |                     |               |                 | E18                  | 13.5 | 2      | 37.5 | 65.8                    | 72.7                              | 70  | 80   |
|              |      |                    |      |      |                      |                     |               |                 | E24                  | 18.0 | 2      | 50.0 | 81.5                    | 88.3                              | 90  | 90   |
|              | 230  | 9.6                | 68.0 | 14.5 | 2.1                  | 5.2                 | 5.5           | 10.0            | None                 | -    | -      | -    | 41.1                    | 46.6                              | 50  | 50   |
|              |      |                    |      |      |                      |                     |               |                 | E09                  | 9.0  | 1      | 21.7 | 46.1                    | 52.9                              | 50  | 60   |
|              |      |                    |      |      |                      |                     |               |                 | E18                  | 18.0 | 2      | 43.3 | 73.1                    | 80.0                              | 80  | 80   |
|              |      |                    |      |      |                      |                     |               |                 | E24                  | 24.0 | 2      | 57.7 | 91.2                    | 98.0                              | 100   | 100  |
|              | 460  | 4.9                | 34.0 | 7.7  | 1.3                  | 2.6                 | 2.2           | 5.0             | None                 | -    | -      | -    | 21.2                    | 23.4                              | 25  | 25   |
|              |      |                    |      |      |                      |                     |               |                 | E09                  | 9.0  | 1      | 10.8 | 23.0                    | 25.8                              | 25  | 30   |
|              |      |                    |      |      |                      |                     |               |                 | E18                  | 18.0 | 2      | 21.7 | 36.6                    | 39.3                              | 40  | 40   |
|              |      |                    |      |      |                      |                     |               |                 | E24                  | 24.0 | 2      | 28.9 | 45.6                    | 48.3                              | 50  | 50   |
|              | 575  | 3.8                | 28.0 | 6.0  | 0.7                  | 2.0                 | 1.8           | 4.0             | None                 | -    | -      | -    | 15.9                    | 17.7                              | 20  | 20   |
|              |      |                    |      |      |                      |                     |               |                 | E09                  | 9.0  | 1      | 8.7  | 18.3                    | 20.6                              | 20  | 25   |
|              |      |                    |      |      |                      |                     |               |                 | E18                  | 18.0 | 2      | 17.3 | 29.2                    | 31.4                              | 30  | 35   |
|              |      |                    |      |      |                      |                     |               |                 | E24                  | 24.0 | 2      | 23.1 | 36.4                    | 38.6                              | 40  | 40   |
| J07<br>(7.5) | 208  | 11.9               | 88.0 | 18.5 | 3.0                  | 5.2                 | 5.5           | 10.0            | None                 | -    | -      | -    | 48.0                    | 53.5                              | 50  | 60   |
|              |      |                    |      |      |                      |                     |               |                 | E09                  | 6.8  | 1      | 18.9 | 48.0                    | 53.5                              | 50  | 60   |
|              |      |                    |      |      |                      |                     |               |                 | E18                  | 13.5 | 2      | 37.5 | 65.8                    | 72.7                              | 70  | 80   |
|              |      |                    |      |      |                      |                     |               |                 | E24                  | 18.0 | 2      | 50.0 | 81.5                    | 88.3                              | 90  | 90   |
|              | 230  | 11.9               | 88.0 | 18.5 | 3.0                  | 5.2                 | 5.5           | 10.0            | None                 | -    | -      | -    | 48.0                    | 53.5                              | 50  | 60   |
|              |      |                    |      |      |                      |                     |               |                 | E09                  | 9.0  | 1      | 21.7 | 48.0                    | 53.5                              | 50  | 60   |
|              |      |                    |      |      |                      |                     |               |                 | E18                  | 18.0 | 2      | 43.3 | 73.1                    | 80.0                              | 80  | 80   |
|              |      |                    |      |      |                      |                     |               |                 | E24                  | 24.0 | 2      | 57.7 | 91.2                    | 98.0                              | 100   | 100  |
|              | 460  | 5.2                | 44.0 | 8.1  | 1.6                  | 2.6                 | 2.2           | 5.0             | None                 | -    | -      | -    | 22.5                    | 24.7                              | 25  | 25   |
|              |      |                    |      |      |                      |                     |               |                 | E09                  | 9.0  | 1      | 10.8 | 23.0                    | 25.8                              | 25  | 30   |
|              |      |                    |      |      |                      |                     |               |                 | E18                  | 18.0 | 2      | 21.7 | 36.6                    | 39.3                              | 40  | 40   |
|              |      |                    |      |      |                      |                     |               |                 | E24                  | 24.0 | 2      | 28.9 | 45.6                    | 48.3                              | 50  | 50   |
|              | 575  | 4.8                | 36.0 | 7.5  | 1.4                  | 2.0                 | 1.8           | 4.0             | None                 | -    | -      | -    | 19.5                    | 21.3                              | 20  | 25   |
|              |      |                    |      |      |                      |                     |               |                 | E09                  | 9.0  | 1      | 8.7  | 19.5                    | 21.3                              | 20  | 25   |
|              |      |                    |      |      |                      |                     |               |                 | E18                  | 18.0 | 2      | 17.3 | 29.2                    | 31.4                              | 30  | 35   |
|              |      |                    |      |      |                      |                     |               |                 | E24                  | 24.0 | 2      | 23.1 | 36.4                    | 38.6                              | 40  | 40   |
| J08<br>(8.5) | 208  | 12.2               | 88.0 | 19.0 | 3.0                  | 6.8                 | 5.5           | 10.0            | None                 | -    | -      | -    | 50.3                    | 55.8                              | 60  | 60   |
|              |      |                    |      |      |                      |                     |               |                 | E09                  | 6.8  | 1      | 18.9 | 50.3                    | 55.8                              | 60  | 60   |
|              |      |                    |      |      |                      |                     |               |                 | E18                  | 13.5 | 2      | 37.5 | 67.8                    | 74.7                              | 70  | 80   |
|              |      |                    |      |      |                      |                     |               |                 | E24                  | 18.0 | 2      | 50.0 | 83.5                    | 90.3                              | 90  | 100  |
|              | 230  | 12.2               | 88.0 | 19.0 | 3.0                  | 6.8                 | 5.5           | 10.0            | None                 | -    | -      | -    | 50.3                    | 55.8                              | 60  | 60   |
|              |      |                    |      |      |                      |                     |               |                 | E09                  | 9.0  | 1      | 21.7 | 50.3                    | 55.8                              | 60  | 60   |
|              |      |                    |      |      |                      |                     |               |                 | E18                  | 18.0 | 2      | 43.3 | 75.1                    | 82.0                              | 80  | 90   |
|              |      |                    |      |      |                      |                     |               |                 | E24                  | 24.0 | 2      | 57.7 | 93.2                    | 100.0                             | 100   | 100  |
|              | 460  | 5.8                | 44.0 | 9.0  | 1.6                  | 3.4                 | 2.2           | 5.0             | None                 | -    | -      | -    | 24.7                    | 26.9                              | 30  | 30   |
|              |      |                    |      |      |                      |                     |               |                 | E09                  | 9.0  | 1      | 10.8 | 24.7                    | 26.9                              | 30  | 30   |
|              |      |                    |      |      |                      |                     |               |                 | E18                  | 18.0 | 2      | 21.7 | 37.6                    | 40.3                              | 40  | 45   |
|              |      |                    |      |      |                      |                     |               |                 | E24                  | 24.0 | 2      | 28.9 | 46.6                    | 49.3                              | 50  | 50   |
|              | 575  | 4.4                | 36.0 | 5.5  | 1.4                  | 2.4                 | 1.8           | 4.0             | None                 | -    | -      | -    | 19.0                    | 20.8                              | 20  | 25   |
|              |      |                    |      |      |                      |                     |               |                 | E09                  | 9.0  | 1      | 8.7  | 19.0                    | 21.1                              | 20  | 25   |
|              |      |                    |      |      |                      |                     |               |                 | E18                  | 18.0 | 2      | 17.3 | 29.7                    | 31.9                              | 30  | 35   |
|              |      |                    |      |      |                      |                     |               |                 | E24                  | 24.0 | 2      | 23.1 | 36.9                    | 39.1                              | 40  | 40   |
| 575          | 4.4  | 36.0               | 5.5  | 1.4  | 2.4                  | 1.8                 | 4.0           | E36             | 34.0                 | 2    | 32.7   | 48.9 | 51.1                    | 50                                | 60  |  |



## J06 thru 12ZH Standard Motor - With Powered Convenience Outlet (Continued)

| Size<br>(Tons) | Volt | Compressors<br>(each) |       |      | OD Fan<br>Motors<br>(each) | Supply<br>Blower<br>Motor | Pwr<br>Exh<br>Motor | Pwr<br>Conv<br>Outlet | Electric Heat Option |      |        |       | MCA <sup>1</sup><br>(Amps) | MCA <sup>1</sup><br>w/Pwr<br>Exh<br>(Amps) | Max Fuse <sup>2</sup> /<br>Breaker <sup>3</sup><br>Size<br>(Amps) | Max Fuse <sup>2</sup> /<br>Breaker <sup>3</sup><br>Size w/ Pwr<br>Exh<br>(Amps) |
|----------------|------|-----------------------|-------|------|----------------------------|---------------------------|---------------------|-----------------------|----------------------|------|--------|-------|----------------------------|--|---|---|
|                |      | RLA                   | LRA   | MCC  | FLA                        | FLA                       | FLA                 | FLA                   | Model                | kW   | Stages | Amps  |                            |  |   |   |
| J10<br>(10)    | 208  | 16.0                  | 110.0 | 24.9 | 3.0                        | 6.8                       | 5.5                 | 10.0                  | None                 | -    | -      | -     | 58.9                       | 64.4                                       | 70  | 80  |
|                |      |                       |       |      |                            |                           |                     |                       | E18                  | 13.5 | 2      | 37.5  | 67.8                       | 74.7                                       | 70  | 80  |
|                |      |                       |       |      |                            |                           |                     |                       | E24                  | 18.0 | 2      | 50.0  | 83.5                       | 90.3                                       | 90  | 100   |
|                |      |                       |       |      |                            |                           |                     |                       | E36                  | 25.5 | 2      | 70.8  | 109.5                      | 116.4                                      | 110   | 125   |
|                |      |                       |       |      |                            |                           |                     |                       | E54                  | 40.6 | 2      | 112.7 | 161.9                      | 168.7                                      | 175   | 175   |
|                | 230  | 16.0                  | 110.0 | 24.9 | 3.0                        | 6.8                       | 5.5                 | 10.0                  | None                 | -    | -      | -     | 58.9                       | 64.4                                       | 70  | 80  |
|                |      |                       |       |      |                            |                           |                     |                       | E18                  | 18.0 | 2      | 43.3  | 75.1                       | 82.0                                       | 80  | 90  |
|                |      |                       |       |      |                            |                           |                     |                       | E24                  | 24.0 | 2      | 57.7  | 93.2                       | 100.0                                      | 100   | 100   |
|                |      |                       |       |      |                            |                           |                     |                       | E36                  | 34.0 | 2      | 81.8  | 123.2                      | 130.1                                      | 125   | 150   |
|                |      |                       |       |      |                            |                           |                     |                       | E54                  | 54.0 | 2      | 129.9 | 150.9                      | 157.8                                      | 175   | 175   |
|                | 460  | 7.8                   | 52.0  | 12.1 | 1.6                        | 3.4                       | 2.2                 | 5.0                   | None                 | -    | -      | -     | 29.2                       | 31.4                                       | 35  | 35  |
|                |      |                       |       |      |                            |                           |                     |                       | E18                  | 18.0 | 2      | 21.7  | 37.6                       | 40.3                                       | 40  | 45  |
|                |      |                       |       |      |                            |                           |                     |                       | E24                  | 24.0 | 2      | 28.9  | 46.6                       | 49.3                                       | 50  | 50  |
|                |      |                       |       |      |                            |                           |                     |                       | E36                  | 34.0 | 2      | 40.9  | 61.6                       | 64.4                                       | 70  | 70  |
|                |      |                       |       |      |                            |                           |                     |                       | E54                  | 54.0 | 2      | 65.0  | 75.5                       | 78.2                                       | 80  | 90  |
|                | 575  | 5.7                   | 38.9  | 8.9  | 1.4                        | 2.4                       | 1.8                 | 4.0                   | None                 | -    | -      | -     | 21.9                       | 23.7                                       | 25  | 25  |
|                |      |                       |       |      |                            |                           |                     |                       | E18                  | 18.0 | 2      | 17.3  | 29.7                       | 31.9                                       | 30  | 35  |
|                |      |                       |       |      |                            |                           |                     |                       | E24                  | 24.0 | 2      | 23.1  | 36.9                       | 39.1                                       | 40  | 40  |
|                |      |                       |       |      |                            |                           |                     |                       | E36                  | 34.0 | 2      | 32.7  | 48.9                       | 51.1                                       | 50  | 60  |
|                |      |                       |       |      |                            |                           |                     |                       | E54                  | 54.0 | 2      | 52.0  | 60.0                       | 62.2                                       | 70  | 70  |
| J12<br>(12.5)  | 208  | 23.1                  | 160.0 | 36.0 | 2.1                        | 9.6                       | 5.5                 | 10.0                  | None                 | -    | -      | -     | 80.0                       | 85.5                                       | 100   | 100   |
|                |      |                       |       |      |                            |                           |                     |                       | E18                  | 13.5 | 2      | 37.5  | 80.0                       | 85.5                                       | 100   | 100   |
|                |      |                       |       |      |                            |                           |                     |                       | E24                  | 18.0 | 2      | 50.0  | 87.0                       | 93.8                                       | 100   | 100   |
|                |      |                       |       |      |                            |                           |                     |                       | E36                  | 25.5 | 2      | 70.8  | 113.0                      | 119.9                                      | 125   | 125   |
|                |      |                       |       |      |                            |                           |                     |                       | E54                  | 40.6 | 2      | 112.7 | 165.4                      | 172.2                                      | 175   | 175   |
|                | 230  | 23.1                  | 160.0 | 36.0 | 2.1                        | 9.6                       | 5.5                 | 10.0                  | None                 | -    | -      | -     | 80.0                       | 85.5                                       | 100   | 100   |
|                |      |                       |       |      |                            |                           |                     |                       | E18                  | 18.0 | 2      | 43.3  | 80.0                       | 85.5                                       | 100   | 100   |
|                |      |                       |       |      |                            |                           |                     |                       | E24                  | 24.0 | 2      | 57.7  | 96.7                       | 103.5                                      | 100   | 110   |
|                |      |                       |       |      |                            |                           |                     |                       | E36                  | 34.0 | 2      | 81.8  | 126.7                      | 133.6                                      | 150   | 150   |
|                |      |                       |       |      |                            |                           |                     |                       | E54                  | 54.0 | 2      | 129.9 | 154.4                      | 161.3                                      | 175   | 175   |
|                | 460  | 12.2                  | 87.0  | 19.0 | 1.3                        | 4.7                       | 2.2                 | 5.0                   | None                 | -    | -      | -     | 42.2                       | 44.4                                       | 50  | 50  |
|                |      |                       |       |      |                            |                           |                     |                       | E18                  | 18.0 | 2      | 21.7  | 42.2                       | 44.4                                       | 50  | 50  |
|                |      |                       |       |      |                            |                           |                     |                       | E24                  | 24.0 | 2      | 28.9  | 48.2                       | 51.0                                       | 50  | 60  |
|                |      |                       |       |      |                            |                           |                     |                       | E36                  | 34.0 | 2      | 40.9  | 63.2                       | 66.0                                       | 70  | 70  |
|                |      |                       |       |      |                            |                           |                     |                       | E54                  | 54.0 | 2      | 65.0  | 77.1                       | 79.8                                       | 90  | 90  |
|                | 575  | 8.7                   | 62.0  | 13.5 | 0.7                        | 3.6                       | 1.8                 | 4.0                   | None                 | -    | -      | -     | 29.8                       | 31.6                                       | 35  | 40  |
|                |      |                       |       |      |                            |                           |                     |                       | E18                  | 18.0 | 2      | 17.3  | 31.2                       | 33.4                                       | 35  | 40  |
|                |      |                       |       |      |                            |                           |                     |                       | E24                  | 24.0 | 2      | 23.1  | 38.4                       | 40.6                                       | 40  | 45  |
|                |      |                       |       |      |                            |                           |                     |                       | E36                  | 34.0 | 2      | 32.7  | 50.4                       | 52.6                                       | 60  | 60  |
|                |      |                       |       |      |                            |                           |                     |                       | E54                  | 54.0 | 2      | 52.0  | 61.5                       | 63.7                                       | 70  | 70  |

1. Minimum Circuit Ampacity.

2. Dual Element, Time Delay Type.

3. HACR type per NEC.

**JA3 thru A5ZH Hi Static Indoor Blower - With Powered Convenience Outlet**

| Size (Tons) | Volt | Compressors (each) |      |      | OD Fan Motors (each) | Supply Blower Motor | Pwr Exh Motor | Pwr Conv Outlet | Electric Heat Option |      |        |      | MCA <sup>1</sup> (Amps) | MCA <sup>1</sup> w/Pwr Exh (Amps) | Max Fuse <sup>2</sup> / Breaker <sup>3</sup> Size (Amps) | Max Fuse <sup>2</sup> / Breaker <sup>3</sup> Size w/ Pwr Exh (Amps) |  |  |  |  |  |  |  |
|-------------|------|--------------------|------|------|----------------------|---------------------|---------------|-----------------|----------------------|------|--------|------|-------------------------|-----------------------------------|--|---|--|--|--|--|--|--|--|
|             |      | RLA                | LRA  | MCC  | FLA                  | FLA                 | FLA           | FLA             | Model                | kW   | Stages | Amps |                         |                                   |  |   |  |  |  |  |  |  |  |
| JA3 (3)     | 208  | 9.1                | 68.0 | 14.2 | 2.1                  | 5.2                 | 5.5           | 10.0            | None                 | -    | -      | -    | 28.9                    | 34.4                              | 35   | 40  |  |  |  |  |  |  |  |
|             |      |                    |      |      |                      |                     |               |                 | E03                  | 2.3  | 1      | 6.4  | 28.9                    | 34.4                              | 35   | 40  |  |  |  |  |  |  |  |
|             |      |                    |      |      |                      |                     |               |                 | E06                  | 4.5  | 1      | 12.5 | 34.6                    | 41.5                              | 40   | 45  |  |  |  |  |  |  |  |
|             |      |                    |      |      |                      |                     |               |                 | E09                  | 6.8  | 1      | 18.9 | 42.6                    | 49.5                              | 45   | 50  |  |  |  |  |  |  |  |
|             |      |                    |      |      |                      |                     |               |                 | E15                  | 11.3 | 2      | 31.4 | 58.2                    | 65.1                              | 60   | 70  |  |  |  |  |  |  |  |
|             | 230  | 9.1                | 68.0 | 14.2 | 2.1                  | 5.2                 | 5.5           | 10.0            | None                 | -    | -      | -    | 28.9                    | 34.4                              | 35   | 40  |  |  |  |  |  |  |  |
|             |      |                    |      |      |                      |                     |               |                 | E03                  | 3.0  | 1      | 7.2  | 28.9                    | 34.9                              | 35   | 40  |  |  |  |  |  |  |  |
|             |      |                    |      |      |                      |                     |               |                 | E06                  | 6.0  | 1      | 14.4 | 37.0                    | 43.9                              | 40   | 45  |  |  |  |  |  |  |  |
|             |      |                    |      |      |                      |                     |               |                 | E09                  | 9.0  | 1      | 21.7 | 46.1                    | 52.9                              | 50   | 60  |  |  |  |  |  |  |  |
|             |      |                    |      |      |                      |                     |               |                 | E15                  | 15.0 | 2      | 36.1 | 64.1                    | 71.0                              | 70   | 80  |  |  |  |  |  |  |  |
|             | 460  | 4.5                | 34.0 | 7.0  | 1.3                  | 2.6                 | 2.2           | 5.0             | None                 | -    | -      | -    | 14.6                    | 16.8                              | 15   | 20  |  |  |  |  |  |  |  |
|             |      |                    |      |      |                      |                     |               |                 | E03                  | 3.0  | 1      | 3.6  | 14.6                    | 16.8                              | 15   | 20  |  |  |  |  |  |  |  |
|             |      |                    |      |      |                      |                     |               |                 | E06                  | 6.0  | 1      | 7.2  | 18.5                    | 21.3                              | 20   | 25  |  |  |  |  |  |  |  |
|             |      |                    |      |      |                      |                     |               |                 | E09                  | 9.0  | 1      | 10.8 | 23.0                    | 25.8                              | 25   | 30  |  |  |  |  |  |  |  |
|             |      |                    |      |      |                      |                     |               |                 | E15                  | 15.0 | 2      | 18.0 | 32.1                    | 34.8                              | 35   | 35  |  |  |  |  |  |  |  |
|             | 575  | 3.8                | 28.0 | 6.0  | 0.7                  | 2.0                 | 1.8           | 4.0             | None                 | -    | -      | -    | 11.5                    | 13.3                              | 15   | 15  |  |  |  |  |  |  |  |
| E09         |      |                    |      |      |                      |                     |               |                 | 9.0                  | 1    | 8.7    | 18.3 | 20.6                    | 20                                | 25   |   |  |  |  |  |  |  |  |
| E15         |      |                    |      |      |                      |                     |               |                 | 15.0                 | 2    | 14.4   | 25.5 | 27.8                    | 30                                | 30   |   |  |  |  |  |  |  |  |
|             |      |                    |      |      |                      |                     |               |                 | None                 | -    | -      | -    | 31.8                    | 37.3                              | 40   | 45  |  |  |  |  |  |  |  |
|             |      |                    |      |      |                      |                     |               |                 | E06                  | 4.5  | 1      | 12.5 | 34.6                    | 41.5                              | 40   | 45  |  |  |  |  |  |  |  |
| JA4 (4)     | 208  | 11.6               | 88.0 | 17.5 | 2.1                  | 5.2                 | 5.5           | 10.0            | None                 | -    | -      | -    | 31.8                    | 37.3                              | 40   | 45  |  |  |  |  |  |  |  |
|             |      |                    |      |      |                      |                     |               |                 | E06                  | 4.5  | 1      | 12.5 | 34.6                    | 41.5                              | 40   | 45  |  |  |  |  |  |  |  |
|             |      |                    |      |      |                      |                     |               |                 | E09                  | 6.8  | 1      | 18.9 | 42.6                    | 49.5                              | 45   | 50  |  |  |  |  |  |  |  |
|             |      |                    |      |      |                      |                     |               |                 | E15                  | 11.3 | 2      | 31.4 | 58.2                    | 65.1                              | 60   | 70  |  |  |  |  |  |  |  |
|             |      |                    |      |      |                      |                     |               |                 | E20                  | 15.0 | 2      | 41.6 | 71.0                    | 77.9                              | 80   | 80  |  |  |  |  |  |  |  |
|             | 230  | 11.6               | 88.0 | 17.5 | 2.1                  | 5.2                 | 5.5           | 10.0            | None                 | -    | -      | -    | 31.8                    | 37.3                              | 40   | 45  |  |  |  |  |  |  |  |
|             |      |                    |      |      |                      |                     |               |                 | E06                  | 6.0  | 1      | 14.4 | 37.0                    | 43.9                              | 40   | 45  |  |  |  |  |  |  |  |
|             |      |                    |      |      |                      |                     |               |                 | E09                  | 9.0  | 1      | 21.7 | 46.1                    | 52.9                              | 50   | 60  |  |  |  |  |  |  |  |
|             |      |                    |      |      |                      |                     |               |                 | E15                  | 15.0 | 2      | 36.1 | 64.1                    | 71.0                              | 70   | 80  |  |  |  |  |  |  |  |
|             |      |                    |      |      |                      |                     |               |                 | E20                  | 20.0 | 2      | 48.1 | 79.1                    | 86.0                              | 80   | 90  |  |  |  |  |  |  |  |
|             | 460  | 5.6                | 44.0 | 8.0  | 1.3                  | 2.6                 | 2.2           | 5.0             | None                 | -    | -      | -    | 15.9                    | 18.1                              | 20   | 20  |  |  |  |  |  |  |  |
|             |      |                    |      |      |                      |                     |               |                 | E06                  | 6.0  | 1      | 7.2  | 18.5                    | 21.3                              | 20   | 25  |  |  |  |  |  |  |  |
|             |      |                    |      |      |                      |                     |               |                 | E09                  | 9.0  | 1      | 10.8 | 23.0                    | 25.8                              | 25   | 30  |  |  |  |  |  |  |  |
|             |      |                    |      |      |                      |                     |               |                 | E15                  | 15.0 | 2      | 18.0 | 32.1                    | 34.8                              | 35   | 35  |  |  |  |  |  |  |  |
|             |      |                    |      |      |                      |                     |               |                 | E20                  | 20.0 | 2      | 24.1 | 39.6                    | 42.3                              | 40   | 45  |  |  |  |  |  |  |  |
|             | 575  | 4.5                | 36.0 | 7.0  | 0.7                  | 2.0                 | 1.8           | 4.0             | None                 | -    | -      | -    | 12.3                    | 14.1                              | 15   | 15  |  |  |  |  |  |  |  |
| E09         |      |                    |      |      |                      |                     |               |                 | 9.0                  | 1    | 8.7    | 18.3 | 20.6                    | 20                                | 25   |   |  |  |  |  |  |  |  |
| E15         |      |                    |      |      |                      |                     |               |                 | 15.0                 | 2    | 14.4   | 25.5 | 27.8                    | 30                                | 30   |   |  |  |  |  |  |  |  |
| E20         |      |                    |      |      |                      |                     |               |                 | 20.0                 | 2    | 19.2   | 31.6 | 33.8                    | 35                                | 35   |   |  |  |  |  |  |  |  |
|             |      |                    |      |      |                      |                     |               |                 | None                 | -    | -      | -    | 38.6                    | 44.1                              | 50   | 50  |  |  |  |  |  |  |  |
| JA5 (5)     | 208  | 14.1               | 88.0 | 22.0 | 2.1                  | 6.8                 | 5.5           | 10.0            | None                 | -    | -      | -    | 38.6                    | 44.1                              | 50   | 50  |  |  |  |  |  |  |  |
|             |      |                    |      |      |                      |                     |               |                 | E06                  | 4.5  | 1      | 12.5 | 38.6                    | 44.1                              | 50   | 50  |  |  |  |  |  |  |  |
|             |      |                    |      |      |                      |                     |               |                 | E09                  | 6.8  | 1      | 18.9 | 44.6                    | 51.5                              | 50   | 60  |  |  |  |  |  |  |  |
|             |      |                    |      |      |                      |                     |               |                 | E15                  | 11.3 | 2      | 31.4 | 60.2                    | 67.1                              | 70   | 70  |  |  |  |  |  |  |  |
|             |      |                    |      |      |                      |                     |               |                 | E20                  | 15.0 | 2      | 41.6 | 73.0                    | 79.9                              | 80   | 80  |  |  |  |  |  |  |  |
|             | 230  | 14.1               | 88.0 | 22.0 | 2.1                  | 6.8                 | 5.5           | 10.0            | None                 | -    | -      | -    | 38.6                    | 44.1                              | 50   | 50  |  |  |  |  |  |  |  |
|             |      |                    |      |      |                      |                     |               |                 | E06                  | 6.0  | 1      | 14.4 | 39.0                    | 45.9                              | 50   | 50  |  |  |  |  |  |  |  |
|             |      |                    |      |      |                      |                     |               |                 | E09                  | 9.0  | 1      | 21.7 | 48.1                    | 54.9                              | 50   | 60  |  |  |  |  |  |  |  |
|             |      |                    |      |      |                      |                     |               |                 | E15                  | 15.0 | 2      | 36.1 | 66.1                    | 73.0                              | 70   | 80  |  |  |  |  |  |  |  |
|             |      |                    |      |      |                      |                     |               |                 | E20                  | 20.0 | 2      | 48.1 | 81.1                    | 88.0                              | 90   | 90  |  |  |  |  |  |  |  |
|             | 460  | 7.7                | 55.0 | 12.0 | 1.3                  | 3.4                 | 2.2           | 5.0             | None                 | -    | -      | -    | 20.5                    | 22.7                              | 25   | 30  |  |  |  |  |  |  |  |
|             |      |                    |      |      |                      |                     |               |                 | E06                  | 6.0  | 1      | 7.2  | 20.5                    | 22.7                              | 25   | 30  |  |  |  |  |  |  |  |
|             |      |                    |      |      |                      |                     |               |                 | E09                  | 9.0  | 1      | 10.8 | 24.0                    | 26.8                              | 25   | 30  |  |  |  |  |  |  |  |
|             |      |                    |      |      |                      |                     |               |                 | E15                  | 15.0 | 2      | 18.0 | 33.1                    | 35.8                              | 35   | 40  |  |  |  |  |  |  |  |
|             |      |                    |      |      |                      |                     |               |                 | E20                  | 20.0 | 2      | 24.1 | 40.6                    | 43.3                              | 45   | 45  |  |  |  |  |  |  |  |
|             | 575  | 5.1                | 36.0 | 7.5  | 0.7                  | 2.4                 | 1.8           | 4.0             | None                 | -    | -      | -    | 14.1                    | 15.9                              | 15   | 20  |  |  |  |  |  |  |  |
| E09         |      |                    |      |      |                      |                     |               |                 | 9.0                  | 1    | 8.7    | 18.8 | 21.1                    | 20                                | 25   |   |  |  |  |  |  |  |  |
| E15         |      |                    |      |      |                      |                     |               |                 | 15.0                 | 2    | 14.4   | 26.0 | 28.3                    | 30                                | 30   |   |  |  |  |  |  |  |  |
| E20         |      |                    |      |      |                      |                     |               |                 | 20.0                 | 2    | 19.2   | 32.1 | 34.3                    | 35                                | 35   |   |  |  |  |  |  |  |  |
| E24         |      |                    |      |      |                      |                     |               |                 | 24.0                 | 2    | 23.1   | 36.9 | 39.1                    | 40                                | 40   |   |  |  |  |  |  |  |  |

1. Minimum Circuit Ampacity.
2. Dual Element, Time Delay Type.
3. HACR type per NEC.

## J06 thru 12ZH Hi Static Motor - With Powered Convenience Outlet

| Size<br>(Tons) | Volt | Compressors<br>(each) |      |      | OD Fan<br>Motors<br>(each) | Supply<br>Blower<br>Motor | Pwr<br>Exh<br>Motor | Pwr<br>Conv<br>Outlet | Electric Heat Option |      |        |      | MCA <sup>1</sup><br>(Amps) | MCA <sup>1</sup><br>w/Pwr<br>Exh<br>(Amps) | Max Fuse <sup>2</sup> /<br>Breaker <sup>3</sup><br>Size<br>(Amps) | Max Fuse <sup>2</sup> /<br>Breaker <sup>3</sup><br>Size w/ Pwr<br>Exh<br>(Amps) |
|----------------|------|-----------------------|------|------|----------------------------|---------------------------|---------------------|-----------------------|----------------------|------|--------|------|----------------------------|--|---|---|
|                |      | RLA                   | LRA  | MCC  | FLA                        | FLA                       | FLA                 | FLA                   | Model                | kW   | Stages | Amps |                            |  |   |   |
| J06<br>(6.5)   | 208  | 9.6                   | 68.0 | 14.5 | 2.1                        | 6.8                       | 5.5                 | 10.0                  | None                 | -    | -      | -    | 42.7                       | 48.2                                       | 50  | 50  |
|                |      |                       |      |      |                            |                           |                     |                       | E09                  | 6.8  | 1      | 18.9 | 44.6                       | 51.5                                       | 50  | 60  |
|                |      |                       |      |      |                            |                           |                     |                       | E18                  | 13.5 | 2      | 37.5 | 67.8                       | 74.7                                       | 70  | 80  |
|                |      |                       |      |      |                            |                           |                     |                       | E24                  | 18.0 | 2      | 50.0 | 83.5                       | 90.3                                       | 90  | 100   |
|                |      |                       |      |      |                            |                           |                     |                       | E36                  | 25.5 | 2      | 70.8 | 109.5                      | 116.4                                      | 110   | 125   |
|                | 230  | 9.6                   | 68.0 | 14.5 | 2.1                        | 6.8                       | 5.5                 | 10.0                  | None                 | -    | -      | -    | 42.7                       | 48.2                                       | 50  | 50  |
|                |      |                       |      |      |                            |                           |                     |                       | E09                  | 9.0  | 1      | 21.7 | 48.1                       | 54.9                                       | 50  | 60  |
|                |      |                       |      |      |                            |                           |                     |                       | E18                  | 18.0 | 2      | 43.3 | 75.1                       | 82.0                                       | 80  | 90  |
|                |      |                       |      |      |                            |                           |                     |                       | E24                  | 24.0 | 2      | 57.7 | 93.2                       | 100.0                                      | 100   | 100   |
|                |      |                       |      |      |                            |                           |                     |                       | E36                  | 34.0 | 2      | 81.8 | 123.2                      | 130.1                                      | 125   | 150   |
|                | 460  | 4.9                   | 34.0 | 7.7  | 1.3                        | 3.4                       | 2.2                 | 5.0                   | None                 | -    | -      | -    | 22.0                       | 24.2                                       | 25  | 25  |
|                |      |                       |      |      |                            |                           |                     |                       | E09                  | 9.0  | 1      | 10.8 | 24.0                       | 26.8                                       | 25  | 30  |
|                |      |                       |      |      |                            |                           |                     |                       | E18                  | 18.0 | 2      | 21.7 | 37.6                       | 40.3                                       | 40  | 45  |
|                |      |                       |      |      |                            |                           |                     |                       | E24                  | 24.0 | 2      | 28.9 | 46.6                       | 49.3                                       | 50  | 50  |
|                |      |                       |      |      |                            |                           |                     |                       | E36                  | 34.0 | 2      | 40.9 | 61.6                       | 64.4                                       | 70  | 70  |
|                | 575  | 3.8                   | 28.0 | 6.0  | 0.7                        | 2.4                       | 1.8                 | 4.0                   | None                 | -    | -      | -    | 16.3                       | 18.1                                       | 20  | 20  |
|                |      |                       |      |      |                            |                           |                     |                       | E09                  | 9.0  | 1      | 8.7  | 18.8                       | 21.1                                       | 20  | 25  |
|                |      |                       |      |      |                            |                           |                     |                       | E18                  | 18.0 | 2      | 17.3 | 29.7                       | 31.9                                       | 30  | 35  |
|                |      |                       |      |      |                            |                           |                     |                       | E24                  | 24.0 | 2      | 23.1 | 36.9                       | 39.1                                       | 40  | 40  |
|                |      |                       |      |      |                            |                           |                     |                       | E36                  | 34.0 | 2      | 32.7 | 48.9                       | 51.1                                       | 50  | 60  |
| J07<br>(7.5)   | 208  | 11.9                  | 88.0 | 18.5 | 3.0                        | 9.6                       | 5.5                 | 10.0                  | None                 | -    | -      | -    | 52.4                       | 57.9                                       | 60  | 60  |
|                |      |                       |      |      |                            |                           |                     |                       | E09                  | 6.8  | 1      | 18.9 | 52.4                       | 57.9                                       | 60  | 60  |
|                |      |                       |      |      |                            |                           |                     |                       | E18                  | 13.5 | 2      | 37.5 | 71.3                       | 78.2                                       | 80  | 80  |
|                |      |                       |      |      |                            |                           |                     |                       | E24                  | 18.0 | 2      | 50.0 | 87.0                       | 93.8                                       | 90  | 100   |
|                |      |                       |      |      |                            |                           |                     |                       | E36                  | 25.5 | 2      | 70.8 | 113.0                      | 119.9                                      | 125   | 125   |
|                | 230  | 11.9                  | 88.0 | 18.5 | 3.0                        | 9.6                       | 5.5                 | 10.0                  | None                 | -    | -      | -    | 52.4                       | 57.9                                       | 60  | 60  |
|                |      |                       |      |      |                            |                           |                     |                       | E09                  | 9.0  | 1      | 21.7 | 52.4                       | 58.4                                       | 60  | 60  |
|                |      |                       |      |      |                            |                           |                     |                       | E18                  | 18.0 | 2      | 43.3 | 78.6                       | 85.5                                       | 80  | 90  |
|                |      |                       |      |      |                            |                           |                     |                       | E24                  | 24.0 | 2      | 57.7 | 96.7                       | 103.5                                      | 100   | 110   |
|                |      |                       |      |      |                            |                           |                     |                       | E36                  | 34.0 | 2      | 81.8 | 126.7                      | 133.6                                      | 150   | 150   |
|                | 460  | 5.2                   | 44.0 | 8.1  | 1.6                        | 4.7                       | 2.2                 | 5.0                   | None                 | -    | -      | -    | 24.6                       | 26.8                                       | 25  | 30  |
|                |      |                       |      |      |                            |                           |                     |                       | E09                  | 9.0  | 1      | 10.8 | 25.7                       | 28.4                                       | 30  | 30  |
|                |      |                       |      |      |                            |                           |                     |                       | E18                  | 18.0 | 2      | 21.7 | 39.2                       | 41.9                                       | 40  | 45  |
|                |      |                       |      |      |                            |                           |                     |                       | E24                  | 24.0 | 2      | 28.9 | 48.2                       | 51.0                                       | 50  | 60  |
|                |      |                       |      |      |                            |                           |                     |                       | E36                  | 34.0 | 2      | 40.9 | 63.2                       | 66.0                                       | 70  | 70  |
|                | 575  | 4.8                   | 36.0 | 7.5  | 1.4                        | 3.6                       | 1.8                 | 4.0                   | None                 | -    | -      | -    | 21.1                       | 22.9                                       | 25  | 25  |
|                |      |                       |      |      |                            |                           |                     |                       | E09                  | 9.0  | 1      | 8.7  | 21.1                       | 22.9                                       | 25  | 25  |
|                |      |                       |      |      |                            |                           |                     |                       | E18                  | 18.0 | 2      | 17.3 | 31.2                       | 33.4                                       | 35  | 35  |
|                |      |                       |      |      |                            |                           |                     |                       | E24                  | 24.0 | 2      | 23.1 | 38.4                       | 40.6                                       | 40  | 45  |
|                |      |                       |      |      |                            |                           |                     |                       | E36                  | 34.0 | 2      | 32.7 | 50.4                       | 52.6                                       | 60  | 60  |
| J08<br>(8.5)   | 208  | 12.2                  | 88.0 | 19.0 | 3.0                        | 9.6                       | 5.5                 | 10.0                  | None                 | -    | -      | -    | 53.1                       | 58.6                                       | 60  | 70  |
|                |      |                       |      |      |                            |                           |                     |                       | E09                  | 6.8  | 1      | 18.9 | 53.1                       | 58.6                                       | 60  | 70  |
|                |      |                       |      |      |                            |                           |                     |                       | E18                  | 13.5 | 2      | 37.5 | 71.3                       | 78.2                                       | 80  | 80  |
|                |      |                       |      |      |                            |                           |                     |                       | E24                  | 18.0 | 2      | 50.0 | 87.0                       | 93.8                                       | 90  | 100   |
|                |      |                       |      |      |                            |                           |                     |                       | E36                  | 25.5 | 2      | 70.8 | 113.0                      | 119.9                                      | 125   | 125   |
|                | 230  | 12.2                  | 88.0 | 19.0 | 3.0                        | 9.6                       | 5.5                 | 10.0                  | None                 | -    | -      | -    | 53.1                       | 58.6                                       | 60  | 70  |
|                |      |                       |      |      |                            |                           |                     |                       | E09                  | 9.0  | 1      | 21.7 | 53.1                       | 58.6                                       | 60  | 70  |
|                |      |                       |      |      |                            |                           |                     |                       | E18                  | 18.0 | 2      | 43.3 | 78.6                       | 85.5                                       | 80  | 90  |
|                |      |                       |      |      |                            |                           |                     |                       | E24                  | 24.0 | 2      | 57.7 | 96.7                       | 103.5                                      | 100   | 110   |
|                |      |                       |      |      |                            |                           |                     |                       | E36                  | 34.0 | 2      | 81.8 | 126.7                      | 133.6                                      | 150   | 150   |
|                | 460  | 5.8                   | 44.0 | 9.0  | 1.6                        | 4.7                       | 2.2                 | 5.0                   | None                 | -    | -      | -    | 26.0                       | 28.2                                       | 30  | 30  |
|                |      |                       |      |      |                            |                           |                     |                       | E09                  | 9.0  | 1      | 10.8 | 26.0                       | 28.4                                       | 30  | 30  |
|                |      |                       |      |      |                            |                           |                     |                       | E18                  | 18.0 | 2      | 21.7 | 39.2                       | 41.9                                       | 40  | 45  |
|                |      |                       |      |      |                            |                           |                     |                       | E24                  | 24.0 | 2      | 28.9 | 48.2                       | 51.0                                       | 50  | 60  |
|                |      |                       |      |      |                            |                           |                     |                       | E36                  | 34.0 | 2      | 40.9 | 63.2                       | 66.0                                       | 70  | 70  |
|                | 575  | 4.4                   | 36.0 | 5.5  | 1.4                        | 3.6                       | 1.8                 | 4.0                   | None                 | -    | -      | -    | 20.2                       | 22.0                                       | 25  | 25  |
|                |      |                       |      |      |                            |                           |                     |                       | E09                  | 9.0  | 1      | 8.7  | 20.3                       | 22.6                                       | 25  | 25  |
|                |      |                       |      |      |                            |                           |                     |                       | E18                  | 18.0 | 2      | 17.3 | 31.2                       | 33.4                                       | 35  | 35  |
|                |      |                       |      |      |                            |                           |                     |                       | E24                  | 24.0 | 2      | 23.1 | 38.4                       | 40.6                                       | 40  | 45  |
|                |      |                       |      |      |                            |                           |                     |                       | E36                  | 34.0 | 2      | 32.7 | 50.4                       | 52.6                                       | 60  | 60  |

**J06 thru 12ZH Hi Static Motor - With Powered Convenience Outlet (Continued)**

| Size (Tons)   | Volt | Compressors (each) |       |      | OD Fan Motors (each) | Supply Blower Motor | Pwr Exh Motor | Pwr Conv Outlet | Electric Heat Option |      |        |       | MCA <sup>1</sup> (Amps) | MCA <sup>1</sup> w/Pwr Exh (Amps) | Max Fuse <sup>2</sup> /<br>Breaker <sup>3</sup> Size (Amps) | Max Fuse <sup>2</sup> /<br>Breaker <sup>3</sup> Size w/ Pwr Exh (Amps) |
|---------------|------|--------------------|-------|------|----------------------|---------------------|---------------|-----------------|----------------------|------|--------|-------|-------------------------|-----------------------------------|---|--|
|               |      | RLA                | LRA   | MCC  | FLA                  | FLA                 | FLA           | FLA             | Model                | kW   | Stages | Amps  |                         |                                   |   |  |
| J10<br>(10)   | 208  | 16.0               | 110.0 | 24.9 | 3.0                  | 9.6                 | 5.5           | 10.0            | None                 | -    | -      | -     | 61.7                    | 67.2                              | 70  | 80   |
|               |      |                    |       |      |                      |                     |               |                 | E18                  | 13.5 | 2      | 37.5  | 71.3                    | 78.2                              | 80  | 80   |
|               |      |                    |       |      |                      |                     |               |                 | E24                  | 18.0 | 2      | 50.0  | 87.0                    | 93.8                              | 90  | 100  |
|               |      |                    |       |      |                      |                     |               |                 | E36                  | 25.5 | 2      | 70.8  | 113.0                   | 119.9                             | 125   | 125  |
|               |      |                    |       |      |                      |                     |               |                 | E54                  | 40.6 | 2      | 112.7 | 165.4                   | 172.2                             | 175   | 175  |
|               | 230  | 16.0               | 110.0 | 24.9 | 3.0                  | 9.6                 | 5.5           | 10.0            | None                 | -    | -      | -     | 61.7                    | 67.2                              | 70  | 80   |
|               |      |                    |       |      |                      |                     |               |                 | E18                  | 18.0 | 2      | 43.3  | 78.6                    | 85.5                              | 80  | 90   |
|               |      |                    |       |      |                      |                     |               |                 | E24                  | 24.0 | 2      | 57.7  | 96.7                    | 103.5                             | 100   | 110  |
|               |      |                    |       |      |                      |                     |               |                 | E36                  | 34.0 | 2      | 81.8  | 126.7                   | 133.6                             | 150   | 150  |
|               |      |                    |       |      |                      |                     |               |                 | E54                  | 54.0 | 2      | 129.9 | 154.4                   | 161.3                             | 175   | 175  |
|               | 460  | 7.8                | 52.0  | 12.1 | 1.6                  | 4.7                 | 2.2           | 5.0             | None                 | -    | -      | -     | 30.5                    | 32.7                              | 35  | 40   |
|               |      |                    |       |      |                      |                     |               |                 | E18                  | 18.0 | 2      | 21.7  | 39.2                    | 41.9                              | 40  | 45   |
|               |      |                    |       |      |                      |                     |               |                 | E24                  | 24.0 | 2      | 28.9  | 48.2                    | 51.0                              | 50  | 60   |
|               |      |                    |       |      |                      |                     |               |                 | E36                  | 34.0 | 2      | 40.9  | 63.2                    | 66.0                              | 70  | 70   |
|               |      |                    |       |      |                      |                     |               |                 | E54                  | 54.0 | 2      | 65.0  | 77.1                    | 79.8                              | 90  | 90   |
|               | 575  | 5.7                | 38.9  | 8.9  | 1.4                  | 3.6                 | 1.8           | 4.0             | None                 | -    | -      | -     | 23.1                    | 24.9                              | 25  | 30   |
|               |      |                    |       |      |                      |                     |               |                 | E18                  | 18.0 | 2      | 17.3  | 31.2                    | 33.4                              | 35  | 35   |
|               |      |                    |       |      |                      |                     |               |                 | E24                  | 24.0 | 2      | 23.1  | 38.4                    | 40.6                              | 40  | 45   |
|               |      |                    |       |      |                      |                     |               |                 | E36                  | 34.0 | 2      | 32.7  | 50.4                    | 52.6                              | 60  | 60   |
|               |      |                    |       |      |                      |                     |               |                 | E54                  | 54.0 | 2      | 52.0  | 61.5                    | 63.7                              | 70  | 70   |
| J12<br>(12.5) | 208  | 23.1               | 160.0 | 36.0 | 2.1                  | 14.0                | 5.5           | 10.0            | None                 | -    | -      | -     | 84.4                    | 89.9                              | 100   | 110  |
|               |      |                    |       |      |                      |                     |               |                 | E18                  | 13.5 | 2      | 37.5  | 84.4                    | 89.9                              | 100   | 110  |
|               |      |                    |       |      |                      |                     |               |                 | E24                  | 18.0 | 2      | 50.0  | 92.5                    | 99.3                              | 100   | 110  |
|               |      |                    |       |      |                      |                     |               |                 | E36                  | 25.5 | 2      | 70.8  | 118.5                   | 125.4                             | 125   | 150  |
|               |      |                    |       |      |                      |                     |               |                 | E54                  | 40.6 | 2      | 112.7 | 170.9                   | 177.7                             | 175   | 200  |
|               | 230  | 23.1               | 160.0 | 36.0 | 2.1                  | 14.0                | 5.5           | 10.0            | None                 | -    | -      | -     | 84.4                    | 89.9                              | 100   | 110  |
|               |      |                    |       |      |                      |                     |               |                 | E18                  | 18.0 | 2      | 43.3  | 84.4                    | 91.0                              | 100   | 110  |
|               |      |                    |       |      |                      |                     |               |                 | E24                  | 24.0 | 2      | 57.7  | 102.2                   | 109.0                             | 110   | 110  |
|               |      |                    |       |      |                      |                     |               |                 | E36                  | 34.0 | 2      | 81.8  | 132.2                   | 139.1                             | 150   | 150  |
|               |      |                    |       |      |                      |                     |               |                 | E54                  | 54.0 | 2      | 129.9 | 159.9                   | 166.8                             | 175   | 175  |
|               | 460  | 12.2               | 87.0  | 19.0 | 1.3                  | 6.6                 | 2.2           | 5.0             | None                 | -    | -      | -     | 44.1                    | 46.3                              | 50  | 50   |
|               |      |                    |       |      |                      |                     |               |                 | E18                  | 18.0 | 2      | 21.7  | 44.1                    | 46.3                              | 50  | 50   |
|               |      |                    |       |      |                      |                     |               |                 | E24                  | 24.0 | 2      | 28.9  | 50.6                    | 53.3                              | 60  | 60   |
|               |      |                    |       |      |                      |                     |               |                 | E36                  | 34.0 | 2      | 40.9  | 65.6                    | 68.4                              | 70  | 70   |
|               |      |                    |       |      |                      |                     |               |                 | E54                  | 54.0 | 2      | 65.0  | 79.5                    | 82.2                              | 90  | 90   |
|               | 575  | 8.7                | 62.0  | 13.5 | 0.7                  | 5.2                 | 1.8           | 4.0             | None                 | -    | -      | -     | 31.4                    | 33.2                              | 40  | 40   |
|               |      |                    |       |      |                      |                     |               |                 | E18                  | 18.0 | 2      | 17.3  | 33.2                    | 35.4                              | 40  | 40   |
|               |      |                    |       |      |                      |                     |               |                 | E24                  | 24.0 | 2      | 23.1  | 40.4                    | 42.6                              | 45  | 45   |
|               |      |                    |       |      |                      |                     |               |                 | E36                  | 34.0 | 2      | 32.7  | 52.4                    | 54.6                              | 60  | 60   |
|               |      |                    |       |      |                      |                     |               |                 | E54                  | 54.0 | 2      | 52.0  | 63.5                    | 65.7                              | 70  | 70   |

1. Minimum Circuit Ampacity.
2. Dual Element, Time Delay Type.
3. HACR type per NEC.

## JA3 thru A5ZJ Standard Indoor Blower - Without Powered Convenience Outlet

| Size<br>(Tons) | Volt | Compressors<br>(each) |      |      | OD Fan<br>Motors<br>(each) | Supply<br>Blower<br>Motor | Pwr<br>Exh<br>Motor | Pwr<br>Conv<br>Outlet | Electric Heat Option |      |        |      | MCA <sup>1</sup><br>(Amps) | MCA <sup>1</sup><br>w/Pwr<br>Exh<br>(Amps) | Max Fuse <sup>2</sup> /<br>Breaker <sup>3</sup><br>Size<br>(Amps) | Max Fuse <sup>2</sup> /<br>Breaker <sup>3</sup><br>Size w/<br>Pwr Exh<br>(Amps) |
|----------------|------|-----------------------|------|------|----------------------------|---------------------------|---------------------|-----------------------|----------------------|------|--------|------|----------------------------|--|---|---|
|                |      | RLA                   | LRA  | MCC  | FLA                        | FLA                       | FLA                 | FLA                   | Model                | kW   | Stages | Amps |                            |  |   |   |
| JA3<br>(3)     | 208  | 8.7                   | 68.0 | 13.5 | 2.1                        | 5.2                       | 5.5                 | 0.0                   | None                 | -    | -      | -    | 18.2                       | 23.7                                       | 25  | 30  |
|                |      |                       |      |      |                            |                           |                     |                       | E03                  | 2.3  | 1      | 6.4  | 18.2                       | 23.7                                       | 25  | 30  |
|                |      |                       |      |      |                            |                           |                     |                       | E06                  | 4.5  | 1      | 12.5 | 22.1                       | 29.0                                       | 25  | 30  |
|                |      |                       |      |      |                            |                           |                     |                       | E09                  | 6.8  | 1      | 18.9 | 30.1                       | 37.0                                       | 35  | 40  |
|                | E15  | 11.3                  | 2    | 31.4 | 45.7                       | 52.6                      | 50                  | 60                    |                      |      |        |      |                            |  |   |   |
|                | 230  | 8.7                   | 68.0 | 13.5 | 2.1                        | 5.2                       | 5.5                 | 0.0                   | None                 | -    | -      | -    | 18.2                       | 23.7                                       | 25  | 30  |
|                |      |                       |      |      |                            |                           |                     |                       | E03                  | 3.0  | 1      | 7.2  | 18.2                       | 23.7                                       | 25  | 30  |
|                |      |                       |      |      |                            |                           |                     |                       | E06                  | 6.0  | 1      | 14.4 | 24.5                       | 31.4                                       | 25  | 35  |
|                |      |                       |      |      |                            |                           |                     |                       | E09                  | 9.0  | 1      | 21.7 | 33.6                       | 40.4                                       | 35  | 45  |
|                | E15  | 15.0                  | 2    | 36.1 | 51.6                       | 58.5                      | 60                  | 60                    |                      |      |        |      |                            |  |   |   |
|                | 460  | 4.6                   | 34.0 | 7.1  | 1.3                        | 2.6                       | 2.2                 | 0.0                   | None                 | -    | -      | -    | 9.6                        | 11.8                                       | 15  | 15  |
|                |      |                       |      |      |                            |                           |                     |                       | E03                  | 3.0  | 1      | 3.6  | 9.6                        | 11.8                                       | 15  | 15  |
|                |      |                       |      |      |                            |                           |                     |                       | E06                  | 6.0  | 1      | 7.2  | 12.3                       | 15.0                                       | 15  | 15  |
|                |      |                       |      |      |                            |                           |                     |                       | E09                  | 9.0  | 1      | 10.8 | 16.8                       | 19.5                                       | 20  | 20  |
|                | E15  | 15.0                  | 2    | 18.0 | 25.8                       | 28.6                      | 30                  | 30                    |                      |      |        |      |                            |  |   |   |
|                | 575  | 3.5                   | 28.0 | 5.5  | 0.7                        | 2.0                       | 1.8                 | 0.0                   | None                 | -    | -      | -    | 7.0                        | 8.8  | 15  | 15  |
| E09            |      |                       |      |      |                            |                           |                     |                       | 9.0                  | 1    | 8.7    | 13.3 | 15.6                       | 15   | 20  |   |
| E15            |      |                       |      |      |                            |                           |                     |                       | 15.0                 | 2    | 14.4   | 20.5 | 22.8                       | 25   | 25  |   |
| E20            |      |                       |      |      |                            |                           |                     |                       | 20.0                 | 2    | 19.2   | 26.6 | 28.8                       | 30   | 30  |   |
| JA4<br>(4)     | 208  | 11.2                  | 88.0 | 17.5 | 2.1                        | 5.2                       | 5.5                 | 0.0                   | None                 | -    | -      | -    | 21.3                       | 26.8                                       | 30  | 35  |
|                |      |                       |      |      |                            |                           |                     |                       | E06                  | 4.5  | 1      | 12.5 | 22.1                       | 29.0                                       | 30  | 35  |
|                |      |                       |      |      |                            |                           |                     |                       | E09                  | 6.8  | 1      | 18.9 | 30.1                       | 37.0                                       | 35  | 40  |
|                |      |                       |      |      |                            |                           |                     |                       | E15                  | 11.3 | 2      | 31.4 | 45.7                       | 52.6                                       | 50  | 60  |
|                | E20  | 15.0                  | 2    | 41.6 | 58.5                       | 65.4                      | 60                  | 70                    |                      |      |        |      |                            |  |   |   |
|                | 230  | 11.2                  | 88.0 | 17.5 | 2.1                        | 5.2                       | 5.5                 | 0.0                   | None                 | -    | -      | -    | 21.3                       | 26.8                                       | 30  | 35  |
|                |      |                       |      |      |                            |                           |                     |                       | E06                  | 6.0  | 1      | 14.4 | 24.5                       | 31.4                                       | 30  | 35  |
|                |      |                       |      |      |                            |                           |                     |                       | E09                  | 9.0  | 1      | 21.7 | 33.6                       | 40.4                                       | 35  | 45  |
|                |      |                       |      |      |                            |                           |                     |                       | E15                  | 15.0 | 2      | 36.1 | 51.6                       | 58.5                                       | 60  | 60  |
|                | E20  | 20.0                  | 2    | 48.1 | 66.6                       | 73.5                      | 70                  | 80                    |                      |      |        |      |                            |  |   |   |
|                | 460  | 5.6                   | 44.0 | 8.0  | 1.3                        | 2.6                       | 2.2                 | 0.0                   | None                 | -    | -      | -    | 10.9                       | 13.1                                       | 15  | 15  |
|                |      |                       |      |      |                            |                           |                     |                       | E06                  | 6.0  | 1      | 7.2  | 12.3                       | 15.0                                       | 15  | 15  |
|                |      |                       |      |      |                            |                           |                     |                       | E09                  | 9.0  | 1      | 10.8 | 16.8                       | 19.5                                       | 20  | 20  |
|                |      |                       |      |      |                            |                           |                     |                       | E15                  | 15.0 | 2      | 18.0 | 25.8                       | 28.6                                       | 30  | 30  |
|                | E20  | 20.0                  | 2    | 24.1 | 33.3                       | 36.1                      | 35                  | 40                    |                      |      |        |      |                            |  |   |   |
|                | 575  | 4.5                   | 36.0 | 7.0  | 0.7                        | 2.0                       | 1.8                 | 0.0                   | None                 | -    | -      | -    | 8.3                        | 10.1                                       | 15  | 15  |
| E09            |      |                       |      |      |                            |                           |                     |                       | 9.0                  | 1    | 8.7    | 13.3 | 15.6                       | 15   | 20  |   |
| E15            |      |                       |      |      |                            |                           |                     |                       | 15.0                 | 2    | 14.4   | 20.5 | 22.8                       | 25   | 25  |   |
| E20            |      |                       |      |      |                            |                           |                     |                       | 20.0                 | 2    | 19.2   | 26.6 | 28.8                       | 30   | 30  |   |
| JA5<br>(5)     | 208  | 14.1                  | 88.0 | 22.0 | 2.1                        | 5.2                       | 5.5                 | 0.0                   | None                 | -    | -      | -    | 27.0                       | 32.5                                       | 35  | 45  |
|                |      |                       |      |      |                            |                           |                     |                       | E06                  | 4.5  | 1      | 12.5 | 27.0                       | 32.5                                       | 35  | 45  |
|                |      |                       |      |      |                            |                           |                     |                       | E09                  | 6.8  | 1      | 18.9 | 30.1                       | 37.0                                       | 40  | 45  |
|                |      |                       |      |      |                            |                           |                     |                       | E15                  | 11.3 | 2      | 31.4 | 45.7                       | 52.6                                       | 50  | 60  |
|                |      |                       |      |      |                            |                           |                     |                       | E20                  | 15.0 | 2      | 41.6 | 58.5                       | 65.4                                       | 60  | 70  |
|                |      |                       |      |      |                            |                           |                     |                       | E24                  | 18.0 | 2      | 50.0 | 69.0                       | 75.8                                       | 70  | 80  |
|                | 230  | 14.1                  | 88.0 | 22.0 | 2.1                        | 5.2                       | 5.5                 | 0.0                   | None                 | -    | -      | -    | 27.0                       | 32.5                                       | 35  | 45  |
|                |      |                       |      |      |                            |                           |                     |                       | E06                  | 6.0  | 1      | 14.4 | 27.0                       | 32.5                                       | 35  | 45  |
|                |      |                       |      |      |                            |                           |                     |                       | E09                  | 9.0  | 1      | 21.7 | 33.6                       | 40.4                                       | 40  | 45  |
|                |      |                       |      |      |                            |                           |                     |                       | E15                  | 15.0 | 2      | 36.1 | 51.6                       | 58.5                                       | 60  | 60  |
|                |      |                       |      |      |                            |                           |                     |                       | E20                  | 20.0 | 2      | 48.1 | 66.6                       | 73.5                                       | 70  | 80  |
|                |      |                       |      |      |                            |                           |                     |                       | E24                  | 24.0 | 2      | 57.7 | 78.7                       | 85.5                                       | 80  | 90  |
|                | 460  | 7.7                   | 55.0 | 12.0 | 1.3                        | 2.6                       | 2.2                 | 0.0                   | None                 | -    | -      | -    | 14.7                       | 16.9                                       | 20  | 20  |
|                |      |                       |      |      |                            |                           |                     |                       | E06                  | 6.0  | 1      | 7.2  | 14.7                       | 16.9                                       | 20  | 20  |
|                |      |                       |      |      |                            |                           |                     |                       | E09                  | 9.0  | 1      | 10.8 | 16.8                       | 19.5                                       | 20  | 20  |
|                |      |                       |      |      |                            |                           |                     |                       | E15                  | 15.0 | 2      | 18.0 | 25.8                       | 28.6                                       | 30  | 30  |
| E20            |      |                       |      |      |                            |                           |                     |                       | 20.0                 | 2    | 24.1   | 33.3 | 36.1                       | 35   | 40  |   |
| E24            |      |                       |      |      |                            |                           |                     |                       | 24.0                 | 2    | 28.9   | 39.3 | 42.1                       | 40   | 45  |   |
| 575            | 5.1  | 36.0                  | 7.5  | 0.7  | 2.0                        | 1.8                       | 0.0                 | None                  | -                    | -    | -      | 9.7  | 11.5                       | 15   | 15  |   |
|                |      |                       |      |      |                            |                           |                     | E09                   | 9.0                  | 1    | 8.7    | 13.3 | 15.6                       | 15   | 20  |   |
|                |      |                       |      |      |                            |                           |                     | E15                   | 15.0                 | 2    | 14.4   | 20.5 | 22.8                       | 25   | 25  |   |
|                |      |                       |      |      |                            |                           |                     | E20                   | 20.0                 | 2    | 19.2   | 26.6 | 28.8                       | 30   | 30  |   |
| E24            | 24.0 | 2                     | 23.1 | 31.4 | 33.6                       | 35                        | 35                  |                       |                      |      |        |      |                            |  |   |   |

1. Minimum Circuit Ampacity.
2. Dual Element, Time Delay Type.
3. HACR type per NEC.

**J06 thru 12ZJ Standard Motor - Without Powered Convenience Outlet**

| Size (Tons) | Volt | Compressors (each) |      |      | OD Fan Motors (each) | Supply Blower Motor | Pwr Exh Motor | Pwr Conv Outlet | Electric Heat Option |      |        |      | MCA <sup>1</sup> (Amps) | MCA <sup>1</sup> w/Pwr Exh (Amps) | Max Fuse <sup>2/</sup> Breaker <sup>3</sup> Size (Amps) | Max Fuse <sup>2/</sup> Breaker <sup>3</sup> Size w/ Pwr Exh (Amps) |
|-------------|------|--------------------|------|------|----------------------|---------------------|---------------|-----------------|----------------------|------|--------|------|-------------------------|-----------------------------------|---|--|
|             |      | RLA                | LRA  | MCC  | FLA                  | FLA                 | FLA           | FLA             | Model                | kW   | Stages | Amps |                         |                                   |   |  |
| J06 (6.5)   | 208  | 9.3                | 68.0 | 14.5 | 2.1                  | 5.2                 | 5.5           | 0.0             | None                 | -    | -      | -    | 30.3                    | 35.8                              | 35  | 45   |
|             |      |                    |      |      |                      |                     |               |                 | E09                  | 6.8  | 1      | 18.9 | 30.3                    | 37.0                              | 35  | 45   |
|             |      |                    |      |      |                      |                     |               |                 | E18                  | 13.5 | 2      | 37.5 | 53.3                    | 60.2                              | 60  | 70   |
|             |      |                    |      |      |                      |                     |               |                 | E24                  | 18.0 | 2      | 50.0 | 69.0                    | 75.8                              | 70  | 80   |
|             |      |                    |      |      |                      |                     |               |                 | E36                  | 25.5 | 2      | 70.8 | 95.0                    | 101.9                             | 100   | 110  |
|             | 230  | 9.3                | 68.0 | 14.5 | 2.1                  | 5.2                 | 5.5           | 0.0             | None                 | -    | -      | -    | 30.3                    | 35.8                              | 35  | 45   |
|             |      |                    |      |      |                      |                     |               |                 | E09                  | 9.0  | 1      | 21.7 | 33.6                    | 40.4                              | 35  | 45   |
|             |      |                    |      |      |                      |                     |               |                 | E18                  | 18.0 | 2      | 43.3 | 60.6                    | 67.5                              | 70  | 70   |
|             |      |                    |      |      |                      |                     |               |                 | E24                  | 24.0 | 2      | 57.7 | 78.7                    | 85.5                              | 80  | 90   |
|             |      |                    |      |      |                      |                     |               |                 | E36                  | 34.0 | 2      | 81.8 | 108.7                   | 115.6                             | 110   | 125  |
|             | 460  | 4.9                | 34.0 | 7.6  | 1.3                  | 2.6                 | 2.2           | 0.0             | None                 | -    | -      | -    | 16.1                    | 18.3                              | 20  | 20   |
|             |      |                    |      |      |                      |                     |               |                 | E09                  | 9.0  | 1      | 10.8 | 16.8                    | 19.5                              | 20  | 20   |
|             |      |                    |      |      |                      |                     |               |                 | E18                  | 18.0 | 2      | 21.7 | 30.3                    | 33.1                              | 35  | 35   |
|             |      |                    |      |      |                      |                     |               |                 | E24                  | 24.0 | 2      | 28.9 | 39.3                    | 42.1                              | 40  | 45   |
|             |      |                    |      |      |                      |                     |               |                 | E36                  | 34.0 | 2      | 40.9 | 54.4                    | 57.1                              | 60  | 60   |
|             | 575  | 3.8                | 28.0 | 6.0  | 0.7                  | 2.0                 | 1.8           | 0.0             | None                 | -    | -      | -    | 11.9                    | 13.7                              | 15  | 15   |
|             |      |                    |      |      |                      |                     |               |                 | E09                  | 9.0  | 1      | 8.7  | 13.3                    | 15.6                              | 15  | 20   |
|             |      |                    |      |      |                      |                     |               |                 | E18                  | 18.0 | 2      | 17.3 | 24.2                    | 26.4                              | 25  | 30   |
|             |      |                    |      |      |                      |                     |               |                 | E24                  | 24.0 | 2      | 23.1 | 31.4                    | 33.6                              | 35  | 35   |
|             |      |                    |      |      |                      |                     |               |                 | E36                  | 34.0 | 2      | 32.7 | 43.4                    | 45.6                              | 45  | 50   |
| J07 (7.5)   | 208  | 11.9               | 88.0 | 18.5 | 3.0                  | 5.2                 | 5.5           | 0.0             | None                 | -    | -      | -    | 38.0                    | 43.5                              | 45  | 50   |
|             |      |                    |      |      |                      |                     |               |                 | E09                  | 6.8  | 1      | 18.9 | 38.0                    | 43.5                              | 45  | 50   |
|             |      |                    |      |      |                      |                     |               |                 | E18                  | 13.5 | 2      | 37.5 | 53.3                    | 60.2                              | 60  | 70   |
|             |      |                    |      |      |                      |                     |               |                 | E24                  | 18.0 | 2      | 50.0 | 69.0                    | 75.8                              | 70  | 80   |
|             |      |                    |      |      |                      |                     |               |                 | E36                  | 25.5 | 2      | 70.8 | 95.0                    | 101.9                             | 100   | 110  |
|             | 230  | 11.9               | 88.0 | 18.5 | 3.0                  | 5.2                 | 5.5           | 0.0             | None                 | -    | -      | -    | 38.0                    | 43.5                              | 45  | 50   |
|             |      |                    |      |      |                      |                     |               |                 | E09                  | 9.0  | 1      | 21.7 | 38.0                    | 43.5                              | 45  | 50   |
|             |      |                    |      |      |                      |                     |               |                 | E18                  | 18.0 | 2      | 43.3 | 60.6                    | 67.5                              | 70  | 70   |
|             |      |                    |      |      |                      |                     |               |                 | E24                  | 24.0 | 2      | 57.7 | 78.7                    | 85.5                              | 80  | 90   |
|             |      |                    |      |      |                      |                     |               |                 | E36                  | 34.0 | 2      | 81.8 | 108.7                   | 115.6                             | 110   | 125  |
|             | 460  | 5.2                | 44.0 | 8.1  | 1.6                  | 2.6                 | 2.2           | 0.0             | None                 | -    | -      | -    | 17.5                    | 19.7                              | 20  | 20   |
|             |      |                    |      |      |                      |                     |               |                 | E09                  | 9.0  | 1      | 10.8 | 17.5                    | 19.7                              | 20  | 20   |
|             |      |                    |      |      |                      |                     |               |                 | E18                  | 18.0 | 2      | 21.7 | 30.3                    | 33.1                              | 35  | 35   |
|             |      |                    |      |      |                      |                     |               |                 | E24                  | 24.0 | 2      | 28.9 | 39.3                    | 42.1                              | 40  | 45   |
|             |      |                    |      |      |                      |                     |               |                 | E36                  | 34.0 | 2      | 40.9 | 54.4                    | 57.1                              | 60  | 60   |
|             | 575  | 4.8                | 36.0 | 7.5  | 1.4                  | 2.0                 | 1.8           | 0.0             | None                 | -    | -      | -    | 15.5                    | 17.3                              | 20  | 20   |
|             |      |                    |      |      |                      |                     |               |                 | E09                  | 9.0  | 1      | 8.7  | 15.5                    | 17.3                              | 20  | 20   |
|             |      |                    |      |      |                      |                     |               |                 | E18                  | 18.0 | 2      | 17.3 | 24.2                    | 26.4                              | 25  | 30   |
|             |      |                    |      |      |                      |                     |               |                 | E24                  | 24.0 | 2      | 23.1 | 31.4                    | 33.6                              | 35  | 35   |
|             |      |                    |      |      |                      |                     |               |                 | E36                  | 34.0 | 2      | 32.7 | 43.4                    | 45.6                              | 45  | 50   |
| J08 (8.5)   | 208  | 12.2               | 88.0 | 19.0 | 3.0                  | 6.8                 | 5.5           | 0.0             | None                 | -    | -      | -    | 40.3                    | 45.8                              | 50  | 50   |
|             |      |                    |      |      |                      |                     |               |                 | E09                  | 6.8  | 1      | 18.9 | 40.3                    | 45.8                              | 50  | 50   |
|             |      |                    |      |      |                      |                     |               |                 | E18                  | 13.5 | 2      | 37.5 | 55.3                    | 62.2                              | 60  | 70   |
|             |      |                    |      |      |                      |                     |               |                 | E24                  | 18.0 | 2      | 50.0 | 71.0                    | 77.8                              | 80  | 80   |
|             |      |                    |      |      |                      |                     |               |                 | E36                  | 25.5 | 2      | 70.8 | 97.0                    | 103.9                             | 100   | 110  |
|             | 230  | 12.2               | 88.0 | 19.0 | 3.0                  | 6.8                 | 5.5           | 0.0             | None                 | -    | -      | -    | 40.3                    | 45.8                              | 50  | 50   |
|             |      |                    |      |      |                      |                     |               |                 | E09                  | 9.0  | 1      | 21.7 | 40.3                    | 45.8                              | 50  | 50   |
|             |      |                    |      |      |                      |                     |               |                 | E18                  | 18.0 | 2      | 43.3 | 62.6                    | 69.5                              | 70  | 70   |
|             |      |                    |      |      |                      |                     |               |                 | E24                  | 24.0 | 2      | 57.7 | 80.7                    | 87.5                              | 90  | 90   |
|             |      |                    |      |      |                      |                     |               |                 | E36                  | 34.0 | 2      | 81.8 | 110.7                   | 117.6                             | 125   | 125  |
|             | 460  | 5.8                | 44.0 | 9.0  | 1.6                  | 3.4                 | 2.2           | 0.0             | None                 | -    | -      | -    | 19.7                    | 21.9                              | 25  | 25   |
|             |      |                    |      |      |                      |                     |               |                 | E09                  | 9.0  | 1      | 10.8 | 19.7                    | 21.9                              | 25  | 25   |
|             |      |                    |      |      |                      |                     |               |                 | E18                  | 18.0 | 2      | 21.7 | 31.3                    | 34.1                              | 35  | 35   |
|             |      |                    |      |      |                      |                     |               |                 | E24                  | 24.0 | 2      | 28.9 | 40.3                    | 43.1                              | 45  | 45   |
|             |      |                    |      |      |                      |                     |               |                 | E36                  | 34.0 | 2      | 40.9 | 55.4                    | 58.1                              | 60  | 60   |
|             | 575  | 4.4                | 36.0 | 5.5  | 1.4                  | 2.4                 | 1.8           | 0.0             | None                 | -    | -      | -    | 15.0                    | 16.8                              | 15  | 20   |
|             |      |                    |      |      |                      |                     |               |                 | E09                  | 9.0  | 1      | 8.7  | 15.0                    | 16.8                              | 15  | 20   |
|             |      |                    |      |      |                      |                     |               |                 | E18                  | 18.0 | 2      | 17.3 | 24.7                    | 26.9                              | 25  | 30   |
|             |      |                    |      |      |                      |                     |               |                 | E24                  | 24.0 | 2      | 23.1 | 31.9                    | 34.1                              | 35  | 35   |
|             |      |                    |      |      |                      |                     |               |                 | E36                  | 34.0 | 2      | 32.7 | 43.9                    | 46.1                              | 45  | 50   |

## J06 thru 12ZJ Standard Motor - Without Powered Convenience Outlet (Continued)

| Size<br>(Tons) | Volt | Compressors<br>(each) |       |      | OD Fan<br>Motors<br>(each) | Supply<br>Blower<br>Motor | Pwr<br>Exh<br>Motor | Pwr<br>Conv<br>Outlet | Electric Heat Option |      |        |       | MCA <sup>1</sup><br>(Amps) | MCA <sup>1</sup><br>w/Pwr<br>Exh<br>(Amps) | Max Fuse <sup>2</sup> /<br>Breaker <sup>3</sup><br>Size<br>(Amps) | Max Fuse <sup>2</sup> /<br>Breaker <sup>3</sup><br>Size w/ Pwr<br>Exh<br>(Amps) |
|----------------|------|-----------------------|-------|------|----------------------------|---------------------------|---------------------|-----------------------|----------------------|------|--------|-------|----------------------------|--|---|---|
|                |      | RLA                   | LRA   | MCC  | FLA                        | FLA                       | FLA                 | FLA                   | Model                | kW   | Stages | Amps  |                            |  |   |   |
| J10<br>(10)    | 208  | 16.0                  | 110.0 | 24.9 | 3.0                        | 6.8                       | 5.5                 | 0.0                   | None                 | -    | -      | -     | 48.9                       | 54.4                                       | 60  | 70  |
|                |      |                       |       |      |                            |                           |                     |                       | E18                  | 13.5 | 2      | 37.5  | 55.3                       | 62.2                                       | 60  | 70  |
|                |      |                       |       |      |                            |                           |                     |                       | E24                  | 18.0 | 2      | 50.0  | 71.0                       | 77.8                                       | 80  | 80  |
|                |      |                       |       |      |                            |                           |                     |                       | E36                  | 25.5 | 2      | 70.8  | 97.0                       | 103.9                                      | 100   | 110   |
|                |      |                       |       |      |                            |                           |                     |                       | E54                  | 40.6 | 2      | 112.7 | 149.4                      | 156.2                                      | 150   | 175   |
|                | 230  | 16.0                  | 110.0 | 24.9 | 3.0                        | 6.8                       | 5.5                 | 0.0                   | None                 | -    | -      | -     | 48.9                       | 54.4                                       | 60  | 70  |
|                |      |                       |       |      |                            |                           |                     |                       | E18                  | 18.0 | 2      | 43.3  | 62.6                       | 69.5                                       | 70  | 70  |
|                |      |                       |       |      |                            |                           |                     |                       | E24                  | 24.0 | 2      | 57.7  | 80.7                       | 87.5                                       | 90  | 90  |
|                |      |                       |       |      |                            |                           |                     |                       | E36                  | 34.0 | 2      | 81.8  | 110.7                      | 117.6                                      | 125   | 125   |
|                |      |                       |       |      |                            |                           |                     |                       | E54                  | 54.0 | 2      | 129.9 | 138.4                      | 145.3                                      | 150   | 175   |
|                | 460  | 7.8                   | 52.0  | 12.1 | 1.6                        | 3.4                       | 2.2                 | 0.0                   | None                 | -    | -      | -     | 24.2                       | 26.4                                       | 30  | 30  |
|                |      |                       |       |      |                            |                           |                     |                       | E18                  | 18.0 | 2      | 21.7  | 31.3                       | 34.1                                       | 35  | 35  |
|                |      |                       |       |      |                            |                           |                     |                       | E24                  | 24.0 | 2      | 28.9  | 40.3                       | 43.1                                       | 45  | 45  |
|                |      |                       |       |      |                            |                           |                     |                       | E36                  | 34.0 | 2      | 40.9  | 55.4                       | 58.1                                       | 60  | 60  |
|                |      |                       |       |      |                            |                           |                     |                       | E54                  | 54.0 | 2      | 65.0  | 69.2                       | 72.0                                       | 80  | 80  |
|                | 575  | 5.7                   | 38.9  | 8.9  | 1.4                        | 2.4                       | 1.8                 | 0.0                   | None                 | -    | -      | -     | 17.9                       | 19.7                                       | 20  | 25  |
|                |      |                       |       |      |                            |                           |                     |                       | E18                  | 18.0 | 2      | 17.3  | 24.7                       | 26.9                                       | 25  | 30  |
|                |      |                       |       |      |                            |                           |                     |                       | E24                  | 24.0 | 2      | 23.1  | 31.9                       | 34.1                                       | 35  | 35  |
|                |      |                       |       |      |                            |                           |                     |                       | E36                  | 34.0 | 2      | 32.7  | 43.9                       | 46.1                                       | 45  | 50  |
|                |      |                       |       |      |                            |                           |                     |                       | E54                  | 54.0 | 2      | 52.0  | 55.0                       | 57.2                                       | 60  | 60  |
| J12<br>(12.5)  | 208  | 23.1                  | 160.0 | 36.0 | 2.1                        | 9.6                       | 5.5                 | 0.0                   | None                 | -    | -      | -     | 70.0                       | 75.5                                       | 90  | 90  |
|                |      |                       |       |      |                            |                           |                     |                       | E18                  | 13.5 | 2      | 37.5  | 70.0                       | 75.5                                       | 90  | 90  |
|                |      |                       |       |      |                            |                           |                     |                       | E24                  | 18.0 | 2      | 50.0  | 74.5                       | 81.3                                       | 90  | 90  |
|                |      |                       |       |      |                            |                           |                     |                       | E36                  | 25.5 | 2      | 70.8  | 100.5                      | 107.4                                      | 110   | 110   |
|                |      |                       |       |      |                            |                           |                     |                       | E54                  | 40.6 | 2      | 112.7 | 152.9                      | 159.7                                      | 175   | 175   |
|                | 230  | 23.1                  | 160.0 | 36.0 | 2.1                        | 9.6                       | 5.5                 | 0.0                   | None                 | -    | -      | -     | 70.0                       | 75.5                                       | 90  | 90  |
|                |      |                       |       |      |                            |                           |                     |                       | E18                  | 18.0 | 2      | 43.3  | 70.0                       | 75.5                                       | 90  | 90  |
|                |      |                       |       |      |                            |                           |                     |                       | E24                  | 24.0 | 2      | 57.7  | 84.2                       | 91.0                                       | 90  | 100   |
|                |      |                       |       |      |                            |                           |                     |                       | E36                  | 34.0 | 2      | 81.8  | 114.2                      | 121.1                                      | 125   | 125   |
|                |      |                       |       |      |                            |                           |                     |                       | E54                  | 54.0 | 2      | 129.9 | 141.9                      | 148.8                                      | 175   | 175   |
|                | 460  | 12.2                  | 87.0  | 19.0 | 1.3                        | 4.7                       | 2.2                 | 0.0                   | None                 | -    | -      | -     | 37.2                       | 39.4                                       | 45  | 50  |
|                |      |                       |       |      |                            |                           |                     |                       | E18                  | 18.0 | 2      | 21.7  | 37.2                       | 39.4                                       | 45  | 50  |
|                |      |                       |       |      |                            |                           |                     |                       | E24                  | 24.0 | 2      | 28.9  | 42.0                       | 44.7                                       | 45  | 50  |
|                |      |                       |       |      |                            |                           |                     |                       | E36                  | 34.0 | 2      | 40.9  | 57.0                       | 59.7                                       | 60  | 60  |
|                |      |                       |       |      |                            |                           |                     |                       | E54                  | 54.0 | 2      | 65.0  | 70.8                       | 73.6                                       | 80  | 80  |
|                | 575  | 8.7                   | 62.0  | 13.5 | 0.7                        | 3.6                       | 1.8                 | 0.0                   | None                 | -    | -      | -     | 25.8                       | 27.6                                       | 30  | 35  |
|                |      |                       |       |      |                            |                           |                     |                       | E18                  | 18.0 | 2      | 17.3  | 26.2                       | 28.4                                       | 30  | 35  |
|                |      |                       |       |      |                            |                           |                     |                       | E24                  | 24.0 | 2      | 23.1  | 33.4                       | 35.6                                       | 35  | 40  |
|                |      |                       |       |      |                            |                           |                     |                       | E36                  | 34.0 | 2      | 32.7  | 45.4                       | 47.6                                       | 50  | 50  |
|                |      |                       |       |      |                            |                           |                     |                       | E54                  | 54.0 | 2      | 52.0  | 56.5                       | 58.7                                       | 70  | 70  |

1. Minimum Circuit Ampacity.
2. Dual Element, Time Delay Type.
3. HACR type per NEC.

**JA3 thru A5ZJ Hi Static Indoor Blower - Without Powered Convenience Outlet**

| Size (Tons) | Volt | Compressors (each) |      |      | OD Fan Motors (each) | Supply Blower Motor | Pwr Exh Motor | Pwr Conv Outlet | Electric Heat Option |      |        |      | MCA <sup>1</sup> (Amps) | MCA <sup>1</sup> w/Pwr Exh (Amps) | Max Fuse <sup>2</sup> / Breaker <sup>3</sup> Size (Amps) | Max Fuse <sup>2</sup> / Breaker <sup>3</sup> Size w/ Pwr Exh (Amps) |
|-------------|------|--------------------|------|------|----------------------|---------------------|---------------|-----------------|----------------------|------|--------|------|-------------------------|-----------------------------------|--|---|
|             |      | RLA                | LRA  | MCC  | FLA                  | FLA                 | FLA           | FLA             | Model                | kW   | Stages | Amps |                         |                                   |  |   |
| JA3 (3)     | 208  | 8.7                | 68.0 | 13.5 | 2.1                  | 5.2                 | 5.5           | 0.0             | None                 | -    | -      | -    | 18.2                    | 23.7                              | 25   | 30  |
|             |      |                    |      |      |                      |                     |               |                 | E03                  | 2.3  | 1      | 6.4  | 18.2                    | 23.7                              | 25   | 30  |
|             |      |                    |      |      |                      |                     |               |                 | E06                  | 4.5  | 1      | 12.5 | 22.1                    | 29.0                              | 25   | 30  |
|             |      |                    |      |      |                      |                     |               |                 | E09                  | 6.8  | 1      | 18.9 | 30.1                    | 37.0                              | 35   | 40  |
|             | E15  | 11.3               | 2    | 31.4 | 45.7                 | 52.6                | 50            | 60              |                      |      |        |      |                         |                                   |  |   |
|             | 230  | 8.7                | 68.0 | 13.5 | 2.1                  | 5.2                 | 5.5           | 0.0             | None                 | -    | -      | -    | 18.2                    | 23.7                              | 25   | 30  |
|             |      |                    |      |      |                      |                     |               |                 | E03                  | 3.0  | 1      | 7.2  | 18.2                    | 23.7                              | 25   | 30  |
|             |      |                    |      |      |                      |                     |               |                 | E06                  | 6.0  | 1      | 14.4 | 24.5                    | 31.4                              | 25   | 35  |
|             |      |                    |      |      |                      |                     |               |                 | E09                  | 9.0  | 1      | 21.7 | 33.6                    | 40.4                              | 35   | 45  |
|             | E15  | 15.0               | 2    | 36.1 | 51.6                 | 58.5                | 60            | 60              |                      |      |        |      |                         |                                   |  |   |
|             | 460  | 4.6                | 34.0 | 7.1  | 1.3                  | 2.6                 | 2.2           | 0.0             | None                 | -    | -      | -    | 9.6                     | 11.8                              | 15   | 15  |
|             |      |                    |      |      |                      |                     |               |                 | E03                  | 3.0  | 1      | 3.6  | 9.6                     | 11.8                              | 15   | 15  |
|             |      |                    |      |      |                      |                     |               |                 | E06                  | 6.0  | 1      | 7.2  | 12.3                    | 15.0                              | 15   | 15  |
|             |      |                    |      |      |                      |                     |               |                 | E09                  | 9.0  | 1      | 10.8 | 16.8                    | 19.5                              | 20   | 20  |
|             | E15  | 15.0               | 2    | 18.0 | 25.8                 | 28.6                | 30            | 30              |                      |      |        |      |                         |                                   |  |   |
|             | 575  | 3.5                | 28.0 | 5.5  | 0.7                  | 2.0                 | 1.8           | 0.0             | None                 | -    | -      | -    | 7.0                     | 8.8                               | 15   | 15  |
| E09         |      |                    |      |      |                      |                     |               |                 | 9.0                  | 1    | 8.7    | 13.3 | 15.6                    | 15                                | 20   |   |
| E15         |      |                    |      |      |                      |                     |               |                 | 15.0                 | 2    | 14.4   | 20.5 | 22.8                    | 25                                | 25   |   |
| E20         |      |                    |      |      |                      |                     |               |                 | 20.0                 | 2    | 19.2   | 26.6 | 28.8                    | 30                                | 30   |   |
| JA4 (4)     | 208  | 11.2               | 88.0 | 17.5 | 2.1                  | 5.2                 | 5.5           | 0.0             | None                 | -    | -      | -    | 21.3                    | 26.8                              | 30   | 35  |
|             |      |                    |      |      |                      |                     |               |                 | E06                  | 4.5  | 1      | 12.5 | 22.1                    | 29.0                              | 30   | 35  |
|             |      |                    |      |      |                      |                     |               |                 | E09                  | 6.8  | 1      | 18.9 | 30.1                    | 37.0                              | 35   | 40  |
|             |      |                    |      |      |                      |                     |               |                 | E15                  | 11.3 | 2      | 31.4 | 45.7                    | 52.6                              | 50   | 60  |
|             | E20  | 15.0               | 2    | 41.6 | 58.5                 | 65.4                | 60            | 70              |                      |      |        |      |                         |                                   |  |   |
|             | 230  | 11.2               | 88.0 | 17.5 | 2.1                  | 5.2                 | 5.5           | 0.0             | None                 | -    | -      | -    | 21.3                    | 26.8                              | 30   | 35  |
|             |      |                    |      |      |                      |                     |               |                 | E06                  | 6.0  | 1      | 14.4 | 24.5                    | 31.4                              | 30   | 35  |
|             |      |                    |      |      |                      |                     |               |                 | E09                  | 9.0  | 1      | 21.7 | 33.6                    | 40.4                              | 35   | 45  |
|             |      |                    |      |      |                      |                     |               |                 | E15                  | 15.0 | 2      | 36.1 | 51.6                    | 58.5                              | 60   | 60  |
|             | E20  | 20.0               | 2    | 48.1 | 66.6                 | 73.5                | 70            | 80              |                      |      |        |      |                         |                                   |  |   |
|             | 460  | 5.6                | 44.0 | 8.0  | 1.3                  | 2.6                 | 2.2           | 0.0             | None                 | -    | -      | -    | 10.9                    | 13.1                              | 15   | 15  |
|             |      |                    |      |      |                      |                     |               |                 | E06                  | 6.0  | 1      | 7.2  | 12.3                    | 15.0                              | 15   | 15  |
|             |      |                    |      |      |                      |                     |               |                 | E09                  | 9.0  | 1      | 10.8 | 16.8                    | 19.5                              | 20   | 20  |
|             |      |                    |      |      |                      |                     |               |                 | E15                  | 15.0 | 2      | 18.0 | 25.8                    | 28.6                              | 30   | 30  |
|             | E20  | 20.0               | 2    | 24.1 | 33.3                 | 36.1                | 35            | 40              |                      |      |        |      |                         |                                   |  |   |
|             | 575  | 4.5                | 36.0 | 7.0  | 0.7                  | 2.0                 | 1.8           | 0.0             | None                 | -    | -      | -    | 8.3                     | 10.1                              | 15   | 15  |
| E09         |      |                    |      |      |                      |                     |               |                 | 9.0                  | 1    | 8.7    | 13.3 | 15.6                    | 15                                | 20   |   |
| E15         |      |                    |      |      |                      |                     |               |                 | 15.0                 | 2    | 14.4   | 20.5 | 22.8                    | 25                                | 25   |   |
| E20         |      |                    |      |      |                      |                     |               |                 | 20.0                 | 2    | 19.2   | 26.6 | 28.8                    | 30                                | 30   |   |
| JA5 (5)     | 208  | 14.1               | 88.0 | 22.0 | 2.1                  | 6.8                 | 5.5           | 0.0             | None                 | -    | -      | -    | 28.6                    | 34.1                              | 40   | 45  |
|             |      |                    |      |      |                      |                     |               |                 | E06                  | 4.5  | 1      | 12.5 | 28.6                    | 34.1                              | 40   | 45  |
|             |      |                    |      |      |                      |                     |               |                 | E09                  | 6.8  | 1      | 18.9 | 32.1                    | 39.0                              | 40   | 45  |
|             |      |                    |      |      |                      |                     |               |                 | E15                  | 11.3 | 2      | 31.4 | 47.7                    | 54.6                              | 50   | 60  |
|             | E20  | 15.0               | 2    | 41.6 | 60.5                 | 67.4                | 70            | 70              |                      |      |        |      |                         |                                   |  |   |
|             | E24  | 18.0               | 2    | 50.0 | 71.0                 | 77.8                | 80            | 80              |                      |      |        |      |                         |                                   |  |   |
|             | 230  | 14.1               | 88.0 | 22.0 | 2.1                  | 6.8                 | 5.5           | 0.0             | None                 | -    | -      | -    | 28.6                    | 34.1                              | 40   | 45  |
|             |      |                    |      |      |                      |                     |               |                 | E06                  | 6.0  | 1      | 14.4 | 28.6                    | 34.1                              | 40   | 45  |
|             |      |                    |      |      |                      |                     |               |                 | E09                  | 9.0  | 1      | 21.7 | 35.6                    | 42.4                              | 40   | 45  |
|             |      |                    |      |      |                      |                     |               |                 | E15                  | 15.0 | 2      | 36.1 | 53.6                    | 60.5                              | 60   | 70  |
|             | E20  | 20.0               | 2    | 48.1 | 68.6                 | 75.5                | 70            | 80              |                      |      |        |      |                         |                                   |  |   |
|             | E24  | 24.0               | 2    | 57.7 | 80.7                 | 87.5                | 90            | 90              |                      |      |        |      |                         |                                   |  |   |
|             | 460  | 7.7                | 55.0 | 12.0 | 1.3                  | 3.4                 | 2.2           | 0.0             | None                 | -    | -      | -    | 15.5                    | 17.7                              | 20   | 25  |
|             |      |                    |      |      |                      |                     |               |                 | E06                  | 6.0  | 1      | 7.2  | 15.5                    | 17.7                              | 20   | 25  |
|             |      |                    |      |      |                      |                     |               |                 | E09                  | 9.0  | 1      | 10.8 | 17.8                    | 20.5                              | 20   | 25  |
|             |      |                    |      |      |                      |                     |               |                 | E15                  | 15.0 | 2      | 18.0 | 26.8                    | 29.6                              | 30   | 30  |
| E20         | 20.0 | 2                  | 24.1 | 34.3 | 37.1                 | 35                  | 40            |                 |                      |      |        |      |                         |                                   |  |   |
| E24         | 24.0 | 2                  | 28.9 | 40.3 | 43.1                 | 45                  | 45            |                 |                      |      |        |      |                         |                                   |  |   |
| 575         | 5.1  | 36.0               | 7.5  | 0.7  | 2.4                  | 1.8                 | 0.0           | None            | -                    | -    | -      | 10.1 | 11.9                    | 15                                | 15   |   |
|             |      |                    |      |      |                      |                     |               | E09             | 9.0                  | 1    | 8.7    | 13.8 | 16.1                    | 15                                | 20   |   |
|             |      |                    |      |      |                      |                     |               | E15             | 15.0                 | 2    | 14.4   | 21.0 | 23.3                    | 25                                | 25   |   |
|             |      |                    |      |      |                      |                     |               | E20             | 20.0                 | 2    | 19.2   | 27.1 | 29.3                    | 30                                | 30   |   |
| E24         | 24.0 | 2                  | 23.1 | 31.9 | 34.1                 | 35                  | 35            |                 |                      |      |        |      |                         |                                   |  |   |

1. Minimum Circuit Ampacity.
2. Dual Element, Time Delay Type.
3. HACR type per NEC.



## J06 thru 12ZJ Hi Static Motor - Without Powered Convenience Outlet

| Size<br>(Tons) | Volt | Compressors<br>(each) |      |      | OD Fan<br>Motors<br>(each) | Supply<br>Blower<br>Motor | Pwr<br>Exh<br>Motor | Pwr<br>Conv<br>Outlet | Electric Heat Option |      |        |      | MCA <sup>1</sup><br>(Amps) | MCA <sup>1</sup><br>w/Pwr<br>Exh<br>(Amps) | Max Fuse <sup>2</sup> /<br>Breaker <sup>3</sup><br>Size<br>(Amps) | Max Fuse <sup>2</sup> /<br>Breaker <sup>3</sup><br>Size w/ Pwr<br>Exh<br>(Amps) |
|----------------|------|-----------------------|------|------|----------------------------|---------------------------|---------------------|-----------------------|----------------------|------|--------|------|----------------------------|--|---|---|
|                |      | RLA                   | LRA  | MCC  | FLA                        | FLA                       | FLA                 | FLA                   | Model                | kW   | Stages | Amps |                            |  |   |   |
| J06<br>(6.5)   | 208  | 9.3                   | 68.0 | 14.5 | 2.1                        | 6.8                       | 5.5                 | 0.0                   | None                 | -    | -      | -    | 31.9                       | 37.4                                       | 40  | 45  |
|                |      |                       |      |      |                            |                           |                     |                       | E09                  | 6.8  | 1      | 18.9 | 32.1                       | 39.0                                       | 40  | 45  |
|                |      |                       |      |      |                            |                           |                     |                       | E18                  | 13.5 | 2      | 37.5 | 55.3                       | 62.2                                       | 60  | 70  |
|                |      |                       |      |      |                            |                           |                     |                       | E24                  | 18.0 | 2      | 50.0 | 71.0                       | 77.8                                       | 80  | 80  |
|                |      |                       |      |      |                            |                           |                     |                       | E36                  | 25.5 | 2      | 70.8 | 97.0                       | 103.9                                      | 100   | 110   |
|                | 230  | 9.3                   | 68.0 | 14.5 | 2.1                        | 6.8                       | 5.5                 | 0.0                   | None                 | -    | -      | -    | 31.9                       | 37.4                                       | 40  | 45  |
|                |      |                       |      |      |                            |                           |                     |                       | E09                  | 9.0  | 1      | 21.7 | 35.6                       | 42.4                                       | 40  | 45  |
|                |      |                       |      |      |                            |                           |                     |                       | E18                  | 18.0 | 2      | 43.3 | 62.6                       | 69.5                                       | 70  | 70  |
|                |      |                       |      |      |                            |                           |                     |                       | E24                  | 24.0 | 2      | 57.7 | 80.7                       | 87.5                                       | 90  | 90  |
|                |      |                       |      |      |                            |                           |                     |                       | E36                  | 34.0 | 2      | 81.8 | 110.7                      | 117.6                                      | 125   | 125   |
|                | 460  | 4.9                   | 34.0 | 7.6  | 1.3                        | 3.4                       | 2.2                 | 0.0                   | None                 | -    | -      | -    | 16.9                       | 19.1                                       | 20  | 20  |
|                |      |                       |      |      |                            |                           |                     |                       | E09                  | 9.0  | 1      | 10.8 | 17.8                       | 20.5                                       | 20  | 25  |
|                |      |                       |      |      |                            |                           |                     |                       | E18                  | 18.0 | 2      | 21.7 | 31.3                       | 34.1                                       | 35  | 35  |
|                |      |                       |      |      |                            |                           |                     |                       | E24                  | 24.0 | 2      | 28.9 | 40.3                       | 43.1                                       | 45  | 45  |
|                |      |                       |      |      |                            |                           |                     |                       | E36                  | 34.0 | 2      | 40.9 | 55.4                       | 58.1                                       | 60  | 60  |
|                | 575  | 3.8                   | 28.0 | 6.0  | 0.7                        | 2.4                       | 1.8                 | 0.0                   | None                 | -    | -      | -    | 12.3                       | 14.1                                       | 15  | 15  |
|                |      |                       |      |      |                            |                           |                     |                       | E09                  | 9.0  | 1      | 8.7  | 13.8                       | 16.1                                       | 15  | 20  |
|                |      |                       |      |      |                            |                           |                     |                       | E18                  | 18.0 | 2      | 17.3 | 24.7                       | 26.9                                       | 25  | 30  |
|                |      |                       |      |      |                            |                           |                     |                       | E24                  | 24.0 | 2      | 23.1 | 31.9                       | 34.1                                       | 35  | 35  |
|                |      |                       |      |      |                            |                           |                     |                       | E36                  | 34.0 | 2      | 32.7 | 43.9                       | 46.1                                       | 45  | 50  |
| J07<br>(7.5)   | 208  | 11.9                  | 88.0 | 18.5 | 3.0                        | 9.6                       | 5.5                 | 0.0                   | None                 | -    | -      | -    | 42.4                       | 47.9                                       | 50  | 50  |
|                |      |                       |      |      |                            |                           |                     |                       | E09                  | 6.8  | 1      | 18.9 | 42.4                       | 47.9                                       | 50  | 50  |
|                |      |                       |      |      |                            |                           |                     |                       | E18                  | 13.5 | 2      | 37.5 | 58.8                       | 65.7                                       | 60  | 70  |
|                |      |                       |      |      |                            |                           |                     |                       | E24                  | 18.0 | 2      | 50.0 | 74.5                       | 81.3                                       | 80  | 90  |
|                |      |                       |      |      |                            |                           |                     |                       | E36                  | 25.5 | 2      | 70.8 | 100.5                      | 107.4                                      | 110   | 110   |
|                | 230  | 11.9                  | 88.0 | 18.5 | 3.0                        | 9.6                       | 5.5                 | 0.0                   | None                 | -    | -      | -    | 42.4                       | 47.9                                       | 50  | 50  |
|                |      |                       |      |      |                            |                           |                     |                       | E09                  | 9.0  | 1      | 21.7 | 42.4                       | 47.9                                       | 50  | 50  |
|                |      |                       |      |      |                            |                           |                     |                       | E18                  | 18.0 | 2      | 43.3 | 66.1                       | 73.0                                       | 70  | 80  |
|                |      |                       |      |      |                            |                           |                     |                       | E24                  | 24.0 | 2      | 57.7 | 84.2                       | 91.0                                       | 90  | 100   |
|                |      |                       |      |      |                            |                           |                     |                       | E36                  | 34.0 | 2      | 81.8 | 114.2                      | 121.1                                      | 125   | 125   |
|                | 460  | 5.2                   | 44.0 | 8.1  | 1.6                        | 4.7                       | 2.2                 | 0.0                   | None                 | -    | -      | -    | 19.6                       | 21.8                                       | 20  | 25  |
|                |      |                       |      |      |                            |                           |                     |                       | E09                  | 9.0  | 1      | 10.8 | 19.6                       | 22.2                                       | 20  | 25  |
|                |      |                       |      |      |                            |                           |                     |                       | E18                  | 18.0 | 2      | 21.7 | 32.9                       | 35.7                                       | 35  | 40  |
|                |      |                       |      |      |                            |                           |                     |                       | E24                  | 24.0 | 2      | 28.9 | 42.0                       | 44.7                                       | 45  | 45  |
|                |      |                       |      |      |                            |                           |                     |                       | E36                  | 34.0 | 2      | 40.9 | 57.0                       | 59.7                                       | 60  | 60  |
|                | 575  | 4.8                   | 36.0 | 7.5  | 1.4                        | 3.6                       | 1.8                 | 0.0                   | None                 | -    | -      | -    | 17.1                       | 18.9                                       | 20  | 20  |
|                |      |                       |      |      |                            |                           |                     |                       | E09                  | 9.0  | 1      | 8.7  | 17.1                       | 18.9                                       | 20  | 20  |
|                |      |                       |      |      |                            |                           |                     |                       | E18                  | 18.0 | 2      | 17.3 | 26.2                       | 28.4                                       | 30  | 30  |
|                |      |                       |      |      |                            |                           |                     |                       | E24                  | 24.0 | 2      | 23.1 | 33.4                       | 35.6                                       | 35  | 40  |
|                |      |                       |      |      |                            |                           |                     |                       | E36                  | 34.0 | 2      | 32.7 | 45.4                       | 47.6                                       | 50  | 50  |
| J08<br>(8.5)   | 208  | 12.2                  | 88.0 | 19.0 | 3.0                        | 9.6                       | 5.5                 | 0.0                   | None                 | -    | -      | -    | 43.1                       | 48.6                                       | 50  | 60  |
|                |      |                       |      |      |                            |                           |                     |                       | E09                  | 6.8  | 1      | 18.9 | 43.1                       | 48.6                                       | 50  | 60  |
|                |      |                       |      |      |                            |                           |                     |                       | E18                  | 13.5 | 2      | 37.5 | 58.8                       | 65.7                                       | 60  | 70  |
|                |      |                       |      |      |                            |                           |                     |                       | E24                  | 18.0 | 2      | 50.0 | 74.5                       | 81.3                                       | 80  | 90  |
|                |      |                       |      |      |                            |                           |                     |                       | E36                  | 25.5 | 2      | 70.8 | 100.5                      | 107.4                                      | 110   | 110   |
|                | 230  | 12.2                  | 88.0 | 19.0 | 3.0                        | 9.6                       | 5.5                 | 0.0                   | None                 | -    | -      | -    | 43.1                       | 48.6                                       | 50  | 60  |
|                |      |                       |      |      |                            |                           |                     |                       | E09                  | 9.0  | 1      | 21.7 | 43.1                       | 48.6                                       | 50  | 60  |
|                |      |                       |      |      |                            |                           |                     |                       | E18                  | 18.0 | 2      | 43.3 | 66.1                       | 73.0                                       | 70  | 80  |
|                |      |                       |      |      |                            |                           |                     |                       | E24                  | 24.0 | 2      | 57.7 | 84.2                       | 91.0                                       | 90  | 100   |
|                |      |                       |      |      |                            |                           |                     |                       | E36                  | 34.0 | 2      | 81.8 | 114.2                      | 121.1                                      | 125   | 125   |
|                | 460  | 5.8                   | 44.0 | 9.0  | 1.6                        | 4.7                       | 2.2                 | 0.0                   | None                 | -    | -      | -    | 21.0                       | 23.2                                       | 25  | 25  |
|                |      |                       |      |      |                            |                           |                     |                       | E09                  | 9.0  | 1      | 10.8 | 21.0                       | 23.2                                       | 25  | 25  |
|                |      |                       |      |      |                            |                           |                     |                       | E18                  | 18.0 | 2      | 21.7 | 32.9                       | 35.7                                       | 35  | 40  |
|                |      |                       |      |      |                            |                           |                     |                       | E24                  | 24.0 | 2      | 28.9 | 42.0                       | 44.7                                       | 45  | 45  |
|                |      |                       |      |      |                            |                           |                     |                       | E36                  | 34.0 | 2      | 40.9 | 57.0                       | 59.7                                       | 60  | 60  |
|                | 575  | 4.4                   | 36.0 | 5.5  | 1.4                        | 3.6                       | 1.8                 | 0.0                   | None                 | -    | -      | -    | 16.2                       | 18.0                                       | 20  | 20  |
|                |      |                       |      |      |                            |                           |                     |                       | E09                  | 9.0  | 1      | 8.7  | 16.2                       | 18.0                                       | 20  | 20  |
|                |      |                       |      |      |                            |                           |                     |                       | E18                  | 18.0 | 2      | 17.3 | 26.2                       | 28.4                                       | 30  | 30  |
|                |      |                       |      |      |                            |                           |                     |                       | E24                  | 24.0 | 2      | 23.1 | 33.4                       | 35.6                                       | 35  | 40  |
|                |      |                       |      |      |                            |                           |                     |                       | E36                  | 34.0 | 2      | 32.7 | 45.4                       | 47.6                                       | 50  | 50  |

**J06 thru 12ZJ Hi Static Motor - Without Powered Convenience Outlet (Continued)**

| Size (Tons) | Volt | Compressors (each) |       |      | OD Fan Motors (each) | Supply Blower Motor | Pwr Exh Motor | Pwr Conv Outlet | Electric Heat Option |      |        |       | MCA <sup>1</sup> (Amps) | MCA <sup>1</sup> w/Pwr Exh (Amps) | Max Fuse <sup>2</sup> /<br>Breaker <sup>3</sup> Size (Amps) | Max Fuse <sup>2</sup> /<br>Breaker <sup>3</sup> Size w/ Pwr Exh (Amps) |
|-------------|------|--------------------|-------|------|----------------------|---------------------|---------------|-----------------|----------------------|------|--------|-------|-------------------------|-----------------------------------|---|--|
|             |      | RLA                | LRA   | MCC  | FLA                  | FLA                 | FLA           | FLA             | Model                | kW   | Stages | Amps  |                         |                                   |   |  |
| J10 (10)    | 208  | 16.0               | 110.0 | 24.9 | 3.0                  | 9.6                 | 5.5           | 0.0             | None                 | -    | -      | -     | 51.7                    | 57.2                              | 60  | 70   |
|             |      |                    |       |      |                      |                     |               |                 | E18                  | 13.5 | 2      | 37.5  | 58.8                    | 65.7                              | 60  | 70   |
|             |      |                    |       |      |                      |                     |               |                 | E24                  | 18.0 | 2      | 50.0  | 74.5                    | 81.3                              | 80  | 90   |
|             |      |                    |       |      |                      |                     |               |                 | E36                  | 25.5 | 2      | 70.8  | 100.5                   | 107.4                             | 110   | 110  |
|             |      |                    |       |      |                      |                     |               |                 | E54                  | 40.6 | 2      | 112.7 | 152.9                   | 159.7                             | 175   | 175  |
|             | 230  | 16.0               | 110.0 | 24.9 | 3.0                  | 9.6                 | 5.5           | 0.0             | None                 | -    | -      | -     | 51.7                    | 57.2                              | 60  | 70   |
|             |      |                    |       |      |                      |                     |               |                 | E18                  | 18.0 | 2      | 43.3  | 66.1                    | 73.0                              | 70  | 80   |
|             |      |                    |       |      |                      |                     |               |                 | E24                  | 24.0 | 2      | 57.7  | 84.2                    | 91.0                              | 90  | 100  |
|             |      |                    |       |      |                      |                     |               |                 | E36                  | 34.0 | 2      | 81.8  | 114.2                   | 121.1                             | 125   | 125  |
|             |      |                    |       |      |                      |                     |               |                 | E54                  | 54.0 | 2      | 129.9 | 141.9                   | 148.8                             | 175   | 175  |
|             | 460  | 7.8                | 52.0  | 12.1 | 1.6                  | 4.7                 | 2.2           | 0.0             | None                 | -    | -      | -     | 25.5                    | 27.7                              | 30  | 35   |
|             |      |                    |       |      |                      |                     |               |                 | E18                  | 18.0 | 2      | 21.7  | 32.9                    | 35.7                              | 35  | 40   |
|             |      |                    |       |      |                      |                     |               |                 | E24                  | 24.0 | 2      | 28.9  | 42.0                    | 44.7                              | 45  | 45   |
|             |      |                    |       |      |                      |                     |               |                 | E36                  | 34.0 | 2      | 40.9  | 57.0                    | 59.7                              | 60  | 60   |
|             |      |                    |       |      |                      |                     |               |                 | E54                  | 54.0 | 2      | 65.0  | 70.8                    | 73.6                              | 80  | 80   |
|             | 575  | 5.7                | 38.9  | 8.9  | 1.4                  | 3.6                 | 1.8           | 0.0             | None                 | -    | -      | -     | 19.1                    | 20.9                              | 20  | 25   |
|             |      |                    |       |      |                      |                     |               |                 | E18                  | 18.0 | 2      | 17.3  | 26.2                    | 28.4                              | 30  | 30   |
|             |      |                    |       |      |                      |                     |               |                 | E24                  | 24.0 | 2      | 23.1  | 33.4                    | 35.6                              | 35  | 40   |
|             |      |                    |       |      |                      |                     |               |                 | E36                  | 34.0 | 2      | 32.7  | 45.4                    | 47.6                              | 50  | 50   |
|             |      |                    |       |      |                      |                     |               |                 | E54                  | 54.0 | 2      | 52.0  | 56.5                    | 58.7                              | 70  | 70   |
| J12 (12.5)  | 208  | 23.1               | 160.0 | 36.0 | 2.1                  | 14.0                | 5.5           | 0.0             | None                 | -    | -      | -     | 74.4                    | 79.9                              | 90  | 100  |
|             |      |                    |       |      |                      |                     |               |                 | E18                  | 13.5 | 2      | 37.5  | 74.4                    | 79.9                              | 90  | 100  |
|             |      |                    |       |      |                      |                     |               |                 | E24                  | 18.0 | 2      | 50.0  | 80.0                    | 86.8                              | 90  | 100  |
|             |      |                    |       |      |                      |                     |               |                 | E36                  | 25.5 | 2      | 70.8  | 106.0                   | 112.9                             | 110   | 125  |
|             |      |                    |       |      |                      |                     |               |                 | E54                  | 40.6 | 2      | 112.7 | 158.4                   | 165.2                             | 175   | 175  |
|             | 230  | 23.1               | 160.0 | 36.0 | 2.1                  | 14.0                | 5.5           | 0.0             | None                 | -    | -      | -     | 74.4                    | 79.9                              | 90  | 100  |
|             |      |                    |       |      |                      |                     |               |                 | E18                  | 18.0 | 2      | 43.3  | 74.4                    | 79.9                              | 90  | 100  |
|             |      |                    |       |      |                      |                     |               |                 | E24                  | 24.0 | 2      | 57.7  | 89.7                    | 96.5                              | 90  | 100  |
|             |      |                    |       |      |                      |                     |               |                 | E36                  | 34.0 | 2      | 81.8  | 119.7                   | 126.6                             | 125   | 150  |
|             |      |                    |       |      |                      |                     |               |                 | E54                  | 54.0 | 2      | 129.9 | 147.4                   | 154.3                             | 175   | 175  |
|             | 460  | 12.2               | 87.0  | 19.0 | 1.3                  | 6.6                 | 2.2           | 0.0             | None                 | -    | -      | -     | 39.1                    | 41.3                              | 50  | 50   |
|             |      |                    |       |      |                      |                     |               |                 | E18                  | 18.0 | 2      | 21.7  | 39.1                    | 41.3                              | 50  | 50   |
|             |      |                    |       |      |                      |                     |               |                 | E24                  | 24.0 | 2      | 28.9  | 44.3                    | 47.1                              | 50  | 50   |
|             |      |                    |       |      |                      |                     |               |                 | E36                  | 34.0 | 2      | 40.9  | 59.4                    | 62.1                              | 60  | 70   |
|             |      |                    |       |      |                      |                     |               |                 | E54                  | 54.0 | 2      | 65.0  | 73.2                    | 76.0                              | 80  | 90   |
|             | 575  | 8.7                | 62.0  | 13.5 | 0.7                  | 5.2                 | 1.8           | 0.0             | None                 | -    | -      | -     | 27.4                    | 29.2                              | 35  | 35   |
|             |      |                    |       |      |                      |                     |               |                 | E18                  | 18.0 | 2      | 17.3  | 28.2                    | 30.4                              | 35  | 35   |
|             |      |                    |       |      |                      |                     |               |                 | E24                  | 24.0 | 2      | 23.1  | 35.4                    | 37.6                              | 40  | 40   |
|             |      |                    |       |      |                      |                     |               |                 | E36                  | 34.0 | 2      | 32.7  | 47.4                    | 49.6                              | 50  | 50   |
|             |      |                    |       |      |                      |                     |               |                 | E54                  | 54.0 | 2      | 52.0  | 58.5                    | 60.7                              | 70  | 70   |

1. Minimum Circuit Ampacity.
2. Dual Element, Time Delay Type.
3. HACR type per NEC.

## JA3 thru A5ZJ Standard Indoor Blower - With Powered Convenience Outlet

| Size (Tons) | Volt | Compressors (each) |      |      | OD Fan Motors (each) | Supply Blower Motor | Pwr Exh Motor | Pwr Conv Outlet | Electric Heat Option |      |        |      | MCA <sup>1</sup> (Amps) | MCA <sup>1</sup> w/Pwr Exh (Amps) | Max Fuse <sup>2</sup> / Breaker <sup>3</sup> Size (Amps) | Max Fuse <sup>2</sup> / Breaker <sup>3</sup> Size w/ Pwr Exh (Amps) |
|-------------|------|--------------------|------|------|----------------------|---------------------|---------------|-----------------|----------------------|------|--------|------|-------------------------|-----------------------------------|--|---|
|             |      | RLA                | LRA  | MCC  | FLA                  | FLA                 | FLA           | FLA             | Model                | kW   | Stages | Amps |                         |                                   |  |   |
| JA3 (3)     | 208  | 8.7                | 68.0 | 13.5 | 2.1                  | 5.2                 | 5.5           | 10.0            | None                 | -    | -      | -    | 28.5                    | 34.0                              | 35   | 40  |
|             |      |                    |      |      |                      |                     |               |                 | E03                  | 2.3  | 1      | 6.4  | 28.5                    | 34.0                              | 35   | 40  |
|             |      |                    |      |      |                      |                     |               |                 | E06                  | 4.5  | 1      | 12.5 | 34.6                    | 41.5                              | 40   | 45  |
|             |      |                    |      |      |                      |                     |               |                 | E09                  | 6.8  | 1      | 18.9 | 42.6                    | 49.5                              | 45   | 50  |
|             |      |                    |      |      |                      |                     |               |                 | E15                  | 11.3 | 2      | 31.4 | 58.2                    | 65.1                              | 60   | 70  |
|             | 230  | 8.7                | 68.0 | 13.5 | 2.1                  | 5.2                 | 5.5           | 10.0            | None                 | -    | -      | -    | 28.5                    | 34.0                              | 35   | 40  |
|             |      |                    |      |      |                      |                     |               |                 | E03                  | 3.0  | 1      | 7.2  | 28.5                    | 34.9                              | 35   | 40  |
|             |      |                    |      |      |                      |                     |               |                 | E06                  | 6.0  | 1      | 14.4 | 37.0                    | 43.9                              | 40   | 45  |
|             |      |                    |      |      |                      |                     |               |                 | E09                  | 9.0  | 1      | 21.7 | 46.1                    | 52.9                              | 50   | 60  |
|             |      |                    |      |      |                      |                     |               |                 | E15                  | 15.0 | 2      | 36.1 | 64.1                    | 71.0                              | 70   | 80  |
|             | 460  | 4.6                | 34.0 | 7.1  | 1.3                  | 2.6                 | 2.2           | 5.0             | None                 | -    | -      | -    | 14.7                    | 16.9                              | 15   | 20  |
|             |      |                    |      |      |                      |                     |               |                 | E03                  | 3.0  | 1      | 3.6  | 14.7                    | 16.9                              | 15   | 20  |
|             |      |                    |      |      |                      |                     |               |                 | E06                  | 6.0  | 1      | 7.2  | 18.5                    | 21.3                              | 20   | 25  |
|             |      |                    |      |      |                      |                     |               |                 | E09                  | 9.0  | 1      | 10.8 | 23.0                    | 25.8                              | 25   | 30  |
|             |      |                    |      |      |                      |                     |               |                 | E15                  | 15.0 | 2      | 18.0 | 32.1                    | 34.8                              | 35   | 35  |
|             | 575  | 3.5                | 28.0 | 5.5  | 0.7                  | 2.0                 | 1.8           | 4.0             | None                 | -    | -      | -    | 11.2                    | 13.0                              | 15   | 15  |
| E09         |      |                    |      |      |                      |                     |               |                 | 9.0                  | 1    | 8.7    | 18.3 | 20.6                    | 20                                | 25   |   |
| E15         |      |                    |      |      |                      |                     |               |                 | 15.0                 | 2    | 14.4   | 25.5 | 27.8                    | 30                                | 30   |   |
| E06         |      |                    |      |      |                      |                     |               |                 | 6.0                  | 1    | 7.2    | 18.5 | 21.3                    | 20                                | 25   |   |
| E09         |      |                    |      |      |                      |                     |               |                 | 9.0                  | 1    | 10.8   | 23.0 | 25.8                    | 25                                | 30   |   |
| JA4 (4)     | 208  | 11.2               | 88.0 | 17.5 | 2.1                  | 5.2                 | 5.5           | 10.0            | None                 | -    | -      | -    | 31.3                    | 36.8                              | 40   | 45  |
|             |      |                    |      |      |                      |                     |               |                 | E06                  | 4.5  | 1      | 12.5 | 34.6                    | 41.5                              | 40   | 45  |
|             |      |                    |      |      |                      |                     |               |                 | E09                  | 6.8  | 1      | 18.9 | 42.6                    | 49.5                              | 45   | 50  |
|             |      |                    |      |      |                      |                     |               |                 | E15                  | 11.3 | 2      | 31.4 | 58.2                    | 65.1                              | 60   | 70  |
|             |      |                    |      |      |                      |                     |               |                 | E20                  | 15.0 | 2      | 41.6 | 71.0                    | 77.9                              | 80   | 80  |
|             | 230  | 11.2               | 88.0 | 17.5 | 2.1                  | 5.2                 | 5.5           | 10.0            | None                 | -    | -      | -    | 31.3                    | 36.8                              | 40   | 45  |
|             |      |                    |      |      |                      |                     |               |                 | E06                  | 6.0  | 1      | 14.4 | 37.0                    | 43.9                              | 40   | 45  |
|             |      |                    |      |      |                      |                     |               |                 | E09                  | 9.0  | 1      | 21.7 | 46.1                    | 52.9                              | 50   | 60  |
|             |      |                    |      |      |                      |                     |               |                 | E15                  | 15.0 | 2      | 36.1 | 64.1                    | 71.0                              | 70   | 80  |
|             |      |                    |      |      |                      |                     |               |                 | E20                  | 20.0 | 2      | 48.1 | 79.1                    | 86.0                              | 80   | 90  |
|             | 460  | 5.6                | 44.0 | 8.0  | 1.3                  | 2.6                 | 2.2           | 5.0             | None                 | -    | -      | -    | 15.9                    | 18.1                              | 20   | 20  |
|             |      |                    |      |      |                      |                     |               |                 | E06                  | 6.0  | 1      | 7.2  | 18.5                    | 21.3                              | 20   | 25  |
|             |      |                    |      |      |                      |                     |               |                 | E09                  | 9.0  | 1      | 10.8 | 23.0                    | 25.8                              | 25   | 30  |
|             |      |                    |      |      |                      |                     |               |                 | E15                  | 15.0 | 2      | 18.0 | 32.1                    | 34.8                              | 35   | 35  |
|             |      |                    |      |      |                      |                     |               |                 | E20                  | 20.0 | 2      | 24.1 | 39.6                    | 42.3                              | 40   | 45  |
|             | 575  | 4.5                | 36.0 | 7.0  | 0.7                  | 2.0                 | 1.8           | 4.0             | None                 | -    | -      | -    | 12.3                    | 14.1                              | 15   | 15  |
| E09         |      |                    |      |      |                      |                     |               |                 | 9.0                  | 1    | 8.7    | 18.3 | 20.6                    | 20                                | 25   |   |
| E15         |      |                    |      |      |                      |                     |               |                 | 15.0                 | 2    | 14.4   | 25.5 | 27.8                    | 30                                | 30   |   |
| E20         |      |                    |      |      |                      |                     |               |                 | 20.0                 | 2    | 19.2   | 31.6 | 33.8                    | 35                                | 35   |   |
| E06         |      |                    |      |      |                      |                     |               |                 | 6.0                  | 1    | 7.2    | 18.5 | 21.3                    | 20                                | 25   |   |
| JA5 (5)     | 208  | 14.1               | 88.0 | 22.0 | 2.1                  | 5.2                 | 5.5           | 10.0            | None                 | -    | -      | -    | 37.0                    | 42.5                              | 50   | 50  |
|             |      |                    |      |      |                      |                     |               |                 | E06                  | 4.5  | 1      | 12.5 | 37.0                    | 42.5                              | 50   | 50  |
|             |      |                    |      |      |                      |                     |               |                 | E09                  | 6.8  | 1      | 18.9 | 42.6                    | 49.5                              | 50   | 50  |
|             |      |                    |      |      |                      |                     |               |                 | E15                  | 11.3 | 2      | 31.4 | 58.2                    | 65.1                              | 60   | 70  |
|             |      |                    |      |      |                      |                     |               |                 | E20                  | 15.0 | 2      | 41.6 | 71.0                    | 77.9                              | 80   | 80  |
|             |      |                    |      |      |                      |                     |               |                 | E24                  | 18.0 | 2      | 50.0 | 81.5                    | 88.3                              | 90   | 90  |
|             | 230  | 14.1               | 88.0 | 22.0 | 2.1                  | 5.2                 | 5.5           | 10.0            | None                 | -    | -      | -    | 37.0                    | 42.5                              | 50   | 50  |
|             |      |                    |      |      |                      |                     |               |                 | E06                  | 6.0  | 1      | 14.4 | 37.0                    | 43.9                              | 50   | 50  |
|             |      |                    |      |      |                      |                     |               |                 | E09                  | 9.0  | 1      | 21.7 | 46.1                    | 52.9                              | 50   | 60  |
|             |      |                    |      |      |                      |                     |               |                 | E15                  | 15.0 | 2      | 36.1 | 64.1                    | 71.0                              | 70   | 80  |
|             |      |                    |      |      |                      |                     |               |                 | E20                  | 20.0 | 2      | 48.1 | 79.1                    | 86.0                              | 80   | 90  |
|             |      |                    |      |      |                      |                     |               |                 | E24                  | 24.0 | 2      | 57.7 | 91.2                    | 98.0                              | 100  | 100   |
|             | 460  | 7.7                | 55.0 | 12.0 | 1.3                  | 2.6                 | 2.2           | 5.0             | None                 | -    | -      | -    | 19.7                    | 21.9                              | 25   | 25  |
|             |      |                    |      |      |                      |                     |               |                 | E06                  | 6.0  | 1      | 7.2  | 19.7                    | 21.9                              | 25   | 25  |
|             |      |                    |      |      |                      |                     |               |                 | E09                  | 9.0  | 1      | 10.8 | 23.0                    | 25.8                              | 25   | 30  |
|             |      |                    |      |      |                      |                     |               |                 | E15                  | 15.0 | 2      | 18.0 | 32.1                    | 34.8                              | 35   | 35  |
| E20         |      |                    |      |      |                      |                     |               |                 | 20.0                 | 2    | 24.1   | 39.6 | 42.3                    | 40                                | 45   |   |
| E24         |      |                    |      |      |                      |                     |               |                 | 24.0                 | 2    | 28.9   | 45.6 | 48.3                    | 50                                | 50   |   |
| 575         | 5.1  | 36.0               | 7.5  | 0.7  | 2.0                  | 1.8                 | 4.0           | None            | -                    | -    | -      | 13.7 | 15.5                    | 15                                | 20   |   |
|             |      |                    |      |      |                      |                     |               | E09             | 9.0                  | 1    | 8.7    | 18.3 | 20.6                    | 20                                | 25   |   |
|             |      |                    |      |      |                      |                     |               | E15             | 15.0                 | 2    | 14.4   | 25.5 | 27.8                    | 30                                | 30   |   |
|             |      |                    |      |      |                      |                     |               | E20             | 20.0                 | 2    | 19.2   | 31.6 | 33.8                    | 35                                | 35   |   |
|             |      |                    |      |      |                      |                     |               | E06             | 6.0                  | 1    | 7.2    | 18.5 | 21.3                    | 20                                | 25   |   |
|             |      |                    |      |      |                      |                     |               | E24             | 24.0                 | 2    | 23.1   | 36.4 | 38.6                    | 40                                | 40   |   |

1. Minimum Circuit Ampacity.
2. Dual Element, Time Delay Type.
3. HACR type per NEC.

**J06 thru 12ZJ Standard Motor - With Powered Convenience Outlet**

| Size (Tons) | Volt | Compressors (each) |      |      | OD Fan Motors (each) | Supply Blower Motor | Pwr Exh Motor | Pwr Conv Outlet | Electric Heat Option |      |        |      | MCA <sup>1</sup> (Amps) | MCA <sup>1</sup> w/Pwr Exh (Amps) | Max Fuse <sup>2</sup> / Breaker <sup>3</sup> Size (Amps) | Max Fuse <sup>2</sup> / Breaker <sup>3</sup> Size w/ Pwr Exh (Amps) |
|-------------|------|--------------------|------|------|----------------------|---------------------|---------------|-----------------|----------------------|------|--------|------|-------------------------|-----------------------------------|--|---|
|             |      | RLA                | LRA  | MCC  | FLA                  | FLA                 | FLA           | FLA             | Model                | kW   | Stages | Amps |                         |                                   |  |   |
| J06 (6.5)   | 208  | 9.3                | 68.0 | 14.5 | 2.1                  | 5.2                 | 5.5           | 10.0            | None                 | -    | -      | -    | 40.5                    | 46.0                              | 50   | 50  |
|             |      |                    |      |      |                      |                     |               |                 | E09                  | 6.8  | 1      | 18.9 | 42.6                    | 49.5                              | 50   | 50  |
|             |      |                    |      |      |                      |                     |               |                 | E18                  | 13.5 | 2      | 37.5 | 65.8                    | 72.7                              | 70   | 80  |
|             |      |                    |      |      |                      |                     |               |                 | E24                  | 18.0 | 2      | 50.0 | 81.5                    | 88.3                              | 90   | 90  |
|             | 230  | 9.3                | 68.0 | 14.5 | 2.1                  | 5.2                 | 5.5           | 10.0            | None                 | -    | -      | -    | 40.5                    | 46.0                              | 50   | 50  |
|             |      |                    |      |      |                      |                     |               |                 | E09                  | 9.0  | 1      | 21.7 | 46.1                    | 52.9                              | 50   | 60  |
|             |      |                    |      |      |                      |                     |               |                 | E18                  | 18.0 | 2      | 43.3 | 73.1                    | 80.0                              | 80   | 80  |
|             |      |                    |      |      |                      |                     |               |                 | E24                  | 24.0 | 2      | 57.7 | 91.2                    | 98.0                              | 100  | 100   |
|             | 460  | 4.9                | 34.0 | 7.6  | 1.3                  | 2.6                 | 2.2           | 5.0             | None                 | -    | -      | -    | 21.2                    | 23.4                              | 25   | 25  |
|             |      |                    |      |      |                      |                     |               |                 | E09                  | 9.0  | 1      | 10.8 | 23.0                    | 25.8                              | 25   | 30  |
|             |      |                    |      |      |                      |                     |               |                 | E18                  | 18.0 | 2      | 21.7 | 36.6                    | 39.3                              | 40   | 40  |
|             |      |                    |      |      |                      |                     |               |                 | E24                  | 24.0 | 2      | 28.9 | 45.6                    | 48.3                              | 50   | 50  |
| 575         | 3.8  | 28.0               | 6.0  | 0.7  | 2.0                  | 1.8                 | 4.0           | None            | -                    | -    | -      | 15.9 | 17.7                    | 20                                | 20   |   |
|             |      |                    |      |      |                      |                     |               | E09             | 9.0                  | 1    | 8.7    | 18.3 | 20.6                    | 20                                | 25   |   |
|             |      |                    |      |      |                      |                     |               | E18             | 18.0                 | 2    | 17.3   | 29.2 | 31.4                    | 30                                | 35   |   |
|             |      |                    |      |      |                      |                     |               | E24             | 24.0                 | 2    | 23.1   | 36.4 | 38.6                    | 40                                | 40   |   |
| J07 (7.5)   | 208  | 11.9               | 88.0 | 18.5 | 3.0                  | 5.2                 | 5.5           | 10.0            | None                 | -    | -      | -    | 48.0                    | 53.5                              | 50   | 60  |
|             |      |                    |      |      |                      |                     |               |                 | E09                  | 6.8  | 1      | 18.9 | 48.0                    | 53.5                              | 50   | 60  |
|             |      |                    |      |      |                      |                     |               |                 | E18                  | 13.5 | 2      | 37.5 | 65.8                    | 72.7                              | 70   | 80  |
|             |      |                    |      |      |                      |                     |               |                 | E24                  | 18.0 | 2      | 50.0 | 81.5                    | 88.3                              | 90   | 90  |
|             | 230  | 11.9               | 88.0 | 18.5 | 3.0                  | 5.2                 | 5.5           | 10.0            | None                 | -    | -      | -    | 48.0                    | 53.5                              | 50   | 60  |
|             |      |                    |      |      |                      |                     |               |                 | E09                  | 9.0  | 1      | 21.7 | 48.0                    | 53.5                              | 50   | 60  |
|             |      |                    |      |      |                      |                     |               |                 | E18                  | 18.0 | 2      | 43.3 | 73.1                    | 80.0                              | 80   | 80  |
|             |      |                    |      |      |                      |                     |               |                 | E24                  | 24.0 | 2      | 57.7 | 91.2                    | 98.0                              | 100  | 100   |
|             | 460  | 5.2                | 44.0 | 8.1  | 1.6                  | 2.6                 | 2.2           | 5.0             | None                 | -    | -      | -    | 22.5                    | 24.7                              | 25   | 25  |
|             |      |                    |      |      |                      |                     |               |                 | E09                  | 9.0  | 1      | 10.8 | 23.0                    | 25.8                              | 25   | 30  |
|             |      |                    |      |      |                      |                     |               |                 | E18                  | 18.0 | 2      | 21.7 | 36.6                    | 39.3                              | 40   | 40  |
|             |      |                    |      |      |                      |                     |               |                 | E24                  | 24.0 | 2      | 28.9 | 45.6                    | 48.3                              | 50   | 50  |
| 575         | 4.8  | 36.0               | 7.5  | 1.4  | 2.0                  | 1.8                 | 4.0           | None            | -                    | -    | -      | 19.5 | 21.3                    | 20                                | 25   |   |
|             |      |                    |      |      |                      |                     |               | E09             | 9.0                  | 1    | 8.7    | 19.5 | 21.3                    | 20                                | 25   |   |
|             |      |                    |      |      |                      |                     |               | E18             | 18.0                 | 2    | 17.3   | 29.2 | 31.4                    | 30                                | 35   |   |
|             |      |                    |      |      |                      |                     |               | E24             | 24.0                 | 2    | 23.1   | 36.4 | 38.6                    | 40                                | 40   |   |
| J08 (8.5)   | 208  | 12.2               | 88.0 | 19.0 | 3.0                  | 6.8                 | 5.5           | 10.0            | None                 | -    | -      | -    | 50.3                    | 55.8                              | 60   | 60  |
|             |      |                    |      |      |                      |                     |               |                 | E09                  | 6.8  | 1      | 18.9 | 50.3                    | 55.8                              | 60   | 60  |
|             |      |                    |      |      |                      |                     |               |                 | E18                  | 13.5 | 2      | 37.5 | 67.8                    | 74.7                              | 70   | 80  |
|             |      |                    |      |      |                      |                     |               |                 | E24                  | 18.0 | 2      | 50.0 | 83.5                    | 90.3                              | 90   | 100   |
|             | 230  | 12.2               | 88.0 | 19.0 | 3.0                  | 6.8                 | 5.5           | 10.0            | None                 | -    | -      | -    | 50.3                    | 55.8                              | 60   | 60  |
|             |      |                    |      |      |                      |                     |               |                 | E09                  | 9.0  | 1      | 21.7 | 50.3                    | 55.8                              | 60   | 60  |
|             |      |                    |      |      |                      |                     |               |                 | E18                  | 18.0 | 2      | 43.3 | 75.1                    | 82.0                              | 80   | 90  |
|             |      |                    |      |      |                      |                     |               |                 | E24                  | 24.0 | 2      | 57.7 | 93.2                    | 100.0                             | 100  | 100   |
|             | 460  | 5.8                | 44.0 | 9.0  | 1.6                  | 3.4                 | 2.2           | 5.0             | None                 | -    | -      | -    | 24.7                    | 26.9                              | 30   | 30  |
|             |      |                    |      |      |                      |                     |               |                 | E09                  | 9.0  | 1      | 10.8 | 24.7                    | 26.9                              | 30   | 30  |
|             |      |                    |      |      |                      |                     |               |                 | E18                  | 18.0 | 2      | 21.7 | 37.6                    | 40.3                              | 40   | 45  |
|             |      |                    |      |      |                      |                     |               |                 | E24                  | 24.0 | 2      | 28.9 | 46.6                    | 49.3                              | 50   | 50  |
| 575         | 4.4  | 36.0               | 5.5  | 1.4  | 2.4                  | 1.8                 | 4.0           | None            | -                    | -    | -      | 19.0 | 20.8                    | 20                                | 25   |   |
|             |      |                    |      |      |                      |                     |               | E09             | 9.0                  | 1    | 8.7    | 19.0 | 21.1                    | 20                                | 25   |   |
|             |      |                    |      |      |                      |                     |               | E18             | 18.0                 | 2    | 17.3   | 29.7 | 31.9                    | 30                                | 35   |   |
|             |      |                    |      |      |                      |                     |               | E24             | 24.0                 | 2    | 23.1   | 36.9 | 39.1                    | 40                                | 40   |   |
|             |      |                    |      |      |                      |                     |               | E36             | 34.0                 | 2    | 32.7   | 48.9 | 51.1                    | 50                                | 60   |   |

## J06 thru 12ZJ Standard Motor - With Powered Convenience Outlet (Continued)

| Size<br>(Tons) | Volt | Compressors<br>(each) |       |      | OD Fan<br>Motors<br>(each) | Supply<br>Blower<br>Motor | Pwr<br>Exh<br>Motor | Pwr<br>Conv<br>Outlet | Electric Heat Option |      |        |       | MCA <sup>1</sup><br>(Amps) | MCA <sup>1</sup><br>w/Pwr<br>Exh<br>(Amps) | Max Fuse <sup>2</sup> /<br>Breaker <sup>3</sup><br>Size<br>(Amps) | Max Fuse <sup>2</sup> /<br>Breaker <sup>3</sup><br>Size w/ Pwr<br>Exh<br>(Amps) |
|----------------|------|-----------------------|-------|------|----------------------------|---------------------------|---------------------|-----------------------|----------------------|------|--------|-------|----------------------------|--|---|---|
|                |      | RLA                   | LRA   | MCC  | FLA                        | FLA                       | FLA                 | FLA                   | Model                | kW   | Stages | Amps  |                            |  |   |   |
| J10<br>(10)    | 208  | 16.0                  | 110.0 | 24.9 | 3.0                        | 6.8                       | 5.5                 | 10.0                  | None                 | -    | -      | -     | 58.9                       | 64.4                                       | 70  | 80  |
|                |      |                       |       |      |                            |                           |                     |                       | E18                  | 13.5 | 2      | 37.5  | 67.8                       | 74.7                                       | 70  | 80  |
|                |      |                       |       |      |                            |                           |                     |                       | E24                  | 18.0 | 2      | 50.0  | 83.5                       | 90.3                                       | 90  | 100   |
|                |      |                       |       |      |                            |                           |                     |                       | E36                  | 25.5 | 2      | 70.8  | 109.5                      | 116.4                                      | 110   | 125   |
|                |      |                       |       |      |                            |                           |                     |                       | E54                  | 40.6 | 2      | 112.7 | 161.9                      | 168.7                                      | 175   | 175   |
|                | 230  | 16.0                  | 110.0 | 24.9 | 3.0                        | 6.8                       | 5.5                 | 10.0                  | None                 | -    | -      | -     | 58.9                       | 64.4                                       | 70  | 80  |
|                |      |                       |       |      |                            |                           |                     |                       | E18                  | 18.0 | 2      | 43.3  | 75.1                       | 82.0                                       | 80  | 90  |
|                |      |                       |       |      |                            |                           |                     |                       | E24                  | 24.0 | 2      | 57.7  | 93.2                       | 100.0                                      | 100   | 100   |
|                |      |                       |       |      |                            |                           |                     |                       | E36                  | 34.0 | 2      | 81.8  | 123.2                      | 130.1                                      | 125   | 150   |
|                |      |                       |       |      |                            |                           |                     |                       | E54                  | 54.0 | 2      | 129.9 | 150.9                      | 157.8                                      | 175   | 175   |
|                | 460  | 7.8                   | 52.0  | 12.1 | 1.6                        | 3.4                       | 2.2                 | 5.0                   | None                 | -    | -      | -     | 29.2                       | 31.4                                       | 35  | 35  |
|                |      |                       |       |      |                            |                           |                     |                       | E18                  | 18.0 | 2      | 21.7  | 37.6                       | 40.3                                       | 40  | 45  |
|                |      |                       |       |      |                            |                           |                     |                       | E24                  | 24.0 | 2      | 28.9  | 46.6                       | 49.3                                       | 50  | 50  |
|                |      |                       |       |      |                            |                           |                     |                       | E36                  | 34.0 | 2      | 40.9  | 61.6                       | 64.4                                       | 70  | 70  |
|                |      |                       |       |      |                            |                           |                     |                       | E54                  | 54.0 | 2      | 65.0  | 75.5                       | 78.2                                       | 80  | 90  |
|                | 575  | 5.7                   | 38.9  | 8.9  | 1.4                        | 2.4                       | 1.8                 | 4.0                   | None                 | -    | -      | -     | 21.9                       | 23.7                                       | 25  | 25  |
|                |      |                       |       |      |                            |                           |                     |                       | E18                  | 18.0 | 2      | 17.3  | 29.7                       | 31.9                                       | 30  | 35  |
|                |      |                       |       |      |                            |                           |                     |                       | E24                  | 24.0 | 2      | 23.1  | 36.9                       | 39.1                                       | 40  | 40  |
|                |      |                       |       |      |                            |                           |                     |                       | E36                  | 34.0 | 2      | 32.7  | 48.9                       | 51.1                                       | 50  | 60  |
|                |      |                       |       |      |                            |                           |                     |                       | E54                  | 54.0 | 2      | 52.0  | 60.0                       | 62.2                                       | 70  | 70  |
| J12<br>(12.5)  | 208  | 23.1                  | 160.0 | 36.0 | 2.1                        | 9.6                       | 5.5                 | 10.0                  | None                 | -    | -      | -     | 80.0                       | 85.5                                       | 100   | 100   |
|                |      |                       |       |      |                            |                           |                     |                       | E18                  | 13.5 | 2      | 37.5  | 80.0                       | 85.5                                       | 100   | 100   |
|                |      |                       |       |      |                            |                           |                     |                       | E24                  | 18.0 | 2      | 50.0  | 87.0                       | 93.8                                       | 100   | 100   |
|                |      |                       |       |      |                            |                           |                     |                       | E36                  | 25.5 | 2      | 70.8  | 113.0                      | 119.9                                      | 125   | 125   |
|                |      |                       |       |      |                            |                           |                     |                       | E54                  | 40.6 | 2      | 112.7 | 165.4                      | 172.2                                      | 175   | 175   |
|                | 230  | 23.1                  | 160.0 | 36.0 | 2.1                        | 9.6                       | 5.5                 | 10.0                  | None                 | -    | -      | -     | 80.0                       | 85.5                                       | 100   | 100   |
|                |      |                       |       |      |                            |                           |                     |                       | E18                  | 18.0 | 2      | 43.3  | 80.0                       | 85.5                                       | 100   | 100   |
|                |      |                       |       |      |                            |                           |                     |                       | E24                  | 24.0 | 2      | 57.7  | 96.7                       | 103.5                                      | 100   | 110   |
|                |      |                       |       |      |                            |                           |                     |                       | E36                  | 34.0 | 2      | 81.8  | 126.7                      | 133.6                                      | 150   | 150   |
|                |      |                       |       |      |                            |                           |                     |                       | E54                  | 54.0 | 2      | 129.9 | 154.4                      | 161.3                                      | 175   | 175   |
|                | 460  | 12.2                  | 87.0  | 19.0 | 1.3                        | 4.7                       | 2.2                 | 5.0                   | None                 | -    | -      | -     | 42.2                       | 44.4                                       | 50  | 50  |
|                |      |                       |       |      |                            |                           |                     |                       | E18                  | 18.0 | 2      | 21.7  | 42.2                       | 44.4                                       | 50  | 50  |
|                |      |                       |       |      |                            |                           |                     |                       | E24                  | 24.0 | 2      | 28.9  | 48.2                       | 51.0                                       | 50  | 60  |
|                |      |                       |       |      |                            |                           |                     |                       | E36                  | 34.0 | 2      | 40.9  | 63.2                       | 66.0                                       | 70  | 70  |
|                |      |                       |       |      |                            |                           |                     |                       | E54                  | 54.0 | 2      | 65.0  | 77.1                       | 79.8                                       | 90  | 90  |
|                | 575  | 8.7                   | 62.0  | 13.5 | 0.7                        | 3.6                       | 1.8                 | 4.0                   | None                 | -    | -      | -     | 29.8                       | 31.6                                       | 35  | 40  |
|                |      |                       |       |      |                            |                           |                     |                       | E18                  | 18.0 | 2      | 17.3  | 31.2                       | 33.4                                       | 35  | 40  |
|                |      |                       |       |      |                            |                           |                     |                       | E24                  | 24.0 | 2      | 23.1  | 38.4                       | 40.6                                       | 40  | 45  |
|                |      |                       |       |      |                            |                           |                     |                       | E36                  | 34.0 | 2      | 32.7  | 50.4                       | 52.6                                       | 60  | 60  |
|                |      |                       |       |      |                            |                           |                     |                       | E54                  | 54.0 | 2      | 52.0  | 61.5                       | 63.7                                       | 70  | 70  |

1. Minimum Circuit Ampacity.
2. Dual Element, Time Delay Type.
3. HACR type per NEC.

**JA3 thru A5ZJ Hi Static Blower - With Powered Convenience Outlet**

| Size (Tons) | Volt | Compressors (each) |      |      | OD Fan Motors (each) | Supply Blower Motor | Pwr Exh Motor | Pwr Conv Outlet | Electric Heat Option |      |        |      | MCA <sup>1</sup> (Amps) | MCA <sup>1</sup> w/Pwr Exh (Amps) | Max Fuse <sup>2</sup> / Breaker <sup>3</sup> Size (Amps) | Max Fuse <sup>2</sup> / Breaker <sup>3</sup> Size w/ Pwr Exh (Amps) |
|-------------|------|--------------------|------|------|----------------------|---------------------|---------------|-----------------|----------------------|------|--------|------|-------------------------|-----------------------------------|--|---|
|             |      | RLA                | LRA  | MCC  | FLA                  | FLA                 | FLA           | FLA             | Model                | kW   | Stages | Amps |                         |                                   |  |   |
| JA3 (3)     | 208  | 8.7                | 68.0 | 13.5 | 2.1                  | 5.2                 | 5.5           | 10.0            | None                 | -    | -      | -    | 28.5                    | 34.0                              | 35   | 40  |
|             |      |                    |      |      |                      |                     |               |                 | E03                  | 2.3  | 1      | 6.4  | 28.5                    | 34.0                              | 35   | 40  |
|             |      |                    |      |      |                      |                     |               |                 | E06                  | 4.5  | 1      | 12.5 | 34.6                    | 41.5                              | 40   | 45  |
|             |      |                    |      |      |                      |                     |               |                 | E09                  | 6.8  | 1      | 18.9 | 42.6                    | 49.5                              | 45   | 50  |
|             | 230  | 8.7                | 68.0 | 13.5 | 2.1                  | 5.2                 | 5.5           | 10.0            | E15                  | 11.3 | 2      | 31.4 | 58.2                    | 65.1                              | 60   | 70  |
|             |      |                    |      |      |                      |                     |               |                 | None                 | -    | -      | -    | 28.5                    | 34.0                              | 35   | 40  |
|             |      |                    |      |      |                      |                     |               |                 | E03                  | 3.0  | 1      | 7.2  | 28.5                    | 34.9                              | 35   | 40  |
|             |      |                    |      |      |                      |                     |               |                 | E06                  | 6.0  | 1      | 14.4 | 37.0                    | 43.9                              | 40   | 45  |
|             | 460  | 4.6                | 34.0 | 7.1  | 1.3                  | 2.6                 | 2.2           | 5.0             | E09                  | 9.0  | 1      | 21.7 | 46.1                    | 52.9                              | 50   | 60  |
|             |      |                    |      |      |                      |                     |               |                 | E15                  | 15.0 | 2      | 36.1 | 64.1                    | 71.0                              | 70   | 80  |
|             |      |                    |      |      |                      |                     |               |                 | None                 | -    | -      | -    | 14.7                    | 16.9                              | 15   | 20  |
|             |      |                    |      |      |                      |                     |               |                 | E03                  | 3.0  | 1      | 3.6  | 14.7                    | 16.9                              | 15   | 20  |
| 575         | 3.5  | 28.0               | 5.5  | 0.7  | 2.0                  | 1.8                 | 4.0           | E06             | 6.0                  | 1    | 7.2    | 18.5 | 21.3                    | 20                                | 25   |   |
|             |      |                    |      |      |                      |                     |               | E09             | 9.0                  | 1    | 10.8   | 23.0 | 25.8                    | 25                                | 30   |   |
|             |      |                    |      |      |                      |                     |               | E15             | 15.0                 | 2    | 18.0   | 32.1 | 34.8                    | 35                                | 35   |   |
|             |      |                    |      |      |                      |                     |               | None            | -                    | -    | -      | 11.2 | 13.0                    | 15                                | 15   |   |
| JA4 (4)     | 208  | 11.2               | 88.0 | 17.5 | 2.1                  | 5.2                 | 5.5           | 10.0            | E09                  | 9.0  | 1      | 8.7  | 18.3                    | 20.6                              | 20   | 25  |
|             |      |                    |      |      |                      |                     |               |                 | E15                  | 15.0 | 2      | 14.4 | 25.5                    | 27.8                              | 30   | 30  |
|             |      |                    |      |      |                      |                     |               |                 | None                 | -    | -      | -    | 31.3                    | 36.8                              | 40   | 45  |
|             |      |                    |      |      |                      |                     |               |                 | E06                  | 4.5  | 1      | 12.5 | 34.6                    | 41.5                              | 40   | 45  |
|             | 230  | 11.2               | 88.0 | 17.5 | 2.1                  | 5.2                 | 5.5           | 10.0            | E09                  | 6.8  | 1      | 18.9 | 42.6                    | 49.5                              | 45   | 50  |
|             |      |                    |      |      |                      |                     |               |                 | E15                  | 11.3 | 2      | 31.4 | 58.2                    | 65.1                              | 60   | 70  |
|             |      |                    |      |      |                      |                     |               |                 | E20                  | 15.0 | 2      | 41.6 | 71.0                    | 77.9                              | 80   | 80  |
|             |      |                    |      |      |                      |                     |               |                 | None                 | -    | -      | -    | 31.3                    | 36.8                              | 40   | 45  |
|             | 460  | 5.6                | 44.0 | 8.0  | 1.3                  | 2.6                 | 2.2           | 5.0             | E06                  | 6.0  | 1      | 14.4 | 37.0                    | 43.9                              | 40   | 45  |
|             |      |                    |      |      |                      |                     |               |                 | E09                  | 9.0  | 1      | 21.7 | 46.1                    | 52.9                              | 50   | 60  |
|             |      |                    |      |      |                      |                     |               |                 | E15                  | 15.0 | 2      | 36.1 | 64.1                    | 71.0                              | 70   | 80  |
|             |      |                    |      |      |                      |                     |               |                 | E20                  | 20.0 | 2      | 48.1 | 79.1                    | 86.0                              | 80   | 90  |
| 575         | 4.5  | 36.0               | 7.0  | 0.7  | 2.0                  | 1.8                 | 4.0           | None            | -                    | -    | -      | 15.9 | 18.1                    | 20                                | 20   |   |
|             |      |                    |      |      |                      |                     |               | E06             | 6.0                  | 1    | 7.2    | 18.5 | 21.3                    | 20                                | 25   |   |
|             |      |                    |      |      |                      |                     |               | E09             | 9.0                  | 1    | 10.8   | 23.0 | 25.8                    | 25                                | 30   |   |
|             |      |                    |      |      |                      |                     |               | E15             | 15.0                 | 2    | 18.0   | 32.1 | 34.8                    | 35                                | 35   |   |
| JA5 (5)     | 208  | 14.1               | 88.0 | 22.0 | 2.1                  | 6.8                 | 5.5           | 10.0            | E20                  | 20.0 | 2      | 24.1 | 39.6                    | 42.3                              | 40   | 45  |
|             |      |                    |      |      |                      |                     |               |                 | None                 | -    | -      | -    | 12.3                    | 14.1                              | 15   | 15  |
|             |      |                    |      |      |                      |                     |               |                 | E09                  | 9.0  | 1      | 8.7  | 18.3                    | 20.6                              | 20   | 25  |
|             |      |                    |      |      |                      |                     |               |                 | E15                  | 15.0 | 2      | 14.4 | 25.5                    | 27.8                              | 30   | 30  |
|             | 230  | 14.1               | 88.0 | 22.0 | 2.1                  | 6.8                 | 5.5           | 10.0            | E20                  | 20.0 | 2      | 19.2 | 31.6                    | 33.8                              | 35   | 35  |
|             |      |                    |      |      |                      |                     |               |                 | None                 | -    | -      | -    | 38.6                    | 44.1                              | 50   | 50  |
|             |      |                    |      |      |                      |                     |               |                 | E06                  | 4.5  | 1      | 12.5 | 38.6                    | 44.1                              | 50   | 50  |
|             |      |                    |      |      |                      |                     |               |                 | E09                  | 6.8  | 1      | 18.9 | 44.6                    | 51.5                              | 50   | 60  |
|             | 460  | 7.7                | 55.0 | 12.0 | 1.3                  | 3.4                 | 2.2           | 5.0             | E15                  | 11.3 | 2      | 31.4 | 60.2                    | 67.1                              | 70   | 70  |
|             |      |                    |      |      |                      |                     |               |                 | E20                  | 15.0 | 2      | 41.6 | 73.0                    | 79.9                              | 80   | 80  |
|             |      |                    |      |      |                      |                     |               |                 | E24                  | 18.0 | 2      | 50.0 | 83.5                    | 90.3                              | 90   | 100   |
|             |      |                    |      |      |                      |                     |               |                 | None                 | -    | -      | -    | 38.6                    | 44.1                              | 50   | 50  |
| 575         | 5.1  | 36.0               | 7.5  | 0.7  | 2.4                  | 1.8                 | 4.0           | E06             | 6.0                  | 1    | 7.2    | 20.5 | 22.7                    | 25                                | 30   |   |
|             |      |                    |      |      |                      |                     |               | E09             | 9.0                  | 1    | 10.8   | 24.0 | 26.8                    | 25                                | 30   |   |
|             |      |                    |      |      |                      |                     |               | E15             | 15.0                 | 2    | 18.0   | 33.1 | 35.8                    | 35                                | 40   |   |
|             |      |                    |      |      |                      |                     |               | E20             | 20.0                 | 2    | 24.1   | 40.6 | 43.3                    | 45                                | 45   |   |
|             |      |                    |      |      |                      |                     |               | E24             | 24.0                 | 2    | 28.9   | 46.6 | 49.3                    | 50                                | 50   |   |
|             |      |                    |      |      |                      |                     |               | None            | -                    | -    | -      | 14.1 | 15.9                    | 15                                | 20   |   |
|             |      |                    |      |      |                      |                     |               | E09             | 9.0                  | 1    | 8.7    | 18.8 | 21.1                    | 20                                | 25   |   |
|             |      |                    |      |      |                      |                     |               | E15             | 15.0                 | 2    | 14.4   | 26.0 | 28.3                    | 30                                | 30   |   |
|             |      |                    |      |      |                      |                     |               | E20             | 20.0                 | 2    | 19.2   | 32.1 | 34.3                    | 35                                | 35   |   |
|             |      |                    |      |      |                      |                     |               | E24             | 24.0                 | 2    | 23.1   | 36.9 | 39.1                    | 40                                | 40   |   |

1. Minimum Circuit Ampacity.
2. Dual Element, Time Delay Type.
3. HACR type per NEC.

## J06 thru 12ZJ Hi Static Motor - With Powered Convenience Outlet

| Size<br>(Tons) | Volt         | Compressors<br>(each) |      |      | OD Fan<br>Motors<br>(each) | Supply<br>Blower<br>Motor | Pwr<br>Exh<br>Motor | Pwr<br>Conv<br>Outlet | Electric Heat Option |      |        |      | MCA <sup>1</sup><br>(Amps) | MCA <sup>1</sup><br>w/Pwr<br>Exh<br>(Amps) | Max Fuse <sup>2</sup> /<br>Breaker <sup>3</sup><br>Size<br>(Amps) | Max Fuse <sup>2</sup> /<br>Breaker <sup>3</sup><br>Size w/ Pwr<br>Exh<br>(Amps) |     |
|----------------|--------------|-----------------------|------|------|----------------------------|---------------------------|---------------------|-----------------------|----------------------|------|--------|------|----------------------------|--|---|---|-----|
|                |              | RLA                   | LRA  | MCC  | FLA                        | FLA                       | FLA                 | FLA                   | Model                | kW   | Stages | Amps |                            |  |   |   |     |
| J06<br>(6.5)   | 208          | 9.3                   | 68.0 | 14.5 | 2.1                        | 6.8                       | 5.5                 | 10.0                  | None                 | -    | -      | -    | 42.1                       | 47.6                                       | 50  | 50  |     |
|                |              |                       |      |      |                            |                           |                     |                       | E09                  | 6.8  | 1      | 18.9 | 44.6                       | 51.5                                       | 50  | 60  |     |
|                |              |                       |      |      |                            |                           |                     |                       | E18                  | 13.5 | 2      | 37.5 | 67.8                       | 74.7                                       | 70  | 80  |     |
|                |              |                       |      |      |                            |                           |                     |                       | E24                  | 18.0 | 2      | 50.0 | 83.5                       | 90.3                                       | 90  | 100   |     |
|                | 230          | 9.3                   | 68.0 | 14.5 | 2.1                        | 6.8                       | 5.5                 | 10.0                  | None                 | -    | -      | -    | 42.1                       | 47.6                                       | 50  | 50  |     |
|                |              |                       |      |      |                            |                           |                     |                       | E09                  | 9.0  | 1      | 21.7 | 48.1                       | 54.9                                       | 50  | 60  |     |
|                |              |                       |      |      |                            |                           |                     |                       | E18                  | 18.0 | 2      | 43.3 | 75.1                       | 82.0                                       | 80  | 90  |     |
|                |              |                       |      |      |                            |                           |                     |                       | E24                  | 24.0 | 2      | 57.7 | 93.2                       | 100.0                                      | 100   | 100   |     |
|                | 460          | 4.9                   | 34.0 | 7.6  | 1.3                        | 3.4                       | 2.2                 | 5.0                   | None                 | -    | -      | -    | 22.0                       | 24.2                                       | 25  | 25  |     |
|                |              |                       |      |      |                            |                           |                     |                       | E09                  | 9.0  | 1      | 10.8 | 24.0                       | 26.8                                       | 25  | 30  |     |
|                |              |                       |      |      |                            |                           |                     |                       | E18                  | 18.0 | 2      | 21.7 | 37.6                       | 40.3                                       | 40  | 45  |     |
|                |              |                       |      |      |                            |                           |                     |                       | E24                  | 24.0 | 2      | 28.9 | 46.6                       | 49.3                                       | 50  | 50  |     |
|                | 575          | 3.8                   | 28.0 | 6.0  | 0.7                        | 2.4                       | 1.8                 | 4.0                   | None                 | -    | -      | -    | 16.3                       | 18.1                                       | 20  | 20  |     |
|                |              |                       |      |      |                            |                           |                     |                       | E09                  | 9.0  | 1      | 8.7  | 18.8                       | 21.1                                       | 20  | 25  |     |
|                |              |                       |      |      |                            |                           |                     |                       | E18                  | 18.0 | 2      | 17.3 | 29.7                       | 31.9                                       | 30  | 35  |     |
|                |              |                       |      |      |                            |                           |                     |                       | E24                  | 24.0 | 2      | 23.1 | 36.9                       | 39.1                                       | 40  | 40  |     |
|                | J07<br>(7.5) | 208                   | 11.9 | 88.0 | 18.5                       | 3.0                       | 9.6                 | 5.5                   | 10.0                 | None | -      | -    | -                          | 52.4                                       | 57.9  | 60  | 60  |
|                |              |                       |      |      |                            |                           |                     |                       |                      | E09  | 6.8    | 1    | 18.9                       | 52.4                                       | 57.9  | 60  | 60  |
|                |              |                       |      |      |                            |                           |                     |                       |                      | E18  | 13.5   | 2    | 37.5                       | 71.3                                       | 78.2  | 80  | 80  |
|                |              |                       |      |      |                            |                           |                     |                       |                      | E24  | 18.0   | 2    | 50.0                       | 87.0                                       | 93.8  | 90  | 100 |
| 230            |              | 11.9                  | 88.0 | 18.5 | 3.0                        | 9.6                       | 5.5                 | 10.0                  | None                 | -    | -      | -    | 52.4                       | 57.9                                       | 60  | 60  |     |
|                |              |                       |      |      |                            |                           |                     |                       | E09                  | 9.0  | 1      | 21.7 | 52.4                       | 58.4                                       | 60  | 60  |     |
|                |              |                       |      |      |                            |                           |                     |                       | E18                  | 18.0 | 2      | 43.3 | 78.6                       | 85.5                                       | 80  | 90  |     |
|                |              |                       |      |      |                            |                           |                     |                       | E24                  | 24.0 | 2      | 57.7 | 96.7                       | 103.5                                      | 100   | 110   |     |
| 460            |              | 5.2                   | 44.0 | 8.1  | 1.6                        | 4.7                       | 2.2                 | 5.0                   | None                 | -    | -      | -    | 24.6                       | 26.8                                       | 25  | 30  |     |
|                |              |                       |      |      |                            |                           |                     |                       | E09                  | 9.0  | 1      | 10.8 | 25.7                       | 28.4                                       | 30  | 30  |     |
|                |              |                       |      |      |                            |                           |                     |                       | E18                  | 18.0 | 2      | 21.7 | 39.2                       | 41.9                                       | 40  | 45  |     |
|                |              |                       |      |      |                            |                           |                     |                       | E24                  | 24.0 | 2      | 28.9 | 48.2                       | 51.0                                       | 50  | 60  |     |
| 575            |              | 4.8                   | 36.0 | 7.5  | 1.4                        | 3.6                       | 1.8                 | 4.0                   | None                 | -    | -      | -    | 21.1                       | 22.9                                       | 25  | 25  |     |
|                |              |                       |      |      |                            |                           |                     |                       | E09                  | 9.0  | 1      | 8.7  | 21.1                       | 22.9                                       | 25  | 25  |     |
|                |              |                       |      |      |                            |                           |                     |                       | E18                  | 18.0 | 2      | 17.3 | 31.2                       | 33.4                                       | 35  | 35  |     |
|                |              |                       |      |      |                            |                           |                     |                       | E24                  | 24.0 | 2      | 23.1 | 38.4                       | 40.6                                       | 40  | 45  |     |
| J08<br>(8.5)   |              | 208                   | 12.2 | 88.0 | 19.0                       | 3.0                       | 9.6                 | 5.5                   | 10.0                 | None | -      | -    | -                          | 53.1                                       | 58.6  | 60  | 70  |
|                |              |                       |      |      |                            |                           |                     |                       |                      | E09  | 6.8    | 1    | 18.9                       | 53.1                                       | 58.6  | 60  | 70  |
|                |              |                       |      |      |                            |                           |                     |                       |                      | E18  | 13.5   | 2    | 37.5                       | 71.3                                       | 78.2  | 80  | 80  |
|                |              |                       |      |      |                            |                           |                     |                       |                      | E24  | 18.0   | 2    | 50.0                       | 87.0                                       | 93.8  | 90  | 100 |
|                | 230          | 12.2                  | 88.0 | 19.0 | 3.0                        | 9.6                       | 5.5                 | 10.0                  | None                 | -    | -      | -    | 53.1                       | 58.6                                       | 60  | 70  |     |
|                |              |                       |      |      |                            |                           |                     |                       | E09                  | 9.0  | 1      | 21.7 | 53.1                       | 58.6                                       | 60  | 70  |     |
|                |              |                       |      |      |                            |                           |                     |                       | E18                  | 18.0 | 2      | 43.3 | 78.6                       | 85.5                                       | 80  | 90  |     |
|                |              |                       |      |      |                            |                           |                     |                       | E24                  | 24.0 | 2      | 57.7 | 96.7                       | 103.5                                      | 100   | 110   |     |
|                | 460          | 5.8                   | 44.0 | 9.0  | 1.6                        | 4.7                       | 2.2                 | 5.0                   | None                 | -    | -      | -    | 26.0                       | 28.2                                       | 30  | 30  |     |
|                |              |                       |      |      |                            |                           |                     |                       | E09                  | 9.0  | 1      | 10.8 | 26.0                       | 28.4                                       | 30  | 30  |     |
|                |              |                       |      |      |                            |                           |                     |                       | E18                  | 18.0 | 2      | 21.7 | 39.2                       | 41.9                                       | 40  | 45  |     |
|                |              |                       |      |      |                            |                           |                     |                       | E24                  | 24.0 | 2      | 28.9 | 48.2                       | 51.0                                       | 50  | 60  |     |
|                | 575          | 4.4                   | 36.0 | 5.5  | 1.4                        | 3.6                       | 1.8                 | 4.0                   | None                 | -    | -      | -    | 20.2                       | 22.0                                       | 25  | 25  |     |
|                |              |                       |      |      |                            |                           |                     |                       | E09                  | 9.0  | 1      | 8.7  | 20.3                       | 22.6                                       | 25  | 25  |     |
|                |              |                       |      |      |                            |                           |                     |                       | E18                  | 18.0 | 2      | 17.3 | 31.2                       | 33.4                                       | 35  | 35  |     |
|                |              |                       |      |      |                            |                           |                     |                       | E24                  | 24.0 | 2      | 23.1 | 38.4                       | 40.6                                       | 40  | 45  |     |
|                | 575          | 4.4                   | 36.0 | 5.5  | 1.4                        | 3.6                       | 1.8                 | 4.0                   | None                 | -    | -      | -    | 20.2                       | 22.0                                       | 25  | 25  |     |
|                |              |                       |      |      |                            |                           |                     |                       | E09                  | 9.0  | 1      | 8.7  | 20.3                       | 22.6                                       | 25  | 25  |     |
|                |              |                       |      |      |                            |                           |                     |                       | E18                  | 18.0 | 2      | 17.3 | 31.2                       | 33.4                                       | 35  | 35  |     |
|                |              |                       |      |      |                            |                           |                     |                       | E24                  | 24.0 | 2      | 23.1 | 38.4                       | 40.6                                       | 40  | 45  |     |
| 575            | 4.4          | 36.0                  | 5.5  | 1.4  | 3.6                        | 1.8                       | 4.0                 | None                  | -                    | -    | -      | 20.2 | 22.0                       | 25   | 25  |   |     |
|                |              |                       |      |      |                            |                           |                     | E09                   | 9.0                  | 1    | 8.7    | 20.3 | 22.6                       | 25   | 25  |   |     |
|                |              |                       |      |      |                            |                           |                     | E18                   | 18.0                 | 2    | 17.3   | 31.2 | 33.4                       | 35   | 35  |   |     |
|                |              |                       |      |      |                            |                           |                     | E24                   | 24.0                 | 2    | 23.1   | 38.4 | 40.6                       | 40   | 45  |   |     |
| 575            | 4.4          | 36.0                  | 5.5  | 1.4  | 3.6                        | 1.8                       | 4.0                 | None                  | -                    | -    | -      | 20.2 | 22.0                       | 25   | 25  |   |     |
|                |              |                       |      |      |                            |                           |                     | E09                   | 9.0                  | 1    | 8.7    | 20.3 | 22.6                       | 25   | 25  |   |     |
|                |              |                       |      |      |                            |                           |                     | E18                   | 18.0                 | 2    | 17.3   | 31.2 | 33.4                       | 35   | 35  |   |     |
|                |              |                       |      |      |                            |                           |                     | E24                   | 24.0                 | 2    | 23.1   | 38.4 | 40.6                       | 40   | 45  |   |     |
| 575            | 4.4          | 36.0                  | 5.5  | 1.4  | 3.6                        | 1.8                       | 4.0                 | None                  | -                    | -    | -      | 20.2 | 22.0                       | 25   | 25  |   |     |
|                |              |                       |      |      |                            |                           |                     | E09                   | 9.0                  | 1    | 8.7    | 20.3 | 22.6                       | 25   | 25  |   |     |
|                |              |                       |      |      |                            |                           |                     | E18                   | 18.0                 | 2    | 17.3   | 31.2 | 33.4                       | 35   | 35  |   |     |
|                |              |                       |      |      |                            |                           |                     | E24                   | 24.0                 | 2    | 23.1   | 38.4 | 40.6                       | 40   | 45  |   |     |
| 575            | 4.4          | 36.0                  | 5.5  | 1.4  | 3.6                        | 1.8                       | 4.0                 | None                  | -                    | -    | -      | 20.2 | 22.0                       | 25   | 25  |   |     |
|                |              |                       |      |      |                            |                           |                     | E09                   | 9.0                  | 1    | 8.7    | 20.3 | 22.6                       | 25   | 25  |   |     |
|                |              |                       |      |      |                            |                           |                     | E18                   | 18.0                 | 2    | 17.3   | 31.2 | 33.4                       | 35   | 35  |   |     |
|                |              |                       |      |      |                            |                           |                     | E24                   | 24.0                 | 2    | 23.1   | 38.4 | 40.6                       | 40   | 45  |   |     |

**J06 thru 12ZJ Hi Static Motor - With Powered Convenience Outlet (Continued)**

| Size (Tons)   | Volt | Compressors (each) |       |      | OD Fan Motors (each) | Supply Blower Motor | Pwr Exh Motor | Pwr Conv Outlet | Electric Heat Option |      |        |       | MCA <sup>1</sup> (Amps) | MCA <sup>1</sup> w/Pwr Exh (Amps) | Max Fuse <sup>2</sup> /<br>Breaker <sup>3</sup> Size (Amps) | Max Fuse <sup>2</sup> /<br>Breaker <sup>3</sup> Size w/ Pwr Exh (Amps) |
|---------------|------|--------------------|-------|------|----------------------|---------------------|---------------|-----------------|----------------------|------|--------|-------|-------------------------|-----------------------------------|---|--|
|               |      | RLA                | LRA   | MCC  | FLA                  | FLA                 | FLA           | FLA             | Model                | kW   | Stages | Amps  |                         |                                   |   |  |
| J10<br>(10)   | 208  | 16.0               | 110.0 | 24.9 | 3.0                  | 9.6                 | 5.5           | 10.0            | None                 | -    | -      | -     | 61.7                    | 67.2                              | 70  | 80   |
|               |      |                    |       |      |                      |                     |               |                 | E18                  | 13.5 | 2      | 37.5  | 71.3                    | 78.2                              | 80  | 80   |
|               |      |                    |       |      |                      |                     |               |                 | E24                  | 18.0 | 2      | 50.0  | 87.0                    | 93.8                              | 90  | 100  |
|               |      |                    |       |      |                      |                     |               |                 | E36                  | 25.5 | 2      | 70.8  | 113.0                   | 119.9                             | 125   | 125  |
|               |      |                    |       |      |                      |                     |               |                 | E54                  | 40.6 | 2      | 112.7 | 165.4                   | 172.2                             | 175   | 175  |
|               | 230  | 16.0               | 110.0 | 24.9 | 3.0                  | 9.6                 | 5.5           | 10.0            | None                 | -    | -      | -     | 61.7                    | 67.2                              | 70  | 80   |
|               |      |                    |       |      |                      |                     |               |                 | E18                  | 18.0 | 2      | 43.3  | 78.6                    | 85.5                              | 80  | 90   |
|               |      |                    |       |      |                      |                     |               |                 | E24                  | 24.0 | 2      | 57.7  | 96.7                    | 103.5                             | 100   | 110  |
|               |      |                    |       |      |                      |                     |               |                 | E36                  | 34.0 | 2      | 81.8  | 126.7                   | 133.6                             | 150   | 150  |
|               |      |                    |       |      |                      |                     |               |                 | E54                  | 54.0 | 2      | 129.9 | 154.4                   | 161.3                             | 175   | 175  |
|               | 460  | 7.8                | 52.0  | 12.1 | 1.6                  | 4.7                 | 2.2           | 5.0             | None                 | -    | -      | -     | 30.5                    | 32.7                              | 35  | 40   |
|               |      |                    |       |      |                      |                     |               |                 | E18                  | 18.0 | 2      | 21.7  | 39.2                    | 41.9                              | 40  | 45   |
|               |      |                    |       |      |                      |                     |               |                 | E24                  | 24.0 | 2      | 28.9  | 48.2                    | 51.0                              | 50  | 60   |
|               |      |                    |       |      |                      |                     |               |                 | E36                  | 34.0 | 2      | 40.9  | 63.2                    | 66.0                              | 70  | 70   |
|               |      |                    |       |      |                      |                     |               |                 | E54                  | 54.0 | 2      | 65.0  | 77.1                    | 79.8                              | 90  | 90   |
|               | 575  | 5.7                | 38.9  | 8.9  | 1.4                  | 3.6                 | 1.8           | 4.0             | None                 | -    | -      | -     | 23.1                    | 24.9                              | 25  | 30   |
|               |      |                    |       |      |                      |                     |               |                 | E18                  | 18.0 | 2      | 17.3  | 31.2                    | 33.4                              | 35  | 35   |
|               |      |                    |       |      |                      |                     |               |                 | E24                  | 24.0 | 2      | 23.1  | 38.4                    | 40.6                              | 40  | 45   |
|               |      |                    |       |      |                      |                     |               |                 | E36                  | 34.0 | 2      | 32.7  | 50.4                    | 52.6                              | 60  | 60   |
|               |      |                    |       |      |                      |                     |               |                 | E54                  | 54.0 | 2      | 52.0  | 61.5                    | 63.7                              | 70  | 70   |
| J12<br>(12.5) | 208  | 23.1               | 160.0 | 36.0 | 2.1                  | 14.0                | 5.5           | 10.0            | None                 | -    | -      | -     | 84.4                    | 89.9                              | 100   | 110  |
|               |      |                    |       |      |                      |                     |               |                 | E18                  | 13.5 | 2      | 37.5  | 84.4                    | 89.9                              | 100   | 110  |
|               |      |                    |       |      |                      |                     |               |                 | E24                  | 18.0 | 2      | 50.0  | 92.5                    | 99.3                              | 100   | 110  |
|               |      |                    |       |      |                      |                     |               |                 | E36                  | 25.5 | 2      | 70.8  | 118.5                   | 125.4                             | 125   | 150  |
|               |      |                    |       |      |                      |                     |               |                 | E54                  | 40.6 | 2      | 112.7 | 170.9                   | 177.7                             | 175   | 200  |
|               | 230  | 23.1               | 160.0 | 36.0 | 2.1                  | 14.0                | 5.5           | 10.0            | None                 | -    | -      | -     | 84.4                    | 89.9                              | 100   | 110  |
|               |      |                    |       |      |                      |                     |               |                 | E18                  | 18.0 | 2      | 43.3  | 84.4                    | 91.0                              | 100   | 110  |
|               |      |                    |       |      |                      |                     |               |                 | E24                  | 24.0 | 2      | 57.7  | 102.2                   | 109.0                             | 110   | 110  |
|               |      |                    |       |      |                      |                     |               |                 | E36                  | 34.0 | 2      | 81.8  | 132.2                   | 139.1                             | 150   | 150  |
|               |      |                    |       |      |                      |                     |               |                 | E54                  | 54.0 | 2      | 129.9 | 159.9                   | 166.8                             | 175   | 175  |
|               | 460  | 12.2               | 87.0  | 19.0 | 1.3                  | 6.6                 | 2.2           | 5.0             | None                 | -    | -      | -     | 44.1                    | 46.3                              | 50  | 50   |
|               |      |                    |       |      |                      |                     |               |                 | E18                  | 18.0 | 2      | 21.7  | 44.1                    | 46.3                              | 50  | 50   |
|               |      |                    |       |      |                      |                     |               |                 | E24                  | 24.0 | 2      | 28.9  | 50.6                    | 53.3                              | 60  | 60   |
|               |      |                    |       |      |                      |                     |               |                 | E36                  | 34.0 | 2      | 40.9  | 65.6                    | 68.4                              | 70  | 70   |
|               |      |                    |       |      |                      |                     |               |                 | E54                  | 54.0 | 2      | 65.0  | 79.5                    | 82.2                              | 90  | 90   |
|               | 575  | 8.7                | 62.0  | 13.5 | 0.7                  | 5.2                 | 1.8           | 4.0             | None                 | -    | -      | -     | 31.4                    | 33.2                              | 40  | 40   |
|               |      |                    |       |      |                      |                     |               |                 | E18                  | 18.0 | 2      | 17.3  | 33.2                    | 35.4                              | 40  | 40   |
|               |      |                    |       |      |                      |                     |               |                 | E24                  | 24.0 | 2      | 23.1  | 40.4                    | 42.6                              | 45  | 45   |
|               |      |                    |       |      |                      |                     |               |                 | E36                  | 34.0 | 2      | 32.7  | 52.4                    | 54.6                              | 60  | 60   |
|               |      |                    |       |      |                      |                     |               |                 | E54                  | 54.0 | 2      | 52.0  | 63.5                    | 65.7                              | 70  | 70   |

1. Minimum Circuit Ampacity.
2. Dual Element, Time Delay Type.
3. HACR type per NEC.



## JA3 thru A5ZR Standard Indoor Blower - Without Powered Convenience Outlet

| Size (Tons) | Volt | Compressors (each) |      |      | OD Fan Motors (each) | Supply Blower Motor | Pwr Exh Motor | Pwr Conv Outlet | Electric Heat Option |      |        |      | MCA <sup>1</sup> (Amps) | MCA <sup>1</sup> w/Pwr Exh (Amps) | Max Fuse <sup>2</sup> / Breaker <sup>3</sup> Size (Amps) | Max Fuse <sup>2</sup> / Breaker <sup>3</sup> Size w/ Pwr Exh (Amps) |
|-------------|------|--------------------|------|------|----------------------|---------------------|---------------|-----------------|----------------------|------|--------|------|-------------------------|-----------------------------------|--|---|
|             |      | RLA                | LRA  | MCC  | FLA                  | FLA                 | FLA           | FLA             | Model                | kW   | Stages | Amps |                         |                                   |  |   |
| JA3 (3)     | 208  | 8.7                | 68.0 | 13.5 | 2.1                  | 5.2                 | 5.5           | 0.0             | None                 | -    | -      | -    | 18.2                    | 23.7                              | 25   | 30  |
|             |      |                    |      |      |                      |                     |               |                 | E03                  | 2.3  | 1      | 6.4  | 18.2                    | 23.7                              | 25   | 30  |
|             |      |                    |      |      |                      |                     |               |                 | E06                  | 4.5  | 1      | 12.5 | 22.1                    | 29.0                              | 25   | 30  |
|             |      |                    |      |      |                      |                     |               |                 | E09                  | 6.8  | 1      | 18.9 | 30.1                    | 37.0                              | 35   | 40  |
|             |      |                    |      |      |                      |                     |               |                 | E15                  | 11.3 | 2      | 31.4 | 45.7                    | 52.6                              | 50   | 60  |
|             | 230  | 8.7                | 68.0 | 13.5 | 2.1                  | 5.2                 | 5.5           | 0.0             | None                 | -    | -      | -    | 18.2                    | 23.7                              | 25   | 30  |
|             |      |                    |      |      |                      |                     |               |                 | E03                  | 3.0  | 1      | 7.2  | 18.2                    | 23.7                              | 25   | 30  |
|             |      |                    |      |      |                      |                     |               |                 | E06                  | 6.0  | 1      | 14.4 | 24.5                    | 31.4                              | 25   | 35  |
|             |      |                    |      |      |                      |                     |               |                 | E09                  | 9.0  | 1      | 21.7 | 33.6                    | 40.4                              | 35   | 45  |
|             |      |                    |      |      |                      |                     |               |                 | E15                  | 15.0 | 2      | 36.1 | 51.6                    | 58.5                              | 60   | 60  |
|             | 460  | 4.6                | 34.0 | 7.1  | 1.3                  | 2.6                 | 2.2           | 0.0             | None                 | -    | -      | -    | 9.6                     | 11.8                              | 15   | 15  |
|             |      |                    |      |      |                      |                     |               |                 | E03                  | 3.0  | 1      | 3.6  | 9.6                     | 11.8                              | 15   | 15  |
| E06         |      |                    |      |      |                      |                     |               |                 | 6.0                  | 1    | 7.2    | 12.3 | 15.0                    | 15                                | 15   |   |
| E09         |      |                    |      |      |                      |                     |               |                 | 9.0                  | 1    | 10.8   | 16.8 | 19.5                    | 20                                | 20   |   |
| E15         |      |                    |      |      |                      |                     |               |                 | 15.0                 | 2    | 18.0   | 25.8 | 28.6                    | 30                                | 30   |   |
| 575         | 3.5  | 28.0               | 5.5  | 0.7  | 2.0                  | 1.8                 | 0.0           | None            | -                    | -    | -      | 7.0  | 8.8                     | 15                                | 15   |   |
|             |      |                    |      |      |                      |                     |               | E09             | 9.0                  | 1    | 8.7    | 13.3 | 15.6                    | 15                                | 20   |   |
|             |      |                    |      |      |                      |                     |               | E15             | 15.0                 | 2    | 14.4   | 20.5 | 22.8                    | 25                                | 25   |   |
|             |      |                    |      |      |                      |                     |               |                 |                      |      |        |      |                         |                                   |  |   |
|             |      |                    |      |      |                      |                     |               |                 |                      |      |        |      |                         |                                   |  |   |
| JA4 (4)     | 208  | 11.9               | 88.0 | 18.5 | 2.1                  | 5.2                 | 5.5           | 0.0             | None                 | -    | -      | -    | 24.3                    | 29.8                              | 35   | 40  |
|             |      |                    |      |      |                      |                     |               |                 | E06                  | 4.5  | 1      | 12.5 | 24.3                    | 29.8                              | 35   | 40  |
|             |      |                    |      |      |                      |                     |               |                 | E09                  | 6.8  | 1      | 18.9 | 30.1                    | 37.0                              | 35   | 40  |
|             |      |                    |      |      |                      |                     |               |                 | E15                  | 11.3 | 2      | 31.4 | 45.7                    | 52.6                              | 50   | 60  |
|             |      |                    |      |      |                      |                     |               |                 | E20                  | 15.0 | 2      | 41.6 | 58.5                    | 65.4                              | 60   | 70  |
|             | 230  | 11.9               | 88.0 | 18.5 | 2.1                  | 5.2                 | 5.5           | 0.0             | None                 | -    | -      | -    | 24.3                    | 29.8                              | 35   | 40  |
|             |      |                    |      |      |                      |                     |               |                 | E06                  | 6.0  | 1      | 14.4 | 24.5                    | 31.4                              | 35   | 40  |
|             |      |                    |      |      |                      |                     |               |                 | E09                  | 9.0  | 1      | 21.7 | 33.6                    | 40.4                              | 35   | 45  |
|             |      |                    |      |      |                      |                     |               |                 | E15                  | 15.0 | 2      | 36.1 | 51.6                    | 58.5                              | 60   | 60  |
|             |      |                    |      |      |                      |                     |               |                 | E20                  | 20.0 | 2      | 48.1 | 66.6                    | 73.5                              | 70   | 80  |
|             | 460  | 5.2                | 44.0 | 8.1  | 1.3                  | 2.6                 | 2.2           | 0.0             | None                 | -    | -      | -    | 11.6                    | 13.8                              | 15   | 15  |
|             |      |                    |      |      |                      |                     |               |                 | E06                  | 6.0  | 1      | 7.2  | 12.3                    | 15.0                              | 15   | 15  |
| E09         |      |                    |      |      |                      |                     |               |                 | 9.0                  | 1    | 10.8   | 16.8 | 19.5                    | 20                                | 20   |   |
| E15         |      |                    |      |      |                      |                     |               |                 | 15.0                 | 2    | 18.0   | 25.8 | 28.6                    | 30                                | 30   |   |
| E20         |      |                    |      |      |                      |                     |               |                 | 20.0                 | 2    | 24.1   | 33.3 | 36.1                    | 35                                | 40   |   |
| 575         | 4.8  | 36.0               | 7.5  | 0.7  | 2.0                  | 1.8                 | 0.0           | None            | -                    | -    | -      | 9.3  | 11.1                    | 15                                | 15   |   |
|             |      |                    |      |      |                      |                     |               | E09             | 9.0                  | 1    | 8.7    | 13.3 | 15.6                    | 15                                | 20   |   |
|             |      |                    |      |      |                      |                     |               | E15             | 15.0                 | 2    | 14.4   | 20.5 | 22.8                    | 25                                | 25   |   |
|             |      |                    |      |      |                      |                     |               | E20             | 20.0                 | 2    | 19.2   | 26.6 | 28.8                    | 30                                | 30   |   |
|             |      |                    |      |      |                      |                     |               |                 |                      |      |        |      |                         |                                   |  |   |
| JA5 (5)     | 208  | 14.1               | 88.0 | 22.0 | 2.1                  | 5.2                 | 5.5           | 0.0             | None                 | -    | -      | -    | 27.0                    | 32.5                              | 35   | 45  |
|             |      |                    |      |      |                      |                     |               |                 | E06                  | 4.5  | 1      | 12.5 | 27.0                    | 32.5                              | 35   | 45  |
|             |      |                    |      |      |                      |                     |               |                 | E09                  | 6.8  | 1      | 18.9 | 30.1                    | 37.0                              | 40   | 45  |
|             |      |                    |      |      |                      |                     |               |                 | E15                  | 11.3 | 2      | 31.4 | 45.7                    | 52.6                              | 50   | 60  |
|             |      |                    |      |      |                      |                     |               |                 | E20                  | 15.0 | 2      | 41.6 | 58.5                    | 65.4                              | 60   | 70  |
|             | 230  | 14.1               | 88.0 | 22.0 | 2.1                  | 5.2                 | 5.5           | 0.0             | None                 | -    | -      | -    | 27.0                    | 32.5                              | 35   | 45  |
|             |      |                    |      |      |                      |                     |               |                 | E06                  | 6.0  | 1      | 14.4 | 27.0                    | 32.5                              | 35   | 45  |
|             |      |                    |      |      |                      |                     |               |                 | E09                  | 9.0  | 1      | 21.7 | 33.6                    | 40.4                              | 40   | 45  |
|             |      |                    |      |      |                      |                     |               |                 | E15                  | 15.0 | 2      | 36.1 | 51.6                    | 58.5                              | 60   | 60  |
|             |      |                    |      |      |                      |                     |               |                 | E20                  | 20.0 | 2      | 48.1 | 66.6                    | 73.5                              | 70   | 80  |
|             | 460  | 7.7                | 55.0 | 12.0 | 1.3                  | 2.6                 | 2.2           | 0.0             | None                 | -    | -      | -    | 14.7                    | 16.9                              | 20   | 20  |
|             |      |                    |      |      |                      |                     |               |                 | E06                  | 6.0  | 1      | 7.2  | 14.7                    | 16.9                              | 20   | 20  |
| E09         |      |                    |      |      |                      |                     |               |                 | 9.0                  | 1    | 10.8   | 16.8 | 19.5                    | 20                                | 20   |   |
| E15         |      |                    |      |      |                      |                     |               |                 | 15.0                 | 2    | 18.0   | 25.8 | 28.6                    | 30                                | 30   |   |
| E20         |      |                    |      |      |                      |                     |               |                 | 20.0                 | 2    | 24.1   | 33.3 | 36.1                    | 35                                | 40   |   |
| 575         | 5.1  | 36.0               | 7.5  | 0.7  | 2.0                  | 1.8                 | 0.0           | None            | -                    | -    | -      | 9.7  | 11.5                    | 15                                | 15   |   |
|             |      |                    |      |      |                      |                     |               | E09             | 9.0                  | 1    | 8.7    | 13.3 | 15.6                    | 15                                | 20   |   |
|             |      |                    |      |      |                      |                     |               | E15             | 15.0                 | 2    | 14.4   | 20.5 | 22.8                    | 25                                | 25   |   |
|             |      |                    |      |      |                      |                     |               | E20             | 20.0                 | 2    | 19.2   | 26.6 | 28.8                    | 30                                | 30   |   |
|             |      |                    |      |      |                      |                     |               | E24             | 24.0                 | 2    | 23.1   | 31.4 | 33.6                    | 35                                | 35   |   |

1. Minimum Circuit Ampacity.
2. Dual Element, Time Delay Type.
3. HACR type per NEC.

**J06 thru 12ZR Standard Motor - Without Powered Convenience Outlet**

| Size (Tons)  | Volt | Compressors (each) |      |      | OD Fan Motors (each) | Supply Blower Motor | Pwr Exh Motor | Pwr Conv Outlet | Electric Heat Option |      |        |      | MCA <sup>1</sup> (Amps) | MCA <sup>1</sup> w/Pwr Exh (Amps) | Max Fuse <sup>2</sup> / Breaker <sup>3</sup> Size (Amps) | Max Fuse <sup>2</sup> / Breaker <sup>3</sup> Size w/ Pwr Exh (Amps) |
|--------------|------|--------------------|------|------|----------------------|---------------------|---------------|-----------------|----------------------|------|--------|------|-------------------------|-----------------------------------|--|---|
|              |      | RLA                | LRA  | MCC  | FLA                  | FLA                 | FLA           | FLA             | Model                | kW   | Stages | Amps |                         |                                   |  |   |
| J06<br>(6.5) | 208  | 13.5               | 88.0 | 21.1 | 2.1                  | 5.2                 | 5.5           | 0.0             | None                 | -    | -      | -    | 39.8                    | 45.3                              | 50   | 50  |
|              |      |                    |      |      |                      |                     |               |                 | E09                  | 6.8  | 1      | 18.9 | 39.8                    | 45.3                              | 50   | 50  |
|              |      |                    |      |      |                      |                     |               |                 | E18                  | 13.5 | 2      | 37.5 | 53.3                    | 60.2                              | 60   | 70  |
|              |      |                    |      |      |                      |                     |               |                 | E24                  | 18.0 | 2      | 50.0 | 69.0                    | 75.8                              | 70   | 80  |
|              |      |                    |      |      |                      |                     |               |                 | E36                  | 25.5 | 2      | 70.8 | 95.0                    | 101.9                             | 100  | 110   |
|              | 230  | 13.5               | 88.0 | 21.1 | 2.1                  | 5.2                 | 5.5           | 0.0             | None                 | -    | -      | -    | 39.8                    | 45.3                              | 50   | 50  |
|              |      |                    |      |      |                      |                     |               |                 | E09                  | 9.0  | 1      | 21.7 | 39.8                    | 45.3                              | 50   | 50  |
|              |      |                    |      |      |                      |                     |               |                 | E18                  | 18.0 | 2      | 43.3 | 60.6                    | 67.5                              | 70   | 70  |
|              |      |                    |      |      |                      |                     |               |                 | E24                  | 24.0 | 2      | 57.7 | 78.7                    | 85.5                              | 80   | 90  |
|              |      |                    |      |      |                      |                     |               |                 | E36                  | 34.0 | 2      | 81.8 | 108.7                   | 115.6                             | 110  | 125   |
|              | 460  | 6.0                | 44.0 | 9.3  | 1.3                  | 2.6                 | 2.2           | 0.0             | None                 | -    | -      | -    | 18.6                    | 20.8                              | 20   | 25  |
|              |      |                    |      |      |                      |                     |               |                 | E09                  | 9.0  | 1      | 10.8 | 18.6                    | 20.8                              | 20   | 25  |
|              |      |                    |      |      |                      |                     |               |                 | E18                  | 18.0 | 2      | 21.7 | 30.3                    | 33.1                              | 35   | 35  |
|              |      |                    |      |      |                      |                     |               |                 | E24                  | 24.0 | 2      | 28.9 | 39.3                    | 42.1                              | 40   | 45  |
|              |      |                    |      |      |                      |                     |               |                 | E36                  | 34.0 | 2      | 40.9 | 54.4                    | 57.1                              | 60   | 60  |
|              | 575  | 4.9                | 34.0 | 7.7  | 0.7                  | 2.0                 | 1.8           | 0.0             | None                 | -    | -      | -    | 14.3                    | 16.1                              | 15   | 20  |
|              |      |                    |      |      |                      |                     |               |                 | E09                  | 9.0  | 1      | 8.7  | 14.3                    | 16.1                              | 15   | 20  |
|              |      |                    |      |      |                      |                     |               |                 | E18                  | 18.0 | 2      | 17.3 | 24.2                    | 26.4                              | 25   | 30  |
|              |      |                    |      |      |                      |                     |               |                 | E24                  | 24.0 | 2      | 23.1 | 31.4                    | 33.6                              | 35   | 35  |
|              |      |                    |      |      |                      |                     |               |                 | E36                  | 34.0 | 2      | 32.7 | 43.4                    | 45.6                              | 45   | 50  |
| J07<br>(7.5) | 208  | 13.1               | 83.1 | 20.5 | 2.1                  | 5.2                 | 5.5           | 0.0             | None                 | -    | -      | -    | 38.9                    | 44.4                              | 50   | 50  |
|              |      |                    |      |      |                      |                     |               |                 | E09                  | 6.8  | 1      | 18.9 | 38.9                    | 44.4                              | 50   | 50  |
|              |      |                    |      |      |                      |                     |               |                 | E18                  | 13.5 | 2      | 37.5 | 53.3                    | 60.2                              | 60   | 70  |
|              |      |                    |      |      |                      |                     |               |                 | E24                  | 18.0 | 2      | 50.0 | 69.0                    | 75.8                              | 70   | 80  |
|              |      |                    |      |      |                      |                     |               |                 | E36                  | 25.5 | 2      | 70.8 | 95.0                    | 101.9                             | 100  | 110   |
|              | 230  | 13.1               | 83.1 | 20.5 | 2.1                  | 5.2                 | 5.5           | 0.0             | None                 | -    | -      | -    | 38.9                    | 44.4                              | 50   | 50  |
|              |      |                    |      |      |                      |                     |               |                 | E09                  | 9.0  | 1      | 21.7 | 38.9                    | 44.4                              | 50   | 50  |
|              |      |                    |      |      |                      |                     |               |                 | E18                  | 18.0 | 2      | 43.3 | 60.6                    | 67.5                              | 70   | 70  |
|              |      |                    |      |      |                      |                     |               |                 | E24                  | 24.0 | 2      | 57.7 | 78.7                    | 85.5                              | 80   | 90  |
|              |      |                    |      |      |                      |                     |               |                 | E36                  | 34.0 | 2      | 81.8 | 108.7                   | 115.6                             | 110  | 125   |
|              | 460  | 6.1                | 41.0 | 9.5  | 1.3                  | 2.6                 | 2.2           | 0.0             | None                 | -    | -      | -    | 18.8                    | 21.0                              | 20   | 25  |
|              |      |                    |      |      |                      |                     |               |                 | E09                  | 9.0  | 1      | 10.8 | 18.8                    | 21.0                              | 20   | 25  |
|              |      |                    |      |      |                      |                     |               |                 | E18                  | 18.0 | 2      | 21.7 | 30.3                    | 33.1                              | 35   | 35  |
|              |      |                    |      |      |                      |                     |               |                 | E24                  | 24.0 | 2      | 28.9 | 39.3                    | 42.1                              | 40   | 45  |
|              |      |                    |      |      |                      |                     |               |                 | E36                  | 34.0 | 2      | 40.9 | 54.4                    | 57.1                              | 60   | 60  |
|              | 575  | 4.4                | 33.0 | 6.8  | 0.7                  | 2.0                 | 1.8           | 0.0             | None                 | -    | -      | -    | 13.2                    | 15.0                              | 15   | 15  |
|              |      |                    |      |      |                      |                     |               |                 | E09                  | 9.0  | 1      | 8.7  | 13.3                    | 15.6                              | 15   | 20  |
|              |      |                    |      |      |                      |                     |               |                 | E18                  | 18.0 | 2      | 17.3 | 24.2                    | 26.4                              | 25   | 30  |
|              |      |                    |      |      |                      |                     |               |                 | E24                  | 24.0 | 2      | 23.1 | 31.4                    | 33.6                              | 35   | 35  |
|              |      |                    |      |      |                      |                     |               |                 | E36                  | 34.0 | 2      | 32.7 | 43.4                    | 45.6                              | 45   | 50  |
| J08<br>(8.5) | 208  | 14.5               | 98.0 | 22.6 | 2.1                  | 6.8                 | 5.5           | 0.0             | None                 | -    | -      | -    | 43.6                    | 49.1                              | 50   | 60  |
|              |      |                    |      |      |                      |                     |               |                 | E09                  | 6.8  | 1      | 18.9 | 43.6                    | 49.1                              | 50   | 60  |
|              |      |                    |      |      |                      |                     |               |                 | E18                  | 13.5 | 2      | 37.5 | 55.3                    | 62.2                              | 60   | 70  |
|              |      |                    |      |      |                      |                     |               |                 | E24                  | 18.0 | 2      | 50.0 | 71.0                    | 77.8                              | 80   | 80  |
|              |      |                    |      |      |                      |                     |               |                 | E36                  | 25.5 | 2      | 70.8 | 97.0                    | 103.9                             | 100  | 110   |
|              | 230  | 14.5               | 98.0 | 22.6 | 2.1                  | 6.8                 | 5.5           | 0.0             | None                 | -    | -      | -    | 43.6                    | 49.1                              | 50   | 60  |
|              |      |                    |      |      |                      |                     |               |                 | E09                  | 9.0  | 1      | 21.7 | 43.6                    | 49.1                              | 50   | 60  |
|              |      |                    |      |      |                      |                     |               |                 | E18                  | 18.0 | 2      | 43.3 | 62.6                    | 69.5                              | 70   | 70  |
|              |      |                    |      |      |                      |                     |               |                 | E24                  | 24.0 | 2      | 57.7 | 80.7                    | 87.5                              | 90   | 90  |
|              |      |                    |      |      |                      |                     |               |                 | E36                  | 34.0 | 2      | 81.8 | 110.7                   | 117.6                             | 125  | 125   |
|              | 460  | 6.3                | 55.0 | 9.9  | 1.3                  | 3.4                 | 2.2           | 0.0             | None                 | -    | -      | -    | 20.1                    | 22.3                              | 25   | 25  |
|              |      |                    |      |      |                      |                     |               |                 | E09                  | 9.0  | 1      | 10.8 | 20.1                    | 22.3                              | 25   | 25  |
|              |      |                    |      |      |                      |                     |               |                 | E18                  | 18.0 | 2      | 21.7 | 31.3                    | 34.1                              | 35   | 35  |
|              |      |                    |      |      |                      |                     |               |                 | E24                  | 24.0 | 2      | 28.9 | 40.3                    | 43.1                              | 45   | 45  |
|              |      |                    |      |      |                      |                     |               |                 | E36                  | 34.0 | 2      | 40.9 | 55.4                    | 58.1                              | 60   | 60  |
|              | 575  | 6.0                | 41.0 | 9.4  | 0.7                  | 2.4                 | 1.8           | 0.0             | None                 | -    | -      | -    | 17.2                    | 19.0                              | 20   | 25  |
|              |      |                    |      |      |                      |                     |               |                 | E09                  | 9.0  | 1      | 8.7  | 17.2                    | 19.0                              | 20   | 25  |
|              |      |                    |      |      |                      |                     |               |                 | E18                  | 18.0 | 2      | 17.3 | 24.7                    | 26.9                              | 25   | 30  |
|              |      |                    |      |      |                      |                     |               |                 | E24                  | 24.0 | 2      | 23.1 | 31.9                    | 34.1                              | 35   | 35  |
|              |      |                    |      |      |                      |                     |               |                 | E36                  | 34.0 | 2      | 32.7 | 43.9                    | 46.1                              | 45   | 50  |

## J06 thru 12ZR Standard Motor - Without Powered Convenience Outlet (Continued)

| Size<br>(Tons) | Volt | Compressors<br>(each) |       |      | OD Fan<br>Motors<br>(each) | Supply<br>Blower<br>Motor | Pwr<br>Exh<br>Motor | Pwr<br>Conv<br>Outlet | Electric Heat Option |      |        |       | MCA <sup>1</sup><br>(Amps) | MCA <sup>1</sup><br>w/Pwr<br>Exh<br>(Amps) | Max Fuse <sup>2/</sup><br>Breaker <sup>3</sup><br>Size<br>(Amps) | Max Fuse <sup>2/</sup><br>Breaker <sup>3</sup><br>Size w/<br>Pwr Exh<br>(Amps) |
|----------------|------|-----------------------|-------|------|----------------------------|---------------------------|---------------------|-----------------------|----------------------|------|--------|-------|----------------------------|--|--|--|
|                |      | RLA                   | LRA   | MCC  | FLA                        | FLA                       | FLA                 | FLA                   | Model                | kW   | Stages | Amps  |                            |  |  |  |
| J10<br>(10)    | 208  | 16.0                  | 110.0 | 24.9 | 3.0                        | 6.8                       | 5.5                 | 0.0                   | None                 | -    | -      | -     | 48.9                       | 54.4                                       | 60   | 70   |
|                |      |                       |       |      |                            |                           |                     |                       | E18                  | 13.5 | 2      | 37.5  | 55.3                       | 62.2                                       | 60   | 70   |
|                |      |                       |       |      |                            |                           |                     |                       | E24                  | 18.0 | 2      | 50.0  | 71.0                       | 77.8                                       | 80   | 80   |
|                |      |                       |       |      |                            |                           |                     |                       | E36                  | 25.5 | 2      | 70.8  | 97.0                       | 103.9                                      | 100  | 110  |
|                |      |                       |       |      |                            |                           |                     |                       | E54                  | 40.6 | 2      | 112.7 | 149.4                      | 156.2                                      | 150  | 175  |
|                | 230  | 16.0                  | 110.0 | 24.9 | 3.0                        | 6.8                       | 5.5                 | 0.0                   | None                 | -    | -      | -     | 48.9                       | 54.4                                       | 60   | 70   |
|                |      |                       |       |      |                            |                           |                     |                       | E18                  | 18.0 | 2      | 43.3  | 62.6                       | 69.5                                       | 70   | 70   |
|                |      |                       |       |      |                            |                           |                     |                       | E24                  | 24.0 | 2      | 57.7  | 80.7                       | 87.5                                       | 90   | 90   |
|                |      |                       |       |      |                            |                           |                     |                       | E36                  | 34.0 | 2      | 81.8  | 110.7                      | 117.6                                      | 125  | 125  |
|                |      |                       |       |      |                            |                           |                     |                       | E54                  | 54.0 | 2      | 129.9 | 138.4                      | 145.3                                      | 150  | 175  |
|                | 460  | 7.8                   | 52.0  | 12.1 | 1.6                        | 3.4                       | 2.2                 | 0.0                   | None                 | -    | -      | -     | 24.2                       | 26.4                                       | 30   | 30   |
|                |      |                       |       |      |                            |                           |                     |                       | E18                  | 18.0 | 2      | 21.7  | 31.3                       | 34.1                                       | 35   | 35   |
|                |      |                       |       |      |                            |                           |                     |                       | E24                  | 24.0 | 2      | 28.9  | 40.3                       | 43.1                                       | 45   | 45   |
|                |      |                       |       |      |                            |                           |                     |                       | E36                  | 34.0 | 2      | 40.9  | 55.4                       | 58.1                                       | 60   | 60   |
|                |      |                       |       |      |                            |                           |                     |                       | E54                  | 54.0 | 2      | 65.0  | 69.2                       | 72.0                                       | 80   | 80   |
|                | 575  | 5.7                   | 38.9  | 8.9  | 1.4                        | 2.4                       | 1.8                 | 0.0                   | None                 | -    | -      | -     | 17.9                       | 19.7                                       | 20   | 25   |
|                |      |                       |       |      |                            |                           |                     |                       | E18                  | 18.0 | 2      | 17.3  | 24.7                       | 26.9                                       | 25   | 30   |
|                |      |                       |       |      |                            |                           |                     |                       | E24                  | 24.0 | 2      | 23.1  | 31.9                       | 34.1                                       | 35   | 35   |
|                |      |                       |       |      |                            |                           |                     |                       | E36                  | 34.0 | 2      | 32.7  | 43.9                       | 46.1                                       | 45   | 50   |
|                |      |                       |       |      |                            |                           |                     |                       | E54                  | 54.0 | 2      | 52.0  | 55.0                       | 57.2                                       | 60   | 60   |
| J12<br>(12.5)  | 208  | 22.4                  | 149.0 | 35.0 | 2.1                        | 9.6                       | 5.5                 | 0.0                   | None                 | -    | -      | -     | 68.4                       | 73.9                                       | 90   | 90   |
|                |      |                       |       |      |                            |                           |                     |                       | E18                  | 13.5 | 2      | 37.5  | 68.4                       | 73.9                                       | 90   | 90   |
|                |      |                       |       |      |                            |                           |                     |                       | E24                  | 18.0 | 2      | 50.0  | 74.5                       | 81.3                                       | 90   | 90   |
|                |      |                       |       |      |                            |                           |                     |                       | E36                  | 25.5 | 2      | 70.8  | 100.5                      | 107.4                                      | 110  | 110  |
|                |      |                       |       |      |                            |                           |                     |                       | E54                  | 40.6 | 2      | 112.7 | 152.9                      | 159.7                                      | 175  | 175  |
|                | 230  | 22.4                  | 149.0 | 35.0 | 2.1                        | 9.6                       | 5.5                 | 0.0                   | None                 | -    | -      | -     | 68.4                       | 73.9                                       | 90   | 90   |
|                |      |                       |       |      |                            |                           |                     |                       | E18                  | 18.0 | 2      | 43.3  | 68.4                       | 73.9                                       | 90   | 90   |
|                |      |                       |       |      |                            |                           |                     |                       | E24                  | 24.0 | 2      | 57.7  | 84.2                       | 91.0                                       | 90   | 100  |
|                |      |                       |       |      |                            |                           |                     |                       | E36                  | 34.0 | 2      | 81.8  | 114.2                      | 121.1                                      | 125  | 125  |
|                |      |                       |       |      |                            |                           |                     |                       | E54                  | 54.0 | 2      | 129.9 | 141.9                      | 148.8                                      | 175  | 175  |
|                | 460  | 10.6                  | 75.0  | 16.5 | 1.3                        | 4.7                       | 2.2                 | 0.0                   | None                 | -    | -      | -     | 33.6                       | 35.8                                       | 40   | 45   |
|                |      |                       |       |      |                            |                           |                     |                       | E18                  | 18.0 | 2      | 21.7  | 33.6                       | 35.8                                       | 40   | 45   |
|                |      |                       |       |      |                            |                           |                     |                       | E24                  | 24.0 | 2      | 28.9  | 42.0                       | 44.7                                       | 45   | 45   |
|                |      |                       |       |      |                            |                           |                     |                       | E36                  | 34.0 | 2      | 40.9  | 57.0                       | 59.7                                       | 60   | 60   |
|                |      |                       |       |      |                            |                           |                     |                       | E54                  | 54.0 | 2      | 65.0  | 70.8                       | 73.6                                       | 80   | 80   |
|                | 575  | 7.7                   | 54.0  | 12.0 | 0.7                        | 3.6                       | 1.8                 | 0.0                   | None                 | -    | -      | -     | 23.6                       | 25.4                                       | 30   | 30   |
|                |      |                       |       |      |                            |                           |                     |                       | E18                  | 18.0 | 2      | 17.3  | 26.2                       | 28.4                                       | 30   | 30   |
|                |      |                       |       |      |                            |                           |                     |                       | E24                  | 24.0 | 2      | 23.1  | 33.4                       | 35.6                                       | 35   | 40   |
|                |      |                       |       |      |                            |                           |                     |                       | E36                  | 34.0 | 2      | 32.7  | 45.4                       | 47.6                                       | 50   | 50   |
|                |      |                       |       |      |                            |                           |                     |                       | E54                  | 54.0 | 2      | 52.0  | 56.5                       | 58.7                                       | 70   | 70   |

1. Minimum Circuit Ampacity.
2. Dual Element, Time Delay Type.
3. HACR type per NEC.

**JA3 thru A5ZR Hi Static Indoor Blower - Without Powered Convenience Outlet**

| Size (Tons) | Volt | Compressors (each) |      |      | OD Fan Motors (each) | Supply Blower Motor | Pwr Exh Motor | Pwr Conv Outlet | Electric Heat Option |      |        |      | MCA <sup>1</sup> (Amps) | MCA <sup>1</sup> w/Pwr Exh (Amps) | Max Fuse <sup>2</sup> /<br>Breaker <sup>3</sup> Size (Amps) | Max Fuse <sup>2</sup> /<br>Breaker <sup>3</sup> Size w/ Pwr Exh (Amps) |  |  |  |  |  |  |
|-------------|------|--------------------|------|------|----------------------|---------------------|---------------|-----------------|----------------------|------|--------|------|-------------------------|-----------------------------------|---|--|--|--|--|--|--|--|
|             |      | RLA                | LRA  | MCC  | FLA                  | FLA                 | FLA           | FLA             | Model                | kW   | Stages | Amps |                         |                                   |   |  |  |  |  |  |  |  |
| JA3<br>(3)  | 208  | 8.7                | 68.0 | 13.5 | 2.1                  | 5.2                 | 5.5           | 0.0             | None                 | -    | -      | -    | 18.2                    | 23.7                              | 25  | 30   |  |  |  |  |  |  |
|             |      |                    |      |      |                      |                     |               |                 | E03                  | 2.3  | 1      | 6.4  | 18.2                    | 23.7                              | 25  | 30   |  |  |  |  |  |  |
|             |      |                    |      |      |                      |                     |               |                 | E06                  | 4.5  | 1      | 12.5 | 22.1                    | 29.0                              | 25  | 30   |  |  |  |  |  |  |
|             |      |                    |      |      |                      |                     |               |                 | E09                  | 6.8  | 1      | 18.9 | 30.1                    | 37.0                              | 35  | 40   |  |  |  |  |  |  |
|             |      |                    |      |      |                      |                     |               |                 | E15                  | 11.3 | 2      | 31.4 | 45.7                    | 52.6                              | 50  | 60   |  |  |  |  |  |  |
|             | 230  | 8.7                | 68.0 | 13.5 | 2.1                  | 5.2                 | 5.5           | 0.0             | None                 | -    | -      | -    | 18.2                    | 23.7                              | 25  | 30   |  |  |  |  |  |  |
|             |      |                    |      |      |                      |                     |               |                 | E03                  | 3.0  | 1      | 7.2  | 18.2                    | 23.7                              | 25  | 30   |  |  |  |  |  |  |
|             |      |                    |      |      |                      |                     |               |                 | E06                  | 6.0  | 1      | 14.4 | 24.5                    | 31.4                              | 25  | 35   |  |  |  |  |  |  |
|             |      |                    |      |      |                      |                     |               |                 | E09                  | 9.0  | 1      | 21.7 | 33.6                    | 40.4                              | 35  | 45   |  |  |  |  |  |  |
|             |      |                    |      |      |                      |                     |               |                 | E15                  | 15.0 | 2      | 36.1 | 51.6                    | 58.5                              | 60  | 60   |  |  |  |  |  |  |
|             | 460  | 4.6                | 34.0 | 7.1  | 1.3                  | 2.6                 | 2.2           | 0.0             | None                 | -    | -      | -    | 9.6                     | 11.8                              | 15  | 15   |  |  |  |  |  |  |
|             |      |                    |      |      |                      |                     |               |                 | E03                  | 3.0  | 1      | 3.6  | 9.6                     | 11.8                              | 15  | 15   |  |  |  |  |  |  |
|             |      |                    |      |      |                      |                     |               |                 | E06                  | 6.0  | 1      | 7.2  | 12.3                    | 15.0                              | 15  | 15   |  |  |  |  |  |  |
|             |      |                    |      |      |                      |                     |               |                 | E09                  | 9.0  | 1      | 10.8 | 16.8                    | 19.5                              | 20  | 20   |  |  |  |  |  |  |
|             |      |                    |      |      |                      |                     |               |                 | E15                  | 15.0 | 2      | 18.0 | 25.8                    | 28.6                              | 30  | 30   |  |  |  |  |  |  |
|             | 575  | 3.5                | 28.0 | 5.5  | 0.7                  | 2.0                 | 1.8           | 0.0             | None                 | -    | -      | -    | 7.0                     | 8.8                               | 15  | 15   |  |  |  |  |  |  |
|             |      |                    |      |      |                      |                     |               |                 | E09                  | 9.0  | 1      | 8.7  | 13.3                    | 15.6                              | 15  | 20   |  |  |  |  |  |  |
|             |      |                    |      |      |                      |                     |               |                 | E15                  | 15.0 | 2      | 14.4 | 20.5                    | 22.8                              | 25  | 25   |  |  |  |  |  |  |
|             |      |                    |      |      |                      |                     |               |                 |                      |      |        |      |                         |                                   |   |  |  |  |  |  |  |  |
|             |      |                    |      |      |                      |                     |               |                 |                      |      |        |      |                         |                                   |   |  |  |  |  |  |  |  |
| JA4<br>(4)  | 208  | 11.9               | 88.0 | 18.5 | 2.1                  | 5.2                 | 5.5           | 0.0             | None                 | -    | -      | -    | 24.3                    | 29.8                              | 35  | 40   |  |  |  |  |  |  |
|             |      |                    |      |      |                      |                     |               |                 | E06                  | 4.5  | 1      | 12.5 | 24.3                    | 29.8                              | 35  | 40   |  |  |  |  |  |  |
|             |      |                    |      |      |                      |                     |               |                 | E09                  | 6.8  | 1      | 18.9 | 30.1                    | 37.0                              | 35  | 40   |  |  |  |  |  |  |
|             |      |                    |      |      |                      |                     |               |                 | E15                  | 11.3 | 2      | 31.4 | 45.7                    | 52.6                              | 50  | 60   |  |  |  |  |  |  |
|             |      |                    |      |      |                      |                     |               |                 | E20                  | 15.0 | 2      | 41.6 | 58.5                    | 65.4                              | 60  | 70   |  |  |  |  |  |  |
|             | 230  | 11.9               | 88.0 | 18.5 | 2.1                  | 5.2                 | 5.5           | 0.0             | None                 | -    | -      | -    | 24.3                    | 29.8                              | 35  | 40   |  |  |  |  |  |  |
|             |      |                    |      |      |                      |                     |               |                 | E06                  | 6.0  | 1      | 14.4 | 24.5                    | 31.4                              | 35  | 40   |  |  |  |  |  |  |
|             |      |                    |      |      |                      |                     |               |                 | E09                  | 9.0  | 1      | 21.7 | 33.6                    | 40.4                              | 35  | 45   |  |  |  |  |  |  |
|             |      |                    |      |      |                      |                     |               |                 | E15                  | 15.0 | 2      | 36.1 | 51.6                    | 58.5                              | 60  | 60   |  |  |  |  |  |  |
|             |      |                    |      |      |                      |                     |               |                 | E20                  | 20.0 | 2      | 48.1 | 66.6                    | 73.5                              | 70  | 80   |  |  |  |  |  |  |
|             | 460  | 5.2                | 44.0 | 8.1  | 1.3                  | 2.6                 | 2.2           | 0.0             | None                 | -    | -      | -    | 11.6                    | 13.8                              | 15  | 15   |  |  |  |  |  |  |
|             |      |                    |      |      |                      |                     |               |                 | E06                  | 6.0  | 1      | 7.2  | 12.3                    | 15.0                              | 15  | 15   |  |  |  |  |  |  |
|             |      |                    |      |      |                      |                     |               |                 | E09                  | 9.0  | 1      | 10.8 | 16.8                    | 19.5                              | 20  | 20   |  |  |  |  |  |  |
|             |      |                    |      |      |                      |                     |               |                 | E15                  | 15.0 | 2      | 18.0 | 25.8                    | 28.6                              | 30  | 30   |  |  |  |  |  |  |
|             |      |                    |      |      |                      |                     |               |                 | E20                  | 20.0 | 2      | 24.1 | 33.3                    | 36.1                              | 35  | 40   |  |  |  |  |  |  |
|             | 575  | 4.8                | 36.0 | 7.5  | 0.7                  | 2.0                 | 1.8           | 0.0             | None                 | -    | -      | -    | 9.3                     | 11.1                              | 15  | 15   |  |  |  |  |  |  |
|             |      |                    |      |      |                      |                     |               |                 | E09                  | 9.0  | 1      | 8.7  | 13.3                    | 15.6                              | 15  | 20   |  |  |  |  |  |  |
|             |      |                    |      |      |                      |                     |               |                 | E15                  | 15.0 | 2      | 14.4 | 20.5                    | 22.8                              | 25  | 25   |  |  |  |  |  |  |
|             |      |                    |      |      |                      |                     |               |                 |                      |      |        |      |                         |                                   |   |  |  |  |  |  |  |  |
|             |      |                    |      |      |                      |                     |               |                 |                      |      |        |      |                         |                                   |   |  |  |  |  |  |  |  |
| JA5<br>(5)  | 208  | 14.1               | 88.0 | 22.0 | 2.1                  | 6.8                 | 5.5           | 0.0             | None                 | -    | -      | -    | 28.6                    | 34.1                              | 40  | 45   |  |  |  |  |  |  |
|             |      |                    |      |      |                      |                     |               |                 | E06                  | 4.5  | 1      | 12.5 | 28.6                    | 34.1                              | 40  | 45   |  |  |  |  |  |  |
|             |      |                    |      |      |                      |                     |               |                 | E09                  | 6.8  | 1      | 18.9 | 32.1                    | 39.0                              | 40  | 45   |  |  |  |  |  |  |
|             |      |                    |      |      |                      |                     |               |                 | E15                  | 11.3 | 2      | 31.4 | 47.7                    | 54.6                              | 50  | 60   |  |  |  |  |  |  |
|             |      |                    |      |      |                      |                     |               |                 | E20                  | 15.0 | 2      | 41.6 | 60.5                    | 67.4                              | 70  | 70   |  |  |  |  |  |  |
|             | 230  | 14.1               | 88.0 | 22.0 | 2.1                  | 6.8                 | 5.5           | 0.0             | None                 | -    | -      | -    | 28.6                    | 34.1                              | 40  | 45   |  |  |  |  |  |  |
|             |      |                    |      |      |                      |                     |               |                 | E06                  | 6.0  | 1      | 14.4 | 28.6                    | 34.1                              | 40  | 45   |  |  |  |  |  |  |
|             |      |                    |      |      |                      |                     |               |                 | E09                  | 9.0  | 1      | 21.7 | 35.6                    | 42.4                              | 40  | 45   |  |  |  |  |  |  |
|             |      |                    |      |      |                      |                     |               |                 | E15                  | 15.0 | 2      | 36.1 | 53.6                    | 60.5                              | 60  | 70   |  |  |  |  |  |  |
|             |      |                    |      |      |                      |                     |               |                 | E20                  | 20.0 | 2      | 48.1 | 68.6                    | 75.5                              | 70  | 80   |  |  |  |  |  |  |
|             | 460  | 7.7                | 55.0 | 12.0 | 1.3                  | 3.4                 | 2.2           | 0.0             | None                 | -    | -      | -    | 15.5                    | 17.7                              | 20  | 25   |  |  |  |  |  |  |
|             |      |                    |      |      |                      |                     |               |                 | E06                  | 6.0  | 1      | 7.2  | 15.5                    | 17.7                              | 20  | 25   |  |  |  |  |  |  |
|             |      |                    |      |      |                      |                     |               |                 | E09                  | 9.0  | 1      | 10.8 | 17.8                    | 20.5                              | 20  | 25   |  |  |  |  |  |  |
|             |      |                    |      |      |                      |                     |               |                 | E15                  | 15.0 | 2      | 18.0 | 26.8                    | 29.6                              | 30  | 30   |  |  |  |  |  |  |
|             |      |                    |      |      |                      |                     |               |                 | E20                  | 20.0 | 2      | 24.1 | 34.3                    | 37.1                              | 35  | 40   |  |  |  |  |  |  |
|             | 575  | 5.1                | 36.0 | 7.5  | 0.7                  | 2.4                 | 1.8           | 0.0             | None                 | -    | -      | -    | 10.1                    | 11.9                              | 15  | 15   |  |  |  |  |  |  |
|             |      |                    |      |      |                      |                     |               |                 | E09                  | 9.0  | 1      | 8.7  | 13.8                    | 16.1                              | 15  | 20   |  |  |  |  |  |  |
|             |      |                    |      |      |                      |                     |               |                 | E15                  | 15.0 | 2      | 14.4 | 21.0                    | 23.3                              | 25  | 25   |  |  |  |  |  |  |
|             |      |                    |      |      |                      |                     |               |                 | E20                  | 20.0 | 2      | 19.2 | 27.1                    | 29.3                              | 30  | 30   |  |  |  |  |  |  |
|             |      |                    |      |      |                      |                     |               |                 | E24                  | 24.0 | 2      | 23.1 | 31.9                    | 34.1                              | 35  | 35   |  |  |  |  |  |  |

1. Minimum Circuit Ampacity.
2. Dual Element, Time Delay Type.
3. HACR type per NEC.

## J06 thru 12ZR Hi Static Motor - Without Powered Convenience Outlet

| Size<br>(Tons) | Volt | Compressors<br>(each) |      |      | OD Fan<br>Motors<br>(each) | Supply<br>Blower<br>Motor | Pwr<br>Exh<br>Motor | Pwr<br>Conv<br>Outlet | Electric Heat Option |      |        |      | MCA <sup>1</sup><br>(Amps) | MCA <sup>1</sup><br>w/Pwr<br>Exh<br>(Amps) | Max Fuse <sup>2</sup> /<br>Breaker <sup>3</sup><br>Size<br>(Amps) | Max Fuse <sup>2</sup> /<br>Breaker <sup>3</sup><br>Size w/ Pwr<br>Exh<br>(Amps) |
|----------------|------|-----------------------|------|------|----------------------------|---------------------------|---------------------|-----------------------|----------------------|------|--------|------|----------------------------|--|---|---|
|                |      | RLA                   | LRA  | MCC  | FLA                        | FLA                       | FLA                 | FLA                   | Model                | kW   | Stages | Amps |                            |  |   |   |
| J06<br>(6.5)   | 208  | 13.5                  | 88.0 | 21.1 | 2.1                        | 6.8                       | 5.5                 | 0.0                   | None                 | -    | -      | -    | 41.4                       | 46.9                                       | 50  | 60  |
|                |      |                       |      |      |                            |                           |                     |                       | E09                  | 6.8  | 1      | 18.9 | 41.4                       | 46.9                                       | 50  | 60  |
|                |      |                       |      |      |                            |                           |                     |                       | E18                  | 13.5 | 2      | 37.5 | 55.3                       | 62.2                                       | 60  | 70  |
|                |      |                       |      |      |                            |                           |                     |                       | E24                  | 18.0 | 2      | 50.0 | 71.0                       | 77.8                                       | 80  | 80  |
|                |      |                       |      |      |                            |                           |                     |                       | E36                  | 25.5 | 2      | 70.8 | 97.0                       | 103.9                                      | 100   | 110   |
|                | 230  | 13.5                  | 88.0 | 21.1 | 2.1                        | 6.8                       | 5.5                 | 0.0                   | None                 | -    | -      | -    | 41.4                       | 46.9                                       | 50  | 60  |
|                |      |                       |      |      |                            |                           |                     |                       | E09                  | 9.0  | 1      | 21.7 | 41.4                       | 46.9                                       | 50  | 60  |
|                |      |                       |      |      |                            |                           |                     |                       | E18                  | 18.0 | 2      | 43.3 | 62.6                       | 69.5                                       | 70  | 70  |
|                |      |                       |      |      |                            |                           |                     |                       | E24                  | 24.0 | 2      | 57.7 | 80.7                       | 87.5                                       | 90  | 90  |
|                |      |                       |      |      |                            |                           |                     |                       | E36                  | 34.0 | 2      | 81.8 | 110.7                      | 117.6                                      | 125   | 125   |
|                | 460  | 6.0                   | 44.0 | 9.3  | 1.3                        | 3.4                       | 2.2                 | 0.0                   | None                 | -    | -      | -    | 19.4                       | 21.6                                       | 25  | 25  |
|                |      |                       |      |      |                            |                           |                     |                       | E09                  | 9.0  | 1      | 10.8 | 19.4                       | 21.6                                       | 25  | 25  |
|                |      |                       |      |      |                            |                           |                     |                       | E18                  | 18.0 | 2      | 21.7 | 31.3                       | 34.1                                       | 35  | 35  |
|                |      |                       |      |      |                            |                           |                     |                       | E24                  | 24.0 | 2      | 28.9 | 40.3                       | 43.1                                       | 45  | 45  |
|                |      |                       |      |      |                            |                           |                     |                       | E36                  | 34.0 | 2      | 40.9 | 55.4                       | 58.1                                       | 60  | 60  |
|                | 575  | 4.9                   | 34.0 | 7.7  | 0.7                        | 2.4                       | 1.8                 | 0.0                   | None                 | -    | -      | -    | 14.7                       | 16.5                                       | 15  | 20  |
|                |      |                       |      |      |                            |                           |                     |                       | E09                  | 9.0  | 1      | 8.7  | 14.7                       | 16.5                                       | 15  | 20  |
|                |      |                       |      |      |                            |                           |                     |                       | E18                  | 18.0 | 2      | 17.3 | 24.7                       | 26.9                                       | 25  | 30  |
|                |      |                       |      |      |                            |                           |                     |                       | E24                  | 24.0 | 2      | 23.1 | 31.9                       | 34.1                                       | 35  | 35  |
|                |      |                       |      |      |                            |                           |                     |                       | E36                  | 34.0 | 2      | 32.7 | 43.9                       | 46.1                                       | 45  | 50  |
| J07<br>(7.5)   | 208  | 13.1                  | 83.1 | 20.5 | 2.1                        | 9.6                       | 5.5                 | 0.0                   | None                 | -    | -      | -    | 43.3                       | 48.8                                       | 50  | 60  |
|                |      |                       |      |      |                            |                           |                     |                       | E09                  | 6.8  | 1      | 18.9 | 43.3                       | 48.8                                       | 50  | 60  |
|                |      |                       |      |      |                            |                           |                     |                       | E18                  | 13.5 | 2      | 37.5 | 58.8                       | 65.7                                       | 60  | 70  |
|                |      |                       |      |      |                            |                           |                     |                       | E24                  | 18.0 | 2      | 50.0 | 74.5                       | 81.3                                       | 80  | 90  |
|                |      |                       |      |      |                            |                           |                     |                       | E36                  | 25.5 | 2      | 70.8 | 100.5                      | 107.4                                      | 110   | 110   |
|                | 230  | 13.1                  | 83.1 | 20.5 | 2.1                        | 9.6                       | 5.5                 | 0.0                   | None                 | -    | -      | -    | 43.3                       | 48.8                                       | 50  | 60  |
|                |      |                       |      |      |                            |                           |                     |                       | E09                  | 9.0  | 1      | 21.7 | 43.3                       | 48.8                                       | 50  | 60  |
|                |      |                       |      |      |                            |                           |                     |                       | E18                  | 18.0 | 2      | 43.3 | 66.1                       | 73.0                                       | 70  | 80  |
|                |      |                       |      |      |                            |                           |                     |                       | E24                  | 24.0 | 2      | 57.7 | 84.2                       | 91.0                                       | 90  | 100   |
|                |      |                       |      |      |                            |                           |                     |                       | E36                  | 34.0 | 2      | 81.8 | 114.2                      | 121.1                                      | 125   | 125   |
|                | 460  | 6.1                   | 41.0 | 9.5  | 1.3                        | 4.7                       | 2.2                 | 0.0                   | None                 | -    | -      | -    | 20.9                       | 23.1                                       | 25  | 25  |
|                |      |                       |      |      |                            |                           |                     |                       | E09                  | 9.0  | 1      | 10.8 | 20.9                       | 23.1                                       | 25  | 25  |
|                |      |                       |      |      |                            |                           |                     |                       | E18                  | 18.0 | 2      | 21.7 | 32.9                       | 35.7                                       | 35  | 40  |
|                |      |                       |      |      |                            |                           |                     |                       | E24                  | 24.0 | 2      | 28.9 | 42.0                       | 44.7                                       | 45  | 45  |
|                |      |                       |      |      |                            |                           |                     |                       | E36                  | 34.0 | 2      | 40.9 | 57.0                       | 59.7                                       | 60  | 60  |
|                | 575  | 4.4                   | 33.0 | 6.8  | 0.7                        | 3.6                       | 1.8                 | 0.0                   | None                 | -    | -      | -    | 14.8                       | 16.6                                       | 15  | 20  |
|                |      |                       |      |      |                            |                           |                     |                       | E09                  | 9.0  | 1      | 8.7  | 15.3                       | 17.6                                       | 20  | 20  |
|                |      |                       |      |      |                            |                           |                     |                       | E18                  | 18.0 | 2      | 17.3 | 26.2                       | 28.4                                       | 30  | 30  |
|                |      |                       |      |      |                            |                           |                     |                       | E24                  | 24.0 | 2      | 23.1 | 33.4                       | 35.6                                       | 35  | 40  |
|                |      |                       |      |      |                            |                           |                     |                       | E36                  | 34.0 | 2      | 32.7 | 45.4                       | 47.6                                       | 50  | 50  |
| J08<br>(8.5)   | 208  | 14.5                  | 98.0 | 22.6 | 2.1                        | 9.6                       | 5.5                 | 0.0                   | None                 | -    | -      | -    | 46.4                       | 51.9                                       | 60  | 60  |
|                |      |                       |      |      |                            |                           |                     |                       | E09                  | 6.8  | 1      | 18.9 | 46.4                       | 51.9                                       | 60  | 60  |
|                |      |                       |      |      |                            |                           |                     |                       | E18                  | 13.5 | 2      | 37.5 | 58.8                       | 65.7                                       | 60  | 70  |
|                |      |                       |      |      |                            |                           |                     |                       | E24                  | 18.0 | 2      | 50.0 | 74.5                       | 81.3                                       | 80  | 90  |
|                |      |                       |      |      |                            |                           |                     |                       | E36                  | 25.5 | 2      | 70.8 | 100.5                      | 107.4                                      | 110   | 110   |
|                | 230  | 14.5                  | 98.0 | 22.6 | 2.1                        | 9.6                       | 5.5                 | 0.0                   | None                 | -    | -      | -    | 46.4                       | 51.9                                       | 60  | 60  |
|                |      |                       |      |      |                            |                           |                     |                       | E09                  | 9.0  | 1      | 21.7 | 46.4                       | 51.9                                       | 60  | 60  |
|                |      |                       |      |      |                            |                           |                     |                       | E18                  | 18.0 | 2      | 43.3 | 66.1                       | 73.0                                       | 70  | 80  |
|                |      |                       |      |      |                            |                           |                     |                       | E24                  | 24.0 | 2      | 57.7 | 84.2                       | 91.0                                       | 90  | 100   |
|                |      |                       |      |      |                            |                           |                     |                       | E36                  | 34.0 | 2      | 81.8 | 114.2                      | 121.1                                      | 125   | 125   |
|                | 460  | 6.3                   | 55.0 | 9.9  | 1.3                        | 4.7                       | 2.2                 | 0.0                   | None                 | -    | -      | -    | 21.4                       | 23.6                                       | 25  | 25  |
|                |      |                       |      |      |                            |                           |                     |                       | E09                  | 9.0  | 1      | 10.8 | 21.4                       | 23.6                                       | 25  | 25  |
|                |      |                       |      |      |                            |                           |                     |                       | E18                  | 18.0 | 2      | 21.7 | 32.9                       | 35.7                                       | 35  | 40  |
|                |      |                       |      |      |                            |                           |                     |                       | E24                  | 24.0 | 2      | 28.9 | 42.0                       | 44.7                                       | 45  | 45  |
|                |      |                       |      |      |                            |                           |                     |                       | E36                  | 34.0 | 2      | 40.9 | 57.0                       | 59.7                                       | 60  | 60  |
|                | 575  | 6.0                   | 41.0 | 9.4  | 0.7                        | 3.6                       | 1.8                 | 0.0                   | None                 | -    | -      | -    | 18.4                       | 20.2                                       | 20  | 25  |
|                |      |                       |      |      |                            |                           |                     |                       | E09                  | 9.0  | 1      | 8.7  | 18.4                       | 20.2                                       | 20  | 25  |
|                |      |                       |      |      |                            |                           |                     |                       | E18                  | 18.0 | 2      | 17.3 | 26.2                       | 28.4                                       | 30  | 30  |
|                |      |                       |      |      |                            |                           |                     |                       | E24                  | 24.0 | 2      | 23.1 | 33.4                       | 35.6                                       | 35  | 40  |
|                |      |                       |      |      |                            |                           |                     |                       | E36                  | 34.0 | 2      | 32.7 | 45.4                       | 47.6                                       | 50  | 50  |

**J06 thru 12ZR Hi Static Motor - Without Powered Convenience Outlet (Continued)**

| Size (Tons) | Volt | Compressors (each) |       |      | OD Fan Motors (each) | Supply Blower Motor | Pwr Exh Motor | Pwr Conv Outlet | Electric Heat Option |      |        |       | MCA <sup>1</sup> (Amps) | MCA <sup>1</sup> w/Pwr Exh (Amps) | Max Fuse <sup>2</sup> / Breaker <sup>3</sup> Size (Amps) | Max Fuse <sup>2</sup> / Breaker <sup>3</sup> Size w/ Pwr Exh (Amps) |
|-------------|------|--------------------|-------|------|----------------------|---------------------|---------------|-----------------|----------------------|------|--------|-------|-------------------------|-----------------------------------|--|---|
|             |      | RLA                | LRA   | MCC  | FLA                  | FLA                 | FLA           | FLA             | Model                | kW   | Stages | Amps  |                         |                                   |  |   |
| J10 (10)    | 208  | 16.0               | 110.0 | 24.9 | 3.0                  | 9.6                 | 5.5           | 0.0             | None                 | -    | -      | -     | 51.7                    | 57.2                              | 60   | 70  |
|             |      |                    |       |      |                      |                     |               |                 | E18                  | 13.5 | 2      | 37.5  | 58.8                    | 65.7                              | 60   | 70  |
|             |      |                    |       |      |                      |                     |               |                 | E24                  | 18.0 | 2      | 50.0  | 74.5                    | 81.3                              | 80   | 90  |
|             |      |                    |       |      |                      |                     |               |                 | E36                  | 25.5 | 2      | 70.8  | 100.5                   | 107.4                             | 110  | 110   |
|             |      |                    |       |      |                      |                     |               |                 | E54                  | 40.6 | 2      | 112.7 | 152.9                   | 159.7                             | 175  | 175   |
|             | 230  | 16.0               | 110.0 | 24.9 | 3.0                  | 9.6                 | 5.5           | 0.0             | None                 | -    | -      | -     | 51.7                    | 57.2                              | 60   | 70  |
|             |      |                    |       |      |                      |                     |               |                 | E18                  | 18.0 | 2      | 43.3  | 66.1                    | 73.0                              | 70   | 80  |
|             |      |                    |       |      |                      |                     |               |                 | E24                  | 24.0 | 2      | 57.7  | 84.2                    | 91.0                              | 90   | 100   |
|             |      |                    |       |      |                      |                     |               |                 | E36                  | 34.0 | 2      | 81.8  | 114.2                   | 121.1                             | 125  | 125   |
|             |      |                    |       |      |                      |                     |               |                 | E54                  | 54.0 | 2      | 129.9 | 141.9                   | 148.8                             | 175  | 175   |
|             | 460  | 7.8                | 52.0  | 12.1 | 1.6                  | 4.7                 | 2.2           | 0.0             | None                 | -    | -      | -     | 25.5                    | 27.7                              | 30   | 35  |
|             |      |                    |       |      |                      |                     |               |                 | E18                  | 18.0 | 2      | 21.7  | 32.9                    | 35.7                              | 35   | 40  |
|             |      |                    |       |      |                      |                     |               |                 | E24                  | 24.0 | 2      | 28.9  | 42.0                    | 44.7                              | 45   | 45  |
|             |      |                    |       |      |                      |                     |               |                 | E36                  | 34.0 | 2      | 40.9  | 57.0                    | 59.7                              | 60   | 60  |
|             |      |                    |       |      |                      |                     |               |                 | E54                  | 54.0 | 2      | 65.0  | 70.8                    | 73.6                              | 80   | 80  |
|             | 575  | 5.7                | 38.9  | 8.9  | 1.4                  | 3.6                 | 1.8           | 0.0             | None                 | -    | -      | -     | 19.1                    | 20.9                              | 20   | 25  |
|             |      |                    |       |      |                      |                     |               |                 | E18                  | 18.0 | 2      | 17.3  | 26.2                    | 28.4                              | 30   | 30  |
|             |      |                    |       |      |                      |                     |               |                 | E24                  | 24.0 | 2      | 23.1  | 33.4                    | 35.6                              | 35   | 40  |
|             |      |                    |       |      |                      |                     |               |                 | E36                  | 34.0 | 2      | 32.7  | 45.4                    | 47.6                              | 50   | 50  |
|             |      |                    |       |      |                      |                     |               |                 | E54                  | 54.0 | 2      | 52.0  | 56.5                    | 58.7                              | 70   | 70  |
| J12 (12.5)  | 208  | 22.4               | 149.0 | 35.0 | 2.1                  | 14.0                | 5.5           | 0.0             | None                 | -    | -      | -     | 72.8                    | 78.3                              | 90   | 100   |
|             |      |                    |       |      |                      |                     |               |                 | E18                  | 13.5 | 2      | 37.5  | 72.8                    | 78.3                              | 90   | 100   |
|             |      |                    |       |      |                      |                     |               |                 | E24                  | 18.0 | 2      | 50.0  | 80.0                    | 86.8                              | 90   | 100   |
|             |      |                    |       |      |                      |                     |               |                 | E36                  | 25.5 | 2      | 70.8  | 106.0                   | 112.9                             | 110  | 125   |
|             |      |                    |       |      |                      |                     |               |                 | E54                  | 40.6 | 2      | 112.7 | 158.4                   | 165.2                             | 175  | 175   |
|             | 230  | 22.4               | 149.0 | 35.0 | 2.1                  | 14.0                | 5.5           | 0.0             | None                 | -    | -      | -     | 72.8                    | 78.3                              | 90   | 100   |
|             |      |                    |       |      |                      |                     |               |                 | E18                  | 18.0 | 2      | 43.3  | 72.8                    | 78.5                              | 90   | 100   |
|             |      |                    |       |      |                      |                     |               |                 | E24                  | 24.0 | 2      | 57.7  | 89.7                    | 96.5                              | 90   | 100   |
|             |      |                    |       |      |                      |                     |               |                 | E36                  | 34.0 | 2      | 81.8  | 119.7                   | 126.6                             | 125  | 150   |
|             |      |                    |       |      |                      |                     |               |                 | E54                  | 54.0 | 2      | 129.9 | 147.4                   | 154.3                             | 175  | 175   |
|             | 460  | 10.6               | 75.0  | 16.5 | 1.3                  | 6.6                 | 2.2           | 0.0             | None                 | -    | -      | -     | 35.5                    | 37.7                              | 45   | 45  |
|             |      |                    |       |      |                      |                     |               |                 | E18                  | 18.0 | 2      | 21.7  | 35.5                    | 38.1                              | 45   | 45  |
|             |      |                    |       |      |                      |                     |               |                 | E24                  | 24.0 | 2      | 28.9  | 44.3                    | 47.1                              | 45   | 50  |
|             |      |                    |       |      |                      |                     |               |                 | E36                  | 34.0 | 2      | 40.9  | 59.4                    | 62.1                              | 60   | 70  |
|             |      |                    |       |      |                      |                     |               |                 | E54                  | 54.0 | 2      | 65.0  | 73.2                    | 76.0                              | 80   | 90  |
|             | 575  | 7.7                | 54.0  | 12.0 | 0.7                  | 5.2                 | 1.8           | 0.0             | None                 | -    | -      | -     | 25.2                    | 27.0                              | 30   | 30  |
|             |      |                    |       |      |                      |                     |               |                 | E18                  | 18.0 | 2      | 17.3  | 28.2                    | 30.4                              | 30   | 35  |
|             |      |                    |       |      |                      |                     |               |                 | E24                  | 24.0 | 2      | 23.1  | 35.4                    | 37.6                              | 40   | 40  |
|             |      |                    |       |      |                      |                     |               |                 | E36                  | 34.0 | 2      | 32.7  | 47.4                    | 49.6                              | 50   | 50  |
|             |      |                    |       |      |                      |                     |               |                 | E54                  | 54.0 | 2      | 52.0  | 58.5                    | 60.7                              | 70   | 70  |

1. Minimum Circuit Ampacity.
2. Dual Element, Time Delay Type.
3. HACR type per NEC.

## JA3 thru A5ZR Standard Indoor Blower - With Powered Convenience Outlet

| Size (Tons) | Volt | Compressors (each) |      |      | OD Fan Motors (each) | Supply Blower Motor | Pwr Exh Motor | Pwr Conv Outlet | Electric Heat Option |      |        |      | MCA <sup>1</sup> (Amps) | MCA <sup>1</sup> w/Pwr Exh (Amps) | Max Fuse <sup>2</sup> /<br>Breaker <sup>3</sup> Size (Amps) | Max Fuse <sup>2</sup> /<br>Breaker <sup>3</sup> Size w/ Pwr Exh (Amps) |
|-------------|------|--------------------|------|------|----------------------|---------------------|---------------|-----------------|----------------------|------|--------|------|-------------------------|-----------------------------------|---|--|
|             |      | RLA                | LRA  | MCC  | FLA                  | FLA                 | FLA           | FLA             | Model                | kW   | Stages | Amps |                         |                                   |   |  |
| JA3 (3)     | 208  | 8.7                | 68.0 | 13.5 | 2.1                  | 5.2                 | 5.5           | 10.0            | None                 | -    | -      | -    | 28.5                    | 34.0                              | 35  | 40   |
|             |      |                    |      |      |                      |                     |               |                 | E03                  | 2.3  | 1      | 6.4  | 28.5                    | 34.0                              | 35  | 40   |
|             |      |                    |      |      |                      |                     |               |                 | E06                  | 4.5  | 1      | 12.5 | 34.6                    | 41.5                              | 40  | 45   |
|             |      |                    |      |      |                      |                     |               |                 | E09                  | 6.8  | 1      | 18.9 | 42.6                    | 49.5                              | 45  | 50   |
|             | 230  | 8.7                | 68.0 | 13.5 | 2.1                  | 5.2                 | 5.5           | 10.0            | None                 | -    | -      | -    | 28.5                    | 34.0                              | 35  | 40   |
|             |      |                    |      |      |                      |                     |               |                 | E03                  | 3.0  | 1      | 7.2  | 28.5                    | 34.9                              | 35  | 40   |
|             |      |                    |      |      |                      |                     |               |                 | E06                  | 6.0  | 1      | 14.4 | 37.0                    | 43.9                              | 40  | 45   |
|             |      |                    |      |      |                      |                     |               |                 | E09                  | 9.0  | 1      | 21.7 | 46.1                    | 52.9                              | 50  | 60   |
|             | 460  | 4.6                | 34.0 | 7.1  | 1.3                  | 2.6                 | 2.2           | 5.0             | None                 | -    | -      | -    | 14.7                    | 16.9                              | 15  | 20   |
|             |      |                    |      |      |                      |                     |               |                 | E03                  | 3.0  | 1      | 3.6  | 14.7                    | 16.9                              | 15  | 20   |
|             |      |                    |      |      |                      |                     |               |                 | E06                  | 6.0  | 1      | 7.2  | 18.5                    | 21.3                              | 20  | 25   |
|             |      |                    |      |      |                      |                     |               |                 | E09                  | 9.0  | 1      | 10.8 | 23.0                    | 25.8                              | 25  | 30   |
|             | 575  | 3.5                | 28.0 | 5.5  | 0.7                  | 2.0                 | 1.8           | 4.0             | None                 | -    | -      | -    | 11.2                    | 13.0                              | 15  | 15   |
|             |      |                    |      |      |                      |                     |               |                 | E09                  | 9.0  | 1      | 8.7  | 18.3                    | 20.6                              | 20  | 25   |
|             |      |                    |      |      |                      |                     |               |                 | E15                  | 15.0 | 2      | 14.4 | 25.5                    | 27.8                              | 30  | 30   |
|             |      |                    |      |      |                      |                     |               |                 | E15                  | 15.0 | 2      | 14.4 | 25.5                    | 27.8                              | 30  | 30   |
| JA4 (4)     | 208  | 11.9               | 88.0 | 18.5 | 2.1                  | 5.2                 | 5.5           | 10.0            | None                 | -    | -      | -    | 34.3                    | 39.8                              | 45  | 50   |
|             |      |                    |      |      |                      |                     |               |                 | E06                  | 4.5  | 1      | 12.5 | 34.6                    | 41.5                              | 45  | 50   |
|             |      |                    |      |      |                      |                     |               |                 | E09                  | 6.8  | 1      | 18.9 | 42.6                    | 49.5                              | 45  | 50   |
|             |      |                    |      |      |                      |                     |               |                 | E15                  | 11.3 | 2      | 31.4 | 58.2                    | 65.1                              | 60  | 70   |
|             |      |                    |      |      |                      |                     |               |                 | E20                  | 15.0 | 2      | 41.6 | 71.0                    | 77.9                              | 80  | 80   |
|             | 230  | 11.9               | 88.0 | 18.5 | 2.1                  | 5.2                 | 5.5           | 10.0            | None                 | -    | -      | -    | 34.3                    | 39.8                              | 45  | 50   |
|             |      |                    |      |      |                      |                     |               |                 | E06                  | 6.0  | 1      | 14.4 | 37.0                    | 43.9                              | 45  | 50   |
|             |      |                    |      |      |                      |                     |               |                 | E09                  | 9.0  | 1      | 21.7 | 46.1                    | 52.9                              | 50  | 60   |
|             |      |                    |      |      |                      |                     |               |                 | E15                  | 15.0 | 2      | 36.1 | 64.1                    | 71.0                              | 70  | 80   |
|             |      |                    |      |      |                      |                     |               |                 | E20                  | 20.0 | 2      | 48.1 | 79.1                    | 86.0                              | 80  | 90   |
|             | 460  | 5.2                | 44.0 | 8.1  | 1.3                  | 2.6                 | 2.2           | 5.0             | None                 | -    | -      | -    | 16.6                    | 18.8                              | 20  | 20   |
|             |      |                    |      |      |                      |                     |               |                 | E06                  | 6.0  | 1      | 7.2  | 18.5                    | 21.3                              | 20  | 25   |
|             |      |                    |      |      |                      |                     |               |                 | E09                  | 9.0  | 1      | 10.8 | 23.0                    | 25.8                              | 25  | 30   |
|             |      |                    |      |      |                      |                     |               |                 | E15                  | 15.0 | 2      | 18.0 | 32.1                    | 34.8                              | 35  | 35   |
|             |      |                    |      |      |                      |                     |               |                 | E20                  | 20.0 | 2      | 24.1 | 39.6                    | 42.3                              | 40  | 45   |
|             | 575  | 4.8                | 36.0 | 7.5  | 0.7                  | 2.0                 | 1.8           | 4.0             | None                 | -    | -      | -    | 13.3                    | 15.1                              | 15  | 20   |
| E09         |      |                    |      |      |                      |                     |               |                 | 9.0                  | 1    | 8.7    | 18.3 | 20.6                    | 20                                | 25  |  |
| E15         |      |                    |      |      |                      |                     |               |                 | 15.0                 | 2    | 14.4   | 25.5 | 27.8                    | 30                                | 30  |  |
| E20         |      |                    |      |      |                      |                     |               |                 | 20.0                 | 2    | 19.2   | 31.6 | 33.8                    | 35                                | 35  |  |
| E20         |      |                    |      |      |                      |                     |               |                 | 20.0                 | 2    | 19.2   | 31.6 | 33.8                    | 35                                | 35  |  |
| JA5 (5)     | 208  | 14.1               | 88.0 | 22.0 | 2.1                  | 5.2                 | 5.5           | 10.0            | None                 | -    | -      | -    | 37.0                    | 42.5                              | 50  | 50   |
|             |      |                    |      |      |                      |                     |               |                 | E06                  | 4.5  | 1      | 12.5 | 37.0                    | 42.5                              | 50  | 50   |
|             |      |                    |      |      |                      |                     |               |                 | E09                  | 6.8  | 1      | 18.9 | 42.6                    | 49.5                              | 50  | 50   |
|             |      |                    |      |      |                      |                     |               |                 | E15                  | 11.3 | 2      | 31.4 | 58.2                    | 65.1                              | 60  | 70   |
|             |      |                    |      |      |                      |                     |               |                 | E20                  | 15.0 | 2      | 41.6 | 71.0                    | 77.9                              | 80  | 80   |
|             |      |                    |      |      |                      |                     |               |                 | E24                  | 18.0 | 2      | 50.0 | 81.5                    | 88.3                              | 90  | 90   |
|             | 230  | 14.1               | 88.0 | 22.0 | 2.1                  | 5.2                 | 5.5           | 10.0            | None                 | -    | -      | -    | 37.0                    | 42.5                              | 50  | 50   |
|             |      |                    |      |      |                      |                     |               |                 | E06                  | 6.0  | 1      | 14.4 | 37.0                    | 43.9                              | 50  | 50   |
|             |      |                    |      |      |                      |                     |               |                 | E09                  | 9.0  | 1      | 21.7 | 46.1                    | 52.9                              | 50  | 60   |
|             |      |                    |      |      |                      |                     |               |                 | E15                  | 15.0 | 2      | 36.1 | 64.1                    | 71.0                              | 70  | 80   |
|             |      |                    |      |      |                      |                     |               |                 | E20                  | 20.0 | 2      | 48.1 | 79.1                    | 86.0                              | 80  | 90   |
|             |      |                    |      |      |                      |                     |               |                 | E24                  | 24.0 | 2      | 57.7 | 91.2                    | 98.0                              | 100   | 100  |
|             | 460  | 7.7                | 55.0 | 12.0 | 1.3                  | 2.6                 | 2.2           | 5.0             | None                 | -    | -      | -    | 19.7                    | 21.9                              | 25  | 25   |
|             |      |                    |      |      |                      |                     |               |                 | E06                  | 6.0  | 1      | 7.2  | 19.7                    | 21.9                              | 25  | 25   |
|             |      |                    |      |      |                      |                     |               |                 | E09                  | 9.0  | 1      | 10.8 | 23.0                    | 25.8                              | 25  | 30   |
|             |      |                    |      |      |                      |                     |               |                 | E15                  | 15.0 | 2      | 18.0 | 32.1                    | 34.8                              | 35  | 35   |
| E20         |      |                    |      |      |                      |                     |               |                 | 20.0                 | 2    | 24.1   | 39.6 | 42.3                    | 40                                | 45  |  |
| E24         |      |                    |      |      |                      |                     |               |                 | 24.0                 | 2    | 28.9   | 45.6 | 48.3                    | 50                                | 50  |  |
| 575         | 5.1  | 36.0               | 7.5  | 0.7  | 2.0                  | 1.8                 | 4.0           | None            | -                    | -    | -      | 13.7 | 15.5                    | 15                                | 20  |  |
|             |      |                    |      |      |                      |                     |               | E09             | 9.0                  | 1    | 8.7    | 18.3 | 20.6                    | 20                                | 25  |  |
|             |      |                    |      |      |                      |                     |               | E15             | 15.0                 | 2    | 14.4   | 25.5 | 27.8                    | 30                                | 30  |  |
|             |      |                    |      |      |                      |                     |               | E20             | 20.0                 | 2    | 19.2   | 31.6 | 33.8                    | 35                                | 35  |  |
|             |      |                    |      |      |                      |                     |               | E24             | 24.0                 | 2    | 23.1   | 36.4 | 38.6                    | 40                                | 40  |  |

1. Minimum Circuit Ampacity.
2. Dual Element, Time Delay Type.
3. HACR type per NEC.

J06 thru 12ZR Standard Motor - With Powered Convenience Outlet

| Size (Tons) | Volt | Compressors (each) |      |      | OD Fan Motors (each) | Supply Blower Motor | Pwr Exh Motor | Pwr Conv Outlet | Electric Heat Option |      |        |      | MCA <sup>1</sup> (Amps) | MCA <sup>1</sup> w/Pwr Exh (Amps) | Max Fuse <sup>2</sup> / Breaker <sup>3</sup> Size (Amps) | Max Fuse <sup>2</sup> / Breaker <sup>3</sup> Size w/ Pwr Exh (Amps) |
|-------------|------|--------------------|------|------|----------------------|---------------------|---------------|-----------------|----------------------|------|--------|------|-------------------------|-----------------------------------|--|---|
|             |      | RLA                | LRA  | MCC  | FLA                  | FLA                 | FLA           | FLA             | Model                | kW   | Stages | Amps |                         |                                   |  |   |
| J06 (6.5)   | 208  | 13.5               | 88.0 | 21.1 | 2.1                  | 5.2                 | 5.5           | 10.0            | None                 | -    | -      | -    | 49.8                    | 55.3                              | 60   | 60  |
|             |      |                    |      |      |                      |                     |               |                 | E09                  | 6.8  | 1      | 18.9 | 49.8                    | 55.3                              | 60   | 60  |
|             |      |                    |      |      |                      |                     |               |                 | E18                  | 13.5 | 2      | 37.5 | 65.8                    | 72.7                              | 70   | 80  |
|             |      |                    |      |      |                      |                     |               |                 | E24                  | 18.0 | 2      | 50.0 | 81.5                    | 88.3                              | 90   | 90  |
|             | E36  | 25.5               | 2    | 70.8 | 107.5                | 114.4               | 110           | 125             |                      |      |        |      |                         |                                   |  |   |
|             | 230  | 13.5               | 88.0 | 21.1 | 2.1                  | 5.2                 | 5.5           | 10.0            | None                 | -    | -      | -    | 49.8                    | 55.3                              | 60   | 60  |
|             |      |                    |      |      |                      |                     |               |                 | E09                  | 9.0  | 1      | 21.7 | 49.8                    | 55.3                              | 60   | 60  |
|             |      |                    |      |      |                      |                     |               |                 | E18                  | 18.0 | 2      | 43.3 | 73.1                    | 80.0                              | 80   | 80  |
|             |      |                    |      |      |                      |                     |               |                 | E24                  | 24.0 | 2      | 57.7 | 91.2                    | 98.0                              | 100  | 100   |
|             | E36  | 34.0               | 2    | 81.8 | 121.2                | 128.1               | 125           | 150             |                      |      |        |      |                         |                                   |  |   |
|             | 460  | 6.0                | 44.0 | 9.3  | 1.3                  | 2.6                 | 2.2           | 5.0             | None                 | -    | -      | -    | 23.6                    | 25.8                              | 25   | 30  |
|             |      |                    |      |      |                      |                     |               |                 | E09                  | 9.0  | 1      | 10.8 | 23.6                    | 25.8                              | 25   | 30  |
|             |      |                    |      |      |                      |                     |               |                 | E18                  | 18.0 | 2      | 21.7 | 36.6                    | 39.3                              | 40   | 40  |
|             |      |                    |      |      |                      |                     |               |                 | E24                  | 24.0 | 2      | 28.9 | 45.6                    | 48.3                              | 50   | 50  |
|             | E36  | 34.0               | 2    | 40.9 | 60.6                 | 63.4                | 70            | 70              |                      |      |        |      |                         |                                   |  |   |
|             | 575  | 4.9                | 34.0 | 7.7  | 0.7                  | 2.0                 | 1.8           | 4.0             | None                 | -    | -      | -    | 18.3                    | 20.1                              | 20   | 25  |
| E09         |      |                    |      |      |                      |                     |               |                 | 9.0                  | 1    | 8.7    | 18.3 | 20.6                    | 20                                | 25   |   |
| E18         |      |                    |      |      |                      |                     |               |                 | 18.0                 | 2    | 17.3   | 29.2 | 31.4                    | 30                                | 35   |   |
| E24         |      |                    |      |      |                      |                     |               |                 | 24.0                 | 2    | 23.1   | 36.4 | 38.6                    | 40                                | 40   |   |
| E36         | 34.0 | 2                  | 32.7 | 48.4 | 50.6                 | 50                  | 60            |                 |                      |      |        |      |                         |                                   |  |   |
| J07 (7.5)   | 208  | 13.1               | 83.1 | 20.5 | 2.1                  | 5.2                 | 5.5           | 10.0            | None                 | -    | -      | -    | 48.9                    | 54.4                              | 60   | 60  |
|             |      |                    |      |      |                      |                     |               |                 | E09                  | 6.8  | 1      | 18.9 | 48.9                    | 54.4                              | 60   | 60  |
|             |      |                    |      |      |                      |                     |               |                 | E18                  | 13.5 | 2      | 37.5 | 65.8                    | 72.7                              | 70   | 80  |
|             |      |                    |      |      |                      |                     |               |                 | E24                  | 18.0 | 2      | 50.0 | 81.5                    | 88.3                              | 90   | 90  |
|             | E36  | 25.5               | 2    | 70.8 | 107.5                | 114.4               | 110           | 125             |                      |      |        |      |                         |                                   |  |   |
|             | 230  | 13.1               | 83.1 | 20.5 | 2.1                  | 5.2                 | 5.5           | 10.0            | None                 | -    | -      | -    | 48.9                    | 54.4                              | 60   | 60  |
|             |      |                    |      |      |                      |                     |               |                 | E09                  | 9.0  | 1      | 21.7 | 48.9                    | 54.4                              | 60   | 60  |
|             |      |                    |      |      |                      |                     |               |                 | E18                  | 18.0 | 2      | 43.3 | 73.1                    | 80.0                              | 80   | 80  |
|             |      |                    |      |      |                      |                     |               |                 | E24                  | 24.0 | 2      | 57.7 | 91.2                    | 98.0                              | 100  | 100   |
|             | E36  | 34.0               | 2    | 81.8 | 121.2                | 128.1               | 125           | 150             |                      |      |        |      |                         |                                   |  |   |
|             | 460  | 6.1                | 41.0 | 9.5  | 1.3                  | 2.6                 | 2.2           | 5.0             | None                 | -    | -      | -    | 23.8                    | 26.0                              | 25   | 30  |
|             |      |                    |      |      |                      |                     |               |                 | E09                  | 9.0  | 1      | 10.8 | 23.8                    | 26.0                              | 25   | 30  |
|             |      |                    |      |      |                      |                     |               |                 | E18                  | 18.0 | 2      | 21.7 | 36.6                    | 39.3                              | 40   | 40  |
|             |      |                    |      |      |                      |                     |               |                 | E24                  | 24.0 | 2      | 28.9 | 45.6                    | 48.3                              | 50   | 50  |
|             | E36  | 34.0               | 2    | 40.9 | 60.6                 | 63.4                | 70            | 70              |                      |      |        |      |                         |                                   |  |   |
|             | 575  | 4.4                | 33.0 | 6.8  | 0.7                  | 2.0                 | 1.8           | 4.0             | None                 | -    | -      | -    | 17.2                    | 19.0                              | 20   | 20  |
| E09         |      |                    |      |      |                      |                     |               |                 | 9.0                  | 1    | 8.7    | 18.3 | 20.6                    | 20                                | 25   |   |
| E18         |      |                    |      |      |                      |                     |               |                 | 18.0                 | 2    | 17.3   | 29.2 | 31.4                    | 30                                | 35   |   |
| E24         |      |                    |      |      |                      |                     |               |                 | 24.0                 | 2    | 23.1   | 36.4 | 38.6                    | 40                                | 40   |   |
| E36         | 34.0 | 2                  | 32.7 | 48.4 | 50.6                 | 50                  | 60            |                 |                      |      |        |      |                         |                                   |  |   |
| J08 (8.5)   | 208  | 14.5               | 98.0 | 22.6 | 2.1                  | 6.8                 | 5.5           | 10.0            | None                 | -    | -      | -    | 53.6                    | 59.1                              | 60   | 70  |
|             |      |                    |      |      |                      |                     |               |                 | E09                  | 6.8  | 1      | 18.9 | 53.6                    | 59.1                              | 60   | 70  |
|             |      |                    |      |      |                      |                     |               |                 | E18                  | 13.5 | 2      | 37.5 | 67.8                    | 74.7                              | 70   | 80  |
|             |      |                    |      |      |                      |                     |               |                 | E24                  | 18.0 | 2      | 50.0 | 83.5                    | 90.3                              | 90   | 100   |
|             | E36  | 25.5               | 2    | 70.8 | 109.5                | 116.4               | 110           | 125             |                      |      |        |      |                         |                                   |  |   |
|             | 230  | 14.5               | 98.0 | 22.6 | 2.1                  | 6.8                 | 5.5           | 10.0            | None                 | -    | -      | -    | 53.6                    | 59.1                              | 60   | 70  |
|             |      |                    |      |      |                      |                     |               |                 | E09                  | 9.0  | 1      | 21.7 | 53.6                    | 59.1                              | 60   | 70  |
|             |      |                    |      |      |                      |                     |               |                 | E18                  | 18.0 | 2      | 43.3 | 75.1                    | 82.0                              | 80   | 90  |
|             |      |                    |      |      |                      |                     |               |                 | E24                  | 24.0 | 2      | 57.7 | 93.2                    | 100.0                             | 100  | 100   |
|             | E36  | 34.0               | 2    | 81.8 | 123.2                | 130.1               | 125           | 150             |                      |      |        |      |                         |                                   |  |   |
|             | 460  | 6.3                | 55.0 | 9.9  | 1.3                  | 3.4                 | 2.2           | 5.0             | None                 | -    | -      | -    | 25.1                    | 27.3                              | 30   | 30  |
|             |      |                    |      |      |                      |                     |               |                 | E09                  | 9.0  | 1      | 10.8 | 25.1                    | 27.3                              | 30   | 30  |
|             |      |                    |      |      |                      |                     |               |                 | E18                  | 18.0 | 2      | 21.7 | 37.6                    | 40.3                              | 40   | 45  |
|             |      |                    |      |      |                      |                     |               |                 | E24                  | 24.0 | 2      | 28.9 | 46.6                    | 49.3                              | 50   | 50  |
|             | E36  | 34.0               | 2    | 40.9 | 61.6                 | 64.4                | 70            | 70              |                      |      |        |      |                         |                                   |  |   |
|             | 575  | 6.0                | 41.0 | 9.4  | 0.7                  | 2.4                 | 1.8           | 4.0             | None                 | -    | -      | -    | 21.2                    | 23.0                              | 25   | 25  |
| E09         |      |                    |      |      |                      |                     |               |                 | 9.0                  | 1    | 8.7    | 21.2 | 23.0                    | 25                                | 25   |   |
| E18         |      |                    |      |      |                      |                     |               |                 | 18.0                 | 2    | 17.3   | 29.7 | 31.9                    | 30                                | 35   |   |
| E24         |      |                    |      |      |                      |                     |               |                 | 24.0                 | 2    | 23.1   | 36.9 | 39.1                    | 40                                | 40   |   |
| E36         | 34.0 | 2                  | 32.7 | 48.9 | 51.1                 | 50                  | 60            |                 |                      |      |        |      |                         |                                   |  |   |



## J06 thru 12ZR Standard Motor - With Powered Convenience Outlet (Continued)

| Size<br>(Tons) | Volt | Compressors<br>(each) |       |      | OD Fan<br>Motors<br>(each) | Supply<br>Blower<br>Motor | Pwr<br>Exh<br>Motor | Pwr<br>Conv<br>Outlet | Electric Heat Option |      |        |       | MCA <sup>1</sup><br>(Amps) | MCA <sup>1</sup><br>w/Pwr<br>Exh<br>(Amps) | Max Fuse <sup>2/</sup> /<br>Breaker <sup>3</sup><br>Size<br>(Amps) | Max Fuse <sup>2/</sup> /<br>Breaker <sup>3</sup><br>Size w/ Pwr<br>Exh<br>(Amps) |
|----------------|------|-----------------------|-------|------|----------------------------|---------------------------|---------------------|-----------------------|----------------------|------|--------|-------|----------------------------|--|--|--|
|                |      | RLA                   | LRA   | MCC  | FLA                        | FLA                       | FLA                 | FLA                   | Model                | kW   | Stages | Amps  |                            |  |  |  |
| J10<br>(10)    | 208  | 16.0                  | 110.0 | 24.9 | 3.0                        | 6.8                       | 5.5                 | 10.0                  | None                 | -    | -      | -     | 58.9                       | 64.4                                       | 70   | 80   |
|                |      |                       |       |      |                            |                           |                     |                       | E18                  | 13.5 | 2      | 37.5  | 67.8                       | 74.7                                       | 70   | 80   |
|                |      |                       |       |      |                            |                           |                     |                       | E24                  | 18.0 | 2      | 50.0  | 83.5                       | 90.3                                       | 90   | 100  |
|                |      |                       |       |      |                            |                           |                     |                       | E36                  | 25.5 | 2      | 70.8  | 109.5                      | 116.4                                      | 110  | 125  |
|                |      |                       |       |      |                            |                           |                     |                       | E54                  | 40.6 | 2      | 112.7 | 161.9                      | 168.7                                      | 175  | 175  |
|                | 230  | 16.0                  | 110.0 | 24.9 | 3.0                        | 6.8                       | 5.5                 | 10.0                  | None                 | -    | -      | -     | 58.9                       | 64.4                                       | 70   | 80   |
|                |      |                       |       |      |                            |                           |                     |                       | E18                  | 18.0 | 2      | 43.3  | 75.1                       | 82.0                                       | 80   | 90   |
|                |      |                       |       |      |                            |                           |                     |                       | E24                  | 24.0 | 2      | 57.7  | 93.2                       | 100.0                                      | 100  | 100  |
|                |      |                       |       |      |                            |                           |                     |                       | E36                  | 34.0 | 2      | 81.8  | 123.2                      | 130.1                                      | 125  | 150  |
|                |      |                       |       |      |                            |                           |                     |                       | E54                  | 54.0 | 2      | 129.9 | 150.9                      | 157.8                                      | 175  | 175  |
|                | 460  | 7.8                   | 52.0  | 12.1 | 1.6                        | 3.4                       | 2.2                 | 5.0                   | None                 | -    | -      | -     | 29.2                       | 31.4                                       | 35   | 35   |
|                |      |                       |       |      |                            |                           |                     |                       | E18                  | 18.0 | 2      | 21.7  | 37.6                       | 40.3                                       | 40   | 45   |
|                |      |                       |       |      |                            |                           |                     |                       | E24                  | 24.0 | 2      | 28.9  | 46.6                       | 49.3                                       | 50   | 50   |
|                |      |                       |       |      |                            |                           |                     |                       | E36                  | 34.0 | 2      | 40.9  | 61.6                       | 64.4                                       | 70   | 70   |
|                |      |                       |       |      |                            |                           |                     |                       | E54                  | 54.0 | 2      | 65.0  | 75.5                       | 78.2                                       | 80   | 90   |
|                | 575  | 5.7                   | 38.9  | 8.9  | 1.4                        | 2.4                       | 1.8                 | 4.0                   | None                 | -    | -      | -     | 21.9                       | 23.7                                       | 25   | 25   |
|                |      |                       |       |      |                            |                           |                     |                       | E18                  | 18.0 | 2      | 17.3  | 29.7                       | 31.9                                       | 30   | 35   |
|                |      |                       |       |      |                            |                           |                     |                       | E24                  | 24.0 | 2      | 23.1  | 36.9                       | 39.1                                       | 40   | 40   |
|                |      |                       |       |      |                            |                           |                     |                       | E36                  | 34.0 | 2      | 32.7  | 48.9                       | 51.1                                       | 50   | 60   |
|                |      |                       |       |      |                            |                           |                     |                       | E54                  | 54.0 | 2      | 52.0  | 60.0                       | 62.2                                       | 70   | 70   |
| J12<br>(12.5)  | 208  | 22.4                  | 149.0 | 35.0 | 2.1                        | 9.6                       | 5.5                 | 10.0                  | None                 | -    | -      | -     | 78.4                       | 83.9                                       | 100  | 100  |
|                |      |                       |       |      |                            |                           |                     |                       | E18                  | 13.5 | 2      | 37.5  | 78.4                       | 83.9                                       | 100  | 100  |
|                |      |                       |       |      |                            |                           |                     |                       | E24                  | 18.0 | 2      | 50.0  | 87.0                       | 93.8                                       | 100  | 100  |
|                |      |                       |       |      |                            |                           |                     |                       | E36                  | 25.5 | 2      | 70.8  | 113.0                      | 119.9                                      | 125  | 125  |
|                |      |                       |       |      |                            |                           |                     |                       | E54                  | 40.6 | 2      | 112.7 | 165.4                      | 172.2                                      | 175  | 175  |
|                | 230  | 22.4                  | 149.0 | 35.0 | 2.1                        | 9.6                       | 5.5                 | 10.0                  | None                 | -    | -      | -     | 78.4                       | 83.9                                       | 100  | 100  |
|                |      |                       |       |      |                            |                           |                     |                       | E18                  | 18.0 | 2      | 43.3  | 78.6                       | 85.5                                       | 100  | 100  |
|                |      |                       |       |      |                            |                           |                     |                       | E24                  | 24.0 | 2      | 57.7  | 96.7                       | 103.5                                      | 100  | 110  |
|                |      |                       |       |      |                            |                           |                     |                       | E36                  | 34.0 | 2      | 81.8  | 126.7                      | 133.6                                      | 150  | 150  |
|                |      |                       |       |      |                            |                           |                     |                       | E54                  | 54.0 | 2      | 129.9 | 154.4                      | 161.3                                      | 175  | 175  |
|                | 460  | 10.6                  | 75.0  | 16.5 | 1.3                        | 4.7                       | 2.2                 | 5.0                   | None                 | -    | -      | -     | 38.6                       | 40.8                                       | 45   | 50   |
|                |      |                       |       |      |                            |                           |                     |                       | E18                  | 18.0 | 2      | 21.7  | 39.2                       | 41.9                                       | 45   | 50   |
|                |      |                       |       |      |                            |                           |                     |                       | E24                  | 24.0 | 2      | 28.9  | 48.2                       | 51.0                                       | 50   | 60   |
|                |      |                       |       |      |                            |                           |                     |                       | E36                  | 34.0 | 2      | 40.9  | 63.2                       | 66.0                                       | 70   | 70   |
|                |      |                       |       |      |                            |                           |                     |                       | E54                  | 54.0 | 2      | 65.0  | 77.1                       | 79.8                                       | 90   | 90   |
|                | 575  | 7.7                   | 54.0  | 12.0 | 0.7                        | 3.6                       | 1.8                 | 4.0                   | None                 | -    | -      | -     | 27.6                       | 29.4                                       | 35   | 35   |
|                |      |                       |       |      |                            |                           |                     |                       | E18                  | 18.0 | 2      | 17.3  | 31.2                       | 33.4                                       | 35   | 35   |
|                |      |                       |       |      |                            |                           |                     |                       | E24                  | 24.0 | 2      | 23.1  | 38.4                       | 40.6                                       | 40   | 45   |
|                |      |                       |       |      |                            |                           |                     |                       | E36                  | 34.0 | 2      | 32.7  | 50.4                       | 52.6                                       | 60   | 60   |
|                |      |                       |       |      |                            |                           |                     |                       | E54                  | 54.0 | 2      | 52.0  | 61.5                       | 63.7                                       | 70   | 70   |

1. Minimum Circuit Ampacity.
2. Dual Element, Time Delay Type.
3. HACR type per NEC.

**JA3 thru A5ZR Hi Static Indoor Blower - With Powered Convenience Outlet**

| Size (Tons) | Volt | Compressors (each) |      |      | OD Fan Motors (each) | Supply Blower Motor | Pwr Exh Motor | Pwr Conv Outlet | Electric Heat Option |      |        |      | MCA <sup>1</sup> (Amps) | MCA <sup>1</sup> w/Pwr Exh (Amps) | Max Fuse <sup>2</sup> / Breaker <sup>3</sup> Size (Amps) | Max Fuse <sup>2</sup> / Breaker <sup>3</sup> Size w/ Pwr Exh (Amps) |  |  |  |  |
|-------------|------|--------------------|------|------|----------------------|---------------------|---------------|-----------------|----------------------|------|--------|------|-------------------------|-----------------------------------|--|---|--|--|--|--|
|             |      | RLA                | LRA  | MCC  | FLA                  | FLA                 | FLA           | FLA             | Model                | kW   | Stages | Amps |                         |                                   |  |   |  |  |  |  |
| JA3<br>(3)  | 208  | 8.7                | 68.0 | 13.5 | 2.1                  | 5.2                 | 5.5           | 10.0            | None                 | -    | -      | -    | 28.5                    | 34.0                              | 35   | 40  |  |  |  |  |
|             |      |                    |      |      |                      |                     |               |                 | E03                  | 2.3  | 1      | 6.4  | 28.5                    | 34.0                              | 35   | 40  |  |  |  |  |
|             |      |                    |      |      |                      |                     |               |                 | E06                  | 4.5  | 1      | 12.5 | 34.6                    | 41.5                              | 40   | 45  |  |  |  |  |
|             |      |                    |      |      |                      |                     |               |                 | E09                  | 6.8  | 1      | 18.9 | 42.6                    | 49.5                              | 45   | 50  |  |  |  |  |
|             |      |                    |      |      |                      |                     |               |                 | E15                  | 11.3 | 2      | 31.4 | 58.2                    | 65.1                              | 60   | 70  |  |  |  |  |
|             | 230  | 8.7                | 68.0 | 13.5 | 2.1                  | 5.2                 | 5.5           | 10.0            | None                 | -    | -      | -    | 28.5                    | 34.0                              | 35   | 40  |  |  |  |  |
|             |      |                    |      |      |                      |                     |               |                 | E03                  | 3.0  | 1      | 7.2  | 28.5                    | 34.9                              | 35   | 40  |  |  |  |  |
|             |      |                    |      |      |                      |                     |               |                 | E06                  | 6.0  | 1      | 14.4 | 37.0                    | 43.9                              | 40   | 45  |  |  |  |  |
|             |      |                    |      |      |                      |                     |               |                 | E09                  | 9.0  | 1      | 21.7 | 46.1                    | 52.9                              | 50   | 60  |  |  |  |  |
|             |      |                    |      |      |                      |                     |               |                 | E15                  | 15.0 | 2      | 36.1 | 64.1                    | 71.0                              | 70   | 80  |  |  |  |  |
|             | 460  | 4.6                | 34.0 | 7.1  | 1.3                  | 2.6                 | 2.2           | 5.0             | None                 | -    | -      | -    | 14.7                    | 16.9                              | 15   | 20  |  |  |  |  |
|             |      |                    |      |      |                      |                     |               |                 | E03                  | 3.0  | 1      | 3.6  | 14.7                    | 16.9                              | 15   | 20  |  |  |  |  |
|             |      |                    |      |      |                      |                     |               |                 | E06                  | 6.0  | 1      | 7.2  | 18.5                    | 21.3                              | 20   | 25  |  |  |  |  |
|             |      |                    |      |      |                      |                     |               |                 | E09                  | 9.0  | 1      | 10.8 | 23.0                    | 25.8                              | 25   | 30  |  |  |  |  |
|             |      |                    |      |      |                      |                     |               |                 | E15                  | 15.0 | 2      | 18.0 | 32.1                    | 34.8                              | 35   | 35  |  |  |  |  |
|             | 575  | 3.5                | 28.0 | 5.5  | 0.7                  | 2.0                 | 1.8           | 4.0             | None                 | -    | -      | -    | 11.2                    | 13.0                              | 15   | 15  |  |  |  |  |
|             |      |                    |      |      |                      |                     |               |                 | E09                  | 9.0  | 1      | 8.7  | 18.3                    | 20.6                              | 20   | 25  |  |  |  |  |
|             |      |                    |      |      |                      |                     |               |                 | E15                  | 15.0 | 2      | 14.4 | 25.5                    | 27.8                              | 30   | 30  |  |  |  |  |
|             |      |                    |      |      |                      |                     |               |                 |                      |      |        |      |                         |                                   |  |   |  |  |  |  |
|             |      |                    |      |      |                      |                     |               |                 |                      |      |        |      |                         |                                   |  |   |  |  |  |  |
| JA4<br>(4)  | 208  | 11.9               | 88.0 | 18.5 | 2.1                  | 5.2                 | 5.5           | 10.0            | None                 | -    | -      | -    | 34.3                    | 39.8                              | 45   | 50  |  |  |  |  |
|             |      |                    |      |      |                      |                     |               |                 | E06                  | 4.5  | 1      | 12.5 | 34.6                    | 41.5                              | 45   | 50  |  |  |  |  |
|             |      |                    |      |      |                      |                     |               |                 | E09                  | 6.8  | 1      | 18.9 | 42.6                    | 49.5                              | 45   | 50  |  |  |  |  |
|             |      |                    |      |      |                      |                     |               |                 | E15                  | 11.3 | 2      | 31.4 | 58.2                    | 65.1                              | 60   | 70  |  |  |  |  |
|             |      |                    |      |      |                      |                     |               |                 | E20                  | 15.0 | 2      | 41.6 | 71.0                    | 77.9                              | 80   | 80  |  |  |  |  |
|             | 230  | 11.9               | 88.0 | 18.5 | 2.1                  | 5.2                 | 5.5           | 10.0            | None                 | -    | -      | -    | 34.3                    | 39.8                              | 45   | 50  |  |  |  |  |
|             |      |                    |      |      |                      |                     |               |                 | E06                  | 6.0  | 1      | 14.4 | 37.0                    | 43.9                              | 45   | 50  |  |  |  |  |
|             |      |                    |      |      |                      |                     |               |                 | E09                  | 9.0  | 1      | 21.7 | 46.1                    | 52.9                              | 50   | 60  |  |  |  |  |
|             |      |                    |      |      |                      |                     |               |                 | E15                  | 15.0 | 2      | 36.1 | 64.1                    | 71.0                              | 70   | 80  |  |  |  |  |
|             |      |                    |      |      |                      |                     |               |                 | E20                  | 20.0 | 2      | 48.1 | 79.1                    | 86.0                              | 80   | 90  |  |  |  |  |
|             | 460  | 5.2                | 44.0 | 8.1  | 1.3                  | 2.6                 | 2.2           | 5.0             | None                 | -    | -      | -    | 16.6                    | 18.8                              | 20   | 20  |  |  |  |  |
|             |      |                    |      |      |                      |                     |               |                 | E06                  | 6.0  | 1      | 7.2  | 18.5                    | 21.3                              | 20   | 25  |  |  |  |  |
|             |      |                    |      |      |                      |                     |               |                 | E09                  | 9.0  | 1      | 10.8 | 23.0                    | 25.8                              | 25   | 30  |  |  |  |  |
|             |      |                    |      |      |                      |                     |               |                 | E15                  | 15.0 | 2      | 18.0 | 32.1                    | 34.8                              | 35   | 35  |  |  |  |  |
|             |      |                    |      |      |                      |                     |               |                 | E20                  | 20.0 | 2      | 24.1 | 39.6                    | 42.3                              | 40   | 45  |  |  |  |  |
|             | 575  | 4.8                | 36.0 | 7.5  | 0.7                  | 2.0                 | 1.8           | 4.0             | None                 | -    | -      | -    | 13.3                    | 15.1                              | 15   | 20  |  |  |  |  |
|             |      |                    |      |      |                      |                     |               |                 | E09                  | 9.0  | 1      | 8.7  | 18.3                    | 20.6                              | 20   | 25  |  |  |  |  |
|             |      |                    |      |      |                      |                     |               |                 | E15                  | 15.0 | 2      | 14.4 | 25.5                    | 27.8                              | 30   | 30  |  |  |  |  |
|             |      |                    |      |      |                      |                     |               |                 | E20                  | 20.0 | 2      | 19.2 | 31.6                    | 33.8                              | 35   | 35  |  |  |  |  |
|             |      |                    |      |      |                      |                     |               |                 |                      |      |        |      |                         |                                   |  |   |  |  |  |  |
| JA5<br>(5)  | 208  | 14.1               | 88.0 | 22.0 | 2.1                  | 6.8                 | 5.5           | 10.0            | None                 | -    | -      | -    | 38.6                    | 44.1                              | 50   | 50  |  |  |  |  |
|             |      |                    |      |      |                      |                     |               |                 | E06                  | 4.5  | 1      | 12.5 | 38.6                    | 44.1                              | 50   | 50  |  |  |  |  |
|             |      |                    |      |      |                      |                     |               |                 | E09                  | 6.8  | 1      | 18.9 | 44.6                    | 51.5                              | 50   | 60  |  |  |  |  |
|             |      |                    |      |      |                      |                     |               |                 | E15                  | 11.3 | 2      | 31.4 | 60.2                    | 67.1                              | 70   | 70  |  |  |  |  |
|             |      |                    |      |      |                      |                     |               |                 | E20                  | 15.0 | 2      | 41.6 | 73.0                    | 79.9                              | 80   | 80  |  |  |  |  |
|             | 230  | 14.1               | 88.0 | 22.0 | 2.1                  | 6.8                 | 5.5           | 10.0            | None                 | -    | -      | -    | 38.6                    | 44.1                              | 50   | 50  |  |  |  |  |
|             |      |                    |      |      |                      |                     |               |                 | E06                  | 6.0  | 1      | 14.4 | 39.0                    | 45.9                              | 50   | 50  |  |  |  |  |
|             |      |                    |      |      |                      |                     |               |                 | E09                  | 9.0  | 1      | 21.7 | 48.1                    | 54.9                              | 50   | 60  |  |  |  |  |
|             |      |                    |      |      |                      |                     |               |                 | E15                  | 15.0 | 2      | 36.1 | 66.1                    | 73.0                              | 70   | 80  |  |  |  |  |
|             |      |                    |      |      |                      |                     |               |                 | E20                  | 20.0 | 2      | 48.1 | 81.1                    | 88.0                              | 90   | 90  |  |  |  |  |
|             | 460  | 7.7                | 55.0 | 12.0 | 1.3                  | 3.4                 | 2.2           | 5.0             | None                 | -    | -      | -    | 20.5                    | 22.7                              | 25   | 30  |  |  |  |  |
|             |      |                    |      |      |                      |                     |               |                 | E06                  | 6.0  | 1      | 7.2  | 20.5                    | 22.7                              | 25   | 30  |  |  |  |  |
|             |      |                    |      |      |                      |                     |               |                 | E09                  | 9.0  | 1      | 10.8 | 24.0                    | 26.8                              | 25   | 30  |  |  |  |  |
|             |      |                    |      |      |                      |                     |               |                 | E15                  | 15.0 | 2      | 18.0 | 33.1                    | 35.8                              | 35   | 40  |  |  |  |  |
|             |      |                    |      |      |                      |                     |               |                 | E20                  | 20.0 | 2      | 24.1 | 40.6                    | 43.3                              | 45   | 45  |  |  |  |  |
|             | 575  | 5.1                | 36.0 | 7.5  | 0.7                  | 2.4                 | 1.8           | 4.0             | None                 | -    | -      | -    | 14.1                    | 15.9                              | 15   | 20  |  |  |  |  |
|             |      |                    |      |      |                      |                     |               |                 | E09                  | 9.0  | 1      | 8.7  | 18.8                    | 21.1                              | 20   | 25  |  |  |  |  |
|             |      |                    |      |      |                      |                     |               |                 | E15                  | 15.0 | 2      | 14.4 | 26.0                    | 28.3                              | 30   | 30  |  |  |  |  |
|             |      |                    |      |      |                      |                     |               |                 | E20                  | 20.0 | 2      | 19.2 | 32.1                    | 34.3                              | 35   | 35  |  |  |  |  |
|             |      |                    |      |      |                      |                     |               |                 | E24                  | 24.0 | 2      | 23.1 | 36.9                    | 39.1                              | 40   | 40  |  |  |  |  |

1. Minimum Circuit Ampacity.
2. Dual Element, Time Delay Type.
3. HACR type per NEC.

## J06 thru 12ZR Hi Static Motor - With Powered Convenience Outlet

| Size<br>(Tons) | Volt | Compressors<br>(each) |      |      | OD Fan<br>Motors<br>(each) | Supply<br>Blower<br>Motor | Pwr<br>Exh<br>Motor | Pwr<br>Conv<br>Outlet | Electric Heat Option |      |        |      | MCA <sup>1</sup><br>(Amps) | MCA <sup>1</sup><br>w/Pwr<br>Exh<br>(Amps) | Max Fuse <sup>2/</sup><br>Breaker <sup>3</sup><br>Size<br>(Amps) | Max Fuse <sup>2/</sup><br>Breaker <sup>3</sup><br>Size w/ Pwr<br>Exh<br>(Amps) |
|----------------|------|-----------------------|------|------|----------------------------|---------------------------|---------------------|-----------------------|----------------------|------|--------|------|----------------------------|--|--|--|
|                |      | RLA                   | LRA  | MCC  | FLA                        | FLA                       | FLA                 | FLA                   | Model                | kW   | Stages | Amps |                            |  |  |  |
| J06<br>(6.5)   | 208  | 13.5                  | 88.0 | 21.1 | 2.1                        | 6.8                       | 5.5                 | 10.0                  | None                 | -    | -      | -    | 51.4                       | 56.9                                       | 60   | 70   |
|                |      |                       |      |      |                            |                           |                     |                       | E09                  | 6.8  | 1      | 18.9 | 51.4                       | 56.9                                       | 60   | 70   |
|                |      |                       |      |      |                            |                           |                     |                       | E18                  | 13.5 | 2      | 37.5 | 67.8                       | 74.7                                       | 70   | 80   |
|                |      |                       |      |      |                            |                           |                     |                       | E24                  | 18.0 | 2      | 50.0 | 83.5                       | 90.3                                       | 90   | 100  |
|                | 230  | 13.5                  | 88.0 | 21.1 | 2.1                        | 6.8                       | 5.5                 | 10.0                  | None                 | -    | -      | -    | 51.4                       | 56.9                                       | 60   | 70   |
|                |      |                       |      |      |                            |                           |                     |                       | E09                  | 9.0  | 1      | 21.7 | 51.4                       | 56.9                                       | 60   | 70   |
|                |      |                       |      |      |                            |                           |                     |                       | E18                  | 18.0 | 2      | 43.3 | 75.1                       | 82.0                                       | 80   | 90   |
|                |      |                       |      |      |                            |                           |                     |                       | E24                  | 24.0 | 2      | 57.7 | 93.2                       | 100.0                                      | 100  | 100  |
|                | 460  | 6.0                   | 44.0 | 9.3  | 1.3                        | 3.4                       | 2.2                 | 5.0                   | None                 | -    | -      | -    | 24.4                       | 26.6                                       | 30   | 30   |
|                |      |                       |      |      |                            |                           |                     |                       | E09                  | 9.0  | 1      | 10.8 | 24.4                       | 26.8                                       | 30   | 30   |
|                |      |                       |      |      |                            |                           |                     |                       | E18                  | 18.0 | 2      | 21.7 | 37.6                       | 40.3                                       | 40   | 45   |
|                |      |                       |      |      |                            |                           |                     |                       | E24                  | 24.0 | 2      | 28.9 | 46.6                       | 49.3                                       | 50   | 50   |
|                | 575  | 4.9                   | 34.0 | 7.7  | 0.7                        | 2.4                       | 1.8                 | 4.0                   | E36                  | 34.0 | 2      | 40.9 | 61.6                       | 64.4                                       | 70   | 70   |
|                |      |                       |      |      |                            |                           |                     |                       | None                 | -    | -      | -    | 18.7                       | 20.5                                       | 20   | 25   |
|                |      |                       |      |      |                            |                           |                     |                       | E09                  | 9.0  | 1      | 8.7  | 18.8                       | 21.1                                       | 20   | 25   |
|                |      |                       |      |      |                            |                           |                     |                       | E18                  | 18.0 | 2      | 17.3 | 29.7                       | 31.9                                       | 30   | 35   |
| J07<br>(7.5)   | 208  | 13.1                  | 83.1 | 20.5 | 2.1                        | 9.6                       | 5.5                 | 10.0                  | None                 | -    | -      | -    | 53.3                       | 58.8                                       | 60   | 70   |
|                |      |                       |      |      |                            |                           |                     |                       | E09                  | 6.8  | 1      | 18.9 | 53.3                       | 58.8                                       | 60   | 70   |
|                |      |                       |      |      |                            |                           |                     |                       | E18                  | 13.5 | 2      | 37.5 | 71.3                       | 78.2                                       | 80   | 80   |
|                |      |                       |      |      |                            |                           |                     |                       | E24                  | 18.0 | 2      | 50.0 | 87.0                       | 93.8                                       | 90   | 100  |
|                | 230  | 13.1                  | 83.1 | 20.5 | 2.1                        | 9.6                       | 5.5                 | 10.0                  | E36                  | 25.5 | 2      | 70.8 | 113.0                      | 119.9                                      | 125  | 125  |
|                |      |                       |      |      |                            |                           |                     |                       | None                 | -    | -      | -    | 53.3                       | 58.8                                       | 60   | 70   |
|                |      |                       |      |      |                            |                           |                     |                       | E09                  | 9.0  | 1      | 21.7 | 53.3                       | 58.8                                       | 60   | 70   |
|                |      |                       |      |      |                            |                           |                     |                       | E18                  | 18.0 | 2      | 43.3 | 78.6                       | 85.5                                       | 80   | 90   |
|                | 460  | 6.1                   | 41.0 | 9.5  | 1.3                        | 4.7                       | 2.2                 | 5.0                   | E24                  | 24.0 | 2      | 57.7 | 96.7                       | 103.5                                      | 100  | 110  |
|                |      |                       |      |      |                            |                           |                     |                       | E36                  | 34.0 | 2      | 81.8 | 126.7                      | 133.6                                      | 150  | 150  |
|                |      |                       |      |      |                            |                           |                     |                       | None                 | -    | -      | -    | 25.9                       | 28.1                                       | 30   | 30   |
|                |      |                       |      |      |                            |                           |                     |                       | E09                  | 9.0  | 1      | 10.8 | 25.9                       | 28.4                                       | 30   | 30   |
|                | 575  | 4.4                   | 33.0 | 6.8  | 0.7                        | 3.6                       | 1.8                 | 4.0                   | E18                  | 18.0 | 2      | 21.7 | 39.2                       | 41.9                                       | 40   | 45   |
|                |      |                       |      |      |                            |                           |                     |                       | E24                  | 24.0 | 2      | 28.9 | 48.2                       | 51.0                                       | 50   | 60   |
|                |      |                       |      |      |                            |                           |                     |                       | E36                  | 34.0 | 2      | 40.9 | 63.2                       | 66.0                                       | 70   | 70   |
|                |      |                       |      |      |                            |                           |                     |                       | None                 | -    | -      | -    | 18.8                       | 20.6                                       | 20   | 25   |
| J08<br>(8.5)   | 208  | 14.5                  | 98.0 | 22.6 | 2.1                        | 9.6                       | 5.5                 | 10.0                  | E09                  | 9.0  | 1      | 10.8 | 26.4                       | 28.6                                       | 30   | 30   |
|                |      |                       |      |      |                            |                           |                     |                       | E18                  | 18.0 | 2      | 21.7 | 39.2                       | 41.9                                       | 40   | 45   |
|                |      |                       |      |      |                            |                           |                     |                       | E24                  | 24.0 | 2      | 28.9 | 48.2                       | 51.0                                       | 50   | 60   |
|                |      |                       |      |      |                            |                           |                     |                       | E36                  | 34.0 | 2      | 40.9 | 63.2                       | 66.0                                       | 70   | 70   |
|                | 230  | 14.5                  | 98.0 | 22.6 | 2.1                        | 9.6                       | 5.5                 | 10.0                  | None                 | -    | -      | -    | 26.4                       | 28.6                                       | 30   | 30   |
|                |      |                       |      |      |                            |                           |                     |                       | E09                  | 9.0  | 1      | 21.7 | 56.4                       | 61.9                                       | 70   | 70   |
|                |      |                       |      |      |                            |                           |                     |                       | E18                  | 18.0 | 2      | 43.3 | 78.6                       | 85.5                                       | 80   | 90   |
|                |      |                       |      |      |                            |                           |                     |                       | E24                  | 24.0 | 2      | 57.7 | 96.7                       | 103.5                                      | 100  | 110  |
|                | 460  | 6.3                   | 55.0 | 9.9  | 1.3                        | 4.7                       | 2.2                 | 5.0                   | E36                  | 34.0 | 2      | 81.8 | 126.7                      | 133.6                                      | 150  | 150  |
|                |      |                       |      |      |                            |                           |                     |                       | None                 | -    | -      | -    | 26.4                       | 28.6                                       | 30   | 30   |
|                |      |                       |      |      |                            |                           |                     |                       | E09                  | 9.0  | 1      | 10.8 | 26.4                       | 28.6                                       | 30   | 30   |
|                |      |                       |      |      |                            |                           |                     |                       | E18                  | 18.0 | 2      | 21.7 | 39.2                       | 41.9                                       | 40   | 45   |
|                | 575  | 6.0                   | 41.0 | 9.4  | 0.7                        | 3.6                       | 1.8                 | 4.0                   | E24                  | 24.0 | 2      | 28.9 | 48.2                       | 51.0                                       | 50   | 60   |
|                |      |                       |      |      |                            |                           |                     |                       | E36                  | 34.0 | 2      | 40.9 | 63.2                       | 66.0                                       | 70   | 70   |
|                |      |                       |      |      |                            |                           |                     |                       | None                 | -    | -      | -    | 22.4                       | 24.2                                       | 25   | 30   |
|                |      |                       |      |      |                            |                           |                     |                       | E09                  | 9.0  | 1      | 8.7  | 22.4                       | 24.2                                       | 25   | 30   |
|                |      |                       |      |      |                            |                           |                     | E18                   | 18.0                 | 2    | 17.3   | 31.2 | 33.4                       | 35   | 35   |  |
|                |      |                       |      |      |                            |                           |                     | E24                   | 24.0                 | 2    | 23.1   | 38.4 | 40.6                       | 40   | 45   |  |
|                |      |                       |      |      |                            |                           |                     | E36                   | 34.0                 | 2    | 32.7   | 50.4 | 52.6                       | 60   | 60   |  |
|                |      |                       |      |      |                            |                           |                     | None                  | -                    | -    | -      | 56.4 | 61.9                       | 70   | 70   |  |

**J06 thru 12ZR Hi Static Motor - With Powered Convenience Outlet (Continued)**

| Size (Tons) | Volt | Compressors (each) |       |      | OD Fan Motors (each) | Supply Blower Motor | Pwr Exh Motor | Pwr Conv Outlet | Electric Heat Option |      |        |       | MCA <sup>1</sup> (Amps) | MCA <sup>1</sup> w/Pwr Exh (Amps) | Max Fuse <sup>2/</sup> Breaker <sup>3</sup> Size (Amps) | Max Fuse <sup>2/</sup> Breaker <sup>3</sup> Size w/ Pwr Exh (Amps) |
|-------------|------|--------------------|-------|------|----------------------|---------------------|---------------|-----------------|----------------------|------|--------|-------|-------------------------|-----------------------------------|---|--|
|             |      | RLA                | LRA   | MCC  | FLA                  | FLA                 | FLA           | FLA             | Model                | kW   | Stages | Amps  |                         |                                   |   |  |
| J10 (10)    | 208  | 16.0               | 110.0 | 24.9 | 3.0                  | 9.6                 | 5.5           | 10.0            | None                 | -    | -      | -     | 61.7                    | 67.2                              | 70  | 80   |
|             |      |                    |       |      |                      |                     |               |                 | E18                  | 13.5 | 2      | 37.5  | 71.3                    | 78.2                              | 80  | 80   |
|             |      |                    |       |      |                      |                     |               |                 | E24                  | 18.0 | 2      | 50.0  | 87.0                    | 93.8                              | 90  | 100  |
|             |      |                    |       |      |                      |                     |               |                 | E36                  | 25.5 | 2      | 70.8  | 113.0                   | 119.9                             | 125   | 125  |
|             |      |                    |       |      |                      |                     |               |                 | E54                  | 40.6 | 2      | 112.7 | 165.4                   | 172.2                             | 175   | 175  |
|             | 230  | 16.0               | 110.0 | 24.9 | 3.0                  | 9.6                 | 5.5           | 10.0            | None                 | -    | -      | -     | 61.7                    | 67.2                              | 70  | 80   |
|             |      |                    |       |      |                      |                     |               |                 | E18                  | 18.0 | 2      | 43.3  | 78.6                    | 85.5                              | 80  | 90   |
|             |      |                    |       |      |                      |                     |               |                 | E24                  | 24.0 | 2      | 57.7  | 96.7                    | 103.5                             | 100   | 110  |
|             |      |                    |       |      |                      |                     |               |                 | E36                  | 34.0 | 2      | 81.8  | 126.7                   | 133.6                             | 150   | 150  |
|             |      |                    |       |      |                      |                     |               |                 | E54                  | 54.0 | 2      | 129.9 | 154.4                   | 161.3                             | 175   | 175  |
|             | 460  | 7.8                | 52.0  | 12.1 | 1.6                  | 4.7                 | 2.2           | 5.0             | None                 | -    | -      | -     | 30.5                    | 32.7                              | 35  | 40   |
|             |      |                    |       |      |                      |                     |               |                 | E18                  | 18.0 | 2      | 21.7  | 39.2                    | 41.9                              | 40  | 45   |
|             |      |                    |       |      |                      |                     |               |                 | E24                  | 24.0 | 2      | 28.9  | 48.2                    | 51.0                              | 50  | 60   |
|             |      |                    |       |      |                      |                     |               |                 | E36                  | 34.0 | 2      | 40.9  | 63.2                    | 66.0                              | 70  | 70   |
|             |      |                    |       |      |                      |                     |               |                 | E54                  | 54.0 | 2      | 65.0  | 77.1                    | 79.8                              | 90  | 90   |
|             | 575  | 5.7                | 38.9  | 8.9  | 1.4                  | 3.6                 | 1.8           | 4.0             | None                 | -    | -      | -     | 23.1                    | 24.9                              | 25  | 30   |
|             |      |                    |       |      |                      |                     |               |                 | E18                  | 18.0 | 2      | 17.3  | 31.2                    | 33.4                              | 35  | 35   |
|             |      |                    |       |      |                      |                     |               |                 | E24                  | 24.0 | 2      | 23.1  | 38.4                    | 40.6                              | 40  | 45   |
|             |      |                    |       |      |                      |                     |               |                 | E36                  | 34.0 | 2      | 32.7  | 50.4                    | 52.6                              | 60  | 60   |
|             |      |                    |       |      |                      |                     |               |                 | E54                  | 54.0 | 2      | 52.0  | 61.5                    | 63.7                              | 70  | 70   |
| J12 (12.5)  | 208  | 22.4               | 149.0 | 35.0 | 2.1                  | 14.0                | 5.5           | 10.0            | None                 | -    | -      | -     | 82.8                    | 88.3                              | 100   | 110  |
|             |      |                    |       |      |                      |                     |               |                 | E18                  | 13.5 | 2      | 37.5  | 82.8                    | 88.3                              | 100   | 110  |
|             |      |                    |       |      |                      |                     |               |                 | E24                  | 18.0 | 2      | 50.0  | 92.5                    | 99.3                              | 100   | 110  |
|             |      |                    |       |      |                      |                     |               |                 | E36                  | 25.5 | 2      | 70.8  | 118.5                   | 125.4                             | 125   | 150  |
|             |      |                    |       |      |                      |                     |               |                 | E54                  | 40.6 | 2      | 112.7 | 170.9                   | 177.7                             | 175   | 200  |
|             | 230  | 22.4               | 149.0 | 35.0 | 2.1                  | 14.0                | 5.5           | 10.0            | None                 | -    | -      | -     | 82.8                    | 88.3                              | 100   | 110  |
|             |      |                    |       |      |                      |                     |               |                 | E18                  | 18.0 | 2      | 43.3  | 84.1                    | 91.0                              | 100   | 110  |
|             |      |                    |       |      |                      |                     |               |                 | E24                  | 24.0 | 2      | 57.7  | 102.2                   | 109.0                             | 110   | 110  |
|             |      |                    |       |      |                      |                     |               |                 | E36                  | 34.0 | 2      | 81.8  | 132.2                   | 139.1                             | 150   | 150  |
|             |      |                    |       |      |                      |                     |               |                 | E54                  | 54.0 | 2      | 129.9 | 159.9                   | 166.8                             | 175   | 175  |
|             | 460  | 10.6               | 75.0  | 16.5 | 1.3                  | 6.6                 | 2.2           | 5.0             | None                 | -    | -      | -     | 40.5                    | 42.7                              | 50  | 50   |
|             |      |                    |       |      |                      |                     |               |                 | E18                  | 18.0 | 2      | 21.7  | 41.6                    | 44.3                              | 50  | 50   |
|             |      |                    |       |      |                      |                     |               |                 | E24                  | 24.0 | 2      | 28.9  | 50.6                    | 53.3                              | 60  | 60   |
|             |      |                    |       |      |                      |                     |               |                 | E36                  | 34.0 | 2      | 40.9  | 65.6                    | 68.4                              | 70  | 70   |
|             |      |                    |       |      |                      |                     |               |                 | E54                  | 54.0 | 2      | 65.0  | 79.5                    | 82.2                              | 90  | 90   |
|             | 575  | 7.7                | 54.0  | 12.0 | 0.7                  | 5.2                 | 1.8           | 4.0             | None                 | -    | -      | -     | 29.2                    | 31.0                              | 35  | 35   |
|             |      |                    |       |      |                      |                     |               |                 | E18                  | 18.0 | 2      | 17.3  | 33.2                    | 35.4                              | 35  | 40   |
|             |      |                    |       |      |                      |                     |               |                 | E24                  | 24.0 | 2      | 23.1  | 40.4                    | 42.6                              | 45  | 45   |
|             |      |                    |       |      |                      |                     |               |                 | E36                  | 34.0 | 2      | 32.7  | 52.4                    | 54.6                              | 60  | 60   |
|             |      |                    |       |      |                      |                     |               |                 | E54                  | 54.0 | 2      | 52.0  | 63.5                    | 65.7                              | 70  | 70   |

1. Minimum Circuit Ampacity.
2. Dual Element, Time Delay Type.
3. HACR type per NEC.

**Electric Heat Multipliers**

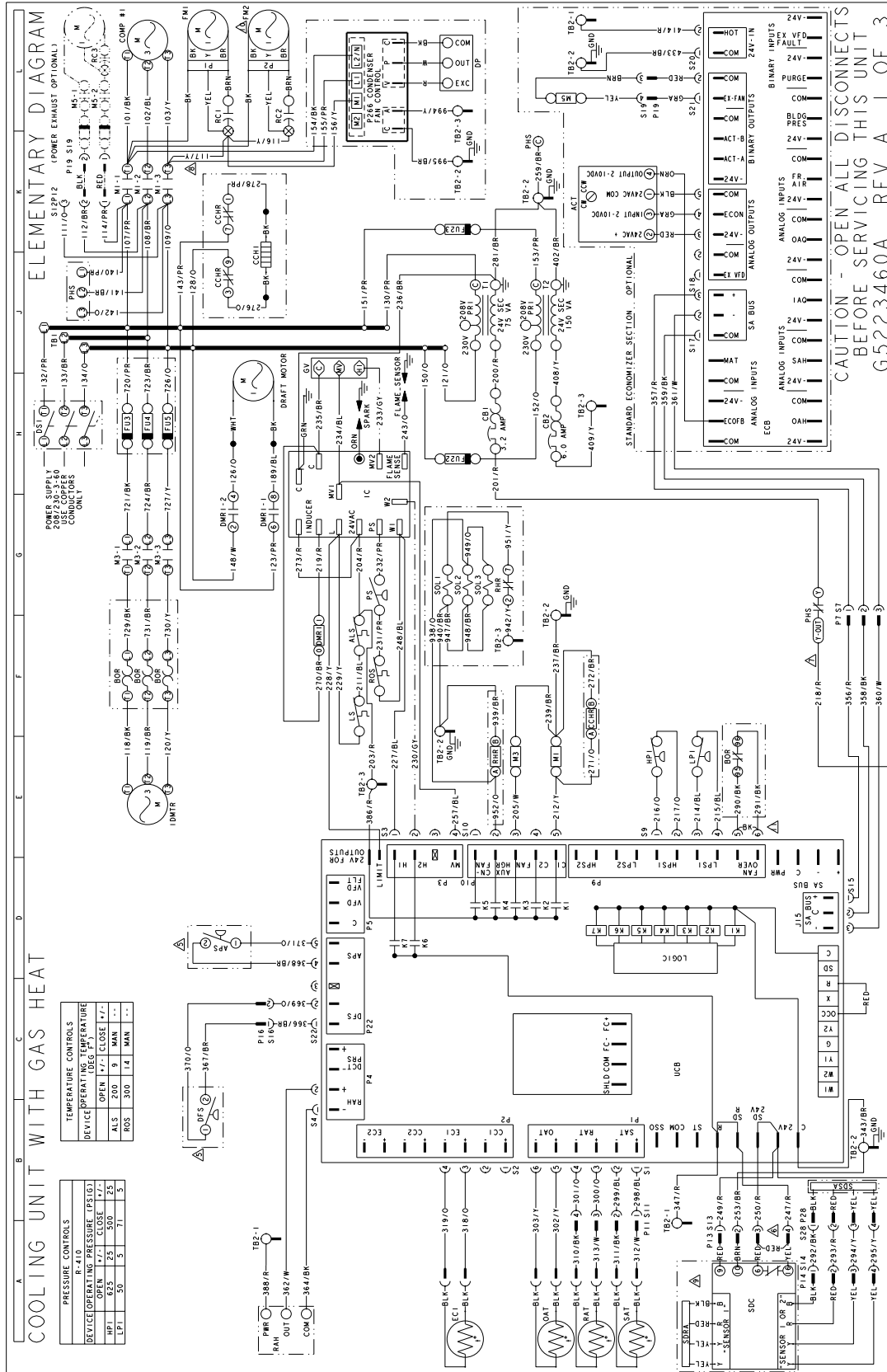
| Voltage |         | kW Capacity Multipliers <sup>1</sup> |
|---------|---------|--------------------------------------|
| Nominal | Applied |                                      |
| 240     | 208     | 0.75                                 |
|         | 230     | 0.92                                 |
| 480     | 460     | 0.92                                 |
| 600     | 575     | 0.92                                 |

1. Electric heaters are rated at nominal voltage. Use this table to determine the electric heat capacity for heaters applied at lower voltages.

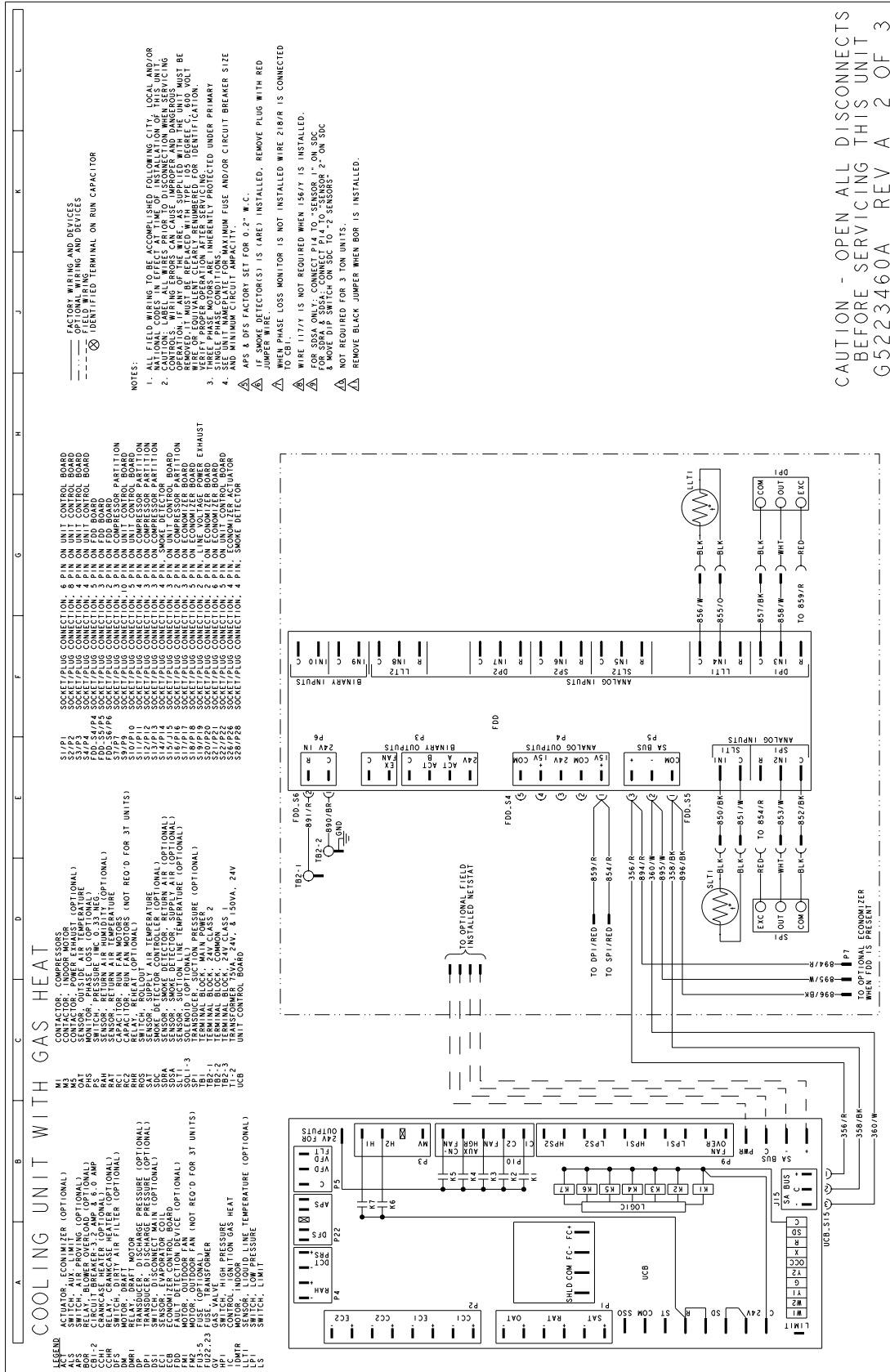
# Typical Wiring Diagrams

## JA3 thru 12ZH/ZJ/ZR Typical Wiring Diagrams

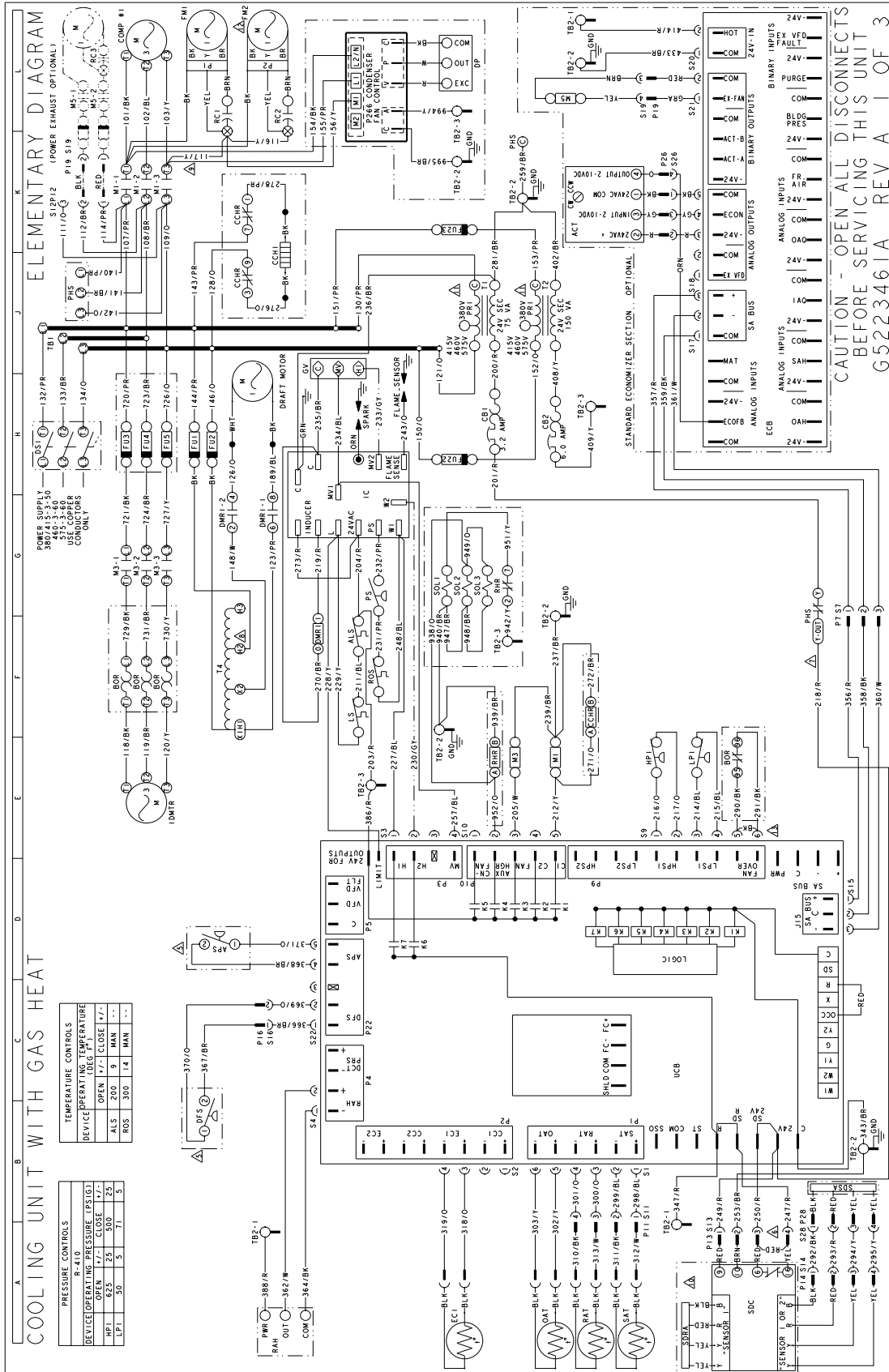
### Typical JA3 thru A5ZH/ZJ/ZR Cooling Unit with Gas Heat 208/230 Volt Wiring Diagram



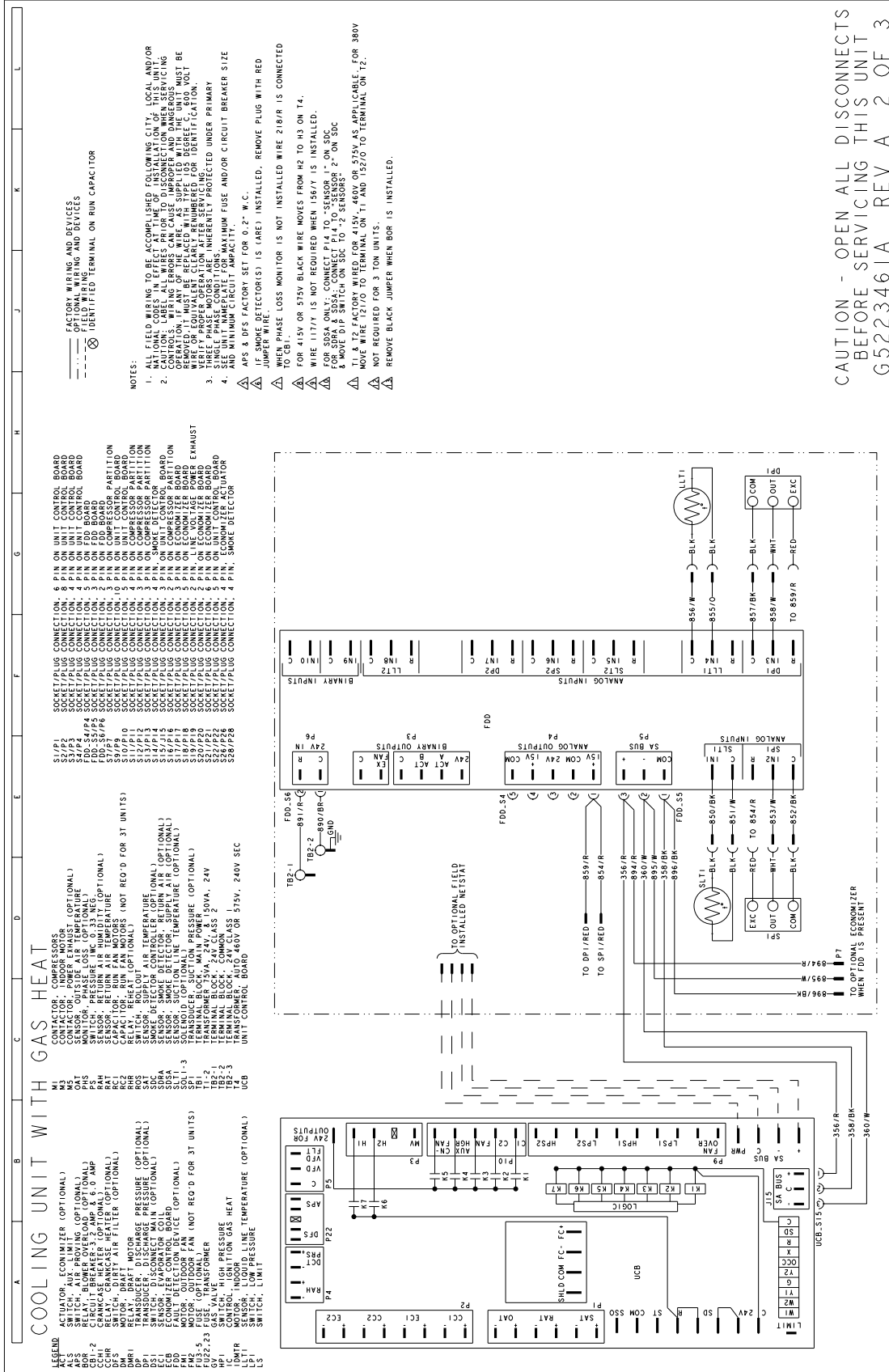
Typical JA3 thru A5ZH/ZJ/ZR Cooling Unit with Gas Heat 208/230 Volt Unit (Options)



Typical JA3 thru A5ZH/ZJ/ZR Cooling Unit with Gas Heat 460/575 Volt Wiring Diagram

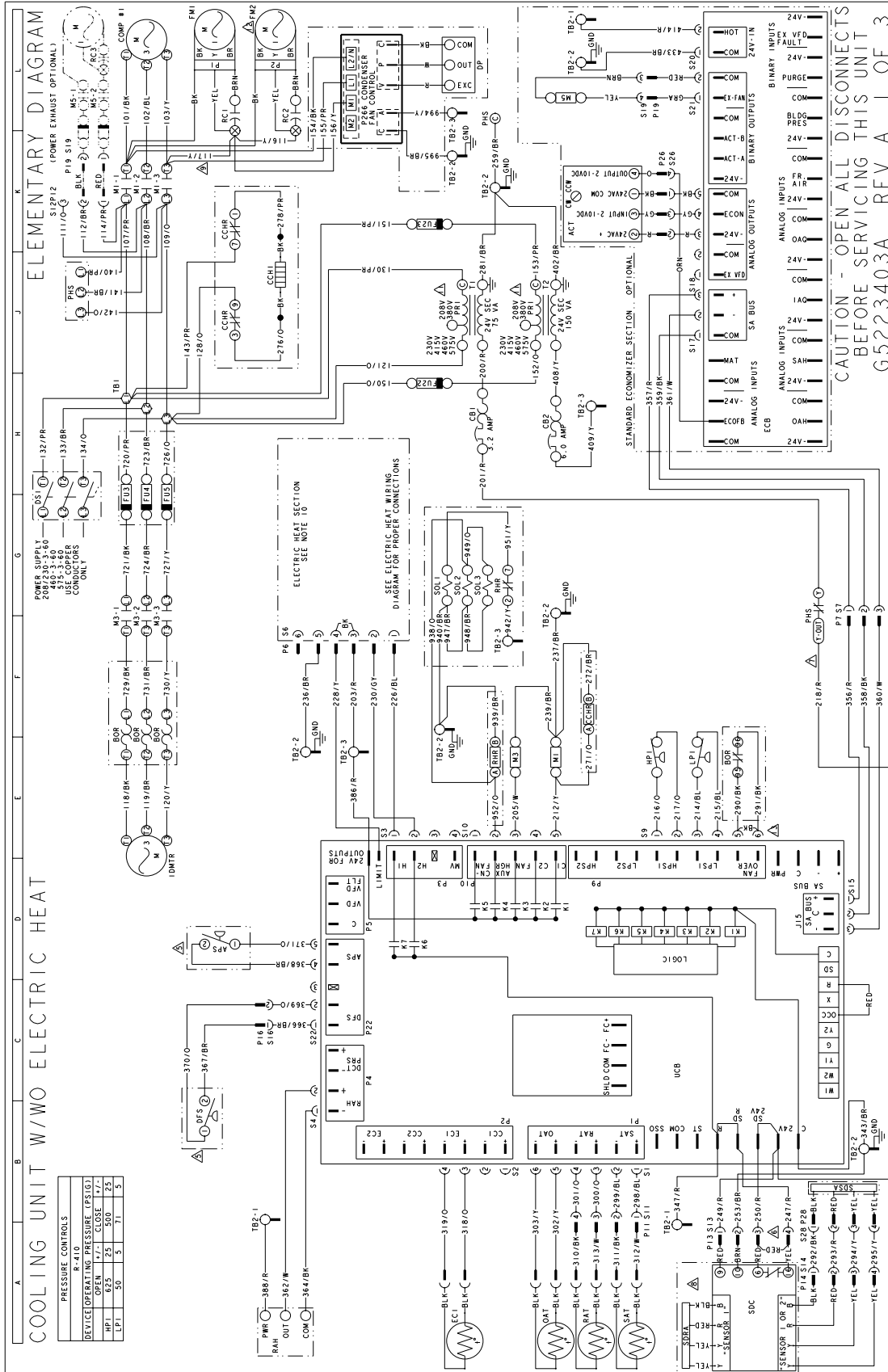


Typical JA3 thru ASZH/ZJ/ZR Cooling Unit with Gas Heat 460/575 Volt Unit (Options)

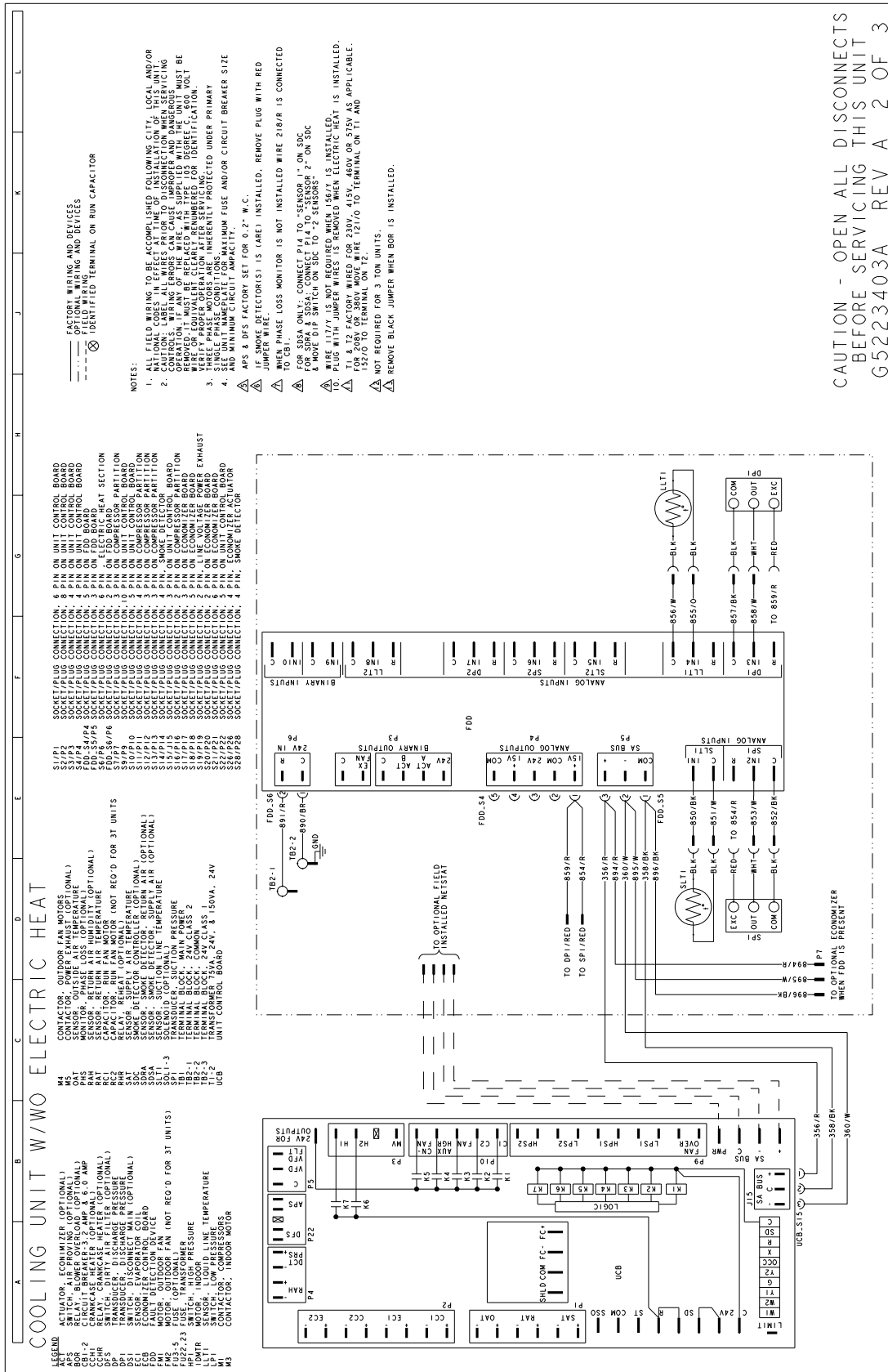




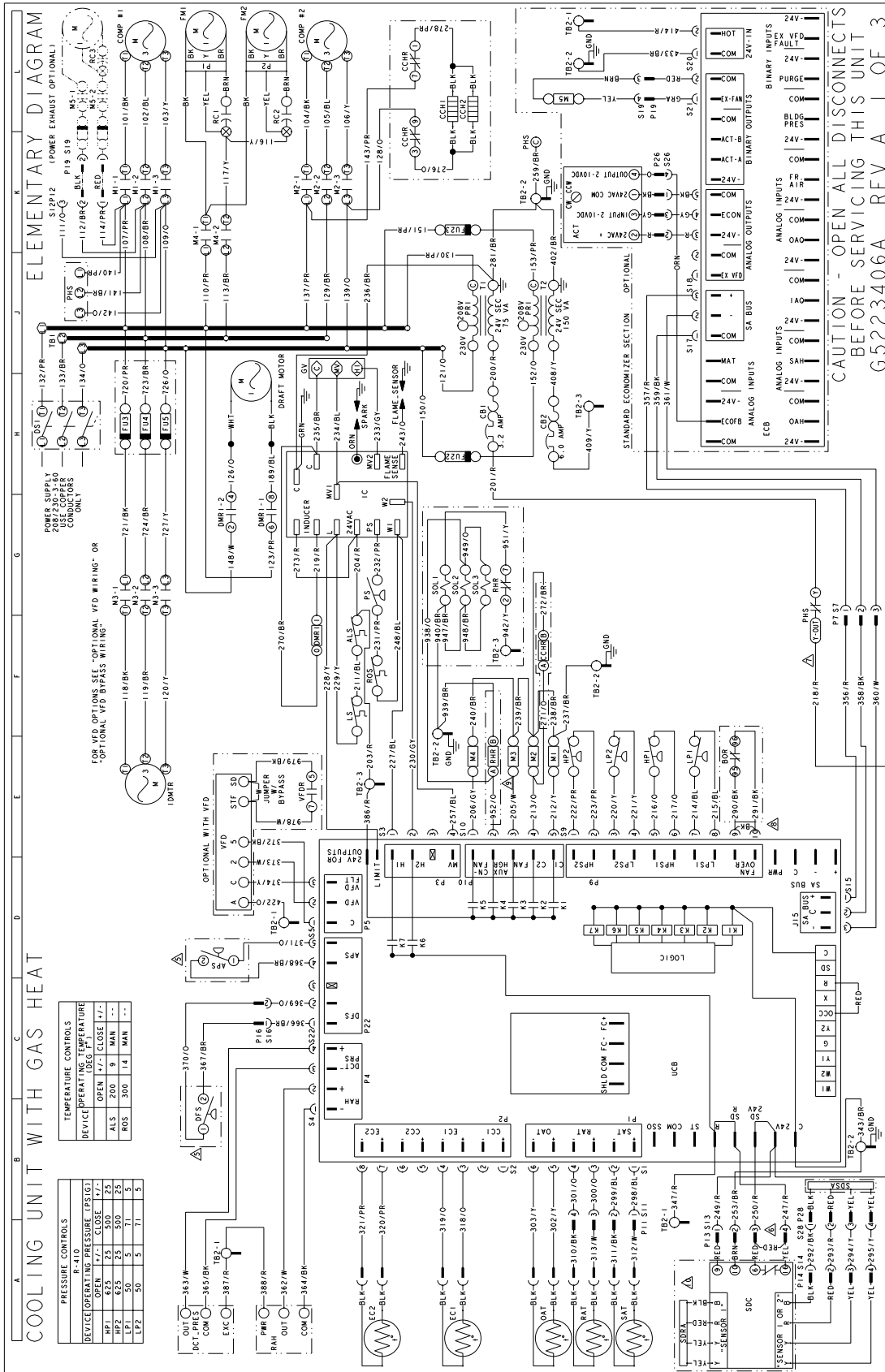
Typical JA3 thru A5ZH/ZJ/ZR Cooling Unit with/without Electric Heat Wiring Diagram



Typical JA3 thru A5ZH/ZJ/ZR Cooling Unit with/without Electric Heat Unit (Options)

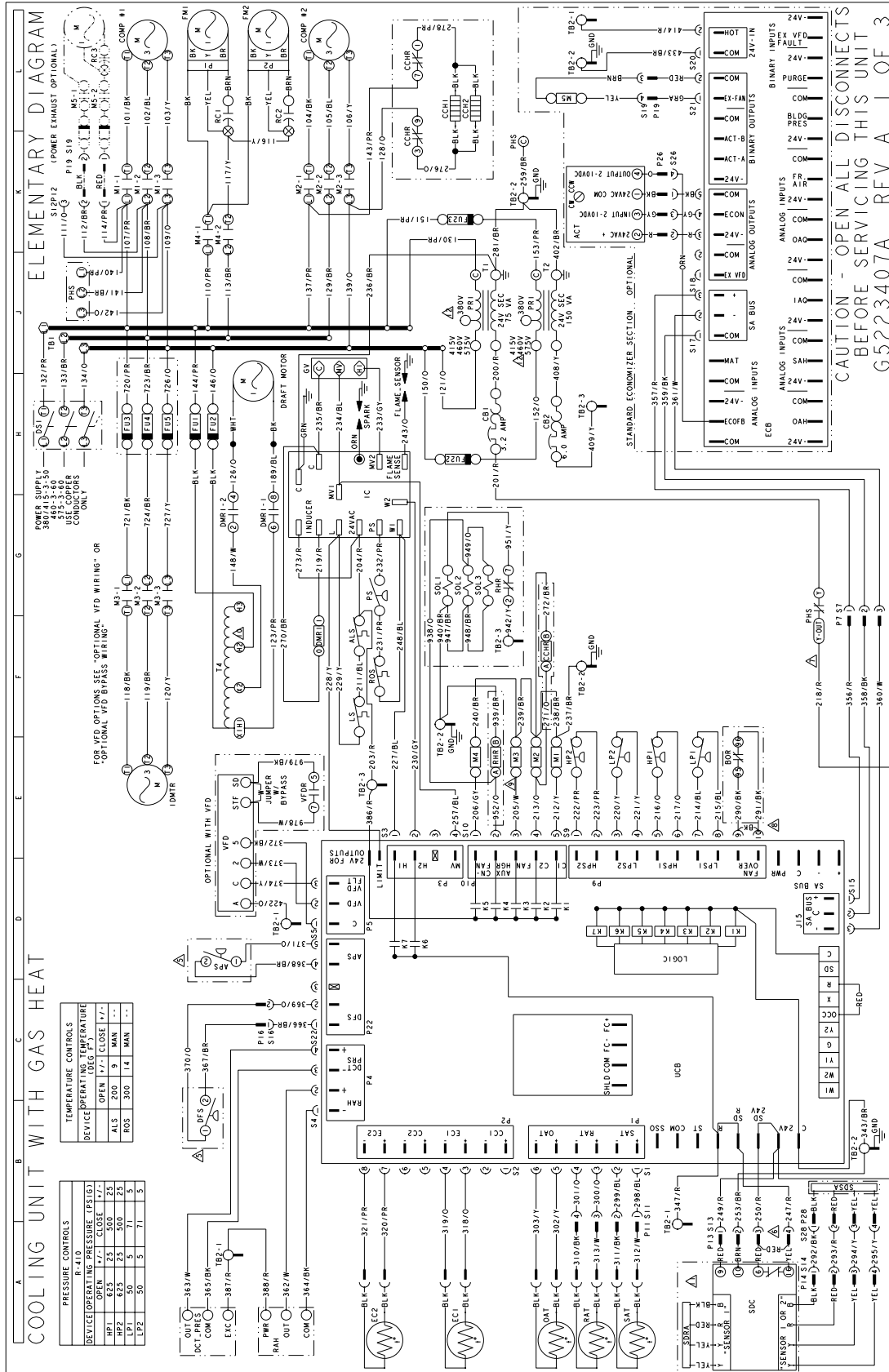


### Typical J06 thru 10ZH/ZJ/ZR Cooling Unit with Gas Heat 208/230 Volt Wiring Diagram

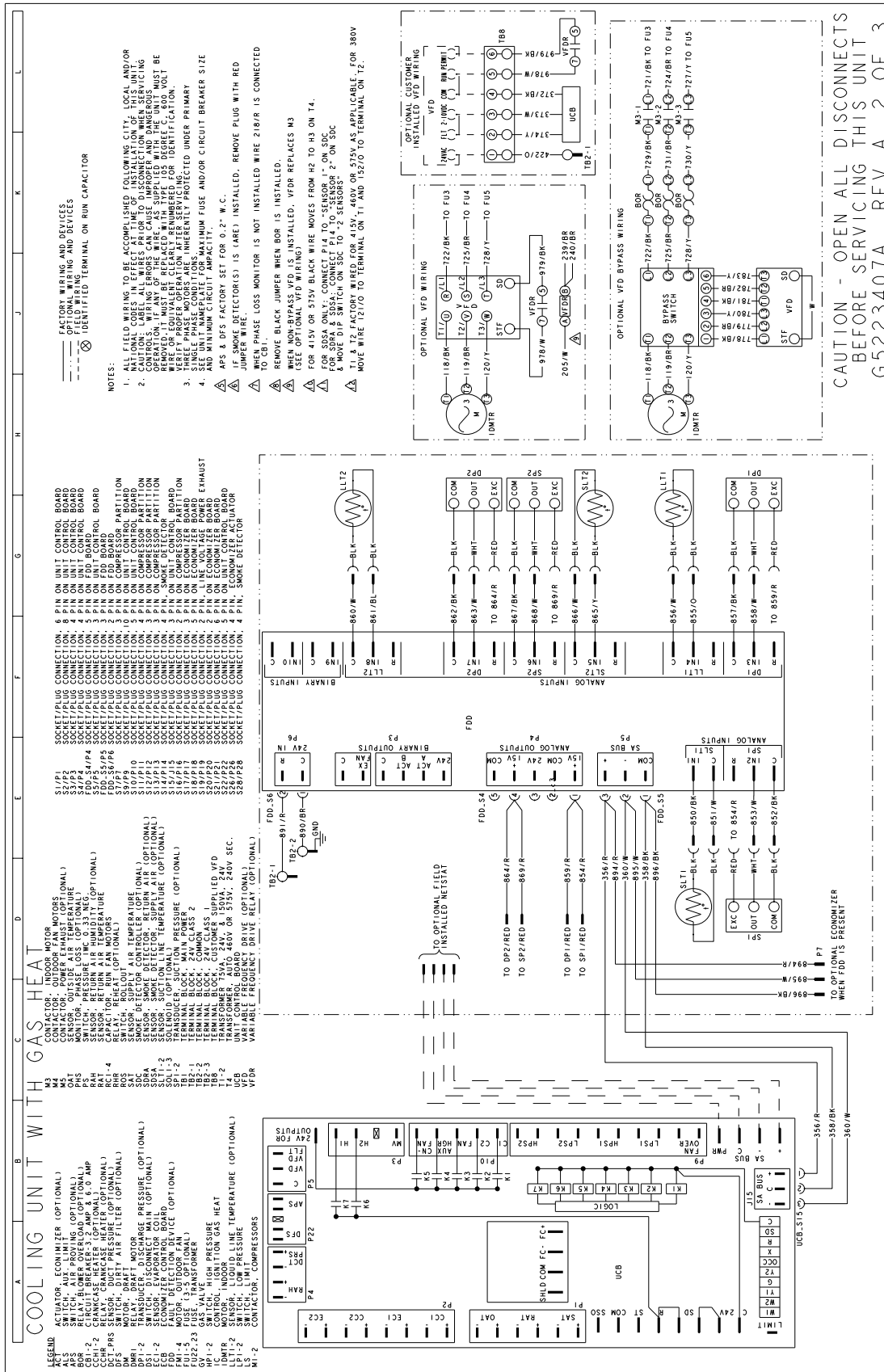




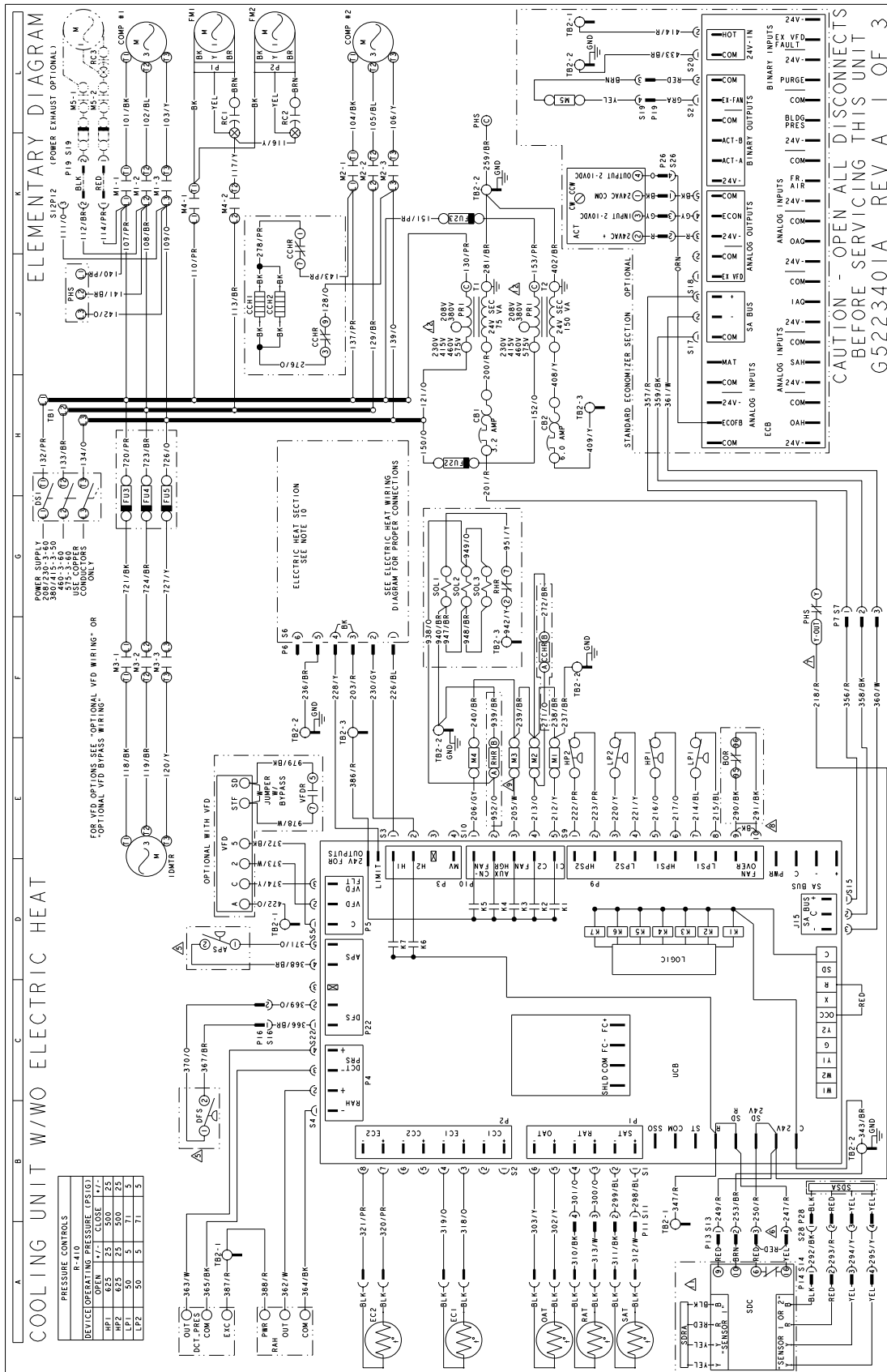
Typical J06 thru 10ZH/ZJ/ZR Cooling Unit with Gas Heat 460/575 Volt Wiring Diagram



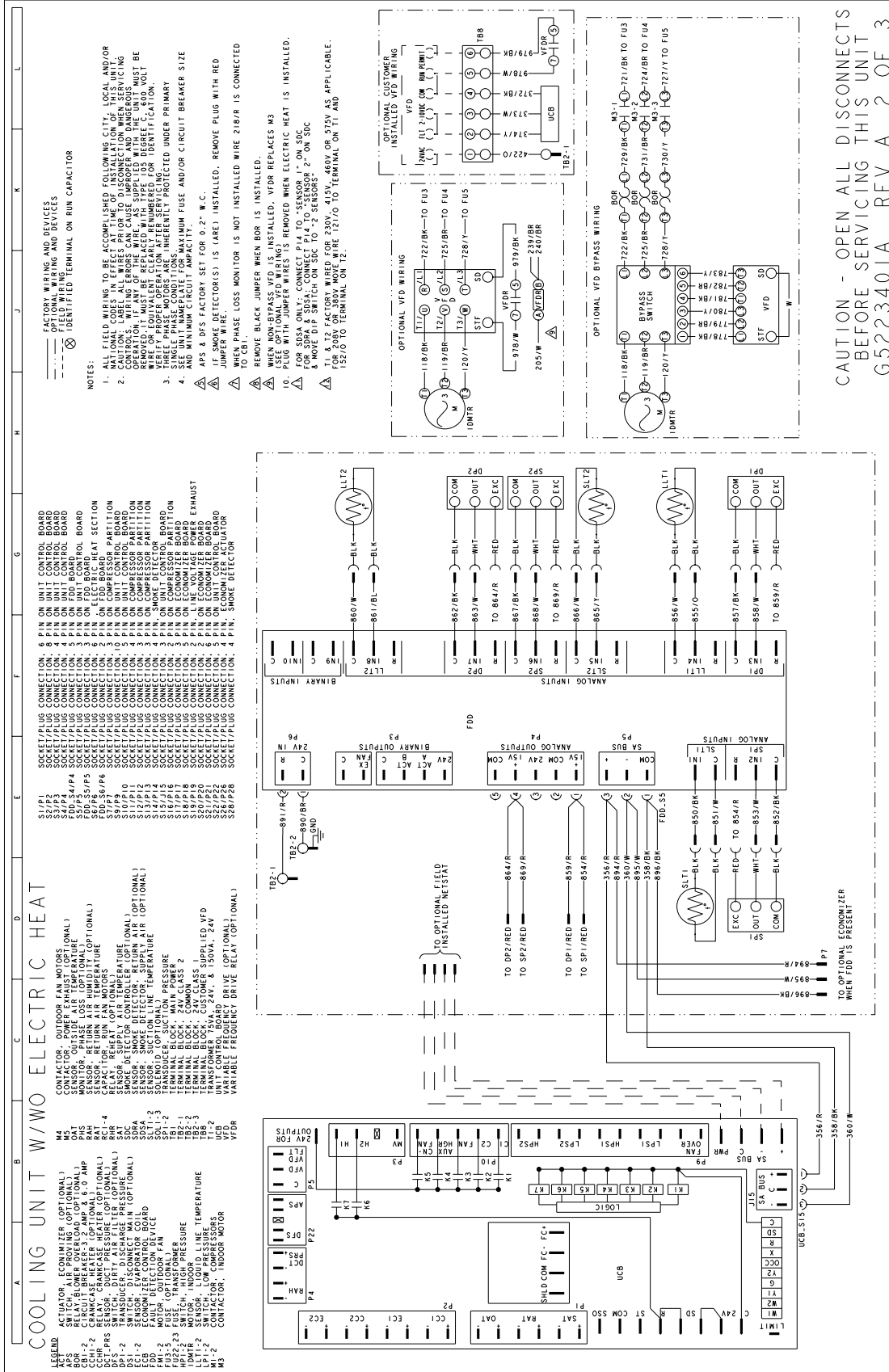
Typical J06 thru 10ZH/ZJ/ZR Cooling Unit with Gas Heat 460/575 Volt Unit (Options)



Typical J06 thru 10ZH/ZJ/ZR Cooling Unit with/without Electric Heat Wiring Diagram

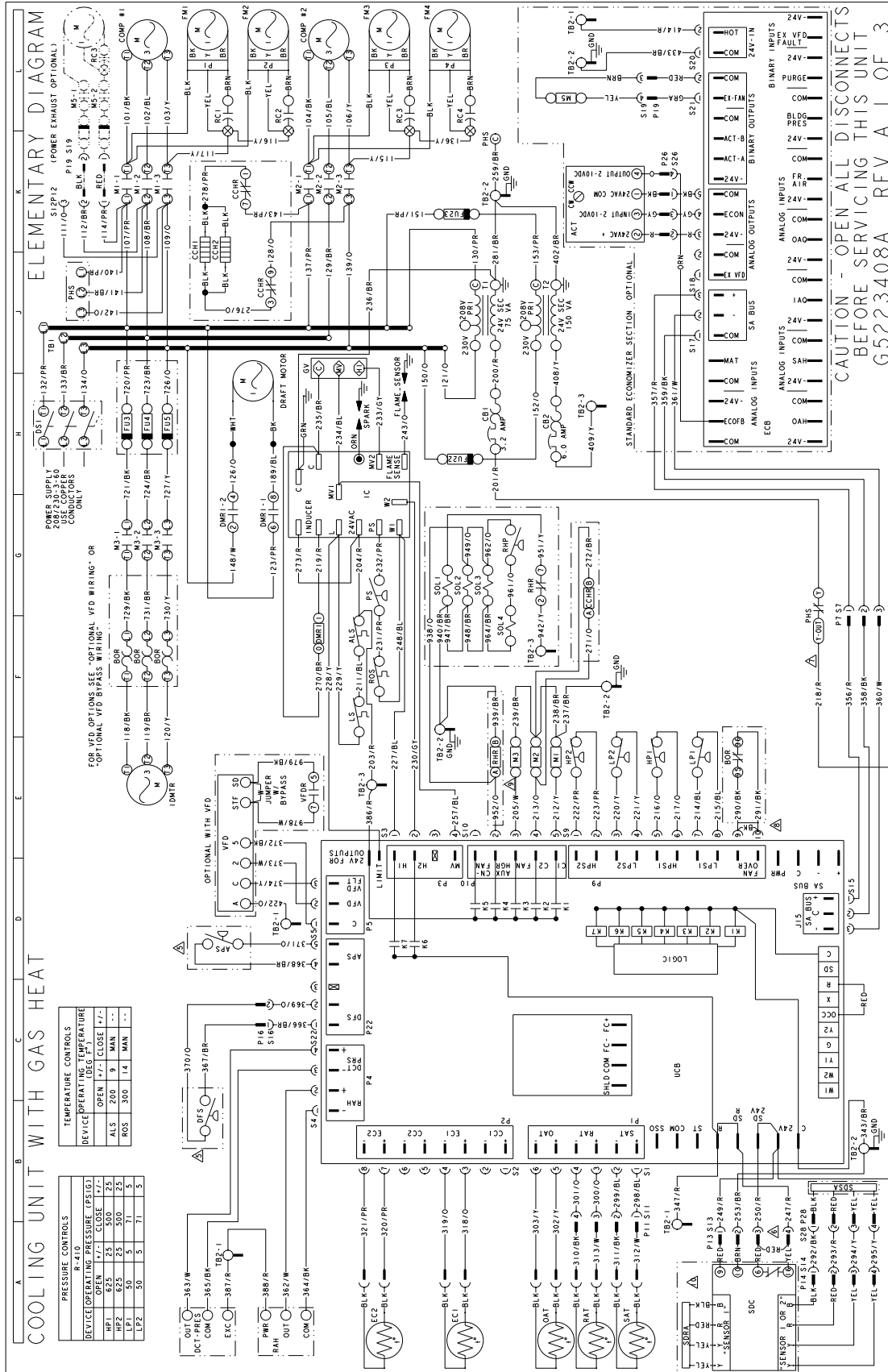


Typical J06 thru 10ZH/ZJ/ZR Cooling Unit with/without Electric Heat Unit (Options)



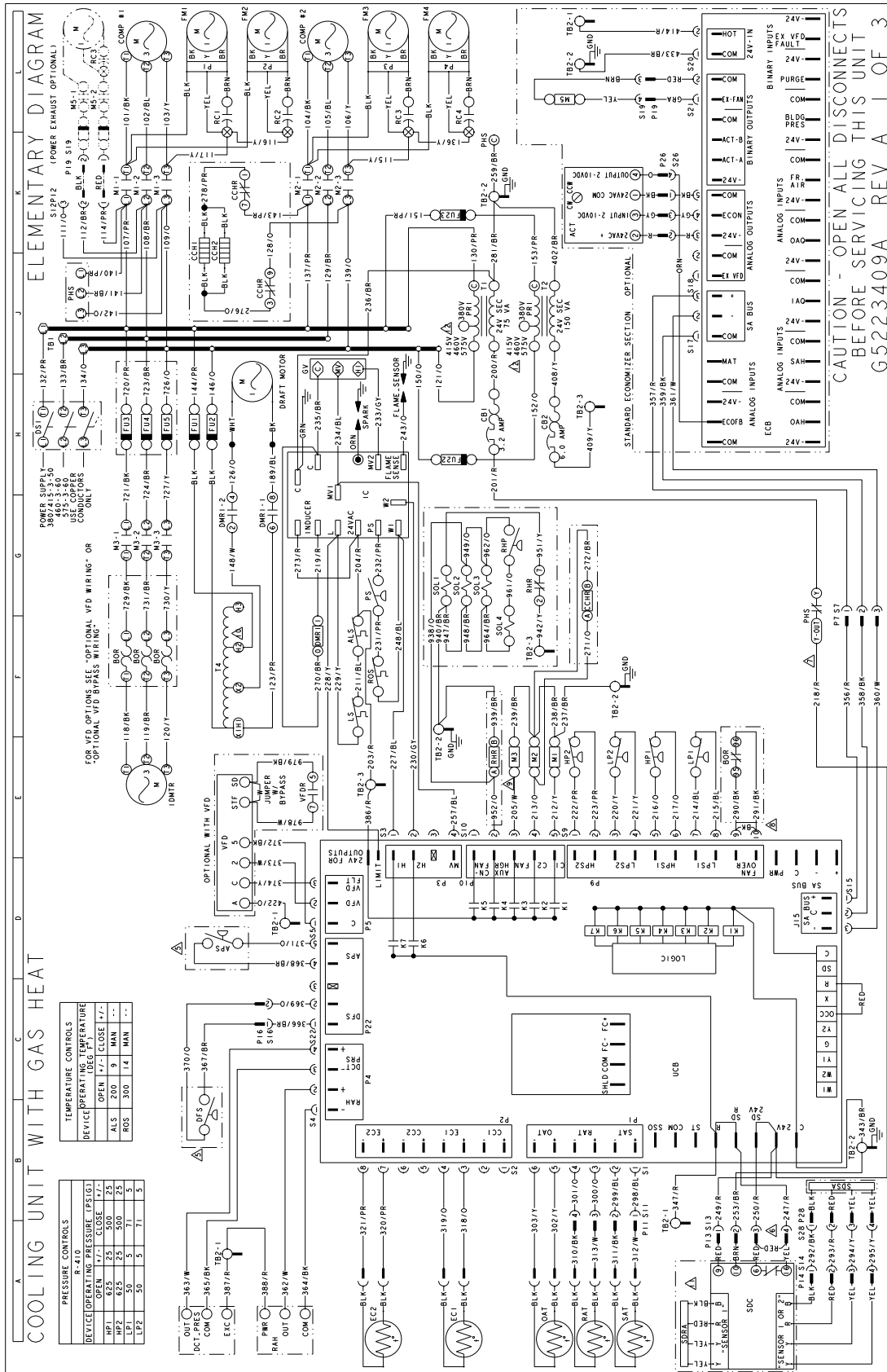


Typical J12ZH/ZJ/ZR Cooling Unit with Gas Heat 208/230 Volt Wiring Diagram

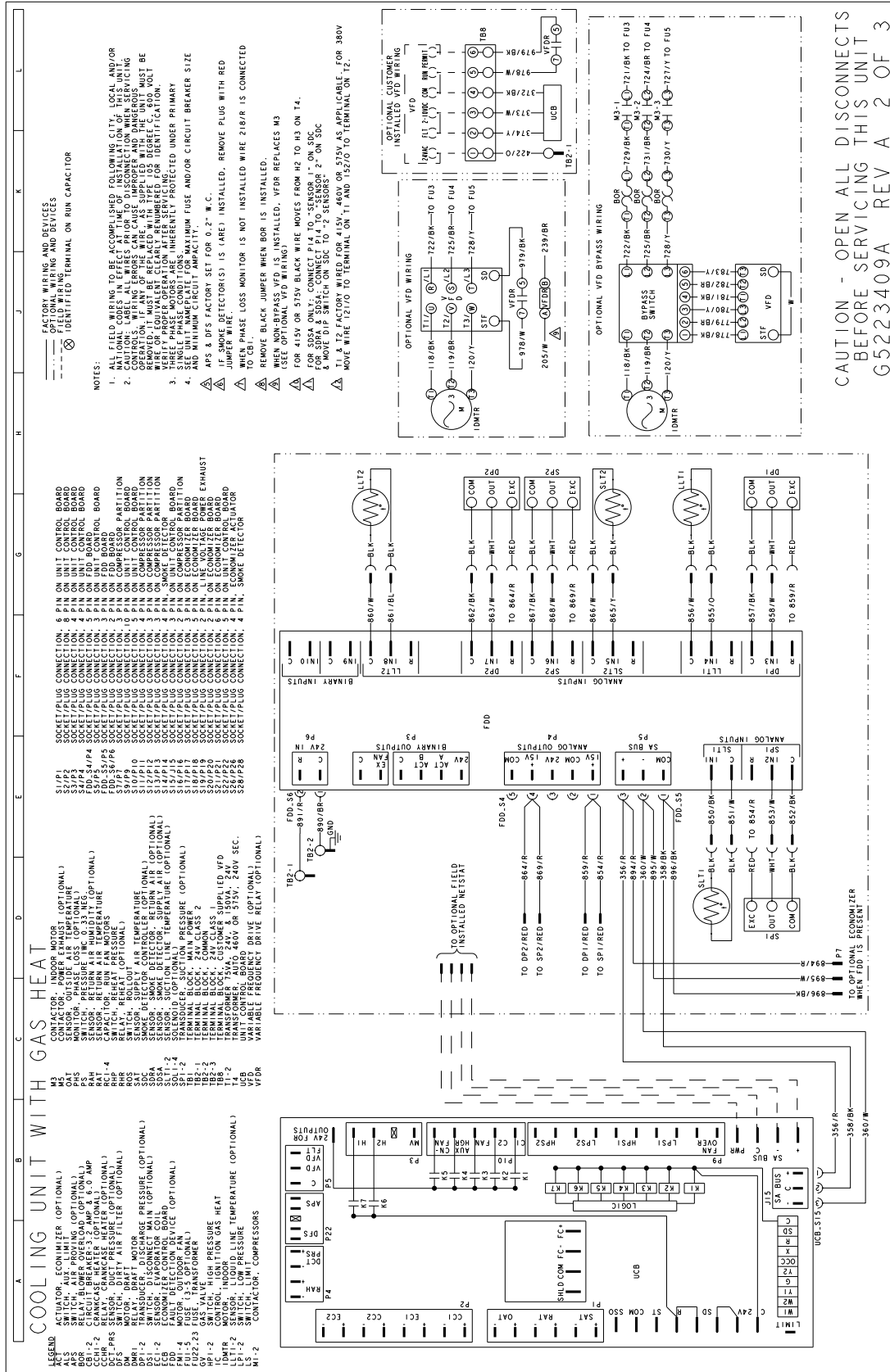




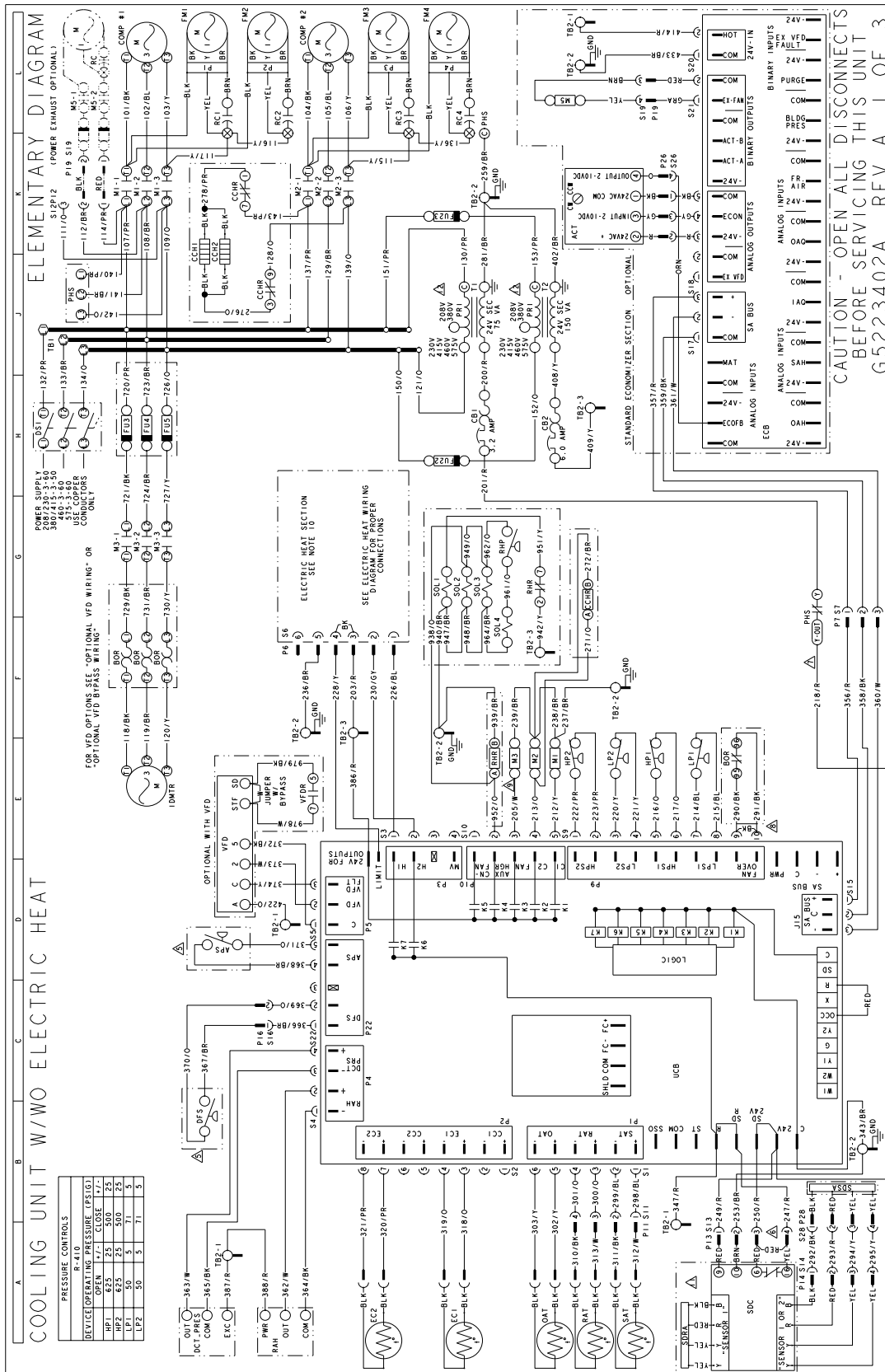
# Typical J12ZH/ZJ/ZR Cooling Unit with Gas Heat 460/575 Volt Wiring Diagram



Typical J12ZH/ZJ/ZR Cooling Unit with Gas Heat 460/575 Volt Unit (Options)



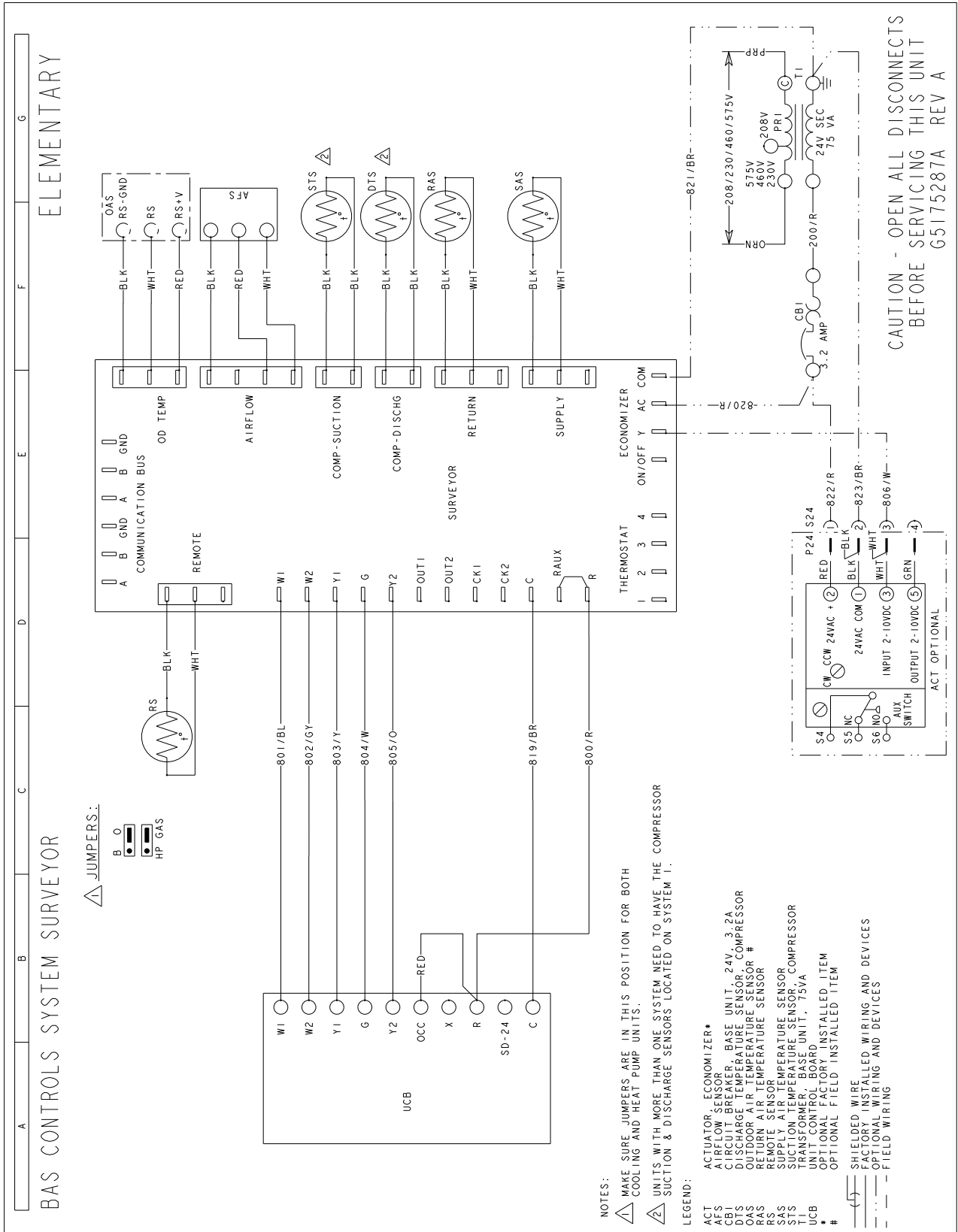
Typical J12ZH/ZJ/ZR Cooling Unit with/without Electric Heat Wiring Diagram





BAS Controls Typical Wiring Diagrams

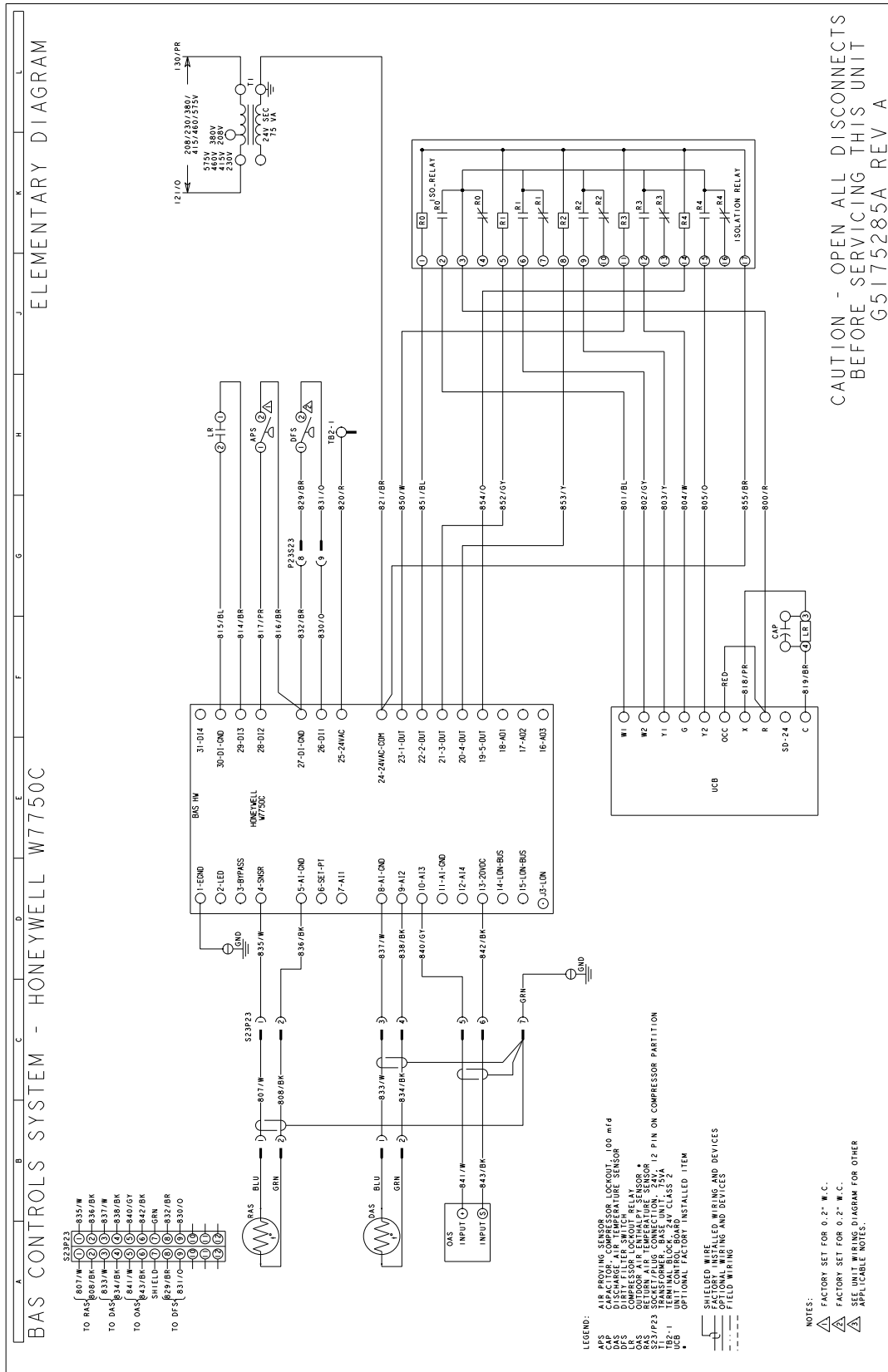
Typical SURVEYOR BAS Control Wiring Diagram







### Typical HONEYWELL BAS Control Wiring Diagram

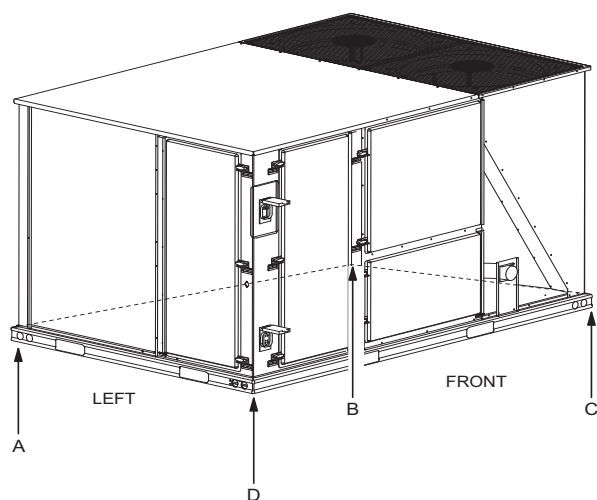




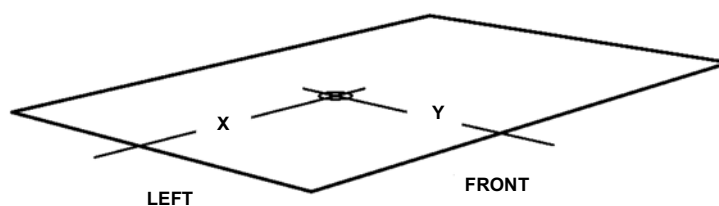
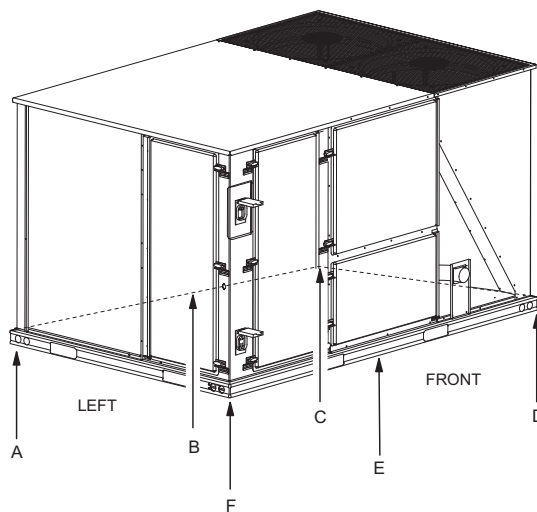
## Weights and Dimensions

### JA3 thru 12ZH/ZJ Unit Weights

#### Unit 4 Point Load Weight



#### Unit 6 Point Load Weight

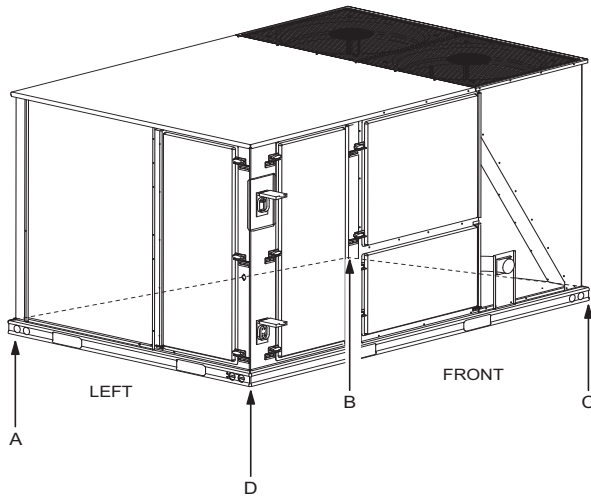


| Size<br>(Tons) | Model | Weight (lbs.) |           | Center of Gravity |    | 4 Point Load Location (lbs.) |     |     |     | 6 Point Load Location (lbs.) |     |     |     |     |     |
|----------------|-------|---------------|-----------|-------------------|----|------------------------------|-----|-----|-----|------------------------------|-----|-----|-----|-----|-----|
|                |       | Shipping      | Operating | X                 | Y  | A                            | B   | C   | D   | A                            | B   | C   | D   | E   | F   |
| 037<br>(3)     | ZH    | 728           | 723       | 40                | 26 | 175                          | 143 | 182 | 223 | 121                          | 105 | 92  | 117 | 134 | 154 |
| 049<br>(4)     | ZH    | 768           | 763       | 40                | 26 | 185                          | 151 | 192 | 235 | 128                          | 111 | 97  | 124 | 141 | 162 |
| 061<br>(5)     | ZH    | 869           | 864       | 40                | 26 | 210                          | 171 | 217 | 266 | 145                          | 126 | 110 | 140 | 160 | 184 |
| 078<br>(6.5)   | ZH    | 915           | 910       | 38                | 24 | 212                          | 158 | 230 | 309 | 149                          | 121 | 100 | 147 | 177 | 217 |
| 090<br>(7.5)   | ZH    | 915           | 910       | 38                | 24 | 212                          | 158 | 230 | 309 | 149                          | 121 | 100 | 147 | 177 | 217 |
| 102<br>(8.5)   | ZH    | 1052          | 1047      | 38                | 24 | 244                          | 182 | 265 | 356 | 171                          | 139 | 116 | 169 | 203 | 249 |
| 120<br>(10)    | ZH    | 1095          | 1090      | 38                | 24 | 254                          | 189 | 276 | 371 | 178                          | 145 | 120 | 176 | 211 | 260 |
| 150<br>(12.5)  | ZH    | 1285          | 1280      | 48                | 24 | 240                          | 281 | 410 | 350 | 156                          | 173 | 192 | 280 | 252 | 227 |
| 037<br>(3)     | ZJ    | 745           | 740       | 40                | 26 | 180                          | 147 | 186 | 228 | 124                          | 108 | 95  | 120 | 137 | 157 |
| 049<br>(4)     | ZJ    | 780           | 775       | 40                | 24 | 174                          | 142 | 207 | 253 | 120                          | 104 | 91  | 133 | 152 | 175 |
| 061<br>(5)     | ZJ    | 775           | 770       | 40                | 24 | 172                          | 141 | 205 | 251 | 119                          | 103 | 91  | 132 | 151 | 174 |
| 078<br>(6.5)   | ZJ    | 1035          | 1030      | 39                | 25 | 245                          | 191 | 260 | 333 | 170                          | 144 | 122 | 167 | 195 | 232 |
| 090<br>(7.5)   | ZJ    | 1055          | 1050      | 39                | 25 | 250                          | 195 | 265 | 340 | 174                          | 146 | 125 | 170 | 199 | 236 |
| 102<br>(8.5)   | ZJ    | 1065          | 1060      | 38                | 24 | 247                          | 184 | 268 | 360 | 173                          | 141 | 117 | 171 | 206 | 253 |
| 120<br>(10)    | ZJ    | 1075          | 1070      | 39                | 24 | 245                          | 191 | 278 | 357 | 170                          | 143 | 122 | 178 | 209 | 248 |
| 150<br>(12.5)  | ZJ    | 1285          | 1280      | 48                | 24 | 240                          | 281 | 410 | 350 | 156                          | 173 | 192 | 280 | 252 | 227 |

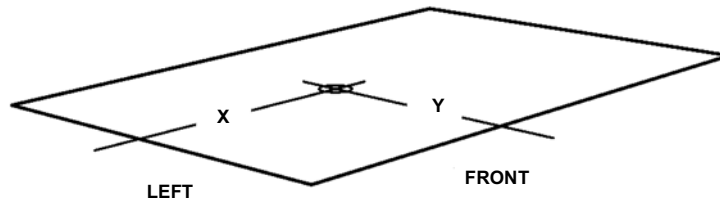
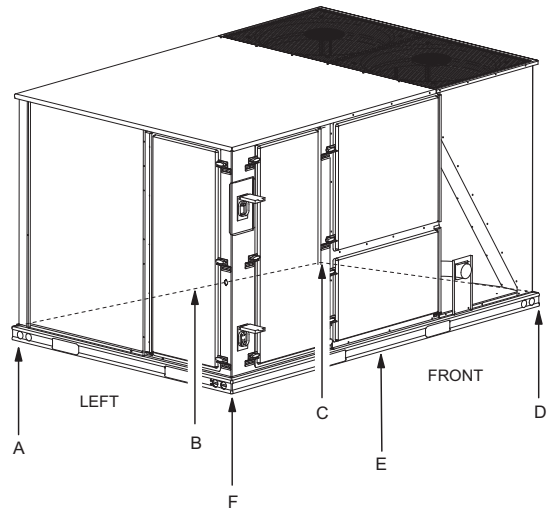
## Weights and Dimensions

### JA3 thru 12ZR Unit Weights

#### Unit 4 Point Load Weight



#### Unit 6 Point Load Weight



| Size<br>(Tons) | Model | Weight (lbs.) |           | Center of Gravity |      | 4 Point Load Location (lbs.) |     |     |     | 6 Point Load Location (lbs.) |     |     |     |     |     |
|----------------|-------|---------------|-----------|-------------------|------|------------------------------|-----|-----|-----|------------------------------|-----|-----|-----|-----|-----|
|                |       | Shipping      | Operating | X                 | Y    | A                            | B   | C   | D   | A                            | B   | C   | D   | E   | F   |
| 037<br>(3)     | ZR    | 872           | 867       | 40.3              | 25.5 | 205                          | 170 | 223 | 269 | 141                          | 124 | 110 | 144 | 163 | 185 |
| 049<br>(4)     | ZR    | 885           | 880       | 40.9              | 25.1 | 202                          | 172 | 232 | 273 | 139                          | 124 | 112 | 151 | 168 | 187 |
| 061<br>(5)     | ZR    | 872           | 867       | 41                | 25   | 198                          | 169 | 230 | 269 | 136                          | 122 | 110 | 150 | 166 | 184 |
| 078<br>(6.5)   | ZR    | 962           | 957       | 38                | 23   | 214                          | 159 | 249 | 335 | 150                          | 122 | 101 | 159 | 191 | 234 |
| 090<br>(7.5)   | ZR    | 970           | 965       | 38                | 23   | 216                          | 161 | 251 | 337 | 151                          | 123 | 102 | 160 | 193 | 236 |
| 102<br>(8.5)   | ZR    | 1205          | 1200      | 38                | 25.5 | 297                          | 221 | 291 | 390 | 208                          | 170 | 141 | 185 | 223 | 274 |
| 120<br>(10)    | ZR    | 1205          | 1200      | 38                | 25.5 | 297                          | 221 | 291 | 390 | 208                          | 170 | 141 | 185 | 223 | 274 |
| 150<br>(12.5)  | ZR    | 1470          | 1465      | 51                | 25.5 | 270                          | 363 | 477 | 355 | 172                          | 207 | 254 | 334 | 272 | 226 |

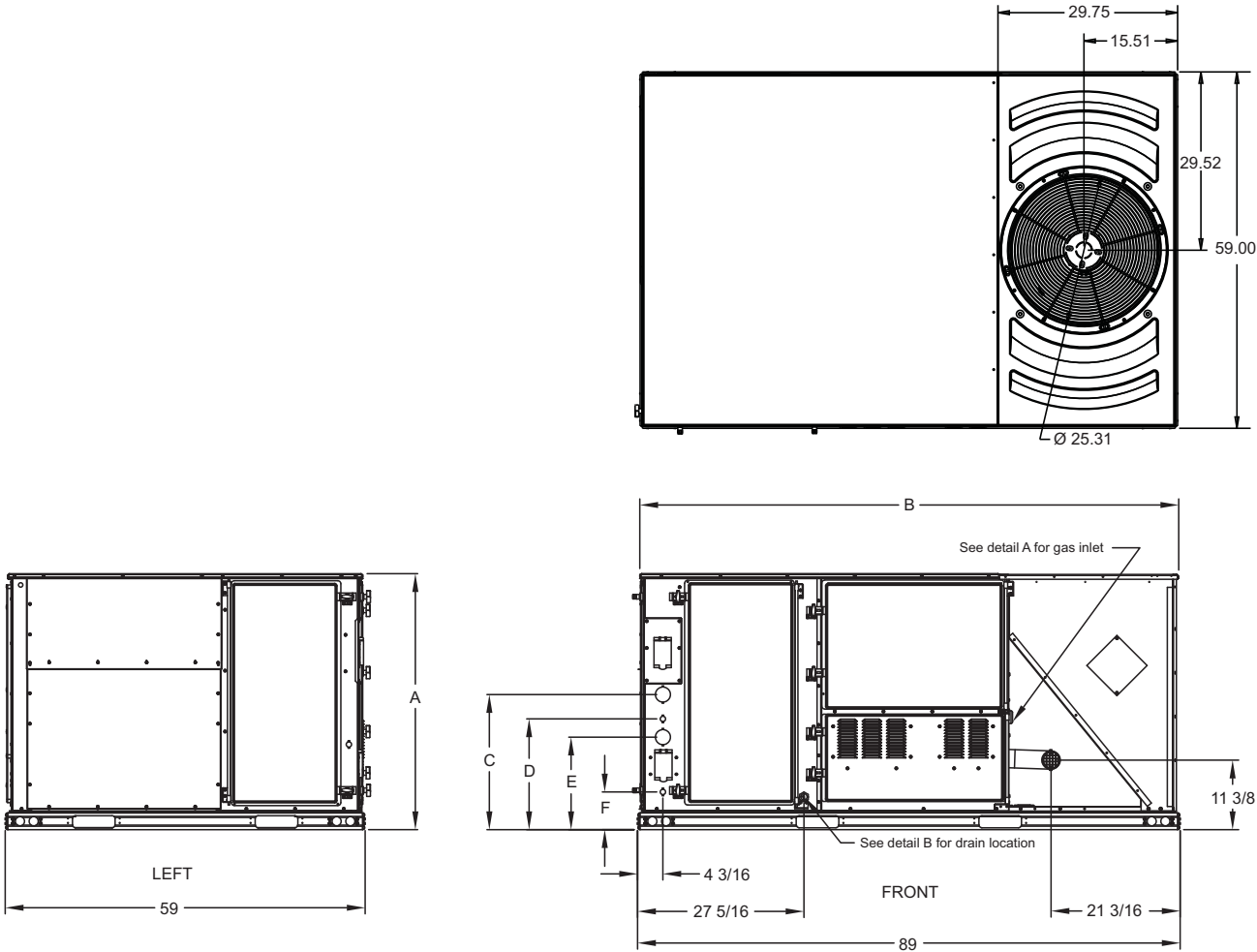
**JA3 thru 12ZH/ZJ/ZR Unit Accessory Weights**

| Unit Accessory                        | Weight (lbs.) |           |
|---------------------------------------|---------------|-----------|
|                                       | Shipping      | Operating |
| Economizer                            | 90            | 85        |
| Power Exhaust                         | 40            | 35        |
| Electric Heat <sup>1</sup>            | 49            | 49        |
| Gas Heat <sup>2</sup>                 | 110           | 110       |
| Variable Frequency Drive <sup>3</sup> | 30            | 30        |

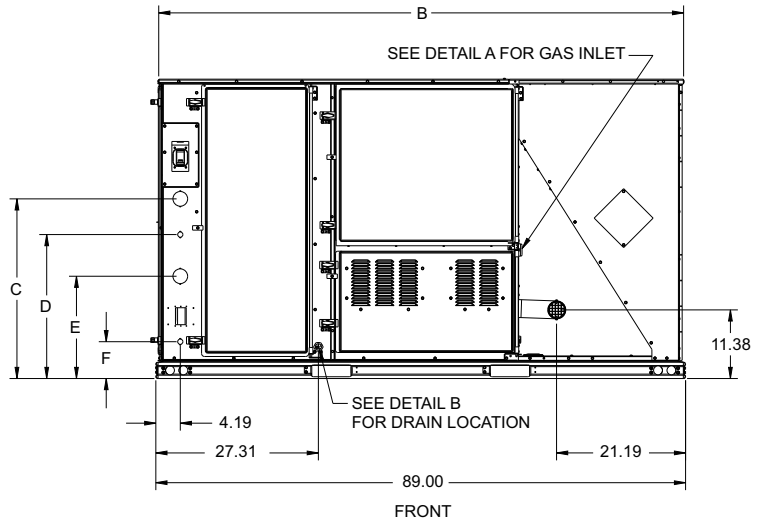
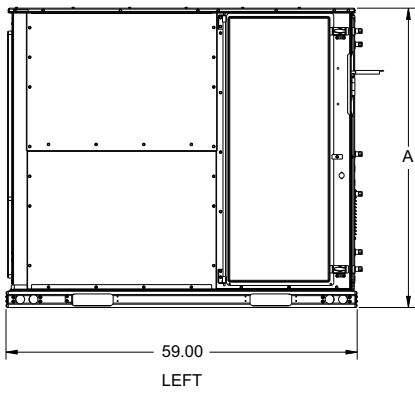
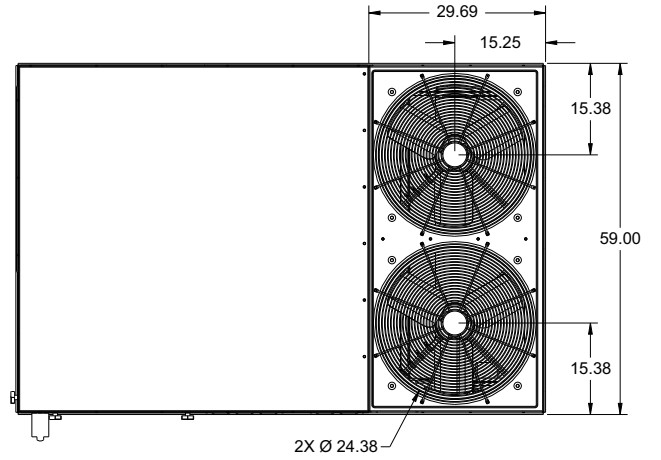
1. Weight given is for the maximum heater size available (54KW).
2. Weight given is for the maximum number of tube heat exchangers available (8 tube).
3. Weight includes mounting hardware, controls and manual bypass option (6-1/2 to 12-1/2 ton only).

**JA3 thru 12ZH/ZJ/ZR Unit Dimensions**

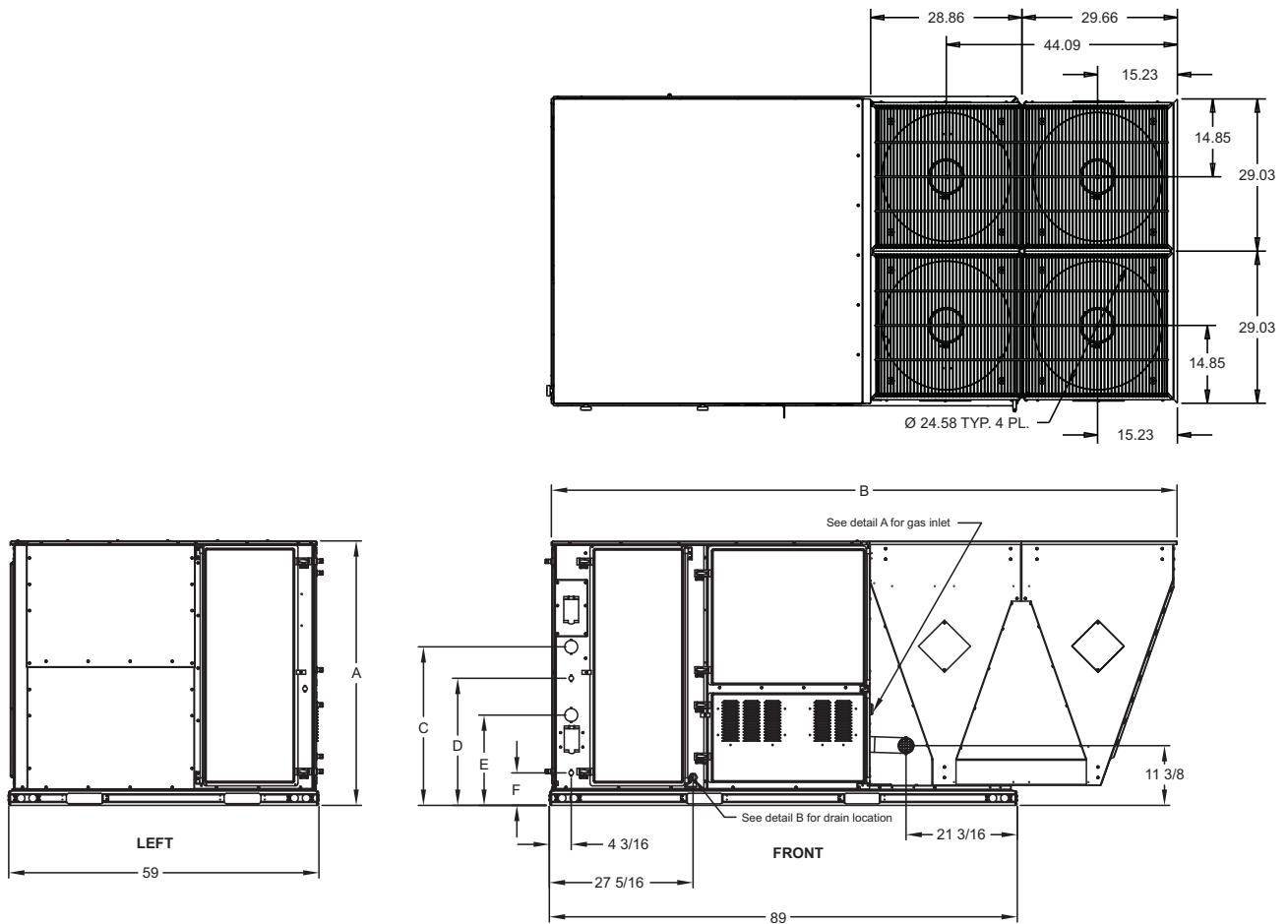
**JA3 thru A4ZH/ZJ and JA3ZR**



JA5ZH/ZJ, JA4 thru JA5ZR and J06 thru J10ZH/ZJ/ZR



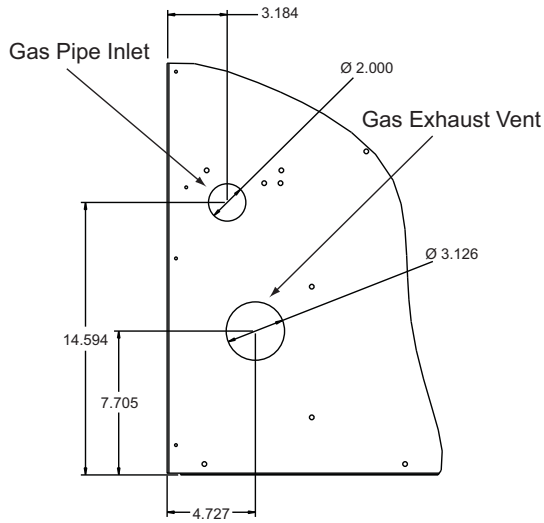
J12ZH/ZJ/ZR



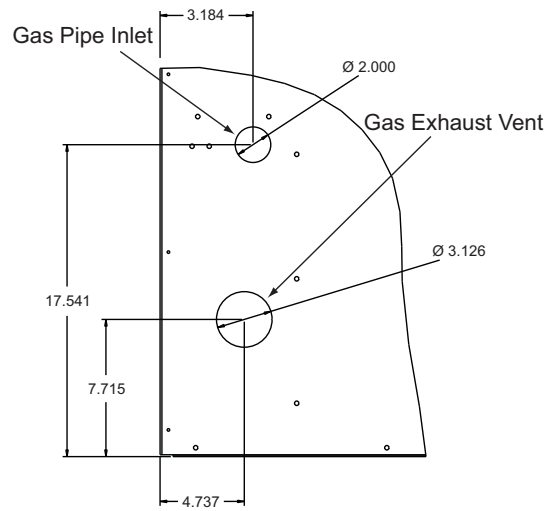
ZH/ZJ/ZR037-150 Unit Physical Dimensions

| Unit Model Number         | Dimension (in.) |         |         |         |         |        |
|---------------------------|-----------------|---------|---------|---------|---------|--------|
|                           | A               | B       | C       | D       | E       | F      |
| JA3, JA4, JA5, J06, J07ZH | 42              | 89      | 22 1/8  | 18 3/16 | 15 3/16 | 6 3/16 |
| J08, J10ZH                | 50 3/4          | 89      | 30 3/16 | 24 3/16 | 17 3/16 | 6 3/16 |
| J12ZH                     | 50 3/4          | 119 1/2 | 30 3/16 | 24 3/16 | 17 3/16 | 6 3/16 |
| JA3, JA4, JA5ZJ           | 42              | 89      | 22 1/8  | 18 3/16 | 15 3/16 | 6 3/16 |
| J06, J07, J08, J10ZJ      | 50 3/4          | 89      | 30 3/16 | 24 3/16 | 17 3/16 | 6 3/16 |
| J12ZJ                     | 50 3/4          | 119 1/2 | 30 3/16 | 24 3/16 | 17 3/16 | 6 3/16 |
| JA3, JA4, JA5ZR           | 42              | 89      | 22 1/8  | 18 3/16 | 15 3/16 | 6 3/16 |
| J06, J07ZR                | 42              | 89      | 22 1/8  | 18 3/16 | 15 3/16 | 6 3/16 |
| J08, J10ZR                | 50 3/4          | 89      | 30 3/16 | 24 3/16 | 17 3/16 | 6 3/16 |
| J12ZR                     | 50 3/4          | 119 1/2 | 30 3/16 | 24 3/16 | 17 3/16 | 6 3/16 |

**Detail A**

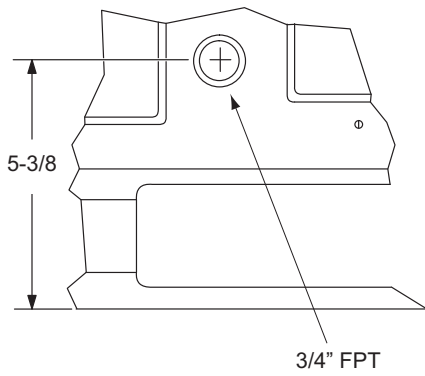


**42" CABINET**



**50 3/4" CABINET**

**Detail B**



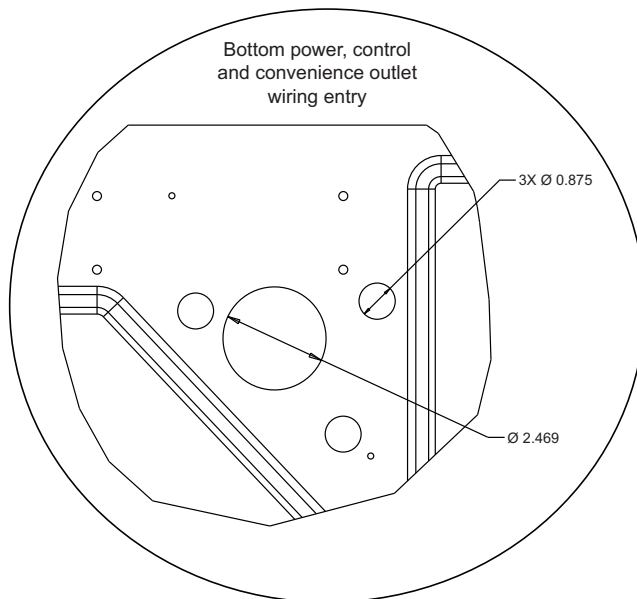
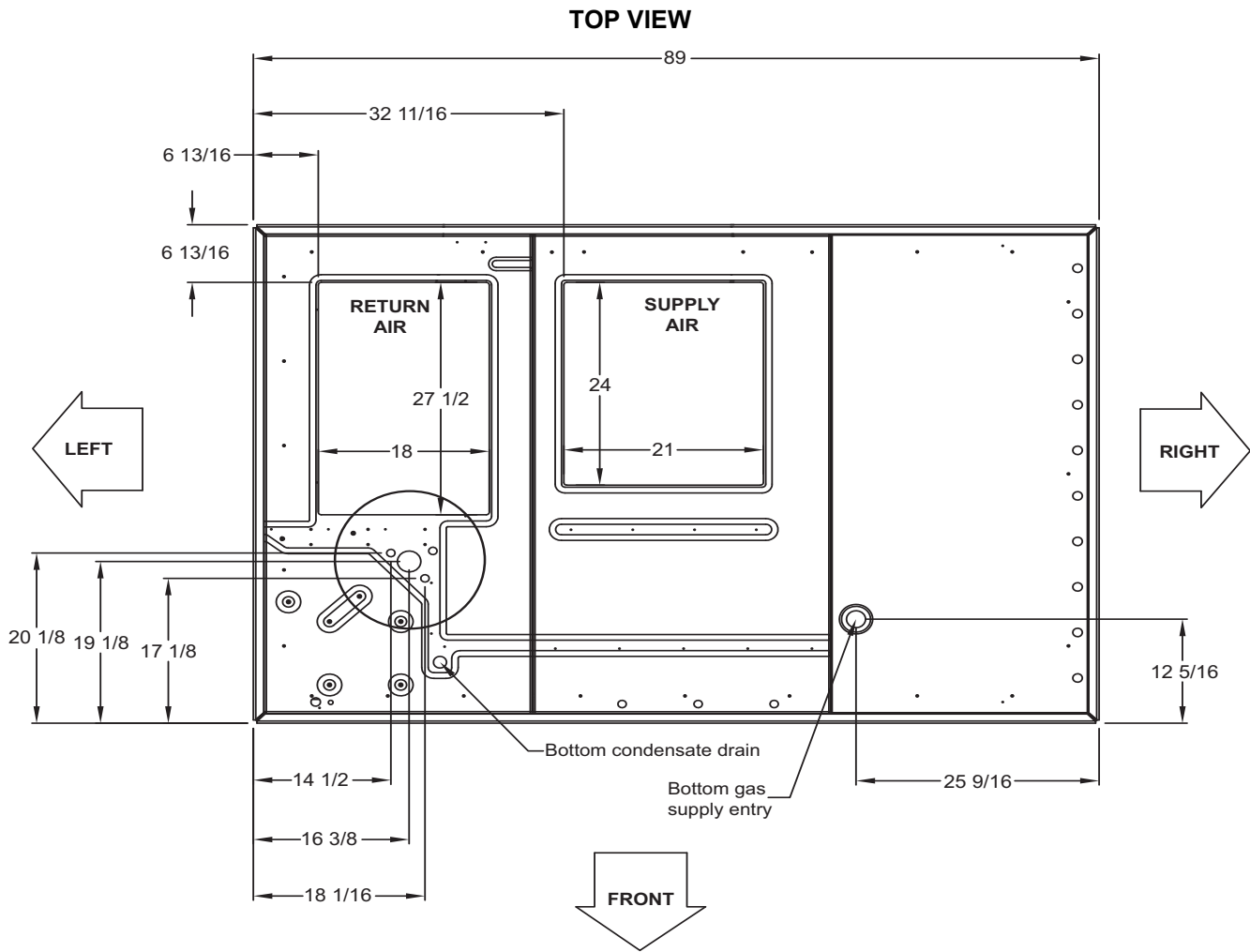
**ZH/ZJ/ZR037-150 Unit Clearances**

| Direction        | Distance (in.) | Direction           | Distance (in.) |
|------------------|----------------|---------------------|----------------|
| Top <sup>1</sup> | 72             | Right               | 12             |
| Front            | 36             | Left                | 36             |
| Rear             | 36             | Bottom <sup>2</sup> | 0              |

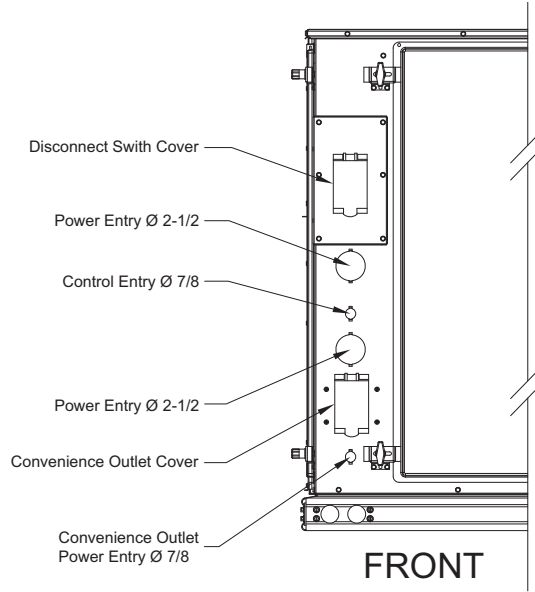
1. Units must be installed outdoors. Over hanging structure or shrubs should not obscure condenser air discharge outlet.
2. Units may be installed on combustible floors made from wood or class A, B or C roof covering materials.



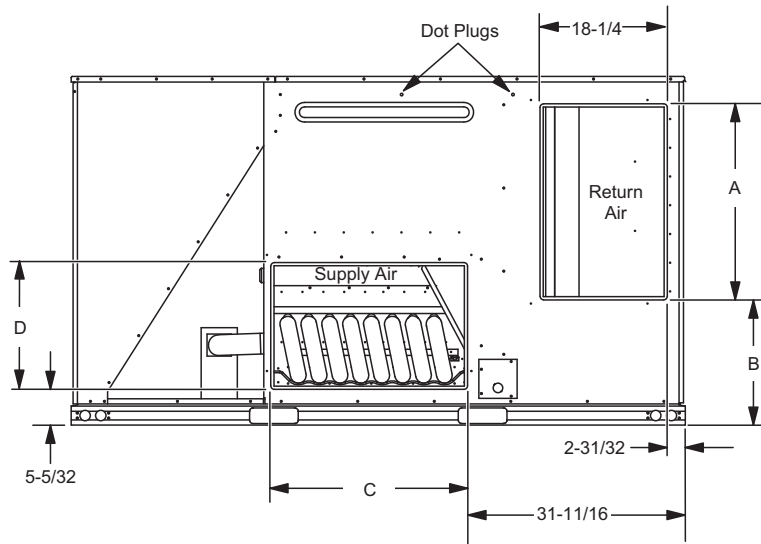
JA3 thru 12ZH/ZJ/ZR Unit Bottom Duct Openings



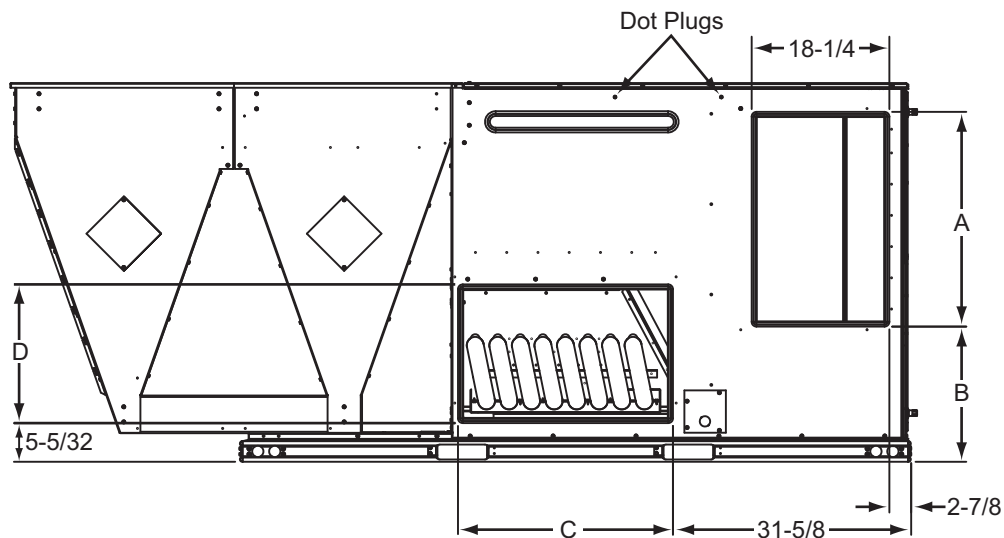
### JA3 thru 12ZH/ZJ/ZR Unit Electrical Entry



### JA3 thru 10ZH/ZJ/ZR Unit Side Duct Openings

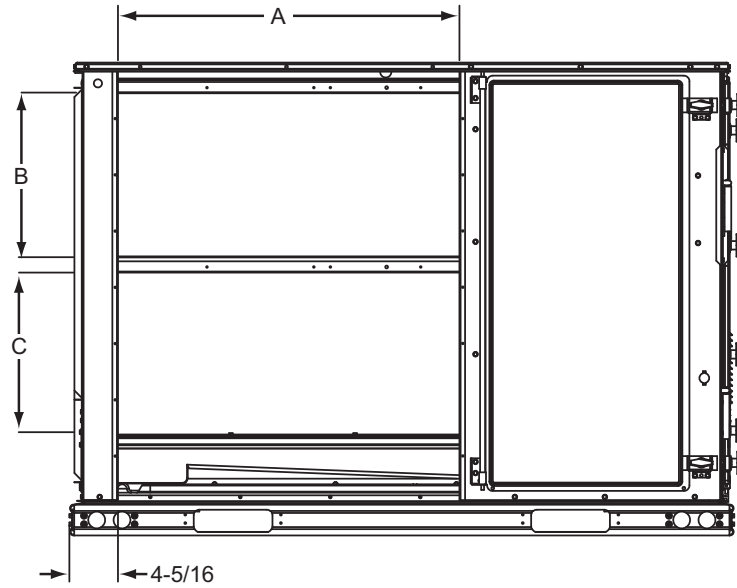


### J12ZH/ZJ/ZR Unit Side Duct Openings



### ZH/ZJ/ZR037-150 Side Duct Dimensions

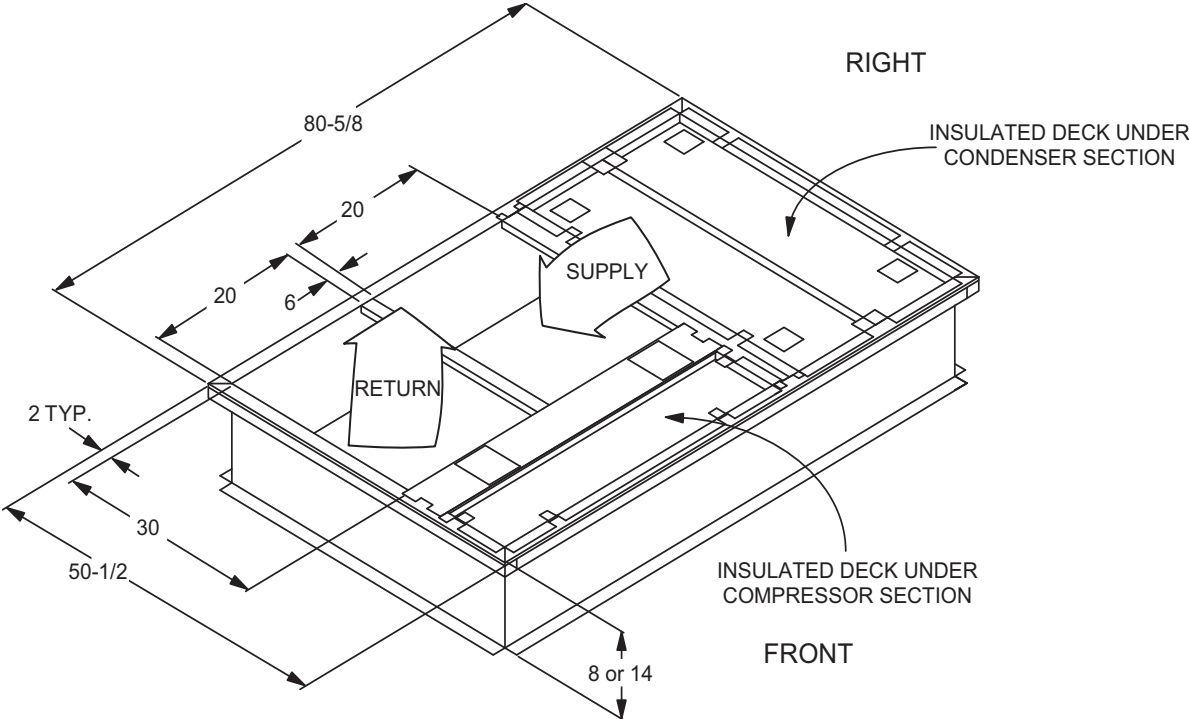
| Unit Model Number         | Dimension (in.) |         |        |        |
|---------------------------|-----------------|---------|--------|--------|
|                           | A               | B       | C      | D      |
| JA3, JA4, JA5, J06, J07ZH | 27 3/4          | 12 1/16 | 27 1/2 | 16     |
| J08, J10ZH                | 28 1/4          | 18 1/16 | 28 1/4 | 18 1/4 |
| J12ZH                     | 28 1/4          | 18 1/16 | 28 1/4 | 18 1/4 |
| JA3, JA4, JA5ZJ           | 27 3/4          | 12 1/16 | 27 1/2 | 16     |
| J06, J07, J08, J10ZJ      | 28 1/4          | 18 1/16 | 28 1/4 | 18 1/4 |
| J12ZJ                     | 28 1/4          | 18 1/16 | 28 1/4 | 18 1/4 |
| JA3, JA4, JA5ZR           | 27 3/4          | 12 1/16 | 27 1/2 | 16     |
| J06, J07ZR                | 27 3/4          | 12 1/16 | 27 1/2 | 16     |
| J08, J10ZR                | 28 1/4          | 18 1/16 | 28 1/4 | 18 1/4 |
| J12ZR                     | 28 1/4          | 18 1/16 | 28 1/4 | 18 1/4 |

**JA3 thru 12ZH/ZJ/ZR Unit Left/End Duct Opening****ZH/ZJ/ZR037-150 Left/End Duct Dimensions**

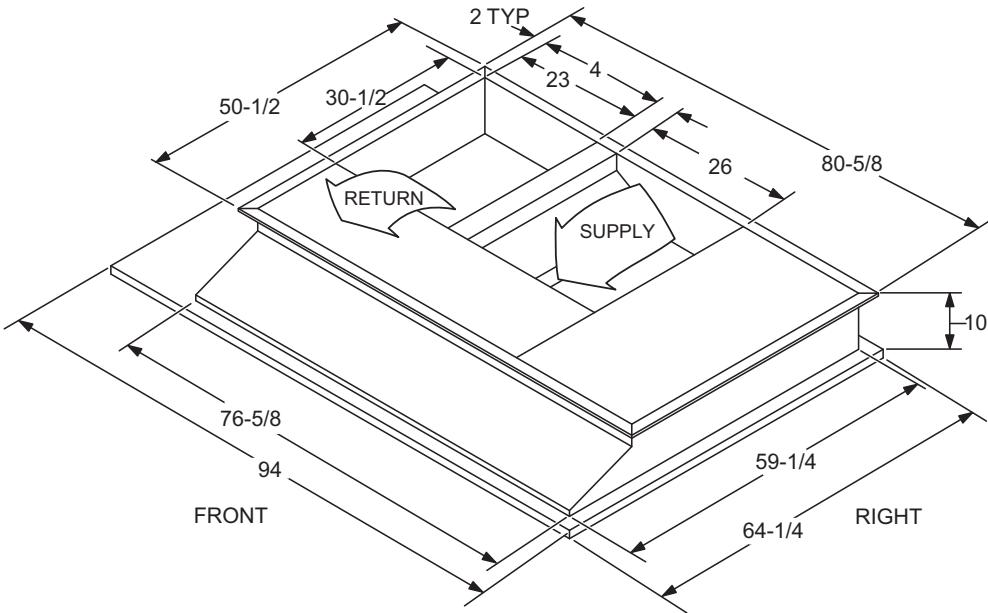
| Unit Model Number         | Dimension (in.) |        |        |
|---------------------------|-----------------|--------|--------|
|                           | A               | B      | C      |
| JA3, JA4, JA5, J06, J07ZH | 30.357          | 13.365 | 22.516 |
| J08, J10ZH                | 30.358          | 22.580 | 22.330 |
| J12ZH                     | 30.358          | 22.580 | 22.330 |
| JA3, JA4, JA5ZJ           | 30.357          | 13.365 | 22.516 |
| J06, J07, J08, J10ZJ      | 30.358          | 22.580 | 22.330 |
| J12ZJ                     | 30.358          | 22.580 | 22.330 |
| JA3, JA4, JA5ZR           | 30.357          | 13.365 | 22.516 |
| J06, J07ZR                | 30.357          | 13.365 | 22.516 |
| J08, J10ZR                | 30.358          | 22.580 | 22.330 |
| J12ZR                     | 30.358          | 22.580 | 22.330 |

**JA3 thru 12ZH/ZJ/ZR Unit Accessory Dimensions**

**JA3 thru 12ZH/ZJ/ZR Roof Curb**



**JA3 thru 12ZH/ZJ/ZR Transition Roof Curb**



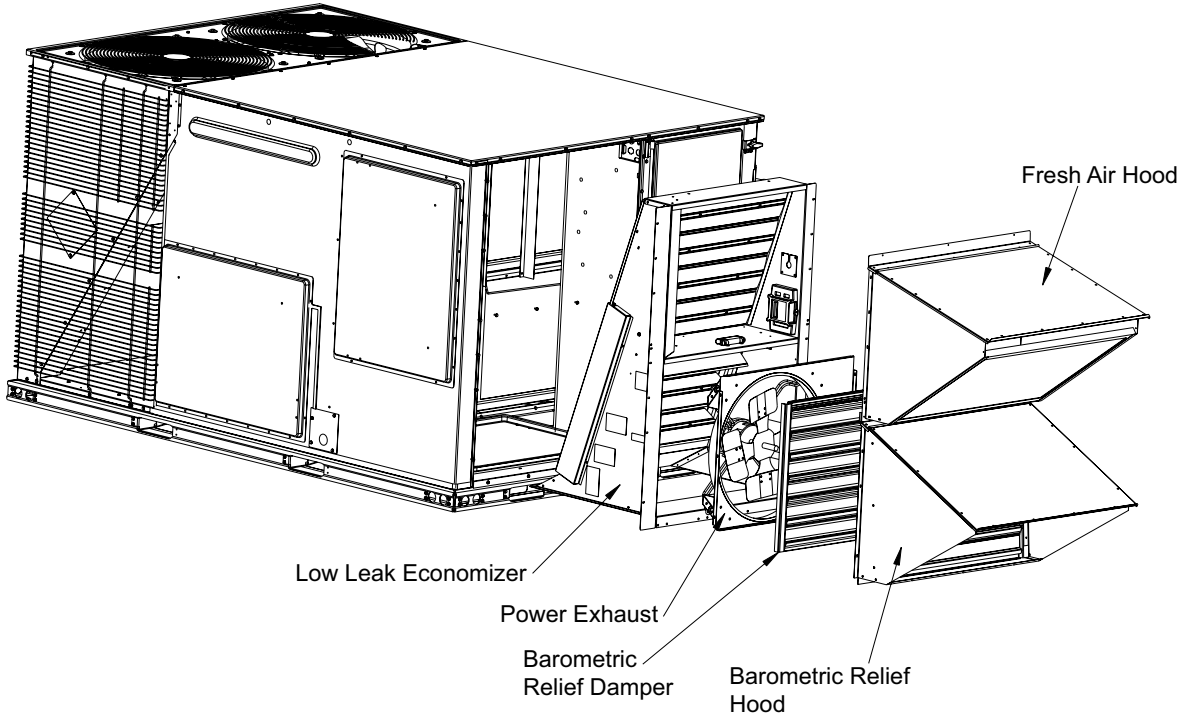
## Economizer Options

### Economizer Usage

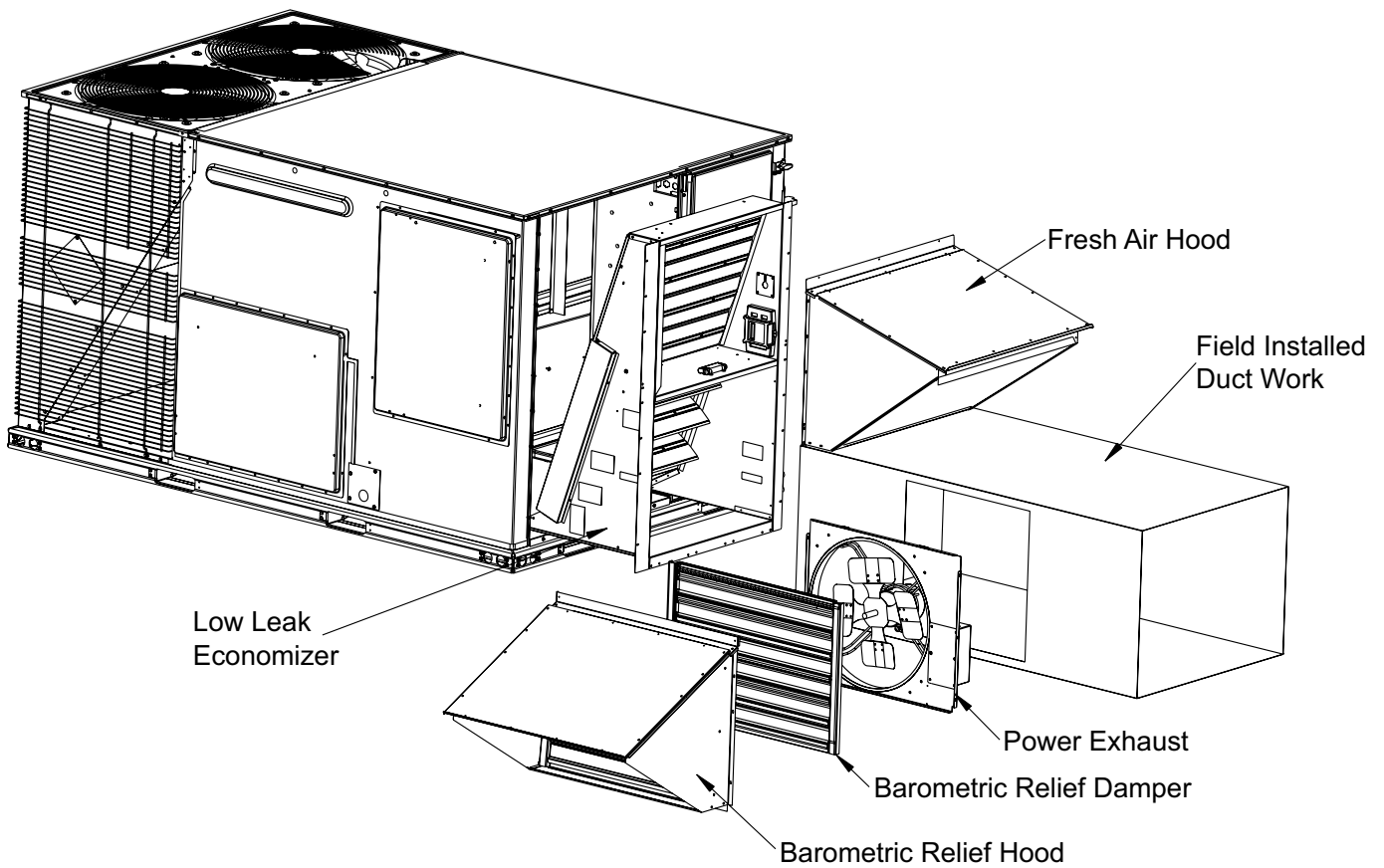
| Application                               | Cabinet Height | Description                                     | Model                    |
|---|----------------|---|--------------------------|
| Side Return                               | All            | Horizontal economizer without barometric relief | 2EE04706924 <sup>1</sup> |
| Downflow, End Return<br>Horizontal or ERV | 42"            | Economizer, 42" tall cabinet                    | 2EE04707424 <sup>2</sup> |
|   | 50"            | Economizer, 50" tall cabinet                    | 2EE04707624 <sup>2</sup> |

1. Barometric relief must be ordered separately and installed in duct work.
2. Includes fresh air hood, exhaust hood and barometric relief.

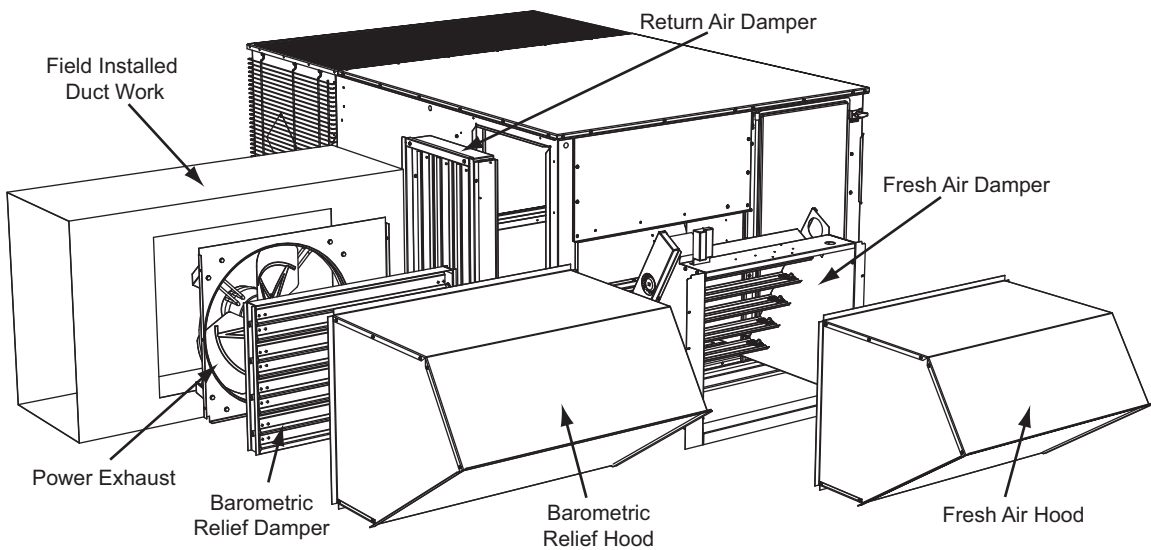
### Economizer Downflow W/Power Exhaust



**Economizer End Return W/Power Exhaust**



**Field Installed Horizontal Economizer W/Power Exhaust**



Subject to change without notice. Printed in U.S.A.  
Copyright © 2018 by Johnson Controls, Inc. All rights reserved.

5167797-JTG-J-0218  
Supersedes: 5167797-JTG-I-0118

**York International Corporation**  
5005 York Drive  
Norman, OK 73069