



## BENDING

Offset Benders .....	1-2
Mechanical Benders .....	3-4
Combination Mechanical Bender .....	5
Bending Work Station .....	6-7
77 Series Electric Bender with Single Shoe Groups .....	8-9
77 Series Electric Bender Single Shoe Groups .....	10-11
77 Series Electric Bender with Multi-Shoe Groups .....	12-13
77 Multi-Shoe Group Assemblies .....	14-15
77DL Pre-Fab Electric Bender .....	16
77DL Pre-Fab Bender Shoe Group Assemblies .....	17
77HRB Hi-Rise Base .....	18
747 Omni™ Bender .....	19-20
747 PVC Coated Rigid Shoe Group .....	20
450 PVC Heater for 1/2"– 2" .....	21
451 PVC Heater for 1/2" – 4" .....	21
452 PVC Heater for 1/2" – 6" .....	22
453 PVC Heater for 1/2" – 6" Auto Rotate .....	22
PVC Heating Blankets .....	23
PVC Plugs .....	24
PVC Plug Kits .....	24
PVC Conduit Support Stand .....	24
280 Bending Table .....	25
281 Bending Table .....	26
Electric Pump .....	27

## SAWING

Band Saw .....	28
----------------	----

## HOLEMAKING

158PM — 1/2" to 1 1/4" .....	29
159PM — 1 1/2" to 2" .....	29
157PM Ratchet Knockout Set .....	30
Hydraulic Punch Driver Sets — Straight and 90° .....	31-32
Piece Maker™ Knockout Sets .....	33-34
Standard Knockout Sets .....	35-36
Drill Driven Punch Driver Knockout Sets .....	37-38
Heavy Duty Piece Maker™ SS Knockout Sets for Stainless Steel .....	39-40





# TABLE OF CONTENTS

Drill Driven Punch Driver Knockout Set – Stainless Steel .....	41-42
Knockout Set for Stainless Steel 166SS — 2½" 3" and 4" .....	43-44
Knockout Punch and Die Set — 156 – 2½" to 4" .....	45-46
5" and 6" Punch and Die .....	47
1 7/32 Piece Maker Punch and Die .....	47
Hand Pump and Hydraulic Hose for Knockout Sets .....	48
Knockout Ram .....	48
Stud Punch .....	49
Knockout Set Selection Guide.....	50
Knockout Punches – Actual Hole Size Chart.....	50

## CABLE PULLING

High Speed Cable Puller 3,000 lb. capacity with Mobile Cart.....	51-52
3,000 lb. Capacity High Speed Cable Puller Couplings .....	52
High Speed Cable Puller — 6000 lb. Capacity with Mobile Cart .....	53-54
6,000 lb. Capacity High Speed Cable Puller Couplings .....	54
Cable Puller — 8,000 lb. capacity.....	55
Mantis™ Mobile Cable Pulling Package — 8,000 lb. capacity .....	56
Mantis™ Mobile Cable Pulling Package — 8,000 lb. capacity .....	57
Component Listings – Mantis™ Cable Puller Packages.....	58
Two Speed Cable Puller with Carriage — 10,000 lb. capacity .....	59
10,000 Puller with Floor Mount / Chain Mount.....	60
Component Listings – 10,000 Puller .....	60
Model 99 Cable Feeder .....	61-62
Double Braided Composite Rope .....	63
Cable Pulling Package Accessories.....	63
Cable Pulling Extras.....	64

## REEL STANDS & REEL ROLLERS

Screw Type Reel Stands .....	65
Ratchet Type Reel Stand.....	65
Reel Stand Spindles .....	66
610 Reel Roller .....	67
613 Reel Roller .....	67
615 Cable Reel Roller .....	68

## SHEAVES & CABLE ROLLERS

Hook Type Sheaves – 4,000 lb. Capacity .....	69
--	----





EZ Sheave™ Hook Type Sheaves.....	69
Hook Type Sheaves – 8,000 lb. Capacity .....	70
EZ Sheave™ Radius Sheave.....	70
Right Angle Twin Yoke Sheave.....	71
Tray Type Sheaves.....	71
Triangle Sheave Cable Guide.....	72
Cable Feeding Sheaves.....	72
Manhole Sheaves.....	73
Wing Nut Driver.....	73
Straight Cable Rollers.....	74
Radius Cable Rollers.....	74
Right Angle Rollers.....	75
Four-Sided Roller with Clamp.....	75

## WIRE CARTS

501 Dolly Cart.....	76
502 Turtle Cart.....	76
503 Wire Tree.....	77
504 Reel Dolly.....	77
509 Armored Cable Dispenser.....	78
509M Mobile Armored Cable Dispenser.....	78
510 Reel Truck.....	79

## CONDUIT STORAGE & TRANSPORT

505AA Conduit Rack with Adjustable Arms.....	80
505M Conduit Rack with Mesh Base.....	81
505 Conduit Rack.....	82
507 Conduit Bundler.....	82
513 Elevator Conduit Cart.....	83

## PULLING ACCESSORIES

Line Swivels — 00505 Series.....	84
Wire Grip Swivels — 00501 Series.....	84
Breakaway Swivel — 00550 Series.....	85
Breakaway Pin Kits.....	85
Can-Link Connector — 00520 Series.....	86
Rope to Swivel Connector — 00522 Series.....	86
Pulling Harnesses.....	87





# TABLE OF CONTENTS

Pulling Grips .....88-93  
 Lube Spreader — 00510 Series .....93  
 Conduit Checker — 08500 Series .....94  
 Spiral Conduit Brush — 08000 Series .....94

## STORAGE

Storage Boxes .....95

## OTHER GOOD STUFF

Caster Set.....96  
 General Purpose Poly Rope .....96

*Please check with your local distributor for product updates as product specifications, materials, prices, availability, and terms of purchase are subject to change without notice.*

**Thank you**







# ***Current Tools***

**FOR THE PROFESSIONAL ELECTRICIAN**



## **About Us**

Since its founding in 1999 the goal of Current Tools, Inc. has been to provide the professional electrician with quality tools at reasonable prices. We continue to expand our product line, with a mission devoted to meeting the needs of the professional electrician.

## **Advantages of Current Tools**

- Full engineering staff
- Continuous product development through customer input
- State of the art manufacturing equipment and processes
- Made in the USA
- 2 year warranty
- Quick shipment of product
- No drop ship fee to job site
- In-house product training
- Contractor focus groups

## **Our Standards**

Current Tools has invested in state-of-the-art production equipment to ensure the tools we manufacture meet the demanding standards our customers have come to expect. We ship worldwide from our 200,000 square foot facility located in Greenville, SC, and from numerous stocking warehouses located throughout the United States.

***"Now you have a choice!"™***





# ***Current Tools***

**FOR THE PROFESSIONAL ELECTRICIAN**



## **Our Facility**

- 📍 200,000 sq. ft. of manufacturing space
- 📍 BLM Tube Laser
- 📍 State of the art Powder Coating System
- 📍 Robotic Welding Cells
- 📍 Mitsubishi Laser with Tower
- 📍 On hand inventory allowing us to quickly process most orders within 24 hours.
- 📍 Ability to ship directly to customers desired locations

***“Now you have a choice!”™***



**Tube Laser**







**State of the Art Powder Coating System**



**Robotic Welding Cells**



**Mitsubishi Laser with Tower**



# BENDING

## Offset Benders

- Quick offset bends on EMT conduit
- Ideal for making consistent offset bends for wall mounted boxes
- Two models available for 1/2" EMT or 3/4" EMT conduit
- Compare to Greenlee® 1810/1811
- Made in the USA



Scan here for manual



Catalog Number	Description	Weight	
705	1/2" EMT Offset Bender	5.0 lbs.	UPC 811993020568
706	3/4" EMT Offset Bender	5.0 lbs.	UPC 811993020575

\*Greenlee® is a registered trademark of Greenlee/Textron.



**Current Tools**  
FOR THE PROFESSIONAL ELECTRICIAN

[www.currenttools.com](http://www.currenttools.com)

P.O. Box 17026 • Greenville, SC 29606 • 864.721.4230 • fax 864.721.4232 • 800.230.5421



## 754 Offset Bender

- Quickly make consistent offset bends in one setup
- Bends offsets and saddles
- Drill driven for labor savings and operator productivity
- Recommended drill (provided by end user) – 1/2" variable speed cordless drill with a minimum of 18 volts.
- Speedy removal of bent conduit
- Gauge rod for repeat bends
- Folds for compact transport



**BENDS: 1/2"–3/4"–1"  
EMT Conduit &  
1/2"–3/4" Rigid/IMC/  
PVC Coated Conduit**

**Optional shoe groups for bending:**

- 4 pieces of 1/2" EMT Conduit
- 2 pieces of 3/4" EMT or 1/2" Rigid Conduit



SCAN HERE FOR VIDEO

SCAN HERE FOR MANUAL



Catalog Number	Description	Weight	UPC
754	Offset Bender Length: 62", Width: 20", Height: 43"	133	UPC 811993026256
754-1/2	Shoe group for bending 4 pieces of 1/2" EMT conduit	7	UPC 811993026263
754-3/4	Shoe group for bending 2 pieces 3/4" EMT or 1/2" Rigid conduit	7	UPC 811993026270

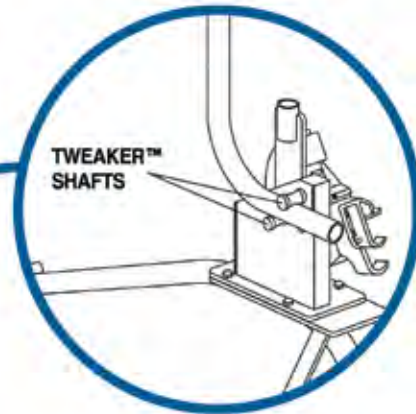


# BENDING

## Mechanical Bender

- Bends 1/2" to 1" RIGID/IMC conduit
- Heavy Duty, all metal construction for durability
- Ratchet action for ease in bending
- Model 750 has TWEAKER™ feature to correct overbends of 3° or less
- Compare to Greenlee® 1800
- Made in the USA

with **TWEAKER™**



*\*The TWEAKER™ feature allows the operator to correct overbends of 3° or less*



Scan here for manual



Catalog Number	Description	Weight	
750	1/2" to 1" Mechanical Bender for RIGID/IMC conduit	91 lbs.	UPC 811993020544

\* Greenlee® is a registered trademark of Greenlee/Extron.



**Current Tools**  
FOR THE PROFESSIONAL ELECTRICIAN

[www.currenttools.com](http://www.currenttools.com)

P.O. Box 17026 • Greenville, SC 29606 • 864.721.4230 • fax 864.721.4232 • 800.230.5421





## Mechanical Bender

- Bends 1 1/4" and 1 1/2" RIGID/IMC conduit
- Heavy Duty, all metal construction for durability
- Ratchet action for ease in bending
- Compare to Greenlee® 1801
- Made in the USA



Scan here for manual



Catalog Number	Description	Weight	
751	1 1/4" and 1 1/2" Mechanical Bender for RIGID/IMC conduit	105 lbs.	UPC 811993020551

\*Greenlee® is a registered trademark of Greenlee/Extron.

[www.currenttools.com](http://www.currenttools.com)

P.O. Box 17026 • Greenville, SC 29606 • 864.721.4230 • fax 864.721.4232 • 800.230.5421

**Current Tools**  
FOR THE PROFESSIONAL ELECTRICIAN





# BENDING

## Combination Mechanical Bender

- Bends 1/2" to 1" RIGID/IMC conduit and 1/2" to 1 1/4" EMT
- Heavy duty construction for durability
- Ratchet action for ease in bending
- Made in the USA



**Bends  
RIGID, EMT  
and IMC  
all on one  
bender!**

Catalog Number	Description	Weight	
753	Mechanical Bender for 1/2" to 1" RIGID/IMC conduit and 1/2" to 1 1/4" EMT	129 lbs.	UPC 811993025976



**Current Tools**  
FOR THE PROFESSIONAL ELECTRICIAN

[www.currenttools.com](http://www.currenttools.com)

P.O. Box 17026 • Greenville, SC 29606 • 864.721.4230 • fax 864.721.4232 • 800.230.5421





## Bending Work Station

- Mechanical bender for 1/2" to 1" Rigid and IMC Conduit, schedule 40 pipe and 1/2" to 1 1/4" EMT conduit
- Conduit storage racks
- Print table for blueprint viewing
- Storage tray for holding miscellaneous tools, fittings, etc.
- Four casters for ease of mobility (two fixed, two locking swivel)
- Ratchet handle storage
- Stabilizer leg for added stability while print table is being used
- Vise to hold conduit or Unistrut™\* for marking and cutting
- Made in the USA.



**Fits through  
standard 36"  
doorway!**



Scan here for video    Scan here for manual



Catalog Number	Description	Weight	
752	Bending Work Station	300 lbs.	UPC 811993025297

\*Unistrut™ is a registered trademark of Unistrut International Corporation.



## BENDING

### Bending Work Station

**Bends  
Rigid, IMC  
and EMT!**



Dimensions  
Height: 60  $\frac{3}{16}$ "  
Width: 35  $\frac{1}{2}$ "  
Depth: 65  $\frac{11}{16}$ "

***Mechanical bender for 1/2" to  
1" Rigid and IMC Conduit,  
schedule 40 pipe and 1/2" to  
1 1/4" EMT conduit***



**Current Tools**  
FOR THE PROFESSIONAL ELECTRICIAN

[www.currenttools.com](http://www.currenttools.com)

P.O. Box 17026 • Greenville, SC 29606 • 864.721.4230 • fax 864.721.4232 • 800.230.5421



## 77 Series Electric Bender with Single Shoe Groups

- Only one shoe and roller support needed to bend 1/2"-2" for each type of conduit
- Rugged and dependable electrical system
- Easy to maintain and service
- Removable handle to allow for dogleg bends
- Two year warranty
- No PC boards
- Simple, reliable electrical components
- All major electrical components interchangeable with Model #747 Omni™ Bender
- Flat free wheels
- Compare to Greenlee® 555C® Bender\*
- Made in the USA



Shoes and roller support assemblies will fit Greenlee's® 555® Classic\*



\* Greenlee® and 555® are registered trademarks of Greenlee/Textron.

[www.currenttools.com](http://www.currenttools.com)

P.O. Box 17026 • Greenville, SC 29606 • 864.721.4230 • fax 864.721.4232 • 800.230.5421

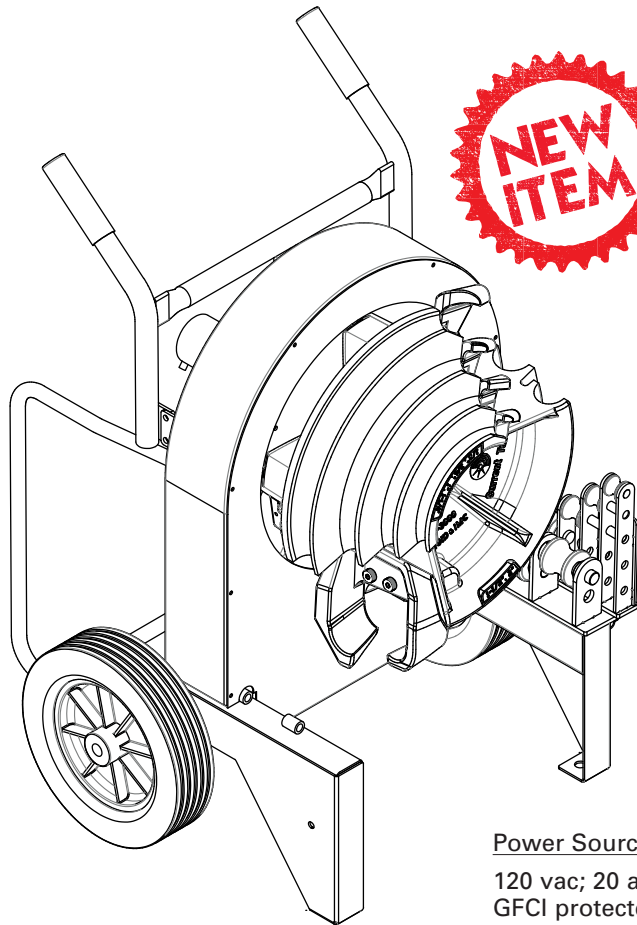
**Current Tools**  
FOR THE PROFESSIONAL ELECTRICIAN





# BENDING

## 77 Series Electric Bender with Single Shoe Groups



*Only one shoe and roller support needed to bend 1/2"-2" for each type of conduit.*

### Bend Radius Chart

Size	EMT	IMC	Rigid
1/2"	4 5/16"	4 1/4"	4 1/4"
3/4"	5-1/2"	5 7/16"	5 7/16"
1"	7"	6 15/16"	6 15/16"
1 1/4"	8 13/16"	8 3/4"	8 3/4"
1 1/2"	8 3/8"	8 1/4"	8 1/4"
2"	9 1/4"	9"	9"

### SPECIFICATIONS

Power Source	Capacity	Dimensions
120 vac; 20 amp GFCI protected receptacle required	77SR 1/2" to 2" Rigid conduit 77SI 1/2" to 2" IMC conduit 77SE 1/2" to 2" EMT conduit 77SP 1/2" to 2" PVC coated Rigid	Height: 42" Width: 29.5" Depth: 24.5"

Catalog Number	Description	Weight	
77	77 Series Electric Bender Power Source only (no shoes)	270 lbs.	UPC 811993020261
77SR	77 Series Bender with 700SR Rigid Shoe Group	313 lbs.	UPC 811993025495
77SI	77 Series Bender with 700SI IMC Shoe Group	347 lbs.	UPC 811993025501
77SE	77 Series Bender with 700SE EMT Shoe Group	339 lbs.	UPC 811993025518
77SP	77 Series Bender with 700SP PVC Coated Rigid Shoe Group	309 lbs.	UPC 811993025525

*See pages 9-10 for single shoe groups.*



**Current Tools**  
FOR THE PROFESSIONAL ELECTRICIAN

[www.currenttools.com](http://www.currenttools.com)

P.O. Box 17026 • Greenville, SC 29606 • 864.721.4230 • fax 864.721.4232 • 800.230.5421



## 77 Series Electric Bender Single Shoe Groups

All shoes and roller supports will fit Greenlee® 555® Classic Bender\*



### 700SR 1/2"-2" Rigid Single Shoe Group — UPC 811993025419

Item Number	Catalog Number	Description	Weight	
1	2-3000	Single shoe for Rigid and IMC	51 lbs.	UPC 811993025389
2	2-4000	Single shoe roller support for Rigid	13 lbs.	UPC 811993025457
3	8-0501	Metal storage box	36 lbs.	UPC 811993020438



### 700SI 1/2" - 2" IMC Single Shoe Group — UPC 811993025426

Item Number	Catalog Number	Description	Weight	
1	2-3000	Single shoe for Rigid and IMC	51 lbs.	UPC 811993025389
2	2-4100	Single shoe roller support for IMC	48 lbs.	UPC 811993025464
3	8-0501	Metal storage box	36 lbs.	UPC 811993020438

\* Greenlee® and 555® are registered trademarks of Greenlee/Textron.







# BENDING

## 77 Series Electric Bender Single Shoe Groups

All shoes and roller supports will fit Greenlee® 555® Classic Bender\*



### 700SE 1/2" – 2" EMT Single Shoe Group — UPC 811993025433

Item Number	Catalog Number	Description	Weight	
1	2-3100	Single shoe for EMT	43 lbs.	UPC 811993025396
2	2-4200	Single shoe roller support for EMT	48 lbs.	UPC 811993025471
3	8-0501	Metal storage box	36 lbs.	UPC 811993020438



### 700SP 1/2" – 2" 40 Mil PVC Coated Rigid Single Shoe Group — UPC 811993025440

Item Number	Catalog Number	Description	Weight	
1	2-3200	Single shoe for 40 Mil PVC Coated Conduit	47 lbs.	UPC 811993025402
2	2-4300	Single shoe roller support for 40 Mil PVC Coated Conduit	13 lbs.	UPC 811993025488
3	8-0501	Metal storage box	36 lbs.	UPC 811993020438

\* Greenlee® and 555® are registered trademarks of Greenlee/Textron.





## 77 Series Electric Bender with Multi-Shoe Groups

- Rugged and dependable electrical system
- Easy to maintain and service
- Removable handle to allow for dogleg bends
- Two year warranty
- No PC boards
- Simple, reliable electrical components
- All major electrical components interchangeable with Model #747 Omni™ Bender
- Flat free wheels
- Made in the USA



Shoes and roller support assemblies will fit Greenlee's® 555® Classic\*



Scan here for manual

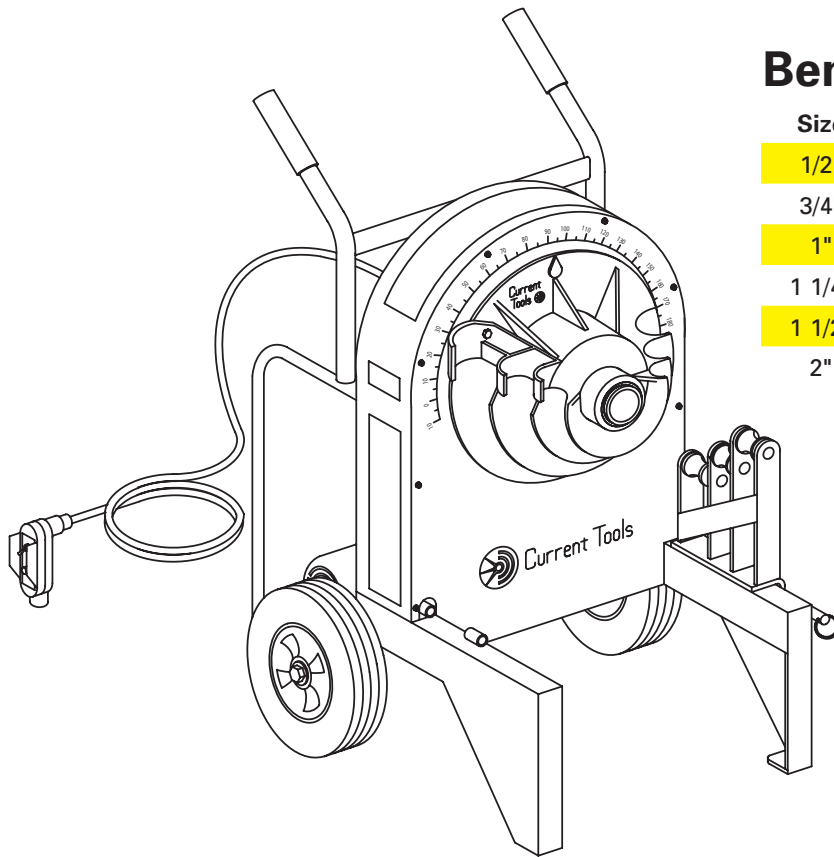


Catalog Number	Description	Weight	
77	Electric Bender Power Source only (no shoes)	270 lbs.	UPC 811993020261
77RIG	Electric Bender with No. 700R Rigid shoes & accessories	365 lbs.	UPC 811993020278
77EMT	Electric Bender with No. 700E EMT shoes & accessories	430 lbs.	UPC 811993020285
77IMC	Electric Bender with No. 700I IMC shoes & accessories	410 lbs.	UPC 811993020292
77PVC	Electric Bender with No. 700P 40 mil PVC coated conduit bending shoes & accessories	365 lbs.	UPC 811993020308

\* Greenlee® and 555® are registered trademarks of Greenlee/Textron.



## 77 Series Electric Bender with Multi-Shoe Groups



### Bend Radius Chart

Size	EMT	IMC	Rigid
1/2"	4-1/4	4-3/8	4-3/8
3/4"	5-3/8	4-1/2	4-1/2
1"	6-3/4	5-3/4	5-3/4
1 1/4"	8-3/4	7-1/4	7-1/4
1 1/2"	8-9/32	8-9/32	8-1/4
2"	9-3/16	9-3/16	9-1/2



### SPECIFICATIONS

#### Power Source

120 vac; 20 amp  
GFCI protected  
receptacle  
required

#### Capacity

77RIG 1/2" to 2" Rigid conduit and  
1/2" to 1 1/4" IMC conduit  
77EMT 1/2" to 2" EMT conduit  
77IMC 1 1/2" to 2" IMC conduit  
77PVC 1/2" to 2" 40 mil PVC coated  
conduit

#### Dimensions

Height: 42"  
Width: 29.5"  
Depth: 24.5"

*See pages 13-14 for shoe groups.*







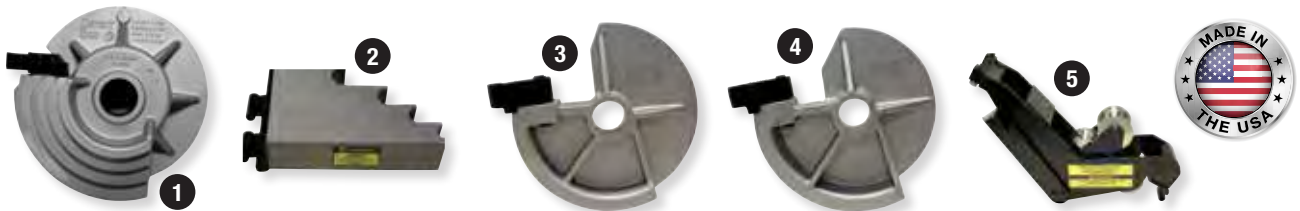
## 77 Multi-Shoe Group Assemblies

All shoes and roller supports will fit Greenlee® 555® Classic Bender\*



### 700R 1/2" - 2" Rigid Shoe Group — UPC 811993020322

Item Number	Catalog Number	Description	Weight	
1	2-1301	1/2"- 1-1/4" Rigid and IMC bending shoe	23 lbs.	UPC 811993020339
2	2-1001	1/2"- 1-1/4" Rigid and IMC support roller	8 lbs.	UPC 811993020346
3	2-1401	1-1/2" and 2" Rigid bending shoe	37 lbs.	UPC 811993020353
4	2-1002	1-1/2" and 2" Rigid support roller	6 lbs.	UPC 811993020360



### 700E 1/2" to 2" EMT Shoe Group — UPC 811993020377

Item Number	Catalog Number	Description	Weight	
1	2-1501	1/2" - 1-1/4" EMT bending shoe	24 lbs.	UPC 811993020384
2	2-1003	1/2" - 1-1/4" EMT support unit	6 lbs.	UPC 811993020391
3	2-1601	1-1/2" EMT bending shoe	23 lbs.	UPC 811993020407
4	2-1701	2" EMT bending shoe	31 lbs.	UPC 811993020414
5	2-1100	1-1/2" - 2" EMT support roller unit	40 lbs.	UPC 811993020421
not shown	8-0501	Metal storage box (see page 90. )	36 lbs.	UPC 811993020438



### 700ES 1 1/2" to 2" EMT Shoe Group — UPC 811993020445

Item Number	Catalog Number	Description	Weight	
1	2-1601	1-1/2" EMT bending shoe	23 lbs.	UPC 811993020407
2	2-1701	2" EMT bending shoe	31 lbs.	UPC 811993020414
3	2-1100	1-1/2" - 2" EMT support roller unit	40 lbs.	UPC 811993020421

\*Greenlee® and 555® are registered trademarks of Greenlee/Textron.



# BENDING

## 77 Multi-Shoe Group Assemblies

All shoes and roller supports will fit Greenlee® 555® Classic Bender\*



### 700I 1 1/2" to 2" IMC Shoe Group — UPC 811993020483

Item Number	Catalog Number	Description	Weight	
1	2-1801	1-1/2" IMC bending shoe	22 lbs.	UPC 811993020452
2	2-1901	2" IMC bending shoe	29 lbs.	UPC 811993020469
3	2-1200	1-1/2" and 2" IMC support roller unit	40 lbs.	UPC 811993020476
not shown	8-0501	Metal storage box (see page 90.)	36 lbs.	UPC 811993020438

*1/2" thru 1-1/4" IMC can be bent using small rigid shoe & roller support*



### 700P 1/2" - 2" 40mil PVC Coated Rigid Shoe Group — UPC 811993020490

Item Number	Catalog Number	Description	Weight	
1	2-2001	1/2"- 1-1/4" PVC coated rigid bending shoe	23 lbs.	UPC 811993020506
2	2-1004	1/2"- 1-1/4" PVC coated rigid support roller	8 lbs.	UPC 811993020513
3	2-2101	1-1/2" and 2" PVC coated rigid bending shoe	37 lbs.	UPC 811993020520
4	2-1005	1-1/2" and 2" PVC coated rigid support roller	6 lbs.	UPC 811993020537
not shown	8-0501	Metal storage box (see page 90.)	36 lbs.	UPC 811993020438

\*Greenlee® and 555® are registered trademarks of Greenlee/Textron.



**Current Tools**  
FOR THE PROFESSIONAL ELECTRICIAN

[www.currenttools.com](http://www.currenttools.com)

P.O. Box 17026 • Greenville, SC 29606 • 864.721.4230 • fax 864.721.4232 • 800.230.5421



## 77DL Pre-Fab Electric Bender

- Rugged and dependable electrical system
- Easy to maintain and service
- Removable handle to allow for dogleg bends
- Easily make repeat stub-up bends
- Adjustable limit switch for accurate repeat bends
- Made in the USA

ADJUSTABLE LIMIT SWITCH FOR ACCURATE REPEAT BENDS

SHOE HAS POINTER TO ACTIVATE LIMIT SWITCH

STUB-UP LENGTH STOP



### SPECIFICATIONS

Power Source	Capacity	Dimensions
120 vac; 20 amp GFCI protected receptacle required	77RIG-DL	1/2" to 2" Rigid conduit and 1/2" to 1 1/4" IMC conduit
	77EMT-DL	1/2" to 2" EMT conduit
	77IMC-DL	1 1/2" to 2" IMC conduit
	77PVC-DL	1/2" to 2" 40 mil PVC coated conduit
		Height: 42" Width: 29.5" Depth: 24.5"

Scan here for manual



**To bend 1/2" thru 2" EMT, IMC, Rigid and 40 mil PVC coated conduit**



Catalog Number	Description	Weight	
77DL	Pre-Fab Electric Bender Power Source only (no shoes)	275 lbs.	UPC 811993025037
77RIG-DL	Pre-Fab Electric Bender with No. 700R-DL Rigid shoes & accessories	370 lbs.	UPC 811993025044
77EMT-DL	Pre-Fab Electric Bender with No. 700E-DL EMT shoes & accessories	435 lbs.	UPC 811993025051
77IMC-DL	Pre-Fab Electric Bender with No. 700I-DL IMC shoes & accessories	415 lbs.	UPC 811993025068
77PVC-DL	Pre-Fab Electric Bender with No. 700P-DL 40 mil PVC coated conduit bending shoes & accessories	370 lbs.	UPC 811993025075

[www.currenttools.com](http://www.currenttools.com)

P.O. Box 17026 • Greenville, SC 29606 • 864.721.4230 • fax 864.721.4232 • 800.230.5421

**Current Tools**  
FOR THE PROFESSIONAL ELECTRICIAN





## 77DL Pre-Fab Bender Shoe Group Assemblies



### 700R-DL 1/2" - 2" Rigid Shoe Group — UPC 811993025082

For bending 1/2" thru 2" RIGID conduit, 1/2" thru 1 1/4" IMC conduit and 1/2" thru 2" schedule 40 pipe. Includes the following four items.

Catalog Number	Description	Weight	
2-1301DL	1/2"- 1-1/4" Rigid and IMC bending shoe	23 lbs.	UPC 811993025150
2-1001	1/2"- 1-1/4" Rigid and IMC roller support	8 lbs.	UPC 811993020346
2-1401DL	1-1/2" and 2" Rigid bending shoe	37 lbs.	UPC 811993025167
2-1002	1-1/2" and 2" Rigid support roller	6 lbs.	UPC 811993020360

### 700E-DL 1/2" to 2" EMT Shoe Group — UPC 811993025112

For bending 1/2" thru 2" EMT ( Thinwall ). Includes the following six items.

Catalog Number	Description	Weight	
2-1501DL	1/2" - 1-1/4" EMT bending shoe	24 lbs.	UPC 811993025174
2-1003	1/2" - 1-1/4" EMT support	6 lbs.	UPC 811993020391
2-1601DL	1-1/2" EMT bending shoe	23 lbs.	UPC 811993025181
2-1701DL	2" EMT bending shoe	31 lbs.	UPC 811993025198
2-1100	1-1/2" - 2" EMT roller support	40 lbs.	UPC 811993020421
8-0501	Metal storage box	36 lbs.	UPC 811993020438

### 700I-DL 1 1/2" to 2" IMC Shoe Group — UPC 811993025136

For bending 1 1/2" and 2" IMC. Includes the following four items.

Catalog Number	Description	Weight	
2-1801DL	1-1/2" IMC bending shoe	22 lbs.	UPC 811993025204
2-1901DL	2" IMC bending shoe	29 lbs.	UPC 811993025211
2-1200	1-1/2" and 2" IMC roller support unit	40 lbs.	UPC 811993020476
8-0501	Metal storage box	36 lbs.	UPC 811993020438

### 700P-DL 1/2" - 2" 40mil PVC Coated Rigid Shoe Group — UPC 811993025143

For bending 1/2" thru 2" 40 mil PVC coated RIGID. Includes the following five items.

Catalog Number	Description	Weight	
2-2001DL	1/2"- 1-1/4" PVC coated Rigid bending shoe	23 lbs.	UPC 811993025228
2-1004	1/2"- 1-1/4" PVC coated Rigid roller support	8 lbs.	UPC 811993020513
2-2101DL	1-1/2" and 2" PVC coated Rigid bending shoe	37 lbs.	UPC 811993025235
2-1005	1-1/2" and 2" PVC coated Rigid roller support	6 lbs.	UPC 811993020537
8-0501	Metal storage box	36 lbs.	UPC 811993020438

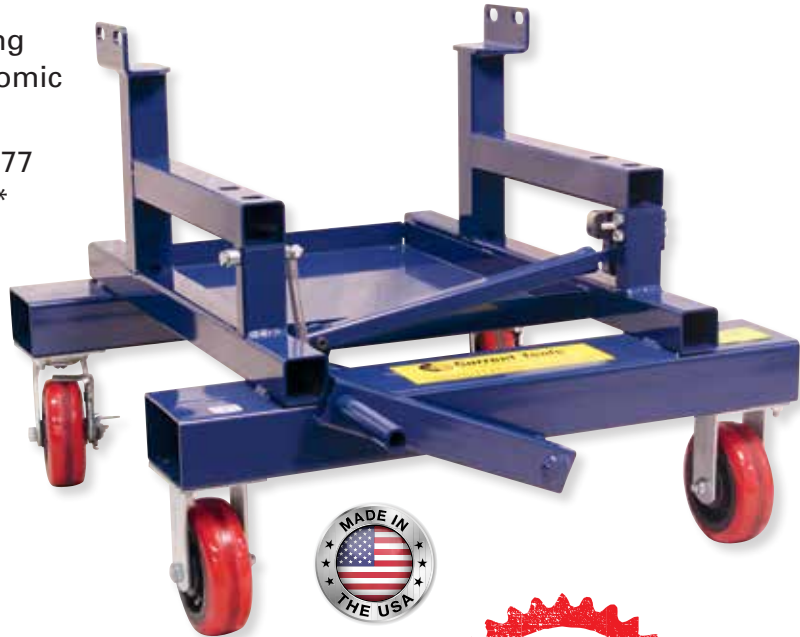






## 77HRB Hi-Rise Base

- Increases productivity and reduces back strain by raising the bender to a more ergonomic height
- Will fit Current Tools Model 77 or Greenlee® 555®C Bender\*
- Stable, heavy-duty design
- Can accommodate multi-shoe or single shoe groups
- Two rigid and two locking swivel casters for easy mobility
- Raised design allows for larger offsets
- Convenient tray for storage
- Powder coated finish



*Bender not included.*

Scan here for video

Scan here for manual



Catalog Number	Description	Weight	
77HRB	Hi-Rise Base for use with Current Tools 77 Bender or Greenlee® 555®C Bender*	105 lbs.	UPC 811993026225

\* Greenlee and 555 are registered trademarks of Greenlee/Traxon.





# BENDING

## 747 Omni™ Bender

- Only two shoes needed to bend 1/2" to 2" Rigid, EMT and IMC conduit. Optional shoe group bends 1/2" to 2" 40 mil PVC coated Rigid conduit
- Proven electrical control system
- All major electrical components are interchangeable with Model #77 Series Electric Bender
- Adjustable bend angle limit switch for accurate repeat bends
- Tilts for horizontal bending in a tabletop position
- Quick squeeze adjustment for conduit support rollers
- Fork pockets for easy lifting
- Lockable storage box for accessories
- Flat free tires
- Compare to Greenlee® Model 854/855
- Made in the USA



**To bend 1/2" thru 2" EMT, IMC, Rigid, Rigid Aluminum and schedule 40 steel pipe. Can also bend 1/2" thru 2" 40 mil PVC coated Rigid conduit with optional shoe group.**



Scan here for video    Scan here for manual



Catalog Number	Description	Weight	
747	Omni™ Bender	615 lbs.	UPC 811993025020

\* Greenlee® is a registered trademark of Greenlee/Textron.



**Current Tools**  
FOR THE PROFESSIONAL ELECTRICIAN

[www.currenttools.com](http://www.currenttools.com)

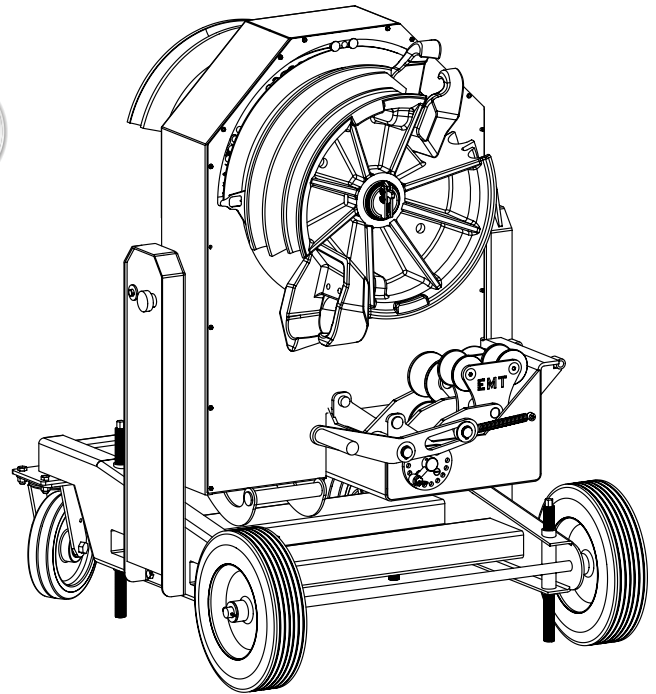
P.O. Box 17026 • Greenville, SC 29606 • 864.721.4230 • fax 864.721.4232 • 800.230.5421



# 747 Omni™ Bender

## SPECIFICATIONS

- 1/2" thru 2" Rigid conduit
- 1/2" thru 2" EMT conduit
- 1/2" thru 2" IMC conduit
- 1/2" thru 2" Rigid aluminum conduit
- 1/2" thru 2" schedule 40 steel pipe
- 1/2" thru 2" 40 mil PVC coated Rigid conduit — with optional shoe group (shown below)



## Bend Radius Chart

Size	EMT	IMC	Rigid	PVC
1/2"	4-5/16"	4-1/4"	4-1/4"	4-1/4"
3/4"	5-1/2"	5-7/16"	5-7/16"	5-7/16"
1"	7"	6-15/16"	6-15/16"	6-15/16"
1 1/4"	8-13/16"	8-3/4"	8-3/4"	8-3/4"
1 1/2"	8-3/8"	8-1/4"	8-1/4"	8-1/4"
2"	9-1/4"	9"	9"	9"

### Power Source

120 vac; 20 amp  
GFCI protected  
receptacle required

### Dimensions

**height** 45 1/4"  
**width** 32 1/2"  
**length** 44"  
**weight** 615 lbs (with shoes)

## 747 PVC Coated Rigid Shoe Group



### 700SP-7 40 Mil PVC Coated Rigid Shoe Group — UPC 811993025556

Item Number	Catalog Number	Description	Weight	
1	2-3200-7	PVC Coated Rigid 1/2" – 2" Shoe	47 lbs.	UPC 811993025983
2	2-4300-7	1/2" – 2" 40 Mil PVC Coated Rigid Roller Support	16 lbs.	UPC 811993025549
3	8-0501	Metal Storage Box 23" length x 17" height x 20" depth	36 lbs.	UPC 811993024399

[www.currenttools.com](http://www.currenttools.com)

P.O. Box 17026 • Greenville, SC 29606 • 864.721.4230 • fax 864.721.4232 • 800.230.5421





# BENDING

## 450 PVC Heater for 1/2" - 2"

- Full length door allows easy loading and removal of PVC conduit
- Manual operation
- 115 vac-1700 watts - 15 amps
- Lighted ON/OFF switch
- Highly reflective interior for even heating
- Includes convenient carrying handle
- Made in the USA



Scan here for manual



Catalog Number	Description	Weight	
450	Electric Heater for 1/2" - 2" PVC conduit Dimensions – 6 3/4" width x 9 1/4" height x 26 3/8" length	22 lbs.	UPC 811993020582

## 451 PVC Heater for 1/2" - 4"

- Durable wheels for maximum mobility
- Full length door allows easy loading and removal of PVC conduit
- Manual operation
- 120 vac - 2300 watts - 20 amps
- Lighted ON/OFF switch
- Highly reflective interior for even heating
- Made in the USA



Scan here for manual



Catalog Number	Description	Weight	
451	Electric Heater for 1/2" - 4" PVC conduit Dimensions – 9" width x 12 3/4" height x 56 7/8" length	52 lbs.	UPC 811993020599



**Current Tools**  
FOR THE PROFESSIONAL ELECTRICIAN

[www.currenttools.com](http://www.currenttools.com)

P.O. Box 17026 • Greenville, SC 29606 • 864.721.4230 • fax 864.721.4232 • 800.230.5421





## 452 PVC Heater for 1/2" – 6"

- Durable wheels for maximum mobility
- Double doors allow heating of shorter lengths of PVC conduit with one door open
- Manual Operation
- 230 vac - 6400 watts - 28 amps
- Power indicator light
- Stainless steel doors
- Made in the USA



Scan here for manual



Catalog Number	Description	Weight	
452	Manual Electric Heater for 1/2" - 6" PVC conduit Dimensions – 12" width x 16 1/4" height x 79 1/4" length	77 lbs.	UPC 811993020605

## 453 PVC Heater for 1/2" – 6" Auto Rotate

- Includes drive to automatically rotate the conduit for even heating
- Double doors allow heating of shorter lengths of PVC conduit with one door open
- Durable wheels for maximum mobility
- 230 vac - 6400 watts - 28 amps
- Power indicator light
- Stainless steel doors
- Made in the USA



Scan here for manual



Catalog Number	Description	Weight	
453	Auto Rotate Electric Heater for 1/2" - 6" PVC conduit Dimensions – 12" width x 16 1/4" height x 79 1/4" length	87 lbs.	UPC 811993020612



# BENDING

## PVC Heating Blankets

- Fast, economical way to heat PVC Conduit for bending
- Two built-in stiffeners to hold blanket tightly against conduit
- Strap holds blanket in place while heating
- All blankets come in storage bag with grommet for hanging
- All models are 120 vac
- Made in the USA



Scan here for manual



Catalog Number	Description	Watts	Amps	Weight	
441	PVC Heating Blanket for 1/2" to 1 1/2" Dimensions – 8 1/2" x 18"	300	2.5	1.5 lbs.	UPC 811993020254
442	PVC Heating Blanket for 2" to 3" Dimensions – 13 1/2" x 30"	800	6.7	2 lbs.	UPC 811993020629
443	PVC Heating Blanket for 3 1/2" to 4" Dimensions – 16 1/2" x 38"	1300	10.8	3.5 lbs.	UPC 811993020636



**Current Tools**  
FOR THE PROFESSIONAL ELECTRICIAN

[www.currenttools.com](http://www.currenttools.com)

P.O. Box 17026 • Greenville, SC 29606 • 864.721.4230 • fax 864.721.4232 • 800.230.5421



## PVC Plugs

- Plugs reduce heating time by trapping hot air inside PVC conduit
- Plugs help prevent conduit from collapsing while making the bend



## PVC Plug Kits

Catalog Number	Description	Weight	UPC
460	2"-4" Plug Kit - Each kit consists of 2 each plugs for 2" , 2 1/2" , 3" and 3 1/2" , 4"	5 lbs.	UPC 811993020643
461	2"-6" Plug Kit - Each kit consists of 2 each plugs for 2" , 2 1/2" , 3" and 3 1/2" , 4" , 5" , 6"	6 lbs.	UPC 811993020643

### Sold Individually

Catalog Number	Size	Weight	UPC
46-2	2"	.5 lb.	811993020667
46-2.5	2 1/2"	.5 lb.	811993020674
46-3	3" – 3-1/2"	.5 lb.	811993020681
46-4	4"	1 lb.	811993020698
46-5	5"	1 lb.	811993020704
46-6	6"	1 lb.	811993020711

## PVC Conduit Support Stand

- Supports PVC conduit while heating when using 452 or 453 PVC Heaters
- Height adjustment range 7 1/4" – 10"
- Made in the USA



Catalog Number	Description	Weight	UPC
454	PVC Conduit Support Stand	2 lbs.	UPC 811993020728



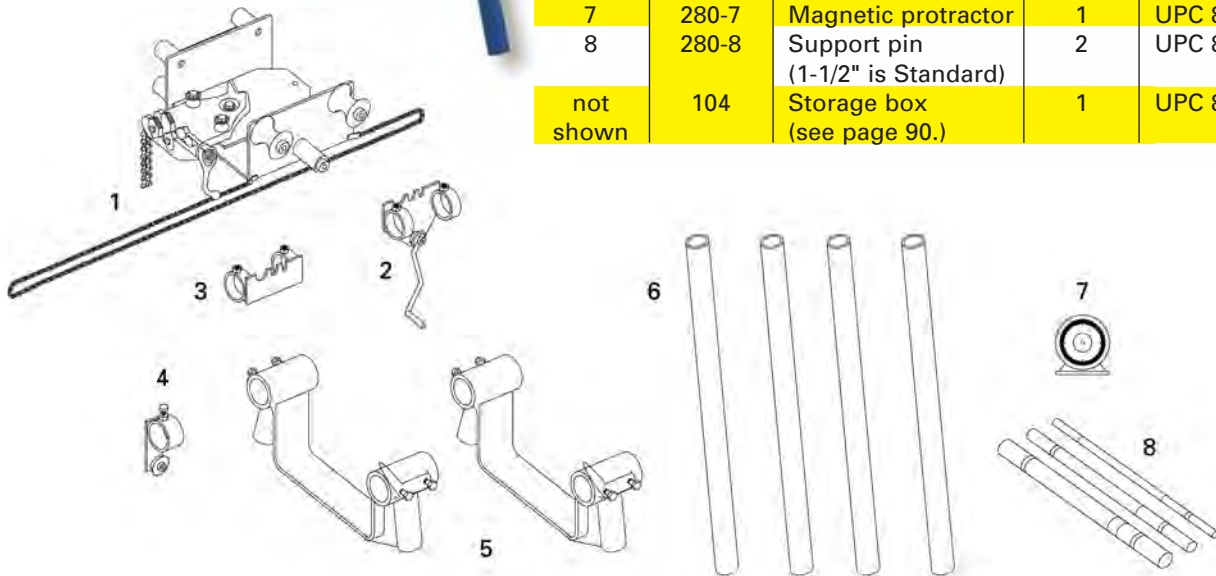
# BENDING

## 280 Bending Table

- Keeps bender off of the floor and at a comfortable working height
- Fast, easy set-up
- Reduces operator fatigue
- For use with Greenlee® Models 885, 884, 880, 777\*
- Compare to Greenlee® Bending Table Model #1802\*
- Made in the USA



Item Number	Catalog Number	Description	Quantity	UPC
1	280-1	Carriage with vise	1	UPC 811993020766
2	280-2	Hand crank unit	1	UPC 811993020773
3	280-3	Rest plate	1	UPC 811993020780
4	280-4	Idler unit	1	UPC 811993020797
5	280-5	Leg support	2	UPC 811993020803
6	280-6	Legs	4	UPC 811993020810
7	280-7	Magnetic protractor	1	UPC 811993020827
8	280-8	Support pin (1-1/2" is Standard)	2	UPC 811993020834
not shown	104	Storage box (see page 90.)	1	UPC 811993020759



Scan here for manual



Catalog Number	Description	Weight	UPC
280	280 Bending Table For use with Greenlee® No. 885, 884, 880, 777	183 lbs.	UPC 811993020735

\* Greenlee® is a registered trademark of Greenlee/Textron.



**Current Tools**  
FOR THE PROFESSIONAL ELECTRICIAN

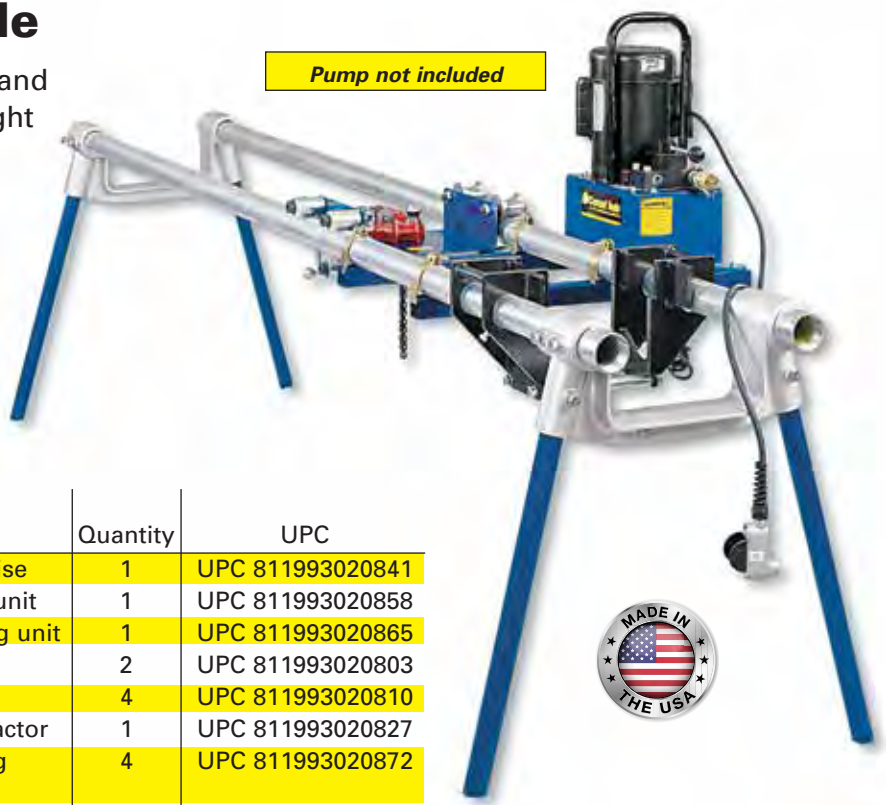
[www.currenttools.com](http://www.currenttools.com)

P.O. Box 17026 • Greenville, SC 29606 • 864.721.4230 • fax 864.721.4232 • 800.230.5421

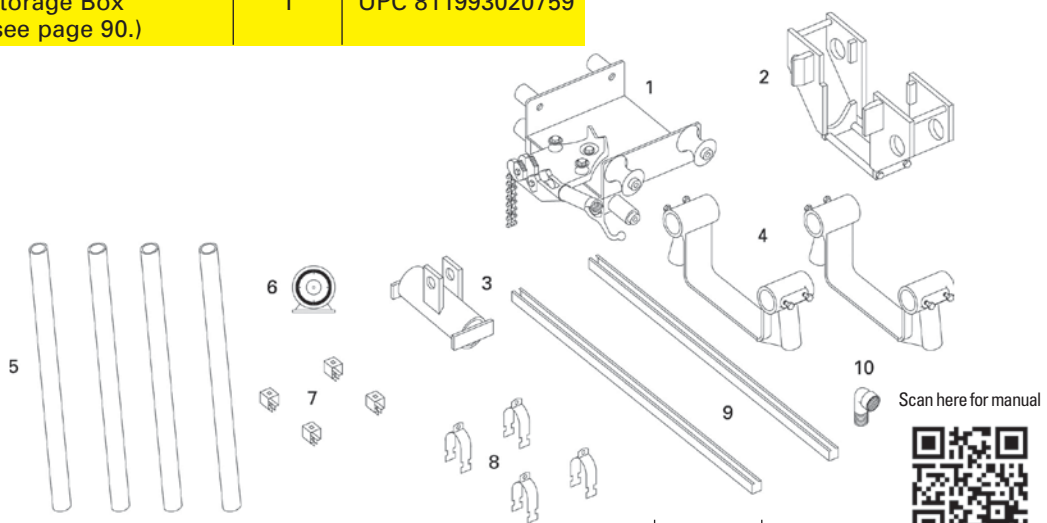


## 281 Bending Table

- Keeps bender off of the floor and at a comfortable working height
- Fast, easy set-up
- Reduces operator fatigue
- For use with Greenlee® Models 881 and 881 CamTrack® Benders\*
- Capacity up to 4" conduit
- Compare to Greenlee® Bending Table Model #1813\*
- Made in the USA



Item Number	Catalog Number	Description	Quantity	UPC
1	281-1	Carriage with vise	1	UPC 811993020841
2	281-2	Bender mount unit	1	UPC 811993020858
3	281-3	Ram positioning unit	1	UPC 811993020865
4	280-5	Leg support	2	UPC 811993020803
5	280-6	Legs	4	UPC 811993020810
6	280-7	Magnetic protractor	1	UPC 811993020827
7	281-4	Pump mounting hardware	4	UPC 811993020872
8	281-5	Conduit clamps	4	UPC 811993020889
9	281-6	Pump mounting brackets	2	UPC 811993020896
10	281-7	90° fitting	1	UPC 811993020902
not shown	104	Storage Box (see page 90.)	1	UPC 811993020759



Catalog Number	Description	Weight	UPC
281	281 Bending Table (For use with Greenlee® No. 881 and 881 Cam Track® Benders)	188 lbs.	UPC 811993020742

\* Greenlee® and Cam Track® are registered trademarks of Greenlee/Textron.



## Electric Pump

- Heavy duty design for long life
- Convenient pendant control for remote operation
- 2 speed operation
- For use with hydraulic benders
- Made in the USA



### SPECIFICATIONS

- Power Requirement — 120 vac
- Capacity — 10,000 psi
- Oil Capacity — 2.5 gallons
- Volume — 500 cubic inches per min. (fast advance)
- 46 cubic inches per min. (full pressure)



Catalog Number	Description	Weight	
290	Heavy duty 1 1/2 HP electric/hydraulic pump	75 lbs.	UPC 811993020919
291	optional – high pressure hose (not shown) 3/8"x 6' with 2 each 3/8"male couplers	2 lbs.	UPC 811993020926



## Band Saw

- Convertible (Horizontal/Vertical)
- Mobile Transfer System including:  
Pull-out handle that automatically locks saw head assembly in "down" position plus a foot-actuated jacking lever to position wheels for easy mobility
- Vertical Work Table
- Stock Stop Assembly
- Ball Bearing Blade Guides
- Three-speed V-Belt Drive
- Blade Brush
- Under Voltage and Overload Protection
- Power Interruption Breaker Switch
- Precision Ground Bed
- Quick Acting Vise
- Adjustable Pressure Gravity Feed
- Auto Shutoff at Cut Completion
- Blade Guards
- Made in the USA



Catalog Number	Description	Weight	
BSD95	Heavy Duty Band Saw	350 lbs.	UPC 811993020933

### SPECIFICATIONS

#### Capacity

Round .....	9 1/2"
Flat .....	11"
Rectangular.....	9 1/2" H x 11" W
45° angle.....	5.5" H x 5.5" W

#### Vertical Capacity

Throat Height.....	9.5"
Throat Depth .....	6.25"
Work Table .....	8" x 10"
Blade Size.....	1/2" x .025" x 7'9"
Blade speeds .....	76 -141 - 268 FPM
Blade Guides .....	Ball Bearing
Blade Tension.....	Manual Take-up
Motor, Blade Drive.....	1/2 HP, 115/60/1



# HOLEMAKING

## Manual Knockout Sets

### 158PM — 1/2" to 1 1/4"

### 159PM — 1 1/2" to 2"

- Features Piece Maker™ punches
- High strength steel punches and dies for long life
- Convenient storage case
- Designed to punch a maximum of 10 gauge (.134") mild steel
- Compare with Greenlee® Slug-Buster® Models 7235BB and 7237BB\*
- Made in the USA



158PM

159PM

All items including punches & dies will fit Greenlee® Knockout Sets!

Catalog Number	Description	Weight	
158PM	Manual Knockout Set – 1/2" to 1 1/4"	3 lbs.	UPC 811993021237
159PM	Manual Knockout Set – 1 1/2" to 2"	5 lbs.	UPC 811993021244

Catalog Number	Description	158PM	159PM	
1524	1/2" Piece Maker™ Punch	1	–	UPC 811993020032
1525	1/2" Die	1	–	UPC 811993020049
1526	3/4" Piece Maker™ Punch	1	–	UPC 811993020056
1527	3/4" Die	1	–	UPC 811993020063
1528	1" Piece Maker™ Punch	1	–	UPC 811993020070
1529	1" Die	1	–	UPC 811993020087
1530	1 1/4" Piece Maker™ Punch	1	–	UPC 811993020094
1531	1 1/4" Die	1	–	UPC 811993020100
1532	1 1/2" Piece Maker™ Punch	–	1	UPC 811993020117
1533	1 1/2" Die	–	1	UPC 811993020124
1534	2" Piece Maker™ Punch	–	1	UPC 811993020131
1535	2" Die	–	1	UPC 811993020148
1557	Draw Bolt – 3/8" x 1 5/8"	1	–	UPC 811993020155
1558	Draw Bolt – 3/4" x 2 15/16"	–	1	UPC 811993020162
1559	Draw Bolt – 3/4" x 2 1/8"	1	–	UPC 811993020179
1502	Case – 1/2" to 1 1/4" Set	1	–	UPC 811993021381
1503	Case – 1 1/2" to 2" Set	–	1	UPC 811993021398



Piece Maker™ Punches are designed to split the slug into two pieces for easy removal from die after punch completion

Scan here for manual



\* Greenlee® and Slug-Buster® are registered trademarks of Greenlee/Textron.



**Current Tools**  
FOR THE PROFESSIONAL ELECTRICIAN

[www.currenttools.com](http://www.currenttools.com)

P.O. Box 17026 • Greenville, SC 29606 • 864.721.4230 • fax 864.721.4232 • 800.230.5421



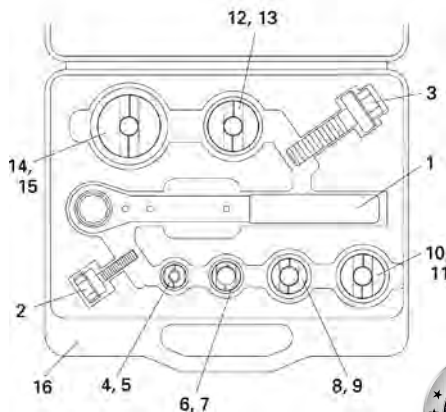


## 157PM Ratchet Knockout Set

- Features Piece Maker™ punches
- 1" hex ratchet wrench fits both 3/8" and 3/4" draw bolts
- Heavy duty plastic carrying case
- Designed to punch a maximum of 10 gauge ( .134" ) mild steel
- Compare with Greenlee® Slug-Buster® Model 7238SB\*
- Made in the USA



*Piece Maker™ Punches are designed to split the slug into two pieces for easy removal from die after punch completion*



**All items including punches & dies will fit Greenlee® Knockout Sets!**

Catalog Number	Description	Weight	UPC
157PM	Ratchet Knockout Set 1/2" – 2"	9 lbs.	811993021251

Item Number	Catalog Number	Qty	Description	UPC
1	1556	1	1" Ratchet Wrench	811993021602
2	1557	1	Draw Bolt – 3/8" x 1 5/8"	811993020155
3	1558	1	Draw Bolt – 3/4" x 2 15/16"	811993020162
4	1524	1	1/2" Piece Maker™ Punch	811993020032
5	1525	1	1/2" Die	811993020049
6	1526	1	3/4" Piece Maker™ Punch	811993020056
7	1527	1	3/4" Die	811993020063
8	1528	1	1" Piece Maker™ Punch	811993020070
9	1529	1	1" Die	811993020087
10	1530	1	1 1/4" Piece Maker™ Punch	811993020094
11	1531	1	1 1/4" Die	811993020100
12	1532	1	1 1/2" Piece Maker™ Punch	811993020117
13	1533	1	1 1/2" Die	811993020124
14	1534	1	2" Piece Maker™ Punch	811993020131
15	1535	1	2" Die	811993020148
16	157-PC	1	Plastic Case	811993021619

Scan here for manual



\* Greenlee® and Slug-Buster® are registered trademarks of Greenlee/Textron.



# HOLEMAKING

## Hydraulic Punch Driver Sets — Straight and 90°

- Designed to punch a maximum of 10 gauge (.134") mild steel up to 2" and, with optional Piece Maker SS Punches and Dies, 10 gauge (.134") stainless steel up to 1 1/4"
- Designed to split the slug into two pieces for easy removal
- High strength steel punches and dies for long life
- Requires less force than conventional punches
- 90° punch driver incorporates rotating head for numerous operating positions
- Compare with Greenlee® Quick Draw® Models 7806SB and 7906SB\*
- Superior pressure relief valve minimizes wear and leakage
- Made in the USA



*Piece Maker™ Punches are designed to split the slug into two pieces for easy removal from die after punch completion*

**All items including punches & dies will fit Greenlee® Knockout Sets!**



**Model 170PM**  
Straight Punch Driver Set



**Model 179PM**  
90° Punch Driver Set

Scan here for manual



Catalog Number	Description	Weight	
170PM	1/2" to 2" Straight Hydraulic Punch Driver Set	16 lbs.	UPC 811993020940
179PM	1/2" to 2" 90° Hydraulic Punch Driver Set	17 lbs.	UPC 811993020964

\* Greenlee® and Quick Draw® are registered trademarks of Greenlee/Textron.



**Current Tools**  
FOR THE PROFESSIONAL ELECTRICIAN

[www.currenttools.com](http://www.currenttools.com)

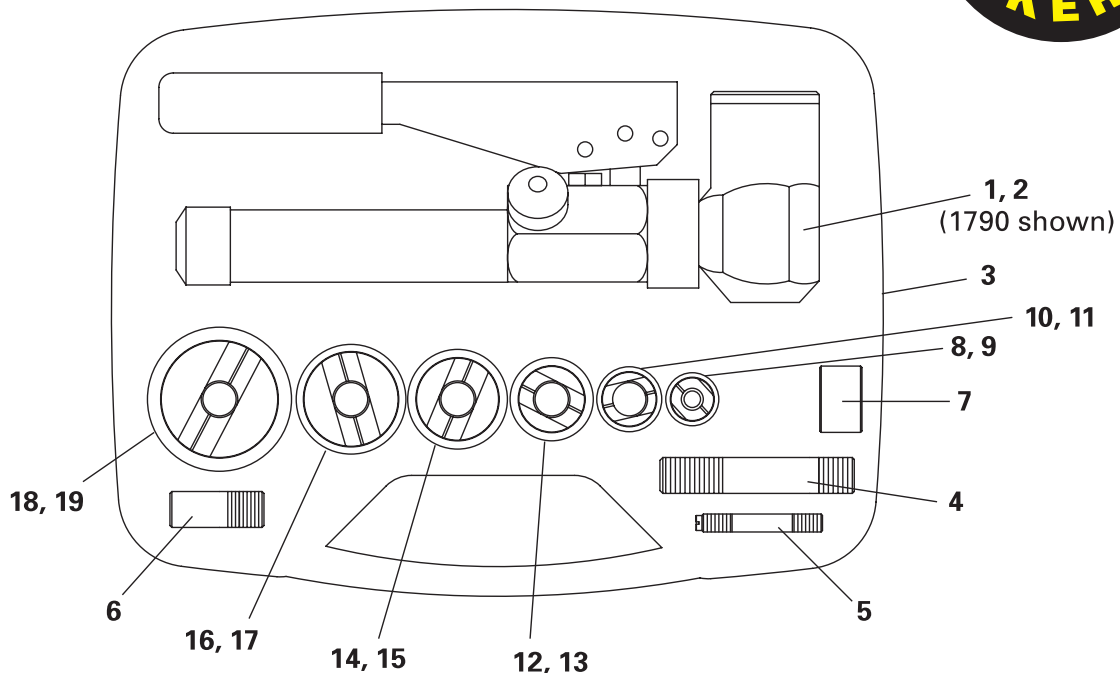
P.O. Box 17026 • Greenville, SC 29606 • 864.721.4230 • fax 864.721.4232 • 800.230.5421



## Hydraulic Punch Driver Sets — Straight and 90°

Item Number	Catalog Number	Description	#170	#170PM	#179	#179PM	
1	1700	Punch Driver – Straight	1	1			UPC 811993021008
2	1790	Punch Driver – 90°			1	1	UPC 811993021015
3	1701	Plastic Case	1	1	1	1	UPC 811993021022
4	1702	3/4"x 4 1/8" Draw Stud	1	1	1	1	UPC 811993020186
5	1550	3/8" Draw Stud	1	1	1	1	UPC 811993020193
6	1703	Adapter Stud	1	1	1	1	UPC 811993020209
7	1553	Short Spacer – S	1	1	1	1	UPC 811993020001
8	1524	1/2" Piece Maker™ Punch		1		1	UPC 811993020032
9	1525	1/2" Die		1		1	UPC 811993020049
10	1526	3/4" Piece Maker™ Punch		1		1	UPC 811993020056
11	1527	3/4" Die		1		1	UPC 811993020063
12	1528	1" Piece Maker™ Punch		1		1	UPC 811993020070
13	1529	1" Die		1		1	UPC 811993020087
14	1530	1 1/4" Piece Maker™ Punch		1		1	UPC 811993020094
15	1531	1 1/4" Die		1		1	UPC 811993020100
16	1532	1 1/2" Piece Maker™ Punch		1		1	UPC 811993020117
17	1533	1 1/2" Die		1		1	UPC 811993020124
18	1534	2" Piece Maker™ Punch		1		1	UPC 811993020131
19	1535	2" Die		1		1	UPC 811993020148

*Piece Maker™ Punches are designed to split the slug into two pieces for easy removal from die after punch completion*





# HOLEMAKING

## Piece Maker™ Knockout Sets

- Designed to split the slug into two pieces for easy removal
- Requires less force than conventional punches
- Fast set-up
- High-strength steel punches and dies for long life
- Reduces punch time versus manual or ratchet methods
- Unique hand pump design with heavy duty ram
- Designed to punch a maximum of 10 gauge ( .134" ) mild steel
- Compare with Greenlee® Slug-Buster® Models 7306SB and 7310SB\*
- Made in the USA

All items including punches & dies will fit Greenlee® Knockout Sets!



**Model 152PM**



*Piece Maker™ Punches are designed to split the slug into two pieces for easy removal from die after punch completion*

Scan here for manual



Catalog Number	Description	Weight	
152PM	1/2" – 2" Piece Maker™ Hydraulic Knockout Set with plastic case	27 lbs.	UPC 811993021268
152PM-MC	1/2" – 2" Piece Maker™ Hydraulic Knockout Set with metal case	29 lbs.	UPC 811993021275
154PM	1/2" – 4" Piece Maker™ Hydraulic Knockout Set with metal case	54 lbs.	UPC 811993021282

\* Greenlee® and Slug-Buster® are registered trademarks of Greenlee/Textron.



**Current Tools**  
FOR THE PROFESSIONAL ELECTRICIAN

[www.currenttools.com](http://www.currenttools.com)

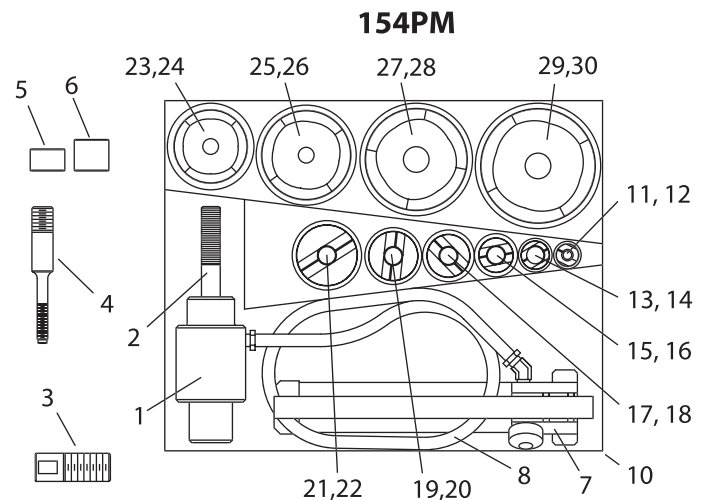
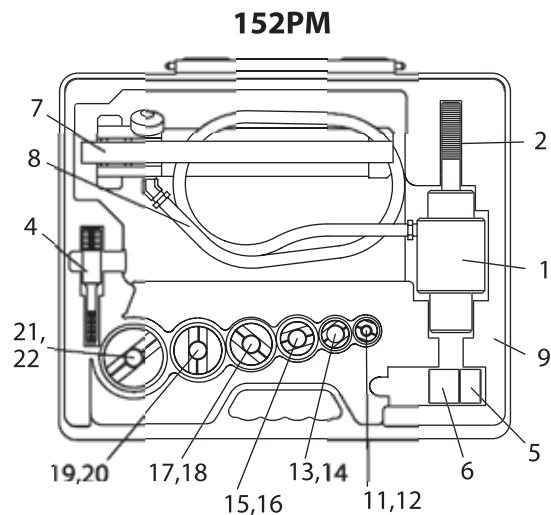
P.O. Box 17026 • Greenville, SC 29606 • 864.721.4230 • fax 864.721.4232 • 800.230.5421





## Piece Maker™ Knockout Sets

Item Number	Catalog Number	Description	#152PM 1/2" to 2"	#154PM 1/2" to 4"	
1	1522	Ram ( Includes #2 )	1	1	UPC 811993021411
2	1582	3/4" Draw Stud	1	1	UPC 811993021107
3	1552	1 1/8" Adapter		1	UPC 811993021589
4	1581	3/8" Draw Stud	1	1	UPC 811993021091
5	1553	Short Spacer - S	1	1	UPC 811993020001
6	1554	Medium Spacer - M	1	1	UPC 811993020018
7	1521	Hydraulic Hand Pump	1	1	UPC 811993021404
8	1523	1/4" x 3' Hydraulic Hose	1	1	UPC 811993021428
9	1500-PC	Plastic Carrying Case -1/2" to 2" Set	1		UPC 811993021367
10	1501	Metal Carrying Case -1/2" to 4" Set		1	UPC 811993021374
11	1524	1 1/2" Piece Maker™ Punch	1	1	UPC 811993020032
12	1525	1/2" Die	1	1	UPC 811993020049
13	1526	3/4" Piece Maker™ Punch	1	1	UPC 811993020056
14	1527	3/4" Die	1	1	UPC 811993020063
15	1528	1" Piece Maker™ Punch	1	1	UPC 811993020070
16	1529	1" Die	1	1	UPC 811993020087
17	1530	1 1/4" Piece Maker™ Punch	1	1	UPC 811993020094
18	1531	1 1/4" Die	1	1	UPC 811993020100
19	1532	1 1/2" Piece Maker™ Punch	1	1	UPC 811993020117
20	1533	1 1/2" Die	1	1	UPC 811993020124
21	1534	2" Piece Maker™ Punch	1	1	UPC 811993020131
22	1535	2" Die	1	1	UPC 811993020148
23	1566	2 1/2" Punch		1	UPC 811993021121
24	1567	2 1/2" Die		1	UPC 811993021138
25	1568	3" Punch		1	UPC 811993021145
26	1569	3" Die		1	UPC 811993021152
27	1570	3 1/2" Punch		1	UPC 811993021169
28	1571	3 1/2" Die		1	UPC 811993021176
29	1572	4" Punch		1	UPC 811993021183
30	1573	4" Die		1	UPC 811993021190
—	155-SET	Spacer Set S-M-L			UPC 811993021596
—	1500	Metal Carrying Case for 1/2" – 2" Set			UPC 811993021350





# HOLEMAKING

## Standard Knockout Sets

- 4 point punch design for easy slug removal
- Fast set-up
- High strength steel punches and dies for long life
- Reduces punch time versus manual or ratchet methods
- Unique hand pump design with heavy duty ram
- Designed to punch a maximum of 10 gauge ( .134" ) mild steel
- Compare with Greenlee® Models 7306 and 7310\*
- Made in the USA



All items including punches & dies will fit Greenlee® Knockout Sets!



**Model 154**

Scan here for manual



Catalog Number	Description	Weight	
152	1/2" – 2" Standard Hydraulic Knockout Set	29 lbs.	UPC 811993021299
154	1/2" – 4" Standard Hydraulic Knockout Set	54 lbs.	UPC 811993021312

\* Greenlee® is a registered trademark of Greenlee/Extron.



**Current Tools**  
FOR THE PROFESSIONAL ELECTRICIAN

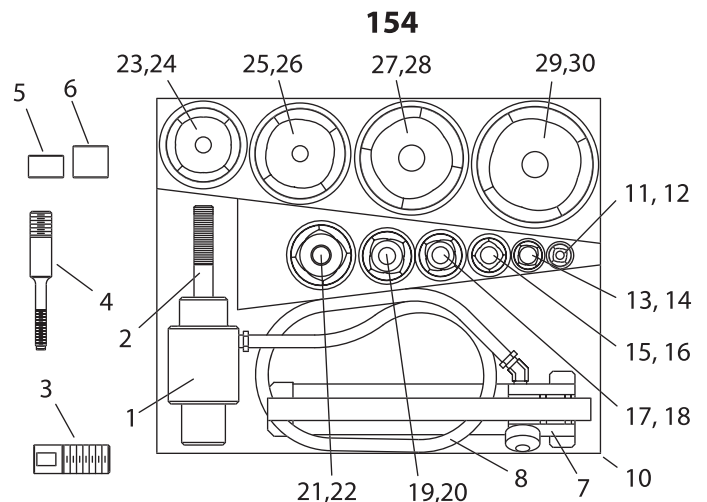
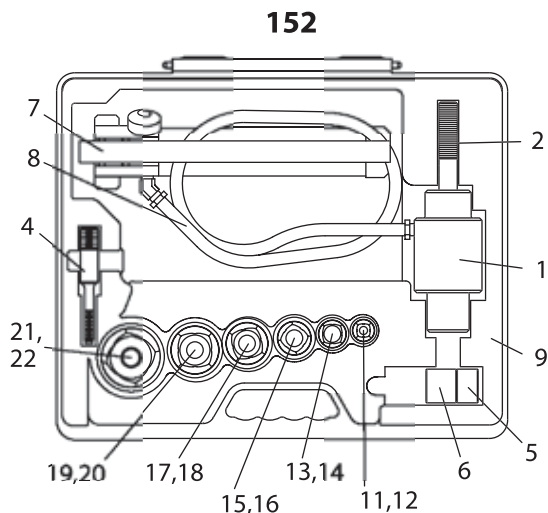
[www.currenttools.com](http://www.currenttools.com)

P.O. Box 17026 • Greenville, SC 29606 • 864.721.4230 • fax 864.721.4232 • 800.230.5421



## Standard Knockout Sets

Item Number	Catalog Number	Description	#152 1/2" to 2"	#154 1/2" to 4"	
1	1522	Ram ( Includes #2 )	1	1	UPC 811993021411
2	1582	3/4" Draw Stud	1	1	UPC 811993021107
3	1552	1 1/8" Adapter		1	UPC 811993021589
4	1581	3/8" Draw Stud	1	1	UPC 811993021091
5	1553	Short Spacer - S	1	1	UPC 811993020001
6	1554	Medium Spacer - M	1	1	UPC 811993020018
7	1521	Hydraulic Hand Pump	1	1	UPC 811993021404
8	1523	1/4" x 3' Hydraulic Hose	1	1	UPC 811993021428
9	1500-PC	Plastic Carrying Case -1/2" to 2" Set	1		UPC 811993021367
10	1501	Metal Carrying Case -1/2" to 4" Set		1	UPC 811993021374
11	1560	1/2" Standard Punch	1	1	UPC 811993021626
12	1525	1/2" Die	1	1	UPC 811993020049
13	1561	3/4" Standard Punch	1	1	UPC 811993021633
14	1527	3/4" Die	1	1	UPC 811993020063
15	1562	1" Standard Punch	1	1	UPC 811993021640
16	1529	1" Die	1	1	UPC 811993020087
17	1563	1 1/4" Standard Punch	1	1	UPC 811993021657
18	1531	1 1/4" Die	1	1	UPC 811993020100
19	1564	1 1/2" Standard Punch	1	1	UPC 811993021664
20	1533	1 1/2" Die	1	1	UPC 811993020124
21	1565	2" Standard Punch	1	1	UPC 811993021671
22	1535	2" Die	1	1	UPC 811993020148
23	1566	2 1/2" Punch		1	UPC 811993021121
24	1567	2 1/2" Die		1	UPC 811993021138
25	1568	3" Punch		1	UPC 811993021145
26	1569	3" Die		1	UPC 811993021152
27	1570	3 1/2" Punch		1	UPC 811993021169
28	1571	3 1/2" Die		1	UPC 811993021176
29	1572	4" Punch		1	UPC 811993021183
30	1573	4" Die		1	UPC 811993021190
—	155-SET	Spacer Set S-M-L			UPC 811993021596





# HOLEMAKING

## Drill Driven Punch Driver Knockout Sets

- Punch up to a 4" conduit size hole in a maximum of 10 gauge mild steel
- No hydraulic oil
- 1/2" to 2" punches designed to split the slug into two pieces for easy removal
- High strength steel punches and dies for long life
- Recommended drill – (provided by end user) – 1/2" cordless drill with a minimum of 18 volts
- Fast, easy punching – no ratcheting
- Compare to Southwire® Max Punch®\*\*
- Made in the USA



*Piece Maker™ Punches are designed to split the slug into two pieces for easy removal from die after punch completion*

**Current Tools™ Punch Driver may be used with Greenlee\* Punches and dies**



**Model 162PM**

Scan here for manual



Catalog Number	Description	Weight	
163	Drill Driven Punch Driver	6 lbs.	UPC 811993021046
162PM	1/2" – 2" Drill Driven Punch Driver Set	19 lbs.	UPC 811993021053
164PM	1/2" – 4" Drill Driven Punch Driver Set	36 lbs.	UPC 811993021060

\*Greenlee is a registered trademark of Greenlee/Textron.

\*\*Southwire® and Max Punch® are registered trademarks of Southwire Company, LLC.



**Current Tools**  
FOR THE PROFESSIONAL ELECTRICIAN

[www.currenttools.com](http://www.currenttools.com)

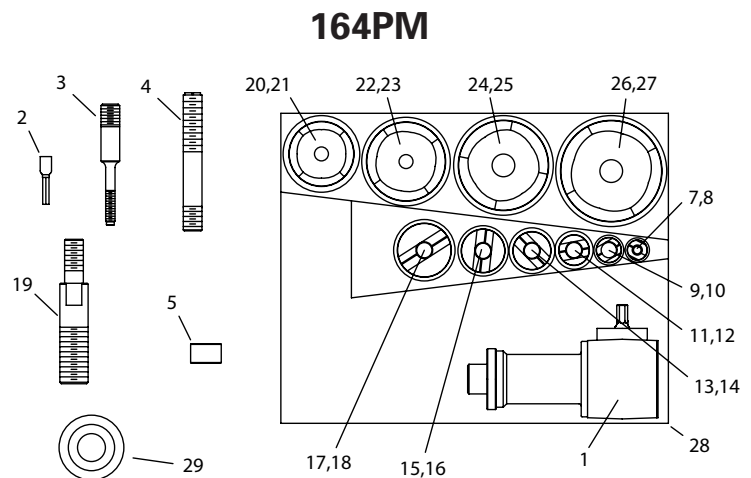
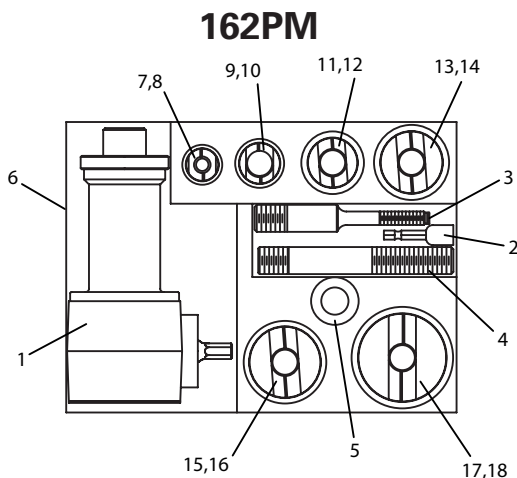
P.O. Box 17026 • Greenville, SC 29606 • 864.721.4230 • fax 864.721.4232 • 800.230.5421





## Drill Driven Punch Driver Knockout Sets

Item Number	Catalog Number	Description	163	162PM 1/2" to 2"	164PM 1/2" to 4"	
1	163	Punch Driver	1	1	1	UPC 811993021046
2	163-14	Nut Driver (3/8")		1	1	UPC 811993021084
3	1581	3/8" Draw Stud		1	1	UPC 811993021091
4	1582	3/4" Draw Stud		1	1	UPC 811993021107
5	1553	Short Spacer		1	1	UPC 811993020001
6	163-5	Carrying Case		1		UPC 811993021220
7	1524	1/2" Piece Maker™ Punch		1	1	UPC 811993020032
8	1525	1/2" Die		1	1	UPC 811993020049
9	1526	3/4" Piece Maker™ Punch		1	1	UPC 811993020056
10	1527	3/4" Die		1	1	UPC 811993020063
11	1528	1" Piece Maker™ Punch		1	1	UPC 811993020070
12	1529	1" Die		1	1	UPC 811993020087
13	1530	1 1/4" Piece Maker™ Punch		1	1	UPC 811993020094
14	1531	1 1/4" Die		1	1	UPC 811993020100
15	1532	1 1/2" Piece Maker™ Punch		1	1	UPC 811993020117
16	1533	1 1/2" Die		1	1	UPC 811993020124
17	1534	2" Piece Maker™ Punch		1	1	UPC 811993020131
18	1535	2" Die		1	1	UPC 811993020148
19	1580	3/4" X 1 1/8" Draw Stud			1	UPC 811993021114
20	1566	2 1/2" Punch			1	UPC 811993021121
21	1567	2 1/2" Die			1	UPC 811993021138
22	1568	3" Punch			1	UPC 811993021145
23	1569	3" Die			1	UPC 811993021152
24	1570	3 1/2" Punch			1	UPC 811993021169
25	1571	3 1/2" Die			1	UPC 811993021176
26	1572	4" Punch			1	UPC 811993021183
27	1573	4" Die			1	UPC 811993021190
28	1501	Metal Storage Box			1	UPC 811993021206
29	163-766	3 1/2" & 4" Die Adapter			1	UPC 811993021213





# HOLEMAKING

## Heavy Duty Piece Maker™ SS Knockout Sets for Stainless Steel

- Punch up to 2" holes in a maximum of 10 gauge stainless steel
- Designed to split the slug into two pieces for easy removal
- Punches are manufactured from tool steel for high strength and long life
- Requires less force than conventional punches
- Compare with Greenlee® Slug-Splitter® Models 7307 and 7506\*
- Made in the USA



*Piece Maker™ SS  
Punches are designed  
to split the slug into  
two pieces for easy  
removal from die  
after punch completion*



**All items  
including punches  
& dies will fit  
Greenlee®  
Slug-Splitter®  
Knockout Sets!**



**Model 160SS**



**Model 161SS**

Scan here for manual



Catalog Number	Description	Weight	
160SS	1/2" to 2" Heavy Duty Piece Maker™ SS Knockout Set for Stainless Steel	11 lbs.	UPC 811993021336
161SS	1/2" to 2" Heavy Duty Piece Maker™ SS Hydraulic Knockout Set for Stainless Steel	33 lbs.	UPC 811993021343

\* Greenlee® and Slug-Splitter® are registered trademarks of Greenlee/Textron.



**Current Tools**  
FOR THE PROFESSIONAL ELECTRICIAN

[www.currenttools.com](http://www.currenttools.com)

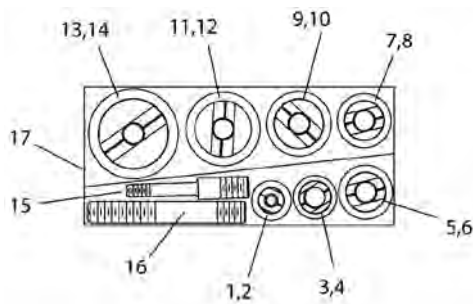
P.O. Box 17026 • Greenville, SC 29606 • 864.721.4230 • fax 864.721.4232 • 800.230.5421



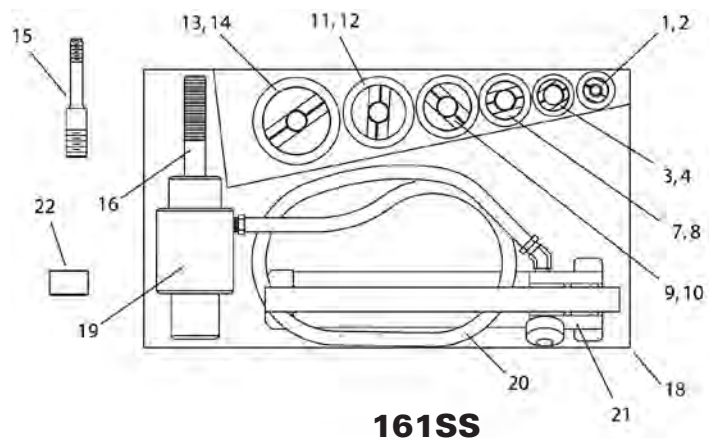
## Heavy Duty Piece Maker™ SS Knockout Sets



Item Number	Catalog Number	Description	#160SS	#161SS	
1	1536	1/2" SS Punch	1	1	UPC 811993021435
2	1537	1/2" SS Die	1	1	UPC 811993021442
3	1538	3/4" SS Punch	1	1	UPC 811993021459
4	1539	3/4" SS Die	1	1	UPC 811993021466
5	1540	1 7/32" SS Punch	1		UPC 811993021473
6	1541	1 7/32" SS Die	1		UPC 811993021480
7	1542	1" SS Punch	1	1	UPC 811993021497
8	1543	1" SS Die	1	1	UPC 811993021503
9	1544	1 1/4" SS Punch	1	1	UPC 811993021510
10	1545	1 1/4" SS Die	1	1	UPC 811993021527
11	1546	1 1/2" SS Punch	1	1	UPC 811993021534
12	1547	1 1/2" SS Die	1	1	UPC 811993021541
13	1548	2" SS Punch	1	1	UPC 811993021558
14	1549	2" SS Die	1	1	UPC 811993021565
15	1574	3/4"- 7/16"x 4 1/4" SS Draw Stud	1	1	UPC 811993021688
16	1575	3/4"x 5 1/2" SS Draw Stud	1	1	UPC 811993021695
17	1600	Metal Case - 160SS	1		UPC 811993021749
18	1500	Metal Case - 161SS		1	UPC 811993021350
19	1522	Ram		1	UPC 811993021411
20	1523	1/4" x 3' Hydraulic Hose		1	UPC 811993021428
21	1521	Hydraulic Hand Pump		1	UPC 811993021404
22	1553	Spacer - S		1	UPC 811993020001



**160SS**



**161SS**





# HOLEMAKING

## Drill Driven Punch Driver Knockout Set for Stainless Steel

- Punch up to a 2" conduit size hole in a maximum of 10 gauge stainless steel
- Punch 2 1/2" to 4" with optional Model #166SS Set (see pages 41 & 42)
- No hydraulic oil
- 1/2" to 2" punches designed to split the slug into two pieces for easy removal
- Punches are manufactured from tool steel for high strength and long life
- Recommended drill – (provided by end user) – 1/2" cordless drill with a minimum of 18 volts
- Fast, easy punching – no ratcheting
- Compare to Southwire Max Punch® Pro\*\*
- Made in the USA



*Piecemaker™ SS  
Punches are designed  
to split the slug into  
two pieces for easy  
removal from die  
after punch completion*

**Current Tools™  
Punch Driver  
may be used with  
Greenlee\* Punches  
and dies**



**Model 162SS**



Scan here for manual



Catalog Number	Description	Weight	
163	Drill Driven Punch Driver	6 lbs.	UPC 811993021046
162SS	1/2" – 2" Piecemaker™ SS Drill Driven Knockout Set	19 lbs.	UPC 811993021077

\*Greenlee is a registered trademark of Greenlee/Textron.

\*\*Southwire® and Max Punch® are registered trademarks of Southwire Company, LLC.



**Current Tools**  
FOR THE PROFESSIONAL ELECTRICIAN

[www.currenttools.com](http://www.currenttools.com)

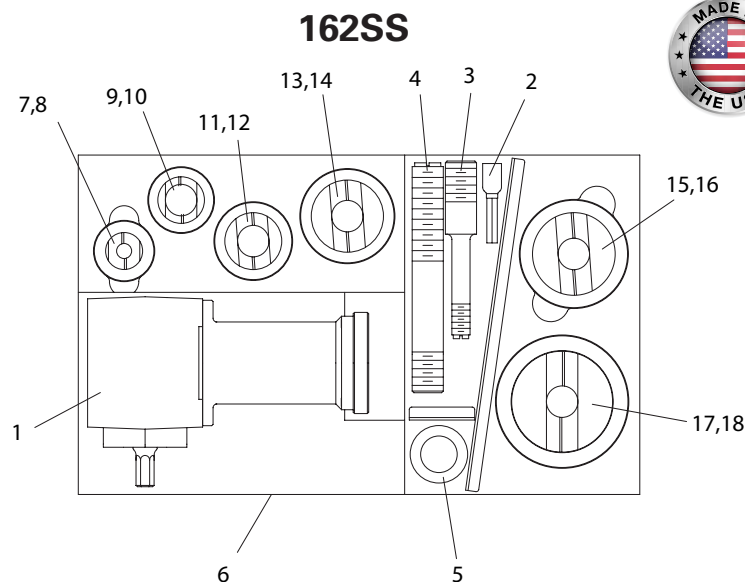
P.O. Box 17026 • Greenville, SC 29606 • 864.721.4230 • fax 864.721.4232 • 800.230.5421





## Drill Driven Punch Driver Knockout Set for Stainless Steel

Item Number	Catalog Number	Description	163	162SS 1/2" to 2"	
1	163	Punch Driver	1	1	UPC 811993021046
2	163-14	Nut Driver		1	UPC 811993021084
3	1574	3/4"-7/16" X 4 1/4" SS Draw Stud		1	UPC 811993021688
4	1575	3/4" X 5 1/2" SS Draw Stud		1	UPC 811993021695
5	1553	Spacer – S		1	UPC 811993020001
6	1505	Metal Case – 162SS		1	UPC 811993025303
7	1536	1/2" SS Punch		1	UPC 811993021435
8	1537	1/2" SS Die		1	UPC 811993021442
9	1538	3/4" SS Punch		1	UPC 811993021459
10	1539	3/4" SS Die		1	UPC 811993021466
11	1542	1" SS Punch		1	UPC 811993021497
12	1543	1" SS Die		1	UPC 811993021503
13	1544	1 1/4" SS Punch		1	UPC 811993021510
14	1545	1 1/4" SS Die		1	UPC 811993021527
15	1546	1 1/2" SS Punch		1	UPC 811993021534
16	1547	1 1/2" SS Die		1	UPC 811993021541
17	1548	2" SS Punch		1	UPC 811993021558
18	1549	2" SS Die		1	UPC 811993021565





# HOLEMAKING

## Knockout Set for Stainless Steel 166SS – 2½", 3", and 4"

- 4 point punch design for easy slug removal
- Designed to punch a maximum of 10 gauge stainless steel
- Metal Case
- Compare with Greenlee® Model 7308\*
- Made in the USA

All items including punches & dies will fit Greenlee® Knockout Sets!



Catalog Number	Description	Weight	
166SS	2½", 3" and 4" Knockout Punch and Die Set for Stainless Steel (3½" Punch and Die - Optional)	23 lbs.	UPC 811993024467

\* Greenlee® is a registered trademarks of Greenlee/Textron.



**Current Tools**  
FOR THE PROFESSIONAL ELECTRICIAN

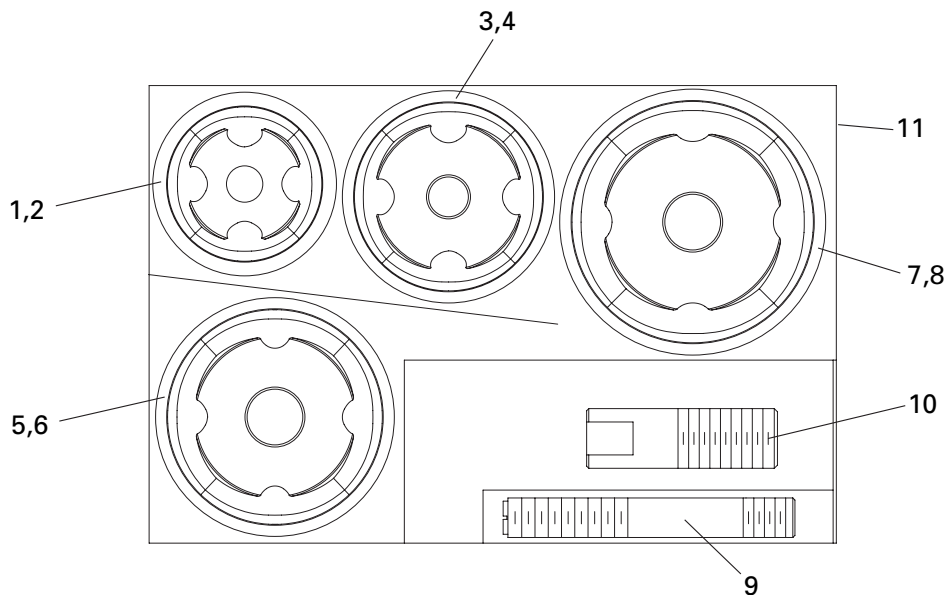
[www.currenttools.com](http://www.currenttools.com)

P.O. Box 17026 • Greenville, SC 29606 • 864.721.4230 • fax 864.721.4232 • 800.230.5421



## Knockout Punch and Die Set for Stainless Steel 166SS – 2½", 3", and 4"

Item Number	Catalog Number	Description	UPC
1	1583	2½" SS Punch	811993024474
2	1584	2½" SS Die	811993024481
3	1585	3" SS Punch	811993024498
4	1586	3" SS Die	811993024504
5	1587	3½" SS Punch - (Optional)	811993024511
6	1588	3½" SS Die - (Optional)	811993024528
7	1589	4" SS Punch	811993024535
8	1590	4" SS Die	811993024542
9	1575	¾" x 5½" SS Draw Stud	811993021695
10	1552	1 1/8" Adapter	811993021589
11	1504	Metal Case	811993021206





# HOLEMAKING

## Knockout Punch and Die Set 156 — 2 1/2" to 4"

- 4 point punch design for easy slug removal
- Fast set-up
- High strength steel punches and dies for long life
- Designed to punch a maximum of 10 gauge ( .134" ) mild steel
- Compare with Greenlee® Model 7304\*
- Metal case
- Made in the USA

All items including punches & dies will fit Greenlee® Knockout Sets!



Catalog Number	Description	Weight	
156	2 1/2" – 4" Knockout Punch and Die Set	25 lbs.	UPC 811993021329

\* Greenlee® is a registered trademark of Greenlee/Textron.



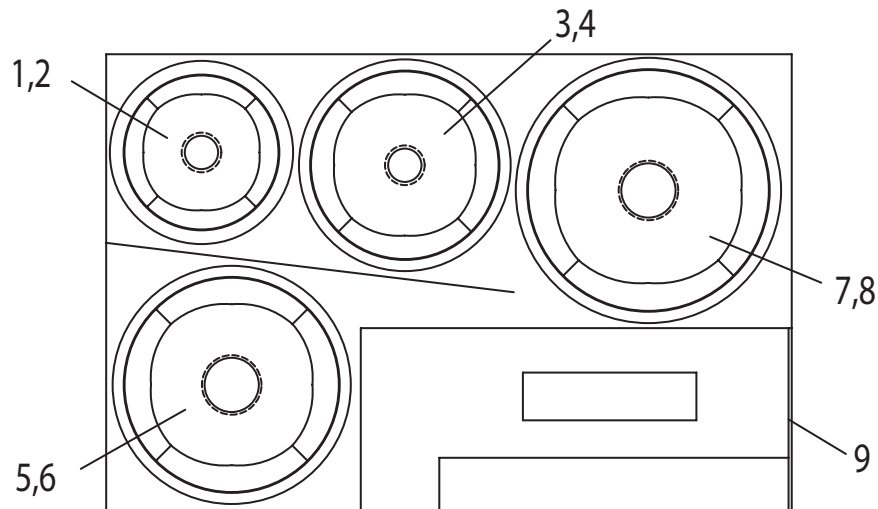
**Current Tools**  
FOR THE PROFESSIONAL ELECTRICIAN

[www.currenttools.com](http://www.currenttools.com)

P.O. Box 17026 • Greenville, SC 29606 • 864.721.4230 • fax 864.721.4232 • 800.230.5421



## Knockout Punch and Die Set 156 — 2 1/2" to 4"



Item Number	Catalog Number	Qty	Description	
1	1566	1	2 1/2" Punch	UPC 811993021121
2	1567	1	2 1/2" Die	UPC 811993021138
3	1568	1	3" Punch	UPC 811993021145
4	1569	1	3" Die	UPC 811993021152
5	1570	1	3 1/2" Punch	UPC 811993021169
6	1571	1	3 1/2" Die	UPC 811993021176
7	1572	1	4" Punch	UPC 811993021183
8	1573	1	4" Die	UPC 811993021190
9	1504	1	Metal Storage Box	UPC 811993021206



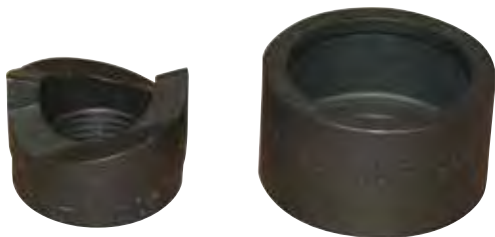
# HOLEMAKING

## 5" and 6" Punch and Die

- 4 point punch design for easy slug removal
- Designed to punch a maximum of 10 gauge (.134) mild steel
- High strength steel punches and dies for long life
- For use with Current Tools or Greenlee® Knockout hand pump and ram\*
- Made in the USA



Catalog Number	Description	Weight	
1576	5" Punch	6 lbs.	UPC 811993021701
1577	5" Die	6.5 lbs.	UPC 811993021718
1578	6" Punch	9 lbs.	UPC 811993021725
1579	6" Die	10.5 lbs.	UPC 811993021732
1580	Draw Stud – 3/4" x 1 1/8" x 5 3/4" long	0.5 lb.	UPC 811993021114



Catalog Number	Description	Weight	Capacity
1591	1 7/32" Piece Maker Punch	.20 lbs.	Up to 10 gauge mild steel
1592	1 7/32" Die	.15 lbs.	Up to 10 gauge mild steel

\* Greenlee® is a registered trademark of Greenlee/Textron.





## Hand Pump and Hydraulic Hose for Knockout Sets

- Unique stainless steel and aluminum construction for light weight and rugged use
- Operates in any position
- 6,500 PSI ( max ) pressure
- For use ONLY with Hydraulic Knockout Sets & Cable Cutters
- Compare with Greenlee® Model #767\*
- Made in the USA



### SPECIFICATIONS

Oil Capacity — 16 cu. in.  
 Oil Volume — .069 cu. in. per stroke



## Knockout Ram

- Will work with Greenlee® punches and dies\*
- Proven heavy duty design
- For use only with 6,500 PSI maximum hand pumps
- Compare with Greenlee® Model #746\*
- Made in the USA



Catalog Number	Description	Weight	
1521	6,500 PSI ( max ) hydraulic hand pump Dimensions – 2 7/8" width x 3 3/8" height x 12 3/4" length	4.7 lbs.	UPC 811993021404
1522	Hydraulic Knockout Ram Dimensions – 5 3/4" length x 2 7/8" diameter	6 lbs.	UPC 811993021411
1523	1/4" x 3' Hydraulic Hose — 1/4" NPT male fittings on both ends, one end swivels	1 lb.	UPC 811993021428

\* Greenlee® is a registered trademark of Greenlee/Textron.



# HOLEMAKING

## Stud Punch

- Punches steel studs up to 20 gauge
- Self-clearing mechanism to help avoid punch hang-up
- Handle designed to allow for tight clearances
- Self-centering on standard width studs
- Lightweight aluminum body
- Ergonomic handle design
- Handle designed for greater leverage
- Compare to Greenlee® Model #709 & 710\*
- Made in the USA



Catalog Number	Description	Weight	
140	Stud Punch – 7/8" hole Capacity – Minimum stud width 1 5/8" – Up to 20 gauge steel studs	6.5 lbs.	UPC 811993021756
141	Stud Punch – 1 11/32" hole Capacity – Minimum stud width 2 1/2" – Up to 20 gauge steel studs	7.0 lbs.	UPC 811993021763

\* Greenlee® is a registered trademark of Greenlee/Textron.





## Knockout Set Selection Guide

KNOCKOUT TYPE	CONDUIT SIZE HOLE RANGE	PART NUMBER	PAGE NO.
Manual	1/2" To 1 1/4"	158PM	27
	1 1/2" To 2"	159PM	27
Ratchet	1/2" To 2"	157PM	28
Hydraulic Punch Driver Straight & 90 Deg.	1/2" To 2"	170PM	29, 30
	1/2" To 2"	179PM	29, 30
Hydraulic, With Standard Punches	1/2" To 2"	152	33, 34
	1/2" To 4"	154	33, 34
Hydraulic, With Piece Maker Punches	1/2" To 2"	152PM	31, 32
	1/2" To 4"	154PM	31, 32
Cordless Drill Punch Driver	1/2" To 2"	162PM	35, 36
	1/2" To 4"	164PM	35, 36
Hydraulic, Heavy Duty For Stainless Steel	1/2" To 2"	160SS	37, 38
	1/2" To 2"	161SS	37, 38
	2 1/2", 3" and 4"	166SS	41, 42
Cordless Drill Punch Driver, Heavy Duty For Stainless Steel	1/2" To 2"	162SS	39, 40
Punch And Die Set 2 1/2" To 4"	2 1/2" To 4"	156	43, 44
Punches And Dies For 5" And 6"	5" And 6"	1576, 1577	45
		1578, 1579	45
Hydraulic Pump, Ram, Hose		1521, 1522, 1523	46
Stud Punch	7/8" Actual Hole Size	140	47
	1 11/32" Actual Hole Size	141	47

## Knockout Punches – Actual Hole Size Chart

Catalog Number		Punch and Conduit Size	Actual Punched Hole Diameter ( in. )
Standard	Piece Maker™		
1560	1524	1/2"	.885
1561	1526	3/4"	1.115
1562	1528	1"	1.362
1563	1530	1 1/4"	1.701
1564	1532	1 1/2"	1.948
1565	1534	2"	2.415
1566	–	2 1/2"	2.910
1568	–	3"	3.545
1570	–	3 1/2"	4.048
1572	–	4"	4.550
1576	–	5"	5.660
1578	–	6"	6.750





# CABLE PULLING

## High Speed Cable Puller 3,000 lb. capacity with Mobile Cart

- Mobile cart for easy mobility around jobsite
- Folds for compact transport and storage
- 8' reach when fully extended
- Quick release conduit couplings
- Integral heavy duty 2-speed motor
- Permanently lubricated vent free gearbox
- Integral foot switch
- Lightweight – Less than 75 lbs. without mobile cart
- 3,000 lb. pulling capacity
- Complete system – no extra parts to purchase
- Stronger, more durable gear box
- Integrated wheels
- Higher pulling capacity than competition
- Compare to Greenlee® Model #G3 Tugger® and Southwire® M3KM Cable Puller\*\*



See Page 61 for Pulling Rope

Catalog Number	Description	Weight	
33	High Speed Cable Puller 3000 lb. Capacity with Mobile Cart (Comes with complete set of couplings)	75 lbs. — Cable Puller only 121 lbs. — Cable Puller mounted on mobile cart	UPC 811993021770

\*Greenlee is a registered trademark of Greenlee/Textron.

\*\*Southwire® is a registered trademark of Southwire Company, LLC.



**Current Tools**  
FOR THE PROFESSIONAL ELECTRICIAN

[www.currenttools.com](http://www.currenttools.com)

P.O. Box 17026 • Greenville, SC 29606 • 864.721.4230 • fax 864.721.4232 • 800.230.5421



## High Speed Cable Puller — 3,000 lb. capacity

*High Speed Cable Puller  
3,000 lb. Capacity in use*

**maximum pulling force:** 3,000 lbs.

**speeds:** no load  
Low — 22 ft./min.  
High — 84 ft./min.

**motor:** 120 volt AC, 60 hertz, 13 amps



## 3,000 lb. Capacity High Speed Cable Puller Couplings



Catalog Number	Description	Weight	
33-520	1" Conduit coupling	.5 lbs.	UPC 811993021787
33-534	1 1/4" Conduit coupling	.7 lbs.	UPC 811993021794
33-522	1 1/2" Conduit coupling	.9 lbs.	UPC 811993021800
33-523	2" Conduit coupling	1.0 lbs.	UPC 811993021817
33-524	2 1/2" Conduit coupling	1.2 lbs.	UPC 811993021824
33-525	3" Conduit coupling	1.3 lbs.	UPC 811993021831
33-526	3 1/2" Conduit coupling	1.4 lbs.	UPC 811993021848
33-527	4" Conduit coupling	1.5 lbs.	UPC 811993021855

[www.currenttools.com](http://www.currenttools.com)

P.O. Box 17026 • Greenville, SC 29606 • 864.721.4230 • fax 864.721.4232 • 800.230.5421

**Current Tools**  
FOR THE PROFESSIONAL ELECTRICIAN





# CABLE PULLING

## High Speed Cable Puller — 6000 lb. Capacity with Mobile Cart

- Mounts to mobile cart for storage and ease of mobility
- 8½' reach when fully extended
- Extension arm retracts for compact storage and transport
- Convenient storage pockets for all couplings and foot switch
- Integral heavy duty 2-speed motor
- Permanently lubricated vent-free gearbox
- Integral foot switch
- 6,000 lb. pulling capacity
- Complete system – no extra parts to purchase
- Compare to Greenlee® Model #UT4 and Southwire® Model #M6KM\*



See Page 61 for Pulling Rope

Scan here for manual



Catalog Number	Description	Weight	
66	Two Speed Cable Puller – 6,000 lb. Capacity with Mobile Cart (Comes with complete set of couplings)	153 lbs. <i>Cable Puller only</i>	UPC 811993021862
		199 lbs. <i>Cable Puller Mounted on Mobile Cart</i>	

\*Greenlee is a registered trademark of Greenlee/Textron.

\*\*Southwire® is a registered trademark of Southwire Company, LLC.



**Current Tools**  
FOR THE PROFESSIONAL ELECTRICIAN

[www.currenttools.com](http://www.currenttools.com)

P.O. Box 17026 • Greenville, SC 29606 • 864.721.4230 • fax 864.721.4232 • 800.230.5421



## High Speed Cable Puller — 6000 lb. Capacity

*High Speed Cable Puller  
6,000 lb. Capacity in use*

**maximum pulling force:** 6,000 lbs.

**speeds:** no load  
Low — 12 ft./min.  
High — 44 ft./min.

**motor:** 120 volt AC, 60 hertz, 13 amps



## 6,000 lb. Capacity High Speed Cable Puller Couplings



Catalog Number	Description	Weight	
66-51	2" Conduit coupling	.5 lbs.	UPC 811993021879
66-52	2 1/2" Conduit coupling	.7 lbs.	UPC 811993021886
66-53	3" Conduit coupling	1.0 lbs.	UPC 811993021893
66-54	3 1/2" Conduit coupling	1.3 lbs.	UPC 811993021909
66-55	4" Conduit coupling	1.5 lbs.	UPC 811993021916





# CABLE PULLING

## Cable Puller — 8,000 lb. capacity

- Heavy duty unitized construction
- Built in force gauge
- No tools required for set-up
- Right angle roller for operator safety
- Circuit breaker to protect puller motor
- Tapered capstan for rope alignment and to help avoid rope overlap
- 8,000 lb. pulling capacity
- Reliable jobsite-proven drive train
- Compare to Greenlee 6001, 6800 & 6801\*
- Made in the USA



See Page 61 for Pulling Rope

**maximum pulling force:** 8,000 lbs.

**speeds (approx.):** no load — 16 ft./min.  
 4,000 lbs. — 9 ft./min.  
 6,000 lbs. — 7 ft./min.

**motor:** 120 volt AC, 60 hertz, 15 amps



**See Page 56 For Complete Package Component Listing.**

Scan here for manual



Catalog Number	Description	Weight	
88	Cable Puller with chains — 8,000 lb. capacity	101 lbs.	UPC 811993021923
8845	Cable Puller with chains and Model 8045 Floor Mount — 8,000 Capacity	116 lbs.	UPC 811993021930
8045	88 Cable Puller Floor Mount with 4 each 5/8" x 6 wedge anchors	16 lbs.	UPC 811993022005

\*Greenlee is a registered trademark of Greenlee/Textron.



**Current Tools**  
FOR THE PROFESSIONAL ELECTRICIAN

[www.currenttools.com](http://www.currenttools.com)

P.O. Box 17026 • Greenville, SC 29606 • 864.721.4230 • fax 864.721.4232 • 800.230.5421





# Mantis™ Mobile Cable Pulling Package 8,000 lb. capacity

- Excellent Mobility
- Easy set-up
- Transport without complete disassembly
- Pulls up to 20' extra cable
- 8,000 lb. pulling capacity
- Fits through 32" doorway
- Will accept Greenlee® Model 6001 Super Tugger® and 640 Tugger®\*
- Snap-in couplings for quick and easy set-up
- Flat-free urethane wheels
- Made in the USA

*See Page 56 For Complete Package Component Listing.*



*See Page 61 for Pulling Rope*

Catalog Number	Description	Weight	
8890A	Mantis™ Mobile Cable Pulling Package w/Model 88 Cable Puller 8,000 lb. capacity, less storage box	482 lbs.	UPC 811993021961
8890AS	Mantis™ Mobile Cable Pulling Package w/Model 88 Cable Puller 8,000 lb. capacity, with metal storage box	670 lbs.	UPC 811993021978

\* Greenlee® and Tugger® are registered trademarks of Greenlee/Textron.



# CABLE PULLING

## Mantis™ Mobile Cable Pulling Package — 8,000 lb. capacity

- Excellent Mobility
- Easy set-up
- Transport without complete disassembly
- Pulls up to 20' (Model 8090) or 10' (Model 8885) extra cable
- Fits through 32" doorway
- Will accept Greenlee® Model 6001 Super Tugger® and 640 Tugger®
- Flat-free urethane wheels
- Made in the USA



**Model 8885**



**Model 8090**

*See Page 56 For Complete Package Component Listing.*

*See Page 61 for Pulling Rope*

Scan here for manual



Catalog Number	Description	Weight	
8090	Mantis™ Mobile Cable Pulling Carriage w/two Boom sections	355 lbs.	UPC 811993021992
8885	Mantis™ Cable Puller Package – Basic – 8,000 lb. capacity	346 lbs.	UPC 811993021947
8885S	Mantis™ Cable Puller Package – Basic – 8,000 lb. capacity with storage box	534 lbs.	UPC 811993021954

\* Greenlee®, Super Tugger®, and Tugger® are registered trademarks of Greenlee/Textron.



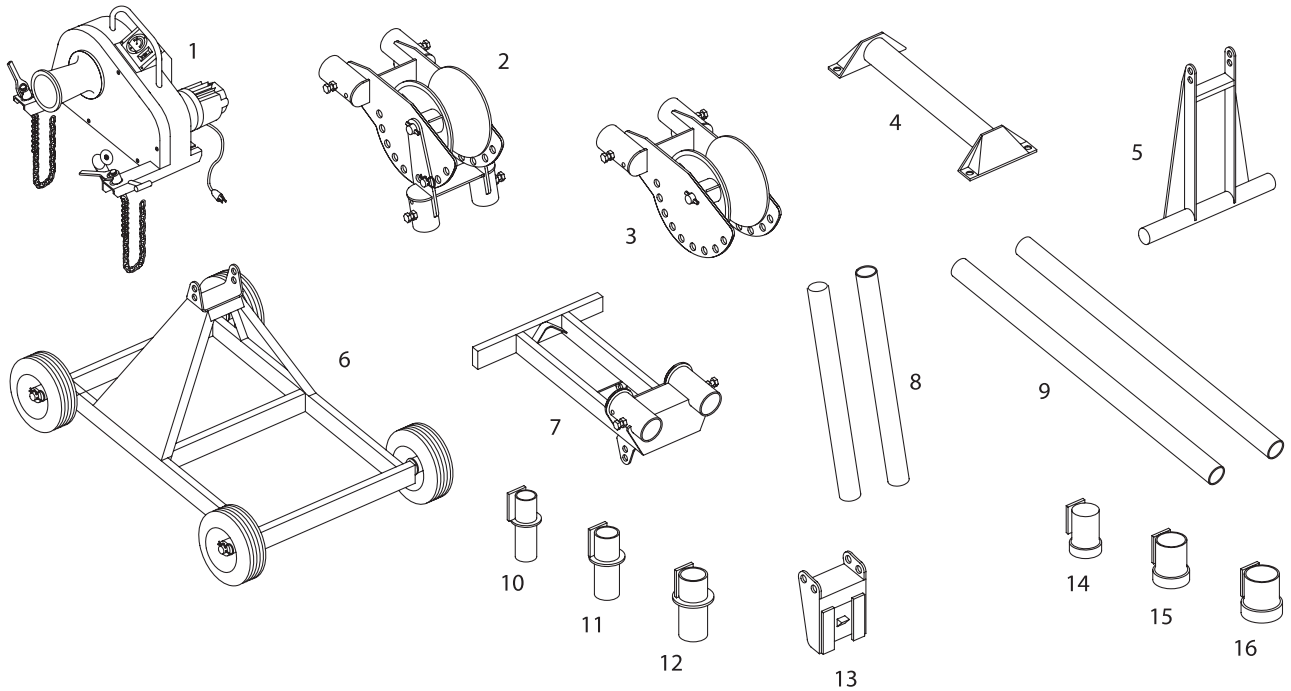
**Current Tools**  
FOR THE PROFESSIONAL ELECTRICIAN

[www.currenttools.com](http://www.currenttools.com)

P.O. Box 17026 • Greenville, SC 29606 • 864.721.4230 • fax 864.721.4232 • 800.230.5421



## Component Listings – Mantis™ Cable Puller Packages



Item Number	Catalog Number	Description	88	8845	8890A PACKAGE	8890AS PACKAGE	8090 CARRIAGE	8885 BASIC PACKAGE	8885S BASIC PACKAGE	Weight	UPC
1	88	Cable Puller w/chains	1	1	1	1		1	1	101 lbs.	UPC 811993021923
2	8093	Elbow Unit			1	1	1			53 lbs.	UPC 811993022050
3	8094	Nose Unit			1	1	1	1	1	38 lbs.	UPC 811993022067
4	8045	Floor Mount		1	1	1		1	1	20 lbs.	UPC 811993025310
5	8100	T - Stand			1	1				12 lbs.	UPC 811993022203
6	8091	Mobile Carriage			1	1	1	1	1	85 lbs.	UPC 811993022036
7	8092	Puller Mount			1	1	1	1	1	39 lbs.	UPC 811993022043
8	8095	3' Boom Tubes			2	2	2			11 lbs.	UPC 811993022074
9	8096	4' Boom Tubes			2	2	2	2	2	15 lbs.	UPC 811993022081
not shown	8097-2.5	Slip-In Coupling – 2 1/2"			(optional)	(optional)	(optional)	1	1	4.5 lbs.	UPC 811993022098
10	8097-3	Slip-In Coupling – 3"			1	1	1	1	1	5.5 lbs.	UPC 811993022104
11	8097-3.5	Slip-In Coupling – 3 1/2"			1	1	1	1	1	6.5 lbs.	UPC 811993022111
12	8097-4	Slip-In Coupling – 4"			1	1	1	1	1	8 lbs.	UPC 811993022128
not shown	8097-5	Slip-In Coupling – 5"			(optional)	(optional)	(optional)	(optional)	(optional)	9 lbs.	UPC 811993022135
13	8099	Coupling Adapter			1	1	1	1	1	8 lbs.	UPC 811993022197
not shown	8098-2	Screw-On Coupling – 2"			(optional)	(optional)	(optional)	(optional)	(optional)	4 lbs.	UPC 811993022142
not shown	8098-2.5	Screw-On Coupling – 2 1/2"			(optional)	(optional)	(optional)	1	1	4.5 lbs.	UPC 811993022159
14	8098-3	Screw-On Coupling – 3"			1	1	1	1	1	5 lbs.	UPC 811993022166
15	8098-3.5	Screw-On Coupling – 3 1/2"			1	1	1	1	1	6 lbs.	UPC 811993022173
16	8098-4	Screw-On Coupling – 4"			1	1	1	1	1	6.5 lbs.	UPC 811993022180
see page 90	101	Storage Box				1			1	188 lbs.	UPC 811993024375
see page 91	506	Caster Set - 6" (2 swivel, 2 fixed)				1			1	20 lbs.	UPC 811993024405



# CABLE PULLING

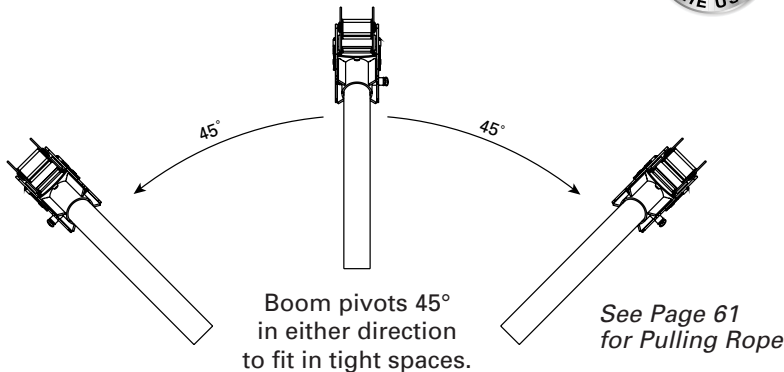
## Two Speed Cable Puller with Carriage — featuring **ROTABOOM™** 10,000 lb. capacity

- 10,000lb. pulling capacity
- Built-in force gauge with digital read out
- One person set up
- Four wheel carriage for stability and ease of transport
- 45° horizontal pivot allows for use of puller in tight spaces
- Two speeds allow for fast pulling on low force pulls and increased torque for heavier pulls
- Boom height adjustment handle allows for easy vertical positioning of boom sections with little effort
- Snap-in couplings for quick and easy set-up
- Fits through 32" doorway
- Flat-free urethane wheels
- Compare to Greenlee® Model 6906, 6900 and 6901\*

maximum pulling force — 10,000 lbs.

	Low Speed	High Speed
speeds (approx.)	no load — 12 FPM	no load — 48 FPM
	2,000 lbs. — 11 FPM	1,000 lbs. — 36 FPM
	4,000 lbs. — 10 FPM	1,500 lbs. — 29 FPM
	6,500 lbs. — 8 FPM	2,000 lbs. — 24 FPM

motor — 120 volts AC, 60 hertz, 20 amps



Patent Pending

Scan here for video

Scan here for manual



Catalog Number	Description	Weight	
100	Two Speed Cable Puller with Carriage – Comes standard with Item Numbers 1-12	400 lbs.	UPC 811993025341
110	Two Speed Cable Puller with Floor Mount – Comes standard with Model #2280 Floor Mount	159 lbs.	UPC 811993026089
120	Two Speed Cable Puller with Chain Mount – Comes standard with Model #2281 Chain Mount	169 lbs.	UPC 811993026096

\* Greenlee® is a registered trademarks of Greenlee/Extron.



**Current Tools**  
FOR THE PROFESSIONAL ELECTRICIAN

[www.currenttools.com](http://www.currenttools.com)

P.O. Box 17026 • Greenville, SC 29606 • 864.721.4230 • fax 864.721.4232 • 800.230.5421





## Puller with Floor Mount

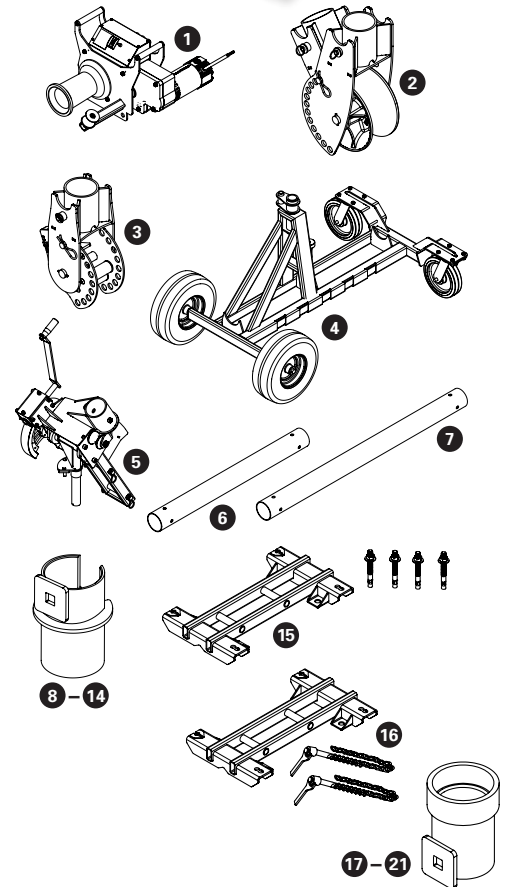


## Puller with Chain Mount



### Component Listings – 10,000 Puller

Item Number	Catalog Number	Description	Weight	UPC
1	1450	Cable Puller – 10,000 lb Capacity	119 lbs.	UPC 811993025822
2	1710	Elbow Unit	43 lbs.	UPC 811993025839
3	1840	Nose Unit	33 lbs.	UPC 811993025846
4	1000	Mobile Carriage	75 lbs.	UPC 811993025853
5	1190	Puller Mount	89 lbs.	UPC 811993025860
6	1850	Boom Tube – 3' Long	13 lbs.	UPC 811993025877
7	1860	Boom Tube – 4' Long	17 lbs.	UPC 811993025884
8	198	Coupling – 2"	1.6 lbs.	UPC 811993025891
9	199	Coupling – 2 1/2"	1.9 lbs.	UPC 811993025907
10	200	Coupling – 3"	2.4 lbs.	UPC 811993025914
11	201	Coupling – 3 1/2"	3.8 lbs.	UPC 811993025921
12	202	Coupling – 4"	4.3 lbs.	UPC 811993025938
13	230	Coupling – 5" (optional)	4.8 lbs.	UPC 811993025945
14	255	Coupling – 6" (optional)	5.5 lbs.	UPC 811993026102
15	2280	Floor Mount and four 5/8" x 6" wedge anchors (optional)	40 lbs.	UPC 811993025952
16	2281	Chain Mount with chains (optional)	50 lbs.	UPC 811993026058
17	259	Screw-on Coupling – 2" (optional)	2.1 lbs.	UPC 811993025990
18	260	Screw-on Coupling – 2 1/2" (optional)	2.4 lbs.	UPC 811993026003
19	261	Screw-on Coupling – 3" (optional)	2.9 lbs.	UPC 811993026010
20	262	Screw-on Coupling – 3 1/2" (optional)	4.3 lbs.	UPC 811993026027
21	263	Screw-on Coupling – 4" (optional)	4.8 lbs.	UPC 811993026034







# CABLE PULLING

## Cable Feeder

- Hinged upper drive to allow for easy side loading
- High grip tires can accommodate no lube or regular cable
- Dual drive motors for maximum grip on cables
- Cable separator guides cables to ensure positive grip on tires
- Heavy duty transport caster with quick release mechanism
- Variable speed control
- May be operated with remote pendant or optional foot switch
- Self-lubricating drive chains reduce maintenance
- Flat-free transport wheels
- Compare to Greenlee® Model 6810\*
- Made in the USA

Can be used with SIMpull®\*\* and other cables that do not require lubrication



Scan here for manual



Catalog Number	Description	Weight	
99	Cable Feeder	345 lbs.	UPC 811993022210
99-122	Foot Switch (optional)	3 lbs.	UPC 811993022227

\* Greenlee® is a registered trademark of Greenlee/Textron.

\*\*SIMPull® is a registered trademark of Southwire Company, LLC.



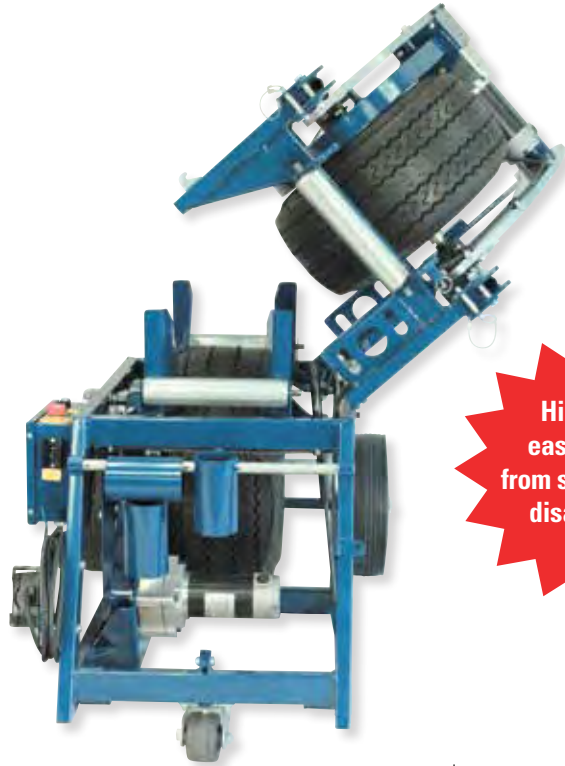
**Current Tools**  
FOR THE PROFESSIONAL ELECTRICIAN

[www.currenttools.com](http://www.currenttools.com)

P.O. Box 17026 • Greenville, SC 29606 • 864.721.4230 • fax 864.721.4232 • 800.230.5421



## Model 99 Cable Feeder Features and Specifications



Hinged for  
easy loading  
from side without  
disassembly

### FEATURES

- Hinged upper drive with gas spring assist for ease of cable loading from side
- Each wheel independently driven for maximum pulling power
- Variable speed control
- Low voltage hand control pendant with 8' cable
- Ratcheting tension adjustment provides tension on cable from 1/4" to 3 1/2" diameter
- Removable cable separator
- Self-lubricating drive chains reduce maintenance

### SPECIFICATIONS

- Weight: 345 lbs.
- Dimensions: 26"W X 42"L X 43"H
- Power requirements: 115 VAC, 15 amps, 60 Hz
- Feeding speed: 0 ft./min to 36 ft./min.
- Cable capacity:  
Cable size — .25" to 3.5" dia. max.  
Total width of all cables — 6" max.
- Maximum pulling force:  
Single cable – Approximately 250 lbs.  
All cables – Approximately 1,000 lbs.
- Maximum reel capacity – 25,000 lbs.
- Tire pressure – 50 PSI





# CABLE PULLING

## Double Braided Composite Rope

- Composite rope gives strength with low stretch
- Pulling eye on each end
- Double braided jacket and inner core
- Made in the USA



Larger sizes and lengths available upon request

*Please contact us with your special order needs.*

Rope Diameter	Catalog Number	Length	Avg. Breaking Strength	Weight	
9/16" <i>for up to 4,000 lb. cable pullers</i>	916300 PR	300'	16,000 lbs.	31 lbs.	UPC 811993022234
	916600 PR	600'	16,000 lbs.	63 lbs.	UPC 811993022241
	9161200 PR	1200'	16,000 lbs.	129 lbs.	UPC 811993022258
3/4" <i>for up to 8,000 lb. cable pullers</i>	34300 PR	300'	26,000 lbs.	59 lbs.	UPC 811993022265
	34600 PR	600'	26,000 lbs.	115 lbs.	UPC 811993022272
	341200 PR	1200'	26,000 lbs.	232 lbs.	UPC 811993022289
7/8" <i>for up to 10,000 lb. cable pullers</i>	78300 PR	300'	32,000 lbs.	91 lbs.	UPC 811993022296
	78600 PR	600'	32,000 lbs.	175 lbs.	UPC 811993022302
	781200 PR	1200'	32,000 lbs.	360 lbs.	UPC 811993022319

## Cable Pulling Package Accessories

### Rope Stands

- For organizing and rewinding rope
- Strong welded frame with washer and spring clip to contain rope reel



Catalog Number	Description	Weight	
8051	Pulling Rope Stand for 3/4" dia. x 300' or 7/8" dia. x 300' Rope	15 lbs.	UPC 811993022012
8052	Pulling Rope Stand for 3/4" dia. x 600' or 7/8" dia. x 600' Rope	25 lbs.	UPC 811993022029



**Current Tools**  
FOR THE PROFESSIONAL ELECTRICIAN

[www.currenttools.com](http://www.currenttools.com)

P.O. Box 17026 • Greenville, SC 29606 • 864.721.4230 • fax 864.721.4232 • 800.230.5421



## Cable Pulling Extras

### Polyester Measuring / Pulling Tape

- Large printed footage markings
- Use in many applications with various tensile strengths
- 3000' spools



Catalog Number	Description	Weight	
ST1250	Poly Measuring / Pull Tape – 1,250 lb. Breaking Strength – 1/2" wide	26 lbs.	UPC 811993022326
ST1800	Poly Measuring / Pull Tape – 1,800 lb. Breaking Strength – 5/8" wide	33 lbs.	UPC 811993022333
ST2500	Poly Measuring / Pull Tape – 2,500 lb. Breaking Strength – 3/4" wide	45 lbs.	UPC 811993022340

### Conduit Measuring Tape

- Easy to read measurements from 0' to 3000'
- Use to fish and measure conduit in one step
- Dispenser available to pay out and cut tape



Catalog Number	Description	Weight	
CMT30	Conduit Measuring Tape - 3/16" x 3000'	4 lbs.	UPC 811993022357
CMT30D	Dispenser for Conduit Measuring Tape	2 lbs.	UPC 811993022364

### Spiral Wrap Poly Line ( Rat Line )

- Dispenses directly from the container
- Virtually tangle free when dispensing
- Pre-punched hole in lid ready for use
- Reusable plastic dispenser
- For pulling rope through conduit



Catalog Number	Description	Weight	
SPL65	Spiral Wrap Poly Line - 6500'	11 lbs.	UPC 811993022371

### Conduit Pistons ( Rats )

- Flexible foam body provides air tight seal
- For use with blower or vacuum fishing systems
- Steel center rod for strength with loops on both sides
- Sizes available for up to 6" conduit



Catalog Number	Description	Weight	
R05	Conduit Piston for 1/2" conduit	.04 lbs.	UPC 811993022388
R75	Conduit Piston for 3/4" conduit	.04 lbs.	UPC 811993022395
R10	Conduit Piston for 1" conduit	.1 lbs.	UPC 811993022401
R12	Conduit Piston for 1 1/4" conduit	.12 lbs.	UPC 811993022418
R15	Conduit Piston for 1 1/2" conduit	.15 lbs.	UPC 811993022425
R20	Conduit Piston for 2" conduit	.2 lbs.	UPC 811993022432
R25	Conduit Piston for 2 1/2" conduit	.2 lbs.	UPC 811993022449
R30	Conduit Piston for 3" conduit	.4 lbs.	UPC 811993022456
R35	Conduit Piston for 3 1/2" conduit	.5 lbs.	UPC 811993022463
R40	Conduit Piston for 4" conduit	.6 lbs.	UPC 811993022470
R50	Conduit Piston for 5" conduit	.7 lbs.	UPC 811993022487
R60	Conduit Piston for 6" conduit	.8 lbs.	UPC 811993022494





# REEL STANDS & REEL ROLLERS

## Screw Type Reel Stands

- All steel construction
- Rugged design for job site use
- Wide base for added stability
- Adjustment pins wired to stands
- Roller heads have self-lubricating bearings
- Made in the USA



Model #660



Model #670

Sold individually, two required

Scan here for manual



Catalog Number	Description	Weight	UPC
660	Small Screw Type Reel Stand Capacity – 2,500 lb. each, 28"-56" Reel Diameter Height – 13" min. to 27" max.	27 lbs.	811993022500
670	Medium Screw Type Reel Stand Capacity – 2,500 lb. each, 46"-96" Reel Diameter Height – 21" min. to 54" max.	46 lbs.	811993022517

## Ratchet Type Reel Stand

- Heavy duty stands for large reel projects
- All steel construction
- Ratchet mechanism to raise and lower the height
- Wide base for added stability
- Roller heads have self-lubricating bearings
- Made in the USA



Sold individually, two required

Scan here for manual



Catalog Number	Description	Weight	UPC
680	Large Ratchet Type Reel Stand Capacity – 3,750 lb. each, 58"-90" Reel Diameter Height – 28" min. to 45" max.	99 lbs.	811993022524



**Current Tools**  
FOR THE PROFESSIONAL ELECTRICIAN

[www.currenttools.com](http://www.currenttools.com)

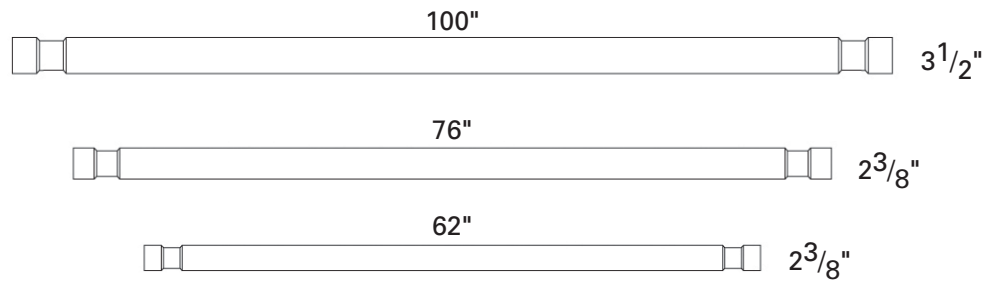
P.O. Box 17026 • Greenville, SC 29606 • 864.721.4230 • fax 864.721.4232 • 800.230.5421





## Reel Stand Spindles

- For use with reel stands
- Groove on each end keeps spindle in place on reel stands
- Made in the USA



Catalog Number	Diameter	Length	Capacity lbs.	use w/ reel stand no.	Weight	
661	2-3/8"	62"	5,000	660/670	39 lbs.	UPC 811993022531
671	2-3/8"	76"	5,000	660/670	47 lbs.	UPC 811993022548
681	3-1/2"	100"	7,500	680	119 lbs.	UPC 811993022555



670 Reel Stands with 671 Spindle





# REEL STANDS & REEL ROLLERS

## 610 Reel Roller

- Easy set-up for ground level cable reel pay out
- Integral ramp for reel loading
- Roller lock for reel removal
- 5-position roll adjustment for various reel diameters
- Heavy duty permanently lubricated ball bearing rollers
- Made in the USA



Sold individually, two required.

Scan here for manual



Catalog Number	Description	Weight	
610	Reel Roller Capacity – 2000 lbs. per pair, 42" maximum reel width Dimensions – 10 3/8" x 25 1/4"	40 lbs. each	UPC 811993022562

## 613 Reel Roller

- Easy set-up for ground level cable reel pay out
- Integral ramp for reel loading
- Roller lock for reel removal
- 5-position roll adjustment for various reel diameters
- Heavy duty permanently lubricated ball bearing rollers
- Made in the USA



Scan here for manual



Catalog Number	Description	Weight	
613	Cable Reel Roller Capacity – 2500 lbs., 30" maximum reel width Dimensions – 31 3/4" x 37"	75 lbs.	UPC 811993022579



**Current Tools**  
FOR THE PROFESSIONAL ELECTRICIAN

[www.currenttools.com](http://www.currenttools.com)

P.O. Box 17026 • Greenville, SC 29606 • 864.721.4230 • fax 864.721.4232 • 800.230.5421



## 615 Cable Reel Roller

- Heavy duty all welded construction
- Handles up to 15 ton cable reels
- One roller adjusts for various reel sizes
- Speed control adjustment
- Foot control for remote operation
- Heavy duty 10 amp. motor for long service life
- Convenient fork pockets on sides
- Made in the USA



Scan here for manual



Catalog Number	Description	Weight	
615	15 ton Cable Reel Roller Capacity – 15 ton, 96" wide, and 12' diameter reels (max.) Dimensions – 122" wide x 19" height x 60 3/4" length	2,800 lbs.	UPC 811993022586



# SHEAVES & CABLE ROLLERS

## Hook Type Sheaves – 4,000 lb. Capacity

- 4,000 lb. capacity
- Forged steel hooks with 1" opening
- Welded steel frames
- 5" wide aluminum sheaves with self-lubricating bearings
- Made in the USA



Scan here for manual



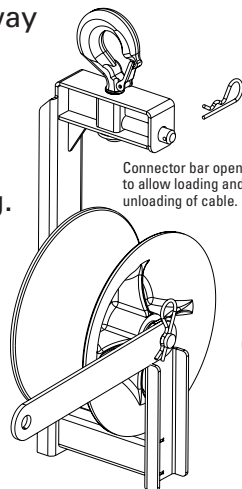
Catalog Number	Description	Weight	UPC
406	6" Diameter hook sheave	11.5 lbs	811993022593
412	12" Diameter hook sheave	18.5 lbs	811993022609
418	18" Diameter hook sheave	28.0 lbs	811993022616
424	24" Diameter hook sheave	38.0 lbs	811993022623

### Replacement Parts

Catalog Number	Sheave	Sheave Pin	Spring Clip	Yoke Frame
406	406-4	406-362	406-3	406-190
412	412-4	406-362	406-3	412-191
418	418-4	406-362	406-3	418-192
424	424-4	406-362	406-3	424-193

## EZ Sheave™ Hook Type Sheaves – 4,000 lb. Capacity

- Labor saving design with swing-away connector bar allows unloading of cable without having to disassemble the hook sheave
- 4,000 lb. capacity
- Forged steel hooks with 1" opening.
- 5" wide aluminum sheaves with self-lubricating bearings
- Sizes include 12", 18" and 24" diameter sheaves
- Made in the USA



Scan here for manual



Catalog Number	Description	Weight	UPC
412EZ	12" diameter EZ Sheave™ hook type sheave	26 lbs.	811993025259
418EZ	18" diameter EZ Sheave™ hook type sheave	38 lbs.	811993025266
424EZ	24" diameter EZ Sheave™ hook type sheave	53 lbs.	811993025273



**Current Tools**  
FOR THE PROFESSIONAL ELECTRICIAN

[www.currenttools.com](http://www.currenttools.com)

P.O. Box 17026 • Greenville, SC 29606 • 864.721.4230 • fax 864.721.4232 • 800.230.5421





## Hook Type Sheaves – 8,000 lb. Capacity

- 8,000 lb. capacity
- Forged steel hooks with 1 3/8" opening
- Heavy duty welded steel frame
- Self lubricating bearings
- 4 sizes available: 12"– 5" wide  
18"– 6" wide  
24"– 6 1/2" wide  
36"– 6 3/4" wide
- Made in the USA



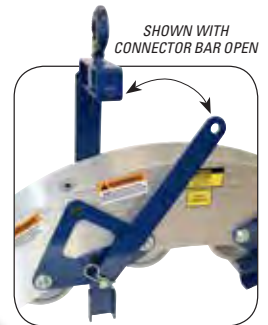
Scan here for manual



Catalog Number	Description	Weight	
812	12" Diameter HD hook sheave	24 lbs.	UPC 811993022630
818	18" Diameter HD hook sheave	46 lbs.	UPC 811993022647
824	24" Diameter HD hook sheave	69 lbs.	UPC 811993022654
836	36" Diameter HD hook sheave	101 lbs.	UPC 811993022661

## EZ Sheave™ Radius Sheave

- Labor saving design with swing-away connector bar allows unloading of cable without disassembly
- 4,000 lb. capacity
- Heavy-duty design with aluminum sheaves and frame
- Aluminum sheaves 5" wide with self-lubricating bearings
- EZ Sheave™ available in 24", 36" and 48" sizes
- 60" Radius Sheave available in standard design
- Sheaves spaced to help prevent cable damage
- Made in the USA



Scan here for manual



Catalog Number	Description	Weight	
12024EZ	EZ Sheave™ 24" Radius Sheave with 6 Sheaves	72 lbs.	UPC 811993025358
12036EZ	EZ Sheave™ 36" Radius Sheave with 9 Sheaves	100 lbs.	UPC 811993025365
12048EZ	EZ Sheave™ 48" Radius Sheave with 12 Sheaves	150 lbs.	UPC 811993025372

### 60" Radius Sheave – Standard

Catalog Number	Description	Weight	
12060	60" Radius Sheaves with 16 Sheaves	143 lbs.	UPC 811993022814





# SHEAVES & CABLE ROLLERS

## Right Angle Twin Yoke Sheave

- 4,000 lbs. Capacity
- Forged steel hooks with 1" opening
- Yokes rotate independently for various setups
- Welded steel yoke frames
- 5" wide aluminum sheave with self lubricating bearings
- Made in the USA



Catalog Number	Description	Weight	UPC
4424	Right Angle Twin Yoke Sheave	50 lbs.	811993022678

## Tray Type Sheaves

- Attaches to cable tray up to 2" thick
- 5" wide aluminum sheave with self lubricating bearings
- Makes tray pulls easier by helping guide and roll cable
- Channel bracket and mounting hardware included
- Made in the USA



**See page 71 for  
9500 Wing Nut Driver**

Scan here for manual



Catalog Number	Description/Size	Weight	UPC
951TR	Small Tray-Type Sheave/12" long	11 lbs.	811993022685
952TR	Large Tray-Type Sheave/22" long	17 lbs.	811993022692



**Current Tools**  
FOR THE PROFESSIONAL ELECTRICIAN

[www.currenttools.com](http://www.currenttools.com)

P.O. Box 17026 • Greenville, SC 29606 • 864.721.4230 • fax 864.721.4232 • 800.230.5421



## Triangle Sheave Cable Guide

- 6,500 lbs. Capacity
- Adjustable center sheave to vary pulling radius from 19 1/2" to 36"
- Pinned steel yoke for easy removal
- Aluminum frame for light weight
- Made in the USA



Catalog Number	Description	Weight	
333	Triangle sheave Cable Guide	26 lbs.	UPC 811993022708

## Cable Feeding Sheaves

- Tube designed to fit into standard sizes of all types of conduit
- Tube is split for easy removal of cable after installation
- 5" wide aluminum sheaves with self-lubricating bearings
- For feeding of cable into conduit
- Made in the USA



Scan here for manual



Catalog Number	Description	Weight	
520FS	Feeding sheave for 2" conduit	8 lbs.	UPC 811993022715
525FS	Feeding sheave for 2-1/2" conduit	11 lbs.	UPC 811993022722
530FS	Feeding sheave for 3" conduit	14 lbs.	UPC 811993022739
535FS	Feeding sheave for 3-1/2" conduit	17 lbs.	UPC 811993022746
540FS	Feeding sheave for 4" conduit	19 lbs.	UPC 811993022753
550FS	Feeding sheave for 5" conduit	26 lbs.	UPC 811993022760
560FS	Feeding sheave for 6" conduit	30 lbs.	UPC 811993022777



# SHEAVES & CABLE ROLLERS

## Manhole Sheaves

- 4,000 lb. Capacity
- Easy set-up for manhole pulls
- Aluminum alloy frame for extra strength and light weight
- Adjustable sheave positions
- 8' unit has 12" sheaves, 10' and 12' units have 18" sheaves
- Made in the USA



Scan here for manual



Catalog Number	Description	Weight	
308	8' Manhole Sheave	81 lbs.	UPC 811993022821
310	10' Manhole Sheave	102 lbs.	UPC 811993022838
312	12' Manhole Sheave	140 lbs.	UPC 811993022845

## Wing Nut Driver

- Cuts installation time
- Designed to quickly install or remove wing nuts on tray sheaves, radius and straight rollers
- Available in two sizes
  - 9500-WND - 3/8" Drive for use with all straight and radius rollers with 3/8" wing nuts
  - 9500-WNDL - 3/8" Drive for use with all tray sheaves with 7/16" wing nuts
- Made in the USA



Catalog Number	Description	Weight	
9500-WND	3/8" Drive – Wing Nut Driver for 3/8" wing nuts	1 lb.	UPC 811993025334
9500-WNDL	3/8" Drive – Wing Nut Driver for 7/16" wing nuts	1 lb.	UPC 811993025808



**Current Tools**  
FOR THE PROFESSIONAL ELECTRICIAN

[www.currenttools.com](http://www.currenttools.com)

P.O. Box 17026 • Greenville, SC 29606 • 864.721.4230 • fax 864.721.4232 • 800.230.5421



## Cable Rollers

- Installs through bottom of tray for easy removal after installation
- Welded steel frames
- Length adjustment slots
- Long life steel ball bearing rollers
- Each roller supplied with 2 each J-hooks and hardware
- Made in the USA

*Two styles —  
Straight and Radius*



*See page 71 for  
9500 Wing Nut Driver*

## Straight Cable Rollers

Catalog Number	Description	Weight	
9518SR	Straight Cable Roller for 12"-18" Tray	7.5 lbs.	UPC 811993022852
9524SR	Straight Cable Roller for 20"-24" Tray	9 lbs.	UPC 811993022869
9530SR	Straight Cable Roller for 24"-30" Tray	12.5 lbs.	UPC 811993022876
9536SR	Straight Cable Roller for 30"-36" Tray	14.5 lbs.	UPC 811993022883



## Radius Cable Rollers

Catalog Number	Description	Weight	
9518RR	Radius Cable Roller for 12"-18" Tray	10 lbs.	UPC 811993022890
9524RR	Radius Cable Roller for 20"-24" Tray	10.5 lbs.	UPC 811993022906
9530RR	Radius Cable Roller for 24"-30" Tray	12 lbs.	UPC 811993022913
9536RR	Radius Cable Roller for 30"-36" Tray	13 lbs.	UPC 811993022920







# SHEAVES & CABLE ROLLERS

## Right Angle Rollers

- Welded steel frames
- Long life steel ball bearing rollers
- Easy set-up
- Made in the USA



Catalog Number	Description/Size	Weight	
95024RA	90° Right Angle Roller - 24" Radius	41 lbs.	UPC 811993022937
95036RA	90° Right Angle Roller - 36" Radius	53 lbs.	UPC 811993022944

## Four-Sided Roller with Clamp

- Designed for multi-directional pulling
- Easily clamps to most styles of cable tray
- Low friction rollers for ease of pulling
- Quick release pin for fast loading/unloading of cable
- 8" opening
- Made in the USA



Scan here for manual



Catalog Number	Description	Weight	
9548	Four Sided Roller – 8" Capacity – 100 lbs.	9.5 lbs.	UPC 811993022951



**Current Tools**  
FOR THE PROFESSIONAL ELECTRICIAN

[www.currenttools.com](http://www.currenttools.com)

P.O. Box 17026 • Greenville, SC 29606 • 864.721.4230 • fax 864.721.4232 • 800.230.5421





## 501 Dolly Cart

- Heavy duty dolly type cart can be used vertically or horizontally
- Rods to hold wire reels have spring clips on each end for easy loading/unloading
- Large 8" wheels for easy mobility
- Wire guide on handle for horizontal dispensing
- Will fit through 28" door
- Made in the USA



Scan here for manual



Catalog Number	Description	Weight	
501	Dolly Cart Capacity — Will hold 6 – 2,500' spools up to 16" diameter or 15 – 500' spools Dimensions — 54 3/4" length x 27" width x 24" height	62 lbs.	UPC 811993022968

## 502 Turtle Cart

- Heavy duty frame
- Wire guide permanently mounted to front of cart
- Spindle designed to reduce backlash
- Will fit thru 30" door
- Large wheels for easy mobility
  - front swivel/brake caster
  - semi pneumatic rear wheels
- Made in the USA

**Better than the rest!  
Designed with solid  
through-bar construction**



Scan here for manual



Catalog Number	Description	Weight	
502	Turtle Cart Capacity — will hold 6 – 2,500' spools up to 18" diameter Dimensions — 41" length x 29 1/2" width x 32 1/2" height	86 lbs.	UPC 811993022975





# WIRE CARTS

## 503 Wire Tree

- Heavy duty tree type wire dispenser
- Spindles designed to reduce backlash
- Wire guide mounted on front of cart - swivels 360° for up or down pulls
- T-handle for ease of transporting
- Will fit through 32" door
- Large 8" wheels for easy mobility - front wheels swivel and brake
- Made in the USA

**Better than the rest!  
Designed with solid  
through-bar construction**



Scan here for manual



Catalog Number	Description	Weight	
503	Wire Tree Capacity — holds up to 10 – 2,5000 ft. spools of wire up to 18" diameter Dimensions — 36" length x 31 1/2" width x 59" height	175 lbs.	UPC 811993022982

## 504 Reel Dolly

- Designed to easily move and dispense reels of wire around the job site
- Heavy duty design for years of service
- Folding handles to save space
- 8" Diameter molded-on rubber wheels
- Made in the USA



Scan here for manual



Catalog Number	Description	Weight	
504	Reel Dolly Capacity — Maximum 300 lbs. Holds reel of cable up to 20" wide and 40" in diameter Dimensions — 64" length x 30 1/4" width x 29 7/8" height	114 lbs.	UPC 811993022999



**Current Tools**  
FOR THE PROFESSIONAL ELECTRICIAN

[www.currenttools.com](http://www.currenttools.com)

P.O. Box 17026 • Greenville, SC 29606 • 864.721.4230 • fax 864.721.4232 • 800.230.5421

## 509 Armored Cable Dispenser

- Sturdy steel construction for rugged use
- Includes cable guide to prevent tangles
- Adjustable spring to prevent overfeeding
- Made in the USA



Scan here for manual



Catalog Number	Description	Weight	
509	Armored Cable Dispenser Dispensing Capacity – 1 coil, 250' 14/2, 14/3, 12/2, 12/3 Armored cable or unboxed Romex®	25 lbs.	UPC 811993023002

## 509M Mobile Armored Cable Dispenser

- Can transport up to 3 coils weighing up to 250 lbs. total
- Sturdy steel construction for rugged use
- Convenient T-handle and durable wheels for easy mobility
- Fits through standard doorway
- Includes cable guide to prevent tangles
- Adjustable spring to prevent overfeeding
- Made in the USA



Scan here for manual



Catalog Number	Description	Weight	
509M	Mobile Armored Cable Dispenser Transport Capacity – up to 3 coils armored cable weighing up to 250 lbs. Dispensing Capacity – 1 coil 250' 14/2, 14/3, 12/2 or 12/3 Armored cable or unboxed Romex®	48 lbs.	UPC 811993023019

\* Romex® is a registered trademark of Southwire Company, LLC.



# WIRE CARTS

## 510 Reel Truck

- Standard unit has five 5/8" diameter spindles
- Stores and dispenses up to fifteen spools of #14 THHN wire
- Integral wire guide to help organize wire while dispensing
- Less than 24" wide
- Convenient storage for up to 3 spindles when not in use
- Optional expansion kit (#511) will increase cart capacity up to 60%
- Made in the USA



**Model 511**  
Expansion Kit ( optional )

**Model 510**  
Reel Truck

Scan here for manual



Catalog Number	Description	Weight	
510	Reel Truck Dimensions — 47" length x 24" width x 24" height	47 lbs.	UPC 811993023026
511	Expansion Kit	17 lbs.	UPC 811993023033

## Spool Capacity Chart

Spool Diameter	Spool Width	Model 510 Maximum # of Spools	w/ 511 Expansion Kit Maximum # of Spools
7"	5 3/8"	15	24
7"	8"	10	16
12"	16 3/8"	3	5
14"	16 3/8"	3	3
22"	16 3/8"	2	2



**Current Tools**  
FOR THE PROFESSIONAL ELECTRICIAN

[www.currenttools.com](http://www.currenttools.com)

P.O. Box 17026 • Greenville, SC 29606 • 864.721.4230 • fax 864.721.4232 • 800.230.5421



## Conduit Racks with Adjustable Arms

- Arms adjust quickly to hold bent conduit
- Arms fold down to save space and allow for stacking of the carts
- Arms adjust with pull pins (no loose parts)
- Large 6" casters for easy mobility
- Fits through 36" doorway
- Made in the USA



**Stackable design!**

**NEW ITEMS**



Scan here for manual



Catalog Number	Description	Weight	
505AA	Conduit Rack with Adjustable Arms Capacity — 1,000 lbs Dimensions — 58 1/2" length x 34" width x 61" height	123 lbs.	UPC 8119930262379
505MAA	Conduit Rack with Mesh Base Adjustable Arms Capacity — 1,000 lbs Dimensions — 58 1/2" length x 34" width x 61" height	129 lbs.	UPC 811993026430





# CONDUIT STORAGE & TRANSPORT

## 505M Conduit Rack with Mesh Base

- Mesh base for added storage
- For organizing conduit or pipe
- 7 spaces for sorting
- Arms fold down to save space and allow for stacking
- Provided with large 6" casters; 2 swivel and 2 fixed
- Made in the USA



**Better than the rest!  
Arms designed with  
one piece construction**



Scan here for manual



Catalog Number	Description	Weight	
505M	Conduit Rack with Mesh Base Capacity — 1,000 lbs. Dimensions — 58 1/2" length x 34" width x 61" height	121 lbs.	UPC 811993026195



**Current Tools**  
FOR THE PROFESSIONAL ELECTRICIAN

[www.currenttools.com](http://www.currenttools.com)

P.O. Box 17026 • Greenville, SC 29606 • 864.721.4230 • fax 864.721.4232 • 800.230.5421



## 505 Conduit Rack with Casters

- For organizing conduit or pipe
- 7 spaces for sorting
- Arms fold down to save space
- Provided with large 6" casters; 2 swivel and 2 fixed
- Made in the USA



**Better than the rest!  
Arms designed with  
one piece construction**



Scan here for manual



Catalog Number	Description	Weight	
505	Conduit Rack with casters Capacity — 1,000 lbs. Dimensions — 58 1/2" length x 34" width x 61" height	111 lbs.	UPC 811993023040

## 507 Conduit Bundler

- Designed for easy movement of large bundles of conduit on the job site
- Welded construction for years of job site use
- Provided with large 6" casters; 2 swivel and 2 fixed
- Made in the USA



Scan here for manual



Catalog Number	Description	Weight	
507	Conduit Bundler with casters Capacity — 1,000 lbs. Dimensions — 58 1/2" length x 34" width x 42 1/4" height	112 lbs.	UPC 811993023057



## Elevator Conduit Cart

- Tilts to allow for easy access into and out of elevators and doorways
- 500 lb. capacity
- Load and unload conduit with bed in raised or lowered position
- Holds standard 10' lengths of conduit
- Will fit through standard 36" doorway
- Convenient storage tray
- Two rigid and two locking swivel casters for ease of mobility
- Powder coated finish

Scan here for video    Scan here for manual



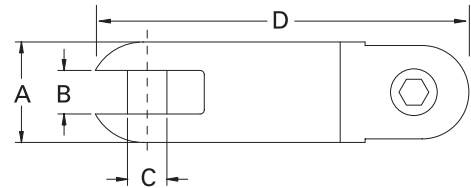
Catalog Number	Description	Weight	
513	Elevator conduit cart	200 lbs.	UPC 811993026218





## Line Swivels — 00505 Series

- Current Tools line swivels are constructed with a thrust bearing for tensile load and a radial bearing for bending load. They combine a high safe working load with a compact design.
- All sizes incorporate an oil seal and are manufactured from high strength stainless steel.
- Sizes 00505-020 and larger are supplied with a grease point for lubrication.
- Sizes 00505-025 and larger are supplied with hexagon Clevis Pins.



**⚠ CAUTION**

Line swivels are not designed to run around sheaves.

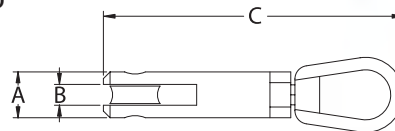
Catalog Number	*Underground Safe Working Load	**Overhead Safe Working Load	A	B	C	D	Standard Clevis Pins	Weight	UPC
00505-005	750 lb.	450 lbs.	5/8"	9/32"	3/16"	2-1/2"	00005-SLT	.13 lb.	811993023064
00505-010	2,250 lb.	1,350 bs.	7/8"	3/8"	5/16"	3-3/8"	00010-SLT	.34 lb.	811993023071
00505-015	3,500 lb.	2,100 lbs.	1"	13/32"	3/8"	3-7/8"	00015-SLT	.50 lb.	811993023088
00505-020	5,000 lb.	3,000 lbs.	1-1/4"	17/32"	13/32"	4-3/4"	00020-SLT	1.00 lb.	811993023095
00505-025	7,000 lb.	4,200 lbs.	1-3/8"	9/16"	1/2"	5-1/8"	00025-HEX	1.40 lbs.	811993023101
00505-027	9,000 lb.	5,400 lbs.	1-1/2"	19/32"	1/2"	5-5/8"	00025-HEX	1.70 lbs.	811993023118
00505-030	10,000 lb.	6,000 lbs.	1-5/8"	11/16"	5/8"	6"	00030-HEX	2.10 lbs.	811993023125
00505-035	15,000 lb.	9,000 lbs.	2"	25/32"	11/16"	7"	00035-HEX	3.80 lbs.	811993023132
00505-040	25,000 lb.	15,000 lbs.	2-3/8"	1-1/32"	7/8"	10"	00040-HEX	7.60 lbs.	811993023149
00505-045	50,000 lb.	30,000 lbs.	3"	1-3/16"	1-1/8"	13"	00045-HEX	17.00 lbs.	811993023156

\*Safety Factor of 3:1 — horizontal pull only

\*\*Safety Factor of 5:1

## Wire Grip Swivels — 00501 Series

These swivels may be used in conjunction with any non-rotary head wire mesh grip. They will allow the wire being installed to "unwind" as it is being pulled in, but like the Rotary Heads, these swivels will not rotate under load.



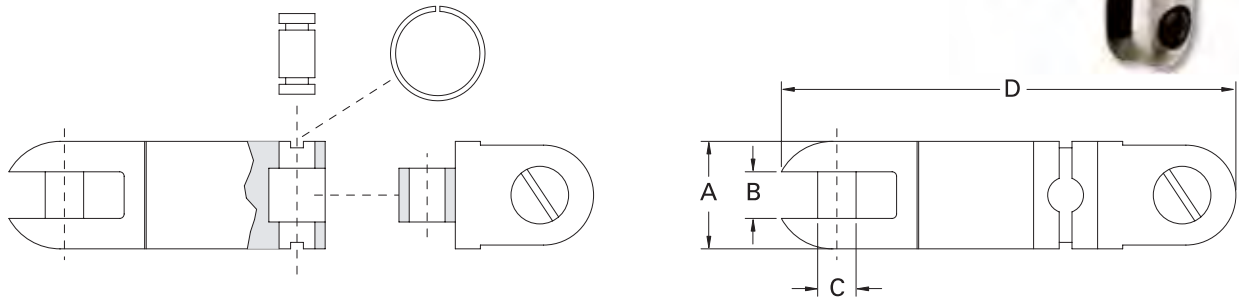
Catalog Number	Min. Breaking Strength	A	B	C	Weight	UPC
00501-010	10,000 lbs.	1 1/4"	9/16"	7"	1.5 lbs.	UPC 811993023163
00501-025	25,000 lbs.	1 5/8"	9/16"	8 5/8"	3.3 lbs.	UPC 811993023170



# PULLING ACCESSORIES

## Breakaway Swivel — 00550 Series

- The purpose of this product is to protect the cable being installed from overload as well as providing the function of a regular Line Swivel. Typically, they are used during the installation of Fiber Optic cable where the swivel can be pre-set to breakaway at a pre-determined load, thus protecting the fibers or the conduit.
- Breakaway pin kits are ordered separately from breakaway swivels.
- Breakaway pin load ratings are within +/-10%.
- The Swivel is constructed of stainless steel and the breakaway pins are color coded for easy identification.



**Note:** Breakaway pin kits not included with breakaway swivels and must be ordered from chart below.

Catalog Number	A	B	C	D	Use Breakaway Pin Kits in:	Weight	
00550-005	5/8"	9/32"	3/16"	3-1/4"	GROUP A	0.17 lb.	UPC 811993023187
00550-010	7/8"	3/8"	5/16"	4-1/16"	GROUP B	0.42 lb.	UPC 811993023194
00550-020	1-1/4"	17/32"	13/32"	5-9/16"	GROUP C	1.20 lbs.	UPC 811993023200

## Breakaway Pin Kits

**Must be purchased in standard package quantity**

Catalog Number	Breaking Point	Color Code		Standard Pack	
00555-002	200 lbs.	WHITE	Group A use with 00550-005	10	UPC 811993023217
00555-0034	340 lbs.	RED			UPC 811993023224
00555-004	400 lbs.	YELLOW			UPC 811993023231
00555-0045	450 lbs.	BLUE			UPC 811993023248
00555-006	600 lbs.	ORANGE			UPC 811993023255
00555-007	675 lbs.	BLACK			UPC 811993023262
00535-002	200 lbs.	WHITE			Group B use with 00550-010
00535-004	400 lbs.	YELLOW	UPC 811993023309		
00535-006	600 lbs.	ORANGE	UPC 811993023316		
00535-008	800 lbs.	GREY	UPC 811993023323		
00535-010	1000 lbs.	RED	UPC 811993023330		
00555-018	1,800 lbs.	GREEN	Group C use with 00550-020	5	UPC 811993023279
00555-020	2,000 lbs.	BLUE			UPC 811993023286

Various break points available up to 4000 lbs. upon request



**Current Tools**  
FOR THE PROFESSIONAL ELECTRICIAN

[www.currenttools.com](http://www.currenttools.com)

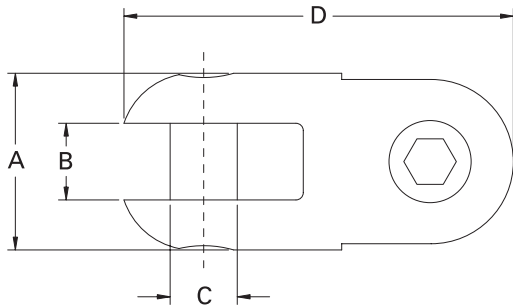
P.O. Box 17026 • Greenville, SC 29606 • 864.721.4230 • fax 864.721.4232 • 800.230.5421





## Can-Link Connector — 00520 Series

- The 00520 Connector is used to connect two items with lugs or wire loop fittings. A common use is to connect a wire mesh grip to the pulling wire. The connectors are manufactured from high strength Stainless Steel with hardened Clevis Pins. The two smaller sizes have slotted Clevis Pins while the larger ones have hexagon Clevis Pins.



Catalog Number	*Safe Working Load	A	B	C	D	Weight	
00520-010	2500 lbs.	7/8"	3/8"	5/16"	2 1/8"	0.19 lbs.	UPC 811993023347
00520-020	5000 lbs.	1 1/4"	17/32"	13/32"	2 7/8"	0.50 lbs.	UPC 811993023354
00520-027	9000 lbs.	1 1/2"	19/32"	1/2"	3 3/8"	0.80 lbs.	UPC 811993023361
00520-035	15000 lbs.	2"	25/32"	11/16"	4 9/16"	2.00 lbs.	UPC 811993023378

\*Safety Factor of 3:1

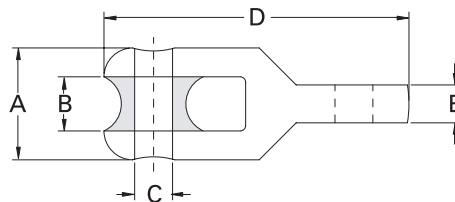
## Rope to Swivel Connector — 00522 Series

- This product is used to connect a swivel to pulling rope. The entire product, including sheave, is manufactured from stainless steel.



### Line Swivel Selection

Connector #	Use with these Line Swivels
00522-025:	00505-020 00505-025 00505-027
00522-035:	00505-030 00505-035



Catalog Number	*Safe Working Load	Maximum Rope Diameter	A	B	C	D	E	Weight	
00522-025	7,000 lb.	7/8"	2"	15/16"	11/16"	5 5/16"	1/2"	2.10 lbs.	UPC 811993023385
00522-035	15,000 lb.	7/8"	2"	15/16"	11/16"	5 3/8"	21/32"	2.30 lbs.	UPC 811993023392

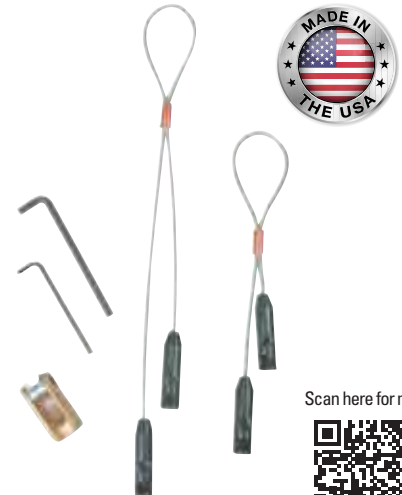
\*Safety Factor of 3:1



# PULLING ACCESSORIES

## Pulling Harnesses

- Designed to pull in 2" and larger conduit
- Harness legs are 1/4" galvanized aircraft cable
- Staggered grips on each double leg harness to avoid interference with each other
- Harnesses available in long and short lengths
- Grips have 5/8" diameter opening and are supplied with 2 jam screws
- See maximum capacities listing below
- Made in the USA



Scan here for manual



## Pulling Harness Kits

Catalog Number	Description	Weight	
2500	Includes 1 each of the following: 2502 – Clevis 2500-1 – Double Leg Pulling Harness – long 2500-2 – Double Leg Pulling Harness – short 2500-3 – Allen Wrench 3/8" 2500-4 – Allen Wrench 1/4"	5 lbs.	UPC 811993023408
2501	Includes 1 each of the following: 2500-1 – Double Leg Pulling Harness – long 2500-2 – Double Leg Pulling Harness – short 2500-3 – Allen Wrench 3/8"	2 lbs.	UPC 811993023415

## Individual Harnesses

Catalog Number	Description	Weight	
2500-1	Double Leg Pulling Harness – long	2 lbs.	UPC 811993023439
2500-2	Double Leg Pulling Harness – short	2 lbs.	UPC 811993023446

## Clevis

Catalog Number	Description	Weight	
2502	Clevis Max. Rated Capacity – 6,500 lbs.	1.2 lbs.	UPC 811993023422

The following are MAXIMUM pulling capacities:

- 1,750 lbs. maximum when using 1 grip of a double leg pulling harness
- 3,250 lbs. maximum per double leg pulling harness when using both grips of a double leg pulling harness
- 6,500 lbs. maximum when using both (Model 2500-1 and Model 2500-2) double leg pulling harnesses
- Clevis maximum capacity is 6,500 lbs.



**Current Tools**  
FOR THE PROFESSIONAL ELECTRICIAN

[www.currenttools.com](http://www.currenttools.com)

P.O. Box 17026 • Greenville, SC 29606 • 864.721.4230 • fax 864.721.4232 • 800.230.5421



## Pulling Grips

**Current Tools** cable grips are hand-woven by experienced trades people and this guarantees a consistent level of high quality. **Current Tools** grips are reverse woven, creating a loop at the end of the grip instead of being soldered or crimped together.

The looped pulling head is actually a separate wire rope eye which is placed inside the swage sleeve along with the wire mesh strands. The swage sleeve is then crimped forming an extremely effective anchor point for both the looped head and the wire mesh. Testing proves this is never the weakest link of the product. The flexible eye allows cable to be pulled more easily through smaller conduit.

The **Current Tools** cable grips enclose the cable firmly over the entire length of the mesh. They are made of high tensile steel strands. Depending on the type of grip, the strand comprises 7, 12 or 19 wires. By selecting the most suitable strand, the tension distribution characteristics can be adjusted to suit the requirements.

All **Current Tools** grips meet the highest standards in terms of material and workmanship and we are pleased to offer a wide range of grips with different designs and eye arrangements for onsite, underground or overhead installations.

In addition to the grips listed in this catalog, **Current Tools** can also supply special products for particular fields of application. Information on these will be supplied upon request.

Some of the grips offered in this catalog have Rotating Heads which allow the grip to rotate while not under load.



**Current Tools** also offers the 00501 Series swivel, designed specifically for use with flexible eye grips, it is easily interchangeable but it will also not rotate under load.

All capacities indicated are Approximate Breaking Strength. Each user must decide what safety factor they require for each specific operation before selecting which grip to use. Due to metal fatigue and possible in-use damage, quoted values only apply to new grips.

Please refer to the following pages for information on **Current Tools** pulling grips. Line Swivels, Breakaway Swivels and Connectors suitable for use with the grips may also be found in this catalog.

## Grip Selection Chart — For cables of equal diameter in one grip.

2 Cables Dia. Range ea Cable (in)	3 Cables Dia. Range ea Cable (in)	4 Cables Dia. Range ea Cable (in)	5 Cables Dia. Range ea Cable (in)	6&7 Cables Dia. Range ea Cable (in)	8 Cables Dia. Range ea Cable (in)	9 Cables Dia. Range ea Cable (in)	Required Grip Diameter Range
.30-.38	.25-.31	.22-.27	.19-.24	.17-.22	.15-.19	.14-.18	.50-.61
.38-.44	.31-.36	.27-.31	.24-.29	.22-.26	.19-.23	.18-.21	.62-.74
.44-.59	.36-.49	.31-.42	.29-.38	.26-.34	.23-.31	.21-.28	.75-.99
.59-.75	.49-.63	.42-.54	.38-.48	.34-.43	.31-.39	.28-.35	1.00-1.24
.75-.90	.63-.76	.54-.65	.48-.58	.43-.52	.39-.46	.35-.42	1.25-1.49
.90-1.07	.76-.89	.65-.77	.58-.67	.52-.60	.46-.54	.42-.49	1.50-1.74
1.07-1.22	.89-1.02	.77-.88	.67-.77	.60-.69	.54-.62	.49-.56	1.75-1.99
1.22-1.53	1.02-1.28	.88-1.10	.77-.96	.69-.86	.62-.77	.56-.71	2.00-2.49
1.53-1.83	1.28-1.53	1.10-1.32	.96-1.16	.86-1.03	.77-.93	.71-.85	2.50-2.99
1.83-2.14	1.53-1.79	1.32-1.54	1.16-1.35	1.03-1.20	.93-1.08	.85-.99	3.00-3.49
2.14-2.44	1.79-2.05	1.54-1.76	1.35-1.54	1.20-1.37	1.08-1.24	.99-1.13	3.50-3.99
2.44-2.75	2.05-2.30	1.76-1.98	1.54-1.74	1.37-1.55	1.24-1.39	1.13-1.27	4.00-4.49
2.75-3.06	2.30-2.56	1.98-2.20	1.74-1.93	1.55-1.72	1.39-1.55	1.27-1.41	4.50-4.99



# PULLING ACCESSORIES

## Pulling Grips — 00661 Series

SINGLE WEAVE – GALVANIZED WIRE – SINGLE EYE – LIGHT DUTY

These grips offer a Flexible Eye with Single Weave galvanized wire construction for light duty applications.

Catalog Number	Size Range	Mesh Length	Approx. Breaking Strength	Weight	
00661-004	0.15" to 0.24"	6 1/2"	400 lbs.	0.1 lb.	UPC 811993023453
00661-006	0.25" to 0.37"	6 1/2"	460 lbs.	0.2 lb.	UPC 811993023460
00661-010	0.38" to 0.49"	7 1/2"	860 lb.	0.3 lb.	UPC 811993023477
00661-013	0.50" to 0.62"	9"	1,250 lbs.	0.4 lb.	UPC 811993023484
00661-016	0.63" to 0.74"	12"	1,790 lbs.	0.8 lb.	UPC 811993023491
00661-019	0.75" to 0.99"	12"	2,580 lbs.	1.2 lbs.	UPC 811993023507
00661-025	1.00" to 1.24"	12"	4,090 lbs.	2.1 lbs.	UPC 811993023514



## Pulling Grips — 00662 & 00664 Series

NON CONDUCTIVE – SINGLE/DOUBLE WEAVE – SINGLE EYE

These grips are non-conductive and may be used to install fiber optic cable. Smaller sizes are Single Weave and larger sizes are Double Weave.

Catalog Number	Size Range	Weave	Approx. Breaking Strength	Weight	
00662-010	0.38" to 0.74"	Single	2,500 lbs.	0.2 lb.	UPC 811993023521
00662-020	0.75" to 1.12"	Single	3,700 lbs.	0.2 lb.	UPC 811993023538
00664-030	1.13" to 1.49"	Double	9,800 lbs.	0.3 lb.	UPC 811993023545
00664-040	1.50" to 1.99"	Double	11,800 lbs.	0.4 lb.	UPC 811993023552



## Pulling Grips — 00670 & 00671 Series

DOUBLE WEAVE – GALVANIZED WIRE – SINGLE EYE

These grips offer a Flexible Eye and Double Weave galvanized wire construction for regular load pulls.

Catalog Number	Size Range	Mesh Length	Approx. Breaking Strength	Weight	
00670-025	0.24" to 0.37"	18"	4,250 lbs.	0.3 lb.	UPC 811993023569
00670-038	0.38" to 0.74"	18"	5,000 lbs.	0.3 lb.	UPC 811993023576
00670-050	0.75" to 1.12"	18"	6,600 lbs.	0.4 lb.	UPC 811993023583
00670-100	1.13" to 1.49"	21"	10,000 lbs.	0.6 lb.	UPC 811993023590
00670-125	1.50" to 1.99"	23"	13,800 lbs.	1.3 lbs.	UPC 811993023606
00670-200	2.00" to 2.49"	24"	14,200 lbs.	1.4 lbs.	UPC 811993023613
00670-250	2.50" to 2.99"	28"	17,500 lbs.	1.7 lbs.	UPC 811993023620
00671-080	3.00" to 3.74"	30"	18,000 lbs.	1.9 lbs.	UPC 811993023637
00671-095	3.75" to 4.24"	32"	26,500 lbs.	2.3 lbs.	UPC 811993023644



*Always read Breaking Strength, safety and technical data information.*



**Current Tools**  
FOR THE PROFESSIONAL ELECTRICIAN

[www.currenttools.com](http://www.currenttools.com)

P.O. Box 17026 • Greenville, SC 29606 • 864.721.4230 • fax 864.721.4232 • 800.230.5421



## Pulling Grips — 00674 & 00675 Series

DOUBLE WEAVE – SINGLE EYE – SLACK GRIP – CLOSED MESH

These grips offer a Flexible Eye and Double Weave galvanized wire construction for those times when a side loaded pulling rope is easier. If the cable end is available, then the Closed Mesh is preferred.



Catalog Number	Size Range	Mesh Length	Approx. Breaking Strength	Weight	
00674-010	0.38" to 0.74"	14"	2,500 lbs.	0.44 lb.	UPC 811993023651
00674-020	0.75" to 1.12"	17"	3,000 lbs.	0.48 lb.	UPC 811993023668
00674-030	1.13" to 1.49"	18"	5,000 lbs.	0.84 lb.	UPC 811993023675
00674-040	1.50" to 1.99"	20"	10,000 lbs.	1.41 lbs.	UPC 811993023682
00675-050	2.00" to 2.49"	21"	11,000 lbs.	2.56 lbs.	UPC 811993023699
00675-065	2.50" to 2.99"	22"	12,000 lbs.	2.64 lbs.	UPC 811993023699
00675-080	3.00" to 3.74"	23"	15,000 lbs.	2.95 lbs.	UPC 811993023712
00675-095	3.75" to 4.24"	24"	15,000 lbs.	4.63 lbs.	UPC 811993023729

## Pulling Grips — 00678 & 00679 Series

DOUBLE WEAVE – SINGLE EYE – SLACK GRIP – SPLIT MESH (Lace-Up)

These grips offer a Flexible Eye and Double Weave galvanized wire construction for those times when a side loaded pulling rope is easier. If the cable end is not available, then the Split Mesh is preferred.



Catalog Number	Size Range	Mesh Length	Approx. Breaking Strength	Weight	
00678-010	0.38" to 0.74"	14"	4,100 lbs.	0.44 lb.	UPC 811993023736
00678-020	0.75" to 1.12"	17"	4,970 lbs.	0.55 lb.	UPC 811993023743
00678-030	1.13" to 1.49"	18"	8,150 lbs.	0.82 lb.	UPC 811993023750
00678-040	1.50" to 1.99"	20"	12,100 lbs.	1.39 lbs.	UPC 811993023767
00679-050	2.00" to 2.49"	21"	16,140 lbs.	1.92 lbs.	UPC 811993023774
00679-065	2.50" to 2.99"	22"	16,140 lbs.	2.00 lbs.	UPC 811993023781
00679-080	3.00" to 3.74"	23"	20,170 lbs.	2.20 lbs.	UPC 811993023798
00679-095	3.75" to 4.24"	24"	23,400 lbs.	3.09 lbs.	UPC 811993023804

*Always read Breaking Strength, safety and technical data information.*







# PULLING ACCESSORIES

## Pulling Grips — 00680 Series

### DOUBLE WEAVE – SINGLE EYE – SHOULDERS

These grips offer a FLExible Eye with Shoulders and Double Weave galvanized wire construction. The shoulders offer added protection to the cable being pulled in as well as protecting the leading wire strands.



Catalog Number	Size Range	Mesh Length	Approx. Breaking Strength	Weight	
00680-025	0.25" to 0.49"	18"	4,800 lbs.	0.4 lb.	UPC 811993023811
00680-038	0.50" to 0.74"	24"	5,800 lbs.	0.4 lb.	UPC 811993023828
00680-050	0.75" to 1.12"	24"	6,700 lbs.	0.5 lb.	UPC 811993023835
00680-100	1.13" to 1.49"	24"	10,000 lbs.	0.6 lb.	UPC 811993023842
00680-125	1.50" to 1.99"	24"	16,400 lbs.	1.3 lbs.	UPC 811993023859
00680-200	2.00" to 2.49"	24"	18,500 lbs.	1.5 lbs.	UPC 811993023866
00680-250	2.50" to 2.99"	36"	24,500 lbs.	2.5 lbs.	UPC 811993023873
00680-300	3.00" to 3.74"	36"	24,500 lbs.	2.7 lbs.	UPC 811993023880
00680-350	3.75" to 4.24"	42"	31,000 lbs.	4.2 lbs.	UPC 811993023897
00680-400	4.25" to 4.99"	48"	31,000 lbs.	4.9 lbs.	UPC 811993023903

## Pulling Grips — 00681 Series

### TRIPLE WEAVE – SINGLE EYE – SHOULDERS

These grips offer a Flexible Eye with Shoulders and Triple Weave galvanized wire construction. The shoulders help to protect the leading edge of the cable and this type should be used for heavy duty applications.



Catalog Number	Size Range	Mesh Length	Approx. Breaking Strength	Weight	
00681-006	0.25" to 0.49"	28"	6,500 lb.	0.5 lb.	UPC 811993023910
00681-012	0.50" to 0.74"	33"	10,400 lb.	0.9 lb.	UPC 811993023927
00681-019	0.75" to 0.99"	41"	16,000 lb.	1.8 lbs.	UPC 811993023934
00681-025	1.00" to 1.24"	51"	25,400 lb.	3.1 lbs.	UPC 811993023941
00681-032	1.25" to 1.49"	60"	31,700 lb.	4.0 lbs.	UPC 811993023958
00681-038	1.50" to 1.99"	70"	32,000 lb.	4.5 lbs.	UPC 811993023965
00681-048	2.00" to 2.49"	75"	44,600 lb.	4.7 lbs.	UPC 811993023972

Always read Breaking Strength, safety and technical data information.



**Current Tools**  
FOR THE PROFESSIONAL ELECTRICIAN

[www.currenttools.com](http://www.currenttools.com)

P.O. Box 17026 • Greenville, SC 29606 • 864.721.4230 • fax 864.721.4232 • 800.230.5421



## Pulling Grips — 00682 Series

TRIPLE WEAVE – ROTARY HEAD – SHOULDERS

These grips offer a Stainless Steel Rotary Head with Shoulders and Triple Weave galvanized wire construction. The shoulders help to protect the leading edge of the cable and this type should be used for heavy duty applications.



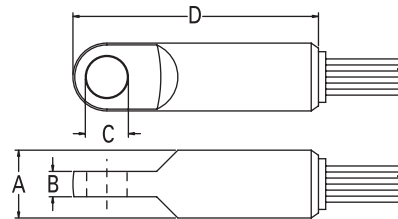
*Note: The Rotating Head does not replace the use of a Line Swivel, Series 00505. There are no bearings to allow rotation under load and severe damage may occur to the cable being installed if this product is used without the correct swivel.*

Catalog Number	Size Range	Mesh Length	A	B	C	D	Approx. Breaking Strength	Weight	
00682-006	0.25" to 0.49"	28"	7/8"	5/16"	1/2"	2 3/4"	6,500 lbs.	1.5 lbs.	UPC 811993023989
00682-012	0.50" to 0.74"	33"	1"	1/2"	9/16"	3 7/8"	10,400 lbs.	1.9 lbs.	UPC 811993023996
00682-019	0.75" to 0.99"	41"	1"	1/2"	9/16"	3 7/8"	16,000 lbs.	3.2 lbs.	UPC 811993024009
00682-025	1.00" to 1.24"	51"	1 3/8"	1/2"	11/16"	5 3/8"	25,400 lbs.	5.1 lbs.	UPC 811993024016
00682-032	1.25" to 1.49"	60"	1 5/8"	9/16"	7/8"	6 1/8"	31,700 lbs.	6.0 lbs.	UPC 811993024023
00682-038	1.50" to 1.99"	70"	1 7/8"	11/16"	1"	7 1/4"	32,000 lbs.	6.5 lbs.	UPC 811993024030
00682-048	2.00" to 2.49"	75"	1 7/8"	11/16"	1"	7 1/4"	44,600 lbs.	6.7 lbs.	UPC 811993024047

## Pulling Grips — 00690 Series

DOUBLE WEAVE – ROTARY HEAD – SHOULDERS

These grips offer a Rotating Eye with Shoulders and Double Weave galvanized wire construction. The shoulders help to protect the leading edge of the cable and this type should be used for heavy duty applications.



*Note: The Rotating Head does not replace the use of a Line Swivel. There are no bearings to allow rotation under load and severe damage may occur to the cable being installed if this product is used without the correct swivel.*

Catalog Number	Size Range	Mesh Length	A	B	C	D	Approx. Breaking Strength	Weight	
00690-038	0.50" to 0.74"	16"	7/8"	5/16"	1/2"	2 3/4"	5,800 lbs.	1.5 lbs.	UPC 811993024054
00690-050	0.75" to 1.12"	24"	7/8"	5/16"	1/2"	2 3/4"	6,700 lbs.	1.6 lbs.	UPC 811993024061
00690-100	1.13" to 1.49"	33"	1 3/8"	1/2"	11/16"	5 3/8"	13,000 lbs.	1.9 lbs.	UPC 811993024078
00690-125	1.50" to 1.99"	36"	1 3/8"	1/2"	11/16"	5 3/8"	16,500 lbs.	2.3 lbs.	UPC 811993024085
00690-200	2.00" to 2.49"	36"	1 5/8"	9/16"	7/8"	6 1/8"	27,000 lbs.	3.8 lbs.	UPC 811993024092
00690-250	2.50" to 2.99"	38"	1 7/8"	11/16"	1"	7 1/4"	33,000 lbs.	5.0 lbs.	UPC 811993024108
00690-300	3.00" to 3.74"	39"	1 7/8"	11/16"	1"	7 1/4"	41,000 lbs.	5.2 lbs.	UPC 811993024115
00690-350	3.75" to 4.24"	42"	1-7/8"	11/16"	1"	7 1/4"	48,000 lbs.	9.2 lbs.	UPC 811993024122
00690-400	4.25" to 4.99"	58"	1-7/8"	11/16"	1"	7 1/4"	48,000 lbs.	9.9 lbs.	UPC 811993024139

**Always read Breaking Strength, safety and technical data information.**



# PULLING ACCESSORIES

## Pulling Grips — 00695 Series

DUAL WIRE – DOUBLE WEAVE – HIGH STRENGTH – SHOULDERS  
 These extra high strength grips feature a dual wire, double woven construction. This type of grip should be used for heavy duty applications such as overhead transmission wire. The grips are particularly suited to bare conductor and synthetic rope applications.



Catalog Number	Conductor Size Range	Rope Size Range	Mesh Length	Head Length	Approx. Breaking Strength	Weight	
00695-019	0.19" to 0.37"	0.25" to 0.65"	24"	10"	6,800 lb.	1.0 lb.	UPC 811993025594
00695-038	0.38" to 0.62"	0.50" to 0.90"	36"	12"	14,500 lb.	1.5 lbs.	UPC 811993025600
00695-063	0.63" to 0.87"	0.75" to 1.10"	48"	13"	21,500 lb.	3.0 lbs.	UPC 811993025617
00695-088	0.88" to 1.12"	1.00" to 1.50"	60"	15"	32,000 lb.	6.0 lbs.	UPC 811993025624
00695-113	1.13" to 1.37"	1.25" to 1.70"	76"	18"	48,000 lb.	13.5 lbs.	UPC 811993025631
00695-138	1.38" to 1.90"	1.50" to 2.10"	89"	24"	68,000 lb.	21.0 lbs.	UPC 811993025648

*Always read Breaking Strength, safety and technical data information.*

## Lube Spreader — 00510 Series

This product is designed to spread the lubricant around the walls and along the length of the conduit, while also acting as a connector.

The body is constructed out of Stainless Steel and the polyurethane disc has angular grooves which allow better distribution of lubricant.



### Table A: Spreader Disc

Spreader Disc Catalog Number	Conduit Size	Disc Diameter	Connector Body	Weight	
00515-200	2"	1 7/8"	00510-025	0.045 lb.	UPC 811993024146
00515-250	2 1/2"	2 3/16"	00510-025	0.066 lb.	UPC 811993024153
00515-300	3"	2 13/16"	00510-025	0.110 lb.	UPC 811993024160
00515-350	3 1/2"	3 1/4"	00510-035	0.170 lb.	UPC 811993024177
00515-400	4"	3 3/4"	00510-035	0.240 lb.	UPC 811993024184
00515-500	5"	4 11/16"	00510-035	0.450 lb.	UPC 811993024191
00515-640	6"	5 13/16"	00510-035	0.670 lb.	UPC 811993024207

### How to Order:

1. Select disc from table (A) to fit the internal diameter of conduit to be lubricated.
2. Select connector assembly from table (B) to match selected disc from table (A).

### Table B: Connector Body

Connector Catalog Number	*Safe Working Load	Body Diameter	Overall Length	Clevis Pin	Weight	
00510-025	4,000 lbs.	1 3/8"	4 5/8"	00025-HEX	0.70 lb.	UPC 811993024214
00510-035	7,200 lbs.	2"	6 1/4"	00035-HEX	2.50 lbs.	UPC 811993024221

\*Safety Factor of 3:1



**Current Tools**  
 FOR THE PROFESSIONAL ELECTRICIAN

[www.currenttools.com](http://www.currenttools.com)

P.O. Box 17026 • Greenville, SC 29606 • 864.721.4230 • fax 864.721.4232 • 800.230.5421



## Conduit Checker — 08500 Series

Following initial installation of the conduit it is often found that debris or partial collapse of the conduit will impede installation of the cable.

These products are designed to ensure the conduit is clear before installing the cable.

The discs are manufactured from high density polyurethane giving them the toughness to clear the conduit without scraping or scratching the interior walls. The discs are spaced with gaps to allow passage through tight bends. The wire rope running through the mandrel is high quality, galvanized wire.



Catalog Number	Conduit Size	Disc Diameter	*Safe Working Load	Weight	
08500-150	1 1/2"	1 7/16"	1,400 lbs.	.5 lbs.	UPC 811993026065
08500-200	2"	1 7/8"	2,300 lbs.	0.92 lb.	UPC 811993024238
08500-250	2 1/2"	2 3/16"	2,300 lbs.	1.10 lbs.	UPC 811993024245
08500-300	3"	2 13/16"	2,300 lbs.	1.60 lbs.	UPC 811993024252
08500-350	3 1/2"	3 1/4"	4,800 lbs.	2.70 lbs.	UPC 811993024269
08500-400	4"	3 3/4"	4,800 lbs.	3.60 lbs.	UPC 811993024276
08500-500	5"	4 11/16"	4,800 lbs.	4.80 lbs.	UPC 811993024283
08500-640	6"	5 13/16"	4,800 lbs.	7.30 lbs.	UPC 811993024290

\*Safety Factor is 3:1 ( horizontal pulls only )

## Spiral Conduit Brush — 08000 Series

Flat steel bristles spiraled onto heavy duty wire spindle with a Pulling Eye on one end only. This product will quickly remove grit or light dirt within the conduit before installing your cable.

Catalog Number	Nominal Conduit Size	Weight	
08000-200	2"	0.38 lb.	UPC 811993024306
08000-250	2 1/2"	0.42 lb.	UPC 811993024313
08000-300	3"	0.48 lb.	UPC 811993024320
08000-350	3 1/2"	0.50 lb.	UPC 811993024337
08000-400	4"	0.53 lb.	UPC 811993024344
08000-500	5"	0.62 lb.	UPC 811993024351
08000-600	6"	0.68 lb.	UPC 811993024368





# STORAGE

## Storage Boxes

- Secure storage for job site tools
- Heavy duty hinges for durability
- Side handles for easy lifting
- Heavy duty - 16 gauge construction
- Model 101 has pre-drilled holes for caster mounting and large bottom runners for easy lifting
- Made in the USA



**Model 8-0501**



Catalog Number	Description	L	H	D	Weight	
101	Storage Box —	48" length	30" height	30" depth	188 lbs.	UPC 811993024375
104	Storage Box —	31" length	15" height	18" depth	51 lbs.	UPC 811993024382
8-0501	Storage Box —	23" length	17" height	20" depth	36 lbs.	UPC 811993024399



**Current Tools**  
FOR THE PROFESSIONAL ELECTRICIAN

[www.currenttools.com](http://www.currenttools.com)

P.O. Box 17026 • Greenville, SC 29606 • 864.721.4230 • fax 864.721.4232 • 800.230.5421



## Caster Set

**Capacity — Set of 4 casters – 2,000 lbs.**

- Heavy duty design to move storage boxes around the job site
- Each set has 2 swivel and 2 fixed casters
- Mounting bolts are provided with each caster set



Catalog Number	Description	Capacity Set of 4 casters	Weight	
506	6" wheel set; 2 swivel and 2 fixed	2,000 lbs.	20 lbs.	UPC 811993024405

## General Purpose Poly Rope

- High visibility yellow
- Great for roping off areas within construction sites
- Resistant to weather, rot and mildew
- For general purpose use

• **NOT FOR CABLE PULLING.**  
See page 61 for ropes used with cable pullers.



**NOT FOR CABLE PULLING.**

Rope Diameter	Catalog Number	Length	Avg. Breaking Strength	Weight	
1/4"	GPR143	300'	1,250 lbs.	5 lbs.	UPC 811993024412
	GPR146	600'	1,250 lbs.	9 lbs.	UPC 811993024429
	GPR1412	1200'	1,250 lbs.	13 lbs.	UPC 811993024436
3/8"	GPR383	300'	2,700 lbs.	11 lbs.	UPC 811993024443
	GPR386	600'	2,700 lbs.	19 lbs.	UPC 811993024450



# COMPARISON REFERENCE

Description	Greenlee® Item #	Current Tools Item #	Page #
<b>OFFSET BENDERS</b>			
1/2" EMT Offset Bender	1810	705	1
3/4" EMT Offset Bender	1811	706	1
<b>MECHANICAL BENDERS</b>			
1/2" To 1" Mechanical Bender for RIGID/IMC Conduit and Schedule 40 pipe	1800	750	2
1¼" To 1½" Mechanical Bender for RIGID/IMC Conduit and Schedule 40 pipe	1801	751	3
<b>CONDUIT BENDERS</b>			
Electric Bender-Power unit only without bending attachments	555C	77	8,11
Electric Bender with single shoe and roller support for 1/2" to 2" Rigid Conduit	555RSC	77SR	8
Electric Bender with single shoe and roller support for 1/2" to 2" EMT Conduit	555ESC	77SE	8
Electric Bender with single shoe and roller support for 1/2" to 2" IMC Conduit	555C + 02548 + 01323	77SI	8
Electric Bender with single shoe and roller support for 1/2" to 2" 40 Mil PVC Coated Conduit	555C + 12586	77SP	8
Electric Bender with bending attachments to bend 1/2" to 2" rigid conduit and Schedule 40 pipe. Includes shoe group #700R	555RC	77RIG	11
Electric Bender with bending attachments to bend 1/2" to 2" EMT conduit. Includes shoe group #700E	555EC	77EMT	11
Electric Bender with bending attachments to bend 1½" to 2" IMC conduit. Includes shoe group #700I	555IC	77IMC	11
Electric Bender with bending attachments to bend 1/2" to 2" 40 mil PVC coated conduit. Includes shoe group #700P	NA	77PVC	11
Deluxe Electric Bender – Power unit only without bending attachments	NA	77DL	15
Deluxe Electric Bender with No. 700R Rigid Shoes and accessories	NA	77RIG-DL	15
Deluxe Electric Bender with No. 700E EMT Shoes and accessories	NA	77EMT-DL	15
Deluxe Electric Bender with No. 700I IMC Shoes and accessories EMT Shoes and accessories	NA	77IMC-DL	15
Deluxe Electric Bender with No. 700P 40mil PVC Coated Conduit Bending Shoes and accessories	NA	77PVC-DL	15
OMNI™ Bender – Electric bender with accessories to bend 1/2" to 2" EMT, IMC, & Rigid conduit	854 / 855	747	17
<b>SHOE GROUPS</b>			
<b>700SR 1/2" TO 2" RIGID SINGLE SHOE GROUP</b>	28008	700SR	9
Single shoe for Rigid and IMC – 1/2" to 2"	02548	2-3000	9
Single shoe roller support for Rigid – 1/2" to 2"	02549	2-4000	9
Metal storage box	23818	8-0501	90

\* Greenlee® is a registered trademark of Greenlee/Extron.



# COMPARISON REFERENCE



Description	Greenlee® Item #	Current Tools Item #	Page #
<b>700SI 1/2" TO 2" IMC SINGLE SHOE GROUP</b>	02548 + 01323	700SI	9
Single shoe for Rigid and IMC – 1/2" to 2"	02548	2-3000	9
Single shoe roller support for IMC – 1/2" to 2"	01323	2-4100	9
Metal storage box	23818	8-0501	90
<b>700SE 1/2" TO 2" EMT SINGLE SHOE GROUP</b>	23803	700SE	10
Single shoe for EMT – 1/2" to 2"	02543	2-3100	10
Single shoe roller support for EMT – 1/2" to 2"	02544	2-4200	10
Metal storage box	23818	8-0501	90
<b>700SP 1/2" TO 2" 40 MIL PVC COATED SINGLE SHOE GROUP</b>	12586	700SP	10
Single shoe for 40 Mil PVC Coated Conduit – 1/2" to 2"	02553	2-3200	10
Single shoe roller support for 40 Mil PVC Coated Conduit – 1/2" to 2"	02554	2-4300	10
Metal storage box	23818	8-0501	90
<b>700R 1/2" TO 2" RIGID SHOE GROUP</b>	28007	700R	13
1/2" thru 1 1/4" Rigid & IMC Bending Shoe	17935	2-1301	13
1/2" thru 1 1/4" Support Roller	17979	2-1001	13
1½" and 2" Rigid Bending Shoe	17937	2-1401	13
1½" and 2" Support Roller	17984	2-1002	13
<b>700E 1/2 TO 2" EMT SHOE GROUP</b>	23802	700E	13
1/2" Thru 1 1/4" EMT Bending Shoe	17944	2-1501	13
1/2" Thru 1 1/4" Support Unit	17986	2-1003	13
1½" EMT Bending Shoe	23499	2-1601	13
2" EMT Bending Shoe	23505	2-1701	13
1½" and 2" Support Roller Unit	23541	2-1100	13
Metal Storage Box	23818	8-0501	90
<b>700ES 1 1/2" TO 2" EMT BENDING SHOE GROUP</b>	23816	700ES	13
1½" EMT Bending Shoe	23499	2-1601	13
2" EMT Bending Shoe	23505	2-1701	13
1½" and 2" Support Roller Unit	23541	2-1100	13
<b>700I 1 1/2" TO 2" IMC BENDING SHOE GROUP</b>	26330	700I	14
1½" IMC Bending Shoe	25263	2-1801	14
2" IMC Bending Shoe	25268	2-1901	14
1½" and 2" Support Roller Unit	25273	2-1200	14
Metal Storage Box	23818	8-0501	90

\* Greenlee® is a registered trademark of Greenlee/Textron.

[www.currenttools.com](http://www.currenttools.com)

P.O. Box 17026 • Greenville, SC 29606 • 864.721.4230 • fax 864.721.4232 • 800.230.5421

**Current Tools**  
FOR THE PROFESSIONAL ELECTRICIAN





# COMPARISON REFERENCE

Description	Greenlee® Item #	Current Tools Item #	Page #
<b>700P 1/2" TO 2" 40 MIL PVC COATED RIGID SHOE GROUP</b>		<b>700P</b>	
1/2" Thru 1 1/4" PVC Bending Shoe	37279	2-2001	14
1/2" Thru 1 1/4" Support Roller	37280	2-1004	14
1 1/2" and 2" PVC Bending Shoe	37575	2-1004	14
1 1/2" and 2" Support Roller	37281	2-2101	14
Metal Storage Box	37282	2-1005	14
	23818	8-0501	90
<b>700R-DL 1/2" TO 2" RIGID SHOE GROUP</b>		<b>700R-DL</b>	
1/2" Thru 1 1/4" Rigid & IMC Bending Shoe	NA	2-1301 DL	16
1/2" Thru 1 1/4" Support Roller	17979	2-1001	13,16
1 1/2" and 2" Rigid Bending Shoe	NA	2-1401 DL	16
1 1/2" and 2" Support Roller	17984	2-1002	13,16
<b>700E-DL 1/2 TO 2" EMT SHOE GROUP</b>		<b>700E-DL</b>	
1/2" Thru 1 1/4" EMT Bending Shoe	NA	2-1501 DL	16
1/2" Thru 1 1/4" Support Unit	17986	2-1003	13,16
1 1/2" EMT Bending Shoe	NA	2-1601 DL	16
2" EMT Bending Shoe	NA	2-1701 DL	16
1 1/2" and 2" Support Roller Unit	23541	2-1100	13,16
Metal Storage Box	23818	8-0501	90
<b>700ES-DL 1 1/2" TO 2" EMT BENDING SHOE GROUP</b>		<b>700ES-DL</b>	
1 1/2" EMT Bending Shoe	NA	2-1601 DL	16
2" EMT Bending Shoe	NA	2-1701 DL	16
1 1/2" and 2" Support Roller Unit	23541	2-1100	13,16
<b>700I-DL 1 1/2" TO 2" IMC BENDING SHOE GROUP</b>		<b>700I-DL</b>	
1 1/2" IMC Bending Shoe	NA	2-1801 DL	16
2" IMC Bending Shoe	NA	2-1901 DL	16
1 1/2" and 2" Support Roller Unit	25273	2-1200	14,16
Metal Storage Box	23818	8-0501	90
<b>700P-DL 1/2" TO 2" 40 MIL PVC COATED RIGID SHOE GROUP</b>		<b>700P-DL</b>	
1/2" Thru 1 1/4" PVC Bending Shoe	NA	2-2001 DL	16
1/2" Thru 1 1/4" Support Roller	37575	2-1004	14,16
1 1/2" and 2" PVC Bending Shoe	NA	2-2101 DL	16
1 1/2" and 2" Support Roller	37282	2-1005	14,16
Metal Storage Box	23818	8-0501	90

\* Greenlee® is a registered trademark of Greenlee/Textron.



**Current Tools**  
FOR THE PROFESSIONAL ELECTRICIAN

[www.currenttools.com](http://www.currenttools.com)

P.O. Box 17026 • Greenville, SC 29606 • 864.721.4230 • fax 864.721.4232 • 800.230.5421

# COMPARISON REFERENCE



Description	Greenlee® Item #	Current Tools Item #	Page #
<b>PVC HEATERS</b>			
1/2" Thru 2" PVC Heater	849	450	19
1/2" Thru 4" PVC Heater	851	451	19
1/2" Thru 6" PVC Heater	847	452	20
1/2" Thru 6" PVC Automatic Rotating Heater	848	453	20
<b>PVC HEATING BLANKETS</b>			
1/2" to 1½" PVC Heating Blanket	860-1 1/2	441	21
2" to 3" PVC Heating Blanket	860-3	442	21
3" to 4" PVC Heating Blanket	860-4	443	21
<b>PLUG KITS</b>			
Expanding Plug Kit 2"-4"	859-4	460	22
Expanding Plug Kit 2"-6"	NA	461	22
<b>SINGLE PLUGS</b>			
2" PVC Plug	30976	46-2	22
2 ½" PVC Plug	30977	46-2.5	22
3" and 3 ½" PVC Plug	30978	46-3	22
4" PVC Plug	30979	46-4	22
5" PVC Plug	30980	46-5	22
6" PVC Plug	30981	46-6	22
Rolling Stand for PVC	857	454	22
<b>BENDING TABLES</b>			
Bending Table w/Storage Box	1802	280	23
Bending Table w/Storage Box	1813	281	24
<b>BENDING TABLE PARTS</b>			
Storage Box	1531	104	23,24,90
Carriage with vise	21544	280-1	23
Hand Crank Unit	21543	280-2	23
Rest Plate	21545	280-3	23
Idler Unit	21542	280-4	23
Leg Support	21541	280-5	23
Legs	21346	280-6	23
Magnetic Protractor	1895	280-7	23
Support pin - 1 1/2"	21360	280-8	23
Carriage with vise	28900	281-1	24

\* Greenlee® is a registered trademark of Greenlee/Textron.

[www.currenttools.com](http://www.currenttools.com)

P.O. Box 17026 • Greenville, SC 29606 • 864.721.4230 • fax 864.721.4232 • 800.230.5421

**Current Tools**  
FOR THE PROFESSIONAL ELECTRICIAN







# COMPARISON REFERENCE

Description	Greenlee® Item #	Current Tools Item #	Page #
Bender Mount Unit	28885	281-2	24
Ram Positioning Unit	29022	281-3	24
Pump Mounting Hardware	53824/51185	281-4	24
Conduit Clamps	53014	281-5	24
Pump Mounting Brackets	29004	281-6	24
90 Degree Fitting	29014	281-7	24
<b>ELECTRIC PUMP</b>			
Electric Pump 1 1/2 HP	960 / 980	290	25
High-Pressure Hose — 3/8" x 6' with 2 each 3/8" male couplers	11289	291	25
<b>BAND SAW</b>			
Band Saw	1399	BSD95	26
<b>MANUAL KNOCKOUT SETS</b>			
1/2"-1 1/4" Manual Knockout Set	7235BB	158PM	27
1 1/2"-2" Manual Knockout Set	7237BB	159PM	27
<b>RATCHET KNOCKOUT SET</b>			
1/2" - 2" Ratchet Knockout Set	7238SB	157PM	28
<b>HYDRAULIC PUNCH DRIVER SETS</b>			
1/2"-2" Piece Maker™ Set - Straight	7806SB	170PM	29
1/2"-2" Piece maker™ Set - 90°	7906SB	179PM	29
Straight Driver with accessories	7804SB	170	30
90° Driver with accessories	7904SB	179	30
<b>HYDRAULIC PUNCH DRIVER SET PARTS</b>			
Punch Driver - Straight	34288	1700	30
Punch Driver - 90°	33796	1790	30
Plastic Case	NA	1701	30
Metal Case	NA	1701-MC	30
3/4" x 4 1/8" Draw Stud	31872	1702	30
3/8" Draw Stud	1614SS	1550	30
Adapter Stud	33967	1703	30
Short Spacer - S	1924AA	1553	30,32,34,36,38,40
1/2" Piece Maker Punch	721-1/2	1524	27,28,30,32,36
1/2" Die	14722	1525	27,28,30,32,36
3/4" Piece Maker Punch	721-3/4	1526	27,28,30,32,36

\* Greenlee® is a registered trademark of Greenlee/Textron.



**Current Tools**  
FOR THE PROFESSIONAL ELECTRICIAN

[www.currenttools.com](http://www.currenttools.com)

P.O. Box 17026 • Greenville, SC 29606 • 864.721.4230 • fax 864.721.4232 • 800.230.5421

# COMPARISON REFERENCE



Description	Greenlee® Item #	Current Tools Item #	Page #
3/4" Die	124AV	1527	27,28,30,32,36
1" Piece Maker Punch	721-1	1528	27,28,30,32,36
1" Die	126AV	1529	27,28,30,32,36
1 1/4" Piece Maker Punch	721-1 1/4	1530	27,28,30,32,36
1 1/4" Die	128AV	1531	27,28,30,32,36
1 1/2" Piece Maker Punch	721-1 1/2	1532	27,28,30,32,36
1 1/2" Die	440AV	1533	27,28,30,32,36
2" Piece Maker Punch	721-2	1534	27,28,30,32,36
2" Die	442AV	1535	27,28,30,32,36
<b>PIECE MAKER™ KNOCKOUT SETS</b>			
1/2"-2" Piece Maker™ Hyd K.O. Set	7306SB	152PM	31,32
152PM with Metal Case	NA	152PM-MC	31,32
1/2"-4" Piece Maker™ Hyd K.O. Set	7310SB	154PM	31,32
<b>STANDARD KNOCKOUT SETS</b>			
1/2"-2" Standard Hyd. K.O. Set	7306	152	33,34
152 with Metal Case	NA	152-MC	33,34
1/2"-4" Standard Hyd K.O. Set	7310	154	33,34
<b>CORDLESS DRILL PUNCH DRIVER SETS</b>			
Punch Driver	NA	163	35,36,39
1/2"-2" Punch Driver Set	NA	162PM	35,36
1/2"-4" Punch Driver Set	NA	164PM	35,36
1/2"-2" Heavy Duty Set for Stainless Steel	NA	162SS	39,40
<b>CORDLESS DRILL PUNCH DRIVER SET PARTS</b>			
Nut Driver (3/8")	NA	163-14	36,40
3/8" Adapter Draw Stud	20963	1581	32,34,36
3/4" Draw Stud	2113B	1582	32,34,36,
Short Spacer	1924AA	1553	30,32,34,36,38,40
Carrying Case	NA	163-5	36
1/2" Piece Maker Punch	721-1/2	1524	27,28,30,32,36
1/2" Die	14722	1525	27,28,30,32,36
3/4" Piece Maker Punch	721-3/4	1526	27,28,30,32,36
3/4" Die	124AV	1527	27,28,30,32,36
1" Piece Maker Punch	721-1	1528	27,28,30,32,36
1" Die	126AV	1529	27,28,30,32,36
1 1/4" Piece Maker Punch	721-1 1/4	1530	27,28,30,32,36
1 1/4" Die	128AV	1531	27,28,30,32,36

\* Greenlee® is a registered trademark of Greenlee/Textron.

[www.currenttools.com](http://www.currenttools.com)

P.O. Box 17026 • Greenville, SC 29606 • 864.721.4230 • fax 864.721.4232 • 800.230.5421

**Current Tools**   
FOR THE PROFESSIONAL ELECTRICIAN



# COMPARISON REFERENCE

Description	Greenlee® Item #	Current Tools Item #	Page #
1 1/2" Piece Maker Punch	721-1 1/2	1532	27,28,30,32,36
1 1/2" Die	440AV	1533	27,28,30,32,36
2" Piece Maker Punch	721-2	1534	27,28,30,32,36
2" Die	442AV	1535	27,28,30,32,36
3/4" X 1 1/8" Draw Stud	NA	1580	45
2 1/2" Punch	1429AV	1566	32,34,44
2 1/2" Die	1430AV	1567	32,34,44
3" Punch	1431AV	1568	32,34,44
3" Die	1432AV	1569	32,34,44
3 1/2" Punch	2982AV	1570	32,34,44
3 1/2" Die	2981AV	1571	32,34,44
4" Punch	2984AV	1572	32,34,44
4" Die	2983AV	1573	32,34,44
Metal Storage Box - for 2 1/2" to 4"	NA	1504	42,44
3 1/2" & 4" Die Adapter	NA	163-766	36
<b>KNOCKOUT SETS FOR STAINLESS STEEL - PIECEMAKER™ SS</b>			
1/2" TO 2" Knockout Set for SS	7307	160SS	37,38
1/2" TO 2" Hydraulic K.O.Set for SS	7506	161SS	37,38
2 1/2" TO 4" Punch and Die Set for SS	7308	166SS	41,42
<b>PUNCH AND DIE SET 2 1/2" TO 4"</b>			
2 1/2"-4" K.O. Punch and Die Set	7304	156	43,44
<b>KNOCKOUT SET PARTS</b>			
Metal Case for 161SS	31068	1500	38
2" Plastic Case	30206	1500-PC	34
4" Metal Case	18402	1501	34,36
Case- 1/2" to 1 1/4" Set	31880	1502	27
Case- 1 1/2" to 2" Set	32012	1503	27
Hydraulic Hand Pump	767	1521	32,34,38,46
Knockout Ram	746	1522	32,34,38,46
1/2" Piece Maker Punch	721-1/2	1524	27,28,30,32,36
1/2" Die	14722	1525	27,28,30,32,36
3/4" Piece Maker Punch	721-3/4	1526	27,28,30,32,36
3/4" Die	124AV	1527	27,28,30,32,36
1" Piece Maker Punch	721-1	1528	27,28,30,32,36
1" Die	126AV	1529	27,28,30,32,36
1 7/32" Piece Maker Punch	60246	1591	45

\* Greenlee® is a registered trademark of Greenlee/Textron.



**Current Tools**  
FOR THE PROFESSIONAL ELECTRICIAN

[www.currenttools.com](http://www.currenttools.com)

P.O. Box 17026 • Greenville, SC 29606 • 864.721.4230 • fax 864.721.4232 • 800.230.5421

# COMPARISON REFERENCE



Description	Greenlee® Item #	Current Tools Item #	Page #
1 7/32" Die	36508	1592	45
1 1/4" Piece Maker Punch	721-1 1/4	1530	27,28,30,32,36
1 1/4" Die	128AV	1531	27,28,30,32,36
1 1/2" Piece Maker Punch	721-1 1/2	1532	27,28,30,32,36
1 1/2" Die	440AV	1533	27,28,30,32,36
2" Piece Maker Punch	721-2	1534	27,28,30,32,36
2" Die	442AV	1535	27,28,30,32,36
1/2" SS Punch	28154	1536	38,40
1/2" SS Die	28155	1537	38,40
3/4" SS Punch	28156	1538	38,40
3/4" SS Die	28157	1539	38,40
1 7/32" SS Punch - Oiltight	36490	1540	38,40
1 7/32" SS Die - Oiltight	36489	1541	38,40
1" SS Punch	28158	1542	38,40
1" SS Die	28159	1543	38,40
1 1/4" SS Punch	28160	1544	38,40
1 1/4" SS Die	28161	1545	38,40
1 1/2" SS Punch	28162	1546	38,40
1 1/2" SS Die	28163	1547	38,40
2" SS Punch	28165	1548	38,40
2" SS Die	28166	1549	38,40
2 1/2" SS Punch	00622	1583	42
2 1/2" SS Die	00626	1584	42
3" SS Punch	00623	1585	42
3" SS Die	00627	1586	42
3 1/2" SS Punch	00624	1587	42
3 1/2" SS Die	00629	1588	42
4" SS Punch	00625	1589	42
4" SS Die	00630	1590	42
3/8" Draw Stud	1614SS	1550	30
3/4" Draw Stud	2113AA	1551	NOT SHOWN
1 1/8" Adapter Sleeve	1557AA	1552	32,34,42
Spacer, Short	1924AA	1553	30,32,34,36,38,40
Spacer, Medium	1925AA	1554	32
Spacer, Long	1926AA	1555	32
Spacer Set	15908	155-SET	32,34
1" Ratchet Wrench	34941	1556	28
Draw Bolt - 3/8" x 1 5/8"	00042	1557	27,28
Plastic Case	34758	157-PC	28

\* Greenlee® is a registered trademark of Greenlee/Textron.

[www.currenttools.com](http://www.currenttools.com)

**Current Tools**  
FOR THE PROFESSIONAL ELECTRICIAN



P.O. Box 17026 • Greenville, SC 29606 • 864.721.4230 • fax 864.721.4232 • 800.230.5421



# COMPARISON REFERENCE

Description	Greenlee® Item #	Current Tools Item #	Page #
Draw Bolt - 3/4" x 2 15/16"	304AVBB	1558	27,28
Draw Bolt - 3/4" x 2 1/8"	249AVBB	1559	27
1/2" Standard Punch	121AV	1560	34
3/4" Standard Punch	123AV	1561	34
1" Standard Punch	125AV	1562	34
1 1/4" Standard Punch	127AV	1563	34
1 1/2" Standard Punch	439AV	1564	34
2" Standard Punch	441AV	1565	34
2 1/2" Punch	1429AV	1566	34
2 1/2" Die	1430AV	1567	34
3" Punch	1431AV	1568	34
3" Die	1432AV	1569	34
3 1/2" Punch	2982AV	1570	34
3 1/2" Die	2981AV	1571	34
4" Punch	2984AV	1572	34
4" Die	2983AV	1573	34
3/4" - 7/16" x 4 1/4" SS Draw Stud	29451	1574	34
3/4" x 5/2" SS Draw Stud	29452	1575	34
5" Punch	5135AV	1576	45
5" Die	5136AV	1577	45
6" Punch	5137AV	1578	45
6" Die	5138AV	1579	45
3/4" x 1 1/8" x 5 3/4" Draw Stud	NA	1580	45
3/8" Adapter Draw Stud	20963	1581	32,34,36
3/4" Draw Stud - Solid	2113B	1582	32,34,36
Metal Case - 160SS	29529	1600	38
<b>STUD PUNCHES</b>			
Stud Punch - 7/8"	709	140	47
Stud Punch - 1 11/32"	710	141	47
<b>3000 LB. HIGH SPEED CABLE PULLER</b>			
High Speed 3000 lb. Cable Puller with Cart	G3	33	49,50
<b>3000 LB. HIGH SPEED CABLE PULLER ACCESSORIES</b>			
1" Conduit Coupling	NA	33-520	50
1 1/4" Conduit Coupling	NA	33-534	50
1 1/2" Conduit Coupling	NA	33-522	50
2" Conduit Coupling	NA	33-523	50

\* Greenlee® is a registered trademark of Greenlee/Textron.



**Current Tools**  
FOR THE PROFESSIONAL ELECTRICIAN

[www.currenttools.com](http://www.currenttools.com)

P.O. Box 17026 • Greenville, SC 29606 • 864.721.4230 • fax 864.721.4232 • 800.230.5421



# COMPARISON REFERENCE



Description	Greenlee® Item #	Current Tools Item #	Page #
2 1/2" Conduit Coupling	NA	33-524	50
3" Conduit Coupling	NA	33-525	50
3 1/2" Conduit Coupling	NA	33-526	50
4" Conduit Coupling	NA	33-527	50
<b>6000 LB. TWO SPEED CABLE PULLER</b>			
Two Speed 6000 lb. Cable Puller with Cart	UT4	66	51,52
<b>6000 LB. TWO SPEED CABLE PULLER ACCESSORIES</b>			
2" Conduit Coupling	NA	66-51	52
2 1/2" Conduit Coupling	NA	66-52	52
3" Conduit Coupling	NA	66-53	52
3 1/2" Conduit Coupling	NA	66-54	52
4" Conduit Coupling	NA	66-55	52
<b>8000 LB. CABLE PULLER AND PACKAGES</b>			
Cable Puller with Chains	6801 & 6001	88	53,56
Cable Puller w/ Floor Mount	6800	8845	53
Mantis™ Cable Puller Package, Basic	6004	8885	55
Mantis™ Cable Puller Package, Basic w/ Box	NA	8885S	56
Mantis™ Cable Puller Package	6806 & 6005	8890A	54,56
Mantis™ Cable Puller Package w/ Box	NA	8890AS	54,56
Mobile Cable Puller Carriage	11147	8090	55,56
<b>8000 LB. CABLE PULLER PACKAGE ACCESSORIES</b>			
Floor Mount	6037	8045	53,56
Rope Reel Stand for 300' Rope	644	8051	61
Rope Reel Stand for 600' Rope	654	8052	61
Mobile Carriage	NA	8091	56
Puller Mount	NA	8092	56
Elbow Unit	NA	8093	56
Nose Unit	NA	8094	56
3' Boom	NA	8095	56
4' Boom	NA	8096	56
Slip-in coupling 2.5"	NA	8097-2.5	56
Slip-in coupling 3"	NA	8097-3	56
Slip-in coupling 3.5"	NA	8097-3.5	56
Slip-in coupling 4"	NA	8097-4	56
Slip-in coupling 5"	NA	8097-5	56
Screw-on coupling 2"	NA	8098-2	56

\* Greenlee® is a registered trademark of Greenlee/Textron.

[www.currenttools.com](http://www.currenttools.com)

P.O. Box 17026 • Greenville, SC 29606 • 864.721.4230 • fax 864.721.4232 • 800.230.5421

**Current Tools**  
FOR THE PROFESSIONAL ELECTRICIAN





# COMPARISON REFERENCE

Description	Greenlee® Item #	Current Tools Item #	Page #
Screw-on coupling 2.5"	NA	8098-2.5	56
Screw-on coupling 3"	NA	8098-3	56
Screw-on coupling 3.5"	NA	8098-3.5	56
Screw-on coupling 4"	NA	8098-4	56
Coupling Adapter	NA	8099	56
T-stand	NA	8100	56
<b>10,000 LB. TWO SPEED CABLE PULLER</b>			
10,000 lb. capacity, two speed cable puller only	UT10-2S	1450	58
10,000 lb. capacity, two speed cable puller with Mobile Carriage	6900	100	57,58
10,000 lb. capacity, two speed cable puller with Floor Mount	6901	110	57,58
10,000 lb. capacity, two speed cable puller with Chain Mount	6906	120	57,58
<b>CABLE FEEDER</b>			
Cable Feeder	6810	99	59,60
Foot Switch	NA	99-122	59
<b>PULLING ROPE (EYE EACH END)</b>			
9/16" × 300' Double Braided Rope	35283	916300PR	61
9/16" × 600' Double Braided Rope	35284	916600PR	61
9/16" × 1200' Double Braided Rope	35285	9161200PR	61
3/4" × 300' Double Braided Rope	35098	34300PR	61
3/4" × 600' Double Braided Rope	35100	34600PR	61
3/4" × 1200' Double Braided Rope	35101	341200PR	61
7/8" × 300' Double Braided Rope	34136	78300PR	61
7/8" × 600' Double Braided Rope	34137	78600PR	61
7/8" × 1200' Double Braided Rope	34138	781200PR	61
<b>PULL TAPE</b>			
Polyester Measure/Pull Tape-1250 lb. Break Strength	4435	ST1250	62
Polyester Measure/Pull Tape-1800 lb. Break Strength	4436	ST1800	62
Polyester Measure/Pull Tape-2500 lb. Break Strength	4437	ST2500	62
<b>MEASURING TAPE</b>			
Conduit Measuring Tape - 3000'	435	CMT30	62
Conduit Measuring Tape Dispenser	434	CMT30D	62

\* Greenlee® is a registered trademark of Greenlee/Textron.



**Current Tools**  
FOR THE PROFESSIONAL ELECTRICIAN

[www.currenttools.com](http://www.currenttools.com)

P.O. Box 17026 • Greenville, SC 29606 • 864.721.4230 • fax 864.721.4232 • 800.230.5421

# COMPARISON REFERENCE



Description	Greenlee® Item #	Current Tools Item #	Page #
<b>RAT LINE</b>			
Spiral Wrap Poly Rat Line - 6,500'	430	SPL65	62
<b>RATS</b>			
1/2" Conduit Rat	608	R05	62
3/4" Conduit Rat	609	R75	62
1" Conduit Rat	610	R10	62
1 1/4" Conduit Rat	611	R12	62
1 1/2" Conduit Rat	612	R15	62
2" Conduit Rat	613	R20	62
2 1/2" Conduit Rat	614	R25	62
3" Conduit Rat	615	R30	62
3 1/2" Conduit Rat	616	R35	62
4" Conduit Rat	617	R40	62
5" Conduit Rat	618	R50	62
6" Conduit Rat	619	R60	62
<b>REEL STANDS AND SPINDLES</b>			
Screw Type Telescoping Reel Stand - Small	687	660	63
Screw Type Telescoping Reel Stand - Medium	683	670	63
Ratchet Type Reel Stand - Large	656	680	63
Spindle for Small Reel Stand	647	661	64
Spindle for Medium Reel Stand	684	671	64
Spindle for Large Reel Stand	657	681	64
<b>CABLE REEL ROLLERS</b>			
Reel Roller	39666	610	65
30" Reel Roller	39660	613	65
Large Cable Reel Roller - motorized	NA	615	66
<b>SHEAVES AND ROLLERS</b>			
<b>EZ SHEAVE™ HOOK TYPE</b>			
12" EZ Sheave™ Hook Type Sheave - 4,000lb capacity	NA	412EZ	67
18" EZ Sheave™ Hook Type Sheave - 4,000lb capacity	NA	418EZ	67
24" EZ Sheave™ Hook Type Sheave - 4,000lb capacity	NA	424EZ	67
<b>HOOK TYPE - 4,000 LB. CAPACITY</b>			
6" Hook Type Cable Sheave	650	406	67
12" Hook Type Cable Sheave	651	412	67
18" Hook Type Cable Sheave	652	418	67
24" Hook Type Cable Sheave	653	424	67

\* Greenlee® is a registered trademark of Greenlee/Textron.

[www.currenttools.com](http://www.currenttools.com)

P.O. Box 17026 • Greenville, SC 29606 • 864.721.4230 • fax 864.721.4232 • 800.230.5421

**Current Tools**  
FOR THE PROFESSIONAL ELECTRICIAN





# COMPARISON REFERENCE

Description	Greenlee® Item #	Current Tools Item #	Page #
<b>HOOK TYPE - 8,000 LB CAPACITY</b>			
12" Heavy Duty Hook Type Cable Sheave	8012	812	68
18" Heavy Duty Hook Type Cable Sheave	8018	818	68
24" Heavy Duty Hook Type Cable Sheave	8024	824	68
36" Heavy Duty Hook Type Cable Sheave	NA	836	68
<b>RADIUS SHEAVES</b>			
24" Radius Sheave	4024	12024EZ	68
36" Radius Sheave	4036	12036EZ	68
48" Radius Sheave	4048	12048EZ	68
60" Radius Sheave	NA	12060	68
<b>RIGHT ANGLE TWIN YOKE SHEAVE</b>			
Right Angle Twin Yoke Sheave	639	4424	69
<b>TRAY SHEAVES</b>			
Tray Sheave - Small	658	951TR	69
Tray Sheave - Large	659	952TR	69
<b>Triangle Sheave</b>	6036	333	70
<b>CABLE FEEDING SHEAVES</b>			
2" Cable Feeding Sheave	441-2	520FS	70
2 1/2" Cable Feeding Sheave	441-2 1/2	525FS	70
3" Cable Feeding Sheave	441-3	530FS	70
3 1/2" Cable Feeding Sheave	441-3 1/2	535FS	70
4" Cable Feeding Sheave	441-4	540FS	70
5" Cable Feeding Sheave	441-5	550FS	70
6" Cable Feeding Sheave	441-6	560FS	70
<b>MANHOLE SHEAVES</b>			
8' Manhole Sheave	NA	308	71
10' Manhole Sheave	NA	310	71
12' Manhole Sheave	6072	312	71
<b>STRAIGHT ROLLERS</b>			
Straight Cable Roller 12" - 18"	2018S	9518SR	72
Straight Cable Roller 20" - 24"	2024S	9524SR	72
Straight Cable Roller 24" - 30"	2030S	9530SR	72
Straight Cable Roller 30" - 36"	2036S	9536SR	72
<b>RADIUS CABLE ROLLERS</b>			
Radius Cable Roller 12" - 18"	2018R	9518RR	72
Radius Cable Roller 20" - 24"	2024R	9524RR	72
Radius Cable Roller 24" - 30"	2030R	9530RR	72
Radius Cable Roller 30" - 36"	2036R	9536RR	72

\* Greenlee® is a registered trademark of Greenlee/Textron.



# COMPARISON REFERENCE



Description	Greenlee® Item #	Current Tools Item #	Page #
<b>RIGHT ANGLE ROLLERS</b>			
90° Right Angle Roller - 24" Radius	20249R	95024RA	73
90° Right Angle Roller - 36" Radius	20369R	95036RA	73
<b>4-SIDED ROLLER</b>			
8" 4-sided Roller	CTR100	9548	73
<b>WIRE CARTS/DISPENSERS</b>			
Dolly Type Cart	911	501	74
6 Reel Turtle Cart with Casters	909	502	74
10 Reel Wire Tree with Casters	910	503	75
Reel Dolly with wheels	916	504	75
Armored Cable Dispenser	37218	509	76
Mobile Armored Cable Dispenser	37202	509M	76
Reel Truck	38733	510	77
Expansion Kit	10462	511	77
<b>CONDUIT STORAGE &amp; TRANSPORT</b>			
Conduit/Pipe Rack with Casters	668	505	78
Conduit Bundler with casters	GMX-670K	507	78
<b>LINE SWIVELS</b>			
Line Swivel - 750 lbs	NA	00505-005	79
Line Swivel - 2,250 lbs	39106	00505-010	79
Line Swivel - 3,500 lbs	NA	00505-015	79
Line Swivel - 5,000 lbs	39107	00505-020	79
Line Swivel - 7,000 lbs	39108	00505-025	79
Line Swivel - 9,000 lbs	NA	00505-027	79
Line Swivel - 10,000 lbs	39109	00505-030	79
Line Swivel - 15,000 lbs	39110	00505-035	79
Line Swivel - 25,000 lbs	39111	00505-040	79
Line Swivel - 50,000 lbs	NA	00505-045	79
<b>WIRE GRIP SWIVELS</b>			
1 1/4" Wire Grip Swivel	NA	00501-010	79
1 5/8" Wire Grip Swivel	NA	00501-025	79
<b>BREAKAWAY SWIVELS</b>			
5/8" Breakaway Swivel	39290	00550-005	80
7/8" Breakaway Swivel	39298	00550-010	80
1 1/4" Breakaway Swivel	NA	00550-020	80

\* Greenlee® is a registered trademark of Greenlee/Textron.

[www.currenttools.com](http://www.currenttools.com)

P.O. Box 17026 • Greenville, SC 29606 • 864.721.4230 • fax 864.721.4232 • 800.230.5421

**Current Tools**  
FOR THE PROFESSIONAL ELECTRICIAN







# COMPARISON REFERENCE

Description	Greenlee® Item #	Current Tools Item #	Page #
<b>BREAKAWAY PIN KITS</b>			
200 lb Breakaway Pin	39294	00555-002	80
340 lb Breakaway Pin	NA	00555-0034	80
400 lb Breakaway Pin	39295	00555-004	80
450 lb Breakaway Pin	NA	00555-0045	80
600 lb Breakaway Pin	39296	00555-006	80
675 lb Breakaway Pin	39297	00555-007	80
1,800 lb Breakaway Pin	NA	00555-018	80
2,000 lb Breakaway Pin	NA	00555-020	80
200 lb Breakaway Pin	39302	00535-002	80
400 lb Breakaway Pin	39303	00535-004	80
600 lb Breakaway Pin	39304	00535-006	80
800 lb Breakaway Pin	39306	00535-008	80
1,000 lb Breakaway Pin	39308	00535-010	80
<b>CAN-LINK CONNECTOR</b>			
Can-Link Connector - 2,500 lbs.	NA	00520-010	81
Can-Link Connector - 5,000 lbs.	NA	00520-020	81
Can-Link Connector - 9,000 lbs.	NA	00520-027	81
Can-Link Connector - 15,000 lbs.	NA	00520-035	81
<b>ROPE TO SWIVEL CONNECTOR</b>			
Swivel Connector - 7,000 lbs	39904	00522-025	81
Swivel Connector - 15,000 lbs	39902 / 39903	00522-035	81
<b>PULLING HARNESS KITS</b>			
Pulling Harness Kit - Includes 1 each:	629	2500	82
2500-1 Double Leg Pulling Harness - Long			
2500-2 Double Leg Pulling Harness - Short			
2502 Clevis			
Pulling Harness Kit - Includes 1 each:	624	2501	82
2500-1 Double Leg Pulling Harness - Long			
2500-2 Double Leg Pulling Harness - Short			
<b>CLEVIS</b>			
Clevis	678	2502	82
<b>INDIVIDUAL HARNESES</b>			
Double Leg Pulling Harness - Long	624L	2500-1	82
Double Leg Pulling Harness - Short	624S	2500-2	82

\* Greenlee® is a registered trademark of Greenlee/Textron.



# COMPARISON REFERENCE



Description	Greenlee® Item #	Current Tools Item #	Page #
<b>PULLING GRIPS</b>			
Light Duty/Sgl. Weave,Sgl. Eye	30596	00661-004	84
Light Duty/Sgl. Weave,Sgl. Eye	30584	00661-006	84
Light Duty/Sgl. Weave,Sgl. Eye	30586	00661-010	84
Light Duty/Sgl. Weave,Sgl. Eye	30588	00661-013	84
Light Duty/Sgl. Weave,Sgl. Eye	30590	00661-016	84
Light Duty/Sgl. Weave,Sgl. Eye	30592	00661-019	84
Light Duty/Sgl. Weave,Sgl. Eye	30594	00661-025	84
Non-Cond. Sgl.Weave Sgl. Eye	NA	00662-010	84
Non-Cond. Sgl.Weave Sgl. Eye	NA	00662-020	84
Non-Cond. Dbl. Weave Sgl. Eye	NA	00664-030	84
Non-Cond. Dbl. Weave Sgl. Eye	NA	00664-040	84
Light Duty Single Eye Dbl Weave	NA	00670-025	84
Light Duty Single Eye Dbl Weave	30536	00670-038	84
Light Duty Single Eye Dbl Weave	30540	00670-050	84
Light Duty Single Eye Dbl Weave	30542	00670-100	84
Light Duty Single Eye Dbl Weave	30546	00670-125	84
Light Duty Single Eye Dbl Weave	30548	00670-200	84
Light Duty Single Eye Dbl Weave	30550	00670-250	84
Light Duty Single Eye Dbl Weave	30552	00671-080	84
Light Duty Single Eye Dbl Weave	30554	00671-095	84
Slack Grip Closed Mesh Dbl Weave, Sgl. Eye	NA	00674-010	85
Slack Grip Closed Mesh Dbl Weave, Sgl. Eye	NA	00674-020	85
Slack Grip Closed Mesh Dbl Weave, Sgl. Eye	NA	00674-030	85
Slack Grip Closed Mesh Dbl Weave, Sgl. Eye	NA	00674-040	85
Slack Grip Closed Mesh Dbl Weave, Sgl. Eye	NA	00675-050	85
Slack Grip Closed Mesh Dbl Weave, Sgl. Eye	NA	00675-065	85
Slack Grip Closed Mesh Dbl Weave, Sgl. Eye	NA	00675-080	85
Slack Grip Closed Mesh Dbl Weave, Sgl. Eye	NA	00675-095	85
Split Mesh Lace - Dbl. Weave, Sgl. Eye	NA	00678-010	85
Split Mesh Lace - Dbl. Weave, Sgl. Eye	NA	00678-020	85
Split Mesh Lace - Dbl. Weave, Sgl. Eye	NA	00678-030	85
Split Mesh Lace - Dbl. Weave, Sgl. Eye	NA	00678-040	85
Split Mesh Lace - Dbl. Weave, Sgl. Eye	NA	00679-050	85
Split Mesh Lace - Dbl. Weave, Sgl. Eye	NA	00679-065	85
Split Mesh Lace - Dbl. Weave, Sgl. Eye	NA	00679-080	85
Split Mesh Lace - Dbl. Weave, Sgl. Eye	NA	00679-095	85
Dbl Weave, Sgl. Eye	NA	00680-025	86
Dbl Weave, Sgl. Eye	30558 / 30560	00680-038	86

\* Greenlee® is a registered trademark of Greenlee/Textron.

[www.currenttools.com](http://www.currenttools.com)

P.O. Box 17026 • Greenville, SC 29606 • 864.721.4230 • fax 864.721.4232 • 800.230.5421

**Current Tools**  
FOR THE PROFESSIONAL ELECTRICIAN





# COMPARISON REFERENCE

Description	Greenlee® Item #	Current Tools Item #	Page #
Dbl Weave, Sgl. Eye	30562	00680-050	86
Dbl Weave, Sgl. Eye	30564	00680-100	86
Dbl Weave, Sgl. Eye	30566	00680-125	86
Dbl Weave, Sgl. Eye	30568	00680-200	86
Dbl Weave, Sgl. Eye	30570	00680-250	86
Dbl Weave, Sgl. Eye	30572	00680-300	86
Dbl Weave, Sgl. Eye	30574	00680-350	86
Dbl Weave, Sgl. Eye	NA	00680-400	86
Triple Weave, Single Flexible Eye	NA	00681-006	86
Triple Weave, Single Flexible Eye	NA	00681-012	86
Triple Weave, Single Flexible Eye	NA	00681-019	86
Triple Weave, Single Flexible Eye	NA	00681-025	86
Triple Weave, Single Flexible Eye	NA	00681-032	86
Triple Weave, Single Flexible Eye	NA	00681-038	86
Triple Weave, Single Flexible Eye	NA	00681-048	86
Triple Weave, Rotary Head	NA	00682-006	87
Triple Weave, Rotary Head	30474	00682-012	87
Triple Weave, Rotary Head	30476	00682-019	87
Triple Weave, Rotary Head	30478	00682-025	87
Triple Weave, Rotary Head	30480	00682-032	87
Triple Weave, Rotary Head	30482	00682-038	87
Triple Weave, Rotary Head	30484	00682-048	87
Double Weave, Rotary Head	30486 / 30502	00690-038	87
Double Weave, Rotary Head	30442 / 30998	00690-050	87
Double Weave, Rotary Head	30460	00690-100	87
Double Weave, Rotary Head	31000	00690-125	87
Double Weave, Rotary Head	30462	00690-200	87
Double Weave, Rotary Head	30464	00690-250	87
Double Weave, Rotary Head	31004	00690-300	87
Double Weave, Rotary Head	30466	00690-350	87
Double Weave, Rotary Head	31006 / 30468	00690-400	87
<b>LUBE SPREADERS</b>			
2" Lube Spreader	NA	00515-200	88
2 1/2" Lube Spreader	NA	00515-250	88
3" Lube Spreader	NA	00515-300	88
3 1/2" Lube Spreader	NA	00515-350	88
4" Lube Spreader	NA	00515-400	88
5" Lube Spreader	NA	00515-500	88
6" Lube Spreader	NA	00515-640	88

\* Greenlee® is a registered trademark of Greenlee/Textron.



**Current Tools**  
FOR THE PROFESSIONAL ELECTRICIAN

[www.currenttools.com](http://www.currenttools.com)

P.O. Box 17026 • Greenville, SC 29606 • 864.721.4230 • fax 864.721.4232 • 800.230.5421

# COMPARISON REFERENCE



Description	Greenlee® Item #	Current Tools Item #	Page #
<b>CONNECTOR BODY - FOR LUBE SPREADERS</b>			
1 3/8" Connector Body	NA	00510-025	88
2" Connector Body	NA	00510-035	88
<b>CONDUIT CHECKER</b>			
Flexible Mandrel for 2" conduit	39265	08500-200	89
Flexible Mandrel for 2 1/2" conduit	39263	08500-250	89
Flexible Mandrel for 3" conduit	39261	08500-300	89
Flexible Mandrel for 3.5" conduit	39259	08500-350	89
Flexible Mandrel for 4" conduit	39257	08500-400	89
Flexible Mandrel for 5" conduit	39255	08500-500	89
Flexible Mandrel for 6" conduit	39288	08500-640	89
<b>SPIRAL DUCT BRUSH</b>			
Spiral Duct Brush 2" Duct	39274	08000-200	89
Spiral Duct Brush 2 1/2" Duct	39276	08000-250	89
Spiral Duct Brush 3" Duct	39278	08000-300	89
Spiral Duct Brush 3 1/2" Duct	39280	08000-350	89
Spiral Duct Brush 4" Duct	39282	08000-400	89
Spiral Duct Brush 5" Duct	39284	08000-500	89
Spiral Duct Brush 6" Duct	39286	08000-600	89
<b>STORAGE BOXES AND CASTERS</b>			
Storage Box 48" x 30" x 30"	3048	101	90
Storage Box 31" x 18" x 15"	1531	104	90
Storage Box 23" x 17" x 20"	23818	8-0501	90
Caster Set - 2 Rigid, 2 Swivel	695	506	91
<b>GENERAL PURPOSE POLY ROPE</b>			
General Purpose Rope - 1/4" x 300'	412	GPR143	91
General Purpose Rope - 1/4" x 600'	413	GPR146	91
General Purpose Rope - 1/4" x 1200'	414	GPR1412	91
General Purpose Rope - 3/8" x 300'	417	GPR383	91
General Purpose Rope - 3/8" x 600'	418	GPR386	91

\* Greenlee® is a registered trademark of Greenlee/Textron.

[www.currenttools.com](http://www.currenttools.com)

P.O. Box 17026 • Greenville, SC 29606 • 864.721.4230 • fax 864.721.4232 • 800.230.5421

**Current Tools**  
FOR THE PROFESSIONAL ELECTRICIAN



## Current Tools, Inc. Limited Warranty

Current Tools, Inc. extends the following Limited Warranty to the original owner:

If the Current Tools, Inc. equipment shall prove to be defective in materials or workmanship during the **Limited Warranty period of two (2) years after original delivery**, Current Tools, Inc. at its option will repair or replace the defective equipment.

The warranty on any replacement equipment supplied hereunder will be limited to the unexpired term of the original warranty. Failures due to misuse and abuse are not covered by this warranty. No other warranty expressed or implied, applies, including merchantability or fitness for a particular purpose. No employee, agent, dealer, or other person is authorized to alter this or make any other warranty on behalf of Current Tools, Inc.

To obtain the benefit of this warranty deliver the complete product prepaid to Current Tools, Inc. or any Current Tools, Inc. authorized repair center.

\* Greenlee® is a registered trademark of Greenlee/Textron.





# PRODUCT CATALOG

# JACKSON





## TABLE OF CONTENTS

<b>Model 186</b> Chain Vise Stand 1/8" to 6" Capacity.....	2
<b>Model 186</b> Parts Cross Reference with Ridgid®* #460 .....	3
<b>Model 436</b> V-Head Pipe Stand.....	4
<b>Optional Head for</b> Model 436 Pipe Stand .....	5
<b>Model 436DL</b> Deluxe V-Head Pipe Stand.....	6
<b>Model 536</b> Pipe Horse™ Pipe Stand .....	7
<b>Model 636</b> Jumbo Jack™ Pipe Stand .....	8
<b>Model 301 – 302 – 303</b> Tri-Clamp™ Pipe Alignment Tool .....	9
<b>Model 5050</b> Pipe / Conduit Rack .....	10
<b>Model 5070</b> Pipe / Conduit Bundler .....	11
<b>Model 5080</b> Pipe / Material Cart.....	12
<b>Model 458</b> Pipe Wagon .....	13
<b>Model 2508</b> Yard Dog™ Pipe Hauler .....	14
<b>Model 5400</b> Wire Cage.....	15
<b>Model 224</b> Rolling Threader Stand with tray.....	16
<b>Model 235</b> Rolling Threader Stand with storage box .....	16
<b>Model 246</b> Adapter Set .....	16
<b>Model 142</b> JP Jaws for PVC coated conduit.....	17
<b>Comparison Reference</b> .....	18

\*RIDGID® is a registered trademark of Ridge Tool Company.

# JACKSON

## Model 186 Chain Vise Stand $\frac{1}{8}$ " to 6" Capacity

- Heavy duty jaws provide strong grip and long life
- Collapsible tool tray provides stability when open and folds up for ease of transport
- Large head unit that will handle up to 6" diameter pipe and includes ceiling brace screw
- Slots cast into head unit to hang tools during use
- Jaws for PVC coated conduit available (optional)
- Comes completely assembled and ready for use
- Powder coated
- Compare to Ridgid®\* Model #460

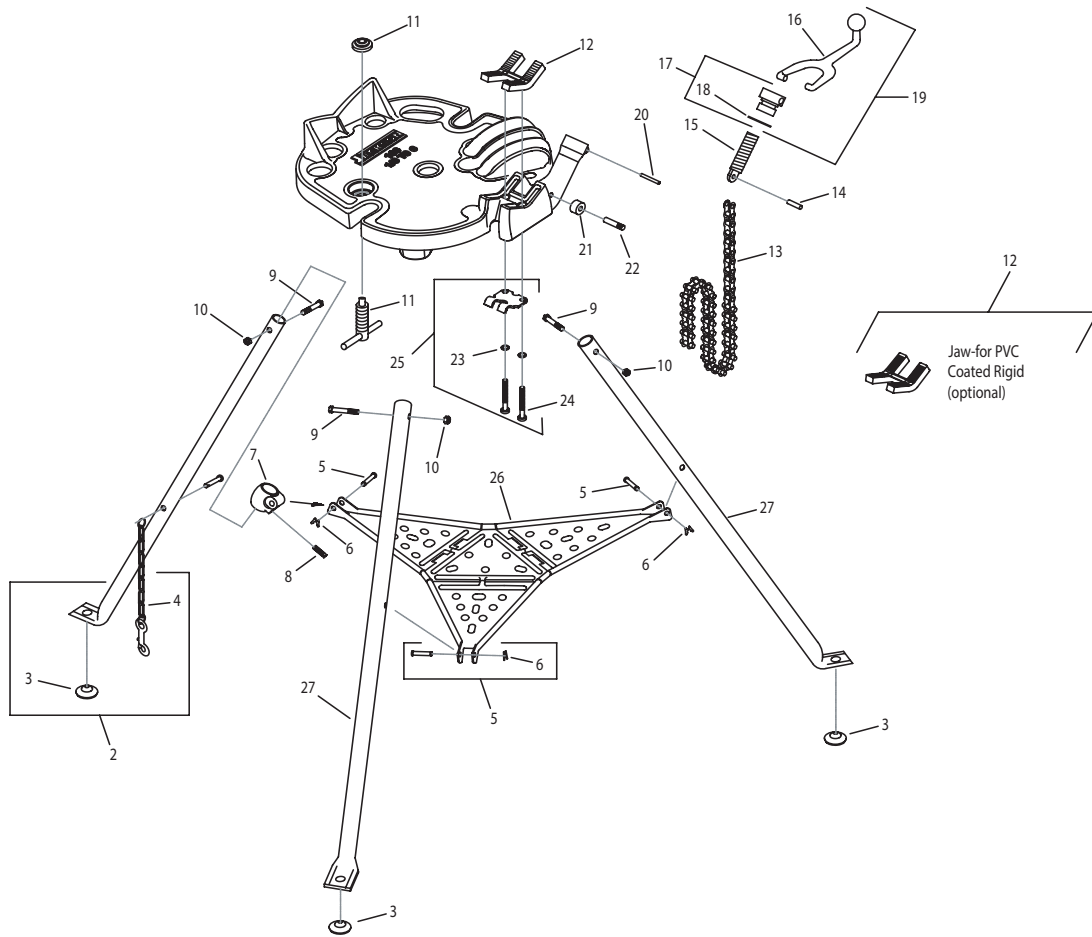


\* See Page 14 for JP Jaw Set for use with Rigid®\* 40A Tri-Stand Yoke Vise

CATALOG NUMBER	DESCRIPTION	CAPACITY	WEIGHT	
186	Chain Vise Stand	Up to 6" Diameter Pipe	48 lbs.	UPC# 811993024580

\*RIDGID® is a registered trademark of Ridge Tool Company.

# Model 186 CROSS REFERENCE



ITEM	DESCRIPTION	JACKSON PART #	RIDGID® PART #	QTY.	UPC CODE
1	Head (includes item #11)	186-1	72097	1	811993024597
2	Leg, Rear (includes items #3, #4)	186-2	41250	1	811993024603
3	Grommet	186-609	40940	1	811993024610
4	Leg Chain Assembly	186-4	40945	1	811993024627
5	Pin, Hinge Tray (includes item #6)	186-5	41265	3 PK	811993024634
6	X Washer	186-6	41270	3 PK	811993024641
7	Tray Support (includes item #8)	186-634	41235	1	811993024658
8	Screw, Set	186-8	41245	1	811993024665
9	Screw, Hx Hd, 3/8"-16 x 2 3/4"	186-9	46675	1	811993024672
10	Nut, Nylon Insert, 3/8"-16	2508-8	44225	1	811993024689
11	Jack Screw Assembly	186-11	72102	1	811993024696
12	Jaw – Standard	186-573	41020	1	811993024702
	Jaw – For PVC Coated (optional)	186-672	40222	1	811993024719
13	Chain	186-13	72092	1	811993024726
14	Pin – Chain	186-14	41040	1	811993024733
15	Chain Screw	186-580	41065	1	811993024740
16	Handle	—	—	—	—
17	Nut – Swivel (includes item #18)	—	—	—	—
18	Friction Ring	186-18	41025	1	811993024771
19	Handle Assembly (includes items #16,#17,#18)	186-19	41050	1	811993024788
20	Pin – Roll	186-20	31650	1	811993024795
21	Roller	186-575	40990	1	811993024801
22	Pin – Roller	186-579	41035	1	811993024818
23	Washer, Lock – 5/16"	186-23	60080	1	811993024825
24	Screw, 5/16" – 18 x 2"	186-24	95397	1	811993024832
25	Chain Plate (includes items #23, #24)	186-639	93537	1	811993024849
26	Hinged Tray	186-620	41240	1	811993024856
27	Front Leg (includes item #3)	186-27	41255	1	811993024863
—	Leg Hardware Set	186-9/10 Kit	—	3 ea. 186-9 + 2508-8	811993024870
—	Jaw Hardware Set	186-23/24 Kit	—	2 ea. 186-23 + 186-24	811993024887

\*RIDGID is a registered trademark of Ridge Tool Company



# JACKSON

## Model 436 V-Head Pipe Stand

- 1/2"-12" diameter pipe capacity
- 2,500 lb. working load capacity per stand
- Quick height adjustment tube
- Height adjustment nut for fine tuning height
- Sight hole to help avoid over extension of height adjustment tube
- Safety feature allows V-Head to be secured for transport
- Powder coated



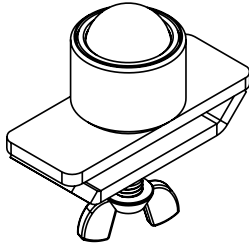
Scan here for manual



CATALOG NUMBER	DESCRIPTION	CAPACITY	WEIGHT	
436	V-Head Pipe Stand	Load – 2,500 lbs.	21 lbs.	UPC# 811993025327
		1/2"-12" Pipe diameter		

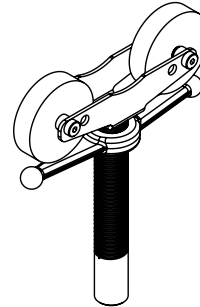
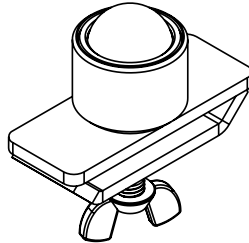
# JACKSON

## Optional Heads for Model 436 Pipe Stands



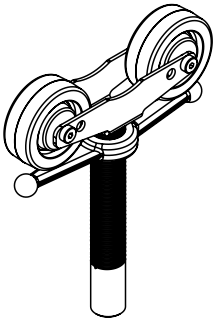
**436BT — Steel**  
**436BTS — Stainless Steel**  
**BALL TRANSFER HEAD**  
**ATTACHMENT SET**

Capacity: 1,000 lbs/set  
 3/8" to 12" diameter pipe or tube



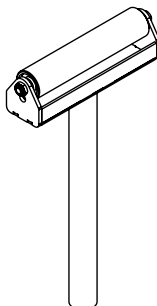
**438 — Steel**  
**438SS — Stainless**  
**STEEL WHEEL HEAD**

Capacity: 2,000 lbs  
 1½" to 12" diameter pipe on  
 inside roller setting  
 12" to 24" diameter pipe on  
 outside roller setting



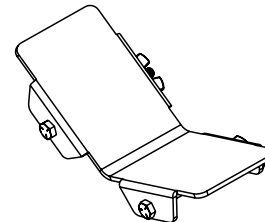
**437**  
**PLASTIC WHEEL HEAD**

Capacity: 1,000 lbs  
 1½" to 12" diameter pipe on  
 inside roller setting  
 12" to 24" on outside roller setting



**439**  
**BAR STOCK HEAD**

Capacity: 2,000 lbs.  
 1/8" to 10" wide flats, bars  
 and beams



**436V**  
**STAINLESS STEEL V-**  
**HEAD SLEEVE**  
**ATTACHMENT**

Capacity: 2,500 lbs  
 1/2"–12" diameter pipe



CATALOG NUMBER	DESCRIPTION	CAPACITY	UPC#
436BT	Ball transfer head attachment set — steel	1,000 lbs/set	UPC# 811993026300
436BTS	Ball transfer head attachment set — stainless steel	1,000 lbs/set	UPC# 811993026317
438	Wheel head — steel	2,000 lbs	UPC# 811993026324
438SS	Wheel head — stainless steel	2,000 lbs	UPC# 811993026171
437	Wheel head — plastic	1,000 lbs	UPC# 811993026331
439	Bar stock head	2,000 lbs	UPC# 811993026348
436V	V-Head sleeve attachment — stainless steel	2,500 lbs	UPC# 811993026355

# JACKSON

## Model 436DL *Deluxe V-Head Pipe Stand*

- V-Head assembly secured to quick height adjustment tube to help prevent pinch points
- Height adjustment tube has 5" clearance when fully lowered to help avoid pinch points
- 1/2"-12" diameter pipe capacity
- 2,500 lb. working load capacity per stand
- Permanently secured lock ring
- Sight hole to help prevent over extension of height adjustment tube
- Safety feature allows V-Head to be secured for transport
- Powder coated finish



CATALOG NUMBER	DESCRIPTION	CAPACITY	WEIGHT	
436DL	Deluxe V-Head Pipe Stand	Load – 2,500 lbs.	21 lbs.	UPC# 811993026201
		1/2"-12" Pipe diameter		

# JACKSON

## Model 536 Pipe Horse™ Pipe Stand

- Holds 1/2" to 36" Diameter Pipe
- 2,500 lb. capacity per stand
- Locking screw on both rollers
- Nut on both ends of unit for easy adjustment
- Powder coated
- Compare to Sumner® Manufacturing Adjust-A-Roll\* #780365



Scan here for manual



CATALOG NUMBER	DESCRIPTION	CAPACITY	WEIGHT	
536	Pipe Horse™ Pipe Stand	Load – 2,500 lbs.	35 lbs.	UPC# 811993024559
		1/2"-36" Pipe diameter		

\*Adjust-A-Roll is a registered trademark of Sumner® Manufacturing Company.

# JACKSON

## Model 636 Jumbo Jack™ Pipe Stand

- Holds 4" to 36" Diameter Pipe
- 2,500 lb. capacity per stand
- 5 heavy duty swivel casters with locking brake
- Optional Hold Down Device to secure pipe to stand
- Extra wide rollers on V-Head provide additional stability
- Powder coated
- Compare to Sumner® Manufacturing Max Jax\* #781403



Optional Hold Down Device  
Part #636-851



CATALOG NUMBER	DESCRIPTION	CAPACITY	WEIGHT	
636	Jumbo Jack™ Pipe Stand	Load – 2,500 lbs.	130 lbs.	UPC# 811993024566
		4"-36" Pipe diameter		
636-851	Hold Down Device (optional)	Up to 36" Pipe	5 lbs.	UPC# 811993024993

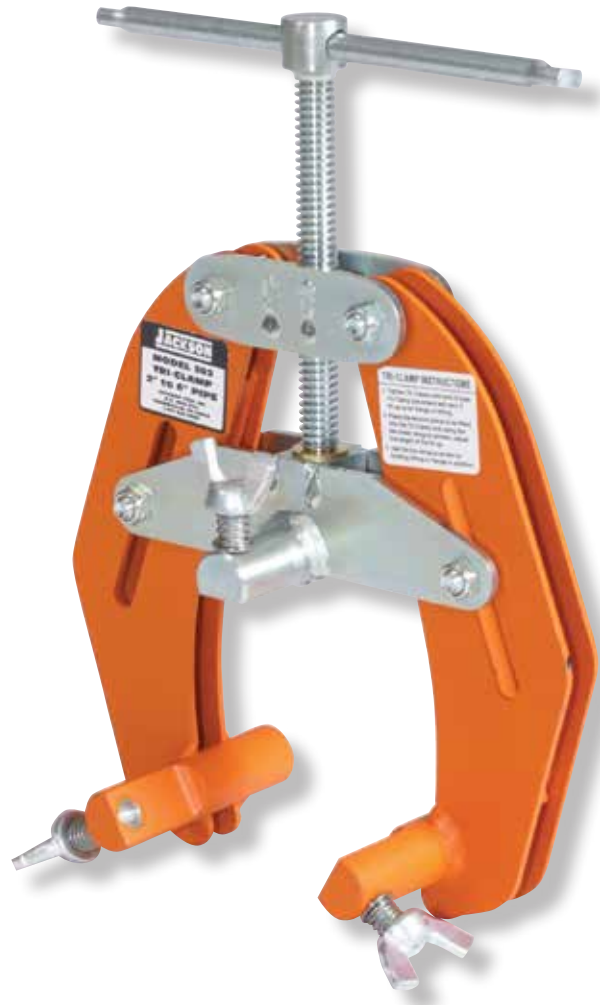
\*Max Jax is a registered trademark of Sumner® Manufacturing Company.



# JACKSON

**Model 301 – 302 – 303**  
*Tri-Clamp™ Pipe Alignment Tool*

- Three size ranges covering 1" through 12" diameters
- Durable steel frame is ideal for job site use as well as shop use
- Strong and lightweight for increased productivity and long tool life
- Versatile tool can be used for multiple fit-ups, including Pipe to Pipe, Pipe to Fitting, Pipe to Flange and Pipe to Tee
- Powder coated
- Compare to Sumner® Manufacturing Ultra Clamp\* 781130, 781150, 781170



CATALOG NUMBER	DESCRIPTION	CAPACITY	WEIGHT	
301	Tri-clamp, small	1" to 2½" diameter	3 lbs.	UPC# 811993024955
302	Tri-clamp, medium	2" to 6" diameter	9 lbs.	UPC# 811993024962
303	Tri-clamp, large	5" to 12" diameter	15 lbs.	UPC# 811993024979

*\*Ultra Clamp is a trademark of Sumner® Manufacturing Company.*

# JACKSON

## Model 5050 Pipe / Conduit Rack

- For organizing pipe or conduit
- 7 spaces for sorting
- Arms fold down to save space
- Provided with large 6" casters; 2 swivel and 2 fixed
- Powder coated
- Caster plates inset to allow stacking of carts with casters attached
- Compare to Greenlee®\* 668
- Compare to Sumner®\*\* 783317



*Better than the rest!  
Arms designed with  
one piece construction*

CATALOG NUMBER	DESCRIPTION	CAPACITY	WEIGHT	
5050	Conduit Rack	1,000 lbs.	111 lbs.	UPC# 811993024573

\*Greenlee® is a registered trademark of Greenlee/Textron.

\*\*Sumner® is a registered trademark of Sumner Manufacturing Company.

# JACKSON

## Model 5070 Pipe / Conduit Bundler

- Designed for easy movement of large bundles of pipe or conduit on the job site
- Welded construction for years of job site use
- Provided with large 6" casters; 2 swivel and 2 fixed
- Powder coated
- Caster plates inset to allow stacking of carts with casters attached
- Compare to Greenlee®\* GMX670K
- Compare to Sumner®\*\* 783320



CATALOG NUMBER	DESCRIPTION	CAPACITY	WEIGHT	
5070	Conduit Bundler with Casters	1,000 lbs.	112 lbs.	UPC# 811993025099

\*Greenlee® is a registered trademark of Greenlee/Textron.  
 \*\*Sumner® is a registered trademark of Sumner Manufacturing Company.

# JACKSON

## Model 5080 Pipe/Material Cart



*Shown with 4 corner post inserts and pipe support*

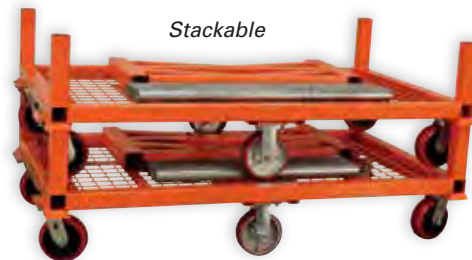
- Easily transport pipe and material around the job site
- 2,000 lb. capacity
- Removable pipe support
- Pipe support design provides clearance under pipe for loading/unloading
- 6 heavy duty casters — 2 center casters for ease of rolling and making tight turns
- Corner post inserts allow transporting of material up to 34" in height
- Stackable when not in use for compact storage
- Compare to Sumner Pipe Mac\*



*Corner post inserts come standard*



*Pipe support comes standard*



*Stackable*

CATALOG NUMBER	DESCRIPTION	CAPACITY	WEIGHT	
5080	Pipe/Material Cart	2,000 lbs.	176 lbs.	UPC# 811993026188

\*Sumner® and Pipe Mac™ are registered trademarks of Sumner Manufacturing Company.

# JACKSON

## Model 458 Pipe Wagon

- Transports up to 20' lengths of pipe
- 1000 lb. capacity
- Large pneumatic tires move load with ease
- Ergonomically designed handle
- Heavy duty construction
- Powder coated
- Compare to Greenlee® 36745



CATALOG NUMBER	DESCRIPTION	WEIGHT	
458	Pipe Wagon Capacity – 1,000 lbs.	92 lbs	UPC# 811993024986

\*Greenlee® is a registered trademark of Greenlee/Textron.



# JACKSON

## Model 2508 Yard Dog™ Pipe Hauler



- Ability for one person to lift and transport up to 2000 lb. loads
- Durable wheels and tires to handle the abuse of constant job site use
- Variable load lengths accomodated by sliding chain blocks
- Cushioned grips help ease operator fatigue
- Powder coated
- Compare to Sumner® Grasshopper™\* 780351



CATALOG NUMBER	DESCRIPTION	CAPACITY	WEIGHT	
2508	Yard Dog Pipe Hauler	20" diameter pipe up to 20' long 2000 lbs. maximum	184 lbs.	UPC# 811993024894

\*Sumner and Grasshopper™ are registered trademarks of Sumner Manufacturing Company.

# JACKSON

## Model 5400 Wire Cage

- Heavy duty wire mesh cage, great for storage on or off the jobsite
- Door frames made of square tubing; much sturdier than the competition
- Lockable doors for added security
- Removable steel shelves that will also slide out for easy access to product
- Heavy duty casters (2 swivel, 2 fixed)
- Load capacity 1,500 lbs.
- Durable powder coated finish
- Compare to Sumner® Stor Mac\*



CATALOG NUMBER	DESCRIPTION	CAPACITY	WEIGHT	
5400	Wire Cage	1,500 lbs.	385 lbs	UPC# 811993026447

\*Stor Mac is a registered trademark of Sumner® Manufacturing

# JACKSON

## Jackson Tool Threader Stands

**Model 224** Rolling Stand with tray

**Model 235** Rolling Stand with storage box

**Model 246** Adapter Set

- All metal construction
- Will fit RIDGID®\* 535 and 1224 threaders
- Large 15" Heavy Duty solid tires on all models
- Available with tray or lockable storage box
- Rear roller arm to help prevent tip-over while rolling
- Powder coated



MODEL 224



MODEL 235



Scan here for manual



CATALOG #	DESCRIPTION	WILL FIT RIDGID® MODEL #	WEIGHT	
224	Rolling Stand with tray	535 – Prior to 2001	100 lbs.	UPC# 811993024900
224W	Rolling Stand with tray	1224   535 – 2001 and newer	102 lbs.	UPC# 811993024917
235	Rolling Stand with storage box	535 – Prior to 2001	127 lbs.	UPC# 811993024924
235W	Rolling Stand with storage box	1224   535 – 2001 and newer	129 lbs.	UPC# 811993024931
246	Adapter set for 224 or 235 stand	pre-1996 535	12 lbs.	UPC# 811993024948

\*RIDGID® is a registered trademark of Ridge Tool Company

# JACKSON

## Model 142 JP Jaw For PVC coated conduit

- JP Jaw Set is designed to hold 1/2"-2" PVC coated conduit
- JP Jaw Set helps protect PVC coating from damage
- Made from high-strength alloy
- Jaws are 6" long for firm grip
- For use with Ridgid®\* 40-A Tri-Stand Yoke Vise or Ridgid®\* 22 Bench Yoke Vise



CATALOG NUMBER	DESCRIPTION	CAPACITY	WEIGHT	
142	JP Jaw Set	1/2"-2"	5 lbs.	UPC# 811993025105

\*RIDGID® is a registered trademark of Ridge Tool Company.



## COMPARISON REFERENCE

Description	Sumner* Item #	RIDGID** Item #	Greenlee*** Item #	Jackson Tool Item #	Page #
Chain Vise Stand	—	460-6	—	186	2
Pipe Horse™ Pipe Stand	780365	—	—	536	7
Jumbo Jack™ Pipe Stand	781403	—	—	636	8
Tri-Clamp Pipe Alignment Tool	781130	—	—	301	9
	781150	—	—	302	9
	781170	—	—	303	9
Conduit Rack	783317	—	668	5050	10
Conduit Bundler	783320	—	GMX-670K	5070	11
Pipe Wagon	—	—	36745	458	13
Yard Dog™ Pipe Hauler	780351	—	—	2508	14
<b>THREADER STANDS</b>					
Rolling Stand with tray	—	150A	—	224	16
Rolling Stand with tray, wide	—	150A	—	224W	16
Rolling Stand with storage box	—	200A	—	235	16
Rolling Stand with storage box, wide	—	200A	—	235W	16
Adapter Set — for 524 or 526 Rolling Stand	—	58007	—	246	16

\* Sumner® is a registered trademark of Sumner Manufacturing Company  
 \*\* RIDGID® is a registered trademark of Ridge Tool Company  
 \*\*\* Greenlee® is a registered trademark of Greenlee/Textron



## Jackson Tool Limited Warranty

Jackson Tool extends the following Limited Warranty to the original owner:

If the Jackson Tool equipment shall prove to be defective in materials or workmanship during the **Limited Warranty period of two (2) years after the original delivery**, Jackson Tool, at its option, will repair or replace the defective equipment.

The warranty on any replacement equipment supplied hereunder will be limited to the unexpired term of the original warranty. Failures due to misuse and abuse are not covered by this warranty. No other warranty, expressed or implied, applies, including merchantability or fitness for a particular purpose. No employee, agent, dealer or another person is authorized to alter this or make any other warranty on behalf of Jackson Tool.

To obtain the benefit of this warranty, deliver the complete product, prepaid, to Jackson Tool or any Jackson Tool authorized repair center.

# JACKSON

P.O. BOX 5701 • GREENVILLE, SC 29606  
877.522.8995 OR 864.721.4235  
FAX 864.721.4236

[www.jacksontoolinc.com](http://www.jacksontoolinc.com)