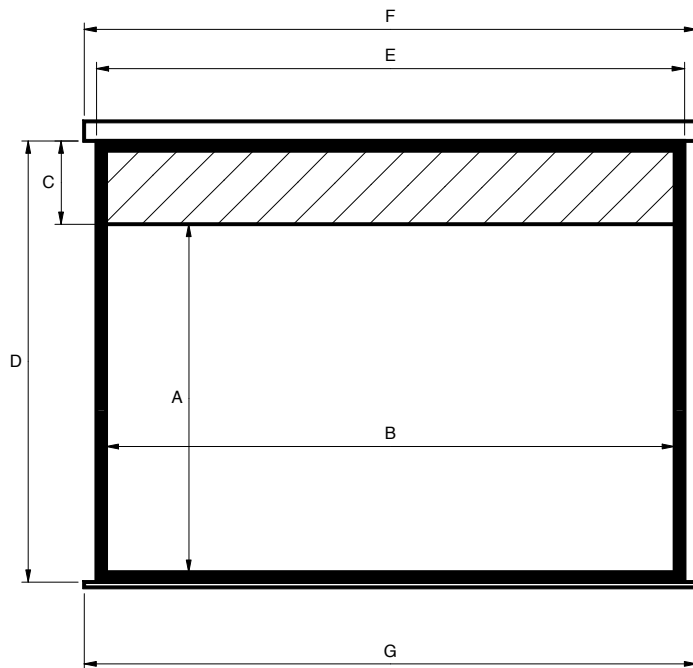


## Front view



- A Image height
- B Image base
- C Extradrop
- D Fabric total height
- E Fabric total base
- F Casing length
- G Weighing bar length

## Technical data

Reference	A cm	B cm	C cm	D cm	E cm	F cm	G cm	Net Weight kg
<b>4:3 format</b>	<b>Black borders</b>							
MPP09B1135180	129	172	4	137	180	190	190	7
MPP09B1150200	144	192	4	152	200	210	210	8
MPP09B1180240	174	232	4	182	240	250	250	10
<b>16:9 format</b>	<b>Black borders + extra drop</b>							
MPP09B1101180	97	172	30	131	180	190	190	7
MPP09B1112200	108	192	30	142	200	210	210	8
MPP09B1135240	131	232	30	165	240	250	250	10
<b>16:10 format</b>	<b>Black borders + extra drop</b>							
MPP09B1112180	108	172	20	132	180	190	190	7
MPP09B1125200	120	192	20	144	200	210	210	8
MPP09B1150240	145	232	20	169	240	250	250	10



The Super Gear screen is equipped with an aluminum case which design is very modern.



- Fire-resistant matt white projection surface.



- New SRS (Slow return system) stopping device on the whole length which controls the progressive rising up of the weighing bar.

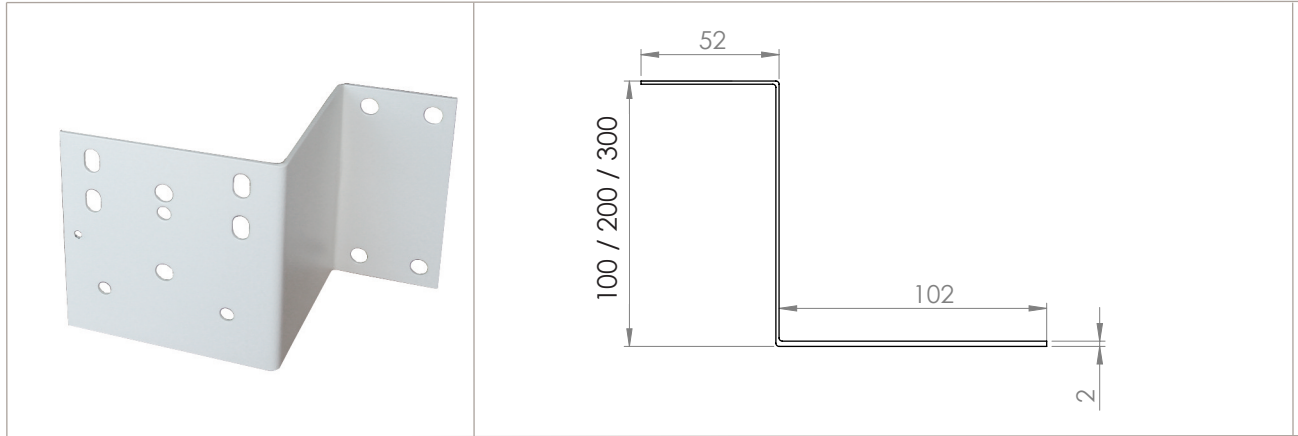


- Its Speed Solo system enables you to place directly the screen on the wall or the ceiling very easily.
- The screen slides into the brackets and is then fastened with a simple tool.

Black out projection surface with black borders for 4:3 format, with an added 30cm extra-drop for 16:9 format and 20cm extra-drop for 16:10 format.

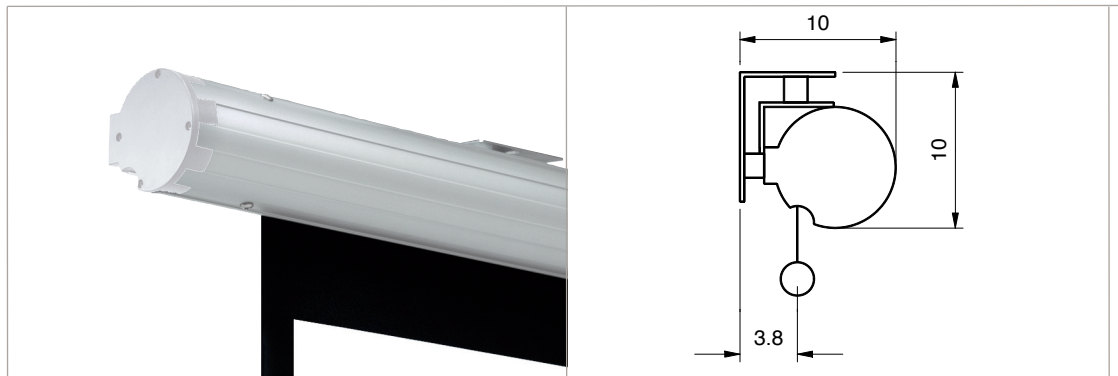
Extending brackets

EXTENDING BRACKETS



Reference the pair	Dimension
OPTECAR10	10 cm
OPTECAR20	20 cm
OPTECAR30	30 cm

Side view



Chemin de Beaupaire - CS 42005  
91410 DOURDAN - FRANCE  
Tel +33 1 64 59 94 54