



# AP-7522 Access Point

*Installation Guide*

Copyright © 2017 Extreme Networks, Inc. All Rights Reserved.

## Legal Notices

Extreme Networks, Inc. reserves the right to make changes in specifications and other information contained in this document and its website without prior notice. The reader should in all cases consult representatives of Extreme Networks to determine whether any such changes have been made.

The hardware, firmware, software or any specifications described or referred to in this document are subject to change without notice.

## Trademarks

Extreme Networks and the Extreme Networks logo are trademarks or registered trademarks of Extreme Networks, Inc. in the United States and/or other countries.

All other names (including any product names) mentioned in this document are the property of their respective owners and may be trademarks or registered trademarks of their respective companies/owners.

For additional information about Extreme Networks trademarks, go to:

[www.extremenetworks.com/company/legal/trademarks/](http://www.extremenetworks.com/company/legal/trademarks/)

## Support

For product support, including documentation, visit: [www.extremenetworks.com/support/](http://www.extremenetworks.com/support/)

# Contents

---

- Introduction ..... 3**
  - AP-7522 Access Point Overview ..... 3
  - Document Conventions ..... 3
  - Warnings ..... 3
  - Site Preparation ..... 4
  - AP-7522 Package Contents ..... 4
    - Features ..... 4
  - AP-7522 Antennas ..... 4
    - AP-7522 Dual Band 2.4 GHz / 5 GHz Antennas - US ..... 4
    - AP-7522 Dual Band 2.4 GHz / 5 GHz Antennas - EMEA ..... 5
    - AP-7522 Internal Antenna Model ..... 6
    - AP-7522 Dual Band 2.4 GHz / 5 GHz Antennas - Canada ..... 6
  
- Hardware Installation ..... 7**
  - Installation Instructions ..... 7
  - Precautions ..... 7
  - Access Point Placement ..... 8
  - Power Injector System ..... 8
  - Wall Mount Instructions ..... 10
    - Wall Mount Procedure - New Installation ..... 10
    - Wall Mount Procedure - Existing Access Point Replacement ..... 12
  - Suspended Ceiling T-Bar Mount Installation ..... 12
  - LED Indicators ..... 16
  
- Basic Access Point Configuration..... 19**
  
- AP-7522 Access Point Specifications ..... 27**
  - Electrical Characteristics ..... 27
  - Physical Characteristics ..... 27
  - Radio Characteristics ..... 28
  - ..... 28
  
- Regulatory Information..... 29**
  - Regulatory Information ..... 29
  - Wireless Device Country Approvals ..... 29
    - Country Selection ..... 30
    - Frequency of Operation - FCC and IC ..... 30
  - Health and Safety Recommendations ..... 30
    - Warnings for the use of Wireless Devices ..... 32
    - Potentially Hazardous Atmospheres - Fixed Installations ..... 32
    - Safety in Hospitals ..... 32
  - RF Exposure Guidelines ..... 32
    - Safety Information ..... 32
      - Reducing RF Exposure - Use Properly ..... 32
    - International ..... 32

EU .....	33
Remote and Standalone Antenna Configurations .....	33
US and Canada .....	33
Co-located statement .....	33
Remote and Standalone Antenna Configurations .....	33
Power Supply .....	34
Radio Frequency Interference Requirements—FCC .....	34
Radio Transmitters (Part 15) .....	34
Radio Frequency Interference Requirements - Canada .....	34
CE Marking and European Economic Area (EEA) .....	35
Statement of Compliance .....	36
Japan (VCCI) - Voluntary Control Council for Interference .....	36
Korea Warning Statement for Class B ITE .....	36
Other Countries .....	36
Waste Electrical and Electronic Equipment (WEEE) .....	38
TURKISH WEEE Statement of Compliance .....	39
<b>End-User License Agreement.....</b>	<b>41</b>
<b>AP-7522 Access Point China ROHS Compliance.....</b>	<b>47</b>

# 1 Introduction

---

## AP-7522 Access Point Overview

---

The AP-7522 external antenna and internal antenna Access Point's are mid-tier Access Point's with a relatively small footprint which supports functionality for dependable and efficient network performance. The AP-7522 is a 2x2:2 802.11ac Access Point utilizing one 2.4 GHz 802.11n radio and one 5 GHz 802.11ac radio. The Access Point housing is Plenum-rated (UL2043).

The Access Point's unique WiNG 5 software enables the Access Point to function as either a *Standalone* Access Point, an *Adaptive* Access Point, or a *Virtual Controller*.

Updated versions of this guide could be periodically released to the Support site as new product functionality is introduced. For more information, see <http://extremenetworks.com/support/documentation>.

This document is written for the qualified network device installer.

---

## Document Conventions

---

The following graphical alerts are used in this document to indicate notable situations:



### NOTE

This is note text.

---



### CAUTION

This is caution text.

---



### WARNING

This is warning text.

---

---

## Warnings

---

- Read all installation instructions and site survey reports, and verify correct equipment installation before connecting the AP-7522 Access Point.
- Remove jewelry and watches before installing this equipment.
- Verify any device connected to this unit is properly wired and grounded.

- Verify there is adequate ventilation around the device, and that ambient temperatures meet equipment operation specifications.

## Site Preparation

---

- Consult your site survey and network analysis reports to determine specific equipment placement, power drops, and so on.
- Assign installation responsibility to the appropriate personnel.
- Identify and document where all installed components are located.
- Ensure adequate, dust-free ventilation to all installed equipment.
- Identify and prepare Ethernet and console port connections.
- Verify cable lengths are within the maximum allowable distances for optimal signal transmission.

## AP-7522 Package Contents

---

An AP-7522 Access Point is available in external antenna (AP-7522) and internal antenna (AP-7522I) configurations. An AP-7522 ships with the following:

- AP-7522 Access Point
- AP-7522 Installation Guide (*This Guide*)
- Wall mount screws and mounting bracket

## Features

An AP-7522 Access Point supports the following feature set:

- Two RJ-45 connectors (GE1/POE and Console)
- Two LED indicators
- One 2.4 GHz 802.11n radio and one 5 GHz 802.11ac radio
- 2x2 MIMO, 2 spatial streams
- The GE1/POE accepts 802.3at or 802.3af compliant power from an external source.



### NOTE

When operating in a Gigabit Ethernet environment, CAT-5e or CAT-6 cable is recommended for Gigabit operation.

---

## AP-7522 Antennas

---

### AP-7522 Dual Band 2.4 GHz / 5 GHz Antennas - US

\*An AP-7522 external antenna Access Point supports the following dual band antenna options for the US:

**NOTE**

Per FCC requirement, the use of the Access Point on UNII-1 of 5GHz band requires installers to input antenna elevation gain during configuration if the AP placement is for outdoor coverage. This information can be found in Enterprise Wireless LAN Antenna Specification Guide located at <http://extremenetworks.com/support/documentation>

Part Number	Antenna Type	2.4 GHZ Gain (dBi)	5 GHZ Gain (dBi)	Elevation Gain for outdoor placement (dBi)
ML-2452-APA2-01	Dipole	3.17	4.85	na*
ML-2452-HPA5-036	Dipole	3	5	-2.56
ML-2452-APAG2A1-01	Dipole	2.7	1.7	na*
ML-2452-HPAG4A6-01	Dipole	4	7.3	5.7
ML-2452-HPA6-01	Dipole	5.3	6.1	4.09
ML-2452-PNL9M3-N36	Polarized-Panel	11	10.7	7.3
ML-2452-PNA5-01R	Panel	5.5	6	5.2
ML-2452-PTA3M3-036	Patch	5	4	na*
ML-2452-VMM5M3-N72	Patch	4.5	5.4	2.9

\*This antenna is for indoor placement only.

## AP-7522 Dual Band 2.4 GHz / 5 GHz Antennas - EMEA

\*An external antenna AP-7522 supports the following dual band antenna options for the EMEA:

Part Number	Antenna Type	2.4 GHZ Gain (dBi)	5 GHZ Gain (dBi)
ML-2452-APA2-01	Dipole	3.17	4.85
ML-2452-HPA5-036	Dipole	3	5
ML-2452-APAG2A1-01	Dipole	2.7	1.7
ML-2452-HPAG4A6-01	Dipole	4	7.3
ML-2452-HPA6-01	Dipole	5.3	6.1
ML-2452-PNL6M3-N36	Polarized-Panel	6	6
ML-2452-PNA5-01R	Panel	5.5	6
ML-2452-PTA3M3-036	Patch	5	4
ML-2452-VMM5M3-N72	Patch	4.5	5.4

## AP-7522 Internal Antenna Model

An AP-7522 internal antenna Access Point supports the following dual band antenna:

Antenna Type	2.4 GHZ Gain (dBi)	5 GHZ Gain (dBi)
PIFA	4.13	5.92

## AP-7522 Dual Band 2.4 GHz / 5 GHz Antennas - Canada

\*An external antenna AP-7522 supports the following dual band antenna options for Canada:

Part Number	Antenna Type	2.4 GHZ Gain (dBi)	5 GHZ Gain (dBi)
ML-2452-APA2-01	Dipole	3.17	4.85
ML-2452-HPA5-036	Dipole	3	5
ML-2452-APAG2A1-01	Dipole	2.7	1.7
ML-2452-HPAG4A6-01	Dipole	4	7.3
ML-2452-HPA6-01	Dipole	5.3	6.1
ML-2452-PNL9M3-N36	Polarized-Panel	11	10.7
ML-2452-PNA5-01R	Panel	5.5	6
ML-2452-PTA3M3-036	Patch	5	4
ML-2452-VMM5M3 - N72	Patch	4.5	5.4



### NOTE

A professional installer must enter the antenna type, gain, and indoor/outdoor placement using the CLI. The AP software uses this information and hardcode maximum limits determined during testing to limit the EIRP. Please note, the maximum EIRP in band 5.25-5.35GHz is limited to 23dBm. This limit is hardcoded in the software for this band.



# 2 Hardware Installation

---

## Installation Instructions

---

An AP-7522 Access Point mounts either on a wall (with *M 3.5 x 0.6 x 23 MM* pan head screws and mounting bracket- or equivalent) or on a suspended ceiling T-bar.

To prepare for the installation:

- 1 Match the part number on the purchase order with the part numbers in the packing list and on the case of the Access Point.
- 2 Verify the contents of the box include the intended AP-7522 Access Point, and the included hardware matches the package contents (see [AP-7522 Package Contents on page 6](#)).

Part Number	Description
AP-7522-67040-US	AP-7522 dual radio 802.11ac 2x2:2 MIMO Access Point external antenna US version
AP-7522-67040-1-WR	AP-7522 dual radio 802.11ac 2x2:2 MIMO Access Point external antenna International version
AP-7522-67030-US	AP-7522 dual radio 802.11ac 2x2:2 MIMO Access Point internal antenna US version
AP-7522-67030-1-WR	AP-7522 dual radio 802.11ac 2x2:2 MIMO Access Point internal antenna International version

- 3 Review site survey and network analysis reports to determine the location and mounting position for the AP-7522 Access Point.
- 4 Connect a CAT-5 or better Ethernet cable to a compatible 802.3at or 802.3af power source and run the cable to the installation site. Ensure there is sufficient slack on the cable to perform the installation steps.



### NOTE

When operating in a Gigabit Ethernet environment, CAT-5e or CAT-6 cable is recommended for Gigabit operation.

---

## Precautions

---

Before installing an AP-7522 Access Point, verify the following:

- You are using the correctly rated power solution for the AP-7522 (either the AP-PSBIAS-2P3-ATR power injector or the PWRS-14000-54R external power supply)
- Do not install the AP-7522 in wet or dusty areas.
- Verify the environment has a continuous temperature range between -4° F to 104° F/-20° C to 40° C for external antenna Access Points and 32° F to 104° F/0° C to 40° C for internal antenna Access Points.

---

## Access Point Placement

---

For optimal performance, install the Access Point away from transformers, heavy-duty motors, fluorescent lights, microwave ovens, refrigerators and other industrial equipment. Signal loss can occur when metal, concrete, walls or floors block transmission. Install the Access Point in an open area or add Access Points as needed to improve coverage.

Antenna coverage is analogous to lighting. Users might find an area lit from far away to be not bright enough. An area lit sharply might minimize coverage and create *dark areas*. Uniform antenna placement in an area (like even placement of a light bulb) provides even, efficient coverage.

Install the Access Point at an ideal height of 10 feet from the ground.

To maximize the Access Point's radio coverage area, conduct a site survey to define and document radio interference obstacles before installing the Access Point.

---

## Power Injector System

---

An AP-7522 Access Point can receive power via an Ethernet cable connected to the GE1/POE (LAN) port.

When users purchase a WLAN solution, they often need to place Access Points in obscure locations. In the past, a dedicated power source was required for each Access Point in addition to the Ethernet infrastructure. This often required an electrical contractor to install power drops at each Access Point location. The Power Injector merges power and Ethernet into one cable, reducing the burden of installation and allowing optimal Access Point placement in respect to the intended coverage area.

**CAUTION**

Using a non-compliant injector, or an injector supporting legacy modes will not allow the AP-7522 to function at optimum performance levels.

**CAUTION**

Do not plug the AP-PSBIAS-2P3-ATR Power Injector into the Access Point's Console port. Connecting the Power Injector into the console port can damage the port and void the AP-7522's product warranty.

---

The AP-7522's supported Power Injector (Part No. AP-PSBIAS-2P3-ATR) is a high power POE Injector delivering up to 30 watts. The Access Point can only use a Power Injector when connecting the unit to the Access Point's GE1/POE port. The Power Injector is separately ordered and not shipped with an existing AP SKU.

The Access Point Power Supply (Part No. PWRS-14000-54R) is not included with the Access Point and is orderable separately as an accessory. If the Access Point is provided both POE power and PWRS-14000-54R power concurrently, the Access Point will source

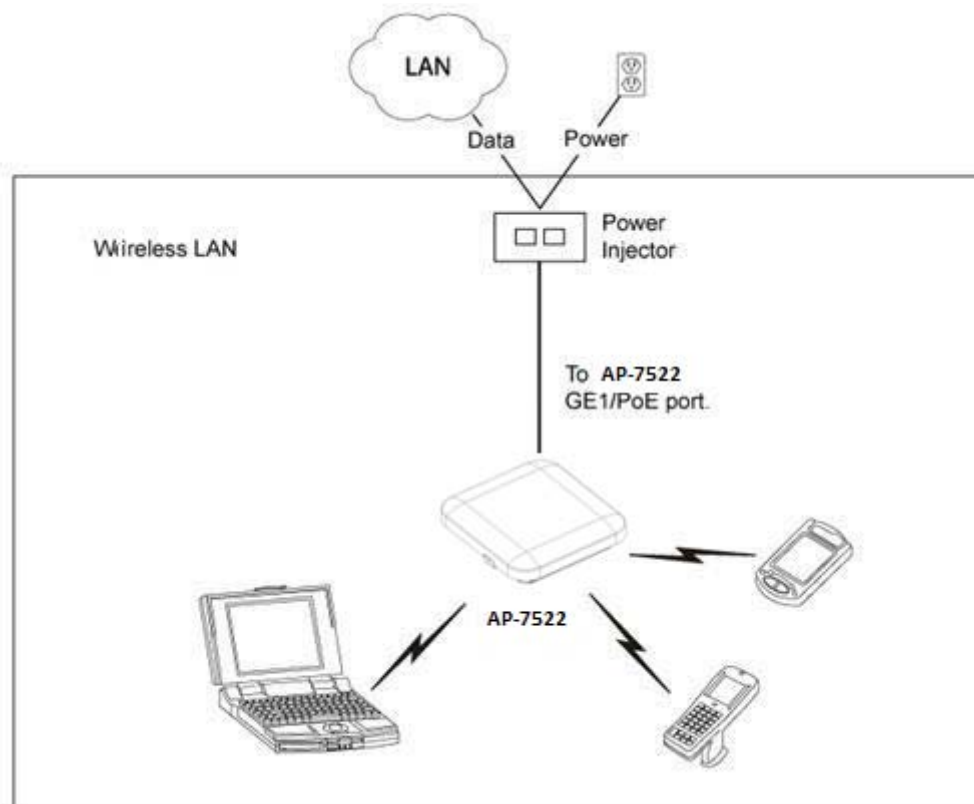
power from the PWR-14000-54R supply only. Disconnecting the AC power from the PWR-14000-54R causes the Access Point to re-boot before sourcing power from the POE power injector. If the AP is operating using injector supplied power, the AP will not automatically reboot if an AC adapter is connected. The Access Point continues to operate with power supplied from the AC adapter without change to the Access Point operating configuration. If using AC adapter supplied power and a change to the AP's operating configuration is warranted, the Access Point needs to be manually rebooted by the customer.



### CAUTION

The Access Point supports any standards-based compliant power source. However, using the wrong solution (including a POE system used on an Access Point) could either limit functionality or severely damage the Access Point and void the product warranty.

A separate Power Injector is required for each AP-7522 Access Point comprising the network.



The Power Injector can be installed free standing, on an even horizontal surface or wall mounted using the power injector's wall mounting key holes. The following guidelines should be adhered to before cabling the Power Injector to an Ethernet source and an Access Point:

- Do not block or cover airflow to the Power Injector.

- Keep the Power Injector away from excessive heat, humidity, vibration and dust.

The Power Injector isn't a repeater, and does not amplify the Ethernet signal. For optimal performance, ensure the Power Injector is placed as close as possible to the data port.

**CAUTION**

To avoid problematic performance and restarts, disable POE from a wired switch port connected to an Access Point if mid-span *power sourcing equipment* (PSE) is used between the two, regardless of the manufacturer of the switch.

---

**CAUTION**

Ensure AC power is supplied to the Power Injector using an AC cable with an appropriate ground connection approved for the country of operation.

---

To install the Power Injector to an Ethernet data source and an Access Point:

- 1 Connect the Power Injector to an AC outlet (110VAC to 220VAC).
- 2 Connect an RJ-45 Ethernet cable between the Power Injector Data & Power Out connector and the Access Point's GE1/POE port.
- 3 Connect an RJ-45 Ethernet cable between the network data supply (host) and the Power Injector Data In connector.

Ensure the cable length from the Ethernet source (host) to the Power Injector and Access Point does not exceed 100 meters (333 ft).

The Power Injector has no On/Off power switch. The Injector receives power and is ready for device connection and operation as soon as AC power is applied. Refer to the *Installation Guide* shipped with the Power Injector for a description of the LEDs.

## Wall Mount Instructions

---

A wall mount deployment requires hanging the AP-7522 Access Point with the provided mounting bracket and two screws. The AP-7522 can be mounted on to any plaster, wood or cement wall surface using the provided mounting bracket.

The hardware required to install the AP-7522 on a wall consists of:

- Two wide-shoulder Phillips pan head self-tapping screws (M3.5 x 0.6 x 23 mm)
- Mounting bracket

Optional customer provided installation tools include:

- Phillips head screw driver, or drill and drill bit

## Wall Mount Procedure - New Installation

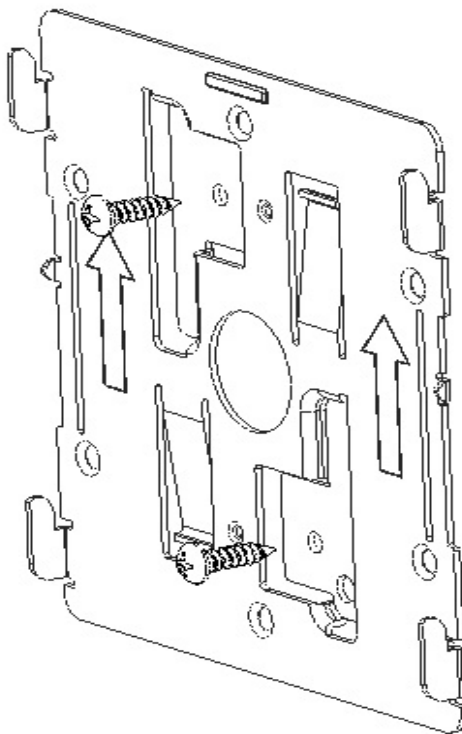
This section describes a new AP-7522 installation with no previous Access Point existing on the intended wall surface.

- 1 Place the mounting bracket against the wall.
- 2 Mark the screw hole locations depending on the intended deployment orientation of the unit.

**NOTE**

When pre-drilling a hole the recommended hole size is 4mm (0.16in.).

- 3 At each point, drill a hole in the wall and attach the mounting bracket.



- 4 Place the Access Point on the mounting bracket.
- 5 Cable the Access Point using either the Power Injector solution (AP-PSBIAS-2P3-ATR) or the approved AP-7522 power supply (PWRS-14000-54R).

For Power Injector installations:

- a Connect a RJ-45 CAT5e (or CAT6) Ethernet cable between the Power Injector Data & Power Out connector and the Access Point's GE1/POE port.
- b Connect a RJ-45 CAT5e (or CAT6) Ethernet cable between the network data supply (host) and the Power Injector Data In connector.
- c Ensure the cable length from the Ethernet source (host) to the Power Injector and Access Point does not exceed 100 meters (333 ft). The Power Injector has no On/Off power switch. The Power Injector receives power as soon as AC power is applied.

For standard power adapter (non Power Injector) and line cord installations:

- a Connect a RJ-45 Ethernet cable between the network data supply (host) and the Access Point's GE1/POE port.
  - b Verify the power adapter is correctly rated according to the country of operation.
  - c Connect the power supply line cord to the power adapter.
  - d Attach the power adapter cable into the power connector on the Access Point.
  - e Attach the power supply line cord to a power supply.
- 6 Verify the Access Point is receiving power by observing the LEDs are lit or flashing. For more information on AP-7522 LED behavior, see [LED Indicators on page 16](#).
  - 7 The Access Point is ready to configure.

**CAUTION**

If not using an AP-PSBIAS-2P3-ATR power injector, ensure only the AP-7522's designated power supply (PWRS-14000-54R) is used to supply power to the Access Point. Using an incorrectly rated power supply could damage the Access Point and void the product warranty. Do not actually connect to the power source until the cabling portion of the installation is complete.

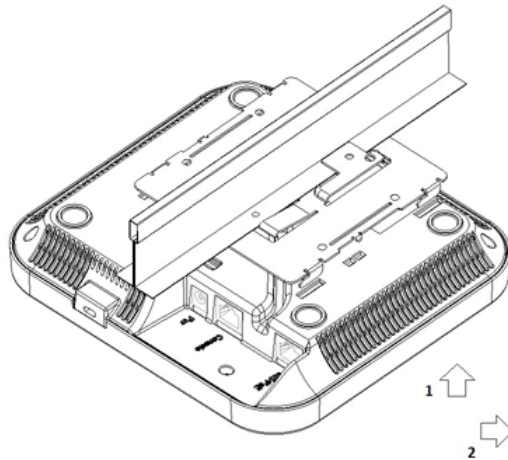
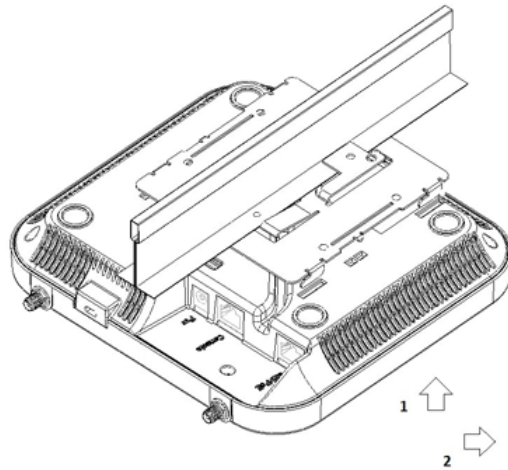
## Wall Mount Procedure - Existing Access Point Replacement

An existing AP-7131 or AP-7131N Series Access Point installed on a wall can be replaced by an AP-7522. Simply remove the existing AP-7131 or AP-7131N and install the new provided mounting bracket for AP-7522 directly to the wall. The cabling procedure for such a replacement is as described in the previous section.

## Suspended Ceiling T-Bar Mount Installation

Ceiling mount requires holding the AP-7522 up against a T-bar of a suspended ceiling grid and twisting the unit on to the T-bar. If deploying the AP-7522 on a sculpted ceiling T-Bar, the Access Point mounting kit (Part No. KT-135628-01) can optionally be used as well.

- 1 First install the mounting bracket on the T-bar then attach the mounting plate using the mounting slots on the Access Point.



- 2 Cable the Access Point using either the Power Injector solution (AP-PSBIAS-2P3-ATR) or the approved AP-7522 power supply (PWRS-14000-54R).

For Power Injector installations:

- a Connect a RJ-45 CAT5e (or CAT6) Ethernet cable between the network data supply (host) and the Power Injector Data In connector.
- b Connect a RJ-45 CAT5e (or CAT6) Ethernet cable between the Power Injector Data & Power Out connector and the Access Point's GE1/POE port.
- c Ensure the cable length from the Ethernet source (host) to the Power Injector and Access Point does not exceed 100 meters (333 ft). The Power Injector has no On/Off power switch, and receives power as soon as AC power is applied.

For standard power adapter (non Power Injector) and line cord installations:

- a Connect a RJ-45 Ethernet cable between the network data supply (host) and the Access Point's GE1/POE port.
- b Verify the power adapter is correctly rated according the country of operation.
- c Connect the power supply line cord to the power adapter.
- d Attach the power adapter cable into the power connector on the Access Point.

- e Attach the power supply line cord to a power supply.

**CAUTION**

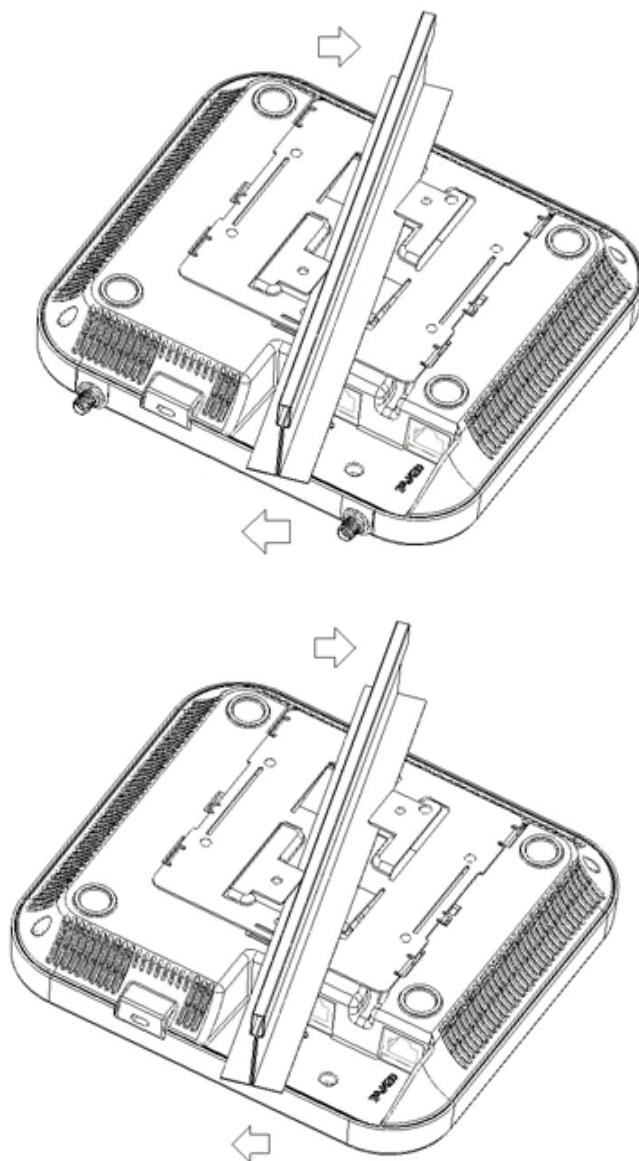
If not using an AP-PSBIAS-2P3-ATR power injector, ensure only the AP-7522's designated power supply (PWRS-14000-54R) is used to supply power to the Access Point. Using an incorrectly rated power supply could damage the Access Point and void the product warranty. Do not actually connect to the power source until the cabling portion of the installation is complete.

---

- 3 Verify the unit has power by observing the LEDs. For more information on AP-7522 LED behavior, see [LED Indicators on page 16](#).
- 4 Align the bottom of the ceiling T-bar with the back of the Access Point.
- 5 Orient the Access Point chassis by its length and the length of the ceiling T-bar.
- 6 Rotate the Access Point chassis 45 degrees clockwise.
- 7 Push the back of the Access Point chassis on to the bottom of the ceiling T-bar.



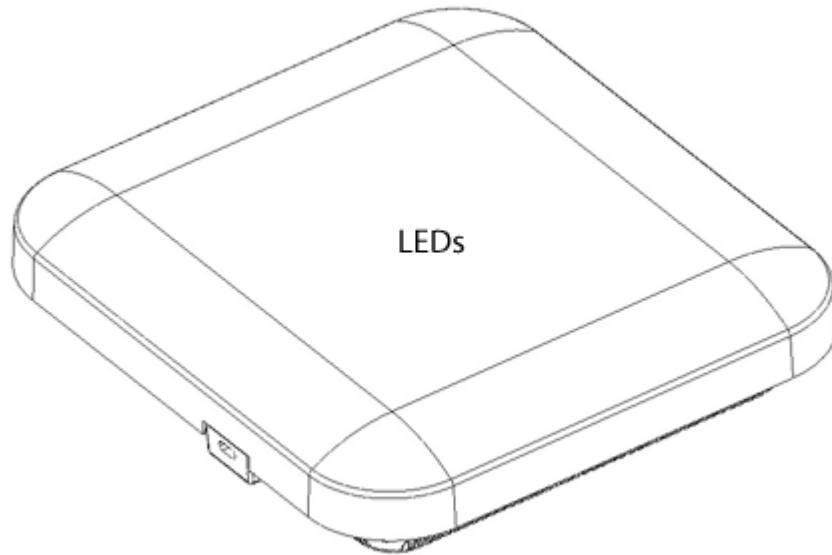
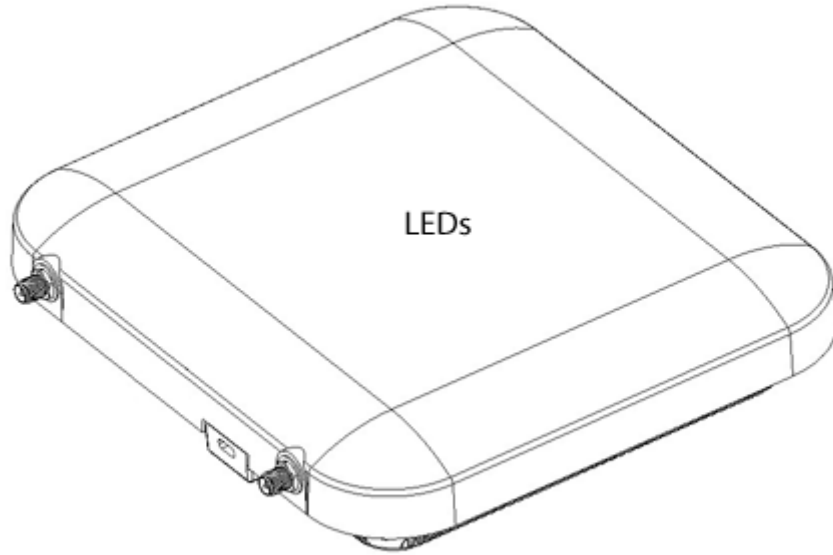
- 8 Rotate the Access Point chassis 45 degrees counter-clockwise. The clips click as they fasten to the T-bar.



- 9 The Access Point is ready to configure.

## LED Indicators

The AP-7522 LED activity indicators are located on the front of the housing and are visible through the enclosure.



The LEDs provide a status display indicating error conditions, transmission, and network activity for the 5 GHz 802.11ac (amber) radio and the 2.4 GHz 802.11n (green) radio.

<b>Task</b>	<b>5 GHz Activity LED (Amber)</b>	<b>2.4 GHz Activity LED (Green)</b>
Unconfigured Radio	On	On
Normal Operation	<ul style="list-style-type: none"> <li>• If this radio band is enabled: Blink at 5 second interval</li> <li>• If this radio band is disabled: Off</li> <li>• If there is activity on this band: Blink interval at 1 time per second</li> </ul>	<ul style="list-style-type: none"> <li>• If this radio band is enabled: Blink at 5 second interval</li> <li>• If this radio band is disabled: Off</li> <li>• If there is activity on this band: Blink interval at 1 time per second</li> </ul>
Firmware Update	On	Off
Locate AP Mode	LEDs blink in an alternating green, red and amber pattern using an irregular blink rate. This LED state in no way resembles normal operating conditions.	LEDs blink in an alternating green, red and amber pattern using an irregular blink rate. This LED state in no way resembles normal operating conditions



# 3 Basic Access Point Configuration

To set an Access Point basic configuration and access user interface management functions:

- 1 The Access Point's IP address is optimally provided using DHCP or from bottom of the Access Point itself (if available). A zero config IP address can also be derived if DHCP resources are unavailable or the IP address is not listed on the bottom of the unit. Using zero config, the last two octets in the IP address are the decimal equivalent of the last two bytes in the Access Point's hardcoded MAC address.

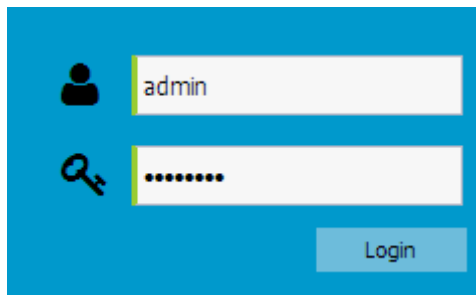
For example:

MAC address - 00:C0:23:00:F0:0A

Zero-config IP address - 169.254.240.10

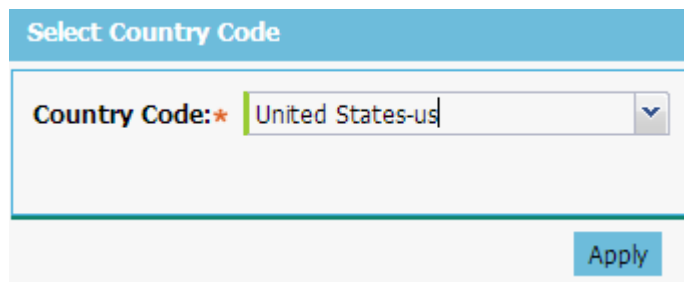
To derive the Access Point's IP address using its MAC address:

- a Open the Windows calculator by selecting *Start > All Programs > Accessories > Calculator*. This menu path may vary slightly depending on your version of Windows.
  - b With the Calculator displayed, select *View > Scientific*. Select the Hex radio button.
  - c Enter a hex byte of the Access Point's MAC address. For example, F0.
  - d Select the Dec radio button. The calculator converts F0 into 240. Repeat this process for the last Access Point MAC address octet.
- 2 Point the Web browser to the Access Point's IP address. The login screen displays.



- 3 Enter the default username *admin* in the Username field.
- 4 Enter the default password *admin123* in the Password field.
- 5 Select the Login button to load the management interface.

If this is the first time the interface has been accessed, a screen displays prompting for the Access Point's country code.



- 6 Select the Country Code specific to this Access Point's deployment location. Selecting the correct country is central to legal operation. Each country has its own regulatory restrictions concerning electromagnetic emissions and the maximum RF

signal strength that can be transmitted. Select Apply to implement the selected Country Code. SKU's only support certain countries (for example: a US SKU only includes US, Guam, Puerto Rico, American Samoa, US Virgin Islands and Mariana Island).

The Access Point automatically displays a Dashboard where users can assess network health and conduct a diagnostic review of Access Point performance.



## NOTE

At some point in the Access Point's initial setup, the default password should be changed to enhance the security of the Access Point managed network. Refer to the *Configuration > Management* screen to change the default password to a more secure password.

- Expand the Configuration menu item and select Basic.

The screenshot shows the 'Basic Configuration Settings' interface. It contains the following fields and controls:

- AP Name:** A text input field containing 'AN-08-15E54C'.
- Country Code:** A dropdown menu with 'Select a Country' as the current selection.
- Virtual Controller:** An unchecked checkbox.
- Timezone:** A dropdown menu with 'Select a Timezone' as the current selection.
- Date & Time:** A date input field showing '05/12/2014', an hour spinner set to '1', a minute spinner set to '34', and radio buttons for 'AM' and 'PM' (with 'PM' selected).
- NTP Server:** A text input field with three dots as a placeholder.

At the bottom right, there are two buttons: 'Apply' and 'Discard'.

- Set the following Basic Configuration Settings for this Access Point:
  - AP Name* - Provide an AP Name used as this Access Point's network identifier. If setting this Access Point as a Virtual Controller, each Access Point managed by this Virtual Controller lists this Access Point's AP Name as its own. The AP Name is a required parameter.
  - Country Code* - If the Country Code was not set when the Access Point was initially powered on, set the country now to ensure the Access Point's legal operation. The Access Point's wireless capabilities are disabled until the required country code is set.
  - Virtual Controller* - Select this option to define this Access Point as a Virtual Controller capable of managing and provisioning up to 24 Access Points of the same type. If selecting this Access Point as a Virtual Controller, those Access Points managed by this Virtual Controller will list this Access Point's AP Name as its own. Only one Virtual Controller can be designated.
  - Timezone* - Use the drop-down menu to specify the geographic timezone where the Access Point is deployed. Different geographic time zones have daylight savings clock adjustments, so specifying the timezone correctly is important to account for geographic time changes.
  - Date & Time* - Set the date, hour and minute for the Access Point's current system time. Specify whether the current time is in the *AM* or *PM*.
  - NTP Server* - Optionally provide the IP address of a NTP server resource. *Network Time Protocol* (NTP) manages time and/or network clock synchronization within the Access Point managed network. NTP is a client/server implementation. Access Points

(NTP clients) periodically synchronize their clock with a master clock (an NTP server). For example, an Access Point resets its clock to 07:04:59 upon reading a time of 07:04:59 from its designated NTP server.

- 9 Select Apply to implement the updates.
- 10 Expand the Configuration menu item and select WAN.

**WAN Settings**

Enable:

Port: ge1

Interface: vlan1

DHCP Client  Static IP  PPPoE Settings

Static IP/Mask:\*

Primary DNS:

Secondary DNS:

Default Gateway:

- 11 Refer to the WAN Settings field and set the following:
  - *Enable* - Select this option to allow a connection between the Access Point and a larger network or outside world through the WAN port. Disable this option to isolate the WAN connection. No connections to a larger network or Internet are possible. Clients cannot communicate beyond configured subnets. Both the physical *Port* used to connect to the WAN and the virtual *Interface* (VLAN) are also listed and fixed.
  - *DHCP Client* - Select this option to enable DHCP for the Access Point WAN connection. This is useful, if the target network or *Internet Service Provider* (ISP) uses DHCP. DHCP is a protocol that includes mechanisms for IP address allocation and delivery of host-specific configuration parameters from a DHCP server to a host. Some of these parameters are IP address, network mask, and gateway. The WAN and LAN ports should not both be configured as DHCP clients.
  - *Static IP* - Select this option to bypass DHCP address allocation resources and manually set the IP address for the Access Point's WAN connection. Manually provide the Access Point's Static IP/Mask and Default Gateway.
  - *PPPoE Settings* - Optionally enable *Point-to-Point Protocol over Ethernet* (PPPoE) on the WAN network. If PPPoE is enabled, provide the required *Auth Type*, *Login Name* and *Login Password*. Server Name and Default Gateway are optional settings. PPP is a data-link protocol for dialup connections allowing an Access Point to use a broadband modem (DSL, cable modem, etc.) for access to high-speed data and broadband networks. Most DSL providers support (or deploy) the PPPoE protocol. PPPoE uses standard encryption, authentication, and compression as specified by the PPPoE protocol. PPPoE enables the Access Point to establish a point-to-point connection to an ISP over an existing Ethernet interface.
  - *Static IP / Mask* - Specify an IP address for the WAN connection if using static address assignment for the WAN port. An IP address uses a series of four numbers defined in dot notation, for example, 190.188.12.1. Additionally, specify a Mask for the access point's WAN connection. This number is available from the ISP for a DSL or cable-modem connection, or from an administrator if the Access Point connects to a larger network.

- *Primary/Secondary DNS/Default Gateway* - If using a static IP or DHCP, enter the Primary and Secondary DNS server resource's numerical IP address and Default Gateway.

**NOTE**

If segmenting traffic between the Access Point's WAN and LAN, you'll need to create a VLAN. Complete steps 13 and 14 to define the required VLAN. Otherwise, proceed to step 15.

- 12 Select **Apply** to implement the updates.
- 13 Expand the Configuration menu item and select Access Points. Each AP Name displays as a link that can be selected to update the configuration of that specific Access Point. Select a target AP Name link from amongst those displayed in the Access Points screen.

**Edit -> AN-08-15E54C**

**Basic Settings**

AP Name :\* AN-08-15E54C

Location : SEQUOIA-CONF

Version : 5.5.3.0-027D

Model : AP-7532-67030-US

UP Time : 0 days, 01 hours 08 minutes

**LAN IP Interface Settings**

Add   Delete			
<input checked="" type="checkbox"/>	Interface (1-4094)	Description	Static IP
	VLAN*		0.0.0.0/24

Update Cancel

Refer to the LAN IP Interface Settings field, and add a VLAN and Static IP as required for enabling DHCP (within the *Configuration > Services* screen) for client IP address requests and ensuring routable traffic.

- 14 Select Apply to commit the updates to the selected Access Point's configuration.
- 15 Expand the Configuration menu item and select Wireless.



The Wireless screen displays fields where *Radio Settings* and *Wireless LAN* settings can be defined. Its recommended default radio settings remain as is for the Access Point's basic setup.

In respect to the Radio Settings, the professional installer should be aware of the following:

4Ghz	Channel: <input type="text" value="smart"/>	Power: <input checked="" type="radio"/> Smart <input type="radio"/> <input type="text" value="0"/> dBm	Antenna Gain:★ <input type="text" value="0"/> d
5Ghz	Channel: <input type="text" value="smart"/>	Power: <input checked="" type="radio"/> Smart <input type="radio"/> <input type="text" value="0"/> dBm	Antenna Gain:★ <input type="text" value="0"/> d



#### NOTE

The above example includes a field for setting the antenna gain. This setting is only available for external antenna Access Points and does not display for internal antenna Access Points.

- The Channels available for configuration are channels for which the product is approved in its selected country. The professional installer must ensure the product is set to operate under conditions, and on channels, approved by country regulations.
- Selecting Smart as the Power setting automatically configures radio power to not exceed the maximum power allowed by the defined country. For static power settings, the professional installer must ensure the configured power levels are compliant with local and regional regulations. The county selected automatically limits the maximum output power that can be set.
- For external antenna Access Points, configure the Antenna Gain based on the antenna used in the deployment. The set gain value should include the antenna gain, along with any additional components, such as extension cables used between the Access Point and the antenna.

In respect to Wireless LAN settings, at minimum, a WLAN should be created providing some measure of security.

- 16 To create a new WLAN, select + Add from the upper, left-hand side of the Wireless LAN field.

The screenshot shows the 'Wireless LAN' configuration page. It contains the following fields and options:

- Name:** A text input field.
- Enable:** A checkbox.
- SSID:** A text input field.
- Client-To-Client Communication:** A checkbox.
- Security:** Radio buttons for Open (selected), Secure-PSK, Secure-802.1x, and Guest.
- Band:** Checkboxes for 2.4 GHz and 5 GHz.
- VLAN:** A dropdown menu showing '2' and a range '(1 - 4094)'.
- Description:** A text input field.

- 17 Set the following configuration attributes for the new WLAN:

- *Name* - Provide a unique name for the WLAN as its network identifier. This is a required setting.
- *Enable* - Select this setting to enable this WLAN within the Access Point managed network and provide some measure of data protection.
- *SSID* - Specify the WLAN's SSID. The WLAN SSID is case sensitive and alphanumeric. SSID length should not exceed 32 characters. This is a required setting. Select Client-To-Client Communication to enable client interoperability within this WLAN. The default is disabled, meaning clients are *not* allowed to exchange packets with other clients. It does not necessarily prevent clients on other WLANs from sending packets to this WLAN, but if this setting is disabled on the other WLAN, clients are not permitted to interoperate at all.
- *WLAN Type* - The screen displays with the Open option selected. Naming and saving such a policy (as is) would provide no security and might only make sense in a network wherein no sensitive data is either transmitted or received. This default setting is *not* recommended.

If selecting Secure-PSK, enter a WPA2 Key to password protect the WLAN. Define whether the key is entered in ASCII or HEX characters. Selecting *Show* to expose the key is not recommended.

If selecting Secure-802.1x, provide an IP address (or hostname) and a shared secret (password) used to access an external RADIUS server resource designated to validate user requests to the Access Point's WLAN resources. Selecting Guest displays fields for captive portal Web page creation, and is beyond the scope of this basic Access Point configuration.

- *Band* - Select the 2.4 GHz and/or 5 GHz radio bands supported by the Access Point and its connected client traffic. If this Access Point is designated as a Virtual Controller AP, both radio bands should be enabled.

- *VLAN* - Use the spinner control to specify a VLAN from 1 - 4,094 for this WLAN. When a client associates with a WLAN, the client is assigned a VLAN by load balance distribution. Its recommended you do not use VLAN 1 with the WLAN if the WAN port has been enabled.
- *Description* - Optionally enter a WLAN description to further describe the WLAN's deployment objective.

18 Select Apply to commit the updates to the Access Point's WLAN configuration.

19 Expand the Configuration menu item and select Services

**DHCP Settings**

Enable DHCP Server

+ Add | Delete | Row Count: 0

<input type="checkbox"/>	Interface	IP	Start IP	End IP

Apply | Discard

20 Select Enable DHCP Server to ensure the Access Point can provision IP addresses to requesting clients over the specified interface.



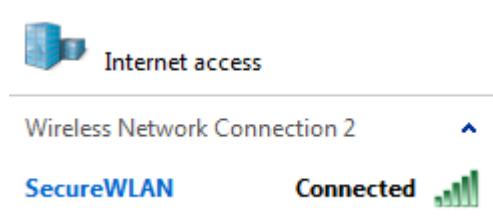
#### NOTE

A VLAN must be already configured and available to the DHCP server as a viable interface between the Access Point and requesting client. Refer to the LAN IP Interface Settings field (within the Edit Access Point screen), and add a VLAN.

Select + Add and provide a starting and ending IP range of addresses that constitute a pool of addresses available to requesting clients.

21 Select Apply to commit the updates to the Access Point's DHCP configuration.

22 At this point, you're ready to connect to the network using the security restrictions applied to the newly created WLAN. Ensure the new secure WLAN has been enabled, and check whether a client is able to access the network.





# 4 AP-7522 Access Point Specifications

---

## Electrical Characteristics

---

An AP-7522 Access Point has the following electrical characteristics:

Operating Current & Voltage	12VDC, 1A (AUX input voltage) 12VDC PWRS-14000-54R power supply 48VDC, 0.375A (POE) 802.3at AP-PSBIAS-2P3-ATR Power Injector
-----------------------------	---

---

## Physical Characteristics

---

An AP-7522 Access Point has the following physical characteristics:

Dimensions	7.1 in. L x 6.5 in. W x 1.6 in. H 180 mm L x 165 mm W x 41 mm H
Housing	Plenum-rated housing (UL2043)
Weight	1.8 lbs/0.82 kg
Operating Temperature	External antennas: -4° F to 104° F/-20° C to 40° C Internal antennas: 32° F to 104° F/0° C to 40° C
Storage Temperature	-40° F to 158° F/-40° C to 70° C
Operating Humidity	85% RH non-condensing
Operating Altitude (maximum)	8,000 ft @ 28C
Storage Altitude (maximum)	30,000 ft @ 12C
Electrostatic Discharge	External antennas: 12kV air, 6kV contact Internal antennas: 15 kV air, 8kV contact

## Radio Characteristics

The AP-7522 Access Point has the following radio characteristics:

Data Rates Supported	802.11b/g: 1,2,5.5,11,6,9,12,18,24,36,48 and 54 Mbps 802.11a: 6,9,12,18,24,36,48, and 54 Mbps 802.11a/n: MCS 0-23 up to 300 Mbps 802.11ac: MCS 0-9 up to 866.7 Gbps Turbo Mode (256QAM) on 2.4 GHz band: up to 400 Mbps
Wireless Medium	<i>Direct Sequence Spread Spectrum (DSSS)</i> <i>Orthogonal Frequency Division Multiplexing (OFDM)</i> <i>Spatial multiplexing (MIMO)</i>
Network Standards	IEEE 802.11a/b/g/n/ac 802.11d and 802.11i WPA2 WMM and WMM-UAPSD
Transmit Power Adjustment	1dB increments

# 5 Regulatory Information

---

## Regulatory Information

---

This guide applies to the following Model Numbers: AP-7522, AP-7522I.

All Extreme Networks devices are designed to be compliant with the rules and regulations in the locations they are sold and will be labeled as required.

Any changes or modifications to Extreme Networks equipment, not expressly approved by Extreme Networks could void the user's authority to operate the equipment.

Extreme Networks devices are professionally installed, the Radio Frequency Output Power will not exceed the maximum allowable limit for the country of operation.

Antennas: Use only the supplied or an approved replacement antenna. Unauthorized antennas, modifications, or attachments could cause damage and may violate regulations.

This device is only to be used with a Extreme Networks Wireless Switch.

Declared maximum operating temperature: 40°C.

---

## Wireless Device Country Approvals

---

Regulatory markings, subject to certification, are applied to the device signifying the radio(s) is/are approved for use in the following countries: United States, Canada, Japan, China, S. Korea, Australia, and Europe 1

Please refer to the *Declaration of Conformity (DoC)* for details of other country markings. This is available at: [www.extremenetworks.com](http://www.extremenetworks.com)



### NOTE

For 2.4GHz or 5GHz Products: Europe includes, Austria, Belgium, Bulgaria, Czech Republic, Cyprus, Denmark, Estonia, Finland, France, Germany, Greece, Hungary, Iceland, Ireland, Italy, Latvia, Liechtenstein, Lithuania, Luxembourg, Malta, Netherlands, Norway, Poland, Portugal, Romania, Slovak Republic, Slovenia, Spain, Sweden, Switzerland and the United Kingdom.

---



### CAUTION

Operation of the device without regulatory approval is illegal.

---

## Country Selection

Select only the country in which you are using the device. Any other selection will make the operation of this device illegal. Some Access Points are specifically designed to operate in certain countries (Example; -US for the United States, -EU for the European Union).

#### Country Roaming

This device incorporates the International Roaming feature (IEEE802.11d) which will ensure the product operates on the correct channels for the particular country of use.

## Frequency of Operation – FCC and IC

### 5 GHz Only

#### Industry Canada Statement:

**Caution:** The device for the band 5150-5250 MHz is only for indoor usage to reduce potential for harmful interference to co-Channel mobile satellite systems. High power radars are allocated as primary users (meaning they have priority) of 5250-5350 MHz and 5650-5850 MHz and these radars could cause interference and/or damage to LE-LAN devices.

**Avertissement:** Le dispositif fonctionnant dans la bande 5150-5250 MHz est réservé uniquement pour une utilisation à l'intérieur afin de réduire les risques de brouillage préjudiciable aux systèmes de satellites mobiles utilisant les mêmes canaux.

Les utilisateurs de radars de haute puissance sont désignés utilisateurs principaux (c.-à-d., qu'ils ont la priorité) pour les bands 5250-5350 MHz et 5650-5850 MHz et que ces radars **pourraient causer du brouillage et/ou des dommages aux dispositifs LAN-EL.**

### 2.4 GHz Only

The available channels for 802.11bg operation in the US are Channels 1 to 11. The range of channels is limited by firmware.

## Health and Safety Recommendations

### Ergonomic Recommendations



#### CAUTION

In order to avoid or minimize the potential risk of ergonomic injury follow the recommendations below. Consult with your local Health & Safety Manager to ensure that you are adhering to your company's safety programs to prevent employee injury.

- Reduce or eliminate repetitive motion
- Maintain a natural position
- Reduce or eliminate excessive force



- Keep objects that are used frequently within easy reach
- Perform tasks at correct heights
- Reduce or eliminate vibration
- Reduce or eliminate direct pressure
- Provide adjustable workstations
- Provide adequate clearance
- Provide a suitable working environment
- Improve work procedures

### **Vehicle Installation**

RF signals may affect improperly installed or inadequately shielded electronic systems in motor vehicles (including safety systems). Check with the manufacturer or its representative regarding your vehicle. You should also consult the manufacturer of any equipment that has been added to your vehicle.

An air bag inflates with great force. DO NOT place objects, including either installed or portable wireless equipment, in the area over the air bag or in the air bag deployment area. If in-vehicle wireless equipment is improperly installed and the air bag inflates, serious injury could result.

Position your device within easy reach. Be able to access your device without removing your eyes from the road.



### **NOTE**

Connection to an alert device that will cause a vehicle horn to sound or lights to flash, on receipt of a call on public roads, is not permitted.

---

### **IMPORTANT**

Before installing or using, check state and local laws regarding windshield mounting and use of equipment.

### **For Safe installation**

- Do not put your phone in a location that obstructs the drivers vision or interferes with the operation of the Vehicle.
- Do not cover an airbag.

### **Safety on the Road**

Do not take notes or use the device while driving. Jotting down a "to do" list or flipping through your address book takes attention away from your primary responsibility, driving safely.

When driving a car, driving is your first responsibility - Give full attention to driving. Check the laws and regulations on the use of wireless devices in the areas where you drive. Always obey them.

---

## Warnings for the use of Wireless Devices

---

**WARNING**

Please observe all warning notices with regard to the usage of wireless devices.

---

### Potentially Hazardous Atmospheres - Fixed Installations

You are reminded of the need to observe restrictions on the use of radio devices in fuel depots, chemical plants etc. and areas where the air contains chemicals or particles (such as grain, dust, or metal powders).

### Safety in Hospitals



Wireless devices transmit radio frequency energy and may affect medical electrical equipment. When installed adjacent to other equipment, it is advised to verify that the adjacent equipment is not adversely affected.

**Pacemakers**

Pacemaker manufacturers recommended that a minimum of 15cm (6 inches) be maintained between a handheld wireless device and a pacemaker to avoid potential interference with the pacemaker. These recommendations are consistent with independent research and recommendations by Wireless Technology Research.

**Persons with Pacemakers:**

- Should ALWAYS keep the device more than 15cm (6 inches) from their pacemaker when turned ON.
- Should not carry the device in a breast pocket.
- Should use the ear furthest from the pacemaker to minimize the potential for interference.
- If you have any reason to suspect that interference is taking place, turn OFF your device.

**Other Medical Devices**

Please consult your physician or the manufacturer of the medical device, to determine if the operation of your wireless product may interfere with the medical device.

---

## RF Exposure Guidelines

---

### Safety Information

#### *Reducing RF Exposure - Use Properly*

Only operate the device in accordance with the instructions supplied.

### International

The device complies with internationally recognized standards covering human exposure to electromagnetic fields from radio devices. For information on “International” human exposure to electromagnetic fields refer to the *Declaration of Conformity (DoC)* at: [www.extremenetworks.com](http://www.extremenetworks.com)

## EU

### *Remote and Standalone Antenna Configurations*

To comply with EU RF exposure requirements, antennas that are mounted externally at remote locations or operating near users at stand-alone desktop or similar configurations must operate with a minimum separation distance of 20cm from all persons.

## US and Canada

### *Co-located statement*

To comply with FCC RF exposure compliance requirements, the antenna used for this transmitter must not be co-located or operating in conjunction with any other transmitter/antenna except those already approved in this filing.

To satisfy US and Canadian RF exposure requirements, a transmitting device must operate with a minimum separation distance of 30cm or more from a person's body.

Pour satisfaire aux exigences Américaines et Canadiennes d'exposition aux radiofréquences, un dispositif de transmission doit fonctionner avec une distance de séparation minimale de 30cm ou plus de corps d'une personne.

### Radiation Exposure Statement

This equipment complies with IC radiation exposure limits set forth for an uncontrolled environment. This equipment should be installed and operated with minimum distance 30cm between the radiator and your body.

**NOTE IMPORTANTE:** (Pour l'utilisation de dispositifs mobiles)

Déclaration d'exposition aux radiations:

Cet équipement est conforme aux limites d'exposition aux rayonnements IC établies pour un environnement non contrôlé. Cet équipement doit être installé et utilisé avec un minimum de 30cm de distance entre la source de rayonnement et votre corps.

### *Remote and Standalone Antenna Configurations*

To comply with FCC RF exposure requirements, Antennas that are mounted externally must be professionally installed at a fixed location and operate with a minimum distance of 30cm from all persons.

To comply with FCC Antenna requirements, the Antenna must be adjusted such that the RF emission lobes are below 30 degrees elevation.

## Power Supply

This device must be powered from a 802.3af or 802.3at compliant power source which has been certified by the appropriate agencies, or by a approved UL LISTED ITE (IEC/EN 60950-1, LPS/SELV) power supply with electrical ratings: Output 12 Vdc, min 1.25 A or 48 Vdc min 0.375 A (POE), with a recommended ambient temperature greater than 40 degrees C. Use of alternative power supply will invalidate any approvals given to this unit and may be dangerous.

## Radio Frequency Interference Requirements—FCC



This equipment has been tested and found to comply with the limits for a Class B digital device, pursuant to Part 15 of the FCC rules. These limits are designed to provide reasonable protection against harmful interference in a residential installation. This equipment generates, uses and can radiate radio frequency energy and, if not installed and used in accordance with the instructions, may cause harmful interference to radio communications. However there is no guarantee that interference will not occur in a particular installation. If this equipment does cause harmful interference to radio or television reception, which can be determined by turning the equipment off and on, the user is encouraged to try to correct the interference by one or more of the following measures:

- Reorient or relocate the receiving antenna
- Increase the separation between the equipment and receiver
- Connect the equipment into an outlet on a circuit different from that to which the receiver is connected
- Consult the dealer or an experienced radio/TV technician for help.

## Radio Transmitters (Part 15)

This device complies with Part 15 of the FCC Rules. Operation is subject to the following two conditions: (1) this device may not cause harmful interference, and (2) this device must accept any interference received, including interference that may cause undesired operation.

## Radio Frequency Interference Requirements - Canada

CAC ICES-3 (B)/NMB-3(B)

Radio Transmitters

For RLAN Devices:

The use of 5 GHz RLAN's, for use in Canada, have the following restrictions:

- Restricted Band 5.60 – 5.65 GHz

This device complies with RSS 247 of Industry Canada. Operation is subject to the following two conditions: (1) this device may not cause harmful interference and (2) this device must

accept any interference received, including interference that may cause undesired operation.

Le présent appareil est conforme aux CNR d'Industrie Canada applicables aux appareils radio exempts de licence. L'exploitation est autorisée aux deux conditions suivantes : (1) l'appareil ne doit pas produire de brouillage, et (2) l'utilisateur de l'appareil doit accepter tout brouillage radioélectrique subi, même si le brouillage est susceptible d'en compromettre le fonctionnement.

Label Marking: The Term "IC:" before the radio certification only signifies that Industry Canada technical specifications were met

In accordance with the regulations of Industry Canada, this radio transmitter can operate with an antenna of a type and a maximum gain (or lower) approved for the transmitter by Industry Canada. With the aim of reducing the risk of radio interference to other users, the chosen antenna type and its gain should be selected so that the equivalent isotropically radiated power (e.i.r.p.) does not exceed the intensity necessary for the establishment of a satisfactory connection.

Conformément à la réglementation d'Industrie Canada, le présent émetteur radio peut fonctionner avec une antenne d'un type et d'un gain maximal (ou inférieur) approuvé pour l'émetteur par Industrie Canada. Dans le but de réduire les risques de brouillage radioélectrique à l'intention des autres utilisateurs, il faut choisir le type d'antenne et son gain de sorte que la puissance isotrope rayonnée équivalente (p.i.r.e.) ne dépasse pas l'intensité nécessaire à l'établissement d'une communication satisfaisante.

In compliance with respective local regulatory law, the AP software provides professional installers the option to configure the antenna type and antenna gain for approved antennas.

This radio transmitter (AP-7522, AP-7522I) has been approved by Industry Canada to operate with the antenna types listed below and having a maximum gain allowable and the impedance required for each type of antenna. The antenna types not included in this list, or whose gain is higher than the maximum gain indicates, are strictly prohibited for the operation of the transmitter.

Refer to [AP-7522 Antennas](#) on page 4 for a listing of the 2.4 GHz and 5 GHz antennas initially approved for use with AP-7522 and AP7522I Access Points.

Le présent émetteur radio (AP-7522, AP-7522I) a été approuvé par Industrie Canada pour fonctionner avec les types d'antenne énumérés ci-dessous et ayant un gain admissible maximal et l'impédance requise pour chaque type d'antenne. Les types d'antenne non inclus dans cette liste ou dont le gain est supérieur au gain maximal indiqué, sont strictement interdits pour l'exploitation de l'émetteur.

## CE Marking and European Economic Area (EEA)



**WARNING:** This is a Class B product. In a domestic environment this product may cause radio interference in which case the user may be required to take adequate measures.

The use of 2.4GHz RLAN's, for use through the EEA, have the following restrictions:

- Maximum radiated transmit power of 100 mW EIRP in the frequency range 2.400 -2.4835 GHz.

## Statement of Compliance

Extreme Networks hereby declares that this radio equipment is in compliance with Directive 2011/65/EU and 1999/5/EC or 2014/53/EU (2014/53/EU supersedes 1999/5/EC from 13th June 2017).

## Japan (VCCI) - Voluntary Control Council for Interference

### Class B ITE

この装置は、情報処理装置等電波障害自主規制協議会（VCCI）の基準に基づくクラスB情報技術装置です。この装置は、家庭環境で使用することを目的としていますが、この装置がラジオやテレビジョン受信機に近接して使用されると、受信障害を引き起こすことがあります。取扱説明書に従って正しい取り扱いをして下さい。

5.2/5.3GHz 屋内使用規定<sup>1)</sup> or この製品は屋内においてのみ使用可能です

## Korea Warning Statement for Class B ITE

기종별	사용자안내문
B급 기기 (가정용 방송통신기자재)	이 기기는 가정용(B급) 전자파적합기기로서 주로 가정에서 사용하는 것을 목적으로 하며, 모든 지역에서 사용할 수 있습니다.

## Other Countries

### Australia

Use of 5GHz RLAN's in Australia is restricted in the following band 5.50 – 5.65GHz.

### Brazil

Declarações Regulamentares para AP-7522 - Brasil

Nota: A marca de certificação se aplica ao Transceptor, modelo AP-7522. Este equipamento opera em caráter secundário, isto é, não tem direito a proteção contra interferência

prejudicial, mesmo de estações do mesmo tipo, e não pode causar interferência a sistemas operando em caráter primário. Para maiores informações sobre ANATEL consulte o site: [www.anatel.gov.br](http://www.anatel.gov.br)

Este equipamento opera em caráter secundário, isto é, não tem direito a proteção contra interferência prejudicial, mesmo de estações do mesmo tipo, e não pode causar interferência a sistemas operando em caráter primário.

Este produto está homologado pela Anatel, de acordo com os procedimentos regulamentados pela Resolução nº242/2000 e atende aos requisitos técnicos aplicados, incluindo os limites de exposição da Taxa de Absorção Específica referente a campos elétricos, magnéticos e eletromagnéticos de radiofrequência, de acordo com as Resoluções nº 303/2002 e 533/2009.

Este dispositivo está em conformidade com as diretrizes de exposição à radiofrequência quando posicionado pelo menos 25 centímetros de distância do corpo. Para maiores informações, consulte o site da Anatel.

### Chile

Este equipo cumple con la Resolución No 403 de 2008, de la Subsecretaria de telecomunicaciones, relativa a radiaciones electromagnéticas.

### China



### Mexico

Restrict Frequency Range to: 2.450 - 2.4835 GHz.

### S. Korea

무선설비는 운용 중 전파혼신 가능성이 있음

당해 무선설비는 전파혼신 가능성이 있으므로 인명안전과 관련된 서비스는 할 수 없습니다.

Taiwan

**臺灣**

低功率電波輻射性電機管理辦法

## 第十二條

經型式認證合格之低功率射頻電機，非經許可，公司、商號或使用者均不得擅自變更頻率、加大功率或變更原設計之特性及功能。

## 第十四條

低功率射頻電機之使用不得影響飛航安全及干擾合法通信；經發現有干擾現象時，應立即停用，並改善至無干擾時方得繼續使用。

前項合法通信，指依電信規定作業之無線電通信。

低功率射頻電機須忍受合法通信或工業、科學及醫療用電波輻射性電機設備之干擾。

在 5.25-5.35 赫赫頻帶內操作之無線資訊傳輸設備，限於室內使用

**電磁波曝露量MPE標準值 $1\text{mW}/\text{cm}^2$ ，本產品使用時建議應距離人體：25 cm**

Thailand

**เครื่องโทรคมนาคมและอุปกรณ์นี้ มีความสอดคล้องตามข้อกำหนดของ กทช.**

Hong Kong

This equipment is restricted to indoor operation in the 5.15-5.35GHz band for Hong Kong.

## Waste Electrical and Electronic Equipment (WEEE)



In accordance with Directive 2012/19/EU of the European Parliament on waste electrical and electronic equipment (WEEE):

- 1 The symbol above indicates that separate collection of electrical and electronic equipment is required.
- 2 When this product has reached the end of its serviceable life, it cannot be disposed of as unsorted municipal waste. It must be collected and treated separately.
- 3 It has been determined by the European Parliament that there are potential negative effects on the environment and human health as a result of the presence of hazardous substances in electrical and electronic equipment.



- 4 It is the users' responsibility to utilize the available collection system to ensure WEEE is properly treated. For information about the available collection system, please contact Extreme Customer Support at +353 61 705500 (Ireland).

## **TURKISH WEEE Statement of Compliance**

---

EEE Yönetmeliğine Uygundur



# 6 End-User License Agreement

This document is an agreement (“Agreement”) between You, the end user, and Extreme Networks, Inc., on behalf of itself and its Affiliates (“Extreme”) that sets forth your rights and obligations with respect to the “Licensed Materials”. BY INSTALLING SOFTWARE AND/OR THE LICENSE KEY FOR THE SOFTWARE (“License Key”) (collectively, “Licensed

Software”), IF APPLICABLE, COPYING, OR OTHERWISE USING THE LICENSED SOFTWARE AND/OR ANY OF THE LICENSED MATERIALS UNDER THIS AGREEMENT, YOU ARE AGREEING TO BE BOUND BY THE TERMS OF THIS AGREEMENT, WHICH INCLUDES THE LICENSE(S) AND THE LIMITATION(S) OF WARRANTY AND DISCLAIMER(S)/LIMITATION(S) OF LIABILITY. IF YOU DO NOT AGREE TO THE TERMS OF THIS AGREEMENT, RETURN THE LICENSE KEY (IF APPLICABLE) TO EXTREME OR YOUR DEALER, IF ANY, OR DO NOT USE THE LICENSED SOFTWARE AND/OR LICENSED MATERIALS AND CONTACT EXTREME OR YOUR DEALER WITHIN TEN (10) DAYS FOLLOWING THE DATE OF RECEIPT TO ARRANGE FOR A REFUND. IF YOU HAVE ANY QUESTIONS ABOUT THIS AGREEMENT, CONTACT EXTREME, Attn: LegalTeam@extremenetworks.com.

- 1 DEFINITIONS. “Affiliates” means any person, partnership, corporation, limited liability company, or other form of enterprise that directly or indirectly through one or more intermediaries, controls, or is controlled by, or is under common control with the party specified. “Server Application” means the software application associated to software authorized for installation (per License Key, if applicable) on one or more of Your servers as further defined in the Ordering Documentation. “Client Application” shall refer to the application to access the Server Application. “Network Device” for purposes of this Agreement shall mean a physical computer device, appliance, appliance component, controller, wireless access point, or virtual appliance as further described within the applicable product documentation, which includes the Order Documentation. “Licensed Materials” means the Licensed Software (including the Server Application and Client Application), Network Device (if applicable), Firmware, media embodying software, and the accompanying documentation. “Concurrent User” shall refer to any of Your individual employees who You provide access to the Server Application at any one time. “Firmware” refers to any software program or code embedded in chips or other media. “Standalone” software is software licensed for use independent of any hardware purchase as identified in the Ordering Documentation. “Licensed Software” collectively refers to the software, including Standalone software, Firmware, Server Application, Client Application or other application licensed with conditional use parameters as defined in the Ordering Documentation. “Ordering Documentation” shall mean the applicable price quotation, corresponding purchase order, relevant invoice, order acknowledgment, and accompanying documentation or specifications for the products and services purchased, acquired or licensed hereunder from Extreme either directly or indirectly.
- 2 TERM. This Agreement is effective from the date on which You accept the terms and conditions of this Agreement via click-through, commence using the products and services or upon delivery of the License Key if applicable, and shall be effective until terminated. In the case of Licensed Materials offered on a subscription basis, the term of “licensed use” shall be as defined within Your Ordering Documentation.
- 3 GRANT OF LICENSE. Extreme will grant You a non-transferable, non-sublicensable, nonexclusive license to use the Licensed Materials and the accompanying documentation

for Your own business purposes subject to the terms and conditions of this Agreement, applicable licensing restrictions, and any term, user server networking device, field of use, or other restrictions as set forth in Your Ordering Documentation. If the Licensed Materials are being licensed on a subscription and/or capacity basis, the applicable term and/or capacity limit of the license shall be specified in Your Ordering Documentation. You may install and use the Licensed Materials as permitted by the license type purchased as described below in License Types. The license type purchased is specified on the invoice issued to You by Extreme or Your dealer, if any. YOU MAY NOT USE, COPY, OR MODIFY THE LICENSED MATERIALS, IN WHOLE OR IN PART, EXCEPT AS EXPRESSLY PROVIDED IN THIS AGREEMENT.

#### 4 LICENSE TYPES.

- Single User, Single Network Device. Under the terms of this license type, the license granted to You by Extreme authorizes You to use the Licensed Materials as bundled with a single Network Device as identified by a unique serial number for the applicable Term, if and as specified in Your Ordering Documentation, or any replacement for that network device for that same Term, for internal use only. A separate license, under a separate License Agreement, is required for any other network device on which You or another individual, employee or other third party intend to use the Licensed Materials. A separate license under a separate License Agreement is also required if You wish to use a Client license (as described below).
- Single User, Multiple Network Device. Under the terms of this license type, the license granted to You by Extreme authorizes You to use the Licensed Materials with a defined amount of Network Devices as defined in the Ordering Documentation.
- Client. Under the terms of the Client license, the license granted to You by Extreme will authorize You to install the License Key for the Licensed Materials on your server and allow the specific number of Concurrent Users as ordered by you and is set forth in Your Ordering Documentation. A separate license is required for each additional Concurrent User.
- Standalone. Software or other Licensed Materials licensed to You for use independent of any Network Device.
- Subscription. Licensed Materials, and inclusive Software, Network Device or related appliance updates and maintenance services, licensed to You for use during a subscription period as defined in Your applicable Ordering Documentation.
- Capacity. Under the terms of this license, the license granted to You by Extreme authorizes You to use the Licensed Materials up to the amount of capacity or usage as defined in the Ordering Documentation.

5 AUDIT RIGHTS. You agree that Extreme may audit Your use of the Licensed Materials for compliance with these terms and Your License Type at any time, upon reasonable notice. In the event that such audit reveals any use of the Licensed Materials by You other than in full compliance with the license granted and the terms of this Agreement, Extreme reserves the right to charge You for all reasonable expenses related to such audit in addition to any other liabilities and overages applicable as a result of such noncompliance, including but not limited to additional fees for Concurrent Users, excess capacity or usage over and above those specifically granted to You. From time to time, the Licensed Materials may upload information about the Licensed Materials and the associated usage to Extreme. This is to verify the Licensed Materials are being used in accordance with a valid license and/or entitlement. By using the Licensed Materials, you consent to the transmission of this information.

6 RESTRICTION AGAINST COPYING OR MODIFYING LICENSED MATERIALS. Except as expressly permitted in this Agreement, You may not copy or otherwise reproduce the Licensed Materials. In no event does the limited copying or reproduction permitted

under this Agreement include the right to decompile, disassemble, electronically transfer, or reverse engineer the Licensed Materials, including the Licensed Software, or to translate the Licensed Materials into another computer language. The media embodying the Licensed Materials may be copied by You, in whole or in part, into printed or machine readable form, in sufficient numbers only for backup or archival purposes, or to replace a worn or defective copy. However, You agree not to have more than two (2) copies of the Licensed Software in whole or in part, including the original media, in your possession for said purposes without Extreme' prior written consent, and in no event shall You operate more copies of the Licensed Software than the specific licenses granted to You. You may not copy or reproduce the documentation. You agree to maintain appropriate records of the location of the original media and all copies of the Licensed Software, in whole or in part, made by You. Any portion of the Licensed Software included in any such modular work shall be used only on a single computer for internal purposes and shall remain subject to all the terms and conditions of this Agreement. You agree to include any copyright or other proprietary notice set forth on the label of the media embodying the Licensed Software on any copy of the Licensed Software in any form, in whole or in part, or on any modification of the Licensed Software or any such modular work containing the Licensed Software or any part thereof.

#### 7 TITLE AND PROPRIETARY RIGHTS.

- a The Licensed Materials are copyrighted works and are the sole and exclusive property of Extreme, any company or a division thereof which Extreme controls or is controlled by, or which may result from the merger or consolidation with Extreme (its "Affiliates"), and/or their suppliers. This Agreement conveys a limited right to operate the Licensed Materials and shall not be construed to convey title to the Licensed Materials to You. There are no implied rights. You shall not sell, lease, transfer, sublicense, dispose of, or otherwise make available the Licensed Materials or any portion thereof, to any other party.
- b You further acknowledge that in the event of a breach of this Agreement, Extreme shall suffer severe and irreparable damages for which monetary compensation alone will be inadequate. You therefore agree that in the event of a breach of this Agreement, Extreme shall be entitled to monetary damages and its reasonable attorney's fees and costs in enforcing this Agreement, as well as injunctive relief to restrain such breach, in addition to any other remedies available to Extreme.

- 8 PROTECTION AND SECURITY. In the performance of this Agreement or in contemplation thereof, You and your employees and agents may have access to private or confidential information owned or controlled by Extreme relating to the Licensed Materials supplied hereunder including, but not limited to, product specifications and schematics, and such information may contain proprietary details and disclosures. All information and data so acquired by You or your employees or agents under this Agreement or in contemplation hereof shall be and shall remain Extreme' exclusive property, and You shall use all commercially reasonable efforts to keep, and have your employees and agents keep, any and all such information and data confidential, and shall not copy, publish, or disclose it to others, without Extreme' prior written approval, and shall return such information and data to Extreme at its request. Nothing herein shall limit your use or dissemination of information not actually derived from Extreme or of information which has been or subsequently is made public by Extreme, or a third party having authority to do so.

You agree not to deliver or otherwise make available the Licensed Materials or any part thereof, including without limitation the object or source code (if provided) of the Licensed Software, to any party other than Extreme or its employees, except for purposes specifically related to your use of the Licensed Materials on a single computer as expressly provided in this Agreement, without the prior written consent of Extreme. You acknowledge that the Licensed Materials contain valuable confidential information and trade secrets, and that unauthorized use, copying and/or disclosure thereof are harmful to Extreme or its Affiliates and/or its/their software suppliers.

- 9 MAINTENANCE AND UPDATES. Except as otherwise defined below, updates and certain maintenance and support services, if any, shall be provided to You pursuant to the terms of an Extreme Service and Maintenance Agreement, if Extreme and You enter into such an agreement. Except as specifically set forth in such agreement, Extreme shall not be under any obligation to provide updates, modifications, or enhancements, or maintenance and support services for the Licensed Materials to You. If you have purchased Licensed Materials on a subscription basis then the applicable service terms for Your Licensed Materials are as provided in Your Ordering Documentation. Extreme will perform the maintenance and updates in a timely and professional manner, during the Term of Your subscription, using qualified and experienced personnel. You will cooperate in good faith with Extreme in the performance of the support services including, but not limited to, providing Extreme with: (a) access to the Extreme Licensed Materials (and related systems); and (b) reasonably requested assistance and information. Further information about the applicable maintenance and updates terms can be found on the Extreme's website at <http://www.extremenetworks.com/company/legal/terms-of-support>.
- 10 DEFAULT AND TERMINATION. In the event that You shall fail to keep, observe, or perform any obligation under this Agreement, including a failure to pay any sums due to Extreme, or in the event that you become insolvent or seek protection, voluntarily or involuntarily, under any bankruptcy law, Extreme may, in addition to any other remedies it may have under law, terminate the License and any other agreements between Extreme and You.
  - a Immediately after any termination of the Agreement, Your licensed subscription term, or if You have for any reason discontinued use of Licensed Materials, You shall return to Extreme the original and any copies of the Licensed Materials and remove the Licensed Materials, including an Licensed Software, from any modular works made pursuant to Section 3, and certify in writing that through your best efforts and to the best of your knowledge the original and all copies of the terminated or discontinued Licensed Materials have been returned to Extreme.
  - b Sections 1, 7, 8, 10, 11, 12, 13, 14 and 15 shall survive termination of this Agreement for any reason.
- 11 EXPORT REQUIREMENTS. You are advised that the Licensed Materials, including the Licensed Software is of United States origin and subject to United States Export Administration Regulations; diversion contrary to United States law and regulation is prohibited. You agree not to directly or indirectly export, import or transmit the Licensed Materials, including the Licensed Software to any country, end user or for any Use that is prohibited by applicable United States regulation or statute (including but not limited to those countries embargoed from time to time by the United States government); or contrary to the laws or regulations of any other governmental entity that has jurisdiction over such export, import, transmission or Use.

12 UNITED STATES GOVERNMENT RESTRICTED RIGHTS. The Licensed Materials (i) were developed solely at private expense; (ii) contain “restricted computer software” submitted with restricted rights in accordance with section 52.227-19 (a) through (d) of the Commercial Computer Software-Restricted Rights Clause and its successors, and (iii) in all respects is proprietary data belonging to Extreme and/or its suppliers. For Department of Defense units, the Licensed Materials are considered commercial computer software in accordance with DFARS section 227.7202-3 and its successors, and use, duplication, or disclosure by the U.S. Government is subject to restrictions set forth herein.

13 LIMITED WARRANTY AND LIMITATION OF LIABILITY. Extreme warrants to You that (a) the initially-shipped version of the Licensed Materials will materially conform to the Documentation; and (b) the media on which the Licensed Software is recorded will be free from material defects for a period of ninety (90) days from the date of delivery to You or such other minimum period required under applicable law. Extreme does not warrant that Your use of the Licensed Materials will be error-free or uninterrupted.

NEITHER EXTREME NOR ITS AFFILIATES MAKE ANY OTHER WARRANTY OR REPRESENTATION, EXPRESS OR IMPLIED, WITH RESPECT TO THE LICENSED MATERIALS, WHICH ARE LICENSED “AS IS”. THE LIMITED WARRANTY AND REMEDY PROVIDED ABOVE ARE EXCLUSIVE AND IN LIEU OF ALL OTHER WARRANTIES, INCLUDING IMPLIED WARRANTIES OF MERCHANTABILITY OR FITNESS FOR A PARTICULAR PURPOSE, WHICH ARE EXPRESSLY DISCLAIMED, AND STATEMENTS OR REPRESENTATIONS MADE BY ANY OTHER PERSON OR FIRM ARE VOID. IN NO EVENT WILL EXTREME OR ANY OTHER PARTY WHO HAS BEEN INVOLVED IN THE CREATION, PRODUCTION OR DELIVERY OF THE LICENSED MATERIALS BE LIABLE FOR SPECIAL, DIRECT, INDIRECT, RELIANCE, INCIDENTAL OR CONSEQUENTIAL DAMAGES, INCLUDING LOSS OF DATA OR PROFITS OR FOR INABILITY TO USE THE LICENSED MATERIALS, TO ANY PARTY EVEN IF EXTREME OR SUCH OTHER PARTY HAS BEEN ADVISED OF THE POSSIBILITY OF SUCH DAMAGES. IN NO EVENT SHALL EXTREME OR SUCH OTHER PARTY’S LIABILITY FOR ANY DAMAGES OR LOSS TO YOU OR ANY OTHER PARTY EXCEED THE LICENSE FEE YOU PAID FOR THE LICENSED MATERIALS.

Some states do not allow limitations on how long an implied warranty lasts and some states do not allow the exclusion or limitation of incidental or consequential damages, so the above limitation and exclusion may not apply to You. This limited warranty gives You specific legal rights, and You may also have other rights which vary from state to state.

14 JURISDICTION. The rights and obligations of the parties to this Agreement shall be governed and construed in accordance with the laws and in the State and Federal courts of the State of California, without regard to its rules with respect to choice of law. You waive any objections to the personal jurisdiction and venue of such courts. None of the 1980 United Nations Convention on the Limitation Period in the International Sale of Goods, and the Uniform Computer Information Transactions Act shall apply to this Agreement.

15 FREE AND OPEN SOURCE SOFTWARE. Portions of the Software (Open Source Software) provided to you may be subject to a license that permits you to modify these portions and redistribute the modifications (an Open Source License). Your use, modification and redistribution of the Open Source Software are governed by the terms and conditions of the applicable Open Source License. More details regarding the Open

Source Software and the applicable Open Source Licenses are available at [www.extremenetworks.com/services/SoftwareLicensing.aspx](http://www.extremenetworks.com/services/SoftwareLicensing.aspx). Some of the Open Source software may be subject to the GNU General Public License v.x (GPL) or the Lesser General Public Library (LGPL), copies of which are provided with the Licensed Materials and are further available for review at [www.extremenetworks.com/services/SoftwareLicensing.aspx](http://www.extremenetworks.com/services/SoftwareLicensing.aspx), or upon request as directed herein. In accordance with the terms of the GPL and LGPL, you may request a copy of the relevant source code. See the Software Licensing web site for additional details. This offer is valid for up to three years from the date of original download of the software.


#### 16 GENERAL.

- a This Agreement is the entire agreement between Extreme and You regarding the Licensed Materials, and all prior agreements, representations, statements, and undertakings, oral or written, are hereby expressly superseded and canceled.
- b This Agreement may not be changed or amended except in writing signed by both parties hereto.
- c You represent that You have full right and/or authorization to enter into this Agreement.
- d This Agreement shall not be assignable by You without the express written consent of Extreme. The rights of Extreme and Your obligations under this Agreement shall inure to the benefit of Extreme' assignees, licensors, and licensees.
- e Section headings are for convenience only and shall not be considered in the interpretation of this Agreement.
- f The provisions of the Agreement are severable and if any one or more of the provisions hereof are judicially determined to be illegal or otherwise unenforceable, in whole or in part, the remaining provisions of this Agreement shall nevertheless be binding on and enforceable by and between the parties hereto.
- g Extreme's waiver of any right shall not constitute waiver of that right in future. This Agreement constitutes the entire understanding between the parties with respect to the subject matter hereof, and all prior agreements, representations, statements and undertakings, oral or written, are hereby expressly superseded and canceled. No purchase order shall supersede this Agreement.
- h Should You have any questions regarding this Agreement, You may contact Extreme at the address set forth below. Any notice or other communication to be sent to Extreme must be mailed by certified mail to the following address:

Extreme Networks, Inc.  
6480 Via Del Oro  
San Jose 95119 California United States  
ATTN: Legal Department



# 7 AP-7522 Access Point China ROHS Compliance

部件名称 (Parts)	有害物质 					
	铅 (Pb)	汞 (Hg)	镉 (Cd)	六价铬 (Cr(VI))	多溴联苯 (PBB)	多溴二苯醚 (PBDE)
金属部件 (Metal Parts)	X	O	O	O	O	O
电路模块 (Circuit Modules)	X	O	O	O	O	O
电缆及电缆组件 (Cables and Cable Assemblies)	X	O	O	O	O	O
塑料和聚合物部件 (Plastic and Polymeric Parts)	O	O	O	O	O	O
光学和光学组件 (Optics and Optical Components)	O	O	O	O	O	O
电池 (Batteries)	O	O	O	O	O	O

本表格依据 SJ/T 11364 的规定编制。

O: 表示该有害物质在该部件所有均质材料中的含量均在 GB/T 26572 规定的限量要求以下。

X: 表示该有害物质至少在该部件的某一均质材料中的含量超出 GB/T 26572 规定的限量要求。

(企业可在此处，根据实际情况对上表中打“x”的技术原因进行进一步说明。)

This table was created to comply with China RoHS requirements for AP-7522 and AP-7522I Access Points.