

# INTER·GLOBAL<sup>®</sup>



## LIGHTING FIXTURES

---

6333 Etzel Avenue St. Louis, MO 63133

Phone 314-725-9800 Toll Free 800-325-7364 Fax 314-721-6333

[www.interglobal-inc.com](http://www.interglobal-inc.com) [info@interglobal-inc.com](mailto:info@interglobal-inc.com)

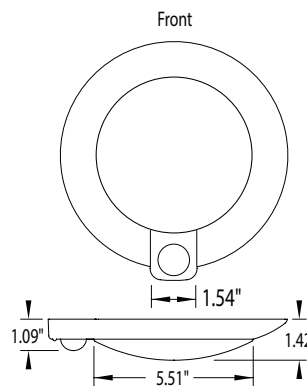
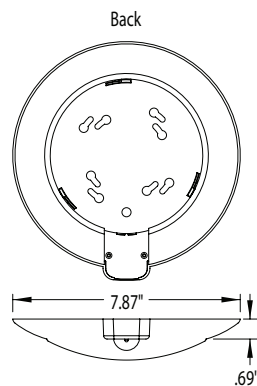
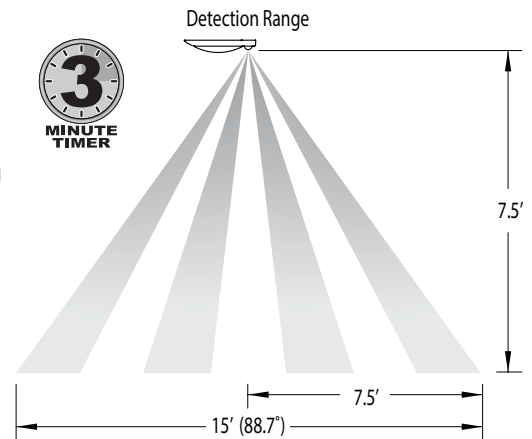


- Available in Dedicated LED
- Electronic Dimmable LED
- Composite Construction
- Occupancy Sensor w/Indicator Light
- Low Flicker 90CRI Model
- ETL Listed Dry Locations

## DESIGNER CEILING LUMINAIRE



**FD384**



RoHS compliant



### EXAMPLE # FD384-LT800W-WFM

STYLE #	LIGHT SOURCE	BODY	DIFFUSER	OPTIONS
<b>FD384</b>	EOS LED 120V AC, 50/60 Hz, HPF, 50,000 HRS L70*, AMBIENT OP TEMP -40°C TO +40°C, 5 YEAR WARRANTY, DIMMABLE, ENERGY STAR	<b>W-White</b>	<b>POLYCARBONATE</b>	<b>M-</b> Motion Sensor
	<b>LOW FLICKER - 90 CRI</b>		<b>F-</b> Frost	
	<b>LT800</b> - 12W, 90 CRI <b>W-1020lm 3000K</b> >85 Lumens Per Watt**			Motion Sensor Included Standard

SEE PAGE 112 FOR DIMMER COMPATIBILITY

Fixtures available with custom packaging options. MOQs apply.

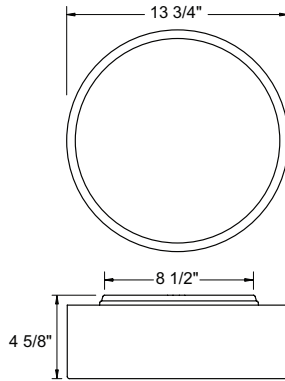
- Available in LED & Incandescent
- Electronic Dimmable LED
- Direct/Indirect Light
- Low Flicker 90CRI Models
- UL Listed for Damp Locations
- Standard Pack QTY: 6

## MALIBU

### SURFACE MOUNT



### FM300



### OPTIONAL MOUNTING KIT

sold separately  
assembly required



### KIT-FM302

6" / 13" Pendant Kit



RoHS  
compliant



### EXAMPLE # FM300-LE1200W-NWM

STYLE #	LIGHT SOURCE	BODY	DIFFUSER	OPTIONS
<b>FM300</b>	<b>EOS LED 120V AC, 50/60 Hz, HPF, 50,000 HRS L70*, AMBIENT OP TEMP -40°C TO +40°C, 5 YEAR WARRANTY, DIMMABLE, ENERGY STAR***</b>	<b>N-Brushed Nickel</b>	<b>ACRYLIC W-White</b>	<b>M-Motion Sensor D-6"/13" Pendant Kit (KIT-FM302)</b>
	<b>LE1200</b> - 14W, 80 CRI >102 Lumens Per Watt**		<b>W-1430lm 3000K C-1500lm 4000K</b>	
	<b>LE1800</b> - 22W, 80 CRI >88 Lumens Per Watt**		<b>W-1950lm 3000K C-2130lm 4000K</b>	
	<b>LE2600</b> - 32W, 80 CRI >84 Lumens Per Watt**		<b>W-2700lm 3000K C-2750lm 4000K</b>	
	<b>LOW FLICKER - 90 CRI</b>			
	<b>LT1200</b> - 16W, 90 CRI >86 Lumens Per Watt**		<b>W-1370lm 3000K C-1400lm 4000K</b>	
	<b>LT1800</b> - 24W, 90 CRI >82 Lumens Per Watt**		<b>W-1980lm 3000K C-2020lm 4000K</b>	
	<b>LT2600</b> - 31W, 90 CRI >90 Lumens Per Watt**		<b>W-2750lm 3000K C-2850lm 4000K</b>	
	<b>INCANDESCENT, MEDIUM BASE, 120V I240-2 X 40W Max</b>	<b>N-Brushed Nickel</b>	<b>ACRYLIC W-White</b>	<b>LED LAMP, 3 YEAR WARRANTY DIMMABLE, ENERGY STAR</b> <b>LWE-A19/E26, 80CRI, 3000K</b> <b>LCE-A19/E26, 80CRI, 4000K</b>



\*DATA PER LM79/LM80/TM21 AVAILABLE UPON REQUEST \*\*ESTIMATED FROM LED SOURCE  
 \*\*\*EXCLUDES LE1800, LE2600, LT1200, LT1800, LT2600 MODELS AND MODELS WITH MOTION SENSOR OPTION  
 Scan the QR code to the left to access the Energy Star qualified product list.

**SEE PAGE 112 FOR DIMMER COMPATIBILITY**

Fixtures available with custom packaging options, assembled or knocked down. MOQs apply.



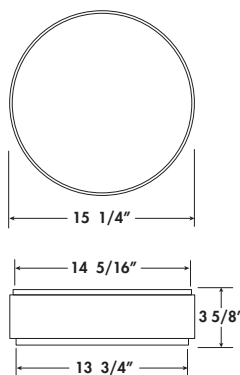
- Available in LED
- Electronic Dimmable LED
- Brushed Nickel Decorative Band
- Ceiling Mount Only
- ETL Listed for Damp Locations
- Standard Pack QTY: 6

## DECORATIVE DRUM

**SURFACE MOUNT**



**FD315**



**OPTIONAL MOUNTING KITS**  
(sold separately - assembly required)




**KIT-FM302**  
6" / 13" Pendent Kit



RoHS compliant



**EXAMPLE # FD315-L1500W-NW**

STYLE #	LIGHT SOURCE	BODY	DIFFUSER	OPTIONS
<b>FD315</b>	EOS LED 120V AC, 50/60 Hz, HPF, 50,000 HRS L70*, AMBIENT OP TEMP -40°C TO +40°C 5 YEAR WARRANTY, DIMMABLE, ENERGY STAR  <b>L1500</b> - 24W, 80 CRI <b>W</b> -1850lm 3000K >77 Lumens Per Watt**	<b>N</b> -Brushed Nickel	<b>ACRYLIC W</b> -White	<b>D</b> -6"/13" Pendent Kit (KIT-FM302)

\*DATA PER LM79/LM80/TM21 AVAILABLE UPON REQUEST \*\*ESTIMATED FROM LED SOURCE

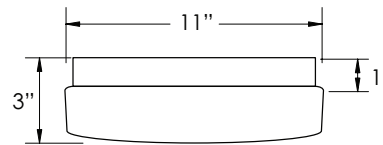


Scan the QR code to the left to access the Energy Star qualified product list.

Fixtures available with custom packaging options, assembled or knocked down. MOQs apply.

- Available in LED & Incandescent
- Electronic Dimmable LED (120V only)
- Wall or Ceiling Mount
- Low Flicker 90CRI Models
- Multi-Volt LED Available
- UL Listed for Damp Locations

## 11" DRUM



11" DRUM

FD311



RoHS compliant



### EXAMPLE # FD311-LE800W-WWM

STYLE #	LIGHT SOURCE	BODY	DIFFUSER	OPTIONS	
<b>FD311</b>	<b>EOS LED 120V AC, 50/60 Hz, HPF, 50,000 HRS L70*, AMBIENT OP TEMP -40°C TO +40°C, 5 YEAR WARRANTY, DIMMABLE, ENERGY STAR***</b>	<b>ALUMINUM</b>	<b>ACRYLIC</b>	<b>M-Motion Sensor</b>	
	<b>LE800</b> - 13W, 80 CRI >88 Lumens Per Watt**	<b>W-White</b>	<b>W-White</b>		
	<b>LE1200</b> - 14W, 80 CRI >102 Lumens Per Watt**	<b>W-1140lm 3000K</b> <b>C-1280lm 4000K</b>			
	<b>LE1800</b> - 22W, 80 CRI >88 Lumens Per Watt**	<b>W-1430lm 3000K</b> <b>C-1500lm 4000K</b>			
	<b>LOW FLICKER - 90 CRI</b>				
	<b>LT800</b> - 12W, 90 CRI >85 Lumens Per Watt**	<b>W-1950lm 3000K</b> <b>C-2130lm 4000K</b>			
	<b>LT1200</b> - 16W, 90 CRI >86 Lumens Per Watt**	<b>W-1020lm 3000K</b> <b>C-1040lm 4000K</b>			
	<b>LT1200</b> - 16W, 90 CRI >86 Lumens Per Watt**	<b>W-1370lm 3000K</b> <b>C-1400lm 4000K</b>			
	<b>LT1800</b> - 24W, 90 CRI >82 Lumens Per Watt**	<b>W-1980lm 3000K</b> <b>C-2020lm 4000K</b>			
	<b>MULTI-VOLT LED 120-277V, 50/60 Hz, CONSTANT CURRENT AT 700mA, DRIVER UL CLASS 2, HPF, THERMALLY PROTECTED ARRAY, 50,000 HRS L70* AMBIENT OP TEMP -40°C TO +40°C, 3 YEAR WARRANTY</b>	<b>ALUMINUM</b>	<b>ACRYLIC</b>	<b>M-Motion Sensor</b>	
	<b>L1300</b> - 17W, 80 CRI >75 Lumens Per Watt**	<b>W-White</b>	<b>W-White</b>		
	<b>INCANDESCENT, MEDIUM BASE, 120V</b>	<b>ALUMINUM</b>	<b>ACRYLIC</b>	<b>LED LAMP, 3 YEAR WARRANTY DIMMABLE, ENERGY STAR</b>	
	<b>I40-1 X 40W Max</b>	<b>W-White</b>	<b>W-White</b>		



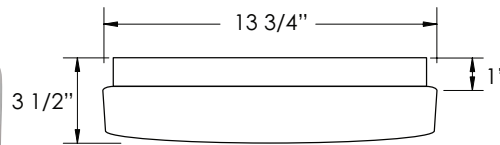
\*DATA PER LM79/LM80/TM21 AVAILABLE UPON REQUEST \*\*ESTIMATED FROM LED SOURCE  
 \*\*\*EXCLUDES LE1800, LT800, LT1200, LT1800 MODELS AND MODELS WITH MOTION SENSOR OPTION  
 Scan the QR code to the left to access the Energy Star qualified product list.

**SEE PAGE 112 FOR DIMMER COMPATIBILITY**

Fixtures available with custom packaging options, assembled or knocked down. MOQs apply.

- Available in LED & Incandescent
- Electronic Dimmable LED (120V only)
- Wall or Ceiling Mount
- Low Flicker 90CRI Models
- Multi-Volt LED Available
- UL Listed for Damp Locations

## 14" DRUM



14" DRUM  
FD314



RoHS  
compliant



### EXAMPLE # FD314-I240-WW-LWE

STYLE #	LIGHT SOURCE	BODY	DIFFUSER	OPTIONS
<b>FD314</b>	<b>EOS LED 120V AC, 50/60 Hz, HPF, 50,000 HRS L70*, AMBIENT OP TEMP -40°C TO +40°C, 5 YEAR WARRANTY, DIMMABLE, ENERGY STAR</b>	<b>ALUMINUM</b>	<b>ACRYLIC</b>	<b>M-Motion Sensor</b>
	<b>W-White</b>	<b>W-White</b>		
	<b>LE1200</b> - 14W, 80 CRI >102 Lumens Per Watt**	<b>W-1430lm 3000K</b> <b>C-1500lm 4000K</b>		
	<b>LE1800</b> - 22W, 80 CRI >88 Lumens Per Watt**	<b>W-1950lm 3000K</b> <b>C-2130lm 4000K</b>		
	<b>LE2600</b> - 32W, 80 CRI >84 Lumens Per Watt**	<b>W-2700lm 3000K</b> <b>C-2750lm 4000K</b>		
	<b>LOW FLICKER - 90 CRI</b>			
	<b>LT1200</b> - 16W, 90 CRI >86 Lumens Per Watt**	<b>W-1370lm 3000K</b> <b>C-1400lm 4000K</b>		
<b>LT1800</b> - 24W, 90 CRI >82 Lumens Per Watt**	<b>W-1980lm 3000K</b> <b>C-2020lm 4000K</b>			
<b>LT2600</b> - 31W, 90 CRI >90 Lumens Per Watt**	<b>W-2750lm 3000K</b> <b>C-2850lm 4000K</b>			
<b>FD314</b>	<b>MULTI-VOLT LED 120-277V, 50/60 Hz, CONSTANT CURRENT AT 700mA, DRIVER UL CLASS 2, HPF, THERMALLY PROTECTED ARRAY, 50,000 HRS L70* AMBIENT OP TEMP -40°C TO +40°C, 3 YEAR WARRANTY, ENERGY STAR</b>	<b>ALUMINUM</b>	<b>ACRYLIC</b>	<b>M-Motion Sensor</b>
	<b>W-White</b>	<b>W-White</b>		
<b>L1700</b> - 22W, 80 CRI >82 Lumens Per Watt**	<b>W-1704lm 3000K</b> <b>C-1824lm 4000K</b>			
<b>INCANDESCENT, MEDIUM BASE, 120V</b>	<b>ALUMINUM</b>	<b>ACRYLIC</b>	<b>LED LAMP, 3 YEAR WARRANTY DIMMABLE, ENERGY STAR</b>	
<b>I240-2 X 40W Max</b>	<b>W-White</b>	<b>W-White</b>		
			<b>LWE-A19/E26, 80CRI, 3000K</b> <b>LCE-A19/E26, 80CRI, 4000K</b>	



\*DATA PER LM79/LM80/TM21 AVAILABLE UPON REQUEST \*\*ESTIMATED FROM LED SOURCE  
 \*\*\*EXCLUDES LT1200, LT1800, LT2600 MODELS AND MODELS WITH MOTION SENSOR OPTION  
 Scan the QR code to the left to access the Energy Star qualified product list.

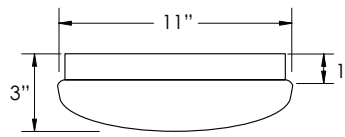
**SEE PAGE 112 FOR DIMMER COMPATIBILITY**

Fixtures available with custom packaging options, assembled or knocked down. MOQs apply.

For more information contact our sales department at 1-800-325-7364 or visit [www.interglobal-inc.com](http://www.interglobal-inc.com)

- Available in LED & Incandescent
- Electronic Dimmable LED (120V only)
- Wall or Ceiling Mount
- Low Flicker 90CRI Models
- Multi-Volt LED Available
- UL Listed for Damp Locations

## 11" MUSHROOM



11" MUSHROOM

FD321



RoHS compliant



### EXAMPLE # FD321-LE800W-WWM

STYLE #	LIGHT SOURCE	BODY	DIFFUSER	OPTIONS
FD321	<b>EOS LED 120V AC, 50/60 Hz, HPF, 50,000 HRS L70*, AMBIENT OP TEMP -40°C TO +40°C, 5 YEAR WARRANTY, DIMMABLE, ENERGY STAR***</b>	<b>ALUMINUM</b>	<b>ACRYLIC</b>	<b>M-Motion Sensor</b>
	<b>LE800</b> - 13W, 80 CRI >88 Lumens Per Watt**	<b>W-White</b>	<b>W-White</b>	
	<b>LE1200</b> - 14W, 80 CRI >102 Lumens Per Watt**	<b>W-1140lm 3000K</b>		
	<b>LE1800</b> - 22W, 80 CRI >88 Lumens Per Watt**	<b>W-1430lm 3000K</b>		
		<b>C-1280lm 4000K</b>		
		<b>W-1950lm 3000K</b>		
		<b>C-2130lm 4000K</b>		
	<b>LOW FLICKER - 90 CRI</b>			
	<b>LT800</b> - 12W, 90 CRI >85 Lumens Per Watt**			
	<b>LT1200</b> - 16W, 90 CRI >86 Lumens Per Watt**	<b>W-1020lm 3000K</b>		
	<b>LT1800</b> - 24W, 90 CRI >82 Lumens Per Watt**	<b>W-1370lm 3000K</b>		
	<b>C-1040lm 4000K</b>			
	<b>C-1400lm 4000K</b>			
	<b>C-1980lm 3000K</b>			
	<b>C-2020lm 4000K</b>			
	<b>MULTI-VOLT LED 120-277V, 50/60 Hz, CONSTANT CURRENT AT 700mA, DRIVER UL CLASS 2, HPF, THERMALLY PROTECTED ARRAY, 50,000 HRS L70* AMBIENT OP TEMP -40°C TO +40°C, 3 YEAR WARRANTY</b>	<b>ALUMINUM</b>	<b>ACRYLIC</b>	<b>M-Motion Sensor</b>
	<b>L1300</b> - 17W, 80 CRI >75 Lumens Per Watt**	<b>W-White</b>	<b>W-White</b>	
	<b>INCANDESCENT, MEDIUM BASE, 120V</b>	<b>ALUMINUM</b>	<b>ACRYLIC</b>	<b>LED LAMP, 3 YEAR WARRANTY DIMMABLE, ENERGY STAR</b>
	<b>I40-1 X 40W Max</b>	<b>W-White</b>	<b>W-White</b>	
				<b>LWE-A19/E26, 80CRI, 3000K</b>
				<b>LCE-A19/E26, 80CRI, 4000K</b>



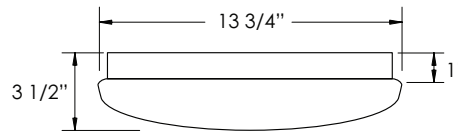
\*DATA PER LM79/LM80/TM21 AVAILABLE UPON REQUEST \*\*ESTIMATED FROM LED SOURCE  
 \*\*\*EXCLUDES LE1800, LT800, LT1200, LT1800 MODELS AND MODELS WITH MOTION SENSOR OPTION  
 Scan the QR code to the left to access the Energy Star qualified product list.

**SEE PAGE 112 FOR DIMMER COMPATIBILITY**

Fixtures available with custom packaging options, assembled or knocked down. MOQs apply.

- Available in LED & Incandescent
- Electronic Dimmable LED (120V only)
- Wall or Ceiling Mount
- Low Flicker 90CRI Models
- Multi-Volt LED Available
- UL Listed for Damp Locations

## 14" MUSHROOM



14" MUSHROOM

FD324



RoHS compliant



### EXAMPLE # FD324-I240-WW-LWE

STYLE #	LIGHT SOURCE	BODY	DIFFUSER	OPTIONS	
FD324	<b>EOS LED 120V AC, 50/60 Hz, HPF, 50,000 HRS L70*, AMBIENT OP TEMP -40°C TO +40°C, 5 YEAR WARRANTY, DIMMABLE, ENERGY STAR</b>	ALUMINUM W-White	ACRYLIC W-White	M-Motion Sensor	
	<b>LE1200</b> - 14W, 80 CRI >102 Lumens Per Watt**				W-1430lm 3000K C-1500lm 4000K
	<b>LE1800</b> - 22W, 80 CRI >88 Lumens Per Watt**				W-1950lm 3000K C-2130lm 4000K
	<b>LE2600</b> - 32W, 80 CRI >84 Lumens Per Watt**				W-2700lm 3000K C-2750lm 4000K
	<b>LOW FLICKER - 90 CRI</b>				
	<b>LT1200</b> - 16W, 90 CRI >86 Lumens Per Watt**				W-1370lm 3000K C-1400lm 4000K
	<b>LT1800</b> - 24W, 90 CRI >82 Lumens Per Watt**				W-1980lm 3000K C-2020lm 4000K
<b>LT2600</b> - 31W, 90 CRI >90 Lumens Per Watt**	W-2750lm 3000K C-2850lm 4000K				
FD324	<b>MULTI-VOLT LED 120-277V, 50/60 Hz, CONSTANT CURRENT AT 700mA, DRIVER UL CLASS 2, HPF, THERMALLY PROTECTED ARRAY, 50,000 HRS L70*, AMBIENT OP TEMP -40°C TO +40°C, 3 YEAR WARRANTY, ENERGY STAR</b>	ALUMINUM W-White	ACRYLIC W-White	M-Motion Sensor	
	<b>L1700</b> - 22W, 80 CRI >82 Lumens Per Watt**				W-1704lm 3000K C-1824lm 4000K
FD324	<b>INCANDESCENT, MEDIUM BASE, 120V I240-2 X 40W Max</b>	ALUMINUM W-White	ACRYLIC W-White	<b>LED LAMP, 3 YEAR WARRANTY DIMMABLE, ENERGY STAR</b> LWE-A19/E26, 80CRI, 3000K LCE-A19/E26, 80CRI, 4000K	



\*DATA PER LM79/LM80/TM21 AVAILABLE UPON REQUEST \*\*ESTIMATED FROM LED SOURCE  
 \*\*\*EXCLUDES LT1200, LT1800, LT2600 MODELS AND MODELS WITH MOTION SENSOR OPTION  
 Scan the QR code to the left to access the Energy Star qualified product list.

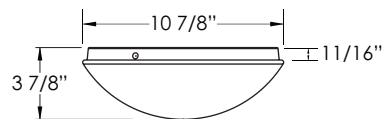
**SEE PAGE 112 FOR DIMMER COMPATIBILITY**

Fixtures available with custom packaging options, assembled or knocked down. MOQs apply.

For more information contact our sales department at 1-800-325-7364 or visit [www.interglobal-inc.com](http://www.interglobal-inc.com)

- Available in LED & Incandescent
- Electronic Dimmable LED (120V only)
- Wall or Ceiling Mount
- Low Flicker 90CRI Models
- UL Listed for Damp Locations
- Standard Pack QTY: 8

## 11" DOME



**FD331**



RoHS compliant



### EXAMPLE # FD331-LE800W-WWM

STYLE #	LIGHT SOURCE	BODY	DIFFUSER	OPTIONS	
<b>FD331</b>	<b>EOS LED 120V AC, 50/60 Hz, HPF, 50,000 HRS L70*, AMBIENT OP TEMP -40°C TO +40°C, 5 YEAR WARRANTY, DIMMABLE, ENERGY STAR***</b>	<b>ALUMINUM</b>	<b>ACRYLIC</b>	<b>M-Motion Sensor</b>	
	<b>LE800</b> - 13W, 80 CRI >88 Lumens Per Watt**	<b>W-White</b>	<b>W-White</b>		
	<b>LE1200</b> - 14W, 80 CRI >102 Lumens Per Watt**	<b>W-1140lm 3000K</b> <b>C-1280lm 4000K</b>			
	<b>LE1800</b> - 22W, 80 CRI >88 Lumens Per Watt**	<b>W-1430lm 3000K</b> <b>C-1500lm 4000K</b>			
	<b>LOW FLICKER - 90 CRI</b>				
	<b>LT800</b> - 12W, 90 CRI >85 Lumens Per Watt**	<b>W-1950lm 3000K</b> <b>C-2130lm 4000K</b>			
	<b>LT1200</b> - 16W, 90 CRI >86 Lumens Per Watt**	<b>W-1020lm 3000K</b> <b>C-1040lm 4000K</b>			
<b>LT1200</b> - 16W, 90 CRI >86 Lumens Per Watt**	<b>W-1370lm 3000K</b> <b>C-1400lm 4000K</b>				
<b>LT1800</b> - 24W, 90 CRI >82 Lumens Per Watt**	<b>W-1980lm 3000K</b> <b>C-2020lm 4000K</b>				
	<b>MULTI-VOLT LED 120-277V, 50/60 Hz, CONSTANT CURRENT AT 700mA, DRIVER UL CLASS 2, HPF, THERMALLY PROTECTED ARRAY, 50,000 HRS L70* AMBIENT OP TEMP -40°C TO +40°C, 3 YEAR WARRANTY</b>	<b>ALUMINUM</b>	<b>ACRYLIC</b>	<b>M-Motion Sensor</b>	
<b>L1300</b> - 17W, 80 CRI >75 Lumens Per Watt**	<b>W-1278lm 3000K</b>	<b>W-White</b>	<b>W-White</b>		
	<b>INCANDESCENT, MEDIUM BASE, 120V</b>	<b>ALUMINUM</b>	<b>ACRYLIC</b>	<b>LED LAMP, 3 YEAR WARRANTY DIMMABLE, ENERGY STAR</b>	
<b>I40-1 X 40W Max</b>		<b>W-White</b>	<b>W-White</b>		
				<b>LWE-A19/E26, 80CRI, 3000K</b> <b>LCE-A19/E26, 80CRI, 4000K</b>	



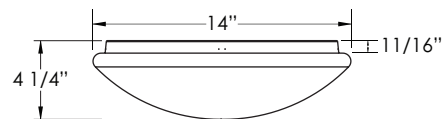
\*DATA PER LM79/LM80/TM21 AVAILABLE UPON REQUEST \*\*ESTIMATED FROM LED SOURCE  
 \*\*\*EXCLUDES LE1800, LT800, LT1200, LT1800 MODELS AND MODELS WITH MOTION SENSOR OPTION  
 Scan the QR code to the left to access the Energy Star qualified product list.

**SEE PAGE 112 FOR DIMMER COMPATIBILITY**

Fixtures available with custom packaging options, assembled or knocked down. MOQs apply.

- o Available in LED & Incandescent
- o Electronic Dimmable LED (120V only)
- o Wall or Ceiling Mount
- o Low Flicker 90CRI Models
- o UL Listed for Damp Locations
- o Standard Pack QTY: 6

## 14" DOME



**FD334**



RoHS compliant



### EXAMPLE # FD334-I240-WW-LWE

STYLE #	LIGHT SOURCE	BODY	DIFFUSER	OPTIONS
<b>FD334</b>	<b>EOS LED 120V AC, 50/60 Hz, HPF, 50,000 HRS L70*, AMBIENT OP TEMP -40°C TO +40°C, 5 YEAR WARRANTY, DIMMABLE, ENERGY STAR</b>	<b>ALUMINUM</b>	<b>ACRYLIC</b>	<b>M-Motion Sensor</b>
	<b>W-White</b>	<b>W-White</b>		
	<b>LE800</b> - 13W, 80 CRI >88 Lumens Per Watt**	<b>W-1140lm 3000K</b> <b>C-1280lm 4000K</b>		
	<b>LE1200</b> - 14W, 80 CRI >102 Lumens Per Watt**	<b>W-1430lm 3000K</b> <b>C-1500lm 4000K</b>		
	<b>LE1800</b> - 22W, 80 CRI >88 Lumens Per Watt**	<b>W-1950lm 3000K</b> <b>C-2130lm 4000K</b>		
	<b>LOW FLICKER - 90 CRI</b>			
	<b>LT800</b> - 12W, 90 CRI >85 Lumens Per Watt**	<b>W-1020lm 3000K</b> <b>C-1040lm 4000K</b>		
<b>LT1200</b> - 16W, 90 CRI >86 Lumens Per Watt**	<b>W-1370lm 3000K</b> <b>C-1400lm 4000K</b>			
<b>LT1800</b> - 24W, 90 CRI >82 Lumens Per Watt**	<b>W-1980lm 3000K</b> <b>C-2020lm 4000K</b>			
<b>MULTI-VOLT LED 120-277V, 50/60 Hz, CONSTANT CURRENT AT 700mA, DRIVER UL CLASS 2, HPF, THERMALLY PROTECTED ARRAY, 50,000 HRS L70* AMBIENT OP TEMP -40°C TO +40°C, 3 YEAR WARRANTY, ENERGY STAR</b>	<b>ALUMINUM</b>	<b>ACRYLIC</b>	<b>M-Motion Sensor</b>	
<b>W-White</b>	<b>W-White</b>			
<b>L1700</b> - 22W, 80 CRI >82 Lumens Per Watt**	<b>W-1704lm 3000K</b> <b>C-1824lm 4000K</b>			
<b>INCANDESCENT, MEDIUM BASE, 120V</b> <b>I240-2 X 40W Max</b>	<b>ALUMINUM</b>	<b>ACRYLIC</b>	<b>LED LAMP, 3 YEAR WARRANTY DIMMABLE, ENERGY STAR</b>	
	<b>W-White</b>	<b>W-White</b>	<b>LWE-A19/E26, 80CRI, 3000K</b> <b>LCE-A19/E26, 80CRI, 4000K</b>	



\*DATA PER LM79/LM80/TM21 AVAILABLE UPON REQUEST    \*\*ESTIMATED FROM LED SOURCE  
 \*\*\*EXCLUDES LT800, LT1200, LT1800 MODELS AND MODELS WITH MOTION SENSOR OPTION  
 Scan the QR code to the left to access the Energy Star qualified product list.

**SEE PAGE 112 FOR DIMMER COMPATIBILITY**

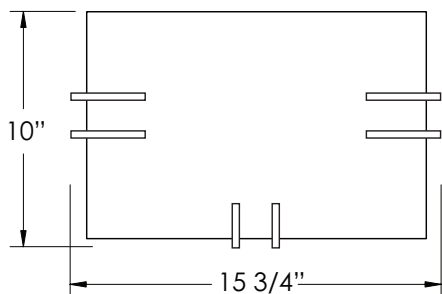
Fixtures available with custom packaging options, assembled or knocked down. MOQs apply.

- Available in LED
- Brushed Nickel Frame
- Frosted Glass Diffuser
- Wall Mount Only
- UL Listed for Damp Locations
- Standard Pack QTY: 4

### GIAVANI



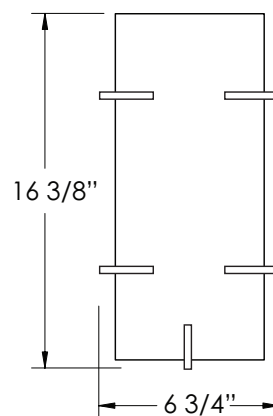
**FWSBN**



EXTENDS: 4"  
HCMT: 6 1/2"



**FWVBN**



EXTENDS: 4"  
HCMT: 8 3/8"



#### EXAMPLE # FWVBN-L1700W

STYLE #	LIGHT SOURCE
<b>FWSBN</b> <b>FWVBN</b>	<b>MULTI-VOLT LED 120-277V, 50/60 Hz, CONSTANT CURRENT AT 700mA, DRIVER UL CLASS 2, HPF, THERMALLY PROTECTED ARRAY, 50,000 HRS L70* AMBIENT OP TEMP -40°C TO +40°C, 3 YEAR WARRANTY</b> <b>L1700</b> - 22W, 80 CRI <b>W-1704lm 3000K</b> >77 Lumens Per Watt**

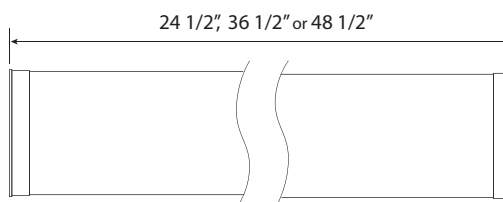
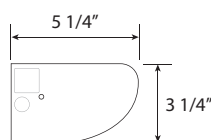
\*DATA PER LM79/LM80/TM21 AVAILABLE UPON REQUEST \*\*ESTIMATED FROM LED SOURCE

Fixtures available with custom packaging options. MOQs apply.



- Available in LED
- White Acrylic Diffuser with Chrome End Caps
- DLC Listed LED Lamp Options
- Wall or Ceiling Mount
- UL Listed for Damp Locations
- Standard Pack QTY: 4

### HS-SERIES VANITY STRIPS



RoHS compliant

#### EXAMPLE # HS2-217T8WD-LED

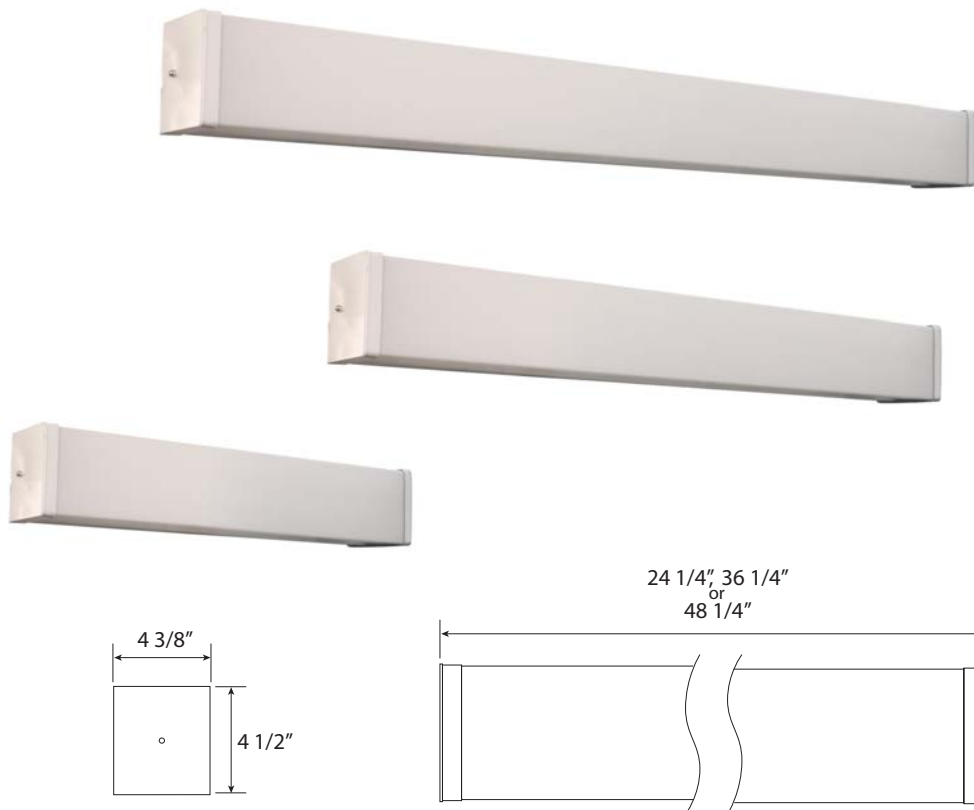
STYLE #	DESCRIPTION	OPTIONS
<b>PRE-WIRED FOR LINEAR LED, 120-277V, 50,000 HRS L70*, 5 YEAR WARRANTY</b>		
<b>HS2</b> - 24 1/2"	<b>217T8</b> - 2 x L17T8 9W LED Lamps, 1800lm, 80 CRI	<b>W-LED</b> - 3000K LED Lamp Included
<b>HS3*</b> - 36 1/2"	<b>225T8</b> - 2 x L25T8 13W LED Lamps, 2600lm, 80 CRI	<b>WD-LED</b> - 3000K DLC LED Lamp Included
<b>HS4</b> - 48 1/2"	<b>232T8</b> - 2 x L32T8 18W LED Lamps, 3600lm, 80 CRI	

\*HS3 NOT AVAILABLE WITH DLC LAMP

Fixtures available with custom packaging options. MOQs apply.

- Available in LED
- White Acrylic Diffuser with White End Caps
- DLC Listed LED Lamp Options
- Wall or Ceiling Mount
- UL Listed for Damp Locations
- Standard Pack QTY: 4

### SQ-SERIES VANITY STRIPS



RoHS compliant

#### EXAMPLE # SQ2-217T8CD-LED

STYLE #	DESCRIPTION	OPTIONS
<b>PRE-WIRED FOR LINEAR LED, 120-277V, 50,000 HRS L70*, 5 YEAR WARRANTY</b>		
<b>SQ2</b> - 24 1/4"	<b>217T8</b> - 2 x L17T8 9W LED Lamps, 1800lm, 80 CRI	<b>W-LED</b> - 3000K LED Lamp Included
<b>SQ3*</b> - 36 1/4"	<b>225T8</b> - 2 x L25T8 13W LED Lamps, 2600lm, 80 CRI	<b>WD-LED</b> - 3000K DLC LED Lamp Included
<b>SQ4</b> - 48 1/4"	<b>232T8</b> - 2 x L32T8 18W LED Lamps, 3600lm, 80 CRI	

**\*SQ3 NOT AVAILABLE WITH DLC LAMP**

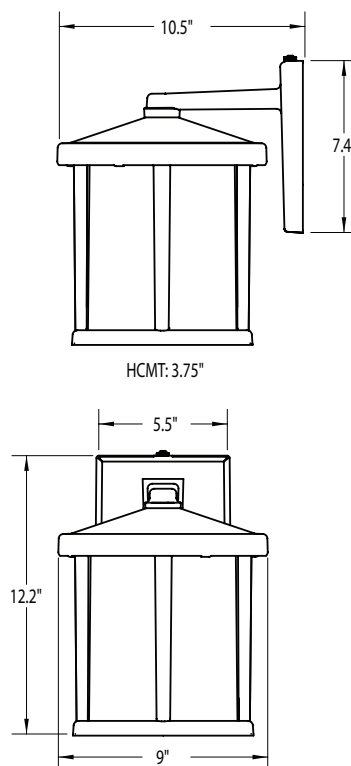
Fixtures available with custom packaging options. MOQs apply.

- Available in LED & Incandescent
- Fade & Rust Resistant Composite Construction
- Black, White, or Bronze
- Optional Photocell
- UL Listed for Wet Locations

## HORIZON



FH100



RoHS compliant



US Pat. No. 10,670,203 - Additional Patents Pending

### EXAMPLE # FH100-I60-ZF-LWE

STYLE #	LIGHT SOURCE	BODY	DIFFUSER	OPTIONS
FH100	<b>EOS LED 120V AC, 50/60 Hz, HPF, 50,000 HRS L70*, AMBIENT OP TEMP -40°C TO +40°C, 5 YEAR WARRANTY, DIMMABLE, ENERGY STAR</b>	<b>B-Black</b> <b>W-White</b> <b>Z-Bronze</b>	<b>ACRYLIC</b> <b>F-Glare Free Frost</b>	<b>P-Photocell</b>
	<b>LE800</b> - 13W, 80 CRI >88 Lumens Per Watt** <b>W-1140lm 3000K</b> <b>C-1280lm 4000K</b>			
FH100	<b>LE1200</b> - 14W, 80 CRI >102 Lumens Per Watt** <b>W-1430lm 3000K</b> <b>C-1500lm 4000K</b>	<b>B-Black</b> <b>W-White</b> <b>Z-Bronze</b>	<b>ACRYLIC</b> <b>F-Glare Free Frost</b>	<b>P-Photocell</b> <b>LED LAMP, 3 YEAR WARRANTY DIMMABLE, ENERGY STAR</b>
	<b>INCANDESCENT, MEDIUM BASE, 120V</b> <b>I60-1 X 60W Max</b>			

\*DATA PER LM79/LM80/TM21 AVAILABLE UPON REQUEST

\*\*ESTIMATED FROM LED SOURCE

90CRI OPTIONS AVAILABLE - SEE PAGE 112 FOR DIMMER COMPATIBILITY

Fixtures available with custom packaging options, assembled or knocked down. MOQs apply.

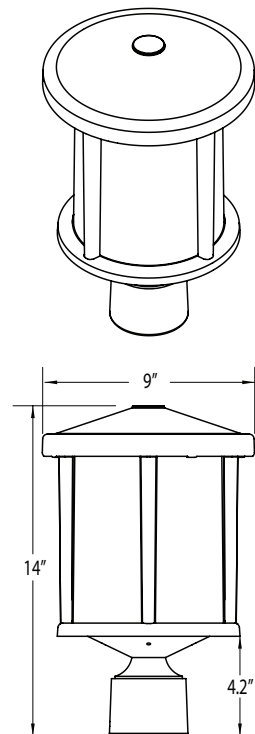
For more information contact our sales department at 1-800-325-7364 or visit [www.interglobal-inc.com](http://www.interglobal-inc.com)

- Available in LED & Incandescent
- Fade & Rust Resistant Composite Construction
- Black, White, or Bronze
- Fits Most 3" Diameter Posts
- UL Listed for Wet Locations

## HORIZON - POST



**FH200**



US Pat. No. 10,670,203 - Additional Patents Pending

### EXAMPLE # FH200-160-ZF-LWE

STYLE #	LIGHT SOURCE	BODY	DIFFUSER	OPTIONS
<b>FH200</b>	<b>EOS LED 120V AC, 50/60 Hz, HPF, 50,000 HRS L70*, AMBIENT OP TEMP -40°C TO +40°C, 5 YEAR WARRANTY, DIMMABLE</b>	<b>B-Black</b> <b>W-White</b> <b>Z-Bronze</b>	<b>ACRYLIC</b> <b>F-Glare</b> Free Frost	N/A
	<b>LE800</b> - 13W, 80 CRI <b>W-1140lm 3000K</b> >88 Lumens Per Watt** <b>C-1280lm 4000K</b>  <b>LE1200</b> - 14W, 80 CRI <b>W-1430lm 3000K</b> >102 Lumens Per Watt** <b>C-1500lm 4000K</b>			
	<b>INCANDESCENT, MEDIUM BASE, 120V</b>	<b>B-Black</b> <b>W-White</b> <b>Z-Bronze</b>	<b>ACRYLIC</b> <b>F-Glare</b> Free Frost	<b>LED LAMP, 3 YEAR WARRANTY DIMMABLE</b> <b>LWE-A19/E26, 80CRI, 3000K</b> <b>LCE-A19/E26, 80CRI, 4000K</b>
	<b>I60-1 X 60W Max</b>			

\*DATA PER LM79/LM80/TM21 AVAILABLE UPON REQUEST

\*\*ESTIMATED FROM LED SOURCE

**90CRI OPTIONS AVAILABLE - SEE PAGE 112 FOR DIMMER COMPATIBILITY**

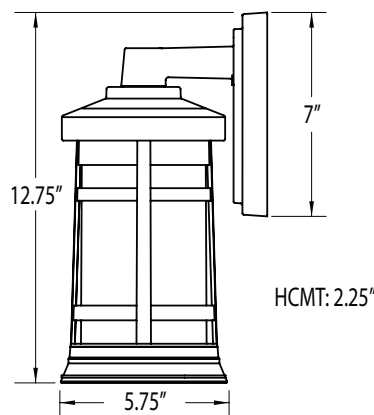
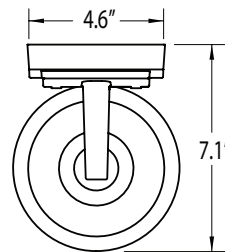
Fixtures available with custom packaging options, assembled or knocked down. MOQs apply.

- Available in LED & Incandescent
- Fade & Rust Resistant Composite Construction
- Black, White, or Bronze
- Optional Photocell
- UL Listed for Wet Locations

## HIGHLAND - SMALL



FH102



US Pat. No. 10,670,203 - Additional Patents Pending

### EXAMPLE # FH102-I60-ZF-LWE

STYLE #	LIGHT SOURCE	BODY	DIFFUSER	OPTIONS
FH102	<b>EOS LED 120V AC, 50/60 Hz, HPF, 50,000 HRS L70*, AMBIENT OP TEMP -40°C TO +40°C, 5 YEAR WARRANTY, DIMMABLE, ENERGY STAR</b>	<b>B-Black</b> <b>W-White</b> <b>Z-Bronze</b>	<b>ACRYLIC</b> <b>F-Glare</b> Free Frost	<b>P-Photocell</b>
	<b>LE800</b> - 13W, 80 CRI >88 Lumens Per Watt**	<b>W-1140lm 3000K</b> <b>C-1280lm 4000K</b>		
	<b>INCANDESCENT, MEDIUM BASE, 120V</b> <b>I60-1 X 60W Max</b>	<b>B-Black</b> <b>W-White</b> <b>Z-Bronze</b>	<b>ACRYLIC</b> <b>F-Glare</b> Free Frost	<b>P-Photocell</b> <b>LED LAMP, 3 YEAR WARRANTY DIMMABLE, ENERGY STAR</b> <b>LWE-A19/E26, 80CRI, 3000K</b> <b>LCE-A19/E26, 80CRI, 4000K</b>

\*DATA PER LM79/LM80/TM21 AVAILABLE UPON REQUEST

\*\*ESTIMATED FROM LED SOURCE

90CRI OPTIONS AVAILABLE - SEE PAGE 112 FOR DIMMER COMPATIBILITY

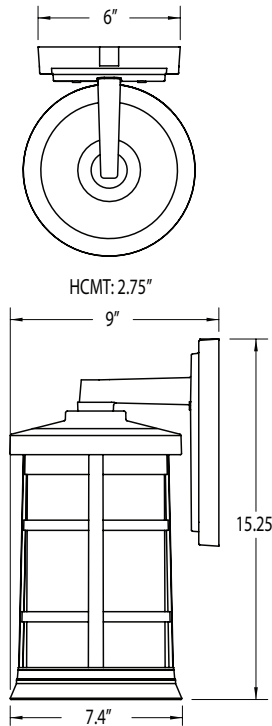
Fixtures available with custom packaging options, assembled or knocked down. MOQs apply.

- Available in LED & Incandescent
- Fade & Rust Resistant Composite Construction
- Black, White, or Bronze
- Optional Photocell
- UL Listed for Wet Locations

## HIGHLAND - LARGE



FH103



US Pat. No. 10,670,203 - Additional Patents Pending

### EXAMPLE # FH103-I60-ZF-LWE

STYLE #	LIGHT SOURCE	BODY	DIFFUSER	OPTIONS
FH103	<b>EOS LED 120V AC, 50/60 Hz, HPF, 50,000 HRS L70*, AMBIENT OP TEMP -40°C TO +40°C, 5 YEAR WARRANTY, DIMMABLE, ENERGY STAR</b>	<b>B-Black</b> <b>W-White</b> <b>Z-Bronze</b>	<b>ACRYLIC</b> <b>F-Glare</b> Free Frost	<b>P-Photocell</b>
	<b>LE800</b> - 13W, 80 CRI <b>W-1140lm 3000K</b> >88 Lumens Per Watt** <b>C-1280lm 4000K</b>			
	<b>INCANDESCENT, MEDIUM BASE, 120V</b> <b>I60-1 X 60W Max</b>	<b>B-Black</b> <b>W-White</b> <b>Z-Bronze</b>	<b>ACRYLIC</b> <b>F-Glare</b> Free Frost	<b>P-Photocell</b>  <b>LED LAMP, 3 YEAR WARRANTY</b> <b>DIMMABLE, ENERGY STAR</b> <b>LWE-A19/E26, 80CRI, 3000K</b> <b>LCE-A19/E26, 80CRI, 4000K</b>

\*DATA PER LM79/LM80/TM21 AVAILABLE UPON REQUEST

\*\*ESTIMATED FROM LED SOURCE

90CRI OPTIONS AVAILABLE - SEE PAGE 112 FOR DIMMER COMPATIBILITY

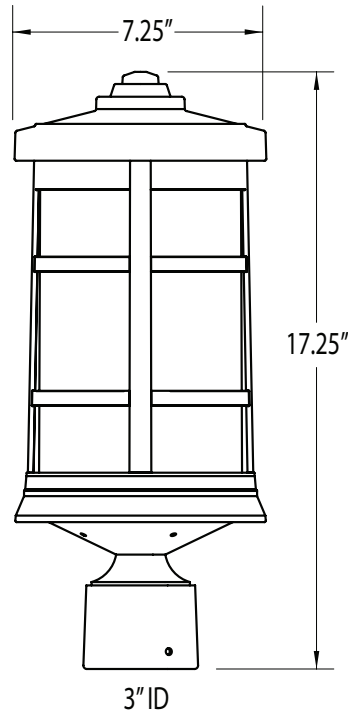
Fixtures available with custom packaging options, assembled or knocked down. MOQs apply.

- Available in LED & Incandescent
- Fade & Rust Resistant Composite Construction
- Black, White, or Bronze
- Fits Most 3" Diameter Posts
- UL Listed for Wet Locations

## HIGHLAND - POST



**FH203**



US Pat. No. 10,670,203 - Additional Patents Pending

### EXAMPLE # FH203-I60-ZF-LWE

STYLE #	LIGHT SOURCE	BODY	DIFFUSER	OPTIONS
FH203	<b>EOS LED 120V AC, 50/60 Hz, HPF, 50,000 HRS L70*, AMBIENT OP TEMP -40°C TO +40°C, 5 YEAR WARRANTY, DIMMABLE</b> <b>LE800</b> - 13W, 80 CRI <b>W</b> -1140lm 3000K >88 Lumens Per Watt** <b>C</b> -1280lm 4000K	<b>B</b> -Black <b>W</b> -White <b>Z</b> -Bronze	<b>ACRYLIC</b> <b>F</b> -Glare Free Frost	N/A
	<b>INCANDESCENT, MEDIUM BASE, 120V</b> <b>I60-1 X 60W Max</b>	<b>B</b> -Black <b>W</b> -White <b>Z</b> -Bronze	<b>ACRYLIC</b> <b>F</b> -Glare Free Frost	<b>LED LAMP, 3 YEAR WARRANTY DIMMABLE</b> <b>LWE</b> -A19/E26, 80CRI, 3000K <b>LCE</b> -A19/E26, 80CRI, 4000K

\*DATA PER LM79/LM80/TM21 AVAILABLE UPON REQUEST

\*\*ESTIMATED FROM LED SOURCE

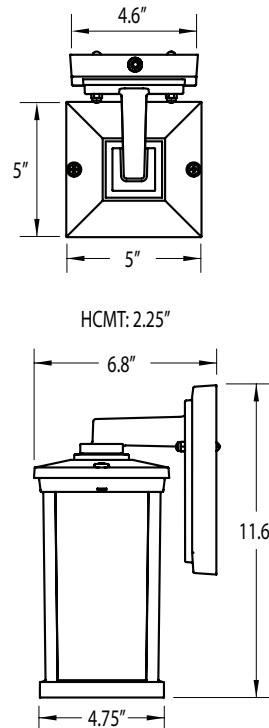
**90CRI OPTIONS AVAILABLE - SEE PAGE 112 FOR DIMMER COMPATIBILITY**

Fixtures available with custom packaging options, assembled or knocked down. MOQs apply.

For more information contact our sales department at **1-800-325-7364** or visit [www.interglobal-inc.com](http://www.interglobal-inc.com)

- Available in LED & Incandescent
- Fade & Rust Resistant Composite Construction
- Black, White, or Bronze
- Optional Photocell
- UL Listed for Wet Locations

## HUTTON - SMALL



US Pat. No. 10,670,203 - Additional Patents Pending

### EXAMPLE # FH145-I60-ZF-LWE

STYLE #	LIGHT SOURCE	BODY	DIFFUSER	OPTIONS
FH145	<b>EOS LED 120V AC, 50/60 Hz, HPF, 50,000 HRS L70*, AMBIENT OP TEMP -40°C TO +40°C, 5 YEAR WARRANTY, DIMMABLE, ENERGY STAR</b>	<b>B-Black</b> <b>W-White</b> <b>Z-Bronze</b>	<b>ACRYLIC</b> <b>F-Glare Free Frost</b>	<b>P-Photocell</b>
	<b>LE800</b> - 13W, 80 CRI <b>W-1140lm 3000K</b> >88 Lumens Per Watt** <b>C-1280lm 4000K</b>			
	<b>INCANDESCENT, MEDIUM BASE, 120V</b> <b>I60-1 X 60W Max</b>	<b>B-Black</b> <b>W-White</b> <b>Z-Bronze</b>	<b>ACRYLIC</b> <b>F-Glare Free Frost</b>	<b>P-Photocell</b> <b>LED LAMP, 3 YEAR WARRANTY DIMMABLE, ENERGY STAR</b> <b>LWE-A19/E26, 80CRI, 3000K</b> <b>LCE-A19/E26, 80CRI, 4000K</b>

\*DATA PER LM79/LM80/TM21 AVAILABLE UPON REQUEST

\*\*ESTIMATED FROM LED SOURCE

**90CRI OPTIONS AVAILABLE - SEE PAGE 112 FOR DIMMER COMPATIBILITY**

Fixtures available with custom packaging options, assembled or knocked down. MOQs apply.

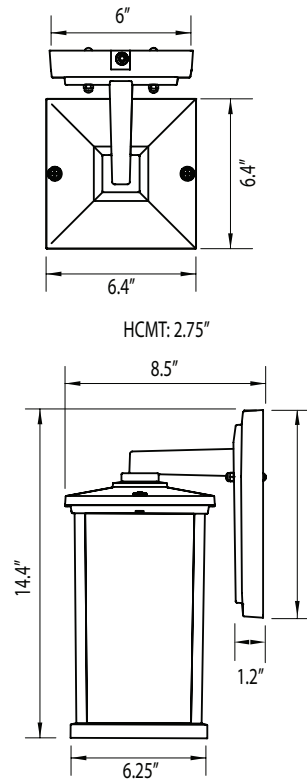


- Available in LED & Incandescent
- Fade & Rust Resistant Composite Construction
- Black, White, or Bronze
- Optional Photocell
- UL Listed for Wet Locations

## HUTTON - LARGE



FH146



HCMT: 2.75"



US Pat. No. 10,670,203 - Additional Patents Pending

### EXAMPLE # FH146-I60-ZF-LWE

STYLE #	LIGHT SOURCE	BODY	DIFFUSER	OPTIONS
FH146	EOS LED 120V AC, 50/60 Hz, HPF, 50,000 HRS L70*, AMBIENT OP TEMP -40°C TO +40°C, 5 YEAR WARRANTY, DIMMABLE, ENERGY STAR	B-Black W-White Z-Bronze	ACRYLIC F-Glare Free Frost	P-Photocell
	LE800 - 13W, 80 CRI >88 Lumens Per Watt**	W-1140lm 3000K C-1280lm 4000K		
	INCANDESCENT, MEDIUM BASE, 120V I60-1 X 60W Max	B-Black W-White Z-Bronze	ACRYLIC F-Glare Free Frost	P-Photocell  LED LAMP, 3 YEAR WARRANTY DIMMABLE, ENERGY STAR LWE-A19/E26, 80CRI, 3000K LCE-A19/E26, 80CRI, 4000K

\*DATA PER LM79/LM80/TM21 AVAILABLE UPON REQUEST

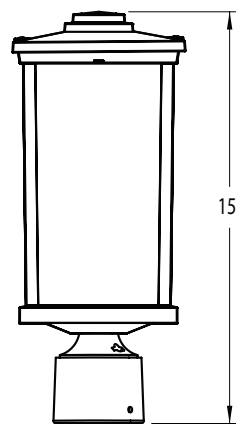
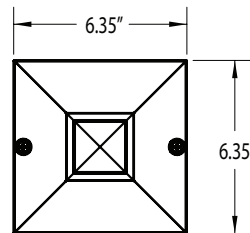
\*\*ESTIMATED FROM LED SOURCE

90CRI OPTIONS AVAILABLE - SEE PAGE 112 FOR DIMMER COMPATIBILITY

Fixtures available with custom packaging options, assembled or knocked down. MOQs apply.

- Available in LED & Incandescent
- Fade & Rust Resistant Composite Construction
- Black, White, or Bronze
- Fits Most 3" Diameter Posts
- UL Listed for Wet Locations

### HUTTON - POST



FH246



RoHS  
compliant

US Pat. No. 10,670,203 - Additional Patents Pending

#### EXAMPLE # FH246-I60-ZF-LWE

STYLE #	LIGHT SOURCE	BODY	DIFFUSER	OPTIONS
FH246	<b>EOS LED 120V AC, 50/60 Hz, HPF, 50,000 HRS L70*, AMBIENT OP TEMP -40°C TO +40°C, 5 YEAR WARRANTY, DIMMABLE</b> <b>LE800</b> - 13W, 80 CRI <b>W</b> -1140lm 3000K >88 Lumens Per Watt** <b>C</b> -1280lm 4000K	<b>B</b> -Black <b>W</b> -White <b>Z</b> -Bronze	<b>ACRYLIC</b> <b>F</b> -Glare Free Frost	N/A
	<b>INCANDESCENT, MEDIUM BASE, 120V</b> <b>I60-1 X 60W Max</b>	<b>B</b> -Black <b>W</b> -White <b>Z</b> -Bronze	<b>ACRYLIC</b> <b>F</b> -Glare Free Frost	<b>LED LAMP, 3 YEAR WARRANTY, DIMMABLE</b> <b>LWE</b> -A19/E26, 80CRI, 3000K <b>LCE</b> -A19/E26, 80CRI, 4000K

\*DATA PER LM79/LM80/TM21 AVAILABLE UPON REQUEST

\*\*ESTIMATED FROM LED SOURCE

90CRI OPTIONS AVAILABLE - SEE PAGE 112 FOR DIMMER COMPATIBILITY

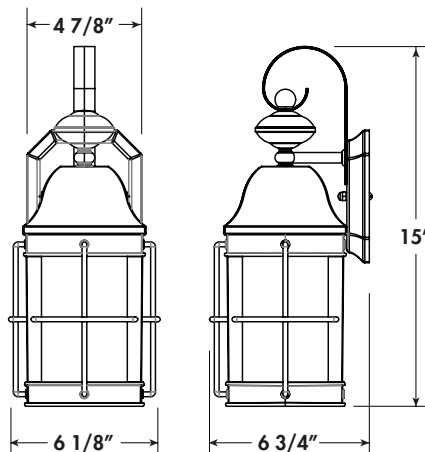
Fixtures available with custom packaging options, assembled or knocked down. MOQs apply.

- Available in LED, Incandescent & GU24
- Fade & Rust Resistant Composite Construction
- Wall Mount
- UL Listed for Wet Locations
- Standard Pack QTY: 6

## STAGECOACH



FR121



HCMT: 6 1/2"



RoHS compliant



### EXAMPLE # FR121-LE800C-BCP

STYLE #	LIGHT SOURCE	BODY	DIFFUSER	OPTIONS
FR121	<b>EOS LED 120V AC, 50/60 Hz, HPF, 50,000 HRS L70+, AMBIENT OP TEMP -40°C TO +40°C, 5 YEAR WARRANTY, DIMMABLE, ENERGY STAR</b> <b>LE800</b> - 13W, 80 CRI >88 Lumens Per Watt** <b>W-1140lm 3000K</b> <b>C-1280lm 4000K</b>	<b>B-Black</b> <b>W-White</b> <b>Z-Bronze</b>	<b>ACRYLIC</b> <b>C-Clear</b> <b>F-Glare Free Frost</b>	<b>P-Photocell</b>
	<b>INCANDESCENT, MEDIUM BASE, 120V</b> <b>I60-1 X 60W Max</b>	<b>B-Black</b> <b>W-White</b> <b>Z-Bronze</b>	<b>ACRYLIC</b> <b>C-Clear</b> <b>F-Glare Free Frost</b>	<b>P-Photocell</b> <b>LED LAMP, 3 YEAR WARRANTY DIMMABLE, ENERGY STAR</b> <b>LWE-A19/E26, 80CRI, 3000K</b> <b>LCE-A19/E26, 80CRI, 4000K</b>
	<b>GU24 BASE, 120V</b> <b>G13-1 X 13W</b> <b>G18-1 X 18W</b>	<b>B-Black</b> <b>W-White</b> <b>Z-Bronze</b>	<b>ACRYLIC</b> <b>C-Clear</b> <b>F-Glare Free Frost</b>	<b>L-CFL, 2700K</b>

\*DATA PER LM79/LM80/TM21 AVAILABLE UPON REQUEST

\*\*ESTIMATED FROM LED SOURCE



Scan the QR code to the left to access the Energy Star qualified product list.

90CRI OPTIONS AVAILABLE - SEE PAGE 112 FOR DIMMER COMPATIBILITY

Fixtures available with custom packaging options, assembled or knocked down. MOQs apply.

For more information contact our sales department at 1-800-325-7364 or visit [www.interglobal-inc.com](http://www.interglobal-inc.com)

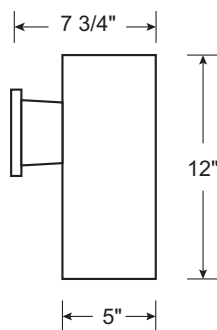
- Available in Incandescent & LED
- Fade & Rust Resistant Composite Construction
- Turtle Safe & Dark Sky Friendly
- UL Listed for Wet Locations
- Standard Pack QTY: 8

## TURTLE & DARK SKY FRIENDLY



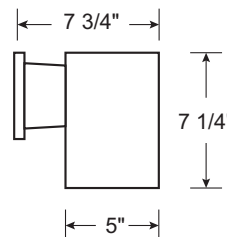
**FD135**

HCMT:  
4 7/8"



**FD134**

HCMT:  
2 3/8"



RoHS  
compliant



### EXAMPLE # FD134-I75-BK-LWE

STYLE #	LIGHT SOURCE	BODY	OPTIONS
<b>FD134</b>	INCANDESCENT, MEDIUM BASE	<b>BK</b> -Black	LED LAMP, 120V, 3 YEAR WARRANTY, DIMMABLE, ENERGY STAR
<b>FD135</b>	I75-1 X 75W Max PAR 30	<b>WH</b> -White	<b>LWE</b> -A19/E26, 80CRI, 3000K <b>LCE</b> -A19/E26, 80CRI, 4000K  <b>AMBER LED CORN COB, 100-277V, 5 YEAR WARRANTY, FWC APPROVED</b> <b>LA</b> -E26, 1600K, 590nm



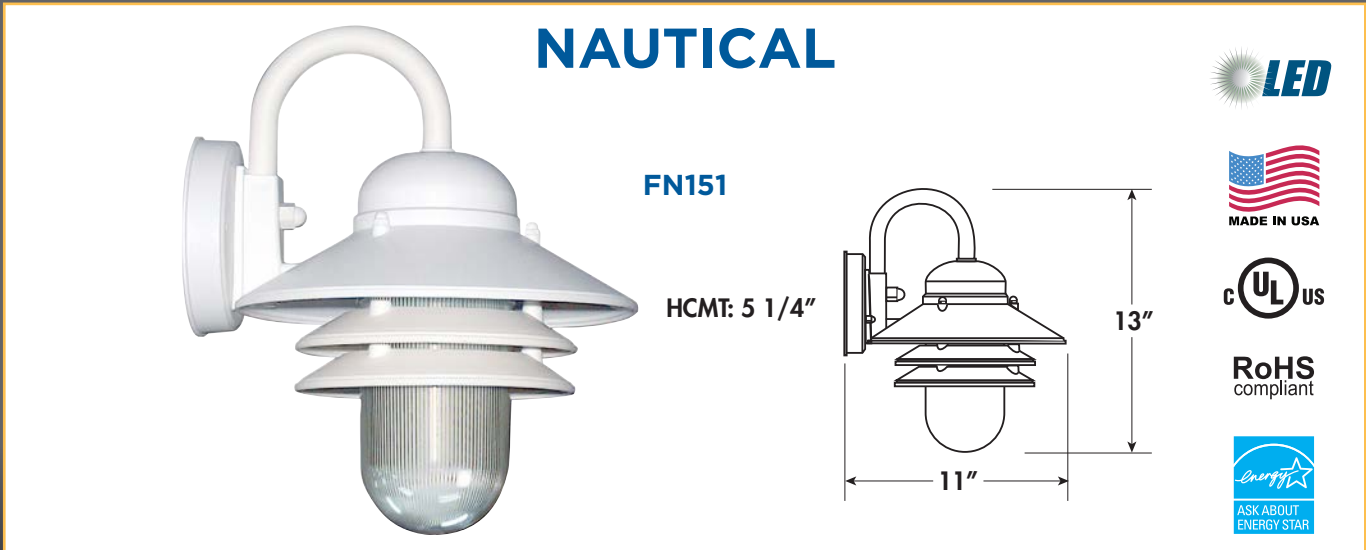
\*FLORIDA WILDLIFE APPROVED WHEN ORDERED WITH AMBER LAMP OPTION.

Scan the QR code to the left to access the Energy Star qualified product list.

**SEE PAGE 112 FOR DIMMER COMPATIBILITY**

Fixtures available with custom packaging options, assembled or knocked down. MOQs apply.

- Available in LED, Incandescent & GU24
- Fade & Rust Resistant Composite Construction
- Wall Mount Only
- UL Listed for Wet Locations
- Standard Pack QTY: 1



### EXAMPLE # FN151-I60-BW-PLWE

STYLE #	LIGHT SOURCE	BODY	DIFFUSER	OPTIONS
<b>FN151</b>	<b>EOS LED 120V AC, 50/60 Hz, HPF, 50,000 HRS L70*, AMBIENT OP TEMP -40°C, TO +40°C 5 YEAR WARRANTY, DIMMABLE, ENERGY STAR</b>	<b>W-White</b> <b>B- Black</b>	<b>ACRYLIC</b> <b>C-Clear Prism</b> <b>W-White</b>	<b>P-Photocell</b>
	<b>LE800</b> - 13W, 80 CRI >88 Lumens Per Watt**	<b>W-1140lm 3000K</b> <b>C-1280lm 4000K</b>		
	<b>MULTI-VOLT LED 120-277V, 50/60 Hz, CONSTANT CURRENT AT 700mA, DRIVER UL CLASS 2, HPF, THERMALLY PROTECTED ARRAY, 50,000 HRS L70* AMBIENT OP TEMP -40°C TO +40°C, 3 YEAR WARRANTY, ENERGY STAR</b>	<b>W-White</b> <b>B- Black</b>	<b>ACRYLIC</b> <b>C-Clear Prism</b> <b>W-White</b>	N/A
	<b>L900</b> - 11.3W Power Input CRI 74 (TYP) >80 Lumens Per Watt**	<b>C-912lm 4000K</b>		
<b>INCANDESCENT, MEDIUM BASE, 120V</b> <b>I60-1 X 60W</b>	<b>W-White</b> <b>B- Black</b>	<b>POLYCARBONATE</b> <b>C-Clear Prism</b> <b>W-White</b>	<b>P-Photocell</b> <b>LED LAMP, 3 YEAR WARRANTY, DIMMABLE, ENERGY STAR</b> <b>LWE-A19/E26, 80CRI, 3000K</b> <b>LCE-A19/E26, 80CRI, 4000K</b>	
<b>GU24 BASE, 120V</b> <b>G13-1 X 13W</b> <b>G18-1 X 18W</b>	<b>W-White</b> <b>B- Black</b>	<b>ACRYLIC</b> <b>C-Clear Prism</b> <b>W-White</b>	<b>P-Photocell</b> <b>L-CFL, 2700K</b>	



\*DATA PER LM79/LM80/TM21 AVAILABLE UPON REQUEST

\*\*ESTIMATED FROM LED SOURCE

Scan the QR code to the left to access the Energy Star qualified product list.

**90CRI OPTIONS AVAILABLE - SEE PAGE 112 FOR DIMMER COMPATIBILITY**

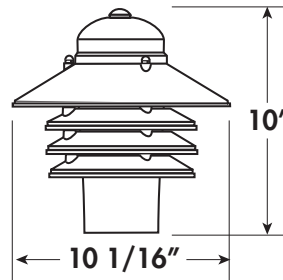
Fixtures available with custom packaging options, assembled or knocked down. MOQs apply.

- Available in LED, Incandescent & GU24
- Fade & Rust Resistant Composite Construction
- Fits Most 3" Diameter Posts
- UL Listed for Wet Locations
- Standard Pack QTY: 1

### NAUTICAL



**FN253**



RoHS compliant

**EXAMPLE # FN253-LE800C-BC**

STYLE #	LIGHT SOURCE	BODY	DIFFUSER	OPTIONS
<b>FN253</b>	<b>EOS LED 120V AC, 50/60 Hz, HPF, 50,000 HRS L70*, AMBIENT OP TEMP -40°C TO +40°C, 5 YEAR WARRANTY, DIMMABLE</b> <b>LE800</b> - 13W, 80 CRI <b>W</b> -1140lm 3000K >88 Lumens Per Watt** <b>C</b> -1280lm 4000K	<b>W</b> -White <b>B</b> - Black	<b>POLYCARBONATE</b> <b>C</b> -Clear Prism	N/A
	<b>INCANDESCENT, MEDIUM BASE, 120V</b> <b>I60-1 X 60W</b>	<b>W</b> -White <b>B</b> - Black	<b>POLYCARBONATE</b> <b>C</b> -Clear Prism	<b>LED LAMP, 3 YEAR WARRANTY, DIMMABLE</b> <b>LWE-A19/E26, 80CRI, 3000K</b> <b>LCE-A19/E26, 80CRI, 4000K</b>
	<b>GU24 BASE, 120V</b> <b>G13-1 X 13W</b> <b>G18-1 X 18W</b>	<b>W</b> -White <b>B</b> - Black	<b>POLYCARBONATE</b> <b>C</b> -Clear Prism	<b>L-CFL, 2700K</b>

\*DATA PER LM79/LM80/TM21 AVAILABLE UPON REQUEST

\*\*ESTIMATED FROM LED SOURCE

**90CRI OPTIONS AVAILABLE - SEE PAGE 112 FOR DIMMER COMPATIBILITY**

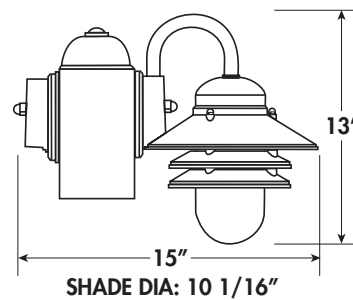
Fixtures available with custom packaging options, assembled or knocked down. MOQs apply.

- Available in LED, Incandescent & GU24
- Fade & Rust Resistant Composite Construction
- Fits Most 3" Diameter Posts
- UL Listed for Wet Locations
- Standard Pack QTY: 1

## NAUTICAL



FN251



RoHS compliant

### EXAMPLE # FN251-I60-BW-PLWE

STYLE #	LIGHT SOURCE	BODY	DIFFUSER	OPTIONS
FN251	<b>EOS LED 120V AC, 50/60 Hz, HPF, 50,000 HRS L70*, AMBIENT OP TEMP -40°C TO +40°C, 5 YEAR WARRANTY, DIMMABLE</b> <b>LE800</b> - 13W, 80 CRI <b>W</b> -1140lm 3000K >88 Lumens Per Watt** <b>C</b> -1280lm 4000K	<b>W</b> -White <b>B</b> - Black	<b>ACRYLIC</b> <b>C</b> -Clear Prism <b>W</b> -White	<b>P</b> -Photocell
	<b>MULTI-VOLT LED 120-277V, 50/60 Hz, CONSTANT CURRENT AT 700mA, DRIVER UL CLASS 2, HPF, THERMALLY PROTECTED ARRAY, 50,000 HRS L70*, AMBIENT OP TEMP -40°C TO +40°C, 3 YEAR WARRANTY</b> <b>L900</b> - 11.3W Power Input <b>C</b> -912lm 4000K CRI 74 (TYP) >80 Lumens Per Watt**	<b>W</b> -White <b>B</b> - Black	<b>ACRYLIC</b> <b>C</b> -Clear Prism <b>W</b> -White	N/A
	<b>INCANDESCENT, MEDIUM BASE, 120V</b> <b>I60-1 X 60W</b>	<b>W</b> -White <b>B</b> - Black	<b>POLYCARBONATE</b> <b>C</b> -Clear Prism <b>W</b> -White	<b>P</b> -Photocell <b>LED LAMP, 3 YEAR WARRANTY, DIMMABLE</b> <b>LWE</b> -A19/E26, 80CRI, 3000K <b>LCE</b> -A19/E26, 80CRI, 4000K
	<b>GU24 BASE, 120V</b> <b>G13-1 X 13W</b> <b>G18-1 X 18W</b>	<b>W</b> -White <b>B</b> - Black	<b>ACRYLIC</b> <b>C</b> -Clear Prism <b>W</b> -White	<b>P</b> -Photocell <b>L</b> -CFL, 2700K

\*DATA PER LM79/LM80/TM21 AVAILABLE UPON REQUEST

\*\*ESTIMATED FROM LED SOURCE

90CRI OPTIONS AVAILABLE - SEE PAGE 112 FOR DIMMER COMPATIBILITY

Fixtures available with custom packaging options, assembled or knocked down. MOQs apply.

For more information contact our sales department at 1-800-325-7364 or visit [www.interglobal-inc.com](http://www.interglobal-inc.com)

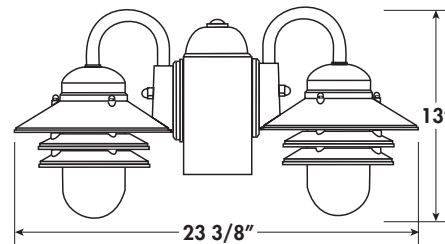


- Available in LED, Incandescent & GU24
- Fade & Rust Resistant Composite Construction
- Fits Most 3" Diameter Posts
- UL Listed for Wet Locations
- Standard Pack QTY: 1

## NAUTICAL



FN252



RoHS compliant

### EXAMPLE # FN252-I260-BW-PLWE

STYLE #	LIGHT SOURCE	BODY	DIFFUSER	OPTIONS
FN252	<b>EOS LED 120V AC, 50/60 Hz, HPF, 50,000 HRS L70*, AMBIENT OP TEMP -40°C TO +40°C, 5 YEAR WARRANTY, DIMMABLE</b> <b>LE1600</b> - 2 X 13W Power Input <b>W</b> -1800lm 3000K 80 CRI <b>C</b> -2000lm 4000K >65 Lumens Per Watt**	<b>W</b> -White <b>B</b> - Black	<b>ACRYLIC</b> <b>C</b> -Clear Prism <b>W</b> -White	<b>P</b> -Photocell
	<b>MULTI-VOLT LED 120-277V, 50/60 Hz, CONSTANT CURRENT AT 700mA, DRIVER UL CLASS 2, HPF, THERMALLY PROTECTED ARRAY, 50,000 HRS L70* AMBIENT OP TEMP -40°C TO +40°C, 3 YEAR WARRANTY</b> <b>L1800</b> - 22W Power Input <b>C</b> -1824lm 4000K CRI 74 (TYP) >82 Lumens Per Watt**	<b>W</b> -White <b>B</b> - Black	<b>ACRYLIC</b> <b>C</b> -Clear Prism <b>W</b> -White	N/A
	<b>INCANDESCENT, MEDIUM BASE, 120V</b> <b>I260</b> - 2 X 60W	<b>W</b> -White <b>B</b> - Black	<b>POLYCARBONATE</b> <b>C</b> -Clear Prism <b>W</b> -White	<b>P</b> -Photocell <b>LED LAMP, 3 YEAR WARRANTY, DIMMABLE</b> <b>LWE</b> -A19/E26, 80CRI, 3000K <b>LCE</b> -A19/E26, 80CRI, 4000K
	<b>GU24 BASE, 120V</b> <b>G213</b> -2 X 13W <b>G218</b> -2 X 18W	<b>W</b> -White <b>B</b> - Black	<b>ACRYLIC</b> <b>C</b> -Clear Prism <b>W</b> -White	<b>P</b> -Photocell <b>L</b> -CFL, 2700K

\*DATA PER LM79/LM80/TM21 AVAILABLE UPON REQUEST

\*\*ESTIMATED FROM LED SOURCE

90CRI OPTIONS AVAILABLE - SEE PAGE 112 FOR DIMMER COMPATIBILITY

Fixtures available with custom packaging options, assembled or knocked down. MOQs apply.

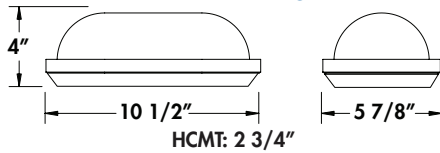


- Available in LED, Incandescent & GU24
- Fade & Rust Resistant Composite Construction
- Wall Mount Only
- UL Listed for Wet Locations
- Standard Pack QTY: 6

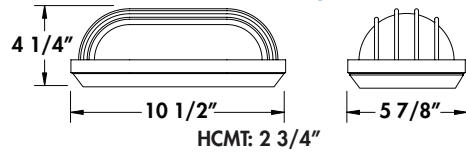
## RESIDENTIAL EUROSTYLE



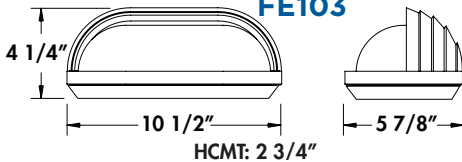
**FE101**



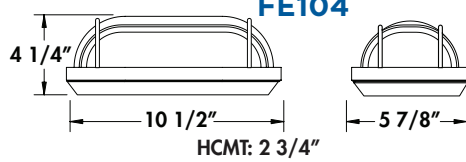
**FE102**



**FE103**



**FE104**



### EXAMPLE # FE101-I60-BF-LWE

STYLE #	LIGHT SOURCE	BODY	DIFFUSER	OPTIONS
FE101 FE102 FE103 FE104	INCANDESCENT, MEDIUM BASE, 120V I60-1 X 60W	W-White B- Black	POLYCARBONATE F-Frosted	LED LAMP, 3 YEAR WARRANTY, DIMMABLE, ENERGY STAR LWE-A19/E26, 80CRI, 3000K LCE-A19/E26, 80CRI, 4000K
	GU24 BASE, 120V G13-1 X 13W G18-1 X 18W G26-1 X 27W	W-White B- Black	POLYCARBONATE F-Frosted	L-CFL, 2700K

\*DATA PER LM79/LM80/TM21 AVAILABLE UPON REQUEST

\*\*ESTIMATED FROM LED SOURCE



Scan the QR code to the left to access the Energy Star qualified product list.

90CRI OPTIONS AVAILABLE - SEE PAGE 112 FOR DIMMER COMPATIBILITY

Fixtures available with custom packaging options, assembled or knocked down. MOQs apply.

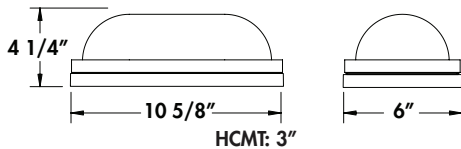
For more information contact our sales department at 1-800-325-7364 or visit [www.interglobal-inc.com](http://www.interglobal-inc.com)

- Available in LED & GU24
- Fade & Rust Resistant Composite Construction with Powder Coated Aluminum Base
- Wall Mount Only
- UL Listed for Wet Locations
- Standard Pack QTY: 6

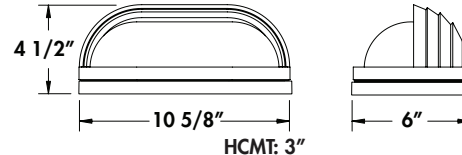
## COMMERCIAL EUROSTYLE



**FE111**



**FE113**



### EXAMPLE # FE111-L900C-BF

STYLE #	LIGHT SOURCE	BODY	DIFFUSER	OPTIONS
<b>FE111</b> <b>FE113</b>	<p>EOS LED 120V AC, 50/60 Hz, HPF, 50,000 HRS L70*, AMBIENT OP TEMP -40°C TO +40°C, 5 YEAR WARRANTY, DIMMABLE, ENERGY STAR </p> <p><b>LE800</b> - 13W, 80 CRI      <b>W</b>-1140lm 3000K                      &gt;88 Lumens Per Watt**      <b>C</b>-1280lm 4000K</p>	<p><b>W</b>-White <b>B</b>- Black</p>	<p><b>POLYCARBONATE</b> <b>F</b>-Frosted</p>	<p><b>P</b>-Photocell</p>
	<p>MULTI-VOLT LED 120-277V, 50/60 Hz, CONSTANT CURRENT AT 700mA, DRIVER UL CLASS 2, HPF, THERMALLY PROTECTED ARRAY, 50,000 HRS L70* AMBIENT OP TEMP -40°C TO +40°C, 3 YEAR WARRANTY, ENERGY STAR </p> <p><b>L900</b> - 11.3W Power Input      <b>C</b>-912lm 4000K                      CRI 74 (TYP)                      &gt;80 Lumens Per Watt**</p>	<p><b>W</b>-White <b>B</b>- Black</p>	<p><b>POLYCARBONATE</b> <b>F</b>-Frosted</p>	<p>N/A</p>
	<p>GU24 BASE, 120V</p> <p><b>G13</b>-1 X 13W  <b>G213</b>- 2 X 13W  <b>G18</b>-1 X 18W  <b>G26</b>-1 X 27W</p>	<p><b>W</b>-White <b>B</b>- Black</p>	<p><b>POLYCARBONATE</b> <b>F</b>-Frosted</p>	<p><b>P</b>-Photocell <b>L</b>-CFL, 2700K</p>

\*DATA PER LM79/LM80/TM21 AVAILABLE UPON REQUEST

\*\*ESTIMATED FROM LED SOURCE



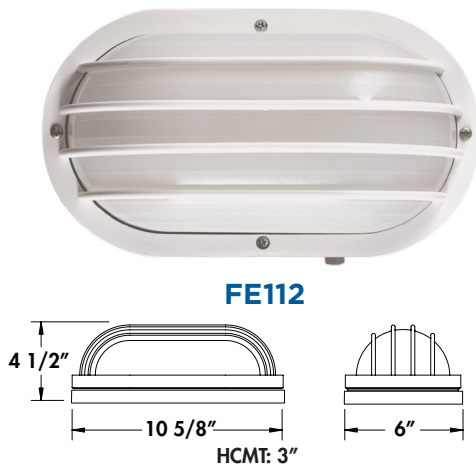
Scan the QR code to the left to access the Energy Star qualified product list.

**90CRI OPTIONS AVAILABLE - SEE PAGE 112 FOR DIMMER COMPATIBILITY**

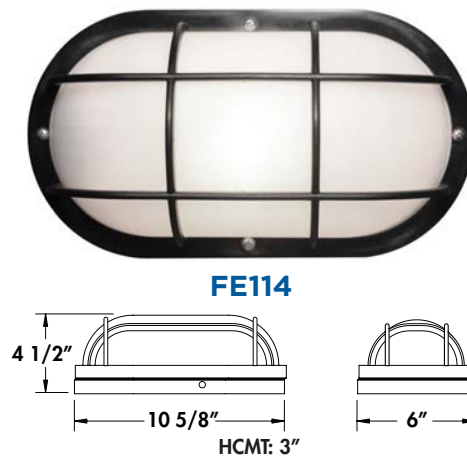
Fixtures available with custom packaging options, assembled or knocked down. MOQs apply.

- Available in LED & GU24
- Fade & Rust Resistant Composite Construction with Powder Coated Aluminum Base
- Wall Mount Only
- UL Listed for Wet Locations
- Standard Pack QTY: 6

## COMMERCIAL EUROSTYLE



**FE112**



**FE114**



RoHS compliant



### EXAMPLE # FE112-LE800W-BFP

STYLE #	LIGHT SOURCE	BODY	DIFFUSER	OPTIONS
<b>FE112</b> <b>FE114</b>	<p>EOS LED 120V AC, 50/60 Hz, HPF, 50,000 HRS L70*, AMBIENT OP TEMP -40°C TO +40°C, 5 YEAR WARRANTY, DIMMABLE, ENERGY STAR </p> <p><b>LE800</b> - 13W, 80 CRI <b>W</b>-1140lm 3000K &gt;88 Lumens Per Watt** <b>C</b>-1280lm 4000K</p>	<p><b>W</b>-White <b>B</b>- Black</p>	<p><b>POLYCARBONATE</b> <b>F</b>-Frosted</p>	<p><b>P</b>-Photocell</p>
	<p>MULTI-VOLT LED 120-277V, 50/60 Hz, CONSTANT CURRENT AT 700mA, DRIVER UL CLASS 2, HPF, THERMALLY PROTECTED ARRAY, 50,000 HRS L70* AMBIENT OP TEMP -40°C TO +40°C, 3 YEAR WARRANTY, ENERGY STAR </p> <p><b>L900</b> - 11.3W Power Input <b>C</b>-912lm 4000K CRI 74 (TYP) &gt;80 Lumens Per Watt**</p>	<p><b>W</b>-White <b>B</b>- Black</p>	<p><b>POLYCARBONATE</b> <b>F</b>-Frosted</p>	<p>N/A</p>
	<p><b>GU24 BASE, 120V</b> <b>G13</b>-1 X 13W <b>G213</b>- 2 X 13W <b>G18</b>-1 X 18W <b>G26</b>-1 X 27W</p>	<p><b>W</b>-White <b>B</b>- Black</p>	<p><b>POLYCARBONATE</b> <b>F</b>-Frosted</p>	<p><b>P</b>-Photocell <b>L</b>-CFL, 2700K</p>

\*DATA PER LM79/LM80/TM21 AVAILABLE UPON REQUEST

\*\*ESTIMATED FROM LED SOURCE



Scan the QR code to the left to access the Energy Star qualified product list.

90CRI OPTIONS AVAILABLE - SEE PAGE 112 FOR DIMMER COMPATIBILITY

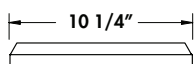
Fixtures available with custom packaging options, assembled or knocked down. MOQs apply.

For more information contact our sales department at 1-800-325-7364 or visit [www.interglobal-inc.com](http://www.interglobal-inc.com)

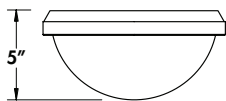
- Available in LED, Incandescent & GU24
- Fade & Rust Resistant Composite Construction
- Wall or Ceiling Mount
- UL Listed for Wet Locations
- Standard Pack QTY: 12

## RESIDENTIAL EUROSTYLE

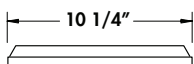
**FE351**



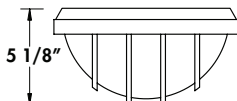
HCMT: 5 1/8"



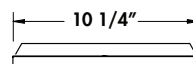
**FE352**



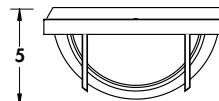
HCMT: 5 1/8"



**FE353**



HCMT: 5 1/8"



RoHS compliant



### EXAMPLE # FE351-I75-BF-LWE

STYLE #	LIGHT SOURCE	BODY	DIFFUSER	OPTIONS
FE351	INCANDESCENT, MEDIUM BASE, 120V	W-White	POLYCARBONATE	LED LAMP, 3 YEAR WARRANTY, DIMMABLE, ENERGY STAR LWE-A19/E26, 80CRI, 3000K LCE-A19/E26, 80CRI, 4000K
FE352	I75-1 X 75W	B- Black	F-Frosted	
FE353	GU24 BASE, 120V	W-White	POLYCARBONATE	
	G13-1 X 13W	B- Black	F-Frosted	L-CFL, 2700K
	G18-1 X 18W			
	G26-1 X 27W			

\*DATA PER LM79/LM80/TM21 AVAILABLE UPON REQUEST

\*\*ESTIMATED FROM LED SOURCE



Scan the QR code to the left to access the Energy Star qualified product list.

90CRI OPTIONS AVAILABLE - SEE PAGE 112 FOR DIMMER COMPATIBILITY

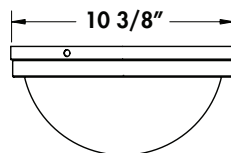
Fixtures available with custom packaging options, assembled or knocked down. MOQs apply.

- Available in LED & GU24
- Fade & Rust Resistant Composite Construction with Powder Coated Aluminum Base
- Wall or Ceiling Mount
- UL Listed for Wet Locations
- Standard Pack QTY: 12

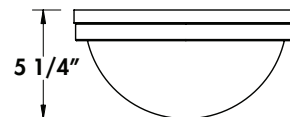
## COMMERCIAL EUROSTYLE



FE361



HCMT: 5 1/4"



### EXAMPLE # FE361-LE800C-BFP

STYLE #	LIGHT SOURCE	BODY	DIFFUSER	OPTIONS	
FE361	<b>EOS LED 120V AC, 50/60 Hz, HPF, 50,000 HRS L70*, AMBIENT OP TEMP -40°C TO +40°C, 5 YEAR WARRANTY, DIMMABLE, ENERGY STAR</b>	<b>W-White</b> <b>B-Black</b>	<b>POLYCARBONATE</b> <b>F-Frosted</b>	<b>P-Photocell</b>	
	<b>LE800</b> - 13W, 80 CRI >88 Lumens Per Watt**				<b>W-1140lm 3000K</b> <b>C-1280lm 4000K</b>
	<b>LE1200</b> - 14W, 80 CRI >102 Lumens Per Watt**				<b>W-1430lm 3000K</b> <b>C-1500lm 4000K</b>
	<b>LE1800</b> - 22W, 80 CRI >88 Lumens Per Watt**	<b>W-1950lm 3000K</b> <b>C-2130lm 4000K</b>			
	<b>MULTI-VOLT LED 120-277V, 50/60 Hz, CONSTANT CURRENT AT 700mA, DRIVER UL CLASS 2, HPF, THERMALLY PROTECTED ARRAY, 50,000 HRS L70* AMBIENT OP TEMP -40°C TO +40°C, 3 YEAR WARRANTY, ENERGY STAR</b>	<b>W-White</b> <b>B-Black</b>	<b>POLYCARBONATE</b> <b>F-Frosted</b>	N/A	
	<b>L1800</b> - 22W Power Input CRI 74 (TYP) >82 Lumens Per Watt**				<b>W-1704lm 3000K</b> <b>C-1824lm 4000K</b>
	<b>GU24 BASE, 120V</b> <b>G13-1 X 13W</b> <b>G213- 2 X 13W</b> <b>G18-1 X 18W</b> <b>G218- 2 X 18W</b> <b>G26-1 X 27W</b>	<b>W-White</b> <b>B-Black</b>	<b>POLYCARBONATE</b> <b>F-Frosted</b>	<b>P-Photocell</b> <b>L-CFL, 2700K</b>	



\*DATA PER LM79/LM80/TM21 AVAILABLE UPON REQUEST

\*\*ESTIMATED FROM LED SOURCE

Scan the QR code to the left to access the Energy Star qualified product list.

**90CRI OPTIONS AVAILABLE - SEE PAGE 112 FOR DIMMER COMPATIBILITY**

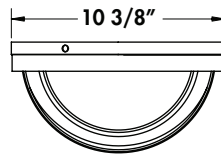
Fixtures available with custom packaging options, assembled or knocked down. MOQs apply.

- Available in LED & GU24
- Fade & Rust Resistant Composite Construction with Powder Coated Aluminum Base
- Wall or Ceiling Mount
- UL Listed for Wet Locations
- Standard Pack QTY: 12

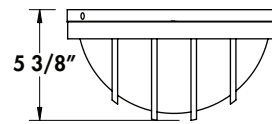
## COMMERCIAL EUROSTYLE



FE362



HCMT: 5 1/4"



### EXAMPLE # FE362-LE800C-BFP

STYLE #	LIGHT SOURCE	BODY	DIFFUSER	OPTIONS	
FE362	<b>EOS LED 120V AC, 50/60 Hz, HPF, 50,000 HRS L70*, AMBIENT OP TEMP -40°C TO +40°C, 5 YEAR WARRANTY, DIMMABLE, ENERGY STAR</b>	<b>W-White</b> <b>B-Black</b>	<b>POLYCARBONATE</b> <b>F-Frosted</b>	<b>P-Photocell</b>	
	<b>LE800</b> - 13W, 80 CRI >88 Lumens Per Watt**				<b>W-1140lm 3000K</b> <b>C-1280lm 4000K</b>
	<b>LE1200</b> - 14W, 80 CRI >102 Lumens Per Watt**				<b>W-1430lm 3000K</b> <b>C-1500lm 4000K</b>
	<b>LE1800</b> - 22W, 80 CRI >88 Lumens Per Watt**	<b>W-1950lm 3000K</b> <b>C-2130lm 4000K</b>			
	<b>MULTI-VOLT LED 120-277V, 50/60 Hz, CONSTANT CURRENT AT 700mA, DRIVER UL CLASS 2, HPF, THERMALLY PROTECTED ARRAY, 50,000 HRS L70* AMBIENT OP TEMP -40°C TO +40°C, 3 YEAR WARRANTY, ENERGY STAR</b>	<b>W-White</b> <b>B-Black</b>	<b>POLYCARBONATE</b> <b>F-Frosted</b>	N/A	
	<b>L1800</b> - 22W Power Input CRI 74 (TYP) >82 Lumens Per Watt**				
	<b>GU24 BASE, 120V</b> <b>G13-1 X 13W</b> <b>G213- 2 X 13W</b> <b>G18-1 X 18W</b> <b>G218- 2 X 18W</b> <b>G26-1 X 27W</b>	<b>W-White</b> <b>B-Black</b>	<b>POLYCARBONATE</b> <b>F-Frosted</b>	<b>P-Photocell</b> <b>L-CFL, 2700K</b>	



\*DATA PER LM79/LM80/TM21 AVAILABLE UPON REQUEST

\*\*ESTIMATED FROM LED SOURCE

Scan the QR code to the left to access the Energy Star qualified product list.

90CRI OPTIONS AVAILABLE - SEE PAGE 112 FOR DIMMER COMPATIBILITY

Fixtures available with custom packaging options, assembled or knocked down. MOQs apply.

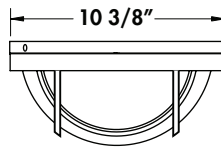


- Available in LED & GU24
- Fade & Rust Resistant Composite Construction with Powder Coated Aluminum Base
- Wall or Ceiling Mount
- UL Listed for Wet Locations
- Standard Pack QTY: 12

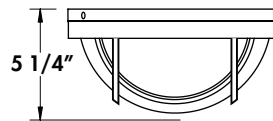
## COMMERCIAL EUROSTYLE



FE363



HCMT: 5 1/4"



### EXAMPLE # FE363-G13-BFPL

STYLE #	LIGHT SOURCE	BODY	DIFFUSER	OPTIONS	
FE363	<b>EOS LED 120V AC, 50/60 Hz, HPF, 50,000 HRS L70*, AMBIENT OP TEMP -40°C TO +40°C, 5 YEAR WARRANTY, DIMMABLE, ENERGY STAR</b>	<b>W-White</b> <b>B-Black</b>	<b>POLYCARBONATE</b> <b>F-Frosted</b>	<b>P-Photocell</b>	
	<b>LE800</b> - 13W, 80 CRI >88 Lumens Per Watt**				<b>W-1140lm 3000K</b> <b>C-1280lm 4000K</b>
	<b>LE1200</b> - 14W, 80 CRI >102 Lumens Per Watt**				<b>W-1430lm 3000K</b> <b>C-1500lm 4000K</b>
	<b>MULTI-VOLT LED 120-277V, 50/60 Hz, CONSTANT CURRENT AT 700mA, DRIVER UL CLASS 2, HPF, THERMALLY PROTECTED ARRAY, 50,000 HRS L70* AMBIENT OP TEMP -40°C TO +40°C, 3 YEAR WARRANTY, ENERGY STAR</b>	<b>W-White</b> <b>B-Black</b>	<b>POLYCARBONATE</b> <b>F-Frosted</b>	N/A	
<b>L1800</b> - 22W Power Input CRI 74 (TYP) >82 Lumens Per Watt**	<b>W-1704lm 3000K</b> <b>C-1824lm 4000K</b>				
	<b>GU24 BASE, 120V</b> <b>G13-1 X 13W</b> <b>G213- 2 X 13W</b> <b>G18-1 X 18W</b> <b>G218- 2 X 18W</b> <b>G26-1 X 27W</b>	<b>W-White</b> <b>B-Black</b>	<b>POLYCARBONATE</b> <b>F-Frosted</b>	<b>P-Photocell</b> <b>L-CFL, 2700K</b>	



\*DATA PER LM79/LM80/TM21 AVAILABLE UPON REQUEST

\*\*ESTIMATED FROM LED SOURCE

Scan the QR code to the left to access the Energy Star qualified product list.

90CRI OPTIONS AVAILABLE - SEE PAGE 112 FOR DIMMER COMPATIBILITY

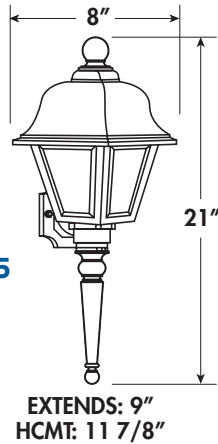
Fixtures available with custom packaging options, assembled or knocked down. MOQs apply.

- Available in LED, Incandescent & GU24
- Fade & Rust Resistant Composite Construction
- Wall Mount Only
- UL Listed for Wet Locations
- Standard Pack QTY: 1

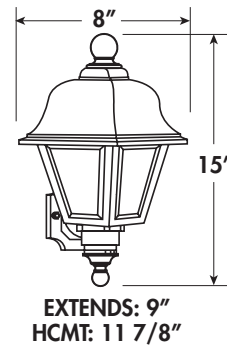
## BRADFORD WALL



**FB155**



**FB156**



### EXAMPLE # FB156-LE800C-BWP

STYLE #	LIGHT SOURCE	BODY	DIFFUSER	OPTIONS
<b>FB155</b> <b>FB156</b>	<p>EOS LED 120V AC, 50/60 Hz, HPF, 50,000 HRS L70*, AMBIENT OP TEMP -40°C TO +40°C, 5 YEAR WARRANTY, DIMMABLE, ENERGY STAR</p> <p><b>LE800</b> - 13W, 80 CRI      <b>W</b>-1140lm 3000K                      &gt;88 Lumens Per Watt**      <b>C</b>-1280lm 4000K</p>	<p><b>W</b>-White <b>B</b>-Black</p>	<p><b>ACRYLIC</b> <b>C</b>-Clear <b>W</b>-White <b>F</b>- Glare Free Frost</p>	<p><b>P</b>-Photocell</p>
	<p>INCANDESCENT, MEDIUM BASE, 120V <b>I60</b>-1 X 60W Max</p>	<p><b>W</b>-White <b>B</b>-Black</p>	<p><b>ACRYLIC</b> <b>C</b>-Clear <b>W</b>-White <b>F</b>- Glare Free Frost</p>	<p><b>P</b>-Photocell <b>LED LAMP, 3 YEAR WARRANTY, DIMMABLE, ENERGY STAR</b> <b>LWE</b>-A19/E26, 80CRI, 3000K <b>LCE</b>-A19/E26, 80CRI, 4000K</p>
	<p>GU24 BASE, 120V <b>G13</b>-1 X 13W <b>G18</b>-1 X 18W <b>G26</b>-1 X 27W</p>	<p><b>W</b>-White <b>B</b>-Black</p>	<p><b>ACRYLIC</b> <b>C</b>-Clear <b>W</b>-White <b>F</b>- Glare Free Frost</p>	<p><b>P</b>-Photocell <b>L</b>-CFL, 2700K</p>

\*DATA PER LM79/LM80/TM21 AVAILABLE UPON REQUEST

\*\*ESTIMATED FROM LED SOURCE



Scan the QR code to the left to access the Energy Star qualified product list.

**90CRI OPTIONS AVAILABLE - SEE PAGE 112 FOR DIMMER COMPATIBILITY**

Fixtures available with custom packaging options, assembled or knocked down. MOQs apply.

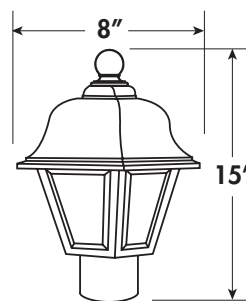


- Available in LED, Incandescent & GU24
- Fade & Rust Resistant Composite Construction
- Fits Most 3" Diameter Posts
- UL Listed for Wet Locations
- Standard Pack QTY: 1

### BRADFORD POST



FB255



#### EXAMPLE # FB255-I60-BC-LWE

STYLE #	LIGHT SOURCE	BODY	DIFFUSER	OPTIONS
FB255	<b>EOS LED 120V AC, 50/60 Hz, HPF, 50,000 HRS L70*, AMBIENT OP TEMP -40°C TO +40°C, 5 YEAR WARRANTY, DIMMABLE</b> <b>LE800</b> - 13W, 80 CRI <b>W</b> -1140lm 3000K >88 Lumens Per Watt** <b>C</b> -1280lm 4000K	<b>W</b> -White <b>B</b> -Black	<b>ACRYLIC</b> <b>C</b> -Clear <b>W</b> -White <b>F</b> - Glare Free Frost	N/A
	<b>INCANDESCENT, MEDIUM BASE, 120V</b> <b>I60-1</b> X 60W Max	<b>W</b> -White <b>B</b> -Black	<b>ACRYLIC</b> <b>C</b> -Clear <b>W</b> -White <b>F</b> - Glare Free Frost	<b>LED LAMP, 3 YEAR WARRANTY, DIMMABLE</b> <b>LWE</b> -A19/E26, 80CRI, 3000K <b>LCE</b> -A19/E26, 80CRI, 4000K
	<b>GU24 BASE, 120V</b> <b>G13-1</b> X 13W <b>G18-1</b> X 18W <b>G26-1</b> X 27W	<b>W</b> -White <b>B</b> -Black	<b>ACRYLIC</b> <b>C</b> -Clear <b>W</b> -White <b>F</b> - Glare Free Frost	<b>L</b> -CFL, 2700K

\*DATA PER LM79/LM80/TM21 AVAILABLE UPON REQUEST

\*\*ESTIMATED FROM LED SOURCE

90CRI OPTIONS AVAILABLE - SEE PAGE 112 FOR DIMMER COMPATIBILITY

Fixtures available with custom packaging options, assembled or knocked down. MOQs apply.

- Available in LED, Incandescent & GU24
- Fade & Rust Resistant Composite Construction
- Wall Mount Only
- UL Listed for Wet Locations
- Standard Pack QTY: 3

## HATCH WALL



### EXAMPLE # FR111-I60-BC-PLWE

STYLE #	LIGHT SOURCE	BODY	DIFFUSER	OPTIONS
FR111 FR112 FR113	EOS LED 120V AC, 50/60 Hz, HPF, 50,000 HRS L70*, AMBIENT OP TEMP -40°C TO +40°C, 5 YEAR WARRANTY, DIMMABLE, ENERGY STAR	W-White B-Black	ACRYLIC C-Clear F-Frost	P-Photocell
	LE800 - 13W, 80 CRI >88 Lumens Per Watt**	W-1140lm 3000K C-1280lm 4000K		
	INCANDESCENT, MEDIUM BASE, 120V I60-1 X 60W Max	W-White B-Black	ACRYLIC C-Clear F-Frost	P-Photocell LED LAMP, 3 YEAR WARRANTY, DIMMABLE, ENERGY STAR LWE-A19/E26, 80CRI, 3000K LCE-A19/E26, 80CRI, 4000K
	GU24 BASE, 120V G13-1 X 13W G18-1 X 18W	W-White B-Black	ACRYLIC C-Clear F-Frost	P-Photocell L-CFL, 2700K

\*DATA PER LM79/LM80/TM21 AVAILABLE UPON REQUEST

\*\*ESTIMATED FROM LED SOURCE



Scan the QR code to the left to access the Energy Star qualified product list.

90CRI OPTIONS AVAILABLE - SEE PAGE 112 FOR DIMMER COMPATIBILITY

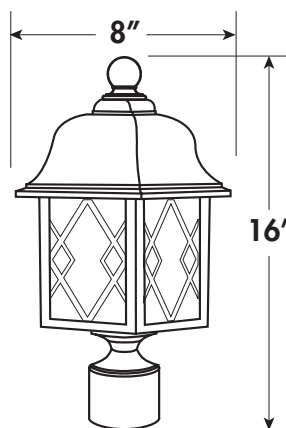
Fixtures available with custom packaging options, assembled or knocked down. MOQs apply.

- Available in LED, Incandescent & GU24
- Fade & Rust Resistant Composite Construction
- Fits Most 3" Diameter Posts
- UL Listed for Wet Locations
- Standard Pack QTY: 3

## HATCH POST



FR211



RoHS compliant

### EXAMPLE # FR211-LE800C-BC

STYLE #	LIGHT SOURCE	BODY	DIFFUSER	OPTIONS
FR211	<b>EOS LED 120V AC, 50/60 Hz, HPF, 50,000 HRS L70*, AMBIENT OP TEMP -40°C TO +40°C, 5 YEAR WARRANTY, DIMMABLE</b> <b>LE800</b> - 13W, 80 CRI <b>W</b> -1140lm 3000K >88 Lumens Per Watt** <b>C</b> -1280lm 4000K	<b>W</b> -White <b>B</b> -Black	<b>ACRYLIC</b> <b>C</b> -Clear <b>F</b> -Frost	N/A
	<b>INCANDESCENT, MEDIUM BASE, 120V</b> <b>I60-1 X 60W Max</b>	<b>W</b> -White <b>B</b> -Black	<b>ACRYLIC</b> <b>C</b> -Clear <b>F</b> -Frost	<b>LED LAMP, 3 YEAR WARRANTY, DIMMABLE</b> <b>LWE</b> -A19/E26, 80CRI, 3000K <b>LCE</b> -A19/E26, 80CRI, 4000K
	<b>GU24 BASE, 120V</b> <b>G13-1 X 13W</b> <b>G18-1 X 18W</b>	<b>W</b> -White <b>B</b> -Black	<b>ACRYLIC</b> <b>C</b> -Clear <b>F</b> -Frost	L-CFL, 2700K

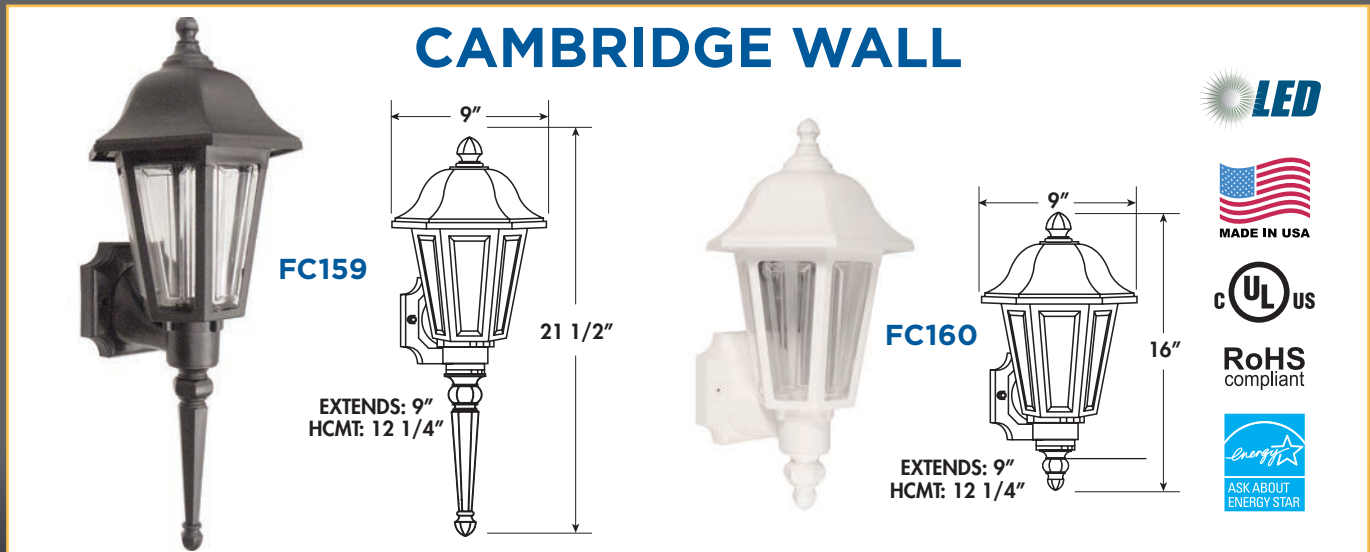
\*DATA PER LM79/LM80/TM21 AVAILABLE UPON REQUEST

\*\*ESTIMATED FROM LED SOURCE

90CRI OPTIONS AVAILABLE - SEE PAGE 112 FOR DIMMER COMPATIBILITY

Fixtures available with custom packaging options, assembled or knocked down. MOQs apply.

- Available in LED, Incandescent & GU24
- Fade & Rust Resistant Composite Construction
- Wall Mount Only
- UL Listed for Wet Locations
- Standard Pack QTY: 1



### EXAMPLE # FC159-LE800C-BCP

STYLE #	LIGHT SOURCE	BODY	DIFFUSER	OPTIONS
FC159 FC160	<b>EOS LED 120V AC, 50/60 Hz, HPF, 50,000 HRS L70*, AMBIENT OP TEMP -40°C TO +40°C, 5 YEAR WARRANTY, DIMMABLE, ENERGY STAR</b> <b>LE800</b> - 13W, 80 CRI >88 Lumens Per Watt**	<b>W</b> -White <b>B</b> -Black	<b>ACRYLIC</b> <b>C</b> -Clear	<b>P</b> -Photocell  <b>W</b> -1140lm 3000K <b>C</b> -1280lm 4000K
	<b>INCANDESCENT, MEDIUM BASE, 120V</b> <b>I60-1</b> X 60W Max	<b>W</b> -White <b>B</b> -Black	<b>ACRYLIC</b> <b>C</b> -Clear	<b>P</b> -Photocell <b>LED LAMP, 3 YEAR WARRANTY, DIMMABLE, ENERGY STAR</b> <b>LWE</b> -A19/E26, 80CRI, 3000K <b>LCE</b> -A19/E26, 80CRI, 4000K
	<b>GU24 BASE, 120V</b> <b>G13</b> -1 X 13W <b>G18</b> -1 X 18W <b>G26</b> -1 X 27W	<b>W</b> -White <b>B</b> -Black	<b>ACRYLIC</b> <b>C</b> -Clear	<b>P</b> -Photocell <b>L</b> -CFL, 2700K

\*DATA PER LM79/LM80/TM21 AVAILABLE UPON REQUEST

\*\*ESTIMATED FROM LED SOURCE



Scan the QR code to the left to access the Energy Star qualified product list.

**90CRI OPTIONS AVAILABLE - SEE PAGE 112 FOR DIMMER COMPATIBILITY**

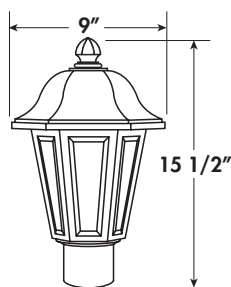
Fixtures available with custom packaging options, assembled or knocked down. MOQs apply.

- Available in LED, Incandescent & GU24
- Fade & Rust Resistant Composite Construction
- Fits Most 3" Diameter Posts
- UL Listed for Wet Locations
- Standard Pack QTY: 1

## CAMBRIDGE POST



**FC259**



RoHS compliant

### EXAMPLE # FC259-I60-BC-LCE

STYLE #	LIGHT SOURCE	BODY	DIFFUSER	OPTIONS
<b>FC259</b>	<b>EOS LED 120V AC, 50/60 Hz, HPF, 50,000 HRS L70+, AMBIENT OP TEMP -40°C TO +40°C, 5 YEAR WARRANTY, DIMMABLE</b> <b>LE800</b> - 13W, 80 CRI <b>W</b> -1140lm 3000K >88 Lumens Per Watt** <b>C</b> -1280lm 4000K	<b>W</b> -White <b>B</b> -Black	<b>ACRYLIC</b> <b>C</b> -Clear	N/A
	<b>INCANDESCENT, MEDIUM BASE, 120V</b> <b>I60-1</b> X 60W Max	<b>W</b> -White <b>B</b> -Black	<b>ACRYLIC</b> <b>C</b> -Clear	<b>LED LAMP, 3 YEAR WARRANTY, DIMMABLE</b> <b>LWE-A19/E26, 80CRI, 3000K</b> <b>LCE-A19/E26, 80CRI, 4000K</b>
	<b>GU24 BASE, 120V</b> <b>G13-1</b> X 13W <b>G18-1</b> X 18W <b>G26-1</b> X 27W	<b>W</b> -White <b>B</b> -Black	<b>ACRYLIC</b> <b>C</b> -Clear	<b>L-CFL, 2700K</b>

\*DATA PER LM79/LM80/TM21 AVAILABLE UPON REQUEST

\*\*ESTIMATED FROM LED SOURCE

**90CRI OPTIONS AVAILABLE - SEE PAGE 112 FOR DIMMER COMPATIBILITY**

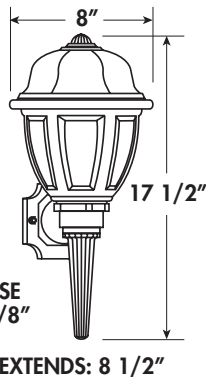
Fixtures available with custom packaging options, assembled or knocked down. MOQs apply.

- Available in LED, Incandescent & GU24
- Fade & Rust Resistant Composite Construction
- Wall Mount Only
- UL Listed for Wet Locations
- Standard Pack QTY: 6

## PRINCETON WALL



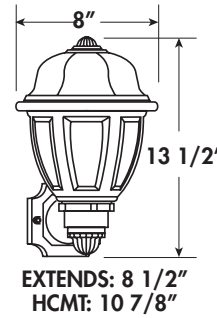
**FP121**



1 PIECE BASE  
HCMT: 10 7/8"



**FP122**



RoHS compliant



### EXAMPLE # FP121-LE800C-BCP

STYLE #	LIGHT SOURCE	BODY	DIFFUSER	OPTIONS
FP121 FP122	EOS LED 120V AC, 50/60 Hz, HPF, 50,000 HRS L70*, AMBIENT OP TEMP -40°C TO +40°C, 5 YEAR WARRANTY, DIMMABLE, ENERGY STAR	W-White B-Black	ACRYLIC C-Clear W-White	P-Photocell
	LE800 - 13W, 80 CRI W-1140lm 3000K >88 Lumens Per Watt** C-1280lm 4000K			
	INCANDESCENT, MEDIUM BASE, 120V I60-1 X 60W Max	W-White B-Black	ACRYLIC C-Clear W-White	P-Photocell LED LAMP, 3 YEAR WARRANTY, DIMMABLE, ENERGY STAR LWE-A19/E26, 80CRI, 3000K LCE-A19/E26, 80CRI, 4000K
GU24 BASE, 120V G13-1 X 13W G18-1 X 18W G26-1 X 27W	W-White B-Black	ACRYLIC C-Clear W-White	P-Photocell L-CFL, 2700K	

\*DATA PER LM79/LM80/TM21 AVAILABLE UPON REQUEST

\*\*ESTIMATED FROM LED SOURCE



Scan the QR code to the left to access the Energy Star qualified product list.

90CRI OPTIONS AVAILABLE - SEE PAGE 112 FOR DIMMER COMPATIBILITY

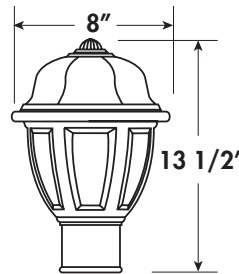
Fixtures available with custom packaging options, assembled or knocked down. MOQs apply.

- Available in LED, Incandescent & GU24
- Fade & Rust Resistant Composite Construction
- Fits Most 3" Diameter Posts
- UL Listed for Wet Locations
- Standard Pack QTY: 6

## PRINCETON POST



FP221



RoHS compliant

### EXAMPLE # FP221-I60-BC-LWE

STYLE #	LIGHT SOURCE	BODY	DIFFUSER	OPTIONS
FP221	<b>EOS LED 120V AC, 50/60 Hz, HPF, 50,000 HRS L70*, AMBIENT OP TEMP -40°C TO +40°C, 5 YEAR WARRANTY, DIMMABLE</b> <b>LE800</b> - 13W, 80 CRI <b>W</b> -1140lm 3000K >88 Lumens Per Watt** <b>C</b> -1280lm 4000K	<b>W</b> -White <b>B</b> -Black	<b>ACRYLIC</b> <b>C</b> -Clear <b>W</b> -White	N/A
	<b>INCANDESCENT, MEDIUM BASE, 120V</b> <b>I60-1 X 60W Max</b>	<b>W</b> -White <b>B</b> -Black	<b>ACRYLIC</b> <b>C</b> -Clear <b>W</b> -White	<b>LED LAMP, 3 YEAR WARRANTY, DIMMABLE</b> <b>LWE-A19/E26, 80CRI, 3000K</b> <b>LCE-A19/E26, 80CRI, 4000K</b>
	<b>GU24 BASE, 120V</b> <b>G13-1 X 13W</b> <b>G18-1 X 18W</b> <b>G26-1 X 27W</b>	<b>W</b> -White <b>B</b> -Black	<b>ACRYLIC</b> <b>C</b> -Clear <b>W</b> -White	L-CFL, 2700K

\*DATA PER LM79/LM80/TM21 AVAILABLE UPON REQUEST

\*\*ESTIMATED FROM LED SOURCE

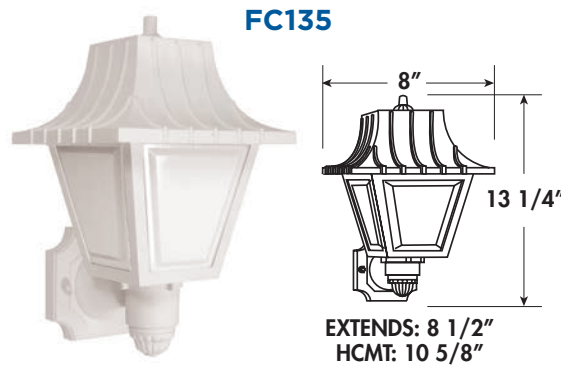
90CRI OPTIONS AVAILABLE - SEE PAGE 112 FOR DIMMER COMPATIBILITY

Fixtures available with custom packaging options, assembled or knocked down. MOQs apply.



- Available in LED, Incandescent & GU24
- Fade & Rust Resistant Composite Construction
- Wall Mount Only
- UL Listed for Wet Locations
- Standard Pack QTY: 6

## COLONIAL WALL



### EXAMPLE # FC135-LE800C-BCP

STYLE #	LIGHT SOURCE	BODY	DIFFUSER	OPTIONS
<b>FC134</b> <b>FC135</b>	<b>EOS LED 120V AC, 50/60 Hz, HPF, 50,000 HRS L70*, AMBIENT OP TEMP -40°C TO +40°C, 5 YEAR WARRANTY, DIMMABLE, ENERGY STAR</b> <b>LE800</b> - 13W, 80 CRI >88 Lumens Per Watt**	<b>W</b> -White <b>B</b> -Black	<b>ACRYLIC</b> <b>C</b> -Clear <b>W</b> -White <b>F</b> - Glare Free Frost	<b>P</b> -Photocell
	<b>INCANDESCENT, MEDIUM BASE, 120V</b> <b>I60</b> -1 X 60W Max	<b>W</b> -White <b>B</b> -Black	<b>ACRYLIC</b> <b>C</b> -Clear <b>W</b> -White <b>F</b> - Glare Free Frost	<b>P</b> -Photocell <b>LED LAMP, 3 YEAR WARRANTY, DIMMABLE, ENERGY STAR</b> <b>LWE</b> -A19/E26, 80CRI, 3000K <b>LCE</b> -A19/E26, 80CRI, 4000K
	<b>GU24 BASE, 120V</b> <b>G13</b> -1 X 13W <b>G18</b> -1 X 18W <b>G26</b> -1 X 27W	<b>W</b> -White <b>B</b> -Black	<b>ACRYLIC</b> <b>C</b> -Clear <b>W</b> -White <b>F</b> - Glare Free Frost	<b>P</b> -Photocell <b>L</b> -CFL, 2700K

\*DATA PER LM79/LM80/TM21 AVAILABLE UPON REQUEST

\*\*ESTIMATED FROM LED SOURCE



Scan the QR code to the left to access the Energy Star qualified product list.

90CRI OPTIONS AVAILABLE - SEE PAGE 112 FOR DIMMER COMPATIBILITY

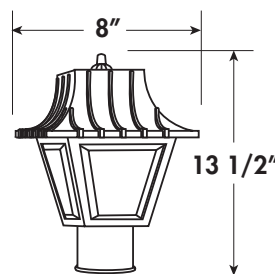
Fixtures available with custom packaging options, assembled or knocked down. MOQs apply.

- Available in LED, Incandescent & GU24
- Fade & Rust Resistant Composite Construction
- Fits Most 3" Diameter Posts
- UL Listed for Wet Locations
- Standard Pack QTY: 6

## COLONIAL POST



FC234



RoHS compliant

### EXAMPLE # FC234-I60-BC-LWE

STYLE #	LIGHT SOURCE	BODY	DIFFUSER	OPTIONS
FC234	<b>EOS LED 120V AC, 50/60 Hz, HPF, 50,000 HRS L70*, AMBIENT OP TEMP -40°C TO +40°C, 5 YEAR WARRANTY, DIMMABLE</b> <b>LE800</b> - 13W, 80 CRI <b>W</b> -1140lm 3000K >88 Lumens Per Watt** <b>C</b> -1280lm 4000K	<b>W</b> -White <b>B</b> -Black	<b>ACRYLIC</b> <b>C</b> -Clear <b>W</b> -White <b>F</b> - Glare Free Frost	N/A
	<b>INCANDESCENT, MEDIUM BASE, 120V</b> <b>I60-1 X 60W Max</b>	<b>W</b> -White <b>B</b> -Black	<b>ACRYLIC</b> <b>C</b> -Clear <b>W</b> -White <b>F</b> - Glare Free Frost	<b>LED LAMP, 3 YEAR WARRANTY, DIMMABLE</b> <b>LWE-A19/E26, 80CRI, 3000K</b> <b>LCE-A19/E26, 80CRI, 4000K</b>
	<b>GU24 BASE, 120V</b> <b>G13-1 X 13W</b> <b>G18-1 X 18W</b> <b>G26-1 X 27W</b>	<b>W</b> -White <b>B</b> -Black	<b>ACRYLIC</b> <b>C</b> -Clear <b>W</b> -White <b>F</b> - Glare Free Frost	<b>L-CFL, 2700K</b>

\*DATA PER LM79/LM80/TM21 AVAILABLE UPON REQUEST

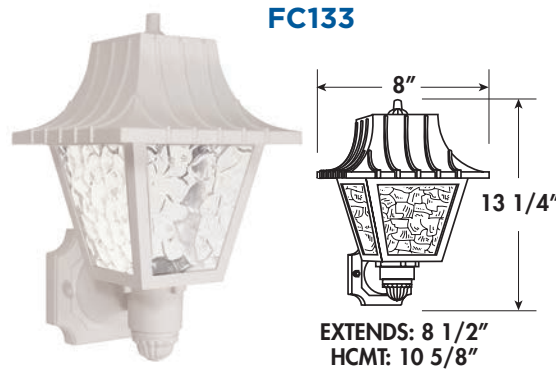
\*\*ESTIMATED FROM LED SOURCE

90CRI OPTIONS AVAILABLE - SEE PAGE 112 FOR DIMMER COMPATIBILITY

Fixtures available with custom packaging options, assembled or knocked down. MOQs apply.

- Available in LED, Incandescent & GU24
- Fade & Rust Resistant Composite Construction
- Wall Mount Only
- UL Listed for Wet Locations
- Standard Pack QTY: 6

## COLONIAL WALL



### EXAMPLE # FC132-LE800C-BCP

STYLE #	LIGHT SOURCE	BODY	DIFFUSER	OPTIONS
<b>FC132</b> <b>FC133</b>	<b>EOS LED 120V AC, 50/60 Hz, HPF, 50,000 HRS L70*, AMBIENT OP TEMP -40°C TO +40°C, 5 YEAR WARRANTY, DIMMABLE, ENERGY STAR</b>  <b>LE800</b> - 13W, 80 CRI >88 Lumens Per Watt** <b>W-1140lm 3000K</b> <b>C-1280lm 4000K</b>	<b>W-White</b> <b>B-Black</b>	<b>ACRYLIC</b> <b>C-Clear</b> Femish	<b>P-Photocell</b>
	<b>INCANDESCENT, MEDIUM BASE, 120V</b> <b>I60-1 X 60W Max</b>	<b>W-White</b> <b>B-Black</b>	<b>ACRYLIC</b> <b>C-Clear</b> Femish	<b>P-Photocell</b>  <b>LED LAMP, 3 YEAR WARRANTY, DIMMABLE, ENERGY STAR</b> <b>LWE-A19/E26, 80CRI, 3000K</b> <b>LCE-A19/E26, 80CRI, 4000K</b>
	<b>GU24 BASE, 120V</b> <b>G13-1 X 13W</b> <b>G18-1 X 18W</b> <b>G26-1 X 27W</b>	<b>W-White</b> <b>B-Black</b>	<b>ACRYLIC</b> <b>C-Clear</b> Femish	<b>P-Photocell</b> <b>L-CFL, 2700K</b>

\*DATA PER LM79/LM80/TM21 AVAILABLE UPON REQUEST

\*\*ESTIMATED FROM LED SOURCE



Scan the QR code to the left to access the Energy Star qualified product list.

**90CRI OPTIONS AVAILABLE - SEE PAGE 112 FOR DIMMER COMPATIBILITY**

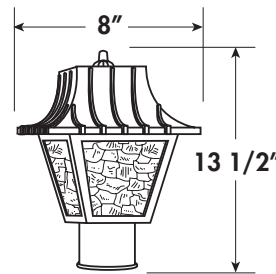
Fixtures available with custom packaging options, assembled or knocked down. MOQs apply.

- Available in LED, Incandescent & GU24
- Fade & Rust Resistant Composite Construction
- Fits Most 3" Diameter Posts
- UL Listed for Wet Locations
- Standard Pack QTY: 6

## COLONIAL POST



FC232



RoHS compliant

### EXAMPLE # FC232-I60-BC-LWE

STYLE #	LIGHT SOURCE	BODY	DIFFUSER	OPTIONS
FC232	<b>EOS LED 120V AC, 50/60 Hz, HPF, 50,000 HRS L70*, AMBIENT OP TEMP -40°C TO +40°C, 5 YEAR WARRANTY, DIMMABLE</b> <b>LE800</b> - 13W, 80 CRI <b>W</b> -1140lm 3000K >88 Lumens Per Watt** <b>C</b> -1280lm 4000K	<b>W</b> -White <b>B</b> -Black	<b>ACRYLIC</b> <b>C</b> -Clear Flemish	N/A
	<b>INCANDESCENT, MEDIUM BASE, 120V</b> <b>I60-1</b> X 60W Max	<b>W</b> -White <b>B</b> -Black	<b>ACRYLIC</b> <b>C</b> -Clear Flemish	<b>LED LAMP, 3 YEAR WARRANTY, DIMMABLE</b> <b>LWE</b> -A19/E26, 80CRI, 3000K <b>LCE</b> -A19/E26, 80CRI, 4000K
	<b>GU24 BASE, 120V</b> <b>G13-1</b> X 13W <b>G18-1</b> X 18W <b>G26-1</b> X 27W	<b>W</b> -White <b>B</b> -Black	<b>ACRYLIC</b> <b>C</b> -Clear Flemish	<b>L</b> -CFL, 2700K

\*DATA PER LM79/LM80/TM21 AVAILABLE UPON REQUEST

\*\*ESTIMATED FROM LED SOURCE

90CRI OPTIONS AVAILABLE - SEE PAGE 112 FOR DIMMER COMPATIBILITY

Fixtures available with custom packaging options, assembled or knocked down. MOQs apply.

For more information contact our sales department at 1-800-325-7364 or visit [www.interglobal-inc.com](http://www.interglobal-inc.com)

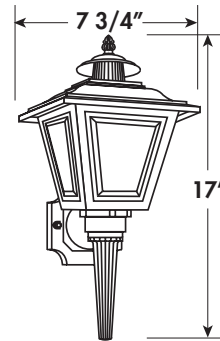
- Available in LED, Incandescent & GU24
- Fade & Rust Resistant Composite Construction
- Wall Mount Only
- UL Listed for Wet Locations
- Standard Pack QTY: 6

## TUDOR WALL



**FT131**

1 PIECE BASE  
HCMT: 10 1/2"



EXTENDS: 8"



RoHS  
compliant



### EXAMPLE # FT131-I60-BW-PTLWE

STYLE #	LIGHT SOURCE	BODY	DIFFUSER	OPTIONS
FT131	<b>EOS LED 120V AC, 50/60 Hz, HPF, 50,000 HRS L70*, AMBIENT OP TEMP -40°C TO +40°C, 5 YEAR WARRANTY, DIMMABLE, ENERGY STAR</b>	<b>W-White</b> <b>B-Black</b>	<b>ACRYLIC</b> <b>C-Clear</b> <b>W-White</b> <b>F- Glare Free Frost</b>	<b>P-Photocell</b> <b>T- Brass Finial</b>
	<b>LE800</b> - 13W, 80 CRI >88 Lumens Per Watt**	<b>W-1140lm 3000K</b> <b>C-1280lm 4000K</b>		
	<b>INCANDESCENT, MEDIUM BASE, 120V</b> <b>I60-1 X 60W Max</b>	<b>W-White</b> <b>B-Black</b>	<b>ACRYLIC</b> <b>C-Clear</b> <b>W-White</b> <b>F- Glare Free Frost</b>	<b>P-Photocell</b> <b>T- Brass Finial</b> <b>LED LAMP, 3 YEAR WARRANTY, DIMMABLE, ENERGY STAR</b> <b>LWE-A19/E26, 80CRI, 3000K</b> <b>LCE-A19/E26, 80CRI, 4000K</b>
	<b>GU24 BASE, 120V</b> <b>G13-1 X 13W</b> <b>G18-1 X 18W</b> <b>G26-1 X 27W</b>	<b>W-White</b> <b>B-Black</b>	<b>ACRYLIC</b> <b>C-Clear</b> <b>W-White</b> <b>F- Glare Free Frost</b>	<b>P-Photocell</b> <b>T- Brass Finial</b> <b>L-CFL, 2700K</b>

\*DATA PER LM79/LM80/TM21 AVAILABLE UPON REQUEST

\*\*ESTIMATED FROM LED SOURCE



Scan the QR code to the left to access the Energy Star qualified product list.

**90CRI OPTIONS AVAILABLE - SEE PAGE 112 FOR DIMMER COMPATIBILITY**

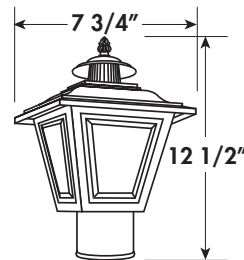
Fixtures available with custom packaging options, assembled or knocked down. MOQs apply.

- Available in LED, Incandescent & GU24
- Fade & Rust Resistant Composite Construction
- Fits Most 3" Diameter Posts
- UL Listed for Wet Locations
- Standard Pack QTY: 6

## TUDOR POST



FT231



RoHS compliant

### EXAMPLE # FT231-LE800C-BCT

STYLE #	LIGHT SOURCE	BODY	DIFFUSER	OPTIONS
FT231	<b>EOS LED 120V AC, 50/60 Hz, HPF, 50,000 HRS L70*, AMBIENT OP TEMP -40°C TO +40°C, 5 YEAR WARRANTY, DIMMABLE</b> <b>LE800</b> - 13W, 80 CRI <b>W</b> -1140lm 3000K >88 Lumens Per Watt** <b>C</b> -1280lm 4000K	<b>W</b> -White <b>B</b> -Black	<b>ACRYLIC</b> <b>C</b> -Clear <b>W</b> -White <b>F</b> - Glare Free Frost	<b>T</b> - Brass Finial
	<b>INCANDESCENT, MEDIUM BASE, 120V</b> <b>I60-1 X 60W Max</b>	<b>W</b> -White <b>B</b> -Black	<b>ACRYLIC</b> <b>C</b> -Clear <b>W</b> -White <b>F</b> - Glare Free Frost	<b>T</b> - Brass Finial <b>LED LAMP, 3 YEAR WARRANTY, DIMMABLE</b> <b>LWE-A19/E26, 80CRI, 3000K</b> <b>LCE-A19/E26, 80CRI, 4000K</b>
	<b>GU24 BASE, 120V</b> <b>G13-1 X 13W</b> <b>G18-1 X 18W</b> <b>G26-1 X 27W</b>	<b>W</b> -White <b>B</b> -Black	<b>ACRYLIC</b> <b>C</b> -Clear <b>W</b> -White <b>F</b> - Glare Free Frost	<b>T</b> - Brass Finial <b>L</b> -CFL, 2700K

\*DATA PER LM79/LM80/TM21 AVAILABLE UPON REQUEST

\*\*ESTIMATED FROM LED SOURCE

90CRI OPTIONS AVAILABLE - SEE PAGE 112 FOR DIMMER COMPATIBILITY

Fixtures available with custom packaging options, assembled or knocked down. MOQs apply.

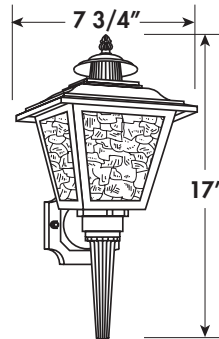
- Available in LED, Incandescent & GU24
- Fade & Rust Resistant Composite Construction
- Wall Mount Only
- UL Listed for Wet Locations
- Standard Pack QTY: 6



## TUDOR WALL

**FT151**

1 PIECE BASE  
HCMT: 10 1/2"



EXTENDS: 8"



RoHS  
compliant



### EXAMPLE # FT151-I60-BC-PTLWE

STYLE #	LIGHT SOURCE	BODY	DIFFUSER	OPTIONS
FT151	<b>EOS LED 120V AC, 50/60 Hz, HPF, 50,000 HRS L70*, AMBIENT OP TEMP -40°C TO +40°C, 5 YEAR WARRANTY, DIMMABLE, ENERGY STAR</b>  <b>LE800</b> - 13W, 80 CRI <b>W</b> -1140lm 3000K >88 Lumens Per Watt** <b>C</b> -1280lm 4000K	<b>W</b> -White <b>B</b> -Black	<b>ACRYLIC</b> <b>C</b> -Clear Femish	<b>P</b> -Photocell <b>T</b> - Brass Finial
	<b>INCANDESCENT, MEDIUM BASE, 120V</b> <b>I60-1 X 60W Max</b>	<b>W</b> -White <b>B</b> -Black	<b>ACRYLIC</b> <b>C</b> -Clear Femish	<b>P</b> -Photocell <b>T</b> - Brass Finial  <b>LED LAMP, 3 YEAR WARRANTY, DIMMABLE, ENERGY STAR</b> <b>LWE</b> -A19/E26, 80CRI, 3000K <b>LCE</b> -A19/E26, 80CRI, 4000K
	<b>GU24 BASE, 120V</b> <b>G13-1 X 13W</b> <b>G18-1 X 18W</b> <b>G26-1 X 27W</b>	<b>W</b> -White <b>B</b> -Black	<b>ACRYLIC</b> <b>C</b> -Clear Femish	<b>P</b> -Photocell <b>T</b> - Brass Finial <b>L</b> -CFL, 2700K

\*DATA PER LM79/LM80/TM21 AVAILABLE UPON REQUEST

\*\*ESTIMATED FROM LED SOURCE



Scan the QR code to the left to access the Energy Star qualified product list.

**90CRI OPTIONS AVAILABLE - SEE PAGE 112 FOR DIMMER COMPATIBILITY**

Fixtures available with custom packaging options, assembled or knocked down. MOQs apply.

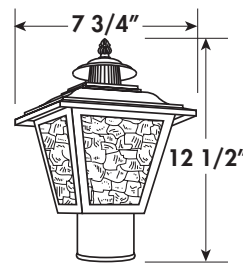


- Available in LED, Incandescent & GU24
- Fade & Rust Resistant Composite Construction
- Fits Most 3" Diameter Posts
- UL Listed for Wet Locations
- Standard Pack QTY: 6

## TUDOR POST



FT251



### EXAMPLE # FT251-LE800C-BCT

STYLE #	LIGHT SOURCE	BODY	DIFFUSER	OPTIONS
FT251	<b>EOS LED 120V AC, 50/60 Hz, HPF, 50,000 HRS L70*, AMBIENT OP TEMP -40°C TO +40°C, 5 YEAR WARRANTY, DIMMABLE</b>  <b>LE800</b> - 13W, 80 CRI <b>W</b> -1140lm 3000K >88 Lumens Per Watt** <b>C</b> -1280lm 4000K	<b>W</b> -White <b>B</b> -Black	<b>ACRYLIC</b> <b>C</b> -Clear Femish	<b>T</b> - Brass Finial
	<b>INCANDESCENT, MEDIUM BASE, 120V</b> <b>I60-1 X 60W Max</b>	<b>W</b> -White <b>B</b> -Black	<b>ACRYLIC</b> <b>C</b> -Clear Femish	<b>T</b> - Brass Finial <b>LED LAMP, 3 YEAR WARRANTY, DIMMABLE</b> <b>LWE</b> -A19/E26, 80CRI, 3000K <b>LCE</b> -A19/E26, 80CRI, 4000K
	<b>GU24 BASE, 120V</b> <b>G13-1 X 13W</b> <b>G18-1 X 18W</b> <b>G26-1 X 27W</b>	<b>W</b> -White <b>B</b> -Black	<b>ACRYLIC</b> <b>C</b> -Clear Femish	<b>T</b> - Brass Finial <b>L</b> -CFL, 2700K

\*DATA PER LM79/LM80/TM21 AVAILABLE UPON REQUEST


\*\*ESTIMATED FROM LED SOURCE

90CRI OPTIONS AVAILABLE - SEE PAGE 112 FOR DIMMER COMPATIBILITY

Fixtures available with custom packaging options, assembled or knocked down. MOQs apply.


- Available in LED, Incandescent & GU24
- Fade & Rust Resistant Composite Construction
- Wall Mount Only
- UL Listed for Wet Locations
- Standard Pack QTY: 1

## AMHERST WALL








**FA182**

EXTENDS: 9"  
HCMT: 15 5/8"



**FA183**

EXTENDS: 9"  
HCMT: 15 5/8"

### EXAMPLE # FA182-LE800C-BWP

STYLE #	LIGHT SOURCE	BODY	DIFFUSER	OPTIONS
FA182 FA183	<b>EOS LED 120V AC, 50/60 Hz, HPF, 50,000 HRS L70*, AMBIENT OP TEMP -40°C TO +40°C, 5 YEAR WARRANTY, DIMMABLE, ENERGY STAR</b>  <b>LE800</b> - 13W, 80 CRI <b>W</b> -1140lm 3000K >88 Lumens Per Watt** <b>C</b> -1280lm 4000K	<b>W</b> -White <b>B</b> -Black	<b>ACRYLIC</b> <b>C</b> -Clear <b>W</b> -White <b>F</b> - Glare Free Frost	<b>P</b> -Photocell
	<b>INCANDESCENT, MEDIUM BASE, 120V</b> <b>I75</b> - 1 X 75W Max	<b>W</b> -White <b>B</b> -Black	<b>ACRYLIC</b> <b>C</b> -Clear <b>W</b> -White <b>F</b> - Glare Free Frost	<b>P</b> -Photocell  <b>LED LAMP, 3 YEAR WARRANTY, DIMMABLE, ENERGY STAR</b> <b>LWE</b> -A19/E26, 80CRI, 3000K <b>LCE</b> -A19/E26, 80CRI, 4000K
	<b>GU24 BASE, 120V</b> <b>G13</b> -1 X 13W <b>G18</b> -1 X 18W <b>G26</b> -1 X 27W	<b>W</b> -White <b>B</b> -Black	<b>ACRYLIC</b> <b>C</b> -Clear <b>W</b> -White <b>F</b> - Glare Free Frost	<b>P</b> -Photocell <b>L</b> -CFL, 2700K

\*DATA PER LM79/LM80/TM21 AVAILABLE UPON REQUEST

\*\*ESTIMATED FROM LED SOURCE



Scan the QR code to the left to access the Energy Star qualified product list.

**90CRI OPTIONS AVAILABLE - SEE PAGE 112 FOR DIMMER COMPATIBILITY**

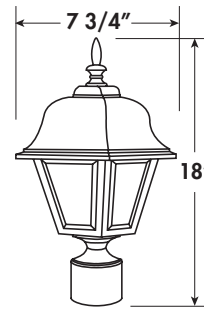
Fixtures available with custom packaging options, assembled or knocked down. MOQs apply.

- Available in LED, Incandescent & GU24
- Fade & Rust Resistant Composite Construction
- Fits Most 3" Diameter Posts
- UL Listed for Wet Locations
- Standard Pack QTY: 1

## AMHERST POST



FA282



RoHS compliant

### EXAMPLE # FA282-I75-BC-LWE

STYLE #	LIGHT SOURCE	BODY	DIFFUSER	OPTIONS
FA282	<b>EOS LED 120V AC, 50/60 Hz, HPF, 50,000 HRS L70*, AMBIENT OP TEMP -40°C TO +40°C, 5 YEAR WARRANTY, DIMMABLE</b> <b>LE800</b> - 13W, 80 CRI <b>W</b> -1140lm 3000K >88 Lumens Per Watt** <b>C</b> -1280lm 4000K	<b>W</b> -White <b>B</b> -Black	<b>ACRYLIC</b> <b>C</b> -Clear <b>W</b> -White <b>F</b> - Glare Free Frost	N/A
	<b>INCANDESCENT, MEDIUM BASE, 120V</b> <b>I75</b> - 1 X 75W Max	<b>W</b> -White <b>B</b> -Black	<b>ACRYLIC</b> <b>C</b> -Clear <b>W</b> -White <b>F</b> - Glare Free Frost	<b>LED LAMP, 3 YEAR WARRANTY, DIMMABLE</b> <b>LWE</b> -A19/E26, 80CRI, 3000K <b>LCE</b> -A19/E26, 80CRI, 4000K
	<b>GU24 BASE, 120V</b> <b>G13</b> -1 X 13W <b>G18</b> -1 X 18W <b>G26</b> -1 X 27W	<b>W</b> -White <b>B</b> -Black	<b>ACRYLIC</b> <b>C</b> -Clear <b>W</b> -White <b>F</b> - Glare Free Frost	L-CFL, 2700K

\*DATA PER LM79/LM80/TM21 AVAILABLE UPON REQUEST

\*\*ESTIMATED FROM LED SOURCE

90CRI OPTIONS AVAILABLE - SEE PAGE 112 FOR DIMMER COMPATIBILITY

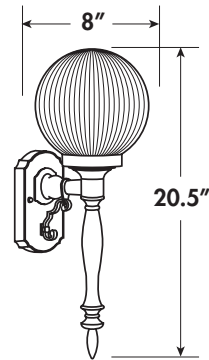
Fixtures available with custom packaging options, assembled or knocked down. MOQs apply.

- Available in LED, Incandescent & GU24
- Fade & Rust Resistant Composite Construction
- Wall Mount Only
- UL Listed for Wet Locations
- Standard Pack QTY: 1

## AMHERST WALL



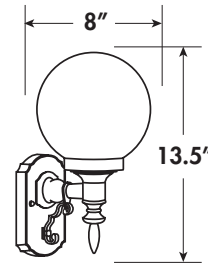
**FA192**



EXTENDS: 9"  
HCMT: 11 1/8"



**FA193**



EXTENDS: 9"  
HCMT: 11 1/8"



RoHS compliant



### EXAMPLE # FA192-I75-BW-PLWE

STYLE #	LIGHT SOURCE	BODY	DIFFUSER	OPTIONS
<b>FA192</b>	<b>INCANDESCENT, MEDIUM BASE, 120V</b>	<b>W</b> -White	<b>ACRYLIC</b>	<b>P</b> - Photocell
<b>FA193</b>	<b>I75-1 X 75W Max</b>	<b>B</b> - Black	<b>C</b> -Clear Prism <b>W</b> - White	<b>LED LAMP, 3 YEAR WARRANTY, DIMMABLE, ENERGY STAR</b> <b>LWE</b> -A19/E26, 80CRI, 3000K <b>LCE</b> -A19/E26, 80CRI, 4000K
	<b>GU24 BASE, 120V</b>	<b>W</b> -White	<b>ACRYLIC</b>	<b>L</b> -CFL, 2700K
	<b>G13</b> -1 X 13W <b>G18</b> -1 X 18W <b>G26</b> -1 X 27W	<b>B</b> - Black	<b>C</b> -Clear Prism <b>W</b> - White	<b>P</b> - Photocell

\*DATA PER LM79/LM80/TM21 AVAILABLE UPON REQUEST

\*\*ESTIMATED FROM LED SOURCE



Scan the QR code to the left to access the Energy Star qualified product list.

**SEE PAGE 112 FOR DIMMER COMPATIBILITY**

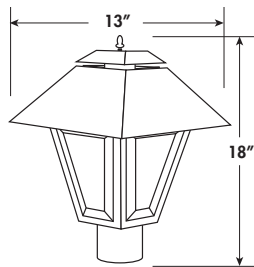
Fixtures available with custom packaging options, assembled or knocked down. MOQs apply.

- Available in LED, Incandescent & GU24
- Fade & Rust Resistant Composite Construction
- Fits Most 3" Diameter Posts
- UL Listed for Wet Locations
- Standard Pack QTY: 1

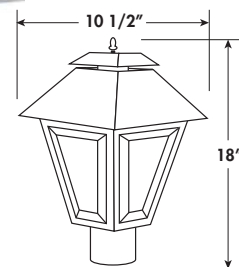
## IMPERIAL POST



**FI210**



**FI209**



RoHS compliant

### EXAMPLE # FI210-I100-BC-GTLWE

STYLE #	LIGHT SOURCE	BODY	DIFFUSER	OPTIONS
<b>FI209</b> <b>FI210</b>	<b>EOS LED 120V AC, 50/60 Hz, HPF, 50,000 HRS L70*, AMBIENT OP TEMP -40°C TO +40°C, 5 YEAR WARRANTY, DIMMABLE</b> <b>LE800</b> - 13W, 80 CRI <b>W</b> -1140lm 3000K >88 Lumens Per Watt** <b>C</b> -1280lm 4000K  <b>LE1200</b> - 14W, 80 CRI <b>W</b> -1430lm 3000K >102 Lumens Per Watt** <b>C</b> -1500lm 4000K  <b>LE1800</b> - 22W, 80 CRI <b>W</b> -1950lm 3000K >88 Lumens Per Watt** <b>C</b> -2130lm 4000K	<b>W</b> -White <b>B</b> - Black	<b>ACRYLIC</b> <b>C</b> -Clear <b>F</b> - Glare Free Frost	<b>G</b> -Decorative Chimney <b>T</b> - Brass Finial
	<b>INCANDESCENT, MEDIUM BASE, 120V</b> <b>I100</b> - 1 X 100W Max	<b>W</b> -White <b>B</b> - Black	<b>ACRYLIC</b> <b>C</b> -Clear <b>F</b> - Glare Free Frost	<b>G</b> -Decorative Chimney <b>T</b> - Brass Finial <b>LED LAMP, 3 YEAR WARRANTY, DIMMABLE</b> <b>LWE</b> -A19/E26, 80CRI, 3000K <b>LCE</b> -A19/E26, 80CRI, 4000K
	<b>GU24 BASE, 120V</b> <b>G13</b> -1 X 13W <b>G18</b> -1 X 18W <b>G26</b> -1 X 27W	<b>W</b> -White <b>B</b> -Black	<b>ACRYLIC</b> <b>C</b> -Clear <b>F</b> - Glare Free Frost	<b>G</b> -Decorative Chimney <b>T</b> - Brass Finial <b>L</b> -CFL, 2700K

\*DATA PER LM79/LM80/TM21 AVAILABLE UPON REQUEST


\*\*ESTIMATED FROM LED SOURCE

**90CRI OPTIONS AVAILABLE - SEE PAGE 112 FOR DIMMER COMPATIBILITY**

Fixtures available with custom packaging options, assembled or knocked down. MOQs apply.

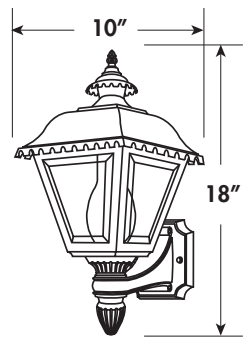
- Available in LED, Incandescent & GU24
- Fade & Rust Resistant Composite Construction
- Wall Mount Only
- UL Listed for Wet Locations
- Standard Pack QTY: 1

## LARGE TUDOR WALL






**FT171**


SHOWN WITH  
OPTIONAL  
DECORATIVE CHIMNEY





EXTENDS: 10 1/4"  
HCMT: 15"

RoHS compliant



### EXAMPLE # FT171-I75-BC-GTLWE

STYLE #	LIGHT SOURCE	BODY	DIFFUSER	OPTIONS
<b>FT171</b>	<b>EOS LED 120V AC, 50/60 Hz, HPF, 50,000 HRS L70*, AMBIENT OP TEMP -40°C TO +40°C, 5 YEAR WARRANTY, DIMMABLE, ENERGY STAR</b>  <b>LE800</b> - 13W, 80 CRI <b>W</b> -1140lm 3000K >88 Lumens Per Watt** <b>C</b> -1280lm 4000K	<b>B</b> -Black	<b>ACRYLIC</b> <b>C</b> -Clear <b>F</b> - Glare Free Frost	<b>C</b> - Decorative Chimney <b>T</b> - Brass Finial
	<b>INCANDESCENT, MEDIUM BASE, 120V</b> <b>I75-1</b> X 75W Max	<b>B</b> -Black	<b>ACRYLIC</b> <b>C</b> -Clear <b>F</b> - Glare Free Frost	<b>G</b> -Decorative Chimney <b>T</b> -Brass Finial  <b>LED LAMP, 3 YEAR WARRANTY, DIMMABLE, ENERGY STAR</b>  <b>LWE</b> -A19/E26, 80CRI, 3000K <b>LCE</b> -A19/E26, 80CRI, 4000K
	<b>GU24 BASE, 120V</b> <b>G13</b> -1 X 13W <b>G18</b> -1 X 18W <b>G26</b> -1 X 27W	<b>B</b> -Black	<b>ACRYLIC</b> <b>C</b> -Clear <b>F</b> - Glare Free Frost	<b>G</b> -Decorative Chimney <b>T</b> -Brass Finial <b>L</b> -CFL, 2700K

\*DATA PER LM79/LM80/TM21 AVAILABLE UPON REQUEST

\*\*ESTIMATED FROM LED SOURCE



Scan the QR code to the left to access the Energy Star qualified product list.

**90CRI OPTIONS AVAILABLE - SEE PAGE 112 FOR DIMMER COMPATIBILITY**

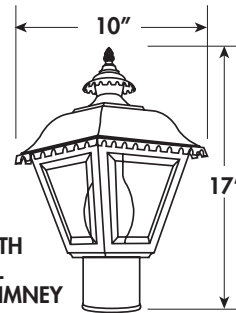
Fixtures available with custom packaging options, assembled or knocked down. MOQs apply.

- Available in LED, Incandescent & GU24
- Fade & Rust Resistant Composite Construction
- Fits Most 3" Diameter Posts
- UL Listed for Wet Locations
- Standard Pack QTY: 1

## LARGE TUDOR POST



FT271



SHOWN WITH  
OPTIONAL  
DECORATIVE CHIMNEY



RoHS  
compliant

### EXAMPLE # FT271-LE800C-BCGT

STYLE #	LIGHT SOURCE	BODY	DIFFUSER	OPTIONS
FT271	<b>EOS LED 120V AC, 50/60 Hz, HPF, 50,000 HRS L70*, AMBIENT OP TEMP -40°C TO +40°C, 5 YEAR WARRANTY, DIMMABLE</b>  <b>LE800</b> - 13W, 80 CRI <b>W</b> -1140lm 3000K >88 Lumens Per Watt** <b>C</b> -1280lm 4000K	B-Black	<b>ACRYLIC</b> <b>C</b> -Clear <b>F</b> - Glare Free Frost	<b>C</b> - Decorative Chimney <b>T</b> - Brass Finial
	<b>INCANDESCENT, MEDIUM BASE, 120V</b> <b>I75-1 X 75W Max</b>	B-Black	<b>ACRYLIC</b> <b>C</b> -Clear <b>F</b> - Glare Free Frost	<b>G</b> -Decorative Chimney <b>T</b> -Brass Finial  <b>LED LAMP, 3 YEAR WARRANTY, DIMMABLE</b> <b>LWE</b> -A19/E26, 80CRI, 3000K <b>LCE</b> -A19/E26, 80CRI, 4000K
	<b>GU24 BASE, 120V</b> <b>G13-1 X 13W</b> <b>G18-1 X 18W</b> <b>G26-1 X 27W</b>	B-Black	<b>ACRYLIC</b> <b>C</b> -Clear <b>F</b> - Glare Free Frost	<b>G</b> -Decorative Chimney <b>T</b> -Brass Finial <b>L</b> -CFL, 2700K

\*DATA PER LM79/LM80/TM21 AVAILABLE UPON REQUEST

\*\*ESTIMATED FROM LED SOURCE

90CRI OPTIONS AVAILABLE - SEE PAGE 112 FOR DIMMER COMPATIBILITY

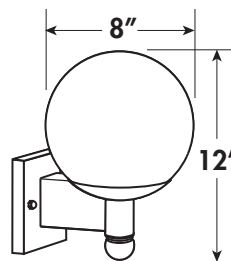
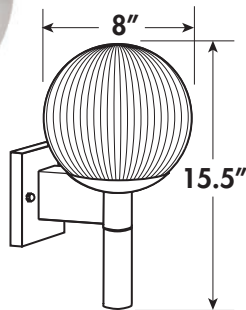
Fixtures available with custom packaging options, assembled or knocked down. MOQs apply.



- Available in LED, Incandescent & GU24
- Fade & Rust Resistant Composite Construction
- Wall Mount Only
- UL Listed for Wet Locations
- Standard Pack QTY: 1

## 8" GLOBE WALL

**FG100**  
SHORT & LONG  
TAIL INCLUDED



EXTENDS: 8.5"  
HCMT: 9"



RoHS  
compliant



### EXAMPLE # FG100-I75-BW-LWE

STYLE #	LIGHT SOURCE	BODY	GLOBE	OPTIONS
<b>FG100</b>	<b>INCANDESCENT, MEDIUM BASE, 120V</b> I75-1 X 75W	<b>W</b> -White <b>B</b> - Black	<b>ACRYLIC</b> <b>C</b> -Clear Prism <b>W</b> -White	<b>P</b> -Photocell  <b>LED LAMP, 3 YEAR WARRANTY, DIMMABLE, ENERGY STAR</b> <b>LWE</b> -A19/E26, 80CRI, 3000K <b>LCE</b> -A19/E26, 80CRI, 4000K
	<b>GU24 BASE, 120V</b> <b>G13</b> -1 X 13W <b>G18</b> -1 X 18W <b>G26</b> -1 X 27W	<b>W</b> -White <b>B</b> - Black	<b>ACRYLIC</b> <b>C</b> -Clear Prism <b>W</b> -White	<b>P</b> -Photocell <b>L</b> -CFL, 2700K

\*DATA PER LM79/LM80/TM21 AVAILABLE UPON REQUEST

\*\*ESTIMATED FROM LED SOURCE



Scan the QR code to the left to access the Energy Star qualified product list.

SEE PAGE 112 FOR DIMMER COMPATIBILITY

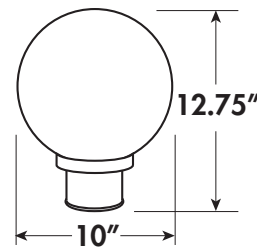
Fixtures available with custom packaging options, assembled or knocked down. MOQs apply.

- Available in LED, Incandescent & GU24
- Fade & Rust Resistant Composite Construction
- Fits Most 3" Diameter Posts
- UL Listed for Wet Locations
- Standard Pack QTY: 1

### 10" GLOBE



FG210



RoHS compliant

#### EXAMPLE # FG210-I100-BW-LWE

STYLE #	LIGHT SOURCE	BODY	GLOBE	OPTIONS
FG210	INCANDESCENT, MEDIUM BASE, 120V I100-1 X 100W	W-White B- Black	ACRYLIC C-Clear Prism W-White	LED LAMP, 3 YEAR WARRANTY, DIMMABLE LWE-A19/E26, 80CRI, 3000K LCE-A19/E26, 80CRI, 4000K
	GU24 BASE, 120V G13-1 X 13W G18-1 X 18W G26-1 X 27W	W-White B- Black	ACRYLIC C-Clear Prism W-White	L-CFL, 2700K

\*DATA PER LM79/LM80/TM21 AVAILABLE UPON REQUEST

\*\*ESTIMATED FROM LED SOURCE

SEE PAGE 112 FOR DIMMER COMPATIBILITY

Fixtures available with custom packaging options, assembled or knocked down. MOQs apply.

For more information contact our sales department at 1-800-325-7364 or visit [www.interglobal-inc.com](http://www.interglobal-inc.com)

- Available in LED, Incandescent & GU24
- Fade & Rust Resistant Composite Construction
- Fits Most 3" Diameter Posts
- UL Listed for Wet Locations
- Standard Pack QTY: 1



### EXAMPLE # FG214-I150-BW-LWE

STYLE #	LIGHT SOURCE	BODY	GLOBE	OPTIONS
<b>FG212</b>	EOS LED 120V AC, 50/60 Hz, HPF, 50,000 HRS L70*, AMBIENT OP TEMP -40°C TO +40°C, 5 YEAR WARRANTY, DIMMABLE <b>LE800</b> - 13W, 80 CRI >88 Lumens Per Watt** <b>W</b> -1140lm 3000K <b>C</b> -1280lm 4000K	<b>W</b> -White <b>B</b> - Black	<b>ACRYLIC</b> <b>C</b> -Clear Prism <b>W</b> -White	N/A
	<b>INCANDESCENT, MEDIUM BASE, 120V</b> <b>I100</b> -1 X 100W	<b>W</b> -White <b>B</b> - Black	<b>ACRYLIC</b> <b>C</b> -Clear Prism <b>W</b> -White	<b>LED LAMP, 3 YEAR WARRANTY, DIMMABLE</b> <b>LWE</b> -A19/E26, 80CRI, 3000K <b>LCE</b> -A19/E26, 80CRI, 4000K
	<b>GU24 BASE, 120V</b> <b>G13</b> -1 X 13W <b>G18</b> -1 X 18W <b>G26</b> -1 X 27W	<b>W</b> -White <b>B</b> - Black	<b>ACRYLIC</b> <b>C</b> -Clear Prism <b>W</b> -White	<b>L</b> -CFL, 2700K
<b>FG214</b> <b>FG216</b>	EOS LED 120V AC, 50/60 Hz, HPF, 50,000 HRS L70*, AMBIENT OP TEMP -40°C TO +40°C, 5 YEAR WARRANTY, DIMMABLE <b>LE800</b> - 13W, 80 CRI >88 Lumens Per Watt** <b>W</b> -1140lm 3000K <b>C</b> -1280lm 4000K	<b>W</b> -White <b>B</b> - Black	<b>ACRYLIC</b> <b>C</b> -Clear Prism <b>W</b> -White	N/A
	<b>INCANDESCENT, MEDIUM BASE, 120V</b> <b>I150</b> -1 X 150W	<b>W</b> -White <b>B</b> - Black	<b>ACRYLIC</b> <b>C</b> -Clear Prism <b>W</b> -White	<b>LED LAMP, 3 YEAR WARRANTY, DIMMABLE</b> <b>LWE</b> -A19/E26, 80CRI, 3000K <b>LCE</b> -A19/E26, 80CRI, 4000K
	<b>GU24 BASE, 120V</b> <b>G13</b> -1 X 13W <b>G18</b> -1 X 18W <b>G26</b> -1 X 27W	<b>W</b> -White <b>B</b> - Black	<b>ACRYLIC</b> <b>C</b> -Clear Prism <b>W</b> -White	<b>L</b> -CFL, 2700K

\*DATA PER LM79/LM80/TM21 AVAILABLE UPON REQUEST

\*\*ESTIMATED FROM LED SOURCE

**90CRI OPTIONS AVAILABLE - SEE PAGE 112 FOR DIMMER COMPATIBILITY**

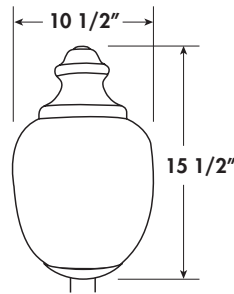
Fixtures available with custom packaging options, assembled or knocked down. MOQs apply.

- Available in LED, Incandescent & GU24
- Fade & Rust Resistant Composite Construction
- Fits Most 3" Diameter Posts
- UL Listed for Wet Locations
- Standard Pack QTY: 1

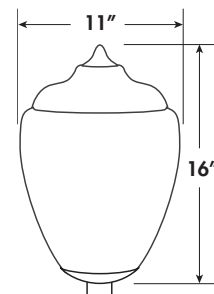
## ACORNS



**FA201**



**FA202**



RoHS compliant

### EXAMPLE # FA201-G13-BCL

STYLE #	LIGHT SOURCE	BODY	DIFFUSER	OPTIONS
<b>FA201</b> <b>FA202</b>	<b>EOS LED 120V AC, 50/60 Hz, HPF, 50,000 HRS L70*, AMBIENT OP TEMP -40°C TO +40°C, 5 YEAR WARRANTY, DIMMABLE</b>	<b>W</b> -White <b>B</b> - Black	<b>ACRYLIC</b> <b>A</b> -Clear Textured <b>POLYCARBONATE</b> <b>C</b> -Clear Textured <b>POLYETHYLENE</b> <b>W</b> -White Textured	N/A
	<b>LE800</b> - 13W, 80 CRI >88 Lumens Per Watt**			<b>W</b> -1140lm 3000K <b>C</b> -1280lm 4000K
	<b>LE1200</b> - 14W, 80 CRI >102 Lumens Per Watt**			<b>W</b> -1430lm 3000K <b>C</b> -1500lm 4000K
	<b>LE1800</b> - 22W, 80 CRI >88 Lumens Per Watt**			<b>W</b> -1950lm 3000K <b>C</b> -2130lm 4000K
	<b>INCANDESCENT, MEDIUM BASE, 120V</b> <b>I150</b> -1 X 150W Max	<b>W</b> -White <b>B</b> - Black	<b>ACRYLIC</b> <b>A</b> -Clear Textured <b>POLYCARBONATE</b> <b>C</b> -Clear Textured <b>POLYETHYLENE</b> <b>W</b> -White Textured	<b>LED LAMP, 3 YEAR WARRANTY, DIMMABLE</b> <b>LWE</b> -A19/E26, 80CRI, 3000K <b>LCE</b> -A19/E26, 80CRI, 4000K
	<b>GU24 BASE, 120V</b> <b>G13</b> -1 X 13W <b>G18</b> -1 X 18W <b>G26</b> -1 X 27W	<b>W</b> -White <b>B</b> - Black	<b>ACRYLIC</b> <b>A</b> -Clear Textured <b>POLYCARBONATE</b> <b>C</b> -Clear Textured <b>POLYETHYLENE</b> <b>W</b> -White Textured	<b>L</b> -CFL, 2700K

\*DATA PER LM79/LM80/TM21 AVAILABLE UPON REQUEST

\*\*ESTIMATED FROM LED SOURCE

**90CRI OPTIONS AVAILABLE - SEE PAGE 112 FOR DIMMER COMPATIBILITY**

Fixtures available with custom packaging options, assembled or knocked down. MOQs apply.

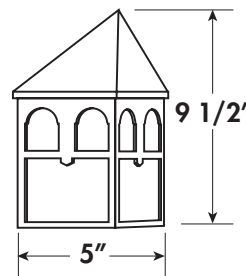
- Available in LED, Incandescent & GU24
- Fade & Rust Resistant Composite Construction
- Wall Mount Only
- UL Listed for Damp Locations
- Standard Pack QTY: 6

## COTTAGE

FP120



EXTENDS: 4 3/4"  
HCMT: 6"



RoHS compliant



### EXAMPLE # FP120-I60-BW-PLWE

STYLE #	LIGHT SOURCE	BODY	DIFFUSER	OPTIONS
FP120	<b>EOS LED 120V AC, 50/60 Hz, HPF, 50,000 HRS L70*, AMBIENT OP TEMP -40°C TO +40°C, 5 YEAR WARRANTY, DIMMABLE, ENERGY STAR</b>	B-Black	<b>ACRYLIC</b> W-White	P-Photocell
	<b>LE800</b> - 13W, 80 CRI <b>W-1140lm 3000K</b> >88 Lumens Per Watt** <b>C-1280lm 4000K</b>			
	<b>INCANDESCENT, MEDIUM BASE, 120V</b> <b>I60-1 X 60W Max</b>	B-Black	<b>ACRYLIC</b> W-White	P-Photocell <b>LED LAMP, 3 YEAR WARRANTY, DIMMABLE, ENERGY STAR</b> <b>LWE-A19/E26, 80CRI, 3000K</b> <b>LCE-A19/E26, 80CRI, 4000K</b>
	<b>GU24 BASE, 120V</b> <b>G13-1 X 13W</b> <b>G18-1 X 18W</b>	B-Black	<b>ACRYLIC</b> W-White	P-Photocell L-CFL, 2700K

\*DATA PER LM79/LM80/TM21 AVAILABLE UPON REQUEST

\*\*ESTIMATED FROM LED SOURCE



Scan the QR code to the left to access the Energy Star qualified product list.

**90CRI OPTIONS AVAILABLE - SEE PAGE 112 FOR DIMMER COMPATIBILITY**

Fixtures available with custom packaging options, assembled or knocked down. MOQs apply.

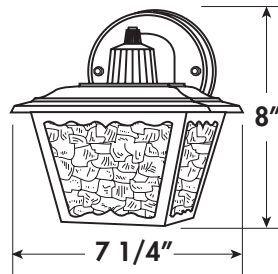
- Available in LED, Incandescent & GU24
- Fade & Rust Resistant Composite Construction
- Wall Mount Only
- UL Listed for Wet Locations
- Standard Pack QTY: 6

## BUNGALOW

FP133



EXTENDS: 5 3/4"  
HCMT: 2 3/8"



RoHS  
compliant



### EXAMPLE # FP133-I60-BCP

STYLE #	LIGHT SOURCE	BODY	DIFFUSER	OPTIONS
FP133	<b>EOS LED 120V AC, 50/60 Hz, HPF, 50,000 HRS L70*, AMBIENT OP TEMP -40°C TO +40°C, 5 YEAR WARRANTY, DIMMABLE, ENERGY STAR</b>	<b>W-White</b> <b>B-Black</b>	<b>ACRYLIC</b> <b>C-Clear</b> Flemish	<b>P-Photocell</b>
	<b>LE800</b> - 13W, 80 CRI >88 Lumens Per Watt**	<b>W-1140lm 3000K</b> <b>C-1280lm 4000K</b>		
	<b>INCANDESCENT, MEDIUM BASE, 120V</b> <b>I60-1 X 60W Max</b>	<b>W-White</b> <b>B-Black</b>	<b>ACRYLIC</b> <b>C-Clear</b> Flemish	<b>P-Photocell</b> <b>LED LAMP, 3 YEAR WARRANTY, DIMMABLE, ENERGY STAR</b> <b>LWE-A19/E26, 80CRI, 3000K</b> <b>LCE-A19/E26, 80CRI, 4000K</b>
	<b>GU24 BASE, 120V</b> <b>G13-1 X 13W</b> <b>G18-1 X 18W</b>	<b>W-White</b> <b>B-Black</b>	<b>ACRYLIC</b> <b>C-Clear</b> Flemish	<b>P-Photocell</b> <b>L-CFL, 2700K</b>

\*DATA PER LM79/LM80/TM21 AVAILABLE UPON REQUEST

\*\*ESTIMATED FROM LED SOURCE



Scan the QR code to the left to access the Energy Star qualified product list.

90CRI OPTIONS AVAILABLE - SEE PAGE 112 FOR DIMMER COMPATIBILITY

Fixtures available with custom packaging options, assembled or knocked down. MOQs apply.

For more information contact our sales department at 1-800-325-7364 or visit [www.interglobal-inc.com](http://www.interglobal-inc.com)

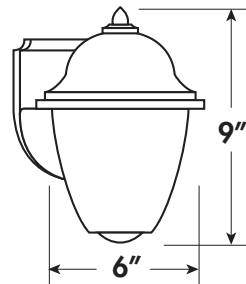
- Available in LED, Incandescent & GU24
- Fade & Rust Resistant Composite Construction
- Wall Mount Only
- UL Listed for Wet Locations
- Standard Pack QTY: 6

### ACORN WALL



**FP123**

EXTENDS: 7"  
HCMT: 4 1/4"



RoHS compliant



#### EXAMPLE # FP123-I60-BW-PLCE

STYLE #	LIGHT SOURCE	BODY	DIFFUSER	OPTIONS
<b>FP123</b>	<b>EOS LED 120V AC, 50/60 Hz, HPF, 50,000 HRS L70*, AMBIENT OP TEMP -40°C TO +40°C, 5 YEAR WARRANTY, DIMMABLE, ENERGY STAR</b> <b>LE800</b> - 13W, 80 CRI <b>W</b> -1140lm 3000K >88 Lumens Per Watt** <b>C</b> -1280lm 4000K	<b>W</b> -White <b>B</b> - Black	<b>ACRYLIC</b> <b>W</b> -White	<b>P</b> -Photocell
	<b>MULTI-VOLT LED 120-277V, 50/60 Hz, CONSTANT CURRENT AT 700mA, DRIVER UL CLASS 2, HPF, THERMALLY PROTECTED ARRAY, 50,000 HRS L70* AMBIENT OP TEMP -40°C TO +40°C, 3 YEAR WARRANTY</b> <b>L900</b> - 11.3W Power Input <b>C</b> -912lm 4000K CRI 74 (TYP) >80 Lumens Per Watt**	<b>W</b> -White <b>B</b> - Black	<b>ACRYLIC</b> <b>W</b> -White	N/A
	<b>INCANDESCENT, MEDIUM BASE, 120V</b> <b>I60-1 X 60W</b>	<b>W</b> -White <b>B</b> - Black	<b>ACRYLIC</b> <b>W</b> -White	<b>P</b> -Photocell <b>LED LAMP, 3 YEAR WARRANTY, DIMMABLE, ENERGY STAR</b> <b>LWE-A19/E26, 80CRI, 3000K</b> <b>LCE-A19/E26, 80CRI, 4000K</b>
	<b>GU24 BASE, 120V</b> <b>G13-1 X 13W</b> <b>G18-1 X 18W</b>	<b>W</b> -White <b>B</b> - Black	<b>ACRYLIC</b> <b>W</b> -White	<b>P</b> -Photocell <b>L</b> -CFL, 2700K



\*DATA PER LM79/LM80/TM21 AVAILABLE UPON REQUEST

\*\*ESTIMATED FROM LED SOURCE

Scan the QR code to the left to access the Energy Star qualified product list.

**90CRI OPTIONS AVAILABLE - SEE PAGE 112 FOR DIMMER COMPATIBILITY**

Fixtures available with custom packaging options, assembled or knocked down. MOQs apply.



- Available in LED, Incandescent & GU24
- Fade & Rust Resistant Composite Construction
- Wall Mount Only
- UL Listed for Wet Locations
- Standard Pack QTY: 6

## FITTER NECK POCKET



### EXAMPLE # FP103-LE800C-BCP

STYLE #	LIGHT SOURCE	BODY	DIFFUSER	OPTIONS
FP103 FP106 FP109	<b>EOS LED 120V AC, 50/60 Hz, HPF, 50,000 HRS L70*, AMBIENT OP TEMP -40°C TO +40°C, 5 YEAR WARRANTY, DIMMABLE, ENERGY STAR</b> <b>LE800</b> - 13W, 80 CRI <b>W</b> -1140lm 3000K >88 Lumens Per Watt** <b>C</b> -1280lm 4000K	<b>W</b> -White <b>B</b> - Black	<b>ACRYLIC</b> <b>C</b> -Clear Prism <b>W</b> -White	<b>P</b> -Photocell
	<b>MULTI-VOLT LED 120-277V, 50/60 Hz, CONSTANT CURRENT AT 700mA, DRIVER UL CLASS 2, HPF, THERMALLY PROTECTED ARRAY, 50,000 HRS L70* AMBIENT OP TEMP -40°C TO +40°C, 3 YEAR WARRANTY</b> <b>L900</b> - 11.3W Power Input <b>C</b> -912lm 4000K CRI 74 (TYP) >80 Lumens Per Watt**	<b>W</b> -White <b>B</b> - Black	<b>ACRYLIC</b> <b>C</b> -Clear Prism <b>W</b> -White	N/A
	<b>INCANDESCENT, MEDIUM BASE, 120V</b> <b>I60-1 X 60W</b>	<b>W</b> -White <b>B</b> - Black	<b>POLYCARBONATE</b> <b>C</b> -Clear Prism <b>W</b> -White	<b>P</b> -Photocell <b>LED LAMP, 3 YEAR WARRANTY, DIMMABLE, ENERGY STAR</b> <b>LWE</b> -A19/E26, 80CRI, 3000K <b>LCE</b> -A19/E26, 80CRI, 4000K
	<b>GU24 BASE, 120V</b> <b>G13-1 X 13W</b> <b>G18-1 X 18W</b>	<b>W</b> -White <b>B</b> - Black	<b>ACRYLIC</b> <b>C</b> -Clear Prism <b>W</b> -White	<b>P</b> -Photocell <b>L</b> -CFL, 2700K



\*DATA PER LM79/LM80/TM21 AVAILABLE UPON REQUEST

\*\*ESTIMATED FROM LED SOURCE

Scan the QR code to the left to access the Energy Star qualified product list.

**90CRI OPTIONS AVAILABLE - SEE PAGE 112 FOR DIMMER COMPATIBILITY**

Fixtures available with custom packaging options, assembled or knocked down. MOQs apply.

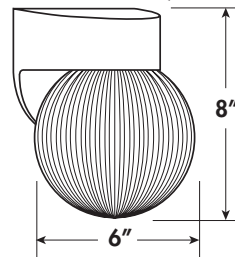
- Available in LED, Incandescent & GU24
- Fade & Rust Resistant Composite Construction
- Wall Mount Only
- UL Listed for Wet Locations
- Standard Pack QTY: 6

### SCREW NECK POCKET GLOBE



FP116

EXTENDS: 6 1/2"  
HCMT: 2 3/8"



RoHS  
compliant



#### EXAMPLE # FP116-I60-BW

STYLE #	LIGHT SOURCE	BODY	GLOBE	OPTIONS
FP116	INCANDESCENT, MEDIUM BASE, 120V, I60-1 X 60W	W-White B- Black	ACRYLIC C-Clear Prism W-White	LED LAMP, 3 YEAR WARRANTY, DIMMABLE, ENERGY STAR LWE-A19/E26, 80CRI, 3000K LCE-A19/E26, 80CRI, 4000K
	GU24 BASE, 120V G13-1 X 13W G18-1 X 18W	W-White B- Black	ACRYLIC C-Clear Prism W-White	L-CFL, 2700K

\*DATA PER LM79/LM80/TM21 AVAILABLE UPON REQUEST

\*\*ESTIMATED FROM LED SOURCE



Scan the QR code to the left to access the Energy Star qualified product list.

SEE PAGE 112 FOR DIMMER COMPATIBILITY

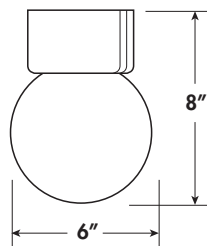
Fixtures available with custom packaging options, assembled or knocked down. MOQs apply.

- Available in LED, Incandescent & GU24
- Fade & Rust Resistant Composite Construction
- Ceiling Mount Only
- UL Listed for Damp Locations
- Standard Pack QTY: 6

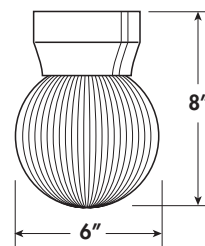
## SCREW NECK CEILING POCKET GLOBE



**FP306**



**FP307**



RoHS compliant



### EXAMPLE # FP306-I60-BW-LWE

STYLE #	LIGHT SOURCE	BODY	GLOBE	OPTIONS
<b>FP306</b>	<b>INCANDESCENT, MEDIUM BASE, 120V,</b>	<b>W-White</b>	<b>ACRYLIC</b>	<b>LED LAMP, 3 YEAR WARRANTY, DIMMABLE, ENERGY STAR</b>
<b>FP307</b>	<b>I60-1 X 60W</b>	<b>B-Black</b>	<b>C-Clear Prism</b> <b>W-White</b>	
	<b>GU24 BASE, 120V</b>	<b>W-White</b>	<b>ACRYLIC</b>	<b>L-CFL, 2700K</b>
	<b>G13-1 X 13W</b>	<b>B-Black</b>	<b>C-Clear Prism</b>	
	<b>G18-1 X 18W</b>		<b>W-White</b>	

\*DATA PER LM79/LM80/TM21 AVAILABLE UPON REQUEST

\*\*ESTIMATED FROM LED SOURCE



Scan the QR code to the left to access the Energy Star qualified product list.

**SEE PAGE 112 FOR DIMMER COMPATIBILITY**

Fixtures available with custom packaging options, assembled or knocked down. MOQs apply.

For more information contact our sales department at 1-800-325-7364 or visit [www.interglobal-inc.com](http://www.interglobal-inc.com)

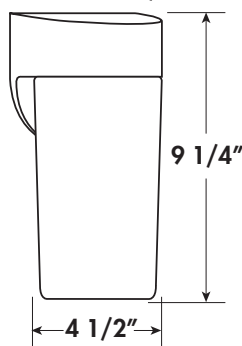
- Available in LED, Incandescent & GU24
- Fade & Rust Resistant Composite Construction
- Wall Mount Only
- UL Listed for Wet Locations
- Standard Pack QTY: 6

## SCREW NECK POCKET LONG BEACH



FP119

EXTENDS: 5 3/4"  
HCMT: 2 3/8"



RoHS  
compliant



### EXAMPLE # FP119-G13-BCL

STYLE #	LIGHT SOURCE	BODY	DIFFUSER	OPTIONS
FP119	INCANDESCENT, MEDIUM BASE, 120V I60-1 X 60W	W-White B- Black	POLYCARBONATE C-Clear Prism W-White	LED LAMP, 3 YEAR WARRANTY, DIMMABLE, ENERGY STAR LWE-A19/E26, 80CRI, 3000K LCE-A19/E26, 80CRI, 4000K
	GU24 BASE, 120V G13-1 X 13W G18-1 X 18W	W-White B- Black	ACRYLIC C-Clear Prism W-White	L-CFL, 2700K

\*DATA PER LM79/LM80/TM21 AVAILABLE UPON REQUEST

\*\*ESTIMATED FROM LED SOURCE



Scan the QR code to the left to access the Energy Star qualified product list.

SEE PAGE 112 FOR DIMMER COMPATIBILITY

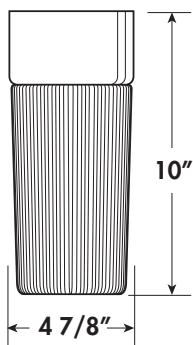
Fixtures available with custom packaging options, assembled or knocked down. MOQs apply.

- Available in LED, Incandescent & GU24
- Fade & Rust Resistant Composite Construction
- Ceiling Mount Only
- UL Listed for Damp Locations
- Standard Pack QTY: 6

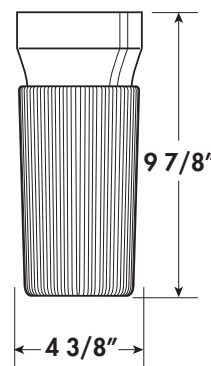
## CEILING POCKET LONG BEACH



**FP309**



**FP319**



RoHS compliant



### EXAMPLE # FP309-I60-BW-LWE

STYLE #	LIGHT SOURCE	BODY	DIFFUSER	OPTIONS
FP309 FP319	INCANDESCENT, MEDIUM BASE, 120V I60-1 X 60W	W-White B- Black	POLYCARBONATE C-Clear Prism W-White	LED LAMP, 3 YEAR WARRANTY, DIMMABLE, ENERGY STAR LWE-A19/E26, 80CRI, 3000K LCE-A19/E26, 80CRI, 4000K
	GU24 BASE, 120V G13-1 X 13W G18-1 X 18W	W-White B- Black	ACRYLIC C-Clear Prism W-White	L-CFL, 2700K

\*DATA PER LM79/LM80/TM21 AVAILABLE UPON REQUEST

\*\*ESTIMATED FROM LED SOURCE



Scan the QR code to the left to access the Energy Star qualified product list.

SEE PAGE 112 FOR DIMMER COMPATIBILITY

Fixtures available with custom packaging options, assembled or knocked down. MOQs apply.

For more information contact our sales department at 1-800-325-7364 or visit [www.interglobal-inc.com](http://www.interglobal-inc.com)

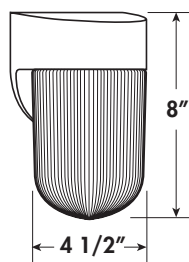
- Available in LED, Incandescent & GU24
- Fade & Rust Resistant Composite Construction
- Wall Mount Only
- UL Listed for Wet Locations
- Standard Pack QTY: 6

## SCREW NECK POCKET HARBOR



**FP113**

EXTENDS: 5 3/4"  
HCMT: 2 3/8"



RoHS  
compliant



### EXAMPLE # FP113-G13-BC

STYLE #	LIGHT SOURCE	BODY	DIFFUSER	OPTIONS
FP113	INCANDESCENT, MEDIUM BASE, 120V I60-1 X 60W	W-White B- Black	POLYCARBONATE C-Clear Prism W-White	LED LAMP, 3 YEAR WARRANTY DIMMABLE, ENERGY STAR LWE-A19/E26, 80CRI, 3000K LCE-A19/E26, 80CRI, 4000K
	GU24 BASE, 120V G13-1 X 13W G18-1 X 18W	W-White B- Black	ACRYLIC C-Clear Prism W-White	L-CFL, 2700K

\*DATA PER LM79/LM80/TM21 AVAILABLE UPON REQUEST

\*\*ESTIMATED FROM LED SOURCE



Scan the QR code to the left to access the Energy Star qualified product list.

SEE PAGE 112 FOR DIMMER COMPATIBILITY

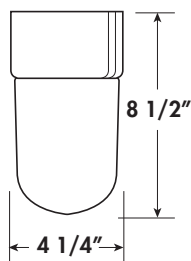
Fixtures available with custom packaging options, assembled or knocked down. MOQs apply.

- Available in LED, Incandescent & GU24
- Fade & Rust Resistant Composite Construction
- Ceiling Mount Only
- UL Listed for Damp Locations
- Standard Pack QTY: 6

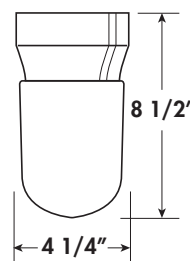
## SCREW NECK CEILING POCKET HARBOR



**FP303**



**FP313**



### EXAMPLE # FP303-I60-BW-LWE

STYLE #	LIGHT SOURCE	BODY	DIFFUSER	OPTIONS
<b>FP303</b>	<b>INCANDESCENT, MEDIUM BASE, 120V</b>	<b>W-White</b>	<b>POLYCARBONATE</b>	<b>LED LAMP, 3 YEAR WARRANTY</b>
<b>FP313</b>	<b>I60-1 X 60W</b>	<b>B-Black</b>	<b>C-Clear Prism</b>	<b>DIMMABLE, ENERGY STAR</b>
	<b>GU24 BASE, 120V</b>	<b>W-White</b>	<b>ACRYLIC</b>	<b>LWE-A19/E26, 80CRI, 3000K</b>
	<b>G13-1 X 13W</b>	<b>B-Black</b>	<b>C-Clear Prism</b>	<b>LCE-A19/E26, 80CRI, 4000K</b>
	<b>G18-1 X 18W</b>		<b>W-White</b>	<b>L-CFL, 2700K</b>

\*DATA PER LM79/LM80/TM21 AVAILABLE UPON REQUEST

\*\*ESTIMATED FROM LED SOURCE



Scan the QR code to the left to access the Energy Star qualified product list.

**SEE PAGE 112 FOR DIMMER COMPATIBILITY**

Fixtures available with custom packaging options, assembled or knocked down. MOQs apply.

For more information contact our sales department at 1-800-325-7364 or visit [www.interglobal-inc.com](http://www.interglobal-inc.com)



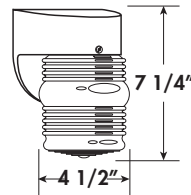
- Available in LED, Incandescent & GU24
- Fade & Rust Resistant Composite Construction
- Wall Mount Only
- UL Listed for Wet Locations
- Standard Pack QTY: 6

## FITTER NECK POCKET JELLY JAR



**FP101**

EXTENDS: 5 7/8"  
HCMT: 2 3/8"



### EXAMPLE # FP101-I60-BG-PLWE

STYLE #	LIGHT SOURCE	BODY	DIFFUSER	OPTIONS
<b>FP101</b>	<b>EOS LED 120V AC, 50/60 Hz, HPF, 50,000 HRS L70*, AMBIENT OP TEMP -40°C TO +40°C, 5 YEAR WARRANTY, DIMMABLE, ENERGY STAR</b> <b>LE800</b> - 13W, 80 CRI <b>W</b> -1140lm 3000K >88 Lumens Per Watt** <b>C</b> -1280lm 4000K	<b>W</b> -White <b>B</b> - Black	<b>POLYCARBONATE</b> <b>C</b> -Clear <b>GLASS</b> <b>G</b> - Clear	<b>P</b> -Photocell
	<b>MULTI-VOLT LED 120-277V, 50/60 Hz, CONSTANT CURRENT AT 700mA, DRIVER UL CLASS 2, HPF, THERMALLY PROTECTED ARRAY, 50,000 HRS L70* AMBIENT OP TEMP -40°C TO +40°C, 3 YEAR WARRANTY</b> <b>L900</b> - 11.3W Power Input <b>C</b> -912lm 4000K CRI 74 (TYP) >80 Lumens Per Watt**	<b>W</b> -White <b>B</b> - Black	<b>POLYCARBONATE</b> <b>C</b> -Clear <b>GLASS</b> <b>G</b> - Clear	N/A
	<b>INCANDESCENT, MEDIUM BASE, 120V</b> <b>I60-1 X 60W</b>	<b>W</b> -White <b>B</b> - Black	<b>POLYCARBONATE</b> <b>C</b> -Clear <b>GLASS</b> <b>G</b> - Clear	<b>P</b> -Photocell <b>LED LAMP, 3 YEAR WARRANTY, DIMMABLE, ENERGY STAR</b> <b>LWE-A19/E26, 80CRI, 3000K</b> <b>LCE-A19/E26, 80CRI, 4000K</b>
	<b>GU24 BASE, 120V</b> <b>G13-1 X 13W</b> <b>G18-1 X 18W</b>	<b>W</b> -White <b>B</b> - Black	<b>POLYCARBONATE</b> <b>C</b> -Clear <b>GLASS</b> <b>G</b> - Clear	<b>P</b> -Photocell <b>L</b> -CFL, 2700K



\*DATA PER LM79/LM80/TM21 AVAILABLE UPON REQUEST

\*\*ESTIMATED FROM LED SOURCE

Scan the QR code to the left to access the Energy Star qualified product list.

**90CRI OPTIONS AVAILABLE - SEE PAGE 112 FOR DIMMER COMPATIBILITY**

Fixtures available with custom packaging options, assembled or knocked down. MOQs apply.

- Available in LED, Incandescent & GU24
- Fade & Rust Resistant Composite Construction
- Knockouts for Conduit
- Wall or Ceiling Mount
- UL Listed for Wet Locations

## PROTEK

**FK391**



**FK395**



RoHS compliant



### EXAMPLE # FK395-LE1200C-BWM

**STYLE # LIGHT SOURCE**

**BODY**

**DIFFUSER**

**OPTIONS**

<b>FK391</b> <b>FK395</b>	<b>EOS LED 120V AC, 50/60 Hz, HPF, 50,000 HRS L70*, AMBIENT OP TEMP -40°C TO +40°C, 5 YEAR WARRANTY, DIMMABLE, ENERGY STAR</b>	<b>W</b> -White <b>B</b> - Black	<b>POLYCARBONATE</b> <b>F</b> -Frosted Prismatic <b>W</b> -White	<b>M</b> -Motion Sensor <b>EB</b> -Emergency Backup
	<p><b>LE800</b> - 13W, 80 CRI <b>W</b>-1140lm 3000K &gt;88 Lumens Per Watt** <b>C</b>-1280lm 4000K</p> <p><b>LE1200</b> - 14W, 80 CRI <b>W</b>-1430lm 3000K &gt;102 Lumens Per Watt** <b>C</b>-1500lm 4000K</p> <p><b>LE1800</b> - 22W, 80 CRI <b>W</b>-1950lm 3000K &gt;88 Lumens Per Watt** <b>C</b>-2130lm 4000K</p>			
	<b>MULTI-VOLT LED 120-277V, 50/60 Hz, CONSTANT CURRENT AT 700mA, DRIVER UL CLASS 2, HPF, THERMALLY PROTECTED, 50,000 HRS L70*, AMBIENT OP TEMP -40°C TO +40°C, 3 YEAR WARRANTY, ENERGY STAR</b>	<b>W</b> -White <b>B</b> - Black	<b>POLYCARBONATE</b> <b>F</b> -Frosted Prismatic <b>W</b> -White	<b>M</b> -Motion Sensor <b>EB</b> -Emergency Backup
	<b>L1800</b> - 22W Power Input <b>W</b> -1704lm 3000K CRI 74 (TYP) <b>C</b> -1824lm 4000K >82 Lumens Per Watt**			
	<b>INCANDESCENT, MEDIUM BASE, 120V</b> <b>I240</b> -2 X 40W Max	<b>W</b> -White <b>B</b> - Black	<b>POLYCARBONATE</b> <b>F</b> -Frosted Prismatic <b>W</b> -White	<b>LED LAMP, 3 YEAR WARRANTY DIMMABLE, ENERGY STAR</b> <b>LWE</b> -A19/E26, 80CRI, 3000K <b>LCE</b> -A19/E26, 80CRI, 4000K
	<b>GU24 BASE, 120V</b> <b>G13</b> -1 X 13W <b>G213</b> -2 X 13W <b>G18</b> -1 X 18W <b>G218</b> -2 X 18W	<b>W</b> -White <b>B</b> -Black	<b>POLYCARBONATE</b> <b>F</b> -Frosted Prismatic <b>W</b> -White	<b>L</b> -CFL, 2700K



\*DATA PER LM79/LM80/TM21 & IES FILES AVAILABLE UPON REQUEST \*\*ESTIMATED FROM LED SOURCE

Scan the QR code to the left to access the Energy Star qualified product list.

**90CRI OPTIONS AVAILABLE - SEE PAGE 112 FOR DIMMER COMPATIBILITY**

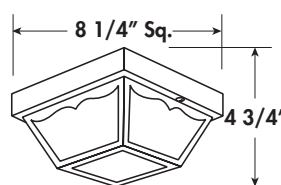
Fixtures available with custom packaging options, assembled or knocked down. MOQs apply.

- Available in LED, Incandescent & GU24
- Ceiling Mount
- Fade & Rust Resistant Composite Construction
- UL Listed for Damp Locations
- Standard Pack QTY: 6

## RESIDENTIAL CENTURY - 8.25"



FC311



### EXAMPLE # FC311-I60-BF-LWE

STYLE #	LIGHT SOURCE	BODY	DIFFUSER	OPTIONS
FC311	<b>INCANDESCENT, MEDIUM BASE, 120V</b> <b>I60-1 X 60W</b>	<b>W</b> -White <b>B</b> - Black	<b>POLYPROPYLENE</b> <b>F</b> -Frosted  <b>GLASS</b> <b>G</b> -Clear	<b>LED LAMP, 3 YEAR WARRANTY</b> <b>DIMMABLE, ENERGY STAR</b> <b>LWE</b> -A19/E26, 80CRI, 3000K <b>LCE</b> -A19/E26, 80CRI, 4000K
	<b>GU24 BASE, 120V</b> <b>G13-1 X 13W</b> <b>G18-1 X 18W</b> <b>G23-1 X 23W</b> <b>G26-1 X 27W</b>	<b>W</b> -White <b>B</b> - Black	<b>POLYPROPYLENE</b> <b>F</b> -Frosted  <b>GLASS</b> <b>G</b> -Clear	<b>L</b> -CFL, 2700K

\*DATA PER LM79/LM80/TM21 AVAILABLE UPON REQUEST

\*\*ESTIMATED FROM LED SOURCE



Scan the QR code to the left to access the Energy Star qualified product list.

SEE PAGE 112 FOR DIMMER COMPATIBILITY

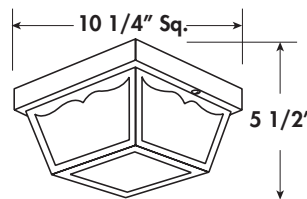
Fixtures available with custom packaging options, assembled or knocked down. MOQs apply.

- Available in LED, Incandescent & GU24
- Fade & Rust Resistant Composite Construction
- Ceiling Mount
- UL Listed for Damp Locations
- Standard Pack QTY: 6

## RESIDENTIAL CENTURY - 10.25"



FC312



RoHS compliant



### EXAMPLE # FC312-G13-BFL

STYLE #	LIGHT SOURCE	BODY	DIFFUSER	OPTIONS
FC312	INCANDESCENT, MEDIUM BASE, 120V I260-2 X 60W	W-White B- Black	POLYPROPYLENE F-Frosted  GLASS G-Clear	LED LAMP, 3 YEAR WARRANTY DIMMABLE, ENERGY STAR LWE-A19/E26, 80CRI, 3000K LCE-A19/E26, 80CRI, 4000K
	GU24 BASE, 120V G13-1 X 13W G213-2 X 13W G18-1 X 18W G218-2 X 18W G23-1 X 23W G223- 2 X 23W G26-1 X 27W	W-White B- Black	POLYPROPYLENE F-Frosted  GLASS G-Clear	L-CFL, 2700K

\*DATA PER LM79/LM80/TM21 AVAILABLE UPON REQUEST

\*\*ESTIMATED FROM LED SOURCE



Scan the QR code to the left to access the Energy Star qualified product list.

SEE PAGE 112 FOR DIMMER COMPATIBILITY

Fixtures available with custom packaging options, assembled or knocked down. MOQs apply.

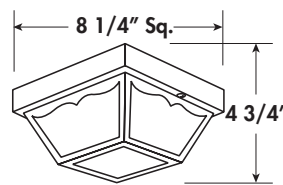
For more information contact our sales department at 1-800-325-7364 or visit [www.interglobal-inc.com](http://www.interglobal-inc.com)

- Available in LED & GU24
- Fade & Rust Resistant Composite Construction with Powder Coated Aluminum Base
- Ceiling Mount
- UL Listed for Damp Locations
- Standard Pack QTY: 6

## COMMERCIAL CENTURY - 8.25"



FC321



### EXAMPLE # FC321-LE800C-BFP

STYLE #	LIGHT SOURCE	BODY	DIFFUSER	OPTIONS
FC321	<b>EOS LED 120V AC, 50/60 Hz, HPF, 50,000 HRS L70*, AMBIENT OP TEMP -40°C TO +40°C, 5 YEAR WARRANTY, DIMMABLE, ENERGY STAR</b>	<b>W</b> -White <b>B</b> - Black	<b>POLYPROPYLENE</b> <b>F</b> -Frosted <b>GLASS</b> <b>G</b> -Clear	<b>P</b> -Photocell
	<b>LE800</b> - 13W, 80 CRI >88 Lumens Per Watt**			
	<b>LE1200</b> - 14W, 80 CRI >102 Lumens Per Watt**			
FC321	<b>MULTI-VOLT LED 120-277V, 50/60 Hz, CONSTANT CURRENT AT 700mA, DRIVER UL CLASS 2, HPF, THERMALLY PROTECTED ARRAY, 50,000 HRS L70* AMBIENT OP TEMP -40°C TO +40°C, 3 YEAR WARRANTY, ENERGY STAR</b>	<b>W</b> -White <b>B</b> - Black	<b>POLYPROPYLENE</b> <b>F</b> -Frosted <b>GLASS</b> <b>G</b> -Clear	N/A
	<b>L900</b> - 11.3W Power Input CRI 74 (TYP) >80 Lumens Per Watt**			
FC321	<b>GU24 BASE, 120V</b>	<b>W</b> -White <b>B</b> -Black	<b>POLYPROPYLENE</b> <b>F</b> -Frosted <b>GLASS</b> <b>G</b> -Clear	<b>P</b> - Photocell <b>L</b> -CFL, 2700K
	<b>G13</b> -1 X 13W			
	<b>G18</b> -1 X 18W			
	<b>G26</b> -1 X 27W			

\*DATA PER LM79/LM80/TM21 AVAILABLE UPON REQUEST

\*\*ESTIMATED FROM LED SOURCE



Scan the QR code to the left to access the Energy Star qualified product list.

90CRI OPTIONS AVAILABLE - SEE PAGE 112 FOR DIMMER COMPATIBILITY

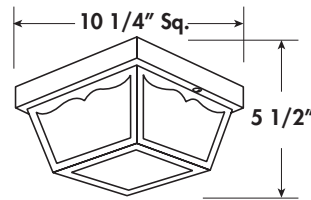
Fixtures available with custom packaging options, assembled or knocked down. MOQs apply.

- Available in LED & GU24
- Fade & Rust Resistant Composite Construction with Powder Coated Aluminum Base
- Ceiling Mount
- UL Listed for Damp Locations
- Standard Pack QTY: 6

## COMMERCIAL CENTURY - 10.25"



FC322



### EXAMPLE # FC322-G13-BFPL

STYLE #	LIGHT SOURCE	BODY	DIFFUSER	OPTIONS	
FC322	<b>EOS LED 120V AC, 50/60 Hz, HPF, 50,000 HRS L70*, AMBIENT OP TEMP -40°C TO +40°C, 5 YEAR WARRANTY, DIMMABLE, ENERGY STAR</b>	<b>W</b> -White <b>B</b> - Black	<b>POLYPROPYLENE</b> <b>F</b> -Frosted <b>GLASS</b> <b>G</b> -Clear	<b>M</b> -Motion Sensor <b>P</b> -Photocell	
	<b>LE800</b> - 13W, 80 CRI >88 Lumens Per Watt**				<b>W</b> -1140lm 3000K <b>C</b> -1280lm 4000K
	<b>LE1200</b> - 14W, 80 CRI >102 Lumens Per Watt**				<b>W</b> -1430lm 3000K <b>C</b> -1500lm 4000K
FC322	<b>MULTI-VOLT LED 120-277V, 50/60 Hz, CONSTANT CURRENT AT 700mA, DRIVER UL CLASS 2, HPF, THERMALLY PROTECTED ARRAY, 50,000 HRS L70* AMBIENT OP TEMP -40°C TO +40°C, 3 YEAR WARRANTY, ENERGY STAR</b>	<b>W</b> -White <b>B</b> - Black	<b>POLYPROPYLENE</b> <b>F</b> -Frosted <b>GLASS</b> <b>G</b> -Clear	<b>M</b> -Motion Sensor	
	<b>L1800</b> - 22W Power Input CRI 74 (TYP) >82 Lumens Per Watt**				<b>C</b> -1824lm 4000K
FC322	<b>GU24 BASE, 120V</b>	<b>W</b> -White <b>B</b> -Black	<b>POLYPROPYLENE</b> <b>F</b> -Frosted <b>GLASS</b> <b>G</b> -Clear	<b>P</b> - Photocell <b>L</b> -CFL, 2700K	
	<b>G13</b> -1 X 13W				
	<b>G213</b> - 2 X 13W				
	<b>G18</b> -1 X 18W				
	<b>G218</b> - 2 X 18W				
<b>G26</b> -1 X 27W					



\*DATA PER LM79/LM80/TM21 AVAILABLE UPON REQUEST

\*\*ESTIMATED FROM LED SOURCE

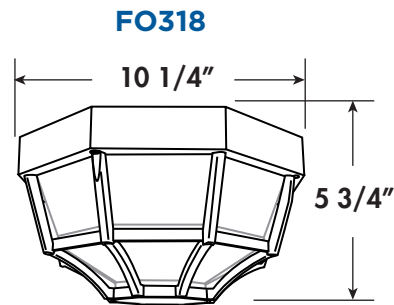
Scan the QR code to the left to access the Energy Star qualified product list.

90CRI OPTIONS AVAILABLE - SEE PAGE 112 FOR DIMMER COMPATIBILITY

Fixtures available with custom packaging options, assembled or knocked down. MOQs apply.

- Available in LED, Incandescent & GU24
- Ceiling Mount
- Fade & Rust Resistant Composite Construction
- UL Listed for Damp Locations
- Standard Pack QTY: 6

## OCTAGON



### EXAMPLE # FO318-G13-WFL

STYLE #	LIGHT SOURCE	BODY	DIFFUSER	OPTIONS
<b>FO318</b>	<b>EOS LED 120V AC, 50/60 Hz, HPF, 50,000 HRS L70*, AMBIENT OP TEMP -40°C TO +40°C, 5 YEAR WARRANTY, DIMMABLE, ENERGY STAR</b>	<b>W</b> -White <b>B</b> - Black	<b>ACRYLIC</b> <b>F</b> -Glare Free Frost	N/A
	<b>LE800</b> - 13W, 80 CRI >88 Lumens Per Watt**	<b>W</b> -1140lm 3000K <b>C</b> -1280lm 4000K		
	<b>LE1200</b> - 14W, 80 CRI >102 Lumens Per Watt**	<b>W</b> -1430lm 3000K <b>C</b> -1500lm 4000K		
	<b>LE1800</b> - 22W, 80 CRI >88 Lumens Per Watt**	<b>W</b> -1950lm 3000K <b>C</b> -2130lm 4000K		
	<b>INCANDESCENT, MEDIUM BASE, 120V</b> <b>I75-1 X 75W Max</b>	<b>W</b> -White <b>B</b> - Black	<b>ACRYLIC</b> <b>F</b> -Glare Free Frost	<b>LED LAMP, 3 YEAR WARRANTY DIMMABLE, ENERGY STAR</b> <b>LWE</b> -A19/E26, 80CRI, 3000K <b>LCE</b> -A19/E26, 80CRI, 4000K
	<b>GU24 BASE, 120V</b> <b>G13-1 X 13W</b> <b>G18-1 X 18W</b> <b>G26-1 X 27W</b>	<b>W</b> -White <b>B</b> - Black	<b>ACRYLIC</b> <b>F</b> -Glare Free Frost	<b>L</b> -CFL, 2700K

\*DATA PER LM79/LM80/TM21 & IES FILES AVAILABLE UPON REQUEST      \*\*ESTIMATED FROM LED SOURCE



Scan the QR code to the left to access the Energy Star qualified product list.

**90CRI OPTIONS AVAILABLE - SEE PAGE 112 FOR DIMMER COMPATIBILITY**

Fixtures available with custom packaging options, assembled or knocked down. MOQs apply.



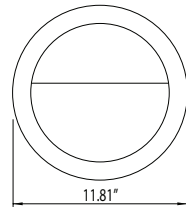
- Available in LED
- Powder Coated Cast Aluminum
- Wall or Ceiling Mount
- Enclosed & Gasketed
- ETL Listed for Wet Locations (IP65)
- Standard Pack QTY: 6

## LUNAR

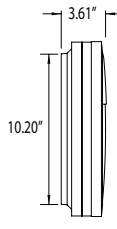


**FL372**

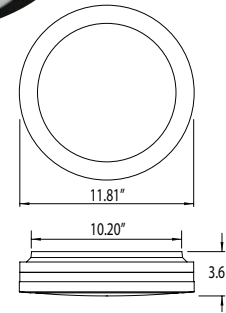
H/CTR: 5.9"



**FL371**



H/CTR: 5.9"



RoHS compliant



### EXAMPLE # FL371-LE1200W-BWM

STYLE #	LIGHT SOURCE	BODY	DIFFUSER	OPTIONS
<b>FL371</b> <b>FL372</b>	<b>EOS LED 120V AC, 50/60 Hz, HPF, 50,000 HRS L70*, AMBIENT OP TEMP -40°C TO +40°C, 5 YEAR WARRANTY, DIMMABLE, ENERGY STAR***</b>	<b>W</b> -White <b>B</b> - Black	<b>POLYCARBONATE</b> <b>W</b> -White	<b>M</b> -Motion Sensor <b>EB</b> -Emergency Backup
	<b>LE1200</b> - 14W, 80 CRI >102 Lumens Per Watt**	<b>W</b> -1430lm 3000K <b>C</b> -1500lm 4000K		
	<b>LE1800</b> - 22W, 80 CRI >88 Lumens Per Watt**	<b>W</b> -1950lm 3000K <b>C</b> -2130lm 4000K		(options not available with LE2600)
	<b>LE2600</b> - 32W, 80 CRI >84 Lumens Per Watt**	<b>W</b> -2700lm 3000K <b>C</b> -2750lm 4000K		
	<b>MULTI-VOLT LED 120-277V, 50/60 Hz, CONSTANT CURRENT AT 700mA, DRIVER UL CLASS 2, HPF, THERMALLY PROTECTED ARRAY, 50,000 HRS L70* AMBIENT OP TEMP -40°C TO +40°C, 3 YEAR WARRANTY, ENERGY STAR***</b>	<b>W</b> -White <b>B</b> - Black	<b>POLYCARBONATE</b> <b>W</b> -White	<b>M</b> -Motion Sensor
	<b>L1800</b> - 22W Power Input CRI 74 (TYP) >82 Lumens Per Watt**	<b>W</b> -1704lm 3000K <b>C</b> -1824lm 4000K		



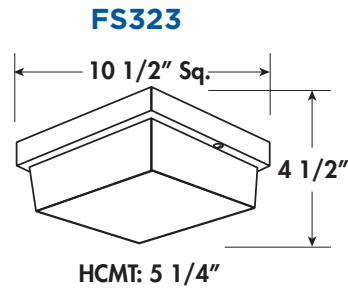
\*DATA PER LM79/LM80/TM21 & IES FILES AVAILABLE UPON REQUEST \*\*ESTIMATED FROM LED SOURCE  
 \*\*\*EXCLUDES LE2600 MODELS AND MODELS WITH MOTION SENSOR OR EMERGENCY BACKUP OPTIONS  
 Scan the QR code to the left to access the Energy Star qualified product list.

**90CRI OPTIONS AVAILABLE - SEE PAGE 112 FOR DIMMER COMPATIBILITY**

Fixtures available with custom packaging options, assembled or knocked down. MOQs apply.

- Available in LED & Incandescent
- White Powder Coated Aluminum
- Wall or Ceiling Mount
- UL Listed for Wet Locations
- Standard Pack QTY: 6

### SENTINEL - 10.5"



#### EXAMPLE # FS323-LE800W-WFM

STYLE #	LIGHT SOURCE	BODY	DIFFUSER	OPTIONS
<b>FS323</b>	<b>EOS LED 120V AC, 50/60 Hz, HPF, 50,000 HRS L70*, AMBIENT OP TEMP -40°C TO +40°C, 5 YEAR WARRANTY, DIMMABLE, ENERGY STAR</b>	<b>W-White</b>	<b>ACRYLIC</b> <b>C-Clear</b> <b>F-Glare Reduced Frost Prismatic</b> <b>POLYCARBONATE</b> <b>P-Clear</b>	<b>M-Motion Sensor</b>
	<b>LE800</b> - 13W, 80 CRI >88 Lumens Per Watt** <b>W-1140lm 3000K</b> <b>LE1200</b> - 14W, 80 CRI >102 Lumens Per Watt** <b>W-1430lm 3000K</b> <b>LE1800</b> - 22W, 80 CRI >88 Lumens Per Watt** <b>W-1950lm 3000K</b> <b>C-1280lm 4000K</b> <b>C-1500lm 4000K</b> <b>C-2130lm 4000K</b>			
	<b>INCANDESCENT, MEDIUM BASE, 120V</b> <b>I240-2 X 40W Max</b>	<b>W-White</b>	<b>ACRYLIC</b> <b>C-Clear</b> <b>F-Glare Reduced Frost Prismatic</b> <b>POLYCARBONATE</b> <b>P-Clear</b>	<b>LED LAMP, 3 YEAR WARRANTY DIMMABLE, ENERGY STAR</b> <b>LWE-A19/E26, 80CRI, 3000K</b> <b>LCE-A19/E26, 80CRI, 4000K</b>

\*DATA PER LM79/LM80/TM21 AVAILABLE UPON REQUEST      \*\*ESTIMATED FROM LED SOURCE



Scan the QR code to the left to access the Energy Star qualified product list.

**90CRI OPTIONS AVAILABLE - SEE PAGE 112 FOR DIMMER COMPATIBILITY**

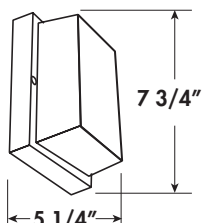
Fixtures available with custom packaging options, assembled or knocked down. MOQs apply.

- Available in LED & Incandescent
- White Powder Coated Aluminum
- Wall or Ceiling Mount
- UL Listed for Wet Locations
- Standard Pack QTY: 6

## SENTINEL - SHORT & MEDIUM

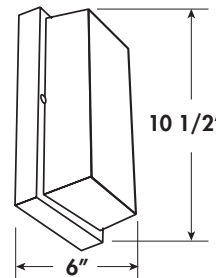


**FS112**



EXTENDS: 4 1/4"  
HCMT: 3 7/8"

**FS113**



EXTENDS: 4 1/2"  
HCMT: 5 1/4"



RoHS  
compliant



**EXAMPLE # FS112-I40-WF-LCE**

STYLE #	LIGHT SOURCE	BODY	DIFFUSER	OPTIONS
<b>FS112</b> <b>FS113</b>	<b>EOS LED</b> 120V AC, 50/60 Hz, HPF, 50,000 HRS L70*, AMBIENT OP TEMP -40°C TO +40°C, 5 YEAR WARRANTY, DIMMABLE, ENERGY STAR	<b>W-White</b>	<b>ACRYLIC</b> <b>C-Clear</b> <b>F-Glare Reduced</b> Frost Prismatic <b>POLYCARBONATE</b> <b>P-Clear</b>	N/A
	<b>LE800</b> - 13W, 80 CRI >88 Lumens Per Watt** <b>W-1140lm 3000K</b> <b>C-1280lm 4000K</b>			
	<b>INCANDESCENT, MEDIUM BASE, 120V</b> <b>I40-1 X 40W Max</b>	<b>W-White</b>	<b>ACRYLIC</b> <b>C-Clear</b> <b>F-Glare Reduced</b> Frost Prismatic <b>POLYCARBONATE</b> <b>P-Clear</b>	<b>LED LAMP, 3 YEAR WARRANTY</b> <b>DIMMABLE, ENERGY STAR</b> <b>LWE-A19/E26, 80CRI, 3000K</b> <b>LCE-A19/E26, 80CRI, 4000K</b>

\*DATA PER LM79/LM80/TM21 AVAILABLE UPON REQUEST      \*\*ESTIMATED FROM LED SOURCE



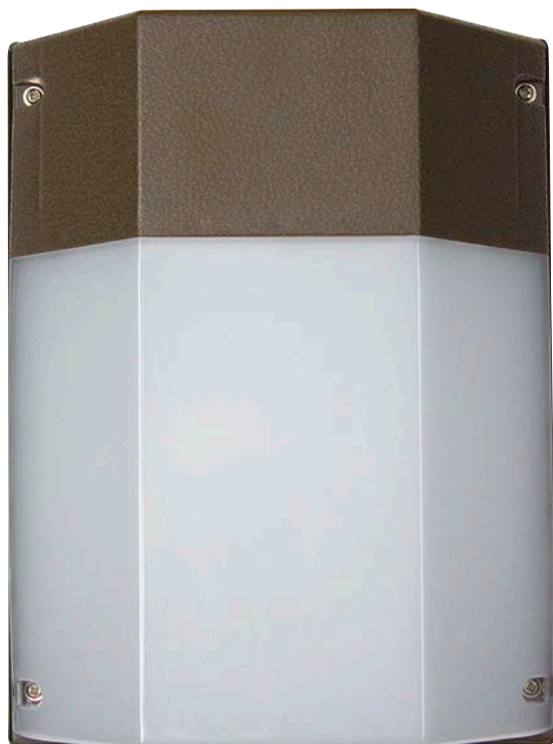
Scan the QR code to the left to access the Energy Star qualified product list.

**90CRI OPTIONS AVAILABLE - SEE PAGE 112 FOR DIMMER COMPATIBILITY**

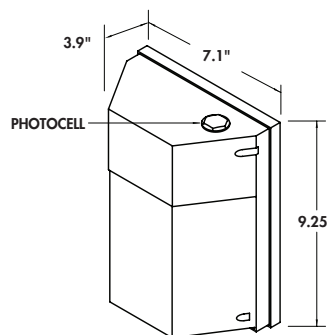
Fixtures available with custom packaging options, assembled or knocked down. MOQs apply.

- Available in Dedicated LED
- Polycarbonate Body & Diffuser with Cast Aluminum Base
- Photocell Included
- Enclosed & Gasketed
- ETL Listed for Wet Locations (IP65)
- Standard Pack QTY: 1

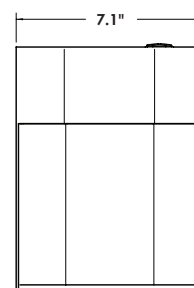
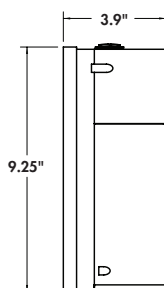
## LYNX



**FL148**



HCMT: 4.5"



**EXAMPLE # FL148-LE800C-ZF**

STYLE #	LIGHT SOURCE	BODY	DIFFUSER	OPTIONS
<b>FL148</b>	<b>EOS LED 120V AC, 50/60 Hz, HPF, 50,000 HRS L70*, AMBIENT OP TEMP -40°C TO +40°C, 5 YEAR WARRANTY, DIMMABLE</b>	<b>Z-Bronze</b>	<b>POLYCARBONATE</b>	<b>M-Motion Sensor</b>
	<b>LE800-13W, 80 CRI</b>		<b>F- Glare Free Frost</b>	<b>Photocell Included Standard</b>
	<b>&gt;98 Lumens Per Watt**</b>			
	<b>C-1280lm 4000K</b>			

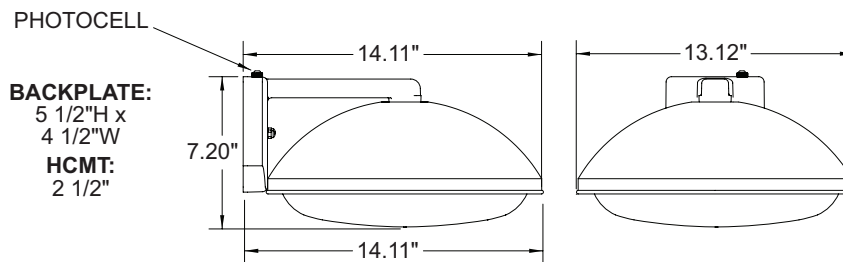
\*DATA PER LM79/LM80/TM21 AVAILABLE UPON REQUEST

\*\*ESTIMATED FROM LED SOURCE

**SEE PAGE 112 FOR DIMMER COMPATIBILITY**

- Available in Dedicated LED
- Bronze Powdercoated Aluminum Body
- Polycarbonate Lens
- Wall Mount
- Photocell Included
- ETL Listed for Wet Locations

## DECO AREA



RoHS  
compliant

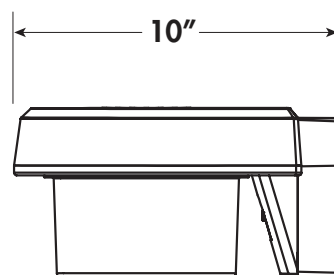
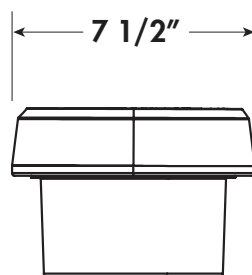
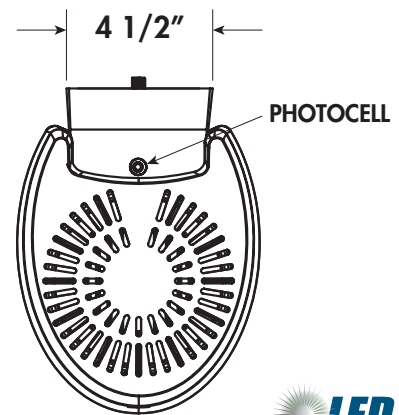
EXAMPLE # FD154-LE5000C-ZCP

STYLE #	LIGHT SOURCE	BODY	DIFFUSER	OPTION
<b>FD154</b>	EOS LED 120V AC, 50/60 Hz, HPF, 50,000 HRS L70*, AMBIENT OP TEMP -40°C TO +40°C, 5 YEAR WARRANTY <b>LE5000</b> - 52W, 80 CRI >96 Lumens Per Watt**	<b>Z</b> -Bronze	<b>POLYCARBONATE</b> <b>C</b> - Clear	<b>P</b> -Photocell  Photocell Included Standard

- Available in Dedicated LED
- Fade & Rust Resistant Composite Construction
- Wall Mount
- Photocell Included
- ETL Listed for Wet Locations

## AREA SECURITY LIGHT

FS175



HCMT:  
2"


5 1/4"



RoHS  
compliant



EXAMPLE # FS175-LE2600C-ZCP

STYLE #	LIGHT SOURCE	BODY	DIFFUSER	OPTION
FS175	EOS LED 120V AC, 50/60 Hz, HPF, 50,000 HRS L70+, AMBIENT OP TEMP -40°C TO +40°C, 5 YEAR WARRANTY, DIMMABLE, ENERGY STAR  LE2600 - 33W, 80 CRI >70 Lumens Per Watt**	Z- Bronze	ACRYLIC C- Clear	P-Photocell  Photocell Included Standard

- Complete with Socket & Mounting Hardware
- Fits Most 3" Diameter Posts
- Fade & Rust Resistant Composite Construction
- Polycarbonate Base
- Standard Pack QTY: 48

## GLOBE POST FITTERS

**S241**

**FITS 5 1/4" NECKLESS  
GLOBES & ACORNS**



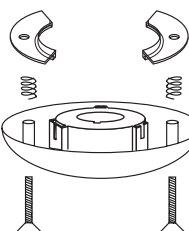
INCANDESCENT  
MODEL SHOWN



RoHS  
compliant



**205AGBK  
205AGWH**



**B141CC**

**06-031**

**B071BC/PC**

**06-003**

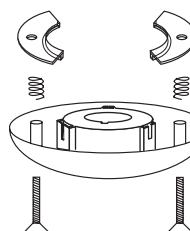


**06-091**

**ASSEMBLY S241-I60**



**GU205A**



**B141CC**

**06-031**

**B071BC/PC**

**06-003**



**06-091**

**ASSEMBLY S241-G**

EXAMPLE # S241-I60-W

STYLE #	LIGHT SOURCE	BODY
<b>S241</b>	<b>INCANDESCENT, MEDIUM BASE, 120V I60-1 X 60W</b>	<b>W-White B- Black</b>
	<b>GU24 BASE, 120V G-1 X GU24</b>	<b>W-White B- Black</b>



**10-187-** Replacement diffuser mounting hardware includes 2 screws, 2 wings, and 2 springs required for globe & acorn mounting.

Fixtures available with custom packaging options, assembled or knocked down. MOQs apply.

For more information contact our sales department at 1-800-325-7364 or visit [www.interglobal-inc.com](http://www.interglobal-inc.com)



- Complete with Socket & Mounting Hardware
- Fits Most 3" Diameter Posts
- Fade & Rust Resistant Composite Construction
- Polycarbonate Base
- Standard Pack QTY: 48

## GLOBE POST FITTERS

**S248**

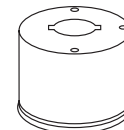
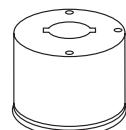
**4" TWIST NECK  
POST FITTER**



INCANDESCENT  
MODEL SHOWN



RoHS  
compliant



**ASSEMBLY S248-I60**



**ASSEMBLY S248-G**

EXAMPLE # S248-I60-W

STYLE #	LIGHT SOURCE	BODY
S248	INCANDESCENT, MEDIUM BASE, 120V I60-1 X 60W	W-White B-Black
	GU24 BASE, 120V G-1 X GU24	W-White B-Black

Fixtures available with custom packaging options, assembled or knocked down. MOQs apply.

- Complete with Socket & Mounting Hardware
- Polycarbonate Base
- Fade & Rust Resistant Composite Construction
- Standard Pack QTY: 48    MOQ: 48

## CEILING LANTERN BASES

**S318-G**

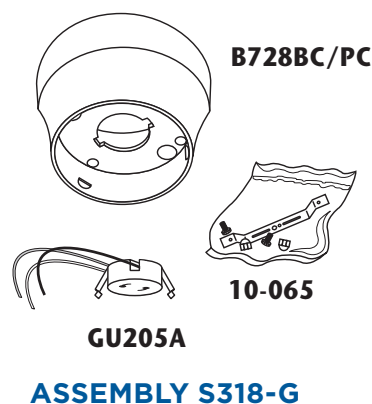
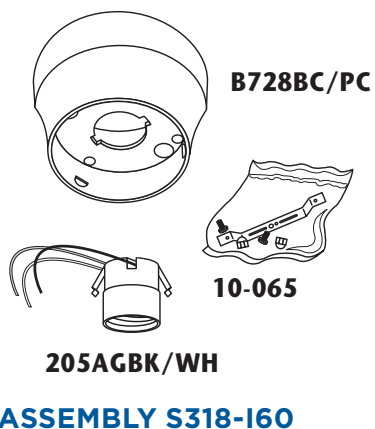
**3 1/8" SCREW  
NECK FITTER**



INCANDESCENT  
MODEL SHOWN



RoHS  
compliant



EXAMPLE # S318-I60-W

STYLE #	LIGHT SOURCE	BODY
<b>S318</b>	<b>INCANDESCENT, MEDIUM BASE, 120V</b> <b>I60-1 X 60W</b>	<b>W</b> -White <b>B</b> - Black
	<b>GU24 BASE, 120V</b> <b>G-1 X GU24</b>	<b>W</b> -White <b>B</b> - Black

Fixtures available with custom packaging options, assembled or knocked down. MOQs apply.

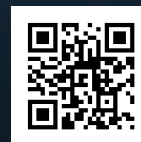
For more information contact our sales department at **1-800-325-7364** or visit [www.interglobal-inc.com](http://www.interglobal-inc.com)



# INTER·GLOBAL

## LED SOLUTIONS + RETROFITS

6333 Etzel Avenue St. Louis, MO 63133  
Phone 314-725-9800 Toll Free 800-325-7364 Fax 314-721-6333  
[www.interglobal-inc.com](http://www.interglobal-inc.com) [info@interglobal-inc.com](mailto:info@interglobal-inc.com)





## EOS LED RETROFIT KITS

- **UL 1598 Classified Retrofit Kit**
- **AC Driver-On-Board Technology**
- **Data Per NVLAP Accredited Laboratory**
- **Electronic Dimming** (see page 112)
- **Energy Star CSD**
- **5 Year Warranty**  
(LED-MOV1 required for outdoor applications)



RoHS  
compliant



install video

### SPECIFICATIONS

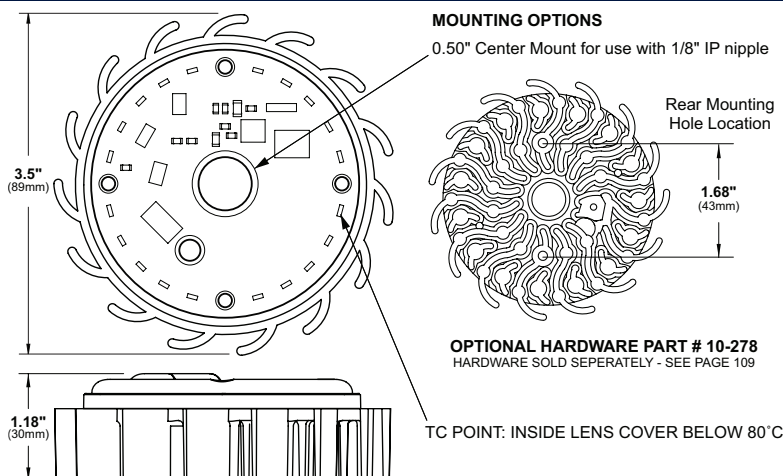
- Input Voltage: 120VAC; 50/60Hz
  - 13W Models
  - Available in 3000K or 4000K
  - High power factor > 0.95
  - Estimated 50,000 hrs L70
  - Optical grade polycarbonate lens
  - Installation options include nipple or mounting holes on back
  - Integrated aluminum heat sink with ground wire
  - Can be used to comply with 2016 Title 24 part 6 High Efficacy LED Light Source Requirements In Outdoor Applications
  - On board line surge protection
  - Optional supplemental surge protection
  - 18" 18 AWG Leads
  - UL 1598 Classified
  - FCC compliance Class B
- MINIMUM DIMENSION REQUIREMENTS**
- Diffuser: 6.10" dia x 3.7" depth
  - Lamp Compartment Volume: 111.6 in<sup>3</sup>

### LUMENS & CCT @ 80CRI

#### 13W EOS RETROFIT

1140lm, 3000K = 88lm/W  
1280lm, 4000K = 98lm/W

Photometrics available on request



**SL08-AC120R-W**  
13W, 1140LM, 3000K

**SL08-AC120R-C**  
13W, 1280LM, 4000K

### PART NUMBER GUIDE

**SL08 - AC120R - W - M**

**SL08** 13W

**AC120R** 120V INPUT VOLTAGE  
80CRI

**W** 3000K  
**C** 4000K

**M** LED-MOV1 SUPPLEMENTAL  
SURGE PROTECTION  
SEE PAGE 109

## EOS LED RETROFIT KITS



- UL 1598 Classified Retrofit Kit
- AC Driver-On-Board Technology
- Data Per NVLAP Accredited Laboratory
- Electronic Dimming (see page 112)
- Energy Star CSD
- 5 Year Warranty  
(LED-MOV1 required for outdoor applications)



RoHS compliant



install video

### SPECIFICATIONS

- Input Voltage: 120VAC; 50/60Hz
- 12W Models
- Available in 3000K or 4000K
- Constant current design
- High power factor > 0.90
- Estimated 50,000 hrs L70
- Optical grade polycarbonate lens
- Installation options include nipple or mounting holes on back
- Integrated aluminum heat sink with ground wire
- Can be used to comply with 2016 Title 24 part 6 High Efficacy LED Light Source Requirements - JA8-2016
- On board line surge protection
- Optional supplemental surge protection
- 18" 18 AWG Leads
- UL 1598 Classified
- FCC compliance Class B

### MINIMUM DIMENSION REQUIREMENTS

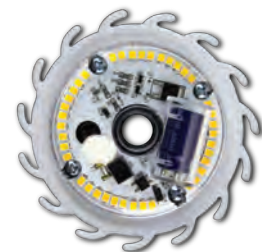
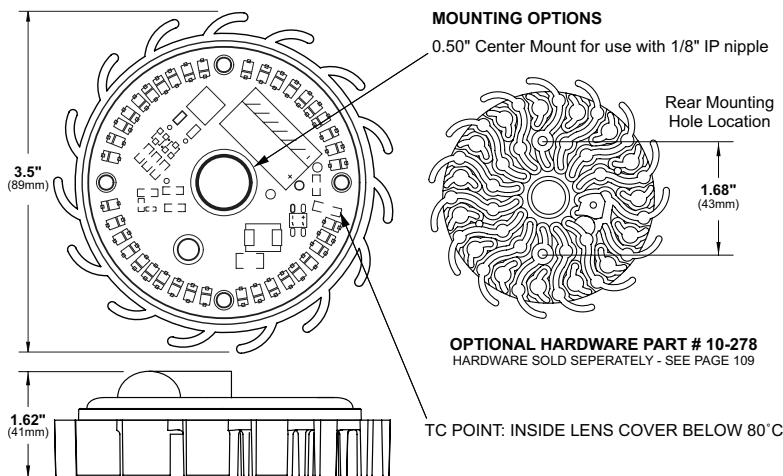
- Diffuser: 6.10" dia x 3.7" depth
- Lamp Compartment Volume: 111.6 in<sup>3</sup>

### LUMENS & CCT @ 90CRI

#### 12W EOS RETROFIT

- 1020lm, 3000K = 85lm/W
- 1040lm, 4000K = 87lm/W

Photometrics available on request



**SL08-AC120RT-W**  
12W, 1020LM, 3000K

**SL08-AC120RT-C**  
12W, 1040LM, 4000K

### PART NUMBER GUIDE

**SL08 - AC120RT - W - M**

**SL08** 12W

**AC120RT** 120V INPUT VOLTAGE  
90CRI

**W** 3000K  
**C** 4000K

**M** LED-MOV1 SUPPLEMENTAL  
SURGE PROTECTION  
SEE PAGE 109

### OPTIONAL

For more information contact our sales department at 1-800-325-7364 or visit [www.interglobal-inc.com](http://www.interglobal-inc.com)



## EOS LED RETROFIT KITS

- **UL 1598 Classified Retrofit Kit**
- **AC Driver-On-Board Technology**
- **Data Per NVLAP Accredited Laboratory**
- **Electronic Dimming** (see page 112)
- **Energy Star CSD**
- **5 Year Warranty**  
(LED-MOV1 required for outdoor applications)



RoHS  
compliant



install video

### SPECIFICATIONS

- Input Voltage: 120VAC; 50/60Hz
- 14W & 22W Models
- Available in 3000K or 4000K
- High power factor > 0.95
- Estimated 50,000 hrs L70
- Optical grade polycarbonate lens
- Installation options include key hole slots, nipple, or mounting holes on back
- Integrated aluminum heat sink with ground wire
- Can be used to comply with 2016 Title 24 part 6 High Efficacy LED Light Source Requirements In Outdoor Applications
- On board line surge protection
- Optional supplemental surge protection
- 18" 18 AWG Leads
- UL 1598 Classified
- FCC compliance Class B

### MINIMUM DIMENSION REQUIREMENTS

- Diffuser: 6.10" dia x 3.7" depth
- Lamp Compartment Volume: 124.9 in<sup>3</sup>

### LUMENS & CCT @ 80CRI

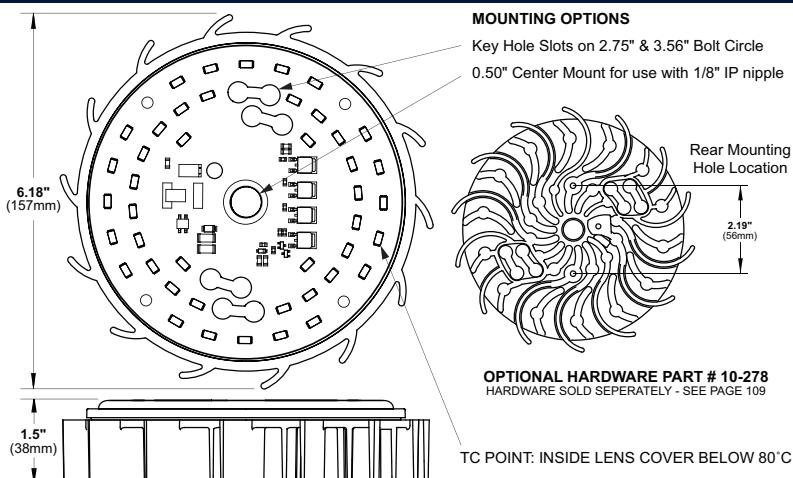
#### 14W EOS RETROFIT

1430lm, 3000K = 102lm/W  
1500lm, 4000K = 103lm/W

#### 22W EOS RETROFIT

1950lm, 3000K = 88lm/W  
2130lm, 4000K = 96lm/W

Photometrics available on request



**SL12-AC120R-W**  
14W, 1430LM, 3000K



**SL18-AC120R-W**  
22W, 1950LM, 3000K

**SL12-AC120R-C**  
14W, 1500LM, 4000K

**SL18-AC120R-C**  
22W, 2130LM, 4000K

### PART NUMBER GUIDE

**SL12 - AC120R - W - M**

**SL12** 14W  
**SL18** 22W

**AC120R** 120V INPUT VOLTAGE  
80CRI

**W** 3000K  
**C** 4000K

**M** LED-MOV1 SUPPLEMENTAL  
SURGE PROTECTION  
SEE PAGE 109

### OPTIONAL





## EOS LED RETROFIT KITS

- **UL 1598 Classified Retrofit Kit**
- **AC Driver-On-Board Technology**
- **Data Per NVLAP Accredited Laboratory**
- **Electronic Dimming** (see page 112)
- **Energy Star CSD**
- **5 Year Warranty**  
(LED-MOV1 required for outdoor applications)



RoHS compliant



install video

### SPECIFICATIONS

- Input Voltage: 120VAC; 50/60Hz
- 16W & 24W Models
- Available in 3000K or 4000K
- Constant current design
- High power factor > 0.90
- Estimated 50,000 hrs L70
- Optical grade polycarbonate lens
- Installation options include key hole slots, nipple, or mounting holes on back
- Integrated aluminum heat sink with ground wire
- Can be used to comply with 2016 Title 24 part 6 High Efficacy LED Light Source Requirements - JA8-2016
- On board line surge protection
- Optional supplemental surge protection
- 18" 18 AWG Leads
- UL 1598 Classified
- FCC compliance Class B

### MINIMUM DIMENSION REQUIREMENTS

- Diffuser: 6.10" dia x 3.7" depth
- Lamp Compartment Volume: 124.9 in<sup>3</sup>

### LUMENS & CCT @ 90CRI

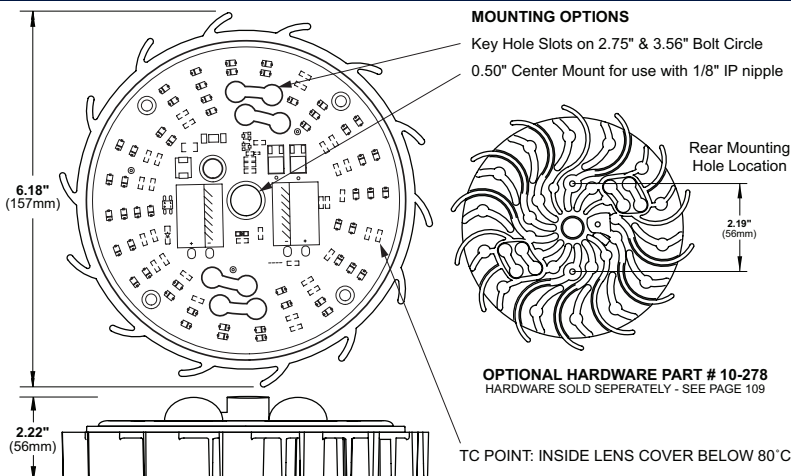
#### 16W EOS RETROFIT

1370lm, 3000K = 86lm/W  
1400lm, 4000K = 88lm/W

#### 24W EOS RETROFIT

1980lm, 3000K = 82lm/W  
2020lm, 4000K = 84lm/W

Photometrics available on request



**SL12-AC120RT-W**  
16W, 1370LM, 3000K



**SL18-AC120RT-W**  
24W, 1980LM, 3000K

**SL12-AC120RT-C**  
16W, 1400LM, 4000K

**SL18-AC120RT-C**  
24W, 2020LM, 4000K

### PART NUMBER GUIDE

**SL12 - AC120RT - W - M**

**SL12** 16W  
**SL18** 24W

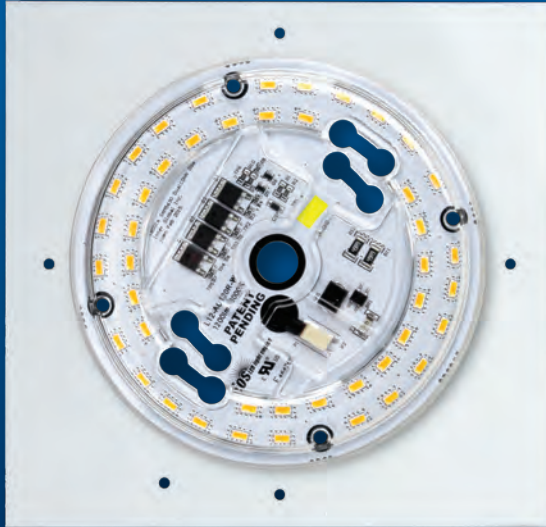
**AC120RT** 120V INPUT VOLTAGE  
90CRI

**W** 3000K  
**C** 4000K

**M** LED-MOV1 SUPPLEMENTAL  
SURGE PROTECTION  
SEE PAGE 109

### OPTIONAL

For more information contact our sales department at 1-800-325-7364 or visit [www.interglobal-inc.com](http://www.interglobal-inc.com)



## EOS LED RETROFIT KITS

- **UL 1598 Classified Retrofit Kit**
- **AC Driver-On-Board Technology**
- **Data Per NVLAP Accredited Laboratory**
- **Electronic Dimming** (see page 112)
- **Energy Star CSD**
- **5 Year Warranty**  
(LED-MOV1 required for outdoor applications)



**RoHS**  
compliant



install video

### SPECIFICATIONS

- Input Voltage: 120VAC; 50/60Hz
  - 13W, 14W & 22W Models
  - Available in 3000K or 4000K
  - High power factor > 0.95
  - Estimated 50,000 hrs L70
  - Optical grade polycarbonate lens
  - Installation options include key hole slots, nipple, or mounting holes
  - Integrated aluminum heat sink with ground wire
  - Can be used to comply with 2016 Title 24 part 6 High Efficacy LED Light Source Requirements In Outdoor Applications
  - On board line surge protection
  - Optional supplemental surge protection
  - 18" 18 AWG Leads
  - UL 1598 Classified
  - FCC compliance Class B
- MINIMUM DIMENSION REQUIREMENTS**
- Diffuser: 6.2" x 6.2" x 6.8"
  - Lamp Compartment Volume: 276 in<sup>3</sup>

### LUMENS & CCT @ 80CRI

#### 13W EOS RETROFIT

1140lm, 3000K = 81lm/W  
1280lm, 4000K = 88lm/W

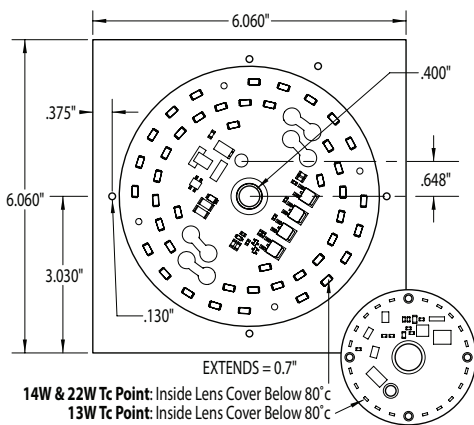
#### 14W EOS RETROFIT

1430lm, 3000K = 102lm/W  
1500lm, 4000K = 103lm/W

#### 22W EOS RETROFIT

1950lm, 3000K = 88lm/W  
2130lm, 4000K = 96lm/W

Photometrics available on request



**OPTIONAL HARDWARE PART # 10-278**  
HARDWARE SOLD SEPARATELY - SEE PAGE 109



**SL08-AC120R-W-M807PL**  
13W, 1140LM, 3000K



**SL12-AC120R-W-M807PL**  
14W, 1430LM, 3000K



**SL18-AC120R-W-M807PL**  
22W, 1950LM, 3000K



**SL08-AC120R-C-M807PL**  
13W, 1280LM, 4000K



**SL12-AC120R-C-M807PL**  
14W, 1500LM, 4000K



**SL18-AC120R-C-M807PL**  
22W, 2130LM, 4000K

### PART NUMBER GUIDE

# SL08 - AC120R - W - M807PL -

### OPTIONAL

# M

**SL08** 13W  
**SL12** 14W  
**SL18** 22W

**AC120R** 120V INPUT VOLTAGE  
80CRI

**W** 3000K  
**C** 4000K

**M807PL** HEAT SINK #

**M** LED-MOV1 SUPPLEMENTAL  
SURGE PROTECTION SEE  
PAGE 109



## EOS LED RETROFIT KITS

- **UL 1598 Classified Retrofit Kit**
- **AC Driver-On-Board Technology**
- **Data Per NVLAP Accredited Laboratory**
- **Electronic Dimming** (see page 112)
- **Energy Star CSD**
- **5 Year Warranty**  
(LED-MOV1 required for outdoor applications)



RoHS compliant



install video

### SPECIFICATIONS

- Input Voltage: 120VAC; 50/60Hz
- 12W, 16W & 24W Models
- Available in 3000K or 4000K
- Constant current design
- High power factor > 0.90
- Estimated 50,000 hrs L70
- Optical grade polycarbonate lens
- Installation options include key hole slots, nipple, or mounting holes
- Integrated aluminum heat sink with ground wire
- Can be used to comply with 2016 Title 24 part 6 High Efficacy LED Light Source Requirements - JA8-2016
- On board line surge protection
- Optional supplemental surge protection
- 18" 18 AWG Leads
- UL 1598 Classified
- FCC compliance Class B

### MINIMUM DIMENSION REQUIREMENTS

- Diffuser: 6.2" x 6.2" x 6.8"
- Lamp Compartment Volume: 276 in<sup>3</sup>

### LUMENS & CCT @ 90CRI

#### 12W EOS RETROFIT

1020lm, 3000K = 85lm/W  
1040lm, 4000K = 87lm/W

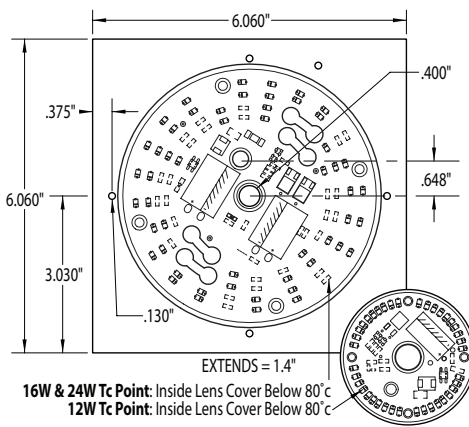
#### 16W EOS RETROFIT

1370lm, 3000K = 86lm/W  
1400lm, 4000K = 88lm/W

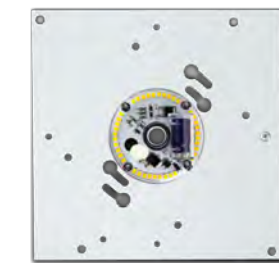
#### 24W EOS RETROFIT

1980lm, 3000K = 82lm/W  
2020lm, 4000K = 84lm/W

Photometrics available on request



16W & 24W Tc Point: Inside Lens Cover Below 80°c  
12W Tc Point: Inside Lens Cover Below 80°c  
**OPTIONAL HARDWARE PART # 10-278**  
HARDWARE SOLD SEPARATELY - SEE PAGE 109



**SL08-AC120RT-W-M807PL**  
12W, 1020LM, 3000K



**SL12-AC120RT-W-M807PL**  
16W, 1370LM, 3000K



**SL18-AC120RT-W-M807PL**  
24W, 1980LM, 3000K

**SL08-AC120RT-C-M807PL**  
12W, 1040LM, 4000K

**SL12-AC120RT-C-M807PL**  
16W, 1400LM, 4000K

**SL18-AC120RT-C-M807PL**  
24W, 2020LM, 4000K

### PART NUMBER GUIDE

# SL08 - AC120RT - W - M807PL - M

**SL08** 12W  
**SL12** 16W  
**SL18** 24W

**AC120RT** 120V INPUT VOLTAGE  
90CRI

**W** 3000K  
**C** 4000K

**M807PL** HEAT SINK #

**M** LED-MOV1 SUPPLEMENTAL  
SURGE PROTECTION SEE  
PAGE 109

For more information contact our sales department at 1-800-325-7364 or visit [www.interglobal-inc.com](http://www.interglobal-inc.com)





## EOS LED RETROFIT KITS

- **UL 1598 Classified Retrofit Kit**
- **AC Driver-On-Board Technology**
- **Data Per NVLAP Accredited Laboratory**
- **Electronic Dimming** (see page 112)
- **Energy Star CSD**
- **5 Year Warranty**  
(LED-MOV1 required for outdoor applications)



**RoHS**  
compliant



install video

### SPECIFICATIONS

- Input Voltage: 120VAC; 50/60Hz
  - 13W, 14W & 22W Models
  - Available in 3000K or 4000K
  - High power factor > 0.95
  - Estimated 50,000 hrs L70
  - Optical grade polycarbonate lens
  - Installation options include key hole slots, nipple, or mounting holes
  - Integrated aluminum heat sink with ground wire
  - Can be used to comply with 2016 Title 24 part 6 High Efficacy LED Light Source Requirements In Outdoor Applications
  - On board line surge protection
  - Optional supplemental surge protection
  - 18" 18 AWG Leads
  - UL 1598 Classified
  - FCC compliance Class B
- MINIMUM DIMENSION REQUIREMENTS**
- Diffuser: 8.2" x 8.2" x 2.0"
  - Lamp Compartment Volume: 140.3 in<sup>3</sup>

### LUMENS & CCT @ 80CRI

#### 13W EOS RETROFIT

1140lm, 3000K = 81lm/W  
1280lm, 4000K = 88lm/W

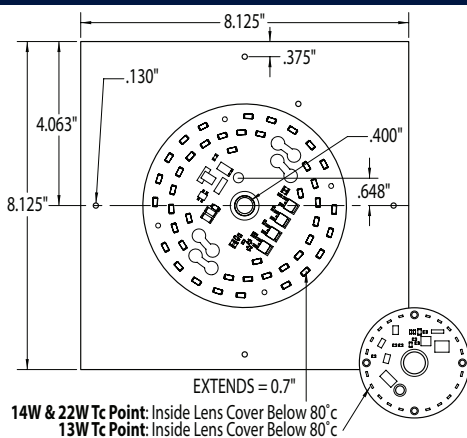
#### 14W EOS RETROFIT

1430lm, 3000K = 102lm/W  
1500lm, 4000K = 103lm/W

#### 22W EOS RETROFIT

1950lm, 3000K = 88lm/W  
2130lm, 4000K = 96lm/W

Photometrics available on request



**OPTIONAL HARDWARE PART # 10-278**  
HARDWARE SOLD SEPARATELY - SEE PAGE 109



**SLO8-AC120R-W-M804PL**  
13W, 1140LM, 3000K



**SL12-AC120R-W-M804PL**  
14W, 1430LM, 3000K



**SL18-AC120R-W-M804PL**  
22W, 1950LM, 3000K

**SLO8-AC120R-C-M804PL**  
13W, 1280LM, 4000K

**SL12-AC120R-C-M804PL**  
14W, 1500LM, 4000K

**SL18-AC120R-C-M804PL**  
22W, 2130LM, 4000K

### PART NUMBER GUIDE

# SL08 - AC120R - W - M804PL - M

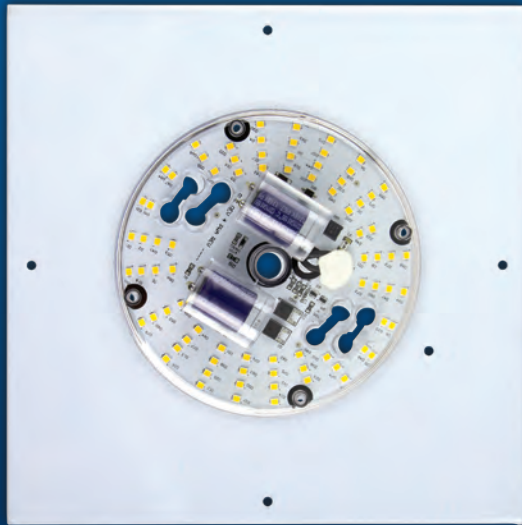
**SL08** 13W  
**SL12** 14W  
**SL18** 22W

**AC120R** 120V INPUT VOLTAGE  
80CRI

**W** 3000K  
**C** 4000K

**M804PL** HEAT SINK #

**M** LED-MOV1 SUPPLEMENTAL  
SURGE PROTECTION SEE  
PAGE 109



## EOS LED RETROFIT KITS

- UL 1598 Classified Retrofit Kit
- AC Driver-On-Board Technology
- Data Per NVLAP Accredited Laboratory
- Electronic Dimming (see page 112)
- Energy Star CSD
- 5 Year Warranty  
(LED-MOV1 required for outdoor applications)



RoHS compliant



install video

### SPECIFICATIONS

- Input Voltage: 120VAC; 50/60Hz
- 12W, 16W & 24W Models
- Available in 3000K or 4000K
- Constant current design
- High power factor > 0.90
- Estimated 50,000 hrs L70
- Optical grade polycarbonate lens
- Installation options include key hole slots, nipple, or mounting holes
- Integrated aluminum heat sink with ground wire
- Can be used to comply with 2016 Title 24 part 6 High Efficacy LED Light Source Requirements - JA8-2016
- On board line surge protection
- Optional supplemental surge protection
- 18" 18 AWG Leads
- UL 1598 Classified
- FCC compliance Class B

### MINIMUM DIMENSION REQUIREMENTS

- Diffuser: 8.2" x 8.2" x 2.0"
- Lamp Compartment Volume: 140.3 in<sup>3</sup>

### LUMENS & CCT @ 90CRI

#### 12W EOS RETROFIT

1020lm, 3000K = 85lm/W  
1040lm, 4000K = 87lm/W

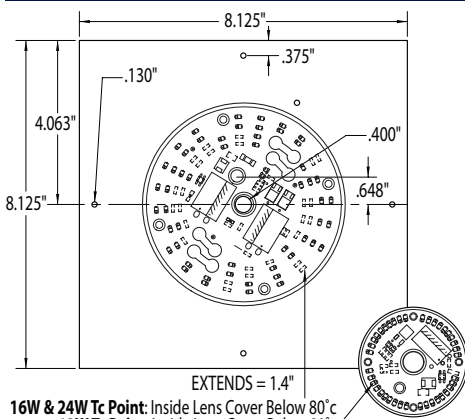
#### 16W EOS RETROFIT

1370lm, 3000K = 86lm/W  
1400lm, 4000K = 88lm/W

#### 24W EOS RETROFIT

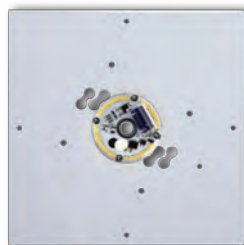
1980lm, 3000K = 82lm/W  
2020lm, 4000K = 84lm/W

Photometrics available on request

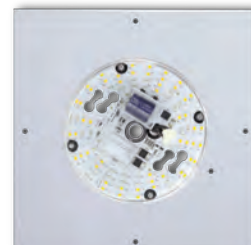


16W & 24W Tc Point: Inside Lens Cover Below 80°C  
12W Tc Point: Inside Lens Cover Below 80°C

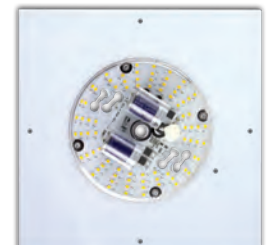
OPTIONAL HARDWARE PART # 10-278  
HARDWARE SOLD SEPERATELY - SEE PAGE 109



**SL08-AC120RT-W-M804PL**  
12W, 1020LM, 3000K



**SL12-AC120RT-W-M804PL**  
16W, 1370LM, 3000K



**SL18-AC120RT-W-M804PL**  
24W, 1980LM, 3000K

**SL08-AC120RT-C-M804PL**  
12W, 1040LM, 4000K

**SL12-AC120RT-C-M804PL**  
16W, 1400LM, 4000K

**SL18-AC120RT-C-M804PL**  
24W, 2020LM, 4000K

### PART NUMBER GUIDE

# SL08 - AC120RT - W - M804PL - M

### OPTIONAL

**SL08** 12W  
**SL12** 16W  
**SL18** 24W

**AC120RT** 120V INPUT VOLTAGE  
90CRI

**W** 3000K  
**C** 4000K

**M804PL** HEAT SINK #

**M** LED-MOV1 SUPPLEMENTAL  
SURGE PROTECTION SEE  
PAGE 109

For more information contact our sales department at 1-800-325-7364 or visit [www.interglobal-inc.com](http://www.interglobal-inc.com)



## EOS LED RETROFIT KITS

- **UL 1598 Classified Retrofit Kit**
- **AC Driver-On-Board Technology**
- **Data Per NVLAP Accredited Laboratory**
- **Electronic Dimming** (see page 112)
- **Energy Star CSD**
- **5 Year Warranty**  
(LED-MOV1 required for outdoor applications)



**RoHS**  
compliant



install video

### SPECIFICATIONS

- Input Voltage: 120VAC; 50/60Hz
- 13W, 14W, 22W & 32W Models
- Available in 3000K or 4000K
- High power factor > 0.95
- Estimated 50,000 hrs L70
- Optical grade polycarbonate lens
- Installation options include key hole slots, nipple, or mounting holes
- Integrated aluminum heat sink with ground wire
- Can be used to comply with 2016 Title 24 part 6 High Efficacy LED Light Source Requirements In Outdoor Applications
- On board line surge protection
- Optional supplemental surge protection
- 18" 18 AWG Leads
- UL 1598 Classified
- FCC compliance Class B

### MINIMUM DIMENSION REQUIREMENTS

- Diffuser: 14" x 14" x 3.75"
- Lamp Compartment Volume: 277 in<sup>3</sup>

### LUMENS & CCT @ 80CRI

#### 13W EOS RETROFIT

1140lm, 3000K = 81lm/W  
1280lm, 4000K = 88lm/W

#### 14W EOS RETROFIT

1430lm, 3000K = 102lm/W  
1500lm, 4000K = 103lm/W

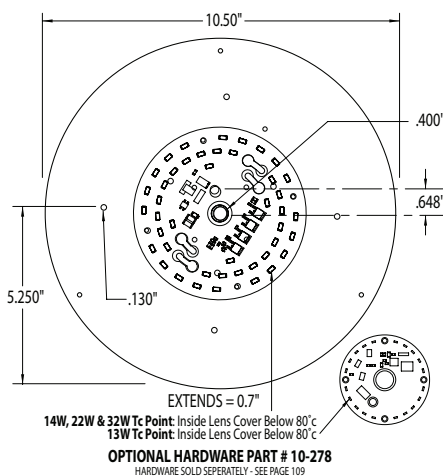
#### 22W EOS RETROFIT

1950lm, 3000K = 88lm/W  
2130lm, 4000K = 96lm/W

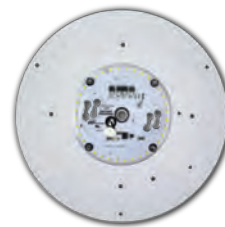
#### 32W EOS LAMP

2700lm, 3000K = 84lm/W  
2750lm, 4000K = 86lm/W

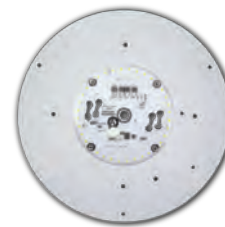
Photometrics available on request



**SL08-AC120R-W-M802PL**  
13W, 1140LM, 3000K



**SL12-AC120R-W-M802PL**  
14W, 1430LM, 3000K



**SL18-AC120R-W-M802PL**  
22W, 1950LM, 3000K



**SL26-AC120R-W-M802PL\***  
32W, 2700LM, 3000K

**SL08-AC120R-C-M802PL**  
13W, 1280LM, 4000K

**SL12-AC120R-C-M802PL**  
14W, 1500LM, 4000K

**SL18-AC120R-C-M802PL**  
22W, 2130LM, 4000K

**SL26-AC120R-C-M802PL\***  
32W, 2750LM, 4000K

\*SL26 MODELS ARE NOT ENERGY STAR QUALIFIED

### PART NUMBER GUIDE

# SL08 - AC120R - W - M802PL - M

### OPTIONAL

**SL08** 13W  
**SL12** 14W  
**SL18** 22W  
**SL26** 32W

**AC120R** 120V INPUT VOLTAGE  
80CRI

**W** 3000K  
**C** 4000K

**M802PL** HEAT SINK #

**M** LED-MOV1 SUPPLEMENTAL  
SURGE PROTECTION SEE  
PAGE 109





## EOS LED RETROFIT KITS

- UL 1598 Classified Retrofit Kit
- AC Driver-On-Board Technology
- Data Per NVLAP Accredited Laboratory
- Electronic Dimming (see page 112)
- Energy Star CSD
- 5 Year Warranty  
(LED-MOV1 required for outdoor applications)



RoHS compliant



install video

### SPECIFICATIONS

- Input Voltage: 120VAC; 50/60Hz
- 12W, 16W, 24W & 31W Models
- Available in 3000K or 4000K
- Constant current design
- High power factor > 0.90
- Estimated 50,000 hrs L70
- Optical grade polycarbonate lens
- Installation options include key hole slots, nipple, or mounting holes
- Integrated aluminum heat sink with ground wire
- Can be used to comply with 2016 Title 24 part 6 High Efficacy LED Light Source Requirements - JA8-2016
- On board line surge protection
- Optional supplemental surge protection
- 18" 18 AWG Leads
- UL 1598 Classified
- FCC compliance Class B

### MINIMUM DIMENSION REQUIREMENTS

- Diffuser: 14" x 14" x 3.75"
- Lamp Compartment Volume: 277 in<sup>3</sup>

### LUMENS & CCT @ 90CRI

#### 12W EOS RETROFIT

1020lm, 3000K = 85lm/W  
1040lm, 4000K = 87lm/W

#### 16W EOS RETROFIT

1370lm, 3000K = 86lm/W  
1400lm, 4000K = 88lm/W

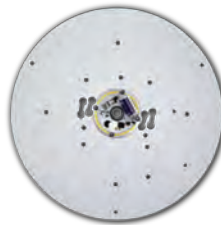
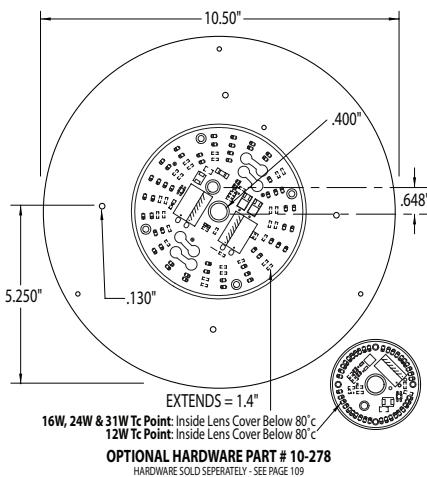
#### 24W EOS RETROFIT

1980lm, 3000K = 82lm/W  
2020lm, 4000K = 84lm/W

#### 31W EOS LAMP

2750lm, 3000K = 90lm/W  
2850lm, 4000K = 92lm/W

Photometrics available on request



**SL08-AC120RT-W-M802PL**  
12W, 1020LM, 3000K



**SL12-AC120RT-W-M802PL**  
16W, 1370LM, 3000K



**SL18-AC120RT-W-M802PL**  
24W, 1980LM, 3000K



**SL26-AC120RT-W-M802PL\***  
31W, 2750LM, 3000K

**SL08-AC120RT-C-M802PL**  
12W, 1040LM, 4000K

**SL12-AC120RT-C-M802PL**  
16W, 1400LM, 4000K

**SL18-AC120RT-C-M802PL**  
24W, 2020LM, 4000K

**SL26-AC120RT-C-M802PL\***  
31W, 2850LM, 4000K

\*SL26 MODELS ARE NOT ENERGY STAR QUALIFIED OR TITLE 24 COMPLIANT

### PART NUMBER GUIDE

## SL08 - AC120RT - W - M802PL - M

**SL08** 12W  
**SL12** 16W  
**SL18** 24W  
**SL26** 31W

**AC120RT** 120V INPUT VOLTAGE  
90CRI

**W** 3000K  
**C** 4000K

**M802PL** HEAT SINK #

**M** LED-MOV1 SUPPLEMENTAL  
SURGE PROTECTION SEE  
PAGE 109

For more information contact our sales department at 1-800-325-7364 or visit [www.interglobal-inc.com](http://www.interglobal-inc.com)





## EOS LED LAMP

- AC Driver-On-Board Technology
- Multiple Mounting Options
- Non-Dimming
- 5 Year Limited Warranty\*



### SPECIFICATIONS

- Input Voltage: 120VAC; 50/60Hz
- 10 Watt
- Available in 3000K or 4000K
- High power factor > 0.95
- Estimated 50,000 hrs L70
- On board line surge protection
- Optional supplemental surge protection
- 10" 18 AWG Leads
- UL file: E464765 Certified under UL Standard 8750
- FCC compliance Class B

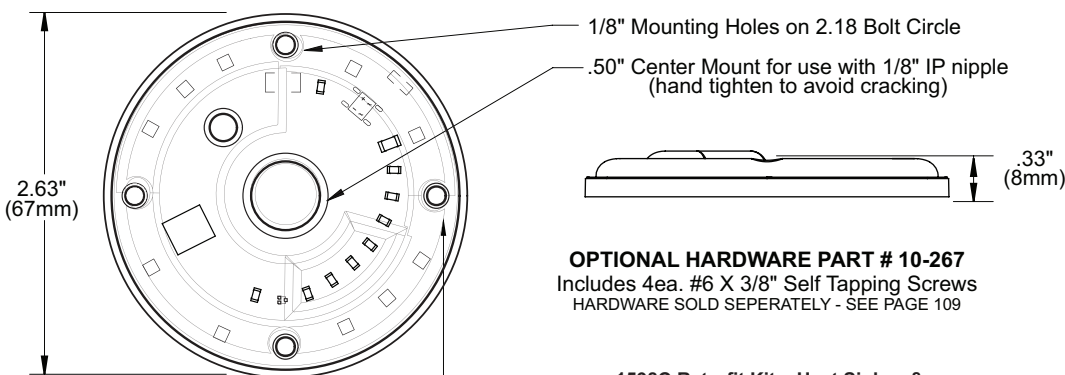
### LUMENS & CCT @ 80CRI

#### 10W EOS LAMP

642lm, 3000K = 64lm/W  
679lm, 4000K = 67lm/W

Photometrics available on request

### Mounting Options



TC POINT: INSIDE LENS COVER BELOW 80°C

**OPTIONAL HARDWARE PART # 10-267**  
Includes 4ea. #6 X 3/8" Self Tapping Screws  
HARDWARE SOLD SEPERATELY - SEE PAGE 109

1598C Retrofit Kits, Heat Sinks, &  
Supplemental Surge Protection Available.  
Contact Inter-Global for more information

### IMPORTANT

**\*PRODUCT MUST BE  
INSTALLED WITH PROPER  
HEAT DISSIPATION.  
LED-MOV1 REQUIRED FOR  
OUTDOOR APPLICATIONS.**

**SEE UL TERMS OF  
ACCEPTABILITY ON  
PAGE 113 PRIOR TO  
INSTALLATION.**

**HEAT SINK NOT INCLUDED**

### PART NUMBER GUIDE

**L05 - AC120R - W**

L05 10W

AC120R 120V INPUT VOLTAGE  
80CRI

W 3000K  
C 4000K

## EOS LED LAMP

- AC Driver-On-Board Technology
- Multiple Mounting Options
- Data Per NVLAP Accredited Laboratory
- Electronic Dimming (see page 112)
- Energy Star CSD
- 5 Year Limited Warranty\*



RoHS  
compliant

### SPECIFICATIONS

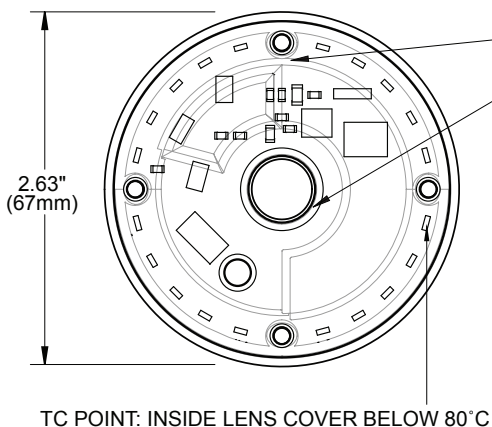
- Input Voltage: 120VAC; 50/60Hz
- 13 Watt
- Available in 3000K or 4000K
- High power factor > 0.95
- Estimated 50,000 hrs L70
- Optical grade polycarbonate lens
- Multiple mounting options for easy install
- Can be used to comply with 2016 Title 24 part 6 High Efficacy LED Light Source Requirements In Outdoor Applications
- On board line surge protection
- Optional supplemental surge protection
- 18" 18 AWG Leads
- UL file: E464765 Certified under UL Standard 8750
- FCC compliance Class B

### LUMENS & CCT @ 80CRI

#### 13W EOS LAMP

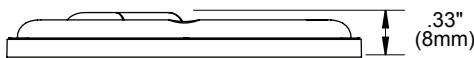
1140lm, 3000K = 88lm/W  
1280lm, 4000K = 98lm/W

Photometrics available on request



### Mounting Options

- 1/8" Mounting Holes on 2.18 Bolt Circle
- .49" Center Mount for use with 1/8" IP nipple (hand tighten to avoid cracking)



**OPTIONAL HARDWARE PART # 10-267**  
Includes 4ea. #6 X 3/8" Self Tapping Screws  
HARDWARE SOLD SEPERATELY - SEE PAGE 109

1598C Retrofit Kits, Heat Sinks, & Supplemental Surge Protection Available. Contact Inter-Global for more information

### IMPORTANT

**\*PRODUCT MUST BE INSTALLED WITH PROPER HEAT DISSIPATION. LED-MOV1 REQUIRED FOR OUTDOOR APPLICATIONS.**

**SEE UL TERMS OF ACCEPTABILITY ON PAGE 113 PRIOR TO INSTALLATION.**

**HEAT SINK NOT INCLUDED**

### PART NUMBER GUIDE

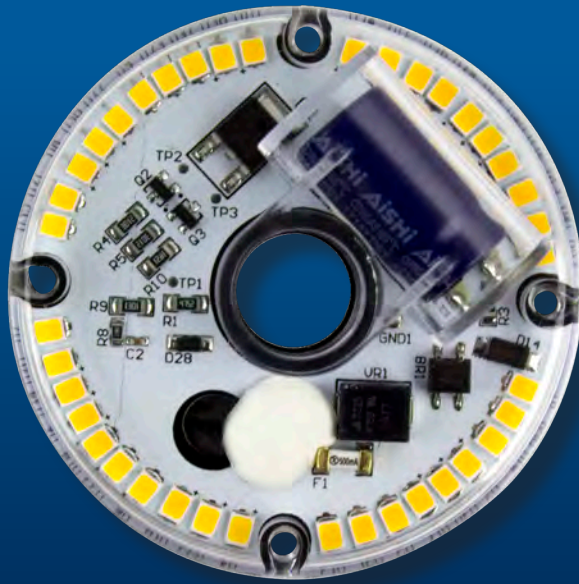
**L08 - AC120R - W**

L08 13W

AC120R 120V INPUT VOLTAGE  
80CRI

W 3000K  
C 4000K

For more information contact our sales department at 1-800-325-7364 or visit [www.interglobal-inc.com](http://www.interglobal-inc.com)



## EOS LED LAMP

- AC Driver-On-Board Technology
- Multiple Mounting Options
- Data Per NVLAP Accredited Laboratory
- Electronic Dimming (see page 112)
- Energy Star CSD
- 5 Year Limited Warranty\*



### SPECIFICATIONS

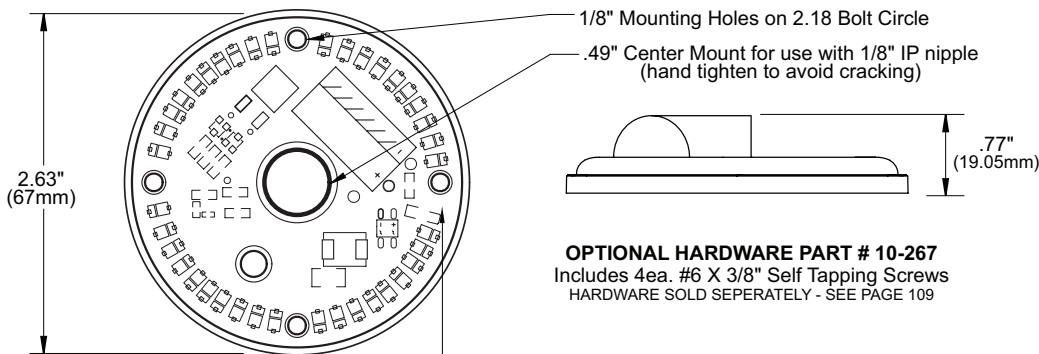
- Input Voltage: 120VAC; 50/60Hz
- 12 Watt
- Available in 3000K or 4000K
- Constant current design
- High power factor > 0.90
- Estimated 50,000 hrs L70
- Optical grade polycarbonate lens
- On board line surge protection
- Can be used to comply with 2016 Title 24 part 6 High Efficacy LED Light Source Requirements - JA8-2016
- Optional supplemental surge protection
- 18" 18 AWG Leads
- UL file: E464765 Certified under UL Standard 8750
- FCC compliance Class B

### LUMENS & CCT @ 90CRI

**12W 120V EOS LAMP**  
1020lm, 3000K = 85lm/W  
1040lm, 4000K = 87lm/W

Photometrics available on request

### Mounting Options



TC POINT: INSIDE LENS COVER BELOW 80°C

**OPTIONAL HARDWARE PART # 10-267**  
Includes 4ea. #6 X 3/8" Self Tapping Screws  
HARDWARE SOLD SEPERATELY - SEE PAGE 109

1598C Retrofit Kits, Heat Sinks, & Supplemental Surge Protection Available. Contact Inter-Global for more information

### IMPORTANT

**\*PRODUCT MUST BE INSTALLED WITH PROPER HEAT DISSIPATION. LED-MOV1 REQUIRED FOR OUTDOOR APPLICATIONS.**

**SEE UL TERMS OF ACCEPTABILITY ON PAGE 113 PRIOR TO INSTALLATION.**

**HEAT SINK NOT INCLUDED**

### PART NUMBER GUIDE

**L08 - AC120 - 2R9C - W**

**L08** 12W

**AC120** 120V INPUT VOLTAGE  
90CRI

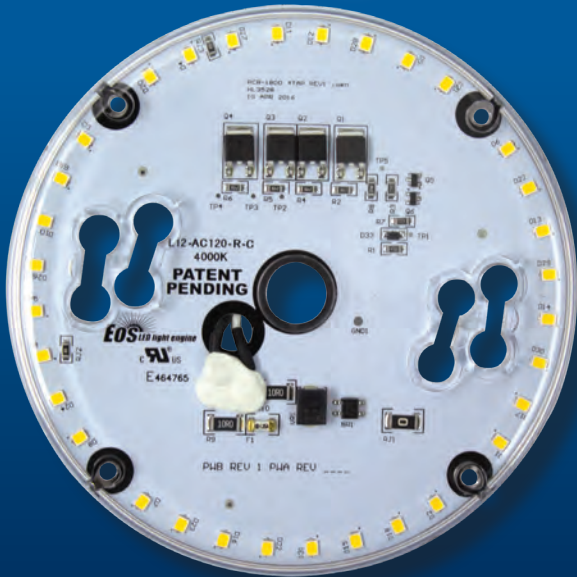
2.5" DIA ROUND

**W** 3000K  
**C** 4000K



## EOS LED LAMP

- AC Driver-On-Board Technology
- Multiple Mounting Options
- Data Per NVLAP Accredited Laboratory
- Electronic Dimming (see page 112)
- Energy Star CSD
- 5 Year Limited Warranty\*



RoHS  
compliant

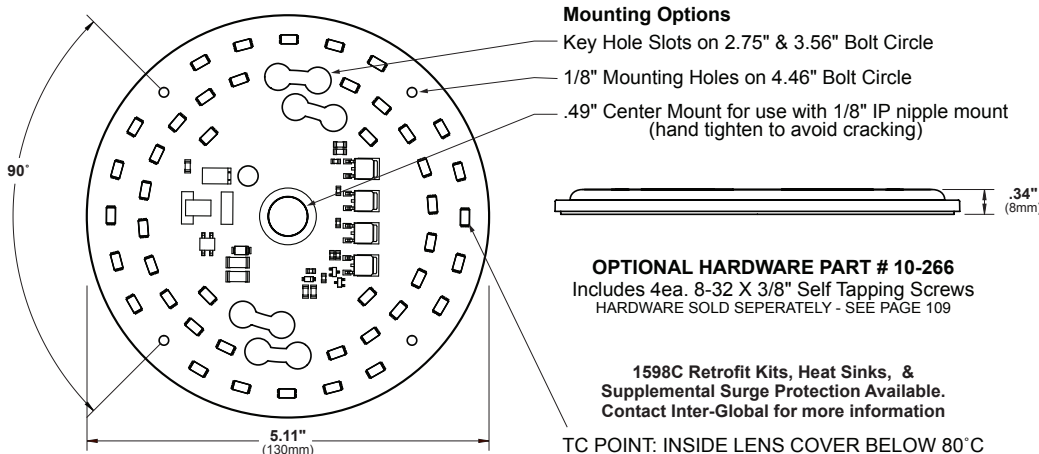
### SPECIFICATIONS

- Input Voltage: 120VAC; 50/60Hz
- 14 Watt
- Available in 3000K or 4000K
- High power factor > 0.95
- Estimated 50,000 hrs L70
- Optical grade polycarbonate lens
- Multiple mounting options for easy install
- Can be used to comply with 2016 Title 24 part 6 High Efficacy LED Light Source Requirements In Outdoor Applications
- On board line surge protection
- Optional supplemental surge protection
- 18" 18 AWG Leads
- UL file: E464765 Certified under UL Standard 8750
- FCC compliance Class B

### LUMENS & CCT @ 80CRI

**14W EOS LAMP**  
1470lm, 3000K = 102lm/W  
1500lm, 4000K = 103lm/W

Photometrics available on request



**IMPORTANT**  
**\*PRODUCT MUST BE INSTALLED WITH PROPER HEAT DISSIPATION.**  
**LED-MOV1 REQUIRED FOR OUTDOOR APPLICATIONS.**  
**SEE UL TERMS OF ACCEPTABILITY ON PAGE 113 PRIOR TO INSTALLATION.**  
**HEAT SINK NOT INCLUDED**

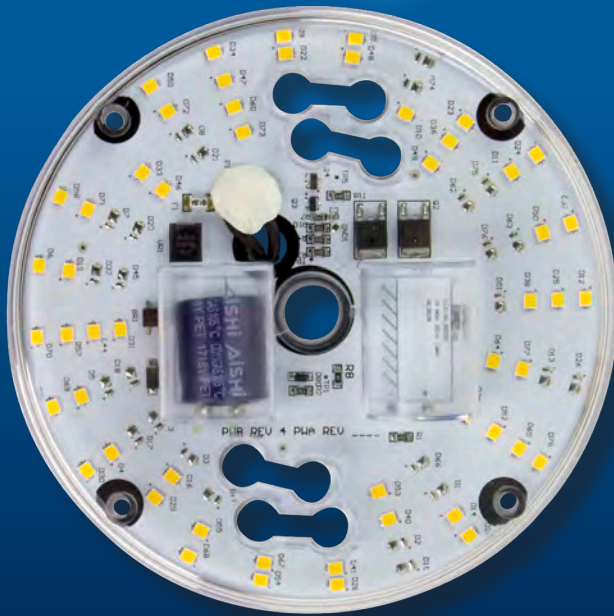
### PART NUMBER GUIDE

**L12 - AC120R - W**

L12 14W

AC120R 120V INPUT VOLTAGE  
80CRI

W 3000K  
C 4000K



## EOS LED LAMP

- ◊ AC Driver-On-Board Technology
- ◊ Multiple Mounting Options
- ◊ Data Per NVLAP Accredited Laboratory
- ◊ Electronic Dimming (see page 112)
- ◊ 5 Year Limited Warranty\*



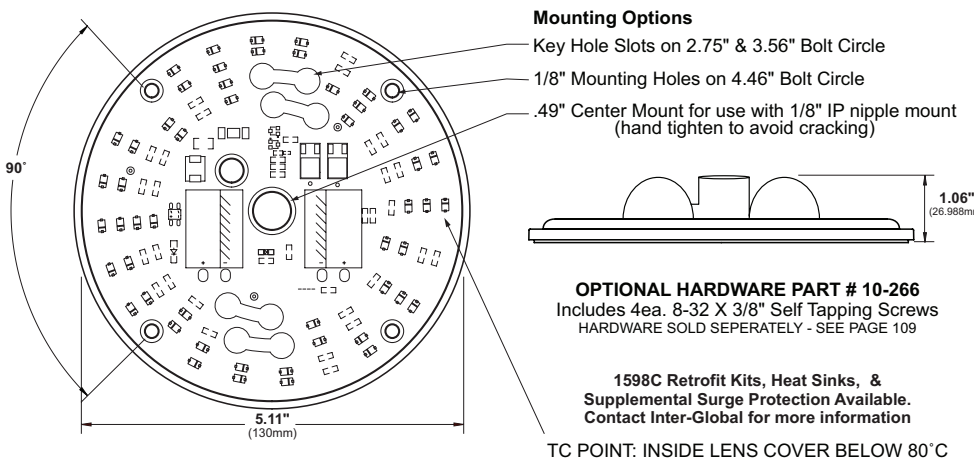
### SPECIFICATIONS

- ◊ Input Voltage: 120VAC; 50/60Hz
- ◊ 16 Watt
- ◊ Available in 3000K or 4000K
- ◊ Constant current design
- ◊ High power factor > 0.90
- ◊ Estimated 50,000 hrs L70
- ◊ Optical grade polycarbonate lens
- ◊ Multiple mounting options for easy install
- ◊ Can be used to comply with 2016 Title 24 part 6 High Efficacy LED Light Source Requirements - JA8-2016
- ◊ On board line surge protection
- ◊ Optional supplemental surge protection
- ◊ 18" 18 AWG Leads
- ◊ UL file: E464765 Certified under UL Standard 8750
- ◊ FCC compliance Class B

### LUMENS & CCT @ 90CRI

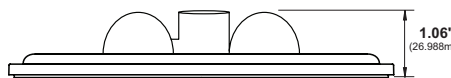
**16W EOS LAMP**  
1370lm, 3000K = 86lm/W  
1400lm, 4000K = 88lm/W

Photometrics available on request



#### Mounting Options

- Key Hole Slots on 2.75" & 3.56" Bolt Circle
- 1/8" Mounting Holes on 4.46" Bolt Circle
- .49" Center Mount for use with 1/8" IP nipple mount (hand tighten to avoid cracking)



**OPTIONAL HARDWARE PART # 10-266**  
Includes 4ea. 8-32 X 3/8" Self Tapping Screws  
HARDWARE SOLD SEPERATELY - SEE PAGE 109

1598C Retrofit Kits, Heat Sinks, & Supplemental Surge Protection Available. Contact Inter-Global for more information

TC POINT: INSIDE LENS COVER BELOW 80°C

**IMPORTANT**  
**\*PRODUCT MUST BE INSTALLED WITH PROPER HEAT DISSIPATION.**  
**LED-MOV1 REQUIRED FOR OUTDOOR APPLICATIONS.**

**SEE UL TERMS OF ACCEPTABILITY ON PAGE 113 PRIOR TO INSTALLATION.**

**HEAT SINK NOT INCLUDED**

### PART NUMBER GUIDE

**L12 - AC120 - 5R9C - W**

**L12** 16W

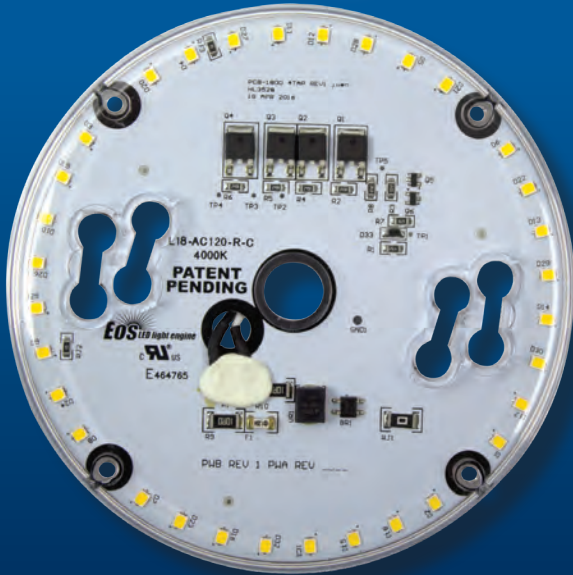
**AC120** 120V INPUT VOLTAGE  
90CRI

5" DIA ROUND

**W** 3000K  
**C** 4000K

## EOS LED LAMP

- AC Driver-On-Board Technology
- Multiple Mounting Options
- Data Per NVLAP Accredited Laboratory
- Electronic Dimming (see page 112)
- Energy Star CSD
- 5 Year Limited Warranty\*



RoHS  
compliant

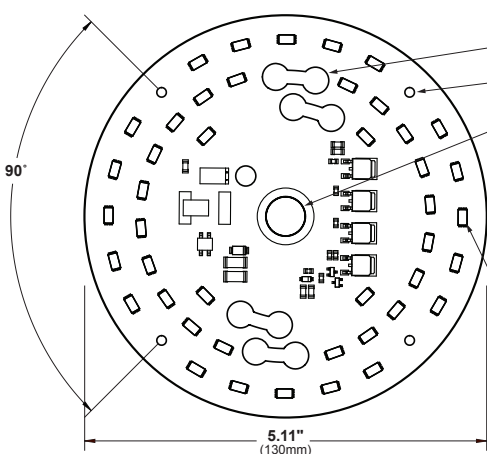
### SPECIFICATIONS

- Input Voltage: 120VAC; 50/60Hz
- 22 Watt
- Available in 3000K or 4000K
- High power factor > 0.95
- Estimated 50,000 hrs L70
- Optical grade polycarbonate lens
- Multiple mounting options for easy install
- Can be used to comply with 2016 Title 24 part 6 High Efficacy LED Light Source Requirements In Outdoor Applications
- On board line surge protection
- Optional supplemental surge protection
- 18" 18 AWG Leads
- UL file: E464765 Certified under UL Standard 8750
- FCC compliance Class B

### LUMENS & CCT @ 80CRI

**22W EOS LAMP**  
1950lm, 3000K = 88lm/W  
2130lm, 4000K = 96lm/W

Photometrics available on request



#### Mounting Options

- Key Hole Slots on 2.75" & 3.56" Bolt Circle
- 1/8" Mounting Holes on 4.46" Bolt Circle
- .49" Center Mount for use with 1/8" IP nipple mount (hand tighten to avoid cracking)



**OPTIONAL HARDWARE PART # 10-266**  
Includes 4ea. 8-32 X 3/8" Self Tapping Screws  
HARDWARE SOLD SEPERATELY - SEE PAGE 109

1598C Retrofit Kits, Heat Sinks, &  
Supplemental Surge Protection Available.  
Contact Inter-Global for more information

TC POINT: INSIDE LENS COVER BELOW 80°C

### IMPORTANT

**\*PRODUCT MUST BE  
INSTALLED WITH PROPER  
HEAT DISSIPATION.  
LED-MOV1 REQUIRED FOR  
OUTDOOR APPLICATIONS.**

**SEE UL TERMS OF  
ACCEPTABILITY ON  
PAGE 113 PRIOR TO  
INSTALLATION.**

**HEAT SINK NOT INCLUDED**

### PART NUMBER GUIDE

**L18 - AC120R - W**

L18 22W

AC120R 120V INPUT VOLTAGE  
80CRI

W 3000K  
C 4000K





## EOS LED LAMP

- ◊ AC Driver-On-Board Technology
- ◊ Multiple Mounting Options
- ◊ Data Per NVLAP Accredited Laboratory
- ◊ Electronic Dimming (see page 112)
- ◊ Energy Star CSD
- ◊ 5 Year Limited Warranty\*



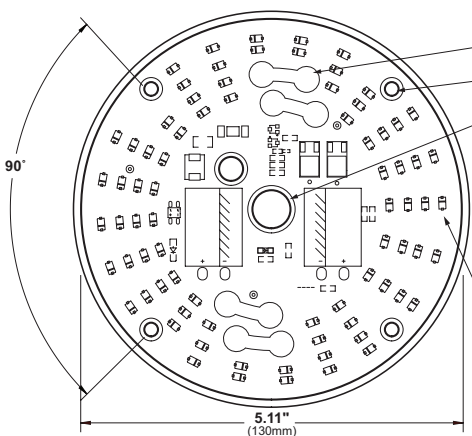
### SPECIFICATIONS

- ◊ Input Voltage: 120VAC; 50/60Hz
- ◊ 24 Watt
- ◊ Available in 3000K or 4000K
- ◊ Low Flicker
- ◊ Constant current design
- ◊ High power factor > 0.90
- ◊ Estimated 50,000 hrs L70
- ◊ Optical grade polycarbonate lens
- ◊ Multiple mounting options for easy install
- ◊ Can be used to comply with 2016 Title 24 part 6 High Efficacy LED Light Source Requirements - JA8-2016
- ◊ On board line surge protection
- ◊ Optional supplemental surge protection
- ◊ 18" 18 AWG Leads
- ◊ UL file: E464765 Certified under UL Standard 8750
- ◊ FCC compliance Class B

### LUMENS & CCT @ 90CRI

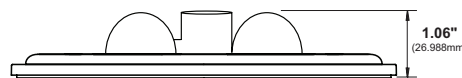
**24W EOS LAMP**  
1980lm, 3000K = 82lm/W  
2020lm, 4000K = 84lm/W

Photometrics available on request



#### Mounting Options

- Key Hole Slots on 2.75" & 3.56" Bolt Circle
- 1/8" Mounting Holes on 4.46" Bolt Circle
- .49" Center Mount for use with 1/8" IP nipple mount (hand tighten to avoid cracking)



**OPTIONAL HARDWARE PART # 10-266**  
Includes 4ea. 8-32 X 3/8" Self Tapping Screws  
HARDWARE SOLD SEPERATELY - SEE PAGE 109

1598C Retrofit Kits, Heat Sinks, & Supplemental Surge Protection Available.  
Contact Inter-Global for more information

TC POINT: INSIDE LENS COVER BELOW 80°C

**IMPORTANT**  
**\*PRODUCT MUST BE INSTALLED WITH PROPER HEAT DISSIPATION.**  
**LED-MOV1 REQUIRED FOR OUTDOOR APPLICATIONS.**

**SEE UL TERMS OF ACCEPTABILITY ON PAGE 113 PRIOR TO INSTALLATION.**

**HEAT SINK NOT INCLUDED**

### PART NUMBER GUIDE

**L18 - AC120 - 5R9C - W**

L18 24W

AC120 120V INPUT VOLTAGE  
90CRI

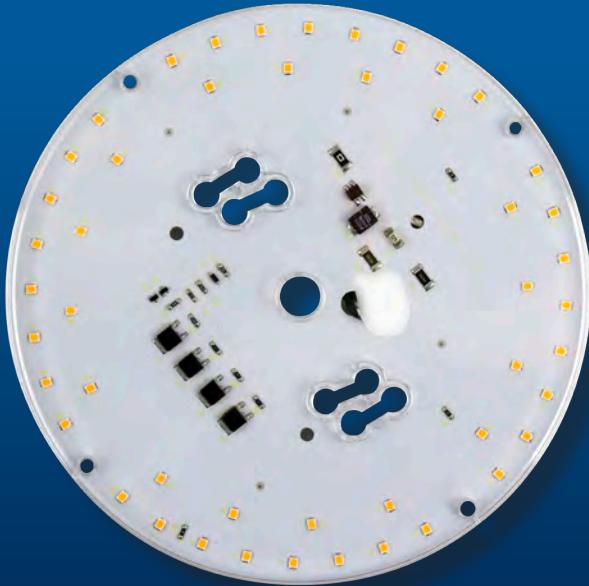
5" DIA ROUND

W 3000K  
C 4000K



### EOS LED LAMP

- AC Driver-On-Board Technology
- Multiple Mounting Options
- Data Per NVLAP Accredited Laboratory
- Electronic Dimming (see page 112)
- 5 Year Limited Warranty\*



#### SPECIFICATIONS

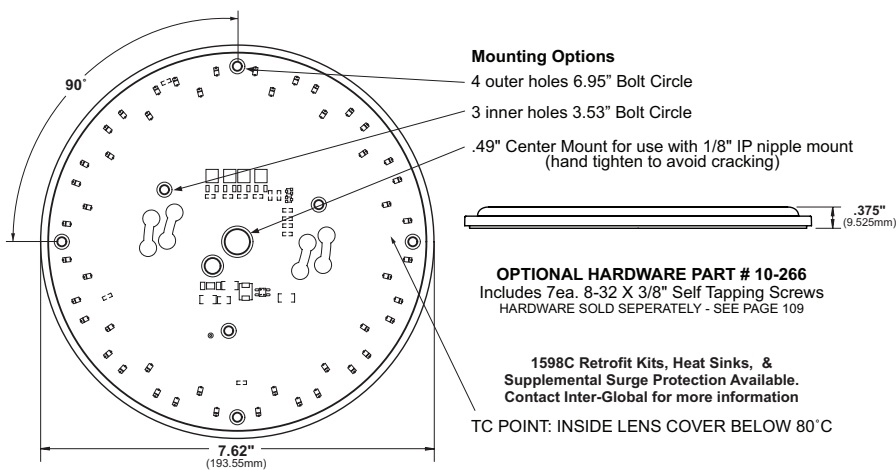
- Input Voltage: 120VAC; 50/60Hz
- 32 Watt
- Available in 3000K or 4000K
- High power factor > 0.95
- Estimated 50,000 hrs L70
- Optical grade polycarbonate lens
- Multiple mounting options for easy install
- On board line surge protection
- Optional supplemental surge protection
- 18" 18 AWG Leads
- UL file: E464765 Certified under UL Standard 8750
- FCC compliance Class B

#### LUMENS & CCT @ 80CRI

##### 32W EOS LAMP

2700lm, 3000K = 84lm/W  
2750lm, 4000K = 86lm/W

Photometrics available on request



**IMPORTANT**  
\*PRODUCT MUST BE INSTALLED WITH PROPER HEAT DISSIPATION.  
LED-MOV1 REQUIRED FOR OUTDOOR APPLICATIONS.  
SEE UL TERMS OF ACCEPTABILITY ON PAGE 113 PRIOR TO INSTALLATION.  
**HEAT SINK NOT INCLUDED**

#### PART NUMBER GUIDE

**L26 - AC120 - 7R - W**

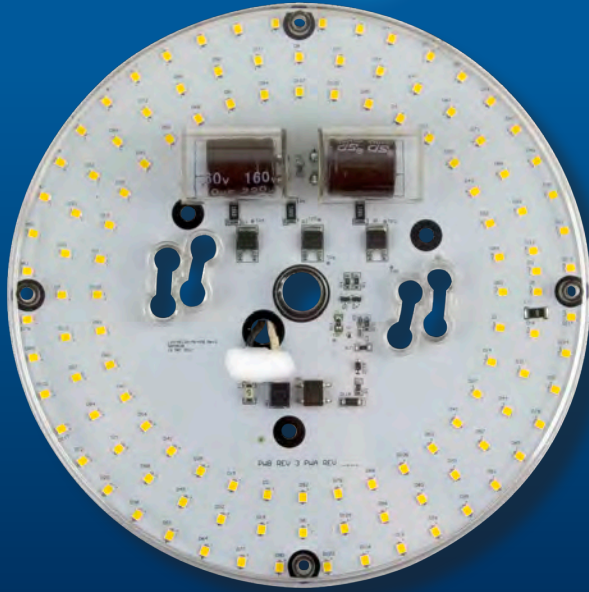
L26 32W

AC120 120V INPUT VOLTAGE  
80CRI

7.5" DIA ROUND

W 3000K  
C 4000K

For more information contact our sales department at 1-800-325-7364 or visit [www.interglobal-inc.com](http://www.interglobal-inc.com)



## EOS LED LAMP

- AC Driver-On-Board Technology
- Multiple Mounting Options
- Data Per NVLAP Accredited Laboratory
- Electronic Dimming (see page 112)
- 5 Year Limited Warranty\*



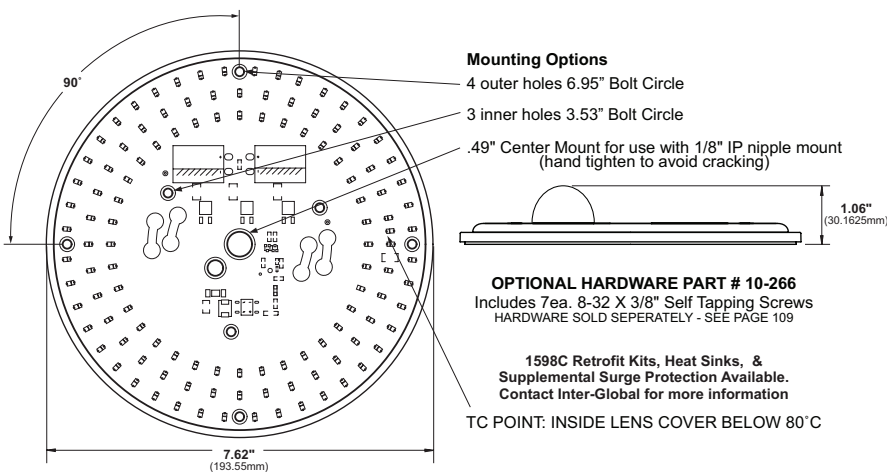
### SPECIFICATIONS

- Input Voltage: 120VAC; 50/60Hz
- 31 Watt
- Available in 3000K or 4000K
- Low Flicker
- Constant current design
- High power factor > 0.90
- Estimated 50,000 hrs L70
- Optical grade polycarbonate lens
- Multiple mounting options for easy install
- On board line surge protection
- Optional supplemental surge protection
- 18" 18 AWG Leads
- UL file: E464765 Certified under UL Standard 8750
- FCC compliance Class B

### LUMENS & CCT @ 90CRI

**31W EOS LAMP**  
2750lm, 3000K = 89lm/W  
2850lm, 4000K = 92lm/W

Photometrics available on request



**IMPORTANT**

**\*PRODUCT MUST BE INSTALLED WITH PROPER HEAT DISSIPATION.**

**LED-MOV1 REQUIRED FOR OUTDOOR APPLICATIONS.**

**SEE UL TERMS OF ACCEPTABILITY ON PAGE 113 PRIOR TO INSTALLATION.**

**HEAT SINK NOT INCLUDED**

### PART NUMBER GUIDE

**L26 - AC120 - 7R9C - W**

L26 31W

AC120 120V INPUT VOLTAGE  
90CRI

7.5" DIA ROUND

W 3000K  
C 4000K

## EOS LED LAMP

- AC Driver-On-Board Technology
- Multiple Mounting Options
- Non-Dimming
- 5 Year Limited Warranty\*



### SPECIFICATIONS

- Input Voltage: 277VAC; 50/60Hz
- 6.2 Watt
- Available in 3000K or 4000K
- High power factor > 0.95
- Estimated 50,000 hrs L70
- Optical grade polycarbonate lens
- On board line surge protection
- 18" 18 AWG Leads
- UL file: E464765 Certified under UL Standard 8750
- FCC compliance Class B

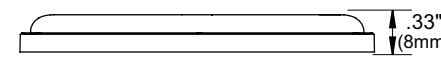
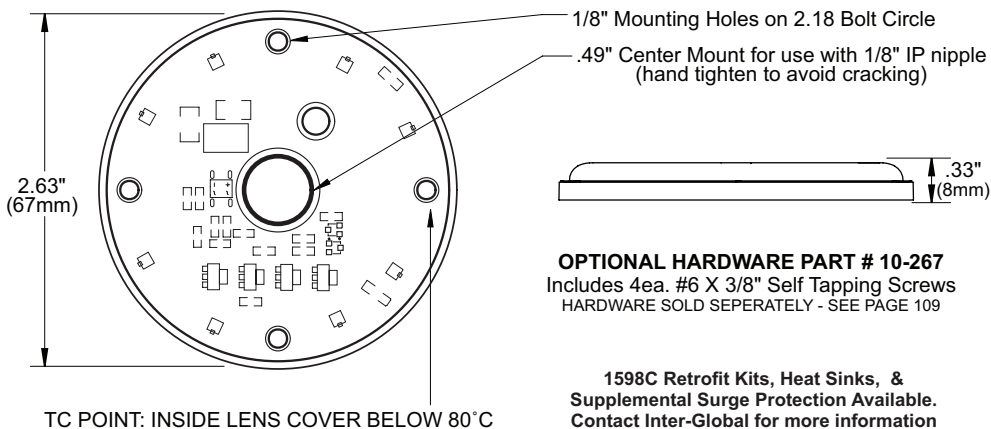
### LUMENS & CCT @ 80CRI

#### 6.2W EOS LAMP

520lm, 3000K = 84lm/W  
550lm, 4000K = 89lm/W

**NON-STOCKED - AVAILABLE ON SPECIAL ORDER**

### Mounting Options



**OPTIONAL HARDWARE PART # 10-267**  
Includes 4ea. #6 X 3/8" Self Tapping Screws  
HARDWARE SOLD SEPERATELY - SEE PAGE 109

1598C Retrofit Kits, Heat Sinks, & Supplemental Surge Protection Available. Contact Inter-Global for more information

### IMPORTANT

**\*PRODUCT MUST BE INSTALLED WITH PROPER HEAT DISSIPATION. MOV SURGE SUPPRESSION REQUIRED FOR OUTDOOR APPLICATIONS. SEE UL TERMS OF ACCEPTABILITY ON PAGE 113 PRIOR TO INSTALLATION.**

**HEAT SINK NOT INCLUDED**

### PART NUMBER GUIDE

**L05 - AC277R - W**

L05 6.2W

AC277R 277V INPUT VOLTAGE  
80CRI

W 3000K  
C 4000K

## EOS LED LAMP

- AC Driver-On-Board Technology
- Multiple Mounting Options
- Non-Dimming
- Data Per NVLAP Accredited Laboratory
- 5 Year Limited Warranty\*



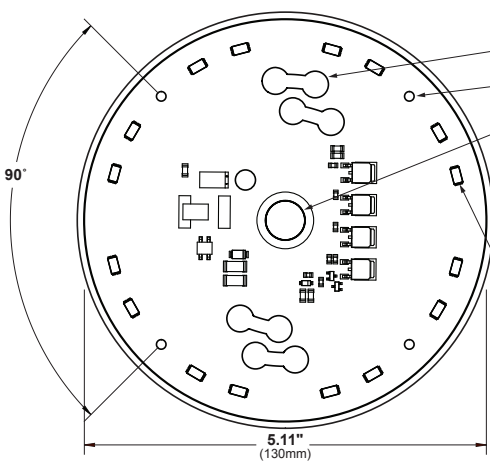
### SPECIFICATIONS

- Input Voltage: 277VAC; 50/60Hz
- 12 Watt
- Available in 3000K or 4000K
- High power factor > 0.95
- Estimated 50,000 hrs L70
- Optical grade polycarbonate lens
- Multiple mounting options for easy install
- On board line surge protection
- 18" 18 AWG Leads
- UL file: E464765 Certified under UL Standard 8750
- FCC compliance Class B

### LUMENS & CCT @ 80CRI

**12W 277V EOS LAMP**  
 1020lm, 3000K = 85lm/W  
 1050lm, 4000K = 88lm/W

**NON-STOCKED - AVAILABLE ON SPECIAL ORDER**



#### Mounting Options

- Key Hole Slots on 2.75" & 3.56" Bolt Circle
- 1/8" Mounting Holes on 4.46" Bolt Circle
- .49" Center Mount for use with 1/8" IP nipple mount (hand tighten to avoid cracking)



**OPTIONAL HARDWARE PART # 10-266**  
 Includes 4ea. 8-32 X 3/8" Self Tapping Screws  
 HARDWARE SOLD SEPERATELY - SEE PAGE 109

1598C Retrofit Kits, Heat Sinks, & Supplemental Surge Protection Available. Contact Inter-Global for more information

TC POINT: INSIDE LENS COVER BELOW 80°C

### IMPORTANT

**\*PRODUCT MUST BE INSTALLED WITH PROPER HEAT DISSIPATION. MOV SURGE SUPPRESSION REQUIRED FOR OUTDOOR APPLICATIONS. SEE UL TERMS OF ACCEPTABILITY ON PAGE 113 PRIOR TO INSTALLATION.**

**HEAT SINK NOT INCLUDED**

#### PART NUMBER GUIDE

**L10 - AC277 - 5R - W**

L10 12W

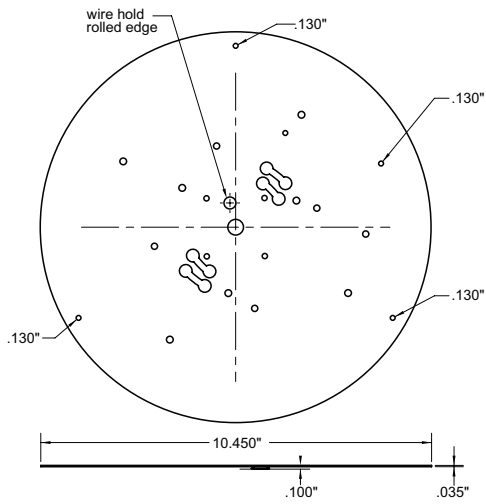
AC277 277V INPUT VOLTAGE  
80CRI

5" DIA ROUND

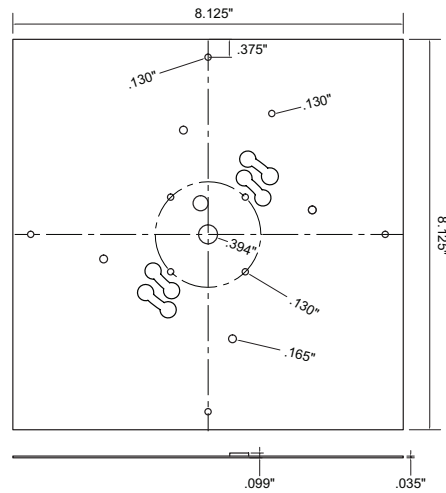
W 3000K  
C 4000K



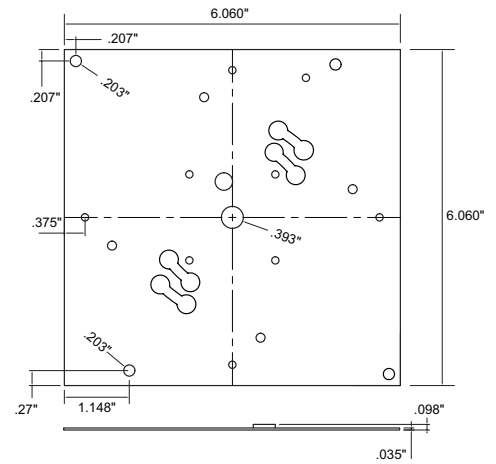
# WHITE ALUMINUM HEAT SINKS



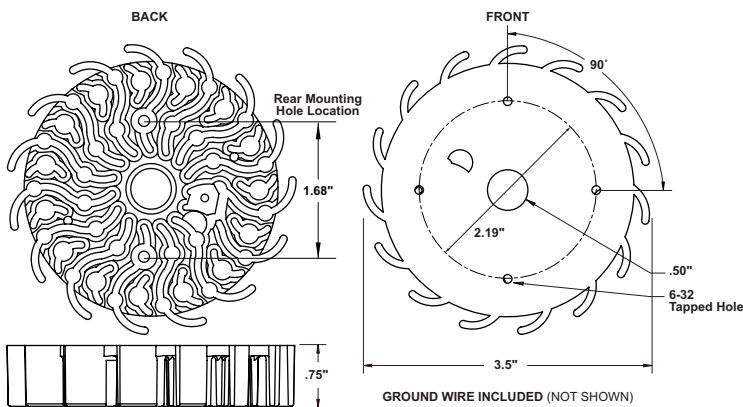
**M802PL**  
10" FLAT ROUND



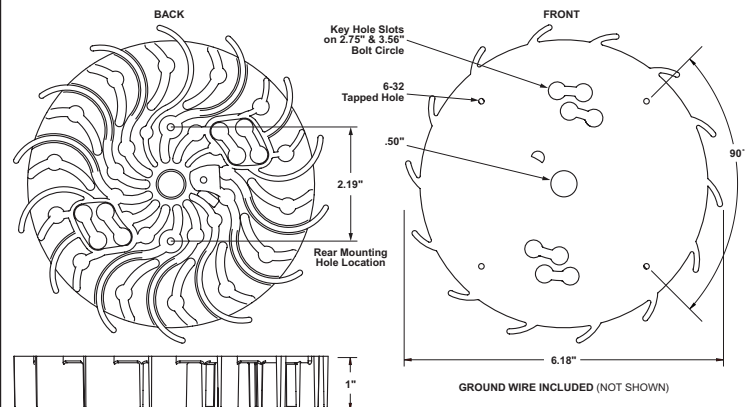
**M804PL**  
8" FLAT SQUARE



**M807PL**  
6" FLAT SQUARE



**EOS800HS**  
3.5" DIAMETER PUCK



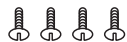
**EOS1200HS**  
6" DIAMETER PUCK

## HARDWARE

### ARRAY MOUNTING HARDWARE

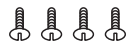
**10-266**

14/23W ARRAY Mounting Hardware  
4ea. 8-32 X 3/8" Self Tapping Screws



**10-267**

13W ARRAY Mounting Hardware  
4ea. #6 X 3/8" Self Tapping Screws



### RETROFIT MOUNTING HARDWARE

**10-278** - Universal hardware bag includes extra parts to cover multiple applications.  
1ea. 3' long 1/8" IP nipple, 2ea Hex Nuts, 2ea Lock Washers,  
2ea. 8-32 X 3/8" Self Tapping Screws, 4ea. 6-32 X 1/2" Screws, & 8ea. Nuts w/LOCK



## SURGE PROTECTION



**LED-MOV1**



- Supplementary 120V Surge Protector
- Required With EOS LED Products in Outdoor Applications
- Transient voltage protection: 4.0Kv (32 joules)@140VAC: L-L,L-N,L-G
- 6" 18 AWG Leads

For more information contact our sales department at 1-800-325-7364 or visit [www.interglobal-inc.com](http://www.interglobal-inc.com)



**MS2B**

# MICROWAVE MOTION SENSOR

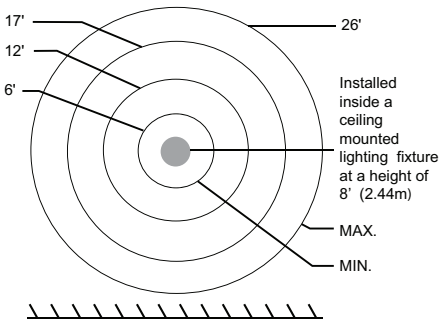
- Adjustable Time, Reach, and Dusk-To-Dawn Sensitivity
- Detects Motion Using High Frequency
- Mounting Bracket for Installation
- Installs Discretely Behind Fixture Lens



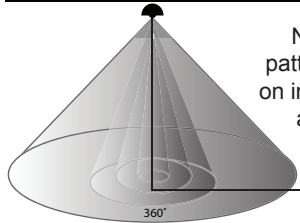
### SPECIFICATIONS

- |   |   |   |
|---|---|---|
| ◦ Input Voltage:<br>100-277VAC; 50/60Hz   | ◦ 2.6W Power Consumption (Static State)       | ◦ Delay: 8 Seconds to 12 Minutes                              |
| ◦ Operating Frequency: 5.8GHz   | ◦ <10mw Transmission Power                    | ◦ Dusk-To-Dawn Sensitivity from<br>2-2000LUX (2000Lux is OFF) |
| ◦ Rated Load:<br>600W @ 100VAC Incandescent<br>200W @ 277VAC LED<br>1200W @ 277VAC Incandescent | ◦ 360° Front Detection Angle                  | ◦ Non Dimmable  |
|   | ◦ 160° Side Detection Angle                   | ◦ UL CUL Listed   |
|   | ◦ 39" to 26' Adjustable<br>Detection Distance | ◦ FCC compliance Class B                                      |

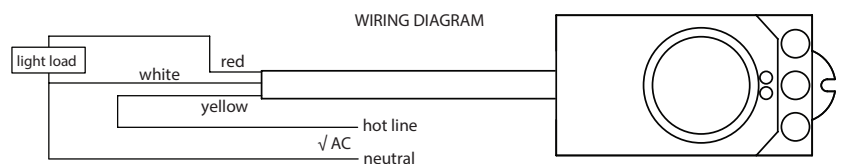
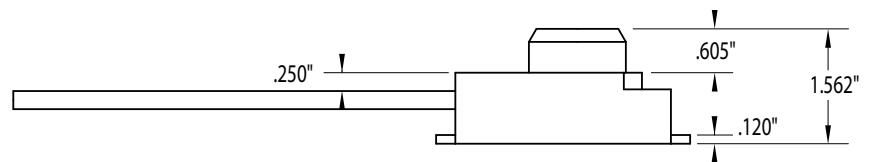
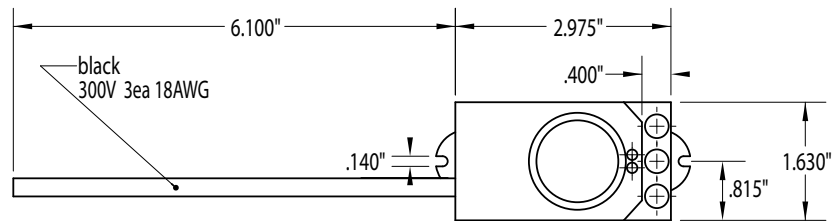
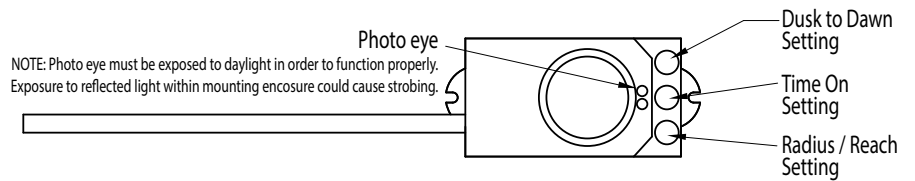
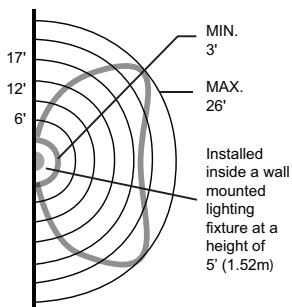
### Ceiling Mount



NOTE: Coverage pattern will vary based on installation of sensor and surrounding materials.



### Wall Mount





**PC-08**

## DUSK TO DAWN SWITCH

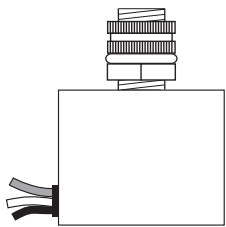
- Switches Light On At Night, Off During Day
- Constructed of Durable Plastic
- Nuts & O-Ring Included
- Standard Pack Qty: 250



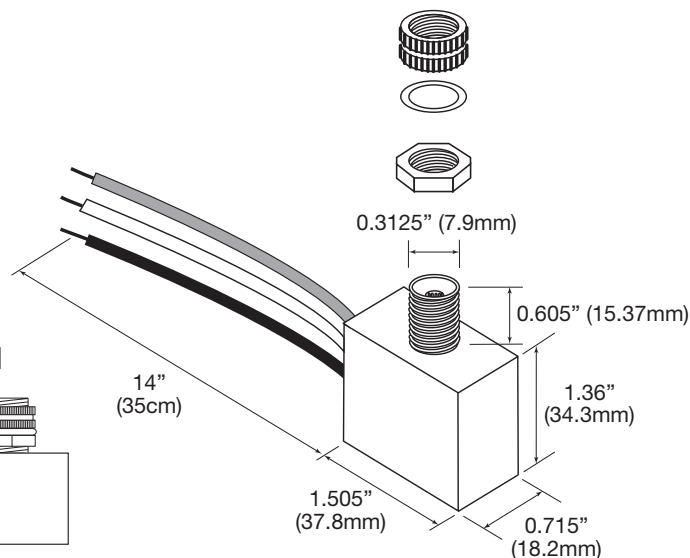
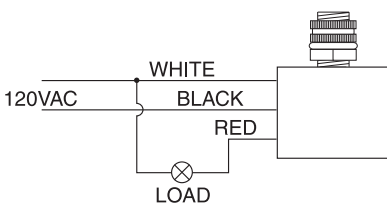
### SPECIFICATIONS

- Input Voltage: 120VAC; 60Hz
- Maximum Output: 300W Incandescent, 39W LED & Fluorescent\*
- Optional Swivel Hood Eliminates Strobing (03-003 sold separately)
- Electronic Circuit with Mechanical Switching Relay
- 14" Lead Length
- UR CUR Recognized

\* See lamp specifications for photocell compatibility

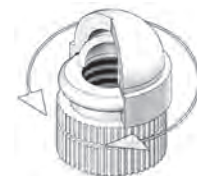


### WIRING DIAGRAM

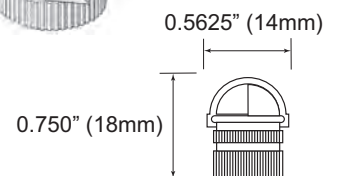


### OPTIONAL SWIVEL HOOD

- Fully adjustable 2 piece cover helps to eliminate strobing caused by reflected light
- Fits PC-08 dusk to dawn switch
- Available in Black (03-003) or White (03-003WHT)



**Rotates 360°**





Inter-Global's LED LAMPs were tested for compatibility with the below listed dimmers. The below compatibility chart can be used for guidance when selecting a dimmer and LED LAMP combination. Dimmers that do not appear on the chart may be compatible but have not been tested. Criteria includes level of dimmability and amount dimmer limits LED efficacy at dimmer's 100% setting. Contact sales with questions.

All testing has been performed with a stable main supply. The quality of the existing installation and wiring may affect dimming performance. Since no assurance can be provided regarding these factors, it is a general recommendation to perform a test on site prior to installing LED LAMPs.

<b>Best</b>	✓
<b>Better</b>	✓
<b>Good</b>	✓
<b>Non-Compatible</b>	✗

Dimmer Manufacturer/ Model #	80CRI				LOW FLICKER - 90CRI				A19/E26 LCE/LWE
	L08-AC120R (LE800)	L12-AC120R (LE1200)	L18-AC120R (LE1800)	L26-AC120-7R (LE2600)	L08-AC120-2R9C (LT800)	L12-AC120-5R9C (LT1200)	L18-AC120-5R9C (LT1800)	L26-AC120-7R9C (LT2600)	
<b>LUTRON SELV-303P-WH</b>	✓	✓	✓	✓	✓	✓	✓	✓	✗
<b>LUTRON S-600H-WH</b>	✓	✓	✓	✓	✗	✗	✗	✗	✗
<b>LUTRON LG-603PH-AL</b>	✓	✓	✓	✓	✗	✗	✗	✗	✗
<b>LEVITON IPL06-10Z</b>	✓	✓	✓	✓	✓	✓	✓	✗	✓
<b>LUTRON NTLV-600</b>	✓	✓	✓	✓	✓	✓	✓	✓	✗
<b>LEVITON 6631-LW</b>	✓	✓	✓	✓	✓	✓	✓	✓	✗
<b>LUTRON CTC2-153P</b>	✓	✓	✗	✗	✓	✓	✓	✗	✗
<b>LUTRON DVCL-153P</b>	✓	✓	✓	✗	✓	✗	✓	✗	✓
<b>LUTRON TTC9-153P</b>	✗	✗	✗	✗	✓	✓	✓	✗	✗
<b>LUTRON DIVA DVCL-153P</b>	✓	✓	✓	✓	✓	✓	✓	✗	✓
<b>LUTRON MA-600-WH</b>	✓	✓	✓	✓	✗	✗	✗	✗	✗
<b>LEVITON DECORA 6672</b>	✓	✓	✓	✓	✓	✓	✓	✓	✓
<b>LEVITON 6674</b>	✓	✓	✓	✓	✓	✓	✗	✗	✓
<b>LUTRON DV6200P-WH</b>	✓	✓	✓	✓	✗	✗	✗	✗	✗
<b>LUTRON SKYLARK S-600P</b>	✓	✓	✓	✓	✗	✗	✗	✗	✗
<b>LUTRON SKYLARK SELV-300P</b>	✓	✓	✓	✓	✓	✓	✓	✓	✗

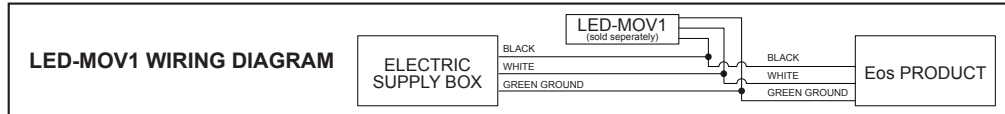
# APPLICATION/SPECIFICATION NOTES

## UL Conditions of Acceptability

1. The Eos LED Light Engine may be provided with or without lead wires. In cases where lead wires are not provided, wire leads must be evaluated for proper size, operating temperature, and strain relief in final application. Wire connectors provided with the Eos LED Light Engine are rated to accept maximum 18 AWG wires.
2. The Eos LED Light Engine is provided with a polycarbonate lens that is part of the electrical enclosure. Lens must be secured to the printed circuit board in the final application.
3. Temperature must be considered in the final application. The following temperature ratings must not be exceeded:
  - Printed Circuit Board – 130°C
  - Leads – as marked on the insulation
  - Polycarbonate Lens (Enclosure) – 80°C
  - Connectors – 125°C

**NOTE: THE EOS LED LIGHT ENGINE MUST BE PROPERLY MOUNTED TO THERMAL DISSIPATION MATERIAL. DO NOT MOUNT THE EOS BOARD TO INSULATING MATERIAL SUCH AS GLASS, STEEL, PLASTIC, OR WOOD.**

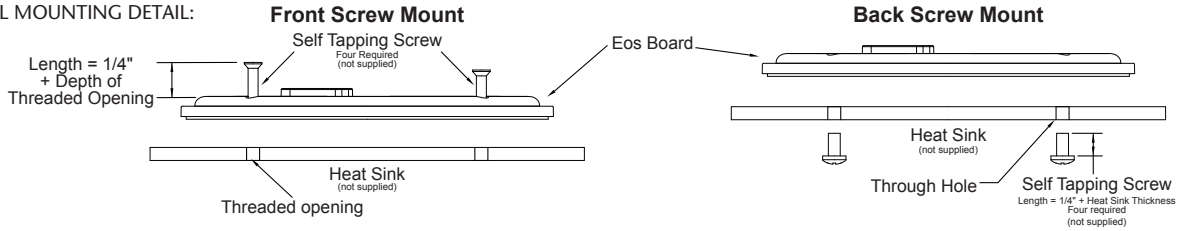
4. The Eos LED Light Engine has been evaluated for use in dry or damp locations only. The suitability of the mounting means in the end product shall be determined in the end use evaluation.
5. All Eos LED Light Engine boards are supplied with built in surge protection that provides Energy Star required transient voltage protection of 2.5Kv as outlined in ANSI/IEEE C62.41.1-2002 and considered sufficient for indoor applications. For outdoor applications where products are at higher risk of surges from lightning it is required to use a higher level of surge protection. To accomplish this, a supplementary surge protection device is offered (LED-MOV1) which aids to provide the transient voltage protection of 4.0Kv that is required for those applications.



## Application Notes

1. Maximum solder point temperature of LEDs must not exceed 100°C.
2. ENERGY STAR - Product is listed on the Energy Star Certified Sub-component Database (CSD) under LED Light Engines. The CSD supports the Luminaire Manufacturer's qualification of their Energy Star Luminaires by providing certified performance data of the components. This streamlines the Energy Star qualification process for the luminaire when CSD listed products are used.

### 3. TYPICAL MOUNTING DETAIL:



4. Product must be installed with supplied optical lens to comply with UL requirements. Lens must be hand tightened to avoid cracking.
5. Eos boards are static sensitive. They must be handled in a manner to protect them from static discharge.

**IF ADDITIONAL TECHNICAL ASSISTANCE IS NEEDED, PLEASE CONTACT INTER-GLOBAL AT 1-800-325-7364.**

## Eos PRODUCT WARRANTY

Inter-Global warrants that its Eos product shall be free from defects in material and workmanship and will be of the designated kind and quality for a period of 5 years from the date of manufacture. Inter-Global makes no warranty whatsoever with respect to any Eos product not installed and operated in accordance with the current edition of the National Electrical Code, the standards of safety of Underwriters Laboratories, the standards of the American National Standards Institute and specific instructions provided by Inter-Global for installation and operation including the UL conditions of acceptability.

If it appears within the said warranty period that any Inter-Global Eos product does not meet the warranty specified above, the customer must give written notice of their warranty claim and return the Eos product and heat sink with provided Return Authorization (RGA) Number, at the customer's expense to Inter-Global. If the product has failed due to defects in materials or workmanship, Inter-Global shall at its expense and option correct any defects by either repairing or replacing the defective part(s).

This warranty is not applicable to any product subjected to abnormal stresses, abuse, misuse or damage resulting from acts of god.

Inter-Global's Eos Products are designed to be operated in an ambient temperature range of -40°C (-40°F) to 40°C (105°F)

The foregoing warranty is exclusive of all other statutory written or oral warranties of any kind given or herein expressed. Inter-Global hereby disclaims any implied statutory warranty or implied warranty of merchantability or fitness for a particular purpose.

Under no circumstances whether as a result of breach of contract, breach of warranty, tort strict liability or otherwise, will Inter-Global or any distributor or sales representative be liable for consequential, incidental, special or exemplary damages, including but not limited to loss of profits, loss of use or damage to any property or equipment, cost of capital, cost of substitutes, products facilities or services, down time cost or claims of Inter-Global's customers.

The Liability of Inter-Global or any distributor or sales representative on all claims of any kind for any loss or damage arising out of, resulting from or concerning any aspect of this limited warranty, from the Eos product furnished, shall not exceed the purchase price of the specific Eos product which gives rise to the claims.

### REPAIR OR REPLACEMENT FOR Eos PRODUCT UNDER WARRANTY

**Step 1** Contact Inter-Global within 30 days of discovery to explain the nature of the defect:

BY MAIL - Inter-Global Warranties, 6333 Etzel Avenue, St. Louis, MO 63133-1998  
BY PHONE - 1-800-325-7364  
BY FAX - 314-721-6333  
BY E-MAIL - info@interglobal-inc.com

**Step 2** You may be instructed to send some or all of the units back for evaluation. You will be given a Return Authorization (RGA) Number. This number must appear on all cartons, packaging slips, debit memos and other correspondence.

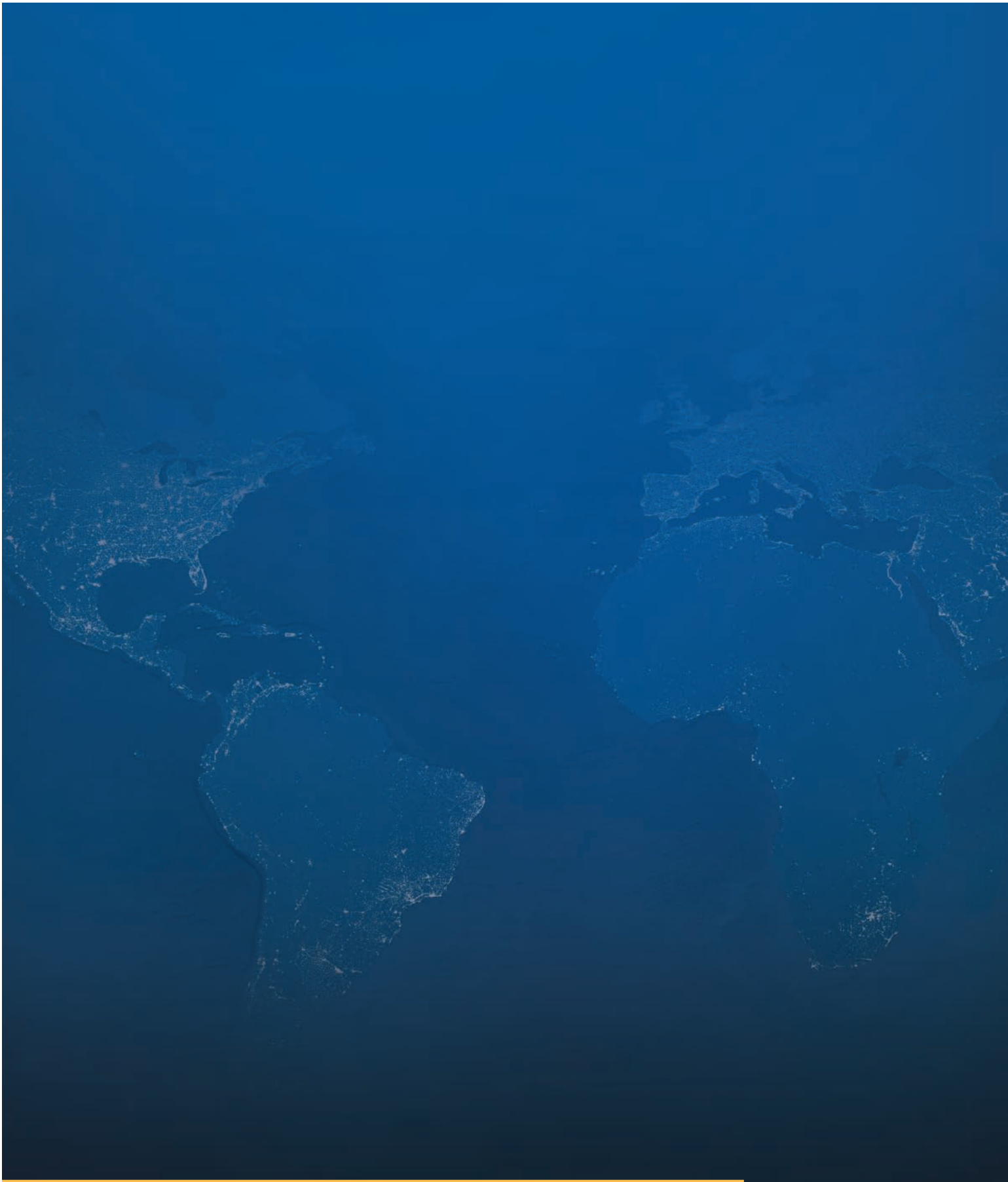
No merchandise will be accepted without a valid RGA number marking the shipment. The Eos product must be returned freight prepaid-COLLECT SHIPMENTS WILL BE REFUSED.

**Step 3** The returned Eos product will be evaluated by Inter-Global to determine if it is covered under the Limited Warranty.

**Eos PRODUCT UNDER WARRANTY** - When all of the following conditions exist, the returned Eos product will be considered under warranty and will be repaired or replaced at the option of Inter-Global.

1. The Eos product was manufactured less than the specific warranty period earlier than the date of return.
2. It is determined by Inter-Global that the Eos product was installed and operated in accordance with the current edition of the National Electrical Code, the standards for safety of Underwriter's Laboratories, Inc. the standards of the American National Standards Institute and the specific instructions provided by Inter-Global for installation and operation. (see above)
3. The Eos product does not operate according to Inter-Global specifications, due to defects in material or workmanship.
4. The Eos product manufacturing date code has not been altered or is not missing (DATE CODE - Each Eos product is marked with a date code in the form of a sticker or stamped into the case depending on the type of unit). The first two digits represent the year, and the next two digits represent the month of the year of manufacture.
5. The Eos product was not damaged due to physical abuse and was returned in adequate packaging to prevent damage to it.
6. For outdoor installations, the Eos product must be installed with supplemental surge suppression (LED-MOV1).

**Eos PRODUCT NOT UNDER WARRANTY** - Any Eos product determined by Inter-Global not to be under warranty will be returned to the customer (freight paid by customer), or destroyed, at the customer's option.



---

6333 Etzel Avenue St. Louis, MO 63133  
Phone 314-725-9800 Toll Free 800-325-7364 Fax 314-721-6333  
[www.interglobal-inc.com](http://www.interglobal-inc.com) [info@interglobal-inc.com](mailto:info@interglobal-inc.com)

# INTER·GLOBAL



## LAMP POSTS + ACCESSORIES

---

6333 Etzel Avenue St. Louis, MO 63133

Phone 314-725-9800 Toll Free 800-325-7364 Fax 314-721-6333

[www.interglobal-inc.com](http://www.interglobal-inc.com) [info@interglobal-inc.com](mailto:info@interglobal-inc.com)

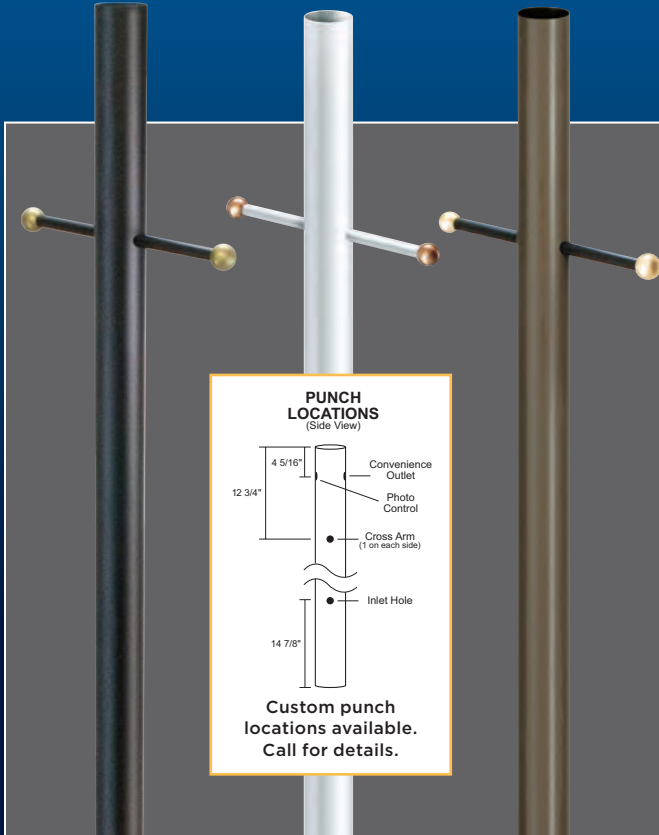
## DIRECT BURIAL RESIDENTIAL LAMP POSTS

- Customization Available
- Fits Most Standard 3" Post Top Fixtures
- Textured Powdercoated Aluminum
- Inlet Hole Included
- Made in the USA

**BL**  
BLACK

**PL**  
WHITE

**ZL**  
BRONZE



### DIRECT BURIAL

**GUIDE: T307-BL-CACO**

Dimensions: O.D. = 2.950", I.D. = 2.850", Wall = .050"

ITEM #	COLOR	OPTION
T307-7' Post	BL-Black	CA-Crossarm
T308-8' Post	PL-White	CB-Colonial Base
T300-10' Post	ZL-Bronze	CO-Conv. Outlet
		PC-Photo Control

POST LENGTH	SUGG. BURIAL DEPTH
7'	18"
8'	18"
10'	24"

**Pallet Qty: 66**

Product ships via freight in pallet quantities only.

**NOTE:** Posts with Crossarm, Photo Control, or Convenience Outlet come pre-punched for installation. Minor assembly required.



**SAFETY NOTE:** Selecting posts and electrical accessories for performance and safety requires a full understanding of various factors and conditions. Professional engineering assistance in selecting these items is highly recommended. Purchaser is responsible for meeting any and all codes or requirements. If you choose a post or electrical accessory without getting such assistance, you do so at your own risk.

### ACCESSORIES



**CA (A308)**  
**15" Aluminum Crossarm with Gold End**

Caps, 3/4" Dia. mounting hole required.  
SPECIFY: (BL)Black, (BZ) Bronze or (PL) White  
MOQ: 24



**CB (B101BE)**  
**Colonial Style Polyethylene Slip On Base Cover for Standard 3" Post I.D. = 3"**

For use with direct burial and surface mount posts. No hardware included.  
SPECIFY: (B) Black (P) White  
MOQ: 24



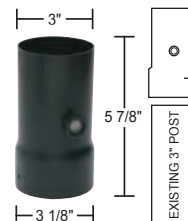
**CO (S830)**  
**Grounded Convenience Outlet**

120V, 15A, 1 3/8" Dia. mounting hole required. Available in (B) Black or (P) White  
MOQ: 24



**PC (PC-09)**  
**120V Photo Control**

300W Max Incandescent, 60W Max LED, 39W Max Fluorescent, 1 3/8" Dia. mounting hole required. Available in (B) Black or (W) White  
MOQ: 24



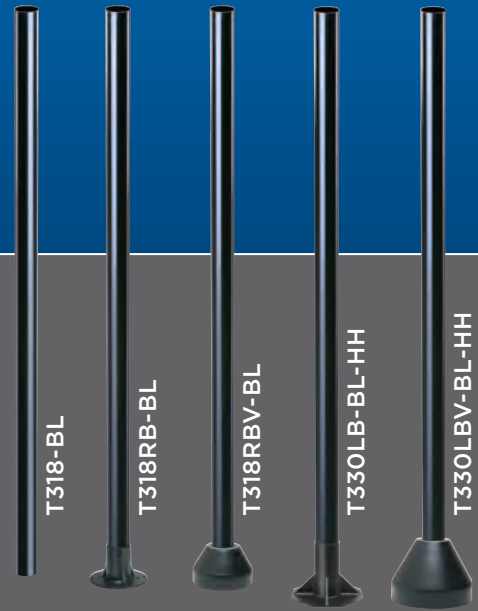
**CP-689**  
**120V Photo Control with Adaptor for 3" Posts**

300W Max Incandescent, 60W Max LED, 39W Max Fluorescent, Photo control included, assembly required  
SPECIFY: (BL)Black or (WH) White  
MOQ: 24

**NOTE:** Not all lamps are compatible with photocells. Verify lamp information for compatibility.



- Customization Available
- Fits Most Standard 3" Post Top Fixtures
- Textured Powdercoated Aluminum
- Inlet Hole Included In Direct Burial Posts
- Made in the USA



## DIRECT BURIAL



### GUIDE: T348-BL-CO

Post Dimensions: O.D. = 2.950", Wall = .072"

ITEM #	COLOR
T348-8'	BL-Black
T340-10'	PL-White
T342-12'	ZL-Bronze
T344-14'	

**Pallet Qty: 66** Product ships via freight in pallet quantities only.

POST LENGTH	SUGG. BURIAL DEPTH
7'	18"
8'	18"
10'	24"
12'	24"
14'	30"

**SAFETY NOTE:** Selecting posts and electrical accessories for performance and safety requires a full understanding of various factors and conditions. Professional engineering assistance in selecting these items is highly recommended. Purchaser is responsible for meeting any and all codes or requirements. If you choose a post or electrical accessory without getting such assistance, you do so at your own risk.

## SURFACE MOUNT

### GUIDE: T318RB-BL-CO

Post Dimensions: O.D. = 2.950", Wall = .072"

ITEM #	BASE/COVER OPTION	COLOR
T318-8'	No Base or Cover	BL-Black
T310-10'	RB-Residential Base	PL-White
T312-12'	RBV-Cover w/RB Base	ZL-Bronze
	LB-Light Commercial Base	
	LBV-Cover w/LB Base	

### GUIDE: T330LBV-BL

Post Dimensions: O.D. = 2.950", Wall = .125"

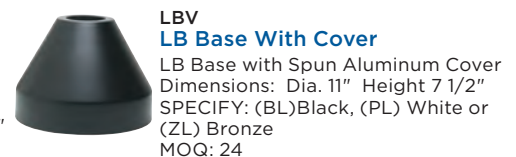
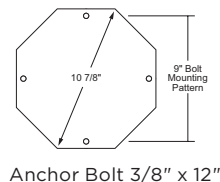
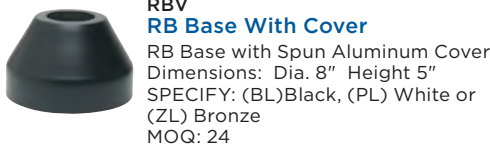
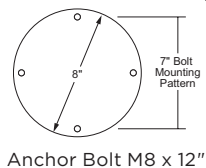
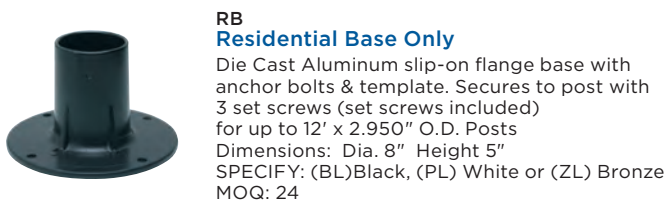
ITEM #	BASE/COVER OPTION	COLOR
T330-10'	No Base or Cover	BL-Black
T332-12'	RB-Residential Base	PL-White
	RBV-Cover w/RB Base	ZL-Bronze
	LB-Light Commercial Base	
	LBV-Cover w/LB Base	



**Pallet Qty: 66** Product ships via freight in pallet quantities only.

## ACCESSORIES

To meet U.L. and N.E.C. standards, any post designed to be mounted over 8' above ground includes a 2" x 4" Hand Hole and ground lug.



- o Customization Available
- o Fits Most Standard 3" Post Top Fixtures
- o Textured Powdercoated Aluminum
- o Inlet Hole Included In Direct Burial Posts
- o Smooth & Fluted Available
- o Made in the USA

## DIRECT BURIAL

3" Round Aluminum  
**GUIDE: T368-BL-CO**  
 Dimensions: O.D. = 2.950", Wall = .125"

ITEM #	COLOR	OPTION
T368-8'	BL-Black	PC-Photo Control
T360-10'	PL-White	
T362-12'	ZL-Bronze	
T364-14'		

3" Fluted Aluminum  
**GUIDE: T388-BL**  
 Dimensions: O.D. = 2.950", Wall = .125"

ITEM #	COLOR
T388-8'	BL-Black
T380-10'	PL-White
T382-12'	ZL-Bronze
T384-14'	

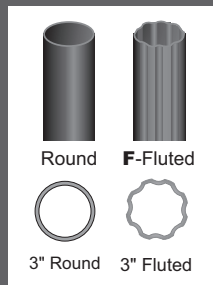
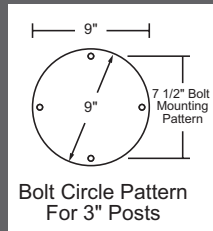
**Pallet Qty: 66** Product ships via freight in pallet quantities only.

POST LENGTH	SUGG. BURIAL DEPTH
8'	18"
10'	24"
12'	24"
14'	30"

**SAFETY NOTE:** Selecting posts and electrical accessories for performance and safety requires a full understanding of various factors and conditions. Professional engineering assistance in selecting these items is highly recommended. Purchaser is responsible for meeting any and all codes or requirements. If you choose a post or electrical accessory without getting such assistance, you do so at your own risk.

## SURFACE MOUNT

Welded flange with optional decorative cover.  
 1/2" x 12" Anchor bolts included.



3" Round Aluminum  
**GUIDE: T358-TB-BL-CO**  
 Dimensions: O.D. = 2.950", Wall = .125"

ITEM #	COVER TYPE	COLOR	OPTION
T358-8'	No Cover	BL-Black	PC-Photo Control
T350-10'	TB-Traditional Base	PL-White	
T352-12'	PB-Polygon Base	ZL-Bronze	
	SB-Standard Base		

3" Fluted Aluminum  
**GUIDE: T378-BL**  
 Dimensions: O.D. = 2.950", Wall = .125"

ITEM #	COVER TYPE	COLOR
T378-8'	No Cover	BL-Black
T370-10'	TB-Traditional Base	PL-White
T372-12'	PB-Polygon Base	ZL-Bronze
	SB-Standard Base	



**Pallet Qty: 24**  
 Product ships via freight in pallet quantities only.



To meet U.L. and N.E.C. standards, any post designed to be mounted over 8' above ground includes a 2" x 4" Hand Hole and ground lug.



- Customization Available
- Fits Most Standard 3" Post Top Fixtures
- Textured Powdercoated Aluminum
- Welded Tennon
- Inlet Hole Included In Direct Burial Posts
- Smooth & Fluted Available
- Made in the USA

## DIRECT BURIAL



4" Round Aluminum  
**GUIDE: T468-BL-CO**  
 Dimensions: O.D. = 4", Wall = .125"

ITEM #	COLOR	OPTION
T460-10'	BL-Black	PC-Photo Control
T462-12'	PL-White	Control
T464-14'	ZL-Bronze	

4" Fluted Aluminum  
**GUIDE: T488-BL**  
 Dimensions: O.D. = 4", Wall = .125"

ITEM #	COLOR
T480-10'	BL-Black
T482-12'	PL-White
T484-14'	ZL-Bronze

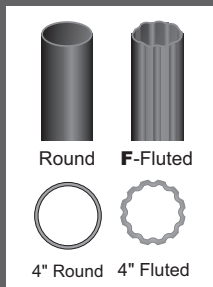
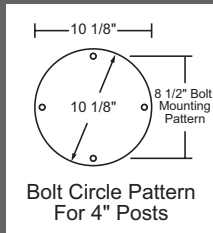
**Pallet Qty: 66** Product ships via freight in pallet quantities only.

POST LENGTH	SUGG. BURIAL DEPTH
8'	18"
10'	24"
12'	24"
14'	30"

**SAFETY NOTE:** Selecting posts and electrical accessories for performance and safety requires a full understanding of various factors and conditions. Professional engineering assistance in selecting these items is highly recommended. Purchaser is responsible for meeting any and all codes or requirements. If you choose a post or electrical accessory without getting such assistance, you do so at your own risk.

## SURFACE MOUNT

Welded flange with optional decorative cover.  
 3/4" x 18" Anchor bolts included.



4" Round Aluminum  
**GUIDE: T458-TB-BL-CO**  
 Dimensions: O.D. = 4", Wall = .125"

ITEM #	COVER TYPE	COLOR	OPTION
T458-8'	No Cover	BL-Black	PC-Photo Control
T450-10'	TB-Traditional Base	PL-White	
T452-12'	SB-Standard Base	ZL-Bronze	
T454-14'			

4" Fluted Aluminum  
**GUIDE: T478-BL**  
 Dimensions: O.D. = 4", Wall = .125"

ITEM #	COVER TYPE	COLOR
T478-8'	No Cover	BL-Black
T470-10'	TB-Traditional Base	PL-White
T472-12'	SB-Standard Base	ZL-Bronze
T474-14'		



**Pallet Qty: 24**  
 Product ships via freight in pallet quantities only.



To meet U.L. and N.E.C. standards, any post designed to be mounted over 8' above ground includes a 2" x 4" Hand Hole and ground lug.

### CAST ALUMINUM POST TOP FITTERS

- Black, White or Bronze
- Fits Globes & Acorns with 8" Neck
- For 3" Posts w/Min 0.125" Wall Thickness
- Minimum Order Qty: 24

## Doric

S280-I200



**EXAMPLE # S280-I200-Z**

STYLE #	LIGHT SOURCE	BODY	OPTIONS
S280	I200 - 4Kv Medium Base Porcelain Socket	W - White B - Black Z - Bronze	M - Mogul Base Socket
M280	Socket, Mounting Plate, and Wiring Not Included		

Fixtures available with custom packaging options, assembled or knocked down.

ITEM	PAGE	ITEM	PAGE	ITEM	PAGE
10W LAMP	<b>98</b>	FC234	<b>43</b>	FG210	<b>57</b>
12W LAMP <small>(90 CRI)</small>	<b>100</b>	FC259	<b>39</b>	FG212	<b>58</b>
12W LAMP	<b>108</b>	FC311	<b>72</b>	FG214	<b>58</b>
13W LAMP	<b>99</b>	FC312	<b>73</b>	FG214	<b>58</b>
14W LAMP	<b>101</b>	FC321	<b>74</b>	FH100	<b>13</b>
16W LAMP <small>(90 CRI)</small>	<b>102</b>	FC322	<b>75</b>	FH102	<b>15</b>
22W LAMP	<b>103</b>	FD134	<b>22</b>	FH103	<b>16</b>
24W LAMP <small>(90 CRI)</small>	<b>104</b>	FD135	<b>22</b>	FH145	<b>18</b>
31W LAMP <small>(90 CRI)</small>	<b>106</b>	FD154	<b>81</b>	FH146	<b>19</b>
32W LAMP	<b>105</b>	FD311	<b>4</b>	FH200	<b>14</b>
6.2W LAMP	<b>107</b>	FD314	<b>5</b>	FH203	<b>17</b>
CA	<b>116</b>	FD315	<b>3</b>	FH246	<b>20</b>
CB	<b>116</b>	FD321	<b>6</b>	FI209	<b>53</b>
CO	<b>116</b>	FD324	<b>7</b>	FI210	<b>53</b>
CP-689	<b>116</b>	FD331	<b>8</b>	FK391	<b>71</b>
FA182	<b>50</b>	FD334	<b>9</b>	FK395	<b>71</b>
FA183	<b>50</b>	FD384	<b>1</b>	FL148	<b>80</b>
FA192	<b>52</b>	FE101	<b>27</b>	FL371	<b>77</b>
FA193	<b>52</b>	FE102	<b>27</b>	FL372	<b>77</b>
FA201	<b>59</b>	FE103	<b>27</b>	FM300	<b>2</b>
FA202	<b>59</b>	FE104	<b>27</b>	FN151	<b>23</b>
FA282	<b>51</b>	FE111	<b>28</b>	FN251	<b>25</b>
FB155	<b>34</b>	FE112	<b>29</b>	FN252	<b>26</b>
FB156	<b>34</b>	FE113	<b>28</b>	FN253	<b>24</b>
FB255	<b>35</b>	FE114	<b>29</b>	FO318	<b>76</b>
FC132	<b>44</b>	FE351	<b>30</b>	FP101	<b>70</b>
FC133	<b>44</b>	FE352	<b>30</b>	FP103	<b>63</b>
FC134	<b>42</b>	FE353	<b>30</b>	FP106	<b>63</b>
FC135	<b>42</b>	FE361	<b>31</b>	FP109	<b>63</b>
FC159	<b>38</b>	FE362	<b>32</b>	FP113	<b>68</b>
FC160	<b>38</b>	FE363	<b>33</b>	FP116	<b>64</b>
FC232	<b>45</b>	FG100	<b>56</b>	FP119	<b>66</b>

ITEM	PAGE	ITEM	PAGE	ITEM	PAGE
FP120	<b>60</b>	LB	<b>117</b>	T348	<b>117</b>
FP121	<b>40</b>	LBV	<b>117</b>	T350	<b>118</b>
FP122	<b>40</b>	LED-MOV1	<b>109</b>	T352	<b>118</b>
FP123	<b>62</b>	M280	<b>120</b>	T358	<b>118</b>
FP133	<b>61</b>	MS2B	<b>110</b>	T360	<b>118</b>
FP221	<b>41</b>	PC	<b>116</b>	T362	<b>118</b>
FP303	<b>69</b>	PC-08	<b>111</b>	T364	<b>118</b>
FP306	<b>65</b>	PUCK 3.5	<b>88 &amp; 89</b>	T368	<b>118</b>
FP307	<b>65</b>	PUCK 6	<b>90 &amp; 91</b>	T370	<b>118</b>
FP309	<b>67</b>	RB	<b>117</b>	T372	<b>118</b>
FP313	<b>69</b>	RBV	<b>117</b>	T378	<b>118</b>
FP319	<b>67</b>	RESI 10	<b>96 &amp; 97</b>	T380	<b>118</b>
FR111	<b>36</b>	RESI 6	<b>92 &amp; 93</b>	T382	<b>118</b>
FR112	<b>36</b>	RESI 8	<b>94 &amp; 95</b>	T384	<b>118</b>
FR113	<b>36</b>	S241	<b>83</b>	T388	<b>118</b>
FR121	<b>21</b>	S248	<b>84</b>	T450	<b>119</b>
FR211	<b>37</b>	S280	<b>120</b>	T452	<b>119</b>
FS112	<b>79</b>	S318	<b>85</b>	T454	<b>119</b>
FS113	<b>79</b>	SQ2	<b>12</b>	T458	<b>119</b>
FS175	<b>82</b>	SQ3	<b>12</b>	T460	<b>119</b>
FS323	<b>78</b>	SQ4	<b>12</b>	T462	<b>119</b>
FT131	<b>46</b>	T300	<b>116</b>	T464	<b>119</b>
FT151	<b>48</b>	T307	<b>116</b>	T470	<b>119</b>
FT171	<b>54</b>	T308	<b>116</b>	T472	<b>119</b>
FT231	<b>47</b>	T310	<b>117</b>	T474	<b>119</b>
FT251	<b>49</b>	T312	<b>117</b>	T478	<b>119</b>
FT271	<b>55</b>	T318	<b>117</b>	T480	<b>119</b>
FWsBN	<b>10</b>	T330	<b>117</b>	T482	<b>119</b>
FWvBN	<b>10</b>	T332	<b>117</b>	T484	<b>119</b>
HS2	<b>11</b>	T340	<b>117</b>		
HS3	<b>11</b>	T342	<b>117</b>		
HS4	<b>11</b>	T344	<b>117</b>		