

Intel® NUC Kit NUC8i7HVK
Intel® NUC Kit NUC8i7HVK

User Guide

Before You Begin



CAUTIONS

The procedures in this user guide assume familiarity with the general terminology associated with personal computers and with the safety practices and regulatory compliance required for using and modifying electronic equipment.

Disconnect the computer from its power source and from any telecommunications link or network before performing any of the procedures described in this guide. Failure to disconnect power, telecommunications links, or networks before you open the computer or perform any procedures can result in personal injury or equipment damage. Some circuitry on the board can continue to operate even though the front panel power button is off.

Follow these guidelines before you begin:

- Always follow the steps in each procedure in the correct order.
- Set up a log to record information about your computer, such as model, serial numbers, installed options, and configuration information.
- Electrostatic discharge (ESD) can damage components. Perform the procedures described in this chapter only at an ESD workstation using an antistatic wrist strap and a conductive foam pad. If such a station is not available, you can provide some ESD protection by wearing an antistatic wrist strap and attaching it to a metal part of the computer chassis.

Installation Precautions

When you install and test the Intel NUC, observe all warnings and cautions in the installation instructions.

To avoid injury, be careful of:

- Sharp pins on connectors
- Sharp pins on circuit boards
- Rough edges and sharp corners on the chassis
- Hot components (such as SSDs, processors, voltage regulators, and heat sinks)
- Damage to wires that could cause a short circuit

Observe all warnings and cautions that instruct you to refer computer servicing to qualified technical personnel.

Observe Safety and Regulatory Requirements

If you do not follow these instructions, you increase your safety risk and the possibility of noncompliance with regional laws and regulations.

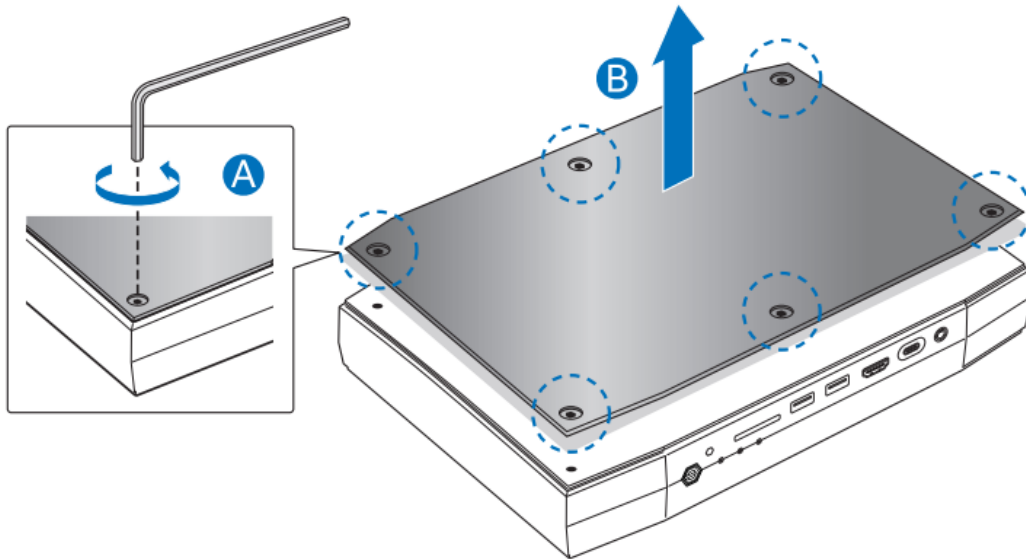
This guide tells you how to:

- [Install and remove memory](#)
- [Install an M.2 SSD](#)
- [Connect power](#)
- [Install an operating system](#)
- [Install the latest drivers](#)
- [Install a VESA mount bracket](#)

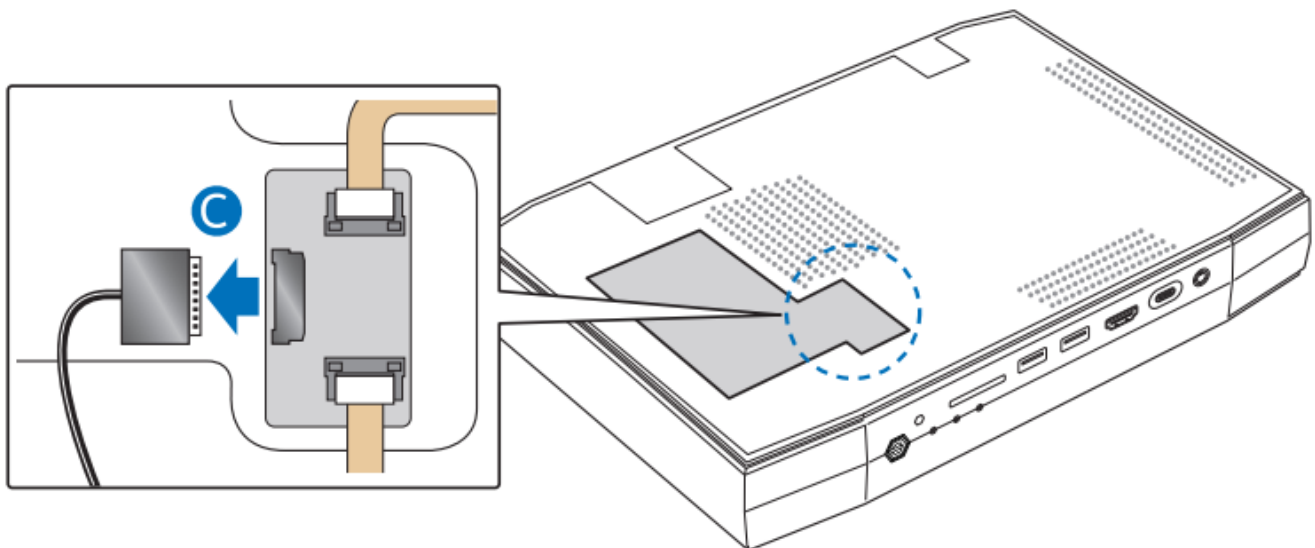
Open the Intel NUC Chassis

To open the Intel NUC chassis, follow these steps:

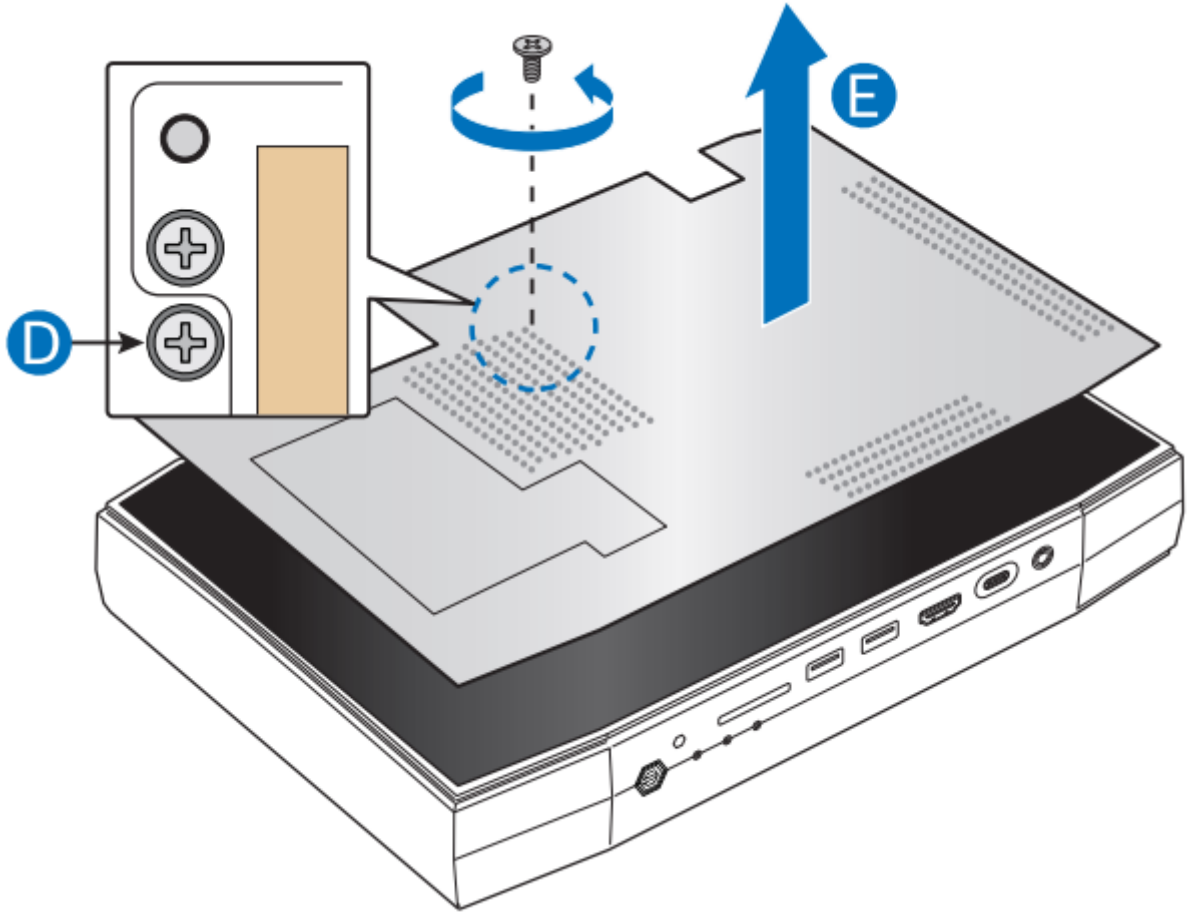
1. Using the included hex wrench, unscrew the six screws on the top cover of the chassis and lift the cover.



2. Detach the cable from the top of the NUC.



3. Unscrew the single screw to release the top plate.



Installing and Removing Memory

The Intel NUC Kits NUC8i7HNK and NUC8i7HVK have two 260-pin DDR4 SO-DIMM sockets. Memory requirements:

- 1.2V low voltage memory
- 2400 MHz SO-DIMMs
- Non-ECC

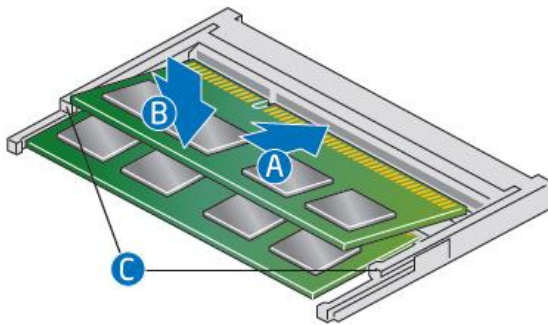
Find tested memory at the Intel® Product Compatibility Tool for:

- [Intel NUC Kit NUC8i7HNK](#)
- [Intel NUC Kit NUC8i7HVK](#)

NOTE	If only installing one SO-DIMM, install it in the lower memory socket.
-------------	--

To install memory, follow these steps:

1. Observe the precautions in "Before You Begin" on page 2.
2. Turn off all peripheral devices connected to the computer. Turn off the computer and disconnect the AC power cord.



3. Align the small notch at the bottom edge of the SO-DIMM with the key in the socket.
4. Insert the bottom edge of the SO-DIMM into the socket.
5. When the SO-DIMM is inserted, push down on the outer edge of the SO-DIMM until the retaining clips snap into place. Make sure the clips are firmly in place.

To remove memory, follow these steps:

1. Observe the precautions in "Before You Begin" on page 2.
2. Turn off all peripheral devices connected to the computer. Turn off the computer.
3. Remove the AC power cord from the computer.
4. Remove the computer's cover.
5. Gently spread the retaining clips at each end of the SO-DIMM socket. The SO-DIMM pops out of the socket.
6. Hold the SO-DIMM by the edges, lift it away from the socket, and store it in an anti-static package.
7. Reinstall and reconnect any parts you removed or disconnected to reach the SO-DIMM sockets.
8. Replace the computer's cover and reconnect the AC power cord.

Installing an M.2 SSD

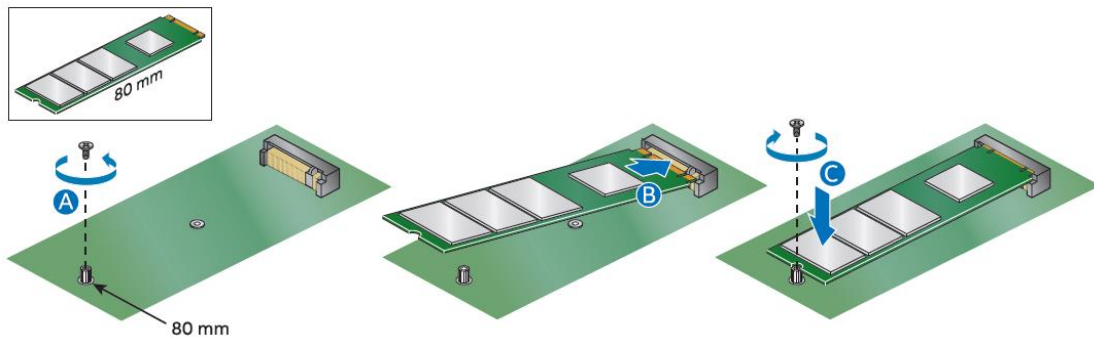
Intel NUC Kits NUC8i7HVK and NUC8i7HVK support both 80mm and 42mm SSDs.

Find compatible M.2 SSDs at the Intel® Product Compatibility Tool for:

- [Intel NUC Kit NUC8i7HVK](#)
- [Intel NUC Kit NUC8i7HVK](#)

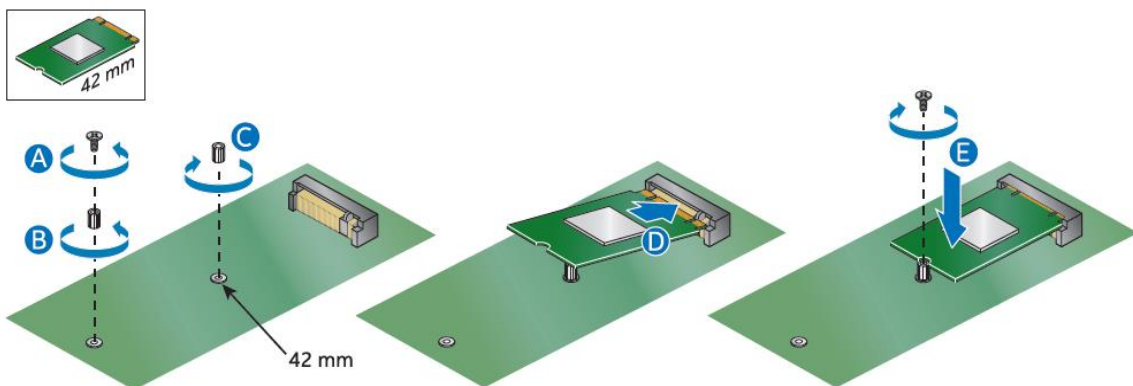
To install an 80mm M.2 SSD:

1. Remove the small silver screw from the 80mm metal standoff on the motherboard (A).
2. Align the small notch at the bottom edge of the M.2 card with the key in the connector.
3. Insert the bottom edge of the M.2 card into the connector (B).
4. Secure the card to the standoff with the small silver screw (C).



To install a 42mm M.2 SSD:

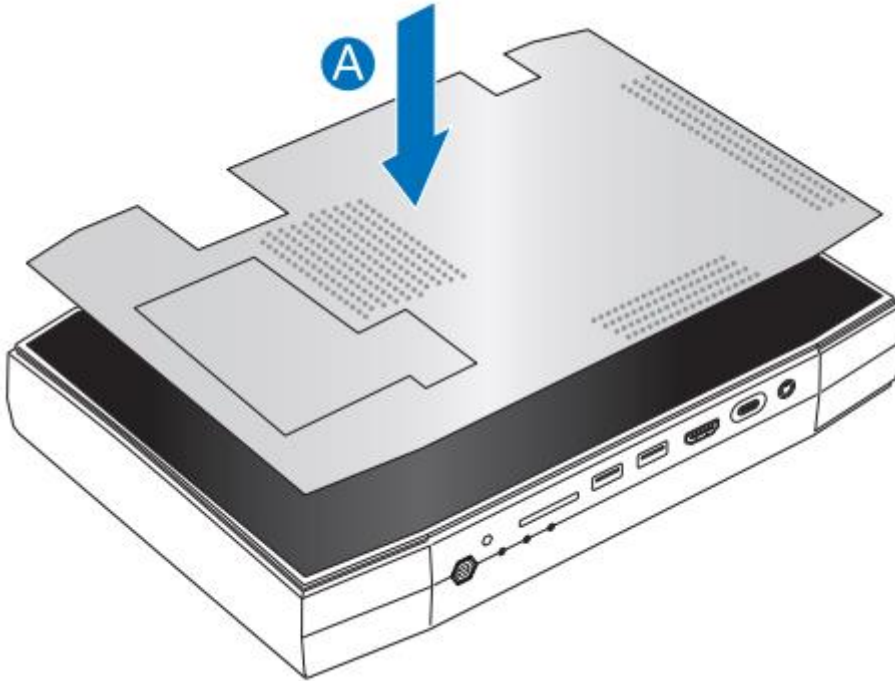
1. Remove the small silver screw from the metal standoff on the motherboard (A).
2. Move the standoff (B) from the 80mm position to the 42mm position (C).
3. Align the small notch at the bottom edge of the M.2 card with the key in the connector.
4. Insert the bottom edge of the M.2 card into the connector (D).
5. Secure the card to the standoff with the small silver screw (E).



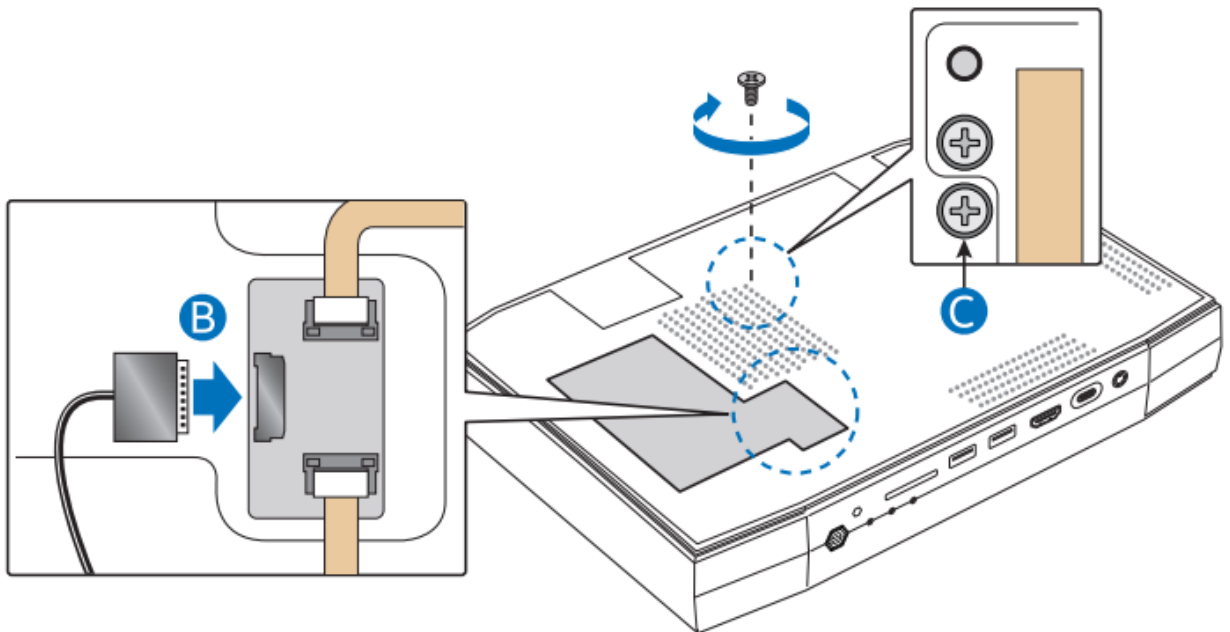
Closing the Chassis

After all the components have been installed, close the Intel NUC chassis. Intel recommends this be done by hand with a screwdriver to avoid over-tightening and possibly damaging the screws.

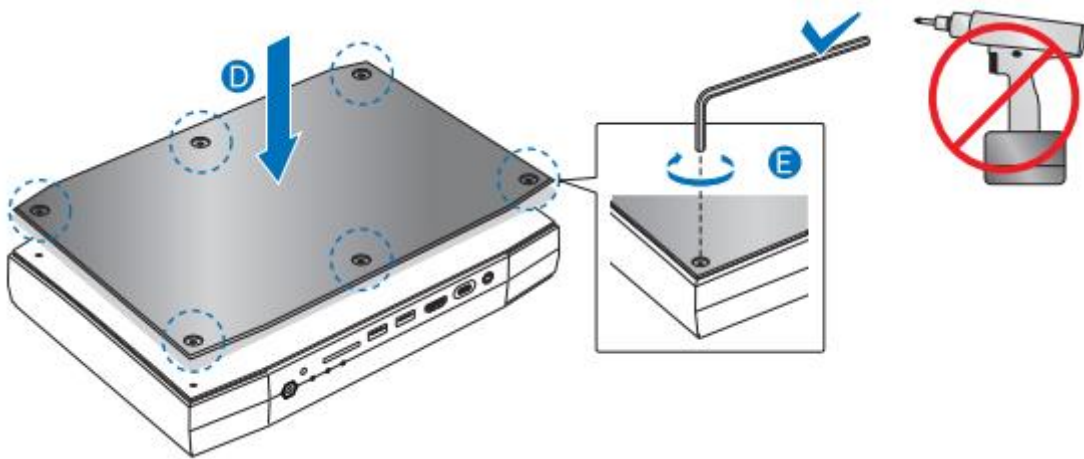
1. Place the top plate on the NUC chassis.



2. Reattach the cable and secure the screw with a screwdriver.



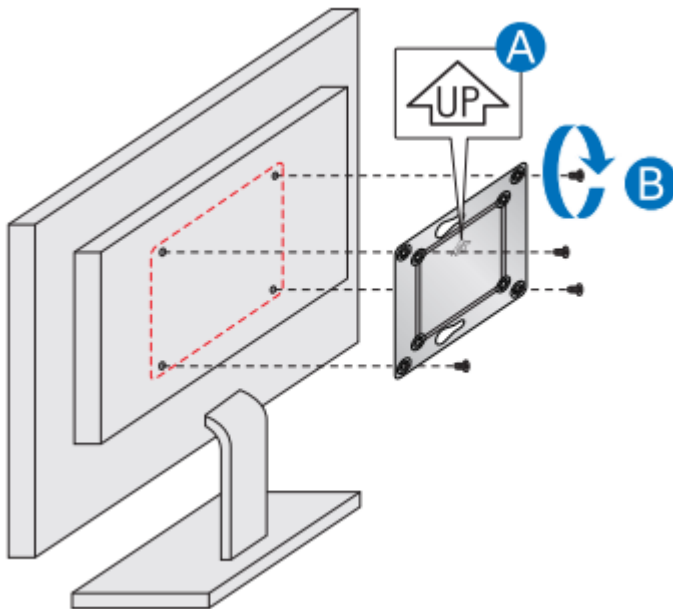
3. Place the top lid on the NUC and use the hex tool to tighten all the screws.



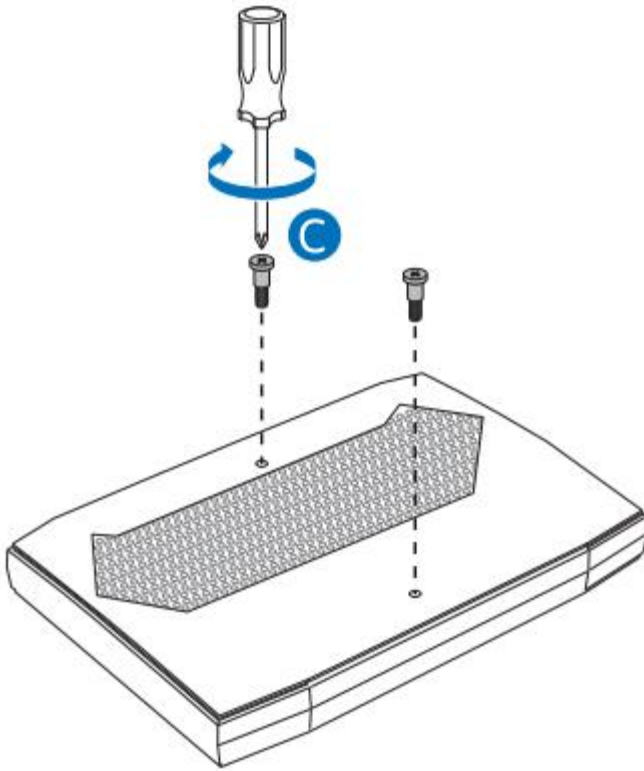
Attaching and Using the VESA Bracket (Optional)

Follow these instructions to attach and use the VESA mount bracket:

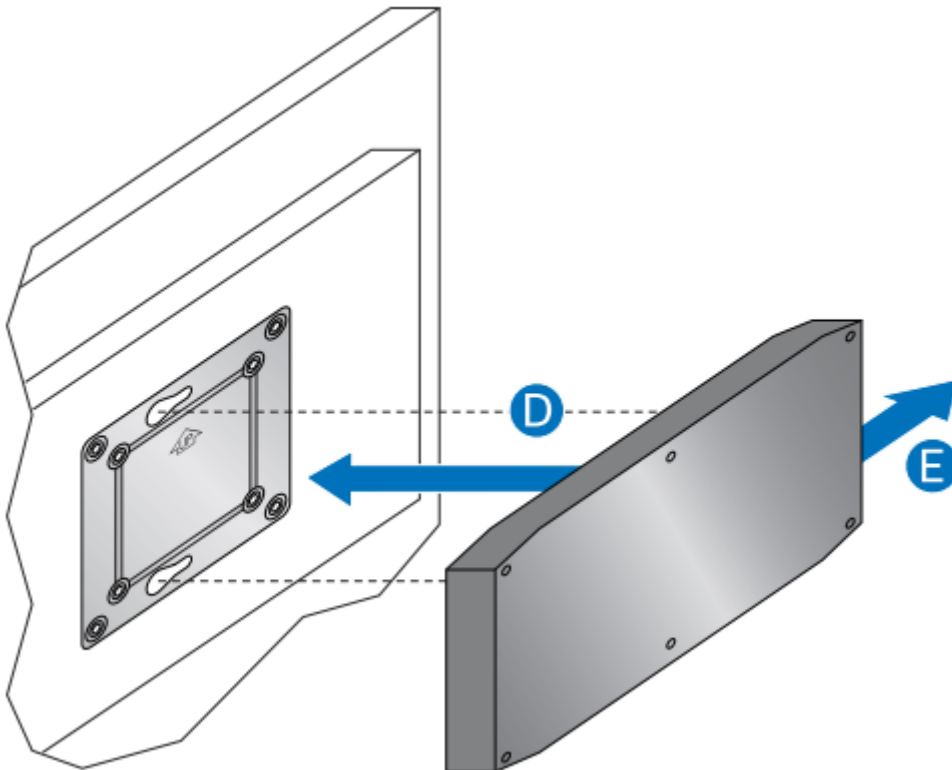
1. Using the four small black screws that were included in the box, attach the VESA bracket to the back of the monitor or TV.



2. Attach the two slightly larger black screws to the bottom chassis cover of the Intel NUC.

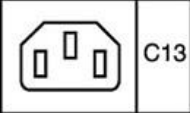
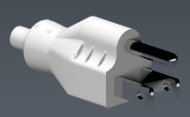



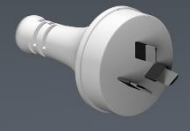


3. Slide the Intel NUC onto the VESA mount bracket.

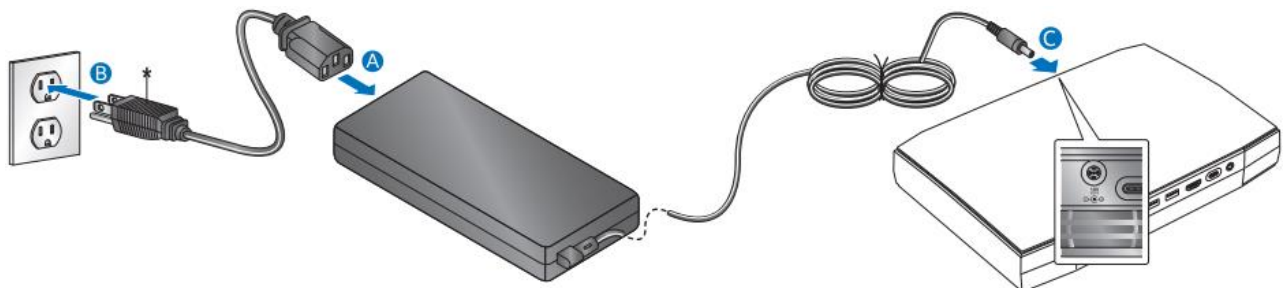


Power

Each Intel NUC box includes either a region-specific AC power cord or no AC power cord (only the power adapter).

Product codes	Power cord type
BOXNUC8i7HNK BOXNUC8i7HVK	No power cord included. An AC power cord needs to be purchased separately. The connector on the power adapter is a C13 type connector. 
BOXNUC8i7HNK1 BOXNUC8i7HVK1	US power cord included. 
BOXNUC8i7HNK2 BOXNUC8i7HVK2	EU power cord included. 
BOXNUC8i7HNK3 BOXNUC8i7HVK3	UK power cord included. 
BOXNUC8i7HNK4 BOXNUC8i7HVK4	Australia/New Zealand power cord included. 
BOXNUC8i7HVK6	China power cord included. 

Connect the power cord to the adapter (A). Plug the power adapter into the wall (B). Lastly, plug the power into the NUC (C).



Installing an Operating System

Refer to [Supported Operating Systems](#) for a list of Intel-validated Windows* operating systems, as well as versions of Linux that have been reported as compatible by Intel NUC owners.

Refer to [Operating System Installation](#) for system requirements and installation steps.

Installing Drivers

To download the latest Microsoft* Windows* drivers and BIOS updates, go to Download Center:

Links:

- [Intel NUC Kit NUC8i7HNK](#)
- [Intel NUC Kit NUC8i7HVK](#)

NOTE	This NUC requires both the Intel® Graphics driver and the Radeon™ RX Vega M Graphics driver to be installed.
-------------	--

Drivers are available for the following features:

- Audio
- Bluetooth
- Chipset
- Consumer Infrared
- Intel® Graphics
- Radeon™ RX Vega M Graphics
- Intel® ME
- Intel® Rapid Storage Technology
- Intel® Ready Mode Technology
- LAN (wired and wireless)
- NFC
- Serial IO
- USB 3.0