

# Intel® NUC Kit NUC6i7KYK

## Technical Product Specification

*May 2017*

*Order Number: H96677-010*

Intel NUC Kit NUC6i7KYK may contain design defects or errors known as errata that may cause the product to deviate from published specifications. Current characterized errata, if any, are documented in Intel NUC Kit NUC6i7KYK Specification Update.

# Revision History

---

Revision	Revision History	Date
001	First release of the Intel NUC Kit NUC6i7KYK Technical Product Specification	April 2016
002	Specification Update	May 2016
003	Specification Change	May 2016
004	Specification Clarification	May 2016
005	Specification Update	July 2016
006	Specification Update	August 2016
007	Specification Update	September 2016
008	Specification Update	December 2016
009	Specification Change	January 2017
010	Specification Change	May 2017

## Disclaimer

This product specification applies to only the standard Intel NUC Kit with BIOS identifier KYSKLi70.86A.

INFORMATION IN THIS DOCUMENT IS PROVIDED IN CONNECTION WITH INTEL® PRODUCTS. NO LICENSE, EXPRESS OR IMPLIED, BY ESTOPPEL OR OTHERWISE, TO ANY INTELLECTUAL PROPERTY RIGHTS IS GRANTED BY THIS DOCUMENT. EXCEPT AS PROVIDED IN INTEL'S TERMS AND CONDITIONS OF SALE FOR SUCH PRODUCTS, INTEL ASSUMES NO LIABILITY WHATSOEVER, AND INTEL DISCLAIMS ANY EXPRESS OR IMPLIED WARRANTY, RELATING TO SALE AND/OR USE OF INTEL PRODUCTS INCLUDING LIABILITY OR WARRANTIES RELATING TO FITNESS FOR A PARTICULAR PURPOSE, MERCHANTABILITY, OR INFRINGEMENT OF ANY PATENT, COPYRIGHT OR OTHER INTELLECTUAL PROPERTY RIGHT. UNLESS OTHERWISE AGREED IN WRITING BY INTEL, THE INTEL PRODUCTS ARE NOT DESIGNED NOR INTENDED FOR ANY APPLICATION IN WHICH THE FAILURE OF THE INTEL PRODUCT COULD CREATE A SITUATION WHERE PERSONAL INJURY OR DEATH MAY OCCUR.

All Intel NUC Kits are evaluated as Information Technology Equipment (I.T.E.) for use in personal computers (PC) for installation in homes, offices, schools, computer rooms, and similar locations. The suitability of this product for other PC or embedded non-PC applications or other environments, such as medical, industrial, alarm systems, test equipment, etc. may not be supported without further evaluation by Intel.

Intel Corporation may have patents or pending patent applications, trademarks, copyrights, or other intellectual property rights that relate to the presented subject matter. The furnishing of documents and other materials and information does not provide any license, express or implied, by estoppel or otherwise, to any such patents, trademarks, copyrights, or other intellectual property rights.

Intel may make changes to specifications and product descriptions at any time, without notice.

Designers must not rely on the absence or characteristics of any features or instructions marked "reserved" or "undefined." Intel reserves these for future definition and shall have no responsibility whatsoever for conflicts or incompatibilities arising from future changes to them.

Intel processor numbers are not a measure of performance. Processor numbers differentiate features within each processor family, not across different processor families: Go to:

[Learn About Intel® Processor Numbers](#)

Intel NUC may contain design defects or errors known as errata, which may cause the product to deviate from published specifications. Current characterized errata are available on request.

Contact your local Intel sales office or your distributor to obtain the latest specifications before placing your product order.

Intel, the Intel logo, Intel NUC and Intel Core are trademarks of Intel Corporation in the U.S. and/or other countries.

\* Other names and brands may be claimed as the property of others.

Copyright © 2017 Intel Corporation. All rights reserved.

## Kit Identification Information

### Basic Intel® NUC Kit NUC6i7KYK Identification Information

SA Revision	Power Cord	BIOS Revision	Notes
H90754-105	No Power Cord	KYSKLi70.86A.0041	1,2
H90755-105	US Power Cord	KYSKLi70.86A.0041	1,2
H90756-105	EU Power Cord	KYSKLi70.86A.0041	1,2
H90757-105	UK Power Cord	KYSKLi70.86A.0041	1,2
H90758-105	AU Power Cord	KYSKLi70.86A.0041	1,2

Notes:

1. The SA number is found on a bottom side of the chassis.
2. The Intel® Core™ i7-6670HQ processor is used on this SA revision consisting of the following component:

Device	Stepping	S-Spec Numbers
Intel Core i7-6770HQ	N0	SR2QY

## Specification Changes or Clarifications

The table below indicates the Specification Changes or Specification Clarifications that apply to the Intel NUC Board NUC6i7KYK.

### Specification Changes or Clarifications

Date	Type of Change	Description of Changes or Clarifications
May 2016	Spec Clarification	<ul style="list-style-type: none"> <li>• Updated Table 2 to add Raw Card Version C</li> <li>• Updated Table 4 to correct a typo</li> <li>• Updated Section 2.2.4.2 Add-in Card Connectors to change maximum bandwidth information.</li> </ul>
May 2016	Spec Change	Deleted the Near Field Communication (NFC) header and all related text.
May 2016	Spec Clarification	Updated Figure 17 to delete Japan.
July 2016	Spec Clarification	Removed UART Debug Header and add to note in Section 3.8
August 2016	Spec Change	Page 20 Table 5 from 192 kHz / 24 bit to 192 kHz 16 bit
September 2016	Spec Change	Added note to section 2.2.3.2, Updated figures 4, 6 and 8, Updated Tables 10 and 11
December 2016	Spec Change	Corrected operating temperature in section 2.6
January 2017	Spec Change	Removed section 3.5.2 "Custom Splash Screen"
May 2017	Spec Change	Remove reference to "RAID 0 auto replace" in the 1.7.3 Intel® Rapid Storage Technology / SATA RAID section.

## Errata

Current characterized errata, if any, are documented in a separate Specification Update. See <http://www.intel.com/content/www/us/en/nuc/overview.html> for the latest documentation.

# Preface

---

This Technical Product Specification (TPS) specifies the layout, components, connectors, power and environmental requirements, and the BIOS for Intel® NUC Kit NUC6i7KYK.



## NOTE

*In this document, the use of “kit” will refer to Intel® NUC Kit NUC6i7KYK.*

## Intended Audience

The TPS is intended to provide detailed, technical information about Intel® NUC Kit NUC6i7KYK and its components to the vendors, system integrators, and other engineers and technicians who need this level of information. It is specifically *not* intended for general audiences.

## What This Document Contains

Chapter	Description
1	A description of the hardware used on Intel NUC Kit NUC6i7KYK
2	A map of the resources of the Intel NUC Kit NUC6i7KYK
3	The features supported by the BIOS Setup program
4	A description of the BIOS error messages, beep codes, and POST codes
5	Regulatory compliance and battery disposal information

## Typographical Conventions

This section contains information about the conventions used in this specification. Not all of these symbols and abbreviations appear in all specifications of this type.

## Notes, Cautions, and Warnings



## NOTE

*Notes call attention to important information.*



## CAUTION

*Cautions are included to help you avoid damaging hardware or losing data.*

## Other Common Notation

#	Used after a signal name to identify an active-low signal (such as USBP0#)
GB	Gigabyte (1,073,741,824 bytes)
GB/s	Gigabytes per second
Gb/s	Gigabits per second
KB	Kilobyte (1024 bytes)
Kb	Kilobit (1024 bits)
kb/s	1000 bits per second
MB	Megabyte (1,048,576 bytes)
MB/s	Megabytes per second
Mb	Megabit (1,048,576 bits)
Mb/s	Megabits per second
TDP	Thermal Design Power
Xxh	An address or data value ending with a lowercase h indicates a hexadecimal value.
x.x V	Volts. Voltages are DC unless otherwise specified.
*	This symbol is used to indicate third-party brands and names that are the property of their respective owners.



# Contents

---

<b>Revision History</b> .....	<b>ii</b>
Disclaimer .....	ii
Kit Identification Information .....	iii
Errata.....	iii
<b>Preface</b> .....	<b>iv</b>
Intended Audience.....	iv
What This Document Contains .....	iv
Typographical Conventions .....	iv
<b>Contents</b> .....	<b>vii</b>
<b>1 Product Description</b> .....	<b>11</b>
1.1 Overview .....	11
1.1.1 Feature Summary .....	11
1.1.2 Block Diagram .....	13
1.2 Online Support.....	14
1.3 Processor.....	14
1.4 Platform Controller Hub (PCH).....	14
1.4.1 Direct Media Interface (DMI).....	14
1.5 System Memory .....	15
1.5.1 Memory Configurations .....	16
1.6 Processor Graphics.....	17
1.6.1 Integrated Graphics .....	17
1.7 USB.....	20
1.8 Storage Interface.....	21
1.8.1 AHCI Mode.....	21
1.8.2 Intel® Rapid Storage Technology / SATA RAID .....	21
1.9 SDXC Card Reader .....	21
1.10 Real-Time Clock.....	22
1.11 Audio 22	
1.11.1 Audio Software .....	23
1.12 LAN 23	
1.12.1 Intel® Gigabit Ethernet Controller I219-LM .....	23
1.12.2 LAN Software.....	23
1.12.3 RJ-45 LAN Connector with Integrated LEDs.....	24
1.12.4 Wireless Network Module .....	25
1.13 Hardware Management Subsystem .....	25
1.13.1 Hardware Monitoring .....	25
1.13.2 Fan Monitoring.....	25
1.13.3 Thermal Solution .....	26

1.14	Power Management .....	27
1.14.1	ACPI .....	27
1.14.2	Hardware Support .....	29
<b>2</b>	<b>Technical Reference .....</b>	<b>31</b>
2.1	Memory Resources .....	31
2.1.1	Addressable Memory .....	31
2.2	Connectors and Headers .....	31
2.2.1	Front Panel Connectors .....	32
2.2.2	Back Panel Connectors .....	34
2.2.3	Top-Side Headers and Connectors .....	35
2.2.4	Bottom-Side Headers and Connectors .....	38
2.3	VESA Bracket .....	43
2.4	Power Supply .....	45
2.4.1	Power Supply Connector .....	46
2.4.2	Fan Header Current Capability .....	46
2.5	Reliability .....	46
2.6	Environmental .....	47
<b>3</b>	<b>Overview of BIOS Features .....</b>	<b>49</b>
3.1	Introduction .....	49
3.2	BIOS Flash Memory Organization .....	49
3.3	System Management BIOS (SMBIOS) .....	49
3.4	Legacy USB Support .....	50
3.5	BIOS Updates .....	50
3.5.1	Language Support .....	51
3.5.2	Custom Splash Screen .....	<b>Error! Bookmark not defined.</b>
3.6	BIOS Recovery .....	51
3.7	Boot Options .....	51
3.7.1	Network Boot .....	51
3.7.2	Booting Without Attached Devices .....	52
3.7.3	Changing the Default Boot Device During POST .....	52
3.7.4	Power Button Menu .....	53
3.8	Hard Disk Drive Password Security Feature .....	54
3.9	BIOS Security Features .....	55
<b>4</b>	<b>Error Messages and Blink Codes .....</b>	<b>57</b>
4.1	Front-panel Power LED Blink Codes .....	57
4.2	BIOS Error Messages .....	57



## Figures

1.	Block Diagram.....	13
2.	Memory Channel and SO-DIMM Configuration.....	16
3.	4-Pin 3.5 mm (1/8 inch) Audio Jack Pin Out.....	22
4.	LAN Connector LED Locations.....	24
5.	Thermal Solution and Fan Header.....	26
6.	Front Panel Layout.....	32
7.	Consumer Infrared (CIR) Sensor.....	33
8.	Back Panel Layout.....	34
9.	Headers and Connectors (Top).....	35
10.	USB 3.0 Internal Header (1.25 mm Pitch).....	36
11.	Connection Diagram for the Internal IO Common Header (1.25 mm Pitch).....	37
12.	Headers and Connectors (Bottom).....	38
13.	BIOS Security Jumper.....	39
14.	Kit Dimensions.....	42
15.	Install VESA Bracket.....	43
16.	VESA Bracket Dimensions.....	44
17.	Power Adapter and Plugs Included with the Kit.....	45

## Tables

1.	Feature Summary.....	11
2.	Supported DDR4/-RS Non-ECC SO-DIMM Module Configurations.....	15
3.	DisplayPort Multi-Streaming Resolutions.....	18
4.	Multiple Display Configuration Maximum Resolutions.....	19
5.	Audio Formats Supported by the HDMI and Mini DisplayPort Interfaces.....	20
6.	LAN Connector LED States.....	24
7.	Effects of Pressing the Power Switch.....	27
8.	Power States and Targeted System Power.....	28
9.	Wake-up Devices and Events.....	29
10.	Components Shown in Figure 6.....	32
11.	Components Shown in Figure 8.....	34
12.	Headers and Connectors Shown in Figure 9.....	35
13.	Headers and Connectors Shown in Figure 12.....	38
14.	BIOS Security Jumper Settings.....	40
15.	M.2 2280 Module (key type M) Connectors.....	40
16.	Fan Header Current Capability.....	46
17.	Environmental Specifications.....	47
18.	Acceptable Drives/Media Types for BIOS Recovery.....	51
19.	Boot Device Menu Options.....	52
20.	Master Key and User Hard Drive Password Functions.....	54
21.	Supervisor and User Password Functions.....	55
22.	Front-panel Power LED Blink Codes.....	57
23.	BIOS Error Messages.....	57



# 1 Product Description

---

## 1.1 Overview

### 1.1.1 Feature Summary

Table 1 summarizes the major features of Intel® NUC Kit NUC6i7KYK.

**Table 1. Feature Summary**

<b>Form Factor</b>	8.31 inches by 4.57 inches by 1.10 inches (211 millimeters by 116 millimeters by 28 millimeters)
<b>Processor</b>	<ul style="list-style-type: none"><li>• A soldered-down 6<sup>th</sup> generation Intel® Core™ i7-6770HQ quad-core processor with up to a maximum 45 W TDP<ul style="list-style-type: none"><li>— Intel® Iris™ Pro Graphics 580</li><li>— Integrated memory controller</li></ul></li></ul>
<b>PCH</b>	Intel® H170 Platform Controller Hub
<b>Memory</b>	<ul style="list-style-type: none"><li>• Two 260-pin DDR4 SDRAM Small Outline Dual Inline Memory Module (SO-DIMM) sockets</li><li>• Support for DDR4 2133 MHz SO-DIMMs</li><li>• Support for 2 Gb and 4 Gb memory technology</li><li>• Support for up to 32 GB of system memory with two SO-DIMMs</li><li>• Support for non-ECC memory</li><li>• Support for 1.2 V and 1.35 V low voltage JEDEC memory only</li></ul>
<b>Graphics</b>	<ul style="list-style-type: none"><li>• Integrated graphics support for processors with Intel® Graphics Technology:<ul style="list-style-type: none"><li>— One High Definition Full Size Multimedia Interface* (HDMI*) back panel connector</li><li>— One Mini DisplayPort* back panel connector</li><li>— One Type C back panel connector</li></ul></li></ul>
<b>Audio</b>	<ul style="list-style-type: none"><li>• Intel® High Definition (Intel® HD) Audio via the HDMI v2.0, Mini DisplayPort 1.2 and Type C interfaces through the processor</li><li>• Realtek HD Audio via a stereo microphone/headphone 3.5 mm jack on the front panel and 3.5mm combination speaker/TOSLINK jack on the back panel</li></ul>
<b>Storage</b>	Two SATA 6.0 Gb/s or Gen3 PCIe X4 AHCI, NVMe ports are reserved for M.2 storage modules supporting M.2 2242 and M.2 2280 (key type M) modules Note: Supports key type M (PCI Express* x1/x2/x4 and SATA)

continued

**Table 1. Feature Summary** (continued)

<b>Peripheral Interfaces</b>	<ul style="list-style-type: none"> <li>• USB 3.0 ports: <ul style="list-style-type: none"> <li>— Two ports are implemented with external front panel connectors (one blue and one yellow charging capable)</li> <li>— Two ports are implemented with external back panel connectors (blue)</li> <li>— Two ports are implemented via an internal header (blue)</li> <li>— 1 port implemented via the external back panel Type C connector</li> </ul> </li> <li>• USB 2.0 ports: <ul style="list-style-type: none"> <li>— Two ports via an internal common IO header (white)</li> <li>— One port is reserved for the M.2 2230 Wireless module</li> </ul> </li> <li>• Consumer Infrared (CIR)</li> </ul>
<b>Expansion Capabilities</b>	<ul style="list-style-type: none"> <li>• Two M.2 connectors supporting M.2 2242 and M.2 2280 (key type M) modules</li> <li>• One Full Size SDXC Slot</li> </ul>
<b>BIOS</b>	<ul style="list-style-type: none"> <li>• Intel® BIOS resident in the Serial Peripheral Interface (SPI) Flash device</li> <li>• Support for Advanced Configuration and Power Interface (ACPI), Plug and Play, and System Management BIOS (SMBIOS)</li> </ul>
<b>Instantly Available PC Technology</b>	<ul style="list-style-type: none"> <li>• Suspend to RAM support</li> <li>• Wake on PCI Express, LAN, front panel, CIR, and USB ports</li> </ul>
<b>LAN</b>	Gigabit (10/100/1000 Mb/s) LAN subsystem using the Intel® Gigabit Ethernet Controller I219-LM
<b>Hardware Monitor Subsystem</b>	Hardware monitoring subsystem, based on a Nuvoton NCT5577D SIO, including: <ul style="list-style-type: none"> <li>• Voltage sense to detect out of range power supply voltages</li> <li>• Thermal sense to detect out of range thermal values</li> <li>• One processor fan header</li> <li>• Fan sense input used to monitor fan activity</li> <li>• Fan speed control</li> </ul>
<b>Wireless</b>	Intel® Dual Band Wireless-AC 8260 <ul style="list-style-type: none"> <li>• 802.11ac, Dual Band, Wi-Fi + Bluetooth 4.2</li> <li>• Supports Intel® Wireless Display 6.0 (WiDi)</li> </ul>

### 1.1.2 Block Diagram

Figure 1 is a block diagram of the major functional areas of Intel NUC Kit NUC6i7KYK.

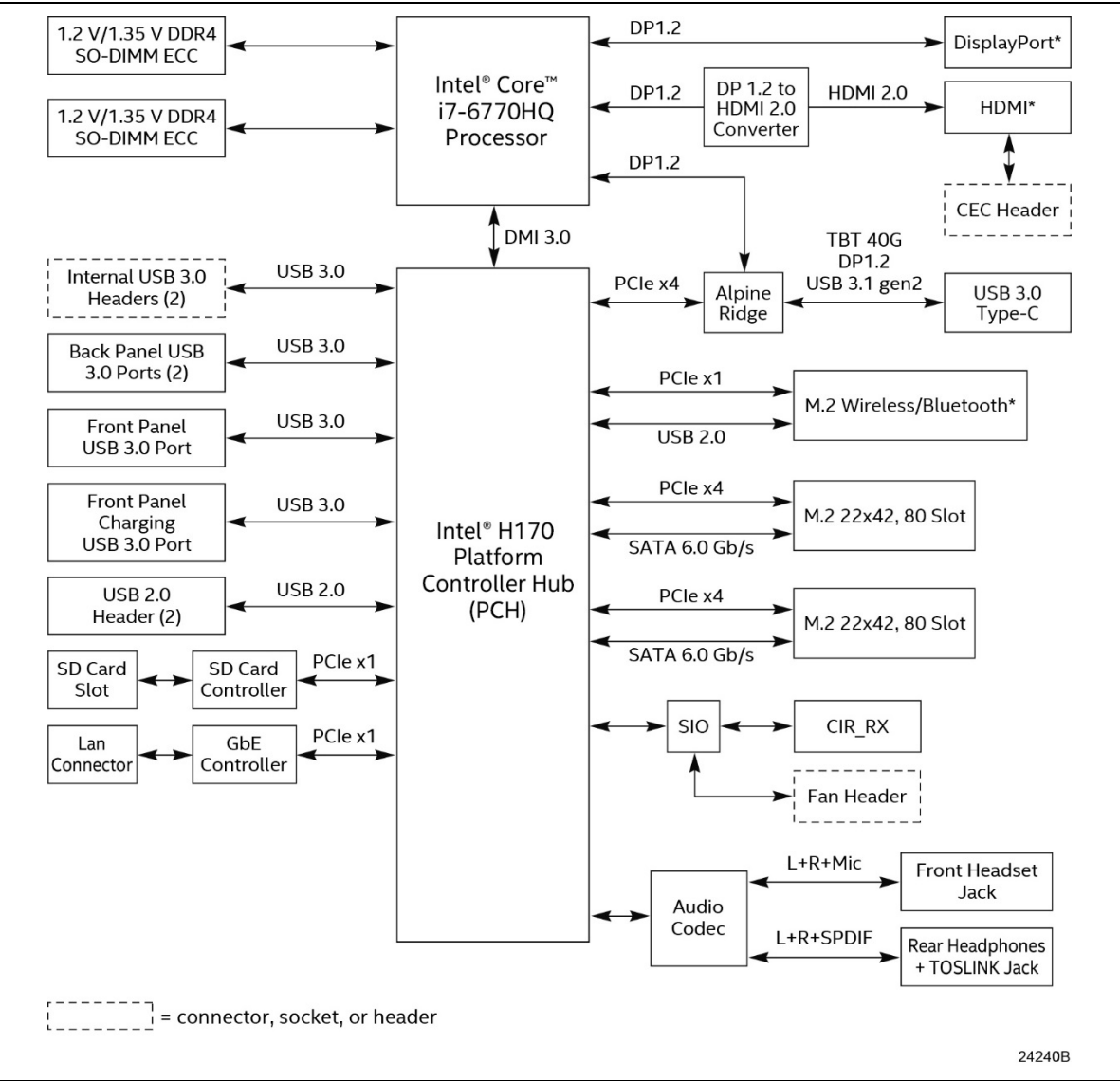


Figure 1. Block Diagram

## 1.2 Online Support

### To find information about...

Intel NUC Kit NUC6i7KYK  
Intel NUC Kit Support  
Available configurations for Intel NUC Kit NUC6i7KYK  
BIOS and driver updates  
Tested memory  
Integration information  
Processor datasheet

### Visit this World Wide Web site:

<http://www.intel.com/NUC>  
<http://www.intel.com/NUCSupport>  
<http://ark.intel.com>  
<http://downloadcenter.intel.com>  
<http://www.intel.com/NUCSupport>  
<http://www.intel.com/NUCSupport>  
<http://ark.intel.com>

## 1.3 Processor

A soldered-down 6<sup>th</sup> generation Intel® Core™ i7-6770HQ quad-core processor with up to a maximum 45 W TDP.

- Intel Iris Pro Graphics 580
- Integrated memory controller



### NOTE

*There are specific requirements for providing power to the processor. Refer to Section 2.5.1 on page 45 for information on power supply requirements.*

## 1.4 Platform Controller Hub (PCH)

A soldered-down Intel H170 Platform Controller Hub with Direct Media Interface (DMI) interconnect provides interfaces to the processor and the USB, SATA, LAN, PCI Express interfaces. The H170 is a centralized controller for the kit's I/O paths.

### 1.4.1 Direct Media Interface (DMI)

Direct Media Interface (DMI) is the chip-to-chip connection between the processor and PCH. This high-speed interface integrates advanced priority-based servicing allowing for concurrent traffic and true isochronous transfer capabilities.

## 1.5 System Memory

The kit has two 260-pin SO-DIMM sockets and supports the following memory features:

- 1.2V / 1.35V DDR4 SDRAM SO-DIMMs with gold plated contacts
- Two independent memory channels with interleaved mode support
- Unbuffered, single-sided or double-sided SO-DIMMs
- 32 GB maximum total system memory. Refer to Section 2.1.1 on page 31 for information on the total amount of addressable memory.
- Minimum recommended total system memory: 2048 MB
- Non-ECC SO-DIMMs
- Serial Presence Detect
- DDR4 2133 MHz SDRAM SO-DIMMs



### NOTE

*To be fully compliant with all applicable DDR SDRAM memory specifications, the kit should be populated with SO-DIMMs that support the Serial Presence Detect (SPD) data structure. This allows the BIOS to read the SPD data and program the chipset to accurately configure memory settings for optimum performance. If non-SPD memory is installed, the BIOS will attempt to correctly configure the memory settings, but performance and reliability may be impacted or the SO-DIMMs may not function under the determined frequency.*

Table 2 lists the supported SO-DIMM configurations.

**Table 2. Supported DDR4/-RS Non-ECC SO-DIMM Module Configurations**

Raw Card Version	DIMM Capacity	DRAM Device Technology	DRAM Organization	# of DRAM Devices	# of Ranks	# of Row/Col Address Bits	# of Banks Inside DRAM	Page Size
A	4GB	4Gb	512M x 8	8	1	15/10	16	8K
A	8GB	8Gb	1024M x 8	8	1	16/10	16	8K
B	8GB	4Gb	512M x 8	16	2	15/10	16	8K
B	16GB	8Gb	1024M x 8	16	2	16/10	16	8K
C	2GB	4Gb	256M x 16	4	1	15/10	8	8K
C	4GB	8Gb	512M x 16	4	1	16/10	8	8K
E	8GB	4Gb	512M x 8	16	2	15/10	16	8K
E	16GB	8Gb	1024M x 8	16	2	16/10	16	8K

**For information about...**

Tested Memory

**Refer to:**

<http://www.intel.com/NUCSupport>

## 1.5.1 Memory Configurations

The processor supports the following types of memory organization:

- **Dual channel (Interleaved) mode.** This mode offers the highest throughput for real world applications. Dual channel mode is enabled when the installed memory capacities of both SO-DIMM channels are equal. Technology and device width can vary from one channel to the other but the installed memory capacity for each channel must be equal. If different speed SO-DIMMs are used between channels, the slowest memory timing will be used.
- **Single channel (Asymmetric) mode.** This mode is equivalent to single channel bandwidth operation for real world applications. This mode is used when only a single SO-DIMM is installed or the memory capacities are unequal. Technology and device width can vary from one channel to the other. If different speed SO-DIMMs are used between channels, the slowest memory timing will be used.

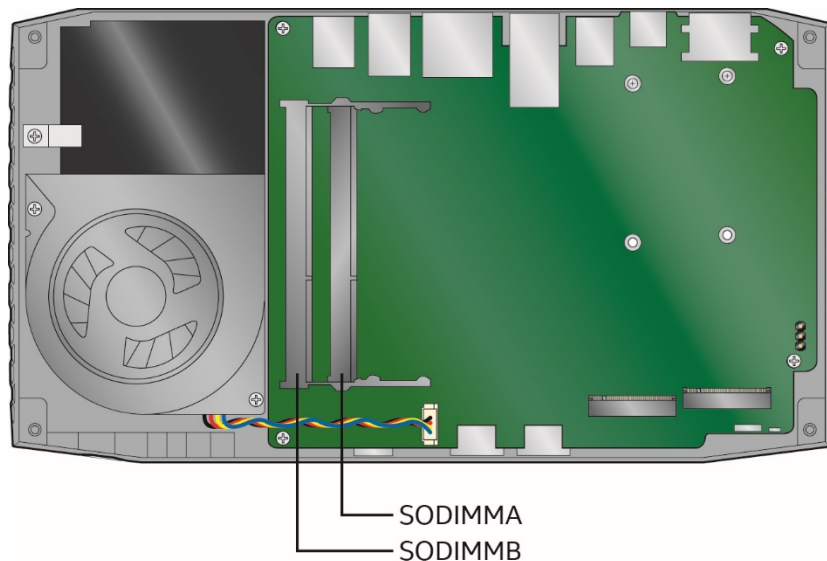
**For information about...**

Memory Configuration Examples

**Refer to:**

<http://www.intel.com/NUCSupport>

Figure 2 illustrates the memory channel and SO-DIMM configuration.



24241A

**Figure 2. Memory Channel and SO-DIMM Configuration**



## 1.6 Processor Graphics

The kit supports graphics through Intel® Iris™ Pro Graphics 580.

### 1.6.1 Integrated Graphics

The kit supports integrated graphics via the processor.

#### 1.6.1.1 Intel® High Definition (Intel® HD) Graphics

The Intel HD graphics controller features the following:

- 3D Features
  - DirectX\* 12.1 support
  - OpenGL\* 4.4 support
  - OpenCL\* 2.0 support
- Video
- Next Generation Intel® Clear Video Technology HD support is a collection of video playback and enhancement features that improve the end user's viewing experience
- Encode/transcode HD content
- Playback of high definition content including Blu-ray\* disc
- Superior image quality with sharper, more colorful images
- DirectX\* Video Acceleration (DXVA) support for accelerating video processing
- Full AVC/VC1/MPEG2/HEVC HW Encode/Decode
- Intel HD Graphics with Advanced Hardware Video Transcoding (Intel® Quick Sync Video)



#### NOTE

*Intel Quick Sync Video is enabled by an appropriate software application.*

#### 1.6.1.2 Video Memory Allocation

Intel® Dynamic Video Memory Technology (DVMT) is a method for dynamically allocating system memory for use as graphics memory to balance 2D/3D graphics and system performance. If your computer is configured to use DVMT, graphics memory is allocated based on system requirements and application demands (up to the configured maximum amount). When memory is no longer needed by an application, the dynamically allocated portion of memory is returned to the operating system for other uses.

#### 1.6.1.3 High Definition Multimedia Interface\* (HDMI\*)

The HDMI port supports standard, enhanced, or high definition video, plus multi-channel digital audio on a single cable. The port is compatible with all ATSC and DVB HDTV standards and supports eight full range channels at 24-bit/96 kHz audio of lossless audio formats. The maximum supported resolution is 4096 x 2160 @ 60 Hz, 24 bpp. The HDMI port is compliant with the HDMI 2.0 specification.

**For information about**

HDMI technology

**Refer to**

<http://www.hdmi.org>

### 1.6.1.4 DisplayPort\* via Mini DisplayPort and Type C

DisplayPort is a digital communication interface that utilizes differential signaling to achieve a high bandwidth bus interface designed to support connections between PCs and monitors, projectors, and TV displays. DisplayPort is suitable for display connections between consumer electronics devices such as high definition optical disc players, set top boxes, and TV displays. The maximum supported resolution is 4096 x 2304 @ 60 Hz, 224bpp. The Mini DisplayPort is compliant with the DisplayPort 1.2 specification.

DisplayPort output supports Multi-Stream Transport (MST) which allows for multiple independent video streams (daisy-chain connection with multiple monitors) over a single DisplayPort. This will require the use of displays that support DisplayPort 1.2 and allow for this feature.

---

**For information about**

DisplayPort technology

**Refer to**

<http://www.displayport.org>

---

#### 1.6.1.4.1 DisplayPort 1.2 Multi-Stream Transport Daisy-Chaining

Table 3 lists the maximum resolutions available when using DisplayPort 1.2 Multi-Stream Transport.

**Table 3. DisplayPort Multi-Streaming Resolutions**

DisplayPort Usage Models	Monitor 1	Monitor 2	Monitor 3
3 Monitors	1920 x 1200 @ 60 Hz	1920 x 1080 @ 60 Hz	1920 x 1080 @ 60 Hz
2 Monitors	2560 x 1600 @ 60 Hz	2560 x 1600 @ 60 Hz	
3 Monitors (with DisplayPort 1.2 hub)	1920 x 1080 @ 60 Hz	1920 x 1080 @ 60 Hz	1920 x 1080 @ 60 Hz

### 1.6.1.5 Multiple DisplayPort, Type C and HDMI Configurations

Multiple DisplayPort and HDMI configurations feature the following:

- Three independent displays with 4K support
  - Mini DisplayPort, HDMI and Type C
- Two independent displays with 4K support
  - Mini DisplayPort and HDMI
  - Mini DisplayPort and Type C
  - Type C and HDMI
- Single HDMI 2.0 with 4K support
- Single DisplayPort 1.2 with 4K support
  - Mini DisplayPort or Type C
- Collage Display

**Table 4. Multiple Display Configuration Maximum Resolutions**

Single Display HDMI	Dual Display Mini DisplayPort and HDMI	Single Display Mini DisplayPort or Type C
4096 x 2160 @ 60 Hz	4096 x 2304 @ 60 Hz (Mini DisplayPort) 4096 x 2160 @ 60 Hz (HDMI)	4096 x 2304 @ 60 Hz
Dual Display Mini DisplayPort and Type C	Dual Display Type C and HDMI	Triple Display Mini DisplayPort, HDMI and Type C
4096 x 2304 @ 60 Hz (Type C) 4096 x 2304 @ 60 Hz (Mini DisplayPort)	4096 x 2304 @ 60 Hz (Type C) 4096 x 2160 @ 60 Hz (HDMI)	4096 x 2304 @ 60 Hz (Mini DisplayPort) 4096 x 2160 @ 60 Hz (HDMI) 4096 x 2304 @ 60 Hz (Type C)

**For information about**

Multiple display maximum  
resolutions

**Refer to**

[https://www-  
ssl.intel.com/content/www/us/en/processors/core/CoreTechnicalResources.html](https://www-ssl.intel.com/content/www/us/en/processors/core/CoreTechnicalResources.html)

### 1.6.1.6 High-bandwidth Digital Content Protection (HDCP)

HDCP is the technology for protecting high definition content against unauthorized copy or interception between a source (computer, digital set top boxes, etc.) and the sink (panels, monitor, and TVs). The PCH supports HDCP 1.4 and HDCP 2.2 for content protection over wired displays (Mini DisplayPort and HDMI).

### 1.6.1.7 Integrated Audio Provided by the HDMI and Mini DisplayPort Interfaces

The HDMI and Mini DisplayPort interfaces from the PCH support audio. The processor supports two High Definition audio streams on two digital ports simultaneously.

Table 5 shows the specific audio technologies supported by the PCH.

**Table 5. Audio Formats Supported by the HDMI and Mini DisplayPort Interfaces**

Audio Formats	HDMI	Mini DisplayPort
AC3 – Dolby* Digital	Yes	Yes
Dolby Digital Plus	Yes	Yes
DTS-HD*	Yes	Yes
LPCM, 192 kHz/16 bit, 8 channel	Yes	Yes
Dolby True HD, DTS-HD Master Audio* (Lossless Blu-ray Disc Audio Format)	Yes	Yes

## 1.7 USB

The USB port arrangement is as follows:

- USB 3.0 ports (maximum current is 900 mA for each blue port, 1.5 A for the yellow charging port):
  - Two ports are implemented with external front panel connectors (one blue and one yellow charging capable)
  - Two ports are implemented with external back panel connectors (blue)
  - Two ports are implemented with an internal header (blue)
  - One port is implemented with the external black panel Type C connector

All the USB 3.0 ports are super-speed, high-speed, full-speed, and low-speed capable.

- USB 2.0 ports (maximum current is 500 mA for each port of the white header (1 A total):
  - Two ports via internal common IO header (white)
  - One port is reserved for the M.2 2230 Wireless module

All the USB 2.0 ports are high-speed, full-speed, and low-speed capable.



#### NOTE

*Computer systems that have an unshielded cable attached to a USB port may not meet FCC Class B requirements, even if no device is attached to the cable. Use a shielded cable that meets the requirements for full-speed devices.*



#### NOTE

*The yellow USB charging port can be set in the BIOS to “Charging Only.” However this affects only USB 2.0 devices and transfers and does not affect USB 3.0 devices and transfers.*

For information about	Refer to
The location of the USB connectors on the back panel	Figure 8, page 34
The location of the front panel USB headers	Figure 6, page 32

## 1.8 Storage Interface

The kit provides the following storage interface options via 2 M.2 2242 and M.2 2280 (key type M) connectors:

- SATA 6.0 Gb/s ports are reserved for the M.2 storage modules supporting M.2 2242 and M.2 2280 (key type M) modules
  - The PCH provides independent SATA ports with a theoretical maximum transfer rate of 6 Gb/s. A point-to-point interface is used for host to device connections.
- Gen 3 PCIe X4 AHCI, NVMe ports are reserved for the M.2 storage modules supporting M.2 2242 and M.2 2280 (key type M) modules

### 1.8.1 AHCI Mode

The kit supports AHCI storage mode.



#### NOTE

*In order to use AHCI mode, AHCI must be enabled in the BIOS. Microsoft\* Windows\* 10 and Windows 8.1 include the necessary AHCI drivers without the need to install separate AHCI drivers during the operating system installation process; however, it is always good practice to update the AHCI drivers to the latest available by Intel.*

### 1.8.2 Intel® Rapid Storage Technology / SATA RAID

The PCH supports Intel® Rapid Storage Technology, providing both AHCI and integrated RAID functionality. The RAID capability provides high-performance RAID 0 and 1 functionality on all SATA ports. Other RAID features include hot spare support and SMART alerting. Software components include an Option ROM for pre-boot configuration and boot functionality, a Microsoft Windows compatible driver, and a user interface for configuration and management of the RAID capability of the PCH.



#### NOTE

*In order to use supported RAID features, you must first enable RAID in the BIOS.*

## 1.9 SDXC Card Reader

The kit has a standard Secure Digital (SD) card reader that supports the Secure Digital eXtended Capacity (SDXC) format, 3.01 specification with UHS-I support. SD Card sizes supported from 8GB to 128GB.

## 1.10 Real-Time Clock

A coin-cell battery (CR2032) powers the real-time clock and CMOS memory. When the kit is not plugged into a wall socket, the battery has an estimated life of three years. When the kit is plugged in, the standby current from the power supply extends the life of the battery. The clock is accurate to  $\pm 13$  minutes/year at 25 °C with 3.3 VSB applied via the power supply 5 V STBY rail.



### NOTE

*If the battery and AC power fail, date and time values will be reset and the user will be notified during the POST.*

When the voltage drops below a certain level, the BIOS Setup program settings stored in CMOS RAM (for example, the date and time) might not be accurate. Replace the battery with an equivalent one. Figure 1 on page 32 shows the location of the battery.

## 1.11 Audio

The integrated audio supports the following features:

- Analog line-out/Analog Headphone/Analog Microphone (front panel jack)
- Analog stereo line-out/TOSLINK out (back panel jack)
  - Analog Speakers only (Stereo)
  - SPDIF optical output formats up to compressed 5.1/7.1
- Support for 44.1 kHz/48 kHz/96 kHz/192 kHz sample rates on all analog outputs
- Support for 44.1 kHz/48 kHz/96 kHz sample rates on all analog inputs
- Front Panel Audio Jack Support (see Figure 3 for 3.5 mm audio jack pin out):
  - Speakers only (Stereo)
  - Headphones only (Stereo)
  - Microphone only (mono)
  - Combo Headphone (Stereo)/Microphone (mono)



Pin Number	Pin Name	Description
1	Tip	Left Audio Out
2	Ring	Right Audio Out
3	Ring	Common/Ground
4	Sleeve	Audio In/MIC

**Figure 3. 4-Pin 3.5 mm (1/8 inch) Audio Jack Pin Out**



### NOTE

*The analog circuit of the front panel audio connector is designed to power headphones or amplified speakers only. Poor audio quality occurs if passive (non-amplified) speakers are connected to this output.*

### 1.11.1 Audio Software

Audio software and drivers are available from Intel's World Wide Web site.

For information about	Refer to
Obtaining Audio software and drivers	<a href="http://downloadcenter.intel.com">http://downloadcenter.intel.com</a>

## 1.12 LAN

The onboard LAN consists of the following:

- Intel Gigabit Ethernet Controller I219-LM (10/100/1000 Mb/s)
- RJ-45 LAN connector with integrated status LEDs

Additional features of the LAN subsystem include:

- CSMA/CD protocol engine
- LAN connect interface between the Processor and the LAN controller
- Power management capabilities
  - ACPI technology support
  - LAN wake capabilities
- LAN subsystem software

### 1.12.1 Intel® Gigabit Ethernet Controller I219-LM

The Intel Gigabit Ethernet Controller I219-LM supports the following features:

- Compliant with the 1 Gb/s Ethernet 802.3, 802.3u, 802.3z, 802.3ab specifications
- Multi-speed operation: 10/100/1000 Mb/s
- Full-duplex operation at 10/100/1000 Mb/s; Half-duplex operation at 10/100 Mb/s
- Flow control support compliant with the 802.3X specification as well as the specific operation of asymmetrical flow control defined by 802.3z
- VLAN support compliant with the 802.3q specification
- Supports Jumbo Frames (up to 9 kB)
  - IEEE 1588 supports (Precision Time Protocol)
- MAC address filters: perfect match unicast filters, multicast hash filtering, broadcast filter, and promiscuous mode

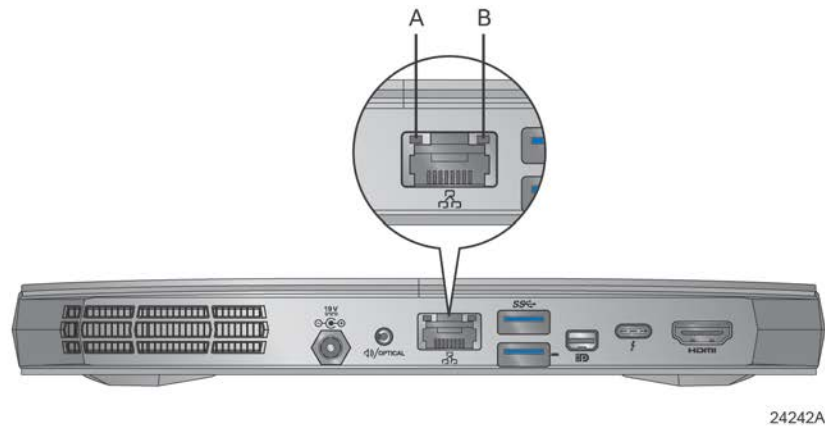
### 1.12.2 LAN Software

LAN software and drivers are available from Intel's World Wide Web site.

For information about	Refer to
Obtaining LAN software and drivers	<a href="http://downloadcenter.intel.com">http://downloadcenter.intel.com</a>

### 1.12.3 RJ-45 LAN Connector with Integrated LEDs

Two LEDs are built into the RJ-45 LAN connector (shown in Figure 4).



Item	Description
A	Link LED (Green)
B	Data Rate LED (Green/Yellow)

**Figure 4. LAN Connector LED Locations**

Table 6 describes the LED states when the board is powered up and the LAN subsystem is operating.

**Table 6. LAN Connector LED States**

LED	LED Color	LED State	Condition
Link	Green	Off	LAN link is not established.
		On	LAN link is established.
		Blinking	LAN activity is occurring.
Data Rate	Green/Yellow	Off	10 Mb/s data rate is selected.
		Green	100 Mb/s data rate is selected.
		Yellow	1000 Mb/s data rate is selected.



### 1.12.4 Wireless Network Module

The Intel Dual Band Wireless-AC 8260 module provides hi-speed wireless connectivity provided with the following capabilities:

- Compliant IEEE 802.11abgn, 802.11ac, 802.11d, 802.11e, 802.11i, 802.11h, 802.11w specifications
- Maximum bandwidth of 867 Mbps
- Dual Mode Bluetooth\* 4.2
- OS certified with : Microsoft Windows 7, Microsoft Windows 8.1, Microsoft Windows 10, Linux\* (most features not available on Linux)
- Wi-Fi Direct\* for peer to peer device connections
- Wi-Fi Miracast Source
- Intel® Wireless Display 6.0
- Wi-Fi Direct for peer to peer device connections
- Authentication: WPA and WPA2, 802.1X (EAP-TLS, TTLS, PEAP, LEAP, EAP-FAST), EAP-SIM, EAP-AKA
- Encryption: 64-bit and 128-bit WEP, AES-CCMP, TKIP, WPA2, AES-CCMP

For information about	Refer to
Obtaining WLAN software and drivers	<a href="http://downloadcenter.intel.com">http://downloadcenter.intel.com</a>
Full Specifications	<a href="http://intel.com/wireless">http://intel.com/wireless</a>

## 1.13 Hardware Management Subsystem

The hardware management features enable the board to be compatible with the Wired for Management (WfM) specification. The kit has several hardware management features, including thermal and voltage monitoring.

For information about	Refer to
Wired for Management (WfM) Specification	<a href="http://www.intel.com/design/archives/wfm/">www.intel.com/design/archives/wfm/</a>

### 1.13.1 Hardware Monitoring

The hardware monitoring and fan control subsystem is based on a Nuvoton NCT5577DSIO, which supports the following:

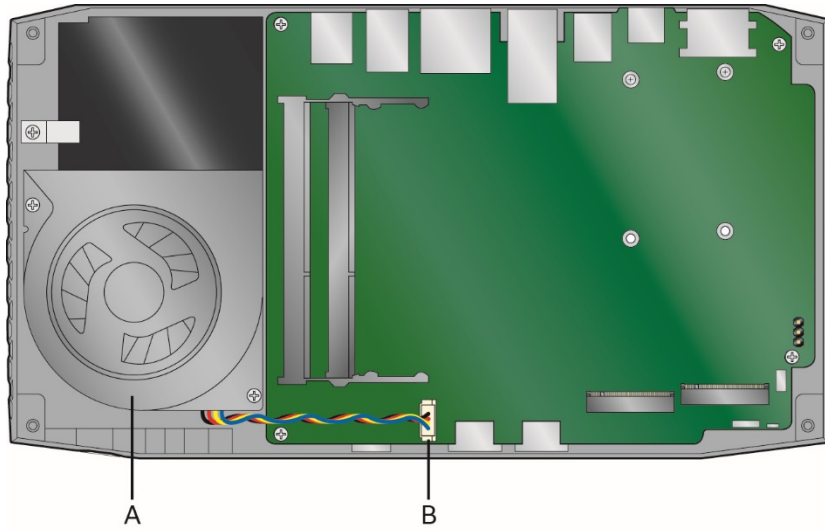
- Processor and system ambient temperature monitoring
- Chassis fan speed monitoring
- Voltage monitoring of +5 V, +3.3 V, Memory Vcc (V\_SM), +Vccp,
- SMBus interface

### 1.13.2 Fan Monitoring

Fan monitoring can be implemented using third-party software.

### 1.13.3 Thermal Solution

Figure 5 shows the location of the thermal solution and processor fan header.



24243A

Item	Description
A	Thermal solution
B	Processor fan header

**Figure 5. Thermal Solution and Fan Header**

## 1.14 Power Management

Power management is implemented at several levels, including:

- Software support through Advanced Configuration and Power Interface (ACPI)
- Hardware support:
  - Power Input
  - Instantly Available PC technology
  - LAN wake capabilities
  - Wake from USB
  - WAKE# signal wake-up support
  - Wake from S5
  - Wake from CIR

### 1.14.1 ACPI

ACPI gives the operating system direct control over the power management and Plug and Play functions of a computer. The use of ACPI with this kit requires an operating system that provides full ACPI support. ACPI features include:

- Plug and Play (including bus and device enumeration)
- Power management control of individual devices, add-in boards (some add-in boards may require an ACPI-aware driver), video displays, and hard disk drives
- Methods for achieving less than 15-watt system operation in the power-on/standby sleeping state
- A Soft-off feature that enables the operating system to power-off the kit
- Support for multiple wake-up events (see Table 9 on page 29)
- Support for a front panel power and sleep mode switch

Table 7 lists the system states based on how long the power switch is pressed, depending on how ACPI is configured with an ACPI-aware operating system.

**Table 7. Effects of Pressing the Power Switch**

If the system is in this state...	...and the power switch is pressed for	...the system enters this state
Off (ACPI G2/G5 – Soft off)	Less than four seconds	Power-on (ACPI G0 – working state)
On (ACPI G0 – working state)	Less than four seconds	Soft-off/Standby (ACPI G1 – sleeping state) <sup>Note</sup>
On (ACPI G0 – working state)	More than six seconds	Fail safe power-off (ACPI G2/G5 – Soft off)
Sleep (ACPI G1 – sleeping state)	Less than four seconds	Wake-up (ACPI G0 – working state)
Sleep (ACPI G1 – sleeping state)	More than six seconds	Power-off (ACPI G2/G5 – Soft off)

Note: Depending on power management settings in the operating system.

### 1.14.1.1 System States and Power States

Under ACPI, the operating system directs all system and device power state transitions. The operating system puts devices in and out of low-power states based on user preferences and knowledge of how devices are being used by applications. Devices that are not being used can be turned off. The operating system uses information from applications and user settings to put the system as a whole into a low-power state.

Table 8 lists the power states supported by the kit along with the associated system power targets. See the ACPI specification for a complete description of the various system and power states.

**Table 8. Power States and Targeted System Power**

Global States	Sleeping States	Processor States	Device States	Targeted System Power <sup>(Note 1)</sup>
G0 – working state	S0 – working	C0 – working	D0 – working state.	Full power > 30 W
G1 – sleeping state	S3 – Suspend to RAM. Context saved to RAM.	No power	D3 – no power except for wake-up logic.	Power < 5 W <sup>(Note 2)</sup>
G1 – sleeping state	S4 – Suspend to disk. Context saved to disk.	No power	D3 – no power except for wake-up logic.	Power < 5 W <sup>(Note 2)</sup>
G2/S5	S5 – Soft off. Context not saved. Cold boot is required.	No power	D3 – no power except for wake-up logic.	Power < 5 W <sup>(Note 2)</sup>
G3 – mechanical off AC power is disconnected from the computer.	No power to the system.	No power	D3 – no power for wake-up logic, except when provided by battery or external source.	No power to the system. Service can be performed safely.

Notes:

1. Total system power is dependent on the system configuration, including add-in boards and peripherals powered by the system chassis' power supply.
2. Dependent on the standby power consumption of wake-up devices used in the system.

### 1.14.1.2 Wake-up Devices and Events

Table 9 lists the devices or specific events that can wake the kit from specific states.

**Table 9. Wake-up Devices and Events**

Devices/events that wake up the system...	...from this sleep state	Comments
Power switch	S3, S4, S5 <sup>1</sup>	
RTC alarm	S3, S4, S5 <sup>1</sup>	Monitor to remain in sleep state
LAN	S3, S4, S5 <sup>1,3</sup>	"S5 WOL after G3" must be supported; monitor to remain in sleep state
USB	S3, S4, S5 <sup>1,2,3</sup>	Wake S4, S5 controlled by BIOS option (not after G3)
WAKE#	S3, S4, S5 <sup>1</sup>	Via WAKE; monitor to remain in sleep state
Consumer IR	S3, S4, S5 <sup>1,3</sup>	Will not wake when in Deep S4/S5 sleep state
Bluetooth	N/A	Wake from Bluetooth is not supported

Notes:

1. S4 implies operating system support only.
2. Will not wake from Deep S4/S5. USB S4/S5 Power is controlled by BIOS. USB S5 wake is controlled by BIOS. USB S4 wake is controlled by OS driver, not just BIOS option.
3. Windows 8.1 Fast startup will block wake from LAN, USB, and CIR from S5.



#### NOTE

*The use of these wake-up events from an ACPI state requires an operating system that provides full ACPI support. In addition, software, drivers, and peripherals must fully support ACPI wake events.*

### 1.14.2 Hardware Support

The kit provides several power management hardware features, including:

- Wake from Power Button signal
- Instantly Available PC technology
- LAN wake capabilities
- Wake from USB (not after G3)
- WAKE# signal wake-up support
- Wake from S5
- Wake from CIR



#### NOTE

*The use of Wake from USB from an ACPI state requires an operating system that provides full ACPI support.*

### 1.14.2.1 Power Input

When resuming from an AC power failure, the kit returns to the power state it was in before power was interrupted (on or off). The kit's response can be set using the Last Power State feature in the BIOS Setup program's Boot menu.

### 1.14.2.2 Instantly Available PC Technology

Instantly Available PC technology enables the kit to enter the ACPI S3 (Suspend-to-RAM) sleep-state. While in the S3 sleep-state, the computer will appear to be off (the power supply is only supplying Standby power, and the front panel LED will be amber or secondary color if dual colored, or off if single colored.) When signaled by a wake-up device or event, the system quickly returns to its last known wake state. Table 9 on page 29 lists the devices and events that can wake the computer from the S3 state.

The use of Instantly Available PC technology requires operating system support and drivers for any installed M.2 add-in card.

### 1.14.2.3 LAN Wake Capabilities

LAN wake capabilities enable remote wake-up of the kit through a network. The LAN subsystem monitors network traffic at the Media Independent Interface. Upon detecting a Magic Packet\* frame, the LAN subsystem asserts a wake-up signal that powers up the kit.

### 1.14.2.4 Wake from USB

USB bus activity wakes the computer from an ACPI S3 state (not after G3).



#### **NOTE**

*Wake from USB requires the use of a USB peripheral that supports Wake from USB.*

### 1.14.2.5 WAKE# Signal Wake-up Support

When the WAKE# signal on the PCI Express bus is asserted, the kit wakes from an ACPI S3, S4, or S5 state.

### 1.14.2.6 Wake from S5

When the RTC Date and Time is set in the BIOS, the kit will automatically wake from an ACPI S5 state.

### 1.14.2.7 Wake from Consumer IR

CIR activity wakes the kit from an ACPI S3, S4, or S5 state.

## 2 Technical Reference

---

### 2.1 Memory Resources

#### 2.1.1 Addressable Memory

The kit utilizes 32 GB of addressable system memory. Typically the address space that is allocated for PCI Conventional bus add-in cards, PCI Express configuration space, BIOS (SPI Flash device), and chipset overhead resides above the top of DRAM (total system memory). On a system that has 32 GB of system memory installed, it is not possible to use all of the installed memory due to system address space being allocated for other system critical functions. These functions include the following:

- BIOS/SPI Flash device (64 Mb)
- Local APIC (19 MB)
- Direct Media Interface (40 MB)
- PCI Express configuration space (256 MB)
- PCH base address registers PCI Express ports (up to 256 MB)
- Memory-mapped I/O that is dynamically allocated for M.2 add-in cards (256 MB)
- Integrated graphics shared memory (up to 512 MB; 64 MB by default)

The kit provides the capability to reclaim the physical memory overlapped by the memory mapped I/O logical address space. The kit remaps physical memory from the top of usable DRAM boundary to the 4 GB boundary to an equivalent sized logical address range located just above the 4 GB boundary. All installed system memory can be used when there is no overlap of system addresses.

### 2.2 Connectors and Headers



#### CAUTION

*Only the following connectors and headers have overcurrent protection: back panel and front panel USB.*

*The other internal connectors and headers are not overcurrent protected and should connect only to devices inside the kit's chassis, such as fans and internal peripherals. Do not use these connectors or headers to power devices external to the kit's chassis. A fault in the load presented by the external devices could cause damage to the board, the power cable, and the external devices themselves.*

*Furthermore, improper connection of USB header single wire connectors may eventually overload the overcurrent protection and cause damage to the board.*

This section describes the connectors and headers. The connectors and headers can be divided into these groups:

- Front panel connectors
- Back panel connectors
- Top-Side headers and connectors
- Bottom-Side headers and connectors

## 2.2.1 Front Panel Connectors

Figure 6 shows the location of the components on the front of the Intel NUC Kit NUC6i7KYK chassis.

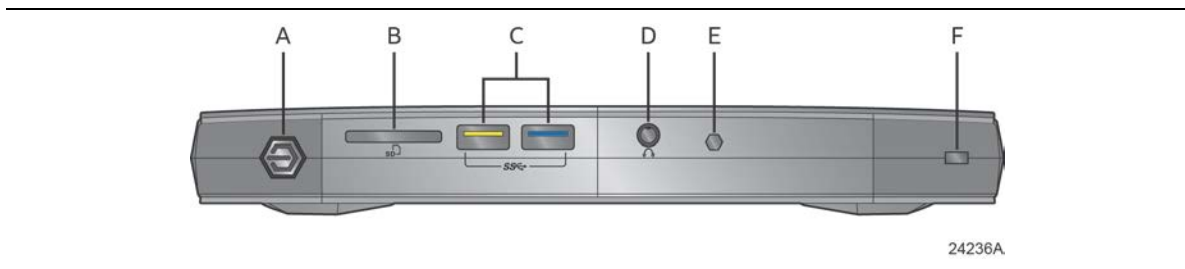


Figure 6. Front Panel Layout

Table 10. Components Shown in Figure 6

Item from Figure 6	Description
A	Power on/off button/LED
B	SDXC card reader slot
C	USB 3.0 connectors (one blue and one yellow charging capable)
D	Speaker/Headset
E	Consumer Infrared (CIR)
F	Anti-Theft key lock hole

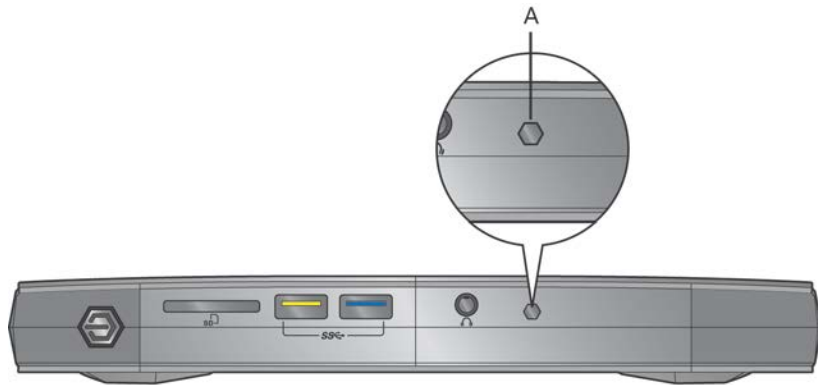


### 2.2.1.1 Consumer Infrared (CIR) Sensor

The Consumer Infrared (CIR) sensor on the front panel provides features that are designed to comply with Microsoft Consumer Infrared usage models (RC-6).

The CIR feature is made up of the receiving sensor. The receiving sensor consists of a filtered translated infrared input compliant with Microsoft CIR specifications.

Customers are required to provide their own media center compatible remote or smart phone application for use with the Intel NUC. Figure 7 shows the location of the CIR sensor.



24247

---

**Figure 7. Consumer Infrared (CIR) Sensor**

## 2.2.2 Back Panel Connectors

Figure 8 shows the location of the components on the back of the Intel NUC Kit NUC6i7KYK chassis.

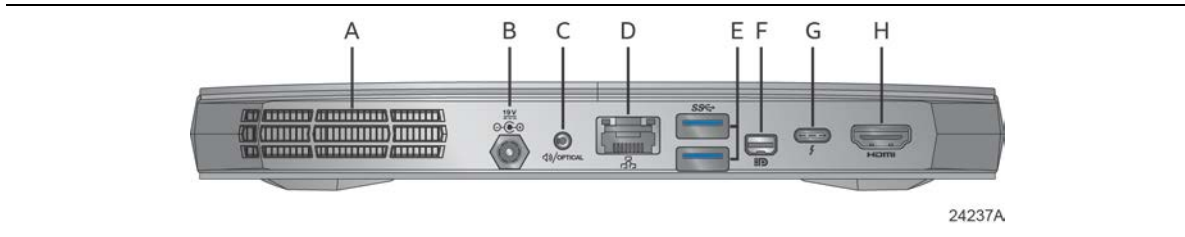


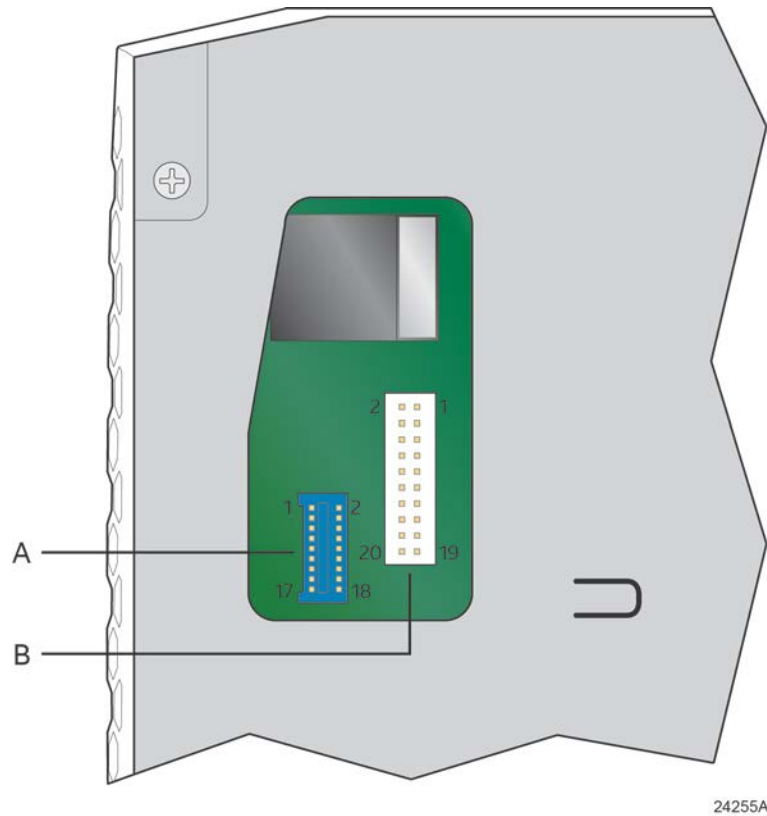
Figure 8. Back Panel Layout

Table 11. Components Shown in Figure 8

Item from Figure 8	Description
A	Fan Exhaust
B	19V DC power input jack
C	Speaker/SPDIF
D	Ethernet port
E	USB 3.0 ports (blue)
F	Mini DisplayPort connector
G	Thunderbolt™ 3 port (Type C)
H	HDMI connector

### 2.2.3 Top-Side Headers and Connectors

Figure 9 shows the location of the headers and connectors on the top-side of Intel NUC Kit NUC6i7KYK.



**Figure 9. Headers and Connectors (Top)**

**Table 12. Headers and Connectors Shown in Figure 9**

Item from Figure 9	Description
A	Front panel USB 3.0 header (1.25 mm pitch) (blue)
B	Internal Common IO header (1.25 mm pitch) (white)

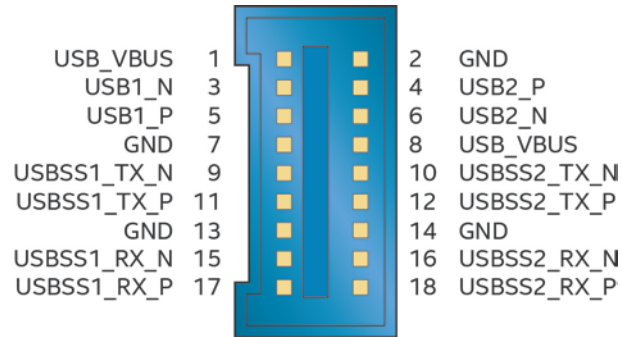
### 2.2.3.1 Internal USB 3.0 Header (1.25 mm Pitch)

Figure 10 is a connection diagram for internal USB .30 header.



**NOTE**

- The +5 V DC power on the USB header is fused.
- Use only an internal USB connector that conforms to the USB 3.0 specification for high-speed USB devices.



24246

**Figure 10. USB 3.0 Internal Header (1.25 mm Pitch)**



**NOTE**

Connector is Molex part number 5041871874, 1.25 mm pitch header, surface mount, vertical.

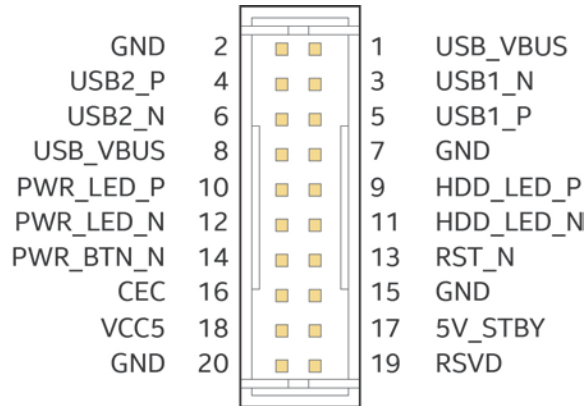
### 2.2.3.2 Internal Common IO Header (1.25 mm Pitch)

Figure 11 is a connection diagram for internal Common IO header.



**NOTE**

- The +5 V DC power on the USB header is fused.
- Use only an internal USB connector that conforms to the USB 2.0 specification for high-speed USB devices.



24245

**Figure 11. Connection Diagram for the Internal IO Common Header (1.25 mm Pitch)**



**NOTE**

Pin number 13 on the connector is an output. The PCH asserts RST\_N (out) to reset devices attached to front panel header. Asserted during power-up and when software initiates a hard reset.



**NOTE**

Connector is Entery part number 3950K-J20C-00L, 1.25 mm pitch header, surface mount, vertical.

#### 2.2.3.2.1 Consumer Electronics Control (CEC) Header

The Consumer Electronics Control (CEC) is a 500 Mb/s bi-directional serial bus designed to be used for controlling multiple HDMI devices with a single remote control.

**For information about**

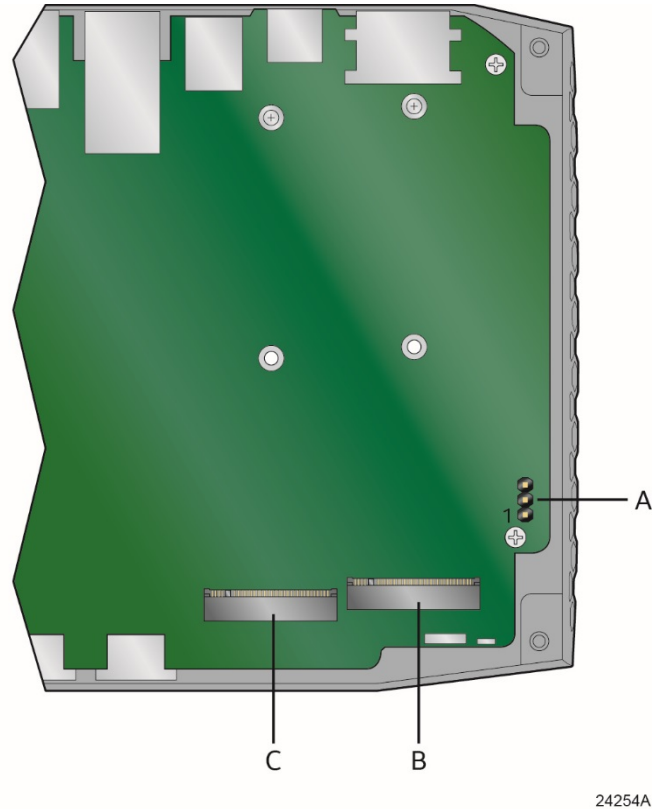
HDMI CEC technology

**Refer to**

<http://www.hdmi.org/pdf/whitepaper/DesigningCECintoYourNextHDMIProduct.pdf>

## 2.2.4 Bottom-Side Headers and Connectors

Figure 12 shows the location of the headers and connectors on the bottom-side of Intel NUC Kit NUC6i7KYK.



24254A

**Figure 12. Headers and Connectors (Bottom)**

**Table 13. Headers and Connectors Shown in Figure 12**

Item from Figure 12	Description
A	BIOS security jumper
B	M.2 connector B (key type M) for 2242 and 2280 modules
C	M.2 connector A (key type M) for 2242 and 2280 modules

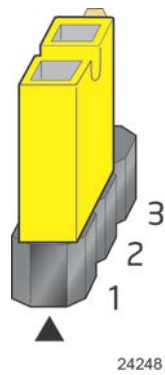
### 2.2.4.1 BIOS Security Jumper

**⚠ CAUTION**

*Do not move a jumper with the power on. Always turn off the power and unplug the power cord from the computer before changing a jumper setting. Otherwise, the board could be damaged.*

Figure 13 shows the BIOS Security Jumper. The 3-pin jumper determines the BIOS Security program's mode.

Table 14 describes the jumper settings for the three modes: normal, lockdown, and configuration.



**Figure 13. BIOS Security Jumper**

Table 14 lists the settings for the jumper.

**Table 14. BIOS Security Jumper Settings**

Function/Mode	Jumper Setting	Configuration
Normal	1-2	The BIOS uses current configuration information and passwords for booting.
Lockdown	2-3	<p>The BIOS uses current configuration information and passwords for booting, except:</p> <ul style="list-style-type: none"> <li>All POST Hotkeys are suppressed (prompts are not displayed and keys are not accepted. For example, F2 for Setup, F10 for the Boot Menu).</li> <li>Power Button Menu is not available (see Section 3.7.4 Power Button Menu).</li> </ul> <p>BIOS updates are not available except for automatic Recovery due to flash corruption.</p>
Configuration	None	<p>BIOS Recovery Update process if a matching *.bio file is found. Recovery Update can be cancelled by pressing the Esc key.</p> <p>If the Recovery Update was cancelled or a matching *.bio file was not found, a Config Menu will be displayed. The Config Menu consists of the following (selected Power Button Menu options):</p> <p>[1] Suppress this menu until the BIOS Security Jumper is replaced.</p> <p>[2] Clear BIOS User and Supervisor Passwords.</p> <p>See Section 3.7.4 Power Button Menu.</p>

### 2.2.4.2 Add-in Card Connectors

The kit supports M.2 2242 and 2280 (key type M) modules.

- Supports M.2 SSD SATA-III drives
  - Maximum bandwidth is approximately 540 MB/s
- Supports M.2 SSD Gen 3 PCIe AHCI, NVMe drives (PCIe x1, x2, and x4)
  - Using PCIe x4 M.2 SSD maximum bandwidth is approximately 4000 MB/s

**Table 15. M.2 2280 Module (key type M) Connectors**

Pin	Signal Name	Pin	Signal Name
74	3.3V	75	GND
72	3.3V	73	GND
70	3.3V	71	GND
68	SUSCLK(32kHz) (O)(0/3.3V)	69	PEDET (NC-PCIe/GND-SATA)
66	Connector Key	67	N/C
64	Connector Key	65	Connector Key
62	Connector Key	63	Connector Key
60	Connector Key	61	Connector Key
58	N/C	59	Connector Key



continued

**Table 15. M.2 2280 Module (key type M) Connectors (continued)**

Pin	Signal Name	Pin	Signal Name
56	N/C	57	GND
54	PEWAKE# (I/O)(0/3.3V) or N/C	55	REFCLKP
52	CLKREQ# (I/O)(0/3.3V) or N/C	53	REFCLKN
50	PERST# (O)(0/3.3V) or N/C	51	GND
48	N/C	49	PETp0/SATA-A+
46	N/C	47	PETn0/SATA-A-
44	N/C	45	GND
42	N/C	43	PERp0/SATA-B-
40	N/C	41	PERn0/SATA-B+
38	DEVSLP (O)	39	GND
36	N/C	37	PETp1
34	N/C	35	PETn1
32	N/C	33	GND
30	N/C	31	PERp1
28	N/C	29	PERn1
26	N/C	27	GND
24	N/C	25	PETp2
22	N/C	23	PETn2
20	N/C	21	GND
18	3.3V	19	PERp2
16	3.3V	17	PERn2
14	3.3V	15	GND
12	3.3V	13	PETp3
10	DAS/DSS# (I/O)/LED1# (I)(0/3.3V)	11	PETn3
8	N/C	9	GND
6	N/C	7	PERp3
4	3.3V	5	PERn3
2	3.3V	3	GND
		1	GND

### 2.2.4.3 Kit Dimensions

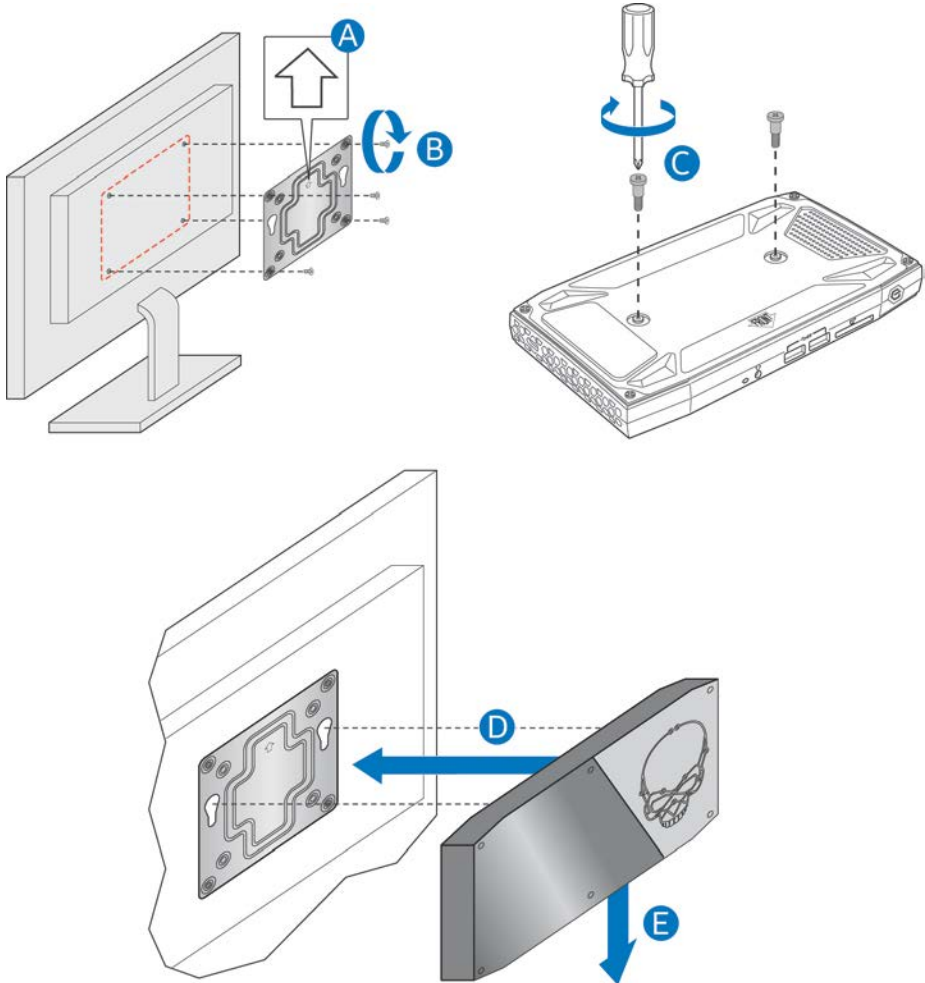
Figure 14 illustrates the dimensions for the kit. Dimensions are given in millimeters.



Figure 14. Kit Dimensions

### 2.3 VESA Bracket

Figure 15 illustrates how to install the VESA mount bracket included with the kit.



24250

Figure 15. Install VESA Bracket

Figure 16 shows the dimensions of the VESA bracket. Dimensions are given in millimeters.

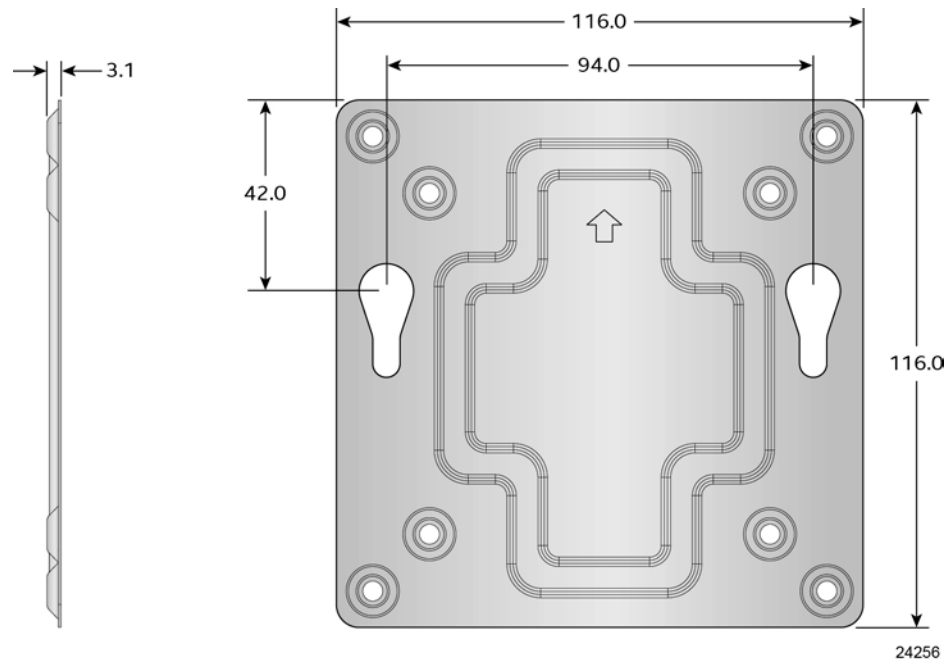


Figure 16. VESA Bracket Dimensions





## 2.4 Power Supply

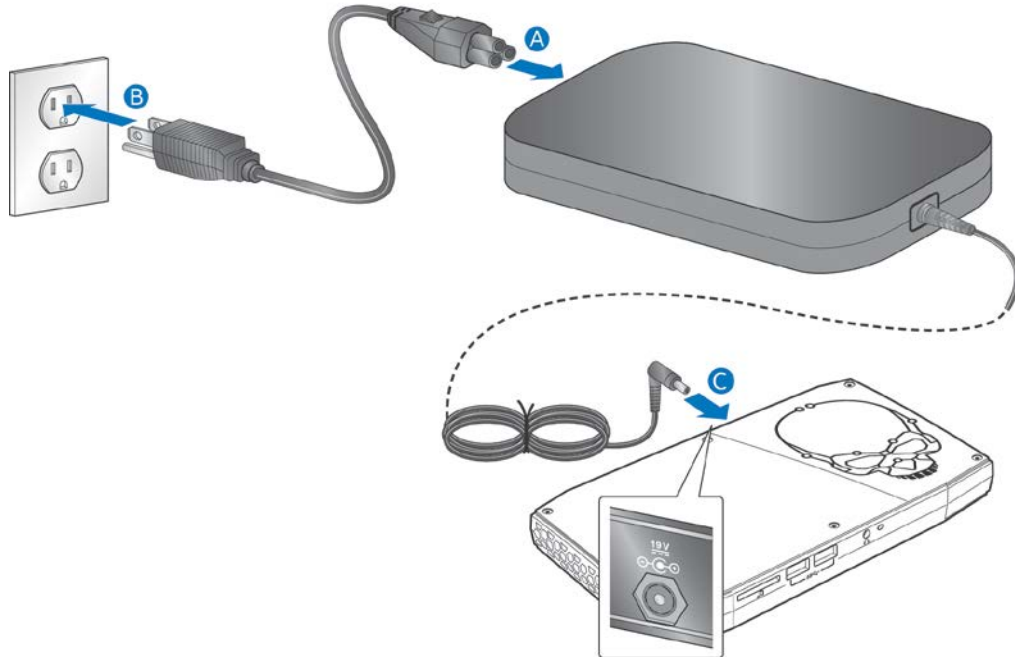
The NUC6i7KYK uses an AC to DC power adapter with a six foot attached cable with a barrel connector. Figure 17 shows the power adapter and plugs that may be included with the kit.

- 100-240V AC Input 50-60 Hz 2.0 A
- 19V 6.32 A DC output
- 3-pin AC Power Cord Plug

AC power cord options are as follows:

- No AC Power Cord
- US AC Power Cord
- UK AC Power Cord
- EU AC Power Cord
- AU AC Power Cord

<b>Plug</b>				
<b>Code</b>	US	UK	AU	EU
<b>Country</b>	United States	United Kingdom	Australia	European Union



24249A

Figure 17. Power Adapter and Plugs Included with the Kit

## 2.4.1 Power Supply Connector

The kit has the following power supply connector:

- **External Power Supply** – the kit can be powered through a 19V DC connector on the back panel (see Figure 17, C). The back panel DC connector is compatible with a 5.5 mm/OD (outer diameter) and 2.5 mm/ID (inner diameter) plug, where the inner contact is +19 ( $\pm 10\%$ ) V DC and the shell is GND. The maximum current rating is 10 A.



### NOTE

*External power voltage, 19V DC, is dependent on the type of power brick used.*

### 2.4.1.1.1 Power Sensing Circuit

The kit has a power sensing circuit that:

- Manages CPU power usage to maintain system power consumption below 120 W.
- Designed for use with 120 W AC-DC adapters.



### NOTE

*It is recommended that you disable this feature (via BIOS option) when using an AC-DC adapter greater than 120 W.*

## 2.4.2 Fan Header Current Capability

Table 16 lists the current capability of the fan header.

**Table 16. Fan Header Current Capability**

Fan Header	Maximum Available Current
Processor fan	.25 A

## 2.5 Reliability

The Mean Time Between Failures (MTBF) prediction is calculated using component and subassembly random failure rates. The calculation is based on the Telcordia SR-332 Issue 2, Method I, Case 3, 55 °C ambient. The MTBF prediction is used to estimate repair rates and spare parts requirements. The MTBF for Intel NUC6i7KYK Kit is 61,115 hours.

## 2.6 Environmental

Table 17 lists the environmental specifications for the kit.

**Table 17. Environmental Specifications**

Parameter	Specification		
<b>Temperature</b>			
Non-Operating	-40 °C to +60 °C		
Operating	0 °C to +40 °C The operating temperature of the kit may be determined by measuring the air temperature from the junction of the heatsink fins and fan, next to the attachment screw, in a closed chassis, while the system is in operation.		
<b>Shock</b>			
Unpackaged	50 g trapezoidal waveform		
	Velocity change of 170 inches/s <sup>2</sup>		
Packaged	Half sine 2 millisecond		
	Product Weight (pounds)	Free Fall (inches)	Velocity Change (inches/s <sup>2</sup> )
	<20	36	167
	21-40	30	152
	41-80	24	136
	81-100	18	118
<b>Vibration</b>			
Unpackaged	5 Hz to 20 Hz: 0.01 g <sup>2</sup> Hz sloping up to 0.02 g <sup>2</sup> Hz		
	20 Hz to 500 Hz: 0.02 g <sup>2</sup> Hz (flat)		
Packaged	5 Hz to 40 Hz: 0.015 g <sup>2</sup> Hz (flat)		
	40 Hz to 500 Hz: 0.015 g <sup>2</sup> Hz sloping down to 0.00015 g <sup>2</sup> Hz		

Note: Before attempting to operate this kit, the overall temperature of the kit must be above the minimum operating temperature specified. It is recommended that the kit temperature be at least room temperature before attempting to power on the kit. The operating and non-operating environment must avoid condensing humidity.





## 3 Overview of BIOS Features

---

### 3.1 Introduction

The kit uses Intel® Visual BIOS that is stored in the Serial Peripheral Interface Flash Memory (SPI Flash) and can be updated using a disk-based program. The SPI Flash contains the Visual BIOS Setup program, POST, the PCI auto-configuration utility, LAN EEPROM information, and Plug and Play support.

The BIOS displays a message during POST identifying the type of BIOS and a revision code. The initial production BIOSs are identified as KYSKLi70.86A.

The Visual BIOS Setup program can be used to view and change the BIOS settings for the computer. The BIOS Setup program is accessed by pressing the <F2> key after the Power-On Self-Test (POST) memory test begins and before the operating system boot begins.



#### NOTE

*The maintenance menu is displayed only when the kit is in configure mode. Section 2.2.4.1 on page 39 shows how to put the kit in configure mode.*

### 3.2 BIOS Flash Memory Organization

The Serial Peripheral Interface Flash Memory (SPI Flash) includes a 64 Mb flash memory device.

### 3.3 System Management BIOS (SMBIOS)

SMBIOS is a Desktop Management Interface (DMI) compliant method for managing computers in a managed network.

The main component of SMBIOS is the Management Information Format (MIF) database, which contains information about the computing system and its components. Using SMBIOS, a system administrator can obtain the system types, capabilities, operational status, and installation dates for system components. The MIF database defines the data and provides the method for accessing this information. The BIOS enables applications such as third-party management software to use SMBIOS. The BIOS stores and reports the following SMBIOS information:

- BIOS data, such as the BIOS revision level
- Fixed-system data, such as peripherals, serial numbers, and asset tags
- Resource data, such as memory size, cache size, and processor speed
- Dynamic data, such as event detection and error logging

Non-Plug and Play operating systems require an additional interface for obtaining the SMBIOS information. The BIOS supports an SMBIOS table interface for such operating systems. Using this support, an SMBIOS service-level application running on a non-Plug and Play operating system can obtain the SMBIOS information. Additional kit information can be found in the BIOS under the Additional Information header under the Main BIOS page.

## 3.4 Legacy USB Support

Legacy USB support enables USB devices to be used even when the operating system's USB drivers are not yet available. Legacy USB support is used to access the BIOS Setup program, and to install an operating system that supports USB. By default, Legacy USB support is set to Enabled.

Legacy USB support operates as follows:

1. When you apply power to the computer, legacy support is disabled.
2. POST begins.
3. Legacy USB support is enabled by the BIOS allowing you to use a USB keyboard to enter and configure the BIOS Setup program and the maintenance menu.
4. POST completes.
5. The operating system loads. While the operating system is loading, USB keyboards and mice are recognized and may be used to configure the operating system. (Keyboards and mice are not recognized during this period if Legacy USB support was set to Disabled in the BIOS Setup program.)
6. After the operating system loads the USB drivers, all legacy and non-legacy USB devices are recognized by the operating system, and Legacy USB support from the BIOS is no longer used.

To install an operating system that supports USB, verify that Legacy USB support in the BIOS Setup program is set to Enabled and follow the operating system's installation instructions.

## 3.5 BIOS Updates

The BIOS can be updated using one of the following methods:

- Intel Express BIOS Update Utility, which enables automated updating while in the Windows environment. Using this utility, the BIOS can be updated from a file on a hard disk, a USB drive (a flash drive or a USB hard drive), or a CD-ROM, or from the file location on the Web.
- Intel Flash Memory Update Utility, which requires booting from DOS. Using this utility, the BIOS can be updated from a file on a hard disk, a USB drive (a flash drive or a USB hard drive), or a CD-ROM.
- Intel® F7 switch during POST allows a user to select where the BIOS .bio file is located and perform the update from that location/device. Similar to performing a BIOS Recovery without removing the BIOS configuration jumper.
- Intel® Visual BIOS has an option to update the BIOS from a valid .bio file located on a hard disk or USB drive. Enter Intel Visual BIOS by pressing <F2> during POST.
- Using Front Panel menu option

Both utilities verify that the updated BIOS matches the target system to prevent accidentally installing an incompatible BIOS.



### NOTE

*Review the instructions distributed with the upgrade utility before attempting a BIOS update.*

#### For information about

BIOS update utilities

#### Refer to

<http://support.intel.com/support/motherboards/desktop/sb/CS->

---

[034499.htm](#)

---

### 3.5.1 Language Support

The BIOS Setup program and help messages are supported in US English. Check the Intel web site for support.

## 3.6 BIOS Recovery

It is unlikely that anything will interrupt a BIOS update; however, if an interruption occurs, the BIOS could be damaged. Table 18 lists the drives and media types that can and cannot be used for BIOS recovery. The BIOS recovery media does not need to be made bootable.

**Table 18. Acceptable Drives/Media Types for BIOS Recovery**

Media Type <sup>(Note)</sup>	Can be used for BIOS recovery?
Hard disk drive (connected to USB)	Yes
CD/DVD drive (connected to USB)	Yes
USB flash drive	Yes
USB diskette drive (with a 1.4 MB diskette)	No (BIOS update file is bigger than 1.4 MB size limit)



#### NOTE

Supported file systems for BIOS recovery:

- NTFS (*sparse, compressed, or encrypted files are not supported*)
- FAT32
- FAT16
- FAT12
- ISO 9660

**For information about**

**Refer to**

BIOS recovery

<http://www.intel.com/support/motherboards/desktop/sb/cs-034524.htm>

## 3.7 Boot Options

In the BIOS Setup program, the user can choose to boot from a hard drive, removable drive, or the network. The default setting is for the hard drive first, removable drive second, and the network third.

### 3.7.1 Network Boot

The network can be selected as a boot device. This selection allows booting from the onboard LAN or a network add-in card with a remote boot ROM installed.

Pressing the <F12> key during POST automatically forces booting from the LAN. To use this key during POST, the User Access Level in the BIOS Setup program's Security menu must be set to Full.

### 3.7.2 Booting Without Attached Devices

For use in embedded applications, the BIOS has been designed so that after passing the POST, the operating system loader is invoked even if the following devices are not present:

- Video Display
- Keyboard
- Mouse

### 3.7.3 Changing the Default Boot Device During POST

Pressing the <F10> key during POST causes a boot device menu to be displayed. This menu displays the list of available boot devices. Table 19 lists the boot device menu options.

**Table 19. Boot Device Menu Options**

Boot Device Menu Function Keys	Description
<↑> or <↓>	Selects a default boot device
<Enter>	Exits the menu, and boots from the selected device
<Esc>	Exits the menu and boots according to the boot priority defined through BIOS setup

### 3.7.4 Power Button Menu

As an alternative to Back-to-BIOS Mode or normal POST Hotkeys, the user can use the power button to access a menu. The Power Button Menu is accessible via the following sequence:

1. System is in S4/S5/G2
2. User pushes the power button and holds it down for 3 seconds
3. The system will emit three short beeps from the front panel (FP) audio port, then stop to signal the user to release the power button. The FP power button LED will also change from Blue to Amber when the user can release the power button.
4. User releases the power button before the 4-second shutdown override

If this boot path is taken, the BIOS will use default settings, ignoring settings in VPD where possible.

At the point where Setup Entry/Boot would be in the normal boot path, the BIOS will display the following prompt and wait for a keystroke:

[ESC] Normal Boot  
[F2] Intel Visual BIOS  
[F3] Disable Fast Boot  
[F4] BIOS Recovery  
[F7] Update BIOS  
[F10] Enter Boot Menu  
[F12] Network Boot

**[F2] Enter Setup** is displayed instead if Visual BIOS is not supported.

**[F3] Disable Fast Boot** is only displayed if at least one Fast Boot optimization is enabled.

**[F9] Remote Assistance** is only displayed if Remote Assistance is supported.

If an unrecognized key is hit, then the BIOS will beep and wait for another keystroke. If one of the listed hotkeys is hit, the BIOS will follow the indicated boot path. Password requirements must still be honored.

If Disable Fast Boot is selected, the BIOS will disable all Fast Boot optimizations and reset the system.

## 3.8 Hard Disk Drive Password Security Feature

The Hard Disk Drive Password Security feature blocks read and write accesses to the hard disk drive until the correct password is given. Hard Disk Drive Passwords are set in BIOS SETUP and are prompted for during BIOS POST. For convenient support of S3 resume, the system BIOS will automatically unlock drives on resume from S3. Valid password characters are A-Z, a-z, and 0-9. Passwords may be up to 19 characters in length.

The User hard disk drive password, when installed, will be required upon each power-cycle until the Master Key or User hard disk drive password is submitted.

The Master Key hard disk drive password, when installed, will not lock the drive. The Master Key hard disk drive password exists as an unlock override in the event that the User hard disk drive password is forgotten. Only the installation of the User hard disk drive password will cause a hard disk to be locked upon a system power-cycle.

Table 20 shows the effects of setting the Hard Disk Drive Passwords.

**Table 20. Master Key and User Hard Drive Password Functions**

Password Set	Password During Boot
Neither	None
Master only	None
User only	User only
Master and User Set	Master or User

During every POST, if a User hard disk drive password is set, POST execution will pause with the following prompt to force the user to enter the Master Key or User hard disk drive password:

Enter Hard Disk Drive Password:

Upon successful entry of the Master Key or User hard disk drive password, the system will continue with normal POST.

If the hard disk drive password is not correctly entered, the system will go back to the above prompt. The user will have three attempts to correctly enter the hard disk drive password. After the third unsuccessful hard disk drive password attempt, the system will halt with the message:

Hard Disk Drive Password Entry Error

A manual power cycle will be required to resume system operation.



### NOTE

*As implemented on Intel NUC Kit NUC6i7KYK, Hard Disk Drive Password Security is only supported on SATA port 0 (M.2). The passwords are stored on the hard disk drive so if the drive is relocated to another computer that does not support Hard Disk Drive Password Security feature, the drive will not be accessible.*

*Currently, there is no industry standard for implementing Hard Disk Drive Password Security on AHCI or NVME drives. Hard drive encryption can still be implemented and does not require Hard Disk Drive Password Security.*

## 3.9 BIOS Security Features

The BIOS includes security features that restrict access to the BIOS Setup program and who can boot the computer. A supervisor password and a user password can be set for the BIOS Setup program and for booting the computer, with the following restrictions:

- The supervisor password gives unrestricted access to view and change all the Setup options in the BIOS Setup program. This is the supervisor mode.
- The user password gives restricted access to view and change Setup options in the BIOS Setup program. This is the user mode.
- If only the supervisor password is set, pressing the <Enter> key at the password prompt of the BIOS Setup program allows the user restricted access to Setup.
- If both the supervisor and user passwords are set, users can enter either the supervisor password or the user password to access Setup. Users have access to Setup respective to which password is entered.
- Setting the user password restricts who can boot the computer. The password prompt will be displayed before the computer is booted. If only the supervisor password is set, the computer boots without asking for a password. If both passwords are set, the user can enter either password to boot the computer.
- For enhanced security, use different passwords for the supervisor and user passwords.
- Valid password characters are A-Z, a-z, and 0-9. Passwords may be up to 20 characters in length.
- To clear a set password, enter a blank password after entering the existing password.

Table 21 shows the effects of setting the supervisor password and user password. This table is for reference only and is not displayed on the screen.

**Table 21. Supervisor and User Password Functions**

Password Set	Supervisor Mode	User Mode	Setup Options	Password to Enter Setup	Password During Boot
Neither	Can change all options (Note)	Can change all options (Note)	None	None	None
Supervisor only	Can change all options	Can change a limited number of options	Supervisor Password	Supervisor	None
User only	N/A	Can change all options	Enter Password Clear User Password	User	User
Supervisor and user set	Can change all options	Can change a limited number of options	Supervisor Password Enter Password	Supervisor or user	Supervisor or user

Note: If no password is set, any user can change all Setup options.





## 4 Error Messages and Blink Codes

---

### 4.1 Front-panel Power LED Blink Codes

Whenever a recoverable error occurs during POST, the BIOS causes the kit's front panel power LED to blink an error message describing the problem (see Table 22).

**Table 22. Front-panel Power LED Blink Codes**

Type	Pattern	Note
Power-on	Solid on primary color. Indicates S0 state.	Default to On; can be disabled via BIOS Setup
S3 Standby	Blink primary color .25 seconds on, .25 seconds off, indefinitely. Indicates S3 state.	Default behavior; can be changed via BIOS Setup
Intel Ready Mode	Solid secondary color	Default behavior; can be changed via BIOS Setup
BIOS update in progress	Off when the update begins, then primary color on for 0.5 seconds, then off for 0.5 seconds. The pattern repeats until the BIOS update is complete.	
Memory error	On-off (1.0 second each) three times, then 2.5-second pause (off), entire pattern repeats (blinks and pause) until the system is powered off.	
Thermal trip warning	Blink primary color .25 seconds on, .25 seconds off, .25 seconds on, .25 seconds off. This will result in a total of 16 blinks (blink for 8 seconds).	

### 4.2 BIOS Error Messages

Table 23 lists the error messages and provides a brief description of each.

**Table 23. BIOS Error Messages**

Error Message	Explanation
CMOS Battery Low	The battery may be losing power. Replace the battery soon.
CMOS Checksum Bad	The CMOS checksum is incorrect. CMOS memory may have been corrupted. Run Setup to reset values.
Memory Size Decreased	Memory size has decreased since the last boot. If no memory was removed, then memory may be bad.
No Boot Device Available	System did not find a device to boot.