



www.Source1Parts.com

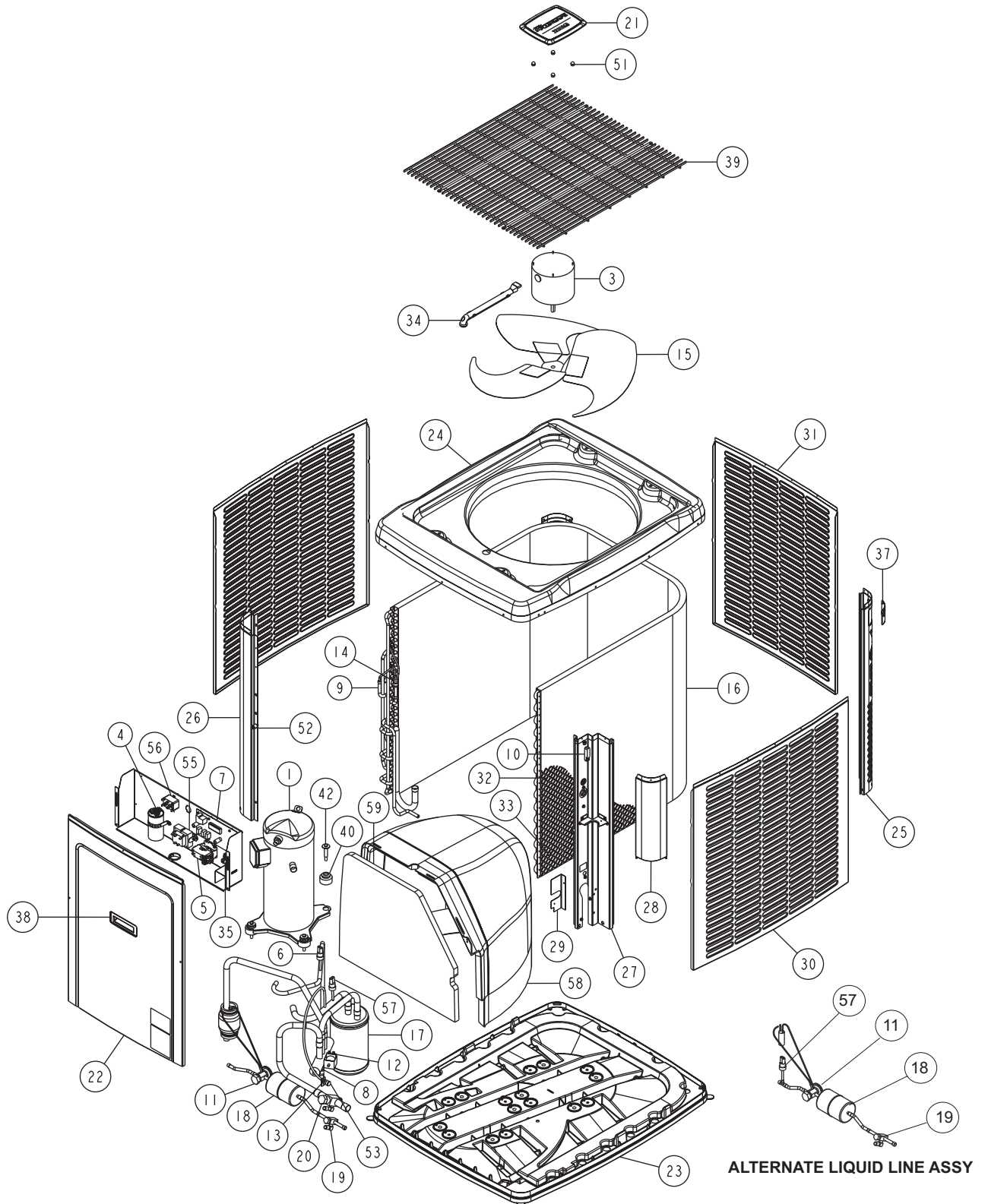
HVAC SERVICE PARTS

YZE SERIES - 15 SEER HEAT PUMP - OUTDOOR UNIT (R-410A) (STYLE A, B, & C)

Supersedes:035-20636-001 Rev. N (0711)

035-20636-001 Rev. P (0912)

1 of 4



| ITEM | DESCRIPTION | YZE02411A | YZE02411B | YZE03611A | YZE03611B | YZE03611C |
|------|---|----------------|----------------|----------------|----------------|----------------|
| 1 | Compressor | S1-01503668004 | S1-01503668004 | S1-01503669004 | S1-01503669004 | S1-01503669004 |
| 2* | Compressor Harness | S1-02531884000 | S1-02531884000 | S1-02531884000 | S1-02531884000 | S1-02531884000 |
| 3 | Motor, Direct Drive Fan (B4 10/20/06) | S1-02426029000 | --- | S1-02427596000 | --- | --- |
| | Motor, Direct Drive Fan (10/20/06 & after) | S1-02427596000 | S1-02427596700 | S1-02427596700 | S1-02427596700 | S1-02427597000 |
| 4 | Capacitor, Run (35/5MFD) [RC] | S1-02423998700 | S1-02423998700 | --- | --- | --- |
| | Capacitor, Run (40/5MFD) [RC] | --- | --- | S1-02425893700 | S1-02425893070 | S1-02425893700 |
| 5 | Contact, Electrical (40 AMP) [M] | S1-02425837000 | S1-02425837000 | S1-02425837000 | S1-02425837000 | S1-02425837000 |
| 6 | Control Pressure (High) | S1-02538888001 | S1-02538888001 | S1-02538888001 | S1-02538888001 | S1-02538888001 |
| 7 | Control Defrost | S1-03109178000 | S1-03109178000 | S1-03109178000 | S1-03109178000 | S1-03109178000 |
| 8 | Reversing Valve (Ranco) | S1-02538947000 | S1-02538947000 | S1-02538947000 | S1-02538947000 | S1-02538947000 |
| | Reversing Valve (Danfoss) | S1-02542730000 | S1-02542730000 | S1-02542730000 | S1-02542730000 | S1-02542730000 |
| 9 | Sensor, Coil Temperature (3/8" Tube) | S1-03101276000 | S1-03101276000 | S1-03101276000 | S1-03101276000 | S1-03101276000 |
| 10 | Ambient Sensor | S1-02532701000 | S1-02532701000 | S1-02532701000 | S1-02532701000 | S1-02532701000 |
| 11 | TXV | S1-02538739036 | S1-02538739036 | S1-02538739042 | S1-02538739042 | S1-02538739042 |
| 12 | Solenoid Coil (Rev. Valve) (Ranco) | S1-02538948000 | S1-02538948000 | S1-02538948000 | S1-02538948000 | S1-02538948000 |
| | Solenoid Coil (Rev. Valve) (Danfoss) | S1-02530215002 | S1-02530215002 | S1-02530215002 | S1-02530215002 | S1-02530215002 |
| 13 | Valve Body | S1-02208982000 | S1-02208982000 | S1-02208982000 | S1-02208982000 | S1-02208982000 |
| 14 | Distributor Assembly | S1-02533424233 | S1-02533424233 | S1-02533424233 | S1-02533424233 | S1-02533424233 |
| 15 | Blade, Fan (B4 10/20/06) | S1-02639500000 | --- | S1-02639501000 | --- | --- |
| | Blade, Fan (10/20/06 & after) | S1-02639501000 | S1-02639501000 | S1-02639501000 | S1-02639501000 | S1-02639501000 |
| 16 | Coil, Condenser | S1-37326995202 | S1-37326995202 | S1-37326995209 | S1-37326995209 | S1-37326995209 |
| 17 | Accumulator Tank | S1-02631681002 | S1-02631681002 | S1-02625573002 | S1-02625573002 | S1-02625573002 |
| 18 | Filter/Drier | S1-02625512000 | S1-02625512000 | S1-02625512000 | S1-02625512000 | S1-02625512000 |
| 19 | Valve Base, Liquid (3/8") | S1-02209064375 | S1-02209064375 | S1-02209064375 | S1-02209064375 | S1-02209064375 |
| 20 | Valve Base, Suction (3/4") | S1-02209064750 | S1-02209064750 | --- | S1-02209064750 | S1-02209064750 |
| | Valve Base, Suction (7/8") | --- | --- | S1-02209064875 | --- | --- |
| 21 | Top Cap Assy | S1-02815865000 | S1-02815865000 | S1-02815865000 | S1-02815865000 | S1-02815865000 |
| 22 | Access Panel | S1-07326917406 | S1-07326917406 | S1-07326917706 | S1-07326917706 | S1-07326917706 |
| 23 | Pan, Base | S1-02814885000 | S1-02814885000 | S1-02814885000 | S1-02814885000 | S1-02814885000 |
| 24 | Panel, Top | S1-07326917103 | S1-07326917103 | S1-07326917103 | S1-07326917103 | S1-07326917103 |
| 25 | Corner Post, Front (2 Req'd) | S1-07326917409 | S1-07326917409 | S1-07326917709 | S1-07326917709 | S1-07326917709 |
| 26 | Corner Post, Access | S1-07326917410 | S1-07326917410 | S1-07326917710 | S1-07326917710 | S1-07326917710 |
| 27 | Corner Post, Valve | S1-07326917412 | S1-07326917412 | S1-07326917712 | S1-07326917712 | S1-07326917712 |
| 28 | Corner Cover, Access | S1-07326917114 | S1-07326917114 | S1-07326917114 | S1-07326917114 | S1-07326917114 |
| 29 | Bracket, Corner Post | S1-07326917116 | S1-07326917116 | S1-07326917116 | S1-07326917116 | S1-07326917116 |
| 30 | Coil Guard, Side Slots (2 Req'd) | S1-07326917404 | S1-07326917404 | S1-07326917704 | S1-07326917704 | S1-07326917704 |
| 31 | Coil Guard, Front Slots | S1-07326917405 | S1-07326917405 | S1-07326917705 | S1-07326917705 | S1-07326917705 |
| 32 | Guard, Plastic Wire Mesh Coil | S1-02814879030 | S1-02814879030 | S1-02814879036 | S1-02814879036 | S1-02814879036 |
| 33 | Fastener, Push-In (6 Req'd) | S1-02118381000 | S1-02118381000 | S1-02118381000 | S1-02118381000 | S1-02118381000 |
| 34 | Wireway | S1-02813216001 | S1-02813216001 | S1-02813216001 | S1-02813216001 | S1-02813216001 |
| 35 | Lug, Electrical | S1-02521798000 | S1-02521798000 | S1-02521798000 | S1-02521798000 | S1-02521798000 |
| 36* | Relief, Strain | S1-02509080000 | S1-02509080000 | S1-02509080000 | S1-02509080000 | S1-02509080000 |
| 37 | Corner Bezel (1 Req'd) | S1-03519719000 | S1-03519719000 | S1-03519719000 | S1-03519719000 | S1-03519719000 |
| 38 | Handle-Access | S1-02814886000 | S1-02814886000 | S1-02814886000 | S1-02814886000 | S1-02814886000 |
| 39 | Guard, Fan | S1-02639438000 | S1-02639438000 | S1-02639438000 | S1-02639438000 | S1-02639438000 |
| 40 | Grommet, Isolator (Comp) (Pkg. of 4) | S1-02810505000 | S1-02810505000 | S1-02810505000 | S1-02810505000 | S1-02810505000 |
| 41* | Grommet, Isolator (Accumulator) (2 Req'd) | S1-1212-0061 | S1-1212-0061 | S1-1212-0061 | S1-1212-0061 | S1-1212-0061 |
| 42 | Bolt, Compressor (4 Req'd) | S1-02118391000 | S1-02118391000 | S1-02118391000 | S1-02118391000 | S1-02118391000 |
| 43* | Screw, Black #10 x 3/8" | S1-02118396000 | S1-02118396000 | S1-02118396000 | S1-02118396000 | S1-02118396000 |
| 44* | Screw, Black #10 x 3/4" | S1-02118397000 | S1-02118397000 | S1-02118397000 | S1-02118397000 | S1-02118397000 |
| 45* | Screw, #8 x 1-1/2" Torx Head | S1-02118398000 | S1-02118398000 | S1-02118398000 | S1-02118398000 | S1-02118398000 |
| 46* | Diagram, Wiring | 035-20407-001 | 035-20407-001 | 035-20407-001 | 035-20407-001 | 035-20407-001 |
| 47* | Wiring Harness, Control | S1-37326955003 | S1-37326955003 | S1-37326955003 | S1-37326955003 | S1-37326955003 |
| 48* | Wiring Harness, Fan | S1-37320055004 | S1-37320055004 | S1-37320055004 | S1-37320055004 | S1-37320055004 |
| 49* | Wiring Harness, Low Voltage | S1-37326955009 | S1-37326955009 | S1-37326955009 | S1-37326955009 | S1-37326955009 |
| 50* | Wiring Harness, Solenoid (Comp) | S1-02538936000 | S1-02538936000 | S1-02538936000 | S1-02538936000 | S1-02538936000 |
| 51 | Kit, Motor Mounting (Acorn Nuts) | S1-36390117700 | S1-36390117700 | S1-36390117700 | S1-36390117700 | S1-36390117700 |
| 52 | Grommet, Plastic (Spacer, 2 Req'd) | S1-02814880000 | S1-02814880000 | S1-02814880000 | S1-02814880000 | S1-02814880000 |
| 53 | Knurled Valve Cap, 1/4" OD | S1-02310745000 | S1-02310745000 | S1-02310745000 | S1-02310745000 | S1-02310745000 |
| 54* | Sensor, Discharge Temperature (1/2" Tube) | S1-03101278000 | S1-03101278000 | S1-03101278000 | S1-03101278000 | S1-03101278000 |
| 55 | Transformer | S1-02518452000 | S1-02518452000 | S1-02518452000 | S1-02518452000 | S1-02518452000 |
| 56 | Relay | S1-3024-3111 | S1-3024-3111 | S1-3024-3111 | S1-3024-3111 | S1-3024-3111 |
| 57 | Switch, Low Pressure | S1-02538889001 | S1-02538889001 | S1-02538889001 | S1-02538889001 | S1-02538889001 |
| 58 | Bulkhead, Large | S1-02814887012 | S1-02814887012 | S1-02814887012 | S1-02814887012 | S1-02814887012 |
| 59 | Insulation, Door | S1-01006922007 | S1-01006922007 | S1-01006922007 | S1-01006922007 | S1-01006922007 |
| 60* | Muffler | --- | S1-02539847000 | --- | --- | S1-02539847000 |
| 61* | Wiring Harness, Solenoid (Rev. Valve) (Ranco) | S1-02531923000 | S1-02531923000 | S1-02531923000 | S1-02531923000 | S1-02531923000 |
| | Wiring Harness, Solenoid (Rev. Valve) (Danfoss) | S1-02543732000 | S1-02543732000 | S1-02543732000 | S1-02543732000 | S1-02543732000 |

NOTE: *Not Shown
 New replacement parts shown in **bold** face type at the first printing of parts list dated 9/12.
 Major components and suggested stocking items are shown with shaded item number.
 "<" Across from row indicates a change in that row.
 --- Not applicable to specified model.

| ITEM | DESCRIPTION | YZE04811A | YZE04811B | YZE06011A | YZE06011B |
|------|---|----------------|----------------|----------------|----------------|
| 1 | Compressor | S1-01503670004 | S1-01503670004 | S1-01503671004 | S1-01503671004 |
| 2* | Compressor Harness | S1-02531884000 | S1-02531884000 | S1-02531884000 | S1-02531884000 |
| 3 | Motor, Direct Drive Fan | S1-02427596700 | S1-02427596700 | S1-02427596700 | S1-02427596700 |
| 4 | Capacitor, Run (45/5MFD) [RC] | S1-02425895700 | S1-02425895700 | --- | --- |
| 4 | Capacitor, Run (80/5MFD) [RC] | --- | --- | S1-02426037000 | S1-02426037000 |
| 5 | Contact, Electrical (40 AMP) [M] | S1-02425837000 | S1-02425837000 | S1-02425837000 | S1-02425837000 |
| 6 | Control Pressure (High) | S1-02538888001 | S1-02538888001 | S1-02538888001 | S1-02538888001 |
| 7 | Control Defrost | S1-03109178000 | S1-03109178000 | S1-03109178000 | S1-03109178000 |
| 8 | Reversing Valve (Ranco) | S1-02538946000 | S1-02538946000 | S1-02538947000 | S1-02538947000 |
| 8 | Reversing Valve (Danfoss) | S1-0253307002 | S1-0253307002 | S1-02542730000 | S1-02542730000 |
| 9 | Sensor, Coil Temperature (3/8" Tube) | S1-03101276000 | S1-03101276000 | S1-03101276000 | S1-03101276000 |
| 10 | Ambient Sensor | S1-02532701000 | S1-02532701000 | S1-02532701000 | S1-02532701000 |
| 11 | TXV | S1-02538739060 | S1-02538739060 | S1-02538739070 | S1-02538739070 |
| 12 | Solenoid Coil (Rev. Valve) (Ranco) | S1-02538948000 | S1-02538948000 | S1-02538948000 | S1-02538948000 |
| 12 | Solenoid Coil (Rev. Valve) (Danfoss) | S1-02530215002 | S1-02530215002 | S1-02530215002 | S1-02530215002 |
| 13 | Valve Body | S1-02208982000 | S1-02208982000 | S1-02208982000 | S1-02208982000 |
| 14 | Distributor Assembly | S1-02533424236 | S1-02533424236 | S1-02533424236 | S1-02533424236 |
| 15 | Blade, Fan | S1-02639501000 | S1-02639501000 | S1-02639501000 | S1-02639501000 |
| 16 | Coil, Condenser | S1-37326995204 | S1-37326995204 | S1-37326995212 | S1-37326995212 |
| 17 | Accumulator Tank | S1-02625573007 | S1-02625573007 | S1-02625573007 | S1-02625573007 |
| 18 | Filter/Drier | S1-02625512000 | S1-02625512000 | S1-02625512000 | S1-02625512000 |
| 19 | Valve Base, Liquid (3/8") | S1-02209064375 | S1-02209064375 | S1-02209064375 | S1-02209064375 |
| 20 | Valve Base, Suction (7/8") | S1-02209064875 | S1-02209064875 | S1-02209064875 | S1-02209064875 |
| 21 | Top Cap Assy | S1-02815865000 | S1-02815865000 | S1-02815865000 | S1-02815865000 |
| 22 | Access Panel | S1-07326917706 | S1-07326917706 | S1-07326917706 | S1-07326917706 |
| 23 | Pan, Base | S1-02814885000 | S1-02814885000 | S1-02814885000 | S1-02814885000 |
| 24 | Panel, Top | S1-07326917103 | S1-07326917103 | S1-07326917103 | S1-07326917103 |
| 25 | Corner Post, Front (2 Req'd) | S1-07326917709 | S1-07326917709 | S1-07326917709 | S1-07326917709 |
| 26 | Corner Post, Access | S1-07326917710 | S1-07326917710 | S1-07326917710 | S1-07326917710 |
| 27 | Corner Post, Valve | S1-07326917712 | S1-07326917712 | S1-07326917712 | S1-07326917712 |
| 28 | Corner Cover, Access | S1-07326917114 | S1-07326917114 | S1-07326917114 | S1-07326917114 |
| 29 | Bracket, Corner Post | S1-07326917116 | S1-07326917116 | S1-07326917116 | S1-07326917116 |
| 30 | Coil Guard, Side Slots (2 Req'd) | S1-07326917704 | S1-07326917704 | S1-07326917704 | S1-07326917704 |
| 31 | Coil Guard, Front Slots | S1-07326917705 | S1-07326917705 | S1-07326917705 | S1-07326917705 |
| 32 | Guard, Plastic Wire Mesh Coil | S1-02814879036 | S1-02814879036 | S1-02814879036 | S1-02814879036 |
| 33 | Fastener, Push-In (6 Req'd) | S1-02118381000 | S1-02118381000 | S1-02118381000 | S1-02118381000 |
| 34 | Wireway | S1-02813216001 | S1-02813216001 | S1-02813216001 | S1-02813216001 |
| 35 | Lug, Electrical | S1-02521798000 | S1-02521798000 | S1-02521798000 | S1-02521798000 |
| 36* | Relief, Strain | S1-02509080000 | S1-02509080000 | S1-02509080000 | S1-02509080000 |
| 37 | Corner Bezel (1 Req'd) | S1-03519719000 | S1-03519719000 | S1-03519719000 | S1-03519719000 |
| 38 | Handle, Access | S1-02814886000 | S1-02814886000 | S1-02814886000 | S1-02814886000 |
| 39 | Guard, Fan | S1-02639438000 | S1-02639438000 | S1-02639438000 | S1-02639438000 |
| 40 | Grommet, Isolator (Comp) (Pkg. of 4) | S1-02810505000 | S1-02810505000 | S1-02810505000 | S1-02810505000 |
| 41* | Grommet, Isolator (Accumulator) (2 Req'd) | S1-1212-0061 | S1-1212-0061 | S1-1212-0061 | S1-1212-0061 |
| 42 | Bolt, Compressor (4 Req'd) | S1-02118391000 | S1-02118391000 | S1-02118391000 | S1-02118391000 |
| 43* | Screw, Black #10 x 3/8" | S1-02118396000 | S1-02118396000 | S1-02118396000 | S1-02118396000 |
| 44* | Screw, Black #10 x 3/4" | S1-02118397000 | S1-02118397000 | S1-02118397000 | S1-02118397000 |
| 45* | Screw, #8 x 1-1/2" Torx Head | S1-02118398000 | S1-02118398000 | S1-02118398000 | S1-02118398000 |
| 46* | Diagram, Wiring | 035-20407-001 | 035-20407-001 | 035-20407-001 | 035-20407-001 |
| 47* | Wiring Harness, Control | S1-37326955003 | S1-37326955003 | S1-37326955003 | S1-37326955003 |
| 48* | Wiring Harness, Fan | S1-37320055004 | S1-37320055004 | S1-37320055004 | S1-37320055004 |
| 49* | Wiring Harness, Low Voltage | S1-37326955009 | S1-37326955009 | S1-37326955009 | S1-37326955009 |
| 50* | Wiring Harness, Solenoid (Comp) | S1-02538936000 | S1-02538936000 | S1-02538936000 | S1-02538936000 |
| 51 | Kit, Motor Mounting (Acorn Nuts) | S1-36390117700 | S1-36390117700 | S1-36390117700 | S1-36390117700 |
| 52 | Grommet, Plastic (Spacer, 2 Req'd) | S1-02814880000 | S1-02814880000 | S1-02814880000 | S1-02814880000 |
| 53 | Knurled Valve Cap, 1/4" OD | S1-02310745000 | S1-02310745000 | S1-02310745000 | S1-02310745000 |
| 54* | Sensor, Discharge Temperature (1/2" Tube) | S1-03101278000 | S1-03101278000 | S1-03101278000 | S1-03101278000 |
| 55 | Transformer | S1-02518452000 | S1-02518452000 | S1-02518452000 | S1-02518452000 |
| 56 | Relay | S1-3024-3111 | S1-3024-3111 | S1-3024-3111 | S1-3024-3111 |
| 57 | Switch, Low Pressure | S1-02538889001 | S1-02538889001 | S1-02538889001 | S1-02538889001 |
| 58 | Bulkhead, Large | S1-02814887012 | S1-02814887012 | S1-02814887012 | S1-02814887012 |
| 59 | Insulation, Door | S1-01006922007 | S1-01006922007 | S1-01006922007 | S1-01006922007 |
| 60* | Muffler | --- | S1-02539847000 | --- | S1-02539847000 |
| 61* | Wiring Harness, Solenoid (Rev. Valve) (Ranco) | S1-02531923000 | S1-02531923000 | S1-02531923000 | S1-02531923000 |
| 61* | Wiring Harness, Solenoid (Rev. Valve) (Danfoss) | S1-02543732000 | S1-02543732000 | S1-02543732000 | S1-02543732000 |

NOTE: *Not ShownNew replacement parts shown in **bold** face type at the first printing of parts list dated 9/12

Major components and suggested stocking items are shown with shaded item number.

"←" Across from row indicates a change in that row.

--- Not applicable to specified model.

TO ORDER AUTHORIZED FACTORY REPLACEMENT PARTS - Contact your Source1 HVAC Parts Distributor or visit our website at www.Source1Parts.com for a Distributor and Dealer listing.