



BOHN

THE COLD STANDARD

**Authorized
Parts For
Original
Equipment**

InterLink Parts for Bohn

Table of Contents

Reach-In Evaporators

BBM/LM/LS	6
BTO	32
C	34
KM	64
RAM	92
TA	97
TL	98-100
VA	104

Evaporators

ADT	3
ADT "J" Vintage	4
ADT "K" Vintage	5
BHA	10-11
BHE	12-14
BHF	15-17
BHG	18-20
BHL	21-23
BMA/E/G/L/F	29
EDT	42
EL	43
EM	44
EUC	45
FC	46
FL	47-50
FM	51-52
HGT "A" Thru "F" Vintage	53
HGT "J" Vintage	54
HGT "K" Vintage	55-56
HVC "K" Vintage	57
HR	58-59
LC/LM/LR	65
LAT - Extended Thin Profile	80
LET	66-67
LET "J" Vintage	68
LET "K" Vintage	69
LLE	70
LLE "K" Vintage	71
LO	72-74
LOD	75-77
LOG	78-79
LSC	81
MPA/E/G/L	83
MPE/G/L	84
OKI	85
PA/PE/PG	91
RGT/RL	92
SM	93
SME	94
TE	101

U/UC	102
UF/M	103
WK	105
WKE "C" Vintage	106
WKE/G	107

Refrigeration Systems

Beacon I™ & Beacon II™ Refrigeration System	30
PRO ³ Top Mount Refrigeration System	86-88
PRO ³ Side Mount Refrigeration System	89-90

Condensing Units

BLV/BBV	7
BD	8
BZ	9
BH/S/Z	24
BLH/BBH	26
BRI/BDI	27-28
CB/CL/CBH/CS	35
CB/CL/MB/ML	36
D	37
E	41
HW/Z	60
JB/L/S	61
JBD/JLD	62
JH/RH/JS	63
SBH/SLN/SLH/HLN/HBH/HLH	95
SRN/SWN	96

Air-Cooled Condensers

BRL/H/Q/X	31
BNH/BNL/BNX/BNQ/BNE	31
BVF/BHF/BFF	33
DFT	38
DVT	39
DV	40
RVB, BFC, Rev. A & B	108

Fluid Coolers

BFH	25
-----	----

More from Bohn Refrigeration

Brushless DC Motor	109
EC Motor	109
Hot Gas Defrost	108
McDonald's	82
Smart Defrost Kit	108

Nomenclature Example:

ADT	120	A	
Model Series	Capacity	Electrical Characteristics	Design Revision
ADT = Air Defrost	Size X 100 = BTUH	A = 115/1/60 B = 208-230/1/60 M = 460/1/60	

ADT Units

Unit	Motor ¹	Qty	Fan Blade	Motor Mount	Fan Guard	Drain Pan	Drain Fitting ²
520ADT	5034LS	1	5132C	89869801	5069E	64165007	N/A
700ADT		2				64165008	
900ADT		2				64165008	
1040ADT		2				64165008	
1350ADT		3				64165009	
1560ADT	5034LS	3	5132C	89869801	5069E	64165009	N/A
2080ADT		4				64165010	
2540ADT		5				64165011	
3000ADT		6				64165012	
ADT 520A	5034LS	1	5132C	89869801	5069E	64165007	N/A
ADT 700A		2				64165008	
ADT 900A		2				64165008	
ADT1040A		2				64165008	
ADT1350A		3				64165009	
ADT1560A	5034LS	3	5132C	89869801	5069E	64165009	N/A
ADT2080A		4				64165010	
ADT2540A		5				64165011	
ADT3000A		6				64165012	

¹ Note: 230V units use 5034MS Motor
R-Side Panel 91667001 - Electrical End
L-Side Panel 91668001 - TXV End

² May use Part No. 92864003; however, angle is slightly different and may require repiping

"B" thru "G" Vintage

Unit	Motor ³	Qty	Fan Blade	Motor Mount ⁵	Fan Guard ⁴	Drain Pan	Drain Fitting
ADT0400B-G	5008SS	1	5140C	23102401	4340X	C25924A2	66708001
ADT0520B-G		1				C25924A2	
ADT0650B-G		1				C25924A2	
ADT0700B-G		2				C25925A2	
ADT0900B-G	5008SS	2	5140C	23102401	4340X	C25925A2	66708001
ADT1040B-G		2				C25926A2	
ADT1300B-G		2				C25926A2	
ADT1560B-G		3				C25927A2	
ADT2080B-G	5008SS	4	5140C	23102401	4340X	C25928A2	92864003
ADT2600B-G		5				C25929A2	
ADT3120B-G		6				C25930A2	
ADT3700B-G		6				C25930A2	

Optional Parts:

³ Motor, 115/1/50-60 (PSC) 5008N

³ Motor, 208-230/1/60 5008TS

³ Motor, 208-230/1/50-60 (PSC) 5008PS

5008N

5008TS

5008PS

Side Panel, Left

C21988A1 - TXV End

Side Panel, Right C21989A1 - Electrical End

⁴ Fan Guard, Round Wire PVC - Part no. 5070E

⁵ Motor Mount & Template 5000212

ADT "J" Vintage

Air Defrost Evaporators

ADT Units

(AJ== 115V) (BJ =230V)

Unit	Motor ¹	Qty	Fan Blade	Motor Mount ²	Fan Guard ²	Drain Pan	Drain Fitting
ADT040	25300101S	1	D21194A2	23102401	4340X	C25924A2	66708001
ADT052		1				C25924A2	
ADT065		1				C25924A2	
ADT070		2				C25925A2	
ADT090	25300101S	2	D21194A2	23102401	4340X	C25925A2	66708001
ADT104		2				C25926A2	
ADT130		2				C25926A2	
ADT156		3				C25927A2	
ADT208	25300101S	4	D21194A2	23102401	4340X	C25928A2	92864003
ADT260		5				C25929A2	
ADT312		6				C25930A2	
ADT370		6				C25930A2	

Optional Parts

¹ Motor, 208-230/1/50/60

25300201S

² Wire Guard - 5070E¹ Motor, 115/1/50-60 (PSC)

25302601S

¹ Motor, 208-230/1/50-60 (PSC)

25302501S

² Motor Mount & Template 5000212

Note:

ADT Models Ending with "ASWJ": "SW" = Solenoid Wire

ADT Models Ending with "ASWGJ" : "SW"= Solenoid Wire & Wire Guard (4542Z)

ADT Units

Model No.	No. Mtr	Motor 115V.	Motor 230V	Fan Blade	Motor Mount	Guard ²	Drain Pan ³
ADT040 ADT052 ADT065	1	25300101S	25300201S	5140C	23104901	37000701	40480101
ADT070 ADT090 ADT104 ADT120 ADT130	2	25300101S	25300201S	5140C	23104901	37000701	40480201
ADT140 ADT156 ADT180	3	25300101S	25300201S	5140C	23104901	37000701	40480301
ADT208	4	25300101S	25300201S	5140C	23104901	37000701	40480401
ADT260	5	25300101S	25300201S	5140C	23104901	37000701	40480501
ADT312	6	25300101S	25300201S	5140C	23104901	37000701	40480601
ADT370	6	25300101S	25300201S	5140C	23104901	37000701	40480601

² Optional Wire Guard: Pt. No. 37000601
size 40 & 52 - no dist - no nozzle

³ Drain Fitting Part No. 26925101

¹ Optional Motors:

Part No.	Description
25308201	115/1/60/50 Totally Enclosed PSC
25308301	208-230/1/60/50 Totally Enclosed PSC
25308401	460/1/60/50 Totally Enclosed PSC
25308601	208-230/1/60/50 PSC
25308701	460/1/60/50 PSC

Cabinet Components (All Sizes)

Part No.	Description
40880801	Access Panel - Elect-RH
40880701	Access Panel - Refrig-LH
40881501	Access Panel - Refrig - Beacon II™
40880901	Back Panel - Refrig
40881001	Back Panel - Elect

BLV / BBV 10-40 HP

Nomenclature Example:

BL	V	1500	L	6	C
		Nominal Horsepower	Application	Refrigerant	Voltage
BL - Limitizer BB - Bohnmizer	V - Vertical Discharge	1200/1201 - 10 HP 2700/2701 - 27 HP 1500/1501 - 15 HP 3000/3001 - 30 HP 2000/2001 - 20 HP 3500/3501 - 35 HP 2200/2201 - 22 HP 3505/3506 - 35 HP 2500/2501 - 25 HP 4000/4001 - 40 HP 2600 - 25 HP	L - Low H - High M - Medium C - Commercial	2-HCFC-22 6-HFC-404A or HFC-507 HCFC-22	C - 208-230/60/3 D - 460/60/3 K - 230/60/1 E - 575

Common Parts

Part Description		Part No.
Guard		23100301
High Pressure Control		28913201
Contactator - 25 A	Condenser Motor	2259996
Contactator - 40 A	Compressor	2252340
Contactator - 50 A	Compressor	2252350
Contactator - 60 A	Compressor	2252360
Contactator - 75 A	Compressor	2252375
Pressure Switch		28923201
Low Pressure Control		2891402
Air Defrost Timer		2138162
Fan Cycling		5521R
Temperature Fan Cycle Control		7075807
Pressure Fan Cycle Control		28900201
Electric Defrost Timer		2138162
Defrost Fan Contactator 25 A	(40A /see Below)	2252325
Defrost Heater Contactator 40 A		2252340

Motor & Fan Blade Options:

Motor Part No.	Description	Blade Part No.
7072102S	3/4 HP - 1140 RPM 208/230/460/3	7173254
2538000S	1 HP - 850 RPM 208/230/460/3	2292630 ¹
25301801S	1 1/2 HP - 1140 RPM 208/230/460/3	22900401
25301701S	1 1/2 HP - 830 RPM 208/230/460/3	22900301
2053581 (use 5792V)	Slinger For 25301801 & 25301701	

Note: No Motor Mounts - Uses Motor Rails

¹ original blade obsolete - this is closest replacement

BLV= Limitizer Unit

BBV= Bohnmizer System

B*V***1C6 HI Eff. W/Oversized Condenser

B*V4000 & B*V3503 Spec 230/2/60

Note:

- Sentronic Oil Control Available From Copeland
- Must have "HP" and "RPM" to select motor or blade

Nomenclature Example:

B	D	T	500	L	6	C
Model	Compressor	Placement	Equiv. HP	Application	Refrigerant	Voltage
B = Bohn	D = Discus Z = Scroll	T = Outdoor N = Indoor M = Beacon B = Bohnmizer S = Beacon II™	0300 = 3 HP 0900 = 9 HP 0400 = 4 HP 1000 = 10 HP 050* = 5 HP 1200 = 12 HP 060* = 6 HP 1300 = 13 HP 075* = 7.5 HP 1400 = 14 HP 0800 = 8 HP 1500 = 15 HP 0860 = 8.5 HP 2200 = 22 HP	H = High Temp M = Med. Temp L = Low Temp	2 = R22 6 = 404A, 507	C = 208-230/3/60 (200-220/3/50) D = 460/3/60 380-420/3/50

Unit Model	MTR HP	No. MTR	Motor 230V	Motor 460V	Fan Blade [£]	Indoor MTR MT	Outdoor MTR MT	Grille
*D*0300L2	1/3	1	25309004	25314601	7173156	23102701	23102601	24100801
*D*0400L2	1/3	1	25309004	25314601	7173156	23102701	23102601	24100801
*D*0600L2	1/3	1	25309004	25314601	7173156	23102701	23102601	24100801
*D*0601L2	1/3	1	25309004	25314601	7173156	23102701	23102601	24100801
*D*0750L2	1/3	1	25309004	25314601	7173156	23102701	23102601	24100801
*D*0900L2	1/3	2	25309004	25314601	7173156	23102701	23102601	24100701
*D*1000L2	1/3	2	25309004	25314601	7173156	23102701	23102601	24100701
*D*1200L2	3/4	2	R033177500 ¹	R033177700 ¹	R029218600	23102001	23101501	24101901
*D*1500L2	3/4	2	R033177500 ¹	R033177700 ¹	R029218600	23102001	23101501	24101901
*D*2200L2	3/4	2	R033177500 ¹	R033177700 ¹	R029218600	23102001	23101501	24101901
*D*0500H2	1/3	1	25309004	25314601	7173156	23102701	23102601	24100801
*D*0501H2	1/3	1	25309004	25314601	7173156	23102701	23102601	24100801
*D*0750H2	1/3	1	25309004	25314601	7173156	23102701	23102601	24100801
*D*0751H2	1/3	2	25309004	25314601	7173156	23102701	23102601	24100701
*D*0800H2	1/3	2	25309004	25314601	7173156	23102701	23102601	24100701
*D*1000H2	1/3	2	25309004	25314601	7173156	23102701	23102601	24100701
*D*1200H2	1/3	2	25309004	25314601	7173156	23102701	23102601	24100701
*D*1500H2	3/4	2	R033177500 ¹	R033177700 ¹	R029218600	23102001	23101501	24101901
*D*0500M6	1/3	1	25309004	25314601	7173156	23102701	23102601	24100801
*D*0501M6	1/3	1	25309004	25314601	7173156	23102701	23102601	24100801

[£] T03H00258 (BZT045L6CF) started use of blades supplied by air drive -T03J00365 dated 9/10/03 end note normally use Revcor.

Unit Model	MTR HP	No. MTR	Motor 230V	Motor 460V	Fan Blade	Indoor MTR MT	Outdoor MTR MT	Grille
*D*0750M6	1/3	1	25309004	25314601	7173156	23102701	23102601	24100801
*D*0751M6	1/3	2	25309004	25314601	7173156	23102701	23102601	24100801
*D*0800M6	1/3	2	25309004	25314601	7173156	23102701	23102601	24100801
*D*1000M6	1/3	2	25309004	25314601	7173156	23102701	23102601	24100801
*D*1200M6	1/3	2	25309004	25314601	7173156	23102701	23102601	24100801
*D*1500M6	3/4	2	R033177500 ¹	R033177700 ¹	R029218600	23102001	23101501	24101901
*D*0300L6	1/3	1	25309004	25314601	7173156	23102701	23102601	24100801
*D*0400L6	1/3	1	25309004	25314601	7173156	23102701	23102601	24100801
*D*0600L6	1/3	1	25309004	25314601	7173156	23102701	23102601	24100801
*D*0601L6	1/3	1	25309004	25314601	7173156	23102701	23102601	24100801
*D*0750L6	1/3	1	25309004	25314601	7173156	23102701	23102601	24100801
*D*0900L6	1/3	2	25309004	25314601	7173156	23102701	23102601	24100801
*D*1000L6	1/3	2	25309004	25314601	7173156	23102701	23102601	24100801
*D*1200L6	3/4	2	R033177500 ¹	R033177700 ¹	R029218600	23102001	23101501	24101901
*D*1500L6	3/4	2	R033177500 ¹	R033177700 ¹	R029218600	23102001	23101501	24101901
*D*2200L6	3/4	2	R033177500 ¹	R033177700 ¹	R029218600	23102001	23101501	24101901

¹ Use Capacitor Pt No. 037516406

Unit Model	MTR HP	No. MTR	Motor 230V	Motor 460V	Fan Blade [£]	Indoor MTR MT	Outdoor MTR MT	Grille
*Z*0650H2 *Z*0650M6 *Z*0700H2	1/3	1 1 2	25309004	25314601	7173156	23102701	23102601	24100801 24100801 24100701
*Z*0700M6 *Z*0750H2 *Z*0750L2	1/3	2 2 1	25309004	25314601	7173156	23102701	23102601	24100701 24100701 24100801
*Z*0750L6 *Z*0750M6 *Z*0860H2	1/3	1 2 2	25309004	25314601	7173156	23102701	23102601	24100801 24100701 24100701
*Z*0860M6 *Z*1000H2 *Z*1000M6	1/3	2	25309004	25314601	7173156	23102701	23102601	24100701
*Z*1000L2 *Z*1000L6 *Z*1000M6	1/3	1 1 2	25309004	25314601	7173156	23102701	23102601	24100801 24100801 24100701
*Z*1200H2 *Z*1300L2 *Z*1300L6	1/3	2	25309004	25314601	7173156	23102701	23102601	24100701
*Z*1400H2 *Z*1400M6 *Z*1500L2 *Z*1500L6	1/3	2	25309004	25314601	7173156	23102701	23102601	24100701

Electrical Components

Description	Part No.
Contactors 40A 3P 208-240V	2252340
Contactors 50A 3P 208-240V	2252350
Contactors 60A 3P 208-240V	2252360
Contactors 75A 3P 208-240V	2252375
Contactors 25A 208-240V	2259996
Dual Pressure Contactor MAN 20in -100/100-425	2891550
Fan Cycling Switch- Pressure	28906701
Fan Cycling Switch- Temperature	28906702
High Pressure Control Fixed, CO 400	28913201
Hi Pressure Encap Switch 425#/W/CONN	28913202
Lo Pressure Fixed	2890099
Lo Pressure SW- Adjustable P70AB-1D	2891402
Oil Safety Control, Sentronic	2897100
T'stat - Scroll (Discharge Line)	30101701
Timer (8145-20)	2138162
Transformer 300VA SL300QP	R038253919
CC Heater Discuss 2D, 3D, 100W/240V	24702202
CC Heater Scroll 7.5 TO 15HP 80W/240V	24703901
CC Heater ZB Scrolls 90W/240V	24704001

Line Components

Description	Part No.
HP Valve ORD	2930420
HP Valve ORI	2930007
HP Valve OROA-100	29399096
HP Valve OROA-180	29399093

Nomenclature Example:

BH	A	850	C	P	A
BOHN Large Unit Cooler	Fins Per Inch/Defrost		Voltage Code	Optional Motor Code	Vintage
	A = 6 or 8 FPI Air Defrost (Standard motor/fan blade)	Capacity x 100 C = 208-230/3/60 X = 380/400/3/50	B = 208-230/1/60 M = 460/1/60 V = High CFM Option D = 460/3/60 Y = 200/220/1/50 E = 575/3/60	T = Total Enclosed Motors P = 3 Phase Motor	

Model	No. Fans	Motors ¹	HP	Blades	Guards	Drain Pan
BHA520BA	2	25305701S	1/2	22901101	23102203	40402003
BHA520MA		25305801S	1/2	22901101		
BHA520CPA		7072102S	3/4	5133C		
BHA520DPA	2	7072102S	3/4	5133C	23102203	
BHA520CTA		25301001	1			
BHA520DTA	2	25301001	1	5133C	23102203	
BHA520EPA		25307901	1/2			
BHA630BA	2	25305701S	1/2	22901101	23102203	40402003
BHA630MA		25305801S				
BHA630CPA	2	7072102S	3/4	5133C	23102203	
BHA630DPA		7072102S	3/4			
BHA630CTA		25301001	1			
BHA630DTA	2	25301001	1	5133C	23102203	
BHA630EPA		25307901	1/2			
BHA750BA	3	25305701S	1/2	22901101	23102203	40401803
BHA750CA		25305701S	1/2	22901101		
BHA750CPA		7072102S	3/4	5133C		
BHA750DA	3	25305801S	1/2	22901101	23102203	
BHA750DPA		7072102S	3/4	5133C		
BHA750CTA		25301001	1	5133C		
BHA750DTA	3	25301001	1	5133C	23102203	
BHA750EPA		25307901	1/2			
BHA850BA	3	25305701S	1/2	22901101	23102203	40401803
BHA850CA		25305701S	1/2	22901101		
BHA850CPA		7072102S	3/4	5133C		
BHA850DA	3	25305801S	1/2	22901101	23102203	
BHA850DPA		7072102S	3/4	5133C		
BHA850CTA		25301001	1	5133C		
BHA850DTA	3	25301001	1	5133C	23102203	
BHA850EPA		25307901	1/2			
BHA930BA	4	25305701S	1/2	22901101	23102203	40401403
BHA930CA		25305701S	1/2	22901101		
BHA930CPA		7072102S	3/4	5133C		
BHA930DA	4	25305801S	1/2	22901101	23102203	
BHA930DPA		7072102S	3/4	5133C		
BHA930CTA		25301001	1	5133C		
BHA930DTA	4	25301001	1	5133C	23102203	
BHA930EPA		25307901	1/2			
BHA1100BA	4	25305701S	1/2	22901101	23102203	40401403
BHA1100CA		25305701S	1/2	22901101		
BHA1100CPA		7072102S	3/4	5133C		
BHA1100DA	4	25305801S	1/2	22901101	23102203	
BHA1100DPA		7072102S	3/4	5133C		
BHA1100CTA		25301001	1	5133C		
BHA1100DTA	4	25301001	1	5133C	23102203	
BHA1100EPA		25307901	1/2			

¹ Motors are mounted on rails

Model	No. Fans	Motors ¹	HP	Blades	Guards	Drain Pan
BHA1170CPA BHA1170DPA BHA1170CTA	3	25380005 25380005 25301101	1 1 1 1/2	22900401 22900401 22901501	23102303	40402103
BHA1170DTA BHA1170EPA	3	25301101 25301901	1 1/2	22901501 22900401	23102303	
BHA1400CPA BHA1400DPA BHA1400CTA	3	25380005 25380005 25301101	1 1 1 1/2	22900401 22900401 22901501	23102303	40402103
BHA1400DTA BHA1400EPA	3	25301101 25301901	1 1/2	22901501 22900401	23102303	
BHA1610CPA BHA1610DPA BHA1610CTA	3	25301701S 25301701S 25301101	1 1/2	22900301 22900301 22901501	23102303	40402103
BHA1610DTA BHA1610EPA	3	25301101 25301901	1 1/2	22901501 22900301	23102303	
BHA1900CPA BHA1900DPA BHA1900CTA	3	25301801S 25301801S 25301101	1 1/2	22900101	23102303	40410403
BHA1900DTA BHA1900EPA	3	25301101 25302001	1 1/2	22900101	23102303	
BHA2160CPA BHA2160DPA BHA2160CTA	3	25301801S 25301801S 25301101	1 1/2	22900101	23102303	40410403
BHA2160DTA BHA2160EPA	3	25301101 25302001	1 1/2	22900101	23102303	
BHA2200CPA BHA2200DPA BHA2200CTA	4	25301701S 25301701S 25301101	1 1/2	22900301 22900301 22900101	23102303	40410703
BHA2200DTA BHA2200EPA	4	25301101 25301901	1 1/2	22900101 22900301	23102303	
BHA2500CPA BHA2500DPA BHA2500CTA	4	25301701S 25301701S 25301101	1 1/2	22900301 22900301 22900101	23102303	40410703
BHA2500DTA BHA2500EPA	4	25301101 25301901	1 1/2	22900101 22900301	23102303	
BHA2440CPA BHA2440DPA BHA2440CTA	4	25301801S 25301801S 25301101	1 1/2	22900101	23102303	40410703
BHA2440DTA BHA2440EPA	4	25301101 25302001	1 1/2	22900101	23102303	
BHA2780CPA BHA2780DPA BHA2780CTA	4	25301801S 25301801S 25301101	1 1/2	22900101	23102303	40410703
BHA2780DTA BHA2780EPA	4	25301101 25302001	1 1/2	22900101	23102303	

¹ Motors are mounted on rails - no motor mounts

Unit Size	Side Panel	Left Back Panel (Ref. Conn)
520, 630, 750, 859, 930, 1100	40834901	40834701
1170, 1400	40868201	40868101
1610	40846501	40846401
1900, 2160	40858401	40858601
2200, 2500	40858201	40858501
2440, 2780	40858401	40858601

Nomenclature Example:

BH	E	850	C	P	A
BOHN Large Unit Cooler	Fins Per Inch/Defrost E = 6 FPI Electric Defrost	Capacity x 100 (Standard motor/fan blade)	Voltage Code B = 208-230/1/60 M = 460/1/60 C = 208-230/3/60 X = 380/400/3/50 D = 460/3/60 Y = 200/220/1/50 E = 575/3/60	Optional Motor Code T = Total Enclosed Motors V = High CFM Option P = 3 Phase Motor	Vintage

Model	# Fans	Motors ¹	Blades	Guards	Coil Heater	Qty	Pan Heater*	Drain Pan
BHE450BA BHE450CA BHE450CPA	2	25305701S 25305701S 7072102S	22901101 22901101 5133C					
BHE450DA BHE450DPA BHE450CTA	2	25305801S 7072102S 25301001	22901101 5133C 5133C	23102203	24711201	6	24711301	40402003
BHE450DTA BHE450EPA BHE450CVA BHE450DVA	2	25301001 25307901 5916F 5916F	5133C 5133C 22901201 22901201	23102203	24711201 24711801 24711201 24711201	6	24711301 24711901 24711301 24711301	
BHE550BA BHE550CA BHE550CPA	2	25305701S 25305701S 7072102S	22901101 22901101 5133C	23102203	24711201	6	24711301	
BHE550DA BHE550DPA BHE550CTA	2	25305801S 7072102S 25301001	22901101 5133C 5133C	23102203	24711201	6	24711301	40402003
BHE550DTA BHE550EPA BHE550CVA BHE550DVA	2	25301001 25307901 5916F 5916F	5133C 5133C 22901201 22901201	23102203	24711201 24711801 24711201 24711201	6	24711301 24711901 24711301 24711301	
BHE640CA BHE640CPA BHE640DA	3	25305701S 7072102S 25305801S	22901101 5133C 22901101	23102203	24711202	6	24711302	
BHE640DPA BHE640CTA BHE640DTA	3	7072102S 25301001 25301001	5133C	23102203	24711202	6	24711302	40401803
BHE640EPA BHE640CVA BHE640DVA	3	25307901 5916F 5916F	5133C 22901201 22901201	23102203	24711802 24711202 24711202	6	24711902 24711302 24711302	
BHE740CA BHE740CPA BHE740DA BHE740DPA	3	25305701S 7072102S 25305801S 7072102S	22901101 5133C 22901101 5133C	23102203	24711202	6	24711302	
BHE740CTA BHE740DTA BHE740EPA	3	25301001 25301001 25307901	5133C	23102203	24711202 24711202 24711802	6	24711302 24711302 24711902	40401803
BHE740CVA BHE740DVA	3	5916F	22901201	23102203	24711202	6	24711302	
BHE810CA BHE810CPA BHE810DA	4	25305701S 7072102S 25305801S	22901101 5133C 22901101	23102203	24711203	6	24710305	40401403
BHE810DPA BHE810CTA BHE810DTA	4	7072102S 25301001 25301001	5133C	23102203	24711203	6	24710305	
BHE810EPA BHE810CVA BHE810DVA	4	25307901 5916F 5916F	5133C 22901201 22901201	23102203	24711803 24711203 24711203	6	24711105 24710305 24710305	

Heater Limit T'stat - Part No. 5708L
 Defrost Termination & Fan Delay - Part No. 4267W
¹ Motors are mounted on rails

*(2) Pan Heaters required per unit
 Heater clips 400-1390 - Part No. 23308101

Model	# Fans	Motors ¹	Blades	Guards	Coil Heater	Qty	Pan Heater*	Drain Pan
BHE950CA BHE950CPA BHE950DA	4	25305701S 7072102S 25305801S	22901101 5133C 22901101	23102203	24711203	6	24710305	40401403
BHE950DPA BHE950CTA BHE950DTA	4	7072102S 25301001 25301001	5133C	23102203	24711203	6	24710305	
BHE950EPA BHE950CVA BHE950DVA	4	25307901 5916F 5916F	5133C 22901201 22901201	23102203	24711803 24711203 24711203	6	24711105 24710305 24710305	

Heater Limit T'stat - Part No. 5708L

*(2) Pan Heaters required per unit

Defrost Termination & Fan Delay - Part No. 4267W

Heater clips 400-1390 - Part No. 23308101

¹ Motors are mounted on rails - no motor mounts

Model	# Fans	Motors ¹	Blades	Guards	Coil Heater	Qty	Pan Heater*	Drain Pan
BHE1020CPA BHE1020DPA	3	2538000S ¹	22900401	23102303	24711203	8	24710305	40402103
BHE1020CTA BHE1020DTA BHE1020EPA	3	25301101 ² 25301101 ² 25301901 ²	22901501 22901501 22900401	23102303	24711203 24711203 24711803	8	24710305 24710305 24711105	
BHE1020CVA BHE1020DVA	3	5926J ³	22901401	23102303	24711203	8	24710305	
BHE1200CPA BHE1200DPA	3	2538000 ¹	22900401	23102303	24711203	8	24710305	40402103
BHE1200CTA BHE1200DTA BHE1200EPA	3	25301101 ² 25301101 ² 25301901 ²	22901501 22901501 22900401	23102303	24711203 24711203 24711803	8	24710305 24710305 24711105	
BHE1200CVA BHE1200DVA	3	5926J ³	22901401	23102303	24711203	8	24710305	
BHE1390CPA BHE1390DPA	3	25301701S ²	22900301	23102303	24711203	8	24710305	40402103
BHE1390CTA BHE1390DTA BHE1390EPA	3	25301101 ² 25301101 ² 25301901 ²	22901501 22901501 22900301	23102303	24711203 24711203 24711803	8	24710305 24710305 24711105	
BHE1390CVA BHE1390DVA	3	5926J ³	22901401	23102303	24711203	8	24710305	

¹ 1 HP motors

² 1 1/2 HP Motors

³ 3 HP Motors

⁴ Motors are mounted on rails - no motor mounts

*(2) Pan Heaters required per unit

Heater Limit T'stat - Part No. 4752C

Defrost Termination & Fan Delay - Part No. 4267W

Heater clips 400-1390 - Part No. 23308101

Model	# Fans	Motors ¹	Blades	Guards	Coil Heater	Qty	Pan Heater*	Drain Pan
BHE1650CPA BHE1650DPA	3	25301801S	22900101	23102303	24712301-230V 24712302-288V	28	24710306	40410403
BHE1650CTA BHE1650DTA BHE1650EPA	3	25301101 25301101 25302001	22900101	23102303	24712301-230V 24712302-288V	28	24710306 24710306 24711106	
BHE1650CVA BHE1650DVA	3	5926J	22901401	23102303	24712301-230V 24712302-288V	28	24710306	
BHE1650CPB BHE1650DPB	3	25301801S	22900101	23102303	24712301-230V 24712302-288V	14	24710306	40410403
BHE1650CTB BHE1650DTB BHE1650EPB	3	25301101 25301101 25302001	22900101	23102303	24712301-230V 24712302-288V	14	24710306 24710306 24711106	
BHE1650CVB BHE1650DVB	3	5926J	22901401	23102303	24712301-230V 24712302-288V	14	24710306	

Defrost Control-Fan Delay - Part No. 4267W

Heater Limit T'stat - Part No. 5708L

¹ Motors are mounted on rails - no motor mounts

* (2) Pan Heaters required per unit

Heater clips 1440-2120 - Part No. 23307101

Model	# Fans	Motors ¹	Blades	Guards	Coil Heater	Qty	Pan Heater*	Drain Pan
BHE2120CPA BHE2120DPA	4	25301801S	22900101	23102303	24711403	28	24711402	40410703
BHE2120CTA BHE2120DTA BHE2120EPA	4	25301101 25301101 25302001	22900101	23102303	24711403 24711403 24712003	28	24711402 24711402 24712002	
BHE2120CVA BHE2120DVA	4	5926J	22901401	23102303	24711403	28	24711402	

Defrost Control-Fan Delay - Part No. 4267W

Heater Limit T'stat - Part No. 5708L

¹ Motors are mounted on rails - no motor mounts

* (4) Pan Heaters required per unit

Heater clips 1440-2120 - Part No. 23307101

Model Size Electric & Hot Gas Defrost	Side Panel	Left Back Panel (Ref. Conn)
400,450,480,550 560,640,650,740 710,810,840,950	40834901	40834701
890,1020,1050,1200 1200,1390 1440,1650 1860,2120	40868201 40846501 40858401 40858401	40868101 40846401 40858601 40858601

Nomenclature Example:

BH	F	850	C	P	A
BOHN Large Unit Cooler	Fins Per Inch/Defrost	Capacity x 100 (Standard motor/fan blade)	Voltage Code	Optional Motor Code	Vintage
	F = 4 FPI Hot Gas Defrost		B = 208-230/1/60 M = 460/1/60 C = 208-230/3/60 X = 380/400/3/50 D = 460/3/60 Y = 200/220/1/50 E = 575/3/60	T = Total Enclosed Motors V = High CFM Option P = 3 Phase Motor	

Model	# Fans	Motors ¹	HP	Blades	Guards	Pan* Heater	Electric Drain Pan	Hot Gas Drain Pan		
BHF400BA	2	25305701S	1/2	22901101	23102203	24711301	40402003	40402002		
BHF400MA		25305801S	1/2	22901101						
BHF400CPA		7072102S	3/4	5133C						
BHF400DPA	2	7072102S	3/4	5133C	23102203	24711301				
BHF400CTA		25301001	1							
BHF400DTA		25301001	1							
BHF400EPA	2	25307901	1/2	5133C	23102203	24711901				
BHF400CVA		5916F	2	22901201		24711301				
BHF400DVA		5916F	2	22901201		24711301				
BHF480BA	2	25305701S	1/2	22901101	23102203	24711301			40402003	40402002
BHF480MA		25305801S	1/2	22901101						
BHF480CPA		7072102S	3/4	5133C						
BHF480DPA	2	7072102S	3/4	5133C	23102203	24711301				
BHF480CTA		25301001	1							
BHF480DTA		25301001	1							
BHF480EPA	2	25307901	1/2	5133C	23102203	24711901				
BHF480CVA		5916F	2	22901201		24711301				
BHF480DVA		5916F	2	22901201		24711301				
BHF560BA	3	25305701S	1/2	22901101	23102203	24711302	40401803	40401805		
BHF560CA		25305701S	1/2	22901101						
BHF560CPA		7072102S	3/4	5133C						
BHF560DA	3	25305801S	1/2	22901101	23102203	24711302				
BHF560DPA		7072102S	3/4	5133C						
BHF560CTA		25301001	1	5133C						
BHF560DTA	25301001	1	5133C							
BHF560EPA	3	25307901	1/2	5133C	23102203	24711902				
BHF560CVA		5916F	2	22901201		24711302				
BHF560DVA		5916F	2	22901201		24711302				
BHF650BA	3	25305701S	1/2	22901101	23102203	24711302			40401803	40401805
BHF650CA		25305701S	1/2	22901101						
BHF650CPA		7072102S	3/4	5133C						
BHF650DA	3	25305801S	1/2	22901101	23102203	24711302				
BHF650DPA		7072102S	3/4	5133C						
BHF650CTA		25301001	1	5133C						
BHF650DTA	25301001	1	5133C							
BHF650EPA	3	25307901	1/2	5133C	23102203	24711902				
BHF650CVA		5916F	2	22901201		24711302				
BHF650DVA		5916F	2	22901201		24711302				

Thermostat Part No. 5893Q

*Quantity of 2 used only on electric model

Defrost Term & Fan Delay Part No. 4267W

¹ Motors are mounted on rails

Model	# Fans	Motors ¹	HP	Blades	Guards	Pan Heater	Electric Drain Pan	Hot Gas Drain Pan
BHF710BA BHF710CA BHF710CPA	4	25305701S 25305701S 7072102S	1/2 1/2 3/4	22901101 22901101 5133C	23102203	24710305		
BHF710DA BHF710DPA BHF710CTA BHF710DTA	4	25305801S 7072102S 25301001 25301001	1/2 3/4 1 1	22901101 5133C 5133C 5133C	23102203	24710305	40401403	40401402
BHF710EPA BHF710CVA BHF710DVA	4	25307901 5916F 5916F	1/2 2 2	5133C 22901201 22901201	23102203	24711105 24710305 24710305		
BHF840BA BHF840CA BHF840CPA	4	25305701S 25305701S 7072102S	1/2 1/2 3/4	22901101 22901101 5133C	23102203	24710305		
BHF840DA BHF840DPA BHF840CTA BHF840DTA	4	25305801S 7072102S 25301001 25301001	1/2 3/4 1 1	22901101 5133C 5133C 5133C	23102203	24710305	40401403	40401402
BHF840EPA BHF840CVA BHF840DVA	4	25307901 5916F 5916F	1/2 2 2	5133C 22901201 22901201	23102203	24711105 24710305 24710305		
BHF890CPA BHF890DPA	3	2538000S	1	22900401	23102303	24710305		
BHF890CTA BHF890DTA BHF890EPA	3	25301101 25301101 25301901	1 1/2	22901501 22901501 22900401	23102303	24710305 24710305 24711105	40402103	40402102
BHF890CVA BHF890DVA	3	5926J	3	22901401	23102303	24710305		
BHF1050CPA BHF1050DPA	3	2538000S	1	22900401	23102303	24710305		
BHF1050CTA BHF1050DTA BHF1050EPA	3	25301101 25301101 25301901	1 1/2	22901501 22901501 22900401	23102303	24710305 24710305 24711105	40402103	40402102
BHF1050CVA BHF1050DVA	3	5926J	3	22901401	23102303	24710305		
BHF1220CPA BHF1220DPA	3	25301701S	1 1/2	22900301	23102303	24710305		
BHF1220CTA BHF1220DTA BHF1220EPA	3	25301101 25301101 25301901	1 1/2	22901501 22901501 22900301	23102303	24710305 24710305 24711105	40402103	40402102
BHF1220CVA BHF1220DVA	3	5926J	3	22901401	23102303	24710305		

Thermostat Part No. 5893Q

Defrost Term & Fan Delay Part No. 4267W

¹ Motors are mounted on rails

*Quantity of 2 used only on electric model

Model	# Fans	Motors ¹	HP	Blades	Guards	Pan* Heater	Electric Drain Pan	Hot Gas Drain Pan
BHF1440CPA BHF1440DPA	3	25301801S	1 1/2	22900101	23102303	24710306	40410403	40410402
BHF1440CTA BHF1440DTA BHF1440EPA	3	25301101 25301101 25302001	1 1/2	22900101	23102303	24710306 24710306 24711106		
BHF1440CVA BHF1440DVA	3	5926J	3	22901401	23102303	24710306		

Thermostat Part No. 2890002

*Quantity of 2 used only on electric model

Defrost Term & Fan Delay Part No. 4267W

¹ Motors are mounted on rails - no motor mounts

Model	# Fans	Motors ¹	HP	Blades	Guards	Pan* Heater	Electric Drain Pan	Hot Gas Drain Pan
BHF1860CPA BHF1860DPA	4	25301801S	1 1/2	22900101	23102303	24711402	40410703	40410701
BHF1860CTA BHF1860DTA BHF1860EPA	4	25301101 25301101 25302001	1 1/2	22900101	23102303	24711402 24711402 24712002		
BHF1860CVA BHF1860DVA	4	5926J	3	22901401	23102303	24711402		

Thermostat Part No. 2890002

*Quantity of 4 used only on electric model

Defrost Term & Fan Delay Part No. 4267W

¹ Motors are mounted on rails - no motor mounts

Model Size Electric & Hot Gas Defrost	Side Panel	Left Back Panel (Ref. Conn)
400,450,480,550 560,640,650,740 710,810,840,950	40834901	40834701
890,1020,1050,1200 1200,1390 1440,1650 1860,2120	40868201 40846501 40858401 40858401	40868101 40846401 40858601 40858601

Nomenclature Example:

BH	G	850	C	P	A
BOHN Large Unit Cooler	Fins Per Inch/Defrost G = 6 FPI Hot Gas Defrost	Capacity x 100 (Standard motor/fan blade)	Voltage Code B = 208-230/1/60 M = 460/1/60 C = 208-230/3/60 X = 380/400/3/50 D = 460/3/60 Y = 200/220/1/50 E = 575/3/60	Optional Motor Code T = Total Enclosed Motors V = High CFM Option P = 3 Phase Motor	Vintage

Model	# Fans	Motors ¹	HP	Blades	Guards	Drain Pan Heater*	Electric Drain Pan	Hot Gas Drain Pan
BHG450BA BHG450MA BHG450CPA	2	25305701S 25305801S 7072102S	1/2 1/2 3/4	22901101 22901101 5133C	23102203	24711301	40402003	40402002
BHG450DPA BHG450CTA BHG450DTA	2	7072102S 25301001 25301001	3/4 1 1	5133C	23102203	24711301		
BHG450EPA BHG450CVA BHG450DVA	2	25307901 5916F 5916F	1/2 2 2	5133C 22901201 22901201	23102203	24711901 24711301 24711301		
BHG550BA BHG550MA BHG550CPA	2	25305701S 25305801S 7072102S	1/2 1/2 3/4	22901101 22901101 5133C	23102203	24711301		
BHG550DPA BHG550CTA BHG550DTA	2	7072102S 25301001 25301001	3/4 1 1	5133C	23102203	24711301		
BHG550EPA BHG550CVA BHG550DVA	2	25307901 5916F 5916F	1/2 2 2	5133C 22901201 22901201	23102203	24711901 24711301 24711301		
BHG640BA BHG640CA BHG640CPA	3	25305701S 25305701S 7072102S	1/2 1/2 3/4	22901101 22901101 5133C	23102203	24711302	40401803	40401805
BHE640DA BHG640DPA BHG640CTA BHG640DTA	3	25305801S 7072102S 25301001 25301001	1/2 3/4 1 1	22901101 5133C 5133C 5133C	23102203	24711302		
BHG640EPA BHG640CVA BHG640DVA	3	25307901 5916F 5916F	1/2 2 2	5133C 22901201 22901201	23102203	24711902 24711302 24711302		
BHG740BA BHG740CA BHG740CPA	3	25305701S 25305701S 7072102S	1/2 1/2 3/4	22901101 22901101 5133C	23102203	24711302		
BHG740DA BHG740DPA BHG740CTA BHG740DTA	3	25305801S 7072102 25301001 25301001	1/2 3/4 1 1	22901101 5133C 5133C 5133C	23102203	24711302		
BHG740EPA BHG740CVA BHG740DVA	3	25307901 5916F 5916F	1/2 2 2	5133C 22901201 22901201	23102203	24711902 24711302 24711302		

Thermostat Part No. 5893Q

*Quantity of 2 used only on electric model

Defrost Term & Fan Delay Part No. 4267W

¹ Motors are mounted on rails

Model	# Fans	Motors ¹	HP	Blades	Guards	Drain Pan Heater*	Electric Drain Pan	Hot Gas Drain Pan
BHG810BA BHG810CA BHG810CPA	4	25305701S 25305701S 7072102S	1/2 1/2 3/4	22901101 22901101 5133C	23102203	24710305		
BHG810DA BHG810DPA BHG810CTA BHG810DTA	4	25305801S 7072102S 25301001 25301001	1/2 3/4 1 1	22901101 5133C 5133C 5133C	23102203	24710305	40401403	40401402
BHG810EPA BHG810CVA BHG810DVA	4	25307901 5916F 5916F	1/2 2 2	5133C 22901201 22901201	23102203	24711105 24710305 24710305		
BHG950BA BHG950CA BHG950CPA	4	25305701S 25305701S 7072102S	1/2 1/2 3/4	22901101 22901101 5133C	23102203	24710305		
BHG950DA BHG950DPA BHG950CTA BHG950DTA	4	25305801S 7072102S 25301001 25301001	1/2 3/4 1 1	22901101 5133C 5133C 5133C	23102203	24710305	40401403	40401402
BHG950EPA BHG950CVA BHG950DVA	4	25307901 5916F 5916F	1/2 2 2	5133C 22901201 22901201	23102203	24711105 24710305 24710305		
BHG1020CPA BHG1020DPA	3	2538000S	1	22900401	23102303	24710305		
BHG1020CTA BHG1020DTA BHG1020EPA	3	25301101 25301101 25301901	1 1/2	22901501 22901501 22900401	23102303	24710305 24710305 24711105	40402103	40402102
BHG1020CVA BHG1020DVA	3	5926J	3	22901401	23102303	24710305		
BHG1200CPA BHG1200DPA	3	2538000S	1	22900401	23102303	24710305		
BHG1200CTA BHG1200DTA BHG1200EPA	3	25301101 25301101 25301901	1 1/2	22901501 22901501 22900401	23102303	24710305 24710305 24711105	40402103	40402102
BHG1200CVA BHG1200DVA	3	5926J	3	22901401	23102303	24710305		
BHG1390CPA BHG1390DPA	3	25301701S	1 1/2	22900301	23102303	24710305		
BHG1390CTA BHG1390DTA BHG1390EPA	3	25301101 25301101 25301901	1 1/2	22901501 22901501 22900301	23102303	24710305 24710305 24711105	40402103	40402102
BHG1390CVA BHG1390DVA	3	5926J	3	22901401	23102303	24710305		

Thermostat Part No. 5893Q

*Quantity of 2 used only on electric model

Defrost Term & Fan Delay Part No. 4267W

¹ Motors are mounted on rails

Model	# Fans	Motors ¹	HP	Blades	Guards	Drain Pan Heater*	Electric Drain Pan	Hot Gas Drain Pan
BHG1650CPA BHG1650DPA	3	25301801S	1 1/2	22900101	23102303	24710306	40410403	40410402
BHG1650CTA BHG1650DTA BHG1650EPA	3	25301101 25301101 25302001	1 1/2	22900101	23102303	24710306 24710306 24711106		
BHG1650CVA BHG1650DVA	3	5926J	3	22901401	23102303	24710306		

Thermostat Part No.2890002

*Quantity of 2 used only on electric model

Defrost Term & Fan Delay Part No. 4267W

¹ Motors are mounted on rails

Model	# Fans	Motors ¹	HP	Blades	Guards	Drain Pan Heater*	Electric Drain Pan	Hot Gas Drain Pan
BHG2120CPA BHG2120DPA	4	25301801S	1 1/2	22900101	23102303	24711402	40410703	40410701
BHG2120CTA BHG2120DTA BHG2120EPA	4	25301101 25301101 25302001	1 1/2	22900101	23102303	24711402 24711402 24712002		
BHG2120CVA BHG2120DVA	4	5926J	3	22901401	23102303	24711402		

Thermostat Part No.2890002

*Quantity of 4 used only on electric model

Defrost Term & Fan Delay Part No. 4267W

¹ Motors are mounted on rails

Model Size Electric & Hot Gas Defrost	Side Panel	Left Back Panel (Ref. Conn)
400,450,480,550 560,640,650,740 710,810,840,950	40834901	40834701
890,1020,1050,1200 1200,1390 1440,1650 1860,2120	40868201 40846501 40858401 40858401	40868101 40846401 40858601 40858601

Nomenclature Example:

BH	L	850	C	P	A
BOHN Large Unit Cooler	Fins Per Inch/Defrost		Voltage Code	Optional Motor Code	Vintage
	L = 4 FPI Electric Defrost	Capacity x 100 (Standard motor/fan blade)	B = 208-230/1/60 M = 460/1/60 C = 208-230/3/60 X = 380/400/3/50 D = 460/3/60 Y = 200/220/1/50	T = Total Enclosed Motors V = High CFM Option P = 3 Phase Motor E = 575/3/60	

Model	# Fans	Motors ¹	Blades	Guards	Coil Heater	Qty	Pan Heater*	Drain Pan
BHL400BA	2	25305701S	22901101	23102203	24711201	6	24711301	40402003
BHL400CA		25305701S	22901101					
BHL400CPA		7072102S	5133C					
BHL400DA	2	25305801S	22901101	23102203	24711201	6	24711301	
BHL400DPA		7072102S	5133C					
BHL400CTA		25301001	5133C					
BHL400DTA		25301001	5133C					
BHL400EPA	2	25307901	5133C	23102203	24711801	6	24711901	
BHL400CVA		5916F	22901201		24711201		24711301	
BHL400DVA		5916F	22901201		24711201		24711301	
BHL480BA	2	25305701S	22901101	23102203	24711201	6	24711301	40402003
BHL480CA		25305701S	22901101					
BHL480CPA		7072102S	5133C					
BHL480DA	2	25305801S	22901101	23102203	24711201	6	24711301	
BHL480DPA		7072102S	5133C					
BHL480CTA		25301001	5133C					
BHL480DTA		25301001	5133C					
BHL480EPA	2	25307901	5133C	23102203	24711801	6	24711901	
BHL480CVA		5916F	22901201		24711201		24711301	
BHL480DVA		5916F	22901201		24711201		24711301	
BHL560CA	3	25305701S	22901101	23102203	24711202	6	24711302	40401803
BHL560CPA		7072102S	5133C					
BHL560DA		25305801S	22901101					
BHL560DPA	3	7072102S	5133C	23102203	24711202	6	24711302	
BHL560CTA		25301001						
BHL560DTA		25301001						
BHL560EPA		25307901						
BHL560CVA	3	5916F	22901201	23102203	24711202	6	24711302	
BHL560DVA		5916F	22901201		24711202		24711302	
BHL560DVA		5916F	22901201		24711202		24711302	
BHL650CA	3	25305701S	22901101	23102203	24711202	6	24711302	40401803
BHL650CPA		7072102S	5133C					
BHL650DA		25305801S	22901101					
BHL650DPA	3	7072102S	5133C	23102203	24711202	6	24711302	
BHL650CTA		25301001						
BHL650DTA		25301001						
BHL650EPA		25307901						
BHL650CVA	3	5916F	22901201	23102203	24711202	6	24711302	
BHL650DVA		5916F	22901201		24711202		24711302	
BHL650DVA		5916F	22901201		24711202		24711302	
BHL710CA	4	25305701S	22901101	23102203	24711203	6	24710305	40401403
BHL710CPA		7072102S	5133C					
BHL710DA		25305801S	22901101					
BHL710DPA	4	7072102S	5133C	23102203	24711203	6	24710305	
BHL710CTA		25301001						
BHL710DTA		25301001						
BHL710EPA		25307901						
BHL710CVA	4	5916F	22901201	23102203	24711203	6	24710305	
BHL710DVA		5916F	22901201		24711203		24710305	
BHL710DVA		5916F	22901201		24711203		24710305	

Heater Limit T'stat - Part No. 5708L

Defrost Termination & Fan Delay - Part No. 4267W

¹ Motors are mounted on rails

*(2) Pan Heaters required per unit

Heater clips 400-1390 - Part No. 23308101

Model	# Fans	Motors ¹	Blades	Guards	Coil Heater	Qty	Pan Heater*	Drain Pan
BHL840CA BHL840CPA BHL840DA	4	25305701S 7072102S 25305801S	22901101 5133C 22901101	23102203	24711203	6	24710305	40401403
BHL840DPA BHL840CTA BHL840DTA	4	7072102S 25301001 25301001	5133C	23102203	24711203	6	24710305	
BHL840EPA BHL840CVA BHL840DVA	4	25307901 5916F 5916F	5133C 22901201 22901201	23102203	24711803 24711203 24711203	6	24711105 24710305 24710305	

Heater Limit T'stat - Part No. 5708L

*(2) Pan Heaters required per unit

Defrost Termination & Fan Delay - Part No. 4267W

Heater clips 400-1390 - Part No. 23308101

Model	# Fans	Motors ¹	Blades	Guards	Coil Heater	Qty	Pan Heater*	Drain Pan
BHL890CPA BHL890DPA	3	2538000S*	22900401	23102303	24711203	8	24710305	40402103
BHL890CTA BHL890DTA BHL890EPA	3	25301101** 25301101** 25301901**	22901501 22901501 22900401	23102303	24711203 24711203 24711803	8	24710305 24710305 24711105	
BHL890CVA BHL890DVA	3	5926J***	22901401	23102303	24711203	8	24710305	
BHL1050CPA BHL1050DPA	3	2538000S*	22900401	23102303	24711203	8	24710305	40402103
BHL1050CTA BHL1050DTA BHL1050EPA	3	25301101** 25301101** 25301901**	22901501 22901501 22900401	23102303	24711203 24711203 24711803	8	24710305 24710305 24711105	
BHL1050CVA BHL1050DVA	3	5926J***	22901401	23102303	24711203	8	24710305	
BHL1220CPA BHL1220DPA	3	25301701S**	22900301	23102303	24711203	8	24710305	40402103
BHL1220CTA BHL1220DTA BHL1220EPA	3	25301101** 25301101** 25301901**	22901501 22901501 22900301	23102303	24711203 24711203 24711803	8	24710305 24710305 24711105	
BHL1220CVA BHL1220DVA	3	5926J***	22901401	23102303	24711203	8	24710305	

* 1 HP motors

**1 1/2 HP Motors

*** 3 HP Motors

*(2) Pan Heaters required per unit

Heater Limit T'stat - Part No. 4752C

Defrost Termination & Fan Delay - Part No. 4267W

Heater clips 400-1390 - Part No. 23308101

¹ Motors are mounted on rails

Model	# Fans	Motors ¹	Blades	Guards	Coil Heater	Qty	Pan Heater*	Drain Pan
BHL1440CPA BHL1440DPA	3	25301801S	22900101	23102303	24712301 24712302	28	24710306	40410403
BHL1440CTA BHL1440DTA BHL1440EPA	3	25301101 25301101 25302001	22900101	23102303	24712301 24712302	28	24710306 24710306 24711106	
BHL1440CVA BHL1440DVA	3	5926J	22901401	23102303	24711401	28	24710306	
BHL1440CPB BHL1440DPB	3	25301801S	22900101	23102303	24712301	14	24710306	40410403
BHL1440CTB BHL1440DTB BHL1440EPB	3	25301101 25301101 25302001	22900101	23102303	24712301 24712301 24712302	14	24710306 24710306 24711106	
BHL1440CVB BHL1440DVB	3	5926J	22901401	23102303	24712301	14	24710306	

Defrost Control-Fan Delay - Part No. 2894267

Heater Limit T'stat - Part No. 28908601

¹ Motors are mounted on rails - no motor mounts

* (2) Pan Heaters required per unit

Heater clips 1440-2120 - Part No. 23307101

Model	# Fans	Motors ¹	Blades	Guards	Coil Heater	Qty	Pan Heater*	Drain Pan
BHL1860CPA BHL1860DPA	4	25301801S	22900101	23102303	24711403	28	24711402	40410703
BHL1860CTA BHL1860DTA BHL1860EPA	4	25301101 25301101 25302001	22900101	23102303	24711403 24711403 24712003	28	24711402 24711402 24712002	
BHL1860CVA BHL1860DVA	4	5926J	22901401	23102303	24711403	28	24711402	

Defrost Control-Fan Delay - Part No. 4267W

Heater Limit T'stat - Part No. 28908601

¹ Motors are mounted on rails - no motor mounts

* (4) Pan Heaters required per unit

Heater clips 1440-2120 - Part No. 23307101

Model Size Electric & Hot Gas Defrost	Side Panel	Left Back Panel (Refrig. Conn.)
400,450,480,550 560,640,650,740 710,810,840,950	40834901	40834701
890,1020,1050,1200 1200,1390 1440,1650 1860,2120	40868201 40846501 40858401 40858401	40868101 40846401 40858601 40858601

Nomenclature Example:

B	Z	T	30	L	6	C	E
Model	Compressor	Application	Equiv. HP	Temp.	Refrigerant	Voltage	Identifier
B=Bohn	H=Hermetic S=Semi-herm. Z=Scroll	T=Outdoor N=Indoor B=Bohmizer M=Beacon II™ S= Beacon II™	005=1/2 HP 008/009=3/4HP 010= 1 HP 01* = 1-1/2 HP 02*=2 HP 03*= 3 HP 04*= 4 HP 05* = 5 HP 060= 6HP	H=High L=Low M=Medium E=Extra Low X = Med./Low	2=R22 6=R404A/507	B=208-230/1/60 C=208/230/3/60 D=460/3/60 G=230/1/60	F=Stock

Model BH, BS, BZ

Unit Size	Compr	Motor For 230V Unit	Motor For 460V Unit	Fan Blade	Motor Mount		Head Pressure Valve	Front Grill
					Outdoor	Indoor		
005 to 014	All	*25309101S(1)	*25309101S(1)	22901601(1)	23104301(1)	23100901(1)	29317401	24100301
015	All	*25309101S(2)	*25309101S(2)	22901601(2)	23104301(2)	23100901(2)	29317401	24100201
019 to 020	Herm/Semi	*25309101S(2)	*25309101S(2)	22901601(2)	23104301(2)	23100901(2)	29317401	24100201
020	Scroll	*25309101S(2)	*25309101S(2)	22901601(2)	23104301(2)	23100901(2)	29317301	24100401
021	All	*25309101S(2)	*25309101S(2)	22901601(2)	23104301(2)	23100901(2)	29317401	24100201
025	Hermetic	*25309101S(2)	*25309101S(2)	22901601(2)	23104301(2)	23100901(2)	29317401	24100201
025	Scroll	*25309101S(2)	*25309101S(2)	22901601(2)	23104301(2)	23100901(2)	29317301	24100401
027	Semi	*25309101S(2)	*25309101S(2)	22901601(2)	23104301(2)	23100901(2)	29317301	24100401
029	Herm/Semi	*25309101S(2)	*25309101S(2)	22901601(2)	23104301(2)	23100901(2)	29317301	24100401
030	Hermetic	25309001S(1)	25309002(1)	7173156(1)	23102601(1)	23102701(1)	29317301	24100101
030 M6	Scroll	25309001S(1)	25309002(1)	7173156(1)	23102601(1)	23102701(1)	29317301	24100101
030 L6	Scroll	*25309101S(2)	*25309101S(2)	22901601(2)	23104301(2)	23100901(2)	29317301	24100401
030 H2,M2,M6	Semi	25309001(1)	25309002(1)	7173156(1)	23102601(1)	23102701(1)	29317301	24100101
030 L2,L6,E6	Semi	*25309101S(2)	*25309101S(2)	22901601(2)	23104301(2)	23100901(2)	29317301	24100401
031	Hermetic	*25309101S(2)	*25309101S(2)	22901601(2)	23104301(2)	23100901(2)	29317301	24100401
032	Hermetic	25309001(1)	25309002(1)	7173156(1)	23102601(1)	23102701(1)	29317301	24100101
035 M6	Scroll	25309001(1)	25309002(1)	7173156(1)	23102601(1)	23102701(1)	29317301	24100101
035 L6	Scroll	*25309101S(2)	*25309101S(2)	22901601(2)	23104301(2)	23100901(2)	29317301	24100401
040	All	25309001(1)	25309002(1)	7173156(1)	23102601(1)	23102701(1)	29317302	24100101
045 M6	Scroll	25309001(1)	25309002(1)	7173156(1)	23102601(1)	23102701(1)	29317302	24100101
045 L6	Scroll	25309001(1)	25309002(1)	7173156(1)	23102601(1)	23102701(1)	29317301	24100101
050 to 060	All	25309001(1)	25309002(1)	7173156(1)	23102601(1)	23102701(1)	29317302	24100101

*Motor includes capacitor

Note: To use 25309101 on 460V - must wire thru transformer

Motor Part No. 25309001 Use Capacitor Part No. 5779G

Motor Part No. 25309002 Use Capacitor Part No. 5599M

Optional Variable Speed Controller for Size 030D, X, H or M , 032, 035M, 040 to 060 - Controller and Sensor (Part No. 28913601)

Optional Fan Cycle Switch for Size 015 to 030L - Pressure (Part No. 28911101), Temperature (Part No. 5521R)

Unit Size	Low Pressure Switch			Dual Pressure Switch	High Pressure Switch		Compressor		Timers		Servicemate
	Adjustable	Fixed Outdoor	Fixed Indoor		Fixed Outdoor	Fixed Indoor	1 Phase Contactor	3 Phase Contactor	Paragon	Grasslin	
005 to 035 040; 045 050 to 060	7075212	2890099	28913401	28902901	28903201	28913201	R034915200 2252130 2252340	2259996	2138162	21340101	89709001

Notes:

- Excel beige began in 2/28/01
- T'stat disch. line scroll - Part No. 30101701
- 12" leg kit (shipped loose) 50053301

BFH Model	Motor Part No. ¹	Fan Blade	Fan Guard
Single Row Of Fans			
023 027 031 035 041	25301801S	22900401	23100301
049 053 061 065 071	25301801S	22900401	23100301
075 079 089 097 107	25301801S	22900401	23100301
Double Row Of Fans			
046 054 060 066 070	25301801S	22900401	23100301
080 086 090 098 106	25301801S	22900401	23100301
120 132 140 152 162	25301801S	22900401	23100301
168 178 194 202 212	25301801S	22900401	23100301

¹ Motor mounts not applicable - mounted on motor rails

Nomenclature Example:

BL	H	0500	D	7	3
BL = Limitizer BB = Bohnmizer	H = Horizontal Air Discharge	Nominal Horsepower 0300 = 3 HP 0750 = 7.5 HP 0400 = 4 HP 0751 = 7.5 HP 0500 = 5 HP 0800 = 7.5 HP 0501 = 5 HP 0900 = 9 HP 0600 = 6 HP 1000 = 10 HP 0601 = 6 HP	Application Range L = Low (0°F to -40°F Suction) D = High/Medium (30°F to -10°F Suction) M = Medium (30°F to -10°F Suction)	Refrigerant 2 = HCFC-22 6 = HFC-404A or HFC-507 7 = HCFC-22 or CFC-502	Electrical Characteristics 3 = 208-230/60/3 4 = 460/60/3 5 = 575/3 9 = 230/60/1

Part Description	Part No.
Motor 1/3 HP 230V 1075RPM 1/2DIA CCWSE	7071208S
Motor 1/3 HP 208/230/60/1 PSC RPM 1200 CCWSE	25303801
Motor 1/3 HP 208-230/1/50-60 1075 RPM CCWSE	25309001S
Motor 1/2 HP 460V 1075RPM 1/2DIA CCWSE	7071225S
Motor 1/2 HP 575V 1075RPM 1/2DIA CCWSE	2530906
Fan Blade 22in CW 26D 1/2B	7173156
Demand Cooling Control, 2D 240V	2151005
Demand Cooling Control, 3D 240V	2151006
Low Pressure Control - adjustable	7075212
High Pressure Control	7075207
Timer (8145-20) – Paragon	2138162
Timer – Grasslin	21340101
Transformer, 460V/230V	R038253919
Transformer, 575V/230V	2251056
Crankcase Heater	7077983
Compressor Contactor 25A, 3 Pole	2259996
Contactor 40A 3P 24V -open	2252440
Compressor Contactor 40A, 3 Pole	2252340
Compressor Contactor 50A, 3 Pole	2252350
Auxiliary Contacts, Contactor	2252310
Head Pressure Valve, OROA-180	2930058
Head Pressure Valve, OROA-100	2930625
Head Pressure Valve, OROI	2930006
Head Pressure Valve, ORD	2930420
Pressure Control 100-400 Pressure	2894574
Pressure Control R502/22	7075207

Nomenclature Example:

B	R	I	0600	L6	C
B = Bohn	R = Reed D = Discus	I = Indoor	007* = 0.75 HP 050* = 5 HP 010* = 1 HP 060* = 6 HP 015* = 1.5 HP 075 = 7.5 HP 050* = 2 HP 080 = 7.5 HP 030 = 3 HP 100 = 10 HP 040 = 4 HP HFC-404A/HFC-507 *HP Suffix	L2 = Low (0°F to -40°F Suction) HCC-22 L6 = Low (0°F to -40°F Suction) HFC-440A/HFC-507/HFC-22 M2 = Medium (35°F to 0°F) HCFC-22 M6 = Medium (30°F to -10°F) H2 = High/Medium (40°F to 0°F) HCFC-22 H4 = High/Medium (40°F to 0°F) HFC-134A	B = 208/230/60/1 C = 208/230/60/3 D = 460/60/3 E = 575/60/3 G = 230/60/1

Motor/Fan Blade/Motor Mount

Part No.	Description
7071208S	Motor, 1/3H 230V 1075RPM 1/2DIA CW
7071225S	Motor, 1/2H 460V 1075RPM 1/2DIA CW
2530906	Motor, 1/2H 575V 1075RPM 1/2DIA CW
7173156	Fan Blade 22in CW 26D 1/2B
23102001	Motor Mount

Contactors

2252340	40A 3P 208-240V
2259996	25A 208-240V
22525501	18A 600V NEMA Rated
22525502	27A 600V NEMA Rated
R034915200	20A 230V 2 Pole

Controls

2891402	Low Pressure Adjustable
2891550	Dual Pressure Cont Man {20in -100/100-425}
28913201	High Pressure Control 400#C.O. W/CONN
7075838	Oil Failure Switch
22521001	Sentronic Control with sensor
R030393001	Disc Switch 30A -For 230V Units
R030393003	Disc Switch 30A -For 460V Units
R030393004	Disconnect Switch 60A
2253002	Phase Monitor 208/240V
2253004	Phase Monitor 460V
22522401	Timer Compressor Lockout
2138162	Timer 208-240V 40A SPDT - Paragon
21340101	Grasslin
89709001	Servicemate
2254186	Relay DPDT 230VAC
22536802	Time Delay Relay 230V
28908601	Thermostat {Open: 75°F, Close: 40°F}

Terminal Block

2251423	3P LN 2/0-12 Load 4/P 4
---------	-------------------------

Transformer

R038253919	300VA 5L300QP
------------	---------------

Circuit Breaker

2252015	15A 2P 240V
2252020	20A 2P 240V
2252030	30A 2P 240V
2252040	40A 2P 240V
2252050	50A 2P 240V
2253015	15A 3P 240V
2253020	20A 3P 240V
2253025	25A 3P 240V

Pressure Control Options

Part No.	Description
2930429	3/8 LAC4-DS 100/180 HPC (0075 thru 0202)
2930058	5/8 ODF 180# HD Pressure Control
2930625	5/8 100# HD Pressure Control
2930006	5/8 100/225 Adjustable HPC Valve
2939903	Pressure Relief Valve
2930420	Pressure Differential Valve

Heater

2471801	Ext Crankcase Heater 230V 65W
7077982	Crankcase Heater
24711002	Alum Foil Heater 240-65W ¹

¹ For Heated Receiver

Fuses

22510001	15A 600V CLASS CC
22510002	20A 600V CLASS CC
22510003	25A 600V CLASS CC
22510004	30A 600V CLASS CC
22510015	35A 600V CLASS CC
22510016	40A 600V CLASS CC
22510106	15A 250V CLASS RK5
22510207	15A 600V CLASS RK5
22510107	20A 250V CLASS RK5
22510209	20A 600V CLASS RK5
22510108	25A 250V CLASS RK5
22510210	25A 600V CLASS RK5
22510109	30A 250V CLASS RK5
22510110	35A 250V CLASS RK5
22510111	40A 250V CLASS RK5
22510113	50A 250V CLASS RK5
22510114	60A 250V CLASS RK5

Fuse Blocks

22511001	30A 600V 2P MDGT
22511002	30A 600V 3P MDGT

Circuit Breaker

2253035	35A 3P 240V
2253040	40A 3P 240V
22525901	3A 2P 480V
22525801	15A 2P 480V
22525803	15A 3P 480V
22525804	20A 3P 480V
22525805	25A 3P 480V

Nomenclature Example:

B	R	I	150*	L6	C	
B = Bohn	R = Reed D = Discus	I = Indoor	150* = 15 HP 200* = 20 HP 220* = 22 HP *HP Suffix	250* = 25 HP 270* = 27 HP 300* = 30 HP	L2 = Low (0°F to -40°F Suction) HCC-22 L6 = Low (0°F to -40°F Suction) HFC-440A/HFC-507/HCFC-22 M2 = Medium (35°F to 0°F) HCFC-22 M6 = Medium (30°F to -10°F) HFC-404A/HFC-507 H2 = High/Medium (40°F to 0°F) HCFC-22 H4 = High/Medium (40°F to 0°F) HFC-134A	B = 208/230/60/1 C = 208/230/60/3 D = 460/60/3 E = 575/60/3 G = 230/60/1

Motor/Fan Blade/Motor Mount

Part No.	Description
R033177500S	Motor 3/4H 230V 1075RPM 5/8DIA CCW
R033177700S	Motor 3/4H 460V 1075RPM 5/8DIA CCW
R029218600	Blade 24in CCW 28DEG 5/8B
23102001	Fan Motor Mount {Indoor} Back-24in & Guard
23101501	Fan Motor Mount {Outdoor}

Contactor	
2252340	40A 3P 208-240V Contactor
2252350	50A 3P 208-240V Contactor
2259996	25A 208-240V Contactor
22525502	CONT 27A 600V NEMA Rated
22525503	CONT 45A 600V NEMA Rated
R034915200	CONT 2 POLE 20A 230V

Controls	
7075838	Oil Failure Switch
22521001	Sentronic Control w/Sensor
2257324	Disc Switch 200A 3P 240V
2257352	Disc Switch 60A 3P 600V
2257353	Disc Switch 100A 3P 600V
2253002	Mon Phase 208/240V
2253004	Mon Phase 460V
22522401	Timer Compressor Lockout
2138162	Timer 208-240V 40A SPDT TI-TT Timer-Paragon
21340101	Grasslin
89709001	Servicemate
2254186	Relay 208-240V COIL DPDT
22505201	Relay 2 Pole 30A DPDT
22521901	Relay DPDT 24V Coil
22536801	Time Delay Relay (On Beacon II™ Units)
22536802	Time Delay Relay 230V
28929301	Freezer stat P29-NC3
5738B	Thermostat

Terminal Block	
2251423	3P LN 2/0-12 Load 4/P 4

Circuit Breaker	
2252015	15A 2P 240V
22525801	15A 2P 480V
2253015	15A 3P 240V
2252020	20A 2P 240V
2253025	25A 3P 240V
22525805	25A 3P 480V (Siemens)
2253030	30A 3P 240V

Pressure Control Options	
2891402	Adjustable Low Pressure SW./P70AB-1D
28941001	Control High Pressure -150-450 PSIG
28913201	Control High Pressure 400#
2891550	Dual Pressure Cont Man {20in-100/100-425}
28913201	High Pressure Control 400#C.O.W/CONN
28941001	High Pressure Control 016-5152-000
28906701	Pressure Control -Fan Cycling
2930420	Pressure Differential Valve
28906702	Temperature Control -Fan Cycling

Heater-Crankcase	
5737B	Heater; 230V Tubular 100 WATT (REC'R)

Fuses	
22510001	15A 600V CLASS CC
22510120	110A 250V CLASS RK5
22510121	125A 250V CLASS RK5
22510005	1A 600V CLASS CC
22510002	20A 600V CLASS CC
22510003	25A 600V CLASS CC
22510004	30A 600V CLASS CC
22510015	35A 600V CLASS CC
22510016	40A 600V CLASS CC
22510215	50A 600V CLASS RK5
22510018	50A 600V CLASS CC
22510216	60A 600V CLASS RK5
22510217	70A 600V CLASS RK5

Fuse Blocks	
22511001	30A 600V 2P MDGT
22511002	30A 600V 3P MDGT

Transformers	
R038253919	240V/460V Primary Rated 300VA
2251334	1/2KVA 480/240P

Circuit Breaker	
2253035	35A 3P 240V
22525807	35A 3P 480V (Siemens)
22525901	3A 2P 480V
2253040	40A 3P 240V
2253050	50A 3P 240V
22525810	50A 3P 480V (Siemens)
2253060	60A 3P 240V

BMA/E/G/L/F Bohn Medium Profile Unit Cooler

Nomenclature Example:

BM	A	130	B	A
Bohn Medium Profile Unit Cooler	Fins Per Inch/Defrost	Capacity x 100	Voltage	
	A = 6 FPI Air Defrost E = 6 FPI Electric Defrost L = 4 FPI Electric Defrost G = 6 FPI Hot Gas Defrost F = 4 FPI Hot Gas Defrost		Vintage	
			A = 115/1/60 B = 208/230/1/60 C = 208/230/3/60 D = 460/3/60 M = 460/1/60	N = 110/1/50 Q = 220/1/50 R = 380/1/50 V = 380/3/50

Motor/Fan Blade/Guards

Part No.	Description
5020-SS	Motor 115V
5020-TS	Motor 208-230V
4567-T	Motor 208-230V Totally Enclosed
25302201	Motor 460V
25308101	Special Low Temperature 208-230V
25304601	Special Low Temperature 460V
5599-M	Run Capacitor
5931-H	Motor 575V
5064-E	Motor Mount
5130-C	Fan Blade
4339-X	Fan Guard Molded w/ Logo
5063-E	Fan Guard Beige Wire

Model Size	No. of Fans	Model size	No. of Fans
BMA130	1	BMG190	2
BMA155	1	BMG290	2
BMA245	2	BMG310	3
BMA300	2	BMG390	3
BMA365	3	BMG430	4
BMA450	3	BMG520	4
BMA510	4		
BMA600	4		
BMA710	5		
BME101	1	BMF165	2
BME140	1	BMF220	2
BME190	2	BMF250	3
BME260	2	BMF330	3
BME310	3	BMF370	4
BME290	3	BMF440	4
BME430	4		
BME520	4		
BME620	5		
4 FPI			
BML100	1		
BML165	2		
BML220	2		
BML250	3		
BML330	3		
BML370	4		
BML440	4		
BML530	5		

Miscellaneous

Part No.	Description
4131-Y	Room T'stat
5709-L	Defrost term. and fan delay T'stat sealed bimetal type
5708-L	Heater limit T'stat
89867201	Thread repair kit (molded fan guard mounting holes) (1) Kit per guard

Note: Call Factory for hot gas Defrost components not listed.

Drain Pan Defrost Heater

(One employed per unit) BME, BMF, BMG, BML

Part No.	Description	Voltage	Color Code
24710301	1 Fan Unit, 530W	208-230V	Back
24710302	2 Fan Unit, 950W		
24710303	3 Fan Unit, 1350W		
24710304	4 Fan Unit, 1800W		
24710305	5 Fan Unit, 2000W		
24710401	1 Fan Unit, 530W	460V	Red
24710402	2 Fan Unit, 950W		
24710403	3 Fan Unit, 1350W		
24710404	4 Fan Unit, 1800W		
24710405	5 Fan Unit, 2000W		
24710502	2 Fan Unit, 950W	115V	Back, White
24710503	3 Fan Unit, 1350W		
24710504	4 Fan Unit, 1800W		

Coil Defrost Heaters

(Four employed per unit) BME, BML

Part No.	Description
24710201	1 Fan Unit, 550W
24710202	2 Fan Unit, 1100W
24710203	3 Fan Unit, 1600W
24710204	4 Fan Unit, 2100W
24710205	5 Fan Unit, 2400W
23300301	Heater Clip

Note: Drain pan heaters are voltage specific

Cabinet Components

Part No.	Description	# Fans
40491902	Drain Pan*	1
40492102	Drain Pan*	2
40492302	Drain Pan*	3
40492502	Drain Pan*	4
40492702	Drain Pan*	5
40830101	Header Side Panel	1 - 5
40830201	Electrical Side Panel	
40830901	Header Connection Panel	

* includes provisions to mount drain pan heater.
DOES NOT INCLUDE Drain Fitting No. 92864003

Beacon I™ System Replacement Parts

{EX: ADT104BBCN6J}

Part Description	Part No.
Temperature Sensor	28900107
Transformer, 208/240-24 volt-40 VA	22522301
Transformer, 208/240-24 volt-75VA	22538401
Relay for Condenser Fan or Crankcase Heater	22511401
Contact for Compressor 40A with 24 volt Coil	2252440
Control Board for Electric Defrost	28910001
Control Board for Air Defrost	28910002
Terminal Block	2251266
Low Pressure Switch Time Delay Relay	22536801
Electric Expansion Valve: ESV 1 - 24 Volt ESV 2 - 24 Volt ESV 4 - 24 Volt ESV 6 - 24 Volt ESV 8 - 24 Volt ESV 25 - 24 Volt - Bi-polar Valve	Call Factory Call Factory Call Factory Call Factory Call Factory 29320001
Expansion Valve Molded Connector	29310007
Optional Pump-Down Switch	22510901
Beacon II™ Smart Controller	89704401
Optional Smart Controller Software Package	Obsolete
Bi-polar Adapter Board (Only Used w/29320001 Exp.Valve Resistor Kit)	28920001
Retrofit Kit—Uni-polar Valve to Bi-polar Valve	89719601 89979501

Beacon II™ System Replacement Parts

Began 10/01

{EX: ADT104BB2NK}

Part Description	Part No.
Heater High Limit	5708L
Terminal Block on Air Defrost	5857A
Temperature Sensor	89904902
Pressure Transducer Harness	22515101
Expansion Valve Harness (Bi-polar valves)	22515201
Expansion Valve Harness (Uni-polar valves)	22515202
Transformer 120V/24V	22529601
Transformer 208-230V/24V	22529602
Transformer 460V/24V	22529603
Transformer 575V/24V	22529701
Beacon II™ Board	28910101
Pressure Transducer	28911201
Expansion Valve - ESB 1 - 3/8" x 3/8" Conn	29320003
Expansion Valve - ESB 4 - 3/8" x 3/8" Conn	29320004
Expansion Valve - ESB 10 - 3/8" x 3/8" Conn	29320007
Expansion Valve - ESB 10 - 1/2" x 1/2" Conn	29320008
Expansion Valve - ESB 15 - 7/8" x 1 3/8" Conn	29320013
Expansion Valve - ESB 20 - 7/8" x 1 3/8" Conn	29320014
Smart II Software Package	89704101
Smart Controller II Package	89704301

Reach Condensers (Air-Cooled)

Model Fan RPM*	BRQ 540*	BRL 830*	BRX 830*	BRH 1140*	Variable Speed
Fan Motor ¹	25302401	25301701S	2538000S	25301801S	2530174S
Fan Blade	2293030	22900301	2293030	22900401	2292625
Fan Guard	23100301	23100301	23100301	23100301	23100301

1 575V Motors: 850 RPM- Pt. No. 25301901 1140 RPM- Pt. No. 25302001
 25317101 – 1140 RPM – RBC
 25317201 – 1140 RPM – AO Smith

Optional Parts For Reach Condensers (All Sizes)

Access Valve	1/4"	7634307	Disconnect	Non Fused 100A	22501501
Ambient Fan Cycling		28900501	Disconnect	Non Fused 30A	Use 22501401
Contactora	20A 2P	R034915200	Disconnect 60A	Non Fused 60A	22528501*
Contactora	25A 115V	2251324	Power MOD./AMB. F/C		28901101
Contactora	25A 208-240V	2259996	Pressure Fan Cycling		2894574
Contactora	25A 24V	2255845	Rain Shield		5792V
Contactora	30A 2P 24V	2254304	Sensor/ambient F/C		28901201
Contactora	30A 3P 208/240V	2252330	Speed Control	P66AAB-1	2894592
Electric Temp Control		28906401	Speed Control	P66BAB-1	2894594
Fan Temp Control	40-120	2890019	Teao Motor	208-230/460 1140	25301101
Fuse	15A 600V	22510001	Terminal Block	50A 2P 600V	2254002
Fuse	30A 600V	22510601	Terminal Board	2 Pole	2255827
Fuseblock	30A 600V 2P	22511001	Terminal Board	3 Pole	2254311
Fuseblock	30A 600V 3P	22511002	Terminal Board	50A 3P 600V	2254003
Fuseholder	30A 600V	22511201	Terminal Board	T1-T2-T3	2255857
Hand Valve	1/4" ODS	2932145	Transformer	300VA	R038253919
Motor Rail -	54"	40002501	Transformer	40VA 230V	2254498
Motor Rail -	54in VARISP	40001701	Transformer	40VA 460V	2254499
Motor Rail -	55"	40002601			

Fan RPM	BNQ 540	BNX 830	BNL 830	BNH 1140	BNH 1140	BNE EC Motor 230V	BNE EC Motor 460V
Motor HP	0.5	1	1.5	0.75	1.5	2.2 KW	2.2 KW
Motor	25316201	25316301	25316601	25317101	25316401	25316905	25317005
Fan Blade	22929301	22929501	22929501	2292625	22900401		
Fan Guard	23105701	23105701	23105701	23105701	23105701	23105601	23105601

BTO Units

Unit	Motor	Qty	Fan Blade	Motor Mount	Fan Guard	Drain Pan*
BTO09A	25300701S	1	5101B	91179001	5054D	40811602
BTO09B	25300801S	1	5101B	91179001	5054D	40811602
BTO13A	25300701S	2	5101B	91179001	5054D	40811702
BTO13B	25300801S	2	5101B	91179001	5054D	40811702
BTO18A	25303201S	1	23100201	23101401	R041777700	40811802
BTO18B	25303301	1	23100201	23101401	R041777700	40811802
BTO25A	25303201S	2	23100201	23101401	R041777700	40811902
BTO25B	25303301	2	23100201	23101401	R041777700	40811902
BTO35A	25303201S	2	23100201	23101401	R041777700	40811902
BTO35B	25303301	2	23100201	23101401	R041777700	40811902
BTO45A	25303201S	2	23100201	23101401	R041777700	40812002
BTO45B	25303301	2	23100201	23101401	R041777700	40812002
BTO55A	5036SS	1	5110E	40003001	5055F	40812102
BTO55B	5036TS	1	5110E	40003001	5055F	40812102

* Fitting supplied with drain pan

Nomenclature Example:

B	V	F	045	3	A
Belt Drive		4 Pole Motors	Unit Size	Voltage	Revision
	V = Vertical Discharge H = Horizontal Discharge F = Fluid Cooler			2= 208/230/3/60 3= 460/3/60 5= 208/3/60 9= 230/3/60 H= 380/3/50	

Size	Fan Motors		Fan Blade	Guard	Belt	Motor Pulley	Fan Pulley
	HP	Part No.					
045, 069	2	5916F	2294299	2315083	2914326	29100101	2915778
050, 054, 059, 081, 088 111, 130, 145, 167	2	5916F	2294299	2315083	2914326	29100101	2915778
057, 062, 065, 073, 086, 097, 106, 114, 139, 151, 179, 209, 228	5	5918F	2294299	2315083	2914374/ BX85	2914337/ BK45	2914354/ BK120H
096, 101, 121, 136, 159, 182, 200	3	5917F	2294299	2315083	2914326	2914417	2915778

* Vendor part number

Fan Pulley Bushing	5503V
Shaft	80457001
Bearing	5787K
Locking Collar	2074413

"C" Models

Unit	Motor	Qty	Fan Blade	Motor Mount	Fan Guard	Drain Pan*
100C-1-2 130C-1-2 170C-1-2 230C-1-2	5025SS 5025SS 5025SS 5001LS	1	5124A 5124A 5141A 5127A	5065C ¹	5068E	N/A C27437A2 C27441A2 C27445A2
300C-1 300C-2 430C-2	5001LS	1 1 2	5110C 5111C 5127A	5063C 5063C 5065C ¹	5069E 5069E 5068E	C27449A2 C27449A2 C27453A2
C130A C131A C170A C171A	5025SS 5001MS 5025SS 5001MS	1	5124A N/A 5141A N/A	5065C ¹	5068E	C27437A2 C27437A2 C27441A2 C27441A2
C230A C231A C300A C301A	5001LS 5001MS 5001LS 5001MS	1	5127A 5127A 5111C 5111C	5065C ¹ 5065C ¹ 5050E 5050E	5068E 5068E 5069E 5069E	C27445A2 C27445A2 C27449A2 C27449A2
C430A C431A	5001LS 5001MS	2	5127A	5065C ¹	5068E	C27453A2
C130B-C C131B-C C170B-C C171B-C	5025SS 5026TS 5025SS 5026TS	1	5124A N/A 5141A N/A	5065C ¹	5068E	C27437A2 C27437A2 C27441A2 C27441A2
C230B-C C231B-C C300B-C C301B-C	5025SS 5026TS 5026SS 5026TS	1	5127A 5127A 5111C 5111C	5065C ¹ 5065C ¹ 5050E 5050E	5068E 5068E 5069E 5069E	C27445A2 C27445A2 C27449A2 C27449A2
C430B-C C431B-C	5026SS 5026TS	2	5127A	5065C ¹	5068E	C27453A2

* Drain fitting included in drain pan

¹ Bolts for mounting not included

C ("E" & "F" Vintage) [AF=115V]

[BF=230V]

Unit	Motor	Qty	Fan Blade	Motor Mount	Fan Guard	Drain Pan*
C13 C17		1 1				40801502 40801702
C23 C30 C43	25303201S	1 2 2	23100201	23101401	R041777700	40801902 40802102 40802302

¹ Motor, 208-230/1/60 25303301

* Drain fitting included in drain pan

CB/CL 3/4HP - 40 HP

Unit Model	PH	230V (2) REQ'D	460V (2) REQ'D	Fan Blade	Fan Guard	Motor Mount	Cont. (1) REQ'D
3/4H1-M1-L5	3	5008TS		5132C	5068D	23102401	5835W
3/4H1-M1-L5	1						5832W
1H1-M1-L1-L5	3	5008TS	5014TS	5132C	5068D	23102401	5835W
1H1-M1-L1-L5	1	5008TS		5132C	5068D	23102401	5832W
1 1/2 H.P.	3	5013TS		5146C	5056E	5066D	5835W
1 1/2 H.P.	1	5013TS		5146C	5056E	5066D	5832W
2 H.P.	3	5013TS	5014TS	5146C	5056E	5066D	5835W
2 H.P.	1						5832W
3 H.P.	3	5013TS	5014TS	5146C	5056E	5066D	5835W
3H-L1-L5	1						5832W
3H2	1						5832W
CBX3	3	5013TS	**	5146C	5056E	5066D	2252340
4L5 #	1						5832W
5L5	3	5015TS		5143C	5097D	5084D	2252340
5H1-M1-L5	1						5834W
5H2	1						5834W
CBX5	3						2252340
7L5	3	5015TS		5143C	Obsolete	5084D	2252340
8 H.P.	3	5005PS	5006PS	5147C	5073D	5089D	5839W *5835W
10 H.P.	3	5005PS	5006PS	5147C	5073D	5089D	2252360 2252340

*460V

** For 460V use 5013TS + 460VA transformer & wire motor thru transformer

CBH4L5FC23 (MCDONALD'S) use 5013PS

If Original Motor Being Replaced is 5013T
Must use 5013TS and 5066D Motor Mount

Note:

1. All units have Pressure Control 5870-V (1 per).
2. 5 h.p. & larger, req.(1) 4136P Oil Pressure Control.
3. Timer for all units 5527-Z.
4. 230V units have Toggle Switch 5883S
460V units- Toggle Switch Obsolete
5. 5015TS Motors use 5599M Capacitor.
6. 5005PS & 5006PS Motors use 5779G Capacitor.
8. Elec. Def. Contactors 5836W (30A) & 5837W (40A).

@ Potential Relay, Start Capacitor & Start relay no longer available
Toggle Switches no longer available

CB/CL 15HP - 40 HP

Unit Model	Motor 230v	Motor 460v	Fan Blade	Fan Guard	Motor Mount
15H1 15H2 15L5 15M5	5005PS	5006PS	5147C	5098D	5058D
20H1 20H2 20L5 20LL5 20M5	5005PS	5006PS	5147C	5098D	5058D
21H1 21LL5	5005PS	5006PS	5147C	5098D	5058D
25H2 25L5 25M5	5005PS	5006PS	5147C	5098D	5058D
30H2 30L5 30M5	5005PS	5006PS	5147C	5098D	5058D
31L5	5005PS	5006PS	5147C	5098D	5058D
35H2	5005PS	5006PS	5147C	5098D	5058D
35M5	5005PS	5006PS	5147C	5098D	5058D
40H2 40M5	5005PS	5006PS	5147C	5098D	5058D

Note: All Models Use The Following:

Description	Part No.
Capacitor	5779G
Oil Safety Control	Obsolete
Timer (Except Codes A-J)	2138162
Fan Cycling T'stat (208-230 V)*	5521R
Fan Cycling T'stat (208-230 V)*	5716V
Slinger	5792V
Toggle Switch	5883S

* 5521R Opens @ 40 Deg/Closes @ 50 Deg

* 5716V Opens @ 25 Deg/Closes @ 35 Deg

"D" Model

Model Number	PH.	230V Motor	460V Motor	Fan Blade	Fan Guard	Motor Mount	Comp Cont
3/4 H1	1 3	5022T 5037T***	--	5101E	Obsolete	5093E	
1M1	1 3	5022T 5037T***	--	5101E	Obsolete	5093E	
1L1	1 3	5022T 5037T***	--	5101E	Obsolete	5093E	
1L5	1 3	5022T 5037T***	--	5101E	Obsolete	5093E	
1 1/2 H1	1 3	5024D 5037T***	5024E 5037T***	5102E	Obsolete	5050F	
1 1/2 M1	1 3	5024D 5037T***	5024E	5102E	Obsolete	5050F	
1 1/2 L1	1 3	5024D 5037T***	5024E	5102E	Obsolete	5050F	
1 1/2 L5	1 3	5024D 5037T***	5024E	5102E	Obsolete	5050F	
2H1	1 3	5024D 5037T***	5024E	5102E	Obsolete	5050F	
2M1	1 3	5024D 5037T***	5024E	5102E	Obsolete	5050F	
2L1	1 3	5024D 5037T***	5024E	5102E	Obsolete	5050F	
2L5	1 3	5024D 5037T***	5024E	5102E	Obsolete	5050F	
3H1	1 3	5024T	5024Q	5148C	Obsolete	5095E	
3H2	1 3	5024T	5024Q	5148C	Obsolete	5095E	
3M1	1 3	5024T	5024Q	5148C	Obsolete	5095E	
3L1	1 3	5024T	5024Q	5148C	Obsolete	5095E	
3L5	1 3	5024T	5024Q	5148C	Obsolete	5095E	
4L5	1 3	5024T	5024Q	5148C	Obsolete	5095E	
5H1	1 3	5023T	5023Q	5102E	Obsolete	5050F	2252340
5H2	1 3	5023T	5023Q	5102E	Obsolete	5050F	2252340
5M1	1 3	5023T	5023Q	5102E	Obsolete	5050F	2252340
5L5	1 3	5023T	5023Q	5102E	Obsolete	5050F	2252340
6L5 7L5	3	5023T	5023Q	5102E	Obsolete	5050F	2252340
8H1 8H2 8M1 8L5	3	5002PS	5003PS	5147C	5055E	5089D	
10H1 10H2 10L5	3	5002PS	5003PS 5003PS	5147C	5055E	5089D	2252360
12H2 12M5	3	5002PS	5003PS	5147C	5055E	5089D	2252360

**5835W suitable at 460V.

***5037T is to be used on models manufactured after 1/89 w/ 5101E blade 5093E mount

1 Potential Relay, Start Capacitor & Start relay no longer available
Timer 2138162

Fan Cycle Control – 4364D, 5521R

Motor capacitor: 3/4 hp – 7hp: 5599M, 8 & 10hp 5779G

Model	Voltage	Motor Part No.	Fan Blade	Fan Guard	Motor Mount
DFT003 DFT0031A	230/1/60	2530355S	2292422	2311026	4000053
DFT005	230/1/60 230/460/3 575	2530355S 2531193S 2531192S	2292422	2311026	4000053
DFT008	230/1/60 230/460/3 575	2531191S 2531193S 2531192	2292625	2311026	4000119
DFT010	230/1 230/460/3 575	2530355S 2531193S 2531192	2292422	2311026	4000053
DFT012	230/1 230/460/3 575	2531191S 2531193S 2531192	2292625	2311026	4000053
DFT014	230/1 230/460/3 575	2531191S 2531193S 2531192	2292625	2311026	4000119
DFT016	230/1 230/460/3 575	2531191S 2531193S 2531192	2292625	2311026	4000119
DFT021	230/1 230/460/3 575	2531191S 2531193S 2531192	2292625	2311026	4000119
DFT023	230/1 230/460/3 575	2531191S 2531193S 2531192	2292625	2311026	4000119
DFT026	230/1 230/460/3 575	2531191S 2531193S 2531192	2292625	2311026	4000119

* Variable Speed Motor - 2530174S

* Fan blade for Variable Speed Motor is same as used on 1 PH or 3 PH motors for specific unit model
Rain Shield for 2530174S is Part No. 5792V

Replacement Part Number For Bohn DVT Units

Model DVT	Voltage	Motor Part No.	Fan Blade	Fan Guard
DVT 011A	208-230/1/60	2537974S	2291820	2318491
DVT0021A	208-230/1/60	2537974S	2291820	
DVT0031A	208-230/1/60	2537974S	2291836	
DVT0051A	208-230/1/60	2530355S	2292422	2311026
DVT0052B	208-230/3/60	2531193S		
DVT0053B	460/3/60	2531193S		
DVT0081A	208-230/1/60	2531191S	2292625	2311026
DVT0082B	208-230/3/60	2531193S		
DVT0083B	460/3/60	2531193S		
DVT0101A	208-230/1/60	2530355S	2292422	2311026
DVT0102B	208-230/3/60	2531193S		
DVT0103B	460/3/60	2531193S		
DVT0121A	208-230/1/60	2531191S	2292625	2311026
DVT0122B	208-230/3/60	2531193S		
DVT0123B	460/3/60	2531193S		
DVT0141A	208-230/1/60	2531191S	2292625	2311026
DVT0142B	208-230/3/60	2531193S		
DVT0143B	460/3/60	2531193S		
DVT0161A	208-230/1/60	2531191S	2292625	2311026
DVT0162B	208-230/3/60	2531193S		
DVT0163B	460/3/60	2531193S		
DVT0211A	208-230/1/60	2531191S	2292625	2311026
DVT0212B	208-230/3/60	2531193S		
DVT0213B	460/3/60	2531193S		
DVT0231A	208-230/1/60	2531191S	2292625	2311026
DVT0232B	208-230/3/60	2531193S		
DVT0233B	460/3/60	2531193S		

Direct Drive

Model	Fan Motors*				Capacitor (1 Ph. Motors Only)	Fan Blade	Fan Guard	Motor Mount
	HP	Part No.						
		208-230V	460V	575V				
Model URD, Design Rev. A								
0021A, 0031A	1/4	N/A	--	--	5599M	5143C	5097D	5084D

Models DVS, DHS, DFS Design Revs. A & B								
003,008	1/2	5002PS	5003PS	5932H	5779G	5133C	5098D	Obs
005	1/4	5015TS	N/A	N/A	5599M	5143C	5097D	Obs
004, 006, 007, 010,	1/2	5002PS*	5003PS*	5932H	5779G	5133C	5098D	Obs
013, 015, 017, 022	1/2	5004PS**	5004PS**		5779G	5133C	5098D	Obs
025 Through 175	1 1/2	5034TS	5034TS	--	1	22900101	5092C	40000101

Models DVE, DHE, DFE Design Rev. A								
026 Through 142	1	5011T	5011T	--	--	22900101	5092C	40000101

* 1 Phase **3 Phase

Discontinued Direct Drives

Models RDD, DFC								
003, 008 Rev. A	1/2	5002PS	5003PS	5932H	5779G	5133C	5098D	Obs
005 Rev. A	1/4	5015TS	N/A	5931H	5599M	5143C	5097D	Obs
004, 006, 007, 010	1/2	5002PS*	5003PS*	5932H	5779G	5133C	5098D	Obs
013, 015, 017, Rev. E & F	1/2	5004PS**	5004PS**	--	--	5133C	50980D	Obs
9RDD, 11RDD, 16RDD	3/4	5032MS	--	--	5779G	5109C	5098D	Obs
9RDD-2	1/2	5002PS	--	--	5779G	5109C	5098D	Obs
11RDD-2, 16RDD-2	1/2	5002PS	--	--	5779G	5133C	5098D	Obs
18, 21, 23, 27, 41,	1	5004TS	5011T	--	5783S	22900101	5092C	Obsolete
44, 54, 59 RDD	1	5004TS	5011T	--	5783S	22900101	5092C	40000101
RDD 70B	1	5011T	5011T	--	--	22900101	5092C	40000101
9, 11, 16, 17 Rev. C	1/2	5002PS*	5003PS*	--	5779G	5133C	5098D	Obs
9, 11, 16, 17 Rev. D	1/2	5004PS**	5004PS**	--	5779G	5133C	5098D	Obs
018 Through 171 Rev. A & B	1	5011T	5011T	Obsolete	--	22900101	5092C	40000101

*1 Phase

**3 Phase

5712F Clip For 5083C Guard

Obs 5743X Fan Cycling Ambient Stat For Pre 93 Units, 2894575 For 93+

Variable Speed Motor 5012T, 208/230/460/3, 825 RPM

Variable Speed Motor 5027T, 200/230/460/1, 1075 RPM Use w/ 5137D Fan Blade

Fan Contactors 24V-5845A (2255845), 115V-5847L (2255847), 230V-5835W (2259996)

Quantity of fan motors, fan blades, guards and motor mounts:

15-30 hp - 3 ea

31-40 hp - 4 ea

Common Replacement Parts List

Description	Part No.	Description	Part No.
Fan Motor 230V	5005PS	Timer (Except Codes A-J)	2138162
Fan Motor 460V	5006PS	F/C T'stat	5521R*
Fan Blade	5147C	F/C T'stat	5716V**
Fan Guard	5098D	Condenser Fan Contactor	5835W#
Motor Mount	5089D	Evaporator Fan Contactor	5835W#
Solid State Module	Obsolete	Motor Slinger	5792V
Fan Motor Capacitor	5779G	Toggle Switch	5883S
Dual Pressure Control	5870V	Defrost Contactor 230V 40A	Obsolete
Oil Safety Control	4136P	Defrost Contactor 460V 40A	

*5521R (40 DEG-CLOSE @50 DEG)

** 5716V (25 DEG-CLOSE @35 DEG)

5835W = 25 A

Crankcase Heaters

Part No.	For Sizes
Obsolete	15H2, 15M5
Obsolete	30L5, 31L5, 40H2, 40M5
518-0002-02*	All Others

* Copeland Part No.

Compressor Contactors (Magnetic)

Unit HP	208-230V		460V	
	Qty.	P/N	Qty.	P/N
15	1	Obsolete	1	2252340
20				
21				
25	1	2252360	1	2252360
30				
31				
35	2	Obsolete	1	Obsolete
40				

2252340 = 40 Amp

2252360 = 60 Amp

Unit	Motor	Qty	Fan Blade	Motor Mount	Fan Guard	Drain Pan	Drain Fitting*
520EDT	5034MS	1	5132C	89869801	5069E	64165007	N/A
700EDT		2				64165008	
900EDT		2				64165008	
1040EDT	5034MS	2	5132C	89869801	5069E	64165008	N/A
1350EDT		3				64165009	
1560EDT		3				64165009	
2080EDT	5034MS	4	5132C	89869801	5069E	64165010	N/A
2540EDT		5				64165011	
3000EDT		6				64165012	

Unit	Defrost Fan Control	Heater Safety Control	Coil Heater	Qty	Drain Pan Heater	Qty
520EDT	5709L	5708L	5856C	3	5862C	1
700EDT			5857C		5863C	
900EDT			5857C		5863C	
1040EDT	5709L	5708L	5857C	3	5863C	1
1350EDT			5858C		5864C	
1560EDT			5858C		5864C	
2080EDT	5709L	5708L	5859C	3	5865C	1
2540EDT			5860C		5866C	
3000EDT			5861C		5867C	

*Can use 92864003, not direct substitute

EL Rev. 1-2

Unit	Motor	Qty	Fan Blade	Motor Mount	Fan Guard	Drain Pan	Drain Fitting
450EL-1-2	5001MS	2	5111C	N/A	5069E	70501002	N/A*
650EL-1-2	5003MS	1	5110B	23103401	5072E	70501002	92864003
900EL-1-2	5002MS	1	5111B	23103401	5072E	70501002	92864003
1200EL-1-2	5002MS	1	5113A	23103901	5063E	70524002	92864003
1800EL-1-2		2	5111B	23103401	5072E	70542002	
2400EL-1-2		2	5113A	23103901	5063E	70542002	
3600EL-1-2		3	5113A	23103901	5063E	Obsolete	

Unit	Defrost Fan Control	Defrost Control	Coil Heater	Qty	Drain Pan Heater	Qty
450EL-1-2	5507S	5521R	5527M	3	5523M	1
650EL-1-2			5528M			
900EL-1-2			5529M			
1200EL-1-2	5507S	5521R	5530M	3	5524M	1
1800EL-1-2			5531M	6	5525M	
2400EL-1-2			5532M	6	5525M	
3600EL-1-2			5533M	6	5526M	

EL Rev. "A"

Unit	Motor	Qty	Fan Blade	Motor Mount	Fan Guard	Drain Pan	Drain Fitting
EL 457A	5001MS	2	5111C	N/A	5069E	70501002	N/A*
EL 459A	5001MS	2	5111C	N/A	5069E		N/A*
EL 657A	5003MS	1	5110B	23103401	5072E	92864003	92864003
EL 659A	5003MS	1	5110B	23103401	5072E	92864003	92864003
EL 907A	5002MS	1	5111B	23103401	5072E	70501002	92864003
EL 909A			5111B	23103401	5072E	70501002	
EL1207A			5113A	23103501	5063E	70524002	
EL1209A			5113A	23103501	5063E	70524002	
EL1807A	5002MS	2	5111B	23103401	5072E	70542002	92864003
EL1809A			5111B	23103401	5072E		
EL1803A			5113A	23103501	5063E		
EL2407A	5002MS	2	5113A	23103501	5063E	70542002	92864003
EL2409A							
EL2403A							

Unit	Defrost Fan Control	Defrost Control	Coil Heater	Qty	Drain Pan Heater	Qty
EL 457A	5507S	5521R	5527M	3	5523M	1
EL 459A			5527M			
EL 657A			5528M			
EL 659A			5528M			
EL 907A	5507S	5521R	5529M	3	5523M	1
EL 909A			5529M		5523M	
EL1207A			5530M		5524M	
EL1209A			5530M		5524M	
EL1807A	5507S	5521R	5531M	6	5525M	1
EL1809A						
EL1803A						
EL2407A	5507S	5521R	5532M	6	5525M	1
EL2409A						
EL2403A						

* Can use 92864003, not direct substitute

Unit	Motor	Qty	Fan Blade	Motor Mount	Fan Guard	Drain Pan
145EM115-1 150EM115-1 200EM115-1 250EM115-1	5001LS	1	5110C 5122B 5110C 5110C	5063C	5055F	Obsolete 70091001 70091001 Obsolete
150EM230-1 200EM230-1 250EM230-1	5001MS	1	5122B 5110C 5110C	5063C	5055F	70091001 70091001 Obsolete
EM150A EM157A EM200A	5001LS 5001MS 5001LS	1	5122B 5122B 5110C	5063C	5055F	70091001
EM207A EM250A EM257A	5001MS 5001LS 5001MS	1	5110C	5063C	5055F	70091001 Obsolete Obsolete

Unit	Defrost Fan Control	Defrost Control	Coil Heater	Qty	Drain Pan Heater	Qty
145EM115-1 150EM115-1 200EM115-1 250EM115-1	5507S	5521R	N/A 5719B 5719B 5719B	– 2 2 2	N/A 5548M 5548M 5548M	– 1 1 1
150EM230-1 200EM230-1 250EM230-1	5507S	5521R	5719B	2	5549M	1
EM150A EM157A EM200A	5507S	5521R	5719B	2	5548M 5549M 5548M	1
EM207A EM250A EM257A	5507S	5521R	5719B	2	5549M 5548M 5549M	1

Unit	Motor	Qty	Fan Blade	Motor Mount	Fan Guard	Drain Pan	Drain Fitting
400EUC-1 400EUC-2 400EUC-3 400EUC-4	5034MS	1	5140C	N/A	5071E	N/A	N/A
600EUC-1 600EUC-2 600EUC-3 600EUC-4	5034MS	2	5132C	23103501	5069E	N/A	N/A
900EUC-1 900EUC-2 900EUC-3 900EUC-4	5034MS	3	5132C	23103501	5069E	N/A	N/A
1200EUC-3 1200EUC-4	5034MS	3	5140C	N/A	5071E	N/A	N/A

Electric Defrost Components

Unit	Defrost Fan Control	Heater Safety Control	Coil Heater	Qty	Drain Pan Heater	Qty
400EUC-1 400EUC-2 400EUC-3 400EUC-4	5709L	5708L	N/A N/A 5712W 5712W	- - 2 2	N/A N/A 5786V 5786V	- - 1 1
600EUC-1 600EUC-2 600EUC-3 600EUC-4	5709L	5708L	N/A N/A 5713W 5713W	2	Obsolete Obsolete 5787V 5787V	1
900EUC-1 900EUC-2 900EUC-3 900EUC-4	5709L	5708L	N/A N/A 5714W 5714W	2	N/A N/A 5788V 5788V	1
1200EUC-3 1200EUC-4	5709L	5708L	5789S	2	5788V	1

FC Models

Unit	Motor	Qty	Fan Blade	Motor Mount	Fan Guard	Drain Pan*
540FC-1	5001LS	2	5111C	23103501	5069E	70501002
750FC-1	5003LS	1	5110B	23103901	5072E	70501002
1040FC-1	5003LS	1	5110B	23103901	5072E	70501002
1400FC-1	5002LS	1	5113A	23103901	5063E	70524002
2100FC-1	5003LS	2	5110B	23103901	5072E	70542002
2800FC-1	5002LS	2	5113A	23103901	5063E	70542002
4200FC-1	5002LS	3	5113A	23103901	5063E	N/A

*Drain Fitting Part No. 92864003

Unit	Motor	Qty	Fan Blade	Motor Mount	Fan Guard	Drain Pan	Drain Fitting
4000FL-3&1	5002MS	3	5130C	N/A	5063E	Obsolete	92864003
4000FL-4-5	5000PS	3	5130C		5063E		92864003
5500FL-3-4	5032MS	2	5109C		5098D		92864003
5500FL-5	5002PS	2	5133C		5098D		92864003
7000FL-3-4	5032MS	3	5109C		5098D		-
7000FL-5	5002PS	3	5133C		5098D		-
FL421A	5008TS	1	5140C	5000212	5068D	91802002	66708001
FL421F		1			5070E	91802002	
FL651A		2			5068D	91803002	
FL651F		2			5070E	91803002	
FL921A		2			5068D	91810002	
FL1251A		3			5068D	91810002	
FL1501A&B	5002MS	2	5137C	5064E	5072E	91590001	92864003
FL1502A&B	5002MS						
FL1503A&B	5001PS						
FL1701A&B	5002MS						
FL1702A&B	5002MS						
FL1703A&B	5001PS						
FL2101A&B	5002MS	2	5130C	5064E	5063E	91590001	92864003
FL2102A&B	5002MS			5064E			
FL2103A&B	5001PS			5064E			
FL2401A&B	5002MS			5064E			
FL2402A&B	5002MS			5064E			
FL2403A&B	5001PS			5095D			
FL2901A&B	5000PS	2	5138C	5092D	5097D	91408001	92864003
FL2902A&B	5000PS						
FL2903A&B	5001PS						
FL3301A&B	5000PS	2	5138C	5092D	5097D	91408001	92864003
FL3302A&B	5000PS	2	5138C	5092D	5097D	91408001	
FL3303A&B	5001PS	2	5138C	5092D	5097D	91408001	
FL3501A&B	5000PS	3	5130C	5095D	5063E	91329001	
FL3502A&B	5000PS	3	5130C	5095D	5063E	91329001	
FL3503A&B	5001PS	3	5130C	5095D	5063E	91329001	

Electric Defrost Components

Unit	Motor	Qty	Fan Blade	Motor Mount	Fan Guard	Drain Pan	Drain Fitting
FL4001A&B FL4002A&B FL4003A&B	5000PS 5000PS 5001PS	3	5130C	5095D	5063E	91329001	92864003
FL4802A&B FL4803A&B FL5502A&B FL5503A&B	5002PS 5003PS 5002PS 5003PS	2	5133C	Obsolete	5098D	91329001	92864003
FL6502A&B FL6503A&B FL7402A&B FL7403A&B	5002PS 5003PS 5002PS 5003PS	3	5133C	Obsolete	5098D	91341001	92864003
FL8402A&B FL8403A&B FL9502A&B FL9503A&B	5011T	2	5101D	5052D	5092C	91415002	-
FL10502A&B FL10503A&B FL12002A&B FL12003A&B	5011T	3	5101D	5052D	5092C	C24924A2	-
FL3301G FL3302G FL3303G	5020TS 5020TS 5001PS	2	5138C	5092D	5097D	91408001	92864003
FL4002G FL4003G	5020TS 5001PS	3	5130C	5064E	5063E	91329001	92864003
FL5502G FL5503G FL5502-3H	5002PS 5003PS 5004PS	2	5133C	Obsolete	5098D	91329001	92864003
FL7402G FL7403G FL7402-3H	5002PS 5003PS 5004PS	3	5133C	Obsolete	5098D	91341001	92864003
FL9502H FL9503H FL10502H	5011T	2 2 3	5137D	40000101	5086E	C24923A2	-
FL10503H FL12002H FL12003H	5011T	3	5137D	40000101	5086E	C24924A2	-

FL650 G Uses Same Parts As FL740 G.

Electric Defrost Components

Unit	Defrost Fan Control	Heater Safety Control	Coil Heater	Qty	Drain Pan Heater	Qty
4000FL-3&1	5507S	5521R	5759M	9	5772V	1
4000FL-4-5			5759M	9	5772V	1
5500FL-3-4			5759M	13	5772V	1
5500FL-5			5759M	13	5772V	1
7000FL-3-4			5742S	26	5742S	2
7000FL-5			5742S	26	5742S	2
FL421A FL421F FL651A FL651F FL921A FL1251A	5709L	5708L	5867S 5867S 5868S 5868S 5869S 5862S	2	5786V OBSOLETE 5787V 5787V 5788V 5788V	1
FL1501A&B FL1502A&B FL1503A&B FL1701A&B FL1702A&B FL1703A&B	5709L	5708L	5818K	6	5823K	2
FL2101A&B FL2102A&B FL2103A&B FL2401A&B FL2402A&B FL2403A&B	5709L	5708L	5818K	8	5823K	2
FL2901A&B FL2902A&B FL2903A&B FL3301A&B FL3302A&B FL3303A&B FL3501A&B FL3502A&B FL3503A&B	5709L	5708L	5819K	8	5824K 5824K 5824K 5824K 5824K 5825K 5825K 5825K	2
FL4001A&B FL4002A&B FL4003A&B FL4802A&B FL4803A&B FL5502A&B FL5503A&B	5709L	5708L	5820K	8 8 8 12 12 12 12	5825K	2

Electric Defrost Components

Unit	Defrost Fan Control	Heater Safety Control	Coil Heater	Qty	Drain Pan Heater	Qty
FL6502A&B FL6503A&B FL7402A&B FL7403A&B FL8402A&B FL8403A&B	5709L	5708L	5821K	10 10 10 10 16 16	5826K	2
FL9502A&B FL9503A&B FL10502A&B FL10503A&B FL12002A&B FL12003A&B	5709L	5708L	5821K 5821K 5822K 5822K 5822K 5822K	16	5826K 5826K 5827K 5827K 5827K 5827K	2
FL3301G FL3302G FL3303G FL4002G FL4003G FL5502G FL5503G FL5502-3H	5709L	5708L	5819K 5819K 5819K 5820K 5820K 5820K 5820K 5820K	8 8 8 8 8 12 12 12	5824K 5824K 5824K 5825K 5825K 5825K 5825K 5825K	2
FL7402G FL7403G FL7402-3H	5709L	5708L	5821K	10	5826K	2
FL9502H FL9503H FL10502H FL10503H FL12002H	5709L	5708L	5821K 5821K 5822K 5822K 5822K	16	5826K 5826K 5827K 5827K 5827K	2
FL12003H	5709L	5708L	5822K	16	5827K	2

Unit	Motor	Qty	Fan Blade	Motor Mount	Fan Guard	Drain Pan	Drain Fitting
4500FM-2	5002MS	3	5130C	N/A	5063E	N/A	92864003
4500FM-3	5002MS	3	5130C		5063E		
6000FM-2	5032MS	2	5109C		5073D		
6000FM-3	5002PS	2	5133C		5073D		
8000FM-2	5032MS	3	5109C		5073D		
8000FM-3	5002PS	3	5133C		5073D		
FM360A-D ¹ FM360F FM361A-D ¹ FM361F	5034LS 5008SS 5034MS 5008TS	1	5132C	89869801 23102401 89869801 23102401	5069E	91802002	66708001
FM460A-D ¹ FM460F FM461A-D ¹ FM461F	5008SS 5008SS 5008TS 5008TS	1	5140C	5000212 23102401 5000212 23102401	5068D 5070E 5068D 5070E	91802002	66708001
FM560A-D ¹ FM560F FM561A-D ¹ FM561F	5008SS 5008SS 5008TS 5008TS	1	5140C	5000212 23102401 5000212 23102401	5068D 5070E 5068D 5070E	91802002	66708001
FM760A-D ¹ FM760F FM761A-D ¹ FM761F	5034LS 5008SS 5034MS 5008TS	2	5132C	5000212 23102401 23102401	5069E	91803002	66708001
FM960A-D ¹ FM960F FM961A-D ¹ FM961F	5008SS 5008SS 5008TS 5008TS	2	5140C	5000212 23102401 5000212 23102401	5068D 5070E 5068D 5070E	91803002	66708001
FM1160A FM1161A FM1460A FM1461A FM1760A FM1761A	5008SS 5008TS 5008SS 5008TS 5008SS 5008TS	2 2 3 3 3 3	5140C	5000212	5068D	91810002 91810002 91810002 91810002 N/A N/A	66708001
FM2000A FM2001A FM2008A	5002LS 5002MS 5001PS	2	5137C	5064E 5064E 5095D	5072E	91590001	92864003

¹ A-D (A thru D Revisions)

Unit	Motor	Qty	Fan Blade	Motor Mount	Fan Guard	Drain Pan	Drain Fitting
FM2800A FM2801A FM2808A	5002LS 5002MS 5001PS	2	5130C	5064E 5064E 5095D	5063E	91590001	92864003
FM3801A FM3808A	5000PS 5001PS	2	5138C	Obsolete	5097D	91408001	92864003
FM4501A FM4508A	5000PS 5001PS	3	5130C	5095D	5063E	91329001	92864003
FM6301A FM6308A FM8502A FM8503A	5002PS 5003PS 5002PS 5003PS	2 2 3 3	5133C	Obsolete	5098D	91329001 91329001 91341001 91341001	92864003
FM11002A FM11003A FM14002A FM14003A	5011T	2 2 3 3	5137D	5052D	5086E	C24923A2 C24923A2 C24924A2 C24924A2	92864003
FM3801G FM3808G FM4501G FM4508G	5020TS 5001PS 5020TS 5001PS	2 2 3 3	5138C 5138C 5130C 5130C	Obsolete Obsolete 5064E 5064E	5097D 5097D 5063E 5063E	91408001 91408001 91329001 91329001	92864003
FM6301G FM6302H FM6303H FM6308G	5002PS 5004PS 5004PS 5003PS	2	5133C	Obsolete Obsolete Obsolete Obsolete	5098D	91329001	92864003
FM8501G FM8502G FM8502H FM8503G FM8503H	5002PS 5002PS 5004PS 5003PS 5004PS	3	5133C	Obsolete Obsolete Obsolete Obsolete Obsolete	5098D	91341001	92864003
FM11002H FM11003H FM14002H FM14003H	5011T	2 2 3 3	5137D	40000101	5086E	C24923A2 C24923A2 C24924A2 C24924A2	92864003

Unit	Motor	Qty	Fan Blade	Motor Mount	Fan Guard	Drain Pan	Drain Fitting
HGT0650A-B	5008SS	2	5140C	23102401	5070E	C25925A2	66708001
HGT0900A-B		2				C25926A2	66708001
HGT1200A-B		3				C25927A2	66708001
HGT1600A-B		4				C25928A2	92864003
HGT2000A-B		5				C25929A2	92864003
HGT2400A-B		6				C25930A2	92864003
HGT0650F	5008SS	2	5140C	23102401	4340X	C23531A1	66708001
HGT0900F		2				C23532A1	66708001
HGT1200F		3				C23533A1	66708001
HGT1600F		4				C23534A1	92864003
HGT2000F	5008SS	5	5140C	23102401	4340X	C23535A1	92864003
HGT2400F		6				C23536A1	92864003
HGT0680F		2				C23532A1	66708001
HGT1020F		3				C23533A1	66708001
HGT1360F	5008SS	4	5140C	23102401	4340X	C23534A1	92864003
HGT1700F		5				C23535A1	
HGT2040F		6				C23536A1	

Notes: Optional parts for HGT F & G Revisions see LET C-G
Motor 230 Volt (STD) 5008TS

Unit	Defrost Fan Control	Defrost Control	Drain Pan Heater 115V	Drain Pan Heater 208-230V
HGT0650A&B	4384K	4267W	N/A	4203W
HGT0900A&B			4278W	5863C
HGT1200A&B			4279W	5864C
HGT1600A&B			N/A	5865C
HGT2000A&B			N/A	5866C
HGT2400A&B			N/A	5867C
HGT0650F&G	4384K	4267W		
HGT0900F&G				
HGT1200F&G				
HGT1600F&G				
HGT2000F&G	4384K	4267W		
HGT2400F&G				
HGT0680F&G				
HGT1020F&G	4384K	4267W		
HGT1360F&G				
HGT1700F&G				
HGT2040F&G				

Notes:
"A & B" Vintage have electric drain pan heaters
"D, F & G" Feature hot gas pan grids for Defrost

AJ=115/1/60} {BJ=230/1/60}

Unit	Motor ¹	Qty	Fan Blade	Motor Mount	Fan Guard	Hot Gas Drain Pan	Drain Fitting
HGT065		2				C23531A1	
HGT090/068	25300101S	2	5140C	23102401	4340X	C23532A1	66708001
HGT120/102		3				C23533A1	
HGT160/136		4				C23534A1	
HGT200/170	25300101S	5	5140C	23102401	4340X	C23535A1	92864003
HGT204/240		6				C23536A1	

¹ Motor 230 Volt (Shaded Pole) = 25300201S

Defrost Fan Control = 4384K

¹ Motor 115 Volt (PSC) = 25302601S

Defrost Control = 4267W

¹ Motor 230 Volt (PSC) = 25302501S

OPTIONAL ELECTRIC DRAIN PAN & HEATERS

Unit	Drain Pan Heater 115V (1) REQ'D	Drain Pan Heater 230V (1) REQ'D	Drain Pan	Drain Fitting
HGT065	N/A	4313F	C25925A2	66708001
HGT090/068	4563L	4314F	C25926A2	66708001
HGT120/102	4564L	4315F	C25927A2	66708001
HGT160/136	4565L	4260V	C25928A2	92864003
HGT200/170	4566L	4261V	C25929A2	92864003
HGT204/240	4567L	4262V	C25930A2	92864003

Nomenclature Example:

HGT	120	A	K
Model Series		Electrical Characteristics	Design Revision
HGT = Hot Gas Defrost	Size X 100 = BTUH	A = 115/1/60 B = 208-230/1/60 M = 460/1/60	

Electric Defrost Components

Model No.	No. Motor	Motor ¹ 115V	Motor ¹ 230V	Fan Blade	Motor Mount	Guard ²
HGT035 HGT040 HGT041 HGT047	1	25300101S	25300201S	5140C	23104901	37000701
HGT065 HGT068 HGT075 HGT080 HGT090	2	25300101S	25300201S	5140C	23104901	37000701
HGT102 HGT120 HGT140	3	25300101S	25300201S	5140C	23104901	37000701
HGT136 HGT160 HGT180	4	25300101S	25300201S	5140C	23104901	37000701
HGT170 HGT200	5	25300101S	25300201S	5140C	23104901	37000701
HGT204 HGT235 HGT240 HGT280	6	25300101S	25300201S	5140C	23104901	37000701

² Optional Wire Guard: Pt. No. 37000601

¹ Optional Motors Before August 2004

Part No.	Description
25308201	115/1/60/50 Totally Enclosed PSC
25308301	208-230/1/60/50 Totally Enclosed PSC
25308401	460/1/60/50 Totally Enclosed PSC
25308601	208-230/1/60/50 PSC
25308701	460/1/60/50 PSC

² Optional Motors After August 2004

Part No.	Description
25309501	115/1/60 PSC
25309801	208-230-1-60 PSC

Electrical Components

Part No.	Description
22512601 4267W 5708L	Terminal Strip Defrost Termination/Fan Delay - Adjustable Type Heater Safety - Klixon Type

Model No.	Drain Pan ³	Drain Pan Heater 115V ⁴	Drain Pan Heater 208-230V	Drain Pan Heater 460V
HGT035 HGT040 HGT041 HGT047	40480101	24752101	24752201	24752301
HGT065 HGT068 HGT075 HGT080 HGT090	40480201	24752102	24752202	24752302
HGT102 HGT120 HGT140	40480301	24752103	24752203	24752303
HGT136 HGT160 HGT180	40480401	24752104	24752204	24752304
HGT170 HGT200	40480501	24752105	24752205	24752305
HGT204 HGT235 HGT240 HGT280	40480601	24752106	24752206	24752306

³ Drain Fitting Part No. 26925101

⁴ Opt for Hot Gas unit only with electric drain pan.

Part No.	Description
40880801	Access Panel - Elect - RH
40880701	Access Panel - Refrig - LH
40880901	Back Panel - Refrig. End
40881001	Back Panel - Elec. End
40881201	End Panel - Hot Gas Refrig

Nomenclature Example:

HVC	124	C	R
Model	MBTUH		
		C = 208/230 D = 460	Right - looking @ header end, fan panel opens to right Left - looking @ header end, fan panel opens to left

Electric Defrost Components

Model No.	No. Motors	Motor 230/460V	Fan Blade	Guard	Fan Panel	Motor Rail
HVC124 HVC14 HVC174	2	25301801S	2292630	2311026	46810001	32810401
HVC179 HVC197	3	25301801S	2292630	2311026	46810001	32810401
HVC246 HVC283 HVC332 HVC 349	4	25301801S	2292630	2311026	46810001	32810401
HVC304 HVC343 HVC394 HVC414	5	25301801S	2292630	2311026	46810001	32810401
HVC356 HVC393 HVC439 HVC461	6	25301801S	2292630	2311026	46810001	32810401

Rain Slinger 5792V
Hinge 3800017

Unit	Motor	Qty	Fan Blade	Motor Mount	Fan Guard	Drain Pan	Drain Fitting
260HR 260HR-1 260HR-2 260HR-3	5034LS 5034LS 5034LS 5001LS	1	5110C 5110C 5110C 5106B	N/A N/A N/A 23103501	5069E	N/A	66708001
347HR 347HR-1 347HR-2 347HR-3	5034LS 5034LS 5034LS 5042FS	1	5106B	N/A	5071E	N/A N/A N/A 69013001	66708001
433HR 433HR-1 433HR-2 433HR-3	5034LS 5035LS 5035LS 5042FS	1	5107B	N/A	5073E	N/A N/A N/A 69014001	66708001
540HR 540HR-1 540HR-2 540HR-3	5035LS 5035LS 5035LS 5003LS	1	5107B 5107B 5107B 5108B	N/A N/A N/A 23103801	5073E	N/A N/A N/A 69015001	66708001
688HR-1 688HR-2 688HR-3	5003LS	1	5108B 5108B 5109B	N/A N/A 23103401	5072E	N/A N/A 69016001	66708001
867HR-1 867HR-2 867HR-3	5002LS	1	5113A 5113A 5110B	N/A N/A 23103401	5072E	N/A N/A 69017001	66708001
1080HR-1 1080HR-2 1080HR-3	5002LS	1	5111B	N/A N/A 23103401	5072E	N/A N/A 69018001	66708001
1490HR-3 1800HR-3	5002LS	1	5113A 5107C	23103901 23104001	5063E 5097D	69019001 74187001	66708001

A& B Vintage

Unit	Motor	Qty	Fan Blade	Motor Mount	Fan Guard	Drain* Pan	Drain Fitting
HR 350A HR 351A	5042FS 5042GS	1	5106B	N/A	5071E	69013001	66708001
HR 430A HR 431A	5042FS 5042GS	1	5107B	N/A	5073E	69014001	66708001
HR 540A HR 541A	5042FS 5042GS	1	5108B	23103401	5073E	69015001	66708001
HR 690A HR 691A	5003LS 5003MS	1	5109B	23103401	5072E	69016001	66708001
HR 870A HR 871A	5002LS	1	5110B	23103401	5072E	69017001	66708001
HR1080A HR1081A	5002LS 5002MS	1	5111B	23103401	5072E	69018001	66708001
HR1490A HR1491A	5002LS 5002MS	1	5113A	23103901	5063E	69019001	66708001
HR1800A HR1801A	5002LS 5002MS	1	5107C	23104001	5097D	74187001	66708001
HR 350B HR 351B	5031SS 5031TS	1	5106B	23103701	5071E	69013001	66708001
HR 430B HR 431B	5031SS 5031TS	1	5107B	23103701	5073E	69014001	66708001
HR 540B HR 541B	5032SS 5032TS	1	5108B	23103401	5073E	69015001	66708001
HR 690B HR 691B	5032SS 5032TS	1	5109B	23103401	5072E	69016001	66708001
HR 870B HR 871B	5033SS 5033TS	1	5110B	23103401	5072E	69017001	66708001
HR1080B HR1081B	5033SS 5033TS	1	5111B	23103401	5072E	69018001	66708001
HR1490B HR1491B	5033SS 5033TS	1	5113A	23103901	5063E	69019001	66708001
HR1800B HR1801B	5033SS 5033TS	1	5107C	23104001	5097D	74187001	66708001

* Older style units did not have separate drain pan. Fan panel also served as drain pan.

Nomenclature Example:

ZW	N	030	L	6	B
Compressor	Application	Equiv. HP	Temp	Refrigerant	Voltage
HW= Hermetic ZW=Scroll	N=Indoor M=Beacon II™	005 = 1/2 HP 03* = 3 HP 008 = 3/4HP 04* = 4HP 010 = 1 HP 05* = 5HP 01* = 1-1/2HP 06* = 6HP 02* = 2 HP	H = HIGH L = LOW M = MEDIUM X = MEDIUM/LOW	2 = R-22 6 = R-404a/507	B=208/230/1/60 C=208/230/3/60 D=460/3/60 G=230/1/60

Part No.	Description
2252125	Contactor Open 2P 25/35A 220V
2252330	Contactor 30A 3P 208-240V Open
2259996	Contactor 25A 208-240V
2255845	Contactor 25A 3P 24V
2254304	Contactor 30A 2P 24V
2252340	Contactor 40A 3P 208-240V -Open
R034915200	Contactor 2 Pole 20A 230V
30104701	T'stat DISC. Line
22510005	Fuse 1A 600V Class CC
22511001	Fuse Block 30A 600V 2P MDGT
28913201	High Pressure Control 400#C.O.w/Conn
2891402	Low Pressure SW P70AB-1D (ADJ)
27304703	Receiver Tank 5 X 10
27304702	Receiver Tank 6 X 12
27304701	Receiver Tank 6 X 27
2251266	Terminal Board 30A 6P 600V
22536801	Time Delay Relay 0-600 Secs. Delay
2138162	Timer 208-240V 40A SPDT TI-TT
22552201	Timer 3 Minute Delay On Break
22541001	Transformer 300VA 480/240
22522301	Transformer Beacon II™ Control
2935028	Valve V46AB1 1/2 Water (Johnson)
2935031	Valve Water Regulating
29356501	Valve CMPR Disch Temperature Control

Specific to ZW only

Nomenclature Example:

J	B	50	L2
Dual Compressor Units	B = Bohmizer L = Limitizer S = Standard	Nominal HP Size	H2 = High Temp. R-22 L2 = Low Temp. R-22 M5 = Med. Temp. R-502 L5 = Low Temp. R-502

Model No.	Motor*	Blade	Guard	CTRL H P 400#	Oil Safety Control	VLV REL
JB15H23,H24 JB15L23,L24 JB15L53,L54	2531193S	2292625	2311026	28913201	2897100	29302601
JB20H23,H24 JB20L23,L24 JB20L53,L54	2531193S	2292625 2292422 2292625	2311026	28913201	2897100	29302601
JB22L23,L24 JB22L53,L54	2531193S	2292422 2292625	2311026	28913201	2897100	29302601
JB30H23,H24 JB30L23,L24 JB30L53,L54	2531193S	2292625	2311026	28913201	2897100	29302601
JB40H23,H24 JB40L23,L24 JB40L53,L54	2531193S	2292625	2311026	28913201	2897100	29302601
JB50H23,H24 JB50L23,L24 JB50L53,L54	2531193S	2292625	2311026	28913201	2897100	29302601
JB60H23,H24 JB60L23,L24 JB60L53,L54	25301801S 2531193S 2531193S	2293026 2292625 2292625	2311030 2311026 2311026	28913201	2897100	29302601
JB70H23,H24 JB80H23,H24	25301801S 25301801S	2293026 2293026	2311030 2311030	28913201 28913201	2897100 2897100	29302602 29302602

Demand cooling options see Copeland wholesaler

* No motor mount - rail mounted

Common Parts

10A AUX Switch	For 25-60A	2252310
10A AUX Switch	For 75-90A	2252311
Circuit Breaker	15A 2P 240V	2252015
Contactor	25A 208-240V	2259996
Contactor	40A 3P 208-240V	2252340
Contactor	50A 3P 208-240V	2252350
Contactor	60A 3P 208-240V	2252360
Contactor	75A 3P 208-240V	2252375
Low Pressure SW. Transformer	Adjustable /P70AB-1D 300VA SL300QP	2891402 R038253919

Common Parts

Part Description	Part No.
Guard	23100301
High-Pressure Control	28913201
Contactor - 25 A	2259996
Contactor - 40 A	2252340
Contactor - 50 A	2252350
Contactor - 60 A	2252360
Contactor - 75 A	2252375
Pressure Switch	28923201
Low-Pressure Control	2891402
Air Defrost Timer	2138162
Fan Cycling	5521R
Temperature Fan Cycle Control	7075807
Pressure Fan Cycle Control	28900201
Electric Defrost Timer	2138162
Defrost Fan Contactor 25 A	2252325
Defrost Heater Contactor 40 A	2252340

Motor & Fan Blade Options

JBD/JLDE 24 to 80 HP

Motor Part No.	Description	Blade Part No.
7072102S	3/4 HP - 1140 RPM 208/230/460/3	7173254
2538000S	1 HP - 850 RPM 208/230/460/3	2292630*
25301801S	1 1/2 HP - 1140 RPM 208/230/460/3	22900401
25301701S	1 1/2 HP - 830 RPM 208/230/460/3	22900301
5792V	Slinger for 25301801 & 25301701	

Note: No Motor Mounts - Uses Motor Rails

* Can Use 2292630 To Replace 2292635 (Not An Exact Match)

Note: Sentronic Oil Control Available From Copeland

Unit Model	Motor 115V	Motor 230V	Fan Blade	Motor Mount/Guard	Receiver
RH 1/4 - 1/3	25303201S		23100501	23101401	27300106
JH 1/4 - 1/2	25300101S	25300201S	2291030	23101101	27300107
JS 1/2	25300101S	25300201S	2291030	23101101	27300107
JH/RH 3/4 - 1	25300101S	25300201S	5110E	23101001	27304703
JS 3/4	25300101S	25300201S	5110E	23101001	27304703
JH/RH 1 1/2 - 2		7071061	R043759700	23100901	27304703
JS 1, 1 1/2, 2	25300101S	25300201S	5110E	23101001	27300105
JH/RH 2 - 3		7071061 (2)	R043759700	23100901	27300105
JS 3 & 4		7071208S	7173156	23102701	27300103
JH/RH 4 - 5		7071208S	7173156	40001801	27300103

* Motor Part No. 7071061 Uses Capacitor Part No. 037516402 – 4 MFD/440V

** See Motor Mount (Mount & Guard Combination)

KM

Unit	Motor	Qty	Fan Blade	Motor Mount	Fan Guard	Drain Pan*
125KM	5030SS	2	5102C	91179001	5076E	74422002
125KM-2	5030SS	2			5076E	74422002
165KM	5030SS	2			5076E	74422002
165KM-2	5030SS	2			5076E	74422002
220KM	5030SS	3			4339X	74436002
220KM-2	5030SS	3			4339X	74436002
KM130A	5030SS	2	5102C	91179001	5076E	74422002
KM131A	25300801S	2			5076E	74422002
KM170A	5030SS	2			5076E	74422002
KM171A	25300801S	2			5076E	74422002
KM220A	5030SS	3			5077E	74436002
KM221A	25300801S	3			5077E	74436002
KM130C ¹	5021SS	2	5102C	91179001	5076E	74422002
KM170C ¹					5076E	74422002
KM220C ¹					5077E	74436002

¹ KM-C Rev. 230 Volt Motor - 5021TS

KMK "F" Vintage AF=115V BF=230V

Unit	Motor ²	Qty	Fan Blade	Motor Mount	Fan Guard	Drain Pan*
KMK13	25300701S	2	5102C	91179001	5076E	74422002
KMK17		2			5076E	74422002
KMK23		3			5077E	74436002

² 230 Volt Motor = 25300801S

* Drain fitting included in drain pan

40804701 - Air Deflector for size 13 & 17.

40807501 - Air Deflector for size 23

Obsolete Special Application Units:

Unit	Motor	Qty	Fan Blade	Fan Guard	Heater
600LC-1-2 600LC-3 900LC-1-2 900LC-3	5002LS 5002MS 5002LS 5002MS	1	N/A 5137C N/A NA	N/A	N/A
1200LC-1-2 1200LC-3 1800LC-1-2-3 2400LC-1-2-3	5002LS 5002MS 5002MS 5002MS	2	5137C 5137C N/A N/A	N/A	N/A
140LM-1-2-3 140LM-4 140LM-5 190LM-1-2-3 190LM-4 190LM-5	5001LS 5001MS 5001LS 5001LS 5001MS 5001LS	1	N/A N/A N/A N/A 5111C 5111C	5069E	5743B
100LR-1 140LR-1-2 190LR-1-2	5001LS 5001LS 5034LS	1	N/A 5110C 5110C	N/A 5069E 5069E	5743B

Drain Pan Heaters Not Available

Unit	Motor	Qty	Fan Blade	Motor Mount	Fan Guard	Drain Pan	Drain Fitting
375LET 750LET 1100LET	5034MS	1 2 3	5132C	89869801	5069E	64165007 64165008 64165009	66708001
1450LET 1800LET 2100LET	5034MS	4 5 6	5132C	89869801	5069E	64165010 64165011 64165012	66708001
LET451A-B LET452A-B LET721A-B LET722A-B	5008TS	1 1 2 2	5140C	23102401	5068D	64354002 64354002 64355002 64355002	66708001
LET901A-B LET902A-B LET1351A-B LET1352A-B	5008TS	2 2 3 3	5140C	23102401	5068D	64356002 64356002 64357002 64357002	66708001
LET1801A-B LET1802A-B LET2251A-B	5008TS	4 4 5	5140C	23102401	5068D	64358002 64358002 64359002	66708001
LET2252A-B LET2258A-B LET2701A-B	5008TS	5 5 6	5140C	23102401	5068D	64359002 64359002 64360002	66708001
LET2702A-B LET2708A-B	5008TS	6	5140C	23102401	5068D	64360002	66708001
LET0401C-D LET0651C-D LET0901C-D LET1201C-D	5008TS	1 2 2 3	5140C	23102401	5070E	C25924A2 C25925A2 C25926A2 C25927A2	66708001
LET1601C-D LET1801C-D LET2001C-D LET2401C-D	5008TS	4 4 5 6	5140C	23102401	5070E	C25928A2 C25928A2 C25929A2 C25930A2	92864003
LET0401F LET0651F LET0901F	5008TS	1 2 2	5140C	23102401	4340X	C25924A2 C25925A2 C25926A2	66708001
LET1201F LET1601F LET1801F	5008TS	3 4 4	5140C	23102401	4340X	C25927A2 C25928A2 C25928A2	66708001 92864003 92864003
LET2001F LET2401F	5008TS	5 6	5140C	23102401	4340X	C25929A2 C25930A2	92864003

Optional Parts For Revisions C-G: (G revision uses PSC motors)

Motor, 208-230/1/50-60 (PSC) 5008PS
 Side Panel, Left (Valve End) C21988A1
 Side Panel, Right (Elec. End) C21989A1

Fan Guard, Round (PVC) 5070E
 Coil Heater Clip: 23308001

Electric Defrost Components

Unit	Defrost Fan Control	Heater Safety Control	Coil Heater 230V	Qty	Drain Pan Heater	Qty
375LET 750LET 1100LET	5709L	5708L	5856C 5857C 5858C	3	5862C 5863C 5864C	1
1450LET 1800LET 2100LET	5709L	5708L	5859C 5860C 5861C	3	5865C 5866C 5867C	1
LET451A-B LET452A-B LET721A-B LET722A-B	5709L	5708L	5856C 5856C 5841Q 5841Q	3	5862C 5862C 5842Q 5842Q	1
LET901A-B LET902A-B LET1351A-B LET1352A-B	5709L	5708L	5857C 5857C 5858C 5858C	3	5863C 5863C 5864C 5864C	1
LET1801A-B LET1802A-B	5709L	5708L	5859C	3	5865C	1
LET2251A-B LET2252A-B LET2258A-B	5709L	5708L	5860C	3	5866C	1
LET2701A-B LET2702A-B LET2708A-B	5709L	5708L	5861C	3	5867C	1
LET0401C-D LET0651C-D LET0901C-D	5709L	5708L	4254V 4313F 4314F	1 3 3	5862C 4203W 5863C	1
LET1201C-D LET1601C-D LET1801C-D	5709L	5708L	4315F 4260V 4260V	3	5864C 5865C 5865C	1
LET2001C-D LET2401C-D	5709L	5708L	4261V 4262V	3	5866C 5867C	1
LET0401F LET0651F LET0901F	5709L	5708L	4254V 4313F 4314F	1 3 3	4312F 4313F 4314F	1
LET1201F LET1601F LET1801F	5709L	5708L	4315F 4260V 4260V	3	4315F 4260V 4260V	1
LET2001F LET2401F	5709L	5708L	4261V 4262V	3	4261V 4262V	1

Coil Heater Clips - 23308001

{BJ=230/1/60}

{BHJ= PSC Motor}

{QJ=PSC MTR- 50HZ }

Unit	Motor ¹	Qty	Fan Blade	Motor Mount	Fan Guard	Drain Pan	Drain Fitting
LET040	25300201S	1	D21194A2	23102401	4340X	C25924A2	66708001
LET047		1				C25924A2	
LET065		2				C25925A2	
LET090	25300201S	2	D21194A2	23102401	4340X	C25926A2	66708001
LET094		2				C25925A2	66708001
LET120		3				C25927A2	66708001
LET160		4				C25928A2	92864003
LET180	25300201S	4	D21194A2	23102401	4340X	C25928A2	92864003
LET200		5				C25929A2	
LET240		6				C25930A2	

Electric Defrost Components

Unit	Defrost Fan Control	Heater Safety Control	Coil Heater 230V	Qty	Drain Pan Heater 230V	Qty
LET040	5709L	5708L	4254V	1	4312F	1
LET047			4254V	1	4312F	
LET065			4313F	3	4313F	
LET090	5709L	5708L	4314F	3	4314F	1
LET094			4313F		4313F	
LET120			4315F		4315F	
LET160			4260V		4260V	
LET180	5709L	5708L	4260V	3	4260V	1
LET200			4261V		4261V	
LET240			4262V		4262V	

Optional Parts

- ¹ Motor, 208-230/1/50-60 (PSC) 25302501
- Side Panel, Left (Value End) C21988A1
- Side Panel, Right (Elec. End) C21989A1
- Fan Guard, Round (PVC) 5070E
- Coil heater clips: 23308001

Note:

LET Models Ending with "BSWJ" The "SW" = Solenoid Wire
 LET Models Ending with "BSWGJ" :
 The "SW" = Solenoid Wire
 G= Molded Guard PT No. 4542Z

Nomenclature Example:

LET	120	A	K
Model Series		Electrical Characteristics	Design Revision
LET = Electric Defrost, 6 FPI	Size X 100 = BTUH	A = 115/1/60 B = 208-230/1/60 C = 208-230/3/60 M = 460/1/60 V = 208-230/1/60 Motor, 460/1/60 Heaters	

Electric Defrost Components

Model No.	No. Motor	Motor ¹ 230V	Motor 460V	Fan Blade	Motor Mount	Guard ²
LET035 LET040 LET047	1	25300201S	25308701	5140C	23104901	37000701
LET065 LET075 LET090	2	25300201S	25308701	5140C	23104901	37000701
LET120 LET140	3	25300201S	25308701	5140C	23104901	37000701
LET160 LET180	4	25300201S	25308701	5140C	23104901	37000701
LET200	5	25300201S	25308701	5140C	23104901	37000701
LET240 LET280	6	25300201S	25308701	5140C	23104901	37000701

² Optional Wire Guard: Pt. No. 37000601

¹ Optional Motors**

Part No.	Description
25308301	208-230/1/60/50 Totally Enclosed PSC
25308401	460/1/60/50 Totally Enclosed PSC
25308601	208-230/1/60/50 PSC
25308701	460/1/60/50 PSC

Electrical Components

Part No.	Description
22512601	Terminal Strip
5709L	Defrost Termination/Fan Delay - Klixon type
5708L	Heater Safety - Klixon Type

Model No.*	Coil Heater	Drain Pan	Pan Htr 230V	Pan Htr 460V	Back Panel (Ref)	Back Panel (Elec)
LET035 LET040 LET047	24752001	40480101	24752201	24752301	40880901 (all models)	40881001 (all models)
LET065 LET075 LET090	24752002	40480201	24752202	24752302		
LET120 LET140	24752003	40480301	24752203	24752303		
LET160 LET180	24752004	40480401	24752204	24752304		
LET200	24752005	40480501	24752205	24752305		
LET240 LET280	24752006	40480601	24752206	24752306		

** Contact factory if unit was built after 8/04.

Cabinet Components (all sizes)

Part No.	Description
40880801	Access Panel - Elect
40880701	Access Panel - Refrig
40881501	Access Panel - Refrig - Beacon II™

Unit	Motor	Qty	Fan Blade	Motor Mount	Fan Guard	Drain Pan
LLE0681A&B	5008TS	2	5140C	23102401	4340X	C25926A2 ¹
LLE1021A&B		3				C25927A2 ¹
LLE1361A&B		4				C25928A2 ²
LLE1701A&B	5008TS	5	5140C	23102401	4340X	C25929A2 ²
LLE2041A&B		6				C25930A2 ²
LLE0681F		2				C25926A2 ¹
LLE1021F		3				C25927A2 ¹
LLE1361F	5008TS	4	5140C	23102401	4340X	C25928A2 ²
LLE1701F		5				C25929A2 ²
LLE2041F		6				C25930A2 ²

¹ Drain Fitting Part No. 66708001² Drain Fitting Part No. 92864003

Electric Defrost Components

Unit	Defrost Fan Control	Heater Safety Control	Coil Heater	Qty	Drain Pan Heater	Qty
LLE0681A&B	5709L	5708L	4314F	3	5863C	1
LLE1021A&B			4315F		5864C	
LLE1361A&B			4260V		5865C	
LLE1701A&B			4261V		5866C	
LLE2041A&B			4262V		5867C	
LLE0681F	5709L	5708L	4314F	3	4314F	1
LLE1021F			4315F		4315F	
LLE1361F			4260V		4260V	
LLE1701F			4261V		4261V	
LLE2041F			4262V		4262V	

LLE "J" Vintage

{BJ=230/1/60}

{Bhj=PSC Motor}

{QJ=PSC MTR-50 HZ}

Unit	Motor	Qty	Blade	Mount	Guard	Pan
LLE068	25300201S	2	D21194A2	23102401	4340X	C25926A2 ¹
LLE102		3				C25927A2 ¹
LLE136		4				C25928A2 ²
LLE170		5				C25929A2 ²
LLE204		6				C25930A2 ²

¹ Drain Fitting Part No. 66708001² Drain Fitting Part No. 92864003

Unit	Defrost Fan Control	Heater Safety Control	Coil Heater 230V	Qty	Drain Pan Heater 230V	Qty
LLE068	5709L	5708L	4314F	3	4314F	1
LLE102			4315F		4315F	
LLE136			4260V		4260V	
LLE170			4261V		4261V	
LLE204			4262V		4262V	

Optional Parts

Motor, 208-230/1/50-60 (PSC) 25302501S

Fan Guard, Round (PVC) 5070E

Side Panel, Left (Valve End) C21988A1

Side Panel, Right (Elec.End) C21989A1

Nomenclature Example:

LLE	102	A	K
Model Series		Electrical Characteristics	Design Revision
LLE = Electric Defrost, 4 FPI	Size X 100 = BTUH	B = 208-230/1/60 C = 208-230/3/60 M = 460/1/60 V = 208-230/1/60 Motor 460/1/60 Heaters	

Model No.	No. Motor	Motor ¹ 230V	Motor 460V	Fan Blade	Motor Mount	Guard ²
LLE041	1	25300201S	25308701	5140C	23104901	37000701
LLE068 LLE080	2	25300201S	25308701	5140C	23104901	37000701
LLE102 LLE136 LLE170	3 4 5	25300201S	25308701	5140C	23104901	37000701
LLE204 LLE235	6	25300201S	25308701	5140C	23104901	37000701

² Optional Wire Guard: Pt. No. 37000601

¹ Optional Motors*

Part No.	Description
25308301	208-230/1/60/50 Totally Enclosed PSC
25308401	460/1/60/50 Totally Enclosed PSC
25308601	208-230/1/60/50 PSC
25308701	460/1/60/50 PSC

Electrical Components

Part No.	Description
22512601	Terminal Strip
5709L	Defrost Termination/Fan Delay - Klixon type
5708L	Heater Safety - Klixon Type

Model No.*	Coil Heater 208/230/1/60 (2 per unit)	Drain Pan ³	Drain Pan Heater 208-230V (1 per unit)	Drain Pan Heater 460V (1 per unit)	Back Panel Refrig. End	Back Panel Elec. End
LLE035	24752001	40480101	24752201	24752301	40880901 (all models)	40881001 (all models)
LLE068 LLE080	24752002	40480201	24752202	24752302		
LLE102	24752003	40480301	24752203	24752303		
LLE136	24752004	40480401	24752204	24752304		
LLE170	24752005	40480501	24752205	24752305		
LLE204 LLE235	24752006	40480601	24752206	24752306		

³ Drain Fitting Part No. 26925101

* Contact factory if unit was built after 8/04.

Cabinet Components (all sizes)

Part No.	Description
40880801	Access Panel - Elect
40880701	Access Panel - Refrig
40881501	Access Panel - Refrig - Beacon II™

Rev.'S - 1 - 2 & 3

Model No.	Motor 230V	No. Motor	Fan Blade	Motor Mount	Guard	Drain Pan (-2 & -3 rev)
400LO	5025SS	2	5141A	Obs	5068E	C22542A2
580LO	5001LS		5127B	5063C	5069E	C22542A2
700LO	5001LS		5127B	5063C	5069E	C22542A2
870LO	5001LS		5127B	5063C	5069E	C22542A2
1180LO	5042FS	2	5100C	N/A	5071E	C22542A2
1250LO	5003LS		5108B	23103801	5073E	—
1500LO	5003LS		5108B	23103801	5073E	C22542A2
1650LO	5003LS	2	5109B	23103401	5072E	—
1890LO			5108B		5073E	—
2660LO			5110B		5072E	C22542A2

Rev.'S "A" & "B"

Unit	Motor	Qty	Fan Blade	Motor Mount	Fan Guard	Drain Pan ¹
LO 400A-B	5025SS	2	5141A	Obs	5068E	C22542A2
LO 401A-B	5001MS		5141A	Obs	5068E	C22542A2
LO 580A-B	5001LS		5127B	5063C	5069E	C22543A2
LO 581A-B	5001MS		5127B	5063C	5069E	C22543A2
LO 700A-B	5001LS	2	5127B	5063C	5069E	C22544A2
LO 701A-B	5001MS					C22544A2
LO 870A-B	5001LS					C22545A2
LO 871A-B	5001MS					C22545A2
LO1180A-B	5042FS	2	5100C	N/A	5071E	C22546A2
LO1181A-B	5042GS		5100C	N/A	5071E	C22546A2
LO1250A-B	5003LS		5108B	23103801	5073E	C22747A2
LO1251A-B	5003MS		5108B	23103801	5073E	C22747A2
LO1500A-B	5003LS	2	5108B	23103801	5073E	C22547A2
LO1501A-B	5003MS		5108B	23103801	5073E	C22547A2
LO1650A-B	5003LS		5109B	23103401	5072E	C22748A2
LO1651A-B	5003MS		5109B	23103401	5072E	C22748A2
LO1890A-B	5003LS	2	5108B	23103801	5073E	C22548A2
LO1891A-B	5003MS		5108B	23103801	5073E	C22548A2
LO2660A-B	5003LS		5110B	23103401	5072E	C22549A2
LO2661A-B	5003MS		5110B	23103401	5072E	C22549A2

¹ Drain fitting included in drain pan

Rev. "C"

Unit	Motor	Qty	Fan Blade	Motor Mount	Fan Guard	Drain Pan**
LO400C	5025SS	2	5141A	Obsolete	5068E	C25198A2
LO401C	5026TS		92726007 ²	Obsolete	5068E	C25198A2
LO580C	5026SS		5127B	Obsolete	5069E	Obsolete
LO581C	5026TS		5127B	Obsolete	5069E	Obsolete
LO700C	5026SS	2	5127B	23103501	5069E	C25157A2
LO701C	5026TS					C25157A2
LO870C	5026SS					C25153A2
LO871C	5026TS					C25153A2
LO1180C	5031SS	2	5100C	Obsolete	5071E	C25165A2
LO1181C	5031TS		5100C		5071E	C25165A2
LO1250C	5032SS		5148C		5073E	C25185A2
LO1251C	5032TS		5148C		5073E	C25185A2
LO1500C	5031SS	2	5108C	Obsolete	5073E	C25129A2
LO1501C	5031TS		5108C	Obsolete	5073E	C25129A2
LO1650C	5032SS		5109B	Obsolete	5072E	C25193A2
LO1651C	5032TS		5109B	Obsolete	5072E	C25193A2
LO1890C	5031SS	2	5148C	Obsolete	5073E	C25174A2
LO1891C	5032TS		5148C	Obsolete	5073E	C25174A2
LO2660C	5032SS		5110B	Obsolete	5072E	C25143A2
LO2661C	5032TS		5110B	Obsolete	5072E	C25143A2

² Use 5141A and drill to 5/16" bore

** Drain fitting included in drain pan

Rev. "D"

Unit	Motor	Qty	Fan Blade	Motor Mount	Fan Guard	Drain Pan**
LO400D	5025SS	2	5141A	Obsolete	5068E	C25198A2
LO401D	5026TS		92726007#	Obsolete	5068E	C25198A2
LO580D	5026SS		5127B	89869801	5069E	Obsolete
LO581D	5026TS		5127B	89869801	5069E	Obsolete
LO700D	5026SS	2	5127B	89869801	5069E	C25157A2
LO701D	5026TS					C25157A2
LO870D	5026SS					C25153A2
LO871D	5026TS					C25153A2
LO1180D	5031SS	2	5100C	Obsolete	5071E	C25165A2
LO1181D	5031TS		5100C		5071E	C25165A2
LO1250D	5032SS		5110B		5073E	C25185A2
LO1251D	5032T		5110B		5073E	C25185A2
LO1500D	5031SS	2	5108C	Obsolete	5073E	C25129A2
LO1501D	5031TS		5108C	Obsolete	5073E	C25129A2
LO1650D	5032SS		5109B	Obsolete	5072E	C25193A2
LO1651D	5032T		5109B	Obsolete	5072E	C25193A2
LO1890D	5031SS	2	5148C	Obsolete	5073E	C25174A2
LO1891D	5031TS		5148C	Obsolete	5073E	C25174A2
LO2660D	5032SS		5110B	Obsolete	5072E	C25143A2
LO2661D	5032T		5110B	Obsolete	5072E	C25143A2

** Drain fitting included in drain pan

Use 5141A and drill to 5/16" bore

"E" Vintage

Model Size	Motor 115V SP	Motor 230V SP	Motor 115V PSC	Motor 230V PSC	Fan Blade	Motor Mount	Drain Pan ¹
LO70 LO87 LO118	25300101S	25300201S	25302601S	25302501S	22900601	2316597	4040170 4040170 4040171
LO125 LO150 LO165	25300101S	25300201S	25302601S	25302501S	22900601 22900701 22900701	2316597 2316598 2316598	4040171
LO189 LO225 LO266			2530688S	2530689S	2291240 2291240 2291624	4000111 4000111 4000112	4040172 4040174 4040173

460 V Motor: 25305001

Drn Piping Assy: 50148802
50148804

Filter Assy's :

70-120 Pt. # : 89900801

150-220 Pt #: 89900802

266 Pt #: 89900803

¹ Drn Fitting: 26925101

Louvered End Panel for Size	Part No.
70,87,118,125	32401101
150,165,189 225	32400901
266	32401001

Unit	Motor	Qty	Fan Blade	Motor Mount	Fan Guard	Drain Pan
400LOD-1 400LOD-2-3 580LOD-1 580LOD-2-3	5001MS	2	N/A N/A N/A 5127B	Obsolete	5068E	— C22542A2 — C22543A2
700LOD-1 700LOD-2-3 870LOD-1 870LOD-2-3	5001MS	2	5111C 5127B 5111C 5127C	23103501	5069E	— C22544A2 — C22545A2
1180LOD-1 1180LOD-2-3 1250LOD-3 1500LOD-2-3 1650LOD-3	5042GS 5042GS 5003MS 5003MS 5003MS	2	5106B 5100C 5108B 5108C 5109B	23103501 N/A N/A 23103801 23103401	5071E 5071E 5073E 5073E 5072E	— C22546A2 N/A C22547A2 Obsolete
1890LOD-1 1890LOD-2-3 2660LOD-1 2660LOD-2-3	5003MS	2	5108B 5108B 5110B 5110B	23103801 N/A 23103401	5073E 5073E 5072E 5072E	C22548A2 N/A N/A
LOD587A LOD707A LOD877A LOD1187A LOD1257A LOD1259A	5001MS 5001MS 5001MS 5042GS 5003MS 5003MS	2	5127B 5127B 5127C 5100C 5108B 5108B	23103501 23103501 23103501 N/A 23103801 23103801	5069E 5069E 5069E 5071E 5073E 5073E	C22543A2 C22544A2 C22545A2 C22546A2 N/A N/A
LOD1503A LOD1507A LOD1509A LOD1653A LOD1657A LOD1659A	5003MS	2	5108B 5108B 5108B 5109B 5109B 5109B	23103801 23103801 23103801 23103401 23103401 23103401	5073E 5073E 5073E 5072E 5072E 5072E	C22547A2 C22547A2 C22547A2 Obsolete Obsolete Obsolete
LOD1893A LOD1897A LOD1899A LOD2663A LOD2667A LOD2669A	5003MS	2	5108B 5108B 5108B 5110B 5110B 5110B	23103801 23103801 23103801 23103401 23103401 23103401	5073E 5073E 5073E 5072E 5072E 5072E	C22548A2 C22548A2 C22548A2 C22549A2 C22549A2 C22549A2

460V = 5993G Motor with 5599M Capacitor

Unit	Motor	Qty	Fan Blade	Motor Mount	Fan Guard	Drain Pan**
LOD0871B	5001MS	2	Obsolete	Obsolete	5069E	C22545A2
LOD1181B	5042GS		5100C	N/A	5071E	C22546A2
LOD1251B	5003MS		5108B	23103801	5073E	C22547A2
LOD1501B	5003MS		5108B	23103801	5073E	C22547A2
LOD1651B	5003MS		5109B	23103401	5072E	C22548A2
LOD1891B	5003MS		5108B	23103801	5073E	C22548A2
LOD2661B	5003MS		5110B	23103501	5072E	C22549A2
LOD0871C	5026TS	2	5128B	Obs	5069E	C25153A2
LOD1181C	5031TS		5100C	N/A	5071E	C25165A2
LOD1251C	5031TS		5148C	N/A	5073E	C25185A2
LOD1501C	5031TS		5108C	N/A	5073E	C25129A2
LOD1651C	5032TS		5109B	Obs	5072E	C25193A2
LOD1891C	5031TS		5148C	N/A	5073E	C25174A2
LOD2661C	5032T		5110B	Obs	5072E	C25143A2

Use 5599M Capacitor with 5993G Motor For 460V Operation

**DR fitting included

Electric Defrost Components

Unit	Coil Heater	Qty
400LOD-1	N/A	4
400LOD-2-3	N/A	
580LOD-1	Obs	
580LOD-2-3	Obs	
700LOD-1	Obs	
700LOD-2-3	Obs	
870LOD-1	4398W	
870LOD-2-3	4398W	
1180LOD-1	4398W	6
1180LOD-2-3	4398W	
1250LOD-3	4398W	
1500LOD-2-3	4371N	
1650LOD-3	4371N	
1890LOD-1	Obs	
1890LOD-2-3	4371N	
2660LOD-1	5742S	
2660LOD-2-3	4372N	
LOD587A	Obs	4
LOD707A	Obs	4
LOD877A	4398W	4
LOD1187A	4398W	6
LOD1257A	4398W	6
LOD1259A	4398W	6
LOD1503A	4371N	6
LOD1507A	4371N	6
LOD1509A	4371N	6

Electric Defrost Components

Unit	Coil Heater	Qty
LOD1653A	4371N	6
LOD1657A	4371N	
LOD1659A	4371N	
LOD1893A	4371N	
LOD1897A	4371N	
LOD1899A	4371N	
LOD2663A	4372N	
LOD2667A	4372N	
LOD2669A	4372N	
LOD0871B	Obsolete	4
LOD1181B	Obsolete	6
LOD1251B	4370N	6
LOD1501B	4371N	6
LOD1651B	4371N	6
LOD1891B	4371N	6
LOD2661B	4372N	6
LOD0871C	Obsolete	4
LOD1181C	4398W	6
LOD1251C	4398W	6
LOD1501C	4371N	6
LOD1651C	4371N	6
LOD1891C	4371N	6
LOD2661C	4372N	6

Defrost Control 5521R

"E" Vintage {BE=208/230/1/60} {ME=460/1/60}

Unit	Motor	Qty.	Fan Blade	Motor Mount	Drain Pan**	Coil Heater
70 87 118	25300201S	25302501S	22900601	2316597	4040170 4040170 4040171	2470063 2470063 2470130
125 150 165	25300201S	25302501S	22900601 22900701 22900701	2316597 2316598 2316598	4040171	2470130
189 225 266		2530689S	2291240 2291240 2291624	4000111 4000011 4000112	4040172 4040174 4040173	2470160 2470200 2470200

460 Volt Motor 25305001
 **DR Fitting: Pt. No. 26925101
 Piping Assy. 50148802 & 50148804

Filter Assy's 70-120 Pt. No. 89900801
 150-220 Pt. No. 89900802
 266 Pt. No. 89900803
 Fan Delay: 28906601

Unit Size	Louvered End Panel Part No.
70,87,118,125	32401101
150,165,189 225	32400901
266	32401001

Model Size	Motor	Qty	Fan Blade	Motor Mount	Fan Guard	Drain Pan*
580LOG 700LOG 870LOG 1180LOG	5001LS 5001LS 5001LS 5042FS	2	Obsolete 5127B 5127B 5100C	Obsolete 23103501 23103501 N/A	5069E 5069E 5069E 5071E	Obsolete C22544A2 C22545A2 C22546A2
1250LOG 1500LOG 1650LOG 1890LOG 2660LOG	5003LS	2	5108B 5108B 5109B 5108B 5110B	23103801 23103801 23103401 23103801 23103401	5073E 5073E 5072E 5073E 5072E	Obsolete C22547A2 Obsolete C22548A2 C22549A2
LOG580A LOG700A LOG870A LOG1180A LOG1250A	5001LS 5001LS 5001LS 5042FS 5003LS	2	5127B 5127B 5127B 5100C 5108B	23103501 23103501 23103501 Obsolete 23103801	5069E 5069E 5069E 5071E 5073E	Obsolete C22544A2 C22545A2 C22546A2 Obsolete
LOG1500A LOG1650A LOG1890A LOG2660A	5003LS	2	5108B 5109B 5108B 5110B	23103801 23103401 23103801 23103401	5073E 5072E 5073E 5072E	C22547A2 N/A C22548A2 C22549A2
LOG580B LOG700B LOG870B LOG1180B LOG1250B	5001LS 5001LS 5001LS 5042FS 5003LS	2	5127B 5127B 5127B 5100C 5108B	23103501 23103501 23103501 N/A 23103801	5069E 5069E 5069E 5071E 5073E	Obsolete C22544A2 C22545A2 C22546A2 C22547A2
LOG1500B LOG1650B LOG1890B LOG2660B	5003LS	2	5108B 5109B 5108B 5110B	23103801 23103401 23103801 23103401	5073E 5072E 5073E 5072E	C22547A2 C22548A2 C22548A2 C22549A2
LOG1180C LOG1250C LOG1500C	5031SS 5032SS 5031SS	2	5100C 5108B 5108C	N/A	5071E 5073E 5073E	C25165A2 C25185A2 C25129A2
LOG1650C LOG1890C LOG2660C	5032SS 5031SS 5032SS	2	5109B 5148C 5110B	Obsolete N/A Obsolete	5072E 5073E 5072E	C25193A2 C25174A2 Obsolete

For 460 Volt -5993G
Drain Fitting included in drain pan

Electric Defrost Components

Unit	Defrost Control	Drain Pan Heater (2) REQ'D
580LOG	4267W	5856G
700LOG		5856G
870LOG		5856G
1180LOG		OBS
1250LOG		OBS
1500LOG		OBS
1650LOG		OBS
1890LOG		OBS
2660LOG		OBS
LOG580A		4267W
LOG580A	5856G	
LOG700A	5856G	
LOG870A	5856G	
LOG1180A	OBS	
LOG1250A	OBS	
LOG1500A	OBS	
LOG1650A	OBS	

Electric Defrost Components

Unit	Defrost Control	Drain Pan Heater (2) REQ'D
LOG1890A	4267W	OBS
LOG2660A		OBS
LOG580B	4267W	OBS
LOG700B		OBS
LOG870B		OBS
LOG1180B		OBS
LOG1250B		5856G
LOG1500B		OBS
LOG1650B		OBS
LOG1890B		OBS
LOG2660B		OBS
LOG1180C		4267W
LOG1250C	5856G	
LOG1500C	OBS	
LOG1650C	OBS	
LOG1890C	OBS	
LOG2660C	OBS	

"E" Vintage {AE=115V} {BE=208/230} {ME=460/1/60}

Model Size	Motor 115V SP	Motor 230V SP	Motor 115V PSC	Motor 230V PSC	Fan Blade	Motor Mount
70	25300101S	25300201S	25302601S	25302501S	22900601	2316597
87						
118						
125	25300101S	25300201S	25302601S	25302501S	22900601	2316597
150					22900701	2316598
165					22900701	2316598
189	-	-	2530688S	2530689S	2291240	4000111
225					2291240	4000011
266					2291624	4000112

460 Volt Motor 25305001 Fan Delay 4267W

Electric Defrost Components

Model size	Drain Pan*	Defrost Heater (2) REQ'D
70	4040170	2470063
87	4040170	2470063
118	4040171	2470130
125	4040171	2470130
150		
165		
189	4040172	2470160
225	4040174	2470200
266	4040173	2470200

Unit Size	Louvered End Panel Part No.
70,87,118,125	32401101
150,165,189 225	32400901
266	32401001

Optional Filter: 2030001
 *Drn Pan Fitting 26925101
 Drn Pan Assy 50148802 & 50148804

LTA–Extended Thin Profile

Motor / Fan Blade / Fan Guard

Parts #	Description
25315501	Motor 115/1/60 Shaded Pole
25315601	Motor 208-230/1/60 Shaded Pole
22919001	Fan Blade 10"
23105001	Fan Guard – Wire
23105101	Motor Mount

Defrost Heater

Parts #	Description	Voltage	No. Fans
24723002	Defrost Heater 1100W 230V	208-230/1/60	2
24723003	Defrost Heater 1650W 230V	208-230/1/60	3
24723004	Defrost Heater 2200W 230V	208-230/1/60	4
24723005	Defrost Heater 2750W 230V	208-230/1/60	5
24723006	Defrost Heater 3300W 230V	208-230/1/60	6
23305501	Heater Clip	N/A	3-7

Drain Fitting

Parts #	Description
26925101	Drain Fitting Assembly

Cabinet Components

Parts #	Description	No. Fans
40970201	Drain Pan	2
40970301	Drain Pan	3
40970401	Drain Pan	4
40970501	Drain Pan	5
40970601	Drain Pan	6
46834201	Fan Panel – 2 Fan	2, 4, 5
46834301	Fan Panel – 3 Fan	3, 5, 6
46844201	Beacon Fan Panel – 2 Fan	2, 4, 5
46844301	Beacon Fan Panel – 3 Fan	3, 6
40931201	Panel – Side Right (Piping End)	N/A
40931301	Panel – Front Access Right (Piping End)	N/A
40930901	Panel – Side Left (Electrical End)	N/A
40931001	Panel – Front Access Left (Electrical End)	N/A
40931401	Panel – Back Right (Piping End)	N/A
40931101	Panel – Back Left (Electrical End)	N/A
40931601	Panel – Beacon Access	N/A

Electrical Components

Parts #	Description
4145W	Terminal Strip – Electric Defrost Models
5709L	Defrost Termination Thermostat – sealed bimetal type
5709L	Fan Delay Thermostat – sealed bimetal type
4131Y	Room Thermostat
5708L	Heater Limit Thermostat – sealed bimetal type

LSC Units

Unit	Motor	Qty	Fan Blade	Motor Mount	Fan Guard	Drain Pan	Drain Fitting ²
LSC080A-F	5008TS	2	5140C	23102401	4340X	C25926A2	66708001
LSC120A-F		3				C25927A2	66708001
LSC160A-F		4				C25928A2	92864003
LSC200A-F		5				C25929A2	92864003
LSC240A-F		6				C25930A2	92864003

Note: LSC Optional Parts See ADT B Thru F Rev.

* "F" & "G" Vintage only — "A" Vintage uses Part No. 5070E - wire guard

Part Description	MAC-2G	MAC-3G	MAC-7G	MAC-8G
Compressor Freezer	KAJA-011E	3ABA-031E	ZF13K3E	2DF3-030E
Compressor Cooler	RS43C1E	RS64C1E	CS10K6E	CS10K6E
Start Capacitor Cooler	7076959	7076956	7076957	7076957
Run Capacitor Cooler	7076950	7076951	7075858	7075858
Compressor Contactor 3HP	2259996	2259996	2259996	2259996
Compressor Contactor 1 1/2 HP	R034915200	R034915200	R034915200	R034915200
Fan Motor	7071208S	7071208S	7071208S	7071208S
Fan Blade	7173156	7173156	7173156	7173156
Motor Mount	4000131	4000131	4000131	4000131
Hi Pressure Control	28903201	28903201	28903201	28903201
Lo Pressure Control	2890099	2890099	2890099	2890099
CC Heater - Cooler	24701402	24701402	with Compressor	with Compressor
CC Heater - Freezer	7077982	2471801	24701301	7077983
Timer	2138162	2138162	2138162	2138162
Fan Cycling T'stat	2890019	2890019	2890019	2890019
Relay	1007647	1007647	1007660	1007660
Disconnect Fuse	25AMP	35 AMP	45AMP	45AMP

Part Description	Part Number	Evaporators
Motor	5036PS	All ¹
Blade	5110E	All ¹
Guard	5055F	All ¹
Defrost / Fan Control	4267W	All Freezers
Room Thermostat	2891040	All ¹
Bohnmizer Exp. Valve	4627D	All Coolers
Bohnmizer Exp. Valve	4625D	All Freezer
Bohnmizer Tee	91135001	All ¹
Bulb Well Tee Nut	5098J	All ¹
Bulb Well Seal	5096J	All ¹
Defrost Heaters	4400S	SME040BMCD1E
Defrost Heaters	4402S	SME090BMCD1E
Defrost Heaters	4403S	SME130BMCD1E
Defrost Heaters	4404S	SME174BMCD1E
Liquid Line Solenoid	5765Y	SM052BMCD1E & SM076BMCD1E
	5765Y	SME040BMCD1E & SME090BMCD1E
	4502Z	SM102BMCD1E
	4502Z	SME130BMCD1E & SME174BMCD1E
Drain Pan	C26363A2	SM052BMCD1E, SME040BMCD1E
	C26360A2	SM076BMCD1E, SM102BMCD1E
	C26361A2	SME090BMCD1E, SME130BMCD1E
	C26362A2	SME174BMCD1E

¹ ALL = For SM/SME Evaporators on this page only

Model Size	Motor ¹	Qty	Fan Blade	Motor Mount	Fan Guard ²	Drain Pan ³
MPE0901A-E	5020TS	1	5130C	5064E	4339X	C26174A2
MPE1401A-E		1				C26174A2
MPE1901A-E		2				C26175A2
MPE2601A-E		2				C26175A2
MPE3001A-E		3				C26176A2
MPE3901A-E		3				C26176A2
MPE5202A-E		4				C26177A2
MPE0901F	5020TS	1	5130C	5064E	4339X	C26174A2
MPE1401F		1				C26174A2
MPE1901F		2				C26175A2
MPE2601F		2				C26175A2
MPE3001F		3				C26176A2
MPE3901F		3				C26176A2
MPE5202F		4				C26177A2
MPG0900A-E	5020SS	1	5130C	5064E	4339X	C23723A1
MPG1400A-E		1				C23723A1
MPG1900A-E		2				C23724A1
MPG2600A-E		2				C23724A1
MPG3000A-E		3				C23725A1
MPG3900A-E		3				C23725A1
MPG5200A-E		4				C23726A1
MPG2600F	5020SS	2	5130C	5064E	4339X	C26175A2
MPG3000F		3				C26176A2
MPG3900F		3				C26176A2
MPG5200F		4				C26177A2

All Mp Series Optional Parts:

¹ Motor 115 Volt 5020SS

¹ Motor 230 Volt 5020TS

¹ Motor 460 Volt 5001PS

² Wire Fan Guard (PVC) 5063E

³ Drain Fitting Part No. 92864003

Note: Drain pans for MPG do not include header Ass'y Capacitor 5599M

MPA Rev. "A Thru F"

Unit	Motor ¹	Qty	Fan Blade	Motor Mount	Fan Guard ²	Drain Pan	Drain Fitting
MPA115A-F	5020SS	1	5130C	5064E	4339X	C26174A2	92864003
MPA140A-F		1				C26174A2	
MPA175A-F		1				C26174A2	
MPA245A-F		2				C26175A2	
MPA300A-F	5020SS	2	5130C	5064E	4339X	C26175A2	92864003
MPA365A-F		3				C26176A2	
MPA450A-F		3				C26176A2	
MPA600A-F		4				C26177A2	

¹ Motor 230V=5020TS

¹ Motor 460V=5001PS

² Fan Guard (Wire)=5063E

Capacitor 5599M

Electric Defrost Components

Unit	Defrost Fan Control	Heater Safety Control	Coil Heater	Qty	Drain Pan Heater	Qty
MPE0901A-E	5709L	5708L	4382C	2	4386C	1
MPE1401A-E			4382C	4	4386C	
MPE1901A-E			4383C	4	4387C	
MPE2601A-E			4383C	4	4387C	
MPE3001A-E			4384C	4	4388C	
MPE3901A-E			4384C	4	4388C	
MPE5202A-E			4385C	4	4385C	
MPE0901F	5709L	5708L	4382C	2	4446H	2
MPE1401F			4382C	4	4446H	
MPE1901F			4383C	4	4447H	
MPE2601F			4383C	4	4447H	
MPE3001F			4384C	4	4448H	
MPE3901F			4384C	4	4448H	
MPE5202F			4385C	4	4449H	

For MPG A-F Vintage Use:

Note: Adj. Defrost Term & Fan Delay = 4267W

Defrost Fan Control = 4384K

MPL Units

Unit	Motor	Qty	Fan Blade	Motor Mount	Fan Guard	Drain Pan
MPL2202F	5020TS	2	5130C	5064E	4339X	C26175A2
MPL3302F		3				C26176A2
MPL4402F		4				C26177A2

Drain Fitting Part No. 92864003

Unit	Defrost Fan Control	Heater Safety Control	Coil Heater	Qty	Drain Pan Heater	Qty
MPL2202F	5709L	5708L	4383C	4	4447H	2
MPL3302F			4384C		4448H	
MPL4402F			4385C		4449H	

All MP Series Optional Parts:

Motor 115 Volt 5020SS

Motor 230 Volt 5020TS

Motor 460 Volt 5001PS

Wire Fan Guard (PVC) 5063E

Unit	Motor	Qty	Fan Blade	Motor Mount	Fan Guard ²	Drain Pan	Drain Fitting
OKI1010A OKI1011A	5034LS 5034MS	3	5132C	Obsolete	5069E	N/A	Obsolete
OKI1200A&B OKI1201A&B OKI1650A&B OKI1651A&B	5008SS 5008TS 5008SS 5008TS	3 3 4 4	5140C	5000212	5068D	N/A	Obsolete
OKI120F-G OKI160F-G	5008TS	3 4	5140C	23102401	4340X	C25927A2 C25928A2	66708001 92864003

Note: Optional Parts For OKI F-G REV See ADT B-F
7-11 Stores

PRO³ Top Mount Refrigeration System

Nomenclature Example:

P	T	N	72	H	2	B
					Refrigerant	Voltage
P = PRO3 Refrigeration Systems	T = Top Mount	N = Indoor T = Outdoor	Capacity x 100 = BTUH	H = Cooler Air Defrost L = Freezer Electronic Defrost	2 = R-22 6 = R404A	A = 115/1/60 B = 208-230/1/60 C = 208-230/3/60

Coolers

Part Description	Part Number	PTN024H2A (QTY REQ'D)	PTN029H2A (QTY REQ'D)	PTN040H2A (QTY REQ'D)
Fan Blades				
Evaporator 8" Condenser 10"	23100501 2291030	1	1	1
Fan Motors				
115V. Evaporator 115V. Condenser	25303201S 25300101S	1	1	1
Motor Mount				
Evaporator Condenser	23101401 23101101	1	1	1
Grill				
Evaporator Condenser (Louvered panel)	40922402 40902302	1	1	1
Relay				
12 A. 120V	22560001	1	1	1
Temperature Control				
Temperature Control - Cooler 115V	Consult Factory	1	1	1
TXV Valve				
	29341701 29341702	1 -	1 -	- 1

Drain Pan/Evaporator Fan Panel Pt. No. 46818202

Note: For PSC for 200/1/50 : 25302501 115V Condenser Motor 25302601S

Use 25303201 (115V/60-50/S.P./1800RPM CWOSE or 25303301 208-230/50-60/1 S.P. - CWOSE - 1800 RPM

Freezers

Part Description	Part Number	PTN019L6A (QTY REQ'D)
Fan Blades		
Evaporator 8" Condenser 10"	23100501 2291030	1
Fan Motors		
115V. Evaporator 115V. Condenser	25303201S 25300101S	1
Motor Mount		
For Evaporator For Condenser	23101401 23101101	1
Grill		
Evaporator Condenser (Louvered panel)	40922402 40902302	1
Relay		
12 A. 120V	22560001	1
Temperature Control		
Defrost Timer Control Room Thermostat Heater Limit Thermostat	21300601 21901002 5708L	1
Defrost Heater (coil & drain pan)		
115V	24751901	1
TXV Valve	29341703	1

Drain Pan/Evap Fan Panel Pt. No. 46818202

Coolers

Part Description	Part Number	PTN047H2A (QTY REQ'D)	PTN047H2B PTT047H2B (QTY REQ'D)	PTN063H2B PTT063H2B (QTY REQ'D)	PTN072H2B PTT072H2B (QTY REQ'D)
Fan Blades					
Evaporator 10"	22901901	1	1	2	2
Condenser 12"	22900701			1	1
Fan Motors					
208/230V Evaporator	25307801		1	2	2
208/230V Condenser	25307801		1	1	1
115V Evaporator	25307701	1			
115V Condenser	25307701	1			
Motor Mount					
Evaporator	4000104	1	1	2	2
Condenser	23103301	1	1	1	1
Grill					
Evaporator	40894201	1	1	1	1
Condenser (Louvered panel)	40819901	1	1	1	1
Contactors					
20 A. 115V	2254303	1			
20 A. 230V	R034915200		1	1	1
Temperature Control					
Temp Control - cooler 208/230V	Consult Factory		1	1	1
Temp Control - cooler 115V	Consult Factory	1			
TXV Valve	29347601 29347602	1	1	1	1
Drain Line Heater (PTT Only)	24753401		1	1	1
Pressure Control (PTT Only)	28906701		1	1	1

Drain Pan Pt. No. 40404502

Freezers

Part Description	Part Number	PTN021L6A (QTY REQ'D)	PTN021L6B PTT021L6B (QTY REQ'D)	PTN031L6B PTT031L6B (QTY REQ'D)	PTN044L6B PTT044L6B (QTY REQ'D)
Fan Blades					
Evaporator 10"	22901901	1	1	2	2
Condenser 12"	22900701	1	1	1	1
Fan Motors					
208/230V. Evaporator	25307801		1	2	2
208/230V Condenser	25307801		1	1	1
115V. Evaporator	25307701	1			
115V. Condenser	25307701	1			
Motor Mount					
For Evaporator	4000104	1	1	2	2
For Condenser	23103301	1	1	1	1
Grill					
Evaporator	40894201	1	1	1	1
Condenser (Louvered panel)	40819901	1	1	1	1
Contactors					
20 A. 115V	2254303	1			
20 A. 230V	R034915200		1	1	1
Temperature Control					
Defrost Temp Control - 208/230V	21300401 ¹	1	1	1	1
Heater Limit Thermostat	5708L	1	1	1	1
Defrost Heaters (in coil & drain pan)					
115V	24712101	3			
230V	4312F		3	3	3
TXV Valve	29347603 29347604	1	1	1	1
Drain Line Heater (PTT Only)	24753401		1	1	1
Pressure Control (PTT Only)	28906701		1	1	1

¹ Replacement Sensor Only Part. No. 28912101

Drain Pan Pt. No. 40404502

Coolers

Part Description	Part Number	PTN099H2B PTT099H2B (QTY REQ'D)	PTN099H2C PTT099H2C (QTY REQ'D)	PTN128H2B PTT128H2B (QTY REQ'D)	PTN128H2C PTT128H2C (QTY REQ'D)
Fan Blades					
Evaporator 10"	22901901	3	3	3	3
Condenser 12"	22900701	2	2	2	2
Fan Motors					
208/230V Evaporator	25307801	3	3	3	3
208/230V Condenser	25307801	2	2	2	2
Motor Mount					
Evaporator	4000104	3	3	3	3
Condenser	23103301	2	2	2	2
Grill					
Evaporator	40894601	1	1	1	1
Condenser (Louvered half panel) E-box side	40903601	1	1	1	1
Condenser (Louvered half panel)	40903701	1	1	1	1
Contactors					
25 A 230V 3 Pole	2259996		1		1
20 A 230V 2 Pole	R034915200	1		1	
Temperature Control					
Temp Control - Cooler 208/230V	Consult Factory	1	1	1	1
TXV Valve	29347602	1	1		
	29341709			1	1
Drain Line Heater (PTT Only)	24753401	1	1	1	1
Fan Cycle T'stat (PTT Only)	5521R	1	1	1	1
Pressure Control (PTT Only)	28906701	1	1	1	1

Drain Pan Pt. No. 40405002

Freezers

Part Description	Part Number	PTN052L6B PTT052L6B (QTY REQ'D)	PTN052L6C PTT052L6C (QTY REQ'D)	PTN069L6B PTT069L6B (QTY REQ'D)	PTN069L6C PTT069L6C (QTY REQ'D)
Fan Blades					
Evaporator 10"	22901901	3	3	3	3
Condenser 12"	22900701	2	2	2	2
Fan Motors					
208/230V. Evaporator	25307801	3	3	3	3
208/230V Condenser	25307801	2	2	2	2
Motor Mount					
For Evaporator	4000104	3	3	3	3
For Condenser	23103301	2	2	2	2
Grill					
Evaporator	40894601	1	1	1	1
Condenser (Louvered half panel) E-box side	40903601	1	1	1	1
Condenser (Louvered half panel)	40903701	1	1	1	1
Contactors					
25 A. 230V 3 Pole	2259996		1		1
20 A. 230V 2 Pole	R034915200	1		1	
Temperature Control					
Defrost Temp Control - 208/230V	21300401 ¹	1	1	1	1
Heater Limit Thermostat	5708L	1	1	1	1
Defrost Heaters (in coil & drain pan)					
230V	4313F	3	3	3	3
TXV Valve	29347604	1	1	1	1
Drain Line Heater (PTT Only)	24753401	1	1	1	1
Fan Cycle T'stat (PTT Only)	5521R				
Pressure Control (PTT Only)	28906701	1	1	1	1

¹ Replacement Sensor Only Part. No. 28912101

Drain Pan Pt. No. 40405002

PRO³ Side Mount Refrigeration System

Nomenclature Example:

P	S	T	70	L	6	B	H
P = PRO3 Packaged Refrigeration System	S = Side Mount	T = Outdoor	70 = BTUH x 100	H = High/Med Temp L = Low Temp M = Med Temp w/Elec Def	R404A	208-230/1/60	H = PSC motors EC = EC Motors

Coolers

Part Description	Part Number	PST070H6B*	PST090H6B*	PST131H6B*	PST147H6B*
Fan Blades					
Evaporator	5140C	1	1	2	2
Condenser	22901901	2	2	3	3
Fan Motors					
Evaporator, PSC - 208/230 volt	25308601	1	1	2	2
Evaporator, EC - 208/230 volt	25317701	1	1	2	2
Condenser - 208/230	25308301	2	2	3	3
Evaporator fan motor bracket	23103301	1	1	2	2
Condenser fan motor bracket	4000104	2	2	3	3
Contactors					
20A, 230-volt	34915200	1	1	1	1
Temperature Control					
Freezer control kit -208/230 volt*	21300701	1	1	1	1
Cooler w/ electric defrost - 208/230 volt	21300801	1	1	1	1
Cooler control kit - 208/240 volt*	21300901	1	1	1	1
Heater limit thermostat	5708L				
Defrost Heaters	4312F				
Defrost heaters - 230 volt	4342L				
Outdoor Parts					
Fan pressure control	28917301	1	1	1	1
Fan temperature control	5521R	1	1	1	1
Drain line heater	24753401	1	1	1	1
Drain line heater thermostat	28917401	1	1	1	1

Coolers w/Electric Defrost

Part Description	Part Number	PST066M6B*	PST086M6B*	PST124M6B*	PST141M6B*
Fan Blades					
Evaporator	5140C	1	1	2	2
Condenser	22901901	2	2	3	3
Fan Motors					
Evaporator, PSC - 208/230 volt	25308601	1	1	2	2
Evaporator, EC - 208/230 volt	25317701	1	1	2	2
Condenser - 208/230	25308301	2	2	3	3
Evaporator fan motor bracket	23103301	1	1	2	2
Condenser fan motor bracket	4000104	2	2	3	3
Contactors					
20A, 230-volt	34915200	1	1	1	1
Temperature Control					
Freezer control kit -208/230 volt*	21300701	1	1	1	1
Cooler w/ electric defrost - 208/230 volt	21300801	1	1	1	1
Cooler control kit - 208/240 volt*	21300901	1	1	1	1
Heater limit thermostat	5708L	1	1	1	1
Defrost Heaters	4312F	3	3		
Defrost heaters - 230 volt	4342L			3	3
Outdoor Parts					
Fan pressure control	28917301	1	1	1	1
Fan temperature control	5521R	1	1	1	1
Drain line heater	24753401	1	1	1	1
Drain line heater thermostat	28917401	1	1	1	1

Freezers

Part Description	Part Number	PST034L6B*	PST051L6B*	PST057L6B*	PST077L6B*
Fan Blades					
Evaporator	5140C	1	1	2	2
Condenser	22901901	2	2	3	3
Fan Motors					
Evaporator, PSC - 208/230 volt	25308601	1	1	2	2
Evaporator, EC - 208/230 volt	25317701	1	1	2	2
Condenser - 208/230	25308301	2	2	3	3
Evaporator fan motor bracket	23103301	1	1	2	2
Condenser fan motor bracket	4000104	2	2	3	3
Contactors					
20A, 230-volt	34915200	1		1	1
Temperature Control					
Freezer control kit -208/230 volt*	21300701	1	1	1	1
Cooler w/ electric defrost - 208/230 volt	21300801	1	1	1	1
Cooler control kit - 208/240 volt*	21300901	1	1	1	1
Heater limit thermostat	5708L	1	1	1	1
Defrost Heaters	4312F	3	3		
Defrost heaters - 230 volt	4342L			3	3
Outdoor Parts					
Fan pressure control	28917301	1	1	1	1
Fan temperature control	5521R	1	1	1	1
Drain line heater	24753401	1	1	1	1
Drain line heater thermostat	28917401	1	1	1	1

Motor/Fan ¹ Combination	Motor Pt. No.	Blade Pt. No.	Blade Description	Motor Mount	Fan Guard
1	5011T	22900101	Steel	40000101	5092C
2	5034TS	22900101	Steel	40000101	
3	2535999	5107E	Cast Aluminum	N/A	
4	2535917	2295108	Cast Aluminum	N/A	
5	*	5107E	Cast Aluminum	N/A	
6	2535953	2295108	Cast Aluminum	N/A	

*Consult Factory

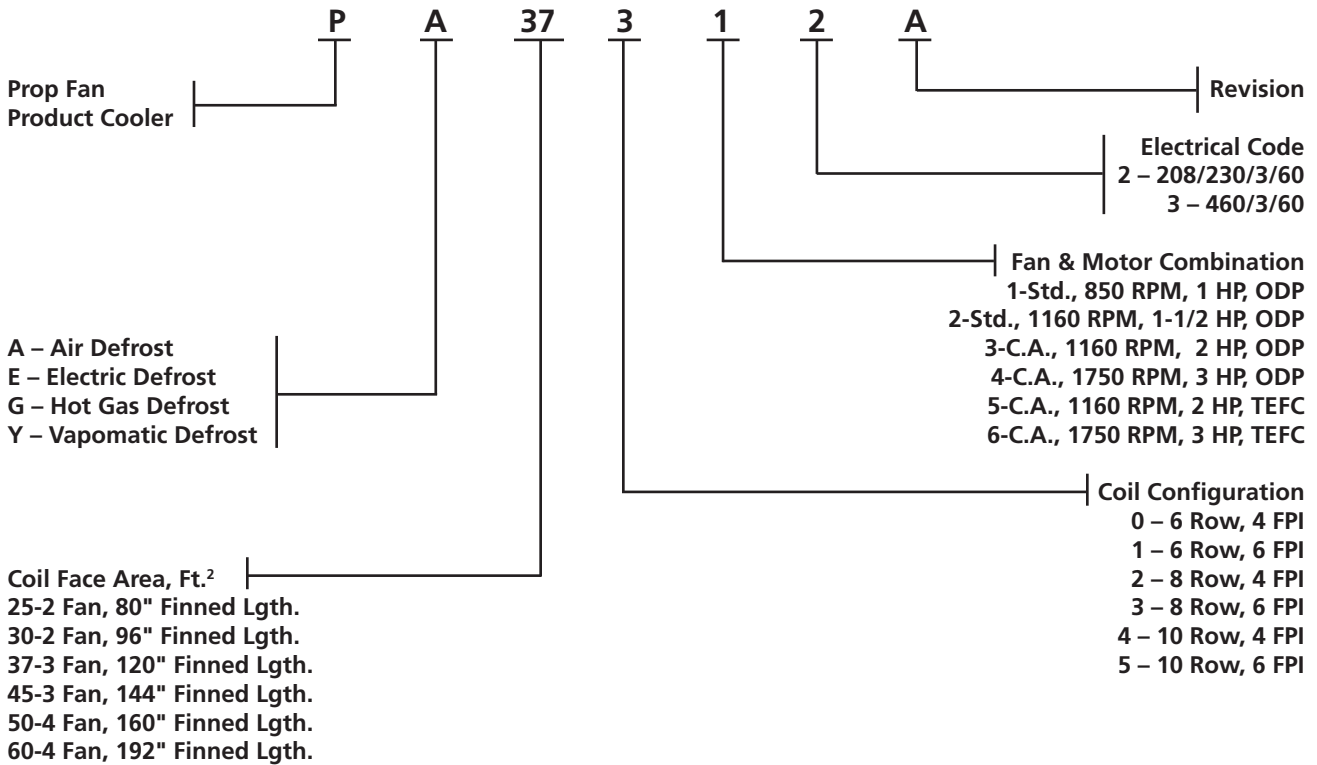
¹ Note: Fourth digit of model indicates fan motor.

- | | |
|------------|---------------|
| 1 = 1 HP | 4 = 3 HP |
| 2 = 1.5 HP | 5 = 2 HP TEFC |
| 3 = 2 HP | 6 = 3 HP TEFC |

Electric Defrost Parts

Unit Size	Coil Heater	Pan Heater	Defrost Control
25	2479999	2479997	4267W
37	2479998(16)	2479996(2)	

Nomenclature



RAM

RAM "A" & "C" Vintage

Unit	Motor ¹	Qty	Fan Blade	Motor Mount	Fan Guard	Drain Pan*
RAM130	5021SS	2	5117C	91179001	5076E	74422002
RAM170		2			5076E	74422002
RAM220		3			5077E	74436002

¹ 230 Volt Motor=5021TS

*Drain fitting included

RAMK "F" Vintage

{AF=115V} {BF=230V}

Unit	Motor ¹	Qty	Fan Blade	Motor Mount	Fan Guard	Drain Pan*
RAMK13	25300701S	2	5117C	91179001	5076E	74422002
RAMK17		2			5076E	74422002
RAMK23		3			5077E	74436002

¹ 230 Volt Motor = 25300801S

40804701 -

Air Deflector for size 13 & 17.

*Drain fitting included

40807501 -

Air Deflector for size 23

K = Bohn Kote

RGT/RL

Unit	Motor	Qty	Fan Blade	Motor Mount	Fan Guard	Drain Pan	Drain Fitting
RGT750A	5034LS	2	5132C	89869801	5069E	N/A	66708001
RGT751A	5034MS	2					
RGT1100A	5034LS	3					
RGT1101A	5034MS	3	5132C	89869801	5069E	N/A	66708001
RGT1450A	5034LS	4					
RGT1451A	5034MS	4					
RGT1800A	5034LS	5	5132C	89869801	5069E	N/A	66708001
RGT1801A	5034MS	5					
RGT2100A	5034LS	6					
RGT2101A	5034MS	6					

Motor 460 Volt= 5001PS

Fan Control = 5507S

Wire Fan Guard (PVC) = 5063E

Unit	Motor	Qty	Fan Blade	Motor Mount	Fan Guard	Drain Pan	Drain Fitting
650RL	5003LS	1	5110B	23103401	5069E	N/A	92864003
900RL	5002LS	1	5111B	23103401	5072E		
1200RL	5002LS	1	5113A	23103801	5063E		
1800RL	5002LS	2	5110B	23103401	5072E		
2400RL	5002LS	2	5113A	23103801	5063E		
3600RL	5002LS	3	5113A	23103801	5063E		
RL650A&B	5003LS	1	5110B	23103401	5072E	N/A	92864003
RL900A&B	5002LS	1	5111B	23103401	5072E		
RL1200A&B	5002LS	1	5113A	23103801	5063E		
RL1800A&B	5002LS	2	5110B	23103401	5072E		
RL2400A&B	5002LS	2	5113A	23103901	5063E		

Rev. "A Thru D"

Unit	Motor ¹	Qty	Fan Blade	Motor Mount	Fan Guard	Drain Pan*
SM046A&B SM052A&B SM076A&B SM090A&B	5036SS	1 1 2 2	5110E	23102401	5055F	C27571A2 C27571A2 C27568A2 C27568A2
SM108A&B SM156A&B SM208A&B	5036SS	3 3 4	5110E	23102401	5055F	C27569A2 C27569A2 C27570A2
SM046C&D SM052C&D SM076C&D SM090C&D	5036SS	1 1 2 2	5110E	40003001*	5055F	C26363A2 C26363A2 C26360A2 C26360A2
SM108C&D SM156C&D SM208C&D	5036SS	3 3 4	5110E	40003001*	5055F	C26361A2 C26361A2 C26362A2

¹ SM 230V Motor = 5036TS

¹ SM 115V PSC = 5036N, 230V PSC = 5036PS

Rev. "E"

{AE=115V BE=230V}

Unit	Motor ¹	Qty	Fan Blade	Motor Mount	Fan Guard	Drain Pan*
SM052AE SM076AE SM090AE	5036SS	1 2 2	5110E	40003001	5055F	C26360A2
SM102AE SM108AE SM134AE SM156AE	5036SS	2 3 3 3	5110E	40003001	5055F	C26361A2
SM179AE SM208AE SM249AE	5036SS	4 4 5	5110E	40003001	5055F	C26362A2 C26362A2 D20817A2

¹ 230 Volt Motor=5036TS

¹ 460 Volt Motor=25305901

¹ 115 Volt Spec. Ball-Bearing Motor 25308001

*Includes Drain Coupling

*Motor Mounting Plate

¹ 115 Volt Motor (PSC)=5036NS

¹ 230 Volt Motor (PSC)=5036PS

End Panel -	B24264A1 (2)
Side Panel -	A20673A1 (4)
Filter (Net)	4550G

Unit	Motor	Qty	Fan Blade	Motor Mount	Fan Guard	Drain Pan
SME0351A SME0401A SME0541A SME0651A	5036TS	1 1 2 2	5110E	23102401	5055F	C27568A2 C27568A2
SME0901A SME1301A SME1741A	5036TS	3 3 4	5110E	23102401	5055F	C27570A2
SME0401C SME0541C SME0651C	5036TS	1 2 2	5110E	40003001*	5055F	C26363A2 C26360A2 C26360A2
SME0901C SME1301C SME1741C	5036TS	3 3 4	5110E	40003001*	5055F	C26361A2 C26361A2 C26362A2

Rev. B And D Models Have 5036PS Motors (PSC)

* Motor Mounting Plate

Electric Defrost Components

Unit	Defrost Fan Control	Heater Safety Control	Coil Heater	Qty Heater Required
SME0351A SME0401A SME0541A SME0651A	5709L	5708L	4400S 4400S 4401S 4401S	2
SME0901A SME1301A SME1741A	5709L	5708L	4402S 4403S 4404S	2
SME0401C SME0541C SME0651C	4267W	-	4400S 4401S 4401S	2
SME0901C SME1301C SME1741C	4267W	-	4402S 4403S 4404S	2

"E" Vintage

Unit	Motor	Qty	Fan Blade	MTR. MT. (Plate)	Fan Guard	Drain Pan	Def. HTR (2) REQ'D
SME040BE SME054BE SME065BE	5036TS	1 2 2	5110E	40003001	5055F	C26360A2	4400S 4401S 4401S
SME090BE SME130BE SME174BE	5036TS	3 3 4	5110E	40003001	5055F	C26361A2 C26361A2 C26362A2	4402S 4403S 4404S

Optional Parts:
 230 Volt Motor (PSC)=5036PS
 460 Volt Motor = 25305901
 Filters 4550G
 End Panel: B24264A1 (2)
 Side Panel: A20673A1 (4)

Note: Adjustable Defrost Term & Fan Delay = 4267W

SBH/SLN/SLH/HLN/HBH/HLH

Discontinued 1998

Unit Size	Motor For 230V Unit	Motor For 460V Unit	Motor Capacitor	Fan Blade	Motor Mount	Head Pressure Valve	(Optional) Fan Cycle Switch
005 008 010	7071061	7071061	R037516402	R043759700	6366022	2930429	-
015	7071061	7071061	R037516402	R043759700	6366022	2930429	7075839
020	7071061	7071061	R037516402	R043759700	6366022		7075839
030	*7071208S	*7071225S	-	7173156	Obsolete		-
040 050	*7071208S	*7071225S	-	7173156	Obsolete	2930058	-

*Motor includes capacitor

Low Pressure Switch: Part No. 7075212

R-12 High Pressure Switch: Part No. 7075208

R501/22 High Pressure Switch Part No. 7075207

Compressor Contactor (Size 005 thru 020) Part No. R034915200

Compressor Contactor (Size 030 thru 050) Part No. 2252340 (replaces 1007603)

SRN/SWN

Bohn

Nomenclature Example:

S	W	N	500	H	2	C
Semi-hermetic	Water Cooled Remote	Indoor	Model Size	Application	Refrig.	Voltage
				H = High Temp M = Med. Temp L = Low Temp E = Extra Low Temp	2 = R22 6 = R404A	B = 208-230/1/60 C = 208/230/3/60 D = 460/3/60 G = 230/1/60

Description	Part No.
Condenser, Shell & Tube 6x24	21634301
Condenser, Shell & Tube (Used w/1.5HP Remotes) 6 X 24	21633301
Condenser, Shell & Tube (Used w/10HP Remotes) 8.63 X 42	21631201
Condenser, Shell & Tube (Used w/15HP Remotes) 10.75 X 48	21631301
Condenser, Shell & Tube (Used w/2HP Remotes) 6.63 X 18	21633401
Condenser, Shell & Tube (Used w/5HP Remotes) 8.63 X 24	21631001
Condenser, Shell & Tube (Used w/7.5HP Remotes) 8.63 X 36	21631101
Contactors, 2P, 25A (35A), 208-240V	2252125
Contactors, 3P, 25A (35A), 208-240V	2259996
Contactors, 3P, 40A (50A), 208-240V	2252340
Contactors, 3P, 50A (63A), 208-240V	2252350
Contactors, 3P, 75A (93A), 208-240V	2252375
Control High Pressure 400#C.O.w/Conn	28913201
Control High Pressure Fixed 315#	2890101
Control Pressure HP14T9B 1-1/8OD-R-22/R-50	2939398
Control Dual Pressure - Man 20in - 100/100-425	2891550
Control Sentronic Oil Safety - Copeland	2897100
Control Adjustable Low Pressure SW./P70AB-1D 1/4FL	2891402
Low Pressure Switch w/Conduit (Fixed)	28913401
Crankcase Heater 240V 100W	24702202
EXT Crankcase Heater 230V 50W w/MTGS	2471891
EXT Crankcase Heater 230V 65W w/Clips	2471801
Head Pressure Valve HP8T5-185	29399093
Head Pressure Valve HPC-5T3-180	29399201

RCVR, 10.75 x 41	27305601
RCVR, 12.75 x 41	27305701
RCVR, 6 x 32	27305401
RCVR, 8.63 x 34	27305501
Relay DPDT 230VAC 6A4186M	2254186
Switch,Toggle -10A 250V SPST	2257514
Term Block 3P LN 2/0-12 LOAD 4/P 4	2251423
Term BRD 2 Pole T1,T2	2255827
Terminal Strip *DH	22513401
Timer - 208-240V 40 A SPDT TI-TT	2138162
Transformer 300VA (240-460/240-120)	R038253919
V46AB1 1/2 Water Valve (Johnson)	2935028
VLV 1 FPT Water Regulat	2935041
VLV 1 1/4FPT Water REG	2935042
VLV 2 1/2 H2O REG V46AT-2	2935043
VLV HD Pressure Control 7/8" 185	2930079
Water Regulating Valve	2935031

Note: For SWN0210L6D And Larger Head Cooling Fan Is Part Of The Compressor

For Smaller Units Use:

Motor (460V)	2530909	Blade	2297004
Motor (230V)	2535421	Guard	2310010

TA Units- A, 1, 2 & 3 Revisions

Unit	Motor	Qty	Fan Blade	Motor Mount	Fan Guard	Drain Pan*
TA100	5030SS	1	5101B	91179001	5054D	91184002
TA101	25300801S	1				91184002
TA130	5030SS	2				91185002
TA131	25300801S	2				91185002
TA170	5030SS	2	5101B	91179001	5054D	91186002
TA171	25300801S	2				91186002
TA230	5030SS	3				91187002
TA231	25300801S	3				91187002
TA300	5030SS	3	5101B	91179001	5054D	91188002
TA301	25300801S	3	5101B	91179001	5054D	91188002
TA400	5001LS	2	5127A	N/A	5068E	Obsolete
TA401	5001MS	2	5127A	N/A	5068E	Obsolete

*Drain fitting included
K = Bohn Kote

TA Units B, C & D Revisions

Unit	Motor	Qty	Fan Blade	Motor Mount	Fan Guard	Drain Pan*
TA100	5021SS	1	5101B	91179001	5054D	91184002
TA101	5021TS	1				91184002
TA130	5021SS	2				91185002
TA131	5021TS	2				91185002
TA170	5021SS	2	5101B	91179001	5054D	91186002
TA171	5021TS	2				91186002
TA230	5021SS	3				91187002
TA231	5021TS	3				91187002
TA300	5021SS	3	5101B	91179001	5054D	91188002
TA301	5021TS	3				91188002
TA410	5021SS	4				92847002
TA411	5021TS	4				92847002

TA "F" Vintage

{AF=115V} {BF=230V}

Unit	Motor ¹	Qty	Fan Blade	Motor Mount	Fan Guard	Drain Pan*
TA10	25300701S	1	5101B	91179001	5054D	91184002
TA10AHEF	25315101	1				91184002
TA13	25300701S	2				91185002
TA17	25300701S	2	5101B	91179001	5054D	91186002
TA23		3				40803302
TA30		3				40803502
TA43	25300701S	4	5101B	91179001	5054D	40804802
TA55		5				40803702

¹ 230 Volt Motor = 25300801
* Drain fitting included
HE = High Efficiency

TL Hot Gas & Electric Defrost Evaporators

Bohn

Unit	Motor	Qty	Fan Blade	MTR. MT.	Fan Guard	Drain Pan*
92TL115-1	5030SS	1	5101B	N/A	5054D	91184002
92TL115-2		1		91179001		91184002
120TL-1		2		N/A		N/A
120TL115-1		2		N/A		91185002
120TL115-2		2		91179001		91185002
155TL-1	5030SS	2	5101B	N/A	5054D	N/A
155TL115-1	5030SS	2	5101B	N/A	5054D	91186002
155TL115-2	5030SS	2	5101B	91179001	5054D	91186002
210TL-1	5001LS	1	5127A	N/A	5068E	N/A
210TL115-1	5001LS	1	5127A	Obs	5068E	68712002
210TL115-2	5001LS	1	5127A	Obs	5068E	68712002
92TL230-1	25300801S	1	5101B	N/A	5054D	91184002
92TL230-2		1		91179001		91184002
120TL230-1		2		N/A		91185002
120TL230-2		2		91179001		91185002
155TL230-1	25300801S	2	5101B	N/A	5054D	91186002
155TL230-2	25300801S	2	5101B	91179001	5054D	91186002
210TL230-1	5001MS	1	5127A	Obs	5068E	68712002
210TL230-2	5001MS	1	5127A	Obs	5068E	68712002
290TL230-1	5001MS	2	5127A	Obs	5068E	N/A
350TL230-1	5001MS	2	5127A	Obs	5068E	N/A
TL90A&B	5030SS	1	5101B	91179001	5054D	91184002
TL91A&B	25300801S	1				91184002
TL120A&B	5030SS	2				91185002
TL121A&B	25300801S	2				91185002
TL160A&B	5030SS	2	5101B	91179001	5054D	91186002
TL161A&B	25300801S	2	5101B	91179001	5054D	91186002
TL210A&B	5001LS	1	5127A	Obs	5068E	68712002
TL211A&B	5001MS	1	5127A	Obs	5068E	68712002
TL-0090C&D	5021SS	1	5101B	91179001	5054D	91184002
TL-0091C&D	5021TS	1				91184002
TL-0120C&D	5021SS	2				91185002
TL-0121C&D	5021TS	2				91185002
TL-0160C&D	5021SS	2	5101B	91179001	5054D	91186002
TL-0161C&D	5021TS	2	5101B	91179001	5054D	91186002
TL-0210C&D	5026SS	1	5127A	Obs	5068E	68712002
TL-0211C&D	5026TS	1	5127A	Obs	5068E	68712002

*Drain fitting included

Electric Defrost Components

Unit	Defrost Fan Control	Heater Safety Control	Coil Heater	Qty
92TL115-1	5521R	5507S	4539N	1
92TL115-2	5709L	5708L	4539N	
120TL-1	5521R	5507S	4540N	
120TL115-1	5521R	5507S	4540N	
120TL115-2	5709L	5708L	4540N	
155TL-1	5521R	5507S	4541N	1
155TL115-1	5521R	5507S	4541N	
155TL115-2	5709L	5708L	4541N	
210TL-1	5521R	5507S	4545N	
210TL115-1	5521R	5507S	4545N	
210TL115-2	5709L	5708L	4545N	
92TL230-1	5521R	5507S	4542N	1
92TL230-2	5709L	5708L	4542N	
120TL230-1	5521R	5507S	4543N	
120TL230-2	5709L	5708L	4543N	
155TL230-1	5521R	5507S	4544N	1
155TL230-2	5709L	5708L	4544N	
210TL230-1	5521R	5507S	4546N	
210TL230-2	5709L	5708L	4546N	
290TL230-1	5521R	5507S	4557N	1
350TL230-1			5528N	
TL90A&B	5709L	5708L	4539N	1
TL91A&B			4542N	
TL120A&B			4540N	
TL121A&B			4543N	
TL160A&B	5709L	5708L	4541N	1
TL161A&B			4544N	
TL210A&B			4545N	
TL211A&B			4546N	
TL-0090C&D	5709L	5708L	4539N	1
TL-0091C&D			4542N	
TL-0120C&D			4540N	
TL-0121C&D			4543N	
TL-0160C&D			4541N	
TL-0161C&D			4544N	
TL-0210C&D			4545N	
TL-0211C&D			4546N	

Note: 290TL230-1 & 350TL230-1 Uses (1) 5503Q Drain Pan Heater

"F" Vintage

{AF=115/1/60} {BF=230/1/60}

Unit	Motor	Qty	Fan Blade ¹	Motor Mount	Fan Guard	Drain Pan*
TL09A TL09B	25300701S 25300801S	1	5101B	91179001	5054D	91184002
TL12A TL12A1FHEF	25300701S 25315101	2 1	5101B	91179001	5054D	91185002 40924502
TL12B	25300801S	2				91185002
TL16A TL16B	25300701S 25300801S	2	5101B	91179001	5054D	91186002
TL21A TL21B	25303201S 25303301	1	23100201	23101401	R041777700	40808602
TL28A TL28B	25300701S 25300801S	3	5101B	91179001	5054D	40803902
TL35B TL53B	25303301	2 3	23100201	23101401	R041777700	40800102

¹ For Reverse Air Flow: Use 5117C in place of 5101B
Use 23100501 in place of 23100201

*Fitting included with pan

"F" Vintage Electric Defrost Components

Unit	Defrost Fan Control	Heater Safety Control	Coil Heater	Qty
TL09A TL09B	4751C	4752C	4539N 4542N	1
TL12A TL12A1FHEF TL12B	4751C	4752C	4540N 4540N 4543N	1
TL16A TL16B	4751C	4752C	4541N 4544N	1
TL21A TL21B	5709L	5708L	4545N 4546N	1
TL28A TL28B	5709L	-	7077358 R015016200	1
TL35B TL53B	30101801 30101801 Opens @ 55 Closes @ 35	30101901 30101901 Opens @ 75 Closes @ 40	24700703 24700704	1

* TL "E" Vintage

Use same motors, blades, motor mounts & fan guards as "F" vintage
Defrost fan control part No. 5709L for "E" vintage - no heater safety control

Note: Drain pans and coil heaters not available

HE = High Efficiency

Unit	Motor	Qty	Fan Blade	Motor Mount	Fan Guard	Drain Pan ¹
290TE-3-2 290TE-3 350TE-1-2 350TE-3	5001MS	2	5127A	5099D	5068E	N/A
520TE-1-2 520TE-3 700TE-3 990TE-3	5001MS 5001MS 5034MS 5034MS	3 3 3 4	5127A 5127A 5110C 5110C	5099D 5099D 5050D 5050D	5068E 5068E 5069E 5069E	N/A
TE297A TE357A TE527A TE707A TE997A	5001MS 5001MS 5001MS 5034MS 5034MS	2 2 3 3 4	5127A 5127A 5127A 5110C 5110C	5099D 5099D 5099D 5050D 5050D	5068E 5068E 5068E 5069E 5069E	N/A
TE-0291B&C TE-0351B&C TE-0521B&C	5026TS	2 2 3	5127A	5099D	5068E	C24740A1 N/A N/A

¹ Drain fittings obsolete

Electric Defrost Components

Unit	Defrost Fan Control	Heater Safety Control	Coil Heater	Qty	Pan Heater	Qty
290TE-3-2 290TE-3 350TE-1-2 350TE-3	5521R 5709L 5521R 5709L	5507S* 5708L 5507S* 5708L	4557N 4557N 5528N 4558N	1	5503Q	1
520TE-1-2 520TE-3 700TE-3 990TE-3	5521R 5709L 5709L 5709L	5507S* 5708L 5708L 5708L	4559N 4559N N/A N/A	1 1 — —	5503Q 5503Q N/A N/A	1 1 — —
TE297A TE357A TE527A TE707A TE997A	5709L	5708L	4557N 4558N 4559N N/A N/A	1 1 1 — —	5503Q 5503Q 5503Q N/A N/A	1 1 1 — —
TE-0291B&C TE-0351B&C TE-0521B&C	5709L	5708L	4557N 4558N 4559N	1	N/A	—

* Fan control

"A" Rev.

Unit	Motor	Qty	Fan Blade	Motor Mount	Fan Guard	Drain Pan*
85U 115U 150U	5025SS 5025SS 5001LS	1	5124A 5126A 5127A	91746001	N/A	66974002 66958002 66980002
U 90A U 91A U120A	5025SS 5001MS 5025SS	1	5124A N/A 5126A	91746001	N/A	66974002 66974002 66958002
U121A U150A U151A	5001MS 5001LS 5001MS	1	N/A 5127A 5127A	91746001	N/A	66958002 66980002 66980002

*Drain fitting included

"B" Rev.

Unit	Motor	Qty	Fan Blade	Motor Mount	Fan Guard	Drain Pan*
U 90B U 91B U120B U121B U150B U151B	5025SS 5026TS 5025SS 5026TS 5026SS 5026TS	1	5124A 5124A ¹ 5126A 5126A ¹ 5127A 5127A	91746001	N/A	66974002 66974002 66958002 66958002 66980002 66980002

*Drain fitting included

¹ Must be (field) drilled to 5/16"

UC Models

Unit	Motor	Qty	Fan Blade	Motor Mount	Fan Guard	Drain Pan
UC 350A UC 351A UC 450A UC 451A	5034LS 5034MS 5034LS 5034MS	1	5132C 5132C 5140C 5140C	23103501 23103501 N/A N/A	5069E 5069E 5071E 5071E	N/A
UC 550A UC 551A UC 700A UC 701A	5035LS 5035MS 5034LS 5034MS	1 1 2 2	5140C 5140C 5132C 5132C	N/A N/A 23103501 23103501	5071E 5071E 5069E 5069E	N/A
UC 900A UC 901A UC1050A UC1051A	5034LS 5034MS 5034LS 5034MS	2 2 3 3	5140C 5140C 5132C 5132C	N/A N/A 23103501 23103501	5071E 5071E 5069E 5069E	N/A
UC1400A UC1401A UC1750A UC1751A	5035LS 5035MS 5034LS 5035MS	3 3 4 4	5115C 5115C 5140C 5140C	N/A	5071E	N/A

UF Models

Unit	Motor	Qty	Fan Blade	Motor Mount	Fan Guard	Drain Pan*
85UF-3 115UF-3 150UF-3	5025SS 5025SS 5001LS	1	N/A	91746001	N/A	66974002 66958002 66980002
UF 90A UF 91A UF120A	5025SS 5001MS 5025SS	1	N/A	91746001	N/A	66974002 66974002 66958002
UF121A UF150A UF151A	5001MS 5001LS 5001MS	1	N/A	91746001	N/A	66958002 66980002 66980002

*Drain fitting included

UM Units

Unit	Motor	Qty	Fan Blade	Motor Mount	Fan Guard	Drain Pan*
130UM 170UM 230UM 285UM	5025SS 5001LS 5001LS 5001LS	1	5141A ¹ 5122B 5110C 5110C	Obsolete 5063C 5063C 5063C	5055F	70091001 70091001 70091001 70071002
UM130A UM170A UM230A UM290A	5025SS 5001LS 5001LS 5001LS	1	5141A ¹ 5122B 5110C 5110C	5099D 23103501 23103501 23103501	5055F	70091001 70091001 70091001 70071002

UM-A Rev. 230V Motor = 5001MS

¹ Note: 5141A blade needs to be drilled to 5/16" bore

*Drain fitting included

UM Rev. "B"

(Discontinued 3/31/01)

Unit	Motor ¹	Qty	Fan Blade	Motor Mount	Fan Guard	Drain Pan*
UM130B UM170B UM230B UM290B	5025SS 5026SS 5026SS 5026SS	1	5141A 5122B 5110C 5110C	Obsolete 23103501 23103501 23103501	5055F	70091001 70091001 70091001 70071002

¹ UM-B Rev. 230V Motor = 5026TS

*Drain fitting included

Rev. "A"

Unit	Motor ¹	Qty	Fan Blade	Motor Mount	Fan Guard	Drain Pan*
65VA	5030SS	1	5101B	91179001	5054D	C24028A1
80VA		1				C24028A1
120VA		2				C24029A1
VA 70A	5030SS	1	5101B	91179001	5054D	C24028A1
VA 80A		1				C24028A1
VA120A		2				C24029A1

¹ 230 Volt Motor = 25300801

*Drain Fittings included

K = Bohn Kote

Rev. "C"

Unit	Motor ¹	Qty	Fan Blade	Motor Mount	Fan Guard	Drain Pan*
VA 70C	5021SS	1	5101B	91179001	5054D	C24028A1
VA 80C		1				C24028A1
VA120C		2				C24029A1

¹ 230 Volt Motor = 5021TS

*Drain Fittings included

"F" Rev.

{AF= 115V BF=230V}

Unit	Motor ¹	Qty	Fan Blade	Motor Mount	Fan Guard	Drain Pan*
VA06	25300701S ¹	1	5101B	91179001	5054D	40800402
VA08	25300701S ¹	1	5101B	91179001	5054D	40800402
VA12	25300701S ¹	2	5101B	91179001	5054D	40800602
VA17	25303201S ²	1	23100201	23101401	R041777700	40802502

¹ 230 Volt Motor = 25300801S

² 230 Volt Motor = 253003301

*Drain Fittings included

Rev. "A"

Rev. "B" ^a

Unit	Motor ¹	Qty	Fan Blade	Motor Mount	Fan Guard	Drain Pan*
WK 0500A	5036SS	1	5110E	40003001	5055F	C26769A2
WK 0750A		1				C26770A2
WK1000A		2				C26771A2
WK1300A	5036SS	2	5110E	40003001	5055F	C26771A2
WK1550A		2				C26771A2
WK1800A		3				C26361A2
WK2100A	5036SS	4	5110E	40003001	5055F	C26362A2
WK2700A		4				C26362A2
WK3400A		5				D20817A2

¹ 230 Volt Motor = 5036TS * Drain fitting included

^a Note: "B" Rev. Used PSC Motors

115V PSC Motor: 5036NS

230V PSC Motor: 5036PS

Part Number	Model Number				
	WK050 WKE050	WK075 WKE075	WK100 WKE100 WKG100	WK130 WKE130 WKG130	WK155 WKE155 WKG155
Electrical Components					
	Part Number ¹				
Motor 115/1/60 Shaded Pole	5036SS (1)	5036SS (1)	5036SS (2)	5036SS (2)	5036SS(2)
Motor 208-230/1/60 Shaded Pole	5036TS (1)	5036T S(1)	5036TS (2)	5036TS (2)	5036TS (2)
Motor 115/1/60 or 110/1/50 PSC	5036NS (1)	5036NS (1)	5036NS (2)	5036NS (2)	5036NS (2)
Motor 208-230/1/60 or 220/1/50 PSC	5036PS (1)	5036PS (1)	5036PS (2)	5036PS (2)	5036PS (2)
Defrost termination switch "WKE"	4511C	4511C	5521R	5521R	5521R
Heater	4401S (2)	4402S (2)	4543B (4)	4544B (4)	4544B (4)
Motor Plate	40003001	40003001	40003001	40003001	40003001
Fan Components					
Fan Blade	5110E (1)	5110E (1)	5110E (2)	5110E (2)	5110E (2)
Fan Guard	5055F	5055F	5055F	5055F	5055F
Cabinet Components					
Fan Panel/Drain pan	C26769A2	C26770A2	C26771A2	C26771A2	C26771A2
Inner drain pan assy: <i>Air Defrost</i>	B25196A1	B25197A1	B25197A1	B25197A1	B25197A1
Inner drain pan: <i>Electric & Hot Gas Defrost</i>	B24358A2	B24358A4	B24358A7	B24358A7	B24358A7
End panel (2 per unit)	B24264A1	B24264A1	C26767A1	C26768A1	C26768A1
Side panel (4 per unit) [Corner Panel]	A20673A1	A20673A1	B24493A1	B24494A1	B24494A1

Part Number	Model Number			
	WK180 WKE180 WKG180	WK210 WKE210 WKG210	WK270 WKE270 WKG270	WK340 WKE340 WKG340
Electrical Components				
	Part Number ¹			
Motor 115/1/60 Shaded Pole	5036SS (3)	5036SS (4)	5036SS (4)	5036SS (5)
Motor 208-230/1/60 Shaded Pole	5036TS (3)	5036TS (4)	5036TS (4)	5036TS (5)
Motor 115/1/60 or 110/1/50 PSC	5036NS (3)	5036NS (4)	5036NS (4)	5036NS (5)
Motor 208-230/1/60 or 220/1/50 PSC	5036PS (3)	5036PS (4)	5036PS (4)	5036PS (5)
Defrost termination switch "WKE"	5521R	5521R	5521R	5521R
Heater	4545B (4)	4545B (4)	4545B (4)	4546B
Motor Plate	40003001	40003001	40003001	40003001
Fan Components				
Fan Blade	5110E (4)	5110E (4)	5110E (5)	5110E(5)
Fan Guard	5055F	5055F	5055F	5055F
Cabinet Components				
Fan Panel/Drain pan	C26361A2	C26362A2	C26362A2	D20817A2
Inner drain pan: <i>Air Defrost</i>	B25197A1	B25198A1	B25198A1	C26774A1
Inner drain pan: <i>Electric & Hot Gas Defrost</i>	B24358A7	B24358A8	B24358A8	B24358A9
End panel (2 per unit)	C26768A1	C26768A1	C26768A1	C26768A1
Side panel (4 per unit)[Corner Panel]	B24494A1	B24494A1	B24494A1	B24494A1

460Volt Motor = 25305901

SPEC. Ball Bearing Motor - 25308001

1) Number in parentheses is quantity per unit.

2) All Hot gas models have 2 heaters

Heater Bracket: A20706A1

Heater Clip: B23687A1

Heater Clip: B24108A1

Hair Net Filter - 4550G

Unit	Motor	Qty	Fan Blade	MTR MTG Plate	Fan Guard	Drain Pan
WKE0501A WKE0751A WKE1001A WKE1301A	5036TS	1 1 2 2	5110E	40003001	5055F	C26769A2 C26770A2 C26771A2 C26771A2
WKE1551A WKE1801A WKE2101A WKE2701A WKE3401A	5036TS	2 3 4 4 5	5110E	40003001	5055F	C26771A2 C26361A2 C26362A2 C26362A2 D20817A2
WKG1300A WKG1550A WKG1800A WKG2100A WKG2700A WKG3400A	5036SS	2 2 3 4 4 5	5110E	40003001	5055F	C26771A2 C26771A2 C26361A2 C26362A2 C26362A2 D20817A2

All WK Series Optional Parts:
 Motor 115 Volt (STD) 5036SS
 Motor 230 Volt (STD) 5036TS
 Motor 460 Volt 25305901

(Note: "B" Vintage Used PSC Motors)
 Motor 115 Volt (PSC) 5036NS
 Motor 230 Volt (PSC) 5036PS

Electric Defrost Components

Unit	Defrost Fan Control	Coil Heater	Qty
WKE0501A-B WKE0751A-B WKE1001A-B WKE1301A-B	4511C 4511C 5521R 5521R	4401S 4402S 4543B 4544B	2 2 4 4
WKE1551A-B WKE1801A-B WKE2101A-B WKE2701A-B WKE3401A-B	5521R	4544B 4544B 4545B 4545B 4546B	4
WKG1300A-B WKG1550A-B WKG1800A-B WKG2100A-B WKG2700A-B WKG3400A-B	4267W	4544B 4544B 4544B 4545B 4545B 4546B	2

RVB, BFC Rev. A & B

Bohn

Discontinued Belt Drives

Size	Fan Motors*			Fan Blade	Guard	Belt	Motor Pulley	Fan Pulley
	HP	Part No.						
		208V	230/460V					
9, 10	1	N/A	N/A	5126C	Obsolete	A66*	2915710	N/A
16	1.5	N/A	253915	5126C	Obsolete	A66*	AK49	N/A
018, 021, 026	1	N/A	N/A	5126C	Obsolete	A66*	2915710	AK104H
030	2	N/A	253916	5119C	Obsolete	A83*	AK49*	AK134H*
036, 041	1.5	N/A	253915	5119C	Obsolete	A80*	AK41*	AK124H*
046, 056, 069, 080	2	5921F	253916	5135C	5083C	A90*	2AK34*	5725D
112, 145, 170	3	253922	253917	5135C	5083C	A90*	2AK41*	5725D
049, 060, 073, 086								
100, 120, 133, 141								
155, 180, 200 065	5	N/A	253918	5135C	5083C	A90*	2AK46*	5725D

*Part No. referenced are browning NOS.

Fan pulley bushing 5503V for all models. Belt drive motors are 230/460 dual voltage.

Shaft bearings for all belt drive units 5787K, all shafts 80457001

Locking collar - 2074413

MFG item Des: Shaft 2808045, bearings 2075787

Smart Defrost Kit

Part No.	Description
22681501	Complete Smart Defrost Kit (SDK)
28952101	SDK Module Only
28911202	SDK Suction Pressure Transducer
22515901	SDK Transducer Harness
28902301	SDK Sensor

Hot Gas Defrost

Mohave

28910301	Hot Gas Control Board
29330501	Hot Gas Electronic Pressure Regulator
22511202	Hot Gas Suction Pressure Transducer
22515102	Hot Gas Suction Transducer Harness
22511203	Hot Gas Liquid Pressure Transducer
22515103	Hot Gas Liquid Transducer Harness
22555601	Hot Gas Transformer

EC or Brushless DC Motors

ADT, LET, HGT		Unit Coolers
	MODEL	VOLTAGE
22617701	ADT, LET, HGT	208/230
22617801	ADT, LET, HGT	120
BMA, BME, BMG		Unit Coolers
22617501	BMA, BME, BMG	208/230
22617601	BMA, BME, BMG	120
SM, SME WK, WKE, WKG		Unit Coolers
22617901	SM/SME, WK, WKE, WKG	208/230
22618001	SM/SME, WK, WKE, WKG	120
LO, LOD, LOG		Unit Coolers
22681601	70, 87, 118, 125	120
22681701	70, 87, 118, 125	208/230
22681801	150, 165	120
22681901	150, 165	208/230
22682001	189, 225	120
22682101	189, 225	208/230
22682201	266	120
22682301	266	208/230



Larkin



Authorized Parts For
Original Equipment

InterLink Parts for Larkin

Table of Contents

Reach-In Evaporators

BBM/LM/LS/BBMM/BBMS/BBM/LM/LS/L	115
BTO	116
C	121
KMK	134
RAMK "F" Vintage	186
RAM "A" & "C"	186
RWA	186
RCA	186
RI	187
RIE	187
SF	187
TA/TL	189
TA	190
TL	191-192
VA	193-194
U	196
WCW	197
WKM	197
WKMK/WRAK	197
WRI	198
WRI "K" Vintage	198-199
WSF	200
WRWA	200
WTW	201

Evaporators

ACM	112
ACP	113
AMT	114
AP	114
CP	119
CPE	120
CPL	118
CPM	118
CPML	119
CU	121
CW	120
ECP	126-127
ECM	125
ELT	123-124
EC	125
EP	127
HCP	130
HLT	131
HTA	131
LCA	135-138
LCE	139-145
LCH	146-151
LFA/E/H	157

LHA	158-159
LHE	160-162
LHF	163-165
LHG	166-168
LHL	169-171
LPA/E/G	172
LWA/E/G	176
MMT/MLT/MLG	177
P/PE	179
WU	201

Refrigeration Systems

Beacon I™ & Beacon II™ Refrigeration System	117
PRO ³ Top Mount Refrigeration System	180-182
PRO ³ Side Mount Refrigeration System	183-184

Condensing Units

DCU	122
DP/DPA	120
HCL	130
HW/ZW	132
ISL/IWL/OWL/OSL	133
JH/RH/JS	134
LD	152
LZ	153
LDD/LDDS	154
LDH	155
LDV	156
LH/S/Z	173
LRI/LDI	175
MPHC	178
MT	178
OSH/ISH/OWH/IWH	179
SWN/RWN	188
VSH/VWH	195

Air-Cooled Condensers

BDC/BDG	116
FCA/FCB/PFG	128-129
LNH/LNL/LNX/LNQ/LNE	185
RCQ/RC8/RCX/RC6	185

Fluid Coolers

PFG	128
-----	-----

More from Larkin Refrigeration

Brushless DC Motor	202
EC Motor	202
Hot Gas Defrost	202
RHSH	185
Smart Defrost Kit	202

Model ACM	115V Motor	230/1 Motor	Fan Blade	Fan Guard	Drain Pan	Motor Mount
6-33	2531194	2531195	2291030	Call Factory	4040185	5559957
6-63	2531194(2)	2531195(2)	2291030(2)	Call Factory	4040186	5559957(2)
6-92	2531194(3)	2531195(3)	2291030(3)	Call Factory	4040184	5559957(3)
6-126	2531194(4)	2531195(4)	2291030(4)	Call Factory	4040187	5559957(4)
6-149	2531194(5)	2531195(5)	2291030(5)	Call Factory	4040187	5559957(5)
6-187	2531194(5)	2531195(5)	2291030(5)	Call Factory	4040187	5559957(5)
6-231	2531194(6)	2531195(6)	2291030(6)	Call Factory	4040188	5559957(6)

Note: Drain Pans listed here are painted white. Older style were aluminum. Pan sizes same.
 Drain Fitting 26925101

"E" Vintage

(AE=115V)

(BE=230V)

(AHE=115V PSC)

(BHE=115V PSC)

Model	Motor	Fan Blade	Fan Guard	Drain Pan
ACM052AE	5036SS(1)	5110E(1)	5055F(1)	40820601
ACM076AE	5036S(2)S	5110E(2)	5055F(2)	40820701
ACM090AE	5036S(2)S	5110E(2)	5055F(2)	40820701
ACM102AE	5036S(2)S	5110E(2)	5055F(2)	40820701
ACM108AE	5036SS(3)	5110E(3)	5055F(3)	C26361A4
ACM134AE	5036SS(3)	5110E(3)	5055F(3)	C26361A4
ACM156AE	5036SS(3)	5110E(3)	5055F(3)	C26361A4
ACM179AE	5036SS(4)	5110E(4)	5055F(4)	C26362A4
ACM208AE	5036SS(4)	5110E(4)	5055F(4)	C26362A4
ACM249AE	5036SS(5)	5110E(5)	5055F(5)	D20817A4

230 Volt Motor = 5036TS

Motor Mount Plate: 40003001

115 Volt Motor (PSC) = 5036NS

230 Volt Motor (PSC) = 5036PS

Larkin

Discontinued

Model			115V Motor ¹	230/1 Motor ²	Fan Blade	Fan Guard ³	Motor Mount	Drain Pan Assembly	Hairpin End/End Panel	TXV End End Panel
ACP8	ACP6	ACP4								
45	42		2531194	2531195	2291030	2310010	5559957	5000340	4080710	4080714
54	51		2531194	2531195	2291030	2310010	5559957	5000341	4080710	4080714
64	60		2531194(2)	2531195(2)	2291030(2)	2310010(2)	5559957(2)	5000342	4080710	4080714
90	84		2531194(2)	2531195(2)	2291030(2)	2310010(2)	5559957(2)	5000342	4080710	4080714
108	102	88-93	2531194(2)	2531195(2)	2291030(2)	2310010(2)	5559957(2)	5000343	4080710	4080714
135	126	120	2531194(3)	2531195(3)	2291030(3)	2310010(3)	5559957(3)	5000344	4080710	4080714
160	152	160	2531194(4)	2531195(4)	2291030(4)	2310010(4)	5559957(4)	5000345	4080710	4080714
180	170		2531194(4)	2531195(4)	2291030(4)	2310010(4)	5559957(4)	5000345	4080710	4080714
200	190	200	2531194(5)	2531195(5)	2291030(5)	2310010(5)	5559957(5)	5000346	4080710	4080714
225	210		2531194(5)	2531195(5)	2291030(5)	2310010(5)	5559957(5)	5000346	4080710	4080714
270	254	240	2531194(6)	2531195(6)	2291030(6)	2310010(6)	5559957(6)	5000347	4080710	4080714
310	290		2531194(6)	2531195(6)	2291030(6)	2310010(6)	5559957(6)	5000347	4080737	4080736

¹ 115V PSC Motor - Part No. 2531196

² 208-230V PSC Motor - Part No. 2531197

³ Prior to 1991 use 2316596 fan guard.

RACP (Reverse Air Flow) Blade 2291031

"J" Vintage

AJ = 115V

BJ = 230V

Model			115V Motor ¹	230/1 Motor ²	Fan Blade	Fan Guard ³	Motor Mount	Drain Pan**	Hairpin End/End Panel	TXV End End Panel
ACP8	ACP6	ACP4								
45	42		25300101S	25300201S	22900501	2310010	5559957	40495201	4080710	4080714
54	51		25300101S	25300201S	22900501	2310010	5559957	40494101	4080710	4080714
64	60		25300101S(2)	25300201(2)	22900501(2)	2310010(2)	5559957	40495001	4080710	4080714
90	84		25300101S(2)	25300201(2)	22900501(2)	2310010(2)	5559957	40495001	4080710	4080714
108	102	88-93	25300101S(2)	25300201(2)	22900501(2)	2310010(2)	5559957	40494901	4080710	4080714
135	126	120	25300101S(3)	25300201(3)	22900501(3)	2310010(3)	5559957	40494801	4080710	4080714
160	152	160	25300101S(4)	25300201(4)	22900501(4)	2310010(4)	5559957	40494701	4080710	4080714
180	170		25300101S(4)	25300201(4)	22900501(4)	2310010(4)	5559957	40494701	4080710	4080714
200	190	200	25300101S(5)	25300201(5)	22900501(5)	2310010(5)	5559957	40494601	4080710	4080714
225	210		25300101S(5)	25300201(5)	22900501(5)	2310010(5)	5559957	40494601	4080710	4080714
270	254	240	25300101S(6)	25300201(6)	22900501(6)	2310010(6)	5559957	40494501	4080710	4080714
310	290		25300101S(6)	25300201(6)	22900501(6)	2310010(6)	5559957	40494501	4080737	4080736

** Does not include drain fitting: 26925101

¹ 115V PSC Motor - Part No. 25302601S

² 230V PSC Motor - Part No. 25302501S

³ RACP (Reverse Air Flow) Blade Part No. 2291030

AMT

Large Capacity Humi-Temps

Model AMT	230/1 Motor	230/460/3 Motor	Fan Blade	Fan Guard	Drain Pan Assembly
6-561	2531191(2)S	2531193(2)S	2292625(2)	2311026(2)	5000348
6-727	2531191(2)S	2531193(2)S	2292625(2)	2311026(2)	5000348
6-842	2531191S(3)	2531193S(3)	2292625(3)	2311026(3)	5000349
6-945	2531191S(3)	2531193S(3)	2292625(3)	2311026(3)	5000349
6-1090	2531191S(3)	2531193S(3)	2292625(3)	2311026(3)	5000349
6-1250	2531191S(3)	2531193S(3)	2292625(3)	2311026(3)	5000349
6-1430	2530143(3)	2531010(3)	2292630(3)		

575V Motor - Part No. 2531192 Except on 1430 use #25302001

Model AMT	115V Motor	230/1 Motor	Fan Blade	Fan Guard	Drain Pan Assembly	Hairpin End/End Panel	TXV End/End Panel
6-96	2531331	2532500	2291836	2318491	5000341	4080723	4080722
6-112	2531331	2532500	2291836	2318491	5000341	4080723	4080722
6-140	2531331	2532500	2291836	2318491	5000342	4080723	4080722
6-185	2531331(2)	2532500(2)	2291836(2)	2318491(2)	5000344	4080723	4080722
6-245	2531331(2)	2532500(2)	2291836(2)	2318491(2)	5000344	4080723	4080722
6-290	2531331(3)	2532500(3)	2291836(3)	2318491(3)	5000345	4080723	4080722
6-345	2531331(3)	2532500(3)	2291836(3)	2318491(3)	5000345	4080870	4080722
6-430	2531331(3)	2532500(3)	2291836(3)	2318491(3)	5000345	4080870	4080722

460V Motor - Part No. 2532501

575V Motor - N/A

AP

Plug Panel Unit Coolers

(Discontinued Dec. 1995)

Model AP	115V Motor	230/1 Motor	Fan Blade	Fan Guard*	Motor Mount	Drain Pan Assembly
35	2531194	2531195	2291030	2310010	5559957	Call Factory
45	2531194	2531195	2291030	2310010	5559957	Call Factory
52	2531194	2531195	2291030	2310010	5559957	4040164
68	2531194(2)	2531195(2)	2291030(2)	2310010(2)	5559957(2)	4040164
85	2531194(2)	2531195(2)	2291030(2)	2310010(2)	5559957(2)	4040164
106	2531194(2)	2531195(2)	2291030(2)	2310010(2)	5559957(2)	4040164

* Prior to 1991 use 2316596 fan guard.

BBMM/BBMS/BBM/BBLM/BBLS/BBL

Air Defrost

Model	Motor	Fan Blade	Fan Guard	Solenoid	TX Valve	T'Stat	Drain Pan
BBMM11A	25300701S	5109E	5054D	29301201	29301101	21901001	40400901
BBMM16A	25300701S	5109E	5054D	29301101	29301101	21901001	40400801
BBMS11A	25300701S	5109E	5054D	---	29301101	---	40400901
BBMS16A	25300701S	5109E	5054D	---	29301101	---	40400801
BBM11A	25300701S	5109E	5054D	---	---	---	40400901
BBM16A	25300701S	5109E	5054D	---	---	---	40400801

Motor Mount Part No. 91179001

Air Deflector Part No: 89840240 for Size 11
89840241 for Size 16

Electric Defrost

Unit	Motor	Qty	Fan Blade	Motor Mount	Fan Guard	Drain Pan*
BBLM10A	25300701S	1	5109E	91179001	5054D	40400701
BBLM15A	25300701S	2	5109E	91179001	5054D	40401001
BBLS10A	25300701S	1	5109E	91179001	5054D	40400701
BBLS15A	25300701S	2	5109E	91179001	5054D	40401001
BBL10A	25300701S	1	5109E	91179001	5054D	40400701
BBL15A	25300701S	2	5109E	91179001	5054D	40401001

*Drain fitting included in pan

Unit	Solenoid	TX Valve	T'Stat Switch	Defrost T'Stat	Coil Heater	Drain Pan Heater
BBLM10A	29301201	29301101	21901002	5709L	24700605	24700607
BBLM15A	29301201	29301101	21901002	4751C	24700601	24700603
BBLS10A	---	29301101	---	5709L	24700605	24700607
BBLS15A	---	29301101	---	4751C	24700601	24700603
BBL10A	---	---	---	5709L	24700605	24700607
BBL15A	---	---	---	4751C	24700601	24700603

Air Deflector Part No. : 89840240 for size 10
89840241 for size 15

(Discontinued 1989)

Model	Motor 230/460/3	Fan Blade	Fan Guard	Bearing
BDC/BDG 30	182TTDR7065	Call Factory	Call Factory	Call Factory
BDC/BDG 37	143TTDR5329AA	Call Factory	Call Factory	Call Factory
BDC/BDG 41	145TTDR5329	Call Factory	Call Factory	Call Factory
BDC/BDG 48	145TTDR5334	Call Factory	Call Factory	Call Factory
BDC/BDG 51	145TTDR7065	Call Factory	Call Factory	Call Factory
BDC/BDG 60	145TTDR7065	Call Factory	Call Factory	Call Factory
BDC/BDG 72	145TTDR5334	Call Factory	Call Factory	Call Factory
BDC/BDG 77	145TTDR7065	Call Factory	Call Factory	Call Factory
BDC/BDG 82	145TTDR7065	Call Factory	Call Factory	Call Factory
BDC/BDG 90	145TTDR7065	Call Factory	Call Factory	Call Factory
BDC/BDG 105	213TTDR8256	Call Factory	Call Factory	Call Factory
BDC/BDG 125	215TTDR7628	Call Factory	Call Factory	Call Factory
BDC/BDG 140	215TTDR7628	Call Factory	Call Factory	Call Factory
BDC/BDG 155	254TTDR5026	Call Factory	Call Factory	Call Factory

*These motors are call factory. Numbers referenced are Marathon's manufacture number.

BTO

Unit	Motor	Qty	Fan Blade	Motor Mount	Fan Guard	Drain Pan*
BTO09A	25300701S	1	5101B	91179001	5054D	40811602
BTO09B	25300801S**	1	5101B	91179001	5054D	40811602
BTO13A	25300701S	2	5101B	91179001	5054D	40811702
BTO13B	25300801S**	2	5101B	91179001	5054D	40811702
BTO18A	25303201S	1	23100201	R23101401	R041777700	40811802
BTO18B	25303301S	1	23100201	R23101401	R041777700	40811802
BTO25A	25303201S	2	23100201	R23101401	R041777700	40811902
BTO25B	25303301S	2	23100201	R23101401	R041777700	40811902
BTO35A	25303201S	2	23100201	R23101401	R041777700	40811902
BTO35B	25303301S	2	23100201	R23101401	R041777700	40811902
BTO45A	25303201S	2	23100201	R23101401	R041777700	40812002
BTO45B	25303301S	2	23100201	R23101401	R041777700	40812002
BTO55A	5036SS	1	5110E	40003001	5055F	40812102
BTO55B	5036TS	1	5110E	40003001	5055F	40812102

* Fitting supplied with drain pan

** 230V Motor

Beacon I™ Refrigeration System Replacement Parts

Part Description	Part No.
Temperature Sensor	28900107
Transformer, 208/240-24 Volt-40VA	22522301
Transformer, 208/240-24 Volt-75VA	22538401
Relay for Condenser Fan or Crankcase Heater	22511401
Contactors for Compressor 40 A with 24 Volt Coil	2252440
Control Board for Electric Defrost	28910001
Control Board for Air Defrost	28910002
Terminal Block	2251266
Low Pressure Switch Time Delay Relay	22536801
Electric Expansion Valve*: ESV 1 - 24 Volt ESV 2 - 24 Volt ESV 4 - 24 Volt ESV 6 - 24 Volt ESV 8 - 24 Volt ESV 25 - 24 Volt - Bi-polar Valve	Call Factory Call Factory Call Factory Call Factory Call Factory 29320001
Expansion Valve Molded Connector	29310007
Optional Pump-Down Switch	22510901
Beacon Smart Controller	89704401
Optional Smart Controller Software Package	Obsolete
Bi-polar Adapter Board (Only Used w/29320001 Exp.Valve)	28920001
Resistor Kit	89719601

Larkin

Beacon II™ Refrigeration System Replacement Parts

Part Description	Part No.
Heater High Limit	5708L
Terminal Block on Air Defrost	5857A
Sensor Kit	89904902
Pressure Transducer Harness	22515101
Expansion Valve Harness (Bi-polar valves)	22515201
Expansion Valve Harness (Uni-polar valves)	22515202
Transformer 120V/24V	22529601
Transformer 208-230V/24V	22529602
Transformer 460V/24V	22529603
Transformer 575V/24V	22529701
Beacon II™ Board	28910101
Pressure Transducer	28911201
Expansion Valve - ESB 1 - 3/8" x 3/8" Conn	29320003
Expansion Valve - ESB 4 - 3/8" x 3/8" Conn	29320004
Expansion Valve - ESB 10 - 3/8" x 3/8" Conn	29320007
Expansion Valve - ESB 10 - 1/2" x 1/2" Conn	29320008
Expansion Valve - ESB 15 - 7/8" x 1 3/8" Conn	29320013
Expansion Valve - ESB 20 - 7/8" x 1 3/8" Conn	29320014
Smart II Software Package	89704101
Beacon II™ Smart Controller Package	89704301

*Call factory.

CPM

Humi-Temp Unit Cooler

(Discontinued 1982)

Model CPM	Motor		Fan		Drain Pan	Motor Mount
	115V	230/1	Blade	Guard		
39	2531194	2531195	2291030	2316596	4040084	2316597
46	2531194	2531195	2291030	2316596	4040084	2316597
78	2531194(2)	2531195(2)	2291030(2)	2316596(2)	4040085	2316597(2)
93	2531194(2)	2531195(2)	2291030(2)	2316596(2)	4040085	2316597(2)
120	2531194(3)	2531195(3)	2291030(3)	2316596(3)	4040086	2316597(3)
160	2531194(4)	2531195(4)	2291030(4)	2316596(4)	4040087	2316597(4)
200	2531194(5)	2531195(5)	2291030(5)	2316596(5)	4040088	2316597(5)
240	2531194(6)	2531195(6)	2291030(6)	2316596(6)	4040095	2316597(6)

(Discontinued 1982)

Electric Defrost Humi-Temps

Model CPME	230/1 Motor	Fan Blade	Guard	Drain Pan*	Drain Pan Heater	Motor Mount	Defrost Heater
40	2531195	2291030	2316596	4040084	2470030	2316597	2471440**
50	2531195	2291030	2316596	4040084	2470030	2316597	2471440**
60	2531195(2)	2291030(2)	2316596(2)	4040085	2470054	2316597	2470063(2)
80	2531195(2)	2291030(2)	2316596(2)	4040085	2470054	2316597	2470063(2)
95	2531195(2)	2291030(2)	2316596(2)	4040085	2470054	2316597	2470063(2)
125	2531195(3)	2291030(3)	2316596(3)	4040086	2470060	2316597	2470100(2)
170	2531195(4)	2291030(4)	2316596(4)	4040087	2470078	2316597	2470130(2)
210	2531195(5)	2291030(5)	2316596(5)	4040088	2470096	2316597	2470160(2)
250	2531195(6)	2291030(6)	2316596(6)	4040095	2470114	2316597	2470200(2)

* Use 8991001 retrofit heater clip kit.

** Use (2) 2470021 for serial numbers prior to 7800000.

¹ Phase Timer Part No. 2138163

Defrost Thermostat Part No. 2890109

CPL

Hot Gas Defrost Humi-Temps

(Discontinued 1982)

Model CPL	Motor		Fan		Drain Pan*	Motor Mount	Drain Pan Heater	
	115V	230/1	Blade	Guard			115V	230V
36	2531194	2531195	2291030	2316596	4040084	2316597	Call Factory	2470030
45	2531194	2531195	2291030	2316596	4040084	2316597	Call Factory	2470030
72	2531194(2)	2531195(2)	2291030(2)	2316596(2)	4040085	2316597	2470072	2470054
90	2531194(2)	2531195(2)	2291030(2)	2316596(2)	4040085	2316597	2470072	2470054
120	2531194(2)	2531195(2)	2291030(2)	2316596(2)	4040086	2316597	2470120	2470060
160	2531194(2)	2531195(2)	2291030(2)	2316596(2)	4040087	2316597	2471600	2470078
200	2531194(2)	2531195(2)	2291030(2)	2316596(2)	4040088	2316597	N/A	2470096
240	2531194(2)	2531195(2)	2291030(2)	2316596(2)	4040095	2316597	2472400	2470114

*Hot gas loop not included.

(Discontinued 1982)

Model CPML	Motor		Fan		Drain Pan*	Motor Mount	Drain Pan Heater 115V
	115V	230/1	Blade	Guard			
40	2531194	2531195	2291030	2316596	4040084	2316597	Call Factory
50	2531194	2531195	2291030	2316596	4040084	2316597	Call Factory
60	2531194(2)	2531195(2)	2291030(2)	2316596(2)	4040085	2316597(2)	2470072
80	2531194(2)	2531195(2)	2291030(2)	2316596(2)	4040085	2316597(2)	2470072
95	2531194(2)	2531195(2)	2291030(2)	2316596(2)	4040085	2316597(2)	2470072
125	2531194(3)	2531195(3)	2291030(3)	2316596(3)	4040086	2316597(3)	2470120
170	2531194(4)	2531195(4)	2291030(4)	2316596(4)	4040087	2316597(4)	2471600
210	2531194(5)	2531195(5)	2291030(5)	2316596(5)	4040088	2316597(5)	N/A
250	2531194(6)	2531195(6)	2291030(6)	2316596(6)	4040095	2316597(6)	2472400

*Hot gas loop not included.

NOTE: 2531195 & 2531194 Motors studs were changed requiring the replacement of the motor mount with the motor.

(Discontinued 1982)

Model CP	115V Motor	230/1 Motor*	Fan Blade	Fan Guard	Motor Mount	Drain Pan Assembly
45	2531194	2531195	2291030	2316596	2316597	4040084
54	2531194	2531195	2291030	2316596	2316597	4040084
68	2531194(2)	2531195(2)	2291030(2)	2316596(2)	2316597(2)	4040085
87	2531194(2)	2531195(2)	2291030(2)	2316596(2)	2316597(2)	4040085
106	2531194(2)	2531195(2)	2291030(2)	2316596(2)	2316597(2)	4040085
135	2531194(3)	2531195(3)	2291030(3)	2316596(3)	2316597(3)	4040086
180	2531194(4)	2531195(4)	2291030(4)	2316596(4)	2316597(4)	4040087
225	2531194(5)	2531195(5)	2291030(5)	2316596(5)	2316597(5)	4040088
270	2531194(6)	2531195(6)	2291030(6)	2316596(6)	2316597(6)	4040095

* If replacing original motor must also replace motor mount.

Drain Fitting: 26925101

NOTE: Old style motors with ring basket may require new mount 2316597.

CPE**Electric Defrost Humi-Temps**

(Discontinued 1982)

Model CPE	230/1 Motor§	Fan		Drain Pan*	Drain Pan Heater	Motor Mount	Defrost Heater
		Blade	Guard				
36	2531195	2291030	2316596	4040084	2470030	2316597	24714402(2)**
45	2531195	2291030	2316596	4040084	2470030	2316597	24714402(2)**
72	2531195(2)	2291030(2)	2316596(2)	4040085	2470054	2316597	2470063(2)
90	2531195(2)	2291030(2)	2316596(2)	4040085	2470054	2316597	2470063(2)
120	2531195(3)	2291030(3)	2316596(3)	4040086	2470060	2316597	2470100(2)
160	2531195(4)	2291030(4)	2316596(4)	4040087	2470078	2316597	2470130(2)
200	2531195(5)	2291030(5)	2316596(5)	4040088	2470096	2316597	2470160(2)
240	2531195(6)	2291030(6)	2316596(6)	4040095	2470114	2316597	2470200(2)

*Use 8991001 retrofit heater clip kit.

§ If replacing original motor must also replace motor mount.

**Use (2) 2470021 for units with serial number prior to 7800000.

1 Phase Timer Part No. 69784002

Defrost Thermostat Part No. 2890109

CW**Unit Coolers**

(Discontinued 1989)

Model CW	115V Motor	Fan Blade	Fan Guard
8	N/A	N/A	N/A
12	N/A	N/A	N/A

All parts are call factory - no replacements

DP/DPA**Dual-Pak Condensing Unit**

(Call Factory)

Model	230/1 Motor	Fan Blade	Fan Guard	Receiver	Receiver Heater
DPA	25303555	2291836	2318491	Call Factory	N/A
DP	25311915	2292422	N/A	Call Factory	2471951

Model CU	230 Motor	460 Motor	Fan Blade	Fan Guard	Receiver Heater
0200 H1,L1,L5	2537974SS	2531193S	2291836*	2318491*	2471951
0300 H1,H2,L1	2537974SS	2531193S	2291836*	2318491*	2471951
0310 L5	2537974SS	2531193S	2291836*	2318491*	2471951
0500 H1,H2,L1,L5	2531191S	2531193S	2292625	2311026	Call Factory
0750 H1,L1,L5	2531191S	2531193S	2292625	2311026	2472853
0760 H2,L5	2530355(2)S	2531193(2)S	2292422(2)	2311026	2472853
1000 H1	2531191(2)S	2531193(2)S	2292422(2)	2311026	2472853
1000 L1, L5	2531191(2)S	2531193(2)S	2292625(2)	2311026	2472853
1010 H2	2531191(2)S	2531193(2)S	2292625(2)	2311026	2472853
1500 H1,H2,L5	2531191(2)S	2531193(2)S	2292625(2)	2311026	2474054
2000 H1,H2,L5	2531191(2)S	2531193(2)S	2292625(2)	2311026	2474054
2500 H2,L5	2531191S(3)	2531193S(3)	2292625(3)	2311026	2474054
3000 L5	2531191S(3)	2531193S(3)	2292625(3)	2311026	2474054
3000 H2	2530143S(4)	2531010S(4)	2292630(4)	2311026	2474054
3500 H2	2530143S(4)	2531010S(4)	2292630(4)	2311026	2474054
4000 H2	2530143S(4)	2531010S(4)	2292630(4)	2311026	2474054

* Units with serial numbers prior to 7600000, blade and guard not available.

Note: Parts not available for units with belt driven fans.

Receiver is call factory.

C

C ("E" &"F" Vintage) [AF=115V] [BF=230V]

Unit	Motor	Qty	Fan Blade	Motor Mount	Fan Guard	Drain Pan*
C13	25303201S	1	23100201	23101401	041777700	40801502
C17	25303201S	1	23100201	23101401	041777700	40801702
C23	25303201S	1	23100201	23101401	041777700	40801902
C30	25303201S	2	23100201	23101401	041777700	40802102
C43	25303201S	2	23100201	23101401	041777700	40802302

¹ Motor, 208-230/1/60 25303301S

* Drain fitting included in drain pan

Model DCU	230/1 Motor	208-460/3 Motor	Fan Blade	Fan Guard
1110 C1D	2531191S	2531193S	2292625	2311026
1111 C1D	2531191S	2531193S	2292625	2311026
1550 C1D	2531191S	2531193S	2292625	2311026
1110 H1D	2531191S	2531193S	2292625	2311026
1550 H1D	2531191S	2531193S	2292625	2311026
1880 H1D	2531191S	2531193S	2292625	2311026
2220 H1D	2531191S	2531193S	2292625	2311026
3330 H1D	2531191S	2531193S	2292630	2311026
4440 H1D	2538000S	2538000S	2293030	2311030
1110 H2D	2531191S	2531193S	2292625	2311026
1550 H2D	2531191S	2531193S	2292625	2311026
1555 H2D	2531191S	2531193S	2292625	2311026
2220 H2D	2531191S	2531193S	2292625	2311026
3330 H2D	2531191S	2531193S	2292625	2311026
4440 H2D	2531191S	2531193S	2292625	2311026
5550 H2D	2531191S	2531193S	2292625	2311026
6660 H2D	2538000S	2538000S	2293030	2311030
7770 H2D	2538000S	2538000S	2293030	2311030
8880 H2D	2538000S	2538000S	2293030	2311030
1220 L5D	2531191S	2531193S	2292625	2311026
1222 L5D	2531191S	2531193S	2292625	2311026
1550 L5D	2531191S	2531193S	2292625	2311026
1880 L5D	2531191S	2531193S	2292625	2311026
2220 L5D	2531191S	2531193S	2292625	2311026
2220 L5D	2531191S	2531193S	2292625	2311026
3330 L5D	2531191S	2531193S	2292625	2311026
4440 L5D	2531191S	2531193S	2292625	2311026
5550 L5D	2531191S	2531193S	2292625	2311026
6660 L5D	2531191S	2531193S	2292625	2311026

Note: Units built before 1989 with 30" fan blades use motor and fan parts same as DCU8880H2D.

Model ELT	230/1 Motor	230/460/3 Motor	Fan Blade	Fan Guard	230/460 Coil Heater	*230/460 Coil Heater
4-446/6-540	2531191S(2)	2531193S(2)	2292625(2)	2311026(2)	2471730(5)	2471732(5)
4-569/6-680	2531191S(2)	2531193S(2)	2292625(2)	2311026(2)	2471730(11)	2471732(11)
4-669/6-800	2531191S(3)	2531193S(3)	2292625(3)	2311026(3)	2472600(5)	2472602(5)
4-746/6-890	2531191S(3)	2531193S(3)	2292625(3)	2311026(3)	2472600(5)	2472602(5)
4-853/6-1020	2531191S(3)	2531193S(3)	2292625(3)	2311026(3)	2472600(11)	2472602(11)
4-985/6-1117	2531191S(3)	2531193S(3)	2292625(3)	2311026(3)	2472600(11)	2472602(11)
4-1117/6-1330	2530143(3)	2531010(3)	2292630(3)	2311026(3)	2472600(11)	2472602(11)

* Use these heaters for units built after July 1991.

Large terminal strip for heaters #2253074

Defrost Thermostat - 2890109

Model ELT	Drain Pan Assembly	Drain Pan Heater ¹ 230/460V
4-446/6-540	5000350	2470865(2)
4-569/6-680	5000350	2470865(2)
4-669/6-800	5000351	2471300(2)
4-746/6-890	5000351	2471300(2)
4-853/6-1020	5000351	2471300(2)
4-985/6-1117	5000351	2471300(2)
4-1117/6-1330	5000351	2471300(2)

¹ (2) 115V Drain Pan Heaters wired in series for 230V application

¹ (2) 115V Drain Pan Heaters wired in series to defrost heater for 460V application

Drain pan heater clip #2334701

Drain pan hold-down bar #3840005

ELT Humi-Temps

Model		230/1 Motor	Fan Blade	Fan Guard	Drain Pan Assembly	Drain Pan Htr. 230V
ELT 6	ELT 4					
85	80	2532500	2291836	2318491	5000341	2470030
106	100	2532500	2291836	2318491	5000341	2470030
125	116	2532500	2291836	2318491	5000342	2470041
180	165	2532500(2)	2291836(2)	2318491(2)	5000344	2470060
225	210	2532500(2)	2291836(2)	2318491(2)	5000344	2470060
260	241	2532500(3)	2291836(3)	2318491(3)	5000345	2470078
310	290	2532500(3)	2291836(3)	2318491(3)	5000345	2470078
390	365	2532500(3)	2291836(3)	2318491(3)	5000345	2470078

460V Motor - 2532501

Model		Drain Pan Heater 460V	Coil Heater 230V	Coil Heater 460V	Hairpin End End Panel	TXV End End Panel
ELT 6	ELT 4					
85	80	2470032	2470021(3)	Call Factory	4080723	4080724
106	100	2470032	2470021(3)	Call Factory	4080723	4080724
125	116	2470043	2470040(3)	Call Factory	4080723	4080724
180	165	2470061	2470100(3)	2470101(3)	4080723	4080724
225	210	2470061	2470100(3)	2470101(3)	4080723	4080724
260	241	2470079	2470130(3)	2470131(3)	4080723	4080724
310	290	2470079	2470130(3)	2470131(3)	4080870	4080866
390	365	2470079	2470130(3)	2470131(3)	4080870	4080866

Defrost Thermostat 2890109

Defrost Heater Clip 2334712

(Old Style Units, Discontinued 1982)

Model ELT	Motor		Fan		Drain Pan**	Heater	
	230/1	230/460/3	Blade	Guard		Defrost	Drain Pan
85	2532500	N/A	2291836	2318491	4040121*	2470021(3)	2470030
106	2532500	N/A	2291836	2318491	4040121*	2470021(3)	2470030
125	2532500	N/A	2291836	2318491	4040120*	2470040(3)	2470041
180	2532500(2)	N/A	2291836(2)	2318491(2)	4040086*	2470100(3)	2470060
225	2532500(2)	N/A	2291836(2)	2318491(2)	4040086*	2470100(3)	2470060
300	2532500(3)	N/A	2291836(3)	2318491(3)	4040087*	2470130(3)	2470078
380	2532500(3)	N/A	2291836(3)	2318491(3)	4040087*	2470130(3)	2470078
446	2531191S(2)	2531193S(2)	2292625(2)	2311026(2)	5000350	2471730(5)	2470865(2)††
569	2531191S(2)	2531193S(2)	2292625(2)	2311026(2)	5000350	2471730(11)	2470865(2)††
669	2531191S(3)	2531193S(3)	2292625(3)	2311026(3)	5000351	2472600(5)†	2471300(2)††
746	2531191S(3)	2531193S(3)	2292625(3)	2311026(3)	5000351	2472600(6)†	2471300(2)††
853	2531191S(3)	2531193S(3)	2292625(3)	2311026(3)	5000351	2472600(11)†	2471300(2)††
985	2531191S(3)	2531193S(3)	2292625(3)	2311026(3)	5000351	2472600(11)†	2471300(2)††
1117	2530143(3)	2531010(3)	2292625(3)	2311026(3)	5000351	2472600(11)†	2471300(2)††

* Use 8991001 retrofit heater clip kit.

† Coil heater 230V each, two wired in series for 460V operation.

†† Pan heaters 115V each, two wired in series for 230V operation.

**Applies if serial # is prior to 8200000 (drain hole on end). If serial # is after 8200000, use same drain pan as ELT6 model (drain hole in middle).

Defrost Thermostat - 2890109

Larkin

ECM

Electric Defrost Center Mount Unit Coolers

Model	230/1 Motor	Fan Blade	Fan Guard	Motor Mount	Defrost Heater	Drain Pan Heater	Drain Pan Assembly
ECM6-31	2531195	2291030	Call Factory	4000104	2470021(2)	2470024	N/A
ECM6-59	2531195(2)	2291030(2)	Call Factory	4000104	2470040(2)	2470030	N/A
ECM6-87	2531195(3)	2291030(3)	Call Factory	4000104	2470063(2)	2470041	N/A
ECM6-120	2531195(4)	2291030(4)	Call Factory	4000104	2470130(2)	2470250	N/A
ECM6-141	2531195(5)	2291030(5)	Call Factory	4000104	2470130(2)	2470250	N/A
ECM6-177	2531195(5)	2291030(5)	Call Factory	4000104	2470130(2)	2470250	N/A
ECM6-218	2531195(6)	2291030(6)	Call Factory	4000104	2470160(2)	2470078	N/A

Defrost Control: 2892425

Model	Motor	Blade	Guard	Drain Pan (White)	Defrost Fan Control	Heater
ECM040B	5036TS(1)	5110E(1)	5055F(1)	40820601	4267W	4400(2)S
ECM054B	5036TS(2)	5110E(2)	5055F(2)	40820701	4267W	4401(2)S
ECM065B	5036TS(2)	5110E(2)	5055F(2)	40820701	4267W	4401(2)S
ECM090B	5036TS(3)	5110E(3)	5055F(3)	40820801	4267W	4402(2)S
ECM130B	5036TS(3)	5110E(3)	5055F(3)	40820801	4267W	4403(2)S
ECM174B	5036TS(4)	5110E(4)	5055F(4)	40820901	4267W	4404(2)S

230 Volt Motor (PSC)=5036PS

Motor Plate = 40003001

EC

Unit Coolers

(Discontinued 1984)

Model EC	115V Motor	Fan Blade
8	N/A	N/A
12	N/A	N/A
16	N/A	N/A
22	N/A	N/A

"E" Vintage

Model		230/1 Motor ¹	Fan Blade	Fan Guard ²	Drain Pan Assembly	Drain Pan Heater 230/1	Motor Mount
ECP 6	ECP 4						
39	–	2531195	2291030	2310010	5000340	2470024	5559957
46	–	2531195	2291030	2310010	5000341	2470030	5559957
55	–	2531195(2)	2291030(2)	2310010(2)	5000342	2470041	5559957(2)
78	–	2531195(2)	2291030(2)	2310010(2)	5000342	2470041	5559957(2)
93	77-88	2531195(2)	2291030(2)	2310010(2)	5000343	2470054	5559957(2)
120	110	2531195(3)	2291030(3)	2310010(3)	5000344	2470060	5559957(3)
140	150	2531195(4)	2291030(4)	2310010(4)	5000345	2470078	5559957(4)
160	–	2531195(4)	2291030(4)	2310010(4)	5000345	2470078	5559957(4)
175	181	2531195(5)	2291030(5)	2310010(5)	5000346	2470096	5559957(5)
200	–	2531195(5)	2291030(5)	2310010(5)	5000346	2470096	5559957(5)
240	220	2531195(6)	2291030(6)	2310010(6)	5000347	2470114	5559957(6)
270	–	2531195(6)	2291030(6)	2310010(6)	5000347	2470114	5559957(6)

Model		Coil Heater 230/1	230/1 Timer	Defrost Thermostat	TXV End End Panel	Hairpin End End Panel
ECP 6	ECP 4					
39	–	2470018(1)	69784002	2890109	4080715	4080716
46	–	2470021(2)	69784002	2890109	4080715	4080716
55	–	2470040(2)	69784002	2890109	4080715	4080716
78	–	2470040(2)	69784002	2890109	4080715	4080716
93	77-88	2470063(2)	69784002	2890109	4080715	4080716
120	110	2470100(2)	69784002	2890109	4080715	4080716
140	150	2470130(2)	69784002	2890109	4080715	4080716
160	–	2470130(2)	69784002	2890109	4080715	4080716
175	181	2470160(2)	69784002	2890109	4080715	4080716
200	–	2470160(2)	69784002	2890109	4080715	4080716
240	220	2470200(2)	69784002	2890109	4080715	4080716
270	–	2470200(2)	69784002	2890109	4080733	4080734

Drain Pan Fitting: 26925101

¹ 115V PSC Motor - Part No. 2531196¹ 120V PSC Motor - Part No. 2531197² Prior to 1991 use 2316596 fan guard

"J" Vintage

Model		230/1 Motor ¹	Fan Blade	Fan Guard ²	Drain Pan Assembly	Drain Pan Heater 230/1	Motor Mount
ECP 6	ECP 4						
39	-	253002015	22900501	2310010	5000340	2470024	4000104
46	-	253002015	22900501	2310010	5000341	2470030	4000104
55	-	253002015(2)	22900501(2)	2310010(2)	5000342	2470041	4000104
78	-	253002015(2)	22900501(2)	2310010(2)	5000342	2470041	4000104
93	77-88	253002015(2)	22900501(2)	2310010(2)	5000343	2470054	4000104
120	110	253002015(3)	22900501(3)	2310010(3)	5000344	2470060	4000104
140	150	253002015(4)	22900501(4)	2310010(4)	5000345	2470078	4000104
160	-	253002015(4)	22900501(4)	2310010(4)	5000345	2470078	4000104
175	181	253002015(5)	22900501(5)	2310010(5)	5000346	2470096	4000104
200	-	253002015(5)	22900501(5)	2310010(5)	5000346	2470096	4000104
240	220	253002015(6)	22900501(6)	2310010(6)	5000347	2470114	4000104
270	-	253002015(6)	22900501(6)	2310010(6)	5000347	2470114	4000104

Model		Coil Heater 230/1	230/1 Timer	Defrost Thermostat	TXV End End Panel	Hairpin End End Panel
ECP 6	ECP 4					
39	-	2470018(1)	69784002	2890109	4080715	4080716
46	-	2470021(2)	69784002	2890109	4080715	4080716
55	-	2470040(2)	69784002	2890109	4080715	4080716
78	-	2470040(2)	69784002	2890109	4080715	4080716
93	77-88	2470063(2)	69784002	2890109	4080715	4080716
120	110	2470100(2)	69784002	2890109	4080715	4080716
140	150	2470130(2)	69784002	2890109	4080715	4080716
160	-	2470130(2)	69784002	2890109	4080715	4080716
175	181	2470160(2)	69784002	2890109	4080715	4080716
200	-	2470160(2)	69784002	2890109	4080715	4080716
240	220	2470200(2)	69784002	2890109	4080715	4080716
270	-	2470200(2)	69784002	2890109	4080733	4080734

¹ 230V PSC Motor - Part No. 25302501

Drain Pan Fitting: 26925101

Larkin

EP

(Discontinued Dec. 1995)

Model EP	230/1 Motor	Fan Blade	Fan Guard*	Motor Mount	Coil Heater	Drain Pan Heater	Drain Pan Assembly
35	2531195	2291030	2310010	5559957	2470018	2470024	Call Factory
45	2531195	2291030	2310010	5559957	2470018	2470024	Call Factory
52	2531195	2291030	2310010	5559957	2471440	2470030	4040164
68	2531195(2)	2291030(2)	2310010(2)	5559957(2)	2471440	2470030	4040164
85	2531195(2)	2291030(2)	2310010(2)	5559957(2)	2470021(2)	2470030	4040164
106	2531195(2)	2291030(2)	2310010(2)	5559957(2)	2470021(2)	2470030	4040164

* Prior to 1991 use 2316596 fan guard.

Defrost T'Stat Part No. 2890109

PFG

Glycol Coolers

Model	Motor 230/1	Motor 230/460/3	Fan Blade	Fan Guard
FCB 1	2537974S	N/A	2291820	2318491†
FCB 1 1/2	2537974S	N/A	2291820	2318491†
FCB 2	2537974S	N/A	2291820	2318491†
FCB 3	2537974S	N/A	2291836	2318491
FCA 3A - PFG 3A	2530355S	2531193	2292422	2311026
FCB 5 - PFG 5	2530355S	2531193	2292422	2311026
FCB 8 - PFG 8	2531191S	2531193	2292625	2311026
FCB 10 - PFG 10	2530355S(2)	2531193(2)	2292422(2)	2311026
FCB 12 - PFG 12	2531191S(2)	2531193(2)	2292625(2)	2311026
FCB 14 - PFG 14	2531191S(2)	2531193(2)	2292625(2)	2311026 [£]
FCB 16 - PFG 16	2531191S(2)	2531193(2)	2292625(2)	2311026 [£]
FCB 21 - PFG 21	2531191S(3)	2531193(3)	2292625(3)	2311026 [£]
FCB 23 - PFG 23	2531191S(3)	2531193(3)	2292625(3)	2311026
FCB 26 - PFG 26	2531191S(3)	2531193(3)	2292625(3)	2311026
FCA 30 - PFG 30	2531191S(4)	2531193(4)	2292625(4)	2311026
FCA 35 - PFG 35	2530143(4)	2531010(4)	2292630(4)	2311026 [¥]
FCA 41 - PFG 41	2530143(4)	2531010(4)	2292630(4)	2311026 [¥]
FCA 47 - PFG 47	2530143(4)	2531010(4)	2292630(4)	2311026 [¥]
FCA 52 - PFG 52	N/A	2538000(5)	2293030(5)	2311030
FCA 60 - PFG 60	N/A	2538000(5)	2293030(5)	2311030
FCA 63 - PFG 63	N/A	2538000(6)	2293030(6)	2311030
FCA 69 - PFG 69	N/A	2538000(6)	2293030(6)	2311030
FCA 76 - PFG 76	N/A	2538000(6)	2293030(6)	2311030
FCA 81 - PFG 81	N/A	2538000(6)	2293030(6)	2311030
FCA 86 - PFG 86	N/A	2538000(8)	2293030(8)	2311030
FCA 94 - PFG 94	N/A	2538000(8)	2293030(8)	2311030
FCA 97 - PFG 97	N/A	2538000(8)	2293030(8)	2311030
FCA 105 - PFG 105	N/A	2538000(8)	2293030(8)	2311030
FCA 109 - PFG 109	N/A	2538000(8)	2293030(8)	2311030
FCA 118 - PFG 118	N/A	2538000(8)	2293030(8)	2311030
FCA 126 - PFG 126	N/A	25301801(8)	2293026(8)	2311030
FCA 136 - PFG 136	N/A	25301801(8)	2293026(8)	2311030
FCA 142 - PFG 142	N/A	25301801(8)	2293026(8)	2311030

Note: For variable speed motor use part number 2530174S for all voltages.
(Variable speed motor is motor closest to header end.)

Note: Use Fan Blade 2292625 For The Variable Speed Motor

Exception Note: The FCB1SM thru FCB3SM: use 2531191 with 18" blade.
FCB5SM & FCB10SM use the 24"; all others use 2292625.

Rain Shield - Part No. 5792V used with 2530174

¥ for 575V in place of 2531010 use 2531011

£ for 575V in place of 2531193 use 2531192 (1140 rpm - 1/2" dia.shaft)

† Use 2537975 for 115V

Larkin

(Discontinued)

Model	Motor 230/1	Motor 230/460/3	Fan Blade	Fan Guard
FCA 1 1/2	2537974S*	N/A	2291836	2318491
FCA 2	2537974S*	N/A	2291820	2318491
FCA 3	2537974S*	N/A	2291836	2318491
FCA 5	2530355S	2531193S	2292422	2311026
FCA 8	2531191S	2531193S	2292625	2311026
FCA 10	2530355S(2)	2531193S(2)	2292422(2)	2311026
FCA 12	2531191S(2)	2531193S(2)	2292625(2)	2311026
FCA 14	2531191S(2)	2531193S(2)	2292625(2)	2311026
FCA 16	2531191S(2)	2531193S(2)	2292625(2)	2311026
FCA 21	2531191S(3)	2531193S(3)	2292625(3)	2311026
FCA 23	2531191S(3)	2531193S(3)	2292625(3)	2311026
FCA 26	2531191S(3)**	2531193S(3)	2292625(3)	2311026
FCA 50	N/A	2531010(5)	2292630(5)	2311026
FCA 54	N/A	2531010(5)	2292630(5)	2311026
FCA 61	N/A	2531010(6)	2292630(6)	2311026
FCA 64	N/A	2531010(8)	2292630(8)	2311026
FCA 68	N/A	2531193S(10)	2292630(10)	2311026
FCA 71	N/A	2531010(10)	2292630(10)	2311026
FCA 80	N/A	2531010(10)	2292630(10)	2311026

* Units with serial numbers prior to 7600000, fan blade and guard not available.

** Units with 1 HP motor require 2292630 fan blade with 5/8" bore.

Note: For variable speed motor use part number 2530174 for all voltages.

Model	230/1 Motor	460/1 Motor	Fan Blade	Fan Guard
1 - 3 HP	2537974S	2531193S	2291836	2318491
5 HP	2530355	2531193S	2292422	2311026
7.5 HP	2530355(2)	2531193S(2)	2292422(2)	2311026(2)
10 HP	2531191S(2)	2531193S(2)	2292422(2)	2311026(2)
15 - 20 HP	2530143S(2)	2531010(2)	2292630(2)	2311026(2)

HCP

Hot Gas Defrost Compak Unit Coolers

Model		115V Motor	230/1 Motor	Fan Blade	*Fan Guard	Motor Mount	Hairpin End End Panel	TXV End End Panel
HCP 6	HCP 4							
39	-	2531194	2531195	2291030	2310010	5559957	4080716	4080715
46	-	2531194	2531195	2291030	2310010	5559957	4080716	4080715
55	-	2531194(2)	2531195(2)	2291030(2)	2310010(2)	5559957(2)	4080716	4080715
78	-	2531194(2)	2531195(2)	2291030(2)	2310010(2)	5559957(2)	4080716	4080715
93	77-88	2531194(2)	2531195(2)	2291030(2)	2310010(2)	5559957(2)	4080716	4080715
120	110	2531194(3)	2531195(3)	2291030(3)	2310010(3)	5559957(3)	4080716	4080715
140	150	2531194(4)	2531195(4)	2291030(4)	2310010(4)	5559957(4)	4080716	4080715
160	-	2531194(4)	2531195(4)	2291030(4)	2310010(4)	5559957(4)	4080716	4080715
175	181	2531194(5)	2531195(5)	2291030(5)	2310010(5)	5559957(5)	4080716	4080715
200	-	2531194(5)	2531195(5)	2291030(5)	2310010(5)	5559957(5)	4080716	4080715
240	220	2531194(6)	2531195(6)	2291030(6)	2310010(6)	5559957(6)	4080716	4080715
270	-	2531194(6)	2531195(6)	2291030(6)	2310010(6)	5559957(6)	4080734	4080733

* Prior to 1991 use 2316596 fan guard.

Low Temperature Defrost & Fan Delay - Part No. 2890109

"J" Vintage

Model		115V Motor ¹	Fan Blade	Fan Guard	Motor Mount	Drain Pan	Hairpin End End Panel	TXV End End Panel
HCP 6	HCP 4							
39	-	25300101S	22900501	2310010	5559957	5000340	4080716	4080715
46	-	25300101S	22900501	2310010	5559957	5000341	4080716	4080715
55	-	25300101S(2)	22900501(2)	2310010(2)	5559957(2)	5000342	4080716	4080715
78	-	25300101S(2)	22900501(2)	2310010(2)	5559957(2)	5000342	4080716	4080715
93	77-88	25300101S(2)	22900501(2)	2310010(2)	5559957(2)	5000343	4080716	4080715
120	110	25300101S(3)	22900501(3)	2310010(3)	5559957(3)	5000344	4080716	4080715
140	150	25300101S(4)	22900501(4)	2310010(4)	5559957(4)	5000345	4080716	4080715
160	-	25300101S(4)	22900501(4)	2310010(4)	5559957(4)	5000345	4080716	4080715
175	181	25300101S(5)	22900501(5)	2310010(5)	5559957(5)	5000346	4080716	4080715
200	-	25300101S(5)	22900501(5)	2310010(5)	5559957(5)	5000346	4080716	4080715
240	220	25300101S(6)	22900501(6)	2310010(6)	5559957(6)	5000347	4080716	4080715
270	-	25300101S(6)	22900501(6)	2310010(6)	5559957(6)	5000347	4080734	4080733

¹ 230/1 Motor Part No. 25300201S

Low Temperature Defrost & Fan Delay - Part No. 2890109

HLT

Large Capacity Humi-Temps

Model HLT	230/1 Motor	230/460/3 Motor	Fan Blade	Fan Guard	Drain Pan Assembly
4-446	2531191(2)S	2531193(2)S	2292625(2)	2311026(2)	5000364
4-569	2531191(2)S	2531193(2)S	2292625(2)	2311026(2)	5000364
4-669	2531191S(3)	2531193S(3)	2292625(3)	2311026(3)	5000365
4-746	2531191S(3)	2531193S(3)	2292625(3)	2311026(3)	5000365
4-853	2531191S(3)	2531193S(3)	2292625(3)	2311026(3)	5000365
4-985	2531191S(3)	2531193S(3)	2292625(3)	2311026(3)	5000365
4-1117	2530143(3)	2531010(3)	2292630(3)	2311026(3)	5000365

575V Motor - Part No. 2531192 Except on HLT4-1117 Use #25302001

Model HLT-6	Model HLT-4	115V Motor	230/1 Motor	460/1 Motor	Fan Blade	Fan Guard	Hot Gas Drain Pan	Hairpin End End Panel
85	80	2531331	2532500	2532501	2291836	2318491	5000018	4080723
106	100	2531331	2532500	2532501	2291836	2318491	5000018	4080723
125	116	2531331	2532500	2532501	2291836	2318491	5000019	4080723
180	165	2531331(2)	2532500(2)	2532501(2)	2291836(2)	2318491(2)	5000021	4080723
225	210	2531331(2)	2532500(2)	2532501(2)	2291836(2)	2318491(2)	5000021	4080723
260	241	2531331(3)	2532500(3)	2532501(3)	2291836(3)	2318491(3)	5000022	4080723
310	290	2531331(3)	2532500(3)	2532501(3)	2291836(3)	2318491(3)	5000022	4080870
390	365	2531331(3)	2532500(3)	2532501(3)	2291836(3)	2318491(3)	5000022	4080870

Larkin

HTA

Unit Coolers

(Discontinued 1984*)

Model HTA	115V Motor	230/1 Motor	Fan Blade	Fan Guard
25	2531194	2531195	2291031	Call Factory
35	2531194	2531195	2291031	Call Factory
45	2531194	2531195	2291031	Call Factory
54	N/A	N/A	2291618	N/A
68	N/A	N/A	2291618	N/A
87	N/A	N/A	2291618	N/A
106	N/A	N/A	2291618	N/A

* HTA drain pans not available.

Nomenclature Example:

ZW	N	030	L	6	B
Compressor	Application	Equiv. HP	Temperature	Refrigerant	Voltage
HW = Hermetic ZW = Scroll	N = Indoor M = Beacon	005 = 1/2 HP 03* = 3 HP 008 = 3/4 HP 04* = 4 HP 010 = 1 HP 05* = 5 HP 01* = 1 1/2 HP 06* = 6 HP 02* = 2 HP	H = High L = Low M = Medium X = Medium/Low	2 = R-22 6 = R-404a/507	B = 208/230/1/60 C = 208/230/3/60 D = 460/3/60 G = 230/1/60

Part No.	Description
2252125*	Contactator Open 2P 25/35A 220V
2252330*	Contactator 30A 3P 208-240V Open
2259996	Contactator 25A 208-240V
2255845	Contactator 25A 3P 24V
2254304	Contactator 30A 2P 24V
2252340	Contactator 40A 3P 208-240V -Open
R034915200	Contactator 2 Pole 20A 230V
30104701*	T'Stat DISC. Line
22510005	Fuse 1A 600V Class CC
22511001	Fuseblock 30A 600V 2P MDGT
28913201	High Pressure Control 400# C.O. W/CONN
2891402	Low Pressure SW P70AB-1D (ADJ)
27304703	Receiver Tank 5 X 10
27304702	Receiver Tank 6 X 12
27304701*	Receiver Tank 6 X 27
2251266	Terminal Board 30A 6P 600V
22536801	Time Delay Relay 0-600 SECS. Delay
2138162	Timer 208-240V 40 A SPDT TI-TT
22552201*	Timer 3 Minute Delay On Break
22541001	Transformer 300VA 480/240V
22522301	Transformer Beacon II™ Control
2935028	Valve V46AB1 1/2 Water (Johnson)
2935031*	Valve Water Regulating
29356501*	Valve CMPR Discharge Temperature Control

* Specific To ZW Only

Nomenclature Example:

O	SL	0150	L	5	3
O = Outdoor Unit I = Indoor Unit	WL = Welded Hermetic Compressor Horizontal Air Discharge SL = Reed Valve Semi-hermetic Compressor Horizontal Air Discharge	Nominal HP 0050 = 1/2 HP 0075 = 3/4 HP 0100 = 1 HP 015 = 1 1/2 HP 0200 = 2 HP 0300 = 3 HP 0400 = 4 HP 0500 = 5 HP	Application Range L = Low C = Medium H = High D = High (R-22) or Med (R-502) E = Low	Refrigerant 2 = R-22 5 = R-502 7 = R-22 or R-502	Electrical Characteristics 2 = 208-230/60/1 3 = 308-230/60/3 4 = 460/60/3 9 = 230/30/1

Unit Size	Motor For 230V Unit	Motor For 460V Unit	Motor Capacitor	Fan Blade
005	7071061(1)	7071061(1)	R037516402	R043759700(1)
008	7071061(1)	7071061(1)	R037516402	R043759700(1)
010	7071061(1)	7071061(1)	R037516402	R043759700(1)
015	7071061(2)	7071061(2)	R037516402	R043759700(2)
020	7071061(2)	7071061(2)	R037516402	R043759700(2)
030	*7071208S(1)	*7071225S(1)	-	7173156(1)
040	*7071208S(1)	*7071225S(1)	-	7173156(1)
050	*7071208S(1)	*7071225S(1)	-	7173156(1)

*Motor includes capacitor

Low Pressure Switch - Part No. 7075212

R-12 High Pressure Switch - Part No. 7075208

R-22 High Pressure Switch - Part No. 7075207

Unit Size	Motor Mount	Head Pressure Valve	(OPT) Fan Cycle Switch	Compressor Contactor
005	6366022(1)	2930429	-	R034915200
008	6366022(1)	2930429	-	R034915200
010	6366022(1)	2930429	-	R034915200
015	6366022(2)	2930429	7075839	R034915200
020	6366022(2)	2930429	7075839	R034915200
030	Call Factory	2930429	-	2252340
040	Call Factory	2930058	-	2252340
050	Call Factory	2930058	-	2252340

(Discontinued 2003)

Unit Model	Motor 115V	Motor 230V	Fan Blade	Motor Mount	Guard	Receiver
RH 1/4 - 1/3	25303201S	-	23100501	23101401	041777700	27300106
JH 1/4 - 1/2	25300101S	25300201S	2291030	23101101	**	27300107
JS 1/2	25300101S	25300201S	2291030	23101101	**	27300107
JH/RH 3/4 - 1	25300101S	25300201S	5110E	23101001	**	27304703
JS 3/4	25300101S	25300201S	5110E	23101001	-	27304703
JH/RH 1 1/2 - 2	-	7071061*	R043759700	23100901	**	27304703
JS 1, 1 1/2, 2	25300101S	25300201S	5110E	23101001	-	27300105
JH/RH 2 - 3	-	7071061(2)	R043759700	23100901	**	27300105
JS 3 & 4	-	7071208S	7173156	23102701	**	27300103
JH/RH 4 - 5	-	7071208S	7173156	40001801	7067026	27300103

* Motor Part No. 7071061 includes Capacitor Part No. R037516402

** See Motor Mount (Mount & Guard Combination)

KMK

"F" Vintage AF=115V BF=230V

Unit	Motor ²	Qty	Fan Blade	Motor Mount	Fan Guard	Drain Pan*
KMK13	25300701S	2	5102C	91179001	5076E	74422002
KMK17	25300701S	2	5102C	91179001	5076E	74422002
KMK23	25300701S	3	5102C	91179001	5077E	74436002

² 230 Volt Motor = 25300801S

* Drain fitting included in drain pan

40804701 - Air Deflector for size 13 & 17.

40807501 - Air Deflector for size 23

Nomenclature Example:

LC Larkin Compak Unit Coolers	A A = Air Defrost E = Electric Defrost H = Hot Gas Defrost	6 Fins Per Inch	135 Capacity x 100	Voltage	Motor Type	A Vintage
				A = 115/1/60 B = 208/230/1/60 C = 208/230/3/60 M = 460/1/60 N = 110/1/50 Q = 220/1/50 R = 380/1/50 V = 208/230/1/60/50 Motors W/460/1/60 Heaters	H = PSC T = Totally Enclosed	

Unit	No. Motors	Motor	Blade	Guard (Molded)	Motor Mount	Drain Pan*
LCA644AA	1	25307701	5140C	37000701	23104901	40402601
LCA644BA	1	25307801	5140C	37000701	23104901	40402601
LCA644AHA	1	25308501	5140C	37000701	23104901	40402601
LCA644BHA	1	25308601	5140C	37000701	23104901	40402601
LCA644MHA	1	25308701	5140C	37000701	23104901	40402601
LCA644NHA	1	25308501	5140C	37000701	23104901	40402601
LCA644QHA	1	25308601	5140C	37000701	23104901	40402601
LCA644RHA	1	25308701	5140C	37000701	23104901	40402601
LCA644ATA	1	25308201	5140C	37000701	23104901	40402601
LCA644BTA	1	25308301	5140C	37000701	23104901	40402601
LCA644MTA	1	25308401	5140C	37000701	23104901	40402601
LCA651AA	1	25307701	5140C	37000701	23104901	40402601
LCA651BA	1	25307801	5140C	37000701	23104901	40402601
LCA651AHA	1	25308501	5140C	37000701	23104901	40402601
LCA651BHA	1	25308601	5140C	37000701	23104901	40402601
LCA651MHA	1	25308701	5140C	37000701	23104901	40402601
LCA651NHA	1	25308501	5140C	37000701	23104901	40402601
LCA651QHA	1	25308601	5140C	37000701	23104901	40402601
LCA651RHA	1	25308701	5140C	37000701	23104901	40402601
LCA651ATA	1	25308201	5140C	37000701	23104901	40402601
LCA651BTA	1	25308301	5140C	37000701	23104901	40402601
LCA651MTA	1	25308401	5140C	37000701	23104901	40402601
LCA662AA	1	25307701	5140C	37000701	23104901	40402601
LCA662BA	1	25307801	5140C	37000701	23104901	40402601
LCA662AHA	1	25308501	5140C	37000701	23104901	40402601
LCA662BHA	1	25308601	5140C	37000701	23104901	40402601
LCA662MHA	1	25308701	5140C	37000701	23104901	40402601
LCA662NHA	1	25308501	5140C	37000701	23104901	40402601
LCA662QHA	1	25308601	5140C	37000701	23104901	40402601
LCA662RHA	1	25308701	5140C	37000701	23104901	40402601
LCA662ATA	1	25308201	5140C	37000701	23104901	40402601
LCA662BTA	1	25308301	5140C	37000701	23104901	40402601
LCA662MTA	1	25308401	5140C	37000701	23104901	40402601
LCA672AA	2	25307701	5140C	37000701	23104901	40402701
LCA672BA	2	25307801	5140C	37000701	23104901	40402701
LCA672AHA	2	25308501	5140C	37000701	23104901	40402701
LCA672BHA	2	25308601	5140C	37000701	23104901	40402701
LCA672MHA	2	25308701	5140C	37000701	23104901	40402701
LCA672NHA	2	25308501	5140C	37000701	23104901	40402701
LCA672QHA	2	25308601	5140C	37000701	23104901	40402701
LCA672RHA	2	25308701	5140C	37000701	23104901	40402701
LCA672ATA	2	25308201	5140C	37000701	23104901	40402701
LCA672BTA	2	25308301	5140C	37000701	23104901	40402701
LCA672MTA	2	25308401	5140C	37000701	23104901	40402701

*Drain Fitting Kit	26925101	Drain Piping Assembly (1) 50148802 & (1) 50148804			
Thermostat	5709L	Wire Guard	37000601	Pan Heater Bracket	2 33619201
End Panel - Elec	36110101	End Panel - Refrig	36110001	Pan Heater Clip	33618701

No. of clips is one less than # of fans

Unit	No. Motors	Motor	Blade	Guard (Molded)	Motor Mount	Drain Pan*
LCA690AA	2	25307701	5140C	37000701	23104901	40402701
LCA690BA	2	25307801	5140C	37000701	23104901	40402701
LCA690AHA	2	25308501	5140C	37000701	23104901	40402701
LCA690BHA	2	25308601	5140C	37000701	23104901	40402701
LCA690MHA	2	25308701	5140C	37000701	23104901	40402701
LCA690NHA	2	25308501	5140C	37000701	23104901	40402701
LCA690QHA	2	25308601	5140C	37000701	23104901	40402701
LCA690RHA	2	25308701	5140C	37000701	23104901	40402701
LCA690ATA	2	25308201	5140C	37000701	23104901	40402701
LCA690BTA	2	25308301	5140C	37000701	23104901	40402701
LCA690MTA	2	25308401	5140C	37000701	23104901	40402701
LCA6110AA	2	25307701	5140C	37000701	23104901	40402701
LCA6110BA	2	25307801	5140C	37000701	23104901	40402701
LCA6110AHA	2	25308501	5140C	37000701	23104901	40402701
LCA6110BHA	2	25308601	5140C	37000701	23104901	40402701
LCA6110MHA	2	25308701	5140C	37000701	23104901	40402701
LCA6110NHA	2	25308501	5140C	37000701	23104901	40402701
LCA6110QHA	2	25308601	5140C	37000701	23104901	40402701
LCA6110RHA	2	25308701	5140C	37000701	23104901	40402701
LCA6110ATA	2	25308201	5140C	37000701	23104901	40402701
LCA6110BTA	2	25308301	5140C	37000701	23104901	40402701
LCA6110MTA	2	25308401	5140C	37000701	23104901	40402701
LCA6135AA	3	25307701	5140C	37000701	23104901	40402801
LCA6135BA	3	25307801	5140C	37000701	23104901	40402801
LCA6135AHA	3	25308501	5140C	37000701	23104901	40402801
LCA6135BHA	3	25308601	5140C	37000701	23104901	40402801
LCA6135MHA	3	25308701	5140C	37000701	23104901	40402801
LCA6135NHA	3	25308501	5140C	37000701	23104901	40402801
LCA6135QHA	3	25308601	5140C	37000701	23104901	40402801
LCA6135RHA	3	25308701	5140C	37000701	23104901	40402801
LCA6135ATA	3	25308201	5140C	37000701	23104901	40402801
LCA6135BTA	3	25308301	5140C	37000701	23104901	40402801
LCA6135MTA	3	25308401	5140C	37000701	23104901	40402801
LCA6160AA	3	25307701	5140C	37000701	23104901	40402801
LCA6160BA	3	25307801	5140C	37000701	23104901	40402801
LCA6160AHA	3	25308501	5140C	37000701	23104901	40402801
LCA6160BHA	3	25308601	5140C	37000701	23104901	40402801
LCA6160MHA	3	25308701	5140C	37000701	23104901	40402801
LCA6160NHA	3	25308501	5140C	37000701	23104901	40402801
LCA6160QHA	3	25308601	5140C	37000701	23104901	40402801
LCA6160RHA	3	25308701	5140C	37000701	23104901	40402801
LCA6160ATA	3	25308201	5140C	37000701	23104901	40402801
LCA6160BTA	3	25308301	5140C	37000701	23104901	40402801
LCA6160MTA	3	25308401	5140C	37000701	23104901	40402801

*Drain Fitting Kit	26925101	Drain Piping Assembly (1) 50148802 & (1) 50148804				
Thermostat	5709L	Wire Guard	37000601	Pan Heater Bracket	2	33619201
End Panel - Elec	36110101	End Panel - Refrig	36110001	Pan Heater Clip		33618701

No. of clips is one less than number of fans

Unit	No. Motors	Motor	Blade	Guard (Molded)	Motor Mount	Drain Pan*
LCA6185AA	4	25307701	5140C	37000701	23104901	40402901
LCA6185BA	4	25307801	5140C	37000701	23104901	40402901
LCA6185AHA	4	25308501	5140C	37000701	23104901	40402901
LCA6185BHA	4	25308601	5140C	37000701	23104901	40402901
LCA6185MHA	4	25308701	5140C	37000701	23104901	40402901
LCA6185NHA	4	25308501	5140C	37000701	23104901	40402901
LCA6185QHA	4	25308601	5140C	37000701	23104901	40402901
LCA6185RHA	4	25308701	5140C	37000701	23104901	40402901
LCA6185ATA	4	25308201	5140C	37000701	23104901	40402901
LCA6185BTA	4	25308301	5140C	37000701	23104901	40402901
LCA6185MTA	4	25308401	5140C	37000701	23104901	40402901
LCA6215AA	4	25307701	5140C	37000701	23104901	40402901
LCA6215BA	4	25307801	5140C	37000701	23104901	40402901
LCA6215AHA	4	25308501	5140C	37000701	23104901	40402901
LCA6215BHA	4	25308601	5140C	37000701	23104901	40402901
LCA6215MHA	4	25308701	5140C	37000701	23104901	40402901
LCA6215NHA	4	25308501	5140C	37000701	23104901	40402901
LCA6215QHA	4	25308601	5140C	37000701	23104901	40402901
LCA6215RHA	4	25308701	5140C	37000701	23104901	40402901
LCA6215ATA	4	25308201	5140C	37000701	23104901	40402901
LCA6215BTA	4	25308301	5140C	37000701	23104901	40402901
LCA6215MTA	4	25308401	5140C	37000701	23104901	40402901
LCA6260AA	5	25307701	5140C	37000701	23104901	40403001
LCA6260BA	5	25307801	5140C	37000701	23104901	40403001
LCA6260AHA	5	25308501	5140C	37000701	23104901	40403001
LCA6260BHA	5	25308601	5140C	37000701	23104901	40403001
LCA6260MHA	5	25308701	5140C	37000701	23104901	40403001
LCA6260NHA	5	25308501	5140C	37000701	23104901	40403001
LCA6260QHA	5	25308601	5140C	37000701	23104901	40403001
LCA6260RHA	5	25308701	5140C	37000701	23104901	40403001
LCA6260ATA	5	25308201	5140C	37000701	23104901	40403001
LCA6260BTA	5	25308301	5140C	37000701	23104901	40403001
LCA6260MTA	5	25308401	5140C	37000701	23104901	40403001
LCA6310AA	6	25307701	5140C	37000701	23104901	40403101
LCA6310BA	6	25307801	5140C	37000701	23104901	40403101
LCA6310AHA	6	25308501	5140C	37000701	23104901	40403101
LCA6310BHA	6	25308601	5140C	37000701	23104901	40403101
LCA6310MHA	6	25308701	5140C	37000701	23104901	40403101
LCA6310NHA	6	25308501	5140C	37000701	23104901	40403101
LCA6310QHA	6	25308601	5140C	37000701	23104901	40403101
LCA6310RHA	6	25308701	5140C	37000701	23104901	40403101
LCA6310ATA	6	25308201	5140C	37000701	23104901	40403101
LCA6310BTA	6	25308301	5140C	37000701	23104901	40403101
LCA6310MTA	6	25308401	5140C	37000701	23104901	40403101
LCA6350AA	6	25307701	5140C	37000701	23104901	40403101
LCA6350BA	6	25307801	5140C	37000701	23104901	40403101
LCA6350AHA	6	25308501	5140C	37000701	23104901	40403101
LCA6350BHA	6	25308601	5140C	37000701	23104901	40403101
LCA6350MHA	6	25308701	5140C	37000701	23104901	40403101
LCA6350NHA	6	25308501	5140C	37000701	23104901	40403101
LCA6350QHA	6	25308601	5140C	37000701	23104901	40403101
LCA6350RHA	6	25308701	5140C	37000701	23104901	40403101
LCA6350ATA	6	25308201	5140C	37000701	23104901	40403101
LCA6350BTA	6	25308301	5140C	37000701	23104901	40403101
LCA6350MTA	6	25308401	5140C	37000701	23104901	40403101

Larkin

*See note on page 27.

Nomenclature Example:

LC	A	6	110	B	B
Larkin Compak Unit Cooler	A = Air Defrost E = Electric Defrost H = Hot Gas Defrost	Fins Per Inch	Capacity x 100	Voltage A = 115/1/60 B = 208/230/1/60 C = 208/230/3/60 M = 460/1/60	Vintage

Unit	No. Motors	Motor ¹ 115V	Motor ¹ 230V	Blade	Guard ² (Molded)	Motor Mount	Drain ³ Pan
LCA640	1	25300101S	25300201S	5140C	37000701	23104901	40480102
LCA651	1	25300101S	25300201S	5140C	37000701	23104901	40480102
LCA662	1	25300101S	25300201S	5140C	37000701	23104901	40480102
LCA672	2	25300101S	25300201S	5140C	37000701	23104901	40480202
LCA690	2	25300101S	25300201S	5140C	37000701	23104901	40480202
LCA6110	2	25300101S	25300201S	5140C	37000701	23104901	40480202
LCA6135	3	25300101S	25300201S	5140C	37000701	23104901	40480302
LCA6160	3	25300101S	25300201S	5140C	37000701	23104901	40480302
LCA6185	4	25300101S	25300201S	5140C	37000701	23104901	40480402
LCA6215	4	25300101S	25300201S	5140C	37000701	23104901	40480402
LCA6260	5	25300101S	25300201S	5140C	37000701	23104901	40480502
LCA6310	6	25300101S	25300201S	5140C	37000701	23104901	40480602
LCA6350	6	25300101S	25300201S	5140C	37000701	23104901	40480602

¹ Optional Motors (units made after 2004 - contact factory)

Part No.	Description
25308201	115/1/60 PSC/PSC Totally Enclosed (110/1/50)
25308301	208-230/1/60 Totally Enclosed PSC
25308401	460/1/60 Totally Enclosed PSC
25308601	208-230/1/60 PSC (220/1/50)
25308701	460/1/60 PSC (380/1/50)

² Optional Wire Guard Part No. 37000601

³ Drain Fitting Kit Part No. 26925101

³ Drain Piping Kit Part No. 50148802 & 50148804 (1 each)

Cabinet Components (All Sizes)

Part No.	Description
40880805	Access Panel - Electric (RH)
40880702	Access Panel - Refrig. (LH)
40880902	Back Panel -Refrig
40881002	Back Panel Electric
40881502	Access Panel - Refrig. - Beacon II™

Larkin

Nomenclature Example:

LC	E	6	135	B	T	A
Larkin Kompak Unit Cooler	A = Air Defrost E = Electric Defrost H = Hot Gas Defrost	Fins Per inch	Capacity x 100	Voltage A = 115/1/60 Q = 220/1/50 B = 208/230/1/60 R = 380/1/50 C = 208/230/3/60 V = 208/230/1/60/50 Motors M = 460/1/60 W/460/1/60 Heaters N = 110/1/50	Motor Type H = PSC T = Totally Enclosed	Vintage

Unit	Qty	Motor	Guard (Molded)	Blade	Motor Mount	Coil Heater	Qty	Pan Heater	Qty	Drain Pan*	Coil Htr Clip
LCE635BA	1	25307801	37000701	5140C	23104901	24703601	3	24703501	1	40402601	23308001 (3)
LCE635CA	1	25307801	37000701	5140C	23104901	24703601	3	24703501	1	40402601	23308001 (3)
LCE635BHA	1	25308601	37000701	5140C	23104901	24703601	3	24703501	1	40402601	23308001 (3)
LCE635CHA	1	25308601	37000701	5140C	23104901	24703601	3	24703501	1	40402601	23308001 (3)
LCE635MHA	1	25308701	37000701	5140C	23104901	24703601	3	24703501	1	40402601	23308001 (3)
LCE635VHA	1	25308601	37000701	5140C	23104901	24703601	3	24703501	1	40402601	23308001 (3)
LCE635QHA	1	25308601	37000701	5140C	23104901	24703601	3	24703501	1	40402601	23308001 (3)
LCE635RHA	1	25308701	37000701	5140C	23104901	24703601	3	24703501	1	40402601	23308001 (3)
LCE635BTA	1	25308301	37000701	5140C	23104901	24703601	3	24703501	1	40402601	23308001 (3)
LCE635CTA	1	25308301	37000701	5140C	23104901	24703601	3	24703501	1	40402601	23308001 (3)
LCE635MTA	1	25308401	37000701	5140C	23104901	24703601	3	24703501	1	40402601	23308001 (3)
LCE635VTA	1	25308301	37000701	5140C	23104901	24703601	3	24703501	1	40402601	23308001 (3)
LCE643BA	1	25307801	37000701	5140C	23104901	24703601	3	24703501	1	40402601	23308001 (3)
LCE643CA	1	25307801	37000701	5140C	23104901	24703601	3	24703501	1	40402601	23308001 (3)
LCE643BHA	1	25308601	37000701	5140C	23104901	24703601	3	24703501	1	40402601	23308001 (3)
LCE643CHA	1	25308601	37000701	5140C	23104901	24703601	3	24703501	1	40402601	23308001 (3)
LCE643MHA	1	25308701	37000701	5140C	23104901	24703601	3	24703501	1	40402601	23308001 (3)
LCE643VHA	1	25308601	37000701	5140C	23104901	24703601	3	24703501	1	40402601	23308001 (3)
LCE643QHA	1	25308601	37000701	5140C	23104901	24703601	3	24703501	1	40402601	23308001 (3)
LCE643RHA	1	25308701	37000701	5140C	23104901	24703601	3	24703501	1	40402601	23308001 (3)
LCE643BTA	1	25308301	37000701	5140C	23104901	24703601	3	24703501	1	40402601	23308001 (3)
LCE643CTA	1	25308301	37000701	5140C	23104901	24703601	3	24703501	1	40402601	23308001 (3)
LCE643MTA	1	25308401	37000701	5140C	23104901	24703601	3	24703501	1	40402601	23308001 (3)
LCE643VTA	1	25308301	37000701	5140C	23104901	24703601	3	24703501	1	40402601	23308001 (3)
LCE665BA	2	25307801	37000701	5140C	23104901	24703602	3	24703502	1	40402701	23308001 (6)
LCE665CA	2	25307801	37000701	5140C	23104901	24703602	3	24703502	1	40402701	23308001 (6)
LCE665BHA	2	25308601	37000701	5140C	23104901	24703602	3	24703502	1	40402701	23308001 (6)
LCE665CHA	2	25308601	37000701	5140C	23104901	24703602	3	24703502	1	40402701	23308001 (6)
LCE665MHA	2	25308701	37000701	5140C	23104901	24703602	3	24703502	1	40402701	23308001 (6)
LCE665VHA	2	25308601	37000701	5140C	23104901	24703602	3	24703502	1	40402701	23308001 (6)
LCE665QHA	2	25308601	37000701	5140C	23104901	24703602	3	24703502	1	40402701	23308001 (6)
LCE665RHA	2	25308701	37000701	5140C	23104901	24703602	3	24703502	1	40402701	23308001 (6)
LCE665BTA	2	25308301	37000701	5140C	23104901	24703602	3	24703502	1	40402701	23308001 (6)
LCE665CTA	2	25308301	37000701	5140C	23104901	24703602	3	24703502	1	40402701	23308001 (6)
LCE665MTA	2	25308401	37000701	5140C	23104901	24703602	3	24703502	1	40402701	23308001 (6)
LCE665VTA	2	25308301	37000701	5140C	23104901	24703602	3	24703502	1	40402701	23308001 (6)

*Drain Fitting Kit	26925101	Drain Piping Assembly (1) 50148802 & (1) 50148804				
Thermostat	5709L	Wire Guard	37000601	Pan Heater Bracket	2	33619201
End Panel - Elec	36110101	End Panel - Refrig	36110001	Pan Heater Clip		33618701

No. of clips is one less than number of fans

Unit	Qty	Motor	Guard (Molded)	Blade	Motor Mount	Coil Heater	Qty	Pan Heater	Qty	Drain Pan*	Coil Htr Clip
LCE676BA	2	25307801	37000701	5140C	23104901	24703602	3	24703502	1	40402701	23308001 (6)
LCE676CA	2	25307801	37000701	5140C	23104901	24703602	3	24703502	1	40402701	23308001 (6)
LCE676BHA	2	25308601	37000701	5140C	23104901	24703602	3	24703502	1	40402701	23308001 (6)
LCE676CHA	2	25308601	37000701	5140C	23104901	24703602	3	24703502	1	40402701	23308001 (6)
LCE676MHA	2	25308701	37000701	5140C	23104901	24703602	3	24703502	1	40402701	23308001 (6)
LCE676VHA	2	25308601	37000701	5140C	23104901	24703602	3	24703502	1	40402701	23308001 (6)
LCE676QHA	2	25308601	37000701	5140C	23104901	24703602	3	24703502	1	40402701	23308001 (6)
LCE676RHA	2	25308701	37000701	5140C	23104901	24703602	3	24703502	1	40402701	23308001 (6)
LCE676BTA	2	25308301	37000701	5140C	23104901	24703602	3	24703502	1	40402701	23308001 (6)
LCE676CTA	2	25308301	37000701	5140C	23104901	24703602	3	24703502	1	40402701	23308001 (6)
LCE676MTA	2	25308401	37000701	5140C	23104901	24703602	3	24703502	1	40402701	23308001 (6)
LCE676VTA	2	25308301	37000701	5140C	23104901	24703602	3	24703502	1	40402701	23308001 (6)
LCE694BA	2	25307801	37000701	5140C	23104901	24703602	3	24703502	1	40402701	23308001 (6)
LCE694CA	2	25307801	37000701	5140C	23104901	24703602	3	24703502	1	40402701	23308001 (6)
LCE694BHA	2	25308601	37000701	5140C	23104901	24703602	3	24703502	1	40402701	23308001 (6)
LCE694CHA	2	25308601	37000701	5140C	23104901	24703602	3	24703502	1	40402701	23308001 (6)
LCE694MHA	2	25308701	37000701	5140C	23104901	24703602	3	24703502	1	40402701	23308001 (6)
LCE694VHA	2	25308601	37000701	5140C	23104901	24703602	3	24703502	1	40402701	23308001 (6)
LCE694QHA	2	25308601	37000701	5140C	23104901	24703602	3	24703502	1	40402701	23308001 (6)
LCE694RHA	2	25308701	37000701	5140C	23104901	24703602	3	24703502	1	40402701	23308001 (6)
LCE694BTA	2	25308301	37000701	5140C	23104901	24703602	3	24703502	1	40402701	23308001 (6)
LCE694CTA	2	25308301	37000701	5140C	23104901	24703602	3	24703502	1	40402701	23308001 (6)
LCE694MTA	2	25308401	37000701	5140C	23104901	24703602	3	24703502	1	40402701	23308001 (6)
LCE694VTA	2	25308301	37000701	5140C	23104901	24703602	3	24703502	1	40402701	23308001 (6)
LCE6120BA	3	25307801	37000701	5140C	23104901	24703603	3	24703503	1	40402801	23308001 (9)
LCE6120CA	3	25307801	37000701	5140C	23104901	24703603	3	24703503	1	40402801	23308001 (9)
LCE6120BHA	3	25308601	37000701	5140C	23104901	24703603	3	24703503	1	40402801	23308001 (9)
LCE6120CHA	3	25308601	37000701	5140C	23104901	24703603	3	24703503	1	40402801	23308001 (9)
LCE6120MHA	3	25308701	37000701	5140C	23104901	24703603	3	24703503	1	40402801	23308001 (9)
LCE6120VHA	3	25308601	37000701	5140C	23104901	24703603	3	24703503	1	40402801	23308001 (9)
LCE6120QHA	3	25308601	37000701	5140C	23104901	24703603	3	24703503	1	40402801	23308001 (9)
LCE6120RHA	3	25308701	37000701	5140C	23104901	24703603	3	24703503	1	40402801	23308001 (9)
LCE6120BTA	3	25308301	37000701	5140C	23104901	24703603	3	24703503	1	40402801	23308001 (9)
LCE6120CTA	3	25308301	37000701	5140C	23104901	24703603	3	24703503	1	40402801	23308001 (9)
LCE6120MTA	3	25308401	37000701	5140C	23104901	24703603	3	24703503	1	40402801	23308001 (9)
LCE6120VTA	3	25308301	37000701	5140C	23104901	24703603	3	24703503	1	40402801	23308001 (9)

*Drain Fitting Kit	26925101	Drain Piping Assembly (1) 50148802 & (1) 50148804									
Thermostat	5709L	Wire Guard	37000601	Pan Heater Bracket	2	33619201					
End Panel - Elec	36110101	End Panel - Refrig	36110001	Pan Heater Clip		33618701					

No. of clips is one less than number of fans

Unit	Qty	Motor	Guard (Molded)	Blade	Motor Mount	Coil Heater	Qty	Pan Heater	Qty	Drain Pan*	Coil Htr Clip
LCE6160BA	4	25307801	37000701	5140C	23104901	24703604	3	24703504	1	40402901	23308001(12)
LCE6160CA	4	25307801	37000701	5140C	23104901	24703604	3	24703504	1	40402901	23308001(12)
LCE6160BHA	4	25308601	37000701	5140C	23104901	24703604	3	24703504	1	40402901	23308001(12)
LCE6160CHA	4	25308601	37000701	5140C	23104901	24703604	3	24703504	1	40402901	23308001(12)
LCE6160MHA	4	25308701	37000701	5140C	23104901	24703604	3	24703504	1	40402901	23308001(12)
LCE6160VHA	4	25308601	37000701	5140C	23104901	24703604	3	24703504	1	40402901	23308001(12)
LCE6160QHA	4	25308601	37000701	5140C	23104901	24703604	3	24703504	1	40402901	23308001(12)
LCE6160RHA	4	25308701	37000701	5140C	23104901	24703604	3	24703504	1	40402901	23308001(12)
LCE6160BTA	4	25308301	37000701	5140C	23104901	24703604	3	24703504	1	40402901	23308001(12)
LCE6160CTA	4	25308301	37000701	5140C	23104901	24703604	3	24703504	1	40402901	23308001(12)
LCE6160MTA	4	25308401	37000701	5140C	23104901	24703604	3	24703504	1	40402901	23308001(12)
LCE6160MTA	4	25308301	37000701	5140C	23104901	24703604	3	24703504	1	40402901	23308001(12)
LCE6200BA	5	25307801	37000701	5140C	23104901	24703605	3	24703505	1	40403001	23308001(15)
LCE6200CA	5	25307801	37000701	5140C	23104901	24703605	3	24703505	1	40403001	23308001(15)
LCE6200BHA	5	25308601	37000701	5140C	23104901	24703605	3	24703505	1	40403001	23308001(15)
LCE6200CHA	5	25308601	37000701	5140C	23104901	24703605	3	24703505	1	40403001	23308001(15)
LCE6200MHA	5	25308701	37000701	5140C	23104901	24703605	3	24703505	1	40403001	23308001(15)
LCE6200VHA	5	25308601	37000701	5140C	23104901	24703605	3	24703505	1	40403001	23308001(15)
LCE6200QHA	5	25308601	37000701	5140C	23104901	24703605	3	24703505	1	40403001	23308001(15)
LCE6200RHA	5	25308701	37000701	5140C	23104901	24703605	3	24703505	1	40403001	23308001(15)
LCE6200BTA	5	25308301	37000701	5140C	23104901	24703605	3	24703505	1	40403001	23308001(15)
LCE6200CTA	5	25308301	37000701	5140C	23104901	24703605	3	24703505	1	40403001	23308001(15)
LCE6200MTA	5	25308401	37000701	5140C	23104901	24703605	3	24703505	1	40403001	23308001(15)
LCE6200VTA	5	25308301	37000701	5140C	23104901	24703605	3	24703505	1	40403001	23308001(15)
LCE6240BA	6	25307801	37000701	5140C	23104901	24703606	3	24703506	1	40403101	23308001(18)
LCE6240CA	6	25307801	37000701	5140C	23104901	24703606	3	24703506	1	40403101	23308001(18)
LCE6240BHA	6	25308601	37000701	5140C	23104901	24703606	3	24703506	1	40403101	23308001(18)
LCE6240CHA	6	25308601	37000701	5140C	23104901	24703606	3	24703506	1	40403101	23308001(18)
LCE6240MHA	6	25308701	37000701	5140C	23104901	24703606	3	24703506	1	40403101	23308001(18)
LCE6240VHA	6	25308601	37000701	5140C	23104901	24703606	3	24703506	1	40403101	23308001(18)
LCE6240QHA	6	25308601	37000701	5140C	23104901	24703606	3	24703506	1	40403101	23308001(18)
LCE6240RHA	6	25308701	37000701	5140C	23104901	24703606	3	24703506	1	40403101	23308001(18)
LCE6240BTA	6	25308301	37000701	5140C	23104901	24703606	3	24703506	1	40403101	23308001(18)
LCE6240CTA	6	25308301	37000701	5140C	23104901	24703606	3	24703506	1	40403101	23308001(18)
LCE6240MTA	6	25308401	37000701	5140C	23104901	24703606	3	24703506	1	40403101	23308001(18)
LCE6240VTA	6	25308301	37000701	5140C	23104901	24703606	3	24703506	1	40403101	23308001(18)

*Drain Fitting Kit	26925101	Drain Piping Assembly (1) 50148802 & (1) 50148804	
Thermostat	5709L	Wire Guard 37000601	Pan Heater Bracket 2 33619201
End Panel - Elec	36110101	End Panel - Refrig 36110001	Pan Heater Clip 33618701

No. of clips is one less than number of fans

Larkin

Unit	Qty	Motor	Guard (Molded)	Blade	Motor Mount	Coil Heater	Qty	Pan Heater	Qty	Drain Pan*	Coil Htr Clip
LCE6270BA	6	25307801	37000701	5140C	23104901	24703606	3	24703506	1	40403101	23308001(18)
LCE6270CA	6	25307801	37000701	5140C	23104901	24703606	3	24703506	1	40403101	23308001(18)
LCE6270BHA	6	25308601	37000701	5140C	23104901	24703606	3	24703506	1	40403101	23308001(18)
LCE6270CHA	6	25308601	37000701	5140C	23104901	24703606	3	24703506	1	40403101	23308001(18)
LCE6270MHA	6	25308701	37000701	5140C	23104901	24703606	3	24703506	1	40403101	23308001(18)
LCE6270VHA	6	25308601	37000701	5140C	23104901	24703606	3	24703506	1	40403101	23308001(18)
LCE6270QHA	6	25308601	37000701	5140C	23104901	24703606	3	24703506	1	40403101	23308001(18)
LCE6270RHA	6	25308701	37000701	5140C	23104901	24703606	3	24703506	1	40403101	23308001(18)
LCE6270BTA	6	25308301	37000701	5140C	23104901	24703606	3	24703506	1	40403101	23308001(18)
LCE6270CTA	6	25308301	37000701	5140C	23104901	24703606	3	24703506	1	40403101	23308001(18)
LCE6270MTA	6	25308401	37000701	5140C	23104901	24703606	3	24703506	1	40403101	23308001(18)
LVE6270VTA	6	25308301	37000701	5140C	23104901	24703606	3	24703506	1	40403101	23308001(18)

Unit	Qty	Motor	Plastic Guard	Blade	Motor Mount	Coil Heater	Qty	Pan Heater	Qty	Drain Pan*	Coil Htr Clip
LCE457BA	2	25307801	37000701	5140C	23104901	24703602	3	24703502	1	40402701	23308001 (6)
LCE457CA	2	25307801	37000701	5140C	23104901	24703602	3	24703502	1	40402701	23308001 (6)
LCE457BHA	2	25308601	37000701	5140C	23104901	24703602	3	24703502	1	40402701	23308001 (6)
LCE457CHA	2	25308601	37000701	5140C	23104901	24703602	3	24703502	1	40402701	23308001 (6)
LCE457MHA	2	25308701	37000701	5140C	23104901	24703602	3	24703502	1	40402701	23308001 (6)
LCE457VHA	2	25308601	37000701	5140C	23104901	24703602	3	24703502	1	40402701	23308001 (6)
LCE457QHA	2	25308601	37000701	5140C	23104901	24703602	3	24703502	1	40402701	23308001 (6)
LCE457RHA	2	25308701	37000701	5140C	23104901	24703602	3	24703502	1	40402701	23308001 (6)
LCE457BTA	2	25308301	37000701	5140C	23104901	24703602	3	24703502	1	40402701	23308001 (6)
LCE457CTA	2	25308301	37000701	5140C	23104901	24703602	3	24703502	1	40402701	23308001 (6)
LCE457MTA	2	25308401	37000701	5140C	23104901	24703602	3	24703502	1	40402701	23308001 (6)
LCE457VTA	2	25308301	37000701	5140C	23104901	24703602	3	24703502	1	40402701	23308001 (6)
LCE467BA	2	25307801	37000701	5140C	23104901	24703602	3	24703502	1	40402701	23308001 (6)
LCE467CA	2	25307801	37000701	5140C	23104901	24703602	3	24703502	1	40402701	23308001 (6)
LCE467BHA	2	25308601	37000701	5140C	23104901	24703602	3	24703502	1	40402701	23308001 (6)
LCE467CHA	2	25308601	37000701	5140C	23104901	24703602	3	24703502	1	40402701	23308001 (6)
LCE467MHA	2	25308701	37000701	5140C	23104901	24703602	3	24703502	1	40402701	23308001 (6)
LCE467VHA	2	25308601	37000701	5140C	23104901	24703602	3	24703502	1	40402701	23308001 (6)
LCE467QHA	2	25308601	37000701	5140C	23104901	24703602	3	24703502	1	40402701	23308001 (6)
LCE467RHA	2	25308701	37000701	5140C	23104901	24703602	3	24703502	1	40402701	23308001 (6)
LCE467BTA	2	25308301	37000701	5140C	23104901	24703602	3	24703502	1	40402701	23308001 (6)
LCE467CTA	2	25308301	37000701	5140C	23104901	24703602	3	24703502	1	40402701	23308001 (6)
LCE467MTA	2	25308401	37000701	5140C	23104901	24703602	3	24703502	1	40402701	23308001 (6)
LCE467VTA	2	25308301	37000701	5140C	23104901	24703602	3	24703502	1	40402701	23308001 (6)
LCE482BA	2	25307801	37000701	5140C	23104901	24703602	3	24703502	1	40402701	23308001 (6)
LCE482CA	2	25307801	37000701	5140C	23104901	24703602	3	24703502	1	40402701	23308001 (6)
LCE482BHA	2	25308601	37000701	5140C	23104901	24703602	3	24703502	1	40402701	23308001 (6)
LCE482CHA	2	25308601	37000701	5140C	23104901	24703602	3	24703502	1	40402701	23308001 (6)
LCE482MHA	2	25308701	37000701	5140C	23104901	24703602	3	24703502	1	40402701	23308001 (6)
LCE482VHA	2	25308601	37000701	5140C	23104901	24703602	3	24703502	1	40402701	23308001 (6)
LCE482QHA	2	25308601	37000701	5140C	23104901	24703602	3	24703502	1	40402701	23308001 (6)
LCE482RHA	2	25308701	37000701	5140C	23104901	24703602	3	24703502	1	40402701	23308001 (6)
LCE482BTA	2	25308301	37000701	5140C	23104901	24703602	3	24703502	1	40402701	23308001 (6)
LCE482CTA	2	25308301	37000701	5140C	23104901	24703602	3	24703502	1	40402701	23308001 (6)
LCE482MTA	2	25308401	37000701	5140C	23104901	24703602	3	24703502	1	40402701	23308001 (6)
LCE482VTA	2	25308301	37000701	5140C	23104901	24703602	3	24703502	1	40402701	23308001 (6)

*Drain Fitting Kit	26925101	Drain Piping Assembly (1) 50148802 & (1) 50148804				
Thermostat	5709L	Wire Guard	37000601	Pan Heater Bracket	2	33619201
End Panel - Elec	36110101	End Panel - Refrig	36110001	Pan Heater Clip		33618701

No. of clips is one less than Number of fans

Larkin

Unit	Qty	Motor	Guard (Molded)	Blade	Motor Mount	Coil Heater	Qty	Pan Heater	Qty	Drain Pan*	Coil Htr Clip
LCE105BA	3	25307801	37000701	5140C	23104901	24703603	3	24703503	1	40402801	23308001 (9)
LCE4105CA	3	25307801	37000701	5140C	23104901	24703603	3	24703503	1	40402801	23308001 (9)
LCE4105BHA	3	25308601	37000701	5140C	23104901	24703603	3	24703503	1	40402801	23308001 (9)
LCE4105CHA	3	25308601	37000701	5140C	23104901	24703603	3	24703503	1	40402801	23308001 (9)
LCE4105MHA	3	25308701	37000701	5140C	23104901	24703603	3	24703503	1	40402801	23308001 (9)
LCE4105VHA	3	25308601	37000701	5140C	23104901	24703603	3	24703503	1	40402801	23308001 (9)
LCE4105QHA	3	25308601	37000701	5140C	23104901	24703603	3	24703503	1	40402801	23308001 (9)
LCE4105RHA	3	25308701	37000701	5140C	23104901	24703603	3	24703503	1	40402801	23308001 (9)
LCE4105BTA	3	25308301	37000701	5140C	23104901	24703603	3	24703503	1	40402801	23308001 (9)
LCE4105CTA	3	25308301	37000701	5140C	23104901	24703603	3	24703503	1	40402801	23308001 (9)
LCE4105MTA	3	25308401	37000701	5140C	23104901	24703603	3	24703503	1	40402801	23308001 (9)
LCE4105VTA	3	25308301	37000701	5140C	23104901	24703603	3	24703503	1	40402801	23308001 (9)
LCE4139BA	4	25307801	37000701	5140C	23104901	24703604	3	24703504	1	40402901	23308001(12)
LCE4139CA	4	25307801	37000701	5140C	23104901	24703604	3	24703504	1	40402901	23308001(12)
LCE4139BHA	4	25308601	37000701	5140C	23104901	24703604	3	24703504	1	40402901	23308001(12)
LCE4139CHA	4	25308601	37000701	5140C	23104901	24703604	3	24703504	1	40402901	23308001(12)
LCE4139MHA	4	25308701	37000701	5140C	23104901	24703604	3	24703504	1	40402901	23308001(12)
LCE4139VHA	4	25308601	37000701	5140C	23104901	24703604	3	24703504	1	40402901	23308001(12)
LCE4139QHA	4	25308601	37000701	5140C	23104901	24703604	3	24703504	1	40402901	23308001(12)
LCE4139RHA	4	25308701	37000701	5140C	23104901	24703604	3	24703504	1	40402901	23308001(12)
LCE4139BTA	4	25308301	37000701	5140C	23104901	24703604	3	24703504	1	40402901	23308001(12)
LCE4139CTA	4	25308301	37000701	5140C	23104901	24703604	3	24703504	1	40402901	23308001(12)
LCE4139MTA	4	25308401	37000701	5140C	23104901	24703604	3	24703504	1	40402901	23308001(12)
LCE4139VTA	4	25308301	37000701	5140C	23104901	24703604	3	24703504	1	40402901	23308001(12)
LCE4174BA	5	25307801	37000701	5140C	23104901	24703605	3	24703505	1	40403001	2330800(15)
LCE4174CA	5	25307801	37000701	5140C	23104901	24703605	3	24703505	1	40403001	2330800(15)
LCE4174BHA	5	25308601	37000701	5140C	23104901	24703605	3	24703505	1	40403001	2330800(15)
LCE4174CHA	5	25308601	37000701	5140C	23104901	24703605	3	24703505	1	40403001	2330800(15)
LCE4174MHA	5	25308701	37000701	5140C	23104901	24703605	3	24703505	1	40403001	2330800(15)
LCE4174VHA	5	25308601	37000701	5140C	23104901	24703605	3	24703505	1	40403001	2330800(15)
LCE4174QHA	5	25308601	37000701	5140C	23104901	24703605	3	24703505	1	40403001	2330800(15)
LCE4174RHA	5	25308701	37000701	5140C	23104901	24703605	3	24703505	1	40403001	2330800(15)
LCE4174BTA	5	25308301	37000701	5140C	23104901	24703605	3	24703505	1	40403001	2330800(15)
LCE4174CTA	5	25308301	37000701	5140C	23104901	24703605	3	24703505	1	40403001	2330800(15)
LCE4174MTA	5	25308401	37000701	5140C	23104901	24703605	3	24703505	1	40403001	2330800(15)
LCE4174VTA	5	25308301	37000701	5140C	23104901	24703605	3	24703505	1	40403001	2330800(15)

*Drain Fitting Kit	26925101	Drain Piping Assembly (1) 50148802 & (1) 50148804									
Thermostat	5709L	Wire Grd	37000601	Pan Heater Bracket	2	33619201					
End Panel - Elec	36110101	End Panel - Refrig	36110001	Pan Heater Clip		33618701					

No. of clips is one less than number of fans

Unit	Qty	Motor	Guard (Molded)	Blade	Motor Mount	Coil Heater	Qty	Pan Heater	Qty	Drain Pan*	Coil Htr Clip
LCE4208BA	6	25307801	37000701	5140C	23104901	24703606	3	24703506	1	40403101	23308001(18)
LCE4208CA	6	25307801	37000701	5140C	23104901	24703606	3	24703506	1	40403101	23308001(18)
LCE4208BHA	6	25308601	37000701	5140C	23104901	24703606	3	24703506	1	40403101	23308001(18)
LCE4208CHA	6	25308601	37000701	5140C	23104901	24703606	3	24703506	1	40403101	23308001(18)
LCE4208MHA	6	25308701	37000701	5140C	23104901	24703606	3	24703506	1	40403101	23308001(18)
LCE4208VHA	6	25308601	37000701	5140C	23104901	24703606	3	24703506	1	40403101	23308001(18)
LCE4208QHA	6	25308601	37000701	5140C	23104901	24703606	3	24703506	1	40403101	23308001(18)
LCE4208RHA	6	25308701	37000701	5140C	23104901	24703606	3	24703506	1	40403101	23308001(18)
LCE4208BTA	6	25308301	37000701	5140C	23104901	24703606	3	24703506	1	40403101	23308001(18)
LCE4208CTA	6	25308301	37000701	5140C	23104901	24703606	3	24703506	1	40403101	23308001(18)
LCE4208MTA	6	25308401	37000701	5140C	23104901	24703606	3	24703506	1	40403101	23308001(18)
LCE4208VTA	6	25308301	37000701	5140C	23104901	24703606	3	24703506	1	40403101	23308001(18)
LCE4235BA	6	25307801	37000701	5140C	23104901	24703606	3	24703506	1	40403101	23308001(18)
LCE4235CA	6	25307801	37000701	5140C	23104901	24703606	3	24703506	1	40403101	23308001(18)
LCE4235BHA	6	25308601	37000701	5140C	23104901	24703606	3	24703506	1	40403101	23308001(18)
LCE4235CHA	6	25308601	37000701	5140C	23104901	24703606	3	24703506	1	40403101	23308001(18)
LCE4235MHA	6	25308701	37000701	5140C	23104901	24703606	3	24703506	1	40403101	23308001(18)
LCE4235VHA	6	25308601	37000701	5140C	23104901	24703606	3	24703506	1	40403101	23308001(18)
LCE4235QHA	6	25308601	37000701	5140C	23104901	24703606	3	24703506	1	40403101	23308001(18)
LCE4235RHA	6	25308701	37000701	5140C	23104901	24703606	3	24703506	1	40403101	23308001(18)
LCE4235BTA	6	25308301	37000701	5140C	23104901	24703606	3	24703506	1	40403101	23308001(18)
LCE4235CTA	6	25308301	37000701	5140C	23104901	24703606	3	24703506	1	40403101	23308001(18)
LCE4235MTA	6	25308401	37000701	5140C	23104901	24703606	3	24703506	1	40403101	23308001(18)
LCE4235VTA	6	25308301	37000701	5140C	23104901	24703606	3	24703506	1	40403101	23308001(18)

*Drain Fitting Kit	26925101	Drain Piping Assembly (1) 50148802 & (1) 50148804									
Thermostat	5709L	Wire Guard	37000601	Pan Heater Bracket	2	33619201					
End Panel - Elec	36110101	End Panel - Refrig	36110001	Pan Heater Clip		33618701					

No. of clips is one less than number of fans

Nomenclature Example:

LC	E	6	135	B	B
Larkin Kompak Unit Cooler	A = Air Defrost E = Electric Defrost H = Hot Gas Defrost	Fins Per Inch	Capacity x 100	Voltage A = 115/1/60 B = 208/230/1/60 C = 208/230/3/60 M = 460/1/60	Vintage

Unit Model	Motor ¹ 230/1	Qty	Fan Blade	Motor Mount	Guard ² (Molded)	Coil Heater (2) Per Unit	Drain Pan Heater 230V (1) Per Unit	Drain Pan Heater 460V (1) Per Unit	Drain ³ Pan (Painted)
LCE635	25300201S	1	5140C	23104901	37000701	24752001	24752201	24752301	40480102
LCE643	25300201S	1	5140C	23104901	37000701	24752001	24752201	24752301	40480102
LCE665	25300201S	2	5140C	23104901	37000701	24752002	24752202	24752302	40480202
LCE667	25300201S	2	5140C	23104901	37000701	24752002	24752202	24752302	40480202
LCE694	25300201S	2	5140C	23104901	37000701	24752002	24752202	24752302	40480202
LCE6120	25300201S	3	5140C	23104901	37000701	24752003	24752203	24752303	40480302
LCE6140	25300201S	3	5140C	23104901	37000701	24752003	24752203	24752303	40480302
LCE6160	25300201S	4	5140C	23104901	37000701	24752004	24752204	24752304	40480402
LCE6180	25300201S	4	5140C	23104901	37000701	24752004	24752204	24752304	40480402
LCE6200	25300201S	5	5140C	23104901	37000701	24752005	24752205	24752305	40480502
LCE6240	25300201S	6	5140C	23104901	37000701	24752006	24752206	24752306	40480602
LCE6270	25300201S	6	5140C	23104901	37000701	24752006	24752206	24752306	40480602
4 FPI with Electric Defrost									
LCE441	25300201S	1	5140C	23104901	37000701	24752001	24752201	24752301	40480102
LCE457	25300201S	2	5140C	23104901	37000701	24752002	24752202	24752302	40480202
LCE467	25300201S	2	5140C	23104901	37000701	24752002	24752202	24752302	40480202
LCE482	25300201S	2	5140C	23104901	37000701	24752002	24752202	24752302	40480202
LCE4105	25300201S	3	5140C	23104901	37000701	24752003	24752203	24752303	40480302
LCE4139	25300201S	4	5140C	23104901	37000701	24752004	24752204	24752304	40480402
LCE4174	25300201S	5	5140C	23104901	37000701	24752005	24752205	24752305	40480502
LCE4208	25300201S	6	5140C	23104901	37000701	24752006	24752206	24752306	40480602
LCE4235	25300201S	6	5140C	23104901	37000701	24752006	24752206	24752306	40480602

² Wire Fan Guard Option: 37000601 Contact factory if unit was built in 2004 or later.

Optional Motors¹

Part No.	Description
25308301	208-230/1/60 Totally Enclosed PSC
25308401	460/1/60 Totally Enclosed PSC
25308601	208-230/1/60 PSC (2201/1/50)
25308701	460/1/60 PSC (3801/50)

Drain Fittings

Part No.	Description
26925101	Drain Fitting Kit

Drain Piping Kit (optional)

Part No.	Description
50148802	(1) Each Required To Make
50148804	Up Drain Piping Kit

Electrical Components

Part No.	Description
22512601	Terminal Strip
5709L	Defrost Terminal/Fan Delay-Klixon Type
4267W	Defrost Terminal/Fan Delay-Adjustable
4131Y	Room Thermostat
5708L	Heater Safety - Klixon Type

Cabinet Components

Part No.	Description
40880802	Access Panel - Elect
40880702	Access Panel - Refrig
40880902	Back Panel - Refrig
40881002	Back Panel - Electric

Larkin

Nomenclature Example:

LC	H	6	135	B	T	A
Larkin Kompak Unit Cooler	A = Air Defrost E = Electric Defrost H = Hot Gas Defrost	Fins Per inch	Capacity x 100	Voltage A = 115/1/60 Q = 220/1/50 B = 208/230/3/60 R = 380/1/50 C = 208/230/3/60 V = 208/230/1/60/50 Motors: M = 460/1/60 w/460/1/60 Heaters N = 110/1/50	Motor Type H = PSC T = Total Enclosed	Vintage

Unit Model No.	No. of Motors	Motor	Guard (Molded)	Blade	Motor Mount	Drain Pan Heater	Qty	Drain Pan*	Coil Heater Clip
LCH635AA	1	25307701	37000701	5140C	23104901	24703507	1	40402601	23308001(3)
LCH635BA	1	25307801	37000701	5140C	23104901	24703501	1	40402601	23308001(3)
LCH635AHA	1	25308501	37000701	5140C	23104901	24703507	1	40402601	23308001(3)
LCH635BHA	1	25308601	37000701	5140C	23104901	24703501	1	40402601	23308001(3)
LCH635MHA	1	25308701	37000701	5140C	23104901	24703513	1	40402601	23308001(3)
LCH635ATA	1	25308201	37000701	5140C	23104901	24703507	1	40402601	23308001(3)
LCH635BTA	1	25308301	37000701	5140C	23104901	24703501	1	40402601	23308001(3)
LCH635MTA	1	25308401	37000701	5140C	23104901	24703513	1	40402601	23308001(3)
LCH643AA	1	25307701	37000701	5140C	23104901	24703507	1	40402601	23308001(3)
LCH643BA	1	25307801	37000701	5140C	23104901	24703501	1	40402601	23308001(3)
LCH643AHA	1	25308501	37000701	5140C	23104901	24703507	1	40402601	23308001(3)
LCH643BHA	1	25308601	37000701	5140C	23104901	24703501	1	40402601	23308001(3)
LCH643MHA	1	25308701	37000701	5140C	23104901	24703513	1	40402601	23308001(3)
LCH643ATA	1	25308201	37000701	5140C	23104901	24703507	1	40402601	23308001(3)
LCH643BTA	1	25308301	37000701	5140C	23104901	24703501	1	40402601	23308001(3)
LCH643MTA	1	25308401	37000701	5140C	23104901	24703513	1	40402601	23308001(3)
LCH665AA	2	25307701	37000701	5140C	23104901	24703508	1	40402701	23308001(6)
LCH665BA	2	25307801	37000701	5140C	23104901	24703502	1	40402701	23308001(6)
LCH665AHA	2	25308501	37000701	5140C	23104901	24703508	1	40402701	23308001(6)
LCH665BHA	2	25308601	37000701	5140C	23104901	24703502	1	40402701	23308001(6)
LCH665MHA	2	25308701	37000701	5140C	23104901	24703514	1	40402701	23308001(6)
LCH665ATA	2	25308201	37000701	5140C	23104901	24703508	1	40402701	23308001(6)
LCH665BTA	2	25308301	37000701	5140C	23104901	24703502	1	40402701	23308001(6)
LCH665MTA	2	25308401	37000701	5140C	23104901	24703514	1	40402701	23308001(6)
LCH676AA	2	25307701	37000701	5140C	23104901	24703508	1	40402701	23308001(6)
LCH676BA	2	25307801	37000701	5140C	23104901	24703502	1	40402701	23308001(6)
LCH676AHA	2	25308501	37000701	5140C	23104901	24703508	1	40402701	23308001(6)
LCH676BHA	2	25308601	37000701	5140C	23104901	24703502	1	40402701	23308001(6)
LCH676MHA	2	25308701	37000701	5140C	23104901	24703514	1	40402701	23308001(6)
LCH676ATA	2	25308201	37000701	5140C	23104901	24703508	1	40402701	23308001(6)
LCH676BTA	2	25308301	37000701	5140C	23104901	24703502	1	40402701	23308001(6)
LCH676MTA	2	25308401	37000701	5140C	23104901	24703514	1	40402701	23308001(6)
LCH694AA	2	25307701	37000701	5140C	23104901	24703508	1	40402701	23308001(6)
LCH694BA	2	25307801	37000701	5140C	23104901	24703502	1	40402701	23308001(6)
LCH694AHA	2	25308501	37000701	5140C	23104901	24703508	1	40402701	23308001(6)
LCH694BHA	2	25308601	37000701	5140C	23104901	24703502	1	40402701	23308001(6)
LCH694MHA	2	25308701	37000701	5140C	23104901	24703514	1	40402701	23308001(6)
LCH694ATA	2	25308201	37000701	5140C	23104901	24703508	1	40402701	23308001(6)
LCH694BTA	2	25308301	37000701	5140C	23104901	24703502	1	40402701	23308001(6)
LCH694MTA	2	25308401	37000701	5140C	23104901	24703514	1	40402701	23308001(6)

*Drain Fitting Kit	26925101	Pan Heater Clip	33618701
Drain Piping Assy (1) 50148802 & (1) 50148804		Low Temp Defrost & Fan Delay	2890109
End Panel - Elec	36110101	End Panel- Refrig	36110201
Pan Heater Brkt	33619201	Wire Guard	37000601

Number Of Clips Is One Less Than Number Of Fans

Larkin

Unit Model No.	No. of Motors	Motor	Guard (Molded)	Blade	Motor Mount	Drain Pan Heater	Qty	Drain Pan*	Coil Heater Clip
LCH6120AA	3	25307701	37000701	5140C	23104901	24703509	1	40402801	23308001 (9)
LCH6120BA	3	25307801	37000701	5140C	23104901	24703503	1	40402801	23308001 (9)
LCH6120AHA	3	25308501	37000701	5140C	23104901	24703509	1	40402801	23308001 (9)
LCH6120BHA	3	25308601	37000701	5140C	23104901	24703503	1	40402801	23308001 (9)
LCH6120MHA	3	25308701	37000701	5140C	23104901	24703515	1	40402801	23308001 (9)
LCH6120ATA	3	25308201	37000701	5140C	23104901	24703509	1	40402801	23308001 (9)
LCH6120BTA	3	25308301	37000701	5140C	23104901	24703503	1	40402801	23308001 (9)
LCH6120MTA	3	25308401	37000701	5140C	23104901	24703515	1	40402801	23308001 (9)
LCH6160AA	4	25307701	37000701	5140C	23104901	24703510	1	40402901	23308001 (12)
LCH6160BA	4	25307801	37000701	5140C	23104901	24703504	1	40402901	23308001 (12)
LCH6160AHA	4	25308501	37000701	5140C	23104901	24703510	1	40402901	23308001 (12)
LCH6160BHA	4	25308601	37000701	5140C	23104901	24703504	1	40402901	23308001 (12)
LCH6160MHA	4	25308701	37000701	5140C	23104901	24703516	1	40402901	23308001 (12)
LCH6160ATA	4	25308201	37000701	5140C	23104901	24703510	1	40402901	23308001 (12)
LCH6160BTA	4	25308301	37000701	5140C	23104901	24703504	1	40402901	23308001 (12)
LCH6160MTA	4	25308401	37000701	5140C	23104901	24703516	1	40402901	23308001 (12)
LCH6200AA	5	25307701	37000701	5140C	23104901	24703511	1	40403001	23308001 (15)
LCH6200BA	5	25307801	37000701	5140C	23104901	24703505	1	40403001	23308001 (15)
LCH6200AHA	5	25308501	37000701	5140C	23104901	24703511	1	40403001	23308001 (15)
LCH6200BHA	5	25308601	37000701	5140C	23104901	24703505	1	40403001	23308001 (15)
LCH6200MHA	5	25308701	37000701	5140C	23104901	24703517	1	40403001	23308001 (15)
LCH6200ATA	5	25308201	37000701	5140C	23104901	24703511	1	40403001	23308001 (15)
LCH6200BTA	5	25308301	37000701	5140C	23104901	24703505	1	40403001	23308001 (15)
LCH6200MTA	5	25308401	37000701	5140C	23104901	24703517	1	40403001	23308001 (15)
LCH6240AA	6	25307701	37000701	5140C	23104901	24703512	1	40403101	23308001 (18)
LCH6240BA	6	25307801	37000701	5140C	23104901	24703506	1	40403101	23308001 (18)
LCH6240AHA	6	25308501	37000701	5140C	23104901	24703512	1	40403101	23308001 (18)
LCH6240BHA	6	25308601	37000701	5140C	23104901	24703506	1	40403101	23308001 (18)
LCH6240MHA	6	25308701	37000701	5140C	23104901	24703518	1	40403101	23308001 (18)
LCH6240ATA	6	25308201	37000701	5140C	23104901	24703512	1	40403101	23308001 (18)
LCH6240BTA	6	25308301	37000701	5140C	23104901	24703506	1	40403101	23308001 (18)
LCH6240MTA	6	25308401	37000701	5140C	23104901	24703518	1	40403101	23308001 (18)
LCH6270AA	6	25307701	37000701	5140C	23104901	24703512	1	40403101	23308001 (18)
LCH6270BA	6	25307801	37000701	5140C	23104901	24703506	1	40403101	23308001 (18)
LCH6270AHA	6	25308501	37000701	5140C	23104901	24703512	1	40403101	23308001 (18)
LCH6270BHA	6	25308601	37000701	5140C	23104901	24703506	1	40403101	23308001 (18)
LCH6270MHA	6	25308701	37000701	5140C	23104901	24703518	1	40403101	23308001 (18)
LCH6270ATA	6	25308201	37000701	5140C	23104901	24703512	1	40403101	23308001 (18)
LCH6270BTA	6	25308301	37000701	5140C	23104901	24703506	1	40403101	23308001 (18)
LCH6270MTA	6	25308401	37000701	5140C	23104901	24703518	1	40403101	23308001 (18)

*Drain Fitting Kit	26925101	Pan Heater Clip	33618701
Drain Piping Assy (1) 50148802 & (1) 50148804		Low Temperature Defrost & Fan Delay	2890109
End Panel - Elec	36110101	End Panel-Refrig	36110201
Pan Heater Braket	33619201	Wire Guard	37000601

Number Of Clips Is One Less Than Number Of Fans

Unit Model No.	No. of Motors	Motor	Guard (Molded)	Blade	Motor Mount	Drain Pan Heater	Qty	Drain Pan*	Coil Heater Clip
LCH457AA	2	25307701	37000701	5140C	23104901	24703508	1	40402701	23308001 (6)
LCH457BA	2	25307801	37000701	5140C	23104901	24703502	1	40402701	23308001 (6)
LCH457AHA	2	25308501	37000701	5140C	23104901	24703508	1	40402701	23308001 (6)
LCH457BHA	2	25308601	37000701	5140C	23104901	24703502	1	40402701	23308001 (6)
LCH457MHA	2	25308701	37000701	5140C	23104901	24703514	1	40402701	23308001 (6)
LCH457ATA	2	25308201	37000701	5140C	23104901	24703508	1	40402701	23308001 (6)
LCH457BTA	2	25308301	37000701	5140C	23104901	24703502	1	40402701	23308001 (6)
LCH457MTA	2	25308401	37000701	5140C	23104901	24703514	1	40402701	23308001 (6)
LCH467AA	2	25307701	37000701	5140C	23104901	24703508	1	40402701	23308001 (6)
LCH467BA	2	25307801	37000701	5140C	23104901	24703502	1	40402701	23308001 (6)
LCH467AHA	2	25308501	37000701	5140C	23104901	24703508	1	40402701	23308001 (6)
LCH467BHA	2	25308601	37000701	5140C	23104901	24703502	1	40402701	23308001 (6)
LCH467MHA	2	25308701	37000701	5140C	23104901	24703514	1	40402701	23308001 (6)
LCH467ATA	2	25308201	37000701	5140C	23104901	24703508	1	40402701	23308001 (6)
LCH467BTA	2	25308301	37000701	5140C	23104901	24703502	1	40402701	23308001 (6)
LCH467MTA	2	25308401	37000701	5140C	23104901	24703514	1	40402701	23308001 (6)
LCH482AA	2	25307701	37000701	5140C	23104901	24703508	1	40402701	23308001 (6)
LCH482BA	2	25307801	37000701	5140C	23104901	24703502	1	40402701	23308001 (6)
LCH482AHA	2	25308501	37000701	5140C	23104901	24703508	1	40402701	23308001 (6)
LCH482BHA	2	25308601	37000701	5140C	23104901	24703502	1	40402701	23308001 (6)
LCH482MHA	2	25308701	37000701	5140C	23104901	24703514	1	40402701	23308001 (6)
LCH482ATA	2	25308201	37000701	5140C	23104901	24703508	1	40402701	23308001 (6)
LCH482BTA	2	25308301	37000701	5140C	23104901	24703502	1	40402701	23308001 (6)
LCH482MTA	2	25308401	37000701	5140C	23104901	24703514	1	40402701	23308001 (6)
LCH4105AA	3	25307701	37000701	5140C	23104901	24703509	1	40402801	23308001 (9)
LCH4105BA	3	25307801	37000701	5140C	23104901	24703503	1	40402801	23308001 (9)
LCH4105AHA	3	25308501	37000701	5140C	23104901	24703509	1	40402801	23308001 (9)
LCH4105BHA	3	25308601	37000701	5140C	23104901	24703503	1	40402801	23308001 (9)
LCH4105MHA	3	25308701	37000701	5140C	23104901	24703515	1	40402801	23308001 (9)
LCH4105ATA	3	25308201	37000701	5140C	23104901	24703509	1	40402801	23308001 (9)
LCH4105BTA	3	25308301	37000701	5140C	23104901	24703503	1	40402801	23308001 (9)
LCH4105MTA	3	25308401	37000701	5140C	23104901	24703515	1	40402801	23308001 (9)
LCH4139AA	4	25307701	37000701	5140C	23104901	24703510	1	40402901	23308001 (12)
LCH4139BA	4	25307801	37000701	5140C	23104901	24703504	1	40402901	23308001 (12)
LCH4139AHA	4	25308501	37000701	5140C	23104901	24703510	1	40402901	23308001 (12)
LCH4139BHA	4	25308601	37000701	5140C	23104901	24703504	1	40402901	23308001 (12)
LCH4139MHA	4	25308701	37000701	5140C	23104901	24703516	1	40402901	23308001 (12)
LCH4139ATA	4	25308201	37000701	5140C	23104901	24703510	1	40402901	23308001 (12)
LCH4139BTA	4	25308301	37000701	5140C	23104901	24703504	1	40402901	23308001 (12)
LCH4139MTA	4	25308401	37000701	5140C	23104901	24703516	1	40402901	23308001 (12)

*Drain Fitting Kit	26925101	Pan Heater Clip	33618701
Drain Piping Assy (1) 50148802 & (1) 50148804		Low Temperature Defrost & Fan Delay	2890109
End Panel - Elec	36110101	End Panel- Refrig	36110201
Pan Heater Bracket	33619201	Wire Guard	37000601

Number Of Clips Is One Less Than Number Of Fans

Unit Model No.	No. of Motors	Motor	Guard (Molded)	Blade	Motor Mount	Drain Pan Heater	Qty	Drain Pan*	Coil Heater Clip
LCH4174AA	5	25307701	37000701	5140C	23104901	24703511	1	40403001	23308001 (15)
LCH4174BA	5	25307801	37000701	5140C	23104901	24703505	1	40403001	23308001 (15)
LCH4174AHA	5	25308501	37000701	5140C	23104901	24703511	1	40403001	23308001 (15)
LCH4174BHA	5	25308601	37000701	5140C	23104901	24703505	1	40403001	23308001 (15)
LCH4174MHA	5	25308701	37000701	5140C	23104901	24703517	1	40403001	23308001 (15)
LCH4174ATA	5	25308201	37000701	5140C	23104901	24703511	1	40403001	23308001 (15)
LCH4174BTA	5	25308301	37000701	5140C	23104901	24703505	1	40403001	23308001 (15)
LCH4174MTA	5	25308401	37000701	5140C	23104901	24703517	1	40403001	23308001 (15)
LCH4208AA	6	25307701	37000701	5140C	23104901	24703512	1	40403101	23308001 (18)
LCH4208BA	6	25307801	37000701	5140C	23104901	24703506	1	40403101	23308001 (18)
LCH4208AHA	6	25308501	37000701	5140C	23104901	24703512	1	40403101	23308001 (18)
LCH4208BHA	6	25308601	37000701	5140C	23104901	24703506	1	40403101	23308001 (18)
LCH4208MHA	6	25308701	37000701	5140C	23104901	24703518	1	40403101	23308001 (18)
LCH4208ATA	6	25308201	37000701	5140C	23104901	24703512	1	40403101	23308001 (18)
LCH4208BTA	6	25308301	37000701	5140C	23104901	24703506	1	40403101	23308001 (18)
LCH4208MTA	6	25308401	37000701	5140C	23104901	24703518	1	40403101	23308001 (18)
LCH4235AA	6	25307701	37000701	5140C	23104901	24703512	1	40403101	23308001 (18)
LCH4235BA	6	25307801	37000701	5140C	23104901	24703506	1	40403101	23308001 (18)
LCH4235AHA	6	25308501	37000701	5140C	23104901	24703512	1	40403101	23308001 (18)
LCH4235BHA	6	25308601	37000701	5140C	23104901	24703506	1	40403101	23308001 (18)
LCH4235MHA	6	25308701	37000701	5140C	23104901	24703518	1	40403101	23308001 (18)
LCH4235ATA	6	25308201	37000701	5140C	23104901	24703512	1	40403101	23308001 (18)
LCH4235BTA	6	25308301	37000701	5140C	23104901	24703506	1	40403101	23308001 (18)
LCH4235MTA	6	25308401	37000701	5140C	23104901	24703518	1	40403101	23308001 (18)

*Drain Fitting Kit	26925101	Pan Heater Clip	33618701
Drain Piping Assy (1) 50148802 & (1) 50148804		Low Temperature Defrost & Fan Delay	2890109
End Panel - Elec	36110101	End Panel- Refrig	36110201
Pan Heater Braket	33619201	Wire Guard	37000601

Number Of Clips Is One Less Than Number Of Fans

Nomenclature Example:

LC	H	6	135	B	B
Larkin Kompak Unit Cooler	A = Air Defrost E = Electric Defrost H = Hot Gas Defrost	Fins Per Inch		Voltage Capacity x 100 B = 208/230/1/60 M = 460/1/60 A = 115/1/60	Vintage

Larkin

Model No.	Qty Motor	Motor 115V	Motor 230V	Fan Blade	Motor Mount	Fan Guard
LCH635	1	25300101S	25300201S	5140C	23104901	37000701
LCH643	1	25300101S	25300201S	5140C	23104901	37000701
LCH665	2	25300101S	25300201S	5140C	23104901	37000701
LCH676	2	25300101S	25300201S	5140C	23104901	37000701
LCH694	2	25300101S	25300201S	5140C	23104901	37000701
LCH6120	3	25300101S	25300201S	5140C	23104901	37000701
LCH6140	3	25300101S	25300201S	5140C	23104901	37000701
LCH6160	4	25300101S	25300201S	5140C	23104901	37000701
LCH6180	4	25300101S	25300201S	5140C	23104901	37000701
LCH6200	5	25300101S	25300201S	5140C	23104901	37000701
LCH6240	6	25300101S	25300201S	5140C	23104901	37000701
LCH6270	6	25300101S	25300201S	5140C	23104901	37000701
4 FPI						
LCH441	1	25300101S	25300201S	5140C	23104901	37000701
LCH457	2	25300101S	25300201S	5140C	23104901	37000701
LCH467	2	25300101S	25300201S	5140C	23104901	37000701
LCH482	2	25300101S	25300201S	5140C	23104901	37000701
LCH4105	3	25300101S	25300201S	5140C	23104901	37000701
LCH4139	4	25300101S	25300201S	5140C	23104901	37000701
LCH4174	5	25300101S	25300201S	5140C	23104901	37000701
LCH4208	6	25300101S	25300201S	5140C	23104901	37000701
LCH4235	6	25300101S	25300201S	5140C	23104901	37000701

* Wire Fan Guard Option: 37000601

Optional Motors¹

Part No.	Description
25308201	115/1/60 PSC/PSC Totally Enclosed
25308301	208-230/1/60 Totally Enclosed PSC
25308401	460/1/60 Totally Enclosed PSC
25308601	208-230/1/60 PSC (220/1/50)
25308701	460/1/60 PSC (380/50)

Electrical Components

Part No.	Description
22512601	Terminal Strip
4267W	Defrost Term/Fan Delay-Adjustable
4131Y	Room Thermostat
5708L	Heater Safety - Klixon Type

Model No.	No. Fans	Outer* Painted Drain Pan	Inner Alum. Drain Pan	Drain Pan Heater 115/1/60	Drain Pan Heater 208/230/1/60	Drain Pan Heater 460/1/60
LCH635	1	40481103	40480101S	24752101	24752201	24752301
LCH643	1	40481103	40480101S	24752101	24752201	24752301
LCH665	2	40481203	40480201S	24752102	24752202	24752302
LCH676	2	40481203	40480201S	24752102	24752202	24752302
LCH694	2	40481203	40480201S	24752102	24752202	24752302
LCH6120	3	40481303	40480301S	24752103	24752203	24752303
LCH6140	3	40481303	40480301S	24752103	24752203	24752303
LCH6160	4	40481403	40480401S	24752104	24752204	24752304
LCH6180	4	40481403	40480401S	24752104	24752204	24752304
LCH6200	5	40481503	40480501S	24752105	24752205	24752305
LCH6240	6	40481603	40480601S	24752106	24752206	24752306
LCH6270	6	40481603	40480601S	24752106	24752206	24752306
4 FPI						
LCH441	1	40481103	40480101S	24752101	24752201	24752301
LCH457	2	40481203	40480201S	24752102	24752202	24752302
LCH467	2	40481203	40480201S	24752102	24752202	24752302
LCH482	2	40481203	40480201S	24752102	24752202	24752302
LCH4105	3	40481303	40480301S	24752103	24752203	24752303
LCH4139	4	40481403	40480401S	24752104	24752204	24752304
LCH4174	5	40481503	40480501S	24752105	24752205	24752305
LCH4208	6	40481603	40480601S	24752106	24752206	24752306
LCH4235	6	40481603	40480601S	24752106	24752206	24752306

Contact factory if unit was built in 2004 or later.

Drain Fittings*

Part No.	Description
26925101	Drain Fitting Kit

Drain Piping Kit (optional)

Part No.	Description
50148802	(1) Each Required To Complete
50148804	Drain Piping Kit

Cabinet Components (All Sizes)

Part No.	Description
40880802	Access Panel - Elect - RH
40880702	Access Panel - Refrig - LH
40880902	Back Panel - Refrig
40881002	Back Panel - Electric
40881202	End Panel - HG Refrig

Nomenclature Example:

L	D	T	500	L	6	C
Model	Compressor	Placement	Equiv. HP*	Application	Refrigerant	Voltage
L = Larkin	D = Discus Z = Scroll	T = Outdoor N = Indoor M = Beaco B = Bohnmizer S = Beacon II**	H = High Temp 0300 = 3 HP 0900 = 9 HP 0400 = 4 HP 1000 = 10 HP 050* = 5 HP 1200 = 12 HP 060* = 6 HP 1300 = 13 HP 075* = 7.5 HP 1400 = 14 HP 0800 = 8 HP 1500 = 15 HP 0860 = 8.5 HP 2200 = 22 HP	2 = R22 M = Med. Temp L = Low Temp	C = 208-230/3/60 6 = 404A, 507	(200-220/3/50) D = 460/3/60 380-420/3/50

Unit Model	Mtr HP	No. Mtr	Motor 230V	Motor 460V	Fan Blade [£]	Indoor Motor Mt	Outdoor Motor Mt	Grille
*D*0300L2	1/3	1	25309004	25314601	7173156	23102701	23102601	24100801
*D*0400L2	1/3	1	25309004	25314601	7173156	23102701	23102601	24100801
*D*0600L2	1/3	1	25309004	25314601	7173156	23102701	23102601	24100801
*D*0601L2	1/3	1	25309004	25314601	7173156	23102701	23102601	24100801
*D*0750L2	1/3	1	25309004	25314601	7173156	23102701	23102601	24100801
*D*0900L2	1/3	2	25309004	25314601	7173156	23102701	23102601	24100701
*D*1000L2	1/3	2	25309004	25314601	7173156	23102701	23102601	24100701
*D*1200L2	3/4	2	R033177500S ¹	R033177700S ¹	R029218600	23102001	23101501	24101901
*D*1500L2	3/4	2	R033177500S ¹	R033177700S ¹	R029218600	23102001	23101501	24101901
*D*2200L2	3/4	2	R033177500S ¹	R033177700S ¹	R029218600	23102001	23101501	24101901
*D*0500H2	1/3	1	25309004	25314601	7173156	23102701	23102601	24100801
*D*0501H2	1/3	1	25309004	25314601	7173156	23102701	23102601	24100801
*D*0750H2	1/3	1	25309004	25314601	7173156	23102701	23102601	24100801
*D*0751H2	1/3	2	25309004	25314601	7173156	23102701	23102601	24100701
*D*0800H2	1/3	2	25309004	25314601	7173156	23102701	23102601	24100701
*D*1000H2	1/3	2	25309004	25314601	7173156	23102701	23102601	24100701
*D*1200H2	1/3	2	25309004	25314601	7173156	23102701	23102601	24100701
*D*1500H2	3/4	2	R033177500S ¹	R033177700S ¹	R029218600	23102001	23101501	24101901
*D*0500M6	1/3	1	25309004	25314601	7173156	23102701	23102601	24100801
*D*0501M6	1/3	1	25309004	25314601	7173156	23102701	23102601	24100801

[£] T03H00258 (BZT045L6CF) started use of blades supplied by air drive -T03J00365 dated 9/10/03 end note normally use recover.

Unit Model	Mtr HP	No. Mtr	Motor 230V	Motor 460V	Fan Blade	Indoor Motor Mt	Outdoor Motor Mt	Grille
*D*0750M6	1/3	1	25309004	25314601	7173156	23102701	23102601	24100801
*D*0751M6	1/3	2	25309004	25314601	7173156	23102701	23102601	24100801
*D*0800M6	1/3	2	25309004	25314601	7173156	23102701	23102601	24100801
*D*1000M6	1/3	2	25309004	25314601	7173156	23102701	23102601	24100801
*D*1200M6	1/3	2	25309004	25314601	7173156	23102701	23102601	24100801
*D*1500M6	3/4	2	R033177500S ¹	R033177700S ¹	R029218600	23102001	23101501	24101901
*D*0300L6	1/3	1	25309004	25314601	7173156	23102701	23102601	24100801
*D*0400L6	1/3	1	25309004	25314601	7173156	23102701	23102601	24100801
*D*0600L6	1/3	1	25309004	25314601	7173156	23102701	23102601	24100801
*D*0601L6	1/3	1	25309004	25314601	7173156	23102701	23102601	24100801
*D*0750L6	1/3	1	25309004	25314601	7173156	23102701	23102601	24100801
*D*0900L6	1/3	2	25309004	25314601	7173156	23102701	23102601	24100801
*D*1000L6	1/3	2	25309004	25314601	7173156	23102701	23102601	24100801
*D*1200L6	3/4	2	R033177500S ¹	R033177700S ¹	R029218600	23102001	23101501	24101901
*D*1500L6	3/4	2	R033177500S ¹	R033177700S ¹	R029218600	23102001	23101501	24101901
*D*2200L6	3/4	2	R033177500S ¹	R033177700S ¹	R029218600	23102001	23101501	24101901

¹ Use Capacitor Part No. 5710F

Larkin

Unit Model	Mtr HP	No. Mtr	Motor 230V	Motor 460V	Fan Blade ^f	Indoor Motor Mt	Outdoor Motor Mt	Grille
*Z*0650H2	1/3	1	25309004	25314601	7173156	23102701	23102601	24100801
*Z*0650M6	1/3	1	25309004	25314601	7173156	23102701	23102601	24100801
*Z*0700H2	1/3	2	25309004	25314601	7173156	23102701	23102601	24100701
*Z*0700M6	1/3	2	25309004	25314601	7173156	23102701	23102601	24100701
*Z*0750H2	1/3	2	25309004	25314601	7173156	23102701	23102601	24100701
*Z*0750L2	1/3	1	25309004	25314601	7173156	23102701	23102601	24100801
*Z*0750L6	1/3	1	25309004	25314601	7173156	23102701	23102601	24100801
*Z*0750M6	1/3	2	25309004	25314601	7173156	23102701	23102601	24100701
*Z*0860H2	1/3	2	25309004	25314601	7173156	23102701	23102601	24100701
*Z*0860M6	1/3	2	25309004	25314601	7173156	23102701	23102601	24100701
*Z*1000H2	1/3	2	25309004	25314601	7173156	23102701	23102601	24100701
*Z*1000M6	1/3	2	25309004	25314601	7173156	23102701	23102601	24100701
*Z*1000L2	1/3	1	25309004	25314601	7173156	23102701	23102601	24100801
*Z*1000L6	1/3	1	25309004	25314601	7173156	23102701	23102601	24100801
*Z*1000M6	1/3	2	25309004	25314601	7173156	23102701	23102601	24100701
*Z*1200H2	1/3	2	25309004	25314601	7173156	23102701	23102601	24100701
*Z*1300L2	1/3	2	25309004	25314601	7173156	23102701	23102601	24100701
*Z*1300L6	1/3	2	25309004	25314601	7173156	23102701	23102601	24100701
*Z*1400H2	1/3	2	25309004	25314601	7173156	23102701	23102601	24100701
*Z*1400M6	1/3	2	25309004	25314601	7173156	23102701	23102601	24100701
*Z*1500L2	1/3	2	25309004	25314601	7173156	23102701	23102601	24100701
*Z*1500L6	1/3	2	25309004	25314601	7173156	23102701	23102601	24100701

Electrical Components

Description	Part No.
Contactora 40 A 3P 208-240V	2252340
Contactora 50 A 3P 208-240V	2252350
Contactora 60 A 3P 208-240V	2252360
Contactora 75 A 3P 208-240V	2252375
Contactora 25 A 208-240V	2259996
Dual Pressure Control Man 20 in -100/100-425	2891550
Fan Cycling Switch- Pressure	28906701
Fan Cycling Switch- Temperature	28906702
High Pressure Control Fixed, CO 400	28913201
High Pressure Encap Switch 425#/W/CONN	28913202
Low Pressure Fixed	2890099
Low Pressure SW- Adjustable P70AB-1D	2891402
Oil Safety Control, Sentronic	2897100
T'Stat - Scroll (Discharge Line)	30101701
Timer (8145-20)	2138162
Transformer 300VA SL300QP	R038253919
CC Heater Discuss 2D, 3D, 100W/240V	4702202
CC Heater Scroll 7.5 TO 15 HP 80W/240V	24703901
CC Heater ZB Scrolls 90W/240V	24704001

Line Components

Description	Part No.
HP Valve ORD	2930420
HP Valve ORI	2930007
HP Valve OROA-100	29399096
HP Valve OROA-180	29399093

Common Parts

Part Description		Part No.
Guard		23100301
High Pressure Control		28913201
Contactator - 25 A	Condenser Motor	2259996
Contactator - 40 A	Compressor	2252340
Contactator - 50 A	Compressor	2252350
Contactator - 60 A	Compressor	2252360
Contactator - 75 A	Compressor	2252375
Pressure Switch		28923201
Low-pressure Control		2891402
Air Defrost Timer		2138162
Fan Cycling		5521R
Temperature Fan Cycle Control		7075807
Pressure Fan Cycle Control		28900201
Electric Defrost Timer		2138162
Defrost Fan Contactator 25 A	(40 A/ See Below)	2252325
Defrost Heater Contactator 40 A		2252340

24 to 80 HP Motor & Fan Blade Options

Motor Part No.	Description	Blade Part No.
7072102S	3/4 HP - 1140 RPM 208/230/460/3	7173254
2538000S	1 HP - 850 RPM 208/230/460/3	2292630*
25301801S	1 1/2 HP - 1140 RPM 208/230/460/3	22900401
25301701S	1 1/2 HP - 830 RPM 208/230/460/3	22900301
5792V	Slinger For 25301801 & 25301701	

Note: No Motor Mounts - Uses Motor Rails

* Can Use 2292630 To Replace 2292635 (Not An Exact Match)

Note: Sentronic Oil Control Available From Copeland

Nomenclature Example:

LD	H	0500	D	7	3
Larkin Discus	Horizontal Air Discharge	Nominal HP	Application Range	Refrigerant	Electrical Characteristics
		0300 = 3 HP 0750 = 7.5 HP 0400 = 4 HP 0751 = 7.5 HP 0500 = 5 HP 0800 = 8 HP 0501 = 5 HP 0900 = 9 HP 0600 = 6 HP 1000 = 10 HP 0601 = 6 HP	L = Low D = High (R-22) M = Med. (R-404A or R-507)	2 = R-22 6 = R-404A or 507 7 = R-22	2 = 208/230/60/1 3 = 208/230/60/3 4 = 460/60/3 9 = 230/60/1

Part Description	Part No.	
Motor	1/3 HP 230V 1075RPM 1/2 DIA CCWSE	7071208S
Motor	1/3 HP 208/230/60/1 PSC RPM 1200 CCWSE	25303801
Motor	1/3 HP 208-230/1/50-60 1075 RPM CCWSE	25309001
Motor	1/2 HP 460V 1075RPM 1/2 DIA CCWSE	7071225S
Motor	1/2 HP 575V 1075RPM 1/2 DIA CCWSE	2530906
Fan Blade	22 in CW 26D 1/2B	7173156
Demand Cooling Control	2D 240V	2151005
Demand Cooling Control	3D 240V	2151006
Low Pressure Control	Adjustable	7075212
High Pressure Control		7075207
Timer (8145-20)		2138162
Transformer, 460V/230V		R038253919
Transformer, 575V/230V		2251056
Crankcase Heater		7077983
Contactors	2 Pole 20A 230V	R034915200
Compressor Contactor	25 A, 3 Pole	2259996
Contactors	40 A, 3P 24V -Open	2252440
Compressor Contactor	40 A, 3 Pole	2252340
Compressor Contactor	50 A, 3 Pole	2252350
Auxiliary Contacts,	Contactors	2252310
Head Pressure Valve	OROA-180	2930058
Head Pressure Valve	OROA-100	2930625
Head Pressure Valve	OROI	2930006
Head Pressure Valve	ORD	2930420
Pressure Control	100-400 Pressure P70AA-118C	2894574
Pressure Control	R502/22	7075207

Common Parts

Part Description		Part No.
Guard		23100301
High Pressure Control		28913201
Contactora - 25 A	Condenser Motor	2259996
Contactora - 40 A	Compressor	2252340
Contactora - 50 A	Compressor	2252350
Contactora - 60 A	Compressor	2252360
Contactora - 75 A	Compressor	2252375
Pressure Switch		28923201
Low-pressure Control		2891402
Air Defrost Timer		2138162
Fan Cycling		5521R
Temperature Fan Cycle Control		7075807
Pressure Fan Cycle Control		28900201
Electric Defrost Timer		2138162
Defrost Fan Contactor 25 A	(40 A/ See Below)	2252325
Defrost Heater Contactor 40 A		2252340

Motor & Fan Blade Options

Motor Part No.	Description	Blade Part No.
7072102	3/4 HP - 1140 RPM 208/230/460/3	7173254
2538000	1 HP - 850 RPM 208/230/460/3	2292635 ¹
25301801	1 1/2 HP - 1140 RPM 208/230/460/3	22900401
25301701	1 1/2 HP - 830 RPM 208/230/460/3	22900301
5792V	Slinger For 25301801 & 25301701	

¹ Blade is Call Factory - Closest Replacement is Part No. 2292630

Note: Motor & blade options are not indicated in model nomenclature and are job specific.
Customer must supply motor HP and RPM to replace either the motor or the blade.

LFA/LFAE/LFAH

Larkin

Model LFA	Motor		Motor		Drain Pan		Motor Mount
	115V	230/1	Blade	Guard	Assembly	**Assembly	
70	2531194(2)	2531195(2)	2291031(2)	2317380(2)	4040170	N/A	2316597(2)
87	2531194(2)	2531195(2)	2291031(2)	2317380(2)	4040170	N/A	2316597(2)
120	2531194(2)	2531195(2)	2291031(2)	2317380(2)	4040171	4040130	2316597(2)
150	2531194(2)	2531195(2)	2291220(2)	2317380(2)	4040171	4040130	2316598(2)
190	2530688S(2)	2530689S(2)	2291240(2)	2317380(2)	4040172	4040131	4000111(2)
270	2530688S(2)	2530689S(2)	2291624(2)	2317381(2)	4040173	4040132	4000112(2)

** These drain pans apply to units manufactured from 1973-1982

Model LFAE	230/1 Motor	Fan		Drain Pan		Motor Mount	Defrost Heater
		Blade	Guard	*Assembly	**Assembly		
70	2531195(2)	2291031(2)	2317380(2)	4040170	N/A	2316597(2)	2470063(2)
87	2531195(2)	2291031(2)	2317380(2)	4040170	N/A	2316597(2)	2470063(2)
120	2531195(2)	2291031(2)	2317380(2)	4040171	4040130	2316597(2)	2470130(2)
150	2531195(2)	2291220(2)	2317380(2)	4040171	4040130	2316598(2)	2470130(2)
190	2530689S(2)	2291240(2)	2317380(2)	4040172	4040131	4000111(2)	2470160(2)
270	2530689S(2)	2291624(2)	2317381(2)	4040173	4040132	4000112(2)	2470200(2)

* Specify insulation in pans.

**These drain pans apply to units manufactured from 1973-1982

T'Stat - Part No. 28906601

Model LFAH	Motor		Fan		Drain Pan Assembly	Motor Mount
	115V	230/1	Blade	Guard		
70	2531194	2531195	2291031	2317380	N/A	2316597
87	2531194	2531195	2291031	2317380	N/A	2316597
120	2531194	2531195	2291031	2317380	N/A	2316597
150	2531194	2531195	2291220	2317380	N/A	2316598
190	2530688S	2530689S	2291240	2317380	N/A	4000111
270	2530688S	2530689S	2291624	2317381	N/A	4000112

LFA/LFAE/LFAH "E" Vintage

Model Size	Motor 115V PSC	Motor 230V PSC	Motor 115V PSC	Motor 230V PSC	Fan Blade	Motor Mount	Drain Pan	Defrost Heater
70	25300101S(2)	25300201S(2)	25302601(2)	25302501(2)	22900601(2)	2316597(2)	4040170	2470063(2)
87	25300101S(2)	25300201S(2)	25302601(2)	25302501(2)	22900601(2)	2316597(2)	4040170	2470063(2)
120	25300101S(2)	25300201S(2)	25302601(2)	25302501(2)	22900601(2)	2316597(2)	4040171	2470130(2)
135	25300101S(2)	25300201S(2)	25302601(2)	25302501(2)	22900601(2)	2316597(2)	4040171	2470130(2)
150	25300101S(2)	25300201S(2)	25302601(2)	25302501(2)	22900701(2)	2316598(2)	4040171	2470130(2)
170	25300101S(2)	25300201S(2)	25302601(2)	25302501(2)	22900701(2)	2316598(2)	4040171	2470130(2)
190	N/A	N/A	2530688S(2)	2530689S(2)	2291240(2)	4000111(2)	4040172	2470160(2)
230	N/A	N/A	2530688S(2)	2530689S(2)	2291240(2)	4000111(2)	4040174	2470200(2)
270	N/A	N/A	2530688S(2)	2530689S(2)	2291624(2)	4000112(2)	4040173	2470200(2)

460V Motor 25305001
 Drain Pan Fitting 26925101
 LFAE Fan Switch 28906601
 LFAH Fan Switch 2890729

Filter Assembly		Louvered Grille/bottom Panel	
Mod.70-135	89900801	Mod.70-135	32401101
150-230	89900802	150-230	32400901
270	89900803	270	32401001

Nomenclature Example:

LH	A6	850	C	P	A
Larkin Large Unit Cooler	Fins Per Inch/Defrost A6 = 6 or 8 FPI Air Defrost E6 = 6 FPI Electric Defrost L4 = 4 FPI Electric Defrost G6 = 6 FPI Hot Gas Defrost F4 = 4 FPI Hot Gas Defrost	Capacity x 100 (Standard Motor/Fan Blade)	Voltage Code B - 208-230/1/60 M = 460/1/60 C = 208-230/3/60 X = 380/400/3/50 D = 460/3/60 Y = 200/220/1/50 E = 57 5/3/60	Optional Motor Code T = Totally Enclosed Motors V = High CFM Option P - 3 Phase Motor	Vintage

Model No.	No. Fans	Motors	HP	Blades	Guards	Drain Pan
LHA6-520BA	2	25305701S	1/2	22901101	23102202	40402006
LHA6-520MA	2	25305701S	1/2	22901101	23102202	40402006
LHA6-520CPA	2	7072102S	3/4	5133C	23102202	40402006
LHA6-520DPA	2	7072102S	3/4	5133C	23102202	40402006
LHA6-520CTA	2	25301001	1	5133C	23102202	40402006
LHA6-520DTA	2	25301001	1	5133C	23102202	40402006
LHA6-520EPA	2	25307901	1/2	5133C	23102202	40402006
LHA6-630BA	2	25305701S	1/2	22901101	23102202	40402006
LHA6-630MA	2	25305801S		22901101	23102202	40402006
LHA6-630CPA	2	7072102S	3/4	5133C	23102202	40402006
LHA6-630DPA	2	7072102S	3/4	5133C	23102202	40402006
LHA6-630CTA	2	25301001	1	5133C	23102202	40402006
LHA6-630DTA	2	25301001	1	5133C	23102202	40402006
LHA6-630EPA	2	25307901	1/2	5133C	23102202	40402006
LHA6-750BA	3	25305701S	1/2	22901101	23102202	40401806
LHA6-750CA	3	25305701S	1/2	22901101	23102202	40401806
LHA6-750CPA	3	7072102S	3/4	5133C	23102202	40401806
LHA6-750DA	3	25305801S	1/2	22901101	23102202	40401806
LHA6-750DPA	3	7072102	3/4	5133C	23102202	40401806
LHA6-750CTA	3	25301001	1	5133C	23102202	40401806
LHA6-750DTA	3	25301001	1	5133C	23102202	40401806
LHA6-750EPA	3	25307901	1/2	5133C	23102202	40401806
LHA6-850BA	3	25305701S	1/2	22901101	23102202	40401806
LHA6-850CA	3	25305701S	1/2	22901101	23102202	40401806
LHA6-850CPA	3	7072102S	3/4	5133C	23102202	40401806
LHA6-850DA	3	25305801S	1/2	22901101	23102202	40401806
LHA6-850DPA	3	7072102S	3/4	5133C	23102202	40401806
LHA6-850CTA	3	25301001	1	5133C	23102202	40401806
LHA6-850DTA	3	25301001	1	5133C	23102202	40401806
LHA6-850EPA	3	25307901	1/2	5133C	23102202	40401806
LHA6-930BA	4	25305701S	1/2	22901101	23102202	40401406
LHA6-930CA	4	25305701S	1/2	22901101	23102202	40401406
LHA6-930CPA	4	7072102S	3/4	5133C	23102202	40401406
LHA6-930DA	4	25305801S	1/2	22901101	23102202	40401406
LHA6-930DPA	4	7072102S	3/4	5133C	23102202	40401406
LHA6-930CTA	4	25301001	1	5133C	23102202	40401406
LHA6-930DTA	4	25301001	1	5133C	23102202	40401406
LHA6-930EPA	4	25307901	1/2	5133C	23102202	40401406
LHA6-1100BA	4	25305701S	1/2	22901101	23102202	40401406
LHA6-1100CA	4	25305701S	1/2	22901101	23102202	40401406
LHA6-1100CPA	4	7072102S	3/4	5133C	23102202	40401406
LHA6-1100DA	4	25305801S	1/2	22901101	23102202	40401406
LHA6-1100DPA	4	7072102S	3/4	5133C	23102202	40401406
LHA6-1100CTA	4	25301001	1	5133C	23102202	40401406
LHA6-1100DTA	4	25301001	1	5133C	23102202	40401406
LHA6-1100EPA	4	25307901	1/2	5133C	23102202	40401406

Larkin

LHA

Model No.	No. Fans	Motors	HP	Blades	Guards	Drain Pan
LHA6-1170CPA	3	25380005	1	22900401	23102302	40402106
LHA6-1170DPA	3	25380005	1	22900401	23102302	40402106
LHA6-1170CTA	3	25301101	1 1/2	22901501	23102302	40402106
LHA6-1170DTA	3	25301101	1 1/2	22901501	23102302	40402106
LHA6-1170EPA	3	25301101	1 1/2	22901501	23102302	40402106
LHA6-1400CPA	3	25380005	1	22900401	23102302	40402106
LHA6-1400DPA	3	25380005	1	22900401	23102302	40402106
LHA6-1400CTA	3	25301101	1 1/2	22901501	23102302	40402106
LHA6-1400DTA	3	25301101	1 1/2	22901501	23102302	40402106
LHA6-1400EPA	3	25301101	1 1/2	22901501	23102302	40402106
LHA6-1610CPA	3	253017015	1 1/2	22900301	23102302	40402106
LHA6-1610DPA	3	253017015	1 1/2	22900301	23102302	40402106
LHA6-1610CTA	3	25301701	1 1/2	22900301	23102302	40402106
LHA6-1610DTA	3	25301101	1 1/2	22901501	23102302	40402106
LHA6-1610EPA	3	25301901	1 1/2	22900101	23102302	40402106
LHA6-1900CPA	3	253018015	1 1/2	22900101	23102302	40410406
LHA6-1900DPA	3	253018015	1 1/2	22900101	23102302	40410406
LHA6-1900CTA	3	25301101	1 1/2	22900101	23102302	40410406
LHA6-1900DTA	3	25301101	1 1/2	22900101	23102302	40410406
LHA6-1900EPA	3	25302001	1 1/2	22900101	23102302	40410406
LHA8-2160CPA	3	253018015	1 1/2	22900101	23102302	40410406
LHA8-2160DPA	3	253018015	1 1/2	22900101	23102302	40410406
LHA8-2160CTA	3	25301101	1 1/2	22900101	23102302	40410406
LHA8-2160DTA	3	25301101	1 1/2	22900101	23102302	40410406
LHA8-2160EPA	3	25302001	1 1/2	22900101	23102302	40410406
LHA6-2200CPA	4	253017015	1 1/2	22900301	23102302	40410704
LHA6-2200DPA	4	253017015	1 1/2	22900301	23102302	40410704
LHA6-2200CTA	4	25301701	1 1/2	22900301	23102302	40410704
LHA6-2200DTA	4	25301101	1 1/2	22900101	23102302	40410704
LHA6-2200EPA	4	25301901	1 1/2	22900101	23102302	40410704
LHA8-2500CPA	4	253017015	1 1/2	22900301	23102302	40410704
LHA8-2500DPA	4	253017015	1 1/2	22900301	23102302	40410704
LHA8-2500CTA	4	25301101	1 1/2	22900101	23102302	40410704
LHA8-2500DTA	4	25301101	1 1/2	22900101	23102302	40410704
LHA8-2500EPA	4	25301901	1 1/2	22900301	23102302	40410704
LHA6-2440CPA	4	253018015	1 1/2	22900101	23102302	40410704
LHA6-2440DPA	4	253018015	1 1/2	22900101	23102302	40410704
LHA6-2440CTA	4	25301101	1 1/2	22900101	23102302	40410704
LHA6-2440DTA	4	25301101	1 1/2	22900101	23102302	40410704
LHA6-2440EPA	4	25302001	1 1/2	22900101	23102302	40410704
LHA8-2780CPA	4	253018015	1 1/2	22900101	23102302	40410704
LHA8-2780DPA	4	253018015	1 1/2	22900101	23102302	40410704
LHA8-2780CTA	4	25301101	1 1/2	22900101	23102302	40410704
LHA8-2780DTA	4	25301101	1 1/2	22900101	23102302	40410704
LHA8-2780EPA	4	25302001	1 1/2	22900101	23102302	40410704

Unit Size	Side Panel	Left Back Panel (Refrig. Conn)
520,630	40834902	40834702
750,850	40834902	40834702
930,1100	40834902	40834702
1170,1400	40868202	40868102
1610	40846502	40846402
1900,2160	40858402	40858602
2200,2500	40858202	40858502
2440,2780	40858402	40858602

LHE

Larkin

Model No.	No. Fans	Motors	Blades	Guards	Coil Heater	Qty	Pan Heater*	Drain Pan
LHE6-450BA	2	25305701S	22901101	23102202	24711201	6	24711301	40402006
LHE6-450CA	2	25305701S	22901101	23102202	24711201	6	24711301	40402006
LHE6-450CPA	2	7072102S	5133C	23102202	24711201	6	24711301	40402006
LHE6-450DA	2	25305801S	22901101	23102202	24711201	6	24711301	40402006
LHE6-450DPA	2	7072102S	5133C	23102202	24711201	6	24711301	40402006
LHE6-450CTA	2	25301001	5133C	23102202	24711201	6	24711301	40402006
LHE6-450DTA	2	25301001	5133C	23102202	24711201	6	24711301	40402006
LHE6-450EPA	2	25307901	5133C	23102202	24711801	6	24711901	40402006
LHE6-450CVA	2	5916F	22901201	23102202	24711201	6	24711301	40402006
LHE6-450DVA	2	5916F	22901201	23102202	24711201	6	24711301	40402006
LHE6-550BA	2	25305701S	22901101	23102202	24711201	6	24711301	40402006
LHE6-550CA	2	25305701S	22901101	23102202	24711201	6	24711301	40402006
LHE6-550CPA	2	7072102S	5133C	23102202	24711201	6	24711301	40402006
LHE6-550DA	2	25305801S	22901101	23102202	24711201	6	24711301	40402006
LHE6-550DPA	2	7072102	5133C	23102202	24711201	6	24711301	40402006
LHE6-550CTA	2	25301001	5133C	23102202	24711201	6	24711301	40402006
LHE6-550DTA	2	25301001	5133C	23102202	24711201	6	24711301	40402006
LHE6-550EPA	2	25307901	5133C	23102202	24711801	6	24711901	40402006
LHE6-550CVA	2	5916F	22901201	23102202	24711201	6	24711301	40402006
LHE6-550DVA	2	5916F	22901201	23102202	24711201	6	24711301	40402006
LHE6-640CA	3	25305701S	22901101	23102202	24711202	6	24711302	40401806
LHE6-640CPA	3	7072102S	5133C	23102202	24711202	6	24711302	40401806
LHE6-640DA	3	25305801S	22901101	23102202	24711202	6	24711302	40401806
LHE6-640DPA	3	7072102S	5133C	23102202	24711202	6	24711302	40401806
LHE6-640CTA	3	25301001	5133C	23102202	24711202	6	24711302	40401806
LHE6-640DTA	3	25301001	5133C	23102202	24711202	6	24711302	40401806
BHE6-640EPA	3	25307901	5133C	23102202	24711802	6	24711902	40401806
LHE6-640CVA	3	5916F	22901201	23102202	24711202	6	24711302	40401806
LHE6-640DVA	3	5916F	22901201	23102202	24711202	6	24711302	40401806
LHE6-740CA	3	25305701S	22901101	23102202	24711202	6	24711302	40401806
LHE6-740CPA	3	7072102S	5133C	23102202	24711202	6	24711302	40401806
LHE6-740DA	3	25305801S	22901101	23102202	24711202	6	24711302	40401806
LHE6-740DPA	3	7072102S	5133C	23102202	24711202	6	24711302	40401806
LHE6-740CTA	3	25301001	5133C	23102202	24711202	6	24711302	40401806
LHE6-740DTA	3	25301001	5133C	23102202	24711202	6	24711302	40401806
LHE6-740EPA	3	25307901	5133C	23102202	24711802	6	24711902	40401806
LHE6-740CVA	3	5916F	22901201	23102202	24711202	6	24711302	40401806
LHE6-740DVA	3	5916F	22901201	23102202	24711202	6	24711302	40401806
LHE6-810CA	4	25305701S	22901101	23102202	24711203	6	24710305	40401406
LHE6-810CPA	4	7072102S	5133C	23102202	24711203	6	24710305	40401406
LHE6-810DA	4	25305801S	22901101	23102202	24711203	6	24710305	40401406
LHE6-810DPA	4	7072102S	5133C	23102202	24711203	6	24710305	40401406
LHE6-810CTA	4	25301001	5133C	23102202	24711203	6	24710305	40401406
LHE6-810DTA	4	25301001	5133C	23102202	24711203	6	24710305	40401406
LHE6-810EPA	4	25307901	5133C	23102202	24711803	6	24711105	40401406
LHE6-810CVA	4	5916F	22901201	23102202	24711203	6	24710305	40401406
LHE6-810DVA	4	5916F	22901201	23102202	24711203	6	24710305	40401406

Heater Limit T'Stat - Part No. 5708L
 Defrost Termination & Fan Delay - Part No. 4267W

*(2) Pan Heaters required per unit
 Heater Clips 450-1390 - Part No. 23308101

Model No.	No. Fans	Motors	Blades	Guards	Coil Heater	Qty	Pan Heater*	Drain Pan
LHE6-950CA	4	25305701S	22901101	23102202	24711203	6	24710305	40401406
LHE6-950CPA	4	7072102S	5133C	23102202	24711203	6	24710305	40401406
LHE6-950DA	4	25305801S	22901101	23102202	24711203	6	24710305	40401406
LHE6-950DPA	4	7072102S	5133C	23102202	24711203	6	24710305	40401406
LHE6-950CTA	4	25301001	5133C	23102202	24711203	6	24710305	40401406
LHE6-950DTA	4	25301001	5133C	23102202	24711203	6	24710305	40401406
LHE6-950EPA	4	25307901	5133C	23102202	24711803	6	24711105	40401406
LHE6-950CVA	4	5916F	22901201	23102202	24711203	6	24710305	40401406
LHE6-950DVA	4	5916F	22901201	23102202	24711203	6	24710305	40401406

Heater Limit T'Stat- Part No. 5708L
 Defrost Termination & Fan Delay - Part No. 4267W

*(2) Pan Heaters required per unit
 Heater Clips 450-1390 - Part No. 23308101

Model No.	No. Fans	Motors	Blades	Guards	Coil Heater	Qty	Pan Heater*	Drain Pan
LHE6-1020CPA	3	2538000S*	22900401	23102302	24711203	8	24710305	40402106
LHE6-1020DPA	3	2538000S*	22900401	23102302	24711203	8	24710305	40402106
LHE6-1020CTA	3	25301101**	22901501	23102302	24711203	8	24710305	40402106
LHE6-1020DTA	3	25301101**	22901501	23102302	24711203	8	24710305	40402106
LHE6-1020EPA	3	25301901**	22900401	23102302	24711803	8	24711105	40402106
LHE6-1020CVA	3	5926J***	22901401	23102302	24711203	8	24710305	40402106
LHE6-1020DVA	3	5926J***	22901401	23102302	24711203	8	24710305	40402106
LHE6-1200CPA	3	2538000S*	22900401	23102302	24711203	8	24710305	40402106
LHE6-1200DPA	3	2538000S*	22900401	23102302	24711203	8	24710305	40402106
LHE6-1200CTA	3	25301101**	22901501	23102302	24711203	8	24710305	40402106
LHE6-1200DTA	3	25301101**	22901501	23102302	24711203	8	24710305	40402106
LHE6-1200EPA	3	25301901**	22900401	23102302	24711803	8	24711105	40402106
LHE6-1200CVA	3	5926J***	22901401	23102302	24711203	8	24710305	40402106
LHE6-1200DVA	3	5926J***	22901401	23102302	24711203	8	24710305	40402106
LHE6-1390CPA	3	25301701S**	22900301	23102302	24711203	8	24710305	40402106
LHE6-1390DPA	3	25301701S**	22900301	23102302	24711203	8	24710305	40402106
LHE6-1390CTA	3	25301101**	22901501	23102302	24711203	8	24710305	40402106
LHE6-1390DTA	3	25301101**	22901501	23102302	24711203	8	24710305	40402106
LHE6-1390EPA	3	25301901**	22900301	23102302	24711803	8	24711105	40402106
LHE6-1390CVA	3	5926J***	22901401	23102302	24711203	8	24710305	40402106
LHE6-1390DVA	3	5926J***	22901401	23102302	24711203	8	24710305	40402106

* 1 HP motors
 **1 1/2 HP Motors
 *** 3 HP Motors

*(2) Pan Heaters required per unit
 Heater Limit T'Stat - Part No. 4752C
 Defrost Termination & Fan Delay - Part No. 4267W
 Heater Clips 450-1390 - Part No. 23308101

Larkin

Model No.	No. Fans	Motors	Blades	Guards	Coil Heater	Qty	Pan Heater*	Drain Pan
LHE6-1650CPA	3	25301801S	22900101	23102302	24711401	28	24710306	40410406
LHE6-1650DPA	3	25301801S	22900101	23102302	24711401	28	24710306	40410406
LHE6-1650CTA	3	25301101	22900101	23102302	24711401	28	24710306	40410406
LHE6-1650DTA	3	25301101	22900101	23102302	24711401	28	24710306	40410406
LHE6-1650EPA	3	25302001	22900101	23102302	24712001	28	24711106	40410406
LHE6-1650CVA	3	5926J	22901401	23102302	24711401	28	24710306	40410406
LHE6-1650DVA	3	5926J	22901401	23102302	24711401	28	24710306	40410406
LHE6-1650CPB	3	25301801S	22900101	23102302	24712301	14	24710306	40410406
LHE6-1650DPB	3	25301801S	22900101	23102302	24712301	14	24710306	40410406
LHE6-1650CTB	3	25301101	22900101	23102302	24712301	14	24710306	40410406
LHE6-1650DTB	3	25301101	22900101	23102302	24712301	14	24710306	40410406
LHE6-1650EPB	3	25302001	22900101	23102302	24712302	14	24711106	40410406
LHE6-1650CVB	3	5926J	22901401	23102302	24712301	14	24710306	40410406
LHE6-1650DVB	3	5926J	22901401	23102302	24712301	14	24710306	40410406

Defrost Control-Fan Delay - Part No.4267W
 Heater Limit T'Stat - Part No. 28908601

* (2) Pan Heaters required per unit
 Heater Clips1650-2120 - Part No. 23307101

Model No.	No. Fans	Motors	Blades	Guards	Coil Heater	Qty	Pan Heater*	Drain Pan
LHE6-2120CPA	4	25301801S	22900101	23102302	24711403	28	24711402	40410704
LHE6-2120DPA	4	25301801S	22900101	23102302	24711403	28	24711402	40410704
LHE6-2120CTA	4	25301101	22900101	23102302	24711403	28	24711402	40410704
LHE6-2120DTA	4	25301101	22900101	23102302	24711403	28	24711402	40410704
LHE6-2120EPA	4	25302001	22900101	23102302	24711403	28	24711402	40410704
LHE6-2120CVA	4	5926J	22901401	23102302	24711403	28	24711402	40410704
LHE6-2120DVA	4	5926J	22901401	23102302	24711403	28	24711402	40410704

Defrost Control-Fan Delay - Part No.4267W
 Heater Limit T'Stat - Part No. 28908601

* (2) Pan Heaters required per unit
 Heater Clips1650-2120 - Part No. 23307101

Unit Size	Side Panel	Left Back Panel (Refrig. Conn)
450, 550	40834902	40834702
640, 740	40834902	40834702
810, 950	40834902	40834702
1020, 1200	40868202	40868102
1390	40846502	40846402

Model No.	No. Fans	Motors	HP	Blades	Guards	Pan* Heater	Electric Drain Pan	Hot Gas Drain Pan
LHF4-400BA	2	25305701S	1/2	22901101	23102202	24711301	40402006	40402302
LHF4-400MA	2	25305801S	1/2	22901101	23102202	24711301	40402006	40402302
LHF4-400CPA	2	7072102S	3/4	5133C	23102202	24711301	40402006	40402302
LHF4-400DPA	2	7072102S	3/4	5133C	23102202	24711301	40402006	40402302
LHF4-400CTA	2	25301001	1	5133C	23102202	24711301	40402006	40402302
LHF4-400DTA	2	25301001	1	5133C	23102202	24711301	40402006	40402302
LHF4-400EPA	2	25307901	1/2	5133C	23102202	24711901	40402006	40402302
LHF4-400CVA	2	5916F	2	22901201	23102202	24711301	40402006	40402302
LHF4-400DVA	2	5916F	2	22901201	23102202	24711301	40402006	40402302
LHF4-480BA	2	25305701S	1/2	22901101	23102202	24711301	40402006	40402302
LHF4-480MA	2	25305801S	1/2	22901101	23102202	24711301	40402006	40402302
LHF4-480CPA	2	7072102S	3/4	5133C	23102202	24711301	40402006	40402302
LHF4-480DPA	2	7072102S	3/4	5133C	23102202	24711301	40402006	40402302
LHF4-480CTA	2	25301001	1	5133C	23102202	24711301	40402006	40402302
LHF4-480DTA	2	25301001	1	5133C	23102202	24711301	40402006	40402302
LHF4-480EPA	2	25307901	1/2	5133C	23102202	24711901	40402006	40402302
LHF4-480CVA	2	5916F	2	22901201	23102202	24711301	40402006	40402302
LHF4-480DVA	2	5916F	2	22901201	23102202	24711301	40402006	40402302
LHF4-560BA	3	25305701S	1/2	22901101	23102202	24711302	40401806	40402304
LHF4-560CA	3	25305701S	1/2	22901101	23102202	24711302	40401806	40402304
LHF4-560CPA	3	7072102S	3/4	5133C	23102202	24711302	40401806	40402304
LHF4-560DA	3	25305801S	1/2	22901101	23102202	24711302	40401806	40402304
LHF4-560DPA	3	7072102S	3/4	5133C	23102202	24711302	40401806	40402304
LHF4-560CTA	3	25301001	1	5133C	23102202	24711302	40401806	40402304
LHF4-560DTA	3	25301001	1	5133C	23102202	24711302	40401806	40402304
LHF4-560EPA	3	25307901	1/2	5133C	23102202	24711902	40401806	40402304
LHF4-560CVA	3	5916F	2	22901201	23102202	24711302	40401806	40402304
LHF4-560DVA	3	5916F	2	22901201	23102202	24711302	40401806	40402304
LHF4-650BA	3	25305701S	1/2	22901101	23102202	24711302	40401806	40402304
LH4-F650CA	3	25305701S	1/2	22901101	23102202	24711302	40401806	40402304
LHF4-650CPA	3	7072102S	3/4	5133C	23102202	24711302	40401806	40402304
LHF4-650DA	3	25305801S	1/2	22901101	23102202	24711302	40401806	40402304
LHF4-650DPA	3	7072102S	3/4	5133C	23102202	24711302	40401806	40402304
LHF4-650CTA	3	25301001	1	5133C	23102202	24711302	40401806	40402304
LHF4-650DTA	3	25301001	1	5133C	23102202	24711302	40401806	40402304
LHF4-650EPA	3	25307901	1/2	5133C	23102202	24711902	40401806	40402304
LHF4-650CVA	3	5916F	2	22901201	23102202	24711302	40401806	40402304
LHF4-650DVA	3	5916F	2	22901201	23102202	24711302	40401806	40402304

Thermostat Part No. 5893Q
 Defrost Term & Fan Delay Part No. 4267W

*Quantity of 2 used on electric model only

Model No.	No. Fans	Motors	HP	Blades	Guards	Pan* Heater	Electric Drain Pan	Hot Gas Drain Pan
LHF4-710BA	4	25305701S	1/2	22901101	23102202	24710305	40401406	40402306
LHF4-710CA	4	25305701S	1/2	22901101	23102202	24710305	40401406	40402306
LHF4-710CPA	4	7072102S	3/4	5133C	23102202	24710305	40401406	40402306
LHF4-710DA	4	25305801S	1/2	22901101	23102202	24710305	40401406	40402306
LHF4-710DPA	4	7072102S	3/4	5133C	23102202	24710305	40401406	40402306
LHF4-710CTA	4	25301001	1	5133C	23102202	24710305	40401406	40402306
LHF4-710DTA	4	25301001	1	5133C	23102202	24710305	40401406	40402306
LHF4-710EPA	4	25307901	1/2	5133C	23102202	24711105	40401406	40402306
LHF4-710CVA	4	5916F	2	22901201	23102202	24710305	40401406	40402306
LHF4-710DVA	4	5916F	2	22901201	23102203	24710305	40401406	40402306
LHF4-840BA	4	25305701S	1/2	22901101	23102202	24710305	40401406	40402306
LHF4-840CA	4	25305701S	1/2	22901101	23102202	24710305	40401406	40402306
LHF4-840CPA	4	7072102S	3/4	5133C	23102202	24710305	40401406	40402306
LHF4-840DA	4	25305801S	1/2	22901101	23102202	24710305	40401406	40402306
LHF4-840DPA	4	7072102S	3/4	5133C	23102202	24710305	40401406	40402306
LHF4-840CTA	4	25301001	1	5133C	23102202	24710305	40401406	40402306
LHF4-840DTA	4	25301001	1	5133C	23102202	24710305	40401406	40402306
LHF4-840EPA	4	25307901	1/2	5133C	23102202	24711105	40401406	40402306
LHF4-840CVA	4	5916F	2	22901201	23102202	24710305	40401406	40402306
LHF4-840DVA	4	5916F	2	22901201	23102202	24710305	40401406	40402306
LHF4-890CPA	3	2538000S	1	22900401	23102302	24710305	40402106	40402402
LHF4-890DPA	3	2538000S	1	22900401	23102302	24710305	40402106	40402402
LHF4-890CTA	3	25301101	1 1/2	22901501	23102302	24710305	40402106	40402402
LHF4-890DTA	3	25301101	1 1/2	22901501	23102302	24710305	40402106	40402402
LHF4-890EPA	3	25301901	1 1/2	22900401	23102302	24711105	40402106	40402402
LHF4-890CVA	3	5926J	3	22901401	23102302	24710305	40402106	40402402
LHF4-890DVA	3	5926J	3	22901401	23102302	24710305	40402106	40402402
LHF4-1050CPA	3	2538000S	1	22900401	23102302	24710305	40402106	40402402
LHF4-1050DPA	3	2538000S	1	22900401	23102302	24710305	40402106	40402402
LHF4-1050CTA	3	25301101	1 1/2	22901501	23102302	24710305	40402106	40402402
LHF4-1050DTA	3	25301101	1 1/2	22901501	23102302	24710305	40402106	40402402
LHF4-1050EPA	3	25301101	1 1/2	22901501	23102302	24710305	40402106	40402402
LHF4-1050CVA	3	5926J	3	22901401	23102302	24710305	40402106	40402402
LHF4-1050DVA	3	5926J	3	22901401	23102302	24710305	40402106	40402402
LHF4-1220CPA	3	25301701S	1 1/2	22900301	23102302	24710305	40402106	40402404
LHF4-1220DPA	3	25301701S	1 1/2	22900301	23102302	24710305	40402106	40402404
LHF4-1220CTA	3	25301101	1 1/2	22901501	23102302	24710305	40402106	40402404
LHF4-1220DTA	3	25301101	1 1/2	22901501	23102302	24710305	40402106	40402404
LHF4-1220EPA	3	25301901	1 1/2	22900301	23102302	24711105	40402106	40402404
LHF4-1220CVA	3	5926J	3	22901401	23102302	24710305	40402106	40402404
LHF4-1220DVA	3	5926J	3	22901401	23102302	24710305	40402106	40402404

Thermostat Part No. 5893Q
Defrost Term & Fan Delay Part No. 4267W

*Quantity of 2 used on electric model only

Model No.	No. Fans	Motors	HP	Blades	Guards	Pan* Heater	Electric Drain Pan	Hot Gas Drain Pan
LHF4-1440CPA	3	25301801S	1 1/2	22900101	23102302	24710306	40410406	40402502
LHF4-1440DPA	3	25301801S	1 1/2	22900101	23102302	24710306	40410406	40402502
LHF4-1440CTA	3	25301101	1 1/2	22900101	23102302	24710306	40410406	40402502
LHF4-1440DTA	3	25301101	1 1/2	22900101	23102302	24710306	40410406	40402502
LHF4-1440EPA	3	25302001	1 1/2	22900101	23102302	24711106	40410406	40402502
LHF4-1440CVA	3	5926J	3	22901401	23102302	24710306	40410406	40402502
LHF4-1440DVA	3	5926J	3	22901401	23102302	24710306	40410406	40402502

Thermostat Part No. 2890002
 Defrost Term & Fan Delay Part No. 4267W

*Quantity of 2 used on electric model only

Model No.	No. Fans	Motors	HP	Blades	Guards	Pan* Heater	Electric Drain Pan	Hot Gas Drain Pan
LHF4-1860CPA	4	25301801S	1 1/2	22900101	23102302	24711402	40410704	40402504
LHF4-1860DPA	4	25301801S	1 1/2	22900101	23102302	24711402	40410704	40402504
LHF4-1860CTA	4	25301101	1 1/2	22900101	23102302	24711402	40410704	40402504
LHF4-1860DTA	4	25301101	1 1/2	22900101	23102302	24711402	40410704	40402504
LHF4-1860EPA	4	25302001	1 1/2	22900101	23102302	24712002	40410704	40402504
LHF4-1860CVA	4	5926J	3	22901401	23102302	24711402	40410704	40402504
LHF4-1860DVA	4	5926J	3	22901401	23102302	24711402	40410704	40402504

Thermostat Part No. 2890002
 Defrost Term & Fan Delay Part No.4267W

*Quantity of 4 used on electric model only

Unit Size	Side Panel	Left Back Panel (Refrig. Conn)
400, 480	40834902	40834702
560, 650	40834902	40834702
710, 840	40834902	40834702
890, 1050	40868202	40868102
1220	40846502	40846402
1440	40858402	40858602
1860		

Model No.	No. Fans	Motors	HP	Blades	Guards	Pan* Heater	Electric Drain Pan	Hot Gas Drain Pan
LHG6-450BA	2	25305701S	1/2	22901101	23102202	24711301	40402006	40402302
LHG6-450MA	2	25305801S	1/2	22901101	23102202	24711301	40402006	40402302
LHG6-450CPA	2	7072102S	3/4	5133C	23102202	24711301	40402006	40402302
LHG6-450DPA	2	7072102S	3/4	5133C	23102202	24711301	40402006	40402302
LHG6-450CTA	2	25301001	1	5133C	23102202	24711301	40402006	40402302
LHG6-450DTA	2	25301001	1	5133C	23102202	24711301	40402006	40402302
LHG6-450EPA	2	25307901	1/2	5133C	23102202	24711901	40402006	40402302
LHG6-450CVA	2	5916F	2	22901201	23102202	24711301	40402006	40402302
LHG6-450DVA	2	5916F	2	22901201	23102202	24711301	40402006	40402302
LHG6-550BA	2	25305701S	1/2	22901101	23102202	24711301	40402006	40402302
LHG6-550MA	2	25305801S	1/2	22901101	23102202	24711301	40402006	40402302
LHG6-550CPA	2	7072102S	3/4	5133C	23102202	24711301	40402006	40402302
LHG6-550DPA	2	7072102S	3/4	5133C	23102202	24711301	40402006	40402302
LHG6-550CTA	2	25301001	1	5133C	23102202	24711301	40402006	40402302
LHG6-550DTA	2	25301001	1	5133C	23102202	24711301	40402006	40402302
LHG6-550EPA	2	25307901	1/2	5133C	23102202	24711901	40402006	40402302
LHG6-550CVA	2	5916F	2	22901201	23102202	24711301	40402006	40402302
LHG6-550DVA	2	5916F	2	22901201	23102202	24711301	40402006	40402302
LHG6-640BA	3	25305701S	1/2	22901101	23102202	24711302	40401806	40402304
LHG6-640CA	3	25305701S	1/2	22901101	23102202	24711302	40401806	40402304
LHG6-640CPA	3	7072102S	3/4	5133C	23102202	24711302	40401806	40402304
LHG6-640DA	3	25305801S	1/2	22901101	23102202	24711302	40401806	40402304
LHG6-640DPA	3	7072102S	3/4	5133C	23102202	24711302	40401806	40402304
LHG6-640CTA	3	25301001	1	5133C	23102202	24711302	40401806	40402304
LHG6-640DTA	3	25301001	1	5133C	23102202	24711302	40401806	40402304
LHG6-640EPA	3	25307901	1/2	5133C	23102202	24711902	40401806	40402304
LHG6-640CVA	3	5916F	2	22901201	23102202	24711302	40401806	40402304
LHG6-640DVA	3	5916F	2	22901201	23102202	24711302	40401806	40402304
LHG6-740BA	3	25305701S	1/2	22901101	23102202	24711302	40401806	40402304
LHG6-740CA	3	25305701S	1/2	22901101	23102202	24711302	40401806	40402304
LHG6-740CPA	3	7072102S	3/4	5133C	23102202	24711302	40401806	40402304
LHG6-740DA	3	25305801S	1/2	22901101	23102202	24711302	40401806	40402304
LHG6-740DPA	3	7072102S	3/4	5133C	23102202	24711302	40401806	40402304
LHG6-740CTA	3	25301001	1	5133C	23102202	24711302	40401806	40402304
LHG6-740DTA	3	25301001	1	5133C	23102202	24711302	40401806	40402304
LHG6-740EPA	3	25307901	1/2	5133C	23102202	24711902	40401806	40402304
LHG6-740CVA	3	5916F	2	22901201	23102202	24711302	40401806	40402304
LHG6-740DVA	3	5916F	2	22901201	23102202	24711302	40401806	40402304

Thermostat Part No. 5893Q
 Defrost Term & Fan Delay Part No. 4267W

*Quantity of 2 used on electric model only

Larkin

Model No.	No. Fans	Motors	HP	Blades	Guards	Pan* Heater	Electric Drain Pan	Hot Gas Drain Pan
LHG6-810BA	4	25305701S	1/2	22901101	23102202	24710305	40401406	40402306
LHG6-810CA	4	25305701S	1/2	22901101	23102202	24710305	40401406	40402306
LHG6-810CPA	4	7072102S	3/4	5133C	23102202	24710305	40401406	40402306
LHG6-810DA	4	25305801S	1/2	22901101	23102202	24710305	40401406	40402306
LHG6-810DPA	4	7072102S	3/4	5133C	23102202	24710305	40401406	40402306
LHG6-810CTA	4	25301001	1	5133C	23102202	24710305	40401406	40402306
LHG6-810DTA	4	25301001	1	5133C	23102202	24710305	40401406	40402306
LHG6-810EPA	4	25307901	1/2	5133C	23102202	24711105	40401406	40402306
LHG6-810CVA	4	5916F	2	22901201	23102202	24710305	40401406	40402306
LHG6-810DVA	4	5916F	2	22901201	23102202	24710305	40401406	40402306
LHG6-950BA	4	25305701S	1/2	22901101	23102202	24710305	40401406	40402306
LHG6-950CA	4	25305701S	1/2	22901101	23102202	24710305	40401406	40402306
LHG6-950CPA	4	7072102S	3/4	5133C	23102202	24710305	40401406	40402306
LHG6-950DA	4	25305801S	1/2	22901101	23102202	24710305	40401406	40402306
LHG6-950DPA	4	7072102S	3/4	5133C	23102202	24710305	40401406	40402306
LHG6-950CTA	4	25301001	1	5133C	23102202	24710305	40401406	40402306
LHG6-950DTA	4	25301001	1	5133C	23102202	24710305	40401406	40402306
LHG6-950EPA	4	25307901	1/2	5133C	23102202	24711105	40401406	40402306
LHG6-950CVA	4	5916F	2	22901201	23102202	24710305	40401406	40402306
LHG6-950DVA	4	5916F	2	22901201	23102202	24710305	40401406	40402306
LHG6-1020CPA	3	2538000S	1	22900401	23102302	24710305	40402106	40402402
LHG6-1020DPA	3	2538000S	1	22900401	23102302	24710305	40402106	40402402
LHG6-1020CTA	3	25301101	1 1/2	22901501	23102302	24710305	40402106	40402402
LHG6-1020DTA	3	25301101	1 1/2	22901501	23102302	24710305	40402106	40402402
LHG6-1020EPA	3	25301901	1 1/2	22900401	23102302	24711105	40402106	40402402
LHG6-1020CVA	3	5926J	3	22901401	23102302	24710305	40402106	40402402
LHG6-1020DVA	3	5926J	3	22901401	23102302	24710305	40402106	40402402
LHG6-1200CPA	3	2538000S	1	22900401	23102302	24710305	40402106	40402402
LHG6-1200DPA	3	2538000S	1	22900401	23102302	24710305	40402106	40402402
LHG6-1200CTA	3	25301101	1 1/2	22901501	23102302	24710305	40402106	40402402
LHG6-1200DTA	3	25301101	1 1/2	22901501	23102302	24710305	40402106	40402402
LHG6-1200EPA	3	25301901	1 1/2	22900401	23102302	24711105	40402106	40402402
LHG6-1200CVA	3	5926J	3	22901401	23102302	24710305	40402106	40402402
LHG6-1200DVA	3	5926J	3	22901401	23102302	24710305	40402106	40402402
LHG6-1390CPA	3	25301701S	1 1/2	22900301	23102302	24710305	40402106	40402404
LHG6-1390DPA	3	25301701S	1 1/2	22900301	23102302	24710305	40402106	40402404
LHG6-1390CTA	3	25301101	1 1/2	22901501	23102302	24710305	40402106	40402404
LHG6-1390DTA	3	25301101	1 1/2	22901501	23102302	24710305	40402106	40402404
LHG6-1390EPA	3	25301901	1 1/2	22900301	23102302	24711105	40402106	40402404
LHG6-1390CVA	3	5926J	3	22901401	23102302	24710305	40402106	40402404
LHG6-1390DVA	3	5926J	3	22901401	23102302	24710305	40402106	40402404

Thermostat Part No. 5893Q

*Quantity of 2 used on electric model only

Defrost Term & Fan Delay Part No. 4267W

Model No.	No. Fans	Motors	HP	Blades	Guards	Pan* Heater	Electric Drain Pan	Hot Gas Drain Pan
LHG6-1650CPA	3	25301801S	1 1/2	22900101	23102302	24710306	40410406	40402502
LHG6-1650DPA	3	25301801S	1 1/2	22900101	23102302	24710306	40410406	40402502
LHG6-1650CTA	3	25301101	1 1/2	22900101	23102302	24710306	40410406	40402502
LHG6-1650DTA	3	25301101	1 1/2	22900101	23102302	24710306	40410406	40402502
LHG6-1650EPA	3	25302001	1 1/2	22900101	23102302	24711106	40410406	40402502
LHG6-1650CVA	3	5926J	3	22901401	23102302	24710306	40410406	40402502
LHG6-1650DVA	3	5926J	3	22901401	23102302	24710306	40410406	40402502

Thermostat Part No.2890002

*Quantity of 2 used on electric model only

Defrost Term & Fan Delay Part No. 4267W

Model No.	No. Fans	Motors	HP	Blades	Guards	Pan* Heater	Electric Drain Pan	Hot Gas Drain Pan
LHG6-2120CPA	4	25301801S	1 1/2	22900101	23102302	24711402	40410704	40402504
LHG6-2120DPA	4	25301801S	1 1/2	22900101	23102302	24711402	40410704	40402504
LHG6-2120CTA	4	25301101	1 1/2	22900101	23102302	24711402	40410704	40402504
LHG6-2120DTA	4	25301101	1 1/2	22900101	23102302	24711402	40410704	40402504
LHG6-2120EPA	4	25302001	1 1/2	22900101	23102302	24712002	40410704	40402504
LHG6-2120CVA	4	5926J	3	22901401	23102302	24711402	40410704	40402504
LHG6-2120DVA	4	5926J	3	22901401	23102302	24711402	40410704	40402504

Thermostat Part No.2890002

*Quantity of 4 used on electric model only

Defrost Term & Fan Delay Part No. 4267W

Unit Size	Side Panel	Left Back Panel (Refrig. Conn)
450, 550	40834902	40834702
640, 740	40834902	40834702
810, 950	40834902	40834702
1020, 1200	40868202	40868102
1390	40846502	40846402
1650	40858402	40858602
2120		

Model No.	No. Fans	Motors	Blades	Guards	Coil Heater	Qty	Pan Heater*	Drain Pan
LHL4-400BA	2	25305701S	22901101	23102202	24711201	6	24711301	40402006
LHL4-400CA	2	25305701S	22901101	23102202	24711201	6	24711301	40402006
LHL4-400CPA	2	7072102S	5133C	23102202	24711201	6	24711301	40402006
LHL4-400DA	2	25305801S	22901101	23102202	24711201	6	24711301	40402006
LHL4-400DPA	2	7072102S	5133C	23102202	24711201	6	24711301	40402006
LHL4-400CTA	2	25301001	5133C	23102202	24711201	6	24711301	40402006
LHL4-400DTA	2	25301001	5133C	23102202	24711201	6	24711301	40402006
LHL4-400EPA	2	25307901	5133C	23102202	24711801	6	24711901	40402006
LHL4-400CVA	2	5916F	22901201	23102202	24711201	6	24711301	40402006
LHL4-400DVA	2	5916F	22901201	23102202	24711201	6	24711301	40402006
LHL4-480BA	2	25305701S	22901101	23102202	24711201	6	24711301	40402006
LHL4-480CA	2	25305701S	22901101	23102202	24711201	6	24711301	40402006
LHL4-480CPA	2	7072102S	5133C	23102202	24711201	6	24711301	40402006
LHL4-480DA	2	25305801S	22901101	23102202	24711201	6	24711301	40402006
LHL4-480DPA	2	7072102S	5133C	23102202	24711201	6	24711301	40402006
LHL4-480CTA	2	25301001	5133C	23102202	24711201	6	24711301	40402006
LHL4-480DTA	2	25301001	5133C	23102202	24711201	6	24711301	40402006
LHL4-480EPA	2	25307901	5133C	23102202	24711801	6	24711901	40402006
LHL4-480CVA	2	5916F	22901201	23102202	24711201	6	24711301	40402006
LHL4-480DVA	2	5916F	22901201	23102202	24711201	6	24711301	40402006
LHL4-560CA	3	25305701S	22901101	23102202	24711202	6	24711302	40401806
LHL4-560CPA	3	7072102S	5133C	23102202	24711202	6	24711302	40401806
LHL4-560DA	3	25305801S	22901101	23102202	24711202	6	24711302	40401806
LHL4-560DPA	3	7072102S	5133C	23102202	24711202	6	24711302	40401806
LHL4-560CTA	3	25301001	5133C	23102202	24711202	6	24711302	40401806
LHL4-560DTA	3	25301001	5133C	23102202	24711202	6	24711302	40401806
LHL4-560EPA	3	25307901	5133C	23102202	24711802	6	24711902	40401806
LHL4-560CVA	3	5916F	22901201	23102202	24711202	6	24711302	40401806
LHL4-560DVA	3	5916F	22901201	23102202	24711202	6	24711302	40401806
LHL4-650CA	3	25305701S	22901101	23102202	24711202	6	24711302	40401806
LHL4-650CPA	3	7072102S	5133C	23102202	24711202	6	24711302	40401806
LHL4-650DA	3	25305801S	22901101	23102202	24711202	6	24711302	40401806
LHL4-650DPA	3	7072102S	5133C	23102202	24711202	6	24711302	40401806
LHL4-650CTA	3	25301001	5133C	23102202	24711202	6	24711302	40401806
LHL4-650DTA	3	25301001	5133C	23102202	24711202	6	24711302	40401806
LHL4-650EPA	3	25307901	5133C	23102202	24711802	6	24711902	40401806
LHL4-650CVA	3	5916F	22901201	23102202	24711202	6	24711302	40401806
LHL4-650DVA	3	5916F	22901201	23102202	24711202	6	24711302	40401806
LHL4-710CA	4	25305701S	22901101	23102202	24711203	6	24710305	40401406
LHL4-710CPA	4	7072102S	5133C	23102202	24711203	6	24710305	40401406
LHL4-710DA	4	25305801S	22901101	23102202	24711203	6	24710305	40401406
LHL4-710DPA	4	7072102S	5133C	23102202	24711203	6	24710305	40401406
LHL4-710CTA	4	25301001	5133C	23102202	24711203	6	24710305	40401406
LHL4-710DTA	4	25301001	5133C	23102202	24711203	6	24710305	40401406
LHL4-710EPA	4	25307901	5133C	23102202	24711803	6	24711105	40401406
LHL4-710CVA	4	5916F	22901201	23102202	24711203	6	24710305	40401406
LHL4-710DVA	4	5916F	22901201	23102202	24711203	6	24710305	40401406

Heater Limit T'Stat- Part No. 5708L
 Defrost Termination & Fan Delay - Part No. 4267W

*(2) Pan Heaters required per unit
 Heater Clips 400-1220 - Part No. 23308101

Model No.	No. Fans	Motors	Blades	Guards	Coil Heater	Qty	Pan Heater*	Drain Pan
LHL4-840CA	4	25305701S	22901101	23102202	24711203	6	24710305	40401406
LHL4-840CPA	4	7072102S	5133C	23102202	24711203	6	24710305	40401406
LHL4-840DA	4	25305801S	22901101	23102202	24711203	6	24710305	40401406
LHL4-840DPA	4	7072102S	5133C	23102202	24711203	6	24710305	40401406
LHL4-840CTA	4	25301001	5133C	23102202	24711203	6	24710305	40401406
LHL4-840DTA	4	25301001	5133C	23102202	24711203	6	24710305	40401406
LHL4-840EPA	4	25307901	5133C	23102202	24711803	6	24711105	40401406
LHL4-840CVA	4	5916F	22901201	23102202	24711203	6	24710305	40401406
LHL4-840DVA	4	5916F	22901201	23102202	24711203	6	24710305	40401406

Heater Limit T'Stat- Part No. 5708L
 Defrost Termination & Fan Delay - Part No. 4267W

*(2) Pan Heaters required per unit
 Heater Clips 400-1220 - Part No. 23308101

Model No.	No. Fans	Motors	Blades	Guards	Coil Heater	Qty	Pan Heater*	Drain Pan
LHL4-890CPA	3	2538000S*	22900401	23102302	24711203	8	24710305	40402106
LHL4-890DPA	3	2538000S*	22900401	23102302	24711203	8	24710305	40402106
LHL4-890CTA	3	25301101**	22901501	23102302	24711203	8	24710305	40402106
LHL4-890DTA	3	25301101**	22901501	23102302	24711203	8	24710305	40402106
LHL4-890EPA	3	25301901**	22900401	23102302	24711803	8	24711105	40402106
LHL4-890CVA	3	5926J***	22901401	23102302	24711203	8	24710305	40402106
LHL4-890DVA	3	5926J***	22901401	23102302	24711203	8	24710305	40402106
LHL4-1050CPA	3	2538000S*	22900401	23102302	24711203	8	24710305	40402106
LHL4-1050DPA	3	2538000S*	22900401	23102302	24711203	8	24710305	40402106
LHL4-1050CTA	3	25301101**	22901501	23102302	24711203	8	24710305	40402106
LHL4-1050DTA	3	25301101**	22901501	23102302	24711203	8	24710305	40402106
LHL4-1050EPA	3	25301901**	22900401	23102302	24711803	8	24711105	40402106
LHL4-1050CVA	3	5926J***	22901401	23102302	24711203	8	24710305	40402106
LHL4-1050DVA	3	5926J***	22901401	23102302	24711203	8	24710305	40402106
LHL4-1220CPA	3	25301701S**	22900301	23102302	24711203	8	24710305	40402106
LHL4-1220DPA	3	25301701S**	22900301	23102302	24711203	8	24710305	40402106
LHL4-1220CTA	3	25301101**	22901501	23102302	24711203	8	24710305	40402106
LHL4-1220DTA	3	25301101**	22901501	23102302	24711203	8	24710305	40402106
LHL4-1220EPA	3	25301901**	22900301	23102302	24711803	8	24711105	40402106
LHL4-1220CVA	3	5926J***	22901401	23102302	24711203	8	24710305	40402106
LHL4-1220DVA	3	5926J***	22901401	23102302	24711203	8	24710305	40402106

* 1 HP motors
 **1 1/2 HP Motors
 *** 3 HP Motors
 Heater Clips 400-1220 - Part No. 23308101

*(2) Pan Heaters required per unit
 Heater Limit T'Stat- Part No. 4752C
 Defrost Termination & Fan Delay - Part No. 4267W

Larkin

Model	# Fans	Motors	Blades	Guards	Coil Heater	Qty	Pan Heater*	Drain Pan
LHL4-1440CPA	3	25301801S	22900101	23102302	24711401	28	24710306	40410406
LHL4-1440DPA	3	25301801S	22900101	23102302	24711401	28	24710306	40410406
LHL4-1440CTA	3	25301101	22900101	23102302	24711401	28	24710306	40410406
LHL4-1440DTA	3	25301101	22900101	23102302	24711401	28	24710306	40410406
LHL4-1440EPA	3	25302001	22900101	23102302	24712001	28	24711106	40410406
LHL4-1440CVA	3	5926J	22901401	23102302	24711401	28	24710306	40410406
LHL4-1440DVA	3	5926J	22901401	23102302	24711401	28	24710306	40410406
LHL4-1440CPB	3	25301801S	22900101	23102302	24712301	14	24710306	40410406
LHL4-1440DPB	3	25301801S	22900101	23102302	24712301	14	24710306	40410406
LHL4-1440CTB	3	25301101	22900101	23102302	24712301	14	24710306	40410406
LHL4-1440DTB	3	25301101	22900101	23102302	24712301	14	24710306	40410406
LHL4-1440EPB	3	25302001	22900101	23102302	24712302	14	24711106	40410406
LHL4-1440CVB	3	5926J	22901401	23102302	24712301	14	24710306	40410406
LHL4-1440DVB	3	5926J	22901401	23102302	24712301	14	24710306	40410406

Defrost Control-Fan Delay - Part No. 4267W
 Heater Limit T'Stat - Part No. 28908601

* (2) Pan Heaters required per unit
 Heater Clips1440-1860 - Part No. 23307101

Model	# Fans	Motors	Blades	Guards	Coil Heater	Qty	Pan Heater*	Drain Pan
LHL4-1860CPA	4	25301801S	22900101	23102302	24711403	28	24711402	40410704
LHL4-1860DPA	4	25301801S	22900101	23102302	24711403	28	24711402	40410704
LHL4-1860CTA	4	25301101	22900101	23102302	24711403	28	24711402	40410704
LHL4-1860DTA	4	25301101	22900101	23102302	24711403	28	24711402	40410704
LHL4-1860EPA	4	25302001	22900101	23102302	24712003	28	24712002	40410704
LHL4-1860CVA	4	5926J	22901401	23102302	24711403	28	24711402	40410704
LHL4-1860DVA	4	5926J	22901401	23102302	24711403	28	24711402	40410704

Defrost Control-Fan Delay - Part No. 4267W
 Heater Limit T'Stat - Part No. 28908601

* (2) Pan Heaters required per unit
 Heater Clips1440-1860 - Part No. 23307101

Unit Size	Side Panel	Left Back Panel (Refrig. Conn)
400, 480	40834902	40834702
560, 650	40834902	40834702
710, 840	40834902	40834702
890, 1050	40868202	40868102
1220	40846502	40846402
1440	40858402	40858602
1860		

LPA/LPE/LPG

Motor/Fan Combination	Motor Part No.	Blade Part No.	Blade Description	Motor Mount	Fan Guard
1	5011T	22900101	Aluminum	40000101	5092C
2	5034TS	22900101	Aluminum	40000101	5092C
3	2535999	5107E	Cast Aluminum	N/A	5092C
4	2535917	2295108	Cast Aluminum	N/A	5092C
5	*	5107E	Cast Aluminum	N/A	5092C
6	2535953	2295108	Cast Aluminum	N/A	5092C

* Consult factory

Fourth digit of model indicates fan motor. 1 = 1 HP, 2 = 1.5 HP, 3 = 2 HP, 4 = 3 HP, 5 = 2 HP TEFC, 6 = 3 HP TEFC

Electric Defrost Parts

Unit Size	Coil Heater	Pan Heater	Defrost Control
25	2479999	2479997	4267W
37	2479998(16)	2479996(2)	4267W

Nomenclature Example:

L	Z	T	30	L	6	C	E
Model L = Larkin	Compressor H = Hermetic S = Semi-herm. Z = Scroll	Application T = Outdoor N = Indoor B = Bohnmizer M = Beacon S = Beacon II	Equiv. HP 005=1/2 HP 008/009=3/4HP 010= 1 HP 01* = 1-1/2 HP 02*=2 HP 03*= 3 HP 04*= 4 HP 05* = 5 HP 060= 6HP	Temp. H=High L=Low M=Medium E=Extra Low X = Med./Low	Refrigerant 2=R22 6=R404A/507	Voltage B=208-230/1/60 C=208/230/3/60 D=460/3/60 G=230/1/60	Identifier F=Stock

Unit Size	Compr.	Motor For 230V Unit	Motor For 460V Unit	Fan Blade	Motor Mount		Head Pressure Valve	Front Grille
					Outdoor	Indoor		
005 to 014	All	*25309101S(1)	*25309101S(1)	22901601(1)	23104301(1)	23100901(1)	29317401	24100301
015	All	*25309101S(2)	*25309101S(2)	22901601(2)	23104301(2)	23100901(2)	29317401	24100201
019 to 020	Herm/Semi	*25309101S(2)	*25309101S(2)	22901601(2)	23104301(2)	23100901(2)	29317401	24100201
020	Scroll	*25309101S(2)	*25309101S(2)	22901601(2)	23104301(2)	23100901(2)	29317301	24100401
021	All	*25309101S(2)	*25309101S(2)	22901601(2)	23104301(2)	23100901(2)	29317401	24100201
025	Herm	*25309101S(2)	*25309101S(2)	22901601(2)	23104301(2)	23100901(2)	29317401	24100201
025	Scroll	*25309101S(2)	*25309101S(2)	22901601(2)	23104301(2)	23100901(2)	29317301	24100401
027	Semi	*25309101S(2)	*25309101S(2)	22901601(2)	23104301(2)	23100901(2)	29317301	24100401
029	Herm/Semi	*25309101S(2)	*25309101S(2)	22901601(2)	23104301(2)	23100901(2)	29317301	24100401
030	Herm	25309001S(1)	25309002(1)	7173156(1)	23102601(1)	23102701(1)	29317301	24100101
030 M6	Scroll	25309001S(1)	25309002(1)	7173156(1)	23102601(1)	23102701(1)	29317301	24100101
030 L6	Scroll	*25309101S(2)	*25309101S(2)	22901601(2)	23104301(2)	23100901(2)	29317301	24100401
030 H2,M2,M6	Semi	25309001S(1)	25309002(1)	7173156(1)	23102601(1)	23102701(1)	29317301	24100101
030 L2,L6,E6	Semi	*25309101S(2)	*25309101S(2)	22901601(2)	23104301(2)	23100901(2)	29317301	24100401
031	Herm	*25309101S(2)	*25309101S(2)	22901601(2)	23104301(2)	23100901(2)	29317301	24100401
032	Herm	25309001S(1)	25309002(1)	7173156(1)	23102601(1)	23102701(1)	29317301	24100101
035 M6	Scroll	25309001S(1)	25309002(1)	7173156(1)	23102601(1)	23102701(1)	29317301	24100101
035 L6	Scroll	*25309101S(2)	*25309101S(2)	22901601(2)	23104301(2)	23100901(2)	29317301	24100401
040	All	25309001S(1)	25309002(1)	7173156(1)	23102601(1)	23102701(1)	29317302	24100101
045 M6	Scroll	25309001S(1)	25309002(1)	7173156(1)	23102601(1)	23102701(1)	29317302	24100101
045 L6	Scroll	25309001S(1)	25309002(1)	7173156(1)	23102601(1)	23102701(1)	29317301	24100101
050 to 060	All	25309001S(1)	25309002(1)	7173156(1)	23102601(1)	23102701(1)	29317302	24100101

*Motor includes capacitor Note: To use 25309101 on 460V - must wire thru transformer
 Motor Part No. 25309001 Use Capacitor Part No. 5779G
 Motor Part No. 25309002 Use Capacitor Part No. 5599M

Optional Variable Speed Controller for Size 030D, X, H or M , 032, 035M, 040 to 060 - Controller and Sensor (Part No. 28913601)
 Optional Fan Cycle Switch for Size 015 to 030L - Pressure (Part No. 28911101), Temperature (Part No. 5521R)

Unit Size	Low Pressure Switch			Dual Pressure Switch	High Pressure Switch		Compressor	
	Adjustable	Fixed Outdoor	Fixed Indoor		Fixed Outdoor	Fixed Indoor	1 Phase Contactor	3 Phase Contactor
005 to 035	7075212	2890099	28913401	28902901	28903201	28913201	R034915200	2259996
040 to 045	7075212	2890099	28913401	28902901	28903201	28913201	2252130	2259996
050 to 060	7075212	2890099	28913401	28902901	28903201	28913201	2252340	2259996

Notes:

1. T'Stat Disch. line scroll - Part No. 30101701
2. 12" leg kit (shipped loose) 50053301

Nomenclature Example:

L	R	I	0600	L6	C	
L = Larkin	R = Reed D = Discus	I = Indoor	007* = 0.75 HP 010* = 1 HP 015* = 1.5 HP 050* = 2 HP 030 = 3 HP 040 = 4 HP *HP Suffix	HP 050* = 5 HP HP 060* = 6 HP HP 075 = 7.5 HP HP 080 = 7.5 HP HP100 = 10 HP	L2 = Low (0°F to -40°F Suction) R-22 L6 = Low (0°F to -40°F Suction) R-440A/R-507/R-22 M2 = Medium (35°F to 0°F) R-22 M6 = Medium (30°F to -10°F) R-404A/R-507 H2 = High/Medium (40°F to 0°F) R-22 H4 = High/Medium (40°F to 0°F) R-13	B = 208/230/60/1 C = 208/230/60/3 D = 460/60/3 E = 575/60/3 G = 230/60/1

Motor/Fan Blade/Motor Mount

Part No.	Description
7071208S	Motor, 1/3HP 230V 1075RPM 1/2DIA CW
7071225S	Motor, 1/2HP 460V 1075RPM 1/2DIA CW
2530906	Motor, 1/2HP 575V 1075RPM 1/2DIA CW
7173156	Fan Blade 22 in CW 26D 1/2B
23102001	Motor Mount/Fan Guard Combination

Contactors

2252340	40 A 3P 208-240V
2259996	25 A 208-240V
22525501	18 A 600V NEMA Rated
22525502	27 A 600V NEMA Rated
R034915200	20 A 230V 2 Pole

Controls

2891402	Low Pressure Adjustable
2891550	Dual Pressure Cont Man {20in -100/100-425}
28913201	High Pressure Control 400#C.O.W/CONN
7075838	Oil Failure Switch
22521001	Sentronic Cntrl w/Sensor
R030393001	Disconnect Switch 30 A -For 230V units
R030393003	Disconnect Switch 30 A -For 460V Units
R030393004	Disconnect Switch 60 A
2253002	Phase Monitor 208/240V
2253004	Phase Monitor 460V
22522401	Timer Compressor Lockout
2138162	Timer 208-240V 40 A SPDT
2254186	Relay DPDT 230VAC
22536802	Time Delay Relay 230V
28908601	Thermostat { Open: 75°F, Close: 40°F}

Terminal Block

2251423	3P LN 2/0-12 Load 4/P 4
---------	-------------------------

Transformer

R038253919	300VA SL300QP
------------	---------------

Circuit Breaker

2252015	15 A 2P 240V
2252020	20 A 2P 240V
2252030	30 A 2P 240V
2252040	40 A 2P 240V
2252050	50 A 2P 240V
2253015	15 A 3P 240V
2253020	20 A 3P 240V
2253025	25 A 3P 240V

Pressure Control Options

Part No.	Description
2930429	3/8 LAC4-DS 100/180 HPC (0075 thru 0202)
2930058	5/8 ODF 180# HD Pressure Control
2930625	5/8 100# HD Pressure Control
2930006	5/8 100/225 Adjustable HPC Valve
2939903	Pressure Relief Valve
2930420	Pressure Differential Valve

Heater

2471801	Ext Crankcase Heater 230V 65W
7077982	Crankcase Heater
24711002	Alum Foil Heater 240-65W ¹

Fuses

22510001	15 A 600V Class CC
22510002	20 A 600V Class CC
22510003	25 A 600V Class CC
22510004	30 A 600V Class CC
22510015	35 A 600V Class CC
22510016	40 A 600V Class CC
22510106	15 A 250V Class RK5
22510207	15 A 600V Class RK5
22510107	20 A 250V Class RK5
22510209	20 A 600V Class RK5
22510108	25 A 250V Class RK5
22510210	25 A 600V Class RK5
22510109	30 A 250V Class RK5
22510110	35 A 250V Class RK5
22510111	40 A 250V Class RK5
22510113	50 A 250V Class RK5
22510114	60 A 250V Class RK5

Fuse Blocks

22511001	30 A 600V 2P MDGT
22511002	30 A 600V 3P MDGT

Circuit Breaker

2253035	35 A 3P 240V
2253040	40 A 3P 240V
22525901	3 A 2P 480V
22525801	15 A 2P 480V
22525803	15 A 3P 480V
22525804	20 A 3P 480V
22525805	25 A 3P 480V

Nomenclature Example:

L	R	I	150*	L6	C	
L = Larkin	R = Reed D = Discus	I = Indoor	150* = 15 HP 200* = 20 HP 220* = 22 HP *HP Suffix	250* = 25 HP 270* = 27 HP 300* = 30 HP	L2 = Low (0°F to -40°F Suction) R-22 L6 = Low (0°F to -40°F Suction) R-440A/R-507/R-22 M2 = Medium (35°F to 0°F) R-22 M6 = Medium (30°F to -10°F) R-404A/R-507 H2 = High/Medium (40°F to 0°F) R-22 H4 = High/Medium (40°F to 0°F) R-134A	B = 208/230/60/1 C = 208/230/60/3 D = 460/60/3 E = 575/60/3 G = 230/60/1

Motor/Fan Blade/Motor Mount

Part No.	Description
R033177500S	Motor 3/4H 230V 1075RPM 5/8DIA CCW
R033177700S	Motor 3/4H 460V 1075RPM 5/8DIA CCW
R029218600	Blade 24 in CCW 28DEG 5/8B
23102001	Fan Motor Mount {Indoor} Black-24 in
23101501	Fan Motor Mount {Outdoor}

Contactor	
2252340	40 A 3P 208-240V Contactor
2252350	50 A 3P 208-240V Contactor
2259996	25 A 208-240V Contactor
22525502	27 A 600V NEMA Rated
22525503	45 A 600V NEMA Rated
R034915200	20 A 2 P 230V

Controls	
7075838	Oil Failure Switch
22521001	Sentronic Control w/Sensor
2257324	Disc Switch 200 A 3P 240V
2257352	Disc Switch 60 A 3P 600V
2257353	Disc Switch 100 A 3P 600V
2253002	Mon Phase 208/240V
2253004	Mon Phase 460V
22522401	Timer Compressor Lockout
2138162	Timer 208-240V 40 A SPDT TI-TT Timer
2254186	Relay 208-240V Coil DPDT
22505201	Relay 2 Pole 30 A DPDT
22521901	Relay DPDT 24V Coil
22536801	Time Delay Relay (On Beacon II™ Units)
22536802	Time Delay Relay 230V
28929301	Freezrstat P29-NC3
5738B	Thermostat

Terminal Block	
2251423	3P LN 2/0-12 Load 4/P 4

Circuit Breaker	
2252015	15 A 2P 240V
22525801	15 A 2P 480V
2253015	15 A 3P 240V
2252020	20 A 2P 240V
2253025	25 A 3P 240V
22525805	25 A 3P 480V (Siemens)
2253030	30 A 3P 240V

Pressure Control Options	
2891402	Adjustable Low Pressure SW/P70AB-1D
28941001	Control High Pressure 150-450 PSIG
28913201	Control High Pressure 400#
2891550	Dual Pressure Control Man {20in-100/100-425}
28913201	High Pressure Control 400#C.O. w/Conn.
28941001	High Pressure Control 016-5152-000
28906701	Pressure Control Fan Cycling
2930420	Pressure Differential Valve
28906702	Temperature Control Fan Cycling

Heater	
5737B	Heater; 230V Tubular 100 WATT (REC'R)

Fuses	
22510001	15 A 600V Class CC
22510120	110 A 250V Class RK5
22510121	125 A 250V Class RK5
22510005	1 A 600V Class CC
22510002	20 A 600V Class CC
22510003	25 A 600V Class CC
22510004	30 A 600V Class CC
22510015	35 A 600V Class CC
22510016	40 A 600V Class CC
22510215	50 A 600V Class RK5
22510018	50 A 600V Class CC
22510216	60 A 600V Class RK5
22510217	70 A 600V Class RK5

Fuse Blocks	
22511001	30 A 600V 2P MDGT
22511002	30 A 600V 3P MDGT

Transformers	
R038253919	240V/460V Primary Rated 300VA
2251334	1/2KVA 480/240P

Circuit Breaker	
2253035	35 A 3P 240V
22525807	35 A 3P 480V (Siemens)
22525901	3 A 2P 480V Circuit Breaker
2253040	40 A 3P 240V
2253050	50 A 3P 240V
22525810	50 A 3P 480V (Siemens)
2253060	60 A 3P 240V

Larkin

LWA/LWE/LWG

Nomenclature Example:

LW	I	150*	L6	C
Larkin Low Air Flow Unit Cooler	Defrost Designation A = Air E = Electric	Capacity BTU X 100	Voltage A = 115/1/60 B = 208-230/1/60	Vintage

Part Description	Model Number				
	LWA050 LWE050	LWA075 LWE075	LWA100 LWE100 LWG100	LWA130 LWE130 LWG130	LWA155 LWE155 LWG155
Electrical Components	Part Number¹				
Motor 115/1/60 Shaded Pole	5036SS(1)	5036SS (1)	5036SS (2)	5036SS (2)	5036S(2)S
Motor 208-230/1/60 Shaded Pole	5036TS (1)	5036TS (1)	5036TS (2)	5036TS (2)	5036T(2)S
Motor 115/1/60 or 110/1/50 PSC	5036N S(1)	5036N S(1)	5036N (2)S	5036N (2)S	5036N (2)S
Motor 208-230/1/60 or 220/1/50 PSC	5036PS (1)	5036PS (1)	5036PS (2)	5036PS (2)	5036P(2)S
Defrost Termination Switch "LWE"	4511C	4511C	5521R	5521R	5521R
Heater	4401S (2)	4402S (2)	4543B (4)	4544B (4)	4544B (4)
Motor Plate	40003001	40003001	40003001	40003001	40003001
Fan Components					
Fan Blade	5110E (1)	5110E (1)	5110E (2)	5110E (2)	5110E (2)
Fan Guard	5055F	5055F	5055F	5055F	5055F
Cabinet Components					
Fan Panel/Drain Pan	C26769A4	C26770A4	C26771A4	C26771A4	C26771A4
Inner Drain Pan Assy: Air Defrost	B25196A1	B25197A1	B25197A1	B25197A1	B25197A1
Inner Drain Pan: Electric & Hot Gas Defrost	B24358A2	B24358A4	B24358A7	B24358A7	B24358A7
End Panel (2 per unit)	40844101	40844101	40844201	40844301	40844301
Side Panel (4 per unit)	40844501	40844501	40844601	40844701	40844701

Part Description	Model Number			
	LWA180 LWE180 LWG180	LWA210 LWE210 LWG210	LWA270 LWE270 LWG270	LWA340 LWE340 LWG340
Electrical Components	Part Number			
Motor 115/1/60 Shaded Pole	5036SS (3)	5036SS (4)	5036SS (4)	5036SS (5)
Motor 208-230/1/60 Shaded Pole	5036TS (3)	5036TS(4)	5036TS (4)	5036TS (5)
Motor 115/1/60 or 110/1/50 PSC	5036NS (3)	5036NS (4)	5036NS (4)	5036NS (5)
Motor 208-230/1/60 or 220/1/50 PSC	5036PS (3)	5036PS(4)	5036PS (4)	5036PS (5)
Defrost termination switch "WKE"	5521R	5521R	5521R	5521R
Heater ²	4544B (4)	4545B (4)	4545B (4)	4546B (4)
Motor Plate	40003001	40003001	40003001	40003001
Fan Components				
Fan Blade	5110E (3)	5110E (4)	5110E (4)	5110E (5)
Fan Guard	5055F	5055F	5055F	5055F
Cabinet Components				
Fan Panel/Drain Pan	C26361A4	C26362A4	C26362A4	D20817A4
Inner Drain Pan: Air Defrost	B25197A1	B25198A1	B25198A1	C26774A1
Inner Drain Pan: Electric & Hot Gas Defrost	B24358A7	B24358A8	B24358A8	B24358A9
End Panel (2 per unit)	40844301	40844301	40844301	40844301
Side Panel (4 per unit)	40844701	40844701	40844701	40844701

For Units Prior To "C" Revision, Please Consult Factory

- 1- Number in parenthesis is quantity per unit
- 2- All hot gas models have 2 heaters

Note: Special Ball Bearing Motor 25308001

MMT/MLT/MLG

Nomenclature Example:

M	MT6	130	B	A
Larkin Medium Profile Unit Cooler	Fins Per Inch/Defrost MT6 = 6 FPI Air Defrost LT6 = 6 FPI Electric Defrost LT4 = 4 FPI Electric Defrost LG6 = 6 FPI Hot Gas Defrost LG4 = 4 FPI Hot Gas Defrost	Capacity x 100	Voltage A = 115/1/60 B = 208/230/1/60 C = 208/230/3/60 D = 460/3/60 M = 460/1/60 N = 110/1/50 Q = 220/1/50 R = 380/1/50 V = 380/3/50	Vintage

Motor/Fan Blade/Guards

Part No.	Description
5020SS	Motor 115V
5020TS	Motor 208-230V
4567T	Motor 208/230V Totally Enclosed
25302201	Motor 460V
5599M	Run Capacitor
25308101	Special Low Temperature 208-230V
25304601	Special Low Temperature 460V
5931H	Motor 575V
5064E	Motor Mount
5130C	Fan Blade
2310022	Fan Guard Molded Blue (Optional)
23101802	Fan Guard Blue Wire (Standard)

Cabinet Components

Part No.	Description	No. Fans
40492002	Drain Pan*	1
40492202	Drain Pan *	2
40492402	Drain Pan *	3
40492602	Drain Pan *	4
40492802	Drain Pan *	5
40830301	Header Side Panel (Left side)	1-4
40830401	Electrical Side Panel (Right side)	1-4
40830102	Header Side Panel (Left side)	5
40830202	Electrical Side Panel (Right side)	5
40830902	Header Connection Panel	1-5

*Includes PROvisions To Mount Drain Pan Heater

Drain Fitting: 92864003

Electrical Components

Part No.	Description
4131Y	Room Thermostat
2890109	Defrost Term. & Fan Delay T'Stat, Adjustable Type

Note: Call Factory for hot gas defrost components not listed.

Drain Pan Defrost Heater (One Per Unit)

Part No.	Description	Voltage	Color Code
24710301	1 Fan Unit, 530W	208-230V	Black
24710302	2 Fan Unit, 950W	208-230V	Black
24710303	3 Fan Unit, 1350W	208-230V	Black
24710304	4 Fan Unit, 1800W	208-230V	Black
24710305	5 Fan Unit, 2000W	208-230V	Black
24710401	1 Fan Unit, 530W	460V	Red
24710402	2 Fan Unit, 950W	460V	Red
24710403	3 Fan Unit, 1350W	460V	Red
24710404	4 Fan Unit, 1800W	460V	Red
24710405	5 Fan Unit, 2000W	460V	Red
24710502	2 Fan Unit, 950W	115V	Black, White
24710503	3 Fan Unit, 1350W	115V	Black, White
24710504	4 Fan Unit, 1800W	115V	Black, White

Coil Defrost Heaters (Four Per Unit)

Part No.	Description
24710201	1 Fan Unit, 1000W
24710202	2 Fan Unit, 1850W
24710203	3 Fan Unit, 2700W
24710204	4 Fan Unit, 3500W
24710205	5 Fan Unit, 4000W
23308001	Heater Clip - (1-3 Fans)
23308101	Heater Clip - (4-5 Fans)

Model Size	No. of Fans	Model Size	No. of Fans
Air Defrost 6 FPI		Elec. defrost 6 FPI	
MMT6-130	1	MLT6-101	1
MMT6-155	1	MLT6-140	1
MMT6-245	2	MLT6-190	2
MMT6-300	2	MLT6-260	2
MMT6-365	3	MLT6-310	3
MMT6-450	3	MLT6-390	3
MMT6-510	4	MLT6-430	4
MMT6-600	4	MLT6-520	4
MMT6-710	5	MLT6-620	5
Hot Gas 6 FPI		4 FPI	
MLG-190	2	MLT4-100	1
MLG6-260	2	MLT4-165	2
MLG6-310	3	MLT4-220	2
MLG6-390	3	MLT4-250	3
MLG6-430	4	MLT4-330	3
MLG6-520	4	MLT4-370	4
		MLT4-440	4
		MLT4-530	5
4FPI			
MLG4-165	2		
MLG4-220	2		
MLG4-250	3		
MLG4-330	3		
MLG4-370	4		
MLG4-440	4		

(Call Factory)

Model	230/1 Motor	Fan Blade	Fan Guard
MPHC 1	2537974SS(2)	2291836(2)	2318491
MPHC 2	2530355S(2)	2291836(2)	2318491
MPHC 3	2530355S(2)	2292422(2)	2311026
MPHC 4	2530355S(2)	2292422(2)	2311026
MPHC 5	2531191S(2)	2292422(2)	2311026

MT

(Discontinued 1982) Humi-Temp

Model MT	Motor		Fan		Drain Pan
	115V	230/1	Blade	Guard	
96	2531331	2532500	2291836	2318491	4040121
112	2531331	2532500	2291836	2318491	4040121
140	2531331	2532500	2291836	2318491	4040120
185	2531331	2532500	2291836	2318491	4040086
245	2531331	2532500	2291836	2318491	4040086
310	2531331	2532500	2291836	2318491	4040087
420	2531331	2532500	2291836	2318491	4040087

(Discontinued 1982) Large Capacity Humi-Temp

Model MT	Motor		Fan		Drain Pan
	115V	230/1	Blade	Guard	
561	2531191S	2531193S	2292625	2311026	N/A
727	2531191S	2531193S	2292625	2311026	N/A
842	2531191S	2531193S	2292625	2311026	N/A
945	2531191S	2531193S	2292625	2311026	N/A
1090	2531191S	2531193S	2292625	2311026	N/A
1250	2531191S	2531193S	2292625	2311026	N/A
1430	2530143S	2531010S	2292630	2311026	N/A

OSH/ISH/OWH/IWH

OSH/ISH Semi-Hermetic (Call Factory)

Model OSH/ISH	230/1 Motor	Fan Blade	Fan Guard
0050 H1,C1,L5	2537974S	2291836	2318491
0075 H1,C1,L5	2537974S	2291836	2318491
0100 H1,C1,L5	2537974S	2291836	2318491
0150 H1,C1,L5	2537974S	2291836	2318491

OWH/IWH Hermetic Units

Model OWH/IWH	230/1 Motor	Fan Blade	Fan Guard
0050 H1,L1	2537974S	2291836	2318491
0075 H1,L1	2537974S	2291836	2318491
0100 C1,L1	2537974S	2291836	2318491
0101 C1	2537974S	2291836	2318491

P/PE

P Humi-Temps (Discontinued 1982)

Model P	115V Motor	Fan		Drain Pan
		Blade	Guard	
35	2531194	2291030	2316596	4040118
45	2531194	2291030	2316596	4040118
52	2531194	2291030	2316596	4040133
53	2531194	2291030	2316596	4040118
68	2531194	2291030	2316596	4040133
85	2531194	2291030	2316596	4040133
106	2531194	2291030	2316596	4040133
107	2531194	2291030	2316596	4040119

Motor Mount For Belly Mount - 2316597

Motor Mount For Stud Mount - 4000104

PE Humi-Temps (Discontinued 1982)

Model PE	230/1 Motor	Fan		Drain Pan	Heater		# Defrost Thermostat
		Blade	Guard		Drain Pan*	Defrost	
35	2531195	2291030	2316596	4040118	2470024	2470018**	2892425
45	2531195	2291030	2316596	4040118	2470024	2470018**	2892425
52	2531195	2291030	2316596	4040119	2470030	2471440	2892425
68	2531195	2291030	2316596	4040119	2470030	2471440	2892425
85	2531195	2291030	2316596	4040119	2470030	2470021	2892425
106	2531195	2291030	2316596	4040119	2470030	2470021	2892425

*When ordering these heaters, also order 8991001 retrofit heater clip kit.

**For serial number prior to 7800000 use (2) 2470021.

For serial number prior to 7800000 use 2890109.

PRO³ Top Mount Refrigeration System

Nomenclature Example:

P	T	N	72	H	2	B
P = PRO ³ Refrigeration Systems	T = Top Mount	N = Indoor T = Outdoor	Capacity x 100 = Btuh	H = Cooler Air Defrost L = Freezer Electronic Defrost	Refrigerant 2 = R-22 6 = R404A	Voltage A = 115/1/60 B = 208-230/1/60 C = 208-230/3/60

Coolers

Part Description	Part Number	PTN024H2A (Qty Required)	PTN029H2A (Qty Required)	PTN040H2A (Qty Required)
Fan Blades				
Evaporator 8"	23100501	1	1	1
Condenser 10"	2291030	1	1	1
Fan Motors				
115V Evaporator	25303201S	1	1	1
115V Condenser	25300101S	1	1	1
Motor Mount				
Evaporator	23101401	1	1	1
Condenser	23101101	1	1	1
Grille				
Evaporator	40922402	1	1	1
Condenser (Louvered panel)	40902302	1	1	1
Relay				
12 A 120V	22560001	1	1	1
Temperature Control				
Temperature Control - Cooler 115V	Call Factory	1	1	1
TXV Valve	29341701	1	1	-
	29341702	-	-	1

Drain Pan/Evaporator Fan Panel Part No. 46818202

Note: For PSC for 200/1/50 : 25302501

(115V Cond. Motor 25302601 Call Factory)

Use 25303201SSS (115V/60-50/S.P./1800RPM CWOSE or 25303301S 208-230/50-60/1 S.P. - CWOSE - 1800 RPM)

Freezers

Part Description	Part Number	PTN019L6A (Qty Required)
Fan Blades		
Evaporator 8"	23100501	1
Condenser 10"	2291030	1
Fan Motors		
115V Evaporator	25303201S	1
115V Condenser	25300101S	1
Motor Mount		
For Evaporator	23101401	1
For Condenser	23101101	1
Grille		
Evaporator	40922402	1
Condenser (Louvered panel)	40902302	1
Relay		
12 A 120V	22560001	1
Temperature Control		
Defrost Timer Control	21300601	1
Room Thermostat	21901002	1
Heater Limit Thermostat	5708L	1
Defrost Heater (coil & drain pan)		
115V	24751901	1
TXV Valve	29341703	1

Drain Pan/Evaporator Fan Panel Part No. 46818202

Coolers

Part Description	Part Number	PTN047H2A (Qty Required)	PTN047H2B PTT047H2B (Qty Required)	PTN063H2B PTT063H2B (Qty Required)	PTN072H2B PTT072H2B (Qty Required)
Fan Blades					
Evaporator 10"	22901901	1	1	2	2
Condenser 12"	22900701	1	1	1	1
Fan Motors					
208/230V Evaporator	25307801		1	2	2
208/230V Condenser	25307801		1	1	1
115V Evaporator	25307701	1			
115V Condenser	25307701	1			
Motor Mount					
Evaporator	4000104	1	1	2	2
Condenser	23103301	1	1	1	1
Grille					
Evaporator	40894201	1	1	1	1
Condenser (Louvered panel)	40819901	1	1	1	1
Contactors					
20 A 115V	2254303	1			
20 A 230V	R034915200		1	1	1
Temperature Control					
Temp Control - cooler 208/230V	Call Factory		1	1	1
Temp Control - cooler 115V	Call Factory	1			
TXV Valve	29347601 29347602	1	1	1	1
Drain Line Heater (PTT Only)	24753401		1	1	1
Pressure Control (PTT Only)	28906701		1	1	1

Drain Pan Part No. 40496002

Freezers

Part Description	Part Number	PTN021L6A (Qty Required)	PTN021L6B PTT021L6B (Qty Required)	PTN031L6B PTT031L6B (Qty Required)	PTN044L6B PTT044L6B (Qty Required)
Fan Blades					
Evaporator 10"	22901901	1	1	2	2
Condenser 12"	22900701	1	1	1	1
Fan Motors					
208/230V. Evaporator	25307801		1	2	2
208/230V Condenser	25307801		1	1	1
115V Evaporator	25307701	1			
115V Condenser	25307701	1			
Motor Mount					
For Evaporator	4000104	1	1	2	2
For Condenser	23103301	1	1	1	1
Grille					
Evaporator	40894201	1	1	1	1
Condenser (Louvered panel)	40819901	1	1	1	1
Contactors					
20 A 115V	2254303	1			
20 A 230V	R034915200		1	1	1
Temperature Control					
Defrost Temp Control - 208/230V	Call Factory	1	1	1	1
Heater Limit Thermostat	5708L	1	1	1	1
Defrost Heaters (in coil & drain pan)					
115V	24712101	3			
230V	4312F		3	3	3
TXV Valve	29347603 29347604	1	1	1	1
Drain Line Heater (PTT Only)	24753401		1	1	1
Pressure Control (PTT Only)	28906701		1	1	1

¹ Replacement Sensor Only Part. No. 28912101

Drain Pan Part No. 40496002

Larkin

Coolers

Part Description	Part Number	PTN099H2B PTT099H2B (QTY REQ'D)	PTN099H2C PTT099H2C (QTY REQ'D)	PTN128H2B PTT128H2B (QTY REQ'D)	PTN128H2C PTT128H2C (QTY REQ'D)
Fan Blades					
Evaporator 10"	22901901	3	3	3	3
Condenser 12"	22900701	2	2	2	2
Fan Motors					
208/230V Evaporator	25307801	3	3	3	3
208/230V Condenser	25307801	2	2	2	2
Motor Mount					
Evaporator	4000104	3	3	3	3
Condenser	23103301	2	2	2	2
Grille					
Evaporator	40894601	1	1	1	1
Condenser (Louvered half panel) E-box side	40903601	1	1	1	1
Condenser (Louvered half panel)	40903701	1	1	1	1
Contactors					
25 A 230V 3 Pole	2259996		1		1
20 A 230V 2 Pole	R034915200	1		1	
Temperature Control					
Temp Control - Cooler 208/230V	Call Factory	1	1	1	1
TXV Valve	29347602	1	1		
	29341709			1	1
Drain Line Heater (PTT Only)	24753401	1	1	1	1
Fan Cycle T'Stat (PTT Only)	5521R	1	1	1	1
Pressure Control (PTT Only)	28906701	1	1	1	1

Drain Pan Part No. 40405002

Freezers

Part Description	Part Number	PTN052L6B PTT052L6B (QTY REQ'D)	PTN052L6C PTT052L6C (QTY REQ'D)	PTN069L6B PTT069L6B (QTY REQ'D)	PTN069L6C PTT069L6C (QTY REQ'D)
Fan Blades					
Evaporator 10"	22901901	3	3	3	3
Condenser 12"	22900701	2	2	2	2
Fan Motors					
208/230V Evaporator	25307801	3	3	3	3
208/230V Condenser	25307801	2	2	2	2
Motor Mount					
For Evaporator	4000104	3	3	3	3
For Condenser	23103301	2	2	2	2
Grille					
Evaporator	40894601	1	1	1	1
Condenser (Louvered half panel) E-box side	40903601	1	1	1	1
Condenser (Louvered half panel)	40903701	1	1	1	1
Contactors					
25 A 230V 3 Pole	2259996		1		1
20 A 230V 2 Pole	R034915200	1		1	
Temperature Control					
Defrost Temp Control - 208/230V	Call Factory	1	1	1	1
Heater Limit Thermostat	5708L	1	1	1	1
Defrost Heaters (in coil & drain pan)					
230V	4313F	3	3	3	3
TXV Valve	29347604	1	1	1	1
Drain Line Heater (PTT Only)	24753401	1	1	1	1
Fan Cycle T'Stat (PTT Only)	5521R				
Pressure Control (PTT Only)	28906701	1	1	1	1

¹ Replacement Sensor Only Part. No. 28912101

Drain Pan Part No. 40405002

Larkin

PRO³ Side Mount Refrigeration System

Nomenclature Example:

P	S	T	70	L	6	B	H
P = PRO3 Packaged Refrigeration System	S = Side Mount	T = Outdoor	70 = BTUH x 100	H = High/Med Temp L = Low Temp M = Med Temp w/Elec Def	R404A	208-230/1/60	H = PSC motors EC = EC Motors

Coolers

Part Description	Part Number	PST070H6B*	PST090H6B*	PST131H6B*	PST147H6B*
Fan Blades					
Evaporator	5140C	1	1	2	2
Condenser	22901901	2	2	3	3
Fan Motors					
Evaporator, PSC - 208/230 volt	25308601	1	1	2	2
Evaporator, EC - 208/230 volt	25317701	1	1	2	2
Condenser - 208/230	25308301	2	2	3	3
Evaporator fan motor bracket	23103301	1	1	2	2
Condenser fan motor bracket	4000104	2	2	3	3
Contactors					
20A, 230-volt	34915200	1	1	1	1
Temperature Control					
Freezer control kit -208/230 volt*	21300701	1	1	1	1
Cooler w/ electric defrost - 208/230 volt	21300801	1	1	1	1
Cooler control kit - 208/240 volt*	21300901	1	1	1	1
Heater limit thermostat	5708L				
Defrost Heaters	4312F				
Defrost heaters - 230 volt	4342L				
Outdoor Parts					
Fan pressure control	28917301	1	1	1	1
Fan temperature control	5521R	1	1	1	1
Drain line heater	24753401	1	1	1	1
Drain line heater thermostat	28917401	1	1	1	1

Coolers w/Electric Defrost

Part Description	Part Number	PST066M6B*	PST086M6B*	PST124M6B*	PST141M6B*
Fan Blades					
Evaporator	5140C	1	1	2	2
Condenser	22901901	2	2	3	3
Fan Motors					
Evaporator, PSC - 208/230 volt	25308601	1	1	2	2
Evaporator, EC - 208/230 volt	25317701	1	1	2	2
Condenser - 208/230	25308301	2	2	3	3
Evaporator fan motor bracket	23103301	1	1	2	2
Condenser fan motor bracket	4000104	2	2	3	3
Contactors					
20A, 230-volt	34915200	1	1	1	1
Temperature Control					
Freezer control kit -208/230 volt*	21300701	1	1	1	1
Cooler w/ electric defrost - 208/230 volt	21300801	1	1	1	1
Cooler control kit - 208/240 volt*	21300901	1	1	1	1
Heater limit thermostat	5708L	1	1	1	1
Defrost Heaters	4312F	3	3		
Defrost heaters - 230 volt	4342L			3	3
Outdoor Parts					
Fan pressure control	28917301	1	1	1	1
Fan temperature control	5521R	1	1	1	1
Drain line heater	24753401	1	1	1	1
Drain line heater thermostat	28917401	1	1	1	1

Freezers

Part Description	Part Number	PST034L6B*	PST051L6B*	PST057L6B*	PST077L6B*
Fan Blades					
Evaporator	5140C	1	1	2	2
Condenser	22901901	2	2	3	3
Fan Motors					
Evaporator, PSC - 208/230 volt	25308601	1	1	2	2
Evaporator, EC - 208/230 volt	25317701	1	1	2	2
Condenser - 208/230	25308301	2	2	3	3
Evaporator fan motor bracket	23103301	1	1	2	2
Condenser fan motor bracket	4000104	2	2	3	3
Contactors					
20A, 230-volt	34915200	1		1	1
Temperature Control					
Freezer control kit -208/230 volt*	21300701	1	1	1	1
Cooler w/ electric defrost - 208/230 volt	21300801	1	1	1	1
Cooler control kit - 208/240 volt*	21300901	1	1	1	1
Heater limit thermostat	5708L	1	1	1	1
Defrost Heaters	4312F	3	3		
Defrost heaters - 230 volt	4342L			3	3
Outdoor Parts					
Fan pressure control	28917301	1	1	1	1
Fan temperature control	5521R	1	1	1	1
Drain line heater	24753401	1	1	1	1
Drain line heater thermostat	28917401	1	1	1	1

Larkin

RCQ/RC8/RX/RC6

Fan RPM	RCQ	RC8	RCX	RC6	Variable Speed
	540	830	830	1120	
Fan Motor ¹	25302401	25301701S	2538000S	25301801S	2530174S
Fan Blade	2293030	22900301	2293030	22900401	229262S
Fan Guard	23100301	23100301	23100301	23100301	23100301

¹ 575 Motors: 850 RPM - Part No. 25301901

1140 RPM - Part No. 25302001

Optional Parts For Reach Condensers (All Sizes)

Access Valve	1/4"	7634307	Disconnect	Non Fused 100A	22501501
Ambient Fan Cycling		28900501	Disconnect	Non Fused 30A	Use 22501401
Contactora	20A 2P	R034915200	Disconnect 60A	Non Fused 60A	22528501
Contactora	25A 115V	2251324	Power MOD./AMB. F/C		28901101
Contactora	25A 208-240V	2259996	Pressure Fan Cycling		2894574
Contactora	25A 24V	2255845	Rain Shield		5792V
Contactora	30A 2P 24V	2254304	Sensor/Ambient F/C		28901201
Contactora	30A 3P 208/240V	2252330	Speed Control	P66AAB-1	2894592
Electric Temp Control		28906401	Speed Control	P66BAB-1	2894594
Fan Temp Control	40-120	2890019	TEAO Motor	208-230/460 1140	25301101
Fuse	15 A 600V	22510001	Terminal Block	50A 2P 600V	2254002
Fuse	30A 600V	22510601	Terminal Board	2 Pole	2255827
Fuseblock	30A 600V 2P	22511001	Terminal Board	3 Pole	2254311
Fuseblock	30A 600V 3P	22511002	Terminal Board	50A 3P 600V	2254003
Fuseholder	30A 600V	22511201	Terminal Board	T1-T2-T3	2255857
Hand Valve	1/4" ODS	2932145	Transformer	300VA	R038253919
Motor Rail -	54"	40002501	Transformer	40VA 230V	2254498
Motor Rail -	54" VARISP	40001701	Transformer	40VA 460V	2254499
Motor Rail -	55"	40002601			

Larkin

LNH/LNL/LNX/LNQ/LNE

Air-Cooled Condensers

Fan RPM	LNQ 540	LNX 830	LNL 830	LNH 1140	LNH 1140	LNE EC Motor 230V	LNE EC Motor 460V
Motor HP	0.5	1	1.5	0.75	1.5	2.2 KW	2.2 KW
Motor	25316201	25316301	25316601	25317101	25316401	25316905	25317005
Fan Blade	22929301	22929501	22929501	2292625	22900401		
Fan Guard	23105701	23105701	23105701	23105701	23105701	23105601	23105601

RHSH Space Heaters

Propeller Fan Model

Model	115V Motor	Fan Blade	Fan Guard	Motor Mount	Thermostat*
RHSH 30	2531331	2291820	2318491	4000101	T6031A1003
RHSH 45	2531331	2291820	2318491	Call Factory	T6031A1004
RHSH 60	2531331	2291820	2318491	Call Factory	T6031A1005
RHSH 90	2531331(2)	2291820(2)	2318491(2)	Call Factory	T6031A1006
RHSH 100	2531331(2)	2291820(2)	2318491(2)	Call Factory	T6031A1007

* Honeywell Part Number

RAM

"A" & "C" Vintage

{AF=115V} {BF=230V}

Unit	Motor ¹	Qty	Fan Blade	Motor Mount	Fan Guard	Drain Pan*
RAMK130	5021S	2	5117C	91179001	5076E	74422002
RAMK170	5021S	2	5117C	91179001	5076E	74422002
RAMK230	5021S	3	5117C	91179001	5077E	74436002

¹ 230 Volt Motor = 5021TS

*Drain fitting included

RAMK

"F" Vintage

{AF=115V} {BF=230V}

Unit	Motor ¹	Qty	Fan Blade	Motor Mount	Fan Guard	Drain Pan*
RAMK13	25300701S	2	5117C	91179001	5076E	74422002
RAMK17	25300701S	2	5117C	91179001	5076E	74422002
RAMK23	25300701S	3	5117C	91179001	5077E	74436002

¹ 230 Volt Motor = 25300801SS

*Drain fitting included

40804701 -

40807501 -

Air Deflector for size 13 & 17.

Air Deflector for size 23

RWA

Wall Mounted Humi-Temp (Discontinued 1989)

Model RWA	115V Motor	Fan Blade	Fan Guard	Motor Mount
8	2531194	2291031	2316596	2316597
12	2531194	2291031	2316596	2316597
16	2531194	2291031	2316596	2316597
20	2531194	2291031	2316596	2316597
25	2531194	2291031	2316596	2316597
35	2531194	2291031	2316596	2316597

RCA

Ceiling Humi-Temp (Discontinued 1989)

Model RCA	115V Motor	Fan Blade	Fan Guard
8	2531194	2291021	2316596
12	2531194	2291021	2316596
16	2531194	2291031	2316596
25	2531194	2291031	2316596
35	2531194	2291031	2316596

RI

Reach-In (Discontinued 1989)

Model RI	115V Motor	Fan Blade	Fan Guard	Drain Pan Assembly
10	N/A	N/A	N/A	N/A
13	N/A	N/A	N/A	N/A
18	N/A	N/A	N/A	N/A
24	N/A	N/A	N/A	N/A
30	N/A	N/A	N/A	N/A

RIE

Electric Defrost Reach-In Humi-Temp (Discontinued 1989)

Model RIE	115V Motor	230/1 Motor	Fan Blade	Fan Guard	Drain Pan Assembly	Defrost Heater	
						115V	230V
9	N/A	N/A	N/A	N/A	N/A	N/A	N/A
11	N/A	N/A	N/A	N/A	N/A	N/A	N/A
16	N/A	N/A	N/A	N/A	N/A	N/A	N/A
21	N/A	N/A	N/A	N/A	N/A	N/A	2470020
29	N/A	N/A	N/A	N/A	N/A	N/A	N/A
36	N/A	N/A	N/A	N/A	N/A	N/A	N/A
52	N/A	N/A	N/A	N/A	N/A	N/A	N/A

SF

Slant Front Humi-Temp (Discontinued 1989)

Model SF	115V Motor	Fan Blade	Fan Guard
13	N/A	N/A	N/A
17	N/A	N/A	N/A
23	N/A	N/A	N/A
30	N/A	N/A	N/A
43	N/A	N/A	N/A

SWN/SRN

Nomenclature Example:

S	W	N	500	H	2	C
Semi-hermetic	Water Cooled Remote	Indoor	Model Size	Application	Refrig.	Voltage
				H = High Temp M = Med. Temp L = Low Temp E = Extra Low Temp	2 = R22 6 = R404A	B = 208-230/1/60 C = 208/230/3/60 D = 460/3/60 G = 230/1/60

Description	Part No.
Cond., Shell & Tube 6x24	21634301
Cond., Shell & Tube (Used w/ 1.5HP Remotes) 6 X 24	21633301
Cond., Shell & Tube (Used w/ 10HP Remotes) 8.63 X 42	21631201
Cond., Shell & Tube (Used w/ 15HP Remotes) 10.75 X 48	21631301
Cond., Shell & Tube (Used w/ 2HP Remotes) 6.63 X 18	21633401
Cond., Shell & Tube (Used w/ 5HP Remotes) 8.63 X 24	21631001
Cond., Shell & Tube (Used w/ 7.5HP Remotes) 8.63 X 36	21631101
Contactor, 2P, 25A (35A), 208-240V	2252125
Contactor, 3P, 25A (35A), 208-240V	2259996
Contactor, 3P, 40A (50A), 208-240V	2252340
Contactor, 3P, 50A (63A), 208-240V	2252350
Contactor, 3P, 75A (93A), 208-240V	2252375
Control High Pressure 400#C.O.w/Conn	28913201
Control High Pressure Fixed 315#	2890101
Control Pressure HP14T9B 1-1/8OD-R-22/R-50	2939398
Control Dual Pressure - Man 20in - 100/100-425	2891550
Control Sentronic Oil Safety - Copeland	2897100
Control Adj. Low Pressure SW./P70AB-1D 1/4FL	2891402
Low Pressure Switch w/Conduit (Fixed)	28913401
Crankcase Heater 240V 100W	24702202
EXT Crankcase Heater 230V 50W w/Mtgs	2471891
EXT Crankcase Heater 230V 65W w/Clips	2471801
Head Pressure Valve HP8T5-185	29399093
Head Pressure Valve HPC-5T3-180	29399201

RCVR, 10.75x41	27305601
RCVR, 12.75x41	27305701
RCVR, 6x32	27305401
RCVR, 8.63x34	27305501
Relay DPDT 230VAC 6A4186M	2254186
Switch,Toggle -10A 250V SPST	2257514
Term Block 3P LN 2/0-12 LOAD 4/P 4	2251423
Term Board 2 Pole T1,T2	2255827
Terminal Strip *DH	22513401
Timer - 208-240V 40 A SPDT TI-TT	2138162
Transformer 300VA (240-460/240-120)	R038253919
V46AB1 1/2 Water Valve (Johnson)	2935028
VLV 1 FPT Water Reg	2935041
VLV 1-1/4FPT Water Reg	2935042
VLV 2-1/2 H20 Reg V46AT-2	2935043
VLV HD Pressure Control 7/8" 185	2930079
Water Regulating Valve	2935031

Note: For SWN0210L6D And Larger Head Cooling Fan Is Part Of The Compressor

For Smaller Units Use: Motor (460V) 2530909 Blade 2297004
 Motor (230V) 2535421 Guard 2310010

TA "F" Vintage

{AF=115V} {BF=230V}

Unit	Motor ¹	Qty	Fan Blade	Motor Mount	Fan Guard	Drain Pan*
TA10	25300701S	1	5101B	91179001	5054D	91184002
TA10AHEF	25315101	1	5101B	91179001	5054D	91184002
TA13	25300701S	2	5101B	91179001	5054D	91185002
TA17	25300701S	2	5101B	91179001	5054D	91186002
TA23	25300701S	3	5101B	91179001	5054D	40803302
TA30	25300701S	3	5101B	91179001	5054D	40803502
TA43	25300701S	4	5101B	91179001	5054D	40804802
TA55	25300701S	5	5101B	91179001	5054D	40803702

¹ 230 Volt Motor = 25300801SS

* Drain fitting included

"F" Vintage

{AF=115/1/60} {BF=230/1/60}

Unit	Motor	Qty	Fan Blade ¹	Motor Mount	Fan Guard	Drain Pan
TL09A	25300701S	1	5101B	91179001	5054D	91184002
TL09B	25300801S					
TL12A	25300701S	2	5101B	91179001	5054D	91185002
TL12A1FHEF	25315101	1	5101B	91179001	5054D	40924502
TL12B	25300801S	2	5101B	91179001	5054D	91185002
TL16A	25300701S	2	5101B	91179001	5054D	91186002
TL16B	25300801S					
TL21A	25303201S	1	23100201	23101401	R041777700	40808602
TL21B	25303301S					
TL28A	25300701S	3	5101B	91179001	5054D	40803902
TL28B	25300801S					
TL35B	25303301S	2	23100201	23101401	R041777700	40804102
TL53B	25303301S	3				

¹ For Reverse Air Flow:

Use 5117C in place of 5101B

Use 23100501 in place of 23100201

"F" Vintage Electric Defrost Components

Unit	Defrost Fan Control	Heater Defrost Control	Coil Heater	Qty
TL09A	4751C	4752C	4539N	1
TL09B	4751C	4752C	4542N	
TL12A	4751C	4752C	4540N	1
TL12A1FHEF	4751C	4752C	4540N	
TL12B	4751C	4752C	4543N	
TL16A	4751C	4752C	4541N	1
TL16B	4751C	4752C	4544N	
TL21A	5709L	5708L	4545N	1
TL21B	5709L	5708L	4546N	
TL28A	5709L	-	7077358	1
TL28B	5709L	-	R015016200	
TL35B	30101801	30101901	24700703	1
TL53B	30101801	30101901	24700704	
	Opens @ 55 Closes @ 35	Opens @ 75 Closes @ 40		

* TL "E" Vintage

Use same motors, pans, blades, motor mounts & fan guards as "F" Vintage

Defrost fan control part No. 5709L for "E" vintage- no heater safety control

Note: coil heaters not available

TA Units-A, 1, 2, & 3 Revisions

Unit	Motor ¹	Qty	Fan Blade	Motor Mount	Fan Guard	Drain Pan*
TA100	5030SS	1	5101B	91179001	5054D	91184002
TA101	25300501	1	5101B	91179001	5054D	91184002
TA130	5030SS	2	5101B	91179001	5054D	91185002
TA131	25300801S	2	5101B	91179001	5054D	91185002
TA170	5030SS	2	5101B	91179001	5054D	91186002
TA171	25300801S	2	5101B	91179001	5054D	91186002
TA230	5030SS	3	5101B	91179001	5054D	91187002
TA231	25300801S	3	5101B	91179001	5054D	91187002
TA300	5030SS	3	5101B	91179001	5054D	91188002
TA301	25300801S	3	5101B	91179001	5054D	91188002
TA400	5001LS	2	5127A	N/A	5068E	Call Factory
TA401	5001MS	2	5127A	N/A	5068E	Call Factory

* Drain fitting included

TA Units B, C, & D Revisions

Unit	Motor ¹	Qty	Fan Blade	Motor Mount	Fan Guard	Drain Pan*
TA100	5021SS	1	5101B	91179001	5054D	91184002
TA101	5021TS	1	5101B	91179001	5054D	91184002
TA130	5021SS	2	5101B	91179001	5054D	91185002
TA131	5021TS	2	5101B	91179001	5054D	91185002
TA170	5021SS	2	5101B	91179001	5054D	91186002
TA171	5021TS	2	5101B	91179001	5054D	91186002
TA230	5021SS	3	5101B	91179001	5054D	91187002
TA231	5021TS	3	5101B	91179001	5054D	91187002
TA300	5021SS	3	5101B	91179001	5054D	91188002
TA301	5021TS	3	5101B	91179001	5054D	91188002
TA410	5021SS	4	5101B	91179001	5054D	92847002
TA411	5021TS	4	5101B	91179001	5054D	92847002

* Drain fitting included

TL Units Hot Gas & Electric Defrost Evaporators

Unit	Motor	Qty	Fan Blade	Motor Mount	Fan Guard	Drain Pan	Drain Fitting
92TL115-1	5030SS	1	5101B	N/A	5054D	91184002	
92TL115-2	5030SS	1	5101B	91179001	5054D	91184002	
120TL-1	5030SS	2	5101B	N/A	5054D	N/A	66707001
120 TL-115-1	5030SS	2	5101B	N/A	5054D	91184002	
120TL115-2	5030SS	2	5101B	91179001	5054D	91184002	
155TL-1	5030SS	2	5101B	N/A	5054D	N/A	
155TL115-1	5030SS	2	5101B	N/A	5054D	91186002	66707001
155TL115-2	5030SS	2	5101B	91179001	5054D	91186002	
210TL-1	5001LS	1	5127A	N/A	5068E	N/A	66707001
210TL115-1	5001LS	1	5127A	5065C*	5068E	68712002	
210TL115-2	5001LS	1	5127A	5065C*	5068E	68712002	
92TL230-1	25300801S	1	5101B	N/A	5054D	91184002	
92TL2230-2	25300801S	1	5101B	91179001	5054D	91184002	
120TL230-1	25300801S	2	5101B	N/A	5054D	91185002	
120TL230-2	25300801S	2	5101B	91179001	5054D	91185002	
155TL230-1	25300801S	2	5101B	N/A	5054D	91156002	
155TL230-2	25300801S	2	5101B	91179001	5054D	91186002	
210TL230-1	5001MS	1	5127A	5065C*	5068E	68712002	
210TL230-2	5001MS	1	5127A	5065C*	5068E	68712002	
290TL230-1	5001MS	2	5127A	5065C*	5068E	N/A	N/A
350TL230-1	5001MS	2	5127A	5065C*	5068E	N/A	N/A
TL90A&B	5030SS	1	5101B	91179001	5054D	91184002	
TL91A&B	25300801S	1	5101B	91179001	5054D	91184002	
TL120A&B	5030SS	2	5101B	91179001	5054D	91185002	
TL121A&B	25300801S	2	5101B	91179001	5054D	91185002	
TL160A&B	5030SS	2	5101B	91179001	5054D	91186002	
TL161A&B	25300801S	2	5101B	91179001	5054D	91186002	
TL210A&B	5001LS	1	5127A	5065C*	5068E	68712002	
TL211A&B	5001MS	1	5127A	5065C*	5068E	68712002	
TL-0090C&D	5021SS	1	5101B	91179001	5054D	91184002	
TL-0091C&D	5021TS	1	5101B	91179001	5054D	91184002	
TL-0120C&D	5021SS	2	5101B	91179001	5054D	91185002	
TL-121C&D	5021TS	2	5101B	91179001	5054D	91185002	
TL-0160C&D	5021SS	2	5101B	91179001	5054D	91186002	
TL-0161C&D	5021TS	2	5101B	91179001	5054D	91186002	
TL-0210C&D	5026SS	1	5127A	5065C*	5068E	68712002	
TL-0211C&D	5026TS	1	5127A	5065C*	5068E	68712002	

Replaces original motor mount. Must use bolts to mount

Electric Defrost Components

Unit	Defrost Fan Control	Heater Defrost Control	Coil Heater	Qty
92TL115-1	5521R	5507S	4539N	1
92TL115-2	5709L	5708L	4539N	1
120TL-1	5521R	5507S	4540N	1
120TL115-1	5521R	5507S	4540N	1
120TL115-1	5521R	5507S	4540N	1
120TL115-2	5709L	5708L	4540N	1
155TL-1	5521R	5507S	4541N	1
155TL115-1	5521R	5507S	4541N	1
155TL115-2	5709L	5708L	4541N	1
210TL-1	5521R	5507S	4545N	1
210TL115-1	5521R	5507S	4545N	1
210TL115-2	5709L	5708L	4545N	1
92TL230-1	5521R	5507S	4542N	1
92TL230-2	5709L	5708L	4542N	1
120TL230-1	5521R	5507S	4543N	1
120TL230-2	5709L	5708L	4543N	1
155TL230-1	5521R	5507S	4544N	1
155TL230-2	5709L	5708L	4544N	1
210TL230-1	5521R	5507S	4546N	1
210TL230-2	5709L	5708L	4546N	1
290TL230-1	5521R	5507S	4557N	1
350TL230-1	5521R	5507S	5528N	1
TL90A&B	5709L	5708L	4539N	1
TL91A&B	5709L	5708L	4542N	1
TL120A&B	5709L	5708L	4540N	1
TL121A&B	5709L	5708L	4543N	1
TL160A&B	5709L	5708L	4541N	1
TL161A&B	5709L	5708L	4544N	1
TL210A&B	5709L	5708L	4545N	1
TL211A&B	5709L	5708L	4546N	1
TL-0090C&D	5709L	5708L	4539N	1
TL-0091C&D	5709L	5708L	4542N	1
TL-0120C&D	5709L	5708L	4540N	1
TL-0121C&D	5709L	5708L	4543N	1
TL-0160C&D	5709L	5708L	4541N	1
TL-0161C&D	5709L	5708L	4544N	1
TL-0210C&D	5709L	5708L	4545N	1
TL-0211C&D	5709L	5708L	4546N	1

Note: 290TL230-1 & 350TL230-1 Uses (1) 5503Q Drain Pan Heater

{AF= 115V BF=230V}

Unit	Motor ¹	Qty	Fan Blade	Motor Mount	Fan Guard	Drain Pan*
VA06	25300701S ¹	1	5101B	91179001	5054D	40800402
VA08	25300701S ¹	1	5101B	91179001	5054D	40800402
VA12	25300701S ¹	2	5101B	91179001	5054D	40800602
VA17	25303201S ²	1	23100201	23101401	041777700	40802502

¹ 230 Volt Motor = 25300801S² 230 Volt Motor = 253003301

*Drain Fittings included

Vector Condensing Units

New Model	Old Model	Condenser Motor*	Fan Blade	Fan Guard
V0750 H1	V064H1	2530857	2292629	N/A
V1000 H1	V085H1	2530857(2)	2292629(2)	N/A
V1500 H1	V126H1	2530857(2)	2292629(2)	N/A
V2000 H1	V186H1	2530857(2)	2292629(2)	N/A
V0750 H2,C5	V074H2	2530857	2292629	N/A
V1000 H2,C5	V104H2	2530857(2)	2292629(2)	N/A
V1500 H2,C5	V137H2	2530857(2)	2292629(2)	N/A
V2000 H2,C5	V157H2	2530857(2)	2292629(2)	N/A
V2500 H2,C5	V198H2	2530857(2)	2292629(2)	N/A
V3000 H2,C5	V236H2	2538000(3)	2292630(3)	N/A
V3500 H2,C5	-	2538000S(3)	2292630(3)	N/A
V4000 H2,C5	-	2538000S(3)	2292630(3)	N/A
-	V300H2 ¹	-	-	N/A
-	V348H2 ¹	-	-	N/A
V0750 L5,L2	V039L5	2530857	2292629	N/A
V1000 L5,L2	V050L5	2530857	2292629	N/A
V1500 L5,L2	V069L5	2530857(2)	2292629(2)	N/A
V2200 L5,L2	V085L5	2530857(2)	2292629(2)	N/A
V2700 L5,L2	V104L5	2530857(2)	2292629(2)	N/A
V3000 L5,L2	V125L5	2530857(3)	2292629(3)	N/A

* All 2530857 motors must use a 2053780 rain slinger.

¹ Substitute Motor Part No. 25301801 + Fan Blade Part No. 2292630

VA Units "A" Vintage

Unit	Motor ¹	Qty	Fan Blade	Motor Mount	Fan Guard	Drain Pan*
65VA	5030SS	1	5101B	91179001	5045D	C24028A1
80VA	5030SS	1	5101B	91179001	5045D	C24028A1
120 VA	5030SS	2	5101B	91179001	5045D	C24029A1
VA 70A	5030SS	1	5101B	91179001	5045D	C24028A1
VA 80A	5030SS	1	5101B	91179001	5045D	C24028A1
VA 120A	5030SS	2	5101B	91179001	5045D	C24029A1

¹ 230 Volt Motor = 25300801SS

*Drain Fittings included

VA Units "C" Vintage

Unit	Motor ¹	Qty	Fan Blade	Motor Mount	Fan Guard	Drain Pan*
VA 70A	5021SS	1	5101B	91179001	5045D	C24028A1
VA 80A	5021SS	1	5101B	91179001	5045D	C24028A1
VA 120A	5021SS	2	5101B	91179001	5045D	C24029A1

¹ 230 Volt Motor = 5021TS

*Drain Fittings included

VSH/VWH

Model	Condenser Motor*	Fan Blade	Fan Guard
VSH0300 H1 VSH0310 H1 VSH0310 C1	2530857	2292629	N/A
VSH0500 H1 VSH0510 H1 VSH0750 H1	2530857	2292629	N/A
VSH0300 H2,C5 VSH0500 H2,C5 VSH0510 H2,C5	2530857	2292629	N/A
VSH0750 H2,C5 VWH0400 H2,C5 VWH0500 H2,C5	2530857	2292629S	N/A
VWH0750 H2 VSH0300 L5 VSH0310 L5	2530857	2292629	N/A
VSH0311 L5 VSH0500 L5 VSH0600 L5	2530857	2292629	N/A
VSH0750 L5	2530857	2292629	N/A

* All 2530857 motors must use a 2053780 rain slinger.

U "A" Rev.

Unit	Motor	Qty	Fan Blade	Motor Mount	Fan Guard	Drain Pan*
85U	5025SS	1	5124A	91746001	N/A	66974002
115U	5025SS	1	5126A	91746001	N/A	66958002
150U	5001LS	1	5127A	91746001	N/A	66980002
U 90A	5025SS	1	5124A	91746001	N/A	66974002
U 91A	5001MS	1	N/A	91746001	N/A	66974002
U 120A	5025SS	1	5126A	91746001	N/A	66958002
U 121A	5001MS	1	N/A	91746001	N/A	66958002
U 150A	5001LS	1	5127A	91746001	N/A	66980002
U 151A	5001MS	1	5127A	91746001	N/A	66980002

*Drain fitting included

U "B" Rev.

Unit	Motor	Qty	Fan Blade	Motor Mount	Fan Guard	Drain Pan*
U 90B	5025SS	1	5124A	91746001	N/A	66974002
U 91B	5026TS	1	5124A ¹	91746001	N/A	66974002
U120B	5025SS	1	5126A	91746001	N/A	66958002
U121B	5026TS	1	5126A ¹	91746001	N/A	66958002
U150B	5026SS	1	5127A	91746001	N/A	66980002
U151B	5026TS	1	5127A	91746001	N/A	66980002

*Drain fitting included

¹ Must be (field) drilled to 5/16"

WCW

Reach-In Unit Cooler (Discontinued 7/93)

Model	115V Motor	230/1 Motor	Fan Blade	Fan Guard	Motor Mount
WCW7	5021SS	5021TS	-	5054D	91179001
WCW8	5021SS	5021TS	-	5054D	91179001
WCW12	5021SS	5021TS	-	5054D	91179001

WCW

"F" Vintage

V-Profile Unit Cooler (Discontinued 3/01)

Model WCW	Motor		Motor Mount	Fan		Drain Pan
	115V	230V		Blade	Guard	
06	25300701S	25300801S	91179001	5101B	5054D	40800402
08	25300701S	25300801S	91179001	5101B	5054D	40800402
12	25300701S	25300801S	91179001	5101B	5054D	40800602
17	25303201S	25303301S	23100101	23100201	041777700	40802502

Refer to "VA" Unit Models

WKM

Reach-In Unit Cooler (Discontinued 7/93)

Model	115V Motor	230/1 Motor	Fan Blade	Fan Guard	Motor Mount
WKM13	2530903(2)	2530901(2)	5102C(2)	5076E	2311176
WKM17	2530903(2)	2530901(2)	5102C(2)	5076E	2311176
WKM22	2530903(3)	2530901(3)	5102C(3)	5077E	2311179

WKMK/WRAK

(Discontinued 3/01)

Models WKMK/WRAK	Motor		Motor Mount	Fan Blade		Fan Guard	Drain Pan
	115V	230V		Models WKMK	Models WRAK		
13	25300701S(2)	25300801S(2)	91179001	5102C	5117C	5076E	74422002
17	25300701S(2)	25300801S(2)	91179001	5102C	5117C	5076E	74422002
23	25300701S(3)	25300801S(3)	91179001	5102C	5117C	5077E	74436002

Refer to "KMK" Unit Models for WKMK
Refer to "RAMK" Unit Models for WRAK

WRI

(Discontinued 3/10 - Refer to "TA") {AF = 115/1/60} {BF = 230/1/60}

Model WRI	Motor	Motor Mount	Fan Blade	Fan Guard	Drain Pan
10AF	25300701S(1)	91179001	5101B	5054D	91184002
10BF	25300801S(1)	91179001	5101B	5054D	91184002
13AF	25300701S(2)	91179001	5101B	5054D	91185002
13BF	25300801S(2)	91179001	5101B	5054D	91185002
17AF	25300701S(2)	91179001	5101B	5054D	91186002
17BF	25300801S(2)	91179001	5101B	5054D	91186002
23AF	25300701S(3)	91179001	5101B	5054D	40803302
23BF	25300801S(3)	91179001	5101B	5054D	40803302
30AF	25300701S(3)	91179001	5101B	5054D	40803502
30BF	25300801S(3)	91179001	5101B	5054D	40803502
43AF	25300701S(4)	91179001	5101B	5054D	40804802
43BF	25300801S(4)	91179001	5101B	5054D	40804802
55AF	25300701S(5)	91179001	5101B	5054D	40803702
55BF	25300801S(5)	91179001	5101B	5054D	40803702

Model WRIE	115V Motor	230/1 Motor	Fan Blade	Motor Mount	Defrost Heater	
					115V	230V
9	2530903	2530901	2290101	91179001	4539N	4542N
12	2530903(2)	2530901(2)	2290101(2)	91179001(2)	4540N	4543N
16	2530903(2)	2530901(2)	2290101(2)	91179001(2)	4541N	4544N
21	2530904	2530900	2290103	5099D	4545N	4546N
29	-	2530900(2)	2290103(2)	5099D(2)	-	R015016200
35	-	2530900(2)	2290103(2)	5099D(2)	-	24700703
52	-	2530900(2)	2290103(2)	5099D(2)	-	24700704

Fan Guard: 5054D

WRI(K)

(Discontinued 1993)

Model WRI	115V Motor	230/1 Motor	Fan Blade	Fan Guard	Motor Mount
10	5021SS	5021TS	2290101	5054D	91179001
13	5021S(2)S	5021T(2)S	2290101(2)	5045D(2)	91179001(2)
17	5021S(2)S	5021T(2)S	2290101(2)	5045D(2)	91179001(2)
23	5021SS(3)	5021TS(3)	2290101(3)	5045D(3)	91179001(3)
30	5021SS(3)	5021TS(3)	2290101(3)	5045D(3)	91179001(3)
41	5021SS(4)	5021TS(4)	2290101(4)	5045D(4)	91179001(4)

(Discontinued 3/01 - Refer to "TL" Unit Model)

Model WRIE	Motor Assembly	Motor Mount	Fan Blade	Fan Guard	Drain Pan
09AF	25300701S(1)	91179001	5101B	5054D	91184002
09BF	25300801S(1)	91179001	5101B	5054D	91184002
12AF	2530070(2)	91179001	5101B	5054D	91185002
12BF	25300801S(2)	91179001	5101B	5054D	91185002
16AF	25300701S(2)	91179001	5101B	5054D	91186002
16BF	25300801S(2)	91179001	5101B	5054D	91186002
21AF	25303201S(1)	23101401	23100201	R041777700	40808602
21BF	25303301S(1)	23101401	23100201	R041777700	40808602
28AF	25300701S(3)	91179001	5101B	5054D	40803902
28BF	25300801S(3)	91179001	5101B	5054D	40803902
35BF	25303301S(2)	23101401	23100201	R041777700	40804102
53BF	25303301S(3)	23101401	23100201	R041777700	40800102

Model WRIE	115V Defrost Heater (1) Required	Defrost Heater (1) Required	Heater Limit	Defrost T'Stat
09	4539N	4542N	4752C	4751C
12	4540N	4543N	4752C	4751C
16	4541N	4544N	4752C	4751C
21	4545N	4546N	5708L	5709L
28	7077358	R015016200	5708L	5709L
35	N/A	24700703	30101901	30101801
53	N/A	24700704	30101901	30101801

Note: "E" Vintage

- Use Same Motors, Drain Pans, Blades, Motor Mounts & Fan Guards As "F" Vintage
- Defrost Fan Control Part No. 5709L For "E" Vintage
- No Heater Safety Control
- Coil Heaters Not Available

WSF

(Discontinued 3/01 - Refer to "C" Model Units)

Model WSF	Motor 115V	Motor Mount**	Fan		Drain Pan*
			Blade	Guard	
13	25303201S(1)	23101401	23100201	R041777700	40801502
17	25303201S(1)	23101401	23100201	R041777700	40801702
23	25303201S(1)	23101401	23100201	R041777700	40801902
30	25303201S(2)	23101401	23100201	R041777700	40802102
43	25303201S(2)	23101401	23100201	R041777700	40802302

Motor, 208-230/1/60 - 25303301SS

** Requires (4) 5422C nuts

*Drain fitting included in drain pan

Drain pan for "E" vintage is not available

(Discontinued 7/93)

Model WSF	115V Motor	Fan Blade 115V	Fan Blade 230/1	Fan Guard	Motor Mount
13	5025SS(1)	5124A	5127A	5068E	5099D
17	5025SS(1)	5124A	5127A	5068E	5099D
23	2530904(1)	2290103	2290103	5068E	5099D
30	2530904(1)	5111C	5111C	5069E	5050E
43	2530904(2)	2290103	2290103	5068E	5099D

Motor 208/230/1/60 = 2530900

WRWA

Reach-In Unit Coolers

(Discontinued 3/01)

Model	115V Motor	230/1 Motor	Fan	Motor Mount	Fan Guard	Drain Pan
WRWA13	5025SS	5026TS	5141A	5065C	5055F	70091001
WRWA17	5026SS	5026TS	5122B	5063C	5055F	70091001
WRWA23	5026SS	5026TS	5110C	5063C	5055F	70091001
WRWA29	5026SS	5026TS	5110C	5063C	5055F	70071002

WTW**Twin Flow Unit Cooler**

(Discontinued 3/01 - Refer to BTO Units)

Model WTW	Motor		Fan		Motor Mount	Drain Pan
	115V	230V	Blade	Guard		
9	25300701S	25300801S	5101B	5054D	91179001	40811602
13	25300701S	25300801S	5101B	5054D	91179001	40811702
18	25300501	25300601	23100201	R041777700	23101401	40811802
25	25303201S	25303301S	23100201	R041777700	23101401	40811902
35	25303201S	25303301S	23100201	R041777700	23101401	40811902
45	25303201S	25303301S	23100201	R041777700	23101401	40812002
55	5036SS	5036TS	5110E	5055F	40003001	40812102

Larkin

WU**Reach-In Unit Cooler**

(Discontinued 3/01 Refer to "U" Model Units)

Model	115V Motor	230/1 Motor	Fan Blade		Motor Mount
			115V	230/1	
WU9	5025SS	2530900	5124A	5124A	91746001
WU12	5025SS	2530900	5127A	5127A	91746001
WU15	2530904	2530900	2290103	2290103	91746001

Model	Motor	Blade	Motor Mount
WU 90B	5025SS	5124A	91746001
WU120B	5025SS	5126A	91746001
WU150B	5026SS	5127A	91746001

Smart Defrost Kit

Part No.	Description
22681501	Complete Smart Defrost Kit (SDK)
28952101	SDK Module Only
28911202	SDK Suction Pressure Transducer
22515901	SDK Transducer Harness
28902301	SDK Sensor

Hot Gas Defrost

Mohave

28910301	Hot Gas Control Board
29330501	Hot Gas Electronic Pressure Regulator
22511202	Hot Gas Suction Pressure Transducer
22515102	Hot Gas Suction Transducer Harness
22511203	Hot Gas Liquid Pressure Transducer
22515103	Hot Gas Liquid Transducer Harness
22555601	Hot Gas Transformer

EC or Brushless DC Motors

LCA, LCE, LCH		Unit Coolers
	MODEL	VOLTAGE
22617701	LCA, LCE, LCH	208/230
22617801	LCA, LCE, LCH	120
MMT6, MLT6, MLT4, MLG6, MLG4		Unit Coolers
22617501	MMT6, MLT6, MLT4, MLG6, MLG4	208/230
22617601	MMT6, MLT6, MLT4, MLG6, MLG4	120
ACM, ECM LWA, LWE, LWG		Unit Coolers
22617901	ACM, ECM, LWA, LWE, LWG	208/230
22618001	ACM, ECM, LWA, LWE, LWG	120
LFA, LFAE, LFAH		Unit Coolers
22681601	70, 87, 118, 125	120
22681701	70, 87, 118, 125	208/230
22681801	150, 165	120
22681901	150, 165	208/230
22682001	189, 225	120
22682101	189, 225	208/230
22682201	266	120
22682301	266	208/230



Climate Control

**Authorized Parts for
Original Equipment**

InterLink Parts for Climate Control

Table of Contents

Reach-In Evaporators

BBL/LM/LS	205
BTO	205
BBM/LM/LS	206
C	208
CCH(K)/CCL	209-210
KMK/RAMK	241
L	241
LAC	242
LTW	251
MJH/NNK	253
RAMK "K" Vintage	259
TA/TL	262
U/VA/C	265

Evaporators

CHA	216-217
CHE	218-220
CHF	221-223
CHG	224-226
CHL	227-229
CMA/CME/CMG/CMF	232
CPA/CPE/CPG	233
CWA/CWE/CWG "C" Vintage	237
H "R" Vintage	240
LFF "K" Vintage	243
LSC/LFC	244
LSC "K" Vintage	245
LSF	246
LSF "K" Vintage	247
LSH	248
LSH "K" Vintage	249
LSH "A" Vintage	250
LVC/LVD/LVG	252
SRC/SFC "E" & "F" Vintage	260
TLC/TLF	263
WUC "C" Vintage	267
WUF "C" Vintage	268

Refrigeration Systems

Beacon I & Beacon II™ Refrigeration System	207
PRO ³ Top Mount Refrigeration System	254-256
PRO ³ Side Mount Refrigeration System	257-258

Condensing Units

CDD	211
CDH	212-213
CD	214
CZ	215
CH/CST/CZT	230
CRI/CDI	234-235
CUD/CUS	235
DCU	238-239
JH/RH/JS	240
SK/SC	259
SWN/SRN	261
TRH/TCH/TTH	264

Air-Cooled Condensers

CLE/S/X/Q	231
CNH/CNL/CNX/CNQ/CNE	231
TMS	264

Fluid Coolers

WSS/WGS	266
---------	-----

More from Climate Control Refrigeration

Brushless DC Motor	269
EC Motor	269
Hot Gas Defrost	269
Smart Defrost Kit	269

(Elec. Defrost)

Unit	Motor	Qty	Fan Blade	Motor Mount	Fan Guard	Drain Pan*
BBLM10A	25300701S	1	5109E	91179001	5054D	40401001
BBLM15A	25300701S	2	5109E	91179001	5054D	40401001
BBLS10A	25300701S	1	5109E	91179001	5054D	40401001
BBLS15A	25300701S	2	5109E	91179001	5054D	40400701
BBL10A	25300701S	1	5109E	91179001	5054D	40400701
BBL15A	25300701S	2	5109E	91179001	5054D	40400701

*Drain fitting included in pan

Unit	Solenoid	TX Valve	T'Stat Switch	Defrost T'Stat	Coil Heater	Drain Pan Heater
BBLM10A	29301201	29301101	21901002	5709L	24700605	24700607
BBLM15A	29301201	29301101	21901002	4751C	24700601	24700603
BBLS10A	---	29301101	---	5709L	24700605	24700607
BBLS15A	---	29301101	---	4751C	24700601	24700603
BBL10A	---	---	---	5709L	24700605	24700607
BBL15A	---	---	---	4751C	24700601	24700603

Air Deflector Part No: **89840240** For Size 10
89840241 For Size 15

BTO

Unit	Motor	Qty	Fan Blade	Motor Mount	Fan Guard	Drain Pan*
BTO09A	25300701S	1	5101B	91179001	5054D	40811602
BTO09B	25300801S	1	5101B	91179001	5054D	40811602
BTO13A	25300701S	2	5101B	91179001	5054D	40811702
BTO13B	25300801S	2	5101B	91179001	5054D	40811702
BTO18A	25303201S	1	23100201	23101401	R041777700	40811802
BTO18B	25303301S	1	23100201	23101401	R041777700	40811802
BTO25A	25303201S	2	23100201	23101401	R041777700	40811902
BTO25B	25303301S	2	23100201	23101401	R041777700	40811902
BTO35A	25303201S	2	23100201	23101401	R041777700	40811902
BTO35B	25303301S	2	23100201	23101401	R041777700	40811902
BTO45A	25303201S	2	23100201	23101401	R041777700	40812002
BTO45B	25303301	2	23100201	23101401	R041777700	40812002
BTO55A	5036SS	1	5110E	40003001	5055F	40812102
BTO55B	5036TS	1	5110E	40003001	5055F	40812102

* Fitting supplied with drain pan

BBM/LM/LS

(Elec. Defrost)

Model	Motor	Fan Blade	Fan Guard	Solenoid	TX Valve	T'Stat	Drain Pan
BBMM11A	25300701S	5109E	5054D	29301201	29301101	21901001	40400901
BBMM16A	25300701S	5109E	5054D	29301101	29301101	21901001	40400801
BBMS11A	25300701S	5109E	5054D	---	29301101	---	40400901
BBMS16A	25300701S	5109E	5054D	---	29301101	---	40400801
BBM11A	25300701S	5109E	5054D	---	---	---	40400901
BBM16A	25300701S	5109E	5054D	---	---	---	40400801

Motor Mount Part No. 91179001

Air Deflector Part No:

89840240

For Size 11

89840241

For Size 16

Unit	Motor	Qty	Fan Blade	Motor Mount	Fan Guard	Drain Pan*
BBLM10A	25300701S	1	5109E	91179001	5054D	40400701
BBLM15A	25300701S	2	5109E	91179001	5054D	40401001
BBLS10A	25300701S	1	5109E	91179001	5054D	40400701
BBLS15A	25300701S	2	5109E	91179001	5054D	40401001
BBL10A	25300701S	1	5109E	91179001	5054D	40400701
BBL15A	25300701S	2	5109E	91179001	5054D	40401001

*Drain fitting included in pan

Unit	Solenoid	TX Valve	T'Stat Switch	Defrost T'Stat	Coil Heater	Drain Pan Heater
BBLM10A	29301201	29301101	21901002	5709L	24700605	24700607
BBLM15A	29301201	29301101	21901002	4751C	24700601	24700603
BBLS10A	---	29301101	---	5709L	24700605	24700607
BBLS15A	---	29301101	---	4751C	24700601	24700603
BBL10A	---	---	---	5709L	24700605	24700607
BBL15A	---	---	---	4751C	24700601	24700603

Air Deflector Part No. :


89840240

for size 10

89840241

for size 15

Beacon I™ System Replacement Parts

Part Description	Part No.
Temperature Sensor	28900107
Transformer, 208/240-24 volt-40 VA	22522301
Transformer, 208/240-24 volt-75VA	22538401
Relay for Condenser Fan or Crankcase Heater	22511401
Contactors for Compressor 40 A with 24 volt Coil	2252440
Control Board for Electric Defrost	28910001
Control Board for Air Defrost	28910002
Terminal Block	2251266
Low Pressure Switch Time Delay Relay	22536801
Electric Expansion Valve: ESV 1 - 24 volt ESV 2 - 24 volt ESV 4 - 24 volt ESV 6 - 24 Volt ESV 8 - 24 Volt ESV 25 - 24 Volt - Bi-polar Valve <div style="display: inline-block; vertical-align: middle; margin-left: 20px;">  Uni-polar Valves </div>	Call Factory Call Factory Call Factory Call Factory Call Factory 29320001
Expansion Valve Molded Connector	29310007
Optional Pump-Down Switch	22510901
Beacon Smart Controller	89704401
Optional Smart Controller Software Package	Obsolete
Bi-polar Adapter Board (Only Used w/29320001 Exp.Valve Resistor Kit)	28920001 89719601

Beacon II™ Refrigeration System

Began 10/01

Part Description	Part No.
Heater High Limit	5708L
Terminal Board on Air Defrost (3 Positions)	5857A
Terminal Board on Air Defrost (2 Positions)	5827C
Sensor Kit	89904902
Pressure Transducer Harness	22515101
Expansion Valve Harness (Bi-polar valves)	22515201
Expansion Valve Harness (Uni-polar valves)	22515202
Transformer 120V/24V	22529601
Transformer 208-230V/24V	22529602
Transformer 460V/24V	22529603
Transformer 575V/24V	22529701
Beacon II™ Board II	28910101
Pressure Transducer	28911201
Expansion Valve - ESB 1 - 3/8" x 3/8" Conn	29320003
Expansion Valve - ESB 4 - 3/8" x 3/8" Conn	29320004
Expansion Valve - ESB 10 - 3/8" x 3/8" Conn	29320007
Expansion Valve - ESB 10 - 1/2" x 1/2" Conn	29320008
Expansion Valve - ESB 15 - 7/8" x 1 3/8" Conn	29320013
Expansion Valve - ESB 20 - 7/8" x 1 3/8" Conn	29320014
Smart II Software Package	89704101
Beacon II Smart Controller Package	89704301
Shutdown Switch (5 PST)	2257574

MCD -BCN ii w/ "K" Vintage

C

C ("E" & "F" Vintage) [AF=115V]

[BF-230V]

Unit	Motor	Qty	Fan Blade	Motor Mount	Fan Guard	Drain Pan*
C13	25303201S	1	23100201	23101401	R041777700	40801502
C17	25303201S	1	23100201	23101401	R041777700	40801702
C23	25303201S	1	23100201	23101401	R041777700	40801902
C30	25303201S	2	23100201	23101401	R041777700	40802102
C43	25303201S	2	23100201	23101401	R041777700	40802302

¹ Motor, 208-230/1/60 25303301

* Drain fitting included in drain pan

CBC "C" Vintage

CBC Model	115V Motor Assembly	Motor Mount	Fan Blade	Fan Guard	Drain Pan	Drain Fitting	
						Stud	Nut
12	R042638300	641710500	R041779600	R041777700	641715600	R017423500	R017423600
16	R042638300	641710500	R041779600	R041777700	641716500	R017423500	R017423600
22	R042638300	641710500	R041779600	R041777700	641711200	R017423500	R017423600

CBC "E" Vintage

CBC Model	115V Motor Assembly	Motor Mount	Fan Blade	Fan Guard	Drain Pan	Drain Fitting	
						Stud	Nut
12	R042638300	641710500	R041779600	R041777700	W51231	R017423500	R017423600
16	R042638300	641710500	R041779600	R041777700	641716500	R017423500	R017423600
22	R042638300	641710500	R041779600	R041777700	641711200	R017423500	R017423600

CCH "D" Vintage

CCH	115V Motor Assembly	230V Motor Assembly	Motor Mount	Fan Blade		Fan Guard	Drain Pan**
				Prior to Mar. 92	After Mar. 92		
010D	*8990011(1)	-	91179001(1)	R041495400(1)	5101B(1)	R041495500(1)	641402600
013D	*8990011(1)	-	91179001(1)	R041495400(1)	5101B(1)	R041495500(1)	641403600
015D	*8990011(2)	-	91179001(2)	R041495400(2)	5101B(2)	R041495500(2)	645641800
017D	*8990011(2)	-	91179001(2)	R041495400(2)	5101B(2)	R041495500(2)	641403900
023D	*8990011(2)	-	91179001(2)	R041495400(2)	5101B(2)	R041495500(2)	641404600
031D	*8990011(3)	-	91179001(3)	R041495400(3)	5101B(3)	R041495500(3)	641405100
045D	*8990011(4)	-	91179001(4)	R041495400(4)	5101B(4)	R041495500(4)	641406100
055D	*8990011(5)	-	91179001(5)	R041495400(5)	5101B(5)	R041495500(5)	641407600
CCL							
011D	*8990011(1)	-	91179001(1)	R041495400(1)	5101B(1)	R041495500(1)	641402600
014D	*8990011(2)	-	91179001(2)	R041495400(2)	5101B(2)	R041495500(2)	641403900
019D	*8990011(2)	-	91179001(2)	R041495400(2)	5101B(2)	R041495500(2)	641404600
028D	*8990011(3)	*8990012(3)	91179001(1)	R041495400(3)	5101B(3)	R041495500(3)	641153700
035D	R038688800(1)	R038688900(1)	642761300(1)	7173510(1)	7173510(1)	R042642300(1)	644176500
045D	R038688800(2)	R038688900(2)	642761300(2)	7173510(2)	7173510(2)	R042642300(2)	644174300
054D	R038688800(2)	R038688900(2)	642761300(2)	7173510(2)	7173510(2)	R042642300(2)	644174300

*Motor assembly includes motor and fan blade

**Drain Fitting: Stud Pt No. = R017423500
Nut Pt. No. = R017423600

"D" Vintage

CCL	115V Defrost Heater	230V Defrost Heater	Defrost T'Stat
011D	R025504000	—	8075821
014D	R015016100	—	8075821
019D	R015015900		8075821
028D	7077358	R015016200	8075821
035D	N/A	N/A	8075821
045D	N/A	R044276402	8075821
054D	N/A	R044276402	8075821

CCL Model	115V Defrost Heater (1) REQ'D	230V Defrost Heater (1) REQ'D	Heater Limit (2 Wire)	Defrost Thermostat (3 Wire)
09	4539N	4542N		
12	4540N	4543N	4752C	4751C
16	4541N	4544N		
21	4545N	4546N	5708L	5709L
28	7077358	R015016200	5708L	5709L
35	N/A	24700703	30101901	30101801
53	N/A	24700704	30101901	30101801

Note: "E" Vintage

Use same motors, blades, motor mounts & fan guards as "F" Vintage

Defrost fan control Part No. 5709L for "E" Vintage

No heater safety control

Drain pans and coil heaters not available

CCH(K)/CCL

"E" & "F" Vintage

{AF=115/1/60}

{BF=230/1/60}

CCH(K) Model	Motor	Motor Mount	Fan Blade	Fan Guard	Drain Pan
10AF	25300701S(1)	91179001(1)	5101B(1)	5054D(1)	91184002
10BF	25300801S(1)	91179001(1)	5101B(1)	5054D(1)	91184002
13AF	25300701S(2)	91179001(2)	5101B(2)	5054D(2)	91185002
13BF	25300801S(2)	91179001(2)	5101B(2)	5054D(2)	91185002
17AF	25300701S(2)	91179001(2)	5101B(2)	5054D(2)	91186002
17BF	25300801S(2)	91179001(2)	5101B(2)	5054D(2)	91186002
23AF	25300701S(3)	91179001(3)	5101B(3)	5054D(3)	40803302
23BF	25300801S(3)	91179001(3)	5101B(3)	5054D(3)	40803302
30AF	25300701S(3)	91179001(3)	5101B(3)	5054D(3)	40803502
30BF	25300801S(3)	91179001(3)	5101B(3)	5054D(3)	40803502
43AF	25300701S(4)	91179001(4)	5101B(4)	5054D(4)	40804802
43BF	25300801S(4)	91179001(4)	5101B(4)	5054D(4)	40804802
55AF	25300701S(5)	91179001(5)	5101B(5)	5054D(5)	40803702
55BF	25300801S(5)	91179001(5)	5101B(5)	5054D(5)	40803702
CCL					
09A	25300701S(1)	91179001(1)	5101B(1)	5054D(1)	91184002
09B	25300801S(1)	91179001(1)	5101B(1)	5054D(1)	91184002
12A	25300701S(2)	91179001(2)	5101B(2)	5054D(2)	91185002
12B	25300801S(2)	91179001(2)	5101B(2)	5054D(2)	91185002
16A	25300701S(2)	91179001(2)	5101B(2)	5054D(2)	91186002
16B	25300801S(2)	91179001(2)	5101B(2)	5054D(2)	91186002
21A	25303201S(1)	23101401(1)	23100201(1)	R041777700(1)	40808602
21B	25303301(1)	23101401(1)	23100201(1)	R041777700(1)	40808602
28A	25300701S(3)	91179001(3)	5101B(3)	5054D(3)	40803902
28B	25300801S(3)	91179001(3)	5101B(3)	5054D(3)	40803902
35	25303301(2)	23101401(2)	23100201(2)	R041777700(2)	40804102
53	25303301(3)	23101401(3)	23100201(3)	R041777700(3)	40800102

Climate Control

Common Parts

Part Description	Description	Part No.
Guard		23100301
High Pressure Control		28913201
Contactors - 25 A	Condenser Motor	2259996
Contactors - 40 A	Compressor	2252340
Contactors - 50 A	Compressor	2252350
Contactors - 60 A	Compressor	2252360
Contactors - 75 A	Compressor	2252375
Pressure Switch		28923201
Low-pressure Control		2891402
Air Defrost Timer		2138162
Fan Cycling		5521R
Temperature Fan Cycle Control		7075807
Pressure Fan Cycle Control		28900201
Electric Defrost Timer		2138162
Defrost Fan Contactor 25 A	(40 A/ See Below)	2252325
Defrost Heater Contactor 40 A		2252340

24 to 80 HP Motor & Fan Blade Options

Motor Part No.	Description	Blade Part No.
70721025	3/4 HP - 1140 RPM 208/230/460/3	7173254
25380005	1 HP - 850 RPM 208/230/460/3	2292630*
25301801S	1 1/2 HP - 1140 RPM 208/230/460/3	22900401
25301701S	1 1/2 HP - 830 RPM 208/230/460/3	22900301
2053581	Slinger For 25301801 & 25301701	

Note: No Motor Mounts - Uses Motor Rails

* Can Use 2292630 To Replace 2292635 (Not An Exact Match)

Note: Sentronic Oil Control Available From Copeland

Nomenclature Example:

CD	H	0500	D	7	3
Climate Control Discus	Horizontal Air Discharge	Nominal HP	Application Range	Refrigerant	Electrical Characteristics
		0300 = 3 HP 0750 = 7.5 HP 0400 = 4 HP 0751 = 7.5 HP 0500 = 5 HP 0800 = 8 HP 0501 = 5 HP 0900 = 9 HP 0600 = 6 HP 1000 = 10 HP 0601 = 6 HP	L = Low D = High (HCFC = 22) M = Med. (R-404A or R-507)	2 = R-22 6 = R-404A or 507 7 = HCFC = 22	2 = 208/230/60/1 3 = 208/230/60/3 4 = 460/60/3 9 = 230/60/1

Part Description	Part No.
Motor	1/3HP 230V 1075RPM 1/2DIA CCWSE 70712085
Motor	1/3 HP 208/230/60/1 PSC RPM 1200 CCWSE 25303801
Motor	1/3HP 208-230/1/50-60 1075 RPM CCWSE 25309001
Motor	1/2HP 460V 1075RPM 1/2DIA CCWSE 70712255
Motor	1/2HP 575V 1075RPM 1/2DIA CCWSE 2530906
Fan Blade	22 in CW 26D 1/2B 7173156
Demand Cooling Control	2D 240V 2151005
Demand Cooling Control	3D 240V 2151006
Low Pressure Control	Adjustable 7075212
High Pressure Control	7075207
Timer (8145-20)	2138162
Transformer, 460V/230V	R038253919
Transformer, 575V/230V	2251056
Crankcase Heater	7077983
Contactor	2 Pole 20A 230V R034915200
Compressor Contactor	25 A, 3 Pole 2259996
Contactor	40 A 3P 24V - Open 2252440
Compressor Contactor	40 A, 3 Pole 2252340
Compressor Contactor	50 A, 3 Pole 2252350
Auxiliary Contacts,	Contactor 2252310
Head Pressure Valve	OROA -180 2930058
Head Pressure Valve	OROA -100 2930625
Head Pressure Valve	OROI 2930006
Head Pressure Valve	ORD 2930420
Pressure Control	100-400 Pressure P70AA-118C 2894574
Pressure Control	R502/22 7075207

Climate Control

Condensing Unit 15-40 HP

CDH	230V Condenser Motor*	460V Condenser Motor*	Motor Mount	Fan Blade	Crankcase Heater	Receiver
1500D63	R033177500S(3)	R033177700S(3)	23101501	R029218600	24702202	27302201
1500D64	R033177500S(3)	R033177700S(3)	23101501	R029218600	24702202	27302201
1500L63	R033177500S(3)	R033177700S(3)	23101501	R029218600	24702202	27302201
1500L64	R033177500S(3)	R033177700S(3)	23101501	R029218600	24702202	27302201
2000D63	R033177500S(3)	R033177700S(3)	23101501	R029218600	24702202	27302201
2000D64	R033177500S(3)	R033177700S(3)	23101501	R029218600	24702202	27302201
2200L63	R033177500S(3)	R033177700S(3)	23101501	R029218600	24702202	27302201
2200L64	R033177500S(3)	R033177700S(3)	23101501	R029218600	24702202	27302201
2500D63	R033177500S(3)	R033177700S(3)	23101501	R029218600	24702202	27302201
2700L63	R033177500S(3)	R033177700S(3)	23101501	R029218600	24702202	27302201
3000L63	R033177500S(3)	R033177700S(3)	23101501	R029218600	2471805	27302201
2500D64	R033177500S(3)	R033177700S(3)	23101501	R029218600	24702202	27302201
2700L64	R033177500S(4)	R033177700S(3)	23101501	R029218600	24702202	27302201
3000L64	R033177500S(4)	R033177700S(3)	23101501	R029218600	2471805	27302201
2600D63	R033177500S(4)	R033177700S(3)	23101501	R029218600	24702202	27302202
3000D63	R033177500S(4)	R033177700S(3)	23101501	R029218600	24702202	27302202
3100L63	R033177500S(4)	R033177700S(4)	23101501	R029218600	2471805	27302202
3500D63	R033177500S(4)	R033177700S(4)	23101501	R029218600	24702202	27302202
4000D63	R033177500S(4)	R033177700S(4)	23101501	R029218600	2471805	27302202
2600D64	R033177500S(4)	R033177700S(4)	23101501	R029218600	24702202	27302202
3000D64	R033177500S(4)	R033177700S(4)	23101501	R029218600	24702202	27302202
3100L64	R033177500S(4)	R033177700S(4)	23101501	R029218600	2471805	27302202
3500D64	R033177500S(4)	R033177700S(4)	23101501	R029218600	24702202	27302202
4000D64	R033177500S(4)	R033177700S(4)	23101501	R029218600	2471805	27302202

Motor Capacitor Part No. 5710F

CDH	230V Compressor Contactor	230V Cond. Fan Contactor	Sentronic Oil Switch	Low Press Control	Fan Fuse	Control Circuit Fuse
1500D63	2252340	2252122(2)	22521001	2891402	22510002	22510001
1500L63	2252340	2252122(2)	22521001	2891402	22510002	22510001
2000D63	2252340	2252122(2)	22521001	2891402	22510002	22510001
2200L63	2252340	2252122(2)	22521001	2891402	22510002	22510001
2500D63	2532350	2252122(2)	22521001	2891402	22510002	22510001
2700L63	2532350	2252122(2)	22521001	2891402	22510002	22510001
3000L63	2252360	2252122(2)	22521001	2891402	22510002	22510001
2600D63	2252350	2252122(2)	22521001	2891402	22510003	22510001
3000D63	2252360	2252122(2)	22521001	2891402	22510003	22510001
3500D63	2252360	2252122(2)	22521001	2891402	22510003	22510001
3100L63	2252360	2252122(2)	22521001	2891402	22510003	22510001
4000D63	2252375	2252122(2)	22521001	2891402	22510003	22510001

Power Block Part No. 5710F

Terminal Board Part No. 22513401

Pumpdown Switch Part No. 2257514

Nomenclature Example:

C	D	T	500		L	6	C
Model	Compressor	Placement	Equiv. HP		Application	Refrigerant	Voltage
C = Climate Control	D = Discus Z = Scroll	T = Outdoor N = Indoor M = Beacon B = Bohnmizer S = Beacon II**	0300 = 3 HP 0400 = 4 HP 050* = 5 HP 060* = 6 HP 075* = 7.5 HP 0800 = 8 HP 0860 = 8.5 HP	0900 = 9 HP 1000 = 10 HP 1200 = 12 HP 1300 = 13 HP 1400 = 14 HP 1500 = 15 HP 2200 = 22 HP	H = High Temp M = Med. Temp L = Low Temp	2 = R-22 6 = 404A, 507	C = 208-230/3/60 (200-220/3/50) D = 460/3/60 380-420/3/50

Unit Model	Mtr HP	No. Mtr	Motor 230V	Motor 460V	Fan Blade [£]	Indoor Motor Mt	Outdoor Motor Mt	Grille
*D*0300L2	1/3	1	25309004	25314601	7173156	23102701	23102601	24100801
*D*0400L2	1/3	1	25309004	25314601	7173156	23102701	23102601	24100801
*D*0600L2	1/3	1	25309004	25314601	7173156	23102701	23102601	24100801
*D*0601L2	1/3	1	25309004	25314601	7173156	23102701	23102601	24100801
*D*0750L2	1/3	1	25309004	25314601	7173156	23102701	23102601	24100801
*D*0900L2	1/3	2	25309004	25314601	7173156	23102701	23102601	24100701
*D*1000L2	1/3	2	25309004	25314601	7173156	23102701	23102601	24100701
*D*1200L2	3/4	2	R033177500S ¹	R033177700S ¹	R029218600	23102001	23101501	24101901
*D*1500L2	3/4	2	R033177500S ¹	R033177700S ¹	R029218600	23102001	23101501	24101901
*D*2200L2	3/4	2	R033177500S ¹	R033177700S ¹	R029218600	23102001	23101501	24101901
*D*0500H2	1/3	1	25309004	25314601	7173156	23102701	23102601	24100801
*D*0501H2	1/3	1	25309004	25314601	7173156	23102701	23102601	24100801
*D*0750H2	1/3	1	25309004	25314601	7173156	23102701	23102601	24100801
*D*0751H2	1/3	2	25309004	25314601	7173156	23102701	23102601	24100701
*D*0800H2	1/3	2	25309004	25314601	7173156	23102701	23102601	24100701
*D*1000H2	1/3	2	25309004	25314601	7173156	23102701	23102601	24100701
*D*1200H2	1/3	2	25309004	25314601	7173156	23102701	23102601	24100701
*D*1500H2	3/4	2	R033177500S ¹	R033177700S ¹	R029218600	23102001	23101501	24101901
*D*0500M6	1/3	1	25309004	25314601	7173156	23102701	23102601	24100801
*D*0501M6	1/3	1	25309004	25314601	7173156	23102701	23102601	24100801

[£] T03H00258 (BZT045L6CF) started use of blades supplied by air drive -T03J00365 dated 9/10/03 end note normally use Revcor.

Unit Model	Mtr HP	No. Mtr	Motor 230V	Motor 460V	Fan Blade	Indoor Motor Mt	Outdoor Motor Mt	Grille
*D*0750M6	1/3	1	25309004	25314601	7173156	23102701	23102601	24100801
*D*0751M6	1/3	2	25309004	25314601	7173156	23102701	23102601	24100801
*D*0800M6	1/3	2	25309004	25314601	7173156	23102701	23102601	24100801
*D*1000M6	1/3	2	25309004	25314601	7173156	23102701	23102601	24100801
*D*1200M6	1/3	2	25309004	25314601	7173156	23102701	23102601	24100801
*D*1500M6	3/4	2	R033177500S ¹	R033177700S ¹	R029218600	23102001	23101501	24101901
*D*0300L6	1/3	1	25309004	25314601	7173156	23102701	23102601	24100801
*D*0400L6	1/3	1	25309004	25314601	7173156	23102701	23102601	24100801
*D*0600L6	1/3	1	25309004	25314601	7173156	23102701	23102601	24100801
*D*0601L6	1/3	1	25309004	25314601	7173156	23102701	23102601	24100801
*D*0750L6	1/3	1	25309004	25314601	7173156	23102701	23102601	24100801
*D*0900L6	1/3	2	25309004	25314601	7173156	23102701	23102601	24100801
*D*1000L6	1/3	2	25309004	25314601	7173156	23102701	23102601	24100801
*D*1200L6	3/4	2	R033177500S ¹	R033177700S ¹	R029218600	23102001	23101501	24101901
*D*1500L6	3/4	2	R033177500S ¹	R033177700S ¹	R029218600	23102001	23101501	24101901
*D*2200L6	3/4	2	R033177500S ¹	R033177700S ¹	R029218600	23102001	23101501	24101901

¹ Use Capacitor Part No. 5710F

Unit Model	Mtr HP	No. Mtr	Motor 230V	Motor 460V	Fan Blade ^f	Indoor Motor Mt	Outdoor Motor Mt	Grille
*Z*0650H2	1/3	1	25309004	25314601	7173156	23102701	23102601	24100801
*Z*0650M6	1/3	1	25309004	25314601	7173156	23102701	23102601	24100801
*Z*0700H2	1/3	2	25309004	25314601	7173156	23102701	23102601	24100701
*Z*0700M6	1/3	2	25309004	25314601	7173156	23102701	23102601	24100701
*Z*0750H2	1/3	2	25309004	25314601	7173156	23102701	23102601	24100701
*Z*0750L2	1/3	1	25309004	25314601	7173156	23102701	23102601	24100801
*Z*0750L6	1/3	1	25309004	25314601	7173156	23102701	23102601	24100801
*Z*0750M6	1/3	2	25309004	25314601	7173156	23102701	23102601	24100701
*Z*0860H2	1/3	2	25309004	25314601	7173156	23102701	23102601	24100701
*Z*0860M6	1/3	2	25309004	25314601	7173156	23102701	23102601	24100701
*Z*1000H2	1/3	2	25309004	25314601	7173156	23102701	23102601	24100701
*Z*1000M6	1/3	2	25309004	25314601	7173156	23102701	23102601	24100701
*Z*1000L2	1/3	1	25309004	25314601	7173156	23102701	23102601	24100801
*Z*1000L6	1/3	1	25309004	25314601	7173156	23102701	23102601	24100801
*Z*1000M6	1/3	2	25309004	25314601	7173156	23102701	23102601	24100701
*Z*1200H2	1/3	2	25309004	25314601	7173156	23102701	23102601	24100701
*Z*1300L2	1/3	2	25309004	25314601	7173156	23102701	23102601	24100701
*Z*1300L6	1/3	2	25309004	25314601	7173156	23102701	23102601	24100701
*Z*1400H2	1/3	2	25309004	25314601	7173156	23102701	23102601	24100701
*Z*1400M6	1/3	2	25309004	25314601	7173156	23102701	23102601	24100701
*Z*1500L2	1/3	2	25309004	25314601	7173156	23102701	23102601	24100701
*Z*1500L6	1/3	2	25309004	25314601	7173156	23102701	23102601	24100701

Electrical Components

Description	Part No.
Contactora 40 A 3P 208-240V	2252340
Contactora 50 A 3P 208-240V	2252350
Contactora 60 A 3P 208-240V	2252360
Contactora 75 A 3P 208-240V	2252375
Contactora 25 A 208-240V	2259996
Dual Pressure Control Man 20 in -100/100-425	2891550
Fan Cycling Switch- Pressure	28906701
Fan Cycling Switch- Temperature	28906702
High Pressure Control Fixed, CO 400	28913201
High Pressure Encap Switch 425#/W/CONN	28913202
Low Pressure Fixed	2890099
Low Pressure SW- Adjustable P70AB-1D	2891402
Oil Safety Control, Sentronic	2897100
T'Stat - Scroll (Discharge Line)	30101701
Timer (8145-20)	2138162
Transformer 300VA SL300QP	R038253919
CC Heater Discuss 2D, 3D, 100W/240V	24702202
CC Heater Scroll 7.5 TO 15 HP 80W/240V	24703901
CC Heater ZB Scrolls 90W/240V	24704001

Line Components

Description	Part No.
HP Valve ORD	2930420
HP Valve ORI	2930007
HP Valve OROA-100	29399096
HP Valve OROA-180	29399093

Nomenclature Example:

CH	A	850	C	P	A
Climate Control Large Unit Cooler	Fins Per Inch/Defrost		Voltage Code	Optional Motor Code	Vintage
	A = 6 or 8 FPI Air Defrost (Standard motor/fan blade)	Capacity x 100 C = 208-230/3/60 X = 380/400/3/50	B = 208-230/1/60 M = 460/1/60 V = High CFM Option D = 460/3/60 Y = 200/220/1/50 E = 575/3/60	T = Total Enclosed Motors P = 3 Phase Motor	

Model No.	No. Fans	Motors ¹	HP	Blades	Guards	Drain Pan
CHA520BA	2	25305701S	1/2	22901101	23102201	40402003
CHA520MA	2	25305801S	1/2	22901101	23102201	40402003
CHA520CPA	2	7072102S	3/4	5133C	23102201	40402003
CHA520DPA	2	7072102S	3/4	5133C	23102201	40402003
CHA520CTA	2	25301001	1	5133C	23102201	40402003
CHA520DTA	2	25301001	1	5133C	23102201	40402003
CHA520EPA	2	25307901	1/2	5133C	23102201	40402003
CHA630BA	2	25305701S	1/2	22901101	23102201	40402003
CHA630MA	2	25305801S	1/2	22901101	23102201	40402003
CHA630CPA	2	7072102S	3/4	5133C	23102201	40402003
CHA630DPA	2	7072102S	3/4	5133C	23102201	40402003
CHA630CTA	2	25301001	1	5133C	23102201	40402003
CHA630DTA	2	25301001	1	5133C	23102201	40402003
CHA630EPA	2	25307901	1/2	5133C	23102201	40402003
CHA750BA	3	25305701S	1/2	22901101	23102201	40401803
CHA750CA	3	25305701S	1/2	22901101	23102201	40401803
CHA750CPA	3	7072102S	3/4	5133C	23102201	40401803
CHA750DA	3	25305801S	1/2	22901101	23102201	40401803
CHA750DPA	3	7072102S	3/4	5133C	23102201	40401803
CHA750CTA	3	25301001	1	5133C	23102201	40401803
CHA750DTA	3	25301001	1	5133C	23102201	40401803
CHA750EPA	3	25307901	1/2	5133C	23102201	40401803
CHA850BA	3	25305701S	1/2	22901101	23102201	40401803
CHA850CA	3	25305701S	1/2	22901101	23102201	40401803
CHA850CPA	3	7072102S	3/4	5133C	23102201	40401803
CHA850DA	3	25305801S	1/2	22901101	23102201	40401803
CHA850DPA	3	7072102S	3/4	5133C	23102201	40401803
CHA850CTA	3	25301001	1	5133C	23102201	40401803
CHA850DTA	3	25301001	1	5133C	23102201	40401803
CHA850EPA	3	25307901	1/2	5133C	23102201	40401803
CHA930BA	4	25305701S	1/2	22901101	23102201	40401403
CHA930CA	4	25305701S	1/2	22901101	23102201	40401403
CHA930CPA	4	7072102S	3/4	5133C	23102201	40401403
CHA930DA	4	25305801S	1/2	22901101	23102201	40401403
CHA930DPA	4	7072102S	3/4	5133C	23102201	40401403
CHA930CTA	4	25301001	1	5133C	23102201	40401403
CHA930DTA	4	25301001	1	5133C	23102201	40401403
CHA930EPA	4	25307901	1/2	5133C	23102201	40401403
CHA1100BA	4	25305701S	1/2	22901101	23102201	40401403
CHA1100CA	4	25305701S	1/2	22901101	23102201	40401403
CHA1100CPA	4	7072102S	3/4	5133C	23102201	40401403
CHA1100DA	4	25305801S	1/2	22901101	23102201	40401403
CHA1100DPA	4	7072102S	3/4	5133C	23102201	40401403
CHA1100CTA	4	25301001	1	5133C	23102201	40401403
CHA1100DTA	4	25301001	1	5133C	23102201	40401403
CHA1100EPA	4	25307901	1/2	5133C	23102201	40401403

¹ Motors are mounted on rails - no motor mounts

Model No.	No. Fans	Motors ¹	HP	Blades	Guards	Drain Pan
CHA1170CPA	3	2538000S	1	22900401	23102301	40402103
CHA1170DPA	3	2538000S	1	22900401	23102301	40402103
CHA1170CTA	3	25301101	1 1/2	22901501	23102301	40402103
CHA1170DTA	3	25301101	1 1/2	22901501	23102301	40402103
CHA1170EPA	3	25301901	1 1/2	22900401	23102301	40402103
CHA1400CPA	3	2538000S	1	22900401	23102301	40402103
CHA1400DPA	3	2538000S	1	22900401	23102301	40402103
CHA1400CTA	3	25301101	1 1/2	22901501	23102301	40402103
CHA1400DTA	3	25301101	1 1/2	22901501	23102301	40402103
CHA1400EPA	3	25301901	1 1/2	22900401	23102301	40402103
CHA1610CPA	3	25301701S	1 1/2	22900301	23102301	40402103
CHA1610DPA	3	25301701S	1 1/2	22900301	23102301	40402103
CHA1610CTA	3	25301101	1 1/2	22901501	23102301	40402103
CHA1610DTA	3	25301101	1 1/2	22901501	23102301	40402103
CHA1610EPA	3	25301901	1 1/2	22900301	23102301	40402103
CHA1900CPA	3	25301801S	1 1/2	22900101	23102301	40410403
CHA1900DPA	3	25301801S	1 1/2	22900101	23102301	40410403
CHA1900CTA	3	25301101	1 1/2	22900101	23102301	40410403
CHA1900DTA	3	25301101	1 1/2	22900101	23102301	40410403
CHA1900EPA	3	25302001	1 1/2	22900101	23102301	40410403
CHA2160CPA	3	25301801S	1 1/2	22900101	23102301	40410403
CHA2160DPA	3	25301801S	1 1/2	22900101	23102301	40410403
CHA2160CTA	3	25301101	1 1/2	22900101	23102301	40410403
CHA2160DTA	3	25301101	1 1/2	22900101	23102301	40410403
CHA2160EPA	3	25302001	1 1/2	22900101	23102301	40410403
CHA2200CPA	4	25301701S	1 1/2	22900301	23102301	40410703
CHA2200DPA	4	25301701S	1 1/2	22900301	23102301	40410703
CHA2200CTA	4	25301101	1 1/2	22900101	23102301	40410703
CHA2200DTA	4	25301101	1 1/2	22900101	23102301	40410703
CHA2200EPA	4	25301901	1 1/2	22900301	23102301	40410703
CHA2500CPA	4	25301701S	1 1/2	22900301	23102301	40410703
CHA2500DPA	4	25301701S	1 1/2	22900301	23102301	40410703
CHA2500CTA	4	25301101	1 1/2	22900101	23102301	40410703
CHA2500DTA	4	25301101	1 1/2	22900101	23102301	40410703
CHA2500EPA	4	25301901	1 1/2	22900301	23102301	40410703
CHA2440CPA	4	25301801S	1 1/2	22900101	23102301	40410703
CHA2440DPA	4	25301801S	1 1/2	22900101	23102301	40410703
CHA2440CTA	4	25301101	1 1/2	22900101	23102301	40410703
CHA2440DTA	4	25301101	1 1/2	22900101	23102301	40410703
CHA2440EPA	4	25302001	1 1/2	22900101	23102301	40410703
CHA2780CPA	4	25301801S	1 1/2	22900101	23102301	40410703
CHA2780DPA	4	25301801S	1 1/2	22900101	23102301	40410703
CHA2780CTA	4	25301101	1 1/2	22900101	23102301	40410703
CHA2780DTA	4	25301101	1 1/2	22900101	23102301	40410703
CHA2780EPA	4	25302001	1 1/2	22900101	23102301	40410703

¹ Motors are mounted on rails - no motor mounts

Unit Size	Side Panel	Left Back Panel (Ref. Conn)
520, 630, 750, 859, 930, 1100	40834901	40834701
1170, 1400	40868201	40868101
1610	40846501	40846401
1900, 2160	40858401	40858601
2200, 2500	40858201	40858501
2440, 2780	40858401	40858601

CHE

Nomenclature Example:

CH	E	850	C	P	A
Climate Control Large Unit Cooler	Fins Per Inch/Defrost E = 6 FPI Electric Defrost	Capacity x 100 (Standard motor/fan blade)	Voltage Code B = 208-230/1/60 M = 460/1/60 C = 208-230/3/60 X = 380/400/3/50 D = 460/3/60 Y = 200/220/1/50 E = 575/3/60	Optional Motor Code T = Total Enclosed Motors V = High CFM Option P = 3 Phase Motor	Vintage

Model No.	# Fans	Motors ¹	Blades	Guards	Coil Heater	Qty	Drn Pan Htr*	Drain Pan
CHE450BA	2	25305701S	22901101	23102201	24711201	6	24711301	40402003
CHE450CA	2	25305701S	22901101	23102201	24711201	6	24711301	40402003
CHE450CPA	2	7072102S	5133C	23102201	24711201	6	24711301	40402003
CHE450DA	2	25305801S	22901101	23102201	24711201	6	24711301	40402003
CHE450DPA	2	7072102	5133C	23102201	24711201	6	24711301	40402003
CHE450CTA	2	25301001	5133C	23102201	24711201	6	24711301	40402003
CHE450DTA	2	25301001	5133C	23102201	24711201	6	24711301	40402003
CHE450EPA	2	25307901	5133C	23102201	24711801	6	24711901	40402003
CHE450CVA	2	5916FS	22901201	23102201	24711201	6	24711301	40402003
CHE450DVA	2	5916FS	22901201	23102201	24711201	6	24711301	40402003
CHE550BA	2	25305701S	22901101	23102201	24711201	6	24711301	40402003
CHE550CA	2	25305701S	22901101	23102201	24711201	6	24711301	40402003
CHE550CPA	2	7072102S	5133C	23102201	24711201	6	24711301	40402003
CHE550DA	2	25305801S	22901101	23102201	24711201	6	24711301	40402003
CHE550DPA	2	7072102S	5133C	23102201	24711201	6	24711301	40402003
CHE550CTA	2	25301001	5133C	23102201	24711201	6	24711301	40402003
CHE550DTA	2	25301001	5133C	23102201	24711201	6	24711301	40402003
CHE550EPA	2	25307901	5133C	23102201	24711801	6	24711901	40402003
CHE550CVA	2	5916F	22901201	23102201	24711201	6	24711301	40402003
CHE550DVA	2	5916F	22901201	23102201	24711201	6	24711301	40402003
CHE640CA	3	25305701S	22901101	23102201	24711202	6	24711302	40401803
CHE640CPA	3	7072102S	5133C	23102201	24711202	6	24711302	40401803
CHE640DA	3	25305801S	22901101	23102201	24711202	6	24711302	40401803
CHE640DPA	3	7072102S	5133C	23102201	24711202	6	24711302	40401803
CHE640CTA	3	25301001	5133C	23102201	24711202	6	24711302	40401803
CHE640DTA	3	25301001	5133C	23102201	24711202	6	24711302	40401803
CHE640EPA	3	25307901	5133C	23102201	24711802	6	24711902	40401803
CHE640CVA	3	5916F	22901201	23102201	24711202	6	24711302	40401803
CHE640DVA	3	5916F	22901201	23102201	24711202	6	24711302	40401803
CHE740CA	3	25305701S	22901101	23102201	24711202	6	24711302	40401803
CHE740CPA	3	7072102S	5133C	23102201	24711202	6	24711302	40401803
CHE740DA	3	25305801S	22901101	23102201	24711202	6	24711302	40401803
CHE740DPA	3	7072102S	5133C	23102201	24711202	6	24711302	40401803
CHE740CTA	3	25301001	5133C	23102201	24711202	6	24711302	40401803
CHE740DTA	3	25301001	5133C	23102201	24711202	6	24711302	40401803
CHE740EPA	3	25307901	5133C	23102201	24711802	6	24711902	40401803
CHE740CVA	3	5916F	22901201	23102201	24711202	6	24711302	40401803
CHE740DVA	3	5916F	22901201	23102201	24711202	6	24711302	40401803
CHE810CA	4	25305701S	22901101	23102201	24711203	6	24710305	40401803
CHE810CPA	4	7072102S	5133C	23102203	24711203	6	24710305	40401803
CHE810DA	4	25305801S	22901101	23102201	24711203	6	24710305	40401803
CHE810DPA	4	7072102S	5133C	23102201	24711203	6	24710305	40401403
CHE810CTA	4	25301001	5133C	23102203	24711203	6	24710305	40401403
CHE810DTA	4	25301001	5133C	23102201	24711203	6	24710305	40401403
CHE810EPA	4	25307901	5133C	23102203	24711803	6	24711105	40401803
CHE810CVA	4	5916F	22901201	23102203	24711203	6	24710305	40401803
CHE810DVA	4	5916F	22901201	23102203	24711203	6	24710305	40401803

Heater Limit T'Stat - Part No. 5708L

Defrost Termination & Fan Delay - Part No. 4267W

¹ Motors are mounted on rails - no motor mounts

*(2) Pan Heaters required per unit

Heater clips 400-1390 - Part No. 23308101

Model No.	# Fans	Motors ¹	Blades	Guards	Coil Heater	Qty	Drn Pan Htr*	Drain Pan
CHE950CA	4	25305701S	22901101	23102201	24711203	6	24710305	40401403
CHE950CPA	4	7072102S	5133C	23102201	24711203	6	24710305	40401403
CHE950DA	4	25305801S	22901101	23102201	24711203	6	24710305	40401403
CHE950DPA	4	7072102S	5133C	23102201	24711203	6	24710305	40401403
CHE950CTA	4	25301001	5133C	23102201	24711203	6	24710305	40401403
CHE950DTA	4	25301001	5133C	23102201	24711203	6	24710305	40401403
CHE950EPA	4	25307901	5133C	23102201	24711203	6	24710305	40401403
CHE950CVA	4	5916F	22901201	23102201	24711203	6	24710305	40401403
CHE950DVA	4	5916F	22901201	23102201	24711203	6	24710305	40401403

Heater Limit T'Stat - Part No. 5708L

*(2) Pan Heaters required per unit

Defrost Termination & Fan Delay - Part No. 4267W

Heater clips 400-1390 - Part No. 23308101

¹ Motors are mounted on rails - no motor mounts

Model No.	# Fans	Motors ⁴	Blades	Guards	Coil Heater	Qty	Pan Heater*	Drain Pan
CHE1020CPA	3	2538000S ¹	22900401	23102301	24711203	8	24710305	40402103
CHE1020DPA	3	2538000S ¹	22900401	23102301	24711203	8	24710305	40402103
CHE1020CTA	3	25301101 ²	22901501	23102301	24711203	8	24710305	40402103
CHE1020DTA	3	25301101 ²	22901501	23102301	24711203	8	24710305	40402103
CHE1020EPA	3	25301901 ²	22900401	23102301	24711803	8	24711105	40402103
CHE1020CVA	3	5926J ³	22901401	23102301	24711203	8	24710305	40402103
CHE1020DVA	3	5926J ³	22901401	23102301	24711203	8	24710305	40402103
CHE1200CPA	3	2538000S ¹	22900401	23102301	24711203	8	24710305	40402103
CHE1200DPA	3	2538000S ¹	22900401	23102301	24711203	8	24710305	40402103
CHE1200CTA	3	25301101 ²	22901501	23102301	24711203	8	24710305	40402103
CHE1200DTA	3	25301101 ²	22901501	23102301	24711203	8	24710305	40402103
CHE1200EPA	3	25301901 ²	22900401	23102301	24711803	8	24711105	40402103
CHE1200CVA	3	5926J ³	22901401	23102301	24711203	8	24710305	40402103
CHE1200DVA	3	5926J ³	22901401	23102301	24711203	8	24710305	40402103
CHE1390CPA	3	25301701 ² S	22900301	23102301	24711203	8	24710305	40402103
CHE1390DPA	3	25301701 ² S	22900301	23102301	24711203	8	24710305	40402103
CHE1390CTA	3	25301101 ²	22901501	23102301	24711203	8	24710305	40402103
CHE1390DTA	3	25301101 ²	22901501	23102301	24711203	8	24710305	4042103
CHE1390EPA	3	25301901 ²	22900301	23102301	24711803	8	24711105	40402103
CHE1390CVA	3	5926J ³	22901401	23102301	24711203	8	24710305	40402103
CHE1390DVA	3	5926J ³	22901401	23102301	24711203	8	24710305	40402103

¹ 1 HP motors

*(2) Pan Heaters required per unit

² 1 1/2 HP Motors

Heater Limit T'Stat - Part No. 4752C

³ 3 HP Motors

Defrost Termination & Fan Delay - Part No. 4267W

⁴ Motors are mounted on rails - no motor mounts

Heater clips 400-1390 - Part No. 23308101

Model No.	No. Fans	Motors ¹	Blades	Guards	Coil Heater	Qty	Drain Pan Heater*	Drain Pan
CHE1650CPA	3	25 301801S	22900101	23102301	24711401	28	24710306	40410403
CHE1650DPA	3	25301801S	22900101	23102301	24711401	28	24710306	40410403
CHE1650CTA	3	25301101	22900101	23102301	24711401	28	24710306	40410403
CHE1650DTA	3	25301101	22900101	23102301	24711401	28	24710306	40410403
CHE1650EPA	3	25302001	22900101	23102301	24712001	28	24711106	40410403
CHE1650CVA	3	5926J	22901401	23102301	24711401	28	24710306	40410403
CHE1650DVA	3	25301801S	22900101	23102301	24711401	28	24710306	40410403
CHE1650CPB	3	25301801S	22900101	23102301	24712301	14	24710306	40410403
CHE1650DPB	3	25301801S	22900101	23102301	24711401	28	24710306	40410403
CHE1650CTB	3	25301101	22900101	23102301	24712301	14	24710306	40410403
CHE1650DTB	3	25301101	22900101	23102301	24712301	14	24710306	40410403
CHE1650EPB	3	25302001	22900101	23102301	24712302	14	24711106	40410403
CHE1650CVB	3	5926J	22901401	23102301	24712301	14	24710306	40410403
CHE1650DVB	3	25301801S	22900101	23102301	24711401	28	24710306	40410403

Defrost Control-Fan Delay - Part No. 2894267

Heater Limit T'Stat - Part No. 28908601

¹ Motors are mounted on rails - no motor mounts

* (2) Pan Heaters required per unit

Heater clips1650-2120 - Part No. 23307101

Model No.	No. Fans	Motors ¹	Blades	Guards	Coil Heater	Qty	Drain Pan Heater*	Drain Pan
CHE2120CPA	4	25301801S	22900101	23102301	24711403	28	24711402	40410703
CHE2120DPA	4	25301801S	22900101	23102301	24711403	28	24711402	40410703
CHE2120CTA	4	25301101	22900101	23102301	24711403	28	24711402	40410703
CHE2120DTA	4	25301101	22900101	23102301	24711403	28	24711402	40410703
CHE2120EPA	4	25302001	22900101	23102301	24712003	28	24712002	40410703
CHE2120CVA	4	5926J	22901401	23102301	24711403	28	24711402	40410703
CHE2120DVA	4	5926J	22901401	23102301	24711403	28	24711402	40410703

Defrost Control-Fan Delay - Part No. 2894267

Heater Limit T'Stat - Part No. 28908601

¹ Motors are mounted on rails - no motor mounts

* (4) Pan Heaters required per unit

Heater clips1650-2120 - Part No. 23307101

Model Size Electric & Hot Gas Defrost	Side Panel	Left Back Panel (Ref. Conn)
400,450,480,550	40834901	40834701
560,640,650,740	40834901	40834701
710,810,840,950	40834901	40834701
890,1020,1050,1200	40868201	40868101
1200,1390	40846501	40846401
1440,1650	40858401	40858601
1860,2120	40858401	40858601

Nomenclature Example:

CH	F	850	C	P	A
Climate Control Large Unit Cooler	Fins Per Inch/Defrost		Voltage Code	Optional Motor Code	Vintage
	F = 4 FPI Hot Gas Defrost	Capacity x 100 (Standard motor/fan blade)	B = 208-230/1/60 M = 460/1/60 C = 208-230/3/60 X = 380/400/3/50 D = 460/3/60 Y = 200/220/1/50 E = 575/3/60	T = Total Enclosed Motors V = High CFM Option P = 3 Phase Motor	

Model No.	No. Fans	Motors ¹	HP	Blades	Guards	Drain Pan Heater*	Electric Drain Pan	Hot Gas Drain Pan
CHF400BA	2	25305701S	1/2	22901101	23102203	24711301	40402003	40402002
CHF400MA	2	25305801S	1/2	22901101	23102203	24711301	40402003	40402002
CHF400CPA	2	7072102S	3/4	5133C	23102203	24711301	40402003	40402002
CHF400DPA	2	7072102S	3/4	5133C	23102203	24711301	40402003	40402002
CHF400CTA	2	25301001	1	5133C	23102203	24711301	40402003	40402002
CHF400DTA	2	25301001	1	5133C	23102203	24711301	40402003	40402002
CHF400EPA	2	25307901	1/2	5133C	23102203	24711901	40402003	40402002
CHF400CVA	2	5916F	2	22901201	23102203	24711301	40402003	40402002
CHF400DVA	2	5916F	2	22901201	23102203	24711301	40402003	40402002
CHF480BA	2	25305701S	1/2	22901101	23102203	24711301	40402003	40402002
CHF480MA	2	25305801S	1/2	22901101	23102203	24711301	40402003	40402002
CHF480CPA	2	7072102S	3/4	5133C	23102203	24711301	40402003	40402002
CHF480DPA	2	7072102S	3/4	5133C	23102203	24711301	40402003	40402002
CHF480CTA	2	25301001	1	5133C	23102203	24711301	40402003	40402002
CHF480DTA	2	25301001	1	5133C	23102203	24711301	40402003	40402002
CHF480EPA	2	25307901	1/2	5133C	23102203	24711901	40402003	40402002
CHF480CVA	2	5916F	2	22901201	23102203	24711301	40402003	40402002
CHF480DVA	2	5916F	2	22901201	23102203	24711301	40402003	40402002
CHF560BA	3	25305701S	1/2	22901101	23102203	24711302	40401803	40401802
CHF560CA	3	25305701S	1/2	22901101	23102203	24711302	40401803	40401802
CHF560CPA	3	7072102S	3/4	5133C	23102203	24711302	40401803	40401802
CHF560DA	3	25305801S	1/2	22901101	23102203	24711302	40401803	40401802
CHF560DPA	3	7072102S	3/4	5133C	23102203	24711302	40401803	40401802
CHF560CTA	3	25301001	1	5133C	23102203	24711302	40401803	40401802
CHF560DTA	3	25301001	1	5133C	23102203	24711302	40401803	40401802
CHF560EPA	3	25307901	1/2	5133C	23102203	24711902	40401803	40401802
CHF560CVA	3	5916F	2	22901201	23102203	24711302	40401803	40401802
CHF560DVA	3	5916F	2	22901201	23102203	24711302	40401803	40401802
CHF650BA	3	25305701S	1/2	22901101	23102203	24711302	40401803	40401802
CHF650CA	3	25305701S	1/2	22901101	23102203	24711302	40401803	40401802
CHF650CPA	3	7072102S	3/4	5133C	23102203	24711302	40401803	40401802
CHF650DA	3	25305801S	1/2	22901101	23102203	24711302	40401803	40401802
CHF650DPA	3	7072102S	3/4	5133C	23102203	24711302	40401803	40401802
CHF650CTA	3	25301001	1	5133C	23102203	24711302	40401803	40401802
CHF650DTA	3	25301001	1	5133C	23102203	24711302	40401803	40401802
CHF650EPA	3	25307901	1/2	5133C	23102203	24711902	40401803	40401802
CHF650CVA	3	5916F	2	22901201	23102203	24711302	40401803	40401802
CHF650DVA	3	5916F	2	22901201	23102203	24711302	40401803	40401802

Thermostat Part No. 5893Q

*Quantity of 2 used only on electric model

Defrost Term & Fan Delay Part No. 4267W

¹ Motors are mounted on rails - no motor mounts

Model No.	No. Fans	Motors ¹	HP	Blades	Guards	Drain Pan Heater*	Electric Drain Pan	Hot Gas Drain Pan
CHF710BA	4	25305701S	1/2	22901101	23102201	24710305	40401403	40401402
CHF710CA	4	25305701S	1/2	22901101	23102201	24710305	40401403	40401402
CHF710CPA	4	7072102S	3/4	5133C	23102201	24710305	40401403	40401402
CHF710DA	4	25305801S	1/2	22901101	23102201	24710305	40401403	40401402
CHF710DPA	4	7072102S	3/4	5133C	23102201	24710305	40401403	40401402
CHF710CTA	4	25301001	1	5133C	23102201	24710305	40401403	40401402
CHF710DTA	4	25301001	1	5133C	23102201	24710305	40401403	40401402
CHF710EPA	4	25307901	1/2	5133C	23102201	24711105	40401403	40401402
CHF710CVA	4	5916F	2	22901201	23102201	24710305	40401403	40401402
CHF710DVA	4	5916F	2	22901201	23102201	24710305	40401403	40401402
CHF840BA	4	25305701S	1/2	22901101	23102201	24710305	40401403	40401402
CHF840CA	4	25305701S	1/2	22901101	23102201	24710305	40401403	40401402
CHF840CPA	4	7072102S	3/4	5133C	23102201	24710305	40401403	40401402
CHF840DA	4	25305801S	1/2	22901101	23102201	24710305	40401403	40401402
CHF840DPA	4	7072102S	3/4	5133C	23102201	24710305	40401403	40401402
CHF840CTA	4	25301001	1	5133C	23102201	24710305	40401403	40401402
CHF840DTA	4	25301001	1	5133C	23102201	24710305	40401403	40401402
CHF840EPA	4	25307901	1/2	5133C	23102201	24711105	40401403	40401402
CHF840CVA	4	5916F	2	22901201	23102201	24710305	40401403	40401402
CHF840DVA	4	5916F	2	22901201	23102201	24710305	40401403	40401402
CHF890CPA	3	2538000S	1	22900401	23102301	24710305	40401403	40401402
CHF890DPA	3	2538000S	1	22900401	23102301	24710305	40401403	40401402
CHF890CTA	3	25301101	1 1/2	22901501	23102301	24710305	40401403	40401402
CHF890DTA	3	25301101	1 1/2	22901501	23102301	24710305	40402103	40402102
CHF890EPA	3	25301901	1 1/2	22900401	23102301	24711105	40401403	40401402
CHF890CVA	3	5926J	3	22901401	23102301	24710305	40401403	40401402
CHF890DVA	3	5926J	3	22901401	23102301	24710305	40401403	40401402
CHF1050CPA	3	2538000S	1	22900401	23102301	24710305	40402103	40402102
CHF1050DPA	3	2538000S	1	22900401	23102301	24710305	40402103	40402102
CHF1050CTA	3	25301101	1 1/2	22901501	23102301	24710305	40402103	40402102
CHF1050DTA	3	25301101	1 1/2	22901501	23102301	24710305	40402103	40402102
CHF1050EPA	3	25301901	1 1/2	22900401	23102301	24711105	40402103	40402102
CHF1050CVA	3	5926J	3	22901401	23102301	24710305	40402103	40402102
CHF1050DVA	3	5926J	3	22901401	23102301	24710305	40402103	40402102
CHF1220CPA	3	25301701S	1 1/2	22900301	23102301	24710305	40402103	40402102
CHF1220DPA	3	25301701S	1 1/2	22900301	23102301	24710305	40402103	40402102
CHF1220CTA	3	25301101	1 1/2	22901501	23102301	24710305	40402103	40402102
CHF1220DTA	3	25301101	1 1/2	22901501	23102301	24710305	40402103	40402102
CHF1220EPA	3	25301901	1 1/2	22900301	23102301	24711105	40402103	40402102
CHF1220CVA	3	5926J	3	22901401	23102301	24710305	40402103	40402102
CHF1220DVA	3	5926J	3	22901401	23102301	24710305	40402103	40402102

Thermostat Part No. 5893Q

Defrost Term & Fan Delay Part No. 4267W

¹ Motors are mounted on rails - no motor mounts

*Quantity of 2 used only on electric model

Model No.	No. Fans	Motors ¹	HP	Blades	Guards	Drain Pan Heater*	Electric Drain Pan	Hot Gas Drain Pan
CHF1440CPA	3	25301801S	1 1/2	22900101	23102301	24710306	40410403	40410402
CHF1440DPA	3	25301801S	1 1/2	22900101	23102301	24710306	40410403	40410402
CHF1440CTA	3	25301101	1 1/2	22900101	23102301	24710306	40410403	40410402
CHF1440DTA	3	25301101	1 1/2	22900101	23102301	24710306	40410403	40410402
CHF1440EPA	3	25302001	1 1/2	22900101	23102301	24711106	40410403	40410402
CHF1440CVA	3	5926J	3	22901401	23102301	24710306	40410403	40410402
CHF1440DVA	3	5926J	3	22901401	23102301	24710306	40410403	40410402

Thermostat Part No. 2890002

*Quantity of 2 used only on electric model

Defrost Term & Fan Delay Part No. 2894267

¹ Motors are mounted on rails - no motor mounts

Model No.	No. Fans	Motors ¹	HP	Blades	Guards	Drain Pan Heater*	Electric Drain Pan	Hot Gas Drain Pan
CHF1860CPA	4	25301801S	1 1/2	22900101	23102301	24711402	40410403	40410402
CHF1860DPA	4	25301801S	1 1/2	22900101	23102301	24711402	40410403	40410402
CHF1860CTA	4	25301101	1 1/2	22900101	23102301	24711402	40410403	40410402
CHF1860DTA	4	25301101	1 1/2	22900101	23102301	24711402	40410703	40410701
CHF1860EPA	4	25302001	1 1/2	22900101	23102301	24712002	40410403	40410402
CHF1860CVA	4	5926J	3	22901401	23102301	24711402	40410403	40410402
CHF1860DVA	4	5926J	3	22901401	23102301	24711402	40410403	40410402

Thermostat Part No. 2890002

*Quantity of 4 used only on electric model

Defrost Term & Fan Delay Part No. 2894267

¹ Motors are mounted on rails - no motor mounts

Model Size Electric & Hot Gas Defrost	Side Panel	Left Back Panel (Ref. Conn)
400,450,480,550	40834901	40834701
560,640,650,740	40834901	40834701
710,810,840,950	40834901	40834701
890,1020,1050,1200	40868201	40868101
1200,1390	40846501	40846401
1440,1650	40858401	40858601
1860,2120	40858401	40858601

Nomenclature Example:

CH	G	850	C	P	A
Climate Control Large Unit Cooler	Fins Per Inch/Defrost		Voltage Code	Optional Motor Code	Vintage
	G = 6 FPI Hot Gas Defrost	Capacity x 100 (Standard motor/fan blade)	B = 208-230/1/60 M = 460/1/60 C = 208-230/3/60 X = 380/400/3/50 D = 460/3/60 Y = 200/220/1/50 E = 575/3/60	T = Total Enclosed Motors V = High CFM Option P = 3 Phase Motor	

Model No.	No. Fans	Motors ¹	HP	Blades	Guards	Drain Pan Heater*	Electric Drain Pan	Hot Gas Drain Pan
CHG450BA	2	25305701S	1/2	22901101	23102201	24711301	40402003	40402002
CHG450MA	2	25305801S	1/2	22901101	23102201	24711301	40402003	40402002
CHG450CPA	2	7072102S	3/4	5133C	23102201	24711301	40402003	40402002
CHG450DPA	2	7072102S	3/4	5133C	23102201	24711301	40402003	40402002
CHG450CTA	2	25301001	1	5133C	23102201	24711301	40402003	40402002
CHG450DTA	2	25301001	1	5133C	23102201	24711301	40402003	40402002
CHG450EPA	2	25307901	1/2	5133C	23102201	24711901	40402003	40402002
CHG450CVA	2	5916F	2	22901201	23102201	24711301	40402003	40402002
CHG450DVA	2	5916F	2	22901201	23102201	24711301	40402003	40402002
CHG550BA	2	25305701S	1/2	22901101	23102201	24711301	40402003	40402002
CHG550MA	2	25305801S	1/2	22901101	23102201	24711301	40402003	40402002
CHG550CPA	2	7072102S	3/4	5133C	23102201	24711301	40402003	40402002
CHG550DPA	2	7072102S	3/4	5133C	23102201	24711301	40402003	40402002
CHG550CTA	2	25301001	1	5133C	23102201	24711301	40402003	40402002
CHG550DTA	2	25301001	1	5133C	23102201	24711301	40402003	40402002
CHG550EPA	2	25307901	1/2	5133C	23102201	24711901	40402003	40402002
CHG550CVA	2	5916F	2	22901201	23102201	24711301	40402003	40402002
CHG550DVA	2	5916F	2	22901201	23102201	24711301	40402003	40402002
CHG640BA	3	25305701S	1/2	22901101	23102201	24711302	40401803	40401802
CHG640CA	3	25305701S	1/2	22901101	23102201	24711302	40401803	40401802
CHG640CPA	3	7072102S	3/4	5133C	23102201	24711302	40401803	40401802
CHG640DA	3	25305801S	1/2	22901101	23102201	24711302	40401803	40401802
CHG640DPA	3	7072102S	3/4	5133C	23102201	24711302	40401803	40401802
CHG640CTA	3	25301001	1	5133C	23102201	24711302	40401803	40401802
CHG640DTA	3	25301001	1	5133C	23102201	24711302	40401803	40401802
CHG640EPA	3	25307901	1/2	5133C	23102201	24711902	40401803	40401802
CHG640CVA	3	5916F	2	22901201	23102201	24711302	40401803	40401802
CHG640DVA	3	5916F	2	22901201	23102201	24711302	40401803	40401802
CHG740BA	3	25305701S	1/2	22901101	23102201	24711302	40401803	40401802
CHG740CA	3	25305701S	1/2	22901101	23102201	24711302	40401803	40401802
CHG740CPA	3	7072102S	3/4	5133C	23102201	24711302	40401803	40401802
CHG740DA	3	25305801S	1/2	22901101	23102201	24711302	40401803	40401802
CHG740DPA	3	7072102S	3/4	5133C	23102201	24711302	40401803	40401802
CHG740CTA	3	25301001	1	5133C	23102201	24711302	40401803	40401802
CHG740DTA	3	25301001	1	5133C	23102201	24711302	40401803	40401802
CHG740EPA	3	25307901	1/2	5133C	23102201	24711902	40401803	40401802
CHG740CVA	3	5916F	2	22901201	23102201	24711302	40401803	40401802
CHG740DVA	3	5916F	2	22901201	23102201	24711302	40401803	40401802

Thermostat Part No. 5893Q

Defrost Term & Fan Delay Part No. 4267W

¹ Motors are mounted on rails - no motor mounts

*Quantity of 2 used only on electric model

Model No.	No. Fans	Motors ¹	HP	Blades	Guards	Drain Pan Heater	Electric Drain Pan	Hot Gas Drain Pan
CHG810BA	4	25305701S	1/2	22901101	23102201	24710305	40401403	40401402
CHG810CA	4	25305701S	1/2	22901101	23102201	24710305	40401403	40401402
CHG810CPA	4	7072102S	3/4	5133C	23102201	24710305	40401403	40401402
CHG810DA	4	25305801S	1/2	22901101	23102201	24710305	40401403	40401402
CHG810DPA	4	7072102S	3/4	5133C	23102201	24710305	40401403	40401402
CHG810CTA	4	25301001	1	5133C	23102201	24710305	40401403	40401402
CHG810DTA	4	25301001	1	5133C	23102201	24710305	40401403	40401402
CHG810EPA	4	25307901	1/2	5133C	23102201	24711105	40401403	40401402
CHG810CVA	4	5916F	2	22901201	23102201	24710305	40401403	40401402
CHG810DVA	4	5916F	2	22901201	23102201	24710305	40401403	40401402
CHG950BA	4	25305701S	1/2	22901101	23102201	24710305	40401403	40401402
CHG950CA	4	25305701S	1/2	22901101	23102201	24710305	40401403	40401402
CHG950CPA	4	7072102S	3/4	5133C	23102201	24710305	40401403	40401402
CHG950DA	4	25305801S	1/2	22901101	23102201	24710305	40401403	40401402
CHG950DPA	4	7072102S	3/4	5133C	23102201	24710305	40401403	40401402
CHG950CTA	4	25301001	1	5133C	23102201	24710305	40401403	40401402
CHG950DTA	4	25301001	1	5133C	23102201	24710305	40401403	40401402
CHG950EPA	4	25307901	1/2	5133C	23102201	24711105	40401403	40401402
CHG950CVA	4	5916F	2	22901201	23102201	24710305	40401403	40401402
CHG950DVA	4	5916F	2	22901201	23102201	24710305	40401403	40401402
CHG1020CPA	3	2538000S	1	22900401	23102301	24710305	40402103	40402102
CHG1020DPA	3	2538000S	1	22900401	23102301	24710305	40402103	40402102
CHG1020CTA	3	25301101	1 1/2	22901501	23102301	24710305	40402103	40402102
CHG1020DTA	3	25301101	1 1/2	22901501	23102301	24710305	40402103	40402102
CHG1020EPA	3	25301901	1 1/2	22900401	23102301	24711105	40402103	40402102
CHG1020CVA	3	5926J	3	22901401	23102301	24710305	40402103	40402102
CHG1020DVA	3	5926J	3	22901401	23102301	24710305	40402103	40402102
CHG1200CPA	3	2538000S	1	22900401	23102301	24710305	40402103	40402102
CHG1200DPA	3	2538000S	1	22900401	23102301	24710305	40402103	40402102
CHG1200CTA	3	25301101	1 1/2	22901501	23102301	24710305	40402103	40402102
CHG1200DTA	3	25301101	1 1/2	22901501	23102301	24710305	40402103	40402102
CHG1200EPA	3	25301901	1 1/2	22900401	23102301	24711105	40402103	40402102
CHG1200CVA	3	5926J	3	22901401	23102301	24710305	40402103	40402102
CHG1200DVA	3	5926J	3	22901401	23102301	24710305	40402103	40402102
CHG1390CPA	3	25301701S	1 1/2	22900301	23102301	24710305	40402103	40402102
CHG1390DPA	3	25301701S	1 1/2	22900301	23102301	24710305	40402103	40402102
CHG1390CTA	3	25301101	1 1/2	22901501	23102301	24710305	40402103	40402102
CHG1390DTA	3	25301101	1 1/2	22901501	23102301	24710305	40402103	40402102
CHG1390EPA	3	25301901	1 1/2	22900301	23102301	24711105	40402103	40402102
CHG1390CVA	3	5926J	3	22901401	23102301	24710305	40402103	40402102
CHG1390DVA	3	5926J	3	22901401	23102301	24710305	40402103	40402102

Climate Control

Thermostat Part No. 5893Q

*Quantity of 2 used only on electric model

Defrost Term & Fan Delay Part No. 4267W

¹ Motors are mounted on rails - no motor mounts

Model No.	No. Fans	Motors ¹	HP	Blades	Guards	Drain Pan Heater	Electric Drain Pan	Hot Gas Drain Pan
CHG1650CPA	3	25301801S	1 1/2	22900101	23102301	24710306	40410403	40410402
CHG1650DPA	3	25301801S	1 1/2	22900101	23102301	24710306	40410403	40410402
CHG1650CTA	3	25301101	1 1/2	22900101	23102301	24710306	40410403	40410402
CHG1650DTA	3	25301101	1 1/2	22900101	23102301	24710306	40410403	40410402
CHG1650EPA	3	25302001	1 1/2	22900101	23102301	24711106	40410403	40410402
CHG1650CVA	3	5926J	3	22901401	23102303	24710306	40410403	40410402
CHG1650DVA	3	5926J	3	22901401	23102303	24710306	40410403	40410402

Thermostat Part No. 2890002

*Quantity of 2 used only on electric model

Defrost Term & Fan Delay Part No. 2894267

¹ Motors are mounted on rails - no motor mounts

Model No.	No. Fans	Motors ¹	HP	Blades	Guards	Drain Pan Heater	Electric Drain Pan	Hot Gas Drain Pan
CHG2120CPA	4	25301801S	1 1/2	22900101	23102303	24711402	40410703	40410701
CHG2120DPA	4	25301801S	1 1/2	22900101	23102303	24711402	40410703	40410701
CHG2120CTA	4	25301101	1 1/2	22900101	23102303	24711402	40410703	40410701
CHG2120DTA	4	25301101	1 1/2	22900101	23102303	24711402	40410703	40410701
CHG2120EPA	4	25302001	1 1/2	22900101	23102303	24712002	40410703	40410701
CHG2120CVA	4	5926J	3	22901401	23102303	24711402	40410703	40410701
CHG2120DVA	4	5926J	3	22901401	23102303	24711402	40410703	40410701

Thermostat Part No. 2890002

*Quantity of 4 used only on electric model

Defrost Term & Fan Delay Part No. 2894267

¹ Motors are mounted on rails - no motor mounts

Model Size Electric & Hot Gas Defrost	Side Panel	Left Back Panel (Ref. Conn)
400,450,480,550	40834901	40834701
560,640,650,740	40834901	40834701
710,810,840,950	40834901	40834701
890,1020,1050,1200	40868201	40868101
1200,1390	40846501	40846401
1440,1650	40858401	40858601
1860,2120	40858401	40858601

Nomenclature Example:

CH	L	850	C	P	A
Climate Control Large Unit Cooler	Fins Per Inch/Defrost		Voltage Code	Optional Motor Code	Vintage
	L = 4 FPI Electric Defrost	Capacity x 100 (Standard motor/fan blade)	B = 208-230/1/60 M = 460/1/60 C = 208-230/3/60 X = 380/400/3/50 D = 460/3/60 Y = 200/220/1/50 E = 575/3/60	T = Total Enclosed Motors V = High CFM Option P = 3 Phase Motor	

Model No.	# Fans	Motors ¹	Blades	Guards	Coil Heater	Qty	Pan Heater*	Drain Pan
CHL400BA	2	25305701S	22901101	23102201	24711201	6	24711301	40402003
CHL400CA	2	25305701S	22901101	23102201	24711201	6	24711301	40402003
CHL400CPA	2	7072102S	5133C	23102201	24711201	6	24711301	40402003
CHL400DA	2	25305801S	22901101	23102201	24711201	6	24711301	40402003
CHL400DPA	2	7072102S	5133C	23102201	24711201	6	24711301	40402003
CHL400CTA	2	25301001	5133C	23102201	24711201	6	24711301	40402003
CHL400DTA	2	25301001	5133C	23102201	24711201	6	24711301	40402003
CHL400EPA	2	25307901	5133C	23102201	24711801	6	24711901	40402003
CHL400CVA	2	5916F	22901201	23102201	24711201	6	24711301	40402003
CHL400DVA	2	5916F	22901201	23102201	24711201	6	24711301	40402003
CHL480BA	2	25305701S	22901101	23102201	24711201	6	24711301	40402003
CHL480CA	2	25305701S	22901101	23102201	24711201	6	24711301	40402003
CHL480CPA	2	7072102S	5133C	23102201	24711201	6	24711301	40402003
CHL480DA	2	25305801S	22901101	23102201	24711201	6	24711301	40402003
CHL480DPA	2	7072102S	5133C	23102201	24711201	6	24711301	40402003
CHL480CTA	2	25301001	5133C	23102201	24711201	6	24711301	40402003
CHL480DTA	2	25301001	5133C	23102201	24711201	6	24711301	40402003
CHL480EPA	2	25307901	5133C	23102201	24711801	6	24711901	40402003
CHL480CVA	2	5916F	22901201	23102201	24711201	6	24711301	40402003
CHL480DVA	2	5916F	22901201	23102201	24711201	6	24711301	40402003
CHL560CA	3	25305701S	22901101	23102201	24711202	6	24711302	40401803
CHL560CPA	3	7072102S	5133C	23102201	24711202	6	24711302	40401803
CHL560DA	3	25305801S	22901101	23102201	24711202	6	24711302	40401803
CHL560DPA	3	7072102S	5133C	23102201	24711202	6	24711302	40401803
CHL560CTA	3	25301001	5133C	23102201	24711202	6	24711302	40401803
CHL560DTA	3	25301001	5133C	23102201	24711202	6	24711302	40401803
CHL560EPA	3	25307901	5133C	23102201	24711802	6	24711902	40401803
CHL560CVA	3	5916F	22901201	23102201	24711202	6	24711302	40401803
CHL560DVA	3	5916F	22901201	23102201	24711202	6	24711302	40401803
CHL650CA	3	25305701S	22901101	23102201	24711202	6	24711302	40401803
CHL650CPA	3	7072102S	5133C	23102201	24711202	6	24711302	40401803
CHL650DA	3	25305801S	22901101	23102201	24711202	6	24711302	40401803
CHL650DPA	3	7072102S	5133C	23102201	24711202	6	24711302	40401803
CHL650CTA	3	25301001	5133C	23102201	24711202	6	24711302	40401803
CHL650DTA	3	25301001	5133C	23102201	24711202	6	24711302	40401803
CHL650EPA	3	25307901	5133C	23102201	24711802	6	24711902	40401803
CHL650CVA	3	5916F	22901201	23102201	24711202	6	24711302	40401803
CHL650DVA	3	5916F	22901201	23102201	24711202	6	24711302	40401803
CHL710CA	4	25305701S	22901101	23102201	24711203	6	24710305	40401403
CHL710CPA	4	7072102S	5133C	23102201	24711203	6	24710305	40401403
CHL710DA	4	25305801S	22901101	23102201	24711203	6	24710305	40401403
CHL710DPA	4	7072102S	5133C	23102201	24711203	6	24710305	40401403
CHL710CTA	4	25301001	5133C	23102201	24711203	6	24710305	40401403
CHL710DTA	4	25301001	5133C	23102201	24711203	6	24710305	40401403
CHL710EPA	4	25307901	5133C	23102201	24711803	6	24711105	40401403
CHL710CVA	4	5916F	22901201	23102201	24711203	6	24710305	40401403
CHL710DVA	4	5916F	22901201	23102201	24711203	6	24710305	40401403

Heater Limit T'Stat - Part No. 5708L

Defrost Termination & Fan Delay - Part No. 4267W

¹ Motors are mounted on rails - no motor mounts

*(2) Pan Heaters required per unit

Heater clips 400-1390 - Part No. 23308101

Model No.	# Fans	Motors ¹	Blades	Guards	Coil Heater	Qty	Pan Heater*	Drain Pan
CHL840CA	4	25305701S	22901101	23102201	24711203	6	24710305	40401403
CHL840CPA	4	7072102S	5133C	23102201	24711203	6	24710305	40401403
CHL840DA	4	25305801S	22901101	23102201	24711203	6	24710305	40401403
CHL840DPA	4	7072102S	5133C	23102201	24711203	6	24710305	40401403
CHL840CTA	4	25301001	5133C	23102201	24711203	6	24710305	40401403
CHL840DTA	4	25301001	5133C	23102201	24711203	6	24710305	40401403
CHL840EPA	4	25307901	5133C	23102201	24711803	6	24711105	40401403
CHL840CVA	4	5916F	22901201	23102201	24711203	6	24710305	40401403
CHL840DVA	4	5916F	22901201	23102201	24711203	6	24710305	40401403

Heater Limit T'Stat - Part No. 5708L

*(2) Pan Heaters required per unit

Defrost Termination & Fan Delay - Part No. 4267W

Heater clips 400-1390 - Part No. 23308101

Model No.	# Fans	Motors ¹	Blades	Guards	Coil Heater	Qty	Pan Heater*	Drain Pan
CHL890CPA	3	2538000S*	22900401	23102301	24711203	8	24710305	40402103
CHL890DPA	3	2538000S*	22900401	23102301	24711203	8	24710305	40402103
CHL890CTA	3	25301101**	22901501	23102301	24711203	8	24710305	40402103
CHL890DTA	3	25301101**	22901501	23102301	24711203	8	24710305	40402103
CHL890EPA	3	25301901**	22900401	23102301	24711803	8	24711105	40402103
CHL890CVA	3	5926J***	22901401	23102301	24711203	8	24710305	40402103
CHL890DVA	3	5926J***	22901401	23102301	24711203	8	24710305	40402103
CHL1050CPA	3	2538000S*	22900401	23102301	24711203	8	24710305	40402103
CHL1050DPA	3	2538000S*	22900401	23102301	24711203	8	24710305	40402103
CHL1050CTA	3	25301101**	22901501	23102301	24711203	8	24710305	40402103
CHL1050DTA	3	25301101**	22901501	23102301	24711203	8	24710305	40402103
CHL1050EPA	3	25301901**	22900401	23102301	24711803	8	24711105	40402103
CHL1050CVA	3	5926J***	22901401	23102301	24711203	8	24710305	40402103
CHL1050DVA	3	5926J***	22901401	23102301	24711203	8	24710305	40402103
CHL1220CPA	3	25301701S**	22900301	23102301	24711203	8	24710305	40402103
CHL1220DPA	3	25301701S**	22900301	23102301	24711203	8	24710305	40402103
CHL1220CTA	3	25301101**	22901501	23102301	24711203	8	24710305	40402103
CHL1220DTA	3	25301101**	22901501	23102301	24711203	8	24710305	4042103
CHL1220EPA	3	25301901**	22900301	23102301	24711803	8	24711105	40402103
CHL1220CVA	3	5926J***	22901401	23102301	24711203	8	24710305	40402103
CHL1220DVA	3	5926J***	22901401	23102301	24711203	8	24710305	40402103

* 1 HP motors

**1 1/2 HP Motors

*** 3 HP Motors

*(2) Pan Heaters required per unit

Heater Limit T'Stat - Part No. 4752C

Defrost Termination & Fan Delay - Part No. 4267W

Heater Clips 400-1390 - Part No. 23308101

¹ Motors are mounted on rails - no motor mounts

Model No.	# Fans	Motors ¹	Blades	Guards	Coil Heater	Qty	Pan Heater*	Drain Pan
CHL1440CPA	3	25301801S	22900101	23102303	24711401	28	24710306	40410403
CHL1440DPA	3	25301801S	22900101	23102303	24711401	28	24710306	40410403
CHL1440CTA	3	25301101	22900101	23102303	24711401	28	24710306	40410403
CHL1440DTA	3	25301101	22900101	23102303	24711401	28	24710306	40410403
CHL1440EPA	3	25302001	22900101	23102303	24712001	28	24711106	40410403
CHL1440CVA	3	5926J	22901401	23102303	24711401	28	24710306	40410403
CHL1440DVA	3	5926J	22901401	23102303	24711401	28	24710306	40410403
CHL1440CPB	3	25301801S	22900101	23102303	24712301	14	24710306	40410403
CHL1440DPB	3	25301801S	22900101	23102303	24712301	14	24710306	40410403
CHL1440CTB	3	25301101	22900101	23102303	24712301	14	24710306	40410403
CHL1440DTB	3	25301101	22900101	23102303	24712301	14	24710306	40410403
CHL1440EPB	3	25302001	22900101	23102303	24712302	14	24711106	40410403
CHL1440CVB	3	5926J	22901401	23102303	24712301	14	24710306	40410403
CHL1440DVB	3	5926J	22901401	23102303	24712301	14	24710306	40410403

Defrost Control-Fan Delay - Part No. 2894267

* (2) Pan Heaters required per unit

Heater Limit T'Stat - Part No. 28908601

Heater clips 1440-2120 - Part No. 23307101

¹ Motors are mounted on rails - no motor mounts

Model	# Fans	Motors ¹	Blades	Guards	Coil Heater	Qty	Pan Heater*	Drain Pan
CHL1860CPA	4	25301801S	22900101	23102303	24711403	28	24711402	40410703
CHL1860DPA	4	25301801S	22900101	23102303	24711403	28	24711402	40410703
CHL1860CTA	4	25301101	22900101	23102303	24711403	28	24711402	40410703
CHL1860DTA	4	25301101	22900101	23102303	24711403	28	24711402	40410703
CHL1860EPA	4	25302001	22900101	23102303	24712003	28	24712002	40410703
CHL1860CVA	4	5926J	22901401	23102303	24711403	28	24711402	40410703
CHL1860DVA	4	5926J	22901401	23102303	24711403	28	24711402	40410703

Defrost Control-Fan Delay - Part No. 2894267

* (4) Pan Heaters required per unit

Heater Limit T'Stat - Part No. 28908601

Heater clips 1440-2120 - Part No. 23307101

¹ Motors are mounted on rails - no motor mounts

Model Size Electric & Hot Gas Defrost	Side Panel	Left Back Panel (Refrig. Conn.)
400,450,480,550	40834901	40834701
560,640,650,740	40834901	40834701
710,810,840,950	40834901	40834701
890,1020,1050,1200	40868201	40868101
1200,1390	40846501	40846401
1440,1650	40858401	40858601
1860,2120	40858401	40858601

CHT/CST/CZT

Nomenclature Example:

C	Z	T	30	L	6	C	E
Model	Compressor	Application	Equiv. HP	Temp.	Refrigerant	Voltage	Identifier
C = Climate Control	H = Hermetic S = Semi-herm. Z = Scroll	T = Outdoor N = Indoor B = Bohmizer M = Beacon S = Beacon II	005=1/2 HP 008/009=3/4HP 010= 1 HP 01* = 1-1/2 HP 02*=2 HP 03*= 3 HP 04* = 4 HP 05* = 5 HP 060= 6HP	H=High L=Low M=Medium E=Extra Low X = Med./Low	2=R-22 6=R-404A/507	B=208-230/1/60 C=208/230/3/60 D=460/3/60 G=230/1/60	F=Stock

N = Indoor, T = Outdoor, S = Beacon II™

Unit Size	Compr	Motor For 230V Unit	Motor For 460V Unit	Fan Blade	Motor Mount		Head Pressure Valve	Front Grille
					Outdoor	Indoor		
005 to 014	All	25309101S(1)*	*25309101S(1)	22901601(1)	23104301(1)	23100901(1)	29317401	24100301
015	All	25309101S(2)*	*25309101S(2)	22901601(2)	23104301(2)	23100901(2)	29317401	24100201
019 to 020	Herm/Semi	25309101S(2)*	*25309101S(2)	22901601(2)	23104301(2)	23100901(2)	29317401	24100201
020	Scroll	25309101S(2)*	*25309101S(2)	22901601(2)	23104301(2)	23100901(2)	29317301	24100401
021	All	25309101S(2)*	*25309101S(2)	22901601(2)	23104301(2)	23100901(2)	29317401	24100201
025	Herm	25309101S(2)*	*25309101S(2)	22901601(2)	23104301(2)	23100901(2)	29317401	24100201
025	Scroll	25309101S(2)*	*25309101S(2)	22901601(2)	23104301(2)	23100901(2)	29317301	24100401
027	Semi	25309101S(2)*	*25309101S(2)	22901601(2)	23104301(2)	23100901(2)	29317301	24100401
029	Herm/Semi	25309101S(2)*	*25309101S(2)	22901601(2)	23104301(2)	23100901(2)	29317301	24100401
030	Herm	25309001S(1)	25309002(1)	7173156(1)	23102601(1)	23102701(1)	29317301	24100101
030 M6	Scroll	25309001S(1)	25309002(1)	7173156(1)	23102601(1)	23102701(1)	29317301	24100101
030 L6	Scroll	25309101S(2)*	25309101(2)*	22901601(2)	23104301(2)	23100901(2)	29317301	24100401
030 H2,M2,M6	Semi	25309001S(1)	25309002(1)	7173156(1)	23102601(1)	23102701(1)	29317301	24100101
030 L2,L6,E6	Semi	25309101S(2)*	25309101S(2)*	22901601(2)	23104301(2)	23100901(2)	29317301	24100401
031	Herm	25309101S(2)*	25309101S(2)*	22901601(2)	23104301(2)	23100901(2)	29317301	24100401
032	Herm	25309001S(1)	25309002(1)	7173156(1)	23102601(1)	23102701(1)	29317301	24100101
035 M6	Scroll	25309001S(1)	25309002(1)	7173156(1)	23102601(1)	23102701(1)	29317301	24100101
035 L6	Scroll	25309101S(2)	25309101(2)*	22901601(2)	23104301(2)	23100901(2)	29317301	24100401
040	All	25309001S(1)	25309002(1)	7173156(1)	23102601(1)	23102701(1)	29317302	24100101
045 M6	Scroll	25309001S(1)	25309002(1)	7173156(1)	23102601(1)	23102701(1)	29317302	24100101
045 L6	Scroll	25309001S(1)	25309002(1)	7173156(1)	23102601(1)	23102701(1)	29317301	24100101
050 to 060	All	25309001S(1)	25309002(1)	7173156(1)	23102601(1)	23102701(1)	29317302	24100101

*Motor includes capacitor

Note: To use 25309101 on 460V - must wire thru transformer

Motor Part No. 25309001 Use Capacitor Part No. 5779G

Motor Part No. 25309002 Use Capacitor Part No. 5599M

Optional Variable Speed Controller for Size 030D, X, H or M , 032, 035M, 040 to 060 - Controller and Sensor (Part No. 28913601)

Optional Fan Cycle Switch for Size 015 to 030L - Pressure (Part No. 28911101), Temperature (Part No. 5521R)

Unit Size	Low Pressure Switch			Dual Pressure Switch	High Pressure Switch		Compressor	
	Adjustable	Fixed Outdoor	Fixed Indoor		Fixed Outdoor	Fixed Indoor	1 Phase Contactor	3 Phase Contactor
005 to 035	7075212	2890099	28913401	28902901	28903201	28913201	R034915200	2259996
040 to 045	7075212	2890099	28913401	28902901	28903201	28913201	2252130	2259996
050 to 060	7075212	2890099	28913401	28902901	28903201	28913201	2252340	2259996

Notes:

1. Excel Beige began in 2/28/01

2. T'Stat Disch. line scroll - Part No. 30101701

3. 12" leg kit (shipped loose) 50053301

CLE/S/X/Q

Reach Condensers (Air-Cooled)

Fan RPM	"Q" 540	"L" 830	"X" 830	"S" 1140	Variable Speed
Fan Motor	25302401	25301701S	2538000S	25301801S	2530174S
Fan Blade	2293030	22900301	2293030	22900401	2292625
Fan Guard	23100301	23100301	23100301	23100301	23100301

Optional Parts For Reach Condensers (All Sizes)

Access Valve	1/4"	7634307	Disconnect	Non Fused 100A	22501501
Ambient Fan Cycling		28900501	Disconnect	Non Fused 30A	Use 22501401
Contactors	20A 2P	R034915200	Disconnect 60A	Non Fused 60A	22528501*
Contactors	25A 115V	2251324	Power MOD./AMB. F/C		28901101
Contactors	25A 208-240V	2259996	Pressure Fan Cycling		2894574
Contactors	25A 24V	2255845	Rain Shield		5792V
Contactors	30A 2P 24V	2254304	Sensor/Ambient F/C		28901201
Contactors	30A 3P 208/240V	2252330	Speed Control	P66AAB-1	2894592
Electric Temp Control		28906401	Speed Control	P66BAB-1	2894594
Fan Temp Control	40-120°F	2890019	Teao Motor	208-230/460 1140	25301101
Fuse	15 A 600V	22510001	Terminal Block	50A 2P 600V	2254002
Fuse	30A 600V	22510601	Terminal Board	2 Pole	2255827
Fuseblock	30A 600V 2P	22511001	Terminal Board	3 Pole	2254311
Fuseblock	30A 600V 3P	22511002	Terminal Board	50A 3P 600V	2254003
Fuseholder	30A 600V	22511201	Terminal Board	T1-T2-T3	2255857
Hand Valve	1/4" ODS	2932145	Transformer	300VA	R038253919
Motor Rail -	54"	40002501	Transformer	40VA 230V	2254498
Motor Rail -	54" VARISP	40001701	Transformer	40VA 460V	2254499
Motor Rail -	55"	40002601			

Climate Control

CNH/CNL/CNX/CNQ/CNE

Air-Cooled Condensers

Fan RPM	CNQ 540	CNX 830	CNL 830	CNH 1140	CNH 1140	CNE EC Motor 230V	CNE EC Motor 460V
Motor HP	0.5	1	1.5	0.75	1.5	2.2 KW	2.2 KW
Motor	25316201	25316301	25316601	25317101	25316401	25316905	25317005
Fan Blade	22929301	22929501	22929501	2292625	22900401		
Fan Guard	23105701	23105701	23105701	23105701	23105701	23105601	23105601

CMA/CME/CMG/CMF

Nomenclature Example:

CM	A	130	B	A
	Fins Per Inch/Defrost		Voltage	Vintage
Climate Control Medium PROfile Unit Cooler	A = 6 FPI Air Defrost E = 6 FPI Electric Defrost L = 4 FPI Electric Defrost G = 6 FPI Hot Gas Defrost	Capacity x 100	A = 115/1/60 N = 110/1/50 B = 208/230/1/60 Q = 220/1/50 C = 208/230/3/60 R = 380/1/50 D = 460/3/60 V = 380/3/50 M = 460/1/60	
F = 4 FPI Hot Gas Defrost				

Motor/Fan Blade/Guards

Part No.	Description
5020SS	Motor 115V
5020TS	Motor 208-230V
4567T	Motor 208/230V Totally Enclosed
25302201	Motor 460V
5599M	Run Capacitor
5931H	Motor 575V
25308101	208/230 Spec Low Temperature Total Enclosed
25304601	460v Spec Low Temperature
5064E	Motor Mount
5130C	Fan Blade
5054F	Fan Guard Molded w/logo, Optional
23101801	Fan Guard Black Wire, Standard

Coil Defrost Heaters (Four Per Unit)

Part No.	Description
24710201	1 fan unit, 1000W
24710202	2 fan unit, 1850W
24710203	3 fan unit, 2700W
24710204	4 fan unit, 3500W
24710205	5 fan unit, 4000W
23300801	Heater Clip

Cabinet Components

Part No.	Description	No. Fans
40491902	Drain Pan*	1
40492102	Drain Pan *	2
40492302	Drain Pan *	3
40492502	Drain Pan *	4
40492702	Drain Pan *	5
40830101	Header Side Panel (Left side)	1-5
40830201	Electrical Side Panel (Right side)	1-5
40830901	Header Connection Panel	1-5

*Includes provisions to mount drain pan heater

Drain Fitting: 92864003

Electrical Components

Part No.	Description
4131Y	Room Thermostat
2890109	Defrost Term. & Fan Delay T'Stat, ADJ. type

Note: Call Factory for hot gas defrost components not listed.

Drain Pan Defrost Heater (One Per Unit)

Part No.	Description	Voltage	Color Code
24710301	1 Fan Unit, 530W	208-230V	Black
24710302	2 Fan Unit, 950W	208-230V	Black
24710303	3 Fan Unit, 1350W	208-230V	Black
24710304	4 Fan Unit, 1800W	208-230V	Black
24710305	5 Fan Unit, 2000W	208-230V	Black
24710401	1 Fan Unit, 530W	460V	Red
24710402	2 Fan Unit, 950W	460V	Red
24710403	3 Fan Unit, 1350W	460V	Red
24710404	4 Fan Unit, 1800W	460V	Red
24710405	5 Fan Unit, 2000W	460V	Red
24710502	2 Fan Unit, 950W	115V	Black, White
24710503	3 Fan Unit, 1350W	115V	Black, White
24710504	4 Fan Unit, 1800W	115V	Black, White

Model Size	No. of Fans	Model Size	No. of Fans
CMA130	1	CME101	1
CMA155	1	CME140	1
CMA245	2	CME190	2
CMA300	2	CME260	2
CMA365	3	CME310	3
CMA450	3	CME390	3
CMA510	4	CME430	4
CMA600	4	CME520	4
CMA710	5	CME620	5
4 FPI		4 FPI	
CML100	1	CMF165	2
CML165	2	CMF220	2
CML220	2	CMF250	3
CML250	3	CMF330	3
CML330	3	CMF370	4
CML370	4	CMF440	4
CML440	4		
CML530	5		
Hot Gas			
CMG190	2		
CMG260	2		
CMG310	3		
CMG390	3		
CMG430	4		
CMG520	4		

Motor/Fan Combination	Motor Part No.	Blade Part No.	Blade Desc	Motor Mount	Fan Guard
1	5011T	22900101	Aluminum	40000101	5092C
2	5034TS	22900101	Aluminum	40000101	5092C
3	2535999	5107E	Cast Aluminum	N/A	5092C
4	2535917	2295108	Cast Aluminum	N/A	5092C
5	*	5107E	Cast Aluminum	N/A	5092C
6	2535953	2295108	Cast Aluminum	N/A	5092C

* Consult Factory

Fourth Digit Of Model Indicates Fan Motor. 1 = 1HP, 2 = 1.5HP, 3 = 2 HP, 4 = 3 HP, 5 = 2 HP TEFC, 6 = 3 HP TEFC

Electric Defrost Parts

Unit Size	Defrost Heater	Drain Pan Heater	Defrost Control
25	2479999	2479997	4267W
37	2479998(16)	2479996(2)	4267W

Nomenclature Example:

C	R	I	0600	L6	C
C = Climate Control	R = Reed D = Discus	I = Indoor	007* = 0.75 HP 050* = 5 HP 010* = 1 HP 060* = 6 HP 015* = 1.5 HP 075 = 7.5 HP 050* = 2 HP 080 = 7.5 HP 030 = 3 HP 100 = 10 HP 040 = 4 HP	L2 = Low (0°F to -40°F Suction) R-22 L6 = Low (0°F to -40°F Suction) R-440A/R-507/R-22 M2 = Medium (35°F to 0°F) R-22 M6 = Medium (30°F to -10°F) R-404A/R-507 H2 = High/Medium (40°F to 0°F) R-22 H4 = High/Medium (40°F to 0°F) R-134A *HP Suffix	B = 208/230/60/1 C = 208/230/60/3 D = 460/60/3 E = 575/60/3 G = 230/60/1

Motor/Fan Blade/Motor Mount

Part No.	Description
7071208S	Motor, 1/3H 230V 1075RPM 1/2DIA CW
7071225S	Motor, 1/2H 460V 1075RPM 1/2DIA CW
2530906	Motor, 1/2H 575V 1075RPM 1/2DIA CW
7173156	Fan Blade 22 in CW 26D 1/2B
23102001	Motor Mount

Contactors

2252340	40A 3P 208-240V
2259996	25A 208-240V
22525501	18A 600V NEMA Rated
22525502	27A 600V NEMA Rated
R034915200	20A 230V 2 Pole

Controls

2891402	Low Pressure Adjustable
2891550	Dual Pressure Control Man {20 in -100/100-425}
28913201	High Pressure Control 400#C.O.W/CONN
7075838	Oil Failure Switch
22521001	Sentronic Control w/Sensor
R030393001	Disc Switch 30A -For 230V units
R030393003	Disc Swtich 30A -For 460V Units
R030393004	Disconnect Switch 60A
2253002	Phase Monitor 208/240V
2253004	Phase Monitor 460V
22522401	Timer Compressor Lockout
2138162	Timer 208-240V 40 A SPDT – Paragon
21340101	Grasslin
2254186	Relay DPDT 230VAC
22536802	Time Delay Relay 230V
8979001	Servicemate

Terminal Block

2251423	3P LN 2/0-12 Load 4/P 4
---------	-------------------------

Transformer

R038253919	300VA SL300QP
------------	---------------

Circuit Breaker

2252015	15A 2P 240V
2252020	20A 2P 240V
2252030	30A 2P 240V
2252040	40A 2P 240V
2252050	50A 2P 240V
2253015	15A 3P 240V
2253020	20A 3P 240V
2253025	25A 3P 240V

Pressure Control Options

Part No.	Description
2930429	3/8 LAC4-DS 100/180 HPC (0075 thru 0202)
2930058	5/8 ODF 180# HD Pressure Control
2930625	5/8 100# HD Pressure Control
2930006	5/8 100/225 Adjustable HPC Valve
2939903	Pressure Relief Valve
2930420	Pressure Differential Valve

Heater

2471801	Ext Crankcase Heater 230V 65W
7077982	Crankcase Heater
24711002	Aluminum Foil Heater 240-65W 1

Fuses

22510001	15A 600V Class CC
22510002	20A 600V Class CC
22510003	25A 600V Class CC
22510004	30A 600V Class CC
22510015	35A 600V Class CC
22510016	40A 600V Class CC
22510106	15A 250V Class RK5
22510207	15A 600V Class RK5
22510107	20A 250V Class RK5
22510209	20A 600V Class RK5
22510108	25A 250V Class RK5
22510210	25A 600V Class RK5
22510109	30A 250V Class RK5
22510110	35A 250V Class RK5
22510111	40A 250V Class RK5
22510113	50A 250V Class RK5
22510114	60A 250V Class RK5

Fuse Blocks

22511001	30A 600V 2P MDGT
22511002	30A 600V 3P MDGT

Circuit Breaker

2253035	35 A 3P 240V
2253040	40 A 3P 240V
22525901	3 A 2P 480V
22525801	15 A 2P 480V
22525803	15 A 3P 480V
22525804	20 A 3P 480V
22525805	25 A 3P 480V

Nomenclature Example:

C	R	I	150*	L6	C	
C = Climate Control	R = Reed D = Discus	I = Indoor	150* = 15 HP 200* = 20 HP 220* = 22 HP *HP Suffix	250* = 25 HP 270* = 27 HP 300* = 30 HP	L2 = Low (0°F to -40°F Suction) R-22 L6 = Low (0°F to -40°F Suction) R-440A/R-507/R-22 M2 = Medium (35°F to 0°F) R-22 M6 = Medium (30°F to -10°F) R-404A/R-507 H2 = High/Medium (40°F to 0°F) R-22 H4 = High/Medium (40°F to 0°F) R-134A	B = 208/230/60/1 C = 208/230/60/3 D = 460/60/3 E = 575/60/3 G = 230/60/1

Motor/Fan Blade/Motor Mount

Part No.	Description
R033177500S	Motor 3/4HP 230V 1075RPM 5/8DIA CCW
R033177700S	Motor 3/4HP 460V 1075RPM 5/8DIA CCW
R029218600	Blade 24 in CCW 28DEG 5/8B
23102001	Fan Motor Mount {Indoor} Black-24in
23101501	Fan Motor Mount {Outdoor}

Contactor	
2252340	40A 3P 208-240V Contactor
2252350	50A 3P 208-240V Contactor
2259996	25A 208-240V Contactor
22525502	CONT 27A 600V NEMA Rated
22525503	CONT 45A 600V NEMA Rated
R034915200	CONT 2 Pole 20A 230V

Controls	
7075838	Oil Failure Switch
22521001	Sentronic Control w/Sensor
2257324	Disc Switch 200A 3P 240V
2257352	Disc Switch 60A 3P 600V
2257353	Disc Switch 100A 3P 600V
2253002	Mon Phase 208/240V
2253004	Mon Phase 460V
22522401	Timer Compressor Lockout
2138162	Timer 208-240V 40A SPDT Paragon
21340101	Grasslin
2254186	Relay 208-240V Coil DPDT
22505201	Relay 2 Pole 30A DPDT
22521901	Relay DPDT 24V Coil
22536801	Time Delay Relay (On Beacon Units)
22536802	Time Delay Relay 230V
28929301	Freezrstat P29-NC3
5738B	Thermostat
89709001	Servicemate

Terminal Block	
2251423	3P LN 2/0-12 Load 4/P 4

Circuit Breaker	
2252015	15A 2P 240V
22525801	15A 2P 480V
2253015	15A 3P 240V
2252020	20A 2P 240V
2253025	25A 3P 240V
22525805	25A 3P 480V (Siemens)
2253030	30A 3P 240V

Pressure Control Options	
2891402	Adjustable Low Pressure SW./P70AB-1D
28941001	Control High Pressure -150-450 PSIG
28913201	Control High Pressure 400#
2891550	Dual Pressure Control Man {20in-100/100-425}
28913201	High Pressure Control 400#C.O.W/CONN
28941001	High Pressure Control 016-5152-000
28906701	Pressure Control - Fan Cycling
2930420	Pressure Differential Valve
28906702	Temp. Control - Fan Cycling

Heater – Crankcase	
5737B	Heater; 230V Tubular 100 WATT (REC'R)

Fuses	
22510001	15A 600V Class CC
22510120	110A 250V Class RK5
22510121	125A 250V Class RK5
22510005	1A 600V Class CC
22510002	20A 600V Class CC
22510003	25A 600V Class CC
22510004	30A 600V Class CC
22510015	35A 600V Class CC
22510016	40A 600V Class CC
22510215	50A 600V Class RK5
22510018	50A 600V Class CC
22510216	60A 600V Class RK5
22510217	70A 600V Class RK5

Fuse Blocks	
22511001	30A 600V 2P MDGT
22511002	30A 600V 3P MDGT

Transformers	
R038253919	240V/460V Primary Rated 300VA
2251334	1/2KVA 480/240P

Circuit Breaker	
2253035	35A 3P 240V
22525807	35A 3P 480V (Siemens)
22525901	3A 2P 480V Circuit Breaker
2253040	40A 3P 240V
2253050	50A 3P 240V
22525810	50A 3P 480V (Siemens)
2253060	60A 3P 240V

Climate Control

Model CUD	230/460V Fan Motor	Fan Blade	Fan Guard
1500H2, C5	2531193S	2292625	2318494
1500L2, L5	2531193S	2292625	2318494
2000H2, C5	2531193S	2292625	2318494
2000L2, L5	2531193S	2292625	2318494
2001L2, L5	2531193S	2292625	2318494
3000H2, C5	2531193S	2292625	2318494
3000L2, L5	2531193S	2292625	2318494
4000H2, C5	2531193S	2292625	2318494
4000L2, L5	2531193S	2292625	2318494
5000H2, C5	2531193S	2292625	2318494
5000L2, L5	2531193S	2292625	2318494
6000H2, C5	2538000S	2293030	2310002
6000L2, L5	2531193S	2292625	2318494
7000H2, C5	2538000S	2293030	2310002
8000H2, C5	2538000S	2293030	2310002

Model CUS	230V Fan Motor	460V Fan Motor	Fan Blade	Fan Guard
1000H2, C5	2531191S	2531193S	2292625	2318494
1500H2, C5	2531191S	2531193S	2292625	2318494
2000H2, C5	2531191S	2531193S	2292625	2318494
2200L2, L5	2531191S	2531193S	2292625	2318494
2500H2, C5	2531191S	2531193S	2292625	2318494
2700L2, L5	2531191S	2531193S	2292625	2318494
3000H2, C5	2530143S	2531010S	2292630	2318494
3000L2, L5	2531191S	2531193S	2292625	2318494
3500H2, C5	2530143S	2531010S	2292630	2318494
4000H2, C5	2530143S	2531010S	2292630	2318494

Climate Control

Part Description	Model Number				
	CWA050 CWE050	CWA075 CWE075	CWA100 CWE100 CWG100	CWA130 CWE130 CWG130	CWA155 CWE155 CWG155
Electrical Components					
Part Number					
Motor 115/1/60 Shaded Pole	5036SS (1)	5036SS (1)	5036SS (2)	5036SS (2)	5036SS (2)
Motor 208-230/1/60 Shaded Pole	5036TS (1)	5036TS(1)	5036TS(2)	5036TS(2)	5036TS (2)
Motor 115/1/60 or 110/1/50 PSC	5036NS (1)	5036NS (1)	5036NS (2)	5036NS (2)	5036NS (2)
Motor 208-230/1/60 or 220/1/50 PSC	5036PS (1)	5036PS (1)	5036PS (2)	5036PS (2)	5036PS (2)
Defrost Termination Switch "CWE"	4511C	4511C	5521R	5521R	5521R
Defrost Termination/Fan Delay "CWG"			4267W	4267W	4267W
Heater	4401S (2)	4402S (2)	4543B (4)	4544B (4)	4544B (4)
Motor Plate	40003001	40003001	40003001	40003001	40003001
Fan Components					
Fan Blade	5110E (1)	5110E (1)	5110E (2)	5110E (2)	5110E (2)
Fan Guard	5055F	5055F	5055F	5055F	5055F
Cabinet Components					
Fan Panel/Drain Pan	C26769A2	C26770A2	C26771A2	C26771A2	C26771A2
Inner Drain Pan Assembly: Air Defrost	B25196A1	B25197A1	B25197A1	B25197A1	B25197A1
Inner Drain Pan:					
Electric & Hot Gas Defrost	B24358A2	B24358A4	B24358A7	B24358A7	B24358A7
End panel (2 per unit)	B24264A1	B24264A1	C26767A1	C26768A1	C26768A1
Side panel (4 per unit)	A20673A1	A20673A1	B24493A1	B24494A1	B24494A1

Part Description	Model Number			
	CWA180 CWE180 CWG180	CWA210 CWE210 CWG210	CWA270 CWE270 CWG270	CWA340 CWE340 CWG340
Electrical Components				
Part Number				
Motor 115/1/60 Shaded Pole	5036SS (3)	5036SS (4)	5036SS (4)	5036SS (5)
Motor 208-230/1/60 Shaded Pole	5036TS (3)	5036TS (4)	5036TS (4)	5036TS (5)
Motor 115/1/60 or 110/1/50 PSC	5036NS (3)	5036NS (4)	5036NS (4)	5036NS (5)
Motor 208-230/1/60 or 220/1/50 PSC	5036PS (3)	5036PS (4)	5036PS (4)	5036PS (5)
Defrost Termination Switch "WKE"	5521R	5521R	5521R	5521R
Defrost Termination/Fan Delay "CWG"	4267W	4267W	4267W	4267W
Heater	4544B (4)	4545B (4)	4545B (4)	4546B (4)
Motor Plate	40003001	40003001	40003001	40003001
Fan Components				
Fan Blade	5110E (3)	5110E (4)	5110E (4)	5110E (5)
Fan Guard	5055F	5055F	5055F	5055F
Cabinet Components				
Fan Panel/Drain pan	C26361A2	C26362A2	C26362A2	D20817A2
Inner Drain Pan: Air Defrost	B25197A1	B25198A1	B25198A1	C26774A1
Inner Drain Pan:				
Electric & Hot Gas Defrost	B24358A7	B24358A8	B24358A8	B24358A9
End panel (2 Per Unit)	C26768A1	C26768A1	C26768A1	C26768A1
Side panel (4 Per Unit)	B24494A1	B24494A1	B24494A1	B24494A1

460V Motor 25305901
Special Ball Bearing Motor 25308001

Filter: 4550G

("A" & "B" Vintage) 3 - 10 HP

Model DCU	230V Condenser Motor	460V Condenser Motor	Fan Blade	Fan Motor Capacitor	Motor Mount Fan Guard
030L5, L2	R033177500S(1)	R033177700S(1)	R029218600(1)	R037516406(1)	23101501
040L5, L2	R033177500S(1)	R033177700S(1)	R029218600(1)	R037516406(1)	23101501
049R7	R033177500S(1)	R033177700S(1)	R029218600(1)	R037516406(1)	23101501
050R7	R033177500S(1)	R033177700S(1)	R029218600(1)	R037516406(1)	23101501
060L5, L2	R033177500S(1)	R033177700S(1)	R029218600(1)	R037516406(1)	23101501
061L5, L2	R033177500S(2)	R033177700S(2)	R029218600(2)	R037516406(2)	23101501
074R7	R033177500S(2)	R033177700S(2)	R029218600(2)	R037516406(2)	23101501
075L5, L2	R033177500S(2)	R033177700S(2)	R029218600(2)	R037516406(2)	23101501
075R7	R033177500S(2)	R033177700S(2)	R029218600(2)	R037516406(2)	23101501
080R7	R033177500S(2)	R033177700S(2)	R029218600(2)	R037516406(2)	23101501
090L5, L2	R033177500S(2)	R033177700S(2)	R029218600(2)	R037516406(2)	23101501
100L5, L2	R033177500S(2)	R033177700S(2)	R029218600(2)	R037516406(2)	23101501
100R7	R033177500S(2)	R033177700S(2)	R029218600(2)	R037516406(2)	23101501

Dual Pressure Control - Part No. 021212400

Model DCU	Control Transformer For 460V Unit	Crankcase Heater	Head Pressure Control Valve		
			Fixed Pressure	Variable Head Only	Variable Complete Valve
030L5,L2	R038253919	-	7634536	-	-
040L5,L2	R038253919	-	7634536	-	-
049R7	R038253919	-	7634536	-	-
050R7	R038253919	-	7634536	-	-
060L5,L2	R038253919	-	7634536	-	-
061L5,L2	R038253919	-	7634536	-	-
074R7	R038253919	-	7634536	-	-
075L5,L2	R038253919	-	7634536	-	-
075R7	R038253919	-	7634536	-	-
080R7	R038253919	-	7634536	-	-
090L5,L2	R038253919	-	7634536	-	-
100L5,L2	R038253919	-	7634536	-	-
100R7	R038253919	-	7634536	-	-

Dual Pressure Control - Part No. R021212400

Climate Control

("A" & "B" Vintage) 15-30 HP

Model DCU	230V Condenser Motor	460V Condenser Motor	Fan Blade	Fan Motor Capacitor	Dual Pressure Control
150L5, L2 150R7 200R7	R033177500S(3) R033177500S(3) R033177500S(3)	R033177700S(3) R033177700S(3) R033177700S(3)	R029218600(3) R029218600(3) R029218600(3)	R037516406 R037516406 R037516406	R021212400 R021212400 R021212400
220L5, L2 250R7 270L5, L2	R033177500S(3) R033177500S(3) R033177500S(3)	R033177700S(3) R033177700S(3) R033177700S(3)	R029218600(3) R029218600(3) R029218600(3)	R037516406 R037516406 R037516406	R021212400 R021212400 R021212400
300L5, L2 300R7	R033177500S(3) R033177500S(3)	R033177700S(3) R033177700S(3)	R029218600(3) R029218600(3)	R037516406 R037516406	R021212400 R021212400

Model DCU	Motor Mount Fan Guard	Crankcase Heater	Head Pressure Control Valve		
			Fixed Pressure	Variable Head Only	Variable Complete Valve
150L5, L2 150R7 200R7	23101501 23101501 23101501	- - -	7634538 7634538 7634538	- - -	- - -
220L5, L2 250R7 270L5, L2	23101501 23101501 23101501	- - -	7634538 7634538 7634538	- - -	- - -
300L5, L2 300R7	23101501 23101501	- -	7634538 7634538	- -	- -

460V Control Transformer - Part No. R038253919

Model H	115V Motor Assembly	Fan Blade	Fan Guard	Drain Pan
0131R	R042638300(1)	7173503(1)	7367032(1)	8161129
0171R	R042638300(1)	Call Factory ¹	7367032(1)	8161130
0231R	R042638300(1)	Call Factory ¹	7367032(1)	8161131
0301R	R042638300(2)	7173503(2)	7367032(2)	8161132

¹Possible Sub. R041779600

JH/RH/JS

Indoor Condensing Units

Unit Model	Motor 115V	Motor 230V	Fan Blade	Motor Mount	Guard	Receiver
RH 1/4 - 1/3	25303201S	-	23100501	23101401	R041777700	27300106
JH 1/4 - 1/2	25300101S	25300201S	2291030	23101101	**	27300107
JS 1/2	25300101S	25300201S	2291030	23101101	**	27300107
JH/RH 3/4 - 1	25300101S	25300201S	5110E	23101001	**	27304703
JS 3/4	25300101S	25300201S	5110E	23101001	-	27304703
JH/RH 1 1/2 - 2	-	7071061	R043759700	23100901	**	27304703
JS 1, 1 1/2, 2	25300101S	25300201S	5110E	23101001	-	27300105
JH/RH 2 - 3	-	7071061(2)	R043759700	23100901	**	27300105
JS 3 & 4	-	7071208S	7173156	23102701	**	27300103
JH/RH 4 - 5	-	7071208S	7173156	40001801	7067026	27300103

* Motor Part No. 7071061 Uses Capacitor Part No. R037516402

** See Motor Mount (Mount & Guard Combination)

AF=115V

BF=230V

Unit	Motor ²	Qty	Fan Blade	Motor Mount	Fan Guard	Drain Pan*
KMK13	25300701S	2	5102C	91179001	5076E	74422002
KMK17	25300701S	2	5102C	91179001	5076E	74422002
KMK23	25300701S	3	5102C	91179001	5077E	74436002

² 230 Volt Motor = 25300801S

40804701 - Air Deflector for size 13 & 17.

* Drain fitting included in drain pan

40807501 - Air Deflector for size 23

AF=115V

BF=230V

Unit	Motor ²	Qty	Fan Blade	Motor Mount	Fan Guard	Drain Pan*
RAMK13	25300701S	2	5117C	91179001	5076E	74422002
RAMK17	25300701S	2	5117C	91179001	5076E	74422002
RAMK23	25300701S	3	5117C	91179001	5077E	74436002

² 230 Volt Motor = 25300801S

40804701 - Air Deflector for size 13 & 17.

* Drain fitting included

40807501 - Air Deflector for size 23

L

"E" & "F" Vintage

{AF=115V}

{BF=230V}

Unit Model "L"	115V Motor	Motor Mount	Fan Blade	Fan Guard	Drain Pan*
13	25303201S(1)	2310401(1)	23100201(1)	R041777700(1)	40801502
17	25303201S(1)	2310401(1)	23100201(1)	R041777700(1)	40801702
23	25303201S(1)	2310401(1)	23100201(1)	R041777700(1)	40801902
30	25303201S(2)	2310401(2)	23100201(2)	R041777700(2)	40802102
43	25303201S(2)	2310401(2)	23100201(2)	R041777700(2)	40802302

Motor, 208-230/1/60- 25303301S

*Drain Fitting Included in Drain Pan

"E" & "F" Vintage

Model LAC	115V Motor	230V Motor	Motor Mount	Fan Blade	Fan Guard	"F" Vintage Drain Pan*
6	25300701S(1)	25300801S(1)	91179001	5101B	5054D	40800402
8	25300701S(1)	25300801S(1)	91179001	5101B	5054D	40800402
12	25300701S(2)	25300801S(2)	91179001	5101B	5054D	40800602
17	25303201S(1)	25303301	23100101	23100201	R041777700	40802502

* "E" Vintage drain pan not available.

Nomenclature Example:

LFF	120	A	K
Model Series		Electrical Characteristics	Design Revision
LFF = Electric Defrost, 4 FPI	Size X 100 = BTUH	A = 115/1/60 B = 208-230/1/60 V = 208-230/1/60 Motor C = 208-230/3/60 460/1/60 Heaters M = 460/1/60	

Model No.	No. Motor	Motor ¹ 230V	Motor 460V	Fan Blade	Motor Mount	Fan Guard ²
LFF041	1	25300201S	25308701	5140C	23104901	37000702
LFF065	2	25300201S	25308701	5140C	23104901	37000702
LFF080	2	25300201S	25308701	5140C	23104901	37000702
LFF102	3	25300201S	25308701	5140C	23104901	37000702
LFF136	4	25300201S	25308701	5140C	23104901	37000702
LFF170	5	25300201S	25308701	5140C	23104901	37000702
LFF204	6	25300201S	25308701	5140C	23104901	37000702
LFF235	6	25300201S	25308701	5140C	23104901	37000702

² Optional Wire Guard: Part No. 37000602**¹ Optional Motors**

Part No.	Description
25308301	208-230/1/60/50 Totally Enclosed PSC
25308401	460/1/60/50 Totally Enclosed PSC
25308601	208-230/1/60/50 PSC
25308701	460/1/60/50 PSC

Electrical Components

Part No.	Description
22512601	Terminal Strip
5709L	Defrost Termination/Fan Delay - Klixon type
5708L	Heater Safety - Klixon Type

Model No.	Coil Heater 208/230/1/60	Drain Pan ³	Drain Pan Heater 208-230V	Drain Pan Heater 460V	Back Panel Refrig. End	Back Panel Elec. End
LFF041	24752001	40480101	24752201	24752301	40880901 (All Models)	40881001 (All Models)
LFF068	24752002	40480201	24752202	24752302		
LFF080	24752002	40480201	24752202	24752302		
LFF102	24752003	40480301	24752203	24752303		
LFF136	24752004	40480401	24752204	24752304		
LFF170	24752005	40480501	24752205	24752305		
LFF201	24752006	40480601	24752206	24752306		
LFF235	24752006	40480601	24752206	24752306		

³ Drain Fitting Part No. 26925101**Electrical Components (All Sizes)**

Part No.	Description
40880801	Access Panel - Elect - RH
40880701	Access Panel - Refrig - LH
40881501	Access Panel - Refrig - Beacon

LSC/LFC

LSC-1 Vintage

Unit Model	Motor 115V	Motor Mount	Fan Blade	Fan Guard	Drain Pan
LSC40-1	7070056	5000212	7173159	7067049	Call Factory
LSC52-1	7070056	5000212	7173159	7067049	Call Factory
LSC65-1	7070056	5000212	7173159	7067049	Call Factory
LSC83-1	7070056	5000212	7173159	7067049	Call Factory
LSC100-1	7070056	5000212	7173159	7067049	Call Factory
LSC120-1	7070056	5000212	7173159	7067049	Call Factory
LSC140-1	7070056	5000212	7173159	7067049	Call Factory
LSC160-1	7070056	5000212	7173159	7067049	Call Factory
LSC200-1	7070056	5000212	7173159	7067049	Call Factory
LSC270-1	7070056	5000212	7173159	7067049	Call Factory
LSC340-1	7070056	5000212	7173159	7067049	Call Factory
LSC400-1	7070056	5000212	7173159	7067049	Call Factory

"A" Vintage

LSC	115V Motor Shaded Pole	230V Motor Shaded Pole	115V Motor PSC*	230V Motor PSC*	Motor Mount	Fan Blade	Fan Guard	Drain Pan
40	7070060(1)	R038688900(1)	7070059(1)	7071061(1)	23102401	7174402	7067049	10040301 ¹
52	7070060(1)	R038688900(1)	7070059(1)	7071061(1)	23102401	7174402	7067049	10040301 ¹
65	7070060(1)	R038688900(1)	7070059(1)	7071061(1)	23102401	7174402	7067049	10040301 ¹
90	7070060(2)	R038688900(2)	7070059(2)	7071061(2)	23102401	7174402	7067049	10108902 ¹
105	7070060(2)	R038688900(2)	7070059(2)	7071061(2)	23102401	7174402	7067049	10108903 ¹
120	7070060(2)	R038688900(2)	7070059(2)	7071061(2)	23102401	7174402	7067049	10108903 ¹
140	7070060(2)	R038688900(2)	7070059(2)	7071061(2)	23102401	7174402	7067049	10108903 ¹
160	7070060(3)	R038688900(3)	7070059(3)	7071061(3)	23102401	7174402	7067049	10108904 ¹
200	7070060(4)	R038688900(4)	7070059(4)	7071061(4)	23102401	7174402	7067049	10108905 ¹
270	7070060(5)	R038688900(5)	7070059(5)	7071061(5)	23102401	7174402	7067049	10045701 ¹
310	7070060(6)	R038688900(6)	7070059(6)	7071061(6)	23102401	7174402	7067049	10108907 ¹
400	7070060(6)	R038688900(6)	7070059(6)	7071061(6)	23102401	7174402	7067049	10108907 ¹
LFC								
120	7070060(2)	R038688900(2)	7070059(2)	7071061(2)	23102401	7174402	7067049	10108903 ¹
160	7070060(4)	R038688900(4)	7070059(4)	7071061(4)	23102401	7174402	7067049	10108905 ¹

Note: Capacitor for 115V PSC Motor - Part No. R037516402
 Capacitor for 230V PSC Motor - Part No. R037516407

¹ Requires Drain Fitting Part No. 92864003

"H" & "J" Vintage

LSC	115V Motor Shaded Pole	230V Motor Shaded Pole	115V Motor PSC*	230V Motor PSC*	Motor Mount	Fan Blade	Fan Guard	Drain Pan
40	25300101S(1)	25300201S(1)	25302601(1)	25302501(1)	23102401	5140C(1)	7067052(1)	10040301 ¹
52	25300101S(1)	25300201S(1)	25302601(1)	25302501(1)	23102401	5140C(1)	7067052(1)	10040301 ¹
65	25300101S(1)	25300201S(1)	25302601(1)	25302501(1)	23102401	5140C(1)	7067052(1)	10040301 ¹
90	25300101S(2)	25300201S(2)	25302601(2)	25302501(2)	23102401	5140C(2)	7067052(2)	10108902 ¹
105	25300101S(2)	25300201S(2)	25302601(2)	25302501(2)	23102401	5140C(2)	7067052(2)	10108903 ¹
120	25300101S(2)	25300201S(2)	25302601(2)	25302501(2)	23102401	5140C(2)	7067052(2)	10108903 ¹
140	25300101S(2)	25300201S(2)	25302601(2)	25302501(2)	23102401	5140C(2)	7067052(2)	10108903 ¹
160	25300101S(3)	25300201S(3)	25302601(3)	25302501(3)	23102401	5140C(3)	7067052(3)	10108904 ¹
200	25300101S(4)	25300201S(4)	25302601(4)	25302501(4)	23102401	5140C(4)	7067052(4)	10108905 ¹
270	25300101S(5)	25300201S(5)	25302601(5)	25302501(5)	23102401	5140C(5)	7067052(5)	10045701 ¹
310	25300101S(6)	25300201S(6)	25302601(6)	25302501(6)	23102401	5140C(6)	7067052(6)	10108907 ¹
400	25300101S(6)	25300201S(6)	25302601(6)	25302501(6)	23102401	5140C(6)	7067052(6)	10108901 ¹
LFC								
120	25300101S(2)	25300201S(2)	25302601(2)	25302501(2)	23102401	5140C(2)	7067052(2)	10108903 ¹
160	25300101S(4)	25300201S(4)	25302601(4)	25302501(4)	23102401	5140C(4)	7067052(4)	10108905 ¹

¹ Requires Drain Fitting Part No. 92864003

LH End Panel (Elec) - 6161413
 RH End Panel (TXV) - 6161412

Nomenclature Example:

LSC	120	A	K
Model Series	LSC = Air Defrost	Electrical Characteristics	Design Revision
		Size X 100 = BTUH A = 115/1/60 B = 208-230/1/60 M = 460/1/60	

Model No.	No. Motor	Motor ¹ 115V	Motor 230V	Fan Blade	Motor Mount	Guard ²	Drain Pan
LSC040	1	25300101S	25300201S	5140C	23104901	37000702	40480101
LSC052	1	25300101S	25300201S	5140C	23104901	37000702	40480101
LSC065	1	25300101S	25300201S	5140C	23104901	37000702	40480101
LSC070	2	25300101S	25300201S	5140C	23104901	37000702	40480201
LSC090	2	25300101S	25300201S	5140C	23104901	37000702	40480201
LSC104	2	25300101S	25300201S	5140C	23104901	37000702	40480201
LSC120	2	25300101S	25300201S	5140C	23104901	37000702	40480201
LSC130	2	25300101S	25300201S	5140C	23104901	37000702	40480201
LSC140	3	25300101S	25300201S	5140C	23104901	37000702	40480301
LSC156	3	25300101S	25300201S	5140C	23104901	37000702	40480301
LSC180	3	25300101S	25300201S	5140C	23104901	37000702	40480301
LSC208	4	25300101S	25300201S	5140C	23104901	37000702	40480401
LSC260	5	25300101S	25300201S	5140C	23104901	37000702	40480501
LSC312	6	25300101S	25300201S	5140C	23104901	37000702	40480601
LSC370	6	25300101S	25300201S	5140C	23104901	37000702	40480601

² Optional Wire Guard: Part No. 37000602

³ Drain Fitting Part No. 26925101

¹ Optional Motors (call factory for availability)

Part No.	Description
25308201	115/1/60/50 Totally Enclosed PSC
25308301	208-230/1/60/50 Totally Enclosed PSC
25308401	460/1/60/50 Totally Enclosed PSC
25308601	208-230/1/60/50 PSC
25308701	460/1/60/50 PSC

Cabinet Components (All Sizes)

Part No.	Description
40880801	Access Panel - Elect - RH
40880701	Access Panel - Refrig - LH
40881501	Access Panel - Refrig - Beacon
40880901	Back Panel - Refrig
40881001	Back Panel - Elect

LSF-2 Vintage

Unit Model	Motor 230V	Motor Mount	Fan Blade	Fan Guard	Coil Heaters (3) Required	Drain Pan Heaters (1) Required	Drain Pan
LSF30-2	7071057	5000212	7173159	7067049	7077103	7077108	N/A
LSF45-2	7071057	5000212	7173159	7067049	7077103	7077108	N/A
LSF58-2	7071057	5000212	7173159	7067049	7077157	7077109	N/A
LSF72-2	7071057	5000212	7173159	7067049	7077157	7077109	N/A
LSF94-2	7071057	5000212	7173159	7067049	7077157	7077109	N/A
LSF120-2	7071057	5000212	7173159	7067049	7077153	7077110	N/A
LSF140-2	7071057	5000212	7173159	7067049	7077153	7077110	N/A
LSF160-2	7071057	5000212	7173159	7067049	7077154	7077111	N/A
LSF190-2	7071057	5000212	7173159	7067049	7077154	7077111	N/A
LSF240-2	7071057	5000212	7173159	7067049	7077155	7077112	N/A
LSF280-2	7071057	5000212	7173159	7067049	7077156	7077113	N/A

Defrost Thermostat Part No. 7075808

"A" Vintage

LSF	230V Motor Shaded Pole	Motor Mount	Fan Blade	Fan Guard	Coil Heaters (2) Required	Drain Pan Heaters (1) Required	Drain Pan
40	R038688900(1)	23102401(1)	7174402(1)	7067049(1)	7077350	7077186	10040301 ¹
55	R038688900(2)	23102401(2)	7174402(2)	7067049(2)	7077351	7077187	10108902 ¹
70	R038688900(2)	23102401(2)	7174402(2)	7067049(2)	7077351	7077187	10108902 ¹
94	R038688900(2)	23102401(2)	7174402(2)	7067049(2)	7077361	7077199	10108903 ¹
120	R038688900(3)	23102401(3)	7174402(3)	7067049(3)	7077352	7077188	10108904 ¹
140	R038688900(3)	23102401(3)	7174402(3)	7067049(3)	7077352	7077188	10108904 ¹
160	R038688900(4)	23102401(4)	7174402(4)	7067049(4)	7077353	7077189	10108905 ¹
180	R038688900(4)	23102401(4)	7174402(4)	7067049(4)	7077353	7077189	10108905 ¹
240	R038688900(6)	23102401(6)	7174402(6)	7067049(6)	7077355	7077191	10108907 ¹
280	R038688900(6)	23102401(6)	7174402(6)	7067049(6)	7077355	7077191	10108907 ¹

230V PSC Motor Part No. 7071061

Standard Defrost Thermostat - Part No. 7075819

Optional High limit Thermostat - Part No. 4752C

Optional Timer - Part No. 69784002

"H" & "J" Vintage

LSF	230V Motor Shaded Pole	Motor Mount	Fan Blade	Fan Guard	Coil Heaters (2) Required	Drain Pan Heaters	Drain Pan
40	25300201S(1)	23102401(1)	5140C(1)	7067049	7077350	7077186	10040301 ¹
55	25300201S(2)	23102401(2)	5140C(2)	7067049	7077351	7077187	10108902 ¹
70	25300201S(2)	23102401(2)	5140C(2)	7067049	7077351	7077187	10108902 ¹
94	25300201S(2)	23102401(2)	5140C(2)	7067049	7077361	7077199	10108903 ¹
120	25300201S(3)	23102401(3)	5140C(3)	7067049	7077352	7077188	10108904 ¹
140	25300201S(3)	23102401(3)	5140C(3)	7067049	7077352	7077188	10108904 ¹
160	25300201S(4)	23102401(4)	5140C(4)	7067049	7077353	7077189	10108905 ¹
180	25300201S(4)	23102401(4)	5140C(4)	7067049	7077353	7077189	10108905 ¹
240	25300201S(6)	23102401(6)	5140C(6)	7067049	7077355	7077191	10108907 ¹
280	25300201S(6)	23102401(6)	5140C(6)	7067049	7077355	7077191	10108907 ¹

230V PSC Motor Part No. 25302501

Standard Defrost Thermostat - Part No. 7075819

Option Medium Temperature Defrost Thermostat - Part No. 10070101

Optional High limit Thermostat - Part No. 4752C

Optional Timer - Part No. 69784002

¹ Requires Drain Fitting Part No. 92864003

Nomenclature Example:

LSF	120	A	K
Model Series		Electrical Characteristics	Design Revision
LSF = Electric Defrost, 6 FPI	Size X 100 = BTUH	A = 115/1/60 B = 208-230/1/60 V = 208-230/1/60 Motor C = 208-230/1/60 460/1/60 Heaters M = 460/1/60	

Model No.	No. Motor	Motor ¹ 230V	Motor 460V	Fan Blade	Motor Mount	Fan Guard ²
LSF035	1	25300201S	25308701	5140C	23104901	37000702
LSF040	1	25300201S	25308701	5140C	23104901	37000702
LSF047	1	25300201S	25308701	5140C	23104901	37000702
LSF065	2	25300201S	25308701	5140C	23104901	37000702
LSF075	2	25300201S	25308701	5140C	23104901	37000702
LSF090	2	25300201S	25308701	5140C	23104901	37000702
LSF120	3	25300201S	25308701	5140C	23104901	37000702
LSF140	3	25300201S	25308701	5140C	23104901	37000702
LSF160	4	25300201S	25308701	5140C	23104901	37000702
LSF180	4	25300201S	25308701	5140C	23104901	37000702
LSF200	5	25300201S	25308701	5140C	23104901	37000702
LSF240	6	25300201S	25308701	5140C	23104901	37000702
LSF280	6	25300201S	25308701	5140C	23104901	37000702

¹ Optional Motors (call factory for availability)

² Optional Wire Guard: PT. No. 37000602

Part No.	Description
25308301	208-230/1/60/50 Totally Enclosed PSC
25308401	460/1/60/50 Totally Enclosed PSC
25308601	208-230/1/60/50 PSC
25308701	460/1/60/50 PSC

Electrical Components

Part No.	Description
22512601	Terminal Strip
5709L	Defrost Termination/Fan Delay - Klixon type
5708L	Heater Safety - Klixon Type

Model No.	Coil Heater 208/230/1/60	Drain Pan ^{3*}	Drain Pan Heater* 208-230V	Drain Pan Heater* 460V	Back Panel Refrig. End	Back Panel Elec. End
LSF035	24752001	40480101	24752201	24752301	40880901 (All Models)	40881001 (All Models)
LSF040	24752001	40480101	24752201	24752301		
LSF047	24752001	40480101	24752201	24752301		
LSF065	24752002	40480201	24752202	24752302		
LSF075	24752002	40480201	24752202	24752302		
LSF090	24752002	40480201	24752202	24752302		
LSF120	24752003	40480301	24752203	24752303		
LSF140	24752003	40480301	24752203	24752303		
LSF160	24752004	40480401	24752204	24752304		
LSF180	24752004	40480401	24752204	24752304		
LSF200	24752005	40480501	24752205	24752305		
LSF240	24752006	40480601	24752206	24752306		
LSF280	24752006	40480601	24752206	24752306		

Cabinet Components (All Sizes)

³Drain Fitting Part No. 26925101
*Contact Factory

Part No.	Description
40880801	Access Panel - Elect
40880701	Access Panel - Refrig
40881501	Access Panel - Refrig - Beacon

Model No.	No. Motor	Motor ¹ 115V	Motor ¹ 230V	Fan Blade	Motor Mount	Fan Guard ²
LSH035	1	25300101S	25300201S	5140C	23104901	37000702
LSH040	1	25300101S	25300201S	5140C	23104901	37000702
LSH041	1	25300101S	25300201S	5140C	23104901	37000702
LSH047	1	25300101S	25300201S	5140C	23104901	37000702
LSH065	2	25300101S	25300201S	5140C	23104901	37000702
LSH068	2	25300101S	25300201S	5140C	23104901	37000702
LSH075	2	25300101S	25300201S	5140C	23104901	37000702
LSH080	2	25300101S	25300201S	5140C	23104901	37000702
LSH090	2	25300101S	25300201S	5140C	23104901	37000702
LSH102	3	25300101S	25300201S	5140C	23104901	37000702
LSH120	3	25300101S	25300201S	5140C	23104901	37000702
LSH140	3	25300101S	25300201S	5140C	23104901	37000702
LSH136	4	25300101S	25300201S	5140C	23104901	37000702
LSH160	4	25300101S	25300201S	5140C	23104901	37000702
LSH180	4	25300101S	25300201S	5140C	23104901	37000702
LSH170	5	25300101S	25300201S	5140C	23104901	37000702
LSH200	5	25300101S	25300201S	5140C	23104901	37000702
LSH204	6	25300101S	25300201S	5140C	23104901	37000702
LSH235	6	25300101S	25300201S	5140C	23104901	37000702
LSH240	6	25300101S	25300201S	5140C	23104901	37000702
LSH280	6	25300101S	25300201S	5140C	23104901	37000702

² Optional Wire Guard: Part No. 37000601

¹ Optional Motors (call factory for availability)

Part No.	Description
25308201	115/1/60/50 Totally Enclosed PSC
25308301	208-230/1/60/50 Totally Enclosed PSC
25308401	460/1/60/50 Totally Enclosed PSC
25308601	208-230/1/60/50 PSC
25308701	460/1/60/50 PSC

Electrical Components

Part No.	Description
22512601	Terminal Strip
4267W	Defrost Termination/Fan Delay - Adjustable Type
5708L	Heater Safety - Klixon Type

Model No.	Drain Pan ³	Drain Pan Heater 115V ⁴	Drain Pan Heater 208-230V	Drain Pan Heater 460V
LSH035	40480101	24752101	24752201	24752301
LSH040	40480101	24752101	24752201	24752301
LSH041	40480101	24752101	24752201	24752301
LSH047	40480101	24752101	24752201	24752301
LSH065	40480201	24752102	24752202	24752302
LSH068	40480201	24752102	24752202	24752302
LSH075	40480201	24752102	24752202	24752302
LSH080	40480201	24752102	24752202	24752302
LSH090	40480201	24752102	24752202	24752302
LSH102	40480301	24752103	24752203	24752303
LSH120	40480301	24752103	24752203	24752303
LSH140	40480301	24752103	24752203	24752303
LSH136	40480401	24752104	24752204	24752304
LSH160	40480401	24752104	24752204	24752304
LSH180	40480401	24752104	24752204	24752304
LSH170	40480501	24752105	24752205	24752305
LSH200	40480501	24752105	24752205	24752305
LSH204	40480601	24752106	24752206	24752306
LSH235	40480601	24752106	24752206	24752306
LSH240	40480601	24752106	24752206	24752306
LSH280	40480601	24752106	24752206	24752306

Climate Control

³ Drain Fitting Part No. 26925101

⁴ Option for Hot Gas unit only with electric drain pan.
Call Factory for confirmation.

Part No.	Description
40880801	Access Panel - Elect - RH
40880701	Access Panel - Refrig - LH
40880901	Back Panel - Refrig. End
40881001	Back Panel - Elec. End
40881201	End Panel - Hot Gas Refrig

LSH	Motor Shaded	Motor Shaded Pole	Motor PSC	Motor PSC	Motor Mount	Fan Blade	Fan Guard	Pan Heater
40	7070060(1)	R038688900(1)	7070059(1)	7071061(1)	23102401(1)	7174402(1)	7067049	7077186
55	7070060(2)	R038688900(2)	7070059(2)	7071061(2)	23102401(2)	7174402(2)	7067049	7077187
70	7070060(2)	R038688900(2)	7070059(2)	7071061(2)	23102401(2)	7174402(2)	7067049	7077187
94	7070060(2)	R038688900(2)	7070059(2)	7071061(2)	23102401(2)	7174402(2)	7067049	7077199
120	7070060(3)	R038688900(3)	7070059(3)	7071061(3)	23102401(3)	7174402(3)	7067049	7077188
140	7070060(3)	R038688900(3)	7070059(3)	7071061(3)	23102401(3)	7174402(3)	7067049	7077188
160	7070060(4)	R038688900(4)	7070059(4)	7071061(4)	23102401(4)	7174402(4)	7067049	7077189
180	7070060(4)	R038688900(4)	7070059(4)	7071061(4)	23102401(4)	7174402(4)	7067049	7077189
240	7070060(6)	R038688900(6)	7070059(6)	7071061(6)	23102401(6)	7174402(6)	7067049	7077191
280	7070060(6)	R038688900(6)	7070059(6)	7071061(6)	23102401(6)	7174402(6)	7067049	7077191

Note: Standard Defrost Thermostat, Part No. 7075819
 Optional Medium Temperature Defrost Thermostat, Part No. 10070101
 Option High Limit Thermostat, Part No. 4752C

LSH	115V Motor Shd. Pole	230V Motor Shd. Pole	115V Motor PSC	230V Motor PSC	Motor Mount	Fan Blade	Fan Guard	Drain Pan Heater
40	25300101S	25300201S	25302601	25302501	23102401	5140C	7067052	7077186
55	25300101S	25300201S	25302601	25302501	23102401	5140C	7067052	7077187
70	25300101S	25300201S	25302601	25302501	23102401	5140C	7067052	7077187
94	25300101S	25300201S	25302601	25302501	23102401	5140C	7067052	7077199
120	25300101S	25300201S	25302601	25302501	23102401	5140C	7067052	7077188
140	25300101S	25300201S	25302601	25302501	23102401	5140C	7067052	7077188
160	25300101S	25300201S	25302601	25302501	23102401	5140C	7067052	7077189
180	25300101S	25300201S	25302601	25302501	23102401	5140C	7067052	7077189
240	25300101S	25300201S	25302601	25302501	23102401	5140C	7067052	7077191
280	25300101S	25300201S	25302601	25302501	23102401	5140C	7067052	7077191

Note: Standard Defrost Thermostat, Part No. 7075819
 Optional Medium Temperature Defrost Thermostat, Part No. 10070101
 Option High Limit Thermostat, Part No. 4752C

Climate Control

Model LTWK	Motor		Fan		Motor Mount	Drain Pan
	115V	230V	Blade	Guard		
9	25300701S(2)	25300801S(1)	5101B(1)	5054D(1)	91179001(1)	40811602
13	25300701S(2)	25300801(2)	5101B(2)	5054D(2)	91179001(2)	40811702
18	25303201S(1)	25303301(1)	23100201(1)	R041777700(1)	23101401(1)	40811802
25	25303201S(2)	25303301(2)	23100201(2)	R041777700(2)	23101401(2)	40811902
35	25303201S(2)	25303301(2)	23100201(2)	R041777700(2)	23101401(2)	40811902
45	25303201S(2)	25303301(2)	23100201(2)	R041777700(2)	23101401(2)	40812002
55	5036SS(1)	5036TS(1)	5110E(1)	5055F(1)	40003001(1)	40812102

LVC/LVD/LVG

LVC	Fan Motor (2) Required	Fan Motor (2) Required	Mount (2) Required	Before S/N 82F	After S/N 82E	Fan Guard	Defrost Heater	Htr Clps* "A" Vintage
500-1	7070106	-	Call Factory	7173503	7173507	Call Factory	-	-
700-1	7070106	-	Call Factory	7173503	7173507	Call Factory	-	-
900-1	7070106	-	Call Factory	Call Factory	Call Factory	Call Factory	-	-
1200-1	7070106	-	Call Factory	7173505	7173509	Call Factory	-	-
1600-1	2530001	-	Call Factory	7173404	7173404	7367013	-	-
2100-1	2530001	-	Call Factory	7173405	7173405	7367014	-	-
2700-1	2530001	-	Call Factory	Call Factory	Call Factory	Call Factory	-	-
LVD								
900-2, 2A	-	Call Factory	Call Factory	Call Factory	Call Factory	N/A	Call Factory	Call Factory
1200-2, 2A	-	Call Factory	Call Factory	7173505	7173509	N/A	7077067(4)	Call Factory
1600-2, 2A	-	2530002	Call Factory	Call Factory	7173404	7367013	7077068(4)	Call Factory
2100-2, 2A	-	2530002	Call Factory	Call Factory	7173405	7367014	7077069(6)	Call Factory
2700-2, 2A	-	2530002	Call Factory	Call Factory	Call Factory	Call Factory	7077070(6)	Call Factory

* "A" is May 1991 Revision.
Defrost Control - Part No. 7075806

"E" Vintage

Model Size	Motor 115V SP (2) Required	Motor 230V SP (2) Required	Motor 115V PSC (2) Required	Motor 230V PSC (2) Required	Fan Blade (2) Required	Motor Mount (2) Required	Drain Pan	Defrost Heater (2) Required
70	25300101S	25300201S	25302601	25302501	22900601	2316597	4040170	2470063
90	25300101S	25300201S	25302601	25302501	22900601	2316597	4040170	2470063
120	25300101S	25300201S	25302601	25302501	22900601	2316597	4040171	2470130
130	25300101S	25300201S	25302601	25302501	22900601	2316597	4040171	2470130
160	25300101S	25300201S	25302601	25302501	22900701	2316598	4040171	2470130
170	25300101S	25300201S	25302601	25302501	22900701	2316598	4040171	2470130
190	-	-	2530688S	2530689S	2291240	4000111	4040172	2470160
220	-	-	2530688S	2530689S	2291240	4000011	4040174	2470200
270	-	-	2530688S	2530689S	2291624	4000112	4040173	2470200

LVD Fan Switch Part No. 28906601
LVG Fan Switch Part No. 4267W

Drain Fitting: Kit No. 26925101

"C" Vintage

MJH	115V Motor Assembly	Motor Mount	Fan Blade		Fan Guard	Drain Pan
			Prior To Mar. 92	After Mar. 92		
010C	*8990011(1)	91179001(1)	R041495400(1)	5101B(1)	R041495500	645645000
013C	*8990011(1)	91179001(1)	R041495400(1)	5101B(1)	R041495500	645645000
017C	*8990011(2)	91179001(2)	R041495400(2)	5101B(2)	R041495500	645645100
023C	R042638300(1)	642761200(1)	R041779600(1)	R041779600(1)	R041777700	645645100

* Motor assembly includes motor and fan blade

Drain Fitting: (1) 017423500 Stud
(1) 017423600 Nut

"E" & "F" Vintage

MJHK/ NNK	115V Motor	230V Motor	Fan Blade		Fan Guard	Drain Pan
			MJHK Models	NNK Models		
13	25300701S(2)	25300801S	5102C	5117C	5076E	74422002
17	25300701S(2)	25300801S	5102C	5117C	5076E	74422002
23	25300701S(3)	25300801S	5102C	5117C	5077E	74436002

Motor Mount Part No. 91179001

PRO³ Top Mount Refrigeration System

Nomenclature Example:

P	T	N	72	H	2	B
P = PRO ³ Refrigeration Systems	T = Top Mount	N = Indoor T = Outdoor	Capacity x 100 = Btuh	H = Cooler Air Defrost L = Freezer Electronic Defrost	Refrigerant 2 = R-22 6 = R-404A	Voltage A = 115/1/60 B = 208-230/1/60 C = 208-230/3/60

Coolers

Part Description	Part Number	PTN024H2A (Qty Required)	PTN029H2A (Qty Required)	PTN040H2A (Qty Required)
Fan Blades				
Evaporator 8"	23100501	1	1	1
Condenser 10"	2291030	1	1	1
Fan Motors				
115V Evaporator	25303201S	1	1	1
115V Condenser	25300101S	1	1	1
Motor Mount				
Evaporator	23101401	1	1	1
Condenser	23101101	1	1	1
Grille				
Evaporator	40922402	1	1	1
Condenser (Louvered panel)	40902302	1	1	1
Relay				
12 A 120V	22560001	1	1	1
Temperature Control				
Temperature Control - Cooler 115V	28916301	1	1	1
TXV Valve	29341701	1	1	-
	29341702	-	-	1

Drain Pan/Evaporator Fan Panel Part No. 46818202

Note: For PSC for 200/1/50 : 25302501

(115V Condenser Motor 25302601 Call Factory) use 25303201 (115V/60-50/S.P./1800 RPM CWOSE or 25303301 208-230/50-60/1) S.P. - CWOSE - 1800 RPM

Freezers

Part Description	Part Number	PTN019L6A (Qty Required)
Fan Blades		
Evaporator 8"	23100501	1
Condenser 10"	2291030	1
Fan Motors		
115V Evaporator	25303201S	1
115V Condenser	25300101S	1
Motor Mount		
For Evaporator	23101401	1
For Condenser	23101101	1
Grille		
Evaporator	40922402	1
Condenser (Louvered panel)	40902302	1
Relay		
12 A. 120V	22560001	1
Temperature Control		
Defrost Timer Control	21300601	1
Room Thermostat	21901002	1
Heater Limit Thermostat	5708L	1
Defrost Heater (coil & drain pan)		
115V	24751901	1
TXV Valve	29341703	1

Drain Pan/Evaporator Fan Panel Part No. 46818202

Coolers

Part Description	Part Number	PTN047H2A (Qty Required)	PTN047H2B PTT047H2B (Qty Required)	PTN063H2B PTT063H2B (Qty Required)	PTN072H2B PTT072H2B (Qty Required)
Fan Blades					
Evaporator 10"	22901901	1	1	2	2
Condenser 12"	22900701	1	1	1	1
Fan Motors					
208/230V Evaporator	25307801		1	2	2
208/230V Condenser	25307801		1	1	1
115V Evaporator	25307701	1			
115V Condenser	25307701	1			
Motor Mount					
Evaporator	4000104	1	1	2	2
Condenser	23103301	1	1	1	1
Grille					
Evaporator	40894201	1	1	1	1
Condenser (Louvered panel)	40819901	1	1	1	1
Contactors					
20 A 115V	2254303	1			
20 A 230V	R034915200		1	1	1
Temperature Control					
Temp Control - Cooler 208/230V	28916201		1	1	1
Temp Control - Cooler 115V	28916301	1			
TXV Valve	29347601	1	1	1	
	29347602				1
Drain Line Heater (PTT Only)	24753401		1	1	1
Pressure Control (PTT Only)	28906701		1	1	1

Drain Pan Part No. 40404502

Freezers

Part Description	Part Number	PTN021L6A (Qty Required)	PTN021L6B PTT021L6B (Qty Required)	PTN031L6B PTT031L6B (Qty Required)	PTN044L6B PTT044L6B (Qty Required)
Fan Blades					
Evaporator 10"	22901901	1	1	2	2
Condenser 12"	22900701	1	1	1	1
Fan Motors					
208/230V Evaporator	25307801		1	2	2
208/230V Condenser	25307801		1	1	1
115V Evaporator	25307701	1			
115V Condenser	25307701	1			
Motor Mount					
For Evaporator	4000104	1	1	2	2
For Condenser	23103301	1	1	1	1
Grille					
Evaporator	40894201	1	1	1	1
Condenser (Louvered panel)	40819901	1	1	1	1
Contactors					
20 A 115V	2254303	1			
20 A 230V	R034915200		1	1	1
Temperature Control					
Defrost Temp Control - 208/230V	21300401 ¹	1	1	1	1
Heater Limit Thermostat	5708L	1	1	1	1
Defrost Heaters (in coil & drain pan)					
115V	24712101	3			
230V	4312F		3	3	3
TXV Valve	29347603	1	1	1	
	29347604				1
Drain Line Heater (PTT Only)	24753401		1	1	1
Pressure Control (PTT Only)	28906701		1	1	1

¹ Replacement Sensor Only Part. No. 28912101

Drain Pan Part No. 40404502

Coolers

Part Description	Part Number	PTN099H2B PTT099H2B (Qty Required)	PTN099H2C PTT099H2C (Qty Required)	PTN128H2B PTT128H2B (Qty Required)	PTN128H2C PTT128H2C (Qty Required)
Fan Blades					
Evaporator 10"	22901901	3	3	3	3
Condenser 12"	22900701	2	2	2	2
Fan Motors					
208/230V Evaporator	25307801	3	3	3	3
208/230V Condenser	25307801	2	2	2	2
Motor Mount					
Evaporator	4000104	3	3	3	3
Condenser	23103301	2	2	2	2
Grille					
Evaporator	40894601	1	1	1	1
Condenser (Louvered half panel) E-box side	40903601	1	1	1	1
Condenser (Louvered half panel)	40903701	1	1	1	1
Contactors					
25 A 230V 3 Pole	2259996		1		1
20 A 230V 2 Pole	R034915200	1		1	
Temperature Control					
Temp Control - Cooler 208/230V	28916201	1	1	1	1
TXV Valve	29347602	1	1		
	29341709			1	1
Drain Line Heater (PTT Only)	24753401	1	1	1	1
Fan Cycle T'Stat (PTT Only)	5521R	1	1	1	1
Pressure Control (PTT Only)	28906701	1	1	1	1

Drain Pan Part No. 40405002

Freezers

Part Description	Part Number	PTN052L6B PTT052L6B (Qty Required)	PTN052L6C PTT052L6C (Qty Required)	PTN069L6B PTT069L6B (Qty Required)	PTN069L6C PTT069L6C (Qty Required)
Fan Blades					
Evaporator 10"	22901901	3	3	3	3
Condenser 12"	22900701	2	2	2	2
Fan Motors					
208/230V Evaporator	25307801	3	3	3	3
208/230V Condenser	25307801	2	2	2	2
Motor Mount					
For Evaporator	4000104	3	3	3	3
For Condenser	23103301	2	2	2	2
Grille					
Evaporator	40894601	1	1	1	1
Condenser (Louvered half panel) E-box side	40903601	1	1	1	1
Condenser (Louvered half panel)	40903701	1	1	1	1
Contactors					
25 A 230V 3 Pole	2259996		1		1
20 A 230V 2 Pole	R034915200	1		1	
Temperature Control					
Defrost Temp Control - 208/230V	21300401 ¹	1	1	1	1
Heater Limit Thermostat	5708L	1	1	1	1
Defrost Heaters (in coil & drain pan)					
230V	4313F	3	3	3	3
TXV Valve	29347604	1	1	1	1
Drain Line Heater (PTT Only)	24753401	1	1	1	1
Fan Cycle T'Stat (PTT Only)	5521R	1	1	1	1
Pressure Control (PTT Only)	28906701	1	1	1	1

¹ Replacement Sensor Only Part. No. 28912101

Drain Pan Part No. 40405002

PRO³ Side Mount Refrigeration System

Nomenclature Example:

P	S	T	70	L	6	B	H
P = PRO3 Packaged Refrigeration System	S = Side Mount	T = Outdoor	70 = BTUH x 100	H = High/Med Temp L = Low Temp M = Med Temp w/Elec Def	R404A	208-230/1/60	H = PSC motors EC = EC Motors

Coolers

Part Description	Part Number	PST070H6B	PST090H6B	PST131H6B	PST147H6B
Fan Blades					
Evaporator	5140C	1	1	2	2
Condenser	22901901	2	2	3	3
Fan Motors					
Evaporator, PSC - 208/230 volt	25308601	1	1	2	2
Evaporator, EC - 208/230 volt	25317701	1	1	2	2
Condenser - 208/230	25308301	2	2	3	3
Evaporator fan motor bracket	23103301	1	1	2	2
Condenser fan motor bracket	4000104	2	2	3	3
Contactors					
20A, 230-volt	34915200	1	1	1	1
Temperature Control					
Freezer control kit -208/230 volt*	21300701	1	1	1	1
Cooler w/ electric defrost - 208/230 volt	21300801	1	1	1	1
Cooler control kit - 208/240 volt*	21300901	1	1	1	1
Heater limit thermostat	5708L				
Defrost Heaters	4312F				
Defrost heaters - 230 volt	4342L				
Outdoor Parts					
Fan pressure control	28917301	1	1	1	1
Fan temperature control	5521R	1	1	1	1
Drain line heater	24753401	1	1	1	1
Drain line heater thermostat	28917401	1	1	1	1

Coolers w/Electric Defrost

Part Description	Part Number	PST066M6B*	PST086M6B*	PST124M6B*	PST141M6B*
Fan Blades					
Evaporator	5140C	1	1	2	2
Condenser	22901901	2	2	3	3
Fan Motors					
Evaporator, PSC - 208/230 volt	25308601	1	1	2	2
Evaporator, EC - 208/230 volt	25317701	1	1	2	2
Condenser - 208/230	25308301	2	2	3	3
Evaporator fan motor bracket	23103301	1	1	2	2
Condenser fan motor bracket	4000104	2	2	3	3
Contactors					
20A, 230-volt	34915200	1	1	1	1
Temperature Control					
Freezer control kit -208/230 volt*	21300701	1	1	1	1
Cooler w/ electric defrost - 208/230 volt	21300801	1	1	1	1
Cooler control kit - 208/240 volt*	21300901	1	1	1	1
Heater limit thermostat	5708L	1	1	1	1
Defrost Heaters					
Defrost heaters - 230 volt	4342L			3	3
Outdoor Parts					
Fan pressure control	28917301	1	1	1	1
Fan temperature control	5521R	1	1	1	1
Drain line heater	24753401	1	1	1	1
Drain line heater thermostat	28917401	1	1	1	1

Freezers

Part Description	Part Number	PST034L6B*	PST051L6B*	PST057L6B*	PST077L6B*
Fan Blades					
Evaporator	5140C	1	1	2	2
Condenser	22901901	2	2	3	3
Fan Motors					
Evaporator, PSC - 208/230 volt	25308601	1	1	2	2
Evaporator, EC - 208/230 volt	25317701	1	1	2	2
Condenser - 208/230	25308301	2	2	3	3
Evaporator fan motor bracket	23103301	1	1	2	2
Condenser fan motor bracket	4000104	2	2	3	3
Contactors					
20A, 230-volt	34915200	1		1	1
Temperature Control					
Freezer control kit -208/230 volt*	21300701	1	1	1	1
Cooler w/ electric defrost - 208/230 volt	21300801	1	1	1	1
Cooler control kit - 208/240 volt*	21300901	1	1	1	1
Heater limit thermostat	5708L	1	1	1	1
Defrost Heaters					
Defrost heaters - 230 volt	4342L			3	3
Outdoor Parts					
Fan pressure control	28917301	1	1	1	1
Fan temperature control	5521R	1	1	1	1
Drain line heater	24753401	1	1	1	1
Drain line heater thermostat	28917401	1	1	1	1

RAMK

"F" Vintage

{AF=115V} {BF=230V}

Unit	Motor ¹	Qty	Fan Blade	Motor Mount	Fan Guard	Drain Pan*
RAMK13	25300701S	2	5117C	91179001	5076E	74422002
RAMK17	25300701S	2	5117C	91179001	5076E	74422002
RAMK23	25300701S	3	5117C	91179001	5077E	74436002

¹ 230 Volt Motor = 25300801S

*Drain fitting included

40804701 -

40807501 -

Air Deflector for size 13 & 17.

Air Deflector for size 23

SK/SC

Condensing Unit

	Motor For 230V Unit	Motor For 460V Unit	Fan Blade	Fan Guard	Motor Mount	Motor Mount Legs
0300H2,L5,E5	*7071208S(1)	*7071225S(1)	7173156(1)	7067026(2)	Call Factory	Call Factory
0500L5,E5	*7071208S(1)	*7071225S(1)	7173156(1)	7067026(2)	Call Factory	Call Factory
0500H2	*7071208S(2)	*7071225S(2)	7173156(2)	7067026(4)	Call Factory	Call Factory
0750H2,L5,E5	*7071208S(2)	*7071225S(2)	7173156(2)	7067026(4)	Call Factory	Call Factory
1000L5	*7071208S(2)	*7071225S(2)	7173156(2)	7067026(4)	Call Factory	Call Factory
1000H2	*7071208S(3)	*7071225S(3)	7173156(3)	7067026(6)	Call Factory	Call Factory
1500H2,L5	*7071208S(3)	*7071225S(3)	7173156(3)	7067026(6)	Call Factory	Call Factory
2000H2,L5	*7071208S(3)	*7071225S(3)	7173156(3)	7067026(6)	Call Factory	Call Factory
2500L5	*7071208S(3)	*7071225S(3)	7173156(3)	7067026(6)	Call Factory	Call Factory

* Motor includes capacitor.

Head Pressure Valve - Part No. 2930058

Oil Pressure Control - Part No. 7075838

Dual Pressure Switch - Call Factory

Call Factory Special Application Units:

Model SRC	Motor Assembly	Motor Mount	Fan Blade	Fan Guard	Drain Pan
10AF	25300701S(1)	91179001	5101B	5054D	91184002
10BF	25300801S(1)	91179001	5101B	5054D	91184002
13AF	25300701S(2)	91179001	5101B	5054D	91185002
13BF	25300801S(2)	91179001	5101B	5054D	91185002
17AF	25300701S(2)	91179001	5101B	5054D	91186002
17BF	25300801S(2)	91179001	5101B	5054D	91186002
23AF	25300701S(3)	91179001	5101B	5054D	40803302
23BF	25300801S(3)	91179001	5101B	5054D	40803302
30AF	25300701S(3)	91179001	5101B	5054D	40803502
30BF	25300801S(3)	91179001	5101B	5054D	40803502
43AF	25300701S(4)	91179001	5101B	5054D	40804802
43BF	25300801S(4)	91179001	5101B	5054D	40804802
55AF	25300701S(5)	91179001	5101B	5054D	40803702
55BF	25300801S(5)	91179001	5101B	5054D	40803702
SFC					
09AF	25300701S(1)	91179001	5101B	5054D	91184002
09BF	25300801S(1)	91179001	5101B	5054D	91184002
12AF	25300701S(2)	91179001	5101B	5054D	91185002
12BF	25300801S(2)	91179001	5101B	5054D	91185002
16AF	25300701S(2)	91179001	5101B	5054D	91186002
16BF	25300801S(2)	91179001	5101B	5054D	91186002
21AF	25303201S(1)	23101401	23100201	R041777700	40808602
21BF	25303301(1)	23101401	23100201	R041777700	40808602
28AF	25300701S(3)	91179001	5101B	5054D	40803902
28BF	25300801S(3)	91179001	5101B	5054D	40803902
35BF	25303301(2)	23101401	23100201	R041777700	40804102
53BF	25303301(3)	23101401	23100201	R041777700	40804102

SFC Model	115V Defrost Heater (1) Required	230V Defrost Heater (1) Required	Heater Limit	Defrost Thermostat
09	4539N	4542N	4752C	4751C
12	4540N	4543N	4752C	4751C
16	4541N	4544N	4752C	4751C
21	4545N	4546N	5708L	5709L
28	7077358	R015016200	5708L	5709L
35	N/A	24700703	30101901	30101801
53	N/A	24700704	30101901	30101801

Note: "E" Vintage
 Use Same Motors, Blades, Motor Mounts & Fan Guards As "F" Vintage
 Defrost Fan Control Part No. 5709L For "E" Vintage
 No Heater Safety Control
 Drain Pans And Coil Heaters Not Available

Climate Control

SWN/SRN

Nomenclature Example:

S	W	N	500	H	2	C
Semi-hermetic	Water Cooled Remote	Indoor	Model Size	Application	Refrig.	Voltage
				H = High Temp M = Med. Temp L = Low Temp E = Extra Low Temp	2 = R-22 6 = R-404A	B = 208-230/1/60 C = 208/230/3/60 D = 460/3/60 G = 230/1/60

Description	Part No.
Cond, Shell & Tube 6x24	21634301
Cond., Shell & Tube (Used w/1.5HP Remotes) 6 X 24	21633301
Cond., Shell & Tube (Used w/10HP Remotes) 8.63 X 42	21631201
Cond., Shell & Tube (Used w/15HP Remotes) 10.75 X 48	21631301
Cond., Shell & Tube (Used w/2HP Remotes) 6.63 X 18	21633401
Cond., Shell & Tube (Used w/5HP Remotes) 8.63 X 24	21631001
Cond., Shell & Tube (Used w/7.5HP Remotes) 8.63 X 36	21631101
Contactora, 2P, 25A (35A), 208-240V	2252125
Contactora, 3P, 25A (35A), 208-240V	2259996
Contactora, 3P, 40A (50A), 208-240V	2252340
Contactora, 3P, 50A (63A), 208-240V	2252350
Contactora, 3P, 75A (93A), 208-240V	2252375
Control High Pressure 400#C.O.w/Conn	28913201
Control High Pressure Fixed 315#	2890101
Control Pressure HP14T9B 1-1/8OD-R-22/R-50	2939398
Control Dual Pressure - Man 20in - 100/100-425	2891550
Control Sentronic Oil Safety - Copeland	2897100
Control Adjustable Low Pressure SW./P70AB-1D 1/4FL	2891402
Low Pressure Switch w/Conduit (Fixed)	28913401
Crankcase Heater 240V 100W	24702202
EXT Crankcase Heater 230V 50W w/MTGS	2471891
EXT Crankcase Heater 230V 65W w/Clips	2471801
Head Pressure Valve HP8T5-185	29399093
Head Pressure Valve HPC-5T3-180	29399201

RCVR, 10.75 x 41	27305601
RCVR, 12.75 x 41	27305701
RCVR, 6 x 32	27305401
RCVR, 8.63 x 34	27305501
Relay DPDT 230VAC 6A4186M	2254186
Switch,Toggle -10A 250V SPST	2257514
Terminal Block 3P LN 2/0-12 LOAD 4/P 4	2251423
Terminal BRD 2 Pole T1,T2	2255827
Terminal Strip *DH	22513401
Timer - 208-240V 40 A SPDT TI-TT	2138162
Transformer 300VA (240-460/240-120)	R038253919
V46AB1 1/2 Water Valve (Johnson)	2935028
VLV 1 FPT Water Regulat	2935041
VLV 1-1/4FPT Water REG	2935042
VLV 2-1/2 H2O REG V46AT-2	2935043
VLV HD Pressure Contrtol 7/8" 185	2930079
Water Regulating Valve	2935031

Note: For SWN0210L6D And Larger Head Cooling Fan Is Part Of The Compressor

For Smaller Units Use:

Motor (460V)	2530909	Blade	2297004
Motor (230V)	2535421	Guard	2310010

TA "F" Vintage {AF=115V} {BF=230V}

Unit	Motor ¹	Qty	Fan Blade	Motor Mount	Fan Guard	Drain Pan*
TA10	25300701S	1	5101B	91179001	5054D	91184002
TA10AHEF	25315101	1	5101B	91179001	5054D	91184002
TA13	25300701 S	2	5101B	91179001	5054D	91185002
TA17	25300701 S	2	5101B	91179001	5054D	91186002
TA23	25300701 S	3	5101B	91179001	5054D	40803302
TA30	25300701 S	3	5101B	91179001	5054D	40803502
TA43	25300701 S	4	5101B	91179001	5054D	40804802
TA55	25300701 S	5	5101B	91179001	5054D	40803702

¹ 230 Volt Motor = 25300801S

* Drain fitting included

TL "F" Vintage {AF=115/1/60} {BF=230/1/60}

Unit	Motor	Qty	Fan Blade ¹	Motor Mount	Fan Guard	Drain Pan
TL09A	25300701S	1	5101B	91179001	5054D	91184002
TL09B	25300801 S	1	5101B	91179001	5054D	91184002
TL12A	25300701 S	2	5101B	91179001	5054D	91185002
TL12A1FHEF	25315101	1	5101B	91179001	5054D	40924502
TL12B	25300801 S	2	5101B	91179001	5054D	91185002
TL16A	25300701 S	2	5101B	91179001	5054D	91186002
TL16B	25300801 S	2	5101B	91179001	5054D	91186002
TL21A	25303201 S	1	23100201	23101401	R041777700	40808602
TL21B	25303301	1	23100201	23101401	R041777700	40808602
TL28A	25300701 S	3	5101B	91179001	5054D	40803902
TL28B	25300801 S	3	5101B	91179001	5054D	40803902
TL35B	25303301	2	23100201	23101401	R041777700	40804102
TL53B	25303301	3	23100201	23101401	R041777700	40804102

¹ For Reverse Air Flow:

Use 5117C in place of 5101B

TL53B Drain Pan 40800102

Use 23100501 in place of 23100201

"F" Vintage Electric Defrost Components

Unit	Defrost Fan Control	Heater Defrost Control	Coil Heater	Qty
TL09A	4751C	4752C	4539N	1
TL09B	4751C	4752C	4542N	1
TL12A	4751C	4752C	4540N	1
TL12A1FHEF	4751C	4752C	4540N	1
TL12B	4751C	4752C	4543N	1
TL16A	4751C	4752C	4541N	1
TL16B	4751C	4752C	4544N	1
TL21A	5709L	5708L	4545N	1
TL21B	5709L	5708L	4546N	1
TL28A	5709L	-	7077358	1
TL28B	5709L	-	R015016200	1
TL35B	30101801	30101901	24700703	1
TL53B	30101801	30101901	24700704	1
	Opens @ 55 Closes @ 35	Opens @ 75 Closes @ 40		

* TL "E" Vintage

Use same motors, blades, motor mounts & fan guards as "F" Vintage

Defrost fan control part No. 5709L for "E" vintage- no heater safety control

Note: drain pans and coil heaters not available

TLC/TLF

TLC	Motor 115V (SH. Pole)	Motor 230V (SH. Pole)	Motor 230V PSC*	Motor Mount	Fan Blade	Fan Guard
045	7070058(1)	7071060(1)	7071061(1)	6366022	R043759700	7367046
076	7070058(2)	7071060(2)	7071061(2)	6366022	R043759700	7367046
090	7070058(2)	7071060(2)	7071061(2)	6366022	R043759700	7367046
102	7070058(2)	7071060(2)	7071061(2)	6366022	R043759700	7367046
120	7070058(3)	7071060(3)	7071061(3)	6366022	R043759700	7367046
140	7070058(3)	7071060(3)	7071061(3)	6366022	R043759700	7367046
167	7070058(3)	7071060(3)	7071061(3)	6366022	R043759700	7367046
188	7070058(4)	7071060(4)	7071061(4)	6366022	R043759700	7367046
220	7070058(4)	7071060(4)	7071061(4)	6366022	R043759700	7367046
TLF						
040	-	7071060	7071061	6366022	R043759700	7367046
069	-	7071060	7071061	6366022	R043759700	7367046
081	-	7071060	7071061	6366022	R043759700	7367046
094	-	7071060	7071061	6366022	R043759700	7367046
107	-	7071060	7071061	6366022	R043759700	7367046
128	-	7071060	7071061	6366022	R043759700	7367046
157	-	7071060	7071061	6366022	R043759700	7367046
170	-	7071060	7071061	6366022	R043759700	7367046
205	-	7071060	7071061	6366022	R043759700	7367046

Electric Defrost Parts

*Capacitor For PSC Motor is: Part No. 037516402

TLF	Defrost Heater*	Defrost Thermostat	Defrost Hi-Limit Switch
040	10108001(2)	7075819	4752C
069	10108002(2)	7075819	4752C
081	10108002(2)	7075819	4752C
094	10108003(3)	7075819	4752C
107	10108004(3)	7075819	4752C
128	10108005(3)	7075819	4752C
157	10108006(3)	7075819	4752C
170	10108008(4)	7075819	4752C
205	10108008(4)	7075819	4752C

* Heaters have changed to "L" type from hairpin style. "E" Vintage

If customer has old style unit- must notch drain pan to install.

Unit Size	Motors	Qty	Blade	Guard	Drain Pans*
TLC052AE	5036SS	1	5110E	5055F	C26363A2
TLC076AE	5036SS	2	5110E	5055F	C26360A2
TLC090AE	5036SS	2	5110E	5055F	C26360A2
TLC102AE	5036SS	2	5110E	5055F	C25360A2
TLC108AE	5036SS	3	5110E	5055F	C26361A2
TLC134AE	5036SS	3	5110E	5055F	C26361A2
TLC156AE	5036SS	3	5110E	5055F	C26361A2
TLC179AE	5036SS	4	5110E	5055F	C26362A2
TLC208AE	5036SS	4	5110E	5055F	C26362A2
TLC249AE	5036SS	5	5110E	5055F	D20817A2

230 Volt Motor=5036TS

115 Volt Motor (PSC)=5036N

Motor Mounting Plate: 40003001

230 Volt Motor (PSC)=5036PS

* Drain Pans include drain fitting

Unit Size	Motors	Qty	Blade	Guard	Drain Pans*	Heaters (2) Required
TLF040BE	5036TS	1	5110E	5055F	C26363A2	4400S
TLF054BE	5036TS	2	5110E	5055F	C26360A2	4401S
TLF065BE	5036TS	2	5110E	5055F	C26360A2	4401S
TLF090BE	5036TS	3	5110E	5055F	C26361A2	4402S
TLF130BE	5036TS	3	5110E	5055F	C26361A2	4403S
TLF174BE	5036TS	4	5110E	5055F	C26362A2	4404S

* Drain Pans include drain fitting

Motor Mounting Plate: 40003001

Fan Delay Control - Part No. 4267W

Model TMS ¹	Motor 230/240V	Fan Blade	Fan Guard	Fan Cycle Thermostat	Contactor
073-658	7072102S	7173254	2318494	7075807	2259996

TRH/TCH/TTH

Condensing Unit

Unit Size	Motor for 230V Unit	Motor for 460V Unit	Motor Capacitor	Fan Blade	Motor Mount
005	7071061(1)	7071061(1)	R037516402(1)	R043759700(1)	6366022(1)
008	7071061(1)	7071061(1)	R037516402(1)	R043759700(1)	6366022(1)
010	7071061(1)	7071061(1)	R037516402(1)	R043759700(1)	6366022(1)
015	7071061(2)	7071061(2)	R037516402(2)	R043759700(2)	6366022(2)
020	7071061(2)	7071061(2)	R037516402(2)	R043759700(2)	6366022(2)
030	7071208S(1)*	7071225S(1)*	-	7173156(1)	Call Factory
040	7071208S(1)*	7071225S(1)*	-	7173156(1)	Call Factory
050	7071208S(1)*	7071225S(1)*	-	7173156(1)	Call Factory

*Motor includes capacitor

Optional Fan Cycle Switch for Size 015 & 020 - Part No.7075839

To use 7071061 for 460V application, must wire thru contactor coil

Unit Size	Head Pressure Valve	Low Pressure Switch	R-12 High Pressure Switch	R-22 High Pressure	Compressor Contactor
005	2930429	7075212	Call Factory	7075207	R034915200
008	2930429	7075212	Call Factory	7075207	R034915200
010	2930429	7075212	Call Factory	7075207	R034915200
015	2930429	7075212	Call Factory	7075207	R034915200
020	2930429	7075212	Call Factory	7075207	R034915200
030	2930429	7075212	Call Factory	7075207	2532340
040	2930058	7075212	Call Factory	7075207	2532340
050	2930058	7075212	Call Factory	7075207	2532340

Climate Control

U "B" Vintage

Unit	Motor	Qty	Fan Blade	Motor Mount	Fan Guard	Drain Pan*
U 90B	5025SS	1	5124A	91746001	N/A	66974002
U 91B	5026TS	1	5124A ¹	91746001	N/A	66974002
U120B	5025SS	1	5126A	91746001	N/A	66958002
U121B	5026TS	1	5126A ¹	91746001	N/A	66958002
U150B	5026SS	1	5127A	91746001	N/A	66980002
U151B	5026TS	1	5127A	91746001	N/A	66980002

*Drain fitting included

¹ Must be (field) drilled to 5/16"

VA "F" Vintage {AF= 115V BF=230V}

Unit	Motor ¹	Qty	Fan Blade	Motor Mount	Fan Guard	Drain Pan*
VA06	25300701S ¹	1	5101B	91179001	5054D	40800402
VA08	25300701S ¹	1	5101B	91179001	5054D	40800402
VA12	25300701S ¹	2	5101B	91179001	5054D	40800602
VA17	25303201S ²	1	23100201	23101401	R041777700	40802502

¹ 230 Volt Motor = 25300801

² 230 Volt Motor = 25303301

*Drain Fittings included

C ("E" & "F" Vintage) [AF=115V]

[BF=230V]

Unit	Motor ¹	Qty	Fan Blade	Motor Mount	Fan Guard	Drain Pan*
C13	25303201	1	23100201	23101401	R041777700	40801502
C17	25303201	1	23100201	23101401	R041777700	40801702
C23	25303201	1	23100201	23101401	R041777700	40801902
C30	25303201	2	23100201	23101401	R041777700	40802102
C43	25303201	2	23100201	23101401	R041777700	40802302

¹ Motor, 208-230/1/60=25303301

* Drain fitting included in drain pan

WSS Condenser

WSS Model	Fan Motor		Fan	
	230/1/60	230/460/3/60	Blade	Guard
008	2537974S(1)	-	2291820(1)	2318491(1)
009	2537974S(1)	-	2291820(1)	2318491(1)
010	2537974S(1)	-	2291820(1)	2318491(1)
016	2537974S(1)	-	2291836(1)	2318491(1)
024	2530355S(1)	2531193S(1)	2292422(1)	2311026(1)
040	2531191S(1)	2531193S(1)	2292625(1)	2311026(1)
049	2530355S(2)	2531193S(2)	2292422(2)	2311026(2)
061	2531191S(2)	2531193S(2)	2292625(2)	2311026(2)
070	2531191S(2)	2531193S(2)	2292625(2)	2311026(2)
080	2531191S(2)	2531193S(2)	2292625(2)	2311026(2)
105	2531191S(3)	2531193S(3)	2292625(3)	2311026(3)
113	2531191S(3)	2531193S(3)	2292625(3)	2311026(3)
133	2531191S(3)	2531193S(3)	2292625(3)	2311026(3)
140	2531191S(4)	2531193S(4)	2292625(4)	2311026(4)
160	2531191S(4)	2531193S(4)	2292625(4)	2311026(4)
210	2531191S(6)	2531193S(6)	2292625(6)	2311026(6)
226	2531191S(6)	2531193S(6)	2292625(6)	2311026(6)
266	2531191S(6)	2531193S(6)	2292625(6)	2311026(6)
312	2531191(8)S	2531193(8)S	2292625(8)	2311026(8)
354	2530143(8)S	2531010(8)S	2292630(8)	2311026(8)
422	2530143(8)S	2531010(8)S	2292630(8)	2311026(8)
502	2530143(8)S	2531010(8)S	2292630(8)	2311026(8)

WGS Fluid Cooler

WGS Model	Fan Motor		Fan	
	230/1/60	230/460/3/60	Blade	Guard
049	2530355S(1)	2531193S(1)	2292422(1)	2311026(1)
080	2531191S(1)	2531193S(1)	2292625(1)	2311026(1)
107	2530355S(2)	2531193S(2)	2292422(2)	2311026(2)
123	2531191S(2)	2531193S(2)	2292625(2)	2311026(2)
147	2531191S(2)	2531193S(2)	2292625(2)	2311026(2)
165	2531191S(2)	2531193S(2)	2292625(2)	2311026(2)
211	2531191S(3)	2531193S(3)	2292625(3)	2311026(3)
225	2531191S(3)	2531193S(3)	2292625(3)	2311026(3)
248	2531191S(3)	2531193S(3)	2292625(3)	2311026(3)
294	2531191S(4)	2531193S(4)	2292625(4)	2311026(4)
330	2531191S(4)	2531193S(4)	2292625(4)	2311026(4)
422	2531191S(4)	2531193S(4)	2292625(4)	2311026(4)
450	2531191S(6)	2531193S(6)	2292625(6)	2311026(6)
496	2531191S(6)	2531193S(6)	2292625(6)	2311026(6)
602	2531191(8)S	2531193(8)S	2292625(8)	2311026(8)
700	2530143(8)S	2531010(8)S	2292625(8)	2311026(8)
808	2530143(8)S	2531010(8)S	2292625(8)	2311026(8)
903	2530143(8)S	2531010(8)S	2292625(8)	2311026(8)

Climate Control

WUC	115V Motor Shaded Pole	230V Motor Shaded Pole	460V Motor PSC	230/460 Motor 3 PH	1 PH Motor Mount	3 PH Motor Mount
009C	Call Factory	*7071207S(1)	-	-	-	N/A
013C	Call Factory	*7071207S(1)	-	-	-	N/A
018C	Call Factory	*7071207S(2)	*7071224(2)	-	-	N/A
022C	Call Factory	*7071207S(2)	*7071224(2)	-	-	N/A
027C	Call Factory	*7071207S(3)	*7071224(3)	-	-	N/A
033C	Call Factory	*7071207S(3)	*7071224(3)	-	-	N/A
039C	Call Factory	*7071207S(3)	*7071224(3)	-	-	N/A
043C	Call Factory	*7071207S(4)	*7071224(4)	-	-	N/A
054C	Call Factory	*7071207S(5)	*7071224(5)	-	-	N/A
059C	-	R033177500S(2)	R033177700S(2)	R042646200(2)	R028844610(2)	N/A
078C	-	R033177500S(3)	R033177700S(3)	R042646200(3)	R028844610(3)	N/A
113C	-	R033177500S(4)	R033177700S(4)	R042646200(4)	R028844610(4)	N/A
140C	-	R033177500S(4)	R033177700S(4)	R042646200(4)	R028844610(4)	N/A

*These motors include capacitors and mounts

WUC	Mtr. Mounting Strap	3 PH Motor Resilient Ring	Motor Capacitor	Fan Blade	Fan Guard	Drain Pan
009C	-	N/A	-	7173253(1)	7367041(1)	N/A
013C	-	N/A	-	7173253(1)	7367041(1)	N/A
018C	-	N/A	-	7173253(2)	7367041(2)	8161180(1)
022C	-	N/A	-	7173253(2)	7367041(2)	8161180(1)
027C	-	N/A	-	7173253(3)	7367041(3)	8161181(1)
033C	-	N/A	-	7173253(3)	7367041(3)	8161181(1)
039C	-	N/A	-	7173253(3)	7367041(3)	8161182(1)
043C	-	N/A	-	7173253(4)	7367041(4)	8161182(1)
054C	-	N/A	-	7173253(5)	7367041(5)	8161183(1)
059C	R000134500	N/A	5710F	22900201(2)	7067042(2)	643335400
078C	R000134500	N/A	5710F	22900201(3)	7067042(3)	843335600
113C	R000134500	N/A	5710F	22900201(4)	7067042(4)	843335600
140C	R000134500	N/A	5710F	22900201(4)	7067042(4)	843335600

Climate Control

WUF	230V Motor PSC	460V Motor PSC	230/460V Motor 3 PH	Motor Capacitor	1PH Motor Mount
008C	*7071207S(1)	*7071224(1)	-	-	-
012C	*7071207S(1)	*7071224(1)	-	-	-
016C	*7071207S(2)	*7071224(2)	-	-	-
020C	*7071207S(2)	*7071224(2)	-	-	-
024C	*7071207S(3)	*7071224(3)	-	-	-
030C	*7071207S(3)	*7071224(3)	-	-	-
036C	*7071207S(3)	*7071224(3)	-	-	-
039C	*7071207S(4)	*7071224(5)	-	-	-
049C	*7071207S(5)	*7071224(4)	-	-	-
065C	R033177500S(3)	R033177700S(3)	R042646200(3)	5710F	R028844610(3)
079C	R033177500S(3)	R033177700S(3)	R042646200(3)	5710F	R028844610(3)
105C	R033177500S(4)	R033177700S(4)	R042646200(4)	5710F	R028844610(4)
131C	R033177500S(4)	R033177700S(4)	R042646200(4)	5710F	R028844610(4)

*These motors include capacitors and mounts.

Note: 3PH Motor Mount, Motor Mounting Straps & 3 PH Motor Resilient Rings Not Available

WUF	Fan Blade	Fan Guard	Coil Heater	230V Drain Pan Heater	460V Drain Pan Heater	Defrost Thermostat	Drain Pan Assembly ¹
008C	7173253(1)	7367041(1)	Call Factory	Call Factory	**	7075808	Call Factory
012C	7173253(1)	7367041(1)	7077171(6)	7077177(2)	**	7075808	Call Factory
016C	7173253(2)	7367041(2)	Call Factory	Call Factory	**	7075808	Call Factory
020C	7173253(2)	7367041(2)	Call Factory	Call Factory	**	7075808	Call Factory
024C	7173253(3)	7367041(3)	7077173(6)	7077179(2)	**	7075808	8161187
030C	7173253(3)	7367041(3)	7077173(6)	7077179(2)	**	7075808	8161187
036C	7173253(3)	7367041(3)	7077174(6)	7077180(2)	**	7075808	8161188
039C	7173253(4)	7367041(4)	7077174(6)	7077180(2)	**	7075808	8161188
049C	7173253(5)	7367041(5)	7077175(6)	7077181(2)	**	7075808	8161189
065C	22900201(3)	7067042(3)	10044401(8)	R032591001	R032591002	8075821	842985500
079C	22900201(3)	7067042(3)	10044401(8)	R032591001	R032591002	8075821	842985500
105C	22900201(4)	7067042(4)	10044401(12)	R032591001	R032591002	8075821	842986300
131C	22900201(4)	7067042(4)	10044401(12)	R032591001	R032591002	8075821	842986300

** For these models, the 230V Heaters will be wired in series for 460V.

¹ Less Heater

Climate Control

Smart Defrost Kit

Part No.	Description
22681501	Complete Smart Defrost Kit (SDK)
28952101	SDK Module Only
28911202	SDK Suction Pressure Transducer
22515901	SDK Transducer Harness
28902301	SDK Sensor

Hot Gas Defrost

Mohave

28910301	Hot Gas Control Board
29330501	Hot Gas Electronic Pressure Regulator
22511202	Hot Gas Suction Pressure Transducer
22515102	Hot Gas Suction Transducer Harness
22511203	Hot Gas Liquid Pressure Transducer
22515103	Hot Gas Liquid Transducer Harness
22555601	Hot Gas Transformer

EC or Brushless DC Motors

LSC, LSF, LFF		Unit Coolers
	MODEL	VOLTAGE
22617701	LSC, LSF, LFF	208/230
22617801	LSC, LSF, LFF	120
CMA, CME, CML, CMG, CMF		Unit Coolers
22617501	CMA, CME, CML, CMG, CMF	208/230
22617601	CMA, CME, CML, CMG, CMF	120
TLC, TLF CWA, CWE, CWG		Unit Coolers
22617901	TLC, TLF, CWA, CWE, CWG	208/230
22618001	TLC, TLF, CWA, CWE, CWG	120
LVC, LVD, LVG		Unit Coolers
22681601	70, 87, 118, 125	120
22681701	70, 87, 118, 125	208/230
22681801	150, 165	120
22681901	150, 165	208/230
22682001	189, 225	120
22682101	189, 225	208/230
22682201	266	120
22682301	266	208/230



CHANDLER

REFRIGERATION

AUTHORIZED PARTS FOR ORIGINAL EQUIPMENT

Chandler

InterLink Parts for Chandler Table of Contents

Reach-In Evaporators

BBM/L	272
BTO	272
C/CBC	274
CCH/CCL	275-276
HTO	316
MJH/NNK	326
RAMK "F" Vintage	332
TA	338
U/VA	341

Evaporators

EEP	280
ELC/EFC	281
ELC/EFC "F" "H" & "J" Vintage	281-282
ELC "K" Vintage	283-285
GLC "F" "H" & "J" Vintage	286-287
GLC "K" Vintage	288-289
GZA "D" Vintage	290
H "R" Vintage	291
HHA	299-300
HHE	301-305
HHL	306-309
HHG	310-312
HHF	313-315
HPA/E/G	316
HMA/E/F/G	318
HWA/E/G	322
LAH/LAL/LAG	324
LVC/LVD	325
RGB/EGB "D" Vintage	333
RLC/FLC	334
RLC "K" Vintage	335
RUA "D" Vintage	336
TLL/TLH	339

Refrigeration Systems

Beacon II™ & Beacon I™ Refrigeration System	273
PRO ³ Top Mount Refrigeration System	327-329
PRO ³ Side Mount Refrigeration System	330-331

Condensing Units

DCU	278-279
HD	292
HZ	293
HDH 3-10 HP	294
HDH 15-40 HP	295-296
HDD/HDDS 24-80 HP	297
HRI/HDI	319-320
HUD/S	321
JH/RH/JS	323
SWN/RWN	337
SK/SC	338
TRH/TCH/TTH	340

Condensers

CH/S/Z	277
HLE/S/X/Q	317
HNH/HNL/HNX/HNQ/HNE	317
TMS	340

Fluid Coolers

HFS	298
WSS/WGS	342

More from Chandler Refrigeration

Brushless DC Motor	343
EC Motor	343
Hot Gas Defrost	343
Smart Defrost Kit	343

BBM/L

Fan Guard	Solenoid	TX Valve	T'stat	Drain Pan	Coil Heater	Drain Pan Heater
5054D	29301201	29301101	21901001	40400901		
5054D	29301101	29301101	21901001	40400801	-	-
5054D	-	29301101	-	40400901		
5054D	-	29301101	-	40400801		
5054D	-	-	-	40400901	-	-
5054D	-	-	-	40400801		
5054D	29301201	29301101	21901002	40400701	24700605	24700607
5054D	29301201	29301101	21901002	40401001	24700601	24700603
5054D	-	29301101	5709L	40400701	24700605	24700607
5054D	-	29301101	4751C	40401001	24700601	24700603
5054D	-	-	5709L	40400701	24700605	24700607
5054D	-	-	4751C	40401001	24700601	24700603

Air Deflector Part No. 89840240 for size 11
89840241 for size 16

BTO

Unit	Motor	Qty	Fan Blade	Motor Mount	Fan Guard	Drain Pan*
BTO09A	25300701S	1	5101B	91179001	5054D	40811602
BTO09B	25300801S	1	5101B	91179001	5054D	40811602
BTO13A	25300701S	2	5101B	91179001	5054D	40811702
BTO13B	25300801S	2	5101B	91179001	5054D	40811702
BTO18A	25303201S	1	23100201	23101401	R041777700	40811802
BTO18B	25303301S	1	23100201	23101401	R041777700	40811802
BTO25A	25303201S	2	23100201	23101401	R041777700	40811902
BTO25B	25303301S	2	23100201	23101401	R041777700	40811902
BTO35A	25303201S	2	23100201	23101401	R041777700	40811902
BTO35B	25303301S	2	23100201	23101401	R041777700	40811902
BTO45A	25303201S	2	23100201	23101401	R041777700	40812002
BTO45B	25303301S	2	23100201	23101401	R041777700	40812002
BTO55A	5036SS	1	5110E	40003001	5055F	40812102
BTO55B	5036TS	1	5110E	40003001	5055F	40812102

* Fitting supplied with drain pan

Beacon I™ System Replacement Parts

Part Description	Part No.
Temperature Sensor	28900107
Transformer, 208/240-24 Volt-40 VA	22522301
Transformer, 208/240-24 Volt-75VA	22538401
Relay for Condenser Fan or Crankcase Heater	22511401
Contactors for Compressor 40 amp with 24 Volt Coil	2252440
Control Board for Electric Defrost	28910001
Control Board for Air Defrost	28910002
Terminal Block	2251266
Low Pressure Switch Time Delay Relay	22536801
Electric Expansion Valve: ESV 1 - 24 Volt ESV 2 - 24 Volt ESV 4 - 24 Volt ESV 6 - 24 Volt ESV 8 - 24 Volt ESV 25 - 24 Volt - Bi-polar Valve	Call Factory Call Factory Call Factory Call Factory Call Factory 29320001
Expansion Valve Molded Connector	29310007
Optional Pump-Down Switch	22510901
Beacon Smart Controller	89704401
Optional Smart Controller Software Package	Obsolete
Bi-polar Adapter Board (Only Used w/29320001 Exp.Valve)	28920001
Resistor Kit	89719601

Beacon II™ Refrigeration System Parts

Began 10/01

Part Description	Part No.
Heater High Limit	5708L
Terminal Block on Air Defrost	5857A
Sensor Kit	89904902
Pressure Transducer Harness	22515101
Expansion Valve Harness (Bi-polar valves)	22515201
Expansion Valve Harness (Uni-polar valves)	22515202
Transformer 120V/24V	22529601
Transformer 208-230V/24V	22529602
Transformer 460V/24V	22529603
Transformer 575V/24V	22529701
Beacon II Board	28910101
Pressure Transducer	28911201
Expansion Valve - ESB 1 - 3/8" x 3/8" Conn	29320003
Expansion Valve - ESB 4 - 3/8" x 3/8" Conn	29320004
Expansion Valve - ESB 10 - 3/8" x 3/8" Conn	29320007
Expansion Valve - ESB 10 - 1/2" x 1/2" Conn	29320008
Expansion Valve - ESB 15 - 7/8" x 1 3/8" Conn	29320013
Expansion Valve - ESB 20 - 7/8" x 1 3/8" Conn	29320014
Smart II Software Package	89704101
Beacon II Smart Controller Package	89704301

C ("E" & "F" Vintage) [AF=115V]

[AB-230V]

Unit	Motor	Qty	Fan Blade	Motor Mount	Fan Guard	Drain Pan*
C13	25303201S	1	23100201	23101401	R041777700	40801502
C17	25303201S	1	23100201	23101401	R041777700	40801702
C23	25303201S	1	23100201	23101401	R041777700	40801902
C30	25303201S	2	23100201	23101401	R041777700	40802102
C43	25303201S	2	23100201	23101401	R041777700	40802302

Motor, 208-230/1/60 25303301S

* Drain fitting included in drain pan

CBC "C" Vintage

CBC Model	115V Motor	Motor Mount	Fan Blade	Fan Guard	Drain Pan	Drain Fitting	
						Stud	Nut
12	R042638300	641710500	R041779600	R041777700	641715600	R017423500	R017423600
16	R042638300	641710500	R041779600	R041777700	641716500		
22	R042638300	641710500	R041779600	R041777700	641711200		

CBC "E" Vintage

CBC Model	115V Motor	Motor Mount	Fan Blade	Fan Guard	Drain Pan	Drain Fitting	
						Stud	Nut
12	R042638300	641710500	R041779600	R041777700	W51231	R017423500	R017423600
16	R042638300	641710500	R041779600	R041777700	641716500		
22	R042638300	641710500	R041779600	R041777700	641711200		

"D" Vintage

CCH	115V Motor	230V Motor	Motor Mount	Fan Blade		Fan Guard	Drain Pan**
				Prior to Mar. 92	After Mar. 92		
010D	*8990011(1)	-	91179001(1)	R041495400(1)	5101B(1)	R041495500(1)	641402600
013D	*8990011(1)	-	91179001(1)	R041495400(1)	5101B(1)	R041495500(1)	641403600
015D	*8990011(2)	-	91179001(2)	R041495400(2)	5101B(2)	R041495500(2)	645641800
017D	*8990011(2)	-	91179001(2)	R041495400(2)	5101B(2)	R041495500(2)	641403900
023D	*8990011(2)	-	91179001(2)	R041495400(2)	5101B(2)	R041495500(2)	641404600
031D	*8990011(3)	-	91179001(3)	R041495400(3)	5101B(3)	R041495500(3)	641405100
045D	*8990011(4)	-	91179001(4)	R041495400(4)	5101B(4)	R041495500(4)	641406100
055D	*8990011(5)	-	91179001(5)	R041495400(5)	5101B(5)	R041495500(5)	641407600
CCL							
011D	*8990011(1)	-	91179001(1)	R041495400(1)	5101B(1)	R041495500(1)	641402600
014D	*8990011(2)	-	91179001(2)	R041495400(2)	5101B(2)	R041495500(2)	641403900
019D	*8990011(2)	-	91179001(2)	R041495400(2)	5101B(2)	R041495500(2)	641404600
028D	*8990011(3)	*8990012(3)	91179001(1)	R041495400(3)	5101B(3)	R041495500(3)	641153700
035D	R038688800(1)	038688900(1)	642761300(1)	7173510(1)	7173510(1)	R042642300(1)	644176500
045D	R038688800(2)	038688900(2)	642761300(2)	7173510(2)	7173510(2)	R042642300(2)	644174300
054D							

* Motor Assembly includes motor and fan blade

** Drain Fitting: Stud Part No. = R017423500 Nut = R017423600

CCL	115V Defrost Heater	230V Defrost Heater	Defrost T'STAT
011D	R025504000		
014D	R015016100	-	8075821
019D	R015015900		
028D	7077358	R015016200	
035D	N/A	N/A	8075821
045D	N/A	R044276402	
054D	N/A	R044276402	

{AF = 115/1/60}

{BF = 230/1/60}

Model SRC	Motor	Motor Mount	Fan Blade	Fan Guard	Drain Pan
10AF 10BF 13AF 13BF 17AF 17BF	25300701S(1) 25300801S(1) 25300701S(2) 25300801S(2) 25300701S(2) 25300801S(2)	91179001	5101B	5054D	91184002
23AF 23BF 30AF 30BF	25300701S(3) 25300801S(3) 25300701S(3) 25300801S(3)	91179001 91179001 91179001 91179001	5101B 5101B 5101B 5101B	5054D 5054D 5054D 5054D	40803302 40803302 40803502 40803502
43AF 43BF 55AF 55BF	25300701S(4) 25300801S(4) 25300701S(5) 2300801S(5)	91179001 91179001 91179001 91179001	5101B 5101B 5101B 5101B	5054D 5054D 5054D 5054D	40804802 40804802 40803702 40803702
SFC					
09AF 09BF 12AF 12BF	25300701S(1) 25300801S(1) 25300701S(2) 25300801S(2)	91179001 91179001 91179001 91179001	5101B 5101B 5101B 5101B	5054D 5054D 5054D 5054D	91184002 91184002 91185002 91185002
16AF 16BF 21AF 21BF 28AF 28BF	25300701S(2) 25300801S(2) 25303201SS(1) 25303301S(1) 25300701S(3) 25300801S(3)	91179001 91179001 23101401 23101401 91179001 91179001	5101B 5101B 23100201 23100201 5101B 5101B	5054D 5054D R041777700 R041777700 5054D 5054D	91186002 91186002 40808602 40808602 40803902 40803902
35BF 53BF	25303301S(2) 25303301S(3)	23101401	23100201	041777700	40804102

SFC Model	115V Defrost Heater (1) REQ'D	230V Defrost Heater (1) REQ'D	Heater Limit (2 Wire)	Defrost Thermostat (3 Wire)
09 12 16	4539N 4540N 4541N	4542N 4543N 4544N	4752C	4751C
21 28 35 53	4545N 7077358 N/A N/A	4546N R015016200 24700703 24700704	5708L 5708L 30101901 30101901	5709L 5709L 30101801 30101801

Note: "E" Vintage
 Use Same Motors, Blades, Motor Mounts & Fan Guards As "F" Vintage
 Defrost Fan Control Part No. 5709I For "E" Vintage
 No Heater Safety Control
 Drain Pans And Coil Heaters Not Available

Chandler

Nomenclature Example:

C	Z	T	30	L	6	C	F
Model	Compressor	Application	Equiv. HP	Temp.	Refrigerant	Voltage	Identifier
C = Climate Control	H = Hermetic S = Semi-herm. Z = Scroll	T = Outdoor N = Indoor B = Bohnmizer M = Beacon S = Beacon II	005=1/2 HP 008/009=3/4HP 010= 1 HP 01* = 1-1/2 HP 02*=2 HP 03*= 3 HP 04*= 4 HP 05* = 5 HP 060= 6HP	H=High L=Low M=Medium E=Extra Low X = Med./Low	2=R22 6=R404A/507	B=208-230/1/60 C=208/230/3/60 D=460/3/60 G=230/1/60	F=Stock

* - H for Herm, S for Semi, Z for Scroll

- N for Indoor, M for Beacon, T for Outdoor

(MOH, MOS, MOZxxxxxxN, M, C {outdoor})

Unit Size	Motor For 230V Unit	Motor For 460V Unit	Fan Blade	Outdoor Motor Mount	Indoor Motor Mt & Fan Guard	Head Pressure Valve	Front Grille
005 008	*25309101S(1)	*25309101(1)	22901601(1)	23102901(1)	23100901(1)	29317401	24100301
010 to 013 015 to 024	*25309101S(1) *25309101S(2)	*25309101(1) *25309101(2)	22901601(1) 22901601(2)	23102901(1) 23102901(2)	23100901(1) 23100901(2)	29317401 29317401	24100301 24100201
029M; 027L to 035L; 030E	*25309101S(2)	*25309101(2)	22901601(2)	23102901(2)	23100901(2)	29317301	24100401
030D, X, H, M; 032X; 035M	25309001S(1)	25309002(1)	7173156(1)	23102601(1)	23102701(1)	29317301	24100101
040; 045 050 to 060	25309001S(1)	25309002(1)	7173156(1)	23102601(1)	23102701(1)	29317302	24100101

*Motor includes capacitor

Motor Part No. 25309001 & 25309002 use capacitor Part No. 5779G

Note: To use 25309101 on 460V - must wire thru transformer

Optional Variable Speed Controller for Size 030D, X, H or M to 050 - Controller and Sensor (Part No. 28913601)

Optional Fan Cycle Switch for Size 015 to 030L - Pressure (Part No. 28913501), Temperature (Part No. 5521R)

Unit Size	Low Pressure Switch			High Pressure Switch		Compressor	
	Adjustable	Fixed Outdoor	Fixed Indoor	Fixed Outdoor	Fixed Indoor	Single Phase Contactor	Three Phase Contactor
005 008	7075212	2890099	28913401	28903201	28913201	R034915200	2259996
010 to 013 015 to 024	7075212	2890099	28913401	28903201	28913201	R034915200	2259996
029M; 027L to 035L; 030E	7075212	2890099	28913401	28903201	28913201	R034915200	2259996
030D, X, H, M; 032X; 035M	7075212	2890099	28913401	28903201	28913201	R034915200	2259996
040; 045 050 to 060	7075212 7075212	2890099 2890099	28913401 28913401	28903201 28903201	28913201 28913201	2252130 2252340	2259996

Dual Pressure Switch Part No. 28902901

("A" & "B" Vintage) 3 - 10 HP

DCU	230V Condenser Motor	460V Condenser Motor	Fan Blade	Fan Motor Capacitor	Motor Mount Fan Guard
030L5, L2 040L5, L2 049R7	R033177500S(1)	R033177700(1)	R029218600(1)	5710F	23101501
050R7 060L5, L2 061L5, L2	R033177500S(1) R033177500S(1) R033177500S(2)	R033177700(1) R033177700(1) R033177700(2)	R029218600(1) R029218600(1) R029218600(2)	5710F 5710F 5710F	23101501
074R7 075L5, L2 075R7 080R7	R033177500S(2)	R033177700(2)	R029218600(2)	5710F	23101501
090L5, L2 100L5, L2 100R7	R033177500S(2)	R033177700(2)	R029218600(2)	5710F	23101501

Dual Pressure Control - Part No. R021212400

DCU	Control Transformer For 460V Unit	Crankcase Heater	Head Pressure Control Valve		
			Fixed Pressure	Variable Head Only	Variable Complete Valve
030L5,L2 040L5,L2 049R7	R038253919	-	7634536	-	-
050R7 060L5,L2 061L5,L2	R038253919	-	7634536	-	-
074R7 075L5,L2 075R7 080R7	R038253919	-	7634536	-	-
090L5,L2 100L5,L2 100R7	R038253919	-	7634536	-	-

Dual Pressure Control - Part No. R021212400

DCU Condensing Unit ("A" & "B" Vintage) 15-30 HP

DCU	230V Condenser Motor	460V Condenser Motor	Fan Blade	Fan Motor Capacitor	Dual Pressure Control
150L5, L2 150R7 200R7	R033177500S(3)	R033177700(3)	R029218600(3)	5710F	R021212400
220L5, L2 250R7 270L5, L2	R033177500S(3)	R033177700(3)	R029218600(3)	5710F	R021212400
300L5, L2 300R7	R033177500S(3)	R033177700(3)	R029218600(3)	5710F	R021212400

DCU	Motor Mount Fan Guard	Crankcase Heater	Head Pressure Control Valve		
			Fixed Pressure	Variable Head Only	Variable Complete Valve
150L5, L2 150R7 200R7	23101501	-	7634538	-	-
220L5, L2 250R7 270L5, L2	23101501	-	7634538	-	-
300L5, L2 300R7	23101501	-	7634538	-	-

460V Control Transformer - Part No. R038253919

EEP	230V Motor Shaded Pole	230V Motor PSC	460V Motor PSC	230/460V 3 ph	1 ph Motor Mount	3 ph Motor Mount
003C	R038688900(1)	-	-	-	641712300	-
005C	R038688900(1)	-	-	-	641712300	-
006C	-	5000PS	-	-	5095D	-
009C	-	5000PS	-	-	5095D	-
012C	-	5000PS	-	-	5095D	-
016C	-	R033177500S(1)	R033177700S(1)	-	R028844610	-
024C	-	R033177500S(1)	R033177700S(1)	-	R028844610	-
031C	-	R033177500S(2)	R033177700S(2)	R042646200(2)	R028844610	R043213800
036C	-	R033177500S(2)	R033177700S(2)	R042646200(2)	R028844610	R043213800
048C	-	R033177500S(3)	R033177700S(3)	R042646200(3)	R028844610	R043213800
061C	-	R033177500S(3)	R033177700S(3)	R042646200(3)	R028844610	R043213800
072C	-	R033177500S(3)	R033177700S(3)	R042646200(3)	R028844610	R043213800
096C	-	R033177500S(4)	R033177700S(4)	R042646200(4)	R028844610	R043213800
121C	-	R033177500S(4)	R033177700S(4)	R042646200(4)	R028844610	R043213800

EEP	Mtr. Mounting Strap	3 ph Motor Resilient Ring	Motor Capacitor	Fan Blade	Discharge Grill/ Guard	Coil Heater
003C	-	-	-	R016584107(1)	-	R037528001(2)
005C	-	-	-	R016584107(1)	-	R037528001(2)
006C	R000134500	-	Obsolete	5130C(1)	R043336400	R037528002(2)
009C	R000134500	-	Obsolete	5130C(1)	R043336400	R037528002(2)
012C	R000134500	-	Obsolete	5130C(1)	R043336400	R037528002(3)
016C	R000134500	-	5710F	22900201(1)	7067042	R037528003(4)
024C	R000134500	-	5710F	22900201(1)	7067042	R037528003(4)
031C	R000134500	Obsolete	5710F	22900201(2)	7067042	R037528005(4)
036C	R000134500	Obsolete	5710F	22900201(2)	7067042	R037528005(4)
048C	-	-	-	-	-	-
061C	R000134500	Obsolete	5710F	22900201(3)	7067042	10044401(8)
072C	-	-	-	-	-	-
096C	R000134500	Obsolete	5710F	22900201(4)	7067042	10044401(12)
121C	R000134500	Obsolete	5710F	22900201(4)	7067042	10044401(12)

EEP	230V Heater	460V Drain Pan Heater	Drain Pan Assembly (Less Heater)	Drain Fitting
003C	R038251607	-	Obsolete	92864003
005C				
006C	R038251608	-	844434700	92864003
009C	R038251608	-	844434700	92864003
012C	R038251608	-	844434700	92864003
016C	R038251609	-	842981200	92864003
024C	R038251609	-	842981200	92864003
031C	R032591201	R032591202	842982700	-
036C	R032591201	R032591202	842982700	-
048C	R032591001	R032591002	842985500	-
061C	R032591001	R032591002	842985500	-
072C	R032591001	R032591002	842985500	-
096C	R032591001	R032591002	842986300	-
121C	R032591001	R032591002	842986300	-

Chandler

ELC	230V Motor Shaded Pole	230V Motor PSC*	Motor Mount	Fan Blade	Fan Guard
041F	R038688900(1)	7071061(1)	23102401	7174402(1)	7067052(1)
056F	R038688900(2)	7071061(2)	23102401	7174402(2)	7067052(2)
071F	R038688900(2)	7071061(2)	23102401	7174402(2)	7067052(2)
096F	R038688900(2)	7071061(2)	23102401	7174402(2)	7067052(2)
122F	R038688900(3)	7071061(3)	23102401	7174402(3)	7067052(3)
143F	R038688900(3)	7071061(3)	23102401	7174402(3)	7067052(3)
163F	R038688900(4)	7071061(4)	23102401	7174402(4)	7067052(4)
184F	R038688900(4)	7071061(4)	23102401	7174402(4)	7067052(4)
245F	R038688900(6)	7071061(6)	23102401	7174402(6)	7067052(6)
286F	R038688900(6)	7071061(6)	23102401	7174402(6)	7067052(6)
EFC					
084F	R038688900(2)	7071061(2)	23102401	7174402(2)	7067052(2)
106F	R038688900(3)	7071061(3)	23102401	7174402(3)	7067052(3)
124F	R038688900(3)	7071061(3)	23102401	7174402(3)	7067052(3)
160F	R038688900(4)	7071061(4)	23102401	7174402(4)	7067052(4)
213F	R038688900(6)	7071061(6)	23102401	7174402(6)	7067052(6)

* Capacitor For PSC Motor Is Part No. R037516407

ELC	Coil Heaters (1) REQ'D	Drain Pan Heaters (1) REQ'D	Drain Pan	Defrost Stat	(Optional) Hi-Limit Thermostat
041F	7077192	7077186	10040301	7075819	4752C
056F	7077193	7077187	10108902		
071F	7077193	7077187	10108902		
096F	7077198	7077199	10108903	7075819	4752C
122F	7077194	7077188	10108904		
143F	7077194	7077188	10108904		
163F	7077195	7077189	10108905		
184F	7077195	7077189	10108905	7075819	4752C
245F	7077197	7077191	10108907		
286F	7077197	7077191	10108907		
EFC					
084F	7077198	7077199	10108903	7075819	4752C
106F	7077194	7077188	10108904		
124F	7077194	7077188	10108904		
160F	7077195	7077189	10108905	7075819	4752C
213F	7077197	7077191	10108907		

Drain Fitting - Part No. 92864003

T'STAT - Part No. 7075819

10070101

(Optional) Medium Temperature Defrost Stat Obsolete

ELC	230V Motor Shaded Pole	230V Motor PSC*	Motor Mount	Fan Blade	Fan Guard
41	25300201S(1)	25302501S(1)	23102401	5140C(1)	7067052(1)
56	25300201S(2)	25302501S(2)	23102401	5140C(2)	7067052(2)
71	25300201S(2)	25302501S(2)	23102401	5140C(2)	7067052(2)
96	25300201S(2)	25302501S(2)	23102401	5140C(2)	7067052(2)
122	25300201S(3)	25302501S(3)	23102401	5140C(3)	7067052(3)
143	25300201S(3)	25302501S(3)	23102401	5140C(3)	7067052(3)
163	25300201S(4)	25302501S(4)	23102401	5140C(4)	7067052(4)
184	25300201S(4)	25302501S(4)	23102401	5140C(4)	7067052(4)
245	25300201S(6)	25302501S(6)	23102401	5140C(6)	7067052(6)
286	25300201S(6)	25302501S(6)	23102401	5140C(6)	7067052(6)
EFC					
84	25300201S(2)	25302501S(2)	23102401	5140C(2)	7067052(2)
106	25300201S(3)	25302501S(3)	23102401	5140C(3)	7067052(3)
124	25300201S(3)	25302501S(3)	23102401	5140C(3)	7067052(3)
160	25300201S(4)	25302501S(4)	23102401	5140C(4)	7067052(4)
213	25300201S(6)	25302501S(6)	23102401	5140C(6)	7067052(6)

ELC	Coil Heaters	Drain Pan Heaters	Drain Pan ^a	Standard Defrost Thermostat	(Optional) Hi-Limit Thermostat
41	7077192	7077186	10040301		
56	7077193	7077187	10108902	7075819	4752C
71	7077193	7077187	10108902		
96	7077198	7077199	10108903		
122	7077194	7077188	10108904	7075819	4752C
143	7077194	7077188	10108904		
163	7077195	7077189	10108905		
184	7077195	7077189	10108905		
245	7077197	7077191	10108907	7075819	4752C
286	7077197	7077191	10108907		
EFC					
84	7077198	7077199	10108903		
106	7077194	7077188	10108904	7075819	4752C
124	7077194	7077188	10108904		
160	7077195	7077189	10108905		
213	7077197	7077191	10108907	7075819	4752C

^a Drain Fitting - Part No. 92864003

Nomenclature Example:

ELC	120	A	K
Model Series		Electrical Characteristics	Design Revision
	ELC = Electric Defrost, 6 FPI	Size X 100 = BTUH A = 115/1/60 B = 208-230/1/60 C = 208-230/3/60 V = 208-230/1/60 Motor 460/1/60 Heaters M = 460/1/60	

Model No.	No. Motor	Motor ¹ 230V	Motor 460V	Fan Blade	Motor Mount	Guard ²
ELC035 ELC040 ELC047	1	25300201S	25308701	5140C	23104901	37000702
ELC065 ELC075 ELC090	2	25300201S	25308701	5140C	23104901	37000702
ELC120 ELC140	3	25300201S	25308701	5140C	23104901	37000702
ELC160 ELC180	4	25300201S	25308701	5140C	23104901	37000702
ELC200	5	25300201S	25308701	5140C	23104901	37000702
ELC240 ELC280	6	25300201S	25308701	5140C	23104901	37000702

² Optional Wire Guard: Part No. 37000602

¹Optional Motors (contact factory for units built in 2004 or later)

Part No.	Description
25308601	208-230/1/60/50 PSC
25308301	208-230/1/60/50 Totally Enclosed PSC
25308401	460/1/60/50 Totally Enclosed PSC

Electrical Components

Part No.	Description
22512601	Terminal Strip
5709L	Defrost Termination/Fan Delay - Klixon type
5708L	Heater Safety - Klixon Type

Model No.	Coil Heater 208/230/1/60	Drain Pan ³	Drain Pan Heater 208-230V	Drain Pan Heater 460V	Back Panel Refrig. End	Back Panel Elec. End
ELC035 ELC040 ELC047	24752001	40480101	24752201	24752301	40880901 (All Models)	40881001 (All Models)
ELC065 ELC075 ELC090	24752002	40480201	24752202	24752302		
ELC120 ELC140	24752003	40480301	24752203	24752303		
ELC160 ELC180	24752004	40480401	24752204	24752304		
ELC200	24752005	40480501	24752205	24752305		
ELC240 ELC280	24752006	40480601	24752206	24752306		

³ Drain Fitting Part No. 26925101

Cabinet Components (All Sizes)

Part No.	Description
40880801	Access Panel - Elect - RH
40880701	Access Panel - Refrig - LH
40881501	Access Panel - Refrig - Beacon

Nomenclature Example:

EFC	120	A	K
Model Series		Electrical Characteristics	Design Revision
EFC = Electric Defrost, 4 FPI	Size X 100 = BTUH	A = 115/1/60 B = 208-230/1/60 C = 208-230/3/60 V = 208-230/1/60 Motor 460/1/60 Heaters M = 460/1/60	

Model No.	No. MTR	Motor ¹ 230V	Motor 460V	Fan Blade	Motor Mount	Guard ²
EFC041	1					
EFC068	2	25300201S	25308701	5140C	23104901	37000702
EFC080	2					
EFC102	3					
EFC136	4	25300201S	25308701	5140C	23104901	37000702
EFC170	5					
EFC204	6	25300201S	25308701	5140C	23104901	37000702
EFC235						

² Optional Wire Guard: Part No. 37000602¹Optional Motors (contact factory for units built in 2004 or later)

Part No.	Description
25308601	208-230/1/60/50 PSC
25308301	208-230/1/60/50 Totally Enclosed PSC
25308401	460/1/60/50 Totally Enclosed PSC

Electrical Components

Part No.	Description
22512601 5709L 5708L	Terminal Strip Defrost Termination/Fan Delay - Klixon type Heater Safety - Klixon Type

Model No.	Coil Heater 208/230/1/60	Drain Pan ³	Drain Pan Heater 208-230V	Drain Pan Heater 460V	Back Panel Refrig. End	Back Panel Elec. End
EFC041	24752001	40480101	24752201	24752301	40880901	40881001
EFC068	24752002	40480201	24752202	24752302		
EFC080	24752002	40480201	24752202	24752302		
EFC102	24752003	40480301	24752203	24752303		
EFC136	24752004	40480401	24752204	24752304		
EFC170	24752005	40480501	24752205	24752305		
EFC204 EFC235	24752006	40480601	24752206	24752306		

³ Drain Fitting Part No. 26925101

Cabinet Components (All Sizes)

Part No.	Description
40880801	Access Panel - Elect
40880701	Access Panel - Refrig
40881501	Access Panel - Refrig - Beacon

GLC	115V Motor Shaded Pole	230V Motor Shaded Pole	115V Motor PSC*	230V Motor PSC**	Motor Mount
041F	7070060(1)	R038688900(1)	2531196(1)	R039447000(1)	23102401
056F	7070060(2)	R038688900(2)	2531196(2)	R039447000(2)	
071F	7070060(2)	R038688900(2)	2531196(2)	R039447000(2)	
096F	7070060(2)	R038688900(2)	2531196(2)	R039447000(2)	23102401
122F	7070060(3)	R038688900(3)	2531196(3)	R039447000(3)	
143F	7070060(3)	R038688900(3)	2531196(3)	R039447000(3)	
163F	7070060(4)	R038688900(4)	2531196(4)	R039447000(4)	
184F	7070060(4)	R038688900(4)	2531196(4)	R039447000(4)	23102401
245F	7070060(6)	R038688900(6)	2531196(6)	R039447000(6)	23102401
286F	7070060(6)	R038688900(6)	2531196(6)	R039447000(6)	23102401

* Capacitor For 115V PSC Motor Is Part No. R037516402

** Capacitor For 230V PCS Motor Is Part No. R037516407

GLC	Fan Blade	Fan Guard	Drain Pan Heater	Standard Defrost Thermostat	(Optional) Hi-Limit Thermostat
041F	7174402(1)	7067052(1)	7077186	7075819	4752C
056F	7174402(2)	7067052(2)	7077187		
071F	7174402(2)	7067052(2)	7077187		
096F	7174402(2)	7067052(2)	7077199	7075819	4752C
122F	7174402(3)	7067052(3)	7077188		
143F	7174402(3)	7067052(3)	7077188		
163F	7174402(4)	7067052(4)	7077189		
184F	7174402(4)	7067052(4)	7077189	7075819	4752C
245F	7174402(6)	7067052(6)	7077191		
286F	7174402(6)	7067052(6)	7077191		

GLC	115V Motor Shaded Pole	230V Motor Shaded Pole	115V Motor PSC*	230V Motor PSC*	Motor Mount
041F	7174402S(1)	7067052S(1)	7077186S	7075819S	4752C
056F	7174402S(2)	7067052S(2)	7077187S		
071F	7174402S(2)	7067052S(2)	7077187S		
096F	7174402S(2)	7067052S(2)	7077199S	7075819S	4752C
122F	7174402S(3)	7067052S(3)	7077188S	7075819S	
143F	7174402S(3)	7067052S(3)	7077188S	7075819S	
163F	7174402S(4)	7067052S(4)	7077189S	7075819S	
184F	7174402S(4)	7067052S(4)	7077189S	7075819S	
245F	7174402S(6)	7067052S(6)	7077191S		
286F	7174402S(6)	7067052S(6)	7077191S		

GLC	Fan Blade	Fan Guard	Drain Pan Heater	Standard Defrost Thermostat	(Optional) Hi-Limit Thermostat
41	5140C(1)	7067052(1)	7077186	7075819	4752C
56	5140C(2)	7067052(2)	7077187		
71	5140C(2)	7067052(2)	7077187		
96	5140C(2)	7067052(2)	7077199	7075819	4752C
122	5140C(3)	7067052(3)	7077188		
143	5140C(3)	7067052(3)	7077188		
163	5140C(4)	7067052(4)	7077189		
184	5140C(4)	7067052(4)	7077189		
245	5140C(6)	7067052(6)	7077191	7075819	4752C
286	5140C(6)	7067052(6)	7077191		

Note: Optional medium temperature defrost thermostat, Part No. 10070101 Obsolete

Nomenclature Example:

GLC	120	A	K
Model Series			Electrical Characteristics
Design Revision	GLC = Hot Gas Defrost	Size X 100 = BTUH A = 115/1/60 B = 208-230/1/60 M = 460/1/60	

Model No.	No. Motor	Motor ¹ 115V	Motor 230V	Fan Blade	Motor Mount	Guard ²
GLC035 GLC040 GLC041 GLC047	1	25300101S	25300201S	5140C	23104901	37000702
GLC065 GLC068 GLC075 GLC080 GLC090	2	25300101S	25300201S	5140C	23104901	37000702
GLC102 GLC120 GLC140	3	25300101S	25300201S	5140C	23104901	37000702
GLC136 GLC160 GLC180	4	25300101S	25300201S	5140C	23104901	37000702
GLC170 GLC200	5	25300101S	25300201S	5140C	23104901	37000702
GLC204 GLC235 GLC240 GLC280	6	25300101S	25300201S	5140C	23104901	37000702

² Optional Wire Guard: Part No. 37000602

¹Optional Motors (contact factory for units built in 2004 or later)

Part No.	Description
25308201	115/1/60/50 Totally Enclosed PSC
25308301	208-230/1/60/50 Totally Enclosed PSC
25308401	460/1/60/50 Totally Enclosed PSC
25308601	208-230/1/60/50 PSC
25308701	460/1/60/50 PSC

Chandler

Electrical Components

Part No.	Description
22512601 4267W 5708L	Terminal Strip Defrost Termination/Fan Delay - Adjustable Type Heater Safety - Klixon Type

Model No.	Drain Pan ³	Drain Pan Heater 115V ⁴	Drain Pan Heater 208-230V	Drain Pan Heater 460V
GLC035 GLC040 GLC041 GLC047	40480101	24752101	24752201	24752301
GLC065 GLC068 GLC075 GLC080 HGT090	40480201	24752102	24752202	24752302
GLC102 GLC120 GLC140	40480301	24752103	24752203	24752303
GLC136 GLC160 GLC180	40480401	24752104	24752204	24752304
GLC170 GLC200	40480501	24752105	24752205	24752305
GLC204 GLC235 GLC240 GLC280	40480601	24752106	24752206	24752306

³ Drain Fitting Part No. 26925101

⁴ Optional for Hot Gas unit only with electric drain pan.

Cabinet Components (All Sizes)

Part No.	Description
40880801	Access Panel - Elect - RH
40880701	Access Panel - Refrig - LH
40880901	Back Panel - Refrig.end
40881001	Back Panel - Elec. End
40881201	End Panel - Hot Gas Refrig

GZA Model	230V Motor PSC	460V Motor PSC	230/460V Motor 3 ph	1 ph Motor Mount	3 ph Motor Mount	Motor Mounting Strap	3 ph Motor Resilient Ring
006D 009D 012D	5000PS	-	-	5095D	-	-	-
016D 024D 030D	R033177500S(1) R033177500S(1) R033177500S(2)	R033177700S(1) R033177700S(1) R033177700S(2)	- - R042646200(2)	R028844610 R028844610 R028844610	- - Obsolete	- - -	- - Obsolete
036D 048D 061D	R033177500S(2) R033177500S(3) R033177500S(3)	R033177700S(2) R033177700S(3) R033177700S(3)	R042646200(2) R042646200(3) R042646200(3)	R028844610	Obsolete	-	Obsolete
072D 096D 121D	R033177500S(3) R033177500S(4) R033177500S(4)	R033177700S(3) R033177700S(4) R033177700S(4)	R042646200(3) R042646200(4) R042646200(4)	R028844610	Obsolete	-	Obsolete

GZA (Cont.)	Motor Capacitor	Fan Blade	Discharge Grille/ Guard	Optional Drain Pan Heater (230V)	Optional Drain Pan Heater (460V)	Drain Pan Assembly (Less Heater)	Drain Pan Assembly (With H.G. Loop)
006D 009D 012D	Obsolete Obsolete Obsolete	5130C(1) 5130C(1) 5138C(1)	R043336400	-	-	-	Obsolete
016D 024D 030D	5710F 5710F 5710F	22900201(1) 22900201(1) 22900201(2)	7067042 7067042 7067042	- - R032591201	- - R032591202	- - Obsolete	Obsolete Obsolete Obsolete
036D 048D 061D	5710F 5710F 5710F	22900201(2) 22900201(3) 22900201(3)	7067042	R032591001	R032591002	Obsolete	Obsolete
072D 096D 121D	5710F 5710F 5710F	22900201(3) 22900201(4) 22900201(4)	7067042	R032591001	R032591002	Obsolete	Obsolete

Defrost Thermostat - Part No. R024473600

Chandler

H	115V Motor	Fan Blade	Fan Guard	Drain Pan
0131R	R042638300(1)	7173503(1)	7367032(1)	8161129
0171R	R042638300(1)	call factory	7367032(1)	8161130
0231R	R042638300(1)	call factory	7367032(1)	8161131
0301R	R042638300(2)	7173503(2)	7367032(2)	8161132

"E" & "F" Vintage

{AF=115V}

{BF=230V}

Unit Model "H"	115V Motor	Motor Mount	Fan Blade	Fan Guard	Drain Pan*
13	25303201S(1)	23101401(1)	23100201(1)	R041777700(1)	40801502
17	25303201S(1)	23101401(1)	23100201(1)	R041777700(1)	40801702
23	25303201S(1)	23101401(1)	23100201(1)	R041777700(1)	40801902
30	25303201S(2)	23101401(2)	23100201(2)	R041777700(2)	40802102
43	25303201S(2)	23101401(2)	23100201(2)	R041777700(2)	40802302

Motor, 208-230/1/60- 25303301S

*Drain Fitting Included in Drain Pan

Nomenclature Example:

H	D	T	500		L	6	C
Model	Compressor	Placement	Equiv. HP*		Application	Refrigerant	Voltage
H = Chandler	D = Discus Z = Scroll	T = Outdoor N = Indoor M = Beacon B = Bohmizer S = Beacon II**	0300 = 3 HP 0400 = 4 HP 050* = 5 HP 060* = 6 HP 075* = 7.5 HP 0800 = 8 HP 0860 = 8.5 HP	0900 = 9 HP 1000 = 10 HP 1200 = 12 HP 1300 = 13 HP 1400 = 14 HP 1500 = 15 HP 2200 = 22 HP	H = High Temp M = Med. Temp L = Low Temp	2 = R22 6 = 404A, 507	C = 208-230/3/60 (200-220/3/50) D = 460/3/60 380-420/3/50

Unit Model	MTR HP	No. MTR	Motor 230V	Motor 460V	Fan Blade [£]	Indoor MTR MT	Outdoor MTR MT	Grille
*D*0300L2	1/3	1	25309004	25314601	7173156	23102701	23102601	24100801
*D*0400L2	1/3	1	25309004	25314601	7173156	23102701	23102601	24100801
*D*0600L2	1/3	1	25309004	25314601	7173156	23102701	23102601	24100801
*D*0601L2	1/3	1	25309004	25314601	7173156	23102701	23102601	24100801
*D*0750L2	1/3	1	25309004	25314601	7173156	23102701	23102601	24100801
*D*0900L2	1/3	2	25309004	25314601	7173156	23102701	23102601	24100701
*D*1000L2	1/3	2	25309004	25314601	7173156	23102701	23102601	24100701
*D*1200L2	3/4	2	R033177500S ¹	R033177700S ¹	R029218600	23102001	23101501	24101901
*D*1500L2	3/4	2	R033177500S ¹	R033177700S ¹	R029218600	23102001	23101501	24101901
*D*2200L2	3/4	2	R033177500S ¹	R033177700S ¹	R029218600	23102001	23101501	24101901
*D*0500H2	1/3	1	25309004	25314601	7173156	23102701	23102601	24100801
*D*0501H2	1/3	1	25309004	25314601	7173156	23102701	23102601	24100801
*D*0750H2	1/3	1	25309004	25314601	7173156	23102701	23102601	24100801
*D*0751H2	1/3	2	25309004	25314601	7173156	23102701	23102601	24100701
*D*0800H2	1/3	2	25309004	25314601	7173156	23102701	23102601	24100701
*D*1000H2	1/3	2	25309004	25314601	7173156	23102701	23102601	24100701
*D*1200H2	1/3	2	25309004	25314601	7173156	23102701	23102601	24100701
*D*1500H2	3/4	2	R033177500S ¹	R033177700S ¹	R029218600	23102001	23101501	24101901
*D*0500M6	1/3	1	25309004	25314601	7173156	23102701	23102601	24100801
*D*0501M6	1/3	1	25309004	25314601	7173156	23102701	23102601	24100801

[£] T03H00258 (BZT045L6CF) started use of blades supplied by air drive -T03J00365 dated 9/10/03 end note normally use Revcor.

Unit Model	MTR HP	No. MTR	Motor 230V	Motor 460V	Fan Blade	Indoor MTR MT	Outdoor MTR MT	Grille
*D*0750M6	1/3	1	25309004	25314601	7173156	23102701	23102601	24100801
*D*0751M6	1/3	2	25309004	25314601	7173156	23102701	23102601	24100801
*D*0800M6	1/3	2	25309004	25314601	7173156	23102701	23102601	24100801
*D*1000M6	1/3	2	25309004	25314601	7173156	23102701	23102601	24100801
*D*1200M6	1/3	2	25309004	25314601	7173156	23102701	23102601	24100801
*D*1500M6	3/4	2	R033177500S ¹	R033177700S ¹	R029218600	23102001	23101501	24101901
*D*0300L6	1/3	1	25309004	25314601	7173156	23102701	23102601	24100801
*D*0400L6	1/3	1	25309004	25314601	7173156	23102701	23102601	24100801
*D*0600L6	1/3	1	25309004	25314601	7173156	23102701	23102601	24100801
*D*0601L6	1/3	1	25309004	25314601	7173156	23102701	23102601	24100801
*D*0750L6	1/3	1	25309004	25314601	7173156	23102701	23102601	24100801
*D*0900L6	1/3	2	25309004	25314601	7173156	23102701	23102601	24100801
*D*1000L6	1/3	2	25309004	25314601	7173156	23102701	23102601	24100801
*D*1200L6	3/4	2	R033177500S ¹	R033177700S ¹	R029218600	23102001	23101501	24101901
*D*1500L6	3/4	2	R033177500S ¹	R033177700S ¹	R029218600	23102001	23101501	24101901
*D*2200L6	3/4	2	R033177500S ¹	R033177700S ¹	R029218600	23102001	23101501	24101901

¹ Use Capacitor Part No. 5710F

Unit Model	MTR HP	No. MTR	Motor 230V	Motor 460V	Fan Blade [£]	Indoor MTR MT	Outdoor MTR MT	Grille
*Z*0650H2	1/3	1	25309004	25314601	7173156	23102701	23102601	24100801
*Z*0650M6	1/3	1	25309004	25314601	7173156	23102701	23102601	24100801
*Z*0700H2	1/3	2	25309004	25314601	7173156	23102701	23102601	24100701
*Z*0700M6	1/3	2	25309004	25314601	7173156	23102701	23102601	24100701
*Z*0750H2	1/3	2	25309004	25314601	7173156	23102701	23102601	24100701
*Z*0750L2	1/3	1	25309004	25314601	7173156	23102701	23102601	24100801
*Z*0750L6	1/3	1	25309004	25314601	7173156	23102701	23102601	24100801
*Z*0750M6	1/3	2	25309004	25314601	7173156	23102701	23102601	24100701
*Z*0860H2	1/3	2	25309004	25314601	7173156	23102701	23102601	24100701
*Z*0860M6								
*Z*1000H2	1/3	2	25309004	25314601	7173156	23102701	23102601	24100701
*Z*1000M6								
*Z*1000L2	1/3	1	25309004	25314601	7173156	23102701	23102601	24100801
*Z*1000L6	1/3	1	25309004	25314601	7173156	23102701	23102601	24100801
*Z*1000M6	1/3	2	25309004	25314601	7173156	23102701	23102601	24100701
*Z*1200H2								
*Z*1300L2	1/3	2	25309004	25314601	7173156	23102701	23102601	24100701
*Z*1300L6								
*Z*1400H2								
*Z*1400M6	1/3	2	25309004	25314601	7173156	23102701	23102601	24100701
*Z*1500L2								
*Z*1500L6								

Electrical Components

Description	Part No.
Contactors	
40 AMP 3P 208-240V	2252340
50 AMP 3P 208-240V	2252350
60 AMP 3P 208-240V	2252360
75 AMP 3P 208-240V	2252375
25 AMP 208-240V	2259996
Dual Pressure Control MAN 20in -100/100-425	2891550
Fan Cycling Switch- Pressure	28906701
Fan Cycling Switch- Temperature	28906702
High Pressure Control Fixed, CO 400	28913201
High Pressure Encap Switch 425#/W/CONN	28913202
Low Pressure Fixed	2890099
Low Pressure SW- ADJ. P70AB-1D	2891402
Oil Safety Control, Sentronic	2897100
T'STAT - Scroll (Discharge Line)	30101701
Timer (8145-20)	2138162
Transformer 300VA SL300QP	R038253919
CC Heater Discuss 2D, 3D, 100W/240V	24702202
CC Heater Scroll 7.5 TO 15 HP 80W/240V	24703901
CC Heater ZB Scrolls 90W/240V	24704001

Line Components

Description	Part No.
HP Valve ORD	2930420
HP Valve ORI	2930007
HP Valve OROA-100	29399096
HP Valve OROA-180	29399093

Nomenclature Example:

HD	H	0500	D	7	3
Chandler Discus	Horizontal Air Discharge	Nominal HP	Application Range	Refrigerant	Electrical Characteristics
		0300 = 3 HP 0750 = 7.5 HP 0400 = 4 HP 0751 = 7.5 HP 0500 = 5 HP 0800 = 8 HP 0501 = 5 HP 0900 = 9 HP 0600 = 6 HP 1000 = 10 HP 0601 = 6 HP	L = Low D = High (HCFC = 22) M = Med. (HFC-404A or HFC-507)	2 = HCFC-22 6 = HFC-404A or 507 7 = HCFRC = 22	2 = 208/230/60/1 3 = 208/230/60/3 4 = 460/60/3 9 = 230/60/1

Part Description	Part No.	
Motor	1/3H 230V 1075RPM 1/2DIA CCWSE	7071208S
Motor	1/3 HP 208/230/60/1 PSC RPM 1200 CCWSE	25303801
Motor	1/3HP 208-230/1/50-60 1075 RPM CCWSE	25309001S
Motor	1/2H 460V 1075RPM 1/2DIA CCWSE	7071225S
Motor	1/2H 575V 1075RPM 1/2DIA CCWSE	2530906 ¹
Fan Blade	22in CW 26D 1/2B	7173156
Demand Cooling Control	2D 240V	2151005
Demand Cooling Control	3D 240V	2151006
Low Pressure Control -	Adjustable	7075212
High Pressure Control		7075207
Timer (8145-20)		2138162
Transformer, 460V/230V		R038253919
Transformer, 575V/230V		2251056
Crankcase Heater		7077983
Contactors	2 Pole 20 AMP 230V	R034915200
Compressor Contactor	5 AMP, 3 Pole	2259996
Contactors	40 AMP 3P 24V -Open	2252440
Compressor Contactor	40 AMP, 3 Pole	2252340
Compressor Contactor	50 AMP, 3 Pole	2252350
Auxiliary Contacts,	Contactors	2252310
Head Pressure Valve	OROA-180	2930058
Head Pressure Valve	OROA-100	2930625
Head Pressure Valve	OROI	2930006
Head Pressure Valve	ORD	2930420
Pressure Control	100-400 Pressure P70AA-118C	2894574
Pressure Control	R502/22	7075207

¹ indicates Capacitor

HDH	230V Condenser Motor*	460V Condenser Motor*	Motor Mount	Fan Blade	Crankcase Heater	Receiver
1500D63 1500D64 1500L63 1500L64	R033177500S(3) R033177500S(3)	R033177700S(3) R033177700S(3)	23101501	R029218600	24702202	27302201
2000D63 2000D64 2200L63 2200L64	R033177500S(3) R033177500S(3)	R033177700S(3) R033177700S(3)	23101501	R029218600	24702202	27302201
2500D63 2700L63 3000L63 2500D64	R033177500S(3) R033177500S(3) R033177500S(3)	R033177700S(3)	23101501 23101501 23101501 23101501	R029218600 R029218600 R029218600 R029218600	24702202 24702202 2471805 24702202	27302201
2700L64 3000L64 2600D63 3000D63	R033177500S(4) R033177500S(4)	R033177700S(3) R033177700S(3)	23101501 23101501 23101501 23101501	R029218600 R029218600 R029218600 R029218600	24702202 2471805 24702202 24702202	27302201 27302201 27302202 27302202
3100L63 3500D63 4000D63 2600D64	R033177500S(4) R033177500S(4) R033177500S(4)	R033177700S(4)	23101501 23101501 23101501 23101501	R029218600 R029218600 R029218600 R029218600	2471805 24702202 2471805 24702202	27302202
3000D64 3100L64 3500D64 4000D64		R033177700S(4) R033177700S(4) R033177700S(4) R033177700S(4)	23101501 23101501 23101501 23101501	R029218600 R029218600 R029218600 R029218600	24702202 2471805 24702202 2471805	27302202

* Motor Capacitor Part No. 5710F

HDH	230V Compr. Contactor	230V Cond. Fan Contactor	Sentronic Oil Switch	Low Press Control	Fan Fuse	Control Circuit Fuse
1500D63 1500L63 2000D63 2200L63	2252340	2252122(2)	22521001	2891402	22510002	22510001
2500D63 2700L63 3000L63 2600D63	2252350 2252350 2252360 2252350	2252122(2) 2252122(2) 2252122(2) 2252122(2)	22521001 22521001 22521001 22521001	2891402 2891402 2891402 2891402	22510002 22510002 22510002 22510003	22510001
3000D63 3500D63 3100L63 4000D63	2252360 2252360 2252360 2252375	2252122(2)	22521001	2891402	22510003	22510001

Power Block Part No. 2251423

Terminal Board Part No. 22513401

Pumpdown Switch Part No. 2257514

HDH	460V COMPR. Contactor	460V COND. Fan Conatctor	Sentronic Oil Switch	Low Press Control	Fan Fuse	Trans- former Fuse
1500D64 1500L64 2000D64 2200L64	2252340	2252122	22521001	2891402	22510001	22510005
2500D64 2700L64 2600D64 3000L64	2252350	2252122	22521001	2891402	22510001	22510005
3000D64 3500D64 3100L64 4000D64	2252350 2252360 2252350 2252375	2252122	22521001	2891402	22510001	22510005

Power Block Part No. 2251423

Terminal Board Part No. 22513401

Pumpdown Switch Part No. 2257514

Transformer Part No. R038253919

Common Parts

Part Description	Description	Part No.
Guard		23100301
High Pressure Control		28913201
Contactora - 25 AMP	Cond. Motor	2259996
Contactora - 40 AMP	Compressor	2252340
Contactora - 50 AMP	Compressor	2252350
Contactora - 60 AMP	Compressor	2252360
Contactora - 75 AMP	Compressor	2252375
Pressure Switch		28923201
Low-pressure Control		2891402
Air Defrost Timer		2138162
Fan Cycling		5521R
Temp. Fan Cycle Control		7075807
Pressure Fan Cycle Control		28900201
Electric Defrost Timer		2138162
Defrost Fan Contactor 25 AMP	(40 AMP/ See Below)	2252325
Defrost Heater Contactor 40 AMP		2252340

24 to 80 HP Motor & Fan Blade Options

Motor Part No.	Description	Blade Part No.
7072102SSS	3/4 HP-1140 RPM 208/230/460/3	7173254
2538000SS	1 HP -850 RPM 208/230/460/3	2292630*
25301801SS	1 1/2 HP - 1140 RPM 208/230/460/3	22900401
25301701SS	1 1/2 HP - 830 RPM 208/230/460/3	22900301
5792V	Slinger For 25301801S & 25301701S	

Note: No Motor Mounts - Uses Motor Rails

* Can Use 2292630 To Replace 2292635 (Not An Exact Match)

Note: Sentronic Oil Control Available From Copeland

Single Row Fans

Model No.	Motor	QTY	Blade	Guards
HFS113,HSF133 HFS149,HSF175	25301801S	2	22900401	23100301
HFS199,HFS223 HFS247	25301801S	3	22900401	23100301
HFS265,HFS297 HFS331,HFS351	25301801S	4	22900401	23100301
HFS377,HFS401 HFS443	25301801S	5	22900401	23100301
HFS481,HFS583	25301801S	6	22900401	23100301

Double Row Fans

Model No.	Motor	QTY	Blade	Guards
HFS226,HFS266 HFS298,HFS330 HFS350	25301801S	4	22900401	23100301
HFS398,HFS428 HFS448,HFS496	25301801S	6	22900401	23100301
HFS532,HFS596 HFS660,HFS700	25301801S	8	22900401	23100301
HFS754,HFS804 HFS842,HFS888	25301801S	10	22900401	23100301
HFS964,HFS986 HFS998	25301801S	12	22900401	23100301

Rain Slinger	Part No. 5792V
Terminal Board	Part No. 5857A
Elec. Temp Control	Part No. 28906401
24AMP 208-240V Contactor	Part No. 2259996
60AMP Non Fused Disc.	Part No. 22525801

HHA

Nomenclature Example:

HH	A	850	C	P	A
Chandler Large Unit Cooler	Fins Per Inch/Defrost	Capacity x 100 (Standard Motor/ Fan Blade)	Voltage Code	Optional Motor Code	Vintage
	A = 6 or 8 FPI Air Defrost E = 6 FPI Electric Defrost L = 4 FPI Electric Defrost G = 6 FPI Hot Gas Defrost F = 4 FPI Hot Gas Defrost		B = 208-230/1/60 M = 460/1/60 C = 208-230/3/60 X = 380/400/3/50 D = 460/3/60 Y = 200/220/1/50 E = 575/3/60		

Model	No. Fans	Motors	HP	Blades	Guards	Drain Pan
HHA520BA	2	25305701S	1/2	22901101		40402003
HHA520CPA	2	7072102S	3/4	5133C	23102201	
HHA520DPA	2	7072102S	3/4	5133C		
HHA520CTA	2	25301001	1			40402003
HHA520DTA	2	25301001	1	5133C	23102201	
HHA520EPA	2	25307901	1/2			
HHA630BA	2	25305701S	1/2	22901101		40402003
HHA630MA	2	25305801S	1/2	22901101	23102201	
HHA630CPA	2	7072102S	2	5133C		
HHA630DPA	2	7072102S	3/4			40402003
HHA630CTA	2	25301001	1	5133C	23102201	
HHA630DTA	2	25301001	1			
HHA630EPA	2	25307901	1/2			
HHA750BA	3	25305701S	1/2	22901101		40401803
HHA750CA	3	25305701S	1/2	22901101	23102201	
HHA750CPA	3	7072102S	3/4	5133C		
HHA750DA	3	25305801S	1/2	22901101		40401803
HHA750DPA	3	7072102S	3/4		23102201	
HHA750CTA	3	25301001	1	5133C		
HHA750DTA	3	25301001	1			
HHA750EPA	3	25307901	1/2			
HHA850BA	3	25305701S	1/2	22901101		40401803
HHA850CA	3	25305701S	1/2	22901101	23102201	
HHA850CPA	3	7072102S	3/4	5133C		
HHA850DA	3	25305801S	1/2	22901101		40401803
HHA850DPA	3	7072102S	3/4	5133C	23102201	
HHA850CTA	3	25301001	1	5133C		
HHA850DTA	3	25301001	1			
HHA850EPA	3	25307901	1/2	5133C	23102201	
HHA930BA	4	25305701S	1/2	22901101		40401403
HHA930CA	4	25305701S	1/2	22901101	23102201	
HHA930CPA	4	7072102S	3/4	5133C		
HHA930DA	4	25305801S	1/2	22901101		40401403
HHA930DPA	4	7072102S	3/4		23102201	
HHA930CTA	4	25301001	1	5133C		
HHA930DTA	4	25301001	1			
HHA930EPA	4	25307901	1/2			
HHA1100BA	4	25305701S	1/2	22901101		40401403
HHA1100CA	4	25305701S	1/2	22901101	23102201	
HHA1100CPA	4	7072102S	3/4	5133C		
HHA1100DA	4	25305801S	1/2	22901101		40401403
HHA1100DPA	4	7072102S	3/4	5133C	23102201	
HHA1100CTA	4	25301001	1	5133C		
HHA1100DTA	4	25301001	1			
HHA1100EPA	4	25307901	1/2	5133C	23102201	

Model	No. Fans	Motors	HP	Blades	Guards	Drain Pan
HHA1170CPA	3	2538000S	1	22900401	23102301	40402103
HHA1170DPA	3	2538000S	1	22900401		
HHA1170CTA	3	25301101	1 1/2	22901501	23102301	
HHA1170DTA	3	25301101	1 1/2	22901501		
HHA1170EPA	3	25301901	1 1/2	22900401	23102301	
HHA1400CPA	3	2538000S	1	22900401	23102301	40402103
HHA1400DPA	3	2538000S	1	22900401		
HHA1400CTA	3	25301101	1 1/2	22901501	23102301	
HHA1400DTA	3	25301101	1 1/2	22901501		
HHA1400EPA	3	25301901	1 1/2	22900401	23102301	
HHA1610CPA	3	25301701S	1 1/2	22900301	23102301	40402102
HHA1610DPA	3	25301701S	1 1/2	22900301		
HHA1610CTA	3	25301101	1 1/2	22901501	23102301	
HHA1610DTA	3	25301101	1 1/2	22901501		
HHA1610EPA	3	25301901	1/2	22900301	23102301	
HHA1900CPA	3	25301801S	1 1/2	22900101	23102301	40410403
HHA1900DPA	3	25301801S				
HHA1900CTA	3	25301101	1 1/2	22900101	23102301	
HHA1900DTA	3	25301101				
HHA1900EPA	3	25307901	1/2	22900101	23102301	
HHA2160CPA	3	25301801S	1 1/2	22900101	23102301	40410403
HHA2160DPA	3	25301801S				
HHA2160CTA	3	25301101	1 1/2	22900101	23102301	
HHA2160DTA	3	25301101				
HHA2160EPA	3	25302001	1 1/2	22900101	23102301	
HHA2200CPA	4	25301701S	1 1/2	22900301	23102301	40410703
HHA2200DPA	4	25301701S	1 1/2	22900301		
HHA2200CTA	4	25301101	1 1/2	22900101	23102301	
HHA2200DTA	4	25301101	1 1/2	22900301		
HPA2200EPA	4	25301901	1 1/2	22900301	23102301	
HHA2500CPA	4	25301701S	1 1/2	22900301	23102301	40410703
HHA2500DPA	4	25301701S				
HHA2500CTA	4	25301101	1 1/2	22900101	23102301	
HHA2500DTA	4	25301101				
HHA2500EPA	4	25301901	1 1/2	22900301	23102301	
HHA2440CPA	4	25301801S	1 1/2	22900101	23102301	40410703
HHA2440DPA	4	25301801S				
HHA2440CTA	4	25301101	1 1/2	22900101	23102301	
HHA2440DTA	4	25301101				
HHA2440EPA	4	25302001	1 1/2	22900101	23102301	
HHA2780CPA	4	25301801S	1 1/2	22900101	23102301	40410703
HHA2780DPA	4	25301801S				
HHA2780CTA	4	25301101	1 1/2	22900101	23102301	
HHA2780DTA	4	25301101				
HHA2780EPA	4	25302001	1 1/2	22900101	23102301	

Unit Size	Side Panel	Left Back Panel (Ref. Conn)
520, 630, 750, 859, 930, 1100	40834901	40834701
1170, 1400	40868201	40868101
1610	40846501	40846401
1900, 2160	40858401	40858601
2200, 2500	40858201	40858501
2440, 2780	40858401	40858601

HHE

Nomenclature Example:

HH	E	850	C	P	A
Chandler Large Unit Cooler	Fins Per Inch/Defrost	Capacity x 100 (Standard motor/fan blade)	Voltage Code	Optional Motor Code	Vintage
	E = 6 FPI Electric Defrost		B = 208-230/1/60 M = 460/1/60 C = 208-230/3/60 X = 380/400/3/50 D = 460/3/60 Y = 200/220/1/50 E = 575/3/60	T = Total Enclosed Motors V = High CFM Option P = 3 Phase Motor	

Model	# Fans	Motors	Blades	Guards	Coil Heater	Qty	Pan Heater*	Drain Pan
HHE450BA	2	25305701S	22901101					
HHE450CA	2	25305701S	22901101	23102201	24711501	3	24711301	
HHE450CPA	2	7072102S	5133C					
HHE450DA	2	25305801S	22901101	23102201	24711601			
HHE450DPA	2	7072102S	5133C	23102201	24711601	3	24711301	40402003
HHE450CTA	2	25301001	5133C	23102201	24711501			
HHE450DTA	2	25301001	5133C	23102201	24711601			
HHE450CVA	2	5916F	22901201	23102201	24711501	3	24711301	
HHE450DVA	2	5916F	22901201	23102201	24711601			
HHE450BB	2	25305701S	22901101					
HHE450CB	2	25305701S	22901101	23102201	24711201	6	24711301	
HHE450CPB	2	7072102S	5133C					
HHE450DB	2	25305801S	22901101					
HHE450DPB	2	7072102S	5133C	23102201	24711201	6	24711301	40402003
HHE450CTB	2	25301001	5133C					
HHE450DTB	2	25301001	5133C					
HHE450CVB	2	5916F	22901201	23102201	24711201	6	24711301	
HHE450DVB	2	5916F	22901201					
HHE550BA	2	25305701S	22901101					
HHE550CA	2	25305701S	22901101	23102201	24711501	3	24711301	
HHE550CPA	2	7072102S	5133C					
HHE550DA	2	25305801S	22901101	23102201	24711601			
HHE550DPA	2	7072102S	5133C	23102201	24711601	3	24711301	40402003
HHE550CTA	2	25301001	5133C	23102201	24711501			
HHE550DTA	2	25301001	5133C	23102201	24711601			
HHE550CVA	2	5916F	22901201	23102201	24711501	3	24711301	
HHE550DVA	2	5916F	22901201	23102201	24711601			
HHE550BB	2	25305701S	22901101					
HHE550CB	2	25305701S	22901101	23102201	24711201	6	24711301	
HHE550CPB	2	7072102S	5133C					
HHE550DB	2	25305801S	22901101					
HHE550DPB	2	7072102S	5133C	23102201	24711201	6	24711301	40402003
HHE550CTB	2	25301001	5133C					
HHE550DTB	2	25301001	5133C					
HHE550CVB	2	5916F	22901201	23102201	24711201	6	24711301	
HHE550DVB	2	5916F	22901201					

Heater Limit T'STAT - Part No. 5708L
Defrost Termination & Fan Delay - Part No. 4267W

*(2) Pan Heaters required per unit
Heater stand-off bracket 400-1390 - Part No. 40850301

Note: Aug. 2002 Chandler large unit coolers changed from insertion heaters to fin heaters.
Vintage changed from "A" TO "B" - EX: HHE450BA changed to HHE450BB

Model	# Fans	Motors	Blades	Guards	Coil Heater	Qty	Pan Heater*	Drain Pan
HHE640CA	3	25305701S	22901101	23102201	24711502	3	24711302	40401803
HHE640CPA	3	7072102S	5133C	23102201	24711502			
HHE640DA	3	25305801S	22901101	23102201	24711602			
HHE640DPA	3	7072102S	5133C	23102201	24711602	3	24711302	
HHE640CTA	3	25301001	5133C	23102201	24711502			
HHE640DTA	3	25301001	5133C	23102201	24711602			
HHE640CVA	3	5916F	22901201	23102201	24711502	3	24711302	
HHE640DVA	3	5916F	22901201	23102201	24711602			
HHE640CB	3	25305701S	22901101	23102201	24711202	6	24711302	40401803
HHE640CPB	3	7072102S	5133C					
HHE640DB	3	25305801S	22901101					
HHE640DPB	3	7072102SSS	5133C	23102201	24711202	6	24711302	
HHE640CTB	3	25301001						
HHE640DTB	3	25301001						
HHE640CVB	3	5916F	22901201	23102201	24711202	6	24711302	
HHE640DVB								

Model	# Fans	Motors	Blades	Guards	Coil Heater	Qty	Pan Heater*	Drain Pan
HHE740CA	3	25305701S	22901101	23102201	24711502	3	24711302	40401803
HHE740CPA	3	7072102S	5133C	23102201	24711502			
HHE740DA	3	25305801S	22901101	23102201	24711602			
HHE740DPA	3	7072102S	5133C	23102201	24711602	3	24711302	
HHE740CTA	3	25301001	5133C	23102201	24711502			
HHE740DTA	3	25301001	5133C	23102201	24711602			
HHE740CVA	3	5916F	22901201	23102201	24711502	3	24711302	
HHE740DVA	3	5916F	22901201	23102201	24711602			
HHE740CB	3	25305701S	22901101	23102201	24711202	6	24711302	40401803
HHE740CPB	3	7072102S	5133C					
HHE740DB	3	25305801S	22901101					
HHE740DPB	3	7072102S	5133C	23102201	24711202	6	24711302	
HHE740CTB	3	25301001						
HHE740DTB	3	25301001						
HHE740CVB	3	5916F	22901201	23102201	24711202	6	24711302	
HHE740DVB								
HHE810CA	4	25305701S	22901101	23102201	24711503	3	24710305	40401403
HHE810CPA	4	7072102S	5133C					
HHE810DA	4	25305801S	22901101					
HHE810DPA	4	7072102S	5133C	23102201	24711503	3	24710305	
HHE810CTA	4	25301001						
HHE810DTA	4	25301001						
HHE810CVA	4	5916F	22901201	23102201	24711503	3	24710305	
HHE810DVA								
HHE810CB	4	25305701S	22901101	23102201	24711203	6	24710305	40401403
HHE810CPB	4	7072102S	5133C					
HHE810DB	4	25305801S	22901101					
HHE810DPB	4	7072102S	5133C	23102201	24711203	6	24710305	
HHE810CTB	4	25301001						
HHE810DTB	4	25301001						
HHE810CVB	4	5916F	22901201	23102201	24711203	6	24710305	
HHE810DVB								

Heater Limit T'STAT - Part No. 5708L
 Defrost Termination & Fan Delay - Part No. 4267W

*(2) Pan Heaters required per unit
 Heater stand-off bracket 400-1390 - Part No. 40850301

Note: Aug. 2002 Chandler large unit coolers changed from insertion heaters to fin heaters.
 Vintage changed from "A" TO "B" - EX: HHE450BA changed to HHE450BB

Chandler

Model	# Fans	Motors	Blades	Guards	Coil Heater	Qty	Pan Heater*	Drain Pan
HHE950CA	4	25305701S	22901101					
HHE950CPA	4	7072102S	5133C	23102201	24711503	3	24710305	
HHE950DA	4	25305801S	22901101					
HHE950DPA	4	7072102S						
HHE950CTA	4	25301001	5133C	23102201	24711503	3	24710305	40401403
HHE950DTA	4	25301001						
HHE950CVA	4	5916F	22901201	23102201	24711503	3	24710305	
HHE950DVA								
HHE950CB	4	25305701S	22901101					
HHE950CPB	4	7072102S	5133C	23102201	24711203	6	24710305	
HHE950DB	4	25305801S	22901101					
HHE950DPB	4	7072102S						
HHE950CTB	4	25301001	5133C	23102201	24711203	6	24710305	40401403
HHE950DTB	4	25301001						
HHE950CVB	4	5916F	22901201	23102201	24711203	6	24710305	
HHE950DVB								

Model	# Fans	Motors	Blades	Guards	Coil Heater	Qty	Pan Heater*	Drain Pan
HHE1020CPA	3	2538000S	22900401	23102301	24711503			
HHE1020DPA	3	2538000S	22900401	23102301	24711603	4	24710305	
HHE1020CTA	3	25301101	22901501	23102301	24711503			
HHE1020DTA	3	25301101	22901501	23102301	24711603			40402103
HHE1020CVA	3	5926J	22901401	23102301	24711503	4	24710305	
HHE1020DVA	3	5926J	22901401	23102301	24711603			
HHE1020CPB	3	2538000S	22900401					
HHE1020DPB	3	2538000S	22900401	23102301	24711203	8	24710305	
HHE1020CTB	3	25301101	22901501					
HHE1020DTB	3	25301101	22901501					40402103
HHE1020CVB	3	5926J	22901401	23102301	24711203	8	24710305	
HHE1020DVB	3	5926J	22901401					

Heater Limit T'STAT - Part No. 5708L
 Defrost Termination & Fan Delay - Part No. 4267W

*(2) Pan Heaters required per unit
 Heater stand-off bracket 400-1390 - Part No. 40850301

Note: Aug. 2002 Chandler large unit coolers changed from insertion heaters to fin heaters.
 Vintage changed from "A" TO "B" - EX: HHE450BA changed to HHE450BB

Model	# Fans	Motors	Blades	Guards	Coil Heater	Qty	Pan Heater*	Drain Pan
HHE1200CPA	3	2538000S*	22900401	23102301	24711503			
HHE1200DPA	3	2538000S*	22900401	23102301	24711603	4	24710305	
HHE1200CTA	3	25301101**	22901501	23102301	24711503			40402103
HHE1200DTA	3	25301101**	22901501	23102301	24711603			
HHE1200CVA	3	5926J***	22901401	23102301	24711503	4	24710305	
HHE1200DVA	3	5926J***	22901401	23102301	24711603			
HHE1200CPB	3	2538000S*	22900401					
HHE1200DPB	3	2538000S*	22900401	23102301	24711203	8	24710305	
HHE1200CTB	3	25301101**	22901501					
HHE1200DTB	3	25301101**	22901501					40402103
HHE1200CVB	3	5926J***	22901401	23102301	24711203	8	24710305	
HHE1200DVB	3	5926J***	22901401					
HHE1390CPA	3	25301701S**	22900301	23102301	24711503			
HHE1390DPA	3	25301701S**	22900301	23102301	24711603	4	24710305	
HHE1390CTA	3	25301101**	22901501	23102301	24711503			4042103
HHE1390DTA	3	25301101**	22901501	23102301	24711603			
HHE1390CVA	3	5926J***	22901401	23102301	24711503	4	24710305	
HHE1390DVA	3	5926J***	22901401	23102301	24711603			
HHE1390CPA	3	25301701S**	22900301					
HHE1390DPA	3	25301701S**	22900301	23102301	24711203	8	24710305	
HHE1390CTA	3	25301101**	22901501					4042103
HHE1390DTA	3	25301101**	22901501					
HHE1390CVA	3	5926J***	22901401	23102301	24711203	8	24710305	
HHE1390DVA	3	5926J***	22901401					

* 1HP motors
 **1-1/2 HP Motors
 *** 3 HP Motors

*(2) Pan Heaters required per unit
 Heater Limit T'STAT - Part No. 4752C
 Defrost Termination & Fan Delay - Part No. 4267W
 Heater stand-off bracket 400-1390 - Part No. 40850301

Model	# Fans	Motors	Blades	Guards	Coil Heater	Qty	Pan Heater*	Drain Pan
HHE1650CPA	3	25301801S						
HHE1650DPA	3	25301801S	22900101	23102301	24711701	12	24710306	40410403
HHE1650CTA	3	25301101						
HHE1650DTA	3	25301101	22900101					
HHE1650CVA	3	5926J	22901401	23102301	24711701	12	24710306	
HHE1650DVA	3	5926J	22901401					
HHE1650CPB	3	25301801S						
HHE1650DPB	3	25301801S	22900101	23102301	24712301	14	24710306	40410403
HHE1650CTB	3	25301101						
HHE1650DTB	3	25301101						
HHE1650CVB	3	5926J	22901401	23102301	24712301	14	24710306	
HHE1650DVB	3	5926J						

Heater Limit T'STAT - Part No. 5708L
 Defrost Termination & Fan Delay - Part No. 4267W

*(2) Pan Heaters required per unit
 Heater stand-off bracket 400-1390 - Part No. 40850301

Note: Aug. 2002 Chandler large unit coolers changed from insertion heaters to fin heaters.
 Vintage changed from "A" TO "B" - EX: HHE450BA changed to HHE450BB

Chandler

Model	# Fans	Motors	Blades	Guards	Coil Heater	Qty	Pan Heater*	Drain Pan
HHE2120CPA	4	25301801S						
HHE2120DPA	4	25301801S	22900101	23102301	24711702	12	24711402	40410703
HHE2120CTA	4	25301101						
HHE2120DTA	4	25301101						
HHE2120CVA	4	5926J	22901401	23102301	24711702	12	24711402	
HHE2120DVA	4	5926J						
HHE2120CPB	4	25301801S						
HHE2120DPB	4	25301801S	22900101	23102301	24711403	28	24711402	40410703
HHE2120CTB	4	25301101						
HHE2120DTB	4	25301101	22900101					
HHE2120CVB	4	5926J	22901401	23102301	24711403	28	24711402	
HHE2120DVB	4	5926J	22901401					

Heater Limit T'STAT - Part No. 5708L
 Defrost Termination & Fan Delay - Part No. 4267W

*** (4) Pan Heaters required per unit**
 Heater stand-off bracket 400-1390 - Part No. 40850301

Note: Aug. 2002 Chandler large unit coolers changed from insertion heaters to fin heaters.
 Vintage changed from "A" TO "B" - EX: HHE450BA changed to HHE450BB

Model Size Electric & Hot Gas Defrost	Side Panel	Left Back Panel {Refrig. Conn}
400,450,480,550 560,640,650,740 710,810,840,950	40834901	40834701
890,1020,1050,1200 1200,1390 1440,1650 1860,2120	40868201 40846501 40858401 40858401	40868101 40846401 40858601 40858601

HHL

Model	# Fans	Motors	Blades	Guards	Coil Heater	Qty	Pan Heater*	Drain Pan
HHL400BA	2	25305701S	22901101					
HHL400CA	2	25305701S	22901101	23102201	24711501	3	24711301	40402003
HHL400CPA	2	7072102S	5133C					
HHL400DA	2	25305801S	22901101					
HHL400DPA	2	7072102S	5133C	23102201	24711601	3	24711301	
HHL400CTA	2	25301001	5133C					
HHL400DTA	2	25301001	5133C					
HHL400DVA	2	5916F	22901201	23102201	24711501	3	24711301	
HHL400DVB	2	5916F	22901201					
HHL400BB	2	25305701S	22901101					40402003
HHL400CB	2	25305701S	22901101	23102201	24711201	6	24711301	
HHL400CPB	2	7072102S	5133C					
HHL400DB	2	25305801S	22901101					
HHL400DPB	2	7072102S	5133C	23102201	24711201	6	24711301	
HHL400CTB	2	25301001	5133C					
HHL400DTB	2	25301001	5133C					
HHL400CVB	2	5916F	22901201	23102201	24711201	6	24711301	
HHL400DVB	2	5916F	22901201					
HHL480BA	2	25305701S	22901101					40402003
HHL480CA	2	25305701S	22901101	23102201	24711501	3	24711301	
HHL480CPA	2	7072102S	5133C					
HHL480DA	2	25305801S	22901101	23102201	24711601			
HHL480DPA	2	7072102S	5133C	23102201	24711601	3	24711301	
HHL480CTA	2	25301001	5133C	23102201	24711501			
HHL480DTA	2	25301001	5133C	23102201	24711601			
HHL480CVA	2	5916F	22901201	23102201	24711501	3	24711301	
HHL480DVA	2	5916F	22901201	23102201	24711601			
HHL480BB	2	25305701S	22901101					40402003
HHL480CB	2	25305701S	22901101	23102201	24711201	6	24711301	
HHL480CPB	2	7072102S	5133C					
HHL480DB	2	25305801S	22901101					
HHL480DPB	2	7072102S	5133C	23102201	24711201	6	24711301	
HHL480CTB	2	25301001	5133C					
HHL480DTB	2	25301001	5133C					
HHL480CVB	2	5916F	22901201	23102201	24711201	6	24711301	
HHL480DVB	2	5916F	22901201					
HHL560CA	3	25305701S	22901101	23102201	24711502			40401803
HHL560CPA	3	7072102S	5133C	23102201	24711502	3	24711302	
HHL560DA	3	25305801S	22901101	23102201	24711602			
HHL560DPA	3	7072102S	5133C	23102201	24711602			
HHL560CTA	3	25301001	5133C	23102201	24711502	3	24711302	
HHL560DTA	3	25301001	5133C	23102201	24711602			
HHL560CVA	3	5916F	22901201	23102201	24711502			
HHL560DVA	3	5916F	22901201	23102201	24711602	3	24711302	
HHL560CB	3	25305701S	22901101					40401803
HHL560CPB	3	7072102S	5133C	23102201	24711202	6	24711302	
HHL560DB	3	25305801S	22901101					
HHL560DPB	3	7072102S						
HHL560CTB	3	25301001	5133C	23102201	24711202	6	24711302	
HHL560DTB	3	25301001						
HHL560CVB								
HHL560DVB	3	5916F	22901201	23102201	24711202	6	24711302	

Heater Limit T'STAT - Part No. 5708L
 Defrost Termination & Fan Delay - Part No. 4267W

*(2) Pan Heaters required per unit
 Heater clips 400-1390 - Part No. 23308101

Note: Aug. 2002 Chandler large unit coolers changed from insertion heaters to fin heaters.
 Vintage changed from "A" TO "B" - EX: HHE450BA changed to HHE450BB

Chandler

Model	# Fans	Motors	Blades	Guards	Coil Heater	Qty	Pan Heater*	Drain Pan
HHL650CA	3	25305701S	22901101	23102201	24711502	3	24711302	40401803
HHL650CPA	3	7072102S	5133C	23102201	24711502			
HHL650DA	3	25305801S	22901101	23102201	24711602			
HHL650DPA	3	7072102S	5133C	23102201	24711602	3	24711302	
HHL650CTA	3	25301001	5133C	23102201	24711502			
HHL650DTA	3	25301001	5133C	23102201	24711602			
HHL650CVA	3	5916F	22901201	23102201	24711502	3	24711302	
HHL650DVA	3	5916F	22901201	23102201	24711602			
HHL650CB	3	25305701S	22901101	23102201	24711202	6	24711302	
HHL650CPB	3	7072102S	5133C					
HHL650DB	3	25305801S	22901101					
HHL650DPB	3	7072102S	5133C	23102201	24711202	6	24711302	
HHL650CTB	3	25301001						
HHL650DTB	3	25301001	5133C	23102201	24711202	6	24711302	
HHL650CVB	3	5916F	22901201					
HHL650DVB	3	5916F	22901201					
HHL710CA	4	25305701S	22901101	23102201	24711503	3	24710305	
HHL710CPA	4	7072102S	5133C					
HHL710DA	4	25305801S	22901101					
HHL710DPA	4	7072102S	5133C	23102201	24711503	3	24710305	
HHL710CTA	4	25301001						
HHL710DTA	4	25301001						
HHL710CVA	4	5916F	22901201	23102201	24711503	3	24710305	
HHL710DVA								
HHL710CB	4	25305701S	22901101	23102201	24711203	6	24710305	
HHL710CPB	4	7072102S	5133C					
HHL710DB	4	25305801S	22901101					
HHL710DPB	4	7072102S	5133C	23102201	24711203	6	24710305	
HHL710CTB	4	25301001						
HHL710DTB	4	25301001						
HHL710CVB	4	5916F	22901201	23102201	24711203	6	24710305	
HHL710DVB								

Heater Limit T'STAT - Part No. 5708L

Defrost Termination & Fan Delay - Part No. 4267W

*(2) Pan Heaters required per unit

Heater clips 400-1390 - Part No. 23308101

Note: Aug. 2002 Chandler large unit coolers changed from insertion heaters to fin heaters.

Vintage changed from "A" TO "B" - EX: HHE450BA changed to HHE450BB

Model	# Fans	Motors	Blades	Guards	Coil Heater	Qty	Pan Heater*	Drain Pan
HHL840CA	4	25305701S	22901101	23102201	24711503	3	24710305	40401403
HHL840CPA	4	7072102S	5133C	23102201	24711503			
HHL840DA	4	25305801S	22901101	23102201	24711603			
HHL840DPA	4	7072102S	5133C	23102201	24711603	3	24710305	
HHL840CTA	4	25301001	5133C	23102201	24711503			
HHL840DTA	4	25301001	5133C	23102201	24711603			
HHL840CVA	4	5916F	22901201	23102201	24711503	3	24710305	
HHL840DVA	4	5916F	22901201	23102201	24711603			
HHL840CB	4	25305701S	22901101	23102201	24711203	6	24710305	
HHL840CPB	4	7072102S	5133C					
HHL840DB	4	25305801S	22901101					
HHL840DPB	4	7072102S	5133C	23102201	24711203	6	24710305	
HHL840CTB	4	25301001						
HHL840DTB	4	25301001	5133C	23102201	24711203	6	24710305	
HHL840CVB	4	5916F	22901201					
HHL840DVB	4	5916F	22901201					

Heater Limit T'STAT - Part No. 5708L

Defrost Termination & Fan Delay - Part No. 4267W

*(2) Pan Heaters required per unit

Heater stand-off bracket 400-1390- Part No. 40850301

Model	# Fans	Motors	Blades	Guards	Coil Heater	Qty	Pan Heater*	Drain Pan
HHL890CPA	3	2538000S*	22900401	23102301	24711503			
HHL890DPA	3	2538000S*	22900401	23102301	24711603			
HHL890CTA	3	25301101**	22901501	23102301	24711503	4	24710305	40402103
HHL890DTA	3	25301101**	22901501	23102301	24711603			
HHL890CVA	3	5926J***	22901401	23102301	24711503			
HHL890DVA	3	5926J***	22901401	23102301	24711603			
HHL890CPB	3	2538000S*	22900401					
HHL890DPB	3	2538000S*	22900401					
HHL890CTB	3	25301101**	22901501	23102301	24711203	8	24710305	40402103
HHL890DTB	3	25301101**	22901501					
HHL890CVB	3	5926J***	22901401					
HHL890DVB	3	5926J***	22901401					
HHL1050CPA	3	2538000S*	22900401	23102301	24711503			
HHL1050DPA	3	2538000S*	22900401	23102301	24711603			
HHL1050CTA	3	25301101**	22901501	23102301	24711503	4	24710305	40402103
HHL1050DTA	3	25301101**	22901501	23102301	24711603			
HHL1050CVA	3	5926J***	22901401	23102301	24711503			
HHL1050DVA	3	5926J***	22901401	23102301	24711603			
HHL1050CPB	3	2538000S*	22900401					
HHL1050DPB	3	2538000S*	22900401					
HHL1050CTB	3	25301101**	22901501	23102301	24711203	8	24710305	40402103
HHL1050DTB	3	25301101**	22901501					
HHL1050CVB	3	5926J***	22901401					
HHL1050DVB	3	5926J***	22901401					
HHL1220CPA	3	25301701S**	22900301	23102301	24711503			
HHL1220DPA	3	25301701S**	22900301	23102301	24711603			
HHL1220CTA	3	25301101**	22901501	23102301	24711503	4	24710305	40402103
HHL1220DTA	3	25301101**	22901501	23102301	24711603			
HHL1220CVA	3	5926J***	22901401	23102301	24711503			
HHL1220DVA	3	5926J***	22901401	23102301	24711603			
HHL1220CPB	3	25301701S**	22900301					
HHL1220DPB	3	25301701S**	22900301					
HHL1220CTB	3	25301101**	22901501	23102301	24711203	8	24710305	40402103
HHL1220DTB	3	25301101**	22901501					
HHL1220CVB	3	5926J***	22901401					
HHL1220DVB	3	5926J***	22901401	23102301	24711203	8	24710305	

* 1HP motors
 **1-1/2 HP Motors
 *** 3 HP Motors

Defrost Control-Fan Delay - Part No. 2894267
 Heater Limit T-Stat - Part No. 28908601
 * (4) Pan Heaters required per unit
 Heater stand-off bracket 400-1390- Part No. 40850301

Note: Aug. 2002 Chandler large unit coolers changed from insertion heaters to fin heaters.
 Vintage changed from "A" TO "B" - EX: HHE450BA changed to HHE450BB

Chandler

Model	# Fans	Motors	Blades	Guards	Coil Heater	Qty	Pan Heater*	Drain Pan
HHL1440CPA	3	25301801S						
HHL1440DPA	3	25301801S	22900101	23102301	24711701	12	24710306	40410403
HHL1440CTA	3	25301101						
HHL1440DTA	3	25301101	22900101					
HHL1440CVA	3	5926J	22901401	23102301	24711701	12	24710306	
HHL1440DVA	3	5926J	22901401					
HHL1440CPB	3	25301801S						
HHL1440DPB	3	25301801S	22900101	23102301	24712301	14	24710306	40410403
HHL1440CTB	3	25301101						
HHL1440DTB	3	25301101	22900101					
HHL1440CVB	3	5926J	22901401	23102301	24712301	14	24710306	
HHL1440DVB	3	5926J	22901401					

Heater Limit T'STAT - Part No. 5708L

*(2) Pan Heaters required per unit

Defrost Termination & Fan Delay - Part No. 4267W

Heater clips 400-1390 - Part No. 23308101

Note: Aug. 2002 Chandler large unit coolers changed from insertion heaters to fin heaters.

Vintage changed from "A" TO "B" - EX: HHE450BA changed to HHE450BB

Model	# Fans	Motors	Blades	Guards	Coil Heater	Qty	Pan Heater*	Drain Pan
HHL1860CPA	4	25301801S	22900101					
HHL1860DPA	4	25301801S	22900101					
HHL1860CTA	4	25301101	22900101	23102301	24711702	12	24711402	40410703
HHL1860DTA	4	25301101	22900101					
HHL1860CVA	4	5926J	22901401					
HHL1860DVA	4	5926J	22901401					
HHL1860CPB	4	25301801S	22900101					
HHL1860DPB	4	25301801S	22900101	23102301	24711403	28	24711402	40410703
HHL1860CTB	4	25301101	22900101					
HHL1860DTB	4	25301101	22900101					
HHL1860CVB	4	5926J	22901401					
HHL1860DVB	4	5926J	22901401					

Defrost Control-Fan Delay - Part No. 2894267

*(4) Pan Heaters required per unit

Heater Limit T-Stat - Part No. 28908601

Heater stand-off bracket 400-1390- Part No. 40850301

NOTE: aug.2002 Chandler large unit coolers changed from insertion heaters to fin heaters.

Vintage changed from "A" TO "B" - EX: HHE450BA changed to HHE450BB

Model Size Electric & Hot Gas Defrost	Side Panel	Left Back Panel (Ref. Conn)
400,450,480,550 560,640,650,740 710,810,840,950	40834901	40834701
890,1020,1050,1200 1200,1390 1440,1650 1860,2120	40868201 40846501 40858401 40858401	40868101 40846401 40858601 40858601

Unit Model	No. Fans	Motors	HP	Blades	Guards	Drain Pan Heater*	Electronic Drain Pan	Hot Gas Drain Pan
HHG450BA	2	25305701S	1/2	22901101			40402003	40402002
HHG450MA	2	25305801S	1/2	22901101	23102201	24711301		
HHG450CPA	2	7072102S	3/4	5133C				
HHG450DPA	2	7072102S	3/4					
HHG450CTA	2	25301001	1	5133C	23102201	24711301		
HHG450DTA	2	25301001	1					
HHG450EPA	2	25307901	1/2	5133C	23102201	24711901		
HHG450CVA	2	5916F	2	22901201	23102201	24711301		
HHG450DVA	2	5916F	2	22901201	23102201	24711301		
HHG550BA	2	25305701S	1/2	22901101			40402003	40402301
HHG550MA	2	25305801S	1/2	22901101	23102201	24711301		
HHG550CPA	2	7072102S	3/4	5133C				
HHG550DPA	2	7072102S	3/4					
HHG550CTA	2	25301001	1	5133C	23102201	24711301		
HHG550DTA	2	25301001	1					
HHG550EPA	2	25307901	1/2	5133C	23102201	24711901		
HHG550CVA	2	5916F	2	22901201	23102201	24711301		
HHG550DVA	2	5916F	2	22901201	23102201	24711301		
HHG640BA	3	25305701S	1/2	22901101			40401803	40401802
HHG640CA	3	25305701S	1/2	22901101	23102201	24711302		
HHG640CPA	3	7072102S	3/4	5133C				
HHE640DA	3	25305801S	1/2	22901101				
HHG640DPA	3	7072102S	3/4	5133C	23102201	24711302		
HHG640CTA	3	25301001	1	5133C				
HHG640DTA	3	25301001	1	5133C				
HHG640EPA	3	25307901	1/2	5133C	23102201	24711902		
HHG640CVA	3	5916F	2	22901201	23102201	24711302		
HHG640DVA	3	5916F	2	22901201	23102201	24711302		
HHG740BA	3	25305701S	1/2	22901101	23102201	24711302	40401803	40401802
HHG740CA	3	25305701S	1/2	22901101	23102201	24711302		
HHG740CPA	3	7072102S	3/4	5133C	23102201	24711302		
HHG740DA	3	25305801S	1/2	22901101	23102201	24711302		
HHG740DPA	3	7072102S	3/4	5133C	23102201	24711302		
HHG740CTA	3	25301001	1	5133C	23102201	24711302		
HHG740DTA	3	25301001	1	5133C	23102201	24711302		
HHG740EPA	3	25307901	1/2	5133C	23102201	24711902		
HHG740CVA	3	5916F	2	22901201	23102201	24711302		
HHG740DVA	3	5916F	2	22901201	23102201	24711302		

Thermostat Part No. 5893Q

Defrost Term & Fan Delay Part No. 4267W

*Quantity of 2 used only on electric model

Chandler

Unit Model	No. Fans	Motors	HP	Blades	Guards	Drain Pan Heater*	Electronic Drain Pan	Hot Gas Drain Pan
HHG810BA	4	25305701S	1/2	22901101				
HHG810CA	4	25305701S	1/2	22901101	23102201	24710305		
HHG810CPA	4	7072102S	3/4	5133C				
HHG810DA	4	25305801S	1/2	22901101				
HHG810DPA	4	7072102S	3/4	5133C	23102201	24710305	40401403	40401402
HHG810CTA	4	25301001	1	5133C				
HHG810DTA	4	25301001	1	5133C				
HHG810EPA	4	25307901	1/2	5133C	23102201	24711105		
HHG810CVA	4	5916F	2	22901201	23102201	24710305		
HHG810DVA	4	5916F	2	22901201	23102201	24710305		
HHG950BA	4	25305701S	1/2	22901101				
HHG950CA	4	25305701S	1/2	22901101	23102201	24710305		
HHG950CPA	4	7072102S	3/4	5133C				
HHG950DA	4	25305801S	1/2	22901101				
HHG950DPA	4	7072102S	3/4	5133C	23102201	24710305	40401403	40401402
HHG950CTA	4	25301001	1	5133C				
HHG950DTA	4	25301001	1	5133C				
HHG950EPA	4	25307901	1/2	5133C	23102201	24711105		
HHG950CVA	4	5916F	2	22901201	23102201	24710305		
HHG950DVA	4	5916F	2	22901201	23102201	24710305		
HHG1020CPA	3	2538000S	1	22900401				
HHG1020DPA	3	2538000S	1	22900401	23102301	24710305		
HHG1020CTA	3	25301101	1 1/2	22901501				
HHG1020DTA	3	25301101	1 1/2	22901501	23102301	24710305	40402103	40402102
HHG1020EPA	3	25301901	1 1/2	22900401	23102301	24711105		
HHG1020CVA	3	5926J	3	22901401	23102301	24710305		
HHG1020DVA	3	5926J	3	22901401	23102301	24710305		
HHG1200CPA	3	2538000S	1	22900401				
HHG1200DPA	3	2538000S	1	22900401	23102301	24710305		
HHG1200CTA	3	25301101	1 1/2	22901501				
HHG1200DTA	3	25301101	1 1/2	22901501	23102301	24710305	40402103	40402102
HHG1200EPA	3	25301901	1 1/2	22900401	23102301	24711105		
HHG1200CVA	3	5926J	3	22901401	23102301	24710305		
HHG1200DVA	3	5926J	3	22901401	23102301	24710305		
HHG1390CPA	3	25301701S	1 1/2	22900301				
HHG1390DPA	3	25301701S	1 1/2	22900301	23102301	24710305		
HHG1390CTA	3	25301101	1 1/2	22901501				
HHG1390DTA	3	25301101	1 1/2	22901501	23102301	24710305	40402103	40402102
HHG1390EPA	3	25301901	1 1/2	22900301	23102301	24711105		
HHG1390CVA	3	5926J	3	22901401	23102301	24710305		
HHG1390DVA	3	5926J	3	22901401	23102301	24710305		

Thermostat Part No. 5893Q
 Defrost Term & Fan Delay Part No. 4267W

*Quantity of 2 used only on electric model

Unit Model	No. Fans	Motors	HP	Blades	Guards	Drain Pan Heater*	Electronic Drain Pan	Hot Gas Drain Pan
HHG1650CPA HHG1650DPA HHG1650CTA	3	25301801S	1 1/2	22900101	23102301	24710306	40410403	40410402
HHG1650DTA	3	25301101	1 1/2	22900101	23102301	24710306		
HHG1650EPA	3	25302001	1 1/2	22900101	23102301	24711106		
HHG1650CVA	3	5926J	3	22901401	23102301	24710306		
HHG1650DVA	3	5926J	3	22901401	23102301	24710306		

Thermostat Part No.2890002

*Quantity of 2 used only on electric model

Defrost Term & Fan Delay Part No. 2894267

Unit Model	No. Fans	Motors	HP	Blades	Guards	Drain Pan Heater*	Electronic Drain Pan	Hot Gas Drain Pan
HHG2120CPA HHG2120DPA HHG2120CTA	4	25301801S	1 1/2	22900101	23102301	24711402	40410703	40410701
HHG2120DTA	4	25301101						
HHG2120EPA	4	25302001						
HHG2120CVA	4	5926J						
HHG2120DVA	4	5926J						

Thermostat Part No.2890002

*Quantity of 4 used only on electric model

Defrost Term & Fan Delay Part No. 2894267

Model Size Electric & Hot Gas Defrost	Side Panel	Left Back Panel (Ref. Conn)
400,450,480,550 560,640,650,740 710,810,840,950	40834901	40834701
890,1020,1050,1200	40868201	40868101
1200,1390	40846501	40846401
1440,1650	40858401	40858601
1860,2120	40858401	40858601

Chandler

Unit Model	No. Fans	Motors	HP	Blades	Guards	Drain Pan Heater*	Electronic Drain Pan	Hot Gas Drain Pan
HHF400BA	2	25305701S	1/2	22901101				
HHF400MA	2	25305801S	1/2	22901101	23102201	24711301		
HHF400CPA	2	7072102S	3/4	5133C				
HHF400DPA	2	7072102S	3/4				40402003	40402002
HHF400CTA	2	25301001	1	5133C	23102201	24711301		
HHF400DTA	2	25301001	1					
HHF400EPA	2	25307901	1/2	5133C				
HHF400CVA	2	5916F	2	22901201	23102201	24711301		
HHF400DVA	2	5916F	2	22901201				
HHF480BA	2	25305701S	1/2	22901101				
HHF480MA	2	25305801S	1/2	22901101	23102201	24711301		
HHF480CPA	2	7072102S	3/4	5133C				
HHF480DPA	2	7072102S	3/4				40402003	40402002
HHF480CTA	2	25301001	1	5133C	23102201	24711301		
HHF480DTA	2	25301001	1					
HHF480EPA	2	25307901	1/2					
HHF480CVA	2	5916F	2	22901201	23102201	24711301		
HHF480DVA								
HHF560BA	3	25305701S	1/2	22901101				
HHF560CA	3	25305701S	1/2	22901101	23102201	24711302		
HHF560CPA	3	7072102S	3/4	5133C				
HHF560DA	3	25305801S	1/2	22901101			40401803	40401802
HHF560DPA	3	7072102S	3/4	5133C	23102201	24711302		
HHF560CTA	3	25301001	1	5133C				
HHF560DTA	3	25301001	1	5133C				
HHF560EPA	3	25307901	1/2	5133C	23102201	24711902		
HHF560CVA	3	5916F	2	22901201	23102201	24711302		
HHF560DVA	3	5916F	2	22901201	23102201	24711302		
HHF650BA	3	25305701S	1/2	22901101				
HHF650CA	3	25305701S	1/2	22901101	23102201	24711302		
HHF650CPA	3	7072102S	3/4	5133C				
HHF650DA	3	25305801S	1/2	22901101			40401803	40401802
HHF650DPA	3	7072102S	3/4	5133C	23102201	24711302		
HHF650CTA	3	25301001	1	5133C				
HHF650DTA	3	25301001	1	5133C				
HHF650EPA	3	25307901	1/2	5133C	23102201	24711902		
HHF650CVA	3	5916F	2	22901201	23102201	24711302		
HHF650DVA	3	5916F	2	22901201	23102201	24711302		

Thermostat Part No. 5893Q
 Defrost Term & Fan Delay Part No. 4267W

*Quantity of 2 used only on electric model

Unit Model	No. Fans	Motors	HP	Blades	Guards	Drain Pan Heater*	Electronic Drain Pan	Hot Gas Drain Pan
HHF710BA	4	25305701S	1/2	22901101				
HHF710CA	4	25305701S	1/2	22901101	23102201	24710305		
HHF710CPA	4	7072102S	3/4	5133C				
HHF710DA	4	25305801S	1/2	22901101			40401403	40401402
HHF710DPA	4	7072102SS	3/4	5133C	23102201	24710305		
HHF710CTA	4	25301001	1	5133C				
HHF710DTA	4	25301001	1	5133C				
HHF710EPA	4	25307901	1/2	5133C	23102201	24711105		
HHF710CVA	4	5916F	2	22901201	23102201	24710305		
HHF710DVA	4	5916F	2	22901201	23102201	24710305		
HHF840BA	4	25305701S	1/2	22901101			40401403	40401402
HHF840CA	4	25305701S	1/2	22901101	23102201	24710305		
HHF840CPA	4	7072102S	3/4	5133C				
HHF840DA	4	25305801S	1/2	22901101				
HHF840DPA	4	7072102S	3/4	5133C	23102201	24710305		
HHF840CTA	4	25301001	1	5133C				
HHF840DTA	4	25301001	1	5133C				
HHF840EPA	4	25307901	1/2	5133C	23102201	24711105		
HHF840CVA	4	5916F	2	22901201	23102201	24710305		
HHF840DVA	4	5916F	2	22901201	23102201	24710305		
HHF890CPA	3	2538000S	1	22900401			4042103	40402102
HHF890DPA	3	2538000S	1	22900401	23102301	24710305		
HHF890CTA	3	25301101	1 1/2	22901501				
HHF890DTA	3	25301101	1 1/2	22901501	23102301	24710305		
HHF890EPA	3	25301901	1 1/2	22900401	23102301	24711105		
HHF890CVA	3	5926J	3	22901401	23102301	24710305		
HHF890DVA	3	5926J	3	22901401	23102301	24710305		
HHF1050CPA	3	2538000S	1	22900401			4042103	40402102
HHF1050DPA	3	2538000S	1	22900401	23102301	24710305		
HHF1050CTA	3	25301101	1 1/2	22901501				
HHF1050DTA	3	25301101	1 1/2	22901501	23102301	24710305		
HHF1050EPA	3	25301901	1 1/2	22900401	23102301	24711105		
HHF1050CVA	3	5926J	3	22901401	23102301	24710305		
HHF1050DVA	3	5926J	3	22901401	23102301	24710305		
HHF1220CPA	3	25301701S	1 1/2	22900301			40402103	40402102
HHF1220DPA	3	25301701S	1 1/2	22900301	23102301	24710305		
HHF1220CTA	3	25301101	1 1/2	22901501				
HHF1220DTA	3	25301101	1 1/2	22901501	23102301	24710305		
HHF1220EPA	3	25301901	1 1/2	22900301	23102301	24711105		
HHF1220CVA	3	5926J	3	22901401	23102301	24710305		
HHF1220DVA	3	5926J	3	22901401	23102301	24710305		

Thermostat Part No. 5893Q
Defrost Term & Fan Delay Part No. 4267W

*Quantity of 2 used only on electric model

Unit Model	No. Fans	Motors	HP	Blades	Guards	Drain Pan Heater*	Electronic Drain Pan	Hot Gas Drain Pan
HHF1440CPA	3	25301801S						
HHF1440DPA	3	25301801S	1 1/2	22900101	23102301	24710306	40410403	40410402
HHF1440CTA	3	25301101						
HHF1440DTA	3	25301101	1 1/2	22900101	23102301	24710306		
HHF1440EPA	3	25302001	1 1/2	22900101	23102301	24711106		
HHF1440CVA	3	5926J	3	22901401	23102301	24710306		
HHF1440DVA	3	5926J	3	22901401	23102301	24710306		

Thermostat Part No. 2890002
 Defrost Term & Fan Delay Part No. 2894267

*Quantity of 2 used only on electric model

Unit Model	No. Fans	Motors	HP	Blades	Guards	Drain Pan Heater*	Electronic Drain Pan	Hot Gas Drain Pan
HHF1860CPA	4	25301801S						
HHF1860DPA	4	25301801S	1 1/2	22900101	23102301	24711402	40410703	40410701
HHF1860CTA	4	25301101						
HHF1860DTA	4	25301101	1 1/2	22900101	23102301	24711402		
HHF1860EPA	4	25302001	1 1/2	22900101	23102301	24712002		
HHF1860CVA	4	5926J	3	22901401	23102301	24711402		
HHF1860DVA	4	5926J	3	22901401	23102301	24711402		

Thermostat Part No.2890002
 Defrost Term & Fan Delay Part No. 2894267

*Quantity of 4 used only on electric model

Model Size Electric & Hot Gas Defrost	Side Panel	Left Back Panel (Ref. Conn)
400,450,480,550 560,640,650,740 710,810,840,950	40834901	40834701
890,1020,1050,1200	40868201	40868101
1200,1390	40846501	40846401
1440,1650	40858401	40858601
1860,2120	40858401	40858601

HPA/E/G

Motor/Fan Combination	Motor Part No.	Blade Part No.	Blade Desc	Motor Mount	Fan Guard
1	5011T	22900101		40000101	5092C
2	5034TS	22900101	Steel	40000101	
3	2535999	2295107	Cast Alum.	N/A	
4	2535917	2295108	Cast Alum.	N/A	
5	*	2295107	Cast Alum.	N/A	
6	2535953	2295108	Cast Alum.	N/A	

* Consult Factory

Fourth Digit Of Model Indicates Fan Motor. 1 = 1HP, 2 = 1.5HP, 3 = 2 HP, 4 = 3 HP, 5 = 2 HP TEFC, 6 = 3 HP TEFC

Electric Defrost Parts

Unit Size	Defrost Heater	Pan Heater	Defrost Control
25	2479999	2479997	4267W
37	2479998(16)	2479996(2)	

HTO

HTO	Motor		Fan		Motor Mount	Drain Pan*
	115V	230V	Blade	Guard		
9	25300701S(1)	25300801(1)	5101B(1)	5054D(1)	91179001(1)	40811602
13	25300701S(2)	25300801(2)	5101B(2)	5054D(2)	91179001(2)	40811702
18	25303201S(1)	25303301S(1)	23100201(1)	R041777700(1)	23101401(1)	40811802
25	25303201S(2)	25303301S(2)	23100201(2)	R041777700(2)	23101401(2)	40811902
35	25303201S(2)	25303301S(2)	23100201(2)	R041777700(2)	23101401(2)	40811902
45	25303201S(2)	25303301S(2)	23100201(2)	R041777700(2)	23101401(2)	40812002
55	5036SS(1)	5036TS(1)	5110E(1)	5055F(1)	40003001	40812102

*Fitting supplied with drain pan

HLE/S/X/Q

Reach Condensers (Air-Cooled)

Fan RPM	"Q" 540	"L" 830	"X" 830	"S" 1140	Variable Speed
Fan Motor	25302401	25301701S	2538000S	25301801S	2530174S
Fan Blade	2293030	22900301	2293030	22900401	2292625
Fan Guard	23100301	23100301	23100301	23100301	23100301

Optional Parts For Reach Condensers (All Sizes)

Access Valve	1/4"	7634307	Disconnect	Non Fused 100A	22501501
Ambient Fan Cycling		28900501	Disconnect	Non Fused 30A	Use 22501401
Contactors	20 AMP 2P	R034915200	Disconnect 60A	Non Fused 60A	22528501*
Contactors	25 AMP 115V	2251324	Power MOD./AMB. F/C		28901101
Contactors	25 AMP 208-240V	2259996	Pressure Fan Cycling		2894574
Contactors	25 AMP 24V	2255845	Rain Shield		5792V
Contactors	30AMP 2P 24V	2254304	Sensor/Ambient F/C		28901201
Contactors	30AMP 3P 208/240V	2252330	Speed Control	P66AAB-1	2894592
Electric Temp Control		28906401	Speed Control	P66BAB-1	2894594
Fan Temp Control	40-120	2890019	Teao Motor	208-230/460 1140	25301101
Fuse	15 AMP 600V	22510001	Terminal Block	50 AMP 2P 600V	2254002
Fuse	30 AMP 600V	22510601	Terminal Board	2 Pole	2255827
Fuseblock	30 AMP 600V 2P	22511001	Terminal Board	3 Pole	2254311
Fuseblock	30 AMP 600V 3P	22511002	Terminal Board	50 AMP 3P 600V	2254003
Fuseholder	30 AMP 600V	22511201	Terminal Board	T1-T2-T3	2255857
Hand Valve	1/4" ODS	2932145	Transformer	300VA	R038253919
Motor Rail -	54"	40002501	Transformer	40VA 230V	2254498
Motor Rail -	54" VARISP	40001701	Transformer	40VA 460V	2254499
Motor Rail -	55"	40002601			

HNH/HNL/HNX/HNQ/HNE

Air-Cooled Condensers

Fan RPM	HNQ 540	HNX 830	HNL 830	HNH 1140	HNH 1140	HNE EC Motor 230V	HNE EC Motor 460V
Motor HP	0.5	1	1.5	0.75	1.5	2.2 KW	2.2 KW
Motor	25316201	25316301	25316601	25317101	25316401	25316905	25317005
Fan Blade	22929301	22929501	22929501	2292625	22900401		
Fan Guard	23105701	23105701	23105701	23105701	23105701	23105601	23105601

Nomenclature Example:

HM	A	130	B	A
		Fins Per Inch/Defrost	Voltage	Vintage
Chandler Medium Profile Unit Cooler	A = 6 FPI Air Defrost E = 6 FPI Electric Defrost L = 4 FPI Electric Defrost G = 6 FPI Hot Gas Defrost F = 4 FPI Hot Gas Defrost	Capacity x 100	A = 115/1/60 N = 110/1/50 B = 208/230/1/60 Q = 220/1/50 C = 208/230/3/60 R = 380/1/50 D = 460/3/60 V = 380/3/50 M = 4601/60	

Motor/Fan Blade/Guards

Part No.	Description
5020SS	Motor 115V
5020TS	Motor 208-230V
4567T	Motor 208/230V Totally Enclosed
25302201S	Motor 460V
5599M	Run Capacitor
25308101	Special Low Temperature 208-230V
25304601	Special Low Temperature 460V
5931H	Motor 575V
5064E	Motor Mount
5130C	Fan Blade
5054F	Fan Guard Molded w/Logo
23101801	Fan Guard 18" "wire"

Coil DEF. Heaters (Four Per Unit)

Part No.	Description
24710601	1 Fan Unit, 1000W
24710602	2 Fan Unit, 1850W
24710603	3 Fan Unit, 2700W
24710604	4 Fan Unit, 3500W
24710605	5 Fan Unit, 4000W

Cabinet Components

Part No.	Description	No. Fans
40491902	Drain Pan*	1
40492102	Drain Pan *	2
40492302	Drain Pan *	3
40492502	Drain Pan *	4
40492702	Drain Pan *	5
40830101	Header Side Panel (Left side)	1-5
40830201	Electrical Side Panel (Right side)	1-5
40830901	Header Connection Panel	1-5

*includes provisions to mount drain pan heater

¹ Does Not Include Drain Fitting No. 92864003

Electrical Components

Part No.	Description
4131Y	Room thermostat
2890109	Defrost Term.& fan delay t-stat,adj. type
5709L	Defrost Term & fan delay t-stat,sealed bimetal type

Note: Call Factory for hot gas defrost components not listed.

Drain Pan Defrost Heater (One Per Unit)

Part No.	Description	Voltage	Color Code
24710301	1 Fan Unit, 530W	208-230V	Black
24710302	2 Fan Unit, 950W	208-230V	Black
24710303	3 Fan Unit, 1350W	208-230V	Black
24710304	4 Fan Unit, 1800W	208-230V	Black
24710305	5 Fan Unit, 2000W	208-230V	Black
24710401	1 Fan Unit, 530W	460V	Red
24710402	2 Fan Unit, 950W	460V	Red
24710403	3 Fan Unit, 1350W	460V	Red
24710404	4 Fan Unit, 1800W	460V	Red
24710405	5 Fan Unit, 2000W	460V	Red
24710502	2 Fan Unit, 950W	115V	Black, White
24710503	3 Fan Unit, 1350W	115V	Black, White
24710504	4 Fan Unit, 1800W	115V	Black, White

No. of Fans	Model Size	No. of Fans	Model size
HMA130	1	HME10	1
HMA155	1	HME140	1
HMA245	2	HME190	2
HMA300	2	HME260	2
HMA365	3	HME310	3
HMA450	3	HME390	3
HMA510	4	HME430	4
HMA600	4	HME520	4
HMA710	5	HME620	5
4 FPI		4 FPI	
HML100	1	HMF165	2
HML165	2	HMF220	2
HML220	2	HMF250	3
HML250	3	HMF330	3
HML330	3	HMF370	4
HML370	4	HMF440	4
HML440	4		
HML530	5		
Hot Gas			
HMG190	2		
HMG260	2		
HMG310	3		
HMG390	3		
HMG430	4		
HMG520	4		

Nomenclature Example:

H	R	I	0600	L6	C
H = Chandler	R = Reed D = Discus	I = Indoor	007* = 0.75 HP 050* = 5 HP 010* = 1 HP 060* = 6 HP 015* = 1.5 HP 075 = 7.5 HP 050* = 2 HP 080 = 7.5 HP 030 = 3 HP 100 = 10 HP 040 = 4 HP *HP Suffix	L2 = Low (0°F to -40°F Suction) HCC-22 L6 = Low (0°F to -40°F Suction) HFC-440A/HFC-507/HCFC-22 M2 = Medium (35°F to 0°F) HCFC-22 M6 = Medium (30°F to -10°F) HFC-404A/HFC-507 H2 = High/Medium (40°F to 0°F) HCFC-22 H4 = High/Medium (40°F to 0°F) HFC-134A	B = 208/230/60/1 C = 208/230/60/3 D = 460/60/3 E = 575/60/3 G = 230/60/1

Motor/Fan Blade/Motor Mount

Part No.	Description
7071208S	Motor, 1/3H 230V 1075RPM 1/2DIA CW
7071225S	Motor, 1/2H 460V 1075RPM 1/2DIA CW
2530906	Motor, 1/2H 575V 1075RPM 1/2DIA CW
7173156	Fan Blade 22in CW 26D 1/2B
23102001	Motor Mount

Contactors

2252340	40AMP 3P 208-240V
2259996	25AMP 208-240V
22525501	18AMP 600V NEMA Rated
22525502	27AMP 600V NEMA Rated
R034915200	20AMP 230V 2 Pole

Controls

2891402	Low Pressure Adjustable
2891550	Dual Pressure Cont Man {20in -100/100-425}
28913201	High Pressure Control 400#C.O.W/CONN
7075838	Oil Failure Switch
22521001	Sentronic Cntrl w/Sensor
R030393001	Disc Switch 30AMP -For 230V units
R030393003	Disc Swtich 30AMP -For 460V Units
R030393004	Disconnect Switch 60AMP
2253002	Phase Monitor 208/240V
2253004	Phase Monitor 460V
22522401	Timer Compressor Lockout
2138162	Timer 208-240V 40 AMP SPDT – Paragon
2340101	Grasslin Timer
2254186	Relay DPDT 230VAC
89709001	Servicemate
22536802	Time Delay Relay 230V
28908601	Thermostat {Open: 75°F, Close: 40°F}

Terminal Block

2251423	3P LN 2/0-12 Load 4/P 4
---------	-------------------------

Transformer

R038253919	300VA SL300QP
------------	---------------

Circuit Breaker

2252015	15AMP 2P 240V
2252020	20AMP 2P 240V
2252030	30AMP 2P 240V
2252040	40AMP 2P 240V
2252050	50AMP 2P 240V
2253015	15AMP 3P 240V
2253020	20AMP 3P 240V
2253025	25AMP 3P 240V

Pressure Control Options

Part No.	Description
2930429	3/8 LAC4-DS 100/180 HPC (0075 thru 0202)
2930058	5/8 ODF 180# HD Pressure Control
2930625	5/8 100# HD Pressure Control
2930006	5/8 100/225 Adjustable HPC Valve
2939903	Press Relief Valve
2930420	Pressure Differential Valve

Heater

2471801	Ext Crankcase Heater 230V 65W
7077982	Crankcase Heater
24711002	Alum Foil Heater 240-65W 1

Fuses

22510001	15AMP 600V Class CC
22510002	20AMP 600V Class CC
22510003	25AMP 600V Class CC
22510004	30AMP 600V Class CC
22510015	35AMP 600V Class CC
22510016	40AMP 600V Class CC
22510106	15AMP 250V Class RK5
22510207	15AMP 600V Class RK5
22510107	20AMP 250V Class RK5
22510209	20AMP 600V Class RK5
22510108	25AMP 250V Class RK5
22510210	25AMP 600V Class RK5
22510109	30AMP 250V Class RK5
22510110	35AMP 250V Class RK5
22510111	40AMP 250V Class RK5
22510113	50AMP 250V Class RK5
22510114	60AMP 250V Class RK5

Fuse Blocks

22511001	30AMP 600V 2P MDGT
22511002	30AMP 600V 3P MDGT

Circuit Breaker

2253035	35 AMP 3P	240V
2253040	40 AMP 3P	240V
22525901	3 AMP 2P	480V
22525801	15 AMP 2P	480V
22525803	15 AMP 3P	480V
22525804	20 AMP 3P	480V
22525805	25 AMP 3P	480V

Nomenclature Example:

H	R	I	150*	L6	C	
H = Chandler	R = Reed D = Discus	I = Indoor	150* = 15 HP 200* = 20 HP 220* = 22 HP *HP Suffix	250* = 25 HP 270* = 27 HP 300* = 30 HP	L2 = Low (0°F to -40°F Suction) HCC-22 L6 = Low (0°F to -40°F Suction) HFC-404A/HFC-507/HCFC-22 M2 = Medium (35°F to 0°F) HCFC-22 M6 = Medium (30°F to -10°F) HFC-404A/HFC-507 H2 = High/Medium (40°F to 0°F) HCFC-22 H4 = High/Medium (40°F to 0°F) HFC-134A	B = 208/230/60/1 C = 208/230/60/3 D = 460/60/3 E = 575/60/3 G = 230/60/1

Motor/Fan Blade/Motor Mount

Part No.	Description
R033177500S	Motor 3/4H 230V 1075RPM 5/8DIA CCW
R033177700S	Motor 3/4H 460V 1075RPM 5/8DIA CCW
R029218600	BLADE 24in CCW 28DEG 5/8B
23102001	Fan Motor Mount {Indoor} Black-24in
23101501	Fan Motor Mount {Outdoor}

Contactor	
2252340	40A 3P 208-240V Contactor
2252350	50A 3P 208-240V Contactor
2259996	25A 208-240V Contactor
22525502	CONT 27A 600V NEMA Rated
22525503	CONT 45A 600V NEMA Rated
R034915200	CONT 2 Pole 20AMP 230V

Controls	
7075838	Oil Failure Switch
22521001	Sentronic Control w/Sensor
2257324	Disc Switch 200A 3P 240V
2257352	Disc Switch 60A 3P 600V
2257353	Disc Switch 100A 3P 600V
2253002	Mon Phase 208/240V
2253004	Mon Phase 460V
22522401	Timer Compressor Lockout
2138162	Timer 208-240V 40AMP SPDT Paragon
21340101	Grasslin
2254186	Relay 208-240V Coil DPDT
22505201	Relay 2 Pole 30AMP DPDT
22521901	Relay DPDT 24V Coil
22536801	Time Delay Relay (On Beacon Units)
89709001	Servicemate
22536802	Time Delay Relay 230V
28929301	Freezrstat P29-NC3
5738B	Thermostat

Terminal Block	
2251423	3P LN 2/0-12 Load 4/P 4

Circuit Breaker	
2252015	15A 2P 240V
22525801	15A 2P 480V
2253015	15A 3P 240V
2252020	20A 2P 240V
2253025	25A 3P 240V
22525805	25A 3P 480V (Siemens)
2253030	30A 3P 240V

Pressure Control Options	
2891402	Adjustable Low Pressure SW./P70AB-1D
28941001	Control High Pressure -150-450 PSIG
28913201	Control High Pressure 400#
2891550	Dual Pressure Control Man {20in-100/100-425}
28913201	High Pressure Control 400#C.O.W/CONN
28941001	High Pressure Control 016-5152-000
28906701	Pressure Control -Fan Cycling
2930420	Pressure Differential Valve
28906702	Temp. Control -Fan Cycling

Heater – Crankcase	
5737B	Heater; 230V Tubular 100 WATT (REC'R)

Fuses	
22510001	15A 600V Class CC
22510120	110A 250V Class RK5
22510121	125A 250V Class RK5
22510005	1A 600V Class CC
22510002	20A 600V Class CC
22510003	25A 600V Class CC
22510004	30A 600V Class CC
22510015	35A 600V Class CC
22510016	40A 600V Class CC
22510215	50A 600V Class RK5
22510018	50A 600V Class CC
22510216	60A 600V Class RK5
22510217	70A 600V Class RK5

Fuse Blocks	
22511001	30A 600V 2P MDGT
22511002	30A 600V 3P MDGT

Transformers	
R038253919	240V/460V Primary Rated 300VA
2251334	1/2KVA 480/240P

Circuit Breaker	
2253035	35A 3P 240V
22525807	35A 3P 480V (Siemens)
22525901	3A 2P 480V Circuit Breaker
2253040	40A 3P 240V
2253050	50A 3P 240V
22525810	50A 3P 480V (Siemens)
2253060	60A 3P 240V

CUD	230/460V Fan Motor	Fan Blade	Fan Guard
1500H2, C5 1500L2, L5 2000H2, C5	2531193S	2292625	2318494
2000L2, L5 2001L2, L5 3000H2, C5	2531193S	2292625	2318494
3000L2, L5 4000H2, C5 4000L2, L5	2531193S	2292625	2318494
5000H2, C5 5000L2, L5 6000H2, C5	2531193S 2531193S 2538000S	2292625 2292625 2293030	2318494 2318494 2310002
6000L2, L5 7000H2, C5 8000H2, C5	2531193S 2538000S 2538000S	2292625 2293030 2293030	2318494 2310002 2310002

CUS	230V Fan Motor	460V Fan Motor	Fan Blade	Fan Guard
1000H2, C5 1500H2, C5 2000H2, C5	2531191S	2531193	2292625	2318494
2200L2, L5 2500H2, C5 2700L2, L5	2531191S	2531193	2292625	2318494
3000H2, C5 3000L2, L5 3500H2, C5 4000H2, C5	2530143 2531191S 2530143 2530143	2531010 2531193 2531010 2531010	2292630 2292625 2292630 2292630	2318494

Nomenclature Example:

HW	E	130	B	A
			Voltage	Vintage
HW = Chandler Low Air Flow Unit Cooler	A = Air E = Electronic G = Hot Gas	Capacity BTU X 100	A = 115/1/60 B = 208/230/1/60	

Part Description	Model Number				
	HWA050 HWE055	HWA075 HWE075	HWA100 HWE100 HWG100	HWA130 HWE130 HWG130	HWA155 HWE155 HWG155
Electrical Components	Part Number				
Motor 115/1/60 Shaded Pole	5036SS (1)	5036SS (1)	5036SS (2)	5036SS (2)	5036SS (2)
Motor 208-230/1/60 Shaded Pole	5036TS (1)	5036TS (1)	5036TS(2)	5036TS (2)	5036TS (2)
Motor 115/1/60 or 110/1/50 PSC	5036NSS (1)	5036NSS (1)	5036NSS (2)	5036NSS (2)	5036NSS (2)
Motor 208-230/1/60 or 220/1/50 PSC	5036PS (1)	5036PS (1)	5036PS (2)	5036PS (2)	5036PS (2)
Defrost termination switch "HWE"	4511C	4511C	5521R	5521R	5521R
Heater	4401S (2)	4402S (2)	4543B (4)	4544B (4)	4544B (4)
Motor Plate	40003001	40003001	40003001	40003001	40003001
Fan Components					
Fan Blade	5110E (1)	5110E (1)	5110E (2)	5110E (2)	5110E (2)
Fan Guard	5055F	5055F	5055F	5055F	5055F
Cabinet Components					
Fan Panel/Drain pan	C26769A2	C26770A2	C26771A2	C26771A2	C26771A2
Inner drain pan assy: Air Defrost	B25196A1	B25197A1	B25197A1	B25197A1	B25197A1
Inner drain pan: Electric & Hot Gas Defrost	B24358A2	B24358A4	B24358A7	B24358A7	B24358A7
End panel (2 per unit)	B24264A1	B24264A1	C26767A1	C26768A1	C26768A1
Side panel (4 per unit)	A20673A1	A20673A1	B24493A1	B24494A1	B24494A1

Part Description	Model Number				
	HWA180 HWE180 HWG180	HWA210 HWE210 HWG210	HWA270 HWE270 HWG270	HWA340 HWE340 HWG340	
Electrical Components	Part Number				
Motor 115/1/60 Shaded Pole	5036SS (1)	5036SS (1)	5036SS (2)	5036SS (2)	5036SS (2)
Motor 208-230/1/60 Shaded Pole	5036TS (1)	5036TS (1)	5036TS(2)	5036TS (2)	5036TS (2)
Motor 115/1/60 or 110/1/50 PSC	5036NS (1)	5036NS (1)	5036NS (2)	5036NS (2)	5036NS (2)
Motor 208-230/1/60 or 220/1/50 PSC	5036PS (1)	5036PS (1)	5036PS (2)	5036PS (2)	5036PS (2)
Defrost termination switch "HWE"	4511C	4511C	5521R	5521R	5521R
Heater	4401S (2)	4402S (2)	4543B (4)	4544B (4)	4544B (4)
Motor Plate	40003001	40003001	40003001	40003001	40003001
Fan Components					
Fan Blade	5110E (1)	5110E (1)	5110E (2)	5110E (2)	5110E (2)
Fan Guard	5055F	5055F	5055F	5055F	5055F
Cabinet Components					
Fan Panel/Drain pan	C26769A2	C26770A2	C26771A2	C26771A2	C26771A2
Inner drain pan assy: Air Defrost	B25196A1	B25197A1	B25197A1	B25197A1	B25197A1
Inner drain pan: Electric & Hot Gas Defrost	B24358A2	B24358A4	B24358A7	B24358A7	B24358A7
End panel (2 per unit)	B24264A1	B24264A1	C26767A1	C26768A1	C26768A1
Side panel (4 per unit)	A20673A1	A20673A1	B24493A1	B24494A1	B24494A1

460V Motor 25305901
Special Ball Bearing Motor 25308001

Filter: 4550G

Unit Model	Motor 115V	Motor 230V	Fan Blade	Motor Mount	Guard	Receiver
RH 1/4 - 1/3	25303201S	–	23100501	23101401	R041777700	27300106
JH 1/4 - 1/2	25300101S	25300201S	2291030	23101101	**	27300107
JS 1/2	25300101S	25300201S	2291030	23101101	**	27300107
JH/RH 3/4 - 1	25300101S	25300201S	5110E	23101001	**	27304703
JS 3/4	25300101S	25300201S	5110E	23101001	–	27304703
JH/RH 1 1/2 - 2	–	7071061*	R043759700	23100901	**	27304703
JS 1, 1 1/2, 2	25300101S	25300201S	5110E	23101001	–	27300105
JH/RH 2 - 3	–	7071061(2)	R043759700	23100901	**	27300105
JS 3 & 4	–	7071208S	7173156	23102701	**	27300103
JH/RH 4 - 5	–	7071208S	7173156	40001801	7067026	27300103

* Motor Part No. 7071061 includes Capacitor Part No. R037516402

** See Motor Mount (Mount & Guard Combination)

LAH Model Size	Motor 115V SP	Motor 230V Sp	Motor 115V PSC	Motor 230V PSC	Fan Blade	Motor Mount	Drain Pan
70	25300101S(2)	25300201S(2)	25302601S(2)	25302501S(2)	22900601(2)	2316597(2)	4040170
90	25300101S(2)	25300201S(2)	25302601S(2)	25302501S(2)	22900601(2)	2316597(2)	4040170
120	25300101S(2)	25300201S(2)	25302601S(2)	25302501S(2)	22900601(2)	2316597(2)	4040171
130	25300101S(2)	25300201S(2)	25302601S(2)	25302501S(2)	22900601(2)	2316597(2)	4040171
160	25300101S(2)	25300201S(2)	25302601S(2)	25302501S(2)	22900701(2)	2316598(2)	
170	25300101S(2)	25300201S(2)	25302601S(2)	25302501S(2)	22900701(2)	2316598(2)	
190	-	-	2530688S(2)	2530689S(2)	2291240(2)	4000111(2)	4040172
220	-	-	2530688S(2)	2530689S(2)	2291240(2)	4000011(2)	4040174
270	-	-	2530688S(2)	2530689S(2)	2291624(2)	4000112(2)	4040173

Model Size	Motor 115V SP	Motor 230V SP	Motor 115V PSC	Motor 230V PSC	Fan Blade	Motor Mount	Drain Pan	Defrost Heater
70	25300101S(2)	25300201S(2)	25302601S(2)	25302501S(2)	22900601(2)	2316597(2)	4040170	2470063(2)
90	25300101S(2)	25300201S(2)	25302601S(2)	25302501S(2)	22900601(2)	2316597(2)	4040170	2470063(2)
120	25300101S(2)	25300201S(2)	25302601S(2)	25302501S(2)	22900601(2)	2316597(2)	4040171	2470130(2)
130	25300101S(2)	25300201S(2)	25302601S(2)	25302501S(2)	22900601(2)	2316597(2)	4040171	2470130(2)
160	25300101S(2)	25300201S(2)	25302601S(2)	25302501S(2)	22900701(2)	2316598(2)		
170	25300101S(2)	25300201S(2)	25302601S(2)	25302501S(2)	22900701(2)	2316598(2)		
190	-	-	2530688S(2)	2530689S(2)	2291240(2)	4000111(2)	4040172	2470160(2)
220	-	-	2530688S(2)	2530689S(2)	2291240(2)	4000011(2)	4040174	2470200(2)
270	-	-	2530688S(2)	2530689S(2)	2291624(2)	4000112(2)	4040173	2470200(2)

Electric Def. Heater Clip- Part No. 2339997

Note: Low Velocity Unit Coolers LAH,LAL,LAG

10/27/03 - Last date that Tifton will take production orders.

10/31/03 - Danville starts taking all production orders.

Check S/N to determine location of build -some parts could have changed

LVC/LVD

(Discontinued April 1998)

LVC	115V Fan Motor	230V Fan Motor	Mount MOunt	Fan Blade		Fan Guard
				Before S/N 82F	After S/N 82E	
500-1	7070106(2)	–	N/A	7173503(2)	7173507(2)	N/A
700-1	7070106(2)	–	N/A	7173503(2)	7173507(2)	
900-1	7070106(2)	–	N/A	7173504(2)	7173508(2)	
1200-1	7070106(2)	–	N/A	7173505(2)	7173509(2)	N/A
1600-1	2530001(2)	–	7366110(2)	7173404(2)	7173404(2)	7367013(2)
2100-1	2530001(2)	–	7366110(2)	7173405(2)	7173405(2)	7367014(2)
2700-1	2530001(2)	–	7366110(2)	Obsolete	7173406(2)	7367015(2)
LVD						
900-2, 2A	–	–	N/A	7173504	7173508	N/A
1200-2, 2A	–	–	N/A	7173505	7173509	N/A
1600-2, 2A	–	2530002	N/A	7073404	7173404	7367013
2100-2, 2A	–	2530002	7366110	7073405	7173405	7367014
2700-2, 2A	–	2530002	736110	Obsolete	7173406	7367015

* "A" is May 1991 revision

LVD	Defrost Heaters	Defrost Heater "A" Vintage	Heater Clips "A" Vintage	Defrost Control
900-2, 2A	Obsolete			
1200-2, 2A	7077067	Obsolete	Obsolete	7075806
1600-2, 2A	7077068			
2100-2, 2A	7077069	Obsolete	Obsolete	7075806
2700-2, 2A	7077070			

* "A" is May 1991 revision

"C" Vintage

MJH	115V Motor Assembly	Motor Mount	Fan Blade		Fan Guard	Drain Pan
			Prior To Mar. 92	After Mar. 92		
010C 013C	*8990011(1)	91179001(1)	R041495400(1)	5101B(1)	R041495500	645645000
017C 023C	*8990011(2) R042638300(1)	91179001(2) 642761200(1)	R041495400(2) R041779600(1)	5101B(2) R041779600(1)	R041495500 R041777700	645645100

* Motor assembly includes motor and fan blade

Drain Fitting: (1) R017423500 Stud
(1) R017423600 Nut

"E" & "F" Vintage

MJHK/ NNK	115V Motor	230V Motor	Fan Blade		Fan Guard	Drain Pan
			MJHK Models	NNK Models		
13	25300701S(2)	25300801S	5102C	5117C	5076E	74422002
17	25300701S(2)	25300801S	5102C	5117C	5076E	74422002
23	25300701S(3)	25300801S	5102C	5117C	5077E	74436002

Motor Mount Part No. 91179001

PRO³ Top Mount Refrigeration System

Nomenclature Example:

P	T	N	72	H	2	B
P = PRO3 Refrigeration Systems	T = Top Mount	N = Indoor T = Outdoor	Capacity x 100 = Btuh	H = Cooler Air Defrost L = Freezer Electric Defrost	Refrigerant 2 = R-22 6 = R404A	Voltage A = 115/1/60 B = 208-230/1/60 C = 208-230/3/60

Coolers

Part Description	Part Number	PTN024H2A (QTY REQ'D)	PTN029H2A (QTY REQ'D)	PTN040H2A (QTY REQ'D)
Fan Blades				
Evaporator 8"	23100501	1	1	1
Condenser 10"	2291030	1	1	1
Fan Motors				
115V. Evaporator	253032015	1	1	1
115V. Condenser	253001015	1	1	1
Motor Mount				
Evaporator	23101401	1	1	1
Condenser	23101101	1	1	1
Grille				
Evaporator	40922402	1	1	1
Condenser (Louvered panel)	40902302	1	1	1
Relay				
12 A. 120V	22560001	1	1	1
Temperature Control				
Temp Control - Cooler 115V	28916301	1	1	1
TXV Valve	29341701	1	1	-
	29341702	-	-	1

Drain Pan/Evap Fan Panel Part No. 46818202

Note: For PSC for 200/1/50 : 25302501 115V Cond. Motor 25302601 Obsolete

Use 253032015 (115v/60-50/S.P./1800RPM cwose or 253033015 208-230/50-60/1 S.P. - CWOSE - 1800 RPM

Freezers

Part Description	Part Number	PTN019L6A (QTY REQ'D)
Fan Blades		
Evaporator 8"	23100501	1
Condenser 10"	2291030	1
Fan Motors		
115V. Evaporator	253032015	1
115V. Condenser	253001015	1
Motor Mount		
For Evaporator	23101401	1
For Condenser	23101101	1
Grill		
Evaporator	40922402	1
Condenser (Louvered panel)	40902302	1
Relay		
12 A. 120V	22560001	1
Temperature Control		
Defrost Timer Control	21300601	1
Room Thermostat	21901002	1
Heater Limit Thermostat	5708L	1
Defrost Heater (coil & drain pan)		
115V	24751901	1
TXV Valve	29341703	1

Drain Pan/Evap Fan Panel Part No. 46818202

Chandler

Coolers

Part Description	Part Number	PTN047H2A (QTY REQU'D)	PTN047H2B PTT047H2B (QTY REQU'D)	PTN063H2B PTT063H2B (QTY REQU'D)	PTN072H2B PTT072H2B (QTY REQU'D)
Fan Blades					
Evaporator 10"	22901901	1	1	2	2
Condenser 12"	22900701	1	1	1	1
Fan Motors					
208/230V Evaporator	25307801		1	2	2
208/230V Condenser	25307801		1	1	1
115V Evaporator	25307701	1			
115V Condenser	25307701	1			
Motor Mount					
Evaporator	4000104	1	1	2	2
Condenser	23103301	1	1	1	1
Grille					
Evaporator	40894201	1	1	1	1
Condenser (Louvered panel)	40819901	1	1	1	1
Contactors					
20 A. 115V	2254303	1			
20 A. 230V	R034915200		1	1	1
Temperature Control					
Temp Control - cooler 208/230V	28916201		1	1	1
Temp Control - cooler 115V	28916301	1			
TXV Valve	29347601	1	1	1	
	29347602				1
Drain Line Heater (PTT Only)	24753401		1	1	1
Pressure Control (PTT Only)	28906701		1	1	1

Drain Pan Part No. 40496002

Freezers

Part Description	Part Number	PTN021L6A (QTY REQU'D)	PTN021L6B PTT021L6B (QTY REQU'D)	PTN031L6B PTT031L6B (QTY REQU'D)	PTN044L6B PTT044L6B (QTY REQU'D)
Fan Blades					
Evaporator 10"	22901901	1	1	2	2
Condenser 12"	22900701	1	1	1	1
Fan Motors					
208/230V. Evaporator	25307801		1	2	2
208/230V Condenser	25307801		1	1	1
115V. Evaporator	25307701	1			
115V. Condenser	25307701	1			
Motor Mount					
For Evaporator	4000104	1	1	2	2
For Condenser	23103301	1	1	1	1
Grille					
Evaporator	40894201	1	1	1	1
Condenser (Louvered panel)	40819901	1	1	1	1
Contactors					
20 A. 115V	2254303	1			
20 A. 230V	R034915200		1	1	1
Temperature Control					
Defrost Temp Control - 208/230V	21300401 ¹	1	1	1	1
Heater Limit Thermostat	5708L	1	1	1	1
Defrost Heaters (in coil & drain pan)					
115V	24712101	3			
230V	4312F		3	3	3
TXV Valve	29347603	1	1	1	
	29347604				1
Drain Line Heater (PTT Only)	24753401		1	1	1
Pressure Control (PTT Only)	28906701		1	1	1

¹ Replacement Sensor Only Part. No. 28912101

Drain Pan Part No. 40496002

PRO³ Top Mount Refrigeration System

Coolers

Part Description	Part Number	PTN099H2B PTT099H2B (QTY REQ'D)	PTN099H2C PTT099H2C (QTY REQ'D)	PTN128H2B PTT128H2B (QTY REQ'D)	PTN128H2C PTT128H2C (QTY REQ'D)
Fan Blades					
Evaporator 10"	22901901	3	3	3	3
Condenser 12"	22900701	2	2	2	2
Fan Motors					
208/230V Evaporator	25307801	3	3	3	3
208/230V Condenser	25307801	2	2	2	2
Motor Mount					
Evaporator	4000104	3	3	3	3
Condenser	23103301	2	2	2	2
Grille					
Evaporator	40894601	1	1	1	1
Condenser (Louvered half panel) E-box side	40903601	1	1	1	1
Condenser (Louvered half panel)	40903701	1	1	1	1
Contactors					
25 A 230V 3 Pole	2259996		1		1
20 A 230V 2 Pole	R034915200	1		1	
Temperature Control					
Temp Control - Cooler 208/230V	28916201	1	1	1	1
TXV Valve	29347602	1	1		
	29341709			1	1
Drain Line Heater (PTT Only)	24753401	1	1	1	1
Fan Cycle T'stat (PTT Only)	5521R	1	1	1	1
Pressure Control (PTT Only)	28906701	1	1	1	1

Drain Pan Part No. 40405002

Freezers

Part Description	Part Number	PTN052L6B PTT052L6B (QTY REQ'D)	PTN052L6C PTT052L6C (QTY REQ'D)	PTN069L6B PTT069L6B (QTY REQ'D)	PTN069L6C PTT069L6C (QTY REQ'D)
Fan Blades					
Evaporator 10"	22901901	3	3	3	3
Condenser 12"	22900701	2	2	2	2
Fan Motors					
208/230V. Evaporator	25307801	3	3	3	3
208/230V Condenser	25307801	2	2	2	2
Motor Mount					
For Evaporator	4000104	3	3	3	3
For Condenser	23103301	2	2	2	2
Grille					
Evaporator	40894601	1	1	1	1
Condenser (Louvered half panel) E-box side	40903601	1	1	1	1
Condenser (Louvered half panel)	40903701	1	1	1	1
Contactors					
25 A. 230V 3 Pole	2259996		1		1
20 A. 230V 2 Pole	R034915200	1		1	
Temperature Control					
Defrost Temp Control - 208/230V	21300401 ¹	1	1	1	1
Heater Limit Thermostat	5708L	1	1	1	1
Defrost Heaters (in coil & drain pan)					
230V	4313F	3	3	3	3
TXV Valve	29347604	1	1	1	1
Drain Line Heater (PTT Only)	24753401	1	1	1	1
Fan Cycle T'stat (PTT Only)	5521R				
Pressure Control (PTT Only)	28906701	1	1	1	1

¹ Replacement Sensor Only Part. No. 28912101

Drain Pan Part No. 40405002

PRO³ Side Mount Refrigeration System

Nomenclature Example:

P	S	T	70	L	6	B	H
P = PRO3 Packaged Refrigeration System	S = Side Mount	T = Outdoor	70 = BTUH x 100	H = High/Med Temp L = Low Temp M = Med Temp w/Elec Def	R404A	208-230/1/60	H = PSC motors EC = EC Motors

Coolers

Part Description	Part Number	PST070H6B	PST090H6B	PST131H6B	PST147H6B
Fan Blades					
Evaporator	5140C	1	1	2	2
Condenser	22901901	2	2	3	3
Fan Motors					
Evaporator, PSC - 208/230 volt	25308601	1	1	2	2
Evaporator, EC - 208/230 volt	25317701	1	1	2	2
Condenser - 208/230	25308301	2	2	3	3
Evaporator fan motor bracket	23103301	1	1	2	2
Condenser fan motor bracket	4000104	2	2	3	3
Contactors					
20A, 230-volt	34915200	1	1	1	1
Temperature Control					
Freezer control kit -208/230 volt*	21300701	1	1	1	1
Cooler w/ electric defrost - 208/230 volt	21300801	1	1	1	1
Cooler control kit - 208/240 volt*	21300901	1	1	1	1
Heater limit thermostat	5708L				
Defrost Heaters					
Defrost heaters - 230 volt	4342L				
Outdoor Parts					
Fan pressure control	28917301	1	1	1	1
Fan temperature control	5521R	1	1	1	1
Drain line heater	24753401	1	1	1	1
Drain line heater thermostat	28917401	1	1	1	1

Coolers w/Electric Defrost

Part Description	Part Number	PST066M6B	PST086M6B	PST124M6B	PST141M6B
Fan Blades					
Evaporator	5140C	1	1	2	2
Condenser	22901901	2	2	3	3
Fan Motors					
Evaporator, PSC - 208/230 volt	25308601	1	1	2	2
Evaporator, EC - 208/230 volt	25317701	1	1	2	2
Condenser - 208/230	25308301	2	2	3	3
Evaporator fan motor bracket	23103301	1	1	2	2
Condenser fan motor bracket	4000104	2	2	3	3
Contactors					
20A, 230-volt	34915200	1	1	1	1
Temperature Control					
Freezer control kit -208/230 volt*	21300701	1	1	1	1
Cooler w/ electric defrost - 208/230 volt	21300801	1	1	1	1
Cooler control kit - 208/240 volt*	21300901	1	1	1	1
Heater limit thermostat	5708L	1	1	1	1
Defrost Heaters	4312F	3	3		
Defrost heaters - 230 volt	4342L			3	3
Outdoor Parts					
Fan pressure control	28917301	1	1	1	1
Fan temperature control	5521R	1	1	1	1
Drain line heater	24753401	1	1	1	1
Drain line heater thermostat	28917401	1	1	1	1

Freezers

Part Description	Part Number	PST034L6B*	PST051L6B*	PST057L6B*	PST077L6B*
Fan Blades					
Evaporator	5140C	1	1	2	2
Condenser	22901901	2	2	3	3
Fan Motors					
Evaporator, PSC - 208/230 volt	25308601	1	1	2	2
Evaporator, EC - 208/230 volt	25317701	1	1	2	2
Condenser - 208/230	25308301	2	2	3	3
Evaporator fan motor bracket	23103301	1	1	2	2
Condenser fan motor bracket	4000104	2	2	3	3
Contactors					
20A, 230-volt	34915200	1		1	1
Temperature Control					
Freezer control kit -208/230 volt*	21300701	1	1	1	1
Cooler w/ electric defrost - 208/230 volt	21300801	1	1	1	1
Cooler control kit - 208/240 volt*	21300901	1	1	1	1
Heater limit thermostat	5708L	1	1	1	1
Defrost Heaters	4312F	3	3		
Defrost heaters - 230 volt	4342L			3	3
Outdoor Parts					
Fan pressure control	28917301	1	1	1	1
Fan temperature control	5521R	1	1	1	1
Drain line heater	24753401	1	1	1	1
Drain line heater thermostat	28917401	1	1	1	1

{AF=115V} {BF=230V}

Unit	Motor ¹	Qty	Fan Blade	Motor Mount	Fan Guard	Drain Pan*
RAMK13	25300701S	2	5117C	91179001	5076E	74422002
RAMK17	25300701S	2	5117C	91179001	5076E	74422002
RAMK23	25300701S	3	5117C	91179001	5077E	74436002

¹ 230 Volt Motor = 25300801

*Drain fitting included

40804701 -

40807501 -

Air Deflector for size 13 & 17.

Air Deflector for size 23

RGB	Motor 115V	Motor 230V	Motor Mount	Fan Blade	Fan Guard
045D	R038688800(1)	R038688900(1)	Obsolete	7173510(1)	Obsolete
063D	R038688800(1)	R038688900(1)	Obsolete	7173510(1)	Obsolete
087D	R038688800(1)	R038688900(1)	643650900(2)	R043759700(1)	5056E(1)
120D	R038688800(2)	R038688900(2)	Obsolete	7173510(2)	Obsolete
150D	R038688800(2)	R038688900(2)	643650900(4)	R043759700(2)	5056E(2)
180D	R038688800(2)	R038688900(2)	643650900(4)	R043759700(2)	5056E(2)
270D	R038688800(3)	R038688900(3)	643650900(6)	R043759700(2)	5056E(3)
EGB					
045D	-	R038688900(1)	Obsolete	7173510(1)	Obsolete
063D	-	R038688900(1)	Obsolete	7173510(1)	Obsolete
087D	-	R038688900(1)	643650900(2)	R043759700(1)	5056E(1)
120D	-	R038688900(2)	Obsolete	7173510(2)	Obsolete
150D	-	R038688900(2)	643650900(4)	R043759700(2)	5056E(2)
180D	-	R038688900(2)	643650900(4)	R043759700(2)	5056E(2)
270D	-	R038688900(3)	643650900(6)	R043759700(2)	5056E(3)

SFC Model	115V Defrost Heater (1) REQ'D	230V Defrost Heater (1) REQ'D	Heater Limit	Defrost Thermostat
045D	Obsolete			
063D	843652401	-	-	-
087D	843653301			
120D	843651901			
150D	843651101			
180D	843654501	-	-	-
270D	843656001			
EGB				
045D	Obsolete	Obsolete		
063D	843652401	R043218802(2)	7075819	-
087D	843653301	R043218802(2)		
120D	843651901	R043218803(2)	7075819	
150D	843651101	R043218803(2)	7075819	
180D	843654501	R027238201(4)	045681702	-
270D	843656001	R027238202(4)	045681702	

RLC/FLC

"F" Vintage

RLC	115V Motor Shaded Pole	230V Motor Shaded Pole	115V Motor PSC	230V Motor PSC	Motor Mount	Fan Blade	Fan Guard	Drain Pan ^a
041F 054F 067F	7070060(1)	R038688900(1)	7070059(1)	7071061(1)	23102401	7174402(1)	7067052(1)	10040301
092F	7070060(2)	R038688900(2)	7070059(2)	7071061(2)	23102401	7174402(2)	7067052(2)	10108902
107F	7070060(2)	R038688900(2)	7070059(2)	7071061(2)	23102401	7174402(2)	7067052(2)	10108903
122F	7070060(2)	R038688900(2)	7070059(2)	7071061(2)	23102401	7174402(2)	7067052(2)	10108903
143F	7070060(2)	R038688900(2)	7070059(2)	7071061(2)	23102401	7174402(2)	7067052(2)	10108903
163F	7070060(3)	R038688900(3)	7070059(3)	7071061(3)	23102401	7174402(3)	7067052(3)	10108904
204F	7070060(4)	R038688900(4)	7070059(4)	7071061(4)	23102401	7174402(4)	7067052(4)	10108905
275F	7070060(5)	R038688900(5)	7070059(5)	7071061(5)	23102401	7174402(5)	7067052(5)	10045701
316F	7070060(6)	R038688900(6)	7070059(6)	7071061(6)	23102401	7174402(6)	7067052(6)	10108907
408F	7070060(6)	R038688900(6)	7070059(6)	7071061(6)	23102401	7174402(6)	7067052(6)	10108907
FLC								
122F	7070060(2)	R038688900(2)	7070059(2)	7071061(2)	23102401	7174402(2)	7067052(2)	10108903
163F	7070060(4)	R038688900(4)	7070059(4)	7071061(4)	23102401	7174402(4)	7067052(4)	10108905

Capacitor For 230V PSC Motor Is Part No. R037516402 (included)
 Capacitor For 230V PSC Motor Is Part No. R037516407 (included)

^a Drain Fitting Part No. 92864003

"H" & "J" Vintage

RLC	115V Motor Shaded Pole	230V Motor Shaded Pole	115V Motor PSC	230V Motor PSC	Motor Mount	Fan Blade	Fan Guard	Drain Pan ^a
41 54 67	25300101S(1)	25300201S(1)	25302601S(1)	25302501S(1)	23102401	5140C(1)	7067052	10040301
92	25300101S(2)	25300201S(2)	25302601S(2)	25302501S(2)	23102401	5140C(2)	7067052	10108902
107	25300101SS2	25300201S(2)	25302601S(2)	25302501S(2)	23102401	5140C(2)	7067052	10108903
122	25300101S(2)	25300201S(2)	25302601S(2)	25302501S(2)	23102401	5140C(2)	7067052	10108903
143	25300101S(2)	25300201S(2)	25302601S(2)	2530250192S	23102401	5140C(2)	7067052	10108903
163	25300101S(3)	25300201S(3)	25302601S(3)	25302501S(3)	23102401	5140C(3)	7067052	10108904
204	25300101S(4)	25300201S(4)	25302601S(4)	25302501S(4)	23102401	5140C(4)	7067052	10108905
275	25300101S(5)	25300201S(5)	25302601S(5)	25302501S(5)	23102401	5140C(5)	7067052	10045701
316	25300101S(6)	25300201S(6)	25302601S(6)	25302501S(6)	23102401	5140C(6)	7067052	10108907
408	25300101S(6)	25300201S(6)	25302601S(6)	25302501S(6)	23102401	5140C(6)	7067052	10108907
FLC								
122	25300101S(2)	25300201S(2)	25302601S(2)	25302501S(2)	23102401	5140C(2)	7067052	10108903
163	25300101S(4)	25300201S(2)	25302601S(2)	25302501S(2)	23102401	5140C(2)	7067052	10108905

^a Drain Fitting Part No. 92864003

Nomenclature Example:

RLC	120	A	K
Model Series		Electrical Characteristics	Design Revision
RLC = Air Defrost	Size X 100 = BTUH	A = 115/1/60 B = 208-230/1/60 M = 460/1/60	

Model No.	No. Motor	Motor 115V	Motor 230V	Fan Blade	Motor Mount	Guard ²	Drain Pan ³
RLC040 RLC052 RLC065	1	25300101S	25300201S	5140C	23104901	37000702	40480101
RLC070 RLC090 RLC104 RLC120 RLC130	2	25300101S	25300201S	5140C	23104901	37000702	40480201
RLC140 RLC156 RLC180	3	25300101S	25300201S	5140C	23104901	37000702	40480301
RLC208	4	25300101S	25300201S	5140C	23104901	37000702	40480401
RLC260	5	25300101S	25300201S	5140C	23104901	37000702	40480501
RLC312 RLC370	6	25300101S	25300201S	5140C	23104901	37000702	40480601

² Optional Wire Guard: Part No. 37000602

³ Drain Fitting Part NO. 26925101

¹ Option Motors (call factory for units built 2004 or later)

Part No.	Description
25308201	115/1/60/50 Totally Enclosed PSC
25308301	208-230/1/60/50 Totally Enclosed PSC
25308401	460/1/60/50 Totally Enclosed PSC
25308601	208-230/1/60/50 PSC
25308701	460/1/60/50 PSC

Cabinet Components (All Sizes)

Part No.	Description
40880801	Access Panel - Elect
40880701	Access Panel - Refrig
40881501	Access Panel - Refrig - Beacon
40880901	Back Panel - Refrig
40881001	Back Panel - Elect

005D-017D 023D-144D

RUA	115V Motor Shaded Pole	230V Motor Shaded Pole	115V Motor PSc	230V Motor PSC	460V Motor PSc	230/460V Motor 3 ph
005D	R038688800(1)	R038688900(1)	-	-	-	-
006D	R038688800(1)	R038688900(1)	-	-	-	-
008D	-	-	-	5000PS	-	-
009D	-	-	-	-	-	-
011D	-	-	-	5000PS	-	-
015D	-	-	-	-	-	-
017D	-	-	-	5000PS	-	-
023D	-	-	-	R033177500S(1)	R033177700S(1)	-
030D	-	-	-	R033177500S(1)	R033177700S(1)	-
037D	-	-	-	R033177500S(1)	R033177700S(1)	-
045D	-	-	-	R033177500S(2)	R033177700S(2)	R042646200(2)
060D	-	-	-	R033177500S(2)	R033177700S(2)	R042646200(2)
080D	-	-	-	R033177500S(3)	R033177700S(3)	R042646200(3)
115D	-	-	-	R033177500S(4)	R033177700S(4)	R042646200(4)
144D	-	-	-	R033177500S(4)	R033177700S(4)	R042646200(4)

RUA	1ph Motor Mount	3 ph Motor Mount	Motor Mounting Strap	3 ph Motor Resilient Ring	Motor Capacitor	Fan Blade
005D	641712300	-	-	-	-	R016584107(1)
006D	641712300	-	-	-	-	R016584107(1)
008D	5095D	-	R000134500	-	Obsolete	5130C(1)
009D	-	-	-	-	-	-
011D	5095D	-	R000134500	-	Obsolete	5130C(1)
015D	-	-	-	-	-	-
017D	5095D	-	R000134500	-	Obsolete	5130C(1)
023D	R028844610	-	R000134500	-	5710F	22900201(1)
030D	R028844610	-	R000134500	-	5710F	22900201(1)
037D	R028844610	-	R000134500	-	5710F	22900201(1)
045D	R028844610	Obsolete	R000134500	Obsolete	5710F	22900201(2)
060D	R028844610	Obsolete	R000134500	Obsolete	5710F	22900201(2)
080D	R028844610	Obsolete	R000134500	Obsolete	5710F	22900201(3)
115D	R028844610	Obsolete	R000134500	Obsolete	5710F	22900201(4)
144D	R028844610	Obsolete	R000134500	Obsolete	5710F	22900201(4)

Unit Size	Defrost Heater	Pan Heater	Defrost Control
005D	-	Obsolete	-
006D	-	Obsolete	92864003
008D	R043336400	842788601	-
009D	-	-	-
011D	R043336400	842788601	92864003
015D	-	-	-
017D	R043336400	842788601	92864003
023D	7067042	Obsolete	-
030D	7067042	Obsolete	-
037D	7067042	Obsolete	-
045D	7067042	643335400	-
060D	7067042	643335400	-
080D	-	-	-
115D	7067042	843335600	-
144D	-	-	-

Chandler

SWN/RWN

Nomenclature Example:

S	W	N	500	H	2	C
Semi-hermetic	Water Cooled Remote	Indoor	Model Size	Application H = High Temp M = Med. Temp L = Low Temp E = Extra Low Temp	Refrig. 2 = R22 6 = R404A	Voltage B = 208-230/1/60 C = 208/230/3/60 D = 460/3/60 G = 230/1/60

Description	Part No.
Cond., Shell & Tube 6x24	21634301
Cond., Shell & Tube (Used w/1.5HP Remotes) 6X24	21633301
Cond., Shell & Tube (Used w/10HP Remotes) 8.63X42	21631201
Cond., Shell & Tube (Used w/15HP Remotes) 10.75X48	21631301
Cond., Shell & Tube (Used w/2HP Remotes) 6.63X18	21633401
Cond., Shell & Tube (Used w/5HP Remotes) 8.63X24	21631001
Cond., Shell & Tube (Used w/7.5HP Remotes) 8.63X36	21631101
Contactor, 2P, 25A (35A), 208-240V	2252125
Contactor, 3P, 25A (35A), 208-240V	2259996
Contactor, 3P, 40A (50A), 208-240V	2252340
Contactor, 3P, 50A (63A), 208-240V	2252350
Contactor, 3P, 75A (93A), 208-240V	2252375
Control Hi Pressure 400#C.O. w/Conn	28913201
Control Hi Pressure Fixed 315#	2890101
Control Pressure HP14T9B 1-1/8OD-R-22/R-50	2939398
Control Dual Pressure - Man 20in - 100/100-425	2891550
Control Sentronic Oil Safety - Copeland	2897100
Control ADJ Low Pressure SW./P70AB-1D 1/4FL	2891402
Low Pressure Switch w/Conduit (Fixed)	28913401
Crankcase Heater 240V 100W	24702202
EXT Crankcase Heater 230V 50W w/MTGS	2471891
EXT Crankcase Heater 230V 65W w/Clips	2471801
Head Pressure Valve HP8T5-185	29399093
Head Pressure Valve HPC-5T3-180	29399201

RCVR, 10.75x41	27305601
RCVR, 12.75x41	27305701
RCVR, 6x32	27305401
RCVR, 8.63x34	27305501
Relay DPDT 230VAC 6A4186M	2254186
Switch,Toggle -10A 250V SPST	2257514
Term Block 3P LN 2/0-12 LOAD 4/P 4	2251423
Term BRD 2 Pole T1,T2	2255827
Terminal Strip *DH	22513401
Timer - 208-240V 40 AMP SPDT Paragon	2138162
Grasslin	21340101
Transformer 300VA (240-460/240-120)	R038253919
V46AB1 1/2 Water Valve (Johnson)	2935028
VLV 1 FPT Water Regulat	2935041
VLV 1-1/4FPT Water REG	2935042
VLV 2-1/2 H2O REG V46AT-2	2935043
VLV HD Pressure Control 7/8" 185	2930079
Water Regulating Valve	2935031

Note: For SWN0210L6D And Larger Head Cooling Fan Is Part Of The Compressor

For Smaller Units Use: Motor (460V) 2530909 Blade 2297004
Motor (230V) 2535421 Guard 2310010

	Motor For 230V Unit	Motor For 460V Unit	Fan Blade	Fan Guard	Motor Mount	Motor Mount Legs
0300H2,L5,E5	*7071208S(1)	7071225S(1)	7173156(1)	7067026(2)	Obsolete	Obsolete
0500L5,E5	*7071208S(1)	*7071225S(1)	7173156(1)	7067026(2)		
0500H2	*7071208S(2)	*7071225S(2)	7173156(2)	7067026(4)		
0750H2,L5,E5	*7071208S(2)	*7071225S(2)	7173156(2)	7067026(4)	Obsolete	Obsolete
1000L5	*7071208S(2)	*7071225S(2)	7173156(2)	7067026(4)		
1000H2	*7071208S(3)	*7071225S(3)	7173156(3)	7067026(6)		
1500H2,L5	*7071208S(3)	*7071225S(3)	7173156(3)	7067026(6)	Obsolete	Obsolete
2000H2,L5						
2500L5						

* Motor includes capacitor.

Head Pressure Valve - Part No. 2930058

Oil Pressure Control - Part No. 7075838

Dual Pressure Switch - Obsolete

TA

TA "F" Vintage

{AF=115V} {BF=230V}

Unit	Motor ¹	Qty	Fan Blade	Motor Mount	Fan Guard	Drain Pan*
TA10	25300701S	1	5101B	91179001	5054D	91184002
TA10AHEF	25315101S	1	5101B	91179001	5054D	91184002
TA13	25300701S	2	5101B	91179001	5054D	91185002
TA17	25300701S	2	5101B	91179001	5054D	91186002
TA23	25300701S	3	5101B	91179001	5054D	40803302
TA30	25300701S	3	5101B	91179001	5054D	40803502
TA43	25300701S	4	5101B	91179001	5054D	40804802
TA55	25300701S	5	5101B	91179001	5054D	40803702

¹ 230 Volt Motor = 25300801

* Drain fitting included

"E" Vintage

Model Size	Motors	Qty	Blade	Guard	Drain Pans*
TLH052AE	5036SS	1	5110E	5055F	C26363A2
TLH076AE	5036SS	2	5110E	5055F	C26360A2
TLH090AE	5036SS	2	5110E	5055F	C26360A2
TLH102AE	5036SS	2	5110E	5055F	C25360A2
TLH108AE	5036SS	3	5110E	5055F	C26361A2
TLH134AE	5036SS	3	5110E	5055F	C26361A2
TLH156AE	5036SS	3	5110E	5055F	C26361A2
TLH179AE	5036SS	4	5110E	5055F	C26362A2
TLH208AE	5036SS	4	5110E	5055F	C26362A2
TLH249AE	5036SS	5	5110E	5055F	D20817A2

230 Volt Motor=5036TS

115 Volt Motor (PSC)=5036NS

Motor Mounting Plate: 40003001

230 Volt Motor (PSC)=5036PS

* Drain Pans include drain fitting

Model Size	Motors	Qty	Blade	Guard	Drain Pans*	Heaters (2) REQ'D
TLL040BE	5036TS	1	5110E	5055F	C26363A2	4400S
TLL054BE	5036TS	2	5110E	5055F	C26360A2	4401S
TLL065BE	5036TS	2	5110E	5055F	C26360A2	4401S
TLL090BE	5036TS	3	5110E	5055F	C26361A2	4402S
TLL130BE	5036TS	3	5110E	5055F	C26361A2	4403S
TLL174BE	5036TS	4	5110E	5055F	C26362A2	4404S

* Drain Pans include drain fitting

Motor Mounting Plate: 40003001

Fan Delay Control - Part No. 4267W

Model TMS ¹	Motor 230/240V	Fan Blade	Fan Guard	Fan Cycle Thermostat	Contactor
073-658	7072102S	7173254	2318494	7075807	2259996

¹Note:

Models	Number of Fans
TMS 073-110	2
TMS 146-219	4
TMS 249-329	6

Unit Size	Motor for 230V Unit	Motor for 460V Unit	Motor Capacitor	Fan Blade	Motor Mount
005 008 010	7071061(1)	7071061(1)	R037516402(1)	R043759700(1)	6366022(1)
015 020 030	7071061(2) 7071061(2) *7071208S(1)	7071061(2) 7071061(2) *7071225S(1)	R037516402(2) R037516402(2) -	R043759700(2) R043759700(2) 7173156(1)	6366022(2) 6366022(2) Obsolete
040 050	*7071208S(1)	*7071225S(1)	-	7173156(1)	Obsolete

*Motor includes capacitor

Optional Fan Cycle Switch for Size 015 & 020 - Part No.7075839

To use 7071061 for 460V application, must wire thru contactor coil

Replaced with: CH, CS, CZ '95 per C. Tice

Unit Size	Head Pressure Valve	Low Pressure Switch	R-12 High Pressure Switch	R-22 High Pressure	Compressor Contactor
005 008 010	2930429	7075212	Obsolete	7075207	R034915200
015 020 030	2930429 2930429 2930429	7075212 7075212 7075212	Obsolete Obsolete Obsolete	7075207 7075207 7075207	R034915200 R034915200 2532340
040 050	2930058	7075212	Obsolete	7075207	2532340

U/VA

U "B" Rev.

Unit	Motor	Qty	Fan Blade	Motor Mount	Fan Guard	Drain Pan*
U 90B	5025SS	1	5124A	91746001	N/A	66974002
U 91B	5026TS	1	5124A ¹	91746001	N/A	66974002
U120B	5025SS	1	5126A	91746001	N/A	66958002
U121B	5026TS	1	5126A ¹	91746001	N/A	66958002
U150B	5026SS	1	5127A	91746001	N/A	66980002
U151B	5026TS	1	5127A	91746001	N/A	66980002

*Drain fitting included

¹ Must be (field) drilled to 5/16"

VA "F" Rev.

{AF= 115V BF=230V}

Unit	Motor ¹	Qty	Fan Blade	Motor Mount	Fan Guard	Drain Pan*
VA06	25300701S ¹	1	5101B	91179001	5054D	40800402
VA08	25300701S ¹	1	5101B	91179001	5054D	40800402
VA12	25300701S ¹	2	5101B	91179001	5054D	40800602
VA17	25303201S ²	1	23100201	23101401	R041777700	40802502

¹ 230 Volt Motor = 25300801

² 230 Volt Motor = 253003301

*Drain Fittings included

WSS/WGS

WSS Unit

WSS Model	Fan Motor		Fan	
	231/1/60	230/460/3/60	Blade	Guard
008				
009	2537974S(1)	-	2291820(1)	2318491(1)
010				
016	2537974S(1)	-	2291836(1)	2318491(1)
024	2530355S(1)	2531193S(1)	2292422(1)	2311026(1)
040	2531191S(1)	2531193S(1)	2292625(1)	2311026(1)
049	2530355S(2)	2531193S(2)	2292422(2)	
061	2531191S(2)	2531193S(2)	2292625(2)	2311026(2)
070	2531191S(2)	2531193S(2)	2292625(2)	
080	2531191S(2)	2531193S(2)	2292625(2)	2311026(2)
105	2531191S(3)	2531193S(3)	2292625(3)	2311026(3)
113	2531191S(3)	2531193S(3)	2292625(3)	2311026(3)
133	2531191S(3)	2531193S(3)	2292625(3)	2311026(3)
140	2531191S(4)	2531193S(4)	2292625(4)	2311026(4)
160	2531191S(4)	2531193S(4)	2292625(4)	2311026(4)
210				
226	2531191S(6)	2531193S(6)	2292625(6)	2311026(6)
266				
312	2531191S(8)S	2531193(8)S	2292625(8)	
354	2530143(8)	2531010(8)	2292630(8)	2311026(8)
422	2530143(8)	2531010(8)	2292630(8)	
502	2530143(8)	2531010(8)	2292630(8)	

WGS Unit

WGS Model	Fan Motor		Fan	
	231/1/60	230/460/3/60	Blade	Guard
049	2530355S(1)	2531193S(1)	2292422(1)	2311026(1)
080	2531191S(1)	2531193S(1)	2292625(1)	2311026(1)
107	2530355S(2)	2531193S(2)	2292422(2)	2311026(2)
123				
147	2531191S(2)	2531193S(2)	2292625(2)	2311026(2)
165				
211				
225	2531191S(3)	2531193S(3)	2292625(3)	2311026(3)
248				
294				
330	2531191S(4)	2531193S(4)	2292625(4)	2311026(4)
422				
450	2531191S(6)	2531193S(6)	2292625(6)	2311026(6)
496	2531191S(6)	2531193S(6)	2292625(6)	2311026(6)
602	2531191S(8)S	2531193(8)S	2292625(8)	2311026(8)
700				
808	2530143(8)	2531010(8)	2292625(8)	2311026(8)
903				

Chandler

Smart Defrost Kit

Part No.	Description
22681501	Complete Smart Defrost Kit (SDK)
28952101	SDK Module Only
28911202	SDK Suction Pressure Transducer
22515901	SDK Transducer Harness
28902301	SDK Sensor

Hot Gas Defrost

Mohave

28910301	Hot Gas Control Board
29330501	Hot Gas Electronic Pressure Regulator
22511202	Hot Gas Suction Pressure Transducer
22515102	Hot Gas Suction Transducer Harness
22511203	Hot Gas Liquid Pressure Transducer
22515103	Hot Gas Liquid Transducer Harness
22555601	Hot Gas Transformer

EC or Brushless DC Motors

RLC, ELC, EFC		Unit Coolers
	MODEL	VOLTAGE
22617701	RLC, ELC, EFC	208/230
22617801	RLC, ELC, EFC	120
HMA, HME, HML		Unit Coolers
22617501	HMA, HME, HML	208/230
22617601	HMA, HME, HML	120
TLH, TLL HWA, HWE, HWG		Unit Coolers
22617901	TLH, TLL, HWA, HWE, HWG	208/230
22618001	TLH, TLL, HWA, HWE, HWG	120
LAH, LAL, LAG		Unit Coolers
22681601	70, 87, 118, 125	120
22681701	70, 87, 118, 125	208/230
22681801	150, 165	120
22681901	150, 165	208/230
22682001	189, 225	120
22682101	189, 225	208/230
22682201	266	120
22682301	266	208/230



M Series

MOH/MOS/MOZ

Nomenclature Example:

MO	Z	T	30	L	6	C	E
Model	Compressor	Application	Equiv. HP	Temp.	Refrigerant	Voltage	Identifier
B=Bohn MO=OEM	H=Hermetic S=Semi-herm. Z=Scroll	T=Outdoor N=Indoor B=Bohmizer M=Beacon II™ S= Beacon II™	005= 1/2 HP 008/009=3/4HP 010= 1 HP 01* = 1-1/2 HP 02*=2 HP 03*= 3 HP 04*= 4 HP 05* = 5 HP 060= 6HP	H=High L=Low M=Medium E=Extra Low X = Med./Low	2=R22 6=R404A/507	B=208-230/1/60 C=208/230/3/60 D=460/3/60 G=230/1/60	F=Stock

Model MOH/MOS/MOZ

Unit Size	Compr	Motor For 230V Unit	Motor For 460V Unit	Fan Blade	Motor Mount		Head Pressure Valve	Front Grill
					Outdoor	Indoor		
005 to 014	All	*25309101S(1)	*25309101S(1)	22901601(1)	23104301(1)	23100901(1)	29317401	24100301
015	All	*25309101S(2)	*25309101S(2)	22901601(2)	23104301(2)	23100901(2)	29317401	24100201
019 to 020	Herm/Semi	*25309101S(2)	*25309101S(2)	22901601(2)	23104301(2)	23100901(2)	29317401	24100201
020	Scroll	*25309101S(2)	*25309101S(2)	22901601(2)	23104301(2)	23100901(2)	29317301	24100401
021	All	*25309101S(2)	*25309101S(2)	22901601(2)	23104301(2)	23100901(2)	29317401	24100201
025	Hermetic	*25309101S(2)	*25309101S(2)	22901601(2)	23104301(2)	23100901(2)	29317401	24100201
025	Scroll	*25309101S(2)	*25309101S(2)	22901601(2)	23104301(2)	23100901(2)	29317301	24100401
027	Semi	*25309101S(2)	*25309101S(2)	22901601(2)	23104301(2)	23100901(2)	29317301	24100401
029	Herm/Semi	*25309101S(2)	*25309101S(2)	22901601(2)	23104301(2)	23100901(2)	29317301	24100401
030	Hermetic	25309001S(1)	25309002(1)	7173156(1)	23102601(1)	23102701(1)	29317301	24100101
030 M6	Scroll	25309001S(1)	25309002(1)	7173156(1)	23102601(1)	23102701(1)	29317301	24100101
030 L6	Scroll	*25309101S(2)	*25309101S(2)	22901601(2)	23104301(2)	23100901(2)	29317301	24100401
030 H2,M2,M6	Semi	25309001(1)	25309002(1)	7173156(1)	23102601(1)	23102701(1)	29317301	24100101
030 L2,L6,E6	Semi	*25309101S(2)	*25309101S(2)	22901601(2)	23104301(2)	23100901(2)	29317301	24100401
031	Hermetic	*25309101S(2)	*25309101S(2)	22901601(2)	23104301(2)	23100901(2)	29317301	24100401
032	Hermetic	25309001(1)	25309002(1)	7173156(1)	23102601(1)	23102701(1)	29317301	24100101
035 M6	Scroll	25309001(1)	25309002(1)	7173156(1)	23102601(1)	23102701(1)	29317301	24100101
035 L6	Scroll	*25309101S(2)	*25309101S(2)	22901601(2)	23104301(2)	23100901(2)	29317301	24100401
040	All	25309001(1)	25309002(1)	7173156(1)	23102601(1)	23102701(1)	29317302	24100101
045 M6	Scroll	25309001(1)	25309002(1)	7173156(1)	23102601(1)	23102701(1)	29317302	24100101
045 L6	Scroll	25309001(1)	25309002(1)	7173156(1)	23102601(1)	23102701(1)	29317301	24100101
050 to 060	All	25309001(1)	25309002(1)	7173156(1)	23102601(1)	23102701(1)	29317302	24100101

*Motor includes capacitor

Note: To use 25309101 on 460V - must wire thru transformer

Motor Part No. 25309001 Use Capacitor Part No. 5779G

Motor Part No. 25309002 Use Capacitor Part No. 5599M

Optional Variable Speed Controller for Size 030D, X, H or M , 032, 035M, 040 to 060 - Controller and Sensor (Part No. 28913601)

Optional Fan Cycle Switch for Size 015 to 030L - Pressure (Part No. 28911101), Temperature (Part No. 5521R)

Unit Size	Low Pressure Switch			Dual Pressure Switch	High Pressure Switch		Compressor		Timers		Servicemate
	Adjustable	Fixed Outdoor	Fixed Indoor		Fixed Outdoor	Fixed Indoor	1 Phase Contactor	3 Phase Contactor	Paragon	Grasslin	
005 to 035 040; 045 050 to 060	7075212	2890099	28913401	28902901	28903201	28913201	R034915200 2252130 2252340	2259996	2138162	21340101	89709001

Notes:

1. Excel beige began in 2/28/01

2. T'stat disch. line scroll - Part No. 30101701

3. 12" leg kit (shipped loose) 50053301

“Right Source, Right Part, Right Now”

Visit our website at www.interlinkparts.com for technical literature online
or call 800.686.7278

Since product improvement is a continuing effort, we reserve the right to make changes in specifications without notice.



A Brand of Heatcraft Refrigeration Products LLC

2175 West Park Place Blvd. • Stone Mountain, GA 30087

770.465.5600 • Fax: 770.465.5990

www.interlinkparts.com • interlinkparts@heatcraftprd.com

