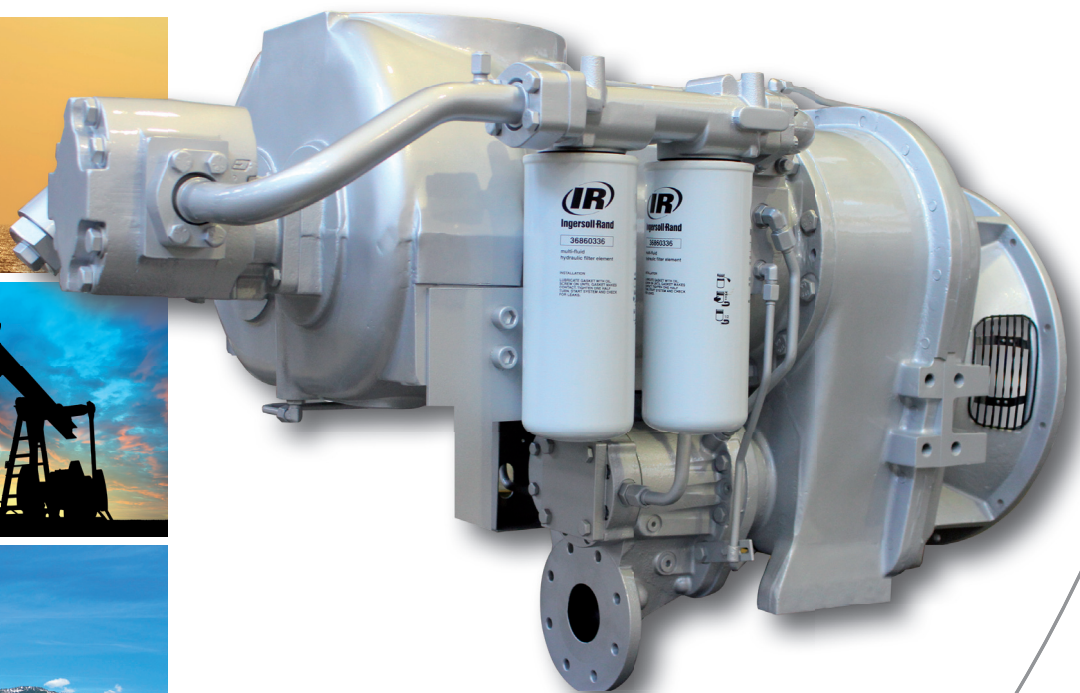


# GHH RAND®

## *HR2.0/HR2.5 – Double-stage high-pressure screw compressor*

High performing reliable 2-stage oil injected screw compressor blocks for continuous positive displacement operation in demanding industries and applications.



### **GHH RAND recommends:**

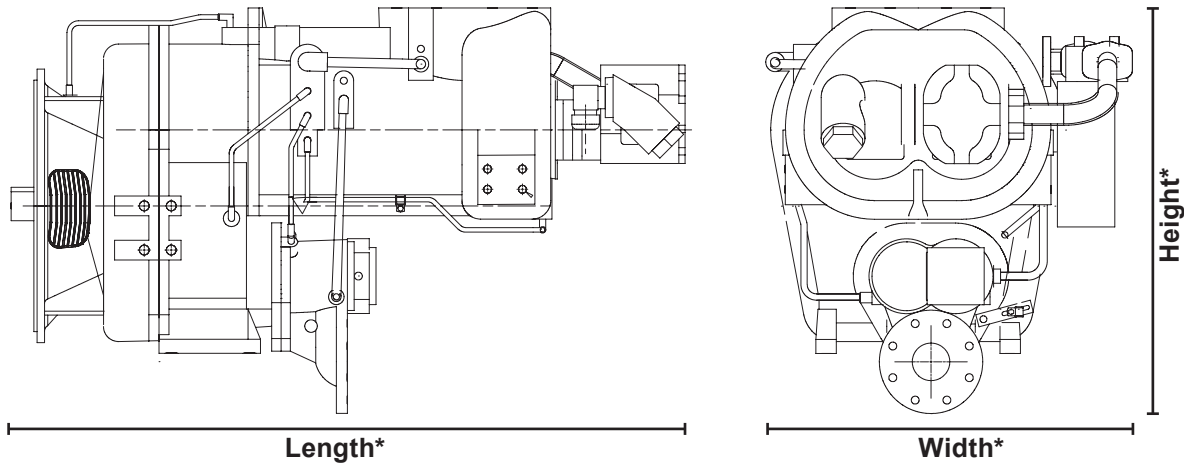


- Maximize life and efficiency with Primecool PLUS VG68 lubricant
- Ask your sales rep. for details

**IR** Ingersoll Rand®

# GHH RAND®

## HR2.0/HR2.5 – Double-stage high-pressure screw compressor



### Technical data

	Units	HR2.0	HR2.5
Volume flow <sup>*1</sup>	m <sup>3</sup> /min (cfm)	27 (953)	35.8 (1264)
Outlet pressure (min./max.)	bar(a) (psi(a))	10/25 (145/363)	10/25 (145/363)
Power at coupling <sup>*1</sup>	kW (hp)	235.8 (316.2)	308.3 (413.5)
Length x Width x Height	mm (inch)	1217 x 600 x 823 (48 x 23.6 x 32.4)	1370 x 746 x 824 (53.9 x 28.3 x 32.4)
Weight	kg (lbs)	771 (1699)	884 (1949)
Inlet flange (ID)	mm (inch)	165.6 (6.5)	215.9 (8.5)
Discharge flange (ID)	mm (inch)	76 (3)	76 (3)
Oil connection		1 7/8"	24 mm (1")
Instrument port at inlet	SAE	9/16"-18	2 x 9/16"-18
Instrument port at outlet	SAE	9/16"-18 3/4"-16	
Separator scavenge	SAE	9/16"-18	

**Medium:** Air, Inlet temperature 20°C/68°F, Inlet pressure 1 bar(a)/14.5 psi(a); 60% relative humidity

**Note:** \*1 estimated at 17.5 bar(a)/254 psi(a)

### Highlights

- Mechanical seals to withstand even toughest operating conditions
- Mechanical pump for top reliability
- Long operating life due to taper roller bearings

### Ease of installation

- Airend tubing and oil filter included
- Several mounting options
- One oil supply for cooling and bearings
- O-Ring sealing (easy to service)
- SAE flange for direct coupling

### Advantages

- Wide range of standard gear ratios available to suit your application
- Proven reliability – more than 12,000 units sold worldwide

**Ingersoll-Rand Trading GmbH**

**Max-Planck-Ring 27 • 46049 Oberhausen • Germany**

**Phone +49 (0) 208 9994-0 • Fax +49 (0) 208 9994-111**

**industrial-sales@ghhrand.com • www.ghhrand.com**

