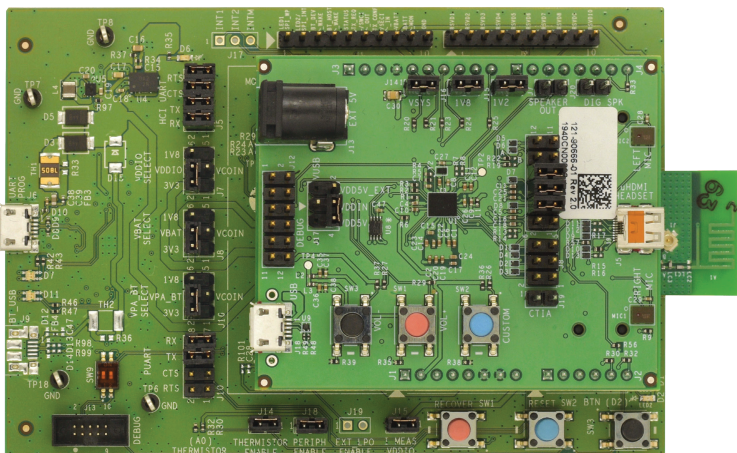


CYW920721B2EVK-02 EVALUATION KIT



Kit Contents:

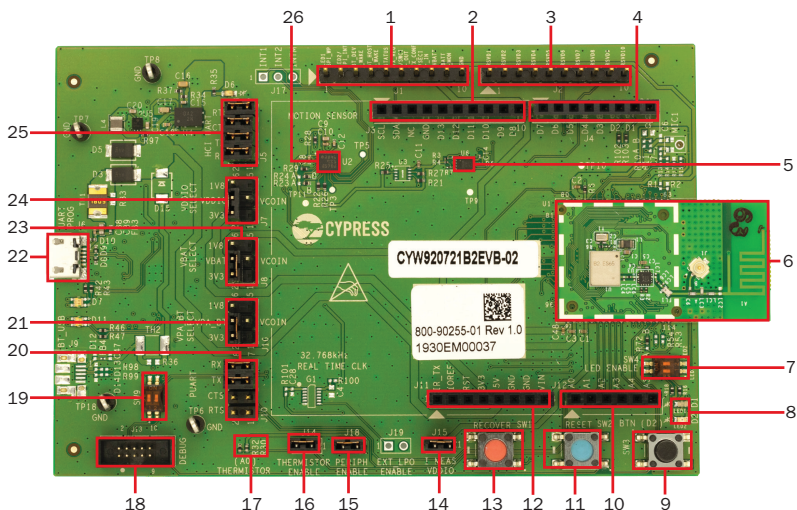
1. CYW920721B2EVB-02 Evaluation board
2. CYW9BTAUDIO2 Arduino shield
3. USB Standard-A to Micro-B cable
4. Power Adapter
5. Quick Start Guide (this document)



1. Ensure that Audio shield is connected on CYW920721B2EVB-02 and jumper setting are same as shown in the image on top.
2. Connect USB Cable between PC and CYW920721B2EVB-02
3. Connect Earphones/headphone to audio jack on shield (J10).
4. Press User Button on CYW920721B2EVB-02 for 3 seconds and then scan Bluetooth devices on phone/PC that you want to connect to this kit. Now, pair your phone/PC to the kit.
5. Use any audio application on your device to stream music to CYW920721B2EVK-02 and listen to it using the plugged earphone/headphones.

CYW920721B2EVK-02 EVALUATION KIT

CYW920721B2EVK-02 Evaluation Board Details



- | | |
|--|--------------------------------|
| 1. WICED Header (J1) | 15. Peripheral Enable (J18) |
| 2. Arduino Header (J3) | 16. Thermistor Enable (J14) |
| 3. WICED Header (J2) | 17. Thermistor (R30) |
| 4. Arduino Header (J4) | 18. Debug Header (J13) |
| 5. 8-Mb Serial Flash (U6) | 19. SWD/GPIO Switch (SW9) |
| 6. Carrier Board (U1) with Type 1WA (CYW20721B2) | 20. PUART Header (J10) |
| 7. LED Enable (SW4) | 21. VPA_BT Select Header (J16) |
| 8. LEDs (D1 and D2) | 22. USB Connector (J6) |
| 9. User Button (SW3) | 23. VBAT Select (J8) |
| 10. Arduino Header (J12) | 24. VDDIO Select (J7) |
| 11. Reset Button (SW2) | 25. HCI UART Header (J5) |
| 12. Arduino Header (J11) | 26. Motion Sensor (U2) |
| 13. Recovery Button (SW1) | |
| 14. VDDIO Current Measurement Header (J15) | |