

CYPRESS

EZ-PD™ CCG3PA-NFET: USB TYPE-C® PORT CONTROLLER WITH POWER DELIVERY

EZ-PD™ CCG3PA-NFET is Cypress' highly-integrated USB Type-C port controller with V_{BUS} NFET-Gate driver that complies with the latest USB Type-C and PD standards and is designed for power adaptors. CCG3PA-NFET offers significant BOM advantages by integrating all Type-C port termination resistors, 24V-tolerant regulator, a high voltage V_{BUS} NFET gate driver, V_{BUS} to CC short protection, and an integrated feedback circuitry for voltage (V_{BUS}) regulation. CCG3PA-NFET is also offered in a pre-programmed version for customers looking for little to no customization.

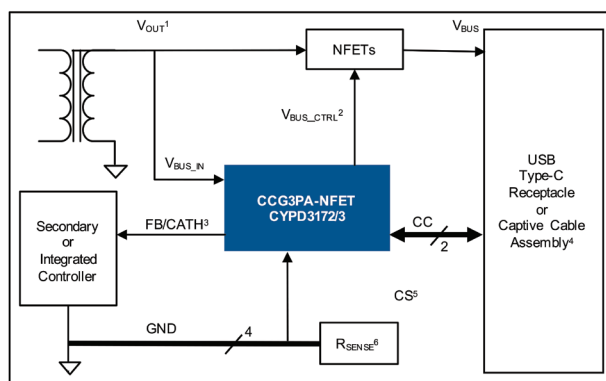


FEATURES:

- USB PD 3.0 with PPS
- QC4.0
- Legacy charging (BC1.2, Samsung AFC, Apple charging)
- Integrates V_{BUS} NFET gate driver
- Integrates 24-V regulator
- Independent CC-CV loop
- Configurable OVP, OCP, and OTP
- 64KB Flash Memory
- Available in both pre-programmed and programmable versions

PACKAGES:

- 24-pin QFN



New Smartphone Charger
with USB-C Receptacle



CCG3PA-NFET SOLUTION EXAMPLE: TYPE-C POWER ADAPTOR/MOBILE CHARGER

CCG3PA VALUE

CCG3PA-NFET Solution

- Provides Type-C solution with Power Delivery 3.0 (PD 3.0) with programmable power supply support and Quick Charge 4.0 (QC 4.0)
- Includes an Arm® Cortex® -M0 and certified USB-PD stack
- Integrates voltage regulation, 24-V-tolerant regulator, V_{BUS} -to-CC short protection, high-voltage NFET gate driver, and ESD protection
- Supports field upgrades with free, fully-compliant firmware

¹ Output voltage of the AC-to-DC adaptor

² Signal to control V_{BUS} load switch

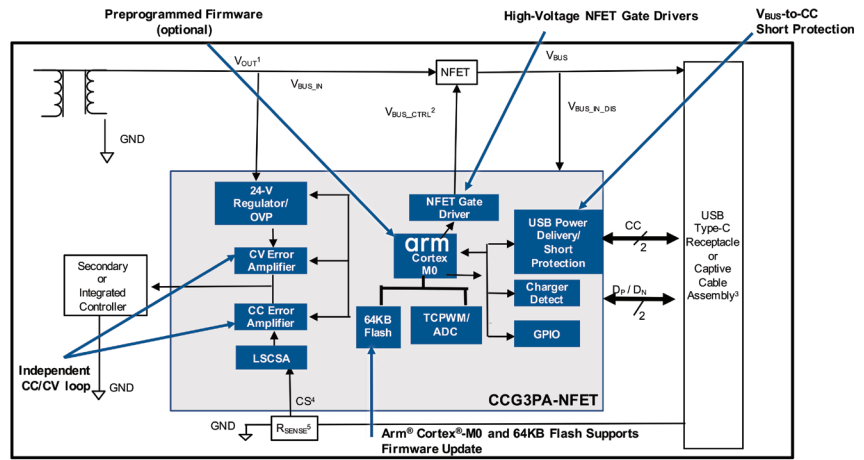
³ Output voltage selection using feedback control

⁴ A cable permanently attached to the AC adaptor

⁵ Current-sensing input

⁶ Resistor used to sense overcurrent

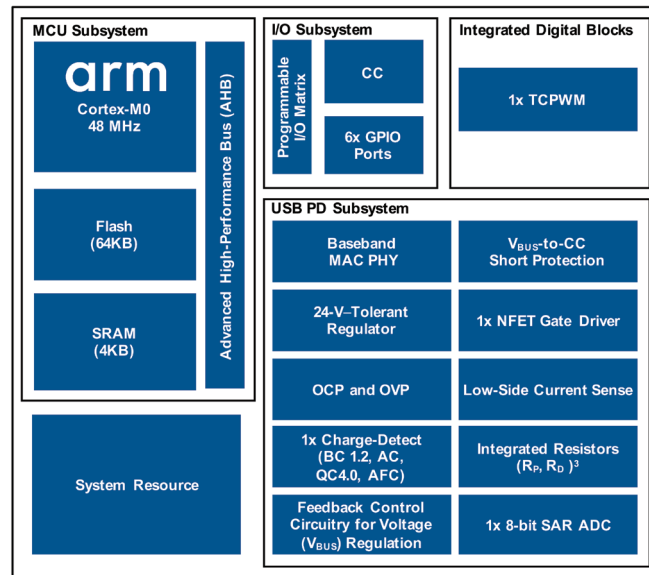
SIMPLIFIED SYSTEM DESIGN WITH BOM INTEGRATION



- ¹ Output voltage of the AC-to-DC adaptor
- ² Signal to control VBUS load switch
- ³ A cable permanently attached to the AC adaptor
- ⁴ Current-sensing input
- ⁵ Resistor used to sense overcurrent

APPLICATIONS

Mobile Chargers | Power Adaptor



- ¹ Circuit to measure the current flowing on the VBUS
- ² Adaptive Fast Charging
- ³ Termination resistors: RP read as a DFP, RD as a UFP

EZ-PD CCG3PA-NFET PORTFOLIO

Part Number	Application	Package
CYPD3172-24LQXQ	Power Adaptor based on Opto Coupler Feedback	24-Pin QFN
CYPD3172P-24LQXQ	Power Adaptor based on Opto Coupler Feedback (Programmable)	24-Pin QFN
CYPD3173-24LQXQ	Power Adaptor based on Direct Feedback	24-Pin QFN
CYPD3173P-24LQXQ	Power Adaptor based on Direct Feedback (Programmable)	24-Pin QFN



For more information, visit www.cypress.com/ccg3pa

Cypress Semiconductor Corporation
 198 Champion Court, San Jose CA 95134
 phone +1 408.943.2600 fax +1 408.943.6848
 toll free +1 800.858.1810 (U.S. only) Press "1" to reach
 your local sales representative

© 2020 Cypress Semiconductor Corporation. An Infineon Technologies Company. All rights reserved.
 All trademarks or registered trademarks referenced herein are the property of their respective owners.
 002-30450**

