

# Hydraulic Cartridge Systems

Threaded Cartridge Valves and Integrated Hydraulic Products

# PLEASE READ

## How to use this catalog...

### Product Index

Each product tab has it's own product index for that particular section. Basic product specifications are shown along with catalog page numbers and product symbols. Further detail can be found on the specific catalog pages.

Catalog HY15-3502/US

Check Valves

SERIES	CAVITY	DESCRIPTION	FLOW LPM/GPM	PRESSURE BAR/PSI	PAGE NO.	CV
<b>STANDARD CHECKS</b>						
D1A060	7U	Check Valve Insert, Ball Type	1.65/38	420/6000	CV6	SH LM FC PC
D1B125	2C	Check Valve Insert, Ball Type	500/120	420/6000	CV6	
D0W82	CAV/W-2	Cartridge Check, Ball Type	3.5/3.9	420/6000	CV7	
D0282	C08-2	Cartridge Check, Ball Type	40/17	420/6000	CV8	
★ CVH081P	C08-2	Cartridge Check, Poppet Type	38/19	350/5000	CV9	
★ CVH103P	C10-2	Cartridge Check, Poppet Type	60/16	350/5000	DV10	
D0482	C10-2	Cartridge Check, Ball Type	160/40	420/6000	CV11	
CVH121P	C12-2	Cartridge Check, Poppet Type	121/32	350/5000	CV12	
D0682P	C16-2	Cartridge Check, Poppet Type	280/74	420/6000	DV13	
CVH161P	C16-2	Cartridge Check, Poppet Type	226/60	350/5000	DV14	
CVH201P	C20-2	Cartridge Check, Poppet Type	303/80	350/5000	DV15	
★ CVH104P	C10-2	Cartridge Check, Poppet Type 2 to 1 Flow Path	19/5	350/5000	CV16	
D06C2	C16-2	Cartridge Check, Poppet Type 2 to 1 Flow Path				
<b>PILOT OPERATED CHECKS</b>						

### Technical Tips

At the beginning of each product section, we have a series of **Technical Tip** pages. These pages describe, in detail, the application and operational parameters of our cartridge valves. If you have any application or specification questions that cannot be answered by this section, please contact your local Parker representative or give us a call.

Catalog HY15-3502/US

Check Valves

**INTRODUCTION:**  
This technical tips section is designed to help familiarize you with the Parker line of Check Valves. In this section we present the products that are new to this catalog as well as some design features of our check valves. In addition, we present common options available to help you in selecting products for your application. Finally we give a brief synopsis of the operation and applications of the various product offered in this section.

**NEW PRODUCTS:**  
There are several new additions and product improvements to our Check Valve product line. Here are just some of the general design features and advantages to the "Winner's Circle" check valve.

**Dual Sense Paths**  
The dual sense paths reduce the pressure drop resistance.

**Spherical Poppet**  
The spherical design allows for a more uniform regardless of poppet alignment resulting in lower leakage.

### Product Pages

The individual product catalog pages detail fully the product specifications and operating parameters of each valve. Additionally, dimensional information, as well as a complete model code for ordering product is shown.

Catalog HY15-3502/US

Check Valve Series CVH103P

**General Description**  
Cartridge Style Check Valve. For additional information see Technical Tips on pages CV1-CV4.

**Features**

- Spherical poppet for low leakage
- "O" Ring eliminates back-up rings
- Dual sense paths for reduced slip
- All external parts zinc plated

**Performance Curve**  
Pressure Drop vs. Flow (Through cartridge only)

**Dimensions** (Millimeters (Inches))

### Coil and Body

There are 2 sections in this catalog that assist you in selecting the proper valve body or solenoid coil for your particular application. Also, the cavity details are shown for all Parker and Sterling cavities currently in use.

Catalog HY15-3502/US

Super Coil Series 5/8" I.D.

**Features**

- Integral Deutsch connector coil exceeds IP69K standards
- Integral Deutsch connector coil thermal shock dunk test rated
- Integral Amp Jr. coil exceeds IP67 standards for thermal shock, water resistance and "dunk capability"
- Universal 50/50 Hz operation
- Coil hermetically sealed, requires no O-rings or waterproofing kits
- External plated steel flux-carrying band (unlike encapsulated band) enables coil to withstand severe thermal shocks without cracking
- Symmetrical coil can be reversed without affecting performance

**Specifications**

Coil type	S	Standard
	P	Pulsed
Wattage	S	18 Watts
	P	20 Watts

**Ordering Information**

CA Super Coil 5/8" I.D.    Wattage    Voltage    Termination

Coil Wattage: S Standard, P Pulsed

Code    Voltage

### Technical Data

The Technical Data section outlines various hydraulic guidelines such as ratings, torques, limitations in use, seals, and hydraulic fluid/filtration information.

Catalog HY15-3502/US

Standard Bodies and Cavities 10 Size, 2-Way

**Valve/Cavity Compatibility**  
For additional information see Technical Tips on pages BC1-BC6.

CAVITY	VALVE			
	Winner's Circle	Waterman	IP67	IP69K
Winner's Circle	X	X	X	X
Parker	X	X	X	X
Waterman	X	X	X	X
IP67	X	X	X	X
IP69K	X	X	X	X

**Dimensions** (Millimeters (Inches))

**Performance Curve**  
Drop vs. Flow

---

# Integrated Hydraulic Circuits

Parker is a recognized leader in integrated circuit design focusing on flexibility, innovation and support. Application engineering and manufacturing support facilities are located throughout North America, Europe, Scandinavia and in other areas around the world.

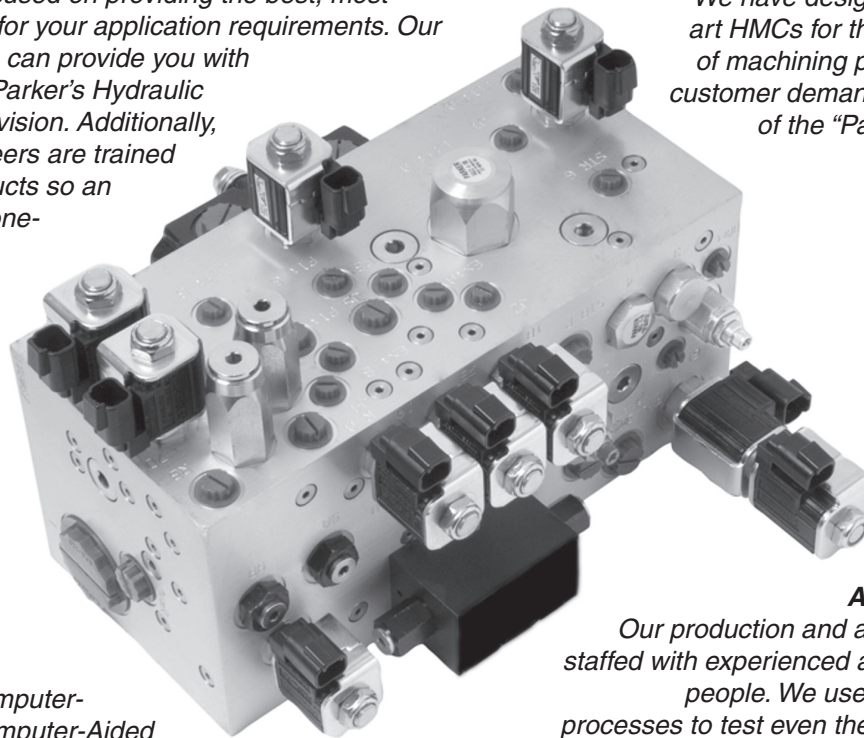
The Parker Hydraulic Cartridge Systems Applications Engineering team is thoroughly experienced in all facets of hydraulic system design, particularly the **integration of Parker technologies** that develop into complete manifold and sub-system solutions. We can assist in the development of any circuit, be it a simple single cartridge, or a complex multi-station assembly. We have the tools to engineer your success!

## **Application Engineering Assistance**

*Parker has many trained and experienced application engineers who are focused on providing the best, most cost efficient solution for your application requirements. Our application specialists can provide you with all the capabilities of Parker's Hydraulic Cartridge Systems Division. Additionally, our application engineers are trained in all of Parker's products so an application can be a one-stop call.*

## **Expert Machining**

*We have designated state-of-the-art HMCs for the specific purpose of machining prototypes for quick customer demand. This is the basis of the "Parker Speed Shop".*



## **Manifold Design**

*Our advanced 3D Computer-Aided Design and Computer-Aided Manufacturing software enables fast and accurate design as well as rapid manufacturing integration among our integrated circuit production facilities.*

## **Assembly and Test**

*Our production and assembly areas are staffed with experienced and knowledgeable people. We use automated testing processes to test even the most complicated assemblies.*

---

## **Integrated Hydraulic Circuits advantage:**

Reduce the number of fittings, hoses and couplings

Optimize and reduce components used

Allow fewer leakage points

Consume less space

Provide simplified assembly and service

Create a complete system solution with optimized functions

Allow you to flange one or more directional valves as well as pumps, cylinders, motors and filters.

<b>CV</b>	Check Valves
<b>SH</b>	Shuttle Valves
<b>LM</b>	Load/Motor Controls
<b>FC</b>	Flow Controls
<b>PC</b>	Pressure Controls
<b>LE</b>	Logic Elements
<b>DC</b>	Directional Controls
<b>MV</b>	Manual Valves
<b>SV</b>	Solenoid Valves
<b>PV</b>	Proportional Valves
<b>CE</b>	Coils & Electronics
<b>BC</b>	Bodies & Cavities
<b>TD</b>	Technical Data

SERIES	DESCRIPTION	PAGE NO.	SERIES	DESCRIPTION	PAGE NO.
10SLC1-A.....	Normally Closed, Pilot to Close .....	LE7	D3B125.....	Single P.O. Check, Pilot on Port 3.....	CV29
10SLC2-A.....	Normally Closed, Pilot to Close .....	LE11	D4A020.....	Single P.O. Check, Pilot on Port 3.....	CV27
10SLC2-B.....	Normally Closed, Vent to Open .....	LE17	D4A040.....	Single P.O. Check, Pilot on Port 3.....	CV28
10SLC3-A.....	Normally Open, Vent to Close .....	LE23	DF122C.....	Flow Control, N.C.....	PV29-PV30
10SLC3-B.....	Normally Open, Vent to Close .....	LE27	DF122N.....	Flow Control, N.O.....	PV53-PV54
16SLC1-A.....	Normally Closed, Pilot to Close .....	LE8	DF161C.....	Flow Control, N.C.....	PV31-PV32
16SLC1-C.....	Normally Closed, Vent to Open .....	LE10	DF201C.....	Flow Control, N.C.....	PV33-PV34
16SLC2-A.....	Normally Closed, Pilot to Close .....	LE12	DFA125C21.....	Flow Control, N.C.....	PV43-PV44
16SLC2-B.....	Normally Closed, Vent to Open .....	LE18	DFA125C31.....	Priority Flow Control, N.C.....	PV85-PV86
16SLC3-A.....	Normally Open, Vent to Close .....	LE24	DH103.....	3 Way, External Pilot, Normally Open, Vent to Atmosphere.....	DC7-DC8
16SLC3-B.....	Normally Open, Vent to Close .....	LE28	DL081.....	2 Position, 2 Way, N.C. Poppet, Pull to Open.....	MV1
20SLC1-A.....	Normally Closed, Pilot to Close .....	LE9	DL101.....	2 Position, 2 Way, N.C. Poppet, Pull to Open.....	MV2
20SLC2-A.....	Normally Closed, Pilot to Close .....	LE13	DM103.....	3 Way, Rotary Spool.....	MV5-MV6
20SLC2-B.....	Normally Closed, Vent to Open .....	LE19	DM104.....	4 Way, Rotary Spool.....	MV7-MV8
A02A2.....	Direct Acting Relief, Ball Type.....	PC15-PC16	DMH085C1.....	3 Position, 4 Way, Closed Center, Pull to Shift and Push to Shift .....	MV11-MV12
A02B2.....	Direct Acting Relief, Poppet Type .....	PC17-PC18	DMH085C2.....	3 Position, 4 Way, Open Center, Pull to Shift and Push to Shift .....	MV11-MV12
A04B2.....	Direct Acting Relief, Poppet Type .....	PC21-PC22	DMH085C4.....	3 Position, 4 Way, Float Center, Pull to Shift and Push to Shift .....	MV11-MV12
A04B2*CE.....	Direct Acting Relief, Poppet Type .....	PC23-PC24	DMH085C9.....	3 Position, 4 Way, Tandem Center, Pull to Shift and Push to Shift .....	MV11-MV12
A04C2.....	Direct Acting Relief, Spool Type .....	PC25-PC26	DS162.....	2 Position, 2 Way .....	SV53-SV54
A04H3.....	Pilot Operated Vented Relief .....	PC53-PC54	DS163.....	2 Position, 3 Way .....	SV67-SV68
A04J2.....	Direct Acting Cross-over Relief .....	PC59-PC60	☆DSH081.....	2 Position, 2 Way, N.C. or N.O.....	SV15-SV16
A04J2*CE.....	Direct Acting Cross-over Relief.....	PC61-PC62	☆DSH082.....	2 Position, 2 Way .....	SV47-SV48
A04K2.....	Pilot Operated Spool Type Kick Down.....	PC47-PC48	☆DSH083.....	2 Position, 3 Way .....	SV58-SV60
A06G2.....	Pilot Operated Spool Type .....	PC43-PC44	☆DSH084.....	2 Position, 4 Way .....	SV71-SV72
A06H3.....	Pilot Operated Vented Relief .....	PC55-PC56	☆DSH101.....	2 Position, 2 Way, N.C. or N.O.....	SV19-SV20
A06P2.....	Pilot Operated Poppet Type .....	PC73-PC74	☆DSH102.....	2 Position, 2 Way .....	SV51-SV52
AP01B2YP.....	Increase Pressure/Increase Current .....	PV7-PV8	☆DSH103.....	2 Position, 3 Way .....	SV64-SV66
AP01B2YR.....	Decrease Pressure/Increase Current .....	PV13-PV14	☆DSH104.....	2 Position, 4 Way .....	SV75-SV76
AP02B2YP.....	Increase Pressure/Increase Current .....	PV9-PV10	DSH121.....	2 Position, 2 Way, N.C. or N.O.....	SV21-SV22
AP02B2YR.....	Decrease Pressure/Increase Current .....	PV15-PV16	DSH125 52.....	3 Position, 4 Way .....	SV97-SV98
AP04G2YP.....	Increase Pressure/Increase Current .....	PV11-PV12	DSH125 54.....	3 Position, 4 Way .....	SV99-SV100
AP04G2YR.....	Decrease Pressure/Increase Current .....	PV19-PV20	DSH125 57.....	3 Position, 4 Way .....	SV101-SV102
AS04G2.....	Solenoid Operated Unloading Relief .....	PC49-PC50	DSH125 59.....	3 Position, 4 Way .....	SV103-SV104
ASH-04.....	In-Line Shuttle, -4 Male JIC.....	SH8-SH9	☆DSH161.....	2 Position, 2 Way, N.C. or N.O.....	SV23-SV24
ASH-06.....	In-Line Shuttle, -6T.....	SH8-SH9	DSH164.....	2 Position, 4 Way .....	SV77-SV78
B02E3F.....	Direct Acting, 2P-3W, Int. Pilot, Int. Drain .....	PC91-PC92	☆DSL081.....	2 Position, 2 Way, N.C. or N.O.....	SV13-SV14
B04C3.....	Pilot Operated, Kick Down .....	PC89-PC90	☆DSL082.....	2 Position, 2 Way .....	SV45-SV46
B04D3.....	Pilot Operated, Reverse Check, Ext. Drain .....	PC87-PC88	☆DSL083.....	2 Position, 3 Way .....	SV55-SV57
B04E3.....	Direct Acting, 2P-3W, Int. Pilot, Int. Drain .....	PC93-PC94	☆DSL084.....	2 Position, 4 Way .....	SV69-SV70
B04F3.....	Direct Acting, 2P-2W, N.C., Ext. Pilot, Int. Drain.....	PC99-PC100	☆DSL101.....	2 Position, 2 Way, N.C. or N.O.....	SV17-SV18
B04G3.....	Direct Acting, 2P-2W, N.O., Ext. Pilot, Int. Drain.....	PC101-PC102	☆DSL102.....	2 Position, 2 Way .....	SV49-SV50
B04H4.....	Direct Acting, 2P-2W, N.C., Ext. Pilot, Ext. Drain.....	PC103-PC104	☆DSL103.....	2 Position, 3 Way .....	SV61-SV63
B04J4.....	Direct Acting, 2P-2W, N.O., Ext. Pilot, Ext. Drain.....	PC107-PC108	☆DSL104.....	2 Position, 4 Way .....	SV73-SV74
B04K4.....	Direct Acting, 2P-3W, N.O., Ext. Pilot, Int. Drain.....	PC109-PC110	☆DSL105.....	3 Position, 4 Way .....	SV87-SV88
C02A3.....	Direct Acting Reducing/Relieving .....	PC111-PC112	☆DSL201.....	2 Position, 2 Way, N.C. or N.O.....	SV25-SV26
CB101.....	Load Control Cartridge Valve.....	LM5-LM6	DSP105C1.....	3 Position, 4 Way - Closed Center .....	PV91-PV93
☆CDP(H)081.....	Dual P.O. Check Package .....	CV33-CV34	DSP105C4.....	3 Position, 4 Way - Float Center .....	PV91-PV93
☆CDP(H)103.....	Dual P.O. Check Package .....	CV35-CV36	E2*020.....	Load Control Cartridge Valve.....	LM17-LM18
CDP(H)161.....	Dual P.O. Check Package, Steel Body .....	CV37-CV38	E2*040.....	Load Control Cartridge Valve.....	LM19-LM20
CP084P.....	Single P.O. Check, Pilot on Port 1 .....	CV18	E2*060.....	Load Control Cartridge Valve.....	LM21-LM22
CPC101P.....	Pilot to Close Check, Pilot on Port 3.....	CV30	E2*125.....	Load Control Cartridge Valve.....	LM23-LM24
CPD084P.....	Dual P.O. Check Cartridge.....	CV32	E2*300.....	Load Control Cartridge Valve.....	LM25-LM26
☆CPH104P.....	Single P.O. Check, Pilot on Port 1 .....	CV19	E6A060*409.....	Load Control Cartridge Valve, 3:1 Ratio.....	LM33-LM34
CPH124P.....	Single P.O. Check, Pilot on Port 1 .....	CV20	E6B020.....	Load Control Cartridge Valve, 4.5:1 Ratio.....	LM27-LM28
CS041B.....	Cartridge Shuttle.....	SH5	E6B040.....	Load Control Cartridge Valve, 3:1 Ratio.....	LM31-LM32
CSH101B.....	Cartridge Shuttle.....	SH7	E6B060*409.....	Load Control Cartridge Valve, 3:1 Ratio.....	LM33-LM34
☆CSP(H)081.....	Single P.O. Check Package.....	CV21-CV22	E6K020.....	Load Control Cartridge Valve, 15:1 Ratio.....	LM29-LM30
☆CSP(H)103.....	Single P.O. Check Package.....	CV23-CV24	EPR111C.....	Pressure Reducing/Relieving Valve .....	PV27-PV28
CSP(H)161.....	Single P.O. Check Package, Steel Body.....	CV25-CV26	FA101.....	Restrictive Flow Control, Reverse Check, Adjustable.....	FC25-FC26
☆CVH081P.....	Cartridge Check, Poppet Type.....	CV9	FAP081C.....	2 Way, Normally Closed.....	PV55-PV56
☆CVH103P.....	Cartridge Check, Poppet Type.....	CV10	FAP101C.....	2 Way, Normally Closed.....	PV57-PV58
☆CVH104P.....	Cartridge Check, Poppet Type 2 to 1 Flow Path .....	CV16	FAP121C.....	2 Way, Normally Closed.....	PV59-PV60
CVH121P.....	Cartridge Check, Poppet Type.....	CV12	FAP161C.....	2 Way, Normally Closed.....	PV61-PV62
CVH161P.....	Cartridge Check, Poppet Type.....	CV14	FAP081N.....	2 Way, Normally Open.....	PV63-PV64
CVH201P.....	Cartridge Check, Poppet Type.....	CV15	FAP101N.....	2 Way, Normally Open.....	PV65-PV66
D0WB2.....	Cartridge Check, Ball Type.....	CV7	FAP121N.....	2 Way, Normally Open.....	PV67-PV68
D02B2.....	Cartridge Check, Ball Type.....	CV8	FAP161N.....	2 Way, Normally Open.....	PV69-PV70
D04B2.....	Cartridge Check, Ball Type.....	CV11			
D04F2.....	Check With Thermal Relief, Relieving Port 2 to 1 .....	CV39			
D06B2P.....	Cartridge Check, Poppet Type.....	CV13			
D06C2.....	Cartridge Check, Poppet Type 2 to 1 Flow Path .....	CV17			
D1A060.....	Check Valve Insert, Ball Type.....	CV5			
D1B125.....	Check Valve Insert, Ball Type.....	CV6			



SERIES	DESCRIPTION	PAGE NO.	SERIES	DESCRIPTION	PAGE NO.
FAPC101C	2 Way, Normally Closed	PV71-PV72	L06A3	Flow Divider/Combiner	FC47-FC48
FAPC121C	2 Way, Normally Closed	PV73-PV74	L1A300	Flow Divider/Combiner	FC49-FC50
FAPC161C	2 Way, Normally Closed	PV75-PV76	M04A4J	Direct Acting Piloting Unloading	PC71-PC72
FAPC101N	2 Way, Normally Open	PV77-PV78	MHB-015-L***	Load Control Valve Assembly	LM11-LM13
FAPC121N	2 Way, Normally Open	PV79-PV80	MHB-015-W***	Load Control Valve Assembly	LM11-LM13
FAPC161N	2 Way, Normally Open	PV81-PV82	MHB-030-L***	Load Control Valve Assembly	LM14-LM16
FC101	Restrictive Flow Control, Reverse Check, Tuneable	FC27-FC28	MHB-030-W***	Load Control Valve Assembly	LM14-LM16
FCP101	Priority Type, with Bypass	FC39	MHC-010-S***	Load Control Cartridge Valve	LM7-LM8
FCPH121	Priority Type, with Bypass	FC41-FC42	MHC-010-V***	Load Control Cartridge Valve	LM7-LM8
FCR101	Restrictive Type, Press. Compensators	FC37	MHC-022-S***	Load Control Cartridge Valve	LM9-LM10
FCR161	Restrictive Type, Press. Compensators	FC38	MHC-022-V***	Load Control Cartridge Valve	LM9-LM10
FDC101	Flow Divider/Combiner	FC43-FC44	MMB-015-***	Motor Load Control	LM35-LM37
FP101	Priority Type, with Bypass	FC31-FC32	MMB-025-***	Motor Load Control	LM38-LM40
FR101	Restrictive Flow Control, Tuneable	FC19-FC20	N04A4	3 Way, Internal Vent, External Pilot	DC9
FV101	Needle Valve with Reverse Check, 1 to 2 Free Flow	FC15-FC16	N04B4	3 Way, Internal Vent, External Pilot	DC10
FV102	Needle Valve with Reverse Check, 1 to 2 Free Flow	FC15-FC16	N04G4	3 Way, Vent to Atmosphere, External Pilot	DC11
GH02 01	2 Position, 2 Way, N.C., with Flow Adj.	SV27-SV28	N04H4	3 Way, Vent to Atmosphere, External Pilot	DC12
GM0212	2 Position, 2 Way, N.O. Poppet, Push to Close	MV3	N5A125	3 Way, 2 Position, External Drain, Open Transition	DC13
GM0233	2 Position, 3 Way, Spool Type, Pull to Shift	MV4	N5A300	3 Way, 2 Position, External Drain, Open Transition	DC14
GM0240CS	2 Position, 4 Way, Push to Shift	MV10	N5B125	3 Way, 2 Position, External Drain, Closed Transition	DC15
GM0240XS	2 Position, 4 Way, Push to Shift	MV9	N5B300	3 Way, 2 Position, External Drain, Closed Transition	DC16
GP01 30	Pressure Reducing Valve	PV21-PV22	N5C125	3 Way, 2 Position, External Drain, Diverter Valve, N.O.	DC17
GP02 51	4 Way, 3 Pos - Closed Center	PV87-PV88	N5C300	3 Way, 2 Position, External Drain, Diverter Valve, N.O.	DC18
GP02 53	4 Way, 3 Pos - Float Center	PV89-PV90	N5D125	3 Way, 2 Position, External Drain, Diverter Valve, N.C.	DC19
GS02 22	2 Position, 2 Way, N.C. Spool	SV7-SV8	N5D300	3 Way, 2 Position, External Drain, Diverter Valve, N.C.	DC20
GS02 27	2 Position, 2 Way, N.O. Spool	SV9-SV10	☆NVH081	Needle Valve, Cartridge Type	FC7-FC8
GS02 42	2 Position, 4 Way	SV11-SV12	☆NVH101	Needle Valve, Cartridge Type	FC9-FC10
GS02 51	3 Position, 4 Way	SV79-SV80	☆PR103	Direct Acting Reducing/Relieving	PC113-PC114
GS02 53	3 Position, 4 Way	SV81-SV82	☆PRCH101	Pilot Operated Reducing/Relieving w/Reverse Check	PC131-PC132
GS02 57	3 Position, 4 Way	SV83-SV84	PRD081CW	Decrease Pressure/Increase Current	PV17-PV18
GS02 59	3 Position, 4 Way	SV85-SV86	☆PRH081	Pilot Operated Reducing/Relieving	PC123-PC124
GS02 72/73	Bi-Directional Poppet, N.C.	SV29-SV30	☆PRH082	Pilot Operated Reducing	PC115-PC116
GS02 77/78	Bi-Directional Poppet, N.O.	SV37-SV38	☆PRH101	Pilot Operated Reducing/Relieving	PC125-PC126
GS02 80/81	Bi-Directional Poppet, N.C.	SV31-SV32	☆PRH102	Pilot Operated Reducing	PC117-PC118
GS02 85/86	Bi-Directional Poppet, N.O.	SV39-SV40	PRH121	Pilot Operated Reducing/Relieving	PC127-PC128
GS04 52D	3 Position, 4 Way	SV89-SV90	PRH122	Pilot Operated Reducing	PC119-PC120
GS04 54D	3 Position, 4 Way	SV91-SV92	PRH161	Pilot Operated Reducing/Relieving	PC129-PC130
GS04 57D	3 Position, 4 Way	SV93-SV94	PRH162	Pilot Operated Reducing	PC121-PC122
GS04 59D	3 Position, 4 Way	SV95-SV96	R04A4	2 Way, Normally Open, Pilot to Close, Ext. Vent	DC4
GS04 80/81	Bi-Directional Poppet, N.C.	SV33-SV34	R04B4	2 Way, Normally Closed, Pilot to Open, Ext. Vent	DC5
GS04 85/86	Bi-Directional Poppet, N.O.	SV41-SV42	R04C3	2 Way, Normally Open, Pilot to Close	DC1-DC2
GS06 80/81	Bi-Directional Poppet, N.C.	SV35-SV36	R04D3	2 Way, Normally Closed, Pilot to Open	DC3
GS06 85/86	Bi-Directional Poppet, N.O.	SV43-SV44	R04E3	Normally Closed, Pilot to Close	LE14
GTP02 34	Pressure Reducing Valve	PV23-PV24	R04F3	Normally Closed, Vent to Open	LE20
GTPO4 34	Pressure Reducing Valve	PV25-PV26	R04G3	Normally Open, Vent to Close	LE29
HP02C	Flow Control, N.C.	PV35-PV36	R04H3	Normally Open, Vent to Close	LE25
HP02P	Flow Control, N.O.	PV45-PV46	R06E3	Normally Closed, Pilot to Close	LE15
HP04C	Flow Control, N.C.	PV39-PV40	R06F3	Normally Closed, Vent to Open	LE21
HP04P	Flow Control, N.O.	PV49-PV50	R06G3	Normally Open, Vent to Close	LE30
J02A2	Needle Valve, Cartridge Type	FC5-FC6	R06H3	Normally Open, Vent to Close	LE26
J02B2	Needle Valve with Reverse Check, 2 to 1 Free Flow	FC13-FC14	R08E3	Normally Closed, Pilot to Close	LE16
J02D3	Priority Type, with Bypass	FC29-FC30	R08F3	Normally Closed, Vent to Open	LE22
J02E2	Restrictive Flow Control, Adjustable	FC17-FC18	☆RAH081	Pilot Operated Spool Type	PC35-PC36
J04C2	Restrictive Flow Control, Adjustable	FC23-FC24	☆RAH101	Pilot Operated Spool Type	PC37-PC38
J04D3	Priority Type, with Bypass	FC33-FC34	☆RAH101V	Pilot Operated Vented Relief	PC51-PC52
J04E2	Restrictive Flow Control, Adjustable	FC21-FC22	RAH121	Pilot Operated Spool Type	PC39-PC40
J06A2	Needle Valve, Cartridge Type	FC11-FC12	RAH161	Pilot Operated Spool Type	PC41-PC42
J1A125	Priority Type, with Bypass	FC35-FC36	RAH201	Pilot Operated Spool Type	PC45-PC46
JP02C	Flow Control, N.C.	PV37-PV38	☆RD102	Direct Acting Relief, Poppet Type	PC19-PC20
JP02P	Flow Control, N.O.	PV47-PV48	RD163	Direct Acting Differential Area Relief	PC33-PC34
JP04C 21	Flow Control, N.C.	PV41-PV42	☆RDCH103	Direct Acting Differential Relief Assembly	PC31-PC32
JP04C 31	Priority Flow Control, N.C.	PV83-PV84	RDH042	Direct Acting Relief, Poppet Type	PC7-PC8
JP04P	Flow Control, N.O.	PV51-PV52	☆RDH081	Direct Acting Relief, Ball Type	PC9-PC10
K02A3	Cartridge Shuttle	SH6	RDH082	Direct Acting Relief, Poppet Type	PC11-PC12
K04B3	Spool Type Shuttle	SH10	RDH083	Direct Acting Differential Area Relief	PC27-PC28
K04C3	Spool Type, Spring Centered, All Ports Closed	SH12	☆RDH101	Direct Acting Relief, Ball Type	PC13-PC14
K04D3	Spool Type Shuttle	SH11	☆RDH103	Direct Acting Differential Area Relief	PC29-PC30
K04F3	Spool Type, Spring Centered, All Ports Open	SH14	RU101	Direct Acting Unloading	PC69-PC70
K04G3	Spool Type Shuttle, Inverse	SH15	☆SV103	Direct Acting, 2P-3W, Int. Pilot, Ext. Drain	PC95-PC96
K2A005	Poppet Insert Type	SH4	☆SV104	Direct Acting, 2P-2W, N.O., Ext. Pilot, Ext. Drain	PC105-PC106
K3A125	Spool Type, Spring Centered, All Ports Closed	SH13	☆SV105	Direct Acting, 2P-2W, N.C., Ext. Pilot, Int. Drain	PC97-PC98
KSWA3	Ball Insert Type	SH3			
L04A3	Flow Divider/Combiner	FC45-FC46			

☆ Denotes New Winner's Circle Product Line.

**CV**  
 Check Valves  
**SH**  
 Shuttle Valves  
**LM**  
 Load/Motor Controls  
**FC**  
 Flow Controls  
**PC**  
 Pressure Controls  
**LE**  
 Logic Elements  
**DC**  
 Directional Controls  
**MV**  
 Manual Valves  
**SV**  
 Solenoid Valves  
**PV**  
 Proportional Valves  
**CE**  
 Coils & Electronics  
**BC**  
 Bodies & Cavities  
**TD**  
 Technical Data

<b>CV</b>
Check Valves
<b>SH</b>
Shuttle Valves
<b>LM</b>
Load/Motor Controls
<b>FC</b>
Flow Controls
<b>PC</b>
Pressure Controls
<b>LE</b>
Logic Elements
<b>DC</b>
Directional Controls
<b>MV</b>
Manual Valves
<b>SV</b>
Solenoid Valves
<b>PV</b>
Proportional Valves
<b>CE</b>
Coils & Electronics
<b>BC</b>
Bodies & Cavities
<b>TD</b>
Technical Data

SERIES	DESCRIPTION	PAGE NO.
☆SVCH101	Pilot Operated with Reverse Check Assembly	PC85-PC86
☆SVH081	Pilot Operated, Int. Pilot, Ext. Drain	PC75-PC76
☆SVH101	Pilot Operated, Int. Pilot, Ext. Drain	PC77-PC78
☆SVH102	Pilot Operated, Ext. Pilot, Int. Drain	PC81-PC82
SVH161	Pilot Operated, Int. Pilot, Ext. Drain	PC79-PC80
SVH162	Pilot Operated, Ext. Pilot, Int. Drain	PC83-PC84
XR101	Direct Acting Cross-over Relief	PC57-PC58
☆XRDH101	Direct Acting Cross-over Relief	PC63-PC64
☆XRDH102	Direct Acting Cross-over Relief w/Anti-Cav Check	PC65-PC66
☆XRDH103	Direct Acting Cross-over Relief, Motor Mount	PC67-PC68

**Cartridge Valve Coils**

CC	1/2" Solenoid Tubes	CE3-CE4
CA	5/8" Solenoid Tubes	CE5-CE6
HLC	5/8" Hazardous Location	CE7-CE8
DS	1" Solenoid Tubes	CE9

**Electronics**

XPRO704	Soft Start Valve Controller, 12/24 VDC	CE17
XPRO704b	Soft Start and Stop Valve Controller, 12/24 VDC	CE18
XPRO804	Power Saver Controller, 12/24 VDC PWM	CE19
XPRO902	12 VDC PWM Controller, 110Hz, 19W	CE11-CE12
XPRO902d	12 VDC PWM Controller, 95-230Hz, 19W	CE13-CE14
XPRO902rid	12 VDC PWM Controller, 95-230Hz, 19W, Multi-adj.	CE15-CE16
XPRO904	24 VDC PWM Controller, 110Hz, 19W	CE11-CE12
XPRO904d	24 VDC PWM Controller, 95-230Hz, 19W	CE13-CE14
XPRO904rid	24 VDC PWM Controller, 95-230Hz, 19W, Multi-adj.	CE15-CE16
XPRO932	12 VDC PWM Controller, 110Hz, 30W	CE11-CE12
XPRO932d	12 VDC PWM Controller, 95-230Hz, 30W	CE13-CE14
XPRO932rid	12 VDC PWM Controller, 95-230Hz, 30W, Multi-adj.	CE15-CE16
XPRO934	24 VDC PWM Controller, 110Hz, 30W	CE11-CE12
XPRO934d	24 VDC PWM Controller, 95-230Hz, 30W	CE13-CE14
XPRO934rid	24 VDC PWM Controller, 95-230Hz, 30W, Multi-adj.	CE15-CE16

**Standard Bodies and Cavities**

C04-2	04 Size, 2 Way	BC7
C04-3	04 Size, 3 Way	BC8
C08-2	08 Size, 2 Way	BC9
C08-3	08 Size, 3 Way	BC10
C08-4	08 Size, 4 Way	BC11
C09-2	09 Size, 2 Way	BC12
C10-2	10 Size, 2 Way	BC13
C10-2T	10 Size, 2 Way, "T" Body	BC14
C10-3	10 Size, 3 Way	BC15
C10-3L	10 Size, 3 Way, L	BC16
C10-3S	10 Size, 3 Way, Short	BC17
C10-4	10 Size, 4 Way	BC18
C12-2	12 Size, 2 Way	BC19
C12-2F	12 Size, 2 Way (FAP121 Series)	BC20
C12-3	12 Size, 3 Way	BC21
C12-3L	12 Size, 3 Way, Long	BC22
C12-4	12 Size, 4 Way	BC23
C12-4L	12 Size, 4 Way, Long	BC24
C16-2	16 Size, 2 Way	BC25
C16-3	16 Size, 3 Way	BC26
C16-3S	16 Size, 3 Way, Short	BC27
C16-4	16 Size, 4 Way	BC28
C20-2	20 Size, 2 Way	BC29
C20-3S	20 Size, 3 Way, Short	BC30

**Counterbalance Cavities and Bodies**

MHC-010	Single and Dual Counterbalance Bodies	BC31
MHC-022	Single and Dual Counterbalance Bodies	BC32

SERIES	DESCRIPTION	PAGE NO.
<b>Pilot Piston Cavities</b>		
10 Size	10 Size Cavity for Single Check and Pilot Piston	BC33
10 Size	10 Size Cavity for Dual Check and Pilot Piston	BC33
16 Size	16 Size Cavity for Single Check and Pilot Piston	BC33
16 Size	16 Size Cavity for Dual Check and Pilot Piston	BC33

**Standard Cavity Plugs**

Cavity Plugs	BC34
--------------	------

**Cartpak Bodies**

BD03-ABN	A and B Port Interrupt, Body Only	BC40
BD03-ABT	A and B Ports to Tank, Body Only	BC42
BD03-ABX	A and B Port Crossover, Body Only	BC41
BD03-ADB	A Port Drain to B, Body Only	BC45
BD03-BDA	B Port Drain to A, Body Only	BC44
BD03-DDX	Ports A and B Drain to Crossover Port, Body Only	BC43
BD03-PN	P Port Interrupt, 2-Way, Body Only	BC35
BD03-PN2	P Port Interrupt, 2-Way, Body Only	BC36
BD03-PNR	P Port Interrupt, Reducing Function, Body Only	BC37
BD03-PNS	P Port Interrupt, Sequencing Function, Body Only	BC38
BD03-POC	Dual P.O. Checks - A and B Ports to Tank	BC46
BD03-PT	P to T, Body Only	BC39

**Special Bodies and Cavities**

CAVOW-2	2 Port	BC47
CAVSW-3	3 Port	BC48
2C	2 Port	BC49
2G	2 Port	BC50
2R	2 Port	BC51
2U	2 Port	BC52
2X	2 Port	BC53
3A	3 Port	BC54
3C	3 Port or 4 Port Dual	BC55
3K	3 Port	BC56
3M	3 Port or 4 Port Dual	BC57
3U	3 Port	BC58
3X	3 Port	BC59
3Z	3 Port	BC60
4C	4 Port	BC61
5A	5 Port	BC62
53-1	3 Port or 4 Port Dual	BC63
54-1	3 Port	BC64
68-1	3 Port or 4 Port Dual	BC65
91-1	3 Port	BC66
100-1	5 Port	BC67

**Technical Data**

Basic Hydraulic Formulas	TD1
Ratings and Testing	TD1
Temperature Ratings	TD1
Viscosity	TD1
Pressure Ratings	TD1
Thermal Shock	TD1
Service and Components	TD1
Limitations in Use	TD1
Seal Material Selection	TD2
Hydraulic Fluids	TD3
Hydraulic Filtration	TD3
Application of Product	TD3
Offer of Sale	TD4

<b>Check Valves</b>	<b>CV1-CV39</b>	<b>CV</b> Check Valves
<b>Shuttle Valves</b>	<b>SH1-SH15</b>	<b>SH</b> Shuttle Valves
<b>Load and Motor Control Valves</b>	<b>LM1-LM40</b>	<b>LM</b> Load/Motor Controls
<b>Flow Control Valves</b>	<b>FC1-FC50</b>	<b>FC</b> Flow Controls
<b>Pressure Control Valves</b>	<b>PC1-PC132</b>	<b>PC</b> Pressure Controls
<b>Logic Element Valves</b>	<b>LE1-LE30</b>	<b>LE</b> Logic Elements
<b>Directional Control Valves</b>	<b>DC1-DC20</b>	<b>DC</b> Directional Controls
<b>Manual Valves</b>	<b>MV1-MV12</b>	<b>MV</b> Manual Valves
<b>Solenoid Valves</b>	<b>SV1-SV104</b>	<b>SV</b> Solenoid Valves
<b>Proportional Valves</b>	<b>PV1-PV93</b>	<b>PV</b> Proportional Valves
<b>Coils and Electronics</b>	<b>CE1-CE19</b>	<b>CE</b> Coils & Electronics
<b>Bodies and Cavities</b>	<b>BC1-BC67</b>	<b>BC</b> Bodies & Cavities
<b>Technical Data</b>	<b>TD1-TD4</b>	<b>TD</b> Technical Data

	SERIES	CAVITY	DESCRIPTION	FLOW LPM/GPM	PRESSURE BAR/PSI	PAGE NO.		
	<b>STANDARD CHECKS</b>							
		D1A060	2U	Check Valve Insert, Ball Type	145/38	420/6000	CV5	
		D1B125	2C	Check Valve Insert, Ball Type	500/132	420/6000	CV6	
		D0WB2	CAV0W-2	Cartridge Check, Ball Type	3.5/0.9	420/6000	CV7	
		D02B2	C08-2	Cartridge Check, Ball Type	45/12	420/6000	CV8	
	☆	CVH081P	C08-2	Cartridge Check, Poppet Type	38/10	350/5000	CV9	
	☆	CVH103P	C10-2	Cartridge Check, Poppet Type	60/16	350/5000	CV10	
		D04B2	C10-2	Cartridge Check, Ball Type	160/42	420/6000	CV11	
		CVH121P	C12-2	Cartridge Check, Poppet Type	121/32	350/5000	CV12	
		D06B2P	C16-2	Cartridge Check, Poppet Type	280/74	420/6000	CV13	
		CVH161P	C16-2	Cartridge Check, Poppet Type	226/60	350/5000	CV14	
		CVH201P	C20-2	Cartridge Check, Poppet Type	303/80	350/5000	CV15	
	☆	CVH104P	C10-2	Cartridge Check, Poppet Type 2 to 1 Flow Path	19/5	350/5000	CV16	
		D06C2	C16-2	Cartridge Check, Poppet Type 2 to 1 Flow Path	500/132	420/6000	CV17	
		<b>PILOT OPERATED CHECKS</b>						
			CP084P	C08-3	Single P.O. Check, Pilot on Port 1	19/5	207/3000	CV18
		☆	CPH104P	C10-3	Single P.O. Check, Pilot on Port 1	30/8	350/5000	CV19
		CPH124P	C12-3	Single P.O. Check, Pilot on Port 1	75/20	350/5000	CV20	
☆		CSP(H)081		Single P.O. Check Package	38/10	350/5000	CV21-22	
☆		CSP(H)103		Single P.O. Check Package	60/16	350/5000	CV23-24	
		CSP(H)161		Single P.O. Check Package, Steel Body	226/60	350/5000	CV25-26	
		D4A020	53-1	Single P.O. Check, Pilot on Port 3	30/8	420/6000	CV27	
		D4A040	68-1	Single P.O. Check, Pilot on Port 3	60/16	420/6000	CV28	
		D3B125	3C	Single P.O. Check, Pilot on Port 3	150/40	420/6000	CV29	
		CPC101P	C10-3	Pilot to Close Check, Pilot on Port 3	20/5	420/6000	CV30	
	<b>DUAL PILOT OPERATED CHECKS</b>							
		CPD084P	C08-4	Dual P.O. Check Cartridge	19/5	207/3000	CV32	
	☆	CDP(H)081		Dual P.O. Check Package	38/10	350/5000	CV33-34	
	☆	CDP(H)103		Dual P.O. Check Package	60/16	350/5000	CV35-36	
		CDP(H)161		Dual P.O. Check Package, Steel Body	226/60	350/5000	CV37-38	
	<b>CHECK WITH RELIEF</b>							
		D04F2	C10-2	Check With Thermal Relief, Relieving Port 2 to 1	130/40	420/6000	CV39	

\*Rated to 207 Bar/3000 PSI with Aluminum Body.

☆ Denotes New Winner's Circle Product Line.



- CV**  
Check Valves
- SH**  
Shuttle Valves
- LM**  
Load/Motor Controls
- FC**  
Flow Controls
- PC**  
Pressure Controls
- LE**  
Logic Elements
- DC**  
Directional Controls
- MV**  
Manual Valves
- SV**  
Solenoid Valves
- PV**  
Proportional Valves
- CE**  
Coils & Electronics
- BC**  
Bodies & Cavities
- TD**  
Technical Data



CV

Check Valves

SH

Shuttle Valves

LM

Load/Motor Controls

FC

Flow Controls

PC

Pressure Controls

LE

Logic Elements

DC

Directional Controls

MV

Manual Valves

SV

Solenoid Valves

PV

Proportional Valves

CE

Coils & Electronics

BC

Bodies & Cavities

TD

Technical Data

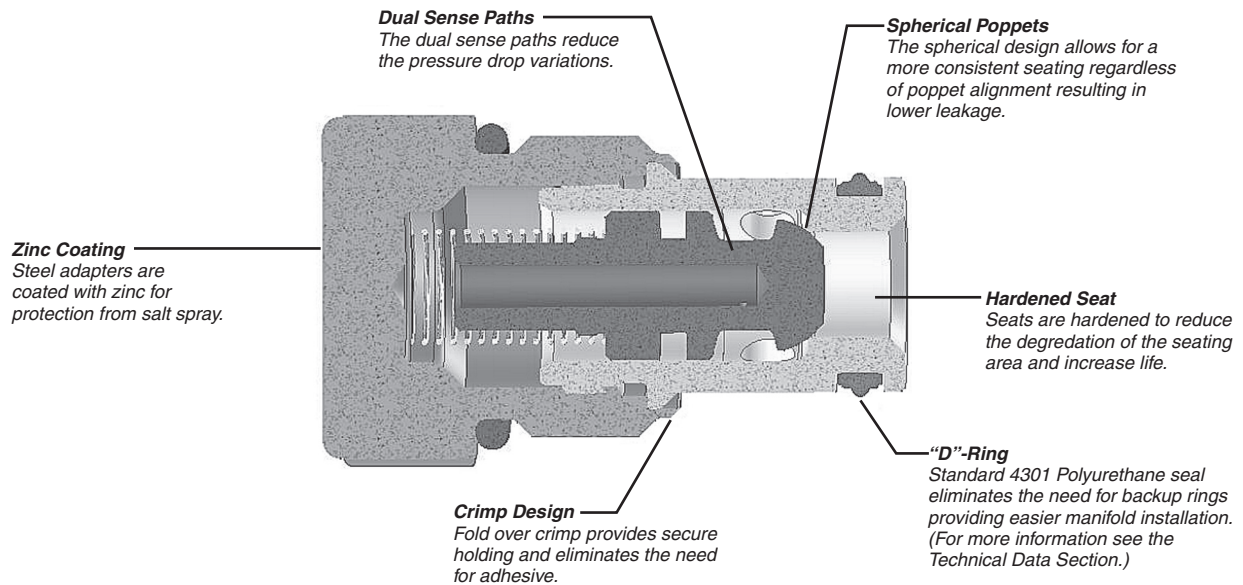
**INTRODUCTION:**

This technical tips section is designed to help familiarize you with the Parker line of Check Valves. In this section we present the products that are new to this catalog as well as some design features of our checks valves. In addition, we present common options available to help you in selecting products for your application. Finally we give a brief synopsis of the operation and applications of the various product offered in this section.

**NEW PRODUCTS:**

There are several new additions and product improvements to our Check Valve product line.

*Here are just some of the general design features and advantages to the "Winner's Circle" check valve.*



**COMMON OPTIONS:**

Since check valves and shuttles are fairly simple components, there are very few options. Here are the standard options you will find.

**Seals:** The Winner's Circle products feature a standard 4301 Polyurethane "D"-Ring. The "D"-Ring eliminates the need for backup rings. The majority of the products are available in Nitrile or Fluorocarbon Seals. You should match the seal compatibility to the temperature and fluid being used in your application.

**Crack Pressure:** Parker offers a number of standard crack pressure options for each valve. Check the model code pages for these options. The crack pressure is defined as the minimum amount of pressure that is needed to unseat the poppet. In pilot operated check applications, you may want to go with a slightly higher cracking pressure to keep the piston weight, friction, and drag from accidentally unseating the poppet.

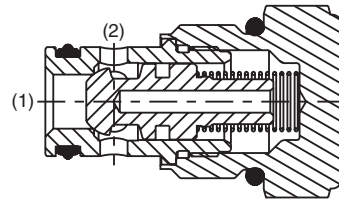
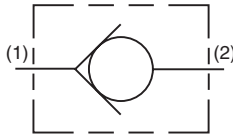
**Pilot Piston Seal:** On the pilot piston style pilot operated check valves, Parker offers the option to place a seal on the piston to reduce the leakage across the piston. **Note:** Sealing the pilot piston does not decrease the leakage across the poppet. In other words, if you are trying to reduce the leakage from the actuator port, sealing the piston will not help. While most applications do not require a seal on the piston, it can be advantageous in applications with very small pump flows where the lost fluid would have a high impact on actuator speed.

**PRODUCT TYPES / APPLICATIONS**

**Check Valve - Poppet Type**

Check valves are poppet style elements that allow free flow in one direction while preventing flow in the reverse direction.

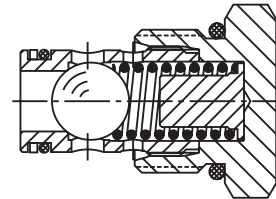
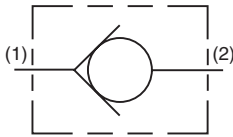
They can be used to isolate portions of a hydraulic circuit or to provide a free flow path around a restrictive valve.



**OPERATION** - Pressure on the inlet (port 1) of the check valve creates a force against the poppet, pushing it off its seat and permitting free flow to port 2. Reverse flow through the check is blocked by the poppet.

**Check Valve - Ball Type**

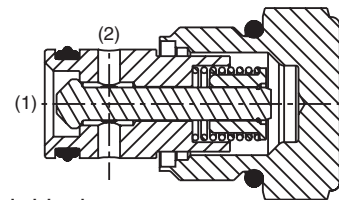
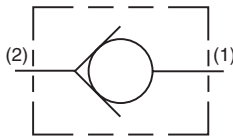
Ball type check valves are check valves that use a hardened steel ball to seal against the valve seat as opposed to a poppet. They are simple in their design and provide low leakage over the life of the system.



**OPERATION** - Pressure on the inlet (port 1) of the check valve creates a force on the steel ball pushing it off of its seat and permitting free flow to port 2. Reverse flow through the check is blocked by the steel ball on the seat.

**Side to Nose Check Valve**

Side to nose check valves are a special type of check valve where the free flow path is from the side of the cartridge valve to the nose. They functionally are the same as the standard check valve. Side to nose check valves are occasionally used by manifold designers to simply the flow path design of their blocks.



**OPERATION** - Pressure on the inlet (port 2) of the check valve creates a force against the poppet, pushing it off its seat and permitting free flow to port 1. Reverse flow through the check is blocked by the poppet.

**CV**

Check Valves

**SH**

Shuttle Valves

**LM**

Load/Motor Controls

**FC**

Flow Controls

**PC**

Pressure Controls

**LE**

Logic Elements

**DC**

Directional Controls

**MV**

Manual Valves

**SV**

Solenoid Valves

**PV**

Proportional Valves

**CE**

Coils & Electronics

**BC**

Bodies & Cavities

**TD**

Technical Data

**Technical Tips**

**Check Valves**

**CV**

Check Valves

**SH**

Shuttle Valves

**LM**

Load/Motor Controls

**FC**

Flow Controls

**PC**

Pressure Controls

**LE**

Logic Elements

**DC**

Directional Controls

**MV**

Manual Valves

**SV**

Solenoid Valves

**PV**

Proportional Valves

**CE**

Coils & Electronics

**BC**

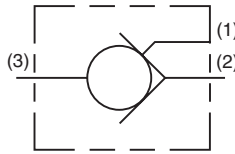
Bodies & Cavities

**TD**

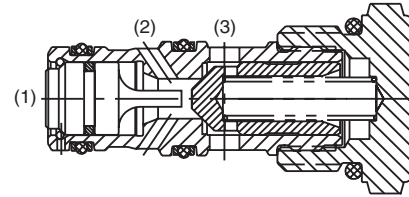
Technical Data

**Pilot Operated Check Valve**

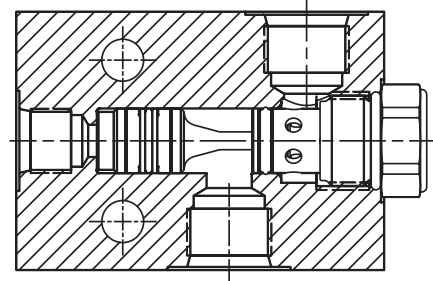
Pilot operated check valves (also referred to as P.O. check valves), are check valves which can be opened by an external pilot pressure. Thus, P.O. checks, block flow in one direction, like standard check valves, but can be released once an adequate pilot pressure is applied. Free flow is allowed in the reverse direction. P.O. checks are often used to positively lock a dual acting cylinder. There are two types of pilot operated check valves; threaded cartridge style and pilot piston style. These valves work best when used in conjunction with a control valve that vents the valve ports to tank when centered.



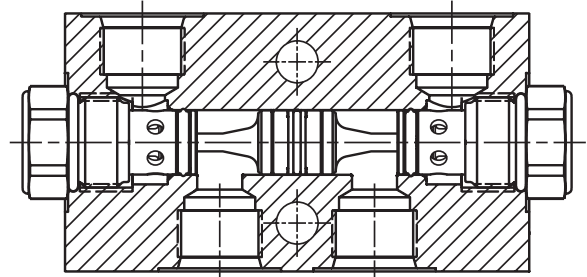
**Cartridge Style P.O. Check Valve**



**Single Pilot Piston Style P.O. Check Valve**



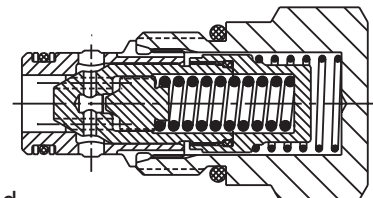
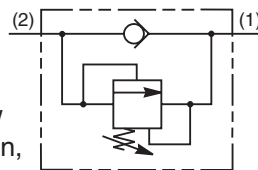
**Dual Pilot Piston Style P.O. Check Valve**



**OPERATION** - In the absence of adequate pilot pressure, the poppet remains seated preventing flow from the actuator port (port 3) to the valve port (port 2). Once adequate pilot pressure is applied at the pilot port (port 1), the internal pilot piston unseats the check poppet permitting flow from port 3 to port 2. The amount of pressure needed at port 1 to unseat the check valve is determined by the pilot ratio of the pilot piston to the poppet seat diameter. If you have a pilot operated check valve with a 3:1 ratio pilot piston, then you would need a pilot pressure at port 1 that is 1/3 of the pressure being checked at port 3 plus the spring. For example, if you had 3000 psi on port 3 and a 5 psi spring and a 3:1 pilot ratio, it would take 1002 psi  $[(3000 \text{ psi} + 5 \text{ psi}) / 3]$  to release the check valve. Free flow is permitted from the valve port (port 2) to the cylinder port (port 3).

**Check Valve With Thermal Relief**

The check valve with thermal relief performs the same function as a standard check valve. It allows free flow in one direction. In the opposite direction, it performs as a normal check valve preventing flow, while also venting excess pressure caused by the thermal expansion of fluid. This type of valve can be used with an external pilot piston to provide a pilot operated valve that will vent trapped pressure due to thermal expansion. These valves work best when used in conjunction with a control valve that vents the valve ports to tank when centered.



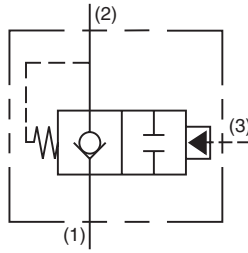
**OPERATION** - The check valve is a guided poppet design. As the pressure on the inlet exceeds the spring rate, the poppet is pushed off of its seat allowing flow to pass. Once the pressure on the inlet side drops below the spring force, the spring then pushes the poppet back on its seat blocking flow from the outlet to the inlet of the check valve. If the pressure on the outlet side of the check valve (when it is in a load holding function) rises (through thermal expansion), the direct acting relief will vent the excess pressure caused by the thermal expansion to the inlet side of the check.

## Technical Tips

## Check Valves

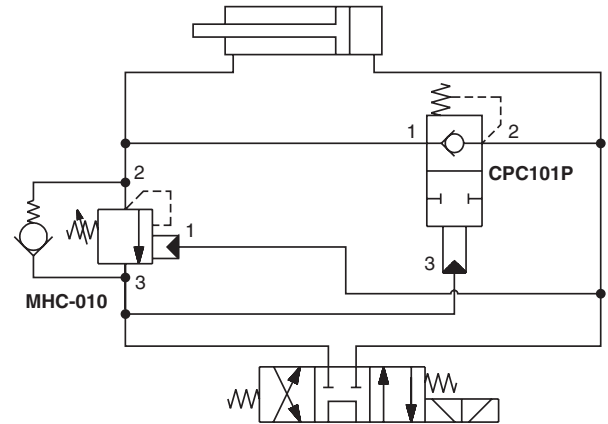
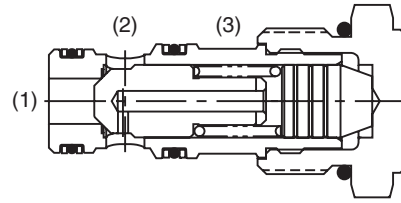
### Pilot to Close Check

Pilot to close check valves are unique 2 way valves that act as a check valve, allowing free flow in one direction and blocking flow from the opposite direction. When an external pilot pressure is applied, flow is blocked from both directions.



These products are ideal for regeneration circuits. See sample diagram shown.

**OPERATION** - In the absence of adequate pilot pressure, the valve functions as a simple check valve, allowing free flow from port 1 to port 2. When adequate pilot pressure at port 3 is applied, the pilot piston holds the poppet closed, blocking flow in both directions.



**CV**

Check Valves

**SH**

Shuttle Valves

**LM**

Load/Motor Controls

**FC**

Flow Controls

**PC**

Pressure Controls

**LE**

Logic Elements

**DC**

Directional Controls

**MV**

Manual Valves

**SV**

Solenoid Valves

**PV**

Proportional Valves

**CE**

Coils & Electronics

**BC**

Bodies & Cavities

**TD**

Technical Data



Technical Information

CV

Check Valves

SH

Shuttle Valves

LM Load/Motor Controls

FC

Flow Controls

PC

Pressure Controls

LE

Logic Elements

DC

Directional Controls

MV

Manual Valves

SV

Solenoid Valves

PV

Proportional Valves

CE

Coils & Electronics

BC

Bodies & Cavities

TD

Technical Data

General Description

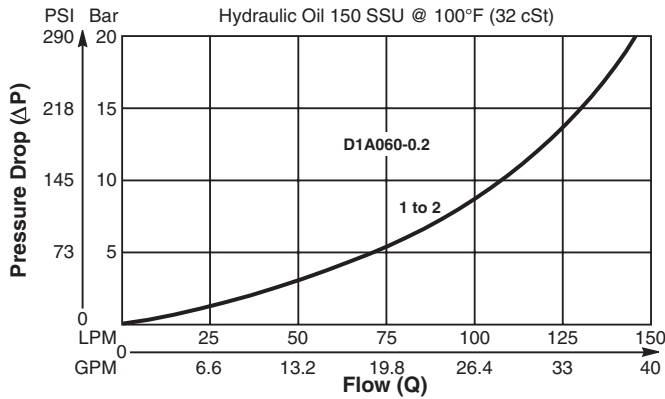
Ball Type, Check Valve Insert.

Features

- For inserting inside manifold blocks
- High flow capacity
- Minimal leakage - less than 3 drops/min.
- Simple construction - extremely cost effective
- Range of cracking pressures available
- Good contamination tolerance
- All external parts zinc plated

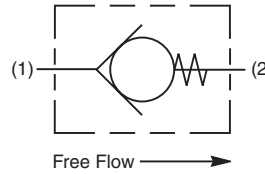
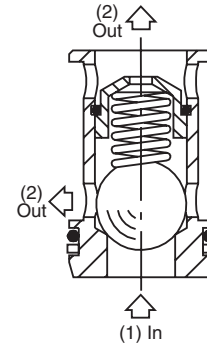
Performance Curve

Pressure Drop vs. Flow (Through cartridge only)

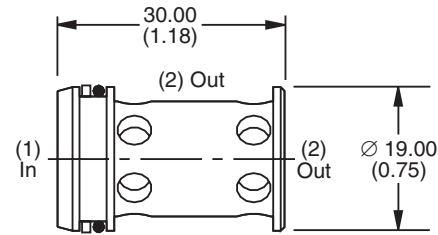


Specifications

<b>Rated Flow</b>	145 LPM (38 GPM)
<b>Nominal Flow @ 7 Bar (100 PSI)</b>	90 LPM (24 GPM)
<b>Maximum Inlet Pressure</b>	420 Bar (6000 PSI)
<b>Leakage at 150 SSU (32 cSt)</b>	Less than 3 drops/min.
<b>Cartridge Material</b>	Steel operating parts, hardened steel ball.
<b>Operating Temp. Range/Seals</b>	-34°C to +121°C (Nitrile, Buna-N) (-30°F to +250°F) -26°C to +204°C (Fluorocarbon) (-15°F to +400°F)
<b>Fluid Compatibility/Viscosity</b>	Mineral-based or synthetic with lubricating properties at viscosities of 45 to 2000 SSU (6 to 420 cSt)
<b>Filtration</b>	ISO-4406 18/16/13, SAE Class 4
<b>Approx. Weight</b>	.085 kg (.19 lbs.)
<b>Cavity</b>	2U (See BC Section for more details)



Dimensions Millimeters (Inches)



Ordering Information

**D1A060** —

Check Valve Insert    Cracking Pressure    Seals

Code	Cracking Pressure
0.2	0.2 Bar (3 PSI) Std.
1.0	1.0 Bar (15 PSI)
2.0	2.0 Bar (30 PSI)
3.0	3.0 Bar (45 PSI)
5.0	5.0 Bar (72 PSI)
7.0	7.0 Bar (100 PSI)
10.0	10.0 Bar (145 PSI)

Code	Seals / Kit No.
N	Nitrile, Buna-N / (SK30019N-1)
V	Fluorocarbon / (SK30019V-1)

Order Bodies Separately

**LB10**

Line Body    Porting    Body Material

Code	Porting
220	1/2" SAE

Code	Body Material
S	Steel

**General Description**

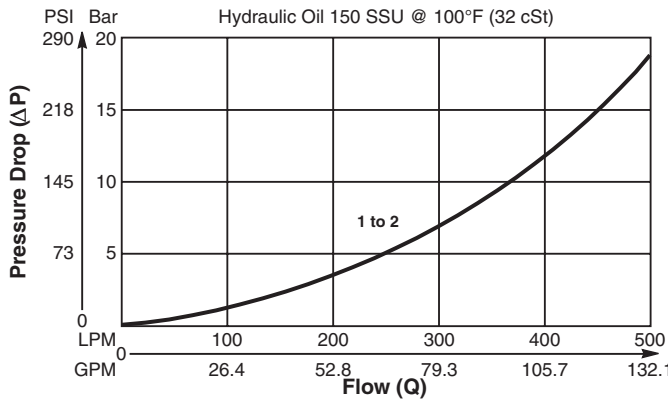
Poppet Type, Check Valve Insert.

**Features**

- For inserting inside manifold blocks
- High flow capacity
- Minimal leakage - less than 3 drops/min.
- Simple construction - extremely cost effective
- Range of cracking pressures available
- Good contamination tolerance
- All external parts zinc plated

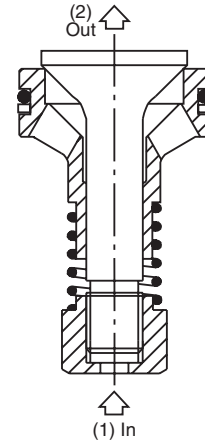
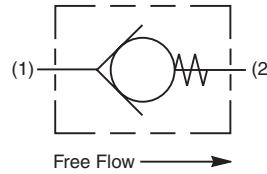
**Performance Curve**

**Pressure Drop vs. Flow (Through cartridge only)**

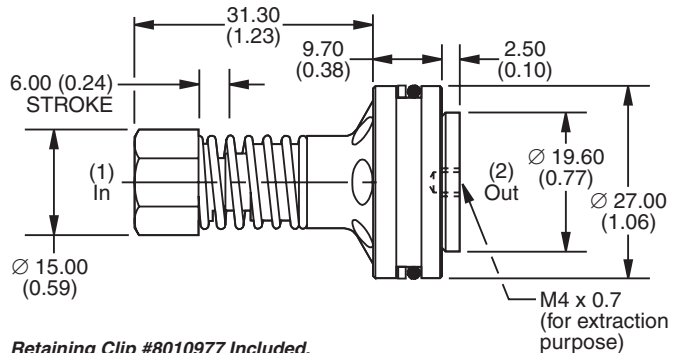


**Specifications**

<b>Rated Flow</b>	500 LPM (132 GPM)
<b>Nominal Flow @ 7 Bar (100 PSI)</b>	300 LPM (79 GPM)
<b>Maximum Inlet Pressure</b>	420 Bar (6000 PSI)
<b>Leakage at 150 SSU (32 cSt)</b>	Less than 3 drops/min.
<b>Cartridge Material</b>	Steel operating parts, hardened steel poppet.
<b>Operating Temp. Range/Seals</b>	-34°C to +121°C (Nitrile, Buna-N) (-30°F to +250°F) -26°C to +204°C (Fluorocarbon) (-15°F to +400°F)
<b>Fluid Compatibility/Viscosity</b>	Mineral-based or synthetic with lubricating properties at viscosities of 45 to 2000 SSU (6 to 420 cSt)
<b>Filtration</b>	ISO-4406 18/16/13, SAE Class 4
<b>Approx. Weight</b>	.06 kg (.13 lbs.)
<b>Cavity</b>	2C (See BC Section for more details)

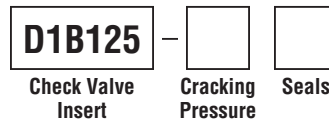


**Dimensions** Millimeters (Inches)



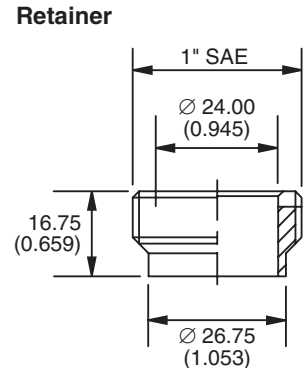
Retaining Clip #8010977 Included.

**Ordering Information**



Code	Cracking Pressure
0.0	0 Bar (0 PSI)
0.1	0.1 Bar (1.5 PSI)
0.2	0.2 Bar (3 PSI)
1.0	1.0 Bar (15 PSI) Std.
2.0	2.0 Bar (30 PSI)
3.0	3.0 Bar (45 PSI)
5.0	5.0 Bar (72 PSI)

Code	Seals / Kit No.
N	Nitrile, Buna-N / (SK30014N-1)
V	Fluorocarbon / (SK30014V-1)



**Note:** Valve is supplied with retention round wire circlip. As an alternative to circlip retention of the check valve insert, the threaded retainer shown here can be used to lock the insert beneath 1" SAE ports and should be ordered separately. For 1" SAE order as RT10002. Torque to 85 Nm (63 lb. ft.)

<b>CV</b>
Check Valves
<b>SH</b>
Shuttle Valves
<b>LM</b>
Load/Motor Controls
<b>FC</b>
Flow Controls
<b>PC</b>
Pressure Controls
<b>LE</b>
Logic Elements
<b>DC</b>
Directional Controls
<b>MV</b>
Manual Valves
<b>SV</b>
Solenoid Valves
<b>PV</b>
Proportional Valves
<b>CE</b>
Coils & Electronics
<b>BC</b>
Bodies & Cavities
<b>TD</b>
Technical Data

**Technical Information**

CV

Check Valves

SH

Shuttle Valves

LM

Load/Motor Controls

FC

Flow Controls

PC

Pressure Controls

LE

Logic Elements

DC

Directional Controls

MV

Manual Valves

SV

Solenoid Valves

PV

Proportional Valves

CE

Coils & Electronics

BC

Bodies & Cavities

TD

Technical Data

**General Description**

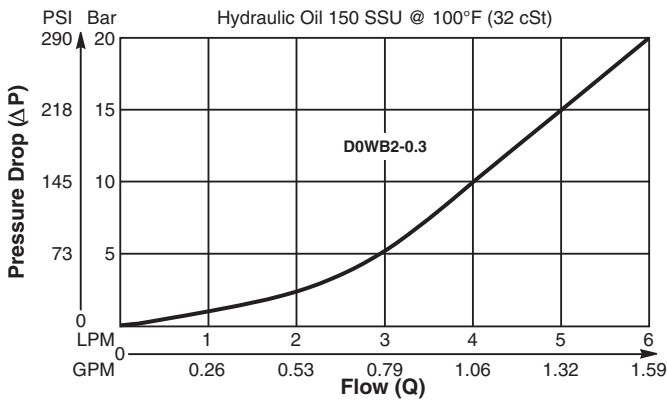
Miniature Ball Type Check Valve. For additional information see Technical Tips on pages CV1-CV4.

**Features**

- Low leakage - less than 3 drops/min.
- Ball type construction for cost effective design
- Extremely compact
- Good contamination tolerance
- All external parts zinc plated

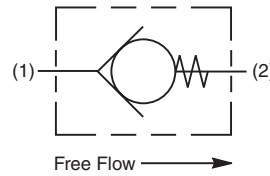
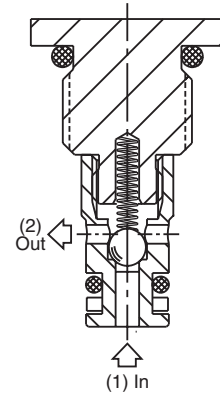
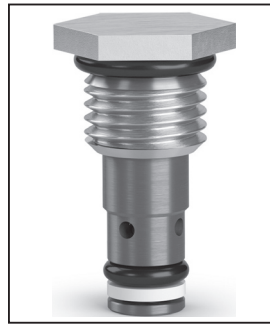
**Performance Curve**

Pressure Drop vs. Flow (Through cartridge only)

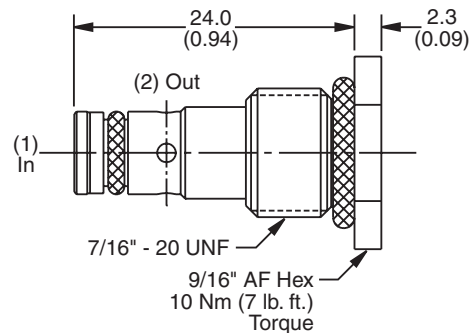


**Specifications**

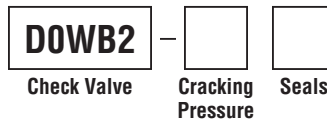
<b>Rated Flow</b>	6 LPM (1.6 GPM)
<b>Nominal Flow @ 7 Bar (100 PSI)</b>	3.5 LPM (0.9 GPM)
<b>Maximum Inlet Pressure</b>	420 Bar (6000 PSI)
<b>Leakage at 150 SSU (32 cSt)</b>	Less than 3 drops/min.
<b>Cartridge Material</b>	Steel operating parts, hardened steel ball.
<b>Operating Temp. Range/Seals</b>	-34°C to +121°C (Nitrile, Buna-N) (-30°F to +250°F) -26°C to +204°C (Fluorocarbon) (-15°F to +400°F)
<b>Fluid Compatibility/Viscosity</b>	Mineral-based or synthetic with lubricating properties at viscosities of 45 to 2000 SSU (6 to 420 cSt)
<b>Filtration</b>	ISO-4406 18/16/13, SAE Class 4
<b>Approx. Weight</b>	.012 kg (.026 lbs.)
<b>Cavity</b>	CAV0W-2 (See BC Section for more details)



**Dimensions** Millimeters (Inches)



**Ordering Information**



Code	Cracking Pressure
0.3	0.3 Bar (4 PSI)
1.0	1.0 Bar (14 PSI)

Code	Seals / Kit No.
N	Nitrile, Buna-N / (SK30519N-1)
V	Fluorocarbon / (SK30519V-1)

Order Bodies Separately



Code	Porting
795	1/4" SAE

Code	Body Material
A	Aluminum
S	Steel

**General Description**

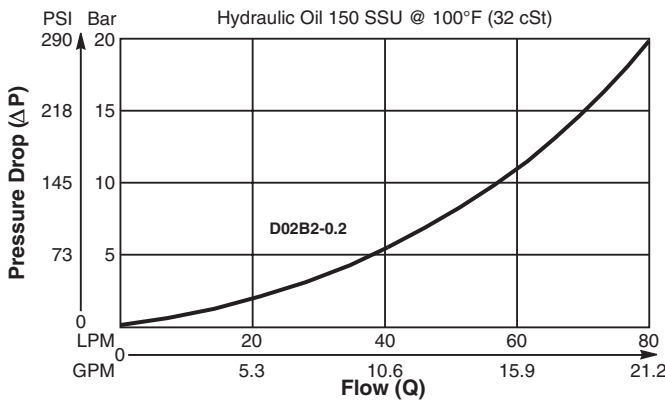
Ball Type Check Valve. For additional information see Technical Tips on pages CV1-CV4.

**Features**

- Low leakage - less than 3 drops/min.
- Ball type construction for cost effective design
- Single and dual pilot pistons available to create pilot to open check
- Range of cracking pressures available - up to 25 Bar (362 PSI)
- Good contamination tolerance
- All external parts zinc plated

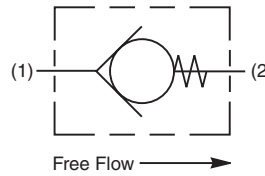
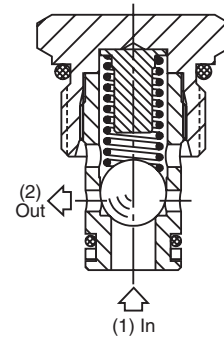
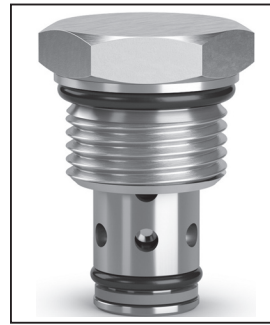
**Performance Curve**

**Pressure Drop vs. Flow (Through cartridge only)**

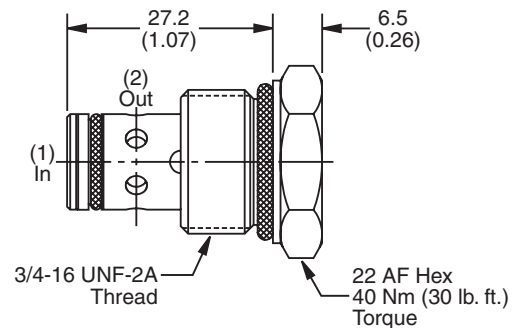


**Specifications**

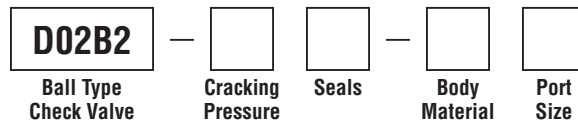
<b>Rated Flow</b>	80 LPM (21 GPM)
<b>Nominal Flow @ 7 Bar (100 PSI)</b>	45 LPM (12 GPM)
<b>Maximum Inlet Pressure</b>	420 Bar (6000 PSI)
<b>Leakage at 150 SSU (32 cSt)</b>	Less than 3 drops/min.
<b>Cartridge Material</b>	Steel operating parts, hardened steel ball.
<b>Operating Temp. Range/Seals</b>	-34°C to +121°C (Nitrile, Buna-N) (-30°F to +250°F) -26°C to +204°C (Fluorocarbon) (-15°F to +400°F)
<b>Fluid Compatibility/Viscosity</b>	Mineral-based or synthetic with lubricating properties at viscosities of 45 to 2000 SSU (6 to 420 cSt)
<b>Filtration</b>	ISO-4406 18/16/13, SAE Class 4
<b>Approx. Weight</b>	.05 kg (.11 lbs.)
<b>Cavity</b>	C08-2 (See BC Section for more details)



**Dimensions** Millimeters (Inches)



**Ordering Information**



Code	Cracking Pressure
0.0	0.0 Bar (0 PSI)
0.2	0.2 Bar (3 PSI) Std.
1.0	1.0 Bar (15 PSI)
1.5	1.5 Bar (22 PSI)
2.1	2.1 Bar (30 PSI)
2.5	2.5 Bar (36 PSI)
3.4	3.4 Bar (50 PSI)
4.0	4.0 Bar (58 PSI)
6.0	6.0 Bar (87 PSI)
6.9	6.9 Bar (100 PSI)
10.0	10.0 Bar (145 PSI)
17.0	17.0 Bar (247 PSI)
20.0	20.0 Bar (290 PSI)
25.0	25.0 Bar (362 PSI)

Code	Seals / Kit No.
N	Nitrile, Buna-N / (SK30515N-1)
V	Fluorocarbon / (SK30515V-1)

Code	Body Material
Omit	Steel
A	Aluminum

Code	Port Size	Body Part No.
Omit	Cartridge Only	
4T	SAE-4	(B08-2-*4T)
6T	SAE-6	(B08-2-*6T)

\* Add "A" for aluminum, omit for steel.

**CV**

Check Valves

**SH**

Shuttle Valves

**LM**

Load/Motor Controls

**FC**

Flow Controls

**PC**

Pressure Controls

**LE**

Logic Elements

**DC**

Directional Controls

**MV**

Manual Valves

**SV**

Solenoid Valves

**PV**

Proportional Valves

**CE**

Coils & Electronics

**BC**

Bodies & Cavities

**TD**

Technical Data



CV

Check Valves

SH

Shuttle Valves

LM Load/Motor Controls

FC

Flow Controls

PC

Pressure Controls

LE

Logic Elements

DC

Directional Controls

MV

Manual Valves

SV

Solenoid Valves

PV

Proportional Valves

CE

Coils & Electronics

BC

Bodies & Cavities

TD

Technical Data

**General Description**

Cartridge Style Check Valve. For additional information see Technical Tips on pages CV1-CV4.

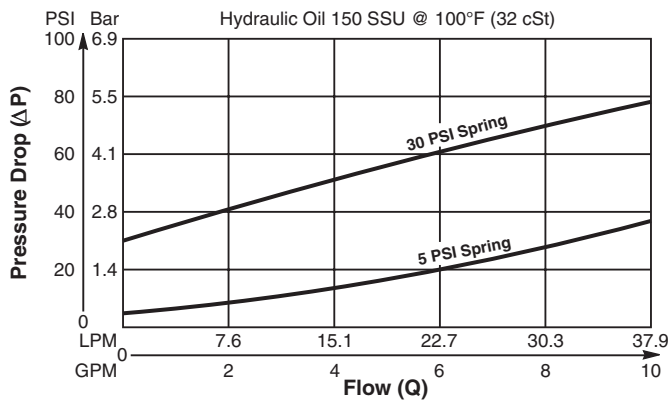


**Features**

- Spherical poppet for low leakage
- “D”-Ring eliminates back-up rings
- Dual sense paths for reduced ΔP
- All external parts zinc plated

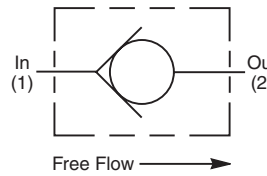
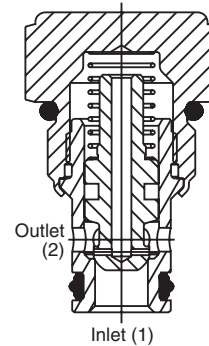
**Performance Curve**

**Pressure Drop vs. Flow** (Through cartridge only)

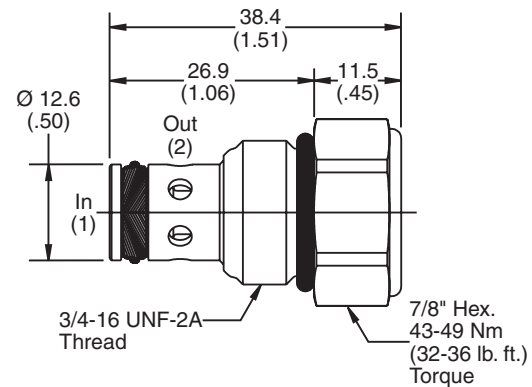


**Specifications**

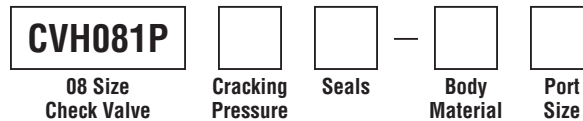
<b>Rated Flow</b>	38 LPM (10 GPM)
<b>Maximum Inlet Pressure</b>	350 Bar (5000 PSI)
<b>Leakage at 150 SSU (32 cSt)</b>	2 drops/min. (.13 cc/min.) at 350 Bar (5000 PSI)
<b>Cartridge Material</b>	All parts steel. All operating parts hardened steel.
<b>Operating Temp. Range/Seals</b>	-45°C to +132°C (“D” Ring) (-50°F to +270°F) -34°C to +121°C (Nitrile) (-30°F to +250°F) -26°C to +204°C (Fluorocarbon) (-15°F to +400°F)
<b>Fluid Compatibility/Viscosity</b>	Mineral-based or synthetic with lubricating properties at viscosities of 45 to 2000 SSU (6 to 420 cSt)
<b>Filtration</b>	ISO-4406 18/16/13, SAE Class 4
<b>Approx. Weight</b>	.10 kg (0.2 lbs.)
<b>Cavity</b>	C08-2 (See BC Section for more details)
<b>Form Tool</b>	Rougher None Finisher NFT08-2F



**Dimensions** Millimeters (Inches)



**Ordering Information**



Code	Cracking Pressure
Omit	0.3 Bar (5 PSI)
10	0.7 Bar (10 PSI)
30	2.1 Bar (30 PSI)
65	4.5 Bar (65 PSI)
100	6.9 Bar (100 PSI)
150	10.4 Bar (150 PSI)

Code	Body Material
Omit	Steel
A	Aluminum

Code	Port Size	Body Part No.
Omit	Cartridge Only	
4T	SAE-4	(B08-2-*4T)
6T	SAE-6	(B08-2-*6T)

Code	Seals / Kit No.
Omit	“D”-Ring / (SK08-2)
N	Nitrile / (SK08-2N)
V	Fluorocarbon / (SK08-2V)

\* Add “A” for aluminum, omit for steel.

**General Description**

Cartridge Style Check Valve. For additional information see Technical Tips on pages CV1-CV4.

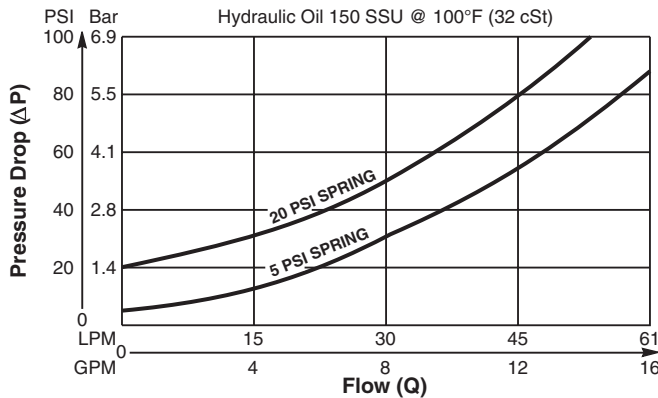


**Features**

- Spherical poppet for low leakage
- “D”-Ring eliminates back-up rings
- Dual sense paths for reduced ΔP
- All external parts zinc plated

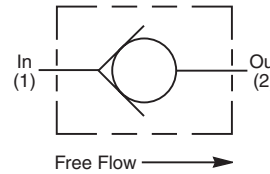
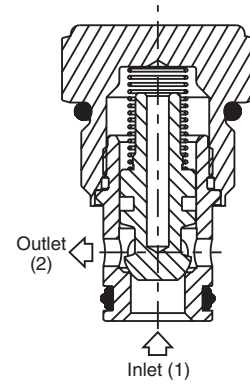
**Performance Curve**

**Pressure Drop vs. Flow (Through cartridge only)**

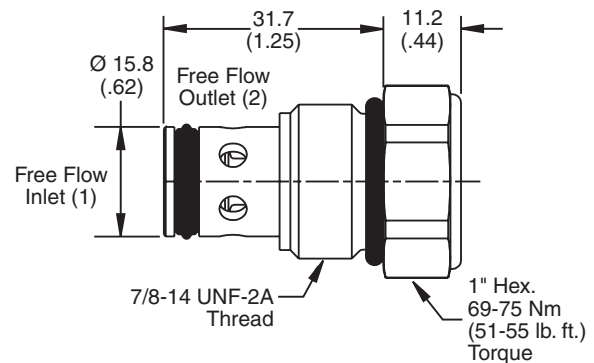


**Specifications**

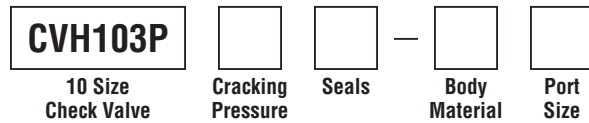
<b>Rated Flow</b>	60 LPM (16 GPM)
<b>Maximum Inlet Pressure</b>	350 Bar (5000 PSI)
<b>Leakage at 150 SSU (32 cSt)</b>	2 drops/min. (.13 cc/min.) at 350 Bar (5000 PSI)
<b>Cartridge Material</b>	All parts steel. All operating parts hardened steel.
<b>Operating Temp. Range/Seals</b>	-45°C to +132°C (“D” Ring) (-50°F to +270°F) -34°C to +121°C (Nitrile) (-30°F to +250°F) -26°C to +204°C (Fluorocarbon) (-15°F to +400°F)
<b>Fluid Compatibility/Viscosity</b>	Mineral-based or synthetic with lubricating properties at viscosities of 45 to 2000 SSU (6 to 420 cSt)
<b>Filtration</b>	ISO-4406 18/16/13, SAE Class 4
<b>Approx. Weight</b>	.09 kg (0.2 lbs.)
<b>Cavity</b>	C10-2 (See BC Section for more details)
<b>Form Tool</b>	Rougher None Finisher NFT10-2F



**Dimensions** Millimeters (Inches)



**Ordering Information**



Code	Cracking Pressure
Omit	0.3 Bar (5 PSI)
20	1.4 Bar (20 PSI)
50	3.5 Bar (50 PSI)
65	4.5 Bar (65 PSI)
80	5.5 Bar (80 PSI)
100	6.9 Bar (100 PSI)

Code	Body Material
Omit	Steel
A	Aluminum

Code	Port Size	Body Part No.
Omit	Cartridge Only	
6T	SAE-6	(B10-2-*6T)
8T	SAE-8	(B10-2-*8T)

Code	Seals / Kit No.
Omit	“D”-Ring / (SK10-2)
N	Nitrile / (SK10-2N)
V	Fluorocarbon / (SK10-2V)

\* Add “A” for aluminum, omit for steel.

- CV** Check Valves
- SH** Shuttle Valves
- LM** Load/Motor Controls
- FC** Flow Controls
- PC** Pressure Controls
- LE** Logic Elements
- DC** Directional Controls
- MV** Manual Valves
- SV** Solenoid Valves
- PV** Proportional Valves
- CE** Coils & Electronics
- BC** Bodies & Cavities
- TD** Technical Data

Technical Information

CV

Check Valves

SH

Shuttle Valves

LM

Load/Motor Controls

FC

Flow Controls

PC

Pressure Controls

LE

Logic Elements

DC

Directional Controls

MV

Manual Valves

SV

Solenoid Valves

PV

Proportional Valves

CE

Coils & Electronics

BC

Bodies & Cavities

TD

Technical Data

General Description

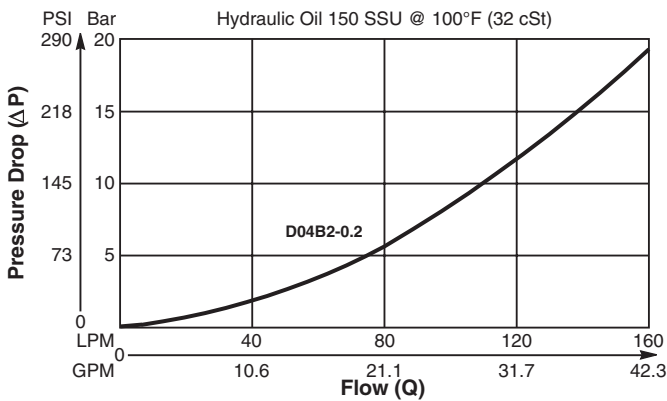
Ball Type Check Valve. For additional information see Technical Tips on pages CV1-CV4.

Features

- Low leakage - less than 3 drops/min.
- Ball type construction for cost effective design
- Single and dual pilot pistons available to create pilot to open check
- Range of cracking pressures available
- Good contamination tolerance
- All external parts zinc plated

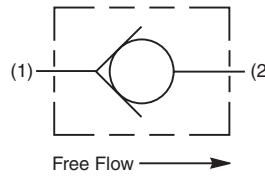
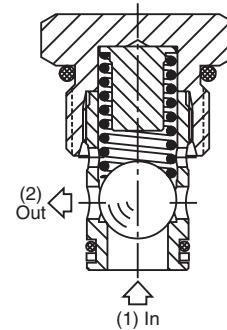
Performance Curve

Pressure Drop vs. Flow (Through cartridge only)

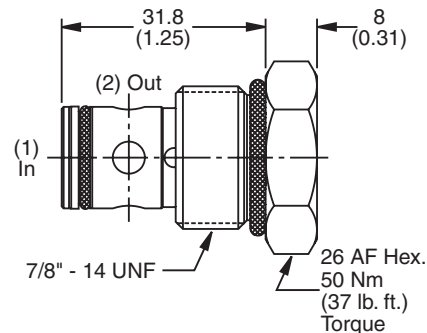


Specifications

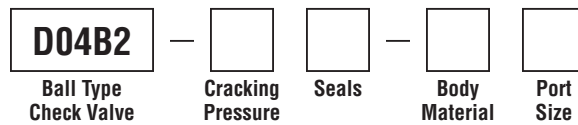
<b>Rated Flow</b>	160 LPM (42 GPM)
<b>Nominal Flow @ 7 Bar (100 PSI)</b>	90 LPM (24 GPM)
<b>Maximum Inlet Pressure</b>	420 Bar (6000 PSI)
<b>Leakage at 150 SSU (32 cSt)</b>	3 drops/min.
<b>Cartridge Material</b>	Steel operating parts, hardened steel ball.
<b>Operating Temp. Range/Seals</b>	-34°C to +121°C (Nitrile, Buna-N) (-30°F to +250°F) -26°C to +204°C (Fluorocarbon) (-15°F to +400°F)
<b>Fluid Compatibility/Viscosity</b>	Mineral-based or synthetic with lubricating properties at viscosities of 45 to 2000 SSU (6 to 420 cSt)
<b>Filtration</b>	ISO-4406 18/16/13, SAE Class 4
<b>Approx. Weight</b>	.08 kg (.18 lbs.)
<b>Cavity</b>	C10-2 (See BC Section for more details)



Dimensions Millimeters (Inches)



Ordering Information



Code	Cracking Pressure
0.0	0.0 Bar (0 PSI)
0.2	0.2 Bar (3 PSI) Std.
1.0	1.0 Bar (15 PSI)
2.1	2.1 Bar (30 PSI)
3.4	3.4 Bar (50 PSI)
6.9	6.9 Bar (100 PSI)
10.0	10.0 Bar (145 PSI)
15.0	15.0 Bar (217 PSI)

Code	Body Material
Omit	Steel
A	Aluminum

Code	Port Size	Body Part No.
Omit	Cartridge Only	
6T	SAE-6	(B10-2-*6T)
8T	SAE-8	(B10-2-*8T)

\* Add "A" for aluminum, omit for steel.

Code	Seals / Kit No.
N	Nitrile, Buna-N / (SK30516N-1)
V	Fluorocarbon / (SK30516V-1)

**General Description**

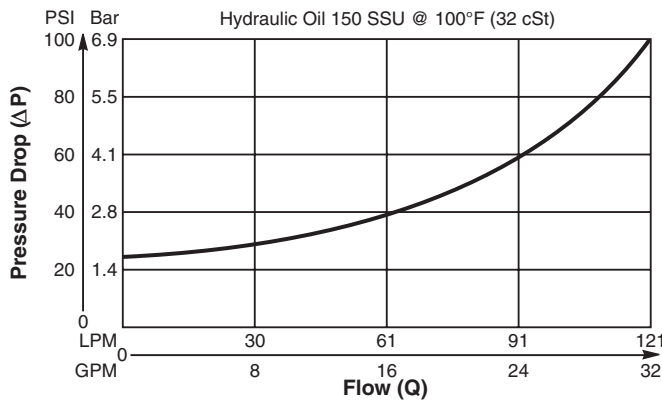
Cartridge Style Check Valve. For additional information see Technical Tips on pages CV1-CV4.

**Features**

- Hardened, precision ground parts for durability
- Fully guided poppet for smooth operation
- All external parts zinc plated

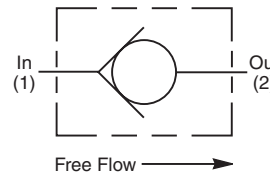
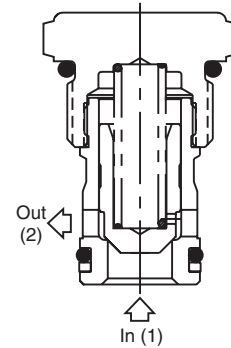
**Performance Curve**

**Pressure Drop vs. Flow (Through cartridge only)**

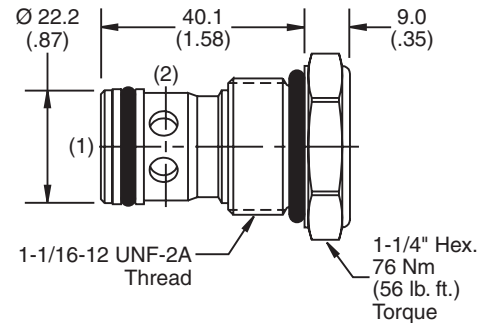


**Specifications**

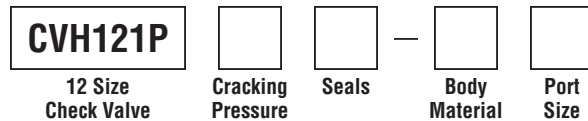
<b>Rated Flow</b>	121 LPM (32 GPM)
<b>Maximum Inlet Pressure</b>	350 Bar (5000 PSI)
<b>Leakage at 150 SSU (32 cSt)</b>	5 drops/min. (.33 cc/min.) at 350 Bar (5000 PSI)
<b>Cartridge Material</b>	All parts steel. All operating parts hardened steel.
<b>Operating Temp. Range/Seals</b>	-34°C to +121°C (Nitrile) (-30°F to +250°F) -26°C to +204°C (Fluorocarbon) (-15°F to +400°F)
<b>Fluid Compatibility/Viscosity</b>	Mineral-based or synthetic with lubricating properties at viscosities of 45 to 2000 SSU (6 to 420 cSt)
<b>Filtration</b>	ISO-4406 18/16/13, SAE Class 4
<b>Approx. Weight</b>	.14 kg (.30 lbs.)
<b>Cavity</b>	C12-2 (See BC Section for more details)
<b>Form Tool</b>	Rougher None Finisher NFT12-2F



**Dimensions** Millimeters (Inches)



**Ordering Information**



Code	Cracking Pressure
Omit	1.7 Bar (25 PSI)
65	4.5 Bar (65 PSI)

Code	Body Material
Omit	Steel
A	Aluminum

Code	Seals / Kit No.
Omit	Nitrile / (SK2-12N)
V	Fluorocarbon / (SK2-12V)

Code	Port Size	Body Part No.
Omit	Cartridge Only	
8T	SAE-8	(B12-2-*8T)
12T	SAE-12	(B12-2-*12T)

\*Add "A" for aluminum, omit for steel.

- CV** Check Valves
- SH** Shuttle Valves
- LM** Load/Motor Controls
- FC** Flow Controls
- PC** Pressure Controls
- LE** Logic Elements
- DC** Directional Controls
- MV** Manual Valves
- SV** Solenoid Valves
- PV** Proportional Valves
- CE** Coils & Electronics
- BC** Bodies & Cavities
- TD** Technical Data



**Technical Information**

CV

Check Valves

SH

Shuttle Valves

LM

Load/Motor Controls

FC

Flow Controls

PC

Pressure Controls

LE

Logic Elements

DC

Directional Controls

MV

Manual Valves

SV

Solenoid Valves

PV

Proportional Valves

CE

Coils & Electronics

BC

Bodies & Cavities

TD

Technical Data

**General Description**

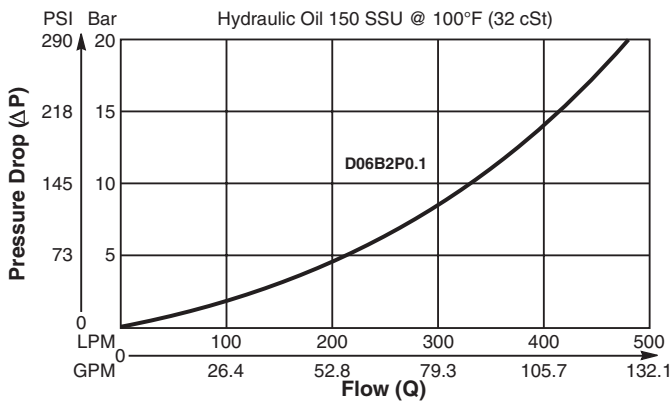
Poppet Type Check Valve. For additional information see Technical Tips on pages CV1-CV4.

**Features**

- Extra low pressure drop capability for systems up to 250 Bar
- Poppet type construction for minimal leakage - less than 3 drops/min.
- Hardened poppet for maximum durability
- Good contamination tolerance
- All external parts zinc plated

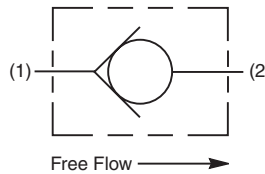
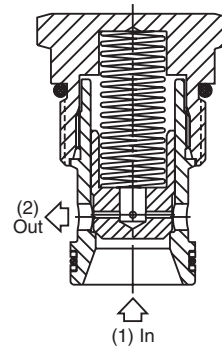
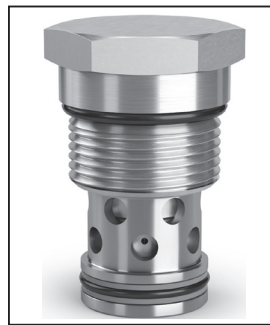
**Performance Curve**

Pressure Drop vs. Flow (Through cartridge only)

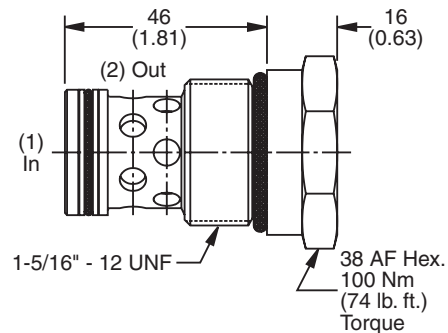


**Specifications**

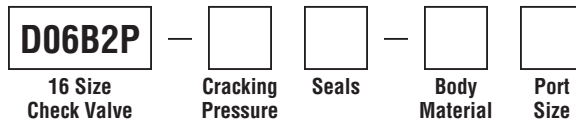
<b>Rated Flow</b>	500 LPM (132 GPM)
<b>Nominal Flow @ 7 Bar (100 PSI)</b>	280 LPM (74 GPM)
<b>Maximum Inlet Pressure</b>	420 Bar (6000 PSI)
<b>Leakage at 150 SSU (32 cSt)</b>	Less than 3 drops/min.
<b>Cartridge Material</b>	Steel operating parts, hardened steel poppet.
<b>Operating Temp. Range/Seals</b>	-34°C to +121°C (Nitrile, Buna-N) (-30°F to +250°F) -26°C to +204°C (Fluorocarbon) (-15°F to +400°F)
<b>Fluid Compatibility/Viscosity</b>	Mineral-based or synthetic with lubricating properties at viscosities of 45 to 2000 SSU (6 to 420 cSt)
<b>Filtration</b>	ISO-4406 18/16/13, SAE Class 4
<b>Approx. Weight</b>	.27 kg (.60 lbs.)
<b>Cavity</b>	C16-2 (See BC Section for more details)



**Dimensions** Millimeters (Inches)



**Ordering Information**



Code	Cracking Pressure
0.0	0.0 Bar (0 PSI)
0.1	0.1 Bar (1.5 PSI) Std.
1.0	1.0 Bar (15 PSI)
2.1	2.1 Bar (30 PSI)
3.4	3.4 Bar (50 PSI)
4.1	4.1 Bar (60 PSI)
7.5	7.5 Bar (109 PSI)

Code	Body Material
Omit	Steel
A	Aluminum

Code	Port Size	Body Part No.
Omit	Cartridge Only	
8T	SAE-8	(B16-2-*8T)
12T	SAE-12	(B16-2-*12T)
16T	SAE-16	(B16-2-*16T)

\* Add "A" for aluminum, omit for steel.

Code	Seals / Kit No.
N	Nitrile, Buna-N / (SK30507N-1)
V	Fluorocarbon / (SK30507V-1)

**General Description**

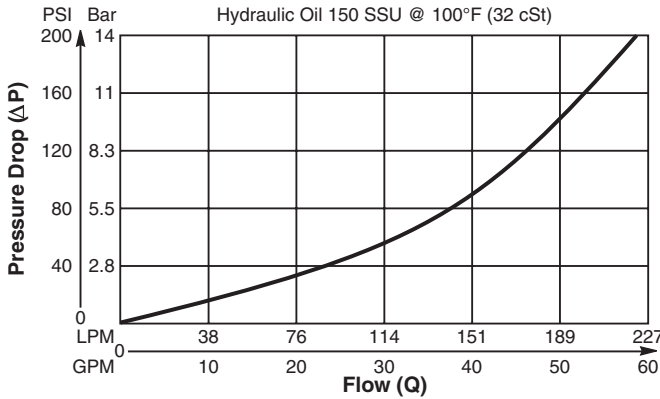
Cartridge Style Check Valve.  
For additional information see Technical Tips on pages CV1-CV4.

**Features**

- Hardened, precision ground parts for durability
- Fully guided poppet for smooth operation
- All external parts zinc plated

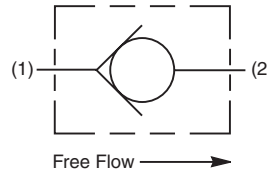
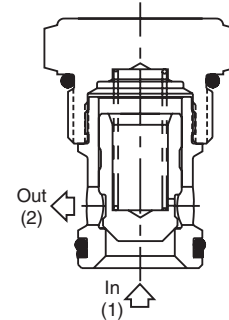
**Performance Curve**

**Pressure Drop vs. Flow (Through cartridge only)**

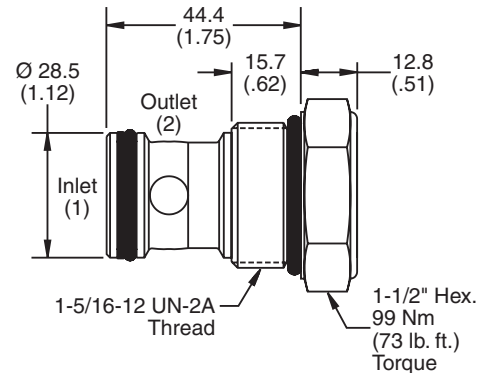


**Specifications**

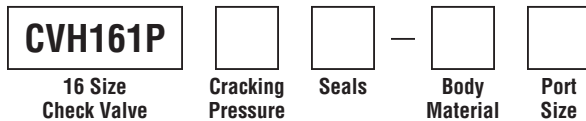
<b>Rated Flow</b>	225 LPM (60 GPM)
<b>Maximum Inlet Pressure</b>	350 Bar (5000 PSI)
<b>Leakage at 150 SSU (32 cSt)</b>	5 drops/min. (.33 cc/min.) at 350 Bar (5000 PSI)
<b>Cartridge Material</b>	All parts steel. All operating parts hardened steel.
<b>Operating Temp. Range/Seals</b>	-34°C to +121°C (Nitrile) (-30°F to +250°F) -26°C to +204°C (Fluorocarbon) (-15°F to +400°F)
<b>Fluid Compatibility/Viscosity</b>	Mineral-based or synthetic with lubricating properties at viscosities of 45 to 2000 SSU (6 to 420 cSt)
<b>Filtration</b>	ISO-4406 18/16/13, SAE Class 4
<b>Approx. Weight</b>	.27 kg (0.6 lbs.)
<b>Cavity</b>	C16-2 (See BC Section for more details)
<b>Form Tool</b>	Rougher None Finisher NFT16-2F



**Dimensions** Millimeters (Inches)



**Ordering Information**



Code	Cracking Pressure
Omit	0.3 Bar (5 PSI)
20	1.4 Bar (20 PSI)
65	4.5 Bar (65 PSI)
125	8.6 Bar (125 PSI)
175	12.1 Bar (175 PSI)

Code	Body Material
Omit	Steel
A	Aluminum

Code	Port Size	Body Part No.
Omit		Cartridge Only
8T	SAE-8	(B16-2-*8T)
12T	SAE-12	(B16-2-*12T)
16T	SAE-16	(B16-2-*16T)

\* Add "A" for aluminum, omit for steel.

Code	Seals / Kit No.
Omit	Nitrile / (SK16-2)
V	Fluorocarbon / (SK16-2V)

**CV**

Check Valves

**SH**

Shuttle Valves

**LM**

Load/Motor Controls

**FC**

Flow Controls

**PC**

Pressure Controls

**LE**

Logic Elements

**DC**

Directional Controls

**MV**

Manual Valves

**SV**

Solenoid Valves

**PV**

Proportional Valves

**CE**

Coils & Electronics

**BC**

Bodies & Cavities

**TD**

Technical Data

Technical Information

CV

Check Valves

SH

Shuttle Valves

LM Load/Motor Controls

FC Flow Controls

PC Pressure Controls

LE Logic Elements

DC Directional Controls

MV Manual Valves

SV Solenoid Valves

PV Proportional Valves

CE Coils & Electronics

BC Bodies & Cavities

TD Technical Data

General Description

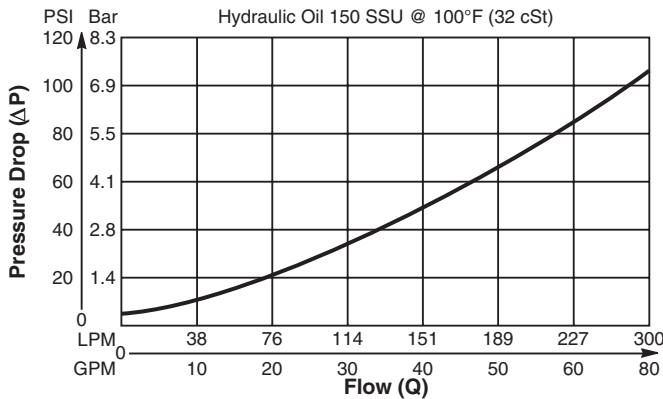
Cartridge Style Check Valve.  
For additional information see Technical Tips on pages CV1-CV4.

Features

- Hardened, precision ground parts for durability
- Fully guided poppet for smooth operation
- All external parts zinc plated

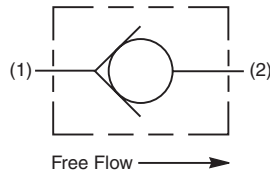
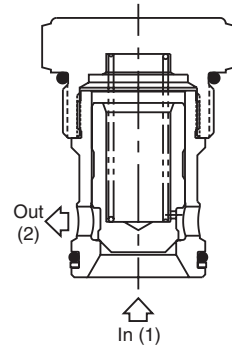
Performance Curve

Pressure Drop vs. Flow (Through cartridge only)

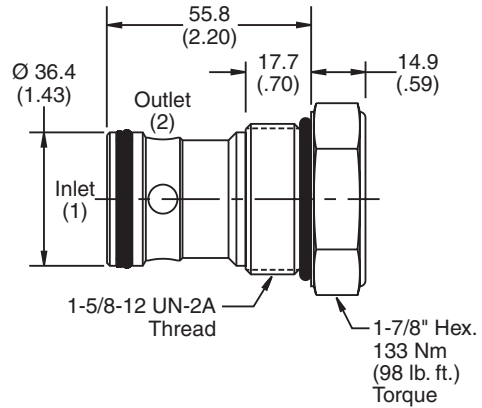


Specifications

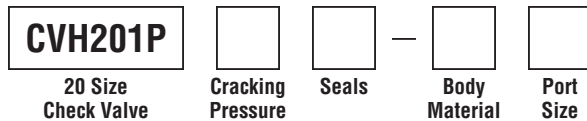
<b>Rated Flow</b>	303 LPM (80 GPM)
<b>Maximum Inlet Pressure</b>	350 Bar (5000 PSI)
<b>Leakage at 150 SSU (32 cSt)</b>	5 drops/min. (.33 cc/min.) at 350 Bar (5000 PSI)
<b>Cartridge Material</b>	All parts steel. All operating parts hardened steel.
<b>Operating Temp. Range/Seals</b>	-34°C to +121°C (Nitrile) (-30°F to +250°F) -26°C to +204°C (Fluorocarbon) (-15°F to +400°F)
<b>Fluid Compatibility/Viscosity</b>	Mineral-based or synthetic with lubricating properties at viscosities of 45 to 2000 SSU (6 to 420 cSt)
<b>Filtration</b>	ISO-4406 18/16/13, SAE Class 4
<b>Approx. Weight</b>	.27 kg (0.6 lbs.)
<b>Cavity</b>	C20-2 (See BC Section for more details)
<b>Form Tool</b>	Rougher None Finisher NFT20-2F



Dimensions Millimeters (Inches)



Ordering Information



Code	Cracking Pressure
Omit	0.3 Bar (5 PSI)
20	1.4 Bar (20 PSI)
65	4.5 Bar (65 PSI)

Code	Body Material
Omit	Steel

Code	Seals / Kit No.
Omit	Nitrile / (SK20-2)
V	Fluorocarbon / (SK20-2V)

Code	Port Size	Body Part No.
Omit	Cartridge Only	
20T	SAE-20	(B20-2-20T)

**General Description**

Side to Nose Style Check Valve. For additional information see Technical Tips on pages CV1-CV4.

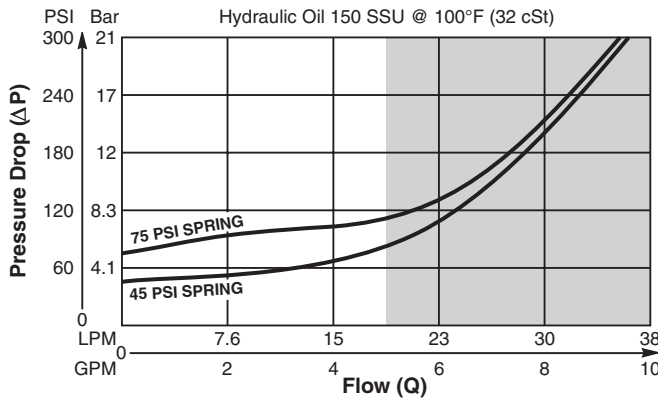


**Features**

- Hardened, precision ground parts for durability
- Fully guided poppet for smooth operation
- Size to nose design for ease in manifold design
- All external parts zinc plated

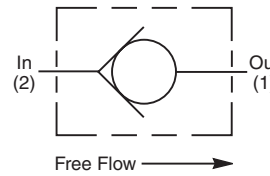
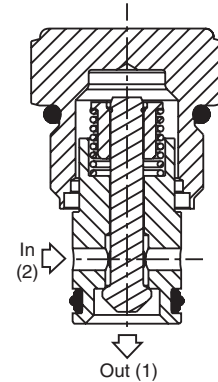
**Performance Curve**

**Pressure Drop vs. Flow (Through cartridge only)**

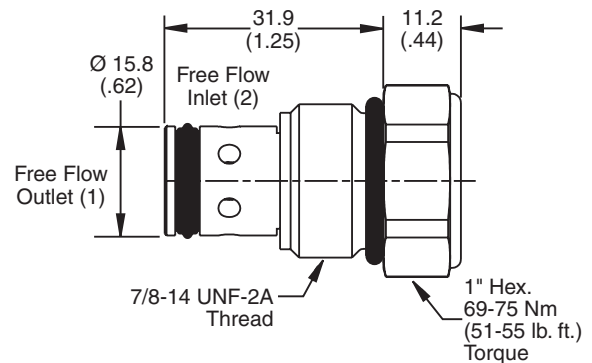


**Specifications**

<b>Rated Flow</b>	34 LPM (5 GPM)
<b>Maximum Inlet Pressure</b>	350 Bar (5000 PSI)
<b>Leakage at 150 SSU (32 cSt)</b>	2 drops/min. (.13 cc/min.) at 350 Bar (5000 PSI)
<b>Cartridge Material</b>	All parts steel. All operating parts hardened steel.
<b>Operating Temp. Range/Seals</b>	-45°C to +132°C ("D"-Ring) (-50°F to +270°F) -34°C to +121°C (Nitrile) (-30°F to +250°F) -26°C to +204°C (Fluorocarbon) (-15°F to +400°F)
<b>Fluid Compatibility/Viscosity</b>	Mineral-based or synthetic with lubricating properties at viscosities of 45 to 2000 SSU (6 to 420 cSt)
<b>Filtration</b>	ISO-4406 18/16/13, SAE Class 4
<b>Approx. Weight</b>	.08 kg (.18 lbs.)
<b>Cavity</b>	C10-2 (See BC Section for more details)
<b>Form Tool</b>	Rougher None Finisher NFT10-2F



**Dimensions** Millimeters (Inches)



**Ordering Information**

**CVH104P** [ ] [ ] [ ] [ ]

**10 Size Side to Nose Check Valve**    **Cracking Pressure**    **Seals**    **Body Material**    **Port Size**

<b>Code</b>	<b>Cracking Pressure</b>	<b>Code</b>	<b>Body Material</b>
Omit	3.1 Bar (45 PSI)	Omit	Steel
75	5.2 Bar (75 PSI)	A	Aluminum

<b>Code</b>	<b>Seals / Kit No.</b>	<b>Code</b>	<b>Port Size</b>	<b>Body Part No.</b>
Omit	"D"-Ring / (SK10-2)	Omit	Cartridge Only	
N	Nitrile / (SK10-2N)	6T	SAE-6	(B10-2-*6T)
V	Fluorocarbon / (SK10-2V)	8T	SAE-8	(B10-2-*8T)

\* Add "A" for aluminum, omit for steel.

- CV** Check Valves
- SH** Shuttle Valves
- LM** Load/Motor Controls
- FC** Flow Controls
- PC** Pressure Controls
- LE** Logic Elements
- DC** Directional Controls
- MV** Manual Valves
- SV** Solenoid Valves
- PV** Proportional Valves
- CE** Coils & Electronics
- BC** Bodies & Cavities
- TD** Technical Data

**Technical Information**

CV

Check Valves

SH

Shuttle Valves

LM

Load/Motor Controls

FC

Flow Controls

PC

Pressure Controls

LE

Logic Elements

DC

Directional Controls

MV

Manual Valves

SV

Solenoid Valves

PV

Proportional Valves

CE

Coils & Electronics

BC

Bodies & Cavities

TD

Technical Data

**General Description**

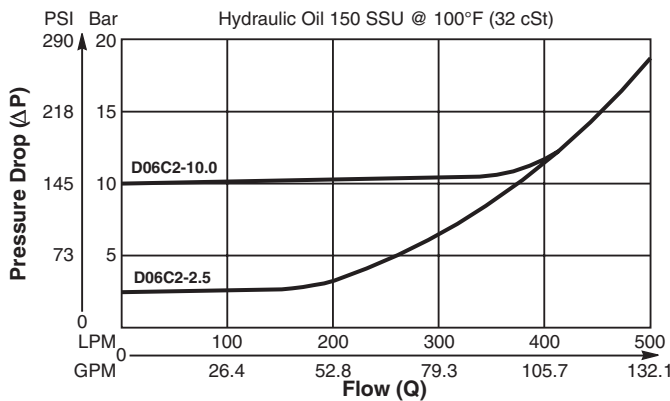
Poppet Type Check Valve. For additional information see Technical Tips on pages CV1-CV4.

**Features**

- High flow capacity
- Poppet type construction for minimal leakage - less than 3 drops/min.
- Hardened poppet for maximum durability
- Good contamination tolerance
- All external parts zinc plated

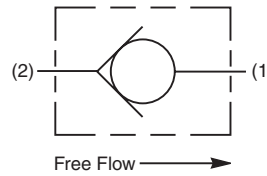
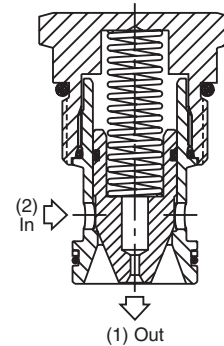
**Performance Curve**

Pressure Drop vs. Flow (Through cartridge only)

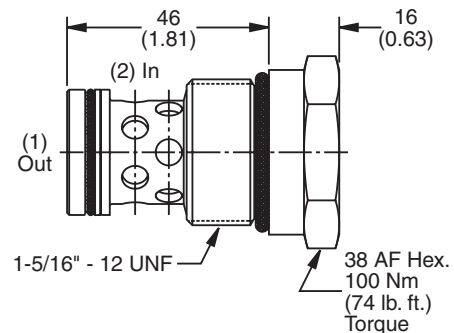


**Specifications**

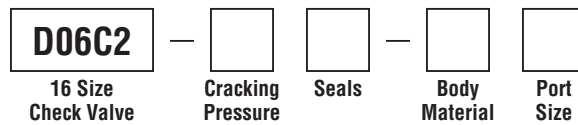
<b>Rated Flow</b>	500 LPM (132 GPM)
<b>Nominal Flow @ 7 Bar (100 PSI)</b>	300 LPM (79 GPM)
<b>Maximum Inlet Pressure</b>	420 Bar (6000 PSI)
<b>Leakage at 150 SSU (32 cSt)</b>	Less than 3 drops/min.
<b>Cartridge Material</b>	Steel operating parts, hardened steel poppet.
<b>Operating Temp. Range/Seals</b>	-34°C to +121°C (Nitrile, Buna-N) (-30°F to +250°F) -26°C to +204°C (Fluorocarbon) (-15°F to +400°F)
<b>Fluid Compatibility/Viscosity</b>	Mineral-based or synthetic with lubricating properties at viscosities of 45 to 2000 SSU (6 to 420 cSt)
<b>Filtration</b>	ISO-4406 18/16/13, SAE Class 4
<b>Approx. Weight</b>	.26 kg (.57 lbs.)
<b>Cavity</b>	C16-2 (See BC Section for more details)



**Dimensions** Millimeters (Inches)



**Ordering Information**



Code	Cracking Pressure
2.5	2.5 Bar (36 PSI) Std.
3.4	3.4 Bar (50 PSI)
6.9	6.9 Bar (100 PSI)
10.0	10.0 Bar (145 PSI)

Code	Body Material
Omit	Steel
A	Aluminum

Code	Port Size	Body Part No.
Omit	Cartridge Only	
8T	SAE-8	(B16-2-*8T)
12T	SAE-12	(B16-2-*12T)
16T	SAE-16	(B16-2-*16T)

\* Add "A" for aluminum, omit for steel.



**General Description**

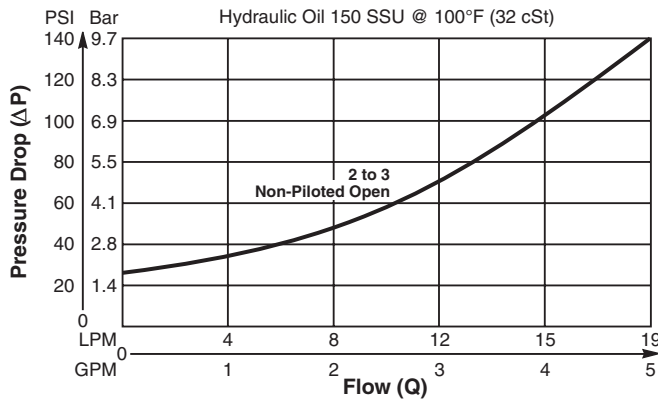
Cartridge Style Pilot Operated Check Valve. For additional information see Technical Tips on pages CV1-CV4.

**Features**

- Hardened, precision ground parts for durability
- Internal pilot position simplifies manifold design
- All external parts zinc plated

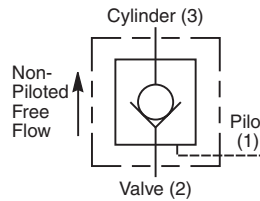
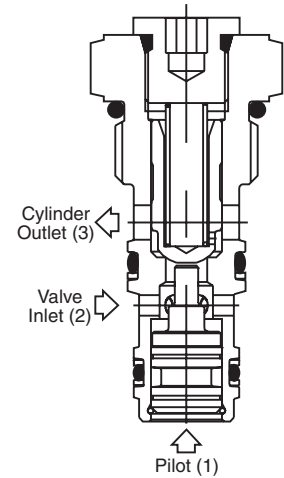
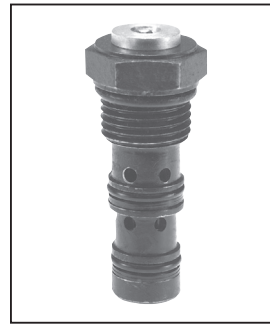
**Performance Curve**

**Pressure Drop vs. Flow (Through cartridge only)**

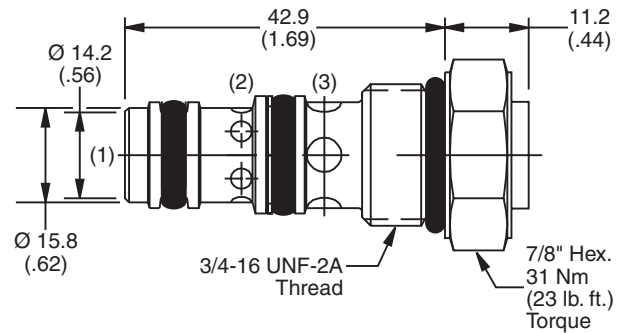


**Specifications**

<b>Rated Flow</b>	19 LPM (5 GPM)
<b>Maximum Inlet Pressure</b>	207 Bar (3000 PSI)
<b>Leakage at 150 SSU (32 cSt)</b>	5 drops/min. (.33 cc/min.) at 207 Bar (3000 PSI)
<b>Pilot Ratio</b>	3:1
<b>Cartridge Material</b>	All parts steel. All operating parts hardened steel.
<b>Operating Temp. Range/Seals</b>	-34°C to +121°C (Nitrile) (-30°F to +250°F) -26°C to +204°C (Fluorocarbon) (-15°F to +400°F)
<b>Fluid Compatibility/Viscosity</b>	Mineral-based or synthetic with lubricating properties at viscosities of 45 to 2000 SSU (6 to 420 cSt)
<b>Filtration</b>	ISO-4406 18/16/13, SAE Class 4
<b>Approx. Weight</b>	.05 kg (.11 lbs.)
<b>Cavity</b>	C08-3 (See BC Section for more details)
<b>Form Tool</b>	Rougher NFT08-3R Finisher NFT08-3F



**Dimensions** Millimeters (Inches)



**Ordering Information**

<b>CP084P</b>				
<b>08 Size</b>	<b>Cracking Pressure</b>	<b>Seals</b>	<b>Body Material</b>	<b>Port Size</b>
<b>Omit</b>	1.7 Bar (25 PSI)			
<b>85</b>	5.9 Bar (85 PSI)			
<b>Code</b>	<b>Cracking Pressure</b>	<b>Code</b>	<b>Body Material</b>	
<b>Omit</b>	1.7 Bar (25 PSI)	<b>Omit</b>	Steel	
<b>85</b>	5.9 Bar (85 PSI)	<b>A</b>	Aluminum	
<b>Code</b>	<b>Seals / Kit No.</b>	<b>Code</b>	<b>Port Size</b>	<b>Body Part No.</b>
<b>Omit</b>	Nitrile / (SK08-3N)	<b>Omit</b>	Cartridge Only	
<b>V</b>	Fluorocarbon / (SK08-3V)	<b>4T</b>	SAE-4	(B08-3-*4T)
		<b>6T</b>	SAE-6	(B08-3-*6T)

\* Add "A" for aluminum, omit for steel.

**CV** Check Valves

**SH** Shuttle Valves

**LM** Load/Motor Controls

**FC** Flow Controls

**PC** Pressure Controls

**LE** Logic Elements

**DC** Directional Controls

**MV** Manual Valves

**SV** Solenoid Valves

**PV** Proportional Valves

**CE** Coils & Electronics

**BC** Bodies & Cavities

**TD** Technical Data

**Technical Information**

CV

Check Valves

SH

Shuttle Valves

LM Load/Motor Controls

FC

Flow Controls

PC

Pressure Controls

LE

Logic Elements

DC

Directional Controls

MV

Manual Valves

SV

Solenoid Valves

PV

Proportional Valves

CE

Coils & Electronics

BC

Bodies & Cavities

TD

Technical Data

**General Description**

Cartridge Style Pilot Operated Check Valve. For additional information see Technical Tips on pages CV1-CV4.

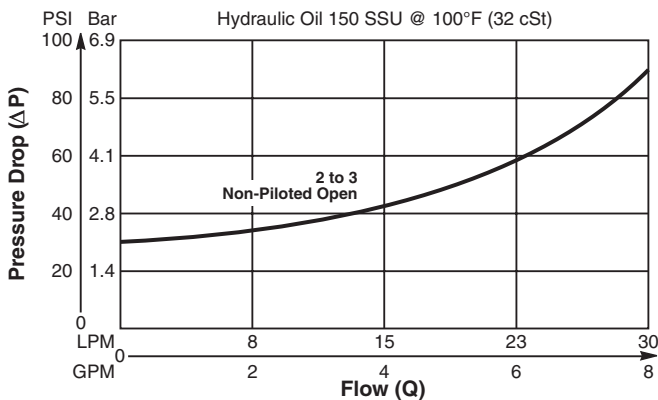


**Features**

- Hardened, precision ground parts for durability
- Internal pilot position simplifies manifold design
- All external parts zinc plated

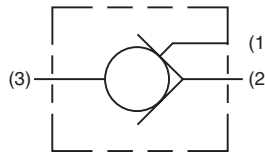
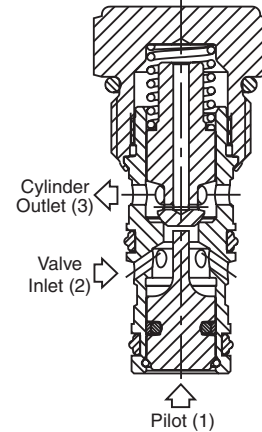
**Performance Curve**

**Pressure Drop vs. Flow** (Through cartridge only)

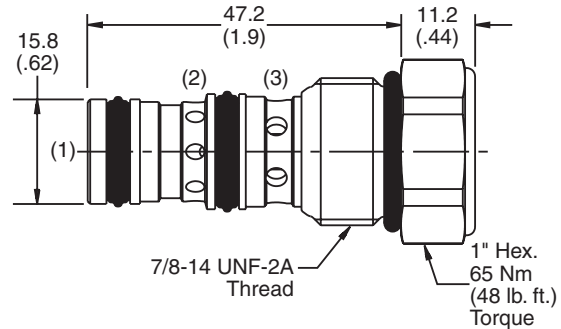


**Specifications**

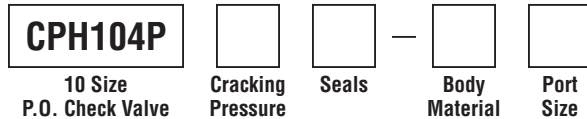
<b>Rated Flow</b>	30 LPM (8 GPM)
<b>Maximum Inlet Pressure</b>	350 Bar (5000 PSI)
<b>Leakage at 150 SSU (32 cSt)</b>	2 drops/min. (0.13 cc/min.) at 350 Bar (5000 PSI)
<b>Pilot Ratio</b>	4:1
<b>Cartridge Material</b>	All parts steel. All operating parts hardened steel.
<b>Operating Temp. Range/Seals</b>	-45°C to +132°C ("D"-Ring) (-50°F to +270°F) -34°C to +121°C (Nitrile) (-30°F to +250°F) -26°C to +204°C (Fluorocarbon) (-15°F to +400°F)
<b>Fluid Compatibility/Viscosity</b>	Mineral-based or synthetic with lubricating properties at viscosities of 45 to 2000 SSU (6 to 420 cSt)
<b>Filtration</b>	ISO-4406 18/16/13, SAE Class 4
<b>Approx. Weight</b>	.09 kg (0.2 lbs.)
<b>Cavity</b>	C10-3 (See BC Section for more details)
<b>Form Tool</b>	Rougher NFT10-3R Finisher NFT10-3F



**Dimensions** Millimeters (Inches)



**Ordering Information**



Code	Cracking Pressure
15	1.0 Bar (15 PSI)
Omit	2.1 Bar (31 PSI)
50	3.5 Bar (50 PSI)

Code	Body Material
Omit	Steel
A	Aluminum

Code	Seals / Kit No.
Omit	"D"-Ring / (SK10-3)
N	Nitrile / (SK10-3N)
V	Fluorocarbon / (SK10-3V)

Code	Port Size	Body Part No.
Omit	Cartridge Only	
6T	SAE-6	(B10-3-*6T)
8T	SAE-8	(B10-3-*8T)

\* Add "A" for aluminum, omit for steel.

**Technical Information**

**General Description**

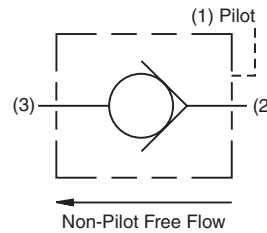
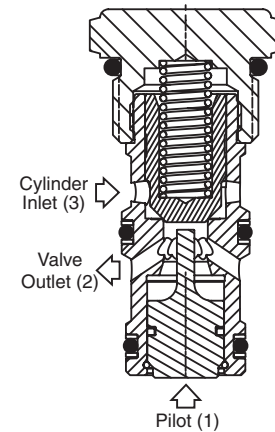
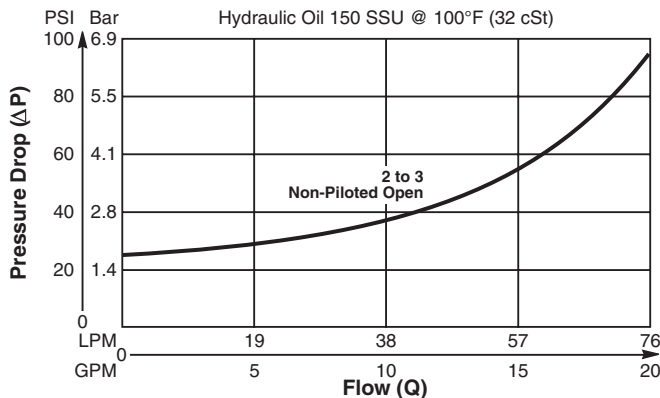
Cartridge Style Pilot Operated Check Valve. For additional information see Technical Tips on pages CV1-CV4.

**Features**

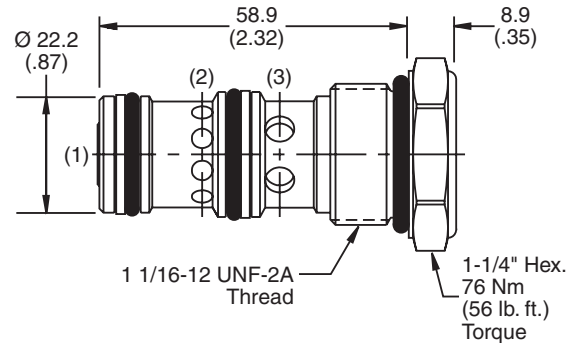
- Hardened, precision ground parts for durability
- Internal pilot position simplifies manifold design
- All external parts zinc plated

**Performance Curve**

**Pressure Drop vs. Flow (Through cartridge only)**



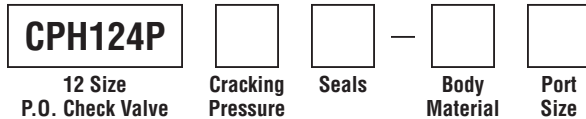
**Dimensions** Millimeters (Inches)



**Specifications**

<b>Rated Flow</b>	75 LPM (20 GPM)
<b>Maximum Inlet Pressure</b>	350 Bar (5000 PSI)
<b>Leakage at 150 SSU (32 cSt)</b>	5 drops/min. (.33 cc/min.) at 350 Bar (5000 PSI)
<b>Pilot Ratio</b>	3:1
<b>Cartridge Material</b>	All parts steel. All operating parts hardened steel.
<b>Operating Temp. Range/Seals</b>	-34°C to +121°C (Nitrile) (-30°F to +250°F) -26°C to +204°C (Fluorocarbon) (-15°F to +400°F)
<b>Fluid Compatibility/Viscosity</b>	Mineral-based or synthetic with lubricating properties at viscosities of 45 to 2000 SSU (6 to 420 cSt)
<b>Filtration</b>	ISO-4406 18/16/13, SAE Class 4
<b>Approx. Weight</b>	0.2 kg (.44 lbs.)
<b>Cavity</b>	C12-3 (See BC Section for more details)
<b>Form Tool</b>	Rougher NFT12-3R Finisher NFT12-3F

**Ordering Information**



<b>Code</b>	<b>Cracking Pressure</b>
Omit	1.7 Bar (25 PSI)

<b>Code</b>	<b>Body Material</b>
Omit	Steel
A	Aluminum

<b>Code</b>	<b>Seals / Kit No.</b>
Omit	Nitrile / (SK12-3)*
V	Fluorocarbon / (SK12-3V)*

<b>Code</b>	<b>Port Size</b>	<b>Body Part No.</b>
Omit	Cartridge Only	
8T	SAE-8	(B12-3-*8T)
12T	SAE-12	(B12-3-*12T)

\* 2.5 size b/u rings.

\* Add "A" for aluminum, omit for steel.

**CV** Check Valves

**SH** Shuttle Valves

**LM** Load/Motor Controls

**FC** Flow Controls

**PC** Pressure Controls

**LE** Logic Elements

**DC** Directional Controls

**MV** Manual Valves

**SV** Solenoid Valves

**PV** Proportional Valves

**CE** Coils & Electronics

**BC** Bodies & Cavities

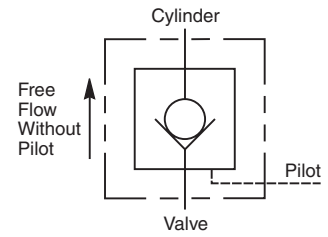
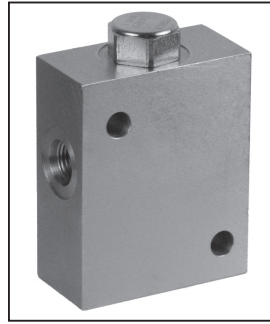
**TD** Technical Data

**Technical Information**

- CV Check Valves
- SH Shuttle Valves
- LM Load/Motor Controls
- FC Flow Controls
- PC Pressure Controls
- LE Logic Elements
- DC Directional Controls
- MV Manual Valves
- SV Solenoid Valves
- PV Proportional Valves
- CE Coils & Electronics
- BC Bodies & Cavities
- TD Technical Data

**General Description**

Pilot Piston Style Pilot Operated Check Valve. For additional information see Technical Tips on pages CV1-CV4.

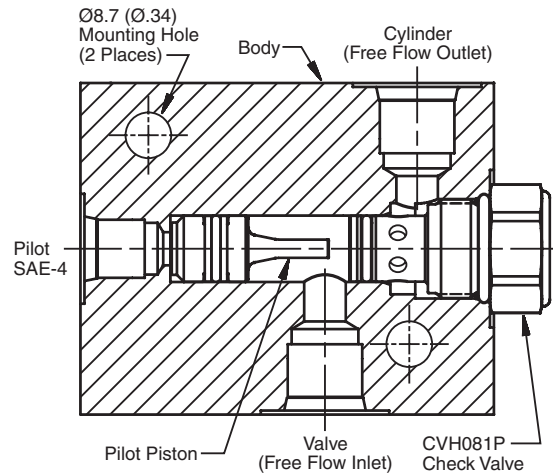


**Features**

- Spherical poppet for low leakage
- “D”-Ring eliminates back-up rings
- Optional sealed pilot piston

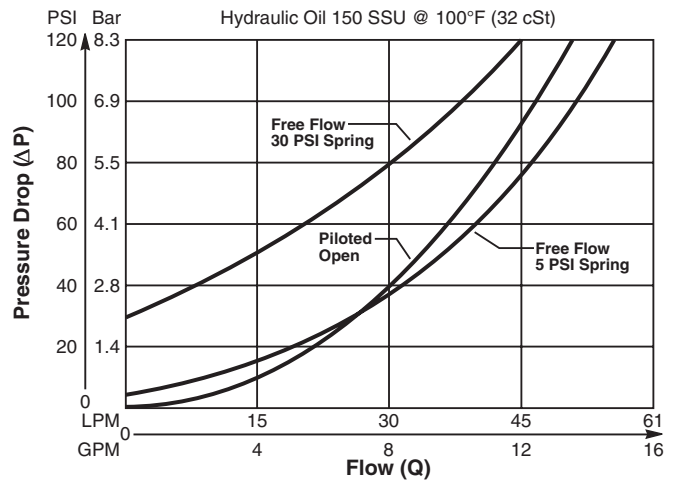
**Specifications**

<b>Maximum Flow</b>	38 LPM (10 GPM)
<b>Maximum Inlet Pressure</b>	210 Bar (3000 PSI) - CSP081 350 Bar (5000 PSI) - CSPH081
<b>Leakage Across Check 150 SSU (32 cSt)</b>	2 drops/min. (.13 cc/min.)
<b>Leakage Across Pilot Piston (No Seals)</b>	312 cc/min 0.3 LPM (.08 GPM)
<b>Pilot Ratio</b>	4:1
<b>Pilot Piston Part Numbers</b>	No Seal - 718237 Nitrile Seal - 718237N Fluorocarbon Seal - 718237V
<b>Cartridge Material</b>	All parts steel. All operating parts hardened steel.
<b>Body Material</b>	Aluminum - CSP081 Steel - CSPH081
<b>Operating Temp. Range (Ambient)</b>	-45°C to +132°C (“D”-Ring) (-50°F to +270°F) -34°C to +121°C (Nitrile) (-30°F to +250°F) -26°C to +204°C (Fluorocarbon) (-15°F to +400°F)
<b>Filtration</b>	ISO-4406 18/16/13, SAE Class 4
<b>Fluids</b>	Mineral-based or synthetic with lubricating properties at viscosities of 45 to 2000 SSU (6 to 420 cSt)
<b>Approx. Weight</b>	

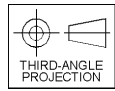
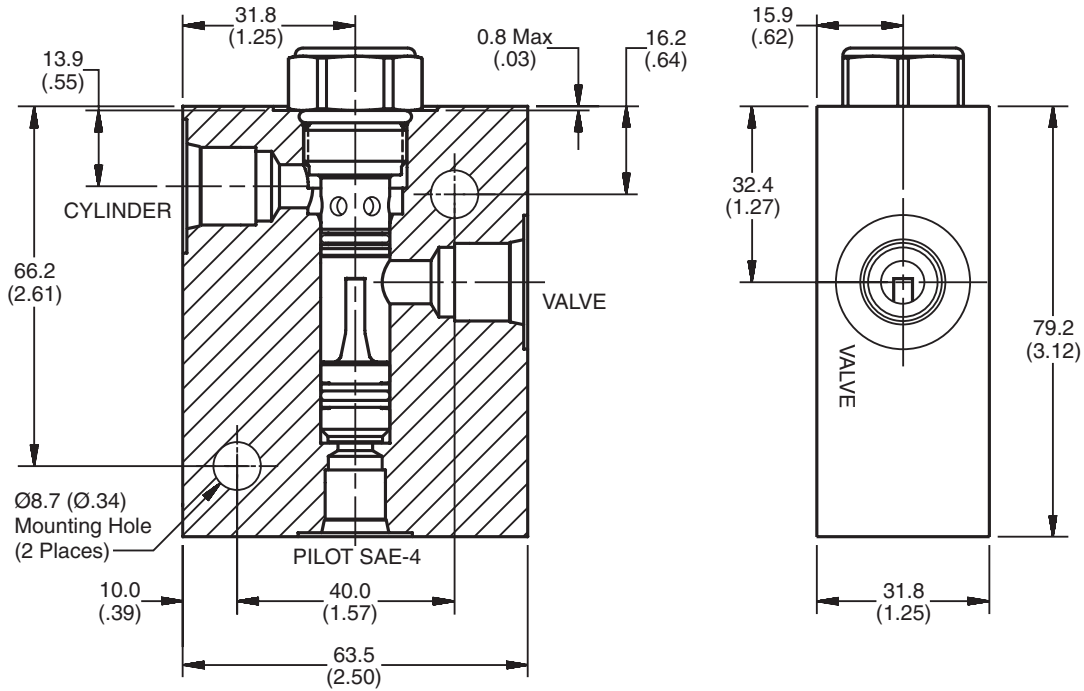


**Performance Curve**

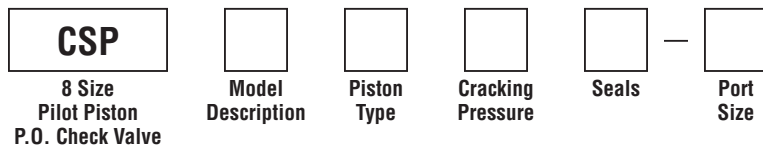
**Pressure Drop vs. Flow (Through cartridge only)**



**Dimensions** Millimeters (Inches)



**Ordering Information**



Code	Model Description
081	3000 PSI Series
H081	5000 PSI Series

Code	Cracking Pressure
*Omit	0.3 Bar (5 PSI)
*10	0.7 Bar (10 PSI)
30	2.1 Bar (30 PSI)
65	4.5 Bar (65 PSI)
100	6.9 Bar (100 PSI)
150	10.4 Bar (150 PSI)

Code	Seals / Kit No.
Omit	"D"-Ring / (SK08-2)
N	Nitrile / (SK08-2N)
V	Fluorocarbon / (SK08-2V)

Code	Port Size	Material
A6T	SAE-6	Aluminum (CSP081 Only)
6T	SAE-6	Steel (CSPH081 Only)

Code	Piston Type
P	Pilot Piston without seal
A	Pilot Piston with seal Note: Requires 1.4 Bar (20 PSI) crack minimum.

\*Not available with "A" option.

- CV** Check Valves
- SH** Shuttle Valves
- LM** Load/Motor Controls
- FC** Flow Controls
- PC** Pressure Controls
- LE** Logic Elements
- DC** Directional Controls
- MV** Manual Valves
- SV** Solenoid Valves
- PV** Proportional Valves
- CE** Coils & Electronics
- BC** Bodies & Cavities
- TD** Technical Data



**Technical Information**

CV

Check Valves

SH

Shuttle Valves

LM

Load/Motor Controls

FC

Flow Controls

PC

Pressure Controls

LE

Logic Elements

DC

Directional Controls

MV

Manual Valves

SV

Solenoid Valves

PV

Proportional Valves

CE

Coils & Electronics

BC

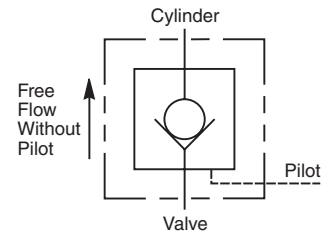
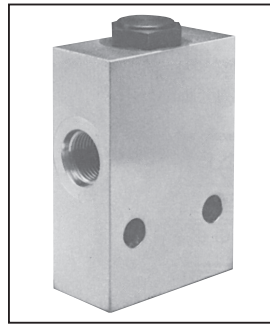
Bodies & Cavities

TD

Technical Data

**General Description**

Pilot Piston Style Pilot Operated Check Valve. For additional information see Technical Tips on pages CV1-CV4.

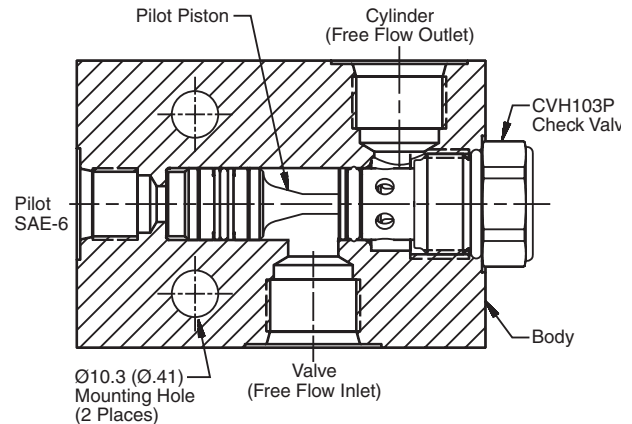


**Features**

- Spherical poppet for low leakage
- "D"-Ring eliminates back-up rings
- Optional sealed pilot piston
- Steel or aluminum body construction

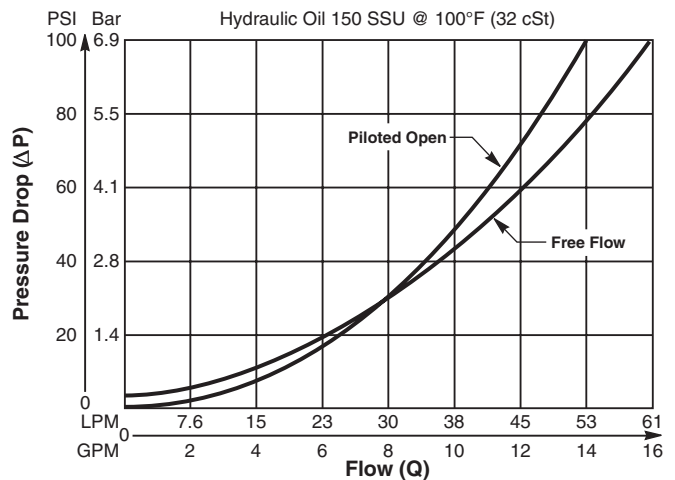
**Specifications**

<b>Maximum Flow</b>	56 LPM (15 GPM)
<b>Maximum Inlet Pressure</b>	210 Bar (3000 PSI) - CSP103 350 Bar (5000 PSI) - CSPH103
<b>Leakage Across Check 150 SSU (32 cSt)</b>	2 drops/min. (.13 cc/min.)
<b>Leakage Across Pilot Piston (No Seals)</b>	312 cc/min 0.3 LPM (.08 GPM)
<b>Pilot Ratio</b>	4:1
<b>Pilot Piston Part Numbers</b>	No Seal - 717909 Nitrile Seal - 717909N Fluorocarbon Seal - 717909V
<b>Cartridge Material</b>	All parts steel. All operating parts hardened steel.
<b>Body Material</b>	Aluminum - CSP103 Steel - CSPH103
<b>Operating Temp. Range (Ambient)</b>	-45°C to +132°C ("D"-Ring) (-50°F to +270°F) -34°C to +121°C (Nitrile) (-30°F to +250°F) -26°C to +204°C (Fluorocarbon) (-15°F to +400°F)
<b>Filtration</b>	ISO-4406 18/16/13, SAE Class 4
<b>Fluids</b>	Mineral-based or synthetic with lubricating properties at viscosities of 45 to 2000 SSU (6 to 420 cSt)
<b>Approx. Weight</b>	

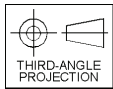
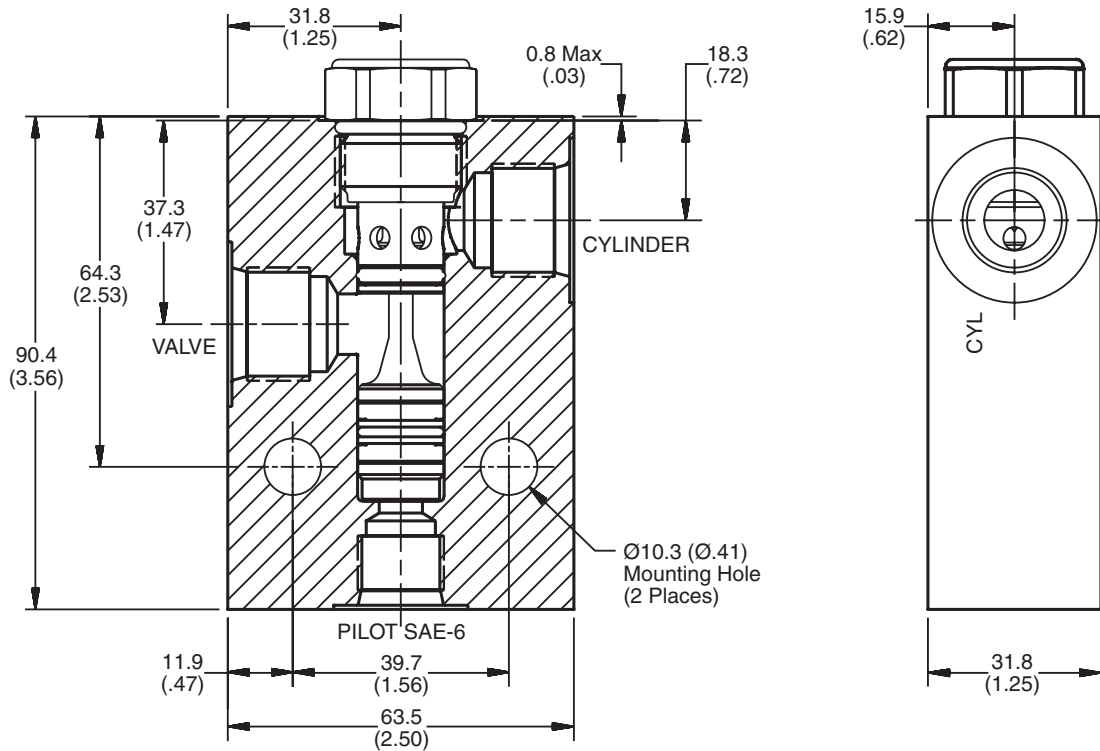


**Performance Curve**

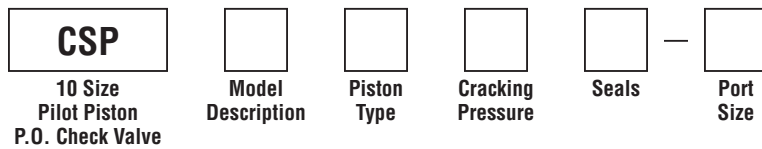
Pressure Drop vs. Flow (Through cartridge only)



**Dimensions** Millimeters (Inches)



**Ordering Information**



Code	Model Description
103	3000 PSI Series
H103	5000 PSI Series

Code	Cracking Pressure
*Omit	0.3 Bar (5 PSI)
20	1.4 Bar (20 PSI)
50	3.5 Bar (50 PSI)
65	4.5 Bar (65 PSI)
80	5.5 Bar (80 PSI)
100	6.9 Bar (100 PSI)

Code	Seals / Kit No.
Omit	"D"-Ring / (SK10-2)
N	Nitrile / (SK10-2N)
V	Fluorocarbon / (SK10-2V)

Code	Port Size	Material
A8T	SAE-8	Aluminum (CSP103 Only)
8T	SAE-8	Steel (CSPH103 Only)

Code	Piston Type
P	Pilot Piston without seal
A	Pilot Piston with seal Note: Requires 1.4 Bar (20 PSI) crack minimum.

\*Not available with "A" option.

- CV** Check Valves
- SH** Shuttle Valves
- LM** Load/Motor Controls
- FC** Flow Controls
- PC** Pressure Controls
- LE** Logic Elements
- DC** Directional Controls
- MV** Manual Valves
- SV** Solenoid Valves
- PV** Proportional Valves
- CE** Coils & Electronics
- BC** Bodies & Cavities
- TD** Technical Data

**Technical Information**

CV

Check Valves

SH

Shuttle Valves

LM Load/Motor Controls

FC Flow Controls

PC Pressure Controls

LE Logic Elements

DC Directional Controls

MV Manual Valves

SV Solenoid Valves

PV Proportional Valves

CE Coils & Electronics

BC Bodies & Cavities

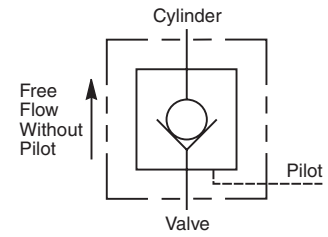
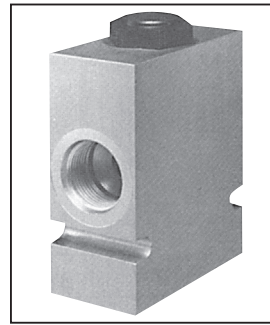
TD Technical Data

**General Description**

Pilot Piston Style Pilot Operated Check Valve. For additional information see Technical Tips on pages CV1-CV4.

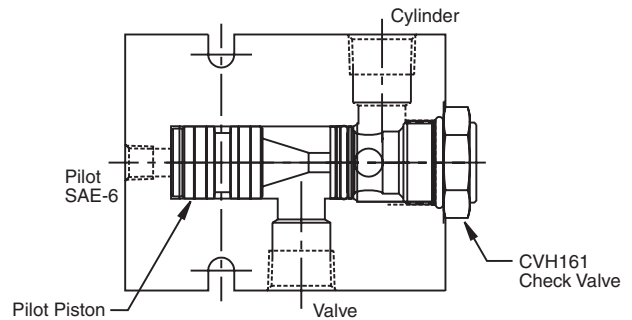
**Features**

- Hardened precision ground parts for durability
- Optional sealed pilot piston
- Steel or aluminum body construction



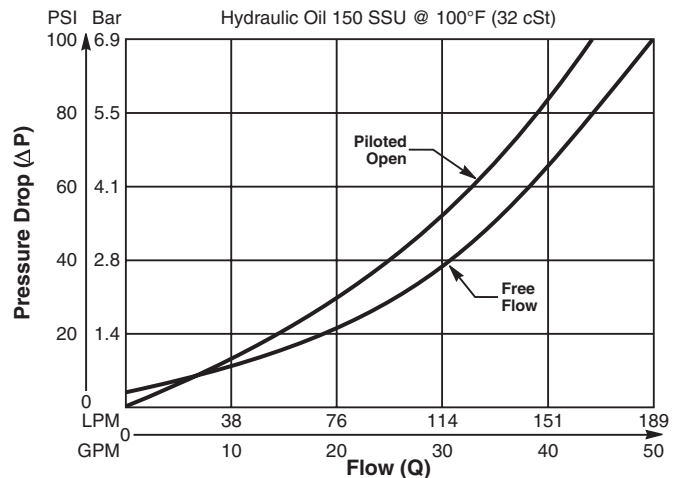
**Specifications**

<b>Maximum Flow</b>	187 LPM (50 GPM)
<b>Maximum Inlet Pressure</b>	210 Bar (3000 PSI) - CSP161 350 Bar (5000 PSI) - CSPH161
<b>Leakage at 150 SSU (32 cSt)</b>	5 drops/min (.33 cc/min) @ 350 Bar (5000 psi)
<b>Leakage Across Pilot Piston (No Seals)</b>	312 cc/min 0.3 LPM (.08 GPM)
<b>Pilot Ratio</b>	3:1
<b>Pilot Piston Part Numbers</b>	No Seal - 717910 Nitrile Seal - 717910N Fluorocarbon - 717910V
<b>Cartridge Material</b>	All parts steel. All operating parts hardened steel.
<b>Body Material</b>	Aluminum - CSP161 Steel - CSPH161
<b>Operating Temp. Range (Ambient)</b>	-34°C to +121°C (Nitrile) (-30°F to +250°F) -26°C to +204°C (Fluorocarbon) (-15°F to +400°F)
<b>Filtration</b>	ISO-4406 18/16/13, SAE Class 4
<b>Fluids</b>	Mineral-based or synthetic with lubricating properties at viscosities of 45 to 2000 SSU (6 to 420 cSt)
<b>Approx. Weight</b>	

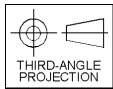
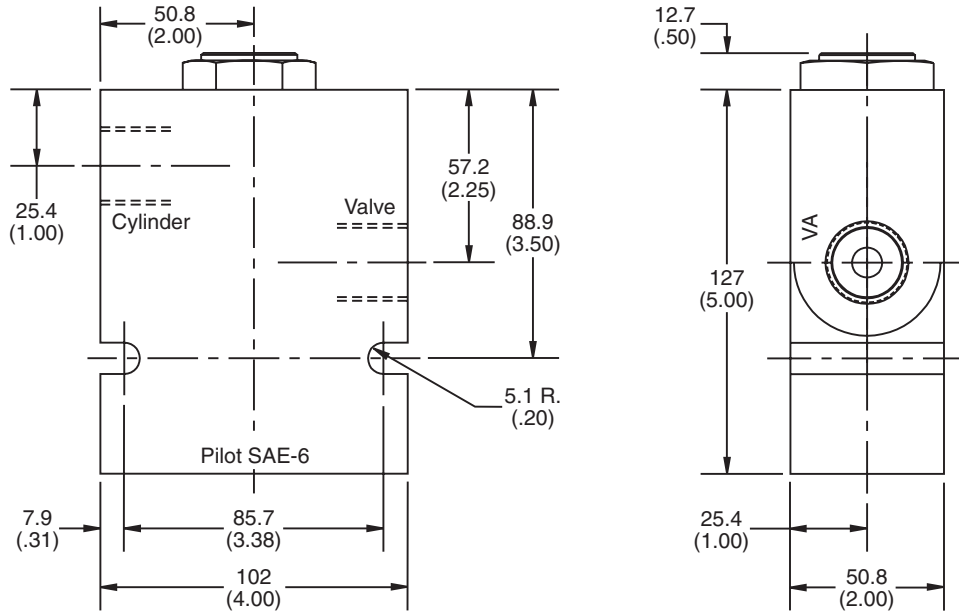


**Performance Curve**

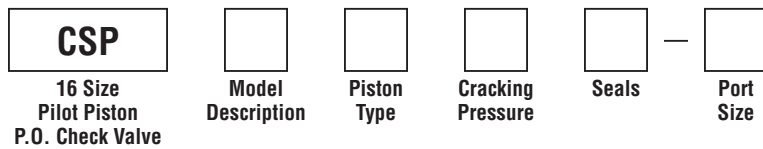
Pressure Drop vs. Flow (Through cartridge only)



**Dimensions** Millimeters (Inches)



**Ordering Information**



Code	Model Description
<b>161</b>	3000 PSI Series
<b>H161</b>	5000 PSI Series

Code	Cracking Pressure
<b>*Omit</b>	0.3 Bar (5 PSI)
<b>20</b>	1.4 Bar (20 PSI)
<b>65</b>	4.5 Bar (65 PSI)
<b>175</b>	12.1 Bar (175 PSI)

Code	Seals / Kit No.
<b>Omit</b>	Nitrile / (SK16-2N)
<b>V</b>	Fluorocarbon / (SK16-2V)

Code	Port Size	Material
<b>A16T</b>	SAE-16	Aluminum (CSP161 Only)
<b>16T</b>	SAE-16	Steel (CSPH161 Only)

Code	Piston Type
<b>P</b>	Pilot Piston without seal
<b>A</b>	Pilot Piston with seal Note: Requires 1.4 Bar (20 PSI) crack minimum.

*\*Not available with "A" option.*

- CV** Check Valves
- SH** Shuttle Valves
- LM** Load/Motor Controls
- FC** Flow Controls
- PC** Pressure Controls
- LE** Logic Elements
- DC** Directional Controls
- MV** Manual Valves
- SV** Solenoid Valves
- PV** Proportional Valves
- CE** Coils & Electronics
- BC** Bodies & Cavities
- TD** Technical Data

**Technical Information**

CV

Check Valves

SH

Shuttle Valves

LM Load/Motor Controls

FC Flow Controls

PC Pressure Controls

LE Logic Elements

DC Directional Controls

MV Manual Valves

SV Solenoid Valves

PV Proportional Valves

CE Coils & Electronics

BC Bodies & Cavities

TD Technical Data

**General Description**

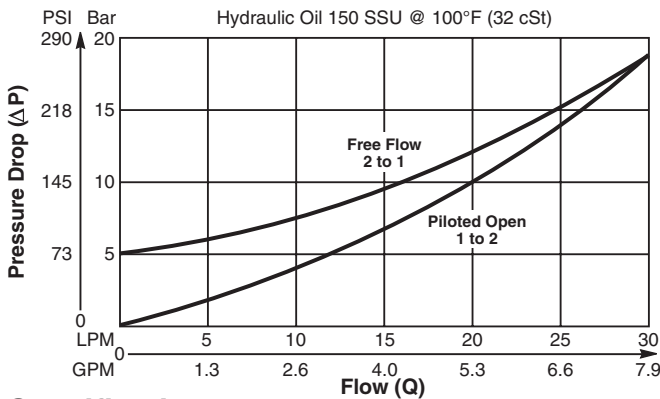
Miniature Pilot to Open, Poppet Type Check Valve. For additional information see Technical Tips on pages CV1-CV4.

**Features**

- Hardened poppet for maximum durability
- Low leakage - less than 3 drops/min.
- Sealed pilot
- Extremely compact construction - can be fitted directly into most cylinders
- Cavity commonality with load control valves
- Dual line blocks available
- All external parts zinc plated

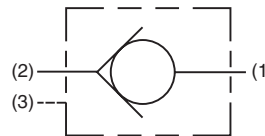
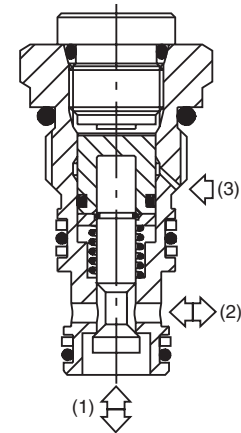
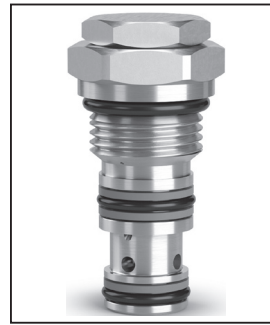
**Performance Curve**

**Pressure Drop vs. Flow (Through cartridge only)**

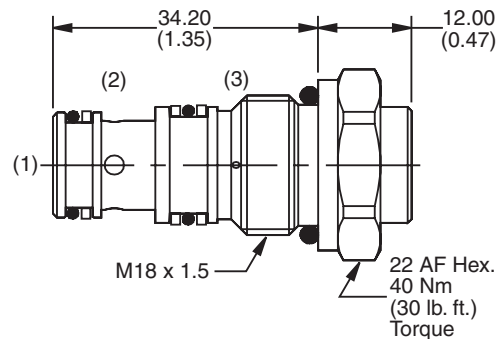


**Specifications**

<b>Rated Flow</b>	30 LPM (8 GPM)
<b>Nominal Flow @ 7 Bar (100 PSI)</b>	16 LPM (4.2 GPM) (Piloted Open)
<b>Maximum Inlet Pressure</b>	420 Bar (6000 PSI)
<b>Leakage at 150 SSU (32 cSt)</b>	Less than 3 drops/min.
<b>Cracking Pressure</b>	5 Bar (72 PSI)
<b>Pilot Ratio</b>	4:1
<b>Cartridge Material</b>	Steel operating parts, hardened steel poppet.
<b>Operating Temp. Range/Seals</b>	-34°C to +121°C (Nitrile, Buna-N) (-30°F to +250°F) -26°C to +204°C (Fluorocarbon) (-15°F to +400°F)
<b>Fluid Compatibility/Viscosity</b>	Mineral-based or synthetic with lubricating properties at viscosities of 45 to 2000 SSU (6 to 420 cSt)
<b>Filtration</b>	ISO-4406 18/16/13, SAE Class 4
<b>Approx. Weight</b>	.066 kg (.145 lbs.)
<b>Cavity</b>	53-1 (See BC Section for more details)



**Dimensions** Millimeters (Inches)



**Ordering Information**

**D4A020**  **Seals**  
Check Valve

Code	Seals / Kit No.
N	Nitrile, Buna-N / (SK30090N-1)
V	Fluorocarbon / (SK30090V-1)

*Order Bodies Separately*

**LB10**    
Line Body Porting Body Material

Code	Porting
318	3/8" SAE (Main) 1/4" SAE (Aux.)
319	3/8" SAE Dual Cavity

Code	Body Material
A	Aluminum
S	Steel



**General Description**

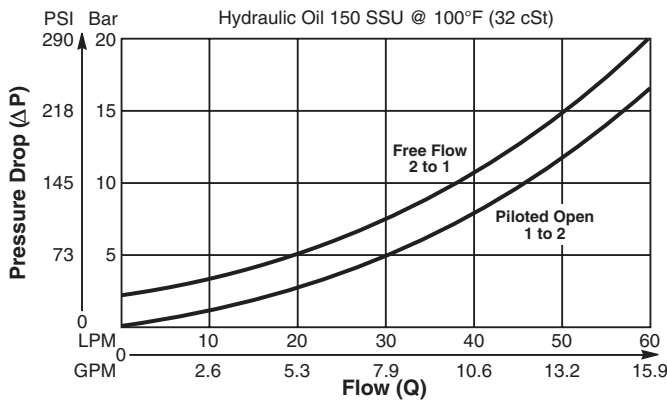
Pilot to Open, Poppet Type Check Valve. For additional information see Technical Tips on pages CV1-CV4.

**Features**

- Hardened poppet for maximum durability
- High flow capacity
- Low leakage - less than 3 drops/min.
- Sealed pilot
- Good contamination tolerance
- Cavity commonality with load control valves
- Dual line blocks available
- All external parts zinc plated

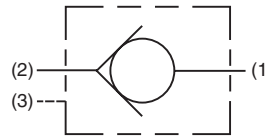
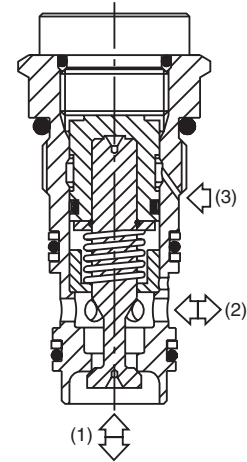
**Performance Curve**

**Pressure Drop vs. Flow (Through cartridge only)**

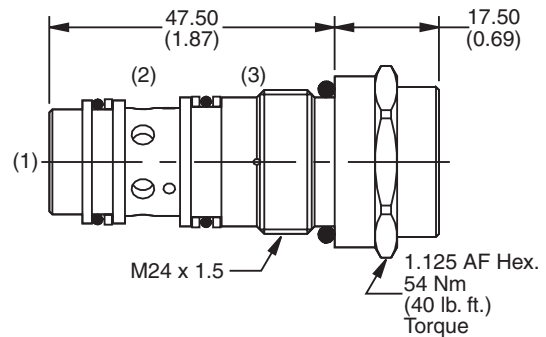


**Specifications**

<b>Rated Flow</b>	60 LPM (16 GPM)
<b>Nominal Flow @ 7 Bar (100 PSI)</b>	32 LPM (8.5 GPM) (Pilot Open)
<b>Maximum Inlet Pressure</b>	420 Bar (6000 PSI)
<b>Leakage at 150 SSU (32 cSt)</b>	Less than 3 drops/min.
<b>Cracking Pressure</b>	3 Bar (43.5 PSI)
<b>Pilot Ratio</b>	4:1
<b>Cartridge Material</b>	Steel operating parts, hardened steel poppet.
<b>Operating Temp. Range/Seals</b>	-34°C to +121°C (Nitrile, Buna-N) (-30°F to +250°F) -26°C to +204°C (Fluorocarbon) (-15°F to +400°F)
<b>Fluid Compatibility/Viscosity</b>	Mineral-based or synthetic with lubricating properties at viscosities of 45 to 2000 SSU (6 to 420 cSt)
<b>Filtration</b>	ISO-4406 18/16/13, SAE Class 4
<b>Approx. Weight</b>	.15 kg (.33 lbs.)
<b>Cavity</b>	68-1 (See BC Section for more details)



**Dimensions** Millimeters (Inches)



**Ordering Information**

**D4A040**  **Seals**  
Check Valve

Code	Seals / Kit No.
N	Nitrile, Buna-N / (SK30059N-1)
V	Fluorocarbon / (SK30059V-1)

*Order Bodies Separately*

**LB10**    
Line Body Porting Body Material

Code	Porting
253	1/2" SAE (Main) 1/4" SAE (Aux.)
261	1/2" SAE Dual Cavity

Code	Body Material
A	Aluminum
S	Steel

**CV** Check Valves

**SH** Shuttle Valves

**LM** Load/Motor Controls

**FC** Flow Controls

**PC** Pressure Controls

**LE** Logic Elements

**DC** Directional Controls

**MV** Manual Valves

**SV** Solenoid Valves

**PV** Proportional Valves

**CE** Coils & Electronics

**BC** Bodies & Cavities

**TD** Technical Data

**Technical Information**

CV

Check Valves

SH

Shuttle Valves

LM

Load/Motor Controls

FC

Flow Controls

PC

Pressure Controls

LE

Logic Elements

DC

Directional Controls

MV

Manual Valves

SV

Solenoid Valves

PV

Proportional Valves

CE

Coils & Electronics

BC

Bodies & Cavities

TD

Technical Data

**General Description**

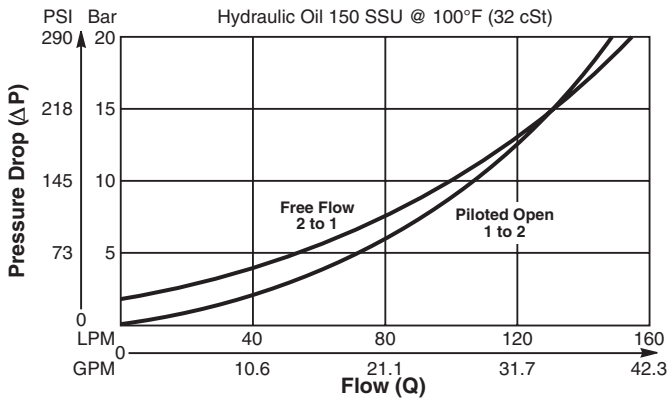
Pilot to Open, Poppet Type Check Valve. For additional information see Technical Tips on pages CV1-CV4.

**Features**

- Hardened poppet for maximum durability
- High flow capacity
- Low leakage - less than 3 drops/min.
- Sealed pilot
- Good contamination tolerance
- Cavity commonality with load control valves
- Dual line blocks available
- All external parts zinc plated

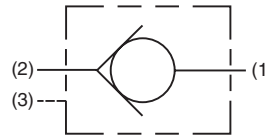
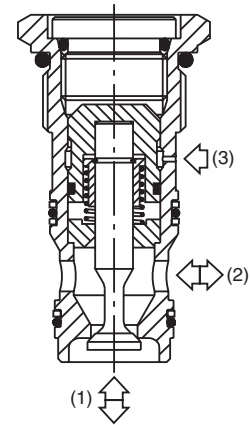
**Performance Curve**

**Pressure Drop vs. Flow (Through cartridge only)**

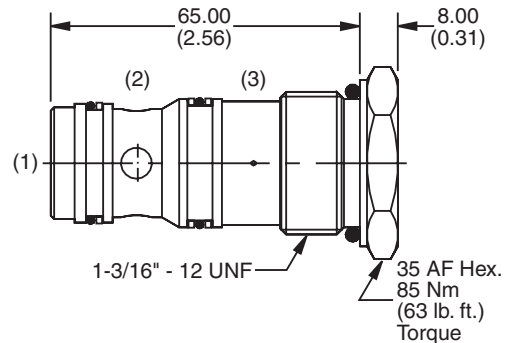


**Specifications**

<b>Rated Flow</b>	150 LPM (40 GPM)
<b>Nominal Flow @ 7 Bar (100 PSI)</b>	80 LPM (21 GPM) (Piloted Open)
<b>Maximum Inlet Pressure</b>	420 Bar (6000 PSI)
<b>Leakage at 150 SSU (32 cSt)</b>	Less than 3 drops/min.
<b>Cracking Pressure</b>	2 Bar (30 PSI)
<b>Pilot Ratio</b>	4:1
<b>Cartridge Material</b>	Steel operating parts, hardened steel poppet.
<b>Operating Temp. Range/Seals</b>	-34°C to +121°C (Nitrile, Buna-N) (-30°F to +250°F) -26°C to +204°C (Fluorocarbon) (-15°F to +400°F)
<b>Fluid Compatibility/Viscosity</b>	Mineral-based or synthetic with lubricating properties at viscosities of 45 to 2000 SSU (6 to 420 cSt)
<b>Filtration</b>	ISO-4406 18/16/13, SAE Class 4
<b>Approx. Weight</b>	.24 kg (.528 lbs.)
<b>Cavity</b>	3C (See BC Section for more details)



**Dimensions** Millimeters (Inches)



**Ordering Information**

<b>D3B125</b>	<input type="checkbox"/>
Check Valve	Seals

Code	Seals / Kit No.
N	Nitrile, Buna-N / (SK30008N-1)
V	Fluorocarbon / (SK30008V-1)

**Order Bodies Separately**

<b>LB10</b>	<input type="checkbox"/>	<input type="checkbox"/>
Line Body	Porting	Body Material

Code	Porting
069	1" SAE (Main) 1/4" SAE (Aux.)
234	3/4" SAE Dual Cavity

Code	Body Material
A	Aluminum
S	Steel

**General Description**

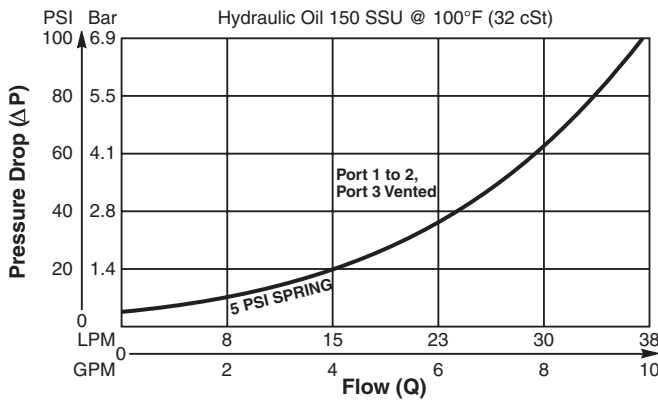
Pilot to Close Check Valve. For additional information see Technical Tips on pages CV1-CV4.

**Features**

- Hardened, precision ground parts for durability
- Fully guided poppet for smooth operation
- All external parts zinc plated

**Performance Curve**

**Pressure Drop vs. Flow (Through cartridge only)**

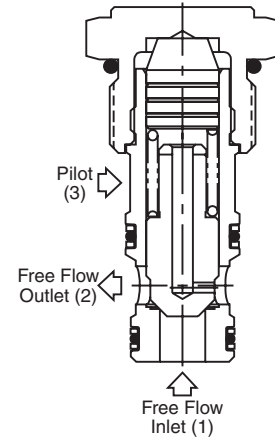
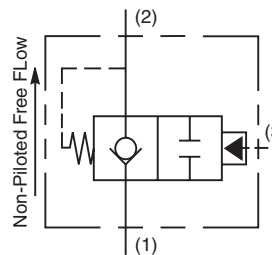
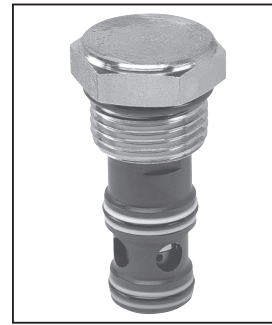
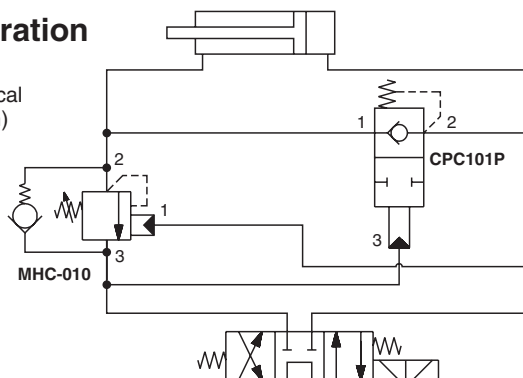


**Specifications**

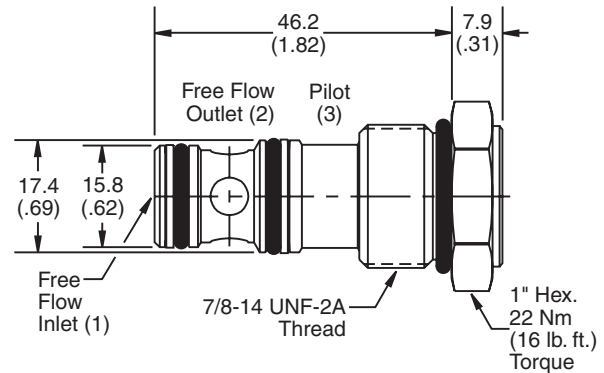
<b>Rated Flow</b>	38 LPM (10 GPM)
<b>Maximum Inlet Pressure</b>	240 Bar (3500 PSI)
<b>Leakage at 150 SSU (32 cSt)</b>	15 drops/min. (.99 cc/min.) at 240 Bar (3500 PSI)
<b>Pilot Ratio</b>	2:1
<b>Operating Temp. Range/Seals</b>	-34°C to +121°C (Nitrile) (-30°F to +250°F) -26°C to +204°C (Fluorocarbon) (-15°F to +400°F)
<b>Approx. Weight</b>	.14 kg (0.31 lbs.)
<b>Cavity</b>	C10-3 (See BC Section for more details)
<b>Form Tool</b>	Rougher NFT10-3R Finisher NFT10-3F

**Regeneration Circuit**

(See Technical Tips Section)



**Dimensions** Millimeters (Inches)



**Ordering Information**

<b>CPC101P</b>	<input type="checkbox"/>	<input type="checkbox"/>	<input type="checkbox"/>	<input type="checkbox"/>
<b>10 Size Pilot to Close Check Valve</b>	<b>Cracking Pressure</b>	<b>Seals</b>	<b>Body Material</b>	<b>Port Size</b>

<b>Code</b>	<b>Cracking Pressure</b>	<b>Code</b>	<b>Body Material</b>
Omit	0.3 Bar (5 PSI)	Omit	Steel
50	3.5 Bar (50 PSI)	A	Aluminum

<b>Code</b>	<b>Seals / Kit No.</b>	<b>Code</b>	<b>Port Size</b>	<b>Body Part No.</b>
Omit	Nitrile / (SK10-3)	Omit	Cartridge Only	
V	Fluorocarbon / (SK10-3V)	6T	SAE-6	(B10-3-*6T)
		8T	SAE-8	(B10-3-*8T)

\* Add "A" for aluminum, omit for steel.

**CV**

Check Valves

**SH**

Shuttle Valves

**LM**

Load/Motor Controls

**FC**

Flow Controls

**PC**

Pressure Controls

**LE**

Logic Elements

**DC**

Directional Controls

**MV**

Manual Valves

**SV**

Solenoid Valves

**PV**

Proportional Valves

**CE**

Coils & Electronics

**BC**

Bodies & Cavities

**TD**

Technical Data





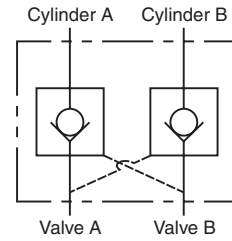
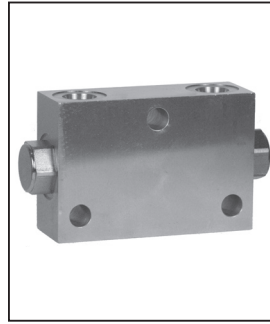


**Technical Information**

- CV Check Valves
- SH Shuttle Valves
- LM Load/Motor Controls
- FC Flow Controls
- PC Pressure Controls
- LE Logic Elements
- DC Directional Controls
- MV Manual Valves
- SV Solenoid Valves
- PV Proportional Valves
- CE Coils & Electronics
- BC Bodies & Cavities
- TD Technical Data

**General Description**

Pilot Piston Style Dual Pilot Operated Check Valve. For additional information see Technical Tips on pages CV1-CV4.

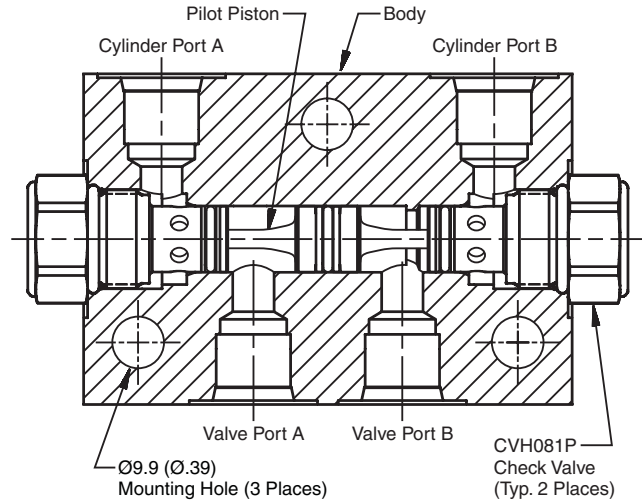


**Features**

- Spherical poppet for low leakage
- “D”-Ring eliminates back-up rings
- Optional sealed pilot piston

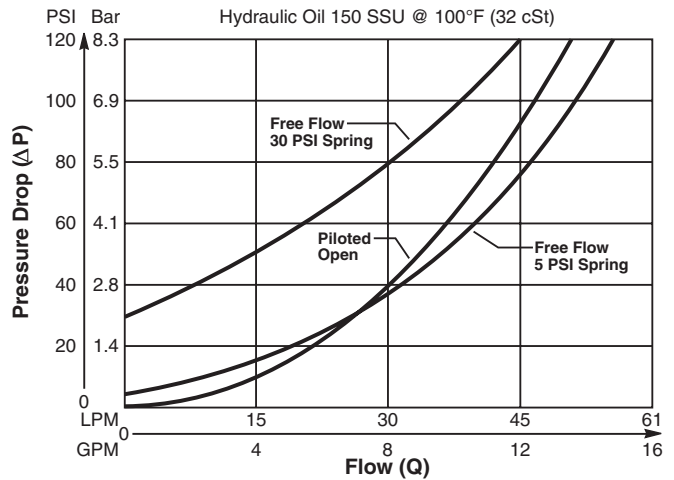
**Specifications**

<b>Maximum Flow</b>	38 LPM (10 GPM)
<b>Maximum Inlet Pressure</b>	210 Bar (3000 PSI) - CDP081 350 Bar (5000 PSI) - CDPH081
<b>Leakage Across Check 150 SSU (32 cSt)</b>	2 drops/min. (.13 cc/min.)
<b>Leakage Across Pilot Piston (No Seals)</b>	312 cc/min 0.3 LPM (.08 GPM)
<b>Pilot Ratio</b>	4:1
<b>Pilot Piston Part Numbers</b>	No Seal - 718238 Nitrile Seal - 718238N Fluorocarbon Seal - 718238V
<b>Cartridge Material</b>	All parts steel. All operating parts hardened steel.
<b>Body Material</b>	Aluminum - CDP081 Steel - CDPH081
<b>Operating Temp. Range (Ambient)</b>	-45°C to +132°C (“D”-Ring) (-50°F to +270°F) -34°C to +121°C (Nitrile) (-30°F to +250°F) -26°C to +204°C (Fluorocarbon) (-15°F to +400°F)
<b>Filtration</b>	ISO-4406 18/16/13, SAE Class 4
<b>Fluids</b>	Mineral-based or synthetic with lubricating properties at viscosities of 45 to 2000 SSU (6 to 420 cSt)
<b>Approx. Weight</b>	

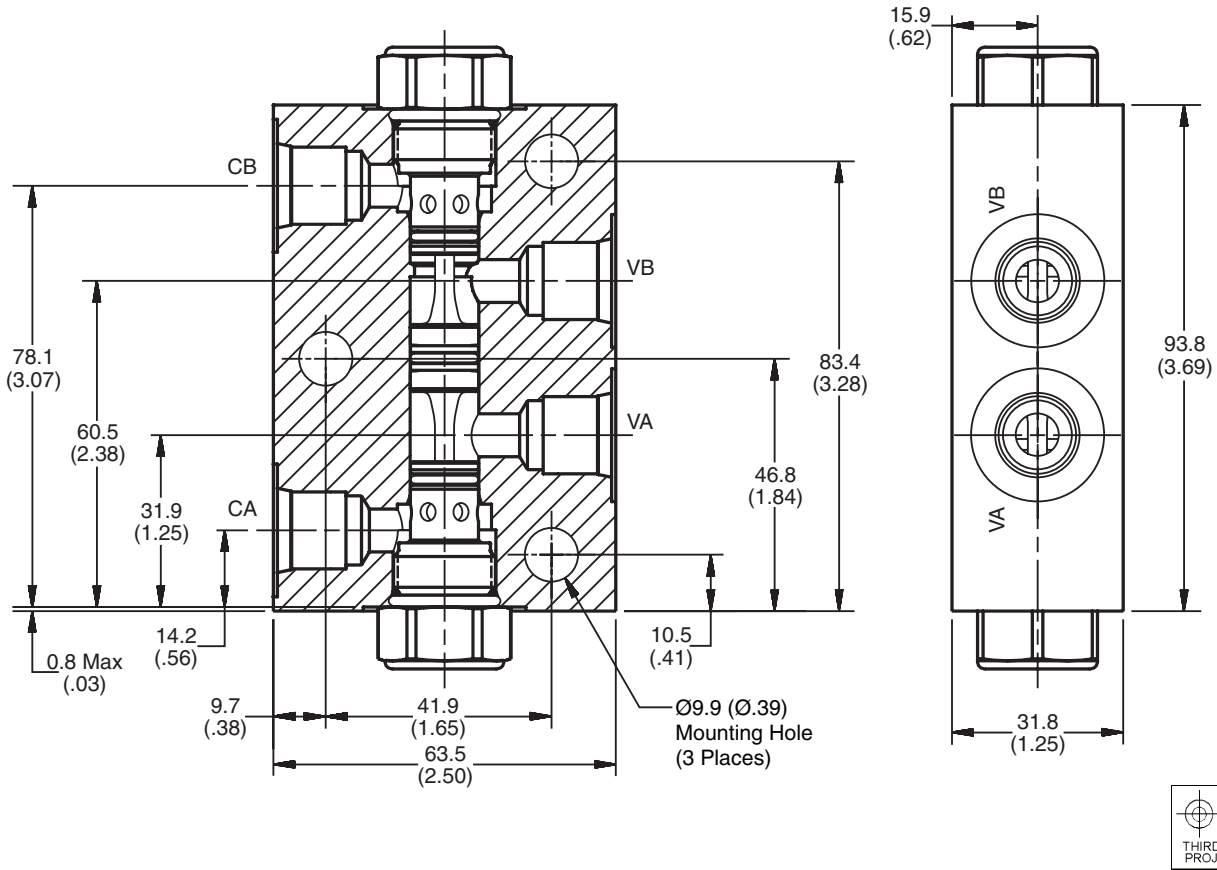


**Performance Curve**

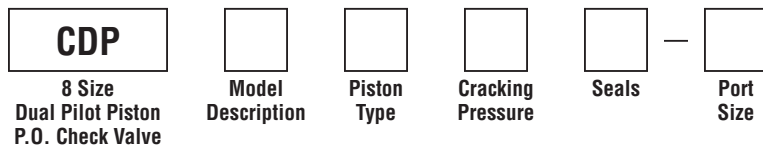
**Pressure Drop vs. Flow (Through cartridge only)**



**Dimensions** Millimeters (Inches)



**Ordering Information**



Code	Model Description
<b>081</b>	3000 PSI Series
<b>H081</b>	5000 PSI Series

Code	Cracking Pressure
<b>*Omit</b>	0.3 Bar (5 PSI)
<b>*10</b>	0.7 Bar (10 PSI)
<b>30</b>	2.1 Bar (30 PSI)
<b>65</b>	4.5 Bar (65 PSI)
<b>100</b>	6.9 Bar (100 PSI)
<b>150</b>	10.4 Bar (150 PSI)

Code	Seals / Kit No.
<b>Omit</b>	"D"-Ring / (SK08-2)
<b>N</b>	Nitrile / (SK08-2N)
<b>V</b>	Fluorocarbon / (SK08-2V)

Code	Port Size	Material
<b>A6T</b>	SAE-6	Aluminum (CDP081 Only)
<b>6T</b>	SAE-6	Steel (CDPH081 Only)

Code	Piston Type
<b>P</b>	Pilot Piston without seal
<b>A</b>	Pilot Piston with seal Note: Requires 1.4 Bar (20 PSI) crack minimum.

*\*Not available with "A" option.*

- CV** Check Valves
- SH** Shuttle Valves
- LM** Load/Motor Controls
- FC** Flow Controls
- PC** Pressure Controls
- LE** Logic Elements
- DC** Directional Controls
- MV** Manual Valves
- SV** Solenoid Valves
- PV** Proportional Valves
- CE** Coils & Electronics
- BC** Bodies & Cavities
- TD** Technical Data

**Technical Information**

CV

Check Valves

SH

Shuttle Valves

LM

Load/Motor Controls

FC

Flow Controls

PC

Pressure Controls

LE

Logic Elements

DC

Directional Controls

MV

Manual Valves

SV

Solenoid Valves

PV

Proportional Valves

CE

Coils & Electronics

BC

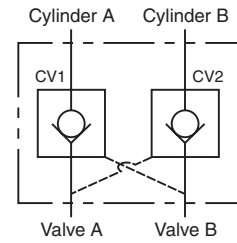
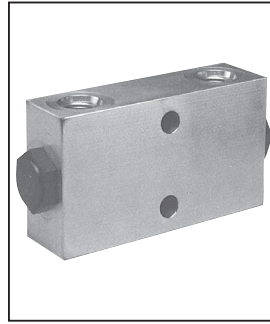
Bodies & Cavities

TD

Technical Data

**General Description**

Pilot Piston Style Dual Pilot Operated Check Valve. For additional information see Technical Tips on pages CV1-CV4.

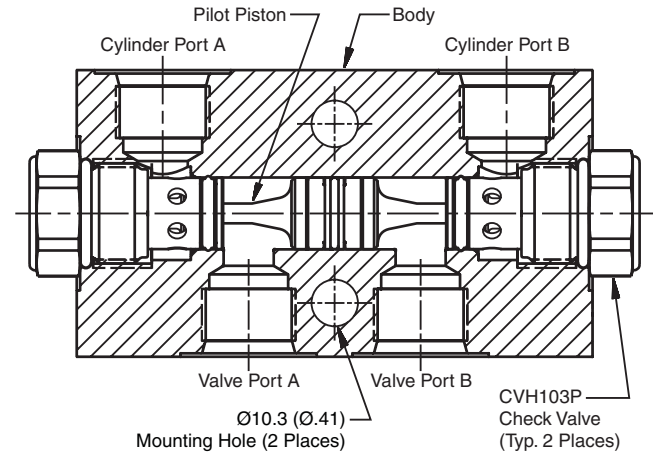


**Features**

- Spherical poppet for low leakage
- “D”-Ring eliminates back-up rings
- Optional sealed pilot piston

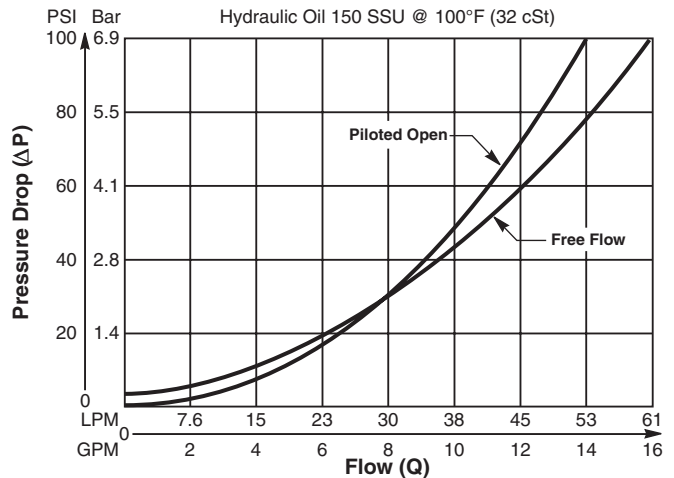
**Specifications**

<b>Maximum Flow</b>	56 LPM (15 GPM)
<b>Maximum Inlet Pressure</b>	210 Bar (3000 PSI) - CDP103 350 Bar (5000 PSI) - CDPH103
<b>Leakage Across Check 150 SSU (32 cSt)</b>	2 drops/min. (.13 cc/min.)
<b>Leakage Across Pilot Piston (No Seals)</b>	312 cc/min 0.3 LPM (.08 GPM)
<b>Pilot Ratio</b>	4:1
<b>Pilot Piston Part Numbers</b>	No Seal - 717917 Nitrile Seal - 717917N Fluorocarbon Seal - 717917V
<b>Cartridge Material</b>	All parts steel. All operating parts hardened steel.
<b>Body Material</b>	Aluminum - CDP103 Steel - CDPH103
<b>Operating Temp. Range (Ambient)</b>	-45°C to +132°C (“D”-Ring) (-50°F to +270°F) -34°C to +121°C (Nitrile) (-30°F to +250°F) -26°C to +204°C (Fluorocarbon) (-15°F to +400°F)
<b>Filtration</b>	ISO-4406 18/16/13, SAE Class 4
<b>Fluids</b>	Mineral-based or synthetic with lubricating properties at viscosities of 45 to 2000 SSU (6 to 420 cSt)
<b>Approx. Weight</b>	

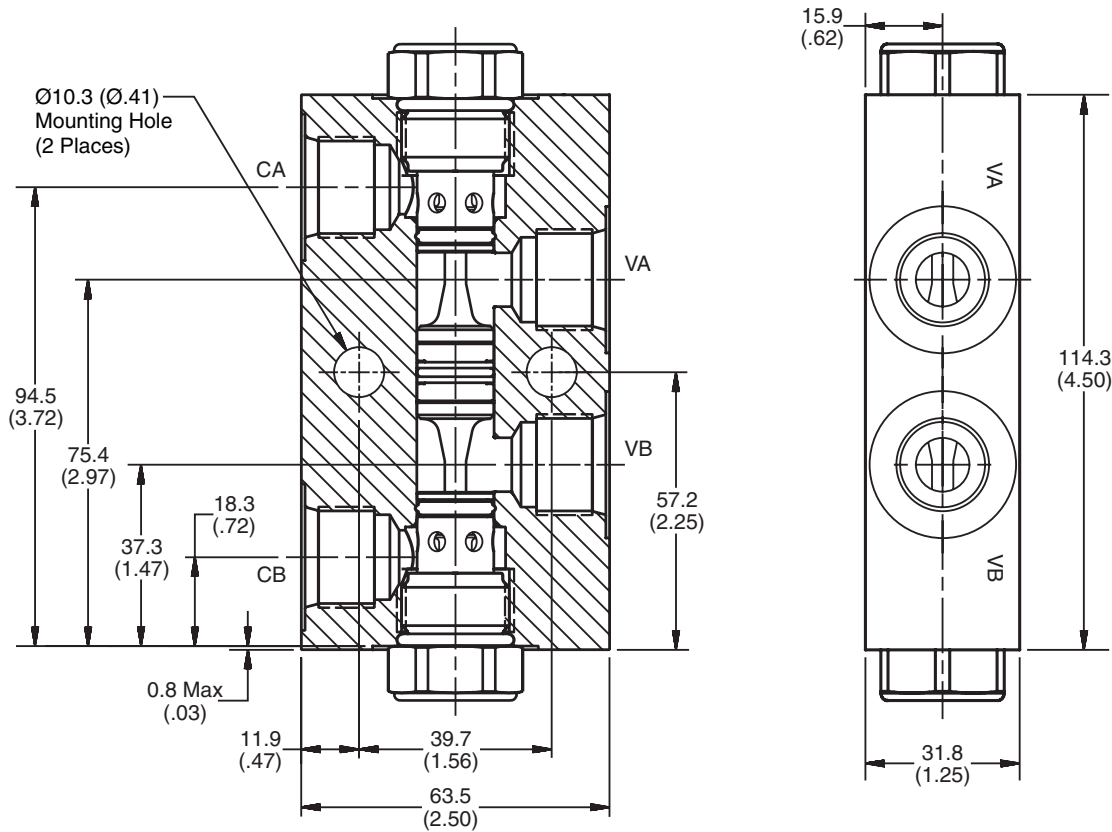


**Performance Curve**

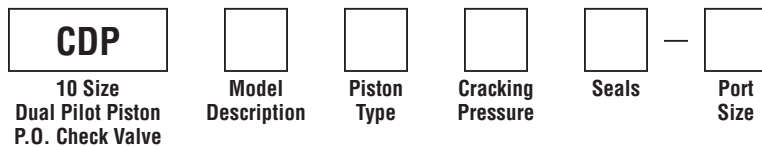
Pressure Drop vs. Flow (Through cartridge only)



**Dimensions** Millimeters (Inches)



**Ordering Information**



Code	Model Description
103	3000 PSI Series
H103	5000 PSI Series

Code	Cracking Pressure
*Omit	0.3 Bar (5 PSI)
20	1.4 Bar (20 PSI)
50	3.5 Bar (50 PSI)
65	4.5 Bar (65 PSI)
80	5.5 Bar (80 PSI)
100	6.9 Bar (100 PSI)

Code	Seals / Kit No.
Omit	"D"-Ring / (SK10-2)
N	Nitrile / (SK10-2N)
V	Fluorocarbon / (SK10-2V)

Code	Port Size	Material
A8T	SAE-8	Aluminum (CDP103 Only)
8T	SAE-8	Steel (CDPH103 Only)

Code	Piston Type
P	Pilot Piston without seal
A	Pilot Piston with seal Note: Requires 1.4 Bar (20 PSI) crack minimum.

\*Not available with "A" option.

**CV**

Check Valves

**SH**

Shuttle Valves

**LM**

Load/Motor Controls

**FC**

Flow Controls

**PC**

Pressure Controls

**LE**

Logic Elements

**DC**

Directional Controls

**MV**

Manual Valves

**SV**

Solenoid Valves

**PV**

Proportional Valves

**CE**

Coils & Electronics

**BC**

Bodies & Cavities

**TD**

Technical Data

**Technical Information**

CV

Check Valves

SH

Shuttle Valves

LM Load/Motor Controls

FC Flow Controls

PC Pressure Controls

LE Logic Elements

DC Directional Controls

MV Manual Valves

SV Solenoid Valves

PV Proportional Valves

CE Coils & Electronics

BC Bodies & Cavities

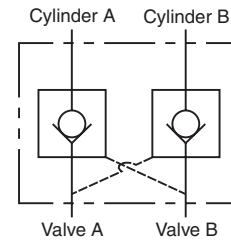
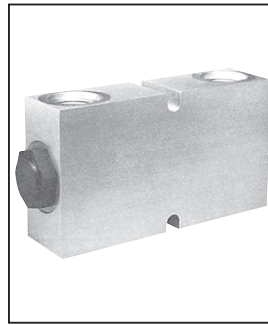
TD Technical Data

**General Description**

Pilot Piston Style Dual Pilot Operated Check Valve. For additional information see Technical Tips on pages CV1-CV4.

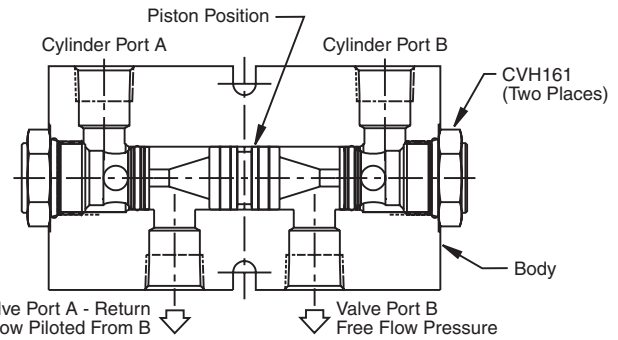
**Features**

- Hardened precision ground parts for durability
- Optional sealed pilot piston



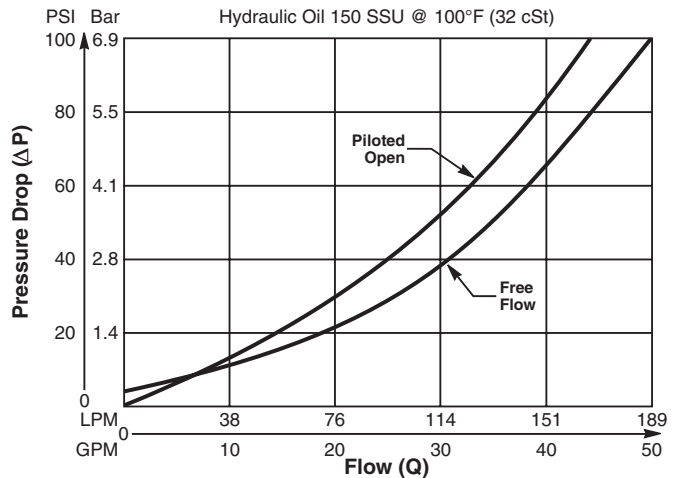
**Specifications**

<b>Maximum Flow</b>	187 LPM (50 GPM)
<b>Maximum Inlet Pressure</b>	210 Bar (3000 PSI) - CDP161 350 Bar (5000 PSI) - CDPH161
<b>Leakage at 150 SSU (32 cSt)</b>	5 drops/min (.33 cc/min) @ 350 Bar (5000 psi)
<b>Leakage Across Pilot Piston (No Seals)</b>	312 cc/min 0.3 LPM (.08 GPM)
<b>Pilot Ratio</b>	3:1
<b>Pilot Piston Part Numbers</b>	No Seal - 717918 Nitrile Seal - 717918N Fluorocarbon - 717918V
<b>Cartridge Material</b>	All parts steel. All operating parts hardened steel.
<b>Body Material</b>	Aluminum - CDP161 Steel - CDPH161
<b>Operating Temp. Range (Ambient)</b>	-34°C to +121°C (Nitrile) (-30°F to +250°F) -26°C to +204°C (Fluorocarbon) (-15°F to +400°F)
<b>Filtration</b>	ISO-4406 18/16/13, SAE Class 4
<b>Fluids</b>	Mineral-based or synthetic with lubricating properties at viscosities of 45 to 2000 SSU (6 to 420 cSt)
<b>Approx. Weight</b>	

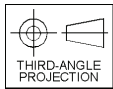
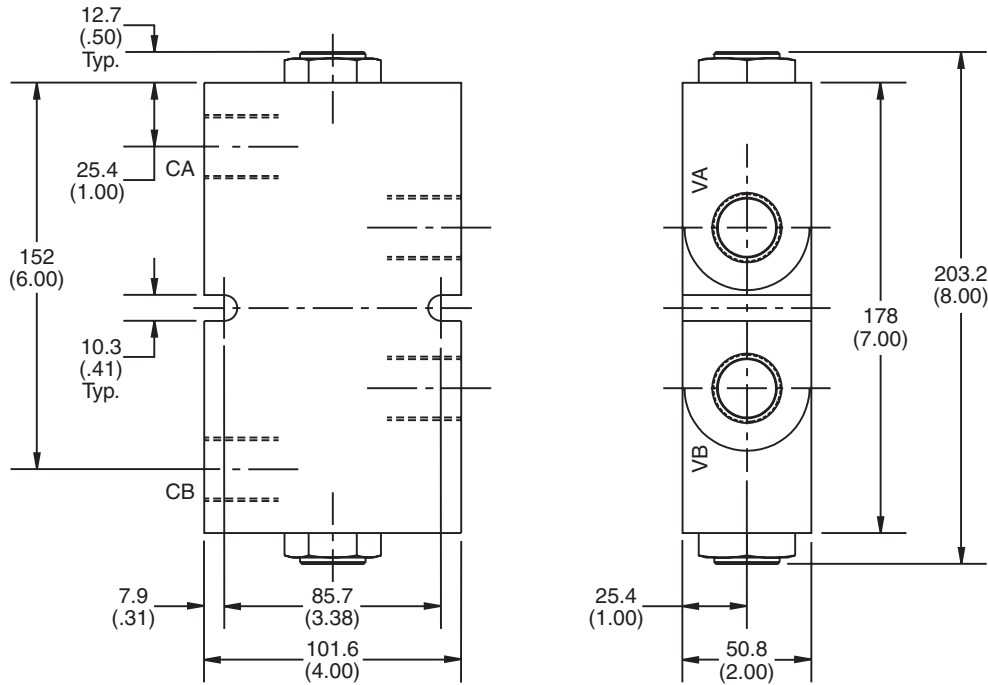


**Performance Curve**

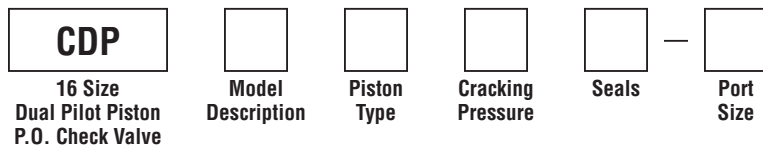
**Pressure Drop vs. Flow (Through cartridge only)**



**Dimensions** Millimeters (Inches)



**Ordering Information**



Code	Model Description
161	3000 PSI Series
H161	5000 PSI Series

Code	Cracking Pressure
*Omit	0.3 Bar (5 PSI)
20	1.4 Bar (20 PSI)
65	4.5 Bar (65 PSI)
175	12.1 Bar (175 PSI)

Code	Seals / Kit No.
Omit	Nitrile / (SK16-2N)
V	Fluorocarbon / (SK16-2V)

Code	Port Size	Material
A16T	SAE-16	Aluminum (CDP161 Only)
16T	SAE-16	Steel (CDPH161 Only)

Code	Piston Type
P	Pilot Piston without seal
A	Pilot Piston with seal Note: Requires 1.4 Bar (20 PSI) crack minimum.

\*Not available with "A" option.

**CV**

Check Valves

**SH**

Shuttle Valves

**LM**

Load/Motor Controls

**FC**

Flow Controls

**PC**

Pressure Controls

**LE**

Logic Elements

**DC**

Directional Controls

**MV**

Manual Valves

**SV**

Solenoid Valves

**PV**

Proportional Valves

**CE**

Coils & Electronics

**BC**

Bodies & Cavities

**TD**

Technical Data



Technical Information

CV

Check Valves

SH

Shuttle Valves

LM Load/Motor Controls

FC Flow Controls

PC Pressure Controls

LE Logic Elements

DC Directional Controls

MV Manual Valves

SV Solenoid Valves

PV Proportional Valves

CE Coils & Electronics

BC Bodies & Cavities

TD Technical Data

General Description

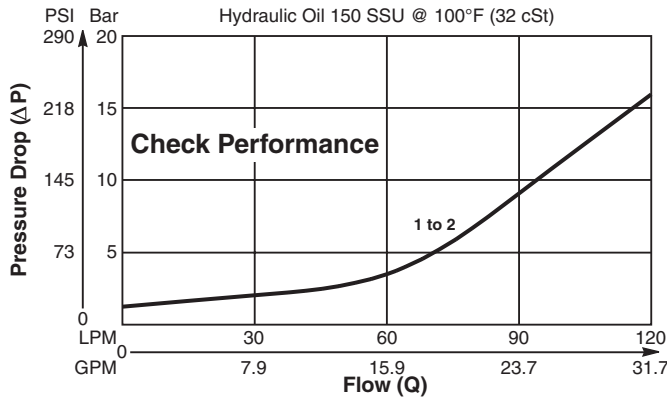
Poppet Type Check Valve with Relief Feature. For additional information see Technical Tips on pages CV1-CV4.

Features

- Poppet type for minimal leakage - less than 3 drops/min.
- Relief feature to give thermal and shock relief protection
- Compact space saving design
- Hardened working parts for maximum durability
- Single and dual pilot pistons available to create pilot to open check
- Good contamination tolerance
- All external parts zinc plated

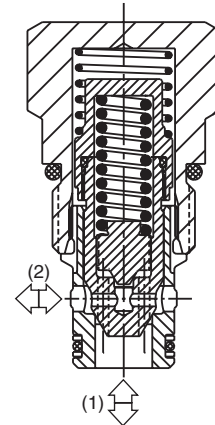
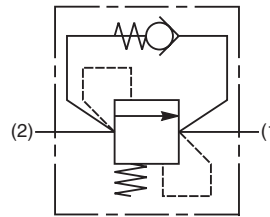
Performance Curve

Pressure Drop vs. Flow (Through cartridge only)

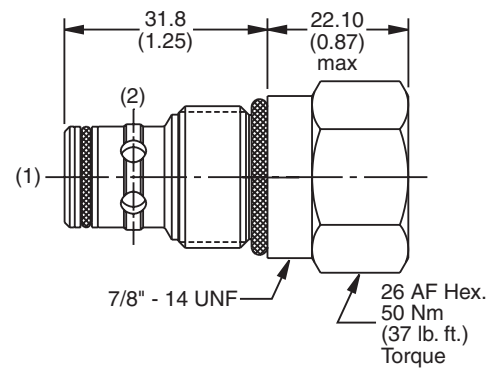


Specifications

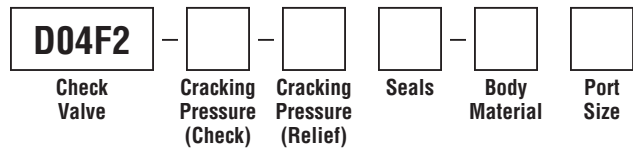
Rated Flow	130 LPM (40 GPM)
Nominal Flow @ 7 Bar (100 PSI)	72 LPM (19 GPM)
Maximum Inlet Pressure	420 Bar (6000 PSI)
Leakage at 150 SSU (32 cSt)	Less than 3 drops/min.
Cartridge Material	All parts steel. All operating parts hardened steel.
Operating Temp. Range/Seals	-34°C to +121°C (Nitrile, Buna-N) (-30°F to +250°F) -26°C to +204°C (Fluorocarbon) (-15°F to +400°F)
Fluid Compatibility/Viscosity	Mineral-based or synthetic with lubricating properties at viscosities of 45 to 2000 SSU (6 to 420 cSt)
Filtration	ISO-4406 18/16/13, SAE Class 4
Approx. Weight	.13 kg (.29 lbs.)
Cavity	C10-2 (See BC Section for more details)



Dimensions Millimeters (Inches)



Ordering Information



Code	Cracking Pressure (Check)
2.5	2.5 Bar (36 PSI)
7.0	7.0 Bar (102 PSI)

Code	Body Material
Omit	Steel
A	Aluminum

Code	Cracking Pressure (Relief)
35	35 Bar (507 PSI)
90	90 Bar (1305 PSI)
245	245 Bar (3553 PSI)
276	276 Bar (4000 PSI)

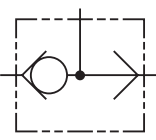
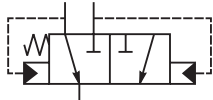
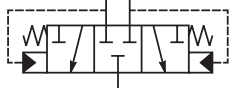
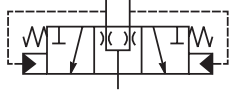

Code	Port Size	Body Part No.
Omit	Cartridge Only	
6T	SAE-6	(B10-2-*6T)
8T	SAE-8	(B10-2-*8T)

\* Add "A" for aluminum, omit for steel.

Code	Seals / Kit No.
N	Nitrile, Buna-N / (SK30503N-1)
V	Fluorocarbon / (SK30503V-1)

**Contents**

**Shuttle Valves**

	SERIES	CAVITY	DESCRIPTION	FLOW LPM/GPM	PRESSURE BAR/PSI	PAGE NO.
	KSWA3	SW-3	Ball Insert Type	9.5/2.5	420/6000	SH3
	K2A005	3Z	Poppet Insert Type	38/10	350/5000	SH4
	CS041B	C04-3	Cartridge Shuttle	3.8/1.0	207/3000	SH5
	K02A3	C08-3	Cartridge Shuttle	50/13	420/6000	SH6
	CSH101B	C10-3	Cartridge Shuttle	38/10	350/5000	SH7
	ASH-04		In-Line Shuttle,-4 Male JIC	11/3	207/3000	SH8-SH9
	ASH-06		In-Line Shuttle,-6T	22/6	207/3000	SH8-SH9
	K04B3	C10-3	Spool Type Shuttle	90/24	420/6000	SH10
	K04D3	C10-3	Spool Type Shuttle	90/24	420/6000	SH11
	K04C3	C10-4	Spool Type, Spring Centered, All Ports Closed	100/26	420/6000	SH12
	K3A125	3U	Spool Type, Spring Centered, All Ports Closed	175/46	350/5000	SH13
	K04F3	C10-4	Spool Type, Spring Centered, All Ports Open	100/26	420/6000	SH14
	K04G3	C10-4	Spool Type Shuttle, Inverse	50/13	350/5000	SH15

<b>CV</b>	Check Valves
<b>SH</b>	Shuttle Valves
<b>LM</b>	Load/Motor Controls
<b>FC</b>	Flow Controls
<b>PC</b>	Pressure Controls
<b>LE</b>	Logic Elements
<b>DC</b>	Directional Controls
<b>MV</b>	Manual Valves
<b>SV</b>	Solenoid Valves
<b>PV</b>	Proportional Valves
<b>CE</b>	Coils & Electronics
<b>BC</b>	Bodies & Cavities
<b>TD</b>	Technical Data

CV

Check Valves

SH

Shuttle Valves

LM Load/Motor Controls

FC Flow Controls

PC Pressure Controls

LE Logic Elements

DC Directional Controls

MV Manual Valves

SV Solenoid Valves

PV Proportional Valves

CE Coils & Electronics

BC Bodies & Cavities

TD Technical Data

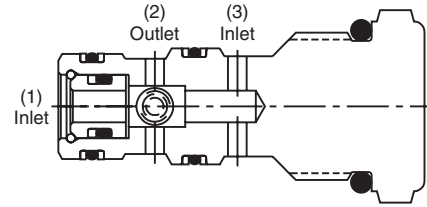
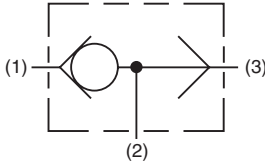
**INTRODUCTION:**

Shuttle valves accept flow from two different sources and divert the highest pressure to a single outlet port. Shuttle valves are commonly used in Load Sensing circuits as well as Brake circuits. Parker offers many different types of shuttles, including ball type, poppet type, spool type. There are a number of configurations available such as cartridge type, insert type, and an in-line version.

**Ball Type - Cartridge Style**

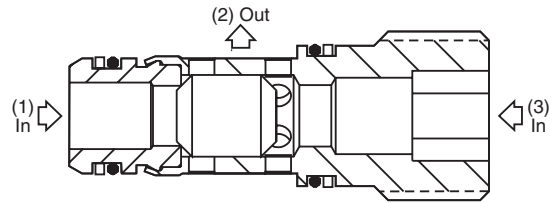
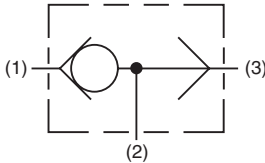
The valve consists of a steel ball that can seal against one of two adjacent seats, providing a path from the highest pressure signal to another function.

When one inlet port is pressurized, the ball or poppet is forced against the opposite seat, blocking that inlet and providing a flow path to the outlet port.



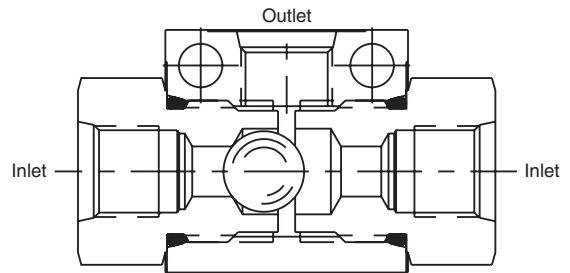
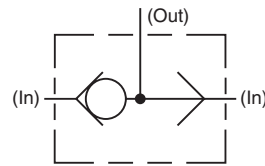
**Poppet Type - Insert Style**

This shuttle performs the same function, but allows for higher flow rates due to poppet design.



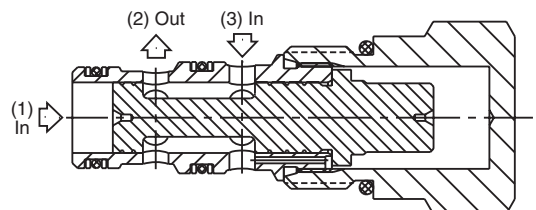
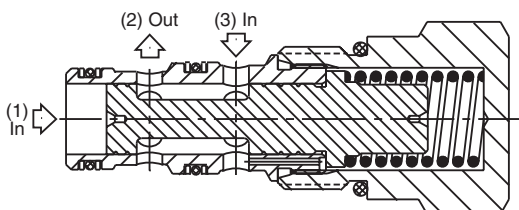
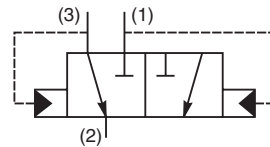
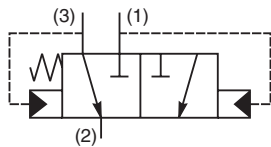
**In-Line Type**

This shuttle variant performs the same function in a self-contained body. It can be mounted anywhere on the machine.

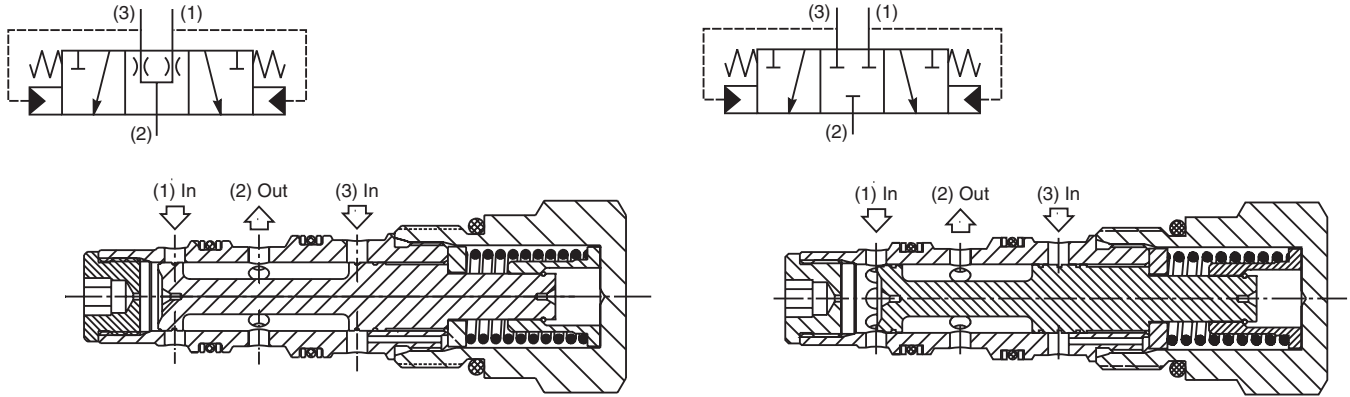


**Spool Type - Centered or Spring Offset**

The spool type shuttle allows for higher flow rates. These are 2 position valves.



**3 Way 2 Position** Spool type shuttles are designed to direct flow in such a way as to allow higher pressure signals to open the lower pressure port and connect it to the common outlet port. These spring centered valves will shift when pressure at either end of the spool exceed the spring setting. These are typically used in transmission hot oil shuttle circuits.



<b>CV</b>
Check Valves
<b>SH</b>
Shuttle Valves
<b>LM</b>
Load/Motor Controls
<b>FC</b>
Flow Controls
<b>PC</b>
Pressure Controls
<b>LE</b>
Logic Elements
<b>DC</b>
Directional Controls
<b>MV</b>
Manual Valves
<b>SV</b>
Solenoid Valves
<b>PV</b>
Proportional Valves
<b>CE</b>
Coils & Electronics
<b>BC</b>
Bodies & Cavities
<b>TD</b>
Technical Data



**General Description**

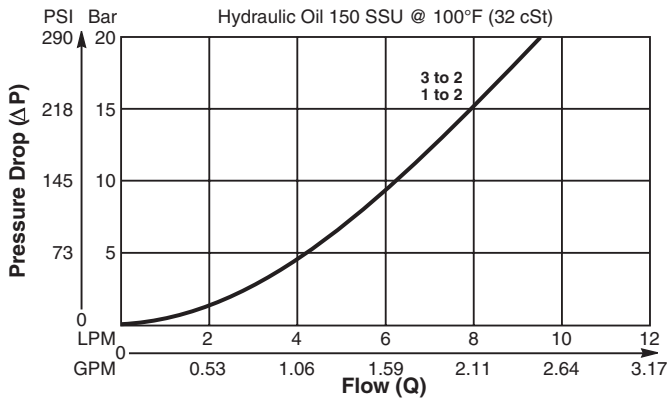
Ball Type, Two Position, Three Way Shuttle Valve.  
For additional information see Technical Tips on pages SH1-SH2.

**Features**

- Compact, cost effective design
- Ball type construction for maximum durability
- Minimal leakage - less than 3 drops/min.
- Contamination tolerant
- Hardened working parts for maximum durability
- All external parts zinc plated

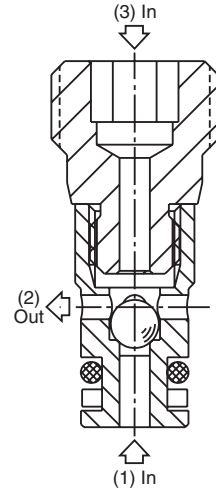
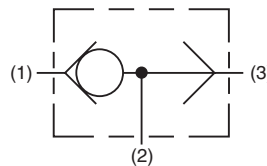
**Performance Curve**

**Pressure Drop vs. Flow (Through cartridge only)**

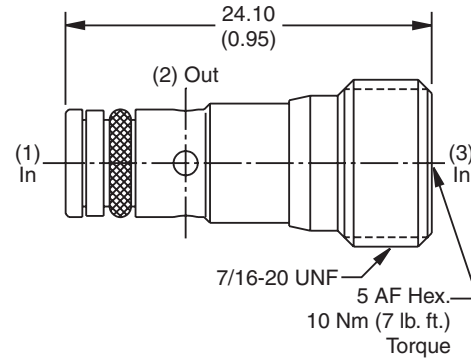


**Specifications**

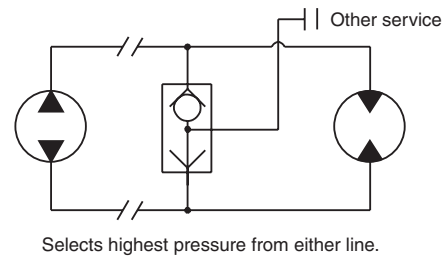
<b>Rated Flow</b>	9.5 LPM (2.5 GPM)
<b>Nominal Flow @ 7 Bar (100 PSI)</b>	5 LPM (1.32 GPM)
<b>Maximum Inlet Pressure</b>	420 Bar (6000 PSI)
<b>Cartridge Material</b>	All parts steel. All operating parts hardened steel.
<b>Operating Temp. Range/Seals</b>	-34°C to +121°C (Nitrile, Buna-N) (-30°F to +250°F) -26°C to +204°C (Fluorocarbon) (-15°F to +400°F)
<b>Fluid Compatibility/Viscosity</b>	Mineral-based or synthetic with lubricating properties at viscosities of 45 to 2000 SSU (6 to 420 cSt)
<b>Filtration</b>	ISO-4406 18/16/13, SAE Class 4
<b>Approx. Weight</b>	.01 kg (.02 lbs.)
<b>Cavity</b>	CAVSW-3 (See BC Section for more details)



**Dimensions** Millimeters (Inches)



**Application**



**Ordering Information**

**KSWA3** Shuttle Valve

Seals:  Nitrile,  Fluorocarbon

**Order Bodies Separately**

**LB10** Line Body, Porting, Body Material

Code	Seals / Kit No.
N	Nitrile, Buna-N / (SK30523N-1)
V	Fluorocarbon / (SK30523V-1)

Code	Porting
815	1/4" SAE

Code	Body Material
A	Aluminum
S	Steel

- CV** Check Valves
- SH** Shuttle Valves
- LM** Load/Motor Controls
- FC** Flow Controls
- PC** Pressure Controls
- LE** Logic Elements
- DC** Directional Controls
- MV** Manual Valves
- SV** Solenoid Valves
- PV** Proportional Valves
- CE** Coils & Electronics
- BC** Bodies & Cavities
- TD** Technical Data



**Technical Information**

CV

Check Valves

SH

Shuttle Valves

LM Load/Motor Controls

FC

Flow Controls

PC

Pressure Controls

LE

Logic Elements

DC

Directional Controls

MV

Manual Valves

SV

Solenoid Valves

PV

Proportional Valves

CE

Coils & Electronics

BC

Bodies & Cavities

TD

Technical Data

**General Description**

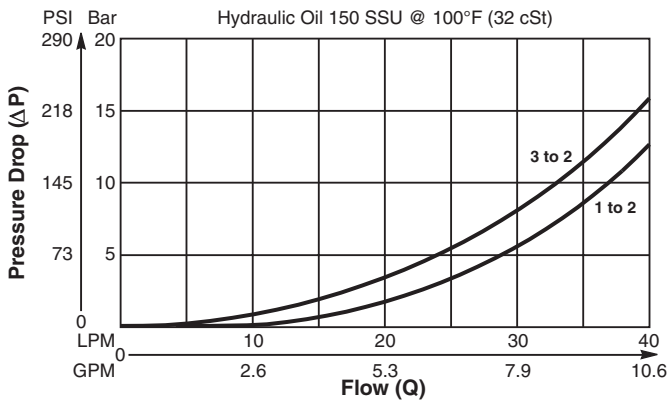
Poppet Type, Two Position, Three Way Shuttle Valve. For additional information see Technical Tips on pages SH1-SH2.

**Features**

- High flow capacity
- Compact cost effective design
- Poppet type construction for minimal leakage
- Contamination tolerant
- All external parts zinc plated

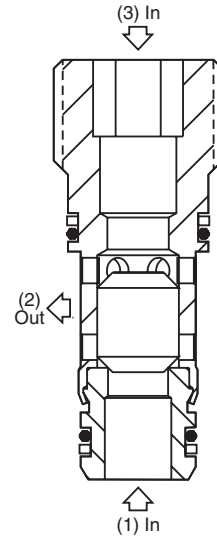
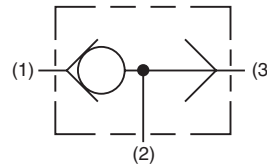
**Performance Curve**

Pressure Drop vs. Flow (Through cartridge only)

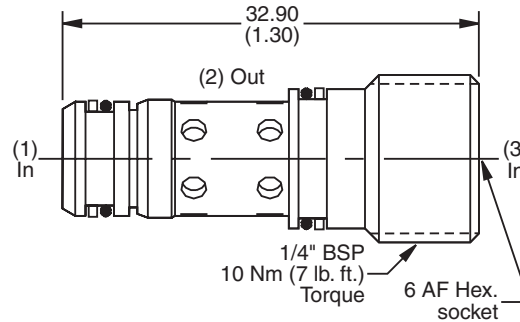


**Specifications**

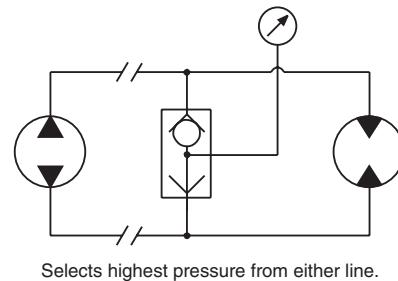
<b>Rated Flow</b>	38 LPM (10 GPM)
<b>Nominal Flow @ 7 Bar (100 PSI)</b>	28 LPM (7.4 GPM)
<b>Maximum Inlet Pressure</b>	350 Bar (5000 PSI)
<b>Cartridge Material</b>	Steel operating parts, hardened steel poppet.
<b>Operating Temp. Range/Seals</b>	-34°C to +121°C (Nitrile, Buna-N) (-30°F to +250°F) -26°C to +204°C (Fluorocarbon) (-15°F to +400°F)
<b>Fluid Compatibility/Viscosity</b>	Mineral-based or synthetic with lubricating properties at viscosities of 45 to 2000 SSU (6 to 420 cSt)
<b>Filtration</b>	ISO-4406 18/16/13, SAE Class 4
<b>Approx. Weight</b>	.02 kg (.04 lbs.)
<b>Cavity</b>	3Z (See BC Section for more details)



**Dimensions** Millimeters (Inches)



**Application**



**Ordering Information**

<b>K2A005</b>	
Shuttle Valve	Seals

Code	Seals / Kit No.
N	Nitrile, Buna-N / (SK30091N-1)
V	Fluorocarbon / (SK30091V-1)

Order Bodies Separately

<b>LB10</b>		
Line Body	Porting	Body Material

Code	Porting
320	1/4" SAE

Code	Body Material
A	Aluminum
S	Steel

**General Description**

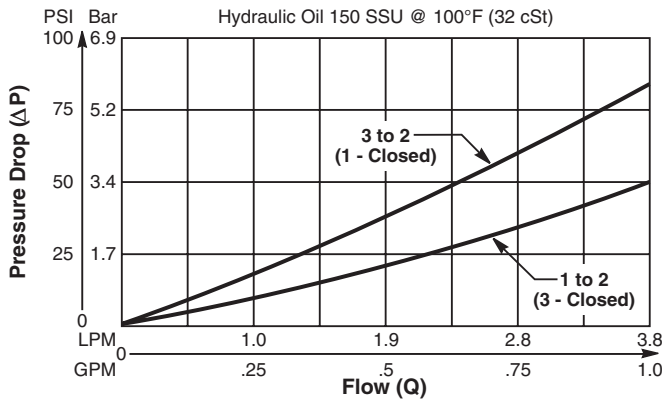
Cartridge Style Shuttle Valve. For additional information see Technical Tips on pages SH1-SH2.

**Features**

- Hardened, precision ground parts for durability
- Rapid response to load direction changes
- All external parts zinc plated

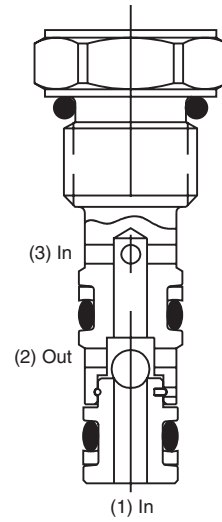
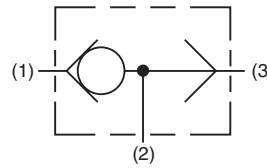
**Performance Curve**

**Pressure Drop vs. Flow** (Through cartridge only)

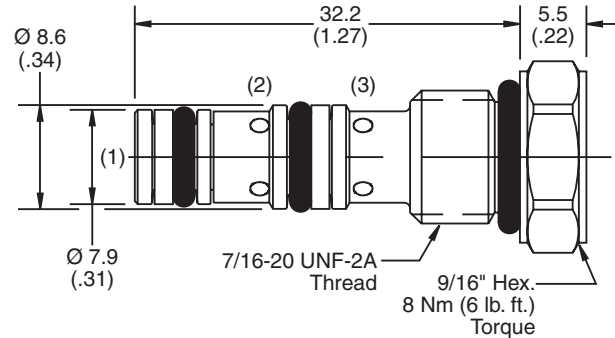


**Specifications**

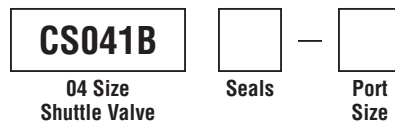
<b>Rated Flow</b>	3.8 LPM (1 GPM)
<b>Nominal Flow @ 7 Bar (100 PSI)</b>	
<b>Maximum Inlet Pressure</b>	207 Bar (3000 PSI)
<b>Leakage at 150 SSU (32 cSt)</b>	5 drops/min. (.33 cc/min.) at 207 Bar (3000 PSI)
<b>Cartridge Material</b>	All parts steel. All operating parts hardened steel.
<b>Operating Temp. Range/Seals</b>	-34°C to +121°C (Nitrile) (-30°F to +250°F) -26°C to +204°C (Fluorocarbon) (-15°F to +400°F)
<b>Fluid Compatibility/Viscosity</b>	Mineral-based or synthetic with lubricating properties at viscosities of 45 to 2000 SSU (6 to 420 cSt)
<b>Filtration</b>	ISO-4406 18/16/13, SAE Class 4
<b>Approx. Weight</b>	.02 kg (.04 lbs.)
<b>Cavity</b>	C04-3 (See BC Section for more details)
<b>Form Tool</b>	Rougher NFT04-3R Finisher NFT04-3F



**Dimensions** Millimeters (Inches)



**Ordering Information**



Code	Seals / Kit No.
Omit	Nitrile / (SK04-3)
V	Fluorocarbon / (SK04-3V)

Code	Port Size	Body Part No.
Omit	Cartridge Only	
A4T	SAE-4	(B04-3-A4T)

- CV Check Valves
- SH Shuttle Valves
- LM Load/Motor Controls
- FC Flow Controls
- PC Pressure Controls
- LE Logic Elements
- DC Directional Controls
- MV Manual Valves
- SV Solenoid Valves
- PV Proportional Valves
- CE Coils & Electronics
- BC Bodies & Cavities
- TD Technical Data

Technical Information

CV

Check Valves

SH

Shuttle Valves

LM Load/Motor Controls

FC

Flow Controls

PC

Pressure Controls

LE

Logic Elements

DC

Directional Controls

MV

Manual Valves

SV

Solenoid Valves

PV

Proportional Valves

CE

Coils & Electronics

BC

Bodies & Cavities

TD

Technical Data

General Description

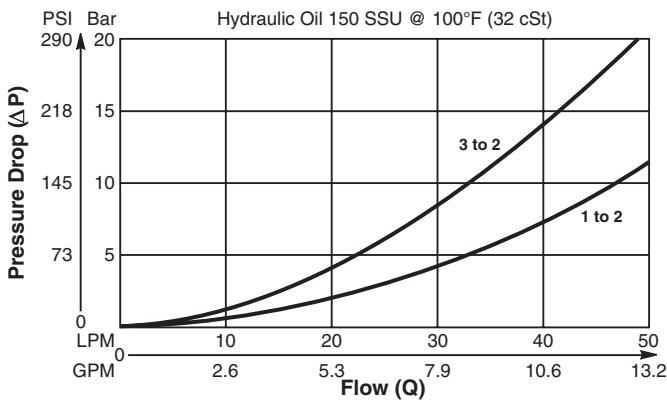
Ball Type, Two Position, Three Way Shuttle Valve. For additional information see Technical Tips on pages SH1-SH2.

Features

- High flow capacity
- Ball type construction for maximum wear resistance and greater durability
- Minimal leakage - less than 3 drops/min.
- Contamination tolerant
- All external parts zinc plated

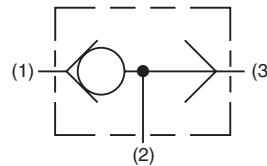
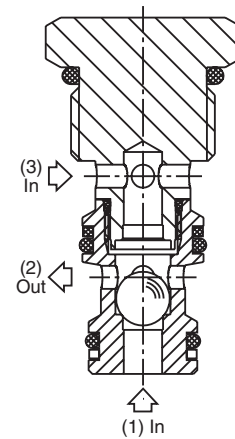
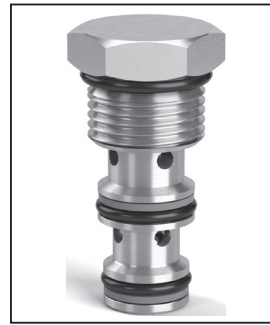
Performance Curve

Pressure Drop vs. Flow (Through cartridge only)

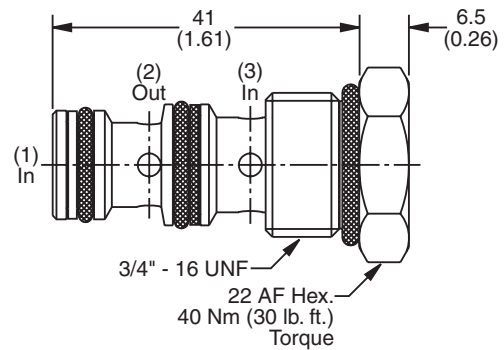


Specifications

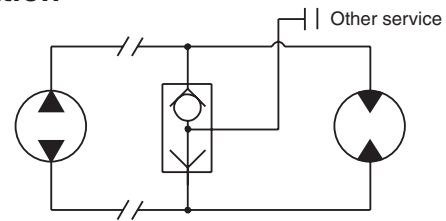
<b>Rated Flow</b>	50 LPM (13 GPM)
<b>Nominal Flow @ 7 Bar (100 PSI)</b>	27 LPM (7 GPM)
<b>Maximum Inlet Pressure</b>	420 Bar (6000 PSI)
<b>Cartridge Material</b>	Steel operating parts, hardened steel poppet.
<b>Operating Temp. Range/Seals</b>	-34°C to +121°C (Nitrile, Buna-N) (-30°F to +250°F) -26°C to +204°C (Fluorocarbon) (-15°F to +400°F)
<b>Fluid Compatibility/Viscosity</b>	Mineral-based or synthetic with lubricating properties at viscosities of 45 to 2000 SSU (6 to 420 cSt)
<b>Filtration</b>	ISO-4406 18/16/13, SAE Class 4
<b>Approx. Weight</b>	.07 kg (.15 lbs.)
<b>Cavity</b>	C08-3 (See BC Section for more details)



Dimensions



Application



Selects highest pressure from either line.

Ordering Information

<b>K02A3</b>	Seals	Body Material	Port Size
Shuttle Valve			
<b>Code</b>	<b>Seals / Kit No.</b>	<b>Code</b>	<b>Port Size</b>
N	Nitrile, Buna-N / (SK30521N-1)	Omit	Cartridge Only
V	Fluorocarbon / (SK30521V-1)	4T	SAE-4 (B08-3-*4T)
		6T	SAE-6 (B08-3-*6T)
<b>Code</b>	<b>Body Material</b>	* Add "A" for aluminum, omit for steel.	
Omit	Steel		
A	Aluminum		

**General Description**

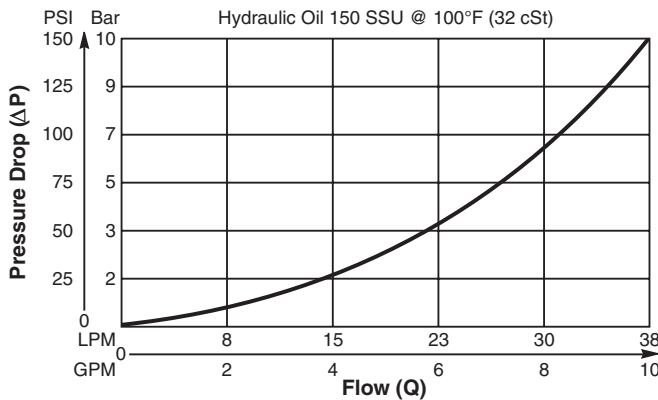
Cartridge Style Shuttle Valve. For additional information see Technical Tips on pages SH1-SH2.

**Features**

- Hardened, precision ground parts for durability
- 5000 PSI rated
- All external parts zinc plated

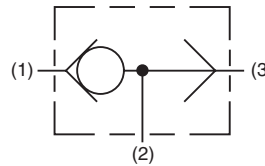
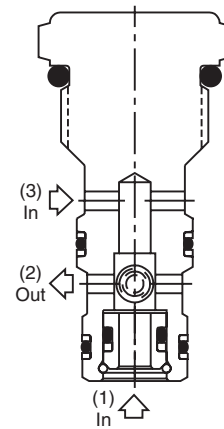
**Performance Curve**

**Pressure Drop vs. Flow** (Through cartridge only)

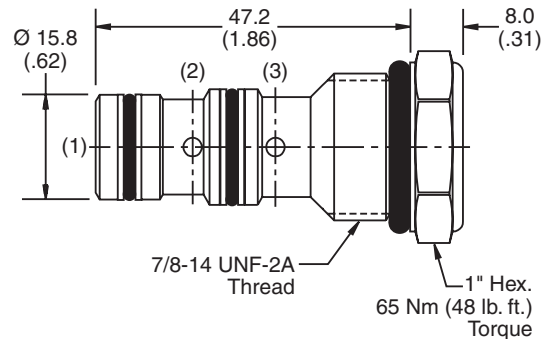


**Specifications**

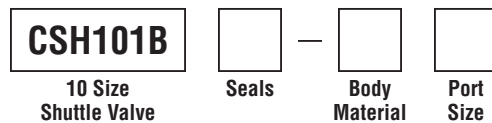
<b>Rated Flow</b>	38 LPM (10 GPM)
<b>Maximum Inlet Pressure</b>	350 Bar (5000 PSI)
<b>Leakage at 150 SSU (32 cSt)</b>	10 drops/min. (.67 cc/min.) at 350 Bar (5000 PSI)
<b>Cartridge Material</b>	All parts steel. All operating parts hardened steel.
<b>Operating Temp. Range/Seals</b>	-34°C to +121°C (Nitrile) (-30°F to +250°F) -26°C to +204°C (Fluorocarbon) (-15°F to +400°F)
<b>Fluid Compatibility/Viscosity</b>	Mineral-based or synthetic with lubricating properties at viscosities of 45 to 2000 SSU (6 to 420 cSt)
<b>Filtration</b>	ISO-4406 18/16/13, SAE Class 4
<b>Approx. Weight</b>	.14 kg (0.3 lbs.)
<b>Cavity</b>	C10-3 (See BC Section for more details)
<b>Form Tool</b>	Rougher NFT10-3R Finisher NFT10-3F



**Dimensions** Millimeters (Inches)



**Ordering Information**



Code	Seals / Kit No.
Omit	Nitrile / (SK10-3N)
V	Fluorocarbon / (SK10-3V)

Code	Port Size	Body Part No.
Omit		Cartridge Only
6T	SAE-6	(B10-3-*6T)
8T	SAE-8	(B10-3-*8T)

\* Add "A" for aluminum, omit for steel.

Code	Body Material
Omit	Steel
A	Aluminum

**CV**

Check Valves

**SH**

Shuttle Valves

**LM**

Load/Motor Controls

**FC**

Flow Controls

**PC**

Pressure Controls

**LE**

Logic Elements

**DC**

Directional Controls

**MV**

Manual Valves

**SV**

Solenoid Valves

**PV**

Proportional Valves

**CE**

Coils & Electronics

**BC**

Bodies & Cavities

**TD**

Technical Data

**Technical Information**

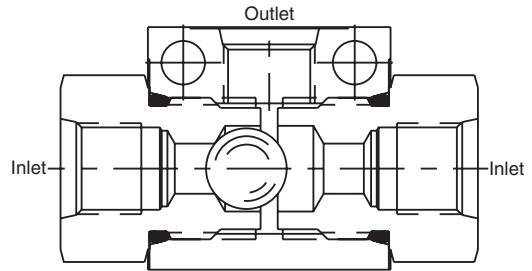
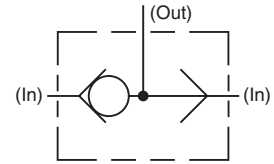
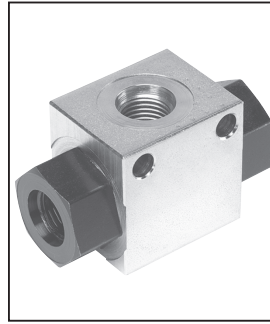
- CV** Check Valves
- SH** Shuttle Valves
- LM** Load/Motor Controls
- FC** Flow Controls
- PC** Pressure Controls
- LE** Logic Elements
- DC** Directional Controls
- MV** Manual Valves
- SV** Solenoid Valves
- PV** Proportional Valves
- CE** Coils & Electronics
- BC** Bodies & Cavities
- TD** Technical Data

**General Description**

In-Line Style Shuttle Valve. For additional information see Technical Tips on pages SH1-SH2.

**Features**

- Compact in size
- In-line mounting
- Easily adaptable to various applications
- All external parts zinc plated

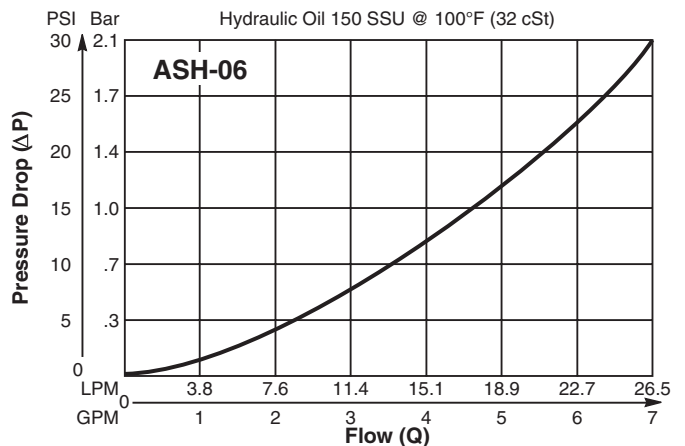
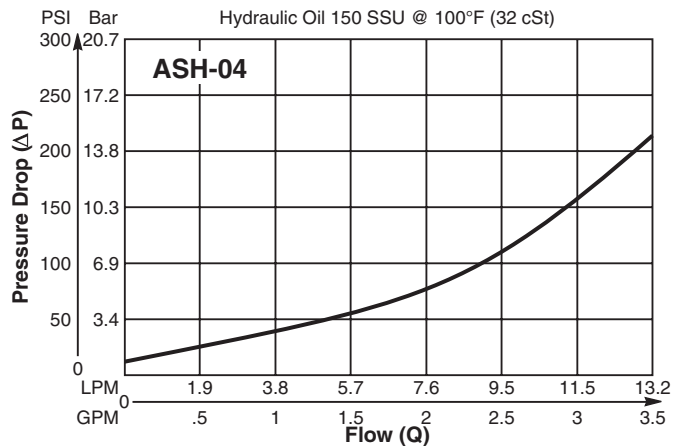


**Specifications**

<b>Rated Flow</b>	<b>ASH-04-3</b> 11 LPM (3 GPM) <b>ASH-06-2</b> 22 LPM (6 GPM)
<b>Maximum Inlet Pressure</b>	207 Bar (3000 PSI)
<b>Leakage at 150 SSU (32 cSt)</b>	5 drops/min. (.33 cc/min.) at 172 Bar (2500 PSI)
<b>Body Material</b>	Steel (Zinc Plated)
<b>Operating Temp. Range/Seals</b>	-34°C to +121°C (-30°F to +250°F) (Nitrile Seals Only)
<b>Fluid Compatibility/Viscosity</b>	Mineral-based or synthetic with lubricating properties at viscosities of 45 to 2000 SSU (6 to 420 cSt)
<b>Filtration</b>	ISO-4406 18/16/13, SAE Class 4
<b>Approx. Weight</b>	<b>ASH-04-3</b> .36 kg (0.8 lbs.) <b>ASH-06-2</b> .45 kg (1.0 lbs.)

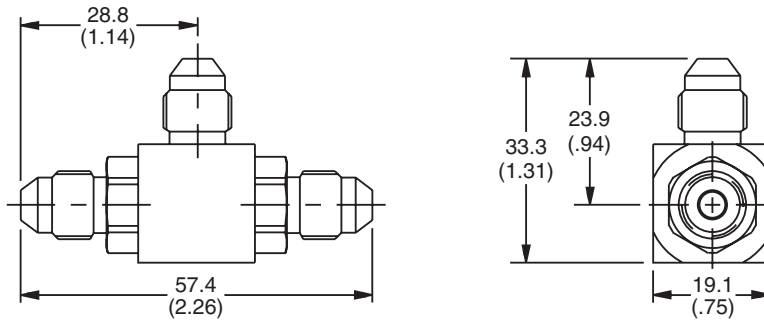
**Performance Curves**

**Flow vs. Pressure Drop** (Through cartridge only)

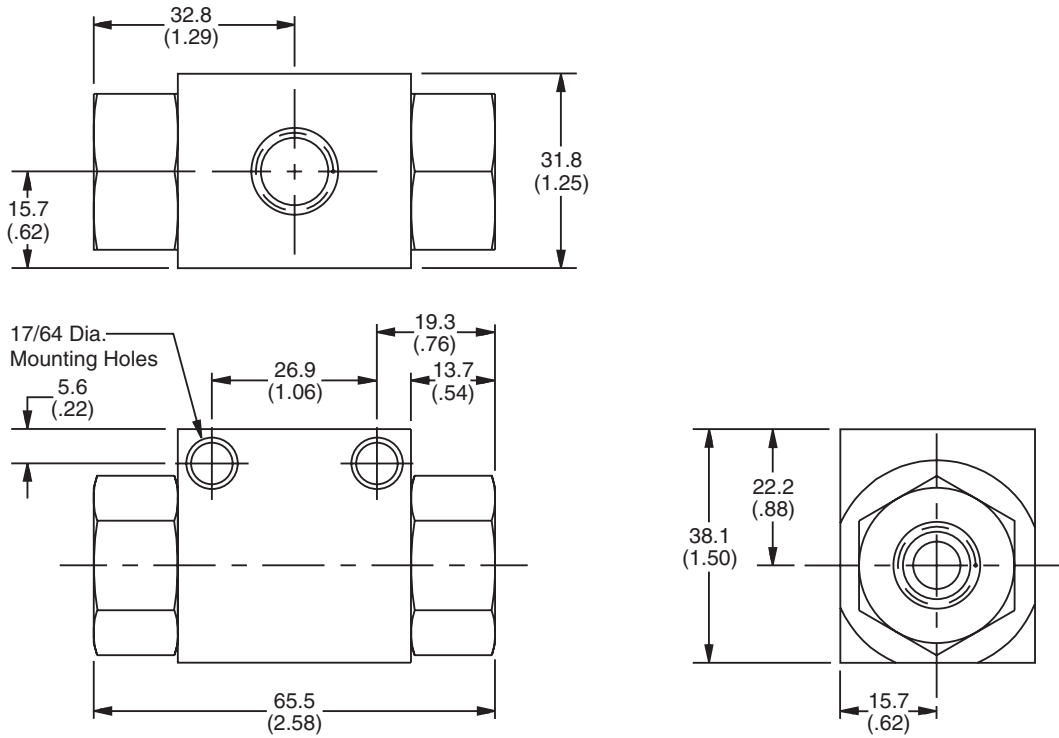


**Dimensions** Millimeters (Inches)

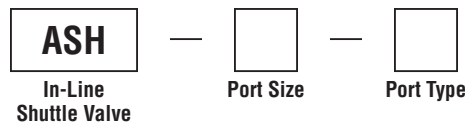
**ASH-04-3**



**ASH-06-2**



**Ordering Information**



Code	Port Size
04	1/4" JIC
06	SAE-6

Code	Port Type
2	SAE (ASH-06 & ASH-12 only)
03	Male JIC (1/4" only)

- CV** Check Valves
- SH** Shuttle Valves
- LM** Load/Motor Controls
- FC** Flow Controls
- PC** Pressure Controls
- LE** Logic Elements
- DC** Directional Controls
- MV** Manual Valves
- SV** Solenoid Valves
- PV** Proportional Valves
- CE** Coils & Electronics
- BC** Bodies & Cavities
- TD** Technical Data



Technical Information

CV

Check Valves

SH

Shuttle Valves

LM Load/Motor Controls

FC Flow Controls

PC Pressure Controls

LE Logic Elements

DC Directional Controls

MV Manual Valves

SV Solenoid Valves

PV Proportional Valves

CE Coils & Electronics

BC Bodies & Cavities

TD Technical Data

General Description

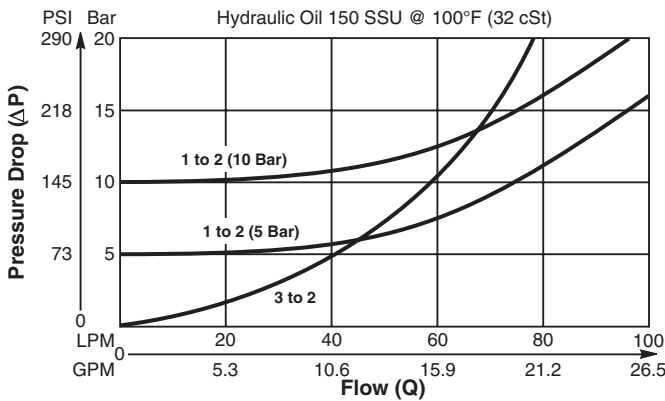
Two Position, Three Way, Spring Offset Shuttle Valve. For additional information see Technical Tips on pages SH1-SH2.

Features

- High flow capacity
- Various switching pressures available
- Used as automatic brake release valve on motors, where brake release is required at pressures between 1 & 10 bar.
- Hardened working parts for maximum durability
- All external parts zinc plated

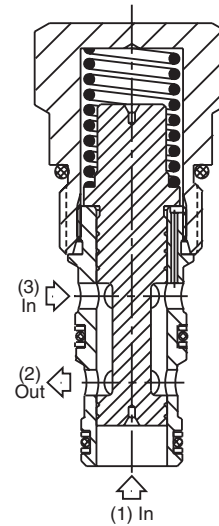
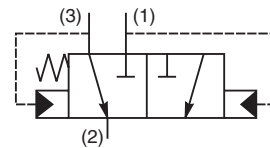
Performance Curve

Pressure Drop vs. Flow (Through cartridge only)

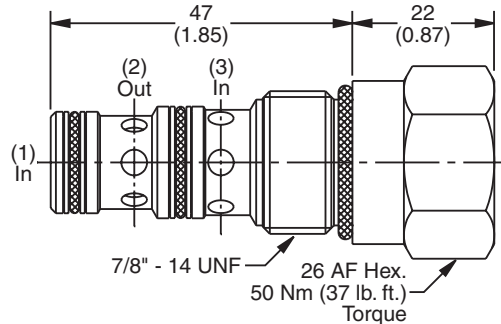


Specifications

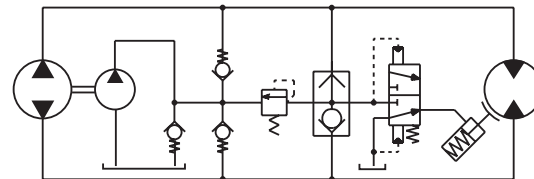
Rated Flow	90 LPM (24 GPM)
Nominal Flow @ 7 Bar (100 PSI)	50 LPM (13 GPM)
Maximum Inlet Pressure	420 Bar (6000 PSI)
Cartridge Material	All parts steel. All operating parts hardened steel.
Operating Temp. Range/Seals	-34°C to +121°C (Nitrile, Buna-N) (-30°F to +250°F) -26°C to +204°C (Fluorocarbon) (-15°F to +400°F)
Fluid Compatibility/Viscosity	Mineral-based or synthetic with lubricating properties at viscosities of 45 to 2000 SSU (6 to 420 cSt)
Filtration	ISO-4406 18/16/13, SAE Class 4
Approx. Weight	.14 kg (.31 lbs.)
Cavity	C10-3 (See BC Section for more details)



Dimensions Millimeters (Inches)

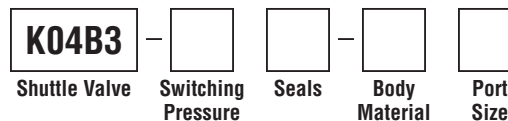


Application



Brake release at various switching pressures.

Ordering Information



Code	Switching Pressure
5.0	5.0 Bar (73 PSI) Std.
10.0	10.0 Bar (145 PSI)

Code	Port Size	Body Part No.
Omit		Cartridge Only
6T	SAE-6	(B10-3-*6T)
8T	SAE-8	(B10-3-*8T)

Code	Seals / Kit No.
N	Nitrile, Buna-N / (SK30505N-1)
V	Fluorocarbon / (SK30505V-1)

Code	Body Material
Omit	Steel
A	Aluminum

\* Add "A" for aluminum, omit for steel.

**General Description**

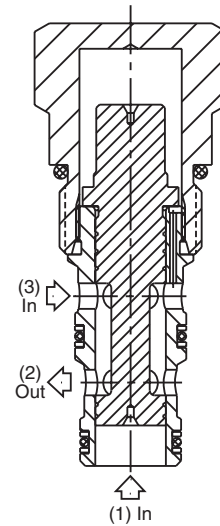
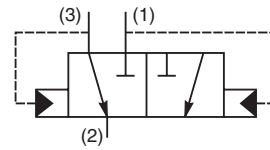
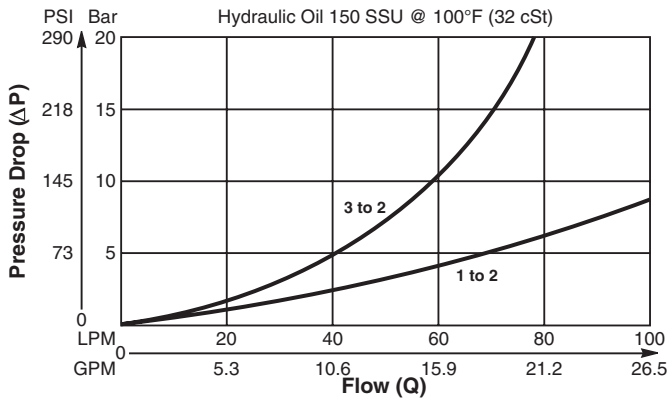
Two Position, Three Way Shuttle Valve.  
 For additional information see Technical Tips on pages SH1-SH2.

**Features**

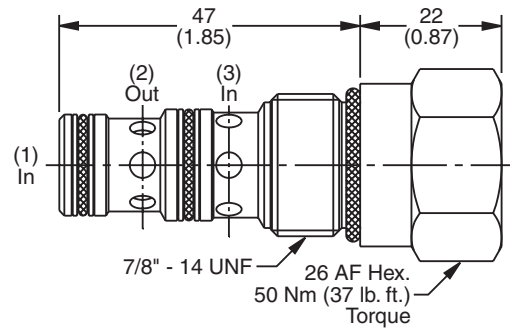
- High flow capacity
- Used as automatic brake release valve on motors
- Hardened working parts for maximum durability
- All external parts zinc plated

**Performance Curve**

**Pressure Drop vs. Flow (Through cartridge only)**



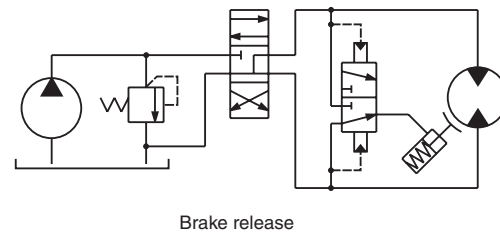
**Dimensions** Millimeters (Inches)



**Specifications**

<b>Rated Flow</b>	90 LPM (24 GPM)
<b>Nominal Flow @ 7 Bar (100 PSI)</b>	50 LPM (13 GPM)
<b>Maximum Inlet Pressure</b>	420 Bar (6000 PSI)
<b>Cartridge Material</b>	All parts steel. All operating parts hardened steel.
<b>Operating Temp. Range/Seals</b>	-34°C to +121°C (Nitrile, Buna-N) (-30°F to +250°F) -26°C to +204°C (Fluorocarbon) (-15°F to +400°F)
<b>Fluid Compatibility/Viscosity</b>	Mineral-based or synthetic with lubricating properties at viscosities of 45 to 2000 SSU (6 to 420 cSt)
<b>Filtration</b>	ISO-4406 18/16/13, SAE Class 4
<b>Approx. Weight</b>	.14 kg (.31 lbs.)
<b>Cavity</b>	C10-3 (See BC Section for more details)

**Application**



**Ordering Information**

<b>K04D3</b>	Seals	Body Material	Port Size
Shuttle Valve			
<b>Code</b>	<b>Seals / Kit No.</b>	<b>Code</b>	<b>Port Size Body Part No.</b>
<b>N</b>	Nitrile, Buna-N / (SK30505N-1)	<b>Omit</b>	Cartridge Only
<b>V</b>	Fluorocarbon / (SK30505V-1)	<b>6T</b>	SAE-6 (B10-3-*6T)
		<b>8T</b>	SAE-8 (B10-3-*8T)

\* Add "A" for aluminum, omit for steel.

<b>Code</b>	<b>Body Material</b>
<b>Omit</b>	Steel
<b>A</b>	Aluminum

**CV**

Check Valves

**SH**

Shuttle Valves

**LM**

Load/Motor Controls

**FC**

Flow Controls

**PC**

Pressure Controls

**LE**

Logic Elements

**DC**

Directional Controls

**MV**

Manual Valves

**SV**

Solenoid Valves

**PV**

Proportional Valves

**CE**

Coils & Electronics

**BC**

Bodies & Cavities

**TD**

Technical Data

**CV**

Check  
Valves

**SH**

Shuttle  
Valves

**LM**  
Load/Motor  
Controls

**FC**

Flow  
Controls

**PC**

Pressure  
Controls

**LE**

Logic  
Elements

**DC**

Directional  
Controls

**MV**

Manual  
Valves

**SV**

Solenoid  
Valves

**PV**

Proportional  
Valves

**CE**

Coils &  
Electronics

**BC**

Bodies &  
Cavities

**TD**

Technical  
Data

**General Description**

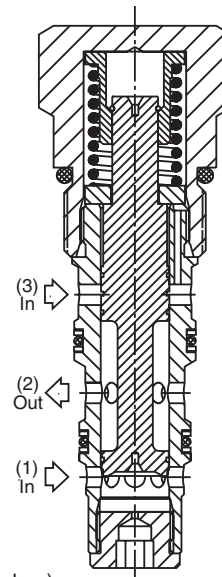
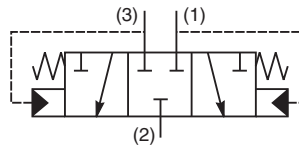
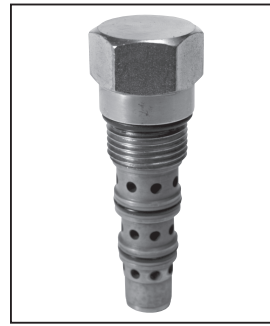
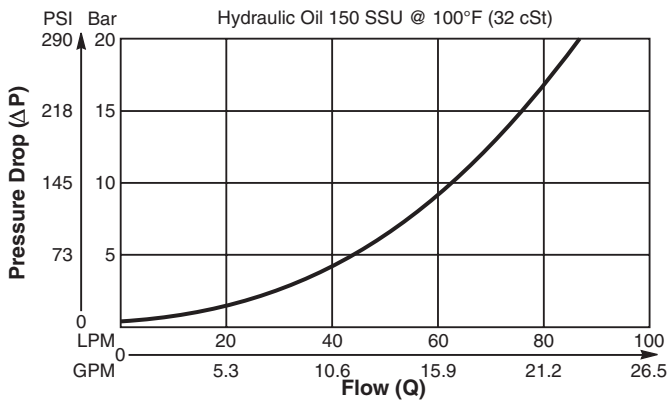
Two Position, Three Way, Spring Centered Shuttle Valve. For additional information see Technical Tips on pages SH1-SH2.

**Features**

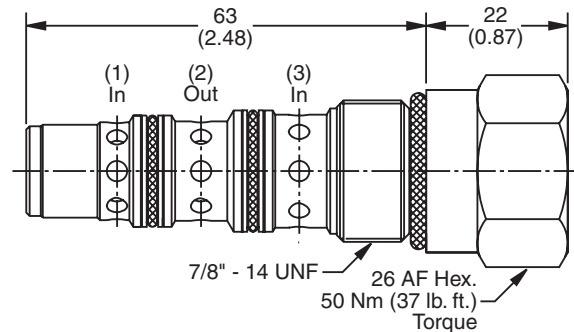
- High flow capacity
- Various switching pressures available
- Use as purge valve in transmission systems
- Hardened working parts for maximum durability
- All external parts zinc plated

**Performance Curve**

**Pressure Drop vs. Flow (Through cartridge only)**



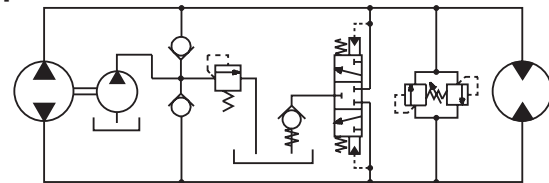
**Dimensions** Millimeters (Inches)



**Specifications**

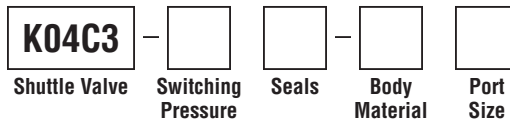
<b>Rated Flow</b>	100 LPM (26 GPM)
<b>Nominal Flow @ 7 Bar (100 PSI)</b>	55 LPM (15 GPM)
<b>Maximum Inlet Pressure</b>	420 Bar (6000 PSI)
<b>Cartridge Material</b>	All parts steel. All operating parts hardened steel.
<b>Operating Temp. Range/Seals</b>	-34°C to +121°C (Nitrile, Buna-N) (-30°F to +250°F) -26°C to +204°C (Fluorocarbon) (-15°F to +400°F)
<b>Fluid Compatibility/Viscosity</b>	Mineral-based or synthetic with lubricating properties at viscosities of 45 to 2000 SSU (6 to 420 cSt)
<b>Filtration</b>	ISO-4406 18/16/13, SAE Class 4
<b>Approx. Weight</b>	.17 kg (.37 lbs.)
<b>Cavity</b>	C10-4 (See BC Section for more details)

**Application**



Purge valve in transmission circuit

**Ordering Information**



Code	Switching Pressure
0.0	0 Bar (0 PSI)
2.5	2.5 Bar (36 PSI)
5.0	5.0 Bar (73 PSI) Std.
10.0	10.0 Bar (145 PSI)
15.0	15.0 Bar (218 PSI)

Code	Body Material
Omit	Steel
A	Aluminum

Code	Port Size	Body Part No.
Omit	Cartridge Only	
6T	SAE-6	(B10-4-*6T)
8T	SAE-8	(B10-4-*8T)

\* Add "A" for aluminum, omit for steel.

Code	Seals / Kit No.
N	Nitrile, Buna-N / (SK30504N-1)
V	Fluorocarbon / (SK30504V-1)

**General Description**

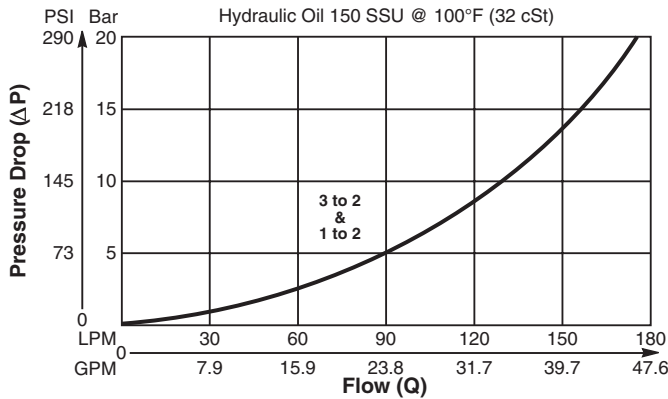
Two Position, Three Way, Spring Centered Shuttle Valve. For additional information see Technical Tips on pages SH1-SH2.

**Features**

- High flow capacity
- Compact cost effective design
- Various spring options available
- Used in transmission systems as purge valve where hydraulic parking brake is necessary
- Hardened working parts for maximum durability
- All external parts zinc plated

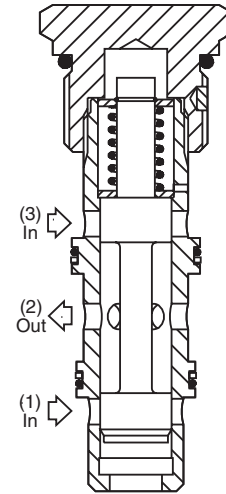
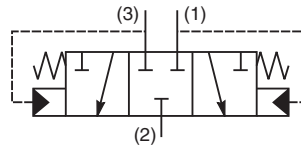
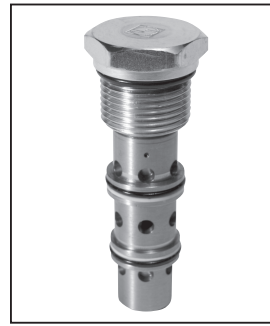
**Performance Curve**

**Pressure Drop vs. Flow (Through cartridge only)**

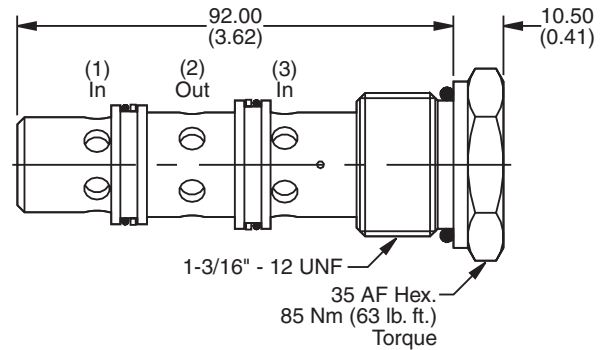


**Specifications**

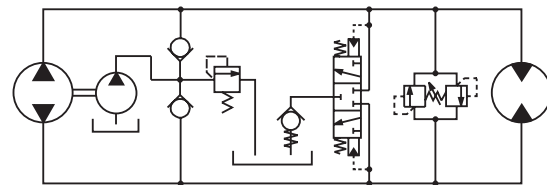
<b>Rated Flow</b>	175 LPM (46 GPM)
<b>Nominal Flow @ 7 Bar (100 PSI)</b>	105 LPM (28 GPM)
<b>Maximum Inlet Pressure</b>	350 Bar (5000 PSI)
<b>Cartridge Material</b>	Steel operating parts, hardened steel poppet.
<b>Operating Temp. Range/Seals</b>	-34°C to +121°C (Nitrile, Buna-N) (-30°F to +250°F) -26°C to +204°C (Fluorocarbon) (-15°F to +400°F)
<b>Fluid Compatibility/Viscosity</b>	Mineral-based or synthetic with lubricating properties at viscosities of 45 to 2000 SSU (6 to 420 cSt)
<b>Filtration</b>	ISO-4406 18/16/13, SAE Class 4
<b>Approx. Weight</b>	.32 kg (.70 lbs.)
<b>Cavity</b>	3U (See BC Section for more details)



**Dimensions** Millimeters (Inches)

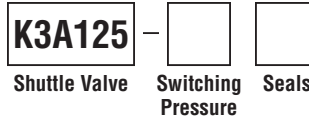


**Application**



Purge valve in transmissions with hydraulic parking brake

**Ordering Information**



Code	Switching Pressure
1.0	1.0 Bar (15 PSI) Std.
9.0	9.0 Bar (130 PSI)

Code	Seals / Kit No.
N	Nitrile, Buna-N / (SK30040N-1)
V	Fluorocarbon / (SK30040V-1)

Order Bodies Separately



Code	Porting
093	1" SAE

Code	Body Material
A	Aluminum
S	Steel

- CV Check Valves
- SH Shuttle Valves
- LM Load/Motor Controls
- FC Flow Controls
- PC Pressure Controls
- LE Logic Elements
- DC Directional Controls
- MV Manual Valves
- SV Solenoid Valves
- PV Proportional Valves
- CE Coils & Electronics
- BC Bodies & Cavities
- TD Technical Data

**Technical Information**

**CV**

Check Valves

**SH**

Shuttle Valves

**LM**

Load/Motor Controls

**FC**

Flow Controls

**PC**

Pressure Controls

**LE**

Logic Elements

**DC**

Directional Controls

**MV**

Manual Valves

**SV**

Solenoid Valves

**PV**

Proportional Valves

**CE**

Coils & Electronics

**BC**

Bodies & Cavities

**TD**

Technical Data

**General Description**

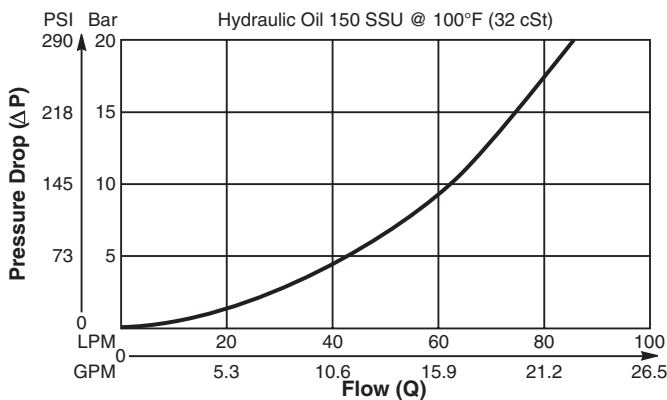
Two Position, Three Way, Spring Centered Shuttle Valve. For additional information see Technical Tips on pages SH1-SH2.

**Features**

- High flow capacity
- Various switching pressures available
- Hardened working parts for maximum durability
- All external parts zinc plated

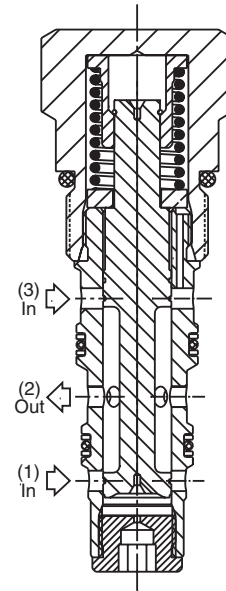
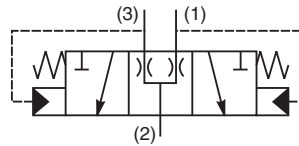
**Performance Curve**

**Pressure Drop vs. Flow (Through cartridge only)**

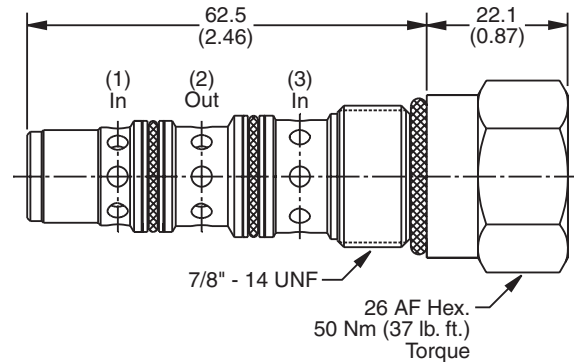


**Specifications**

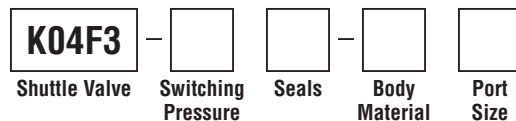
<b>Rated Flow</b>	100 LPM (26 GPM)
<b>Nominal Flow @ 7 Bar (100 PSI)</b>	55 LPM (15 GPM)
<b>Maximum Inlet Pressure</b>	420 Bar (6000 PSI)
<b>Cartridge Material</b>	All parts steel. All operating parts hardened steel.
<b>Operating Temp. Range/Seals</b>	-34°C to +121°C (Nitrile, Buna-N) (-30°F to +250°F) -26°C to +204°C (Fluorocarbon) (-15°F to +400°F)
<b>Fluid Compatibility/Viscosity</b>	Mineral-based or synthetic with lubricating properties at viscosities of 45 to 2000 SSU (6 to 420 cSt)
<b>Filtration</b>	ISO-4406 18/16/13, SAE Class 4
<b>Approx. Weight</b>	.17 kg (.37 lbs.)
<b>Cavity</b>	C10-4 (See BC Section for more details)



**Dimensions** Millimeters (Inches)



**Ordering Information**



Code	Switching Pressure
0.0	0 Bar (0 PSI)
2.5	2.5 Bar (36 PSI)
5.0	5.0 Bar (73 PSI) Std.
10.0	10.0 Bar (145 PSI)

Code	Body Material
Omit	Steel
A	Aluminum

Code	Seals / Kit No.
N	Nitrile, Buna-N / (SK30504N-1)
V	Fluorocarbon / (SK30504V-1)

Code	Port Size	Body Part No.
Omit	Cartridge Only	
6T	SAE-6	(B10-4-*6T)
8T	SAE-8	(B10-4-*8T)

\* Add "A" for aluminum, omit for steel.

**General Description**

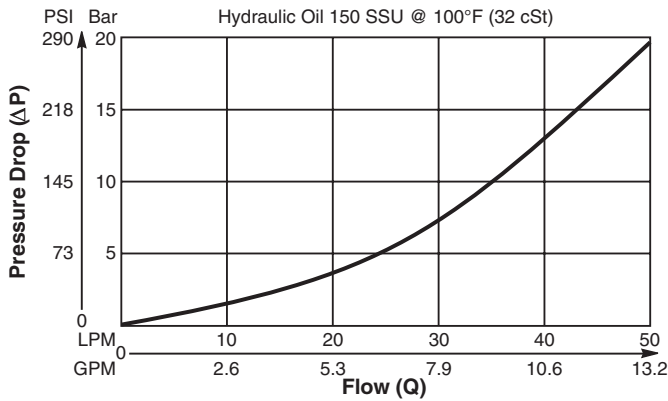
Three Way, Ball Type, Spring Centered Inverse Shuttle Valve. For additional information see Technical Tips on pages SH1-SH2.

**Features**

- Used to ensure that in a dual accumulator charging circuit the accumulator with the lowest pressure is sensed back to the charging valve
- Suitable for charge rates up to 25 LPM (7 GPM) per accumulator
- One size valve for most applications
- All external parts zinc plated

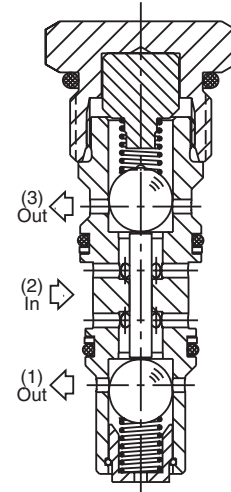
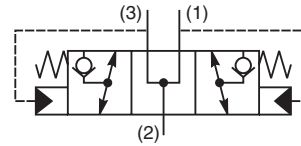
**Performance Curve**

**Pressure Drop vs. Flow (Through cartridge only)**

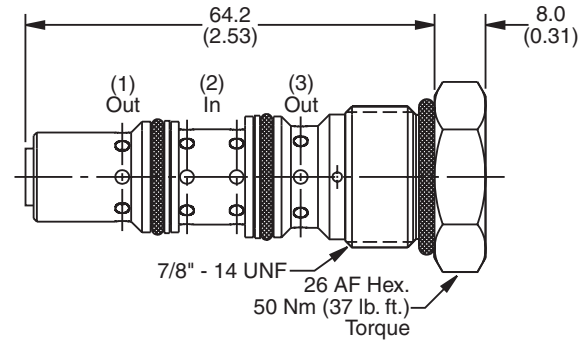


**Specifications**

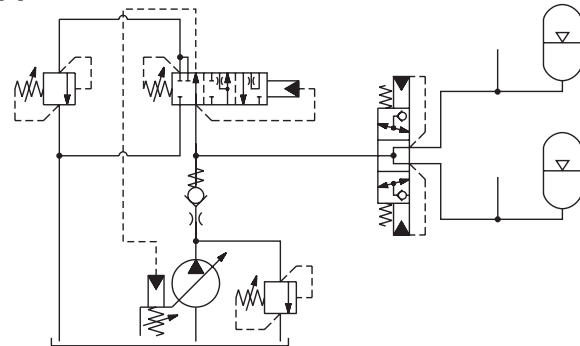
<b>Rated Flow</b>	50 LPM (13.2 GPM)
<b>Nominal Flow @ 7 Bar (100 PSI)</b>	30 LPM (7.9 GPM)
<b>Maximum Inlet Pressure</b>	350 Bar (5000 PSI)
<b>Cartridge Material</b>	All parts steel. All operating parts hardened steel.
<b>Operating Temp. Range/Seals</b>	-34°C to +121°C (Nitrile, Buna-N) (-30°F to +250°F) -26°C to +204°C (Fluorocarbon) (-15°F to +400°F)
<b>Fluid Compatibility/Viscosity</b>	Mineral-based or synthetic with lubricating properties at viscosities of 45 to 2000 SSU (6 to 420 cSt)
<b>Filtration</b>	ISO-4406 18/16/13, SAE Class 4
<b>Approx. Weight</b>	.14 kg (.31 lbs.)
<b>Cavity</b>	C10-4 (See BC Section for more details)



**Dimensions** Millimeters (Inches)



**Application**



**Ordering Information**

**K04G3**

Shuttle Valve

Seals

Body Material

Port Size

Code	Seals / Kit No.
N	Nitrile, Buna-N / (SK30534N-1)
V	Fluorocarbon / (SK30534V-1)

Code	Body Material
Omit	Steel
A	Aluminum

Code	Port Size	Body Part No.
<b>Omit Cartridge Only</b>		
6T	SAE-6	(B10-4-*6T)
8T	SAE-8	(B10-4-*8T)

\* Add "A" for aluminum, omit for steel.

**CV**

Check Valves

**SH**

Shuttle Valves

**LM**

Load/Motor Controls

**FC**

Flow Controls

**PC**

Pressure Controls

**LE**

Logic Elements

**DC**

Directional Controls

**MV**

Manual Valves

**SV**

Solenoid Valves

**PV**

Proportional Valves

**CE**

Coils & Electronics

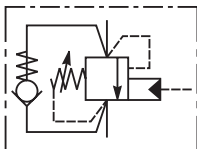
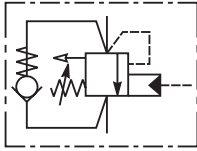
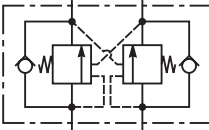
**BC**

Bodies & Cavities

**TD**

Technical Data



	<b>SERIES</b>	<b>CAVITY</b>	<b>DESCRIPTION</b>	<b>FLOW LPM/GPM</b>	<b>PRESSURE BAR/PSI</b>	<b>PAGE NO.</b>
	<b>STANDARD PILOT ASSISTED</b>					
	CB101	C10-3	Load Control Cartridge Valve	45/12	380/5500	LM5-LM6
	MHC-010-S***	CDD-1010	Load Control Cartridge Valve	37/10	350/5000	LM7-LM8
	MHC-022-S***	CDD-1036	Load Control Cartridge Valve	94/25	350/5000	LM9-LM10
	MHB-015-L***		Load Control Valve Assembly	56/15	207/3000	LM11-LM13
	MHB-030-L***		Load Control Valve Assembly	113/30	207/3000	LM14-LM16
	E2*020	53-1	Load Control Cartridge Valve	20/5.3	420/6000	LM17-LM18
	E2*040	68-1	Load Control Cartridge Valve	60/16	350/5000	LM19-LM20
	E2*060	3C	Load Control Cartridge Valve	120/32	350/5000	LM21-LM22
	E2*125	3M	Load Control Cartridge Valve	200/53	350/5000	LM23-LM24
E2*300	3K Flange		350/92	350/5000	LM25-LM26	
	<b>INDEPENDENT OF BACK-PRESSURE, VENTED TO ATMOSPHERE</b>					
	E6B020	53-1	Load Control Cartridge Valve, 4.5:1 Ratio	20/5.3	350/5000	LM27-LM28
	E6K020	53-1	Load Control Cartridge Valve, 15:1 Ratio	20/5.3	350/5000	LM29-LM30
	E6B040	68-1	Load Control Cartridge Valve, 3:1 Ratio	60/16	350/5000	LM31-LM32
	E6A060*409	3C	Load Control Cartridge Valve, 3:1 Ratio	180/48	350/5000	LM33-LM34
	E6B060*409	3C	Load Control Cartridge Valve, 3:1 Ratio	180/48	350/5000	LM33-LM34
	MHC-010-V***	CDD-1010	Load Control Cartridge Valve	37/10	350/5000	LM7-LM8
	MHC-022-V***	CDD-1036	Load Control Cartridge Valve	94/25	350/5000	LM9-LM10
	MHB-015-W***		Load Control Valve Assembly	56/15	207/3000	LM11-LM13
	MHB-030-W***		Load Control Valve Assembly	113/30	207/3000	LM14-LM16
	<b>Dual Motor Control</b>					
	MMB-015-****		Motor Load Control	56/15	207/3000	LM35-LM37
	MMB-025-****		Motor Load Control	94/25	207/3000	LM38-LM40

- CV**  
Check Valves
- SH**  
Shuttle Valves
- LM**  
Load/Motor Controls
- FC**  
Flow Controls
- PC**  
Pressure Controls
- LE**  
Logic Elements
- DC**  
Directional Controls
- MV**  
Manual Valves
- SV**  
Solenoid Valves
- PV**  
Proportional Valves
- CE**  
Coils & Electronics
- BC**  
Bodies & Cavities
- TD**  
Technical Data

**CV**

Check Valves

**SH**

Shuttle Valves

**LM**

Load/Motor Controls

**FC**

Flow Controls

**PC**

Pressure Controls

**LE**

Logic Elements

**DC**

Directional Controls

**MV**

Manual Valves

**SV**

Solenoid Valves

**PV**

Proportional Valves

**CE**

Coils & Electronics

**BC**

Bodies & Cavities

**TD**

Technical Data

**Introduction**

Counterbalance valves are one of the most misunderstood products in the hydraulic industry. Many people tend to complicate the task of selecting a counterbalance valve and as such avoid opportunities. The goal of this Technical Tips Section is to hopefully eliminate some of this confusion and help you chose the correct valve for your application. It is only a guide! It is not meant to be your only method of input, nor is it meant to replace good hydraulic common sense and reasoning.

**Application**

**DO I NEED A COUNTERBALANCE VALVE?**

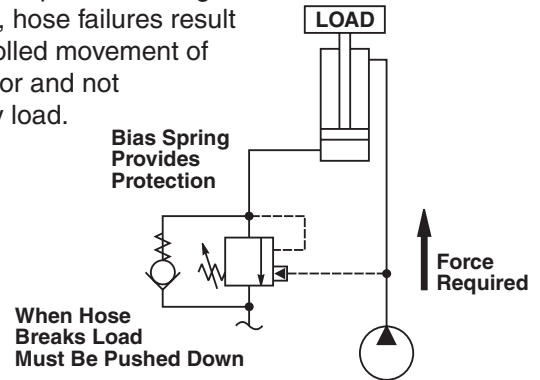
A counterbalance is generally used for one or more of the following purposes:

**Control an Overrunning Load** – It restricts the flow from an actuator, thus forcing the load to be pushed through the restriction and providing control of the potential runaway load. This also helps in the prevention of cavitation.

**Control in Critical Metering Applications** – The outward restriction also helps to gain control of systems with varying loads and speeds.

**Holding a Load** – Much like a pilot operated check valve, a load is held in one direction until the appropriate pilot pressure is available unseat the check and pass fluid.

**Help Protect Against Hose Failures** – Since the fluid must be pushed through a restriction, hose failures result in a controlled movement of the actuator and not a runaway load.



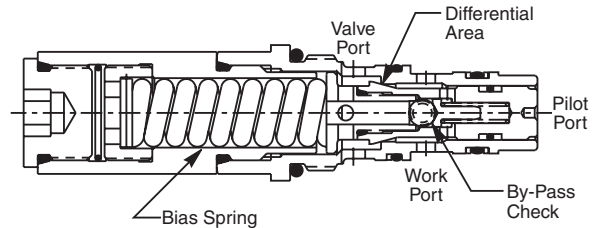
**NOTE:** Counterbalance Valves are only needed if the application calls for varying loads or varying speeds. If the load and speed are fixed, flow control valves and pilot operated check valves may be substituted at generally a lower cost.

**Operation**

An understanding of the general operation of a counterbalance valve is required before proceeding further into valve selection.

The counterbalance valve is a pressure control device and functions as follows: Pressure is developed at the Work Port of the holding valve when the actuator is pressurized. This pressure acts on the differential area, and the force generated is counteracted by the bias spring. When there is sufficient pressure present to overcome the spring setting, the poppet begins to shift, allowing fluid to pass through the valve port to tank via the control valve.

To assist in the shifting of the poppet, an external pressure source (generally the opposite side of the actuator) is connected to the pilot port of the counterbalance valve. This pressure is applied to the pilot area and assists the differential area in opening the valve. The pilot assist reduces load pressure required to open the valve, and allows for a reduction in the horsepower required to move the load. If the load attempts to “run away” (move faster than the pump can supply flow), the pilot signal will diminish and the piston will begin to close restricting flow to tank and thus controlling the load. The counterbalance piston will maintain a position that maintains a positive pilot signal and will control the descent of the load.



An added feature of the counterbalance valve is its built-in thermal relief characteristic. A temperature rise can cause thermal expansion of the hydraulic fluid trapped between the actuator and the counterbalance valve’s poppet. As the pressure increases and reaches the bias spring setting, the poppet unseats and a few drops of oil are allowed to escape through the valve port of the counterbalance valve. This relieves the thermal expansion of oil, allowing the counterbalance valve to continue holding the load in the same position. When the flow is reversed to the actuator, then pressure unseats the built-in bypass check portion of the counterbalance valve allowing flow to pass from the valve port to the work port. When no pressure is applied to either port of the counterbalance valve, the load is held in place.

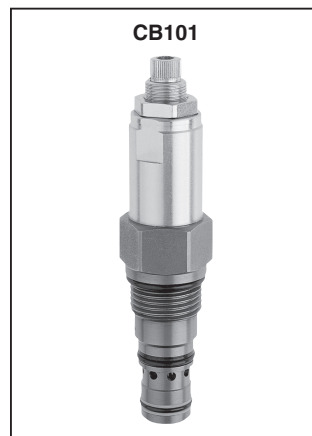
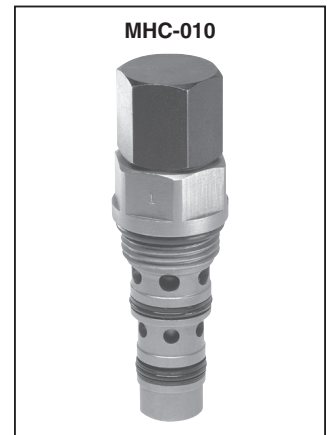
**Valve Series**

Parker offers the four series of products outlined below:

**MHC** – The MHC series is a threaded cartridge style counterbalance valve. This series is ideal for incorporating into an integrated manifold or for installation directly into the port of the actuator. There are various flow rates and pilot ratios available for the MHC Series.

**CB101** – The CB101 is also a threaded cartridge style counterbalance valve. It also is ideal for incorporating into an integrated manifold or for installation directly into the port of the actuator. The CB101 has an industry common cavity (C10-3) and is available in three pilot ratios.

**E2 Series** – The E2 Series valves are threaded cartridge style counterbalance valves. They are available in standard and Vented configurations. In the Vented configurations, the valves maintain their settings regardless of system backpressure. There are various flow rates and pilot ratios available.



**Selecting Options**

Below is a brief description of the options available on the ordering information pages and a brief explanation of when each would be used.

**Flow Selection** – Generally the counterbalance valve is sized according to the actual flow the valve will see and not the system flow. Note that the ordering information callout is the nominal flow rate and not the maximum. In other words, refer to the pressure drop curves when sizing the valves. For example: A MHC-010 can flow 25 GPM, but is rated as a 10 GPM valve. It is possible to oversize a counterbalance valve! If the counterbalance is oversized, the annulus between the poppet and the seat is too large, thus the poppet opens too far causing instability. Remember you are gaining control by causing a restriction. If you oversize the counterbalance valve, the restriction is reduced and so is the control.

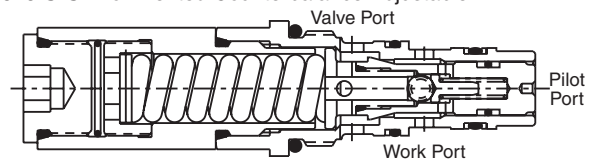
**Vented versus Non-Vented** – With a standard counterbalance valve, the bias spring is internally vented to tank. This means any pressure on the tank line is sensed in the bias spring chamber and additive to the setting. Thus, the pressure at the work port now must

be greater than the bias spring plus the tank pressure before the counterbalance poppet will shift allowing flow.

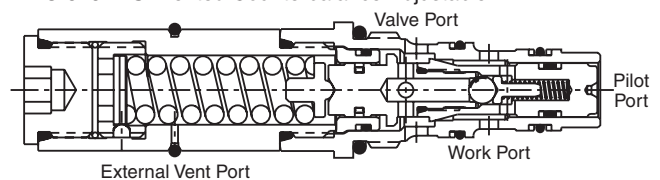
A vented style counterbalance valve relieves the bias spring chamber to atmosphere. Thus, the spring chamber is in no way related to the tank chamber of the counterbalance valve. So, if the pressure on the tank line is high, or if the pressure setting is critical, then a vented style counterbalance valve would be required.

Parker's counterbalance valves are externally vented. This means no extra porting or manifold costs are incurred when a vented counterbalance is needed.

**MHC-010-S\*S\*** Non-Vented Counterbalance Adjustable



**MHC-010-V\*S\*** Vented Counterbalance Adjustable



**CV**

Check Valves

**SH**

Shuttle Valves

**LM**

Load/Motor Controls

**FC**

Flow Controls

**PC**

Pressure Controls

**LE**

Logic Elements

**DC**

Directional Controls

**MV**

Manual Valves

**SV**

Solenoid Valves

**PV**

Proportional Valves

**CE**

Coils & Electronics

**BC**

Bodies & Cavities

**TD**

Technical Data

## Technical Tips

## Load and Motor Control Valves

CV

Check Valves

SH

Shuttle Valves

LM

Load/Motor Controls

FC

Flow Controls

PC

Pressure Controls

LE

Logic Elements

DC

Directional Controls

MV

Manual Valves

SV

Solenoid Valves

PV

Proportional Valves

CE

Coils & Electronics

BC

Bodies & Cavities

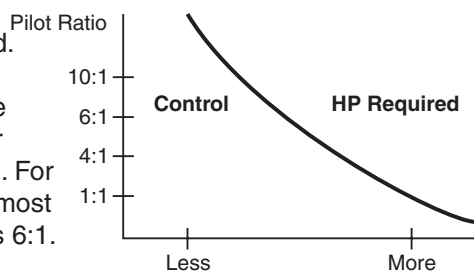
TD

Technical Data

### Selection Options (Continued)

**Pilot Ratio** – The pilot ratio is the ratio of the pilot area versus the differential area poppet. Thus, the higher the pilot ratio, the less pressure that is needed to assist the load pressure in unseating the poppet. This means there is less restriction to the overrunning load, resulting in less horsepower required and more control of the load. So higher pilot ratio equates to less restriction to the overrunning load, less control and less horsepower required. Lower ratio equates to more restriction to the overrunning load, more control and more horse-

power required. The pilot ratio decision is one of Horsepower versus Control. For reference the most popular ratio is 6:1.



#### Sample Ratios:

##### 10:1

Primary function is load holding or hose break protection  
Loads moving at fast speeds and positioning is not critical

##### 7:1, 6:1 and 5:1

**Most popular starting ratio**

##### 4:1 and 3:1

Positioning is critical such as a pick and place application  
Instability with 6:1 ratio

##### 1:1

Motor control application

### ADJUSTMENT TYPE

Parker offers counterbalance valves with adjustable and non-adjustable pressure settings. The non-adjustable or shimmed version is recommended for most applications as it prevents tampering or improper adjustment by uneducated end users.

### SELECTING SETTINGS

There are three basic settings to consider before finalizing a counterbalance valve for your application.

**Holding Setting** – The holding setting is sometimes referred to as the counterbalance setting. It is the maximum load setting you expect the counterbalance to hold. Note that the counterbalance valve should be set for the absolute maximum hold pressure required. Also note that counterbalance valves are restrictive type devices and as such are not ideal for low pressure applications, such as those below 750 psi. The holding setting is the setting you choose when selecting a counterbalance valve.

**Thermal Setting** – Counterbalance valves have a built-in thermal relief valve that compensates for the expansion of oil, due to temperature, by bleeding off excess pressure. In other words, the thermal setting is the pressure that the counterbalance will unload at if no pressure is present at the pilot port. Obviously, this setting should be above the holding setting. The Parker **MHC** counterbalance valves are automatically set 1000 psi above the holding setting of the valve. **You do not specify this setting, only the holding setting.** For the **CB101** Series, you do specify the Thermal/Crack setting in the model code. The holding setting (maximum load induced pressure) is 70% of that specified setting. Example: Hold at 3000 psi, crack at 4285 psi. For the **E2** Series, you specify the Thermal/Crack setting in the model code. The crack setting (maximum load induced pressure) should be 1.3 times the hold. Example: Hold at 3000 psi, crack at 3900 psi.

**Pilot Area** – The pilot pressure required to lower the cylinder when fully loaded and unloaded can also be determined before applying the valve. The pilot pressure can be determined by the below equation:

$$P_p = (T_s - L) / R_p$$

$P_p$  = Pilot Pressure

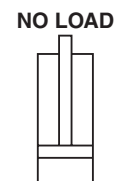
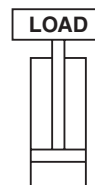
$T_s$  = Thermal Setting

$L$  = Induced Load

$R_p$  = Pilot Ratio

#### Example:

The maximum load is 3000 psi. A 6:1 Pilot Ratio was chosen and the thermal relief setting is the standard 1000 psi over load setting. What is the pilot pressure required to retract the cylinder if it is fully loaded? What pilot pressure is required to retract the cylinder if there is no load?



FULLY LOADED:

$$P_p = (4000 \text{ psi} - 3000 \text{ psi}) / 6$$

$$P_p = 1000 \text{ psi} / 6$$

$$P_p = 167 \text{ psi}$$

Thus, any time the pilot line sees at least 167 psi, the cylinder could lower the load.

UNLOADED:

$$P_p = (4000 \text{ psi} - 0 \text{ psi}) / 6$$

$$P_p = 4000 \text{ psi} / 6$$

$$P_p = 667 \text{ psi}$$

Thus, at least 667 psi will be needed to lower the cylinder when it is unloaded.



## Technical Tips

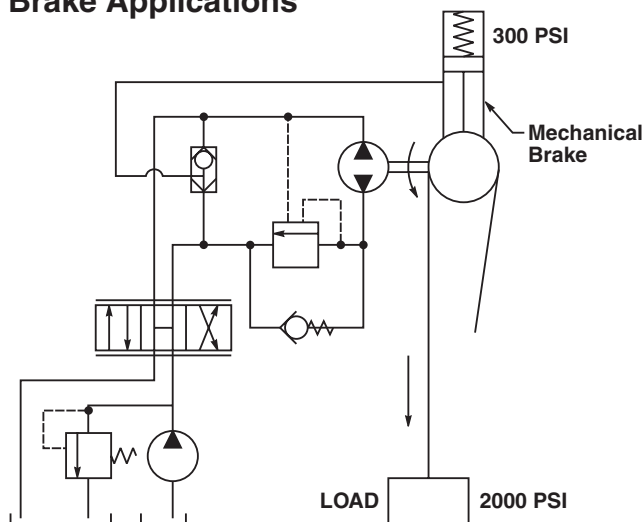
### Motor Controls

Counterbalance valves are used in motor circuits to stop overrunning loads and prevent cavitation. Since hydraulic motors leak internally, the counterbalance valve by itself cannot be used to hold the load. So, a mechanical brake is used to hold the load on the motor in place, as shown below. Some typical applications include winches, swing drives, conveyor control and traction drives. For applications in closed loop motor circuits, vented spring cavities are required.

### Operation

Free flow to the motor is allowed through the internal check valve. In the controlled flow direction, the oil passes across a metering poppet. The position of the metering poppet is determined by an external pilot signal from the other side of the motor. In an open loop motor circuit, this pilot signal will be a 1:1 ratio. The reason an equal ratio pilot signal is utilized is to provide positive control as well as to release mechanical brakes (when used in a braking circuit). In applications where the motor will see overrunning loads in both directions (such as a traction drive circuit), a dual MMB or two single MMB valves must be used.

### Brake Applications



When the directional control valve is shifted, hydraulic pressure (usually 300 psi) releases the mechanical brake and allows the load to be moved. The counterbalance valve needs to provide adequate back pressure to open the brake, then immediately counterbalance the load. Ideally, the brake will be disengaged before the motor begins to rotate. If this sequence is not achieved, the motor will try to rotate against the applied brake reducing the life of the brake. This would be the equivalent of trying to drive with your emergency brake applied. Remember that hydraulic motors are equal area devices. So, in an effort to avoid the

## Load and Motor Control Valves

movement of the motor prior to the release of the brake, an equal area ratio counterbalance is used. To demonstrate let's look again at the above example with a 10:1 Ratio Counterbalance valve installed and a maximum thermal setting of 3000 psi.

### 10:1 Example

#### NO LOAD

$$P_p = (T_s - L) / R_p$$

$$P_p = (3000 \text{ psi} - 0 \text{ psi}) / 10$$

$$P_p = 3000 \text{ psi} / 10$$

$$P_p = 300 \text{ psi}$$

#### 2000 PSI LOAD

$$P_p = (T_s - L) / R_p$$

$$P_p = (3000 \text{ psi} - 2000 \text{ psi}) / 10$$

$$P_p = 1000 \text{ psi} / 10$$

$$P_p = 100 \text{ psi}$$

Thus, when there is no load on the motor, the counterbalance opens at 300 psi, or just as the brake is being released. When there is a 2000 psi load on the motor, the counterbalance will start to open with a pilot pressure of 100 psi. The brake requires 300 psi, so the motor can start to rotate before the brake is released, causing wear on the brake. To offset this problem, you could increase the maximum thermal setting to 5000 psi, but this is very inefficient.

### 1:1 (Equal Area) Example

Equal area counterbalance valves are used primarily in brake applications to avoid the wear problem described above. With an Equal Area counterbalance valve, there is no thermal relief valve, and there is no differential area to work on. In other words, the counterbalance valve only opens when the pilot pressure is greater than the valve setting. The applied load has nothing to do with the pilot pressure required. Thus you will want to choose a pressure setting for the equal area counterbalance valve that is just slightly above the brake release pressure (usually 350 psi).

In our example, the valve would be set at 350 psi. This would allow the brake to release before the counterbalance allows the load to move. Since the equal counterbalance valve always opens at 350 psi pilot pressure and is not dependent on the load, it is the best valve for brake applications.

**Large Pressure Spike Application** – Keep in mind that equal area counterbalance valves do not have a built-in thermal relief valve. As such, if there are large pressure spikes caused by the stopping of heavy loads, then a ratioed counterbalance, such as a 10:1 should be used. In most cases these are non-brake type applications.

CV

Check  
Valves

SH

Shuttle  
Valves

LM

Load/Motor  
Controls

FC

Flow  
Controls

PC

Pressure  
Controls

LE

Logic  
Elements

DC

Directional  
Controls

MV

Manual  
Valves

SV

Solenoid  
Valves

PV

Proportional  
Valves

CE

Coils &  
Electronics

BC

Bodies &  
Cavities

TD

Technical  
Data

**Technical Information**

**CV**

Check Valves

**SH**

Shuttle Valves

**LM**

Load/Motor Controls

**FC**

Flow Controls

**PC**

Pressure Controls

**LE**

Logic Elements

**DC**

Directional Controls

**MV**

Manual Valves

**SV**

Solenoid Valves

**PV**

Proportional Valves

**CE**

Coils & Electronics

**BC**

Bodies & Cavities

**TD**

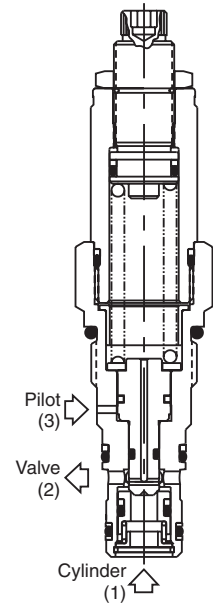
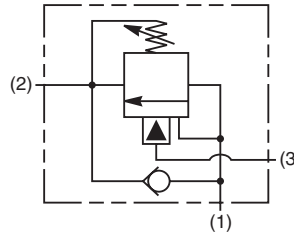
Technical Data

**General Description**

Cartridge Style Counterbalance Valve.  
For additional information see Technical Tips on pages LM1-LM4.

**Features**

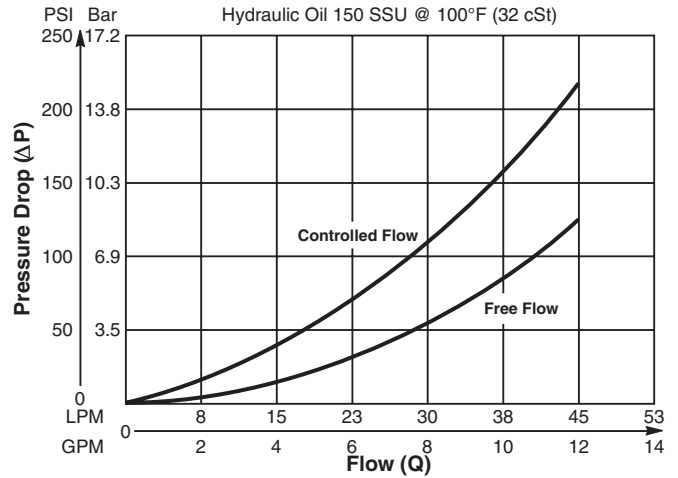
- Sealed spool type design for improved stability and accuracy as well as low leakage
- Low leakage poppet-type check valve for reliable load holding
- All external parts zinc plated
- Parker cartridge design for ease of installation and maintenance
- Compact size for reduced space requirements



**Specifications**

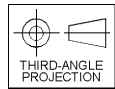
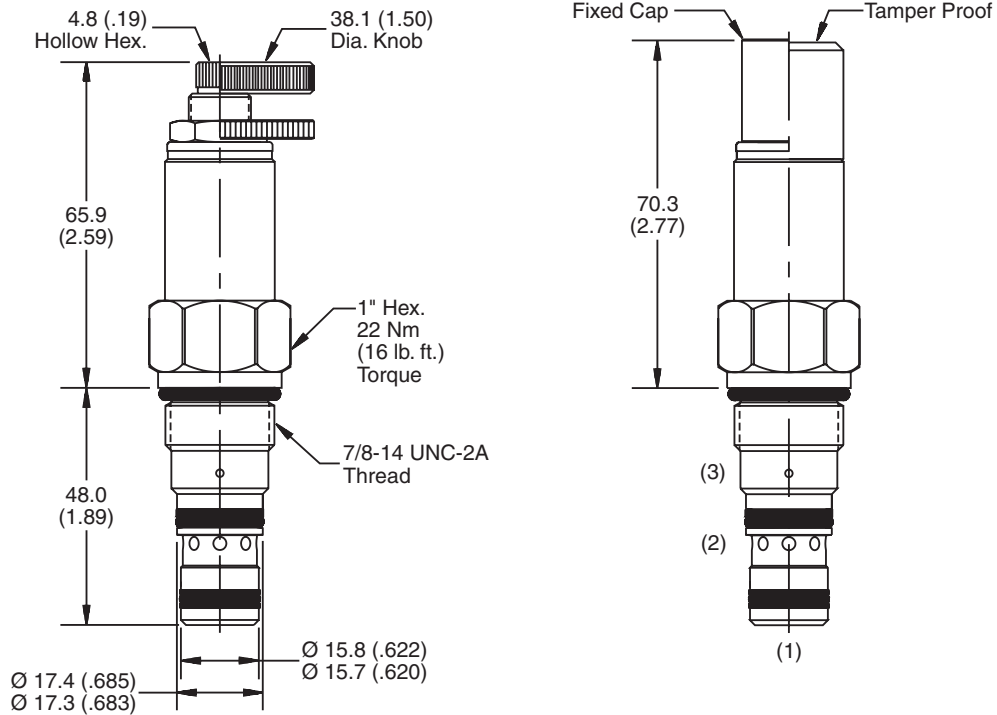
<b>Rated Flow</b>	45 LPM (12 GPM)
<b>Maximum Inlet Pressure</b>	380 Bar (5500 PSI) - Steel 210 Bar (3000 PSI) - Aluminum
<b>Maximum Setting Pressure</b>	350 Bar (5000 PSI) - Steel 210 Bar (3000 PSI) - Aluminum
<b>Leakage at 150 SSU (32 cSt)</b>	5 drops/min. (.33 cc/min.) @ 80% of thermal crack pressure
<b>Cartridge Material</b>	All parts steel. All operating parts hardened steel.
<b>Operating Temp. Range/Seals</b>	-34°C to +121°C (Nitrile) (-30°F to +250°F) -26°C to +204°C (Fluorocarbon) (-15°F to +400°F)
<b>Fluid Compatibility/Viscosity</b>	Mineral-based or synthetic with lubricating properties at viscosities of 45 to 2000 SSU (6 to 420 cSt)
<b>Filtration</b>	ISO-4406 18/16/13, SAE Class 4
<b>Approx. Weight</b>	.23 kg (0.5 lbs.)
<b>Cavity</b>	C10-3 (See BC Section for more details)
<b>Form Tool</b>	Rougher NFT10-3R Finisher NFT10-3F

**Performance Curve**  
**Flow vs. Pressure Drop**  
(Through cartridge only)

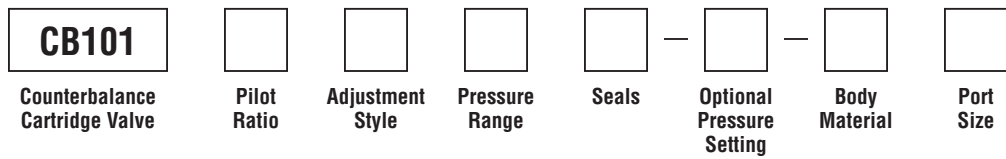




**Dimensions** Millimeters (Inches)



**Ordering Information**



Code	Pilot Ratio
A	3:1
B	4.5:1
C	7:1

Code	Pressure Range
10	20.7 - 90 Bar (300 - 1300 PSI) Standard Setting: 69 Bar (1000 PSI) @ 11.3 LPM (3 GPM)
20	69 - 172.4 Bar (1000 - 2500 PSI) Standard Setting: 138 Bar (2000 PSI) @ 11.3 LPM (3 GPM)
30	166 - 350 Bar (2400 - 5000 PSI) Standard Setting: 210 Bar (3000 PSI) @ 11.3 LPM (3 GPM)

Code	Seals / Kit No.
Omit	Nitrile / (SK10-3N)
V	Fluorocarbon / (SK10-3V)

Code	Body Material
Omit	Steel
A	Aluminum

Code	Adjustment Style/Kit No.
F	Fixed style, preset at factory.
K	Knob Adjust (717784-10)
S	Screw Adjust
T	Tamper Resistant Cap (717785)

Optional Pressure Setting
Pressure ÷ 10 i.e. 235 = 2350 PSI Setting Range: 300 to 5000 PSI All settings at 11.3 LPM (3 GPM)

Code	Port Size	Body Part No.
Omit	Cartridge Only	
6T	SAE-6	(B10-3-*6T)
8T	SAE-8	(B10-3-*8T)

\* Add "A" for aluminum, omit for steel.

- CV
- Check Valves
- SH
- Shuttle Valves
- LM
- Load/Motor Controls
- FC
- Flow Controls
- PC
- Pressure Controls
- LE
- Logic Elements
- DC
- Directional Controls
- MV
- Manual Valves
- SV
- Solenoid Valves
- PV
- Proportional Valves
- CE
- Coils & Electronics
- BC
- Bodies & Cavities
- TD
- Technical Data

- CV** Check Valves
- SH** Shuttle Valves
- LM** Load/Motor Controls
- FC** Flow Controls
- PC** Pressure Controls
- LE** Logic Elements
- DC** Directional Controls
- MV** Manual Valves
- SV** Solenoid Valves
- PV** Proportional Valves
- CE** Coils & Electronics
- BC** Bodies & Cavities
- TD** Technical Data

**General Description**

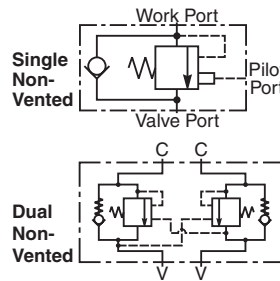
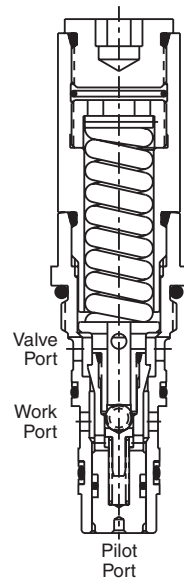
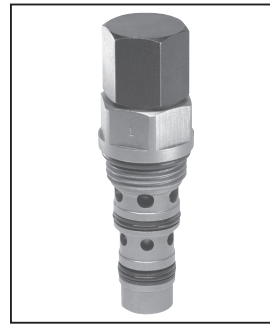
Threaded Cartridge Style Counterbalance Valve. For additional information see Technical Tips on pages LM1-LM4.

**Features**

- Conical Poppet design provides longer metering stroke for stable operation
- Hardened seat provides reliable load holding
- External vent option available for high back pressure applications
- Tamper resistant cap for added safety and security
- Various pilot ratios available for application flexibility
- Unique cavity prevents other valves from being “accidentally” installed

**Specifications**

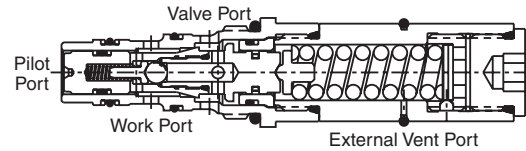
<b>Rated Flow</b>	37.5 LPM (10 GPM)
<b>Maximum Inlet Pressure</b>	350 Bar (5000 PSI)
<b>Leakage at 150 SSU (32 cSt)</b>	5 drops/min. (.33 cc/min.) @ 80% of thermal crack pressure
<b>Cartridge Material</b>	All parts steel. All operating parts hardened steel.
<b>Operating Temp. Range/Seals</b>	-34°C to +121°C (Nitrile) (-30°F to +250°F) -26°C to +204°C (Fluorocarbon) (-15°F to +400°F)
<b>Fluid Compatibility/Viscosity</b>	Mineral-based or synthetic with lubricating properties at viscosities of 45 to 2000 SSU (6 to 420 cSt)
<b>Filtration</b>	ISO-4406 18/16/13, SAE Class 4
<b>Approx. Weight</b>	.38 kg (.88 lbs.)
<b>Cavity</b>	CDD-1010 (See BC Section for more details)
<b>Form Tool</b>	FR-500



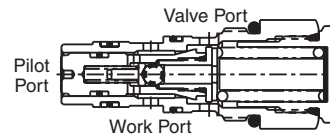
**MHC-010-S\*S\* Non-Vented Counterbalance Adjustable**

**Construction**

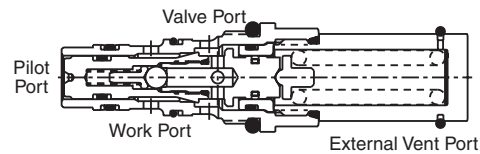
**MHC-010-V\*S\* Vented Counterbalance Adjustable**



**MHC-010-S\*N\* Non-Vented Counterbalance Non-Adjustable**

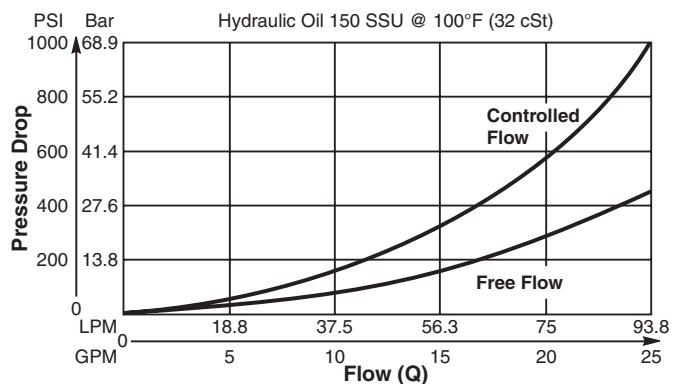


**MHC-010-V\*N\* Vented Counterbalance Non-Adjustable**

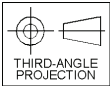
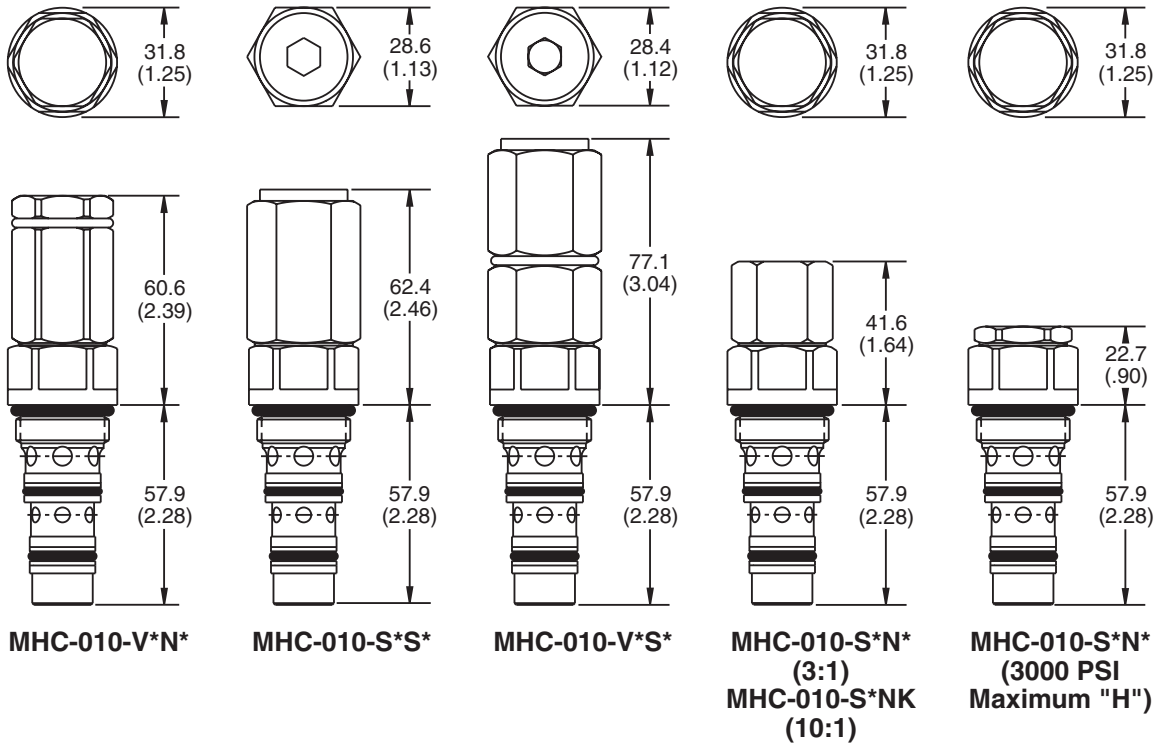


**Performance Curve**

**Flow vs. Pressure Drop (Through cartridge only)**

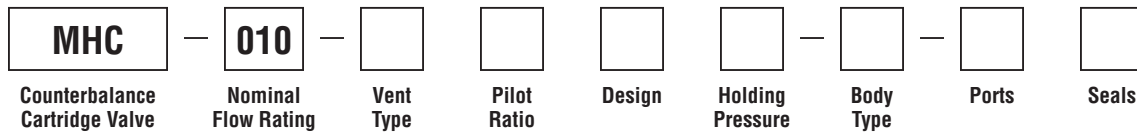


**Dimensions** Millimeters (Inches)



**Torque Values**  
 68-75 Nm (50-55 lb. ft.)  
*Typical for all*

**Ordering Information**



Code	Nominal Flow Rating
<b>010</b>	37.5 LPM (10 GPM)

Code	Vent Type
<b>S</b>	Standard (non-vented)
<b>V</b>	Vented

Code	Pilot Ratio
<b>A</b>	Equal Area (1:1)
<b>B</b>	4:1
<b>F</b>	7:1 (Standard)
<b>J</b>	10:1

Code	Design
<b>S</b>	Standard (adjustable)
<b>N</b>	Shimmed (non-adjustable)

Code	Holding Pressure
<b>C</b>	Equal Area 34.5 Bar (500 PSI) Crack
<b>D</b>	69 Bar (1000 PSI) Shim adjustable version only
<b>E</b>	105 Bar (1500 PSI)
<b>F</b>	140 Bar (2000 PSI)
<b>G</b>	170 Bar (2500 PSI)
<b>H</b>	210 Bar (3000 PSI) Standard version
<b>K</b>	350 Bar (5000 PSI) 7:1 and 10:1 only Shim version only

Code	Body Type	Part Number
<b>Omit</b>	No Body	
<b>A</b>	Single	MHC-010-A-53
<b>D</b>	Dual	MHC-010-D-53

Code	Ports
<b>00</b>	No Ports
<b>52</b>	SAE-8 through port
<b>53</b>	SAE-10 through port

Code	Seals / Kits
<b>B</b>	Nitrile / 711922
<b>F</b>	Fluorocarbon / 711825

- CV** Check Valves
- SH** Shuttle Valves
- LM** Load/Motor Controls
- FC** Flow Controls
- PC** Pressure Controls
- LE** Logic Elements
- DC** Directional Controls
- MV** Manual Valves
- SV** Solenoid Valves
- PV** Proportional Valves
- CE** Coils & Electronics
- BC** Bodies & Cavities
- TD** Technical Data

**CV**

Check  
Valves

**SH**

Shuttle  
Valves

**LM**

Load/Motor  
Controls

**FC**

Flow  
Controls

**PC**

Pressure  
Controls

**LE**

Logic  
Elements

**DC**

Directional  
Controls

**MV**

Manual  
Valves

**SV**

Solenoid  
Valves

**PV**

Proportional  
Valves

**CE**

Coils &  
Electronics

**BC**

Bodies &  
Cavities

**TD**

Technical  
Data

**General Description**

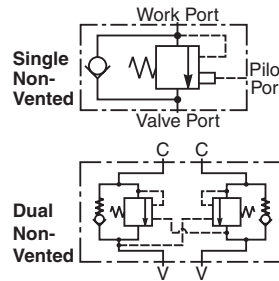
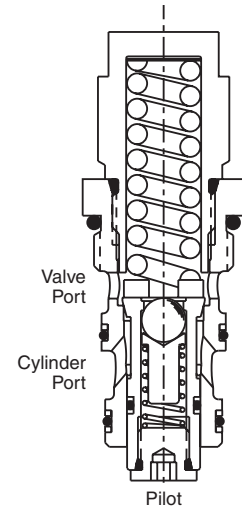
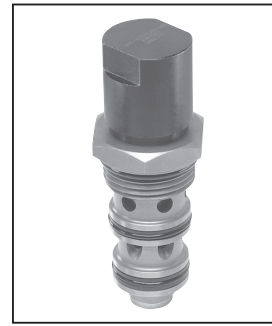
Threaded Cartridge Style Counterbalance Valve. For additional information see Technical Tips on pages LM1-LM5.

**Features**

- Conical Poppet design provides longer metering stroke for stable operation
- Hardened seat provides reliable load holding
- External vent option available for high back pressure applications
- Tamper resistant cap for added safety and security
- Various pilot ratios available for application flexibility
- Unique cavity prevents other valves from being “accidentally” installed

**Specifications**

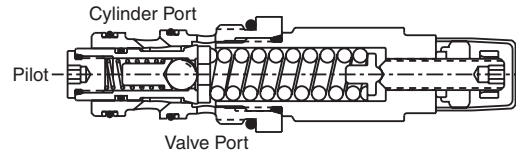
<b>Rated Flow</b>	93.75 LPM (25 GPM)
<b>Maximum Inlet Pressure</b>	350 Bar (5000 PSI)
<b>Leakage at 150 SSU (32 cSt)</b>	5 drops/min. (.33 cc/min.) @ 80% of thermal crack pressure
<b>Cartridge Material</b>	All parts steel. All operating parts hardened steel.
<b>Operating Temp. Range/Seals</b>	-34°C to +121°C (Nitrile) (-30°F to +250°F) -26°C to +204°C (Fluorocarbon) (-15°F to +400°F)
<b>Fluid Compatibility/Viscosity</b>	Mineral-based or synthetic with lubricating properties at viscosities of 45 to 2000 SSU (6 to 420 cSt)
<b>Filtration</b>	ISO-4406 18/16/13, SAE Class 4
<b>Approx. Weight</b>	.44 kg (1.0 lbs.)
<b>Cavity</b>	CDD-1036 (See BC Section for more details)
<b>Form Tool</b>	FR-501



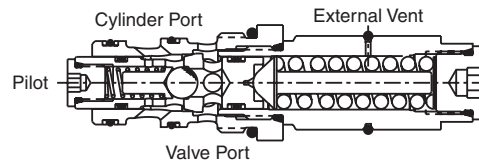
**MHC-022-S\*N\***  
Non-Vented Counterbalance  
Non-Adjustable

**Construction**

**MHC-022-S\*S\*** Non-Vented Counterbalance Adjustable

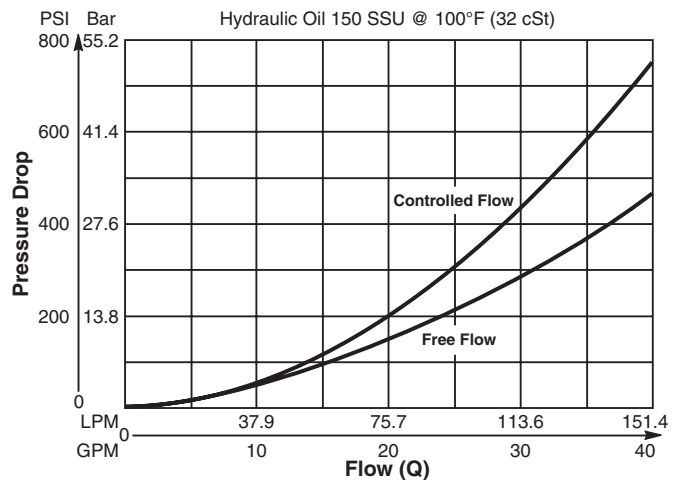


**MHC-022-V\*N\*** Vented Counterbalance Non-Adjustable

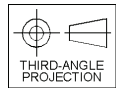
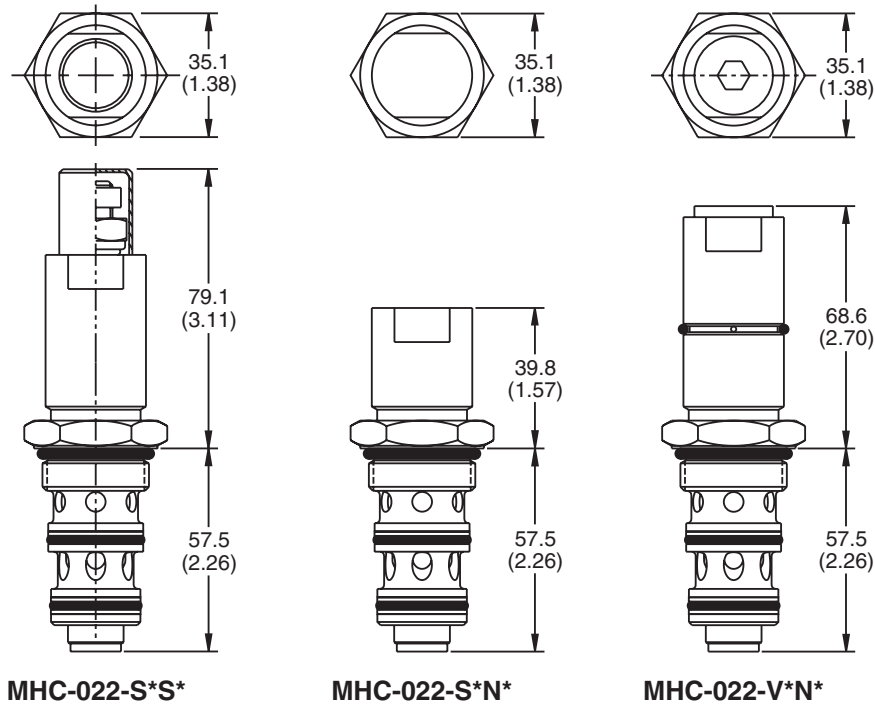


**Performance Curve**

**Flow vs. Pressure Drop (Through cartridge only)**

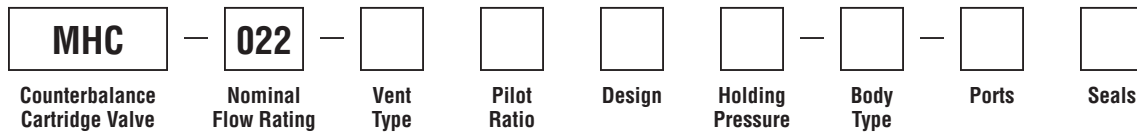


**Dimensions** Millimeters (Inches)



**Torque Values**  
 102-108 Nm (75-80 lb. ft.)  
*Typical for all*

**Ordering Information**



Code	Nominal Flow Rating
022	93.75 LPM (25 GPM)

Code	Pilot Ratio
A	Equal Area (1:1)
C	5:1 (Standard)
J	10:1

Code	Holding Pressure
C	Equal Area 34.5 Bar (500 PSI) Crack
E	103.4 Bar (1500 PSI) Shim adjustable version only
H	210 Bar (3000 PSI) Standard version
J	240 Bar (3500 PSI)
K	350 Bar (5000 PSI) 10:1 only

Code	Body Type	Part Number
Omit	No Body	
A	Single	MHC-022-A-53
D	Dual	MHC-022-D-53

Code	Vent Type
S	Standard (non-vented)
V	Vented

Code	Design
S	Standard with tamper resistant cap (adjustable)
N	Shimmed (non-adjustable)

Code	Ports
00	No Ports
53	SAE-10 through port

Code	Seals / Kits
B	Nitrile / 712226
F	Fluorocarbon / 718077

- CV** Check Valves
- SH** Shuttle Valves
- LM** Load/Motor Controls
- FC** Flow Controls
- PC** Pressure Controls
- LE** Logic Elements
- DC** Directional Controls
- MV** Manual Valves
- SV** Solenoid Valves
- PV** Proportional Valves
- CE** Coils & Electronics
- BC** Bodies & Cavities
- TD** Technical Data

Technical Information

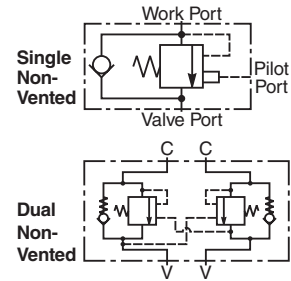
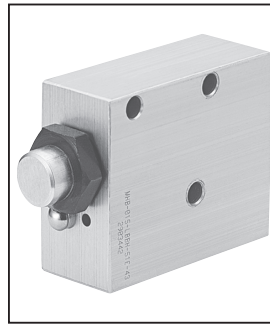
- CV Check Valves
- SH Shuttle Valves
- LM Load/Motor Controls
- FC Flow Controls
- PC Pressure Controls
- LE Logic Elements
- DC Directional Controls
- MV Manual Valves
- SV Solenoid Valves
- PV Proportional Valves
- CE Coils & Electronics
- BC Bodies & Cavities
- TD Technical Data

General Description

Body Style Counterbalance Valve. For additional information see Technical Tips on pages LM1-LM4.

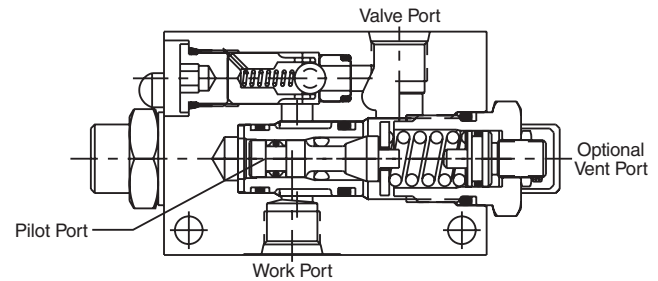
Features

- Conical Poppet design provides longer metering stroke for stable operation
- Hardened seat provides reliable load holding
- External vent option available for high back pressure applications
- Tamper resistant cap for added safety and security
- Various pilot ratios available for application flexibility



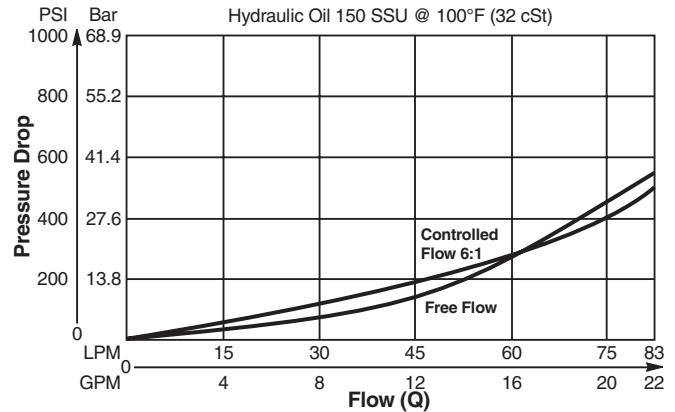
Specifications

Rated Flow	56 LPM (15 GPM)
Maximum Inlet Pressure	210 Bar (3000 PSI)
Leakage at 150 SSU (32 cSt)	5 drops/min. (.33 cc/min.) @ 80% of thermal crack pressure
Valve Material	All parts steel. All operating parts hardened steel.
Body Material	Aluminum
Operating Temp. Range/Seals	-26°C to +204°C (Fluorocarbon) (-15°F to +400°F)
Fluid Compatibility/Viscosity	Mineral-based or synthetic with lubricating properties at viscosities of 45 to 2000 SSU (6 to 420 cSt)
Filtration	ISO-4406 18/16/13, SAE Class 4
Approx. Weight	Single 0.68 kg (1.5 lbs.) Double 1.36 kg (3.0 lbs.)

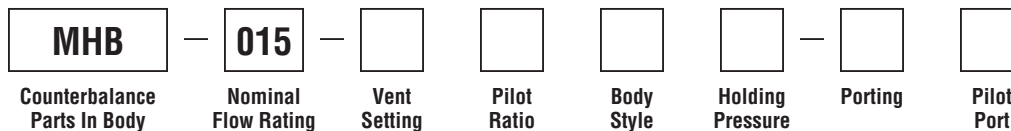


Performance Curve

Flow vs. Pressure Drop (Through cartridge only)



Ordering Information



Code	Nominal Flow Rating
015	46.3 LPM (15 GPM)

Code	Pilot Ratio
*A	1:1 Equal Area
B	3:1
E	6:1
J	10:1

Code / Body Style	
A / Single Inline	D / Double Inline
B / Single Gasket	E / Double Gasket

Code	Porting
51	SAE-6
52	SAE-8 (Gasket mount only)

Code	Vent Setting
L	Non-Vented
W	Vent

\*Equal Area does not have a thermal relief

Code	Holding Pressure
*C	17.2 to 34.5 Bar (250 to 500 PSI) 1:1 Pilot Crack Pressure
E	34.5 to 103.4 Bar (500 to 1500 PSI)
H	105 to 210 Bar (1500 to 3000 PSI)

\*Equal Area does not have a thermal relief

Code	Pilot Port
N	Internal Pilot (Dual valve only)
E	SAE-6 (Code 51 & 52 bodies only)

Seal Kits:

Single 711708  
Double 711709



**Dimensions**

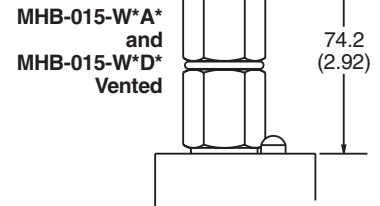
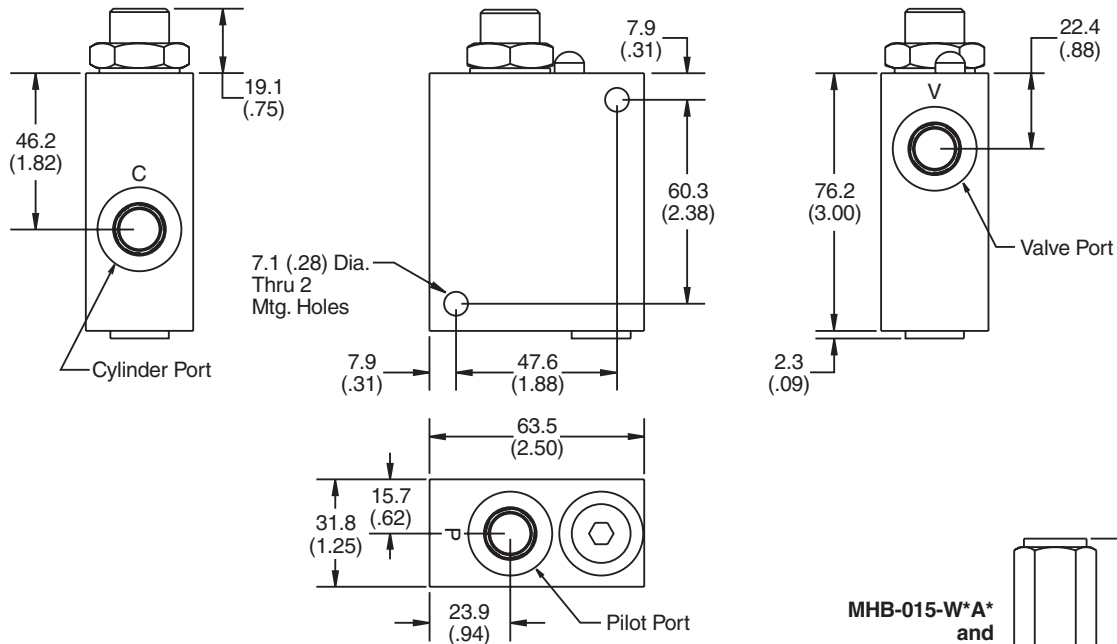
**Series MHB-015**

\*Inch equivalents for millimeter dimensions are shown in (\*\*)

**Series MHB-015-L\*A\*** Single Counterbalance, Non-Vented, In-line Mount

**Series MHB-015-W\*A\*** Single Counterbalance, Vented, In-line Mount

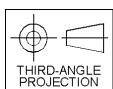
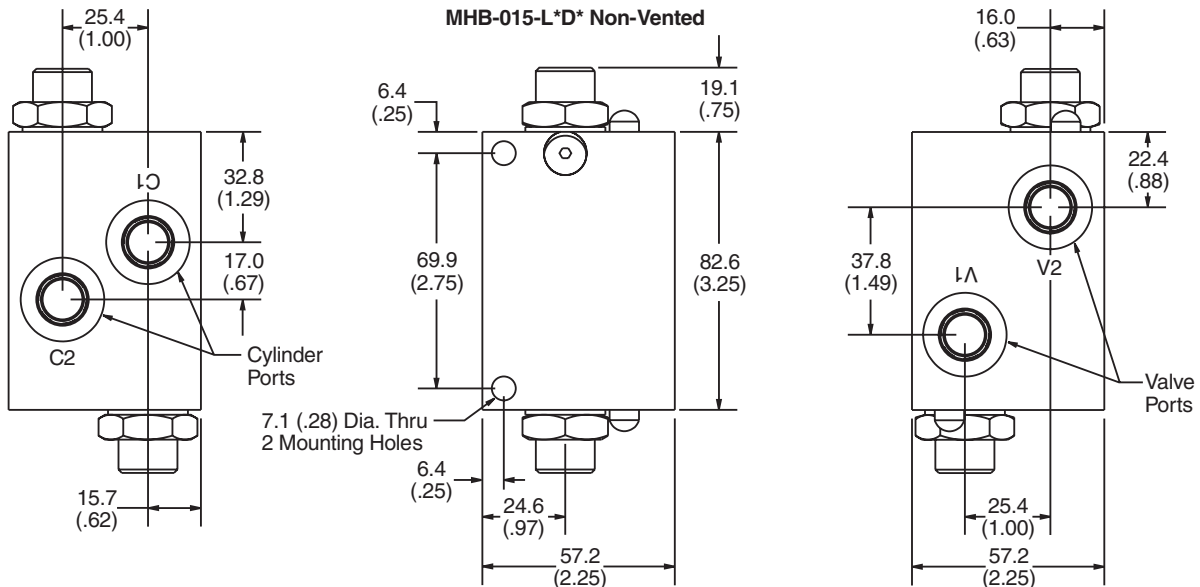
**MHB-015-L\*A\* Non-Vented**



**Series MHB-015-L\*D\*** Dual Counterbalance, Non-Vented, In-line Mount

**Series MHB-015-W\*D\*** Dual Counterbalance, Vented, In-line Mount

**MHB-015-L\*D\* Non-Vented**



<b>CV</b>
Check Valves
<b>SH</b>
Shuttle Valves
<b>LM</b>
Load/Motor Controls
<b>FC</b>
Flow Controls
<b>PC</b>
Pressure Controls
<b>LE</b>
Logic Elements
<b>DC</b>
Directional Controls
<b>MV</b>
Manual Valves
<b>SV</b>
Solenoid Valves
<b>PV</b>
Proportional Valves
<b>CE</b>
Coils & Electronics
<b>BC</b>
Bodies & Cavities
<b>TD</b>
Technical Data

Dimensions

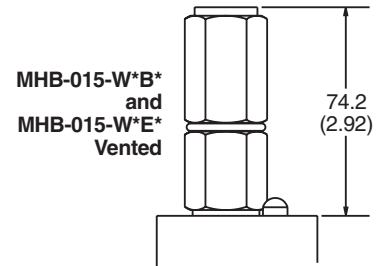
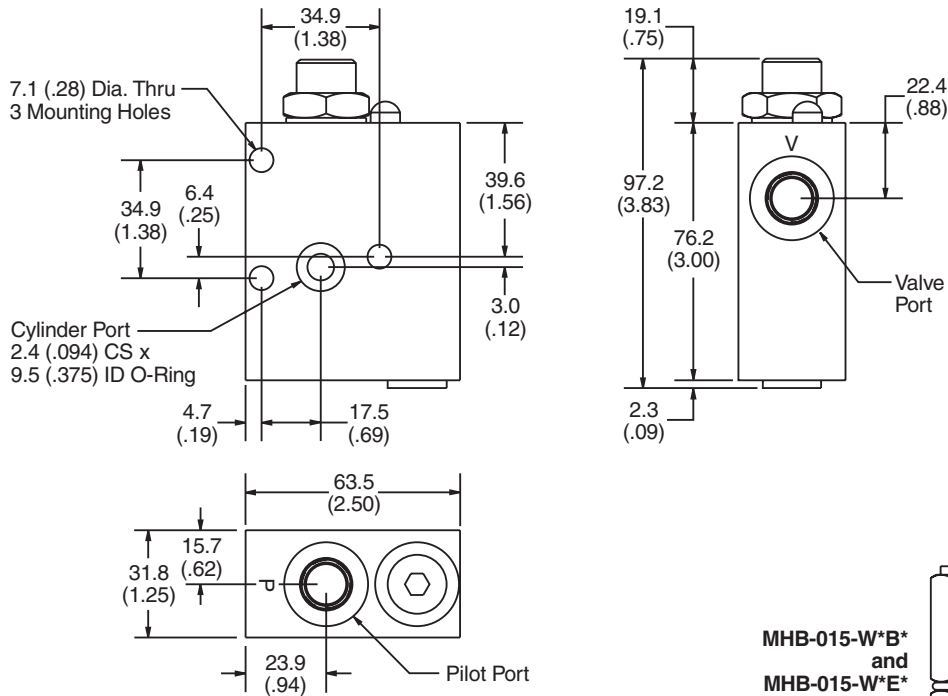
Series MHB-015

\*Inch equivalents for millimeter dimensions are shown in (\*\*)

**Series MHB-015-L\*B\*** Single Counterbalance, Non-Vented, Gasket Mount

**Series MHB-015-W\*B\*** Single Counterbalance, Vented, Gasket Mount

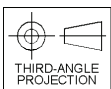
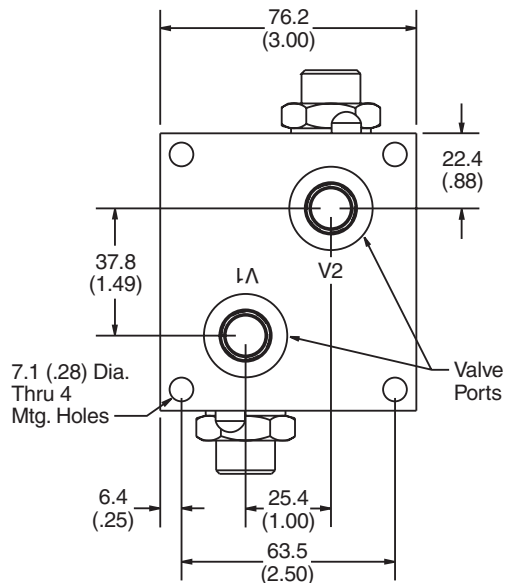
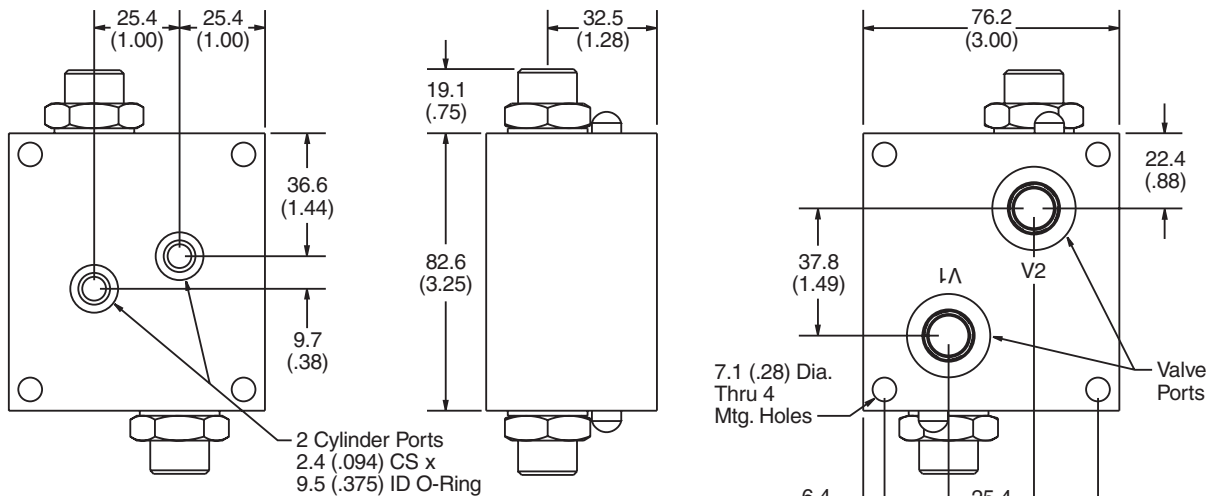
MHB-015-L\*B\* Non-Vented



**Series MHB-015-L\*E\*** Dual Counterbalance, Non-Vented, Gasket Mount

**Series MHB-015-W\*E\*** Dual Counterbalance, Vented, Gasket Mount

MHB-015-L\*E\* Non-Vented



- CV Check Valves
- SH Shuttle Valves
- LM Load/Motor Controls
- FC Flow Controls
- PC Pressure Controls
- LE Logic Elements
- DC Directional Controls
- MV Manual Valves
- SV Solenoid Valves
- PV Proportional Valves
- CE Coils & Electronics
- BC Bodies & Cavities
- TD Technical Data

Technical Information

General Description

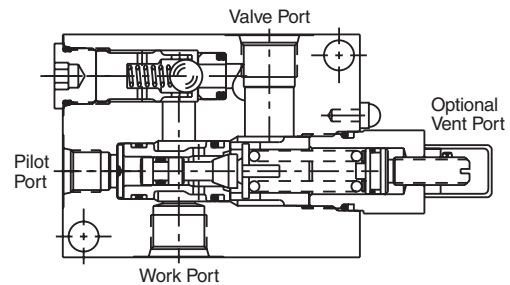
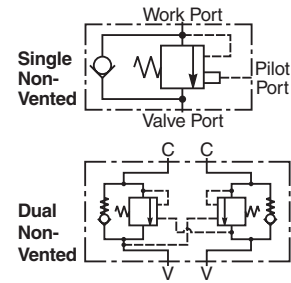
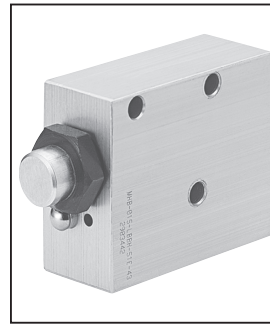
Body Style Counterbalance Valve. For additional information see Technical Tips on pages LM1-LM4.

Features

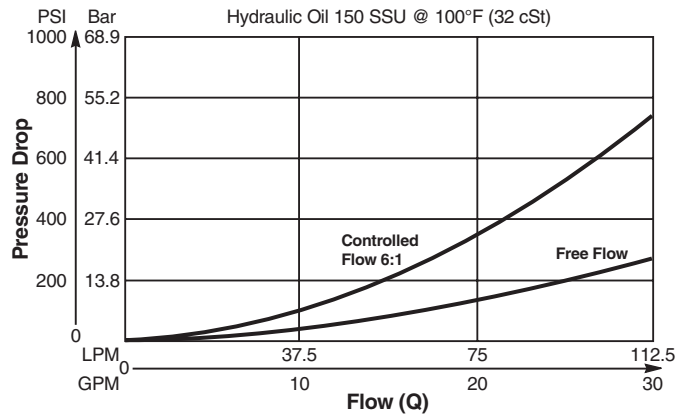
- Conical Poppet design provides longer metering stroke for stable operation
- Hardened seat provides reliable load holding
- External vent option available for high back pressure applications
- Tamper resistant cap for added safety and security
- Various pilot ratios available for application flexibility

Specifications

Rated Flow	112.5 LPM (30 GPM)
Maximum Inlet Pressure	210 Bar (3000 PSI)
Leakage at 150 SSU (32 cSt)	5 drops/min. (.33 cc/min.) @ 80% of thermal crack pressure
Valve Material	All parts steel. All operating parts hardened steel.
Body Material	Aluminum
Operating Temp. Range/Seals	-26°C to +204°C (Fluorocarbon) (-15°F to +400°F)
Fluid Compatibility/Viscosity	Mineral-based or synthetic with lubricating properties at viscosities of 45 to 2000 SSU (6 to 420 cSt)
Filtration	ISO-4406 18/16/13, SAE Class 4
Approx. Weight	Single 1.13 kg (2.5 lbs.) Double 2.05 kg (4.5 lbs.)



Performance Curve  
Flow vs. Pressure Drop (Through cartridge only)



Ordering Information

**MHB** — 
 **030** — 
  — 
  — 
  — 
  —

Counterbalance Parts In Body    Nominal Flow Rating    Vent Setting    Pilot Ratio    Body Style    Holding Pressure    Porting    Pilot Port

Code	Nominal Flow Rating
030	112.5 LPM (30 GPM)

Code	Pilot Ratio
*A	1:1 Equal Area
B	3:1
E	6:1
J	10:1

Code / Body Style
A / Single Inline
B / Single Gasket
D / Double Inline

Code	Porting
52	SAE-8

Code	Vent Setting
L	Non-Vented
W	Vent

*\*Equal Area does not have a thermal relief*

Code	Holding Pressure
*C	17.2 to 34.5 Bar (250 to 500 PSI) 1:1 Pilot Crack Pressure
E	34.5 to 103.4 Bar (500 to 1500 PSI)
H	105 to 210 Bar (1500 to 3000 PSI)

Code	Pilot Port
N	Internal Pilot (Dual valve only)
E	SAE-6 (Code 52 & 53 bodies only)

Seal Kits:

Single 711654  
Double 711655

*\*Equal Area does not have a thermal relief*

- CV** Check Valves
- SH** Shuttle Valves
- LM** Load/Motor Controls
- FC** Flow Controls
- PC** Pressure Controls
- LE** Logic Elements
- DC** Directional Controls
- MV** Manual Valves
- SV** Solenoid Valves
- PV** Proportional Valves
- CE** Coils & Electronics
- BC** Bodies & Cavities
- TD** Technical Data

Dimensions

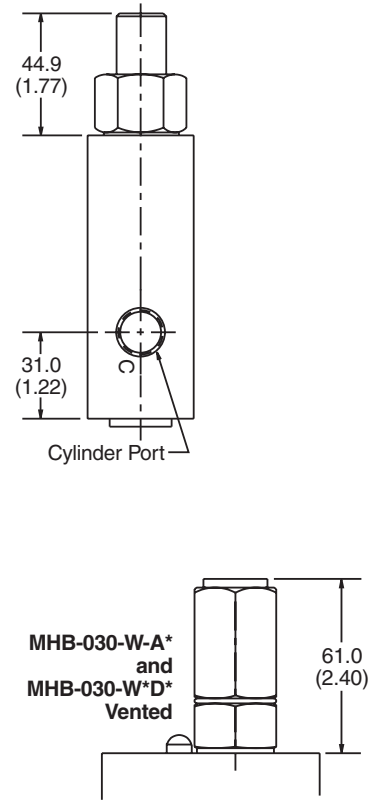
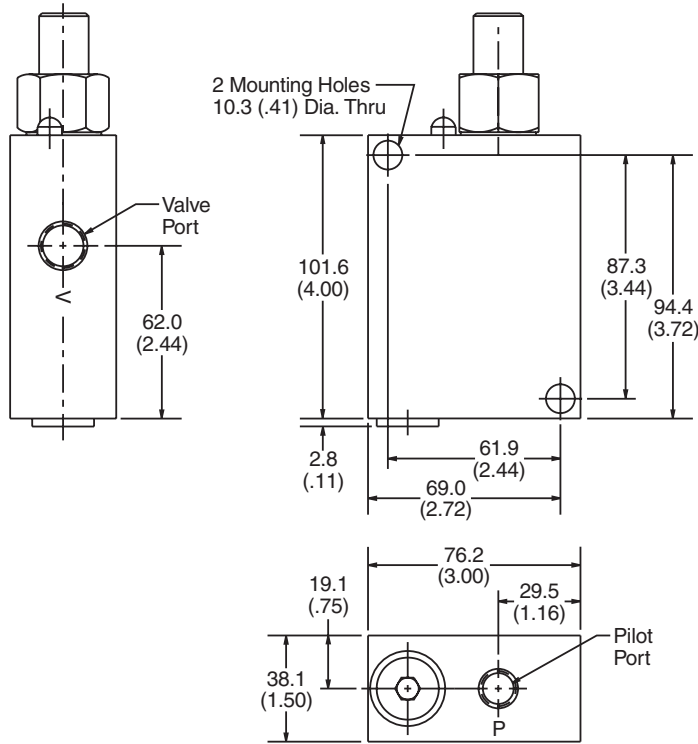
Series MHB-030

\*Inch equivalents for millimeter dimensions are shown in (\*\*)

Series MHB-030-L\*A\* Single Counterbalance, Non-Vented, In-line Mount

Series MHB-030-W\*A\* Single Counterbalance, Vented, In-line Mount

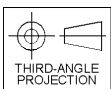
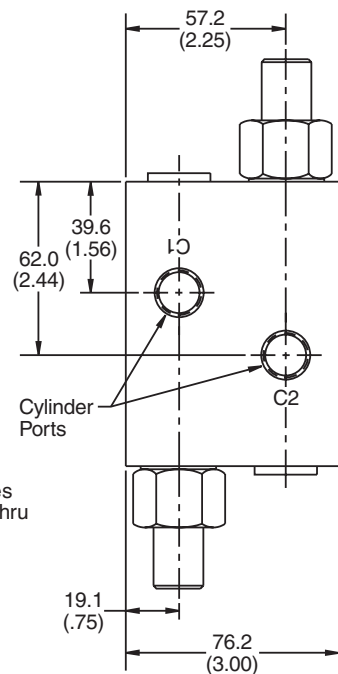
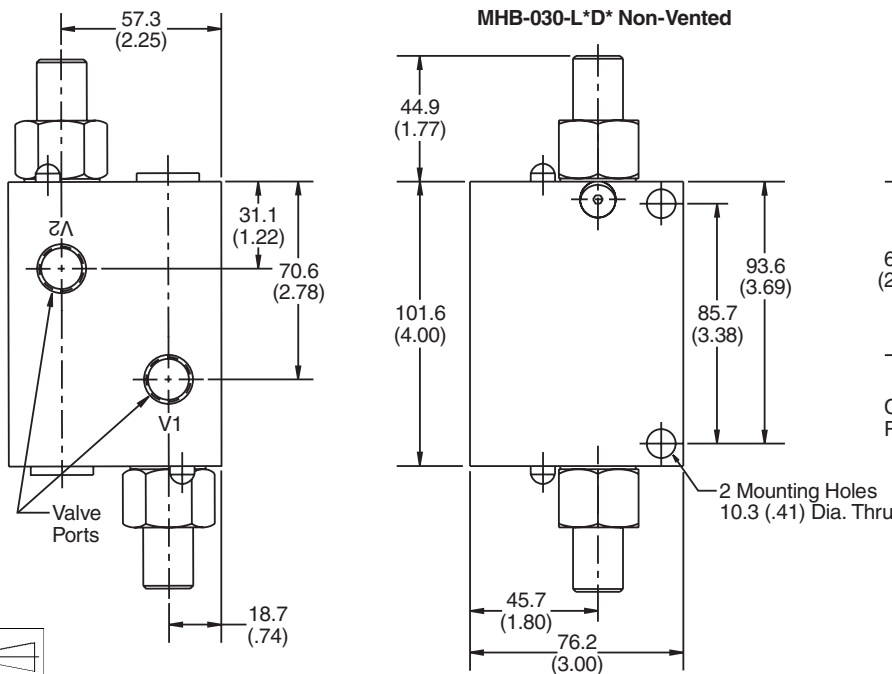
MHB-030-L\*A\* Non-Vented



Series MHB-030-L\*D\* Dual Counterbalance, Non-Vented, In-line Mount

Series MHB-030-W\*D\* Dual Counterbalance, Vented, In-line Mount

MHB-030-L\*D\* Non-Vented



- CV Check Valves
- SH Shuttle Valves
- LM Load/Motor Controls
- FC Flow Controls
- PC Pressure Controls
- LE Logic Elements
- DC Directional Controls
- MV Manual Valves
- SV Solenoid Valves
- PV Proportional Valves
- CE Coils & Electronics
- BC Bodies & Cavities
- TD Technical Data

**Dimensions**

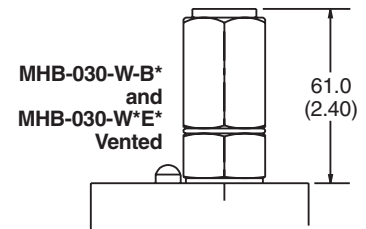
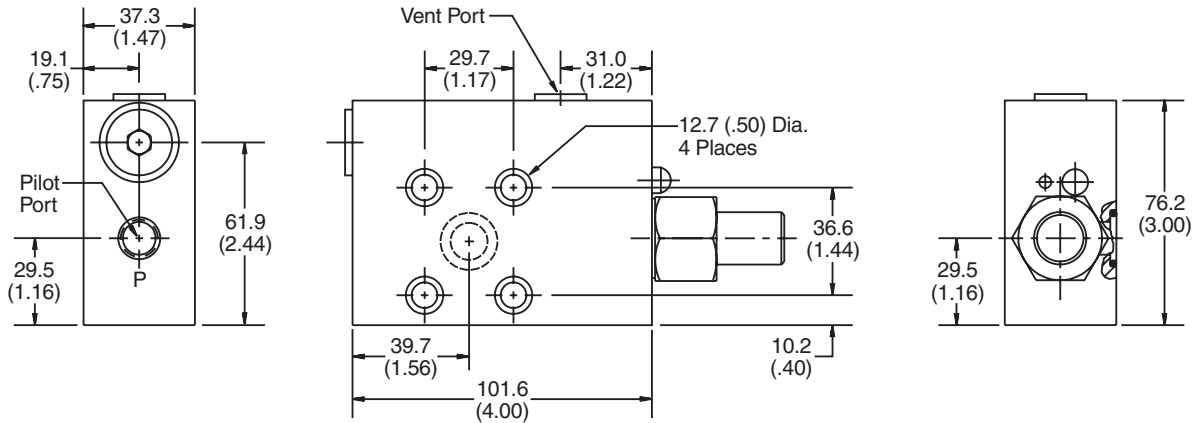
**Series MHB-030**

\*Inch equivalents for millimeter dimensions are shown in (\*\*)

**Series MHB-030-L\*B\*** Single Counterbalance, Non-Vented, Gasket Mount

**Series MHB-030-W\*B\*** Single Counterbalance, Vented, Gasket Mount

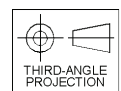
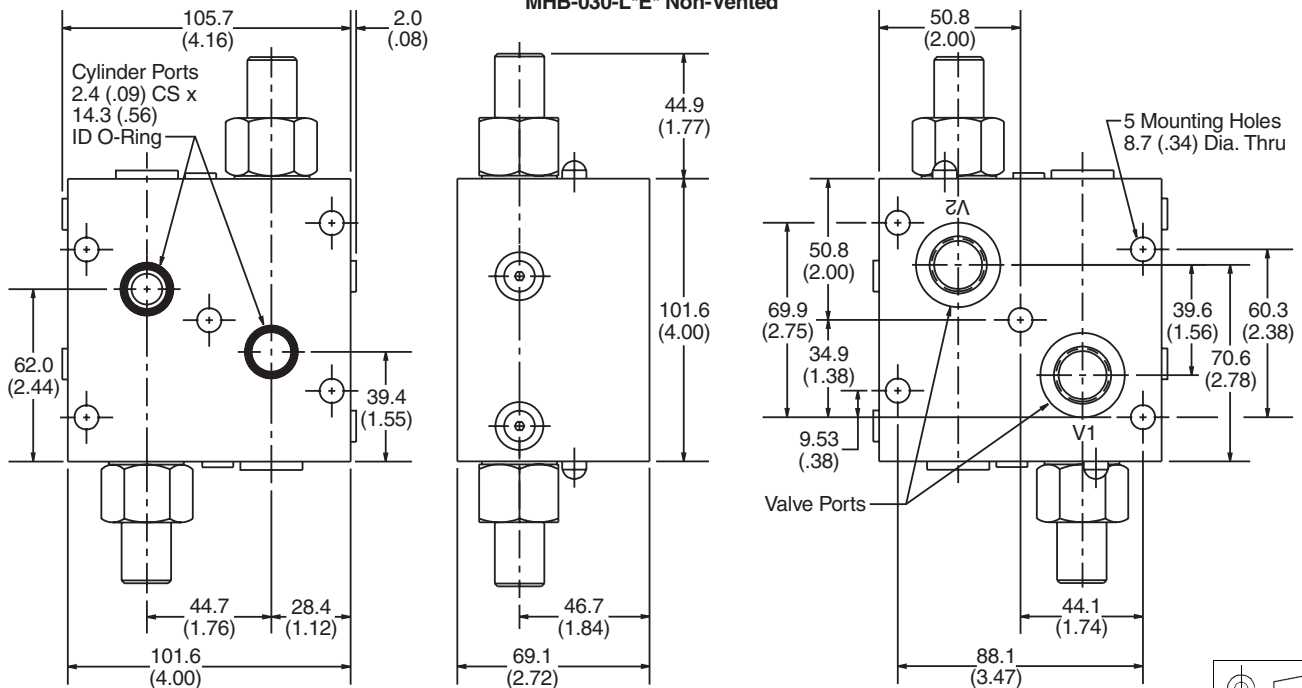
**MHB-030-L\*B\* Non-Vented**



**Series MHB-030-L\*E\*** Dual Counterbalance, Non-Vented, Gasket Mount

**Series MHB-030-W\*E\*** Dual Counterbalance, Vented, Gasket Mount

**MHB-030-L\*E\* Non-Vented**



- CV** Check Valves
- SH** Shuttle Valves
- LM** Load/Motor Controls
- FC** Flow Controls
- PC** Pressure Controls
- LE** Logic Elements
- DC** Directional Controls
- MV** Manual Valves
- SV** Solenoid Valves
- PV** Proportional Valves
- CE** Coils & Electronics
- BC** Bodies & Cavities
- TD** Technical Data

**Technical Information**

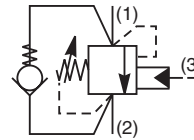
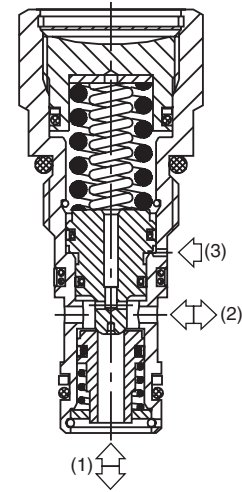
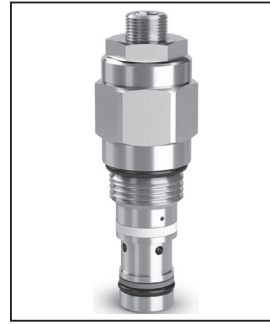
- CV** Check Valves
- SH** Shuttle Valves
- LM** Load/Motor Controls
- FC** Flow Controls
- PC** Pressure Controls
- LE** Logic Elements
- DC** Directional Controls
- MV** Manual Valves
- SV** Solenoid Valves
- PV** Proportional Valves
- CE** Coils & Electronics
- BC** Bodies & Cavities
- TD** Technical Data

**General Description**

Threaded Cartridge Style Counterbalance Valve. Pilot assisted, designed for motion control applications. For additional information see Technical Tips on pages LM1-LM4.

**Features**

- Poppet construction for minimal leakage
- Incorporates direct acting relief valve for overload protection
- Includes reverse check valve within body, saving space and minimizing installation cost
- Can be directly mounted into cylinder eliminating requirement for manifold block
- Fully sealed pilot for high efficiency and accurate pilot ratio
- Two pilot ratios available, 4.5:1 for cylinders and 8:1 for motor control
- Adjustable and tamper resistant versions available
- Preset version is tamper resistant and compact
- All external parts zinc plated

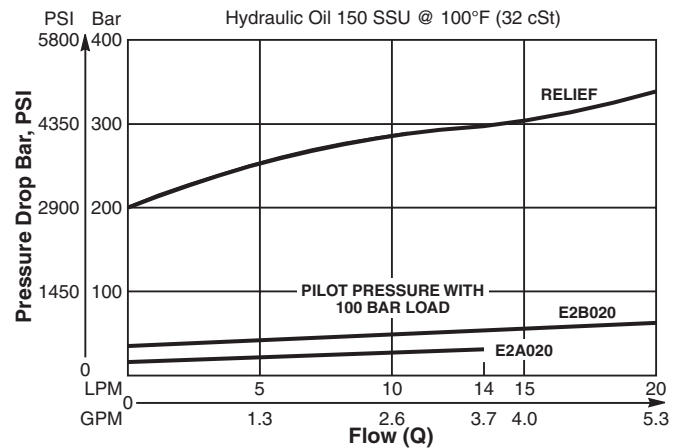


**Specifications**

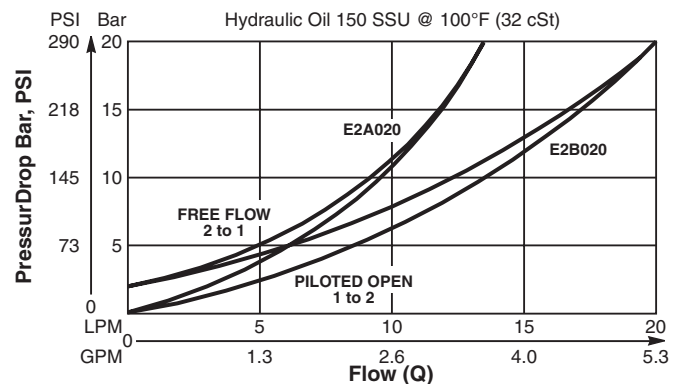
<b>Rated Flow</b>	<b>E2A020</b> 14 LPM (3.7 GPM) <b>E2B020</b> 20 LPM (5.3 GPM)
<b>Pressure</b>	50 - 420 Bar (725 - 6000 PSI)
<b>Sensitivity: Pressure/Turn</b>	<b>E2A020</b> 113 Bar (1640 PSI) <b>E2B020</b> 84 Bar (1220 PSI)
<b>Pilot Ratio</b>	<b>E2A020</b> - 8 : 1 <b>E2B020</b> - 4.5 : 1
<b>Cartridge Material</b>	All parts steel. All operating parts hardened steel.
<b>Operating Temp. Range/Seals</b>	-34°C to +121°C (Nitrile) (-30°F to +250°F) -26°C to +204°C (Fluorocarbon) (-15°F to +400°F)
<b>Fluid Compatibility/ Viscosity</b>	Mineral-based or synthetic with lubricating properties at viscosities of 45 to 2000 SSU (6 to 420 cSt)
<b>Filtration</b>	ISO-4406 18/16/13, SAE Class 4
<b>Approx. Weight</b>	0.08 kg (0.17 lbs.)
<b>Cavity</b>	53-1 (See BC Section for more details)

**Performance Curves**

**Relief & Pilot Performance 1 to 2**

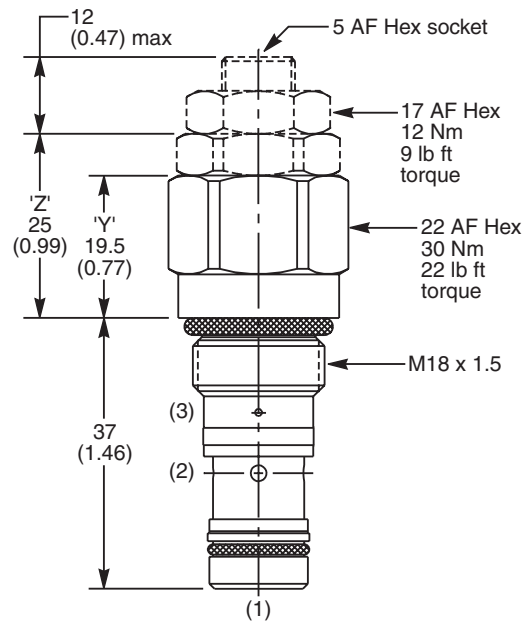


**Pressure Drop vs Flow**





**Dimensions** Millimeters (Inches)



**Ordering Information**

<b>E2</b>		<b>020</b>			
Load Control Valve	Pilot Ratio	Adjustment Style	Cracking Pressure	Seals	

Code	Pilot Ratio
A	8 : 1
B	4.5 : 1

Code	Cracking Pressure
	Omit for no setting (Standard)* Specify setting if required

*\*Standard valve is set to crack at 215 Bar (3120 PSI). Valve to be set to 1.3 times maximum load induced pressure.*

Code	Adjustment Style / Kit No.
Z	Screw Adjust
T	Tamper Resistant (TC1125)
Y	Preset (Standard)

Code	Seals / Kit No.
N	Nitrile, Buna-N (Std.) / (SK30087N-1)
V	Fluorocarbon / (SK30087V-1)

**Order Bodies Separately**

<b>LB10</b>		
Line Body	Porting	Body Material

Code	Porting
318	3/8" SAE (main) 1/4" SAE (aux)
319	3/8" SAE Dual Cavity

Code	Body Material
A	Aluminum
S	Steel

- CV** Check Valves
- SH** Shuttle Valves
- LM** Load/Motor Controls
- FC** Flow Controls
- PC** Pressure Controls
- LE** Logic Elements
- DC** Directional Controls
- MV** Manual Valves
- SV** Solenoid Valves
- PV** Proportional Valves
- CE** Coils & Electronics
- BC** Bodies & Cavities
- TD** Technical Data

**Technical Information**

**CV**

Check Valves

**SH**

Shuttle Valves

**LM**

Load/Motor Controls

**FC**

Flow Controls

**PC**

Pressure Controls

**LE**

Logic Elements

**DC**

Directional Controls

**MV**

Manual Valves

**SV**

Solenoid Valves

**PV**

Proportional Valves

**CE**

Coils & Electronics

**BC**

Bodies & Cavities

**TD**

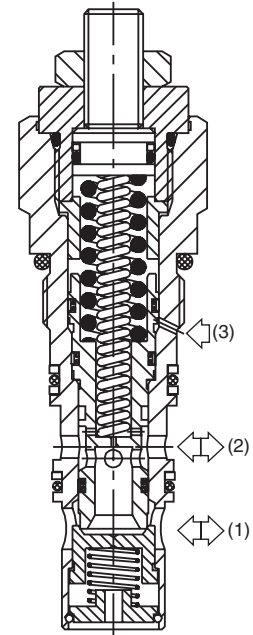
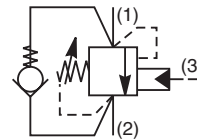
Technical Data

**General Description**

Threaded Cartridge Style Counterbalance Valve. Pilot assisted, designed for motion control applications. For additional information see Technical Tips on pages LM1-LM4.

**Features**

- Poppet construction for minimal leakage
- Incorporates direct acting relief valve for overload protection
- Includes reverse check valve within body, saving space and minimizing installation cost
- Excellent control and very good stability
- Three pilot ratios available, 1.75:1 and 3:1 for cylinders and 8:1 for motor control
- Hardened working parts for maximum durability
- Adjustable, preset and tamper resistant versions available
- Preset version is tamper resistant and compact
- All external parts zinc plated

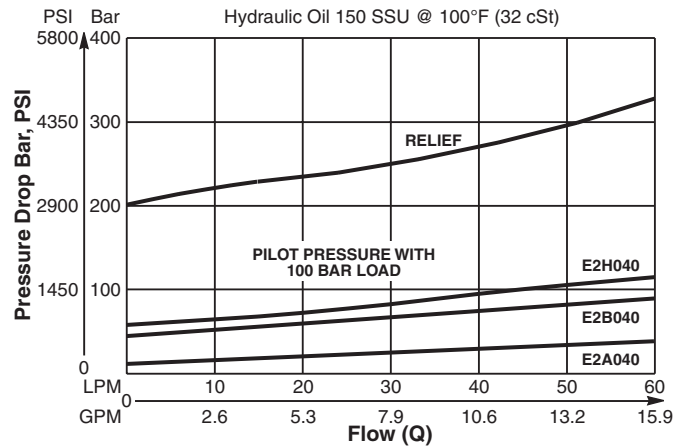


**Specifications**

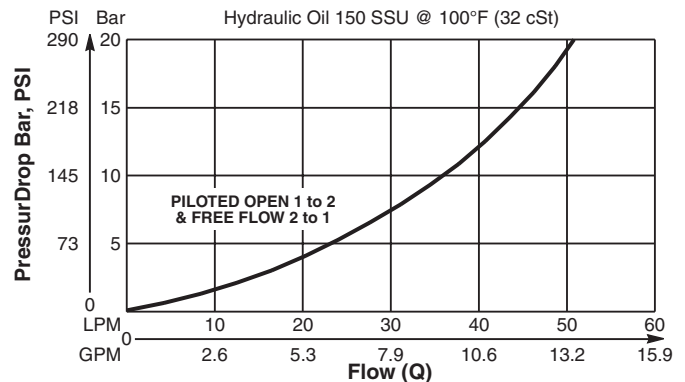
<b>Rated Flow</b>	60 LPM (15.9 GPM)
<b>Pressure</b>	50 - 350 Bar (725 - 5000 PSI)
<b>Sensitivity: Pressure/Turn</b>	99 Bar (1435 PSI)
<b>Pilot Ratio</b>	<b>E2A040</b> - 8 : 1 <b>E2B040</b> - 3 : 1 <b>E2H040</b> - 1.75 : 1
<b>Cartridge Material</b>	All parts steel. All operating parts hardened steel.
<b>Operating Temp. Range/Seals</b>	-34°C to +121°C (Nitrile) (-30°F to +250°F) -26°C to +204°C (Fluorocarbon) (-15°F to +400°F)
<b>Fluid Compatibility/ Viscosity</b>	Mineral-based or synthetic with lubricating properties at viscosities of 45 to 2000 SSU (6 to 420 cSt)
<b>Filtration</b>	ISO-4406 18/16/13, SAE Class 4
<b>Approx. Weight</b>	0.27 kg (0.60 lbs.)
<b>Cavity</b>	68-1 (See BC Section for more details)

**Performance Curves**

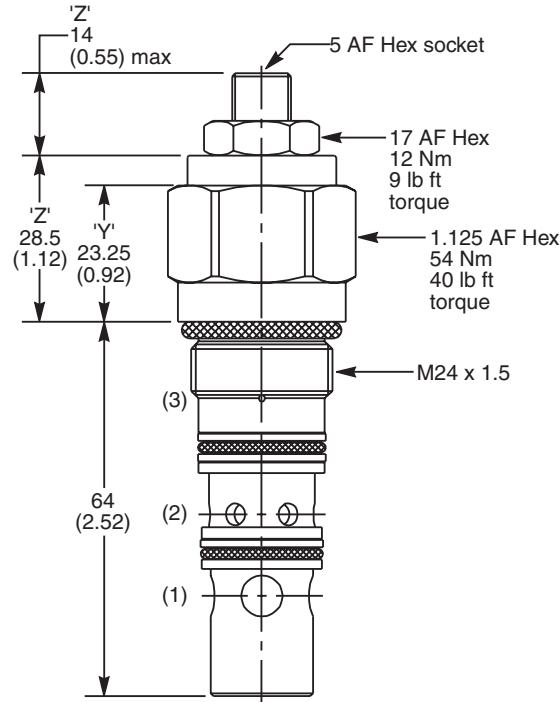
**Relief & Pilot Performance 1 to 2**



**Pressure Drop vs Flow**



**Dimensions** Millimeters (Inches)



**Ordering Information**

<b>E2</b>		<b>040</b>				<b>MK3</b>
Load Control Valve	Pilot Ratio	Adjustment Style	Cracking Pressure	Seals		

Code	Pilot Ratio
A	8 : 1
B	3 : 1
H	1.75 : 1

Code	Cracking Pressure
	Omit for no setting (Standard)* Specify setting if required Y: Setting must be specified

*\*Standard valve is set to crack at 215 Bar (3120 PSI). Valve to be set to 1.3 times maximum load induced pressure.*

Code	Adjustment Style / Kit No.
Z	Screw Adjust (Standard)
T	Tamper Resistant (TC1125)
Y	Non Adjustable Preset

Code	Seals / Kit No.
N	Nitrile, Buna-N (Std.) / (SK30059N-1)
V	Fluorocarbon / (SK30059V-1)

**Order Bodies Separately**

<b>LB10</b>		
Line Body	Porting	Body Material

Code	Porting
253	1/2" SAE (main) 1/4" SAE (aux)
261	1/2" SAE Dual Cavity

Code	Body Material
A	Aluminum
S	Steel

- CV** Check Valves
- SH** Shuttle Valves
- LM** Load/Motor Controls
- FC** Flow Controls
- PC** Pressure Controls
- LE** Logic Elements
- DC** Directional Controls
- MV** Manual Valves
- SV** Solenoid Valves
- PV** Proportional Valves
- CE** Coils & Electronics
- BC** Bodies & Cavities
- TD** Technical Data

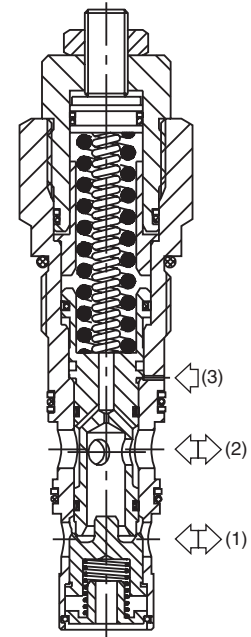
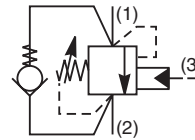
- CV** Check Valves
- SH** Shuttle Valves
- LM** Load/Motor Controls
- FC** Flow Controls
- PC** Pressure Controls
- LE** Logic Elements
- DC** Directional Controls
- MV** Manual Valves
- SV** Solenoid Valves
- PV** Proportional Valves
- CE** Coils & Electronics
- BC** Bodies & Cavities
- TD** Technical Data

**General Description**

Threaded Cartridge Style Counterbalance Valve. Pilot assisted, designed for motion control applications. For additional information see Technical Tips on pages LM1-LM4.

**Features**

- Poppet construction for minimal leakage
- Incorporates direct acting relief valve for overload protection
- Includes reverse check valve within body, saving space and minimizing installation cost
- Excellent control and very good stability
- Four pilot ratios available, 1.75:1, 3:1, and 5:1 for cylinders and 8:1 for motor control
- Hardened working parts for maximum durability
- Adjustable and tamper resistant versions also available
- All external parts zinc plated

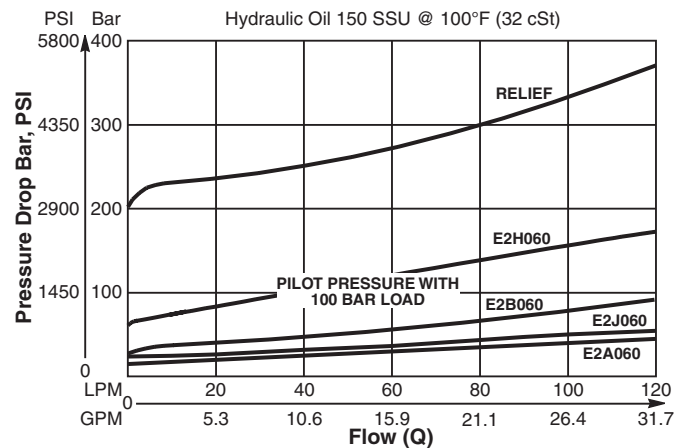


**Specifications**

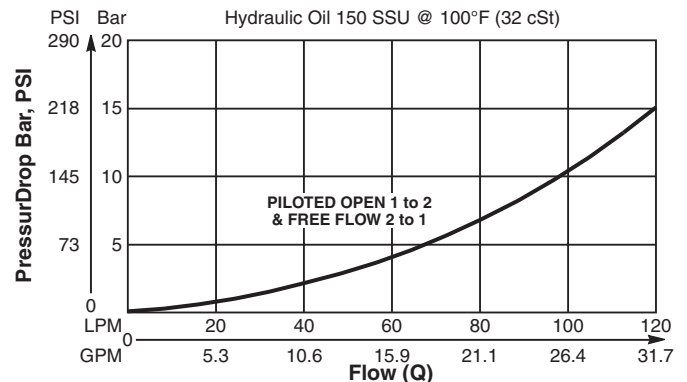
<b>Rated Flow</b>	120 LPM (32 GPM)
<b>Pressure</b>	50 - 350 Bar (725 - 5000 PSI)
<b>Sensitivity: Pressure/Turn</b>	44 Bar (640 PSI)
<b>Pilot Ratio</b>	<b>E2A060</b> - 8 : 1 <b>E2B060</b> - 3 : 1 <b>E2H060</b> - 1.75 : 1 <b>E2J060</b> - 5 : 1
<b>Cartridge Material</b>	All parts steel. All operating parts hardened steel.
<b>Operating Temp. Range/Seals</b>	-34°C to +121°C (Nitrile) (-30°F to +250°F) -26°C to +204°C (Fluorocarbon) (-15°F to +400°F)
<b>Fluid Compatibility/ Viscosity</b>	Mineral-based or synthetic with lubricating properties at viscosities of 45 to 2000 SSU (6 to 420 cSt)
<b>Filtration</b>	ISO-4406 18/16/13, SAE Class 4
<b>Approx. Weight</b>	0.54 kg (1.19 lbs.)
<b>Cavity</b>	3C (See BC Section for more details)

**Performance Curves**

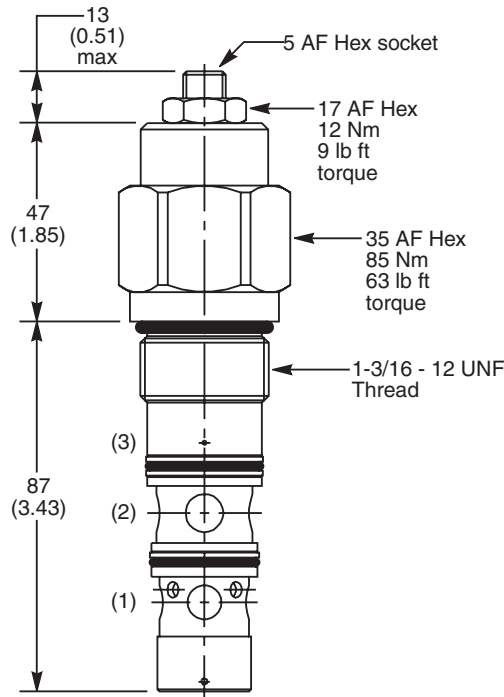
**Relief & Pilot Performance 1 to 2**



**Pressure Drop vs Flow**



**Dimensions** Millimeters (Inches)



**Ordering Information**

<b>E2</b>		<b>060</b>				<b>MK2</b>
Load Control Valve	Pilot Ratio		Adjustment Style	Cracking Pressure	Seals	

Code	Pilot Ratio
A	8 : 1
B	3 : 1
H	1.75 : 1
J	5 : 1

Code	Cracking Pressure
	Omit for no setting (Standard)* Specify setting if required

*\*Standard valve is set to crack at 215 Bar (3120 PSI). Valve to be set to 1.3 times maximum load induced pressure.*

Code	Adjustment Style / Kit No.
Z	Screw Adjust (Standard)
T	Tamper Resistant (TC1125)

Code	Seals / Kit No.
N	Nitrile, Buna-N (Std.) / (SK30008N-1)
V	Fluorocarbon / (SK30008V-1)

*Order Bodies Separately*

<b>LB10</b>		
Line Body	Porting	Body Material

Code	Porting
069	1" SAE (main) 1/4" SAE (aux)
234	3/4" SAE Dual Cavity

Code	Body Material
A	Aluminum
S	Steel

- CV** Check Valves
- SH** Shuttle Valves
- LM** Load/Motor Controls
- FC** Flow Controls
- PC** Pressure Controls
- LE** Logic Elements
- DC** Directional Controls
- MV** Manual Valves
- SV** Solenoid Valves
- PV** Proportional Valves
- CE** Coils & Electronics
- BC** Bodies & Cavities
- TD** Technical Data

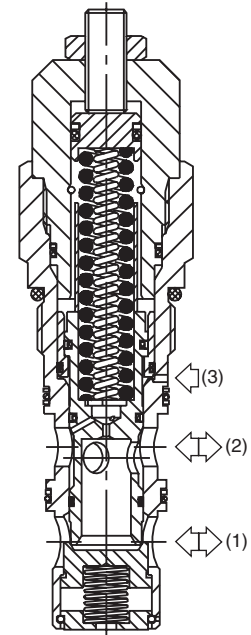
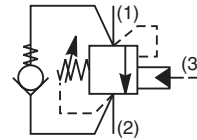
- CV** Check Valves
- SH** Shuttle Valves
- LM** Load/Motor Controls
- FC** Flow Controls
- PC** Pressure Controls
- LE** Logic Elements
- DC** Directional Controls
- MV** Manual Valves
- SV** Solenoid Valves
- PV** Proportional Valves
- CE** Coils & Electronics
- BC** Bodies & Cavities
- TD** Technical Data

**General Description**

Threaded Cartridge Style Counterbalance Valve. Pilot assisted, designed for motion control applications. For additional information see Technical Tips on pages LM1-LM4.

**Features**

- Poppet construction for minimal leakage
- Incorporates direct acting relief valve for overload protection, and reverse check valve, saving space and minimizing installation cost
- Two pilot ratios available, 3:1 for cylinders and 8:1 for motor control
- Hardened working parts for maximum durability
- Adjustable and tamper resistant versions also available
- All external parts zinc plated

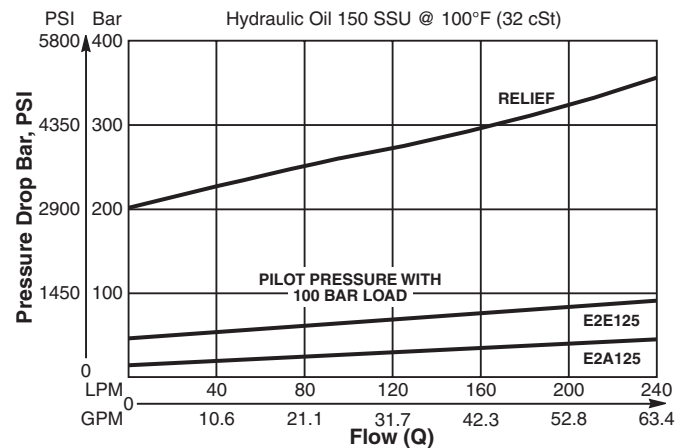


**Specifications**

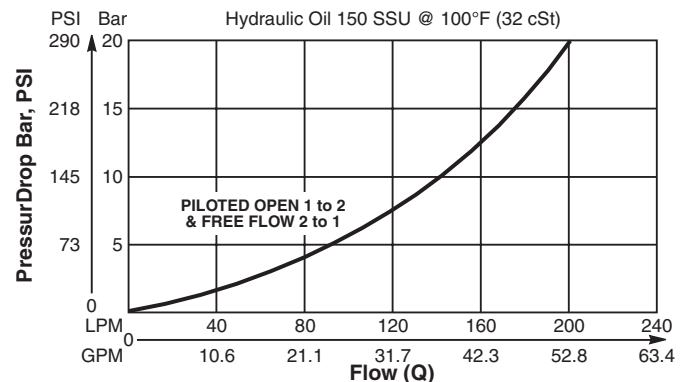
<b>Rated Flow</b>	200 LPM (53 GPM)
<b>Pressure</b>	50 - 350 Bar (725 - 5000 PSI)
<b>Sensitivity: Pressure/Turn</b>	34 Bar (493 PSI)
<b>Pilot Ratio</b>	<b>E2A125 - 8 : 1</b> <b>E2E125 - 3 : 1</b>
<b>Cartridge Material</b>	All parts steel. All operating parts hardened steel.
<b>Operating Temp. Range/Seals</b>	-34°C to +121°C (Nitrile) (-30°F to +250°F) -26°C to +204°C (Fluorocarbon) (-15°F to +400°F)
<b>Fluid Compatibility/ Viscosity</b>	Mineral-based or synthetic with lubricating properties at viscosities of 45 to 2000 SSU (6 to 420 cSt)
<b>Filtration</b>	ISO-4406 18/16/13, SAE Class 4
<b>Approx. Weight</b>	0.75 kg (1.65 lbs.)
<b>Cavity</b>	3M (See BC Section for more details)

**Performance Curves**

**Relief & Pilot Performance 1 to 2**

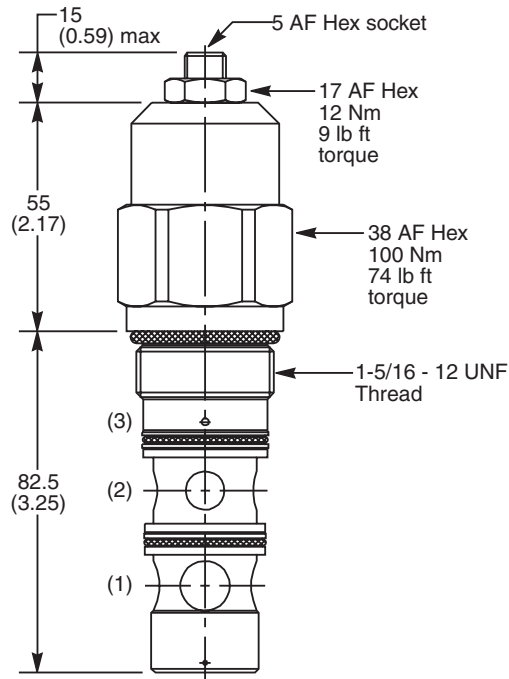


**Pressure Drop vs Flow**





**Dimensions** Millimeters (Inches)



**Ordering Information**

<b>E2</b>		<b>125</b>				<b>MK2</b>
Load Control Valve	Pilot Ratio		Adjustment Style	Cracking Pressure	Seals	

Code	Pilot Ratio
A	8 : 1
E	3 : 1

Code	Cracking Pressure
	Omit for no setting (Standard)* Specify setting if required

*\*Standard valve is set to crack at 215 Bar (3120 PSI). Valve to be set to 1.3 times maximum load induced pressure.*

Code	Adjustment Style / Kit No.
Z	Screw Adjust (Standard)
T	Tamper Resistant (TC1125)
Y	Non-Adjustable Preset

Code	Seals / Kit No.
N	Nitrile, Buna-N (Std.) / (SK30035N-1)
V	Fluorocarbon / (SK30035V-1)

**Order Bodies Separately**

<b>LB10</b>		
Line Body	Porting	Body Material

Code	Porting
078	1" SAE (main) 1/4" SAE (aux)
105	1" SAE Dual Cavity

Code	Body Material
A	Aluminum
S	Steel

- CV** Check Valves
- SH** Shuttle Valves
- LM** Load/Motor Controls
- FC** Flow Controls
- PC** Pressure Controls
- LE** Logic Elements
- DC** Directional Controls
- MV** Manual Valves
- SV** Solenoid Valves
- PV** Proportional Valves
- CE** Coils & Electronics
- BC** Bodies & Cavities
- TD** Technical Data

Technical Information

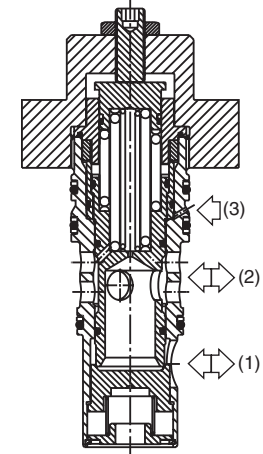
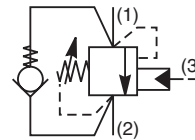
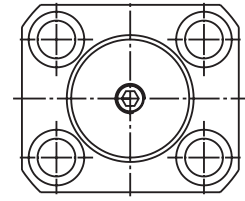
- CV** Check Valves
- SH** Shuttle Valves
- LM** Load/Motor Controls
- FC** Flow Controls
- PC** Pressure Controls
- LE** Logic Elements
- DC** Directional Controls
- MV** Manual Valves
- SV** Solenoid Valves
- PV** Proportional Valves
- CE** Coils & Electronics
- BC** Bodies & Cavities
- TD** Technical Data

**General Description**

Threaded Cartridge Style Counterbalance Valve. Pilot assisted, designed for motion control applications. For additional information see Technical Tips on pages LM1-LM4.

**Features**

- Poppet construction for minimal leakage
- Incorporates direct acting relief valve for overload protection, and reverse check valve, saving space and minimizing installation cost
- Two pilot ratios available, 3:1 for cylinders and 8:1 for motor control
- Hardened working parts for maximum durability
- Adjustable and tamper resistant versions also available
- All external parts zinc plated

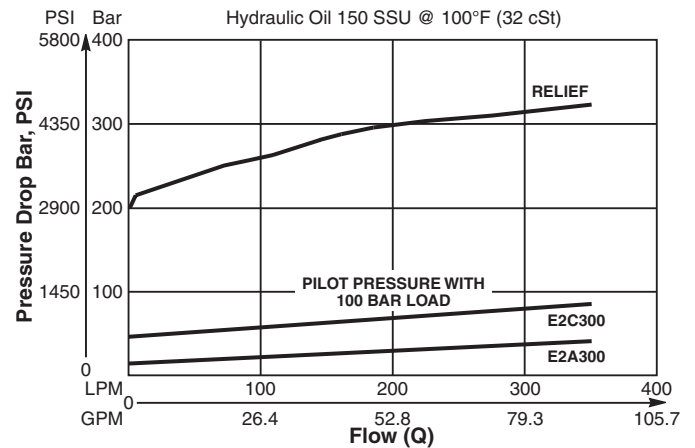


**Specifications**

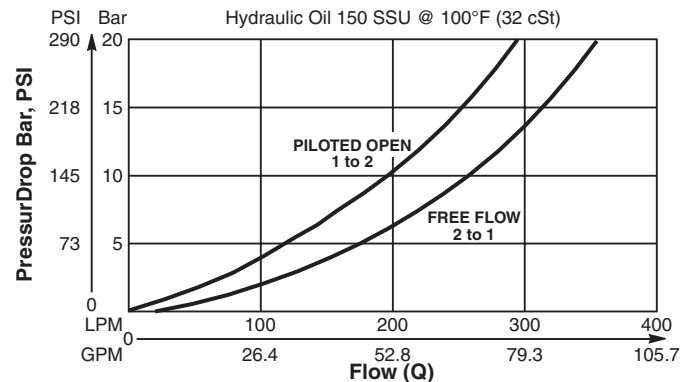
<b>Rated Flow</b>	350 LPM (92 GPM)
<b>Pressure</b>	50 - 350 Bar (725 - 5000 PSI)
<b>Sensitivity: Pressure/Turn</b>	45 Bar (653 PSI)
<b>Pilot Ratio</b>	<b>E2A300</b> - 8 : 1 <b>E2C300</b> - 3 : 1
<b>Cartridge Material</b>	All parts steel. All operating parts hardened steel.
<b>Operating Temp. Range/Seals</b>	-34°C to +121°C (Nitrile) (-30°F to +250°F) -26°C to +204°C (Fluorocarbon) (-15°F to +400°F)
<b>Fluid Compatibility/ Viscosity</b>	Mineral-based or synthetic with lubricating properties at viscosities of 45 to 2000 SSU (6 to 420 cSt)
<b>Filtration</b>	ISO-4406 18/16/13, SAE Class 4
<b>Approx. Weight</b>	1.44 kg (3.17 lbs.)
<b>Cavity</b>	3K (See BC Section for more details)

**Performance Curves**

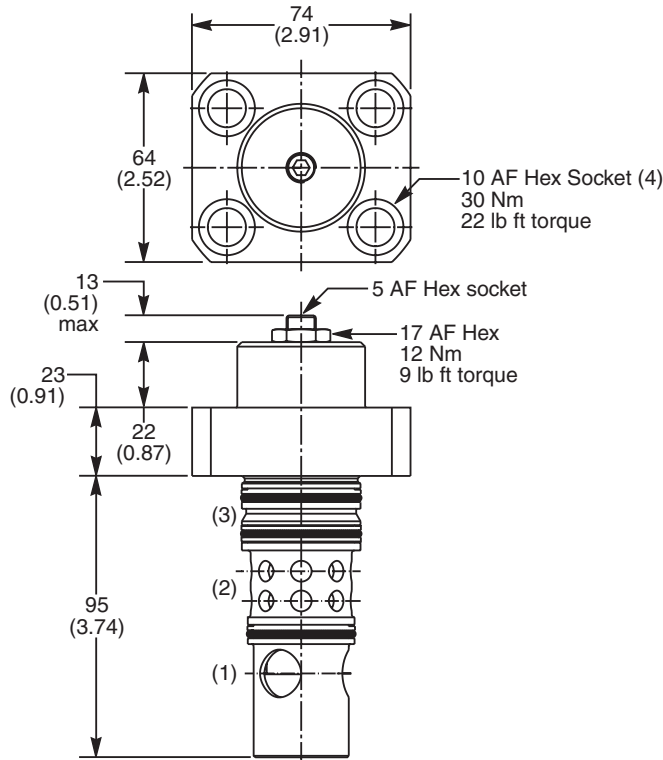
**Relief & Pilot Performance 1 to 2**



**Pressure Drop vs Flow**



**Dimensions** Millimeters (Inches)



**Ordering Information**

<b>E2</b>		<b>300</b>				<b>MK2</b>
Load Control Valve	Pilot Ratio		Adjustment Style	Cracking Pressure	Seals	

Code	Pilot Ratio
A	8 : 1
C	3 : 1

Code	Cracking Pressure
	Omit for no setting (Standard)* Specify setting if required

*\*Standard valve is set to crack at 215 Bar (3120 PSI). Valve to be set to 1.3 times maximum load induced pressure.*

Code	Adjustment Style / Kit No.
Z	Screw Adjust
T	Tamper Resistant (TC1125)

Code	Seals / Kit No.
N	Nitrile, Buna-N (Std.) / (SK30022N-1)
V	Fluorocarbon / (SK30022V-1)

*Order Bodies Separately*

<b>LB10</b>		
Line Body	Porting	Body Material

Code	Porting
089	1-1/4" BSP (main) 1/4" BSP (aux)

Code	Body Material
A	Aluminum
S	Steel

- CV** Check Valves
- SH** Shuttle Valves
- LM** Load/Motor Controls
- FC** Flow Controls
- PC** Pressure Controls
- LE** Logic Elements
- DC** Directional Controls
- MV** Manual Valves
- SV** Solenoid Valves
- PV** Proportional Valves
- CE** Coils & Electronics
- BC** Bodies & Cavities
- TD** Technical Data

**Technical Information**

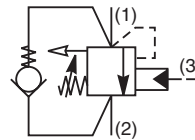
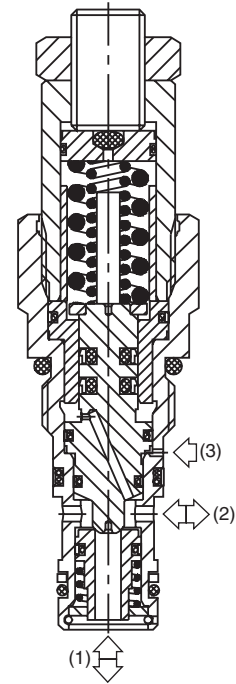
- CV** Check Valves
- SH** Shuttle Valves
- LM** Load/Motor Controls
- FC** Flow Controls
- PC** Pressure Controls
- LE** Logic Elements
- DC** Directional Controls
- MV** Manual Valves
- SV** Solenoid Valves
- PV** Proportional Valves
- CE** Coils & Electronics
- BC** Bodies & Cavities
- TD** Technical Data

**General Description**

Threaded Cartridge Style Counterbalance Valve. Pilot assisted, designed for motion control applications. For additional information see Technical Tips on pages LM1-LM4.

**Features**

- Spring chamber isolated from system backpressure by double seal, eliminating vent port leakage and need for separate drain line
- Poppet construction for minimal leakage
- Incorporates direct acting relief valve for overload protection
- Includes reverse check valve within body
- Small and compact, can be fitted directly into cylinder
- Adjustable and tamper resistant versions available
- All external parts zinc plated

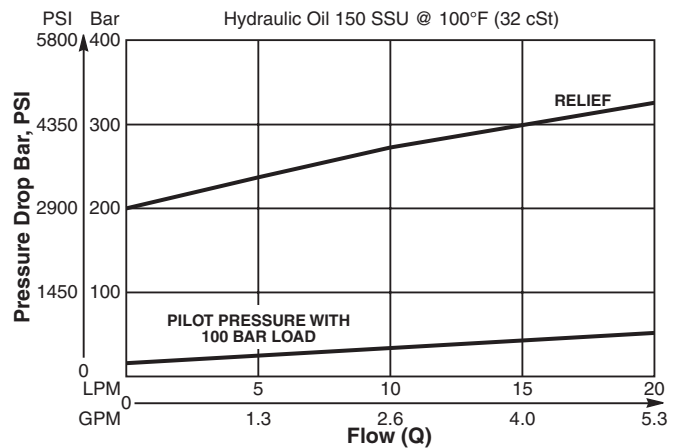


**Specifications**

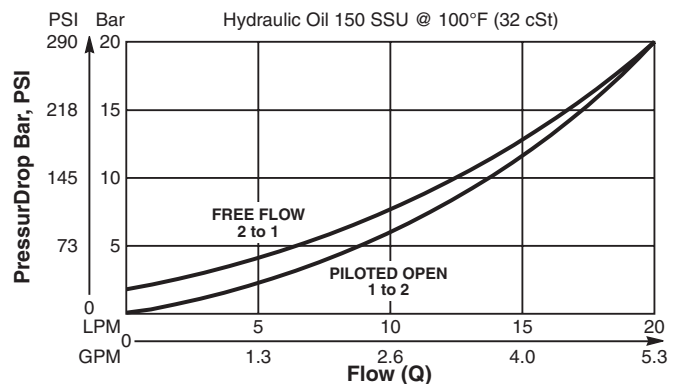
<b>Rated Flow</b>	20 LPM (5.3 GPM)
<b>Pressure</b>	50 - 420 Bar (725 - 6000 PSI)
<b>Sensitivity: Pressure/Turn</b>	84 Bar (1220 PSI)
<b>Pilot Ratio</b>	4.5 : 1
<b>Cartridge Material</b>	All parts steel. All operating parts hardened steel.
<b>Operating Temp. Range/Seals</b>	-34°C to +121°C (Nitrile) (-30°F to +250°F) -26°C to +204°C (Fluorocarbon) (-15°F to +400°F)
<b>Fluid Compatibility/ Viscosity</b>	Mineral-based or synthetic with lubricating properties at viscosities of 45 to 2000 SSU (6 to 420 cSt)
<b>Filtration</b>	ISO-4406 18/16/13, SAE Class 4
<b>Approx. Weight</b>	0.08 kg (0.18 lbs.)
<b>Cavity</b>	53-1 (See BC Section for more details)

**Performance Curves**

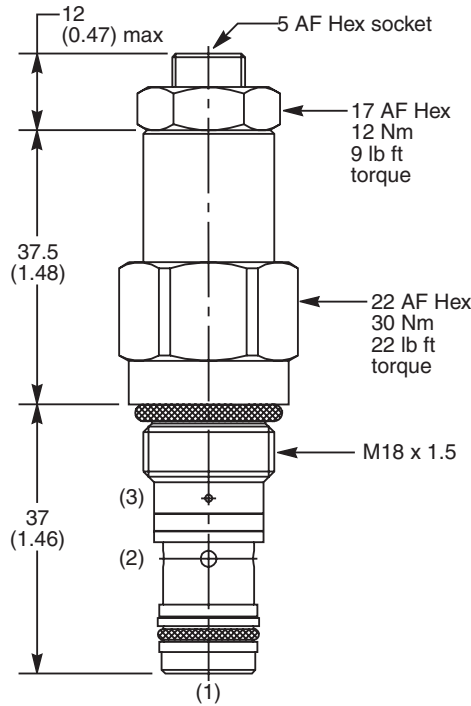
**Relief & Pilot Performance 1 to 2**



**Pressure Drop vs Flow**



**Dimensions** Millimeters (Inches)



**Ordering Information**

<b>E6</b>	<b>B</b>	<b>020</b>	<input type="checkbox"/>	<input type="checkbox"/>	<input type="checkbox"/>
Load Control Valve	Pilot Ratio		Adjustment Style	Cracking Pressure	Seals

Code	Pilot Ratio
B	4.5 : 1

Code	Adjustment Style / Kit No.
Z	Screw Adjust (Standard)
T	Tamper Resistant (TC1125)

Code	Cracking Pressure
	Omit for no setting (Standard)* Specify setting if required

*\*Standard valve is set to crack at 215 Bar (3120 PSI). Valve to be set to 1.3 times maximum load induced pressure.*

Code	Seals / Kit No.
N	Nitrile, Buna-N (Std.) / (SK30087N-1)
V	Fluorocarbon / (SK30087V-1)

*Order Bodies Separately*

<b>LB10</b>	<input type="checkbox"/>	<input type="checkbox"/>
Line Body	Porting	Body Material

Code	Porting
318	3/8" SAE (main) 1/4" SAE (aux)
319	3/8" SAE Dual Cavity

Code	Body Material
A	Aluminum
S	Steel

**CV**

Check Valves

**SH**

Shuttle Valves

**LM**

Load/Motor Controls

**FC**

Flow Controls

**PC**

Pressure Controls

**LE**

Logic Elements

**DC**

Directional Controls

**MV**

Manual Valves

**SV**

Solenoid Valves

**PV**

Proportional Valves

**CE**

Coils & Electronics

**BC**

Bodies & Cavities

**TD**

Technical Data

**Technical Information**

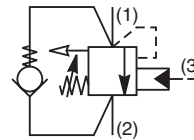
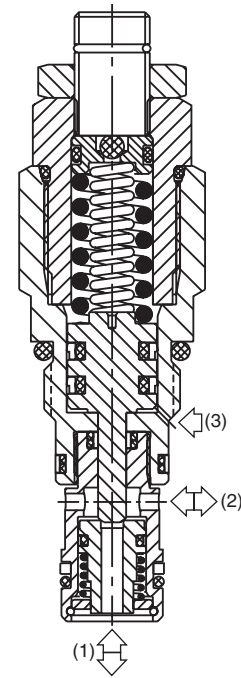
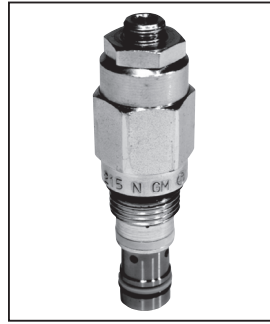
- CV** Check Valves
- SH** Shuttle Valves
- LM** Load/Motor Controls
- FC** Flow Controls
- PC** Pressure Controls
- LE** Logic Elements
- DC** Directional Controls
- MV** Manual Valves
- SV** Solenoid Valves
- PV** Proportional Valves
- CE** Coils & Electronics
- BC** Bodies & Cavities
- TD** Technical Data

**General Description**

Threaded Cartridge Style Counterbalance Valve. Pilot assisted, designed for motion control applications. For additional information see Technical Tips on pages LM1-LM4.

**Features**

- Spring chamber isolated from system backpressure by double seal, eliminating vent port leakage and need for separate drain line
- Poppet construction for minimal leakage
- Suitable for remote pilot controlled boomlock applications as per ISO8463
- Incorporates direct acting relief valve for overload protection
- Includes reverse check valve within body
- Hardened working parts for maximum durability
- Adjustable and tamper resistant versions available
- All external parts zinc plated

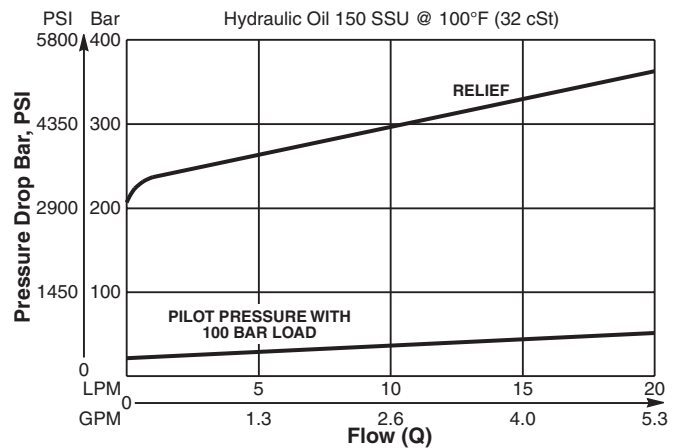


**Specifications**

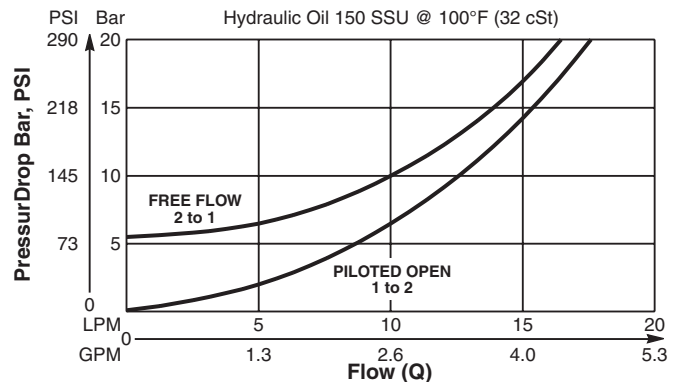
<b>Rated Flow</b>	20 LPM (5.3 GPM)
<b>Pressure</b>	100 - 350 Bar (1450 - 5075 PSI)
<b>Sensitivity: Pressure/Turn</b>	114 Bar (1650 PSI)
<b>Pilot Ratio</b>	15 : 1
<b>Cartridge Material</b>	All parts steel. All operating parts hardened steel.
<b>Operating Temp. Range/Seals</b>	-34°C to +121°C (Nitrile) (-30°F to +250°F) -26°C to +204°C (Fluorocarbon) (-15°F to +400°F)
<b>Fluid Compatibility/ Viscosity</b>	Mineral-based or synthetic with lubricating properties at viscosities of 45 to 2000 SSU (6 to 420 cSt)
<b>Filtration</b>	ISO-4406 18/16/13, SAE Class 4
<b>Approx. Weight</b>	0.08 kg (0.18 lbs.)
<b>Cavity</b>	53-1 (See BC Section for more details)

**Performance Curves**

**Relief & Pilot Performance 1 to 2**

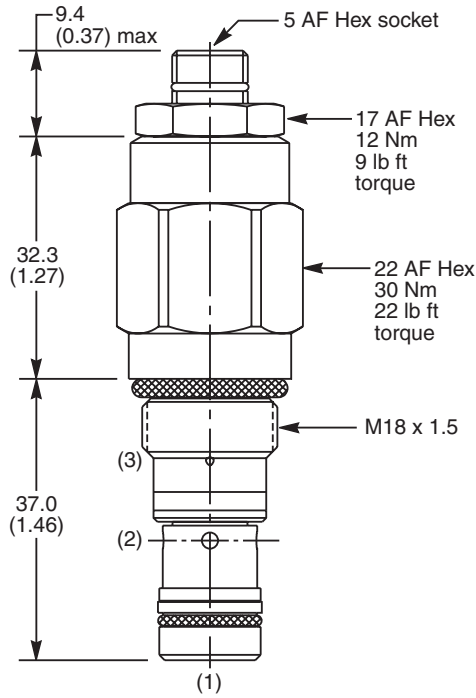


**Pressure Drop vs Flow**





**Dimensions** Millimeters (Inches)



**Ordering Information**

<b>E6</b>	<b>K</b>	<b>020</b>	<input type="checkbox"/>	<input type="checkbox"/>	<input type="checkbox"/>
Load Control Valve	Pilot Ratio		Adjustment Style	Cracking Pressure	Seals

Code	Pilot Ratio
K	15 : 1

Code	Adjustment Style / Kit No.
Z	Screw Adjust (Standard)
T	Tamper Resistant (TC1125)

Code	Cracking Pressure
	Omit for no setting (Standard)* Specify setting if required

*\*Standard valve is set to crack at 215 Bar (3120 PSI). Valve to be set to 1.3 times maximum load induced pressure.*

Code	Seals / Kit No.
N	Nitrile, Buna-N (Std.) / (SK30087N-1)
V	Fluorocarbon / (SK30087V-1)

**Order Bodies Separately**

<b>LB10</b>	<input type="checkbox"/>	<input type="checkbox"/>
Line Body	Porting	Body Material

Code	Porting
318	3/8" SAE (main) 1/4" SAE (aux)
319	3/8" SAE Dual Cavity

Code	Body Material
A	Aluminum
S	Steel

- CV** Check Valves
- SH** Shuttle Valves
- LM** Load/Motor Controls
- FC** Flow Controls
- PC** Pressure Controls
- LE** Logic Elements
- DC** Directional Controls
- MV** Manual Valves
- SV** Solenoid Valves
- PV** Proportional Valves
- CE** Coils & Electronics
- BC** Bodies & Cavities
- TD** Technical Data

**Technical Information**

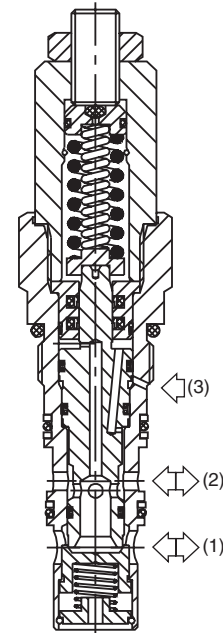
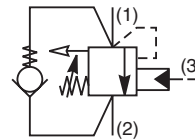
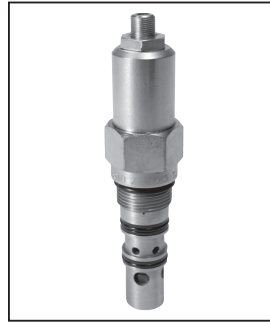
- CV** Check Valves
- SH** Shuttle Valves
- LM** Load/Motor Controls
- FC** Flow Controls
- PC** Pressure Controls
- LE** Logic Elements
- DC** Directional Controls
- MV** Manual Valves
- SV** Solenoid Valves
- PV** Proportional Valves
- CE** Coils & Electronics
- BC** Bodies & Cavities
- TD** Technical Data

**General Description**

Threaded Cartridge Style Counterbalance Valve. Pilot assisted, designed for motion control applications. For additional information see Technical Tips on pages LM1-LM4.

**Features**

- Spring chamber isolated from system backpressure by double seal, eliminating vent port leakage and need for separate drain line
- Poppet construction for minimal leakage
- Incorporates direct acting relief valve for overload protection
- Includes reverse check valve within body, saving space and minimizing installation cost
- Hardened working parts for maximum durability
- Adjustable and tamper resistant versions available
- All external parts zinc plated

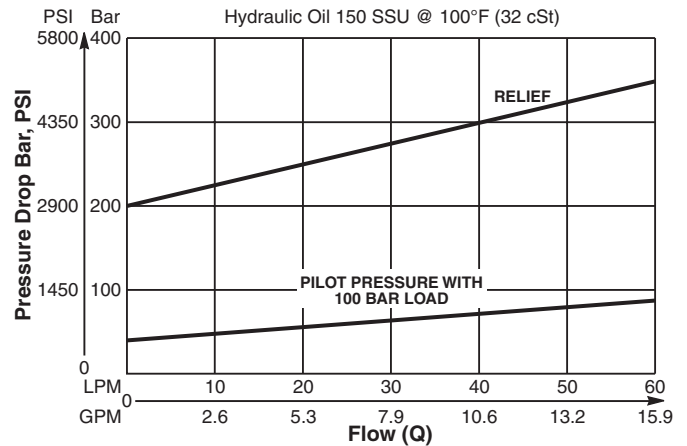


**Specifications**

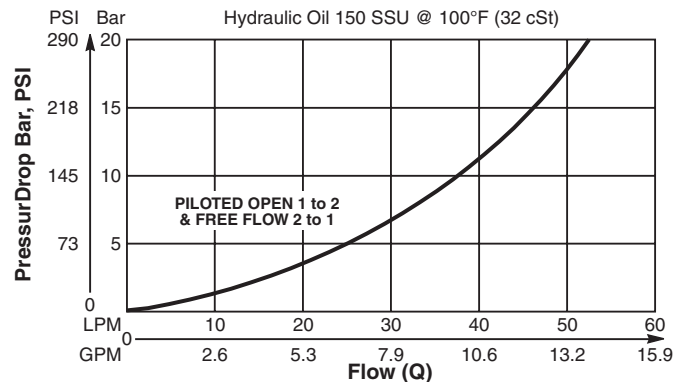
<b>Rated Flow</b>	60 LPM (15.9 GPM)
<b>Pressure</b>	50 - 350 Bar (725 - 5000 PSI)
<b>Sensitivity: Pressure/Turn</b>	92 Bar (1335 PSI)
<b>Pilot Ratio</b>	3 : 1
<b>Cartridge Material</b>	All parts steel. All operating parts hardened steel.
<b>Operating Temp. Range/Seals</b>	-34°C to +121°C (Nitrile) (-30°F to +250°F) -26°C to +204°C (Fluorocarbon) (-15°F to +400°F)
<b>Fluid Compatibility/Viscosity</b>	Mineral-based or synthetic with lubricating properties at viscosities of 45 to 2000 SSU (6 to 420 cSt)
<b>Filtration</b>	ISO-4406 18/16/13, SAE Class 4
<b>Approx. Weight</b>	0.33 kg (0.73 lbs.)
<b>Cavity</b>	68-1 (See BC Section for more details)

**Performance Curves**

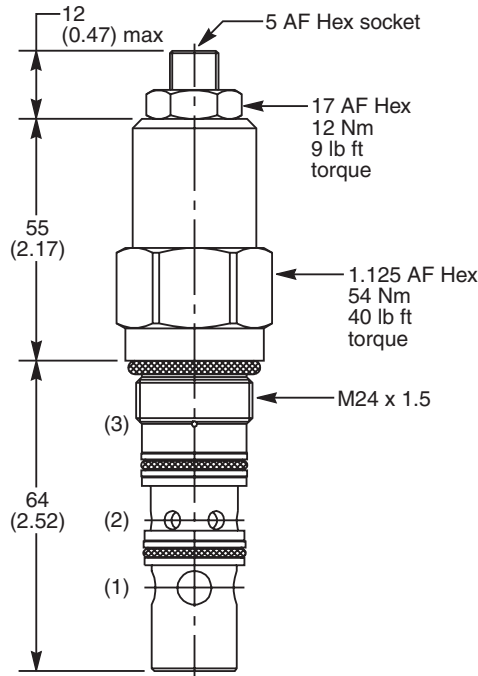
**Relief & Pilot Performance 1 to 2**



**Pressure Drop vs Flow**



**Dimensions** Millimeters (Inches)



**Ordering Information**

<b>E6</b>	<b>B</b>	<b>040</b>	<input type="checkbox"/>	<input type="checkbox"/>	<input type="checkbox"/>	<b>MK3</b>
Load Control Valve	Pilot Ratio		Adjustment Style	Cracking Pressure	Seals	

Code	Pilot Ratio
B	3 : 1

Code	Adjustment Style / Kit No.
Z	Screw Adjust (Standard)
T	Tamper Resistant (TC1125)

Code	Cracking Pressure
	Omit for no setting (Standard)* Specify setting if required

*\*Standard valve is set to crack at 215 Bar (3120 PSI). Valve to be set to 1.3 times maximum load induced pressure.*

Code	Seals / Kit No.
N	Nitrile, Buna-N (Std.) / (SK30059N-1)
V	Fluorocarbon / (SK30059V-1)

*Order Bodies Separately*

<b>LB10</b>	<input type="checkbox"/>	<input type="checkbox"/>
Line Body	Porting	Body Material

Code	Porting
253	1/2" SAE (main) 1/4" SAE (aux)
261	1/2" SAE Dual Cavity

Code	Body Material
A	Aluminum
S	Steel

- CV** Check Valves
- SH** Shuttle Valves
- LM** Load/Motor Controls
- FC** Flow Controls
- PC** Pressure Controls
- LE** Logic Elements
- DC** Directional Controls
- MV** Manual Valves
- SV** Solenoid Valves
- PV** Proportional Valves
- CE** Coils & Electronics
- BC** Bodies & Cavities
- TD** Technical Data

**CV**

Check Valves

**SH**

Shuttle Valves

**LM**

Load/Motor Controls

**FC**

Flow Controls

**PC**

Pressure Controls

**LE**

Logic Elements

**DC**

Directional Controls

**MV**

Manual Valves

**SV**

Solenoid Valves

**PV**

Proportional Valves

**CE**

Coils & Electronics

**BC**

Bodies & Cavities

**TD**

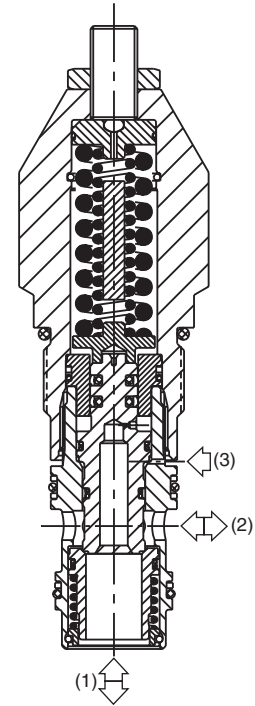
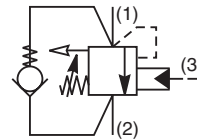
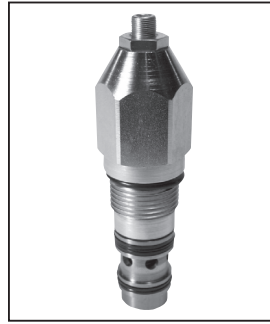
Technical Data

**General Description**

Threaded Cartridge Style Counterbalance Valve. Pilot assisted, designed for motion control applications. For additional information see Technical Tips on pages LM1-LM4.

**Features**

- High flow design with extra dampening
- Spring chamber isolated from system backpressure by double seal, eliminating vent port leakage and need for separate drain line
- Poppet construction for minimal leakage
- Incorporates direct acting relief valve for overload protection
- Includes reverse check valve within body, saving space and minimizing installation cost
- Hardened working parts for maximum durability
- Adjustable and tamper resistant versions available
- All external parts zinc plated

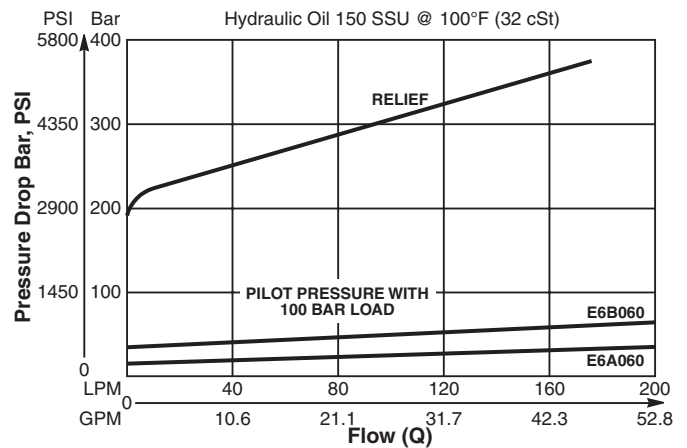


**Specifications**

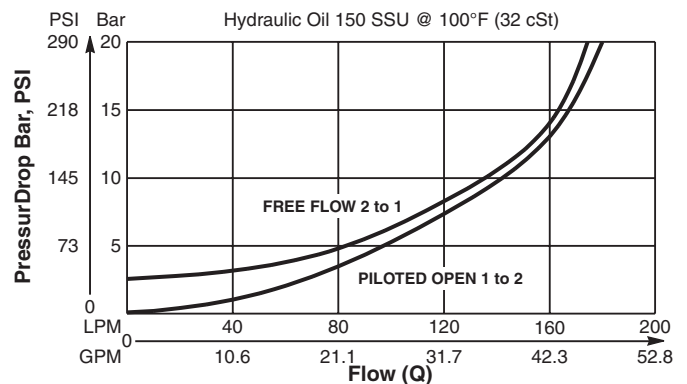
<b>Rated Flow</b>	180 LPM (48 GPM)
<b>Pressure</b>	50 - 350 Bar (725 - 5000 PSI)
<b>Sensitivity: Pressure/Turn</b>	50 Bar (725 PSI)
<b>Pilot Ratio</b>	<b>E6A060*409</b> - 8 : 1 <b>E6B060*409</b> - 3 : 1
<b>Cartridge Material</b>	All parts steel. All operating parts hardened steel.
<b>Operating Temp. Range/Seals</b>	-34°C to +121°C (Nitrile) (-30°F to +250°F) -26°C to +204°C (Fluorocarbon) (-15°F to +400°F)
<b>Fluid Compatibility/ Viscosity</b>	Mineral-based or synthetic with lubricating properties at viscosities of 45 to 2000 SSU (6 to 420 cSt)
<b>Filtration</b>	ISO-4406 18/16/13, SAE Class 4
<b>Approx. Weight</b>	0.53 kg (1.17 lbs.)
<b>Cavity</b>	3C (See BC Section for more details)

**Performance Curves**

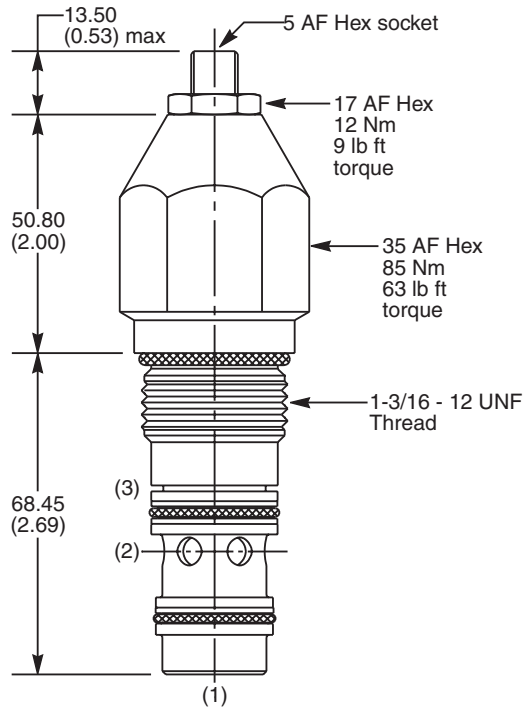
**Relief & Pilot Performance 1 to 2**



**Pressure Drop vs Flow**



**Dimensions** Millimeters (Inches)



**Ordering Information**

<b>E6</b>		<b>060</b>				<b>409</b>
Load Control Valve	Pilot Ratio	Adjustment Style	Cracking Pressure	Seals	Suffix Number	

Code	Pilot Ratio
A	8 : 1
B	3 : 1

Code	Adjustment Style / Kit No.
Z	Screw Adjust (Standard)
T	Tamper Resistant (TC1125)

Code	Cracking Pressure
	Omit for no setting (Standard)* Specify setting if required

*\*Standard valve is set to crack at 215 Bar (3120 PSI). Valve to be set to 1.4 times maximum load induced pressure.*

Code	Seals / Kit No.
N	Nitrile, Buna-N (Std.) / (SK30008N-1)
V	Fluorocarbon / (SK30008V-1)

Code	Suffix Number
409	High flow design with extra dampening

**Order Bodies Separately**

<b>LB10</b>		
Line Body	Porting	Body Material

Code	Porting
069	1" SAE (main) 1/4" SAE (aux)
234	3/4" SAE Dual Cavity

Code	Body Material
A	Aluminum
S	Steel

- CV** Check Valves
- SH** Shuttle Valves
- LM** Load/Motor Controls
- FC** Flow Controls
- PC** Pressure Controls
- LE** Logic Elements
- DC** Directional Controls
- MV** Manual Valves
- SV** Solenoid Valves
- PV** Proportional Valves
- CE** Coils & Electronics
- BC** Bodies & Cavities
- TD** Technical Data

Technical Information

CV

Check Valves

SH

Shuttle Valves

LM Load/Motor Controls

FC

Flow Controls

PC

Pressure Controls

LE

Logic Elements

DC

Directional Controls

MV

Manual Valves

SV

Solenoid Valves

PV

Proportional Valves

CE

Coils & Electronics

BC

Bodies & Cavities

TD

Technical Data

General Description

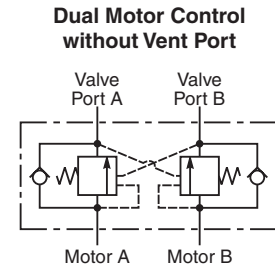
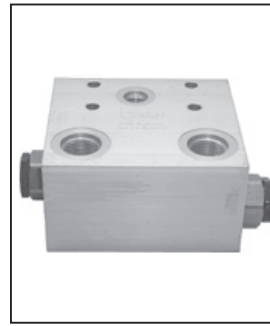
Manifold Mounted Motor Control Valve to fit the TB, TE, TF and TG series Parker motors. For additional information see Technical Tips on pages LM1-LM4.

Features

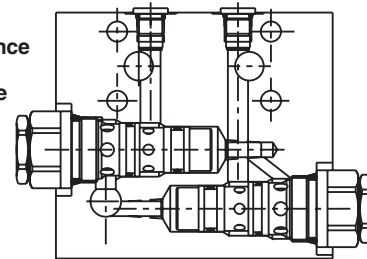
- Hardened and precision ground parts for long life
- Compact size for reduced space requirements
- Low leakage design
- Fluorocarbon seals standard

Specifications

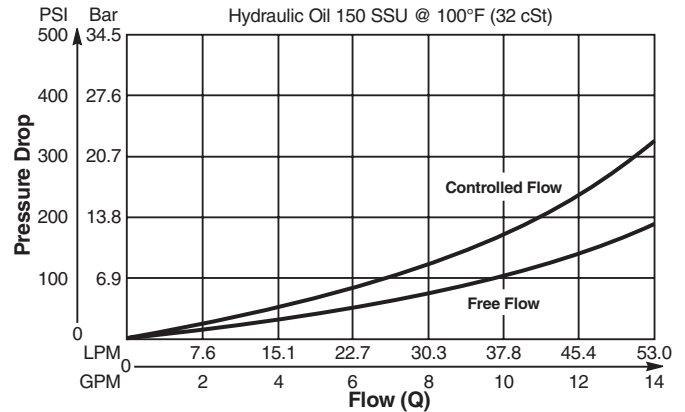
Maximum Flow	56.25 LPM (15 GPM)
Maximum Operating Press.	210 Bar (3000 PSI)
Minimum Pilot Pressure	20.7 Bar (300 PSI)
Leakage at 150 SSU (32 cSt)	5 drops/min. (.33 cc/min.) @ 80% of holding pressure
Valve Material	All parts steel. All operating parts hardened steel.
Body Material	Aluminum
Operating Temp. Range/Seals	-26°C to +204°C (Fluorocarbon) (-15°F to +400°F)
Fluid Compatibility/Viscosity	Mineral-based or synthetic with lubricating properties at viscosities of 45 to 2000 SSU (6 to 420 cSt)
Filtration	ISO-4406 18/16/13, SAE Class 4
Approx. Weight	Single 0.68 kg (1.5 lbs.) Double 1.36 kg (3.0 lbs.)
Cavity	CDD-1010 for MHC-010



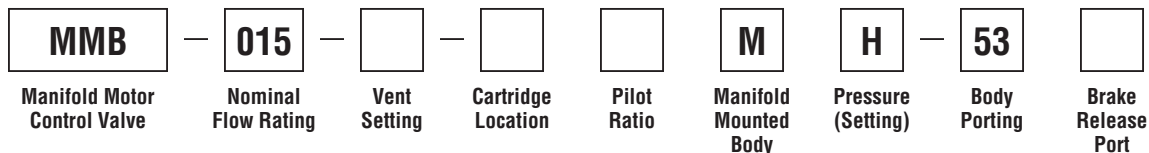
Dual Counterbalance without Brake Shuttle



Performance Curve  
Flow vs. Inlet Pressure



Ordering Information



Code	Nominal Flow Rating
015	56.3 LPM (15 GPM)

Code	Cartridge Location
A	Motor Control on A Port
B	Motor Control on B Port
D	Dual Motor Control

Code	Pilot Ratio
A	1:1 Equal Area
J	10:1

Code	Body Porting
53	SAE-10 V1 and V2 Ports

Code	Vent Setting
Omit	No Vent
V	Vent

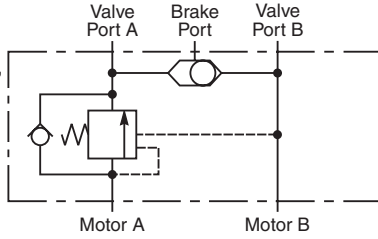
Code	Pressure (Setting)
H	Hold Pressure 210 Bar (3000 PSI) Brake Release Pressure 24.1 Bar (350 PSI)

Code	Brake Release Port
N	No Port (Dual Motor Control Only)
B	SAE-6



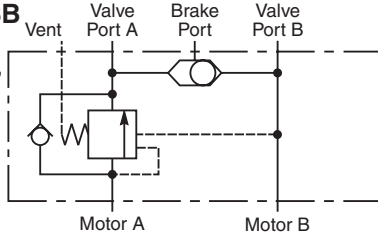
**MMB-015-A\*MH-53B**

A Port Motor Control  
with Brake Release Shuttle,  
Non-Vented Cartridge



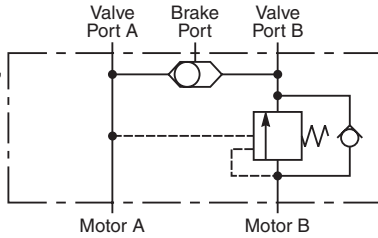
**MMB-015-V-A\*MH-53B**

A Port Motor Control  
with Brake Release Shuttle,  
Vented Cartridge



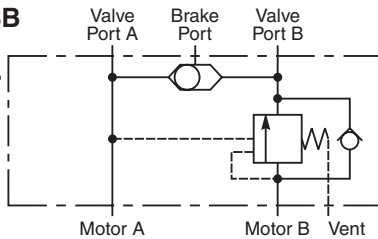
**MMB-015-B\*MH-53B**

B Port Motor Control  
with Brake Release Shuttle,  
Non-Vented Cartridge



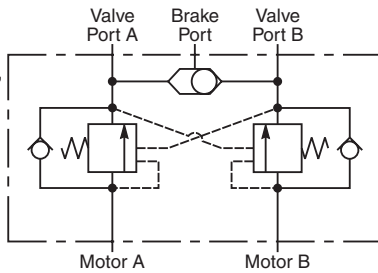
**MMB-015-V-B\*MH-53B**

B Port Motor Control  
with Brake Release Shuttle,  
Vented Cartridge



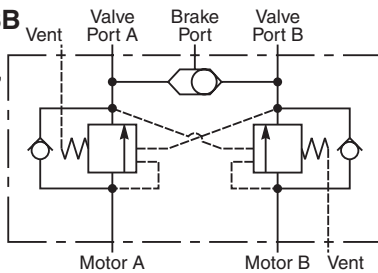
**MMB-015-D\*MH-53B**

Dual Motor Control  
with Brake Release Shuttle,  
Non-Vented Cartridges



**MMB-015-V-D\*MH-53B**

Dual Motor Control  
with Brake Release Shuttle,  
Vented Cartridges



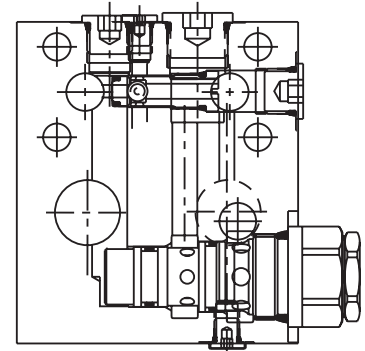
**MMB-015-A\*MH-53B**

(Non-Vented)

**MMB-015-V-A\*MH-53B**

(Vented)

A Port Motor Control  
Manifold Mount  
with Brake Shuttle



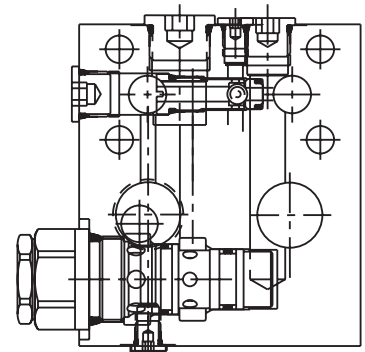
**MMB-015-B\*MH-53B**

(Non-Vented)

**MMB-015-V-B\*MH-53B**

(Vented)

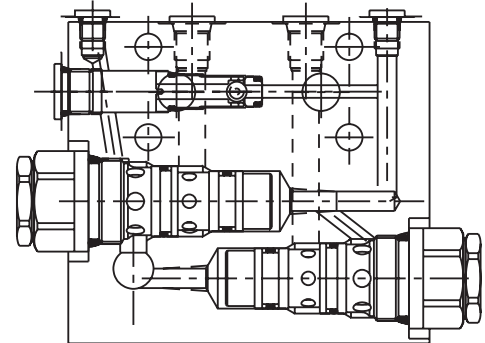
B Port Motor Control  
Manifold Mount with  
Brake Shuttle



**MMB-015-D\*MH-53B (Non-Vented)**

**MMB-015-V-D\*MH-53B (Vented)**

Dual Counterbalance with Brake Shuttle



**CV**

Check  
Valves

**SH**

Shuttle  
Valves

**LM**

Load/Motor  
Controls

**FC**

Flow  
Controls

**PC**

Pressure  
Controls

**LE**

Logic  
Elements

**DC**

Directional  
Controls

**MV**

Manual  
Valves

**SV**

Solenoid  
Valves

**PV**

Proportional  
Valves

**CE**

Coils &  
Electronics

**BC**

Bodies &  
Cavities

**TD**

Technical  
Data

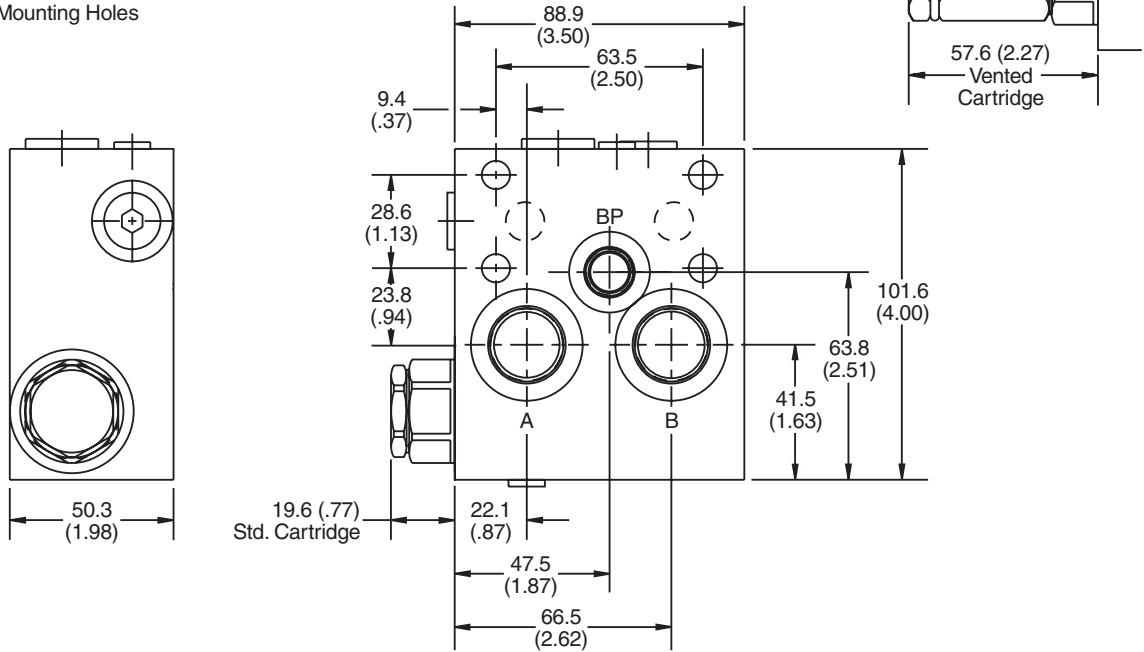
Dimensions

\*Inch equivalents for millimeter dimensions are shown in (\*\*)

**Series MMB-015-A\*MH-53B**

**A Port Motor Control Non-Vented Cartridge**

A & B Ports are #10 SAE (7/8-14 UNF-2B Thread)  
Brake Shuttle Port is #6 SAE (9/16-18 UNF-2B Thread)  
.343 Dia. Thru (4) Mounting Holes

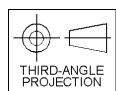
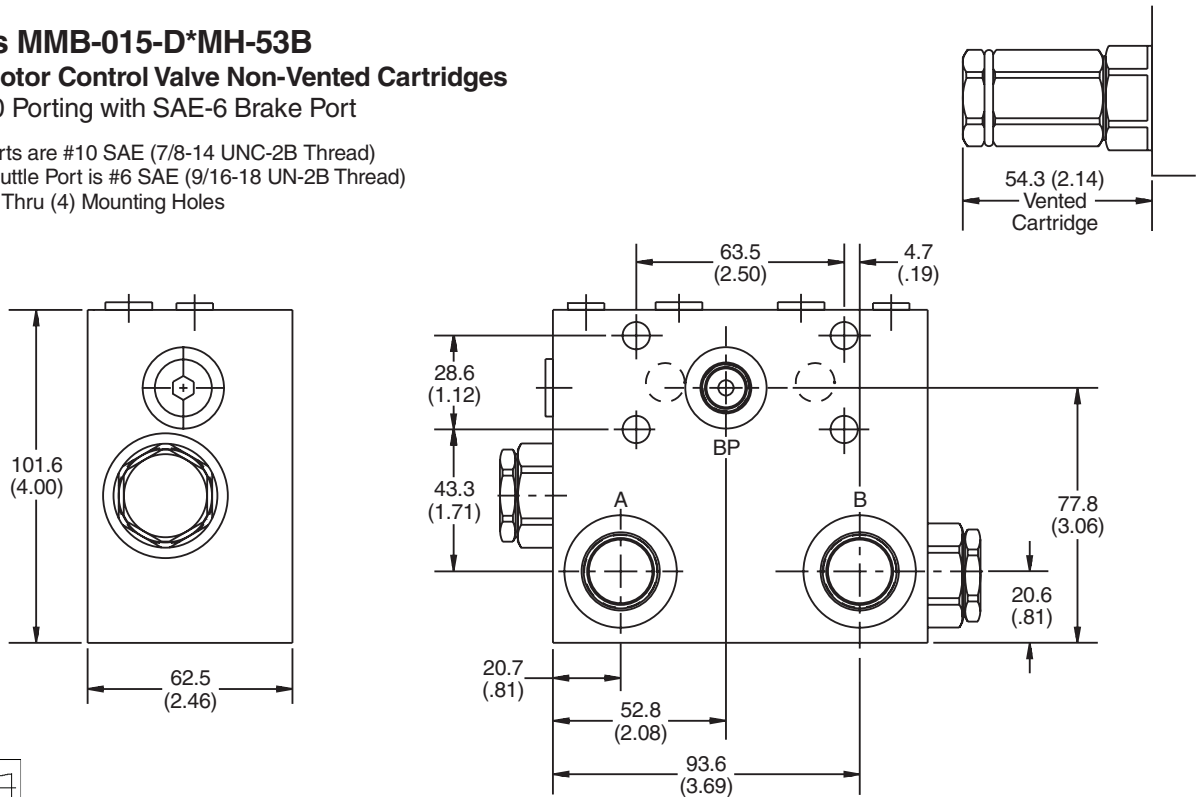


**Series MMB-015-D\*MH-53B**

**Dual Motor Control Valve Non-Vented Cartridges**

SAE-10 Porting with SAE-6 Brake Port

A & B Ports are #10 SAE (7/8-14 UNC-2B Thread)  
Brake Shuttle Port is #6 SAE (9/16-18 UN-2B Thread)  
.343 Dia. Thru (4) Mounting Holes



- CV** Check Valves
- SH** Shuttle Valves
- LM** Load/Motor Controls
- FC** Flow Controls
- PC** Pressure Controls
- LE** Logic Elements
- DC** Directional Controls
- MV** Manual Valves
- SV** Solenoid Valves
- PV** Proportional Valves
- CE** Coils & Electronics
- BC** Bodies & Cavities
- TD** Technical Data

**General Description**

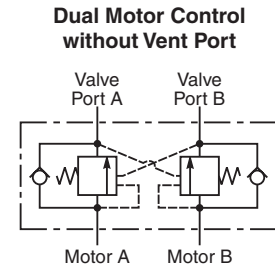
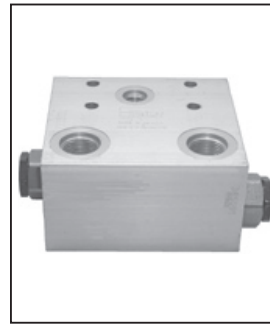
Manifold Mounted Motor Control Valve to fit the TB, TE, TF and TG series Parker motors. For additional information see Technical Tips on pages LM1-LM4.

**Features**

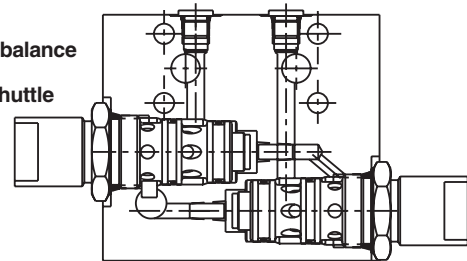
- Hardened and precision ground parts for long life
- Compact size for reduced space requirements
- Low leakage design
- Fluorocarbon seals standard

**Specifications**

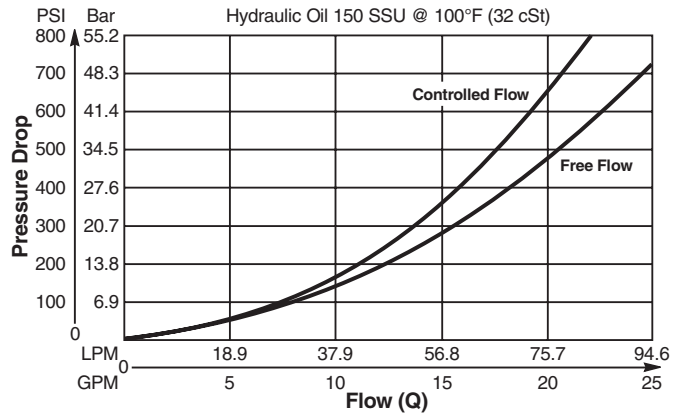
<b>Maximum Flow</b>	93.75 LPM (25 GPM)
<b>Maximum Operating Press.</b>	210 Bar (3000 PSI)
<b>Minimum Pilot Pressure</b>	20.7 Bar (300 PSI)
<b>Leakage at 150 SSU (32 cSt)</b>	5 drops/min. (.33 cc/min.) @ 80% of holding pressure
<b>Valve Material</b>	All parts steel. All operating parts hardened steel.
<b>Body Material</b>	Aluminum
<b>Operating Temp. Range/Seals</b>	-26°C to +204°C (Fluorocarbon) (-15°F to +400°F)
<b>Fluid Compatibility/ Viscosity</b>	Mineral-based or synthetic with lubricating properties at viscosities of 45 to 2000 SSU (6 to 420 cSt)
<b>Filtration</b>	ISO-4406 18/16/13, SAE Class 4
<b>Approx. Weight</b>	<b>Single</b> 1.54 kg (3.4 lbs.) <b>Double</b> 3.10 kg (6.8 lbs.)
<b>Cavity</b>	CDD-1036 for MHC-022



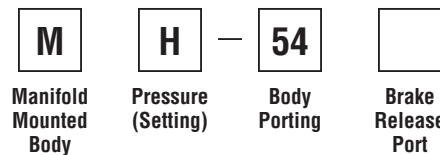
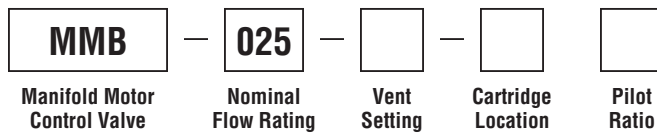
**Dual Counterbalance without Brake Shuttle**



**Performance Curve  
Flow vs. Inlet Pressure**



**Ordering Information**



Code	Nominal Flow Rating
025	93.8 LPM (25 GPM)

Code	Cartridge Location
A	Motor Control on A Port
B	Motor Control on B Port
D	Dual Motor Control

Code	Pilot Ratio
A	1:1 Equal Area
J	10:1

Code	Body Porting
54	SAE-12 V1 and V2 Ports

Code	Vent Setting
Omit	No Vent
V	Vent

Code	Pressure (Setting)
H	Hold Pressure 210 Bar (3000 PSI) Brake Release Pressure 24.1 Bar (350 PSI)

Code	Brake Release Port
N	No Port
B	SAE-6

- CV** Check Valves
- SH** Shuttle Valves
- LM** Load/Motor Controls
- FC** Flow Controls
- PC** Pressure Controls
- LE** Logic Elements
- DC** Directional Controls
- MV** Manual Valves
- SV** Solenoid Valves
- PV** Proportional Valves
- CE** Coils & Electronics
- BC** Bodies & Cavities
- TD** Technical Data

**CV**

Check  
Valves

**SH**

Shuttle  
Valves

**LM**

Load/Motor  
Controls

**FC**

Flow  
Controls

**PC**

Pressure  
Controls

**LE**

Logic  
Elements

**DC**

Directional  
Controls

**MV**

Manual  
Valves

**SV**

Solenoid  
Valves

**PV**

Proportional  
Valves

**CE**

Coils &  
Electronics

**BC**

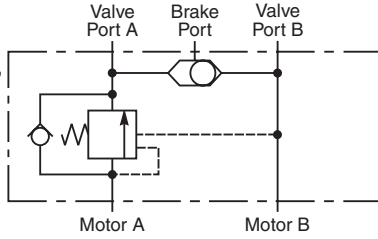
Bodies &  
Cavities

**TD**

Technical  
Data

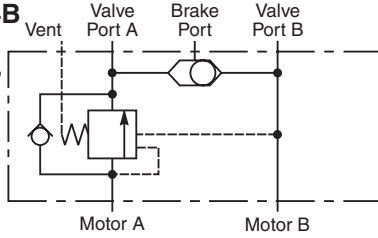
**MMB-025-A\*MH-54B**

A Port Motor Control  
with Brake Release Shuttle,  
Non-Vented Cartridge



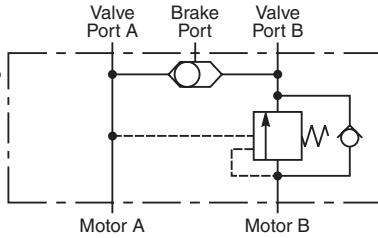
**MMB-025-V-A\*MH-54B**

A Port Motor Control  
with Brake Release Shuttle,  
Vented Cartridge



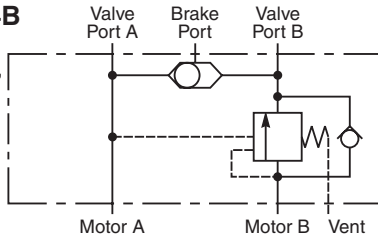
**MMB-025-B\*MH-54B**

B Port Motor Control  
with Brake Release Shuttle,  
Non-Vented Cartridge



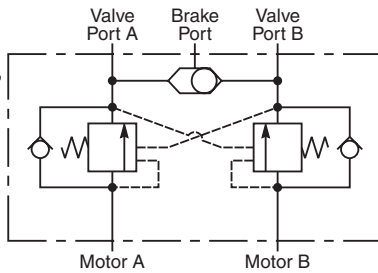
**MMB-025-V-B\*MH-54B**

B Port Motor Control  
with Brake Release Shuttle,  
Vented Cartridge



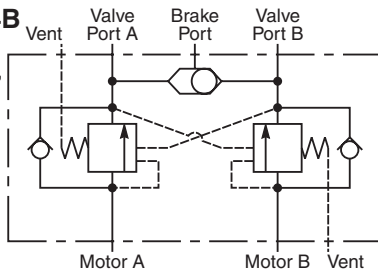
**MMB-025-D\*MH-54B**

Dual Motor Control  
with Brake Release Shuttle,  
Non-Vented Cartridges



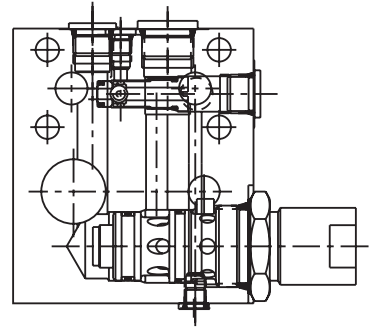
**MMB-025-V-D\*MH-54B**

Dual Motor Control  
with Brake Release Shuttle,  
Vented Cartridges



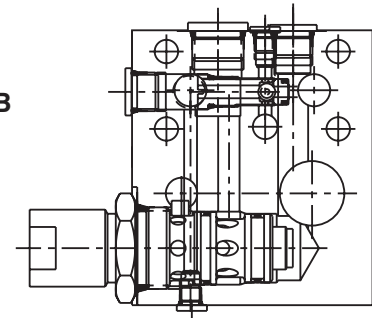
**MMB-025-A\*MH-54B  
(Non-Vented)**

**MMB-025-V-A\*MH-54B  
(Vented)**  
A Port Motor Control  
with Brake Release Shuttle



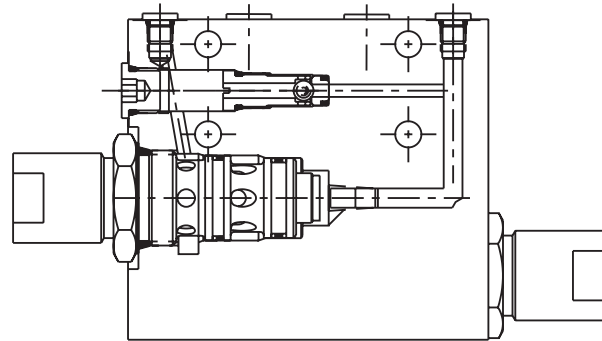
**MMB-025-B\*MH-54B  
(Non-Vented)**

**MMB-025-V-B\*MH-54B  
(Vented)**  
B Port Motor Control  
with Brake Release Shuttle



**MMB-025-D\*MH-54B (Non-Vented)**

**MMB-025-V-D\*MH-54B (Vented)**  
Dual Motor Control with Brake Release Shuttle

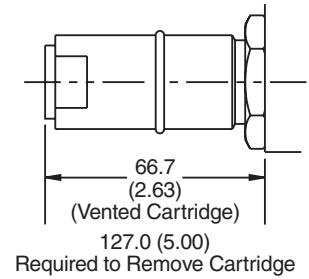
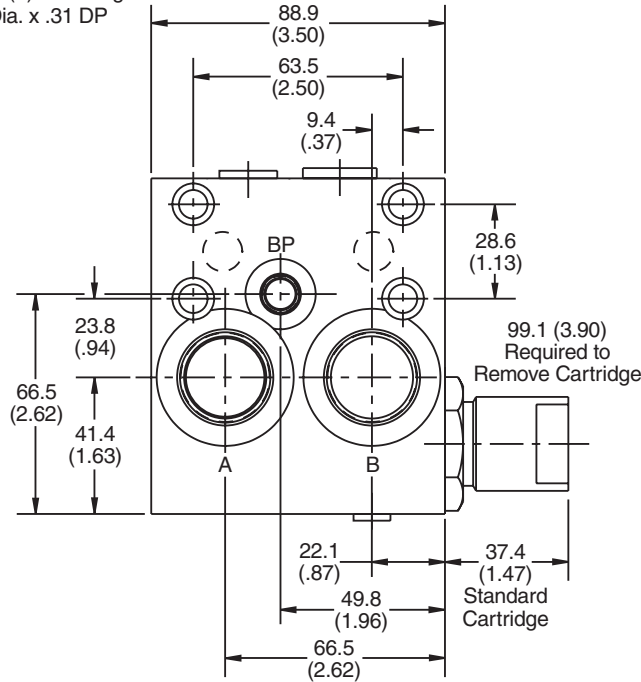


**Dimensions**

\*Inch equivalents for millimeter dimensions are shown in (\*\*)

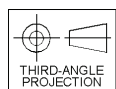
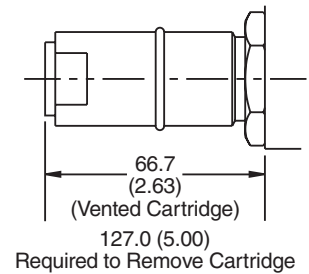
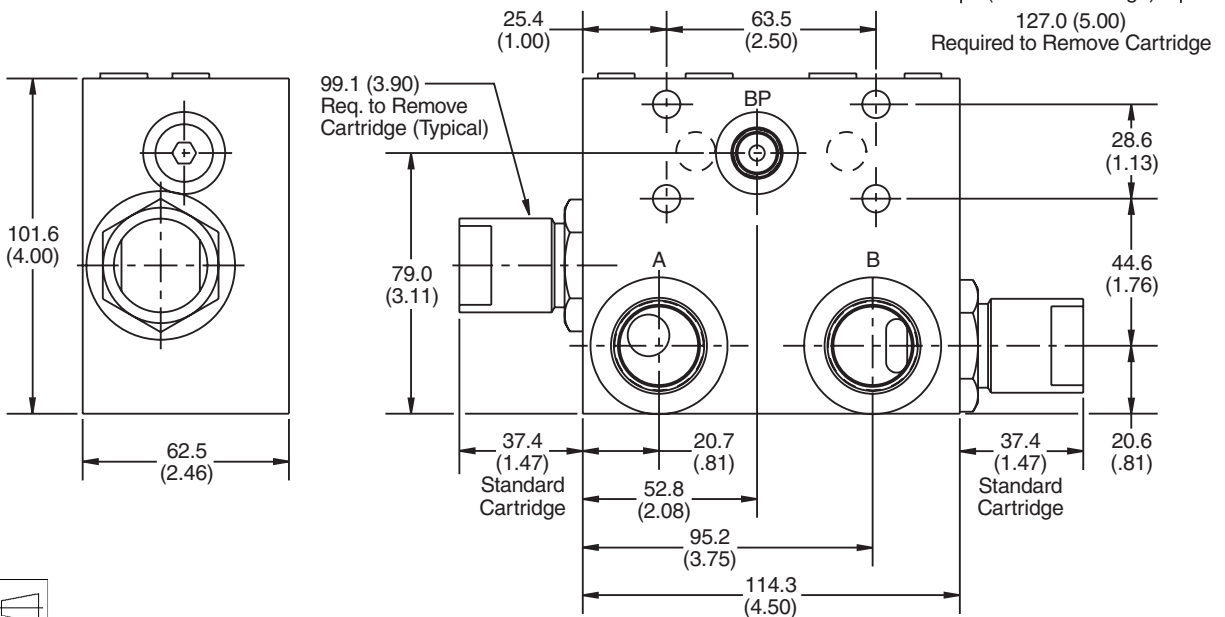
**Series MMB-025-B\*MH-54B**  
**B Port Motor Control Non-Vented Cartridge**

A & B Ports are #12 SAE (1/16-12 UN-2B Thread)  
Brake Shuttle Port is #6 SAE (9/16-18 UNF-2B Thread)  
.344 Dia. Thru (4) Mounting Holes  
C'Bored .50 Dia. x .31 DP

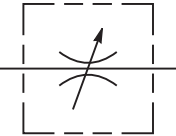
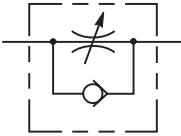
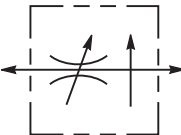
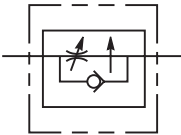
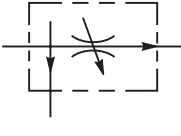
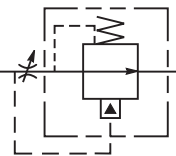
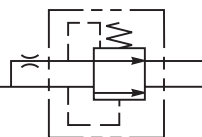
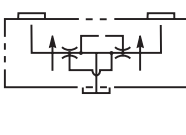


**Series MMB-025-D\*MH-54B**  
**Dual Motor Control Valve Non-Vented Cartridges**

A & B Ports are #12 SAE (1/16-12 UN-2B Thread)  
Brake Shuttle Port is #6 SAE (9/16-18 UNF-2B Thread)  
.344 Dia. Thru (4) Mounting Holes



- CV
- Check Valves
- SH
- Shuttle Valves
- LM
- Load/Motor Controls
- FC
- Flow Controls
- PC
- Pressure Controls
- LE
- Logic Elements
- DC
- Directional Controls
- MV
- Manual Valves
- SV
- Solenoid Valves
- PV
- Proportional Valves
- CE
- Coils & Electronics
- BC
- Bodies & Cavities
- TD
- Technical Data

	SERIES	CAVITY	DESCRIPTION	FLOW LPM/GPM	PRESSURE BAR/PSI	PAGE NO.
	<b>NEEDLE VALVES</b>					
		J02A2.....	C08-2 ..... Needle Valve, Cartridge Type.....	45/12.....	420/6000.....	FC5-FC6
	☆	NVH081 .....	C08-2 ..... Needle Valve, Cartridge Type.....	38/10.....	380/5500.....	FC7-FC8
	☆	NVH101 .....	C10-2 ..... Needle Valve, Cartridge Type.....	60/16.....	380/5500.....	FC9-FC10
		J06A2.....	C16-2 ..... Needle Valve, Cartridge Type.....	225/60.....	420/6000.....	FC11-FC12
	J02B2.....	C08-2 ..... Needle Valve with Reverse Check, 2 to 1 Free Flow .....	30/8.....	420/6000.....	FC13-FC14	
		FV101.....	C10-2 ..... Needle Valve with Reverse Check, 1 to 2 Free Flow .....	45/12.....	210/3000.....	FC15-FC16
		FV102.....	C10-2 ..... Needle Valve with Reverse Check, 1 to 2 Free Flow .....	23/6.....	210/3000.....	FC15-FC16
	<b>PRESSURE COMPENSATED FLOW CONTROLS</b>					
		J02E2.....	C08-2 ..... Restrictive Flow Control, Adjustable.....	20/5.3.....	420/6000.....	FC17-FC18
		FR101 .....	C10-2 ..... Restrictive Flow Control, Tuneable .....	26/7.....	245/3500.....	FC19-FC20
		J04E2.....	C10-2 ..... Restrictive Flow Control, Adjustable.....	40/10.....	420/6000.....	FC21-FC22
	J04C2.....	C10-2 ..... Restrictive Flow Control, Adjustable.....	40/10.....	420/6000.....	FC23-FC24	
		FA101.....	C10-2 ..... Restrictive Flow Control, Reverse Check, Adjustable.....	21/5.5.....	210/3000.....	FC25-FC26
		FC101.....	C10-2 ..... Restrictive Flow Control, Reverse Check, Tuneable .....	56/15.....	210/3000.....	FC27-FC28
	<b>PRESSURE COMPENSATED PRIORITY FLOW CONTROLS</b>					
		J02D3 .....	C08-3 ..... Priority Type, with Bypass.....	15/4.....	420/6000.....	FC29-FC30
		FP101.....	C10-3 ..... Priority Type, with Bypass.....	56/15.....	245/3500.....	FC31-FC32
		J04D3 .....	C10-3 ..... Priority Type, with Bypass.....	70/18.....	420/6000.....	FC33-FC34
		J1A125.....	3A..... Priority Type, with Bypass.....	150/40.....	350/5000.....	FC35-FC36
	<b>PRESSURE COMPENSATORS</b>					
		FCR101 .....	C10-3 ..... Restrictive Type, Press. Compensators.....	38/10.....	245/3500.....	FC37
	FCR161 .....	C16-3 ..... Restrictive Type, Press. Compensators.....	150/40.....	245/3500.....	FC38	
<i>Note: Also see R04C3 on page DC1.</i>						
	<b>PRIORITY PRESSURE COMPENSATORS</b>					
		FCP101 .....	C10-4 ..... Priority Type, with Bypass.....	56/15.....	245/3500.....	FC39
	FCPH121 .....	C12-4 ..... Priority Type, with Bypass.....	95/25.....	380/5500.....	FC41-FC42	
	<b>FLOW DIVIDERS/COMBINERS</b>					
		FDC101 .....	C10-4 ..... Flow Divider/Combiner.....	45/12.....	245/3500.....	FC43-FC44
		L04A3 .....	C10-4 ..... Flow Divider/Combiner.....	60/16.....	420/6000.....	FC45-FC46
		L06A3 .....	C16-4 ..... Flow Divider/Combiner.....	180/47.....	420/6000.....	FC47-FC48
		L1A300 .....	91-1..... Flow Divider/Combiner.....	320/85.....	350/5000.....	FC49-FC50

- CV**  
Check Valves
- SH**  
Shuttle Valves
- LM**  
Load/Motor Controls
- FC**  
Flow Controls
- PC**  
Pressure Controls
- LE**  
Logic Elements
- DC**  
Directional Controls
- MV**  
Manual Valves
- SV**  
Solenoid Valves
- PV**  
Proportional Valves
- CE**  
Coils & Electronics
- BC**  
Bodies & Cavities
- TD**  
Technical Data





CV

Check  
Valves

SH

Shuttle  
Valves

LM

Load/Motor  
Controls

FC

Flow  
Controls

PC

Pressure  
Controls

LE

Logic  
Elements

DC

Directional  
Controls

MV

Manual  
Valves

SV

Solenoid  
Valves

PV

Proportional  
Valves

CE

Coils &  
Electronics

BC

Bodies &  
Cavities

TD

Technical  
Data

## INTRODUCTION

This technical tips section is designed to help familiarize you with the Parker line of Flow Control Valves. In this section we present common options available as well as a brief synopsis of the operation and applications of the various product offered in this section. The intent of this section is to help you in selecting the best products for your application.

## COMMON OPTIONS

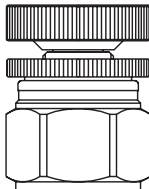
As you will see, Parker offers a variety of Flow Control products. As such, some of the options mentioned below may not be available on all valve models. Consult the model coding and dimensions of each valve for specifics. Here are some of the common options available.

**Adjustment Types:** Parker offers four primary types of adjustments for most of the flow control products. Samples of these types are shown below. Please note all options may not be available for all valves. Consult the individual catalog pages for more details.

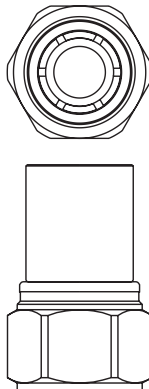
**Screw Adjustment** - Valve can be adjusted with an allen wrench. Lock nut included to maintain desired setting after adjustment. This is the most common adjustment option available on most Parker products.



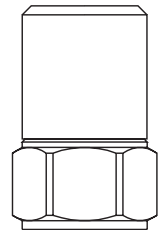
**Knob Adjustment** - An aluminum knob is added to the standard screw adjustment. A lock knob is provided to help maintain the desired setting after adjustment. Parker offers knob conversion kits for most flow control valves. For kit numbers consult the individual valve pages.



**Fixed Style** - In most cases, the Fixed Style product is a screw adjustable product with a steel collet threaded over the adjustment. These valves are preset at the factory. Should the valve need to be adjusted, the star washer and aluminum plate can be removed from the top of the assembly exposing the adjustment.

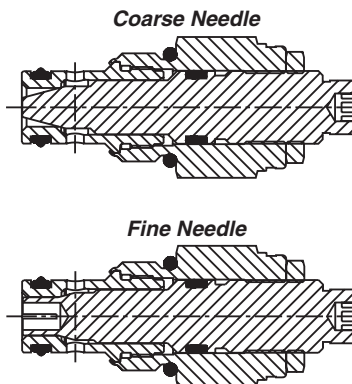


**Tamper Resistant** - The tamper resistant option is a screw adjustable valve with a steel cap installed to conceal the adjustment. The cap is designed so the internal edges clamp into the groove of the valve adapter. Once the cap is installed, it cannot be removed without damaging the cap and the valve. When a valve is ordered with the tamper resistant option, it will be preset at the factory, and the cap will be included in a separate plastic bag to allow for fine tuning at the customer site. Parker offers tamper resistant cap conversion kits for most flow control valves. For kit numbers consult the individual valve pages.



**Seals:** The Winner's Circle products feature a standard 4301 Polyurethane "D"-Ring. The "D"-Ring eliminates the need for backup rings. The majority of the products are available in Nitrile or Fluorocarbon Seals. You should match the seal compatibility to the temperature and fluid being used in your application.

**Fine Meter Options:** Fine meter needles are offered on some needle valve series. When this option is specified, the standard needle is replaced by a slotted needle. The slotted needle restricts substantially more flow giving you finer control in the small flow ranges. Obviously, the maximum flow capacity of the needle valve is decreased with the fine meter option.

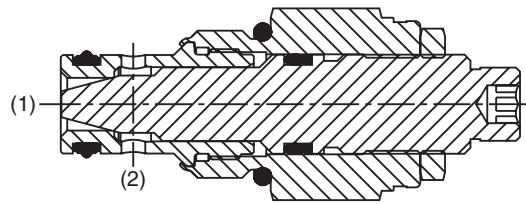
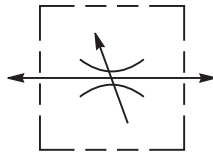


**PRODUCT TYPES / APPLICATIONS**

**Needle Valve**

Needle valves provide uncompensated adjustable flow control of a desired function. They are ideal for applications where general control of hydraulic flow is needed, like in a bleed off circuit.

When used with a compensator spool, a pressure compensated system can be obtained.

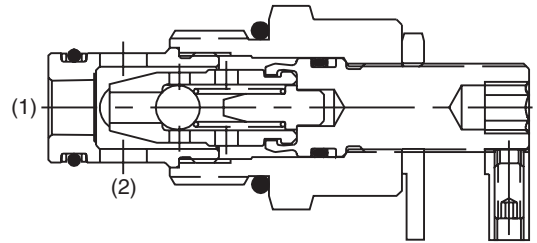
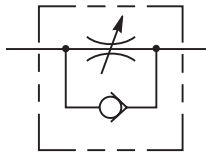


**OPERATION** - The valve acts as a fixed orifice in a hydraulic circuit. The effective size of the orifice increases as the tapered needle is opened. Shutoff is provided when fully closed. While a needle valve will meter flow regardless of the flow path, flow from port 2 to 1 is preferred. When you flow in the reverse direction (1 to 2), pressure forces work on the nose of the needle in an effort to drive it off of its seat. As such, all leakage conditions found in the catalog are based on flow from side to nose (port 2 to port 1). In addition, the adjustment will be harder to turn due to the added force.

**Needle with a Reverse Check**

Needle valves with reverse check functions are sometimes also referred to as flow control valves. As the name implies, these valves provide uncompensated adjustable speed control in one direction and allow free flow in the opposite direction.

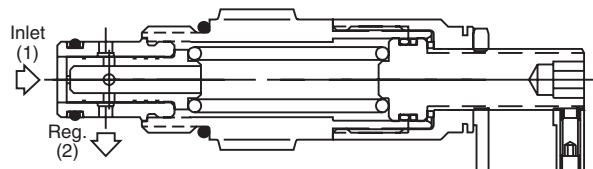
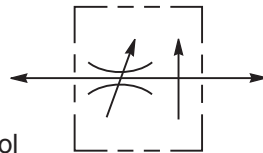
When used with a compensator spool, a pressure compensated system can be obtained.



**OPERATION** - With flow entering the side of the cartridge (port 2), the needle acts as a fixed orifice. The effective size of this orifice is increased as the needle is opened controlling the output flow to port 1. With flow entering the nose (port 1), the check ball inside the needle is unseated allowing free flow to port 2.

**P.C. Flow Regulator**

Pressure compensated flow regulators maintain a regulated flow regardless of changes in load or inlet pressure. They are commonly used to accurately control an actuator function. They can be used in meter-in or meter-out applications.



**OPERATION** - The valve consists of a control orifice within a normally open, spring biased compensator spool. Flow through the control orifice produces a pressure drop across the compensator spool. When inlet flow exceeds the flow setting of the valve, the force produced by the pressure differential across the spool exceeds the spring force and shifts the compensator spool to throttle or restrict flow; thus maintaining consistent flow through the valve. In the reverse direction, flow is metered, but not pressure compensated.

- CV Check Valves
- SH Shuttle Valves
- LM Load/Motor Controls
- FC Flow Controls
- PC Pressure Controls
- LE Logic Elements
- DC Directional Controls
- MV Manual Valves
- SV Solenoid Valves
- PV Proportional Valves
- CE Coils & Electronics
- BC Bodies & Cavities
- TD Technical Data

CV

Check Valves

SH

Shuttle Valves

LM

Load/Motor Controls

FC

Flow Controls

PC

Pressure Controls

LE

Logic Elements

DC

Directional Controls

MV

Manual Valves

SV

Solenoid Valves

PV

Proportional Valves

CE

Coils & Electronics

BC

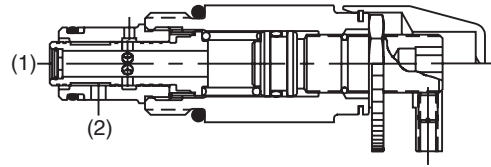
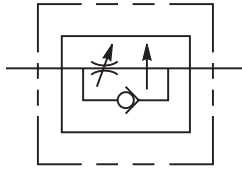
Bodies & Cavities

TD

Technical Data

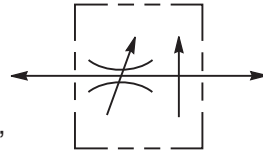
**P.C. Flow Control**

Pressure compensated flow controls are pressure compensated regulators with a reverse flow check valve. They provide constant regulated flow in the one direction regardless of changes in load pressure. Flow in the reverse direction is non-regulated, free flow. They can be used in meter-in or meter-out applications.

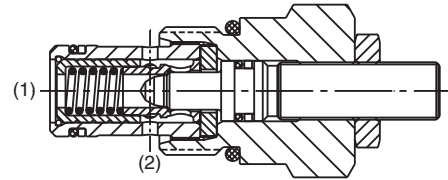


**Adjustable Flow Controls**

Most adjustable pressure compensated flow controls have a limited adjustment range. You will see in our catalog that we use the term “tuneable” for the FR101 and FC101 valves.



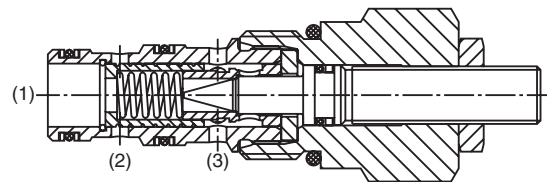
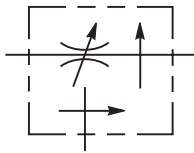
This means they are only adjustable within a pre-set range. The FA101, J02E2, J04E2 and J04C2 are fully adjustable. Keep this adjustment capability in mind when you select a flow control.



**OPERATION** - When flow enters the nose (port 1) of the cartridge, it passes through a control orifice. This control orifice creates a pressure differential across the regulating spool. As the inlet flow increases, the pressure differential across the regulating spool increases, allowing the regulating spool to overcome its spring force and begin to shift. As it shifts, it throttles to maintain a constant flow. When used in conjunction with a fixed displacement pump, a relief valve between pump and valve is needed. Full flow is allowed in the reverse direction (port 2 to 1).

**Priority Style P.C. Flow Regulator**

Priority style pressure compensator regulators maintain constant priority flow to one leg of the circuit regardless of changes in load or inlet pressure. Once this priority flow requirement is satisfied, the excess flow is diverted and can be used in another leg of the circuit. These valves are usually used in meter-in applications.



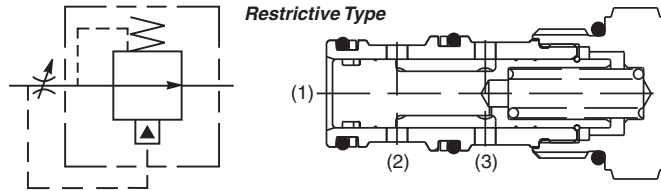
**OPERATION** - The valve consists of a control orifice within a spring biased compensator spool. The priority port is normally open while the bypass port is normally closed. As flow enters the inlet of the cartridge and passes through the control orifice, a pressure differential is created across the compensator spool. When the inlet flow exceeds the setting of the valve, the force produced by this pressure differential exceeds the spring force and shifts the compensator spool; opening up the bypass port, and bypassing the excess flow. If load pressure at the bypass port is greater than the load pressure at the priority port, the compensator spool will further shift restricting the priority flow to that of the valve setting. **Caution:** If the priority line is blocked so that no flow can pass through the control orifice, the compensator spool will shift, blocking the bypass port and allowing inlet pressure to go to full system relief pressure. These valves do not provide a pressure relieving function, so it is common to place an external relief valve downstream of port 3 to prevent a no flow condition.

**Technical Tips**

**Flow Control Valves**

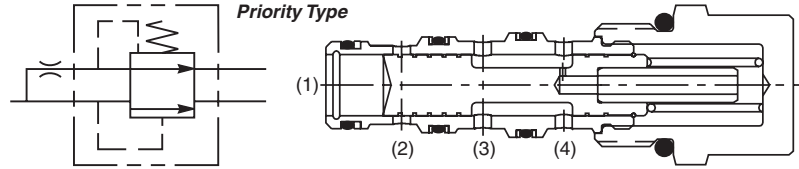
**Compensator Valves**

Compensator valves are used to provide pressure compensated control across an external fixed or adjustable orifice. Parker offers both the restrictive type of compensator and a priority style.



**OPERATION - Restrictive Type:**

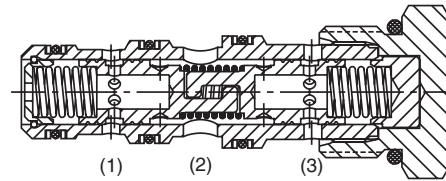
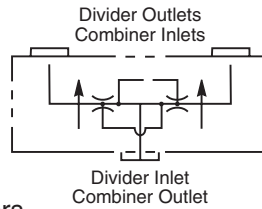
Inlet flow (upstream of the orifice) is split with one portion going to the compensator port inlet (port 1), the other portion passes through the orifice to the supply port (port 3). As pressure drop across the orifice reaches the selected compensator pressure drop, the higher pressure (pre-orifice) at port 1 starts to shift the compensator spool into throttling position. The valve works to maintain a constant pressure drop across the orifice.



**Priority Type:** Flow through the external orifice into the supply port (port 4) produces a pressure drop across the compensator spool. When the inlet pressure exceeds the initial setting of the valve, the force produced by the pressure differential across the spool exceeds the spring force and shifts the compensator spool to throttle or restrict the flow, thus maintaining constant flow through the priority port (port 3). The excess flow is bypassed to port 2. Regulated port flow must be maintained for bypass flow to continue.

**Flow Divider / Combiner**

Flow divider / combiner valves are used to proportion the flow from a single source into two actuators. In the reverse mode, the valve takes the flow from the two sources and combines it into one flow.



When attempting to synchronize two cylinders

with a flow/divider combiner valve, please consider that the flow accuracy is +10%.

A crossover relief can be used to help re-synchronize the cylinders by bottoming them out after several cycles.

**OPERATION** - When flow enters the divider inlet port, it will pass through orifices in each of the interconnected spools. The flow passing through the orifices creates a pressure drop which pulls the two spools away from each other. The flow then passes to the two divider outlet ports. The division of flow (i.e. 50-50, 60-40, 66-33, etc.) is determined by the orifice sizes in the two spools. When flow is being combined, it enters the valve through two combiner inlets. The pressure drop across the orifices pulls the two spools together. The combined flow then passes through the combiner outlet.

**CV**  
Check Valves

**SH**  
Shuttle Valves

**LM**  
Load/Motor Controls

**FC**  
Flow Controls

**PC**  
Pressure Controls

**LE**  
Logic Elements

**DC**  
Directional Controls

**MV**  
Manual Valves

**SV**  
Solenoid Valves

**PV**  
Proportional Valves

**CE**  
Coils & Electronics

**BC**  
Bodies & Cavities

**TD**  
Technical Data

**Technical Information**

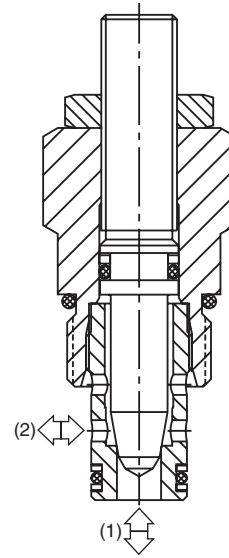
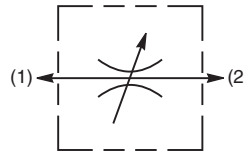
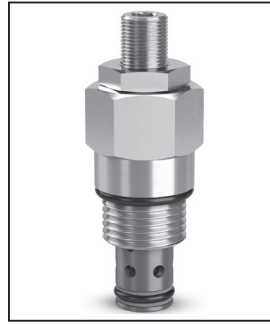
- CV** Check Valves
- SH** Shuttle Valves
- LM** Load/Motor Controls
- FC** Flow Controls
- PC** Pressure Controls
- LE** Logic Elements
- DC** Directional Controls
- MV** Manual Valves
- SV** Solenoid Valves
- PV** Proportional Valves
- CE** Coils & Electronics
- BC** Bodies & Cavities
- TD** Technical Data

**General Description**

Cartridge Style Needle Valve. For additional information see Technical Tips on pages FC1-FC4.

**Features**

- Shuts off to a very low leakage level
- High flow capacity from a small cavity
- Good adjustment sensitivity - ideal for fine control
- Good contamination tolerant
- Adjustable and tamperproof versions available
- All external parts zinc plated

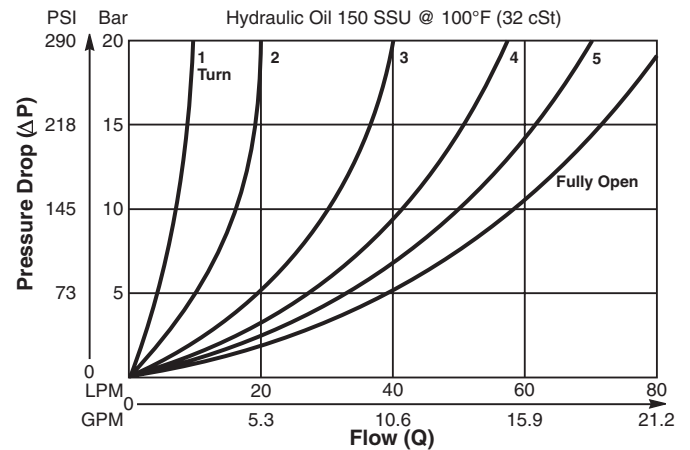


**Specifications**

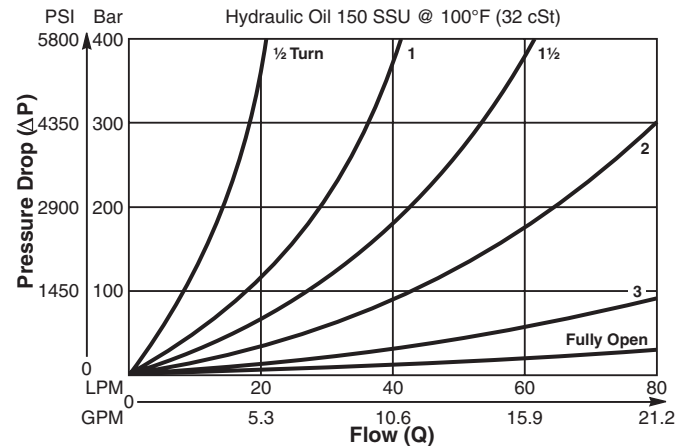
<b>Rated Flow</b>	45 LPM (12 GPM)
<b>Maximum Inlet Pressure</b>	420 Bar (6000 PSI)
<b>Cartridge Material</b>	All parts steel. All operating parts hardened steel.
<b>Operating Temp. Range/Seals</b>	-34°C to +121°C (Nitrile) (-30°F to +250°F) -26°C to +204°C (Fluorocarbon) (-15°F to +400°F)
<b>Fluid Compatibility/ Viscosity</b>	Mineral-based or synthetic with lubricating properties at viscosities of 45 to 2000 SSU (6 to 420 cSt)
<b>Filtration</b>	ISO-4406 18/16/13, SAE Class 4
<b>Approx. Weight</b>	.11 kg (.24 lbs.)
<b>Cavity</b>	C08-2 (See BC Section for more details)
<b>Form Tool</b>	Rougher Finisher None None NFT08-2F

**Performance Curves (Through cartridge only)**

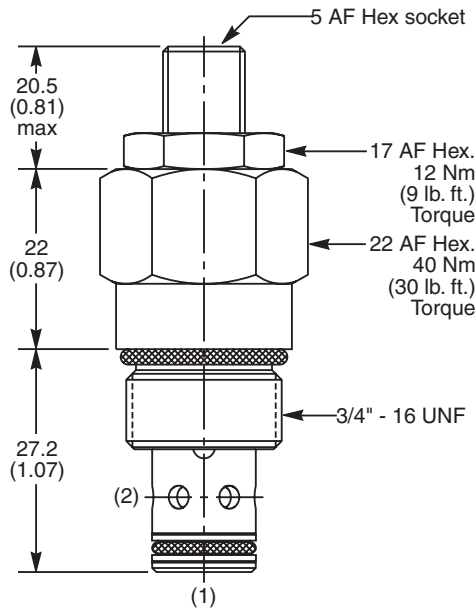
**Low Pressure Drop vs. Flow 1 to 2 & 2 to 1**



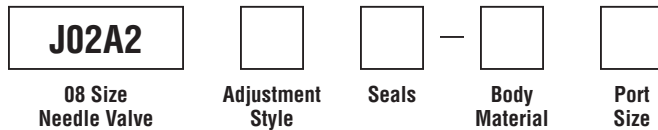
**High Pressure Drop vs. Flow 1 to 2 & 2 to 1**



**Dimensions** Millimeters (Inches)



**Ordering Information**



Code	Adjustment Style
Z	Screw Adjust (Std.)
W	Knob Adjust
T	Tamper Resistant Cap (TC1130)

Code	Seals / Kit. No.
N	Nitrile, Buna-N (Std.) / (SK30500N-1)
V	Fluorocarbon / (SK30500V-1)

Code	Body Material
Omit	Steel
A	Aluminum

Code	Port Size	Body Part No.
Omit	Cartridge Only	
4T	SAE-4	(B08-2-*4T)
6T	SAE-6	(B08-2-*6T)

\* Add "A" for aluminum, omit for steel.

- CV
- Check Valves
- SH
- Shuttle Valves
- LM
- Load/Motor Controls
- FC
- Flow Controls
- PC
- Pressure Controls
- LE
- Logic Elements
- DC
- Directional Controls
- MV
- Manual Valves
- SV
- Solenoid Valves
- PV
- Proportional Valves
- CE
- Coils & Electronics
- BC
- Bodies & Cavities
- TD
- Technical Data



- CV** Check Valves
- SH** Shuttle Valves
- LM** Load/Motor Controls
- FC** Flow Controls
- PC** Pressure Controls
- LE** Logic Elements
- DC** Directional Controls
- MV** Manual Valves
- SV** Solenoid Valves
- PV** Proportional Valves
- CE** Coils & Electronics
- BC** Bodies & Cavities
- TD** Technical Data

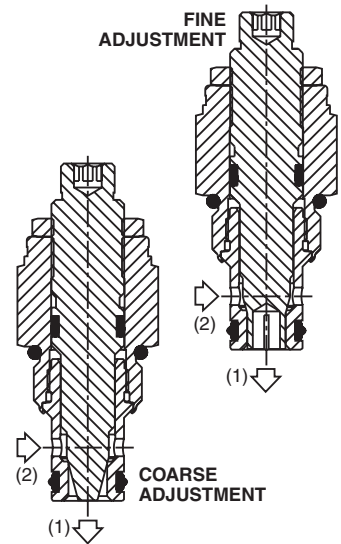
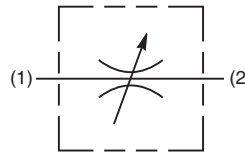
**General Description**

Cartridge Style Needle Valve.  
For additional information see  
Technical Tips on pages FC1-FC4.



**Features**

- Hardened, precision ground parts for durability
- Compact size for reduced space requirements
- Fine adjustment needle option available for precise adjustment
- Polyurethane “D”-Ring eliminates backup rings and prevents hydrolysis
- Valve meters flow in either direction, but (2 to 1) is the preferred direction for lowest leakage at shut off
- All external parts zinc plated

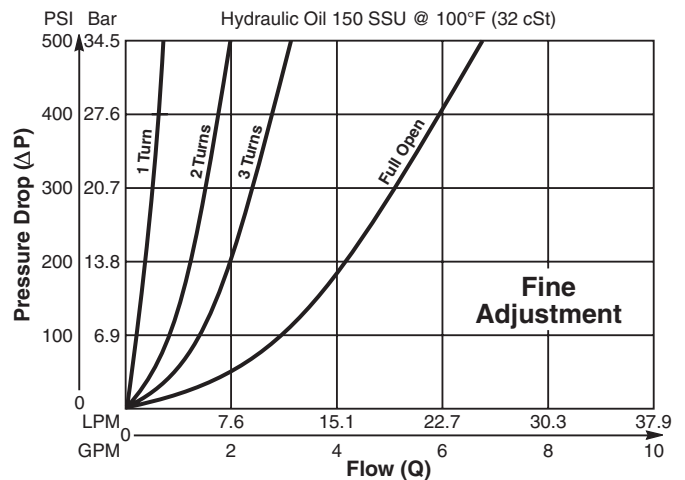
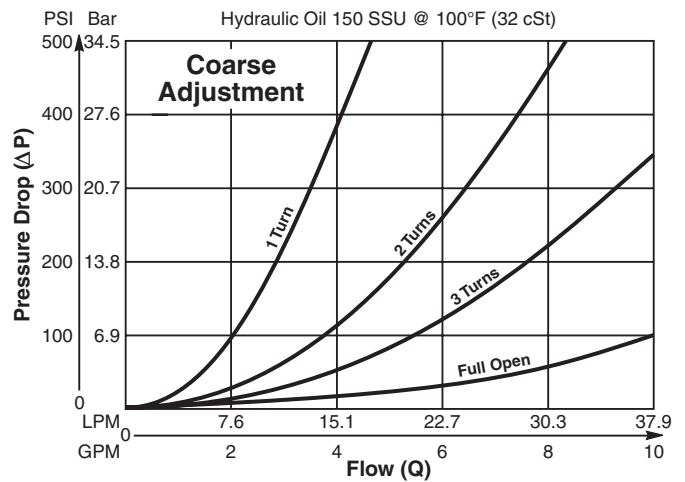


**Specifications**

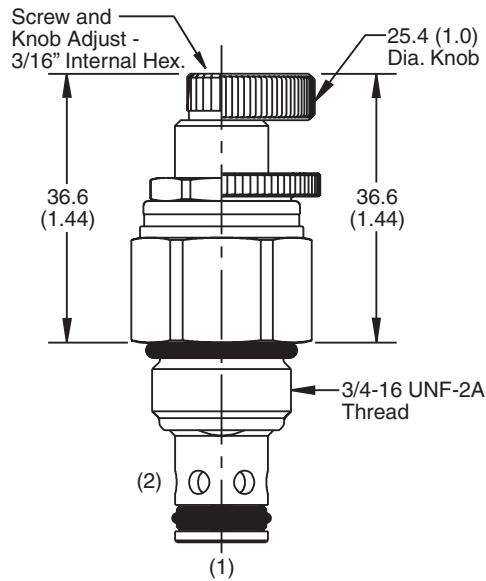
<b>Rated Flow</b>	Fixed 37.9 LPM (10 GPM) Adjusted
<b>Maximum Inlet Pressure</b>	380 Bar (5500 PSI)
<b>Cartridge Material</b>	All parts steel. All operating parts hardened steel.
<b>Operating Temp. Range/Seals</b>	-45°C to +132°C (“D”-Ring) (-50°F to +270°F) -34°C to +121°C (Nitrile) (-30°F to +250°F) -26°C to +204°C (Fluorocarbon) (-15°F to +400°F)
<b>Fluid Compatibility/ Viscosity</b>	Mineral-based or synthetic with lubricating properties at viscosities of 45 to 2000 SSU (6 to 420 cSt)
<b>Filtration</b>	ISO-4406 18/16/13, SAE Class 4
<b>Approx. Weight</b>	.10 kg (.20 lbs.)
<b>Cavity</b>	No. C08-2 (See BC Section for more details)
<b>Form Tool</b>	Rougher None Finisher NFT08-2F

**Performance Curves**

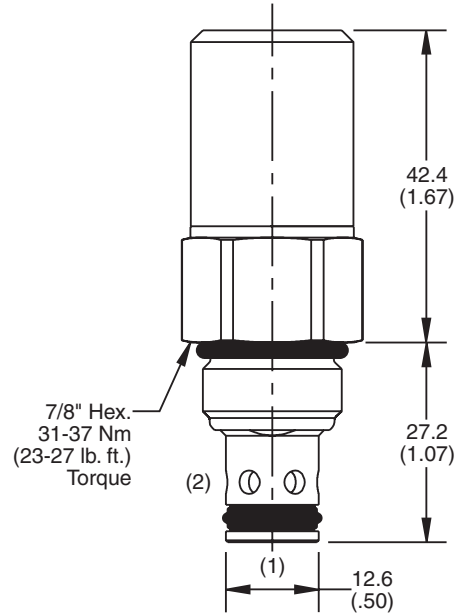
**Flow vs. Inlet Pressure (Through cartridge only)**



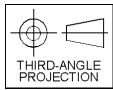
**Dimensions** Millimeters (Inches)



**Screw/Knob Version**



**Tamper Resistant Version**



**Ordering Information**



Code	Flow Needle
Omit	Coarse
F	Fine

Code	Seals / Kit. No.
Omit	"D"-Ring / (SK08-2)
N	Nitrile / (SK08-2N)
V	Fluorocarbon / (SK08-2V)

Code	Body Material
Omit	Steel
A	Aluminum

Code	Port Size	Body Part No.
Omit	Cartridge Only	
4T	SAE-4	(B08-2-*4T)
6T	SAE-6	(B08-2-*6T)

\* Add "A" for aluminum, omit for steel.

Code	Adjustment Style
K	Knob Adjust (717784-10)
S	Screw Adjust
T	Tamper Resistant Cap (717943)

- CV Check Valves
- SH Shuttle Valves
- LM Load/Motor Controls
- FC Flow Controls
- PC Pressure Controls
- LE Logic Elements
- DC Directional Controls
- MV Manual Valves
- SV Solenoid Valves
- PV Proportional Valves
- CE Coils & Electronics
- BC Bodies & Cavities
- TD Technical Data

- CV** Check Valves
- SH** Shuttle Valves
- LM** Load/Motor Controls
- FC** Flow Controls
- PC** Pressure Controls
- LE** Logic Elements
- DC** Directional Controls
- MV** Manual Valves
- SV** Solenoid Valves
- PV** Proportional Valves
- CE** Coils & Electronics
- BC** Bodies & Cavities
- TD** Technical Data

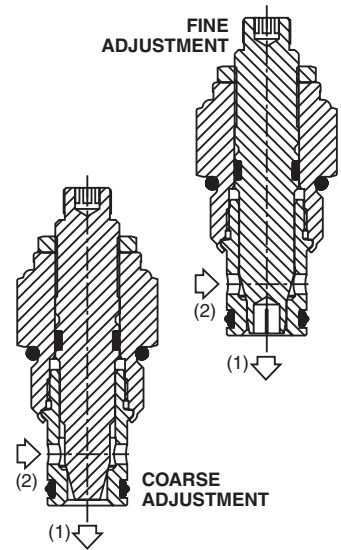
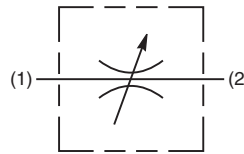
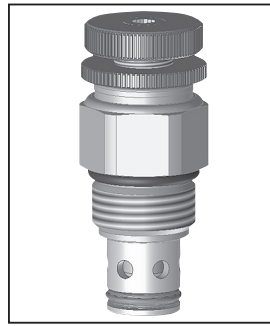
**General Description**

Cartridge Style Needle Valve. For additional information see Technical Tips on pages FC1-FC4.



**Features**

- Hardened, precision ground parts for durability
- Compact size for reduced space requirements
- Fine adjustment needle option available for precise adjustment
- Polyurethane “D”-Ring eliminates backup rings and prevents hydrolysis
- Valve meters flow in either direction, but (2 to 1) is the preferred direction for lowest leakage at shut off
- All external parts zinc plated

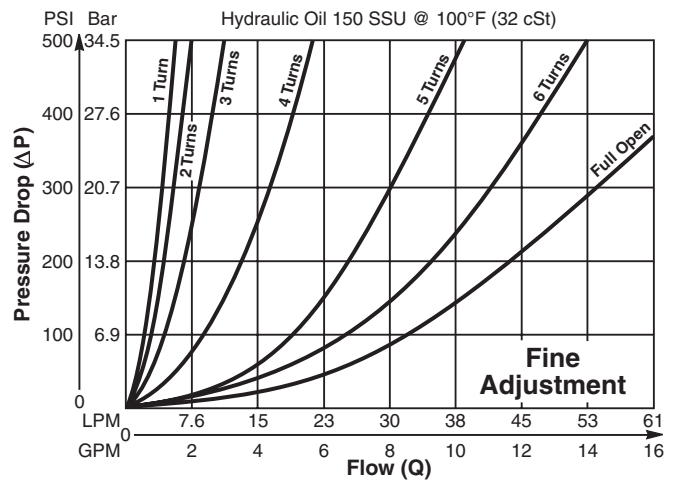
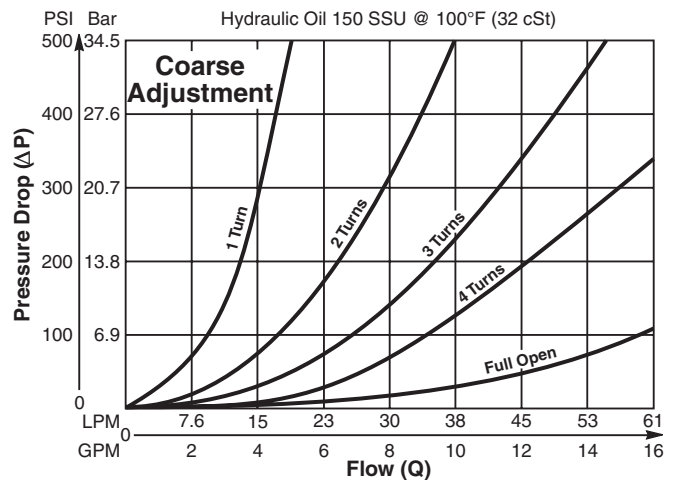


**Specifications**

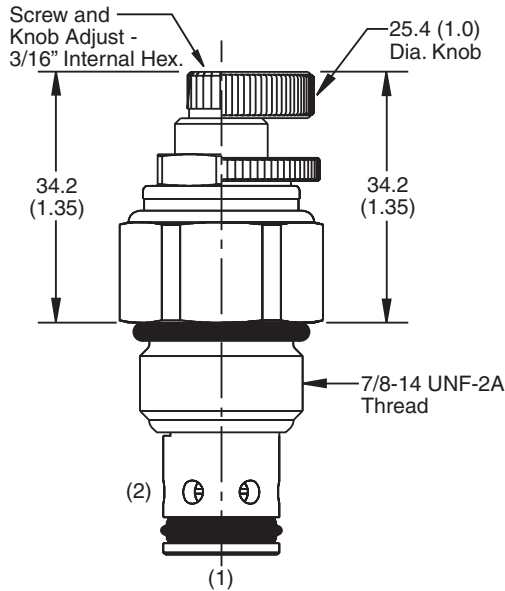
<b>Rated Flow</b>	Fixed 60 LPM (16 GPM) Adjusted 60 LPM (16 GPM)
<b>Maximum Inlet Pressure</b>	380 Bar (5500 PSI)
<b>Cartridge Material</b>	All parts steel. All operating parts hardened steel.
<b>Operating Temp. Range/Seals</b>	-45°C to +132°C (“D”-Ring) (-50°F to +270°F) -34°C to +121°C (Nitrile) (-30°F to +250°F) -26°C to +204°C (Fluorocarbon) (-15°F to +400°F)
<b>Fluid Compatibility/ Viscosity</b>	Mineral-based or synthetic with lubricating properties at viscosities of 45 to 2000 SSU (6 to 420 cSt)
<b>Filtration</b>	ISO-4406 18/16/13, SAE Class 4
<b>Approx. Weight</b>	.18 kg (0.4 lbs.)
<b>Cavity</b>	C10-2 (See BC Section for more details)
<b>Form Tool</b>	Rougher None Finisher NFT10-2F

**Performance Curves**

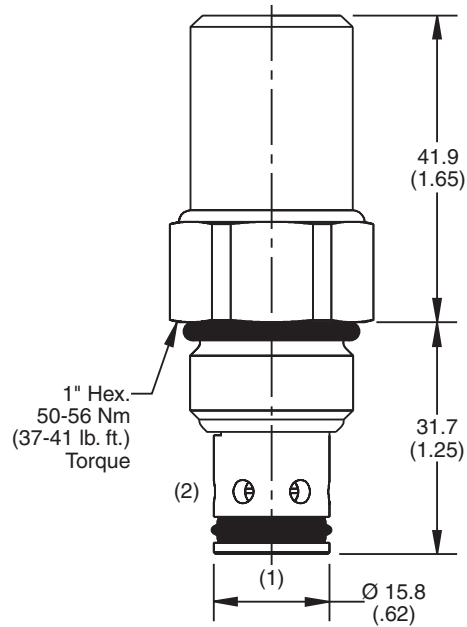
**Flow vs. Inlet Pressure (Through cartridge only)**



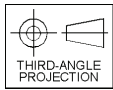
**Dimensions** Millimeters (Inches)



**Screw/Knob Version**



**Tamper Resistant Version**



**Ordering Information**



Code	Flow Needle
Omit	Coarse
F	Fine

Code	Seals / Kit. No.
Omit	"D"-Ring / (SK10-2)
N	Nitrile / (SK10-2N)
V	Fluorocarbon / (SK10-2V)

Code	Body Material
Omit	Steel
A	Aluminum

Code	Port Size	Body Part No.
Omit	Cartridge Only	
6T	SAE-6	(B10-2-*6T)
8T	SAE-8	(B10-2-*8T)

\* Add "A" for aluminum, omit for steel.

Code	Adjustment Style
K	Knob Adjust (717784-10)
S	Screw Adjust
T	Tamper Resistant Cap (717943)

- CV** Check Valves
- SH** Shuttle Valves
- LM** Load/Motor Controls
- FC** Flow Controls
- PC** Pressure Controls
- LE** Logic Elements
- DC** Directional Controls
- MV** Manual Valves
- SV** Solenoid Valves
- PV** Proportional Valves
- CE** Coils & Electronics
- BC** Bodies & Cavities
- TD** Technical Data

**Technical Information**

**CV**

Check Valves

**SH**

Shuttle Valves

**LM**

Load/Motor Controls

**FC**

Flow Controls

**PC**

Pressure Controls

**LE**

Logic Elements

**DC**

Directional Controls

**MV**

Manual Valves

**SV**

Solenoid Valves

**PV**

Proportional Valves

**CE**

Coils & Electronics

**BC**

Bodies & Cavities

**TD**

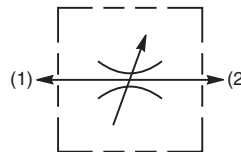
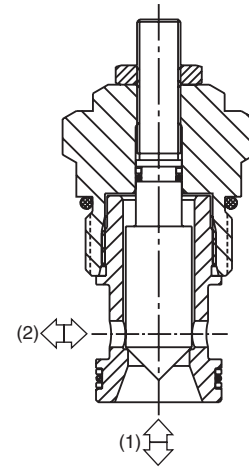
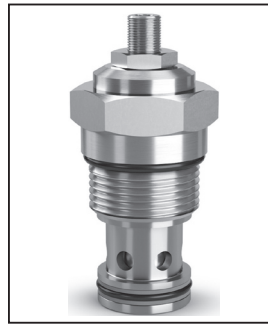
Technical Data

**General Description**

Cartridge Style Needle Valve. For additional information see Technical Tips on pages FC1-FC4.

**Features**

- Shuts off to a very low leakage level
- High flow capacity
- Good adjustment sensitivity - ideal for fine control
- Good contamination tolerant
- Adjustable and tamperproof versions available
- All external parts zinc plated

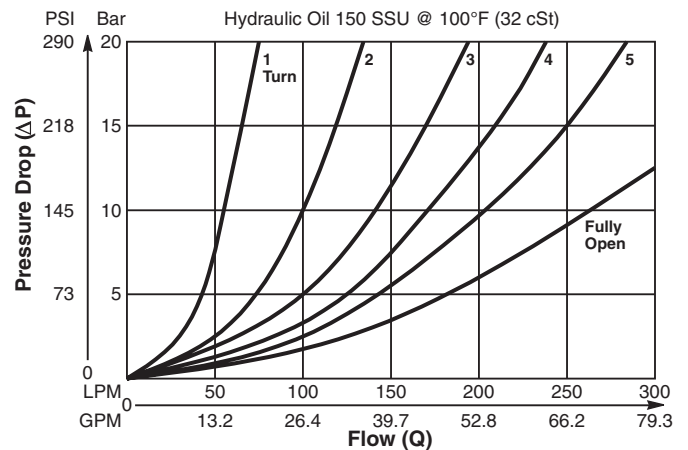


**Specifications**

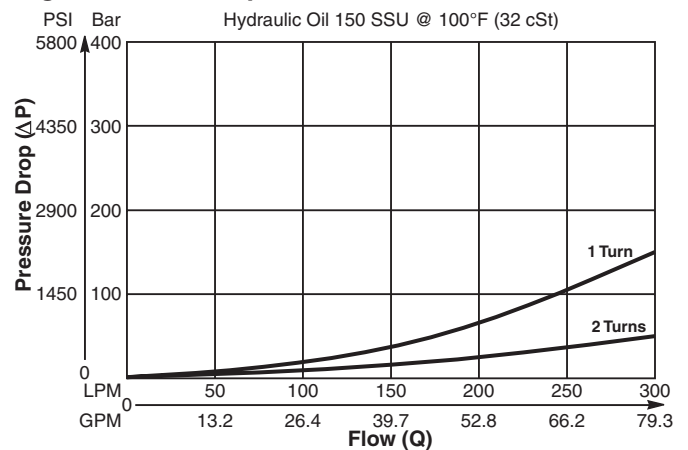
<b>Rated Flow</b>	225 LPM (60 GPM)
<b>Maximum Inlet Pressure</b>	420 Bar (6000 PSI)
<b>Cartridge Material</b>	All parts steel. All operating parts hardened steel.
<b>Operating Temp. Range/Seals</b>	-34°C to +121°C (Nitrile) (-30°F to +250°F) -26°C to +204°C (Fluorocarbon) (-15°F to +400°F)
<b>Fluid Compatibility/Viscosity</b>	Mineral-based or synthetic with lubricating properties at viscosities of 45 to 2000 SSU (6 to 420 cSt)
<b>Filtration</b>	ISO-4406 18/16/13, SAE Class 4
<b>Approx. Weight</b>	.38 kg (.84 lbs.)
<b>Cavity</b>	C16-2 (See BC Section for more details)
<b>Form Tool</b>	Rougher None Finisher NFT16-2F

**Performance Curves (Through cartridge only)**

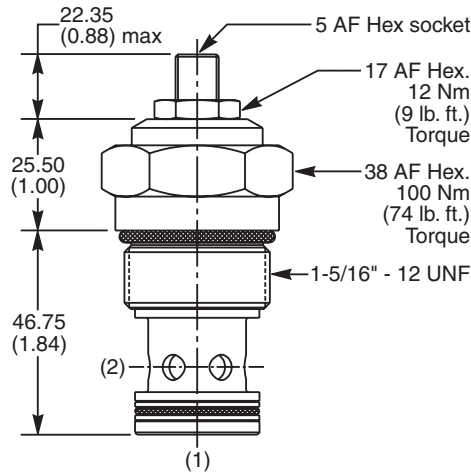
**Low Pressure Drop vs. Flow 1 to 2 & 2 to 1**



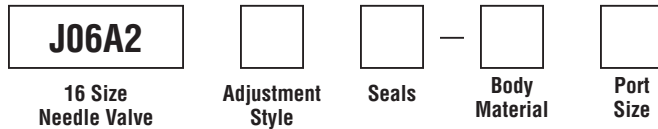
**High Pressure Drop vs. Flow 1 to 2 & 2 to 1**



**Dimensions** Millimeters (Inches)



**Ordering Information**



Code	Adjustment Style
Z	Screw Adjust (Std.)
W	Knob Adjust
T	Tamper Resistant Cap (TC1130)

Code	Seals / Kit. No.
N	Nitrile, Buna-N (Std.) / (SK30507N-1)
V	Fluorocarbon / (SK30507V-1)

Code	Body Material
Omit	Steel
A	Aluminum

Code	Port Size	Body Part No.
Omit	Cartridge Only	
8T	SAE-8	(B16-2-*8T)
12T	SAE-12	(B16-2-*12T)
16T	SAE-16	(B16-2-*16T)

\* Add "A" for aluminum, omit for steel.

- CV**
- Check Valves
- SH**
- Shuttle Valves
- LM**
- Load/Motor Controls
- FC**
- Flow Controls
- PC**
- Pressure Controls
- LE**
- Logic Elements
- DC**
- Directional Controls
- MV**
- Manual Valves
- SV**
- Solenoid Valves
- PV**
- Proportional Valves
- CE**
- Coils & Electronics
- BC**
- Bodies & Cavities
- TD**
- Technical Data



**CV**

Check  
Valves

**SH**

Shuttle  
Valves

**LM**

Load/Motor  
Controls

**FC**

Flow  
Controls

**PC**

Pressure  
Controls

**LE**

Logic  
Elements

**DC**

Directional  
Controls

**MV**

Manual  
Valves

**SV**

Solenoid  
Valves

**PV**

Proportional  
Valves

**CE**

Coils &  
Electronics

**BC**

Bodies &  
Cavities

**TD**

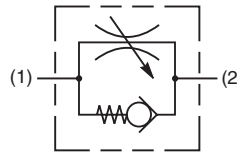
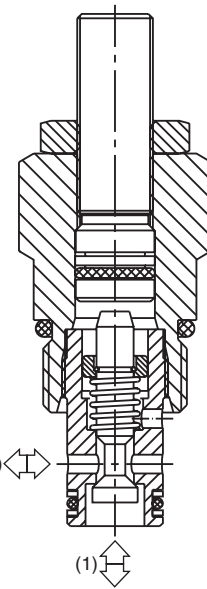
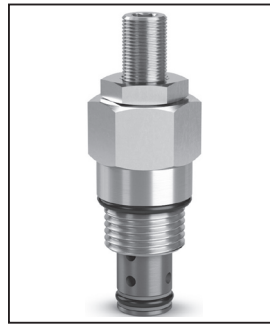
Technical  
Data

**General Description**

Poppet Type Needle Valve with Reverse Flow Check. For additional information see Technical Tips on pages FC1-FC4.

**Features**

- Shuts off to a very low leakage level
- Good adjustment sensitivity - ideal for fine control
- Good contamination tolerant
- Adjustable and tamperproof versions available
- All external parts zinc plated

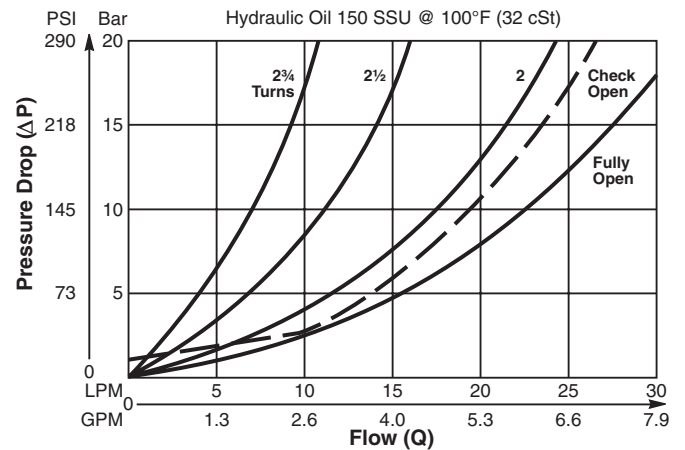


**Specifications**

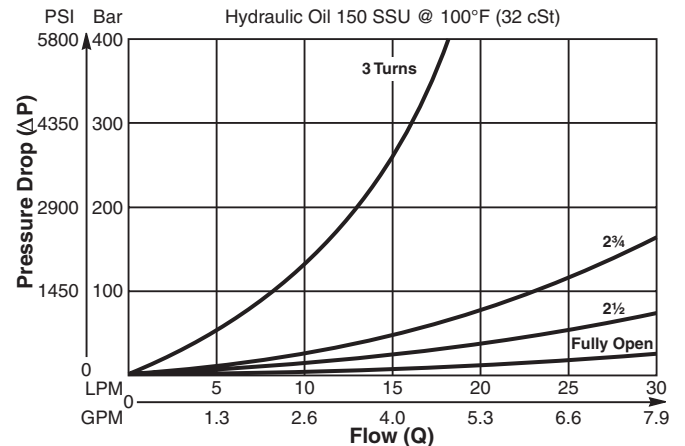
<b>Rated Flow</b>	30 LPM (8 GPM)
<b>Maximum Inlet Pressure</b>	420 Bar (6000 PSI)
<b>Cartridge Material</b>	All parts steel. All operating parts hardened steel.
<b>Operating Temp. Range/Seals</b>	-34°C to +121°C (Nitrile) (-30°F to +250°F) -26°C to +204°C (Fluorocarbon) (-15°F to +400°F)
<b>Fluid Compatibility/ Viscosity</b>	Mineral-based or synthetic with lubricating properties at viscosities of 45 to 2000 SSU (6 to 420 cSt)
<b>Filtration</b>	ISO-4406 18/16/13, SAE Class 4
<b>Approx. Weight</b>	.11 kg (.24 lbs.)
<b>Cavity</b>	C08-2 (See BC Section for more details)
<b>Form Tool</b>	Rougher Finisher None None NPT08-2F

**Performance Curves (Through cartridge only)**

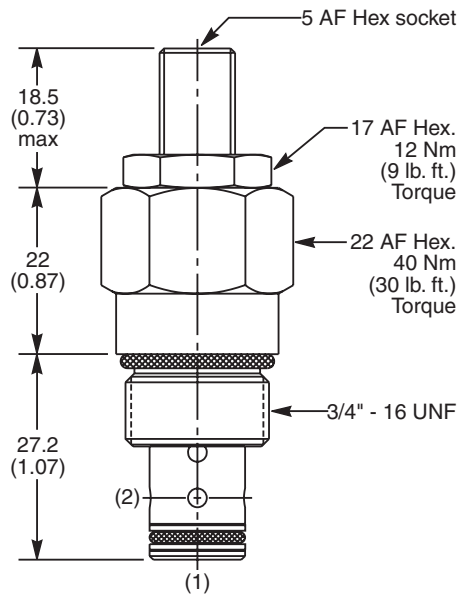
**Low Pressure Drop vs. Flow 1 to 2 & 2 to 1**



**High Pressure Drop vs. Flow 1 to 2**



**Dimensions** Millimeters (Inches)



**Ordering Information**

<b>J02B2</b>	<input type="checkbox"/>	<input type="checkbox"/>	<input type="checkbox"/>	<input type="checkbox"/>	<input type="checkbox"/>
08 Size Needle Valve	Adjustment Style	Seals	Body Material	Port Size	

Code	Adjustment Style
Z	Screw Adjust (Std.)
W	Knob Adjust
T	Tamper Resistant Cap (TC1130)

Code	Seals / Kit. No.
N	Nitrile, Buna-N (Std.) / (SK30500N-1)
V	Fluorocarbon / (SK30500V-1)

Code	Body Material
Omit	Steel
A	Aluminum

Code	Port Size	Body Part No.
Omit	Cartridge Only	
4T	SAE-4	(B08-2-*4T)
6T	SAE-6	(B08-2-*6T)

\* Add "A" for aluminum, omit for steel.

- CV** Check Valves
- SH** Shuttle Valves
- LM** Load/Motor Controls
- FC** Flow Controls
- PC** Pressure Controls
- LE** Logic Elements
- DC** Directional Controls
- MV** Manual Valves
- SV** Solenoid Valves
- PV** Proportional Valves
- CE** Coils & Electronics
- BC** Bodies & Cavities
- TD** Technical Data

**Technical Information**

- CV** Check Valves
- SH** Shuttle Valves
- LM** Load/Motor Controls
- FC** Flow Controls
- PC** Pressure Controls
- LE** Logic Elements
- DC** Directional Controls
- MV** Manual Valves
- SV** Solenoid Valves
- PV** Proportional Valves
- CE** Coils & Electronics
- BC** Bodies & Cavities
- TD** Technical Data

**General Description**

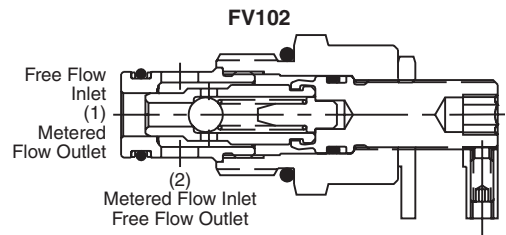
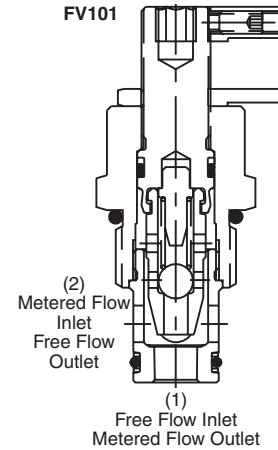
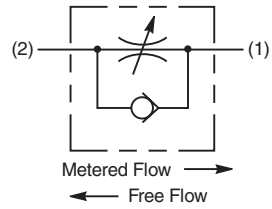
Needle Valve with a Reverse Check. Also known as a Flow Control Valve. For additional information see Technical Tips on pages FC1-FC4.

**Features**

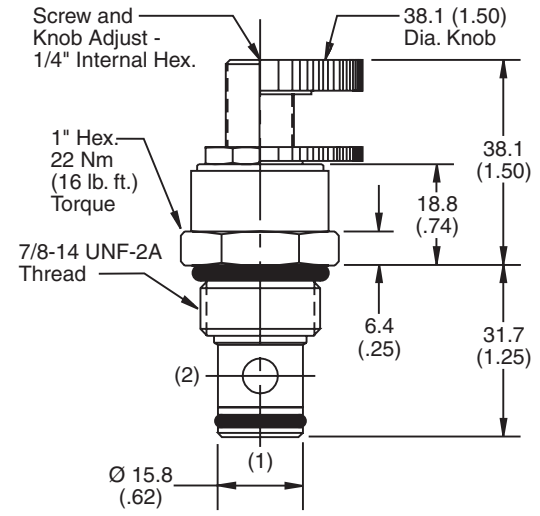
- Hardened, precision ground parts for durability
- Compact size for reduced space requirements
- Fine thread needle option available for precise adjustment
- All external parts zinc plated

**Specifications**

<b>Rated Flow</b>	<b>FV101</b> 45 LPM (12 GPM) <b>FV102</b> 23 LPM (6 GPM)
<b>Maximum Inlet Pressure</b>	210 Bar (3000 PSI)
<b>Cartridge Material</b>	All parts steel. All operating parts hardened steel.
<b>Operating Temp. Range/Seals</b>	-34°C to +121°C (Nitrile) (-30°F to +250°F) -26°C to +204°C (Fluorocarbon) (-15°F to +400°F)
<b>Fluid Compatibility/ Viscosity</b>	Mineral-based or synthetic with lubricating properties at viscosities of 45 to 2000 SSU (6 to 420 cSt)
<b>Filtration</b>	ISO-4406 18/16/13, SAE Class 4
<b>Approx. Weight</b>	.23 kg (0.5 lbs.)
<b>Cavity</b>	C10-2 (See BC Section for more details)
<b>Form Tool</b>	Rougher None Finisher NFT10-2F

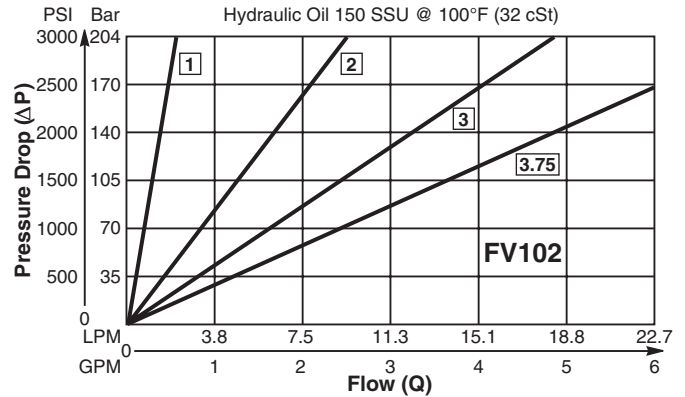
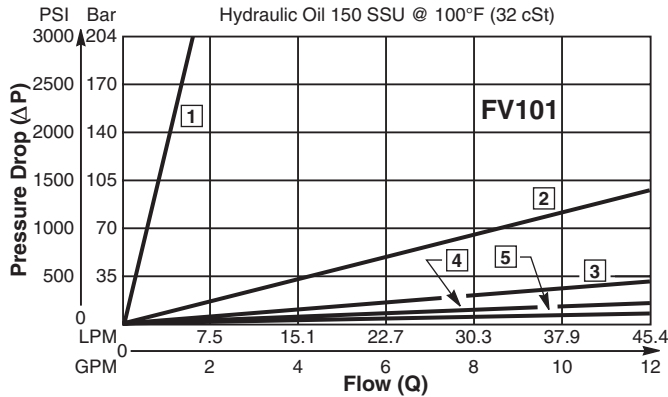


**Dimensions** Millimeters (Inches)



**Performance Curves**

**Metered Flow vs. Pressure Drop (Through cartridge only)**



**□ = No. of Turns CCW From Fully Closed.**  
 The number on each curve indicates the number of complete turns of the knob or screw adjustment from fully closed. When the metered flow is 22.5 LPM (6 GPM) and the adjustment is two complete turns from closed, the pressure drop will be 13.8 Bar (200 PSI). When the metered flow is 22.5 LPM (6 GPM) and the adjustment is five complete turns from closed, the pressure drop will be 3.5 Bar (50 PSI).

**□ = No. of Turns CCW From Fully Closed.**  
 The number on each curve indicates the number of complete turns of the knob or screw adjustment from fully closed (non-metered flow). When the metered flow is 7.5 LPM (2 GPM) and the adjustment is two complete turns from closed, the pressure drop will be 156.9 Bar (2275 PSI). When the metered flow is 7.5 LPM (2 GPM) and the adjustment is 3.75 turns from closed, the pressure drop will be 56.6 Bar (820 PSI).

**Ordering Information**



Code	Style
1	Coarse Flow
2	Fine Flow

Code	Seals / Kit. No.
Omit	Nitrile / (SK10-2N)
V	Fluorocarbon / (SK10-2V)

Code	Body Material
Omit	Steel
A	Aluminum

Code	Port Size	Body Part No.
Omit	Cartridge Only	
6T	SAE-6	(B10-2-*6T)
8T	SAE-8	(B10-2-*8T)

Code	Adjustment Style
K	Knob Adjust (840208K)
S	Screw Adjust

\* Add "A" for aluminum, omit for steel.

**CV**

Check Valves

**SH**

Shuttle Valves

**LM**

Load/Motor Controls

**FC**

Flow Controls

**PC**

Pressure Controls

**LE**

Logic Elements

**DC**

Directional Controls

**MV**

Manual Valves

**SV**

Solenoid Valves

**PV**

Proportional Valves

**CE**

Coils & Electronics

**BC**

Bodies & Cavities

**TD**

Technical Data

**Technical Information**

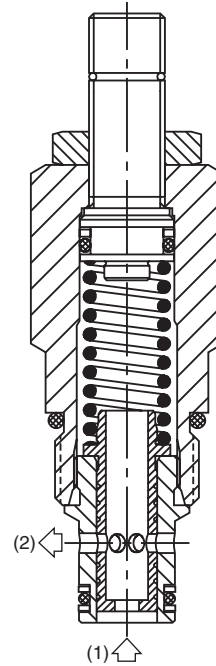
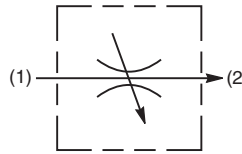
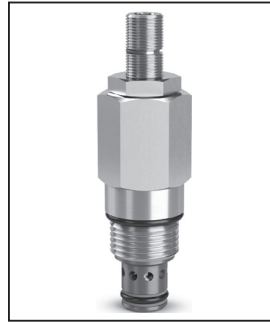
- CV** Check Valves
- SH** Shuttle Valves
- LM** Load/Motor Controls
- FC** Flow Controls
- PC** Pressure Controls
- LE** Logic Elements
- DC** Directional Controls
- MV** Manual Valves
- SV** Solenoid Valves
- PV** Proportional Valves
- CE** Coils & Electronics
- BC** Bodies & Cavities
- TD** Technical Data

**General Description**

Restrictive Style, Pressure Compensated Flow Control Valve. For additional information see Technical Tips on pages FC1-FC4.

**Features**

- Minimal flow change with pressure variation
- Reverse flow function
- Full adjustment from 1-20 LPM (0.3-5.3 GPM)
- Hardened working parts for maximum durability
- Adjustable and tamperproof versions available
- All external parts zinc plated

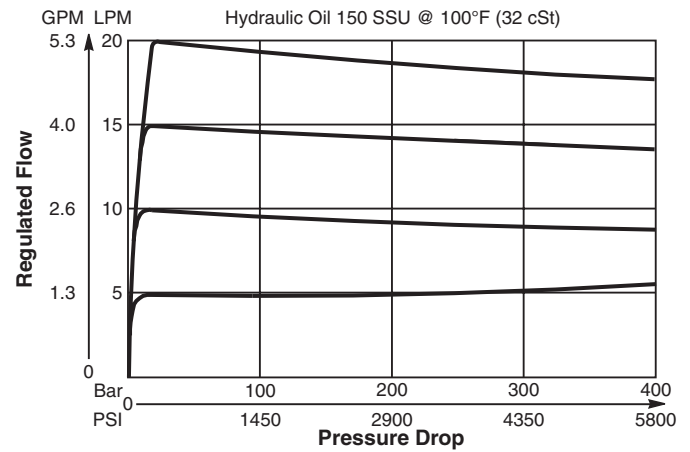


**Specifications**

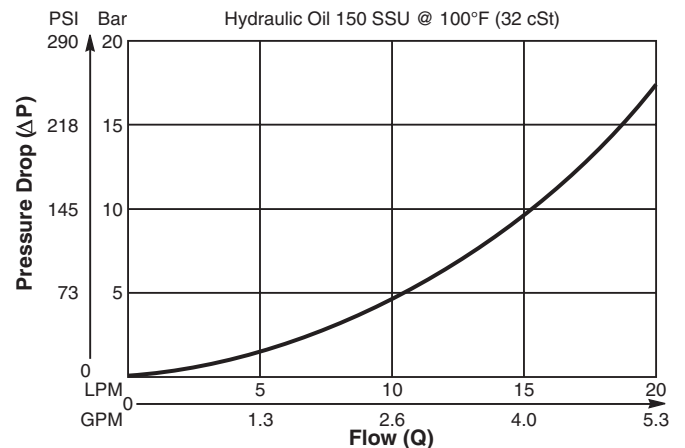
<b>Rated Flow</b>	20 LPM (5.3 GPM)
<b>Maximum Inlet Pressure</b>	420 Bar (6000 PSI)
<b>Cartridge Material</b>	All parts steel. All operating parts hardened steel.
<b>Operating Temp. Range/Seals</b>	-34°C to +121°C (Nitrile) (-30°F to +250°F) -26°C to +204°C (Fluorocarbon) (-15°F to +400°F)
<b>Fluid Compatibility/ Viscosity</b>	Mineral-based or synthetic with lubricating properties at viscosities of 45 to 2000 SSU (6 to 420 cSt)
<b>Filtration</b>	ISO-4406 18/16/13, SAE Class 4
<b>Approx. Weight</b>	.13 kg (.29 lbs.)
<b>Cavity</b>	C08-2 (See BC Section for more details)
<b>Form Tool</b>	Rougher None Finisher NFT08-2F

**Performance Curves (Through cartridge only)**

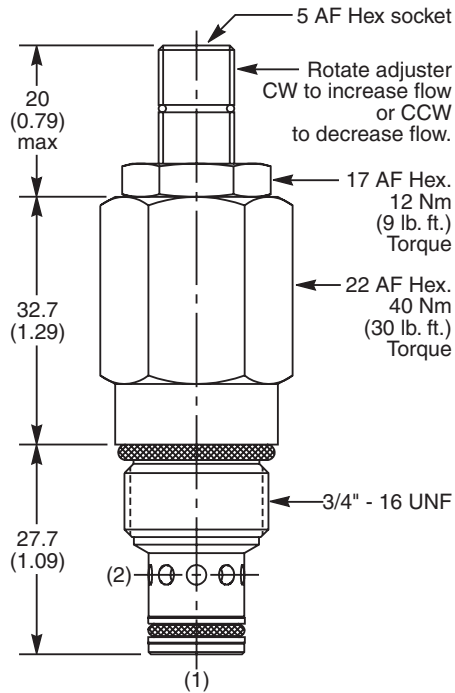
**Flow Regulating Performance**



**Reverse Flow Pressure Drop vs. Flow**



**Dimensions** Millimeters (Inches)



**Ordering Information**

<b>J02E2</b>					
<b>08 Size Pressure Compensated Flow Control Valve</b>	<b>Adjustment Style</b>	<b>Optional Flow Setting</b>	<b>Seals</b>	<b>Body Material</b>	<b>Port Size</b>

Code	Adjustment Style
Z	Screw Adjust (Std.)
W	Knob Adjust
T	Tamper Resistant Cap (TC1130)

Code	Seals / Kit. No.
N	Nitrile, Buna-N (Std.) / (SK30500N-1)
V	Fluorocarbon / (SK30500V-1)

Code	Body Material
Omit	Steel
A	Aluminum

Code	Port Size	Body Part No.
Omit	Cartridge Only	
4T	SAE-4	(B08-2-*4T)
6T	SAE-6	(B08-2-*6T)

\* Add "A" for aluminum, omit for steel.

Code	Optional Flow Setting
Omit	Omit for no setting* Specify setting if required (LPM)

\* Appropriate mid-range setting for Standard = 10 LPM

- CV** Check Valves
- SH** Shuttle Valves
- LM** Load/Motor Controls
- FC** Flow Controls
- PC** Pressure Controls
- LE** Logic Elements
- DC** Directional Controls
- MV** Manual Valves
- SV** Solenoid Valves
- PV** Proportional Valves
- CE** Coils & Electronics
- BC** Bodies & Cavities
- TD** Technical Data

**Technical Information**

**CV**

Check Valves

**SH**

Shuttle Valves

**LM**

Load/Motor Controls

**FC**

Flow Controls

**PC**

Pressure Controls

**LE**

Logic Elements

**DC**

Directional Controls

**MV**

Manual Valves

**SV**

Solenoid Valves

**PV**

Proportional Valves

**CE**

Coils & Electronics

**BC**

Bodies & Cavities

**TD**

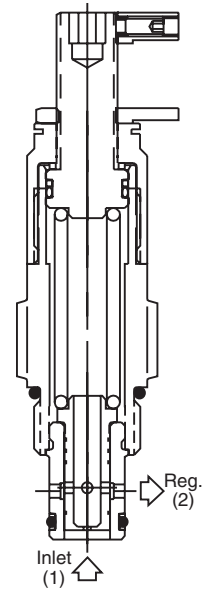
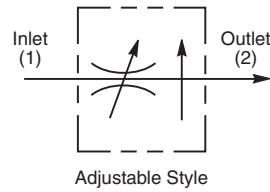
Technical Data

**General Description**

Pressure Compensated Flow Regulator Valve.  
**NOTE:** When used with a fixed displacement pump, pressure to the cartridge must be controlled by a relief valve located between the pump and the FR101 cartridge. For additional information see Technical Tips on pages FC1-FC4.

**Features**

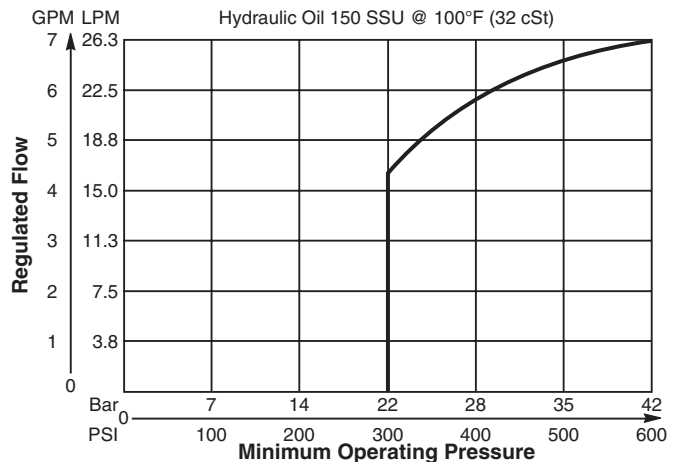
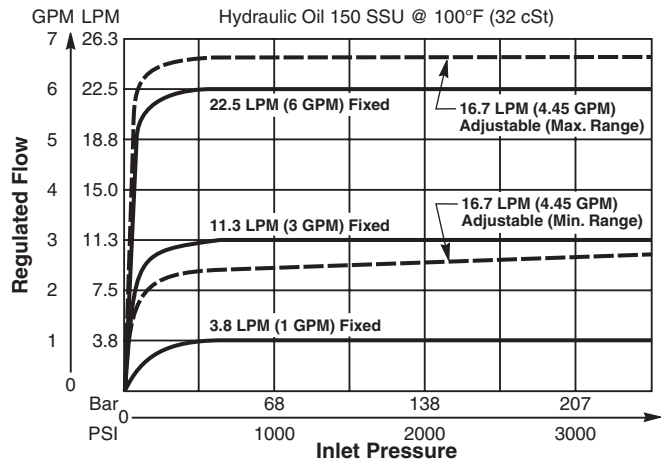
- Hardened, precision ground parts for durability
- Cartridge design
- Acts as a fixed orifice in reverse flow condition
- All external parts zinc plated



**Specifications**

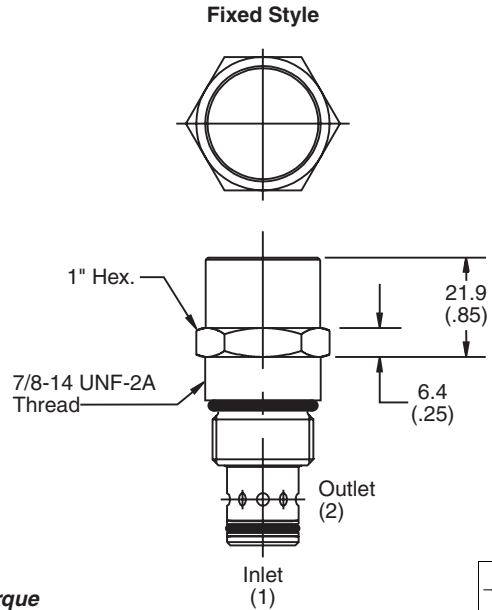
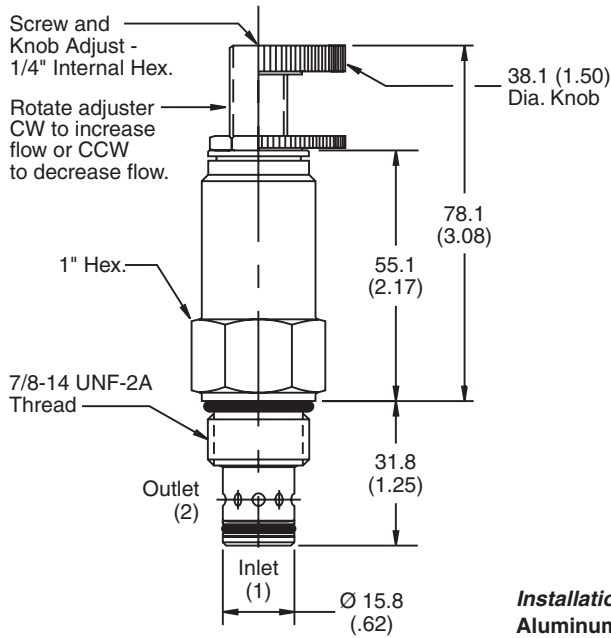
<b>Rated Flow</b>	<b>Fixed</b> 22.5 LPM (6 GPM) <b>Adjusted</b> 26.5 LPM (7 GPM)
<b>Maximum Inlet Pressure</b>	245 Bar (3500 PSI)
<b>Accuracy (Fixed)</b>	3.8 LPM (1 GPM) ±20% 7.5 - 11.3 LPM (2-3 GPM) ±15% 15 - 22.5 LPM (4-6 GPM) ±10%
<b>Adjustment Range (Adj. Version)</b>	±30% Nominal
<b>Cartridge Material</b>	All parts steel. All operating parts hardened steel.
<b>Operating Temp. Range/Seals</b>	-34°C to +121°C (Nitrile) (-30°F to +250°F) -26°C to +204°C (Fluorocarbon) (-15°F to +400°F)
<b>Fluid Compatibility/Viscosity</b>	Mineral-based or synthetic with lubricating properties at viscosities of 45 to 2000 SSU (6 to 420 cSt)
<b>Filtration</b>	ISO-4406 18/16/13, SAE Class 4
<b>Approx. Weight</b>	.23 kg (0.5 lbs.)
<b>Cavity</b>	No. C10-2 (See BC Section for more details)
<b>Form Tool</b>	Rougher None Finisher NFT10-2F

**Performance Curves**  
**Regulated Flow vs. Pressure**  
(Through cartridge only)

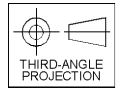




**Dimensions** Millimeters (Inches)



**Installation Torque**  
**Aluminum** 22 Nm (16 lb. ft.)  
**Steel** 65 Nm (48 lb. ft.)



**Ordering Information**

**FR101**

10 Size Pressure Compensated Flow Regulator (Restrictive)

Adjustment Style    Flow Setting/Range    Optional Setting    Seals    Body Material    Port Size

Code	Adjustment Style
F	Fixed Style present at factory
K	Knob Adjust
S	Screw Adjust

Code	Fixed Style Flow
100	3.8 LPM (1 GPM)
200	7.5 LPM (2 GPM)
300	11.3 LPM (3 GPM)
400	15 LPM (4 GPM)
500	18.8 LPM (5 GPM)
600	22.5 LPM (6 GPM)

**Optional Setting**  
 Flow setting specified in .38 LPM (.1 GPM) increments other than standard

Code	Seals / Kit. No.
Omit	Nitrile / (SK10-2N)
V	Fluorocarbon / (SK10-2V)

Code	Body Material
Omit	Steel
A	Aluminum

Code	Knob/Screw Style Flow Range
065	1.9-3.0 LPM (0.5-0.8 GPM)
095	3.0-4.5 LPM (0.8-1.2 GPM)
135	4.1-6.4 LPM (1.1-1.7 GPM)
185	6.0-8.3 LPM (1.6-2.2 GPM)
260	7.9-11.6 LPM (2.1-3.1 GPM)
375	11.3-16.9 LPM (3.0-4.5 GPM)
550	16.1-25.1 LPM (4.3-6.7 GPM)

Code	Port Size	Body Part No.
Omit	Cartridge Only	
6T	SAE-6	(B10-2-*6T)
8T	SAE-8	(B10-2-*8T)

\* Add "A" for aluminum, omit for steel.

- CV Check Valves
- SH Shuttle Valves
- LM Load/Motor Controls
- FC Flow Controls
- PC Pressure Controls
- LE Logic Elements
- DC Directional Controls
- MV Manual Valves
- SV Solenoid Valves
- PV Proportional Valves
- CE Coils & Electronics
- BC Bodies & Cavities
- TD Technical Data

**CV**

Check  
Valves

**SH**

Shuttle  
Valves

**LM**

Load/Motor  
Controls

**FC**

Flow  
Controls

**PC**

Pressure  
Controls

**LE**

Logic  
Elements

**DC**

Directional  
Controls

**MV**

Manual  
Valves

**SV**

Solenoid  
Valves

**PV**

Proportional  
Valves

**CE**

Coils &  
Electronics

**BC**

Bodies &  
Cavities

**TD**

Technical  
Data

**General Description**

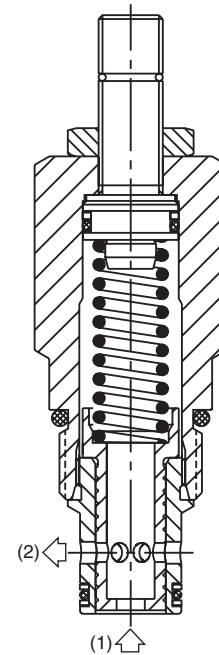
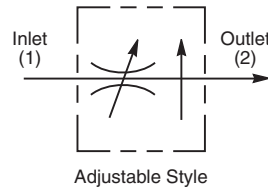
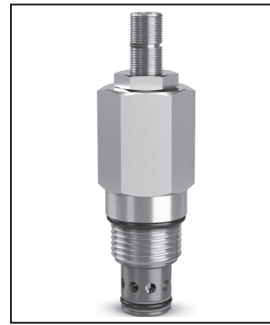
Restrictive Style, Pressure Compensated Flow Control Valve. For additional information see Technical Tips on pages FC1-FC4.

**Features**

- Minimal flow change with pressure variation
- Reverse flow function
- Full adjustment from 1-40 LPM (0.3-10.6 GPM)
- Hardened working parts for maximum durability
- Adjustable and tamperproof versions available
- All external parts zinc plated

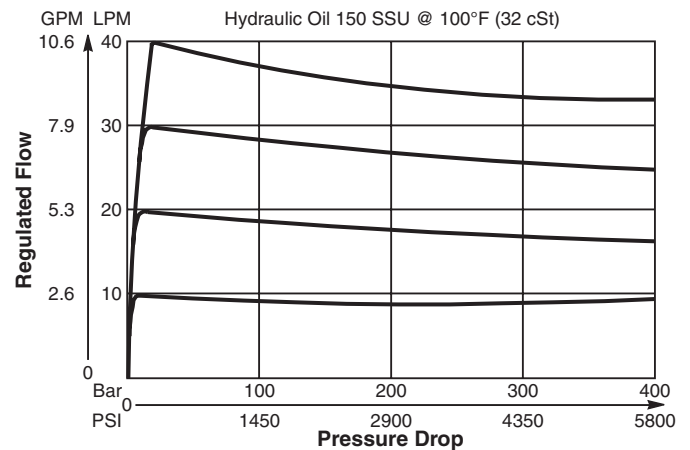
**Specifications**

<b>Rated Flow</b>	40 LPM (10.6 GPM)
<b>Maximum Inlet Pressure</b>	420 Bar (6000 PSI)
<b>Cartridge Material</b>	All parts steel. All operating parts hardened steel.
<b>Operating Temp. Range/Seals</b>	-34°C to +121°C (Nitrile) (-30°F to +250°F) -26°C to +204°C (Fluorocarbon) (-15°F to +400°F)
<b>Fluid Compatibility/ Viscosity</b>	Mineral-based or synthetic with lubricating properties at viscosities of 45 to 2000 SSU (6 to 420 cSt)
<b>Filtration</b>	ISO-4406 18/16/13, SAE Class 4
<b>Approx. Weight</b>	.20 kg (.44 lbs.)
<b>Cavity</b>	C10-2 (See BC Section for more details)
<b>Form Tool</b>	Rougher None Finisher NFT10-2F

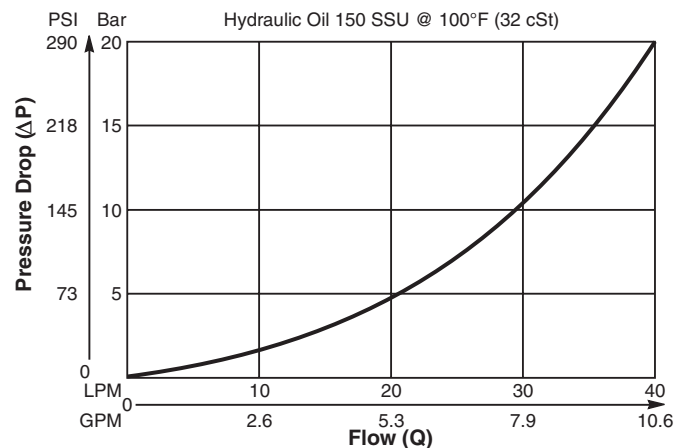


**Performance Curves (Through cartridge only)**

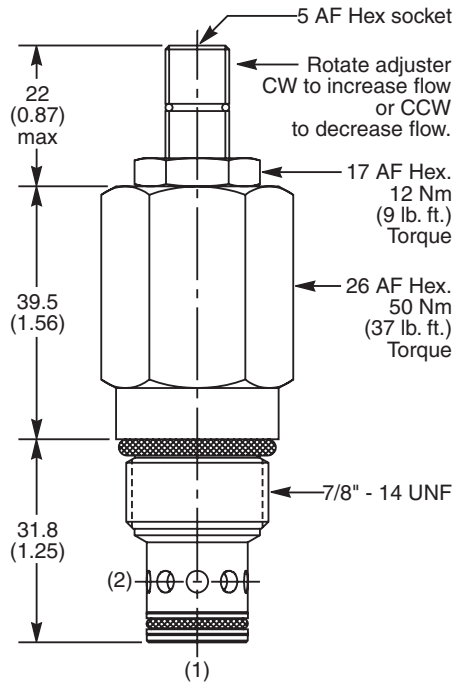
**Flow Regulating Performance**



**Reverse Flow Pressure Drop vs. Flow**



**Dimensions** Millimeters (Inches)



**Ordering Information**

<b>J04E2</b>					
<b>10 Size Pressure Compensated Flow Control Valve</b>	Adjustment Style	Optional Flow Setting	Seals	Body Material	Port Size

Code	Adjustment Style
Z	Screw Adjust (Std.)
W	Knob Adjust
T	Tamper Resistant Cap (TC1130)

Code	Seals / Kit. No.
N	Nitrile, Buna-N (Std.) / (SK30503N-1)
V	Fluorocarbon / (SK30503V-1)

Code	Body Material
Omit	Steel
A	Aluminum

Code	Port Size	Body Part No.
Omit	Cartridge Only	
6T	SAE-6	(B10-2-*6T)
8T	SAE-8	(B10-2-*8T)

\* Add "A" for aluminum, omit for steel.

Code	Optional Flow Setting
Omit	Omit for no setting* Specify setting if required (LPM)

\* Appropriate mid-range setting for Standard = 20 LPM

**CV**

Check Valves

**SH**

Shuttle Valves

**LM**

Load/Motor Controls

**FC**

Flow Controls

**PC**

Pressure Controls

**LE**

Logic Elements

**DC**

Directional Controls

**MV**

Manual Valves

**SV**

Solenoid Valves

**PV**

Proportional Valves

**CE**

Coils & Electronics

**BC**

Bodies & Cavities

**TD**

Technical Data

**Technical Information**

**CV**

Check Valves

**SH**

Shuttle Valves

**LM**

Load/Motor Controls

**FC**

Flow Controls

**PC**

Pressure Controls

**LE**

Logic Elements

**DC**

Directional Controls

**MV**

Manual Valves

**SV**

Solenoid Valves

**PV**

Proportional Valves

**CE**

Coils & Electronics

**BC**

Bodies & Cavities

**TD**

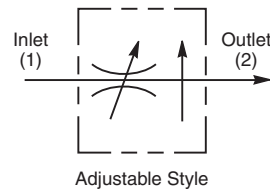
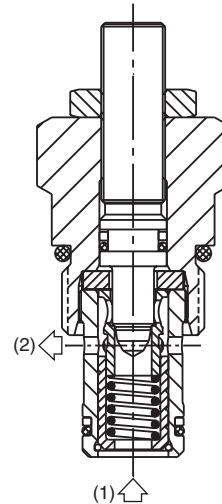
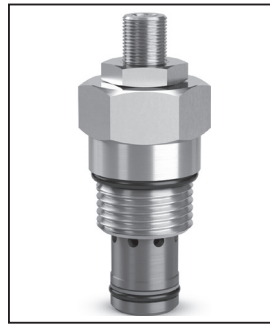
Technical Data

**General Description**

Restrictive Variable Orifice Style, Pressure Compensated Flow Control Valve. For additional information see Technical Tips on pages FC1-FC4.

**Features**

- Minimal flow change with pressure variation
- Partial reverse flow capability
- Full adjustment from 1-40 LPM (0.3-10.6 GPM)
- Hardened working parts for maximum durability
- Adjustable and tamperproof versions available
- All external parts zinc plated

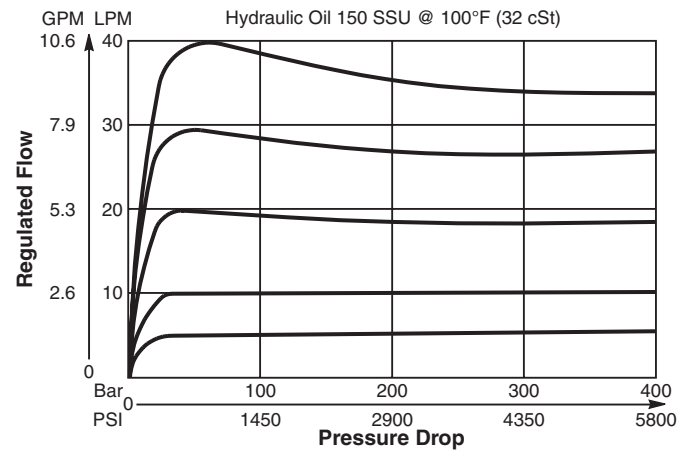


**Specifications**

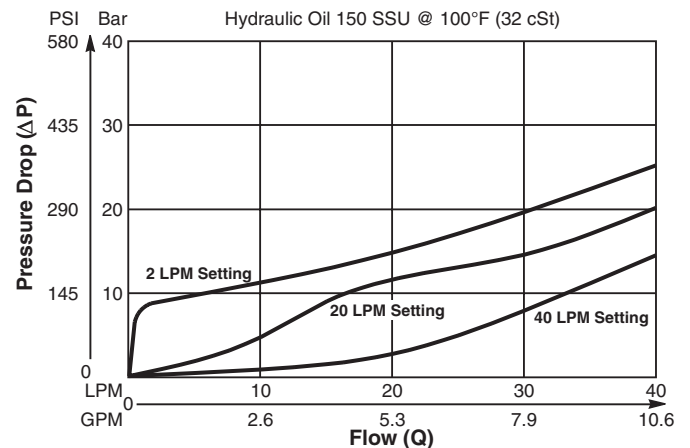
<b>Rated Flow</b>	40 LPM (10.6 GPM)
<b>Maximum Inlet Pressure</b>	420 Bar (6000 PSI)
<b>Cartridge Material</b>	All parts steel. All operating parts hardened steel.
<b>Operating Temp. Range/Seals</b>	-34°C to +121°C (Nitrile) (-30°F to +250°F) -26°C to +204°C (Fluorocarbon) (-15°F to +400°F)
<b>Fluid Compatibility/ Viscosity</b>	Mineral-based or synthetic with lubricating properties at viscosities of 45 to 2000 SSU (6 to 420 cSt)
<b>Filtration</b>	ISO-4406 18/16/13, SAE Class 4
<b>Approx. Weight</b>	.15 kg (.33 lbs.)
<b>Cavity</b>	C10-2 (See BC Section for more details)
<b>Form Tool</b>	Rougher None Finisher NFT10-2F

**Performance Curves (Through cartridge only)**

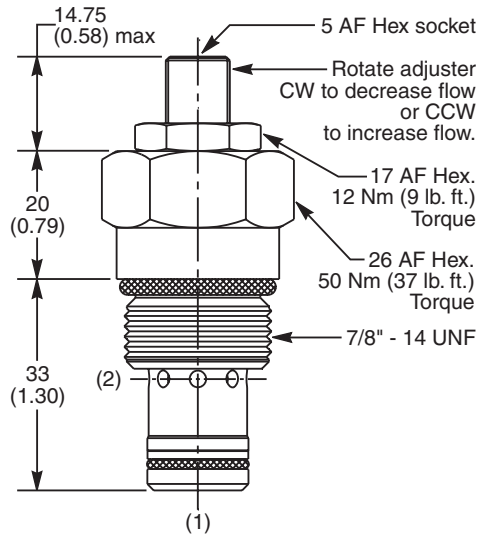
**Flow Regulating Performance 1 to 2**



**Reverse Flow Pressure Drop vs. Flow 2 to 1**



**Dimensions** Millimeters (Inches)



**Ordering Information**

<b>J04C2</b>	<input type="checkbox"/>	<input type="checkbox"/>	<input type="checkbox"/>	<input type="checkbox"/>	<input type="checkbox"/>
<b>10 Size Pressure Compensated Flow Control Valve</b>	<b>Adjustment Style</b>	<b>Optional Flow Setting</b>	<b>Seals</b>	<b>Body Material</b>	<b>Port Size</b>

Code	Adjustment Style
Z	Screw Adjust (Std.)
W	Knob Adjust
T	Tamper Resistant Cap (TC1130)

Code	Seals / Kit. No.
N	Nitrile, Buna-N (Std.) / (SK30503N-1)
V	Fluorocarbon / (SK30503V-1)

Code	Body Material
Omit	Steel
A	Aluminum

Code	Port Size	Body Part No.
Omit	Cartridge Only	
6T	SAE-6	(B10-2-*6T)
8T	SAE-8	(B10-2-*8T)

\* Add "A" for aluminum, omit for steel.

Code	Optional Flow Setting
Omit	Omit for no setting* Specify setting if required (LPM)

\* Appropriate mid-range setting for Standard = 20 LPM

**CV**

Check Valves

**SH**

Shuttle Valves

**LM**

Load/Motor Controls

**FC**

Flow Controls

**PC**

Pressure Controls

**LE**

Logic Elements

**DC**

Directional Controls

**MV**

Manual Valves

**SV**

Solenoid Valves

**PV**

Proportional Valves

**CE**

Coils & Electronics

**BC**

Bodies & Cavities

**TD**

Technical Data

**Technical Information**

**CV**

Check  
Valves

**SH**

Shuttle  
Valves

**LM**

Load/Motor  
Controls

**FC**

Flow  
Controls

**PC**

Pressure  
Controls

**LE**

Logic  
Elements

**DC**

Directional  
Controls

**MV**

Manual  
Valves

**SV**

Solenoid  
Valves

**PV**

Proportional  
Valves

**CE**

Coils &  
Electronics

**BC**

Bodies &  
Cavities

**TD**

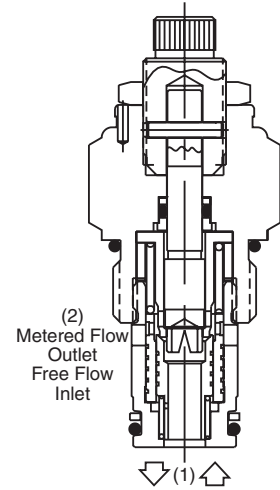
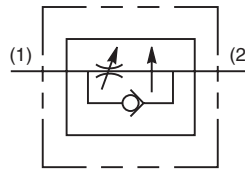
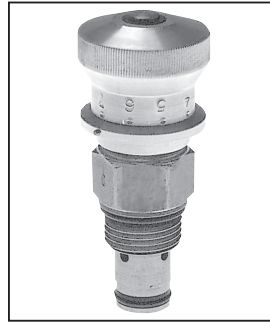
Technical  
Data

**General Description**

Fully Adjustable, Pressure Compensated Flow Control Valve. For additional information see Technical Tips on pages FC1-FC4.

**Features**

- Fully adjustable from 0.75 LPM (0.2 GPM) to 20.6 LPM (5.5 GPM)
- Hardened, precision ground parts for durability
- All external parts are zinc plated
- Compact size for reduced space requirements

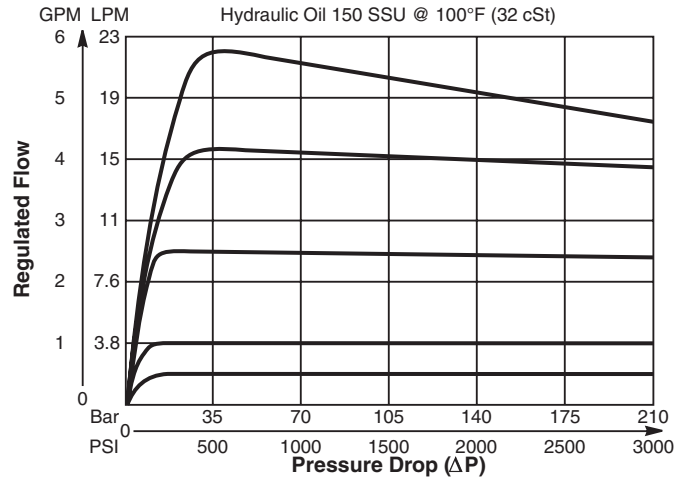


**Specifications**

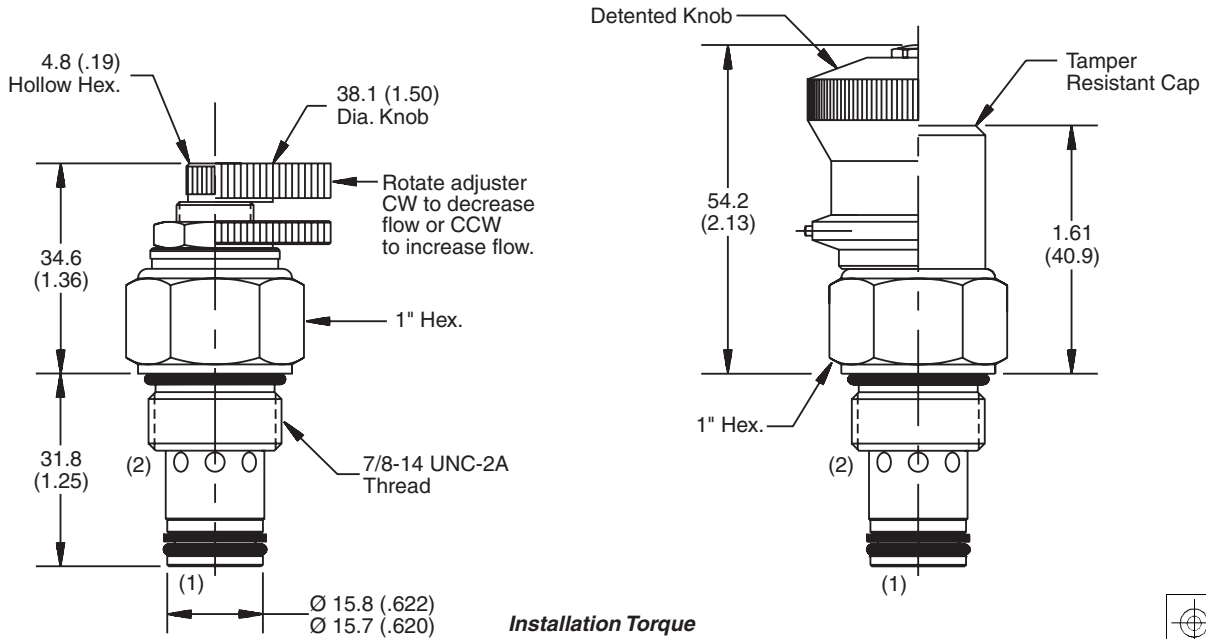
<b>Rated Flow</b>	0.75 LPM (0.2 GPM) 20.6 LPM (5.5 GPM)
<b>Maximum Inlet Pressure</b>	210 Bar (3000 PSI)
<b>Cartridge Material</b>	All parts steel. All operating parts hardened steel.
<b>Operating Temp. Range/Seals</b>	-34°C to +121°C (Nitrile) (-30°F to +250°F) -26°C to +204°C (Fluorocarbon) (-15°F to +400°F)
<b>Fluid Compatibility/ Viscosity</b>	Mineral-based or synthetic with lubricating properties at viscosities of 45 to 2000 SSU (6 to 420 cSt)
<b>Filtration</b>	ISO-4406 18/16/13, SAE Class 4
<b>Approx. Weight</b>	.23 kg (0.5 lbs.)
<b>Cavity</b>	C10-2 (See BC Section for more details)
<b>Form Tool</b>	Rougher None Finisher NFT10-2F

**Performance Curves**

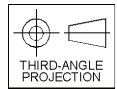
**Regulated Flow vs. Pressure Drop**  
(Through cartridge only)



**Dimensions** Millimeters (Inches)



**Installation Torque**  
**Aluminum** 22 Nm (16 lb. ft.)  
**Steel** 65 Nm (48 lb. ft.)



**Ordering Information**

<b>FA101</b>	<input type="checkbox"/>	<input type="checkbox"/>	<input type="checkbox"/>	<input type="checkbox"/>
<b>10 Size Pressure Compensated Flow Control Valve</b>	<b>Adjustment Style</b>	<b>Seals</b>	<b>Body Material</b>	<b>Port Size</b>

Code	Adjustment Style
D	Detented Knob
K	Knob Adjust (717784-10)
S	Screw Adjust
T	Tamper Resistant Cap (717785)

Code	Seals / Kit. No.
Omit	Nitrile / (SK10-2N)
V	Fluorocarbon / (SK10-2V)

Code	Body Material
Omit	Steel
A	Aluminum

Code	Port Size	Body Part No.
Omit	Cartridge Only	
6T	SAE-6	(B10-2-*6T)
8T	SAE-8	(B10-2-*8T)

\* Add "A" for aluminum, omit for steel.

- CV
- Check Valves
- SH
- Shuttle Valves
- LM
- Load/Motor Controls
- FC
- Flow Controls
- PC
- Pressure Controls
- LE
- Logic Elements
- DC
- Directional Controls
- MV
- Manual Valves
- SV
- Solenoid Valves
- PV
- Proportional Valves
- CE
- Coils & Electronics
- BC
- Bodies & Cavities
- TD
- Technical Data



**Technical Information**

**CV**

Check  
Valves

**SH**

Shuttle  
Valves

**LM**

Load/Motor  
Controls

**FC**

Flow  
Controls

**PC**

Pressure  
Controls

**LE**

Logic  
Elements

**DC**

Directional  
Controls

**MV**

Manual  
Valves

**SV**

Solenoid  
Valves

**PV**

Proportional  
Valves

**CE**

Coils &  
Electronics

**BC**

Bodies &  
Cavities

**TD**

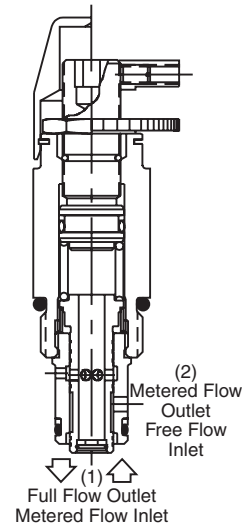
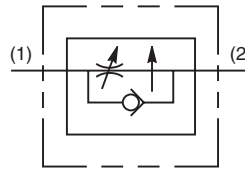
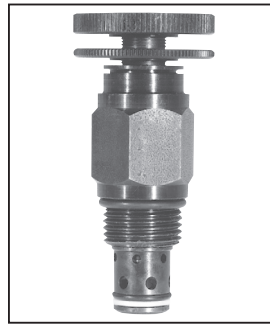
Technical  
Data

**General Description**

Pressure Compensated Flow Control. For additional information see Technical Tips on pages FC1-FC4.

**Features**

- Hardened, precision ground parts for durability
- Compact size for reduced space requirements
- Free flow in reverse condition
- All external parts zinc plated

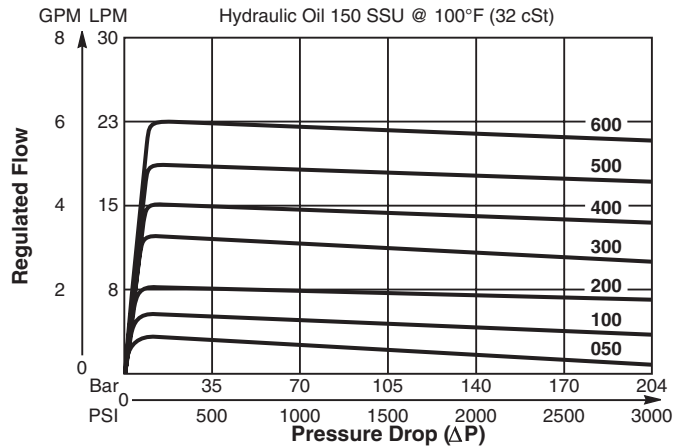


**Specifications**

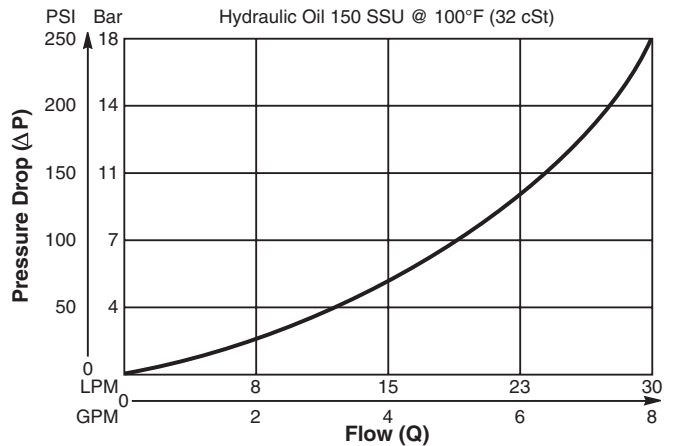
<b>Rated Flow</b>	56 LPM (15 GPM)
<b>Maximum Inlet Pressure</b>	210 Bar (3000 PSI)
<b>Cartridge Material</b>	All parts steel. All operating parts hardened steel.
<b>Operating Temp. Range/Seals</b>	-34°C to +121°C (Nitrile) (-30°F to +250°F) -26°C to +204°C (Fluorocarbon) (-15°F to +400°F)
<b>Fluid Compatibility/ Viscosity</b>	Mineral-based or synthetic with lubricating properties at viscosities of 45 to 2000 SSU (6 to 420 cSt)
<b>Filtration</b>	ISO-4406 18/16/13, SAE Class 4
<b>Approx. Weight</b>	.23 kg (0.5 lbs.)
<b>Cavity</b>	C10-2 (See BC Section for more details)
<b>Form Tool</b>	Rougher None Finisher NFT10-2F

**Performance Curves**

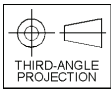
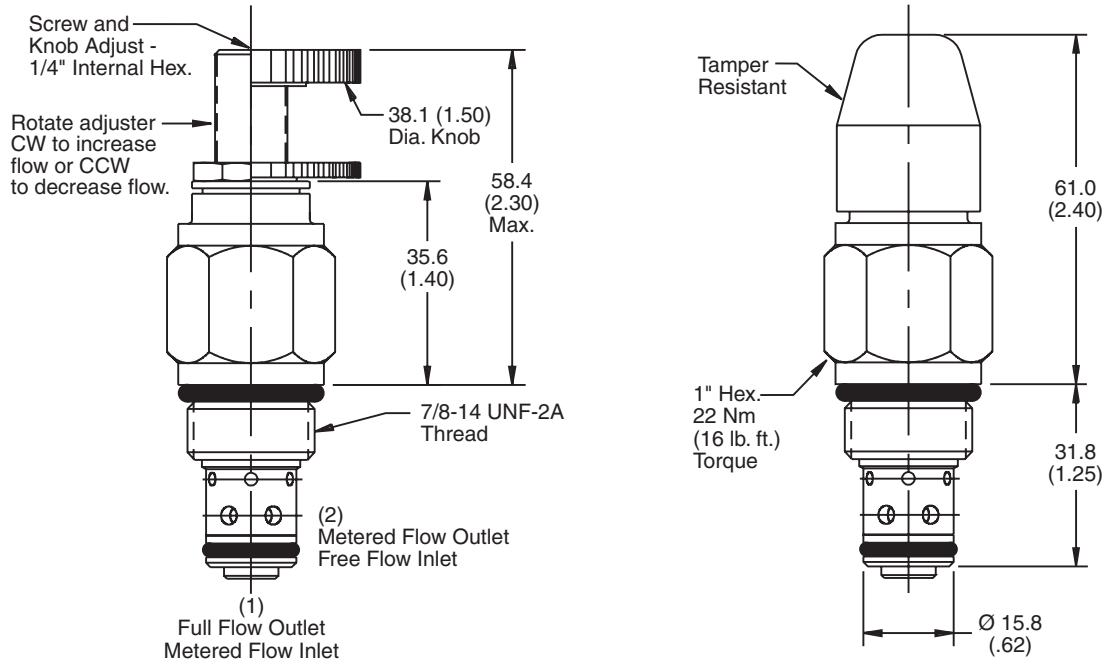
**Regulated Flow vs. Pressure Drop**  
(Through cartridge only)



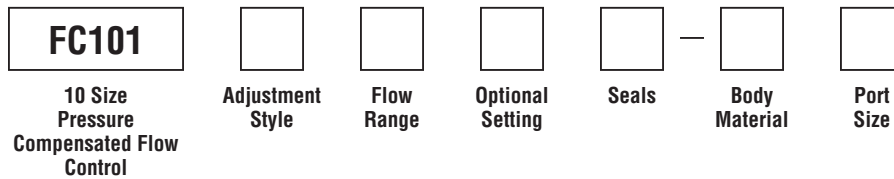
**Pressure Drop vs. Flow (Through cartridge only)**



**Dimensions** Millimeters (Inches)



**Ordering Information**



Code	Adjustment Style
<b>K</b>	Knob Adjust (840208K)
<b>S</b>	Screw Adjust
<b>T</b>	Tamper Resistant Cap (717783)

Code	Optional Setting
	Flow setting specified in .38 LPM (.1 GPM) increments other than standard

Code	Body Material
<b>Omit</b>	Steel
<b>A</b>	Aluminum

Code	Flow Range and Standard Setting
<b>050</b>	1.1-3.8 LPM (.30-1.0 GPM) (1.9 LPM (.5 GPM) @ 69 Bar (1000 PSI) ΔP)
<b>100</b>	2.8-8.3 LPM (.75-2.2 GPM) (3.8 LPM (1 GPM) @ 69 Bar (1000 PSI) ΔP)
<b>300</b>	7.5-16.9 LPM (2.0-4.5 GPM) (11.3 LPM (3 GPM) @ 69 Bar (1000 PSI) ΔP)
<b>600</b>	15-30 LPM (4.0-8.0 GPM) (22.5 LPM (6 GPM) @ 69 Bar (1000 PSI) ΔP)

Code	Seals / Kit. No.
<b>Omit</b>	Nitrile / (SK10-2N)
<b>V</b>	Fluorocarbon / (SK10-2V)

Code	Port Size	Body Part No.
<b>Omit</b>	Cartridge Only	
<b>6T</b>	SAE-6	(B10-2-*6T)
<b>8T</b>	SAE-8	(B10-2-*8T)

\* Add "A" for aluminum, omit for steel.

- CV** Check Valves
- SH** Shuttle Valves
- LM** Load/Motor Controls
- FC** Flow Controls
- PC** Pressure Controls
- LE** Logic Elements
- DC** Directional Controls
- MV** Manual Valves
- SV** Solenoid Valves
- PV** Proportional Valves
- CE** Coils & Electronics
- BC** Bodies & Cavities
- TD** Technical Data

**CV**

Check  
Valves

**SH**

Shuttle  
Valves

**LM**

Load/Motor  
Controls

**FC**

Flow  
Controls

**PC**

Pressure  
Controls

**LE**

Logic  
Elements

**DC**

Directional  
Controls

**MV**

Manual  
Valves

**SV**

Solenoid  
Valves

**PV**

Proportional  
Valves

**CE**

Coils &  
Electronics

**BC**

Bodies &  
Cavities

**TD**

Technical  
Data

**General Description**

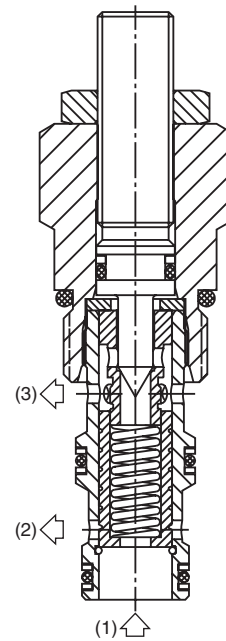
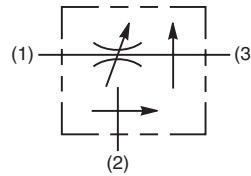
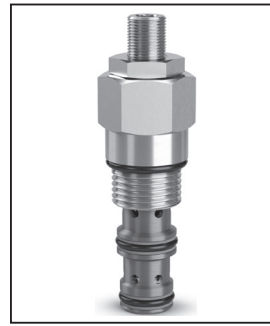
Needle Type, Pressure Compensated Flow Regulator Valve. For additional information see Technical Tips on pages FC1-FC4.

**Features**

- Good adjustment from 1-15 LPM (0.3-4 GPM)
- Used for systems requiring priority flow such as steering systems
- Hardened working parts for maximum durability
- Reverse flow function 3 to 1
- Adjustable and tamperproof versions available
- All external parts zinc plated

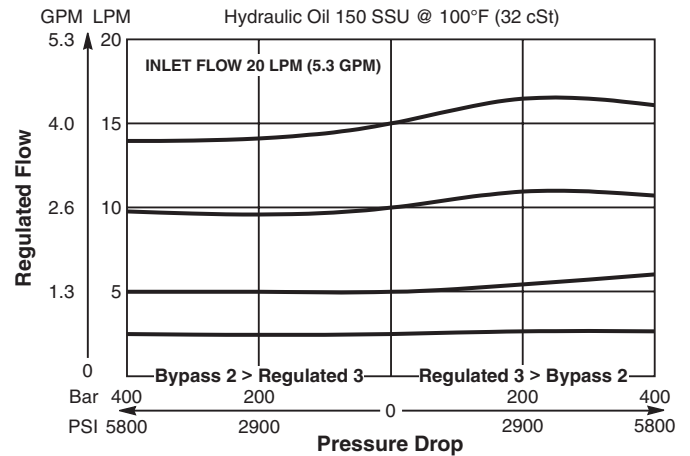
**Specifications**

<b>Rated Flow</b>	15 LPM (4 GPM)
<b>Maximum Inlet Pressure</b>	420 Bar (6000 PSI)
<b>Cartridge Material</b>	All parts steel. All operating parts hardened steel.
<b>Operating Temp. Range/Seals</b>	-34°C to +121°C (Nitrile) (-30°F to +250°F) -26°C to +204°C (Fluorocarbon) (-15°F to +400°F)
<b>Fluid Compatibility/ Viscosity</b>	Mineral-based or synthetic with lubricating properties at viscosities of 45 to 2000 SSU (6 to 420 cSt)
<b>Filtration</b>	ISO-4406 18/16/13, SAE Class 4
<b>Approx. Weight</b>	.08 kg (.18 lbs.)
<b>Cavity</b>	C08-3 (See BC Section for more details)
<b>Form Tool</b>	Rougher    NFT08-3R Finisher    NFT08-3F

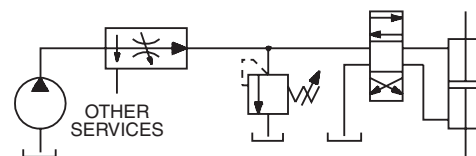


**Performance Curves (Through cartridge only)**

**Flow Regulating Performance**

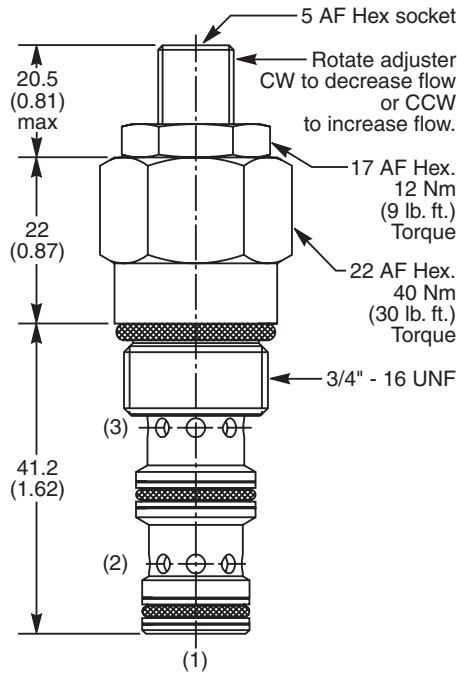


**Application**



Priority flow on steering circuit

**Dimensions** Millimeters (Inches)



**Ordering Information**

<b>J02D3</b>	<input type="checkbox"/>	<input type="checkbox"/>	<input type="checkbox"/>	<input type="checkbox"/>	<input type="checkbox"/>
<b>Pressure Compensated Priority Flow Control Valve</b>	<b>Adjustment Style</b>	<b>Optional Flow Setting</b>	<b>Seals</b>	<b>Body Material</b>	<b>Port Size</b>

Code	Adjustment Style
Z	Screw Adjust (Std.)
W	Knob Adjust
T	Tamper Resistant Cap (TC1130)

Code	Seals / Kit. No.
N	Nitrile, Buna-N (Std.) / (SK30501N-1)
V	Fluorocarbon / (SK30501V-1)

Code	Body Material
Omit	Steel
A	Aluminum

Code	Port Size	Body Part No.
Omit	Cartridge Only	
4T	SAE-4	(B08-3-*4T)
6T	SAE-6	(B08-3-*6T)

\* Add "A" for aluminum, omit for steel.

Code	Optional Flow Setting
Omit	Omit for no setting* Specify setting if required (LPM)

\* Appropriate mid-range setting for Standard = 7 LPM

**CV**

Check Valves

**SH**

Shuttle Valves

**LM**

Load/Motor Controls

**FC**

Flow Controls

**PC**

Pressure Controls

**LE**

Logic Elements

**DC**

Directional Controls

**MV**

Manual Valves

**SV**

Solenoid Valves

**PV**

Proportional Valves

**CE**

Coils & Electronics

**BC**

Bodies & Cavities

**TD**

Technical Data

**Technical Information**

- CV** Check Valves
- SH** Shuttle Valves
- LM** Load/Motor Controls
- FC** Flow Controls
- PC** Pressure Controls
- LE** Logic Elements
- DC** Directional Controls
- MV** Manual Valves
- SV** Solenoid Valves
- PV** Proportional Valves
- CE** Coils & Electronics
- BC** Bodies & Cavities
- TD** Technical Data

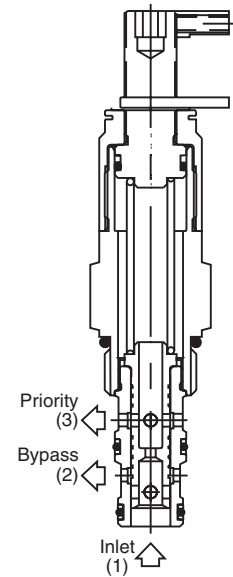
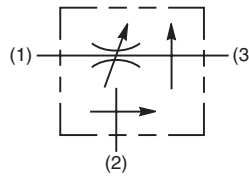
**General Description**

Pressure Compensated Priority Flow Regulator Valve. For additional information see Technical Tips on pages FC1-FC4.

**Caution:** If the priority line is blocked so that no flow can pass through the control orifice; the compensator spool will shift, blocking the bypass port and allowing inlet pressure to go to full system relief pressure. The FP101 cartridge does not provide a pressure relieving function.

**Specifications**

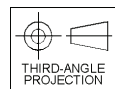
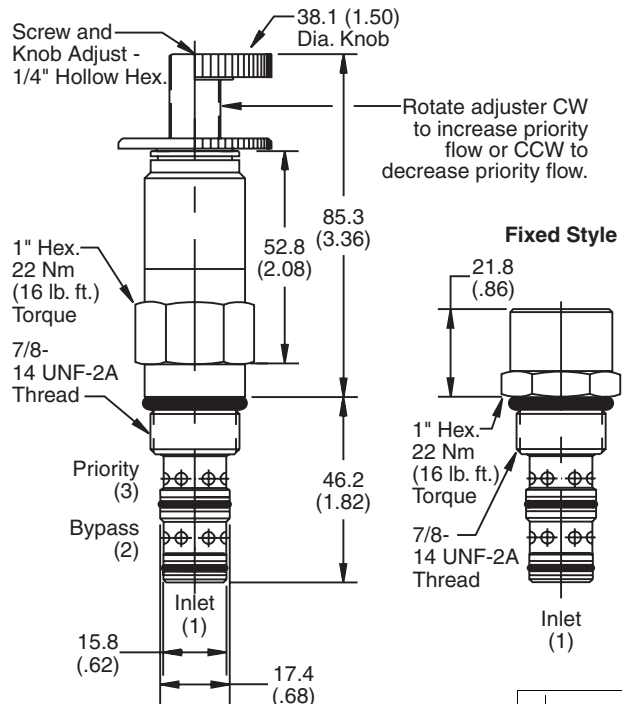
<b>Maximum Priority Flow</b>	<b>Fixed</b> 30.0 LPM (8 GPM) <b>Adjusted</b> 33.8 LPM (9 GPM)
<b>Maximum Inlet Flow</b>	56.3 LPM (15 GPM)
<b>Minimum Inlet Flow</b>	See Valve Performance Curves
<b>Maximum Inlet Pressure</b>	245 Bar (3500 PSI)
<b>Minimum Inlet Pressure</b>	See Valve Performance Curves
<b>Accuracy (Fixed)</b>	±20%
<b>Adjustment Range (Adj. Version)</b>	±20% Nominal
<b>Cartridge Material</b>	All parts steel. All operating parts hardened steel.
<b>Operating Temp. Range/Seals</b>	-34°C to +121°C (Nitrile) (-30°F to +250°F) -26°C to +204°C (Fluorocarbon) (-15°F to +400°F)
<b>Fluid Compatibility/Viscosity</b>	Mineral-based or synthetic with lubricating properties at viscosities of 45 to 2000 SSU (6 to 420 cSt)
<b>Filtration</b>	ISO-4406 18/16/13, SAE Class 4
<b>Approx. Weight</b>	.23 kg (0.5 lbs.)
<b>Cavity</b>	No. C10-3 (See BC Section for more details)
<b>Form Tool</b>	Regulator NFT10-3R Finisher NFT10-3F



**Features**

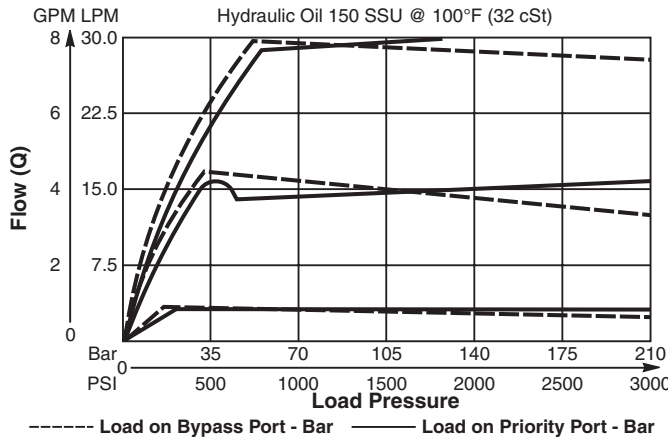
- Hardened, precision ground parts for durability
- Cartridge design
- Acts as a fixed orifice in reverse flow condition (Priority line only)
- All external parts zinc plated

**Dimensions** Millimeters (Inches)

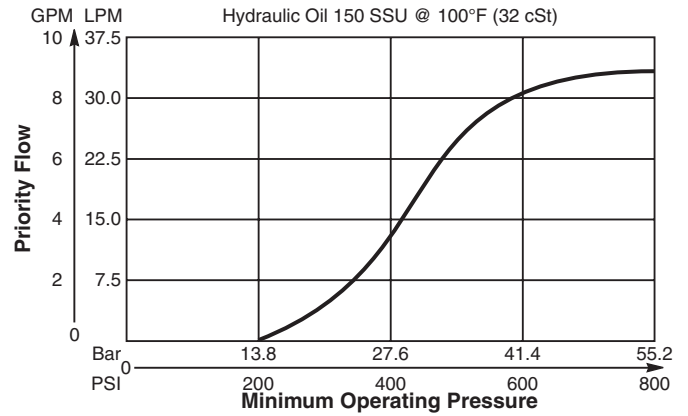


**Performance Curves** (Through cartridge only)

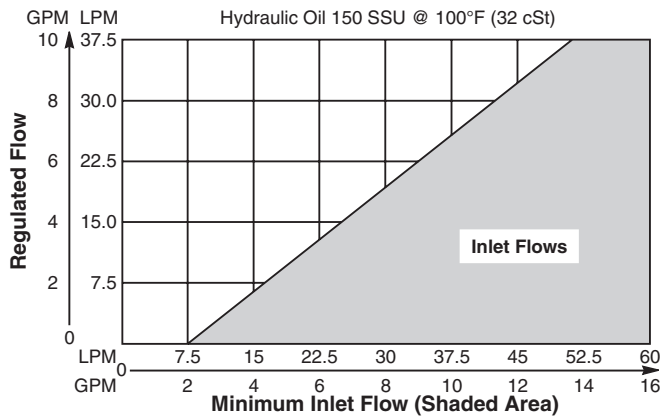
**Regulated Flow vs. Load Pressure**



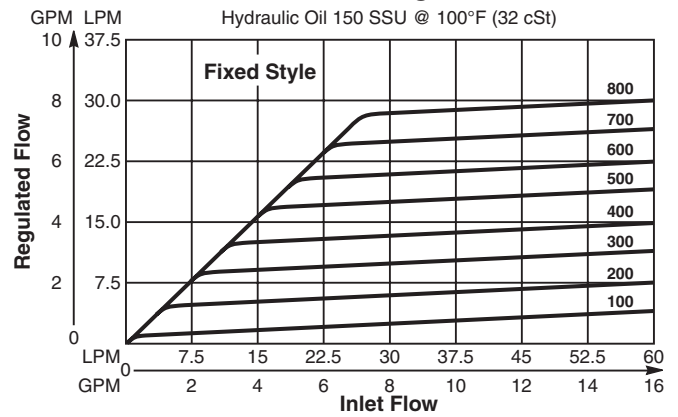
**Pressure vs. Priority Flow**  
**Minimum Operating Pressure**



**Minimum Inlet Flow**



**Inlet Flow vs. Regulated Flow**



**Ordering Information**

**FP101**             —    

**10 Size Pressure Compensated Flow Regulator**    **Adjustment Style**    **Flow Setting/Range**    **Seals**    **Body Material**    **Port Size**

Code	Adjustment Style
F	Fixed Style present at factory
K	Knob Adjust
S	Screw Adjust

Code	Fixed Style Flow	Code	Knob/Screw Style Flow Range
100	3.8 LPM (1 GPM)	085	2.6-3.8 LPM (0.7-1.0 GPM)
200	7.5 LPM (2 GPM)	110	3.0-5.3 LPM (0.8-1.4 GPM)
300	11.3 LPM (3 GPM)	155	4.5-7.1 LPM (1.2-1.9 GPM)
400	15 LPM (4 GPM)	220	6.4-10.1 LPM (1.7-2.7 GPM)
500	18.8 LPM (5 GPM)	295	8.6-13.5 LPM (2.3-3.6 GPM)
600	22.5 LPM (6 GPM)	405	11.6-18.8 LPM (3.1-5.0 GPM)
700	26.3 LPM (7 GPM)	575	16.9-26.3 LPM (4.5-7.0 GPM)
800	30 LPM (8 GPM)	780	23.6-34.9 LPM (6.3-9.3 GPM)

Code	Body Material
Omit	Steel
A	Aluminum

Code	Port Size	Body Part No.
Omit	Cartridge Only	
6T	SAE-6	(B10-3-*6T)
8T	SAE-8	(B10-3-*8T)

\* Add "A" for aluminum, omit for steel.

Code	Seals / Kit. No.
Omit	Nitrile / (SK10-3N)
V	Fluorocarbon / (SK10-3V)

**CV**

Check Valves

**SH**

Shuttle Valves

**LM**

Load/Motor Controls

**FC**

Flow Controls

**PC**

Pressure Controls

**LE**

Logic Elements

**DC**

Directional Controls

**MV**

Manual Valves

**SV**

Solenoid Valves

**PV**

Proportional Valves

**CE**

Coils & Electronics

**BC**

Bodies & Cavities

**TD**

Technical Data

**Technical Information**

**CV**

Check  
Valves

**SH**

Shuttle  
Valves

**LM**

Load/Motor  
Controls

**FC**

Flow  
Controls

**PC**

Pressure  
Controls

**LE**

Logic  
Elements

**DC**

Directional  
Controls

**MV**

Manual  
Valves

**SV**

Solenoid  
Valves

**PV**

Proportional  
Valves

**CE**

Coils &  
Electronics

**BC**

Bodies &  
Cavities

**TD**

Technical  
Data

**General Description**

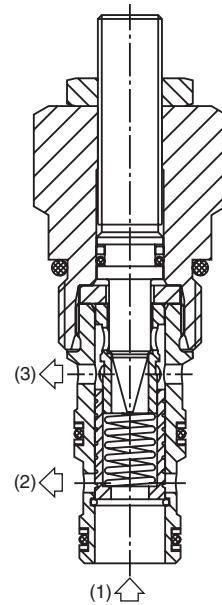
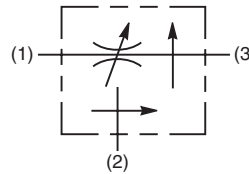
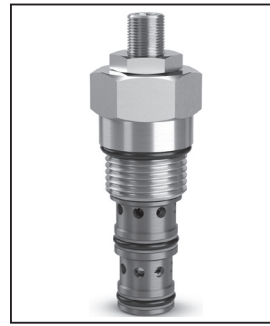
Priority Type, Pressure Compensated Flow Regulator Valve. For additional information see Technical Tips on pages FC1-FC4.

**Features**

- High flow capacity
- Good adjustment from 2-45 LPM (0.5-12 GPM)
- Used for systems requiring priority flow such as steering systems
- Hardened working parts for maximum durability
- Reverse flow function 3 to 1
- Adjustable and tamperproof versions available
- All external parts zinc plated

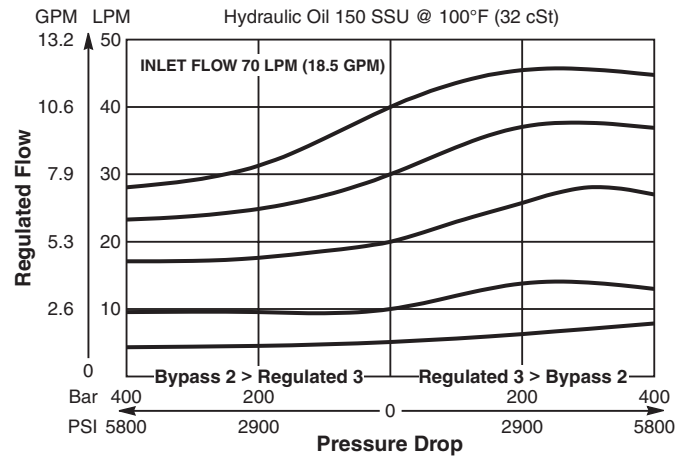
**Specifications**

<b>Rated Flow - Inlet</b>	70 LPM (18 GPM)
<b>Maximum Regulated Flow</b>	45 LPM (12 GPM)
<b>Maximum Inlet Pressure</b>	420 Bar (6000 PSI)
<b>Cartridge Material</b>	All parts steel. All operating parts hardened steel.
<b>Operating Temp. Range/Seals</b>	-34°C to +121°C (Nitrile) (-30°F to +250°F) -26°C to +204°C (Fluorocarbon) (-15°F to +400°F)
<b>Fluid Compatibility/ Viscosity</b>	Mineral-based or synthetic with lubricating properties at viscosities of 45 to 2000 SSU (6 to 420 cSt)
<b>Filtration</b>	ISO-4406 18/16/13, SAE Class 4
<b>Approx. Weight</b>	.18 kg (.40 lbs.)
<b>Cavity</b>	C10-3 (See BC Section for more details)
<b>Form Tool</b>	Rougher NFT10-3R Finisher NFT10-3F

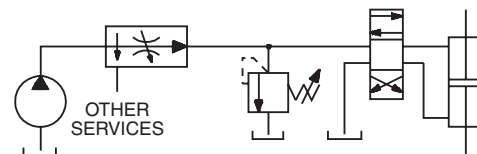


**Performance Curves (Through cartridge only)**

**Flow Regulating Performance**



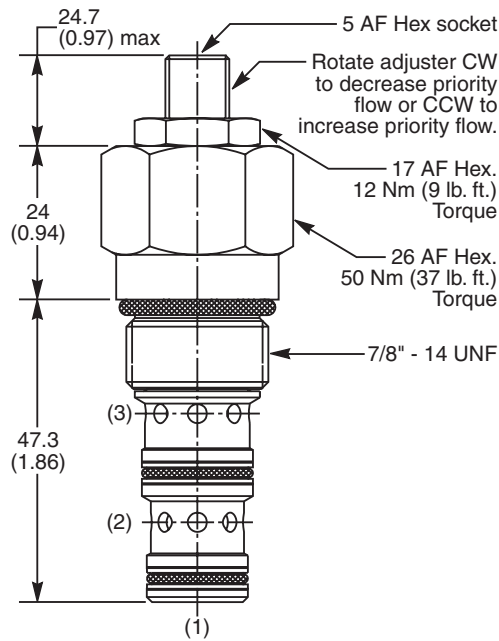
**Application**



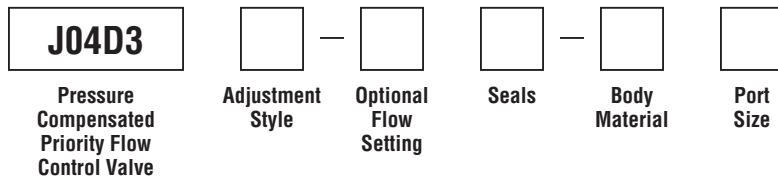
Priority flow on steering circuit



**Dimensions** Millimeters (Inches)



**Ordering Information**



Code	Adjustment Style
Z	Screw Adjust (Std.)
W	Knob Adjust (ASV014975)
T	Tamper Resistant Cap (TC1130)

Code	Seals / Kit. No.
N	Nitrile, Buna-N (Std.) / (SK30505N-1)
V	Fluorocarbon / (SK30505V-1)

Code	Body Material
Omit	Steel
A	Aluminum

Code	Port Size	Body Part No.
Omit	Cartridge Only	
6T	SAE-6	(B10-3-*6T)
8T	SAE-8	(B10-3-*8T)

\* Add "A" for aluminum, omit for steel.

Code	Optional Flow Setting
Omit	Omit for no setting* Specify setting if required (LPM)

\* Appropriate mid-range setting for Standard = 20 LPM

- CV** Check Valves
- SH** Shuttle Valves
- LM** Load/Motor Controls
- FC** Flow Controls
- PC** Pressure Controls
- LE** Logic Elements
- DC** Directional Controls
- MV** Manual Valves
- SV** Solenoid Valves
- PV** Proportional Valves
- CE** Coils & Electronics
- BC** Bodies & Cavities
- TD** Technical Data

**CV**

Check  
Valves

**SH**

Shuttle  
Valves

**LM**

Load/Motor  
Controls

**FC**

Flow  
Controls

**PC**

Pressure  
Controls

**LE**

Logic  
Elements

**DC**

Directional  
Controls

**MV**

Manual  
Valves

**SV**

Solenoid  
Valves

**PV**

Proportional  
Valves

**CE**

Coils &  
Electronics

**BC**

Bodies &  
Cavities

**TD**

Technical  
Data

**General Description**

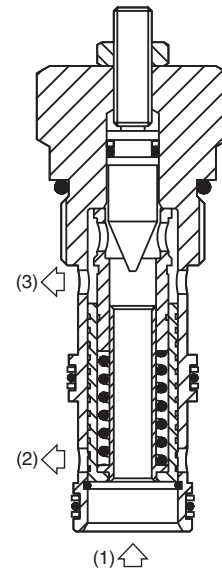
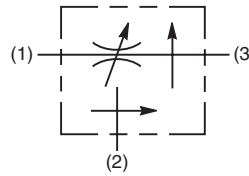
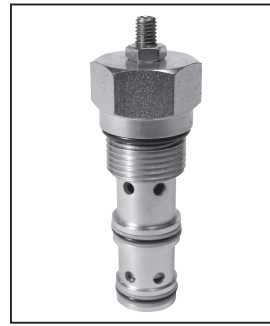
Priority Style, Pressure Compensated Flow Regulator Valve With Bypass. For additional information see Technical Tips on pages FC1-FC4.

**Features**

- Free reverse flow function
- High flow capacity
- Used for systems requiring priority flow such as steering systems
- Hardened working parts for maximum durability
- Adjustable and tamperproof versions available
- All external parts zinc plated

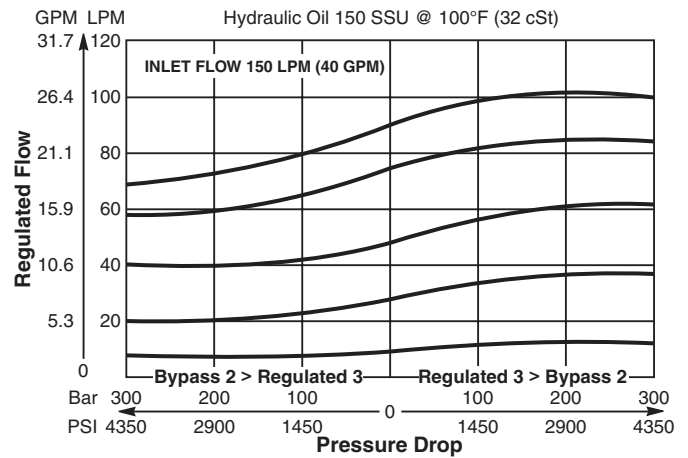
**Specifications**

<b>Rated Flow</b>	150 LPM (40 GPM)
<b>Maximum Regulated Flow</b>	90 LPM (24 GPM)
<b>Maximum Inlet Pressure</b>	350 Bar (5000 PSI)
<b>Cartridge Material</b>	All parts steel. All operating parts hardened steel.
<b>Operating Temp. Range/Seals</b>	-34°C to +121°C (Nitrile) (-30°F to +250°F) -26°C to +204°C (Fluorocarbon) (-15°F to +400°F)
<b>Fluid Compatibility/ Viscosity</b>	Mineral-based or synthetic with lubricating properties at viscosities of 45 to 2000 SSU (6 to 420 cSt)
<b>Filtration</b>	ISO-4406 18/16/13, SAE Class 4
<b>Approx. Weight</b>	.45 kg (1.00 lbs.)
<b>Cavity</b>	3A (See BC Section for more details)
<b>Form Tool</b>	See page BC56

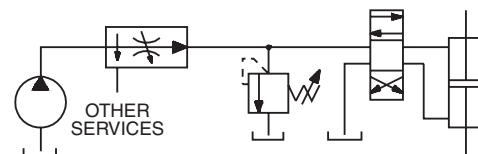


**Performance Curve (Through cartridge only)**

**Flow Regulating Performance**

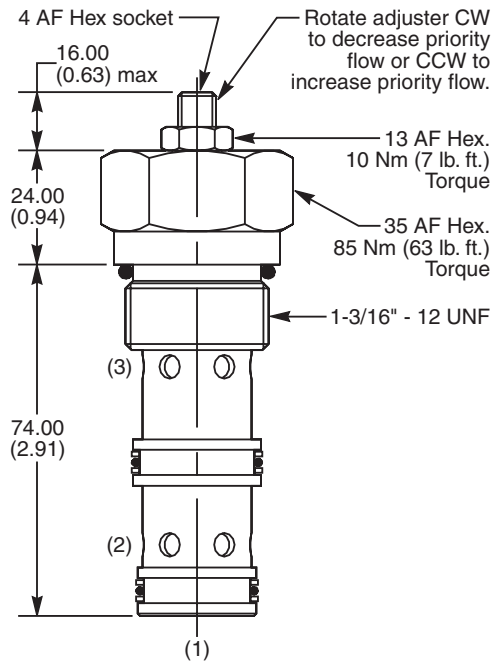


**Application**



Priority flow on steering circuit

**Dimensions** Millimeters (Inches)



**Ordering Information**

<b>J1A125</b>			
Pressure Compensated Priority Flow Control Valve	Adjustment Style	Optional Regulated Flow Setting	Seals

Code	Adjustment Style
Z	Screw Adjust (Std.)
W	Knob Adjust
T	Tamper Resistant Cap (TC1124)

Code	Seals / Kit. No.
N	Nitrile, Buna-N (Std.) / (SK30011N-1)
V	Fluorocarbon / (SK30011V-1)

Code	Optional Regulated Flow Setting
Omit	Omit for no setting (Std.)* Specify setting if required (LPM)

\* Setting for standard: J1A125  
 Inlet: 45 LPM (12 GPM)  
 Regulated: 25 LPM (6.5 GPM)

Order Bodies Separately

<b>LB10</b>		
Line Body	Porting	Body Material

Code	Porting
066	1" SAE

Code	Body Material
A	Aluminum
S	Steel

- CV**  
Check Valves
- SH**  
Shuttle Valves
- LM**  
Load/Motor Controls
- FC**  
Flow Controls
- PC**  
Pressure Controls
- LE**  
Logic Elements
- DC**  
Directional Controls
- MV**  
Manual Valves
- SV**  
Solenoid Valves
- PV**  
Proportional Valves
- CE**  
Coils & Electronics
- BC**  
Bodies & Cavities
- TD**  
Technical Data

**Technical Information**

**CV**

Check Valves

**SH**

Shuttle Valves

**LM**

Load/Motor Controls

**FC**

Flow Controls

**PC**

Pressure Controls

**LE**

Logic Elements

**DC**

Directional Controls

**MV**

Manual Valves

**SV**

Solenoid Valves

**PV**

Proportional Valves

**CE**

Coils & Electronics

**BC**

Bodies & Cavities

**TD**

Technical Data

**General Description**

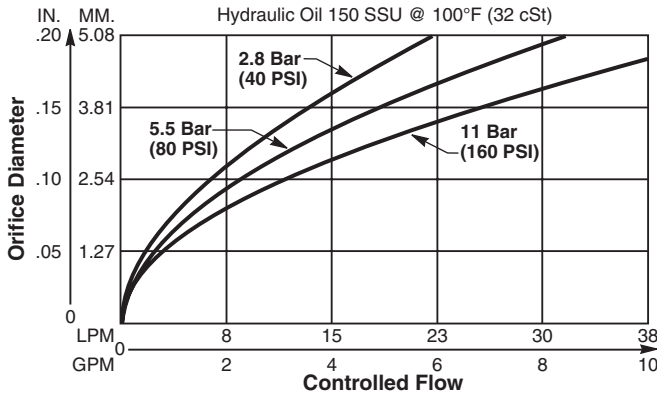
Restrictive Type Pressure Compensator. This valve is designed to be used in conjunction with an external orifice, fixed or variable, to provide a constant flow regardless of changes in load or pressure. For additional information see Technical Tips on pages FC1-FC4.

**Features**

- Hardened, precision ground parts for durability
- Stable and quiet response
- Contamination tolerant
- Standard valve bodies and common cavities
- Seal variations and other options available
- All external parts zinc plated

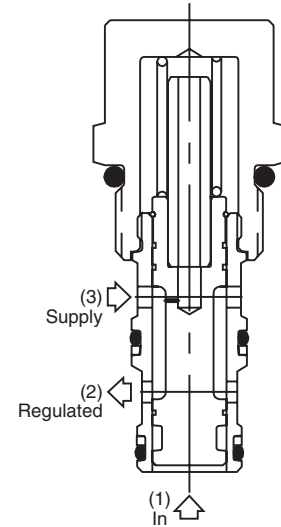
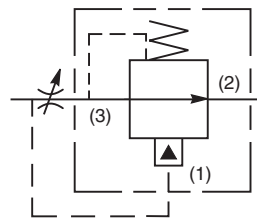
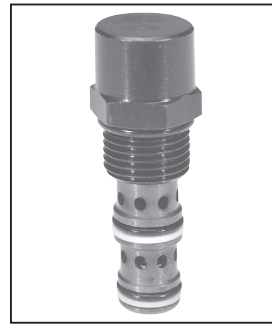
**Performance Curve**

Control  $\Delta P$  (Through cartridge only)

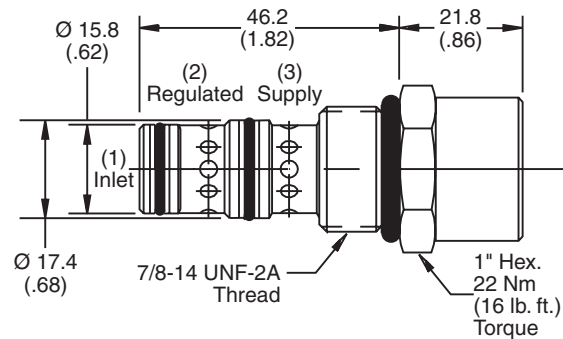


**Specifications**

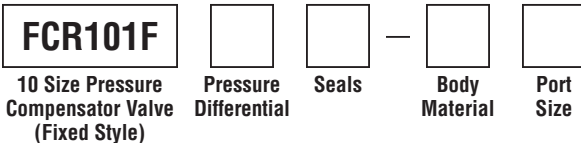
<b>Rated Flow</b>	38 LPM (10 GPM)
<b>Maximum Inlet Pressure</b>	245 Bar (3500 PSI)
<b>Accuracy (Fixed)</b>	±10% Spring rating to 210 Bar (3000 PSI)
<b>Adjustment Range</b>	None
<b>Cartridge Material</b>	All parts steel. All operating parts hardened steel.
<b>Operating Temp. Range/Seals</b>	-34°C to +121°C (Nitrile) (-30°F to +250°F) -26°C to +204°C (Fluorocarbon) (-15°F to +400°F)
<b>Fluid Compatibility/Viscosity</b>	Mineral-based or synthetic with lubricating properties at viscosities of 45 to 2000 SSU (6 to 420 cSt)
<b>Filtration</b>	ISO-4406 18/16/13, SAE Class 4
<b>Approx. Weight</b>	.14 kg (0.3 lbs.)
<b>Cavity</b>	C10-3 (See BC Section for more details)
<b>Form Tool</b>	Rougher NFT10-3R Finisher NFT10-3F



**Dimensions** Millimeters (Inches)



**Ordering Information**



Code	Press. Differential
Omit	11 Bar (160 PSI)
04	2.8 Bar (40 PSI)
08	5.5 Bar (80 PSI)

Code	Body Material
Omit	Steel
A	Aluminum

Code	Seals / Kit No.
Omit	Nitrile / (SK10-3N)
V	Fluorocarbon / (SK10-3V)

Code	Port Size	Body Part No.
Omit	Cartridge Only	
6T	SAE-6	(B10-3-*6T)
8T	SAE-8	(B10-3-*8T)

\* Add "A" for aluminum, omit for steel.

**General Description**

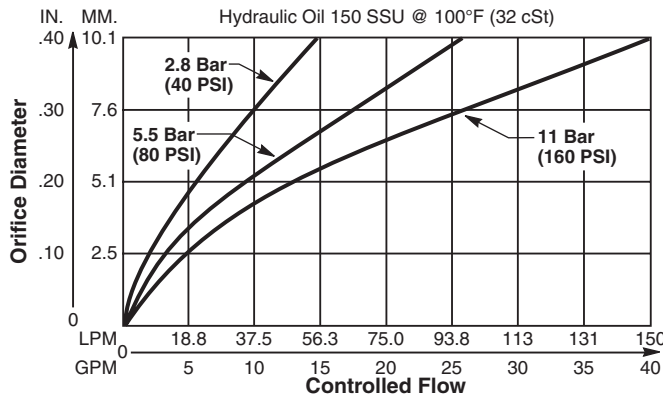
Restrictive Type Pressure Compensator. This valve is designed to be used in conjunction with an external orifice, fixed or variable, to provide a constant flow regardless of changes in load or pressure. For additional information see Technical Tips on pages FC1-FC4.

**Features**

- Hardened, precision ground parts for durability
- Stable and quiet response
- Contamination tolerant
- Standard valve bodies and common cavities
- Seal variations and other options available
- All external parts zinc plated

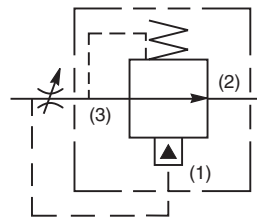
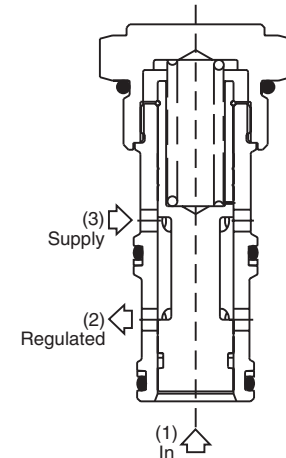
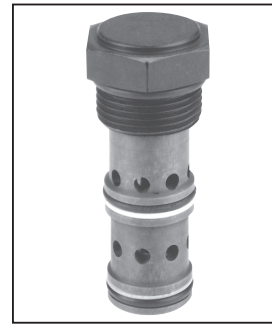
**Performance Curve**

Control  $\Delta P$  (Through cartridge only)

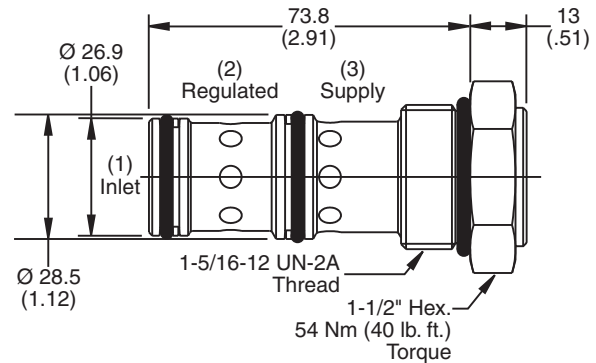


**Specifications**

<b>Rated Flow</b>	150 LPM (40 GPM)
<b>Maximum Inlet Pressure</b>	245 Bar (3500 PSI)
<b>Accuracy (Fixed)</b>	±10% Spring rating to 210 Bar (3000 PSI)
<b>Adjustment Range</b>	None
<b>Cartridge Material</b>	All parts steel. All operating parts hardened steel.
<b>Operating Temp. Range/Seals</b>	-34°C to +121°C (Nitrile) (-30°F to +250°F) -26°C to +204°C (Fluorocarbon) (-15°F to +400°F)
<b>Fluid Compatibility/Viscosity</b>	Mineral-based or synthetic with lubricating properties at viscosities of 45 to 2000 SSU (6 to 420 cSt)
<b>Filtration</b>	ISO-4406 18/16/13, SAE Class 4
<b>Approx. Weight</b>	.34 kg (.75 lbs.)
<b>Cavity</b>	C16-3 (See BC Section for more details)
<b>Form Tool</b>	Rougher NFT16-3R Finisher NFT16-3F



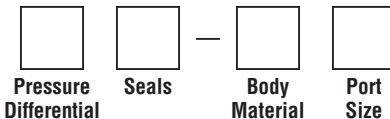
**Dimensions** Millimeters (Inches)



**Ordering Information**

**FCR161F**

16 Size Pressure Compensator Valve (Fixed Style)



Code	Press. Differential
Omit	11 Bar (160 PSI)
04	2.8 Bar (40 PSI)

Code	Body Material
Omit	Steel
A	Aluminum

Code	Seals / Kit No.
Omit	Nitrile / (SK16-3)
V	Fluorocarbon / (SK16-3V)

Code	Port Size	Body Part No.
Omit	Cartridge Only	
12T	SAE-12	(B16-3-*12T)
16T	SAE-16	(B16-3-*16T)

\* Add "A" for aluminum, omit for steel.

- CV** Check Valves
- SH** Shuttle Valves
- LM** Load/Motor Controls
- FC** Flow Controls
- PC** Pressure Controls
- LE** Logic Elements
- DC** Directional Controls
- MV** Manual Valves
- SV** Solenoid Valves
- PV** Proportional Valves
- CE** Coils & Electronics
- BC** Bodies & Cavities
- TD** Technical Data

**CV**

Check  
Valves

**SH**

Shuttle  
Valves

**LM**

Load/Motor  
Controls

**FC**

Flow  
Controls

**PC**

Pressure  
Controls

**LE**

Logic  
Elements

**DC**

Directional  
Controls

**MV**

Manual  
Valves

**SV**

Solenoid  
Valves

**PV**

Proportional  
Valves

**CE**

Coils &  
Electronics

**BC**

Bodies &  
Cavities

**TD**

Technical  
Data

**General Description**

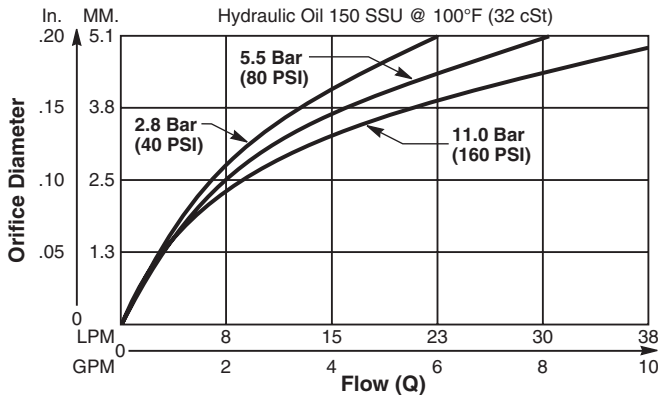
Priority Type Pressure Compensator. This valve is designed to be used in conjunction with an external orifice (fixed or variable) to provide a constant flow to the priority port. Excess flow is bypassed through port 2. For additional information see Technical Tips on pages FC1-FC4.

**Features**

- Hardened, precision ground parts for durability
- Stable and quiet response
- Contamination tolerant
- Standard valve bodies and common cavities
- All external parts zinc plated

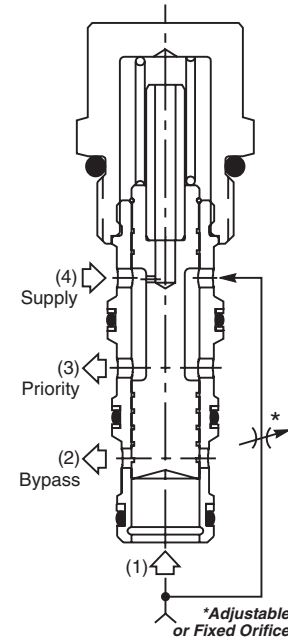
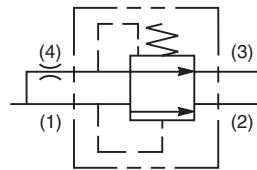
**Performance Curve**

Control  $\Delta P$  (Through cartridge only)



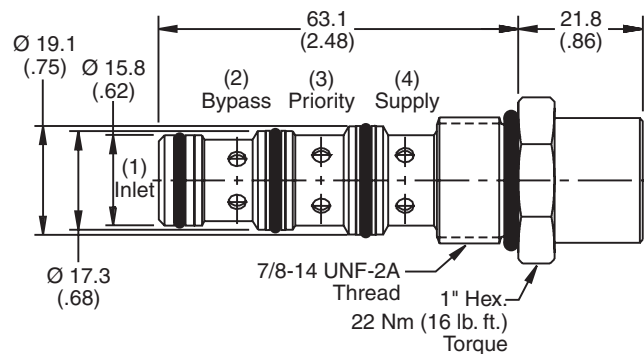
**Specifications**

<b>Rated Flow</b>	<b>Inlet</b> 56 LPM (15 GPM)
	<b>Flow Setting</b> 38 LPM (10 GPM)
<b>Maximum Inlet Pressure</b>	245 Bar (3500 PSI)
<b>Accuracy (Fixed)</b>	±10% Spring rating to 210 Bar (3000 PSI)
<b>Adjustment Range</b>	None
<b>Cartridge Material</b>	All parts steel. All operating parts hardened steel.
<b>Operating Temp. Range/Seals</b>	-34°C to +121°C (Nitrile) (-30°F to +250°F) -26°C to +204°C (Fluorocarbon) (-15°F to +400°F)
<b>Fluid Compatibility/Viscosity</b>	Mineral-based or synthetic with lubricating properties at viscosities of 45 to 2000 SSU (6 to 420 cSt)
<b>Filtration</b>	ISO-4406 18/16/13, SAE Class 4
<b>Approx. Weight</b>	.14 kg (0.3 lbs.)
<b>Cavity</b>	C10-4 (See BC Section for more details)
<b>Form Tool</b>	Rougher NFT10-4R Finisher NFT10-4F



To control flow, install an adjustable needle valve or a fixed orifice in the supply line or manifold ahead of Port 4. The flow curve, on the left, shows an approximate pressure compensated flow vs. orifice size. Excess flow will exit the bypass Port 2. Pressure compensated flow will exit Port 3.

**Dimensions** Millimeters (Inches)



**Ordering Information**

<b>FCP101F</b>	<input type="checkbox"/>	<input type="checkbox"/>	<input type="checkbox"/>	<input type="checkbox"/>
<b>10 Size Pressure Compensator Valve (Fixed Style)</b>	<b>Pressure Differential</b>	<b>Seals</b>	<b>Body Material</b>	<b>Port Size</b>

Code	Press. Differential
Omit	11 Bar (160 PSI)
04	2.8 Bar (40 PSI)
08	5.5 Bar (80 PSI)

Code	Body Material
Omit	Steel
A	Aluminum

Code	Seals / Kit No.
Omit	Nitrile / (SK10-4N)
V	Fluorocarbon / (SK10-4V)

Code	Port Size	Body Part No.
Omit	Cartridge Only	
6T	SAE-6	(B10-4-*6T)
8T	SAE-8	(B10-4-*8T)

\* Add "A" for aluminum, omit for steel.





**CV**

Check  
Valves

**SH**

Shuttle  
Valves

**LM**

Load/Motor  
Controls

**FC**

Flow  
Controls

**PC**

Pressure  
Controls

**LE**

Logic  
Elements

**DC**

Directional  
Controls

**MV**

Manual  
Valves

**SV**

Solenoid  
Valves

**PV**

Proportional  
Valves

**CE**

Coils &  
Electronics

**BC**

Bodies &  
Cavities

**TD**

Technical  
Data

**General Description**

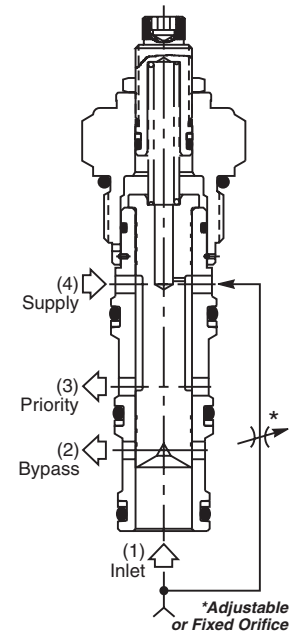
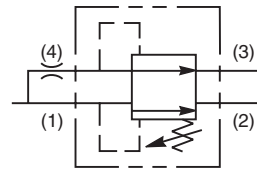
Priority Type Pressure Compensator. This valve is designed to be used in conjunction with an external orifice (fixed or variable) to provide a constant flow to the priority port. Excess flow is bypassed through port 2. For additional information see Technical Tips on pages FC1-FC4.

**Features**

- Hardened, precision ground parts for durability
- Stable and quiet response
- Contamination tolerant
- Standard valve bodies and common cavities
- Steel variations and other options available
- All external parts zinc plated

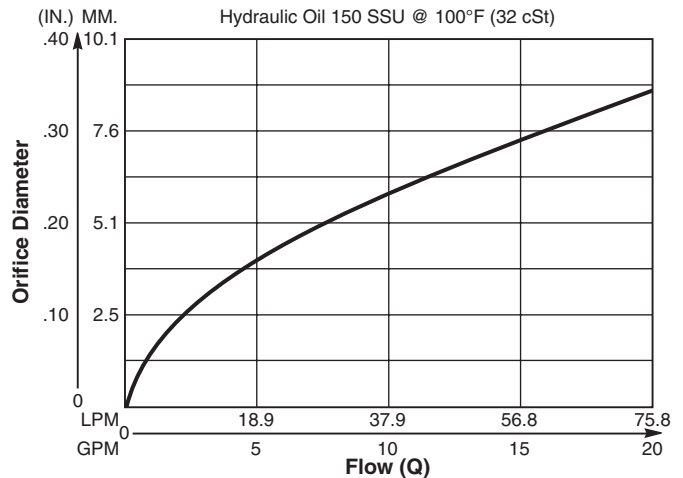
**Specifications**

<b>Rated Flow</b>	<b>Inlet Flow Setting</b> 95 LPM (25 GPM) 75 LPM (20 GPM)
<b>Maximum Inlet Pressure</b>	380 Bar (5500 PSI)
<b>Cartridge Material</b>	All parts steel. All operating parts hardened steel.
<b>Operating Temp. Range/Seals</b>	-34°C to +121°C (Nitrile) (-30°F to +250°F) -26°C to +204°C (Fluorocarbon) (-15°F to +400°F)
<b>Fluid Compatibility/ Viscosity</b>	Mineral-based or synthetic with lubricating properties at viscosities of 45 to 2000 SSU (6 to 420 cSt)
<b>Filtration</b>	ISO-4406 18/16/13, SAE Class 4
<b>Approx. Weight</b>	.28 kg (.62 lbs.)
<b>Cavity</b>	C12-4 (See BC Section for more details)
<b>Form Tool</b>	Rougher NFT12-4R Finisher NFT12-4F

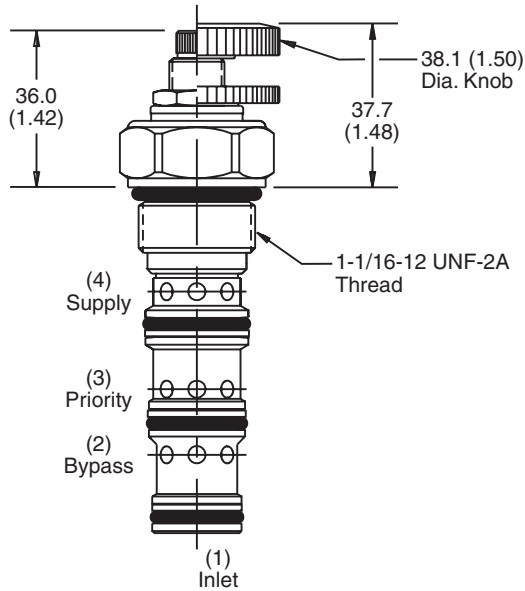


To control flow, install an adjustable needle valve or a fixed orifice in the supply line or manifold ahead of Port 4. The flow curve below, shows an approximate pressure compensated flow vs. orifice size. Excess flow will exit the bypass Port 2. Pressure compensated flow will exit Port 3.

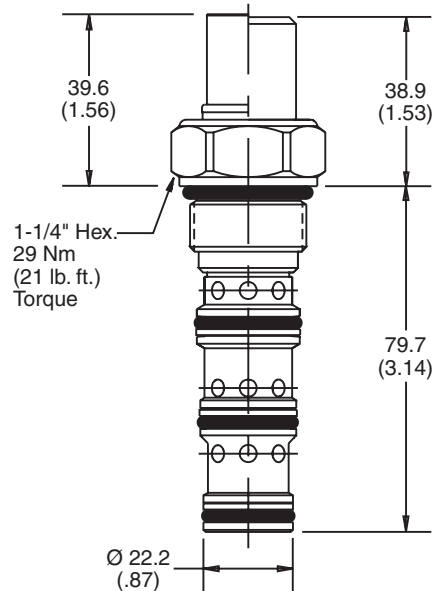
**Performance Curve  
Flow vs. Orifice Diameter  
(Through cartridge only)**



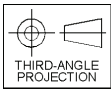
**Dimensions** Millimeters (Inches)



**Screw/Knob Version**



**Fixed Cap/Tamper Resistant Version**



**Ordering Information**

**FCPH121**

12 Size Pressure Compensator Priority Type

Adjustment Style    Pressure Differential    Seals    Body Material    Port Size

Code	Adjustment Style
F	Fixed style, present at factory
K	Knob Adjust (717784-15)
S	Screw Adjust
T	Tamper Resistant Cap (717785)

Code	Pressure Differential
Omit	11 Bar (160 PSI)
04	2.8 Bar (40 PSI)
08	5.5 Bar (80 PSI)
24	16.6 Bar (240 PSI)

Code	Seals / Kit. No.
Omit	Nitrile / (SK12-4)
V	Fluorocarbon / (SK12-4V)

Code	Body Material
Omit	Steel
A	Aluminum

Code	Port Size	Body Part No.
Omit	Cartridge Only	
12T	SAE-12	(B12-4-*12T)

\* Add "A" for aluminum, omit for steel.

- CV** Check Valves
- SH** Shuttle Valves
- LM** Load/Motor Controls
- FC** Flow Controls
- PC** Pressure Controls
- LE** Logic Elements
- DC** Directional Controls
- MV** Manual Valves
- SV** Solenoid Valves
- PV** Proportional Valves
- CE** Coils & Electronics
- BC** Bodies & Cavities
- TD** Technical Data

**Technical Information**

- CV** Check Valves
- SH** Shuttle Valves
- LM** Load/Motor Controls
- FC** Flow Controls
- PC** Pressure Controls
- LE** Logic Elements
- DC** Directional Controls
- MV** Manual Valves
- SV** Solenoid Valves
- PV** Proportional Valves
- CE** Coils & Electronics
- BC** Bodies & Cavities
- TD** Technical Data

**General Description**

Flow Divider/Combiner Valve. FDC101 divides flow from a single source proportionally to two actuators. In the reverse mode, flow from two sources is combined into one flow. When dividing or combining flow to synchronize two cylinders, please consider that the flow accuracy is  $\pm 10\%$ . For additional information see Technical Tips on pages FC1-FC4.

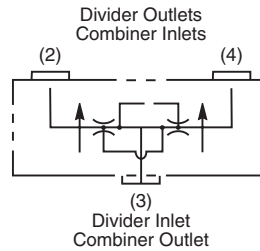
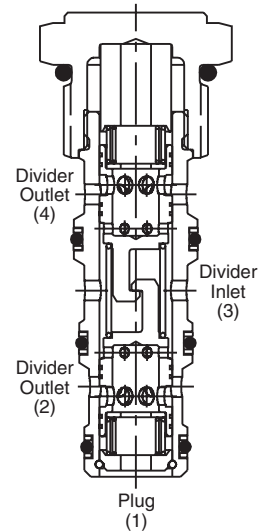
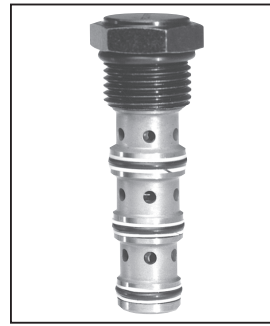
**Features**

- Hardened, precision ground parts for durability
- Cartridge design
- Ratios of 50-50, 60-40 and 66-33 available
- All external parts zinc plated

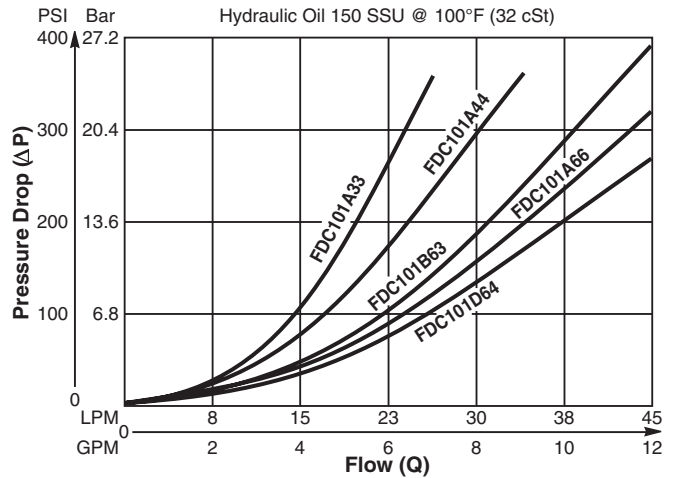
**Specifications**

<b>Maximum Flow</b>	45 LPM (12 GPM) See ordering information
<b>Maximum Inlet Pressure</b>	245 Bar (3500 PSI)
<b>Accuracy</b>	$\pm 10\%$
<b>Cartridge Material</b>	All parts steel. All operating parts hardened steel.
<b>Operating Temp. Range (Ambient)</b>	-34°C to +121°C (Nitrile) (-30°F to +250°F) -26°C to +204°C (Fluorocarbon) (-15°F to +400°F)
<b>Filtration</b>	ISO-4406 18/16/13, SAE Class 4
<b>Fluids</b>	Mineral-based or synthetic with lubricating properties at viscosities of 45 to 2000 SSU (6 to 420 cSt)
<b>Approx. Weight</b>	.14 kg (0.3 lbs.)
<b>Cavity</b>	No. C10-4
<b>Form Tool</b>	Rougher NFT10-4R Finisher NFT10-4F

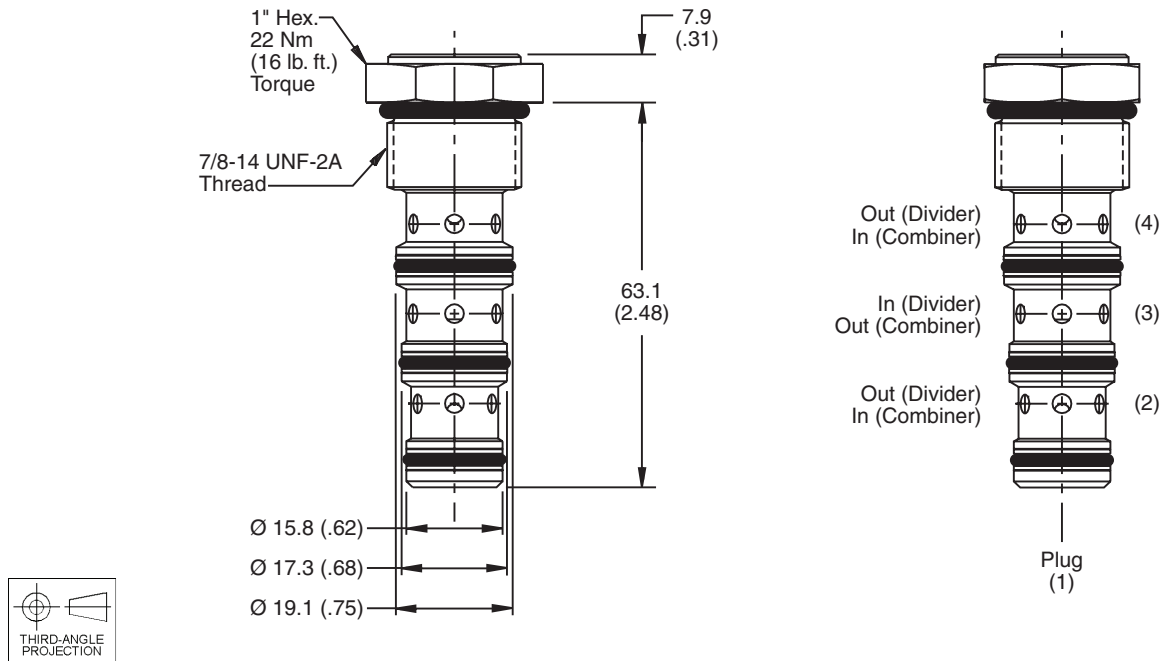
**Note:** When machining a manifold using the FDC101, use C10-4 cavity. Do not machine a port that directs flow to the nose of the cavity.



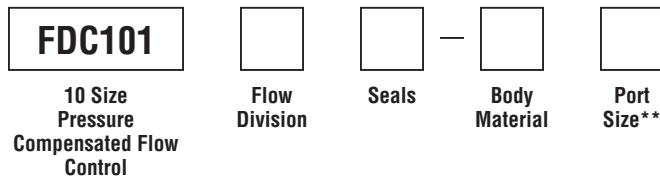
**Performance Curve**  
**Flow vs. Pressure Drop**  
(Through cartridge only)



**Dimensions** Millimeters (Inches)



**Ordering Information**



Code	Flow Division
<b>A11</b>	3.80 LPM (1 GPM) min. inlet 11.3 LPM (3 GPM) max. inlet 50% '4' Port and 50% '2' Port
<b>A33</b>	11.3 LPM (3 GPM) min. inlet 22.5 LPM (6 GPM) max. inlet 50% '4' Port and 50% '2' Port
<b>A44</b>	15.0 LPM (4 GPM) min. inlet 30.0 LPM (8 GPM) max. inlet 50% '4' Port and 50% '2' Port
<b>A66</b>	22.5 LPM ( 6 GPM) min. inlet 45.0 LPM (12 GPM) max. inlet 50% '4' Port and 50% '2' Port
<b>B64</b>	15.0 LPM ( 4 GPM) min. inlet 37.5 LPM (10 GPM) max. inlet 60% '4' Port and 40% '2' Port
<b>D63</b>	11.3 LPM (3 GPM) min. inlet 33.8 LPM (9 GPM) max. inlet 33% '4' Port and 66% '2' Port

Code	Seals / Kit. No.
<b>Omit</b>	Nitrile / (SK10-4N)
<b>V</b>	Fluorocarbon / (SK10-4V)

Code	Body Material
<b>Omit</b>	Steel
<b>A</b>	Aluminum

Code	Port Size	Body Part No.
<b>Omit</b>	Cartridge Only	
<b>6T</b>	SAE-6	(B10-4-*6T)
<b>8T</b>	SAE-8	(B10-4-*8T)

\* Add "A" for aluminum, omit for steel.

\*\*The FDC101 cartridge has three ports. Due to its size, it requires a B10-4 series body. As a result, all cartridges in a body will be supplied with a plug located 180° from the cartridge cavity (port 1).

B10-4-6T body — 6HP\*50-S  
 B10-4-8T body — 8HP\*50-S

When machining a manifold using the FDC101, use C10-4 cavity. Do not machine a port that directs flow to the nose of the cavity.

- CV** Check Valves
- SH** Shuttle Valves
- LM** Load/Motor Controls
- FC** Flow Controls
- PC** Pressure Controls
- LE** Logic Elements
- DC** Directional Controls
- MV** Manual Valves
- SV** Solenoid Valves
- PV** Proportional Valves
- CE** Coils & Electronics
- BC** Bodies & Cavities
- TD** Technical Data

**Technical Information**

**CV**

Check Valves

**SH**

Shuttle Valves

**LM**

Load/Motor Controls

**FC**

Flow Controls

**PC**

Pressure Controls

**LE**

Logic Elements

**DC**

Directional Controls

**MV**

Manual Valves

**SV**

Solenoid Valves

**PV**

Proportional Valves

**CE**

Coils & Electronics

**BC**

Bodies & Cavities

**TD**

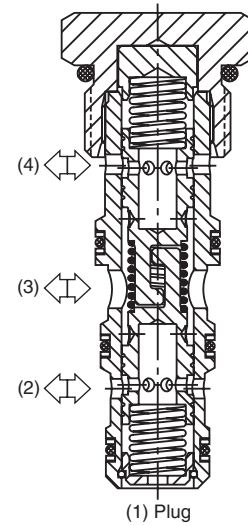
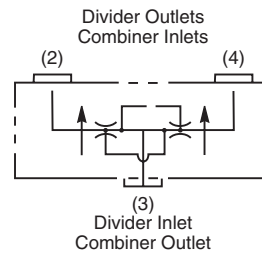
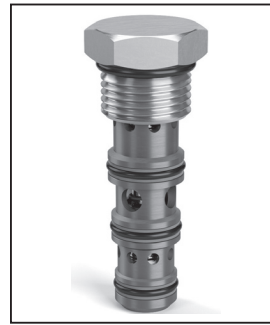
Technical Data

**General Description**

Spool Type, Flow Divider/Combiner Valve. For additional information see Technical Tips on pages FC1-FC4.

**Features**

- Interlocking spools for equal control dividing or combining
- Range of flow settings available for optimising control
- Pressure compensated control in both directions
- 50/50 ratio standard, other ratios available on request
- Commonly used for differential lock in transmission applications
- Hardened working parts for maximum durability
- All external parts zinc plated

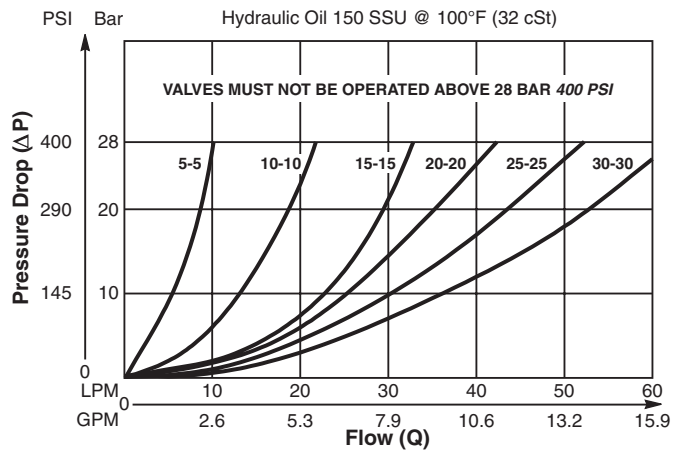


**Specifications**

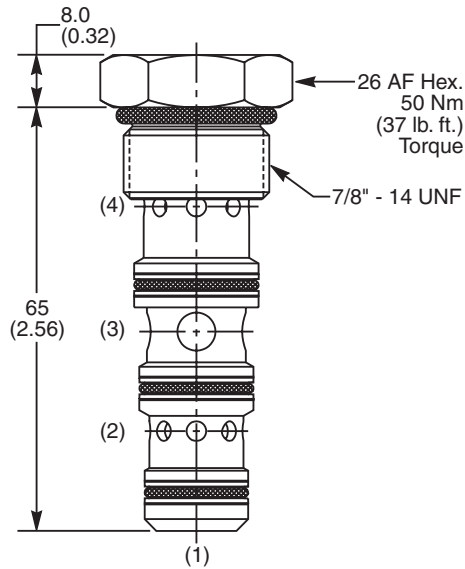
<b>Rated Flow</b>	60 LPM (16 GPM)
<b>Maximum Inlet Pressure</b>	420 Bar (6000 PSI)
<b>Flow Rating and Ratio</b>	See Ordering Information
<b>Accuracy Per Leg</b>	± 10%
<b>Cartridge Material</b>	All parts steel. All operating parts hardened steel.
<b>Operating Temp. Range/Seals</b>	-34°C to +121°C (Nitrile) (-30°F to +250°F) -26°C to +204°C (Fluorocarbon) (-15°F to +400°F)
<b>Fluid Compatibility/ Viscosity</b>	Mineral-based or synthetic with lubricating properties at viscosities of 45 to 2000 SSU (6 to 420 cSt)
<b>Filtration</b>	ISO-4406 18/16/13, SAE Class 4
<b>Approx. Weight</b>	.12 kg (0.26 lbs.)
<b>Cavity</b>	C10-4 (See BC Section for more details)
<b>Form Tool</b>	Rougher NFT10-4R Finisher NFT10-4F

**Performance Curve**

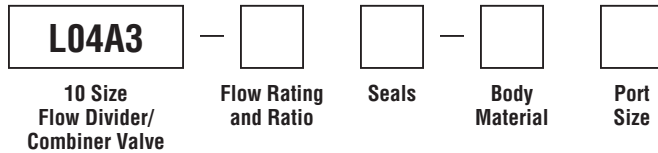
**Pressure Drop vs. Flow (Through cartridge only)**



**Dimensions** Millimeters (Inches)



**Ordering Information**



Code	Total Flow Rating - Port 3 (Flow Ratio)
5-5	6-10 LPM (1.6-2.6 GPM) (50/50 Ratio)
10-10	8-20 LPM (2.1-5.3 GPM) (50/50 Ratio)
15-15	10-30 LPM (2.6-7.9 GPM) (50/50 Ratio)
20-20	12-40 LPM (3.2-10.6 GPM) (50/50 Ratio)
25-25	13-50 LPM (3.4-13.2 GPM) (50/50 Ratio)
30-30	14-60 LPM (3.7-15.9 GPM) (50/50 Ratio)

Code	Seals / Kit. No.
N	Nitrile, Buna-N (Std.) / (SK30506N-1)
V	Fluorocarbon / (SK30506V-1)

Code	Body Material
Omit	Steel
A	Aluminum

Code	Port Size	Body Part No.
Omit	Cartridge Only	
6T	SAE-6	(B10-4-*6T)
8T	SAE-8	(B10-4-*8T)

\* Add "A" for aluminum, omit for steel.

Other ratios and ratings available on request.

**CV**

Check Valves

**SH**

Shuttle Valves

**LM**

Load/Motor Controls

**FC**

Flow Controls

**PC**

Pressure Controls

**LE**

Logic Elements

**DC**

Directional Controls

**MV**

Manual Valves

**SV**

Solenoid Valves

**PV**

Proportional Valves

**CE**

Coils & Electronics

**BC**

Bodies & Cavities

**TD**

Technical Data

**Technical Information**

**CV**

Check Valves

**SH**

Shuttle Valves

**LM**

Load/Motor Controls

**FC**

Flow Controls

**PC**

Pressure Controls

**LE**

Logic Elements

**DC**

Directional Controls

**MV**

Manual Valves

**SV**

Solenoid Valves

**PV**

Proportional Valves

**CE**

Coils & Electronics

**BC**

Bodies & Cavities

**TD**

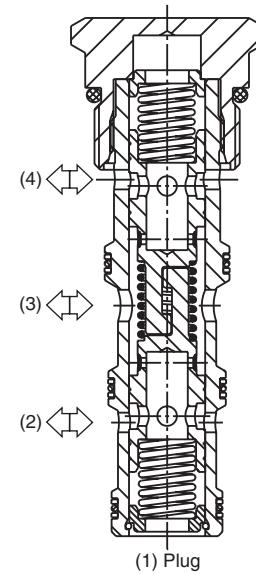
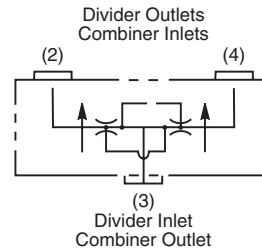
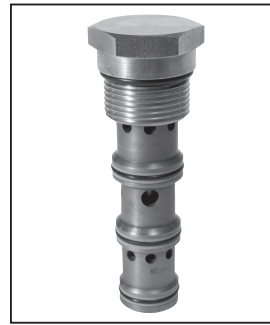
Technical Data

**General Description**

Spool Type, Flow Divider/Combiner Valve. For additional information see Technical Tips on pages FC1-FC4.

**Features**

- Interlocking spools for equal control dividing or combining
- Range of flow settings available for optimising control
- Pressure compensated control in both directions
- 50/50 ratio standard, other ratios available on request
- Commonly used for differential lock in transmission applications
- Hardened working parts for maximum durability
- All external parts zinc plated

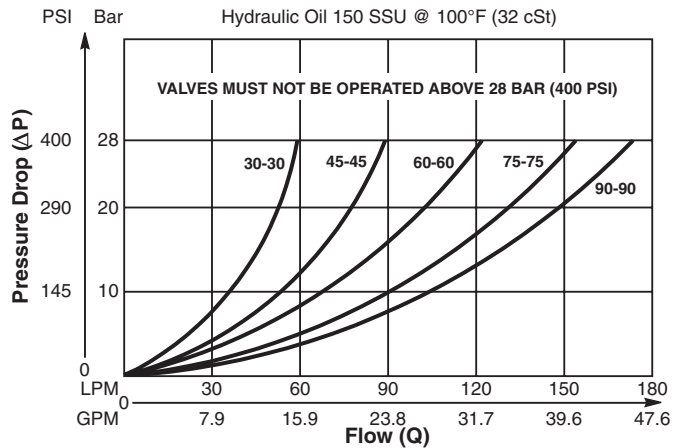


**Specifications**

<b>Rated Flow</b>	180 LPM (47 GPM)
<b>Maximum Inlet Pressure</b>	420 Bar (6000 PSI)
<b>Flow Rating and Ratio</b>	See Ordering Information
<b>Accuracy Per Leg</b>	± 10%
<b>Cartridge Material</b>	All parts steel. All operating parts hardened steel.
<b>Operating Temp. Range/Seals</b>	-34°C to +121°C (Nitrile) (-30°F to +250°F) -26°C to +204°C (Fluorocarbon) (-15°F to +400°F)
<b>Fluid Compatibility/ Viscosity</b>	Mineral-based or synthetic with lubricating properties at viscosities of 45 to 2000 SSU (6 to 420 cSt)
<b>Filtration</b>	ISO-4406 18/16/13, SAE Class 4
<b>Approx. Weight</b>	.40 kg (0.86 lbs.)
<b>Cavity</b>	C16-4 (See BC Section for more details)
<b>Form Tool</b>	Rougher Finisher

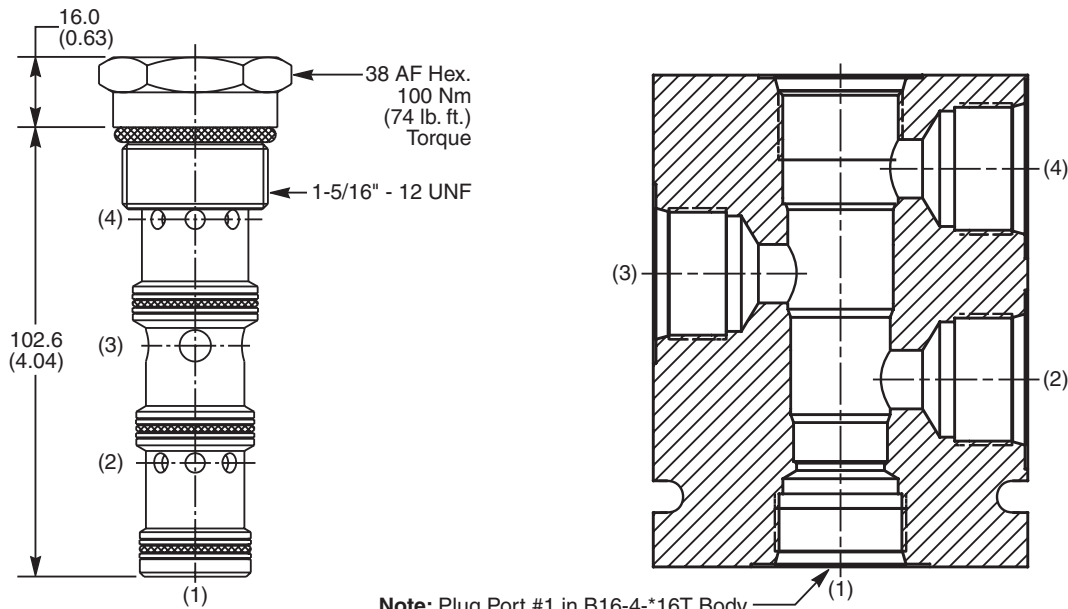
**Performance Curve**

Pressure Drop vs. Flow (Through cartridge only)



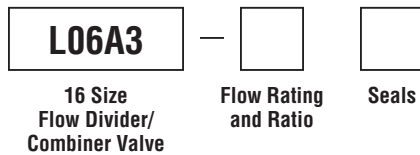


**Dimensions** Millimeters (Inches)



**Note:** Plug Port #1 in B16-4-\*16T Body, use Parker #16HP50N-S Hollow Hex Plug.

**Ordering Information**

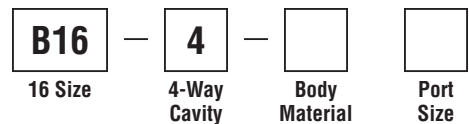


Code	Total Flow Rating - Port 3 (Flow Ratio)
30-30	20-60 LPM (5.3-15.9 GPM) (50/50 Ratio)
45-45	25-90 LPM (6.6-23.8 GPM) (50/50 Ratio)
60-60	35-120 LPM (9.2-31.7 GPM) (50/50 Ratio)
75-75	55-150 LPM (14.6-39.6 GPM) (50/50 Ratio)
90-90	65-180 LPM (17.2-47.8 GPM) (50/50 Ratio)

*Other ratios and ratings available on request.*

Code	Seals / Kit. No.
N	Nitrile, Buna-N (Std.) / (SK30510N-1)
V	Fluorocarbon / (SK30510V-1)

**Order Bodies Separately**



Code	Body Material
Omit	Steel
A	Aluminum

Code	Port Size	Body Part No.
Omit	Cartridge Only	
16T	SAE-16	(B16-4-*16T)

*\* Add "A" for aluminum, omit for steel.*

**CV**

Check Valves

**SH**

Shuttle Valves

**LM**

Load/Motor Controls

**FC**

Flow Controls

**PC**

Pressure Controls

**LE**

Logic Elements

**DC**

Directional Controls

**MV**

Manual Valves

**SV**

Solenoid Valves

**PV**

Proportional Valves

**CE**

Coils & Electronics

**BC**

Bodies & Cavities

**TD**

Technical Data

**Technical Information**

**CV**

Check Valves

**SH**

Shuttle Valves

**LM**

Load/Motor Controls

**FC**

Flow Controls

**PC**

Pressure Controls

**LE**

Logic Elements

**DC**

Directional Controls

**MV**

Manual Valves

**SV**

Solenoid Valves

**PV**

Proportional Valves

**CE**

Coils & Electronics

**BC**

Bodies & Cavities

**TD**

Technical Data

**General Description**

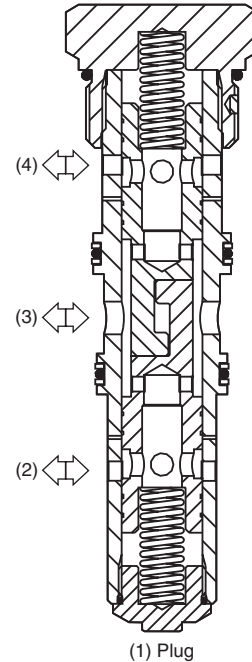
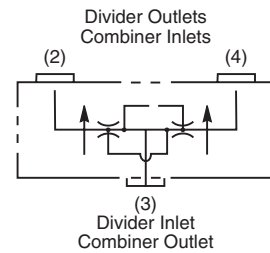
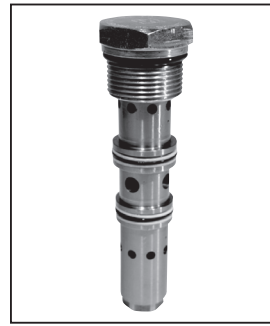
Spool Type, Flow Divider/Combiner Valve. For additional information see Technical Tips on pages FC1-FC4.

**Features**

- Interlocking spools for equal control dividing or combining
- Range of flow settings available for optimising control
- Pressure compensated control in both directions
- 50/50 ratio standard, other ratios available on request
- Commonly used for differential lock in transmission applications
- Hardened working parts for maximum durability
- All external parts zinc plated

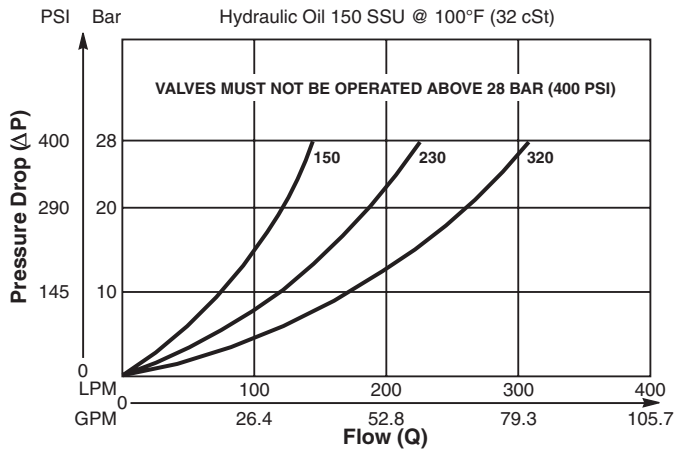
**Specifications**

<b>Rated Flow</b>	320 LPM (85 GPM)
<b>Maximum Inlet Pressure</b>	350 Bar (5000 PSI)
<b>Flow Rating and Ratio</b>	See Ordering Information
<b>Accuracy Per Leg</b>	± 10%
<b>Cartridge Material</b>	Steel operating parts, hardened steel poppet.
<b>Operating Temp. Range/Seals</b>	-34°C to +121°C (Nitrile) (-30°F to +250°F) -26°C to +204°C (Fluorocarbon) (-15°F to +400°F)
<b>Fluid Compatibility/ Viscosity</b>	Mineral-based or synthetic with lubricating properties at viscosities of 45 to 2000 SSU (6 to 420 cSt)
<b>Filtration</b>	ISO-4406 18/16/13, SAE Class 4
<b>Approx. Weight</b>	1.0 kg (2.2 lbs.)
<b>Cavity</b>	91-1 (See BC Section for more details)
<b>Form Tool</b>	Rougher Finisher

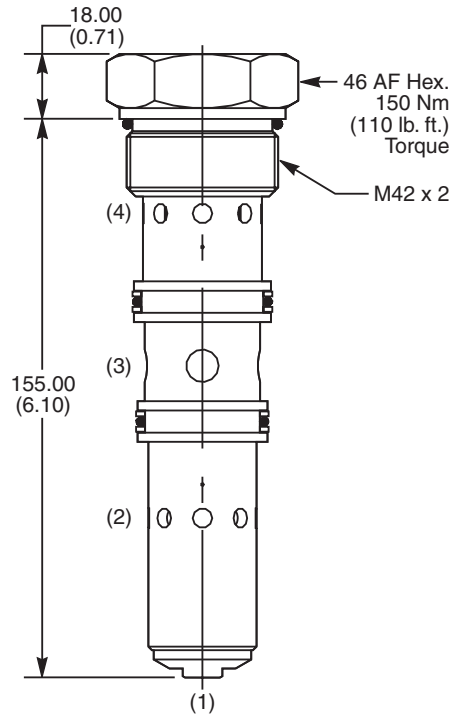


**Performance Curve**

**Pressure Drop vs. Flow (Through cartridge only)**



**Dimensions** Millimeters (Inches)



**Ordering Information**

<b>L1A300</b>	<input type="checkbox"/>	<input type="checkbox"/>	<input type="checkbox"/>
Flow Divider/ Combiner Valve	Flow Rating	Dividing/ Combining Ratio	Seals

Code	Flow Rating
150	60-150 LPM (15.9-39.7 GPM)
230	75-230 LPM (19.8-60.8 GPM)
320	110-320 LPM (29.1-84.7 GPM)

Code	Seals / Kit. No.
N	Nitrile, Buna-N (Std.)/ (SK30050N-1)
V	Fluorocarbon / (SK30050V-1)

Code	Dividing/Combining Ratio
5050	50 : 50 Ratio

*Other ratios available on request.*

*Order Bodies Separately*

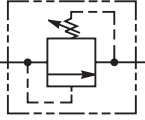
<b>LB10</b>	<input type="checkbox"/>	<input type="checkbox"/>
Line Body	Porting	Body Material

Code	Porting
157	2 x 1" SAE 1 x 1-1/2" SAE

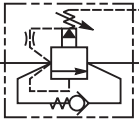
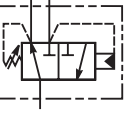
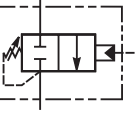
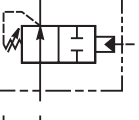
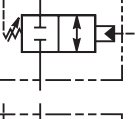
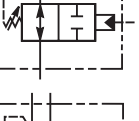

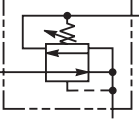
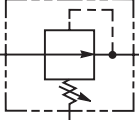
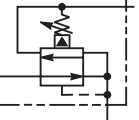
Code	Body Material
A	Aluminum
S	Steel

- CV** Check Valves
- SH** Shuttle Valves
- LM** Load/Motor Controls
- FC** Flow Controls
- PC** Pressure Controls
- LE** Logic Elements
- DC** Directional Controls
- MV** Manual Valves
- SV** Solenoid Valves
- PV** Proportional Valves
- CE** Coils & Electronics
- BC** Bodies & Cavities
- TD** Technical Data

<b>CV</b>	Check Valves
<b>SH</b>	Shuttle Valves
<b>LM</b>	Load/Motor Controls
<b>FC</b>	Flow Controls
<b>PC</b>	Pressure Controls
<b>LE</b>	Logic Elements
<b>DC</b>	Directional Controls
<b>MV</b>	Manual Valves
<b>SV</b>	Solenoid Valves
<b>PV</b>	Proportional Valves
<b>CE</b>	Coils & Electronics
<b>BC</b>	Bodies & Cavities
<b>TD</b>	Technical Data

	SERIES	CAVITY	DESCRIPTION	FLOW LPM/GPM	PRESSURE BAR/PSI	PAGE NO.	
<b>RELIEF VALVES</b>							
<b>DIRECT ACTING</b>							
	RDH042	C04-2	Direct Acting Relief, Poppet Type	3.8/1	350/5000	PC7-PC8	
	★ RDH081	C08-2	Direct Acting Relief, Ball Type	1.9/5	380/5500	PC9-PC10	
	★ RDH082	C08-2	Direct Acting Relief, Poppet Type	30/8	380/5500	PC11-PC12	
	★ RDH101	C10-2	Direct Acting Relief, Ball Type	1.9/5	380/5500	PC13-PC14	
	A02A2	C08-2	Direct Acting Relief, Ball Type	6/1.6	420/6000	PC15-PC16	
	A02B2	C08-2	Direct Acting Relief, Poppet Type	30/8	420/6000	PC17-PC18	
	★ RD102	C10-2	Direct Acting Relief, Poppet Type	38/10	250/3600	PC19-PC20	
	A04B2	C10-2	Direct Acting Relief, Poppet Type	100/26	420/6000	PC21-PC22	
	A04B2*CE	C10-2	Direct Acting Relief, Poppet Type*			PC23-PC24	
	A04C2	C10-2	Direct Acting Relief, Spool Type	200/53	100/1450	PC25-PC26	
	<i>*CE marked, PED Compliant</i>						
	<b>DIFFERENTIAL AREA</b>						
	RDH083	C08-2	Direct Acting Differential Area Relief	45/12	350/5000	PC27-PC28	
★	RDH103	C10-2	Direct Acting Differential Area Relief	75/20	350/5000	PC29-PC30	
★	RDCH103	C10-2	Direct Acting Differential Relief Assembly with Reverse Check	60/16	380/5500	PC31-PC32	
	RD163	C16-2	Direct Acting Differential Area Relief	151/40	210/3000	PC33-PC34	
<b>PILOT OPERATED</b>							
★	RAH081	C08-2	Pilot Operated Spool Type	75.8/20	350/5000	PC35-PC36	
★	RAH101	C10-2	Pilot Operated Spool Type	113/30	350/5000	PC37-PC38	
	RAH121	C12-2	Pilot Operated Spool Type	190/50	350/5000	PC39-PC40	
	RAH161	C16-2	Pilot Operated Spool Type	303/80	380/5500	PC41-PC42	
	A06G2	C16-2	Pilot Operated Spool Type	400/106	420/6000	PC43-PC44	
	RAH201	C20-2	Pilot Operated Spool Type	379/100	350/5000	PC45-PC46	
	A04K2	C10-2	Pilot Operated Spool Type Kick Down	160/42	420/6000	PC47-PC48	
<b>SOLENOID OPERATED</b>							
	AS04G2	C10-2	Solenoid Operated Unloading Relief	60/16	276/4000	PC49-PC50	
<i>*See page PC49 for symbol</i>							
<b>VENTABLE</b>							
★	RAH101V	C10-3	Pilot Operated Vented Relief	68/18	380/5500	PC51-PC52	
	A04H3	C10-3S	Pilot Operated Vented Relief	190/50	420/6000	PC53-PC54	
	A06H3	C16-3S	Pilot Operated Vented Relief	400/106	420/6000	PC55-PC56	
<b>CROSS-OVER</b>							
	XR101	C10-2	Direct Acting Cross-over Relief	61/16	245/3500	PC57-PC58	
	A04J2	C10-2	Direct Acting Cross-over Relief	120/32	350/5000	PC59-PC60	
	A04J2*CE	C10-2	Direct Acting Cross-over Relief*	120/32	350/5000	PC61-PC62	
★	XRDH101		Direct Acting Cross-over Relief	75/20	380/5500	PC63-PC64	
★	XRDH102		Direct Acting Cross-over Relief with Anti-Cav Check	60/16	380/5500	PC65-PC66	
★	XRDH103		Direct Acting Cross-over Relief, Motor Mount	75/20	380/5500	PC67-PC68	
<i>*CE marked, PED Compliant</i>							
<b>UNLOADING</b>							
	RU101	C10-3	Direct Acting Unloading	3.75/1	210/3000	PC69-PC70	
	*M04A4J	C10-4	Direct Acting Piloting Unloading	2/0.53	420/6000	PC71-PC72	
<i>*See page PC71 for symbol</i>							
<b>PILOT OPERATED WITH REVERSE CHECK</b>							
	A06P2	C16-2	Pilot Operated Poppet Type	400/106	420/6000	PC73-PC74	
<b>SEQUENCE VALVES</b>							
<b>PILOT OPERATED</b>							
★	SVH081	C08-3	Pilot Operated, Int. Pilot, Ext. Drain	45/12	350/5000	PC75-PC76	
★	SVH101	C10-3	Pilot Operated, Int. Pilot, Ext. Drain	56.3/15	350/5000	PC77-PC78	
	SVH161	C16-3	Pilot Operated, Int. Pilot, Ext. Drain	151.6/40	350/5000	PC79-PC80	
★	SVH102	C10-3	Pilot Operated, Ext. Pilot, Int. Drain	56.3/15	350/5000	PC81-PC82	
	SVH162	C16-3	Pilot Operated, Ext. Pilot, Int. Drain	151.6/40	350/5000	PC83-PC84	
★	SVCH101		Pilot Operated with Reverse Check Assy	56/15	380/5500	PC85-PC86	

★ Denotes New Winner's Circle Product Line.

	SERIES	CAVITY	DESCRIPTION	FLOW LPM/GPM	PRESSURE BAR/PSI	PAGE NO.
<b>SEQUENCE VALVES</b>						
	<b>Pilot Operated (Continued)</b>					
			B04D3 ..... C10-3S ..... Pilot Operated, Reverse Check, Ext. Drain.....	70/18.5	420/6000	PC87-PC88
		B04C3 ..... C10-3S ..... Pilot Operated, Kick Down .....	160/42	420/6000	PC89-PC90	
<hr/>						
	<b>DIRECT ACTING</b>					
			B02E3F ..... C08-3 ..... Direct Acting, 2P-3W, Int. Pilot, Int. Drain.....	30/8	420/6000	PC91-PC92
		B04E3 ..... C10-3 ..... Direct Acting, 2P-3W, Int. Pilot, Int. Drain.....	50/13	420/6000	PC93-PC94	
☆		SV103 ..... C10-3 ..... Direct Acting, 2P-3W, Int. Pilot, Ext. Drain.....	56/15	250/3600	PC95-PC96	
<hr/>						
	☆		SV105 ..... C10-3 ..... Direct Acting, 2P-2W, NC, Ext. Pilot, Int. Drain .....	38/10	250/3600	PC97-PC98
			B04F3 ..... C10-3 ..... Direct Acting, 2P-2W, NC, Ext. Pilot, Int. Drain .....	34/9	420/6000	PC99-PC100
			B04G3 ..... C10-3 ..... Direct Acting, 2P-2W, NO, Ext. Pilot, Int. Drain .....	40/10.6	420/6000	PC101-PC102
	<hr/>					
			B04H4 ..... C10-4 ..... Direct Acting, 2P-2W, NC, Ext. Pilot, Ext. Drain .....	47/12	420/6000	PC103-PC104
	☆		SV104 ..... C10-4 ..... Direct Acting, 2P-2W, NO, Ext. Pilot, Ext. Drain .....	30/8	250/3600	PC105-PC106
			B04J4 ..... C10-4 ..... Direct Acting, 2P-2W, NO, Ext. Pilot, Ext. Drain .....	47/12	420/6000	PC107-PC108
	<hr/>					
			B04K4 ..... C10-4 ..... Direct Acting, 2P-3W, NO, Ext. Pilot, Int. Drain .....	42/11	420/6000	PC109-PC110
	<hr/>					
<b>REDUCING VALVES</b>						
	<b>DIRECT ACTING</b>					
			C02A3 ..... C08-3 ..... Direct Acting Reducing/Relieving.....	20/5	420/6000	PC111-PC112
☆		PR103 ..... C10-3 ..... Direct Acting Reducing/Relieving.....	56/15	210/3000	PC113-PC114	
<hr/>						
	<b>PILOT OPERATED</b>					
	☆		PRH082 ..... C08-3 ..... Pilot Operated Reducing .....	30/8	350/5000	PC115-PC116
☆		PRH102 ..... C10-3 ..... Pilot Operated Reducing .....	56.3/15	350/5000	PC117-PC118	
		PRH122 ..... C12-3 ..... Pilot Operated Reducing .....	113.7/30	350/5000	PC119-PC120	
		PRH162 ..... C16-3 ..... Pilot Operated Reducing .....	150/40	350/5000	PC121-PC122	
<hr/>						
	☆		PRH081 ..... C08-3 ..... Pilot Operated Reducing/Relieving.....	30/8	350/5000	PC123-PC124
	☆		PRH101 ..... C10-3 ..... Pilot Operated Reducing/Relieving.....	56.3/15	350/5000	PC125-PC126
		PRH121 ..... C12-3 ..... Pilot Operated Reducing/Relieving.....	113.7/30	350/5000	PC127-PC128	
		PRH161 ..... C16-3 ..... Pilot Operated Reducing/Relieving.....	150/40	350/5000	PC129-PC130	
☆		PRCH101 ..... Pilot Operated Reducing/Relieving with Reverse Check.....	56/15	380/5500	PC131-PC132	

- CV**  
Check Valves
- SH**  
Shuttle Valves
- LM**  
Load/Motor Controls
- FC**  
Flow Controls
- PC**  
Pressure Controls
- LE**  
Logic Elements
- DC**  
Directional Controls
- MV**  
Manual Valves
- SV**  
Solenoid Valves
- PV**  
Proportional Valves
- CE**  
Coils & Electronics
- BC**  
Bodies & Cavities
- TD**  
Technical Data



**CV**

Check Valves

**SH**

Shuttle Valves

**LM**

Load/Motor Controls

**FC**

Flow Controls

**PC**

Pressure Controls

**LE**

Logic Elements

**DC**

Directional Controls

**MV**

Manual Valves

**SV**

Solenoid Valves

**PV**

Proportional Valves

**CE**

Coils & Electronics

**BC**

Bodies & Cavities

**TD**

Technical Data

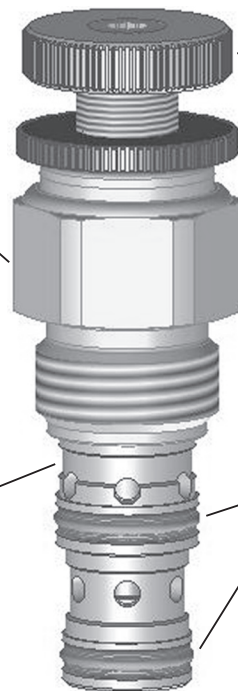
**INTRODUCTION**

This technical tips section is designed to help familiarize you with the Parker line of Pressure Controls. In this section we highlight new products to this catalog as well as some design features of our pressure control line. In addition we present common options available to help you in selecting products for your application. Finally we give a brief synopsis of the operation and applications of the various product offered in this section.

**NEW PRODUCTS**

There are several new additions and product improvements to our Pressure Controls product line.

*Here are just some of the design features and advantages to the "Winner's Circle" product line.*



**Variety of Adjustments**  
Pressure controls are offered in screw adjust, knob adjust, fixed and tamper resistant configurations.

**Zinc Coating**  
Steel adapters are coated with zinc for protection from salt spray.

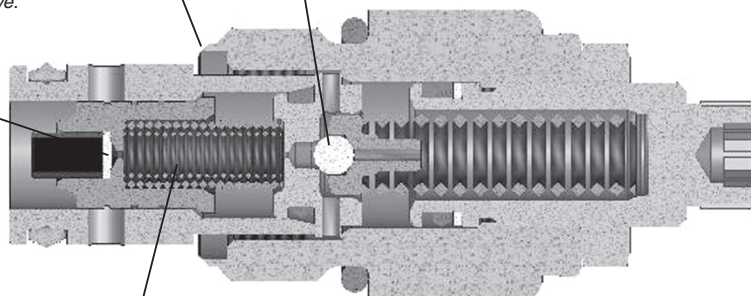
**High Pressure Design**  
Pilot operated valves are rated to 350 Bar (5000 PSI) for use at elevated pressure.

**"D"-Ring**  
Standard 4301 Polyurethane Seal eliminates the need for backup rings providing easier manifold installation. (For more information on "D"-Ring see Technical Data Section)

**Crimp Design**  
Fold over crimp provides secure holding and eliminates the need for adhesive.

**Guided Pilot**  
Pilot is fully guided providing a more consistent reseat.

**Internal Screen**  
A small internal screen protects the pilot orifice and spring chamber from debris.



**High Rate Bias Spring**  
Pilot operated reducing and sequence valves are designed with a high rate bias spring pressure, enhancing stability.

**Low Profile Adapter**  
The low profile shape of the pilot operated pressure controls reduces the manifold clearance required.

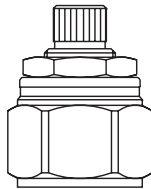


**COMMON OPTIONS**

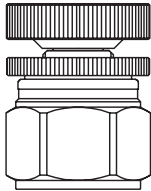
As you will see, Parker offers a variety of Pressure Control products. As such, some of the options mentioned below may not be available on all valves. Consult the model coding and dimensions for each valve for specifics. Here are some of the common options available.

**Adjustment Types:** Parker offers four primary types of adjustments for most of the pressure control products. Samples of these types are shown below. Please note all options may not be available for all valves. Consult the individual catalog pages for more details.

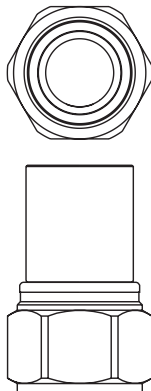
**Screw Adjustment** - Valve can be adjusted with an allen wrench. Lock nut included to maintain desired setting after adjustment. This is the most common adjustment option available on most Parker products.



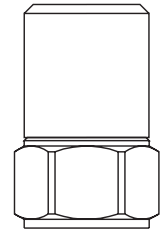
**Knob Adjustment** - An aluminum knob is added to the standard screw adjustment. A lock knob is provided to help maintain the desired setting after adjustment. Parker offers knob conversion kits for most pressure control valves. For kit numbers consult individual valve pages.



**Fixed Style** - In most cases, the Fixed Style product is a screw adjustable product with a steel collet threaded over the screw adjustment. These valves are preset at the factory.



**Tamper Resistant** - The tamper resistant option is a screw adjustable valve with a steel cap installed to conceal the adjustment. The cap is designed so that the internal edges clamp into the groove of the valve adapter. Once the cap is installed, it cannot be removed without damaging the cap and the valve. When a valve is ordered with the tamper resistant option, it will be preset at the factory, and the cap will be included in a separate plastic bag to allow for fine tuning at the customer site. Parker offers tamper resistant cap conversion kits for most pressure control valves. For kit numbers consult individual valve pages.



**Seals:** The Winner's Circle products feature a standard 4301 Polyurethane "D"-Ring. The "D"-Ring eliminates the need for backup rings. The majority of the products are available in Nitrile or Fluorocarbon Seals. You should match the seal compatibility to the temperature and fluid being used in your application.

**Pressure Range:** Parker offers a range of spring settings for the Pressure Control product line. You want to choose the setting that best meets the operating range. The model callout is equivalent to the maximum setting (in psi) of the spring divided by 100 (i.e. 50 = 5000 psi).

<b>CV</b>
Check Valves
<b>SH</b>
Shuttle Valves
<b>LM</b>
Load/Motor Controls
<b>FC</b>
Flow Controls
<b>PC</b>
Pressure Controls
<b>LE</b>
Logic Elements
<b>DC</b>
Directional Controls
<b>MV</b>
Manual Valves
<b>SV</b>
Solenoid Valves
<b>PV</b>
Proportional Valves
<b>CE</b>
Coils & Electronics
<b>BC</b>
Bodies & Cavities
<b>TD</b>
Technical Data



CV

Check Valves

SH

Shuttle Valves

LM

Load/Motor Controls

FC

Flow Controls

PC

Pressure Controls

LE

Logic Elements

DC

Directional Controls

MV

Manual Valves

SV

Solenoid Valves

PV

Proportional Valves

CE

Coils & Electronics

BC

Bodies & Cavities

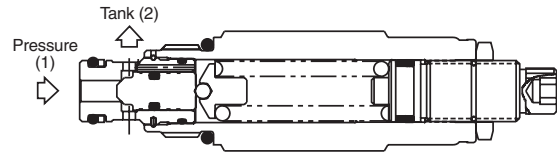
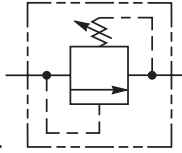
TD

Technical Data

PRODUCT TYPES / APPLICATIONS

**Direct Acting Relief Valves**

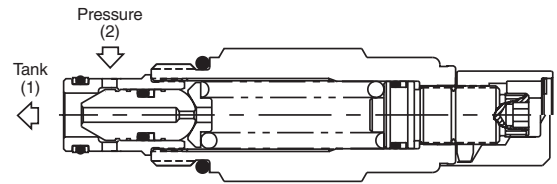
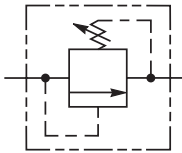
Direct acting relief valves are designed for fast response in intermittent duty applications. They are often used as an economical solution to clip pressure spikes. The poppet design allows for low leakage.



**OPERATION** - The valve poppet is held against the seat by the spring force. Inlet pressure on the nose (port 1) of the poppet acts against the spring force to unseat the poppet at the valve setting and allow flow to pass to tank. Since the pressure is working directly on the spring, this valve is very fast responding. It is not the best choice for system pressure regulation as it is slightly noisier than pilot operated relief valves and has higher pressure rise. *Note:* Any backpressure on port 2 would be additive to the spring setting.

**Differential Area Relief Valves**

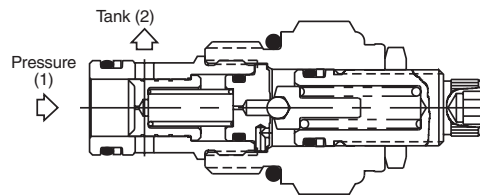
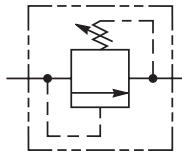
Differential area relief valves also are also best suited for intermittent applications where fast response is critical. These valves are often used as cross-over relief valves to chop pressure spikes. Due to their design, they generally can handle a larger flow rate and have a lower pressure rise than the standard directing acting relief. The poppet design allows for low leakage.



**OPERATION** - Pressure on the inlet (port 2) of the valve acts on the differential area of the poppet (difference between the O.D. of the poppet and the seat diameter) to produce a force which is opposed by the spring force. When pressure reaches the valve setting, the poppet is pushed off its seat, permitting flow to tank. *Note:* Any backpressure on port 1 would be additive to the spring setting.

**Pilot Operated Relief**

Pilot operated relief valves are designed for continuous duty applications. Due to their stability and low pressure rise, the pilot operated relief is the best option for setting the pressure of a hydraulic system.



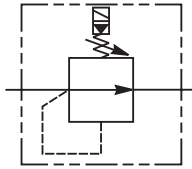
**OPERATION** - When inlet pressure at the nose (port 1) exceeds the valve setting, the pilot ball unseats. The pilot flow creates a pressure imbalance across the main spool causing the spool to move and allowing flow from inlet (port 1) to tank (port 2.) *Note:* Any backpressure on port 2 would be additive to the spring setting.

## Technical Tips

## Pressure Control Valves

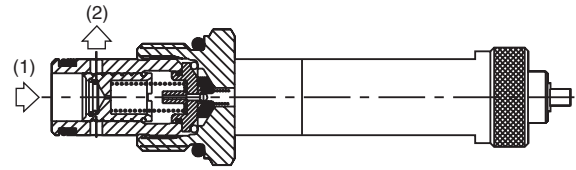
### Solenoid Operated Relief Valve

Solenoid operated relief valves are 2 valves in one. They can be a relief valve when energized or an unloading valve when de-energized. Relieving pressure is factory set per model code.



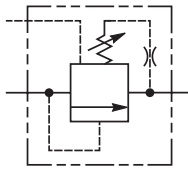
**OPERATION - De-Energized** the pilot is pushed away from its seat. Pressure on the nose port creates pilot flow through the spool and seat, lifting the spool against a light bias spring, allowing full flow.

**Energized** the armature pushes the pilot onto its seat with a pre-determined spring force. Pressure on the nose port acts against the pilot and lifts it, creating pilot flow. When the pressure exceeds the spring force, the main spool lifts allowing flow at the set pressure.

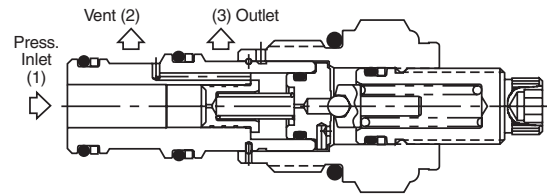


### Ventable Pilot Operated Relief

Ventable relief valves are a unique type of pilot operated relief. With this valve, you can control the pressure setting with the internal adjustment as well as via remote circuit. These valves are ideal in circuits where multiple pressures are needed.

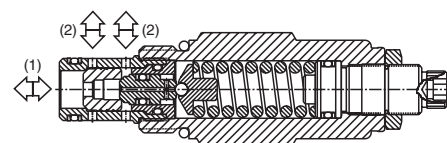
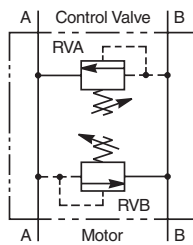


**OPERATION** - This valve can be controlled by the adjustment setting on the valve, or a remote circuit via the vent line. When the vent line is used, the smaller of the two pressure settings will determine the valve setting. In other words, if the pressure setting of the remote circuit is less than the adjusted setting, then the valve will relieve at the remote setting. If the pressure setting of the remote circuit is greater than the adjusted setting, then the valve will relieve at the adjusted setting. With the vent port (port 2) blocked, the valve operates like a standard pilot operated relief valve. Thus, a solenoid valve could be used on the vent port to select control between this valve another remote valve.

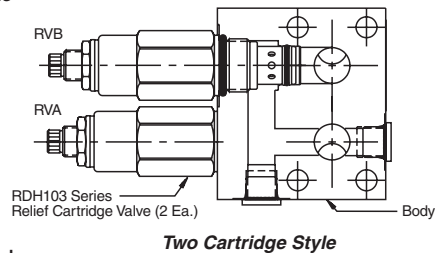


### Dual Crossover Relief Valves

Dual crossover relief valves provide pressure surge protection for double acting hydraulic actuators. For best results, you always want to install the valve as close to the actuator as possible. The dual crossover feature can be achieved in two different methods. One way is to manifold two Differential Area Relief Valves into a single body. Parker offers three versions of this two cartridge arrangement. The advantage gained is higher flows can be pushed through this arrangement. The second method is to combine this dual function into a single cartridge. The single cartridge arrangement reduces cost considerably of the total package. In addition, a standard common cavity line body can be used instead of a special two body arrangement. The operation for the single cartridge style is shown below.



Single Cartridge Style



Two Cartridge Style

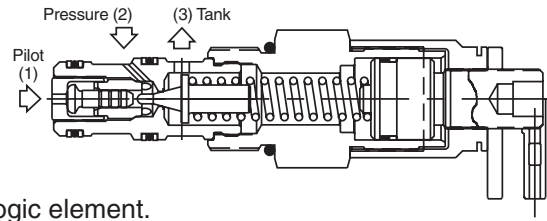
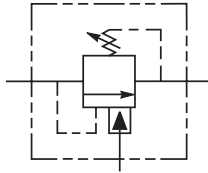
**OPERATION** - Pressure at port 1 acts on the spool to produce a force which is opposed by the spring setting. When pressure reaches the valve setting, the spool and poppet move relieving flow from port 1 to port 2. When port 2 is pressurized, the pressure acts on the differential area poppet to produce a force which is opposed by the spring force. When the pressure reaches the valve setting, the poppet is pushed off of its seat, relieving flow from port 2 to port 1. *Note:* Due to the construction and flow paths through the valve, the relief pressure settings may vary by approximately 300 psi from one direction to the other.

CV
Check Valves
SH
Shuttle Valves
LM
Load/Motor Controls
FC
Flow Controls
PC
Pressure Controls
LE
Logic Elements
DC
Directional Controls
MV
Manual Valves
SV
Solenoid Valves
PV
Proportional Valves
CE
Coils & Electronics
BC
Bodies & Cavities
TD
Technical Data

- CV** Check Valves
- SH** Shuttle Valves
- LM** Load/Motor Controls
- FC** Flow Controls
- PC** Pressure Controls
- LE** Logic Elements
- DC** Directional Controls
- MV** Manual Valves
- SV** Solenoid Valves
- PV** Proportional Valves
- CE** Coils & Electronics
- BC** Bodies & Cavities
- TD** Technical Data

**Differential Area Unloading Relief Valve**

Unloading valves are differential area relief valves that can also be fully dumped or unloaded via a remote signal. They are best suited for low flow accumulator unloading circuits. They provide a fixed percentage between load and unload pressures.

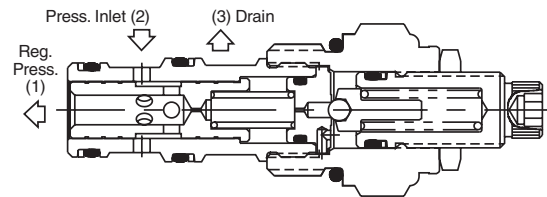
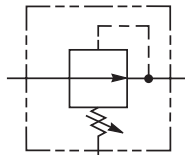


This pilot valve would generally be used in conjunction with a logic element.

**OPERATION** - The fixed differential is provided by the pilot piston which has greater area than the dart seat. With its greater area, the piston is able to hold the dart off its seat, permitting flow from pressure to tank, until pressure on the pilot piston falls below the fixed percentage of the valve settings.

**Pilot Operated Reducing Valve**

Pilot operated pressure reducing valves can be used to reduce the pressure in a leg of the circuit lower than system pressure. Thus, they can be used to provide protection to downstream components from higher pressures.



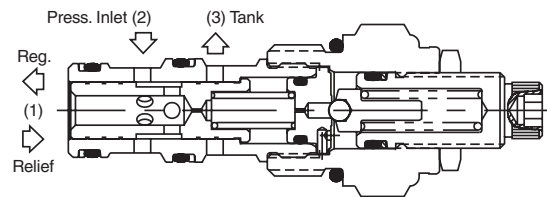
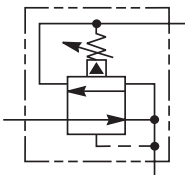
**OPERATION** - The pilot section controls the valve setting when reducing. As pressure at the regulated port exceeds the valve setting, the pilot ball is unseated. The pilot flow creates a pressure imbalance across the main spool causing the spool to throttle in order to maintain constant downstream pressure. The normally open design will allow flow to pass from inlet to reduced port with the only restriction being the pressure drop.

**Pressure Reducing / Relieving Valves**

Pressure reducing / relieving valves can be used to reduce the pressure in a leg of the circuit lower than system pressure. The valve also acts as a relief valve, relieving any shocks or surges that occur between the regulated port and the actuator. When the valve is in the relieving mode, the inlet port is blocked. Parker offers pressure reducing/relieving valves in both pilot operated and directing acting styles. The direct acting version is generally used in static applications where response is critical, or leakage is a concern.

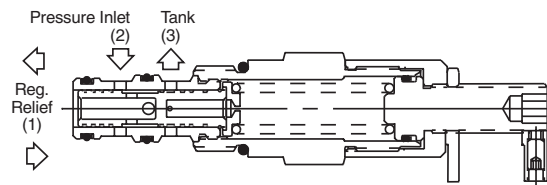
**Pilot Operated**

**OPERATION** - The pilot section controls the valve setting when reducing. As pressure at the regulated port exceeds the valve setting, the pilot ball is unseated. The pilot flow creates a pressure imbalance across the main spool causing the spool to throttle in order to maintain constant downstream pressure. A shock or surge at the regulated port shifts the spool, relieving flow to tank.



**Direct Acting**

**OPERATION** - As pressure at the regulated port exceeds the valve setting, the valve throttles or closes in order to maintain constant downstream pressure. A shock or surge at the regulated port further shifts the spool, relieving flow to tank. This valve is not intended for rapidly changing flows which could lead to instability.

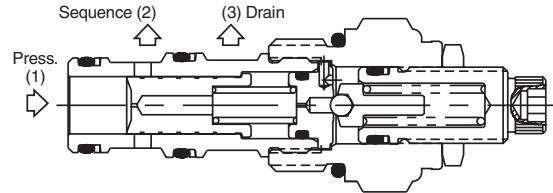


**Pilot Operated Sequence Valves**

Sequence valves are used to control the sequence of operation of two or more hydraulic actuators. The sequence valve pressure is set higher than the first actuator operation pressure. Once the first actuator has completed its cycle, the sequence valve opens allowing the second actuator to move. Parker's line of pilot operated sequence valves include a series of internally piloted, externally drained valves and a series of externally piloted, internally vented valves. Parker also offers a line of direct acting sequence valves which are ideal for piloting logic elements in steady state applications.

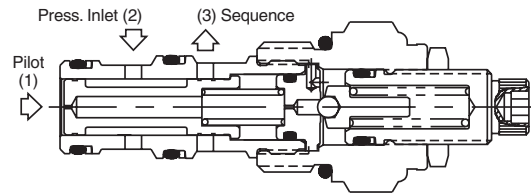
**P.O. Sequence (Internally Piloted, Externally Drained)**

**OPERATION** - For this valve, the pilot pressure is sensed from the inlet of the valve (port 1). When the pilot pressure exceeds the valve setting, the pilot section opens creating a pressure imbalance across the main spool. This causes the spool to move allowing the flow to pass from the nose of the cartridge (port 1) to the actuator port (port 2). By externally draining the pilot flow directly to tank (port 3), the valve is insensitive to back pressure at the sequence port.



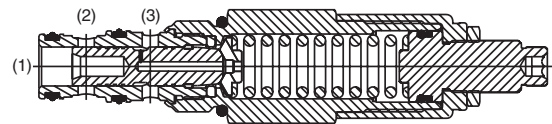
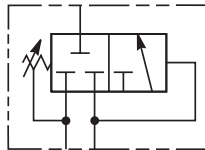
**P.O. Sequence (Externally Piloted, Internally Vented)**

**OPERATION** - For this valve, the pilot pressure is obtained from an external source and not from the pressure port. When the external pilot pressure (port 1) exceeds the valve setting, the pilot section opens creating a pressure imbalance across the main spool. This causes the spool to move allowing the flow to pass from the side of the cartridge (port 2) to the actuator port (port 3). Any pressure at port 3 is additive to the pressure setting. It is most common for port 3 to be connected to tank.



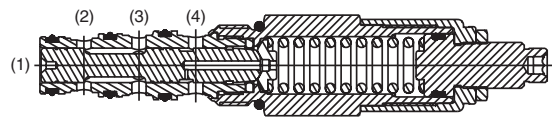
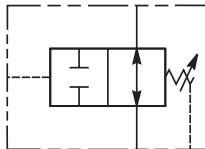
**D.A. Sequence (Internally Piloted, Externally Drained)**

**OPERATION** - In the steady state condition, all three ports are blocked with the spring chamber drained to port 3. When the pressure at port 1 exceeds the valve setting, the spool moves allowing flow from the nose of the cartridge (port 1) to the actuator port (port 2). By externally draining the spring chamber directly to tank (port 3), the valve is insensitive to back pressure at the sequence port.



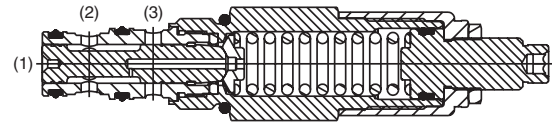
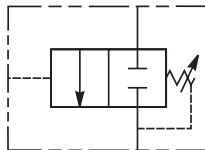
**D.A. Sequence, N.O. (Externally Piloted, Externally Drained)**

**OPERATION** - With no pressure at the pilot port (port 1), bi-directional flow is allowed between port 3 and port 2. When the pilot pressure at port 1 exceeds the valve setting the spool moves blocking both port 3 and port 2. By externally draining the spring chamber to tank (port 4), the valve is insensitive to back pressure at the sequencing ports.



**D.A. Sequence, N.C. (Externally Piloted)**

**OPERATION** - With no pressure at the pilot port (port 1), both port 3 and port 2 are blocked. When the pilot pressure at port 1 exceeds the valve setting, the spool moves opening a path and allowing flow from port 3 to port 2. This valve internally drains the spring chamber to tank via the sequencing port, thus any backpressure on port 2 would be additive to the spring setting.



**CV**

Check Valves

**SH**

Shuttle Valves

**LM**

Load/Motor Controls

**FC**

Flow Controls

**PC**

Pressure Controls

**LE**

Logic Elements

**DC**

Directional Controls

**MV**

Manual Valves

**SV**

Solenoid Valves

**PV**

Proportional Valves

**CE**

Coils & Electronics

**BC**

Bodies & Cavities

**TD**

Technical Data

**Technical Information**

**CV**

Check Valves

**SH**

Shuttle Valves

**LM**

Load/Motor Controls

**FC**

Flow Controls

**PC**

Pressure Controls

**LE**

Logic Elements

**DC**

Directional Controls

**MV**

Manual Valves

**SV**

Solenoid Valves

**PV**

Proportional Valves

**CE**

Coils & Electronics

**BC**

Bodies & Cavities

**TD**

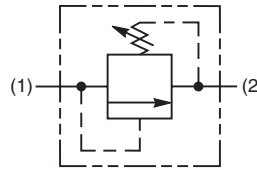
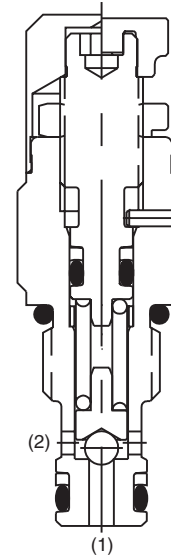
Technical Data

**General Description**

Direct Acting Ball-Type Relief Valve. For additional information see Technical Tips on pages PC1-PC6.

**Features**

- Hardened, precision ground parts for durability
- Compact size for reduced space requirements
- Low leakage design
- Fast response
- All external parts zinc plated



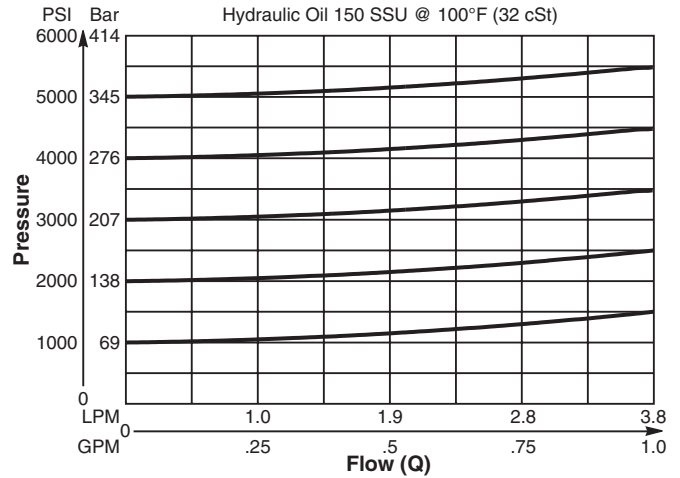
**Specifications**

<b>Rated Flow</b>	3.8 LPM (1 GPM)
<b>Maximum Inlet Pressure</b>	380 Bar (5500 PSI)
<b>Maximum Pressure Setting</b>	350 Bar (5000 PSI)
<b>Sensitivity: Pressure/Turn</b>	<b>30</b> 105 Bar (1522 PSI) <b>50</b> 118 Bar (1710 PSI)
<b>Maximum Tank Pressure</b>	350 Bar (5000 PSI)
<b>Reseat Pressure</b>	80% of crack pressure
<b>Leakage at 150 SSU (32 cSt)</b>	10 drops/min. (.66 cc/min.) @75% of crack pressure
<b>Cartridge Material</b>	All parts steel. All operating parts hardened steel.
<b>Operating Temp. Range/Seals</b>	-34°C to +121°C (Nitrile) (-30°F to +250°F) -26°C to +204°C (Fluorocarbon) (-15°F to +400°F)
<b>Fluid Compatibility/Viscosity</b>	Mineral-based or synthetic with lubricating properties at viscosities of 45 to 2000 SSU (6 to 420 cSt)
<b>Filtration</b>	ISO-4406 18/16/13, SAE Class 4
<b>Approx. Weight</b>	.03 kg (.07 lbs.)
<b>Cavity</b>	C04-2 (See BC Section for more details)
<b>Form Tool</b>	Rougher None Finisher NFT04-2F

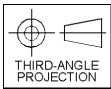
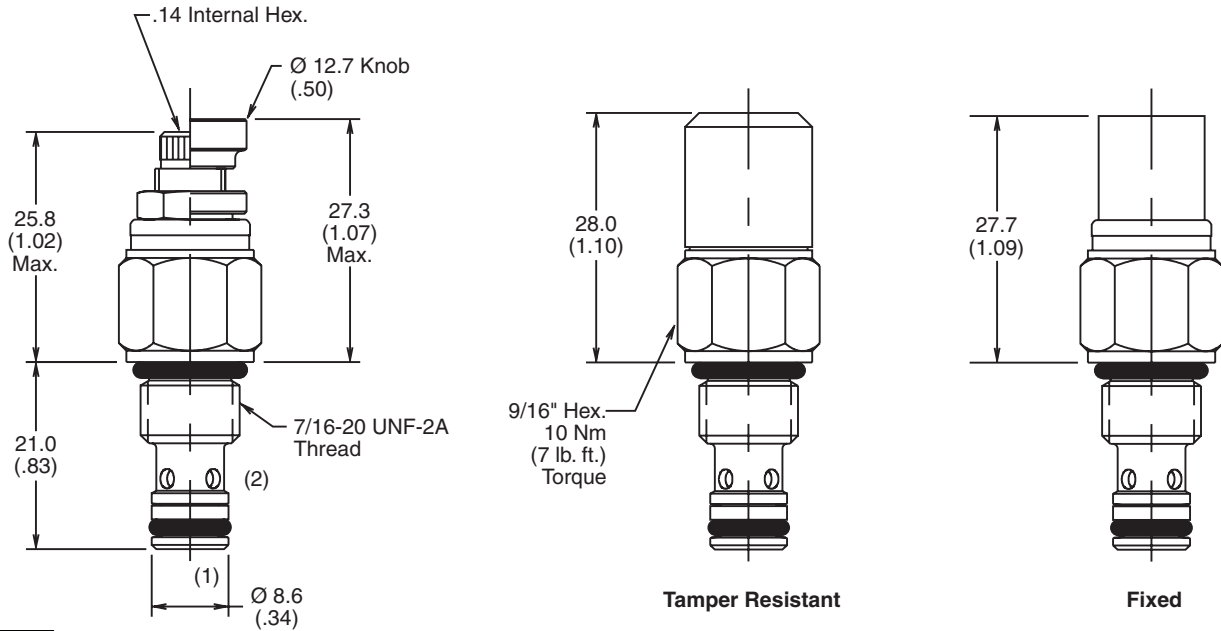
**Performance Curve**

**Flow vs. Inlet Pressure**

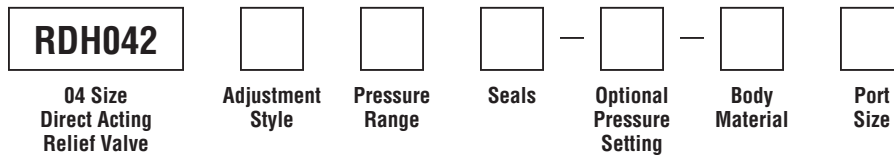
(Pressure rise through cartridge only)



**Dimensions** Millimeters (Inches)



**Ordering Information**



Code	Adjustment Style / Kit No.
F	Fixed style, preset at factory.
K	Knob Adjust (852544)
S	Screw Adjust
T	Tamper Resistant Cap (852519)

Code	Seals / Kit No.
Omit	Nitrile / (SK04-2)
V	Fluorocarbon / (SK04-2V)

Code	Body Material
Omit	Steel
A	Aluminum

Code	Pressure Range
30	6.9 - 207 Bar (100 - 3000 PSI) Standard Setting: 103 Bar (1500 PSI) @ 1.9 LPM (.5 GPM)
50*	103 - 345 Bar (1500 - 5000 PSI) Standard Setting: 172 Bar (2500 PSI) @ 1.9 LPM (.5 GPM)

Optional Pressure Setting
Pressure ÷ 10 i.e. 235 = 2350 PSI (Omit if standard setting is used) Setting Range: 100 to 5000 PSI All settings at 1.9 LPM (.5 GPM)

Code	Port Size	Body Part No.
Omit	Cartridge Only	
4T	SAE-4	(B04-2-*4T)

\* Add "A" for aluminum, omit for steel.

\* If using 50 Pressure Range,  
 Steel Body Required.

- CV
- Check Valves
- SH
- Shuttle Valves
- LM
- Load/Motor Controls
- FC
- Flow Controls
- PC
- Pressure Controls
- LE
- Logic Elements
- DC
- Directional Controls
- MV
- Manual Valves
- SV
- Solenoid Valves
- PV
- Proportional Valves
- CE
- Coils & Electronics
- BC
- Bodies & Cavities
- TD
- Technical Data



**Technical Information**

- CV** Check Valves
- SH** Shuttle Valves
- LM** Load/Motor Controls
- FC** Flow Controls
- PC** Pressure Controls
- LE** Logic Elements
- DC** Directional Controls
- MV** Manual Valves
- SV** Solenoid Valves
- PV** Proportional Valves
- CE** Coils & Electronics
- BC** Bodies & Cavities
- TD** Technical Data

**General Description**

Direct Acting Relief Valve. This valve is designed for pilot flow circuits. For additional information see Technical Tips on pages PC1-PC6.

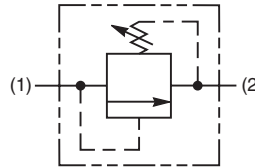
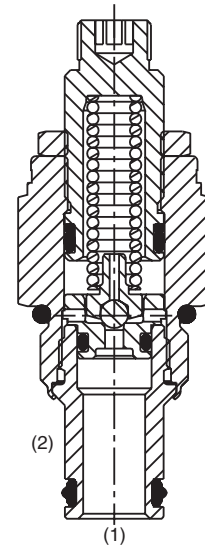
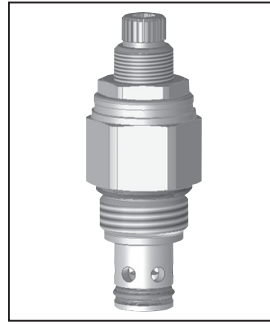


**Features**

- Hardened, precision ground parts for durability
- Low profile adapter for minimal space requirements
- Fully guided pilot for more consistent reseal
- Steel adapters are zinc plated
- Polyurethane "D"-Ring eliminates backup rings and prevents hydrolysis

**Specifications**

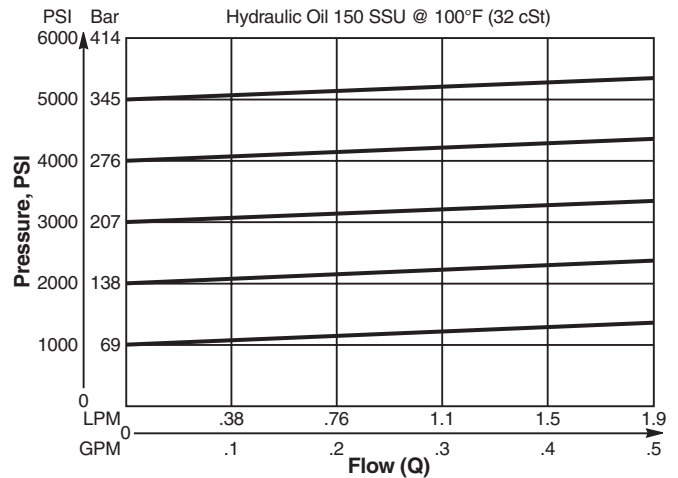
<b>Rated Flow</b>	1.9 LPM (.5 GPM)								
<b>Maximum Inlet Pressure</b>	380 Bar (5500 PSI)								
<b>Maximum Pressure Setting</b>	350 Bar (5000 PSI)								
<b>Sensitivity: Pressure/Turn</b>	<table style="border: none;"> <tr> <td><b>10</b></td> <td>19.6 Bar (285 PSI)</td> </tr> <tr> <td><b>20</b></td> <td>39.3 Bar (570 PSI)</td> </tr> <tr> <td><b>30</b></td> <td>58.9 Bar (859 PSI)</td> </tr> <tr> <td><b>50</b></td> <td>131.7 Bar (1910 PSI)</td> </tr> </table>	<b>10</b>	19.6 Bar (285 PSI)	<b>20</b>	39.3 Bar (570 PSI)	<b>30</b>	58.9 Bar (859 PSI)	<b>50</b>	131.7 Bar (1910 PSI)
<b>10</b>	19.6 Bar (285 PSI)								
<b>20</b>	39.3 Bar (570 PSI)								
<b>30</b>	58.9 Bar (859 PSI)								
<b>50</b>	131.7 Bar (1910 PSI)								
<b>Reseat Pressure</b>	90% of crack pressure								
<b>Leakage at 150 SSU (32 cSt)</b>	5 drops/min. (.33 cc/min.) @75% of crack pressure								
<b>Cartridge Material</b>	All parts steel. All operating parts hardened steel.								
<b>Operating Temp. Range/Seals</b>	-45°C to +132°C ("D"-Ring) (-50°F to +270°F) -34°C to +121°C (Nitrile) (-30°F to +250°F) -26°C to +204°C (Fluorocarbon) (-15°F to +400°F)								
<b>Fluid Compatibility/Viscosity</b>	Mineral-based or synthetic with lubricating properties at viscosities of 45 to 2000 SSU (6 to 420 cSt)								
<b>Filtration</b>	ISO-4406 18/16/13, SAE Class								
<b>Approx. Weight</b>	.09 kg (.20 lbs.)								
<b>Cavity</b>	C08-2 (See BC Section for more details)								
<b>Form Tool</b>	<table style="border: none;"> <tr> <td>Rougher</td> <td>None</td> </tr> <tr> <td>Finisher</td> <td>NFT08-2F</td> </tr> </table>	Rougher	None	Finisher	NFT08-2F				
Rougher	None								
Finisher	NFT08-2F								



**Performance Curve**

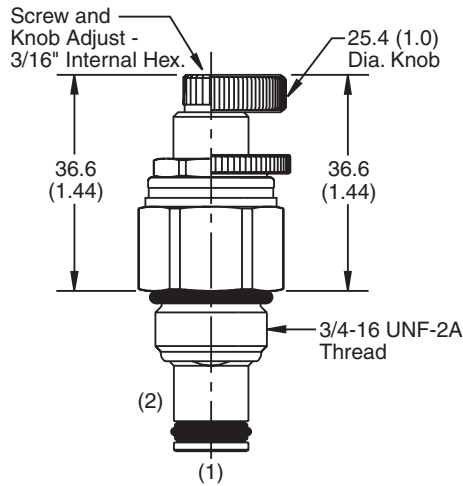
**Flow vs. Inlet Pressure**

(Pressure rise through cartridge only)

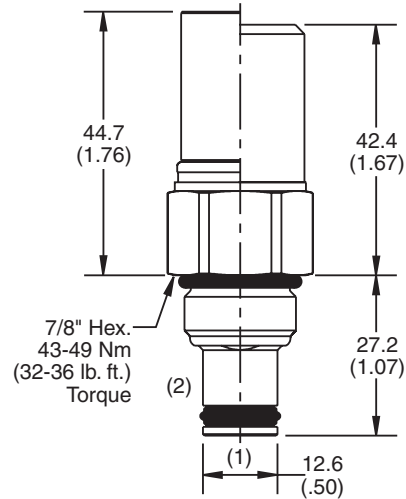




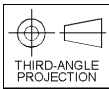
**Dimensions** Millimeters (Inches)



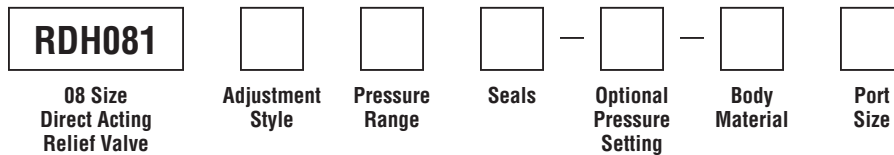
**Screw/Knob Version**



**Fixed Cap/Tamper Resistant Version**



**Ordering Information**



Code	Adjustment Style / Kit No.
F	Fixed style, preset at factory.
K	Knob Adjust (717784-10)
S	Screw Adjust
T	Tamper Resistant Cap (717943)

Code	Seals / Kit No.
Omit	"D"-Ring / (SK08-2)
N	Nitrile / (SK08-2N)
V	Fluorocarbon / (SK08-2V)

Code	Body Material
Omit	Steel
A	Aluminum

Code	Pressure Range
10	6.9 - 69 Bar (100 - 1000 PSI) Standard Setting: 34.5 Bar (500 PSI) @ crack pressure, approximately 100 cc/min (6.1 in <sup>3</sup> /min)
20	6.9 - 138 Bar (100 - 2000 PSI) Standard Setting: 69 Bar (1000 PSI) @ crack pressure, approximately 100 cc/min (6.1 in <sup>3</sup> /min)
30	13.8 - 207 Bar (200 - 3000 PSI) Standard Setting: 103.5 Bar (1500 PSI) @ crack pressure, approximately 100 cc/min (6.1 in <sup>3</sup> /min)
50	13.8 - 345 Bar (200 - 5000 PSI) Standard Setting: 172.4 Bar (2500 PSI) @ crack pressure, approximately 100 cc/min (6.1 in <sup>3</sup> /min)

Optional Pressure Setting
Pressure ÷ 10 i.e. 235 = 2350 PSI (Omit if standard setting is used) Setting Range: 100 to 5000 PSI All settings at crack pressure, approximately 100 cc/min (6.1 in <sup>3</sup> /min)

Code	Port Size	Body Part No.
Omit	Cartridge Only	
4T	SAE-4	(B08-2-*4T)
6T	SAE-6	(B08-2-*6T)

\* Add "A" for aluminum, omit for steel.

- CV
- Check Valves
- SH
- Shuttle Valves
- LM
- Load/Motor Controls
- FC
- Flow Controls
- PC
- Pressure Controls
- LE
- Logic Elements
- DC
- Directional Controls
- MV
- Manual Valves
- SV
- Solenoid Valves
- PV
- Proportional Valves
- CE
- Coils & Electronics
- BC
- Bodies & Cavities
- TD
- Technical Data

**Technical Information**

**CV**

Check Valves

**SH**

Shuttle Valves

**LM**

Load/Motor Controls

**FC**

Flow Controls

**PC**

Pressure Controls

**LE**

Logic Elements

**DC**

Directional Controls

**MV**

Manual Valves

**SV**

Solenoid Valves

**PV**

Proportional Valves

**CE**

Coils & Electronics

**BC**

Bodies & Cavities

**TD**

Technical Data

**General Description**

Direct Acting Poppet-Type Relief Valve. For additional information see Technical Tips on pages PC1-PC6.

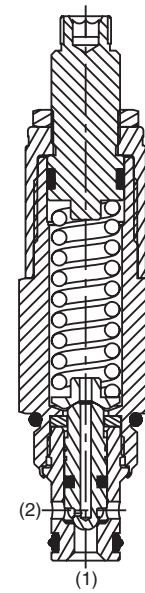
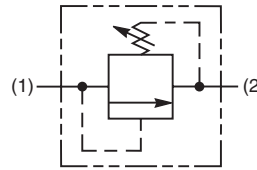
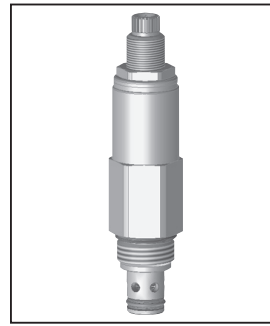


**Features**

- Hardened, precision ground parts for durability
- Fast response
- Spherical poppets for low leakage
- Internal mechanical stop limits poppet travel eliminating spring solidification
- All external parts zinc plated
- Polyurethane "D"-Ring eliminates backup rings and prevents hydrolysis

**Specifications**

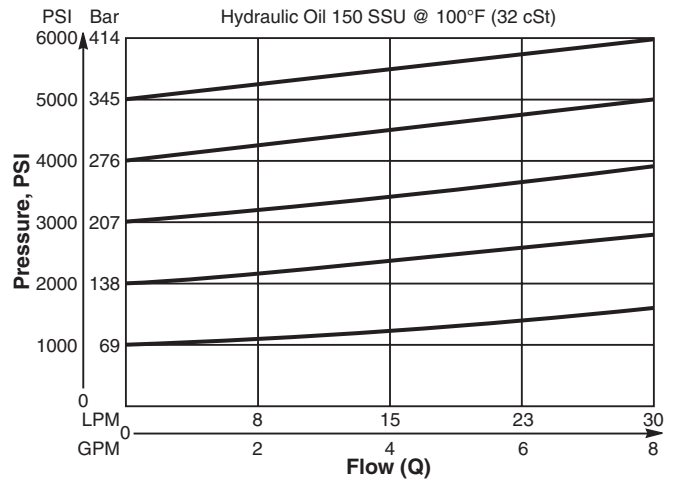
<b>Rated Flow</b>	30 LPM (8 GPM)						
<b>Maximum Inlet Pressure</b>	380 Bar (5500 PSI)						
<b>Maximum Pressure Setting</b>	350 Bar (5000 PSI)						
<b>Sensitivity: Pressure/Turn</b>	<table border="0"> <tr> <td><b>15</b></td> <td>19.3 Bar (280 PSI)</td> </tr> <tr> <td><b>30</b></td> <td>35 Bar (508 PSI)</td> </tr> <tr> <td><b>50</b></td> <td>54 Bar (787 PSI)</td> </tr> </table>	<b>15</b>	19.3 Bar (280 PSI)	<b>30</b>	35 Bar (508 PSI)	<b>50</b>	54 Bar (787 PSI)
<b>15</b>	19.3 Bar (280 PSI)						
<b>30</b>	35 Bar (508 PSI)						
<b>50</b>	54 Bar (787 PSI)						
<b>Reseat Pressure</b>	85% of crack pressure						
<b>Leakage at 150 SSU (32 cSt)</b>	5 drops/min. (.33 cc/min.) @75% of crack pressure						
<b>Cartridge Material</b>	All parts steel. All operating parts hardened steel.						
<b>Operating Temp. Range/Seals</b>	-45°C to +132°C ("D"-Ring) (-50°F to +270°F) -34°C to +121°C (Nitrile) (-30°F to +250°F) -26°C to +204°C (Fluorocarbon) (-15°F to +400°F)						
<b>Fluid Compatibility/Viscosity</b>	Mineral-based or synthetic with lubricating properties at viscosities of 45 to 2000 SSU (6 to 420 cSt)						
<b>Filtration</b>	ISO-4406 18/16/13, SAE Class 4						
<b>Approx. Weight</b>	.18 kg (.40 lbs.)						
<b>Cavity</b>	C08-2 (See BC Section for more details)						
<b>Form Tool</b>	<table border="0"> <tr> <td>Rougher</td> <td>None</td> </tr> <tr> <td>Finisher</td> <td>NFT08-2F</td> </tr> </table>	Rougher	None	Finisher	NFT08-2F		
Rougher	None						
Finisher	NFT08-2F						



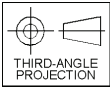
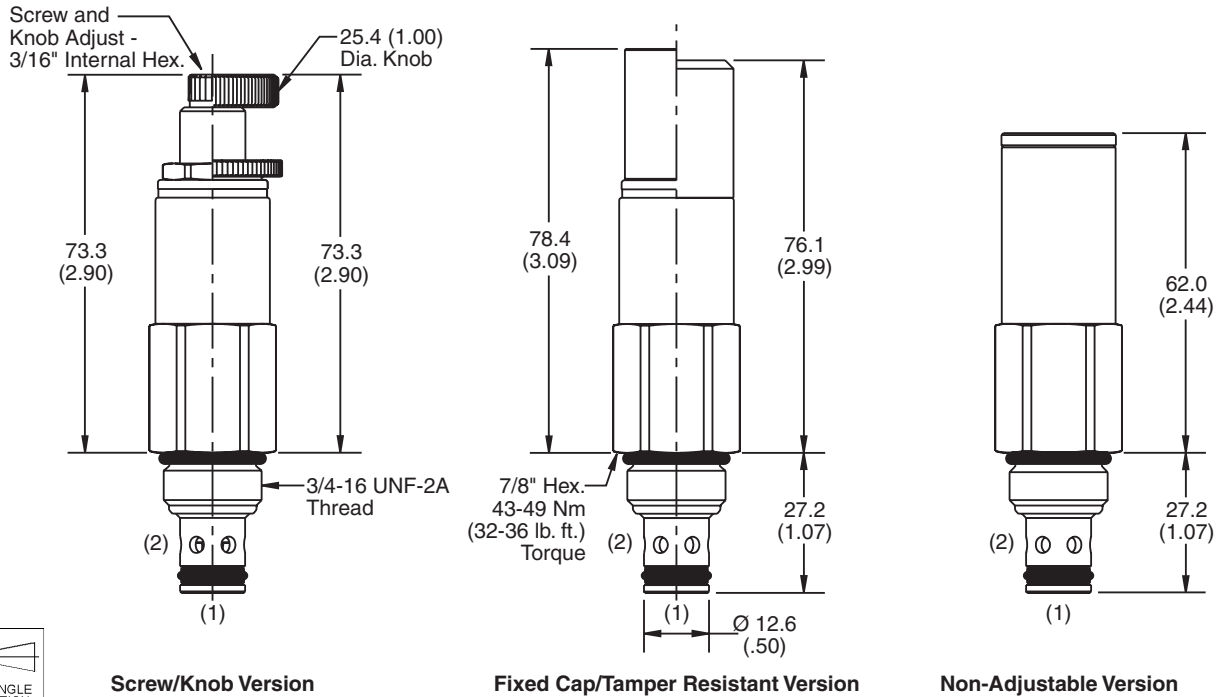
**Performance Curve**

**Flow vs. Inlet Pressure**

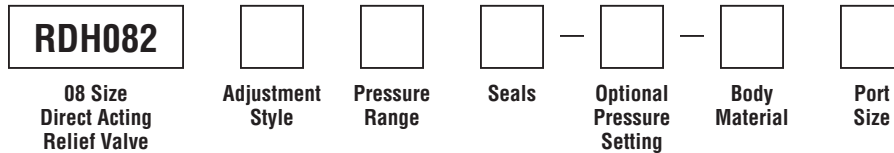
(Pressure rise through cartridge only)



**Dimensions** Millimeters (Inches)



**Ordering Information**



Code	Adjustment Style / Kit No.
F	Fixed style, preset at factory.
K	Knob Adjust (717784-10)
N	Non-Adjustable
S	Screw Adjust
T	Tamper Resistant Cap (717943)

Code	Seals / Kit No.
Omit	"D"-Ring / (SK08-2)
N	Nitrile / (SK08-2N)
V	Fluorocarbon / (SK08-2V)

Code	Body Material
Omit	Steel
A	Aluminum

Code	Pressure Range
15	6.9 - 103 Bar (100 - 1500 PSI) Standard Setting: 51.7 Bar (750 PSI) @ crack pressure approximately .95 LPM (.25 GPM)
30	17.2 - 207 Bar (250 - 3000 PSI) Standard Setting: 103 Bar (1500 PSI) @ crack pressure approximately .95 LPM (.25 GPM)
50	34.5 - 345 Bar (500 - 5000 PSI) Standard Setting: 172.4 Bar (2500 PSI) @ crack pressure approximately .95 LPM (.25 GPM)

Optional Pressure Setting
Pressure ÷ 10 i.e. 235 = 2350 PSI (Omit if standard setting is used) Setting Range: 100 to 5000 PSI All settings at crack pressure, approximately .95 LPM (.25 GPM)

Code	Port Size	Body Part No.
Omit	Cartridge Only	
4T	SAE-4	(B08-2-*4T)
6T	SAE-6	(B08-2-*6T)

\* Add "A" for aluminum, omit for steel.

- CV** Check Valves
- SH** Shuttle Valves
- LM** Load/Motor Controls
- FC** Flow Controls
- PC** Pressure Controls
- LE** Logic Elements
- DC** Directional Controls
- MV** Manual Valves
- SV** Solenoid Valves
- PV** Proportional Valves
- CE** Coils & Electronics
- BC** Bodies & Cavities
- TD** Technical Data

**Technical Information**

- CV** Check Valves
- SH** Shuttle Valves
- LM** Load/Motor Controls
- FC** Flow Controls
- PC** Pressure Controls
- LE** Logic Elements
- DC** Directional Controls
- MV** Manual Valves
- SV** Solenoid Valves
- PV** Proportional Valves
- CE** Coils & Electronics
- BC** Bodies & Cavities
- TD** Technical Data

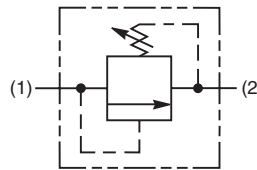
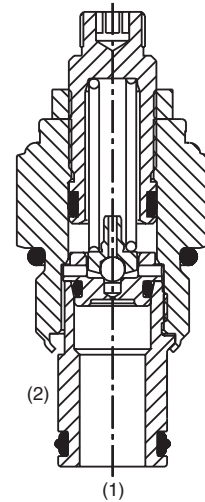
**General Description**

Direct Acting Relief Valve. This valve is designed for pilot flow circuits. For additional information see Technical Tips on pages PC1-PC6.



**Features**

- Hardened, precision ground parts for durability
- Low profile adapter for minimal space requirements
- Fully guided poppet for more consistent reseal
- Steel adapters are zinc plated
- Polyurethane "D"-Ring eliminates backup rings and prevents hydrolysis



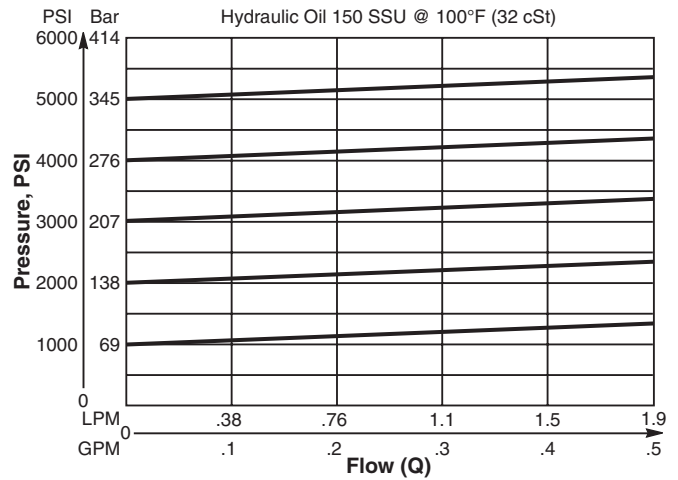
**Specifications**

<b>Rated Flow</b>	1.9 LPM (.5 GPM)								
<b>Maximum Inlet Pressure</b>	380 Bar (5500 PSI)								
<b>Maximum Pressure Setting</b>	350 Bar (5000 PSI)								
<b>Sensitivity: Pressure/Turn</b>	<table style="border: none;"> <tr><td><b>10</b></td><td>19.6 Bar (285 PSI)</td></tr> <tr><td><b>20</b></td><td>39.3 Bar (570 PSI)</td></tr> <tr><td><b>30</b></td><td>58.9 Bar (859 PSI)</td></tr> <tr><td><b>50</b></td><td>131.7 Bar (1910 PSI)</td></tr> </table>	<b>10</b>	19.6 Bar (285 PSI)	<b>20</b>	39.3 Bar (570 PSI)	<b>30</b>	58.9 Bar (859 PSI)	<b>50</b>	131.7 Bar (1910 PSI)
<b>10</b>	19.6 Bar (285 PSI)								
<b>20</b>	39.3 Bar (570 PSI)								
<b>30</b>	58.9 Bar (859 PSI)								
<b>50</b>	131.7 Bar (1910 PSI)								
<b>Reseat Pressure</b>	90% of crack pressure								
<b>Leakage at 150 SSU (32 cSt)</b>	5 drops/min. (.33 cc/min.) @ 80% of crack pressure								
<b>Cartridge Material</b>	All parts steel. All operating parts hardened steel.								
<b>Operating Temp. Range/Seals</b>	-45°C to +132°C ("D"-Ring) (-50°F to +270°F) -34°C to +121°C (Nitrile) (-30°F to +250°F) -26°C to +204°C (Fluorocarbon) (-15°F to +400°F)								
<b>Fluid Compatibility/Viscosity</b>	Mineral-based or synthetic with lubricating properties at viscosities of 45 to 2000 SSU (6 to 420 cSt)								
<b>Filtration</b>	ISO-4406 18/16/13, SAE Class 4								
<b>Approx. Weight</b>	.18 kg (.40 lbs.)								
<b>Cavity</b>	C10-2								
<b>Form Tool</b>	Rougher None Finisher NFT10-2F								

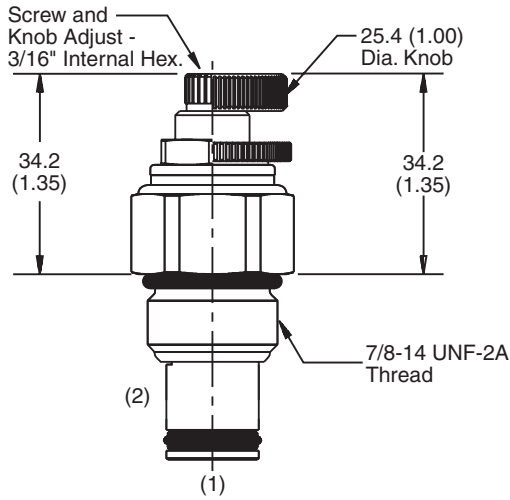
**Performance Curve**

**Flow vs. Inlet Pressure**

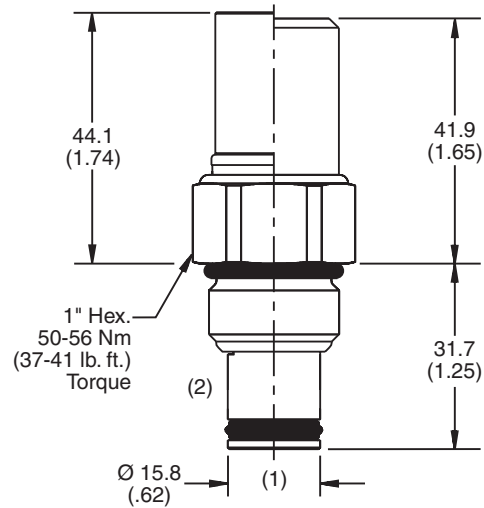
(Pressure rise through cartridge only)



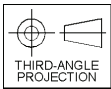
**Dimensions** Millimeters (Inches)



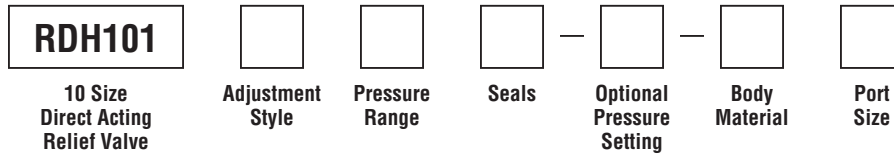
**Screw/Knob Version**



**Fixed Cap/Tamper Resistant Version**



**Ordering Information**



Code	Adjustment Style / Kit No.
F	Fixed style, preset at factory.
K	Knob Adjust (717784-10)
S	Screw Adjust
T	Tamper Resistant Cap (718083)

Code	Seals / Kit No.
Omit	"D"-Ring / (SK10-2)
N	Nitrile / (SK10-2N)
V	Fluorocarbon / (SK10-2V)

Code	Body Material
Omit	Steel
A	Aluminum

Code	Pressure Range
10	6.9 - 69 Bar (100 - 1000 PSI) Standard Setting: 34.5 Bar (500 PSI) @ crack pressure, approximately 100 cc/min (6.1 in <sup>3</sup> /min)
20	6.9 - 138 Bar (100 - 2000 PSI) Standard Setting: 69 Bar (1000 PSI) @ crack pressure, approximately 100 cc/min (6.1 in <sup>3</sup> /min)
30	13.8 - 207 Bar (200 - 3000 PSI) Standard Setting: 103.5 Bar (1500 PSI) @ crack pressure, approximately 100 cc/min (6.1 in <sup>3</sup> /min)
50	13.8 - 345 Bar (200 - 5000 PSI) Standard Setting: 172.4 Bar (2500 PSI) @ crack pressure, approximately 100 cc/min (6.1 in <sup>3</sup> /min)

Optional Pressure Setting
Pressure ÷ 10 i.e. 235 = 2350 PSI (Omit if standard setting is used) Setting Range: 100 to 5000 PSI All settings at crack pressure, approximately 100 cc/min (6.1 in <sup>3</sup> /min)

Code	Port Size	Body Part No.
Omit	Cartridge Only	
6T	SAE-6	(B10-2-*6T)
8T	SAE-8	(B10-2-*8T)

\* Add "A" for aluminum, omit for steel.

- CV Check Valves
- SH Shuttle Valves
- LM Load/Motor Controls
- FC Flow Controls
- PC Pressure Controls
- LE Logic Elements
- DC Directional Controls
- MV Manual Valves
- SV Solenoid Valves
- PV Proportional Valves
- CE Coils & Electronics
- BC Bodies & Cavities
- TD Technical Data

**Technical Information**

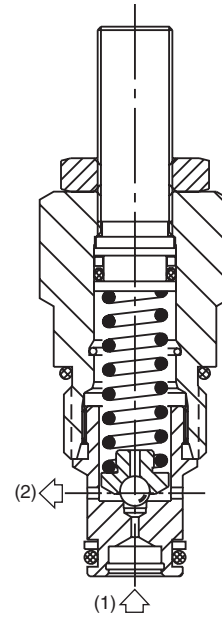
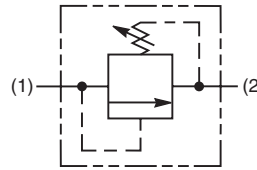
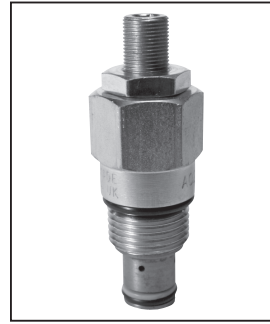
- CV** Check Valves
- SH** Shuttle Valves
- LM** Load/Motor Controls
- FC** Flow Controls
- PC** Pressure Controls
- LE** Logic Elements
- DC** Directional Controls
- MV** Manual Valves
- SV** Solenoid Valves
- PV** Proportional Valves
- CE** Coils & Electronics
- BC** Bodies & Cavities
- TD** Technical Data

**General Description**

Direct Acting Ball-Type Relief Valve. For additional information see Technical Tips on pages PC1-PC6.

**Features**

- Fast response
- Ideal for controlling ventable relief valves, or for thermal relief
- Hardened working parts for maximum durability
- Integral 250 micron inlet filter available
- All external parts zinc plated



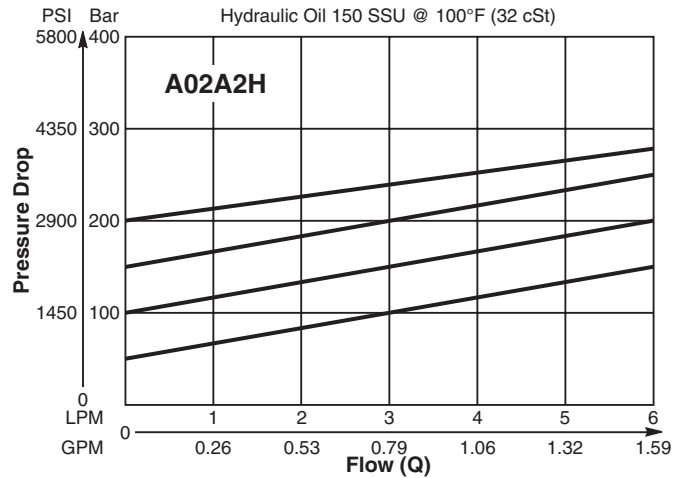
**Specifications**

<b>Rated Flow</b>	6 LPM (1.6 GPM)
<b>Maximum Inlet Pressure</b>	H - 10-210 Bar (145-3000 PSI) P - 10-420 Bar (145-6000 PSI)
<b>Maximum Pressure Setting</b>	420 Bar (6000 PSI)
<b>Sensitivity: Pressure/Turn</b>	H 30 Bar (435 PSI) P 55 Bar (800 PSI)
<b>Maximum Tank Pressure</b>	420 Bar (6000 PSI)
<b>Leakage at 150 SSU (32 cSt)</b>	5 drops/min. @ 100 Bar (1450 PSI)
<b>Cartridge Material</b>	All parts steel. All operating parts hardened steel.
<b>Operating Temp. Range/Seals</b>	-34°C to +121°C (Nitrile) (-30°F to +250°F) -26°C to +204°C (Fluorocarbon) (-15°F to +400°F)
<b>Fluid Compatibility/Viscosity</b>	Mineral-based or synthetic with lubricating properties at viscosities of 45 to 2000 SSU (6 to 420 cSt)
<b>Filtration</b>	ISO-4406 18/16/13, SAE Class 4
<b>Approx. Weight</b>	0.11 kg (0.24 lbs.)
<b>Cavity</b>	C08-2 (See BC Section for more details)
<b>Form Tool</b>	Rougher None Finisher NFT08-2F

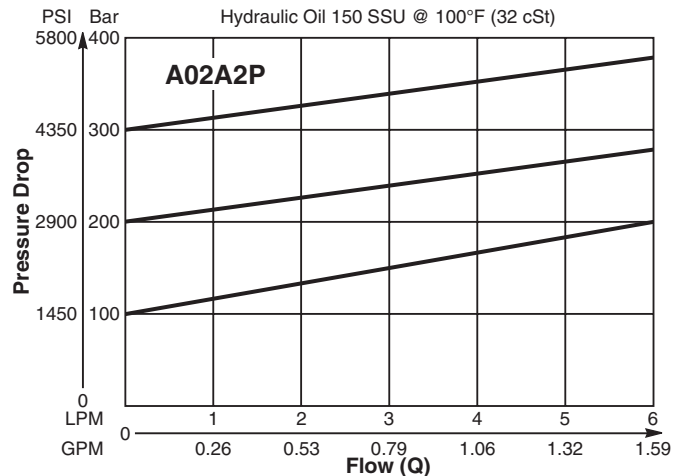
**Performance Curves**

(Pressure rise through cartridge only)

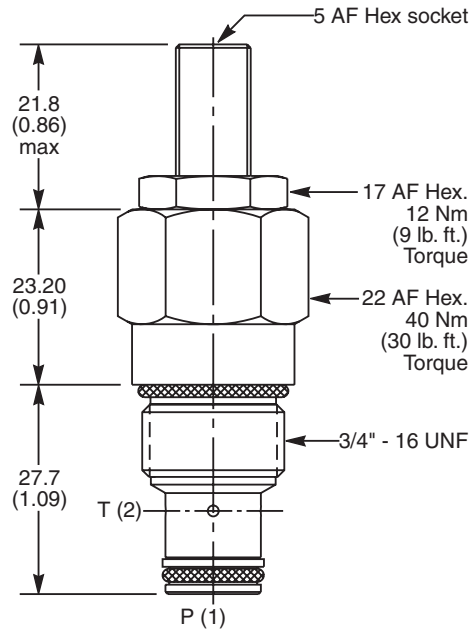
**Flow vs. Inlet Pressure**



**Flow vs. Inlet Pressure**



**Dimensions** Millimeters (Inches)



**Ordering Information**

<b>A02A2</b>								
<b>08 Size Direct Acting Relief Valve</b>	<b>Pressure Adjustment Range</b>	<b>Adjustment Style</b>	<b>Optional Flow @ Pressure Setting</b>	<b>Optional Pressure Setting</b>	<b>Seals</b>	<b>Filter</b>	<b>Body Material</b>	<b>Port Size</b>

Code	Pressure Adjustment Range
H	10 - 210 Bar (145 - 3000 PSI)
P	10 - 420 Bar (145 - 6000 PSI)

Code	Adjustment Style / Kit No.
Z	Screw Adjust (Std.)
W	Knob Adjust (ASV014975)
T	Tamper Resistant Cap (TC1130)

Optional Flow @ Pressure Setting	
If you require a maximum pressure setting at a flow rate, please enter it here in Liters per minute (LPM). Standard setting: 0.5 LPM (0.13 GPM)	

Optional Pressure Setting	
Specify setting if required (Bar)	
<b>A02A2H</b> Standard Setting: 100 Bar (1400 PSI) @ 0.5 LPM (0.13 GPM)	
<b>A02A2P</b> Standard Setting: 200 Bar (2900 PSI) @ 0.5 LPM (0.13 GPM)	

Code	Seals / Kit No.
N	Nitrile, Buna-N (Std.) / (SK30515N-1)
V	Fluorocarbon / (SK30515V-1)

Code	Filter
Omit	Omit for no filter (Std.)
F	250 micron inlet filter

Code	Body Material
Omit	Steel
A	Aluminum

Code	Port Size	Body Part No.
Omit	Cartridge Only	
4T	SAE-4	(B08-2-*4T)
6T	SAE-6	(B08-2-*6T)

\* Add "A" for aluminum, omit for steel.

- CV** Check Valves
- SH** Shuttle Valves
- LM** Load/Motor Controls
- FC** Flow Controls
- PC** Pressure Controls
- LE** Logic Elements
- DC** Directional Controls
- MV** Manual Valves
- SV** Solenoid Valves
- PV** Proportional Valves
- CE** Coils & Electronics
- BC** Bodies & Cavities
- TD** Technical Data



**Technical Information**

**CV**

Check Valves

**SH**

Shuttle Valves

**LM**

Load/Motor Controls

**FC**

Flow Controls

**PC**

Pressure Controls

**LE**

Logic Elements

**DC**

Directional Controls

**MV**

Manual Valves

**SV**

Solenoid Valves

**PV**

Proportional Valves

**CE**

Coils & Electronics

**BC**

Bodies & Cavities

**TD**

Technical Data

**General Description**

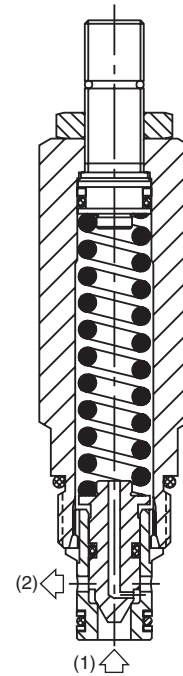
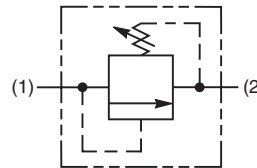
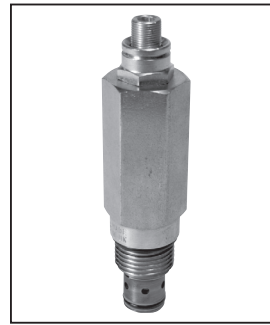
Direct Acting Poppet-Type Relief Valve. For additional information see Technical Tips on pages PC1-PC6.

**Features**

- Fast response
- Excellent stability throughout flow range
- Virtually leak free
- Hardened working parts for maximum durability
- Adjustable, preset and tamper resistant versions available
- Preset version is tamper resistant and compact
- All external parts zinc plated

**Specifications**

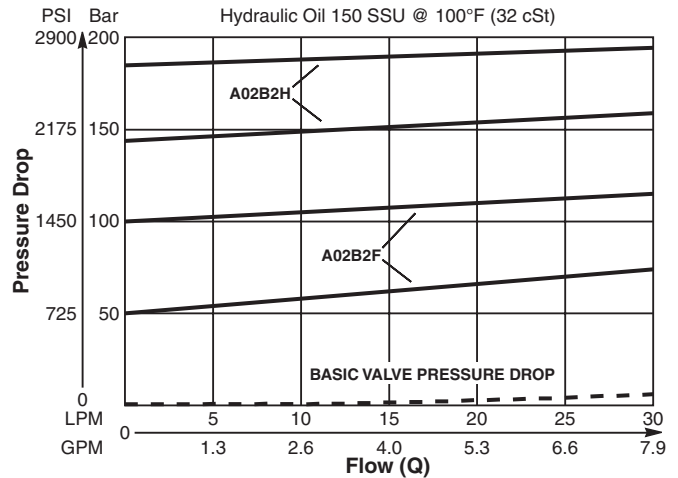
<b>Rated Flow</b>	30 LPM (8 GPM)
<b>Maximum Inlet Pressure</b>	420 Bar (6000 PSI)
<b>Maximum Pressure Setting</b>	F - 2-100 Bar (29-1450 PSI) H - 5-210 Bar (72-3000 PSI) P - 5-420 Bar (72-6000 PSI)
<b>Sensitivity: Pressure/Turn</b>	F 15.7 Bar (228 PSI) H 30 Bar (435 PSI) P 55 Bar (800 PSI)
<b>Maximum Tank Pressure</b>	420 Bar (6000 PSI)
<b>Leakage at 150 SSU (32 cSt)</b>	5 drops/min. @ 100 Bar (1450 PSI)
<b>Cartridge Material</b>	All parts steel. All operating parts hardened steel.
<b>Operating Temp. Range/Seals</b>	-34°C to +121°C (Nitrile) (-30°F to +250°F) -26°C to +204°C (Fluorocarbon) (-15°F to +400°F)
<b>Fluid Compatibility/Viscosity</b>	Mineral-based or synthetic with lubricating properties at viscosities of 45 to 2000 SSU (6 to 420 cSt)
<b>Filtration</b>	ISO-4406 18/16/13, SAE Class 4
<b>Approx. Weight</b>	0.20 kg (0.44 lbs.)
<b>Cavity</b>	C08-2 (See BC Section for more details)
<b>Form Tool</b>	Rougher None Finisher NFT08-2F



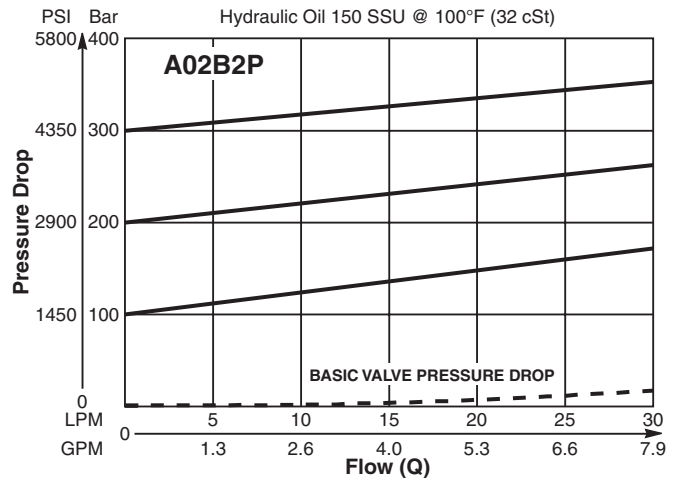
**Performance Curves**

(Pressure rise through cartridge only)

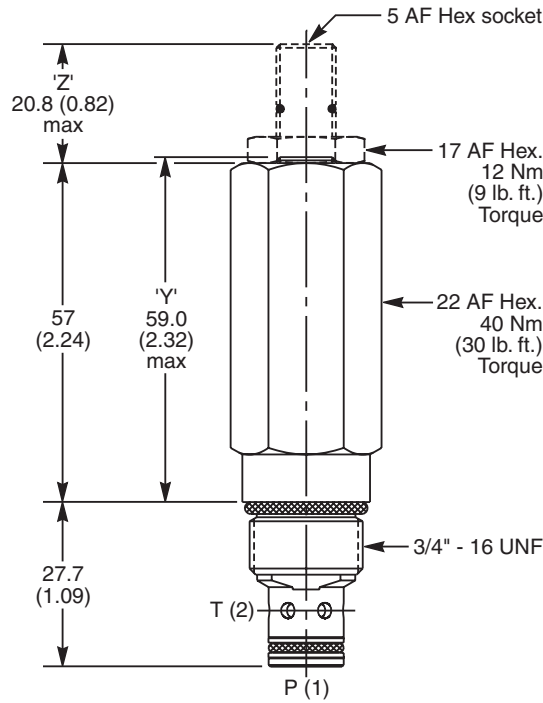
**Flow vs. Inlet Pressure**



**Flow vs. Inlet Pressure**



**Dimensions** Millimeters (Inches)



**Ordering Information**

<b>A02B2</b>							
<b>08 Size Direct Acting Relief Valve</b>	<b>Pressure Adjustment Range</b>	<b>Adjustment Style</b>	<b>Optional Flow @ Pressure Setting</b>	<b>Optional Pressure Setting</b>	<b>Seals</b>	<b>Body Material</b>	<b>Port Size</b>

Code	Pressure Adjustment Range
F	2 - 100 Bar (29 - 1450 PSI)
H	5 - 210 Bar (72 - 3000 PSI)
P	5 - 420 Bar (72 - 6000 PSI)

Code	Adjustment Style / Kit No.
Z	Screw Adjust (Std.)
W	Knob Adjust (ASV014975)
T	Tamper Resistant Cap (TC1130)
Y	Non Adjustable Preset

Optional Flow @ Pressure Setting	
If you require a maximum pressure setting at a flow rate, please enter it here in Liters per minute (LPM). Standard setting: 2 LPM (0.5 GPM)	

Optional Pressure Setting	
Specify setting if required (Bar) Y Setting must be specified	
<b>A02B2F</b> Standard Setting: 50 Bar (725 PSI) @ 2 LPM (0.5 GPM)	
<b>A02B2H</b> Standard Setting: 100 Bar (1450 PSI) @ 2 LPM (0.5 GPM)	
<b>A02B2P</b> Standard Setting: 200 Bar (2900 PSI) @ 2 LPM (0.5 GPM)	

Code	Seals / Kit No.
N	Nitrile, Buna-N (Std.) / (SK30500N-1)
V	Fluorocarbon / (SK30500V-1)

Code	Body Material
Omit	Steel
A	Aluminum

Code	Port Size	Body Part No.
Omit	Cartridge Only	
4T	SAE-4	(B08-2-*4T)
6T	SAE-6	(B08-2-*6T)

\* Add "A" for aluminum, omit for steel.

**CV**

Check Valves

**SH**

Shuttle Valves

**LM**

Load/Motor Controls

**FC**

Flow Controls

**PC**

Pressure Controls

**LE**

Logic Elements

**DC**

Directional Controls

**MV**

Manual Valves

**SV**

Solenoid Valves

**PV**

Proportional Valves

**CE**

Coils & Electronics

**BC**

Bodies & Cavities

**TD**

Technical Data

**Technical Information**

**CV**

Check Valves

**SH**

Shuttle Valves

**LM**

Load/Motor Controls

**FC**

Flow Controls

**PC**

Pressure Controls

**LE**

Logic Elements

**DC**

Directional Controls

**MV**

Manual Valves

**SV**

Solenoid Valves

**PV**

Proportional Valves

**CE**

Coils & Electronics

**BC**

Bodies & Cavities

**TD**

Technical Data

**General Description**

Direct Acting Poppet-Type Relief Valve.  
For additional information see  
Technical Tips on pages PC1-PC6.

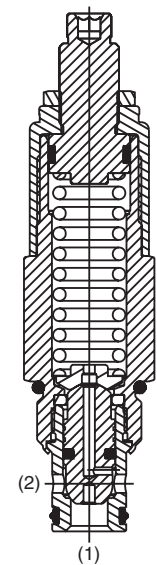
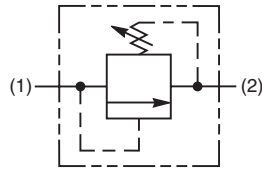


**Features**

- Hardened, precision ground parts for durability
- Internal mechanical stop limits poppet travel eliminating spring solidification
- Spherical poppets for low leakage
- “D”-Ring eliminates backup rings
- All external parts zinc plated
- Fast response

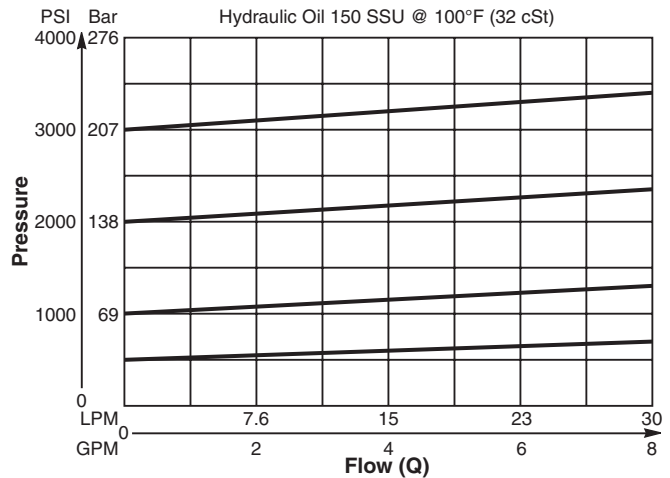
**Specifications**

<b>Rated Flow</b>	38 LPM (10 GPM)
<b>Maximum Inlet Pressure</b>	250 Bar (3600 PSI)
<b>Maximum Pressure Setting</b>	210 Bar (3000 PSI)
<b>Sensitivity: Pressure/Turn</b>	<b>03</b> 2.7 Bar (39 PSI) <b>09</b> 7.2 Bar (104 PSI) <b>18</b> 16 Bar (234 PSI) <b>30</b> 103.4 Bar (1500 PSI)
<b>Maximum Tank Pressure</b>	210 Bar (3000 PSI)
<b>Reseat Pressure</b>	85% of crack pressure
<b>Leakage at 150 SSU (32 cSt)</b>	5 drops/min. (.33 cc/min.) @ 75% of crack pressure
<b>Cartridge Material</b>	All parts steel. All operating parts hardened steel.
<b>Operating Temp. Range (Ambient)</b>	-45°C to +132°C (“D”-Ring) (-50°F to +270°F) -34°C to +121°C (Nitrile) (-30°F to +250°F) -26°C to +204°C (Fluorocarbon) (-15°F to +400°F)
<b>Fluids</b>	Mineral-based or synthetic with lubricating properties at viscosities of 45 to 2000 SSU (6 to 420 cSt)
<b>Filtration</b>	ISO-4406 18/16/13, SAE Class 4
<b>Approx. Weight</b>	.23 kg (0.5 lbs.)
<b>Cavity</b>	C10-2 (See BC Section for more details)
<b>Form Tool</b>	Rougher None Finisher NFT10-2F

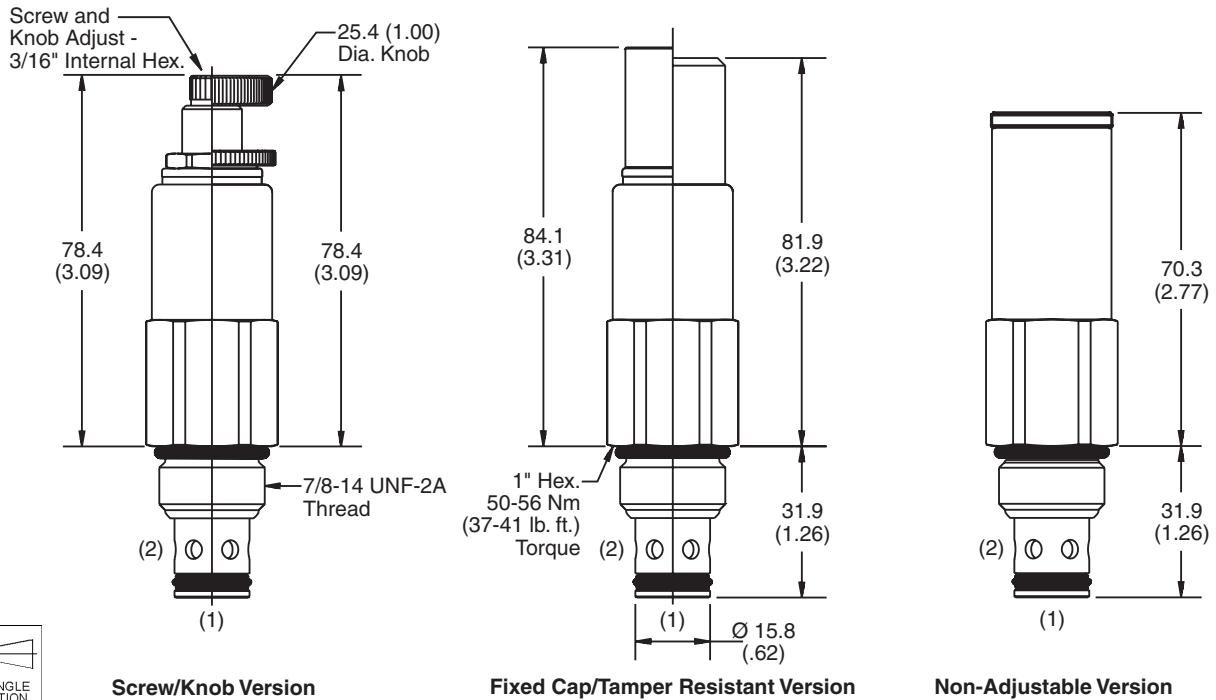


**Performance Curve**  
**Flow vs. Inlet Pressure**

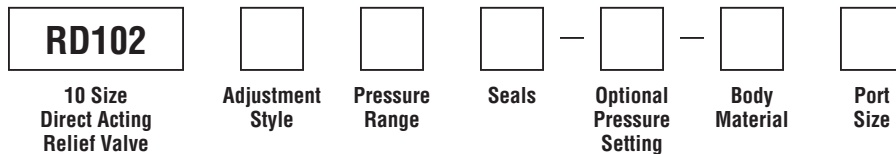
(Pressure rise through cartridge only)



**Dimensions** Millimeters (Inches)



**Ordering Information**



Code	Adjustment Style / Kit No.
F	Fixed style, preset at factory.
K	Knob Adjust (717784-10)
N	Non-Adjustable
S	Screw Adjust
T	Tamper Resistant Cap (717943)

Code	Seals / Kit No.
Omit	"D"-Ring / (SK10-2)
N	Nitrile / (SK10-2N)
V	Fluorocarbon / (SK10-2V)

Code	Body Material
Omit	Steel
A	Aluminum

Code	Pressure Range
03	3.5 - 20.7 Bar (50 - 300 PSI) Standard Setting: 10.3 Bar (150 PSI) @ .95 LPM (.25 GPM)
09	7 - 62 Bar (100 - 900 PSI) Standard Setting: 31.0 Bar (450 PSI) @ .95 LPM (.25 GPM)
18	13.8 - 124 Bar (200 - 1800 PSI) Standard Setting: 62.1 Bar (900 PSI) @ .95 LPM (.25 GPM)
30	41.4 - 207 Bar (600 - 3000 PSI) Standard Setting: 103.4 Bar (1500 PSI) @ .95 LPM (.25 GPM)

Optional Pressure Setting
Pressure ÷ 10 i.e. 235 = 2350 PSI (Omit if standard setting is used) Setting Range: 100 to 3000 PSI All settings at .95 LPM (.25 GPM)

Code	Port Size	Body Part No.
Omit	Cartridge Only	
6T	SAE-6	(B10-2-*6T)
8T	SAE-8	(B10-2-*8T)

\* Add "A" for aluminum, omit for steel.

- CV Check Valves
- SH Shuttle Valves
- LM Load/Motor Controls
- FC Flow Controls
- PC Pressure Controls
- LE Logic Elements
- DC Directional Controls
- MV Manual Valves
- SV Solenoid Valves
- PV Proportional Valves
- CE Coils & Electronics
- BC Bodies & Cavities
- TD Technical Data

**Technical Information**

- CV** Check Valves
- SH** Shuttle Valves
- LM** Load/Motor Controls
- FC** Flow Controls
- PC** Pressure Controls
- LE** Logic Elements
- DC** Directional Controls
- MV** Manual Valves
- SV** Solenoid Valves
- PV** Proportional Valves
- CE** Coils & Electronics
- BC** Bodies & Cavities
- TD** Technical Data

**General Description**

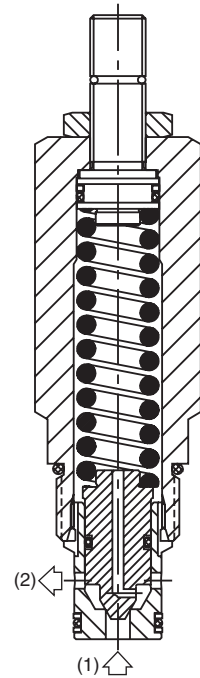
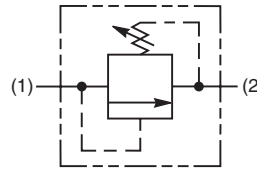
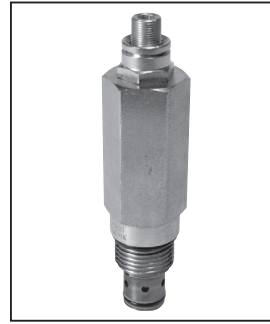
Direct Acting Poppet-Type Relief Valve. For additional information see Technical Tips on pages PC1-PC6.

**Features**

- Fast response with good stability
- Virtually leak-free
- Hardened working parts for maximum durability
- Adjustable, preset and tamperproof versions available
- Preset version is tamperproof and compact
- All external parts zinc plated

**Specifications**

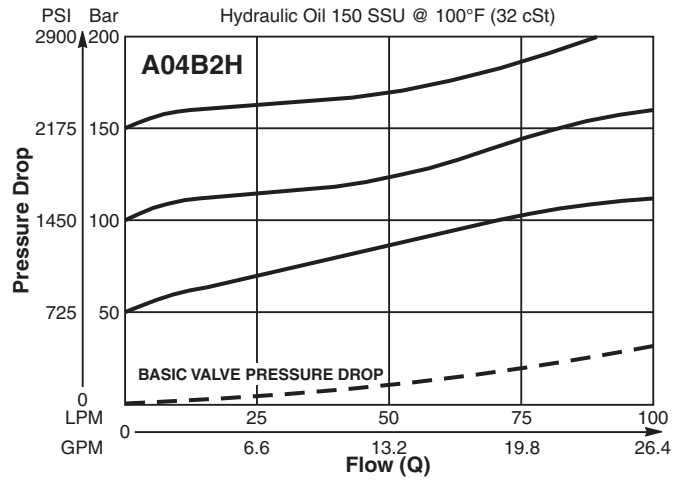
<b>Rated Flow</b>	100 LPM (26 GPM)
<b>Maximum Inlet Pressure</b>	<b>H</b> - 5-210 Bar (72-3000 PSI) <b>P</b> - 5-420 Bar (72-6000 PSI)
<b>Maximum Pressure Setting</b>	420 Bar (6000 PSI)
<b>Sensitivity: Pressure/Turn</b>	<b>H</b> 21 Bar (305 PSI) <b>P</b> 43.4 Bar (630 PSI)
<b>Maximum Tank Pressure</b>	420 Bar (6000 PSI)
<b>Leakage at 150 SSU (32 cSt)</b>	5 drops/min. @ 100 Bar (1450 PSI)
<b>Cartridge Material</b>	All parts steel. All operating parts hardened steel.
<b>Operating Temp. Range/Seals</b>	-34°C to +121°C (Nitrile) (-30°F to +250°F) -26°C to +204°C (Fluorocarbon) (-15°F to +400°F)
<b>Fluid Compatibility/Viscosity</b>	Mineral-based or synthetic with lubricating properties at viscosities of 45 to 2000 SSU (6 to 420 cSt)
<b>Filtration</b>	ISO-4406 18/16/13, SAE Class 4
<b>Approx. Weight</b>	0.28 kg (0.62 lbs.)
<b>Cavity</b>	C10-2 (See BC Section for more details)
<b>Form Tool</b>	Rougher None Finisher NFT10-2F



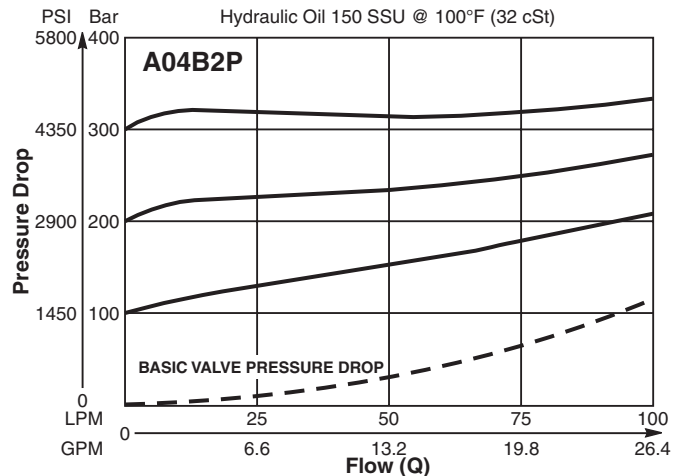
**Performance Curves**

(Pressure rise through cartridge only)

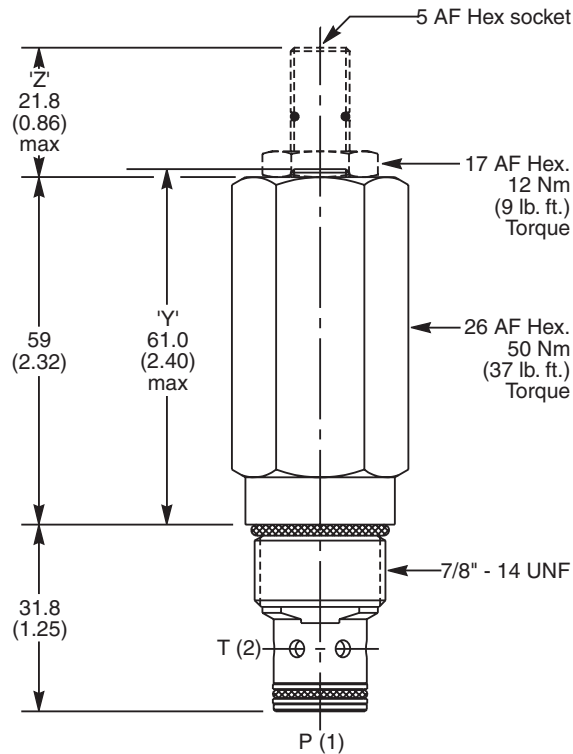
**Flow vs. Inlet Pressure**



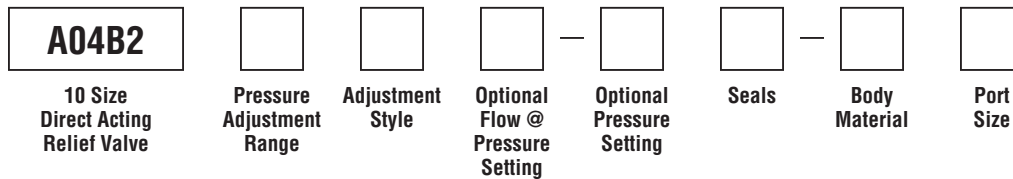
**Flow vs. Inlet Pressure**



**Dimensions** Millimeters (Inches)



**Ordering Information**



Code	Pressure Adjustment Range
H	5 - 210 Bar (72 - 3000 PSI)
P	5 - 420 Bar (72 - 6000 PSI)

Optional Pressure Setting	
Specify setting if required (Bar)	
Y Setting must be specified	
<b>A04B2H</b> Standard Setting: 100 Bar (1450 PSI) @ 15 LPM (4.0 GPM)	
<b>A04B2P</b> Standard Setting: 200 Bar (2900 PSI) @ 15 LPM (4.0 GPM)	

Code	Body Material
Omit	Steel
A	Aluminum

Code	Adjustment Style / Kit No.
Z	Screw Adjust (Std.)
W	Knob Adjust
T	Tamper Resistant Cap (TC1130)
Y	Non Adjustable Preset

Code	Port Size	Body Part No.
Omit	Cartridge Only	
6T	SAE-6	(B10-2-*6T)
8T	SAE-8	(B10-2-*8T)

\* Add "A" for aluminum, omit for steel.

Optional Flow @ Pressure Setting	
If you require a maximum pressure setting at a flow rate, please enter it here in Liters per minute (LPM).	
Standard setting: 15 LPM (4.0 GPM)	

Code	Seals / Kit No.
N	Nitrile, Buna-N (Std.) / (SK30503N-1)
V	Fluorocarbon / (SK30503V-1)

- CV** Check Valves
- SH** Shuttle Valves
- LM** Load/Motor Controls
- FC** Flow Controls
- PC** Pressure Controls
- LE** Logic Elements
- DC** Directional Controls
- MV** Manual Valves
- SV** Solenoid Valves
- PV** Proportional Valves
- CE** Coils & Electronics
- BC** Bodies & Cavities
- TD** Technical Data

**CV**

Check Valves

**SH**

Shuttle Valves

**LM**

Load/Motor Controls

**FC**

Flow Controls

**PC**

Pressure Controls

**LE**

Logic Elements

**DC**

Directional Controls

**MV**

Manual Valves

**SV**

Solenoid Valves

**PV**

Proportional Valves

**CE**

Coils & Electronics

**BC**

Bodies & Cavities

**TD**

Technical Data

**General Description**

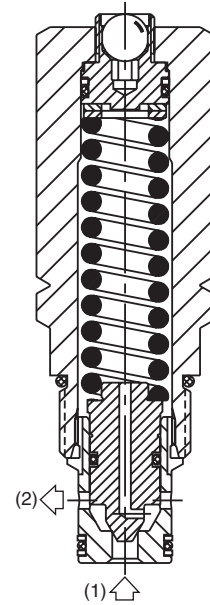
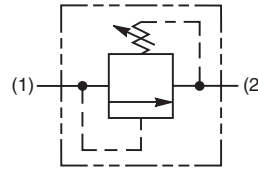
Direct Acting Poppet-Type Relief Valve. Pressure Equipment Directive (PED 97/23/EC) compliant to hazard category IV. For additional information see Technical Tips on pages PC1-PC6.

**Features**

- Fast response with good stability
- Compact space saving design
- Poppet type construction for lower leakage
- Full 420 Bar (6000 PSI) pressure capability
- Hardened working parts for maximum durability
- Tamperproof setting
- All external parts zinc plated

**Specifications**

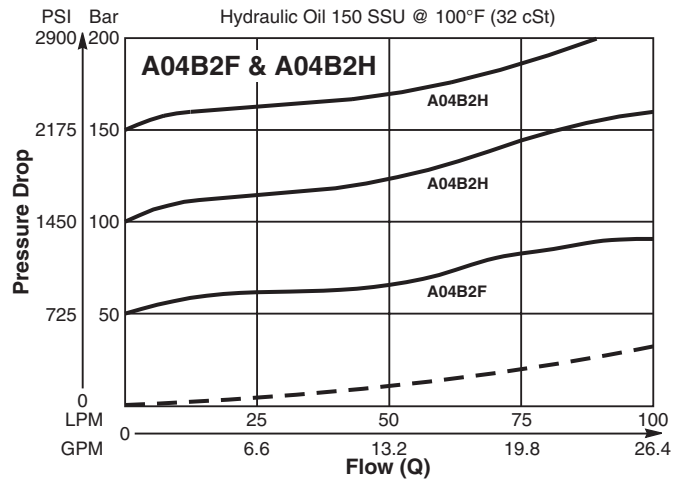
<b>Rated Flow</b>	100 LPM (26 GPM)
<b>Maximum Inlet Pressure</b>	<b>FY</b> - 2-100 Bar (29-1450 PSI) <b>HY</b> - 5-210 Bar (72-3000 PSI) <b>PY</b> - 5-420 Bar (72-6000 PSI)
<b>Maximum Pressure Setting</b>	420 Bar (6000 PSI)
<b>Leakage at 150 SSU (32 cSt)</b>	5 drops/min. @ 100 Bar (1450 PSI)
<b>Cartridge Material</b>	All parts steel. All operating parts hardened steel.
<b>Operating Temp. Range/Seals</b>	-34°C to +121°C (Nitrile) (-30°F to +250°F) -26°C to +204°C (Fluorocarbon) (-15°F to +400°F)
<b>Fluid Compatibility/Viscosity</b>	Mineral-based or synthetic with lubricating properties at viscosities of 45 to 2000 SSU (6 to 420 cSt)
<b>Filtration</b>	ISO-4406 18/16/13, SAE Class 4
<b>Approx. Weight</b>	0.25 kg (0.55 lbs.)
<b>Cavity</b>	C10-2 (See BC Section for more details)
<b>Form Tool</b>	Rougher None Finisher NFT10-2F



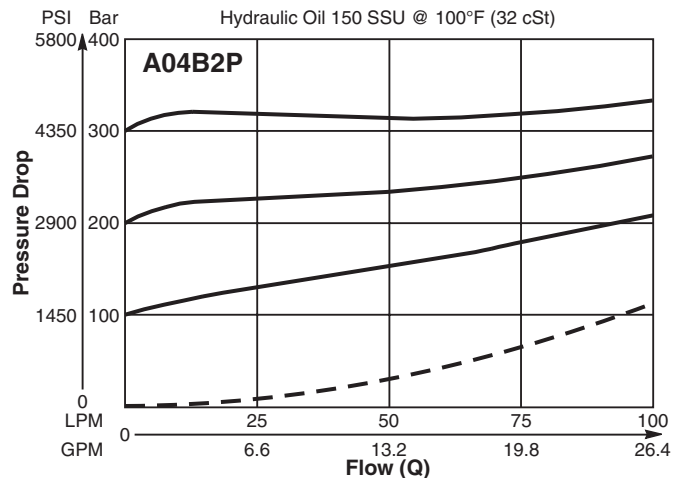
**Performance Curves**

(Pressure rise through cartridge only)

**Flow vs. Inlet Pressure**

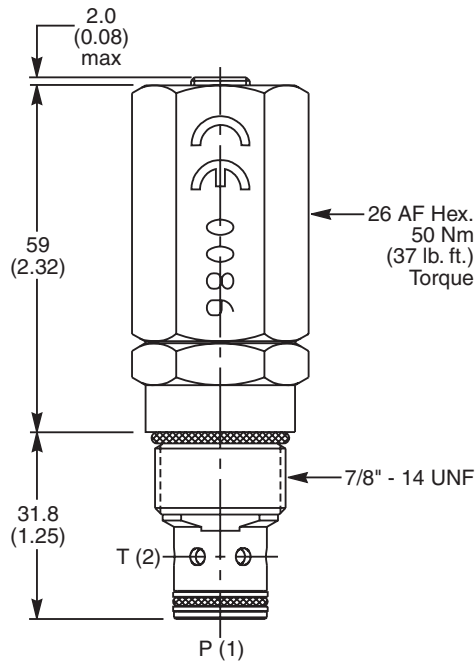


**Flow vs. Inlet Pressure**





**Dimensions** Millimeters (Inches)



**Ordering Information**

<b>A04B2</b>		<b>Y</b>				<b>CE</b>		
10 Size Direct Acting Relief Valve	Pressure Adjustment Range	Adjustment Style	Optional Flow @ Pressure Setting	Optional Pressure Setting	Seals	Body Material	Port Size	

Code	Pressure Adjustment Range
F	2 - 100 Bar (29 - 1450 PSI)
H	5 - 210 Bar (72 - 3000 PSI)
P	5 - 420 Bar (72 - 6000 PSI)

Optional Pressure Setting
Setting must be specified (Bar)

Code	Body Material
Omit	Steel
A	Aluminum

Code	Adjustment Style / Kit No.
Y	Non Adjustable Preset (Std.)

Code	Seals / Kit No.
N	Nitrile, Buna-N (Std.) / (SK30503NP-1)
V	Fluorocarbon / (SK30503VP-1)

Code	Port Size	Body Part No.
Omit	Cartridge Only	
6T	SAE-6	(B10-2-*6T)
8T	SAE-8	(B10-2-*8T)

\* Add "A" for aluminum, omit for steel.

Optional Flow @ Pressure Setting
If you require a maximum pressure setting at a flow rate, please enter it here in Liters per minute (LPM). Standard setting: 15 LPM (4.0 GPM)

- CV** Check Valves
- SH** Shuttle Valves
- LM** Load/Motor Controls
- FC** Flow Controls
- PC** Pressure Controls
- LE** Logic Elements
- DC** Directional Controls
- MV** Manual Valves
- SV** Solenoid Valves
- PV** Proportional Valves
- CE** Coils & Electronics
- BC** Bodies & Cavities
- TD** Technical Data

**Technical Information**

**CV**

Check Valves

**SH**

Shuttle Valves

**LM**

Load/Motor Controls

**FC**

Flow Controls

**PC**

Pressure Controls

**LE**

Logic Elements

**DC**

Directional Controls

**MV**

Manual Valves

**SV**

Solenoid Valves

**PV**

Proportional Valves

**CE**

Coils & Electronics

**BC**

Bodies & Cavities

**TD**

Technical Data

**General Description**

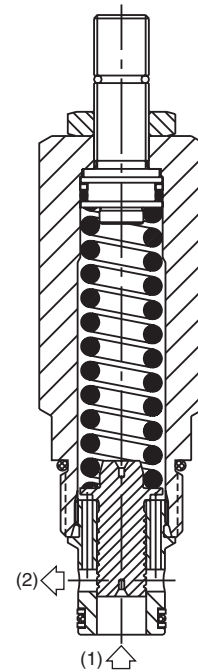
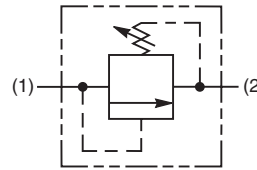
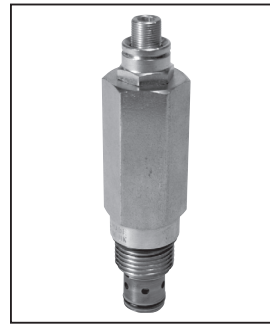
Direct Acting Spool-Type Relief Valve. For additional information see Technical Tips on pages PC1-PC6.

**Features**

- High flow capacity
- Fast response with good stability
- Low pressure setting
- Full 420 Bar 6000 PSI tank line back pressure
- Hardened working parts for maximum durability
- Adjustable, preset and tamperproof versions available
- All external parts zinc plated

**Specifications**

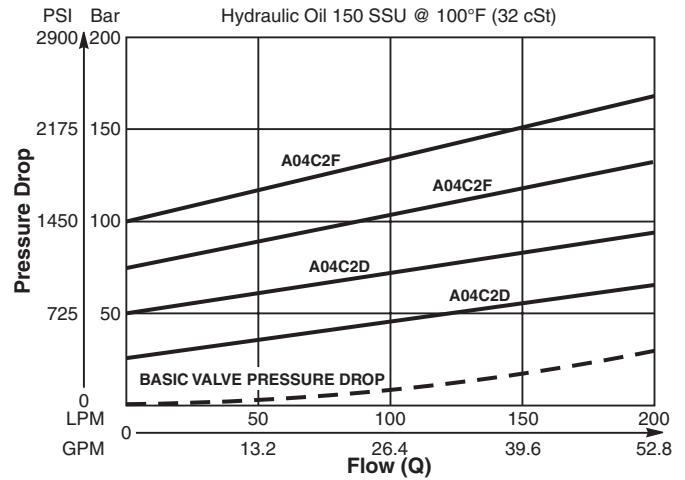
<b>Rated Flow</b>	200 LPM (53 GPM)
<b>Maximum Inlet Pressure</b>	<b>D -</b> 2-50 Bar (29-725 PSI) <b>F -</b> 2-100 Bar (29-1450 PSI)
<b>Maximum Pressure Setting</b>	420 Bar (6000 PSI)
<b>Sensitivity: Pressure/Turn</b>	<b>D</b> 5.2 Bar (76 PSI) <b>F</b> 10.1 Bar (147 PSI)
<b>Maximum Tank Pressure</b>	420 Bar (6000 PSI)
<b>Leakage at 150 SSU (32 cSt)</b>	25 ml/min. @ 50 Bar (725 PSI)
<b>Cartridge Material</b>	All parts steel. All operating parts hardened steel.
<b>Operating Temp. Range/Seals</b>	-34°C to +121°C (Nitrile) (-30°F to +250°F) -26°C to +204°C (Fluorocarbon) (-15°F to +400°F)
<b>Fluid Compatibility/Viscosity</b>	Mineral-based or synthetic with lubricating properties at viscosities of 45 to 2000 SSU (6 to 420 cSt)
<b>Filtration</b>	ISO-4406 18/16/13, SAE Class 4
<b>Approx. Weight</b>	0.28 kg (0.62 lbs.)
<b>Cavity</b>	C10-2 (See BC Section for more details)
<b>Form Tool</b>	Rougher None Finisher NFT10-2F



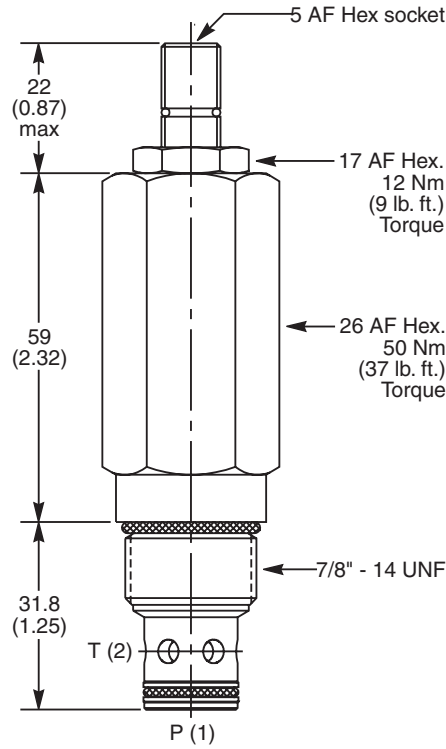
**Performance Curve**

(Pressure rise through cartridge only)

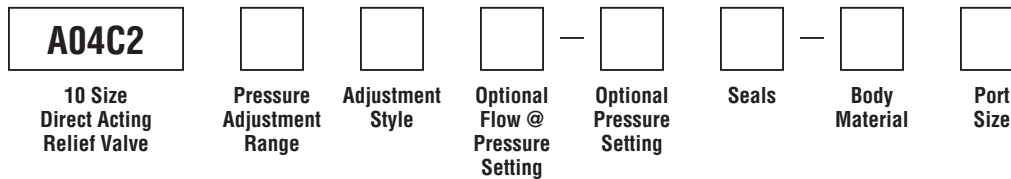
**Flow vs. Inlet Pressure**



**Dimensions** Millimeters (Inches)



**Ordering Information**



Code	Pressure Adjustment Range
D	2 - 50 Bar (29 - 725 PSI)
F	2 - 100 Bar (29 - 1450 PSI)

Optional Pressure Setting	
Specify setting if required (Bar)	
<b>A04C2D</b>	Standard Setting: 25 Bar (360 PSI) @ 15 LPM (4.0 GPM)
<b>A04C2F</b>	Standard Setting: 50 Bar (725 PSI) @ 15 LPM (4.0 GPM)

Code	Body Material
Omit	Steel
A	Aluminum

Code	Adjustment Style / Kit No.
Z	Screw Adjust (Std.)
W	Knob Adjust (ASV014975)
T	Tamper Resistant Cap (TC1130)

Code	Port Size	Body Part No.
Omit	Cartridge Only	
6T	SAE-6	(B10-2-*6T)
8T	SAE-8	(B10-2-*8T)

\* Add "A" for aluminum, omit for steel.

Optional Flow @ Pressure Setting	
If you require a maximum pressure setting at a flow rate, please enter it here in Liters per minute (LPM).	
Standard setting: 15 LPM (4.0 GPM)	

Code	Seals / Kit No.
N	Nitrile, Buna-N (Std.) / (SK30503N-1)
V	Fluorocarbon / (SK30503V-1)

- CV** Check Valves
- SH** Shuttle Valves
- LM** Load/Motor Controls
- FC** Flow Controls
- PC** Pressure Controls
- LE** Logic Elements
- DC** Directional Controls
- MV** Manual Valves
- SV** Solenoid Valves
- PV** Proportional Valves
- CE** Coils & Electronics
- BC** Bodies & Cavities
- TD** Technical Data

**Technical Information**

- CV** Check Valves
- SH** Shuttle Valves
- LM** Load/Motor Controls
- FC** Flow Controls
- PC** Pressure Controls
- LE** Logic Elements
- DC** Directional Controls
- MV** Manual Valves
- SV** Solenoid Valves
- PV** Proportional Valves
- CE** Coils & Electronics
- BC** Bodies & Cavities
- TD** Technical Data

**General Description**

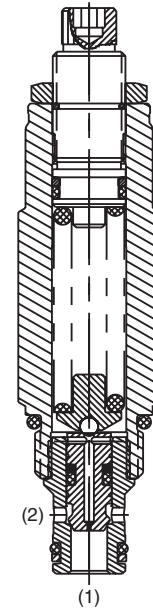
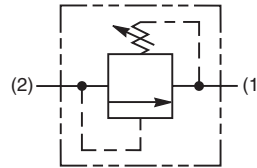
Differential Area Relief Valve. For additional information see Technical Tips on pages PC1-PC6.

**Features**

- Hardened, precision ground parts for durability
- Spherical poppets for low leakage
- High flow capacity
- Internal mechanical stop limits poppet travel eliminating spring solidification
- All external parts zinc plated

**Specifications**

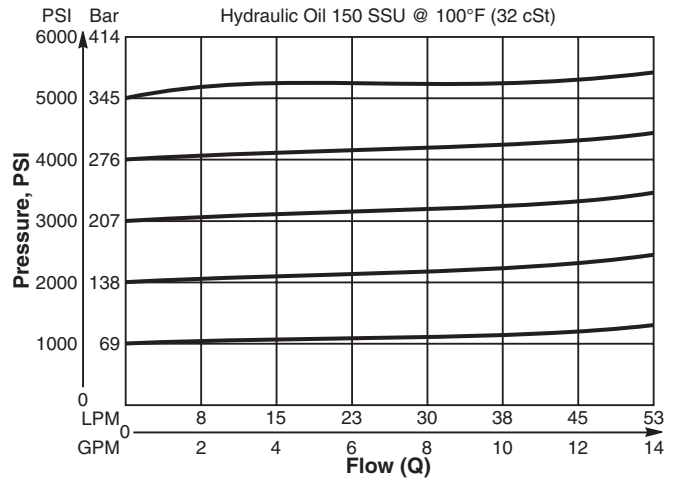
<b>Rated Flow</b>	45 LPM (12 GPM)						
<b>Maximum Inlet Pressure</b>	380 Bar (5500 PSI)						
<b>Maximum Pressure Setting</b>	350 Bar (5000 PSI)						
<b>Sensitivity: Pressure/Turn</b>	<table style="display: inline-table; border: none;"> <tr> <td><b>15</b></td> <td>15 Bar (218 PSI)</td> </tr> <tr> <td><b>30</b></td> <td>27 Bar (396 PSI)</td> </tr> <tr> <td><b>50</b></td> <td>42 Bar (614 PSI)</td> </tr> </table>	<b>15</b>	15 Bar (218 PSI)	<b>30</b>	27 Bar (396 PSI)	<b>50</b>	42 Bar (614 PSI)
<b>15</b>	15 Bar (218 PSI)						
<b>30</b>	27 Bar (396 PSI)						
<b>50</b>	42 Bar (614 PSI)						
<b>Maximum Tank Pressure</b>	350 Bar (5000 PSI)						
<b>Reseat Pressure</b>	75% of crack pressure						
<b>Leakage at 150 SSU (32 cSt)</b>	10 drops/min. (.67 cc/min.) @75% of crack pressure						
<b>Cartridge Material</b>	All parts steel. All operating parts hardened steel.						
<b>Operating Temp. Range/Seals</b>	-34°C to +121°C (Nitrile) (-30°F to +250°F) -26°C to +204°C (Fluorocarbon) (-15°F to +400°F)						
<b>Fluid Compatibility/Viscosity</b>	Mineral-based or synthetic with lubricating properties at viscosities of 45 to 2000 SSU (6 to 420 cSt)						
<b>Filtration</b>	ISO-4406 18/16/13, SAE Class 4						
<b>Approx. Weight</b>	.19 kg (.43 lbs.)						
<b>Cavity</b>	C08-2 (See BC Section for more details)						
<b>Form Tool</b>	<table style="display: inline-table; border: none;"> <tr> <td>Rougher</td> <td>None</td> </tr> <tr> <td>Finisher</td> <td>NFT08-2F</td> </tr> </table>	Rougher	None	Finisher	NFT08-2F		
Rougher	None						
Finisher	NFT08-2F						



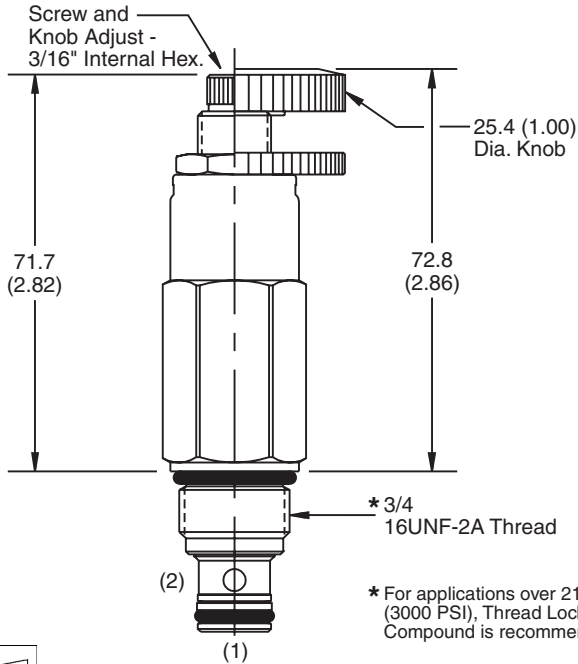
**Performance Curve**

**Flow vs. Inlet Pressure**

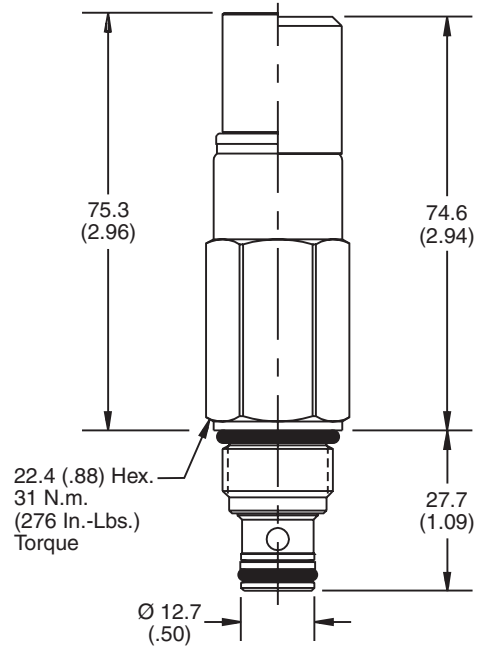
(Pressure rise through cartridge only)



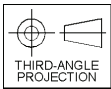
**Dimensions** Millimeters (Inches)



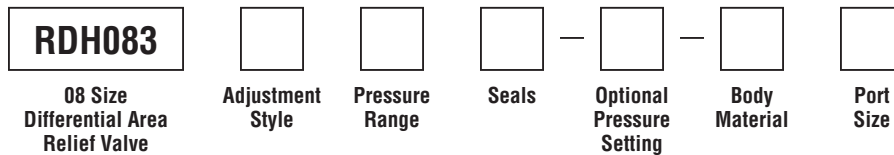
**Screw/Knob Version**



**Fixed Cap/Tamper Resistant Version**



**Ordering Information**



Code	Adjustment Style / Kit No.
F	Fixed style, preset at factory.
K	Knob Adjust (717784-10)
S	Screw Adjust
T	Tamper Resistant Cap (718083)

Code	Seals / Kit No.
Omit	Nitrile / (SK08-2N)
V	Fluorocarbon / (SK08-2V)

Code	Body Material
Omit	Steel
A	Aluminum

Code	Pressure Range
15	6.9 - 103 Bar (100 - 1500 PSI) Standard Setting: 51.7 Bar (750 PSI) @ crack pressure approximately .95 LPM (.25 GPM)
30	69 - 207 Bar (1000 - 3000 PSI) Standard Setting: 103 Bar (1500 PSI) @ crack pressure approximately .95 LPM (.25 GPM)
50	138 - 345 Bar (2000 - 5000 PSI) Standard Setting: 172.4 Bar (2500 PSI) @ crack pressure approximately .95 LPM (.25 GPM)

Optional Pressure Setting
Pressure ÷ 10 i.e. 235 = 2350 PSI (Omit if standard setting is used) Setting Range: 100 to 5000 PSI All settings at crack pressure, approximately .95 LPM (.25 GPM)

Code	Port Size	Body Part No.
Omit	Cartridge Only	
4T	SAE-4	(B08-2-*4T)
6T	SAE-6	(B08-2-*6T)

\* Add "A" for aluminum, omit for steel.

- CV Check Valves
- SH Shuttle Valves
- LM Load/Motor Controls
- FC Flow Controls
- PC Pressure Controls
- LE Logic Elements
- DC Directional Controls
- MV Manual Valves
- SV Solenoid Valves
- PV Proportional Valves
- CE Coils & Electronics
- BC Bodies & Cavities
- TD Technical Data

**Technical Information**

- CV** Check Valves
- SH** Shuttle Valves
- LM** Load/Motor Controls
- FC** Flow Controls
- PC** Pressure Controls
- LE** Logic Elements
- DC** Directional Controls
- MV** Manual Valves
- SV** Solenoid Valves
- PV** Proportional Valves
- CE** Coils & Electronics
- BC** Bodies & Cavities
- TD** Technical Data

**General Description**

Differential Area Relief Valve. For additional information see Technical Tips on pages PC1-PC6.

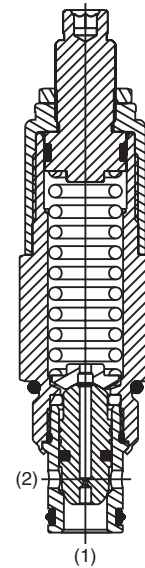
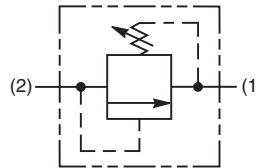
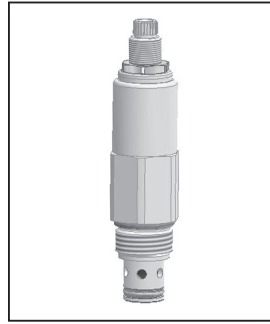


**Features**

- Hardened, precision ground parts for durability
- Internal mechanical stop limits poppet travel eliminating spring solidification
- Spherical poppets for low leakage
- “D”-Ring eliminates backup rings
- All external parts zinc plated
- High flow capacity

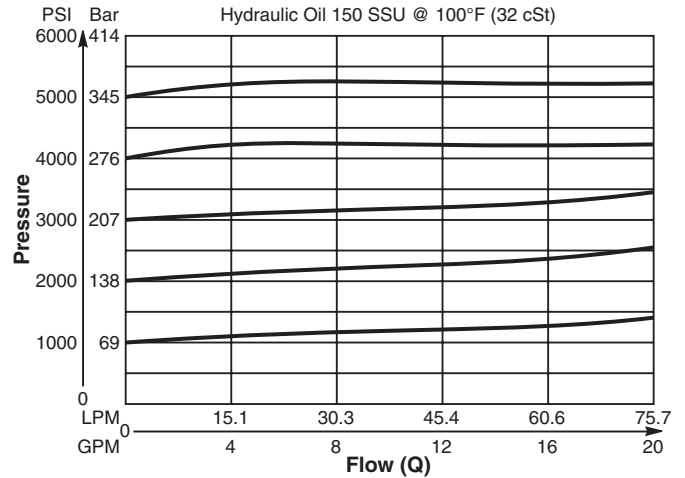
**Specifications**

<b>Rated Flow</b>	75 LPM (20 GPM)								
<b>Maximum Inlet Pressure</b>	380 Bar (5500 PSI)								
<b>Maximum Pressure Setting</b>	350 Bar (5000 PSI)								
<b>Sensitivity: Pressure/Turn</b>	<table style="border: none;"> <tr> <td style="padding-right: 10px;"><b>10</b></td> <td>9.8 Bar (143 PSI)</td> </tr> <tr> <td><b>20</b></td> <td>17 Bar (246 PSI)</td> </tr> <tr> <td><b>30</b></td> <td>25.8 Bar (375 PSI)</td> </tr> <tr> <td><b>50</b></td> <td>40.6 Bar (589 PSI)</td> </tr> </table>	<b>10</b>	9.8 Bar (143 PSI)	<b>20</b>	17 Bar (246 PSI)	<b>30</b>	25.8 Bar (375 PSI)	<b>50</b>	40.6 Bar (589 PSI)
<b>10</b>	9.8 Bar (143 PSI)								
<b>20</b>	17 Bar (246 PSI)								
<b>30</b>	25.8 Bar (375 PSI)								
<b>50</b>	40.6 Bar (589 PSI)								
<b>Maximum Tank Pressure</b>	350 Bar (5000 PSI)								
<b>Reseat Pressure</b>	85% of crack pressure								
<b>Leakage at 150 SSU (32 cSt)</b>	5 drops/min. (.33 cc/min.) @ 75% of crack pressure								
<b>Cartridge Material</b>	All parts steel. All operating parts hardened steel.								
<b>Operating Temp. Range/Seals</b>	-45°C to +132°C (“D”-Ring) (-50°F to +270°F) -34°C to +121°C (Nitrile) (-30°F to +250°F) -26°C to +204°C (Fluorocarbon) (-15°F to +400°F)								
<b>Fluid Compatibility/Viscosity</b>	Mineral-based or synthetic with lubricating properties at viscosities of 45 to 2000 SSU (6 to 420 cSt)								
<b>Filtration</b>	ISO-4406 18/16/13, SAE Class 4								
<b>Approx. Weight</b>	.23 kg (0.5 lbs.)								
<b>Cavity</b>	C10-2 (See BC Section for more details)								
<b>Form Tool</b>	<table style="border: none;"> <tr> <td>Rougher</td> <td>None</td> </tr> <tr> <td>Finisher</td> <td>NFT10-2F</td> </tr> </table>	Rougher	None	Finisher	NFT10-2F				
Rougher	None								
Finisher	NFT10-2F								

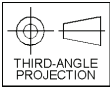
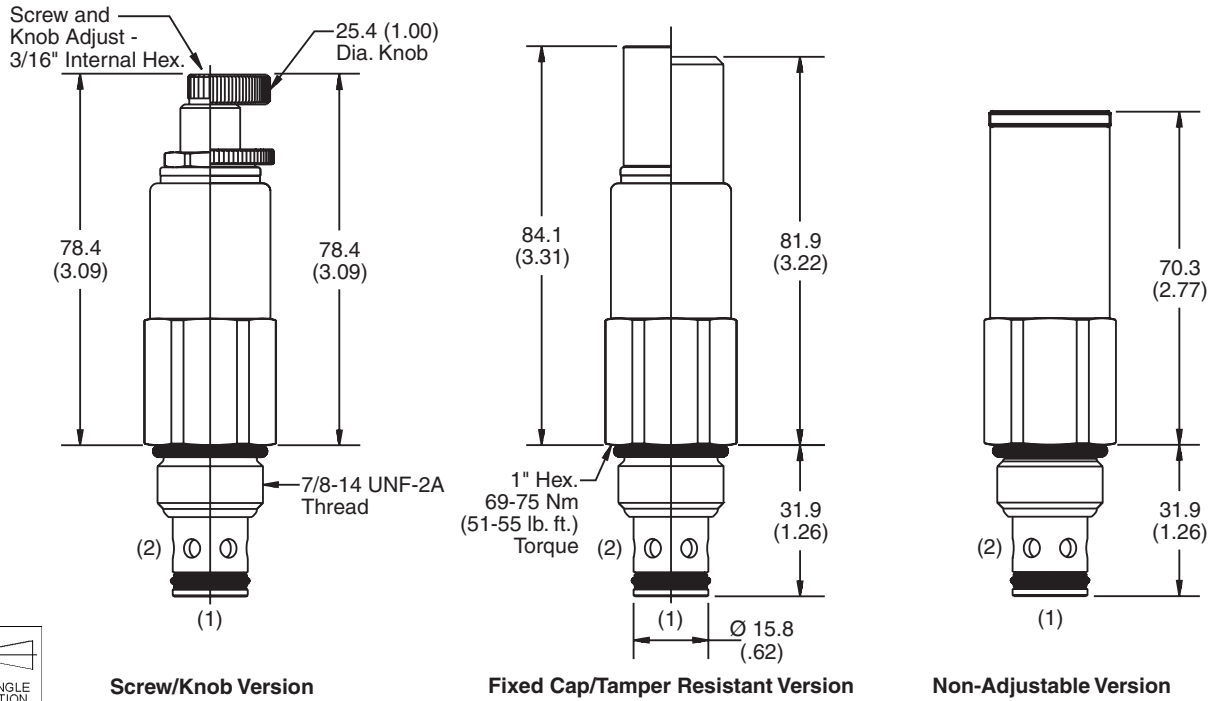


**Performance Curve**  
**Flow vs. Inlet Pressure**

(Pressure rise through cartridge only)



**Dimensions** Millimeters (Inches)



**CV**

Check Valves

**SH**

Shuttle Valves

**LM**

Load/Motor Controls

**FC**

Flow Controls

**PC**

Pressure Controls

**LE**

Logic Elements

**DC**

Directional Controls

**MV**

Manual Valves

**SV**

Solenoid Valves

**PV**

Proportional Valves

**CE**

Coils & Electronics

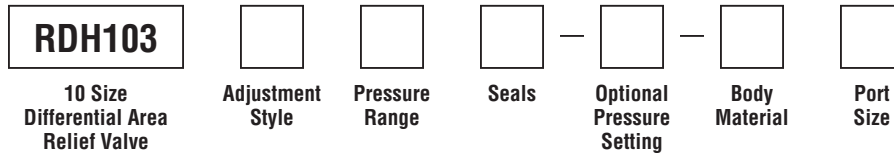
**BC**

Bodies & Cavities

**TD**

Technical Data

**Ordering Information**



Code	Adjustment Style / Kit No.
F	Fixed style, preset at factory.
K	Knob Adjust (717784-10)
N	Non-Adjustable
S	Screw Adjust
T	Tamper Resistant Cap (717943)

Code	Seals / Kit No.
Omit	"D"-Ring / (SK10-2)
N	Nitrile / (SK10-2N)
V	Fluorocarbon / (SK10-2V)

Code	Body Material
Omit	Steel
A	Aluminum

Optional Pressure Setting	
Pressure ÷ 10	
i.e. 235 = 2350 PSI	
(Omit if standard setting is used)	
Setting Range:	
100 to 5000 PSI	
All settings at .95 LPM (.25 GPM)	

Code	Port Size	Body Part No.
Omit	Cartridge Only	
6T	SAE-6	(B10-2-*6T)
8T	SAE-8	(B10-2-*8T)

\* Add "A" for aluminum, omit for steel.

Code	Pressure Range
10	6.9 - 69 Bar (100 - 1000 PSI) Standard Setting: 34.5 Bar (500 PSI) @ .95 LPM (.25 GPM)
20	34.5 - 138 Bar (500 - 2000 PSI) Standard Setting: 69 Bar (1000 PSI) @ .95 LPM (.25 GPM)
30	34.5 - 207 Bar (500 - 3000 PSI) Standard Setting: 103.5 Bar (1500 PSI) @ .95 LPM (.25 GPM)
50	34.5 - 345 Bar (500 - 5000 PSI) Standard Setting: 172.4 Bar (2500 PSI) @ .95 LPM (.25 GPM)



**Technical Information**

- CV** Check Valves
- SH** Shuttle Valves
- LM** Load/Motor Controls
- FC** Flow Controls
- PC** Pressure Controls
- LE** Logic Elements
- DC** Directional Controls
- MV** Manual Valves
- SV** Solenoid Valves
- PV** Proportional Valves
- CE** Coils & Electronics
- BC** Bodies & Cavities
- TD** Technical Data

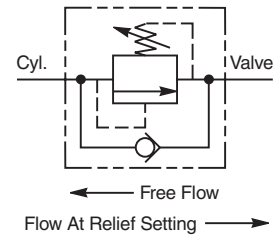
**General Description**

Direct Acting Relief Valve with Reverse Free Flow Check Valve. For additional information see Technical Tips on pages PC1-PC6.



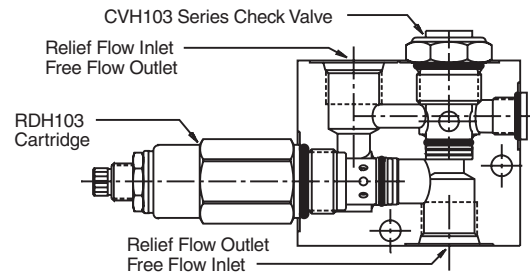
**Features**

- Hardened, precision ground parts for durability
- Rugged steel body construction
- Spherical poppets for low leakage
- Built-in cartridge check reduces plumbing
- Differential area cartridge relief for high flow capacity
- All external parts zinc plated
- "D"-Ring eliminates backup rings



**Specifications**

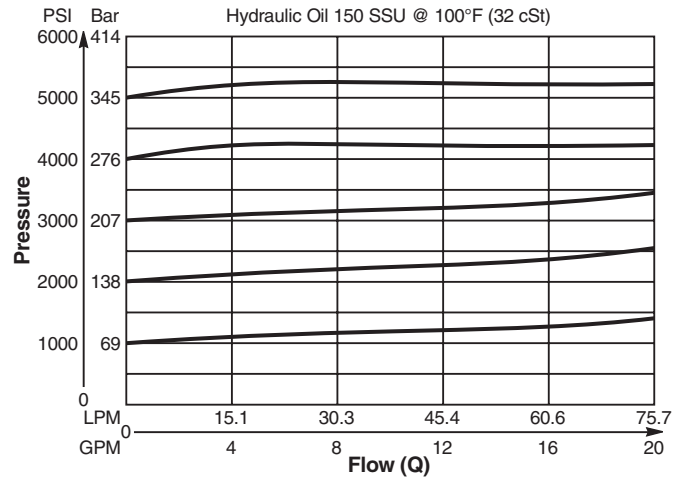
<b>Maximum Flow</b>	60 LPM (16 GPM)								
<b>Maximum Inlet Pressure</b>	380 Bar (5500 PSI)								
<b>Maximum Pressure Setting</b>	350 Bar (5000 PSI)								
<b>Sensitivity: Pressure/Turn</b>	<table style="border: none;"> <tr> <td><b>10</b></td> <td>9.8 Bar (143 PSI)</td> </tr> <tr> <td><b>20</b></td> <td>17 Bar (246 PSI)</td> </tr> <tr> <td><b>30</b></td> <td>25.8 Bar (375 PSI)</td> </tr> <tr> <td><b>50</b></td> <td>40.6 Bar (589 PSI)</td> </tr> </table>	<b>10</b>	9.8 Bar (143 PSI)	<b>20</b>	17 Bar (246 PSI)	<b>30</b>	25.8 Bar (375 PSI)	<b>50</b>	40.6 Bar (589 PSI)
<b>10</b>	9.8 Bar (143 PSI)								
<b>20</b>	17 Bar (246 PSI)								
<b>30</b>	25.8 Bar (375 PSI)								
<b>50</b>	40.6 Bar (589 PSI)								
<b>Reseat Pressure</b>	85% of crack pressure								
<b>Leakage at 150 SSU (32 cSt)</b>	5 drops/min. (.33 cc/min.) @ 75% of crack pressure								
<b>Cartridge Material</b>	All parts steel. All operating parts hardened steel.								
<b>Body Material</b>	Steel								
<b>Operating Temp. Range/Seals</b>	-45°C to +132°C ("D"-Ring) (-50°F to +270°F) -34°C to +121°C (Nitrile) (-30°F to +250°F) -26°C to +204°C (Fluorocarbon) (-15°F to +400°F)								
<b>Fluid Compatibility/Viscosity</b>	Mineral-based or synthetic with lubricating properties at viscosities of 45 to 2000 SSU (6 to 420 cSt)								
<b>Filtration</b>	ISO-4406 18/16/13, SAE Class 4								
<b>Approx. Weight</b>	1.2 kg (2.7 lbs.)								



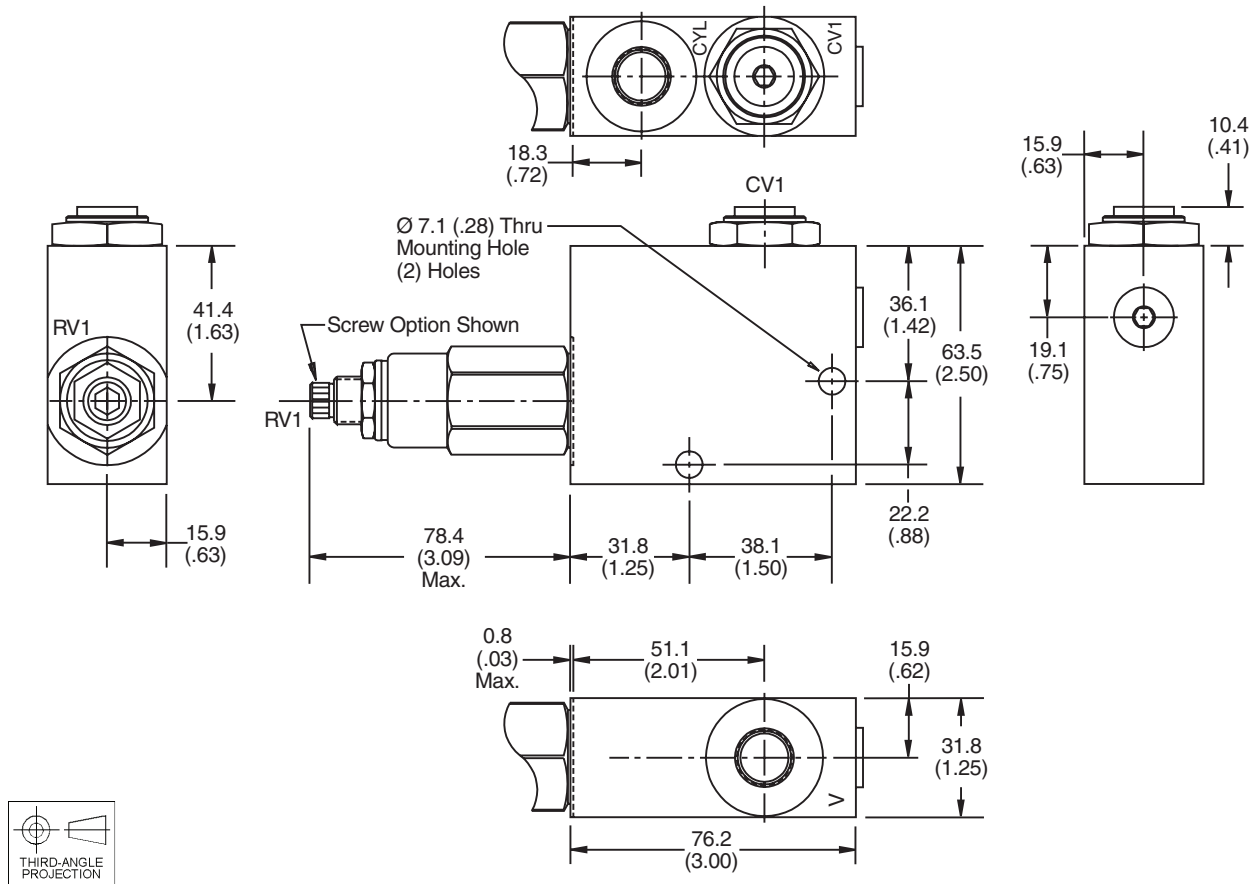
**Performance Curve**

**Flow vs. Inlet Pressure**

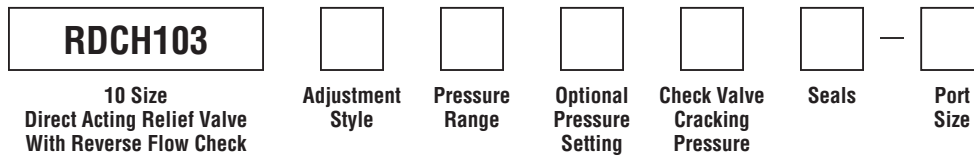
(Pressure rise through cartridge only)



**Dimensions** Millimeters (Inches)



**Ordering Information**



Code	Adjustment Style / Kit No.
F	Fixed style, preset at factory.
K	Knob Adjust (717784-10)
S	Screw Adjust
T	Tamper Resistant Cap (717943)

Code	Pressure Range
10	6.9 - 69 Bar (100 - 1000 PSI) Standard Setting: 34.5 Bar (500 PSI) @ .95 LPM (.25 GPM)
20	34.5 - 138 Bar (500 - 2000 PSI) Standard Setting: 69 Bar (1000 PSI) @ .95 LPM (.25 GPM)
30	34.5 - 207 Bar (500 - 3000 PSI) Standard Setting: 103.5 Bar (1500 PSI) @ .95 LPM (.25 GPM)
50	34.5 - 345 Bar (500 - 5000 PSI) Standard Setting: 172.4 Bar (2500 PSI) @ .95 LPM (.25 GPM)

Code	Optional Pressure Setting
Omit	Pressure ÷ 10 i.e. 235 = 2350 PSI (Omit if standard setting is used)
	Setting Range: 100 to 5000 PSI All settings at .95 LPM (.25 GPM)

Code	Cracking Pressure
Omit	0.3 Bar (5 PSI)
P20	1.4 Bar (20 PSI)
P50	3.5 Bar (50 PSI)
P65	4.5 Bar (65 PSI)
P100	6.9 Bar (100 PSI)

Code	Seals / Kit No.
Omit	"D"-Ring / (SK10-2)
N	Nitrile / (SK10-2N)
V	Fluorocarbon / (SK10-2V)

Code	Port Size	Part No.
8T	SAE-8	830313

Individual body requires 1 SAE 5 plug.  
 Part number 5 HP50N-S.

- CV Check Valves
- SH Shuttle Valves
- LM Load/Motor Controls
- FC Flow Controls
- PC Pressure Controls
- LE Logic Elements
- DC Directional Controls
- MV Manual Valves
- SV Solenoid Valves
- PV Proportional Valves
- CE Coils & Electronics
- BC Bodies & Cavities
- TD Technical Data

**Technical Information**

**CV**

Check Valves

**SH**

Shuttle Valves

**LM**

Load/Motor Controls

**FC**

Flow Controls

**PC**

Pressure Controls

**LE**

Logic Elements

**DC**

Directional Controls

**MV**

Manual Valves

**SV**

Solenoid Valves

**PV**

Proportional Valves

**CE**

Coils & Electronics

**BC**

Bodies & Cavities

**TD**

Technical Data

**General Description**

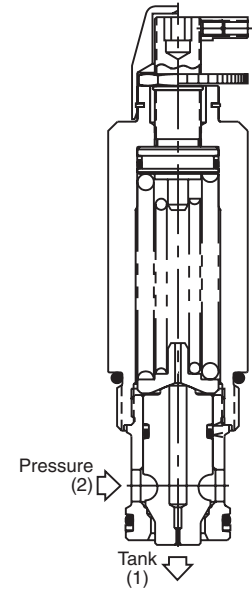
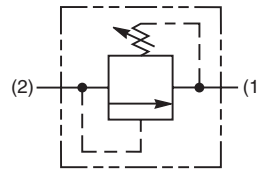
Differential Area Relief Valve. For additional information see Technical Tips on pages PC1-PC6.

**Features**

- Hardened, precision ground parts for durability
- Compact size for reduced space requirements
- Low leakage design
- Fast response
- All external parts zinc plated

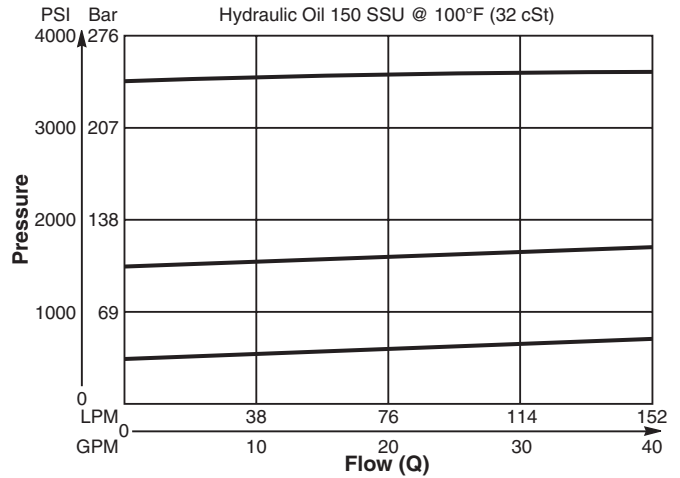
**Specifications**

<b>Rated Flow</b>	151 LPM (40 GPM)						
<b>Maximum Inlet Pressure</b>	240 Bar (3500 PSI)						
<b>Maximum Pressure Setting</b>	210 Bar (3000 PSI)						
<b>Sensitivity: Pressure/Turn</b>	<table border="0"> <tr> <td><b>10</b></td> <td>7 Bar (104 PSI)</td> </tr> <tr> <td><b>20</b></td> <td>6.8 Bar (99 PSI)</td> </tr> <tr> <td><b>30</b></td> <td>14 Bar (204 PSI)</td> </tr> </table>	<b>10</b>	7 Bar (104 PSI)	<b>20</b>	6.8 Bar (99 PSI)	<b>30</b>	14 Bar (204 PSI)
<b>10</b>	7 Bar (104 PSI)						
<b>20</b>	6.8 Bar (99 PSI)						
<b>30</b>	14 Bar (204 PSI)						
<b>Maximum Tank Pressure</b>	210 Bar (3000 PSI)						
<b>Reseat Pressure</b>	80% of crack pressure						
<b>Leakage at 150 SSU (32 cSt)</b>	10 drops/min. (.66 cc/min.) @75% of crack pressure						
<b>Cartridge Material</b>	All parts steel. All operating parts hardened steel.						
<b>Operating Temp. Range/Seals</b>	-34°C to +121°C (Nitrile) (-30°F to +250°F) -26°C to +204°C (Fluorocarbon) (-15°F to +400°F)						
<b>Fluid Compatibility/Viscosity</b>	Mineral-based or synthetic with lubricating properties at viscosities of 45 to 2000 SSU (6 to 420 cSt)						
<b>Filtration</b>	ISO-4406 18/16/13, SAE Class 4						
<b>Approx. Weight</b>	.23 kg (0.5 lbs.)						
<b>Cavity</b>	C16-2 (See BC Section for more details)						
<b>Form Tool</b>	<table border="0"> <tr> <td>Rougher</td> <td>None</td> </tr> <tr> <td>Finisher</td> <td>NFT16-2F</td> </tr> </table>	Rougher	None	Finisher	NFT16-2F		
Rougher	None						
Finisher	NFT16-2F						

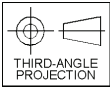
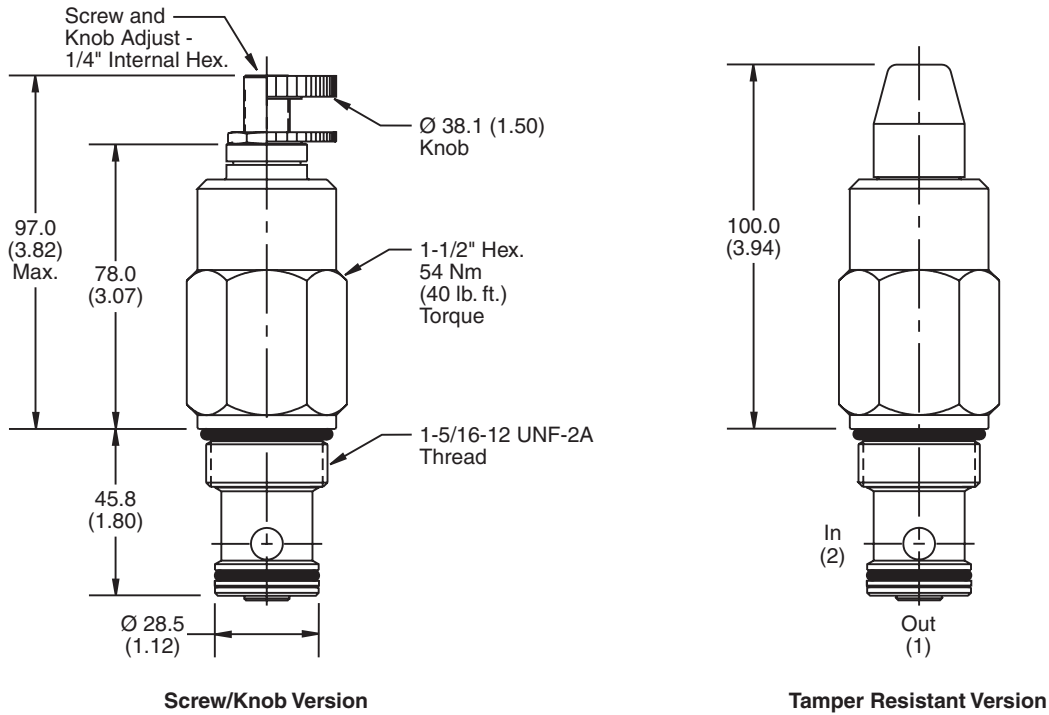


**Performance Curve**  
**Flow vs. Inlet Pressure**

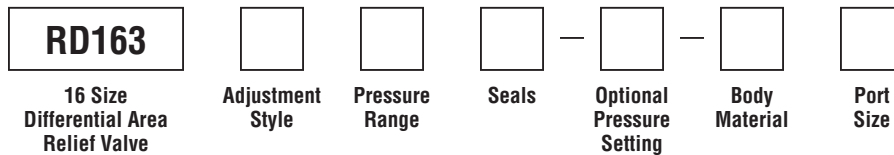
(Pressure rise through cartridge only)



**Dimensions** Millimeters (Inches)



**Ordering Information**



Code	Adjustment Style / Kit No.
<b>K</b>	Knob Adjust (840208K)
<b>S</b>	Screw Adjust
<b>T</b>	Tamper Resistant Cap (717783)

Code	Seals / Kit No.
<b>Omit</b>	Nitrile / (SK16-2)
<b>V</b>	Fluorocarbon / (SK16-2V)

Code	Body Material
<b>Omit</b>	Steel
<b>A</b>	Aluminum

Code	Pressure Range
<b>10</b>	13.8 - 69 Bar (200 - 1000 PSI) Standard Setting: 34.5 Bar (500 PSI) @ 11.3 LPM (3 GPM)
<b>20</b>	27.6 - 138 Bar (400 - 2000 PSI) Standard Setting: 69 Bar (1000 PSI) @ 11.3 LPM (3 GPM)
<b>30</b>	41.4 - 207 Bar (600 - 3000 PSI) Standard Setting: 103.5 Bar (1500 PSI) @ 11.3 LPM (3 GPM)

Optional Pressure Setting
Pressure ÷ 10 i.e. 235 = 2350 PSI (Omit if standard setting is used) Setting Range: 100 to 3000 PSI All settings at 11.3 LPM (3 GPM)

Code	Port Size	Body Part No.
<b>Omit</b>	Cartridge Only	
<b>8T</b>	SAE-8	(B16-2-*8T)
<b>12T</b>	SAE-12	(B16-2-*12T)
<b>16T</b>	SAE-16	(B16-2-*16T)

\* Add "A" for aluminum, omit for steel.

**CV**

Check Valves

**SH**

Shuttle Valves

**LM**

Load/Motor Controls

**FC**

Flow Controls

**PC**

Pressure Controls

**LE**

Logic Elements

**DC**

Directional Controls

**MV**

Manual Valves

**SV**

Solenoid Valves

**PV**

Proportional Valves

**CE**

Coils & Electronics

**BC**

Bodies & Cavities

**TD**

Technical Data

**Technical Information**

**CV**

Check Valves

**SH**

Shuttle Valves

**LM**

Load/Motor Controls

**FC**

Flow Controls

**PC**

Pressure Controls

**LE**

Logic Elements

**DC**

Directional Controls

**MV**

Manual Valves

**SV**

Solenoid Valves

**PV**

Proportional Valves

**CE**

Coils & Electronics

**BC**

Bodies & Cavities

**TD**

Technical Data

**General Description**

Pilot Operated Spool-Type Relief Valve.  
For additional information see  
Technical Tips on pages PC1-PC6.

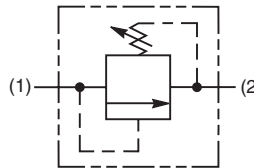
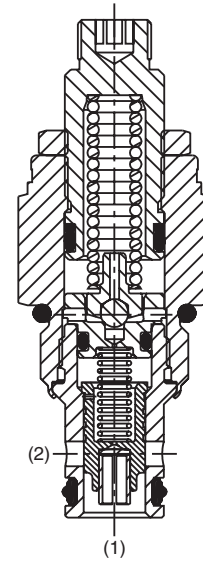


**Features**

- Hardened, precision ground parts for durability
- Low profile adapter for minimal space requirements
- Fully guided pilot for more consistent reseal
- Steel adapters are zinc plated
- Polyurethane "D"-Ring eliminates backup rings and prevents hydrolysis
- Internal screening protects pilot spring from debris

**Specifications**

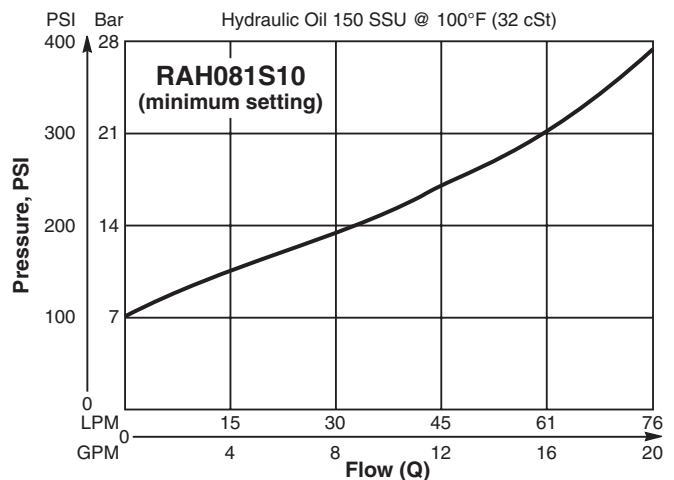
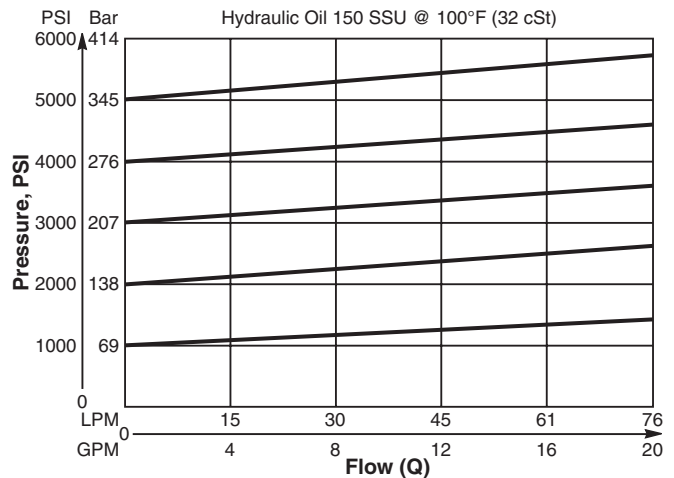
<b>Rated Flow</b>	75.8 LPM (20 GPM)								
<b>Maximum Inlet Pressure</b>	350 Bar (5000 PSI)								
<b>Maximum Pressure Setting</b>	350 Bar (5000 PSI)								
<b>Sensitivity: Pressure/Turn</b>	<table border="0"> <tr> <td><b>10</b></td> <td>19.6 Bar (285 PSI)</td> </tr> <tr> <td><b>20</b></td> <td>39.3 Bar (570 PSI)</td> </tr> <tr> <td><b>30</b></td> <td>58.9 Bar (859 PSI)</td> </tr> <tr> <td><b>50</b></td> <td>131.7 Bar (1910 PSI)</td> </tr> </table>	<b>10</b>	19.6 Bar (285 PSI)	<b>20</b>	39.3 Bar (570 PSI)	<b>30</b>	58.9 Bar (859 PSI)	<b>50</b>	131.7 Bar (1910 PSI)
<b>10</b>	19.6 Bar (285 PSI)								
<b>20</b>	39.3 Bar (570 PSI)								
<b>30</b>	58.9 Bar (859 PSI)								
<b>50</b>	131.7 Bar (1910 PSI)								
<b>Maximum Tank Pressure</b>	350 Bar (5000 PSI)								
<b>Reseat Pressure</b>	90% of crack pressure								
<b>Leakage at 150 SSU (32 cSt)</b>	5 cc per 100 PSI (6.8 Bar) setting								
<b>Cartridge Material</b>	All parts steel. All operating parts hardened steel.								
<b>Operating Temp. Range/Seals</b>	-45°C to +132°C ("D"-Ring) (-50°F to +270°F) -34°C to +121°C (Nitrile) (-30°F to +250°F) -26°C to +204°C (Fluorocarbon) (-15°F to +400°F)								
<b>Fluid Compatibility/Viscosity</b>	Mineral-based or synthetic with lubricating properties at viscosities of 45 to 2000 SSU (6 to 420 cSt)								
<b>Filtration</b>	ISO-4406 18/16/13, SAE Class 4								
<b>Approx. Weight</b>	.09 kg (.20 lbs.)								
<b>Cavity</b>	C08-2 (See BC Section for more details)								
<b>Form Tool</b>	<table border="0"> <tr> <td>Rougher</td> <td>None</td> </tr> <tr> <td>Finisher</td> <td>NFT08-2F</td> </tr> </table>	Rougher	None	Finisher	NFT08-2F				
Rougher	None								
Finisher	NFT08-2F								



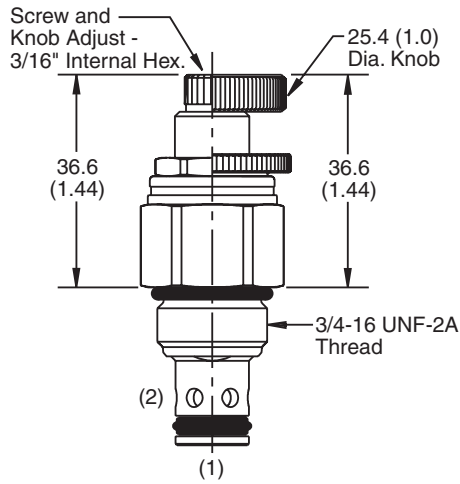
**Performance Curves**

**Flow vs. Inlet Pressure**

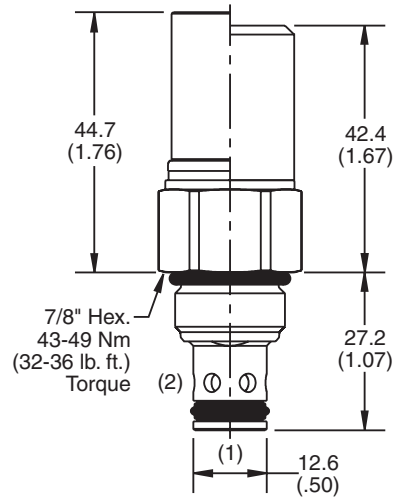
(Pressure rise through cartridge only)



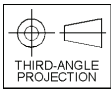
**Dimensions** Millimeters (Inches)



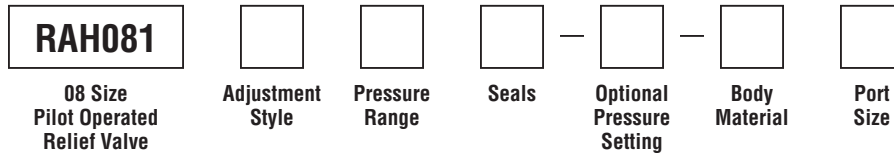
**Screw/Knob Version**



**Fixed Cap/Tamper Resistant Version**



**Ordering Information**



Code	Adjustment Style / Kit No.
F	Fixed style, preset at factory.
K	Knob Adjust (717784-10)
S	Screw Adjust
T	Tamper Resistant Cap (717943)

Code	Seals / Kit No.
Omit	"D"-Ring / (SK08-2)
N	Nitrile / (SK08-2N)
V	Fluorocarbon / (SK08-2V)

Code	Body Material
Omit	Steel
A	Aluminum

Code	Pressure Range
10	6.9 - 69 Bar (100 - 1000 PSI) Standard Setting: 34.5 Bar (500 PSI) @ crack pressure, approximately .95 LPM (.25 GPM)
20	6.9 - 138 Bar (100 - 2000 PSI) Standard Setting: 69 Bar (1000 PSI) @ crack pressure, approximately .95 LPM (.25 GPM)
30	13.8 - 207 Bar (200 - 3000 PSI) Standard Setting: 103.5 Bar (1500 PSI) @ crack pressure, approximately .95 LPM (.25 GPM)
50	13.8 - 345 Bar (200 - 5000 PSI) Standard Setting: 172.4 Bar (2500 PSI) @ crack pressure, approximately .95 LPM (.25 GPM)

Optional Pressure Setting	
Pressure	± 10 i.e. 235 = 2350 PSI (Omit if standard setting is used)
Setting Range:	100 to 5000 PSI
All settings at crack pressure, approximately .95 LPM (.25 GPM)	

Code	Port Size	Body Part No.
Omit	Cartridge Only	
4T	SAE-4	(B08-2-*4T)
6T	SAE-6	(B08-2-*6T)

\* Add "A" for aluminum, omit for steel.

- CV Check Valves
- SH Shuttle Valves
- LM Load/Motor Controls
- FC Flow Controls
- PC Pressure Controls
- LE Logic Elements
- DC Directional Controls
- MV Manual Valves
- SV Solenoid Valves
- PV Proportional Valves
- CE Coils & Electronics
- BC Bodies & Cavities
- TD Technical Data

**Technical Information**

- CV** Check Valves
- SH** Shuttle Valves
- LM** Load/Motor Controls
- FC** Flow Controls
- PC** Pressure Controls
- LE** Logic Elements
- DC** Directional Controls
- MV** Manual Valves
- SV** Solenoid Valves
- PV** Proportional Valves
- CE** Coils & Electronics
- BC** Bodies & Cavities
- TD** Technical Data

**General Description**

Pilot Operated Spool-Type Relief Valve. For addition information see Technical Tips on pages PC1-PC6.

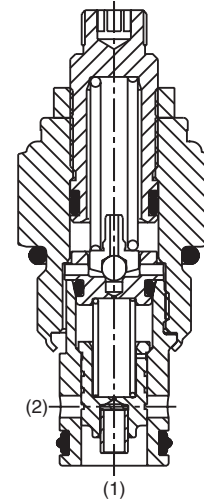
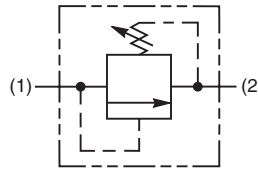


**Features**

- Hardened, precision ground parts for durability
- Low profile adapter for minimal space requirements
- Fully guided poppet for more consistent reseal
- Steel adapters are zinc plated
- Polyurethane "D"-Ring eliminates backup rings and prevents hydrolysis
- Internal screening protects pilot spring from debris

**Specifications**

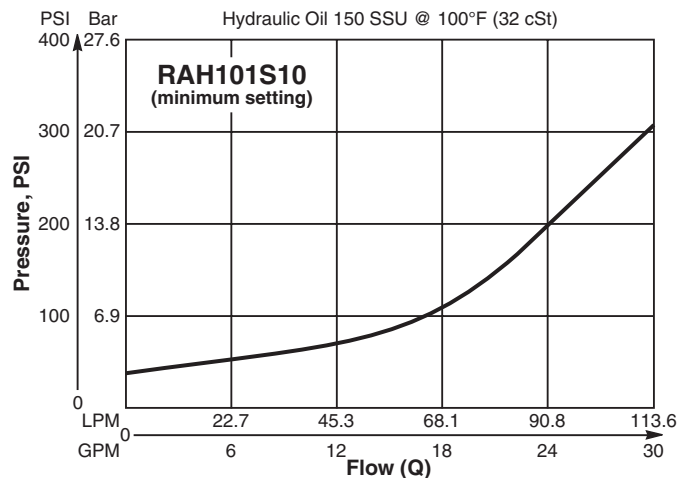
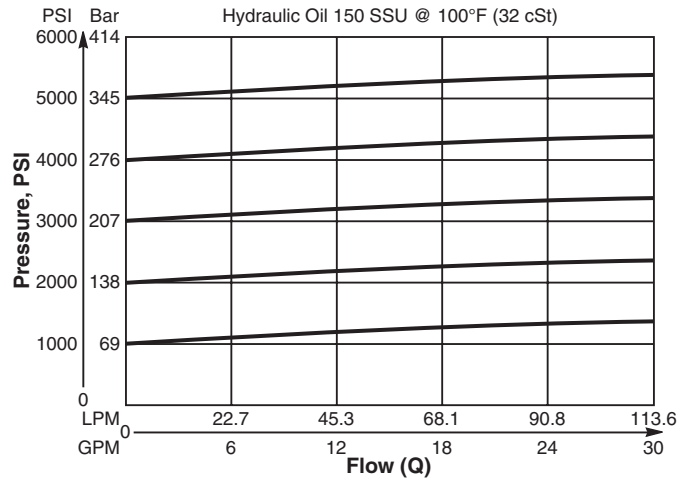
<b>Rated Flow</b>	113 LPM (30 GPM)								
<b>Maximum Inlet Pressure</b>	350 Bar (5000 PSI)								
<b>Maximum Pressure Setting</b>	350 Bar (5000 PSI)								
<b>Sensitivity: Pressure/Turn</b>	<table style="border: none;"> <tr> <td style="padding-right: 10px;"><b>10</b></td> <td>19.6 Bar (285 PSI)</td> </tr> <tr> <td><b>20</b></td> <td>39.3 Bar (570 PSI)</td> </tr> <tr> <td><b>30</b></td> <td>58.9 Bar (859 PSI)</td> </tr> <tr> <td><b>50</b></td> <td>131.7 Bar (1910 PSI)</td> </tr> </table>	<b>10</b>	19.6 Bar (285 PSI)	<b>20</b>	39.3 Bar (570 PSI)	<b>30</b>	58.9 Bar (859 PSI)	<b>50</b>	131.7 Bar (1910 PSI)
<b>10</b>	19.6 Bar (285 PSI)								
<b>20</b>	39.3 Bar (570 PSI)								
<b>30</b>	58.9 Bar (859 PSI)								
<b>50</b>	131.7 Bar (1910 PSI)								
<b>Maximum Tank Pressure</b>	350 Bar (5000 PSI)								
<b>Reseat Pressure</b>	90% of crack pressure								
<b>Leakage at 150 SSU (32 cSt)</b>	5 cc per 100 PSI (6.8 Bar) setting								
<b>Cartridge Material</b>	All parts steel. All operating parts hardened steel.								
<b>Operating Temp. Range/Seals</b>	-45°C to +132°C ("D"-Ring) (-50°F to +270°F) -34°C to +121°C (Nitrile) (-30°F to +250°F) -26°C to +204°C (Fluorocarbon) (-15°F to +400°F)								
<b>Fluid Compatibility/Viscosity</b>	Mineral-based or synthetic with lubricating properties at viscosities of 45 to 2000 SSU (6 to 420 cSt)								
<b>Filtration</b>	ISO-4406 18/16/13, SAE Class 4								
<b>Approx. Weight</b>	.23 kg (.50 lbs.)								
<b>Cavity</b>	C10-2 (See BC Section for more details)								
<b>Form Tool</b>	<table style="border: none;"> <tr> <td>Rougher</td> <td>None</td> </tr> <tr> <td>Finisher</td> <td>NFT10-2F</td> </tr> </table>	Rougher	None	Finisher	NFT10-2F				
Rougher	None								
Finisher	NFT10-2F								



**Performance Curves**

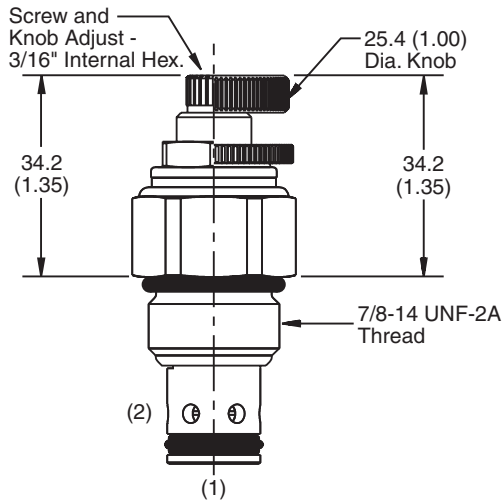
**Flow vs. Inlet Pressure**

(Pressure rise through cartridge only)

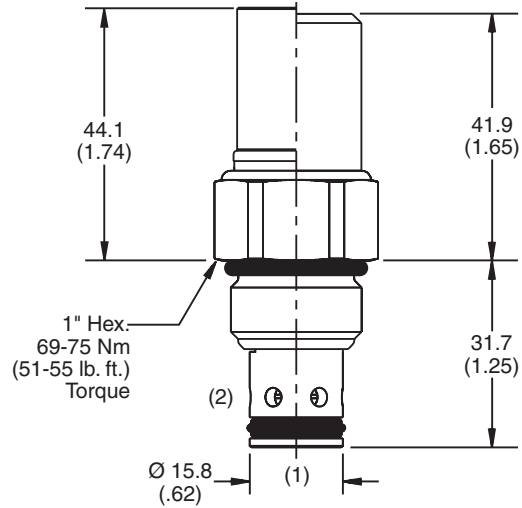




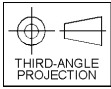
**Dimensions** Millimeters (Inches)



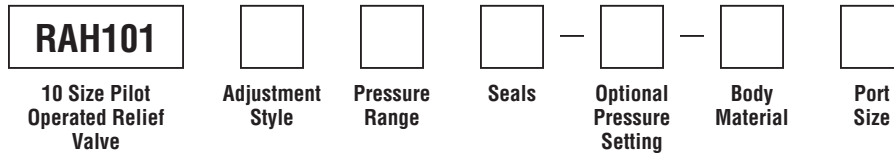
**Screw/Knob Version**



**Fixed Cap/Tamper Resistant Version**



**Ordering Information**



Code	Adjustment Style / Kit No.
F	Fixed style, preset at factory.
K	Knob Adjust (717784-10)
S	Screw Adjust
T	Tamper Resistant Cap (718083)

Code	Seals / Kit No.
Omit	"D"-Ring / (SK10-2)
N	Nitrile / (SK10-2N)
V	Fluorocarbon / (SK10-2V)

Code	Body Material
Omit	Steel
A	Aluminum

Code	Pressure Range
10	6.9 - 69 Bar (100 - 1000 PSI) Standard Setting: 34.5 Bar (500 PSI) @ crack pressure, approximately .95 LPM (.25 GPM)
20	6.9 - 138 Bar (100 - 2000 PSI) Standard Setting: 69 Bar (1000 PSI) @ crack pressure, approximately .95 LPM (.25 GPM)
30	13.8 - 207 Bar (200 - 3000 PSI) Standard Setting: 103.5 Bar (1500 PSI) @ crack pressure, approximately .95 LPM (.25 GPM)
50	13.8 - 345 Bar (200 - 5000 PSI) Standard Setting: 172.4 Bar (2500 PSI) @ crack pressure, approximately .95 LPM (.25 GPM)

Optional Pressure Setting
Pressure ÷ 10 i.e. 235 = 2350 PSI (Omit if standard setting is used) Setting Range: 100 to 5000 PSI All settings at crack pressure, approximately .95 LPM (.25 GPM)

Code	Port Size	Body Part No.
Omit	Cartridge Only	
6T	SAE-6	(B10-2-*6T)
8T	SAE-8	(B10-2-*8T)

\* Add "A" for aluminum, omit for steel.

- CV Check Valves
- SH Shuttle Valves
- LM Load/Motor Controls
- FC Flow Controls
- PC Pressure Controls
- LE Logic Elements
- DC Directional Controls
- MV Manual Valves
- SV Solenoid Valves
- PV Proportional Valves
- CE Coils & Electronics
- BC Bodies & Cavities
- TD Technical Data

**Technical Information**

**CV**

Check Valves

**SH**

Shuttle Valves

**LM**

Load/Motor Controls

**FC**

Flow Controls

**PC**

Pressure Controls

**LE**

Logic Elements

**DC**

Directional Controls

**MV**

Manual Valves

**SV**

Solenoid Valves

**PV**

Proportional Valves

**CE**

Coils & Electronics

**BC**

Bodies & Cavities

**TD**

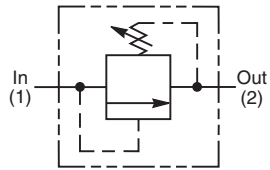
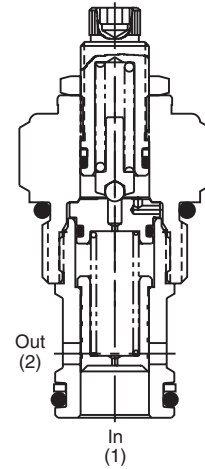
Technical Data

**General Description**

Pilot Operated Spool-Type Relief Valve. For additional information see Technical Tips on pages PC1-PC6.

**Features**

- Low override curve
- Ball-type pilot for added stability
- High accuracy - pilot operated design
- Hardened, precision ground parts for durability
- Compact size for reduced space requirements
- All external parts zinc plated



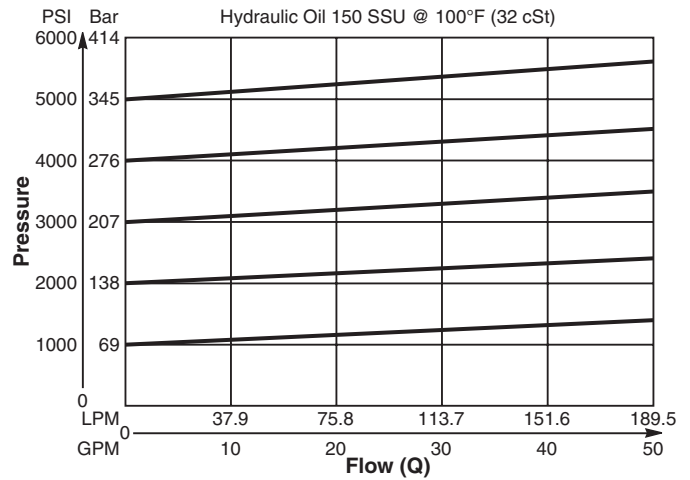
**Specifications**

<b>Rated Flow</b>	189.5 LPM (50 GPM)								
<b>Maximum Inlet Pressure</b>	380 Bar (5500 PSI)								
<b>Maximum Pressure Setting</b>	350 Bar (5000 PSI)								
<b>Sensitivity: Pressure/Turn</b>	<table border="0"> <tr> <td><b>10</b></td> <td>23 Bar (334 PSI)</td> </tr> <tr> <td><b>20</b></td> <td>37 Bar (539 PSI)</td> </tr> <tr> <td><b>30</b></td> <td>59.7 Bar (867 PSI)</td> </tr> <tr> <td><b>50</b></td> <td>118 Bar (1711 PSI)</td> </tr> </table>	<b>10</b>	23 Bar (334 PSI)	<b>20</b>	37 Bar (539 PSI)	<b>30</b>	59.7 Bar (867 PSI)	<b>50</b>	118 Bar (1711 PSI)
<b>10</b>	23 Bar (334 PSI)								
<b>20</b>	37 Bar (539 PSI)								
<b>30</b>	59.7 Bar (867 PSI)								
<b>50</b>	118 Bar (1711 PSI)								
<b>Reseat Pressure</b>	80% of crack pressure								
<b>Leakage at 150 SSU (32 cSt)</b>	82 cc/min. (5 cu. in./min.) @ 75% of crack pressure								
<b>Cartridge Material</b>	All parts steel. All operating parts hardened steel.								
<b>Operating Temp. Range/Seals</b>	-34°C to +121°C (Nitrile) (-30°F to +250°F) -26°C to +204°C (Fluorocarbon) (-15°F to +400°F)								
<b>Fluid Compatibility/Viscosity</b>	Mineral-based or synthetic with lubricating properties at viscosities of 45 to 2000 SSU (6 to 420 cSt)								
<b>Filtration</b>	ISO-4406 18/16/13, SAE Class 4								
<b>Approx. Weight</b>	.22 kg (.48 lbs.)								
<b>Cavity</b>	C12-2								
<b>Form Tool</b>	<table border="0"> <tr> <td>Rougher</td> <td>None</td> </tr> <tr> <td>Finisher</td> <td>NFT12-2F</td> </tr> </table>	Rougher	None	Finisher	NFT12-2F				
Rougher	None								
Finisher	NFT12-2F								

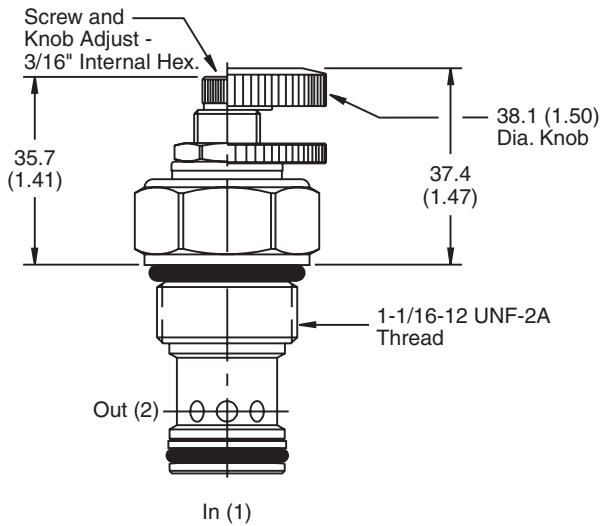
**Performance Curve**

**Flow vs. Inlet Pressure**

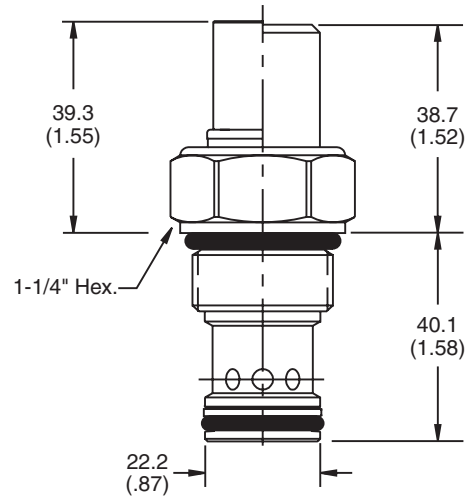
(Pressure rise through cartridge only)



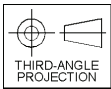
**Dimensions** Millimeters (Inches)



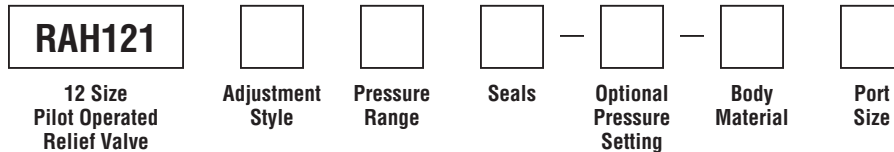
**Screw/Knob Version**



**Fixed Cap/Tamper Resistant Version**



**Ordering Information**



Code	Adjustment Style / Kit No.
F	Fixed style, preset at factory.
K	Knob Adjust (717784-15)
S	Screw Adjust
T	Tamper Resistant Cap (717785)

Code	Seals / Kit No.
Omit	Nitrile / (SK12-2)
V	Fluorocarbon / (SK12-2V)

Code	Body Material
Omit	Steel
A	Aluminum

Code	Pressure Range
10	6.9 - 69 Bar (100 - 1000 PSI) Standard Setting: 34.5 Bar (500 PSI) @ 11.3 LPM (3 GPM)
20	13.8 - 138 Bar (200 - 2000 PSI) Standard Setting: 69 Bar (1000 PSI) @ 11.3 LPM (3 GPM)
30	20.7 - 207 Bar (300 - 3000 PSI) Standard Setting: 103.5 Bar (1500 PSI) @ 11.3 LPM (3 GPM)
50	34.5 - 345 Bar (500 - 5000 PSI) Standard Setting: 172.4 Bar (2500 PSI) @ 11.3 LPM (3 GPM)

Optional Pressure Setting
Pressure ÷ 10 i.e. 235 = 2350 PSI (Omit if standard setting is used) Setting Range: 100 to 5000 PSI All settings at 11.3 LPM (3 GPM)

Code	Port Size	Body Part No.
Omit	Cartridge Only	
8T	SAE-8	(B12-2-*8T)
12T	SAE-12	(B12-2-*12T)

\* Add "A" for aluminum, omit for steel.

- CV Check Valves
- SH Shuttle Valves
- LM Load/Motor Controls
- FC Flow Controls
- PC Pressure Controls
- LE Logic Elements
- DC Directional Controls
- MV Manual Valves
- SV Solenoid Valves
- PV Proportional Valves
- CE Coils & Electronics
- BC Bodies & Cavities
- TD Technical Data

**Technical Information**

**CV**

Check Valves

**SH**

Shuttle Valves

**LM**

Load/Motor Controls

**FC**

Flow Controls

**PC**

Pressure Controls

**LE**

Logic Elements

**DC**

Directional Controls

**MV**

Manual Valves

**SV**

Solenoid Valves

**PV**

Proportional Valves

**CE**

Coils & Electronics

**BC**

Bodies & Cavities

**TD**

Technical Data

**General Description**

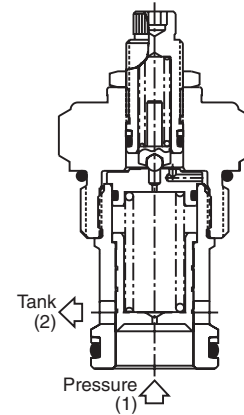
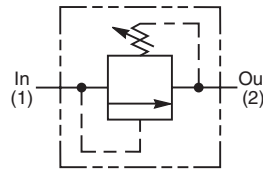
Pilot Operated Spool-Type Relief Valve. For additional information see Technical Tips on pages PC1-PC6.

**Features**

- Low override curve
- Ball-type pilot for added stability
- High accuracy - pilot operated design
- Hardened, precision ground parts for durability
- Compact size for reduced space requirements
- All external parts zinc plated

**Specifications**

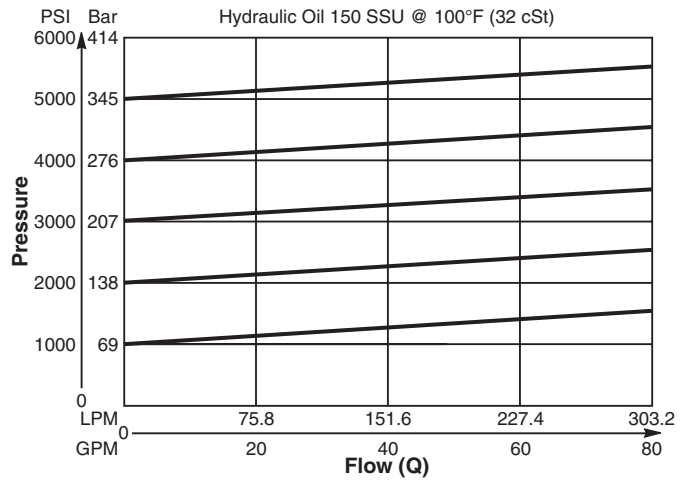
<b>Maximum Flow</b>	302.8 LPM (80 GPM)								
<b>Maximum Inlet Pressure</b>	380 Bar (5500 PSI)								
<b>Maximum Pressure Setting</b>	350 Bar (5000 PSI)								
<b>Sensitivity: Pressure/Turn</b>	<table border="0"> <tr> <td><b>10</b></td> <td>23 Bar (334 PSI)</td> </tr> <tr> <td><b>20</b></td> <td>37 Bar (539 PSI)</td> </tr> <tr> <td><b>30</b></td> <td>59.7 Bar (867 PSI)</td> </tr> <tr> <td><b>50</b></td> <td>118 Bar (1711 PSI)</td> </tr> </table>	<b>10</b>	23 Bar (334 PSI)	<b>20</b>	37 Bar (539 PSI)	<b>30</b>	59.7 Bar (867 PSI)	<b>50</b>	118 Bar (1711 PSI)
<b>10</b>	23 Bar (334 PSI)								
<b>20</b>	37 Bar (539 PSI)								
<b>30</b>	59.7 Bar (867 PSI)								
<b>50</b>	118 Bar (1711 PSI)								
<b>Maximum Tank Pressure</b>	350 Bar (5000 PSI)								
<b>Reseat Pressure</b>	80% of crack pressure								
<b>Leakage at 150 SSU (32 cSt)</b>	5 cc per 100 PSI (6.8 Bar) setting								
<b>Cartridge Material</b>	All parts steel. All operating parts hardened steel.								
<b>Operating Temp. Range (Ambient)</b>	-34°C to +121°C (Nitrile) (-30°F to +250°F) -26°C to +204°C (Fluorocarbon) (-15°F to +400°F)								
<b>Fluid Compatibility/Viscosity</b>	Mineral-based or synthetic with lubricating properties at viscosities of 45 to 2000 SSU (6 to 420 cSt)								
<b>Filtration</b>	ISO-4406 18/16/13, SAE Class 4								
<b>Approx. Weight</b>	0.9 kg (2.0 lbs.)								
<b>Cavity</b>	C16-2 (See BC Section for more details)								
<b>Form Tool</b>	Rougher None Finisher NFT16-2F								



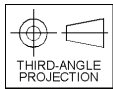
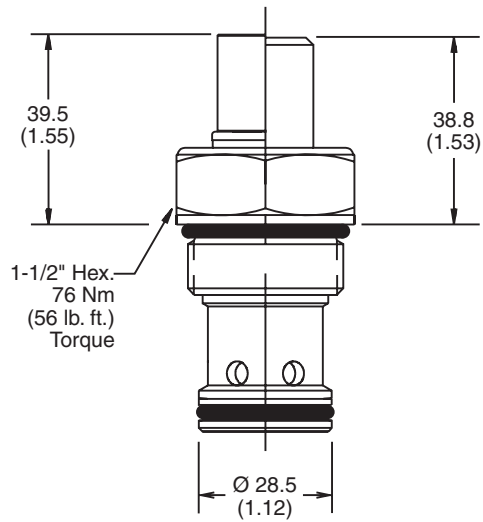
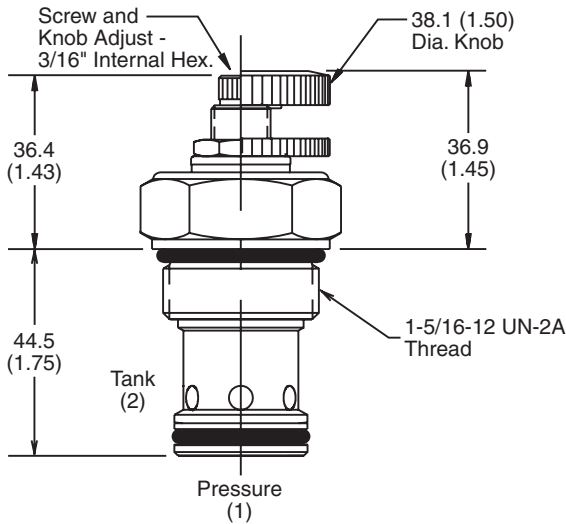
**Performance Curve**

**Flow vs. Inlet Pressure**

(Pressure rise through cartridge only)



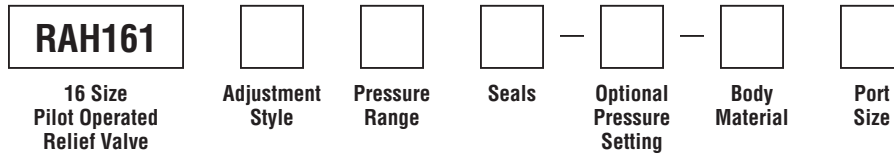
**Dimensions** Millimeters (Inches)



**Screw/Knob Version**

**Fixed Cap/Tamper Resistant Version**

**Ordering Information**



Code	Adjustment Style / Kit No.
F	Fixed style, preset at factory.
K	Knob Adjust (717784-15)
S	Screw Adjust
T	Tamper Resistant Cap (717785)

Code	Seals / Kit No.
Omit	Nitrile / (SK16-2)
V	Fluorocarbon / (SK16-2V)

Code	Body Material
Omit	Steel
A	Aluminum

Code	Pressure Range
10	6.9 - 69 Bar (100 - 1000 PSI) Standard Setting: 34.5 Bar (500 PSI) @ 37.5 LPM (10 GPM)
20	13.8 - 138 Bar (200 - 2000 PSI) Standard Setting: 69 Bar (1000 PSI) @ 37.5 LPM (10 GPM)
30	20.7 - 207 Bar (300 - 3000 PSI) Standard Setting: 103.5 Bar (1500 PSI) @ 37.5 LPM (10 GPM)
50	34.5 - 345 Bar (500 - 5000 PSI) Standard Setting: 172.4 Bar (2500 PSI) @ 37.5 LPM (10 GPM)

Optional Pressure Setting
Pressure ÷ 10 i.e. 235 = 2350 PSI (Omit if standard setting is used) Setting Range: 100 to 5000 PSI All settings at 37.5 LPM (10 GPM)

Code	Port Size	Body Part No.
Omit	Cartridge Only	
8T	SAE-8	(B16-2-*8T)
12T	SAE-12	(B16-2-*12T)
16T	SAE-16	(B16-2-*16T)

\* Add "A" for aluminum, omit for steel.

- CV** Check Valves
- SH** Shuttle Valves
- LM** Load/Motor Controls
- FC** Flow Controls
- PC** Pressure Controls
- LE** Logic Elements
- DC** Directional Controls
- MV** Manual Valves
- SV** Solenoid Valves
- PV** Proportional Valves
- CE** Coils & Electronics
- BC** Bodies & Cavities
- TD** Technical Data

**Technical Information**

**CV**

Check Valves

**SH**

Shuttle Valves

**LM**

Load/Motor Controls

**FC**

Flow Controls

**PC**

Pressure Controls

**LE**

Logic Elements

**DC**

Directional Controls

**MV**

Manual Valves

**SV**

Solenoid Valves

**PV**

Proportional Valves

**CE**

Coils & Electronics

**BC**

Bodies & Cavities

**TD**

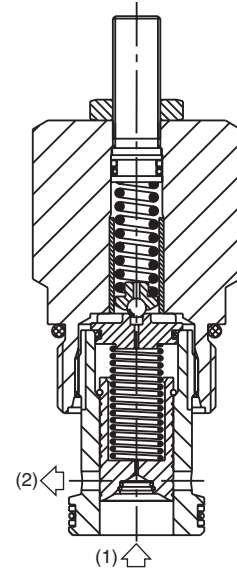
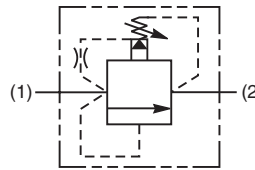
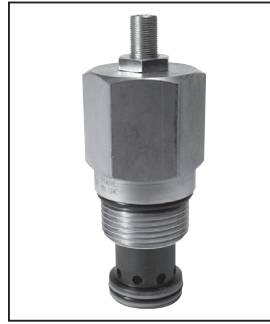
Technical Data

**General Description**

Pilot Operated, Spool-Type Relief Valve. For additional information see Technical Tips on pages PC1-PC6.

**Features**

- Very high flow capacity
- Minimal pressure variation with flow change
- Full tank line back pressure capability, ideal for crossline relief applications
- Integral 250 micron pilot flow filter
- Hardened working parts for maximum durability
- Adjustable and tamperproof versions available
- All external parts zinc plated



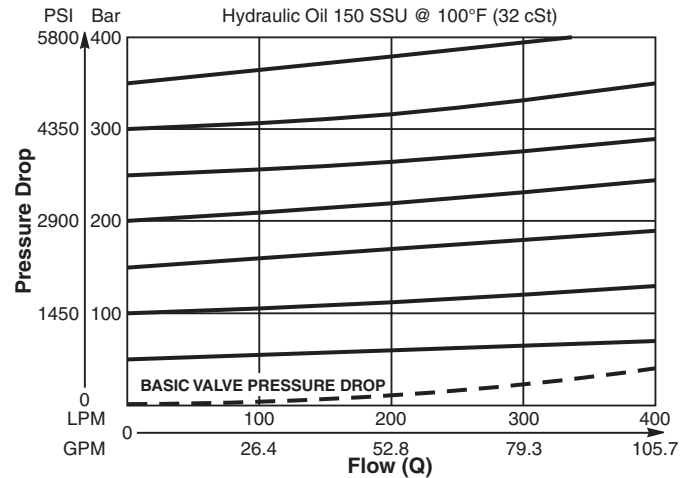
**Specifications**

<b>Rated Flow</b>	400 LPM (106 GPM)
<b>Maximum Inlet Pressure</b>	H - 10-210 Bar (145-3000 PSI) P - 10-420 Bar (145-6000 PSI)
<b>Maximum Pressure Setting</b>	420 Bar (6000 PSI)
<b>Sensitivity: Pressure/Turn</b>	H 30 Bar (435 PSI) P 55 Bar (800 PSI)
<b>Maximum Tank Pressure</b>	420 Bar (6000 PSI)
<b>Leakage at 150 SSU (32 cSt)</b>	100 ml/min. @ 100 Bar (1450 PSI)
<b>Cartridge Material</b>	All parts steel. All operating parts hardened steel.
<b>Operating Temp. Range/Seals</b>	-34°C to +121°C (Nitrile) (-30°F to +250°F) -26°C to +204°C (Fluorocarbon) (-15°F to +400°F)
<b>Fluid Compatibility/Viscosity</b>	Mineral-based or synthetic with lubricating properties at viscosities of 45 to 2000 SSU (6 to 420 cSt)
<b>Filtration</b>	ISO-4406 18/16/13, SAE Class 4
<b>Approx. Weight</b>	0.57 kg (1.26 lbs.)
<b>Cavity</b>	C16-2 (See BC Section for more details)
<b>Form Tool</b>	Rougher None Finisher NFT16-2F

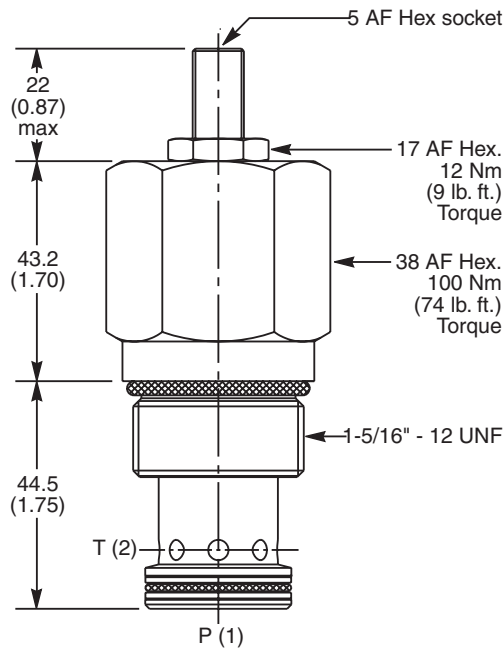
**Performance Curve**

(Pressure rise through cartridge only)

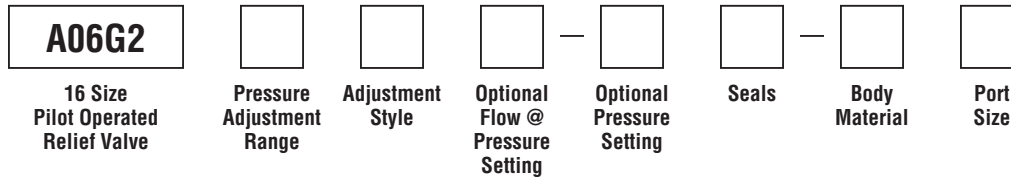
**Flow vs. Inlet Pressure**



**Dimensions** Millimeters (Inches)



**Ordering Information**



Code	Pressure Adjustment Range
H	10 - 210 Bar (145 - 3000 PSI)
P	10 - 420 Bar (145 - 6000 PSI)

Optional Pressure Setting	
Specify setting if required (Bar)	
<b>A06G2H</b> Standard Setting: 100 Bar (1450 PSI) @ 15 LPM (4.0 GPM)	
<b>A06G2P</b> Standard Setting: 200 Bar (2900 PSI) @ 15 LPM (4.0 GPM)	

Code	Body Material
Omit	Steel
A	Aluminum

Code	Adjustment Style / Kit No.
Z	Screw Adjust (Std.)
W	Knob Adjust
T	Tamper Resistant Cap (TC1130)

Code	Port Size	Body Part No.
Omit	Cartridge Only	
8T	SAE-8	(B16-2-*8T)
12T	SAE-12	(B16-2-*12T)
16T	SAE-16	(B16-2-*16T)

Optional Flow @ Pressure Setting	
If you require a maximum pressure setting at a flow rate, please enter it here in Liters per minute (LPM).	
Standard setting: 15 LPM (4.0 GPM)	

Code	Seals / Kit No.
N	Nitrile, Buna-N (Std.) / (SK30507N-1)
V	Fluorocarbon / (SK30507V-1)

\* Add "A" for aluminum, omit for steel.

**CV**

Check Valves

**SH**

Shuttle Valves

**LM**

Load/Motor Controls

**FC**

Flow Controls

**PC**

Pressure Controls

**LE**

Logic Elements

**DC**

Directional Controls

**MV**

Manual Valves

**SV**

Solenoid Valves

**PV**

Proportional Valves

**CE**

Coils & Electronics

**BC**

Bodies & Cavities

**TD**

Technical Data



**Technical Information**

**CV**

Check Valves

**SH**

Shuttle Valves

**LM**

Load/Motor Controls

**FC**

Flow Controls

**PC**

Pressure Controls

**LE**

Logic Elements

**DC**

Directional Controls

**MV**

Manual Valves

**SV**

Solenoid Valves

**PV**

Proportional Valves

**CE**

Coils & Electronics

**BC**

Bodies & Cavities

**TD**

Technical Data

**General Description**

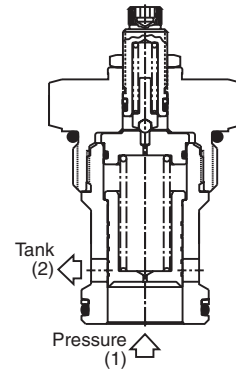
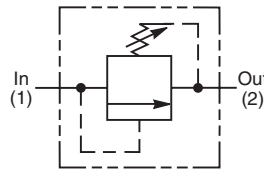
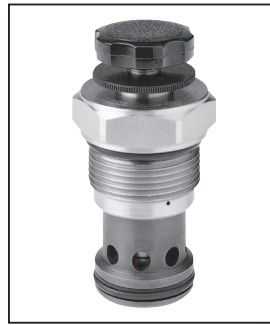
Pilot Operated Spool-Type Relief Valve. For additional information see Technical Tips on pages PC1-PC6.

**Features**

- Low override curve
- Ball-type pilot for added stability
- High accuracy - pilot operated design
- Hardened, precision ground parts for durability
- Compact size for reduced space requirements
- All external parts zinc plated

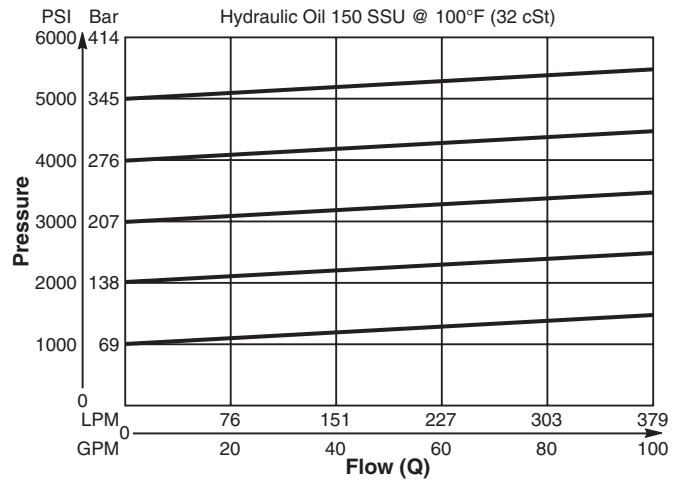
**Specifications**

<b>Rated Flow</b>	379 LPM (100 GPM)								
<b>Maximum Inlet Pressure</b>	380 Bar (5500 PSI)								
<b>Maximum Pressure Setting</b>	350 Bar (5000 PSI)								
<b>Sensitivity: Pressure/Turn</b>	<table border="0"> <tr> <td><b>10</b></td> <td>23 Bar (334 PSI)</td> </tr> <tr> <td><b>20</b></td> <td>37 Bar (539 PSI)</td> </tr> <tr> <td><b>30</b></td> <td>59.7 Bar (867 PSI)</td> </tr> <tr> <td><b>50</b></td> <td>118 Bar (1711 PSI)</td> </tr> </table>	<b>10</b>	23 Bar (334 PSI)	<b>20</b>	37 Bar (539 PSI)	<b>30</b>	59.7 Bar (867 PSI)	<b>50</b>	118 Bar (1711 PSI)
<b>10</b>	23 Bar (334 PSI)								
<b>20</b>	37 Bar (539 PSI)								
<b>30</b>	59.7 Bar (867 PSI)								
<b>50</b>	118 Bar (1711 PSI)								
<b>Maximum Tank Pressure</b>	350 Bar (5000 PSI)								
<b>Reseat Pressure</b>	80% of crack pressure								
<b>Leakage at 150 SSU (32 cSt)</b>	5 cc per 100 PSI (6.8 Bar) setting								
<b>Cartridge Material</b>	All parts steel. All operating parts hardened steel.								
<b>Operating Temp. Range/Seals</b>	-34°C to +121°C (Nitrile) (-30°F to +250°F) -26°C to +204°C (Fluorocarbon) (-15°F to +400°F)								
<b>Fluid Compatibility/Viscosity</b>	Mineral-based or synthetic with lubricating properties at viscosities of 45 to 2000 SSU (6 to 420 cSt)								
<b>Filtration</b>	ISO-4406 18/16/13, SAE Class 4								
<b>Approx. Weight</b>	0.9 kg (2.0 lbs.)								
<b>Cavity</b>	C20-2 (See BC Section for more details)								
<b>Form Tool</b>	<table border="0"> <tr> <td>Rougher</td> <td>None</td> </tr> <tr> <td>Finisher</td> <td>NFT20-2F</td> </tr> </table>	Rougher	None	Finisher	NFT20-2F				
Rougher	None								
Finisher	NFT20-2F								

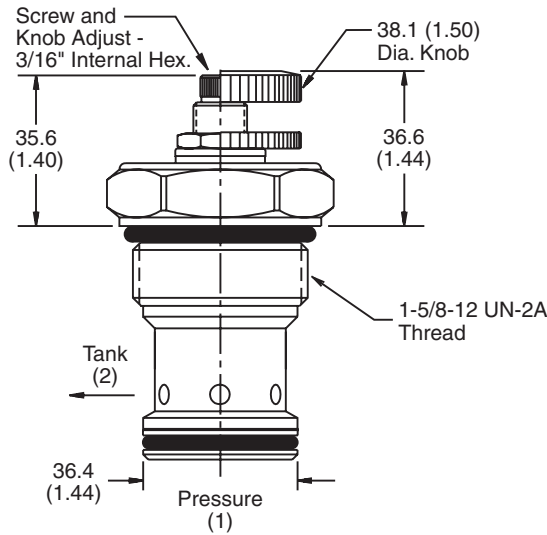


**Performance Curve**  
**Flow vs. Inlet Pressure**

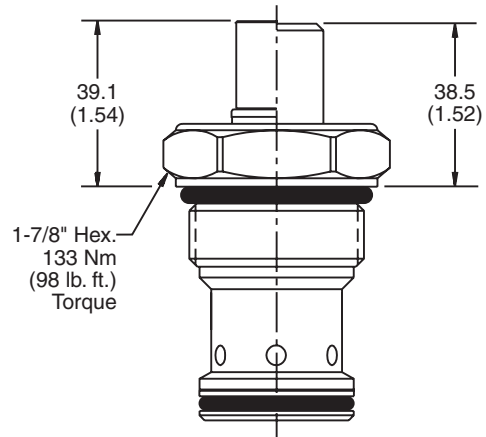
(Pressure rise through cartridge only)



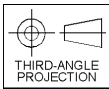
**Dimensions** Millimeters (Inches)



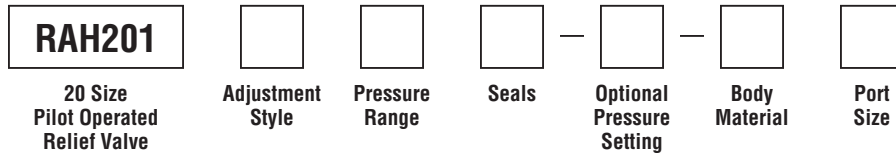
**Screw/Knob Version**



**Fixed Cap/Tamper Resistant Version**



**Ordering Information**



Code	Adjustment Style / Kit No.
F	Fixed style, preset at factory.
K	Knob Adjust (717784-15)
S	Screw Adjust
T	Tamper Resistant Cap (717785)

Code	Seals / Kit No.
Omit	Nitrile / (SK20-2)
V	Fluorocarbon / (SK20-2V)

Code	Body Material
Omit	Steel

Optional Pressure Setting
Pressure ÷ 10 i.e. 235 = 2350 PSI (Omit if standard setting is used) Setting Range: 100 to 5000 PSI All settings at 37.5 LPM (10 GPM)

Code	Port Size	Body Part No.
Omit	Cartridge Only	
20T	SAE-20	(B20-2-20T)

Code	Pressure Range
10	6.9 - 69 Bar (100 - 1000 PSI) Standard Setting: 34.5 Bar (500 PSI) @ 37.5 LPM (10 GPM)
20	13.8 - 138 Bar (200 - 2000 PSI) Standard Setting: 69 Bar (1000 PSI) @ 37.5 LPM (10 GPM)
30	20.7 - 207 Bar (300 - 3000 PSI) Standard Setting: 103.5 Bar (1500 PSI) @ 37.5 LPM (10 GPM)
50	34.5 - 345 Bar (500 - 5000 PSI) Standard Setting: 172.4 Bar (2500 PSI) @ 37.5 LPM (10 GPM)

- CV** Check Valves
- SH** Shuttle Valves
- LM** Load/Motor Controls
- FC** Flow Controls
- PC** Pressure Controls
- LE** Logic Elements
- DC** Directional Controls
- MV** Manual Valves
- SV** Solenoid Valves
- PV** Proportional Valves
- CE** Coils & Electronics
- BC** Bodies & Cavities
- TD** Technical Data

**Technical Information**

**CV**

Check Valves

**SH**

Shuttle Valves

**LM**

Load/Motor Controls

**FC**

Flow Controls

**PC**

Pressure Controls

**LE**

Logic Elements

**DC**

Directional Controls

**MV**

Manual Valves

**SV**

Solenoid Valves

**PV**

Proportional Valves

**CE**

Coils & Electronics

**BC**

Bodies & Cavities

**TD**

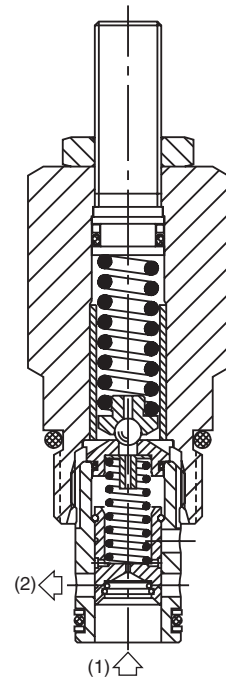
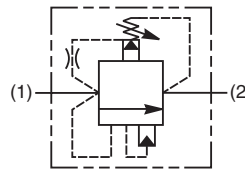
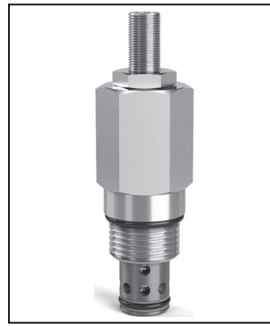
Technical Data

**General Description**

Kick-Down, Pilot Operated Relief Valve. For additional information see Technical Tips on pages PC1-PC6.

**Features**

- High flow capacity
- Integral 250 micron pilot flow filter
- Hardened working parts for maximum durability
- Adjustable and tamper resistant versions available
- All external parts zinc plated



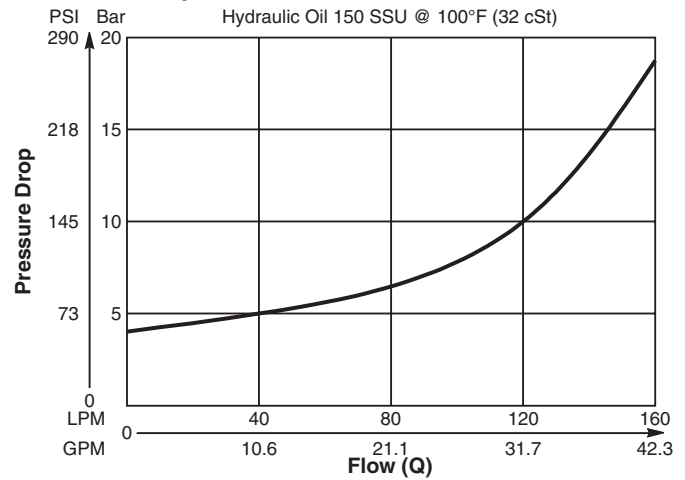
**Specifications**

<b>Rated Flow</b>	160 LPM (42 GPM)
<b>Maximum Inlet Pressure</b>	420 Bar (6000 PSI)
<b>Maximum Pressure Setting</b>	<b>H</b> - 10-210 Bar (145-3000 PSI) <b>P</b> - 10-420 Bar (144-6000 PSI)
<b>Sensitivity: Pressure/Turn</b>	<b>H</b> 30 Bar (435 PSI) <b>P</b> 55 Bar (800 PSI)
<b>Maximum Tank Pressure</b>	420 Bar (6000 PSI)
<b>Leakage at 150 SSU (32 cSt)</b>	25 ml/min. @ 50 Bar (725 PSI)
<b>Cartridge Material</b>	All parts steel. All operating parts hardened steel.
<b>Operating Temp. Range/Seals</b>	-34°C to +121°C (Nitrile) (-30°F to +250°F) -26°C to +204°C (Fluorocarbon) (-15°F to +400°F)
<b>Fluid Compatibility/Viscosity</b>	Mineral-based or synthetic with lubricating properties at viscosities of 45 to 2000 SSU (6 to 420 cSt)
<b>Filtration</b>	ISO-4406 18/16/13, SAE Class 4
<b>Approx. Weight</b>	0.29 kg (0.64 lbs.)
<b>Cavity</b>	C10-2 (See BC Section for more details)
<b>Form Tool</b>	Rougher None Finisher

**Performance Curve**

(Pressure rise through cartridge only)

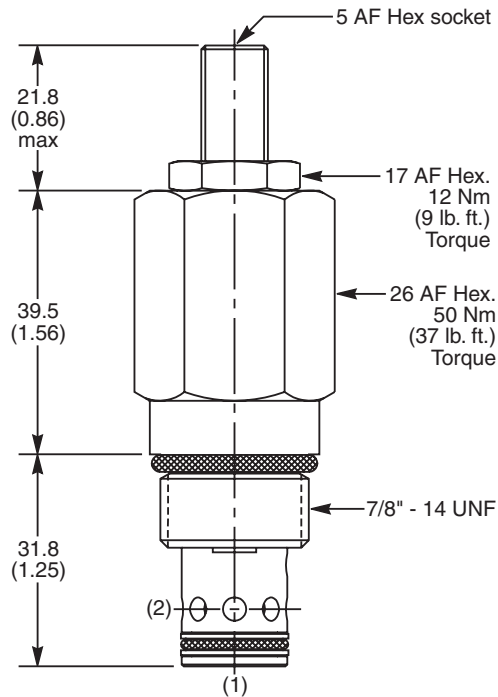
**Pressure Drop vs. Flow**



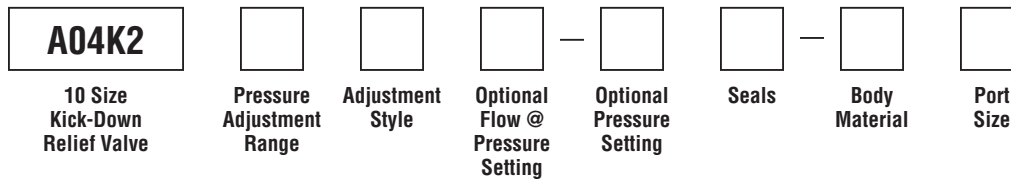
**Application Note**

Valve unloads completely when setting is reached and resets when fluid supply is removed.

**Dimensions** Millimeters (Inches)



**Ordering Information**



Code	Pressure Adjustment Range
H	10 - 210 Bar (145 - 3000 PSI)
P	10 - 420 Bar (145 - 6000 PSI)

Optional Pressure Setting	
Specify setting if required (Bar)	
<b>A04K2H</b> Standard Setting: 100 Bar (1450 PSI)	
<b>A04K2P</b> Standard Setting: 200 Bar (2900 PSI)	

Code	Body Material
Omit	Steel
A	Aluminum

Code	Adjustment Style / Kit No.
Z	Screw Adjust (Std.)
W	Knob Adjust
T	Tamper Resistant Cap (TC1130)

Code	Seals / Kit No.
N	Nitrile, Buna-N (Std.) / (SK30503N-1)
V	Fluorocarbon / (SK30503V-1)

Code	Port Size	Body Part No.
Omit	Cartridge Only	
6T	SAE-6	(B10-2-*6T)
8T	SAE-8	(B10-2-*8T)

\* Add "A" for aluminum, omit for steel.

Optional Flow @ Pressure Setting	
If you require a maximum pressure setting at a flow rate, please enter it here in Liters per minute (LPM).	
Standard setting: 15 LPM (4.0 GPM)	

- CV** Check Valves
- SH** Shuttle Valves
- LM** Load/Motor Controls
- FC** Flow Controls
- PC** Pressure Controls
- LE** Logic Elements
- DC** Directional Controls
- MV** Manual Valves
- SV** Solenoid Valves
- PV** Proportional Valves
- CE** Coils & Electronics
- BC** Bodies & Cavities
- TD** Technical Data

**Technical Information**

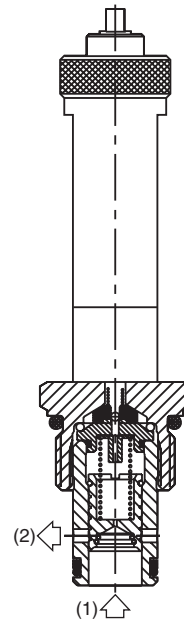
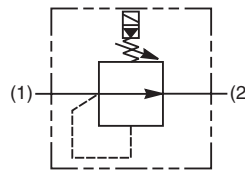
- CV** Check Valves
- SH** Shuttle Valves
- LM** Load/Motor Controls
- FC** Flow Controls
- PC** Pressure Controls
- LE** Logic Elements
- DC** Directional Controls
- MV** Manual Valves
- SV** Solenoid Valves
- PV** Proportional Valves
- CE** Coils & Electronics
- BC** Bodies & Cavities
- TD** Technical Data

**General Description**

Solenoid Operated Unloading Relief Valve.  
For additional information see Technical Tips on page PC4.

**Features**

- Two functions in one valve, unloading and relieving
- Factory set relief pressure or adjustable option
- Integral 250 micron pilot flow filter
- Coil: Waterproof, hermetically sealed, requires no O'Rings; Symmetrical coil can be reversed without affecting performance.
- Valve is normally open

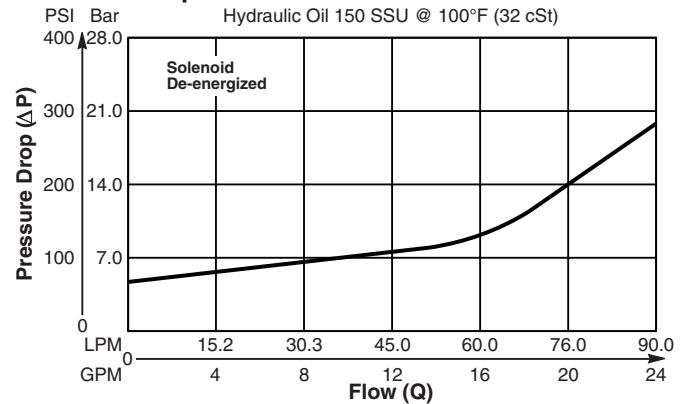


**Specifications**

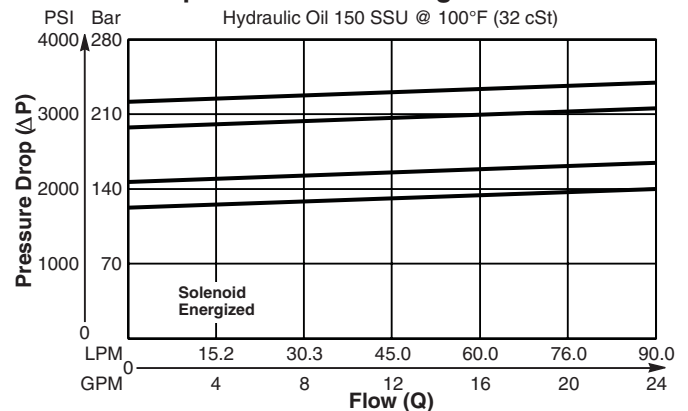
<b>Rated Flow (At 70 PSI ΔP)</b>	60 LPM (16 GPM)
<b>Max. Pressure</b>	6.9 - 276 Bar (100 - 4000 PSI)
<b>Reseat Pressure 200 Hz PWM</b>	90% of Cracking Pressure
<b>Max. Tank Pressure</b>	70 Bar (1000 PSI)
<b>Cartridge Material</b>	All parts steel. All operating parts hardened steel.
<b>Operating Temp. Range/Seals</b>	-34°C to +121°C (Nitrile) (-30°F to +250°F) -26°C to +204°C (Fluorocarbon) (-15°F to +400°F)
<b>Fluid Compatibility/ Viscosity</b>	Mineral-based or synthetic with lubricating properties at viscosities of 45 to 2000 SSU (6 to 420 cSt)
<b>Filtration</b>	ISO-4406 18/16/13, SAE Class 4
<b>Approx. Weight</b>	.45 kg (.98 lbs.)
<b>Cavity</b>	C10-2 (See BC Section for more details)

**Performance Curves**

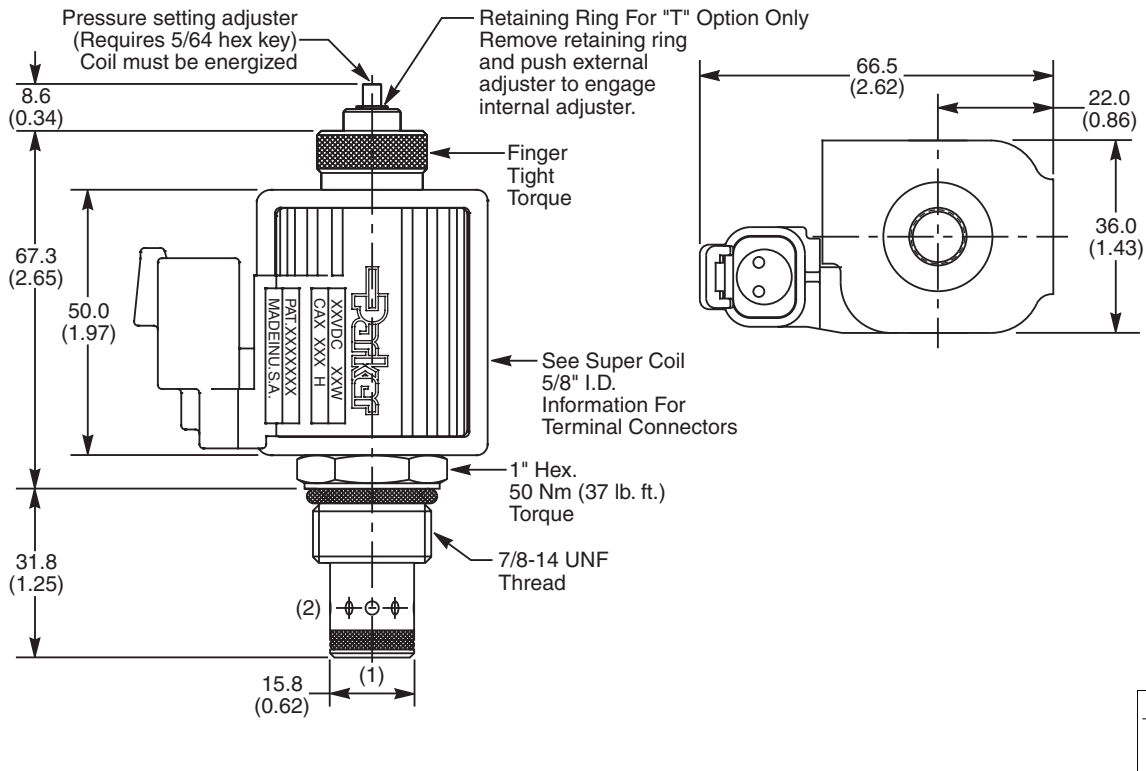
**Pressure Drop vs. Flow**



**Pressure Drop vs. Flow - Relieving Performance**



**Dimensions** Millimeters (Inches)



**Ordering Information**

**AS04G2**                                   

**10 Size Proportional Relief Valve**    **Adjustment Option**    **Relief Setting**    **Seals**    **Coil Type**    **Coil Voltage**    **Coil Termination**    **Body Material**    **Port Size**

Code	Adjustment Options
T	Tamper Proof
Z	Push and Turn*

\* Allows for fine tuning of pressure setting.

Code	Seals / Kit. No.
N	Nitrile / Buna-N (Std.) (SK30503N-1)
V	Fluorocarbon / (SK30503V-1)

Code	Coil Voltage
Omit	Without Coil
D012	12 VDC
D024	24 VDC
A120	120 VAC, 60/50 Hz

Code	Body Material
Omit	Steel
A	Aluminum

Code	Relief Setting
Omit	124 Bar (1800 PSI) Standard
14	140 Bar (2000 PSI)
20	200 Bar (2900 PSI)
22	220 Bar (3200 PSI)
27	276 Bar (4000 PSI)

Code	Coil Type
Omit	Without Coil
SP	Super Coil - 28 Watts

Code	Coil Termination
Omit	Without Coil
A	Amp Jr. Timer*
D	DIN Plug Face
H	Molded Deutsch*
L	Dual Lead Wire*
PF	Packard Female*
PM	Packard Male*
S	Dual Spade*

Code	Port Size	Body Part No.
Omit	Cartridge Only	
6T	SAE-6	(B10-2-*6T)
8T	SAE-8	(B10-2-*8T)

\* Add "A" for aluminum, omit for steel.

See Super Coil 5/8" I.D.  
 \*DC Only

- CV Check Valves
- SH Shuttle Valves
- LM Load/Motor Controls
- FC Flow Controls
- PC Pressure Controls
- LE Logic Elements
- DC Directional Controls
- MV Manual Valves
- SV Solenoid Valves
- PV Proportional Valves
- CE Coils & Electronics
- BC Bodies & Cavities
- TD Technical Data

**Technical Information**

**CV**

Check Valves

**SH**

Shuttle Valves

**LM**

Load/Motor Controls

**FC**

Flow Controls

**PC**

Pressure Controls

**LE**

Logic Elements

**DC**

Directional Controls

**MV**

Manual Valves

**SV**

Solenoid Valves

**PV**

Proportional Valves

**CE**

Coils & Electronics

**BC**

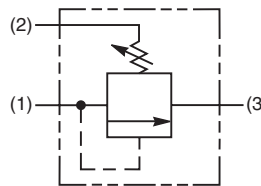
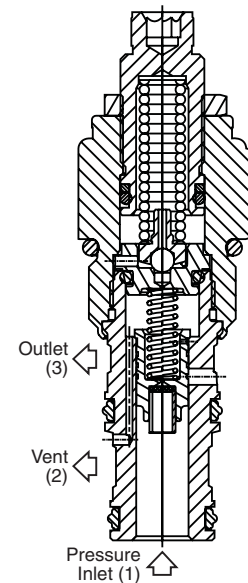
Bodies & Cavities

**TD**

Technical Data

**General Description**

Ventable Pilot Operated Spool-Type Relief Valve. This valve controls pressure via the internal spring chamber or via an external vent line. For additional information see Technical Tips on pages PC1-PC6.



**Features**

- Low override curve
- Ball-type pilot for added stability
- High accuracy - pilot operated design
- Hardened, precision ground parts for durability
- Compact size for reduced space requirements
- All external parts zinc plated

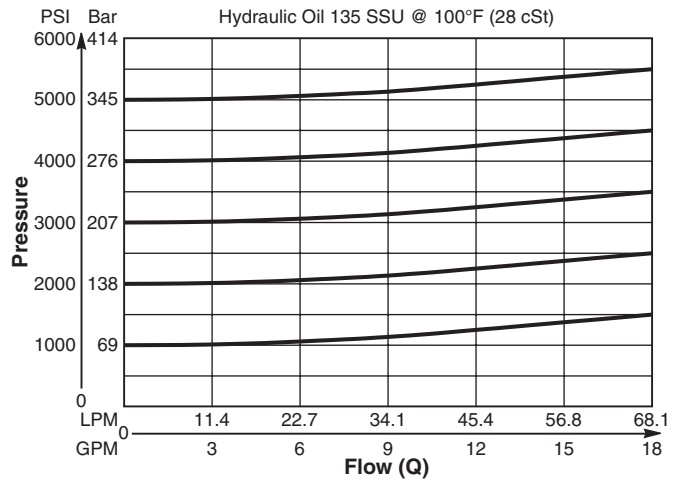
**Specifications**

<b>Rated Flow</b>	68 LPM (18 GPM)								
<b>Maximum Inlet Pressure</b>	380 Bar (5500 PSI)								
<b>Maximum Pressure Setting</b>	350 Bar (5000 PSI)								
<b>Sensitivity: Pressure/Turn</b>	<table border="0"> <tr> <td><b>10</b></td> <td>19.6 Bar (285 PSI)</td> </tr> <tr> <td><b>20</b></td> <td>39.3 Bar (570 PSI)</td> </tr> <tr> <td><b>30</b></td> <td>58.9 Bar (859 PSI)</td> </tr> <tr> <td><b>50</b></td> <td>131.7 Bar (1910 PSI)</td> </tr> </table>	<b>10</b>	19.6 Bar (285 PSI)	<b>20</b>	39.3 Bar (570 PSI)	<b>30</b>	58.9 Bar (859 PSI)	<b>50</b>	131.7 Bar (1910 PSI)
<b>10</b>	19.6 Bar (285 PSI)								
<b>20</b>	39.3 Bar (570 PSI)								
<b>30</b>	58.9 Bar (859 PSI)								
<b>50</b>	131.7 Bar (1910 PSI)								
<b>Maximum Tank Pressure</b>	350 Bar (5000 PSI)								
<b>Reseat Pressure</b>	80% of crack pressure								
<b>Leakage at 150 SSU (32 cSt)</b>	5 cc per 100 PSI (6.8 Bar) setting								
<b>Cartridge Material</b>	All parts steel. All operating parts hardened steel.								
<b>Operating Temp. Range/Seals</b>	-45°C to +132°C ("D"-Ring) (-50°F to +270°F) -34°C to +121°C (Nitrile) (-30°F to +250°F) -26°C to +204°C (Fluorocarbon) (-15°F to +400°F)								
<b>Fluid Compatibility/Viscosity</b>	Mineral-based or synthetic with lubricating properties at viscosities of 45 to 2000 SSU (6 to 420 cSt)								
<b>Filtration</b>	ISO-4406 18/16/13, SAE Class 4								
<b>Approx. Weight</b>	.23 kg (.50 lbs.)								
<b>Cavity</b>	C10-3 (See BC Section for more details)								
<b>Form Tool</b>	Rougher NFT10-3R Finisher NFT10-3F								

**Performance Curves**

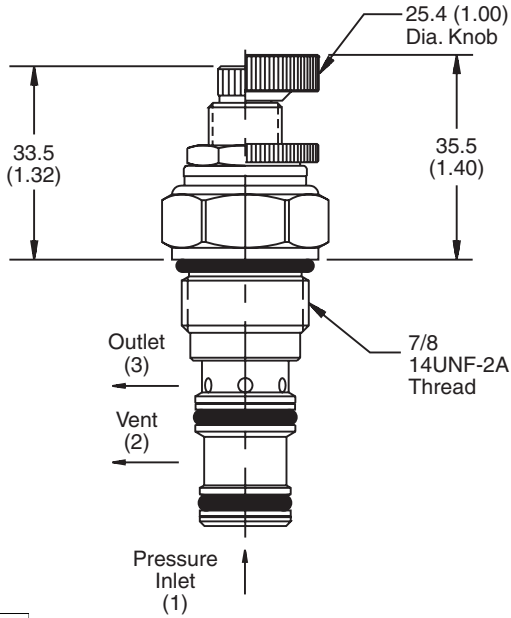
**Flow vs. Inlet Pressure**

(Pressure rise through cartridge only)

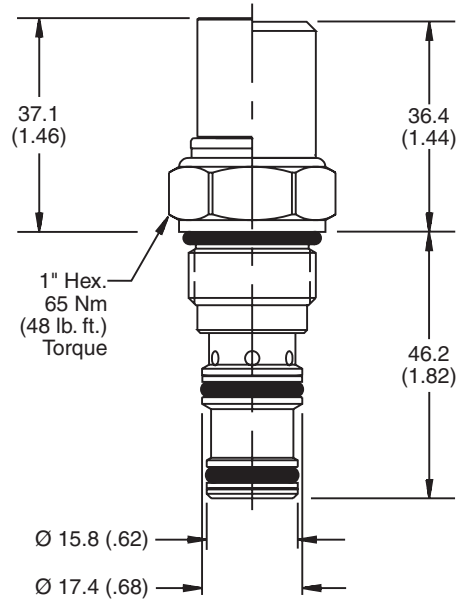




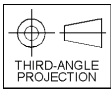
**Dimensions** Millimeters (Inches)



**Screw/Knob Version**



**Fixed Cap/Tamper Resistant Version**



**Ordering Information**

**RAH101V**             —  —    

**10 Size Ventable Pilot Operated Relief Valve**    **Adjustment Style**    **Pressure Range**    **Seals**    **Optional Pressure Setting**    **Body Material**    **Port Size**

Code	Adjustment Style / Kit No.
F	Fixed style, preset at factory.
K	Knob Adjust (717784-10)
S	Screw Adjust
T	Tamper Resistant Cap (718083)

Code	Seals / Kit No.
Omit	"D"-Ring / (SK10-3)
N	Nitrile / (SK10-3N)
V	Fluorocarbon / (SK10-3V)

Code	Body Material
Omit	Steel
A	Aluminum

Code	Pressure Range
10	6.9 - 69 Bar (100 - 1000 PSI) Standard Setting: 34.5 Bar (500 PSI) @ 11.3 LPM (3 GPM)
20	13.8 - 138 Bar (200 - 2000 PSI) Standard Setting: 69 Bar (1000 PSI) @ 11.3 LPM (3 GPM)
30	20.7 - 207 Bar (300 - 3000 PSI) Standard Setting: 103.5 Bar (1500 PSI) @ 11.3 LPM (3 GPM)
50	34.5 - 345 Bar (500 - 5000 PSI) Standard Setting: 172.4 Bar (2500 PSI) @ 11.3 LPM (3 GPM)

Optional Pressure Setting
Pressure ÷ 10 i.e. 235 = 2350 PSI (Omit if standard setting is used) Setting Range: 100 to 5000 PSI All settings at 11.3 LPM (3 GPM)

Code	Port Size	Body Part No.
Omit	Cartridge Only	
6T	SAE-6	(B10-3-*6T)
8T	SAE-8	(B10-3-*8T)

\* Add "A" for aluminum, omit for steel.

- CV** Check Valves
- SH** Shuttle Valves
- LM** Load/Motor Controls
- FC** Flow Controls
- PC** Pressure Controls
- LE** Logic Elements
- DC** Directional Controls
- MV** Manual Valves
- SV** Solenoid Valves
- PV** Proportional Valves
- CE** Coils & Electronics
- BC** Bodies & Cavities
- TD** Technical Data

**Technical Information**

- CV** Check Valves
- SH** Shuttle Valves
- LM** Load/Motor Controls
- FC** Flow Controls
- PC** Pressure Controls
- LE** Logic Elements
- DC** Directional Controls
- MV** Manual Valves
- SV** Solenoid Valves
- PV** Proportional Valves
- CE** Coils & Electronics
- BC** Bodies & Cavities
- TD** Technical Data

**General Description**

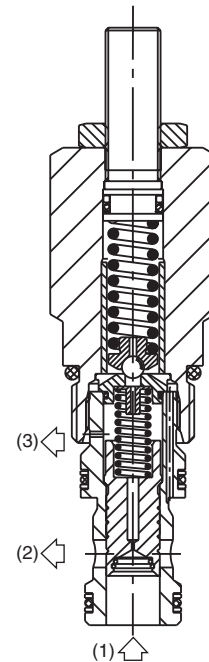
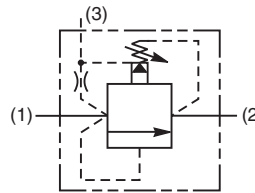
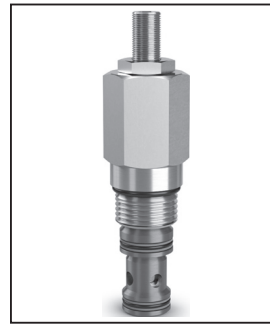
Pilot Operated, Spool-Type, Ventable Relief Valve. For additional information see Technical Tips on pages PC1-PC6.

**Features**

- High flow capacity
- Full tank line back pressure capability
- Excellent flow pressure characteristics for consistent pressure setting
- Ideal for pump relief and remote control or unloading via vent (port 3)
- Integral 250 micron pilot flow filter
- Hardened working parts for maximum durability
- Adjustable and tamperproof versions available
- All external parts zinc plated

**Specifications**

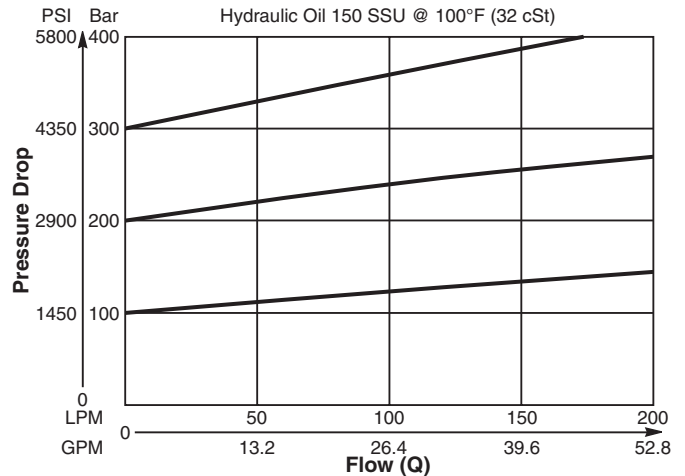
<b>Rated Flow</b>	190 LPM (50 GPM)
<b>Maximum Inlet Pressure</b>	<b>H</b> - 10-210 Bar (145-3000 PSI) <b>P</b> - 10-420 Bar (145-6000 PSI)
<b>Maximum Pressure Setting</b>	420 Bar (6000 PSI)
<b>Sensitivity: Pressure/Turn</b>	<b>H</b> 30 Bar (435 PSI) <b>P</b> 55 Bar (800 PSI)
<b>Maximum Tank Pressure</b>	420 Bar (6000 PSI)
<b>Leakage at 150 SSU (32 cSt)</b>	25 ml/min. @ 100 Bar (1450 PSI)
<b>Cartridge Material</b>	All parts steel. All operating parts hardened steel.
<b>Operating Temp. Range/Seals</b>	-34°C to +121°C (Nitrile) (-30°F to +250°F) -26°C to +204°C (Fluorocarbon) (-15°F to +400°F)
<b>Fluid Compatibility/Viscosity</b>	Mineral-based or synthetic with lubricating properties at viscosities of 45 to 2000 SSU (6 to 420 cSt)
<b>Filtration</b>	ISO-4406 18/16/13, SAE Class 4
<b>Approx. Weight</b>	0.25 kg (0.55 lbs.)
<b>Cavity</b>	C10-3S (See BC Section for more details)
<b>Form Tool</b>	Rougher None Finisher



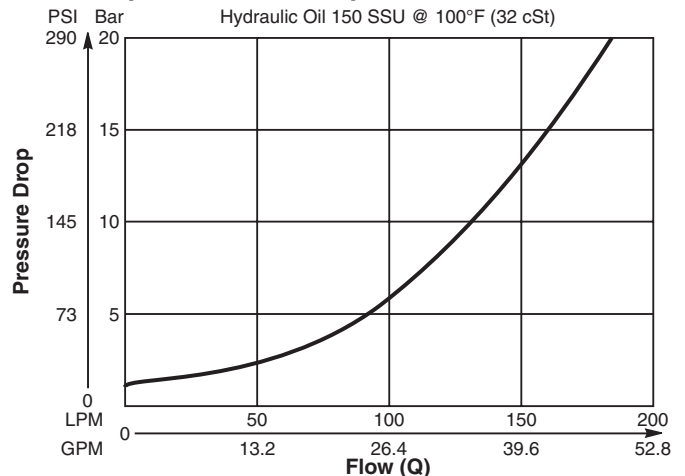
**Performance Curves**

(Pressure rise through cartridge only)

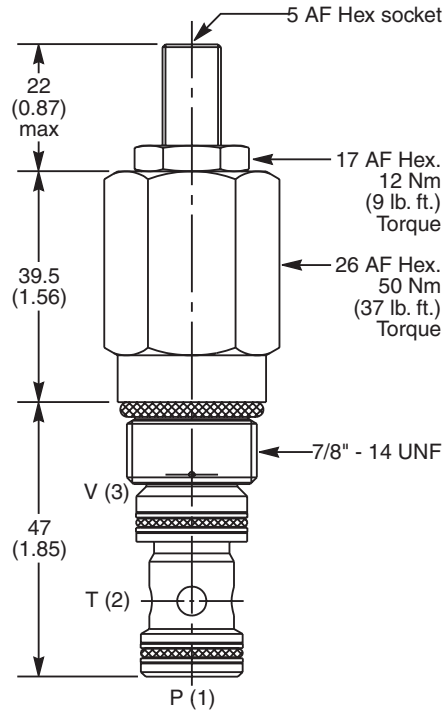
**Flow vs. Inlet Pressure 1 to 2**



**Vented Open Pressure Drop 1 to 2**



**Dimensions** Millimeters (Inches)



**Ordering Information**

<b>A04H3</b>	<input type="checkbox"/>	<input type="checkbox"/>	<input type="checkbox"/>	<input type="checkbox"/>	<input type="checkbox"/>	<input type="checkbox"/>
<b>10 Size Pilot Operated Relief Valve</b>	<b>Pressure Adjustment Range</b>	<b>Adjustment Style</b>	<b>Optional Flow @ Pressure Setting</b>	<b>Optional Pressure Setting</b>	<b>Seals</b>	

Code	Pressure Adjustment Range
H	10 - 210 Bar (145 - 3000 PSI)
P	10 - 420 Bar (145 - 6000 PSI)

Code	Adjustment Style / Kit No.
Z	Screw Adjust (Std.)
W	Knob Adjust
T	Tamper Resistant Cap (TC1130)

Optional Flow @ Pressure Setting
If you require a maximum pressure setting at a flow rate, please enter it here in Liters per minute (LPM). Standard setting: 15 LPM (4.0 GPM)

Optional Pressure Setting
Specify setting if required (Bar) <b>A04H3H</b> Standard Setting: 100 Bar (1450 PSI) @ 15 LPM (4.0 GPM) <b>A04H3P</b> Standard Setting: 200 Bar (2900 PSI) @ 15 LPM (4.0 GPM)

Code	Seals / Kit No.
N	Nitrile, Buna-N (Std.) / (SK30504N-1)
V	Fluorocarbon / (SK30504V-1)

*Order Bodies Separately*

<b>LB10</b>	<input type="checkbox"/>	<input type="checkbox"/>
Line Body	Porting	Body Material

Code	Porting
710	5/8" SAE (main) 3/8" SAE (aux)

Code	Body Material
A	Aluminum
S	Steel

- CV** Check Valves
- SH** Shuttle Valves
- LM** Load/Motor Controls
- FC** Flow Controls
- PC** Pressure Controls
- LE** Logic Elements
- DC** Directional Controls
- MV** Manual Valves
- SV** Solenoid Valves
- PV** Proportional Valves
- CE** Coils & Electronics
- BC** Bodies & Cavities
- TD** Technical Data

**Technical Information**

- CV** Check Valves
- SH** Shuttle Valves
- LM** Load/Motor Controls
- FC** Flow Controls
- PC** Pressure Controls
- LE** Logic Elements
- DC** Directional Controls
- MV** Manual Valves
- SV** Solenoid Valves
- PV** Proportional Valves
- CE** Coils & Electronics
- BC** Bodies & Cavities
- TD** Technical Data

**General Description**

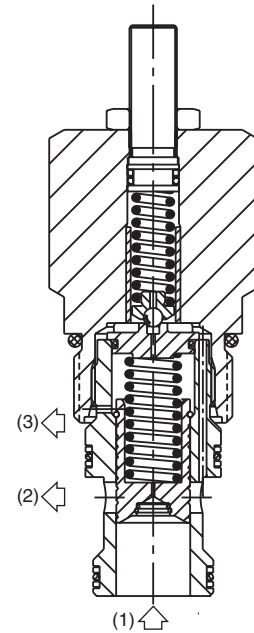
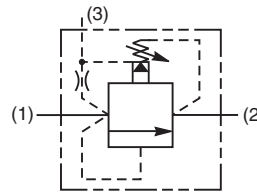
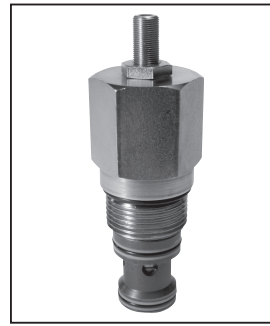
Pilot Operated, Spool-Type, Ventable Relief Valve. For additional information see Technical Tips on pages PC1-PC6.

**Features**

- High flow capacity
- Full tank line back pressure
- Excellent pressure flow characteristics
- Ideal for pump relief and remote control or unloading via vent (port 3)
- Integral 250 micron pilot flow filter
- Hardened working parts for maximum durability
- Adjustable and tamperproof versions available
- All external parts zinc plated

**Specifications**

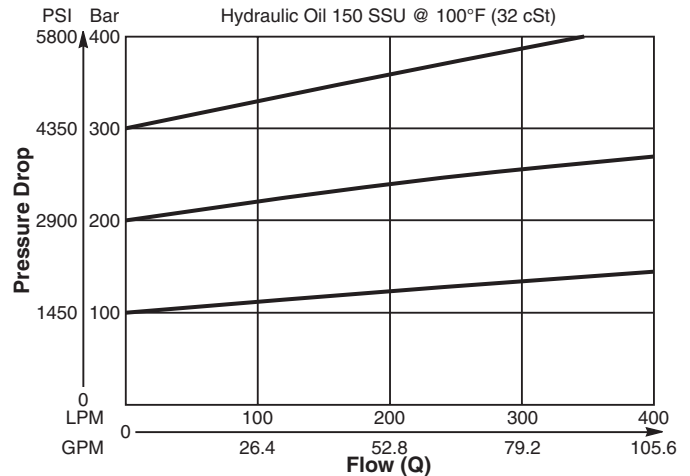
<b>Rated Flow</b>	400 LPM (106 GPM)
<b>Maximum Inlet Pressure</b>	<b>H -</b> 10-210 Bar (145-3000 PSI) <b>P -</b> 10-420 Bar (145-6000 PSI)
<b>Maximum Pressure Setting</b>	420 Bar (6000 PSI)
<b>Sensitivity: Pressure/Turn</b>	<b>H</b> 30 Bar (435 PSI) <b>P</b> 55 Bar (800 PSI)
<b>Maximum Tank Pressure</b>	420 Bar (6000 PSI)
<b>Leakage at 150 SSU (32 cSt)</b>	100ml/min. @ 100 Bar (1450 PSI)
<b>Cartridge Material</b>	All parts steel. All operating parts hardened steel.
<b>Operating Temp. Range/Seals</b>	-34°C to +121°C (Nitrile) (-30°F to +250°F) -26°C to +204°C (Fluorocarbon) (-15°F to +400°F)
<b>Fluid Compatibility/Viscosity</b>	Mineral-based or synthetic with lubricating properties at viscosities of 45 to 2000 SSU (6 to 420 cSt)
<b>Filtration</b>	ISO-4406 18/16/13, SAE Class 4
<b>Approx. Weight</b>	0.58 kg (1.28 lbs.)
<b>Cavity</b>	C16-3S (See BC Section for more details)
<b>Form Tool</b>	Rougher None Finisher



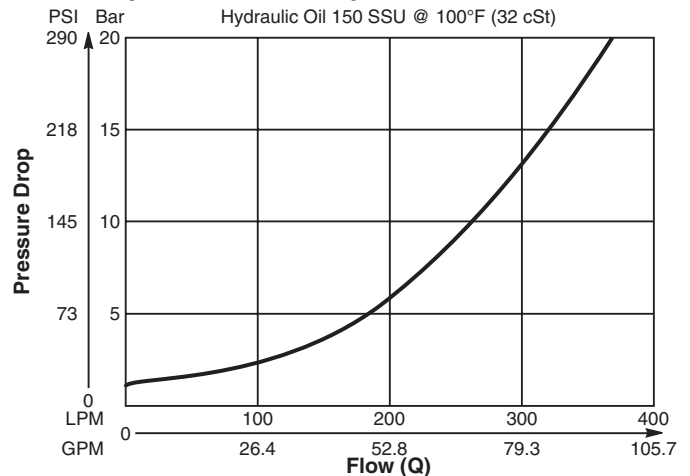
**Performance Curves**

(Pressure rise through cartridge only)

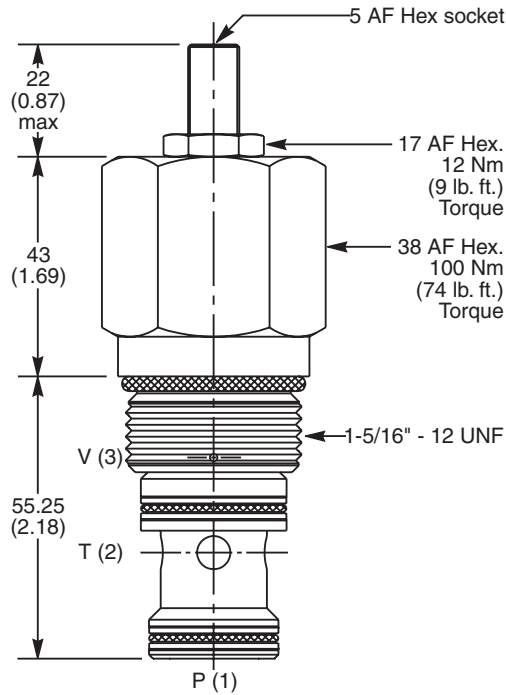
**Flow vs. Inlet Pressure 1 to 2**



**Vented Open Pressure Drop 1 to 2**



**Dimensions** Millimeters (Inches)



**Ordering Information**

<b>A06H3</b>							
<b>16 Size Pilot Operated Relief Valve</b>	<b>Pressure Adjustment Range</b>	<b>Adjustment Style</b>	<b>Optional Flow @ Pressure Setting</b>	<b>Optional Pressure Setting</b>	<b>Seals</b>	<b>Body Material</b>	<b>Port Size</b>

Code	Pressure Adjustment Range
H	10 - 210 Bar (145 - 3000 PSI)
P	10 - 420 Bar (145 - 6000 PSI)

Code	Adjustment Style / Kit No.
Z	Screw Adjust (Std.)
W	Knob Adjust
T	Tamper Resistant Cap (TC1130)

Optional Flow @ Pressure Setting	
If you require a maximum pressure setting at a flow rate, please enter it here in Liters per minute (LPM). Standard setting: 15 LPM (4.0 GPM)	

Optional Pressure Setting	
Specify setting if required (Bar)	
<b>A06H3H</b> Standard Setting: 100 Bar (1450 PSI) @ 15 LPM (4.0 GPM)	
<b>A06H3P</b> Standard Setting: 200 Bar (2900 PSI) @ 15 LPM (4.0 GPM)	

Code	Seals / Kit No.
N	Nitrile, Buna-N (Std.) / (SK30508N-1)
V	Fluorocarbon / (SK30508V-1)

Code	Body Material
Omit	Steel
A	Aluminum

Code	Port Size	Body Part No.
Omit	Cartridge Only	
16T	SAE-16	(B16-3S-*16T)

\* Add "A" for aluminum, omit for steel.

- CV** Check Valves
- SH** Shuttle Valves
- LM** Load/Motor Controls
- FC** Flow Controls
- PC** Pressure Controls
- LE** Logic Elements
- DC** Directional Controls
- MV** Manual Valves
- SV** Solenoid Valves
- PV** Proportional Valves
- CE** Coils & Electronics
- BC** Bodies & Cavities
- TD** Technical Data

**Technical Information**

**CV**

Check Valves

**SH**

Shuttle Valves

**LM**

Load/Motor Controls

**FC**

Flow Controls

**PC**

Pressure Controls

**LE**

Logic Elements

**DC**

Directional Controls

**MV**

Manual Valves

**SV**

Solenoid Valves

**PV**

Proportional Valves

**CE**

Coils & Electronics

**BC**

Bodies & Cavities

**TD**

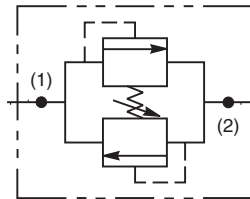
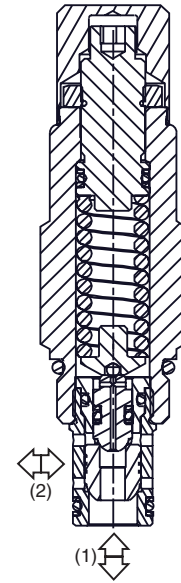
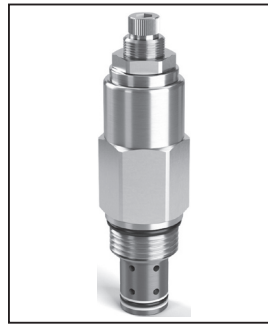
Technical Data

**General Description**

Dual Cross-Over Relief Valve in a single cartridge. For additional information see Technical Tips on pages PC1-PC6.

**Features**

- Fast response
- Compact size for reduced space requirements
- Low leakage design
- Single cartridge reduces plumbing, component and manifold costs

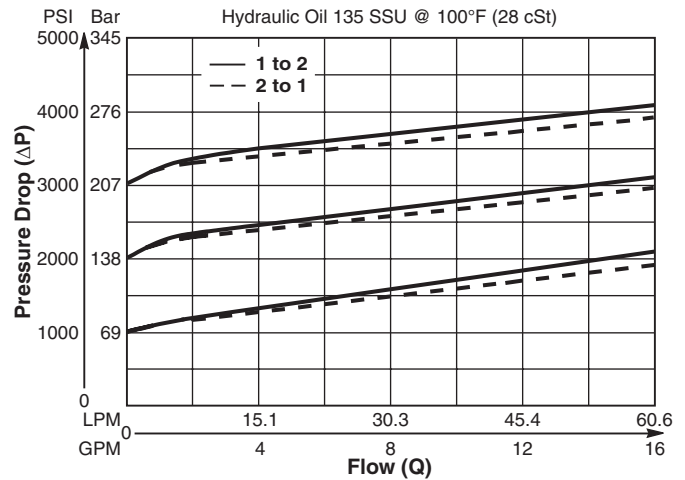


**Specifications**

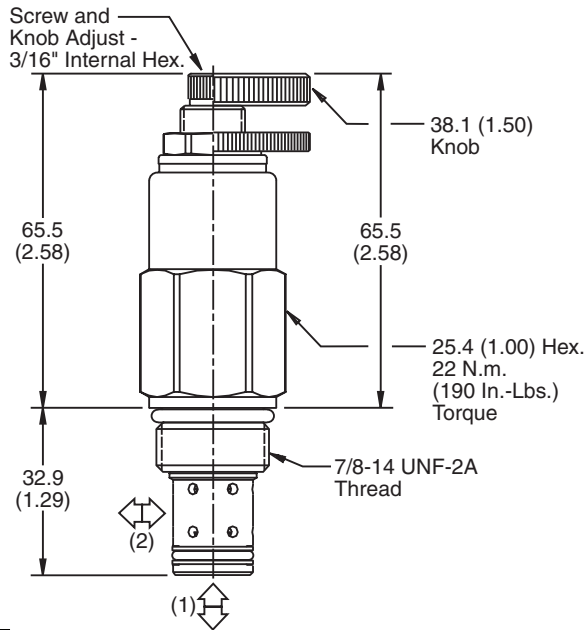
<b>Flow Rate</b>	60.6 LPM (16 GPM)
<b>Maximum Inlet Pressure</b>	245 Bar (3500 PSI)
<b>Maximum Pressure Setting</b>	210 Bar (3000 PSI)
<b>Sensitivity: Pressure/Turn</b>	<b>20</b> 23 Bar (333 PSI) <b>30</b> 29 Bar (425 PSI)
<b>Reseat Pressure</b>	80% of crack pressure
<b>Leakage at 150 SSU (32 cSt)</b>	10 drops/min. (.66 cc/min.) @ 75% of crack pressure
<b>Cartridge Material</b>	All parts steel. All operating parts hardened steel.
<b>Operating Temp. Range (Ambient)</b>	-34°C to +121°C (Nitrile) (-30°F to +250°F) -26°C to +204°C (Fluorocarbon) (-15°F to +400°F)
<b>Filtration</b>	ISO-4406 18/16/13, SAE Class 4
<b>Fluids</b>	Mineral-based or synthetic with lubricating properties at viscosities of 45 to 2000 SSU (6 to 420 cSt)
<b>Approx. Weight</b>	.26 kg (.58 lbs.)
<b>Cavity</b>	C10-2
<b>Form Tool</b>	Rougher None Finisher NFT10-2F

**Performance Curve**

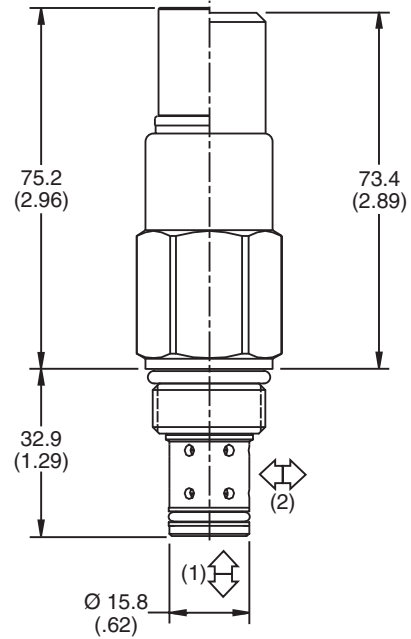
**Flow vs. Inlet Pressure**  
(Pressure rise through cartridge only)



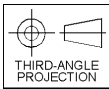
**Dimensions** Millimeters (Inches)



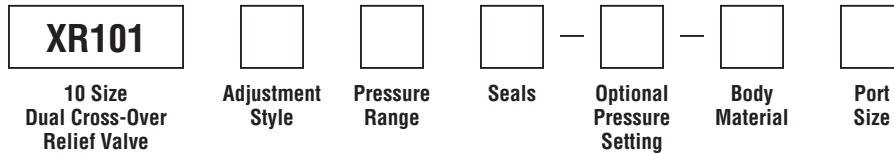
**Screw/Knob Version**



**Fixed Cap/Tamper Resistant Version**



**Ordering Information**



Code	Adjustment Style / Kit No.
F	Fixed style, preset at factory.
K	Knob Adjust (717784-15)
S	Screw Adjust
T	Tamper Resistant Cap (717785)

Code	Seals / Kit No.
Omit	Nitrile / (SK10-2N)
V	Fluorocarbon / (SK10-2V)

Code	Body Material
Omit	Steel
A	Aluminum

Code	Pressure Range
20	6.9 - 138 Bar (100 - 2000 PSI) Standard Setting: 69 Bar (1000 PSI) @ 11.3 LPM (3 GPM)
30	103 - 207 Bar (1500 - 3000 PSI) Standard Setting: 172 Bar (2500 PSI) @ 11.3 LPM (3 GPM)

Optional Pressure Setting
Pressure ÷ 10 i.e. 235 = 2350 PSI (Omit if standard setting is used) Setting Range: 100 to 3000 PSI All settings at 11.3 LPM (3 GPM)

Code	Port Size	Body Part No.
Omit	Cartridge Only	
6T	SAE-6	(B10-2-*6T)
8T	SAE-8	(B10-2-*8T)

\* Add "A" for aluminum, omit for steel.

- CV** Check Valves
- SH** Shuttle Valves
- LM** Load/Motor Controls
- FC** Flow Controls
- PC** Pressure Controls
- LE** Logic Elements
- DC** Directional Controls
- MV** Manual Valves
- SV** Solenoid Valves
- PV** Proportional Valves
- CE** Coils & Electronics
- BC** Bodies & Cavities
- TD** Technical Data



**Technical Information**

**CV**

Check Valves

**SH**

Shuttle Valves

**LM**

Load/Motor Controls

**FC**

Flow Controls

**PC**

Pressure Controls

**LE**

Logic Elements

**DC**

Directional Controls

**MV**

Manual Valves

**SV**

Solenoid Valves

**PV**

Proportional Valves

**CE**

Coils & Electronics

**BC**

Bodies & Cavities

**TD**

Technical Data

**General Description**

Direct Acting, Dual Poppet-Type, Cross-over Relief Valve. For additional information see Technical Tips on pages PC1-PC6.

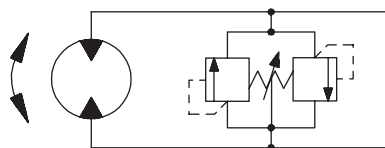
**Features**

- Compact space saving design
- Cost effective - only requires one cavity
- Poppet-type construction for lower leakage
- Full 350 Bar, 5000 PSI pressure capability
- High flow capability for the size of valve
- Minimal pressure variation with flow change
- Hardened working parts for maximum durability
- Adjustable and tamperproof versions available
- Available as CE marked valve in compliance with Pressure Equipment Directive
- All external parts zinc plated

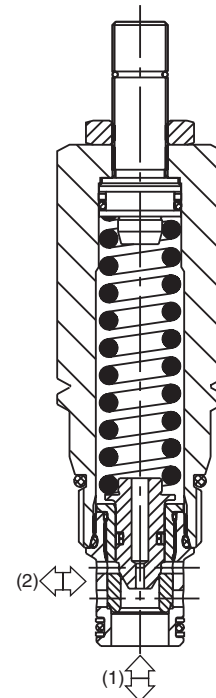
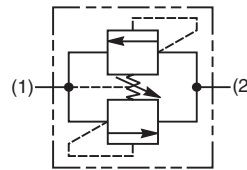
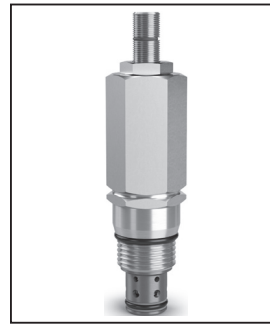
**Specifications**

<b>Rated Flow</b>	120 LPM (32 GPM)
<b>Maximum Inlet Pressure</b>	<b>H</b> - 5-210 Bar (72-3000 PSI) <b>M</b> - 10-350 Bar (144-5000 PSI)
<b>Maximum Pressure Setting</b>	350 Bar (5000 PSI)
<b>Sensitivity: Pressure/Turn</b>	<b>H</b> 25 Bar (362 PSI) <b>M</b> 34 Bar (493 PSI)
<b>Maximum Tank Pressure</b>	350 Bar (5000 PSI)
<b>Leakage at 150 SSU (32 cSt)</b>	10 drops/min. @ 100 Bar (1450 PSI)
<b>Cartridge Material</b>	All parts steel. All operating parts hardened steel.
<b>Operating Temp. Range/Seals</b>	-34°C to +121°C (Nitrile) (-30°F to +250°F) -26°C to +204°C (Fluorocarbon) (-15°F to +400°F)
<b>Fluid Compatibility/Viscosity</b>	Mineral-based or synthetic with lubricating properties at viscosities of 45 to 2000 SSU (6 to 420 cSt)
<b>Filtration</b>	ISO-4406 18/16/13, SAE Class 4
<b>Approx. Weight</b>	0.29 kg (0.64 lbs.)
<b>Cavity</b>	C10-2 (See BC Section for more details)
<b>Form Tool</b>	Rougher None Finisher

**Application**



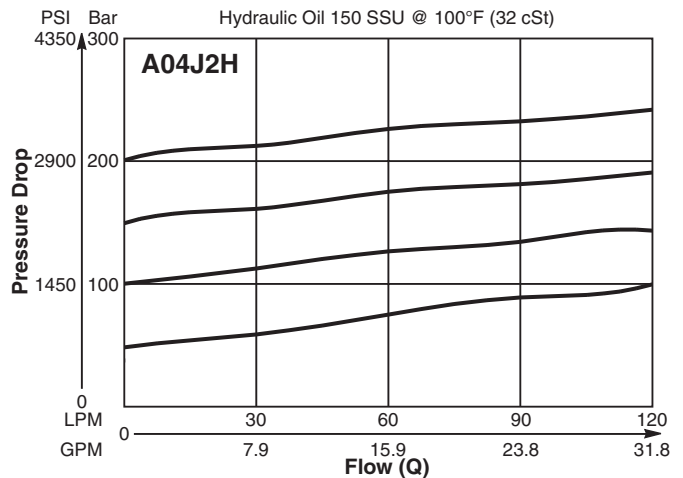
Motor protection in both directions



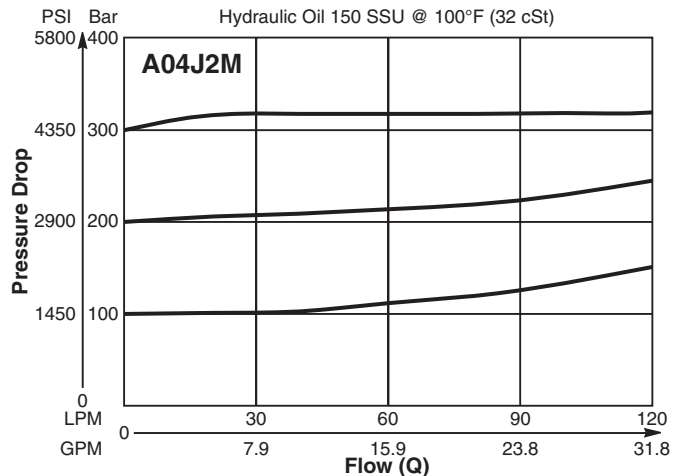
**Performance Curves**

(Pressure rise through cartridge only)

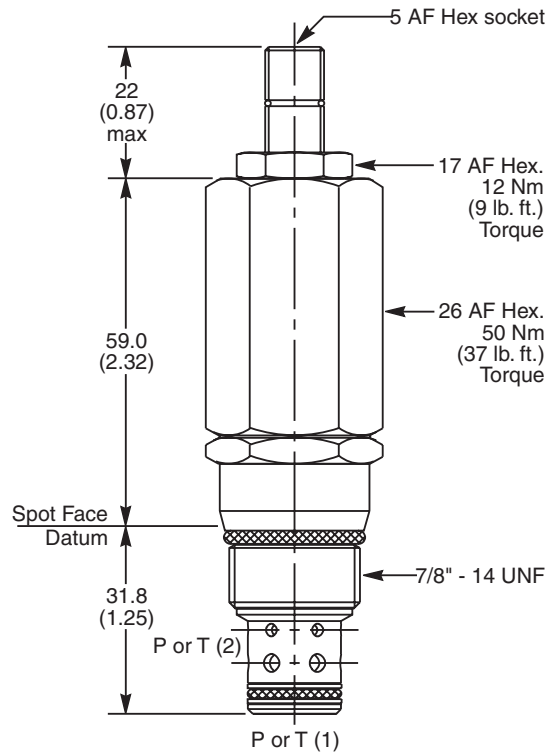
**Flow vs. Inlet Pressure 1 to 2 and 2 to 1**



**Flow vs. Inlet Pressure 1 to 2 and 2 to 1**



**Dimensions** Millimeters (Inches)



**Ordering Information**

<b>A04J2</b>							
<b>10 Size Direct Acting Relief Valve</b>	<b>Pressure Adjustment Range</b>	<b>Adjustment Style</b>	<b>Optional Flow @ Pressure Setting</b>	<b>Optional Pressure Setting</b>	<b>Seals</b>	<b>Body Material</b>	<b>Port Size</b>

Code	Pressure Adjustment Range
H	5 - 210 Bar (72 - 3000 PSI)
M	10 - 350 Bar (144 - 5000 PSI)

Code	Adjustment Style / Kit No.
Z	Screw Adjust (Std.)
W	Knob Adjust
T	Tamper Resistant Cap (TC1130)

Optional Flow @ Pressure Setting	
If you require a maximum pressure setting at a flow rate, please enter it here in Liters per minute (LPM).	
Standard setting: 15 LPM (4.0 GPM)	

Optional Pressure Setting	
Specify setting if required (Bar)	
<b>A04J2H</b> Standard Setting: 100 Bar (1450 PSI) @ 15 LPM (4.0 GPM)	
<b>A04J2M</b> Standard Setting: 200 Bar (2900 PSI) @ 15 LPM (4.0 GPM)	

Code	Seals / Kit No.
N	Nitrile, Buna-N (Std.) / (SK30529N-1)
V	Fluorocarbon / (SK30529V-1)

Code	Body Material
Omit	Steel
A	Aluminum

Code	Port Size	Body Part No.
Omit	Cartridge Only	
6T	SAE-6	(B10-2-*6T)
8T	SAE-8	(B10-2-*8T)

\* Add "A" for aluminum, omit for steel.

- CV** Check Valves
- SH** Shuttle Valves
- LM** Load/Motor Controls
- FC** Flow Controls
- PC** Pressure Controls
- LE** Logic Elements
- DC** Directional Controls
- MV** Manual Valves
- SV** Solenoid Valves
- PV** Proportional Valves
- CE** Coils & Electronics
- BC** Bodies & Cavities
- TD** Technical Data

**Technical Information**

**Direct Acting, Crossover Relief Valve  
Series A04J2HY\*CE, A04J2MY\*CE**

- CV** Check Valves
- SH** Shuttle Valves
- LM** Load/Motor Controls
- FC** Flow Controls
- PC** Pressure Controls
- LE** Logic Elements
- DC** Directional Controls
- MV** Manual Valves
- SV** Solenoid Valves
- PV** Proportional Valves
- CE** Coils & Electronics
- BC** Bodies & Cavities
- TD** Technical Data

**General Description**

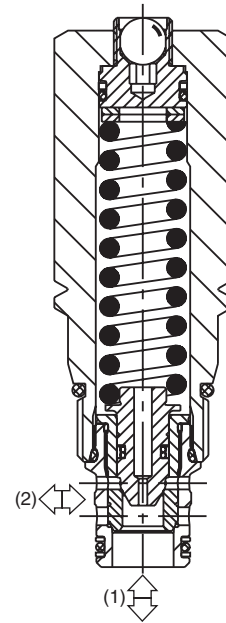
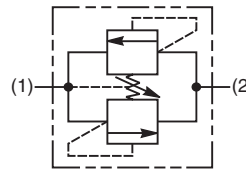
Direct Acting Poppet-Type Relief Valve. Pressure Equipment Directive (PED 97/23/EC) compliant to hazard category IV. For additional information see Technical Tips on pages PC1-PC6.

**Features**

- Bi-directional flow design for installation flexibility and security
- Compact space saving design
- Poppet type construction for lower leakage
- Full 350 Bar (5000 PSI) pressure capability
- High flow compatibility for the size of valve
- Minimal pressure variation with flow change
- Hardened working parts for maximum durability
- Tamperproof setting
- All external parts zinc plated

**Specifications**

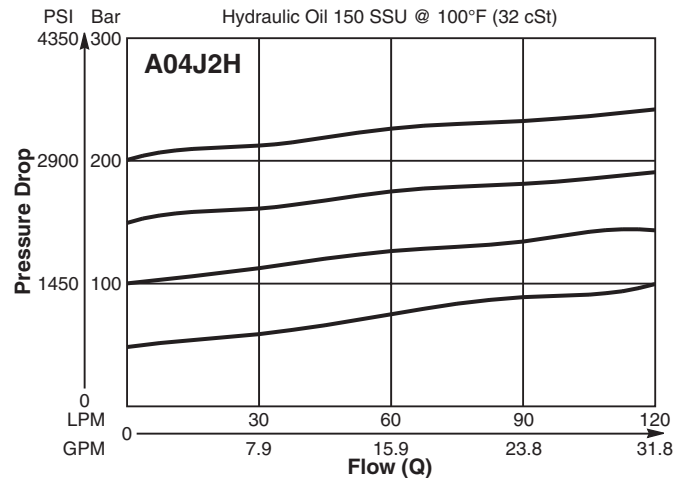
<b>Rated Flow</b>	120 LPM (32 GPM)
<b>Maximum Inlet Pressure</b>	350 Bar (5000 PSI)
<b>Maximum Pressure Setting</b>	<b>HY</b> - 5-210 Bar (72-3000 PSI) <b>MY</b> - 10-350 Bar (145-5000 PSI)
<b>Leakage at 150 SSU (32 cSt)</b>	10 drops/min. @ 100 Bar (1450 PSI)
<b>Cartridge Material</b>	All parts steel. All operating parts hardened steel.
<b>Operating Temp. Range/Seals</b>	-34°C to +121°C (Nitrile) (-30°F to +250°F) -26°C to +204°C (Fluorocarbon) (-15°F to +400°F)
<b>Fluid Compatibility/Viscosity</b>	Mineral-based or synthetic with lubricating properties at viscosities of 45 to 2000 SSU (6 to 420 cSt)
<b>Filtration</b>	ISO-4406 18/16/13, SAE Class 4
<b>Approx. Weight</b>	0.29 kg (0.64 lbs.)
<b>Cavity</b>	C10-2 (See BC Section for more details)
<b>Form Tool</b>	Rougher None Finisher NFT10-2F



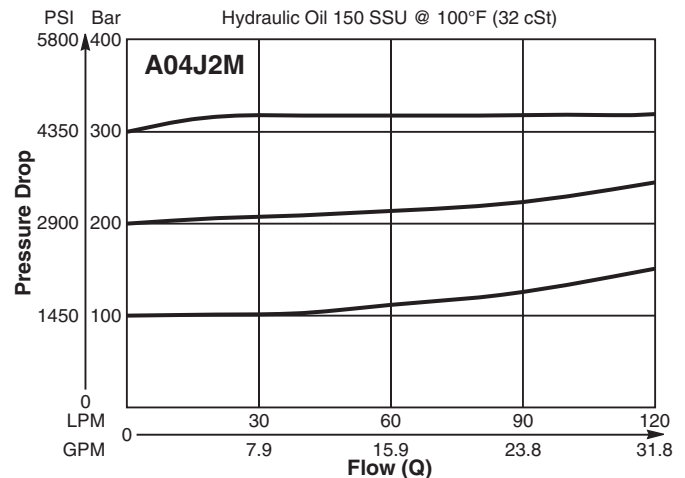
**Performance Curves**

(Pressure rise through cartridge only)

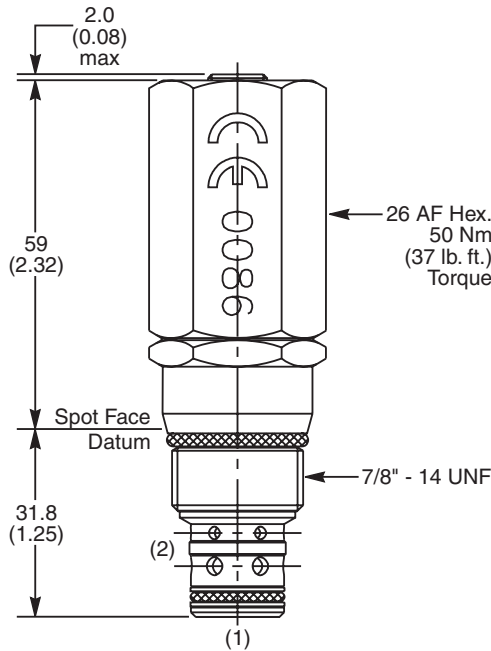
**Flow vs. Inlet Pressure 1 to 2 and 2 to 1**



**Flow vs. Inlet Pressure 1 to 2 and 2 to 1**



**Dimensions** Millimeters (Inches)



**Ordering Information**

<b>A04J2</b>		<b>Y</b>					<b>CE</b>		
10 Size Direct Acting Relief Valve	Pressure Adjustment Range	Adjustment Style	Optional Flow @ Pressure Setting	Optional Pressure Setting	Seals	Suffix Number	Body Material	Port Size	

Code	Pressure Adjustment Range
H	5 - 210 Bar (72 - 3000 PSI)
M	10 - 350 Bar (145 - 5000 PSI)

Code	Optional Pressure Setting
	Setting must be specified (Bar)

Code	Body Material
Omit	Steel
A	Aluminum

Code	Adjustment Style / Kit No.
Y	Non Adjustable Preset (Std.)

Code	Seals / Kit No.
N	Nitrile, Buna-N (Std.) / (SK30529N-1)
V	Fluorocarbon / (SK30529V-1)

Code	Port Size	Body Part No.
Omit	Cartridge Only	
6T	SAE-6	(B10-2-*6T)
8T	SAE-8	(B10-2-*8T)

Code	Optional Flow @ Pressure Setting
	If you require a maximum pressure setting at a flow rate, please enter it here in Liters per minute (LPM). Standard setting: 15 LPM (4.0 GPM)

Code	Suffix Number
Omit	Omit for valve to be set side to nose (2 to 1)
580	For valve to be set nose to side (1 to 2)

\* Add "A" for aluminum, omit for steel.

- CV** Check Valves
- SH** Shuttle Valves
- LM** Load/Motor Controls
- FC** Flow Controls
- PC** Pressure Controls
- LE** Logic Elements
- DC** Directional Controls
- MV** Manual Valves
- SV** Solenoid Valves
- PV** Proportional Valves
- CE** Coils & Electronics
- BC** Bodies & Cavities
- TD** Technical Data

**Technical Information**

**CV**

Check Valves

**SH**

Shuttle Valves

**LM**

Load/Motor Controls

**FC**

Flow Controls

**PC**

Pressure Controls

**LE**

Logic Elements

**DC**

Directional Controls

**MV**

Manual Valves

**SV**

Solenoid Valves

**PV**

Proportional Valves

**CE**

Coils & Electronics

**BC**

Bodies & Cavities

**TD**

Technical Data

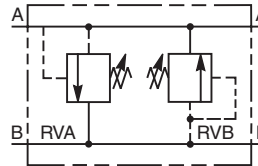
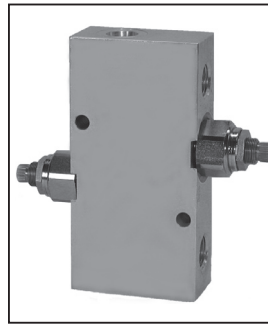
**General Description**

Dual Cross-Over Relief Valve. For additional information see Technical Tips on pages PC1-PC6.



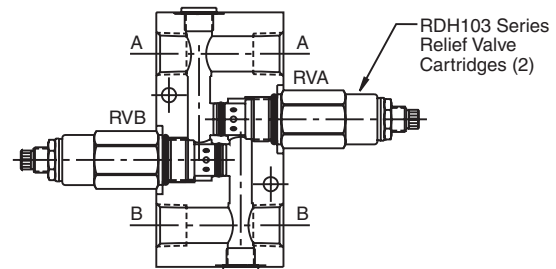
**Features**

- Fast acting differential area reliefs for high flow capacity
- Spherical poppets for low leakage
- Internal mechanical stop limits poppet travel eliminating spring solidification
- “D”-Ring eliminates backup rings
- All external parts zinc plated



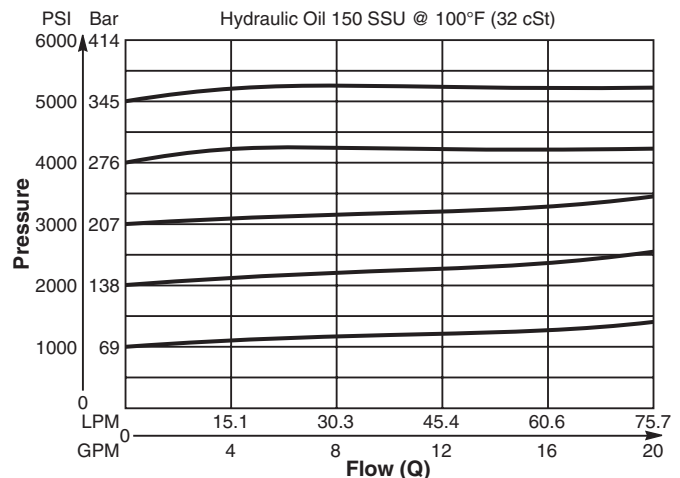
**Specifications**

<b>Maximum Flow</b>	75 LPM (20 GPM)								
<b>Maximum Inlet Pressure</b>	350 Bar (5000 PSI)								
<b>Maximum Pressure Setting</b>	350 Bar (5000 PSI)								
<b>Sensitivity: Pressure/Turn</b>	<table border="0"> <tr> <td><b>10</b></td> <td>9.8 Bar (143 PSI)</td> </tr> <tr> <td><b>20</b></td> <td>17 Bar (246 PSI)</td> </tr> <tr> <td><b>30</b></td> <td>25.8 Bar (375 PSI)</td> </tr> <tr> <td><b>50</b></td> <td>40.6 Bar (589 PSI)</td> </tr> </table>	<b>10</b>	9.8 Bar (143 PSI)	<b>20</b>	17 Bar (246 PSI)	<b>30</b>	25.8 Bar (375 PSI)	<b>50</b>	40.6 Bar (589 PSI)
<b>10</b>	9.8 Bar (143 PSI)								
<b>20</b>	17 Bar (246 PSI)								
<b>30</b>	25.8 Bar (375 PSI)								
<b>50</b>	40.6 Bar (589 PSI)								
<b>Reseat Pressure</b>	85% of crack pressure								
<b>Leakage at 150 SSU (32 cSt)</b>	5 drops/min. (.33 cc/min.) @ 75% of crack pressure								
<b>Cartridge Material</b>	All parts steel. All operating parts hardened steel.								
<b>Body Material</b>	Steel								
<b>Operating Temp. Range (Ambient)</b>	-45°C to +132°C (“D”-Ring) (-50°F to +270°F) -34°C to +121°C (Nitrile) (-30°F to +250°F) -26°C to +204°C (Fluorocarbon) (-15°F to +400°F)								
<b>Filtration</b>	ISO-4406 18/16/13, SAE Class 4								
<b>Fluids</b>	Mineral-based or synthetic with lubricating properties at viscosities of 45 to 2000 SSU (6 to 420 cSt)								
<b>Approx. Weight</b>									



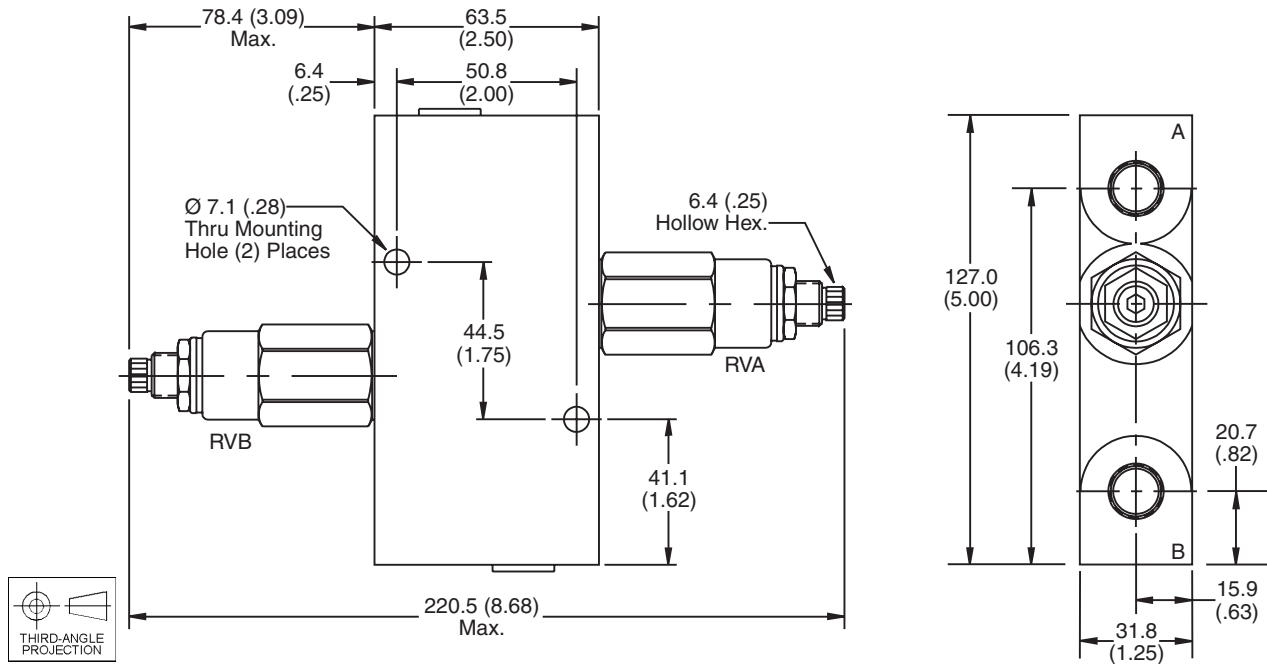
**Performance Curve**  
**Flow vs. Inlet Pressure**

(Pressure rise through cartridge only)

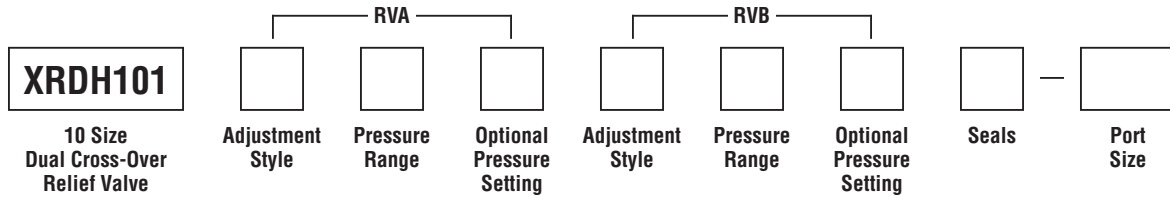


**Note:** A 6.9 Bar (100 PSI) pressure differential must be maintained between the two relief valve settings.

**Dimensions** Millimeters (Inches)



**Ordering Information**



Code	Adjustment Style / Kit No.
F	Fixed style, preset at factory.
K	Knob Adjust (717784-10) (Requires 2)
S	Screw Adjust
T	Tamper Resistant Cap (717943) (Requires 2)

Optional Pressure Setting	
Pressure ÷ 10	i.e. 235 = 2350 PSI
(Omit if standard setting is used)	
Setting Range: 100 to 5000 PSI	
All settings at 11.3 LPM (3 GPM)	

Code	Port Size	Part No.
Omit	Cartridge Only	
8T	SAE-8	830318

*Steel body only.  
 Individual body requires 2 SAE 6 plugs.  
 Part number 6 HP50N-S.*

Code	Pressure Range
10	6.9 - 69 Bar (100 - 1000 PSI) Standard Setting: 34.5 Bar (500 PSI) @ 11.3 LPM (3 GPM)
20	34.5 - 138 Bar (500 - 2000 PSI) Standard Setting: 69 Bar (1000 PSI) @ 11.3 LPM (3 GPM)
30	69 - 207 Bar (1000 - 3000 PSI) Standard Setting: 103.5 Bar (1500 PSI) @ 11.3 LPM (3 GPM)
50	138 - 345 Bar (2000 - 5000 PSI) Standard Setting: 172.4 Bar (2500 PSI) @ 11.3 LPM (3 GPM)

Code	Seals
Omit	"D"-Ring
N	Nitrile
V	Fluorocarbon

**Note:** A 6.9 Bar (100 PSI) pressure differential must be maintained between the two relief valve settings. If both reliefs are adjustable and have the same pressure range, it is not necessary to repeat the adjustment and setting.  
 i.e. XRDH101S50-8T means that both A & B reliefs are screw adjustable and have a range of 138 - 345 Bar (2000 - 5000 PSI).

- CV** Check Valves
- SH** Shuttle Valves
- LM** Load/Motor Controls
- FC** Flow Controls
- PC** Pressure Controls
- LE** Logic Elements
- DC** Directional Controls
- MV** Manual Valves
- SV** Solenoid Valves
- PV** Proportional Valves
- CE** Coils & Electronics
- BC** Bodies & Cavities
- TD** Technical Data

**Technical Information**

**Dual Cross-Over Relief Valve With Check  
Series XRDH102**

- CV** Check Valves
- SH** Shuttle Valves
- LM** Load/Motor Controls
- FC** Flow Controls
- PC** Pressure Controls
- LE** Logic Elements
- DC** Directional Controls
- MV** Manual Valves
- SV** Solenoid Valves
- PV** Proportional Valves
- CE** Coils & Electronics
- BC** Bodies & Cavities
- TD** Technical Data

**General Description**

Dual Cross-Over Relief Valve with anti-cavitation checks. This valve provides both overload and shock protection for double acting hydraulic actuators as well as cavitation protection. For additional information see Technical Tips on pages PC1-PC6.



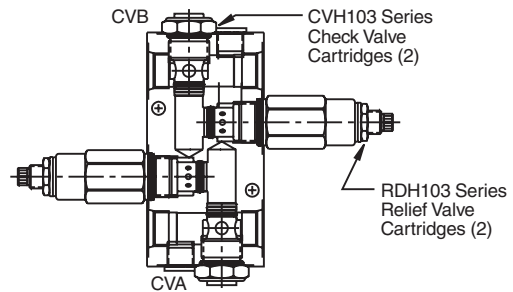
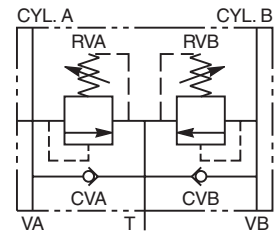
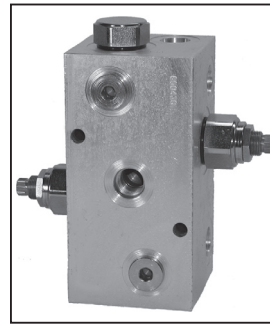
**Features**

- Fast acting differential area reliefs for high flow capacity
- Spherical poppets for low leakage
- Internal mechanical stop limits poppet travel eliminating spring solidification
- “D”-Ring eliminates backup rings
- All external parts zinc plated

**Specifications**

<b>Maximum Flow</b>	60 LPM (16 GPM)								
<b>Maximum Inlet Pressure</b>	380 Bar (5500 PSI)								
<b>Maximum Pressure Setting</b>	350 Bar (5000 PSI)								
<b>Sensitivity: Pressure/Turn</b>	<table style="display: inline-table; border: none;"> <tr> <td><b>10</b></td> <td>9.8 Bar (143 PSI)</td> </tr> <tr> <td><b>20</b></td> <td>17 Bar (246 PSI)</td> </tr> <tr> <td><b>30</b></td> <td>25.8 Bar (375 PSI)</td> </tr> <tr> <td><b>50</b></td> <td>40.6 Bar (589 PSI)</td> </tr> </table>	<b>10</b>	9.8 Bar (143 PSI)	<b>20</b>	17 Bar (246 PSI)	<b>30</b>	25.8 Bar (375 PSI)	<b>50</b>	40.6 Bar (589 PSI)
<b>10</b>	9.8 Bar (143 PSI)								
<b>20</b>	17 Bar (246 PSI)								
<b>30</b>	25.8 Bar (375 PSI)								
<b>50</b>	40.6 Bar (589 PSI)								
<b>Reseat Pressure</b>	85% of crack pressure								
<b>Leakage at 150 SSU (32 cSt)</b>	5 drops/min. (.33 cc/min.) @ 75% of crack pressure								
<b>Cartridge Material</b>	All parts steel. All operating parts hardened steel.								
<b>Body Material</b>	Steel								
<b>Operating Temp. Range/Seals</b>	-45°C to +132°C (“D”-Ring) (-50°F to +270°F) -34°C to +121°C (Nitrile) (-30°F to +250°F) -26°C to +204°C (Fluorocarbon) (-15°F to +400°F)								
<b>Fluid Compatibility/Viscosity</b>	Mineral-based or synthetic with lubricating properties at viscosities of 45 to 2000 SSU (6 to 420 cSt)								
<b>Filtration</b>	ISO-4406 18/16/13, SAE Class 4								
<b>Approx. Weight</b>	1.8 kg (4.0 lbs.)								

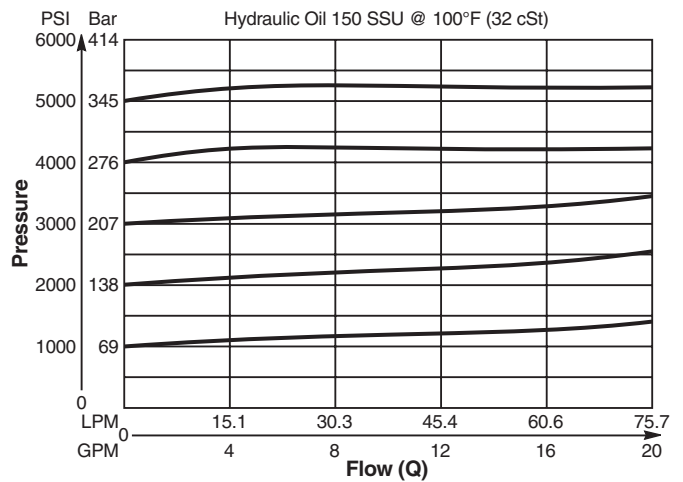
**Note:** A 6.9 Bar (100 PSI) pressure differential must be maintained between the two relief valve settings.



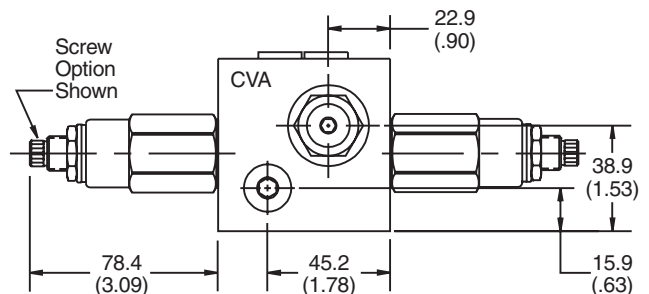
**Performance Curve**

**Flow vs. Inlet Pressure**

(Pressure rise through cartridge only)

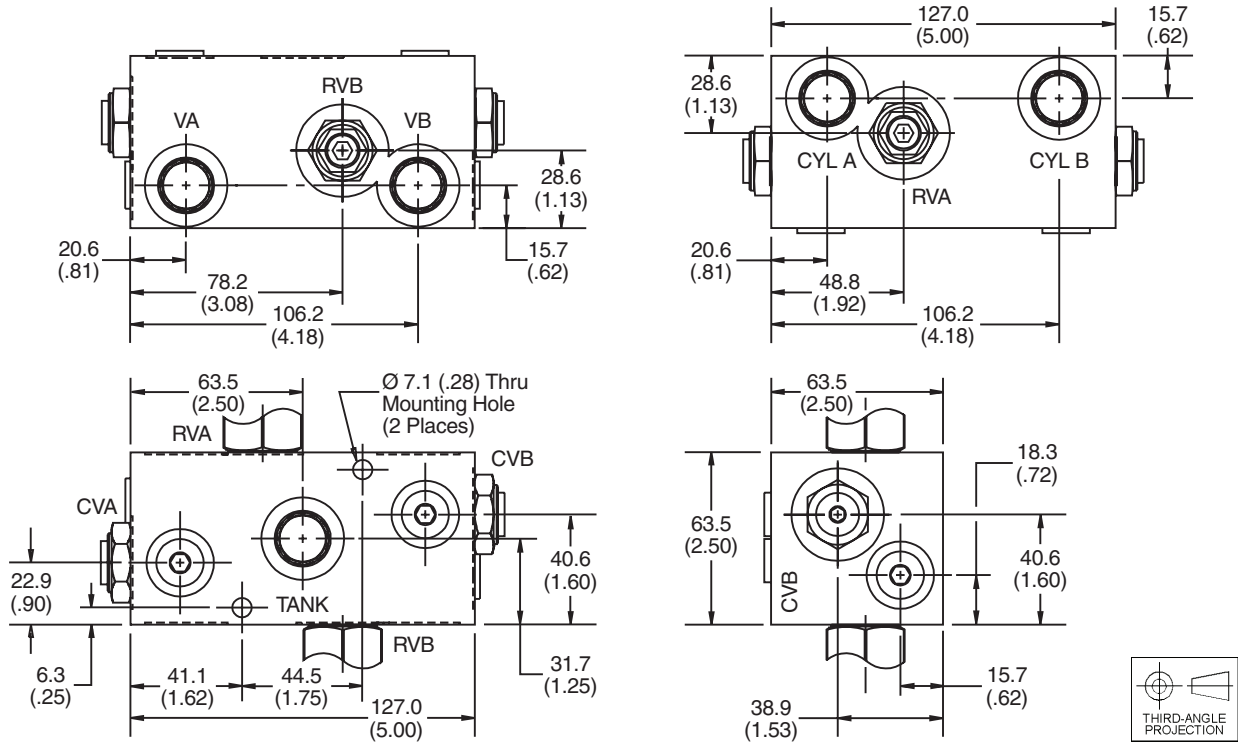


**Dimensions** Millimeters (Inches)

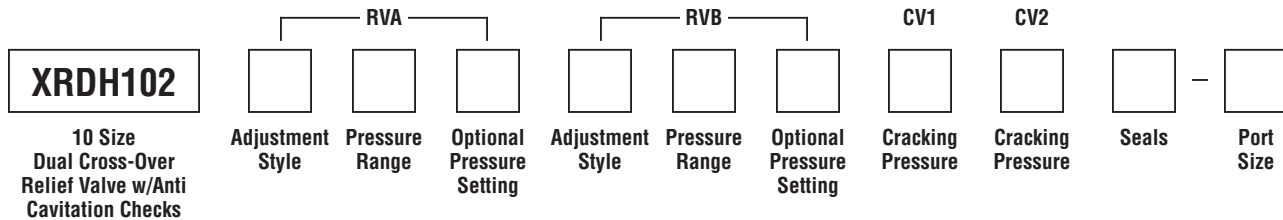




**Dimensions** Millimeters (Inches)



**Ordering Information**



Code	Adjustment Style / Kit No.
F	Fixed style, preset at factory.
K	Knob Adjust (717784-10) (Requires 2)
S	Screw Adjust
T	Tamper Resistant Cap (717943) (Requires 2)

Optional Pressure Setting	
Pressure ÷ 10 i.e. 235 = 2350 PSI (Omit if standard setting is used) Setting Range: 100 to 5000 PSI All settings at .95 LPM (.25 GPM)	

Code	Seals
Omit	"D"-Ring
N	Nitrile
V	Fluorocarbon

Code	Port Size	Part No.
8T	SAE-8	850437

Individual body requires 4 SAE 6 plugs.  
 Part number 6 HP50N-S.

Code	Pressure Range
10	6.9 - 69 Bar (100 - 1000 PSI) Standard Setting: 34.5 Bar (500 PSI) @ .95 LPM (.25 GPM)
20	34.5 - 138 Bar (500 - 2000 PSI) Standard Setting: 69 Bar (1000 PSI) @ .95 LPM (.25 GPM)
30	34.5 - 207 Bar (500 - 3000 PSI) Standard Setting: 103.5 Bar (1500 PSI) @ .95 LPM (.25 GPM)
50	34.5 - 345 Bar (500 - 5000 PSI) Standard Setting: 172.4 Bar (2500 PSI) @ .95 LPM (.25 GPM)

Code	Cracking Pressure
P	0.3 Bar (5 PSI)
P20	1.4 Bar (20 PSI)
P50	3.5 Bar (50 PSI)
P65	4.5 Bar (65 PSI)
P100	6.9 Bar (100 PSI)

**Note:** A 6.9 Bar (100 PSI) pressure differential must be maintained between the two relief valve settings. If both reliefs are adjustable and have the same pressure range; it is not necessary to repeat the adjustment and setting.  
 i.e. XRDH102S50P-T6 means that both A & B reliefs are screw adjustable and have a range of 34.5 - 345 Bar (500 - 5000 PSI).

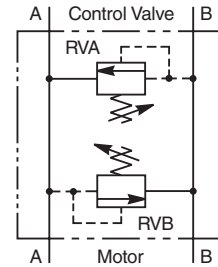
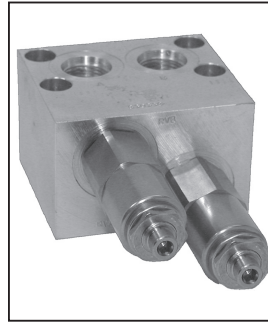
- CV
- Check Valves
- SH
- Shuttle Valves
- LM
- Load/Motor Controls
- FC
- Flow Controls
- PC
- Pressure Controls
- LE
- Logic Elements
- DC
- Directional Controls
- MV
- Manual Valves
- SV
- Solenoid Valves
- PV
- Proportional Valves
- CE
- Coils & Electronics
- BC
- Bodies & Cavities
- TD
- Technical Data

Technical Information

- CV Check Valves
- SH Shuttle Valves
- LM Load/Motor Controls
- FC Flow Controls
- PC Pressure Controls
- LE Logic Elements
- DC Directional Controls
- MV Manual Valves
- SV Solenoid Valves
- PV Proportional Valves
- CE Coils & Electronics
- BC Bodies & Cavities
- TD Technical Data

General Description

Dual Cross-Over Relief Valve with Motor Mount. This valve provides overload and shock protection for small gerotor motors with a manifold mounting pattern, such as the Parker TB and TE series. Close coupling the valve to the motor provides ideal protection and eliminates plumbing. For additional information see Technical Tips on pages PC1-PC6.



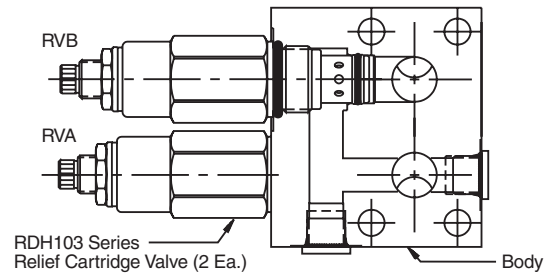
Features

- Fast acting differential area reliefs for high flow capacity
- Spherical poppets for low leakage
- Internal mechanical stop limits poppet travel eliminating spring solidification
- "D"-Ring eliminates backup rings
- All external parts zinc plated

Specifications

Maximum Flow	75 LPM (20 GPM)								
Maximum Inlet Pressure	380 Bar (5500 PSI)								
Maximum Pressure Setting	350 Bar (5000 PSI)								
Sensitivity: Pressure/Turn	<table style="border: none;"> <tr> <td>10</td> <td>9.8 Bar (143 PSI)</td> </tr> <tr> <td>20</td> <td>17 Bar (246 PSI)</td> </tr> <tr> <td>30</td> <td>25.8 Bar (375 PSI)</td> </tr> <tr> <td>50</td> <td>40.6 Bar (589 PSI)</td> </tr> </table>	10	9.8 Bar (143 PSI)	20	17 Bar (246 PSI)	30	25.8 Bar (375 PSI)	50	40.6 Bar (589 PSI)
10	9.8 Bar (143 PSI)								
20	17 Bar (246 PSI)								
30	25.8 Bar (375 PSI)								
50	40.6 Bar (589 PSI)								
Reseat Pressure	85% of crack pressure								
Leakage at 150 SSU (32 cSt)	5 drops/min. (.33 cc/min.) @ 75% of crack pressure								
Cartridge Material	All parts steel. All operating parts hardened steel.								
Body Material	Steel								
Operating Temp. Range/Seals	-45°C to +132°C ("D"-Ring) (-50°F to +270°F) -34°C to +121°C (Nitrile) (-30°F to +250°F) -26°C to +204°C (Fluorocarbon) (-15°F to +400°F)								
Fluid Compatibility/Viscosity	Mineral-based or synthetic with lubricating properties at viscosities of 45 to 2000 SSU (6 to 420 cSt)								
Filtration	ISO-4406 18/16/13, SAE Class 4								
Approx. Weight	2.0 kg (4.5 lbs.)								

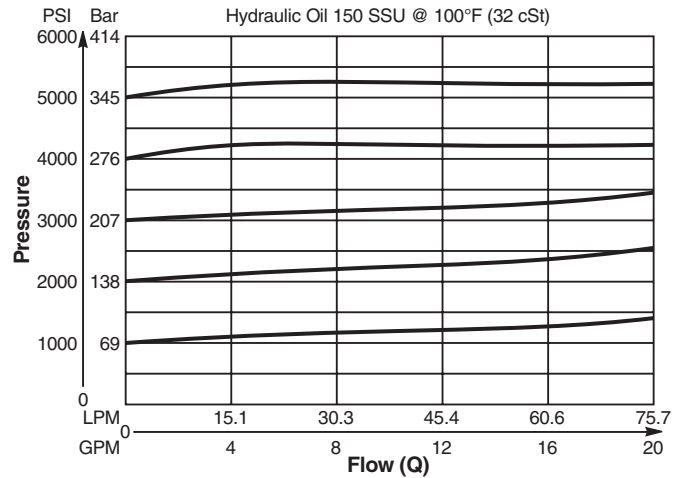
Note: A 6.9 Bar (100 PSI) pressure differential must be maintained between the two relief valve settings.



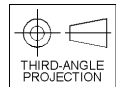
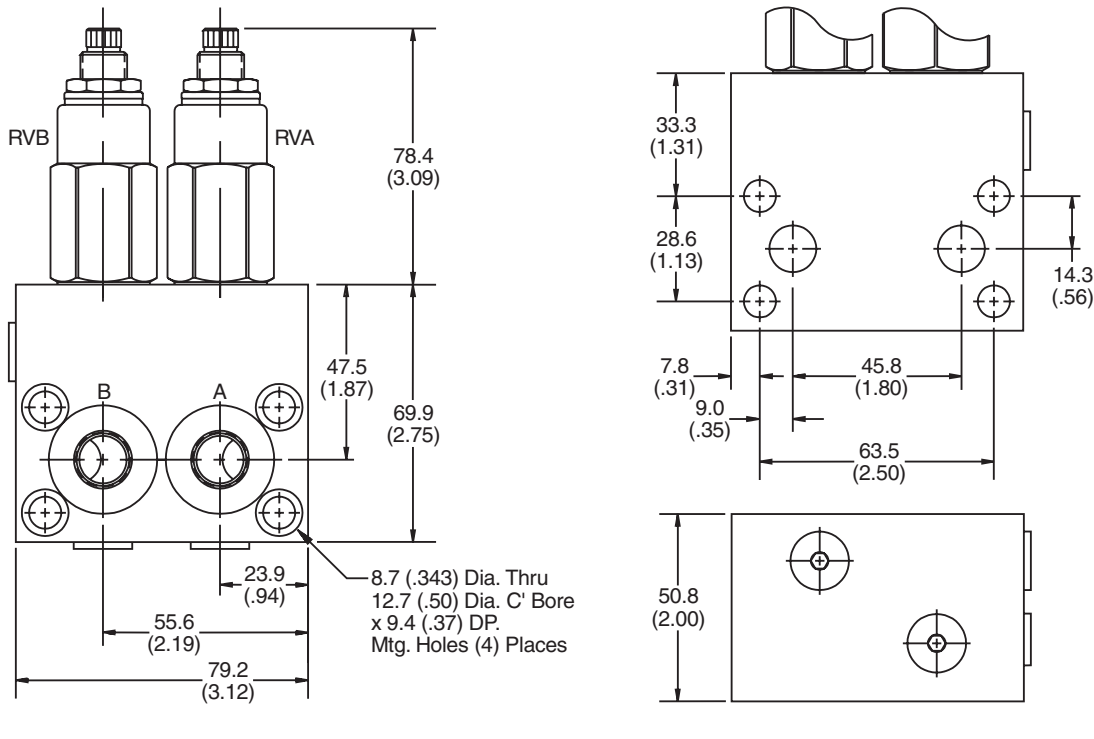
Performance Curve

Flow vs. Inlet Pressure

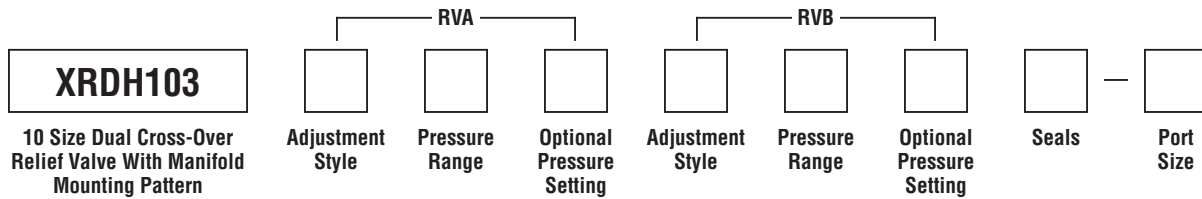
(Pressure rise through cartridge only)



**Dimensions** Millimeters (Inches)



**Ordering Information**



Code	Adjustment Style / Kit No.
F	Fixed style, preset at factory.
K	Knob Adjust (717784-10) (Requires 2)
S	Screw Adjust
T	Tamper Resistant Cap (717943) (Requires 2)

Optional Pressure Setting
Pressure ÷ 10 i.e. 235 = 2350 PSI (Omit if standard setting is used) Setting Range: 100 to 5000 PSI All settings at .95 LPM (.25 GPM)

Code	Port Size	Part No.
8T	SAE-8	830338

*Individual body requires 4 SAE 5 plugs.  
 Part number 5 HP50N-S.*

Code	Pressure Range
10	6.9 - 69 Bar (100 - 1000 PSI) Standard Setting: 34.5 Bar (500 PSI) @ .95 LPM (.25 GPM)
20	34.5 - 138 Bar (500 - 2000 PSI) Standard Setting: 69 Bar (1000 PSI) @ .95 LPM (.25 GPM)
30	34.5 - 207 Bar (500 - 3000 PSI) Standard Setting: 103.5 Bar (1500 PSI) @ .95 LPM (.25 GPM)
50	34.5 - 345 Bar (500 - 5000 PSI) Standard Setting: 172.4 Bar (2500 PSI) @ .95 LPM (.25 GPM)

Code	Seals
Omit	"D"-Ring
N	Nitrile
V	Fluorocarbon

*Note: A 6.9 Bar (100 PSI) pressure differential must be maintained between the two relief valve settings. If both reliefs are adjustable and have the same pressure range; it is not necessary to repeat the adjustment and setting.  
 i.e. XRDH10350-6T means that both A & B reliefs are screw adjustable and have a range of 34.5 - 345 Bar (500 - 5000 PSI).*

- CV Check Valves
- SH Shuttle Valves
- LM Load/Motor Controls
- FC Flow Controls
- PC Pressure Controls
- LE Logic Elements
- DC Directional Controls
- MV Manual Valves
- SV Solenoid Valves
- PV Proportional Valves
- CE Coils & Electronics
- BC Bodies & Cavities
- TD Technical Data

**Technical Information**

- CV** Check Valves
- SH** Shuttle Valves
- LM** Load/Motor Controls
- FC** Flow Controls
- PC** Pressure Controls
- LE** Logic Elements
- DC** Directional Controls
- MV** Manual Valves
- SV** Solenoid Valves
- PV** Proportional Valves
- CE** Coils & Electronics
- BC** Bodies & Cavities
- TD** Technical Data

**General Description**

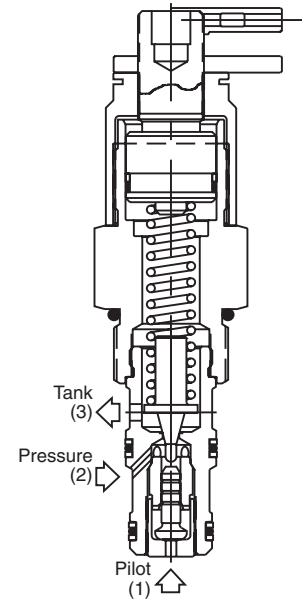
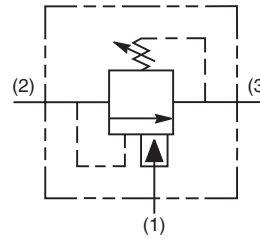
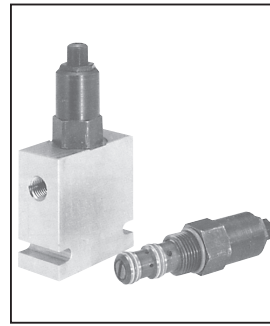
Differential Area Unloading Relief Valve. This valve is best suited for low flow accumulator unloading circuits or can be used as remote pilot valves. They provide a fixed percentage between load and unload pressures. For additional information see Technical Tips on pages PC1-PC6.

**Features**

- Low hysteresis
- Cartridge design
- All external parts zinc plated

**Specifications**

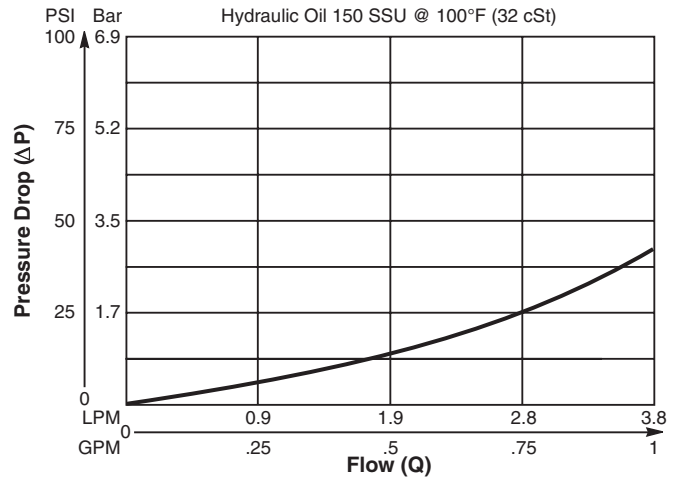
<b>Rated Flow</b>	3.75 LPM (1 GPM)
<b>Maximum Pilot Flow</b>	.94 LPM (.25 GPM)
<b>Maximum Inlet Pressure</b>	245 Bar (3500 PSI)
<b>Maximum Pressure Setting</b>	210 Bar (3000 PSI)
<b>Maximum Tank Pressure</b>	210 Bar (3000 PSI)
<b>Leakage at 150 SSU (32 cSt)</b>	Port 2 to 3 10 drops/min. (0.66 cc/min.) Port 1 to 2 60 drops/min. (3 cc/min.)
<b>Cartridge Material</b>	All parts steel. All operating parts hardened steel.
<b>Operating Temp. Range/Seals</b>	-34°C to +121°C (Nitrile) (-30°F to +250°F) -26°C to +204°C (Fluorocarbon) (-15°F to +400°F)
<b>Fluid Compatibility/Viscosity</b>	Mineral-based or synthetic with lubricating properties at viscosities of 45 to 2000 SSU (6 to 420 cSt)
<b>Filtration</b>	ISO-4406 18/16/13, SAE Class 4
<b>Approx. Weight</b>	.23 kg (.50 lbs.)
<b>Cavity</b>	C10-3 (See BC Section for more details)
<b>Form Tool</b>	Rougher NFT10-3R Finisher NFT10-3F



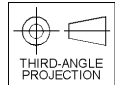
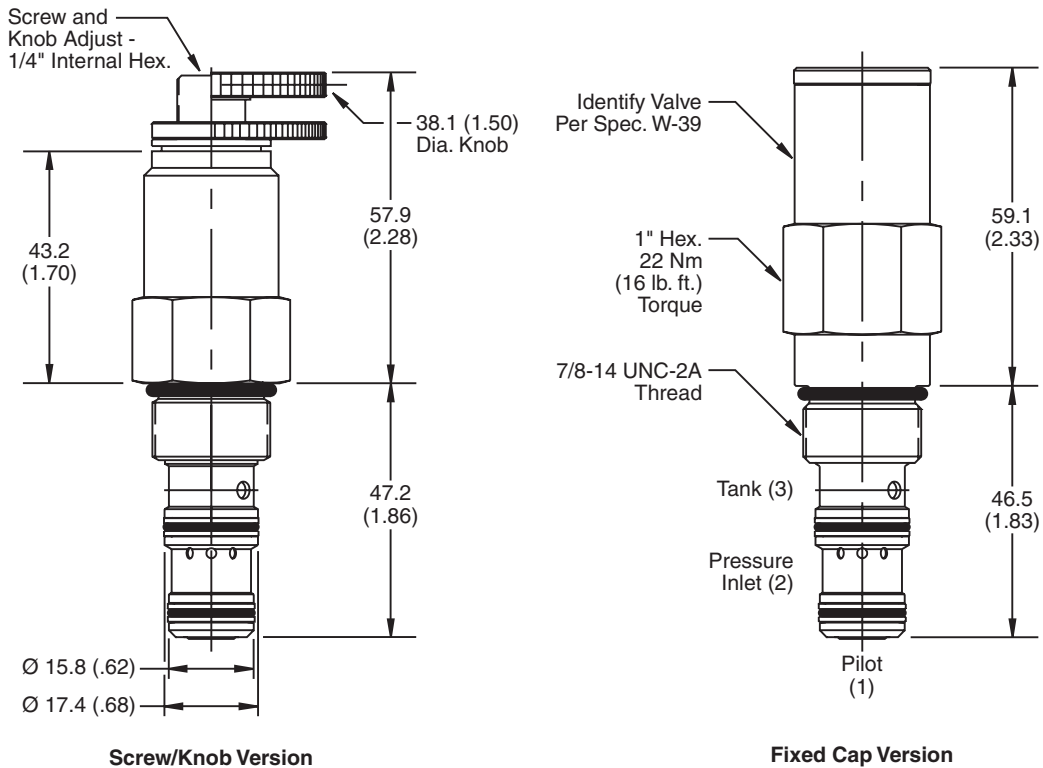
**Performance Curve**

**Inlet Flow vs. Pressure Drop**

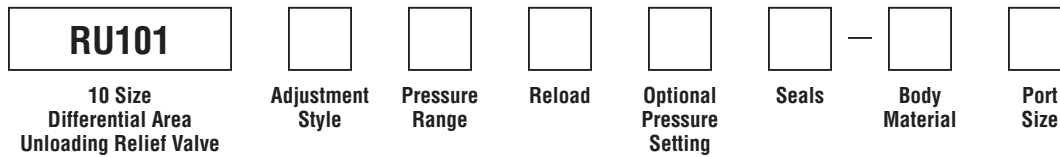
Without pilot assist (Through cartridge only)



**Dimensions** Millimeters (Inches)



**Ordering Information**



Code	Adjustment Style / Kit No.
F	Fixed style, preset at factory.
K	Knob Adjust (840208K)
S	Screw Adjust

Code	Reload
C	80% ±5% of Pressure Setting (Omit if standard setting is used)
D	90% ±5% of Pressure Setting

Code	Body Material
Omit	Steel
A	Aluminum

Code	Pressure Range
10	6.9 - 69 Bar (100 - 1000 PSI) Standard Setting: 34.5 Bar (500 PSI) @ 1.1 LPM (.3 GPM)
20	10.3 - 138 Bar (150 - 2000 PSI) Standard Setting: 69 Bar (1000 PSI) @ 1.1 LPM (.3 GPM)
30	13.8 - 207 Bar (200 - 3000 PSI) Standard Setting: 103.5 Bar (1500 PSI) @ 1.1 LPM (.3 GPM)

Optional Pressure Setting	
Pressure ÷ 10	i.e. 235 = 2350 PSI
(Omit if standard setting is used)	
Setting Range:	100 to 3000 PSI
All settings at 1.1 LPM (0.3 GPM)	

Code	Port Size	Body Part No.
Omit	Cartridge Only	
6T	SAE-6	(B10-3-*6T)
8T	SAE-8	(B10-3-*8T)

\* Add "A" for aluminum, omit for steel.

Code	Seals / Kit No.
Omit	Nitrile / (SK10-3N)
V	Fluorocarbon / (SK10-3V)

- CV Check Valves
- SH Shuttle Valves
- LM Load/Motor Controls
- FC Flow Controls
- PC Pressure Controls
- LE Logic Elements
- DC Directional Controls
- MV Manual Valves
- SV Solenoid Valves
- PV Proportional Valves
- CE Coils & Electronics
- BC Bodies & Cavities
- TD Technical Data

**CV**

Check  
Valves

**SH**

Shuttle  
Valves

**LM**

Load/Motor  
Controls

**FC**

Flow  
Controls

**PC**

Pressure  
Controls

**LE**

Logic  
Elements

**DC**

Directional  
Controls

**MV**

Manual  
Valves

**SV**

Solenoid  
Valves

**PV**

Proportional  
Valves

**CE**

Coils &  
Electronics

**BC**

Bodies &  
Cavities

**TD**

Technical  
Data

**General Description**

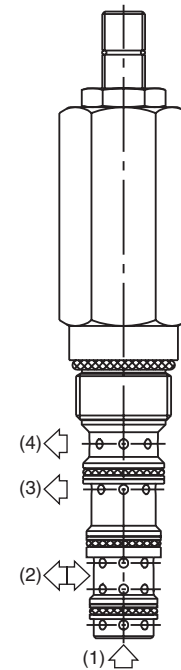
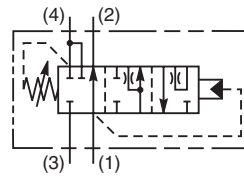
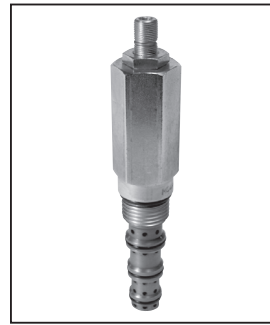
Direct Acting, Spool-Type, Unloading Relief Valve with Internal Pilot. For additional information see Technical Tips on pages PC1-PC6.

**Features**

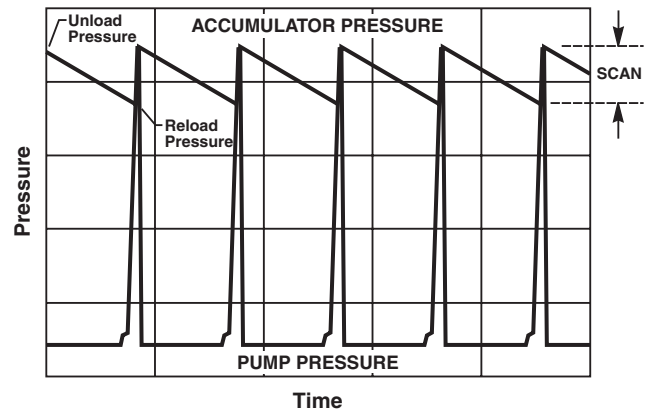
- Use to unload a load sense pump in an accumulator circuit
- One size unloading valve for all flow size applications
- Hardened working parts for maximum durability
- Adjustable and tamperproof versions available
- All external parts zinc plated

**Specifications**

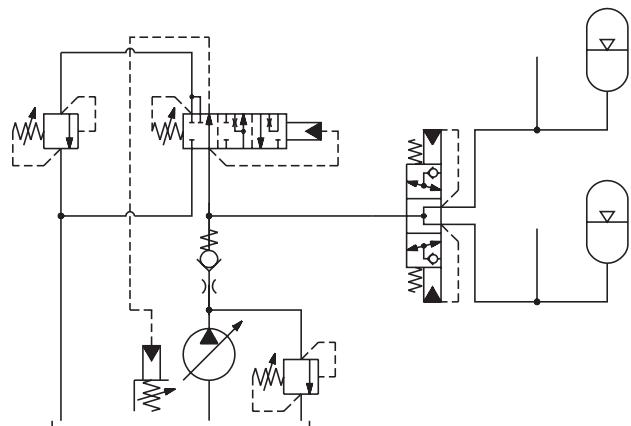
<b>Rated Flow</b>	2 LPM (0.53 GPM)
<b>Maximum Inlet Pressure</b>	420 Bar (6000 PSI)
<b>Maximum Pressure Setting</b>	200 Bar (2900 PSI)
<b>Maximum Tank Pressure</b>	420 Bar (6000 PSI)
<b>Leakage at 150 SSU (32 cSt)</b>	25 ml/min. @ 100 Bar (1450 PSI)
<b>Cartridge Material</b>	All parts steel. All operating parts hardened steel.
<b>Operating Temp. Range/Seals</b>	-34°C to +121°C (Nitrile) (-30°F to +250°F) -26°C to +204°C (Fluorocarbon) (-15°F to +400°F)
<b>Fluid Compatibility/Viscosity</b>	Mineral-based or synthetic with lubricating properties at viscosities of 45 to 2000 SSU (6 to 420 cSt)
<b>Filtration</b>	ISO-4406 18/16/13, SAE Class 4
<b>Approx. Weight</b>	0.33 kg (0.73 lbs.)
<b>Cavity</b>	C10-4 (See BC Section for more details)
<b>Form Tool</b>	Rougher None Finisher



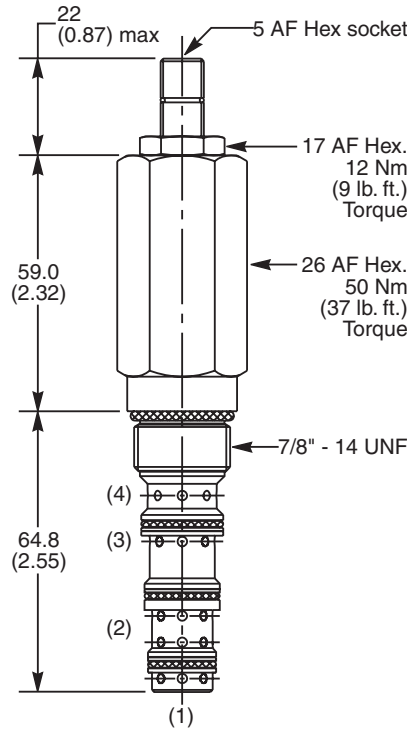
**Performance Curve  
Accumulator Circuit**



**Application**



**Dimensions** Millimeters (Inches)



**Ordering Information**

<b>M04A4</b>	<b>J</b>						
10 Size Direct Acting Unloading Relief Valve	Reload Pressure Adjustment Range	Adjustment Style	Optional Flow @ Pressure Setting	Reload Pressure Setting	Seals	Body Material	Port Size

Code	Reload Pressure Adjustment Range
J	50 - 200 Bar (725 - 2900 PSI)

Code	Reload Pressure Setting
Omit	Omit for standard setting Specify setting if required <b>M04A4J</b> Standard Setting: 125 Bar (1850 PSI)

Code	Body Material
Omit	Steel
A	Aluminum

Code	Adjustment Style / Kit No.
Z	Screw Adjust (Std.)
T	Tamper Resistant Cap (TC1130)

Code	Seals / Kit No.
N	Nitrile, Buna-N (Std.) / (SK30530N-1)
V	Fluorocarbon / (SK30530V-1)

Code	Port Size	Body Part No.
Omit	Cartridge Only	
6T	SAE-6	(B10-4-*6T)
8T	SAE-8	(B10-4-*8T)

\* Add "A" for aluminum, omit for steel.

**Optional Flow @ Pressure Setting**  
 If you require a maximum pressure setting at a flow rate, please enter it here in Liters per minute (LPM).  
 Standard setting:  
 15 LPM (4.0 GPM)

- CV** Check Valves
- SH** Shuttle Valves
- LM** Load/Motor Controls
- FC** Flow Controls
- PC** Pressure Controls
- LE** Logic Elements
- DC** Directional Controls
- MV** Manual Valves
- SV** Solenoid Valves
- PV** Proportional Valves
- CE** Coils & Electronics
- BC** Bodies & Cavities
- TD** Technical Data



**Technical Information**

- CV** Check Valves
- SH** Shuttle Valves
- LM** Load/Motor Controls
- FC** Flow Controls
- PC** Pressure Controls
- LE** Logic Elements
- DC** Directional Controls
- MV** Manual Valves
- SV** Solenoid Valves
- PV** Proportional Valves
- CE** Coils & Electronics
- BC** Bodies & Cavities
- TD** Technical Data

**General Description**

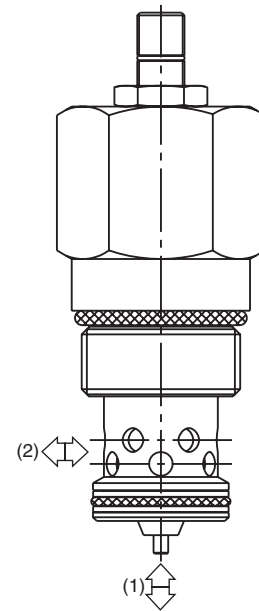
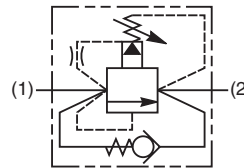
Pilot Operated, Poppet-Type Relief Valve with Free Reverse Check. For additional information see Technical Tips on pages PC1-PC6.

**Features**

- High flow capacity
- Virtually leak free, can be used for load holding applications
- Compact space saving design
- Hardened working parts for maximum durability
- Adjustable and tamperproof versions available
- All external parts zinc plated

**Specifications**

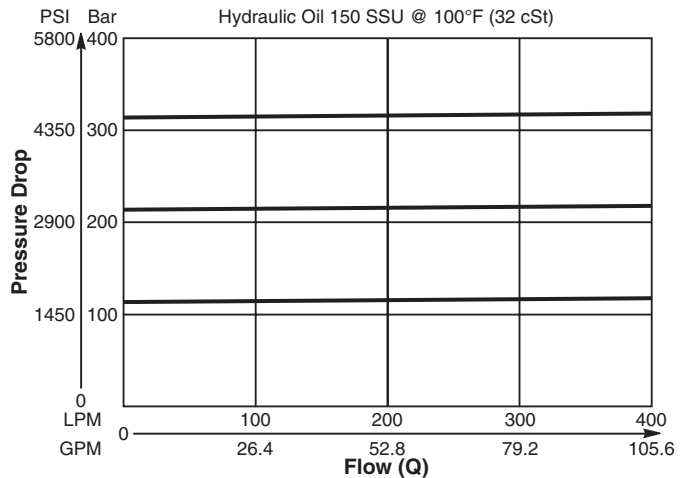
<b>Rated Flow</b>	400 LPM (106 GPM)
<b>Maximum Inlet Pressure</b>	420 Bar (6000 PSI)
<b>Maximum Pressure Setting</b>	10-420 Bar (145-6000 PSI)
<b>Sensitivity: Pressure/Turn</b>	53 Bar (768 PSI)
<b>Maximum Tank Pressure</b>	420 Bar (6000 PSI)
<b>Leakage at 150 SSU (32 cSt)</b>	5 drops/min. @ 100 Bar (1450 PSI)
<b>Cartridge Material</b>	All parts steel. All operating parts hardened steel.
<b>Operating Temp. Range/Seals</b>	-34°C to +121°C (Nitrile) (-30°F to +250°F) -26°C to +204°C (Fluorocarbon) (-15°F to +400°F)
<b>Fluid Compatibility/Viscosity</b>	Mineral-based or synthetic with lubricating properties at viscosities of 45 to 2000 SSU (6 to 420 cSt)
<b>Filtration</b>	ISO-4406 18/16/13, SAE Class 4
<b>Approx. Weight</b>	0.57 kg (1.26 lbs.)
<b>Cavity</b>	C16-2 (See BC Section for more details)
<b>Form Tool</b>	Rougher None Finisher NFT16-2F



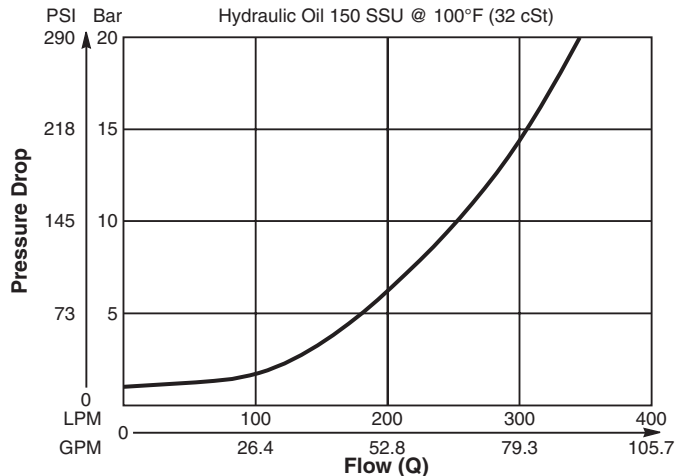
**Performance Curves**

(Pressure rise through cartridge only)

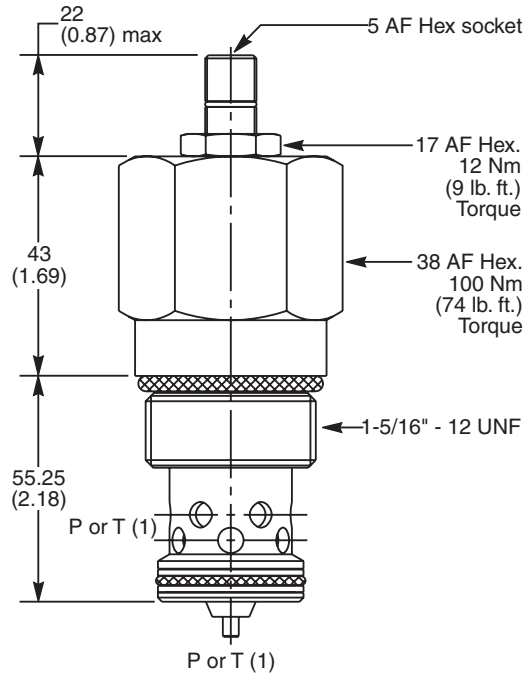
**Relief Performance 1 to 2**



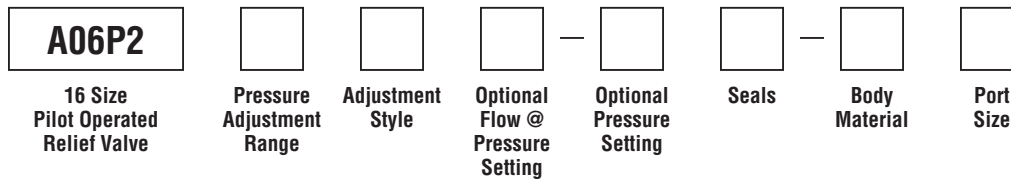
**Pressure Drop vs. Flow 2 to 1**



**Dimensions** Millimeters (Inches)



**Ordering Information**



Code	Pressure Adjustment Range
P	10 - 420 Bar (145 - 6000 PSI)

Optional Pressure Setting	
Specify setting if required (Bar)	
<b>A06P2H</b> Standard Setting: 100 Bar (1450 PSI) @ 20 LPM (5.3 GPM)	
<b>A06P2P</b> Standard Setting: 200 Bar (2900 PSI) @ 20 LPM (5.3 GPM)	

Code	Body Material
Omit	Steel
A	Aluminum

Code	Adjustment Style / Kit No.
Z	Screw Adjust (Std.)
W	Knob Adjust
T	Tamper Resistant Cap (TC1130)

Code	Port Size	Body Part No.
Omit	Cartridge Only	
8T	SAE-8	(B16-2-*8T)
12T	SAE-12	(B16-2-*12T)
16T	SAE-16	(B16-2-*16T)

Optional Flow @ Pressure Setting	
If you require a maximum pressure setting at a flow rate, please enter it here in Liters per minute (LPM). Standard setting: 20 LPM (5.3 GPM)	

Code	Seals / Kit No.
N	Nitrile, Buna-N (Std.) / (SK30507N-1)
V	Fluorocarbon / (SK30507V-1)

\* Add "A" for aluminum, omit for steel.

**CV**

Check Valves

**SH**

Shuttle Valves

**LM**

Load/Motor Controls

**FC**

Flow Controls

**PC**

Pressure Controls

**LE**

Logic Elements

**DC**

Directional Controls

**MV**

Manual Valves

**SV**

Solenoid Valves

**PV**

Proportional Valves

**CE**

Coils & Electronics

**BC**

Bodies & Cavities

**TD**

Technical Data

**Technical Information**

- CV** Check Valves
- SH** Shuttle Valves
- LM** Load/Motor Controls
- FC** Flow Controls
- PC** Pressure Controls
- LE** Logic Elements
- DC** Directional Controls
- MV** Manual Valves
- SV** Solenoid Valves
- PV** Proportional Valves
- CE** Coils & Electronics
- BC** Bodies & Cavities
- TD** Technical Data

**General Description**

Pilot Operated Sequence Valve (Internally Piloted, Externally Vented). For additional information see Technical Tips on pages PC1-PC6.

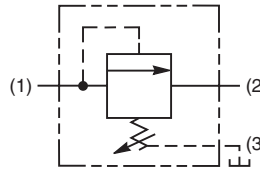
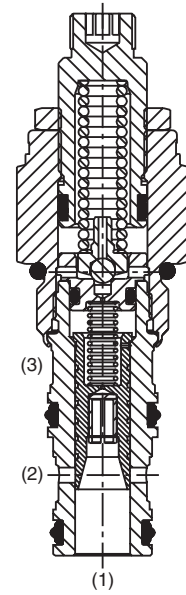
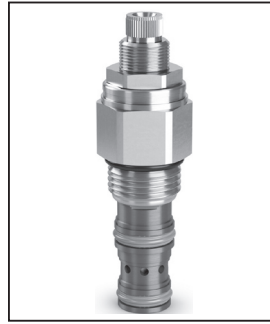


**Features**

- Hardened, precision ground parts for durability
- Low profile adapter for minimal space requirements
- Fully guided pilot for more consistent reseal
- Steel adapters are zinc plated
- Polyurethane "D"-Ring eliminates backup rings and prevents hydrolysis
- Internal screening protects pilot spring from debris

**Specifications**

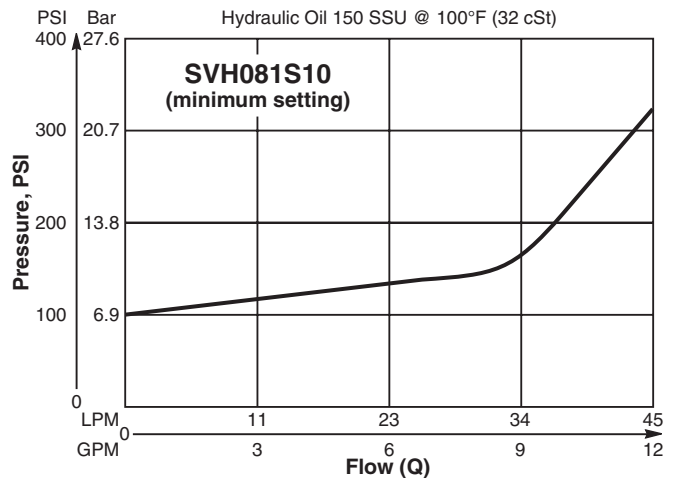
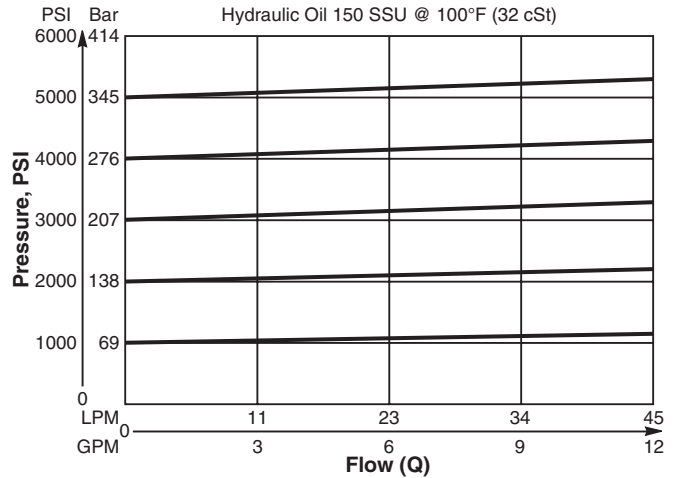
<b>Rated Flow</b>	45 LPM (12 GPM)								
<b>Maximum Inlet Pressure</b>	380 Bar (5500 PSI)								
<b>Maximum Pressure Setting</b>	350 Bar (5000 PSI)								
<b>Sensitivity: Pressure/Turn</b>	<table style="display: inline-table; border: none;"> <tr> <td><b>10</b></td> <td>19.6 Bar (285 PSI)</td> </tr> <tr> <td><b>20</b></td> <td>39.3 Bar (570 PSI)</td> </tr> <tr> <td><b>30</b></td> <td>58.9 Bar (859 PSI)</td> </tr> <tr> <td><b>50</b></td> <td>131.7 Bar (1910 PSI)</td> </tr> </table>	<b>10</b>	19.6 Bar (285 PSI)	<b>20</b>	39.3 Bar (570 PSI)	<b>30</b>	58.9 Bar (859 PSI)	<b>50</b>	131.7 Bar (1910 PSI)
<b>10</b>	19.6 Bar (285 PSI)								
<b>20</b>	39.3 Bar (570 PSI)								
<b>30</b>	58.9 Bar (859 PSI)								
<b>50</b>	131.7 Bar (1910 PSI)								
<b>Maximum Tank Pressure</b>	350 Bar (5000 PSI)								
<b>Maximum Drain Flow</b>	0.56 LPM (0.15 GPM)								
<b>Reseat Pressure</b>	90% of crack pressure								
<b>Leakage at 150 SSU (32 cSt)</b>	82 cc/min. (5 cu. in./min.) @ 210 Bar (3000 PSI)								
<b>Cartridge Material</b>	All parts steel. All operating parts hardened steel.								
<b>Operating Temp. Range/Seals</b>	-45°C to +132°C ("D"-Ring) (-50°F to +270°F) -34°C to +121°C (Nitrile) (-30°F to +250°F) -26°C to +204°C (Fluorocarbon) (-15°F to +400°F)								
<b>Fluid Compatibility/Viscosity</b>	Mineral-based or synthetic with lubricating properties at viscosities of 45 to 2000 SSU (6 to 420 cSt)								
<b>Filtration</b>	ISO-4406 18/16/13, SAE Class 4								
<b>Approx. Weight</b>	.11 kg (.25 lbs.)								
<b>Cavity</b>	C08-3 (See BC Section for more details)								
<b>Form Tool</b>	Rougher NTF08-3R Finisher NFT08-3F								



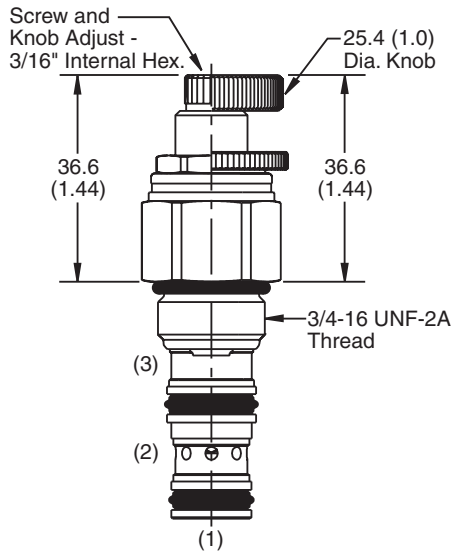
**Performance Curves**

**Flow vs. Inlet Pressure**

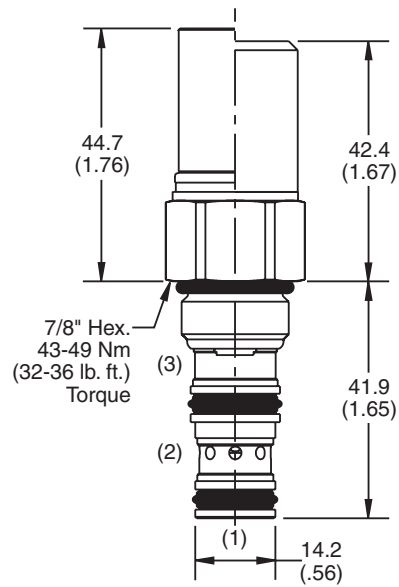
(Pressure rise through cartridge only)



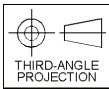
**Dimensions** Millimeters (Inches)



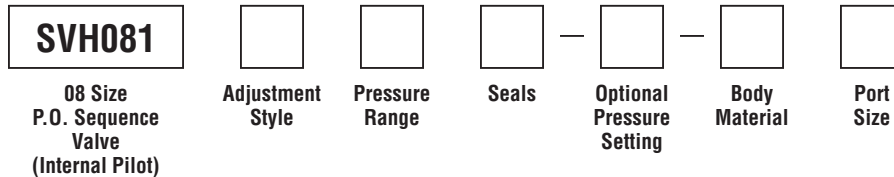
**Screw/Knob Version**



**Fixed Cap/Tamper Resistant Version**



**Ordering Information**



Code	Adjustment Style / Kit No.
F	Fixed style, preset at factory.
K	Knob Adjust (717784-10)
S	Screw Adjust
T	Tamper Resistant Cap (717943)

Code	Seals / Kit No.
Omit	"D"-Ring / (SK08-3)
N	Nitrile / (SK08-3N)
V	Fluorocarbon / (SK08-3V)

Code	Body Material
Omit	Steel
A	Aluminum

Code	Pressure Range
10	6.9 - 69 Bar (100 - 1000 PSI) Standard Setting: 34.5 Bar (500 PSI) @ crack pressure, approximately .95 LPM (.25 GPM)
20	6.9 - 138 Bar (100 - 2000 PSI) Standard Setting: 69 Bar (1000 PSI) @ crack pressure, approximately .95 LPM (.25 GPM)
30	13.8 - 207 Bar (200 - 3000 PSI) Standard Setting: 103.5 Bar (1500 PSI) @ crack pressure, approximately .95 LPM (.25 GPM)
50	13.8 - 345 Bar (200 - 5000 PSI) Standard Setting: 172.4 Bar (2500 PSI) @ crack pressure, approximately .95 LPM (.25 GPM)

Optional Pressure Setting
Pressure $\pm$ 10 i.e. 235 = 2350 PSI (Omit if standard setting is used) Setting Range: 100 to 5000 PSI All settings at crack pressure, approximately .95 LPM (.25 GPM)

Code	Port Size	Body Part No.
Omit	Cartridge Only	
4T	SAE-4	(B08-3-*4T)
6T	SAE-6	(B08-3-*6T)

\* Add "A" for aluminum, omit for steel.

- CV Check Valves
- SH Shuttle Valves
- LM Load/Motor Controls
- FC Flow Controls
- PC Pressure Controls
- LE Logic Elements
- DC Directional Controls
- MV Manual Valves
- SV Solenoid Valves
- PV Proportional Valves
- CE Coils & Electronics
- BC Bodies & Cavities
- TD Technical Data

**Technical Information**

- CV** Check Valves
- SH** Shuttle Valves
- LM** Load/Motor Controls
- FC** Flow Controls
- PC** Pressure Controls
- LE** Logic Elements
- DC** Directional Controls
- MV** Manual Valves
- SV** Solenoid Valves
- PV** Proportional Valves
- CE** Coils & Electronics
- BC** Bodies & Cavities
- TD** Technical Data

**General Description**

Pilot Operated Sequence Valve (Internally Piloted, Externally Drained). For additional information see Technical Tips on pages PC1-PC6.

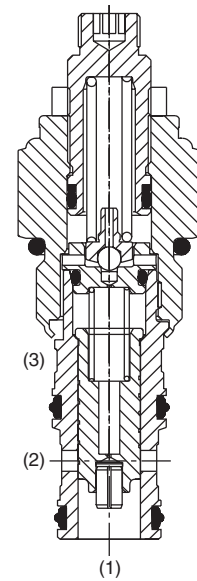
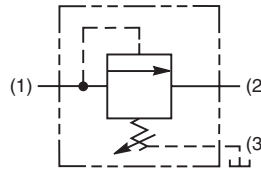


**Features**

- Hardened, precision ground parts for durability
- Low profile adapter for minimal space requirements
- Fully guided poppet for more consistent reseal
- Steel adapters are zinc plated
- Polyurethane "D"-Ring eliminates backup rings and prevents hydrolysis
- Internal screening protects pilot spring from debris

**Specifications**

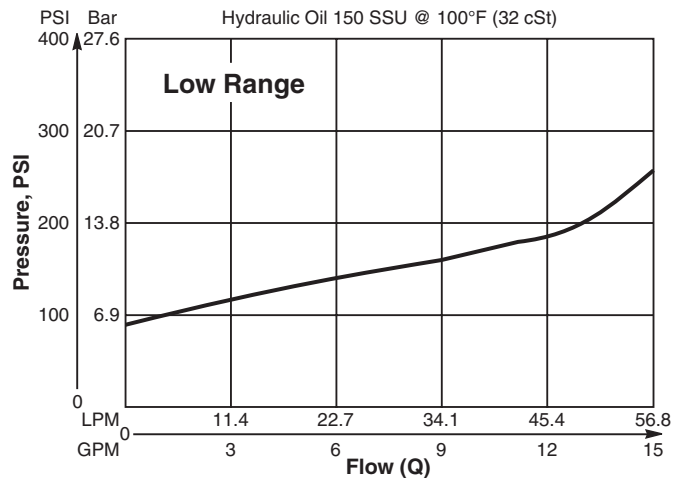
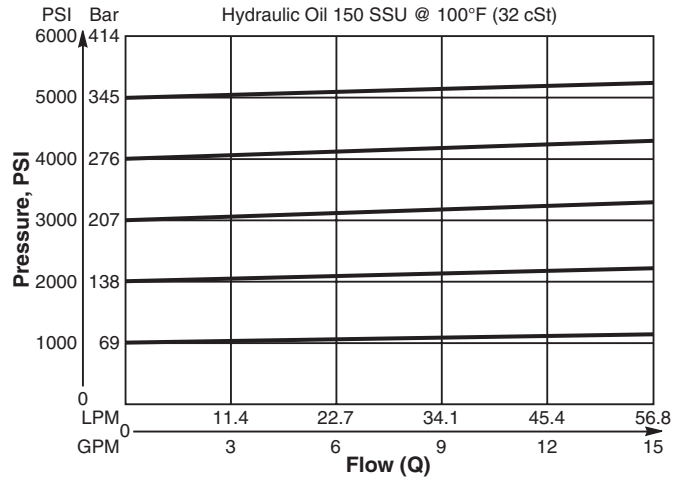
<b>Rated Flow</b>	56.3 LPM (15 GPM)								
<b>Maximum Inlet Pressure</b>	380 Bar (5500 PSI)								
<b>Maximum Pressure Setting</b>	350 Bar (5000 PSI)								
<b>Sensitivity: Pressure/Turn</b>	<table style="display: inline-table; border: none;"> <tr> <td><b>10</b></td> <td>19.6 Bar (285 PSI)</td> </tr> <tr> <td><b>20</b></td> <td>39.3 Bar (570 PSI)</td> </tr> <tr> <td><b>30</b></td> <td>58.9 Bar (859 PSI)</td> </tr> <tr> <td><b>50</b></td> <td>131.7 Bar (1910 PSI)</td> </tr> </table>	<b>10</b>	19.6 Bar (285 PSI)	<b>20</b>	39.3 Bar (570 PSI)	<b>30</b>	58.9 Bar (859 PSI)	<b>50</b>	131.7 Bar (1910 PSI)
<b>10</b>	19.6 Bar (285 PSI)								
<b>20</b>	39.3 Bar (570 PSI)								
<b>30</b>	58.9 Bar (859 PSI)								
<b>50</b>	131.7 Bar (1910 PSI)								
<b>Maximum Tank Pressure</b>	350 Bar (5000 PSI)								
<b>Maximum Drain Flow (Port 3)</b>	0.94 LPM (0.25 GPM)								
<b>Reseat Pressure</b>	90% of crack pressure								
<b>Leakage at 150 SSU (32 cSt)</b>	82 cc/min. (5 cu. in./min.) @ 210 Bar (3000 PSI)								
<b>Cartridge Material</b>	All parts steel. All operating parts hardened steel.								
<b>Operating Temp. Range/Seals</b>	-45°C to +132°C ("D"-Ring) (-50°F to +270°F) -34°C to +121°C (Nitrile) (-30°F to +250°F) -26°C to +204°C (Fluorocarbon) (-15°F to +400°F)								
<b>Fluid Compatibility/Viscosity</b>	Mineral-based or synthetic with lubricating properties at viscosities of 45 to 2000 SSU (6 to 420 cSt)								
<b>Filtration</b>	ISO-4406 18/16/13, SAE Class 4								
<b>Approx. Weight</b>	.45 kg (1.0 lbs.)								
<b>Cavity</b>	C10-3 (See BC Section for more details)								
<b>Form Tool</b>	Rougher NTF10-3R Finisher NFT10-3F								



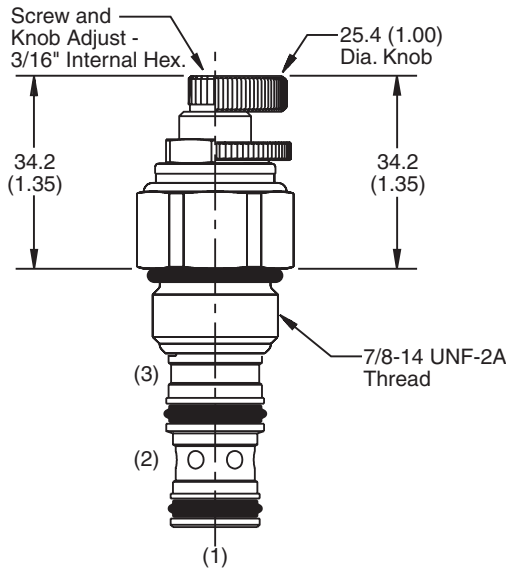
**Performance Curves**

**Flow vs. Inlet Pressure**

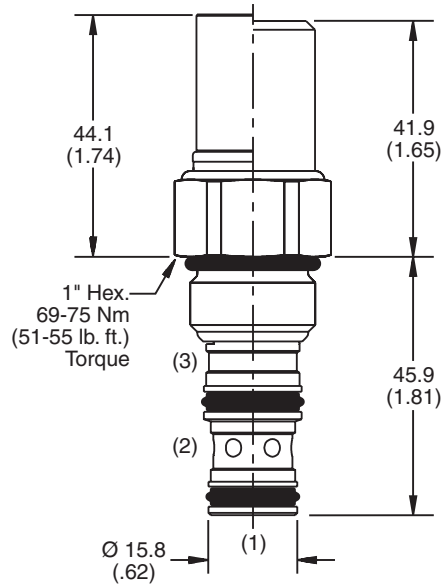
(Pressure rise through cartridge only)



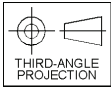
**Dimensions** Millimeters (Inches)



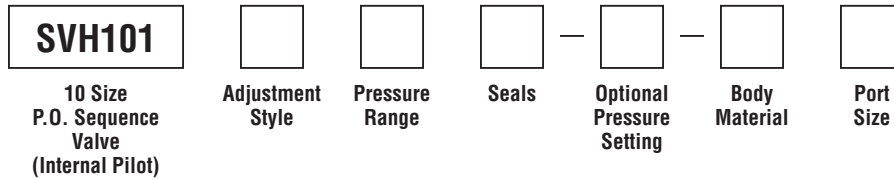
**Screw/Knob Version**



**Fixed Cap/Tamper Resistant Version**



**Ordering Information**



Code	Adjustment Style / Kit No.
F	Fixed style, preset at factory.
K	Knob Adjust (717784-10)
S	Screw Adjust
T	Tamper Resistant Cap (718083)

Code	Seals / Kit No.
Omit	"D"-Ring / (SK10-3)
N	Nitrile / (SK10-3N)
V	Fluorocarbon / (SK10-3V)

Code	Body Material
Omit	Steel
A	Aluminum

Code	Pressure Range
10	6.9 - 69 Bar (100 - 1000 PSI) Standard Setting: 34.5 Bar (500 PSI) @ crack pressure, approximately .95 LPM (.25 GPM)
20	6.9 - 138 Bar (100 - 2000 PSI) Standard Setting: 69 Bar (1000 PSI) @ crack pressure, approximately .95 LPM (.25 GPM)
30	13.8 - 207 Bar (200 - 3000 PSI) Standard Setting: 103.5 Bar (1500 PSI) @ crack pressure, approximately .95 LPM (.25 GPM)
50	13.8 - 345 Bar (200 - 5000 PSI) Standard Setting: 172.4 Bar (2500 PSI) @ crack pressure, approximately .95 LPM (.25 GPM)

Optional Pressure Setting
Pressure $\div$ 10 i.e. 235 = 2350 PSI (Omit if standard setting is used) Setting Range: 100 to 5000 PSI All settings at crack pressure, approximately .95 LPM (.25 GPM)

Code	Port Size	Body Part No.
Omit	Cartridge Only	
6T	SAE-6	(B10-3-*6T)
8T	SAE-8	(B10-3-*8T)

\* Add "A" for aluminum, omit for steel.

- CV** Check Valves
- SH** Shuttle Valves
- LM** Load/Motor Controls
- FC** Flow Controls
- PC** Pressure Controls
- LE** Logic Elements
- DC** Directional Controls
- MV** Manual Valves
- SV** Solenoid Valves
- PV** Proportional Valves
- CE** Coils & Electronics
- BC** Bodies & Cavities
- TD** Technical Data

**Technical Information**

**CV**

Check Valves

**SH**

Shuttle Valves

**LM**

Load/Motor Controls

**FC**

Flow Controls

**PC**

Pressure Controls

**LE**

Logic Elements

**DC**

Directional Controls

**MV**

Manual Valves

**SV**

Solenoid Valves

**PV**

Proportional Valves

**CE**

Coils & Electronics

**BC**

Bodies & Cavities

**TD**

Technical Data

**General Description**

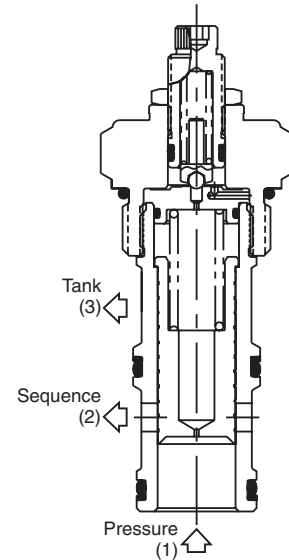
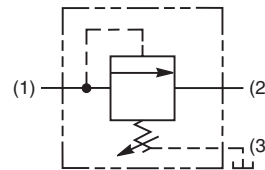
Pilot Operated Sequence Valve (Internally Piloted, Externally Drained). For additional information see Technical Tips on pages PC1-PC6.

**Features**

- Hardened, precision ground parts for durability
- High accuracy, pilot operation design
- Ball-type pilot for added stability
- All external parts zinc plated

**Specifications**

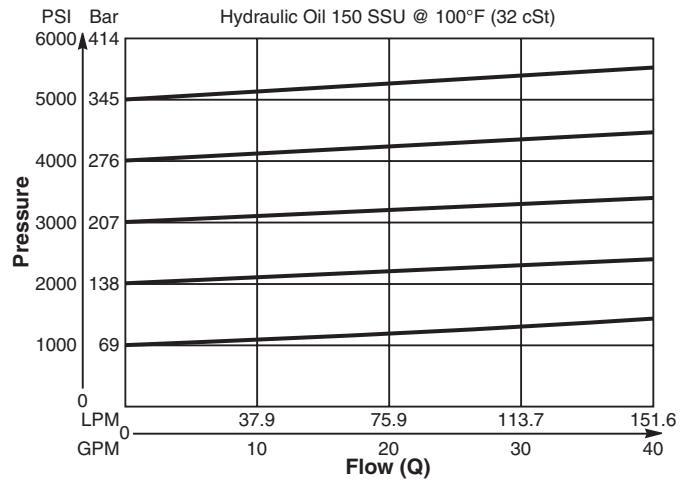
<b>Rated Flow</b>	151.6 LPM (40 GPM)								
<b>Maximum Inlet Pressure</b>	380 Bar (5500 PSI)								
<b>Maximum Pressure Setting</b>	350 Bar (5000 PSI)								
<b>Sensitivity: Pressure/Turn</b>	<table border="0"> <tr> <td><b>10</b></td> <td>23 Bar (334 PSI)</td> </tr> <tr> <td><b>20</b></td> <td>37 Bar (539 PSI)</td> </tr> <tr> <td><b>30</b></td> <td>59.7 Bar (867 PSI)</td> </tr> <tr> <td><b>50</b></td> <td>118 Bar (1711 PSI)</td> </tr> </table>	<b>10</b>	23 Bar (334 PSI)	<b>20</b>	37 Bar (539 PSI)	<b>30</b>	59.7 Bar (867 PSI)	<b>50</b>	118 Bar (1711 PSI)
<b>10</b>	23 Bar (334 PSI)								
<b>20</b>	37 Bar (539 PSI)								
<b>30</b>	59.7 Bar (867 PSI)								
<b>50</b>	118 Bar (1711 PSI)								
<b>Maximum Tank Pressure</b>	350 Bar (5000 PSI)								
<b>Maximum Drain Flow</b>	1.9 LPM (0.5 GPM)								
<b>Reseat Pressure</b>	80% of crack pressure								
<b>Leakage at 150 SSU (32 cSt)</b>	5 cc per 100 PSI (6.8 Bar) setting								
<b>Cartridge Material</b>	All parts steel. All operating parts hardened steel.								
<b>Operating Temp. Range/Seals</b>	-34°C to +121°C (Nitrile) (-30°F to +250°F) -26°C to +204°C (Fluorocarbon) (-15°F to +400°F)								
<b>Fluid Compatibility/Viscosity</b>	Mineral-based or synthetic with lubricating properties at viscosities of 45 to 2000 SSU (6 to 420 cSt)								
<b>Filtration</b>	ISO-4406 18/16/13, SAE Class 4								
<b>Approx. Weight</b>	.45 kg (1.0 lbs.)								
<b>Cavity</b>	C16-3 (See BC Section for more details)								
<b>Form Tool</b>	Rougher NTF16-3R Finisher NFT16-3F								



**Performance Curve**

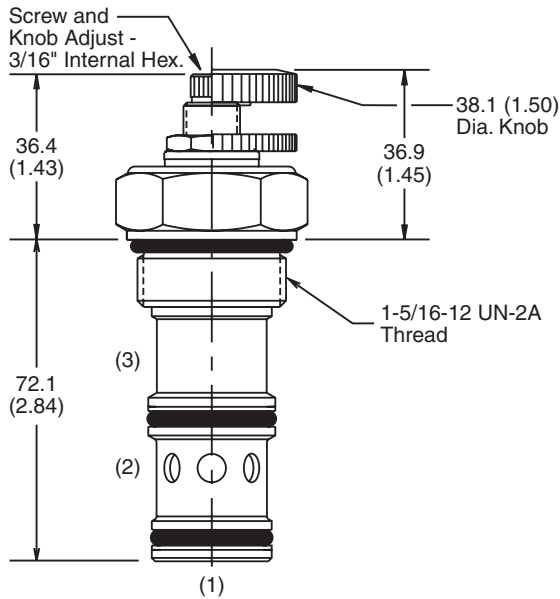
**Flow vs. Inlet Pressure**

(Pressure rise through cartridge only)

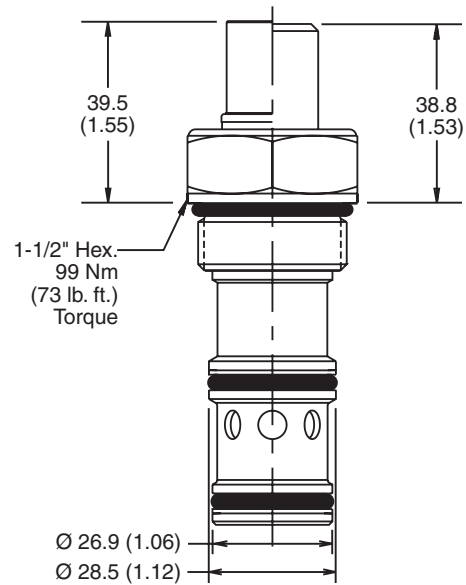




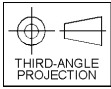
**Dimensions** Millimeters (Inches)



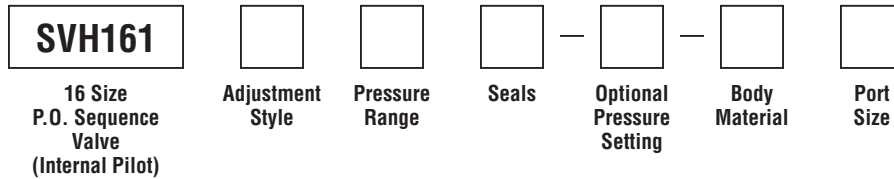
**Screw/Knob Version**



**Fixed Cap/Tamper Resistant Version**



**Ordering Information**



Code	Adjustment Style / Kit No.
F	Fixed style, preset at factory.
K	Knob Adjust (717784-15)
S	Screw Adjust
T	Tamper Resistant Cap (717785)

Code	Seals / Kit No.
Omit	Nitrile / (SK16-3)
V	Fluorocarbon / (SK16-3V)

Code	Body Material
Omit	Steel
A	Aluminum

Code	Pressure Range
10	6.9 - 69 Bar (100 - 1000 PSI) Standard Setting: 34.5 Bar (500 PSI) @ 11.3 LPM (3 GPM)
20	13.8 - 138 Bar (200 - 2000 PSI) Standard Setting: 69 Bar (1000 PSI) @ 11.3 LPM (3 GPM)
30	20.7 - 207 Bar (300 - 3000 PSI) Standard Setting: 103.5 Bar (1500 PSI) @ 11.3 LPM (3 GPM)
50	34.5 - 345 Bar (500 - 5000 PSI) Standard Setting: 172.4 Bar (2500 PSI) @ 11.3 LPM (3 GPM)

Optional Pressure Setting
Pressure ÷ 10 i.e. 235 = 2350 PSI (Omit if standard setting is used) Setting Range: 100 to 5000 PSI All settings at 11.3 LPM (3 GPM)

Code	Port Size	Body Part No.
Omit	Cartridge Only	
12T	SAE-12	(B16-3-*12T)
16T	SAE-16	(B16-3-*16T)

\* Add "A" for aluminum, omit for steel.

- CV** Check Valves
- SH** Shuttle Valves
- LM** Load/Motor Controls
- FC** Flow Controls
- PC** Pressure Controls
- LE** Logic Elements
- DC** Directional Controls
- MV** Manual Valves
- SV** Solenoid Valves
- PV** Proportional Valves
- CE** Coils & Electronics
- BC** Bodies & Cavities
- TD** Technical Data

**Technical Information**

- CV** Check Valves
- SH** Shuttle Valves
- LM** Load/Motor Controls
- FC** Flow Controls
- PC** Pressure Controls
- LE** Logic Elements
- DC** Directional Controls
- MV** Manual Valves
- SV** Solenoid Valves
- PV** Proportional Valves
- CE** Coils & Electronics
- BC** Bodies & Cavities
- TD** Technical Data

**General Description**

Pilot Operated Sequence Valve (Externally Piloted, Internally Vented).  
For additional information see Technical Tips on pages PC1-PC6.

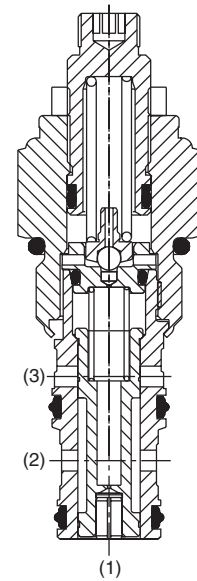
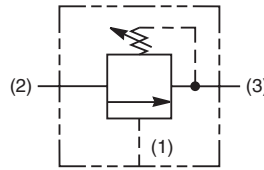
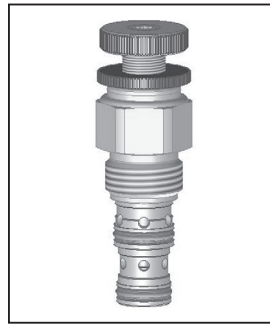


**Features**

- Hardened, precision ground parts for durability
- Low profile adapter for minimal space requirements
- Fully guided poppet for more consistent reseal
- Steel adapters are zinc plated
- Polyurethane “D”-Ring eliminates backup rings and prevents hydrolysis
- Internal screening protects pilot spring from debris

**Specifications**

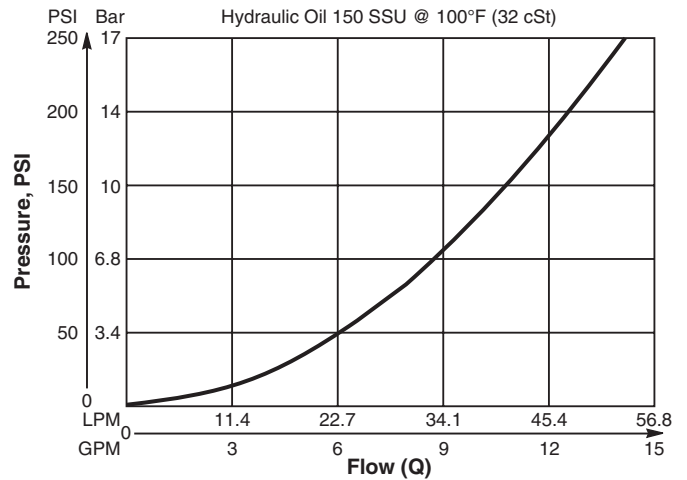
<b>Rated Flow</b>	56.3 LPM (15 GPM)								
<b>Maximum Inlet Pressure</b>	380 Bar (5500 PSI)								
<b>Maximum Pressure Setting</b>	350 Bar (5000 PSI)								
<b>Sensitivity: Pressure/Turn</b>	<table border="0"> <tr> <td><b>10</b></td> <td>19.6 Bar (285 PSI)</td> </tr> <tr> <td><b>20</b></td> <td>39.3 Bar (570 PSI)</td> </tr> <tr> <td><b>30</b></td> <td>58.9 Bar (859 PSI)</td> </tr> <tr> <td><b>50</b></td> <td>131.7 Bar (1910 PSI)</td> </tr> </table>	<b>10</b>	19.6 Bar (285 PSI)	<b>20</b>	39.3 Bar (570 PSI)	<b>30</b>	58.9 Bar (859 PSI)	<b>50</b>	131.7 Bar (1910 PSI)
<b>10</b>	19.6 Bar (285 PSI)								
<b>20</b>	39.3 Bar (570 PSI)								
<b>30</b>	58.9 Bar (859 PSI)								
<b>50</b>	131.7 Bar (1910 PSI)								
<b>Maximum Tank Pressure</b>	350 Bar (5000 PSI)								
<b>Maximum Drain Flow</b>	See maximum drain flow chart (Lower right)								
<b>Reseat Pressure</b>	90% of crack pressure								
<b>Leakage at 150 SSU (32 cSt)</b>	82 cc/min. (5 cu. in./min.) @ 210 Bar (3000 PSI)								
<b>Cartridge Material</b>	All parts steel. All operating parts hardened steel.								
<b>Operating Temp. Range/Seals</b>	-45°C to +132°C (“D”-Ring) (-50°F to +270°F) -34°C to +121°C (Nitrile) (-30°F to +250°F) -26°C to +204°C (Fluorocarbon) (-15°F to +400°F)								
<b>Fluid Compatibility/Viscosity</b>	Mineral-based or synthetic with lubricating properties at viscosities of 45 to 2000 SSU (6 to 420 cSt)								
<b>Filtration</b>	ISO-4406 18/16/13, SAE Class 4								
<b>Approx. Weight</b>	.45 kg (1.0 lbs.)								
<b>Cavity</b>	C10-3 (See BC Section for more details)								
<b>Form Tool</b>	Rougher NTF10-3R Finisher NFT10-3F								



**Performance Curve**

**Flow vs. Inlet Pressure**

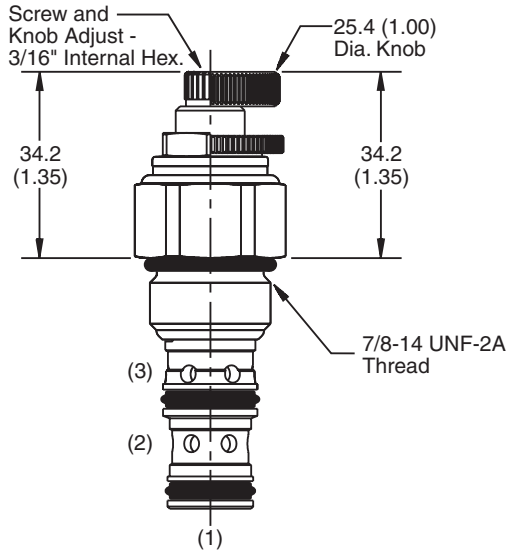
(Pressure rise through cartridge only)



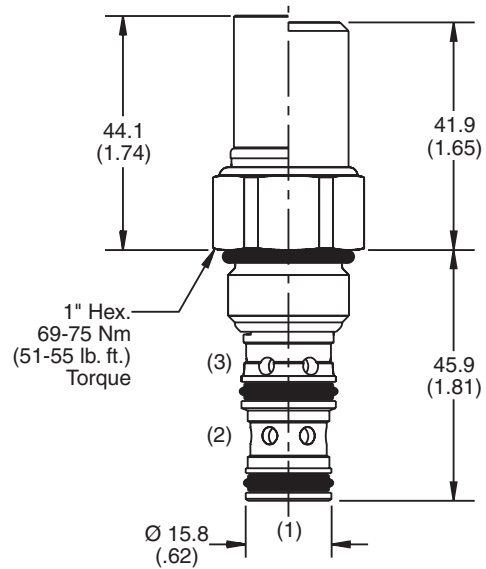
**Maximum Drain Flow**

<b>P<sub>PILOT</sub> - P<sub>SETTING</sub></b>	<b>Drain Flow</b>
6.9 Bar (100 PSI)	0.34 LPM (0.09 GPM)
35 Bar (500 PSI)	0.76 LPM (0.20 GPM)
69 Bar (1000 PSI)	1.08 LPM (0.29 GPM)
138 Bar (2000 PSI)	1.53 LPM (0.40 GPM)
207 Bar (3000 PSI)	1.87 LPM (0.50 GPM)

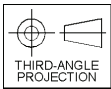
**Dimensions** Millimeters (Inches)



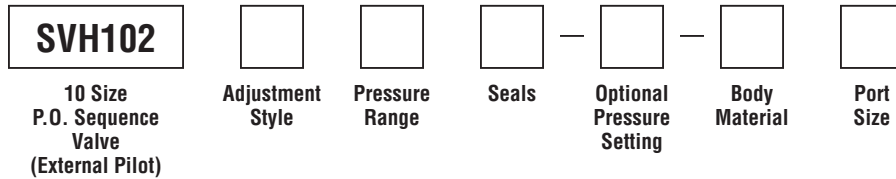
**Screw/Knob Version**



**Fixed Cap/Tamper Resistant Version**



**Ordering Information**



Code	Adjustment Style / Kit No.
F	Fixed style, preset at factory.
K	Knob Adjust (717784-10)
S	Screw Adjust
T	Tamper Resistant Cap (718083)

Code	Seals / Kit No.
Omit	"D"-Ring / (SK10-3)
N	Nitrile / (SK10-3N)
V	Fluorocarbon / (SK10-3V)

Code	Body Material
Omit	Steel
A	Aluminum

Code	Pressure Range
10	20.7 - 69 Bar (300 - 1000 PSI) Standard Setting: 34.5 Bar (500 PSI) @ crack pressure, approximately 11.3 LPM (3 GPM)
20	6.9 - 138 Bar (100 - 2000 PSI) Standard Setting: 69 Bar (1000 PSI) @ crack pressure, approximately 11.3 LPM (3 GPM)
30	13.8 - 207 Bar (200 - 3000 PSI) Standard Setting: 103.5 Bar (1500 PSI) @ crack pressure, approximately 11.3 LPM (3 GPM)
50	13.8 - 345 Bar (200 - 5000 PSI) Standard Setting: 172.4 Bar (2500 PSI) @ crack pressure, approximately 11.3 LPM (3 GPM)

Optional Pressure Setting	
Pressure	± 10
	i.e. 235 = 2350 PSI
	(Omit if standard setting is used)
Setting Range:	100 to 5000 PSI
	All settings at crack pressure, approximately 11.3 LPM (3 GPM)

Code	Port Size	Body Part No.
Omit	Cartridge Only	
6T	SAE-6	(B10-3-*6T)
8T	SAE-8	(B10-3-*8T)

\* Add "A" for aluminum, omit for steel.

- CV** Check Valves
- SH** Shuttle Valves
- LM** Load/Motor Controls
- FC** Flow Controls
- PC** Pressure Controls
- LE** Logic Elements
- DC** Directional Controls
- MV** Manual Valves
- SV** Solenoid Valves
- PV** Proportional Valves
- CE** Coils & Electronics
- BC** Bodies & Cavities
- TD** Technical Data

**Technical Information**

- CV** Check Valves
- SH** Shuttle Valves
- LM** Load/Motor Controls
- FC** Flow Controls
- PC** Pressure Controls
- LE** Logic Elements
- DC** Directional Controls
- MV** Manual Valves
- SV** Solenoid Valves
- PV** Proportional Valves
- CE** Coils & Electronics
- BC** Bodies & Cavities
- TD** Technical Data

**General Description**

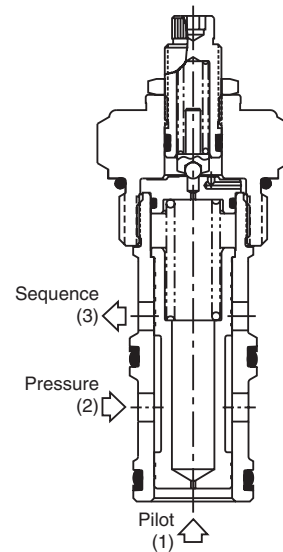
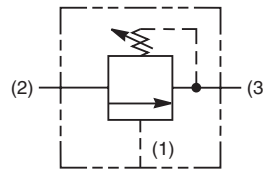
Pilot Operated Sequence Valve (Externally Piloted, Internally Vented). For additional information see Technical Tips on pages PC1-PC6.

**Features**

- Hardened, precision ground parts for durability
- High accuracy, pilot operation design
- Ball-type pilot for added stability
- All external parts zinc plated

**Specifications**

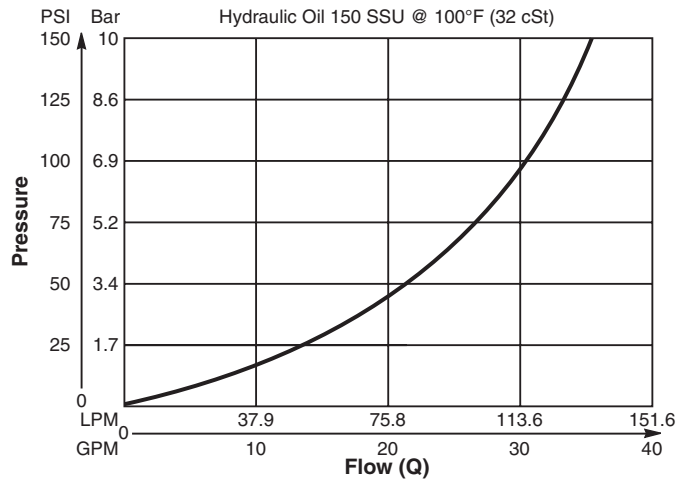
<b>Rated Flow</b>	151.6 LPM (40 GPM)								
<b>Maximum Inlet Pressure</b>	380 Bar (5500 PSI)								
<b>Maximum Pressure Setting</b>	350 Bar (5000 PSI)								
<b>Sensitivity: Pressure/Turn</b>	<table style="border: none;"> <tr> <td style="padding-right: 10px;"><b>10</b></td> <td>23 Bar (334 PSI)</td> </tr> <tr> <td><b>20</b></td> <td>37 Bar (539 PSI)</td> </tr> <tr> <td><b>30</b></td> <td>59.7 Bar (867 PSI)</td> </tr> <tr> <td><b>50</b></td> <td>118 Bar (1711 PSI)</td> </tr> </table>	<b>10</b>	23 Bar (334 PSI)	<b>20</b>	37 Bar (539 PSI)	<b>30</b>	59.7 Bar (867 PSI)	<b>50</b>	118 Bar (1711 PSI)
<b>10</b>	23 Bar (334 PSI)								
<b>20</b>	37 Bar (539 PSI)								
<b>30</b>	59.7 Bar (867 PSI)								
<b>50</b>	118 Bar (1711 PSI)								
<b>Maximum Tank Pressure</b>	350 Bar (5000 PSI)								
<b>Maximum Drain Flow</b>	See maximum drain flow chart (Lower right)								
<b>Reseat Pressure</b>	80% of Crack Pressure								
<b>Leakage at 150 SSU (32 cSt)</b>	82 cc/min. (5 cu. in./min.) @ 75% of Crack Pressure								
<b>Cartridge Material</b>	All parts steel. All operating parts hardened steel.								
<b>Operating Temp. Range/Seals</b>	-34°C to +121°C (Nitrile) (-30°F to +250°F) -26°C to +204°C (Fluorocarbon) (-15°F to +400°F)								
<b>Fluid Compatibility/Viscosity</b>	Mineral-based or synthetic with lubricating properties at viscosities of 45 to 2000 SSU (6 to 420 cSt)								
<b>Filtration</b>	ISO-4406 18/16/13, SAE Class 4								
<b>Approx. Weight</b>	.45 kg (1.0 lbs.)								
<b>Cavity</b>	C16-3 (See BC Section for more details)								
<b>Form Tool</b>	Rougher NFT16-3R Finisher NFT16-3F								



**Performance Curve**

**Flow vs. Inlet Pressure**

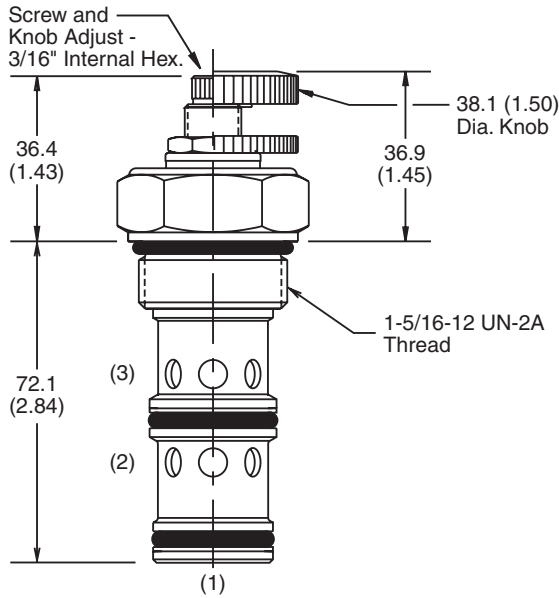
(Pressure rise through cartridge only)



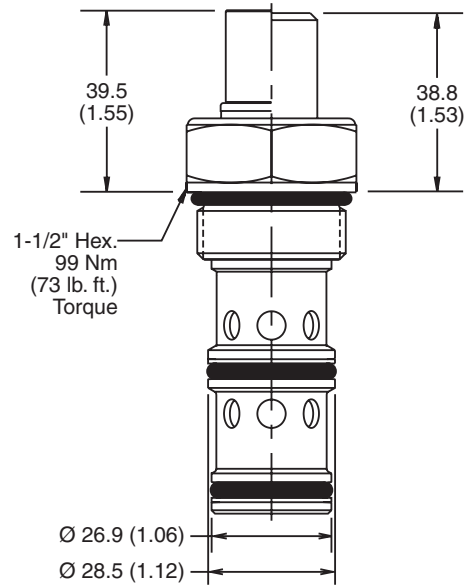
**Maximum Drain Flow**

<b>P<sub>PILOT</sub> - P<sub>SETTING</sub></b>	<b>Drain Flow</b>
6.9 Bar (100 PSI)	0.69 LPM (0.18 GPM)
35 Bar (500 PSI)	1.55 LPM (0.41 GPM)
69 Bar (1000 PSI)	2.19 LPM (0.58 GPM)
138 Bar (2000 PSI)	3.10 LPM (0.82 GPM)
207 Bar (3000 PSI)	3.79 LPM (1.00 GPM)

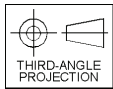
**Dimensions** Millimeters (Inches)



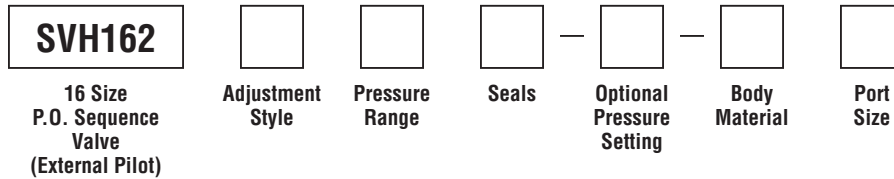
**Screw/Knob Version**



**Fixed Cap/Tamper Resistant Version**



**Ordering Information**



Code	Adjustment Style / Kit No.
F	Fixed style, preset at factory.
K	Knob Adjust (717784-15)
S	Screw Adjust
T	Tamper Resistant Cap (717785)

Code	Seals / Kit No.
Omit	Nitrile / (SK16-3)
V	Fluorocarbon / (SK16-3V)

Code	Body Material
Omit	Steel
A	Aluminum

Code	Pressure Range
10	6.9 - 69 Bar (100 - 1000 PSI) Standard Setting: 34.5 Bar (500 PSI) @ 11.3 LPM (3 GPM)
20	13.8 - 138 Bar (200 - 2000 PSI) Standard Setting: 69 Bar (1000 PSI) @ 11.3 LPM (3 GPM)
30	20.7 - 207 Bar (300 - 3000 PSI) Standard Setting: 103.5 Bar (1500 PSI) @ 11.3 LPM (3 GPM)
50	34.5 - 345 Bar (500 - 5000 PSI) Standard Setting: 172.4 Bar (2500 PSI) @ 11.3 LPM (3 GPM)

Optional Pressure Setting
Pressure ÷ 10 i.e. 235 = 2350 PSI (Omit if standard setting is used) Setting Range: 100 to 5000 PSI All settings at 11.3 LPM (3 GPM)

Code	Port Size	Body Part No.
Omit	Cartridge Only	
12T	SAE-12	(B16-3-*12T)
16T	SAE-16	(B16-3-*16T)

\* Add "A" for aluminum, omit for steel.

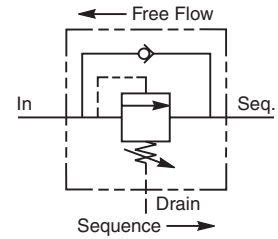
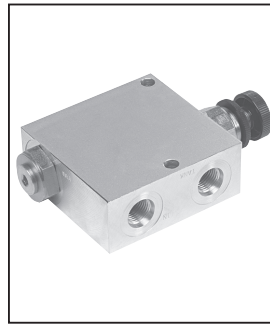
- CV** Check Valves
- SH** Shuttle Valves
- LM** Load/Motor Controls
- FC** Flow Controls
- PC** Pressure Controls
- LE** Logic Elements
- DC** Directional Controls
- MV** Manual Valves
- SV** Solenoid Valves
- PV** Proportional Valves
- CE** Coils & Electronics
- BC** Bodies & Cavities
- TD** Technical Data

**Technical Information**

- CV** Check Valves
- SH** Shuttle Valves
- LM** Load/Motor Controls
- FC** Flow Controls
- PC** Pressure Controls
- LE** Logic Elements
- DC** Directional Controls
- MV** Manual Valves
- SV** Solenoid Valves
- PV** Proportional Valves
- CE** Coils & Electronics
- BC** Bodies & Cavities
- TD** Technical Data

**General Description**

Pilot Operated Sequence Valve with Reverse Flow Check. For additional information see Technical Tips on pages PC1-PC6.

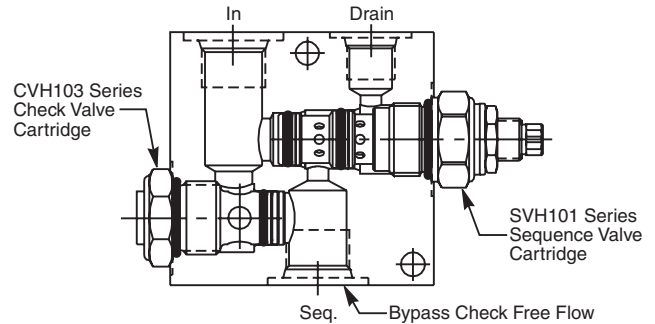


**Features**

- Hardened, precision ground parts for durability
- Built-in reverse flow check reduces plumbing
- Cartridge design
- All external parts zinc plated

**Specifications**

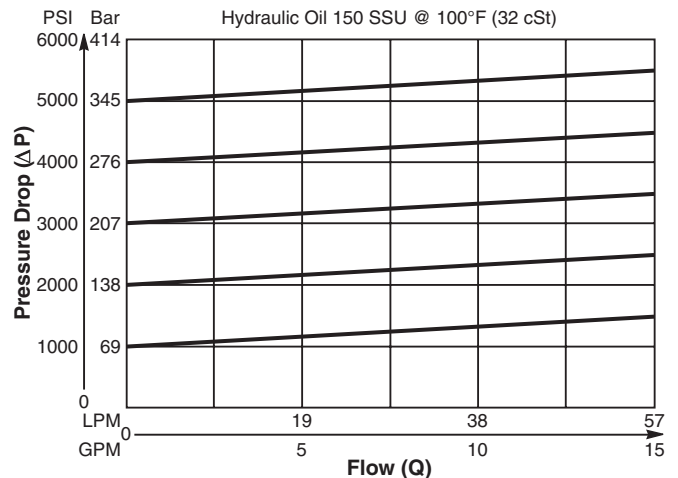
<b>Rated Flow</b>	56.3 LPM (15 GPM)								
<b>Maximum Inlet Pressure</b>	380 Bar (5500 PSI)								
<b>Maximum Pressure Setting</b>	350 Bar (5000 PSI)								
<b>Sensitivity: Pressure/Turn</b>	<table style="border: none;"> <tr> <td><b>10</b></td> <td>19.6 Bar (285 PSI)</td> </tr> <tr> <td><b>20</b></td> <td>39.3 Bar (570 PSI)</td> </tr> <tr> <td><b>30</b></td> <td>58.9 Bar (859 PSI)</td> </tr> <tr> <td><b>50</b></td> <td>131.7 Bar (1910 PSI)</td> </tr> </table>	<b>10</b>	19.6 Bar (285 PSI)	<b>20</b>	39.3 Bar (570 PSI)	<b>30</b>	58.9 Bar (859 PSI)	<b>50</b>	131.7 Bar (1910 PSI)
<b>10</b>	19.6 Bar (285 PSI)								
<b>20</b>	39.3 Bar (570 PSI)								
<b>30</b>	58.9 Bar (859 PSI)								
<b>50</b>	131.7 Bar (1910 PSI)								
<b>Maximum Drain Flow</b>	.94 LPM (0.25 GPM)								
<b>Reseat Pressure</b>	90% of Crack Pressure								
<b>Leakage at 150 SSU (32 cSt)</b>	82 cc/min. (5 cu. in./min.) at 210 Bar (3000 PSI)								
<b>Cartridge Material</b>	All parts steel. All operating parts hardened steel.								
<b>Body Material</b>	Steel								
<b>Operating Temp. Range/Seals</b>	-45°C to +132°C ("D"-Ring) (-50°F to +270°F) -34°C to +121°C (Nitrile) (-30°F to +250°F) -26°C to +204°C (Fluorocarbon) (-15°F to +400°F)								
<b>Fluid Compatibility/Viscosity</b>	Mineral-based or synthetic with lubricating properties at viscosities of 45 to 2000 SSU (6 to 420 cSt)								
<b>Filtration</b>	ISO-4406 18/16/13, SAE Class 4								
<b>Approx. Weight</b>	1.6 kg (3.5 lbs.)								



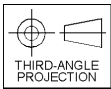
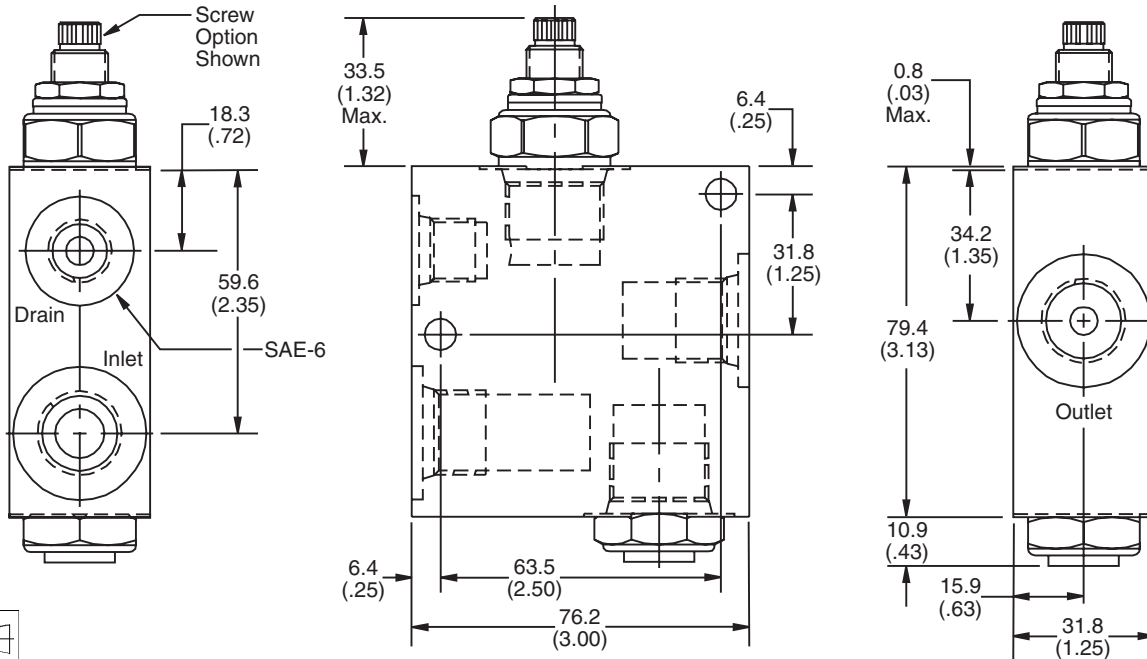
**Performance Curve**

**Flow vs. Inlet Pressure**

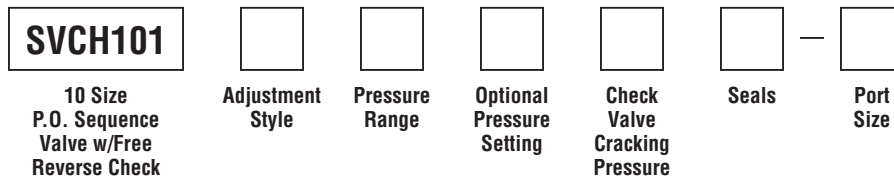
(Pressure rise through cartridge only)



**Dimensions** Millimeters (Inches)



**Ordering Information**



Code	Adjustment Style / Kit No.
F	Fixed style, preset at factory.
K	Knob Adjust (717784-10)
S	Screw Adjust
T	Tamper Resistant Cap (718083)

Optional Pressure Setting	
Pressure ÷ 10 i.e. 235 = 2350 PSI (Omit if standard setting is used) Setting Range: 100 to 5000 PSI All settings at crack pressure, approximately .95 LPM (.25 GPM)	

Code	Seals
Omit	"D"-Ring
N	Nitrile
V	Fluorocarbon

Code	Port Size	Part No.
8T	SAE-8	830343

Code	Pressure Range
10	6.9 - 69 Bar (100 - 1000 PSI) Standard Setting: 34.5 Bar (500 PSI) @ crack pressure, approximately .95 LPM (.25 GPM)
20	6.9 - 138 Bar (100 - 2000 PSI) Standard Setting: 69 Bar (1000 PSI) @ crack pressure, approximately .95 LPM (.25 GPM)
30	13.8 - 207 Bar (200 - 3000 PSI) Standard Setting: 103.5 Bar (1500 PSI) @ crack pressure, approximately .95 LPM (.25 GPM)
50	13.8 - 345 Bar (200 - 5000 PSI) Standard Setting: 172.4 Bar (2500 PSI) @ crack pressure, approximately .95 LPM (.25 GPM)

Code	Cracking Pressure
Omit	0.3 Bar (5 PSI)
P20	1.4 Bar (20 PSI)
P50	3.5 Bar (50 PSI)
P65	4.5 Bar (65 PSI)
P100	6.9 Bar (100 PSI)

- CV Check Valves
- SH Shuttle Valves
- LM Load/Motor Controls
- FC Flow Controls
- PC Pressure Controls
- LE Logic Elements
- DC Directional Controls
- MV Manual Valves
- SV Solenoid Valves
- PV Proportional Valves
- CE Coils & Electronics
- BC Bodies & Cavities
- TD Technical Data



**CV**

Check  
Valves

**SH**

Shuttle  
Valves

**LM**

Load/Motor  
Controls

**FC**

Flow  
Controls

**PC**

Pressure  
Controls

**LE**

Logic  
Elements

**DC**

Directional  
Controls

**MV**

Manual  
Valves

**SV**

Solenoid  
Valves

**PV**

Proportional  
Valves

**CE**

Coils &  
Electronics

**BC**

Bodies &  
Cavities

**TD**

Technical  
Data

**General Description**

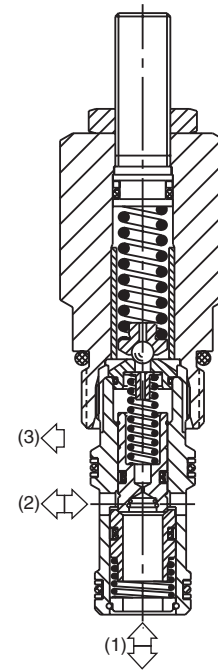
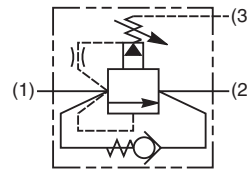
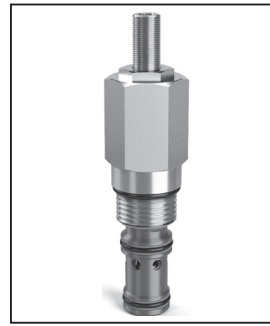
Pilot Operated Sequence Valve with Reverse Flow Check. For additional information see Technical Tips on pages PC1-PC6.

**Features**

- High flow capacity
- For use on clamp and drill circuits where pressure is to be maintained regardless of drop in system pressure
- Integral 250 micron pilot flow filter
- Hardened working parts for maximum durability
- Adjustable and tamperproof versions available
- All external parts zinc plated

**Specifications**

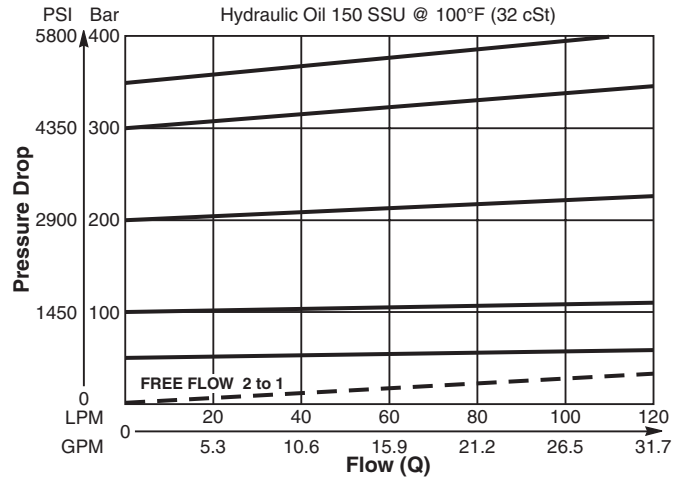
<b>Rated Flow</b>	70 LPM (18.5 GPM)
<b>Maximum Inlet Pressure</b>	420 Bar (6000 PSI)
<b>Maximum Pressure Setting</b>	<b>H</b> - 10-210 Bar (145-3000 PSI) <b>P</b> - 10-420 Bar (145-6000 PSI)
<b>Sensitivity: Pressure/Turn</b>	<b>H</b> 30 Bar (435 PSI) <b>P</b> 55 Bar (800 PSI)
<b>Maximum Tank Pressure</b>	420 Bar (6000 PSI)
<b>Leakage at 150 SSU (32 cSt)</b>	50 drops/min. @ 100 Bar (1450 PSI)
<b>Cartridge Material</b>	All parts steel. All operating parts hardened steel.
<b>Operating Temp. Range/Seals</b>	-34°C to +121°C (Nitrile) (-30°F to +250°F) -26°C to +204°C (Fluorocarbon) (-15°F to +400°F)
<b>Fluid Compatibility/Viscosity</b>	Mineral-based or synthetic with lubricating properties at viscosities of 45 to 2000 SSU (6 to 420 cSt)
<b>Filtration</b>	ISO-4406 18/16/13, SAE Class 4
<b>Approx. Weight</b>	0.25 kg (0.55 lbs.)
<b>Cavity</b>	C10-3S (See BC Section for more details)
<b>Form Tool</b>	Rougher NFT10S-3R Finisher NFT10S-3F



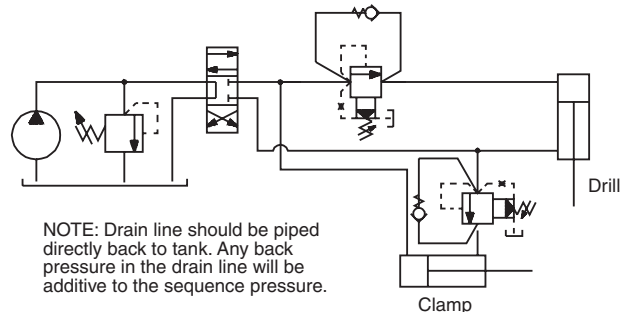
**Performance Curve**

(Pressure rise through cartridge only)

**Flow vs. Inlet Pressure 1 to 2**

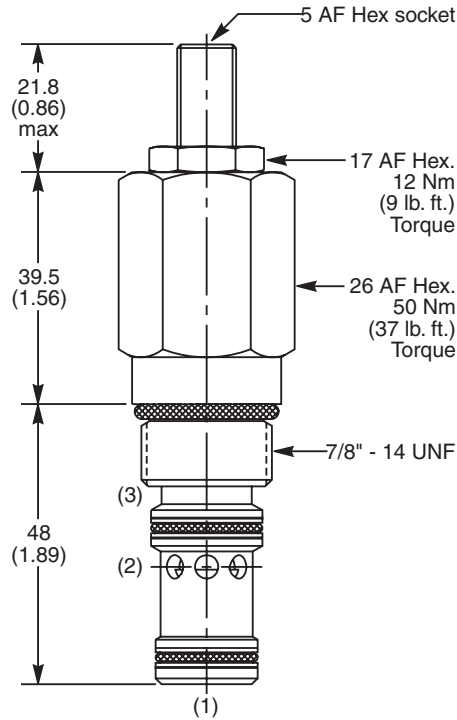


**Application**



NOTE: Drain line should be piped directly back to tank. Any back pressure in the drain line will be additive to the sequence pressure.

**Dimensions** Millimeters (Inches)



**Ordering Information**

<b>B04D3</b>	<input type="checkbox"/>	<input type="checkbox"/>	<input type="checkbox"/>	<input type="checkbox"/>	<input type="checkbox"/>
<b>10 Size Pilot Operated Sequence Valve</b>	<b>Pressure Adjustment Range</b>	<b>Adjustment Style</b>	<b>Optional Flow @ Pressure Setting</b>	<b>Optional Pressure Setting</b>	<b>Seals</b>

Code	Pressure Adjustment Range
H	10 - 210 Bar (145 - 3000 PSI)
P	10 - 420 Bar (145 - 6000 PSI)

Code	Adjustment Style / Kit No.
Z	Screw Adjust (Std.)
W	Knob Adjust
T	Tamper Resistant Cap (TC1130)

Optional Flow @ Pressure Setting	
If you require a maximum pressure setting at a flow rate, please enter it here in Liters per minute (LPM). Standard setting: 15 LPM (4.0 GPM)	

Optional Pressure Setting	
Specify setting if required (Bar)	
<b>B04D3H</b> Standard Setting: 100 Bar (1450 PSI) @ 15 LPM (4.0 GPM)	
<b>B04D3P</b> Standard Setting: 200 Bar (2900 PSI) @ 15 LPM (4.0 GPM)	

Code	Seals / Kit No.
N	Nitrile, Buna-N (Std.) / (SK30504N-1)
V	Fluorocarbon / (SK30504V-1)

*Order Bodies Separately*

<b>LB10</b>	<input type="checkbox"/>	<input type="checkbox"/>
<b>Line Body</b>	<b>Porting</b>	<b>Body Material</b>

Code	Porting
710	5/8" SAE (main) 3/8" SAE (aux)

Code	Body Material
A	Aluminum
S	Steel

- CV** Check Valves
- SH** Shuttle Valves
- LM** Load/Motor Controls
- FC** Flow Controls
- PC** Pressure Controls
- LE** Logic Elements
- DC** Directional Controls
- MV** Manual Valves
- SV** Solenoid Valves
- PV** Proportional Valves
- CE** Coils & Electronics
- BC** Bodies & Cavities
- TD** Technical Data

**Technical Information**

**CV**

Check Valves

**SH**

Shuttle Valves

**LM**

Load/Motor Controls

**FC**

Flow Controls

**PC**

Pressure Controls

**LE**

Logic Elements

**DC**

Directional Controls

**MV**

Manual Valves

**SV**

Solenoid Valves

**PV**

Proportional Valves

**CE**

Coils & Electronics

**BC**

Bodies & Cavities

**TD**

Technical Data

**General Description**

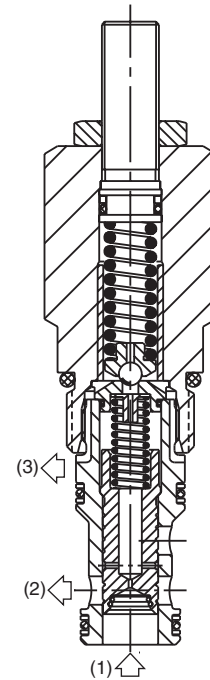
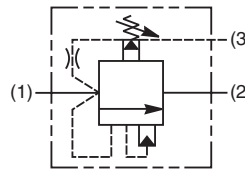
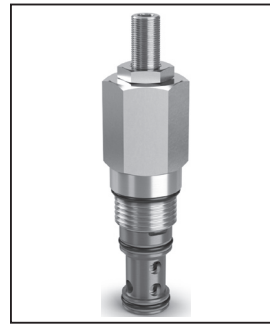
Kick-Down, Spool Type, Pilot Operated Sequence Valve. For additional information see Technical Tips on pages PC1-PC6.

**Features**

- High flow capacity
- Integral 250 micron pilot flow filter
- Hardened working parts for maximum durability
- Adjustable and tamperproof versions available
- All external parts zinc plated

**Specifications**

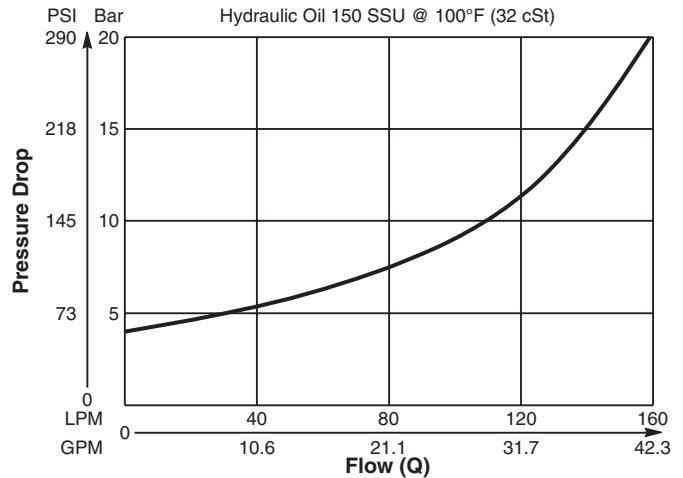
<b>Rated Flow</b>	160 LPM (42 GPM)
<b>Maximum Inlet Pressure</b>	420 Bar (6000 PSI)
<b>Maximum Pressure Setting</b>	H - 10-210 Bar (145-3000 PSI) P - 10-420 Bar (145-6000 PSI)
<b>Sensitivity: Pressure/Turn</b>	H 30 Bar (435 PSI) P 55 Bar (800 PSI)
<b>Maximum Tank Pressure</b>	420 Bar (6000 PSI)
<b>Cartridge Material</b>	All parts steel. All operating parts hardened steel.
<b>Operating Temp. Range/Seals</b>	-34°C to +121°C (Nitrile) (-30°F to +250°F) -26°C to +204°C (Fluorocarbon) (-15°F to +400°F)
<b>Fluid Compatibility/Viscosity</b>	Mineral-based or synthetic with lubricating properties at viscosities of 45 to 2000 SSU (6 to 420 cSt)
<b>Filtration</b>	ISO-4406 18/16/13, SAE Class 4
<b>Approx. Weight</b>	0.27 kg (0.55 lbs.)
<b>Cavity</b>	C10-3S (See BC Section for more details)
<b>Form Tool</b>	Rougher NFT10S-3R Finisher NFT10S-3F



**Performance Curve**

(Pressure rise through cartridge only)

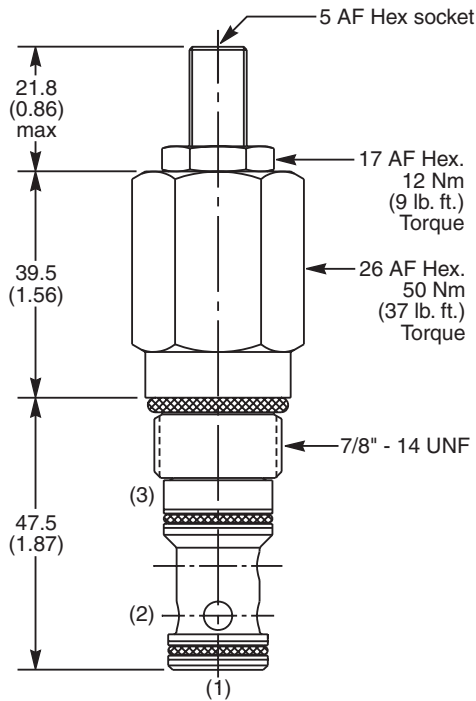
**Pressure Drop vs. Flow 1 to 2**



**Application Note**

Valve unloads completely when setting is reached and resets when fluid supply is removed.

**Dimensions** Millimeters (Inches)



**Ordering Information**

<b>B04C3</b>	<input type="checkbox"/>	<input type="checkbox"/>	<input type="checkbox"/>	<input type="checkbox"/>	<input type="checkbox"/>	<input type="checkbox"/>
<b>10 Size Kick-Down Pilot Operated Sequence Valve</b>	<b>Pressure Adjustment Range</b>	<b>Adjustment Style</b>	<b>Optional Flow @ Pressure Setting</b>	<b>Optional Pressure Setting</b>	<b>Seals</b>	

Code	Pressure Adjustment Range
H	10 - 210 Bar (145 - 3000 PSI)
P	10 - 420 Bar (145 - 6000 PSI)

Code	Adjustment Style / Kit No.
Z	Screw Adjust (Std.)
W	Knob Adjust
T	Tamper Resistant Cap (TC1130)

Optional Flow @ Pressure Setting
If you require a maximum pressure setting at a flow rate, please enter it here in Liters per minute (LPM). Standard setting: 15 LPM (4.0 GPM)

Optional Pressure Setting
Specify setting if required (Bar) <b>B04C3H</b> Standard Setting: 100 Bar (1450 PSI) <b>B04C3P</b> Standard Setting: 200 Bar (2900 PSI)

Code	Seals / Kit No.
N	Nitrile, Buna-N (Std.) / (SK30504N-1)
V	Fluorocarbon / (SK30504V-1)

*Order Bodies Separately*

<b>LB10</b>	<input type="checkbox"/>	<input type="checkbox"/>
Line Body	Porting	Body Material

Code	Porting
710	5/8" SAE (main) 3/8" SAE (aux)

Code	Body Material
A	Aluminum
S	Steel

- CV** Check Valves
- SH** Shuttle Valves
- LM** Load/Motor Controls
- FC** Flow Controls
- PC** Pressure Controls
- LE** Logic Elements
- DC** Directional Controls
- MV** Manual Valves
- SV** Solenoid Valves
- PV** Proportional Valves
- CE** Coils & Electronics
- BC** Bodies & Cavities
- TD** Technical Data

**Technical Information**

**CV**

Check Valves

**SH**

Shuttle Valves

**LM**

Load/Motor Controls

**FC**

Flow Controls

**PC**

Pressure Controls

**LE**

Logic Elements

**DC**

Directional Controls

**MV**

Manual Valves

**SV**

Solenoid Valves

**PV**

Proportional Valves

**CE**

Coils & Electronics

**BC**

Bodies & Cavities

**TD**

Technical Data

**General Description**

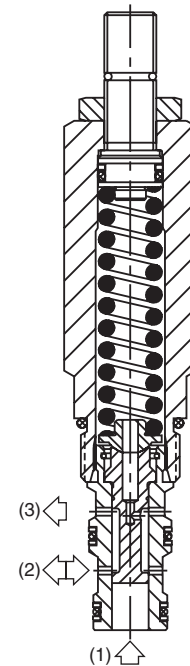
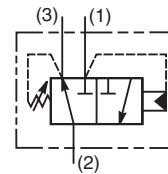
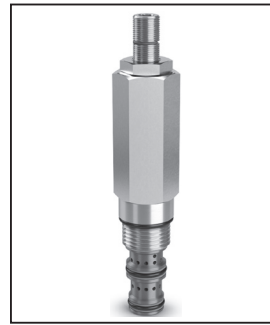
Direct Acting Sequence Valve with Internal Pilot and Drain. For additional information see Technical Tips on pages PC1-PC6.

**Features**

- Hardened working parts for maximum durability
- All external parts zinc plated
- Adjustable and tamperproof versions available

**Specifications**

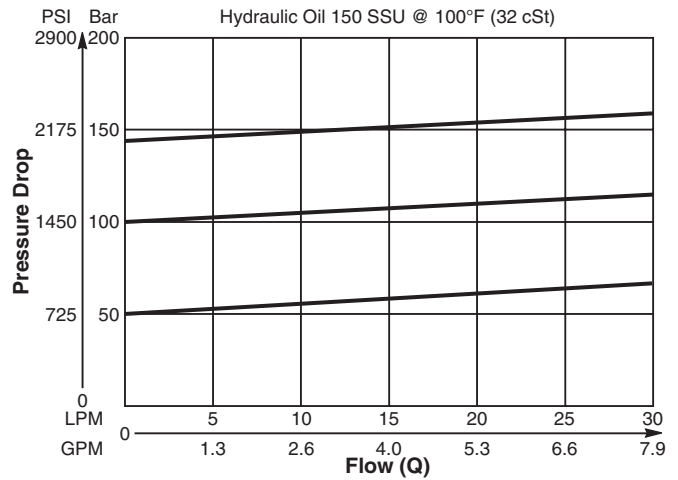
<b>Rated Flow</b>	30 LPM (8 GPM)
<b>Maximum Inlet Pressure</b>	420 Bar (6000 PSI)
<b>Maximum Pressure Setting</b>	2-148 Bar (30-2150 PSI)
<b>Sensitivity: Pressure/Turn</b>	<b>F</b> 22 Bar (318 PSI)
<b>Maximum Tank Pressure</b>	420 Bar (6000 PSI)
<b>Leakage at 150 SSU (32 cSt)</b>	25 ml/min. @ 35 Bar (580 PSI)
<b>Cartridge Material</b>	All parts steel. All operating parts hardened steel.
<b>Operating Temp. Range/Seals</b>	-34°C to +121°C (Nitrile) (-30°F to +250°F) -26°C to +204°C (Fluorocarbon) (-15°F to +400°F)
<b>Fluid Compatibility/Viscosity</b>	Mineral-based or synthetic with lubricating properties at viscosities of 45 to 2000 SSU (6 to 420 cSt)
<b>Filtration</b>	ISO-4406 18/16/13, SAE Class 4
<b>Approx. Weight</b>	0.21 kg (0.46 lbs.)
<b>Cavity</b>	C08-3 (See BC Section for more details)
<b>Form Tool</b>	Rougher NFT08-3R Finisher NFT08-3F



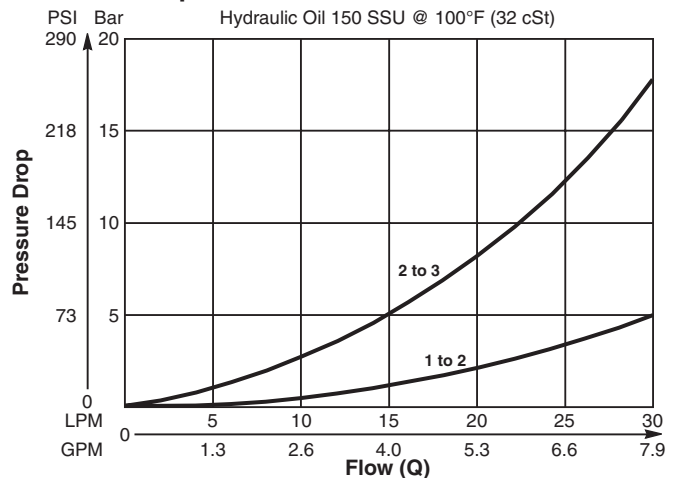
**Performance Curves**

(Pressure rise through cartridge only)

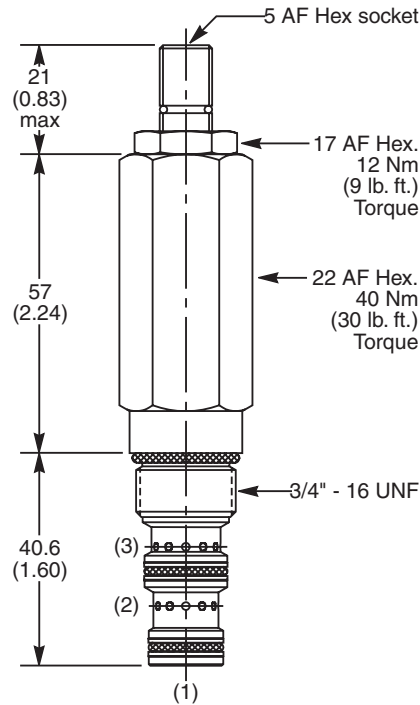
**Flow vs. Inlet Pressure 1 to 2**



**Pressure Drop vs. Flow**



**Dimensions** Millimeters (Inches)



**Ordering Information**

<b>B02E3</b>	<b>F</b>						
<b>08 Size D.A. Sequence Valve (Int. Pilot &amp; Drain)</b>	<b>Pressure Adjustment Range</b>	<b>Adjustment Style</b>	<b>Optional Flow @ Pressure Setting</b>	<b>Optional Pressure Setting</b>	<b>Seals</b>	<b>Body Material</b>	<b>Port Size</b>

Code	Pressure Adjustment Range
F	2 - 148 Bar (30 - 2150 PSI)

Optional Pressure Setting	
Specify setting if required (Bar)	
<b>B02E3F</b> Standard Setting: 75 Bar (1100 PSI) @ 5 LPM (1.3 GPM)	

Code	Body Material
Omit	Steel
A	Aluminum

Code	Adjustment Style / Kit No.
Z	Screw Adjust (Std.)
W	Knob Adjust
T	Tamper Resistant Cap (TC1130)

Code	Seals / Kit No.
N	Nitrile, Buna-N (Std.) / (SK30501N-1)
V	Fluorocarbon / (SK30501V-1)

Code	Port Size	Body Part No.
Omit	Cartridge Only	
4T	SAE-4	(B08-3-*4T)
6T	SAE-6	(B08-3-*6T)

\* Add "A" for aluminum, omit for steel.

Optional Flow @ Pressure Setting	
If you require a maximum pressure setting at a flow rate, please enter it here in Liters per minute (LPM).	
Standard setting: 5 LPM (1.3 GPM)	

- CV** Check Valves
- SH** Shuttle Valves
- LM** Load/Motor Controls
- FC** Flow Controls
- PC** Pressure Controls
- LE** Logic Elements
- DC** Directional Controls
- MV** Manual Valves
- SV** Solenoid Valves
- PV** Proportional Valves
- CE** Coils & Electronics
- BC** Bodies & Cavities
- TD** Technical Data

**Technical Information**

- CV** Check Valves
- SH** Shuttle Valves
- LM** Load/Motor Controls
- FC** Flow Controls
- PC** Pressure Controls
- LE** Logic Elements
- DC** Directional Controls
- MV** Manual Valves
- SV** Solenoid Valves
- PV** Proportional Valves
- CE** Coils & Electronics
- BC** Bodies & Cavities
- TD** Technical Data

**General Description**

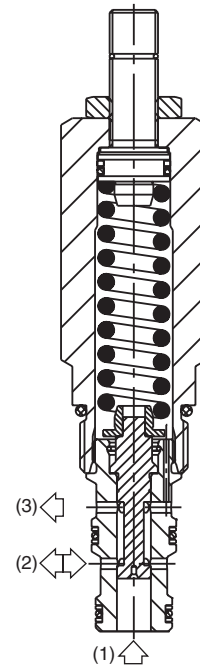
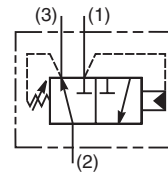
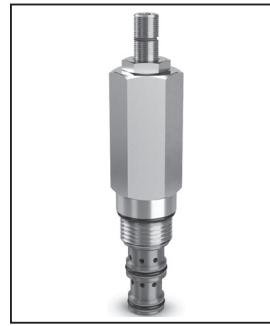
Direct Acting Sequence Valve with Internal Pilot and Drain. For additional information see Technical Tips on pages PC1-PC6.

**Features**

- Hardened working parts for maximum durability
- All external parts zinc plated
- Adjustable and tamperproof versions available

**Specifications**

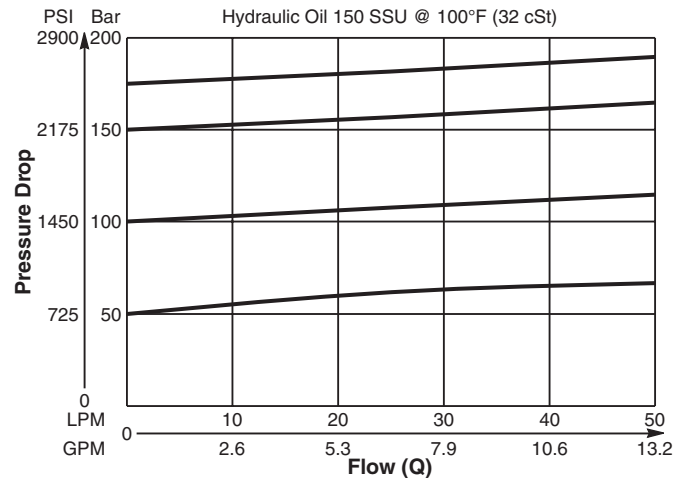
<b>Rated Flow</b>	50 LPM (13 GPM)
<b>Maximum Inlet Pressure</b>	420 Bar (6000 PSI)
<b>Maximum Pressure Setting</b>	<b>E</b> - 2-80 Bar (30-1160 PSI) <b>G</b> - 2-166 Bar (30-2400 PSI) <b>J</b> - 40-240 Bar (580-3500 PSI)
<b>Sensitivity: Pressure/Turn</b>	<b>E</b> 8.7 Bar (125 PSI) <b>G</b> 17 Bar (248 PSI) <b>J</b> 28 Bar (406 PSI)
<b>Maximum Tank Pressure</b>	420 Bar (6000 PSI)
<b>Leakage at 150 SSU (32 cSt)</b>	25 ml/min. @ 60 Bar (870 PSI)
<b>Cartridge Material</b>	All parts steel. All operating parts hardened steel.
<b>Operating Temp. Range/Seals</b>	-34°C to +121°C (Nitrile) (-30°F to +250°F) -26°C to +204°C (Fluorocarbon) (-15°F to +400°F)
<b>Fluid Compatibility/Viscosity</b>	Mineral-based or synthetic with lubricating properties at viscosities of 45 to 2000 SSU (6 to 420 cSt)
<b>Filtration</b>	ISO-4406 18/16/13, SAE Class 4
<b>Approx. Weight</b>	0.27 kg (0.60 lbs.)
<b>Cavity</b>	C10-3 (See BC Section for more details)
<b>Form Tool</b>	Rougher NFT10-3R Finisher NFT10-3F



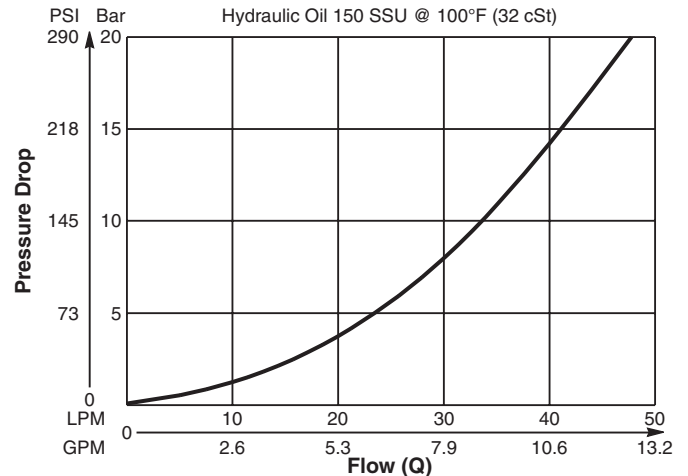
**Performance Curves**

(Pressure rise through cartridge only)

**Flow vs. Inlet Pressure 1 to 2**

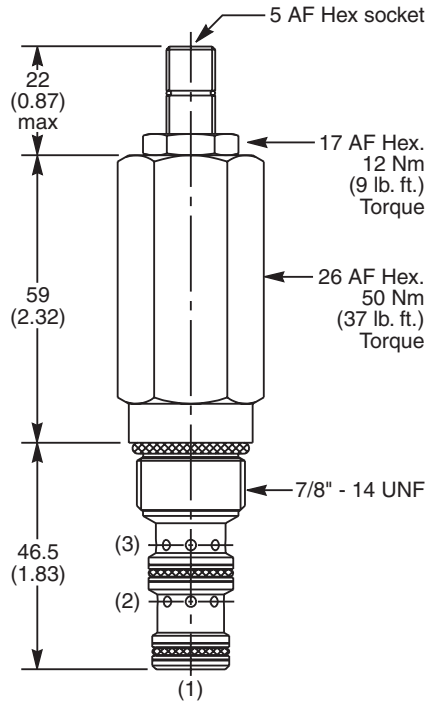


**Pressure Drop vs. Flow 1 to 2 and 2 to 3**





**Dimensions** Millimeters (Inches)



**Ordering Information**

<b>B04E3</b>							
<b>10 Size</b> D.A. Sequence Valve (Int. Pilot & Drain)	<b>Pressure</b> Adjustment Range	<b>Adjustment</b> Style	<b>Optional</b> Flow @ Pressure Setting	<b>Optional</b> Pressure Setting	<b>Seals</b>	<b>Body</b> Material	<b>Port</b> Size

Code	Pressure Adjustment Range
E	2 - 80 Bar (30 - 1160 PSI)
G	2 - 166 Bar (30 - 2400 PSI)
J	40 - 240 Bar (580 - 3500 PSI)

Code	Adjustment Style / Kit No.
Z	Screw Adjust (Std.)
W	Knob Adjust
T	Tamper Resistant Cap (TC1130)

Optional Flow @ Pressure Setting
If you require a maximum pressure setting at a flow rate, please enter it here in Liters per minute (LPM). Standard setting: 5 LPM (1.3 GPM)

Optional Pressure Setting
Specify setting if required (Bar) <b>B04E3E</b> Standard Setting: 40 Bar (580 PSI) @ 5 LPM (1.3 GPM) <b>B04E3G</b> Standard Setting: 80 Bar (1160 PSI) @ 5 LPM (1.3 GPM) <b>B04E3J</b> Standard Setting: 120 Bar (1750 PSI) @ 5 LPM (1.3 GPM)

Code	Seals / Kit No.
N	Nitrile, Buna-N (Std.) / (SK30505N-1)
V	Fluorocarbon / (SK30505V-1)

Code	Body Material
Omit	Steel
A	Aluminum

Code	Port Size	Body Part No.
Omit	Cartridge Only	
6T	SAE-6	(B10-3-*6T)
8T	SAE-8	(B10-3-*8T)

\* Add "A" for aluminum, omit for steel.

- CV** Check Valves
- SH** Shuttle Valves
- LM** Load/Motor Controls
- FC** Flow Controls
- PC** Pressure Controls
- LE** Logic Elements
- DC** Directional Controls
- MV** Manual Valves
- SV** Solenoid Valves
- PV** Proportional Valves
- CE** Coils & Electronics
- BC** Bodies & Cavities
- TD** Technical Data

**Technical Information**

**CV**

Check Valves

**SH**

Shuttle Valves

**LM**

Load/Motor Controls

**FC**

Flow Controls

**PC**

Pressure Controls

**LE**

Logic Elements

**DC**

Directional Controls

**MV**

Manual Valves

**SV**

Solenoid Valves

**PV**

Proportional Valves

**CE**

Coils & Electronics

**BC**

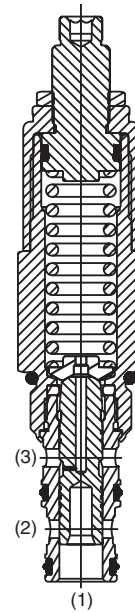
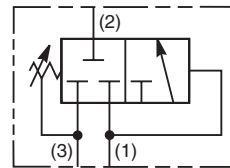
Bodies & Cavities

**TD**

Technical Data

**General Description**

Direct Acting Sequence Valve (Internally Piloted, Externally Drained). In the steady state condition, all three ports are blocked with the spring chamber drained to port 3. When the pressure at port 1 exceeds the valve setting, the spool moves allowing flow from the nose of the cartridge (port 1) to the actuator port (port 2). By externally draining the spring chamber directly to tank (port 3), the valve is insensitive to back pressure at the sequence port.



**Features**

- Hardened, precision ground parts for durability
- Internal mechanical stop limits spool travel eliminating spring solidification
- “D”-Ring eliminates backup rings
- All external parts zinc plated
- Fast response

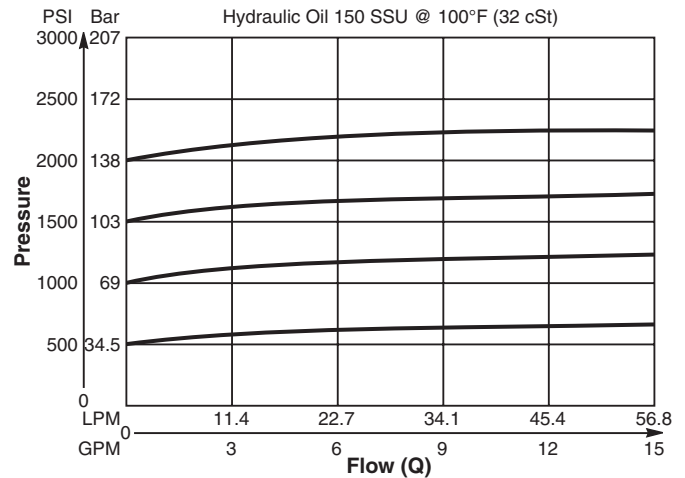
**Specifications**

<b>Flow Rate</b>	56 LPM (15 GPM)
<b>Maximum Inlet Pressure</b>	250 Bar (3600 PSI)
<b>Maximum Pressure Setting</b>	138 Bar (2000 PSI)
<b>Sensitivity: Pressure/Turn</b>	<b>02</b> 3.5 Bar (50 PSI) <b>06</b> 6.6 Bar (95 PSI) <b>12</b> 11.4 Bar (165 PSI) <b>20</b> 17.2 Bar (250 PSI)
<b>Leakage at 150 SSU (32 cST)</b>	82 cc/min. (5 cu. in./min.) at 210 Bar (3000 PSI)
<b>Cartridge Material</b>	All parts steel. All operating parts hardened steel.
<b>Operating Temp. Range/Seals</b>	-45°C to +132°C (“D”-Ring) (-50°F to +270°F) -34°C to +121°C (Nitrile) (-30°F to +250°F) -26°C to +204°C (Fluorocarbon) (-15°F to +400°F)
<b>Fluid Compatibility/Viscosity</b>	Mineral-based or synthetic with lubricating properties at viscosities of 45 to 2000 SSU (6 to 420 cSt)
<b>Filtration</b>	ISO-4406 18/16/13, SAE Class 4
<b>Approx. Weight</b>	.45 kg (1.0 lbs.)
<b>Cavity</b>	C10-3
<b>Form Tool</b>	Rougher NFT10-3R Finisher NFT10-3F

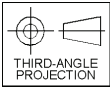
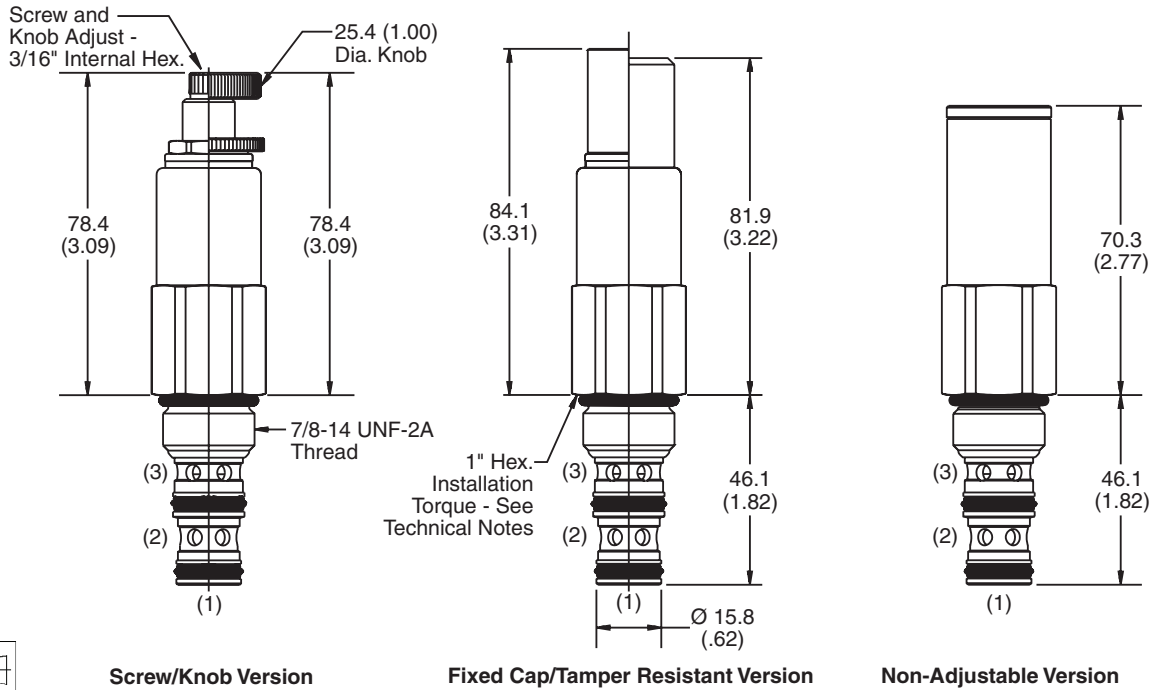
**Performance Curve**

**Flow vs. Inlet Pressure**

(Pressure rise through cartridge only)



**Dimensions** Millimeters (Inches)

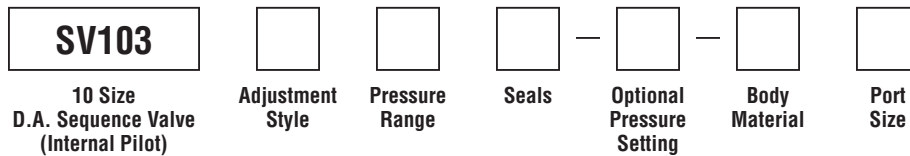


**Screw/Knob Version**

**Fixed Cap/Tamper Resistant Version**

**Non-Adjustable Version**

**Ordering Information**



Code	Adjustment Style / Kit No.
F	Fixed style, covered adjustment
K	Knob Adjust (717784-10)
N	Non-Adjustable
S	Screw Adjust
T	Tamper Resistant Cap (717943)

Code	Seals / Kit No.
Omit	"D"-Ring / (SK10-3)
N	Nitrile / (SK10-3N)
V	Fluorocarbon / (SK10-3V)

Code	Body Material
Omit	Steel
A	Aluminum

Optional Pressure Setting	
Pressure ÷ 10	i.e. 150 = 1500 PSI
(Omit if standard setting is used)	
Setting Range:	100 to 2000 PSI
All settings at crack pressure, approximately .95 LPM (.25 GPM)	

Code	Port Size	Body Part No.
Omit	Cartridge Only	
6T	SAE-6	(B10-3-*6T)
8T	SAE-8	(B10-3-*8T)

\* Add "A" for aluminum, omit for steel.

Code	Pressure Range
02	5.1 - 14 Bar (75 - 200 PSI) Standard Setting: 6.9 Bar (100 PSI) @ crack pressure, approximately .95 LPM (.25 GPM)
06	6.9 - 42 Bar (100 - 600 PSI) Standard Setting: 21 Bar (300 PSI) @ crack pressure, approximately .95 LPM (.25 GPM)
12	14 - 83 Bar (200 - 1200 PSI) Standard Setting: 42 Bar (600 PSI) @ crack pressure, approximately .95 LPM (.25 GPM)
20	28 - 138 Bar (400 - 2000 PSI) Standard Setting: 69 Bar (1000 PSI) @ crack pressure, approximately .95 LPM (.25 GPM)

- CV** Check Valves
- SH** Shuttle Valves
- LM** Load/Motor Controls
- FC** Flow Controls
- PC** Pressure Controls
- LE** Logic Elements
- DC** Directional Controls
- MV** Manual Valves
- SV** Solenoid Valves
- PV** Proportional Valves
- CE** Coils & Electronics
- BC** Bodies & Cavities
- TD** Technical Data

**Technical Information**

**CV**

Check Valves

**SH**

Shuttle Valves

**LM**

Load/Motor Controls

**FC**

Flow Controls

**PC**

Pressure Controls

**LE**

Logic Elements

**DC**

Directional Controls

**MV**

Manual Valves

**SV**

Solenoid Valves

**PV**

Proportional Valves

**CE**

Coils & Electronics

**BC**

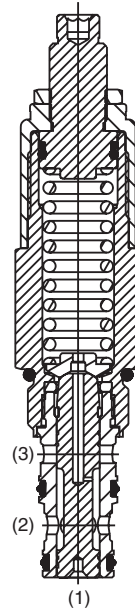
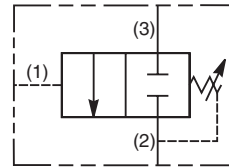
Bodies & Cavities

**TD**

Technical Data

**General Description**

Direct Acting, Normally Closed Sequence Valve (Externally Piloted). With no pressure at the pilot port (port 1), both port 3 and port 2 are blocked. When the pilot pressure at port 1 exceeds the valve setting, the spool moves opening a path and allowing flow from port 3 to port 2. This valve internally drains the spring chamber to tank via the sequencing port, thus any backpressure on port 2 would be additive to the spring setting.



**Features**

- Hardened, precision ground parts for durability
- Internal mechanical stop limits spool travel eliminating spring solidification
- “D”-Ring eliminates backup rings
- All external parts zinc plated
- Fast response

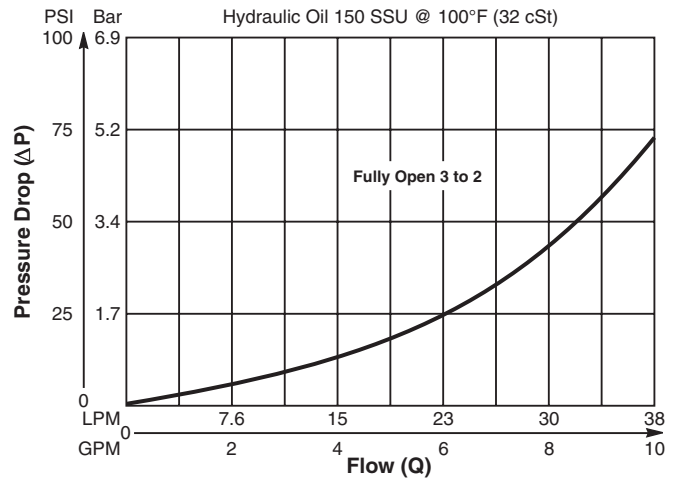
**Specifications**

<b>Rated Flow</b>	38 LPM (10 GPM)
<b>Maximum Inlet Pressure</b>	250 Bar (3600 PSI)
<b>Maximum Pressure Setting</b>	138 Bar (2000 PSI)
<b>Sensitivity: Pressure/Turn</b>	<b>02</b> 3.5 Bar (50 PSI) <b>06</b> 6.6 Bar (95 PSI) <b>12</b> 11.4 Bar (165 PSI) <b>20</b> 17.2 Bar (250 PSI)
<b>Leakage at 150 SSU (32 cSt)</b>	82 cc/min. (5 cu. in./min.) at 210 Bar (3000 PSI)
<b>Cartridge Material</b>	All parts steel. All operating parts hardened steel.
<b>Operating Temp. Range/Seals</b>	-45°C to +132°C (“D”-Ring) (-50°F to +270°F) -34°C to +121°C (Nitrile) (-30°F to +250°F) -26°C to +204°C (Fluorocarbon) (-15°F to +400°F)
<b>Fluid Compatibility/Viscosity</b>	Mineral-based or synthetic with lubricating properties at viscosities of 45 to 2000 SSU (6 to 420 cSt)
<b>Filtration</b>	ISO-4406 18/16/13, SAE Class 4
<b>Approx. Weight</b>	.45 kg (1.0 lbs.)
<b>Cavity</b>	C10-3
<b>Form Tool</b>	Rougher NFT10-3R Finisher NFT10-3F

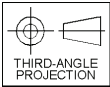
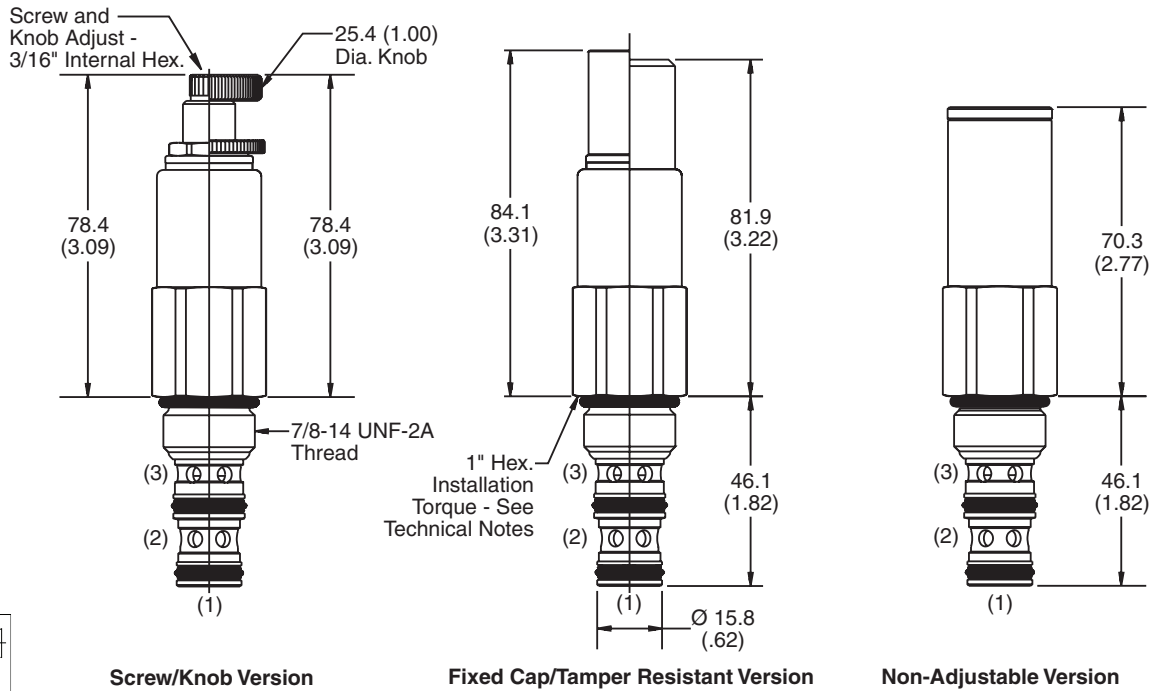
**Performance Curve**

**Flow vs. Inlet Pressure**

(Pressure rise through cartridge only)



**Dimensions** Millimeters (Inches)

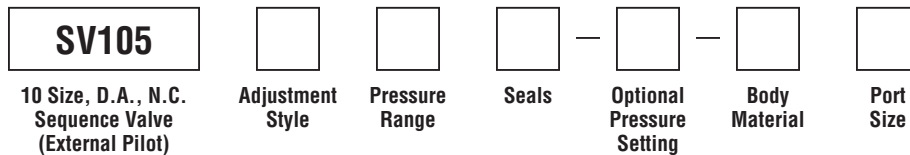


**Screw/Knob Version**

**Fixed Cap/Tamper Resistant Version**

**Non-Adjustable Version**

**Ordering Information**



Code	Adjustment Style / Kit No.
F	Fixed style, covered adjustment
K	Knob Adjust (717784-10)
N	Non-Adjustable
S	Screw Adjust
T	Tamper Resistant Cap (717943)

Code	Seals / Kit No.
Omit	"D"-Ring / (SK10-3)
N	Nitrile / (SK10-3N)
V	Fluorocarbon / (SK10-3V)

Code	Body Material
Omit	Steel
A	Aluminum

Optional Pressure Setting	
Pressure ÷ 10	
i.e. 150 = 1500 PSI	
(Omit if standard setting is used)	
Setting Range:	
100 to 2000 PSI	
All settings at crack pressure,	
approximately .95 LPM (.25 GPM)	

Code	Port Size	Body Part No.
Omit	Cartridge Only	
6T	SAE-6	(B10-3-*6T)
8T	SAE-8	(B10-3-*8T)

\* Add "A" for aluminum, omit for steel.

Code	Pressure Range
02	5.1 - 14 Bar (75 - 200 PSI) Standard Setting: 6.9 Bar (100 PSI) @ crack pressure, approximately .95 LPM (.25 GPM)
06	6.9 - 42 Bar (100 - 600 PSI) Standard Setting: 21 Bar (300 PSI) @ crack pressure, approximately .95 LPM (.25 GPM)
12	14 - 83 Bar (200 - 1200 PSI) Standard Setting: 42 Bar (600 PSI) @ crack pressure, approximately .95 LPM (.25 GPM)
20	28 - 138 Bar (400 - 2000 PSI) Standard Setting: 69 Bar (1000 PSI) @ crack pressure, approximately .95 LPM (.25 GPM)

- CV** Check Valves
- SH** Shuttle Valves
- LM** Load/Motor Controls
- FC** Flow Controls
- PC** Pressure Controls
- LE** Logic Elements
- DC** Directional Controls
- MV** Manual Valves
- SV** Solenoid Valves
- PV** Proportional Valves
- CE** Coils & Electronics
- BC** Bodies & Cavities
- TD** Technical Data

**Technical Information**

- CV** Check Valves
- SH** Shuttle Valves
- LM** Load/Motor Controls
- FC** Flow Controls
- PC** Pressure Controls
- LE** Logic Elements
- DC** Directional Controls
- MV** Manual Valves
- SV** Solenoid Valves
- PV** Proportional Valves
- CE** Coils & Electronics
- BC** Bodies & Cavities
- TD** Technical Data

**General Description**

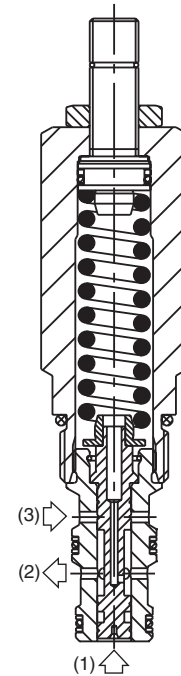
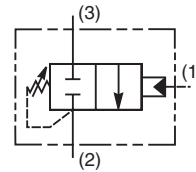
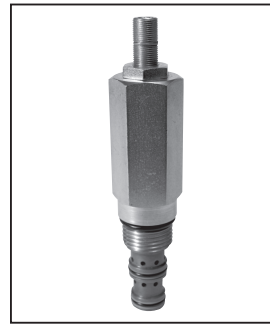
Direct Acting, Normally Closed Sequence Valve with External Pilot and Internal Drain. For additional information see Technical Tips on pages PC1-PC6.

**Features**

- Sealed pilot option available
- Hardened working parts for maximum durability
- All external parts zinc plated
- Adjustable and tamperproof versions available

**Specifications**

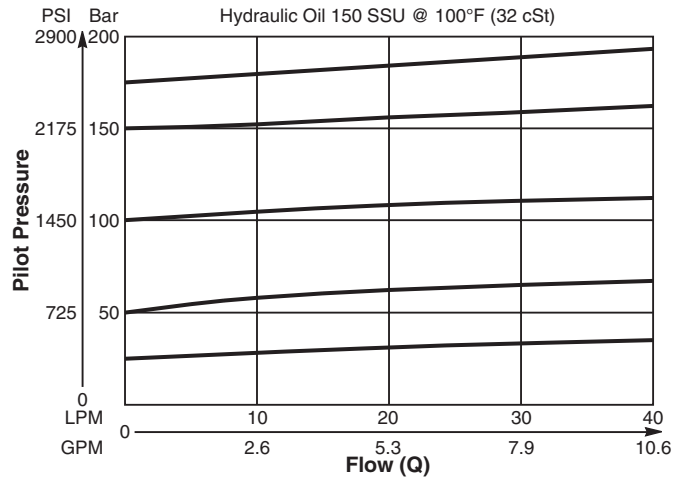
<b>Rated Flow</b>	34 LPM (9 GPM)
<b>Maximum Inlet Pressure</b>	420 Bar (6000 PSI)
<b>Maximum Pressure Setting</b>	<b>E</b> - 2-80 Bar (30-1160 PSI) <b>G</b> - 2-166 Bar (30-2400 PSI) <b>J</b> - 40-240 Bar (580-3500 PSI)
<b>Sensitivity: Pressure/Turn</b>	<b>E</b> 8.7 Bar (125 PSI) <b>G</b> 17 Bar (248 PSI) <b>J</b> 28 Bar (406 PSI)
<b>Maximum Tank Pressure</b>	420 Bar (6000 PSI)
<b>Leakage at 150 SSU (32 cSt)</b>	25 ml/min. @ 100 Bar (1450 PSI)
<b>Cartridge Material</b>	All parts steel. All operating parts hardened steel.
<b>Operating Temp. Range/Seals</b>	-34°C to +121°C (Nitrile) (-30°F to +250°F) -26°C to +204°C (Fluorocarbon) (-15°F to +400°F)
<b>Fluid Compatibility/Viscosity</b>	Mineral-based or synthetic with lubricating properties at viscosities of 45 to 2000 SSU (6 to 420 cSt)
<b>Filtration</b>	ISO-4406 18/16/13, SAE Class 4
<b>Approx. Weight</b>	0.30 kg (0.66 lbs.)
<b>Cavity</b>	C10-3 (See BC Section for more details)
<b>Form Tool</b>	Rougher NFT10-3R Finisher NFT10-3F



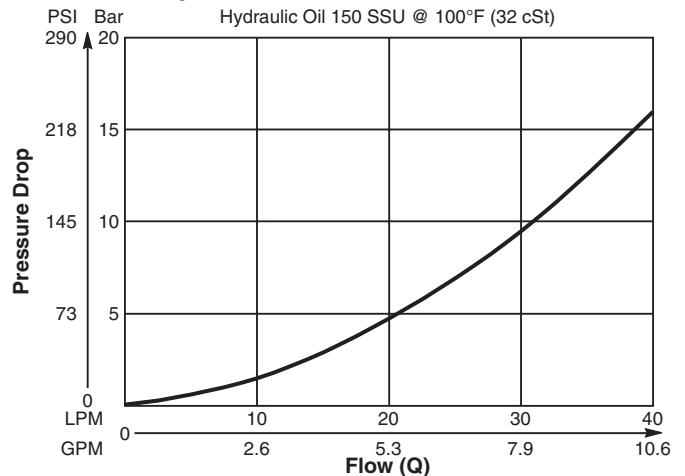
**Performance Curves**

(Pressure rise through cartridge only)

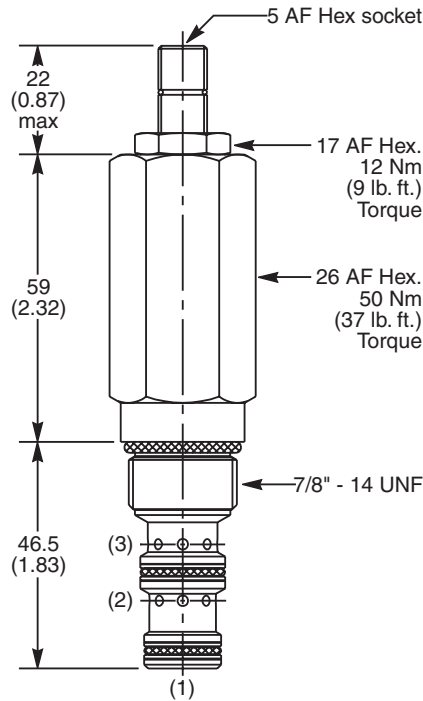
**Flow vs. Inlet Pressure 3 to 2**



**Pressure Drop vs. Flow 3 to 2**



**Dimensions** Millimeters (Inches)



**Ordering Information**

<b>B04F3</b>								
<b>10 Size D.A. Sequence Valve (External Pilot &amp; Internal Drain)</b>	<b>Pilot Pressure Adjustment Range</b>	<b>Adjustment Style</b>	<b>Optional Flow @ Pressure Setting</b>	<b>Pilot Switching Pressure</b>	<b>Seals</b>	<b>Sealed Pilot</b>	<b>Body Material</b>	<b>Port Size</b>

Code	Pilot Pressure Adjustment Range
E	2 - 80 Bar (30 - 1160 PSI)
G	2 - 166 Bar (30 - 2400 PSI)
J	40 - 240 Bar (580 - 3500 PSI)

Code	Adjustment Style / Kit No.
Z	Screw Adjust (Std.)
W	Knob Adjust
T	Tamper Resistant Cap (TC1130)

Optional Flow @ Pressure Setting
If you require a maximum pressure setting at a flow rate, please enter it here in Liters per minute (LPM). Standard setting: 5 LPM (1.3 GPM)

Code	Pilot Switching Pressure
Omit	Omit for no setting (Std.)
B04F3E	Standard Setting: 40 Bar (580 PSI) @ 5 LPM (1.3 GPM)
B04F3G	Standard Setting: 80 Bar (1160 PSI) @ 5 LPM (1.3 GPM)
B04F3J	Standard Setting: 120 Bar (1750 PSI) @ 5 LPM (1.3 GPM)
	Specify setting if required

Code	Seals / Kit No.
N	Nitrile, Buna-N (Std.) / (SK30505N-1)
V	Fluorocarbon / (SK30505V-1)

Code	Sealed Pilot
Omit	Omit if not required
S	Sealed Pilot

Code	Body Material
Omit	Steel
A	Aluminum

Code	Port Size	Body Part No.
Omit	Cartridge Only	
6T	SAE-6	(B10-3-*6T)
8T	SAE-8	(B10-3-*8T)

\* Add "A" for aluminum, omit for steel.

- CV** Check Valves
- SH** Shuttle Valves
- LM** Load/Motor Controls
- FC** Flow Controls
- PC** Pressure Controls
- LE** Logic Elements
- DC** Directional Controls
- MV** Manual Valves
- SV** Solenoid Valves
- PV** Proportional Valves
- CE** Coils & Electronics
- BC** Bodies & Cavities
- TD** Technical Data



**Technical Information**

- CV** Check Valves
- SH** Shuttle Valves
- LM** Load/Motor Controls
- FC** Flow Controls
- PC** Pressure Controls
- LE** Logic Elements
- DC** Directional Controls
- MV** Manual Valves
- SV** Solenoid Valves
- PV** Proportional Valves
- CE** Coils & Electronics
- BC** Bodies & Cavities
- TD** Technical Data

**General Description**

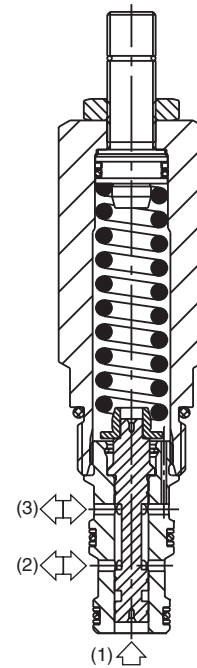
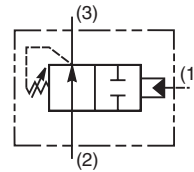
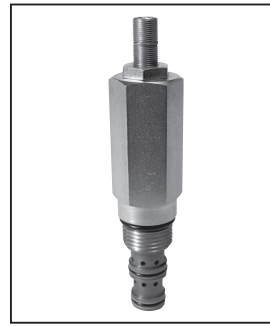
Direct Acting, Normally Open Sequence Valve with External Pilot and Internal Drain. For additional information see Technical Tips on pages PC1-PC6.

**Features**

- Sealed pilot option available
- Hardened working parts for maximum durability
- All external parts zinc plated
- Adjustable and tamperproof versions available

**Specifications**

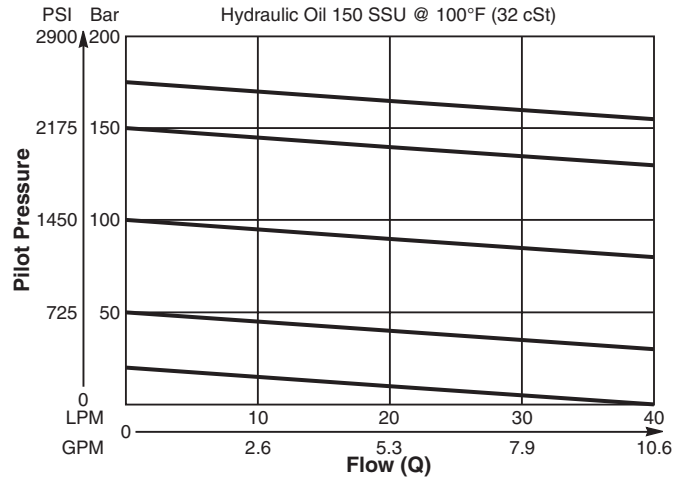
<b>Rated Flow</b>	40 LPM (10.6 GPM)
<b>Maximum Inlet Pressure</b>	420 Bar (6000 PSI)
<b>Maximum Pressure Setting</b>	<b>E</b> - 2-80 Bar (30-1160 PSI) <b>G</b> - 2-166 Bar (30-2400 PSI) <b>J</b> - 40-240 Bar (580-3500 PSI)
<b>Sensitivity: Pressure/Turn</b>	<b>E</b> 8.7 Bar (125 PSI) <b>G</b> 17 Bar (248 PSI) <b>J</b> 28 Bar (406 PSI)
<b>Maximum Tank Pressure</b>	420 Bar (6000 PSI)
<b>Leakage at 150 SSU (32 cSt)</b>	25 ml/min. @ 100 Bar (1450 PSI)
<b>Cartridge Material</b>	All parts steel. All operating parts hardened steel.
<b>Operating Temp. Range/Seals</b>	-34°C to +121°C (Nitrile) (-30°F to +250°F) -26°C to +204°C (Fluorocarbon) (-15°F to +400°F)
<b>Fluid Compatibility/Viscosity</b>	Mineral-based or synthetic with lubricating properties at viscosities of 45 to 2000 SSU (6 to 420 cSt)
<b>Filtration</b>	ISO-4406 18/16/13, SAE Class 4
<b>Approx. Weight</b>	0.30 kg (0.66 lbs.)
<b>Cavity</b>	C10-3 (See BC Section for more details)
<b>Form Tool</b>	Rougher NFT10-3R Finisher NFT10-3F



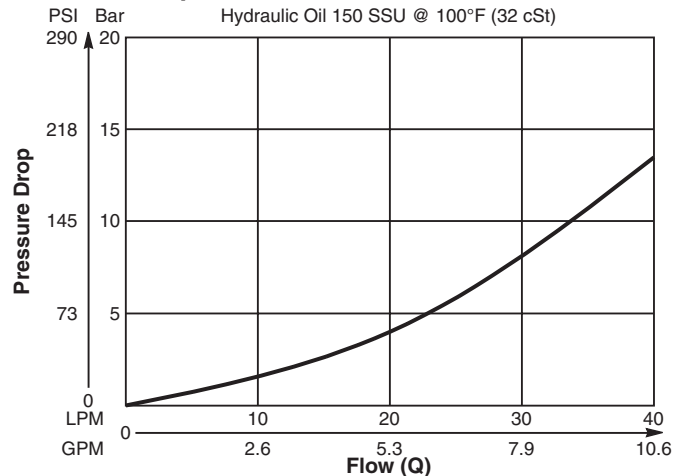
**Performance Curves**

(Pressure rise through cartridge only)

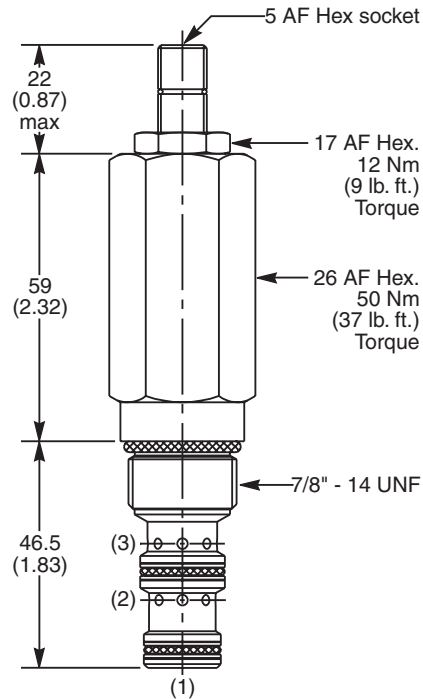
**Flow vs. Inlet Pressure 2 to 3**



**Pressure Drop vs. Flow 2 to 3**



**Dimensions** Millimeters (Inches)



**Ordering Information**

<b>B04G3</b>								
<b>10 Size</b>	<b>Pilot Pressure Adjustment Range</b>	<b>Adjustment Style</b>	<b>Optional Flow @ Pressure Setting</b>	<b>Pilot Switching Pressure</b>	<b>Seals</b>	<b>Sealed Pilot</b>	<b>Body Material</b>	<b>Port Size</b>
<b>D.A. Sequence Valve (External Pilot &amp; Internal Drain)</b>								

Code	Pilot Pressure Adjustment Range
<b>E</b>	2 - 80 Bar (30 - 1160 PSI)
<b>G</b>	2 - 166 Bar (30 - 2400 PSI)
<b>J</b>	40 - 240 Bar (580 - 3500 PSI)

Code	Adjustment Style / Kit No.
<b>Z</b>	Screw Adjust (Std.)
<b>W</b>	Knob Adjust
<b>T</b>	Tamper Resistant Cap (TC1130)

Optional Flow @ Pressure Setting
If you require a maximum pressure setting at a flow rate, please enter it here in Liters per minute (LPM). Standard setting: 5 LPM (1.3 GPM)

Code	Pilot Switching Pressure
<b>Omit</b>	Omit for no setting (Std.)
<b>B04G3E</b>	Standard Setting: 40 Bar (580 PSI) @ 5 LPM (1.3 GPM)
<b>B04G3G</b>	Standard Setting: 80 Bar (1160 PSI) @ 5 LPM (1.3 GPM)
<b>B04G3J</b>	Standard Setting: 120 Bar (1750 PSI) @ 5 LPM (1.3 GPM)
	Specify setting if required

Code	Seals / Kit No.
<b>N</b>	Nitrile, Buna-N (Std.) / (SK30505N-1)
<b>V</b>	Fluorocarbon / (SK30505V-1)

Code	Sealed Pilot
<b>Omit</b>	Omit if not required
<b>S</b>	Sealed Pilot

Code	Body Material
<b>Omit</b>	Steel
<b>A</b>	Aluminum

Code	Port Size	Body Part No.
<b>Omit</b>	Cartridge Only	
<b>6T</b>	SAE-6	(B10-3-*6T)
<b>8T</b>	SAE-8	(B10-3-*8T)

\* Add "A" for aluminum, omit for steel.

- CV** Check Valves
- SH** Shuttle Valves
- LM** Load/Motor Controls
- FC** Flow Controls
- PC** Pressure Controls
- LE** Logic Elements
- DC** Directional Controls
- MV** Manual Valves
- SV** Solenoid Valves
- PV** Proportional Valves
- CE** Coils & Electronics
- BC** Bodies & Cavities
- TD** Technical Data

**Technical Information**

- CV** Check Valves
- SH** Shuttle Valves
- LM** Load/Motor Controls
- FC** Flow Controls
- PC** Pressure Controls
- LE** Logic Elements
- DC** Directional Controls
- MV** Manual Valves
- SV** Solenoid Valves
- PV** Proportional Valves
- CE** Coils & Electronics
- BC** Bodies & Cavities
- TD** Technical Data

**General Description**

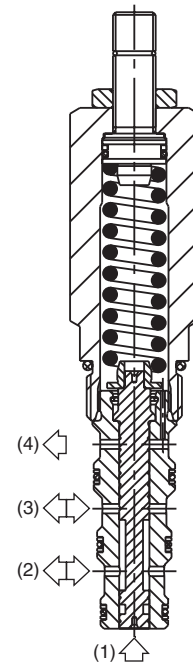
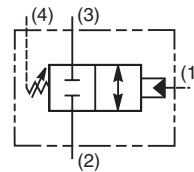
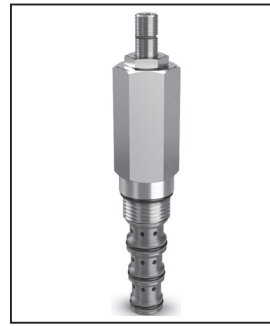
Direct Acting, Normally Closed Sequence Valve with External Pilot and Drain. For additional information see Technical Tips on pages PC1-PC6.

**Features**

- Sealed pilot option available
- Hardened working parts for maximum durability
- All external parts zinc plated
- Adjustable and tamperproof versions available

**Specifications**

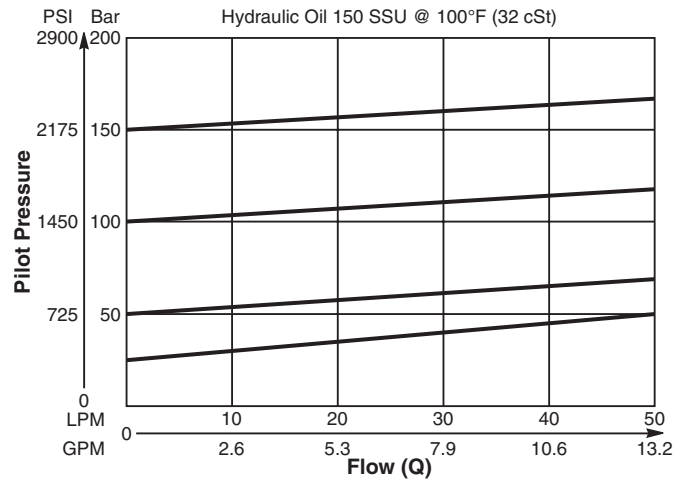
<b>Rated Flow</b>	47 LPM (12 GPM)
<b>Maximum Inlet Pressure</b>	420 Bar (6000 PSI)
<b>Maximum Pressure Setting</b>	<b>E</b> - 2-80 Bar (30-1160 PSI) <b>G</b> - 2-166 Bar (30-2400 PSI) <b>J</b> - 40-240 Bar (580-3500 PSI)
<b>Sensitivity: Pressure/Turn</b>	<b>E</b> 8.7 Bar (125 PSI) <b>G</b> 17 Bar (248 PSI) <b>J</b> 28 Bar (406 PSI)
<b>Maximum Tank Pressure</b>	420 Bar (6000 PSI)
<b>Leakage at 150 SSU (32 cSt)</b>	25 ml/min. @ 100 Bar (1450 PSI)
<b>Cartridge Material</b>	All parts steel. All operating parts hardened steel.
<b>Operating Temp. Range/Seals</b>	-34°C to +121°C (Nitrile) (-30°F to +250°F) -26°C to +204°C (Fluorocarbon) (-15°F to +400°F)
<b>Fluid Compatibility/Viscosity</b>	Mineral-based or synthetic with lubricating properties at viscosities of 45 to 2000 SSU (6 to 420 cSt)
<b>Filtration</b>	ISO-4406 18/16/13, SAE Class 4
<b>Approx. Weight</b>	0.33 kg (0.73 lbs.)
<b>Cavity</b>	C10-4 (See BC Section for more details)
<b>Form Tool</b>	Rougher NFT10-4R Finisher NFT10-4F



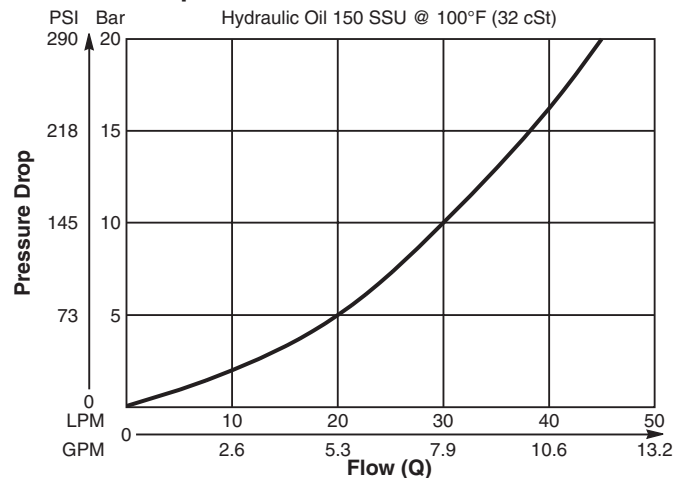
**Performance Curves**

(Pressure rise through cartridge only)

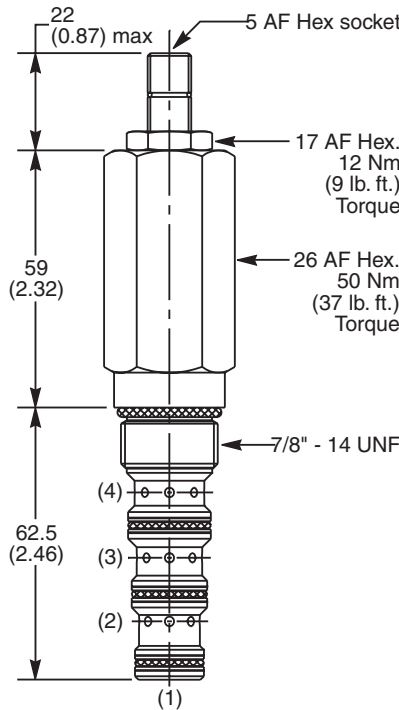
**Flow vs. Inlet Pressure 2 to 3**



**Pressure Drop vs. Flow 3 to 2**



**Dimensions** Millimeters (Inches)



**Ordering Information**

<b>B04H4</b>								
<b>10 Size D.A. Sequence Valve (External Pilot and Drain)</b>	<b>Pilot Pressure Adjustment Range</b>	<b>Adjustment Style</b>	<b>Optional Flow @ Pressure Setting</b>	<b>Pilot Switching Pressure</b>	<b>Seals</b>	<b>Sealed Pilot</b>	<b>Body Material</b>	<b>Port Size</b>

Code	Pilot Pressure Adjustment Range
E	2 - 80 Bar (30 - 1160 PSI)
G	2 - 166 Bar (30 - 2400 PSI)
J	40 - 240 Bar (580 - 3500 PSI)

Code	Adjustment Style / Kit No.
Z	Screw Adjust (Std.)
W	Knob Adjust
T	Tamper Resistant Cap (TC1130)

Optional Flow @ Pressure Setting
If you require a maximum pressure setting at a flow rate, please enter it here in Liters per minute (LPM). Standard setting: 5 LPM (1.3 GPM)

Code	Pilot Switching Pressure
Omit	Omit for Standard Setting
B04H4E	Standard Setting: 40 Bar (580 PSI) @ 5 LPM (1.3 GPM)
B04H4G	Standard Setting: 80 Bar (1160 PSI) @ 5 LPM (1.3 GPM)
B04H4J	Standard Setting: 120 Bar (1750 PSI) @ 5 LPM (1.3 GPM)
	Specify setting if required

Code	Seals / Kit No.
N	Nitrile, Buna-N (Std.) / (SK30506N-1)
V	Fluorocarbon / (SK30506V-1)

Code	Sealed Pilot
Omit	Omit if not required
S	Sealed Pilot

Code	Body Material
Omit	Steel
A	Aluminum

Code	Port Size	Body Part No.
Omit	Cartridge Only	
6T	SAE-6	(B10-4-*6T)
8T	SAE-8	(B10-4-*8T)

\* Add "A" for aluminum, omit for steel.

- CV** Check Valves
- SH** Shuttle Valves
- LM** Load/Motor Controls
- FC** Flow Controls
- PC** Pressure Controls
- LE** Logic Elements
- DC** Directional Controls
- MV** Manual Valves
- SV** Solenoid Valves
- PV** Proportional Valves
- CE** Coils & Electronics
- BC** Bodies & Cavities
- TD** Technical Data

**Technical Information**

**CV**

Check Valves

**SH**

Shuttle Valves

**LM**

Load/Motor Controls

**FC**

Flow Controls

**PC**

Pressure Controls

**LE**

Logic Elements

**DC**

Directional Controls

**MV**

Manual Valves

**SV**

Solenoid Valves

**PV**

Proportional Valves

**CE**

Coils & Electronics

**BC**

Bodies & Cavities

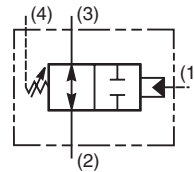
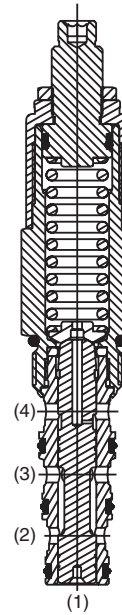
**TD**

Technical Data

**General Description**

Direct Acting, Normally Open Sequence Valve (Externally Piloted, Externally Drained). With no pressure at the pilot port (port 1), bi-directional flow is allowed between port 3 and port 2.

When the pilot pressure at port 1 exceeds the valve setting the spool moves blocking both port 3 and port 2. By externally draining the spring chamber to tank (port 4), the valve is insensitive to back pressure at the sequencing ports.



**Features**

- Hardened, precision ground parts for durability
- Internal mechanical stop limits spool travel eliminating spring solidification
- “D”-Ring eliminates backup rings
- All external parts zinc plated
- Fast response

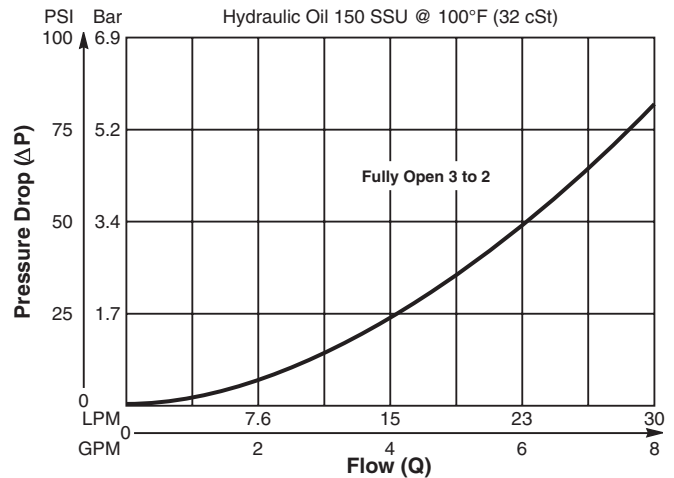
**Specifications**

<b>Rated Flow</b>	30 LPM (8 GPM)
<b>Maximum Inlet Pressure</b>	250 Bar (3600 PSI)
<b>Maximum Pressure Setting</b>	138 Bar (2000 PSI)
<b>Sensitivity: Pressure/Turn</b>	<b>02</b> 3.5 Bar (50 PSI) <b>06</b> 6.6 Bar (95 PSI) <b>12</b> 11.4 Bar (165 PSI) <b>20</b> 17.2 Bar (250 PSI)
<b>Leakage at 150 SSU (32 cSt)</b>	82 cc/min. (5 cu. in./min.) at 210 Bar (3000 PSI)
<b>Cartridge Material</b>	All parts steel. All operating parts hardened steel.
<b>Operating Temp. Range/Seals</b>	-45°C to +132°C (“D”-Ring) (-50°F to +270°F) -34°C to +121°C (Nitrile) (-30°F to +250°F) -26°C to +204°C (Fluorocarbon) (-15°F to +400°F)
<b>Fluid Compatibility/Viscosity</b>	Mineral-based or synthetic with lubricating properties at viscosities of 45 to 2000 SSU (6 to 420 cSt)
<b>Filtration</b>	ISO-4406 18/16/13, SAE Class 4
<b>Approx. Weight</b>	.45 kg (1.0 lbs.)
<b>Cavity</b>	C10-4
<b>Form Tool</b>	Rougher NFT10-4R Finisher NFT10-4F

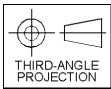
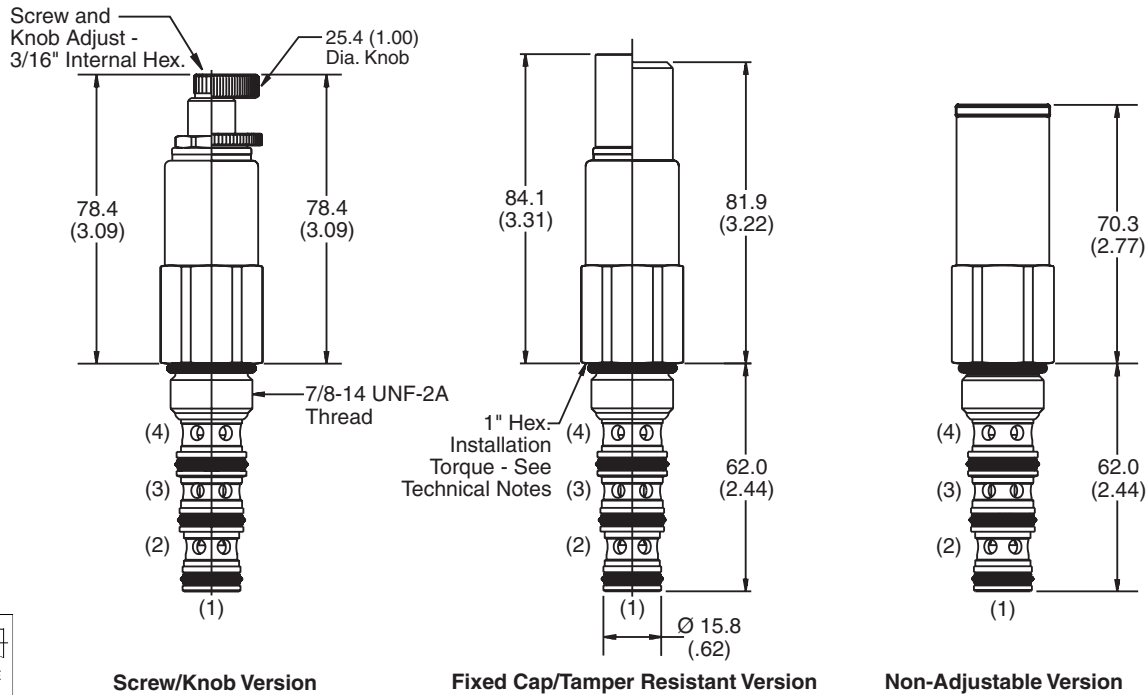
**Performance Curve**

**Flow vs. Inlet Pressure**

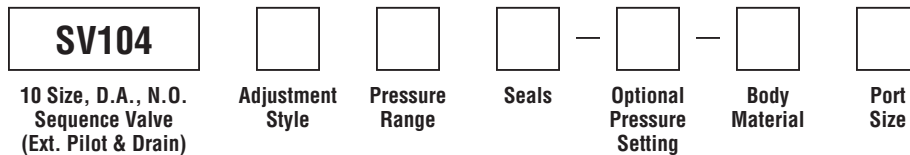
(Pressure rise through cartridge only)



**Dimensions** Millimeters (Inches)



**Ordering Information**



Code	Adjustment Style / Kit No.
F	Fixed style, covered adjustment
K	Knob Adjust (717784-10)
N	Non-Adjustable
S	Screw Adjust
T	Tamper Resistant Cap (717943)

Code	Seals / Kit No.
Omit	"D"-Ring / (SK10-4)
N	Nitrile / (SK10-4N)
V	Fluorocarbon / (SK10-4V)

Code	Body Material
Omit	Steel
A	Aluminum

Optional Pressure Setting	
Pressure ÷ 10	i.e. 150 = 1500 PSI
(Omit if standard setting is used)	
Setting Range:	100 to 2000 PSI
All settings at crack pressure, approximately .95 LPM (.25 GPM)	

Code	Port Size	Body Part No.
Omit	Cartridge Only	
6T	SAE-6	(B10-4-*6T)
8T	SAE-8	(B10-4-*8T)

\* Add "A" for aluminum, omit for steel.

Code	Pressure Range
02	5.1 - 14 Bar (75 - 200 PSI) Standard Setting: 6.9 Bar (100 PSI) @ crack pressure, approximately .95 LPM (.25 GPM)
06	6.9 - 42 Bar (100 - 600 PSI) Standard Setting: 21 Bar (300 PSI) @ crack pressure, approximately .95 LPM (.25 GPM)
12	14 - 83 Bar (200 - 1200 PSI) Standard Setting: 42 Bar (600 PSI) @ crack pressure, approximately .95 LPM (.25 GPM)
20	28 - 138 Bar (400 - 2000 PSI) Standard Setting: 69 Bar (1000 PSI) @ crack pressure, approximately .95 LPM (.25 GPM)

- CV Check Valves
- SH Shuttle Valves
- LM Load/Motor Controls
- FC Flow Controls
- PC Pressure Controls
- LE Logic Elements
- DC Directional Controls
- MV Manual Valves
- SV Solenoid Valves
- PV Proportional Valves
- CE Coils & Electronics
- BC Bodies & Cavities
- TD Technical Data

**Technical Information**

**CV**

Check Valves

**SH**

Shuttle Valves

**LM**

Load/Motor Controls

**FC**

Flow Controls

**PC**

Pressure Controls

**LE**

Logic Elements

**DC**

Directional Controls

**MV**

Manual Valves

**SV**

Solenoid Valves

**PV**

Proportional Valves

**CE**

Coils & Electronics

**BC**

Bodies & Cavities

**TD**

Technical Data

**General Description**

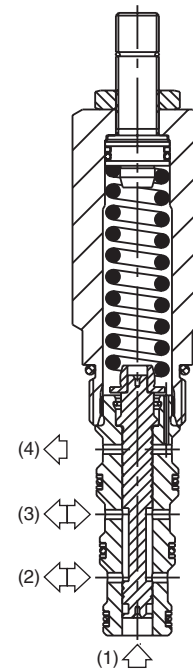
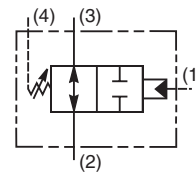
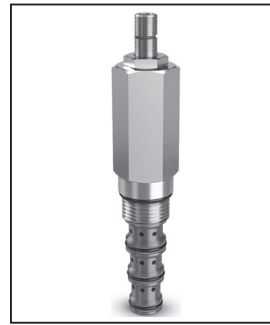
Direct Acting, Normally Open Sequence Valve with External Pilot and Drain. For additional information see Technical Tips on pages PC1-PC6.

**Features**

- Sealed pilot option available
- Hardened working parts for maximum durability
- All external parts zinc plated
- Adjustable and tamperproof versions available

**Specifications**

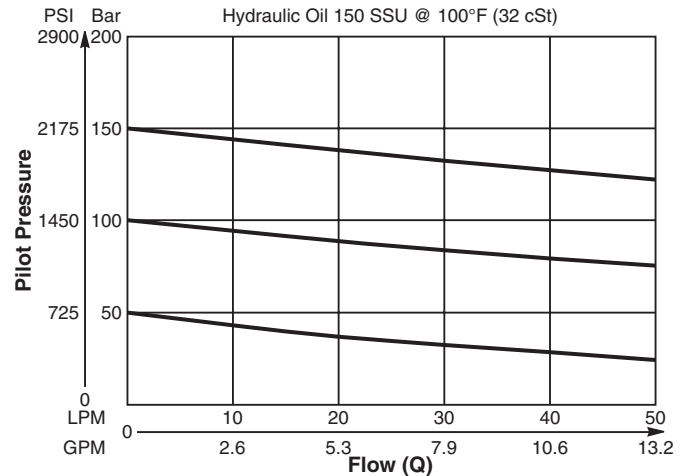
<b>Rated Flow</b>	47 LPM (12 GPM)
<b>Maximum Inlet Pressure</b>	420 Bar (6000 PSI)
<b>Maximum Pressure Setting</b>	<b>E</b> - 2-80 Bar (30-1160 PSI) <b>G</b> - 2-166 Bar (30-2400 PSI) <b>J</b> - 40-240 Bar (580-3500 PSI)
<b>Sensitivity: Pressure/Turn</b>	<b>E</b> 8.7 Bar (125 PSI) <b>G</b> 17 Bar (248 PSI) <b>J</b> 28 Bar (406 PSI)
<b>Maximum Tank Pressure</b>	420 Bar (6000 PSI)
<b>Leakage at 150 SSU (32 cSt)</b>	25 ml/min. @ 100 Bar (1450 PSI)
<b>Cartridge Material</b>	All parts steel. All operating parts hardened steel.
<b>Operating Temp. Range/Seals</b>	-34°C to +121°C (Nitrile) (-30°F to +250°F) -26°C to +204°C (Fluorocarbon) (-15°F to +400°F)
<b>Fluid Compatibility/Viscosity</b>	Mineral-based or synthetic with lubricating properties at viscosities of 45 to 2000 SSU (6 to 420 cSt)
<b>Filtration</b>	ISO-4406 18/16/13, SAE Class 4
<b>Approx. Weight</b>	0.33 kg (0.73 lbs.)
<b>Cavity</b>	C10-4 (See BC Section for more details)
<b>Form Tool</b>	Rougher NFT10-4R Finisher NFT10-4F



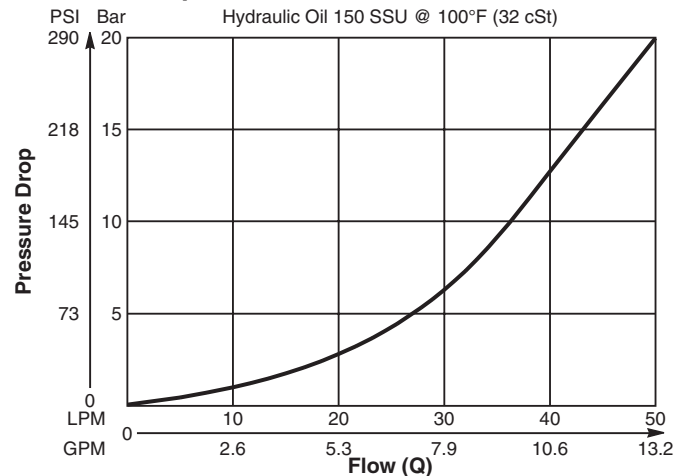
**Performance Curves**

(Pressure rise through cartridge only)

**Flow vs. Inlet Pressure 2 to 3 & 3 to 2**

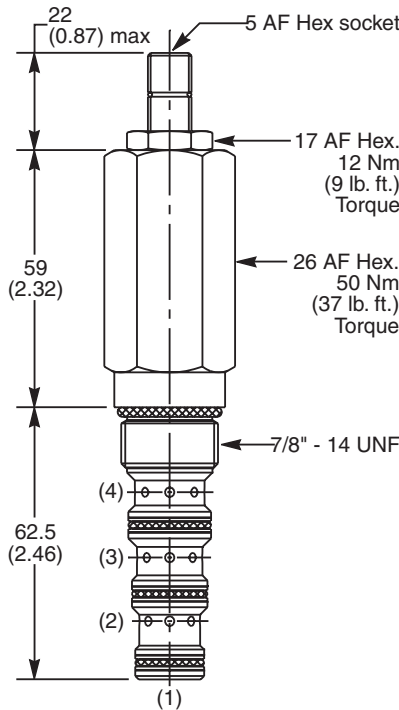


**Pressure Drop vs. Flow 2 to 3 & 3 to 2**





**Dimensions** Millimeters (Inches)



**Ordering Information**

<b>B04J4</b>								
<b>10 Size D.A. Sequence Valve (External Pilot and Drain)</b>	<b>Pilot Pressure Adjustment Range</b>	<b>Adjustment Style</b>	<b>Optional Flow @ Pressure Setting</b>	<b>Pilot Switching Pressure</b>	<b>Seals</b>	<b>Sealed Pilot</b>	<b>Body Material</b>	<b>Port Size</b>

Code	Pilot Pressure Adjustment Range
E	2 - 80 Bar (30 - 1160 PSI)
G	2 - 166 Bar (30 - 2400 PSI)
J	40 - 240 Bar (580 - 3500 PSI)

Code	Adjustment Style / Kit No.
Z	Screw Adjust (Std.)
W	Knob Adjust
T	Tamper Resistant Cap (TC1130)

Optional Flow @ Pressure Setting
If you require a maximum pressure setting at a flow rate, please enter it here in Liters per minute (LPM). Standard setting: 5 LPM (1.3 GPM)

Code	Pilot Switching Pressure
Omit	Omit for no setting (Std.)
B04J4E	Standard Setting: 40 Bar (580 PSI) @ 5 LPM (1.3 GPM)
B04J4G	Standard Setting: 80 Bar (1160 PSI) @ 5 LPM (1.3 GPM)
B04J4J	Standard Setting: 120 Bar (1750 PSI) @ 5 LPM (1.3 GPM)
	Specify setting if required

Code	Seals / Kit No.
N	Nitrile, Buna-N (Std.) / (SK30506N-1)
V	Fluorocarbon / (SK30506V-1)

Code	Sealed Pilot
Omit	Omit if not required
S	Sealed Pilot

Code	Body Material
Omit	Steel
A	Aluminum

Code	Port Size	Body Part No.
Omit	Cartridge Only	
6T	SAE-6	(B10-4-*6T)
8T	SAE-8	(B10-4-*8T)

\* Add "A" for aluminum, omit for steel.

- CV** Check Valves
- SH** Shuttle Valves
- LM** Load/Motor Controls
- FC** Flow Controls
- PC** Pressure Controls
- LE** Logic Elements
- DC** Directional Controls
- MV** Manual Valves
- SV** Solenoid Valves
- PV** Proportional Valves
- CE** Coils & Electronics
- BC** Bodies & Cavities
- TD** Technical Data

**Technical Information**

- CV** Check Valves
- SH** Shuttle Valves
- LM** Load/Motor Controls
- FC** Flow Controls
- PC** Pressure Controls
- LE** Logic Elements
- DC** Directional Controls
- MV** Manual Valves
- SV** Solenoid Valves
- PV** Proportional Valves
- CE** Coils & Electronics
- BC** Bodies & Cavities
- TD** Technical Data

**General Description**

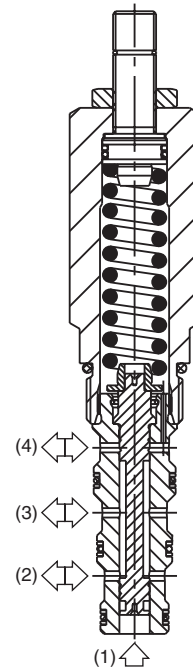
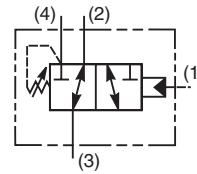
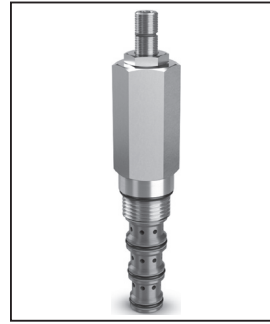
Direct Acting, Normally Open, 3 Way Sequence Valve with External Pilot and Internal Drain. For additional information see Technical Tips on pages PC1-PC6.

**Features**

- Sealed pilot option available
- Hardened working parts for maximum durability
- All external parts zinc plated
- Adjustable and tamperproof versions available

**Specifications**

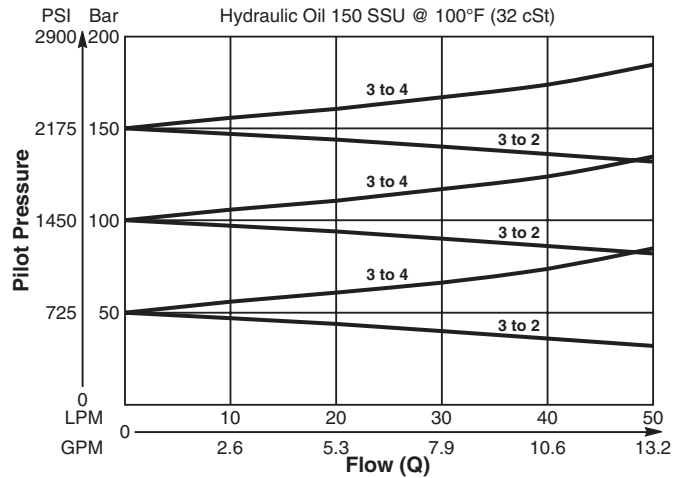
<b>Rated Flow</b>	42 LPM (11 GPM)
<b>Maximum Inlet Pressure</b>	420 Bar (6000 PSI)
<b>Maximum Pressure Setting</b>	<b>E</b> - 2-80 Bar (30-1160 PSI) <b>G</b> - 2-166 Bar (30-2400 PSI) <b>J</b> - 40-240 Bar (580-3500 PSI)
<b>Sensitivity: Pressure/Turn</b>	<b>E</b> 8.7 Bar (125 PSI) <b>G</b> 17 Bar (248 PSI) <b>J</b> 28 Bar (406 PSI)
<b>Maximum Tank Pressure</b>	420 Bar (6000 PSI)
<b>Leakage at 150 SSU (32 cSt)</b>	40 ml/min. @ 100 Bar (1450 PSI)
<b>Cartridge Material</b>	All parts steel. All operating parts hardened steel.
<b>Operating Temp. Range/Seals</b>	-34°C to +121°C (Nitrile) (-30°F to +250°F) -26°C to +204°C (Fluorocarbon) (-15°F to +400°F)
<b>Fluid Compatibility/Viscosity</b>	Mineral-based or synthetic with lubricating properties at viscosities of 45 to 2000 SSU (6 to 420 cSt)
<b>Filtration</b>	ISO-4406 18/16/13, SAE Class 4
<b>Approx. Weight</b>	0.33 kg (0.73 lbs.)
<b>Cavity</b>	C10-4 (See BC Section for more details)
<b>Form Tool</b>	Rougher NFT10-4R Finisher NFT10-4F



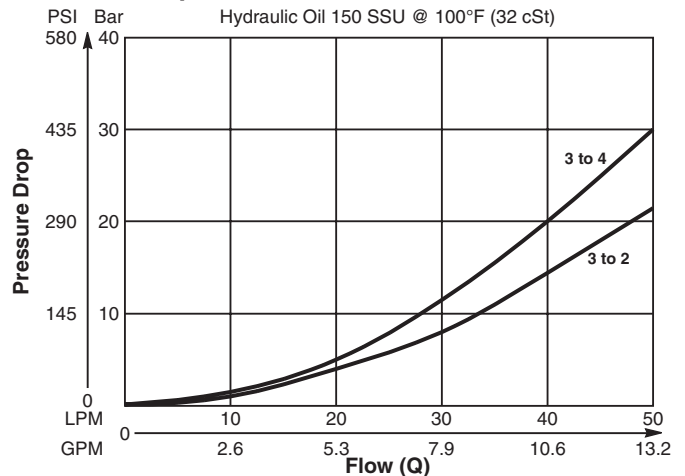
**Performance Curves**

(Pressure rise through cartridge only)

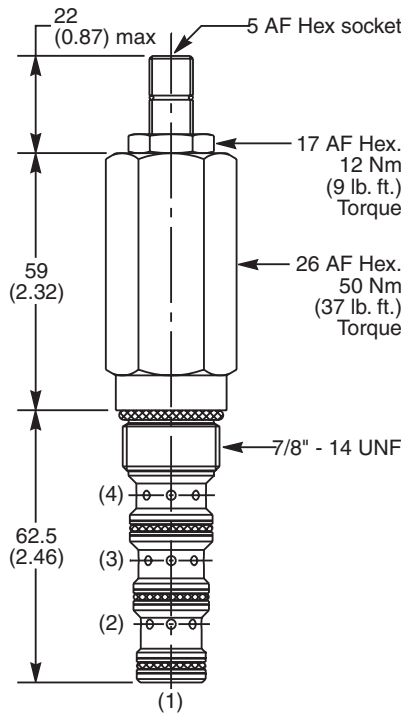
**Flow vs. Inlet Pressure**



**Pressure Drop vs. Flow**



**Dimensions** Millimeters (Inches)



**Ordering Information**

<b>B04K4</b>								
<b>10 Size</b> D.A. Sequence Valve (Internal Pilot & External Drain)	<b>Pilot</b> Pressure Adjustment Range	<b>Adjustment</b> Style	<b>Optional</b> Flow @ Pressure Setting	<b>Pilot</b> Switching Pressure	<b>Seals</b>	<b>Sealed</b> Pilot	<b>Body</b> Material	<b>Port</b> Size

Code	Pilot Pressure Adjustment Range
E	2 - 80 Bar (30 - 1160 PSI)
G	2 - 166 Bar (30 - 2400 PSI)
J	40 - 240 Bar (580 - 3500 PSI)

Code	Adjustment Style / Kit No.
Z	Screw Adjust (Std.)
W	Knob Adjust
T	Tamper Resistant Cap (TC1130)

Optional Flow @ Pressure Setting
If you require a maximum pressure setting at a flow rate, please enter it here in Liters per minute (LPM). Standard setting: 5 LPM (1.3 GPM)

Code	Pilot Switching Pressure
Omit	Omit for Standard Setting
<b>B04K4E</b>	Standard Setting: 40 Bar (580 PSI) @ 5 LPM (1.3 GPM)
<b>B04K4G</b>	Standard Setting: 80 Bar (1160 PSI) @ 5 LPM (1.3 GPM)
<b>B04K4J</b>	Standard Setting: 120 Bar (1750 PSI) @ 5 LPM (1.3 GPM)
	Specify setting if required

Code	Seals / Kit No.
N	Nitrile, Buna-N (Std.) / (SK30506N-1)
V	Fluorocarbon / (SK30506V-1)

Code	Sealed Pilot
Omit	Omit if not required
S	Sealed Pilot

Code	Body Material
Omit	Steel
A	Aluminum

Code	Port Size	Body Part No.
Omit	Cartridge Only	
6T	SAE-6	(B10-4-*6T)
8T	SAE-8	(B10-4-*8T)

\* Add "A" for aluminum, omit for steel.

- CV** Check Valves
- SH** Shuttle Valves
- LM** Load/Motor Controls
- FC** Flow Controls
- PC** Pressure Controls
- LE** Logic Elements
- DC** Directional Controls
- MV** Manual Valves
- SV** Solenoid Valves
- PV** Proportional Valves
- CE** Coils & Electronics
- BC** Bodies & Cavities
- TD** Technical Data

**Technical Information**

**CV**

Check  
Valves

**SH**

Shuttle  
Valves

**LM**

Load/Motor  
Controls

**FC**

Flow  
Controls

**PC**

Pressure  
Controls

**LE**

Logic  
Elements

**DC**

Directional  
Controls

**MV**

Manual  
Valves

**SV**

Solenoid  
Valves

**PV**

Proportional  
Valves

**CE**

Coils &  
Electronics

**BC**

Bodies &  
Cavities

**TD**

Technical  
Data

**General Description**

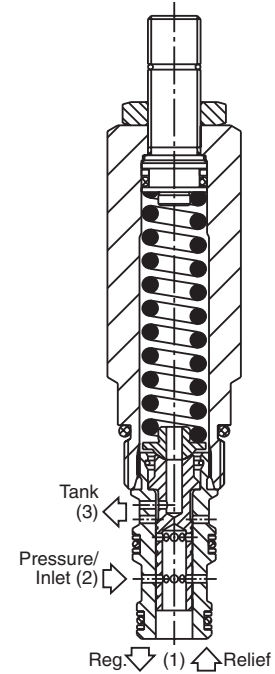
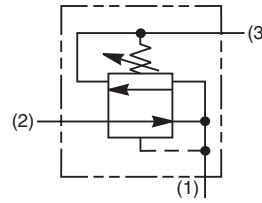
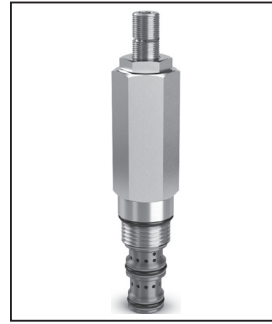
Direct Acting Pressure Reducing/Relieving Valve.  
For additional information see Technical Tips on  
pages PC1-PC6.

**Features**

- Maximum pressure setting up to 150 Bar, 2175 PSI
- Three pressure ranges available for more accurate pressure control
- Partial reverse flow capability
- Hardened working parts for maximum durability
- Adjustable and tamperproof versions available
- All external parts zinc plated

**Specifications**

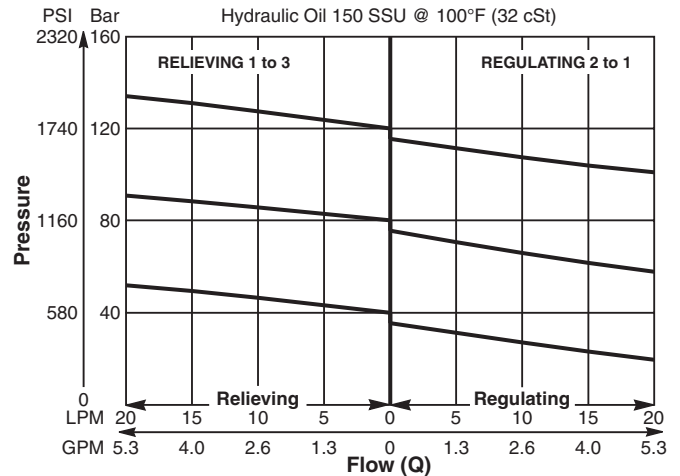
<b>Rated Flow</b>	20 LPM (5 GPM)
<b>Maximum Inlet Pressure</b>	420 Bar (6000 PSI)
<b>Maximum Pressure Setting</b>	<b>C</b> - 5-40 Bar (73-580 PSI) <b>E</b> - 25-75 Bar (363-1088 PSI) <b>G</b> - 50-150 Bar (725-2175 PSI)
<b>Sensitivity: Pressure/Turn</b>	<b>C</b> 5.6 Bar (81 PSI) <b>E</b> 10.3 Bar (150 PSI) <b>G</b> 20.8 Bar (302 PSI)
<b>Maximum Tank Pressure</b>	420 Bar (6000 PSI)
<b>Cartridge Material</b>	All parts steel. All operating parts hardened steel.
<b>Operating Temp. Range/Seals</b>	-34°C to +121°C (Nitrile) (-30°F to +250°F) -26°C to +204°C (Fluorocarbon) (-15°F to +400°F)
<b>Fluid Compatibility/ Viscosity</b>	Mineral-based or synthetic with lubricating properties at viscosities of 45 to 2000 SSU (6 to 420 cSt)
<b>Filtration</b>	ISO-4406 18/16/13, SAE Class 4
<b>Approx. Weight</b>	0.20 kg (0.44 lbs.)
<b>Cavity</b>	C08-3 (See BC Section for more details)
<b>Form Tool</b>	Rougher NFT08-3R Finisher NFT08-3F



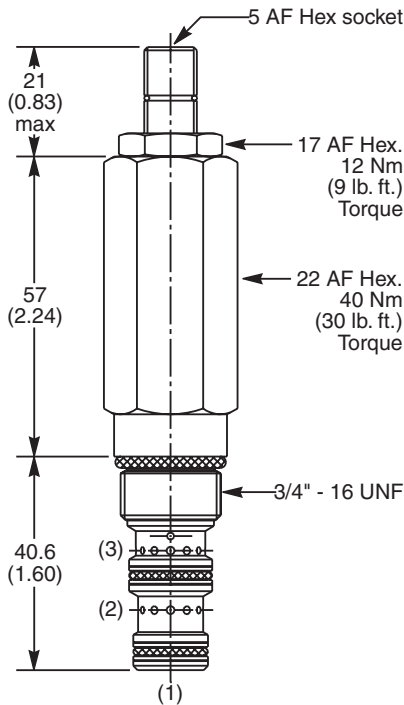
**Performance Curve**

(Pressure rise through cartridge only)

**Flow vs. Regulated Pressure**



**Dimensions** Millimeters (Inches)



**Ordering Information**

<b>C02A3</b>							
<b>08 Size D.A. Pressure Reducing/Relieving Valve</b>	<b>Pressure Adjustment Range</b>	<b>Adjustment Style</b>	<b>Optional Flow @ Pressure Setting</b>	<b>Optional Pressure Setting</b>	<b>Seals</b>	<b>Body Material</b>	<b>Port Size</b>

Code	Pressure Adjustment Range
<b>C</b>	5 - 40 Bar (73 - 580 PSI)
<b>E</b>	25 - 75 Bar (363 - 1088 PSI)
<b>G</b>	50 - 150 Bar (725 - 2175 PSI)

Code	Optional Pressure Setting
	Specify setting if required (Bar)
<b>C02A3C</b>	Standard Setting: 20 Bar (290 PSI)
<b>C02A3E</b>	Standard Setting: 38 Bar (551 PSI)
<b>C02A3G</b>	Standard Setting: 75 Bar (1088 PSI)

Code	Body Material
<b>Omit</b>	Steel
<b>A</b>	Aluminum

Code	Adjustment Style / Kit No.
<b>Z</b>	Screw Adjust (Std.)
<b>W</b>	Knob Adjust
<b>T</b>	Tamper Resistant Cap (TC1130)

Code	Port Size	Body Part No.
<b>Omit</b>	Cartridge Only	
<b>4T</b>	SAE-4	(B08-3-*4T)
<b>6T</b>	SAE-6	(B08-3-*6T)

\* Add "A" for aluminum, omit for steel.

Optional Flow @ Pressure Setting
If you require a maximum pressure setting at a flow rate, please enter it here in Liters per minute (LPM). Standard setting: 5 LPM (1.3 GPM)

Code	Seals / Kit No.
<b>N</b>	Nitrile, Buna-N (Std.) / (SK30501N-1)
<b>V</b>	Fluorocarbon / (SK30501V-1)

- CV** Check Valves
- SH** Shuttle Valves
- LM** Load/Motor Controls
- FC** Flow Controls
- PC** Pressure Controls
- LE** Logic Elements
- DC** Directional Controls
- MV** Manual Valves
- SV** Solenoid Valves
- PV** Proportional Valves
- CE** Coils & Electronics
- BC** Bodies & Cavities
- TD** Technical Data

**Technical Information**

- CV** Check Valves
- SH** Shuttle Valves
- LM** Load/Motor Controls
- FC** Flow Controls
- PC** Pressure Controls
- LE** Logic Elements
- DC** Directional Controls
- MV** Manual Valves
- SV** Solenoid Valves
- PV** Proportional Valves
- CE** Coils & Electronics
- BC** Bodies & Cavities
- TD** Technical Data

**General Description**

Direct Acting Pressure Reducing/Relieving Valve. For additional information see Technical Tips on pages PC1-PC6.



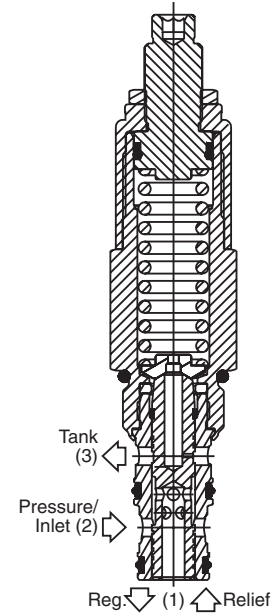
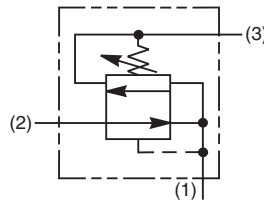
**Note:** The differential between system pressure and pressure setting of the valve can greatly affect the stability of this valve. For best performance, the inlet pressure setting should not exceed 69 Bar (1000 PSI) above the reducing valve setting.

**Features**

- Hardened, precision ground parts for durability
- Internal mechanical stop limits spool travel eliminating spring solidification
- "D"-Ring eliminates backup rings
- All external parts zinc plated

**Specifications**

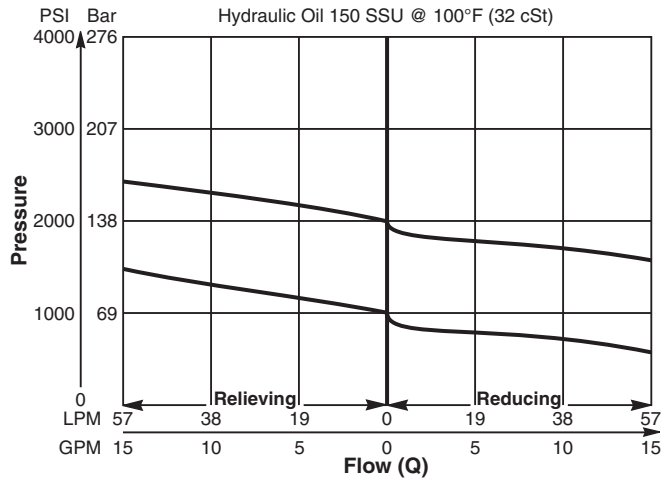
<b>Rated Flow</b>	56 LPM (15 GPM)
<b>Maximum Inlet Pressure</b>	210 Bar (3000 PSI) 69 Bar (1000 PSI) maximum differential above valve setting for best stability
<b>Maximum Pressure Setting</b>	124 Bar (1800 PSI)
<b>Sensitivity: Pressure/Turn</b>	<b>02</b> 3.5 Bar (50 PSI) <b>06</b> 6.6 Bar (95 PSI) <b>12</b> 11.4 Bar (165 PSI) <b>21</b> 17.2 Bar (250 PSI)
<b>Maximum Tank Pressure</b>	124 Bar (1800 PSI)
<b>Maximum Drain Flow</b>	120 ml/min. (0.03 GPM)
<b>Cartridge Material</b>	All parts steel. All operating parts hardened steel.
<b>Operating Temp. Range/Seals</b>	-45°C to +132°C ("D"-Ring) (-50°F to +270°F) -34°C to +121°C (Nitrile) (-30°F to +250°F) -26°C to +204°C (Fluorocarbon) (-15°F to +400°F)
<b>Fluid Compatibility/Viscosity</b>	Mineral-based or synthetic with lubricating properties at viscosities of 45 to 2000 SSU (6 to 420 cSt)
<b>Filtration</b>	ISO-4406 18/16/13, SAE Class 4
<b>Approx. Weight</b>	.23 kg (0.5 lbs.)
<b>Cavity</b>	C10-3 (See BC Section for more details)
<b>Form Tool</b>	Rougher NTF10-3R Finisher NFT10-3F



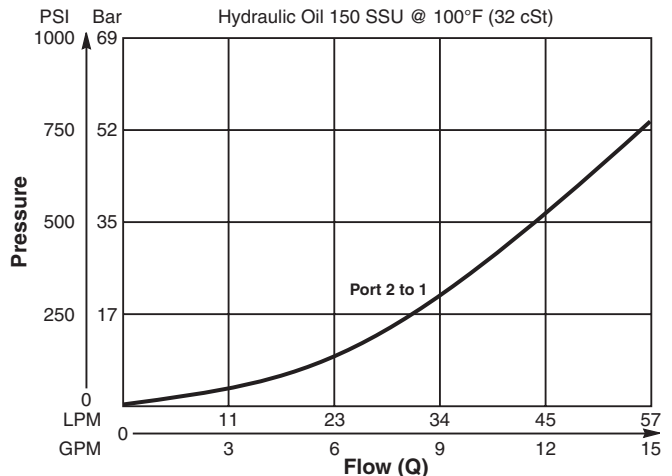
**Performance Curves**

(Pressure rise through cartridge only)

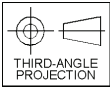
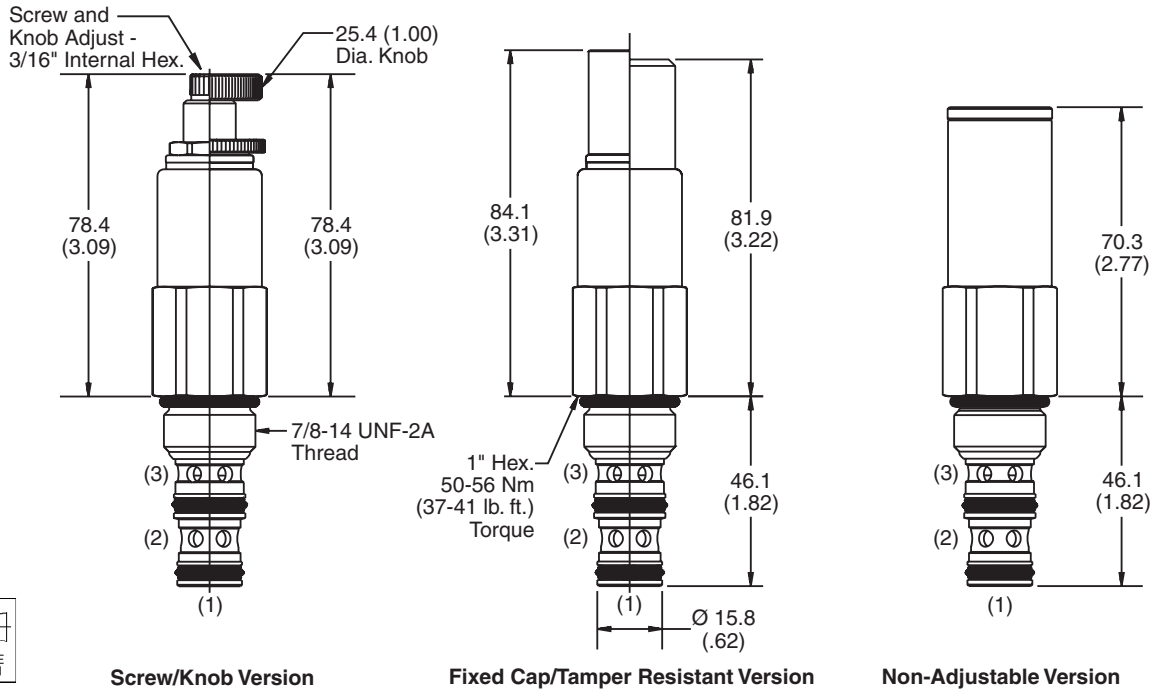
**Flow vs. Regulated Pressure**



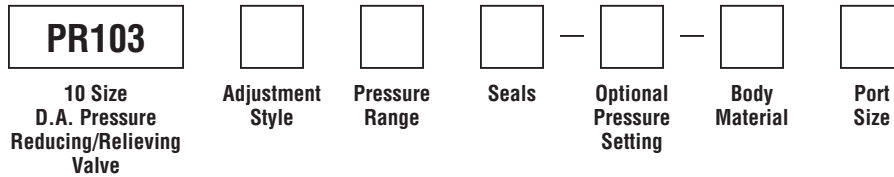
**Pressure vs. Flow**



**Dimensions** Millimeters (Inches)



**Ordering Information**



Code	Adjustment Style / Kit No.
F	Fixed style, preset at factory.
K	Knob Adjust (717784-10)
N	Non-Adjustable
S	Screw Adjust
T	Tamper Resistant Cap (717943)

Code	Seals / Kit No.
Omit	"D"-Ring / (SK10-3)
N	Nitrile / (SK10-3N)
V	Fluorocarbon / (SK10-3V)

Code	Body Material
Omit	Steel
A	Aluminum

Optional Pressure Setting	
Pressure ÷ 10	
i.e. 150 = 1500 PSI	
(Omit if standard setting is used)	
Setting Range:	50 to 2100 PSI
All settings at .95 LPM (.25 GPM)	

Code	Port Size	Body Part No.
Omit	Cartridge Only	
6T	SAE-6	(B10-3-*6T)
8T	SAE-8	(B10-3-*8T)

\* Add "A" for aluminum, omit for steel.

Code	Pressure Range
02	5.2 - 13.8 Bar (75 - 200 PSI) Standard Setting: 6.9 Bar (100 PSI) @ .95 LPM (.25 GPM)
06	17.2 - 41.4 Bar (250 - 600 PSI) Standard Setting: 20.7 Bar (300 PSI) @ .95 LPM (.25 GPM)
12	39.3 - 83 Bar (570 - 1200 PSI) Standard Setting: 41.4 Bar (600 PSI) @ .95 LPM (.25 GPM)
21	41.4 - 124.1 Bar (600 - 1800 PSI) Standard Setting: 69 Bar (1000 PSI) @ .95 LPM (.25 GPM)

- CV
- Check Valves
- SH
- Shuttle Valves
- LM
- Load/Motor Controls
- FC
- Flow Controls
- PC
- Pressure Controls
- LE
- Logic Elements
- DC
- Directional Controls
- MV
- Manual Valves
- SV
- Solenoid Valves
- PV
- Proportional Valves
- CE
- Coils & Electronics
- BC
- Bodies & Cavities
- TD
- Technical Data



**Technical Information**

- CV** Check Valves
- SH** Shuttle Valves
- LM** Load/Motor Controls
- FC** Flow Controls
- PC** Pressure Controls
- LE** Logic Elements
- DC** Directional Controls
- MV** Manual Valves
- SV** Solenoid Valves
- PV** Proportional Valves
- CE** Coils & Electronics
- BC** Bodies & Cavities
- TD** Technical Data

**General Description**

Pilot Operated Pressure Reducing Valve. For additional information see Technical Tips on pages PC1-PC6.

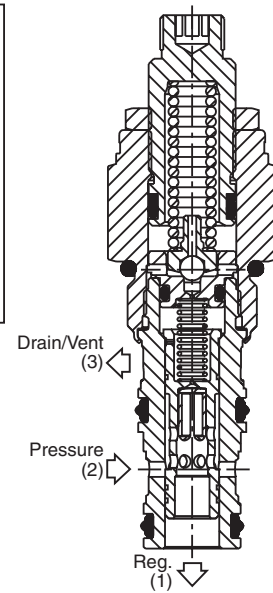
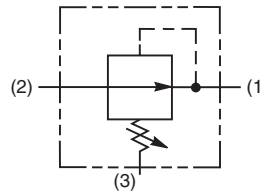
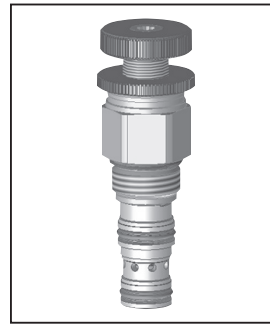


**Features**

- Hardened, precision ground parts for durability
- Low profile adapter for minimal space requirements
- Fully guided pilot for more consistent reseal
- Steel adapters are zinc plated
- Polyurethane "D"-Ring eliminates backup rings and prevents hydrolysis
- Internal screening protects pilot spring from debris

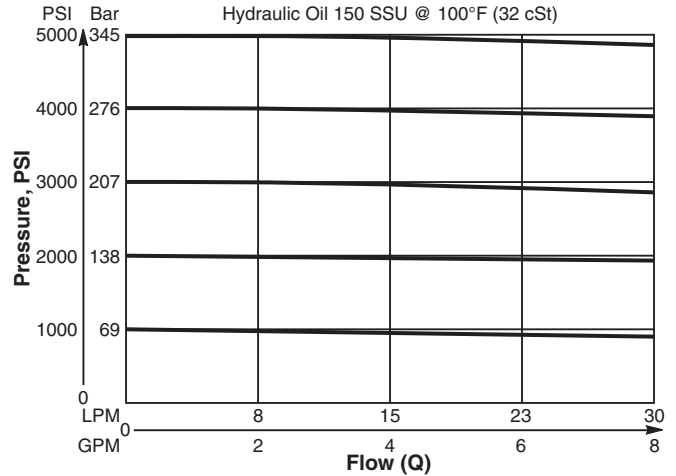
**Specifications**

<b>Rated Flow</b>	30 LPM (8 GPM)								
<b>Maximum Inlet Pressure</b>	380 Bar (5500 PSI)								
<b>Maximum Pressure Setting</b>	350 Bar (5000 PSI)								
<b>Sensitivity: Pressure/Turn</b>	<table style="border: none;"> <tr> <td><b>10</b></td> <td>25 Bar (362 PSI)</td> </tr> <tr> <td><b>20</b></td> <td>44.5 Bar (646 PSI)</td> </tr> <tr> <td><b>30</b></td> <td>64.2 Bar (932 PSI)</td> </tr> <tr> <td><b>50</b></td> <td>137 Bar (1987 PSI)</td> </tr> </table>	<b>10</b>	25 Bar (362 PSI)	<b>20</b>	44.5 Bar (646 PSI)	<b>30</b>	64.2 Bar (932 PSI)	<b>50</b>	137 Bar (1987 PSI)
<b>10</b>	25 Bar (362 PSI)								
<b>20</b>	44.5 Bar (646 PSI)								
<b>30</b>	64.2 Bar (932 PSI)								
<b>50</b>	137 Bar (1987 PSI)								
<b>Maximum Tank Pressure</b>	350 Bar (5000 PSI)								
<b>Maximum Drain Flow</b>	0.56 LPM (0.15 GPM)								
<b>Cartridge Material</b>	All parts steel. All operating parts hardened steel.								
<b>Operating Temp. Range/Seals</b>	-45°C to +132°C ("D"-Ring) (-50°F to +270°F) -34°C to +121°C (Nitrile) (-30°F to +250°F) -26°C to +204°C (Fluorocarbon) (-15°F to +400°F)								
<b>Fluid Compatibility/Viscosity</b>	Mineral-based or synthetic with lubricating properties at viscosities of 45 to 2000 SSU (6 to 420 cSt)								
<b>Filtration</b>	ISO-4406 18/16/13, SAE Class 4								
<b>Approx. Weight</b>	.11 kg (.25 lbs.)								
<b>Cavity</b>	C08-3 (See BC Section for more details)								
<b>Form Tool</b>	<table style="border: none;"> <tr> <td>Rougher</td> <td>NTF08-3R</td> </tr> <tr> <td>Finisher</td> <td>NFT08-3F</td> </tr> </table>	Rougher	NTF08-3R	Finisher	NFT08-3F				
Rougher	NTF08-3R								
Finisher	NFT08-3F								

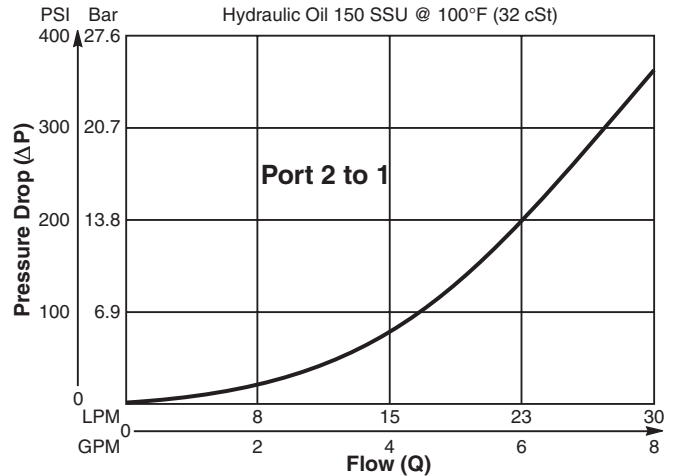


**Performance Curves**

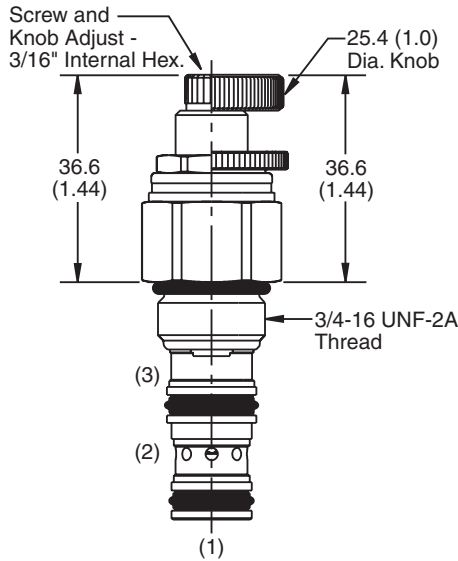
**Flow vs. Pressure (Through cartridge only)**



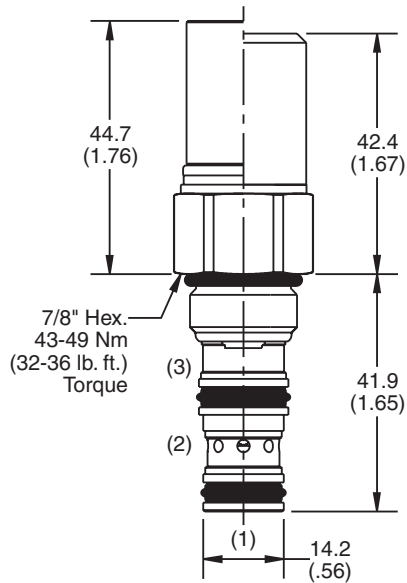
**Flow vs. Pressure Drop (Through cartridge only)**



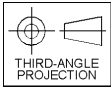
**Dimensions** Millimeters (Inches)



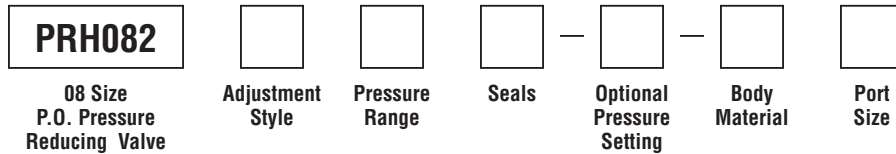
**Screw/Knob Version**



**Fixed Cap/Tamper Resistant Version**



**Ordering Information**



Code	Adjustment Style / Kit No.
F	Fixed style, preset at factory.
K	Knob Adjust (717784-10)
S	Screw Adjust
T	Tamper Resistant Cap (717943)

Code	Seals / Kit No.
Omit	"D"-Ring / (SK08-3)
N	Nitrile / (SK08-3N)
V	Fluorocarbon / (SK08-3V)

Code	Body Material
Omit	Steel
A	Aluminum

Code	Pressure Range
10	6.9 - 69 Bar (100 - 1000 PSI) Standard Setting: 34.5 Bar (500 PSI)
20	6.9 - 138 Bar (100 - 2000 PSI) Standard Setting: 69 Bar (1000 PSI)
30	13.8 - 207 Bar (200 - 3000 PSI) Standard Setting: 103.5 Bar (1500 PSI)
50	13.8 - 345 Bar (200 - 5000 PSI) Standard Setting: 172.4 Bar (2500 PSI)

Optional Pressure Setting
Pressure ÷ 10 i.e. 235 = 2350 PSI (Omit if standard setting is used) Setting Range: 100 to 5000 PSI

Code	Port Size	Body Part No.
Omit	Cartridge Only	
4T	SAE-4	(B08-3-*4T)
6T	SAE-6	(B08-3-*6T)

\* Add "A" for aluminum, omit for steel.

**NOTE:** For settings below 20.7 Bar (300 PSI), flow rating is limited to 11.3 LPM (3 GPM).

- CV Check Valves
- SH Shuttle Valves
- LM Load/Motor Controls
- FC Flow Controls
- PC Pressure Controls
- LE Logic Elements
- DC Directional Controls
- MV Manual Valves
- SV Solenoid Valves
- PV Proportional Valves
- CE Coils & Electronics
- BC Bodies & Cavities
- TD Technical Data

**Technical Information**

- CV** Check Valves
- SH** Shuttle Valves
- LM** Load/Motor Controls
- FC** Flow Controls
- PC** Pressure Controls
- LE** Logic Elements
- DC** Directional Controls
- MV** Manual Valves
- SV** Solenoid Valves
- PV** Proportional Valves
- CE** Coils & Electronics
- BC** Bodies & Cavities
- TD** Technical Data

**General Description**

Pilot Operated Pressure Reducing Valve. For additional information see Technical Tips on pages PC1-PC6.

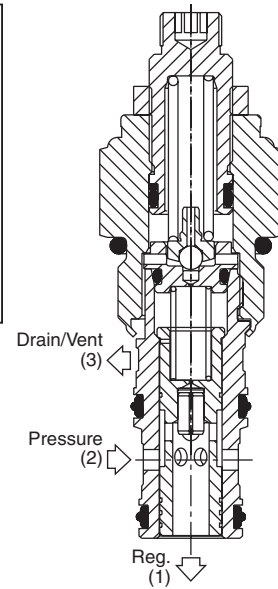
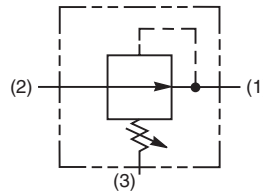
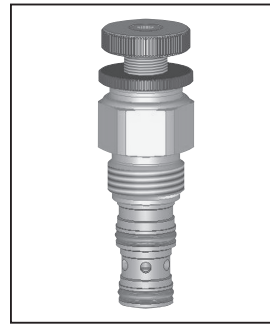


**Features**

- Hardened, precision ground parts for durability
- Low profile adapter for minimal space requirements
- Fully guided poppet for more consistent reseal
- Steel adapters are zinc plated
- Polyurethane “D”-Ring eliminates backup rings and prevents hydrolysis
- Internal screening protects pilot spring from debris

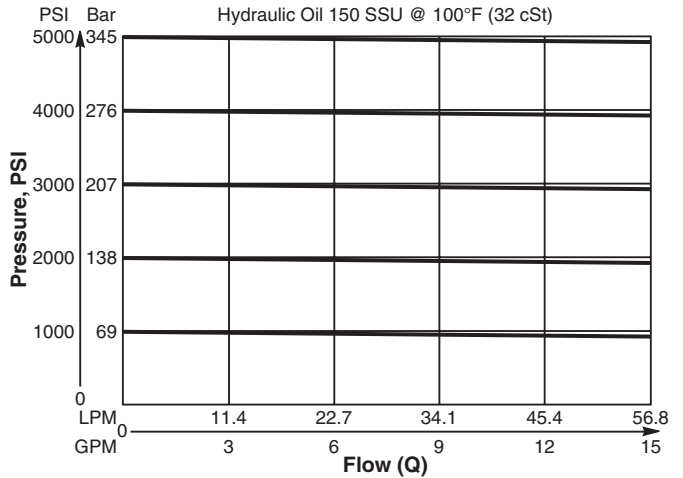
**Specifications**

<b>Rated Flow</b>	56.3 LPM (15 GPM)										
<b>Maximum Inlet Pressure</b>	380 Bar (5500 PSI)										
<b>Maximum Pressure Setting</b>	350 Bar (5000 PSI)										
<b>Sensitivity: Pressure/Turn</b>	<table style="border: none;"> <tr> <td style="padding-right: 10px;"><b>03</b></td> <td>21 Bar (307 PSI)</td> </tr> <tr> <td><b>10</b></td> <td>25.4 Bar (369 PSI)</td> </tr> <tr> <td><b>20</b></td> <td>45.1 Bar (655 PSI)</td> </tr> <tr> <td><b>30</b></td> <td>64.9 Bar (942 PSI)</td> </tr> <tr> <td><b>50</b></td> <td>137.6 Bar (1996 PSI)</td> </tr> </table>	<b>03</b>	21 Bar (307 PSI)	<b>10</b>	25.4 Bar (369 PSI)	<b>20</b>	45.1 Bar (655 PSI)	<b>30</b>	64.9 Bar (942 PSI)	<b>50</b>	137.6 Bar (1996 PSI)
<b>03</b>	21 Bar (307 PSI)										
<b>10</b>	25.4 Bar (369 PSI)										
<b>20</b>	45.1 Bar (655 PSI)										
<b>30</b>	64.9 Bar (942 PSI)										
<b>50</b>	137.6 Bar (1996 PSI)										
<b>Maximum Tank Pressure</b>	350 Bar (5000 PSI)										
<b>Maximum Drain Flow</b>	0.94 LPM (0.25 GPM)										
<b>Cartridge Material</b>	All parts steel. All operating parts hardened steel.										
<b>Operating Temp. Range/Seals</b>	-45°C to +132°C (“D”-Ring) (-50°F to +270°F) -34°C to +121°C (Nitrile) (-30°F to +250°F) -26°C to +204°C (Fluorocarbon) (-15°F to +400°F)										
<b>Fluid Compatibility/Viscosity</b>	Mineral-based or synthetic with lubricating properties at viscosities of 45 to 2000 SSU (6 to 420 cSt)										
<b>Filtration</b>	ISO-4406 18/16/13, SAE Class 4										
<b>Approx. Weight</b>	.23 kg (0.5 lbs.)										
<b>Cavity</b>	C10-3 (See BC Section for more details)										
<b>Form Tool</b>	<table style="border: none;"> <tr> <td>Rougher</td> <td>NTF10-3R</td> </tr> <tr> <td>Finisher</td> <td>NFT10-3F</td> </tr> </table>	Rougher	NTF10-3R	Finisher	NFT10-3F						
Rougher	NTF10-3R										
Finisher	NFT10-3F										

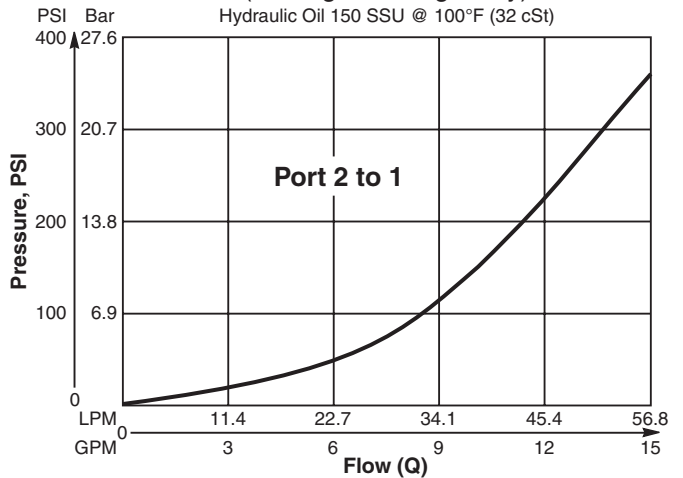


**Performance Curves**

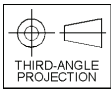
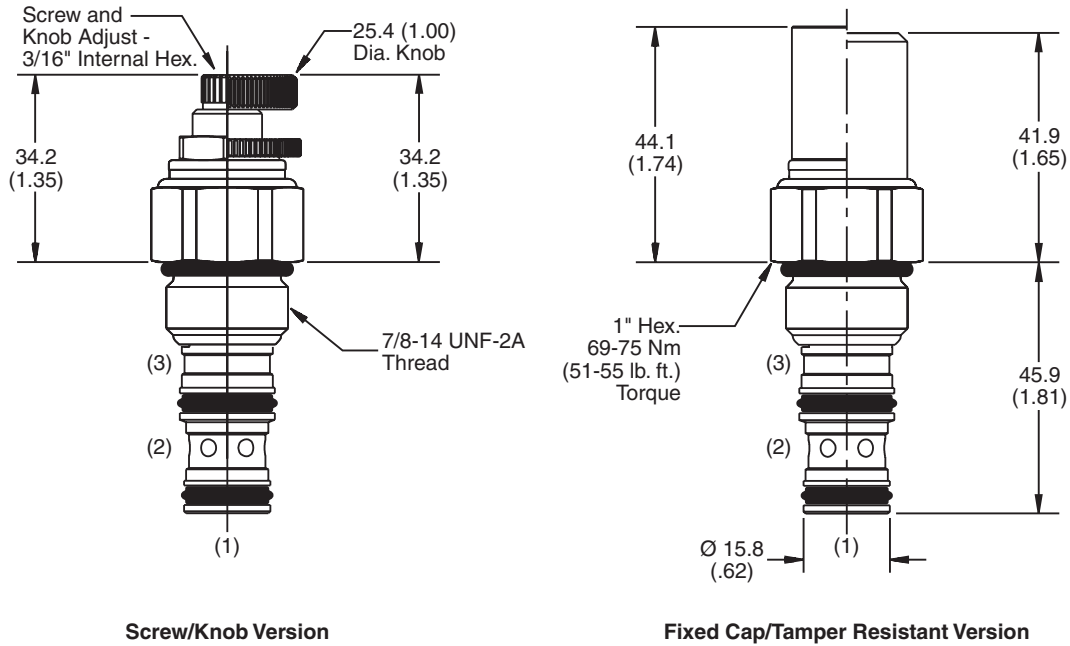
**Flow vs. Pressure (Through cartridge only)**



**Pressure vs. Flow (Through cartridge only)**



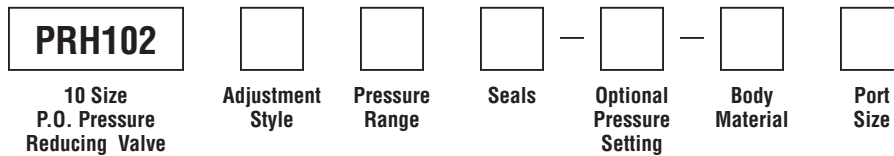
**Dimensions** Millimeters (Inches)



**Screw/Knob Version**

**Fixed Cap/Tamper Resistant Version**

**Ordering Information**



Code	Adjustment Style / Kit No.
F	Fixed style, preset at factory.
K	Knob Adjust (717784-10)
S	Screw Adjust
T	Tamper Resistant Cap (718083)

Code	Seals / Kit No.
Omit	"D"-Ring / (SK10-3)
N	Nitrile / (SK10-3N)
V	Fluorocarbon / (SK10-3V)

Code	Body Material
Omit	Steel
A	Aluminum

Code	Pressure Range
03	6.9 - 34.5 Bar (100 - 500 PSI) Standard Setting: 17.2 Bar (250 PSI)
10	13.7 - 69 Bar (200 - 1000 PSI) Standard Setting: 34.5 Bar (500 PSI)
20	27 - 138 Bar (400 - 2000 PSI) Standard Setting: 69 Bar (1000 PSI)
30	41.4 - 207 Bar (600 - 3000 PSI) Standard Setting: 103.5 Bar (1500 PSI)
50	82.8 - 345 Bar (1200 - 5000 PSI) Standard Setting: 172.4 Bar (2500 PSI)

Optional Pressure Setting	
Pressure ÷ 10	i.e. 235 = 2350 PSI
(Omit if standard setting is used)	
Setting Range:	100 to 5000 PSI

Code	Port Size	Body Part No.
Omit	Cartridge Only	
6T	SAE-6	(B10-3-*6T)
8T	SAE-8	(B10-3-*8T)

\* Add "A" for aluminum, omit for steel.

**NOTE:** For settings below 20.7 Bar (300 PSI), flow rating is limited to 11.3 LPM (3 GPM).

- CV** Check Valves
- SH** Shuttle Valves
- LM** Load/Motor Controls
- FC** Flow Controls
- PC** Pressure Controls
- LE** Logic Elements
- DC** Directional Controls
- MV** Manual Valves
- SV** Solenoid Valves
- PV** Proportional Valves
- CE** Coils & Electronics
- BC** Bodies & Cavities
- TD** Technical Data

**Technical Information**

**CV**

Check Valves

**SH**

Shuttle Valves

**LM**

Load/Motor Controls

**FC**

Flow Controls

**PC**

Pressure Controls

**LE**

Logic Elements

**DC**

Directional Controls

**MV**

Manual Valves

**SV**

Solenoid Valves

**PV**

Proportional Valves

**CE**

Coils & Electronics

**BC**

Bodies & Cavities

**TD**

Technical Data

**General Description**

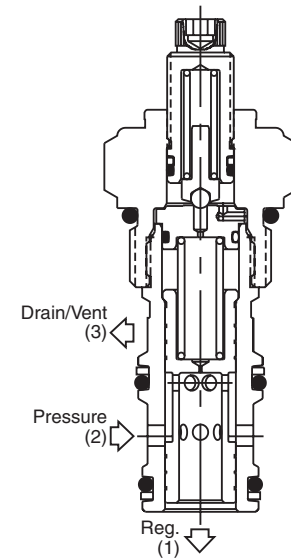
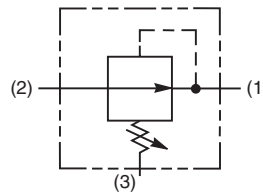
Pilot Operated Pressure Reducing Valve. For additional information see Technical Tips on pages PC1-PC6.

**Features**

- Hardened, precision ground parts for durability
- High accuracy, pilot operation design
- Ball-type pilot for added stability
- All external parts zinc plated

**Specifications**

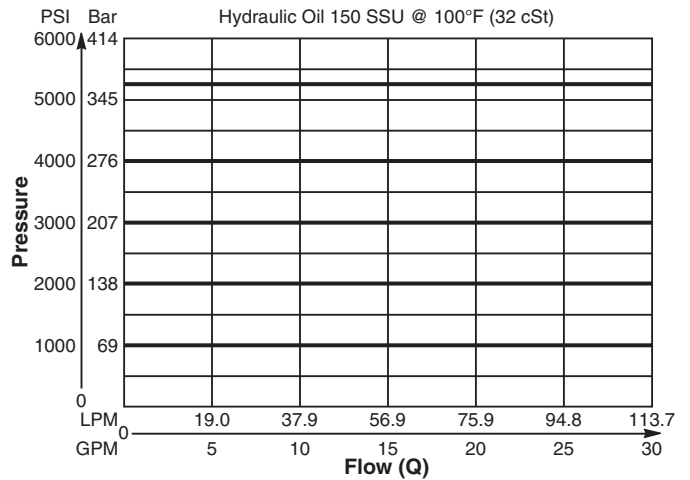
<b>Rated Flow</b>	113.7 LPM (30 GPM)								
<b>Maximum Inlet Pressure</b>	380 Bar (5500 PSI)								
<b>Maximum Pressure Setting</b>	350 Bar (5000 PSI)								
<b>Sensitivity: Pressure/Turn</b>	<table border="0"> <tr> <td><b>10</b></td> <td>23 Bar (334 PSI)</td> </tr> <tr> <td><b>20</b></td> <td>37 Bar (539 PSI)</td> </tr> <tr> <td><b>30</b></td> <td>60 Bar (870 PSI)</td> </tr> <tr> <td><b>50</b></td> <td>118 Bar (1711 PSI)</td> </tr> </table>	<b>10</b>	23 Bar (334 PSI)	<b>20</b>	37 Bar (539 PSI)	<b>30</b>	60 Bar (870 PSI)	<b>50</b>	118 Bar (1711 PSI)
<b>10</b>	23 Bar (334 PSI)								
<b>20</b>	37 Bar (539 PSI)								
<b>30</b>	60 Bar (870 PSI)								
<b>50</b>	118 Bar (1711 PSI)								
<b>Maximum Tank Pressure</b>	350 Bar (5000 PSI)								
<b>Maximum Drain Flow</b>	1.9 LPM (0.50 GPM)								
<b>Cartridge Material</b>	All parts steel. All operating parts hardened steel.								
<b>Operating Temp. Range (Ambient)</b>	-34°C to +121°C (Nitrile) (-30°F to +250°F) -26°C to +204°C (Fluorocarbon) (-15°F to +400°F)								
<b>Fluid Compatibility/ Viscosity</b>	Mineral-based or synthetic with lubricating properties at viscosities of 45 to 2000 SSU (6 to 420 cSt)								
<b>Filtration</b>	ISO-4406 18/16/13, SAE Class 4								
<b>Approx. Weight</b>	.27 kg (0.6 lbs.)								
<b>Cavity</b>	C12-3 (See BC Section for more details)								
<b>Form Tool</b>	Rougher NFT12-3R Finisher NFT12-3F								



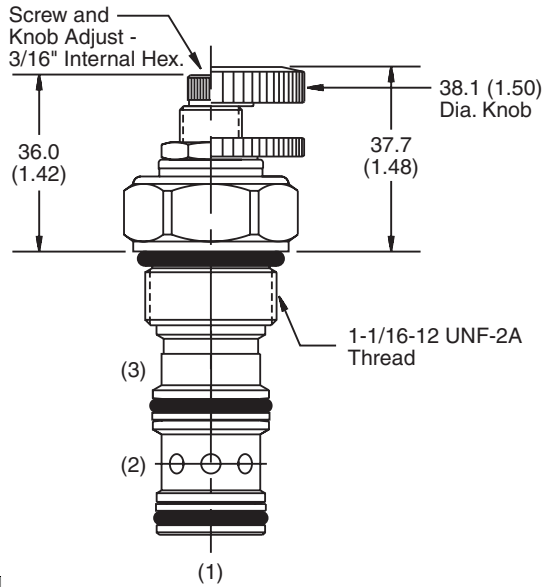
**Performance Curve**

**Flow vs. Pressure**

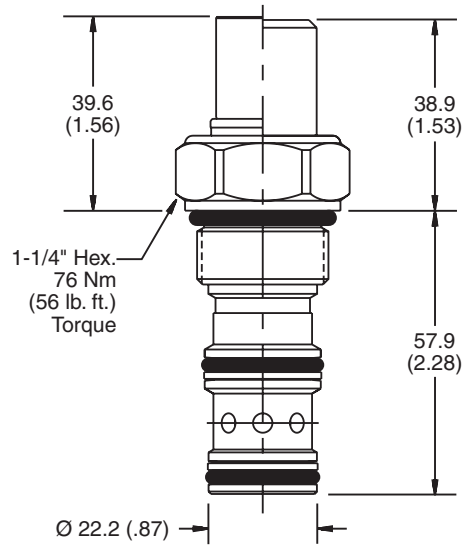
(Pressure rise through cartridge only)



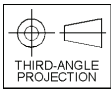
**Dimensions** Millimeters (Inches)



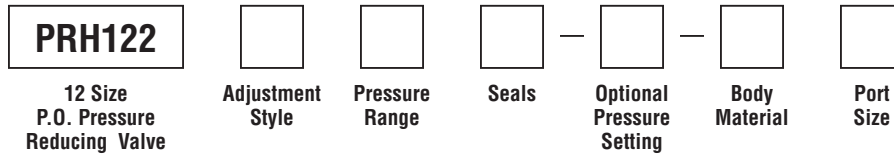
**Screw/Knob Version**



**Fixed Cap/Tamper Resistant Version**



**Ordering Information**



Code	Adjustment Style / Kit No.
F	Fixed style, preset at factory.
K	Knob Adjust (717784-15)
S	Screw Adjust
T	Tamper Resistant Cap (717785)

Code	Seals / Kit No.
Omit	Nitrile / (SK12-3)
V	Fluorocarbon / (SK12-3V)

Code	Body Material
Omit	Steel
A	Aluminum

Code	Pressure Range
10	6.9 - 69 Bar (100 - 1000 PSI) Standard Setting: 34.5 Bar (500 PSI)
20	13.8 - 138 Bar (200 - 2000 PSI) Standard Setting: 69 Bar (1000 PSI)
30	20.7 - 207 Bar (300 - 3000 PSI) Standard Setting: 103.5 Bar (1500 PSI)
50	34.5 - 345 Bar (500 - 5000 PSI) Standard Setting: 172.4 Bar (2500 PSI)

Optional Pressure Setting
Pressure ÷ 10 i.e. 235 = 2350 PSI (Omit is standard setting is used) Setting Range: 100 to 5000 PSI

Code	Port Size	Body Part No.
Omit	Cartridge Only	
12T	SAE-12	(B12-3-*12T)

\* Add "A" for aluminum, omit for steel.

- CV  
Check Valves
- SH  
Shuttle Valves
- LM  
Load/Motor Controls
- FC  
Flow Controls
- PC  
Pressure Controls
- LE  
Logic Elements
- DC  
Directional Controls
- MV  
Manual Valves
- SV  
Solenoid Valves
- PV  
Proportional Valves
- CE  
Coils & Electronics
- BC  
Bodies & Cavities
- TD  
Technical Data

**Technical Information**

**CV**

Check Valves

**SH**

Shuttle Valves

**LM**

Load/Motor Controls

**FC**

Flow Controls

**PC**

Pressure Controls

**LE**

Logic Elements

**DC**

Directional Controls

**MV**

Manual Valves

**SV**

Solenoid Valves

**PV**

Proportional Valves

**CE**

Coils & Electronics

**BC**

Bodies & Cavities

**TD**

Technical Data

**General Description**

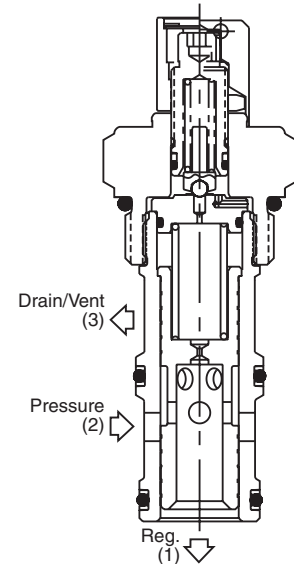
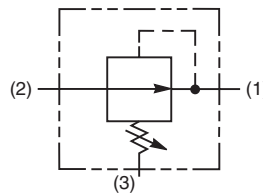
Pilot Operated Pressure Reducing Valve. For additional information see Technical Tips on pages PC1-PC6.

**Features**

- Hardened, precision ground parts for durability
- High accuracy, pilot operation design
- Ball-type pilot for added stability
- All external parts zinc plated

**Specifications**

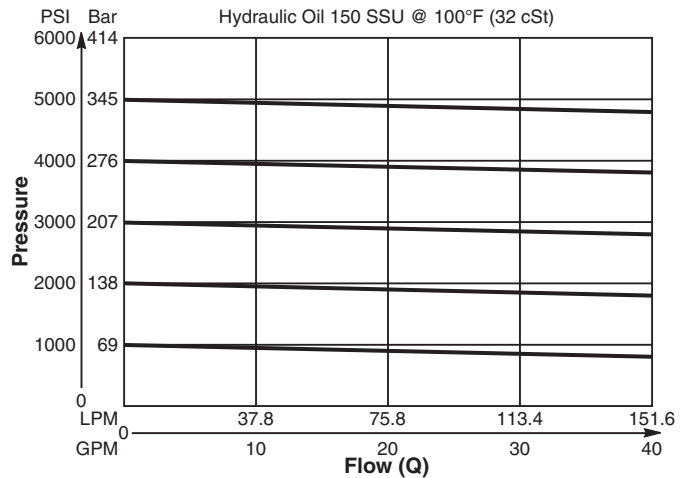
<b>Rated Flow</b>	150 LPM (40 GPM)								
<b>Maximum Inlet Pressure</b>	380 Bar (5500 PSI)								
<b>Maximum Pressure Setting</b>	350 Bar (5000 PSI)								
<b>Sensitivity: Pressure/Turn</b>	<table border="0"> <tr> <td><b>10</b></td> <td>23 Bar (334 PSI)</td> </tr> <tr> <td><b>20</b></td> <td>37 Bar (539 PSI)</td> </tr> <tr> <td><b>30</b></td> <td>60 Bar (870 PSI)</td> </tr> <tr> <td><b>50</b></td> <td>118 Bar (1711 PSI)</td> </tr> </table>	<b>10</b>	23 Bar (334 PSI)	<b>20</b>	37 Bar (539 PSI)	<b>30</b>	60 Bar (870 PSI)	<b>50</b>	118 Bar (1711 PSI)
<b>10</b>	23 Bar (334 PSI)								
<b>20</b>	37 Bar (539 PSI)								
<b>30</b>	60 Bar (870 PSI)								
<b>50</b>	118 Bar (1711 PSI)								
<b>Maximum Tank Pressure</b>	350 Bar (5000 PSI)								
<b>Maximum Drain Flow</b>	0.94 LPM (0.25 GPM)								
<b>Cartridge Material</b>	All parts steel. All operating parts hardened steel.								
<b>Operating Temp. Range/Seals</b>	-34°C to +121°C (Nitrile) (-30°F to +250°F) -26°C to +204°C (Fluorocarbon) (-15°F to +400°F)								
<b>Fluid Compatibility/Viscosity</b>	Mineral-based or synthetic with lubricating properties at viscosities of 45 to 2000 SSU (6 to 420 cSt)								
<b>Filtration</b>	ISO-4406 18/16/13, SAE Class 4								
<b>Approx. Weight</b>	0.9 kg (2.0 lbs.)								
<b>Cavity</b>	C16-3 (See BC Section for more details)								
<b>Form Tool</b>	Rougher NTF16-3R Finisher NFT16-3F								



**Performance Curve**

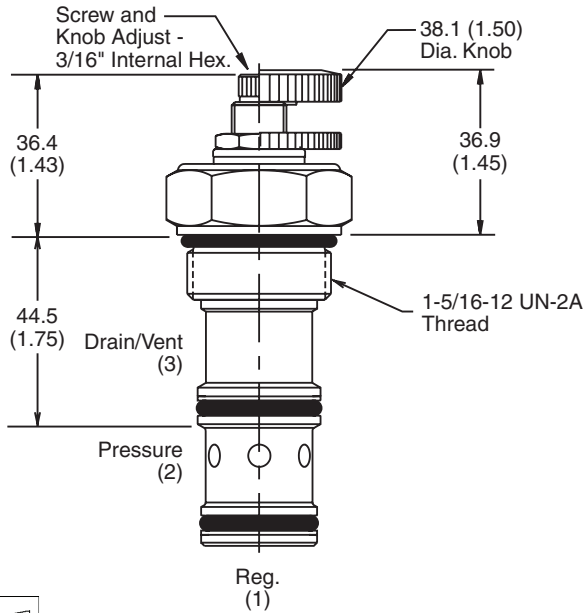
**Flow vs. Pressure**

(Pressure rise through cartridge only)

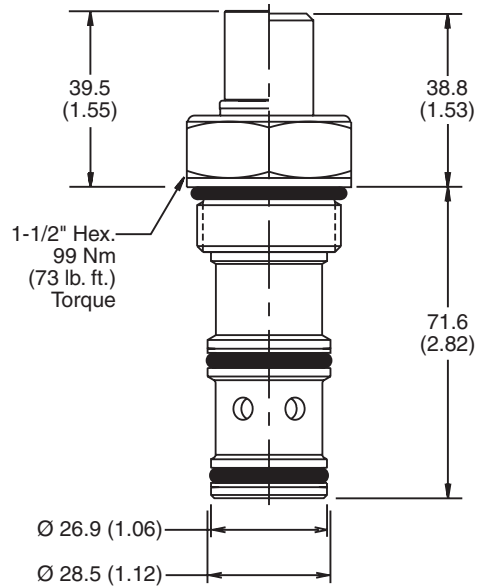




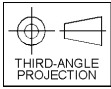
**Dimensions** Millimeters (Inches)



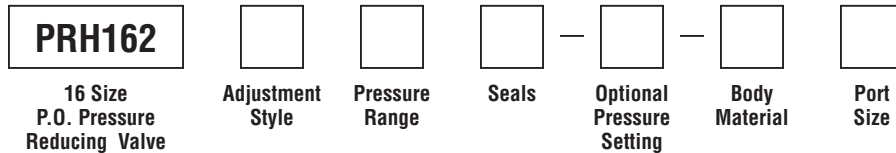
**Screw/Knob Version**



**Fixed Cap/Tamper Resistant Version**



**Ordering Information**



Code	Adjustment Style / Kit No.
F	Fixed style, preset at factory.
K	Knob Adjust (717784-15)
S	Screw Adjust
T	Tamper Resistant Cap (717785)

Code	Seals / Kit No.
Omit	Nitrile / (SK16-3)
V	Fluorocarbon / (SK16-3V)

Code	Body Material
Omit	Steel
A	Aluminum

Code	Pressure Range
10	6.9 - 69 Bar (100 - 1000 PSI) Standard Setting: 34.5 Bar (500 PSI)
20	13.8 - 138 Bar (200 - 2000 PSI) Standard Setting: 69 Bar (1000 PSI)
30	20.7 - 207 Bar (300 - 3000 PSI) Standard Setting: 103.5 Bar (1500 PSI)
50	34.5 - 345 Bar (500 - 5000 PSI) Standard Setting: 172.4 Bar (2500 PSI)

Optional Pressure Setting
Pressure ÷ 10 i.e. 235 = 2350 PSI (Omit if standard setting is used) Setting Range: 100 to 5000 PSI

Code	Port Size	Body Part No.
Omit	Cartridge Only	
12T	SAE-12	(B16-3-*12T)
16T	SAE-16	(B16-3-*16T)

\* Add "A" for aluminum, omit for steel.

- CV Check Valves
- SH Shuttle Valves
- LM Load/Motor Controls
- FC Flow Controls
- PC Pressure Controls
- LE Logic Elements
- DC Directional Controls
- MV Manual Valves
- SV Solenoid Valves
- PV Proportional Valves
- CE Coils & Electronics
- BC Bodies & Cavities
- TD Technical Data

**Technical Information**

- CV** Check Valves
- SH** Shuttle Valves
- LM** Load/Motor Controls
- FC** Flow Controls
- PC** Pressure Controls
- LE** Logic Elements
- DC** Directional Controls
- MV** Manual Valves
- SV** Solenoid Valves
- PV** Proportional Valves
- CE** Coils & Electronics
- BC** Bodies & Cavities
- TD** Technical Data

**General Description**

Pilot Operated Pressure Reducing/Relieving Valve. For additional information see Technical Tips on pages PC1-PC6.

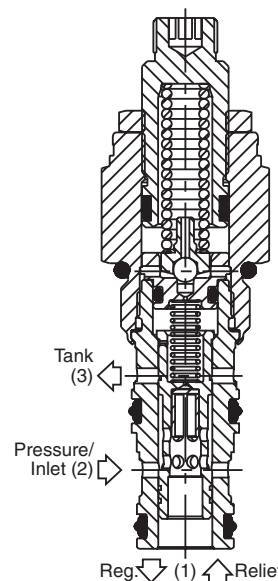
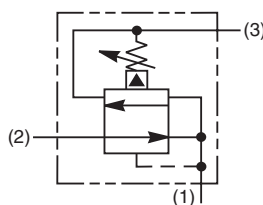


**Features**

- Hardened, precision ground parts for durability
- Low profile adapter for minimal space requirements
- Fully guided pilot for more consistent reseal
- Steel adapters are zinc plated
- Polyurethane "D"-Ring eliminates backup rings and prevents hydrolysis
- Internal screening protects pilot spring from debris

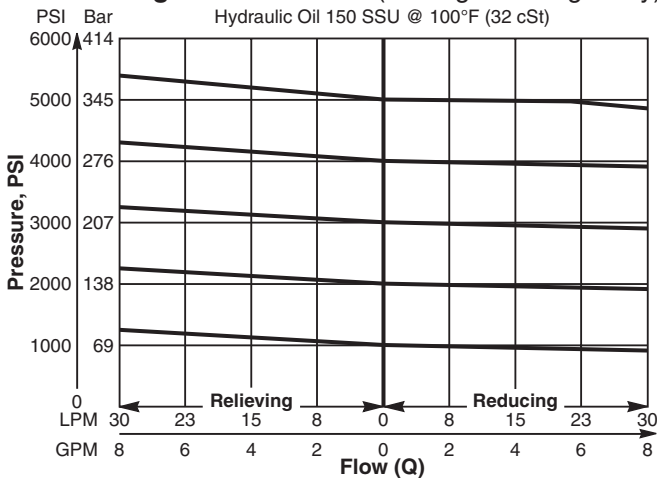
**Specifications**

<b>Rated Flow</b>	30 LPM (8 GPM)								
<b>Maximum Inlet Pressure</b>	380 Bar (5500 PSI)								
<b>Maximum Pressure Setting</b>	350 Bar (5000 PSI)								
<b>Sensitivity: Pressure/Turn</b>	<table style="border: none;"> <tr> <td style="padding-right: 10px;"><b>10</b></td> <td>19.6 Bar (285 PSI)</td> </tr> <tr> <td><b>20</b></td> <td>39.3 Bar (570 PSI)</td> </tr> <tr> <td><b>30</b></td> <td>58.9 Bar (859 PSI)</td> </tr> <tr> <td><b>50</b></td> <td>131.7 Bar (1910 PSI)</td> </tr> </table>	<b>10</b>	19.6 Bar (285 PSI)	<b>20</b>	39.3 Bar (570 PSI)	<b>30</b>	58.9 Bar (859 PSI)	<b>50</b>	131.7 Bar (1910 PSI)
<b>10</b>	19.6 Bar (285 PSI)								
<b>20</b>	39.3 Bar (570 PSI)								
<b>30</b>	58.9 Bar (859 PSI)								
<b>50</b>	131.7 Bar (1910 PSI)								
<b>Maximum Tank Pressure</b>	350 Bar (5000 PSI)								
<b>Maximum Drain Flow</b>	0.56 LPM (0.15 GPM)								
<b>Cartridge Material</b>	All parts steel. All operating parts hardened steel.								
<b>Operating Temp. Range/Seals</b>	-45°C to +132°C ("D"-Ring) (-50°F to +270°F) -34°C to +121°C (Nitrile) (-30°F to +250°F) -26°C to +204°C (Fluorocarbon) (-15°F to +400°F)								
<b>Fluid Compatibility/Viscosity</b>	Mineral-based or synthetic with lubricating properties at viscosities of 45 to 2000 SSU (6 to 420 cSt)								
<b>Filtration</b>	ISO-4406 18/16/13, SAE Class 4								
<b>Approx. Weight</b>	.11 kg (.25 lbs.)								
<b>Cavity</b>	C08-3 (See BC Section for more details)								
<b>Form Tool</b>	<table style="border: none;"> <tr> <td style="padding-right: 20px;">Rougher</td> <td>NTF08-3R</td> </tr> <tr> <td>Finisher</td> <td>NFT08-3F</td> </tr> </table>	Rougher	NTF08-3R	Finisher	NFT08-3F				
Rougher	NTF08-3R								
Finisher	NFT08-3F								

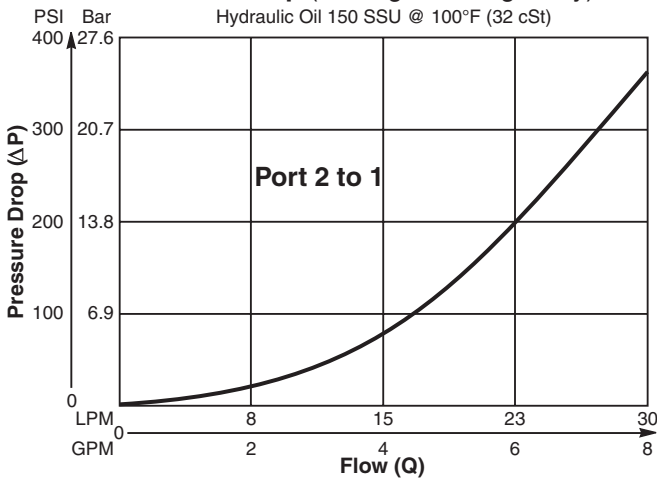


**Performance Curves**

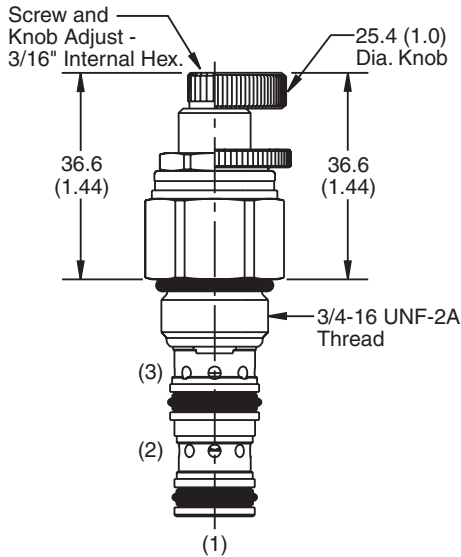
**Flow vs. Regulated Pressure (Through cartridge only)**



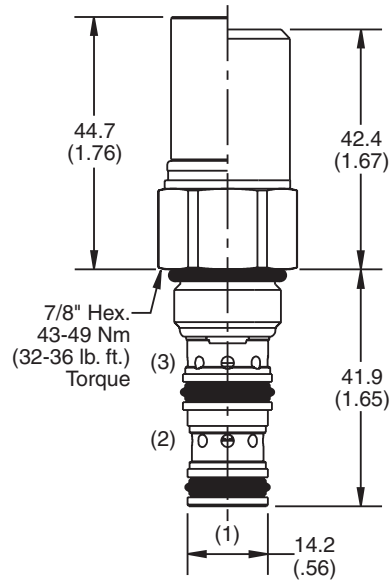
**Flow vs. Pressure Drop (Through cartridge only)**



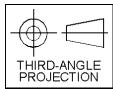
**Dimensions** Millimeters (Inches)



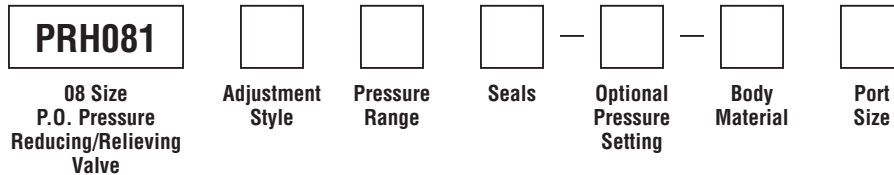
**Screw/Knob Version**



**Fixed Cap/Tamper Resistant Version**



**Ordering Information**



Code	Adjustment Style / Kit No.
F	Fixed style, preset at factory.
K	Knob Adjust (717784-10)
S	Screw Adjust
T	Tamper Resistant Cap (717943)

Code	Seals / Kit No.
Omit	"D"-Ring / (SK08-3)
N	Nitrile / (SK08-3N)
V	Fluorocarbon / (SK08-3V)

Code	Body Material
Omit	Steel
A	Aluminum

Code	Pressure Range
10	6.9 - 69 Bar (100 - 1000 PSI) Standard Setting: 34.5 Bar (500 PSI)
20	6.9 - 138 Bar (100 - 2000 PSI) Standard Setting: 69 Bar (1000 PSI)
30	13.8 - 207 Bar (200 - 3000 PSI) Standard Setting: 103.5 Bar (1500 PSI)
50	13.8 - 345 Bar (200 - 5000 PSI) Standard Setting: 172.4 Bar (2500 PSI)

Optional Pressure Setting
Pressure $\div$ 10 i.e. 235 = 2350 PSI (Omit if standard setting is used) Setting Range: 100 to 5000 PSI

Code	Port Size	Body Part No.
Omit	Cartridge Only	
4T	SAE-4	(B08-3-*4T)
6T	SAE-6	(B08-3-*6T)

\* Add "A" for aluminum, omit for steel.

**NOTE:** For settings below 20.7 Bar (300 PSI), flow rating is limited to 11.3 LPM (3 GPM).

- CV** Check Valves
- SH** Shuttle Valves
- LM** Load/Motor Controls
- FC** Flow Controls
- PC** Pressure Controls
- LE** Logic Elements
- DC** Directional Controls
- MV** Manual Valves
- SV** Solenoid Valves
- PV** Proportional Valves
- CE** Coils & Electronics
- BC** Bodies & Cavities
- TD** Technical Data

**Technical Information**

**CV**

Check Valves

**SH**

Shuttle Valves

**LM**

Load/Motor Controls

**FC**

Flow Controls

**PC**

Pressure Controls

**LE**

Logic Elements

**DC**

Directional Controls

**MV**

Manual Valves

**SV**

Solenoid Valves

**PV**

Proportional Valves

**CE**

Coils & Electronics

**BC**

Bodies & Cavities

**TD**

Technical Data

**General Description**

Pilot Operated Pressure Reducing/Relieving Valve. For additional information see Technical Tips on pages PC1-PC6.

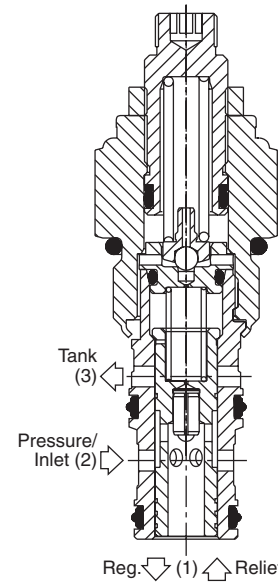
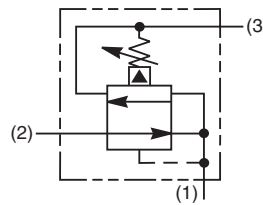


**Features**

- Hardened, precision ground parts for durability
- Low profile adapter for minimal space requirements
- Fully guided poppet for more consistent reseal
- Steel adapters are zinc plated
- Polyurethane "D"-Ring eliminates backup rings and prevents hydrolysis
- Internal screening protects pilot spring from debris

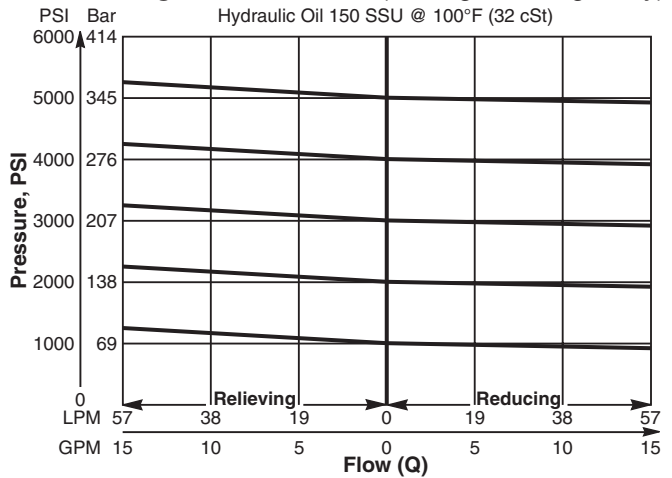
**Specifications**

<b>Rated Flow</b>	56.3 LPM (15 GPM)								
<b>Maximum Inlet Pressure</b>	380 Bar (5500 PSI)								
<b>Maximum Pressure Setting</b>	350 Bar (5000 PSI)								
<b>Sensitivity: Pressure/Turn</b>	<table border="0"> <tr> <td><b>10</b></td> <td>19.6 Bar (285 PSI)</td> </tr> <tr> <td><b>20</b></td> <td>39.3 Bar (570 PSI)</td> </tr> <tr> <td><b>30</b></td> <td>58.9 Bar (859 PSI)</td> </tr> <tr> <td><b>50</b></td> <td>131.7 Bar (1910 PSI)</td> </tr> </table>	<b>10</b>	19.6 Bar (285 PSI)	<b>20</b>	39.3 Bar (570 PSI)	<b>30</b>	58.9 Bar (859 PSI)	<b>50</b>	131.7 Bar (1910 PSI)
<b>10</b>	19.6 Bar (285 PSI)								
<b>20</b>	39.3 Bar (570 PSI)								
<b>30</b>	58.9 Bar (859 PSI)								
<b>50</b>	131.7 Bar (1910 PSI)								
<b>Maximum Tank Pressure</b>	350 Bar (5000 PSI)								
<b>Maximum Drain Flow</b>	0.94 LPM (0.25 GPM)								
<b>Cartridge Material</b>	All parts steel. All operating parts hardened steel.								
<b>Operating Temp. Range/Seals</b>	-45°C to +132°C ("D"-Ring) (-50°F to +270°F) -34°C to +121°C (Nitrile) (-30°F to +250°F) -26°C to +204°C (Fluorocarbon) (-15°F to +400°F)								
<b>Fluid Compatibility/Viscosity</b>	Mineral-based or synthetic with lubricating properties at viscosities of 45 to 2000 SSU (6 to 420 cSt)								
<b>Filtration</b>	ISO-4406 18/16/13, SAE Class 4								
<b>Approx. Weight</b>	.23 kg (0.5 lbs.)								
<b>Cavity</b>	C10-3 (See BC Section for more details)								
<b>Form Tool</b>	<table border="0"> <tr> <td>Rougher</td> <td>NTF10-3R</td> </tr> <tr> <td>Finisher</td> <td>NFT10-3F</td> </tr> </table>	Rougher	NTF10-3R	Finisher	NFT10-3F				
Rougher	NTF10-3R								
Finisher	NFT10-3F								

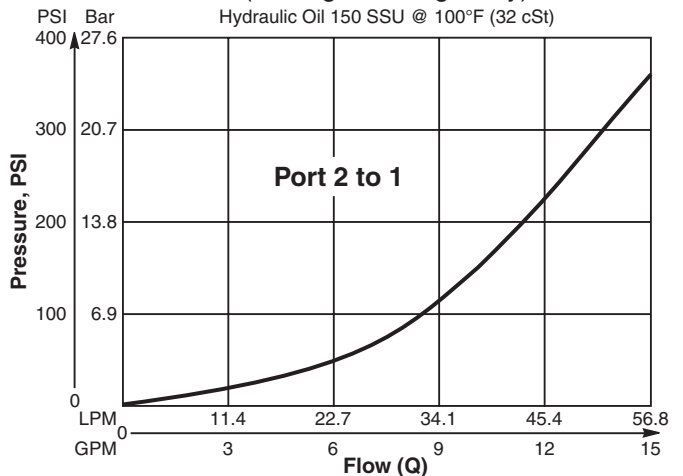


**Performance Curves**

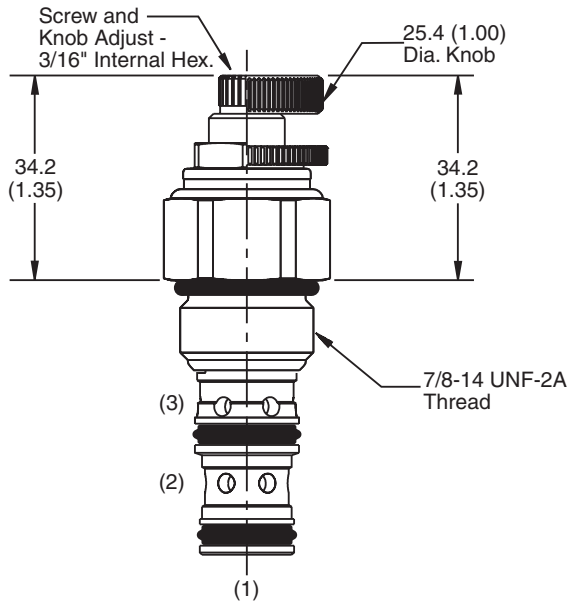
**Flow vs. Regulated Pressure (Through cartridge only)**



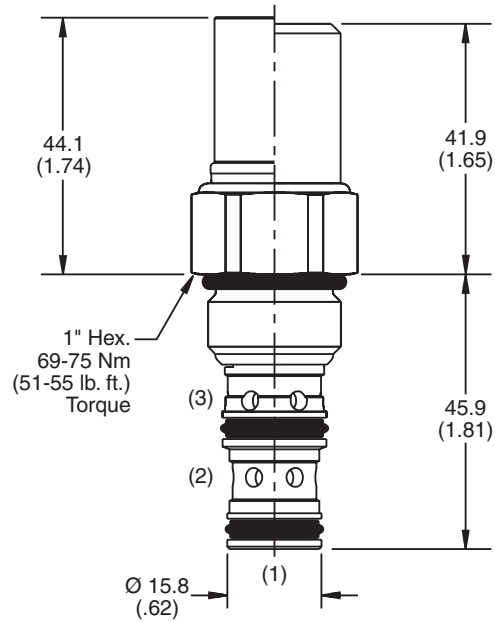
**Pressure vs. Flow (Through cartridge only)**



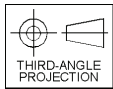
**Dimensions** Millimeters (Inches)



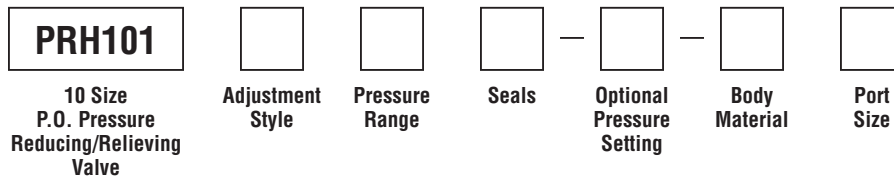
**Screw/Knob Version**



**Fixed Cap/Tamper Resistant Version**



**Ordering Information**



Code	Adjustment Style / Kit No.
F	Fixed style, preset at factory.
K	Knob Adjust (717784-10)
S	Screw Adjust
T	Tamper Resistant Cap (718083)

Code	Seals / Kit No.
Omit	"D"-Ring / (SK10-3)
N	Nitirle / (SK10-3N)
V	Fluorocarbon / (SK10-3V)

Code	Body Material
Omit	Steel
A	Aluminum

Code	Pressure Range
03	6.9 - 34.5 Bar (100 - 500 PSI) Standard Setting: 17.2 Bar (250 PSI)
10	13.7 - 69 Bar (200 - 1000 PSI) Standard Setting: 34.5 Bar (500 PSI)
20	27 - 138 Bar (400 - 2000 PSI) Standard Setting: 69 Bar (1000 PSI)
30	41.4 - 207 Bar (600 - 3000 PSI) Standard Setting: 103.5 Bar (1500 PSI)
50	82.8 - 345 Bar (1200 - 5000 PSI) Standard Setting: 172.4 Bar (2500 PSI)

Optional Pressure Setting
Pressure ÷ 10 i.e. 235 = 2350 PSI (Omit if standard setting is used) Setting Range: 100 to 5000 PSI

Code	Port Size	Body Part No.
Omit	Cartridge Only	
6T	SAE-6	(B10-3-*6T)
8T	SAE-8	(B10-3-*8T)

\* Add "A" for aluminum, omit for steel.

**NOTE:** For settings below 20.7 Bar (300 PSI), flow rating is limited to 11.3 LPM (3 GPM).

- CV** Check Valves
- SH** Shuttle Valves
- LM** Load/Motor Controls
- FC** Flow Controls
- PC** Pressure Controls
- LE** Logic Elements
- DC** Directional Controls
- MV** Manual Valves
- SV** Solenoid Valves
- PV** Proportional Valves
- CE** Coils & Electronics
- BC** Bodies & Cavities
- TD** Technical Data

**Technical Information**

**CV**

Check Valves

**SH**

Shuttle Valves

**LM**

Load/Motor Controls

**FC**

Flow Controls

**PC**

Pressure Controls

**LE**

Logic Elements

**DC**

Directional Controls

**MV**

Manual Valves

**SV**

Solenoid Valves

**PV**

Proportional Valves

**CE**

Coils & Electronics

**BC**

Bodies & Cavities

**TD**

Technical Data

**General Description**

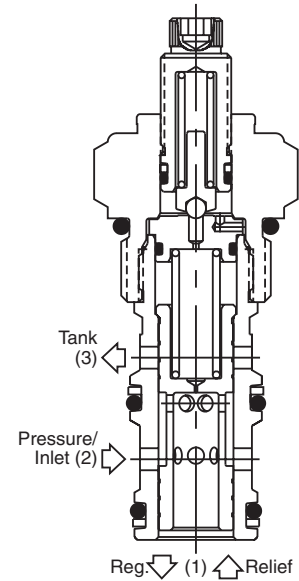
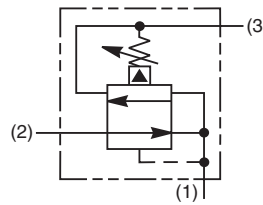
Pilot Operated Pressure Reducing/Relieving Valve. For additional information see Technical Tips on pages PC1-PC6.

**Features**

- Hardened, precision ground parts for durability
- Ball-type pilot for added stability
- Full capacity reducing/relieving
- Performs job of two separate valves in one
- All external parts zinc plated

**Specifications**

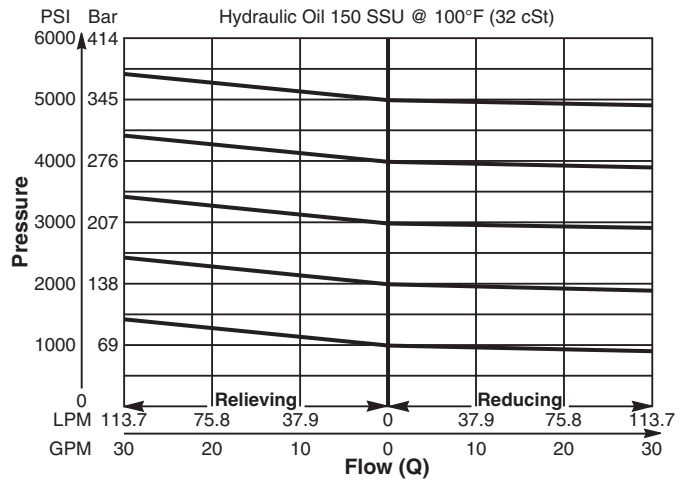
<b>Rated Flow</b>	113.7 LPM (30 GPM)								
<b>Maximum Inlet Pressure</b>	380 Bar (5500 PSI)								
<b>Maximum Pressure Setting</b>	350 Bar (5000 PSI)								
<b>Sensitivity: Pressure/Turn</b>	<table border="0"> <tr> <td><b>10</b></td> <td>23 Bar (334 PSI)</td> </tr> <tr> <td><b>20</b></td> <td>37 Bar (539 PSI)</td> </tr> <tr> <td><b>30</b></td> <td>60 Bar (870 PSI)</td> </tr> <tr> <td><b>50</b></td> <td>118 Bar (1711 PSI)</td> </tr> </table>	<b>10</b>	23 Bar (334 PSI)	<b>20</b>	37 Bar (539 PSI)	<b>30</b>	60 Bar (870 PSI)	<b>50</b>	118 Bar (1711 PSI)
<b>10</b>	23 Bar (334 PSI)								
<b>20</b>	37 Bar (539 PSI)								
<b>30</b>	60 Bar (870 PSI)								
<b>50</b>	118 Bar (1711 PSI)								
<b>Maximum Tank Pressure</b>	350 Bar (5000 PSI)								
<b>Maximum Drain Flow</b>	0.94 LPM (0.25 GPM)								
<b>Cartridge Material</b>	All parts steel. All operating parts hardened steel.								
<b>Operating Temp. Range/Seals</b>	-34°C to +121°C (Nitrile) (-30°F to +250°F) -26°C to +204°C (Fluorocarbon) (-15°F to +400°F)								
<b>Fluid Compatibility/Viscosity</b>	Mineral-based or synthetic with lubricating properties at viscosities of 45 to 2000 SSU (6 to 420 cSt)								
<b>Filtration</b>	ISO-4406 18/16/13, SAE Class 4								
<b>Approx. Weight</b>	.27 kg (0.6 lbs.)								
<b>Cavity</b>	C12-3 (See BC Section for more details)								
<b>Form Tool</b>	Rougher NTF12-3R Finisher NFT12-3F								



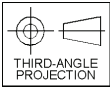
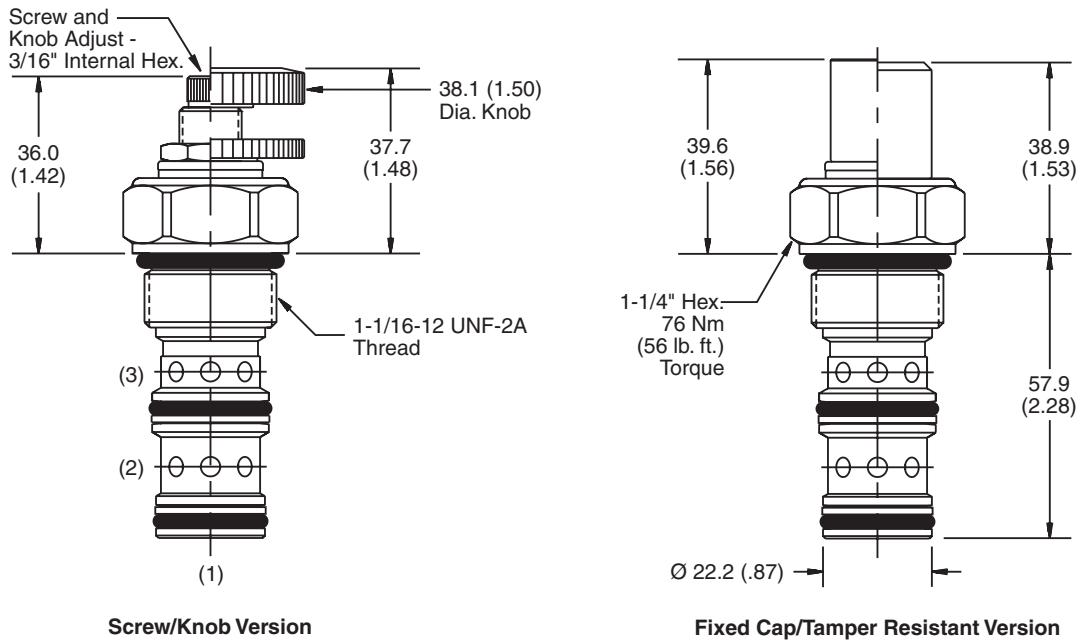
**Performance Curve**

**Flow vs. Regulated Pressure**

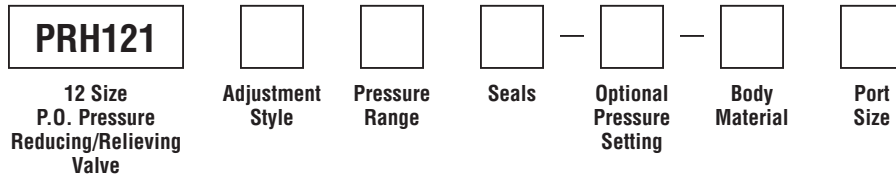
(Pressure rise through cartridge only)



**Dimensions** Millimeters (Inches)



**Ordering Information**



Code	Adjustment Style / Kit No.
F	Fixed style, preset at factory.
K	Knob Adjust (717784-15)
S	Screw Adjust
T	Tamper Resistant Cap (717785)

Code	Seals / Kit No.
Omit	Nitrile / (SK12-3)
V	Fluorocarbon / (SK12-3V)

Code	Body Material
Omit	Steel
A	Aluminum

Optional Pressure Setting
Pressure ÷ 10 i.e. 235 = 2350 PSI (Omit if standard setting is used) Setting Range: 100 to 5000 PSI

Code	Port Size	Body Part No.
Omit	Cartridge Only	
8T	SAE-8	(B12-3-*8T)
12T	SAE-12	(B12-3-*12T)

\* Add "A" for aluminum, omit for steel.

Code	Pressure Range
10	6.9 - 69 Bar (100 - 1000 PSI) Standard Setting: 34.5 Bar (500 PSI)
20	13.8 - 138 Bar (200 - 2000 PSI) Standard Setting: 69 Bar (1000 PSI)
30	20.7 - 207 Bar (300 - 3000 PSI) Standard Setting: 103.5 Bar (1500 PSI)
50	34.5 - 345 Bar (500 - 5000 PSI) Standard Setting: 172.4 Bar (2500 PSI)

- CV** Check Valves
- SH** Shuttle Valves
- LM** Load/Motor Controls
- FC** Flow Controls
- PC** Pressure Controls
- LE** Logic Elements
- DC** Directional Controls
- MV** Manual Valves
- SV** Solenoid Valves
- PV** Proportional Valves
- CE** Coils & Electronics
- BC** Bodies & Cavities
- TD** Technical Data



**Technical Information**

**CV**

Check Valves

**SH**

Shuttle Valves

**LM**

Load/Motor Controls

**FC**

Flow Controls

**PC**

Pressure Controls

**LE**

Logic Elements

**DC**

Directional Controls

**MV**

Manual Valves

**SV**

Solenoid Valves

**PV**

Proportional Valves

**CE**

Coils & Electronics

**BC**

Bodies & Cavities

**TD**

Technical Data

**General Description**

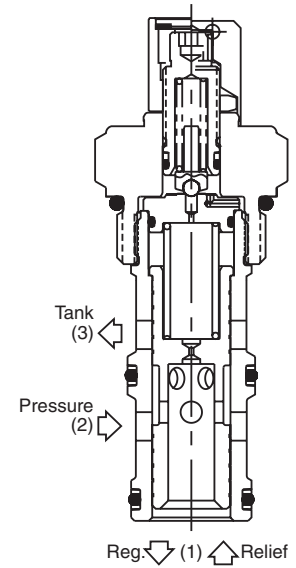
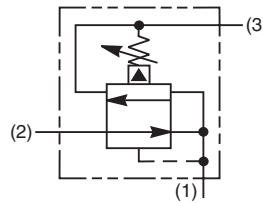
Pilot Operated Pressure Reducing/Relieving Valve. For additional information see Technical Tips on pages PC1-PC6.

**Features**

- Hardened, precision ground parts for durability
- Ball-type pilot for added stability
- Full capacity reducing/relieving
- Performs job of two separate valves in one
- All external parts zinc plated

**Specifications**

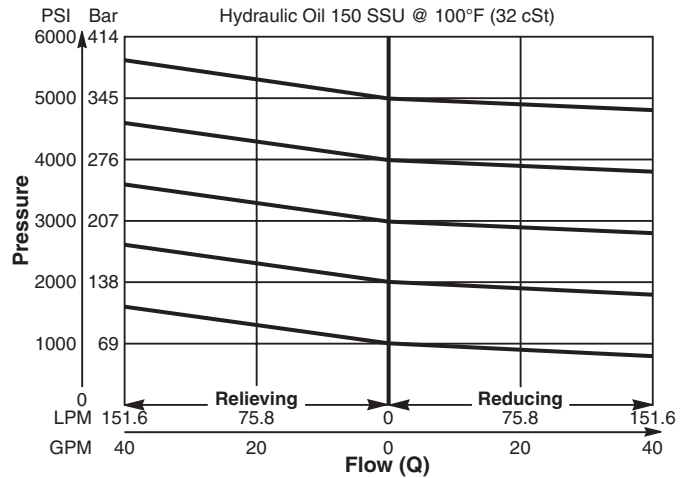
<b>Rated Flow</b>	150 LPM (40 GPM)								
<b>Maximum Inlet Pressure</b>	380 Bar (5500 PSI)								
<b>Maximum Pressure Setting</b>	350 Bar (5000 PSI)								
<b>Sensitivity: Pressure/Turn</b>	<table border="0"> <tr> <td><b>10</b></td> <td>23 Bar (334 PSI)</td> </tr> <tr> <td><b>20</b></td> <td>37 Bar (539 PSI)</td> </tr> <tr> <td><b>30</b></td> <td>60 Bar (870 PSI)</td> </tr> <tr> <td><b>50</b></td> <td>118 Bar (1711 PSI)</td> </tr> </table>	<b>10</b>	23 Bar (334 PSI)	<b>20</b>	37 Bar (539 PSI)	<b>30</b>	60 Bar (870 PSI)	<b>50</b>	118 Bar (1711 PSI)
<b>10</b>	23 Bar (334 PSI)								
<b>20</b>	37 Bar (539 PSI)								
<b>30</b>	60 Bar (870 PSI)								
<b>50</b>	118 Bar (1711 PSI)								
<b>Maximum Tank Pressure</b>	350 Bar (5000 PSI)								
<b>Maximum Drain Flow</b>	1.9 LPM (0.5 GPM)								
<b>Cartridge Material</b>	All parts steel. All operating parts hardened steel.								
<b>Operating Temp. Range/Seals</b>	-34°C to +121°C (Nitrile) (-30°F to +250°F) -26°C to +204°C (Fluorocarbon) (-15°F to +400°F)								
<b>Fluid Compatibility/Viscosity</b>	Mineral-based or synthetic with lubricating properties at viscosities of 45 to 2000 SSU (6 to 420 cSt)								
<b>Filtration</b>	ISO-4406 18/16/13, SAE Class 4								
<b>Approx. Weight</b>	0.9 kg (2.0 lbs.)								
<b>Cavity</b>	C16-3 (See BC Section for more details)								
<b>Form Tool</b>	Rougher NTF16-3R Finisher NTF16-3F								



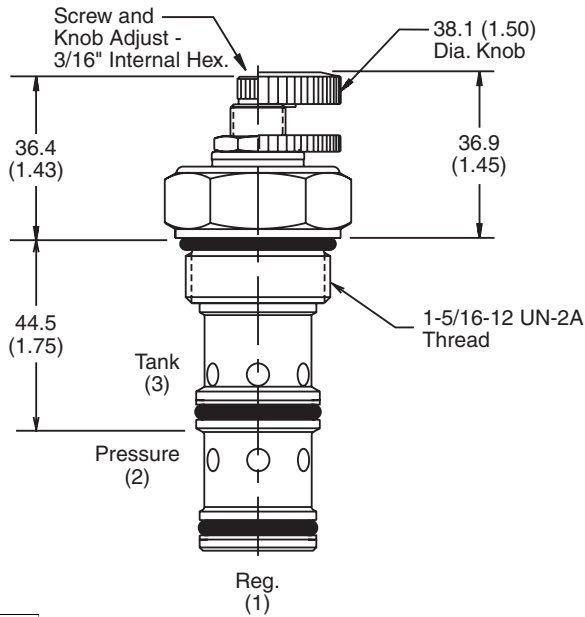
**Performance Curve**

**Flow vs. Regulated Pressure**

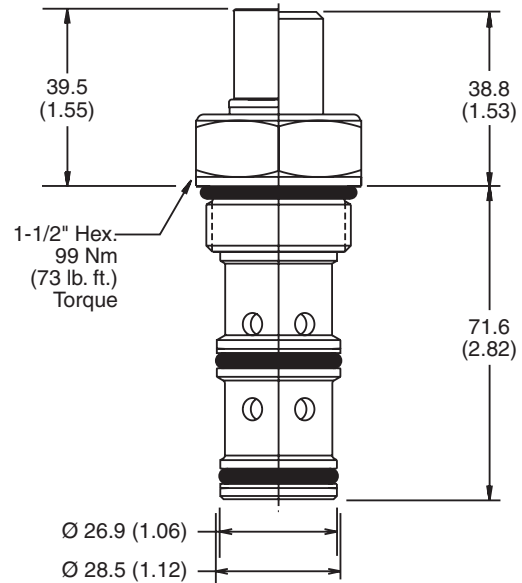
(Pressure rise through cartridge only)



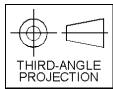
**Dimensions** Millimeters (Inches)



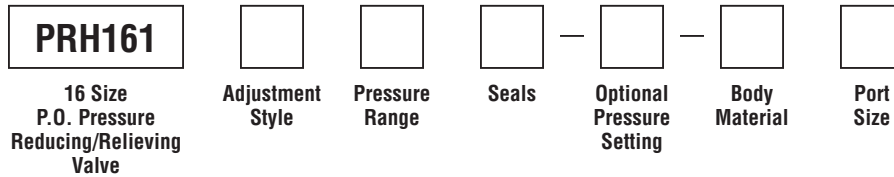
**Screw/Knob Version**



**Fixed Cap/Tamper Resistant Version**



**Ordering Information**



Code	Adjustment Style / Kit No.
F	Fixed style, preset at factory.
K	Knob Adjust (717784-15)
S	Screw Adjust
T	Tamper Resistant Cap (717785)

Code	Seals / Kit No.
Omit	Nitrile / (SK16-3)
V	Fluorocarbon / (SK16-3V)

Code	Body Material
Omit	Steel
A	Aluminum

Code	Pressure Range
10	6.9 - 69 Bar (100 - 1000 PSI) Standard Setting: 34.5 Bar (500 PSI)
20	13.8 - 138 Bar (200 - 2000 PSI) Standard Setting: 69 Bar (1000 PSI)
30	20.7 - 207 Bar (300 - 3000 PSI) Standard Setting: 103.5 Bar (1500 PSI)
50	34.5 - 345 Bar (500 - 5000 PSI) Standard Setting: 172.4 Bar (2500 PSI)

Optional Pressure Setting
Pressure ÷ 10 i.e. 235 = 2350 PSI (Omit if standard setting is used) Setting Range: 100 to 5000 PSI

Code	Port Size	Body Part No.
Omit	Cartridge Only	
12T	SAE-12	(B16-3-*12T)
16T	SAE-16	(B16-3-*16T)

\* Add "A" for aluminum, omit for steel.

- CV** Check Valves
- SH** Shuttle Valves
- LM** Load/Motor Controls
- FC** Flow Controls
- PC** Pressure Controls
- LE** Logic Elements
- DC** Directional Controls
- MV** Manual Valves
- SV** Solenoid Valves
- PV** Proportional Valves
- CE** Coils & Electronics
- BC** Bodies & Cavities
- TD** Technical Data

**Technical Information**

- CV** Check Valves
- SH** Shuttle Valves
- LM** Load/Motor Controls
- FC** Flow Controls
- PC** Pressure Controls
- LE** Logic Elements
- DC** Directional Controls
- MV** Manual Valves
- SV** Solenoid Valves
- PV** Proportional Valves
- CE** Coils & Electronics
- BC** Bodies & Cavities
- TD** Technical Data

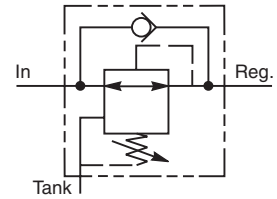
**General Description**

Pilot Operated Pressure Reducing/Relieving Valve with Reverse Flow Check Valve. For additional information see Technical Tips on pages PC1-PC6.



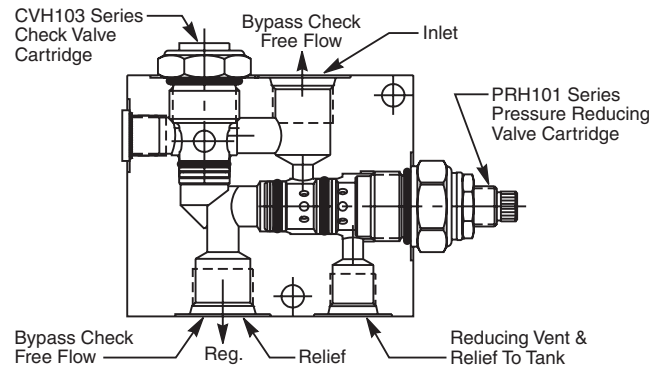
**Features**

- Hardened, precision ground parts for durability
- Built-in reverse flow check reduces plumbing
- Cartridge design
- All external parts zinc plated



**Specifications**

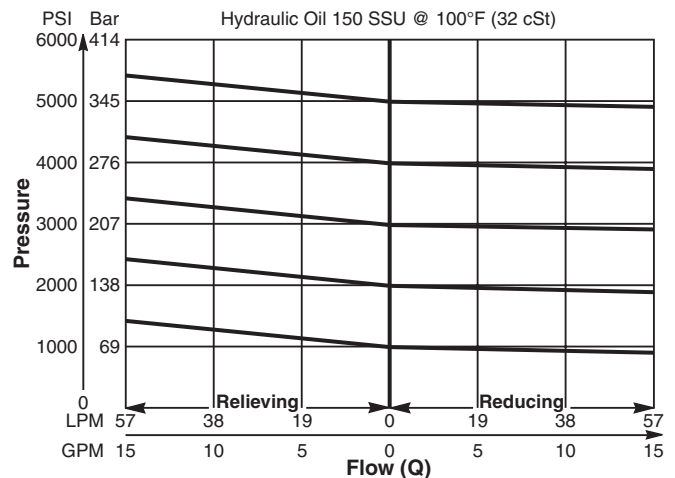
<b>Rated Flow</b>	56.3 LPM (15 GPM)								
<b>Maximum Inlet Press. (Reducing/Relieving mode)</b>	380 Bar (5500 PSI)								
<b>Maximum Setting Press. (Reducing/Relieving mode)</b>	350 Bar (5000 PSI)								
<b>Sensitivity: Pressure/Turn</b>	<table style="border: none;"> <tr><td><b>10</b></td><td>19.6 Bar (285 PSI)</td></tr> <tr><td><b>20</b></td><td>39.3 Bar (570 PSI)</td></tr> <tr><td><b>30</b></td><td>58.9 Bar (859 PSI)</td></tr> <tr><td><b>50</b></td><td>131.7 Bar (1910 PSI)</td></tr> </table>	<b>10</b>	19.6 Bar (285 PSI)	<b>20</b>	39.3 Bar (570 PSI)	<b>30</b>	58.9 Bar (859 PSI)	<b>50</b>	131.7 Bar (1910 PSI)
<b>10</b>	19.6 Bar (285 PSI)								
<b>20</b>	39.3 Bar (570 PSI)								
<b>30</b>	58.9 Bar (859 PSI)								
<b>50</b>	131.7 Bar (1910 PSI)								
<b>Maximum Inlet Press. (Free Flow Check mode)</b>	380 Bar (5500 PSI)								
<b>Maximum Drain Flow</b>	0.94 LPM (0.25 GPM)								
<b>Cartridge Material</b>	All parts steel. All operating parts hardened steel.								
<b>Body Material</b>	Steel								
<b>Operating Temp. Range/Seals</b>	-45°C to +132°C ("D"-Ring (-50°F to +270°F) -34°C to +121°C (Nitrile) (-30°F to +250°F) -26°C to +204°C (Fluorocarbon) (-15°F to +400°F)								
<b>Fluid Compatibility/Viscosity</b>	Mineral-based or synthetic with lubricating properties at viscosities of 45 to 2000 SSU (6 to 420 cSt)								
<b>Filtration</b>	ISO-4406 18/16/13, SAE Class 4								
<b>Approx. Weight</b>	1.0 kg (2.2 lbs.)								



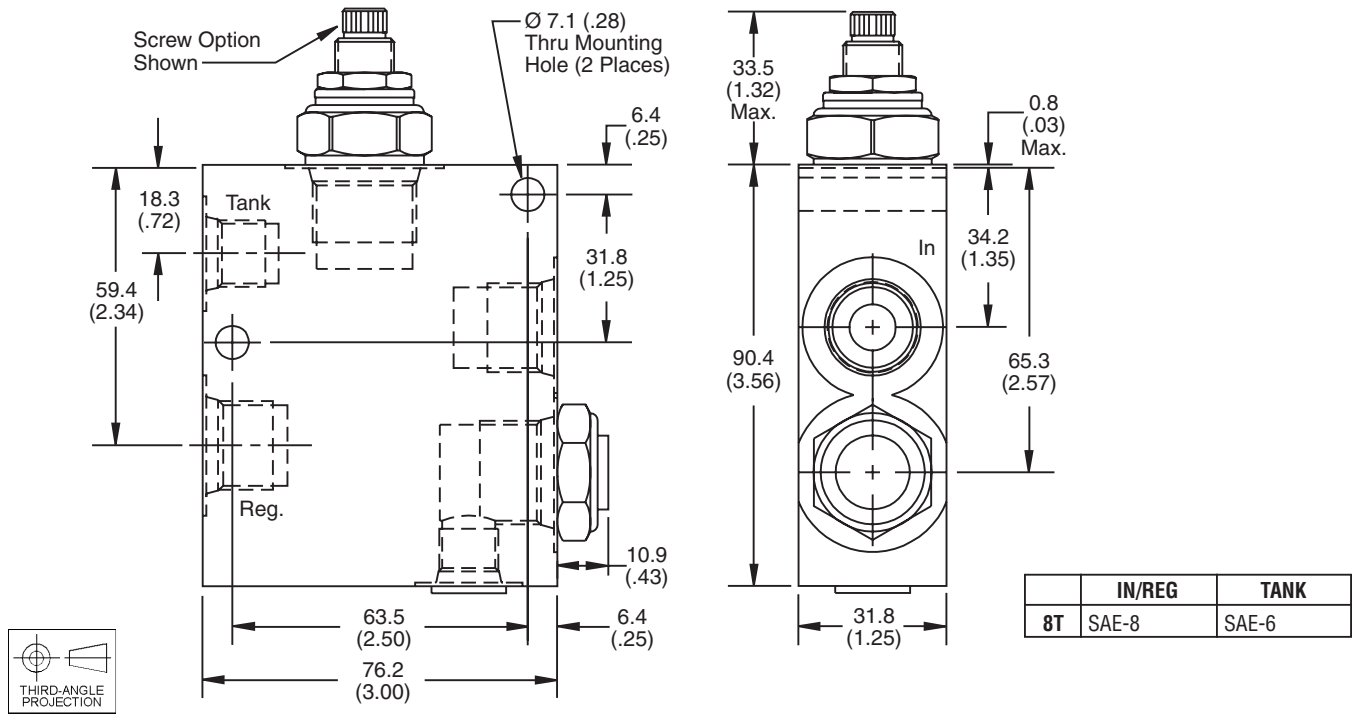
**Performance Curve**

**Flow vs. Inlet Pressure**

(Pressure rise through cartridge only)



**Dimensions** Millimeters (Inches)



**Ordering Information**

**PRCH101**

10 Size  
 P.O. Pressure Reducing/  
 Relieving Valve  
 w/Reverse Flow Check

Adjustment Style    Pressure Range    Optional Pressure Setting    Check Valve Cracking Pressure    Seals    Port Size

Code	Adjustment Style / Kit No.
F	Fixed style, preset at factory.
K	Knob Adjust (717784-10)
S	Screw Adjust
T	Tamper Resistant Cap (718083)

Optional Pressure Setting	
Pressure ÷ 10	i.e. 235 = 2350 PSI
(Omit if standard setting is used)	
Setting Range:	100 to 5000 PSI
All settings at crack pressure, approximately .95 LPM (.25 GPM)	

Code	Seals
Omit	"D"-Ring
N	Nitrile
V	Fluorocarbon

Code	Pressure Range
03	6.9 - 34.5 Bar (100 - 500 PSI) Standard Setting: 17.2 Bar (250 PSI)
10	13.7 - 69 Bar (200 - 1000 PSI) Standard Setting: 34.5 Bar (500 PSI)
20	27 - 138 Bar (400 - 2000 PSI) Standard Setting: 69 Bar (1000 PSI)
30	41.4 - 207 Bar (600 - 3000 PSI) Standard Setting: 103.5 Bar (1500 PSI)
50	82.8 - 345 Bar (1200 - 5000 PSI) Standard Setting: 172.4 Bar (2500 PSI)

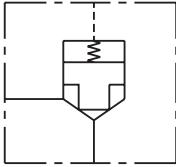
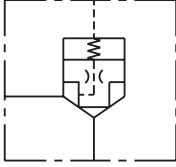
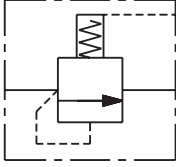
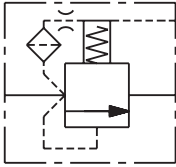
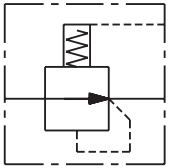
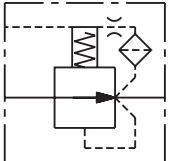
Code	Cracking Pressure
Omit	0.3 Bar (5 PSI)
P15	1.0 Bar (15 PSI)
P20	1.4 Bar (20 PSI)
P40	2.8 Bar (40 PSI)
P50	3.5 Bar (50 PSI)
P65	4.5 Bar (65 PSI)
P80	5.5 Bar (80 PSI)

Code	Port Size	Part No.
8T	SAE-8	830349

Individual body requires 1 SAE 5 plug.  
 Part number 5 HP50N-S.

**NOTE: For settings below 20.7 Bar (300 PSI), flow rating is limited to 11.3 LPM (3 GPM).**

- CV** Check Valves
- SH** Shuttle Valves
- LM** Load/Motor Controls
- FC** Flow Controls
- PC** Pressure Controls
- LE** Logic Elements
- DC** Directional Controls
- MV** Manual Valves
- SV** Solenoid Valves
- PV** Proportional Valves
- CE** Coils & Electronics
- BC** Bodies & Cavities
- TD** Technical Data

	<b>SERIES</b>	<b>CAVITY</b>	<b>DESCRIPTION</b>	<b>FLOW LPM/GPM</b>	<b>PRESSURE BAR/PSI</b>	<b>PAGE NO.</b>
	<b>POPPET TYPE</b>					
	10SLC1-A	C10-3S	Normally Closed, Pilot to Close	57/15	240/3500	LE7
	16SLC1-A	C16-3S	Normally Closed, Pilot to Close	189/50	240/3500	LE8
	20SLC1-A	C20-3S	Normally Closed, Pilot to Close	303/80	240/3500	LE9
	<hr/>					
	16SLC1-C	C16-3S	Normally Closed, Vent to Open	189/50	240/3500	LE10
	<b>SPOOL TYPE</b>					
	10SLC2-A	C10-3S	Normally Closed, Pilot to Close	57/15	240/3500	LE11
	16SLC2-A	C16-3S	Normally Closed, Pilot to Close	189/50	240/3500	LE12
	20SLC2-A	C20-3S	Normally Closed, Pilot to Close	303/80	240/3500	LE13
	R04E3	C10-3S	Normally Closed, Pilot to Close	170/45	420/6000	LE14
	R06E3	C16-3S	Normally Closed, Pilot to Close	400/106	420/6000	LE15
	R08E3	C20-3S	Normally Closed, Pilot to Close	500/132	420/6000	LE16
	<hr/>					
	10SLC2-B	C10-3S	Normally Closed, Vent to Open	57/15	240/3500	LE17
	16SLC2-B	C16-3S	Normally Closed, Vent to Open	189/50	240/3500	LE18
	20SLC2-B	C20-3S	Normally Closed, Vent to Open	303/80	240/3500	LE19
	R04F3	C10-3S	Normally Closed, Vent to Open	170/45	420/6000	LE20
	R06F3	C16-3S	Normally Closed, Vent to Open	400/106	420/6000	LE21
	R08F3	C20-3S	Normally Closed, Vent to Open	500/132	420/6000	LE22
	<hr/>					
	10SLC3-A	C10-3S	Normally Open, Vent to Close	57/15	240/3500	LE23
	16SLC3-A	C16-3S	Normally Open, Vent to Close	189/50	240/3500	LE24
	R04H3	C10-3S	Normally Open, Vent to Close	57/15	420/6000	LE25
	R06H3	C16-3S	Normally Open, Vent to Close	160/42	420/6000	LE26
	<hr/>					
	10SLC3-B	C10-3S	Normally Open, Vent to Close	57/15	240/3500	LE27
	16SLC3-B	C16-3S	Normally Open, Vent to Close	189/50	240/3500	LE28
	R04G3	C10-3S	Normally Open, Vent to Close	57/15	420/6000	LE29
	R06G3	C16-3S	Normally Open, Vent to Close	160/42	420/6000	LE30

<b>CV</b>
Check Valves
<b>SH</b>
Shuttle Valves
<b>LM</b>
Load/Motor Controls
<b>FC</b>
Flow Controls
<b>PC</b>
Pressure Controls
<b>LE</b>
Logic Elements
<b>DC</b>
Directional Controls
<b>MV</b>
Manual Valves
<b>SV</b>
Solenoid Valves
<b>PV</b>
Proportional Valves
<b>CE</b>
Coils & Electronics
<b>BC</b>
Bodies & Cavities
<b>TD</b>
Technical Data

CV

Check Valves

SH

Shuttle Valves

LM

Load/Motor Controls

FC

Flow Controls

PC

Pressure Controls

LE

Logic Elements

DC

Directional Controls

MV

Manual Valves

SV

Solenoid Valves

PV

Proportional Valves

CE

Coils & Electronics

BC

Bodies & Cavities

TD

Technical Data

**INTRODUCTION:**

Parker's logic valves offer system designers a versatile range of screw-in elements that, when used in the proper combinations, can provide flexible design solutions for many common cartridge valve applications. They offer system designers the advantage of applying cartridge valve technology in applications where the flow and pressure conditions may exceed the limits of typical cartridge valves. Logic valves are essentially high flow poppet or spool elements that are controlled by small pilot devices. They can be used to control flow, pressure, or direction, and when applied in the proper arrangements, can perform multi-task control functions. Parker's logic valves offer system designers alternative products that can help reduce the size, cost, and complexity of integrated manifold systems.

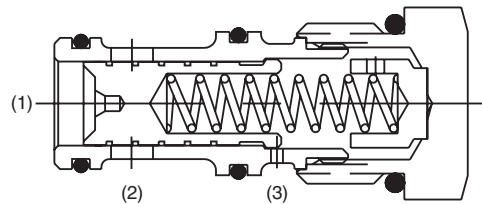
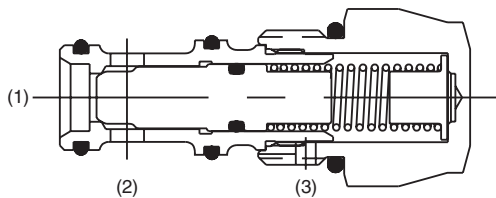
**NEW PRODUCTS:**

Parker Logic Valves are offered in two basic categories: Poppet and Spool.

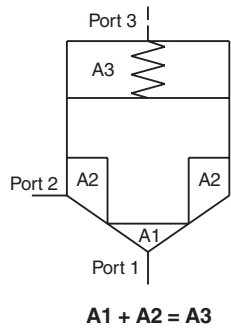
**Now Available in 6000 PSI**

**Poppet Type** - Used for flow switching directional control applications.

**Spool Type** - Used for pressure sensing in modulating applications to regulate flow and pressure.



**PRODUCT TYPES / APPLICATIONS**  
**POPPET TYPE**

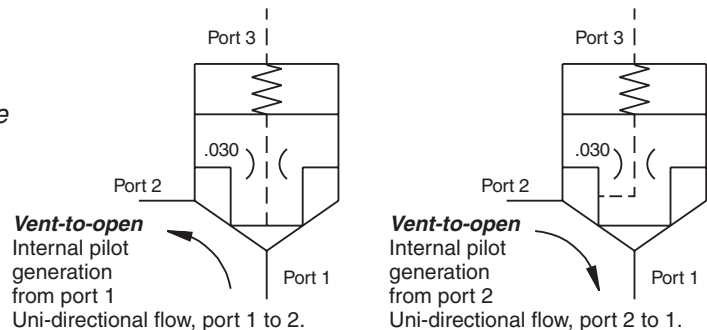


Poppet type logic valves are 3 ported, 2-way on/off valves that switch flow between port 1 and port 2. The poppet's on/off action is operated by controlling pilot oil at port 3 of the valve. A small low flow solenoid or pilot valve is an ideal control for this purpose. Parker offers vent-to-open and pilot-to-close style poppet logic valves.

**Note:** Poppet logic valves are an unbalanced 2:1 ratio poppet design. The opening and closing of the poppet is dependent on the force balances on the areas of the poppet at port 1, port 2, and port 3.

**Vent-to-open logic valves:**

Vent-to-open logic valves are primarily used for uni-directional flow switching applications. The poppet in the vent-to-open logic valve is spring biased to the closed condition. The pilot oil source that operates the logic element is generated internally by direct pressure from either work port 1 or 2, depending on the option chosen. Venting the pilot oil at port 3 allows the valve to open and pass flow between port 1 and port 2 at the bias spring setting. Blocking the pilot at port 3 causes the valve to close. When closed, the 2:1 ratio poppet design provides a positive low leak seal. Because the pilot source is generated internally within the valve, vent-to-open logic valves are best suited for uni-directional applications.

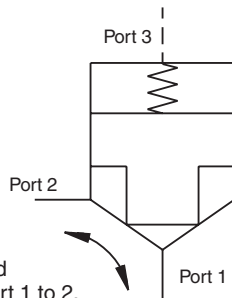


## Technical Tips

### POPPET TYPE *Continued*

#### **Pilot-to-close logic valve:**

Pilot-to-close logic elements are primarily used for bi-directional flow switching applications. The poppet in the pilot-to-close logic valve is spring biased to the closed condition. With no pilot signal at port 3, the valve will open allowing flow in either direction between work ports 1 and 2 once pressure at one of the work ports reaches the biased spring setting. Applying a sufficient externally generated pilot force to port 3 of the valve closes the poppet creating a low leak seal between port 1 and port 2.



**Pilot-to-close**  
External pilot required  
Bi-directional flow, port 1 to 2.

## Logic Elements

#### **2-way, 3-way, and 4-way Directional Control:**

Poppet logic valves are typically used to perform high flow directional switching operations using small low power pilot valves to control the sequence of the directional operation.

- A single logic valve can be used to control 2-way, on/off switching.
- Multiple elements in a bridge arrangement can control 3-way or 4-way directional switching.
- Since each logic valve is individually controlled, the timing, sequence, and overlap of directional functions can be controlled very precisely.
- Uni-directional or bi-directional flow can be achieved, depending on the valve selected.
- Flows in excess of 80 gpm can be controlled through a single logic element, and more than one logic valve can be used in parallel to control flow in excess of the rated flow of a single element.
- Poppet construction provides a low leak directional control.

(See circuit examples on pages LE4-LE5)

### SPOOL TYPE

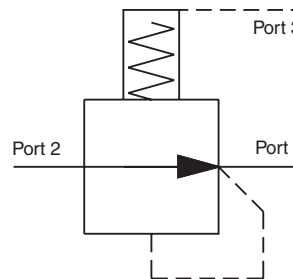
Spool type logic valves can also be used for directional switching, however, they are typically used in modulating applications to control flow or regulate pressure. Virtually any pressure or flow control function can be achieved with a spool type logic valve including; restrictive or priority flow control, pressure relief, pressure reducing, sequencing, and unloading.

The spools in this category of logic valves are balanced designs; the spool area at the work port (port 1) and the pilot port (port 3) are equal (1:1). The spool is held in a biased condition by a spring. Venting the pilot at port 3 creates an unbalanced condition causing the valve spool to modulate open or close, depending on the valve chosen. This spool design makes the valve vary stable because the forces acting to open and close the valve are in balance.

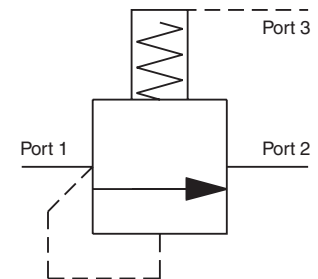
#### **Flow Control / Compensators:**

Parker offers two types of logic valves for flow control functions.

- 1) Normally open spools function as a restrictive type compensator.
- 2) Normally closed spools function as a priority or by-pass compensator.



**Normally open spool**



**Normally closed spool**

**CV**

Check Valves

**SH**

Shuttle Valves

**LM**

Load/Motor Controls

**FC**

Flow Controls

**PC**

Pressure Controls

**LE**

Logic Elements

**DC**

Directional Controls

**MV**

Manual Valves

**SV**

Solenoid Valves

**PV**

Proportional Valves

**CE**

Coils & Electronics

**BC**

Bodies & Cavities

**TD**

Technical Data



**Technical Tips**

**Logic Elements**

**CV**

Check Valves

**SH**

Shuttle Valves

**LM**

Load/Motor Controls

**FC**

Flow Controls

**PC**

Pressure Controls

**LE**

Logic Elements

**DC**

Directional Controls

**MV**

Manual Valves

**SV**

Solenoid Valves

**PV**

Proportional Valves

**CE**

Coils & Electronics

**BC**

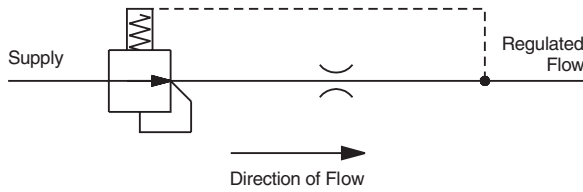
Bodies & Cavities

**TD**

Technical Data

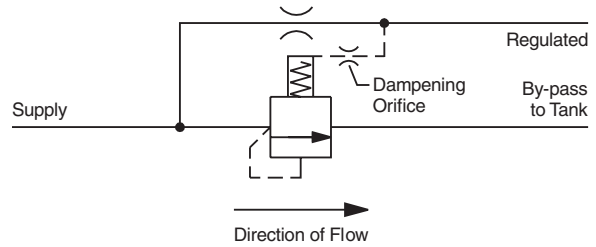
**Restrictive Flow Regulator:**

Normally open spool type logic elements can be used with an external orifice or valve as a compensator to regulate flow. Used as restrictive compensator, a normally open spool senses the upstream and downstream pressure across an orifice or valve. The spool modulates closed to maintain a constant pressure drop across the controlled device equal to the bias spring in the logic valve, thus maintaining a constant flow rate regardless of changes in upstream or downstream pressure.



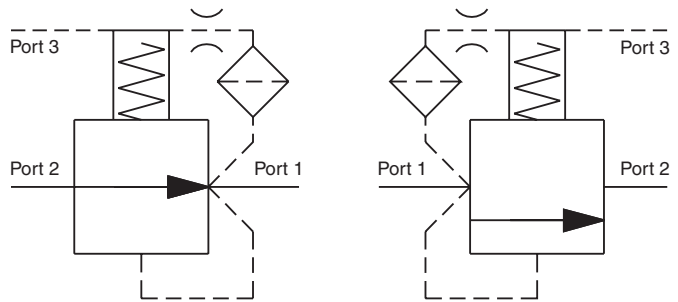
**Priority / Bypass Flow Regulator:**

A logic valve with a normally closed spool can be used as a priority or by-pass compensator. In this case, the spool modulates open to maintain a constant pressure drop across the controlled orifice or valve, thereby maintaining a constant priority flow regardless of upstream or downstream pressure changes. In a priority arrangement, any oil that doesn't saturate the controlled device is by-passed at load pressure plus the value of the bias spring in the logic valve.



**Pressure Control:**

Spool type logic valves can be used as the main stage spool in high flow pressure control applications with the logic valve handling the high flow, and a small pilot valve controlling the action of the logic valve spool. Normally open, and normally closed spool options are available enabling virtually all pressure control functions to be achieved. When used in pressure control applications, the logic valve spool modulates open or closed to maintain the pressure setting of the pilot valve communicated to port 3. Pressure control applications require a pilot connection between the control port (port 1 or 2), and the pilot port (port 3). In order to simplify the design, Parker offers spool type logic valves with internal piloting options that can help minimize the number of connections needed. When used in manifold systems, the internal piloting options help to simplify the manifold design by reducing the number of construction drillings in the block. Multiple functions such as relief, pump unloading, and pressure compensation can be performed with one logic valve by communicating multiple pilot devices to the same logic element.



**Normally open spool**

- Pressure Reducing

**Normally closed spool**

- Relief
- Sequence
- Unloading

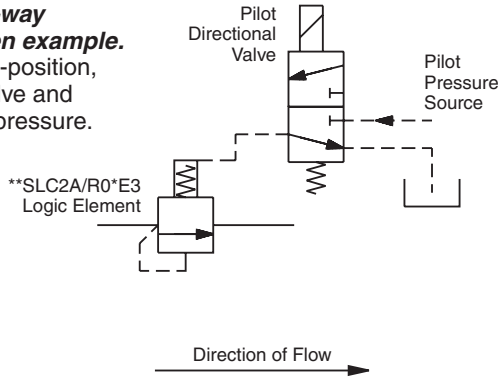
(See circuit examples on page LE6)

**Application Note:**

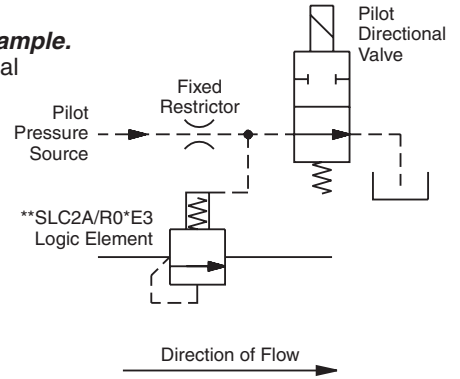
This section is as an application guide, and it is intended to illustrate the various ways that logic elements can be used to create a variety of hydraulic control functions. For additional help applying logic valves, contact your Parker Sales Engineer.

**DIRECTIONAL CONTROL EXAMPLES**

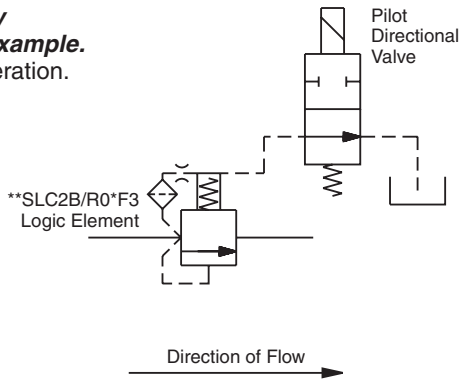
**2-position, 2-way normally open example.**  
Switched by 2-position, 3-way pilot valve and external pilot pressure.



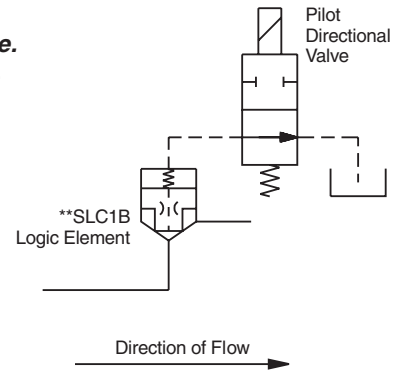
**2-position, 2-way normally open example.**  
Switched by external pilot pressure and vented through 2-position, 2-way pilot valve.



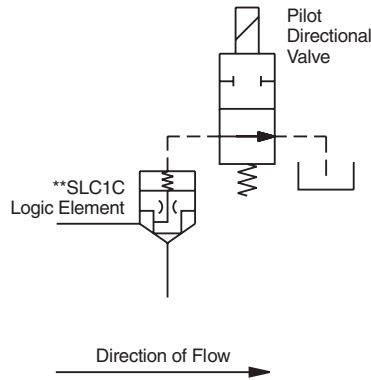
**2-position, 2-way normally open example.**  
Internal pilot generation.



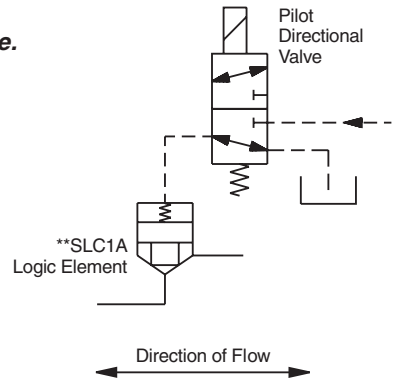
**2-position, 2-way normally open example.**  
Internal pilot generation.



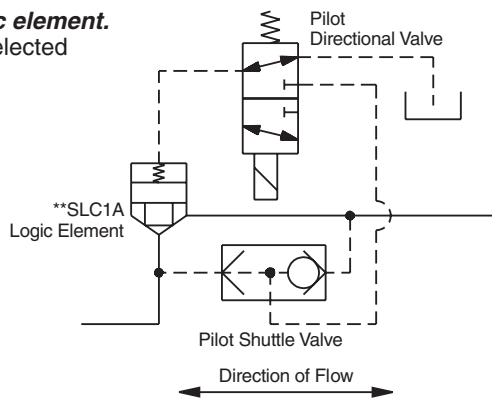
**2-position, 2-way normally open example.**  
Internal pilot generation.



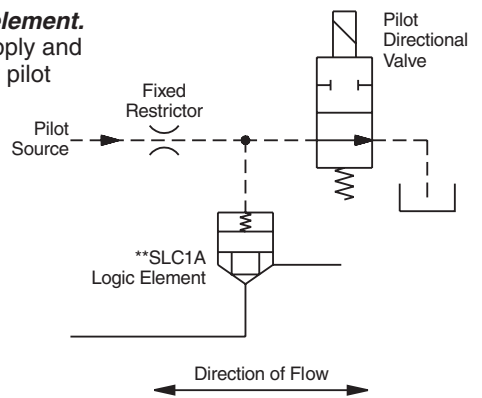
**2-position, 2-way normally open example.**  
Switched by 2-position, 3-way pilot valve and external pilot.



**\*\*SLC1A logic element.**  
With shuttle-selected pilot supply.



**\*\*SLC1A logic element.**  
External pilot supply and 2-position, 2-way pilot directional valve.

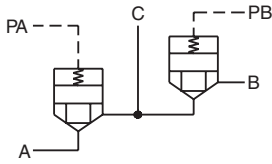


<b>CV</b>
Check Valves
<b>SH</b>
Shuttle Valves
<b>LM</b>
Load/Motor Controls
<b>FC</b>
Flow Controls
<b>PC</b>
Pressure Controls
<b>LE</b>
Logic Elements
<b>DC</b>
Directional Controls
<b>MV</b>
Manual Valves
<b>SV</b>
Solenoid Valves
<b>PV</b>
Proportional Valves
<b>CE</b>
Coils & Electronics
<b>BC</b>
Bodies & Cavities
<b>TD</b>
Technical Data

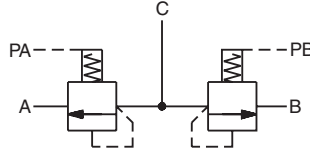
**DIRECTIONAL CONTROL EXAMPLES**

**THREE-WAY BRIDGE CIRCUITS**

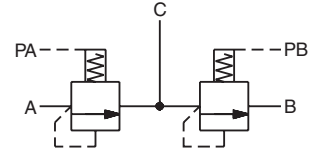
*Circuit 1, with \*\*SLC1A poppet logic element.*



*Circuit 2, with \*\*SLC2A/R0\*E3 spool logic element.*



*Circuit 3, with \*\*SLC2A/R0\*E3 spool logic element.*

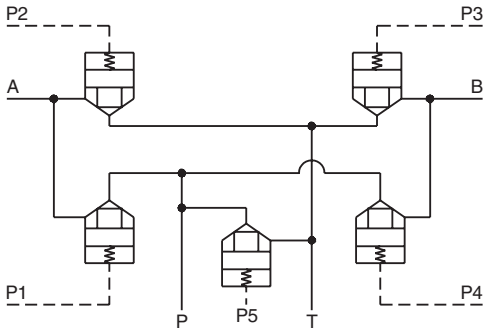


Required Flow Path	Pilot Pressure Applied To		Available From Circuit			Required Flow Path	Pilot Pressure Applied To		Available From Circuit		
	PA	PB	1	2	3		PA	PB	1	2	3
	NO	NO	X	X			NO	YES	X	X	
	YES	NO	X	X	X		NO	YES	X		X

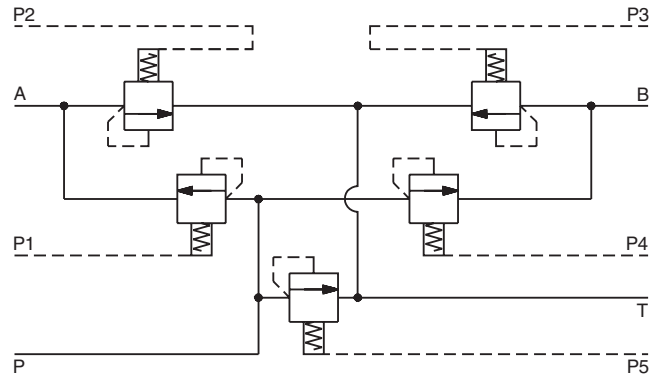
**NOTE:** Pilot pressure must exceed load pressure in order for valve to close.

**FOUR-WAY BRIDGE CIRCUITS**

*Circuit 1, with \*\*SLC1A poppet logic elements.*



*Circuit 2, with \*\*SLC2A/R0\*E3 spool logic elements.*



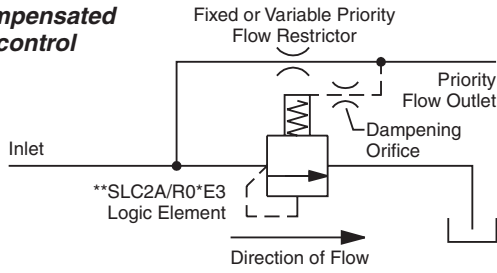
Required Flow Path	Pilot Pressure Applied To					Required Flow Path	Pilot Pressure Applied To					Required Flow Path	Pilot Pressure Applied To				
	P1	P2	P3	P4	P5		P1	P2	P3	P4	P5		P1	P2	P3	P4	P5
	YES	YES	YES	YES	YES		YES	NO	NO	YES	YES		YES	NO	YES	NO	YES
	NO	NO	NO	NO	NO		NO	YES	YES	NO	YES		YES	YES	YES	NO	YES
	YES	YES	NO	NO	NO		YES	YES	NO	YES	YES		YES	NO	YES	YES	YES
	NO	NO	YES	YES	NO		NO	YES	YES	YES	YES						
	YES	YES	YES	YES	NO		NO	YES	NO	YES	YES						

**NOTE:** Pilot pressure must exceed load pressure in order for valve to close.

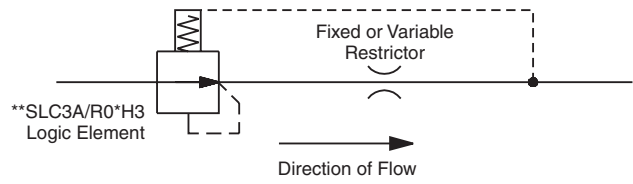
- CV** Check Valves
- SH** Shuttle Valves
- LM** Load/Motor Controls
- FC** Flow Controls
- PC** Pressure Controls
- LE** Logic Elements
- DC** Directional Controls
- MV** Manual Valves
- SV** Solenoid Valves
- PV** Proportional Valves
- CE** Coils & Electronics
- BC** Bodies & Cavities
- TD** Technical Data

**FLOW CONTROL EXAMPLES**

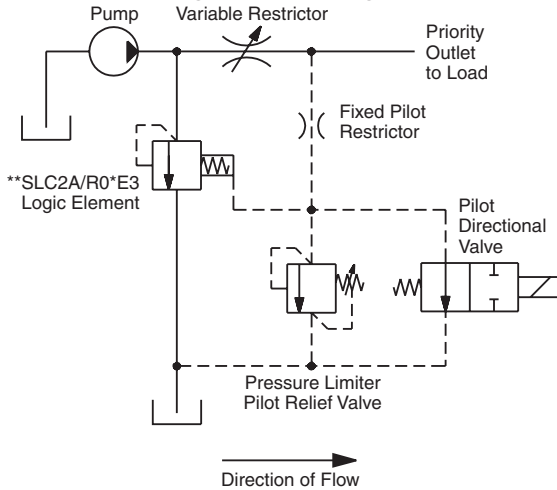
**Pressure compensated priority flow control example.**



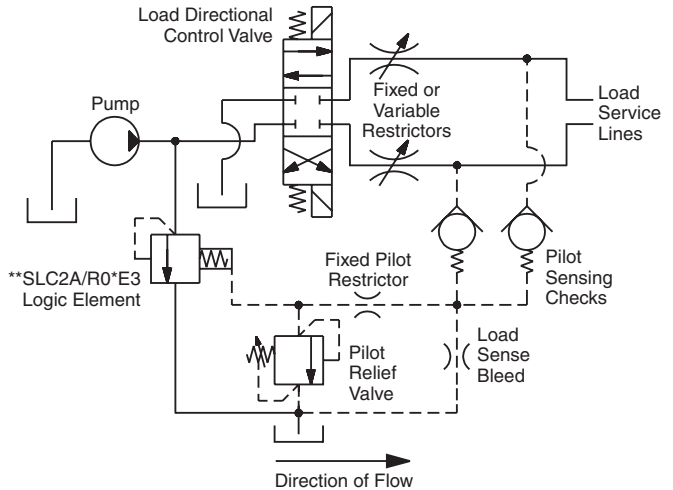
**Pressure compensated restrictive flow control example.**



**Load sensing priority flow control example with pressure limiting and unloading.**

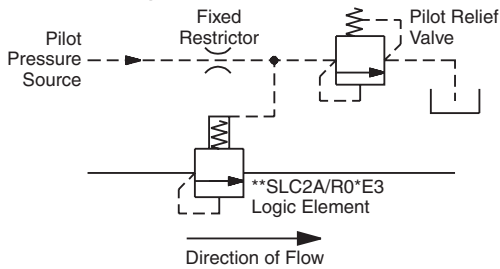


**Load sensing priority flow control example with pressure limiter.**

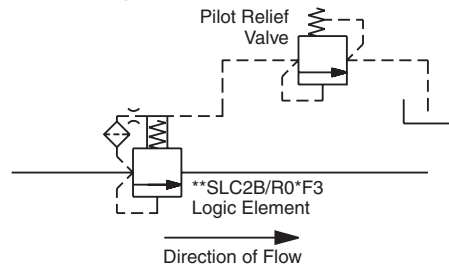


**PRESSURE CONTROL EXAMPLES**

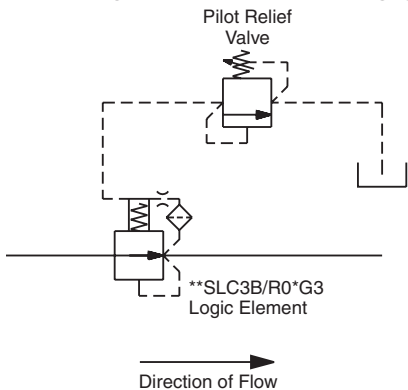
**Pressure relief or sequence example with external pilot supply and pilot relief.**



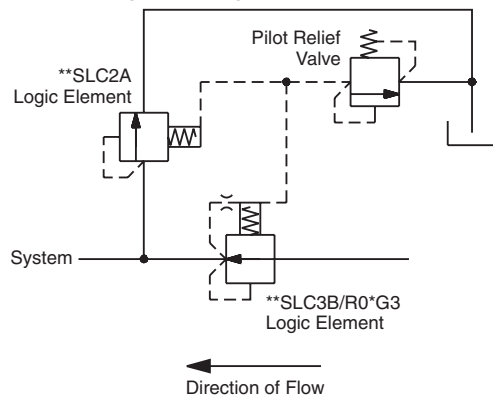
**Pressure relief or sequence example with internal pilot supply and pilot relief.**



**Pressure reducing example, non-relieving type.**



**Pressure reducing-relieving example.**



<b>CV</b>
Check Valves
<b>SH</b>
Shuttle Valves
<b>LM</b>
Load/Motor Controls
<b>FC</b>
Flow Controls
<b>PC</b>
Pressure Controls
<b>LE</b>
Logic Elements
<b>DC</b>
Directional Controls
<b>MV</b>
Manual Valves
<b>SV</b>
Solenoid Valves
<b>PV</b>
Proportional Valves
<b>CE</b>
Coils & Electronics
<b>BC</b>
Bodies & Cavities
<b>TD</b>
Technical Data

**Technical Information**

**CV**

Check Valves

**SH**

Shuttle Valves

**LM**

Load/Motor Controls

**FC**

Flow Controls

**PC**

Pressure Controls

**LE**

Logic Elements

**DC**

Directional Controls

**MV**

Manual Valves

**SV**

Solenoid Valves

**PV**

Proportional Valves

**CE**

Coils & Electronics

**BC**

Bodies & Cavities

**TD**

Technical Data

**General Description**

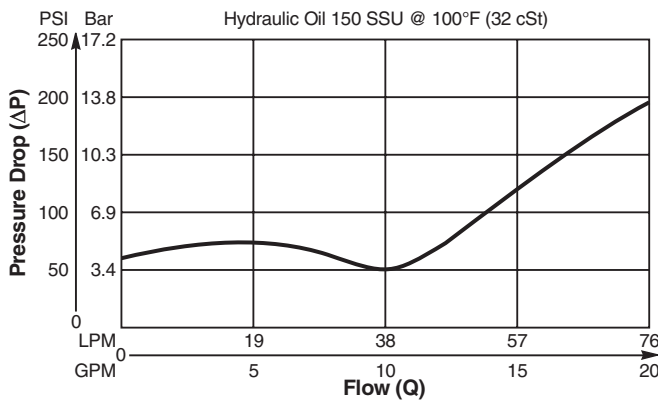
Poppet Type, Bi-Directional, Normally Closed, Pilot to Close Logic Element. For additional information see Technical Tips on pages LE1-LE6.

**Features**

- Hardened, precision ground parts for durability
- Polyurethane seals only
- No backup rings
- Low leakage design
- All external parts zinc plated

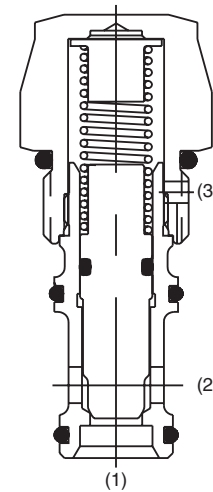
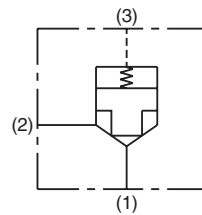
**Performance Curve**

Pressure Drop vs. Flow (Through cartridge only)

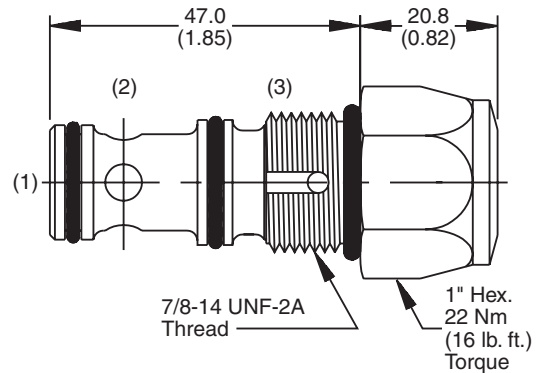


**Specifications**

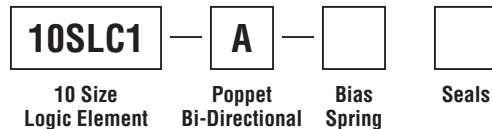
<b>Rated Flow</b>	57 LPM (15 GPM)
<b>Maximum Inlet Pressure</b>	240 Bar (3500 PSI)
<b>Leakage @ 150 SSU (32 cst)</b>	Port 1 to 2 5 drops/min. (.33 cc/min.) @ 240 Bar (3500 PSI)
<b>Cartridge Material</b>	All parts steel. All operating parts hardened steel.
<b>Operating Temp. Range/Seals</b>	-37°C to +107°C (Polyurethane, EPS) (-35°F to +225°F) -26°C to +204°C (Fluorocarbon) (-15°F to +400°F)
<b>Fluid Compatibility/Viscosity</b>	Mineral-based or synthetic with lubricating properties at viscosities of 45 to 2000 SSU (6 to 420 cSt)
<b>Filtration</b>	ISO-4406 18/16/13, SAE Class 4
<b>Approx. Weight</b>	.14 kg (.30 lbs.)
<b>Cavity</b>	C10-3S (See BC Section for more details)
<b>Form Tool</b>	Rougher      NFT10-3SR Finisher      NFT10-3SF



**Dimensions** Millimeters (Inches)



**Ordering Information**



Code	Bias Spring
25	1.7 Bar (25 PSI)
50	3.5 Bar (50 PSI)
75	5.2 Bar (75 PSI)
100	6.9 Bar (100 PSI)
150	10.3 Bar (150 PSI)

Code	Seals / Kit. No.
Omit	Polyurethane, EPS (Std.)/ (WRK-10-3S)
V	Fluorocarbon / (WRK-10-3S-W)

**Technical Information**

**General Description**

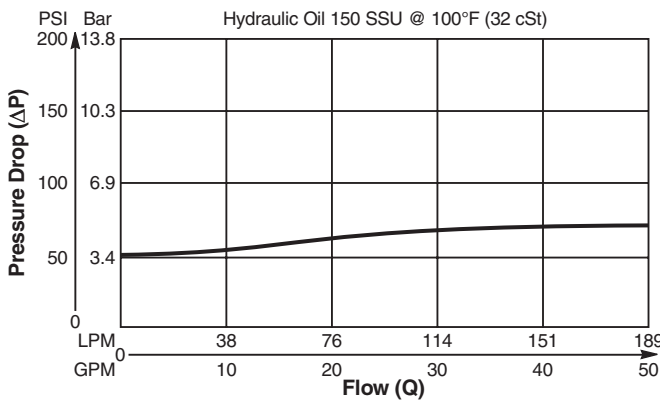
Poppet Type, Bi-Directional, Normally Closed, Pilot to Close Logic Element. For additional information see Technical Tips on pages LE1-LE6.

**Features**

- Hardened, precision ground parts for durability
- Polyurethane seals only
- No backup rings
- Low leakage design
- All external parts zinc plated

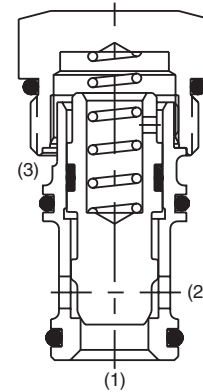
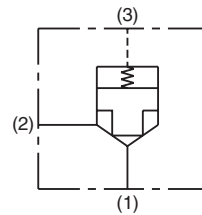
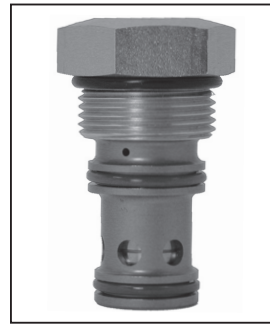
**Performance Curve**

Pressure Drop vs. Flow (Through cartridge only)

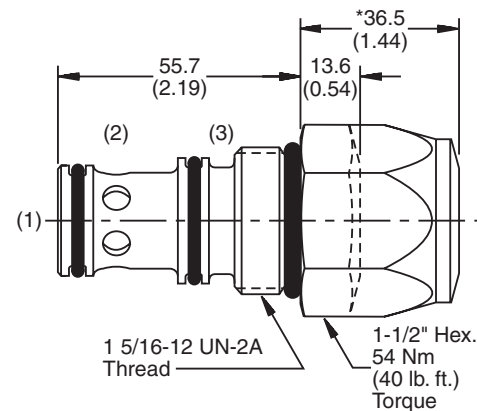


**Specifications**

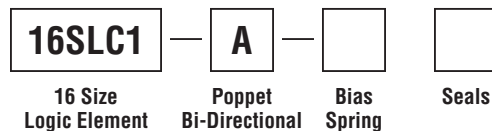
<b>Rated Flow</b>	189 LPM (50 GPM)
<b>Maximum Inlet Pressure</b>	240 Bar (3500 PSI)
<b>Leakage @ 150 SSU (32 cst)</b>	Port 1 to 2 5 drops/min. (.33 cc/min.) @ 240 Bar (3500 PSI)
<b>Cartridge Material</b>	All parts steel. All operating parts hardened steel.
<b>Operating Temp. Range/Seals</b>	-37°C to +107°C (Polyurethane, EPS) (-35°F to +225°F) -26°C to +204°C (Fluorocarbon) (-15°F to +400°F)
<b>Fluid Compatibility/Viscosity</b>	Mineral-based or synthetic with lubricating properties at viscosities of 45 to 2000 SSU (6 to 420 cSt)
<b>Filtration</b>	ISO-4406 18/16/13, SAE Class 4
<b>Approx. Weight</b>	.33 kg (.78 lbs.)
<b>Cavity</b>	C16-3S (See BC Section for more details)
<b>Form Tool</b>	Rougher      NFT16-3SR Finisher      NFT16-3SF



**Dimensions** Millimeters (Inches)



**Ordering Information**



Code	Bias Spring
25	1.7 Bar (25 PSI)
50	3.5 Bar (50 PSI)
75	5.2 Bar (75 PSI)
*100	6.9 Bar (100 PSI)
*150	10.3 Bar (150 PSI)

Code	Seals / Kit. No.
Omit	Polyurethane, EPS (Std.) / (WRK-16-3S)
V	Fluorocarbon / (WRK-16-3S-W)

\*Indicates larger cap height, see drawing.

- CV** Check Valves
- SH** Shuttle Valves
- LM** Load/Motor Controls
- FC** Flow Controls
- PC** Pressure Controls
- LE** Logic Elements
- DC** Directional Controls
- MV** Manual Valves
- SV** Solenoid Valves
- PV** Proportional Valves
- CE** Coils & Electronics
- BC** Bodies & Cavities
- TD** Technical Data

**Technical Information**

**CV**

Check Valves

**SH**

Shuttle Valves

**LM**

Load/Motor Controls

**FC**

Flow Controls

**PC**

Pressure Controls

**LE**

Logic Elements

**DC**

Directional Controls

**MV**

Manual Valves

**SV**

Solenoid Valves

**PV**

Proportional Valves

**CE**

Coils & Electronics

**BC**

Bodies & Cavities

**TD**

Technical Data

**General Description**

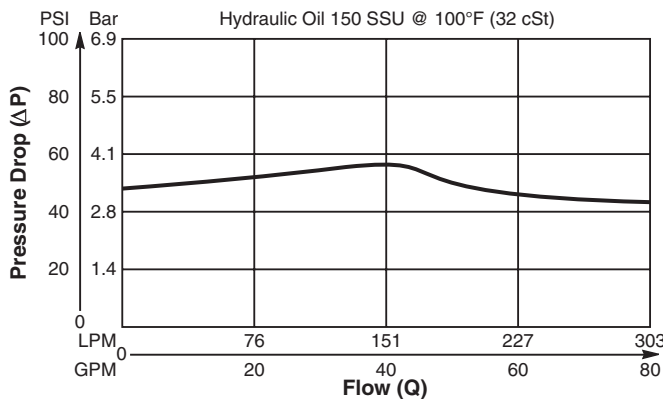
Poppet Type, Bi-Directional, Normally Closed, Pilot to Close Logic Element. For additional information see Technical Tips on pages LE1-LE6.

**Features**

- Hardened, precision ground parts for durability
- Polyurethane seals only
- No backup rings
- Low leakage design
- All external parts zinc plated

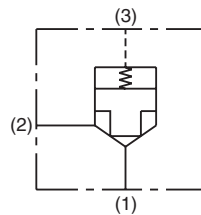
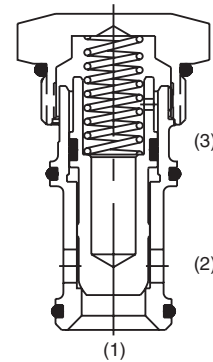
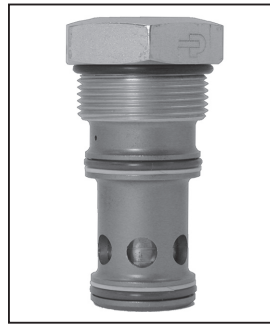
**Performance Curve**

Pressure Drop vs. Flow (Through cartridge only)

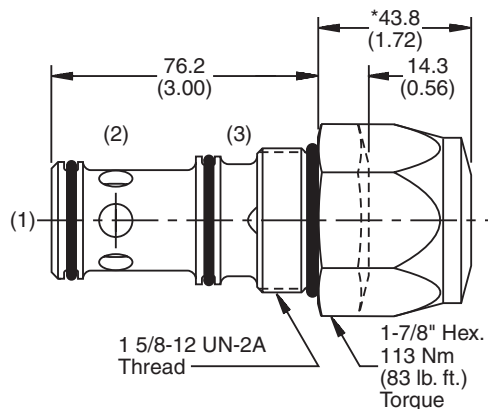


**Specifications**

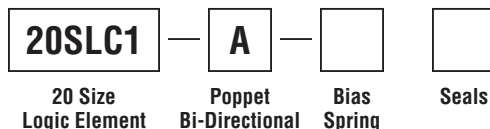
<b>Rated Flow</b>	303 LPM (80 GPM)
<b>Maximum Inlet Pressure</b>	240 Bar (3500 PSI)
<b>Leakage @ 150 SSU (32 cst)</b>	Port 1 to 2 5 drops/min. (.33 cc/min.) @ 240 Bar (3500 PSI)
<b>Cartridge Material</b>	All parts steel. All operating parts hardened steel.
<b>Operating Temp. Range/Seals</b>	-37°C to +107°C (Polyurethane, EPS) (-35°F to +225°F) -26°C to +204°C (Fluorocarbon) (-15°F to +400°F)
<b>Fluid Compatibility/Viscosity</b>	Mineral-based or synthetic with lubricating properties at viscosities of 45 to 2000 SSU (6 to 420 cSt)
<b>Filtration</b>	ISO-4406 18/16/13, SAE Class 4
<b>Approx. Weight</b>	.81 kg (1.78 lbs.)
<b>Cavity</b>	C20-3S (See BC Section for more details)
<b>Form Tool</b>	Rougher      NFT20-3SR Finisher      NFT20-3SF



**Dimensions** Millimeters (Inches)



**Ordering Information**



Code	Bias Spring
25	1.7 Bar (25 PSI)
50	3.5 Bar (50 PSI)
*75	5.2 Bar (75 PSI)
*100	6.9 Bar (100 PSI)
*150	10.3 Bar (150 PSI)

Code	Seals / Kit. No.
Omit	Polyurethane, EPS (Std.)/ (WRK-20-3S)
V	Fluorocarbon / (WRK-20-3S-W)

\*Indicates larger cap height, see drawing.



**General Description**

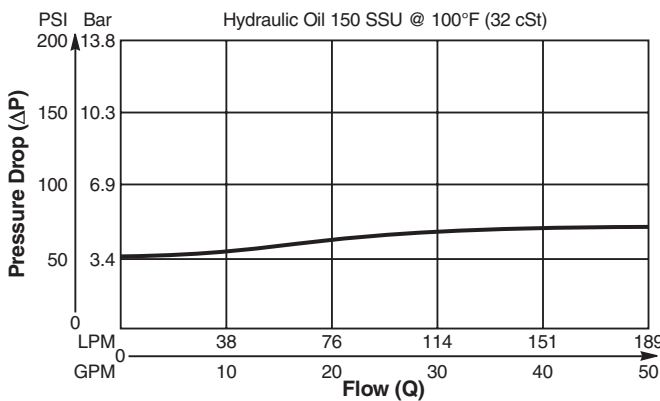
Poppet Type , Normally Closed, Vent to Open Logic Element. Generation port is from 2 to 3. For additional information see Technical Tips on pages LE1-LE6.

**Features**

- Hardened, precision ground parts for durability
- Polyurethane seals only
- No backup rings
- Low leakage design
- All external parts zinc plated

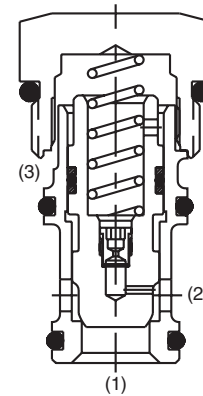
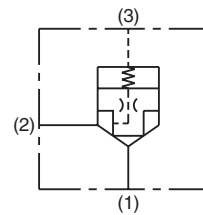
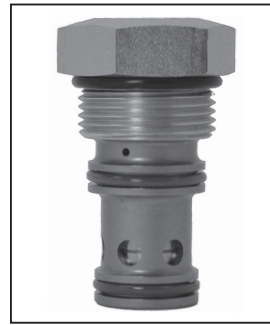
**Performance Curve**

**Pressure Drop vs. Flow (Through cartridge only)**

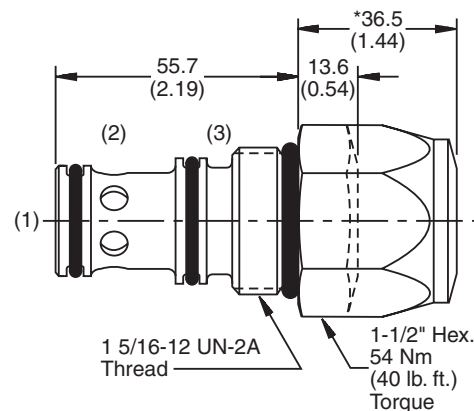


**Specifications**

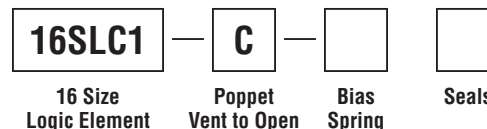
<b>Rated Flow</b>	189 LPM (50 GPM)
<b>Maximum Inlet Pressure</b>	240 Bar (3500 PSI)
<b>Leakage @ 150 SSU (32 cst)</b>	Port 1 to 2 5 drops/min. (.33 cc/min.) @ 240 Bar (3500 PSI)
<b>Cartridge Material</b>	All parts steel. All operating parts hardened steel.
<b>Operating Temp. Range/Seals</b>	-37°C to +107°C (Polyurethane, EPS) (-35°F to +225°F) -26°C to +204°C (Fluorocarbon) (-15°F to +400°F)
<b>Fluid Compatibility/ Viscosity</b>	Mineral-based or synthetic with lubricating properties at viscosities of 45 to 2000 SSU (6 to 420 cSt)
<b>Filtration</b>	ISO-4406 18/16/13, SAE Class 4
<b>Approx. Weight</b>	.33 kg (.78 lbs.)
<b>Cavity</b>	C16-3S (See BC Section for more details)
<b>Form Tool</b>	Rougher      NFT16-3SR Finisher      NFT16-3SF



**Dimensions** Millimeters (Inches)



**Ordering Information**



Code	Bias Spring
25	1.7 Bar (25 PSI)
50	3.5 Bar (50 PSI)
75	5.2 Bar (75 PSI)
*100	6.9 Bar (100 PSI)
*150	10.3 Bar (150 PSI)

Code	Seals / Kit. No.
Omit	Polyurethane, EPS (Std.)/ (WRK-16-3S)
V	Fluorocarbon / (WRK-16-3S-W)

\*Indicates larger cap height, see drawing.

- CV** Check Valves
- SH** Shuttle Valves
- LM** Load/Motor Controls
- FC** Flow Controls
- PC** Pressure Controls
- LE** Logic Elements
- DC** Directional Controls
- MV** Manual Valves
- SV** Solenoid Valves
- PV** Proportional Valves
- CE** Coils & Electronics
- BC** Bodies & Cavities
- TD** Technical Data

**Technical Information**

- CV** Check Valves
- SH** Shuttle Valves
- LM** Load/Motor Controls
- FC** Flow Controls
- PC** Pressure Controls
- LE** Logic Elements
- DC** Directional Controls
- MV** Manual Valves
- SV** Solenoid Valves
- PV** Proportional Valves
- CE** Coils & Electronics
- BC** Bodies & Cavities
- TD** Technical Data

**General Description**

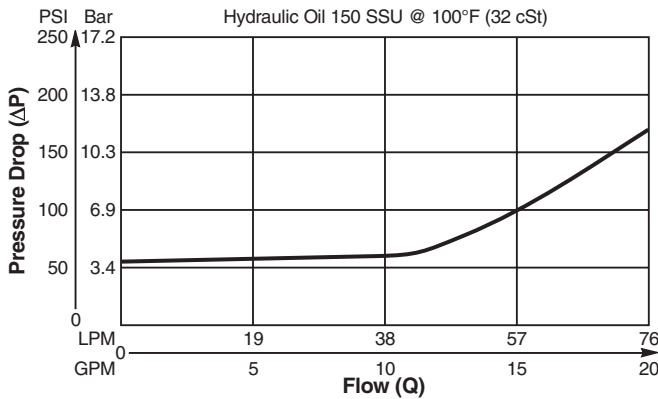
Spool Type, Normally Closed, Pilot to Close Logic Element. For additional information see Technical Tips on pages LE1-LE6.

**Features**

- Hardened, precision ground parts for durability
- Polyurethane seals only
- No backup rings
- All external parts zinc plated

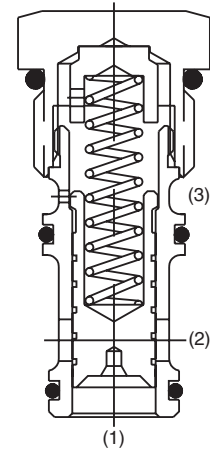
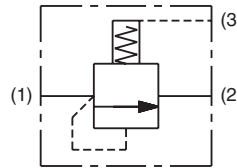
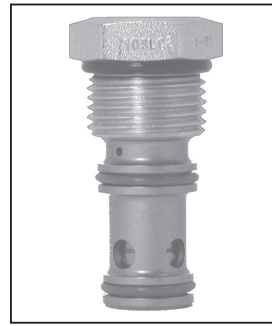
**Performance Curve**

Pressure Drop vs. Flow (Through cartridge only)

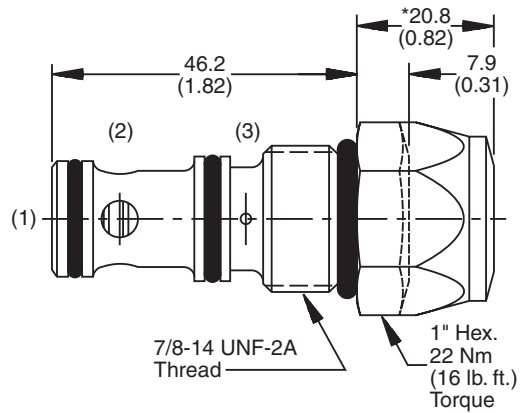


**Specifications**

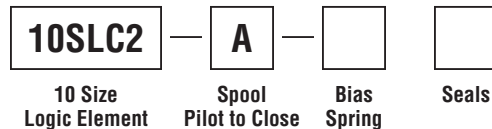
<b>Rated Flow</b>	57 LPM (15 GPM)
<b>Maximum Inlet Pressure</b>	240 Bar (3500 PSI)
<b>Leakage @ 150 SSU (32 cst)</b>	Port 1 to 2 82 cc/min. (5 in <sup>3</sup> /min.) @ 240 Bar (3500 PSI)
<b>Cartridge Material</b>	All parts steel. All operating parts hardened steel.
<b>Operating Temp. Range/Seals</b>	-37°C to +107°C (Polyurethane, EPS) (-35°F to +225°F) -26°C to +204°C (Fluorocarbon) (-15°F to +400°F)
<b>Fluid Compatibility/ Viscosity</b>	Mineral-based or synthetic with lubricating properties at viscosities of 45 to 2000 SSU (6 to 420 cSt)
<b>Filtration</b>	ISO-4406 18/16/13, SAE Class 4
<b>Approx. Weight</b>	.14 kg (.30 lbs.)
<b>Cavity</b>	C10-3S (See BC Section for more details)
<b>Form Tool</b>	Rougher      NFT10-3SR Finisher      NFT10-3SF



**Dimensions** Millimeters (Inches)



**Ordering Information**



Code	Bias Spring
25	1.7 Bar (25 PSI)
50	3.5 Bar (50 PSI)
75	5.2 Bar (75 PSI)
*100	6.9 Bar (100 PSI)
*150	10.3 Bar (150 PSI)

Code	Seals / Kit. No.
Omit	Polyurethane, EPS (Std.)/ (WRK-10-3S)
V	Fluorocarbon / (WRK-10-3S-W)

\*Indicates larger cap height, see drawing.

**General Description**

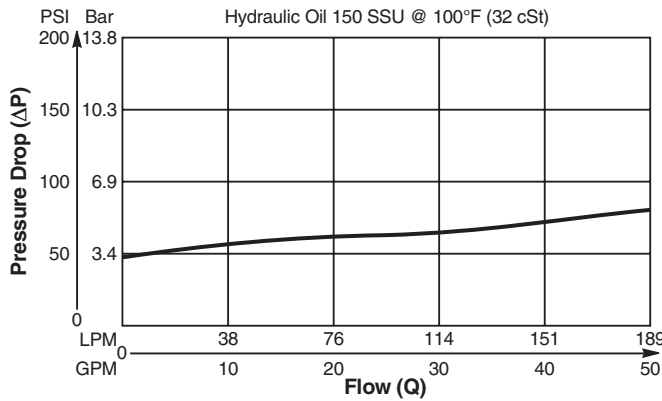
Spool Type , Normally Closed, Pilot to Close Logic Element. For additional information see Technical Tips on pages LE1-LE6.

**Features**

- Hardened, precision ground parts for durability
- Polyurethane seals only
- No backup rings
- All external parts zinc plated

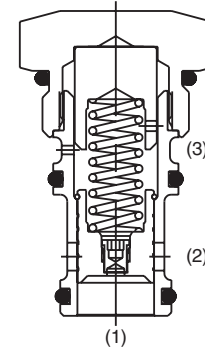
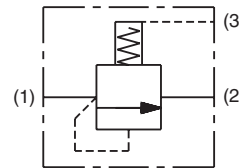
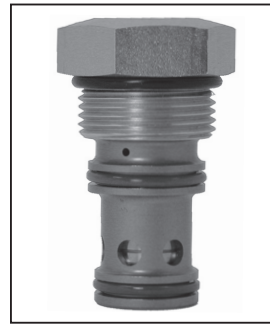
**Performance Curve**

**Pressure Drop vs. Flow** (Through cartridge only)

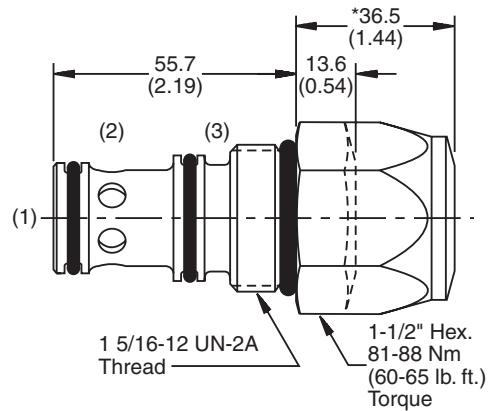


**Specifications**

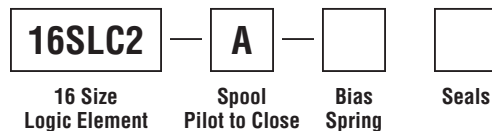
<b>Rated Flow</b>	189 LPM (50 GPM)
<b>Maximum Inlet Pressure</b>	240 Bar (3500 PSI)
<b>Leakage @ 150 SSU (32 cst)</b>	Port 1 to 2 82 cc/min. (5 in <sup>3</sup> /min.) @ 240 Bar (3500 PSI)
<b>Cartridge Material</b>	All parts steel. All operating parts hardened steel.
<b>Operating Temp. Range/Seals</b>	-37°C to +107°C (Polyurethane, EPS) (-35°F to +225°F) -26°C to +204°C (Fluorocarbon) (-15°F to +400°F)
<b>Fluid Compatibility/ Viscosity</b>	Mineral-based or synthetic with lubricating properties at viscosities of 45 to 2000 SSU (6 to 420 cSt)
<b>Filtration</b>	ISO-4406 18/16/13, SAE Class 4
<b>Approx. Weight</b>	.33 kg (.78 lbs.)
<b>Cavity</b>	C16-3S (See BC Section for more details)
<b>Form Tool</b>	Rougher      NFT16-3SR Finisher      NFT16-3SF



**Dimensions** Millimeters (Inches)



**Ordering Information**



Code	Bias Spring
25	1.7 Bar (25 PSI)
50	3.5 Bar (50 PSI)
75	5.2 Bar (75 PSI)
*100	6.9 Bar (100 PSI)
*150	10.3 Bar (150 PSI)

Code	Seals / Kit. No.
Omit	Polyurethane, EPS (Std.)/ (WRK-16-3S)
V	Fluorocarbon / (WRK-16-3S-W)

\*Indicates larger cap height, see drawing.

**CV**

Check Valves

**SH**

Shuttle Valves

**LM**

Load/Motor Controls

**FC**

Flow Controls

**PC**

Pressure Controls

**LE**

Logic Elements

**DC**

Directional Controls

**MV**

Manual Valves

**SV**

Solenoid Valves

**PV**

Proportional Valves

**CE**

Coils & Electronics

**BC**

Bodies & Cavities

**TD**

Technical Data

**Technical Information**

**CV**

Check Valves

**SH**

Shuttle Valves

**LM**

Load/Motor Controls

**FC**

Flow Controls

**PC**

Pressure Controls

**LE**

Logic Elements

**DC**

Directional Controls

**MV**

Manual Valves

**SV**

Solenoid Valves

**PV**

Proportional Valves

**CE**

Coils & Electronics

**BC**

Bodies & Cavities

**TD**

Technical Data

**General Description**

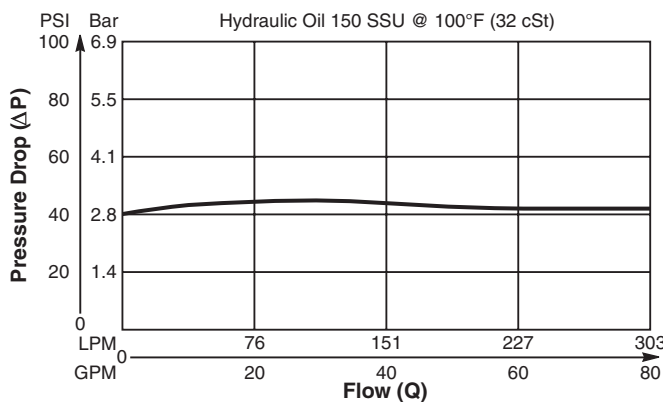
Spool Type, Normally Closed, Pilot to Close Logic Element. For additional information see Technical Tips on pages LE1-LE6.

**Features**

- Hardened, precision ground parts for durability
- Polyurethane seals only
- No backup rings
- All external parts zinc plated

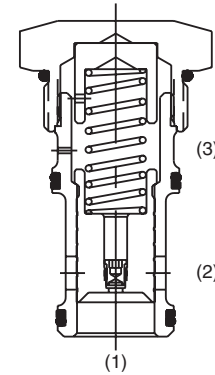
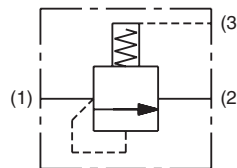
**Performance Curve**

Pressure Drop vs. Flow (Through cartridge only)

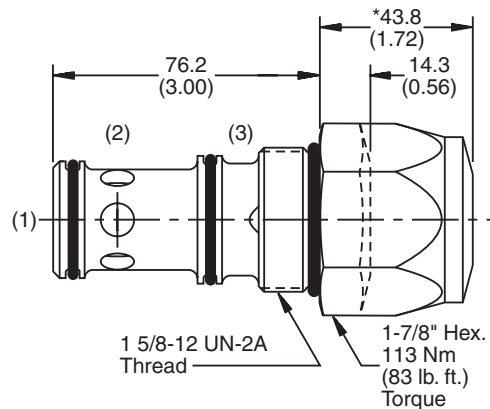


**Specifications**

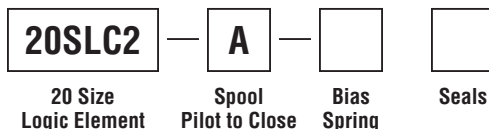
<b>Rated Flow</b>	303 LPM (80 GPM)
<b>Maximum Inlet Pressure</b>	240 Bar (3500 PSI)
<b>Leakage @ 150 SSU (32 cst)</b>	Port 1 to 2 82 cc/min. (5 in <sup>3</sup> /min.) @ 240 Bar (3500 PSI)
<b>Cartridge Material</b>	All parts steel. All operating parts hardened steel.
<b>Operating Temp. Range/Seals</b>	-37°C to +107°C (Polyurethane, EPS) (-35°F to +225°F) -26°C to +204°C (Fluorocarbon) (-15°F to +400°F)
<b>Fluid Compatibility/Viscosity</b>	Mineral-based or synthetic with lubricating properties at viscosities of 45 to 2000 SSU (6 to 420 cSt)
<b>Filtration</b>	ISO-4406 18/16/13, SAE Class 4
<b>Approx. Weight</b>	.81 kg (1.78 lbs.)
<b>Cavity</b>	C20-3S (See BC Section for more details)
<b>Form Tool</b>	Rougher NFT20-3SR Finisher NFT20-3SF



**Dimensions** Millimeters (Inches)



**Ordering Information**



Code	Bias Spring
25	1.7 Bar (25 PSI)
50	3.5 Bar (50 PSI)
*75	5.2 Bar (75 PSI)
*100	6.9 Bar (100 PSI)
*150	10.3 Bar (150 PSI)

Code	Seals / Kit. No.
Omit	Polyurethane, EPS (Std.)/ (WRK-20-3S)
V	Fluorocarbon / (WRK-20-3S-W)

\*Indicates larger cap height, see drawing.

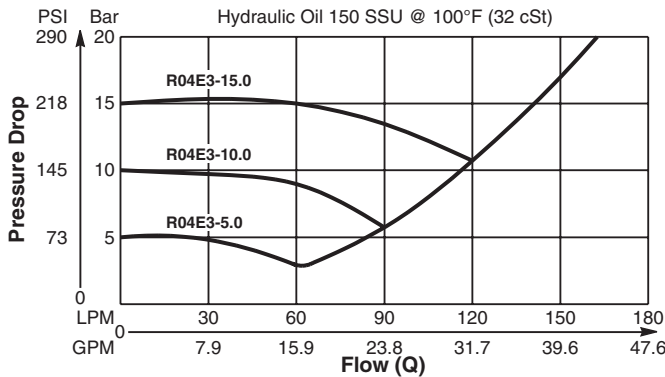
**General Description**

Spool Type , Normally Closed, Pilot to Close Logic Element. For additional information see Technical Tips on pages LE1-LE6.

**Features**

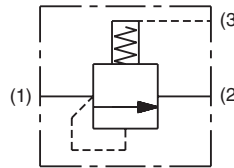
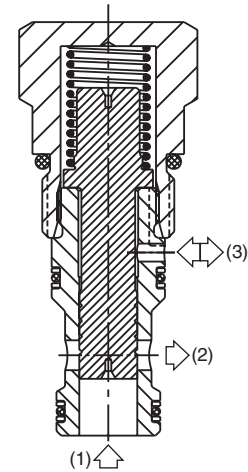
- High flow capacity
- Used as high flow switching or metering element
- Can be used as bleed off style pressure compensated flow regulator when used with restrictor
- More stable than poppet type
- Various switching pressures available
- 1:1 pilot pressure ratio
- Hardened working parts for maximum durability
- All external parts zinc plated

**Performance Curve (Through cartridge only)  
Vented Open Pressure Drop vs. Flow 1 to 2**

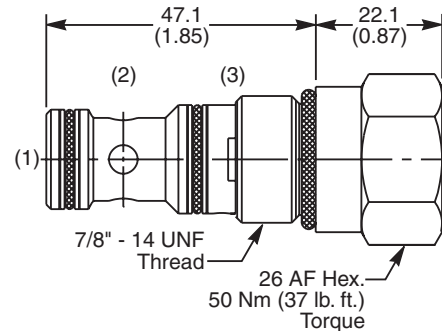


**Specifications**

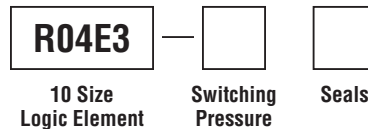
<b>Rated Flow</b>	170 LPM (45 GPM)
<b>Nominal Flow @ 7 Bar (100 PSI)</b>	100 LPM (26 GPM)
<b>Maximum Inlet Pressure</b>	420 Bar (6000 PSI)
<b>Leakage @ 150 SSU (32 cst)</b>	50 ml/min. @ 100 Bar (1450 PSI)
<b>Switching Press.</b>	See ordering information
<b>Cartridge Material</b>	All parts steel. All operating parts hardened steel.
<b>Operating Temp. Range/Seals</b>	-34°C to +121°C (Nitrile) (-30°F to +250°F) -26°C to +204°C (Fluorocarbon) (-15°F to +400°F)
<b>Fluid Compatibility/ Viscosity</b>	Mineral-based or synthetic with lubricating properties at viscosities of 45 to 2000 SSU (6 to 420 cSt)
<b>Filtration</b>	ISO-4406 18/16/13, SAE Class 4
<b>Approx. Weight</b>	.14 kg (.31 lbs.)
<b>Cavity</b>	C10-3S (See BC Section for more details)
<b>Form Tool</b>	Rougher NFT10-3SR Finisher NFT10-3SF



**Dimensions** Millimeters (Inches)



**Ordering Information**



Code	Switching Pressure Non Adjustable Preset
1.0	1.0 Bar (14.5 PSI)
5.0	5.0 Bar (73 PSI) Std.
10.0	10.0 Bar (145 PSI)
15.0	15.0 Bar (218 PSI)
20.0	20.0 Bar (290 PSI)

Code	Seals / Kit. No.
N	Nitrile, Buna-N (Std.) / (SK30504N-1)
V	Fluorocarbon / (SK30504V-1)

*If no switching pressure is specified, valve will be supplied as R04E3-5.0N*

- CV Check Valves
- SH Shuttle Valves
- LM Load/Motor Controls
- FC Flow Controls
- PC Pressure Controls
- LE Logic Elements
- DC Directional Controls
- MV Manual Valves
- SV Solenoid Valves
- PV Proportional Valves
- CE Coils & Electronics
- BC Bodies & Cavities
- TD Technical Data

**Technical Information**

**CV**

Check Valves

**SH**

Shuttle Valves

**LM**

Load/Motor Controls

**FC**

Flow Controls

**PC**

Pressure Controls

**LE**

Logic Elements

**DC**

Directional Controls

**MV**

Manual Valves

**SV**

Solenoid Valves

**PV**

Proportional Valves

**CE**

Coils & Electronics

**BC**

Bodies & Cavities

**TD**

Technical Data

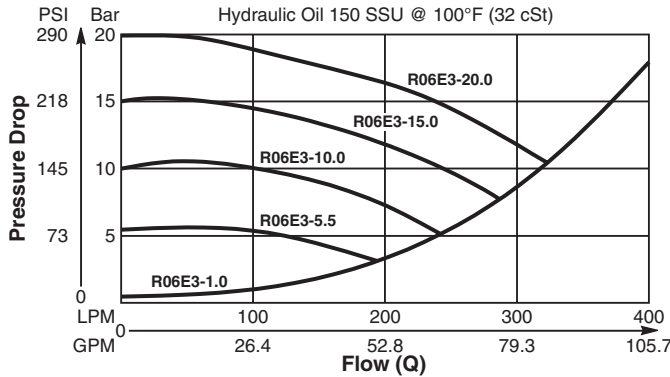
**General Description**

Spool Type , Normally Closed, Pilot to Close Logic Element. For additional information see Technical Tips on pages LE1-LE6.

**Features**

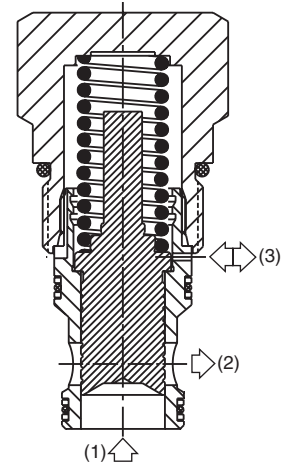
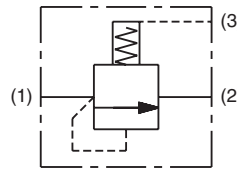
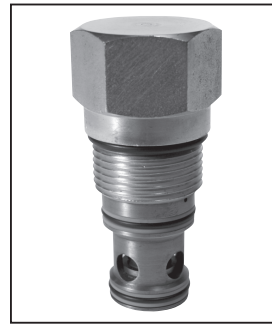
- High flow capacity
- Used as high flow switching or metering element
- Can be used as bleed off style pressure compensated flow regulator when used with restrictor
- More stable than poppet type
- Various switching pressures available
- 1:1 pilot pressure ratio
- Hardened working parts for maximum durability
- All external parts zinc plated

**Performance Curve (Through cartridge only)**  
**Vented Open Pressure Drop vs. Flow 1 to 2**

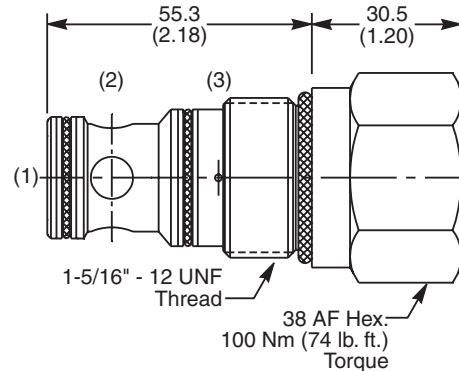


**Specifications**

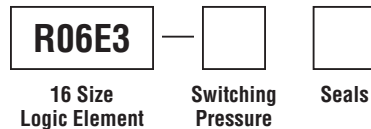
<b>Rated Flow</b>	400 LPM (106 GPM)
<b>Nominal Flow @ 7 Bar (100 PSI)</b>	270 LPM (71 GPM)
<b>Maximum Inlet Pressure</b>	420 Bar (6000 PSI)
<b>Leakage @ 150 SSU (32 cst)</b>	90 ml/min. @ 100 Bar (1450 PSI)
<b>Switching Press.</b>	See ordering information
<b>Cartridge Material</b>	All parts steel. All operating parts hardened steel.
<b>Operating Temp. Range/Seals</b>	-34°C to +121°C (Nitrile) (-30°F to +250°F) -26°C to +204°C (Fluorocarbon) (-15°F to +400°F)
<b>Fluid Compatibility/ Viscosity</b>	Mineral-based or synthetic with lubricating properties at viscosities of 45 to 2000 SSU (6 to 420 cSt)
<b>Filtration</b>	ISO-4406 18/16/13, SAE Class 4
<b>Approx. Weight</b>	.38 kg (.84 lbs.)
<b>Cavity</b>	C16-3S (See BC Section for more details)
<b>Form Tool</b>	Rougher NFT16-3SR Finisher NFT16-3SF



**Dimensions** Millimeters (Inches)



**Ordering Information**



Code	Switching Pressure Non Adjustable Preset
1.0	1.0 Bar (14.5 PSI)
5.5	5.5 Bar (80 PSI) Std.
10.0	10.0 Bar (145 PSI)
15.0	15.0 Bar (218 PSI)
20.0	20.0 Bar (290 PSI)

Code	Seals / Kit. No.
N	Nitrile, Buna-N (Std.) / (SK30508N-1)
V	Fluorocarbon / (SK30508V-1)

*If no switching pressure is specified, valve will be supplied as R06E3-5.5N*



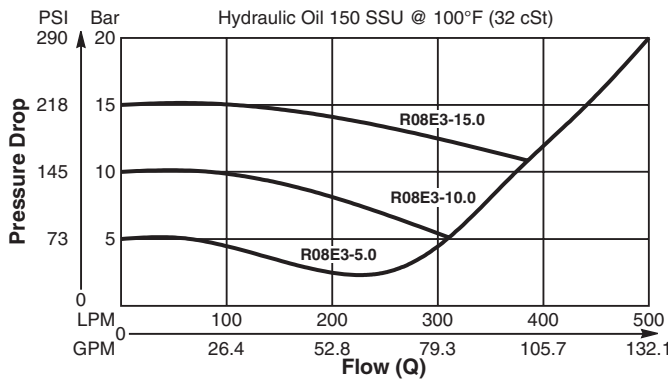
**General Description**

Spool Type , Normally Closed, Pilot to Close Logic Element. For additional information see Technical Tips on pages LE1-LE6.

**Features**

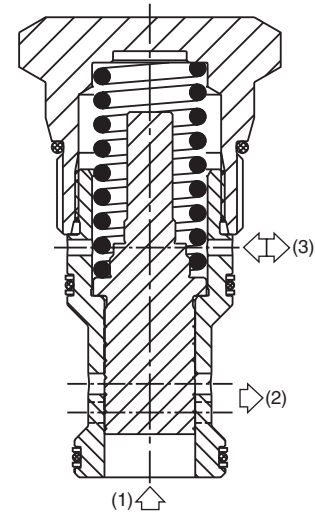
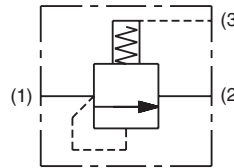
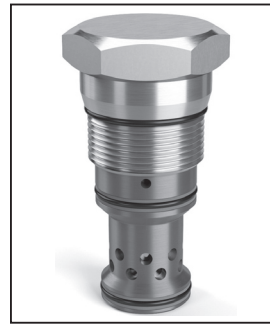
- High flow capacity
- Can be used as high flow switching or metering element
- Can be used as bleed off style pressure compensated flow regulator when used with restrictor
- Various switching pressures available
- 1:1 pilot pressure ratio
- Hardened working parts for maximum durability
- All external parts zinc plated

**Performance Curve (Through cartridge only)  
Vented Open Pressure Drop vs. Flow 1 to 2**

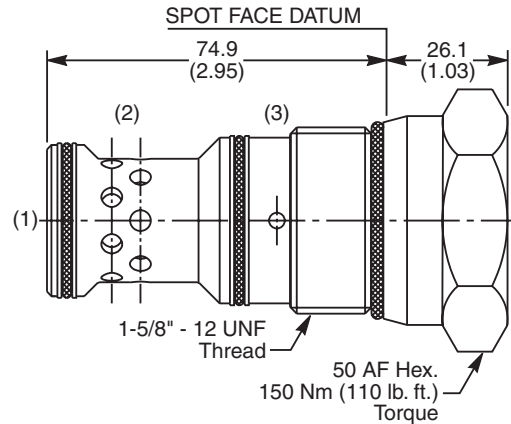


**Specifications**

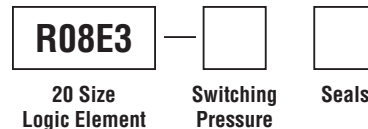
<b>Rated Flow</b>	500 LPM (132 GPM)
<b>Nominal Flow @ 7 Bar (100 PSI)</b>	340 LPM (90 GPM)
<b>Maximum Inlet Pressure</b>	420 Bar (6000 PSI)
<b>Leakage @ 150 SSU (32 cst)</b>	90 ml/min. @ 100 Bar (1450 PSI)
<b>Switching Press.</b>	See ordering information
<b>Cartridge Material</b>	All parts steel. All operating parts hardened steel.
<b>Operating Temp. Range/Seals</b>	-34°C to +121°C (Nitrile) (-30°F to +250°F) -26°C to +204°C (Fluorocarbon) (-15°F to +400°F)
<b>Fluid Compatibility/Viscosity</b>	Mineral-based or synthetic with lubricating properties at viscosities of 45 to 2000 SSU (6 to 420 cSt)
<b>Filtration</b>	ISO-4406 18/16/13, SAE Class 4
<b>Approx. Weight</b>	.69 kg (1.52 lbs.)
<b>Cavity</b>	C20-3S (See BC Section for more details)
<b>Form Tool</b>	Rougher NFT20-3SR Finisher NFT20-3SF



**Dimensions** Millimeters (Inches)



**Ordering Information**



Code	Switching Pressure Non Adjustable Preset
5.0	5.0 Bar (73 PSI) Std.
10.0	10.0 Bar (145 PSI)
15.0	15.0 Bar (218 PSI)
20.0	20.0 Bar (290 PSI)

Code	Seals / Kit. No.
N	Nitrile, Buna-N (Std.) / (SK30512N-1)
V	Fluorocarbon / (SK30512V-1)

*If no switching pressure is specified, valve will be supplied as R06E3-5.0N*

**CV**

Check Valves

**SH**

Shuttle Valves

**LM**

Load/Motor Controls

**FC**

Flow Controls

**PC**

Pressure Controls

**LE**

Logic Elements

**DC**

Directional Controls

**MV**

Manual Valves

**SV**

Solenoid Valves

**PV**

Proportional Valves

**CE**

Coils & Electronics

**BC**

Bodies & Cavities

**TD**

Technical Data



**Technical Information**

**CV**

Check Valves

**SH**

Shuttle Valves

**LM**

Load/Motor Controls

**FC**

Flow Controls

**PC**

Pressure Controls

**LE**

Logic Elements

**DC**

Directional Controls

**MV**

Manual Valves

**SV**

Solenoid Valves

**PV**

Proportional Valves

**CE**

Coils & Electronics

**BC**

Bodies & Cavities

**TD**

Technical Data

**General Description**

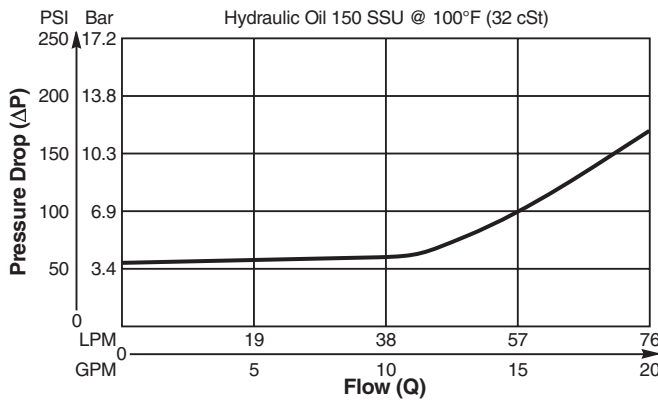
Spool Type, Normally Closed, Vent to Open Logic Element. For additional information see Technical Tips on pages LE1-LE6.

**Features**

- Hardened, precision ground parts for durability
- Polyurethane seals only
- No backup rings
- All external parts zinc plated

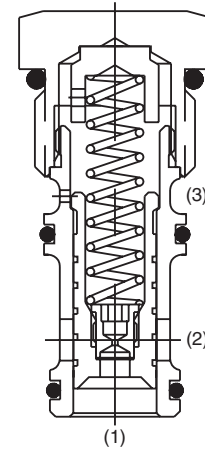
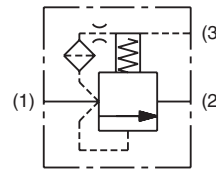
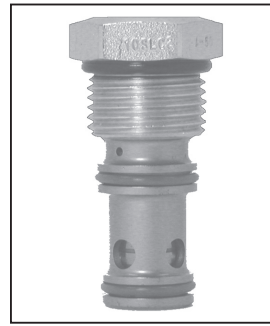
**Performance Curve**

Pressure Drop vs. Flow (Through cartridge only)

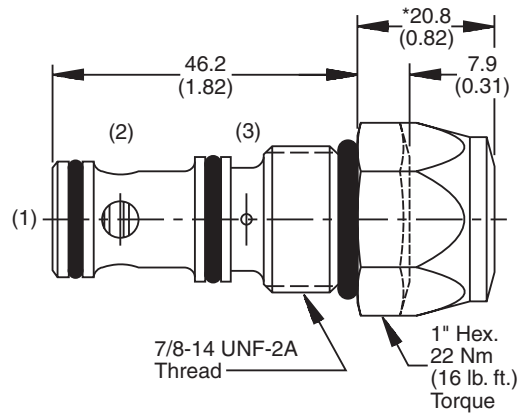


**Specifications**

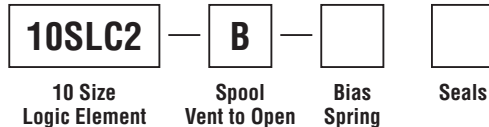
<b>Rated Flow</b>	57 LPM (15 GPM)
<b>Maximum Inlet Pressure</b>	240 Bar (3500 PSI)
<b>Leakage @ 150 SSu (32 cst)</b>	Port 1 to 2 82 cc/min. (5 in <sup>3</sup> /min.) @ 240 Bar (3500 PSI)
<b>Cartridge Material</b>	All parts steel. All operating parts hardened steel.
<b>Operating Temp. Range/Seals</b>	-37°C to +107°C (Polyurethane, EPS) (-35°F to +225°F) -26°C to +204°C (Fluorocarbon) (-15°F to +400°F)
<b>Fluid Compatibility/Viscosity</b>	Mineral-based or synthetic with lubricating properties at viscosities of 45 to 2000 SSU (6 to 420 cSt)
<b>Filtration</b>	ISO-4406 18/16/13, SAE Class 4
<b>Approx. Weight</b>	.14 kg (.30 lbs.)
<b>Cavity</b>	C10-3S (See BC Section for more details)
<b>Form Tool</b>	Rougher      NFT10-3SR Finisher      NFT10-3SF



**Dimensions** Millimeters (Inches)



**Ordering Information**



Code	Bias Spring
25	1.7 Bar (25 PSI)
50	3.5 Bar (50 PSI)
75	5.2 Bar (75 PSI)
*100	6.9 Bar (100 PSI)
*150	10.3 Bar (150 PSI)

Code	Seals / Kit. No.
Omit	Polyurethane, EPS (Std.)/ (WRK-10-3S)
V	Fluorocarbon / (WRK-10-3S-W)

\*Indicates larger cap height, see drawing.

**General Description**

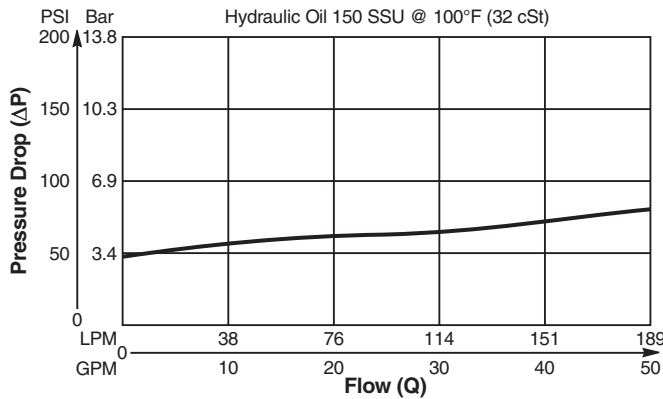
Spool Type , Normally Closed, Vent to Open Logic Element. For additional information see Technical Tips on pages LE1-LE6.

**Features**

- Hardened, precision ground parts for durability
- Polyurethane seals only
- No backup rings
- All external parts zinc plated

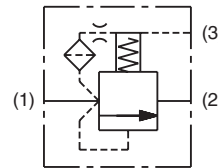
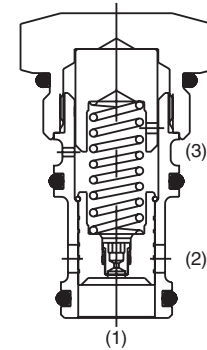
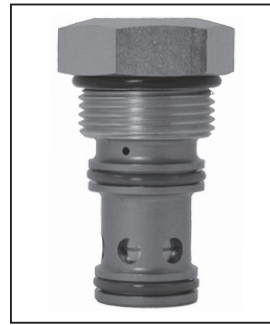
**Performance Curve**

**Pressure Drop vs. Flow (Through cartridge only)**

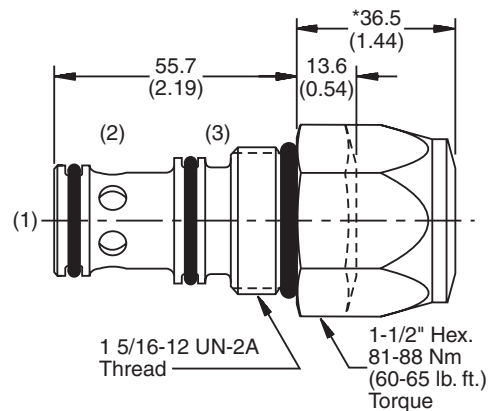


**Specifications**

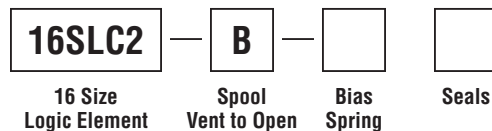
<b>Rated Flow</b>	189 LPM (50 GPM)
<b>Maximum Inlet Pressure</b>	240 Bar (3500 PSI)
<b>Leakage @ 150 SSU (32 cst)</b>	Port 1 to 2 82 cc/min. (5 in <sup>3</sup> /min.) @ 240 Bar (3500 PSI)
<b>Cartridge Material</b>	All parts steel. All operating parts hardened steel.
<b>Operating Temp. Range/Seals</b>	-37°C to +107°C (Polyurethane, EPS) (-35°F to +225°F) -26°C to +204°C (Fluorocarbon) (-15°F to +400°F)
<b>Fluid Compatibility/ Viscosity</b>	Mineral-based or synthetic with lubricating properties at viscosities of 45 to 2000 SSU (6 to 420 cSt)
<b>Filtration</b>	ISO-4406 18/16/13, SAE Class 4
<b>Approx. Weight</b>	.33 kg (.78 lbs.)
<b>Cavity</b>	C16-3S (See BC Section for more details)
<b>Form Tool</b>	Rougher      NFT16-3SR Finisher      NFT16-3SF



**Dimensions** Millimeters (Inches)



**Ordering Information**



Code	Bias Spring
25	1.7 Bar (25 PSI)
50	3.5 Bar (50 PSI)
75	5.2 Bar (75 PSI)
*100	6.9 Bar (100 PSI)
*150	10.3 Bar (150 PSI)

Code	Seals / Kit. No.
Omit	Polyurethane, EPS (Std.) / (WRK-16-3S)
V	Fluorocarbon / (WRK-16-3S-W)

\*Indicates larger cap height, see drawing.

**CV**

Check Valves

**SH**

Shuttle Valves

**LM**

Load/Motor Controls

**FC**

Flow Controls

**PC**

Pressure Controls

**LE**

Logic Elements

**DC**

Directional Controls

**MV**

Manual Valves

**SV**

Solenoid Valves

**PV**

Proportional Valves

**CE**

Coils & Electronics

**BC**

Bodies & Cavities

**TD**

Technical Data

**Technical Information**

**CV**

Check Valves

**SH**

Shuttle Valves

**LM**

Load/Motor Controls

**FC**

Flow Controls

**PC**

Pressure Controls

**LE**

Logic Elements

**DC**

Directional Controls

**MV**

Manual Valves

**SV**

Solenoid Valves

**PV**

Proportional Valves

**CE**

Coils & Electronics

**BC**

Bodies & Cavities

**TD**

Technical Data

**General Description**

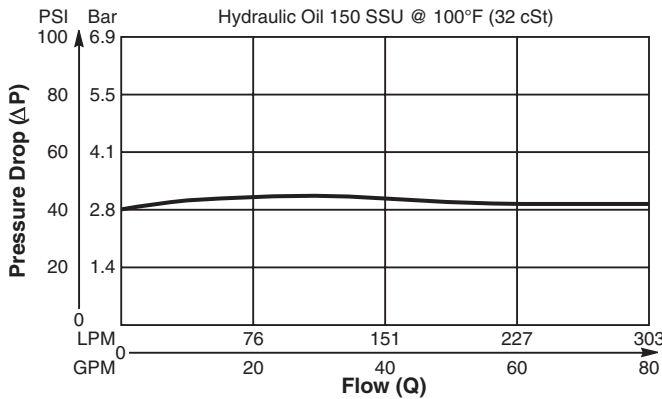
Spool Type, Normally Closed, Vent to Open Logic Element. For additional information see Technical Tips on pages LE1-LE6.

**Features**

- Hardened, precision ground parts for durability
- Polyurethane seals only
- No backup rings
- All external parts zinc plated

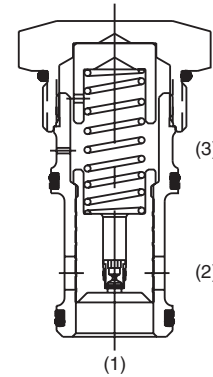
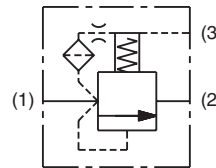
**Performance Curve**

Pressure Drop vs. Flow (Through cartridge only)

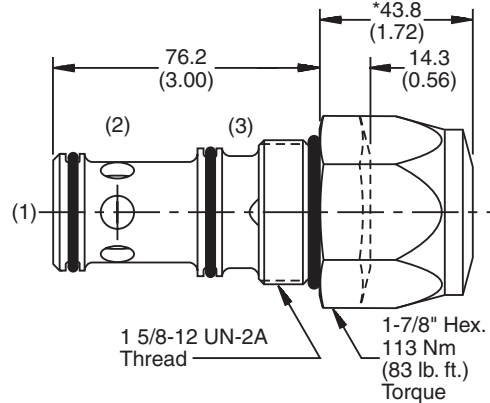


**Specifications**

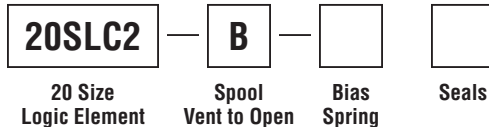
<b>Rated Flow</b>	303 LPM (80 GPM)
<b>Maximum Inlet Pressure</b>	240 Bar (3500 PSI)
<b>Leakage @ 150 SSU (32 cst)</b>	Port 1 to 2 82 cc/min. (5 in <sup>3</sup> /min.) @ 240 Bar (3500 PSI)
<b>Cartridge Material</b>	All parts steel. All operating parts hardened steel.
<b>Operating Temp. Range/Seals</b>	-37°C to +107°C (Polyurethane, EPS) (-35°F to +225°F) -26°C to +204°C (Fluorocarbon) (-15°F to +400°F)
<b>Fluid Compatibility/Viscosity</b>	Mineral-based or synthetic with lubricating properties at viscosities of 45 to 2000 SSU (6 to 420 cSt)
<b>Filtration</b>	ISO-4406 18/16/13, SAE Class 4
<b>Approx. Weight</b>	.81 kg (1.78 lbs.)
<b>Cavity</b>	C20-3S (See BC Section for more details)
<b>Form Tool</b>	Rougher      NFT20-3SR Finisher      NFT20-3SF



**Dimensions** Millimeters (Inches)



**Ordering Information**



Code	Bias Spring
25	1.7 Bar (25 PSI)
50	3.5 Bar (50 PSI)
*75	5.2 Bar (75 PSI)
*100	6.9 Bar (100 PSI)
*150	10.3 Bar (150 PSI)

Code	Seals / Kit. No.
Omit	Polyurethane, EPS (Std.)/ (WRK-20-3S)
V	Fluorocarbon / (WRK-20-3S-W)

\*Indicates larger cap height, see drawing.

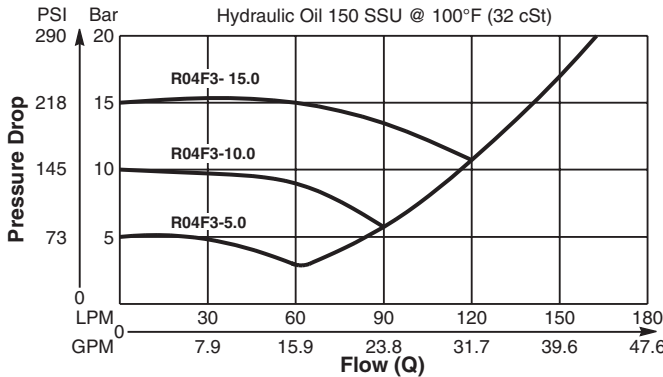
**General Description**

Spool Type , Normally Closed, Vent to Open Logic Element. For additional information see Technical Tips on pages LE1-LE6.

**Features**

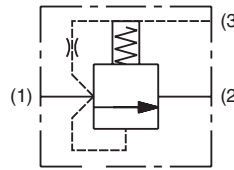
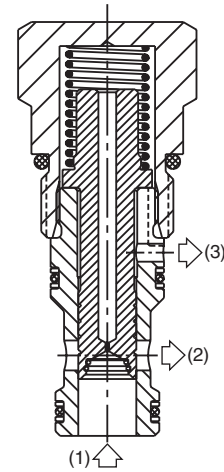
- High flow capacity
- Used as high flow switching or metering element
- Can be used as main stage for a pilot operated relief or sequence valve
- Integral 250 micron pilot flow filter
- Various switching pressures available
- 1:1 pilot pressure ratio
- Hardened working parts for maximum durability
- All external parts zinc plated

**Performance Curve (Through cartridge only)  
Vented Open Pressure Drop vs. Flow 1 to 2**

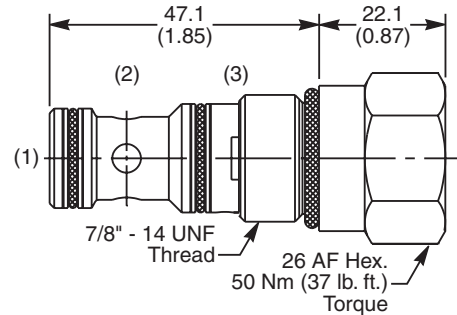


**Specifications**

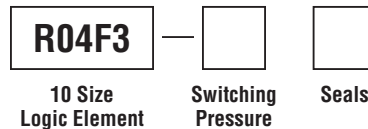
<b>Rated Flow</b>	170 LPM (45 GPM)
<b>Nominal Flow @ 7 Bar (100 PSI)</b>	100 LPM (26 GPM)
<b>Maximum Inlet Pressure</b>	420 Bar (6000 PSI)
<b>Leakage @ 150 SSU (32 cst)</b>	50 ml/min. @ 100 Bar (1450 PSI)
<b>Switching Press.</b>	See ordering information
<b>Cartridge Material</b>	All parts steel. All operating parts hardened steel.
<b>Operating Temp. Range/Seals</b>	-34°C to +121°C (Nitrile) (-30°F to +250°F) -26°C to +204°C (Fluorocarbon) (-15°F to +400°F)
<b>Fluid Compatibility/Viscosity</b>	Mineral-based or synthetic with lubricating properties at viscosities of 45 to 2000 SSU (6 to 420 cSt)
<b>Filtration</b>	ISO-4406 18/16/13, SAE Class 4
<b>Approx. Weight</b>	.13 kg (.29 lbs.)
<b>Cavity</b>	C10-3S (See BC Section for more details)
<b>Form Tool</b>	Rougher NFT10-3SR Finisher NFT10-3SF



**Dimensions** Millimeters (Inches)



**Ordering Information**



Code	Switching Pressure Non Adjustable Preset
1.0	1.0 Bar (14.5 PSI)
5.0	5.0 Bar (73 PSI) Std.
10.0	10.0 Bar (145 PSI)
15.0	15.0 Bar (218 PSI)
20.0	20.0 Bar (290 PSI)

Code	Seals / Kit. No.
N	Nitrile, Buna-N (Std.) / (SK30504N-1)
V	Fluorocarbon / (SK30504V-1)

*If no switching pressure is specified, valve will be supplied as R04F3-5.0N*

- CV** Check Valves
- SH** Shuttle Valves
- LM** Load/Motor Controls
- FC** Flow Controls
- PC** Pressure Controls
- LE** Logic Elements
- DC** Directional Controls
- MV** Manual Valves
- SV** Solenoid Valves
- PV** Proportional Valves
- CE** Coils & Electronics
- BC** Bodies & Cavities
- TD** Technical Data

**Technical Information**

**CV**

Check Valves

**SH**

Shuttle Valves

**LM**

Load/Motor Controls

**FC**

Flow Controls

**PC**

Pressure Controls

**LE**

Logic Elements

**DC**

Directional Controls

**MV**

Manual Valves

**SV**

Solenoid Valves

**PV**

Proportional Valves

**CE**

Coils & Electronics

**BC**

Bodies & Cavities

**TD**

Technical Data

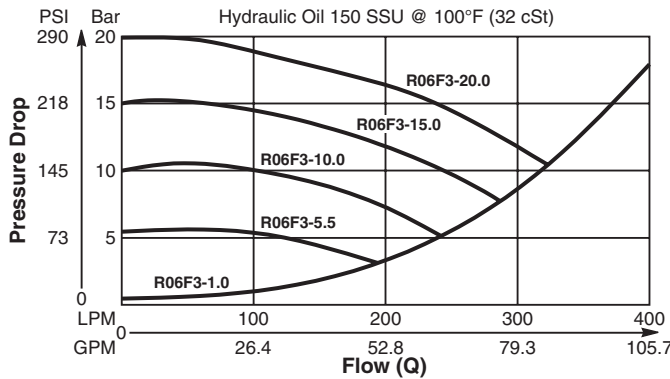
**General Description**

Spool Type , Normally Closed, Vent to Open Logic Element. For additional information see Technical Tips on pages LE1-LE6.

**Features**

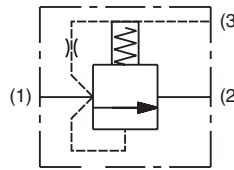
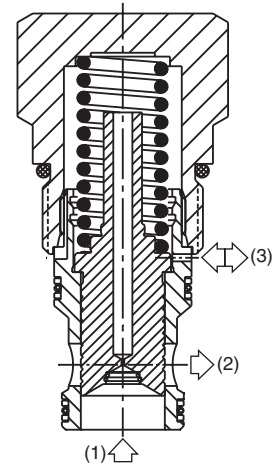
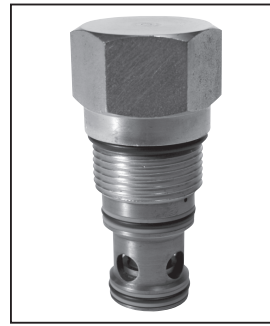
- High flow capacity
- Used as high flow switching or metering element
- Can be used as main stage for a pilot operated relief or sequence valve
- Integral 250 micron pilot flow filter
- Various switching pressures available
- 1:1 pilot pressure ratio
- Hardened working parts for maximum durability
- All external parts zinc plated

**Performance Curve (Through cartridge only)**  
**Vented Open Pressure Drop vs. Flow 1 to 2**

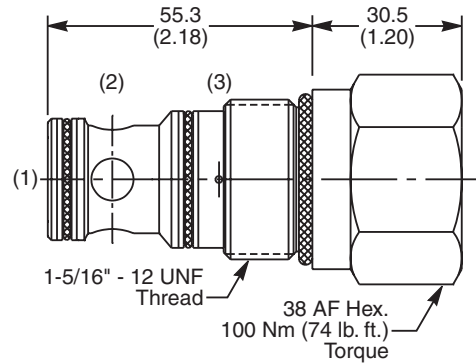


**Specifications**

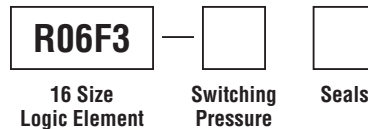
<b>Rated Flow</b>	400 LPM (106 GPM)
<b>Nominal Flow @ 7 Bar (100 PSI)</b>	270 LPM (71 GPM)
<b>Maximum Inlet Pressure</b>	420 Bar (6000 PSI)
<b>Leakage @ 150 SSU (32 cst)</b>	90 ml/min. @ 100 Bar (1450 PSI)
<b>Switching Press.</b>	See ordering information
<b>Cartridge Material</b>	All parts steel. All operating parts hardened steel.
<b>Operating Temp. Range/Seals</b>	-34°C to +121°C (Nitrile) (-30°F to +250°F) -26°C to +204°C (Fluorocarbon) (-15°F to +400°F)
<b>Fluid Compatibility/Viscosity</b>	Mineral-based or synthetic with lubricating properties at viscosities of 45 to 2000 SSU (6 to 420 cSt)
<b>Filtration</b>	ISO-4406 18/16/13, SAE Class 4
<b>Approx. Weight</b>	.38 kg (.84 lbs.)
<b>Cavity</b>	C16-3S (See BC Section for more details)
<b>Form Tool</b>	Rougher NFT16-3SR Finisher NFT16-3SF



**Dimensions** Millimeters (Inches)



**Ordering Information**



Code	Switching Pressure Non Adjustable Preset
1.0	1.0 Bar (14.5 PSI)
5.5	5.5 Bar (80 PSI) Std.
10.0	10.0 Bar (145 PSI)
15.0	15.0 Bar (218 PSI)
20.0	20.0 Bar (290 PSI)

Code	Seals / Kit. No.
N	Nitrile, Buna-N (Std.) / (SK30508N-1)
V	Fluorocarbon / (SK30508V-1)

If no switching pressure is specified, valve will be supplied as R06F3-5.5N



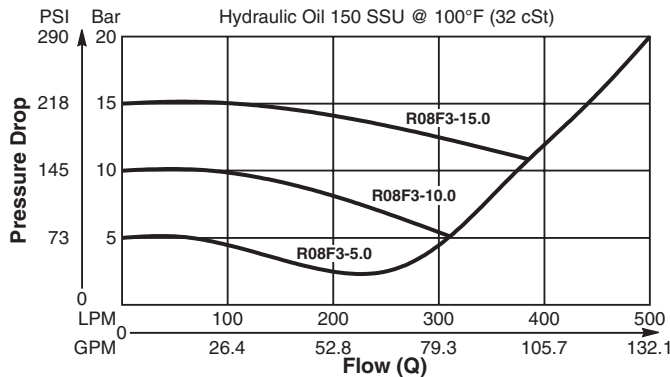
**General Description**

Spool Type , Normally Closed, Vent to Open Logic Element. For additional information see Technical Tips on pages LE1-LE6.

**Features**

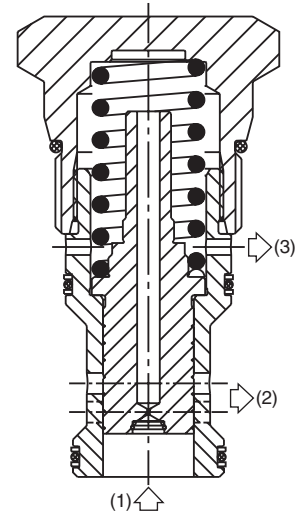
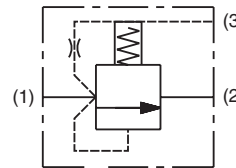
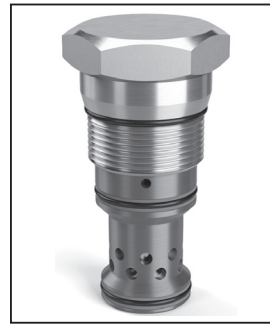
- High flow capacity
- Can be used as high flow switching or metering element
- Can be used as main stage for a pilot operated relief or sequence valve
- Integral 250 micron pilot flow filter
- Various switching pressures available
- 1:1 pilot pressure ratio
- Hardened working parts for maximum durability
- All external parts zinc plated

**Performance Curve (Through cartridge only)  
Vented Open Pressure Drop vs. Flow 1 to 2**

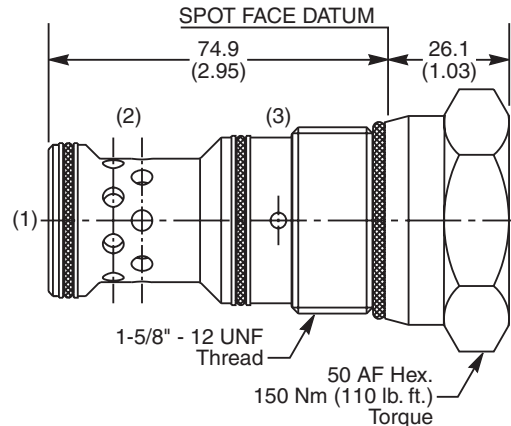


**Specifications**

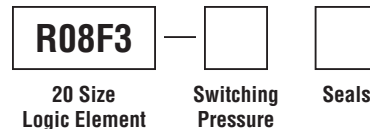
<b>Rated Flow</b>	500 LPM (132 GPM)
<b>Nominal Flow @ 7 Bar (100 PSI)</b>	340 LPM (90 GPM)
<b>Maximum Inlet Pressure</b>	420 Bar (6000 PSI)
<b>Leakage @ 150 SSU (32 cst)</b>	90 ml/min. @ 100 Bar (1450 PSI)
<b>Switching Press.</b>	See ordering information
<b>Cartridge Material</b>	All parts steel. All operating parts hardened steel.
<b>Operating Temp. Range/Seals</b>	-34°C to +121°C (Nitrile) (-30°F to +250°F) -26°C to +204°C (Fluorocarbon) (-15°F to +400°F)
<b>Fluid Compatibility/Viscosity</b>	Mineral-based or synthetic with lubricating properties at viscosities of 45 to 2000 SSU (6 to 420 cSt)
<b>Filtration</b>	ISO-4406 18/16/13, SAE Class 4
<b>Approx. Weight</b>	.69 kg (1.52 lbs.)
<b>Cavity</b>	C20-3S (See BC Section for more details)
<b>Form Tool</b>	Rougher NFT20-3SR Finisher NFT20-3SF



**Dimensions** Millimeters (Inches)



**Ordering Information**



Code	Switching Pressure Non Adjustable Preset
5.0	5.0 Bar (73 PSI) Std.
10.0	10.0 Bar (145 PSI)
15.0	15.0 Bar (218 PSI)
20.0	20.0 Bar (290 PSI)

Code	Seals / Kit. No.
N	Nitrile, Buna-N (Std.) / (SK30512N-1)
V	Fluorocarbon / (SK30512V-1)

*If no switching pressure is specified, valve will be supplied as R08E3-5.0N*

**CV**

Check Valves

**SH**

Shuttle Valves

**LM**

Load/Motor Controls

**FC**

Flow Controls

**PC**

Pressure Controls

**LE**

Logic Elements

**DC**

Directional Controls

**MV**

Manual Valves

**SV**

Solenoid Valves

**PV**

Proportional Valves

**CE**

Coils & Electronics

**BC**

Bodies & Cavities

**TD**

Technical Data

**Technical Information**

**CV**

Check Valves

**SH**

Shuttle Valves

**LM**

Load/Motor Controls

**FC**

Flow Controls

**PC**

Pressure Controls

**LE**

Logic Elements

**DC**

Directional Controls

**MV**

Manual Valves

**SV**

Solenoid Valves

**PV**

Proportional Valves

**CE**

Coils & Electronics

**BC**

Bodies & Cavities

**TD**

Technical Data

**General Description**

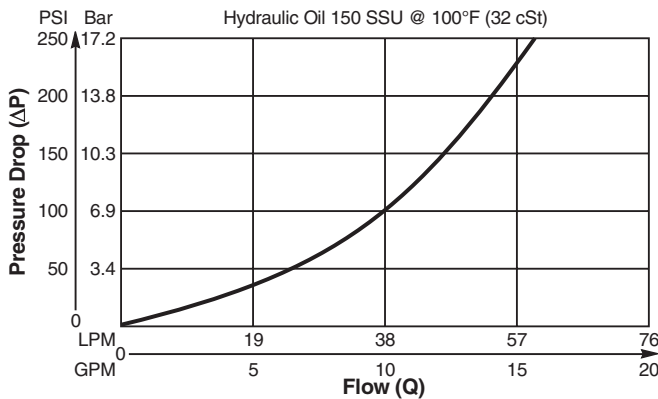
Spool Type, Normally Open, Logic Element. This type is ideal for flow control functions. For additional information see Technical Tips on pages LE1-LE6.

**Features**

- Hardened, precision ground parts for durability
- Polyurethane seals only
- No backup rings
- All external parts zinc plated

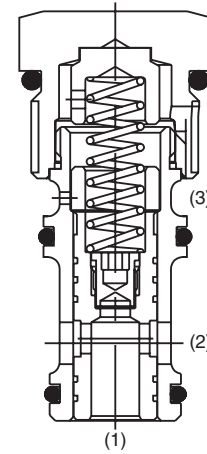
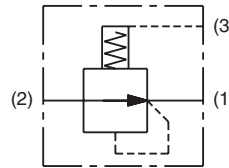
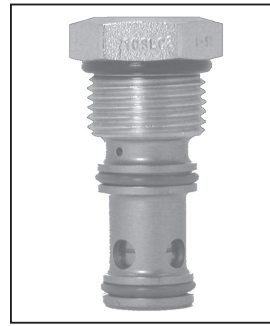
**Performance Curve**

Pressure Drop vs. Flow (Through cartridge only)

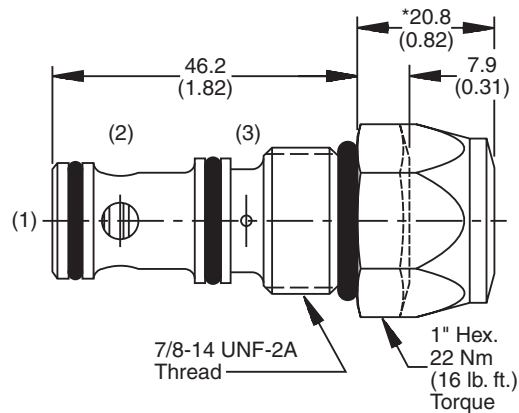


**Specifications**

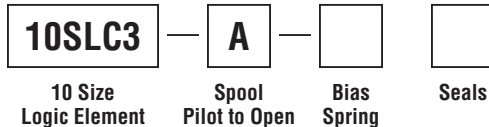
<b>Rated Flow</b>	57 LPM (15 GPM)
<b>Maximum Inlet Pressure</b>	240 Bar (3500 PSI)
<b>Leakage @ 150 SSU (32 cst)</b>	Port 1 to 2 82 cc/min. (5 in <sup>3</sup> /min.) @ 240 Bar (3500 PSI)
<b>Cartridge Material</b>	All parts steel. All operating parts hardened steel.
<b>Operating Temp. Range/Seals</b>	-37°C to +107°C (Polyurethane, EPS) (-35°F to +225°F) -26°C to +204°C (Fluorocarbon) (-15°F to +400°F)
<b>Fluid Compatibility/Viscosity</b>	Mineral-based or synthetic with lubricating properties at viscosities of 45 to 2000 SSU (6 to 420 cSt)
<b>Filtration</b>	ISO-4406 18/16/13, SAE Class 4
<b>Approx. Weight</b>	.14 kg (.30 lbs.)
<b>Cavity</b>	C10-3S (See BC Section for more details)
<b>Form Tool</b>	Rougher      NFT10-3SR Finisher      NFT10-3SF



**Dimensions** Millimeters (Inches)



**Ordering Information**



Code	Bias Spring
25	1.7 Bar (25 PSI)
50	3.5 Bar (50 PSI)
75	5.2 Bar (75 PSI)
*100	6.9 Bar (100 PSI)
*150	10.3 Bar (150 PSI)

Code	Seals / Kit. No.
Omit	Polyurethane, EPS (Std.)/ (WRK-10-3S)
V	Fluorocarbon / (WRK-10-3S-W)

\*Indicates larger cap height, see drawing.



**General Description**

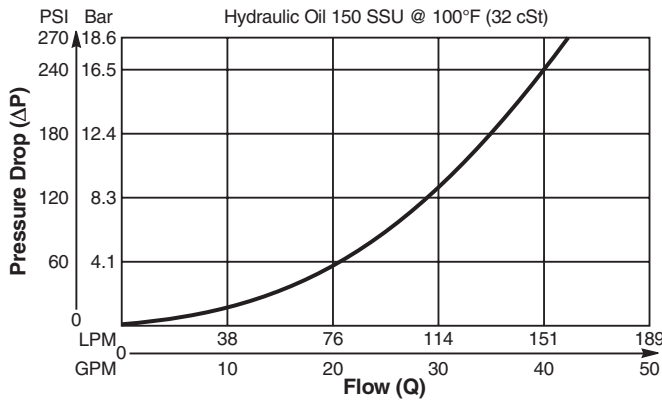
Spool Type , Normally Open, Logic Element. This type is ideal for flow control functions. For additional information see Technical Tips on pages LE1-LE6.

**Features**

- Hardened, precision ground parts for durability
- Polyurethane seals only
- No backup rings
- All external parts zinc plated

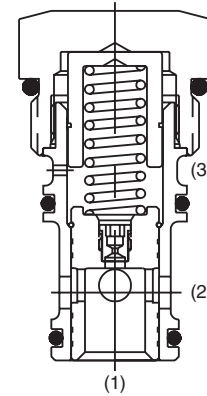
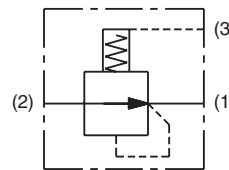
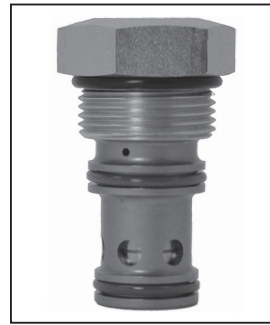
**Performance Curve**

**Pressure Drop vs. Flow** (Through cartridge only)

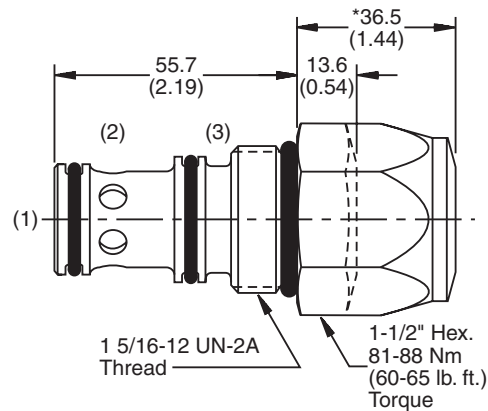


**Specifications**

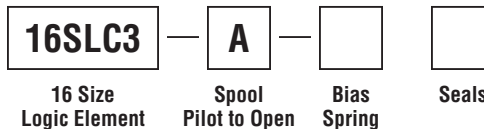
<b>Rated Flow</b>	189 LPM (50 GPM)
<b>Maximum Inlet Pressure</b>	240 Bar (3500 PSI)
<b>Leakage @ 150 SSU (32 cst)</b>	Port 1 to 2 82 cc/min. (5 in <sup>3</sup> /min.) @ 240 Bar (3500 PSI)
<b>Cartridge Material</b>	All parts steel. All operating parts hardened steel.
<b>Operating Temp. Range/Seals</b>	-37°C to +107°C (Polyurethane, EPS) (-35°F to +225°F) -26°C to +204°C (Fluorocarbon) (-15°F to +400°F)
<b>Fluid Compatibility/ Viscosity</b>	Mineral-based or synthetic with lubricating properties at viscosities of 45 to 2000 SSU (6 to 420 cSt)
<b>Filtration</b>	ISO-4406 18/16/13, SAE Class 4
<b>Approx. Weight</b>	.33 kg (.78 lbs.)
<b>Cavity</b>	C16-3S (See BC Section for more details)
<b>Form Tool</b>	Rougher      NFT16-3SR Finisher      NFT16-3SF



**Dimensions** Millimeters (Inches)



**Ordering Information**



Code	Bias Spring
25	1.7 Bar (25 PSI)
50	3.5 Bar (50 PSI)
75	5.2 Bar (75 PSI)
*100	6.9 Bar (100 PSI)
*150	10.3 Bar (150 PSI)

Code	Seals / Kit. No.
Omit	Polyurethane, EPS (Std.)/ (WRK-16-3S)
V	Fluorocarbon / (WRK-16-3S-W)

\*Indicates larger cap height, see drawing.

- CV** Check Valves
- SH** Shuttle Valves
- LM** Load/Motor Controls
- FC** Flow Controls
- PC** Pressure Controls
- LE** Logic Elements
- DC** Directional Controls
- MV** Manual Valves
- SV** Solenoid Valves
- PV** Proportional Valves
- CE** Coils & Electronics
- BC** Bodies & Cavities
- TD** Technical Data

**Technical Information**

**CV**

Check Valves

**SH**

Shuttle Valves

**LM**

Load/Motor Controls

**FC**

Flow Controls

**PC**

Pressure Controls

**LE**

Logic Elements

**DC**

Directional Controls

**MV**

Manual Valves

**SV**

Solenoid Valves

**PV**

Proportional Valves

**CE**

Coils & Electronics

**BC**

Bodies & Cavities

**TD**

Technical Data

**General Description**

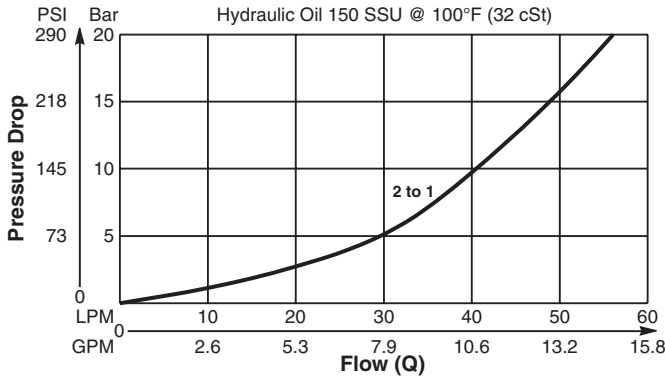
Spool Type , Normally Open, Vent to Close Logic Element. For additional information see Technical Tips on pages LE1-LE6.

**Features**

- High flow capacity
- Used as high flow switching or metering element
- Can be used for inline pressure compensated flow control when used with restrictor (refer to application)
- More stable than poppet type
- Various switching pressures available
- 1:1 pilot ratio
- Hardened working parts for maximum durability
- All external parts zinc plated

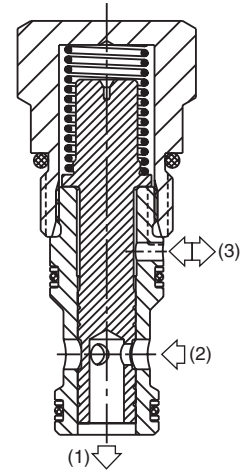
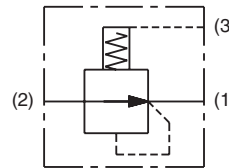
**Performance Curve**

**Pressure Drop vs. Flow** (Through cartridge only)

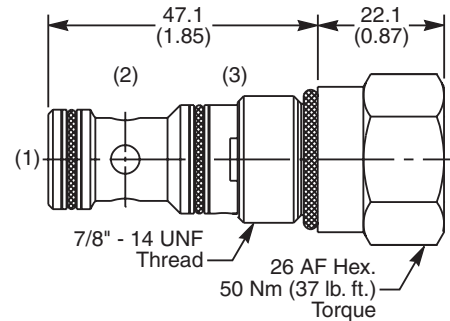


**Specifications**

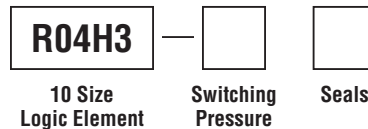
<b>Rated Flow</b>	57 LPM (15 GPM)
<b>Nominal Flow @ 7 Bar (100 PSI)</b>	35 LPM (9.2 GPM)
<b>Maximum Inlet Pressure</b>	420 Bar (6000 PSI)
<b>Leakage @ 150 SSU (32 cst)</b>	50 ml/min. @ 100 Bar (1450 PSI)
<b>Switching Press.</b>	See ordering information
<b>Cartridge Material</b>	All parts steel. All operating parts hardened steel.
<b>Operating Temp. Range/Seals</b>	-34°C to +121°C (Nitrile) (-30°F to +250°F) -26°C to +204°C (Fluorocarbon) (-15°F to +400°F)
<b>Fluid Compatibility/Viscosity</b>	Mineral-based or synthetic with lubricating properties at viscosities of 45 to 2000 SSU (6 to 420 cSt)
<b>Filtration</b>	ISO-4406 18/16/13, SAE Class 4
<b>Approx. Weight</b>	.14 kg (.31 lbs.)
<b>Cavity</b>	C10-3S (See BC Section for more details)
<b>Form Tool</b>	Rougher NFT10-3SR Finisher NFT10-3SF



**Dimensions** Millimeters (Inches)



**Ordering Information**



Code	Switching Pressure Non Adjustable Preset
1.0	1.0 Bar (14.5 PSI)
5.0	5.0 Bar (73 PSI) Std.
10.0	10.0 Bar (145 PSI)
15.0	15.0 Bar (218 PSI)
20.0	20.0 Bar (290 PSI)

Code	Seals / Kit. No.
N	Nitrile, Buna-N (Std.) / (SK30504N-1)
V	Fluorocarbon / (SK30504V-1)

*If no switching pressure is specified, valve will be supplied as R04H3-5.0N*

**Technical Information**

**General Description**

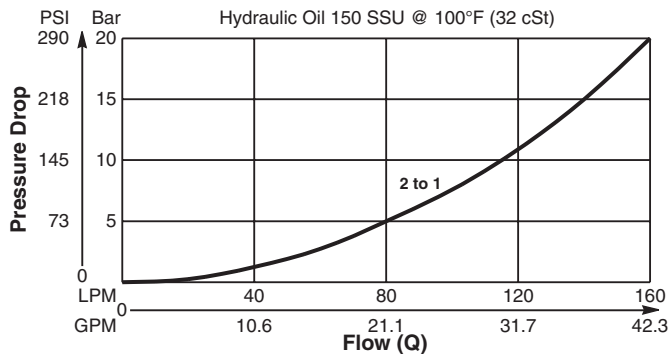
Spool Type , Normally Open, Vent to Close Logic Element. For additional information see Technical Tips on pages LE1-LE6.

**Features**

- High flow capacity
- Used as high flow switching or metering element
- Can be used for inline pressure compensated flow control when used with restrictor (refer to application)
- More stable than poppet type
- Range of spring ratings available
- Integral 250 micron pilot flow filter
- 1:1 pilot ratio
- Hardened working parts for maximum durability
- All external parts zinc plated

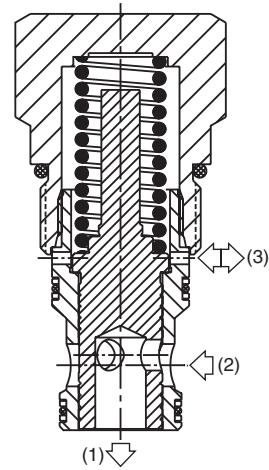
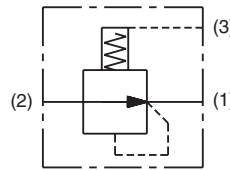
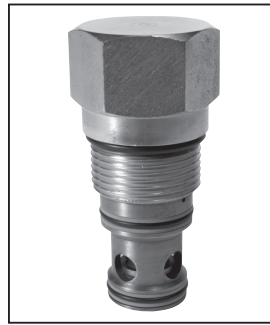
**Performance Curve**

Pressure Drop vs. Flow (Through cartridge only)

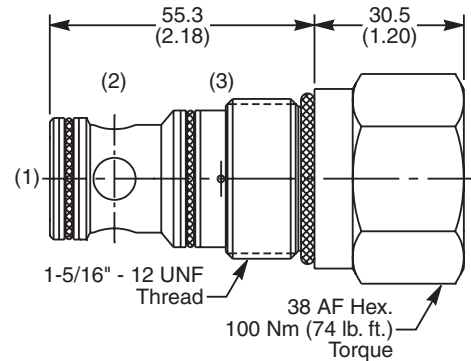


**Specifications**

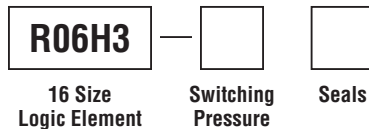
<b>Rated Flow</b>	160 LPM (42 GPM)
<b>Nominal Flow @ 7 Bar (100 PSI)</b>	90 LPM (24 GPM)
<b>Maximum Inlet Pressure</b>	420 Bar (6000 PSI)
<b>Leakage @ 150 SSU (32 cst)</b>	125 ml/min. @ 100 Bar (1450 PSI)
<b>Switching Press.</b>	See ordering information
<b>Cartridge Material</b>	All parts steel. All operating parts hardened steel.
<b>Operating Temp. Range/Seals</b>	-34°C to +121°C (Nitrile) (-30°F to +250°F) -26°C to +204°C (Fluorocarbon) (-15°F to +400°F)
<b>Fluid Compatibility/Viscosity</b>	Mineral-based or synthetic with lubricating properties at viscosities of 45 to 2000 SSU (6 to 420 cSt)
<b>Filtration</b>	ISO-4406 18/16/13, SAE Class 4
<b>Approx. Weight</b>	.37 kg (.82 lbs.)
<b>Cavity</b>	C16-3S (See BC Section for more details)
<b>Form Tool</b>	Rougher NFT16-3SR Finisher NFT16-3SF



**Dimensions** Millimeters (Inches)



**Ordering Information**



Code	Switching Pressure Non Adjustable Preset
1.0	1.0 Bar (14.5 PSI)
5.5	5.5 Bar (80 PSI) Std.
10.0	10.0 Bar (145 PSI)
15.0	15.0 Bar (218 PSI)
20.0	20.0 Bar (290 PSI)

Code	Seals / Kit. No.
N	Nitrile, Buna-N (Std.) / (SK30508N-1)
V	Fluorocarbon / (SK30508V-1)

If no switching pressure is specified, valve will be supplied as R06H3-5.5N

- CV Check Valves
- SH Shuttle Valves
- LM Load/Motor Controls
- FC Flow Controls
- PC Pressure Controls
- LE Logic Elements
- DC Directional Controls
- MV Manual Valves
- SV Solenoid Valves
- PV Proportional Valves
- CE Coils & Electronics
- BC Bodies & Cavities
- TD Technical Data

**Technical Information**

**CV**

Check Valves

**SH**

Shuttle Valves

**LM**

Load/Motor Controls

**FC**

Flow Controls

**PC**

Pressure Controls

**LE**

Logic Elements

**DC**

Directional Controls

**MV**

Manual Valves

**SV**

Solenoid Valves

**PV**

Proportional Valves

**CE**

Coils & Electronics

**BC**

Bodies & Cavities

**TD**

Technical Data

**General Description**

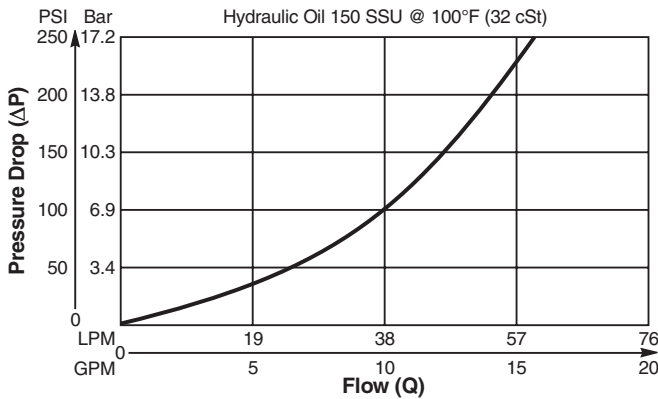
Spool Type, Normally Open, Vent to Close Logic Element. This type is ideal for pressure reducing functions. For additional information see Technical Tips on pages LE1-LE6.

**Features**

- Hardened, precision ground parts for durability
- Polyurethane seals only
- No backup rings
- All external parts zinc plated

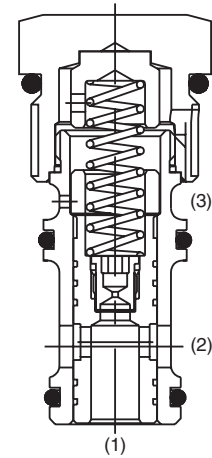
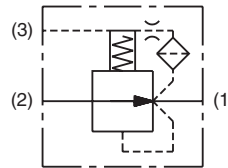
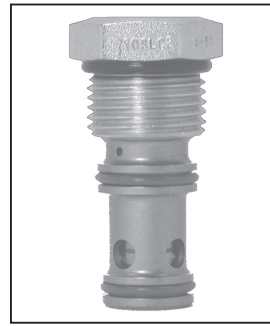
**Performance Curve**

Pressure Drop vs. Flow (Through cartridge only)

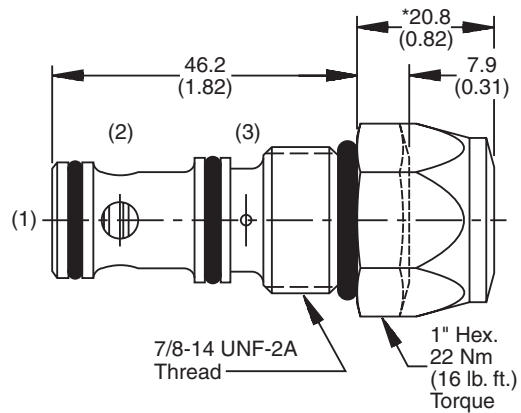


**Specifications**

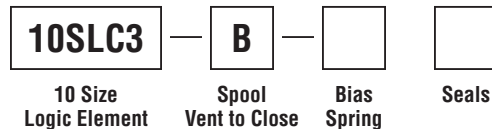
<b>Rated Flow</b>	57 LPM (15 GPM)
<b>Maximum Inlet Pressure</b>	240 Bar (3500 PSI)
<b>Leakage @ 150 SSU (32 cst)</b>	Port 1 to 2 82 cc/min. (5 in <sup>3</sup> /min.) @ 240 Bar (3500 PSI)
<b>Cartridge Material</b>	All parts steel. All operating parts hardened steel.
<b>Operating Temp. Range/Seals</b>	-37°C to +107°C (Polyurethane, EPS) (-35°F to +225°F) -26°C to +204°C (Fluorocarbon) (-15°F to +400°F)
<b>Fluid Compatibility/Viscosity</b>	Mineral-based or synthetic with lubricating properties at viscosities of 45 to 2000 SSU (6 to 420 cSt)
<b>Filtration</b>	ISO-4406 18/16/13, SAE Class 4
<b>Approx. Weight</b>	.14 kg (.30 lbs.)
<b>Cavity</b>	C10-3S (See BC Section for more details)
<b>Form Tool</b>	Rougher      NFT10-3SR Finisher      NFT10-3SF



**Dimensions** Millimeters (Inches)



**Ordering Information**



Code	Bias Spring
25	1.7 Bar (25 PSI)
50	3.5 Bar (50 PSI)
75	5.2 Bar (75 PSI)
*100	6.9 Bar (100 PSI)
*150	10.3 Bar (150 PSI)

Code	Seals / Kit. No.
Omit	Polyurethane, EPS (Std.)/ (WRK-10-3S)
V	Fluorocarbon / (WRK-10-3S-W)

\*Indicates larger cap height, see drawing.

**General Description**

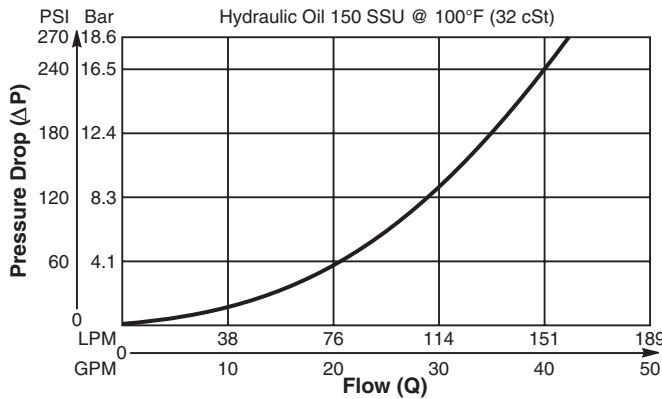
Spool Type , Normally Open, Vent to Close Logic Element. This type is ideal for pressure reducing functions. For additional information see Technical Tips on pages LE1-LE6.

**Features**

- Hardened, precision ground parts for durability
- Polyurethane seals only
- No backup rings
- All external parts zinc plated

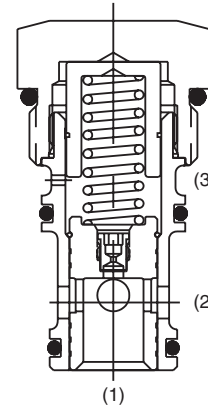
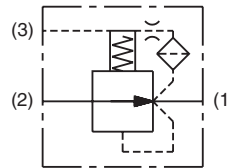
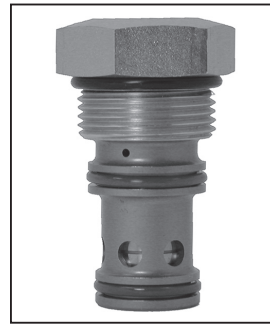
**Performance Curve**

**Pressure Drop vs. Flow** (Through cartridge only)

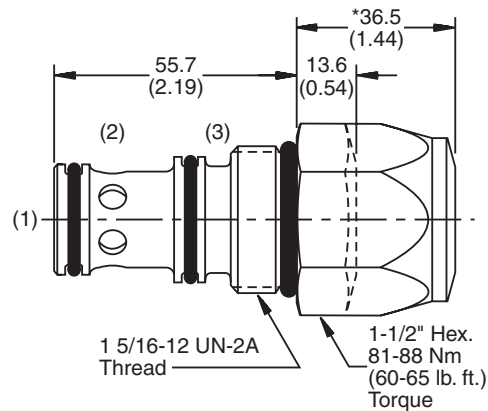


**Specifications**

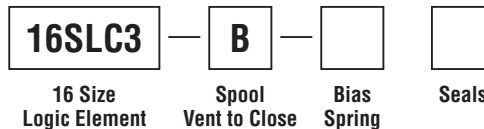
<b>Rated Flow</b>	189 LPM (50 GPM)
<b>Maximum Inlet Pressure</b>	240 Bar (3500 PSI)
<b>Leakage @ 150 SSU (32 cst)</b>	Port 1 to 2 82 cc/min. (5 in <sup>3</sup> /min) @ 240 Bar (3500 PSI)
<b>Cartridge Material</b>	All parts steel. All operating parts hardened steel.
<b>Operating Temp. Range/Seals</b>	-37°C to +107°C (Polyurethane, EPS) (-35°F to +225°F) -26°C to +204°C (Fluorocarbon) (-15°F to +400°F)
<b>Fluid Compatibility/ Viscosity</b>	Mineral-based or synthetic with lubricating properties at viscosities of 45 to 2000 SSU (6 to 420 cSt)
<b>Filtration</b>	ISO-4406 18/16/13, SAE Class 4
<b>Approx. Weight</b>	.33 kg (.78 lbs.)
<b>Cavity</b>	C16-3S (See BC Section for more details)
<b>Form Tool</b>	Rougher      NFT16-3SR Finisher      NFT16-3SF



**Dimensions** Millimeters (Inches)



**Ordering Information**



Code	Bias Spring
25	1.7 Bar (25 PSI)
50	3.5 Bar (50 PSI)
75	5.2 Bar (75 PSI)
*100	6.9 Bar (100 PSI)
*150	10.3 Bar (150 PSI)

Code	Seals / Kit. No.
Omit	Polyurethane, EPS (Std.)/ (WRK-16-3S)
V	Fluorocarbon / (WRK-16-3S-W)

\*Indicates larger cap height, see drawing.

**CV**

Check Valves

**SH**

Shuttle Valves

**LM**

Load/Motor Controls

**FC**

Flow Controls

**PC**

Pressure Controls

**LE**

Logic Elements

**DC**

Directional Controls

**MV**

Manual Valves

**SV**

Solenoid Valves

**PV**

Proportional Valves

**CE**

Coils & Electronics

**BC**

Bodies & Cavities

**TD**

Technical Data

**Technical Information**

- CV** Check Valves
- SH** Shuttle Valves
- LM** Load/Motor Controls
- FC** Flow Controls
- PC** Pressure Controls
- LE** Logic Elements
- DC** Directional Controls
- MV** Manual Valves
- SV** Solenoid Valves
- PV** Proportional Valves
- CE** Coils & Electronics
- BC** Bodies & Cavities
- TD** Technical Data

**General Description**

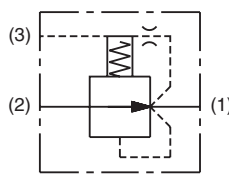
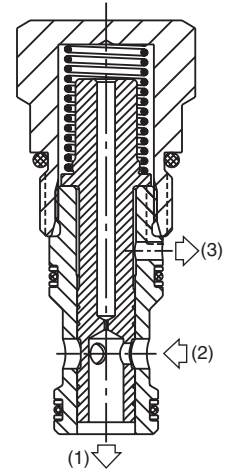
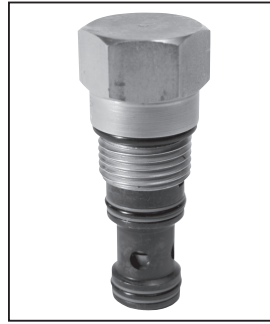
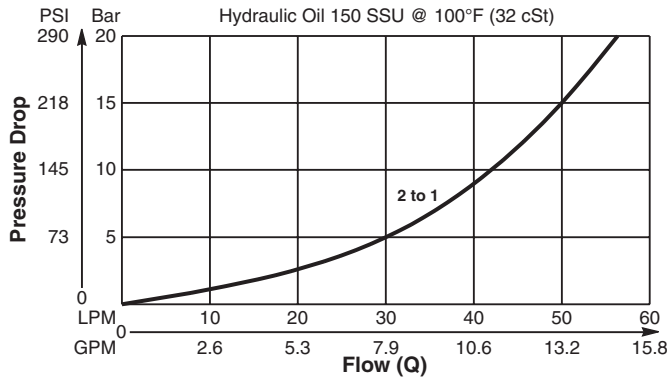
Spool Type , Normally Open, Vent to Close Logic Element. For additional information see Technical Tips on pages LE1-LE6.

**Features**

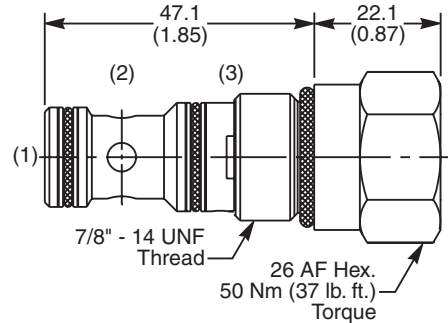
- High flow capacity
- Used as high flow switching or metering element
- Can be used as pressure regulator with mainstage controlled remotely by a pilot relief valve or a proportional valve
- Various switching pressures available
- 1:1 pilot ratio
- Hardened working parts for maximum durability
- All external parts zinc plated

**Performance Curve**

**Pressure Drop vs. Flow (Through cartridge only)**



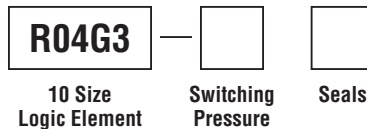
**Dimensions** Millimeters (Inches)



**Specifications**

<b>Rated Flow</b>	57 LPM (15 GPM)
<b>Nominal Flow @ 7 Bar (100 PSI)</b>	35 LPM (9.2 GPM)
<b>Maximum Inlet Pressure</b>	420 Bar (6000 PSI)
<b>Leakage @ 150 SSU (32 cst)</b>	50 ml/min. @ 100 Bar (1450 PSI)
<b>Switching Press.</b>	See ordering information
<b>Cartridge Material</b>	All parts steel. All operating parts hardened steel.
<b>Operating Temp. Range/Seals</b>	-34°C to +121°C (Nitrile) (-30°F to +250°F) -26°C to +204°C (Fluorocarbon) (-15°F to +400°F)
<b>Fluid Compatibility/Viscosity</b>	Mineral-based or synthetic with lubricating properties at viscosities of 45 to 2000 SSU (6 to 420 cSt)
<b>Filtration</b>	ISO-4406 18/16/13, SAE Class 4
<b>Approx. Weight</b>	.14 kg (.31 lbs.)
<b>Cavity</b>	C10-3S (See BC Section for more details)
<b>Form Tool</b>	Rougher NFT10-3SR Finisher NFT10-3SF

**Ordering Information**



Code	Switching Pressure Non Adjustable Preset
1.0	1.0 Bar (14.5 PSI)
5.0	5.0 Bar (73 PSI) Std.
10.0	10.0 Bar (145 PSI)
15.0	15.0 Bar (218 PSI)
20.0	20.0 Bar (290 PSI)

Code	Seals / Kit. No.
N	Nitrile, Buna-N (Std.) / (SK30504N-1)
V	Fluorocarbon / (SK30504V-1)

*If no switching pressure is specified, valve will be supplied as R04G3-5.0N*



**General Description**

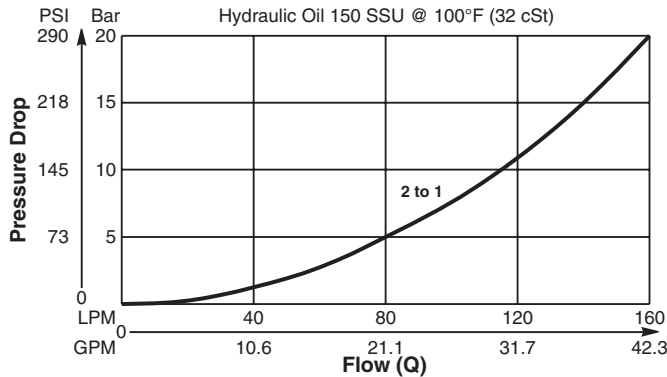
Spool Type , Normally Open, Vent to Close Logic Element. For additional information see Technical Tips on pages LE1-LE6.

**Features**

- High flow capacity
- Used as high flow switching or metering element
- Can be used as pressure regulator with mainstage controlled remotely by a pilot relief valve or a proportional valve
- Various switching pressures available
- Integral 250 micron pilot flow filter
- Hardened working parts for maximum durability
- All external parts zinc plated

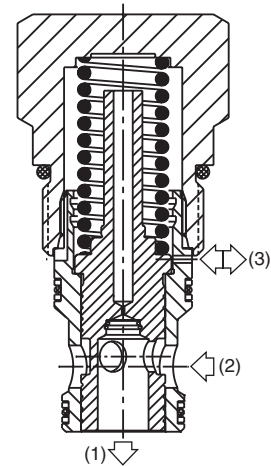
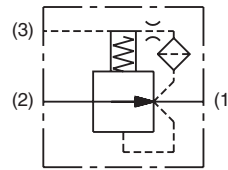
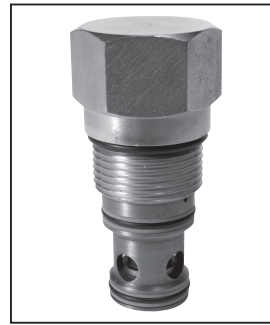
**Performance Curve**

**Pressure Drop vs. Flow (Through cartridge only)**

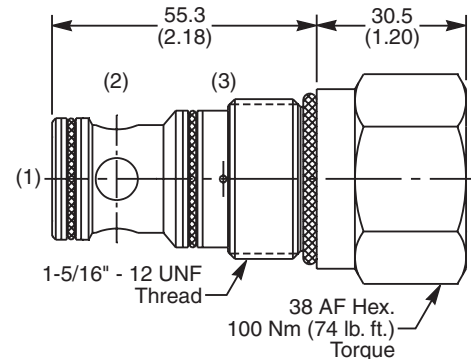


**Specifications**

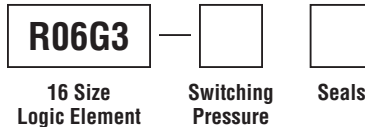
<b>Rated Flow</b>	160 LPM (42 GPM)
<b>Nominal Flow @ 7 Bar (100 PSI)</b>	90 LPM (24 GPM)
<b>Maximum Inlet Pressure</b>	420 Bar (6000 PSI)
<b>Leakage @ 150 SSU (32 cst)</b>	125 ml/min. @ 100 Bar (1450 PSI)
<b>Switching Press.</b>	See ordering information
<b>Cartridge Material</b>	All parts steel. All operating parts hardened steel.
<b>Operating Temp. Range/Seals</b>	-34°C to +121°C (Nitrile) (-30°F to +250°F) -26°C to +204°C (Fluorocarbon) (-15°F to +400°F)
<b>Fluid Compatibility/ Viscosity</b>	Mineral-based or synthetic with lubricating properties at viscosities of 45 to 2000 SSU (6 to 420 cSt)
<b>Filtration</b>	ISO-4406 18/16/13, SAE Class 4
<b>Approx. Weight</b>	.38 kg (.84 lbs.)
<b>Cavity</b>	C16-3S (See BC Section for more details)
<b>Form Tool</b>	Rougher NFT16-3SR Finisher NFT16-3SF



**Dimensions** Millimeters (Inches)



**Ordering Information**



Code	Switching Pressure Non Adjustable Preset
1.0	1.0 Bar (14.5 PSI)
5.5	5.5 Bar (80 PSI) Std.
10.0	10.0 Bar (145 PSI)
15.0	15.0 Bar (218 PSI)
20.0	20.0 Bar (290 PSI)

Code	Seals / Kit. No.
N	Nitrile, Buna-N (Std.)/ (SK30508N-1)
V	Fluorocarbon / (SK30508V-1)

*If no switching pressure is specified, valve will be supplied as R06G3-5.5N*

**CV**

Check Valves

**SH**

Shuttle Valves

**LM**

Load/Motor Controls

**FC**

Flow Controls

**PC**

Pressure Controls

**LE**

Logic Elements

**DC**

Directional Controls

**MV**

Manual Valves

**SV**

Solenoid Valves

**PV**

Proportional Valves

**CE**

Coils & Electronics

**BC**

Bodies & Cavities

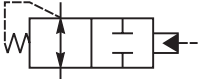
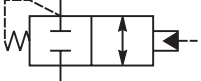
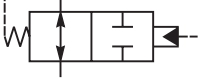
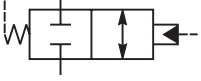



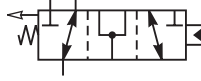
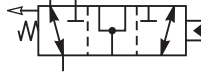
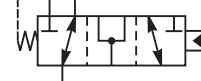

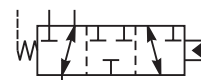

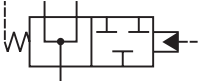

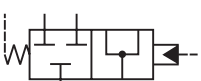

**TD**

Technical Data



**Contents**

**Directional Control Valves**

	<b>SERIES</b>	<b>CAVITY</b>	<b>DESCRIPTION</b>	<b>FLOW LPM/GPM</b>	<b>PRESSURE BAR/PSI</b>	<b>PAGE NO.</b>
	R04C3	C10-3	2 Way, Normally Open, Pilot to Close	80/21	420/6000	DC1-DC2
	R04D3	C10-3	2 Way, Normally Closed, Pilot to Open	100/26	420/6000	DC3
						
	R04A4	C10-4	2 Way, Normally Open, Pilot to Close, External Vent	80/21	420/6000	DC4
	R04B4	C10-4	2 Way, Normally Closed, Pilot to Open, External Vent	80/21	420/6000	DC5
						
	DH103	C10-4	3 Way, External Pilot, Normally Open, Vent to Atmosphere	38/10	240/3500	DC7-DC8
	N04A4	C10-4	3 Way, Internal Vent, External Pilot	90/24	420/6000	DC9
	N04B4	C10-4	3 Way, Internal Vent, External Pilot	90/24	420/6000	DC10
						
	N04G4	C10-4	3 Way, Vent to Atmosphere, External Pilot	85/22	420/6000	DC11
	N04H4	C10-4	3 Way, Vent to Atmosphere, External Pilot	85/22	420/6000	DC12
						
	N5A125	5A	3 Way, 2 Position, External Drain, Open Transition	160/42	420/6000	DC13
	N5A300	100-1	3 Way, 2 Position, External Drain, Open Transition	400/105	420/6000	DC14
						
	N5B125	5A	3 Way, 2 Position, External Drain, Closed Transition	160/42	420/6000	DC15
	N5B300	100-1	3 Way, 2 Position, External Drain, Closed Transition	400/105	420/6000	DC16
						
	N5C125	5A	3 Way, 2 Position, External Drain, Diverter Valve, Normally Open	160/42	420/6000	DC17
	N5C300	100-1	3 Way, 2 Position, External Drain, Diverter Valve, Normally Open	400/105	420/6000	DC18
						
	N5D125	5A	3 Way, 2 Position, External Drain, Diverter Valve, Normally Closed	160/42	420/6000	DC19
	N5D300	100-1	3 Way, 2 Position, External Drain, Diverter Valve, Normally Closed	400/105	420/6000	DC20
						

- CV**  
Check Valves
- SH**  
Shuttle Valves
- LM**  
Load/Motor Controls
- FC**  
Flow Controls
- PC**  
Pressure Controls
- LE**  
Logic Elements
- DC**  
Directional Controls
- MV**  
Manual Valves
- SV**  
Solenoid Valves
- PV**  
Proportional Valves
- CE**  
Coils & Electronics
- BC**  
Bodies & Cavities
- TD**  
Technical Data

**Technical Information**

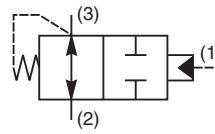
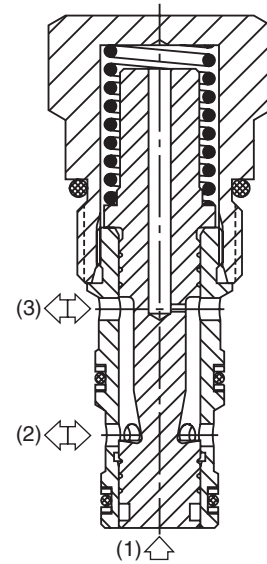
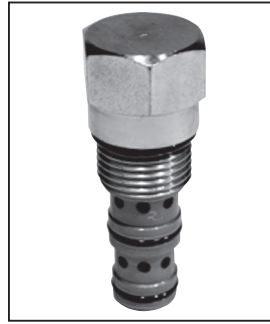
- CV** Check Valves
- SH** Shuttle Valves
- LM** Load/Motor Controls
- FC** Flow Controls
- PC** Pressure Controls
- LE** Logic Elements
- DC** Directional Controls
- MV** Manual Valves
- SV** Solenoid Valves
- PV** Proportional Valves
- CE** Coils & Electronics
- BC** Bodies & Cavities
- TD** Technical Data

**General Description**

Diverter Valve, Normally Open, Pilot to Close Vent and Pressure Compensating Flow Control Element.

**Features**

- Two switching and one compensating spring available
- Very accurate flow regulation when used with separate orifice
- Sealed pilot option available
- Industry common cavity
- Hardened working parts for maximum durability
- All external parts zinc plated

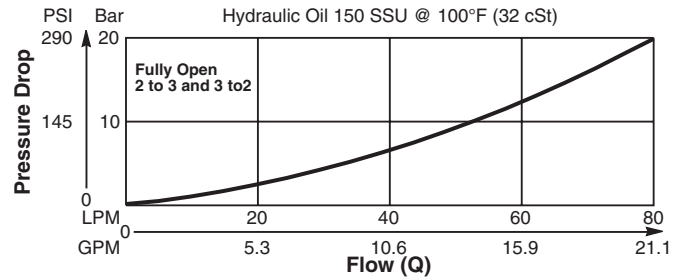


**Specifications**

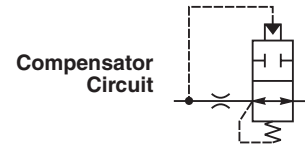
<b>Rated Flow</b>	80 LPM (21 GPM)
<b>Nominal Flow @ 7 Bar (100 PSI)</b>	<b>Diverter</b> - 40 LPM (10 GPM) <b>Compensator</b> - See Application
<b>Maximum Inlet Pressure</b>	420 Bar (6000 PSI)
<b>Pilot Switching Pressure</b>	See ordering information
<b>Cartridge Material</b>	All parts steel. All operating parts hardened steel.
<b>Operating Temp. Range/Seals</b>	-34°C to +121°C (Nitrile, Buna-N) (-30°F to +250°F) -26°C to +204°C (Fluorocarbon) (-15°F to +400°F)
<b>Fluid Compatibility/Viscosity</b>	Mineral-based or synthetic with lubricating properties at viscosities of 45 to 2000 SSU (6 to 420 cSt)
<b>Filtration</b>	ISO-4406 18/16/13, SAE Class 4
<b>Approx. Weight</b>	.15 kg (.33 lbs.)
<b>Cavity</b>	C10-3 (See BC Section for more details)

**Performance Curve**

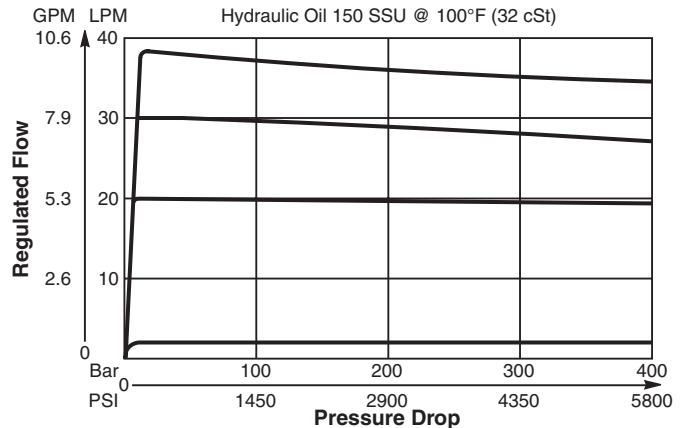
**Diverting Pressure Drop (Through cartridge only)**



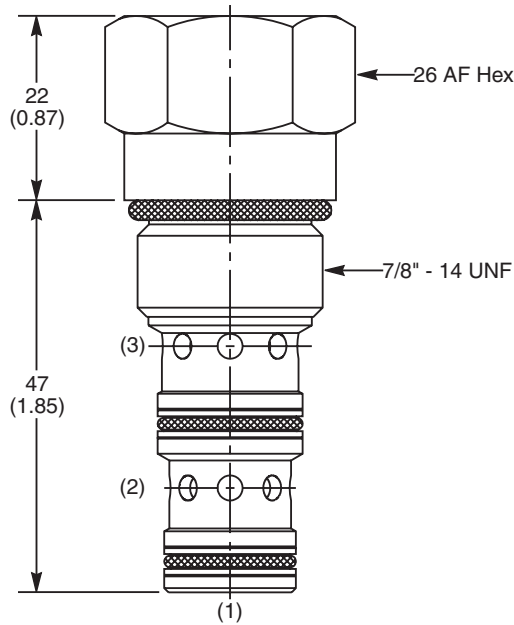
**Application**



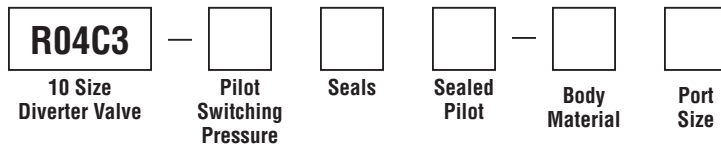
**Compensating Flow Regulation Performance 3 to 2**



**Dimensions** Millimeters (Inches)



**Ordering Information**



Code	Switching Pressure
<b>For Switching</b>	
5.0	5.0 Bar (73 PSI) Std.
10.0	10.0 Bar (145 PSI)
<b>For Flow Regulation</b>	
7.7	7.7 Bar (112 PSI)

*If no switching pressure is specified, valve will be supplied as R04C3-5.0N*

Code	Sealed Pilot
Omit	If not required
S	Sealed Pilot

Code	Body Material
Omit	Steel
A	Aluminum

Code	Port Size	Body Part No.
Omit	Cartridge Only	
6T	SAE-6	(B10-3-*6T)
8T	SAE-8	(B10-3-*8T)

*\* Add "A" for aluminum, omit for steel.*

Code	Seals / Kit No.
N	Nitrile, Buna-N / (SK30505N-1)
V	Fluorocarbon / (SK30505V-1)

- CV**  
Check Valves
- SH**  
Shuttle Valves
- LM**  
Load/Motor Controls
- FC**  
Flow Controls
- PC**  
Pressure Controls
- LE**  
Logic Elements
- DC**  
Directional Controls
- MV**  
Manual Valves
- SV**  
Solenoid Valves
- PV**  
Proportional Valves
- CE**  
Coils & Electronics
- BC**  
Bodies & Cavities
- TD**  
Technical Data

**Technical Information**

- CV** Check Valves
- SH** Shuttle Valves
- LM** Load/Motor Controls
- FC** Flow Controls
- PC** Pressure Controls
- LE** Logic Elements
- DC** Directional Controls
- MV** Manual Valves
- SV** Solenoid Valves
- PV** Proportional Valves
- CE** Coils & Electronics
- BC** Bodies & Cavities
- TD** Technical Data

**General Description**

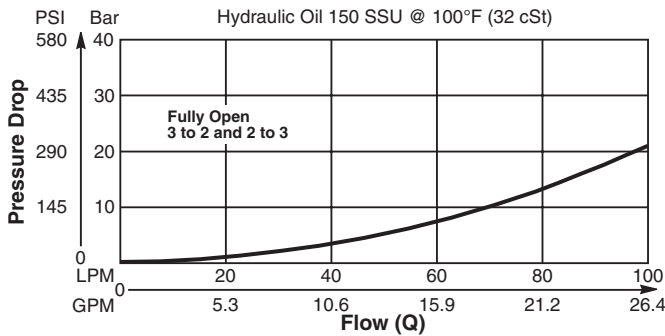
Diverter Valve, Normally Closed, Pilot to Open.

**Features**

- Two switching pressures available
- Sealed pilot option available
- Hardened working parts for maximum durability
- All external parts zinc plated

**Performance Curve**

**Pressure Drop vs. Flow** (Through cartridge only)

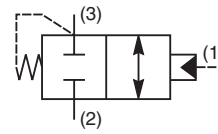
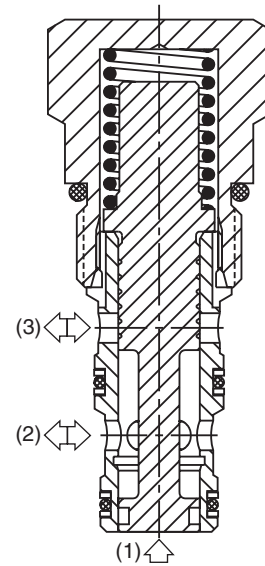


**Application Note**

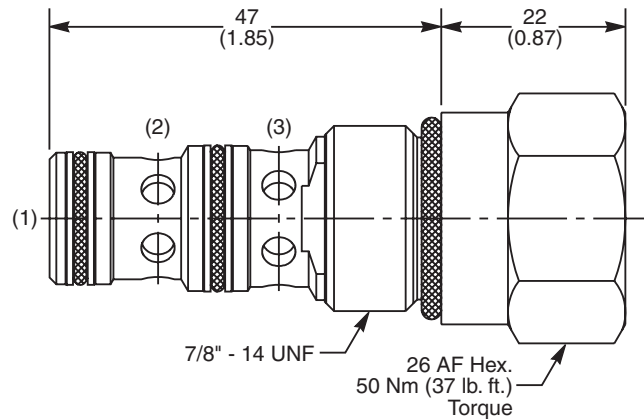
To fully open, the valve requires at least a further 2 Bar (29 PSI) above the pilot switching pressure.

**Specifications**

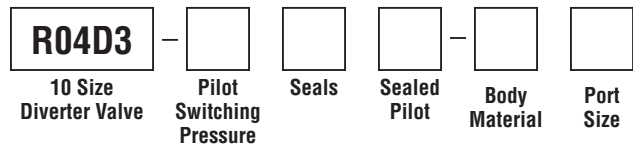
<b>Rated Flow</b>	100 LPM (26 GPM)
<b>Nominal Flow @ 7 Bar (100 PSI)</b>	60 LPM (16 GPM)
<b>Maximum Inlet Pressure</b>	420 Bar (6000 PSI)
<b>Pilot Switching Pressure</b>	See ordering information
<b>Cartridge Material</b>	All parts steel. All operating parts hardened steel.
<b>Operating Temp. Range/Seals</b>	-34°C to +121°C (Nitrile, Buna-N) (-30°F to +250°F) -26°C to +204°C (Fluorocarbon) (-15°F to +400°F)
<b>Fluid Compatibility/Viscosity</b>	Mineral-based or synthetic with lubricating properties at viscosities of 45 to 2000 SSU (6 to 420 cSt)
<b>Filtration</b>	ISO-4406 18/16/13, SAE Class 4
<b>Approx. Weight</b>	.15 kg (.33 lbs.)
<b>Cavity</b>	C10-3 (See BC Section for more details)



**Dimensions** Millimeters (Inches)



**Ordering Information**



Code	Switching Pressure
5.0	5.0 Bar (73 PSI) Std.
10.0	10.0 Bar (145 PSI)

*If no switching pressure is specified, valve will be supplied as R04D3-5.0N*

Code	Body Material
Omit	Steel
A	Aluminum

Code	Seals / Kit No.
N	Nitrile, Buna-N / (SK30505N-1)
V	Fluorocarbon / (SK30505V-1)

Code	Port Size	Body Part No.
Omit	Cartridge Only	
6T	SAE-6	(B10-3-*6T)
8T	SAE-8	(B10-3-*8T)

*\* Add "A" for aluminum, omit for steel.*

Code	Sealed Pilot
Omit	If not required
S	Sealed Pilot

**General Description**

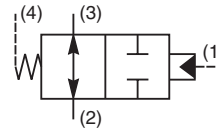
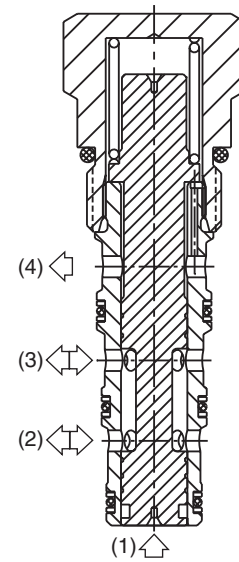
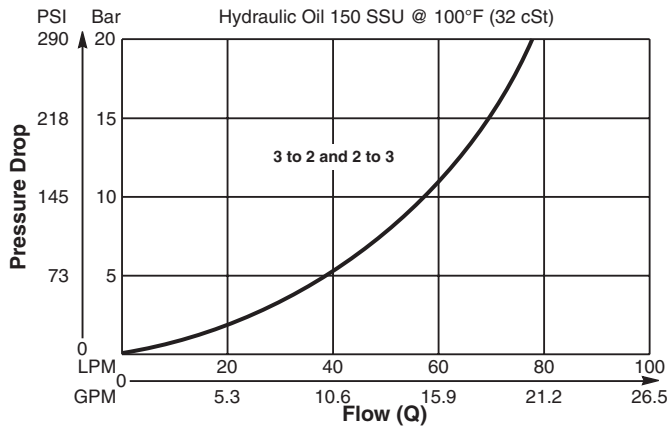
Diverter Valve, Normally Open, 2-Way with External Pilot and Vent.

**Features**

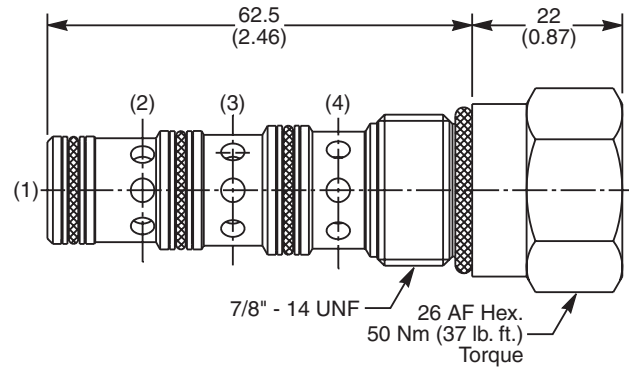
- High flow capacity
- Two switching pressures
- Sealed pilot option available
- Hardened working parts for maximum durability
- All external parts zinc plated

**Performance Curve**

**Pressure Drop vs. Flow** (Through cartridge only)



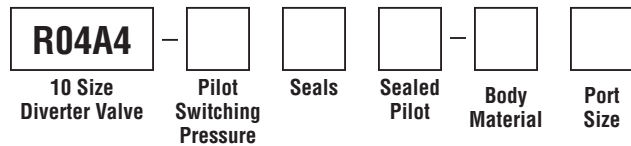
**Dimensions** Millimeters (Inches)



**Specifications**

<b>Rated Flow</b>	80 LPM (21 GPM)
<b>Nominal Flow @ 7 Bar (100 PSI)</b>	47 LPM (12 GPM)
<b>Maximum Inlet Pressure</b>	420 Bar (6000 PSI)
<b>Pilot Switching Pressure</b>	See ordering information
<b>Cartridge Material</b>	All parts steel. All operating parts hardened steel.
<b>Operating Temp. Range/Seals</b>	-34°C to +121°C (Nitrile, Buna-N) (-30°F to +250°F) -26°C to +204°C (Fluorocarbon) (-15°F to +400°F)
<b>Fluid Compatibility/Viscosity</b>	Mineral-based or synthetic with lubricating properties at viscosities of 45 to 2000 SSU (6 to 420 cSt)
<b>Filtration</b>	ISO-4406 18/16/13, SAE Class 4
<b>Approx. Weight</b>	.17 kg (.37 lbs.)
<b>Cavity</b>	C10-4 (See BC Section for more details)

**Ordering Information**



Code	Switching Pressure
5.0	5.0 Bar (73 PSI) Std.
10.0	10.0 Bar (145 PSI)

*If no switching pressure is specified, valve will be supplied as R04A4-5.0N*

Code	Seals / Kit No.
N	Nitrile, Buna-N / (SK30506N-1)
V	Fluorocarbon / (SK30506V-1)

Code	Sealed Pilot
Omit	If not required
S	Sealed Pilot

Code	Body Material
Omit	Steel
A	Aluminum

Code	Port Size	Body Part No.
Omit	Cartridge Only	
6T	SAE-6	(B10-4-*6T)
8T	SAE-8	(B10-4-*8T)

*\* Add "A" for aluminum, omit for steel.*

- CV** Check Valves
- SH** Shuttle Valves
- LM** Load/Motor Controls
- FC** Flow Controls
- PC** Pressure Controls
- LE** Logic Elements
- DC** Directional Controls
- MV** Manual Valves
- SV** Solenoid Valves
- PV** Proportional Valves
- CE** Coils & Electronics
- BC** Bodies & Cavities
- TD** Technical Data

**Technical Information**

**CV**

Check Valves

**SH**

Shuttle Valves

**LM**

Load/Motor Controls

**FC**

Flow Controls

**PC**

Pressure Controls

**LE**

Logic Elements

**DC**

Directional Controls

**MV**

Manual Valves

**SV**

Solenoid Valves

**PV**

Proportional Valves

**CE**

Coils & Electronics

**BC**

Bodies & Cavities

**TD**

Technical Data

**General Description**

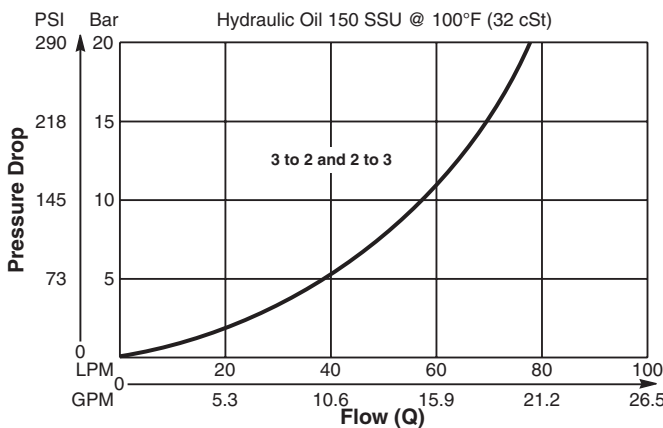
Diverter Valve, Normally Closed, 2-Way with External Pilot and Vent.

**Features**

- High flow capacity
- Two switching pressures available
- Sealed pilot option available
- Hardened working parts for maximum durability
- All external parts zinc plated

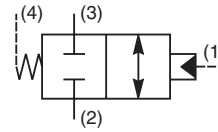
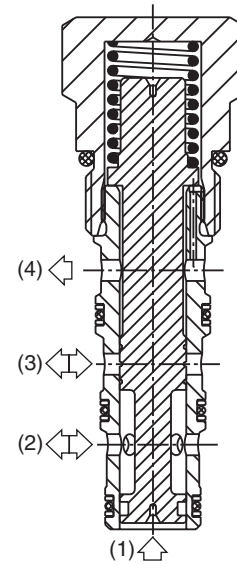
**Performance Curve**

**Pressure Drop vs. Flow (Through cartridge only)**

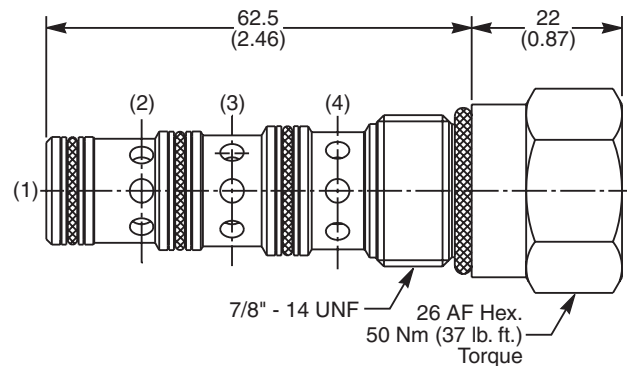


**Specifications**

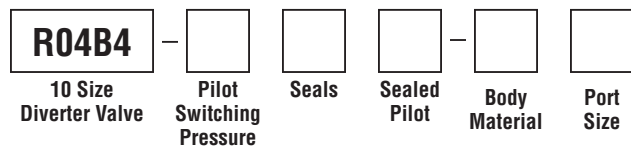
<b>Rated Flow</b>	80 LPM (21 GPM)
<b>Nominal Flow @ 7 Bar (100 PSI)</b>	47 LPM (12 GPM)
<b>Maximum Inlet Pressure</b>	420 Bar (6000 PSI)
<b>Pilot Switching Pressure</b>	See ordering information
<b>Cartridge Material</b>	All parts steel. All operating parts hardened steel.
<b>Operating Temp. Range/Seals</b>	-34°C to +121°C (Nitrile, Buna-N) (-30°F to +250°F) -26°C to +204°C (Fluorocarbon) (-15°F to +400°F)
<b>Fluid Compatibility/Viscosity</b>	Mineral-based or synthetic with lubricating properties at viscosities of 45 to 2000 SSU (6 to 420 cSt)
<b>Filtration</b>	ISO-4406 18/16/13, SAE Class 4
<b>Approx. Weight</b>	.17 kg (.37 lbs.)
<b>Cavity</b>	C10-4 (See BC Section for more details)



**Dimensions** Millimeters (Inches)



**Ordering Information**



Code	Switching Pressure
5.0	5.0 Bar (73 PSI) Std.
10.0	10.0 Bar (145 PSI)

*If no switching pressure is specified, valve will be supplied as R04B4-5.0N*

Code	Body Material
Omit	Steel
A	Aluminum

Code	Port Size	Body Part No.
Omit	Cartridge Only	
6T	SAE-6	(B10-4-*6T)
8T	SAE-8	(B10-4-*8T)

*\* Add "A" for aluminum, omit for steel.*

Code	Seals / Kit No.
N	Nitrile, Buna-N / (SK30506N-1)
V	Fluorocarbon / (SK30506V-1)

Code	Sealed Pilot
Omit	If not required
S	Sealed Pilot

# Technical Information

---



**CV**

Check  
Valves

**SH**

Shuttle  
Valves

**LM**

Load/Motor  
Controls

**FC**

Flow  
Controls

**PC**

Pressure  
Controls

**LE**

Logic  
Elements

**DC**

Directional  
Controls

**MV**

Manual  
Valves

**SV**

Solenoid  
Valves

**PV**

Proportional  
Valves

**CE**

Coils &  
Electronics

**BC**

Bodies &  
Cavities

**TD**

Technical  
Data



**Technical Information**

**CV**

Check Valves

**SH**

Shuttle Valves

**LM**

Load/Motor Controls

**FC**

Flow Controls

**PC**

Pressure Controls

**LE**

Logic Elements

**DC**

Directional Controls

**MV**

Manual Valves

**SV**

Solenoid Valves

**PV**

Proportional Valves

**CE**

Coils & Electronics

**BC**

Bodies & Cavities

**TD**

Technical Data

**General Description**

3-Way Pilot Operated Spool Valve. The DH103A/B/C Series Valves are used in normally closed or normally open directional control three way circuits requiring remote pilot actuation. The DH103 Series Valves are used to direct flow alternately from either side of a closed loop transmission for cooling or filtering. All external parts are zinc plated.

**Operation**

**DH103A (Normally Open)**

- Neutral (Deactivated)  
Port (3) open to port (2), inlet port (4) is blocked.
  - Activated with pilot pressure at port (1):  
Port (4) open to port (3), port (2) blocked.
- Note: There is an air breather vent plug in the end cap to allow for air pressure equalization in the spring chamber

**DH103B (Normally Closed)**

- Neutral (Deactivated)  
Port (4) open to port (3), inlet port (2) is blocked.
- Activated with pilot pressure at port (1):  
Port (3) open to port (2), port (4) blocked.

**DH103C (Normally Open)**

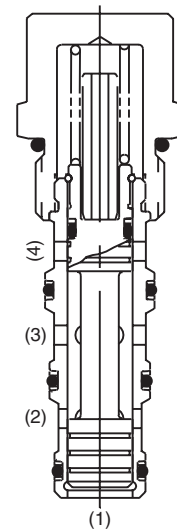
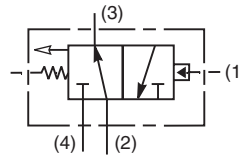
- Neutral (Deactivated)  
Port (3) open to port (2), inlet port (4) is blocked.
- Activated with pilot pressure at port (1):  
Port (4) open to port (3), port (2) blocked.

**Specifications**

<b>Nominal Flow</b>	38 LPM (10 GPM)
<b>Maximum Inlet Pressure</b>	240 Bar (3500 PSI)
<b>Leakage at 150 SSU (32 cSt)</b>	50 cc/min. at 240 Bar (3500 PSI)
<b>Cartridge Material</b>	All parts steel. All operating parts hardened steel.
<b>Operating Temp. Range/Seals</b>	-34°C to +121°C (Nitrile) (-30°F to +250°F) -26°C to +204°C (Fluorocarbon) (-15°F to +400°F)
<b>Fluid Compatibility/Viscosity</b>	Mineral-based or synthetic with lubricating properties at viscosities of 45 to 2000 SSU (6 to 420 cSt)
<b>Filtration</b>	ISO-4406 18/16/13, SAE Class 4
<b>Approx. Weight</b>	0.23 kg (0.5 lbs.)
<b>Cavity</b>	C10-4 (See BC Section for more details)
<b>Form Tool</b>	Rougher NFT10-4R Finisher NFT10-4F

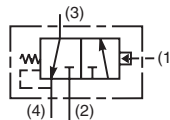
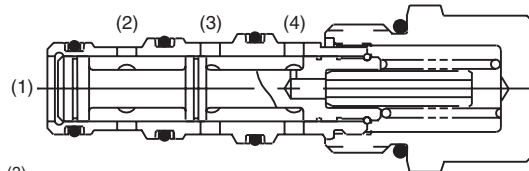


"A" SPOOL - DH103A

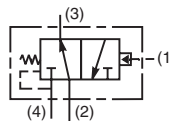
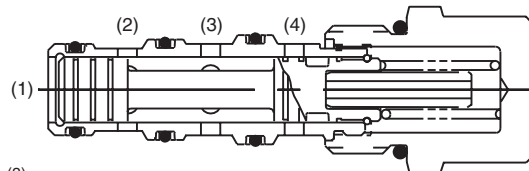


"A" SPOOL - DH103A

"B" SPOOL - DH103B

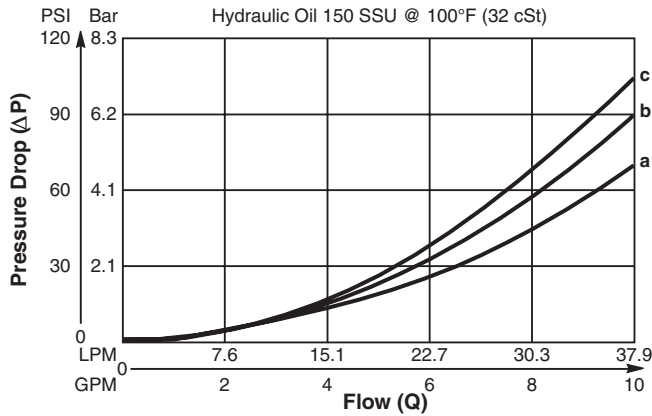


"C" SPOOL - DH103C



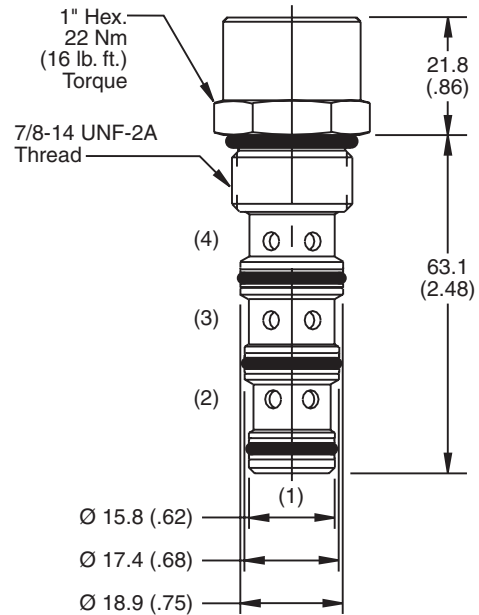
**Performance Curve**

Flow vs. Pressure Drop (Through cartridge only)



FLOW DIRECTION	SPOOL NO.		
	A	B	C
SPOOL SHIFTED	3 → 4 c	2 → 3 d	3 → 4 c
SPOOL NEUTRAL	2 → 3 a	3 → 4 b	2 → 3 a

**Dimensions** Millimeters (Inches)



**Ordering Information**

**DH103**

10 Size Pilot Operated Spool Valve

Spool Type   
  Shifting Pressure   
  Seals   
  Body Material   
  Port Size

Code / Spool Type	Diagram
<b>A</b> Normally open 2 position, vent to atmosphere.	
<b>B</b> Normally closed 2 position, internally drain.	
<b>C</b> Normally open, 2 position, internally drain.	

Code	Shifting Pressure
Omit	5.5 Bar (80 PSI)
04	2.8 Bar (40 PSI)
16	11 Bar (160 PSI)

Code	Seals / Kit. No.
Omit	Nitrile / (SK10-4N)
V	Fluorocarbon / (SK10-4V)

Code	Body Material
Omit	Steel
A	Aluminum

Code	Port Size	Body Part No.
Omit	Cartridge Only	
6T	SAE - 6	(B10-4-*6T)
8T	SAE - 8	(B10-4-*8T)

\* Add "A" for aluminum, omit for steel.

- CV** Check Valves
- SH** Shuttle Valves
- LM** Load/Motor Controls
- FC** Flow Controls
- PC** Pressure Controls
- LE** Logic Elements
- DC** Directional Controls
- MV** Manual Valves
- SV** Solenoid Valves
- PV** Proportional Valves
- CE** Coils & Electronics
- BC** Bodies & Cavities
- TD** Technical Data

**Technical Information**

**CV**

Check Valves

**SH**

Shuttle Valves

**LM**

Load/Motor Controls

**FC**

Flow Controls

**PC**

Pressure Controls

**LE**

Logic Elements

**DC**

Directional Controls

**MV**

Manual Valves

**SV**

Solenoid Valves

**PV**

Proportional Valves

**CE**

Coils & Electronics

**BC**

Bodies & Cavities

**TD**

Technical Data

**General Description**

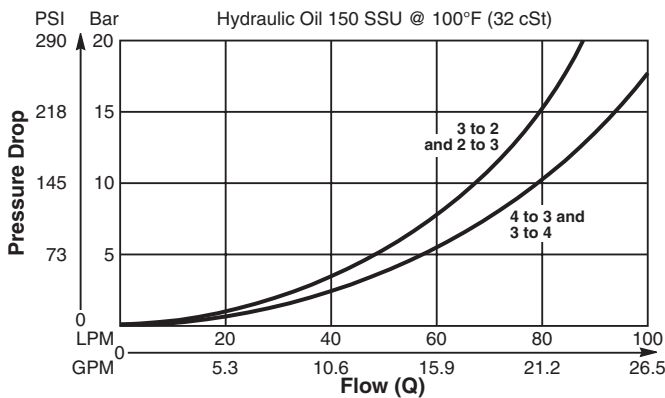
Pilot Operated Directional Valve, 3-Way External Pilot, Internal Vent.

**Features**

- High flow capacity
- Two switching pressures available
- Sealed pilot option available
- Hardened working parts for maximum durability
- All external parts zinc plated

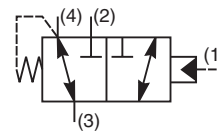
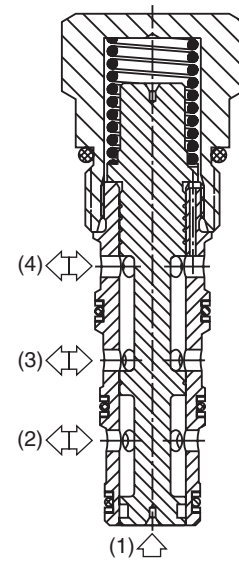
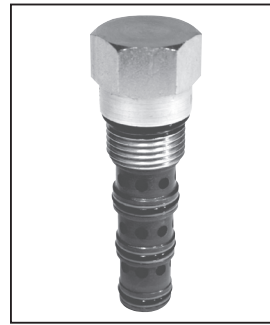
**Performance Curve**

Pressure Drop vs. Flow (Through cartridge only)

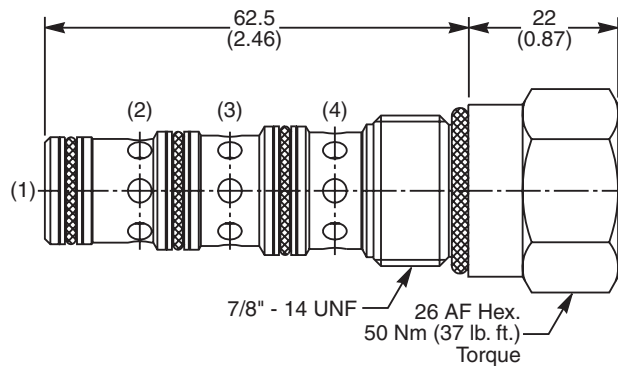


**Specifications**

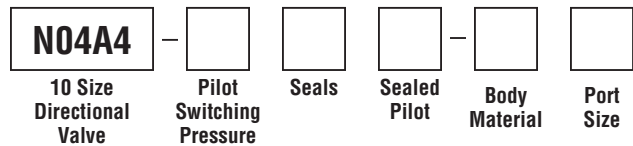
<b>Rated Flow</b>	90 LPM (24 GPM)
<b>Nominal Flow @ 7 Bar (100 PSI)</b>	50 LPM (13 GPM)
<b>Maximum Inlet Pressure</b>	420 Bar (6000 PSI)
<b>Pilot Switching Pressure</b>	See ordering information
<b>Cartridge Material</b>	All parts steel. All operating parts hardened steel.
<b>Operating Temp. Range/Seals</b>	-34°C to +121°C (Nitrile, Buna-N) (-30°F to +250°F) -26°C to +204°C (Fluorocarbon) (-15°F to +400°F)
<b>Fluid Compatibility/Viscosity</b>	Mineral-based or synthetic with lubricating properties at viscosities of 45 to 2000 SSU (6 to 420 cSt)
<b>Filtration</b>	ISO-4406 18/16/13, SAE Class 4
<b>Approx. Weight</b>	.17 kg (.37 lbs.)
<b>Cavity</b>	C10-4 (See BC Section for more details)



**Dimensions** Millimeters (Inches)



**Ordering Information**



Code	Switching Pressure
5.0	5.0 Bar (73 PSI) Std.
10.0	10.0 Bar (145 PSI)

If no switching pressure is specified, valve will be supplied as N04A4-5.0N

Code	Body Material
Omit	Steel
A	Aluminum

Code	Seals / Kit No.
N	Nitrile, Buna-N / (SK30506N-1)
V	Fluorocarbon / (SK30506V-1)

Code	Port Size	Body Part No.
Omit	Cartridge Only	
6T	SAE-6	(B10-4-*6T)
8T	SAE-8	(B10-4-*8T)

\* Add "A" for aluminum, omit for steel.

Code	Sealed Pilot
Omit	If not required
S	Sealed Pilot

**General Description**

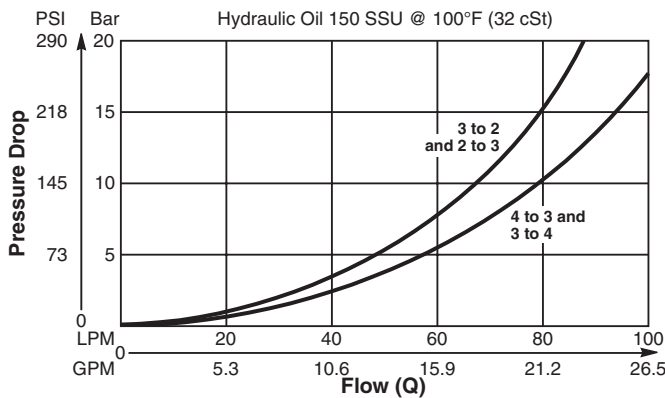
Pilot Operated Directional Valve, 3-Way External Pilot, Internal Vent.

**Features**

- High flow capacity
- Two switching pressures available
- Sealed pilot option available
- Hardened working parts for maximum durability
- All external parts zinc plated

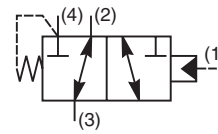
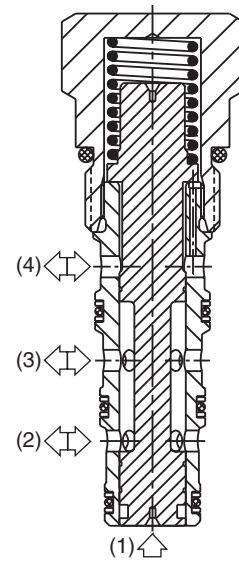
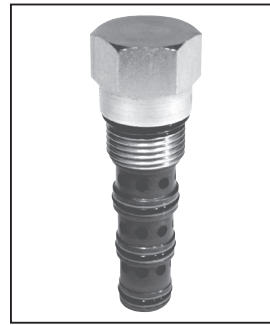
**Performance Curve**

**Pressure Drop vs. Flow (Through cartridge only)**

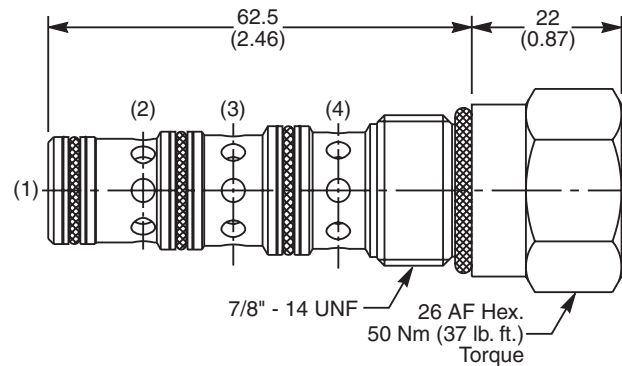


**Specifications**

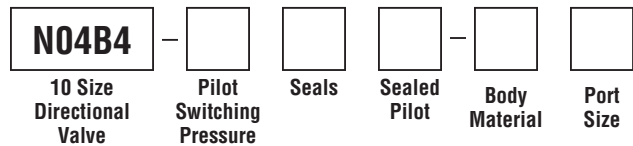
<b>Rated Flow</b>	90 LPM (24 GPM)
<b>Nominal Flow @ 7 Bar (100 PSI)</b>	50 LPM (13 GPM)
<b>Maximum Inlet Pressure</b>	420 Bar (6000 PSI)
<b>Pilot Switching Pressure</b>	See ordering information
<b>Cartridge Material</b>	All parts steel. All operating parts hardened steel.
<b>Operating Temp. Range/Seals</b>	-34°C to +121°C (Nitrile, Buna-N) (-30°F to +250°F) -26°C to +204°C (Fluorocarbon) (-15°F to +400°F)
<b>Fluid Compatibility/Viscosity</b>	Mineral-based or synthetic with lubricating properties at viscosities of 45 to 2000 SSU (6 to 420 cSt)
<b>Filtration</b>	ISO-4406 18/16/13, SAE Class 4
<b>Approx. Weight</b>	.17 kg (.37 lbs.)
<b>Cavity</b>	C10-4 (See BC Section for more details)



**Dimensions** Millimeters (Inches)



**Ordering Information**



Code	Switching Pressure
5.0	5.0 Bar (73 PSI) Std.
9.0	9.0 Bar (131 PSI)

*If no switching pressure is specified, valve will be supplied as N04B4-5.0N*

Code	Seals / Kit No.
N	Nitrile, Buna-N / (SK30506N-1)
V	Fluorocarbon / (SK30506V-1)

Code	Sealed Pilot
Omit	If not required
S	Sealed Pilot

Code	Body Material
Omit	Steel
A	Aluminum

Code	Port Size	Body Part No.
Omit	Cartridge Only	
6T	SAE-6	(B10-4-*6T)
8T	SAE-8	(B10-4-*8T)

*\* Add "A" for aluminum, omit for steel.*

**CV**

Check Valves

**SH**

Shuttle Valves

**LM**

Load/Motor Controls

**FC**

Flow Controls

**PC**

Pressure Controls

**LE**

Logic Elements

**DC**

Directional Controls

**MV**

Manual Valves

**SV**

Solenoid Valves

**PV**

Proportional Valves

**CE**

Coils & Electronics

**BC**

Bodies & Cavities

**TD**

Technical Data

**Technical Information**

**CV**

Check Valves

**SH**

Shuttle Valves

**LM**

Load/Motor Controls

**FC**

Flow Controls

**PC**

Pressure Controls

**LE**

Logic Elements

**DC**

Directional Controls

**MV**

Manual Valves

**SV**

Solenoid Valves

**PV**

Proportional Valves

**CE**

Coils & Electronics

**BC**

Bodies & Cavities

**TD**

Technical Data

**General Description**

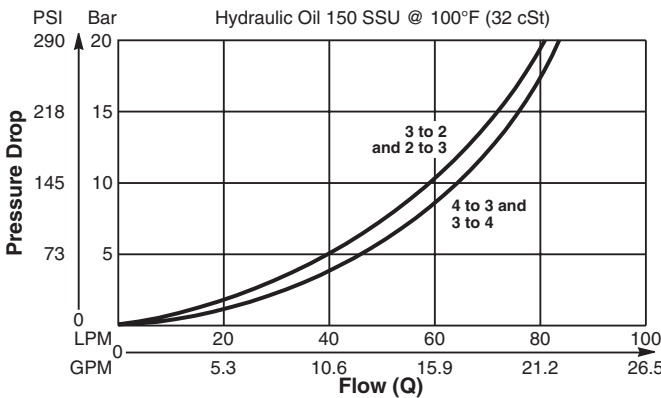
Pilot Operated Directional Valve, 3-Way External Pilot Vented to Atmosphere. Open Transition Feature.

**Features**

- High flow capacity
- Two switching pressures available
- Sealed pilot option available
- Hardened working parts for maximum durability
- All external parts zinc plated

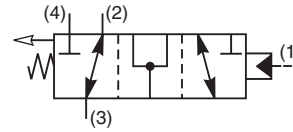
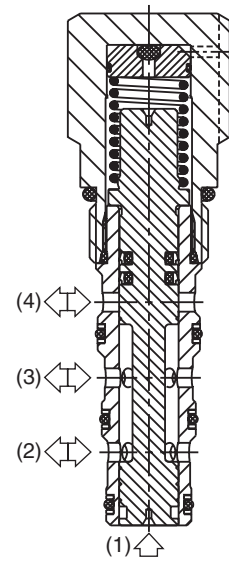
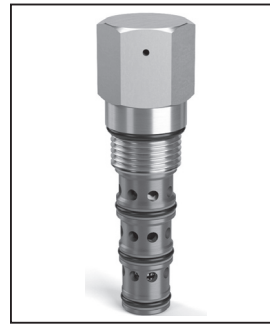
**Performance Curve**

Pressure Drop vs. Flow (Through cartridge only)

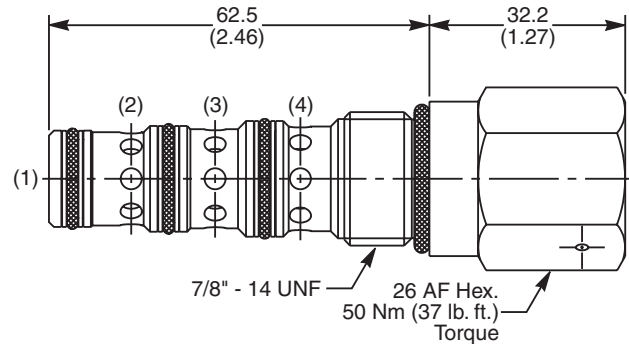


**Specifications**

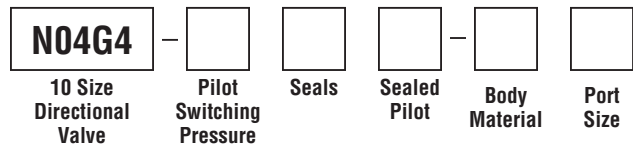
<b>Rated Flow</b>	85 LPM (22.5 GPM)
<b>Nominal Flow @ 7 Bar (100 PSI)</b>	50 LPM (13 GPM)
<b>Maximum Inlet Pressure</b>	420 Bar (6000 PSI)
<b>Pilot Switching Pressure</b>	See ordering information
<b>Cartridge Material</b>	All parts steel. All operating parts hardened steel.
<b>Operating Temp. Range/Seals</b>	-34°C to +121°C (Nitrile, Buna-N) (-30°F to +250°F) -26°C to +204°C (Fluorocarbon) (-15°F to +400°F)
<b>Fluid Compatibility/Viscosity</b>	Mineral-based or synthetic with lubricating properties at viscosities of 45 to 2000 SSU (6 to 420 cSt)
<b>Filtration</b>	ISO-4406 18/16/13, SAE Class 4
<b>Approx. Weight</b>	.22 kg (.48 lbs.)
<b>Cavity</b>	C10-4 (See BC Section for more details)



**Dimensions** Millimeters (Inches)



**Ordering Information**



Code	Switching Pressure
9.0	9.0 Bar (131 PSI) Std.
15.0	15.0 Bar (218 PSI)

If no switching pressure is specified, valve will be supplied as N04G4-9.0N

Code	Body Material
Omit	Steel
A	Aluminum

Code	Seals / Kit No.
N	Nitrile, Buna-N / (SK30506N-1)
V	Fluorocarbon / (SK30506V-1)

Code	Port Size	Body Part No.
Omit	Cartridge Only	
6T	SAE-6	(B10-4-*6T)
8T	SAE-8	(B10-4-*8T)

\* Add "A" for aluminum, omit for steel.

Code	Sealed Pilot
Omit	If not required
S	Sealed Pilot

**General Description**

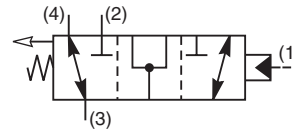
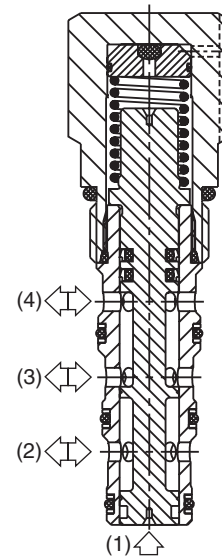
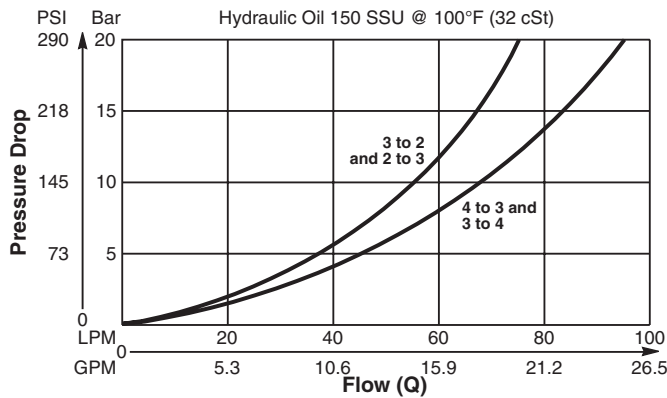
Pilot Operated Directional Valve, 3-Way External Pilot Vented to Atmosphere. Open Transition Feature.

**Features**

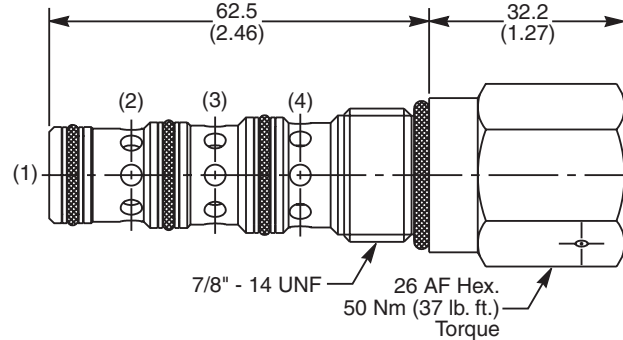
- High flow capacity
- Two switching pressures available
- Sealed pilot option available
- Hardened working parts for maximum durability
- All external parts zinc plated

**Performance Curve**

**Pressure Drop vs. Flow** (Through cartridge only)



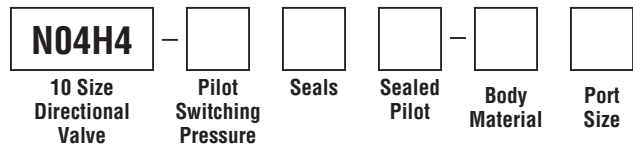
**Dimensions** Millimeters (Inches)



**Specifications**

<b>Rated Flow</b>	85 LPM (22.5 GPM)
<b>Nominal Flow @ 7 Bar (100 PSI)</b>	50 LPM (13 GPM)
<b>Maximum Inlet Pressure</b>	420 Bar (6000 PSI)
<b>Pilot Switching Pressure</b>	See ordering information
<b>Cartridge Material</b>	All parts steel. All operating parts hardened steel.
<b>Operating Temp. Range/Seals</b>	-34°C to +121°C (Nitrile, Buna-N) (-30°F to +250°F) -26°C to +204°C (Fluorocarbon) (-15°F to +400°F)
<b>Fluid Compatibility/Viscosity</b>	Mineral-based or synthetic with lubricating properties at viscosities of 45 to 2000 SSU (6 to 420 cSt)
<b>Filtration</b>	ISO-4406 18/16/13, SAE Class 4
<b>Approx. Weight</b>	.22 kg (.48 lbs.)
<b>Cavity</b>	C10-4 (See BC Section for more details)

**Ordering Information**



Code	Switching Pressure
9.0	9.0 Bar (130 PSI) Std.
15.0	15.0 Bar (218 PSI)

*If no switching pressure is specified, valve will be supplied as N04H4-9.0N*

Code	Seals / Kit No.
N	Nitrile, Buna-N / (SK30506N-1)
V	Fluorocarbon / (SK30506V-1)

Code	Sealed Pilot
Omit	If not required
S	Sealed Pilot

Code	Body Material
Omit	Steel
A	Aluminum

Code	Port Size	Body Part No.
Omit	Cartridge Only	
6T	SAE-6	(B10-4-*6T)
8T	SAE-8	(B10-4-*8T)

\* Add "A" for aluminum, omit for steel.

**CV**

Check Valves

**SH**

Shuttle Valves

**LM**

Load/Motor Controls

**FC**

Flow Controls

**PC**

Pressure Controls

**LE**

Logic Elements

**DC**

Directional Controls

**MV**

Manual Valves

**SV**

Solenoid Valves

**PV**

Proportional Valves

**CE**

Coils & Electronics

**BC**

Bodies & Cavities

**TD**

Technical Data



**Technical Information**

- CV** Check Valves
- SH** Shuttle Valves
- LM** Load/Motor Controls
- FC** Flow Controls
- PC** Pressure Controls
- LE** Logic Elements
- DC** Directional Controls
- MV** Manual Valves
- SV** Solenoid Valves
- PV** Proportional Valves
- CE** Coils & Electronics
- BC** Bodies & Cavities
- TD** Technical Data

**General Description**

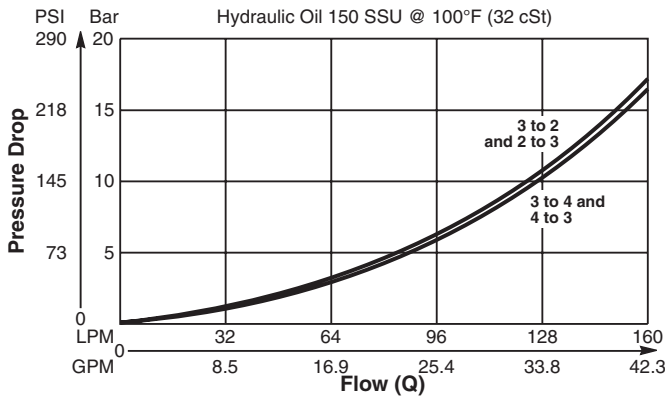
Pilot Operated Directional Valve, 3-Way, 2 Position, External Drain, Open Transition.

**Features**

- High flow capacity
- Used as high flow switching or metering element
- Range of spring settings available
- All external parts zinc plated

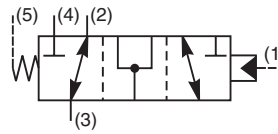
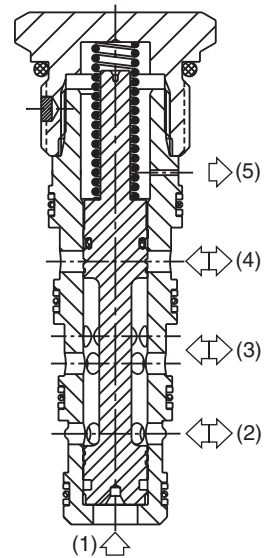
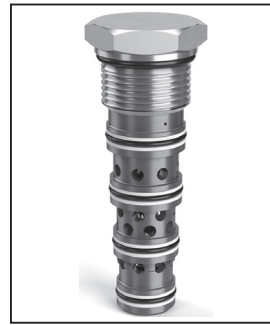
**Performance Curve**

Pressure Drop vs. Flow (Through cartridge only)

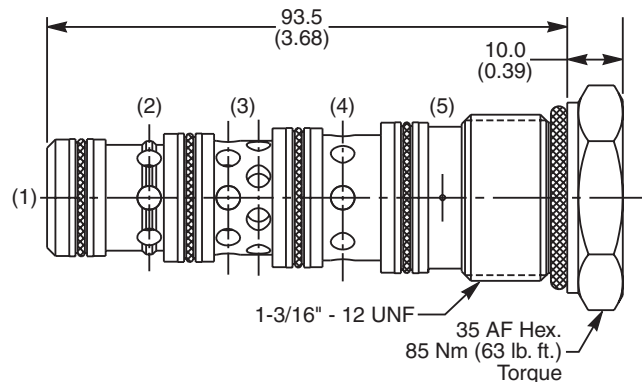


**Specifications**

<b>Rated Flow</b>	160 LPM (42.3 GPM)
<b>Nominal Flow @ 7 Bar (100 PSI)</b>	90 LPM (24 GPM)
<b>Maximum Inlet Pressure</b>	420 Bar (6000 PSI)
<b>Pilot Switching Pressure</b>	See ordering information
<b>Cartridge Material</b>	Steel operating parts, hardened steel spool.
<b>Operating Temp. Range/Seals</b>	-34°C to +121°C (Nitrile, Buna-N) (-30°F to +250°F) -26°C to +204°C (Fluorocarbon) (-15°F to +400°F)
<b>Fluid Compatibility/Viscosity</b>	Mineral-based or synthetic with lubricating properties at viscosities of 45 to 2000 SSU (6 to 420 cSt)
<b>Filtration</b>	ISO-4406 18/16/13, SAE Class 4
<b>Approx. Weight</b>	.33 kg (.76 lbs.)
<b>Cavity</b>	5A (See BC Section for more details)



**Dimensions** Millimeters (Inches)



**Ordering Information**

**N5A125** —     
 Directional Valve (All Ports Open)    Pilot Switching Pressure    Seals

Code	Switching Pressure
0.0	0.0 Bar (0 PSI)
5.0	5.0 Bar (73 PSI)
6.9	6.9 Bar (100 PSI) Std.
10.0	10.0 Bar (145 PSI)
15.0	15.0 Bar (217 PSI)

*If no switching pressure is specified, valve will be supplied as N5A125-6.9N*

Code	Seals / Kit No.
N	Nitrile, Buna-N / (SK30103N-1)
V	Fluorocarbon / (SK30103V-1)

**Order Bodies Separately**

**LB10**     
 Line Body    Porting    Body Material

Code	Porting
321	3/4" SAE (main) 1/4" SAE (aux)

Code	Body Material
A	Aluminum
S	Steel



**General Description**

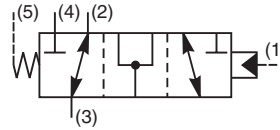
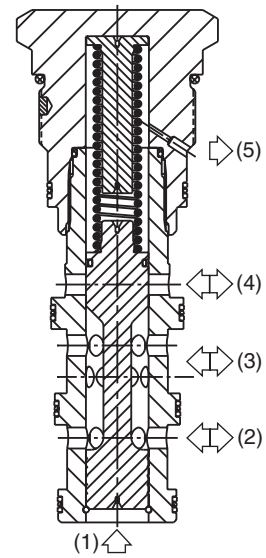
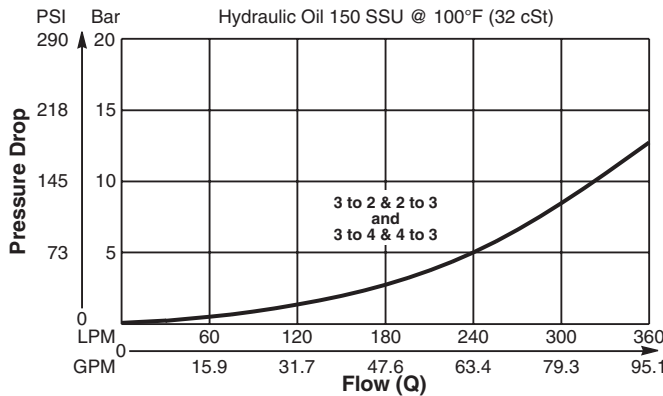
Pilot Operated Directional Valve, 3-Way, 2 Position, External Drain, Open Transition.

**Features**

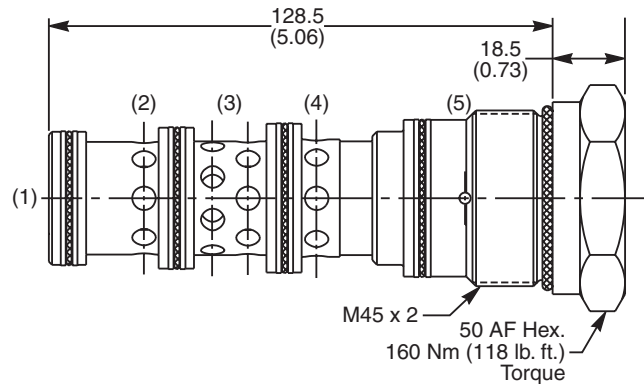
- High flow capacity
- Used as high flow switching or metering element
- Range of spring settings available
- All external parts zinc plated

**Performance Curve**

**Pressure Drop vs. Flow** (Through cartridge only)



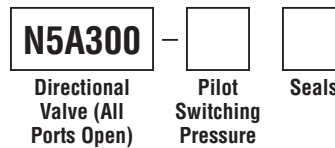
**Dimensions** Millimeters (Inches)



**Specifications**

<b>Rated Flow</b>	400 LPM (105 GPM)
<b>Nominal Flow @ 7 Bar (100 PSI)</b>	270 LPM (71 GPM)
<b>Maximum Inlet Pressure</b>	420 Bar (6000 PSI)
<b>Pilot Switching Pressure</b>	See ordering information
<b>Cartridge Material</b>	Steel operating parts, hardened steel spool.
<b>Operating Temp. Range/Seals</b>	-34°C to +121°C (Nitrile, Buna-N) (-30°F to +250°F) -26°C to +204°C (Fluorocarbon) (-15°F to +400°F)
<b>Fluid Compatibility/Viscosity</b>	Mineral-based or synthetic with lubricating properties at viscosities of 45 to 2000 SSU (6 to 420 cSt)
<b>Filtration</b>	ISO-4406 18/16/13, SAE Class 4
<b>Approx. Weight</b>	1.00 kg (2.2 lbs.)
<b>Cavity</b>	100-1 (See BC Section for more details)

**Ordering Information**



Code	Switching Pressure
3.0	3.0 Bar (44 PSI)
6.9	6.9 Bar (100 PSI) Std.
10.0	10.0 Bar (145 PSI)

*If no switching pressure is specified, valve will be supplied as N5A300-6.9N*

Code	Seals / Kit No.
N	Nitrile, Buna-N / (SK30065N-1)
V	Fluorocarbon / (SK30065V-1)

**Order Bodies Separately**



Code	Porting
317	1-1/4" SAE (main) 3/8" SAE (aux)

Code	Body Material
A	Aluminum
S	Steel

- CV** Check Valves
- SH** Shuttle Valves
- LM** Load/Motor Controls
- FC** Flow Controls
- PC** Pressure Controls
- LE** Logic Elements
- DC** Directional Controls
- MV** Manual Valves
- SV** Solenoid Valves
- PV** Proportional Valves
- CE** Coils & Electronics
- BC** Bodies & Cavities
- TD** Technical Data

**Technical Information**

**CV**

Check Valves

**SH**

Shuttle Valves

**LM**

Load/Motor Controls

**FC**

Flow Controls

**PC**

Pressure Controls

**LE**

Logic Elements

**DC**

Directional Controls

**MV**

Manual Valves

**SV**

Solenoid Valves

**PV**

Proportional Valves

**CE**

Coils & Electronics

**BC**

Bodies & Cavities

**TD**

Technical Data

**General Description**

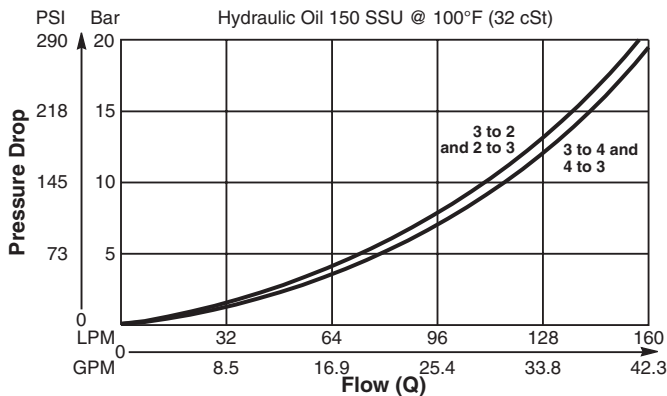
Pilot Operated Directional Valve, 3-Way, 2 Position, External Drain, Closed Transition.

**Features**

- High flow capacity
- Used as high flow switching or metering element
- Range of spring settings available
- All external parts zinc plated

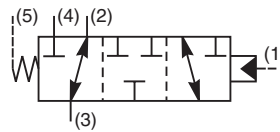
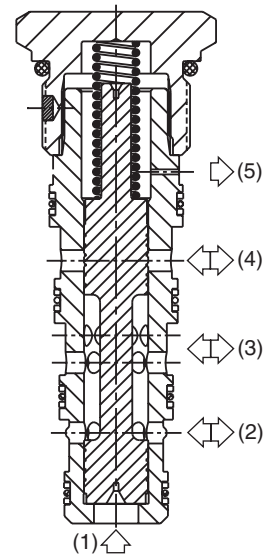
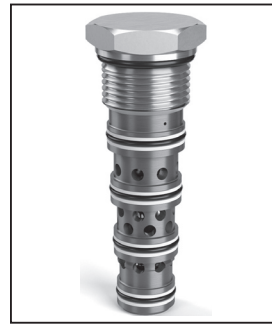
**Performance Curve**

**Pressure Drop vs. Flow** (Through cartridge only)

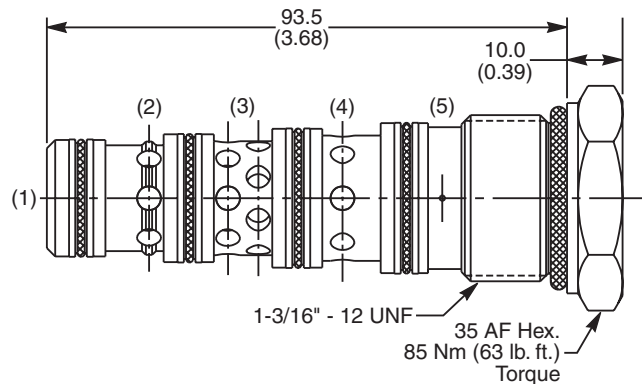


**Specifications**

<b>Rated Flow</b>	160 LPM (42.3 GPM)
<b>Nominal Flow @ 7 Bar (100 PSI)</b>	90 LPM (24 GPM)
<b>Maximum Inlet Pressure</b>	420 Bar (6000 PSI)
<b>Pilot Switching Pressure</b>	See ordering information
<b>Cartridge Material</b>	Steel operating parts, hardened steel spool.
<b>Operating Temp. Range/Seals</b>	-34°C to +121°C (Nitrile, Buna-N) (-30°F to +250°F) -26°C to +204°C (Fluorocarbon) (-15°F to +400°F)
<b>Fluid Compatibility/Viscosity</b>	Mineral-based or synthetic with lubricating properties at viscosities of 45 to 2000 SSU (6 to 420 cSt)
<b>Filtration</b>	ISO-4406 18/16/13, SAE Class 4
<b>Approx. Weight</b>	.33 kg (.76 lbs.)
<b>Cavity</b>	5A (See BC Section for more details)



**Dimensions** Millimeters (Inches)



**Ordering Information**

**N5B125** —     
**Directional Valve (All Ports Closed)**    **Pilot Switching Pressure**    **Seals**

Code	Switching Pressure
0.0	0.0 Bar (0 PSI)
5.0	5.0 Bar (73 PSI)
6.9	6.9 Bar (100 PSI) Std.
10.0	10.0 Bar (145 PSI)
15.0	15.0 Bar (217 PSI)

*If no switching pressure is specified, valve will be supplied as N5B125-6.9N*

Code	Seals / Kit No.
N	Nitrile, Buna-N / (SK30103N-1)
V	Fluorocarbon / (SK30103V-1)

**Order Bodies Separately**

**LB10**     
**Line Body**    **Porting**    **Body Material**

Code	Porting
321	3/4" SAE (main) 1/4" SAE (aux)

Code	Body Material
A	Aluminum
S	Steel

**Technical Information**

**General Description**

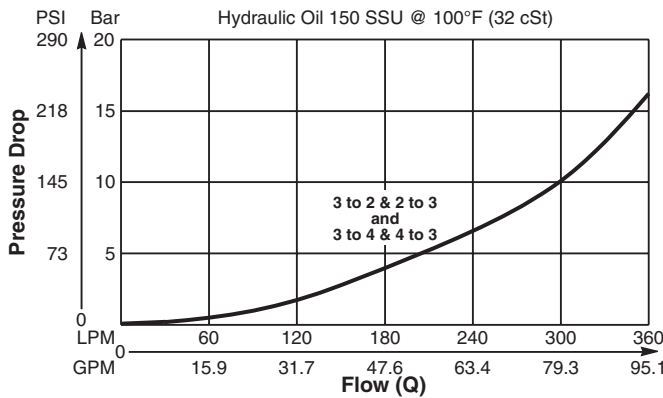
Pilot Operated Directional Valve, 3-Way, 2 Position, External Drain, Closed Transition.

**Features**

- High flow capacity
- Used as high flow switching or metering element
- Range of spring settings available
- All external parts zinc plated

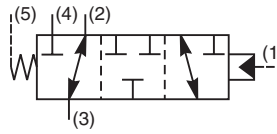
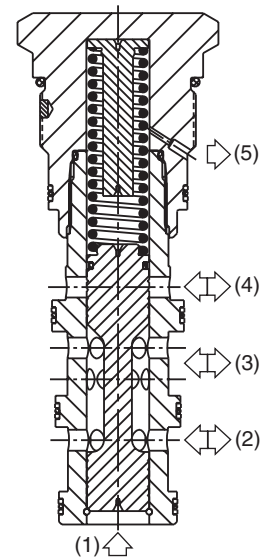
**Performance Curve**

Pressure Drop vs. Flow (Through cartridge only)

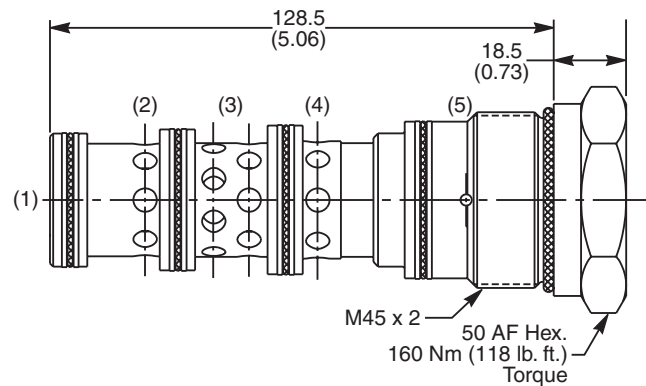


**Specifications**

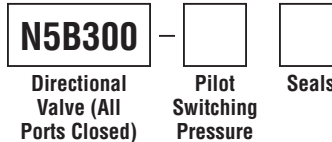
<b>Rated Flow</b>	400 LPM (105 GPM)
<b>Nominal Flow @ 7 Bar (100 PSI)</b>	270 LPM (71 GPM)
<b>Maximum Inlet Pressure</b>	420 Bar (6000 PSI)
<b>Pilot Switching Pressure</b>	See ordering information
<b>Cartridge Material</b>	Steel operating parts, hardened steel spool.
<b>Operating Temp. Range/Seals</b>	-34°C to +121°C (Nitrile, Buna-N) (-30°F to +250°F) -26°C to +204°C (Fluorocarbon) (-15°F to +400°F)
<b>Fluid Compatibility/Viscosity</b>	Mineral-based or synthetic with lubricating properties at viscosities of 45 to 2000 SSU (6 to 420 cSt)
<b>Filtration</b>	ISO-4406 18/16/13, SAE Class 4
<b>Approx. Weight</b>	1.00 kg (2.2 lbs.)
<b>Cavity</b>	100-1 (See BC Section for more details)



**Dimensions** Millimeters (Inches)



**Ordering Information**



Code	Switching Pressure
3.0	3.0 Bar (44 PSI)
6.9	6.9 Bar (100 PSI) Std.
10.0	10.0 Bar (145 PSI)

If no switching pressure is specified, valve will be supplied as N5B300-6.9N

Code	Seals / Kit No.
N	Nitrile, Buna-N / (SK30065N-1)
V	Fluorocarbon / (SK30065V-1)

Order Bodies Separately



Code	Porting
317	1-1/4" SAE (main) 3/8" SAE (aux)

Code	Body Material
A	Aluminum
S	Steel

- CV** Check Valves
- SH** Shuttle Valves
- LM** Load/Motor Controls
- FC** Flow Controls
- PC** Pressure Controls
- LE** Logic Elements
- DC** Directional Controls
- MV** Manual Valves
- SV** Solenoid Valves
- PV** Proportional Valves
- CE** Coils & Electronics
- BC** Bodies & Cavities
- TD** Technical Data

Technical Information

- CV Check Valves
- SH Shuttle Valves
- LM Load/Motor Controls
- FC Flow Controls
- PC Pressure Controls
- LE Logic Elements
- DC Directional Controls
- MV Manual Valves
- SV Solenoid Valves
- PV Proportional Valves
- CE Coils & Electronics
- BC Bodies & Cavities
- TD Technical Data

**General Description**

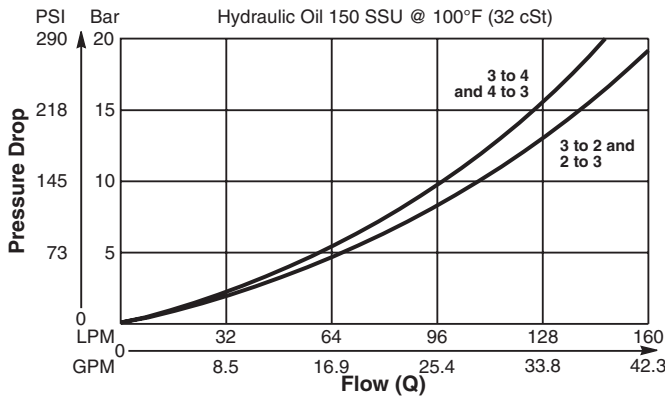
Diverter Valve, 3-Way, 2 Position, External Drain, Normally Open.

**Features**

- High flow capacity
- Used as high flow switching or metering element
- Range of spring settings available
- Sealed pilot option available
- All external parts zinc plated

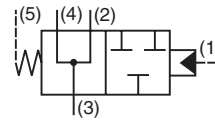
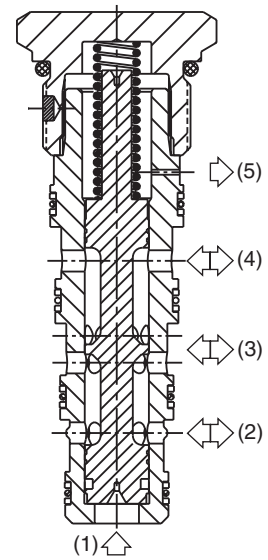
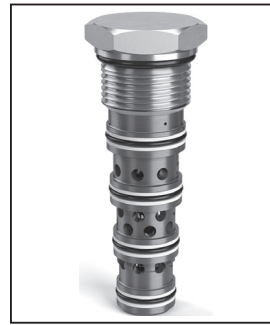
**Performance Curve**

Pressure Drop vs. Flow (Through cartridge only)

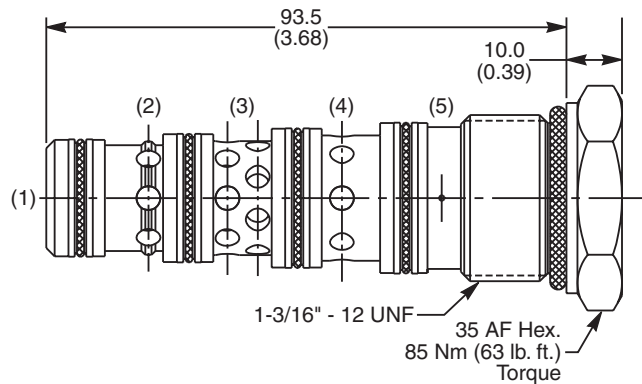


**Specifications**

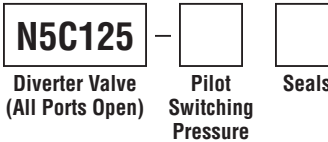
<b>Rated Flow</b>	160 LPM (42.3 GPM)
<b>Nominal Flow @ 7 Bar (100 PSI)</b>	80 LPM (21 GPM)
<b>Maximum Inlet Pressure</b>	420 Bar (6000 PSI)
<b>Pilot Switching Pressure</b>	See ordering information
<b>Cartridge Material</b>	Steel operating parts, hardened steel spool.
<b>Operating Temp. Range/Seals</b>	-34°C to +121°C (Nitrile, Buna-N) (-30°F to +250°F) -26°C to +204°C (Fluorocarbon) (-15°F to +400°F)
<b>Fluid Compatibility/Viscosity</b>	Mineral-based or synthetic with lubricating properties at viscosities of 45 to 2000 SSU (6 to 420 cSt)
<b>Filtration</b>	ISO-4406 18/16/13, SAE Class 4
<b>Approx. Weight</b>	.33 kg (.76 lbs.)
<b>Cavity</b>	5A (See BC Section for more details)



**Dimensions** Millimeters (Inches)



**Ordering Information**



Code	Switching Pressure
0.0	0.0 Bar (0 PSI)
5.0	5.0 Bar (73 PSI)
6.9	6.9 Bar (100 PSI) Std.
10.0	10.0 Bar (145 PSI)
15.0	15.0 Bar (217 PSI)

If no switching pressure is specified, valve will be supplied as N5C125-6.9N

Code	Seals / Kit No.
N	Nitrile, Buna-N / (SK30103N-1)
V	Fluorocarbon / (SK30103V-1)

**Order Bodies Separately**



Code	Porting
321	3/4" SAE (main) 1/4" SAE (aux)

Code	Body Material
A	Aluminum
S	Steel

**General Description**

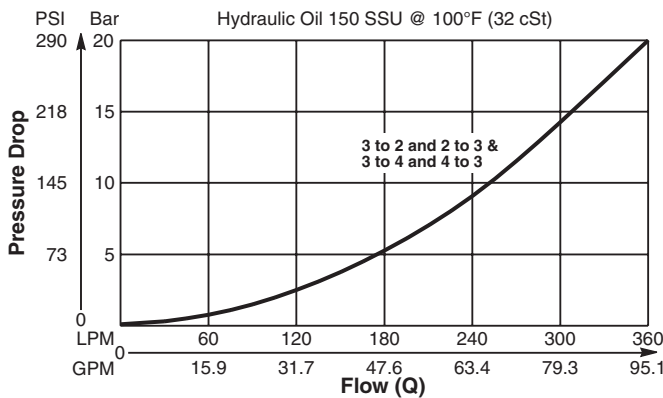
Diverter Valve, 3-Way, 2 Position, External Drain, Normally Open.

**Features**

- High flow capacity
- Used as high flow switching or metering element
- Range of spring settings available
- All external parts zinc plated

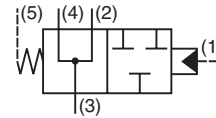
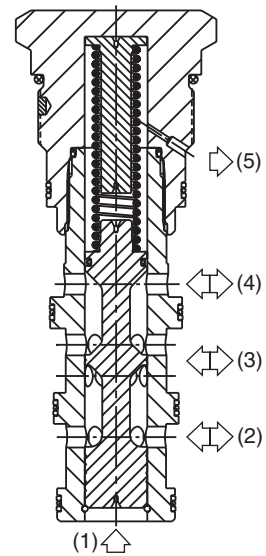
**Performance Curve**

**Pressure Drop vs. Flow** (Through cartridge only)

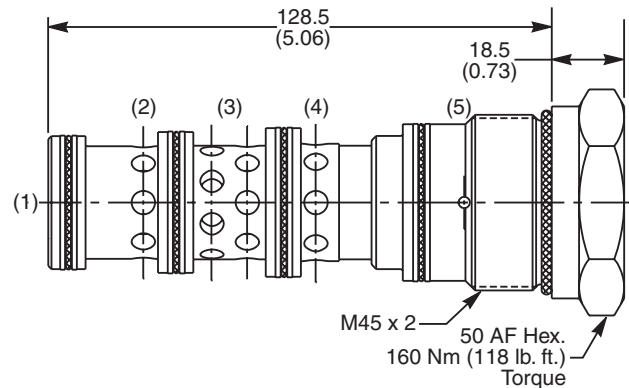


**Specifications**

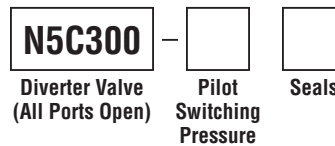
<b>Rated Flow</b>	400 LPM (105 GPM)
<b>Nominal Flow @ 7 Bar (100 PSI)</b>	3 to 2 - 130 LPM (34 GPM) 3 to 4 - 240 LPM (63 GPM)
<b>Maximum Inlet Pressure</b>	420 Bar (6000 PSI)
<b>Pilot Switching Pressure</b>	See ordering information
<b>Cartridge Material</b>	Steel operating parts, hardened steel spool.
<b>Operating Temp. Range/Seals</b>	-34°C to +121°C (Nitrile, Buna-N) (-30°F to +250°F) -26°C to +204°C (Fluorocarbon) (-15°F to +400°F)
<b>Fluid Compatibility/Viscosity</b>	Mineral-based or synthetic with lubricating properties at viscosities of 45 to 2000 SSU (6 to 420 cSt)
<b>Filtration</b>	ISO-4406 18/16/13, SAE Class 4
<b>Approx. Weight</b>	1.00 kg (2.2 lbs.)
<b>Cavity</b>	100-1 (See BC Section for more details)



**Dimensions** Millimeters (Inches)



**Ordering Information**



Code	Switching Pressure
3.0	3.0 Bar (44 PSI)
6.9	6.9 Bar (100 PSI) Std.
10.0	10.0 Bar (145 PSI)

*If no switching pressure is specified, valve will be supplied as N5C300-6.9N*

Code	Seals / Kit No.
N	Nitrile, Buna-N / (SK30065N-1)
V	Fluorocarbon / (SK30065V-1)

**Order Bodies Separately**



Code	Porting
317	1-1/4" SAE (main) 3/8" SAE (aux)

Code	Body Material
A	Aluminum
S	Steel

- CV** Check Valves
- SH** Shuttle Valves
- LM** Load/Motor Controls
- FC** Flow Controls
- PC** Pressure Controls
- LE** Logic Elements
- DC** Directional Controls
- MV** Manual Valves
- SV** Solenoid Valves
- PV** Proportional Valves
- CE** Coils & Electronics
- BC** Bodies & Cavities
- TD** Technical Data



Technical Information

- CV Check Valves
- SH Shuttle Valves
- LM Load/Motor Controls
- FC Flow Controls
- PC Pressure Controls
- LE Logic Elements
- DC Directional Controls
- MV Manual Valves
- SV Solenoid Valves
- PV Proportional Valves
- CE Coils & Electronics
- BC Bodies & Cavities
- TD Technical Data

**General Description**

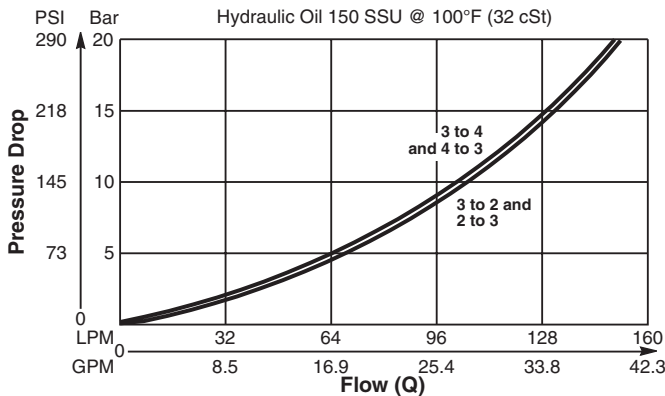
Diverter Valve, 3-Way, 2 Position, External Drain, Normally Closed.

**Features**

- High flow capacity
- Used as high flow switching or metering element
- Range of spring settings available
- Sealed pilot option available
- All external parts zinc plated

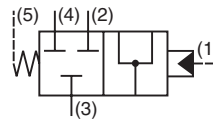
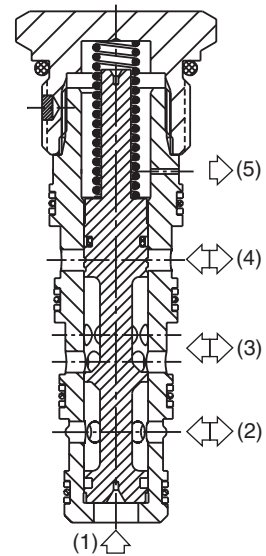
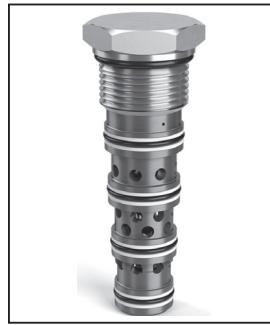
**Performance Curve**

Pressure Drop vs. Flow (Through cartridge only)

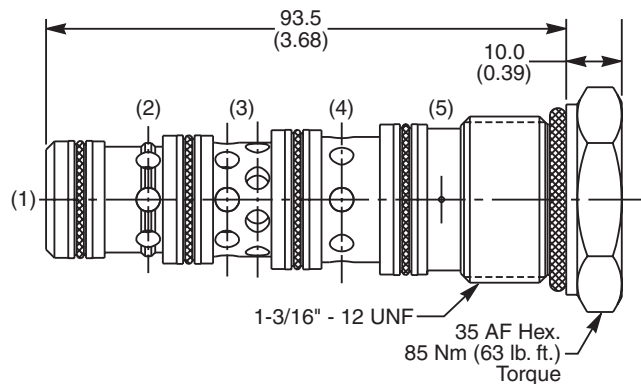


**Specifications**

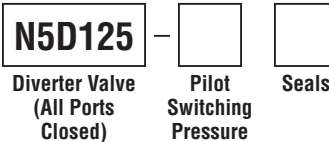
<b>Rated Flow</b>	160 LPM (42.3 GPM)
<b>Nominal Flow @ 7 Bar (100 PSI)</b>	80 LPM (21 GPM)
<b>Maximum Inlet Pressure</b>	420 Bar (6000 PSI)
<b>Pilot Switching Pressure</b>	See ordering information
<b>Cartridge Material</b>	Steel operating parts, hardened steel spool.
<b>Operating Temp. Range/Seals</b>	-34°C to +121°C (Nitrile, Buna-N) (-30°F to +250°F) -26°C to +204°C (Fluorocarbon) (-15°F to +400°F)
<b>Fluid Compatibility/Viscosity</b>	Mineral-based or synthetic with lubricating properties at viscosities of 45 to 2000 SSU (6 to 420 cSt)
<b>Filtration</b>	ISO-4406 18/16/13, SAE Class 4
<b>Approx. Weight</b>	.33 kg (.76 lbs.)
<b>Cavity</b>	5A (See BC Section for more details)



**Dimensions** Millimeters (Inches)



**Ordering Information**



Code	Switching Pressure
0.0	0.0 Bar (0 PSI)
5.0	5.0 Bar (73 PSI)
6.9	6.9 Bar (100 PSI) Std.
10.0	10.0 Bar (145 PSI)
15.0	15.0 Bar (217 PSI)

If no switching pressure is specified, valve will be supplied as N5D125-6.9N

Code	Seals / Kit No.
N	Nitrile, Buna-N / (SK30103N-1)
V	Fluorocarbon / (SK30103V-1)

**Order Bodies Separately**



Code	Porting
321	3/4" SAE (main) 1/4" SAE (aux)

Code	Body Material
A	Aluminum
S	Steel

**General Description**

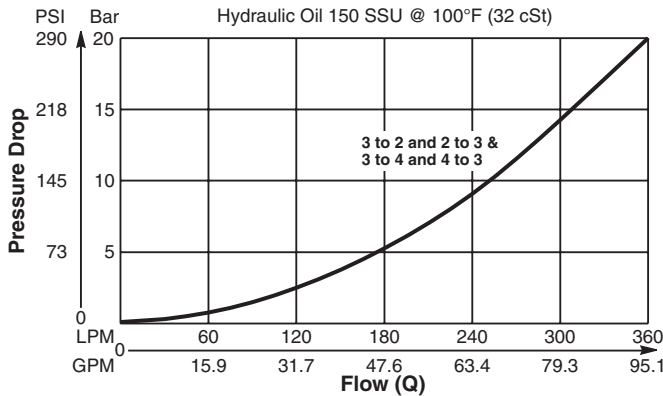
Diverter Valve, 3-Way, 2 Position, External Drain, Normally Closed.

**Features**

- High flow capacity
- Used as high flow switching or metering element
- Range of spring settings available
- All external parts zinc plated

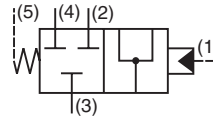
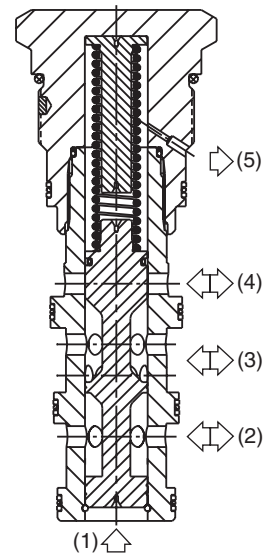
**Performance Curve**

**Pressure Drop vs. Flow** (Through cartridge only)

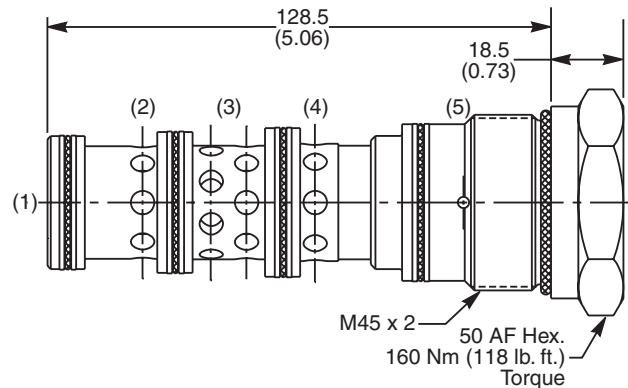


**Specifications**

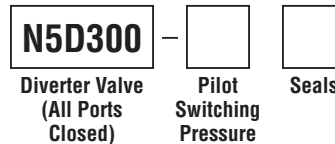
<b>Rated Flow</b>	400 LPM (105 GPM)
<b>Nominal Flow @ 7 Bar (100 PSI)</b>	3 to 2 - 200 LPM (53 GPM) 3 to 4 - 200 LPM (53 GPM)
<b>Maximum Inlet Pressure</b>	420 Bar (6000 PSI)
<b>Pilot Switching Pressure</b>	See ordering information
<b>Cartridge Material</b>	Steel operating parts, hardened steel spool.
<b>Operating Temp. Range/Seals</b>	-34°C to +121°C (Nitrile, Buna-N) (-30°F to +250°F) -26°C to +204°C (Fluorocarbon) (-15°F to +400°F)
<b>Fluid Compatibility/Viscosity</b>	Mineral-based or synthetic with lubricating properties at viscosities of 45 to 2000 SSU (6 to 420 cSt)
<b>Filtration</b>	ISO-4406 18/16/13, SAE Class 4
<b>Approx. Weight</b>	1.00 kg (2.2 lbs.)
<b>Cavity</b>	100-1 (See BC Section for more details)



**Dimensions** Millimeters (Inches)



**Ordering Information**



Code	Switching Pressure
3.0	3.0 Bar (44 PSI)
6.9	6.9 Bar (100 PSI) Std.
10.0	10.0 Bar (145 PSI)

*If no switching pressure is specified, valve will be supplied as N5D300-6.9N*

Code	Seals / Kit No.
N	Nitrile, Buna-N / (SK30065N-1)
V	Fluorocarbon / (SK30065V-1)

*Order Bodies Separately*



Code	Porting
317	1-1/4" SAE (main) 3/8" SAE (aux)

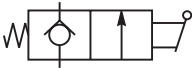
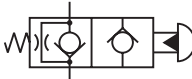
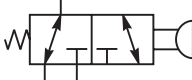

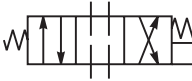
Code	Body Material
A	Aluminum
S	Steel

- CV** Check Valves
- SH** Shuttle Valves
- LM** Load/Motor Controls
- FC** Flow Controls
- PC** Pressure Controls
- LE** Logic Elements
- DC** Directional Controls
- MV** Manual Valves
- SV** Solenoid Valves
- PV** Proportional Valves
- CE** Coils & Electronics
- BC** Bodies & Cavities
- TD** Technical Data



**Contents**

**Manual Valves**

	SERIES	CAVITY	DESCRIPTION	FLOW LPM/GPM	PRESSURE BAR/PSI	PAGE NO.
	DL081	C08-2	2 Position, 2 Way, N.C. Poppet, Pull to Open	30/8	210/3000	MV1
	DL101	C10-2	2 Position, 2 Way, N.C. Poppet, Pull to Open	49/13	210/3000	MV2
	GM0212	C08-2	2 Position, 2 Way, N.O. Poppet, Push to Close	45/12	350/5000	MV3
	GM0233	C08-3	2 Position, 3 Way, Spool Type, Pull to Shift	19/5	350/5000	MV4
	DM103	C10-3	3 Way, Rotary Spool	22/6	240/3500	MV5-MV6
	DM104	C10-4	4 Way, Rotary Spool	7/2	240/3500	MV7-MV8
	GM0240XS	C08-4	2 Position, 4 Way, Push to Shift	15/4	350/5000	MV9
	GM0240CS	C08-4	2 Position, 4 Way, Push to Shift	15/4	350/5000	MV10
	DMH085C1	C08-4	3 Position, 4 Way, Closed Center, Pull to Shift and Push to Shift	17/4.5	350/5000	MV11-MV12
	DMH085C2	C08-4	3 Position, 4 Way, Open Center, Pull to Shift and Push to Shift	15/4	350/5000	MV11-MV12
	DMH085C4	C08-4	3 Position, 4 Way, Float Center, Pull to Shift and Push to Shift	19/5	350/5000	MV11-MV12
	DMH085C9	C08-4	3 Position, 4 Way, Tandem Center, Pull to Shift and Push to Shift	15/4	350/5000	MV11-MV12

- CV**  
Check Valves
- SH**  
Shuttle Valves
- LM**  
Load/Motor Controls
- FC**  
Flow Controls
- PC**  
Pressure Controls
- LE**  
Logic Elements
- DC**  
Directional Controls
- MV**  
Manual Valves
- SV**  
Solenoid Valves
- PV**  
Proportional Valves
- CE**  
Coils & Electronics
- BC**  
Bodies & Cavities
- TD**  
Technical Data

**Technical Information**

**CV**

Check Valves

**SH**

Shuttle Valves

**LM**  
Load/Motor Controls

**FC**  
Flow Controls

**PC**  
Pressure Controls

**LE**  
Logic Elements

**DC**  
Directional Controls

**MV**  
Manual Valves

**SV**  
Solenoid Valves

**PV**  
Proportional Valves

**CE**  
Coils & Electronics

**BC**  
Bodies & Cavities

**TD**  
Technical Data

**General Description**

2-Way Manual Poppet Valve. The DL081 Series Valves are suited for emergency lowering applications and on-off flow applications.



**Operation**

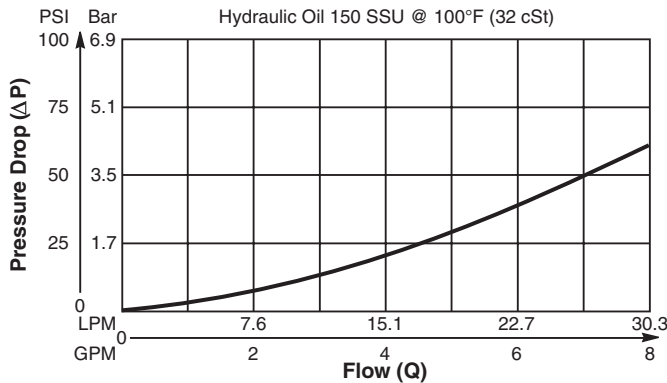
The DL081 Series Valves are mechanically operated check valves. Hydraulic force on the poppet is balanced by having equal area between the poppet seat and the valve stem, allowing the poppet to be manually pulled off the seat. When released, the bias spring will return the valve poppet to its closed position. Back pressure of more than 5.5 Bar (80 PSI) will prevent the bias spring from closing the poppet and must be avoided.

**Features**

- Low leakage design
- Flip lever, pull handle, or detented pin design
- All external parts zinc plated

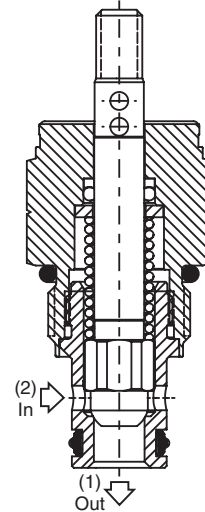
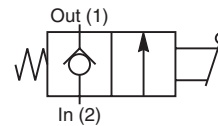
**Performance Curve**

Flow vs. Pressure Drop (Through cartridge only)

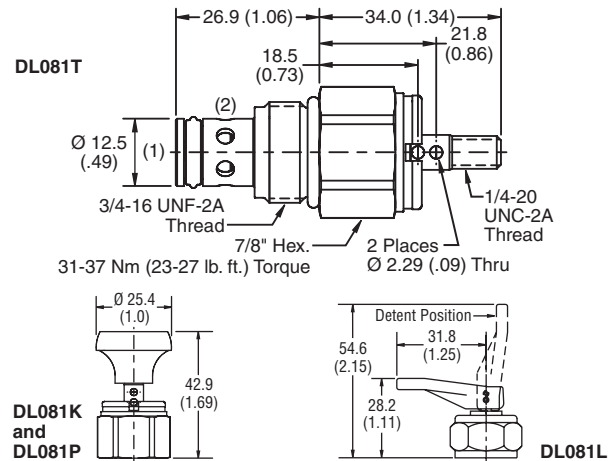


**Specifications**

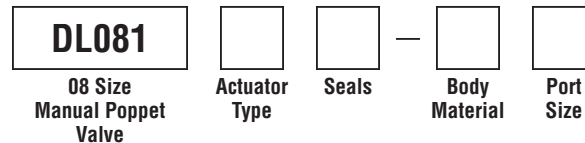
<b>Nominal Flow</b>	30 LPM (8 GPM)
<b>Max. Inlet Pressure</b>	210 Bar (3000 PSI)
<b>Leakage at 150 SSU (32 cSt)</b>	5 drops/min. (.33 cc/min.) at 210 Bar (3000 PSI)
<b>Max. Allowable Tankline Pressure</b>	5.5 Bar (80 PSI)
<b>Operating Temp. Range (Ambient)</b>	-45°C to +132°C ("D" Ring) (-50°F to +270°F) -34°C to +121°C (Nitrile) (-30°F to +250°F) -26°C to +204°C (Fluorocarbon) (-15°F to +400°F)
<b>Cartridge Material</b>	Stem, stainless steel. All other parts hardened steel.
<b>Filtration</b>	ISO-4406 18/16/13, SAE Class 4
<b>Approx. Weight</b>	0.08 kg (0.17 lbs.)
<b>Cavity</b>	C08-2
<b>Form Tool</b>	Rougher None Finisher NFT08-2F



**Dimensions** Millimeters (Inches)



**Ordering Information**



Code	Actuator Type
K	Knob (852525)
T	Stem
L	Lever
P	Lock Pin

Code	Body Material
Omit	Steel
A	Aluminum

Code	Seals / Kit No.
Omit	"D"-Ring / (SK08-2)
N	Nitrile / (SK08-2N)
V	Fluorocarbon / (SK08-2V)

Code	Port Size	Body Part No.
Omit	Cartridge Only	
4T	SAE-4	(B08-2-*4T)
6T	SAE-6	(B08-2-*6T)

\* Add "A" for aluminum, omit for steel.

NOTE: "D"-Ring for K, T, P only.

**Technical Information**

**General Description**

2-Way Manual Poppet Valve. The DL101 Series Valves are suited for emergency lowering applications and on-off flow applications.

**Operation**

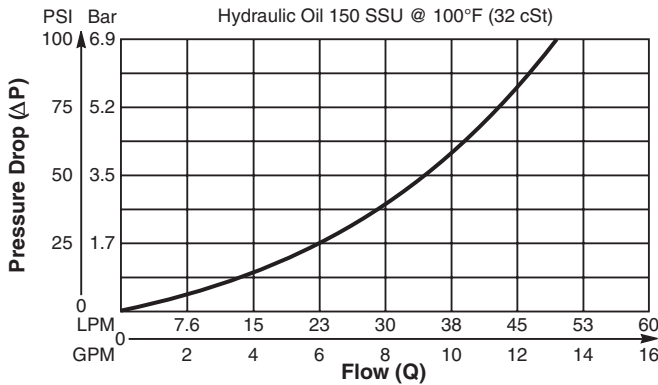
The DL101 Series Valves are mechanically operated check valves. Hydraulic force on the poppet is balanced by having equal area between the poppet seat and the valve stem, allowing the poppet to be manually pulled off the seat. When released, the bias spring will return the valve poppet to its closed position. Back pressure of more than 17.3 Bar (250 PSI) will prevent the bias spring from closing the poppet and must be avoided.

**Features**

- Low shut-off leakage
- Cartridge design
- Pull-to-Open design
- All external parts zinc plated

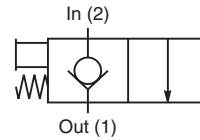
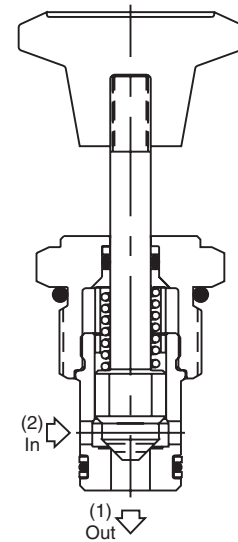
**Performance Curve**

Pressure Drop vs. Flow (Through cartridge only)

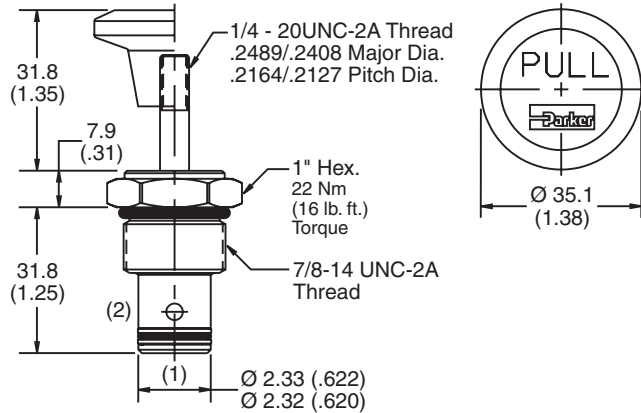


**Specifications**

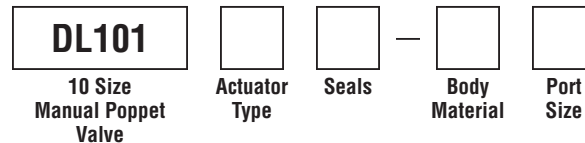
<b>Nominal Flow</b>	48.8 LPM (13 GPM)
<b>Max. Inlet Pressure</b>	210 Bar (3000 PSI)
<b>Leakage at 150 SSU (32 cSt)</b>	5 drops/min. (.33 cc/min.) at 240 Bar (3500 PSI)
<b>Max. Allowable Tankline Pressure</b>	17.3 Bar (250 PSI)
<b>Operating Temp. Range (Ambient)</b>	-34°C to +121°C (Nitrile) (-30°F to +250°F) -26°C to +204°C (Fluorocarbon) (-15°F to +400°F)
<b>Cartridge Material</b>	Stem, stainless steel. All other parts hardened steel.
<b>Filtration</b>	ISO-4406 18/16/13, SAE Class 4
<b>Approx. Weight</b>	0.09 kg (0.21 lbs.)
<b>Cavity</b>	C10-2
<b>Form Tool</b>	Rougher None Finisher NFT10-2F



**Dimensions** Millimeters (Inches)



**Ordering Information**



Code	Actuator Type
K	Knob (850020K)
T	Stem

Code	Body Material
Omit	Steel
A	Aluminum

Code	Seals / Kit No.
Omit	Nitrile / (SK10-2N)
V	Fluorocarbon / (SK10-2V)

Code	Port Size	Body Part No.
Omit	Cartridge Only	
6T	SAE-6	(B10-2-*6T)
8T	SAE-8	(B10-2-*8T)

\* Add "A" for aluminum, omit for steel.

- CV Check Valves
- SH Shuttle Valves
- LM Load/Motor Controls
- FC Flow Controls
- PC Pressure Controls
- LE Logic Elements
- DC Directional Controls
- MV Manual Valves
- SV Solenoid Valves
- PV Proportional Valves
- CE Coils & Electronics
- BC Bodies & Cavities
- TD Technical Data

**Technical Information**

**CV**

Check Valves

**SH**

Shuttle Valves

**LM**

Load/Motor Controls

**FC**

Flow Controls

**PC**

Pressure Controls

**LE**

Logic Elements

**DC**

Directional Controls

**MV**

Manual Valves

**SV**

Solenoid Valves

**PV**

Proportional Valves

**CE**

Coils & Electronics

**BC**

Bodies & Cavities

**TD**

Technical Data

**General Description**

2-Way, 2 Position, Normally Open Manual Poppet Valve.

**Features**

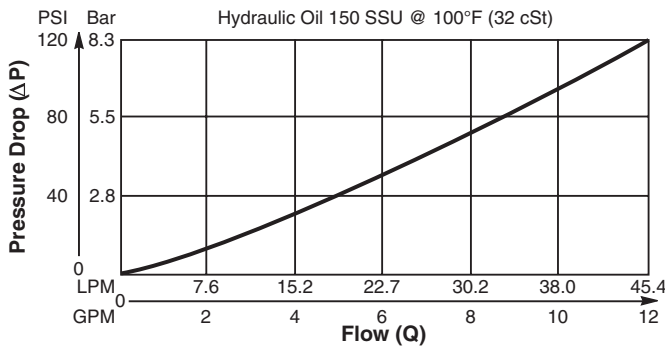
- Hardened poppet for minimal wear and greater durability
- Poppet type construction for minimal internal leakage
- Internal pilot operation provides “power leverage”
- Cavity common with solenoid operated valves
- Screw-on detent is optional
- All external parts zinc plated

**Operation**

In neutral position, pressure applied to port 2 creates pilot flow across the pilot seat causing poppet to lift. Flow passes from port 2 to port 1 until manual operator is pushed forcing pilot into its seat preventing pilot flow to firmly close the poppet. In neutral position, flow is restricted from port 1 to port 2.

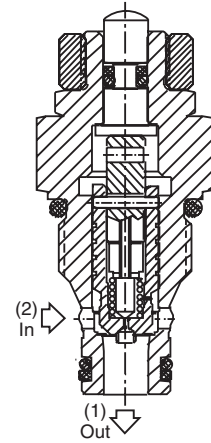
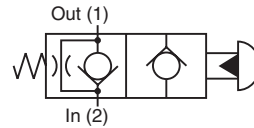
**Performance Curve**

**Pressure Drop vs. Flow (Through cartridge only)**

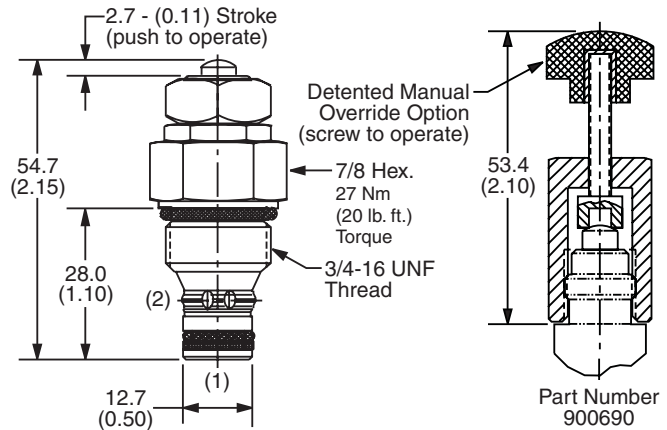


**Specifications**

<b>Rated Flow</b>	45 LPM (12 GPM)
<b>Maximum Input Pressure @ Port 2</b>	350 Bar (5000 PSI)
<b>Leakage at 150 SSU (32 cSt)</b>	0.33 ml/min. (5 drops/min.) @ 210 Bar (3000 PSI)
<b>Cartridge Material</b>	All parts steel. All operating parts hardened steel.
<b>Operating Temp. Range/Seals</b>	-34°C to +121°C (Nitrile, Buna-N) (-30°F to +250°F) -26°C to +204°C (Fluorocarbon) (-15°F to +400°F)
<b>Fluid Compatibility/Viscosity</b>	Mineral-based or synthetic with lubricating properties at viscosities of 45 to 2000 SSU (6 to 420 cSt)
<b>Filtration</b>	ISO-4406 18/16/13, SAE Class 4
<b>Approx. Weight</b>	.13 kg (.31 lbs.)
<b>Cavity</b>	C08-2 (See BC Section for more details)



**Dimensions** Millimeters (Inches)



**Ordering Information**

<b>GM02 12</b>	<input type="checkbox"/>	<input type="checkbox"/>	<input type="checkbox"/>	<input type="checkbox"/>	<input type="checkbox"/>
<b>08 Size Manual Valve Poppet Type Normally Open</b>	<b>Manual Button</b>	<b>Filter Screen</b>	<b>Seals</b>	<b>Body Material</b>	<b>Port Size</b>

Code	Manual Button
0	Non-Detented (Std.)
1	Detented (With use of part #900690)

Code	Body Material
Omit	Steel
A	Aluminum

Code	Filter Screen
0	Not required
1	60 mesh screen

Code	Port Size	Body Part No.
Omit	Cartridge Only	
4T	SAE-4	(B08-2-*4T)
6T	SAE-6	(B08-2-*6T)

\* Add "A" for aluminum, omit for steel.

Code	Seals / Kit No.
N	Nitrile, Buna-N / (SK30006N-1)
V	Fluorocarbon / (SK30006V-1)

**General Description**

3-Way, 2 Position Manual Spool Valve. Designed to operate single acting cylinders, pilot circuits and uni-directional motors.

**Features**

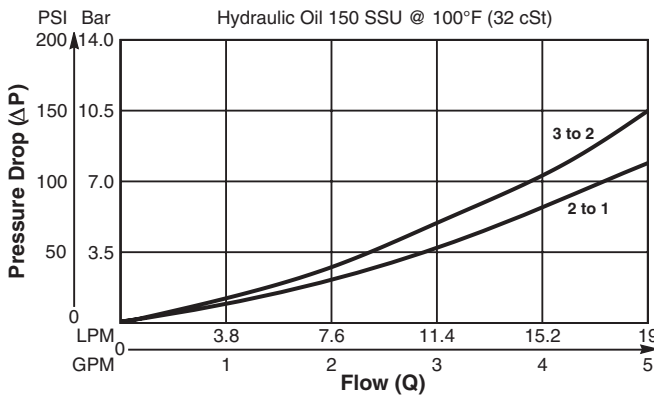
- High flow capacity with reduced space requirements
- One piece cartridge housing ensures internal concentricity
- Low mechanical operating force required
- Detented option available
- All external parts zinc plated

**Operation**

Neutral flow is 2 to 1. Pull to shift for flow from 3 to 2.

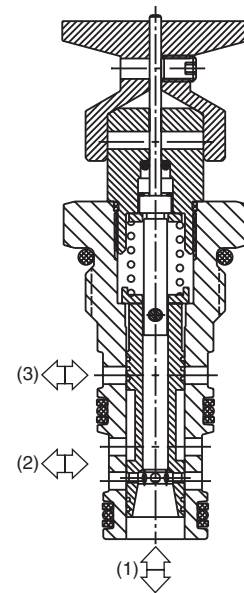
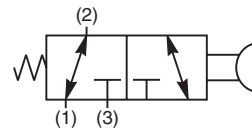
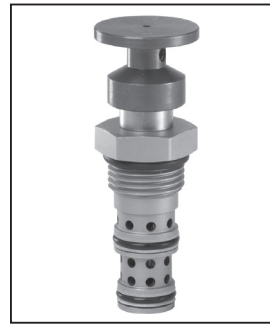
**Performance Curve**

**Pressure Drop vs. Flow** (Through cartridge only)

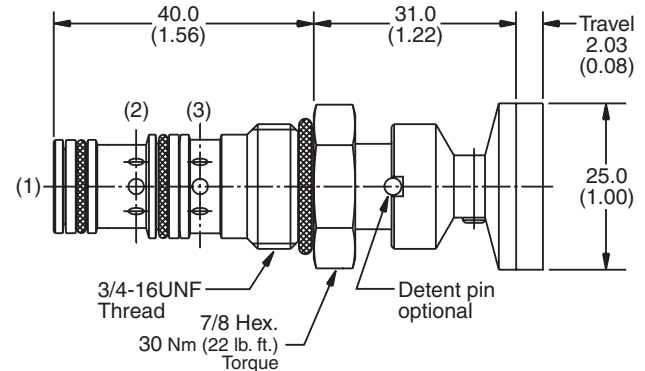


**Specifications**

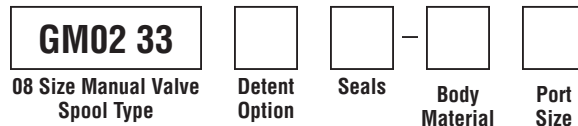
<b>Rated Flow</b>	19 LPM (5 GPM)
<b>Operating Pressure</b>	<b>Side Ports</b> - 350 Bar (5000 PSI) <b>Bottom Port</b> - 35 Bar (500 PSI)
<b>Max. Operating Pushing or Pulling Force Required</b>	5 kg (11 lbs.)
<b>Cartridge Material</b>	All parts steel. All operating parts hardened steel.
<b>Operating Temp. Range/Seals</b>	-34°C to +121°C (Nitrile, Buna-N) (-30°F to +250°F) -26°C to +204°C (Fluorocarbon) (-15°F to +400°F)
<b>Fluid Compatibility/Viscosity</b>	Mineral-based or synthetic with lubricating properties at viscosities of 45 to 2000 SSU (6 to 420 cSt)
<b>Filtration</b>	ISO-4406 18/16/13, SAE Class 4
<b>Approx. Weight</b>	.10 kg (.20 lbs.)
<b>Cavity</b>	C08-3 (See BC Section for more details)



**Dimensions** Millimeters (Inches)



**Ordering Information**



Code	Detent Option
Omit	Non-Detented (Std.)
1	Detented

Code	Body Material
Omit	Steel
A	Aluminum

Code	Seals / Kit No.
N	Nitrile, Buna-N / (SK30077N-1)
V	Fluorocarbon / (SK30077V-1)

Code	Port Size	Body Part No.
Omit	Cartridge Only	
4T	SAE-4	(B08-3-*4T)
6T	SAE-6	(B08-3-*6T)

\* Add "A" for aluminum, omit for steel.

- CV** Check Valves
- SH** Shuttle Valves
- LM** Load/Motor Controls
- FC** Flow Controls
- PC** Pressure Controls
- LE** Logic Elements
- DC** Directional Controls
- MV** Manual Valves
- SV** Solenoid Valves
- PV** Proportional Valves
- CE** Coils & Electronics
- BC** Bodies & Cavities
- TD** Technical Data

**CV**

Check Valves

**SH**

Shuttle Valves

**LM**

Load/Motor Controls

**FC**

Flow Controls

**PC**

Pressure Controls

**LE**

Logic Elements

**DC**

Directional Controls

**MV**

Manual Valves

**SV**

Solenoid Valves

**PV**

Proportional Valves

**CE**

Coils & Electronics

**BC**

Bodies & Cavities

**TD**

Technical Data

**General Description**

3-Way Rotary Spool Valve. The DM103 Series Valves are suited for any 3-way application (such as a selector function) where manual operation is desired. For additional information see Technical Tips pages MV1-MV2.

**Features**

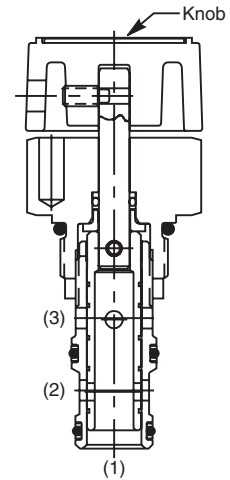
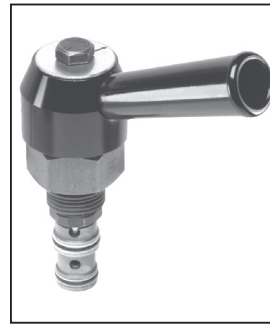
- Several lever and knob options available
- Detented versions available
- Serviceable cartridge design
- All external parts zinc plated

**Operation**

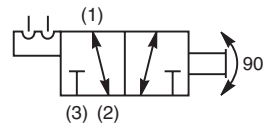
The K, LD, and FKD options require a full 90° rotation to shift the spool from one offset position to the other. The LN and FKN options require a full 45° rotation from center to either offset position. The knob (or lever) position indicator can be positioned anywhere within the 360° circle.

**Specifications**

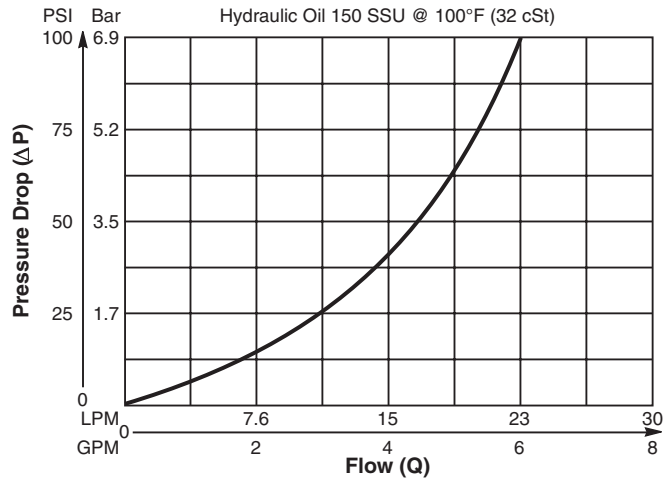
<b>Nominal Flow</b>	22.5 LPM (6 GPM)
<b>Maximum Inlet Pressure</b>	240 Bar (3500 PSI)
<b>Degrees of Rotation</b>	K, LD, and FKD Styles: 90° from Offset to Offset (2 positions) LN, FKN Style: 45° from center to either Offset (3 positions)
<b>Leakage at 150 SSU (32 cSt)</b>	164 cc/min. at 240 Bar (3500 PSI)
<b>Cartridge Material</b>	Stem, stainless steel. All other parts hardened steel.
<b>Operating Temp. Range/Seals</b>	-34°C to +121°C (Nitrile) (-30°F to +250°F) -26°C to +204°C (Fluorocarbon) (-15°F to +400°F)
<b>Fluid Compatibility/Viscosity</b>	Mineral-based or synthetic with lubricating properties at viscosities of 45 to 2000 SSU (6 to 420 cSt)
<b>Filtration</b>	ISO-4406 18/16/13, SAE Class 4
<b>Approx. Weight</b>	0.11 kg (.30 lbs.)
<b>Cavity</b>	C10-3 (See BC Section for more details)
<b>Form Tool</b>	Rougher NFT10-3R Finisher NFT10-3F



**DM103LD**

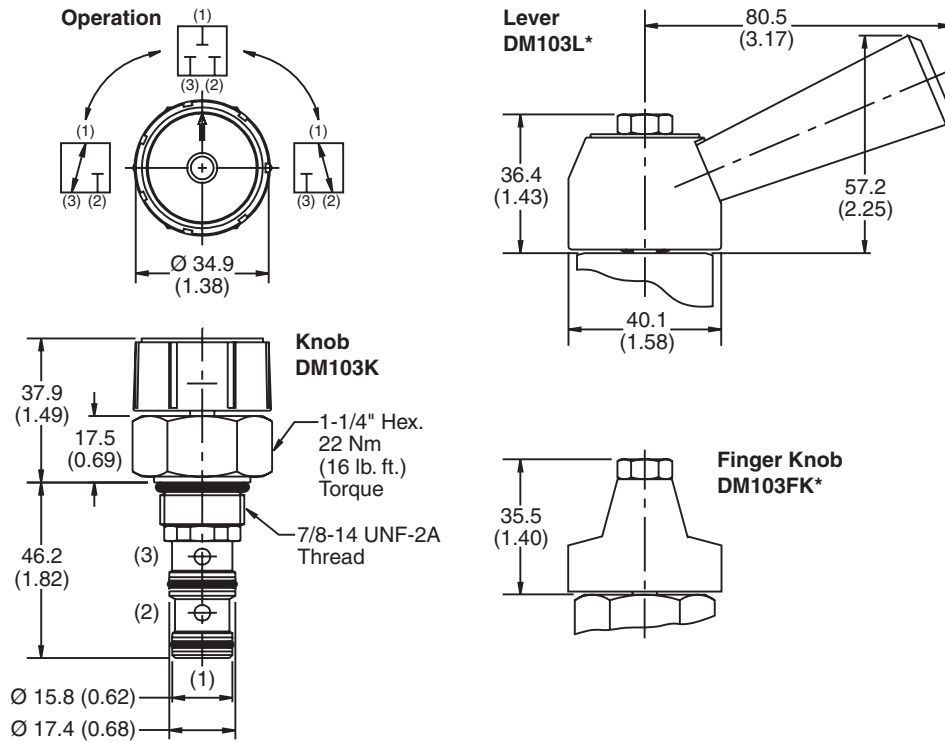


**Performance Curve  
Flow vs. Pressure Drop  
(Through cartridge only)**

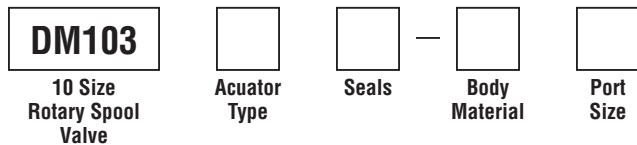




**Dimensions** Millimeters (Inches)



**Ordering Information**



Code / Actuator Type	
<b>K</b> Knob	
<b>LD</b> Lever with 2 position detent	
<b>LN</b> Lever with 3 position detent	
<b>FKD</b> Finger Knob with 2 position detent	
<b>FKN</b> Finger Knob with 3 position detent	

Code	Seals / Kit. No.
Omit	Nitrile / (SK10-3N)
<b>V</b>	Fluorocarbon / (SK10-3V)

Code	Body Material
Omit	Steel
<b>A</b>	Aluminum

Code	Port Size	Body Part No.
Omit	Cartridge Only	
<b>6T</b>	SAE - 6	(B10-3-*6T)

\* Add "A" for aluminum, omit for steel.

- CV** Check Valves
- SH** Shuttle Valves
- LM** Load/Motor Controls
- FC** Flow Controls
- PC** Pressure Controls
- LE** Logic Elements
- DC** Directional Controls
- MV** Manual Valves
- SV** Solenoid Valves
- PV** Proportional Valves
- CE** Coils & Electronics
- BC** Bodies & Cavities
- TD** Technical Data



**Technical Information**

**CV**

Check Valves

**SH**

Shuttle Valves

**LM**

Load/Motor Controls

**FC**

Flow Controls

**PC**

Pressure Controls

**LE**

Logic Elements

**DC**

Directional Controls

**MV**

Manual Valves

**SV**

Solenoid Valves

**PV**

Proportional Valves

**CE**

Coils & Electronics

**BC**

Bodies & Cavities

**TD**

Technical Data

**General Description**

4-Way Rotary Spool Valve. The DM104 Series Valves are suited for all 4-way directional control applications where manual operation is desired.

**Features**

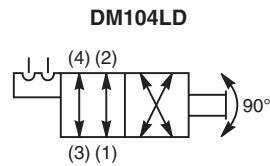
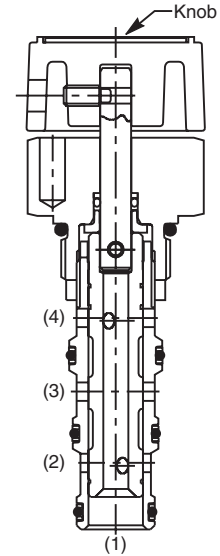
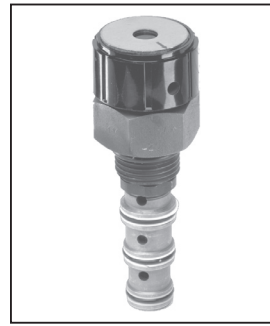
- Several lever and knob options available
- Detented versions available
- Serviceable cartridge design
- All external parts zinc plated

**Operation**

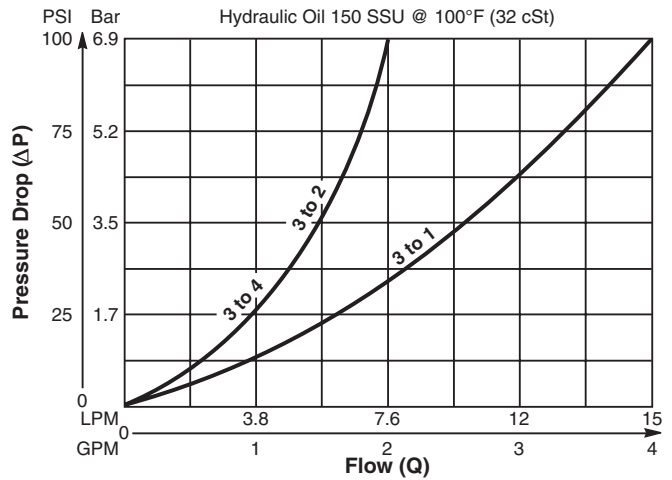
The K, LD, and FKD options require a full 90° rotation to shift the spool from one offset position to the other. The LN and FKN options require a full 45° rotation from center to either offset position. The knob (or lever) position indicator can be positioned anywhere within the 360° circle.

**Specifications**

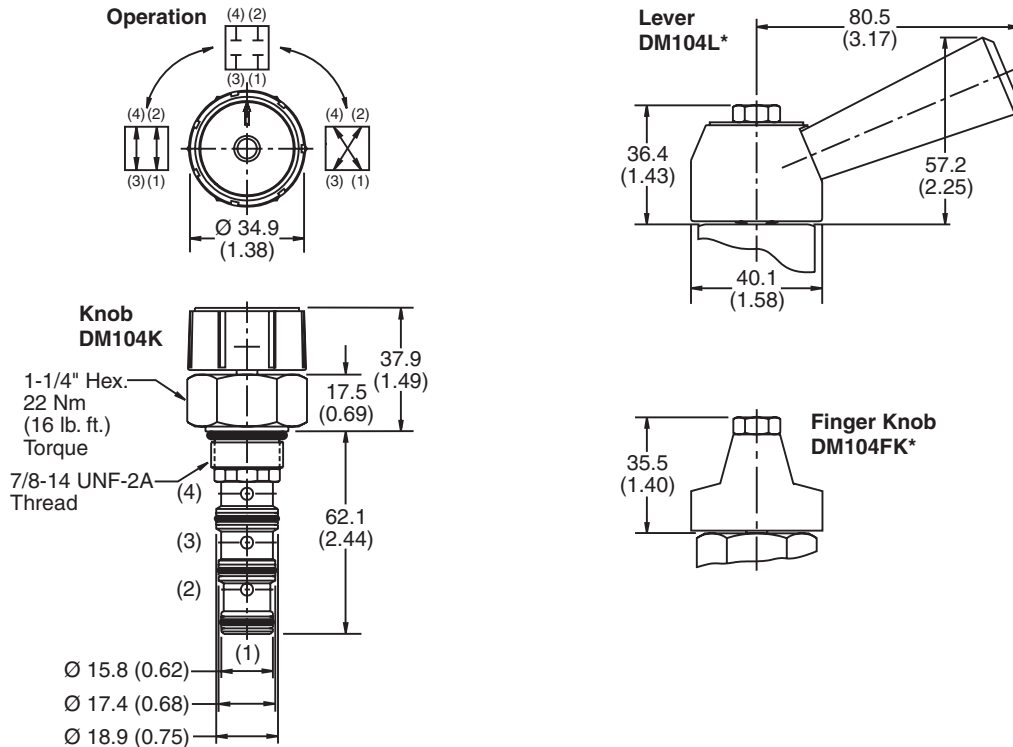
<b>Nominal Flow</b>	7.5 LPM (2 GPM)
<b>Maximum Inlet Pressure</b>	240 Bar (3500 PSI)
<b>Degrees of Rotation</b>	K, LD, and FKD Styles: 90° from Offset to Offset (2 positions) LN and FKN Styles: 45° from center to either Offset (3 positions)
<b>Leakage at 150 SSU (32 cSt)</b>	164 cc/min. at 240 Bar (3500 PSI)
<b>Cartridge Material</b>	All parts steel. All operating parts hardened steel.
<b>Operating Temp. Range/Seals</b>	-34°C to +121°C (Nitrile) (-30°F to +250°F) -26°C to +204°C (Fluorocarbon) (-15°F to +400°F)
<b>Fluid Compatibility/Viscosity</b>	Mineral-based or synthetic with lubricating properties at viscosities of 45 to 2000 SSU (6 to 420 cSt)
<b>Filtration</b>	ISO-4406 18/16/13, SAE Class 4
<b>Approx. Weight</b>	0.11 kg (.30 lbs.)
<b>Cavity</b>	C10-4 (See BC Section for more details)
<b>Form Tool</b>	Rougher NFT10-4R Finisher NFT10-4F



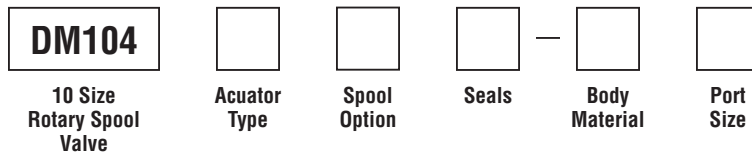
**Performance Curve**  
**Flow vs. Pressure Drop**  
(Through cartridge only)



**Dimensions** Millimeters (Inches)



**Ordering Information**



Code / Actuator Type	
<b>K</b> Knob	
<b>LD</b> Lever with 2 position detent	
<b>LN</b> Lever with 3 position detent	
<b>FKD</b> Finger Knob with 2 position detent	
<b>FKN</b> Finger Knob with 3 position detent	

Code / Spool Option	
<b>1</b> Closed Center	
<b>8</b> Tandem Center	

Code	Seals / Kit. No.
Omit	Nitrile / (SK10-4N)
<b>V</b>	Fluorocarbon / (SK10-4V)

Code	Body Material
Omit	Steel
<b>A</b>	Aluminum

Code	Port Size	Body Part No.
Omit	Cartridge Only	
<b>6T</b>	SAE - 6	(B10-4-*6T)
<b>8T</b>	SAE - 8	(B10-4-*8T)

\* Add "A" for aluminum, omit for steel.

- CV** Check Valves
- SH** Shuttle Valves
- LM** Load/Motor Controls
- FC** Flow Controls
- PC** Pressure Controls
- LE** Logic Elements
- DC** Directional Controls
- MV** Manual Valves
- SV** Solenoid Valves
- PV** Proportional Valves
- CE** Coils & Electronics
- BC** Bodies & Cavities
- TD** Technical Data

**Technical Information**

**CV**

Check Valves

**SH**

Shuttle Valves

**LM**

Load/Motor Controls

**FC**

Flow Controls

**PC**

Pressure Controls

**LE**

Logic Elements

**DC**

Directional Controls

**MV**

Manual Valves

**SV**

Solenoid Valves

**PV**

Proportional Valves

**CE**

Coils & Electronics

**BC**

Bodies & Cavities

**TD**

Technical Data

**General Description**

4-Way, 2 Position, Reversing Manual Spool Valve. Designed to operate double acting cylinders, pilot circuits and bi-directional motors.

**Features**

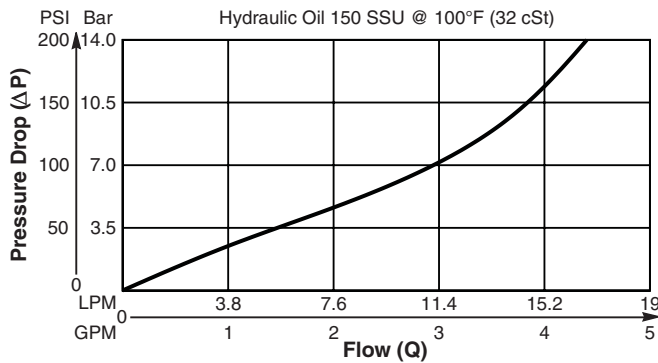
- High flow capacity with reduced space requirements
- One piece cartridge housing ensures internal concentricity
- Low mechanical operating force required
- Detented option available
- All external parts zinc plated

**Operation**

Neutral, flow is 3 to 4 and 2 to 1. Push to shift for flow 3 to 2 and 4 to 1

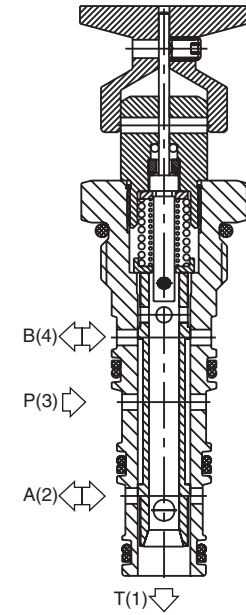
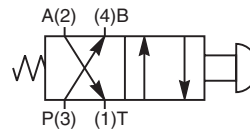
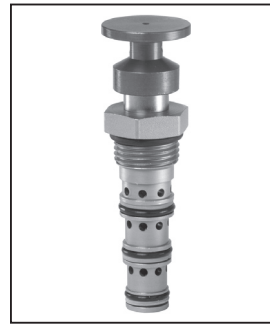
**Performance Curve**

**Pressure Drop vs. Flow (Through cartridge only)**

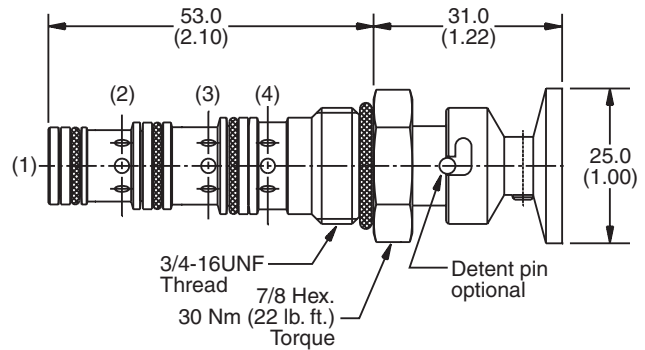


**Specifications**

<b>Rated Flow</b>	15 LPM (4 GPM)
<b>Operating Pressure</b>	<b>Side Ports</b> - 350 Bar (5000 PSI) <b>Bottom Port</b> - 35 Bar (500 PSI)
<b>Max. Operating Pushing or Pulling Force Required</b>	5 kg (11 lbs.)
<b>Cartridge Material</b>	All parts steel. All operating parts hardened steel.
<b>Operating Temp. Range/Seals</b>	-34°C to +121°C (Nitrile, Buna-N) (-30°F to +250°F) -26°C to +204°C (Fluorocarbon) (-15°F to +400°F)
<b>Fluid Compatibility/Viscosity</b>	Mineral-based or synthetic with lubricating properties at viscosities of 45 to 2000 SSU (6 to 420 cSt)
<b>Filtration</b>	ISO-4406 18/16/13, SAE Class 4
<b>Approx. Weight</b>	.10 kg (.20 lbs.)
<b>Cavity</b>	C08-4 (See BC Section for more details)



**Dimensions** Millimeters (Inches)



**Ordering Information**

**GM02 40XS**

08 Size Manual Valve	Detent Option	Seals	Body Material	Port Size
Spool Type				
Reversing				

Code	Detent Option
Omit	Non-Detented (Std.)
1	Detented

Code	Body Material
Omit	Steel
A	Aluminum

Code	Seals / Kit No.
N	Nitrile, Buna-N / (SK30078N-1)
V	Fluorocarbon / (SK30078V-1)

Code	Port Size	Body Part No.
Omit	Cartridge Only	
4T	SAE-4	(B08-4-*4T)
6T	SAE-6	(B08-4-*6T)

\* Add "A" for aluminum, omit for steel.

**General Description**

4-Way, 2 Position, Normally Closed Manual Spool Valve. Designed to operate double acting cylinders, pilot circuits and bi-directional motors.

**Features**

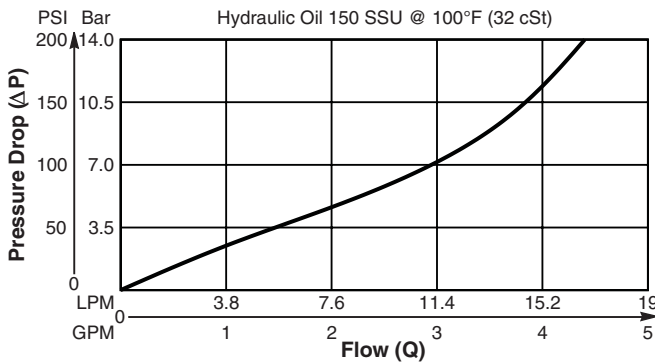
- High flow capacity with reduced space requirements
- One piece cartridge housing ensures internal concentricity
- Low mechanical operating force required
- Detented option available
- All external parts zinc plated

**Operation**

Neutral, all ports blocked. Push to shift for flow 3 to 2 and 4 to 1.

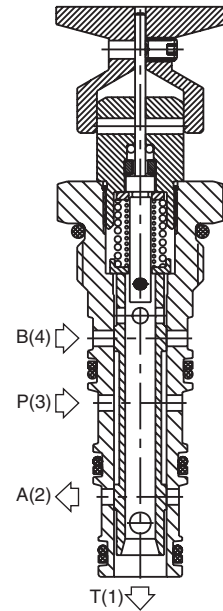
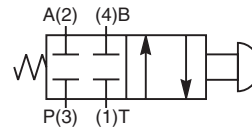
**Performance Curve**

**Pressure Drop vs. Flow (Through cartridge only)**

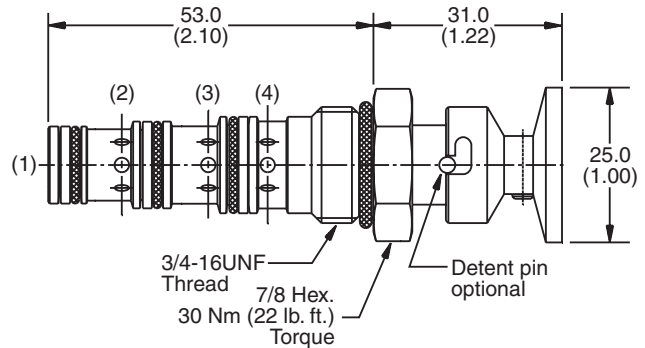


**Specifications**

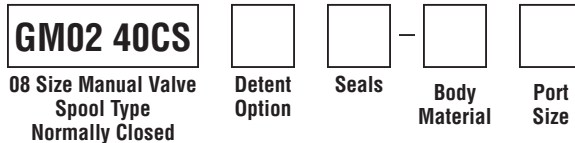
<b>Rated Flow</b>	15 LPM (4 GPM)
<b>Operating Pressure</b>	<b>Side Ports</b> - 350 Bar (5000 PSI) <b>Bottom Port</b> - 35 Bar (500 PSI)
<b>Max. Operating Pushing or Pulling Force Required</b>	5 kg (11 lbs.)
<b>Cartridge Material</b>	All parts steel. All operating parts hardened steel.
<b>Operating Temp. Range/Seals</b>	-34°C to +121°C (Nitrile, Buna-N) (-30°F to +250°F) -26°C to +204°C (Fluorocarbon) (-15°F to +400°F)
<b>Fluid Compatibility/Viscosity</b>	Mineral-based or synthetic with lubricating properties at viscosities of 45 to 2000 SSU (6 to 420 cSt)
<b>Filtration</b>	ISO-4406 18/16/13, SAE Class 4
<b>Approx. Weight</b>	.12 kg (.25 lbs.)
<b>Cavity</b>	C08-4 (See BC Section for more details)



**Dimensions** Millimeters (Inches)



**Ordering Information**



Code	Detent Option
Omit	Non-Detented (Std.)
1	Detented

Code	Body Material
Omit	Steel
A	Aluminum

Code	Seals / Kit No.
N	Nitrile, Buna-N / (SK30078N-1)
V	Fluorocarbon / (SK30078V-1)

Code	Port Size	Body Part No.
Omit	Cartridge Only	
4T	SAE-4	(B08-4-*4T)
6T	SAE-6	(B08-4-*6T)

\* Add "A" for aluminum, omit for steel.

**CV**

Check Valves

**SH**

Shuttle Valves

**LM**

Load/Motor Controls

**FC**

Flow Controls

**PC**

Pressure Controls

**LE**

Logic Elements

**DC**

Directional Controls

**MV**

Manual Valves

**SV**

Solenoid Valves

**PV**

Proportional Valves

**CE**

Coils & Electronics

**BC**

Bodies & Cavities

**TD**

Technical Data

**Technical Information**

- CV** Check Valves
- SH** Shuttle Valves
- LM** Load/Motor Controls
- FC** Flow Controls
- PC** Pressure Controls
- LE** Logic Elements
- DC** Directional Controls
- MV** Manual Valves
- SV** Solenoid Valves
- PV** Proportional Valves
- CE** Coils & Electronics
- BC** Bodies & Cavities
- TD** Technical Data

**General Description**

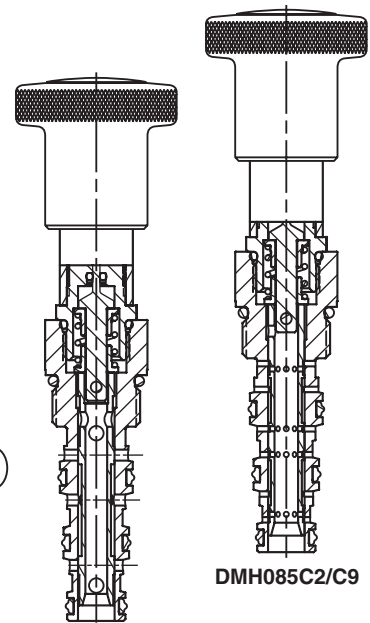
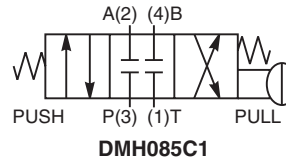
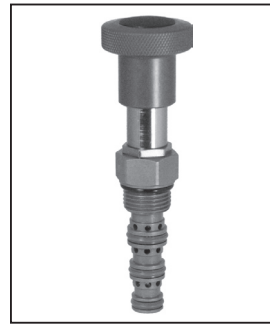
4-Way, 3 Position, Closed Center Manual Spool Valve. Designed to operate double acting cylinders, pilot circuits and bi-directional motors.

**Features**

- High flow capacity with reduced space requirements
- One piece cartridge housing ensures internal concentricity
- Low mechanical operating force required
- Detented option available
- All external parts zinc plated

**Operation**

Push to shift for flow 3 to 2 and 4 to 1. Pull to shift for flow 3 to 4 and 2 to 1.



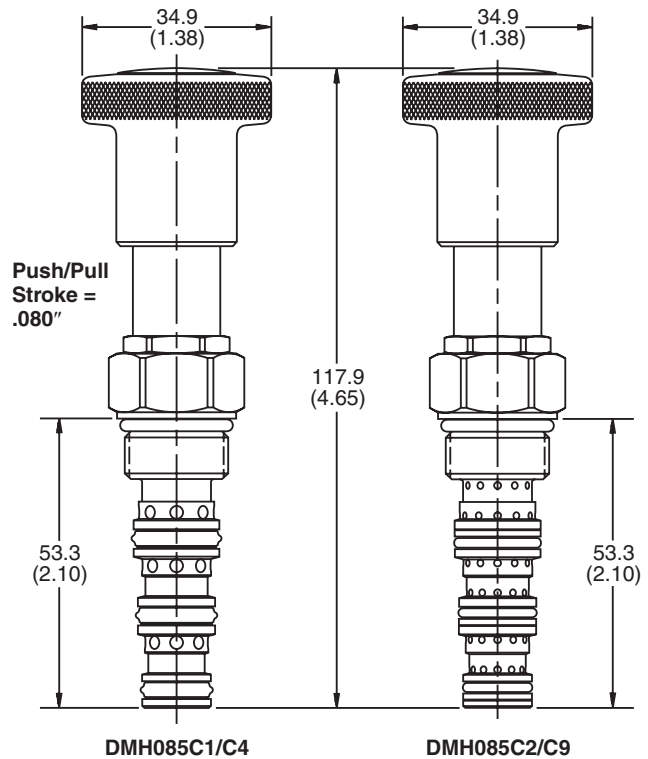
DMH085C1/C4

DMH085C2/C9

**Specifications**

<b>Rated Flow</b>	<b>C1</b> 17 LPM (4.5 GPM) <b>C2</b> 15 LPM (4.0 GPM) <b>C4</b> 19 LPM (5.0 GPM) <b>C9</b> 15 LPM (4.0 GPM)
<b>Operating Pressure</b>	<b>Side Ports</b> - 350 Bar (5000 PSI) <b>Bottom Port</b> - 35 Bar (500 PSI)
<b>Max. Operating Pushing or Pulling Force Required</b>	5 kg (11 lbs.)
<b>Cartridge Material</b>	All parts steel. All operating parts hardened steel.
<b>Operating Temp. Range/Seals</b>	-45°C to +132°C ("D"-Ring) (-50°F to +270°F) -34°C to +121°C (Nitrile) (-30°F to +250°F) -26°C to +204°C (Fluorocarbon) (-15°F to +400°F)
<b>Fluid Compatibility/Viscosity</b>	Mineral-based or synthetic with lubricating properties at viscosities of 45 to 2000 SSU (6 to 420 cSt)
<b>Filtration</b>	ISO-4406 18/16/13, SAE Class 4
<b>Approx. Weight</b>	.12 kg (.25 lbs.)
<b>Cavity</b>	C08-4 (See BC Section for more details)

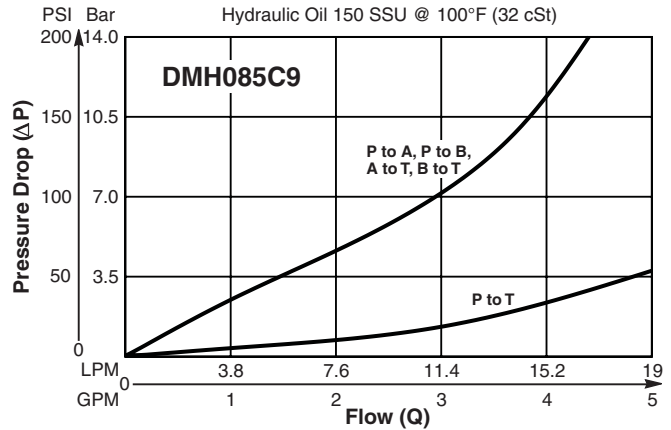
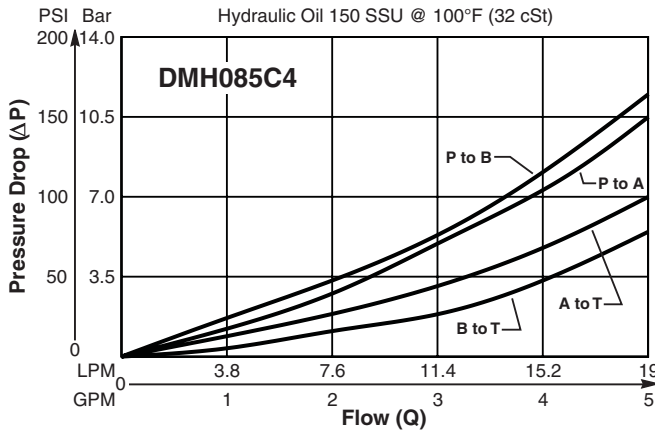
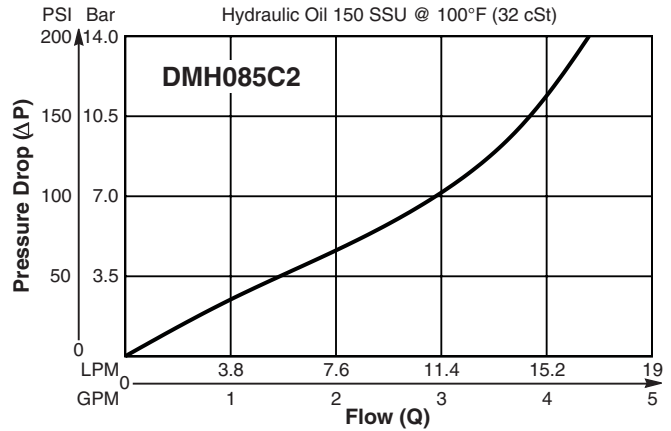
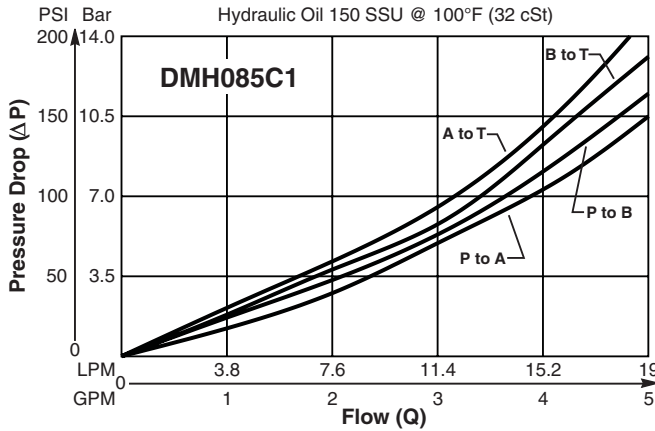
**Dimensions** Millimeters (Inches)



**Note:** "D"-Rings are standard on all spool configurations, but optional Buna/Fluorocarbon configurations as shown on the C2/C9 drawing are also available.

**Performance Curves**

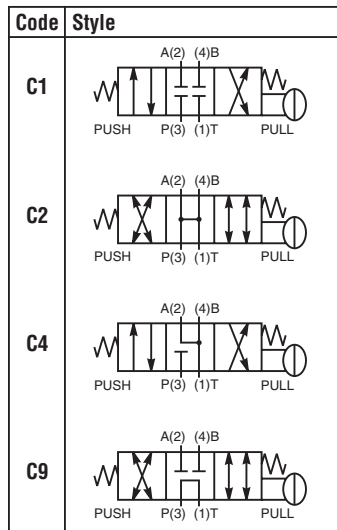
Pressure Drop vs. Flow (Through cartridge only)



**Ordering Information**

**DMH085**

08 Size, 4-Way Spool Type Manual Valve    Style    Detent Option    Seals    Body Material    Port Size



Code	Detent Option
Omit	Non-Detented (Std.)
D	Detented

Code	Body Material
Omit	Steel
A	Aluminum

Code	Seals / Kit No.
Omit	"D"-Ring / (SK08-2)
N	Nitrile / (SK08-2N)
V	Fluorocarbon / (SK08-2V)

Code	Port Size	Body Part No.
Omit	Cartridge Only	
4T	SAE-4	(B08-4-*4T)
6T	SAE-6	(B08-4-*6T)

\* Add "A" for aluminum, omit for steel.

**CV**

Check Valves

**SH**

Shuttle Valves

**LM**

Load/Motor Controls

**FC**

Flow Controls

**PC**

Pressure Controls

**LE**

Logic Elements

**DC**

Directional Controls

**MV**

Manual Valves

**SV**

Solenoid Valves

**PV**

Proportional Valves

**CE**

Coils & Electronics

**BC**

Bodies & Cavities

**TD**

Technical Data

**Contents**

**Solenoid Valves**

**CV** Check Valves

**SH** Shuttle Valves

**LM** Load/Motor Controls

**FC** Flow Controls

**PC** Pressure Controls

**LE** Logic Elements

**DC** Directional Controls

**MV** Manual Valves




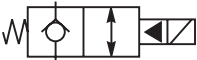
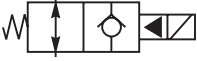

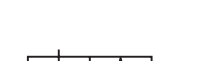
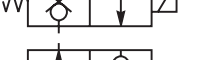











**SV** Solenoid Valves

**PV** Proportional Valves

**CE** Coils & Electronics

**BC** Bodies & Cavities

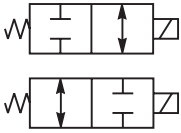

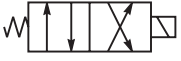
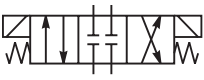


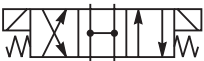
**TD** Technical Data

SERIES	CAVITY	DESCRIPTION	FLOW LPM/GPM	PRESSURE BAR/PSI	PAGE NO.
<b>HIGH FLOW VALVE FAMILY</b>					
<i>See individual catalog pages for exact specifications.</i>					
<b>2 WAY SPOOL TYPE</b>					
		GS02 22* ..... 2X / C09-2 ..... 2 Position, 2 Way, N.C. Spool .....	19/5	350/5000	SV7-SV8
		GS02 27* ..... 2X / C09-2 ..... 2 Position, 2 Way, N.O. Spool .....	19/5	350/5000	SV9-SV10
<i>*These valves fit the C09-2 Parker cavity.</i>					
<b>4 WAY, 2 POSITION SPOOL TYPE</b>					
		GS02 42 ..... C08-4 ..... 2 Position, 4 Way .....	19/5	350/5000	SV11-SV12
<b>2 WAY POPPET TYPE</b>					
	☆	DSL081 ..... C08-2 ..... 2 Position, 2 Way, N.C. or N.O. ....	30/8	250/3600	SV13-SV14
	☆	DSH081 ..... C08-2 ..... 2 Position, 2 Way, N.C. or N.O. ....	30/8	350/5000	SV15-SV16
	☆	DSL101 ..... C10-2 ..... 2 Position, 2 Way, N.C. or N.O. ....	60/15	250/3600	SV17-SV18
	☆	DSH101 ..... C10-2 ..... 2 Position, 2 Way, N.C. or N.O. ....	60/15	350/5000	SV19-SV20
		DSH121 ..... C12-2 ..... 2 Position, 2 Way, N.C. or N.O. ....	90/24	350/5000	SV21-SV22
	☆	DSH161 ..... C16-2 ..... 2 Position, 2 Way, N.C. or N.O. ....	150/40	350/5000	SV23-SV24
	☆	DSL201 ..... C20-2 ..... 2 Position, 2 Way, N.C. or N.O. ....	260/70	250/3600	SV25-SV26
		GH02 01 ..... C08-2 ..... 2 Position, 2 Way, N.C., with Flow Adj. ....	11/3	285/4000	SV27-SV28
		GS02 72/73 ..... C08-2 ..... Bi-Directional Poppet, N.C. ....	1.7/45	210/3000	SV29-SV30
		GS02 80*/81 ..... C08-2 ..... Bi-Directional Poppet, N.C. ....	34/9	350/5000	SV31-SV32
		GS04 80*/81 ..... 2R ..... Bi-Directional Poppet, N.C. ....	68/18	350/5000	SV33-SV34
		GS06 80*/81 ..... C16-2 ..... Bi-Directional Poppet, N.C. ....	285/75	350/5000	SV35-SV36
		GS02 77/78 ..... C08-2 ..... Bi-Directional Poppet, N.O. ....	1.7/45	210/3000	SV37-SV38
		GS02 85*/86 ..... C08-2 ..... Bi-Directional Poppet, N.O. ....	34/9	350/5000	SV39-SV40
		GS04 85*/86 ..... 2R ..... Bi-Directional Poppet, N.O. ....	68/18	350/5000	SV41-SV42
		GS06 85*/86 ..... C16-2 ..... Bi-Directional Poppet, N.O. ....	285/75	350/5000	SV43-SV44

\*210/3000 psi rating





	SERIES	CAVITY	DESCRIPTION	FLOW LPM/GPM	PRESSURE BAR/PSI	PAGE NO.	
	<b>2 WAY SPOOL TYPE</b>						
	☆ DSL082	C08-2	2 Position, 2 Way	15/4	250/3600	SV45-SV46	
	☆ DSH082	C08-2	2 Position, 2 Way	15/4	350/5000	SV47-SV48	
	☆ DSL102	C10-2	2 Position, 2 Way	30/8	250/3600	SV49-SV50	
	☆ DSH102	C10-2	2 Position, 2 Way	30/8	350/5000	SV51-SV52	
	DS162	C16-2	2 Position, 2 Way	75/20	210/3000	SV53-SV54	
	<b>3 WAY SPOOL TYPE</b>						
	☆ DSL083	C08-3	2 Position, 3 Way	15/4	250/3600	SV55-SV57	
	☆ DSH083	C08-3	2 Position, 3 Way	15/4	350/5000	SV58-SV60	
	☆ DSL103	C10-3	2 Position, 3 Way	30/8	250/3600	SV61-SV63	
	☆ DSH103	C10-3	2 Position, 3 Way	30/8	350/5000	SV64-SV66	
	DS163	C16-3	2 Position, 3 Way	57/15	210/3000	SV67-SV68	
	<b>4 WAY, 2 POSITION SPOOL TYPE</b>						
	☆ DSL084	C08-4	2 Position, 4 Way	15/4	250/3600	SV69-SV70	
	☆ DSH084	C08-4	2 Position, 4 Way	15/4	350/5000	SV71-SV72	
	☆ DSL104	C10-4	2 Position, 4 Way	38/10	250/3600	SV73-SV74	
	☆ DSH104	C10-4	2 Position, 4 Way	38/10	350/5000	SV75-SV76	
	DSH164	C16-4	2 Position, 4 Way	113/30	350/5000	SV77-SV78	
	<b>4 WAY, 3 POSITION SPOOL TYPE</b>						
	GS02 51	C08-4	3 Position, 4 Way	17/4.5	350/5000	SV79-SV80	
	GS02 53	C08-4	3 Position, 4 Way	15/4	350/5000	SV81-SV82	
	GS02 57	C08-4	3 Position, 4 Way	13/3.5	350/5000	SV83-SV84	
	GS02 59	C08-4	3 Position, 4 Way	13/3.5	350/5000	SV85-SV86	
	☆ DSL105	C10-4	3 Position, 4 Way	26/7	250/3600	SV87-SV88	
		GS04 52D	C10-4	3 Position, 4 Way	42/11	350/5000	SV89-SV90
		GS04 54D	C10-4	3 Position, 4 Way	42/11	350/5000	SV91-SV92
		GS04 57D	C10-4	3 Position, 4 Way	42/11	350/5000	SV93-SV94
		GS04 59D	C10-4	3 Position, 4 Way	42/11	350/5000	SV95-SV96
	DSH125 52	C12-4L	3 Position, 4 Way	57/15	350/5000	SV97-SV98	
	DSH125 54	C12-4L	3 Position, 4 Way	57/15	350/5000	SV99-SV100	
	DSH125 57	C12-4L	3 Position, 4 Way	57/15	350/5000	SV101-SV102	
	DSH125 59	C12-4L	3 Position, 4 Way	57/15	350/5000	SV103-SV104	

- CV**  
Check Valves
- SH**  
Shuttle Valves
- LM**  
Load/Motor Controls
- FC**  
Flow Controls
- PC**  
Pressure Controls
- LE**  
Logic Elements
- DC**  
Directional Controls
- MV**  
Manual Valves
- SV**  
Solenoid Valves
- PV**  
Proportional Valves
- CE**  
Coils & Electronics
- BC**  
Bodies & Cavities
- TD**  
Technical Data



**CV**

Check  
Valves

**SH**

Shuttle  
Valves

**LM**

Load/Motor  
Controls

**FC**

Flow  
Controls

**PC**

Pressure  
Controls

**LE**

Logic  
Elements

**DC**

Directional  
Controls

**MV**

Manual  
Valves

**SV**

Solenoid  
Valves

**PV**

Proportional  
Valves

**CE**

Coils &  
Electronics

**BC**

Bodies &  
Cavities

**TD**

Technical  
Data

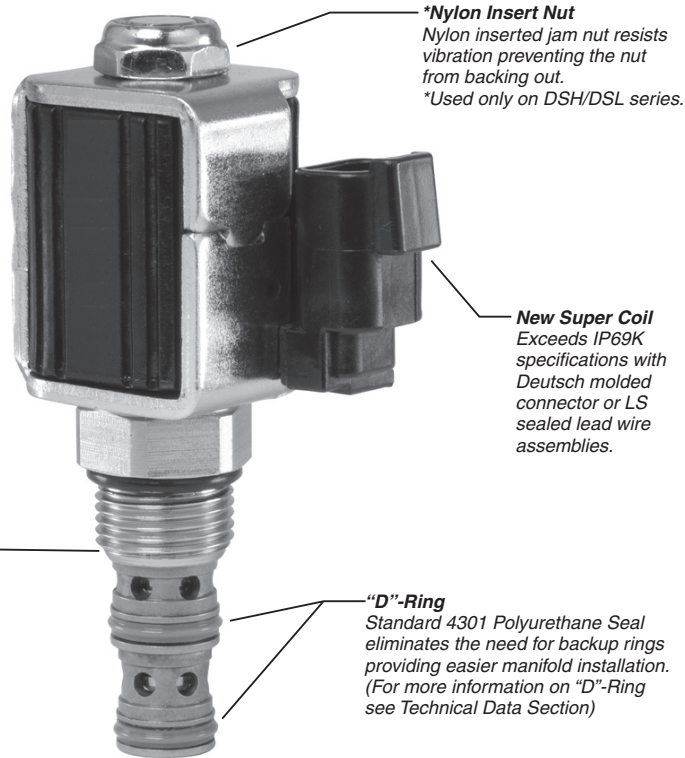
**INTRODUCTION**

This technical tips section is designed to help familiarize you with the Parker line of Solenoid Valves. In this section we highlight new products to this catalog as well as some design features of our solenoid valves. In addition we present common options available to help you in selecting products for your application. Finally, we give a brief synopsis of the operation and applications of the various products offered in this section. Some tips in applying and selecting our products are provided throughout this guide.

**NEW PRODUCTS**

There are several new additions and product improvements to our Solenoid Valve product line.

*Here are just some of the design features and advantages to the product line.*



**\*Nylon Insert Nut**  
Nylon inserted jam nut resists vibration preventing the nut from backing out.  
*\*Used only on DSH/DSL series.*

**New Super Coil**  
Exceeds IP69K specifications with Deutsch molded connector or LS sealed lead wire assemblies.

**Crimp Design**  
Fold over crimp provides secure holding and eliminates the need for adhesive.

**"D"-Ring**  
Standard 4301 Polyurethane Seal eliminates the need for backup rings providing easier manifold installation. (For more information on "D"-Ring see Technical Data Section)

**New Parker SUPER COIL Now Available!**

**\*Exceeds IP69k Specifications**

After exhaustive testing, the new Super Coil has clearly distanced itself from the competition. This coil was subjected to the rigors of this environmental standard and the results were excellent. This coil stands up to most rugged of environmental conditions including weather, dust, and extreme temperature variations.

**\*Water Dunk Test Qualified**

The Super Coil was taken to task in a repeated water dunk thermal cycle test program with alternate exposure to high and low temperature, only to perform with outstanding results.

**\*Endurance Tested**

The goal of this test was to cycle the coil to high temperature extremes in order to validate the coils ability to perform in extreme temperature environments.

**\*Water Spray and Chemical Solvent Compatibility**

The Super Coil was subjected to numerous chemical solvents in a rigorous test which established the fact that these coils can withstand harsh and unusual environments. Also, the coils were subjected to a high pressure water spray test. Once again, the Super Coil passed this test.

*\*Deutsch molded connector is highly recommended.*

**COMMON OPTIONS**

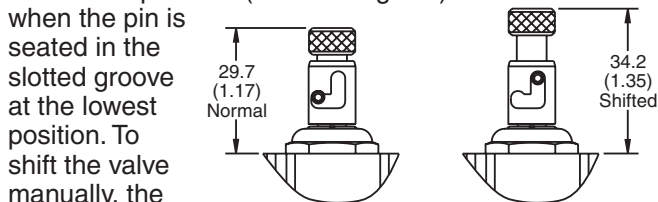
As you will see, Parker offers a variety of solenoid valve products. As such, some of the options mentioned below may not be available on all valves. Consult the model coding and dimensions for each valve for more specifics. Here are some of the common options available.

**Seals:** The Winner's Circle products feature a standard Polyurethane "D"-Ring. The "D"-Ring eliminates the need for backup rings. For more information on the "D"-Ring see the Technical Data section of the catalog. The majority of the products are available in Nitrile or Fluorocarbon Seals. You should always match the seal compatibility to the temperature and fluid being used in your application.

**Coils:** Coils can be ordered as part of the full assembly or separately. Various terminations and voltages are available. For detailed information on the coil options consult the coil section of the catalog. The ordering information for each valve will direct you to the proper coil.

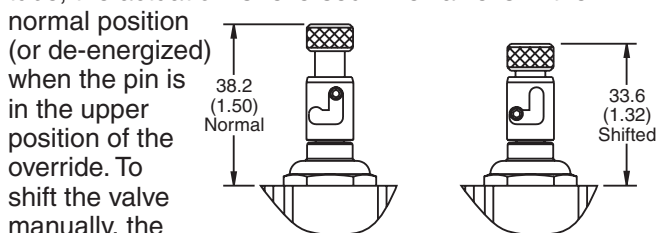
**Manual Overrides:** Many of our solenoid valves are also offered with a manual override. The override allows the user to shift the valve when coil force is not available. They provide a means of shifting the solenoid valve due to a loss of power or a coil failure. Overrides are intended for infrequent usage and are not designed to be used as a primary method of valve actuation.

The most common override option for the 2 Position valves is the push & twist style shown below. With a normally closed valve or a pull style tube, the valve is in normal operation (or de-energized)



**Normally Closed Pull Type Tube**

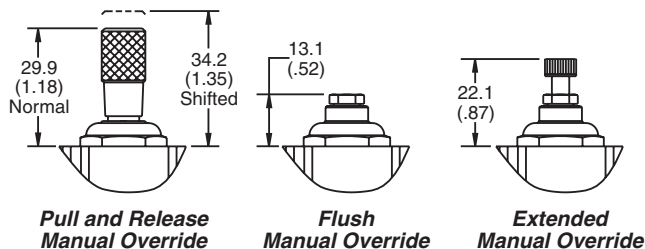
when the pin is seated in the slotted groove at the lowest position. To shift the valve manually, the operator pushes down on the knob and twists it counterclockwise. When the pressure is removed from the knob, an internal spring pushes the pin up the slotted groove to the upper position of the override. With a normally open valve, or push style tube, the actuation is reversed. The valve is in the normal position



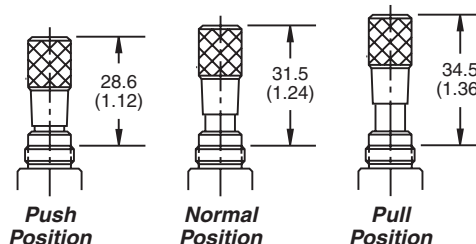
**Normally Open Push Type Tube**

down on the knob and twists is clockwise. Once the pin is seated in the slotted groove, the operator can remove pressure and the valve will stay actuated.

In addition to the push and twist style override, normally closed (pull style tube) 2 position valves can be ordered with a pull and release override. Normally open (push style) 2 position valves are available with flush style and extended style overrides. These overrides are not detented. Each style is shown below.



3 Position valves are offered with a Push / Pull style override. This override is not detented. Springs hold the spool of the valve in the center position of the valve. When the knob is pulled, the spool is moved upward simulating the action of the upper coil. When the override is pushed, the spool moves downward simulating the action of the lower coil. When no pressure is applied to the knob, it centers the spool.



**Screens:** 2 way valves can be ordered with a small mesh screen (60 x 60 mesh) placed over the cage of the cartridge valve. This screen is intended for cursory protection of the internal components of the solenoid valve. It should not be used as the primary method of filtration. The mesh catches small pieces of debris that could impede spool or poppet movement. Note that a screen will trap debris from both directions. Thus, any debris coming from the nose of the cartridge would be trapped inside the valve. As such, we recommend that screens be implemented in only applications where hydraulic fluid passes through the cartridge from the side of the cage to the nose. It should also be noted that the pressure drop through the cartridge will be increased slightly due to the small restriction of the mesh. As the screen fills with debris, pressure drop will continue to rise.



**CV**  
Check Valves

**SH**  
Shuttle Valves

**LM**  
Load/Motor Controls

**FC**  
Flow Controls

**PC**  
Pressure Controls

**LE**  
Logic Elements

**DC**  
Directional Controls

**MV**  
Manual Valves

**SV**  
Solenoid Valves

**PV**  
Proportional Valves

**CE**  
Coils & Electronics

**BC**  
Bodies & Cavities

**TD**  
Technical Data

CV

Check Valves

SH

Shuttle Valves

LM

Load/Motor Controls

FC

Flow Controls

PC

Pressure Controls

LE

Logic Elements

DC

Directional Controls

MV

Manual Valves

SV

Solenoid Valves

PV

Proportional Valves

CE

Coils & Electronics

BC

Bodies & Cavities

TD

Technical Data

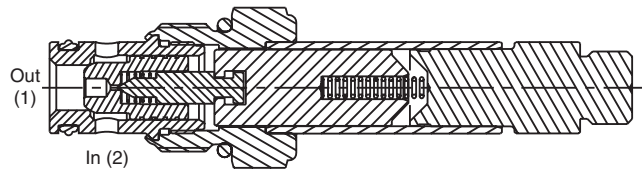
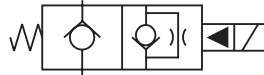
PRODUCT TYPES / APPLICATIONS

**Two Way Poppet Valves**

Two way poppet valves are pilot operated, low leakage solenoid actuated valves. Two way poppet valves control the flow of a two way function by blocking flow in one direction (similar to a check valve). They are generally selected due to their low leakage and ability to meet higher flow requirements. Poppet valves are often used on single operation actuators or in unloading functions. They are available in normally closed and normally open types. In addition, free reverse flow and fast response versions are available.

**Normally Closed Poppet**

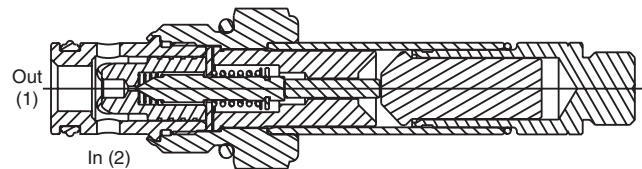
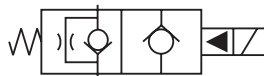
Normally closed two way poppet valves act as a check valve when de-energized, blocking flow from one direction and allowing restricted free flow in the reverse condition. When energized, the poppet lifts allowing free flow from the side to the nose of the cartridge. Should the application require free flow in both directions, the free reverse flow option should be chosen.



**OPERATION** - The valve pilot is held on its seat by spring force, blocking pilot flow. This allows pressure at the inlet (port 2) to hold the poppet on its seat, thus, preventing flow through the valve (2-1). If the nose of the cartridge (port 1) is pressurized, the pressure will overcome the spring force, pushing the poppet off of its seat, allowing free flow through the cartridge (1-2). When the coil is energized, the valve pilot is pulled off of its seat. This vents the pressure inside the poppet to port 1, creating a pressure imbalance across the main poppet. This differential lifts the poppet allowing flow from the side to nose (2-1). Since poppet valves are piloted operated, a minimum amount of pressure differential (25-50 psi) and flow between ports 2 and 1 must be present to overcome the spring and lift the poppet.

**Normally Open Poppet**

Normally open two way poppet valves, when de-energized, allow free flow from the side (port 2) of the cartridge to the nose (port 1). Flow in the reverse direction is restricted. Should free flow be required in both directions, the free reverse flow option should be specified. Once the coil is energized the normally open poppet valve acts as a check valve, blocking flow from one direction and allowing restricted free flow in the reverse condition.



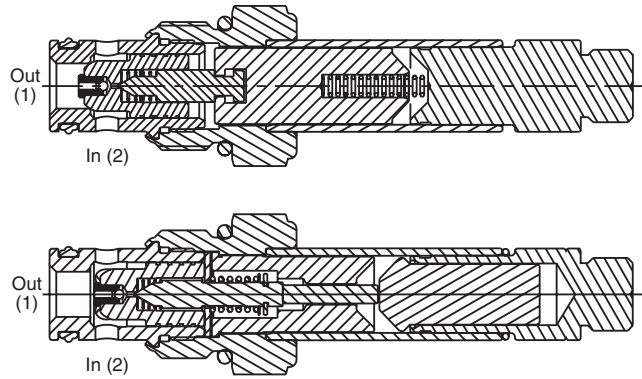
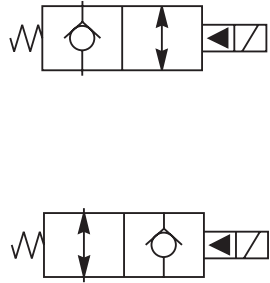
**OPERATION** - The valve pilot is held off its seat by spring force. Pilot flow is vented to port 1, creating a pressure imbalance that moves the main poppet. This differential lifts the poppet allowing flow from the side to nose (2-1). Since poppet valves are piloted operated, a minimum amount of pressure differential (25-50 psi) between ports 2 and 1 must be present to overcome the spring and lift the poppet. When the coil is energized, the coil force overcomes the spring force to drive the valve pilot and main poppet into their seats, thus blocking flow from port 2-1. If the nose of the cartridge (port 1) is pressurized, the pressure will overcome the spring force and solenoid force, pushing the poppet off of its seat, allowing restricted flow through the cartridge (1-2).

**Technical Tips**

**Solenoid Valves**

**Free Reverse Flow**

The free reverse flow versions are available on both the normally closed and normally open poppet valves. As mentioned above, the operation is the same as the standard poppet valve except flow through the reverse direction is not restricted. The free reverse flow option is only needed if the application requires flow to pass through the cartridge valve from the nose to side (port 1 to port 2).



**Fast Response**

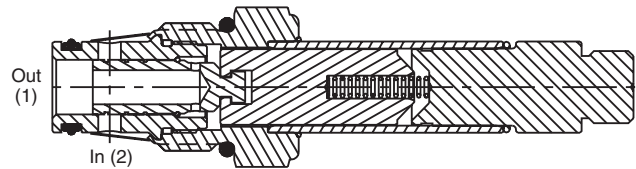
Since poppet valves are pilot operated valves, a few milliseconds are needed to move the pilot and allow the poppet to lift. Should a faster response time be required on normally closed poppet valves, this option can be chosen. The fast response is accomplished by reducing the movement of the pilot. Thus, the flow capacity of the poppet valve is also decreased.

**Two Way Spool Valves**

Two way spool valves are direct acting, fast responding solenoid actuated valves. Like the poppet valves described earlier, they block the flow of a two way function. Unlike two way poppet valves, spool valves block flow from both the side port and the nose port. They do not have the check like function of the poppet valve, thus they are either open or closed. Spool valves are directed operated, so they respond more quickly to coil voltage than poppet valves. Spool valves operate via a sliding spool, thus, some leakage will be present due to the required spool clearance. Spool valves block flow in both directions, but the preferred flow path is still from the side of the cartridge to the nose due to the flow forces acting on the spool. Two way spool valves are available in normally open and normally closed types.

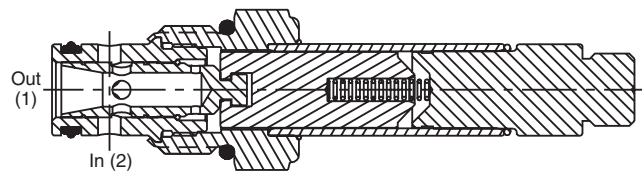
**Normally Closed Spool**

When de-energized, the spool is positioned by the spring force to cover both the side (2) and nose (1) ports of the valve. Thus, no flow is allowed from either direction. Once the coil is energized, the spool shifts exposing a flow path between the two ports. Flow can then be passed through the valve from either direction.



**Normally Open Spool**

When de-energized, the spool is positioned by the spring force so that a flow path between the side (2) and nose (1) ports is exposed, allowing flow through the valve from either direction. Once the coil is energized, the spool shifts to cover both the side (2) and nose (1) ports of the valve. Thus, no flow is allowed from either direction.



- CV** Check Valves
- SH** Shuttle Valves
- LM** Load/Motor Controls
- FC** Flow Controls
- PC** Pressure Controls
- LE** Logic Elements
- DC** Directional Controls
- MV** Manual Valves
- SV** Solenoid Valves
- PV** Proportional Valves
- CE** Coils & Electronics
- BC** Bodies & Cavities
- TD** Technical Data



**Technical Tips**

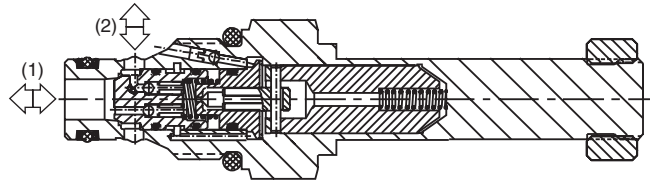
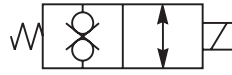
**Solenoid Valves**

**CV**

Check  
Valves

**Bi-Directional Poppet Valve**

Bi-directional poppet valves combine the dual blocking function of spool valves with the lower leakage capabilities of poppet valves. These valves also have a limited flow capacity compared to standard poppet or spool valves.

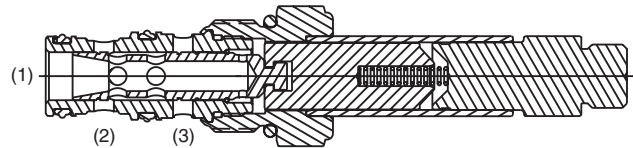
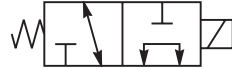


**SH**

Shuttle  
Valves

**Two Position,  
Three Way Spool Valve**

Three way spool solenoid valves provide directional control of flow. Each three way valve has a special internal spool which connects two of the three valve ports. When actuated, the spool connects a different combination of valve ports. These valves are often used for raise and lower functions of a single acting cylinder, control of a uni-directional motor, or as a circuit selector.



**LM**

Load/Motor  
Controls

**FC**

Flow  
Controls

**PC**

Pressure  
Controls

**LE**

Logic  
Elements

**OPERATION** - In the de-energized mode, the spool is positioned by spring force. When energized, the coil force directly shifts the spool against the spring, thus changing the flow through the valve. Each spool type can be used as a normally open, normally closed, or selector valve. To explain this we will review the DSL103A which is pictured here. When the valve is de-energized, ports 1 and 2 are open to one another. When energized, ports 1 and 3 are connected.

**DC**

Directional  
Controls

**MV**

Manual  
Valves

**SV**

Solenoid  
Valves

**PV**

Proportional  
Valves

**CE**

Coils &  
Electronics

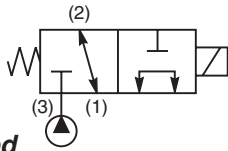
**BC**

Bodies &  
Cavities

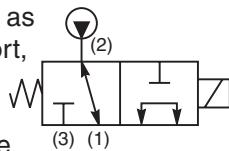
**TD**

Technical  
Data

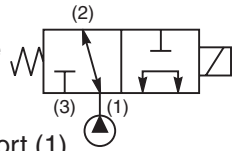
Thus, if we use port 3 as our pressure port, we have a **normally closed valve**. The pressure port (3) is blocked, while the actuator port (1) is drained to tank (2).



If we use port 2 as our pressure port, we have a **normally open valve**. The pressure port (2) is connected to the actuator port (1), and the tank port (3) is blocked.



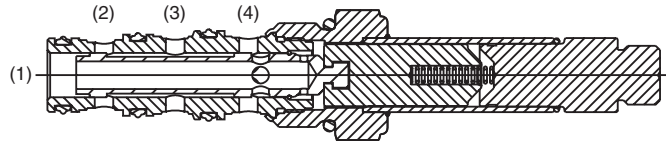
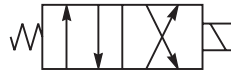
If we use port 1 as our pressure port, we have a **selector valve**. The pressure port (1) is either connected to port (2) or port (3). Thus, it is "selecting" which port will get the system pressure and flow.



Note that in all three examples, we were using the same valve. The flow forces acting on the spool change depending on which port is pressurized. Thus, if you will be shifting the three way valve under full flow and pressure, it is important to review the shift limit characteristics for the flow paths you have chosen to be sure the coil has enough force to shift the spool. Various spools are available in this catalog to maximize the flow and pressure capacities for the desired flow function.

**Two Position,  
Four Way Spool Valve**

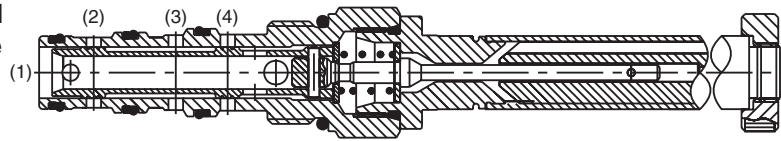
Four way spool solenoid valves provide directional control of flow. Each four way valve has a special internal spool which connects some combination of the four valve ports together. When actuated, the spool connects a different combination of valve ports. These valves are often used for the raise / lower function of a double acting cylinder, or as a forward / reverse function of bi-directional motors.



**OPERATION** - In the de-energized mode, the spool is positioned by spring force. When energized, the coil force directly shifts the spool against the spring, thus changing the flow through the valve. Each spool type is customized to provide the flow combination desired. The flow forces acting on the spool change depending on which port is pressurized. Thus, if you will be shifting the four way valve under full flow and pressure, it is important to review the shift limit characteristics for the flow paths you have chosen to ensure the coil has enough force to shift the spool. Various spools are shown in this catalog to maximize the flow and pressure capacities for the desired flow function.

**Three Position,  
Four Way Spool Valve**

Three position, four way spool solenoid valves provide directional control of flow. Each four way valve has a special internal spool which connects some combination of the four ports together. When one coil is actuated, the spool connects a different combination of valve ports. When the other coil is actuated a third combination of valve ports are connected. These valves are often used for the raise / lower function of a double acting cylinder, or as a forward / reverse function of bi-directional motors. The center position can be used to stop the actuator in mid-stroke, or dump the pump flow.



**OPERATION** - In the de-energized mode, the spool is positioned by spring force. When energized, the coil force directly shifts the against the spring, thus changing the flow through the valve. Each spool type is customized to provide the flow combination desired. The flow forces acting on the spool change depending on which port is pressurized. Thus, if you will be shifting the four way valve under full flow and pressure, it is important to review the shift limit characteristics for the flow paths you chosen to ensure the coil has enough force to shift the spool. Various spools are shown in this catalog to maximize the flow and pressure capacities for the desired flow function.

**CV**

Check  
Valves

**SH**

Shuttle  
Valves

**LM**

Load/Motor  
Controls

**FC**

Flow  
Controls

**PC**

Pressure  
Controls

**LE**

Logic  
Elements

**DC**

Directional  
Controls

**MV**

Manual  
Valves

**SV**

Solenoid  
Valves

**PV**

Proportional  
Valves

**CE**

Coils &  
Electronics

**BC**

Bodies &  
Cavities

**TD**

Technical  
Data



**Technical Information**

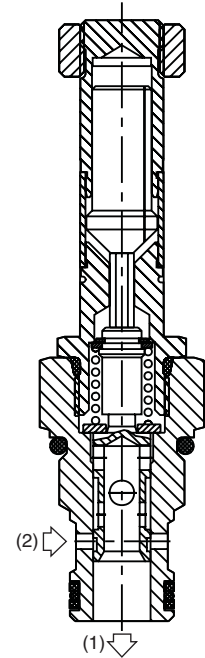
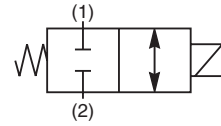
- CV** Check Valves
- SH** Shuttle Valves
- LM** Load/Motor Controls
- FC** Flow Controls
- PC** Pressure Controls
- LE** Logic Elements
- DC** Directional Controls
- MV** Manual Valves
- SV** Solenoid Valves
- PV** Proportional Valves
- CE** Coils & Electronics
- BC** Bodies & Cavities
- TD** Technical Data

**General Description**

2-Way, 2 Position, Normally Closed Spool Valve. For additional information see Technical Tips on pages SV1-SV6.

**Features**

- High flow capacity
- One piece cartridge housing ensures internal concentricity
- Coil: Waterproof, hermetically sealed, requires no O’Rings; Symmetrical coil can be reversed without affecting performance.

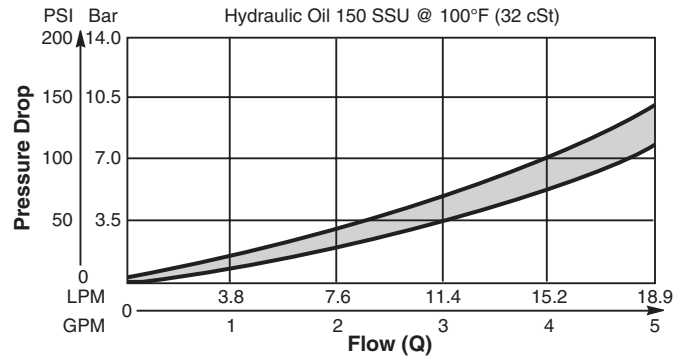


**Specifications**

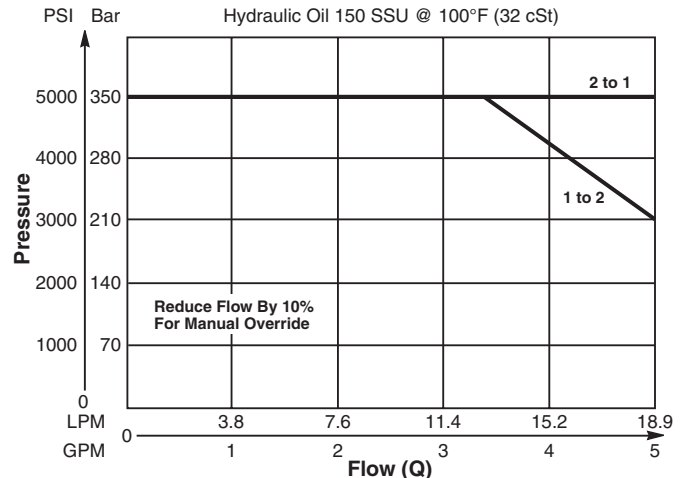
<b>Rated Flow</b>	19 LPM (5 GPM)
<b>Maximum Inlet Pressure</b>	350 Bar (5000 PSI)
<b>Leakage at 150 SSU (32 cSt)</b>	82 cc/min @ 210 Bar (3000 PSI)
<b>Minimum Operating Voltage</b>	85% of rated voltage at 20°C (72°F).
<b>Cartridge Material</b>	All parts steel. All operating parts hardened steel.
<b>Operating Temp. Range/Seals</b>	-34°C to +121°C (Nitrile) (-30°F to +250°F) -26°C to +204°C (Fluorocarbon) (-15°F to +400°F)
<b>Fluid Compatibility/ Viscosity</b>	Mineral-based or synthetic with lubricating properties at viscosities of 45 to 2000 SSU (6 to 420 cSt)
<b>Filtration</b>	ISO 4406 18/16/13, SAE Class 4
<b>Approx. Weight</b>	.14 kg (.31 lbs.)
<b>Cavity</b>	C09-2 (See BC Section for more details)

**Performance Curves**

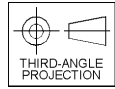
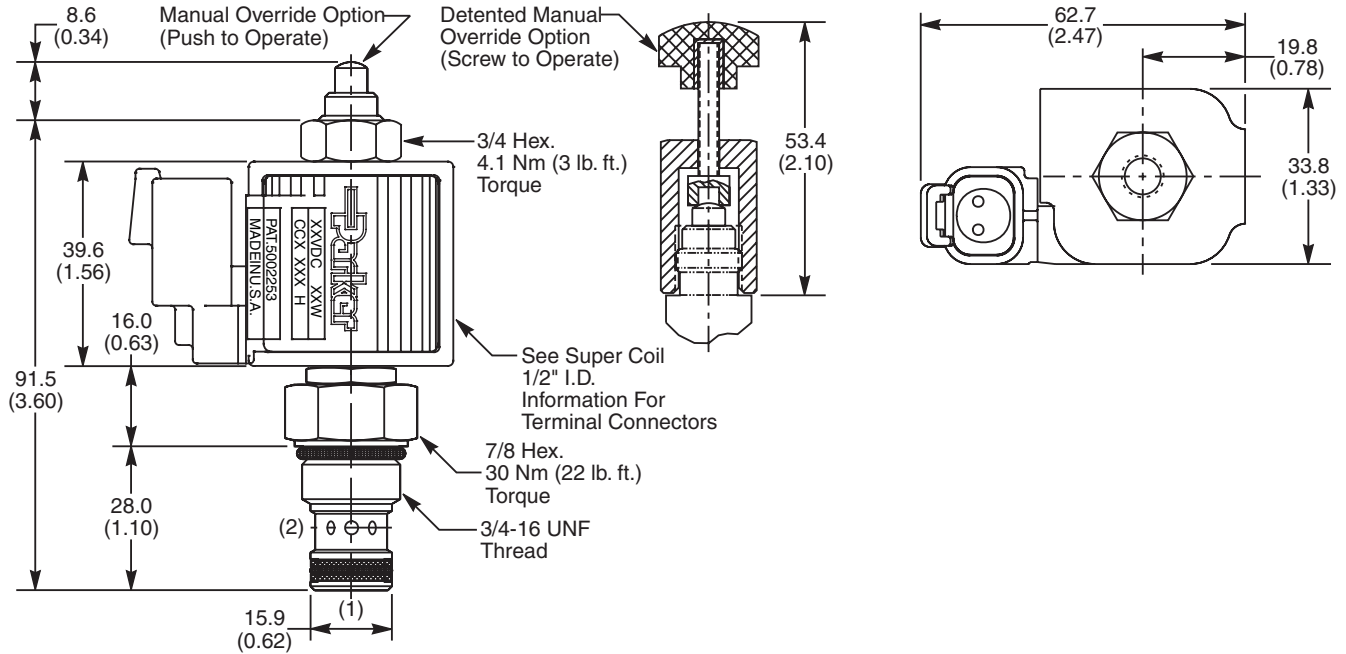
**Pressure Drop vs. Flow (Through cartridge only)**



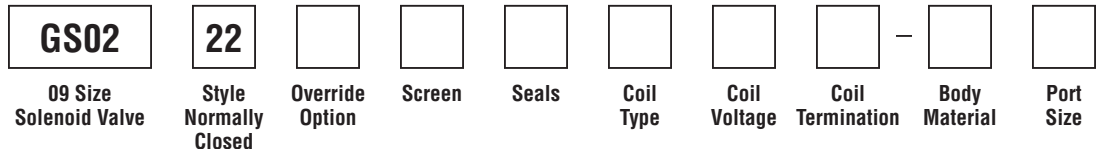
**Operating Limits (Measured at 75% of Nominal Current)**



**Dimensions** Millimeters (Inches)



**Ordering Information**



Code	Style
22	High Pressure ('SP' Coil)

Code	Seals / Kit No.
N	Nitrile / Buna-N (Std.) (SK30076N-1)
V	Fluorocarbon / (SK30076V-1)

Code	Coil Termination
Omit	Without Coil
A	Amp Jr. Timer*
C	Conduit With Leads
D	DIN Plug Face
H	Molded Deutsch*
L	Dual Lead Wire*
PF	Packard Female*
PM	Packard Male*
S	Dual Spade*

Code	Body Material
Omit	Steel
A	Aluminum

Code	Override Options
0	None
1	Manual Override
2	Detented Part No. 900690

Code	Coil Type
Omit	Without Coil
SP	Super Coil - 19 Watts

Code	Port Size	Body Part No.
Omit	Cartridge Only	
6T	SAE-6	(B09-2-*6T)

\* Add "A" for aluminum, omit for steel.

Code	Screen
0	None

Code	Coil Voltage
Omit	Without Coil
D012	12 VDC
D024	24 VDC
A120	120 VAC, 60/50 Hz

See Super Coil 1/2" I.D.  
 \*DC Only

- CV Check Valves
- SH Shuttle Valves
- LM Load/Motor Controls
- FC Flow Controls
- PC Pressure Controls
- LE Logic Elements
- DC Directional Controls
- MV Manual Valves
- SV Solenoid Valves
- PV Proportional Valves
- CE Coils & Electronics
- BC Bodies & Cavities
- TD Technical Data

**Technical Information**

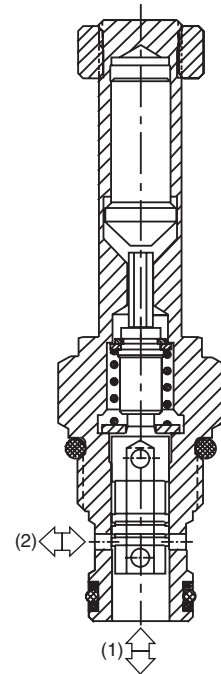
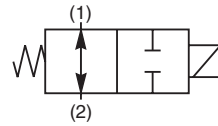
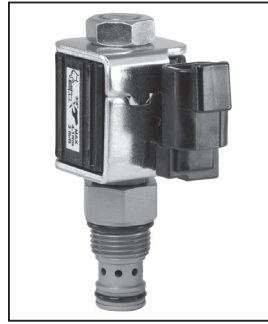
- CV** Check Valves
- SH** Shuttle Valves
- LM** Load/Motor Controls
- FC** Flow Controls
- PC** Pressure Controls
- LE** Logic Elements
- DC** Directional Controls
- MV** Manual Valves
- SV** Solenoid Valves
- PV** Proportional Valves
- CE** Coils & Electronics
- BC** Bodies & Cavities
- TD** Technical Data

**General Description**

2-Way, 2 Position, Normally Open Spool Valve.  
For additional information see Technical Tips on pages SV1-SV6.

**Features**

- High flow capacity
- One piece cartridge housing ensures internal concentricity
- Coil: Waterproof, hermetically sealed, requires no O’Rings; Symmetrical coil can be reversed without affecting performance.

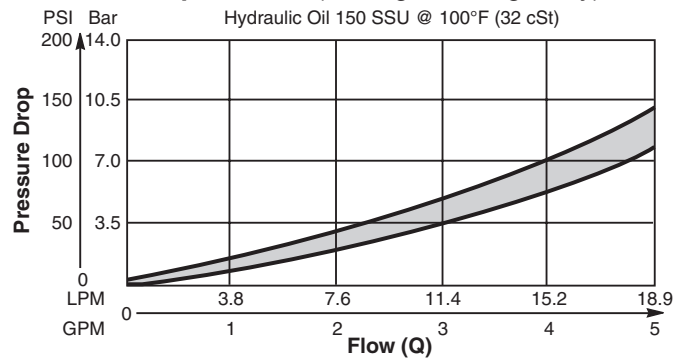


**Specifications**

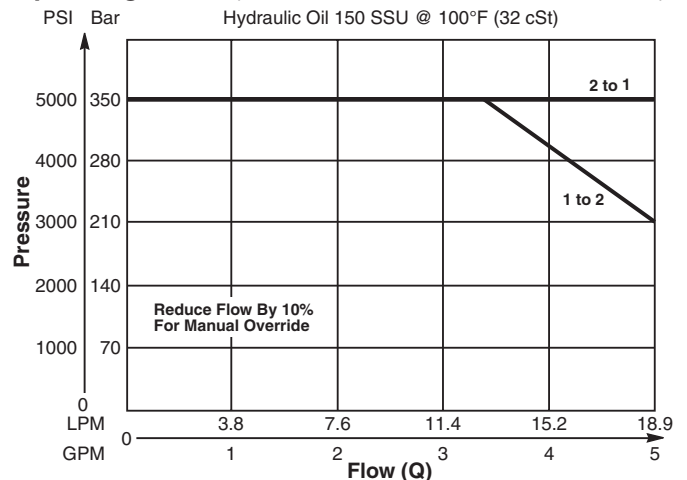
<b>Rated Flow</b>	19 LPM (5 GPM)
<b>Maximum Inlet Pressure</b>	350 Bar (5000 PSI)
<b>Leakage at 150 SSU (32 cSt)</b>	82 cc/min @ 210 Bar (3000 PSI)
<b>Minimum Operating Voltage</b>	85% of rated voltage at 20°C (72°F).
<b>Cartridge Material</b>	All parts steel. All operating parts hardened steel.
<b>Operating Temp. Range/Seals</b>	-34°C to +121°C (Nitrile) (-30°F to +250°F) -26°C to +204°C (Fluorocarbon) (-15°F to +400°F)
<b>Fluid Compatibility/ Viscosity</b>	Mineral-based or synthetic with lubricating properties at viscosities of 45 to 2000 SSU (6 to 420 cSt)
<b>Filtration</b>	ISO 4406 18/16/13, SAE Class 4
<b>Approx. Weight</b>	.14 kg (.31 lbs.)
<b>Cavity</b>	C09-2 (See BC Section for more details)

**Performance Curves**

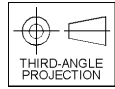
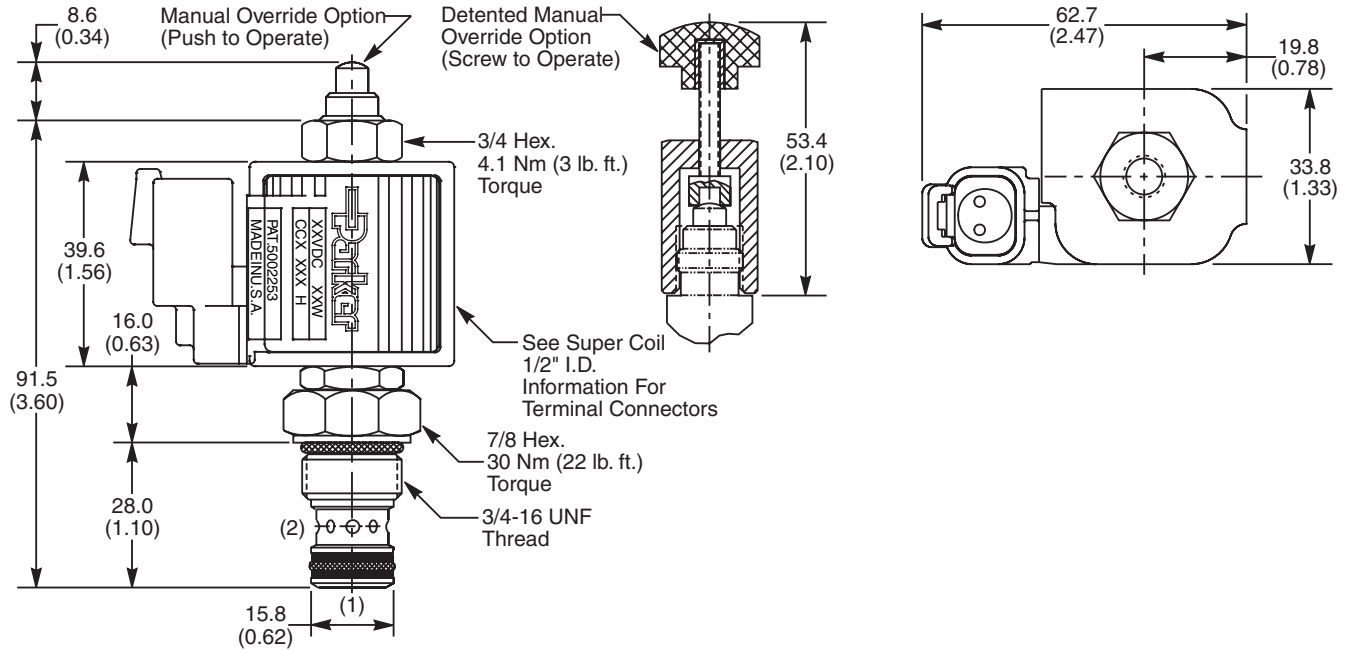
**Pressure Drop vs. Flow (Through cartridge only)**



**Operating Limits (Measured at 75% of Nominal Current)**



**Dimensions** Millimeters (Inches)



**Ordering Information**

<b>GS02</b>	<b>27</b>								
09 Size Solenoid Valve	Style Normally Open	Override Option	Screen	Seals	Coil Type	Coil Voltage	Coil Termination	Body Material	Port Size

Code	Style
27	High Pressure ('SP' Coil)

Code	Seals / Kit No.
N	Nitrile / Buna-N (Std.) (SK30076N-1)
V	Fluorocarbon / (SK30076V-1)

Code	Coil Termination
Omit	Without Coil
A	Amp Jr. Timer*
C	Conduit With Leads
D	DIN Plug Face
H	Molded Deutsch*
L	Dual Lead Wire*
PF	Packard Female*
PM	Packard Male*
S	Dual Spade*

Code	Body Material
Omit	Steel
A	Aluminum

Code	Override Options
0	None
1	Manual Override
2	Detented Part No. 900690

Code	Coil Type
Omit	Without Coil
SP	Super Coil - 19 Watts

Code	Port Size	Body Part No.
Omit	Cartridge Only	
6T	SAE-6	(B09-2-*6T)

\* Add "A" for aluminum, omit for steel.

Code	Screen
0	None

Code	Coil Voltage
Omit	Without Coil
D012	12 VDC
D024	24 VDC
A120	120 VAC, 60/50 Hz

See Super Coil 1/2" I.D.  
 \*DC Only

- CV** Check Valves
- SH** Shuttle Valves
- LM** Load/Motor Controls
- FC** Flow Controls
- PC** Pressure Controls
- LE** Logic Elements
- DC** Directional Controls
- MV** Manual Valves
- SV** Solenoid Valves
- PV** Proportional Valves
- CE** Coils & Electronics
- BC** Bodies & Cavities
- TD** Technical Data

**Technical Information**

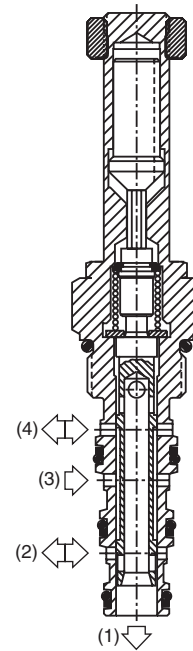
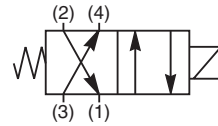
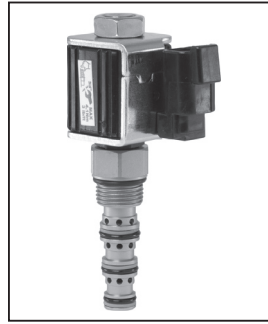
- CV** Check Valves
- SH** Shuttle Valves
- LM** Load/Motor Controls
- FC** Flow Controls
- PC** Pressure Controls
- LE** Logic Elements
- DC** Directional Controls
- MV** Manual Valves
- SV** Solenoid Valves
- PV** Proportional Valves
- CE** Coils & Electronics
- BC** Bodies & Cavities
- TD** Technical Data

**General Description**

4-Way, 2 Position, Reversing Spool Valve. For additional information see Technical Tips on pages SV1-SV6.

**Features**

- Designed to operate double and single acting cylinders, pilot circuits and bi-directional motors, etc.
- High flow capacity with reduced space requirements
- High pressure capacity to 350 Bar (5000 PSI)
- One piece cartridge housing ensures internal concentricity
- Coil: Waterproof, hermetically sealed, requires no O’Rings; Symmetrical coil can be reversed without affecting performance.
- Manual override available

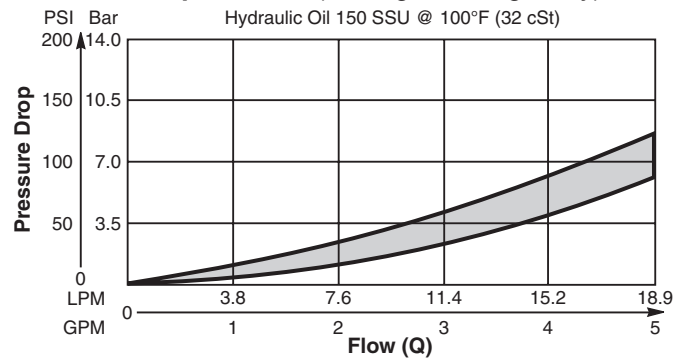


**Specifications**

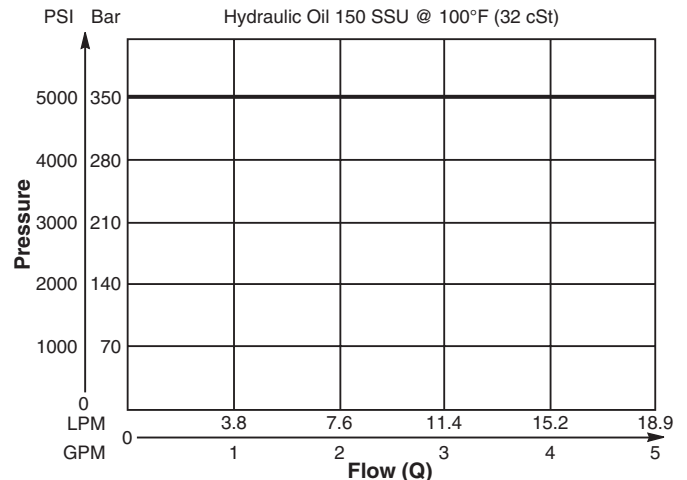
<b>Rated Flow</b>	19 LPM (5 GPM)
<b>Maximum Inlet Pressure</b>	350 Bar (5000 PSI)
<b>Minimum Operating Voltage</b>	85% of rated voltage at 20°C (72°F).
<b>Cartridge Material</b>	All parts steel. All operating parts hardened steel.
<b>Operating Temp. Range/Seals</b>	-34°C to +121°C (Nitrile) (-30°F to +250°F) -26°C to +204°C (Fluorocarbon) (-15°F to +400°F)
<b>Fluid Compatibility/ Viscosity</b>	Mineral-based or synthetic with lubricating properties at viscosities of 45 to 2000 SSU (6 to 420 cSt)
<b>Filtration</b>	ISO 4406 18/16/13, SAE Class 4
<b>Approx. Weight</b>	.30 kg (.66 lbs.)
<b>Cavity</b>	C08-4 (See BC Section for more details)

**Performance Curves**

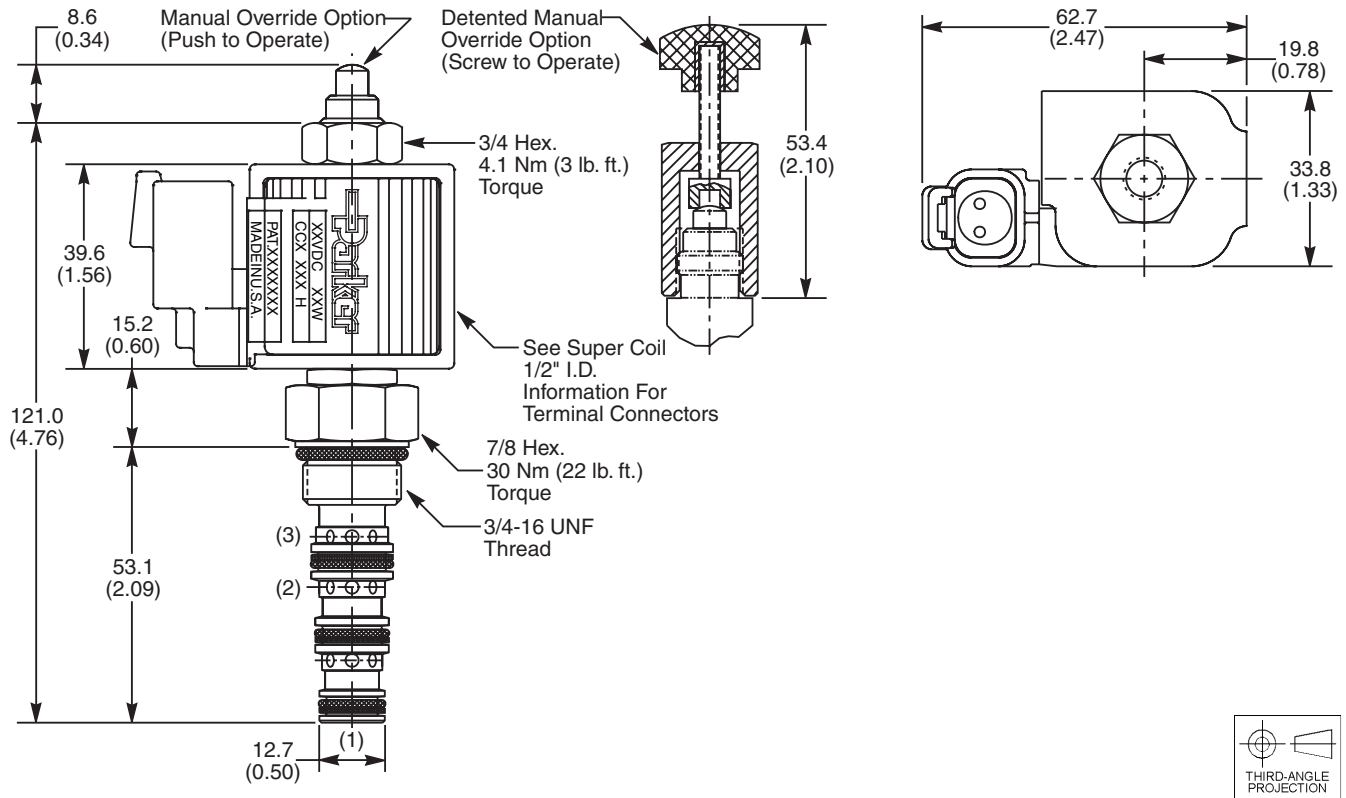
**Pressure Drop vs. Flow (Through cartridge only)**



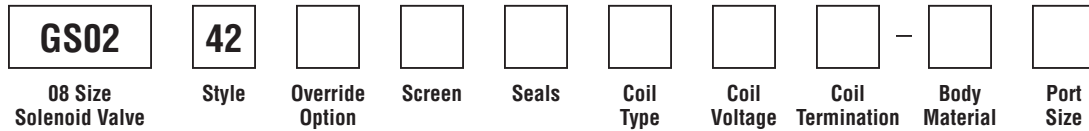
**Operating Limits (Measured at 75% of Nominal Current)**



**Dimensions** Millimeters (Inches)



**Ordering Information**



Code	Style
42	High Pressure ('SP' Coil)

Code	Seals / Kit No.
N	Nitrile / Buna-N (Std.) (SK30078N-1)
V	Fluorocarbon / (SK30078V-1)

Code	Coil Termination
Omit	Without Coil
A	Amp Jr. Timer*
C	Conduit With Leads
D	DIN Plug Face
H	Molded Deutsch*
L	Dual Lead Wire*
PF	Packard Female*
PM	Packard Male*
S	Dual Spade*

Code	Body Material
Omit	Steel
A	Aluminum

Code	Override Options
0	None
1	Manual Override
2	Detented Part No. 900690

Code	Coil Type
Omit	Without Coil
SP	Super Coil - 19 Watts

Code	Port Size	Body Part No.
Omit	Cartridge Only	
6T	SAE-6	(B08-4-*6T)

\* Add "A" for aluminum, omit for steel.

Code	Screen
0	Not Available

Code	Coil Voltage
Omit	Without Coil
D012	12 VDC
D024	24 VDC
A120	120 VAC, 60/50 Hz

See Super Coil 1/2" I.D.  
 \*DC Only

- CV Check Valves
- SH Shuttle Valves
- LM Load/Motor Controls
- FC Flow Controls
- PC Pressure Controls
- LE Logic Elements
- DC Directional Controls
- MV Manual Valves
- SV Solenoid Valves
- PV Proportional Valves
- CE Coils & Electronics
- BC Bodies & Cavities
- TD Technical Data

- CV** Check Valves
- SH** Shuttle Valves
- LM** Load/Motor Controls
- FC** Flow Controls
- PC** Pressure Controls
- LE** Logic Elements
- DC** Directional Controls
- MV** Manual Valves
- SV** Solenoid Valves
- PV** Proportional Valves
- CE** Coils & Electronics
- BC** Bodies & Cavities
- TD** Technical Data

**General Description**

2-Way Poppet Valves. For additional information see Technical Tips on pages SV1-SV6.

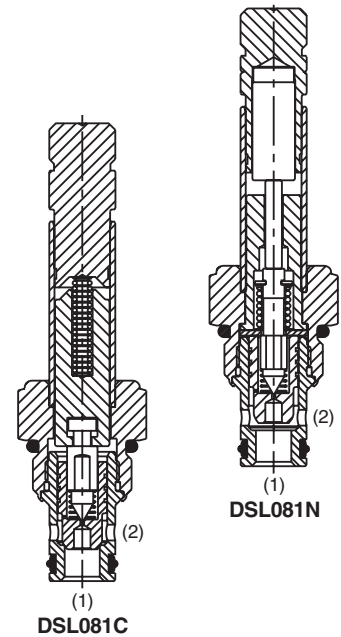
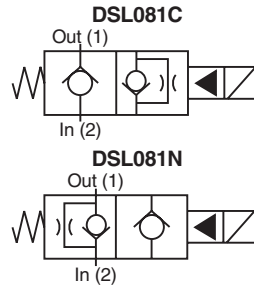
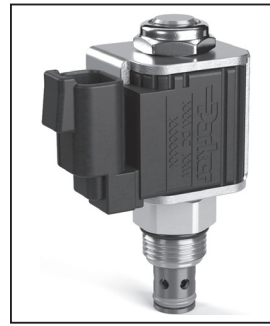


**Features**

- Replaceable, one piece encapsulated, coils with minimal amperage draw
- Variety of coil terminations and voltages
- Variety of manual override options available
- Fast response available, (CH and CHR) rated at 15 LPM (4.0 GPM)
- Polyurethane "D"-Ring eliminates need for backup rings
- Spherical poppet for low leakage
- Nylon inserted jam-nut provides secure holding in high vibration applications
- All external parts zinc plated

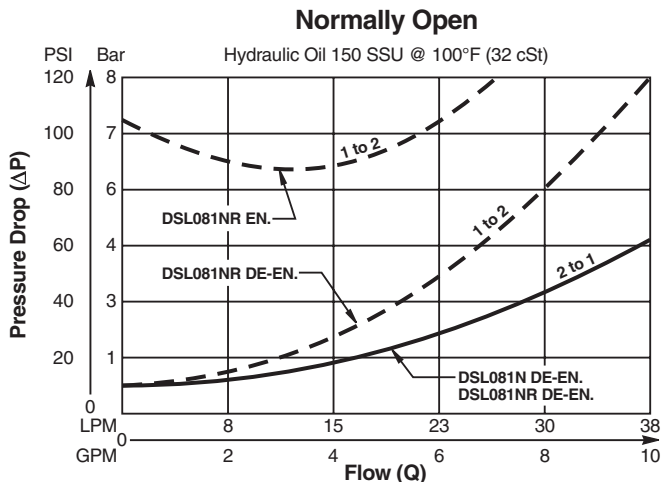
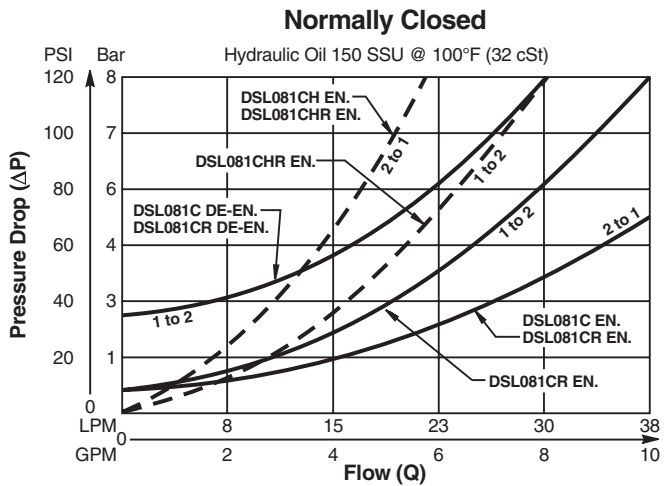
**Specifications**

<b>Rated Flow</b>	30 LPM (8 GPM)		
<b>Maximum Inlet Pressure</b>	250 Bar (3600 PSI)		
<b>Leakage at 150 SSU (32 cSt)</b>	5 drops/min. (.33 cc/min.)		
<b>Minimum Operating Voltage</b>	85% of rated voltage at 20°C (72°F).		
<b>Response Time</b>		<b>Energized</b>	<b>De-Energized</b>
	<b>C, CR</b>	50 ms	50 ms
	<b>CH, CHR</b>	30 ms	50 ms
	<b>N, NR</b>	50 ms	40 ms
<b>Cartridge Material</b>	All parts steel. All operating parts hardened steel.		
<b>Operating Temp. Range/Seals</b>	-45°C to +132°C ("D"-Ring) (-50°F to +270°F) -34°C to +121°C (Nitrile) (-30°F to +250°F) -26°C to +204°C (Fluorocarbon) (-15°F to +400°F)		
<b>Fluid Compatibility/Viscosity</b>	Mineral-based or synthetic with lubricating properties at viscosities of 45 to 2000 SSU (6 to 420 cSt)		
<b>Filtration</b>	ISO 4406 18/16/13, SAE Class 4		
<b>Approx. Weight</b>	.11 kg (.25 lbs.)		
<b>Cavity</b>	C08-2 (See BC Section for more details)		
<b>Form Tool</b>	Rougher	None	
	Finisher	NFT08-2F	



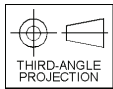
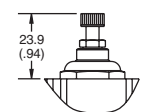
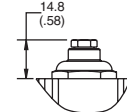
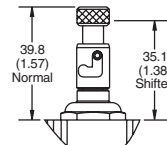
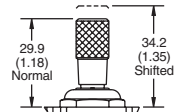
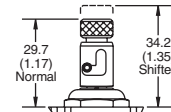
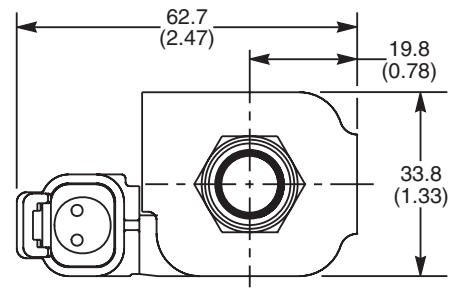
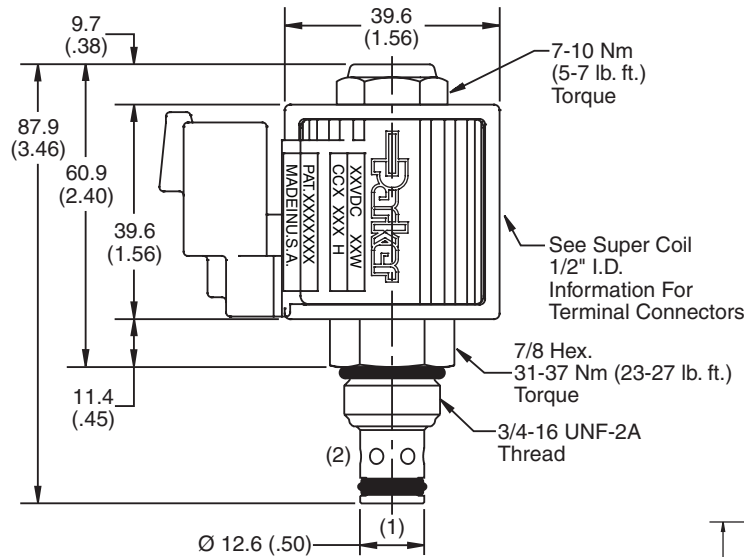
**Performance Curves**

**Pressure Drop vs. Flow (Through cartridge only)**

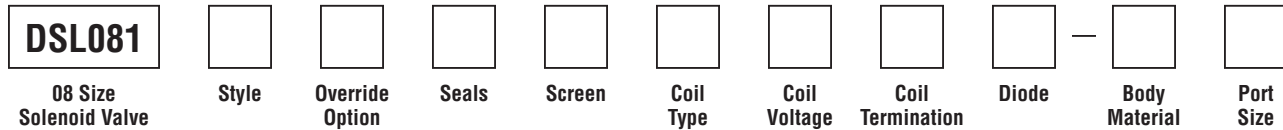




**Dimensions** Millimeters (Inches)



**Ordering Information**



Code / Style	Diagram
<b>C</b> Normally Closed Metered reverse flow	
<b>CH</b> Normally Closed Metered reverse flow (Fast response)	
<b>CHR</b> Normally Closed Full reverse flow (Fast response)	
<b>CR</b> Normally Closed Free reverse flow	
<b>N</b> Normally Open Metered reverse flow	
<b>NR</b> Normally Open Free reverse flow	

Code	Override Options
<b>Omit</b>	None
<b>E</b>	Push Type with Extended Rod (N.O. Only)
<b>M</b>	Push Type with Flush Rod (N.O. Only)
<b>P</b>	Pull & Release (N.C. Only)
<b>T</b>	Push & Twist (N.C. & N.O.)

Code	Seals / Kit No.
<b>Omit</b>	"D"-Ring / (SK08-2)
<b>N</b>	Nitrile / (SK08-2N)
<b>V</b>	Fluorocarbon / (SK08-2V)

Code	Screen
<b>Omit</b>	None
<b>S</b>	Screen

Code	Coil Type
<b>Omit</b>	Without Coil
<b>SP*</b>	Super Coil - 19 Watts

*\*Recommended*

Code	Coil Voltage
<b>Omit</b>	Without Coil
<b>D012</b>	12 VDC
<b>D024</b>	24 VDC
<b>A120</b>	120/110 VAC, 60/50 Hz

SP* Coil	Coil Termination
<b>Omit</b>	Without Coil
<b>A</b>	Amp Jr. Timer†
<b>C</b>	Conduit With Leads
<b>D</b>	DIN Plug Face
<b>H</b>	Molded Deutsch†
<b>L</b>	Dual Lead Wire†
<b>PF</b>	Packard Female†
<b>PM</b>	Packard Male†
<b>S</b>	Dual Spade†

*\*Recommended †DC Only*

Code	Diode
<b>Omit</b>	None
<b>R</b>	Diode

Code	Body Material
<b>Omit</b>	Steel
<b>A</b>	Aluminum

Code	Port Size	Body Part No.
<b>Omit</b>	Cartridge Only	
<b>4T</b>	SAE-4	(B08-2-*4T)
<b>6T</b>	SAE-6	(B08-2-*6T)

*\* Add "A" for aluminum, omit for steel.*

- CV** Check Valves
- SH** Shuttle Valves
- LM** Load/Motor Controls
- FC** Flow Controls
- PC** Pressure Controls
- LE** Logic Elements
- DC** Directional Controls
- MV** Manual Valves
- SV** Solenoid Valves
- PV** Proportional Valves
- CE** Coils & Electronics
- BC** Bodies & Cavities
- TD** Technical Data

**Technical Information**

- CV** Check Valves
- SH** Shuttle Valves
- LM** Load/Motor Controls
- FC** Flow Controls
- PC** Pressure Controls
- LE** Logic Elements
- DC** Directional Controls
- MV** Manual Valves
- SV** Solenoid Valves
- PV** Proportional Valves
- GE** Coils & Electronics
- BC** Bodies & Cavities
- TD** Technical Data

**General Description**

2-Way Poppet Valves. For additional information see Technical Tips on pages SV1-SV6.

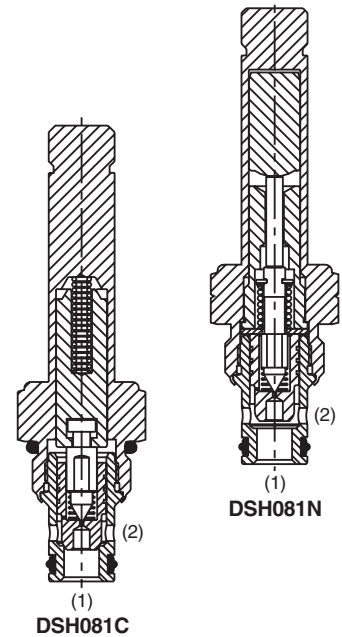
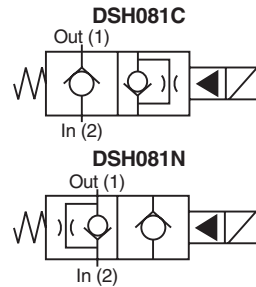
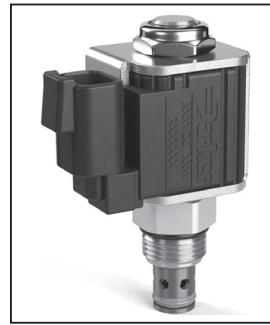


**Features**

- Replaceable, one piece encapsulated, coils with minimal amperage draw
- Variety of coil terminations and voltages
- Variety of manual override options available
- Fast response available, (CH and CHR) rated at 15 LPM (4.0 GPM)
- Polyurethane "D"-Ring eliminates need for backup rings
- Spherical poppet for low leakage
- Nylon inserted jam-nut provides secure holding in high vibration applications
- All external parts zinc plated

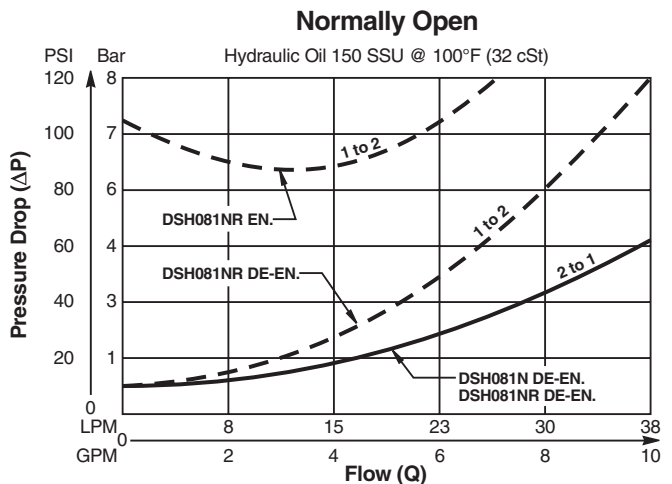
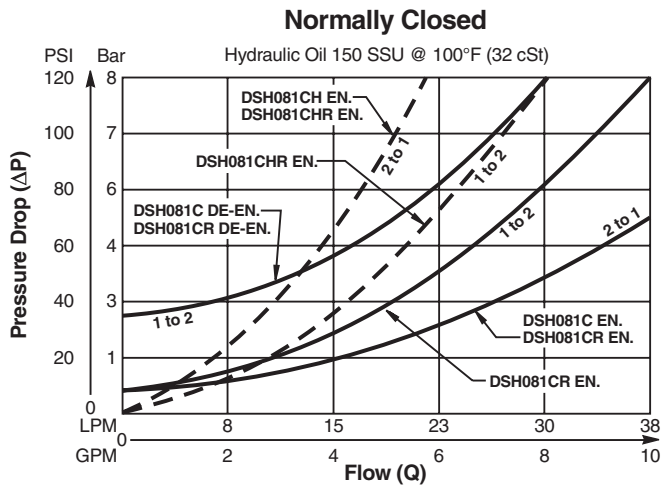
**Specifications**

<b>Rated Flow</b>	30 LPM (8 GPM)		
<b>Maximum Inlet Pressure</b>	350 Bar (5000 PSI)		
<b>Leakage at 150 SSU (32 cSt)</b>	5 drops/min. (.33 cc/min.)		
<b>Minimum Operating Voltage</b>	85% of rated voltage at 20°C (72°F).		
<b>Response Time</b>		<b>Energized</b>	<b>De-Energized</b>
	<b>C, CR</b>	50 ms	50 ms
	<b>CH, CHR</b>	30 ms	50 ms
	<b>N, NR</b>	50 ms	40 ms
<b>Cartridge Material</b>	All parts steel. All operating parts hardened steel.		
<b>Operating Temp. Range/Seals</b>	-45°C to +132°C ("D"-Ring) (-50°F to +270°F) -34°C to +121°C (Nitrile) (-30°F to +250°F) -26°C to +204°C (Fluorocarbon) (-15°F to +400°F)		
<b>Fluid Compatibility/Viscosity</b>	Mineral-based or synthetic with lubricating properties at viscosities of 45 to 2000 SSU (6 to 420 cSt)		
<b>Filtration</b>	ISO 4406 18/16/13, SAE Class 4		
<b>Approx. Weight</b>	.11 kg (.25 lbs.)		
<b>Cavity</b>	C08-2 (See BC Section for more details)		
<b>Form Tool</b>	Rougher	None	
	Finisher	NFT08-2F	

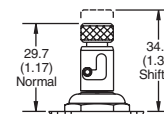
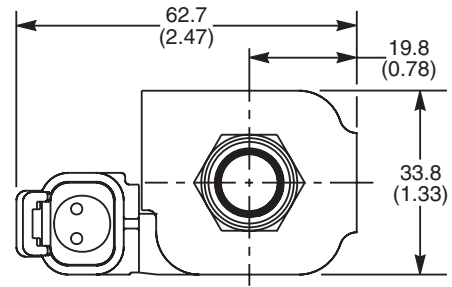
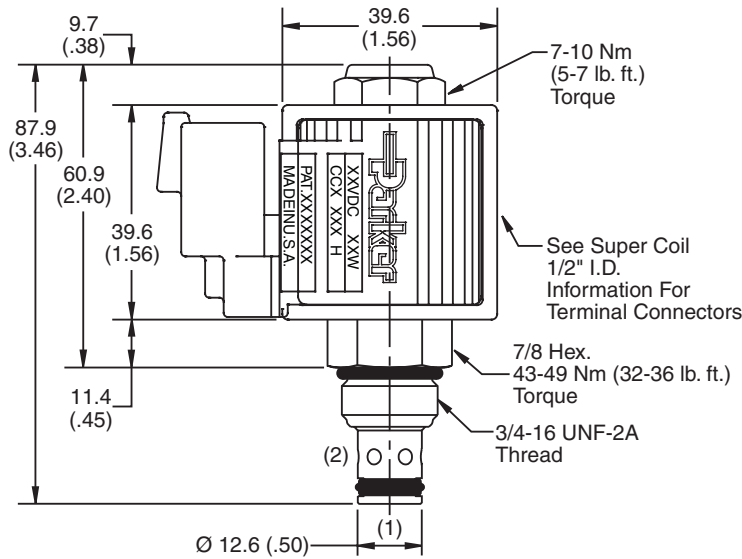


**Performance Curves**

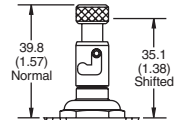
Pressure Drop vs. Flow (Through cartridge only)



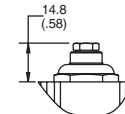
**Dimensions** Millimeters (Inches)



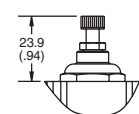
**Push and Twist M.O.**  
 (Normally Closed Valves Only)



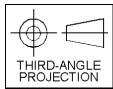
**Push and Twist M.O.**  
 (Normally Open Valves Only)



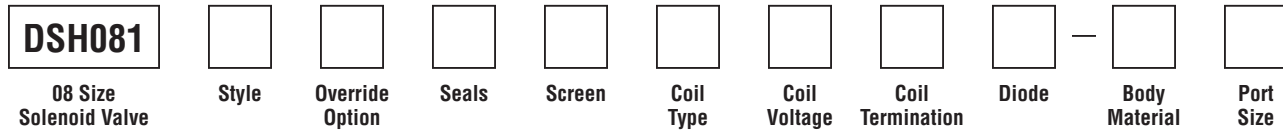
**Flush M.O.**  
 (Normally Open Valves Only)



**Extended M.O.**  
 (Normally Open Valves Only)



**Ordering Information**



Code / Style	Diagram
<b>C</b> Normally Closed Metered reverse flow	
<b>CH</b> Normally Closed Metered reverse flow (Fast response)	
<b>CHR</b> Normally Closed Free reverse flow (Fast response)	
<b>CR</b> Normally Closed Free reverse flow	
<b>N</b> Normally Open Metered reverse flow	
<b>NR</b> Normally Open Free reverse flow	

Code	Override Options
<b>Omit</b>	None
<b>E</b>	Push Type with Extended Rod (N.O. Only)
<b>M</b>	Push Type with Flush Rod (N.O. Only)
<b>T</b>	Push & Twist (N.C.* & N.O.)

*\*Requires Super Coil*

Code	Seals / Kit No.
<b>Omit</b>	"D"-Ring / (SK08-2)
<b>N</b>	Nitrile / (SK08-2N)
<b>V</b>	Fluorocarbon / (SK08-2V)

Code	Screen
<b>Omit</b>	None
<b>S</b>	Screen

Code	Coil Type
<b>Omit</b>	Without Coil
<b>SP*</b>	Super Coil - 19 Watts

*\*Recommended*

Code	Coil Voltage
<b>Omit</b>	Without Coil
<b>D012</b>	12 VDC
<b>D024</b>	24 VDC
<b>A120</b>	120/110 VAC, 60/50 Hz

SP* Coil	Coil Termination
<b>Omit</b>	Without Coil
<b>A</b>	Amp Jr. Timer†
<b>C</b>	Conduit With Leads
<b>D</b>	DIN Plug Face
<b>H</b>	Molded Deutsch†
<b>L</b>	Dual Lead Wire†
<b>PF</b>	Packard Female†
<b>PM</b>	Packard Male†
<b>S</b>	Dual Spade†

*\*Recommended †DC Only*

Code	Diode
<b>Omit</b>	None
<b>R</b>	Diode

Code	Body Material
<b>Omit</b>	Steel

Code	Port Size	Body Part No.
<b>Omit</b>	Cartridge Only	
<b>4T</b>	SAE-4	(B08-2-4T)
<b>6T</b>	SAE-6	(B08-2-6T)

- CV** Check Valves
- SH** Shuttle Valves
- LM** Load/Motor Controls
- FC** Flow Controls
- PC** Pressure Controls
- LE** Logic Elements
- DC** Directional Controls
- MV** Manual Valves
- SV** Solenoid Valves
- PV** Proportional Valves
- CE** Coils & Electronics
- BC** Bodies & Cavities
- TD** Technical Data

- CV** Check Valves
- SH** Shuttle Valves
- LM** Load/Motor Controls
- FC** Flow Controls
- PC** Pressure Controls
- LE** Logic Elements
- DC** Directional Controls
- MV** Manual Valves
- SV** Solenoid Valves
- PV** Proportional Valves
- CE** Coils & Electronics
- BC** Bodies & Cavities
- TD** Technical Data

**General Description**

2-Way Poppet Valves. For additional information see Technical Tips on pages SV1-SV6.

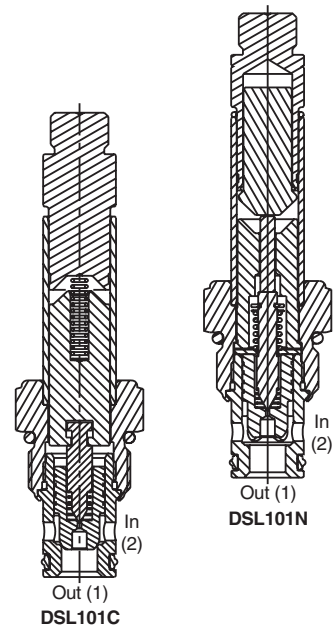
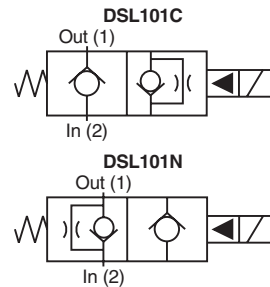
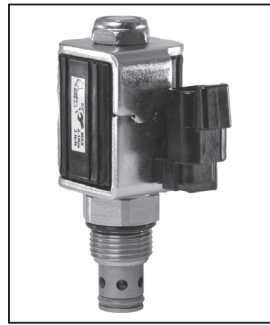


**Features**

- Low hysteresis
- Replaceable, one piece encapsulated coils with minimal amperage draw
- Various coil terminations and voltages
- Various manual override options
- Fast response available, (CH and CHR) rated at 11 LPM (3.0 GPM)
- Polyurethane "D"-Ring
- All external parts zinc plated

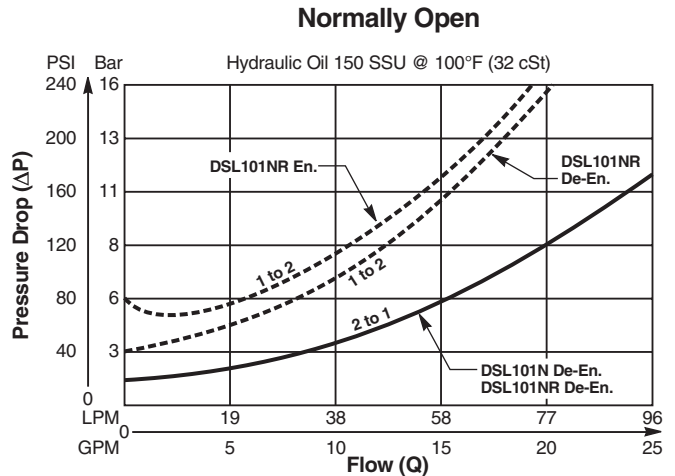
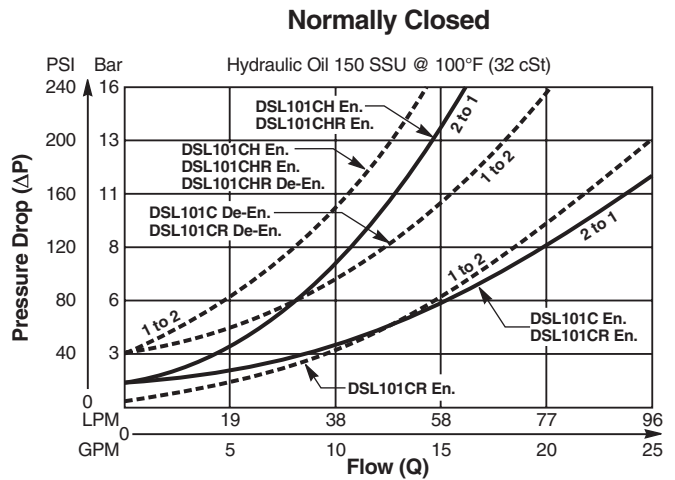
**Specifications**

<b>Rated Flow</b>	60 LPM (15 GPM)	
<b>Maximum Inlet Pressure</b>	250 Bar (3600 PSI)	
<b>Leakage at 150 SSU (32 cSt)</b>	5 drops/min. (.33 cc/min.)	
<b>Minimum Operating Voltage</b>	85% of rated voltage at 20°C (72°F).	
<b>Response Time</b>		
	<b>Energized</b>	<b>De-Energized</b>
<b>C, CR</b>	80 ms	150 ms
<b>CH, CHR</b>	50 ms	50 ms
<b>N, NR</b>	35 ms	175 ms
<b>Cartridge Material</b>	All parts steel. All operating parts hardened steel.	
<b>Operating Temp. Range/Seals</b>	-45°C to +132°C ("D"-Ring) (-50°F to +270°F) -34°C to +121°C (Nitrile) (-30°F to +250°F) -26°C to +204°C (Fluorocarbon) (-15°F to +400°F)	
<b>Fluid Compatibility/Viscosity</b>	Mineral-based or synthetic with lubricating properties at viscosities of 45 to 2000 SSU (6 to 420 cSt)	
<b>Filtration</b>	ISO 4406 18/16/13, SAE Class 4	
<b>Approx. Weight</b>	.20 kg (0.41 lbs.)	
<b>Cavity</b>	C10-2 (See BC Section for more details)	
<b>Form Tool</b>	Rougher	None
	Finisher	NFT10-2F

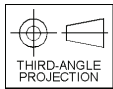
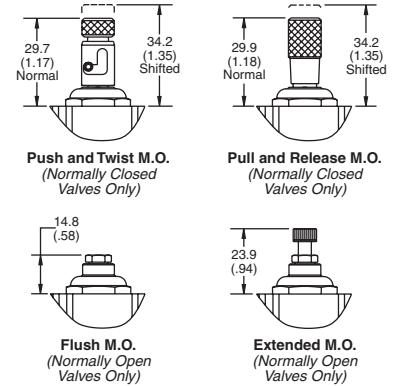
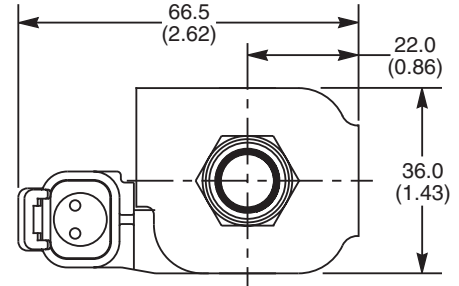
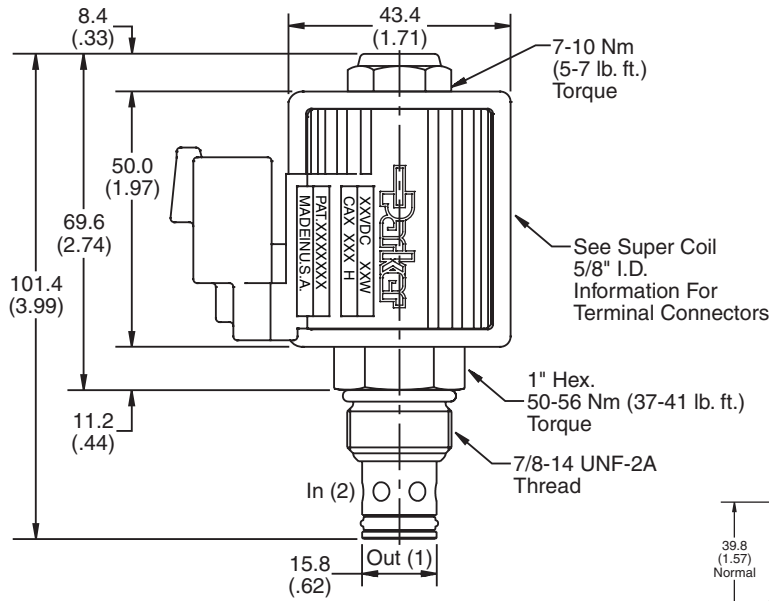


**Performance Curves**

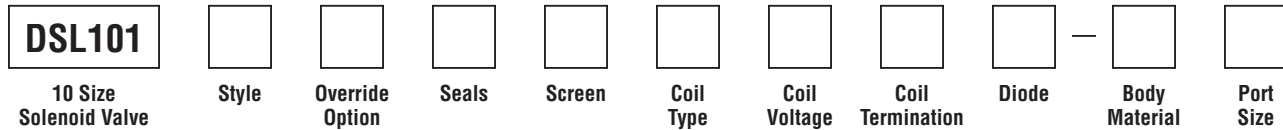
Pressure Drop vs. Flow (Through cartridge only)



**Dimensions** Millimeters (Inches)



**Ordering Information**



Code / Style	Diagram
<b>C</b> Normally Closed Metered reverse flow	
<b>CH</b> Normally Closed Metered reverse flow (Fast response)	
<b>CHR</b> Normally Closed Free reverse flow (Fast response)	
<b>CR</b> Normally Closed Free reverse flow	
<b>N</b> Normally Open Metered reverse flow	
<b>NR</b> Normally Open Free reverse flow	

Code	Override Options
<b>Omit</b>	None
<b>E</b>	Push Type with Extended Rod (N.O. Only)
<b>M</b>	Push Type with Flush Rod (N.O. Only)
<b>P</b>	Pull & Release (N.C. Only)
<b>T</b>	Push & Twist (N.C. & N.O.)

Code	Seals / Kit. No.
<b>Omit</b>	"D"-Ring / (SK10-2)
<b>N</b>	Nitrile / (SK10-2N)
<b>V</b>	Fluorocarbon / (SK10-2V)

Code	Screen
<b>Omit</b>	None
<b>S</b>	Screen

Code	Coil Type
<b>Omit</b>	Without Coil
<b>SP*</b>	Super Coil - 28 Watts

*\*Recommended*

Code	Coil Voltage
<b>Omit</b>	Without Coil
<b>D012</b>	12 VDC
<b>D024</b>	24 VDC
<b>A120</b>	120/110 VAC, 60/50 Hz

SP* Coil	Coil Termination
<b>Omit</b>	Without Coil
<b>A</b>	Amp Jr. Timer†
<b>C</b>	Conduit With Leads
<b>D</b>	DIN Plug Face
<b>H</b>	Molded Deutsch†
<b>L</b>	Dual Lead Wire†
<b>PF</b>	Packard Female†
<b>PM</b>	Packard Male†
<b>S</b>	Dual Spade†

*\*Recommended †DC Only*

Code	Diode
<b>Omit</b>	None
<b>R</b>	Diode

Code	Body Material
<b>Omit</b>	Steel
<b>A</b>	Aluminum

Code	Port Size	Body Part No.
<b>Omit</b>	Cartridge Only	
<b>6T</b>	SAE-6	(B10-2-*6T)
<b>8T</b>	SAE-8	(B10-2-*8T)

*\* Add "A" for aluminum. omit for steel.*

- CV** Check Valves
- SH** Shuttle Valves
- LM** Load/Motor Controls
- FC** Flow Controls
- PC** Pressure Controls
- LE** Logic Elements
- DC** Directional Controls
- MV** Manual Valves
- SV** Solenoid Valves
- PV** Proportional Valves
- CE** Coils & Electronics
- BC** Bodies & Cavities
- TD** Technical Data



**Technical Information**

- CV** Check Valves
- SH** Shuttle Valves
- LM** Load/Motor Controls
- FC** Flow Controls
- PC** Pressure Controls
- LE** Logic Elements
- DC** Directional Controls
- MV** Manual Valves
- SV** Solenoid Valves
- PV** Proportional Valves
- CE** Coils & Electronics
- BC** Bodies & Cavities
- TD** Technical Data

**General Description**

2-Way Poppet Valves. For additional information see Technical Tips on pages SV1-SV6.

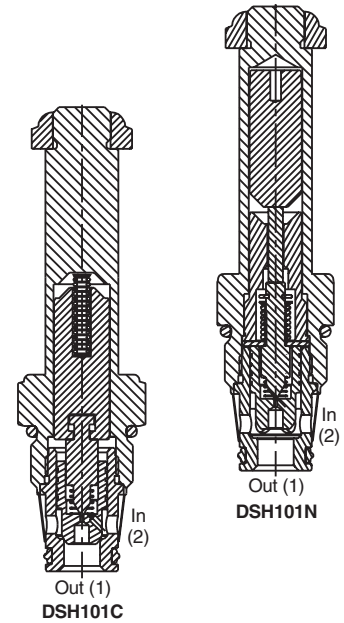
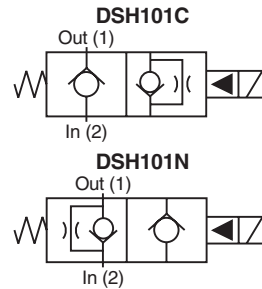


**Features**

- Low hysteresis
- Replaceable, one piece encapsulated coils with minimal amperage draw
- Various coil terminations and voltages
- Various manual override options
- Fast response available, (CH and CHR) rated at 30 LPM (8 GPM)
- Polyurethane "D"-Ring eliminates need for backup rings
- Nylon inserted jam-nut provides secure holding in high vibration applications
- All external parts zinc plated

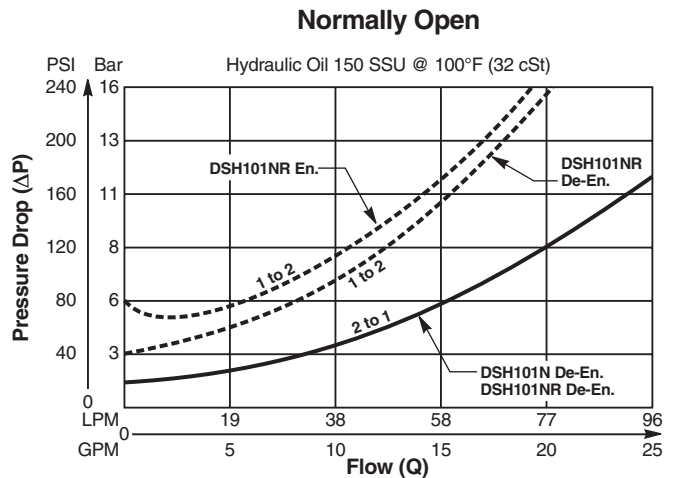
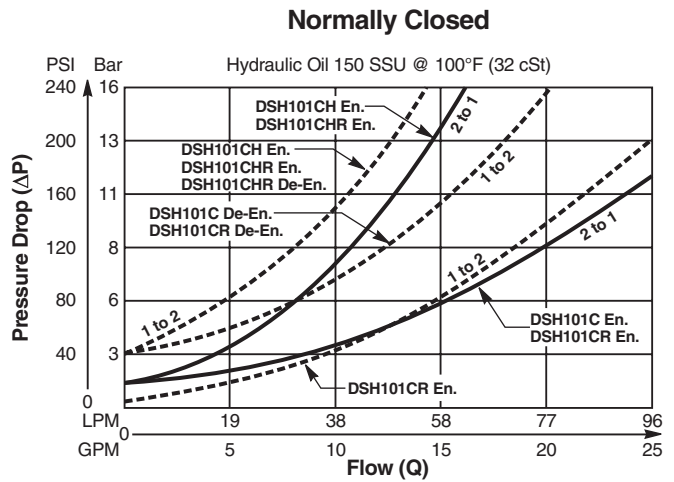
**Specifications**

<b>Rated Flow</b>	60 LPM (15 GPM)	
<b>Maximum Inlet Pressure</b>	350 Bar (5000 PSI)	
<b>Leakage at 150 SSU (32 cSt)</b>	5 drops/min. (.33 cc/min.)	
<b>Minimum Operating Voltage</b>	85% of rated voltage at 20°C (72°F).	
<b>Response Time</b>		
	<b>Energized</b>	<b>De-Energized</b>
<b>C, CR</b>	80 ms	150 ms
<b>CH, CHR</b>	50 ms	50 ms
<b>N, NR</b>	70 ms	35 ms
<b>Cartridge Material</b>	All parts steel. All operating parts hardened steel.	
<b>Operating Temp. Range/Seals</b>	-45°C to +132°C ("D"-Ring) (-50°F to +270°F) -34°C to +121°C (Nitrile) (-30°F to +250°F) -26°C to +204°C (Fluorocarbon) (-15°F to +400°F)	
<b>Fluid Compatibility/Viscosity</b>	Mineral-based or synthetic with lubricating properties at viscosities of 45 to 2000 SSU (6 to 420 cSt)	
<b>Filtration</b>	ISO 4406 18/16/13, SAE Class 4	
<b>Approx. Weight</b>	.20 kg (0.41 lbs.)	
<b>Cavity</b>	C10-2 (See BC Section for more details)	
<b>Form Tool</b>	Rougher	None
	Finisher	NFT10-2F

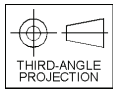
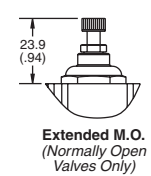
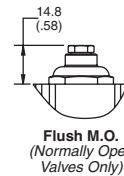
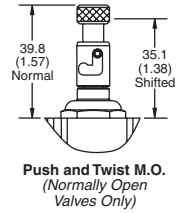
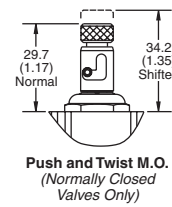
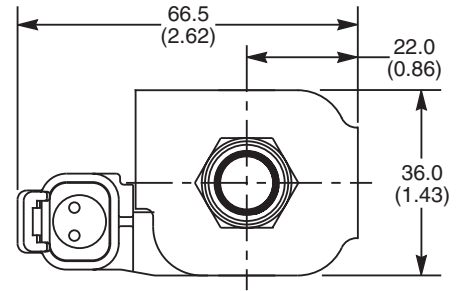
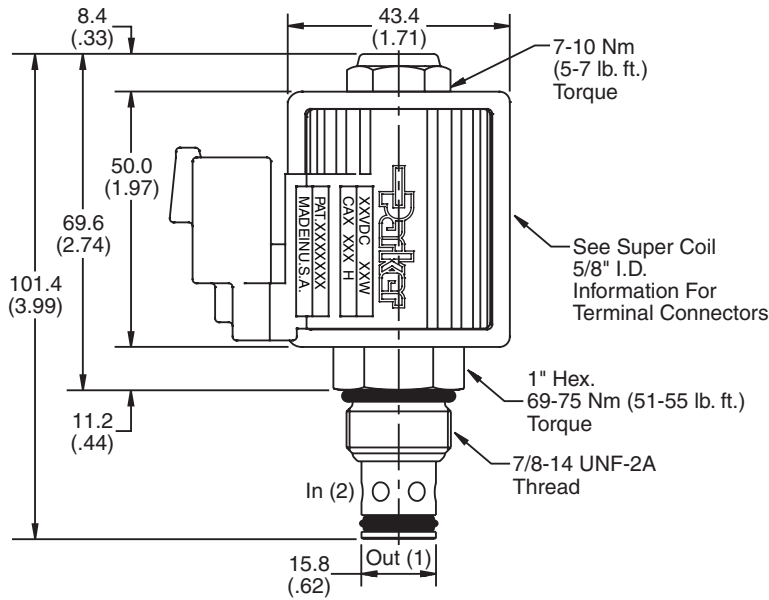


**Performance Curves**

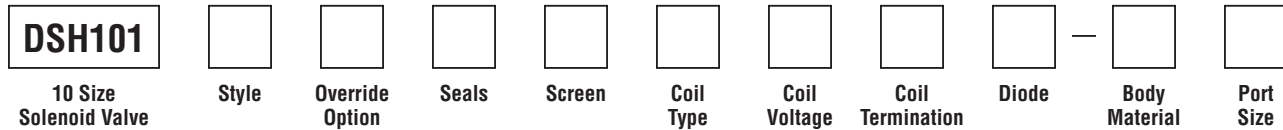
Pressure Drop vs. Flow (Through cartridge only)



**Dimensions** Millimeters (Inches)



**Ordering Information**



Code / Style	Diagram
<b>C</b> Normally Closed Metered reverse flow	
<b>CH</b> Normally Closed Metered reverse flow (Fast response)	
<b>CHR</b> Normally Closed Free reverse flow (Fast response)	
<b>CR</b> Normally Closed Free reverse flow	
<b>N</b> Normally Open Metered reverse flow	
<b>NR</b> Normally Open Free reverse flow	

Code	Override Options
<b>Omit</b>	None
<b>E</b>	Push Type with Extended Rod (N.O. Only)
<b>M</b>	Push Type with Flush Rod (N.O. Only)
<b>T</b>	Push & Twist (N.C. & N.O.)

Code	Seals / Kit No.
<b>Omit</b>	"D"-Ring / (SK10-2)
<b>N</b>	Nitrile / (SK10-2N)
<b>V</b>	Fluorocarbon / (SK10-2V)

Code	Screen
<b>Omit</b>	None
<b>S</b>	Screen

Code	Coil Type
<b>Omit</b>	Without Coil
<b>SP*</b>	Super Coil - 28 Watts

*\*Recommended*

Code	Coil Voltage
<b>Omit</b>	Without Coil
<b>D012</b>	12 VDC
<b>D024</b>	24 VDC
<b>A120</b>	120/110 VAC, 60/50 Hz

SP* Coil	Coil Termination
<b>Omit</b>	Without Coil
<b>A</b>	Amp Jr. Timer†
<b>C</b>	Conduit With Leads
<b>D</b>	DIN Plug Face
<b>H</b>	Molded Deutsch†
<b>L</b>	Dual Lead Wire†
<b>PF</b>	Packard Female†
<b>PM</b>	Packard Male†
<b>S</b>	Dual Spade†

*\*Recommended †DC Only*

Code	Diode
<b>Omit</b>	None
<b>R</b>	Diode

Code	Body Material
<b>Omit</b>	Steel

Code	Port Size	Body Part No.
<b>Omit</b>	Cartridge Only	
<b>6T</b>	SAE-6	(B10-2-6T)
<b>8T</b>	SAE-8	(B10-2-8T)

- CV** Check Valves
- SH** Shuttle Valves
- LM** Load/Motor Controls
- FC** Flow Controls
- PC** Pressure Controls
- LE** Logic Elements
- DC** Directional Controls
- MV** Manual Valves
- SV** Solenoid Valves
- PV** Proportional Valves
- CE** Coils & Electronics
- BC** Bodies & Cavities
- TD** Technical Data



**Technical Information**

**Poppet Type, 2-Way Valve  
Series DSH121**

- CV** Check Valves
- SH** Shuttle Valves
- LM** Load/Motor Controls
- FC** Flow Controls
- PC** Pressure Controls
- LE** Logic Elements
- DC** Directional Controls
- MV** Manual Valves
- SV** Solenoid Valves
- PV** Proportional Valves
- CE** Coils & Electronics
- BC** Bodies & Cavities
- TD** Technical Data

**General Description**

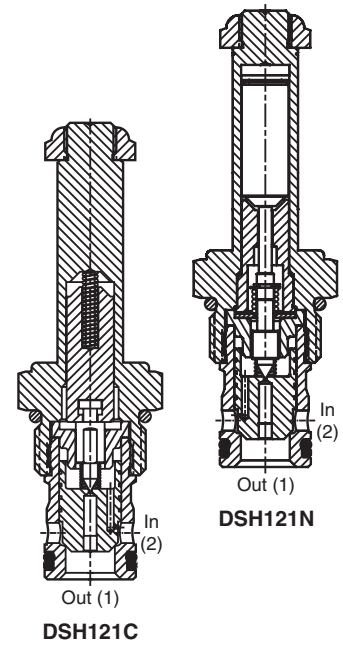
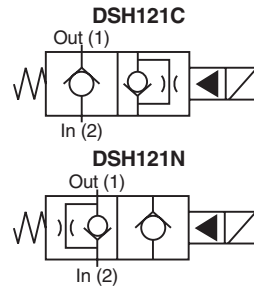
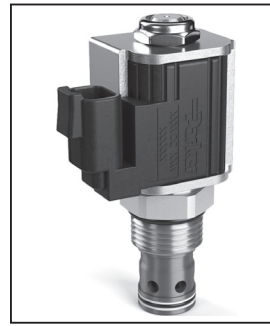
2-Way Poppet Valves. For additional information see Technical Tips on pages SV1-SV6.

**Features**

- Low hysteresis
- Replaceable, one piece encapsulated coils with minimal amperage draw
- Various coil terminations and voltages
- Various manual override options
- All external parts zinc plated

**Specifications**

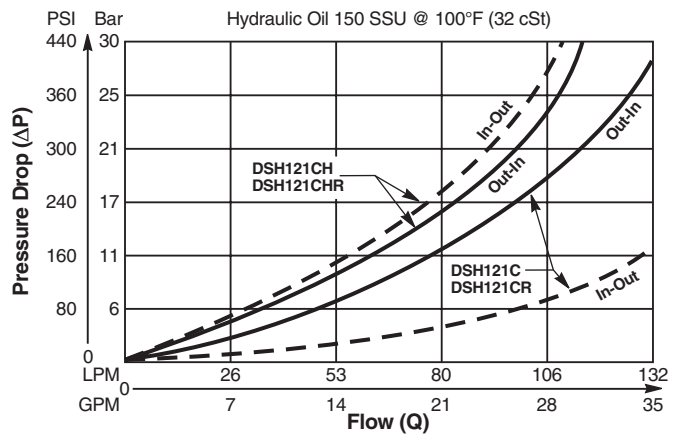
<b>Rated Flow</b>	90 LPM (24 GPM)		
<b>Maximum Inlet Pressure</b>	350 Bar (5000 PSI)		
<b>Leakage at 150 SSU (32 cSt)</b>	5 drops/min. (.33 cc/min.)		
<b>Minimum Operating Voltage</b>	85% of rated voltage at 20°C (72°F).		
<b>Response Time</b>		<b>Energized</b>	<b>De-Energized</b>
	<b>C, CR</b>	100 ms	150 ms
	<b>CH, CHR</b>	60 ms	60 ms
	<b>N, NR</b>	70 ms	150 ms
<b>Cartridge Material</b>	All parts steel. All operating parts hardened steel.		
<b>Operating Temp. Range/Seals</b>	-34°C to +121°C (Nitrile) (-30°F to +250°F) -26°C to +204°C (Fluorocarbon) (-15°F to +400°F)		
<b>Fluid Compatibility/Viscosity</b>	Mineral-based or synthetic with lubricating properties at viscosities of 45 to 2000 SSU (6 to 420 cSt)		
<b>Filtration</b>	ISO 4406 18/16/13, SAE Class 4		
<b>Approx. Weight</b>	.29 kg (.65 lbs.)		
<b>Cavity</b>	C12-2 (See BC Section for more details)		
<b>Form Tool</b>	Rougher	None	
	Finisher	NFT12-2F	



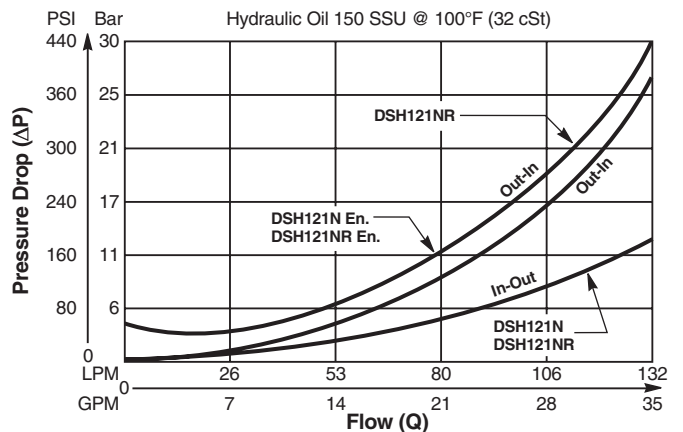
**Performance Curves**

**Pressure Drop vs. Flow (Through cartridge only)**

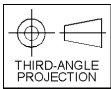
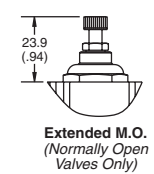
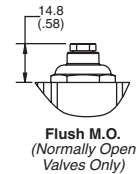
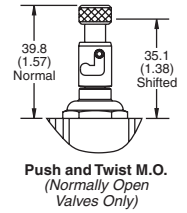
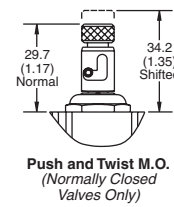
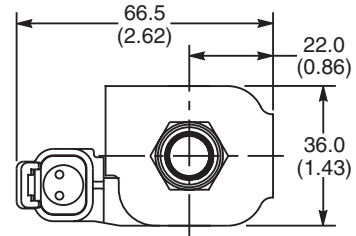
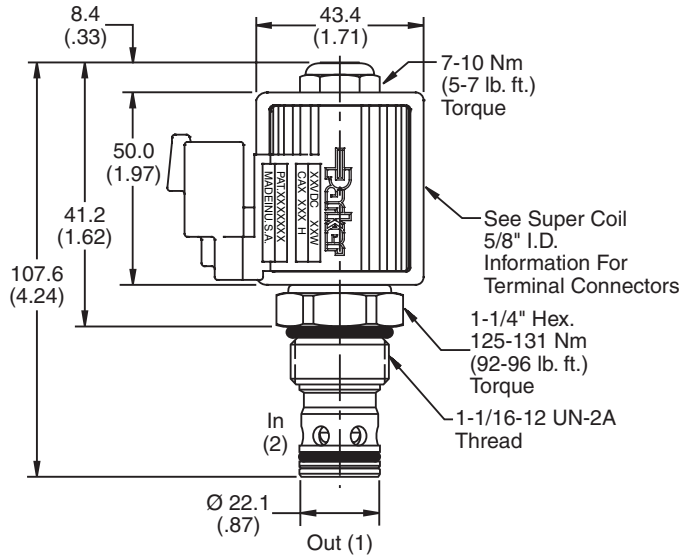
**Normally Closed**



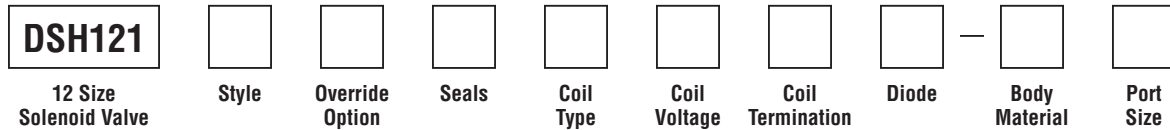
**Normally Open**



**Dimensions** Millimeters (Inches)



**Ordering Information**



Code / Style	Diagram
<b>C</b> Normally Closed Metered reverse flow	
<b>CH</b> Normally Closed Metered reverse flow (Fast response)	
<b>CHR</b> Normally Closed Full reverse flow (Fast response)	
<b>CR</b> Normally Closed Free reverse flow	
<b>N</b> Normally Open Metered reverse flow	
<b>NR</b> Normally Open Free reverse flow	

Code	Override Options
<b>Omit</b>	None
<b>E</b>	Push Type with Extended Rod (N.O. Only)
<b>M</b>	Push Type with Flush Rod (N.O. Only)
<b>T</b>	Push & Twist (N.C. & N.O.)

Code	Seals / Kit No.
<b>Omit</b>	Nitrile / (SK2-12N)
<b>V</b>	Fluorocarbon / (SK2-12V)

Code	Coil Type
<b>Omit</b>	Without Coil
<b>SP*</b>	Super Coil - 28 Watts

*\*Recommended*

Code	Coil Voltage
<b>Omit</b>	Without Coil
<b>D012</b>	12 VDC
<b>D024</b>	24 VDC
<b>A120</b>	120/110 VAC, 60/50 Hz

SP* Coil	Coil Termination
<b>Omit</b>	Without Coil
<b>A</b>	Amp Jr. Timer†
<b>C</b>	Conduit With Leads
<b>D</b>	DIN Plug Face
<b>H</b>	Molded Deutsch†
<b>L</b>	Dual Lead Wire†
<b>PF</b>	Packard Female†
<b>PM</b>	Packard Male†
<b>S</b>	Dual Spade†

*\*Recommended †DC Only*

Code	Diode
<b>Omit</b>	None
<b>R</b>	Diode

Code	Body Material
<b>Omit</b>	Steel

Code	Port Size	Body Part No.
<b>Omit</b>	Cartridge Only	
<b>8T</b>	SAE-8	(B12-2-8T)
<b>12T</b>	SAE-12	(B12-2-12T)

- CV** Check Valves
- SH** Shuttle Valves
- LM** Load/Motor Controls
- FC** Flow Controls
- PC** Pressure Controls
- LE** Logic Elements
- DC** Directional Controls
- MV** Manual Valves
- SV** Solenoid Valves
- PV** Proportional Valves
- CE** Coils & Electronics
- BC** Bodies & Cavities
- TD** Technical Data

- CV** Check Valves
- SH** Shuttle Valves
- LM** Load/Motor Controls
- FC** Flow Controls
- PC** Pressure Controls
- LE** Logic Elements
- DC** Directional Controls
- MV** Manual Valves
- SV** Solenoid Valves
- PV** Proportional Valves
- CE** Coils & Electronics
- BC** Bodies & Cavities
- TD** Technical Data

**General Description**

2-Way Poppet Valves. For additional information see Technical Tips on pages SV1-SV6.

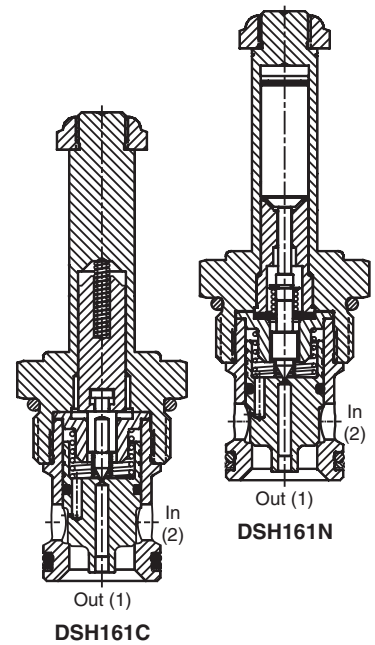
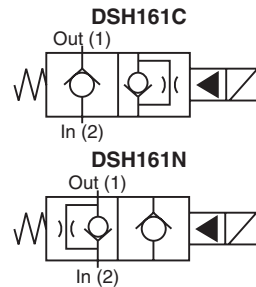


**Features**

- Replaceable, one piece encapsulated coils with minimal amperage draw
- Various coil terminations and voltages
- Various manual override options
- All external parts zinc plated
- New 350 Bar (5000 PSI) rating

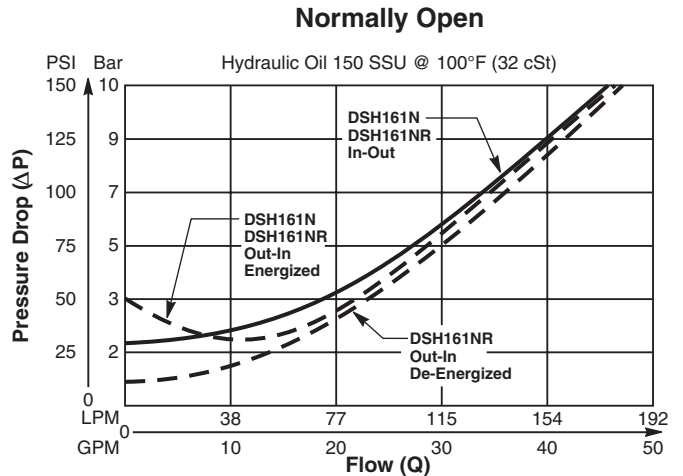
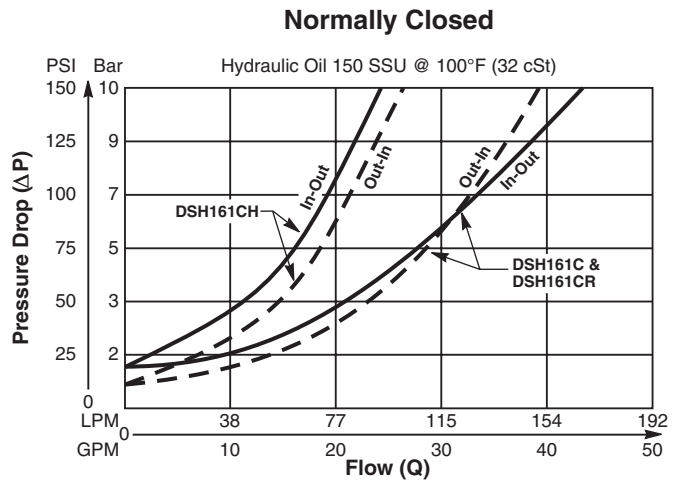
**Specifications**

<b>Rated Flow</b>	150 LPM (40 GPM)		
<b>Maximum Inlet Pressure</b>	350 Bar (5000 PSI)		
<b>Leakage at 150 SSU (32 cSt)</b>	5 drops/min. (.33 cc/min.)		
<b>Minimum Operating Voltage</b>	85% of rated voltage at 20°C (72°F).		
<b>Response Time</b>		<b>Energized</b>	<b>De-Energized</b>
	<b>C, CR</b>	50 ms	130 ms
	<b>CH</b>	40 ms	60 ms
	<b>N, NR</b>	45 ms	75 ms
<b>Cartridge Material</b>	All parts steel. All operating parts hardened steel.		
<b>Operating Temp. Range/Seals</b>	-34°C to +121°C (Nitrile) (-30°F to +250°F) -26°C to +204°C (Fluorocarbon) (-15°F to +400°F)		
<b>Fluid Compatibility/Viscosity</b>	Mineral-based or synthetic with lubricating properties at viscosities of 45 to 2000 SSU (6 to 420 cSt)		
<b>Filtration</b>	ISO 4406 18/16/13, SAE Class 4		
<b>Approx. Weight</b>	.34 kg (.75 lbs.)		
<b>Cavity</b>	C16-2 (See BC Section for more details)		
<b>Form Tool</b>	Rougher	None	
	Finisher	NFT16-2F	

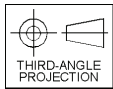
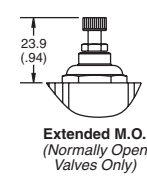
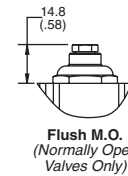
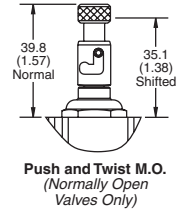
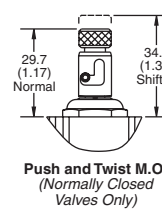
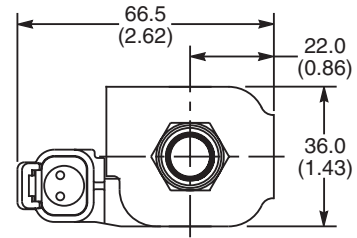
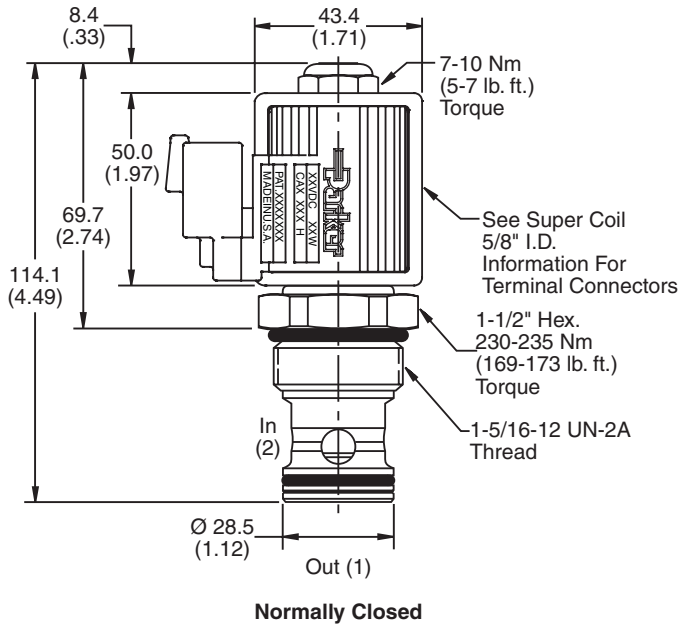


**Performance Curves**

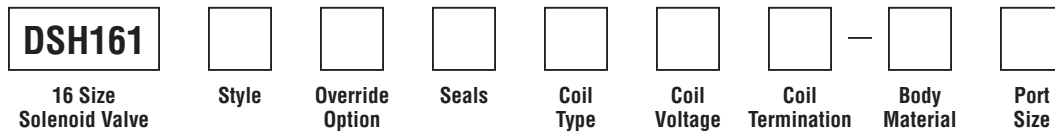
**Pressure Drop vs. Flow (Through cartridge only)**



**Dimensions** Millimeters (Inches)



**Ordering Information**



Code / Style	Symbol
<b>C</b> Normally Closed Metered reverse flow	
<b>CH</b> Normally Closed Metered reverse flow (Fast response)	
<b>CR</b> Normally Closed Free reverse flow	
<b>N</b> Normally Open Metered reverse flow	
<b>NR</b> Normally Open Free reverse flow	

Code	Override Options
<b>Omit</b>	None
<b>E</b>	Push Type with Extended Rod (N.O. Only)
<b>M</b>	Push Type with Flush Rod (N.O. Only)
<b>T</b>	Push & Twist (N.C. & N.O.)

Code	Seals / Kit. No.
<b>Omit</b>	Nitrile / (SK16-2)
<b>V</b>	Fluorocarbon / (SK16-2V)

Code	Coil Type
<b>Omit</b>	Without Coil
<b>SP*</b>	Super Coil - 28 Watts

Code	Coil Voltage
<b>Omit</b>	Without Coil
<b>D012</b>	12 VDC
<b>D024</b>	24 VDC
<b>A120</b>	120/110 VAC, 60/50 Hz

SP* Coil	Coil Termination
<b>Omit</b>	Without Coil
<b>A</b>	Amp Jr. Timer†
<b>C</b>	Conduit With Leads
<b>D</b>	DIN Plug Face
<b>H</b>	Molded Deutsch†
<b>L</b>	Dual Lead Wire†
<b>PF</b>	Packard Female†
<b>PM</b>	Packard Male†
<b>S</b>	Dual Spade†

Code	Body Material
<b>Omit</b>	Steel

Code	Port Size	Body Part No.
<b>Omit</b>	Cartridge Only	
<b>12T</b>	SAE-12	(B16-2-12T)
<b>16T</b>	SAE-16	(B16-2-16T)

\*Recommended †DC Only

- CV** Check Valves
- SH** Shuttle Valves
- LM** Load/Motor Controls
- FC** Flow Controls
- PC** Pressure Controls
- LE** Logic Elements
- DC** Directional Controls
- MV** Manual Valves
- SV** Solenoid Valves
- PV** Proportional Valves
- CE** Coils & Electronics
- BC** Bodies & Cavities
- TD** Technical Data

**Technical Information**

- CV** Check Valves
- SH** Shuttle Valves
- LM** Load/Motor Controls
- FC** Flow Controls
- PC** Pressure Controls
- LE** Logic Elements
- DC** Directional Controls
- MV** Manual Valves
- SV** Solenoid Valves
- PV** Proportional Valves
- CE** Coils & Electronics
- BC** Bodies & Cavities
- TD** Technical Data

**General Description**

2-Way Poppet Valves. For additional information see Technical Tips on pages SV1-SV6.

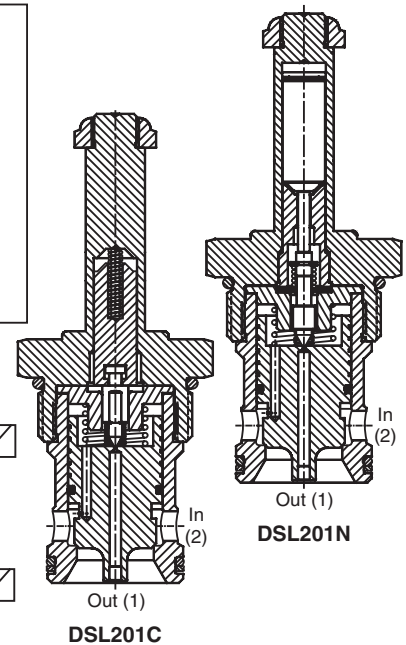
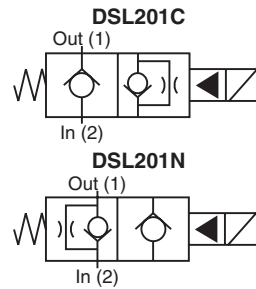


**Features**

- Replaceable, one piece encapsulated coils with minimal amperage draw
- Various coil terminations and voltages
- Various manual override options
- All external parts zinc plated
- New 250 Bar (3600 PSI) rating

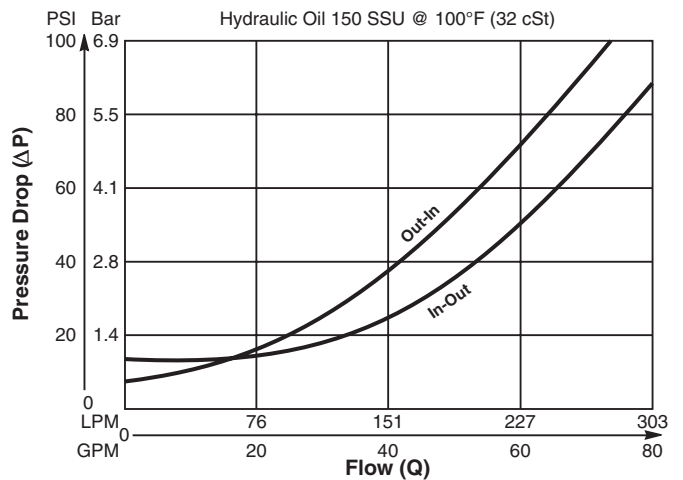
**Specifications**

<b>Rated Flow</b>	260 LPM (70 GPM)		
<b>Maximum Inlet Pressure</b>	250 Bar (3600 PSI)		
<b>Leakage at 150 SSU (32 cSt)</b>	5 drops/min. (.33 cc/min.)		
<b>Minimum Operating Voltage</b>	85% of rated voltage at 20°C (72°F).		
<b>Response Time</b>		<b>Energized</b>	<b>De-Energized</b>
	<b>C, CR</b>	350 ms	160 ms
	<b>N, NR</b>	300 ms	45 ms
<b>Cartridge Material</b>	All parts steel. All operating parts hardened steel.		
<b>Operating Temp. Range/Seals</b>	-34°C to +121°C (Nitrile) (-30°F to +250°F) -26°C to +204°C (Fluorocarbon) (-15°F to +400°F)		
<b>Fluid Compatibility/Viscosity</b>	Mineral-based or synthetic with lubricating properties at viscosities of 45 to 2000 SSU (6 to 420 cSt)		
<b>Filtration</b>	ISO 4406 18/16/13, SAE Class 4		
<b>Approx. Weight</b>	.34 kg (.75 lbs.)		
<b>Cavity</b>	C20-2 (See BC Section for more details)		
<b>Form Tool</b>	Rougher Finisher	None	NFT20-2F

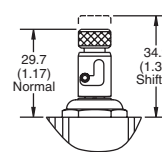
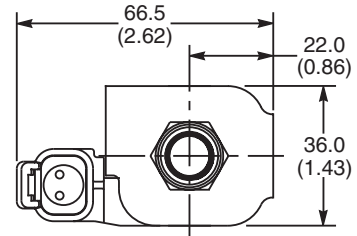
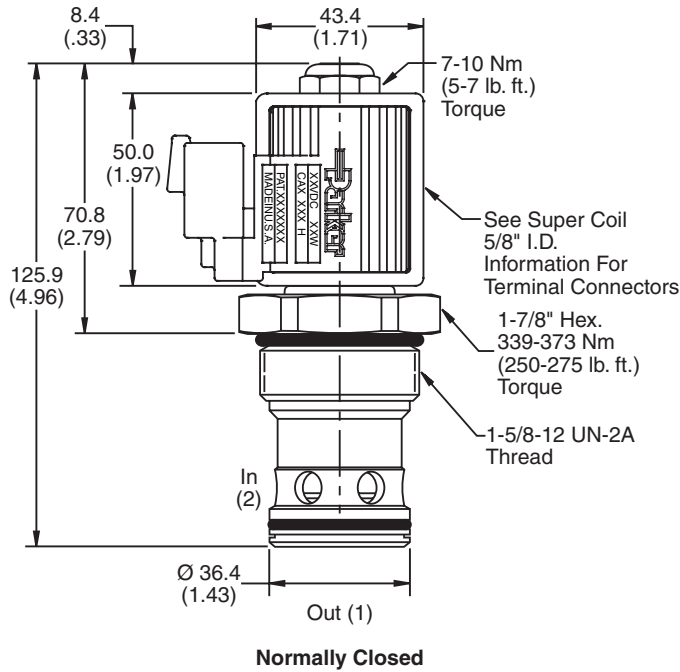


**Performance Curve**

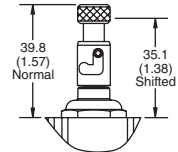
Pressure Drop vs. Flow (Through cartridge only)



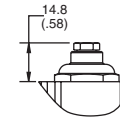
**Dimensions** Millimeters (Inches)



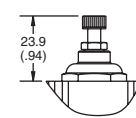
**Push and Twist M.O.**  
 (Normally Closed Valves Only)



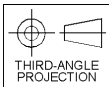
**Push and Twist M.O.**  
 (Normally Open Valves Only)



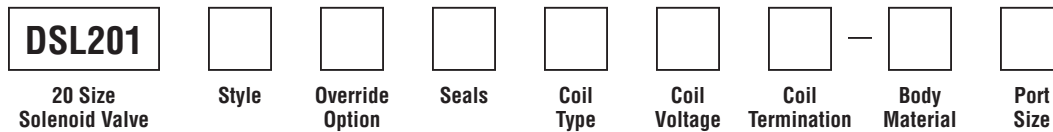
**Flush M.O.**  
 (Normally Open Valves Only)



**Extended M.O.**  
 (Normally Open Valves Only)



**Ordering Information**



Code / Style	Diagram
<b>C</b> Normally Closed Metered reverse flow	
<b>CR</b> Normally Closed Free reverse flow	
<b>N</b> Normally Open Metered reverse flow	
<b>NR</b> Normally Open Free reverse flow	

Code	Override Options
<b>Omit</b>	None
<b>E</b>	Push Type with Extended Rod (N.O. Only)
<b>M</b>	Push Type with Flush Rod (N.O. Only)
<b>T</b>	Push & Twist (N.C. & N.O.)

Code	Seals / Kit. No.
<b>Omit</b>	Nitrile / (SK20-2)
<b>V</b>	Fluorocarbon / (SK20-2V)

Code	Coil Type
<b>Omit</b>	Without Coil
<b>SP*</b>	Super Coil - 28 Watts

*\*Recommended*

Code	Coil Voltage
<b>Omit</b>	Without Coil
<b>D012</b>	12 VDC
<b>D024</b>	24 VDC
<b>A120</b>	120/110 VAC, 60/50 Hz

Code	Body Material
<b>Omit</b>	Steel
<b>A</b>	Aluminum

Code	Port Size	Body Part No.
<b>Omit</b>	Cartridge Only	
<b>20T</b>	SAE-20	(B20-2-*20T)

*\* Add "A" for aluminum, omit for steel.*

SP* Coil	Coil Termination
<b>Omit</b>	Without Coil
<b>A</b>	Amp Jr. Timer†
<b>C</b>	Conduit With Leads
<b>D</b>	DIN Plug Face
<b>H</b>	Molded Deutsch†
<b>L</b>	Dual Lead Wire†
<b>PF</b>	Packard Female†
<b>PM</b>	Packard Male†
<b>S</b>	Dual Spade†

*\*Recommended †DC Only*

- CV** Check Valves
- SH** Shuttle Valves
- LM** Load/Motor Controls
- FC** Flow Controls
- PC** Pressure Controls
- LE** Logic Elements
- DC** Directional Controls
- MV** Manual Valves
- SV** Solenoid Valves
- PV** Proportional Valves
- CE** Coils & Electronics
- BC** Bodies & Cavities
- TD** Technical Data



**Technical Information**

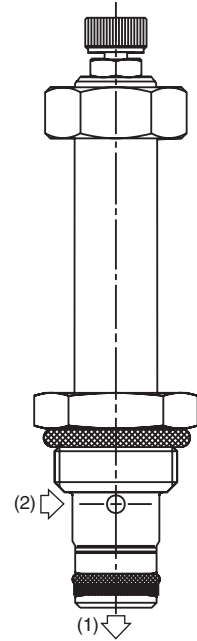
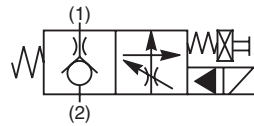
- CV** Check Valves
- SH** Shuttle Valves
- LM** Load/Motor Controls
- FC** Flow Controls
- PC** Pressure Controls
- LE** Logic Elements
- DC** Directional Controls
- MV** Manual Valves
- SV** Solenoid Valves
- PV** Proportional Valves
- CE** Coils & Electronics
- BC** Bodies & Cavities
- TD** Technical Data

**General Description**

2-Way, 2 Position, Normally Closed Poppet Valve With Flow Control Adjustment. This valve maintains constant flow at  $\Delta P \geq 20$  Bar (300 PSI) regardless of load pressure changes upstream of the valve at port 2.

**Features**

- Light weight alloy housing with hardened steel moving parts
- One piece cartridge housing ensures internal concentricity
- Coil: Waterproof, hermetically sealed, requires no O'Rings; Coil is interchangeable with 04 and 06 series poppet valves; Symmetrical coil can be reversed without affecting performance.



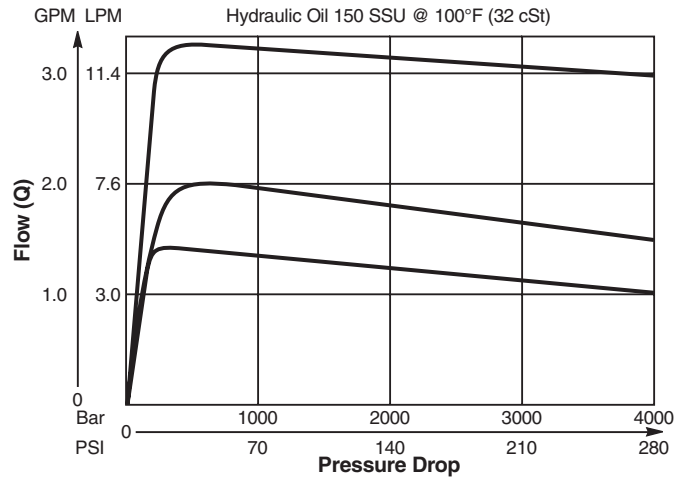
**Specifications**

<b>Rated Flow</b>	11 LPM (3 GPM)
<b>Maximum Inlet Pressure</b>	<b>High Pressure</b> 285 Bar (4000 PSI)
<b>Leakage at 150 SSU (32 cSt)</b>	5 drops/min. (.33 cc/min.)
<b>Minimum Operating Voltage</b>	85% of rated voltage at 20°C (72°F).
<b>Response Time</b>	<b>Open</b> 20 ms <b>Close</b> 25 ms
<b>Cartridge Material</b>	All parts steel. All operating parts hardened steel.
<b>Operating Temp. Range/Seals</b>	-34°C to +121°C (Nitrile) (-30°F to +250°F) -26°C to +204°C (Fluorocarbon) (-15°F to +400°F)
<b>Fluid Compatibility/ Viscosity</b>	Mineral-based or synthetic with lubricating properties at viscosities of 45 to 2000 SSU (6 to 420 cSt)
<b>Filtration</b>	ISO 4406 18/16/13, SAE Class 4
<b>Approx. Weight</b>	.09 kg (.19 lbs.)
<b>Cavity</b>	C08-2 (See BC Section for more details)

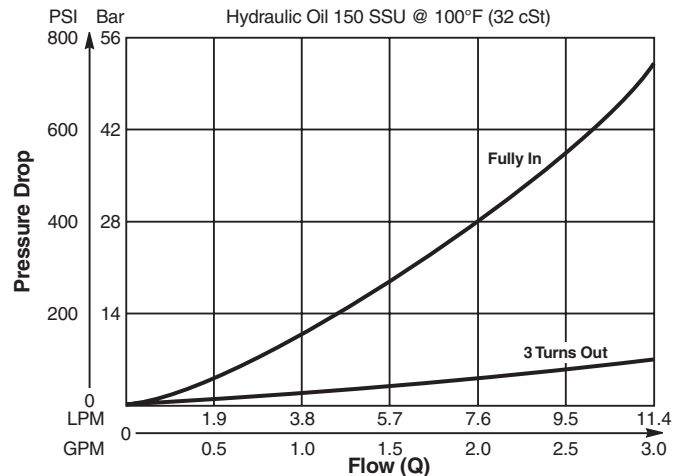
**Performance Curves**

(Through cartridge only)

**Pressure Compensation For Different Flow Settings**

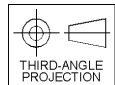
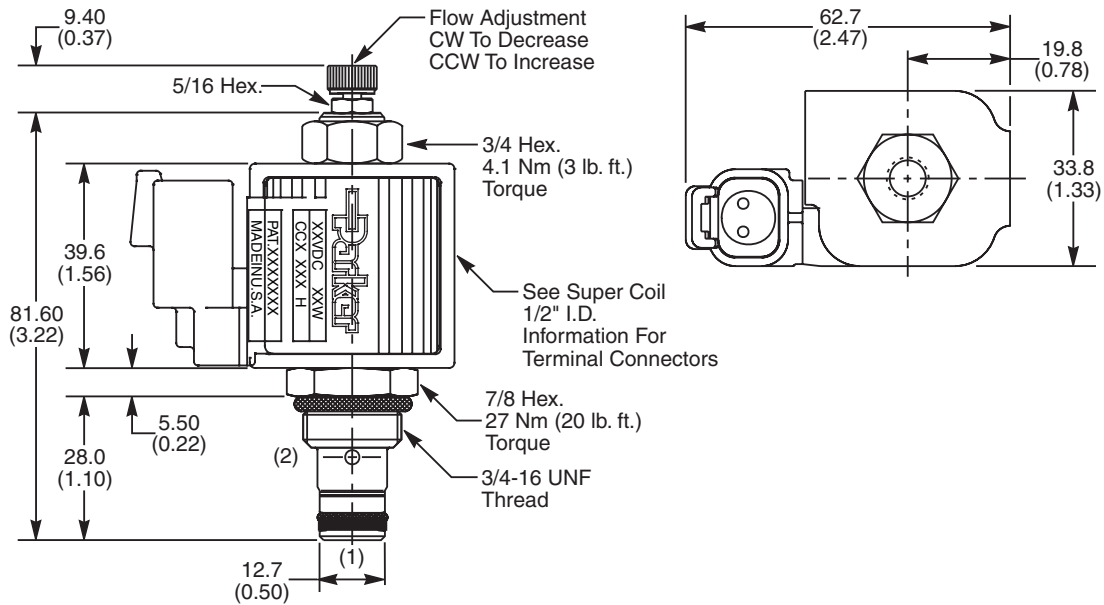


**Reverse Flow**

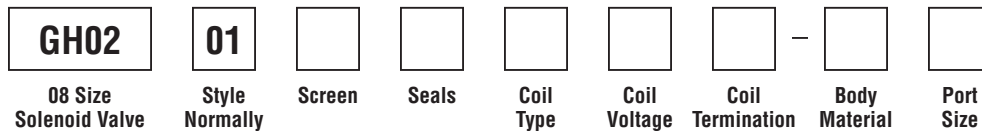




**Dimensions** Millimeters (Inches)



**Ordering Information**



Code	Style
01	High Pressure ('SP' Coil)

Code	Screen
0	None
1	60 Mesh Screen

Code	Seals / Kit No.
N	Nitrile / Buna-N (Std.) (SK30006N-1)
V	Fluorocarbon / (SK30006V-1)

Code	Coil Type
Omit	Without Coil
SP	Super Coil - 19 Watts

Code	Coil Voltage
Omit	Without Coil
D012	12 VDC
D024	24 VDC
A120	120 VAC, 60/50 Hz

Code	Coil Termination
Omit	Without Coil
A	Amp Jr. Timer*
C	Conduit With Leads
D	DIN Plug Face
H	Molded Deutsch*
L	Dual Lead Wire*
PF	Packard Female*
PM	Packard Male*
S	Dual Spade*

See Super Coil 1/2" I.D.  
 \*DC Only

Code	Body Material
Omit	Steel
A	Aluminum

Code	Port Size	Body Part No.
Omit	Cartridge Only	
6T	SAE-6	(B08-2-*6T)

\* Add "A" for aluminum, omit for steel.

- CV Check Valves
- SH Shuttle Valves
- LM Load/Motor Controls
- FC Flow Controls
- PC Pressure Controls
- LE Logic Elements
- DC Directional Controls
- MV Manual Valves
- SV Solenoid Valves
- PV Proportional Valves
- CE Coils & Electronics
- BC Bodies & Cavities
- TD Technical Data

**Technical Information**

**CV**

Check Valves

**SH**

Shuttle Valves

**LM**

Load/Motor Controls

**FC**

Flow Controls

**PC**

Pressure Controls

**LE**

Logic Elements

**DC**

Directional Controls

**MV**

Manual Valves

**SV**

Solenoid Valves

**PV**

Proportional Valves

**CE**

Coils & Electronics

**BC**

Bodies & Cavities

**TD**

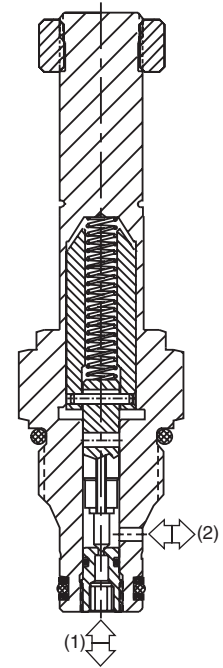
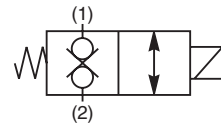
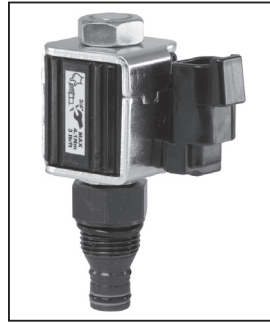
Technical Data

**General Description**

2-Way, 2 Position, Normally Closed Poppet Valve. Bi-Directional Direct Acting. For additional information see Technical Tips on pages SV1-SV6.

**Features**

- Fast Response
- One piece cartridge housing ensures internal concentricity
- Coil: Waterproof, hermetically sealed, requires no O’Rings; Coil is interchangeable with 04 and 06 series poppet valves; Symmetrical coil can be reversed without affecting performance.

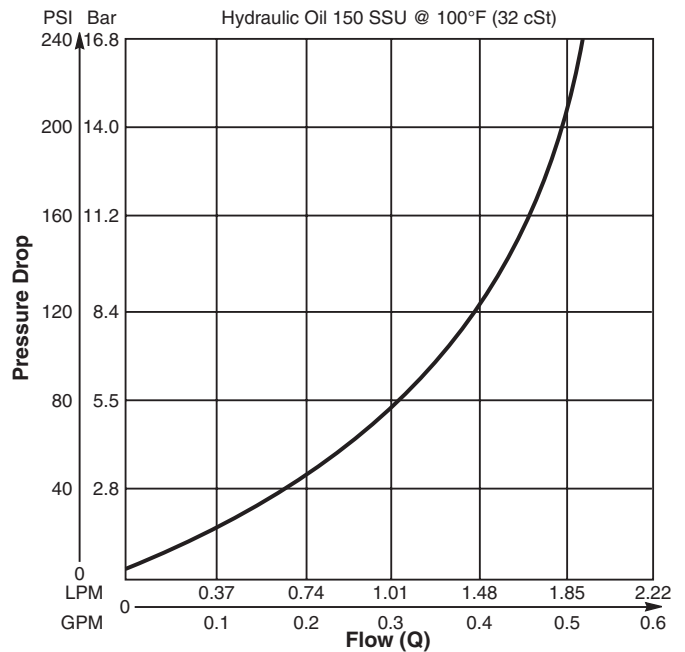


**Specifications**

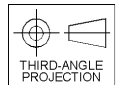
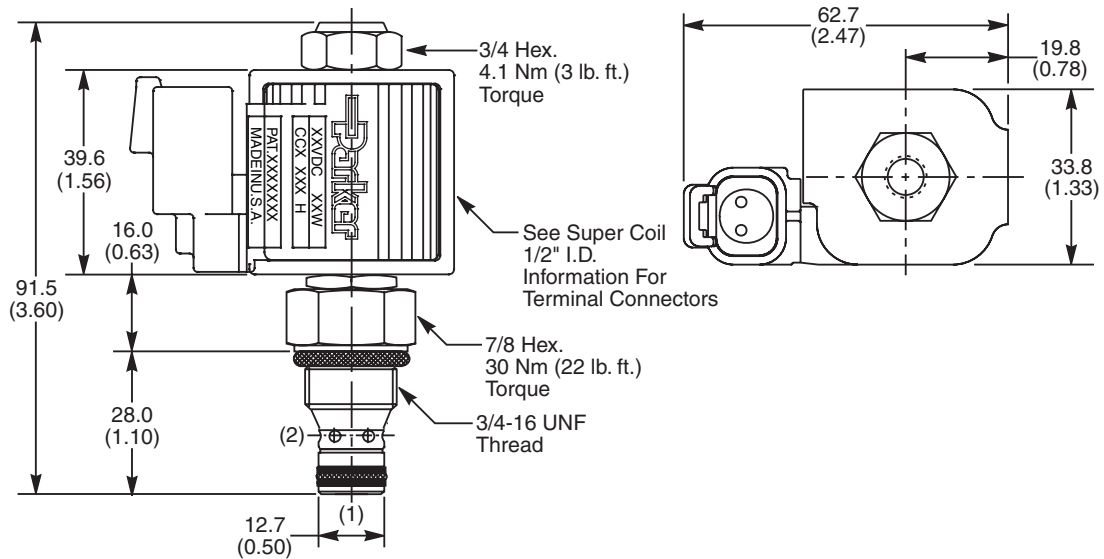
<b>Rated Flow</b>	1.7 LPM (0.45 GPM)
<b>Maximum Inlet Pressure</b>	210 Bar (3000 PSI)
<b>Leakage at 150 SSU (32 cSt)</b>	72 5 drops/min. (.33 cc/min.) 73 Zero Drops Soft (Delrin) Seat
<b>Minimum Operating Voltage</b>	85% of rated voltage at 20°C (72°F).
<b>Response Time</b>	<b>Open</b> 10 ms <b>Close</b> 10 ms
<b>Cartridge Material</b>	All parts steel. All operating parts hardened steel.
<b>Operating Temp. Range/Seals</b>	-34°C to +121°C (Nitrile) (-30°F to +250°F) -26°C to +204°C (Fluorocarbon) (-15°F to +400°F)
<b>Fluid Compatibility/Viscosity</b>	Mineral-based or synthetic with lubricating properties at viscosities of 45 to 2000 SSU (6 to 420 cSt)
<b>Filtration</b>	ISO 4406 18/16/13, SAE Class 4
<b>Approx. Weight</b>	.14 kg (.31 lbs.)
<b>Cavity</b>	C08-2 (See BC Section for more details)

**Performance Curve**

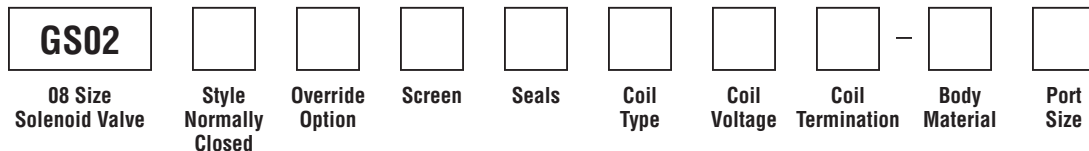
**Pressure Drop vs. Flow (Through cartridge only)**



**Dimensions** Millimeters (Inches)



**Ordering Information**



Code	Style
72	Standard ('SP' Coil)
73	Zero Drops ('SP' Coil)

Code	Override Options
0	None

Code	Screen
0	None
1	60 Mesh Screen

Code	Seals / Kit No.
N	Nitrile / Buna-N (Std.) (SK30088N-1)
V	Fluorocarbon / (SK30088V-1)

Code	Coil Type
Omit	Without Coil
SP	Super Coil - 19 Watts

Code	Coil Voltage
Omit	Without Coil
D012	12 VDC
D024	24 VDC
A120	120 VAC, 60/50 Hz

Code	Coil Termination
Omit	Without Coil
A	Amp Jr. Timer*
C	Conduit With Leads
D	DIN Plug Face
H	Molded Deutsch*
L	Dual Lead Wire*
PF	Packard Female*
PM	Packard Male*
S	Dual Spade*

See Super Coil 1/2" I.D.  
 \*DC Only

Code	Body Material
Omit	Steel
A	Aluminum

Code	Port Size	Body Part No.
Omit	Cartridge Only	
6T	SAE-6	(B08-2-*6T)

\* Add "A" for aluminum, omit for steel.

**CV**

Check Valves

**SH**

Shuttle Valves

**LM**

Load/Motor Controls

**FC**

Flow Controls

**PC**

Pressure Controls

**LE**

Logic Elements

**DC**

Directional Controls

**MV**

Manual Valves

**SV**

Solenoid Valves

**PV**

Proportional Valves

**CE**

Coils & Electronics

**BC**

Bodies & Cavities

**TD**

Technical Data

**Technical Information**

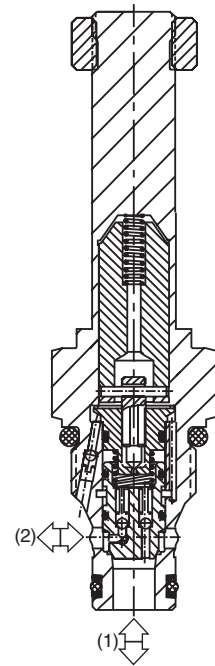
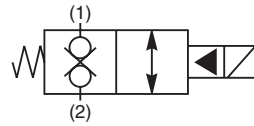
- CV** Check Valves
- SH** Shuttle Valves
- LM** Load/Motor Controls
- FC** Flow Controls
- PC** Pressure Controls
- LE** Logic Elements
- DC** Directional Controls
- MV** Manual Valves
- SV** Solenoid Valves
- PV** Proportional Valves
- CE** Coils & Electronics
- BC** Bodies & Cavities
- TD** Technical Data

**General Description**

2-Way, 2 Position, Normally Closed, Bi-Directional Poppet Valve. For additional information see Technical Tips on pages SV1-SV6.

**Features**

- Built-in thermal relief set at 36 Bar (500 PSI) above rated pressure
- One piece cartridge housing ensures internal concentricity
- Coil: Waterproof, hermetically sealed, requires no O'Rings; Coil is interchangeable with 04 and 06 series poppet valves; Symmetrical coil can be reversed without affecting performance.

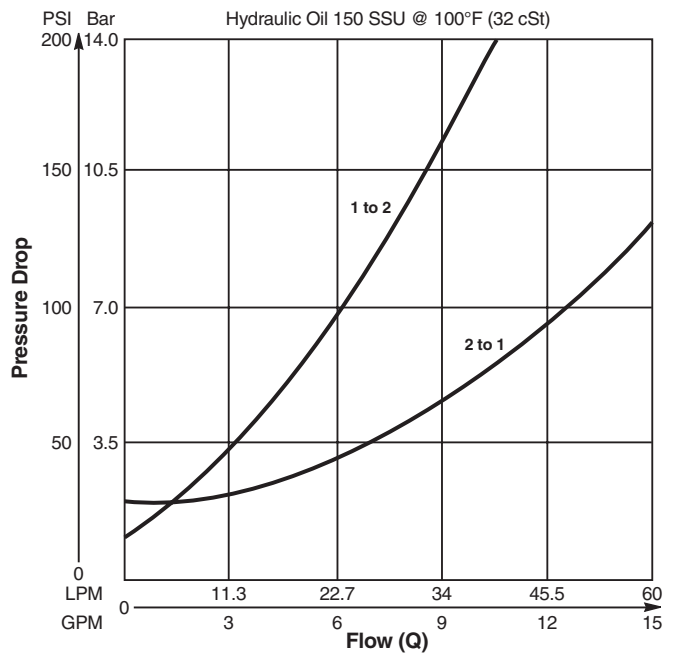


**Specifications**

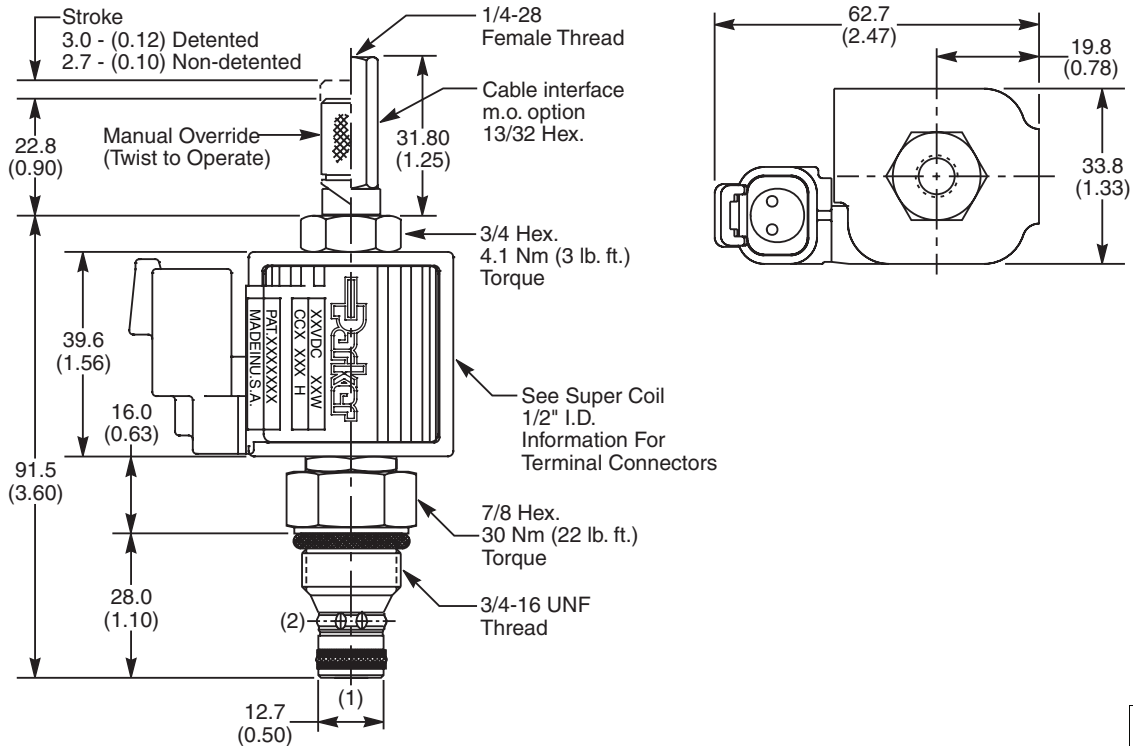
<b>Rated Flow</b>	<b>2 to 1</b> 34 LPM (9 GPM) <b>1 to 2</b> 19 LPM (5 GPM)
<b>Maximum Inlet Pressure</b>	<b>80</b> 210 Bar (3000 PSI) <b>81</b> 350 Bar (5000 PSI)
<b>Leakage at 150 SSU (32 cSt)</b>	5 drops/min. (.33 cc/min.)
<b>Minimum Operating Voltage</b>	85% of rated voltage at 20°C (72°F).
<b>Response Time</b>	<b>Open</b> 40 ms <b>Close</b> 40 ms
<b>Cartridge Material</b>	All parts steel. All operating parts hardened steel.
<b>Operating Temp. Range/Seals</b>	-34°C to +121°C (Nitrile) (-30°F to +250°F) -26°C to +204°C (Fluorocarbon) (-15°F to +400°F)
<b>Fluid Compatibility/ Viscosity</b>	Mineral-based or synthetic with lubricating properties at viscosities of 45 to 2000 SSU (6 to 420 cSt)
<b>Filtration</b>	ISO 4406 18/16/13, SAE Class 4
<b>Approx. Weight</b>	.14 kg (.31 lbs.)
<b>Cavity</b>	C08-2 (See BC Section for more details)

**Performance Curve**

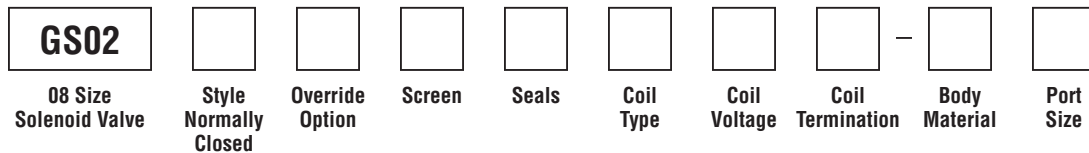
**Pressure Drop vs. Flow (Through cartridge only)**



**Dimensions** Millimeters (Inches)



**Ordering Information**



Code	Style
80	Standard ('SS' Coil)
81	High Pressure ('SP' Coil)

Code	Seals / Kit No.
N	Nitrile / Buna-N (Std.) (SK30088N-1)

Code	Coil Termination
Omit	Without Coil
A	Amp Jr. Timer*
C	Conduit With Leads
D	DIN Plug Face
H	Molded Deutsch*
L	Dual Lead Wire*
PF	Packard Female*
PM	Packard Male*
S	Dual Spade*

Code	Body Material
Omit	Steel
A	Aluminum

Code	Override Options
0	None
1	Detented
2	Non-Detented
3	Cable Interface 210 Bar (3000 PSI)

Code	Coil Type
Omit	Without Coil
SS	Super Coil - 14 Watts
SP	Super Coil - 19 Watts

Code	Port Size	Body Part No.
Omit	Cartridge Only	
6T	SAE-6	(B08-2-*6T)

\* Add "A" for aluminum, omit for steel.

Code	Screen
0	None
1	60 Mesh Screen

Code	Coil Voltage
Omit	Without Coil
D012	12 VDC
D024	24 VDC
A120	120 VAC, 60/50 Hz

See Super Coil 1/2" I.D.  
 \*DC Only

- CV** Check Valves
- SH** Shuttle Valves
- LM** Load/Motor Controls
- FC** Flow Controls
- PC** Pressure Controls
- LE** Logic Elements
- DC** Directional Controls
- MV** Manual Valves
- SV** Solenoid Valves
- PV** Proportional Valves
- CE** Coils & Electronics
- BC** Bodies & Cavities
- TD** Technical Data

**Technical Information**

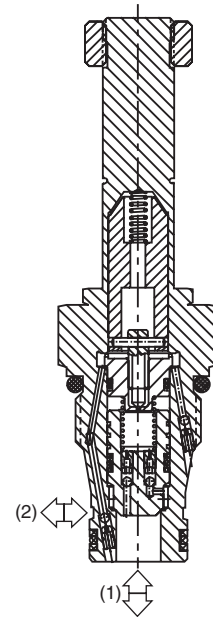
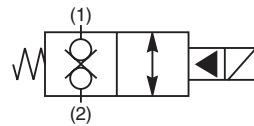
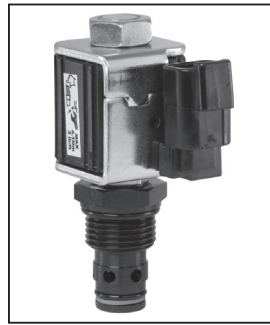
- CV** Check Valves
- SH** Shuttle Valves
- LM** Load/Motor Controls
- FC** Flow Controls
- PC** Pressure Controls
- LE** Logic Elements
- DC** Directional Controls
- MV** Manual Valves
- SV** Solenoid Valves
- PV** Proportional Valves
- CE** Coils & Electronics
- BC** Bodies & Cavities
- TD** Technical Data

**General Description**

2-Way, 2 Position, Normally Closed, Bi-Directional Poppet Valve. For additional information see Technical Tips on pages SV1-SV6.

**Features**

- Built-in thermal relief set at 36 Bar (500 PSI) above rated pressure
- One piece cartridge housing ensures internal concentricity
- Coil: Waterproof, hermetically sealed, requires no O'Rings; Coil is interchangeable with 02 and 06 series poppet valves; Symmetrical coil can be reversed without affecting performance.

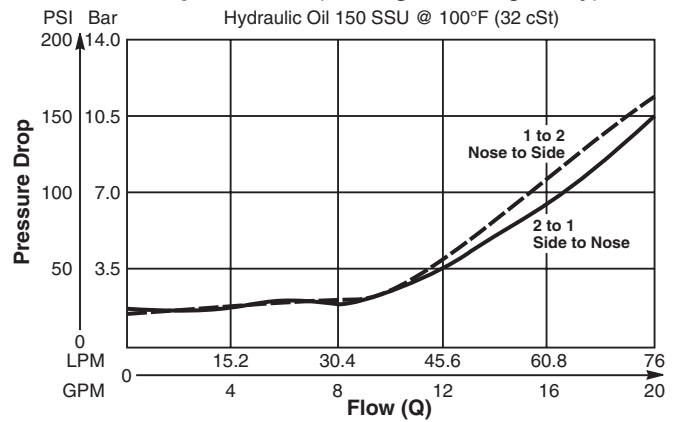


**Specifications**

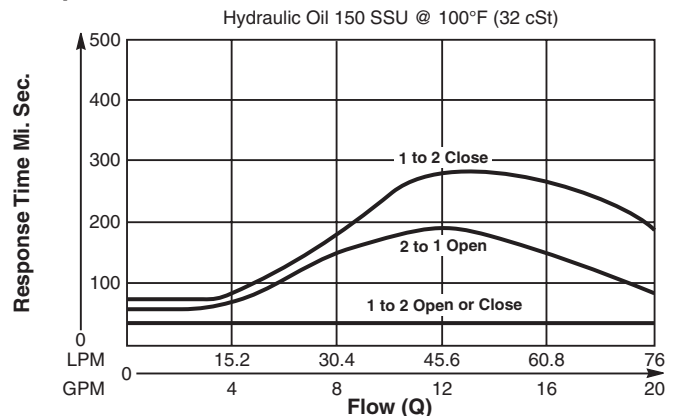
<b>Rated Flow</b>	<b>2 to 1</b> 68 LPM (18 GPM) <b>1 to 2</b> 46 LPM (12 GPM)
<b>Maximum Inlet Pressure</b>	<b>80</b> 210 Bar (3000 PSI) <b>81</b> 350 Bar (5000 PSI)
<b>Leakage at 150 SSU (32 cSt)</b>	5 drops/min. (.33 cc/min.)
<b>Minimum Operating Voltage</b>	85% of rated voltage at 20°C (72°F).
<b>Response Time</b>	See Performance Curves
<b>Cartridge Material</b>	All parts steel. All operating parts hardened steel.
<b>Operating Temp. Range/Seals</b>	-34°C to +121°C (Nitrile) (-30°F to +250°F) -26°C to +204°C (Fluorocarbon) (-15°F to +400°F)
<b>Fluid Compatibility/Viscosity</b>	Mineral-based or synthetic with lubricating properties at viscosities of 45 to 2000 SSU (6 to 420 cSt)
<b>Filtration</b>	ISO 4406 18/16/13, SAE Class 4
<b>Approx. Weight</b>	.17 kg (.37 lbs.)
<b>Cavity</b>	2R (See BC Section for more details)

**Performance Curves**

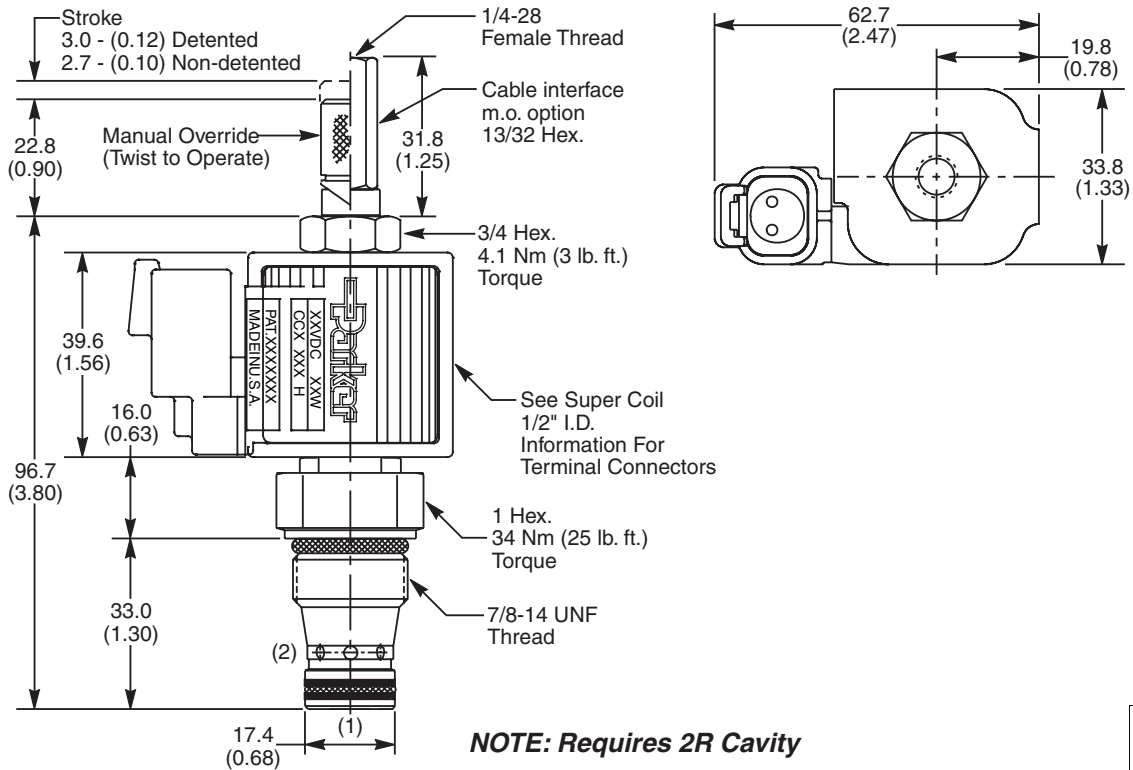
**Pressure Drop vs. Flow (Through cartridge only)**



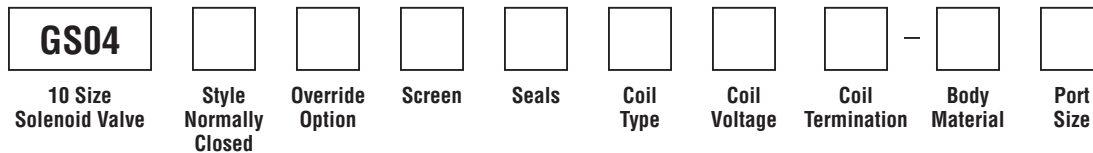
**Response Time vs. Flow**



**Dimensions** Millimeters (Inches)



**Ordering Information**



Code	Style
80	Standard ('SS' Coil)
81	High Pressure ('SP' Coil)

Code	Seals / Kit No.
N	Nitrile / Buna-N (Std.) (SK30113N-1)

Code	Coil Termination
Omit	Without Coil
A	Amp Jr. Timer*
C	Conduit With Leads
D	DIN Plug Face
H	Molded Deutsch*
L	Dual Lead Wire*
PF	Packard Female*
PM	Packard Male*
S	Dual Spade*

Code	Body Material
Omit	Steel
A	Aluminum

Code	Override Options
0	None
1	Detented
2	Non-Detented
3	Cable Interface 210 Bar (3000 PSI)

Code	Coil Type
Omit	Without Coil
SS	Super Coil - 14 Watts
SP	Super Coil - 19 Watts

Code	Port Size	Body Part No.
Omit	Cartridge Only	
8T	SAE-8	(BW14-2-*8T)

\* Add "A" for aluminum, omit for steel.

Code	Screen
0	None

Code	Coil Voltage
Omit	Without Coil
D012	12 VDC
D024	24 VDC
A120	120 VAC, 60/50 Hz

See Super Coil 1/2" I.D.  
 \*DC Only

**CV**

Check Valves

**SH**

Shuttle Valves

**LM**

Load/Motor Controls

**FC**

Flow Controls

**PC**

Pressure Controls

**LE**

Logic Elements

**DC**

Directional Controls

**MV**

Manual Valves

**SV**

Solenoid Valves

**PV**

Proportional Valves

**CE**

Coils & Electronics

**BC**

Bodies & Cavities

**TD**

Technical Data



**Technical Information**

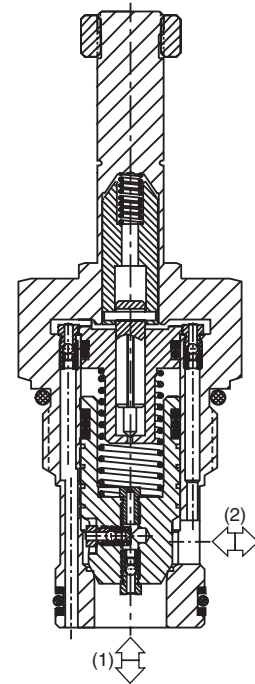
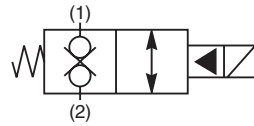
- CV** Check Valves
- SH** Shuttle Valves
- LM** Load/Motor Controls
- FC** Flow Controls
- PC** Pressure Controls
- LE** Logic Elements
- DC** Directional Controls
- MV** Manual Valves
- SV** Solenoid Valves
- PV** Proportional Valves
- CE** Coils & Electronics
- BC** Bodies & Cavities
- TD** Technical Data

**General Description**

2-Way, 2 Position, Normally Closed, Bi-Directional Poppet Valve. For additional information see Technical Tips on pages SV1-SV6.

**Features**

- Built-in thermal relief set at 36 Bar (500 PSI) above rated pressure
- One piece cartridge housing ensures internal concentricity
- Coil: Waterproof, hermetically sealed, requires no O'Rings; Coil is interchangeable with 02 and 04 series poppet valves; Symmetrical coil can be reversed without affecting performance.

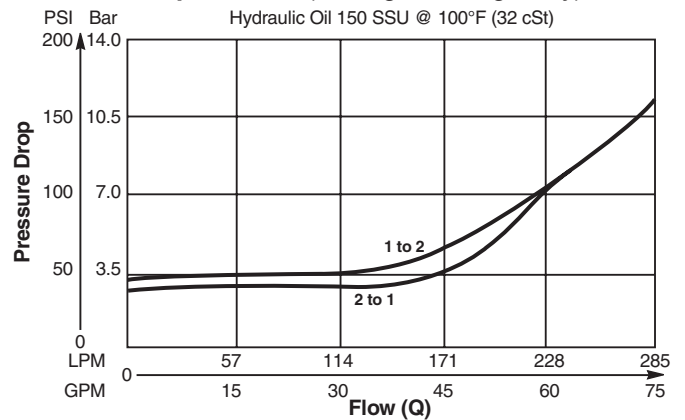


**Specifications**

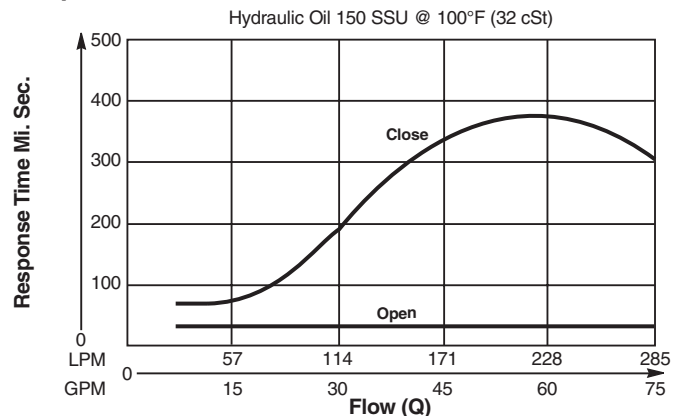
<b>Rated Flow</b>	285 LPM (75 GPM)
<b>Maximum Inlet Pressure</b>	<b>80</b> 210 Bar (3000 PSI) <b>81</b> 350 Bar (5000 PSI)
<b>Leakage at 150 SSU (32 cSt)</b>	9 drops/min. (.58 cc/min.)
<b>Minimum Operating Voltage</b>	85% of rated voltage at 20°C (72°F).
<b>Response Time</b>	See Performance Curves
<b>Cartridge Material</b>	All parts steel. All operating parts hardened steel.
<b>Operating Temp. Range/Seals</b>	-34°C to +121°C (Nitrile) (-30°F to +250°F) -26°C to +204°C (Fluorocarbon) (-15°F to +400°F)
<b>Fluid Compatibility/Viscosity</b>	Mineral-based or synthetic with lubricating properties at viscosities of 45 to 2000 SSU (6 to 420 cSt)
<b>Filtration</b>	ISO 4406 18/16/13, SAE Class 4
<b>Approx. Weight</b>	0.4 kg (.88 lbs.)
<b>Cavity</b>	C16-2 (See BC Section for more details)

**Performance Curves**

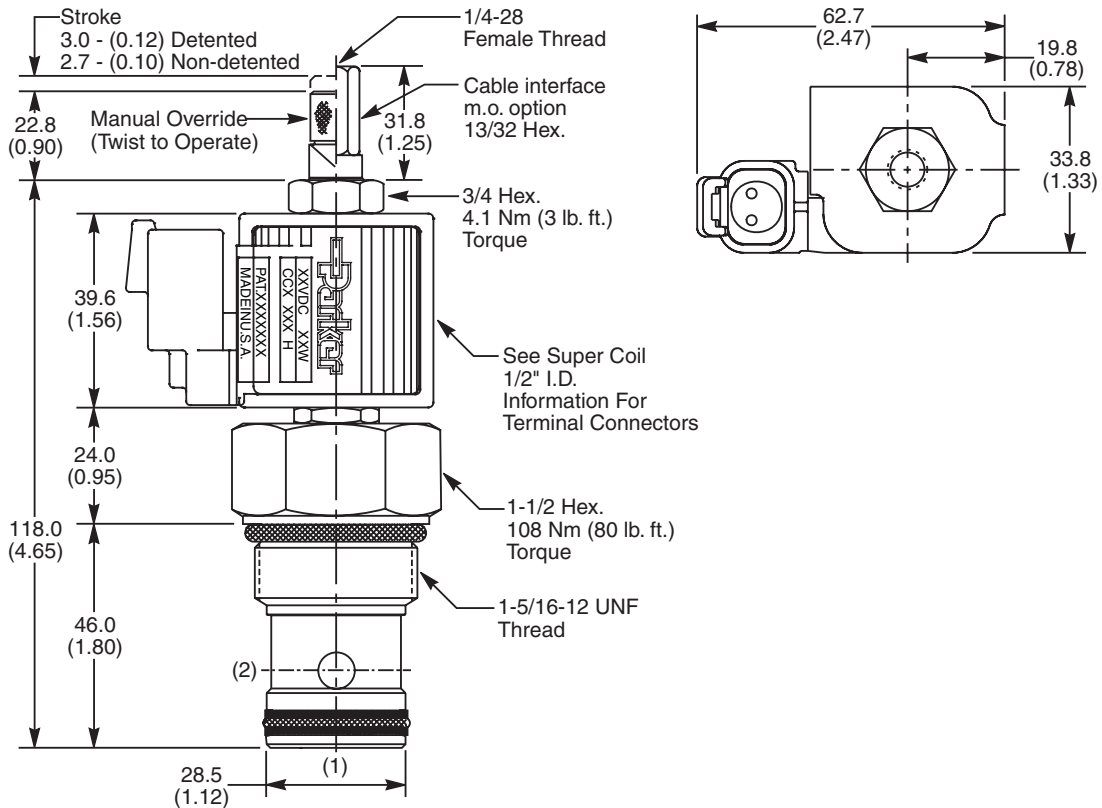
**Pressure Drop vs. Flow (Through cartridge only)**



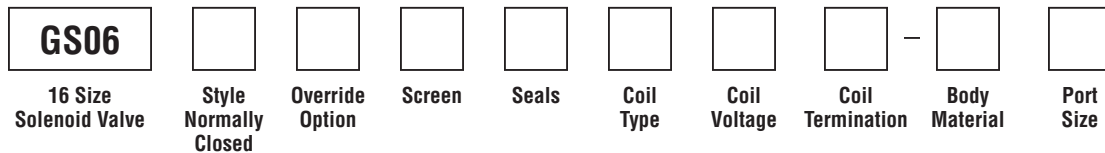
**Response Time vs. Flow**



**Dimensions** Millimeters (Inches)



**Ordering Information**



Code	Style
80	Standard ('SS' Coil)
81	High Pressure ('SP' Coil)

Code	Seals / Kit No.
N	Nitrile / Buna-N (Std.) (SK30089N-1)
V	Fluorocarbon / (SK30089V-1)

Code	Coil Termination
Omit	Without Coil
A	Amp Jr. Timer*
C	Conduit With Leads
D	DIN Plug Face
H	Molded Deutsch*
L	Dual Lead Wire*
PF	Packard Female*
PM	Packard Male*
S	Dual Spade*

Code	Body Material
Omit	Steel
A	Aluminum

Code	Override Options
0	None
1	Detented
2	Non-Detented
3	Cable Interface 210 Bar (3000 PSI)

Code	Coil Type
Omit	Without Coil
SS	Super Coil - 14 Watts
SP	Super Coil - 19 Watts

Code	Port Size	Body Part No.
Omit	Cartridge Only	
16T	SAE-16	(B16-2-*16T)

\* Add "A" for aluminum, omit for steel.

Code	Screen
0	None

Code	Coil Voltage
Omit	Without Coil
D012	12 VDC
D024	24 VDC
A120	120 VAC, 60/50 Hz

See Super Coil 1/2" I.D.  
 \*DC Only

- CV Check Valves
- SH Shuttle Valves
- LM Load/Motor Controls
- FC Flow Controls
- PC Pressure Controls
- LE Logic Elements
- DC Directional Controls
- MV Manual Valves
- SV Solenoid Valves
- PV Proportional Valves
- CE Coils & Electronics
- BC Bodies & Cavities
- TD Technical Data

**Technical Information**

**CV**

Check Valves

**SH**

Shuttle Valves

**LM**

Load/Motor Controls

**FC**

Flow Controls

**PC**

Pressure Controls

**LE**

Logic Elements

**DC**

Directional Controls

**MV**

Manual Valves

**SV**

Solenoid Valves

**PV**

Proportional Valves

**CE**

Coils & Electronics

**BC**

Bodies & Cavities

**TD**

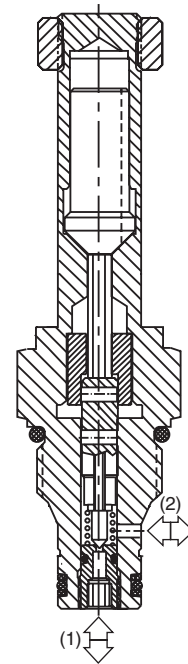
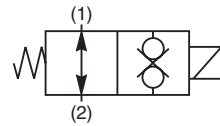
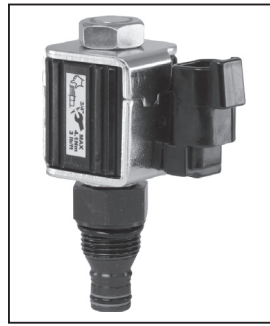
Technical Data

**General Description**

2-Way, 2 Position, Normally Open Poppet Valve. Bi-Directional Direct Acting. For additional information see Technical Tips on pages SV1-SV6.

**Features**

- Fast Response
- One piece cartridge housing ensures internal concentricity
- Coil: Waterproof, hermetically sealed, requires no O’Rings; Coil is interchangeable with 04 and 06 series poppet valves; Symmetrical coil can be reversed without affecting performance.

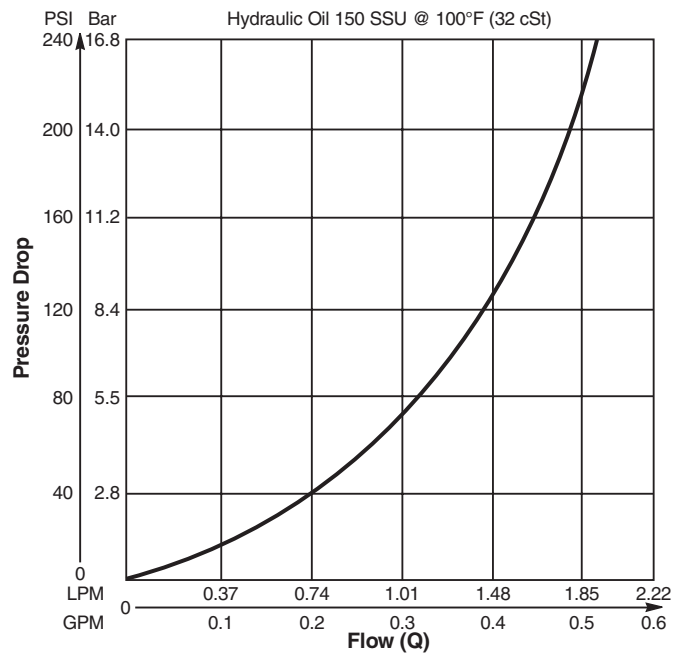


**Specifications**

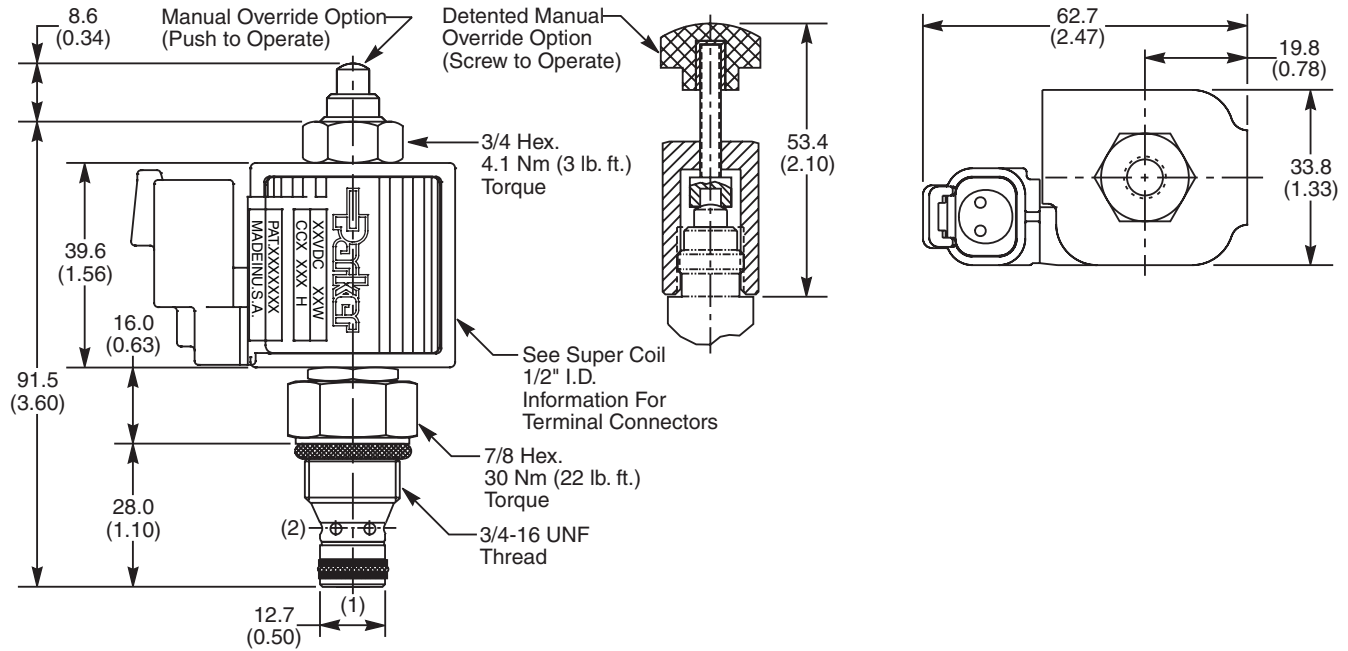
<b>Rated Flow</b>	1.7 LPM (0.45 GPM)
<b>Maximum Inlet Pressure</b>	210 Bar (3000 PSI)
<b>Leakage at 150 SSU (32 cSt)</b>	<b>77</b> 5 drops/min. (.33 cc/min.) <b>78</b> Zero Drops Soft (Delrin) Seat
<b>Minimum Operating Voltage</b>	85% of rated voltage at 20°C (72°F).
<b>Response Time</b>	<b>Open</b> 10 ms <b>Close</b> 10 ms
<b>Cartridge Material</b>	All parts steel. All operating parts hardened steel.
<b>Operating Temp. Range/Seals</b>	-34°C to +121°C (Nitrile) (-30°F to +250°F) -26°C to +204°C (Fluorocarbon) (-15°F to +400°F)
<b>Fluid Compatibility/ Viscosity</b>	Mineral-based or synthetic with lubricating properties at viscosities of 45 to 2000 SSU (6 to 420 cSt)
<b>Filtration</b>	ISO 4406 18/16/13, SAE Class 4
<b>Approx. Weight</b>	.14 kg (.31 lbs.)
<b>Cavity</b>	C08-2 (See BC Section for more details)

**Performance Curve**

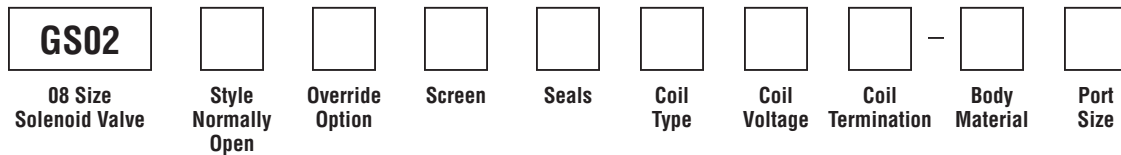
**Pressure Drop vs. Flow (Through cartridge only)**



**Dimensions** Millimeters (Inches)



**Ordering Information**



Code	Style
77	Standard ('SP' Coil)
78	Zero Drops ('SP' Coil)

Code	Seals / Kit No.
N	Nitrile / Buna-N (Std.) (SK30088N-1)
V	Fluorocarbon / (SK30088V-1)

Code	Coil Termination
Omit	Without Coil
A	Amp Jr. Timer*
C	Conduit With Leads
D	DIN Plug Face
H	Molded Deutsch*
L	Dual Lead Wire*
PF	Packard Female*
PM	Packard Male*
S	Dual Spade*

Code	Body Material
Omit	Steel
A	Aluminum

Code	Override Options
0	None
1	Manual Override
2	Detented Part No. 900690

Code	Coil Type
Omit	Without Coil
SP	Super Coil - 19 Watts

Code	Port Size	Body Part No.
Omit	Cartridge Only	
6T	SAE-6	(B08-2-*6T)

\* Add "A" for aluminum, omit for steel.

Code	Screen
0	None
1	60 Mesh Screen

Code	Coil Voltage
Omit	Without Coil
D012	12 VDC
D024	24 VDC
A120	120 VAC, 60/50 Hz

See Super Coil 1/2" I.D.  
 \*DC Only

- CV** Check Valves
- SH** Shuttle Valves
- LM** Load/Motor Controls
- FC** Flow Controls
- PC** Pressure Controls
- LE** Logic Elements
- DC** Directional Controls
- MV** Manual Valves
- SV** Solenoid Valves
- PV** Proportional Valves
- CE** Coils & Electronics
- BC** Bodies & Cavities
- TD** Technical Data

**Technical Information**

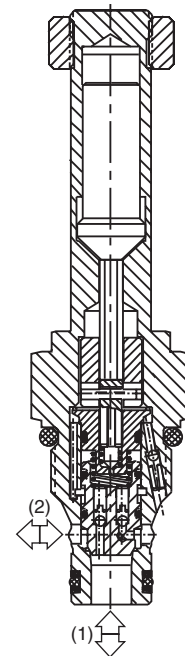
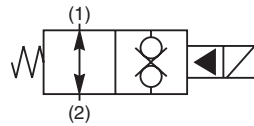
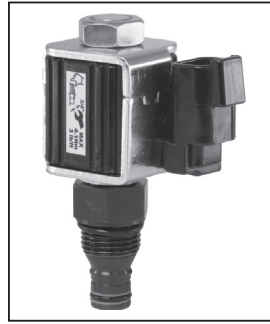
- CV** Check Valves
- SH** Shuttle Valves
- LM** Load/Motor Controls
- FC** Flow Controls
- PC** Pressure Controls
- LE** Logic Elements
- DC** Directional Controls
- MV** Manual Valves
- SV** Solenoid Valves
- PV** Proportional Valves
- CE** Coils & Electronics
- BC** Bodies & Cavities
- TD** Technical Data

**General Description**

2-Way, 2 Position, Normally Open, Bi-Directional Poppet Valve. For additional information see Technical Tips on pages SV1-SV6.

**Features**

- Built-in thermal relief set at 36 Bar (500 PSI) above rated pressure
- One piece cartridge housing ensures internal concentricity
- Coil: Waterproof, hermetically sealed, requires no O'Rings; Coil is interchangeable with 04 and 06 series poppet valves; Symmetrical coil can be reversed without affecting performance.

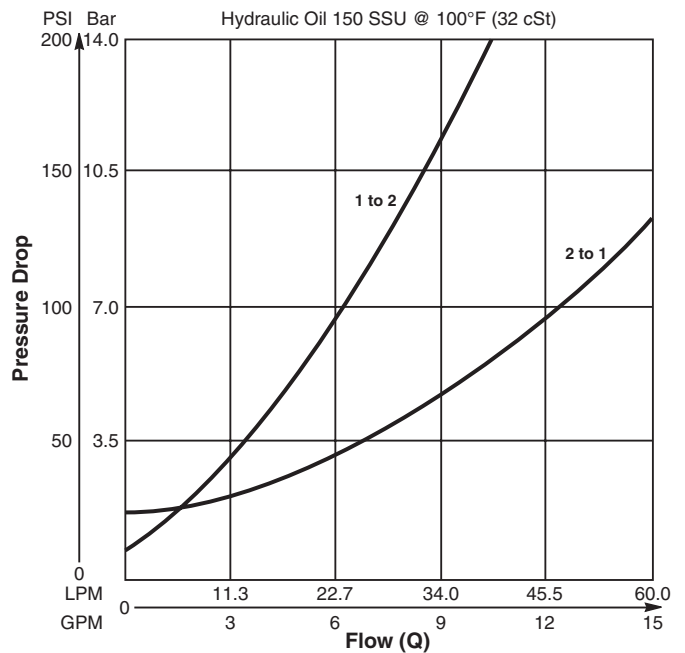


**Specifications**

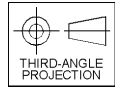
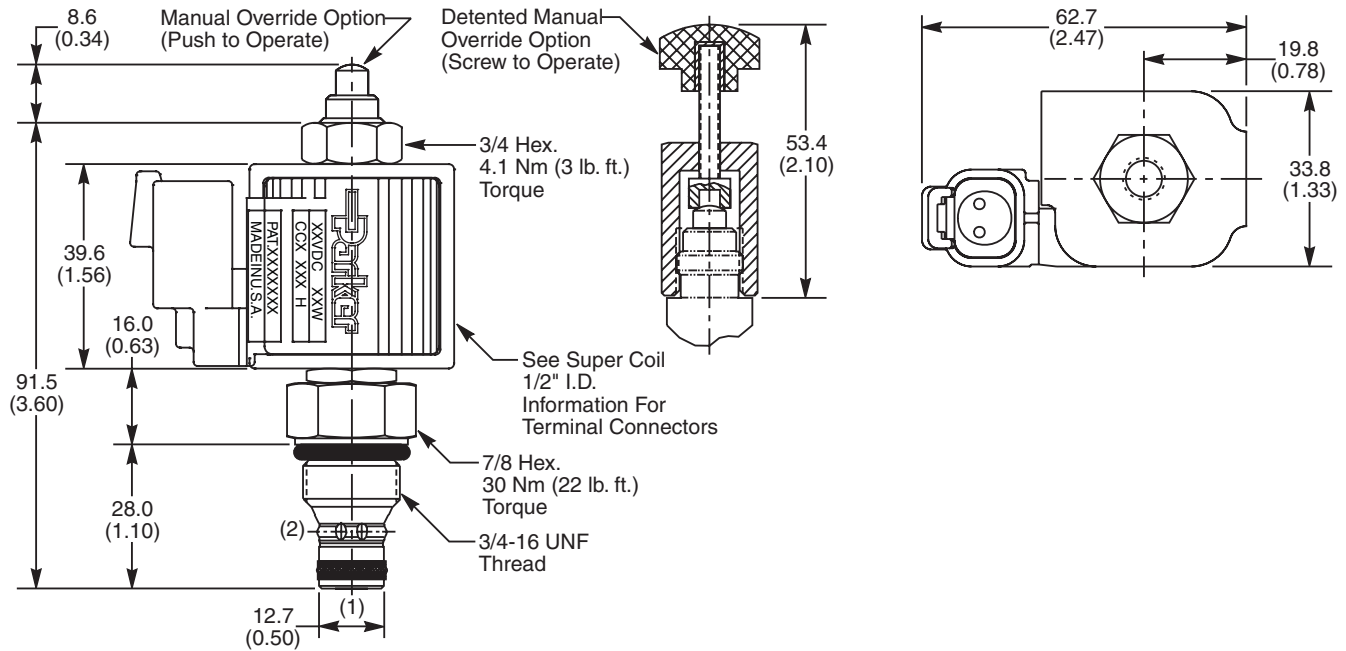
<b>Rated Flow</b>	<b>2 to 1</b> 34 LPM (9 GPM) <b>1 to 2</b> 19 LPM (5 GPM)
<b>Maximum Inlet Pressure</b>	<b>85</b> 210 Bar (3000 PSI) <b>86</b> 350 Bar (5000 PSI)
<b>Leakage at 150 SSU (32 cSt)</b>	5 drops/min. (.33 cc/min.)
<b>Minimum Operating Voltage</b>	85% of rated voltage at 20°C (72°F).
<b>Response Time</b>	<b>Open</b> 40 ms <b>Close</b> 40 ms
<b>Cartridge Material</b>	All parts steel. All operating parts hardened steel.
<b>Operating Temp. Range/Seals</b>	-34°C to +121°C (Nitrile) (-30°F to +250°F) -26°C to +204°C (Fluorocarbon) (-15°F to +400°F)
<b>Fluid Compatibility/ Viscosity</b>	Mineral-based or synthetic with lubricating properties at viscosities of 45 to 2000 SSU (6 to 420 cSt)
<b>Filtration</b>	ISO 4406 18/16/13, SAE Class 4
<b>Approx. Weight</b>	.14 kg (.31 lbs.)
<b>Cavity</b>	C08-2 (See BC Section for more details)

**Performance Curve**

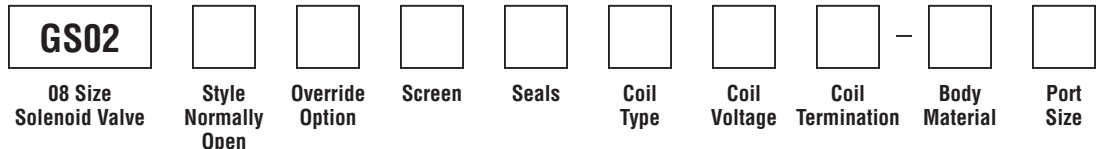
**Pressure Drop vs. Flow (Through cartridge only)**



**Dimensions** Millimeters (Inches)



**Ordering Information**



Code	Style
85	Standard ('SS' Coil)
86	High Pressure ('SP' Coil)

Code	Seals / Kit No.
N	Nitrile / Buna-N (Std.) (SK30088N-1)

Code	Coil Termination
Omit	Without Coil
A	Amp Jr. Timer*
C	Conduit With Leads
D	DIN Plug Face
H	Molded Deutsch*
L	Dual Lead Wire*
PF	Packard Female*
PM	Packard Male*
S	Dual Spade*

Code	Body Material
Omit	Steel
A	Aluminum

Code	Override Options
0	None
1	Manual Override
2	Detented Part No. 900690

Code	Coil Type
Omit	Without Coil
SS	Super Coil - 14 Watts
SP	Super Coil - 19 Watts

Code	Port Size	Body Part No.
Omit	Cartridge Only	
6T	SAE-6	(B08-2-*6T)

Code	Screen
0	None

Code	Coil Voltage
Omit	Without Coil
D012	12 VDC
D024	24 VDC
A120	120 VAC, 60/50 Hz

See Super Coil 1/2" I.D.  
 \*DC Only

\* Add "A" for aluminum, omit for steel.

- CV Check Valves
- SH Shuttle Valves
- LM Load/Motor Controls
- FC Flow Controls
- PC Pressure Controls
- LE Logic Elements
- DC Directional Controls
- MV Manual Valves
- SV Solenoid Valves
- PV Proportional Valves
- CE Coils & Electronics
- BC Bodies & Cavities
- TD Technical Data

**Technical Information**

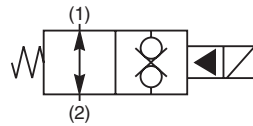
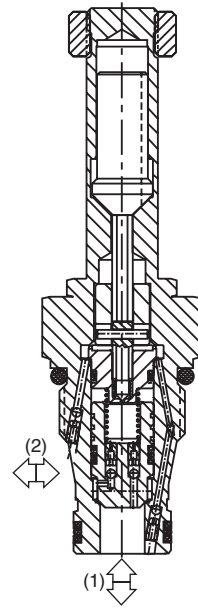
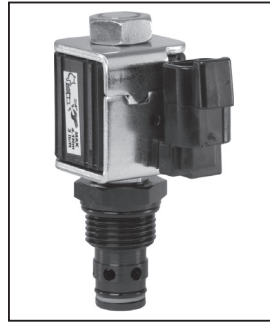
- CV** Check Valves
- SH** Shuttle Valves
- LM** Load/Motor Controls
- FC** Flow Controls
- PC** Pressure Controls
- LE** Logic Elements
- DC** Directional Controls
- MV** Manual Valves
- SV** Solenoid Valves
- PV** Proportional Valves
- CE** Coils & Electronics
- BC** Bodies & Cavities
- TD** Technical Data

**General Description**

2-Way, 2 Position, Normally Open, Bi-Directional Poppet Valve. For additional information see Technical Tips on pages SV1-SV6.

**Features**

- Built-in thermal relief set at 36 Bar (500 PSI) above rated pressure
- One piece cartridge housing ensures internal concentricity
- Coil: Waterproof, hermetically sealed, requires no O'Rings; Coil is interchangeable with 02 and 06 series poppet valves; Symmetrical coil can be reversed without affecting performance.

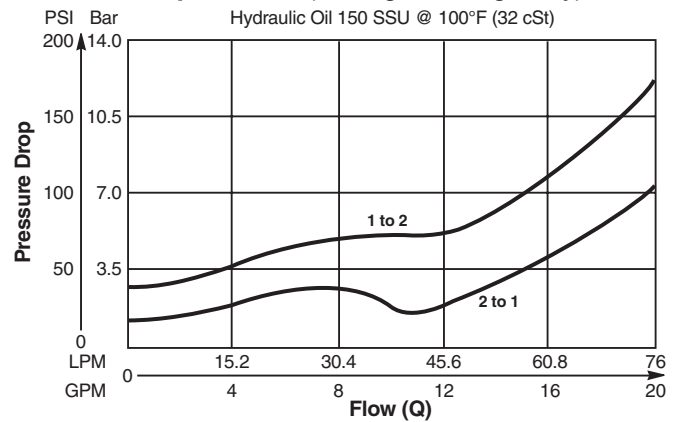


**Specifications**

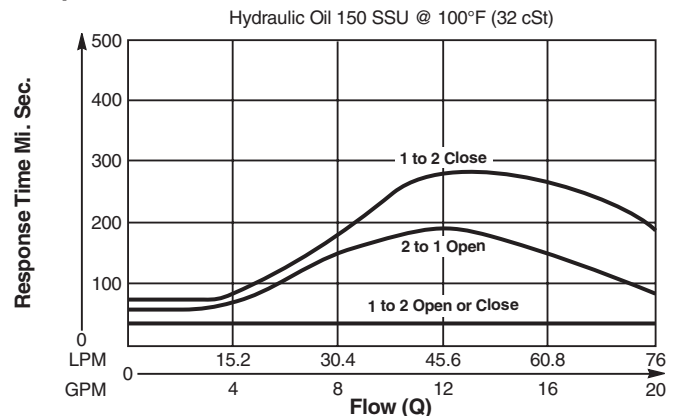
<b>Rated Flow</b>	<b>2 to 1</b> 68 LPM (18 GPM) <b>1 to 2</b> 46 LPM (12 GPM)
<b>Maximum Inlet Pressure</b>	<b>85</b> 210 Bar (3000 PSI) <b>86</b> 350 Bar (5000 PSI)
<b>Leakage at 150 SSU (32 cSt)</b>	5 drops/min. (.33 cc/min.)
<b>Minimum Operating Voltage</b>	85% of rated voltage at 20°C (72°F).
<b>Response Time</b>	See Performance Curves
<b>Cartridge Material</b>	All parts steel. All operating parts hardened steel.
<b>Operating Temp. Range/Seals</b>	-34°C to +121°C (Nitrile) (-30°F to +250°F) -26°C to +204°C (Fluorocarbon) (-15°F to +400°F)
<b>Fluid Compatibility/Viscosity</b>	Mineral-based or synthetic with lubricating properties at viscosities of 45 to 2000 SSU (6 to 420 cSt)
<b>Filtration</b>	ISO 4404 18/16/13, SAE Class 4
<b>Approx. Weight</b>	.17 kg (.37 lbs.)
<b>Cavity</b>	2R (See BC Section for more details)

**Performance Curves**

**Pressure Drop vs. Flow (Through cartridge only)**

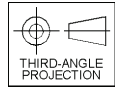
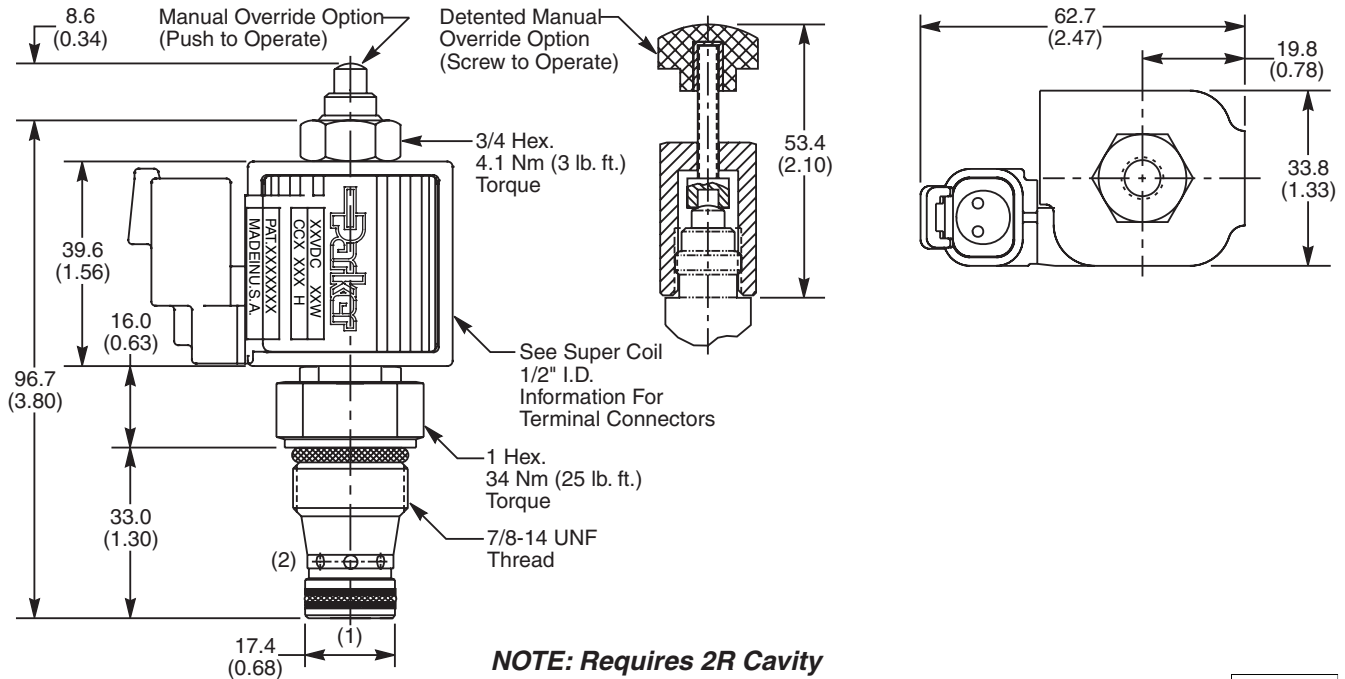


**Response Time vs. Flow**

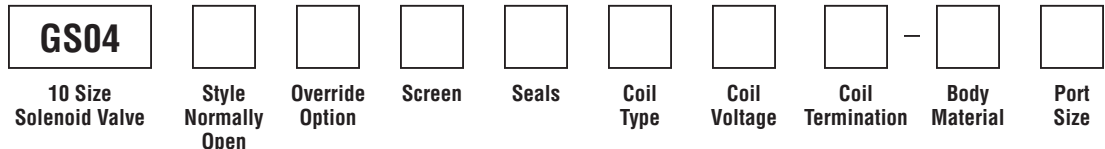




**Dimensions** Millimeters (Inches)



**Ordering Information**



Code	Style
85	Standard ('SS' Coil)
86	High Pressure ('SP' Coil)

Code	Seals / Kit No.
N	Nitrile / Buna-N (Std.) (SK30113N-1)

Code	Coil Termination
Omit	Without Coil
A	Amp Jr. Timer*
C	Conduit With Leads
D	DIN Plug Face
H	Molded Deutsch*
L	Dual Lead Wire*
PF	Packard Female*
PM	Packard Male*
S	Dual Spade*

Code	Body Material
Omit	Steel
A	Aluminum

Code	Override Options
0	None
1	Manual Override
2	Detented Part No. 900690

Code	Coil Type
Omit	Without Coil
SS	Super Coil - 14 Watts
SP	Super Coil - 19 Watts

Code	Port Size	Body Part No.
Omit	Cartridge Only	
8T	SAE-8 (BW14-2-*8T)	

Code	Screen
0	None

Code	Coil Voltage
Omit	Without Coil
D012	12 VDC
D024	24 VDC
A120	120 VAC, 60/50 Hz

See Super Coil 1/2" I.D.  
 \*DC Only

\* Add "A" for aluminum, omit for steel.

- CV Check Valves
- SH Shuttle Valves
- LM Load/Motor Controls
- FC Flow Controls
- PC Pressure Controls
- LE Logic Elements
- DC Directional Controls
- MV Manual Valves
- SV Solenoid Valves
- PV Proportional Valves
- CE Coils & Electronics
- BC Bodies & Cavities
- TD Technical Data

**Technical Information**

**CV**

Check Valves

**SH**

Shuttle Valves

**LM**

Load/Motor Controls

**FC**

Flow Controls

**PC**

Pressure Controls

**LE**

Logic Elements

**DC**

Directional Controls

**MV**

Manual Valves

**SV**

Solenoid Valves

**PV**

Proportional Valves

**CE**

Coils & Electronics

**BC**

Bodies & Cavities

**TD**

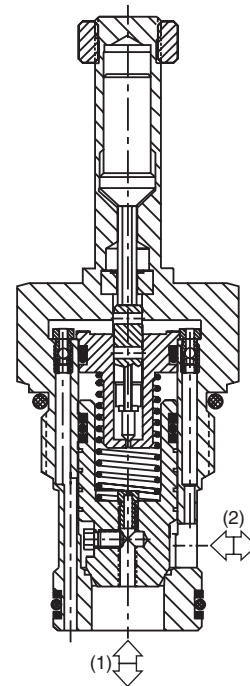
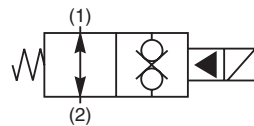
Technical Data

**General Description**

2-Way, 2 Position, Normally Open, Bi-Directional Poppet Valve. For additional information see Technical Tips on pages SV1-SV6.

**Features**

- Built-in thermal relief set at 36 Bar (500 PSI) above rated pressure
- One piece cartridge housing ensures internal concentricity
- Coil: Waterproof, hermetically sealed, requires no O'Rings; Coil is interchangeable with 02 and 04 series poppet valves; Symmetrical coil can be reversed without affecting performance.

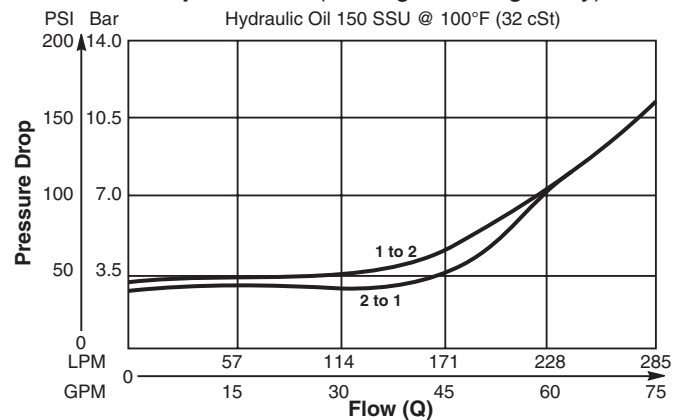


**Specifications**

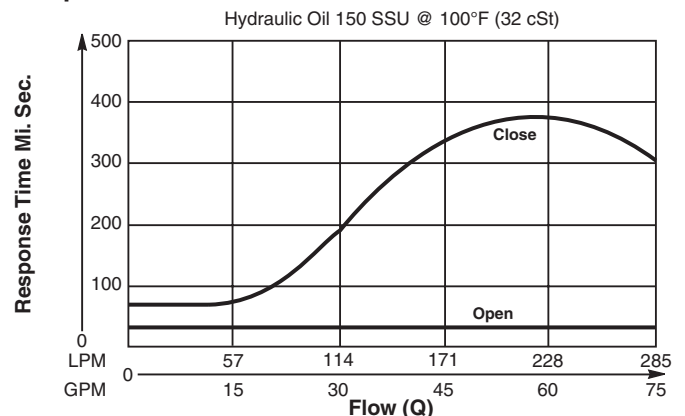
<b>Rated Flow</b>	285 LPM (75 GPM)
<b>Maximum Inlet Pressure</b>	<b>85</b> 210 Bar (3000 PSI) <b>86</b> 350 Bar (5000 PSI)
<b>Leakage at 150 SSU (32 cSt)</b>	5 drops/min. (.33 cc/min.)
<b>Minimum Operating Voltage</b>	85% of rated voltage at 20°C (72°F).
<b>Response Time</b>	See Performance Curves
<b>Cartridge Material</b>	All parts steel. All operating parts hardened steel.
<b>Operating Temp. Range/Seals</b>	-34°C to +121°C (Nitrile) (-30°F to +250°F) -26°C to +204°C (Fluorocarbon) (-15°F to +400°F)
<b>Fluid Compatibility/Viscosity</b>	Mineral-based or synthetic with lubricating properties at viscosities of 45 to 2000 SSU (6 to 420 cSt)
<b>Filtration</b>	ISO 4406 18/16/13, SAE Class 4
<b>Approx. Weight</b>	0.4 kg (.88 lbs.)
<b>Cavity</b>	C16-2 (See BC Section for more details)

**Performance Curves**

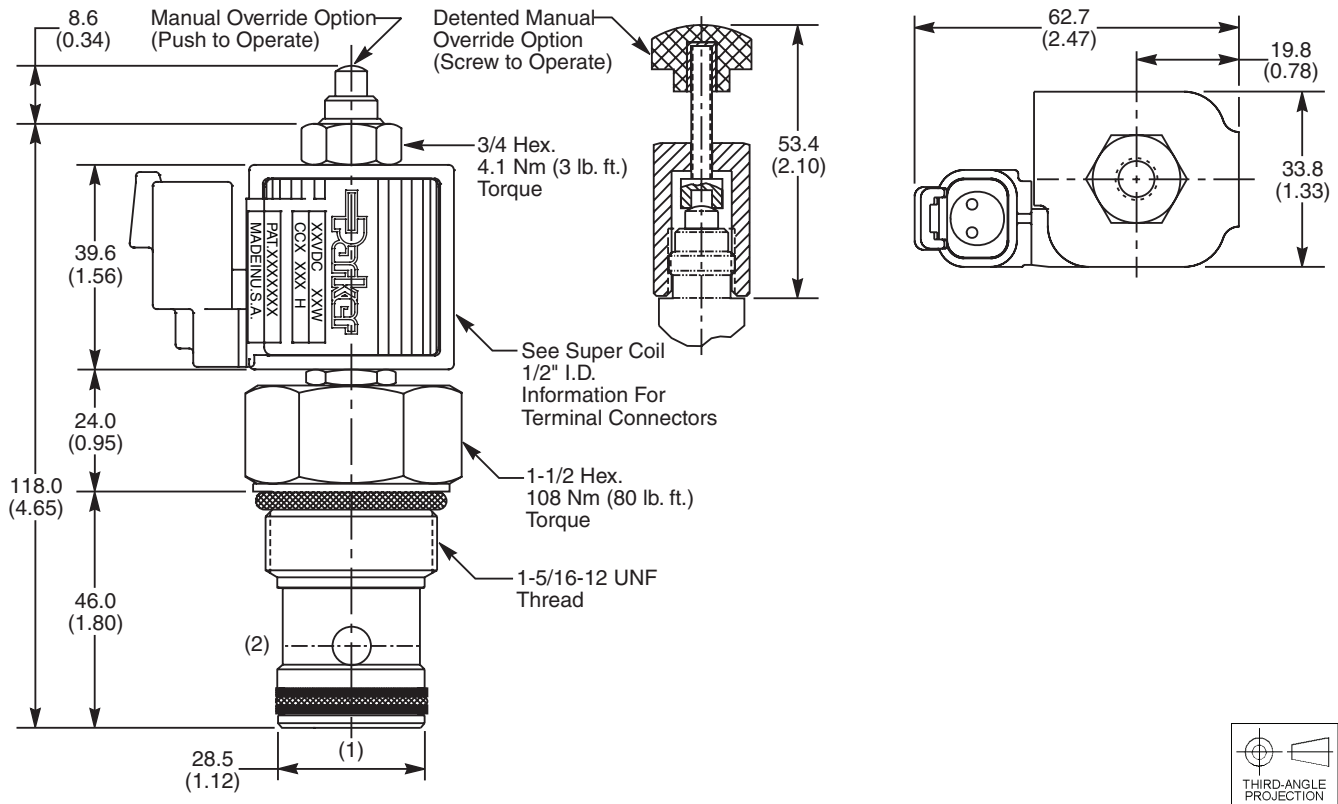
**Pressure Drop vs. Flow (Through cartridge only)**



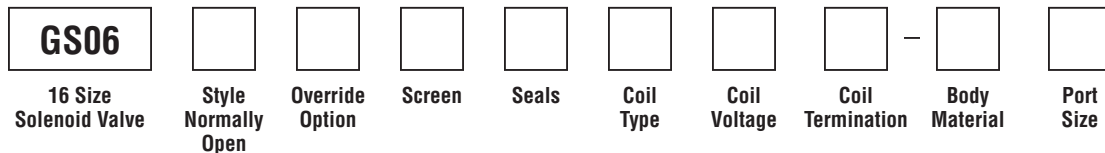
**Response Time vs. Flow**



**Dimensions** Millimeters (Inches)



**Ordering Information**



Code	Style
85	Standard ('SS' Coil)
86	High Pressure ('SP' Coil)

Code	Override Options
0	None
1	Manual Override
2	Detented Part No. 900690

Code	Screen
0	None

Code	Seals / Kit No.
N	Nitrile / Buna-N (Std.) (SK30089N-1)
V	Fluorocarbon / (SK30089V-1)

Code	Coil Type
Omit	Without Coil
SS	Super Coil - 14 Watts
SP	Super Coil - 19 Watts

Code	Coil Voltage
Omit	Without Coil
D012	12 VDC
D024	24 VDC
A120	120 VAC, 60/50 Hz

Code	Coil Termination
Omit	Without Coil
A	Amp Jr. Timer*
C	Conduit With Leads
D	DIN Plug Face
H	Molded Deutsch*
L	Dual Lead Wire*
PF	Packard Female*
PM	Packard Male*
S	Dual Spade*

See Super Coil 1/2" I.D.  
 \*DC Only

Code	Body Material
Omit	Steel
A	Aluminum

Code	Port Size	Body Part No.
Omit	Cartridge Only	
16T	SAE-16	(B16-2-*16T)

\* Add "A" for aluminum, omit for steel.

- CV Check Valves
- SH Shuttle Valves
- LM Load/Motor Controls
- FC Flow Controls
- PC Pressure Controls
- LE Logic Elements
- DC Directional Controls
- MV Manual Valves
- SV Solenoid Valves
- PV Proportional Valves
- CE Coils & Electronics
- BC Bodies & Cavities
- TD Technical Data

**Technical Information**

- CV** Check Valves
- SH** Shuttle Valves
- LM** Load/Motor Controls
- FC** Flow Controls
- PC** Pressure Controls
- LE** Logic Elements
- DC** Directional Controls
- MV** Manual Valves
- SV** Solenoid Valves
- PV** Proportional Valves
- CE** Coils & Electronics
- BC** Bodies & Cavities
- TD** Technical Data

**General Description**

2-Way Spool Valves. For additional information see Technical Tips on pages SV1-SV6.

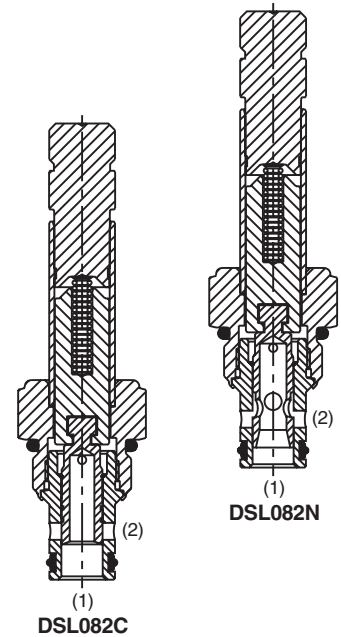
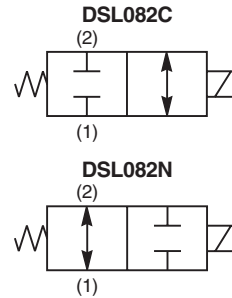


**Features**

- High flow capacity with reduced space requirements
- Standard valve bodies and common cavities
- One-piece encapsulated coil with minimal amperage draw
- Manual overrides, seal variations and other options available
- No dynamic seals
- Variety of coil terminations
- Polyurethane "D"-Ring eliminates need for backup rings
- Nylon inserted jam-nut provides secure holding in high vibration applications
- All external parts zinc plated

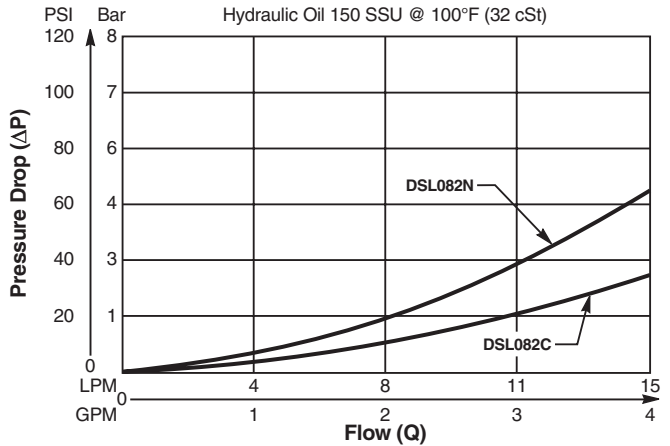
**Specifications**

<b>Rated Flow</b>	<b>C</b> - 15 LPM (4 GPM) <b>N</b> - 11 LPM (3 GPM)		
<b>Maximum Inlet Pressure</b>	250 Bar (3600 PSI)		
<b>Leakage at 150 SSU (32cSt)</b>	120 cc/min. (7.5 in <sup>3</sup> /min.) at 250 Bar (3600 PSI)		
<b>Minimum Operating Voltage</b>	85% of rated voltage at 20°C (72°F).		
<b>Response Time</b>		<b>Energized</b>	<b>De-Energized</b>
	<b>C</b>	40 ms	40 ms
	<b>N</b>	40 ms	40 ms
<b>Cartridge Material</b>	All parts steel. All operating parts hardened steel.		
<b>Operating Temp. Range/Seals</b>	-45°C to +132°C ("D"-Ring) (-50°F to +270°F)		
	-34°C to +121°C (Nitrile) (-30°F to +250°F)		
	-26°C to +204°C (Fluorocarbon) (-15°F to +400°F)		
<b>Fluid Compatibility/Viscosity</b>	Mineral-based or synthetic with lubricating properties at viscosities of 45 to 2000 SSU (6 to 420 cSt)		
<b>Filtration</b>	ISO 4406 18/16/13, SAE Class 4		
<b>Approx. Weight</b>	.11 kg (.25 lbs.)		
<b>Cavity</b>	C08-2 (See BC Section for more details)		
<b>Form Tool</b>	<b>Rougher</b>	None	
	<b>Finisher</b>	NFT08-2F	

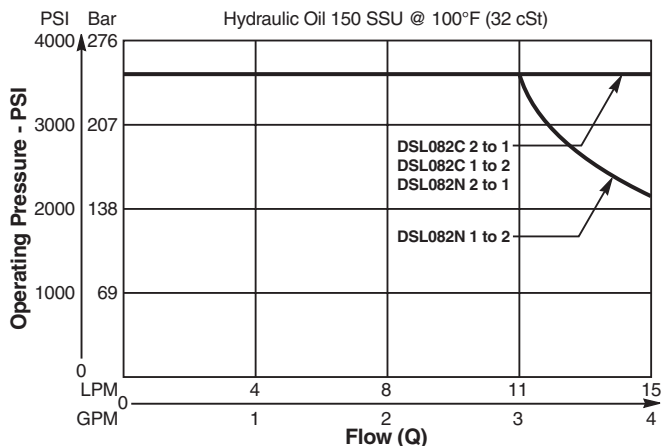


**Performance Curves**

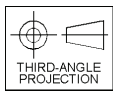
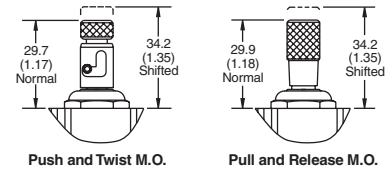
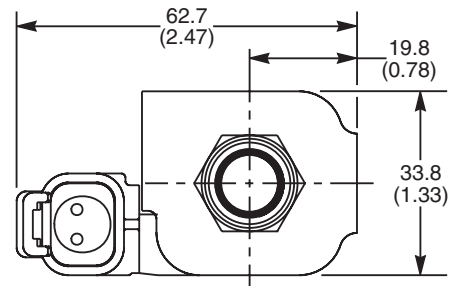
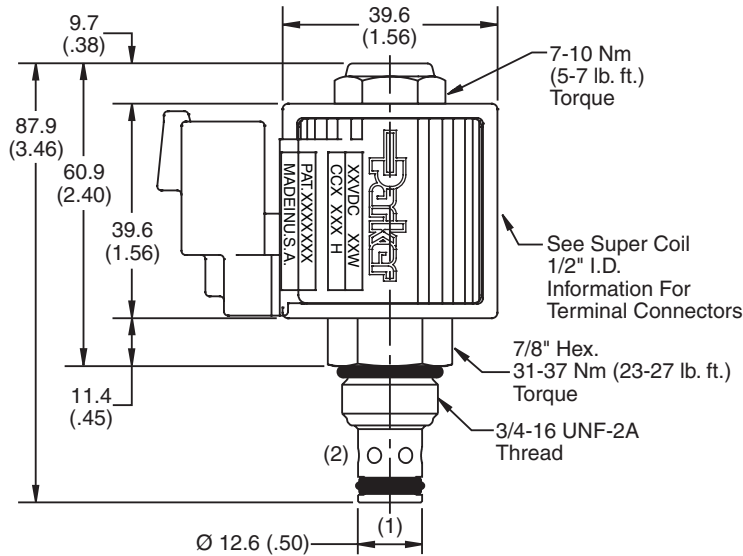
**Pressure Drop vs. Flow (Through cartridge only)**



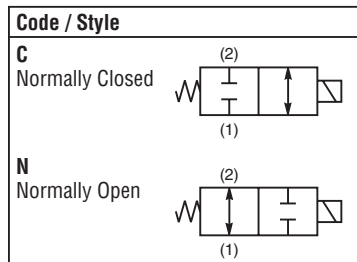
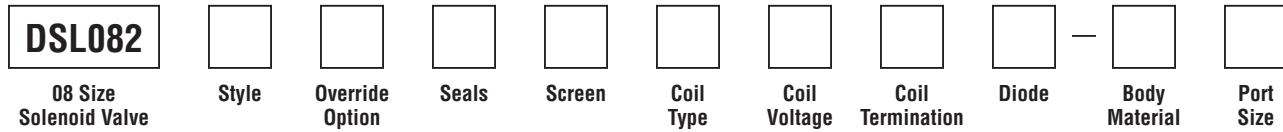
**Shift Limit Characteristics (Min. Operating Voltage)**



**Dimensions** Millimeters (Inches)



**Ordering Information**



Code	Seals / Kit No.
Omit	"D"-Ring / (SK08-2)
N	Nitrile / (SK08-2N)
V	Fluorocarbon / (SK08-2V)

Code	Coil Voltage
Omit	Without Coil
D012	12 VDC
D024	24 VDC
A120	120/110 VAC, 60/50 Hz

Code	Diode
Omit	None
R	Diode

Code	Screen
Omit	None
S	Screen

SP* Coil	Coil Termination
Omit	Without Coil
A	Amp Jr. Timer†
C	Conduit With Leads
D	DIN Plug Face
H	Molded Deutsch†
L	Dual Lead Wire†
PF	Packard Female†
PM	Packard Male†
S	Dual Spade†

Code	Body Material
Omit	Steel
A	Aluminum

Code	Override Options
Omit	None
P	Pull & Release
T	Push & Twist

Code	Coil Type
Omit	Without Coil
SP*	Super Coil - 19 Watts

Code	Port Size	Body Part No.
Omit	Cartridge Only	
4T	SAE-4	(B08-2-*4T)
6T	SAE-6	(B08-2-*6T)

\* Add "A" for aluminum, omit for steel.

\*Recommended †DC Only

- CV Check Valves
- SH Shuttle Valves
- LM Load/Motor Controls
- FC Flow Controls
- PC Pressure Controls
- LE Logic Elements
- DC Directional Controls
- MV Manual Valves
- SV Solenoid Valves
- PV Proportional Valves
- CE Coils & Electronics
- BC Bodies & Cavities
- TD Technical Data

**Technical Information**

- CV** Check Valves
- SH** Shuttle Valves
- LM** Load/Motor Controls
- FC** Flow Controls
- PC** Pressure Controls
- LE** Logic Elements
- DC** Directional Controls
- MV** Manual Valves
- SV** Solenoid Valves
- PV** Proportional Valves
- CE** Coils & Electronics
- BC** Bodies & Cavities
- TD** Technical Data

**General Description**

2-Way Spool Valves. For additional information see Technical Tips on pages SV1-SV6.

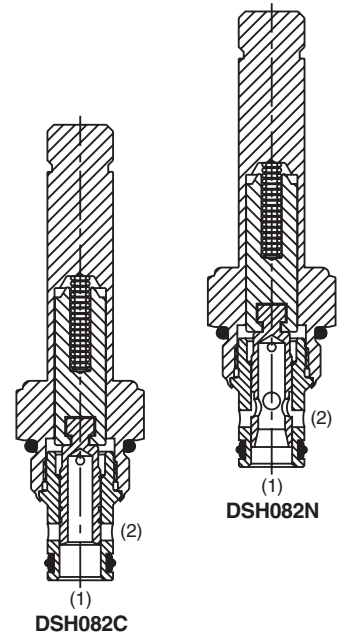
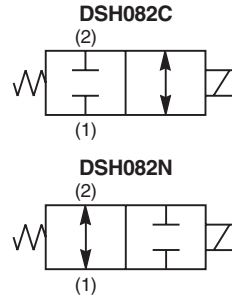


**Features**

- High flow capacity with reduced space requirements
- Standard valve bodies and common cavities
- One-piece encapsulated coil with minimal amperage draw
- Manual overrides, seal variations and other options available
- No dynamic seals
- Variety of coil terminations
- Polyurethane "D"-Ring eliminates need for backup rings
- Nylon inserted jam-nut provides secure holding in high vibration applications
- All external parts zinc plated

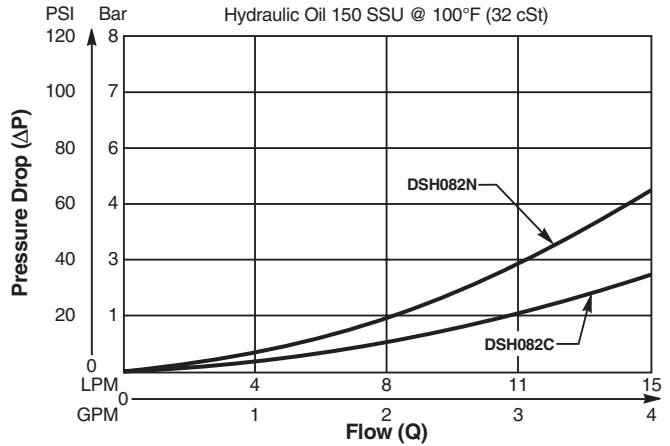
**Specifications**

<b>Rated Flow</b>	<b>C</b> - 15.0 LPM (4 GPM) <b>N</b> - 8.4 LPM (2.8 GPM)									
<b>Maximum Inlet Pressure</b>	350 Bar (5000 PSI)									
<b>Leakage at 150 SSU (32 cSt)</b>	160 cc/min. (10 in <sup>3</sup> /min.) at 350 Bar (5000 PSI)									
<b>Minimum Operating Voltage</b>	85% of rated voltage at 20°C (72°F).									
<b>Response Time</b>	<table border="1" style="display: inline-table; vertical-align: middle;"> <tr> <td></td> <td><b>Energized</b></td> <td><b>De-Energized</b></td> </tr> <tr> <td><b>C</b></td> <td>40 ms</td> <td>40 ms</td> </tr> <tr> <td><b>N</b></td> <td>40 ms</td> <td>40 ms</td> </tr> </table>		<b>Energized</b>	<b>De-Energized</b>	<b>C</b>	40 ms	40 ms	<b>N</b>	40 ms	40 ms
	<b>Energized</b>	<b>De-Energized</b>								
<b>C</b>	40 ms	40 ms								
<b>N</b>	40 ms	40 ms								
<b>Cartridge Material</b>	All parts steel. All operating parts hardened steel.									
<b>Operating Temp. Range/Seals</b>	-45°C to +132°C ("D"-Ring) (-50°F to +270°F) -34°C to +121°C (Nitrile) (-30°F to +250°F) -26°C to +204°C (Fluorocarbon) (-15°F to +400°F)									
<b>Fluid Compatibility/Viscosity</b>	Mineral-based or synthetic with lubricating properties at viscosities of 45 to 2000 SSU (6 to 420 cSt)									
<b>Filtration</b>	ISO 4406 18/16/13, SAE Class 4									
<b>Approx. Weight</b>	.11 kg (.25 lbs.)									
<b>Cavity</b>	C08-2 (See BC Section for more details)									
<b>Form Tool</b>	<table border="1" style="display: inline-table; vertical-align: middle;"> <tr> <td>Rougher</td> <td>None</td> </tr> <tr> <td>Finisher</td> <td>NFT08-2F</td> </tr> </table>	Rougher	None	Finisher	NFT08-2F					
Rougher	None									
Finisher	NFT08-2F									

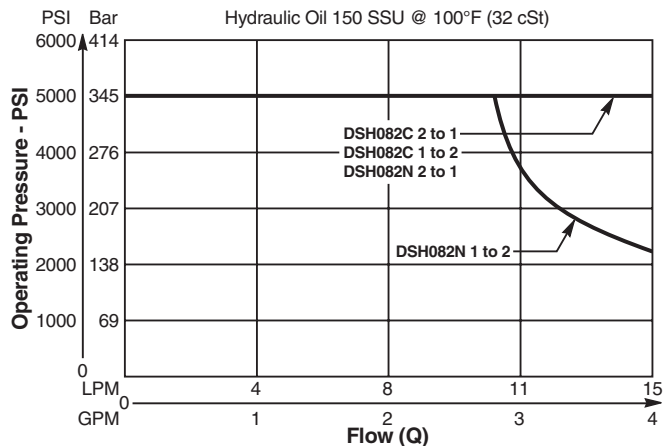


**Performance Curves**

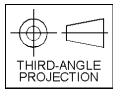
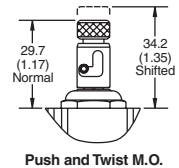
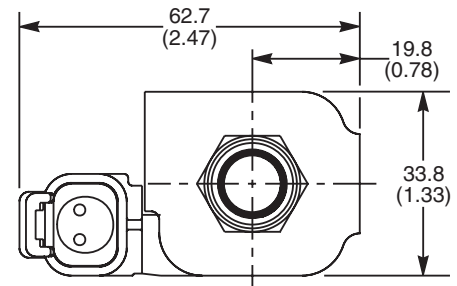
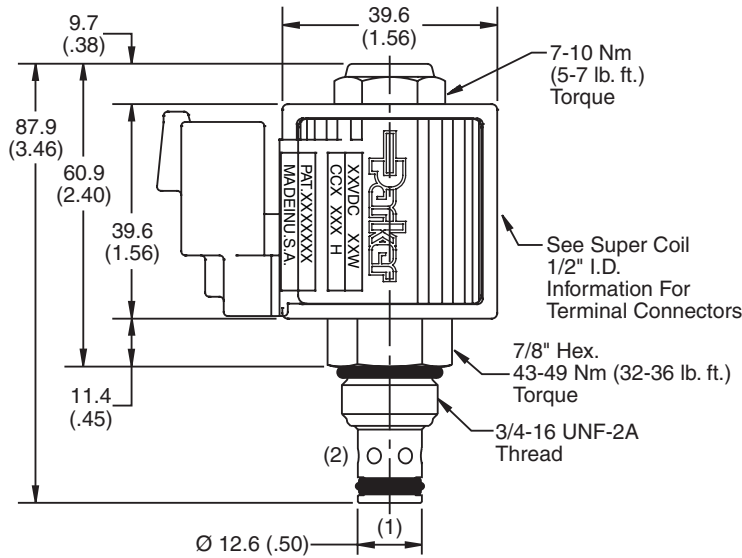
**Pressure Drop vs. Flow (Through cartridge only)**



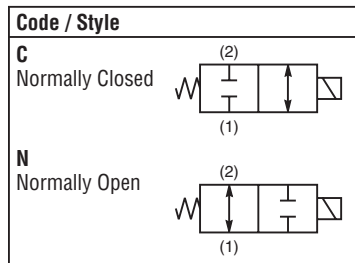
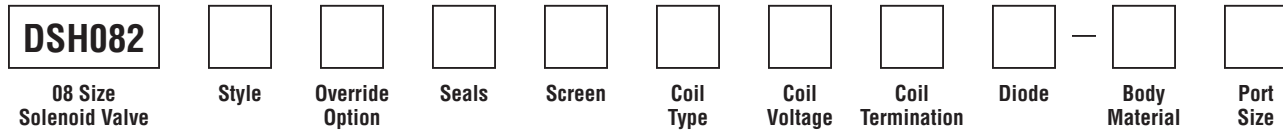
**Shift Limit Characteristics (Min. Operating Voltage)**



**Dimensions** Millimeters (Inches)



**Ordering Information**



Code	Seals / Kit. No.
Omit	"D"-Ring / (SK08-2)
<b>N</b>	Nitrile / (SK08-2N)
<b>V</b>	Fluorocarbon / (SK08-2V)

Code	Coil Voltage
Omit	Without Coil
<b>D012</b>	12 VDC
<b>D024</b>	24 VDC
<b>A120</b>	120/110 VAC, 60/50 Hz

Code	Diode
Omit	None
<b>R</b>	Diode

Code	Screen
Omit	None
<b>S</b>	Screen

Code	Body Material
Omit	Steel

Code	Override Options
Omit	None
<b>T</b>	Push & Twist* (N.C. & N.O.)

Code	Coil Type
Omit	Without Coil
<b>SP*</b>	Super Coil - 19 Watts

SP* Coil	Coil Termination
Omit	Without Coil
<b>A</b>	Amp Jr. Timer†
<b>C</b>	Conduit With Leads
<b>D</b>	DIN Plug Face
<b>H</b>	Molded Deutsch†
<b>L</b>	Dual Lead Wire†
<b>PF</b>	Packard Female†
<b>PM</b>	Packard Male†
<b>S</b>	Dual Spade†

Code	Port Size	Body Part No.
Omit	Cartridge Only	
<b>4T</b>	SAE-4	(B08-2-4T)
<b>6T</b>	SAE-6	(B08-2-6T)

\*Requires Super Coil

\*Recommended

\*Recommended  
 †DC Only

- CV** Check Valves
- SH** Shuttle Valves
- LM** Load/Motor Controls
- FC** Flow Controls
- PC** Pressure Controls
- LE** Logic Elements
- DC** Directional Controls
- MV** Manual Valves
- SV** Solenoid Valves
- PV** Proportional Valves
- CE** Coils & Electronics
- BC** Bodies & Cavities
- TD** Technical Data



**Technical Information**

- CV** Check Valves
- SH** Shuttle Valves
- LM** Load/Motor Controls
- FC** Flow Controls
- PC** Pressure Controls
- LE** Logic Elements
- DC** Directional Controls
- MV** Manual Valves
- SV** Solenoid Valves
- PV** Proportional Valves
- CE** Coils & Electronics
- BC** Bodies & Cavities
- TD** Technical Data

**General Description**

2-Way Spool Valves. For additional information see Technical Tips on pages SV1-SV6.

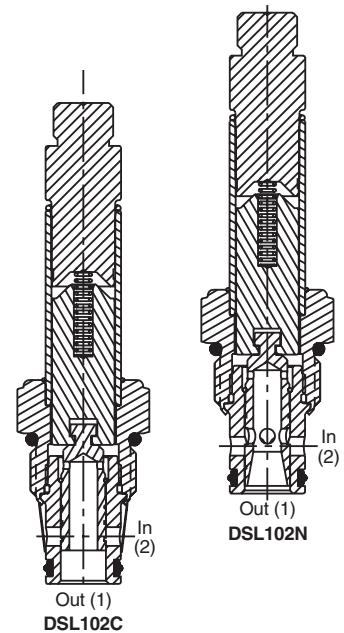
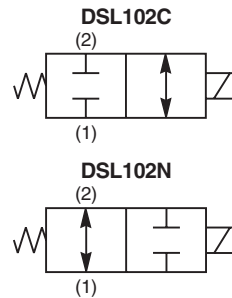


**Features**

- High flow capacity with reduced space requirements
- Standard valve bodies and common cavities
- One-piece encapsulated coil with minimal amperage draw
- Manual overrides, seal variations and other options available
- No dynamic seals
- Variety of coil terminations
- Polyurethane "D"-Ring
- All external parts zinc plated

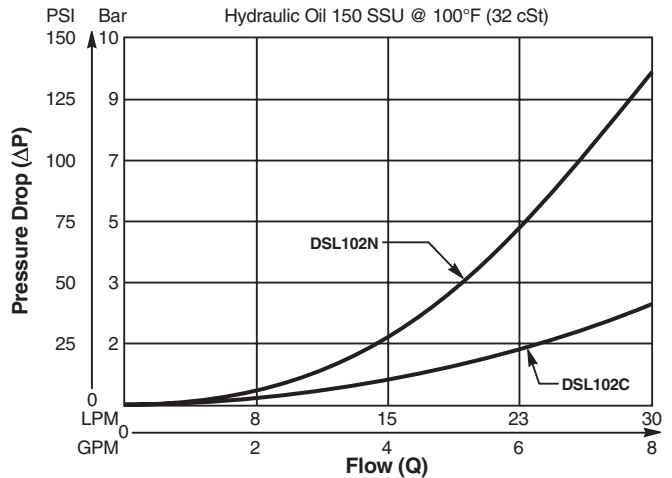
**Specifications**

<b>Rated Flow</b>	<b>C</b> - 30 LPM (8.0 GPM) <b>N</b> - 21 LPM (5.5 GPM)									
<b>Maximum Inlet Pressure</b>	250 Bar (3600 PSI)									
<b>Leakage at 150 SSU (32 cSt)</b>	120 cc/min. (7.5 in <sup>3</sup> /min.)									
<b>Minimum Operating Voltage</b>	85% of rated voltage at 20°C (72°F).									
<b>Response Time</b>	<table border="1" style="display: inline-table; border-collapse: collapse;"> <tr> <td></td> <td><b>Energized</b></td> <td><b>De-Energized</b></td> </tr> <tr> <td><b>C</b></td> <td>30 ms</td> <td>20 ms</td> </tr> <tr> <td><b>N</b></td> <td>50 ms</td> <td>25 ms</td> </tr> </table>		<b>Energized</b>	<b>De-Energized</b>	<b>C</b>	30 ms	20 ms	<b>N</b>	50 ms	25 ms
	<b>Energized</b>	<b>De-Energized</b>								
<b>C</b>	30 ms	20 ms								
<b>N</b>	50 ms	25 ms								
<b>Cartridge Material</b>	All parts steel. All operating parts hardened steel.									
<b>Operating Temp. Range/Seals</b>	-45°C to +132°C ("D"-Ring) (-50°F to +270°F) -34°C to +121°C (Nitrile) (-30°F to +250°F) -26°C to +204°C (Fluorocarbon) (-15°F to +400°F)									
<b>Fluid Compatibility/Viscosity</b>	Mineral-based or synthetic with lubricating properties at viscosities of 45 to 2000 SSU (6 to 420 cSt)									
<b>Filtration</b>	ISO 4406 18/16/13, SAE Class 4									
<b>Approx. Weight</b>	.18 kg (.41 lbs.)									
<b>Cavity</b>	C10-2 (See BC Section for more details)									
<b>Form Tool</b>	Rougher None Finisher NFT10-2F									

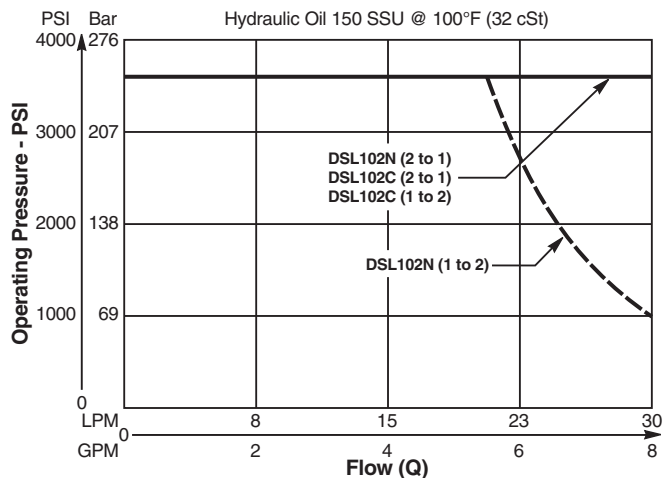


**Performance Curves**

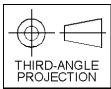
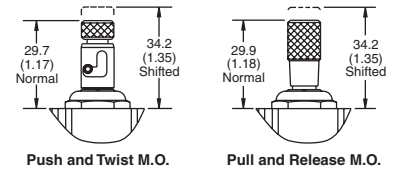
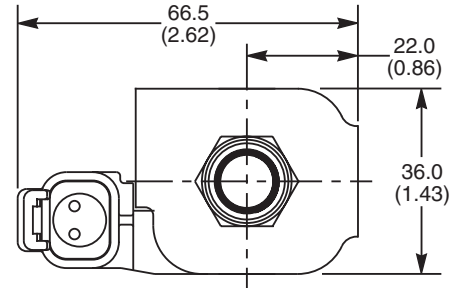
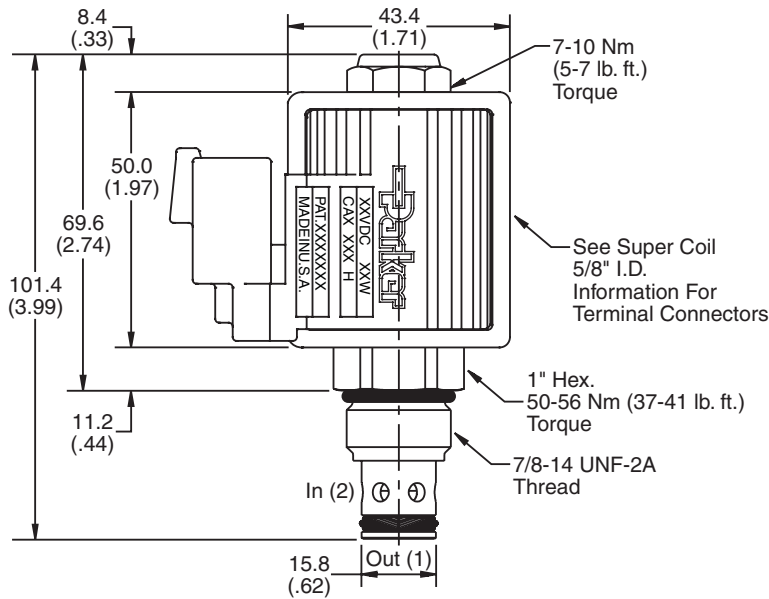
**Pressure Drop vs. Flow (Through cartridge only)**



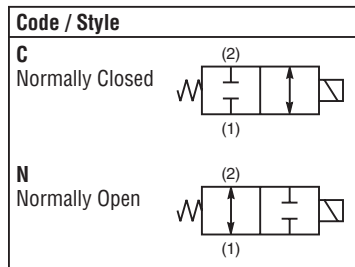
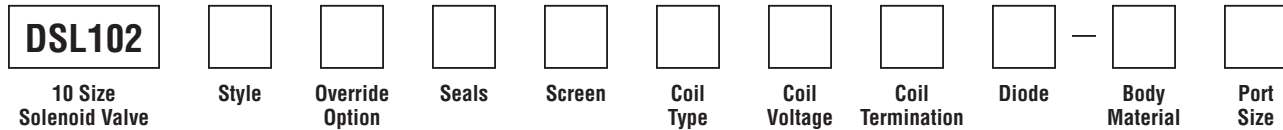
**Shift Limit Characteristics (Min. Operating Voltage)**



**Dimensions** Millimeters (Inches)



**Ordering Information**



Code	Seals / Kit No.
Omit	"D"-Ring / (SK10-2)
N	Nitrile / (SK10-2N)
V	Fluorocarbon / (SK10-2V)

Code	Coil Voltage
Omit	Without Coil
D012	12 VDC
D024	24 VDC
A120	120/110 VAC, 60/50 Hz

Code	Diode
Omit	None
R	Diode

Code	Screen
Omit	None
S	Screen

SP* Coil	Coil Termination
Omit	Without Coil
A	Amp Jr. Timer†
C	Conduit With Leads
D	DIN Plug Face
H	Molded Deutsch†
L	Dual Lead Wire†
PF	Packard Female†
PM	Packard Male†
S	Dual Spade†

Code	Body Material
Omit	Steel
A	Aluminum

Code	Override Options
Omit	None
P	Pull & Release
T	Push & Twist

Code	Coil Type
Omit	Without Coil
SP*	Super Coil - 28 Watts

Code	Port Size	Body Part No.
Omit	Cartridge Only	
6T	SAE-6	(B10-2-*6T)
8T	SAE-8	(B10-2-*8T)

\* Add "A" for aluminum. omit for steel.

\*Recommended  
 †DC Only

- CV** Check Valves
- SH** Shuttle Valves
- LM** Load/Motor Controls
- FC** Flow Controls
- PC** Pressure Controls
- LE** Logic Elements
- DC** Directional Controls
- MV** Manual Valves
- SV** Solenoid Valves
- PV** Proportional Valves
- CE** Coils & Electronics
- BC** Bodies & Cavities
- TD** Technical Data

**Technical Information**

- CV** Check Valves
- SH** Shuttle Valves
- LM** Load/Motor Controls
- FC** Flow Controls
- PC** Pressure Controls
- LE** Logic Elements
- DC** Directional Controls
- MV** Manual Valves
- SV** Solenoid Valves
- PV** Proportional Valves
- CE** Coils & Electronics
- BC** Bodies & Cavities
- TD** Technical Data

**General Description**

2-Way Spool Valves. For additional information see Technical Tips on pages SV1-SV6.

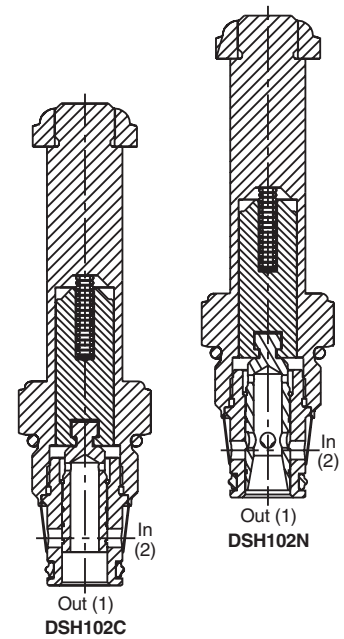
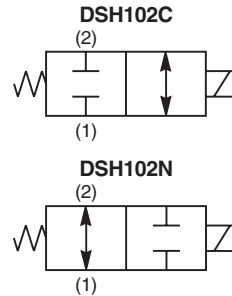
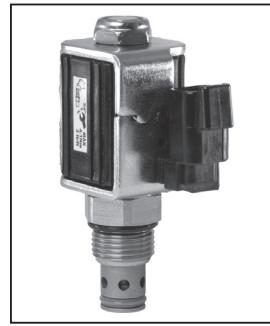


**Features**

- High flow capacity with reduced space requirements
- Standard valve bodies and common cavities
- One-piece encapsulated coil with minimal amperage draw
- Manual overrides, seal variations and other options available
- No dynamic seals
- Variety of coil terminations
- Polyurethane "D"-Ring eliminates need for backup rings
- Nylon inserted jam-nut provides secure holding in high vibration applications
- All external parts zinc plated

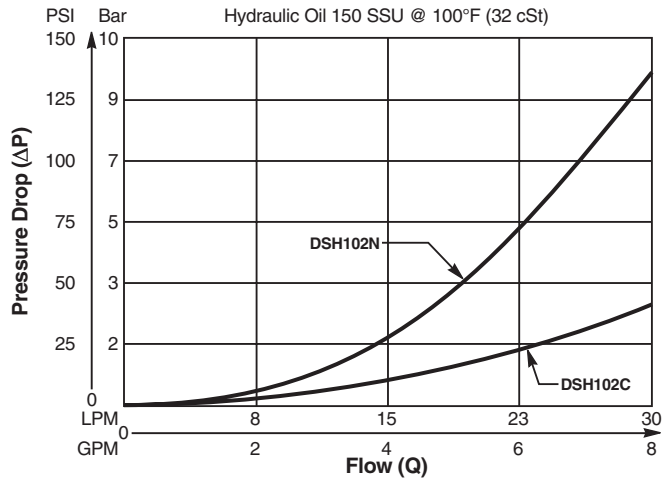
**Specifications**

<b>Rated Flow</b>	<b>C</b> - 30 LPM (8.0 GPM) <b>N</b> - 19 LPM (5.0 GPM)	
<b>Maximum Inlet Pressure</b>	350 Bar (5000 PSI)	
<b>Leakage at 150 SSU (32 cSt)</b>	160 cc/min. (10 in <sup>3</sup> /min.)	
<b>Minimum Operating Voltage</b>	85% of rated voltage at 20°C (72°F).	
<b>Response Time</b>	<b>C</b>	<b>De-Energized</b>
	<b>Energized</b>	<b>De-Energized</b>
	<b>N</b>	<b>De-Energized</b>
<b>Cartridge Material</b>	All parts steel. All operating parts hardened steel.	
<b>Operating Temp. Range/Seals</b>	-45°C to +132°C ("D"-Ring) (-50°F to +270°F) -34°C to +121°C (Nitrile) (-30°F to +250°F) -26°C to +204°C (Fluorocarbon) (-15°F to +400°F)	
<b>Fluid Compatibility/Viscosity</b>	Mineral-based or synthetic with lubricating properties at viscosities of 45 to 2000 SSU (6 to 420 cSt)	
<b>Filtration</b>	ISO 4406 18/16/13, SAE Class 4	
<b>Approx. Weight</b>	.18 kg (.40 lbs.)	
<b>Cavity</b>	C10-2 (See BC Section for more details)	
<b>Form Tool</b>	Rougher Finisher	None NFT10-2F

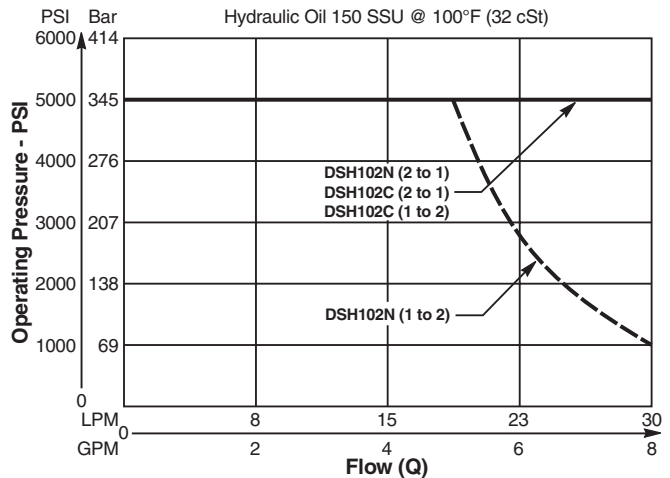


**Performance Curves**

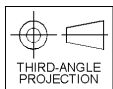
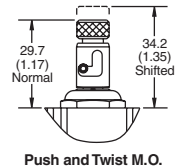
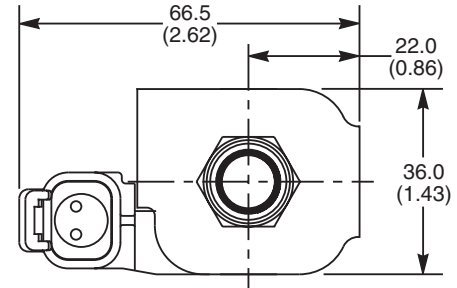
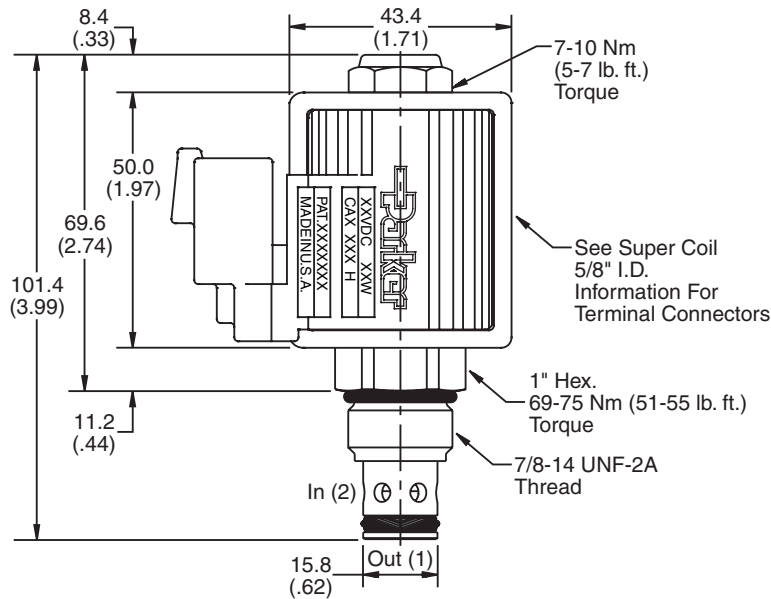
**Pressure Drop vs. Flow (Through cartridge only)**



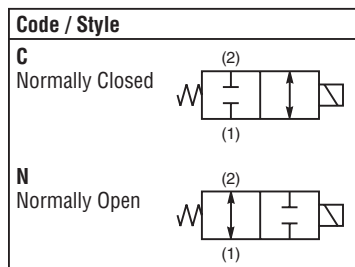
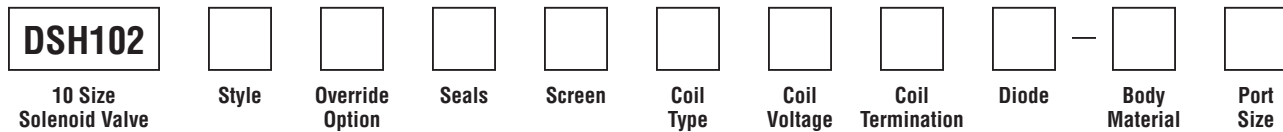
**Shift Limit Characteristics (Min. Operating Voltage)**



**Dimensions** Millimeters (Inches)



**Ordering Information**



Code	Override Options
Omit	None
<b>T</b>	Push & Twist (N.C. & N.O.)

Code	Seals / Kit No.
Omit	"D"-Ring / (SK10-2)
<b>N</b>	Nitrile / (SK10-2N)
<b>V</b>	Fluorocarbon / (SK10-2V)

Code	Screen
Omit	None
<b>S</b>	Screen

Code	Coil Type
Omit	Without Coil
<b>SP*</b>	Super Coil - 28 Watts

*\*Recommended*

Code	Coil Voltage
Omit	Without Coil
<b>D012</b>	12 VDC
<b>D024</b>	24 VDC
<b>A120</b>	120/110 VAC, 60/50 Hz

SP* Coil	Coil Termination
Omit	Without Coil
<b>A</b>	Amp Jr. Timer†
<b>C</b>	Conduit With Leads
<b>D</b>	DIN Plug Face
<b>H</b>	Molded Deutsch†
<b>L</b>	Dual Lead Wire†
<b>PF</b>	Packard Female†
<b>PM</b>	Packard Male†
<b>S</b>	Dual Spade†

*\*Recommended  
 †DC Only*

Code	Diode
Omit	None
<b>R</b>	Diode

Code	Body Material
Omit	Steel

Code	Port Size	Body Part No.
Omit	Cartridge Only	
<b>6T</b>	SAE-6	(B10-2-6T)
<b>8T</b>	SAE-8	(B10-2-8T)

- CV** Check Valves
- SH** Shuttle Valves
- LM** Load/Motor Controls
- FC** Flow Controls
- PC** Pressure Controls
- LE** Logic Elements
- DC** Directional Controls
- MV** Manual Valves
- SV** Solenoid Valves
- PV** Proportional Valves
- CE** Coils & Electronics
- BC** Bodies & Cavities
- TD** Technical Data

**Technical Information**

- CV** Check Valves
- SH** Shuttle Valves
- LM** Load/Motor Controls
- FC** Flow Controls
- PC** Pressure Controls
- LE** Logic Elements
- DC** Directional Controls
- MV** Manual Valves
- SV** Solenoid Valves
- PV** Proportional Valves
- CE** Coils & Electronics
- BC** Bodies & Cavities
- TD** Technical Data

**General Description**

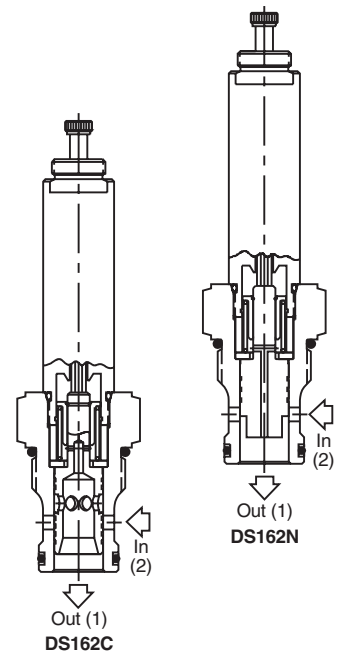
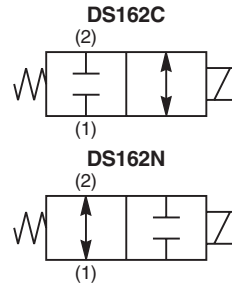
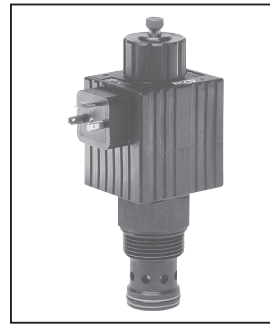
2-Way Spool Valves. For additional information see Technical Tips on pages SV1-SV6.

**Features**

- Low hysteresis
- One-piece encapsulated coil with minimal amperage draw
- Variety of coil terminations and voltages
- Manual override standard (push and release)
- All external parts zinc plated

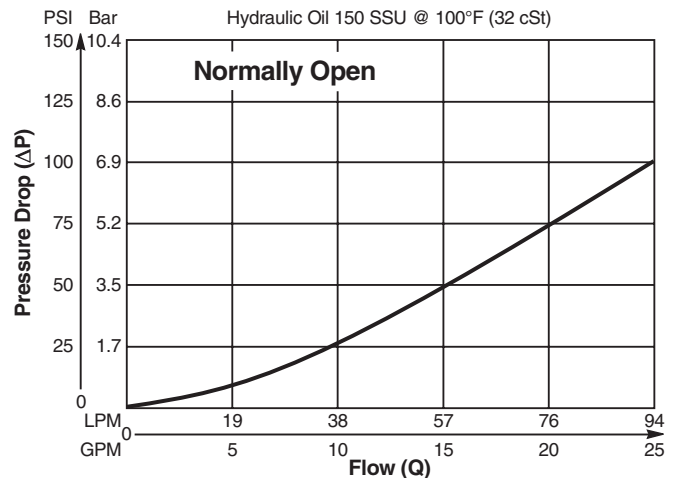
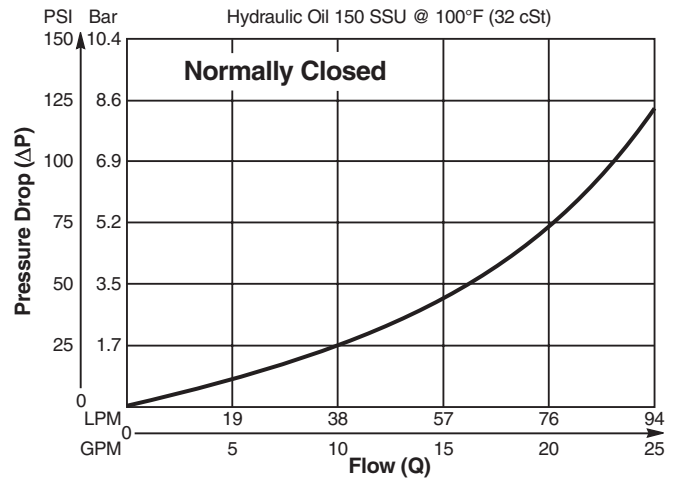
**Specifications**

<b>Rated Flow</b>	75 LPM (20 GPM)
<b>Maximum Inlet Pressure</b>	210 Bar (3000 PSI)
<b>Leakage at 150 SSU (32 cSt)</b>	240 cc/min. (15 in <sup>3</sup> /min.)
<b>Minimum Operating Voltage</b>	85% of rated voltage at 20°C (72°F).
<b>Response Time</b>	<b>C</b> - 90 ms <b>N</b> - 100 ms
<b>Cartridge Material</b>	All parts steel. All operating parts hardened steel.
<b>Operating Temp. Range/Seals</b>	-34°C to +121°C (Nitrile) (-30°F to +250°F) -26°C to +204°C (Fluorocarbon) (-15°F to +400°F)
<b>Fluid Compatibility/Viscosity</b>	Mineral-based or synthetic with lubricating properties at viscosities of 45 to 2000 SSU (6 to 420 cSt)
<b>Filtration</b>	ISO 4406 18/16/13, SAE Class 4
<b>Approx. Weight</b>	.59 kg (1.3 lbs.)
<b>Cavity</b>	C16-2 (See BC Section for more details)
<b>Form Tool</b>	Rougher None Finisher NFT16-2F

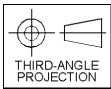
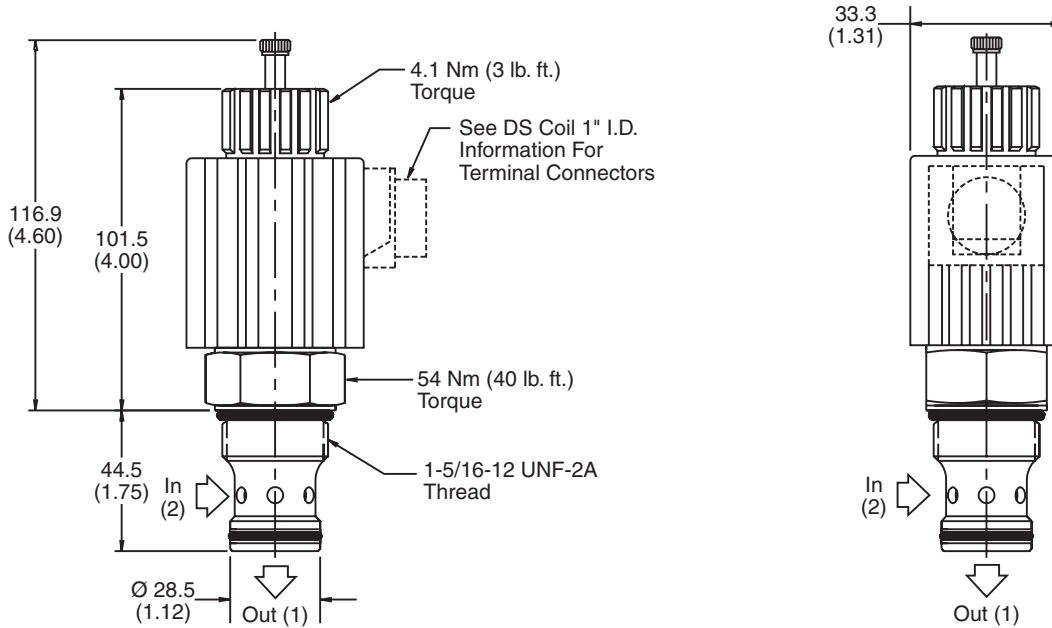


**Performance Curves**

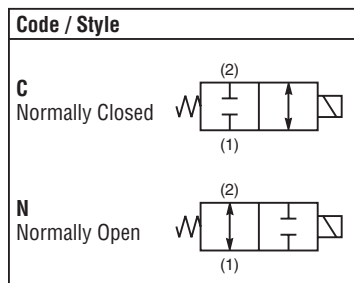
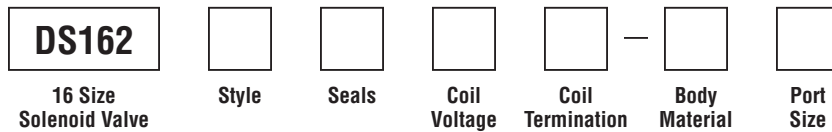
**Pressure Drop vs. Flow (Through cartridge only)**



**Dimensions** Millimeters (Inches)



**Ordering Information**



Code	Seals / Kit No.
Omit	Nitrile / (SK16-2)
<b>V</b>	Fluorocarbon / (SK16-2V)

Code	Coil Voltage
Omit	Without Coil
<b>D012</b>	12 VDC
<b>D024</b>	24 VDC
<b>A120</b>	120/110 VAC, 60/50 Hz

Code	Coil Termination
Omit	Without Coil
<b>C</b>	Conduit (AC Only)
<b>D</b>	DIN Plug Face
<b>P</b>	Dual Spade (DC Only)
<b>W</b>	Dual Lead (DC Only)

See DS coil 1" I.D.

Code	Body Material
Omit	Steel
<b>A</b>	Aluminum

Code	Port Size	Body Part No.
Omit	Cartridge Only	
<b>12T</b>	SAE-12	(B16-2-*12T)
<b>16T</b>	SAE-16	(B16-2-*16T)

\* Add "A" for aluminum, omit for steel.

- CV** Check Valves
- SH** Shuttle Valves
- LM** Load/Motor Controls
- FC** Flow Controls
- PC** Pressure Controls
- LE** Logic Elements
- DC** Directional Controls
- MV** Manual Valves
- SV** Solenoid Valves
- PV** Proportional Valves
- CE** Coils & Electronics
- BC** Bodies & Cavities
- TD** Technical Data



**Technical Information**

**CV**

Check Valves

**SH**

Shuttle Valves

**LM**

Load/Motor Controls

**FC**

Flow Controls

**PC**

Pressure Controls

**LE**

Logic Elements

**DC**

Directional Controls

**MV**

Manual Valves

**SV**

Solenoid Valves

**PV**

Proportional Valves

**CE**

Coils & Electronics

**BC**

Bodies & Cavities

**TD**

Technical Data

**General Description**

3-Way Spool Valves. For additional information see Technical Tips on pages SV1-SV6.

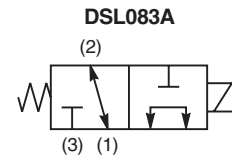


**Features**

- High flow capacity with reduced space requirements
- Standard valve bodies and common cavities
- One piece encapsulated coils with minimal amperage draw
- Manual overrides, seal variations and other options available
- No dynamic seals
- Variety of coil terminations
- Polyurethane "D"-Ring eliminates need for backup rings
- Nylon inserted jam-nut provides secure holding in high vibration applications
- All external parts zinc plated

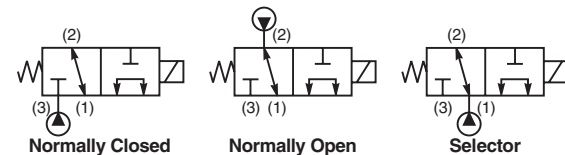
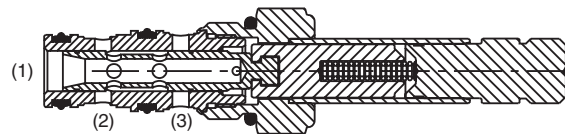
**Specifications**

<b>Rated Flow</b>	<b>DSL083A</b>	N.O.	13.2 LPM (3.5 GPM)
		N.C.	8.4 LPM (2.25 GPM)
		Selector	8.4 LPM (2.25 GPM)
	<b>DSL083B</b>	N.C.	15.0 LPM (4.0 GPM)
		Selector	15.0 LPM (4.0 GPM)
	<b>DSL083C</b>	N.O.	15.0 LPM (4.0 GPM)
	<b>DSL083N</b>	N.O.	12.3 LPM (3.25 GPM)
		Selector	15.0 LPM (4.0 GPM)
	<b>Maximum Inlet Pressure</b>	250 Bar (3600 PSI)	
<b>Leakage at 150 SSU (32 cSt)</b>	120 cc/min. (7.5 in <sup>3</sup> /min.) at 250 Bar (3600 PSI)		
	DSL083B - 180 cc/min. (11 in <sup>3</sup> /min.)		
	DSL083N - 180 cc/min. (11 in <sup>3</sup> /min.)		
<b>Minimum Operating Voltage</b>	85% of rated voltage at 20°C (72°F).		
<b>Response Time</b>	50 ms		
<b>Cartridge Material</b>	All parts steel. All operating parts hardened steel.		
<b>Operating Temp. Range/Seals</b>	-45°C to +132°C ("D"-Ring) (-50°F to +270°F) -34°C to +121°C (Nitrile) (-30°F to +250°F) -26°C to +204°C (Fluorocarbon) (-15°F to +400°F)		
<b>Fluid Compatibility/Viscosity</b>	Mineral-based or synthetic with lubricating properties at viscosities of 45 to 2000 SSU (6 to 420 cSt)		
<b>Filtration</b>	ISO 4406 18/16/13, SAE Class 4		
<b>Approx. Weight</b>	.13 kg (.28 lbs.)		
<b>Cavity</b>	C08-3 (See BC Section for more details)		
<b>Form Tool</b>	Rougher	NFT08-3R	
	Finisher	NFT08-3F	

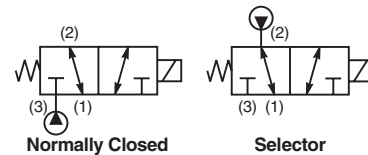
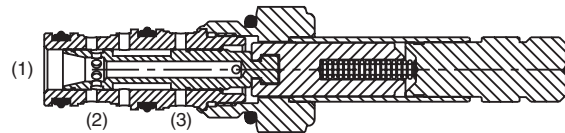


**Construction/Symbols**

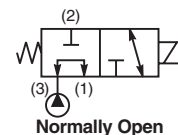
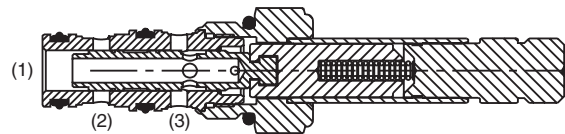
**DSL083A**



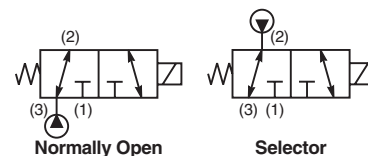
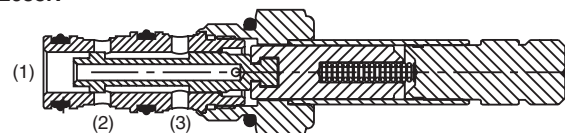
**DSL083B**



**DSL083C**

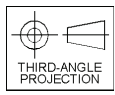
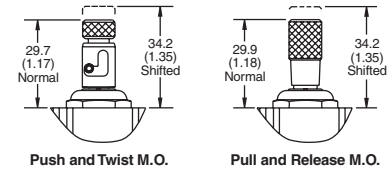
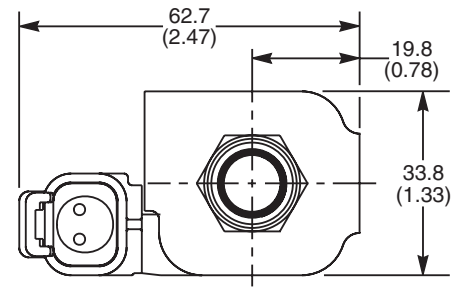
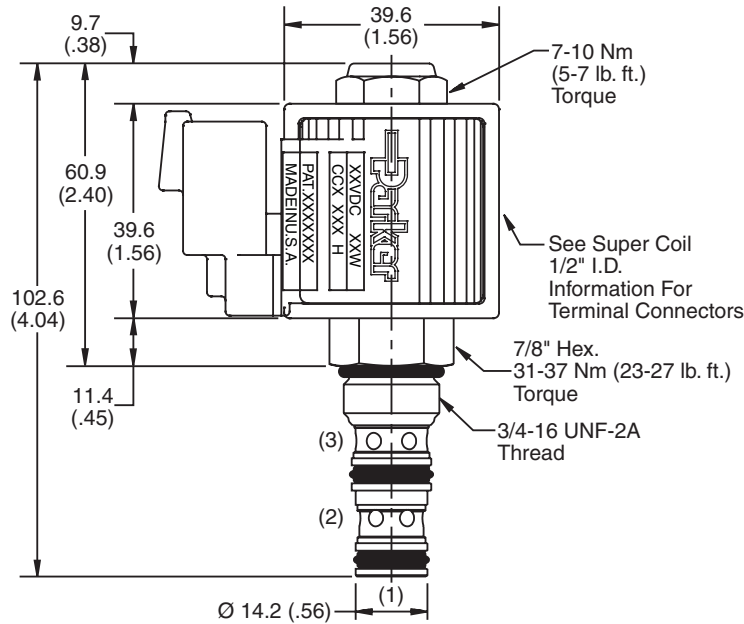


**DSL083N**

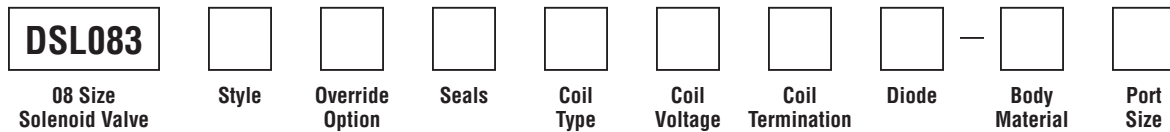




**Dimensions** Millimeters (Inches)



**Ordering Information**



Code	Style
A	
B	
C	
N	

Code	Override Options
Omit	None
P	Pull & Release
T	Push & Twist

Code	Seals / Kit No.
Omit	"D"-Ring / (SK08-3)
N	Nitrile / (SK08-3N)
V	Fluorocarbon / (SK08-3V)

Code	Coil Type
Omit	Without Coil
SP*	Super Coil - 19 Watts

\*Recommended

Code	Coil Voltage
Omit	Without Coil
D012	12 VDC
D024	24 VDC
A120	120/110 VAC, 60/50 Hz

SP* Coil	Coil Termination
Omit	Without Coil
A	Amp Jr. Timert
C	Conduit With Leads
D	DIN Plug Face
H	Molded Deutsch†
L	Dual Lead Wire†
PF	Packard Female†
PM	Packard Male†
S	Dual Spade†

\*Recommended  
 †DC Only

Code	Diode
Omit	None
R	Diode

Code	Body Material
Omit	Steel
A	Aluminum

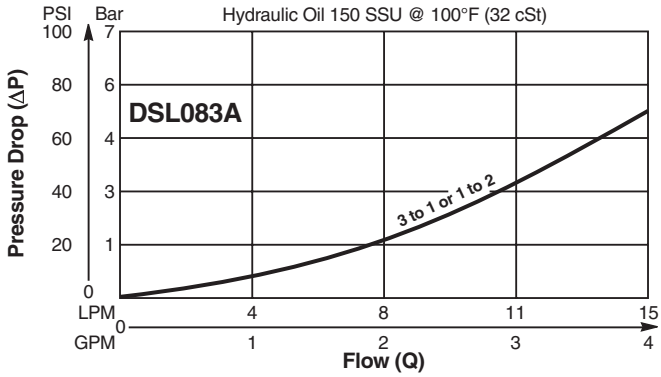
Code	Port Size	Body Part No.
Omit	Cartridge Only	
4T	SAE-4	(B08-3-*4T)
6T	SAE-6	(B08-3-*6T)

\* Add "A" for aluminum, omit for steel.

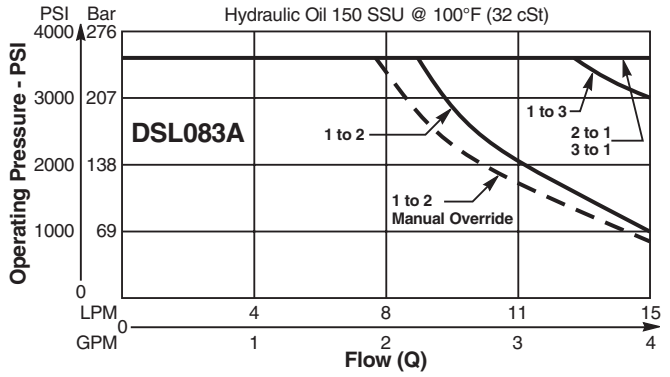
- CV Check Valves
- SH Shuttle Valves
- LM Load/Motor Controls
- FC Flow Controls
- PC Pressure Controls
- LE Logic Elements
- DC Directional Controls
- MV Manual Valves
- SV Solenoid Valves
- PV Proportional Valves
- CE Coils & Electronics
- BC Bodies & Cavities
- TD Technical Data

- CV** Check Valves
- SH** Shuttle Valves
- LM** Load/Motor Controls
- FC** Flow Controls
- PC** Pressure Controls
- LE** Logic Elements
- DC** Directional Controls
- MV** Manual Valves
- SV** Solenoid Valves
- PV** Proportional Valves
- CE** Coils & Electronics
- BC** Bodies & Cavities
- TD** Technical Data

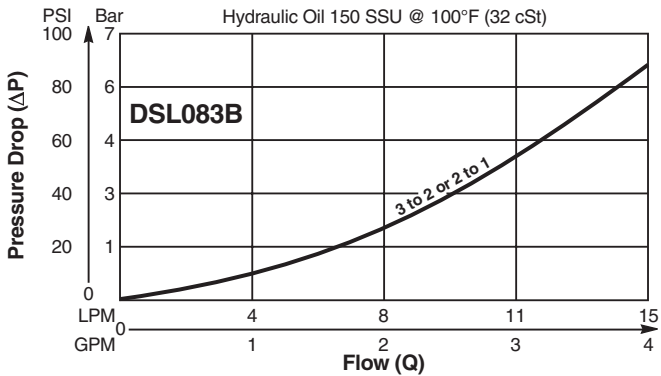
**Pressure Drop vs. Flow (Through cartridge only)**



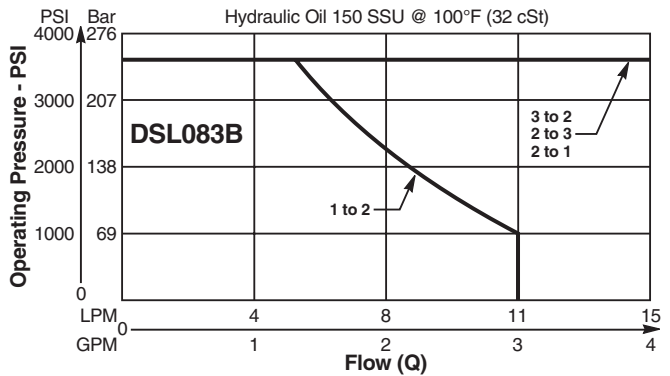
**Shift Limit Characteristics (Min. Operating Voltage)**



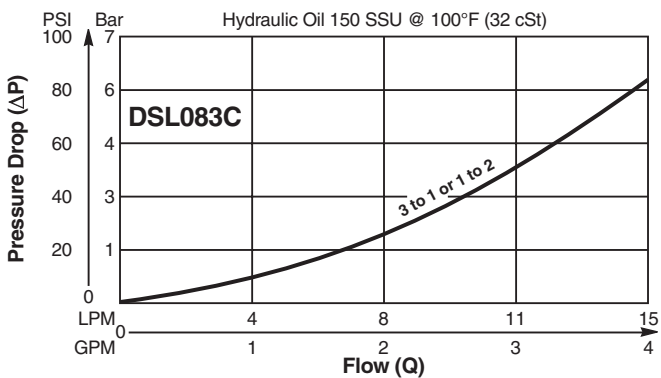
**Pressure Drop vs. Flow (Through cartridge only)**



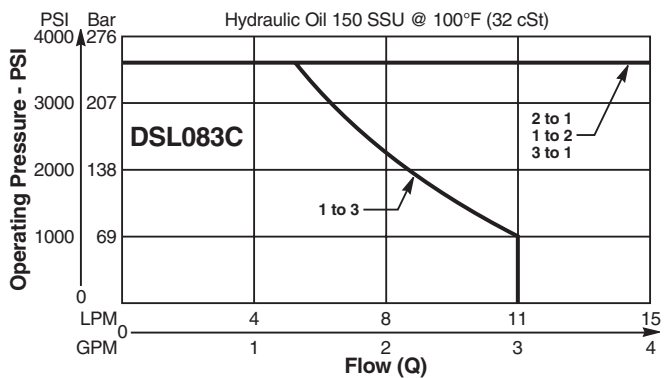
**Shift Limit Characteristics (Min. Operating Voltage)**



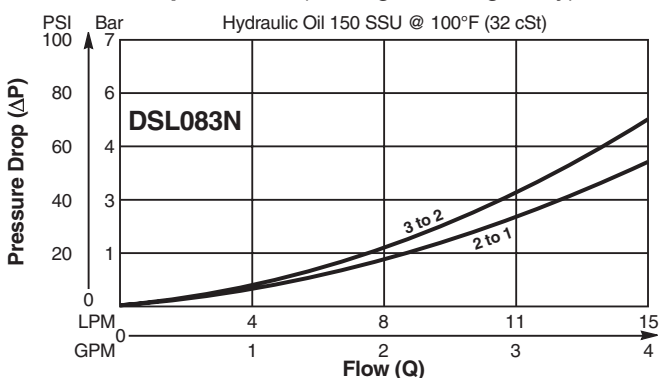
**Pressure Drop vs. Flow (Through cartridge only)**



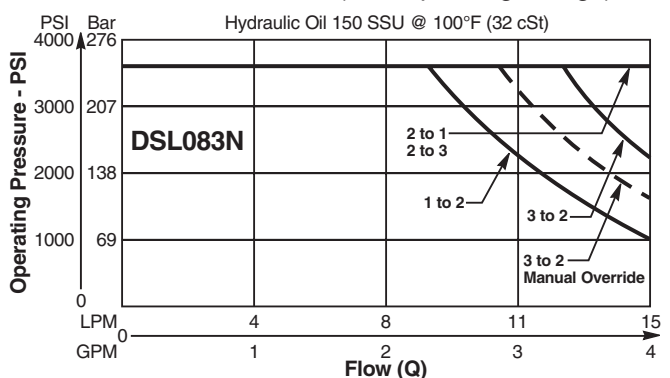
**Shift Limit Characteristics (Min. Operating Voltage)**



**Pressure Drop vs. Flow (Through cartridge only)**



**Shift Limit Characteristics (Min. Operating Voltage)**



**General Description**

3-Way Spool Valves. For additional information see Technical Tips on pages SV1-SV6.

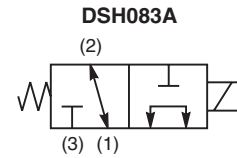


**Features**

- High flow capacity with reduced space requirements
- Standard valve bodies and common cavities
- One piece encapsulated coils with minimal amperage draw
- Manual overrides, seal variations and other options available
- No dynamic seals
- Variety of coil terminations
- Polyurethane “D”-Ring eliminates need for backup rings
- Nylon inserted jam-nut provides secure holding in high vibration applications
- All external parts zinc plated

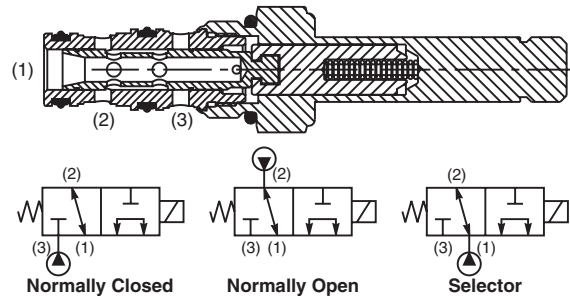
**Specifications**

<b>Rated Flow</b>	<b>DSH083A</b>	N.O.	11.3 LPM (3.0 GPM)
		N.C.	7.5 LPM (2.0 GPM)
		Selector	7.5 LPM (2.0 GPM)
	<b>DSH083B</b>	N.C.	15.0 LPM (4.0 GPM)
		Selector	15.0 LPM (4.0 GPM)
	<b>DSH083C</b>	N.O.	15.0 LPM (4.0 GPM)
<b>Maximum Inlet Pressure</b>	350 Bar (5000 PSI)		
	<b>Leakage at 150 SSU (32 cSt)</b>	160 cc/min. (10 in <sup>3</sup> /min.) at 350 Bar (5000 PSI)	
		DSH083B - 250 cc/min. (15 in <sup>3</sup> /min.)	
DSH083N - 250 cc/min. (15 in <sup>3</sup> /min.)			
<b>Minimum Operating Voltage</b>	85% of rated voltage at 20°C (72°F).		
<b>Response Time</b>	50 ms		
<b>Cartridge Material</b>	All parts steel. All operating parts hardened steel.		
<b>Operating Temp. Range/Seals</b>	-45°C to +132°C (“D”-Ring) (-50°F to +270°F) -34°C to +121°C (Nitrile) (-30°F to +250°F) -26°C to +204°C (Fluorocarbon) (-15°F to +400°F)		
<b>Fluid Compatibility/Viscosity</b>	Mineral-based or synthetic with lubricating properties at viscosities of 45 to 2000 SSU (6 to 420 cSt)		
<b>Filtration</b>	ISO 4406 18/16/13, SAE Class 4		
<b>Approx. Weight</b>	.13 kg (.28 lbs.)		
<b>Cavity</b>	C08-3 (See BC Section for more details)		
<b>Form Tool</b>	Rougher	NFT08-3R	
	Finisher	NFT08-3F	

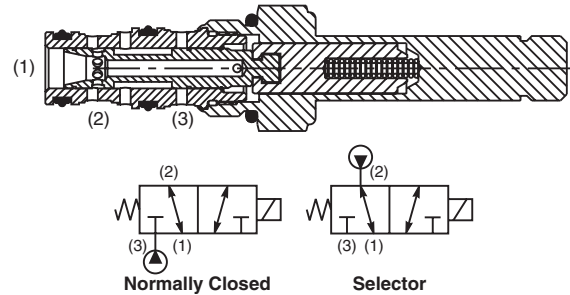


**Construction/Symbols**

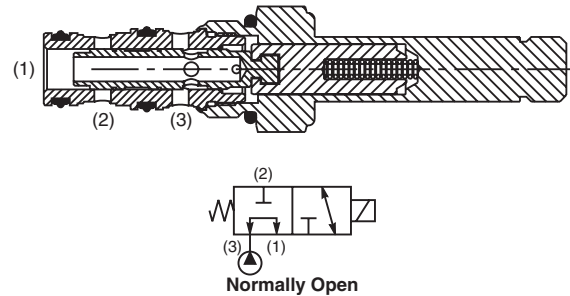
**DSH083A**



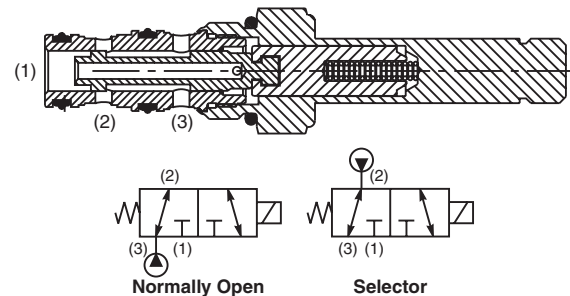
**DSH083B**



**DSH083C**

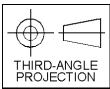
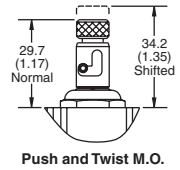
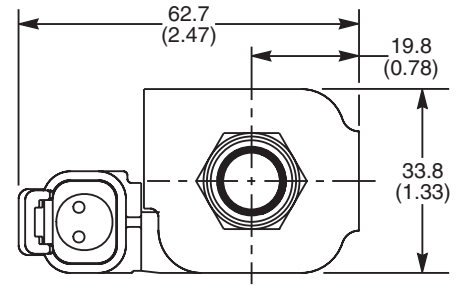
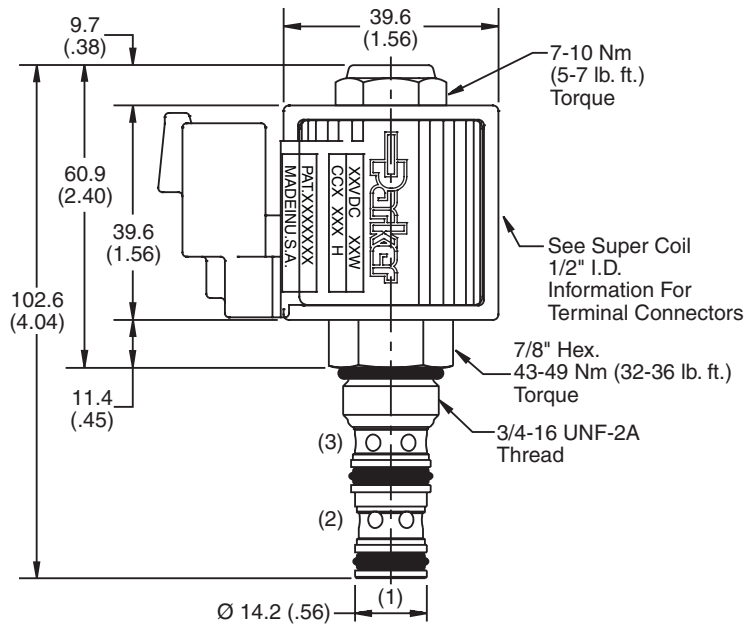


**DSH083N**

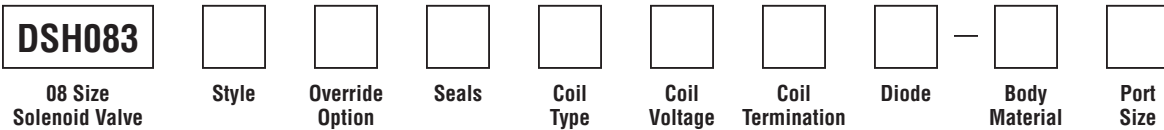


- CV** Check Valves
- SH** Shuttle Valves
- LM** Load/Motor Controls
- FC** Flow Controls
- PC** Pressure Controls
- LE** Logic Elements
- DC** Directional Controls
- MV** Manual Valves
- SV** Solenoid Valves
- PV** Proportional Valves
- CE** Coils & Electronics
- BC** Bodies & Cavities
- TD** Technical Data

**Dimensions** Millimeters (Inches)



**Ordering Information**



Code	Style
A	
B	
C	
N	

Code	Override Options
Omit	None
T	Push & Twist* (N.C. & N.O.)

\*Requires Super Coil

Code	Seals / Kit No.
Omit	"D"-Ring / (SK08-3)
N	Nitrile / (SK08-3N)
V	Fluorocarbon / (SK08-3V)

Code	Coil Type
Omit	Without Coil
SP*	Super Coil - 19 Watts

\*Recommended

Code	Coil Voltage
Omit	Without Coil
D012	12 VDC
D024	24 VDC
A120	120/110 VAC, 60/50 Hz

SP*	Coil Termination
Omit	Without Coil
A	Amp Jr. Timer†
C	Conduit With Leads
D	DIN Plug Face
H	Molded Deutsch†
L	Dual Lead Wire†
PF	Packard Female†
PM	Packard Male†
S	Dual Spade†

\*Recommended  
 †DC Only

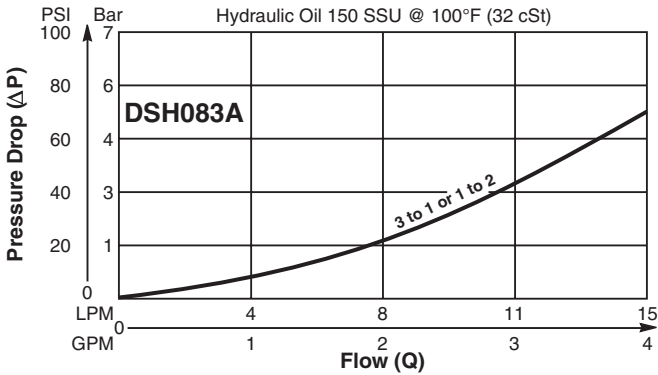
Code	Diode
Omit	None
R	Diode

Code	Body Material
Omit	Steel

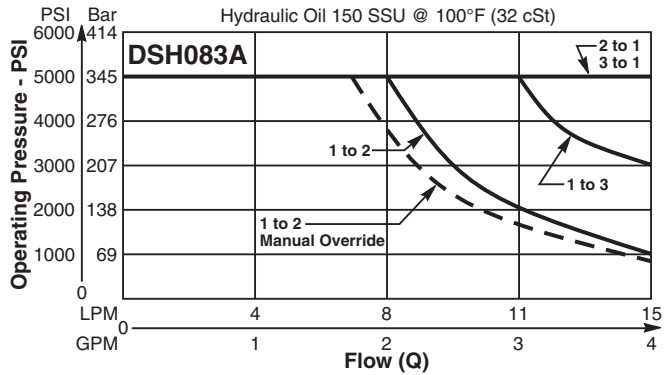
Code	Port Size	Body Part No.
Omit	Cartridge Only	
4T	SAE-4	(B08-3-4T)
6T	SAE-6	(B08-3-6T)

- CV Check Valves
- SH Shuttle Valves
- LM Load/Motor Controls
- FC Flow Controls
- PC Pressure Controls
- LE Logic Elements
- DC Directional Controls
- MV Manual Valves
- SV Solenoid Valves
- PV Proportional Valves
- CE Coils & Electronics
- BC Bodies & Cavities
- TD Technical Data

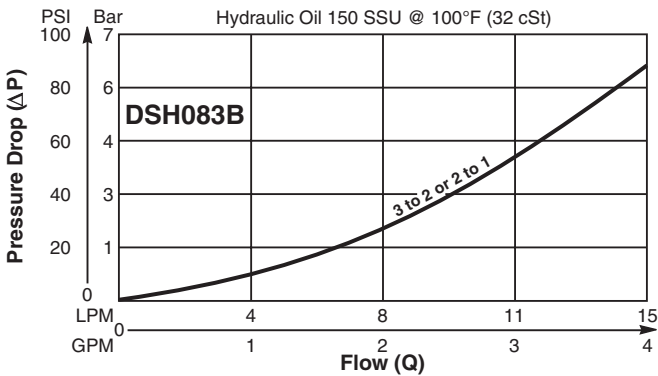
**Pressure Drop vs. Flow (Through cartridge only)**



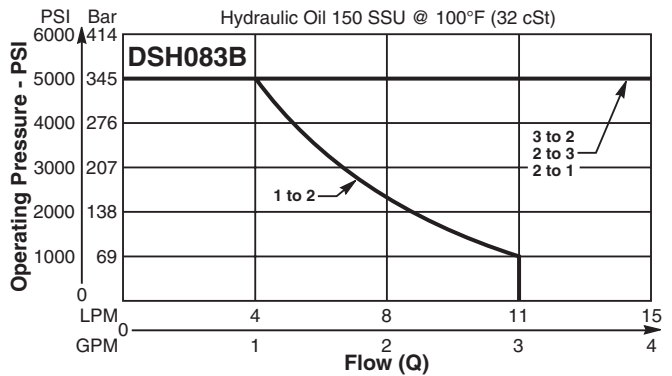
**Shift Limit Characteristics (Min. Operating Voltage)**



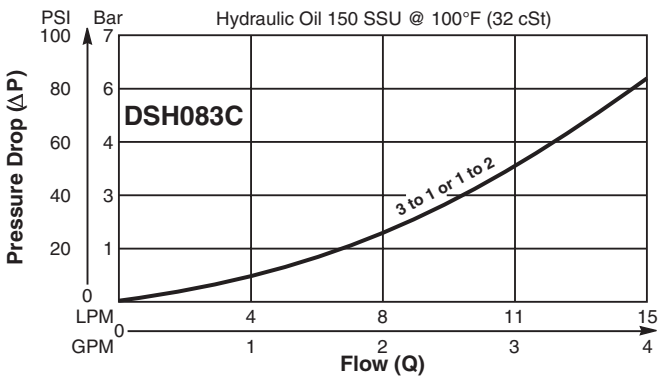
**Pressure Drop vs. Flow (Through cartridge only)**



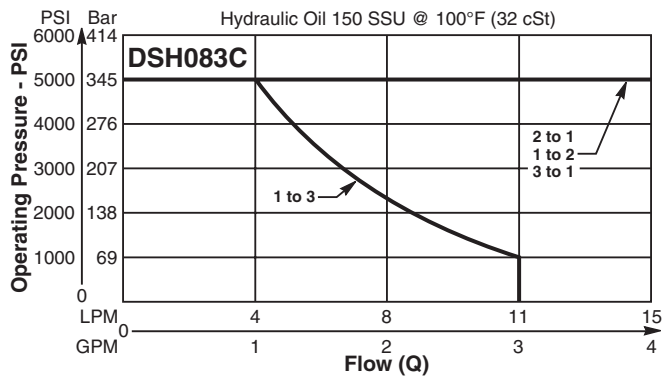
**Shift Limit Characteristics (Min. Operating Voltage)**



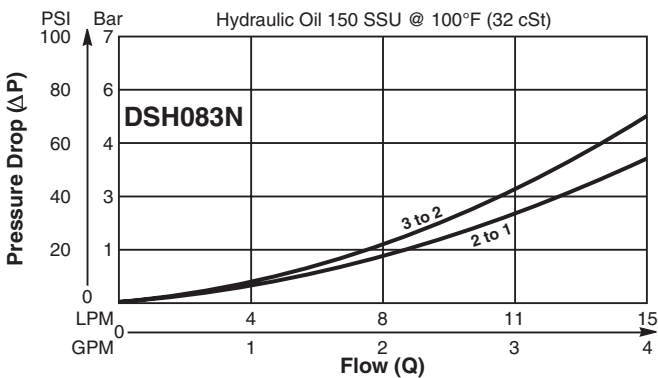
**Pressure Drop vs. Flow (Through cartridge only)**



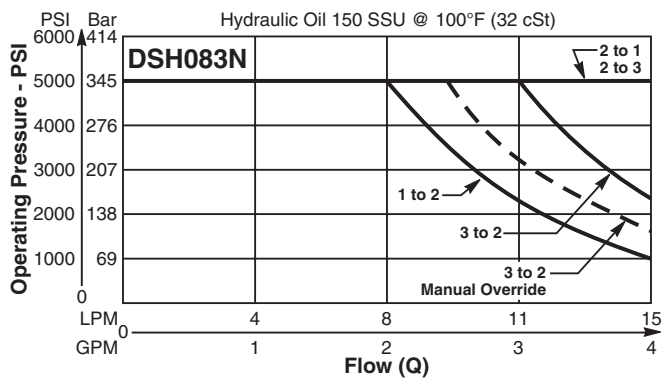
**Shift Limit Characteristics (Min. Operating Voltage)**



**Pressure Drop vs. Flow (Through cartridge only)**



**Shift Limit Characteristics (Min. Operating Voltage)**



- CV** Check Valves
- SH** Shuttle Valves
- LM** Load/Motor Controls
- FC** Flow Controls
- PC** Pressure Controls
- LE** Logic Elements
- DC** Directional Controls
- MV** Manual Valves
- SV** Solenoid Valves
- PV** Proportional Valves
- CE** Coils & Electronics
- BC** Bodies & Cavities
- TD** Technical Data

**Technical Information**

- CV** Check Valves
- SH** Shuttle Valves
- LM** Load/Motor Controls
- FC** Flow Controls
- PC** Pressure Controls
- LE** Logic Elements
- DC** Directional Controls
- MV** Manual Valves
- SV** Solenoid Valves
- PV** Proportional Valves
- CE** Coils & Electronics
- BC** Bodies & Cavities
- TD** Technical Data

**General Description**

3-Way Spool Valves. For additional information see Technical Tips on pages SV1-SV6.

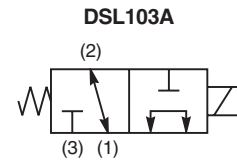


**Features**

- High flow capacity with reduced space requirements
- Standard valve bodies and common cavities
- One-piece encapsulated coil with minimal amperage draw
- Manual overrides, seal variations and other options available
- No dynamic seals
- Variety of coil terminations
- Polyurethane "D"-Ring
- All external parts zinc plated

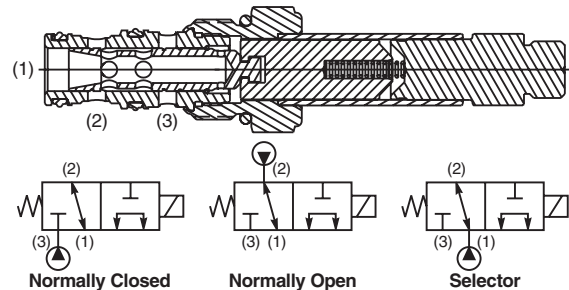
**Specifications**

<b>Rated Flow</b>	<b>DSL103A</b>	N.O.	22.7 LPM (6.0 GPM)
		N.C.	17.0 LPM (4.5 GPM)
		Selector	17.0 LPM (4.5 GPM)
	<b>DSL103B</b>	N.C.	30.2 LPM (8.0 GPM)
		Selector	30.2 LPM (8.0 GPM)
	<b>DSL103C</b>	N.O.	30.2 LPM (8.0 GPM)
	<b>DSL103N</b>	N.O.	18.8 LPM (5.0 GPM)
		N.C.	18.8 LPM (5.0 GPM)
		Selector	30.2 LPM (8.0 GPM)
	<b>Maximum Inlet Pressure</b>	250 Bar (3600 PSI)	
<b>Leakage at 150 SSU (32 cSt)</b>	120 cc/min. (7.5 in <sup>3</sup> /min.) DSL103B - 180 cc/min. (11 in <sup>3</sup> /min.) DSL103N - 180 cc/min. (11 in <sup>3</sup> /min.)		
<b>Minimum Operating Voltage</b>	85% of rated voltage at 20°C (72°F).		
<b>Response Time</b>	50 ms to 100 ms		
<b>Cartridge Material</b>	All parts steel. All operating parts hardened steel.		
<b>Operating Temp. Range/Seals</b>	-45°C to +132°C ("D"-Ring) (-50°F to +270°F) -34°C to +121°C (Nitrile) (-30°F to +250°F) -26°C to +204°C (Fluorocarbon) (-15°F to +400°F)		
<b>Fluid Compatibility/Viscosity</b>	Mineral-based or synthetic with lubricating properties at viscosities of 45 to 2000 SSU (6 to 420 cSt)		
<b>Filtration</b>	ISO 4406 18/16/13, SAE Class 4		
<b>Approx. Weight</b>	.19 kg (.42 lbs.)		
<b>Cavity</b>	C10-3 (See BC Section for more details)		
<b>Form Tool</b>	Rougher	NFT10-3R	
	Finisher	NFT10-3F	

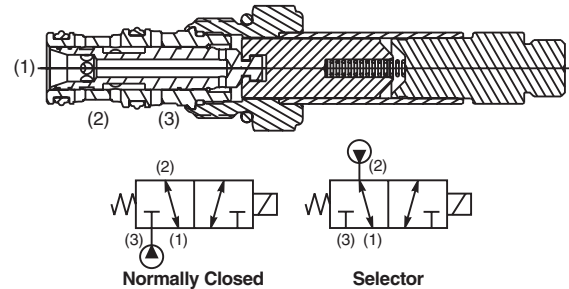


**Construction/Symbols**

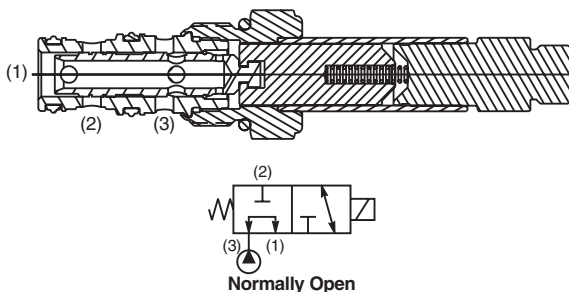
**DSL103A**



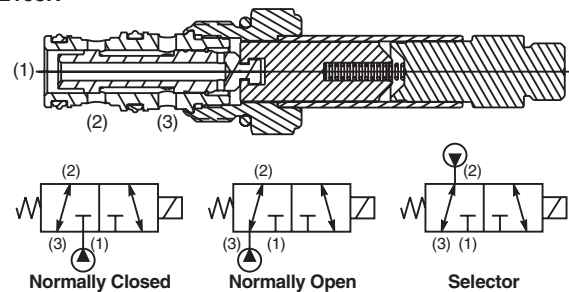
**DSL103B**



**DSL103C**

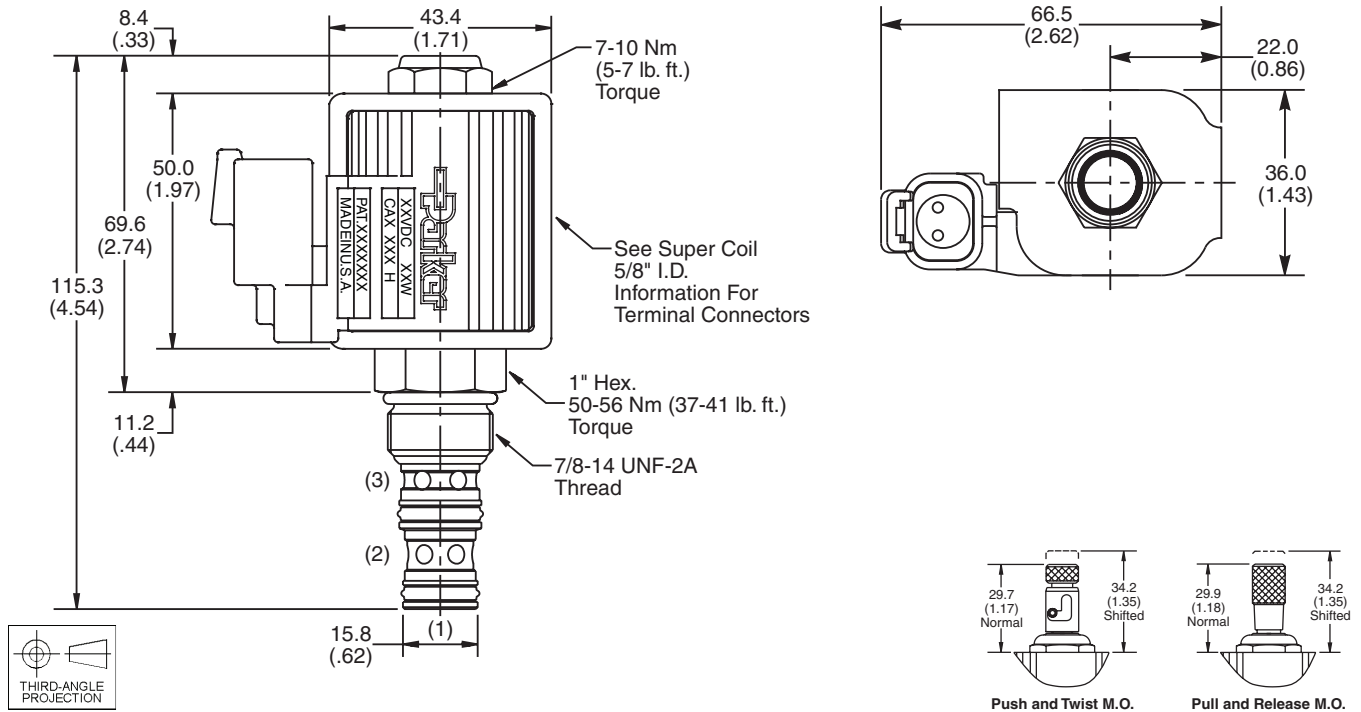


**DSL103N**

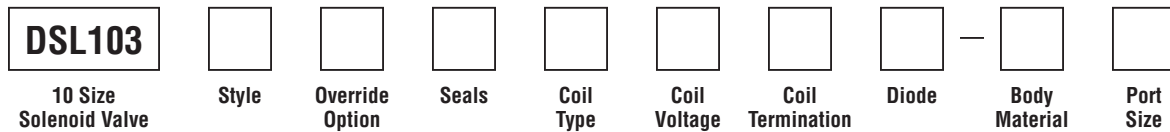




**Dimensions** Millimeters (Inches)



**Ordering Information**



Code	Style
A	
B	
C	
N	

Code	Override Options
Omit	None
P	Pull & Release
T	Push & Twist

Code	Seals / Kit No.
Omit	"D"-Ring / (SK10-3)
N	Nitrile / (SK10-3N)
V	Fluorocarbon / (SK10-3V)

Code	Coil Type
Omit	Without Coil
SP*	Super Coil - 28 Watts

\*Recommended

Code	Coil Voltage
Omit	Without Coil
D012	12 VDC
D024	24 VDC
A120	120/110 VAC, 60/50 Hz

SP* Coil	Coil Termination
Omit	Without Coil
A	Amp Jr. Timert†
C	Conduit With Leads
D	DIN Plug Face
H	Molded Deutsch†
L	Dual Lead Wire†
PF	Packard Female†
PM	Packard Male†
S	Dual Spade†

\*Recommended  
 †DC Only

Code	Diode
Omit	None
R	Diode

Code	Body Material
Omit	Steel
A	Aluminum

Code	Port Size	Body Part No.
Omit	Cartridge Only	
6T	SAE-6	(B10-3-*6T)
8T	SAE-8	(B10-3-*8T)

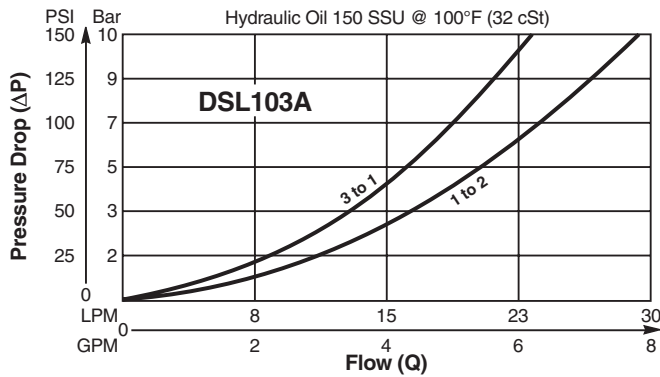
\* Add "A" for aluminum, omit for steel.

- CV** Check Valves
- SH** Shuttle Valves
- LM** Load/Motor Controls
- FC** Flow Controls
- PC** Pressure Controls
- LE** Logic Elements
- DC** Directional Controls
- MV** Manual Valves
- SV** Solenoid Valves
- PV** Proportional Valves
- CE** Coils & Electronics
- BC** Bodies & Cavities
- TD** Technical Data

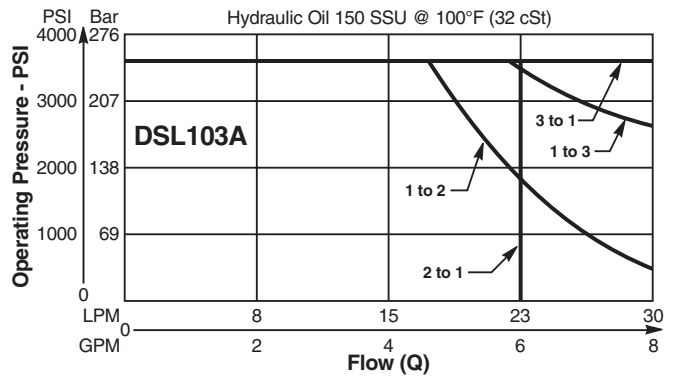


- CV** Check Valves
- SH** Shuttle Valves
- LM** Load/Motor Controls
- FC** Flow Controls
- PC** Pressure Controls
- LE** Logic Elements
- DC** Directional Controls
- MV** Manual Valves
- SV** Solenoid Valves
- PV** Proportional Valves
- CE** Coils & Electronics
- BC** Bodies & Cavities
- TD** Technical Data

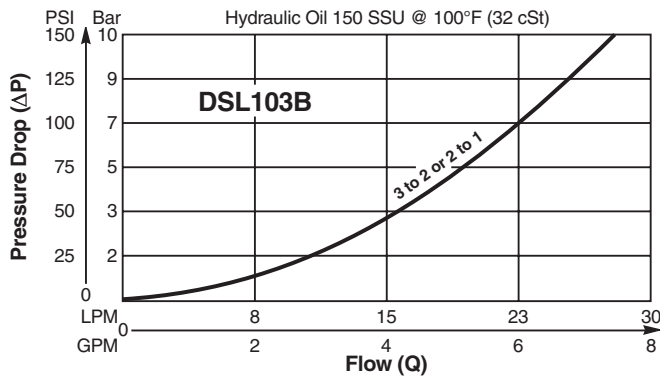
**Pressure Drop vs. Flow (Through cartridge only)**



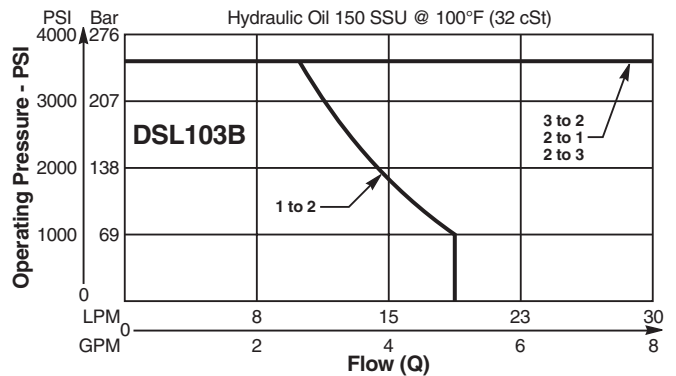
**Shift Limit Characteristics (Min. Operating Voltage)**



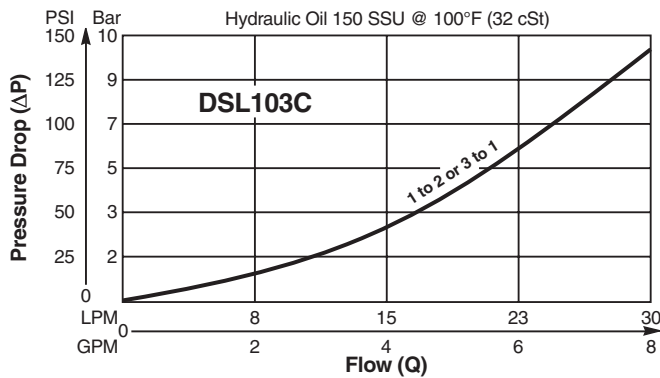
**Pressure Drop vs. Flow (Through cartridge only)**



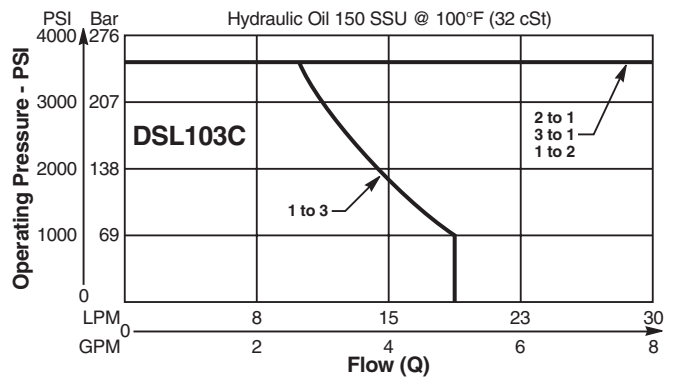
**Shift Limit Characteristics (Min. Operating Voltage)**



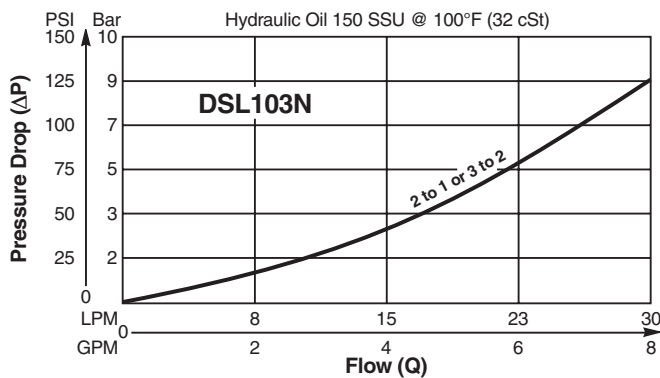
**Pressure Drop vs. Flow (Through cartridge only)**



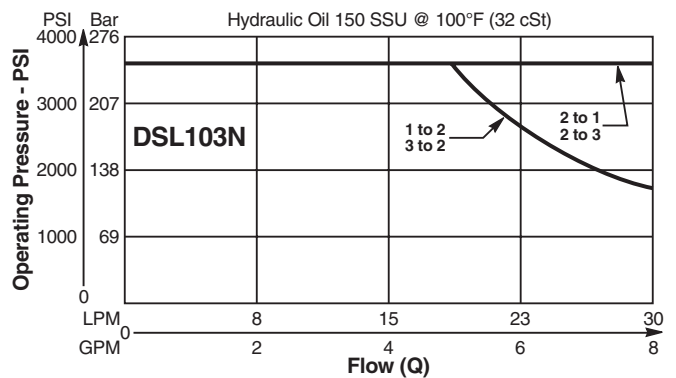
**Shift Limit Characteristics (Min. Operating Voltage)**



**Pressure Drop vs. Flow (Through cartridge only)**



**Shift Limit Characteristics (Min. Operating Voltage)**



**Technical Information**

**General Description**

3-Way Spool Valves. For additional information see Technical Tips on pages SV1-SV6.

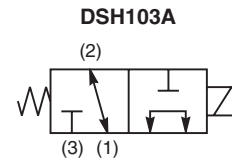
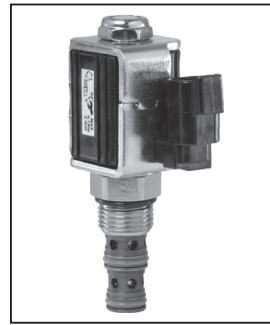


**Features**

- High flow capacity with reduced space requirements
- Standard valve bodies and common cavities
- One-piece encapsulated coil with minimal amperage draw
- Manual overrides, seal variations and other options available
- No dynamic seals
- Variety of coil terminations
- Polyurethane "D"-Ring eliminates need for backup rings
- Nylon inserted jam-nut provides secure holding in high vibration applications
- All external parts zinc plated

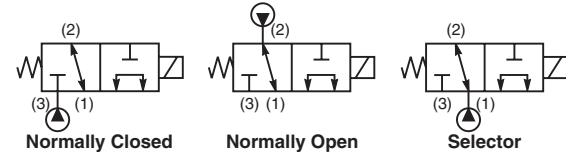
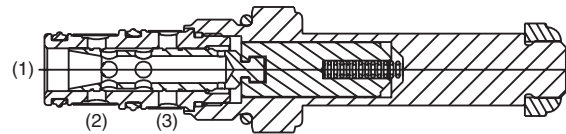
**Specifications**

<b>Rated Flow</b>	<b>DSH103A</b>	N.O.	17.0 LPM (4.5 GPM)
		N.C.	15.0 LPM (4.0 GPM)
		Selector	15.0 LPM (4.0 GPM)
	<b>DSH103B</b>	N.C.	30.0 LPM (8.0 GPM)
		Selector	30.0 LPM (8.0 GPM)
	<b>DSH103C</b>	N.O.	30.0 LPM (8.0 GPM)
	<b>DSH103N</b>	N.O.	15.0 LPM (4.0 GPM)
		N.C.	15.0 LPM (4.0 GPM)
		Selector	30.0 LPM (8.0 GPM)
<b>Maximum Inlet Pressure</b>	350 Bar (5000 PSI)		
<b>Leakage at 150 SSU (32 cSt)</b>	160 cc/min. (10 in <sup>3</sup> /min.) DSH103B - 250 cc/min. (15 in <sup>3</sup> /min.) DSH103N - 250 cc/min. (15 in <sup>3</sup> /min.)		
<b>Minimum Operating Voltage</b>	85% of rated voltage at 20°C (72°F).		
<b>Response Time</b>	50 ms to 100 ms		
<b>Cartridge Material</b>	All parts steel. All operating parts hardened steel.		
<b>Operating Temp. Range/Seals</b>	-45°C to +132°C ("D"-Ring) (-50°F to +270°F) -34°C to +121°C (Nitrile) (-30°F to +250°F) -26°C to +204°C (Fluorocarbon) (-15°F to +400°F)		
<b>Fluid Compatibility/Viscosity</b>	Mineral-based or synthetic with lubricating properties at viscosities of 45 to 2000 SSU (6 to 420 cSt)		
<b>Filtration</b>	ISO 4406 18/16/13, SAE Class 4		
<b>Approx. Weight</b>	.19 kg (.42 lbs.)		
<b>Cavity</b>	C10-3 (See BC Section for more details)		
<b>Form Tool</b>	Rougher	NFT10-3R	
	Finisher	NFT10-3F	

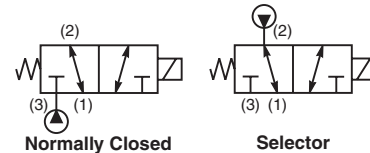
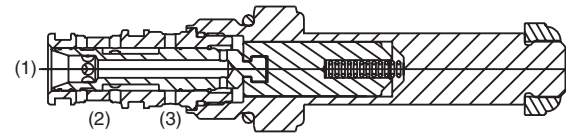


**Construction/Symbols**

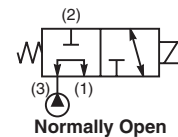
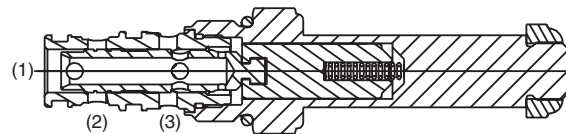
DSH103A



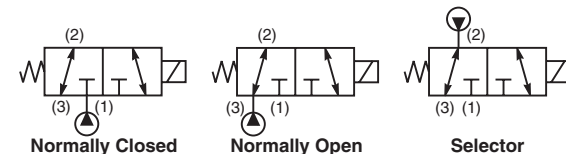
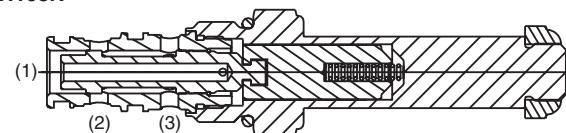
DSH103B



DSH103C



DSH103N



**CV**

Check Valves

**SH**

Shuttle Valves

**LM**

Load/Motor Controls

**FC**

Flow Controls

**PC**

Pressure Controls

**LE**

Logic Elements

**DC**

Directional Controls

**MV**

Manual Valves

**SV**

Solenoid Valves

**PV**

Proportional Valves

**CE**

Coils & Electronics

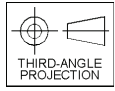
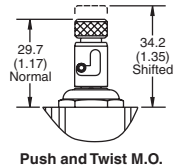
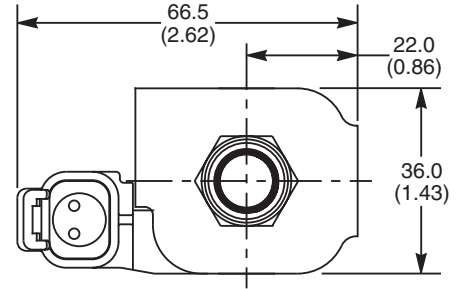
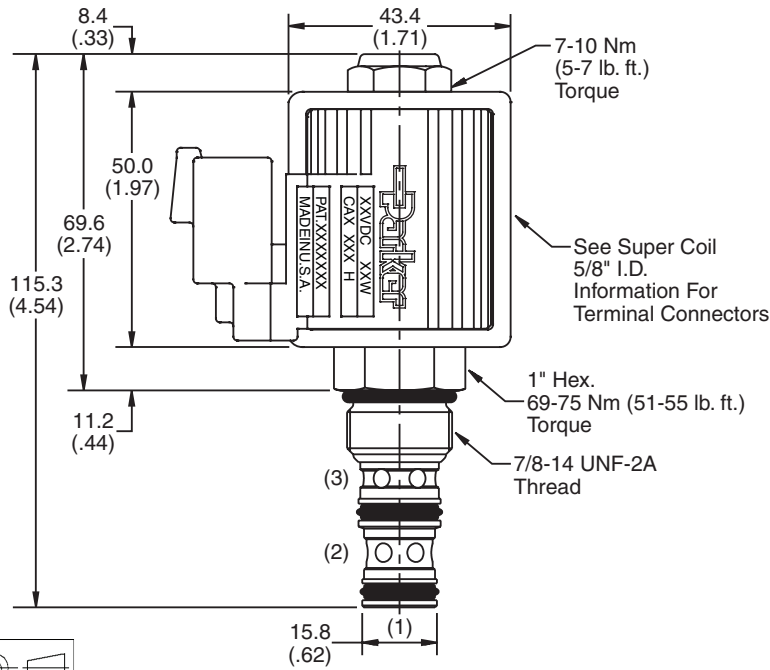
**BC**

Bodies & Cavities

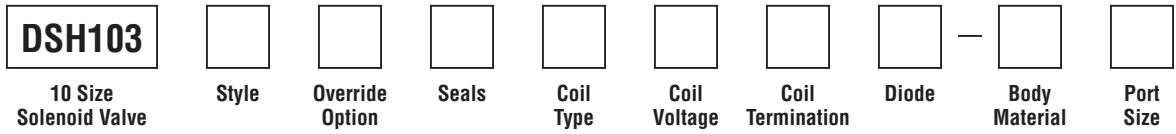
**TD**

Technical Data

**Dimensions** Millimeters (Inches)



**Ordering Information**



Code	Style
A	
B	
C	
N	

Code	Override Options
Omit	None
T	Push & Twist (N.C. & N.O.)

Code	Seals / Kit No.
Omit	"D"-Ring / (SK10-3)
N	Nitrile / (SK10-3N)
V	Fluorocarbon / (SK10-3V)

Code	Coil Type
Omit	Without Coil
SP*	Super Coil - 28 Watts

\*Recommended

Code	Coil Voltage
Omit	Without Coil
D012	12 VDC
D024	24 VDC
A120	120/110 VAC, 60/50 Hz

SP*	Coil Termination
Omit	Without Coil
A	Amp Jr. Timert
C	Conduit With Leads
D	DIN Plug Face
H	Molded Deutsch†
L	Dual Lead Wire†
PF	Packard Female†
PM	Packard Male†
S	Dual Spade†

\*Recommended †DC Only

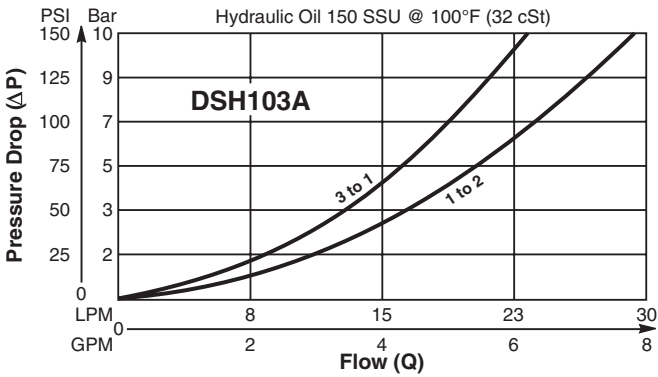
Code	Diode
Omit	None
R	Diode

Code	Body Material
Omit	Steel

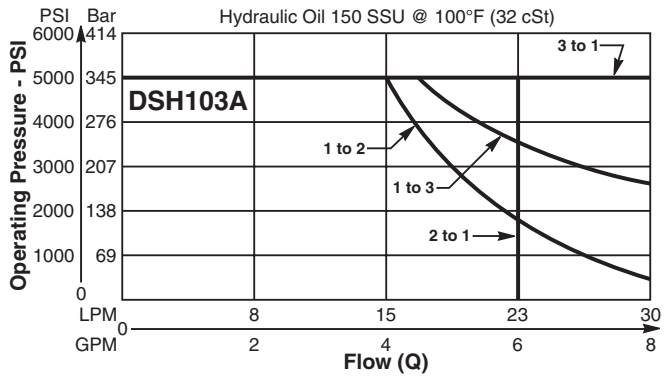
Code	Port Size	Body Part No.
Omit	Cartridge Only	
6T	SAE-6	(B10-3-6T)
8T	SAE-8	(B10-3-8T)

- CV Check Valves
- SH Shuttle Valves
- LM Load/Motor Controls
- FC Flow Controls
- PC Pressure Controls
- LE Logic Elements
- DC Directional Controls
- MV Manual Valves
- SV Solenoid Valves
- PV Proportional Valves
- CE Coils & Electronics
- BC Bodies & Cavities
- TD Technical Data

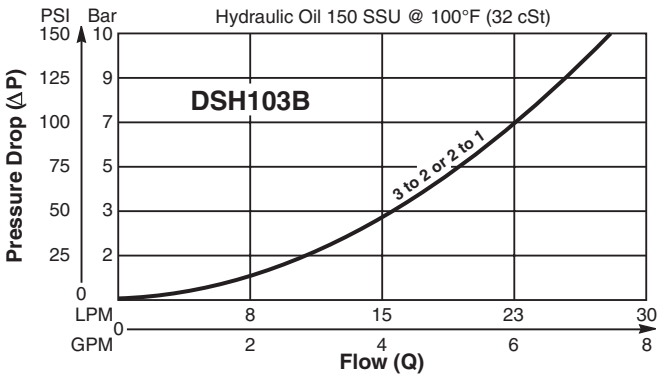
**Pressure Drop vs. Flow (Through cartridge only)**



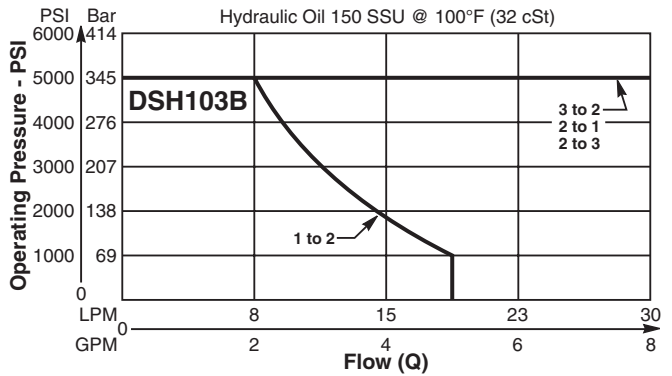
**Shift Limit Characteristics (Min. Operating Voltage)**



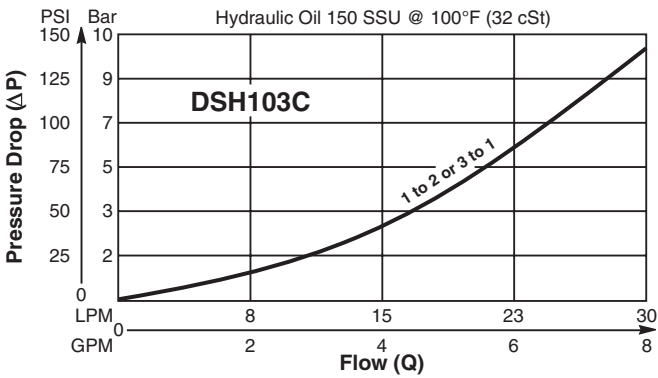
**Pressure Drop vs. Flow (Through cartridge only)**



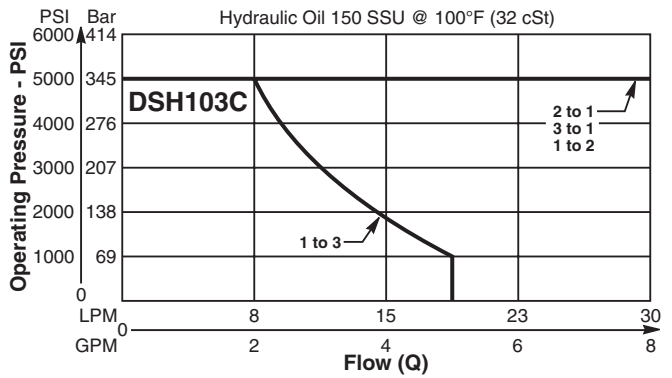
**Shift Limit Characteristics (Min. Operating Voltage)**



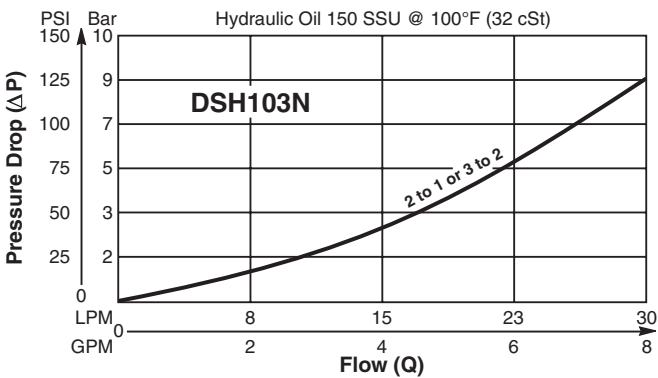
**Pressure Drop vs. Flow (Through cartridge only)**



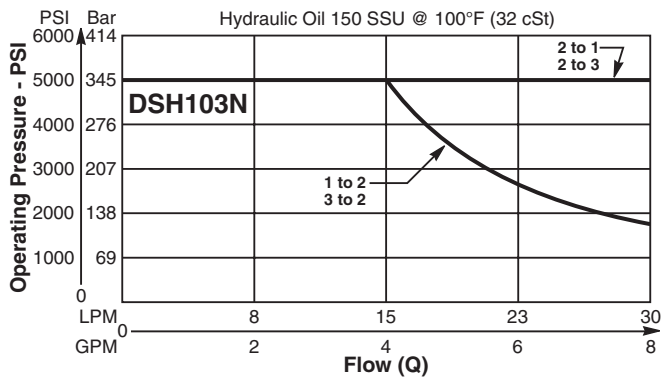
**Shift Limit Characteristics (Min. Operating Voltage)**



**Pressure Drop vs. Flow (Through cartridge only)**



**Shift Limit Characteristics (Min. Operating Voltage)**



- CV** Check Valves
- SH** Shuttle Valves
- LM** Load/Motor Controls
- FC** Flow Controls
- PC** Pressure Controls
- LE** Logic Elements
- DC** Directional Controls
- MV** Manual Valves
- SV** Solenoid Valves
- PV** Proportional Valves
- CE** Coils & Electronics
- BC** Bodies & Cavities
- TD** Technical Data

**Technical Information**

- CV** Check Valves
- SH** Shuttle Valves
- LM** Load/Motor Controls
- FC** Flow Controls
- PC** Pressure Controls
- LE** Logic Elements
- DC** Directional Controls
- MV** Manual Valves
- SV** Solenoid Valves
- PV** Proportional Valves
- CE** Coils & Electronics
- BC** Bodies & Cavities
- TD** Technical Data

**General Description**

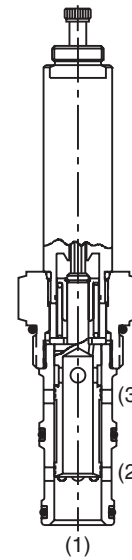
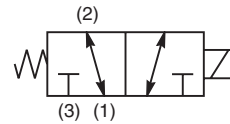
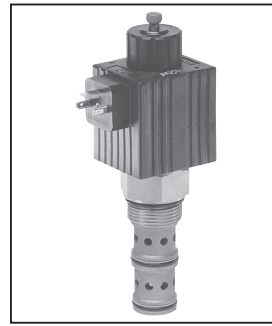
3-Way Spool Valves. For additional information see Technical Tips on pages SV1-SV6.

**Features**

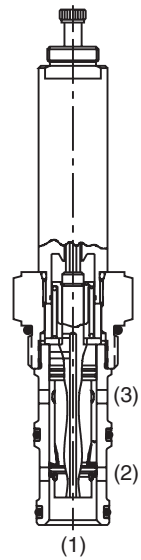
- High flow capacity with reduced space requirements
- Standard valve bodies and common cavities
- One-piece encapsulated coil with minimal amperage draw
- No dynamic seals
- Variety of coil terminations
- All external parts zinc plated
- Manual override standard

**Specifications**

<b>Rated Flow</b>	<b>DS163</b>	N.O. 45.4 LPM (12 GPM)
		N.C. 49.2 LPM (13 GPM)
	Selector	41.6 LPM (11 GPM)
	<b>DS163B</b>	N.O. 26.5 LPM (7 GPM)
		N.C. 53.0 LPM (14 GPM)
	Selector	56.8 LPM (15 GPM)
<b>Maximum Inlet Pressure</b>	210 Bar (3000 PSI)	
<b>Leakage at 150 SSU (32 cSt)</b>	82 cc/min. (5 in <sup>3</sup> /min.)	
<b>Minimum Operating Voltage</b>	85% of rated voltage at 20°C (72°F).	
<b>Response Time</b>	Normally Closed up to 90 ms Normally Open up to 100 ms	
<b>Cartridge Material</b>	All parts steel. All operating parts hardened steel.	
<b>Operating Temp. Range/Seals</b>	-34°C to +121°C (Nitrile) (-30°F to +250°F) -26°C to +204°C (Fluorocarbon) (-15°F to +400°F)	
<b>Fluid Compatibility/Viscosity</b>	Mineral-based or synthetic with lubricating properties at viscosities of 45 to 2000 SSU (6 to 420 cSt)	
<b>Filtration</b>	ISO 4406 18/16/13, SAE Class 4	
<b>Approx. Weight</b>	.59 kg (1.3 lbs.)	
<b>Cavity</b>	C16-3 (See BC Section for more details)	
<b>Form Tool</b>	Rougher	NFT16-3R
	Finisher	NFT16-3F

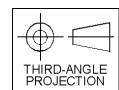
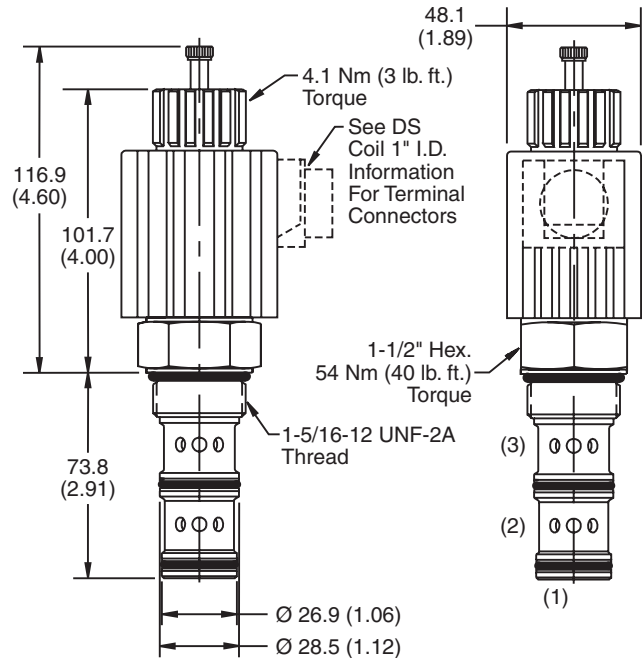


DS163



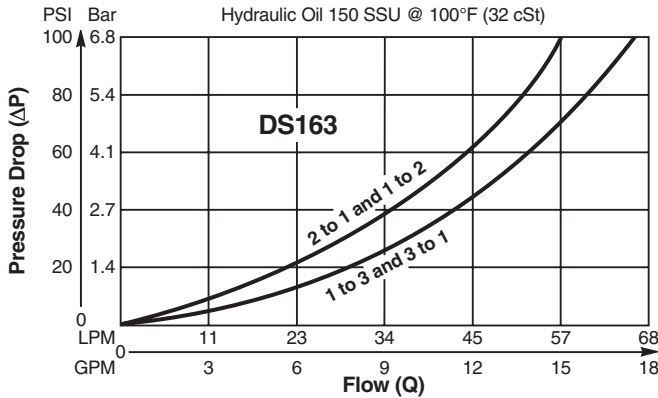
DS163B

**Dimensions** Millimeters (Inches)

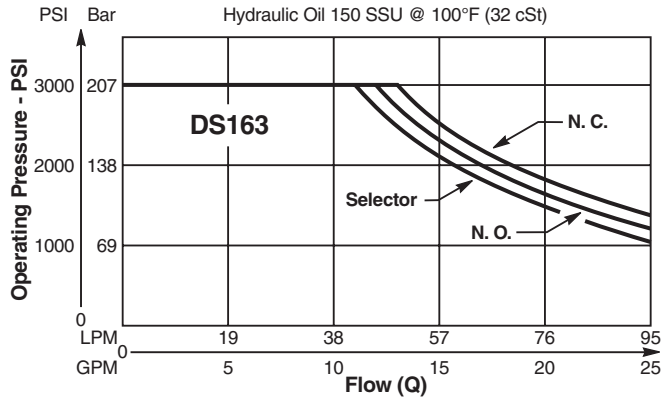


**Performance Curves**

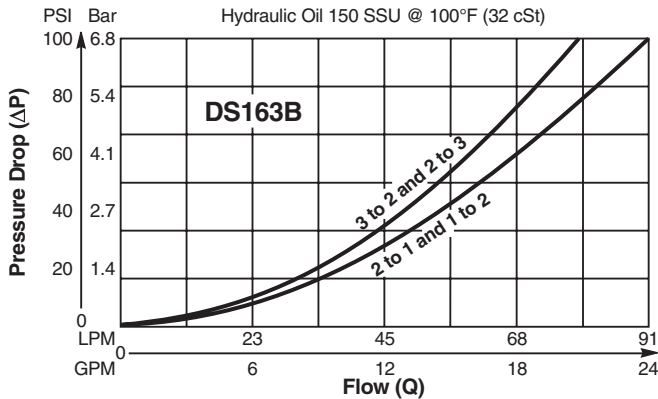
**Pressure Drop vs. Flow (Through cartridge only)**



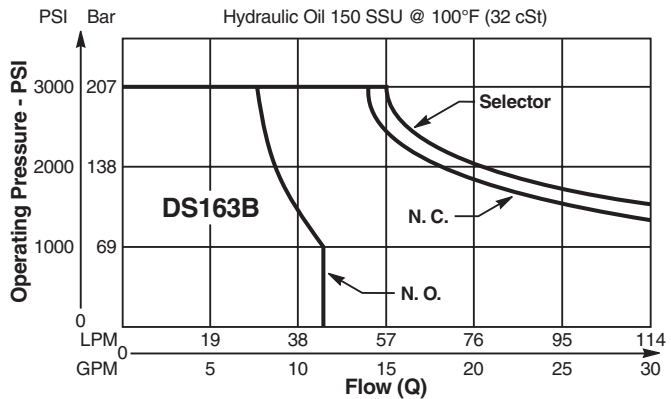
**Shift Limit Characteristics (Min. Operating Voltage)**



**Pressure Drop vs. Flow (Through cartridge only)**



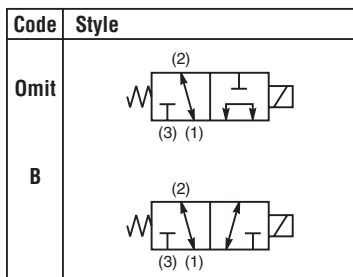
**Shift Limit Characteristics (Min. Operating Voltage)**



**Ordering Information**

**DS163**                       

**16 Size Solenoid Valve**    **Style**    **Seals**    **Coil Voltage**    **Coil Termination**    **Body Material**    **Port Size**



Code	Seals / Kit No.
Omit	Nitrile / (SK16-3)
V	Fluorocarbon / (SK16-3V)

Code	Coil Voltage
Omit	Without Coil
D012	12 VDC
D024	24 VDC
A120	120/110 VAC, 60/50 Hz

Code	Coil Termination
Omit	Without Coil
C	Conduit (AC Only)
D	DIN Plug Face
P	Dual Spade (DC Only)
W	Dual Lead (DC Only)

*See DS coil 1" I.D. (42 watt)*

Code	Body Material
Omit	Steel
A	Aluminum

Code	Port Size	Body Part No.
Omit	Cartridge Only	
12T	SAE-12	(B16-3-*12T)
16T	SAE-16	(B16-3-*16T)

*\* Add "A" for aluminum, omit for steel.*

**CV**

Check Valves

**SH**

Shuttle Valves

**LM**

Load/Motor Controls

**FC**

Flow Controls

**PC**

Pressure Controls

**LE**

Logic Elements

**DC**

Directional Controls

**MV**

Manual Valves

**SV**

Solenoid Valves

**PV**

Proportional Valves

**CE**

Coils & Electronics

**BC**

Bodies & Cavities

**TD**

Technical Data



**Technical Information**

- CV** Check Valves
- SH** Shuttle Valves
- LM** Load/Motor Controls
- FC** Flow Controls
- PC** Pressure Controls
- LE** Logic Elements
- DC** Directional Controls
- MV** Manual Valves
- SV** Solenoid Valves
- PV** Proportional Valves
- CE** Coils & Electronics
- BC** Bodies & Cavities
- TD** Technical Data

**General Description**

4-Way Spool Valves. For additional information see Technical Tips on pages SV1-SV6.



**Features**

- High flow capacity with reduced space requirements
- Standard valve bodies and common cavities
- One-piece encapsulated coil with minimal amperage draw
- Manual overrides, seal variations and other options available
- No dynamic seals
- Variety of coil terminations
- Polyurethane "D"-Ring eliminates need for backup rings
- Nylon inserted jam-nut provides secure holding in high vibration applications
- All external parts zinc plated

**Specifications**

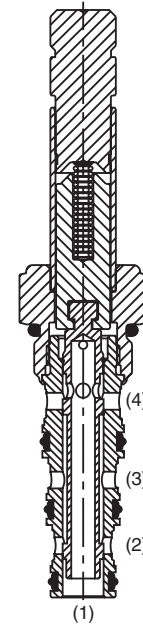
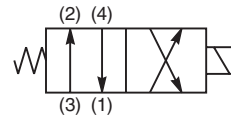
<b>Rated Flow</b>	11-15 LPM (3-4 GPM) See Shift Limit Characteristics
<b>Maximum Inlet Pressure</b>	250 Bar (3600 PSI)
<b>Leakage at 150 SSU (32 cSt)</b>	160 cc/min. (10 in <sup>3</sup> /min.) at 250 Bar (3600 PSI)
<b>Minimum Operating Voltage</b>	85% of rated voltage at 20°C (72°F).
<b>Response Time</b>	Energized - 50 ms De-energized - 30 ms
<b>Cartridge Material</b>	All parts steel. All operating parts hardened steel.
<b>Operating Temp. Range/Seals</b>	-45°C to +132°C ("D"-Ring) (-50°F to +270°F) -34°C to +121°C (Nitrile) (-30°F to +250°F) -26°C to +204°C (Fluorocarbon) (-15°F to +400°F)
<b>Fluid Compatibility/Viscosity</b>	Mineral-based or synthetic with lubricating properties at viscosities of 45 to 2000 SSU (6 to 420 cSt)
<b>Filtration</b>	ISO 4406 18/16/13, SAE Class 4
<b>Approx. Weight</b>	.13 kg (.29 lbs.)
<b>Cavity</b>	C08-4 (See BC Section for more details)
<b>Form Tool</b>	Rougher NFT08-4R Finisher NFT08-4F

**Curve Selection Chart**

SPOOL CODE	NEUTRAL					SHIFTED				
	4 to 1	3 to 2	2 to 1	3 to 1	3 to 4	4 to 1	3 to 2	2 to 1	3 to 1	3 to 4
B	4	3	—	—	—	—	—	2	—	4
E1	—	—	—	—	—	—	—	2	—	3
M	—	—	3	—	1	—	—	—	—	—
N	—	—	—	—	—	4	3	—	—	—
M9	—	—	3	—	1	—	—	—	4	—



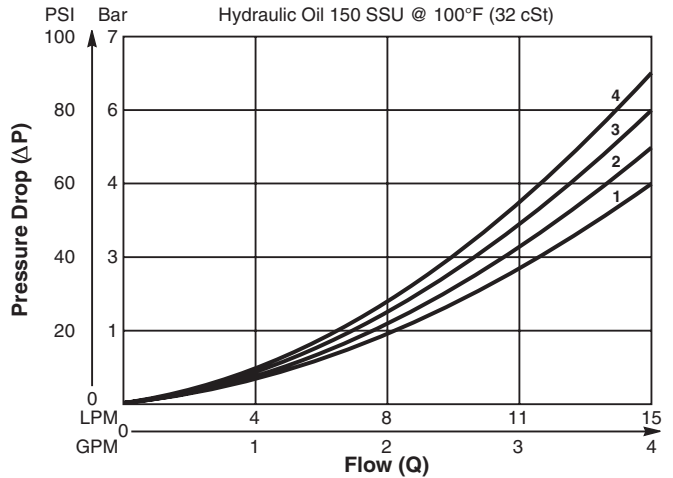
DSL084B



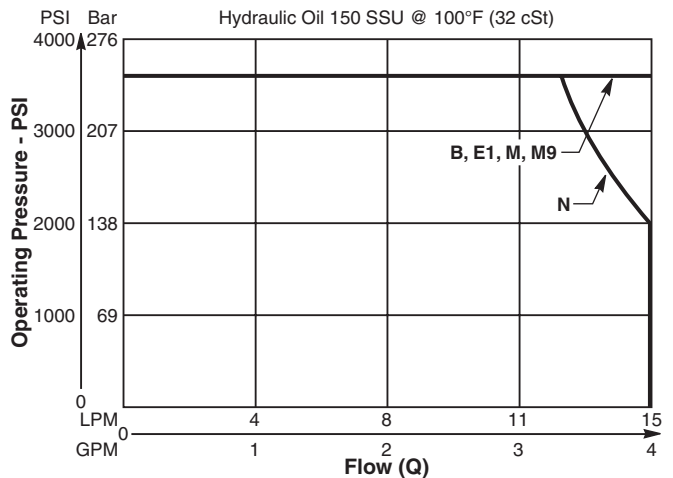
DSL084B

**Performance Curves**

**Pressure Drop vs. Flow (Through cartridge only)**

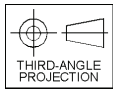
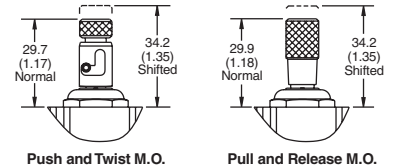
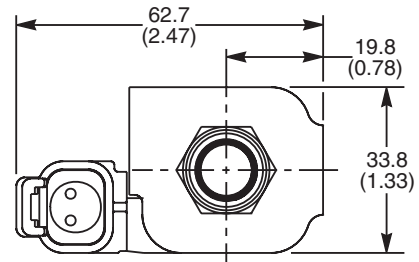
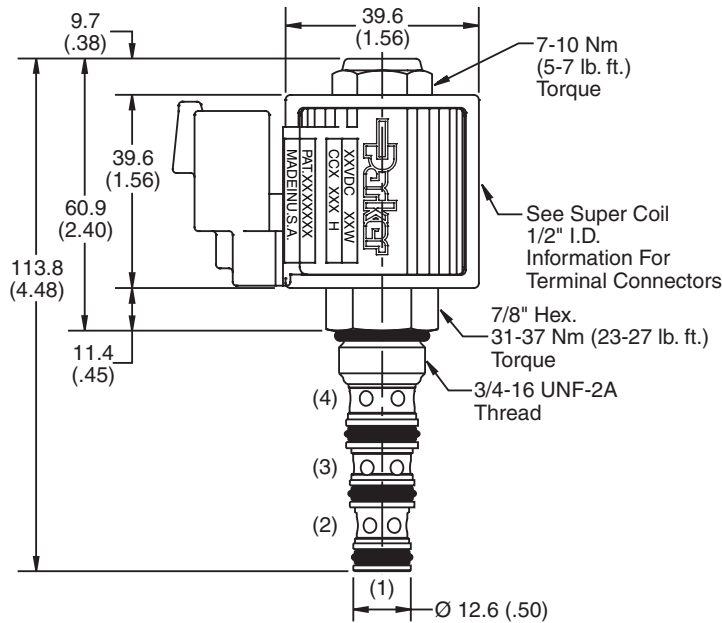


**Shift Limit Characteristics (Min. Operating Voltage)**

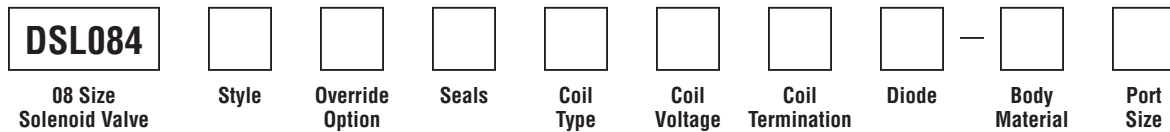




**Dimensions** Millimeters (Inches)



**Ordering Information**



Code	Style
B	
N	
E1	
M	
M9	

Code	Override Options
Omit	None
P	Pull & Release
T	Push & Twist

Code	Seals / Kit No.
Omit	"D"-Ring / (SK08-4)
N	Nitrile / (SK08-4N)
V	Fluorocarbon / (SK08-4V)

Code	Coil Type
Omit	Without Coil
SP*	Super Coil - 19 Watts

\*Recommended

Code	Coil Voltage
Omit	Without Coil
D012	12 VDC
D024	24 VDC
A120	120/110 VAC, 60/50 Hz

SP* Coil	Coil Termination
Omit	Without Coil
A	Amp Jr. Timert
C	Conduit With Leads
D	DIN Plug Face
H	Molded Deutsch†
L	Dual Lead Wire†
PF	Packard Female†
PM	Packard Male†
S	Dual Spade†

\*Recommended  
 †DC Only

Code	Diode
Omit	None
R	Diode

Code	Body Material
Omit	Steel
A	Aluminum

Code	Port Size	Body Part No.
Omit	Cartridge Only	
4T	SAE-4	(B08-4-*4T)
6T	SAE-6	(B08-4-*6T)

\* Add "A" for aluminum, omit for steel.

- CV Check Valves
- SH Shuttle Valves
- LM Load/Motor Controls
- FC Flow Controls
- PC Pressure Controls
- LE Logic Elements
- DC Directional Controls
- MV Manual Valves
- SV Solenoid Valves
- PV Proportional Valves
- CE Coils & Electronics
- BC Bodies & Cavities
- TD Technical Data

**Technical Information**

**CV**

Check Valves

**SH**

Shuttle Valves

**LM**

Load/Motor Controls

**FC**

Flow Controls

**PC**

Pressure Controls

**LE**

Logic Elements

**DC**

Directional Controls

**MV**

Manual Valves

**SV**

Solenoid Valves

**PV**

Proportional Valves

**CE**

Coils & Electronics

**BC**

Bodies & Cavities

**TD**

Technical Data

**General Description**

4-Way Spool Valves. For additional information see Technical Tips on pages SV1-SV6.



**Features**

- High flow capacity with reduced space requirements
- Standard valve bodies and common cavities
- One-piece encapsulated coil with minimal amperage draw
- Manual overrides, seal variations and other options available
- No dynamic seals
- Variety of coil terminations
- Polyurethane "D"-Ring eliminates need for backup rings
- Nylon inserted jam-nut provides secure holding in high vibration applications
- All external parts zinc plated

**Specifications**

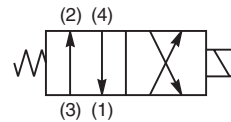
<b>Rated Flow</b>	11-15 LPM (3-4 GPM) See Shift Limit Characteristics
<b>Max. Inlet Pressure</b>	350 Bar (5000 PSI)
<b>Leakage at 150 SSU (32 cSt)</b>	160 cc/min. (10 in <sup>3</sup> /min.) at 350 Bar (5000 PSI) DSH084B - 240 cc/min. (15 in <sup>3</sup> /min.)
<b>Minimum Operating Voltage</b>	85% of rated voltage at 20°C (72°F).
<b>Response Time</b>	Energized - 50 ms De-energized - 30 ms
<b>Cartridge Material</b>	All parts steel. All operating parts hardened steel.
<b>Operating Temp. Range/Seals</b>	-45°C to +132°C ("D"-Ring) (-50°F to +270°F) -34°C to +121°C (Nitrile) (-30°F to +250°F) -26°C to +204°C (Fluorocarbon) (-15°F to +400°F)
<b>Fluid Compatibility/Viscosity</b>	Mineral-based or synthetic with lubricating properties at viscosities of 45 to 2000 SSU (6 to 420 cSt)
<b>Filtration</b>	ISO 4406 18/16/13, SAE Class 4
<b>Approx. Weight</b>	.13 kg (.29 lbs.)
<b>Cavity</b>	C08-4 (See BC Section for more details)
<b>Form Tool</b>	Rougher NFT08-4R Finisher NFT08-4F

**Curve Selection Chart**

SPOOL CODE	NEUTRAL					SHIFTED				
	4 to 1	3 to 2	2 to 1	3 to 1	3 to 4	4 to 1	3 to 2	2 to 1	3 to 1	3 to 4
B	4	3	—	—	—	—	—	2	—	4
E1	—	—	—	—	—	—	—	2	—	3
M	—	—	3	—	1	—	—	—	—	—
N	—	—	—	—	—	4	3	—	—	—
M9	—	—	3	—	1	—	—	—	4	—



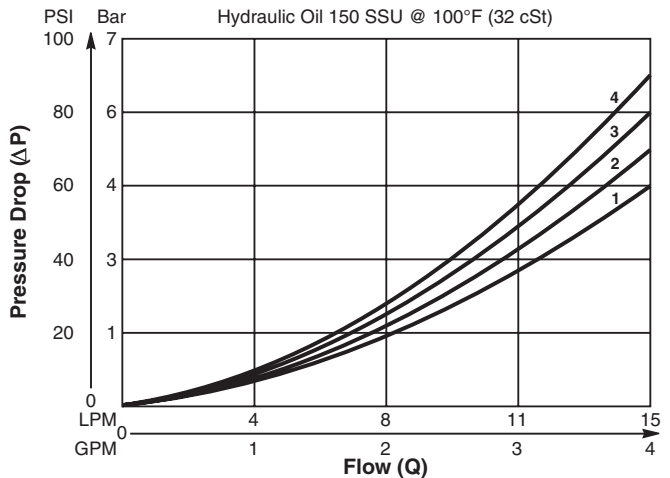
DSH084B



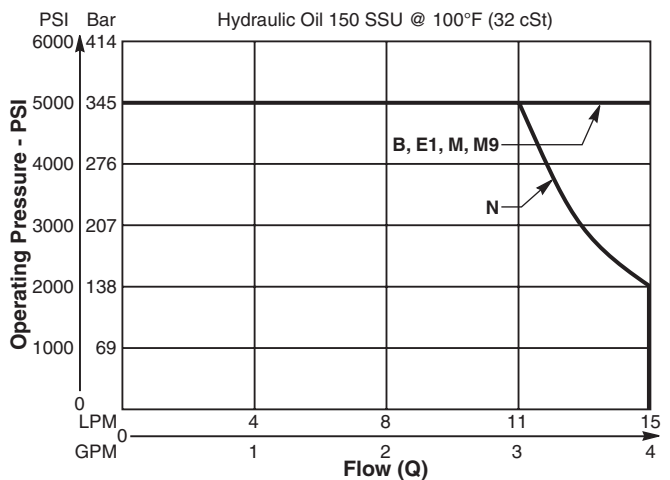
DSH084B

**Performance Curves**

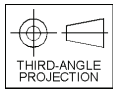
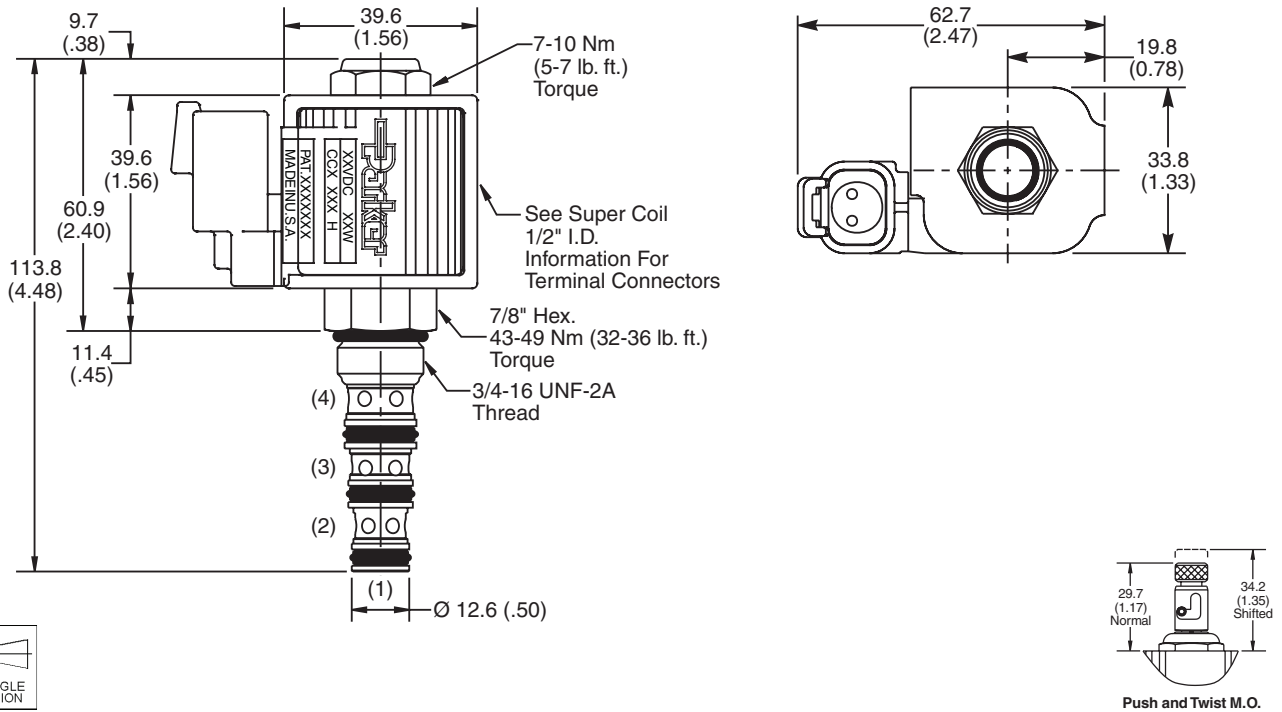
**Pressure Drop vs. Flow (Through cartridge only)**



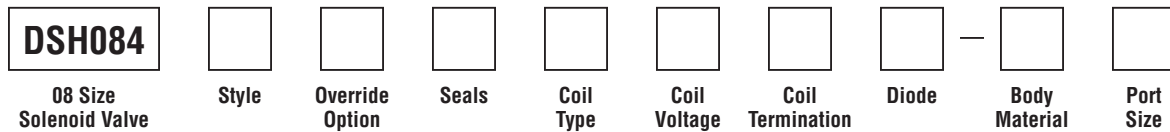
**Shift Limit Characteristics (Min. Operating Voltage)**



**Dimensions** Millimeters (Inches)



**Ordering Information**



Code	Style
B	
N	
E1	
M	
M9	

Code	Override Options
Omit	None
T	Push & Twist*

\*Requires Super Coil

Code	Seals / Kit No.
Omit	"D"-Ring / (SK08-4)
N	Nitrile / (SK08-4N)
V	Fluorocarbon / (SK08-4V)

Code	Coil Type
Omit	Without Coil
SP*	Super Coil - 19 Watts

\*Recommended

Code	Coil Voltage
Omit	Without Coil
D012	12 VDC
D024	24 VDC
A120	120/110 VAC, 60/50 Hz

SP* Coil	Coil Termination
Omit	Without Coil
A	Amp Jr. Timer†
C	Conduit With Leads
D	DIN Plug Face
H	Molded Deutsch†
L	Dual Lead Wire†
PF	Packard Female†
PM	Packard Male†
S	Dual Spade†

\*Recommended  
 †DC Only

Code	Diode
Omit	None
R	Diode

Code	Body Material
Omit	Steel

Code	Port Size	Body Part No.
Omit	Cartridge Only	
4T	SAE-4	(B08-4-4T)
6T	SAE-6	(B08-4-6T)

- CV** Check Valves
- SH** Shuttle Valves
- LM** Load/Motor Controls
- FC** Flow Controls
- PC** Pressure Controls
- LE** Logic Elements
- DC** Directional Controls
- MV** Manual Valves
- SV** Solenoid Valves
- PV** Proportional Valves
- CE** Coils & Electronics
- BC** Bodies & Cavities
- TD** Technical Data

**Technical Information**

- CV** Check Valves
- SH** Shuttle Valves
- LM** Load/Motor Controls
- FC** Flow Controls
- PC** Pressure Controls
- LE** Logic Elements
- DC** Directional Controls
- MV** Manual Valves
- SV** Solenoid Valves
- PV** Proportional Valves
- CE** Coils & Electronics
- BC** Bodies & Cavities
- TD** Technical Data

**General Description**

4-Way Spool Valves. For additional information see Technical Tips on pages SV1-SV6.



**Features**

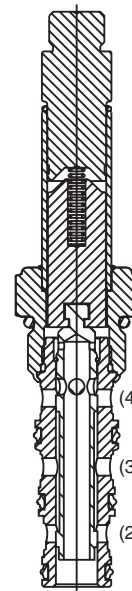
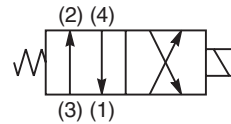
- High flow capacity with reduced space requirements
- Standard valve bodies and common cavities
- One-piece encapsulated coil with minimal amperage draw
- Manual overrides, seal variations and other options available
- No dynamic seals
- Variety of coil terminations
- Polyurethane "D"-Ring
- All external parts zinc plated

**Specifications**

<b>Rated Flow</b>	27-38 LPM (7-10 GPM) See Shift Limit Characteristics
<b>Maximum Inlet Pressure</b>	250 Bar (3600 PSI)
<b>Leakage at 150 SSU (32 cSt)</b>	230 cc/min (14 in <sup>3</sup> /min)
<b>Minimum Operating Voltage</b>	85% of rated voltage at 20°C (72°F).
<b>Response Time</b>	Energized - 30 - 60 ms De-energized - 30 - 60 ms
<b>Cartridge Material</b>	All parts steel. All operating parts hardened steel.
<b>Operating Temp. Range/Seals</b>	-45°C to +132°C ("D"-Ring) (-50°F to +270°F) -34°C to +121°C (Nitrile) (-30°F to +250°F) -26°C to +204°C (Fluorocarbon) (-15°F to +400°F)
<b>Fluid Compatibility/Viscosity</b>	Mineral-based or synthetic with lubricating properties at viscosities of 45 to 2000 SSU (6 to 420 cSt)
<b>Filtration</b>	ISO 4406 18/16/13, SAE Class 4
<b>Approx. Weight</b>	.20 kg (.44 lbs.)
<b>Cavity</b>	C10-4 (See BC Section for more details)
<b>Form Tool</b>	Rougher NFT10-4R Finisher NFT10-4F



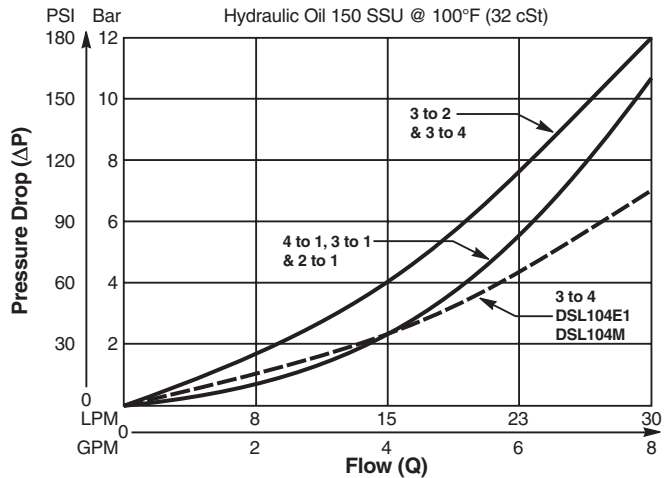
DSL104B



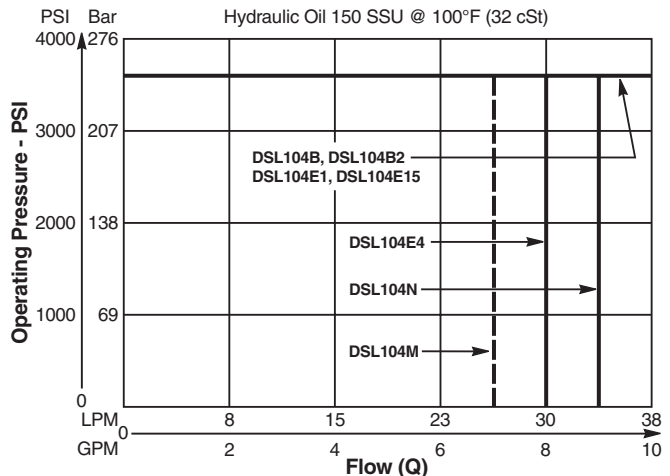
DSL104B

**Performance Curves**

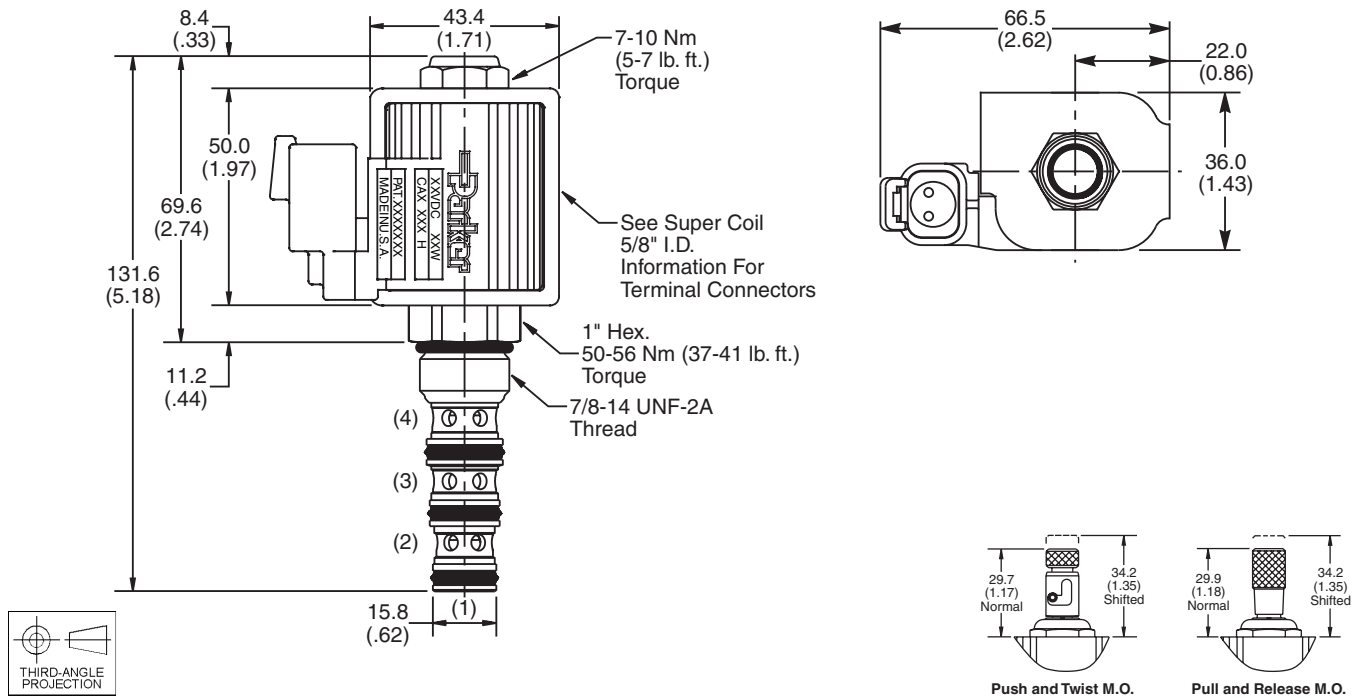
**Pressure Drop vs. Flow (Through cartridge only)**



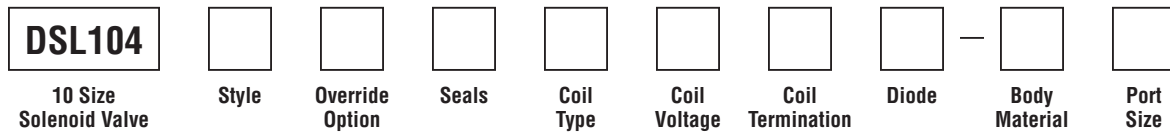
**Shift Limit Characteristics (Min. Operating Voltage)**



**Dimensions** Millimeters (Inches)



**Ordering Information**



Code	Style
B	
B2	
E1	
E4	
E15	
H	
M	
N	

Code	Override Options
Omit	None
P	Pull & Release
T	Push & Twist

Code	Seals / Kit No.
Omit	"D"-Ring / (SK10-4)
N	Nitrile / (SK10-4N)
V	Fluorocarbon / (SK10-4V)

Code	Coil Type
Omit	Without Coil
SP*	Super Coil - 28 Watts

*\*Recommended*

Code	Coil Voltage
Omit	Without Coil
D012	12 VDC
D024	24 VDC
A120	120/110 VAC, 60/50 Hz

SP* Coil	Coil Termination
Omit	Without Coil
A	Amp Jr. Timer†
C	Conduit With Leads
D	DIN Plug Face
H	Molded Deutsch†
L	Dual Lead Wire†
PF	Packard Female†
PM	Packard Male†
S	Dual Spade†

*\*Recommended  
 †DC Only*

Code	Diode
Omit	None
R	Diode

Code	Body Material
Omit	Steel
A	Aluminum

Code	Port Size	Body Part No.
Omit	Cartridge Only	
6T	SAE-6	(B10-4-*6T)
8T	SAE-8	(B10-4-*8T)

*\* Add "A" for aluminum, omit for steel.*

- CV** Check Valves
- SH** Shuttle Valves
- LM** Load/Motor Controls
- FC** Flow Controls
- PC** Pressure Controls
- LE** Logic Elements
- DC** Directional Controls
- MV** Manual Valves
- SV** Solenoid Valves
- PV** Proportional Valves
- CE** Coils & Electronics
- BC** Bodies & Cavities
- TD** Technical Data

**Technical Information**

**CV**

Check Valves

**SH**

Shuttle Valves

**LM**

Load/Motor Controls

**FC**

Flow Controls

**PC**

Pressure Controls

**LE**

Logic Elements

**DC**

Directional Controls

**MV**

Manual Valves

**SV**

Solenoid Valves

**PV**

Proportional Valves

**CE**

Coils & Electronics

**BC**

Bodies & Cavities

**TD**

Technical Data

**General Description**

4-Way Spool Valves. For additional information see Technical Tips on pages SV1-SV6.



**Features**

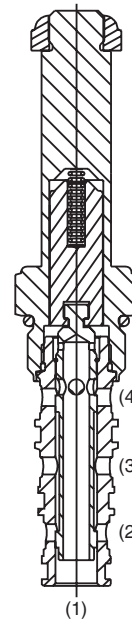
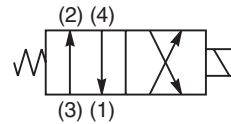
- High flow capacity with reduced space requirements
- Standard valve bodies and common cavities
- One-piece encapsulated coil with minimal amperage draw
- Manual overrides, seal variations and other options available
- No dynamic seals
- Variety of coil terminations
- Polyurethane "D"-Ring eliminates need for backup rings
- Nylon inserted jam-nut provides secure holding in high vibration applications
- All external parts zinc plated

**Specifications**

<b>Rated Flow</b>	25 - 38 LPM (6.5 - 10 GPM) See Shift Limit Characteristics
<b>Maximum Inlet Pressure</b>	350 Bar (5000 PSI)
<b>Leakage at 150 SSU (32 cSt)</b>	160 cc/min (10 in <sup>3</sup> /min) DSH104B - 320 cc/min (19.5 in <sup>3</sup> /min)
<b>Minimum Operating Voltage</b>	85% of rated voltage at 20°C (72°F).
<b>Response Time</b>	Energized - 30 - 60 ms De-energized - 30 - 60 ms
<b>Cartridge Material</b>	All parts steel. All operating parts hardened steel.
<b>Operating Temp. Range/Seals</b>	-45°C to +132°C ("D"-Ring) (-50°F to +270°F) -34°C to +121°C (Nitrile) (-30°F to +250°F) -26°C to +204°C (Fluorocarbon) (-15°F to +400°F)
<b>Fluid Compatibility/Viscosity</b>	Mineral-based or synthetic with lubricating properties at viscosities of 45 to 2000 SSU (6 to 420 cSt)
<b>Filtration</b>	ISO 4406 18/16/13, SAE Class 4
<b>Approx. Weight</b>	.20 kg (.44 lbs.)
<b>Cavity</b>	C10-4 (See BC Section for more details)
<b>Form Tool</b>	Rougher NFT10-4R Finisher NFT10-4F



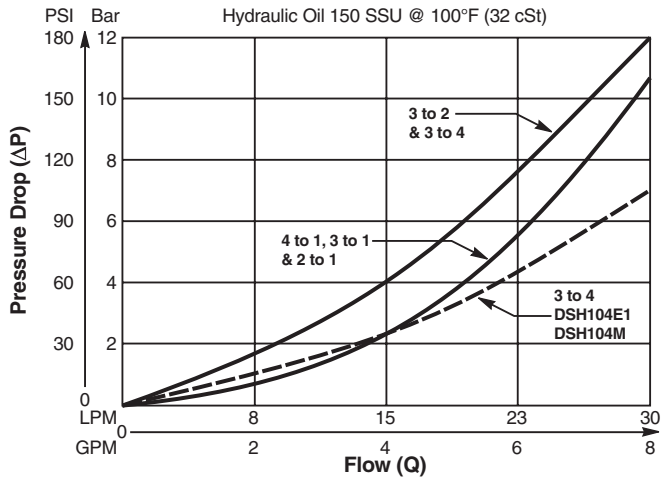
DSH104B



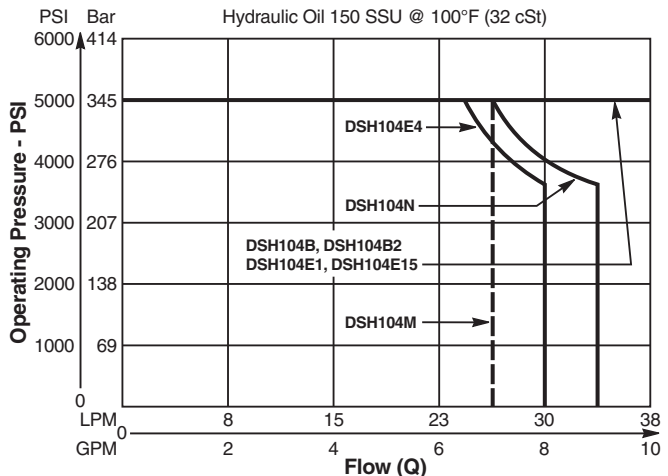
DSH104B

**Performance Curves**

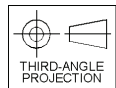
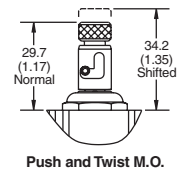
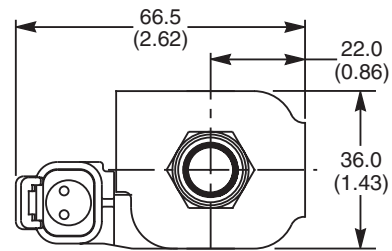
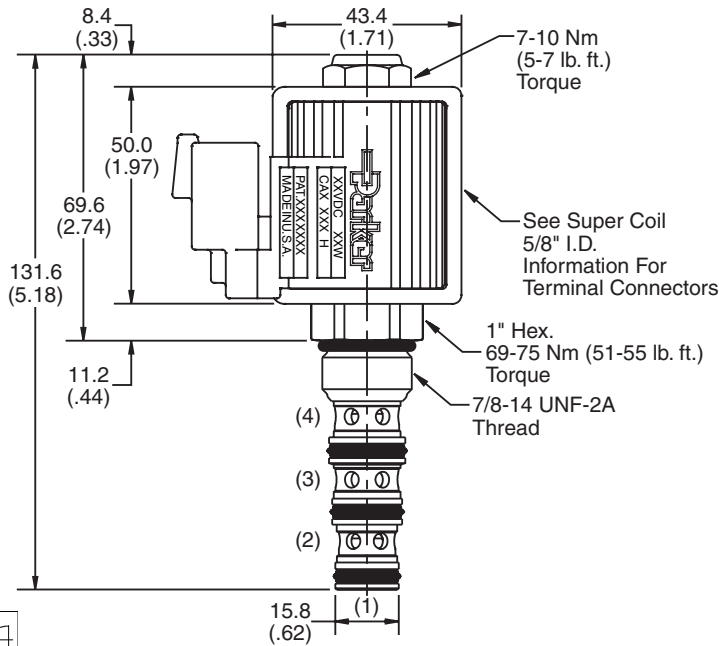
**Pressure Drop vs. Flow (Through cartridge only)**



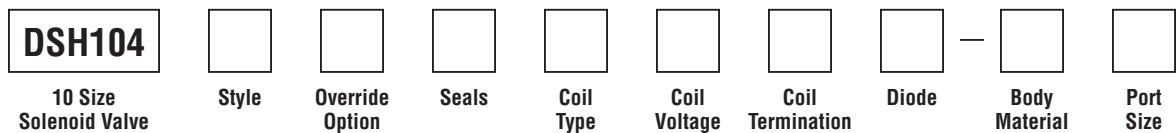
**Shift Limit Characteristics (Min. Operating Voltage)**



**Dimensions** Millimeters (Inches)



**Ordering Information**



Code	Style
B	
B2	
E1	
E4	
E15	
H	
M	
N	

Code	Override Options
Omit	None
T	Push & Twist

Code	Seals / Kit No.
Omit	"D"-Ring / (SK10-4)
N	Nitrile / (SK10-4N)
V	Fluorocarbon / (SK10-4V)

Code	Coil Type
Omit	Without Coil
SP*	Super Coil - 28 Watts

*\*Recommended*

Code	Coil Voltage
Omit	Without Coil
D012	12 VDC
D024	24 VDC
A120	120/110 VAC, 60/50 Hz

SP* Coil	Coil Termination
Omit	Without Coil
A	Amp Jr. Timer†
C	Conduit With Leads
D	DIN Plug Face
H	Molded Deutsch†
L	Dual Lead Wire†
PF	Packard Female†
PM	Packard Male†
S	Dual Spade†

*\*Recommended  
 †DC Only*

Code	Diode
Omit	None
R	Diode

Code	Body Material
Omit	Steel

Code	Port Size	Body Part No.
Omit	Cartridge Only	
6T	SAE-6	(B10-4-6T)
8T	SAE-8	(B10-4-8T)

- CV** Check Valves
- SH** Shuttle Valves
- LM** Load/Motor Controls
- FC** Flow Controls
- PC** Pressure Controls
- LE** Logic Elements
- DC** Directional Controls
- MV** Manual Valves
- SV** Solenoid Valves
- PV** Proportional Valves
- CE** Coils & Electronics
- BC** Bodies & Cavities
- TD** Technical Data



**Technical Information**

**CV**

Check Valves

**SH**

Shuttle Valves

**LM**  
Load/Motor Controls

**FC**  
Flow Controls

**PC**  
Pressure Controls

**LE**  
Logic Elements

**DC**  
Directional Controls

**MV**  
Manual Valves

**SV**  
Solenoid Valves

**PV**  
Proportional Valves

**CE**  
Coils & Electronics

**BC**  
Bodies & Cavities

**TD**  
Technical Data

**General Description**

4-Way Spool Valves. For additional information see Technical Tips on pages SV1-SV6.

**Features**

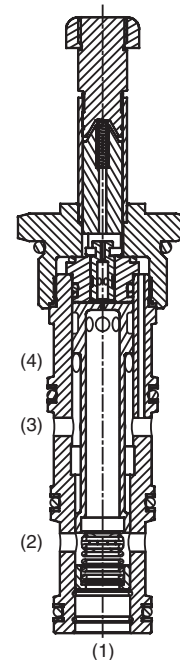
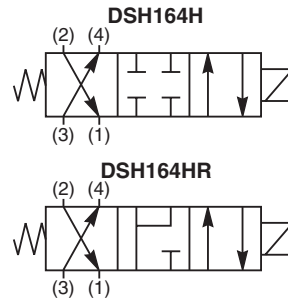
- High flow capacity with reduced space requirements
- Standard valve bodies and common cavities
- One-piece encapsulated coil with minimal amperage draw
- Seal variations and other options available
- No dynamic seals
- Variety of coil terminations
- Nylon inserted jam-nut provides secure holding in high vibration applications
- All external parts zinc plated

**Application Note**

This valve is a pilot operated spool type valve. It does not require a separate pilot supply, but does require that the work port pressure or the inlet pressure is 40-60 psi higher than port 1. In an open flowing condition, with zero load and low flow, it will require a 4-6 gpm flow to create internal pilot pressure to shift. If load pressure or system pressure is 40-60 psi higher than tank, the valve will shift. Ultimately, the valve shifts based upon pressure differential from port 3 to port 1 of 40-60 psi.

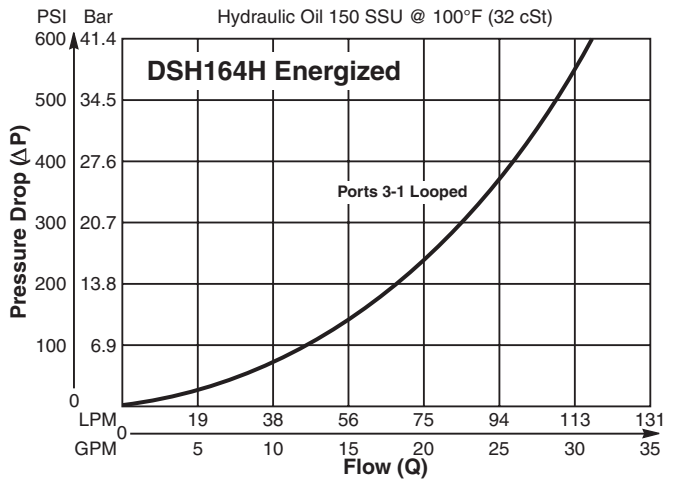
**Specifications**

<b>Rated Flow</b>	113 LPM (30 GPM)
<b>Maximum Inlet Pressure</b>	350 Bar (5000 PSI)
<b>Leakage at 150 SSU (32 cSt)</b>	350 cc/min (21 in <sup>3</sup> /min) De-Energ. 5.6 LPM (1.5 GPM) Energized Pilot Flow @ 207 Bar (3000 PSI)
<b>Minimum Operating Voltage</b>	85% of rated voltage at 20°C (72°F).
<b>Response Time</b>	Pull In - 600 ms Drop Out - 130 ms
<b>Cartridge Material</b>	All parts steel. All operating parts hardened steel.
<b>Operating Temp. Range/Seals</b>	-34°C to +121°C (Nitrile) (-30°F to +250°F) -26°C to +204°C (Fluorocarbon) (-15°F to +400°F)
<b>Fluid Compatibility/Viscosity</b>	Mineral-based or synthetic with lubricating properties at viscosities of 45 to 2000 SSU (6 to 420 cSt)
<b>Filtration</b>	ISO 4406 18/16/13, SAE Class 4
<b>Approx. Weight</b>	.59 kg (1.3 lbs.)
<b>Cavity</b>	C16-4 (See BC Section for more details)
<b>Form Tool</b>	Rougher NFT16-4R Finisher NFT16-4F

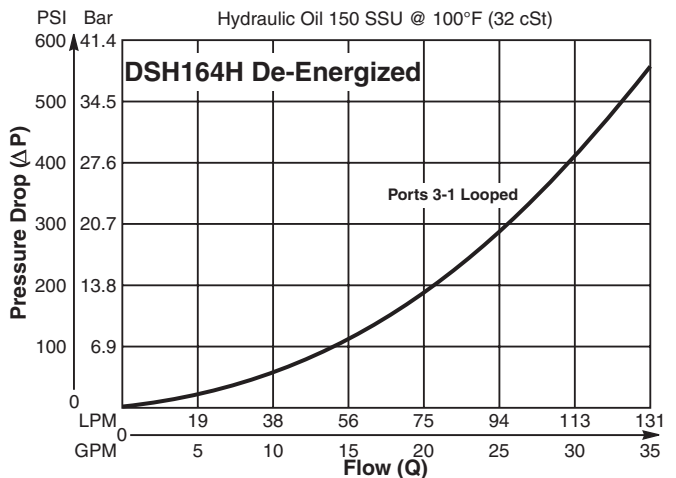


**Performance Curves**

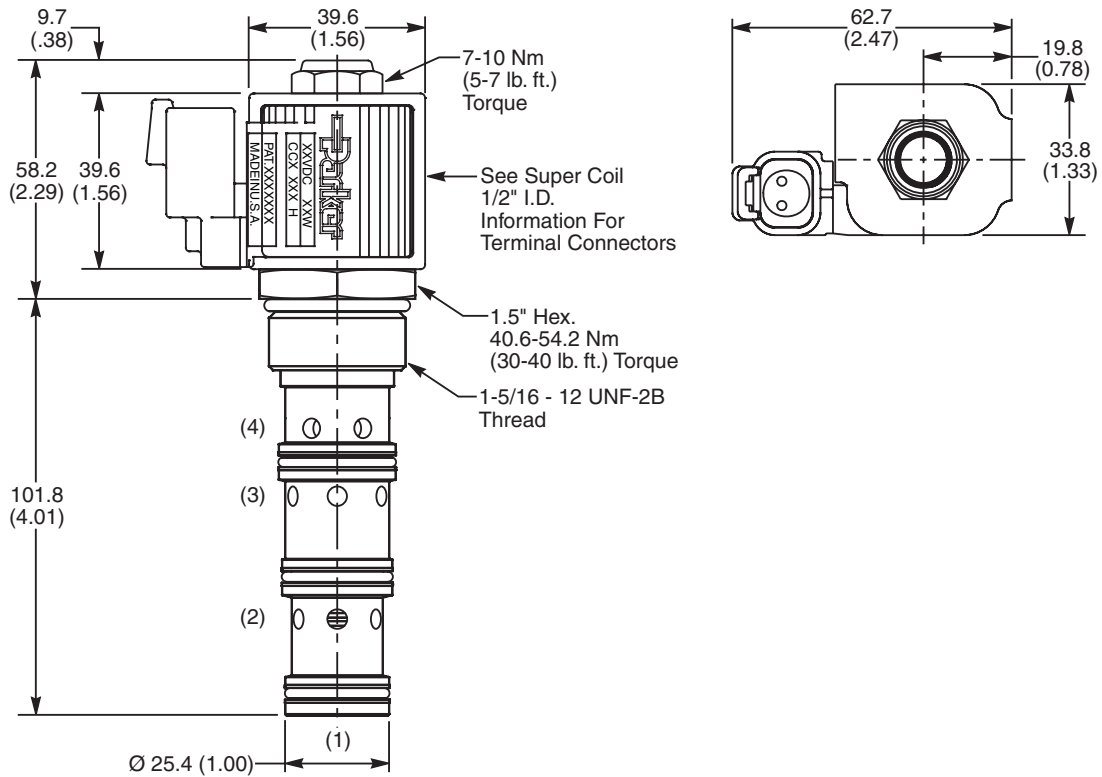
**Pressure Drop vs. Flow (Through cartridge only)**



**Pressure Drop vs. Flow (Through cartridge only)**



**Dimensions** Millimeters (Inches)



**Ordering Information**

**DSH164** **H**

**16 Size Solenoid Valve** **Style** **Seals** **Coil Type** **Coil Voltage** **Coil Termination** **Diode** **Body Material** **Port Size**

Code	Style
H	
HR	

Code	Coil Type
Omit	Without Coil
SP*	Super Coil - 19 Watts

*\*Recommended*

Code	Coil Voltage
Omit	Without Coil
D012	12 VDC
D024	24 VDC
A120	120/110 VAC, 60/50 Hz

SP* Coil	Coil Termination
Omit	Without Coil
A	Amp Jr. Timer†
C	Conduit With Leads
D	DIN Plug Face
H	Molded Deutsch†
L	Dual Lead Wire†
PF	Packard Female†
PM	Packard Male†
S	Dual Spade†

Code	Diode
Omit	None
R	Diode

Code	Body Material
Omit	Steel

Code	Seals / Kit No.
N	Nitrile / (SK16-4)
V	Fluorocarbon / (SK16-4V)

Code	Port Size	Body Part No.
Omit	Cartridge Only	
16T	SAE-16	(B16-4-16T)

*\*Recommended*  
 †DC Only

- CV** Check Valves
- SH** Shuttle Valves
- LM** Load/Motor Controls
- FC** Flow Controls
- PC** Pressure Controls
- LE** Logic Elements
- DC** Directional Controls
- MV** Manual Valves
- SV** Solenoid Valves
- PV** Proportional Valves
- CE** Coils & Electronics
- BC** Bodies & Cavities
- TD** Technical Data

**Technical Information**

- CV** Check Valves
- SH** Shuttle Valves
- LM** Load/Motor Controls
- FC** Flow Controls
- PC** Pressure Controls
- LE** Logic Elements
- DC** Directional Controls
- MV** Manual Valves
- SV** Solenoid Valves
- PV** Proportional Valves
- CE** Coils & Electronics
- BC** Bodies & Cavities
- TD** Technical Data

**General Description**

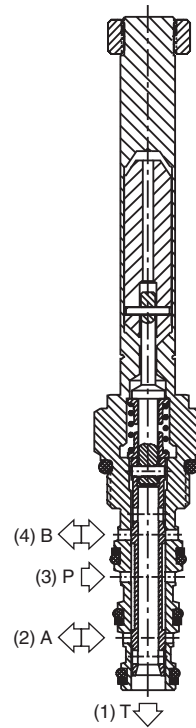
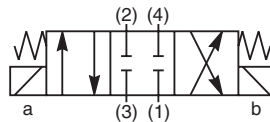
4-Way, 3 Position, Closed Center Spool Valve.  
For additional information see Technical Tips on pages SV1-SV6.

**Features**

- Designed to operate double acting cylinders, pilot circuits and bi-directional motors, etc.
- High flow capacity with reduced space requirements
- High pressure capability to 350 Bar (5000 PSI)
- One piece cartridge housing ensures internal concentricity
- Coil: Waterproof, hermetically sealed, requires no O’Rings; Symmetrical coil can be reversed without affecting performance.
- Manual override available

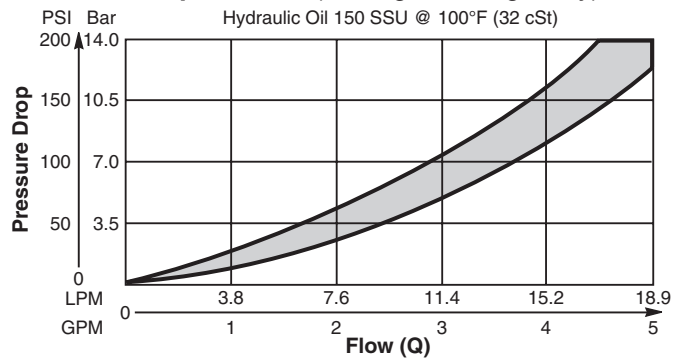
**Specifications**

<b>Rated Flow</b>	<b>High Flow/Pressure ('SP' Coil)</b> 17 LPM (4.5 GPM)
<b>Maximum Inlet Pressure</b>	<b>'SP' Coil</b> 350 Bar (5000 PSI)
<b>Maximum Tank Pressure</b>	210 Bar (3000 PSI)
<b>Cartridge Material</b>	All parts steel. All operating parts hardened steel.
<b>Operating Temp. Range/Seals</b>	-34°C to +121°C (Nitrile) (-30°F to +250°F) -26°C to +204°C (Fluorocarbon) (-15°F to +400°F)
<b>Fluid Compatibility/ Viscosity</b>	Mineral-based or synthetic with lubricating properties at viscosities of 45 to 2000 SSU (6 to 420 cSt)
<b>Filtration</b>	ISO 4406 18/ 16/13, SAE Class 4
<b>Approx. Weight</b>	.18 kg (.40 lbs.)
<b>Cavity</b>	C08-4 (See BC Section for more details)

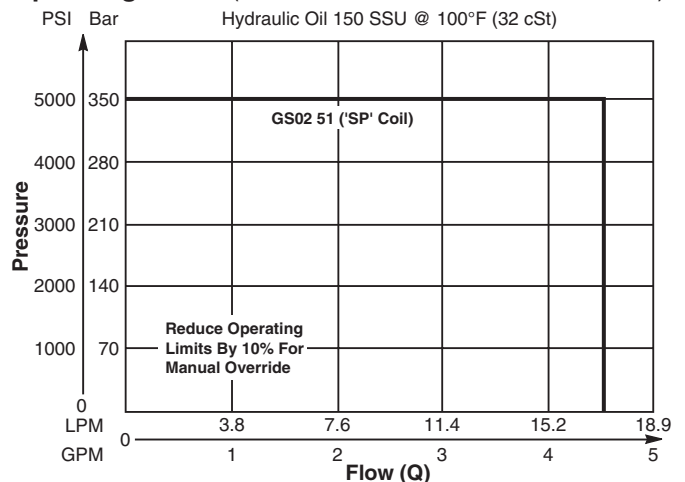


**Performance Curves**

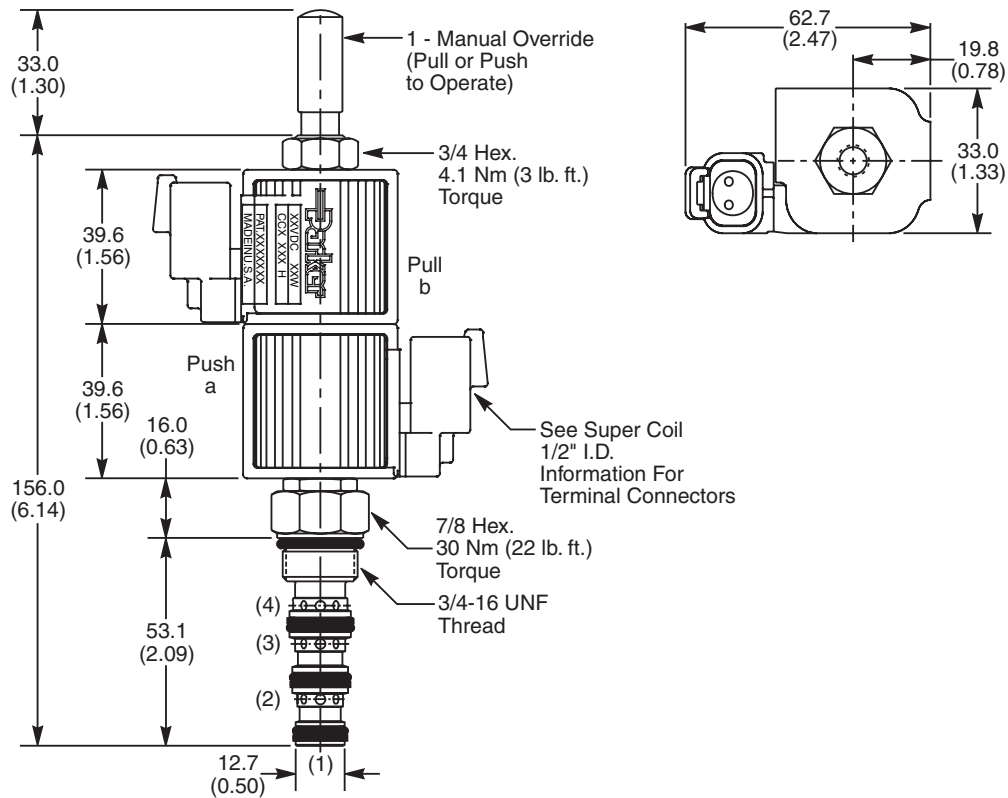
**Pressure Drop vs. Flow (Through cartridge only)**



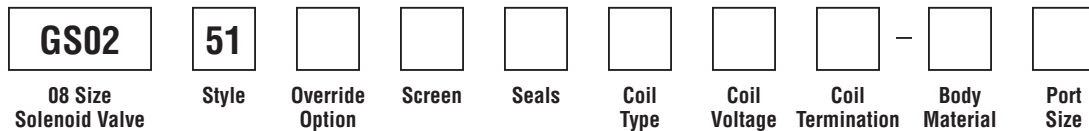
**Operating Limits (Measured at 75% of Nominal Current)**



**Dimensions** Millimeters (Inches)



**Ordering Information**



Code	Style
51	High Flow and Pressure ('SP' Coil)

Code	Seals / Kit No.
N	Nitrile / Buna-N (Std.) (SK30078N-1)
V	Fluorocarbon / (SK30078V-1)

Code	Coil Termination
Omit	Without Coil
A	Amp Jr. Timer*
C	Conduit With Leads
D	DIN Plug Face
H	Molded Deutsch*
L	Dual Lead Wire*
PF	Packard Female*
PM	Packard Male*
S	Dual Spade*

Code	Body Material
Omit	Steel
A	Aluminum

Code	Override Options
0	Not Required
1	Manual Override
2	Detented M.O.

Code	Coil Type
Omit	Without Coil
SP	Super Coil - 19 Watts

Code	Port Size	Body Part No.
Omit	Cartridge Only	
6T	SAE-6	(B08-4-*6T)

\* Add "A" for aluminum, omit for steel.

Code	Screen
0	Not Available

Code	Coil Voltage
Omit	Without Coil
D012	12 VDC
D024	24 VDC
A120	120 VAC, 60/50 Hz

See Super Coil 1/2" I.D.  
 \*DC Only

- CV** Check Valves
- SH** Shuttle Valves
- LM** Load/Motor Controls
- FC** Flow Controls
- PC** Pressure Controls
- LE** Logic Elements
- DC** Directional Controls
- MV** Manual Valves
- SV** Solenoid Valves
- PV** Proportional Valves
- CE** Coils & Electronics
- BC** Bodies & Cavities
- TD** Technical Data

**Technical Information**

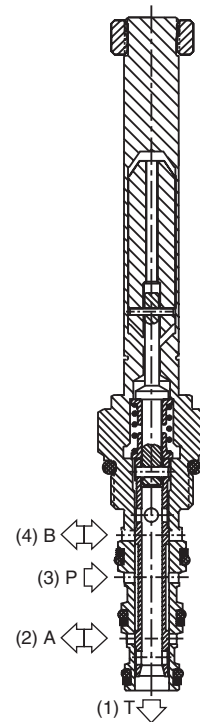
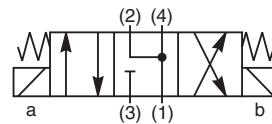
- CV** Check Valves
- SH** Shuttle Valves
- LM** Load/Motor Controls
- FC** Flow Controls
- PC** Pressure Controls
- LE** Logic Elements
- DC** Directional Controls
- MV** Manual Valves
- SV** Solenoid Valves
- PV** Proportional Valves
- CE** Coils & Electronics
- BC** Bodies & Cavities
- TD** Technical Data

**General Description**

4-Way, 3 Position, Floating Center Spool Valve.  
For additional information see Technical Tips on pages SV1-SV6.

**Features**

- Designed to operate double acting cylinders, pilot circuits and bi-directional motors, etc.
- High flow capacity with reduced space requirements
- High pressure capability to 350 Bar (5000 PSI)
- One piece cartridge housing ensures internal concentricity
- Coil: Waterproof, hermetically sealed, requires no O’Rings; Symmetrical coil can be reversed without affecting performance.
- Manual override available

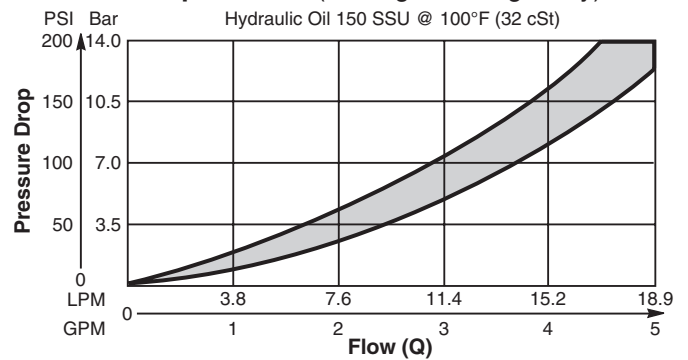


**Specifications**

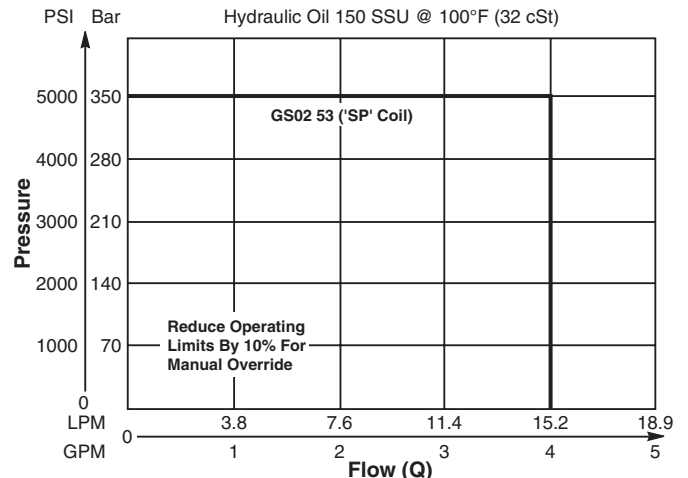
<b>Rated Flow</b>	<b>High Flow/Pressure ('SP' Coil)</b> 15 LPM (4.0 GPM)
<b>Maximum Inlet Pressure</b>	<b>'SP' Coil</b> 350 Bar (5000 PSI)
<b>Maximum Tank Pressure</b>	210 Bar (3000 PSI)
<b>Cartridge Material</b>	All parts steel. All operating parts hardened steel.
<b>Operating Temp. Range/Seals</b>	-34°C to +121°C (Nitrile) (-30°F to +250°F) -26°C to +204°C (Fluorocarbon) (-15°F to +400°F)
<b>Fluid Compatibility/ Viscosity</b>	Mineral-based or synthetic with lubricating properties at viscosities of 45 to 2000 SSU (6 to 420 cSt)
<b>Filtration</b>	ISO 4406 18/16/13, SAE Class 4
<b>Approx. Weight</b>	.18 kg (.40 lbs.)
<b>Cavity</b>	C08-4 (See BC Section for more details)

**Performance Curves**

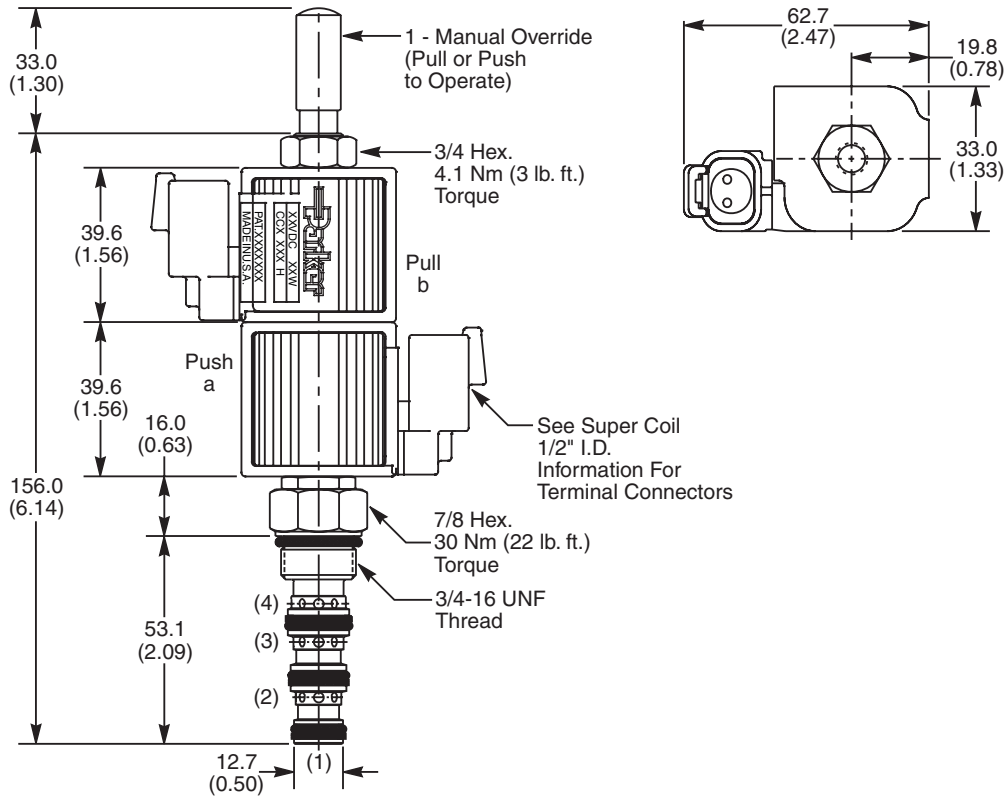
**Pressure Drop vs. Flow (Through cartridge only)**



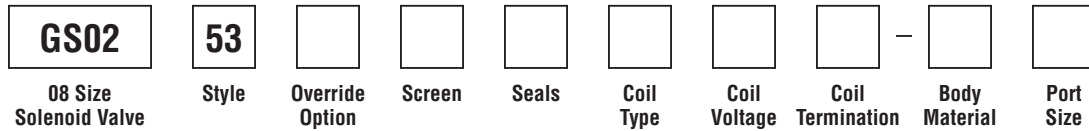
**Operating Limits (Measured at 75% of Nominal Current)**



**Dimensions** Millimeters (Inches)



**Ordering Information**



Code	Style
53	High Flow and Pressure ('SP' Coil)

Code	Seals / Kit No.
N	Nitrile / Buna-N (Std.) (SK30078N-1)
V	Fluorocarbon / (SK30078V-1)

Code	Coil Termination
Omit	Without Coil
A	Amp Jr. Timer*
C	Conduit With Leads
D	DIN Plug Face
H	Molded Deutsch*
L	Dual Lead Wire*
PF	Packard Female*
PM	Packard Male*
S	Dual Spade*

Code	Body Material
Omit	Steel
A	Aluminum

Code	Override Options
0	Not Required
1	Manual Override
2	Detented M.O.

Code	Coil Type
Omit	Without Coil
SP	Super Coil - 19 Watts

Code	Port Size	Body Part No.
Omit	Cartridge Only	
6T	SAE-6	(B08-4-*6T)

\* Add "A" for aluminum, omit for steel.

Code	Screen
0	Not Available

Code	Coil Voltage
Omit	Without Coil
D012	12 VDC
D024	24 VDC
A120	120 VAC, 60/50 Hz

See Super Coil 1/2" I.D.  
 \*DC Only

- CV Check Valves
- SH Shuttle Valves
- LM Load/Motor Controls
- FC Flow Controls
- PC Pressure Controls
- LE Logic Elements
- DC Directional Controls
- MV Manual Valves
- SV Solenoid Valves
- PV Proportional Valves
- CE Coils & Electronics
- BC Bodies & Cavities
- TD Technical Data

**Technical Information**

- CV** Check Valves
- SH** Shuttle Valves
- LM** Load/Motor Controls
- FC** Flow Controls
- PC** Pressure Controls
- LE** Logic Elements
- DC** Directional Controls
- MV** Manual Valves
- SV** Solenoid Valves
- PV** Proportional Valves
- CE** Coils & Electronics
- BC** Bodies & Cavities
- TD** Technical Data

**General Description**

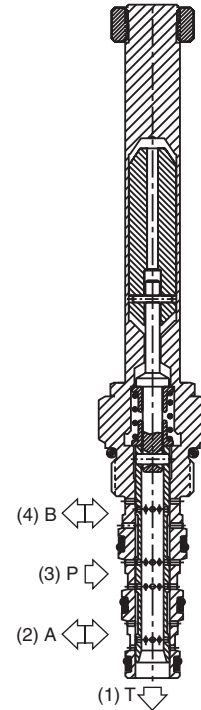
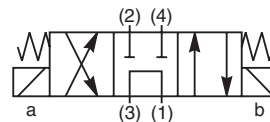
4-Way, 3 Position, Tandem Center Spool Valve.  
For additional information see Technical Tips on pages SV1-SV6.

**Features**

- Designed to operate double acting cylinders, pilot circuits and bi-directional motors, etc.
- High flow capacity with reduced space requirements
- High pressure capability
- One piece cartridge housing ensures internal concentricity
- Coil: Waterproof, hermetically sealed, requires no O’Rings; Symmetrical coil can be reversed without affecting performance.
- Manual override available

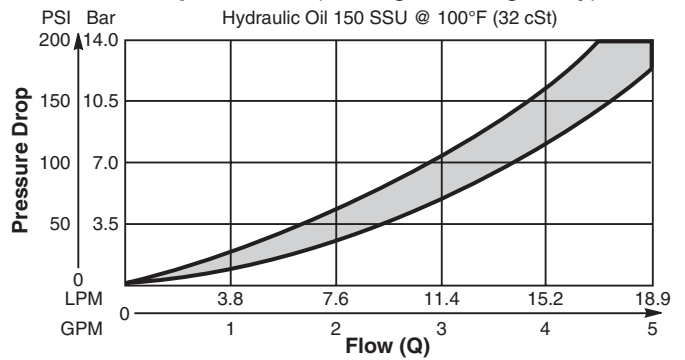
**Specifications**

<b>Rated Flow</b>	13 LPM (3.5 GPM)
<b>Maximum Inlet Pressure</b>	350 Bar (5000 PSI)
<b>Maximum Tank Pressure</b>	210 Bar (3000 PSI)
<b>Cartridge Material</b>	All parts steel. All operating parts hardened steel.
<b>Operating Temp. Range/Seals</b>	-34°C to +121°C (Nitrile) (-30°F to +250°F) -26°C to +204°C (Fluorocarbon) (-15°F to +400°F)
<b>Fluid Compatibility/ Viscosity</b>	Mineral-based or synthetic with lubricating properties at viscosities of 45 to 2000 SSU (6 to 420 cSt)
<b>Filtration</b>	ISO 4406 18/16/13, SAE Class 4
<b>Approx. Weight</b>	.18 kg (.40 lbs.)
<b>Cavity</b>	C08-4 (See BC Section for more details)

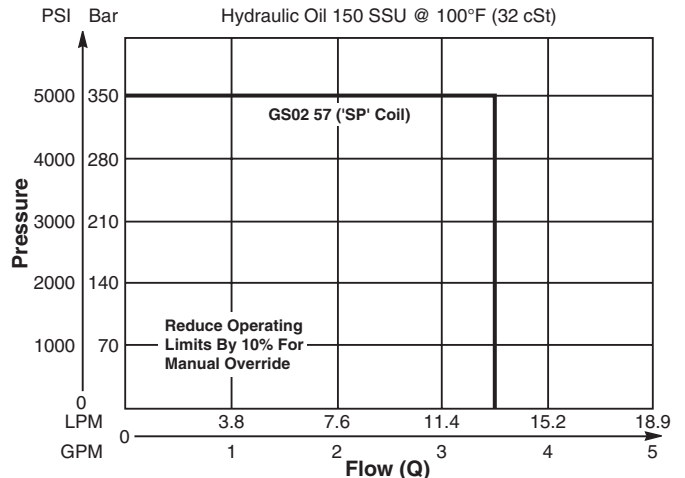


**Performance Curves**

**Pressure Drop vs. Flow (Through cartridge only)**

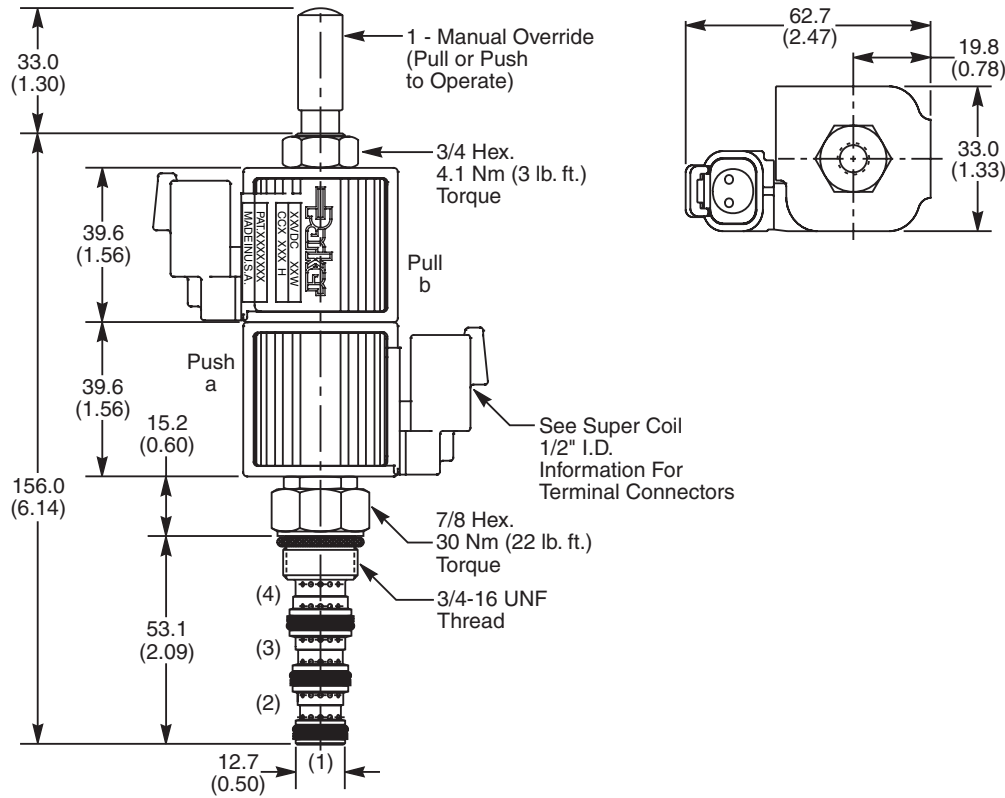


**Operating Limits (Measured at 75% of Nominal Current)**





**Dimensions** Millimeters (Inches)



**Ordering Information**

<b>GS02</b>	<b>57</b>								
08 Size Solenoid Valve	Style	Override Option	Screen	Seals	Coil Type	Coil Voltage	Coil Termination	Body Material	Port Size

Code	Style
57	High Flow ("SP" Coil)

Code	Override Options
0	Not Required
1	Manual Override
2	Detented M.O.

Code	Screen
0	Not Available

Code	Seals / Kit No.
N	Nitrile / Buna-N (Std.) (SK30078N-1)
V	Fluorocarbon / (SK30078V-1)

Code	Coil Type
Omit	Without Coil
SP	Super Coil - 19 Watts

Code	Coil Voltage
Omit	Without Coil
D012	12 VDC
D024	24 VDC
A120	120 VAC, 60/50 Hz

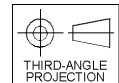
Code	Coil Termination
Omit	Without Coil
A	Amp Jr. Timer*
C	Conduit With Leads
D	DIN Plug Face
H	Molded Deutsch*
L	Dual Lead Wire*
PF	Packard Female*
PM	Packard Male*
S	Dual Spade*

See Super Coil 1/2" I.D.  
 \*DC Only

Code	Body Material
Omit	Steel
A	Aluminum

Code	Port Size	Body Part No.
Omit	Cartridge Only	
6T	SAE-6	(B08-4-*6T)

\* Add "A" for aluminum, omit for steel.



- CV** Check Valves
- SH** Shuttle Valves
- LM** Load/Motor Controls
- FC** Flow Controls
- PC** Pressure Controls
- LE** Logic Elements
- DC** Directional Controls
- MV** Manual Valves
- SV** Solenoid Valves
- PV** Proportional Valves
- CE** Coils & Electronics
- BC** Bodies & Cavities
- TD** Technical Data

**Technical Information**

**CV**

Check Valves

**SH**

Shuttle Valves

**LM**

Load/Motor Controls

**FC**

Flow Controls

**PC**

Pressure Controls

**LE**

Logic Elements

**DC**

Directional Controls

**MV**

Manual Valves

**SV**

Solenoid Valves

**PV**

Proportional Valves

**CE**

Coils & Electronics

**BC**

Bodies & Cavities

**TD**

Technical Data

**General Description**

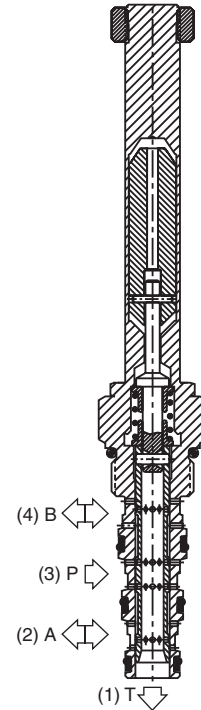
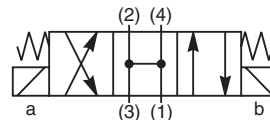
4-Way, 3 Position, Open Center Spool Valve.  
For additional information see Technical Tips on pages SV1-SV6.

**Features**

- Designed to operate double acting cylinders, pilot circuits and bi-directional motors, etc.
- High flow capacity with reduced space requirements
- High pressure capability
- One piece cartridge housing ensures internal concentricity
- Coil: Waterproof, hermetically sealed, requires no O’Rings; Symmetrical coil can be reversed without affecting performance.
- Manual override available

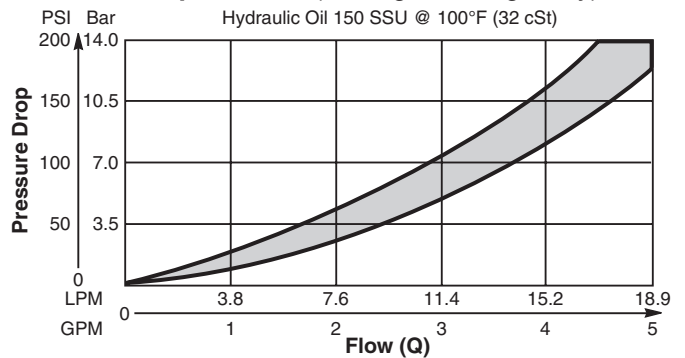
**Specifications**

<b>Rated Flow</b>	13 LPM (3.5 GPM)
<b>Maximum Inlet Pressure</b>	350 Bar (5000 PSI)
<b>Maximum Tank Pressure</b>	210 Bar (3000 PSI)
<b>Cartridge Material</b>	All parts steel. All operating parts hardened steel.
<b>Operating Temp. Range/Seals</b>	-34°C to +121°C (Nitrile) (-30°F to +250°F) -26°C to +204°C (Fluorocarbon) (-15°F to +400°F)
<b>Fluid Compatibility/ Viscosity</b>	Mineral-based or synthetic with lubricating properties at viscosities of 45 to 2000 SSU (6 to 420 cSt)
<b>Filtration</b>	ISO 4406 18/16/13, SAE Class 4
<b>Approx. Weight</b>	.18 kg (.40 lbs.)
<b>Cavity</b>	C08-4 (See BC Section for more details)

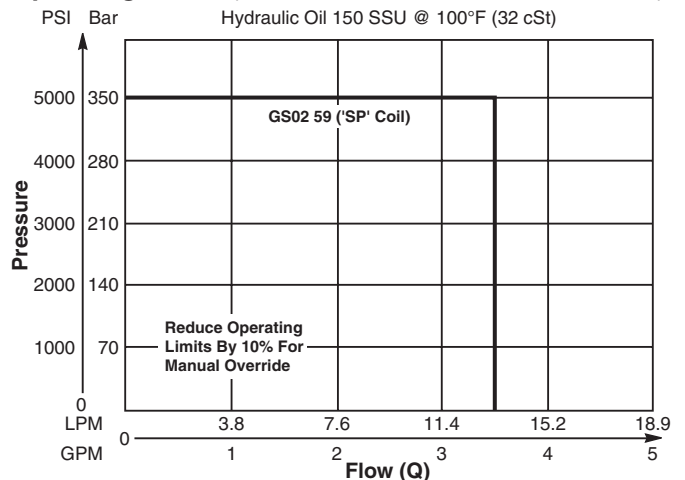


**Performance Curves**

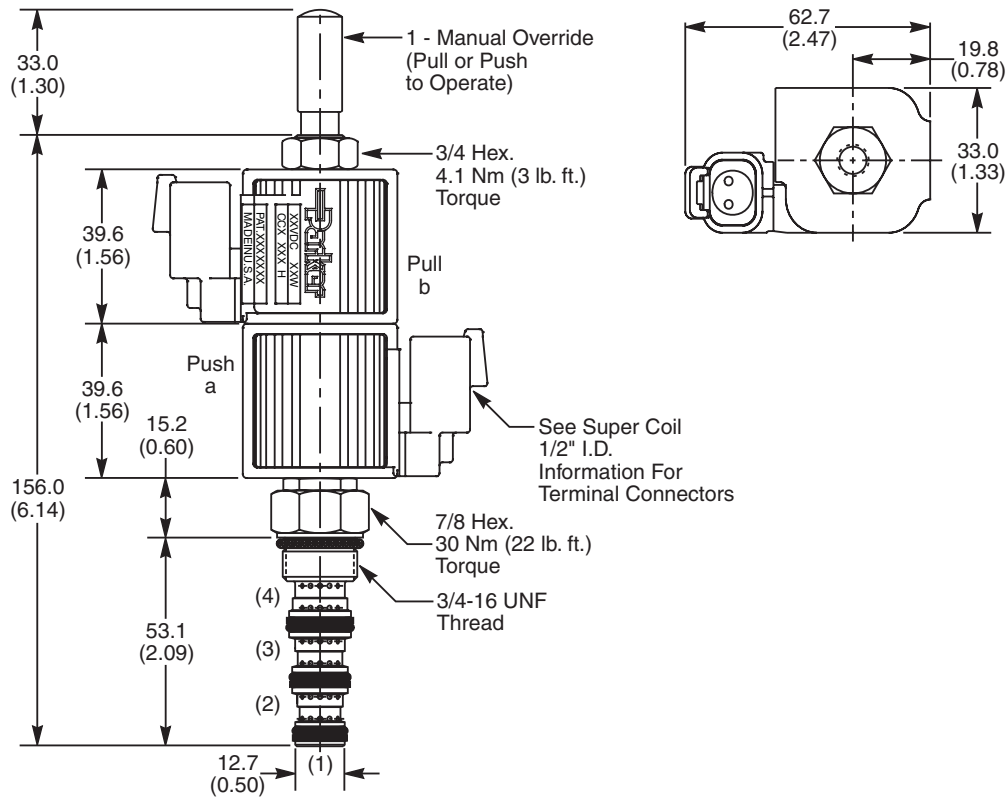
**Pressure Drop vs. Flow (Through cartridge only)**



**Operating Limits (Measured at 75% of Nominal Current)**



**Dimensions** Millimeters (Inches)



**Ordering Information**

<b>GS02</b>	<b>59</b>								
08 Size Solenoid Valve	Style	Override Option	Screen	Seals	Coil Type	Coil Voltage	Coil Termination	Body Material	Port Size

Code	Style
59	High Flow ("SP" Coil)

Code	Override Options
0	Not Required
1	Manual Override
2	Detented M.O.

Code	Screen
0	Not Available

Code	Seals / Kit No.
N	Nitrile / Buna-N (Std.) (SK30078N-1)
V	Fluorocarbon / (SK30078V-1)

Code	Coil Type
Omit	Without Coil
SP	Super Coil - 19 Watts

Code	Coil Voltage
Omit	Without Coil
D012	12 VDC
D024	24 VDC
A120	120 VAC, 60/50 Hz

Code	Coil Termination
Omit	Without Coil
A	Amp Jr. Timer*
C	Conduit With Leads
D	DIN Plug Face
H	Molded Deutsch*
L	Dual Lead Wire*
PF	Packard Female*
PM	Packard Male*
S	Dual Spade*

See Super Coil 1/2" I.D.  
 \*DC Only

Code	Body Material
Omit	Steel
A	Aluminum

Code	Port Size	Body Part No.
Omit	Cartridge Only	
6T	SAE-6	(B08-4-*6T)

\* Add "A" for aluminum, omit for steel.

- CV** Check Valves
- SH** Shuttle Valves
- LM** Load/Motor Controls
- FC** Flow Controls
- PC** Pressure Controls
- LE** Logic Elements
- DC** Directional Controls
- MV** Manual Valves
- SV** Solenoid Valves
- PV** Proportional Valves
- CE** Coils & Electronics
- BC** Bodies & Cavities
- TD** Technical Data

**Technical Information**

- CV** Check Valves
- SH** Shuttle Valves
- LM** Load/Motor Controls
- FC** Flow Controls
- PC** Pressure Controls
- LE** Logic Elements
- DC** Directional Controls
- MV** Manual Valves
- SV** Solenoid Valves
- PV** Proportional Valves
- CE** Coils & Electronics
- BC** Bodies & Cavities
- TD** Technical Data

**General Description**

4-Way Spool Valves. For additional information see Technical Tips on pages SV1-SV6.



**Features**

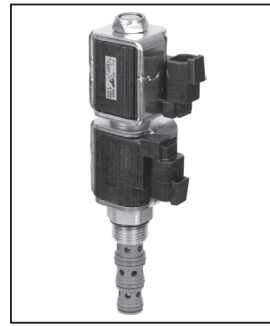
- High flow capacity with reduced space requirements
- Standard valve bodies and common cavities
- Replaceable, one piece encapsulated coils with minimal amperage draw
- Manual overrides, seal variations and other options available
- Oil immersed armature solenoid, no dynamic seals
- Variety of coil terminations and voltages
- Polyurethane "D"-Ring

**Specifications**

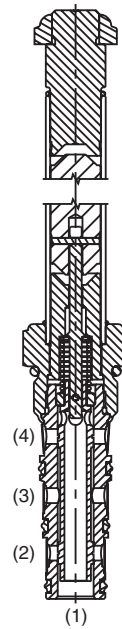
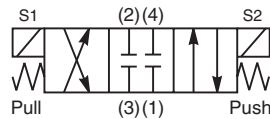
<b>Rated Flow</b>	<b>C2, C7, C9</b> 19 LPM (5 GPM) <b>C1, C4</b> 26 LPM (7 GPM)
<b>Maximum Inlet Pressure</b>	250 Bar (3600 PSI)
<b>Leakage at 150 SSU (32 cSt)</b>	160 cc/min. (10 in <sup>3</sup> /min.)
<b>Minimum Operating Voltage</b>	85% of rated voltage at 20°C (72°F).
<b>Response Time</b>	40 - 150 ms
<b>Cartridge Material</b>	All parts steel. All operating parts hardened steel.
<b>Operating Temp. Range/Seals</b>	-45°C to +132°C ("D"-Ring) (-50°F to +270°F) -34°C to +121°C (Nitrile) (-30°F to +250°F) -26°C to +204°C (Fluorocarbon) (-15°F to +400°F)
<b>Fluid Compatibility/ Viscosity</b>	Mineral-based or synthetic with lubricating properties at viscosities of 45 to 2000 SSU (6 to 420 cSt)
<b>Filtration</b>	ISO 4406 18/16/13, SAE Class 4
<b>Approx. Weight</b>	.29 kg (.64 lbs.)
<b>Cavity</b>	C10-4
<b>Form Tool</b>	Rougher NFT10-4R Finisher NFT10-4F

**Curve Selection Chart**

SPOOL CODE	SPOOL SHIFTED				SPOOL CENTERED		
	3 to 2	3 to 4	2 to 1	4 to 1	3 to 1	2 to 1	4 to 1
C1	2	2	4	4	—	—	—
C2	1	1	2	2	5	4	3
C4	2	2	5	5	—	4	4
C7	1	1	2	2	5	—	3
C9	1	1	2	2	5	—	—



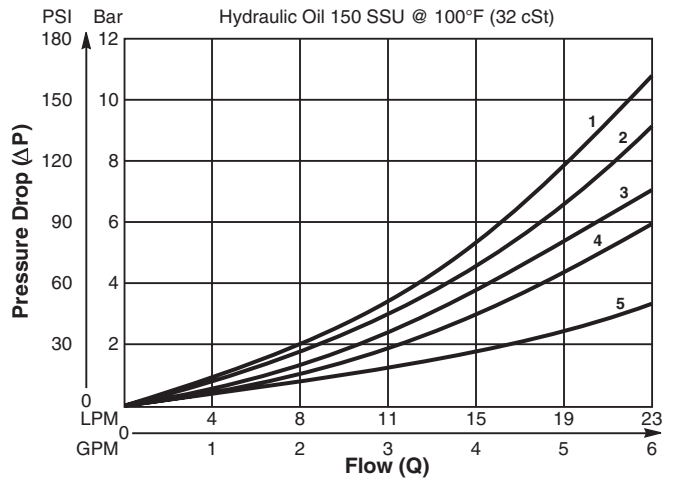
DSL105C1



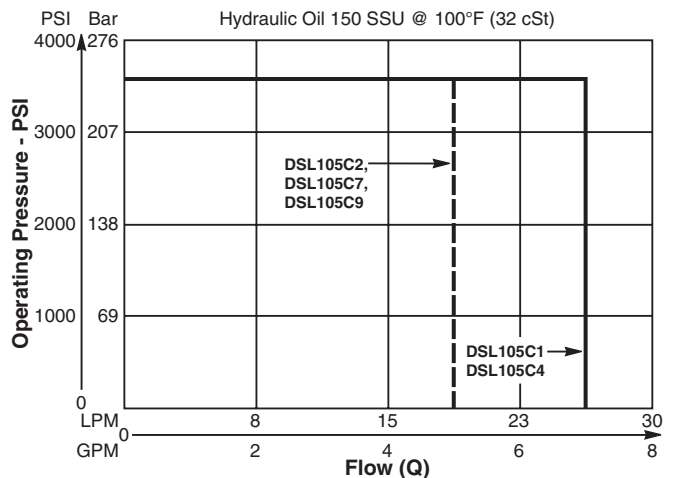
DSL105C1

**Performance Curves**

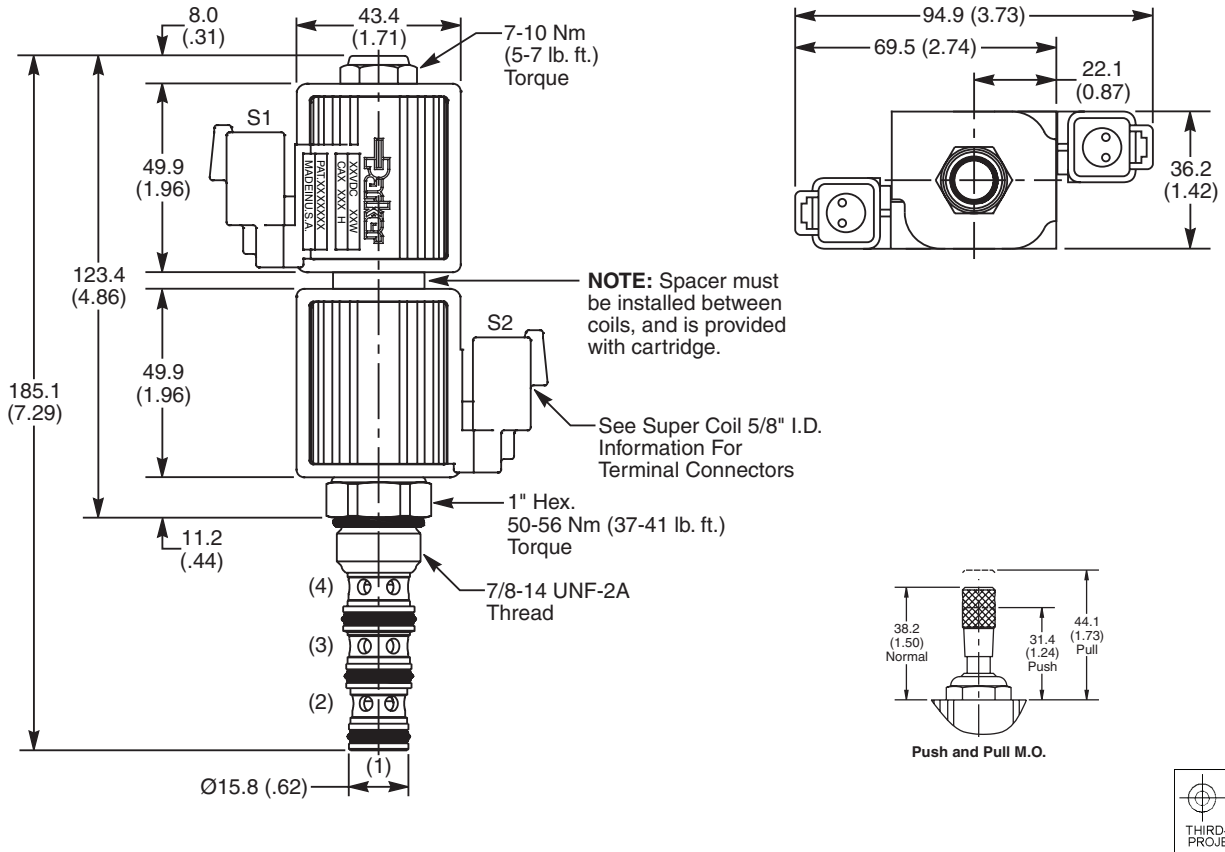
**Pressure Drop vs. Flow (Through cartridge only)**



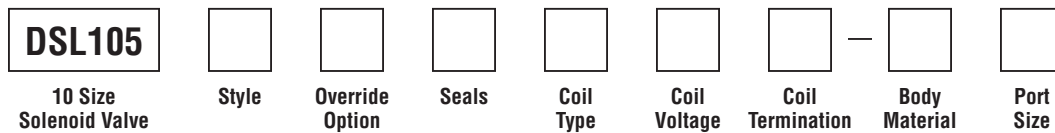
**Shift Limit Characteristics (Min. Operating Voltage)**



**Dimensions** Millimeters (Inches)



**Ordering Information**



Code	Style
C1	
C2	
C4	
C7	
C9	

Code	Override Options
Omit	None
M	Push/Pull

Code	Seals / Kit. No.
Omit	"D"-Ring / (SK10-4)
N	Nitrile / (SK10-4N)
V	Fluorocarbon / (SK10-4V)

Code	Coil Type
Omit	Without Coil
SP*	Super Coil - 28 Watts

\*Recommended

Code	Coil Voltage
Omit	Without Coil
D012	12 VDC
D024	24 VDC
A120	120/110 VAC, 60/50 Hz

SP* Coil	Coil Termination
Omit	Without Coil
A	Amp Jr. Timer†
C	Conduit With Leads
D	DIN Plug Face
H	Molded Deutsch†
L	Dual Lead Wire†
PF	Packard Female†
PM	Packard Male†
S	Dual Spade†

\*Recommended  
 †DC Only

Code	Body Material
Omit	Steel
A	Aluminum

Code	Port Size	Body Part No.
Omit	Cartridge Only	
6T	SAE-6	(B10-4-*6T)
8T	SAE-8	(B10-4-*8T)

\* Add "A" for aluminum, omit for steel.

- CV** Check Valves
- SH** Shuttle Valves
- LM** Load/Motor Controls
- FC** Flow Controls
- PC** Pressure Controls
- LE** Logic Elements
- DC** Directional Controls
- MV** Manual Valves
- SV** Solenoid Valves
- PV** Proportional Valves
- CE** Coils & Electronics
- BC** Bodies & Cavities
- TD** Technical Data

**Technical Information**

- CV** Check Valves
- SH** Shuttle Valves
- LM** Load/Motor Controls
- FC** Flow Controls
- PC** Pressure Controls
- LE** Logic Elements
- DC** Directional Controls
- MV** Manual Valves
- SV** Solenoid Valves
- PV** Proportional Valves
- CE** Coils & Electronics
- BC** Bodies & Cavities
- TD** Technical Data

**General Description**

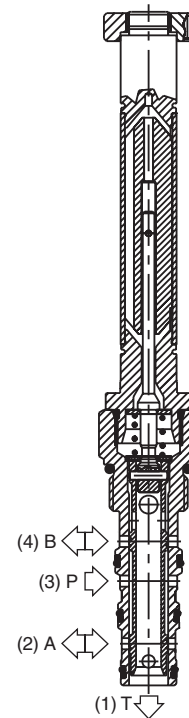
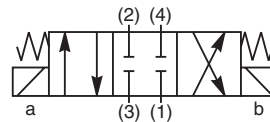
4-Way, 3 Position, Closed Center Spool Valve.  
For additional information see Technical Tips on pages SV1-SV6.

**Features**

- Four way closed center valve designed to operate double acting cylinders and bi-directional motors, etc.
- One piece cartridge housing ensures internal concentricity
- Coil: Waterproof, hermetically sealed, requires no O'Rings; Symmetrical coil can be reversed without affecting performance.

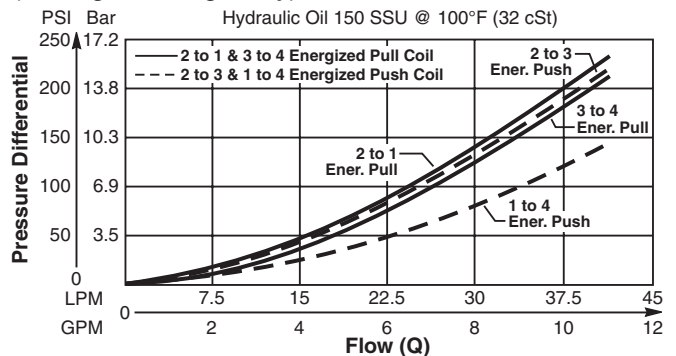
**Specifications**

<b>Rated Flow</b>	42 LPM (11 GPM)
<b>Maximum Inlet Pressure</b>	350 Bar (5000 PSI)
<b>Maximum Tank Pressure</b>	210 Bar (3000 PSI)
<b>Leakage at 150 SSU (32 cSt)</b>	160 cc/min @ 210 Bar (3000 PSI)
<b>Minimum Operating Voltage</b>	85% of rated voltage at 20°C (72°F).
<b>Response Time</b>	<b>Open</b> 30-60 ms <b>Close</b> 20-40 ms
<b>Cartridge Material</b>	All parts steel. All operating parts hardened steel.
<b>Operating Temp. Range/Seals</b>	-34°C to +121°C (Nitrile) (-30°F to +250°F) -26°C to +204°C (Fluorocarbon) (-15°F to +400°F)
<b>Fluid Compatibility/ Viscosity</b>	Mineral-based or synthetic with lubricating properties at viscosities of 45 to 2000 SSU (6 to 420 cSt)
<b>Filtration</b>	ISO 4406 18/16/13, SAE Class 4
<b>Approx. Weight</b>	.26 kg (.58 lbs.)
<b>Cavity</b>	C10-4 (See BC Section for more details)

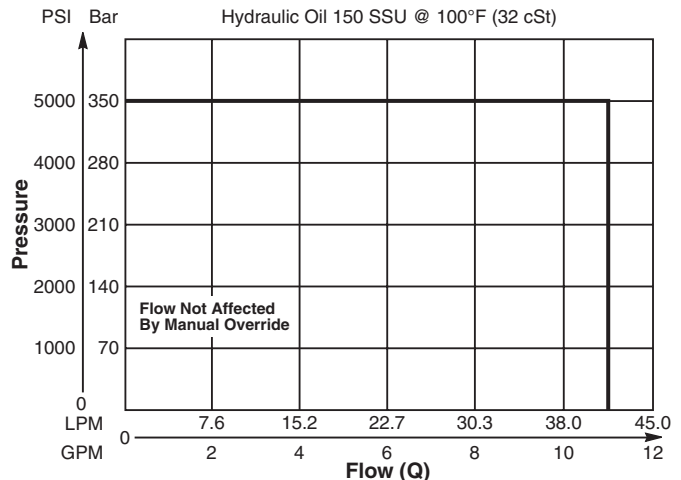


**Performance Curves**

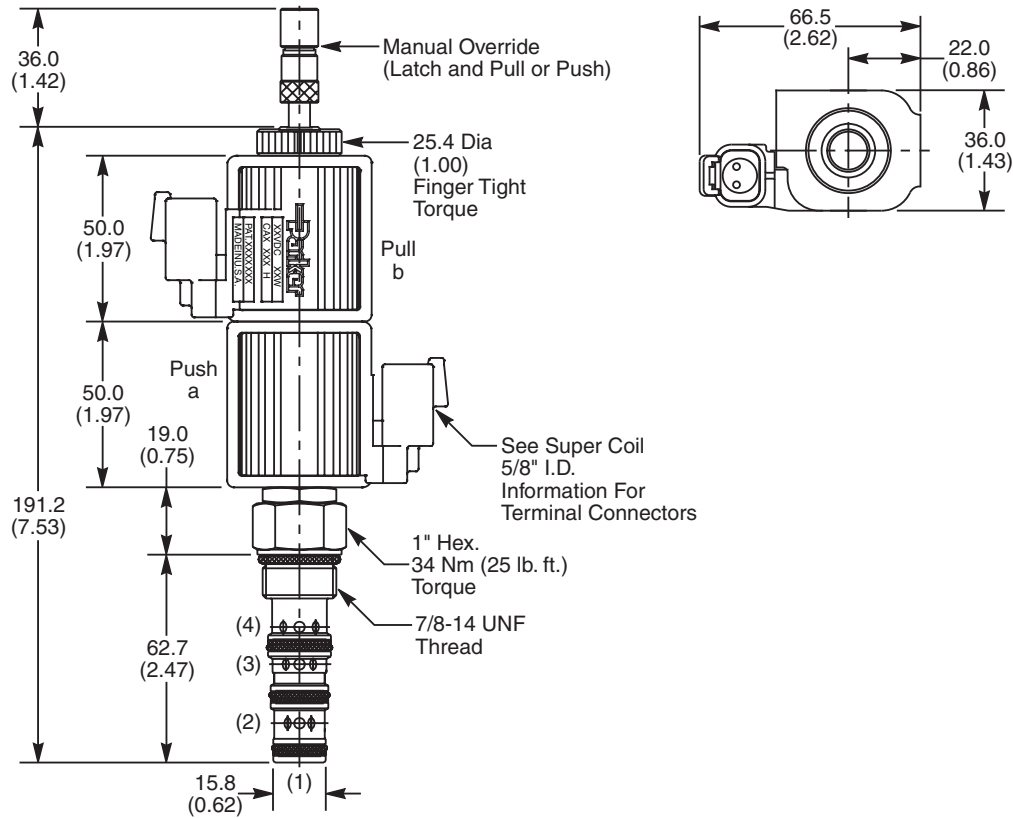
**Pressure Drop vs. Flow Energized - GS045250ND**  
(Through cartridge only)



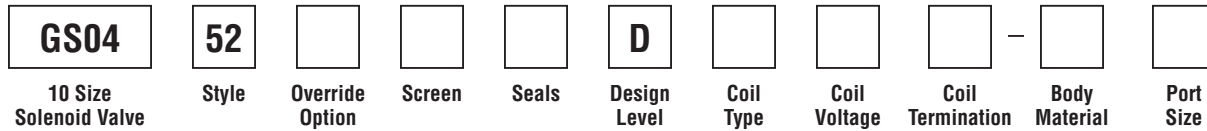
**Operating Limits (Measured at 75% of Nominal Current)**



**Dimensions** Millimeters (Inches)



**Ordering Information**



Code	Style
52	High Flow and Pressure ('SP' Coil)

Code	Seals / Kit No.
N	Nitrile / Buna-N (Std.) (SK30506N-1)
V	Fluorocarbon / (SK30506V-1)

Code	Coil Termination
Omit	Without Coil
A	Amp Jr. Timer*
C	Conduit With Leads
D	DIN Plug Face
H	Molded Deutsch*
L	Dual Lead Wire*
PF	Packard Female*
PM	Packard Male*
S	Dual Spade*

Code	Body Material
Omit	Steel
A	Aluminum

Code	Override Options
0	None
5	Standard - Center Detent only, Latch Operated, Push and Pull (*40 nt/9 lbs.)
6	Detented (all positions), Push and Pull

Code	Design Level
D	Includes Industry Common Cavity

Code	Port Size	Body Part No.
Omit	Cartridge Only	
8T	SAE-8	(B10-4-*8T)

\*Force to push at 210 Bar (3000 PSI). Less to Pull.

See Super Coil 5/8" I.D. \*DC Only

\* Add "A" for aluminum, omit for steel.

Code	Screen
0	None (Contact factory for OEM requirements)

Code	Coil Type
Omit	Without Coil
SP	Super Coil - 28 Watts

Code	Coil Voltage
Omit	Without Coil
D012	12 VDC
D024	24 VDC
A120	120 VAC, 60/50 Hz

- CV Check Valves
- SH Shuttle Valves
- LM Load/Motor Controls
- FC Flow Controls
- PC Pressure Controls
- LE Logic Elements
- DC Directional Controls
- MV Manual Valves
- SV Solenoid Valves
- PV Proportional Valves
- CE Coils & Electronics
- BC Bodies & Cavities
- TD Technical Data



**Technical Information**

- CV** Check Valves
- SH** Shuttle Valves
- LM** Load/Motor Controls
- FC** Flow Controls
- PC** Pressure Controls
- LE** Logic Elements
- DC** Directional Controls
- MV** Manual Valves
- SV** Solenoid Valves
- PV** Proportional Valves
- CE** Coils & Electronics
- BC** Bodies & Cavities
- TD** Technical Data

**General Description**

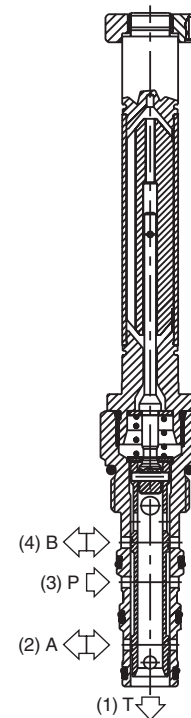
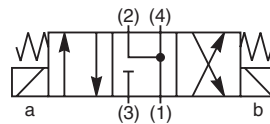
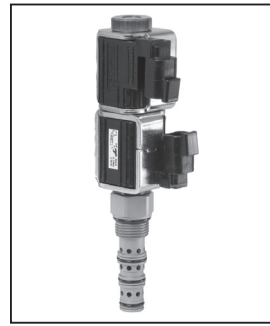
4-Way, 3 Position, Floating Center Spool Valve.  
For additional information see Technical Tips on pages SV1-SV6.

**Features**

- Four way floating center valve designed to operate double acting cylinders and bi-directional motors, etc.
- One piece cartridge housing ensures internal concentricity
- Coil: Waterproof, hermetically sealed, requires no O'Rings; Symmetrical coil can be reversed without affecting performance.

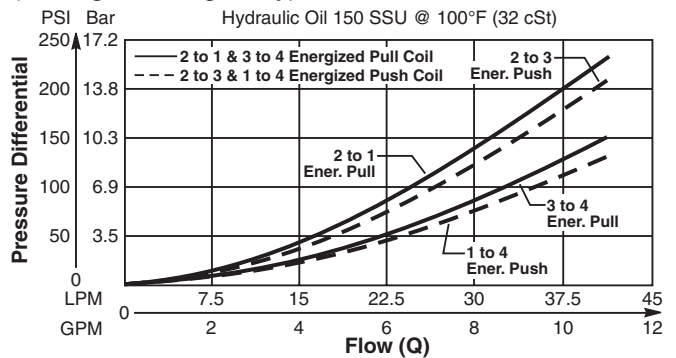
**Specifications**

<b>Rated Flow</b>	42 LPM (11 GPM)
<b>Maximum Inlet Pressure</b>	350 Bar (5000 PSI)
<b>Maximum Tank Pressure</b>	210 Bar (3000 PSI)
<b>Leakage at 150 SSU (32 cSt)</b>	160 cc/min @ 210 Bar (3000 PSI)
<b>Minimum Operating Voltage</b>	85% of rated voltage at 20°C (72°F).
<b>Response Time</b>	<b>Open</b> 30-60 ms <b>Close</b> 20-40 ms
<b>Cartridge Material</b>	All parts steel. All operating parts hardened steel.
<b>Operating Temp. Range/Seals</b>	-34°C to +121°C (Nitrile) (-30°F to +250°F) -26°C to +204°C (Fluorocarbon) (-15°F to +400°F)
<b>Fluid Compatibility/Viscosity</b>	Mineral-based or synthetic with lubricating properties at viscosities of 45 to 2000 SSU (6 to 420 cSt)
<b>Filtration</b>	ISO 4406 18/16/13, SAE Class 4
<b>Approx. Weight</b>	.26 kg (.58 lbs.)
<b>Cavity</b>	C10-4 (See BC Section for more details)

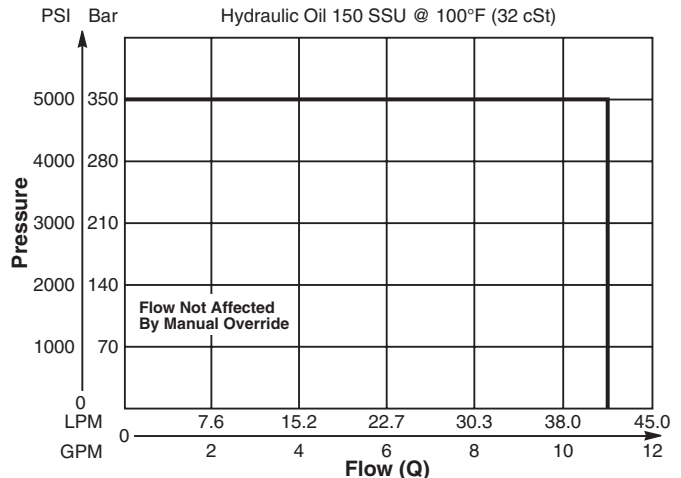


**Performance Curves**

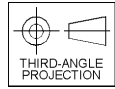
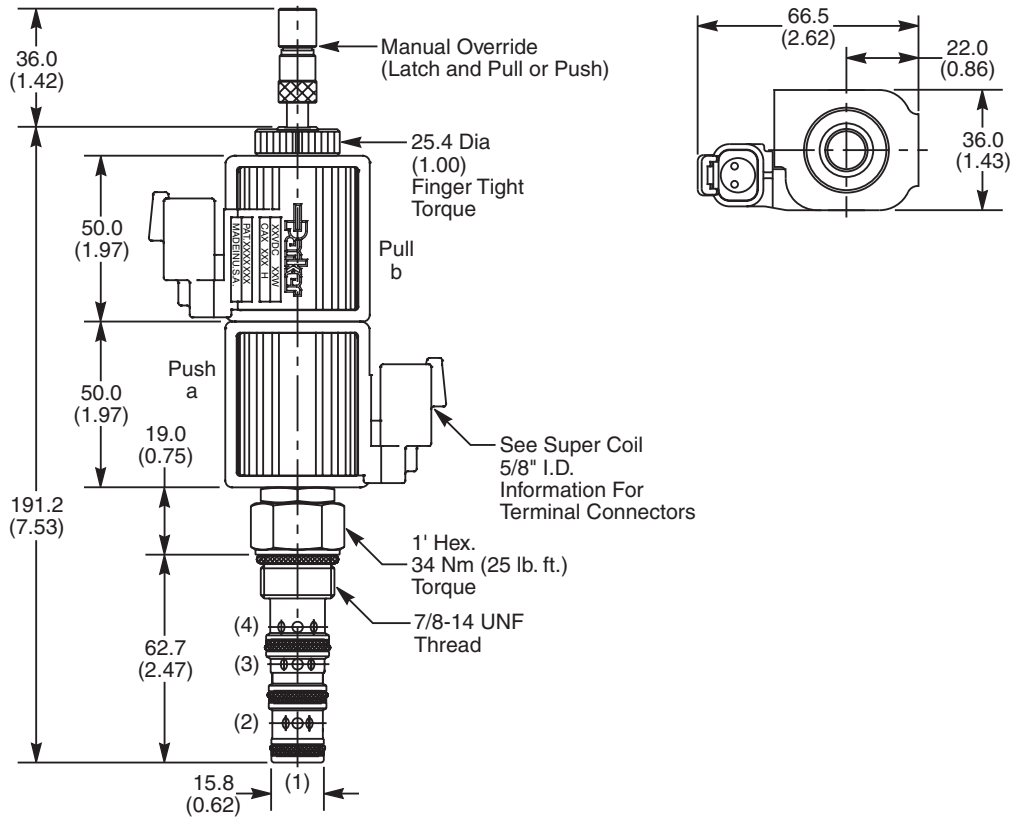
**Pressure Drop vs. Flow Energized - GS045450ND**  
(Through cartridge only)



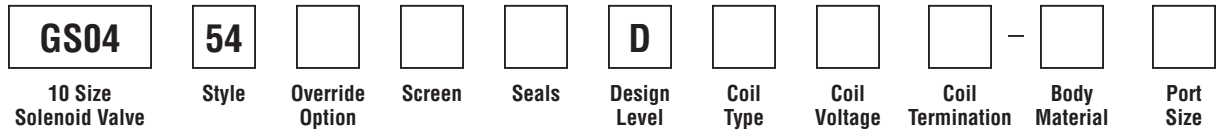
**Operating Limits** (Measured at 75% of Nominal Current)



**Dimensions** Millimeters (Inches)



**Ordering Information**



Code	Style
54	High Flow and Pressure ('SP' Coil)

Code	Seals / Kit No.
N	Nitrile / Buna-N (Std.) (SK30506N-1)
V	Fluorocarbon / (SK30506V-1)

Code	Coil Termination
Omit	Without Coil
A	Amp Jr. Timer*
C	Conduit With Leads
D	DIN Plug Face
H	Molded Deutsch*
L	Dual Lead Wire*
PF	Packard Female*
PM	Packard Male*
S	Dual Spade*

Code	Body Material
Omit	Steel
A	Aluminum

Code	Override Options
0	None
5	Standard - Center Detent only, Latch Operated, Push and Pull (*40 nt/9 lbs.)
6	Detented, (all positions), Push and Pull

Code	Design Level
D	Includes Industry Common Cavity

Code	Port Size	Body Part No.
Omit	Cartridge Only	
8T	SAE-8	(B10-4-*8T)

\*Force to push at 210 Bar (3000 PSI). Less to Pull.

See Super Coil 5/8" I.D. \*DC Only

Code	Screen
0	None (Contact factory for OEM requirements)

Code	Coil Type
Omit	Without Coil
SP	Super Coil - 28 Watts

Code	Coil Voltage
Omit	Without Coil
D012	12 VDC
D024	24 VDC
A120	120 VAC, 60/50 Hz

- CV** Check Valves
- SH** Shuttle Valves
- LM** Load/Motor Controls
- FC** Flow Controls
- PC** Pressure Controls
- LE** Logic Elements
- DC** Directional Controls
- MV** Manual Valves
- SV** Solenoid Valves
- PV** Proportional Valves
- CE** Coils & Electronics
- BC** Bodies & Cavities
- TD** Technical Data

**Technical Information**

- CV** Check Valves
- SH** Shuttle Valves
- LM** Load/Motor Controls
- FC** Flow Controls
- PC** Pressure Controls
- LE** Logic Elements
- DC** Directional Controls
- MV** Manual Valves
- SV** Solenoid Valves
- PV** Proportional Valves
- CE** Coils & Electronics
- BC** Bodies & Cavities
- TD** Technical Data

**General Description**

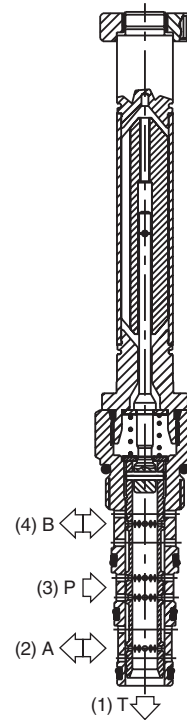
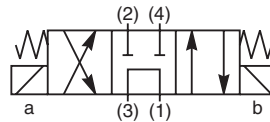
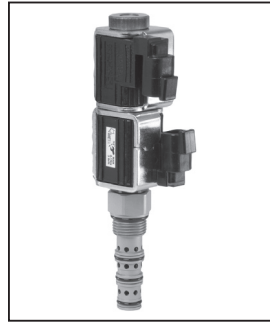
4-Way, 3 Position, Tandem Center Spool Valve.  
For additional information see Technical Tips on pages SV1-SV6.

**Features**

- Four way tandem center valve designed to operate double acting cylinders and bi-directional motors, etc.
- One piece cartridge housing ensures internal concentricity
- Coil: Waterproof, hermetically sealed, requires no O'Rings; Symmetrical coil can be reversed without affecting performance.

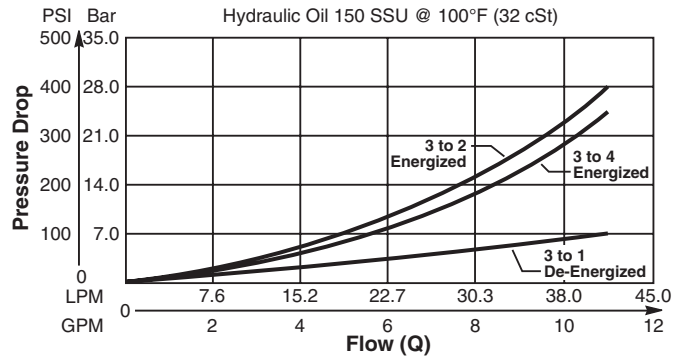
**Specifications**

<b>Rated Flow</b>	42 LPM (11 GPM)
<b>Maximum Inlet Pressure</b>	350 Bar (5000 PSI)
<b>Maximum Tank Pressure</b>	210 Bar (3000 PSI)
<b>Leakage at 150 SSU (32 cSt)</b>	160 cc/min @ 210 Bar (3000 PSI)
<b>Minimum Operating Voltage</b>	85% of rated voltage at 20°C (72°F).
<b>Response Time</b>	<b>Open</b> 30-60 ms <b>Close</b> 20-40 ms
<b>Cartridge Material</b>	All parts steel. All operating parts hardened steel.
<b>Operating Temp. Range/Seals</b>	-34°C to +121°C (Nitrile) (-30°F to +250°F) -26°C to +204°C (Fluorocarbon) (-15°F to +400°F)
<b>Fluid Compatibility/Viscosity</b>	Mineral-based or synthetic with lubricating properties at viscosities of 45 to 2000 SSU (6 to 420 cSt)
<b>Filtration</b>	ISO 4406 18/16/13, SAE Class 4
<b>Approx. Weight</b>	.26 kg (.58 lbs.)
<b>Cavity</b>	C10-4 (See BC Section for more details)

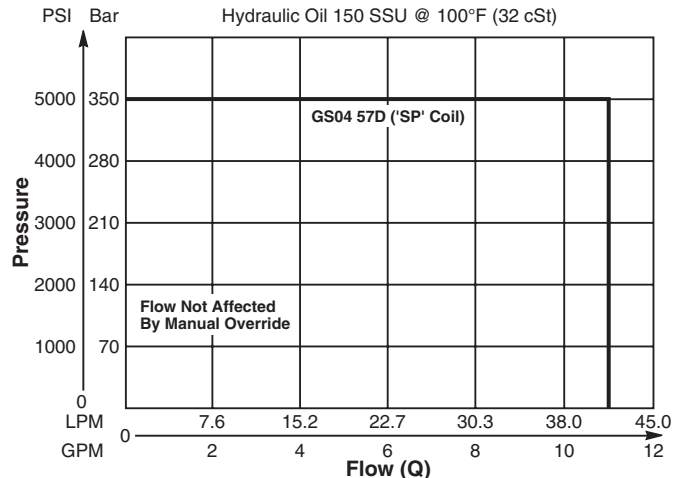


**Performance Curves**

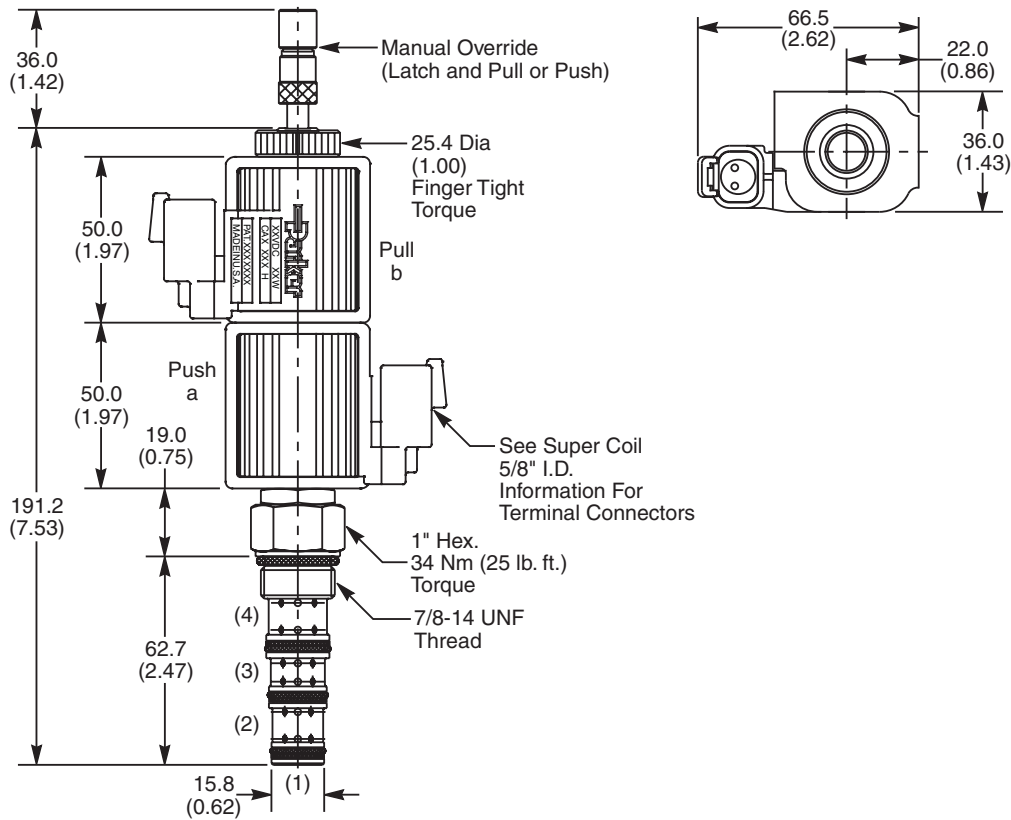
**Pressure Drop vs. Flow (Through cartridge only)**



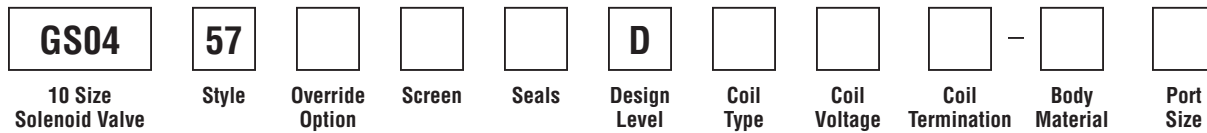
**Operating Limits (Measured at 75% of Nominal Current)**



**Dimensions** Millimeters (Inches)



**Ordering Information**



Code	Style
57	High Flow and Pressure ('SP' Coil)

Code	Override Options
0	None
5	Standard - Center Detent only, Latch Operated, Push and Pull (*40 nt/9 lbs.)
6	Detented (all positions), Push and Pull

\*Force to push at 210 Bar (3000 PSI). Less to Pull.

Code	Screen
0	None (Contact factory for OEM requirements)

Code	Seals / Kit No.
N	Nitrile / Buna-N (Std.) (SK30506N-1)
V	Fluorocarbon / (SK30506V-1)

Code	Design Level
D	Includes Industry Common Cavity

Code	Coil Type
Omit	Without Coil
SP	Super Coil - 28 Watts

Code	Coil Voltage
Omit	Without Coil
D012	12 VDC
D024	24 VDC
A120	120 VAC, 60/50 Hz

Code	Coil Termination
Omit	Without Coil
A	Amp Jr. Timer*
C	Conduit With Leads
D	DIN Plug Face
H	Molded Deutsch*
L	Dual Lead Wire*
PF	Packard Female*
PM	Packard Male*
S	Dual Spade*

See Super Coil 5/8" I.D. \*DC Only

Code	Body Material
Omit	Steel
A	Aluminum

Code	Port Size	Body Part No.
Omit		Cartridge Only
8T	SAE-8	(B10-4-*8T)

\* Add "A" for aluminum, omit for steel.

- CV** Check Valves
- SH** Shuttle Valves
- LM** Load/Motor Controls
- FC** Flow Controls
- PC** Pressure Controls
- LE** Logic Elements
- DC** Directional Controls
- MV** Manual Valves
- SV** Solenoid Valves
- PV** Proportional Valves
- CE** Coils & Electronics
- BC** Bodies & Cavities
- TD** Technical Data

**Technical Information**

- CV** Check Valves
- SH** Shuttle Valves
- LM** Load/Motor Controls
- FC** Flow Controls
- PC** Pressure Controls
- LE** Logic Elements
- DC** Directional Controls
- MV** Manual Valves
- SV** Solenoid Valves
- PV** Proportional Valves
- CE** Coils & Electronics
- BC** Bodies & Cavities
- TD** Technical Data

**General Description**

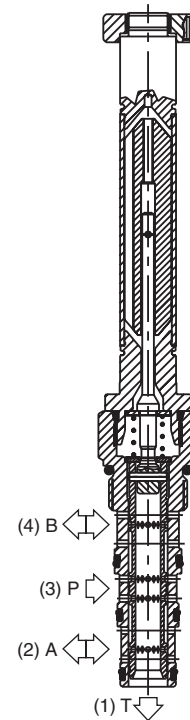
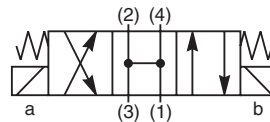
4-Way, 3 Position, Open Center Spool Valve.  
For additional information see Technical Tips on pages SV1-SV6.

**Features**

- Four way open center valve designed to operate double acting cylinders and bi-directional motors, etc.
- One piece cartridge housing ensures internal concentricity
- Coil: Waterproof, hermetically sealed, requires no O'Rings; Symmetrical coil can be reversed without affecting performance.

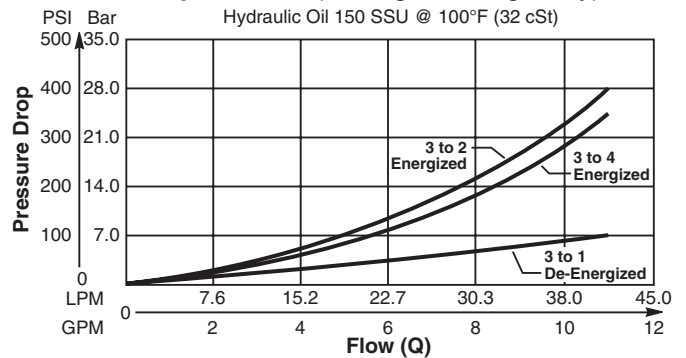
**Specifications**

<b>Rated Flow</b>	42 LPM (11 GPM)
<b>Maximum Inlet Pressure</b>	350 Bar (5000 PSI)
<b>Maximum Tank Pressure</b>	210 Bar (3000 PSI)
<b>Leakage at 150 SSU (32 cSt)</b>	160 cc/min @ 210 Bar (3000 PSI)
<b>Minimum Operating Voltage</b>	85% of rated voltage at 20°C (72°F).
<b>Response Time</b>	<b>Open</b> 30-60 ms <b>Close</b> 20-40 ms
<b>Cartridge Material</b>	All parts steel. All operating parts hardened steel.
<b>Operating Temp. Range/Seals</b>	-34°C to +121°C (Nitrile) (-30°F to +250°F) -26°C to +204°C (Fluorocarbon) (-15°F to +400°F)
<b>Fluid Compatibility/ Viscosity</b>	Mineral-based or synthetic with lubricating properties at viscosities of 45 to 2000 SSU (6 to 420 cSt)
<b>Filtration</b>	ISO 4406 18/16/13, SAE Class 4
<b>Approx. Weight</b>	.26 kg (.58 lbs.)
<b>Cavity</b>	C10-4 (See BC Section for more details)

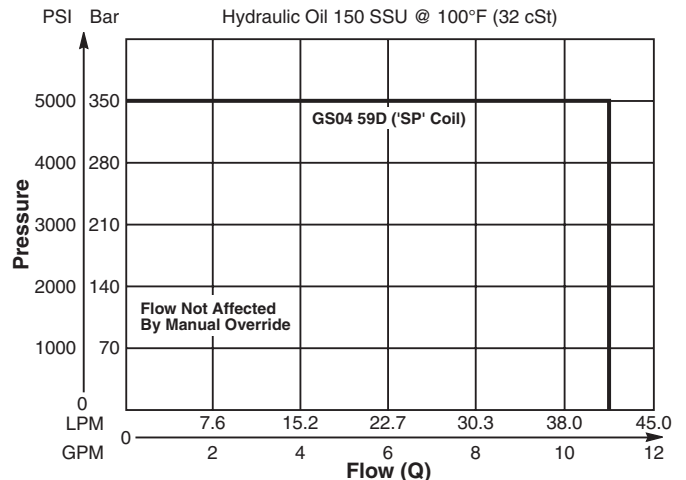


**Performance Curves**

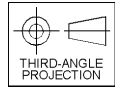
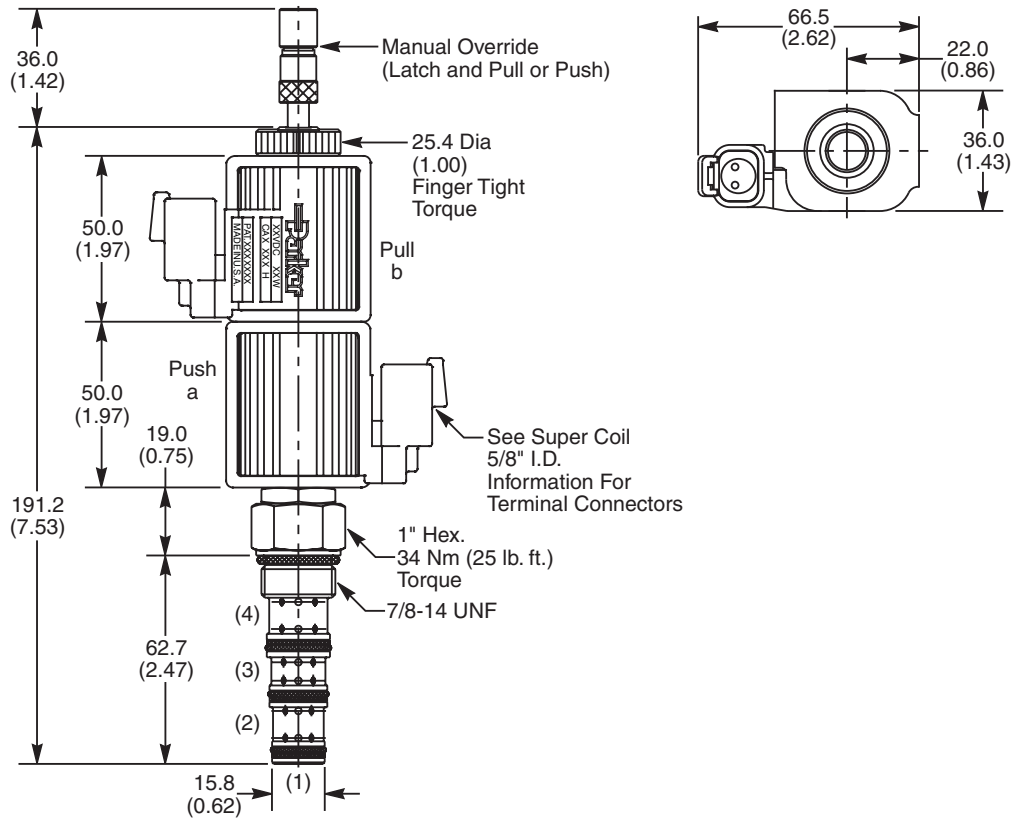
**Pressure Drop vs. Flow (Through cartridge only)**



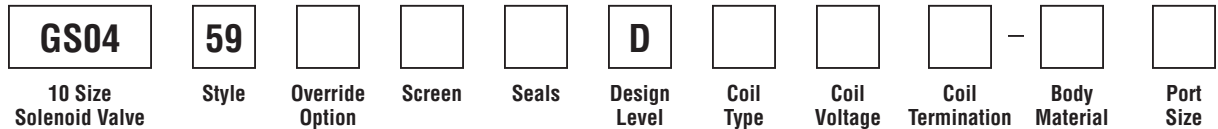
**Operating Limits (Measured at 75% of Nominal Current)**



**Dimensions** Millimeters (Inches)



**Ordering Information**



Code	Style
59	High Flow and Pressure ('SP' Coil)

Code	Seals / Kit No.
N	Nitrile / Buna-N (Std.) (SK30506N-1)
V	Fluorocarbon / (SK30506V-1)

Code	Coil Termination
Omit	Without Coil
A	Amp Jr. Timer*
C	Conduit With Leads
D	DIN Plug Face
H	Molded Deutsch*
L	Dual Lead Wire*
PF	Packard Female*
PM	Packard Male*
S	Dual Spade*

Code	Body Material
Omit	Steel
A	Aluminum

Code	Override Options
0	None
5	Standard - Center Detent only, Latch Operated, Push and Pull (*40 nt/9 lbs.)
6	Detented (all positions), Push and Pull

Code	Design Level
D	Includes Industry Common Cavity

Code	Port Size	Body Part No.
Omit	Cartridge Only	
8T	SAE-8	(B10-4-*8T)

\*Force to push at 210 Bar (3000 PSI). Less to Pull.

\* Add "A" for aluminum, omit for steel.

Code	Screen
0	None (Contact factory for OEM requirements)

Code	Coil Type
Omit	Without Coil
SP	Super Coil - 28 Watts

See Super Coil 5/8" I.D. \*DC Only

Code	Coil Voltage
Omit	Without Coil
D012	12 VDC
D024	24 VDC
A120	120 VAC, 60/50 Hz

- CV** Check Valves
- SH** Shuttle Valves
- LM** Load/Motor Controls
- FC** Flow Controls
- PC** Pressure Controls
- LE** Logic Elements
- DC** Directional Controls
- MV** Manual Valves
- SV** Solenoid Valves
- PV** Proportional Valves
- CE** Coils & Electronics
- BC** Bodies & Cavities
- TD** Technical Data

**Technical Information**

- CV** Check Valves
- SH** Shuttle Valves
- LM** Load/Motor Controls
- FC** Flow Controls
- PC** Pressure Controls
- LE** Logic Elements
- DC** Directional Controls
- MV** Manual Valves
- SV** Solenoid Valves
- PV** Proportional Valves
- CE** Coils & Electronics
- BC** Bodies & Cavities
- TD** Technical Data

**General Description**

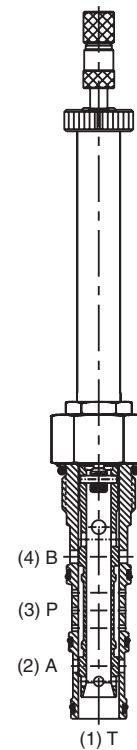
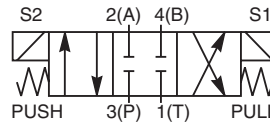
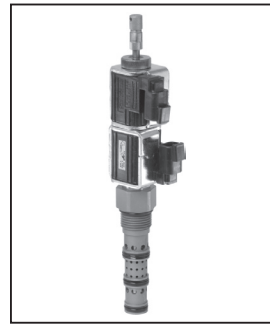
4-Way, 3 Position, Closed Center Spool Valve.  
For additional information see Technical Tips on pages SV1-SV6.

**Features**

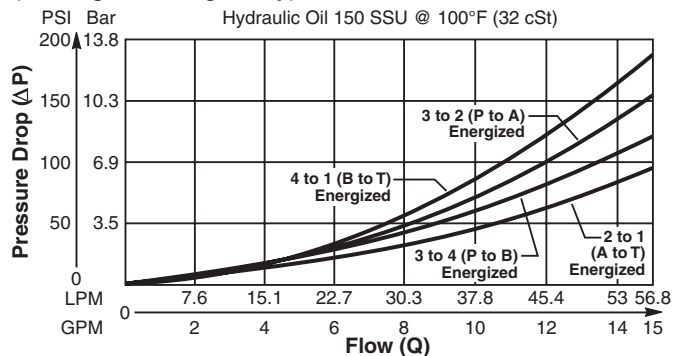
- Four way closed center valve designed to operate double acting cylinders and bi-directional motors, etc.
- One piece cartridge housing ensures internal concentricity
- Coil: Waterproof, hermetically sealed, requires no O'Rings; Symmetrical coil can be reversed without affecting performance.
- All external parts zinc plated

**Specifications**

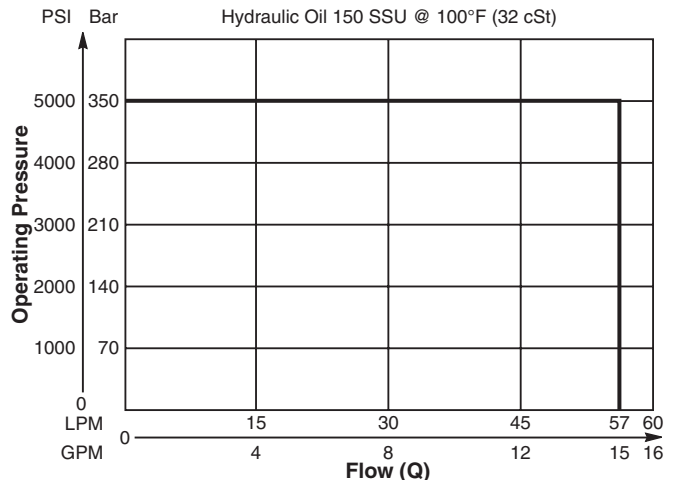
<b>Rated Flow</b>	57 LPM (15 GPM)	
<b>Maximum Inlet Pressure</b>	350 Bar (5000 PSI)	
<b>Maximum Tank Pressure</b>	210 Bar (3000 PSI)	
<b>Leakage at 150 SSU (32 cSt)</b>	160 cc/min @ 210 Bar (3000 PSI)	
<b>Minimum Operating Voltage</b>	75% of rated voltage at 20°C (72°F).	
<b>Response Time</b>	<b>Energized</b>	30-60 ms
	<b>De-Energized</b>	20-40 ms
<b>Cartridge Material</b>	All parts steel. All operating parts hardened steel.	
<b>Operating Temp. Range/Seals</b>	-34°C to +121°C (Nitrile) (-30°F to +250°F) -26°C to +204°C (Fluorocarbon) (-15°F to +400°F)	
<b>Fluid Compatibility/ Viscosity</b>	Mineral-based or synthetic with lubricating properties at viscosities of 45 to 2000 SSU (6 to 420 cSt)	
<b>Filtration</b>	ISO 4406 18/16/13, SAE Class 4	
<b>Approx. Weight</b>	.45 kg (1.0 lbs.)	
<b>Cavity</b>	C12-4L (See BC Section for more details)	



**Performance Curves**  
**Pressure Drop vs. Flow**  
(Through cartridge only)

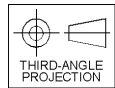
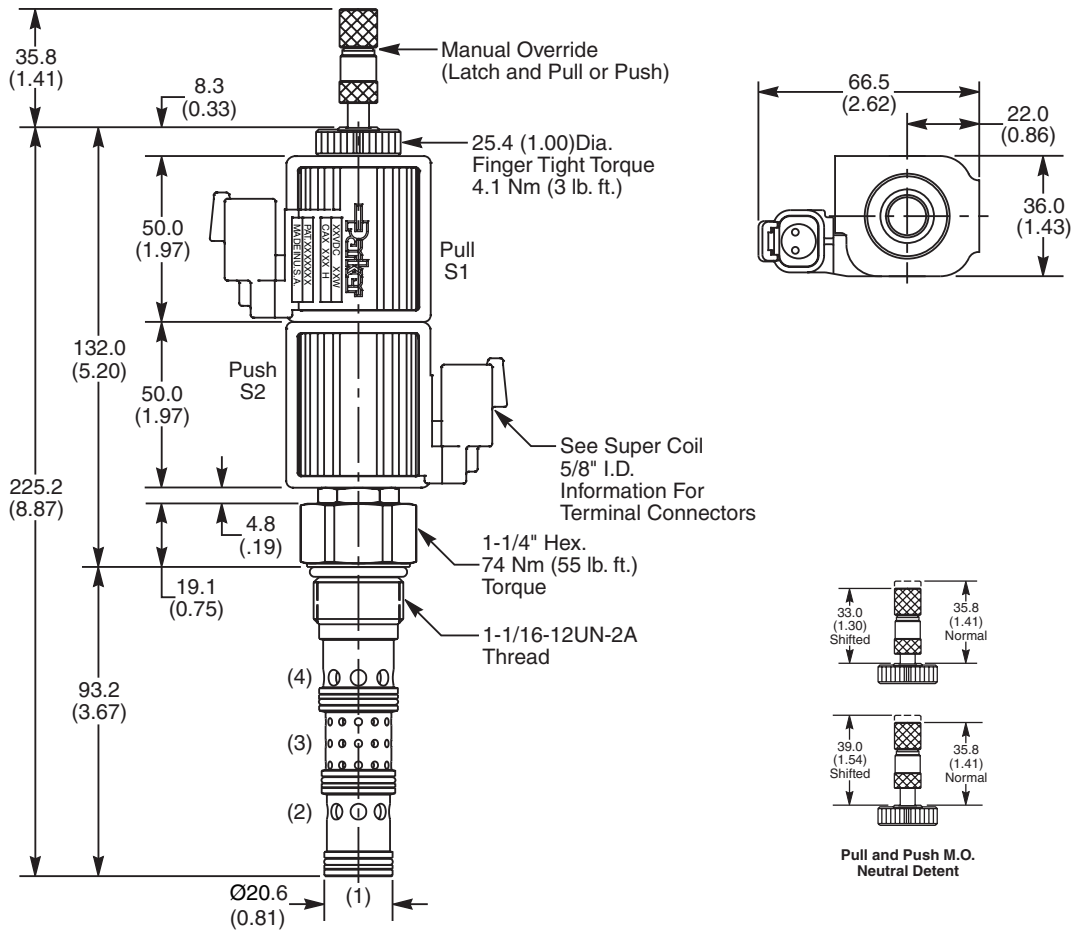


**Shift Limit Characteristics (Min. Operating Voltage)**

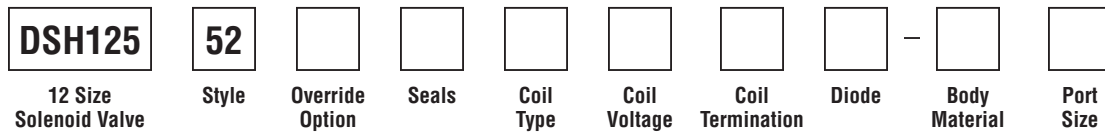




**Dimensions** Millimeters (Inches)



**Ordering Information**



Code	Style
52	High Flow ('SP' Coil)

Code	Coil Type
Omit	Without Coil
SP	Super Coil - 28 Watts

Code	Coil Termination
Omit	Without Coil
A	Amp Jr. Timer*
C	Conduit With Leads
D	DIN Plug Face
H	Molded Deutsch*
L	Dual Lead Wire*
PF	Packard Female*
PM	Packard Male*
S	Dual Spade*

Code	Diode
Omit	None
R	Diode

Code	Override Options
Omit	None
DN	Latch Operated**

Code	Coil Voltage
Omit	Without Coil
D012	12 VDC
D024	24 VDC
A120	120 VAC, 60/50 Hz

Code	Body Material
Omit	Steel

\*\*40 nt/9 lbs.

Code	Seals / Kit No.
N	Nitrile / Buna-N (Std.) (SK12-4LN)
V	Fluorocarbon / (SK12-4LV)

Code	Port Size	Body Part No.
Omit	Cartridge Only	
12T	SAE-12	(B12-4L-12T)

See Super Coil 5/8" I.D.  
 \*DC Only

- CV** Check Valves
- SH** Shuttle Valves
- LM** Load/Motor Controls
- FC** Flow Controls
- PC** Pressure Controls
- LE** Logic Elements
- DC** Directional Controls
- MV** Manual Valves
- SV** Solenoid Valves
- PV** Proportional Valves
- CE** Coils & Electronics
- BC** Bodies & Cavities
- TD** Technical Data

**Technical Information**

- CV** Check Valves
- SH** Shuttle Valves
- LM** Load/Motor Controls
- FC** Flow Controls
- PC** Pressure Controls
- LE** Logic Elements
- DC** Directional Controls
- MV** Manual Valves
- SV** Solenoid Valves
- PV** Proportional Valves
- CE** Coils & Electronics
- BC** Bodies & Cavities
- TD** Technical Data

**General Description**

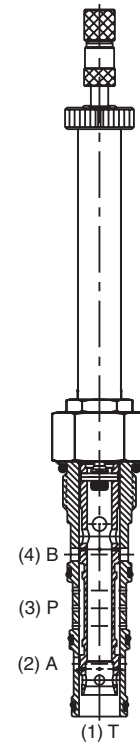
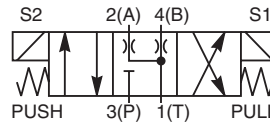
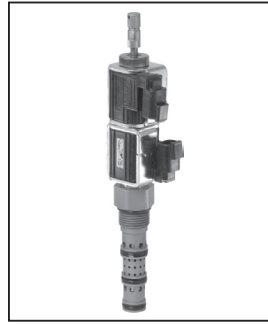
4-Way, 3 Position, Floating Center Spool Valve.  
For additional information see Technical Tips on pages SV1-SV6.

**Features**

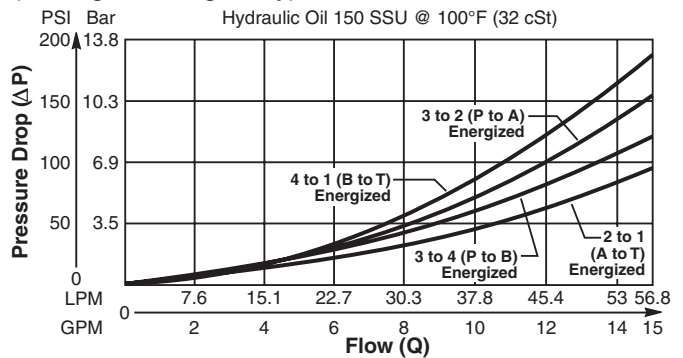
- Four way floating center valve designed to operate double acting cylinders and bi-directional motors, etc.
- One piece cartridge housing ensures internal concentricity
- Coil: Waterproof, hermetically sealed, requires no O'Rings; Symmetrical coil can be reversed without affecting performance.
- All external parts zinc plated

**Specifications**

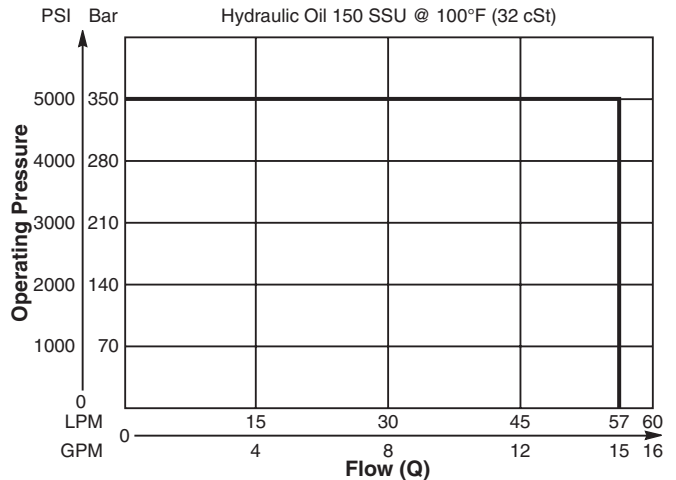
<b>Rated Flow</b>	57 LPM (15 GPM)	
<b>Maximum Inlet Pressure</b>	350 Bar (5000 PSI)	
<b>Maximum Tank Pressure</b>	210 Bar (3000 PSI)	
<b>Leakage at 150 SSU (32 cSt)</b>	160 cc/min @ 210 Bar (3000 PSI)	
<b>Minimum Operating Voltage</b>	75% of rated voltage at 20°C (72°F).	
<b>Response Time</b>	<b>Energized</b>	30-60 ms
	<b>De-Energized</b>	20-40 ms
<b>Cartridge Material</b>	All parts steel. All operating parts hardened steel.	
<b>Operating Temp. Range/Seals</b>	-34°C to +121°C (Nitrile) (-30°F to +250°F) -26°C to +204°C (Fluorocarbon) (-15°F to +400°F)	
<b>Fluid Compatibility/ Viscosity</b>	Mineral-based or synthetic with lubricating properties at viscosities of 45 to 2000 SSU (6 to 420 cSt)	
<b>Filtration</b>	ISO 4406 18/16/13, SAE Class 4	
<b>Approx. Weight</b>	.45 kg (1.0 lbs.)	
<b>Cavity</b>	C12-4L (See BC Section for more details)	



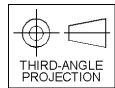
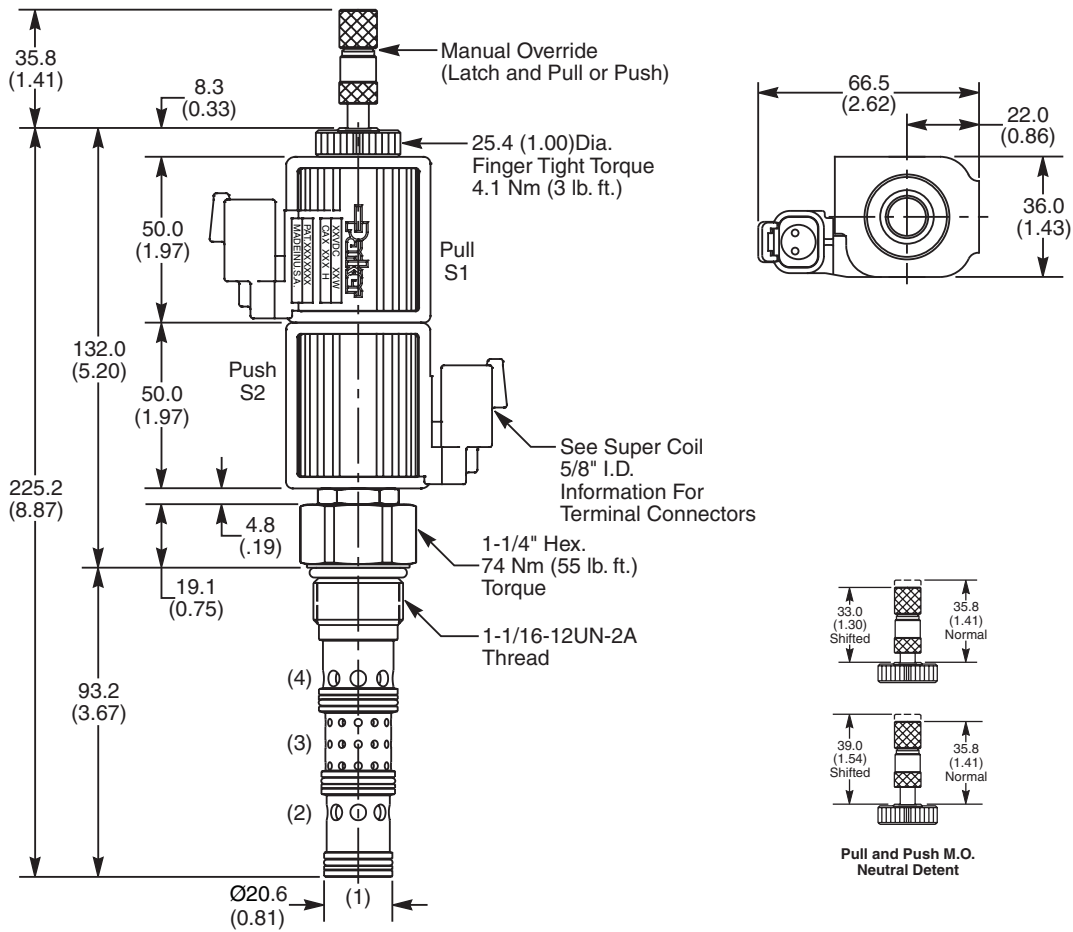
**Performance Curves**  
**Pressure Drop vs. Flow**  
(Through cartridge only)



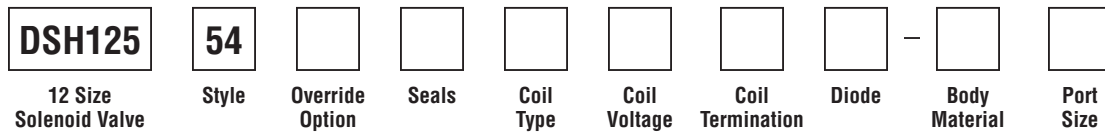
**Shift Limit Characteristics (Min. Operating Voltage)**



**Dimensions** Millimeters (Inches)



**Ordering Information**



Code	Style
54	High Flow ('SP' Coil)

Code	Coil Type
Omit	Without Coil
SP	Super Coil - 28 Watts

Code	Coil Termination
Omit	Without Coil
A	Amp Jr. Timer*
C	Conduit With Leads
D	DIN Plug Face
H	Molded Deutsch*
L	Dual Lead Wire*
PF	Packard Female*
PM	Packard Male*
S	Dual Spade*

Code	Diode
Omit	None
R	Diode

Code	Override Options
Omit	None
DN	Latch Operated**

Code	Coil Voltage
Omit	Without Coil
D012	12 VDC
D024	24 VDC
A120	120 VAC, 60/50 Hz

Code	Body Material
Omit	Steel

\*\*40 nt/9 lbs.

Code	Seals / Kit No.
N	Nitrile / Buna-N (Std.) (SK12-4LN)
V	Fluorocarbon / (SK12-4LV)

Code	Port Size	Body Part No.
Omit	Cartridge Only	
12T	SAE-12	(B12-4L-12T)

See Super Coil 5/8" I.D.  
 \*DC Only

- CV** Check Valves
- SH** Shuttle Valves
- LM** Load/Motor Controls
- FC** Flow Controls
- PC** Pressure Controls
- LE** Logic Elements
- DC** Directional Controls
- MV** Manual Valves
- SV** Solenoid Valves
- PV** Proportional Valves
- CE** Coils & Electronics
- BC** Bodies & Cavities
- TD** Technical Data

**Technical Information**

- CV** Check Valves
- SH** Shuttle Valves
- LM** Load/Motor Controls
- FC** Flow Controls
- PC** Pressure Controls
- LE** Logic Elements
- DC** Directional Controls
- MV** Manual Valves
- SV** Solenoid Valves
- PV** Proportional Valves
- CE** Coils & Electronics
- BC** Bodies & Cavities
- TD** Technical Data

**General Description**

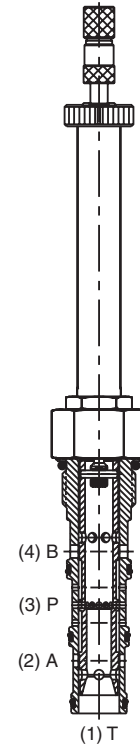
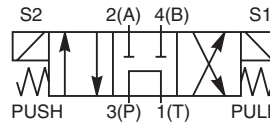
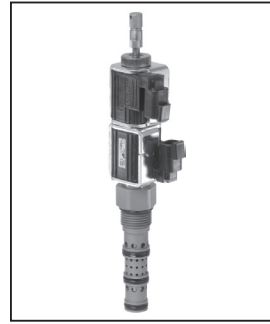
4-Way, 3 Position, Tandem Center Spool Valve.  
For additional information see Technical Tips on pages SV1-SV6.

**Features**

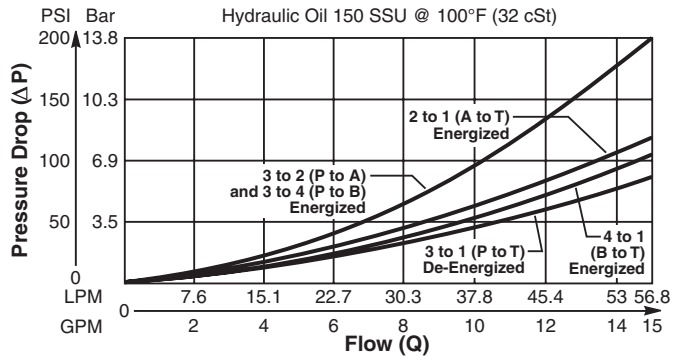
- Four way tandem center valve designed to operate double acting cylinders and bi-directional motors, etc.
- One piece cartridge housing ensures internal concentricity
- Coil: Waterproof, hermetically sealed, requires no O'Rings; Symmetrical coil can be reversed without affecting performance.
- All external parts zinc plated

**Specifications**

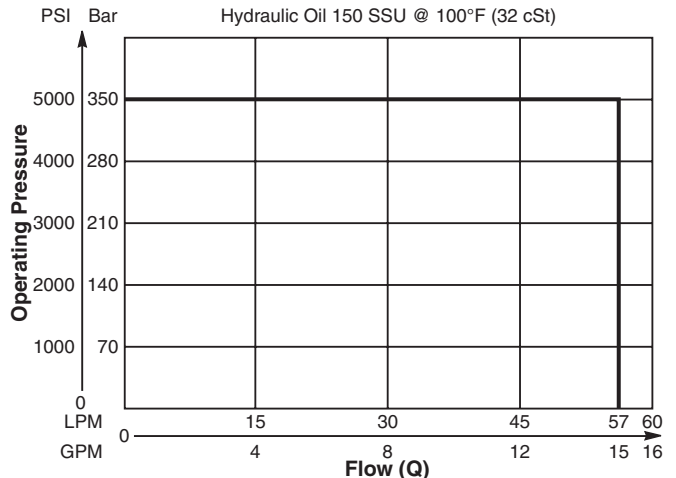
<b>Rated Flow</b>	57 LPM (15 GPM)	
<b>Maximum Inlet Pressure</b>	350 Bar (5000 PSI)	
<b>Maximum Tank Pressure</b>	210 Bar (3000 PSI)	
<b>Leakage at 150 SSU (32 cSt)</b>	160 cc/min @ 210 Bar (3000 PSI)	
<b>Minimum Operating Voltage</b>	75% of rated voltage at 20°C (72°F).	
<b>Response Time</b>	<b>Energized</b>	30-60 ms
	<b>De-Energized</b>	20-40 ms
<b>Cartridge Material</b>	All parts steel. All operating parts hardened steel.	
<b>Operating Temp. Range/Seals</b>	-34°C to +121°C (Nitrile) (-30°F to +250°F) -26°C to +204°C (Fluorocarbon) (-15°F to +400°F)	
<b>Fluid Compatibility/ Viscosity</b>	Mineral-based or synthetic with lubricating properties at viscosities of 45 to 2000 SSU (6 to 420 cSt)	
<b>Filtration</b>	ISO 4406 18/16/13, SAE Class 4	
<b>Approx. Weight</b>	.45 kg (1.0 lbs.)	
<b>Cavity</b>	C12-4L (See BC Section for more details)	



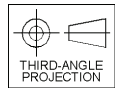
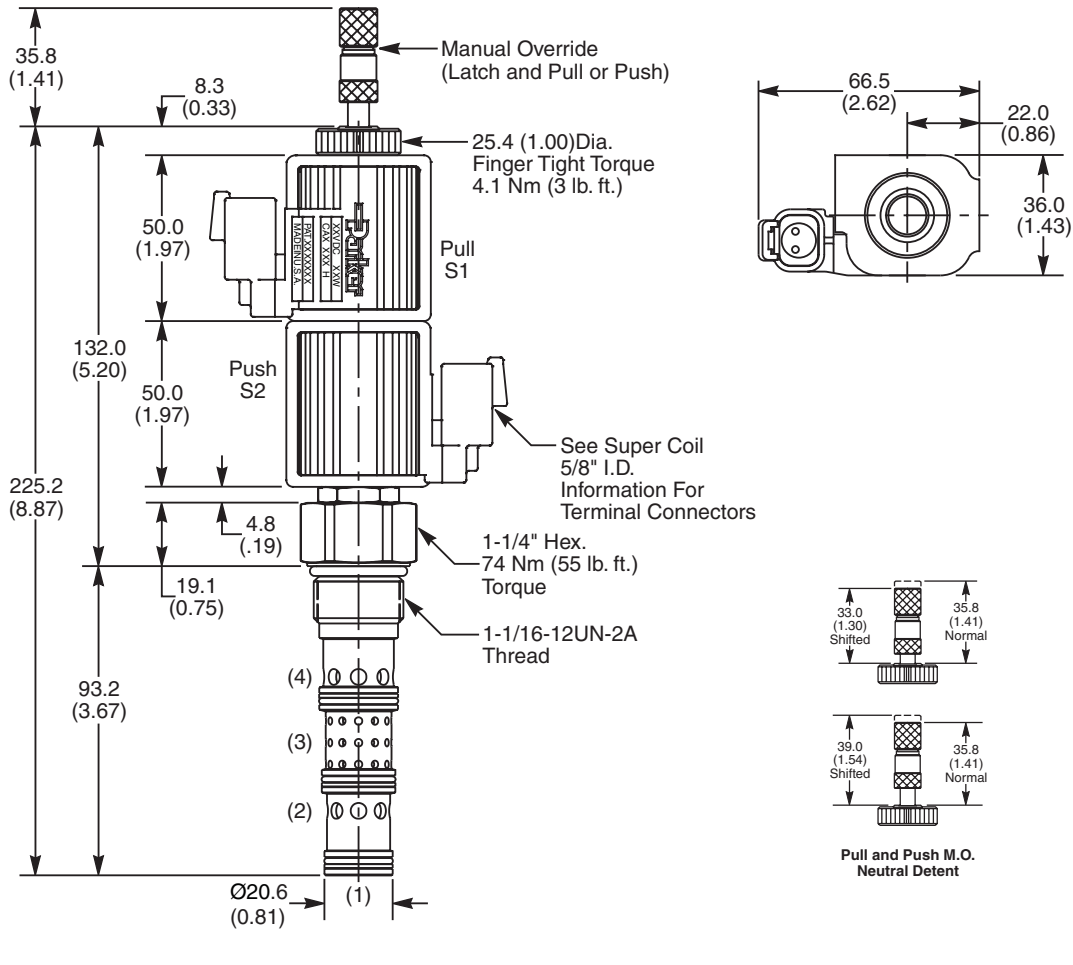
**Performance Curves**  
**Pressure Drop vs. Flow**  
(Through cartridge only)



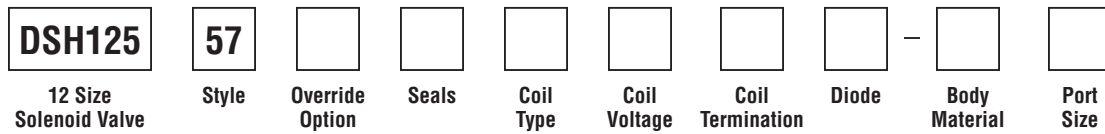
**Shift Limit Characteristics (Min. Operating Voltage)**



**Dimensions** Millimeters (Inches)



**Ordering Information**



Code	Style
57	High Flow ('SP' Coil)

Code	Coil Type
Omit	Without Coil
SP	Super Coil - 28 Watts

Code	Coil Termination
Omit	Without Coil
A	Amp Jr. Timer*
C	Conduit With Leads
D	DIN Plug Face
H	Molded Deutsch*
L	Dual Lead Wire*
PF	Packard Female*
PM	Packard Male*
S	Dual Spade*

Code	Diode
Omit	None
R	Diode

Code	Override Options
Omit	None
DN	Latch Operated**

Code	Coil Voltage
Omit	Without Coil
D012	12 VDC
D024	24 VDC
A120	120 VAC, 60/50 Hz

Code	Body Material
Omit	Steel

\*\*40 nt/9 lbs.

Code	Seals / Kit No.
N	Nitrile / Buna-N (Std.) (SK12-4LN)
V	Fluorocarbon / (SK12-4LV)

Code	Port Size	Body Part No.
Omit	Cartridge Only	
12T	SAE-12	(B12-4L-12T)

See Super Coil 5/8" I.D.  
 \*DC Only

- CV** Check Valves
- SH** Shuttle Valves
- LM** Load/Motor Controls
- FC** Flow Controls
- PC** Pressure Controls
- LE** Logic Elements
- DC** Directional Controls
- MV** Manual Valves
- SV** Solenoid Valves
- PV** Proportional Valves
- CE** Coils & Electronics
- BC** Bodies & Cavities
- TD** Technical Data

**Technical Information**

- CV** Check Valves
- SH** Shuttle Valves
- LM** Load/Motor Controls
- FC** Flow Controls
- PC** Pressure Controls
- LE** Logic Elements
- DC** Directional Controls
- MV** Manual Valves
- SV** Solenoid Valves
- PV** Proportional Valves
- CE** Coils & Electronics
- BC** Bodies & Cavities
- TD** Technical Data

**General Description**

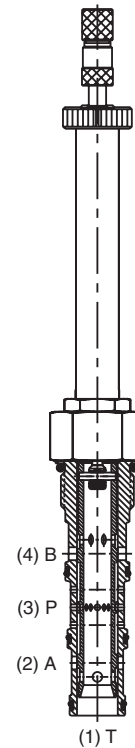
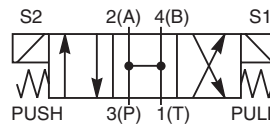
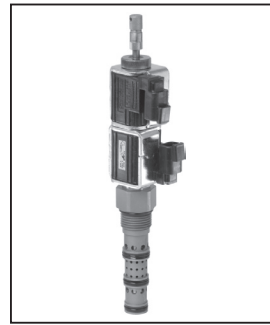
4-Way, 3 Position, Open Center Spool Valve.  
For additional information see Technical Tips on pages SV1-SV6.

**Features**

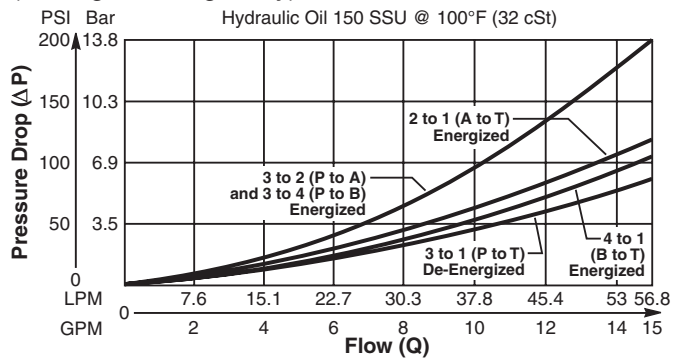
- Four way open center valve designed to operate double acting cylinders and bi-directional motors, etc.
- One piece cartridge housing ensures internal concentricity
- Coil: Waterproof, hermetically sealed, requires no O'Rings; Symmetrical coil can be reversed without affecting performance.
- All external parts zinc plated

**Specifications**

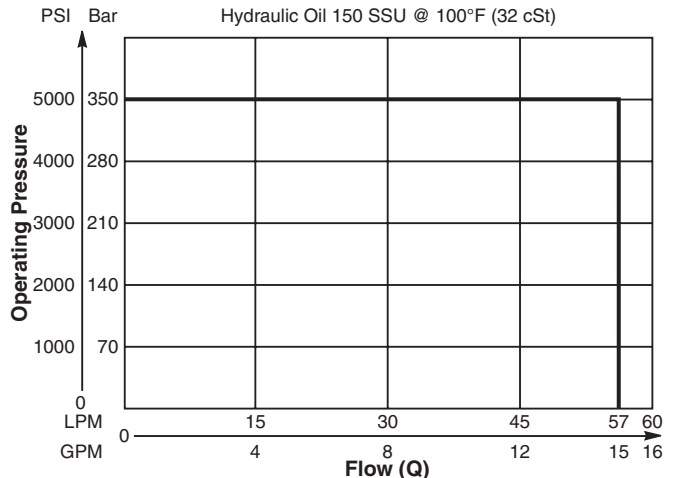
<b>Rated Flow</b>	57 LPM (15 GPM)	
<b>Maximum Inlet Pressure</b>	350 Bar (5000 PSI)	
<b>Maximum Tank Pressure</b>	210 Bar (3000 PSI)	
<b>Leakage at 150 SSU (32 cSt)</b>	160 cc/min @ 210 Bar (3000 PSI)	
<b>Minimum Operating Voltage</b>	75% of rated voltage at 20°C (72°F).	
<b>Response Time</b>	<b>Energized</b>	30-60 ms
	<b>De-Energized</b>	20-40 ms
<b>Cartridge Material</b>	All parts steel. All operating parts hardened steel.	
<b>Operating Temp. Range/Seals</b>	-34°C to +121°C (Nitrile) (-30°F to +250°F) -26°C to +204°C (Fluorocarbon) (-15°F to +400°F)	
<b>Fluid Compatibility/ Viscosity</b>	Mineral-based or synthetic with lubricating properties at viscosities of 45 to 2000 SSU (6 to 420 cSt)	
<b>Filtration</b>	ISO 4406 18/16/13, SAE Class 4	
<b>Approx. Weight</b>	.45 kg (1.0 lbs.)	
<b>Cavity</b>	C12-4L (See BC Section for more details)	



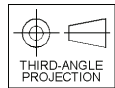
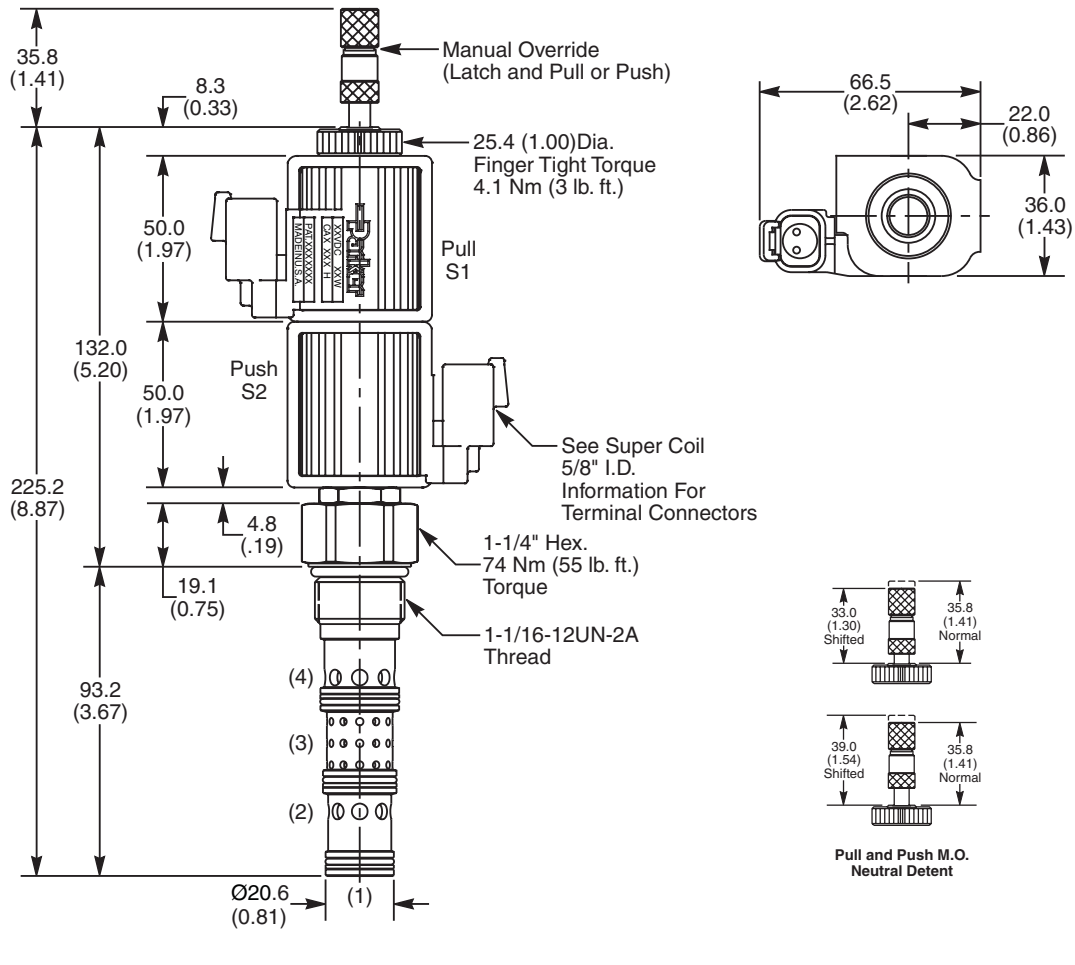
**Performance Curves**  
**Pressure Drop vs. Flow**  
(Through cartridge only)



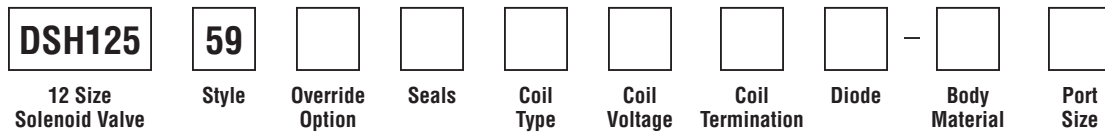
**Shift Limit Characteristics (Min. Operating Voltage)**



**Dimensions** Millimeters (Inches)



**Ordering Information**



Code	Style
59	High Flow ('SP' Coil)

Code	Coil Type
Omit	Without Coil
SP	Super Coil - 28 Watts

Code	Coil Termination
Omit	Without Coil
A	Amp Jr. Timer*
C	Conduit With Leads
D	DIN Plug Face
H	Molded Deutsch*
L	Dual Lead Wire*
PF	Packard Female*
PM	Packard Male*
S	Dual Spade*

Code	Diode
Omit	None
R	Diode

Code	Override Options
Omit	None
DN	Latch Operated**

Code	Coil Voltage
Omit	Without Coil
D012	12 VDC
D024	24 VDC
A120	120 VAC, 60/50 Hz

Code	Body Material
Omit	Steel

\*\*40 nt/9 lbs.

Code	Seals / Kit No.
N	Nitrile / Buna-N (Std.) (SK12-4LN)
V	Fluorocarbon / (SK12-4LV)

Code	Port Size	Body Part No.
Omit	Cartridge Only	
12T	SAE-12	(B12-4L-12T)

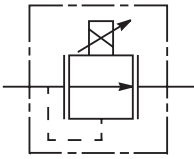
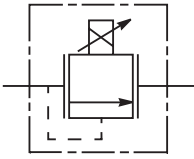
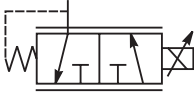
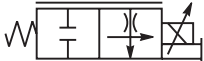


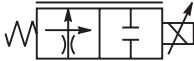
See Super Coil 5/8" I.D.  
 \*DC Only

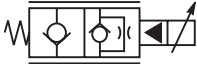
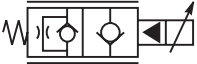
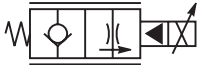
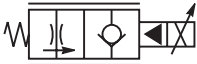
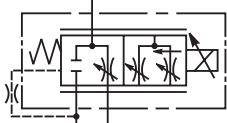
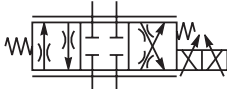
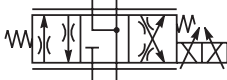
- CV** Check Valves
- SH** Shuttle Valves
- LM** Load/Motor Controls
- FC** Flow Controls
- PC** Pressure Controls
- LE** Logic Elements
- DC** Directional Controls
- MV** Manual Valves
- SV** Solenoid Valves
- PV** Proportional Valves
- CE** Coils & Electronics
- BC** Bodies & Cavities
- TD** Technical Data



**Contents**

**Proportional Valves**

<b>CV</b>	<b>SERIES</b>	<b>CAVITY</b>	<b>DESCRIPTION</b>	<b>FLOW LPM/GPM</b>	<b>PRESSURE BAR/PSI</b>	<b>PAGE NO.</b>
Check Valves	<b>PRESSURE RELIEVING</b>					
Shuttle Valves	 AP01B2YP ..... 2G ..... Increase Pressure/Increase Current ..... 5.3/1.4 ..... 350/5000 ..... PV7-PV8 AP02B2YP ..... C08-2 ..... Increase Pressure/Increase Current ..... 5.3/1.4 ..... 350/5000 ..... PV9-PV10 AP04G2YP ..... C10-2 ..... Increase Pressure/Increase Current ..... 95/25 ..... 350/5000 ..... PV11-PV12					
Load/Motor Controls	 AP01B2YR ..... 2G ..... Decrease Pressure/Increase Current ..... 5.3/1.4 ..... 350/5000 ..... PV13-PV14 AP02B2YR ..... C08-2 ..... Decrease Pressure/Increase Current ..... 5.3/1.4 ..... 350/5000 ..... PV15-PV16 PRD081CW ..... C08-2 ..... Decrease Pressure/Increase Current ..... 1.14/0.3 ..... 350/5000 ..... PV17-PV18 AP04G2YR ..... C10-2 ..... Decrease Pressure/Increase Current ..... 95/25 ..... 350/5000 ..... PV19-PV20					
Flow Controls	<b>PRESSURE REDUCING</b>					
Pressure Controls	 GP01 30 ..... 54-1 ..... Pressure Reducing Valve ..... 1.9/5 ..... 210/3000 ..... PV21-PV22 GTP02 34 ..... C08-3 ..... Pressure Reducing Valve ..... 19/5 ..... 210/3000 ..... PV23-PV24 GTP04 34 ..... 3X ..... Pressure Reducing Valve ..... 30/8 ..... 210/3000 ..... PV25-PV26 EPR111C ..... C10-3L ..... Pressure Reducing/Relieving Valve ..... 37.5/10 ..... 350/5000 ..... PV27-PV28					
Logic Elements	<b>FLOW CONTROLS, 2-WAY</b>					
Directional Controls	 DF122C ..... C12-2 ..... Flow Control, N.C. .... 53/14 ..... 210/3000 ..... PV29-PV30					
Manual Valves	 DF161C ..... C16-2 ..... Flow Control, N.C. .... 150/40 ..... 210/3000 ..... PV31-PV32 DF201C ..... C20-2 ..... Flow Control, N.C. .... 227/60 ..... 210/3000 ..... PV33-PV34					
Solenoid Valves	 HP02C ..... 2X ..... Flow Control, N.C. .... 23/6 ..... 210/3000 ..... PV35-PV36 JP02C ..... C08-3 ..... Flow Control, N.C. .... 23/6 ..... 210/3000 ..... PV37-PV38 HP04C ..... C10-2 ..... Flow Control, N.C. .... 36/9.5 ..... 210/3000 ..... PV39-PV40 JP04C 21 ..... 3X ..... Flow Control, N.C. .... 36/9.5 ..... 210/3000 ..... PV41-PV42 DFA125C21 ..... C12-3L ..... Flow Control, N.C. .... 56.8/15 ..... 210/3000 ..... PV43-PV44					
Proportional Valves	 HP02P ..... 2X ..... Flow Control, N.O. .... 19/5 ..... 210/3000 ..... PV45-PV46 JP02P ..... C08-3 ..... Flow Control, N.O. .... 19/5 ..... 210/3000 ..... PV47-PV48 HP04P ..... C10-2 ..... Flow Control, N.O. .... 30/8 ..... 210/3000 ..... PV49-PV50 JP04P ..... 3X ..... Flow Control, N.O. .... 36/9.5 ..... 210/3000 ..... PV51-PV52 DF122N ..... C12-2 ..... Flow Control, N.O. .... 53/14 ..... 210/3000 ..... PV53-PV54					
Coils & Electronics						
Bodies & Cavities						
Technical Data						

	<b>SERIES</b>	<b>CAVITY</b>	<b>DESCRIPTION</b>	<b>FLOW LPM/GPM</b>	<b>PRESSURE BAR/PSI</b>	<b>PAGE NO.</b>
	<b>POPPET TYPE, 2-WAY</b>					
	FAP081C	C08-2	2 Way, Normally Closed	27/7	210/3000	PV55-PV56
	FAP101C	C10-2	2 Way, Normally Closed	40/10.5	210/3000	PV57-PV58
	FAP121C	C12-2F	2 Way, Normally Closed	81.5/21.5	210/3000	PV59-PV60
	FAP161C	C16-2	2 Way, Normally Closed	106/28	210/3000	PV61-PV62
	<b>POPPET TYPE, 2-WAY</b>					
	FAP081N	C08-2	2 Way, Normally Open	40/10.5	210/3000	PV63-PV64
	FAP101N	C10-2	2 Way, Normally Open	55/14.5	210/3000	PV65-PV66
	FAP121N	C12-2F	2 Way, Normally Open	98.5/26	210/3000	PV67-PV68
	FAP161N	C16-2	2 Way, Normally Open	117/31	210/3000	PV69-PV70
	<b>POPPET TYPE, PRESSURE COMPENSATED, 2-WAY</b>					
	FAPC101C	3X	2 Way, Normally Closed	38/10	210/3000	PV71-PV72
	FAPC121C	C12-3L	2 Way, Normally Closed	57/15	210/3000	PV73-PV74
	FAPC161C	C16-3	2 Way, Normally Closed	83/22	210/3000	PV75-PV76
	<b>POPPET TYPE, PRESSURE COMPENSATED, 2-WAY</b>					
	FAPC101N	3X	2 Way, Normally Open	38/10	210/3000	PV77-PV78
	FAPC121N	C12-3L	2 Way, Normally Open	57/15	210/3000	PV79-PV80
	FAPC161N	C16-3	2 Way, Normally Open	83/22	210/3000	PV81-PV82
	<b>FLOW CONTROLS, 3-WAY</b>					
	JP04C 31	4C	Priority Flow Control, N.C.	30/8	210/3000	PV83-PV84
	DFA125C31	C12-4L	Priority Flow Control, N.C.	56.8/15	210/3000	PV85-PV86
	<b>DIRECTIONAL CONTROL</b>					
	GP02 51	C08-4	4 Way, 3 Pos - Closed Center	21/5.5	350/5000	PV87-PV88
	GP02 53	C08-4	4 Way, 3 Pos - Float Center	17/4.5	350/5000	PV89-PV90
	<b>DIRECTIONAL CONTROL</b>					
	DSP105C1	C10-4	4 Way, 3 Pos - Closed Center	32/8.5	210/3000	PV91-PV93
	DSP105C4	C10-4	4 Way, 3 Pos - Float Center	32/8.5	210/3000	PV91-PV93

<b>CV</b>
Check Valves
<b>SH</b>
Shuttle Valves
<b>LM</b>
Load/Motor Controls
<b>FC</b>
Flow Controls
<b>PC</b>
Pressure Controls
<b>LE</b>
Logic Elements
<b>DC</b>
Directional Controls
<b>MV</b>
Manual Valves
<b>SV</b>
Solenoid Valves
<b>PV</b>
Proportional Valves
<b>CE</b>
Coils & Electronics
<b>BC</b>
Bodies & Cavities
<b>TD</b>
Technical Data

CV

Check  
Valves

SH

Shuttle  
Valves

LM

Load/Motor  
Controls

FC

Flow  
Controls

PC

Pressure  
Controls

LE

Logic  
Elements

DC

Directional  
Controls

MV

Manual  
Valves

SV

Solenoid  
Valves

PV

Proportional  
Valves

CE

Coils &  
Electronics

BC

Bodies &  
Cavities

TD

Technical  
Data

## INTRODUCTION

This technical tips section is designed to help familiarize you with the Parker line of Proportional Valves. In this section we present common options, technical terms, as well as a brief synopsis of the operation and applications of the various products offered in this section. The intent of this section is to help you in selecting the best products for your application.

## COMMON OPTIONS

As you will see, Parker offers a variety of Proportional Valve products. As such, some of the options mentioned below may not be available on all valves. Consult the model coding and dimensions for each valve for specifics. Here are some of the common options available.

**Seals:** The majority of the products are available in Nitrile or Fluorocarbon Seals. The Winner's Circle products feature a standard 4301 Polyurethane "D"-Ring. The "D"-Ring eliminates the need for backup rings. You should match the seal compatibility to the temperature and fluid being used in your application.

**Overrides:** Overrides are standard on many of the Parker proportional valves. The override is generally a push type that is flush with the end of the tube. Consult the individual catalog pages for more details.

## TECHNICAL TERMS

To help in applying our proportional valve line of product, we have listed some technical terms below, as well as some helpful hints in applying our valves.

**Ohm's Law:** Electrical current is generated as a result of the relationship between input voltage and the resistance to the flow of electrical current. It is represented in equation form by  $I = V/R$  (or  $V=IR$ ), where I is current, V is voltage and R is resistance. This is an important relationship to remember when dealing with any electrically operated valves. Proportional valves allow varying control of flow or pressure, dependant on the current signal provided. As coils heat up, their resistance rises. This means a higher voltage must be available to maintain the same amount of pressure or flow. Thus, the application needs to be designed such that the full on position is about 70% of the initial current draw. On the individual catalog pages a maximum control current is specified to help in applying our proportional valves.

**PWM:** Pulse Width Modulation (PWM) is the preferred signal for controlling electrical current. PWM is on / off voltage in a square wave form. The percent "on" time or duty cycle provides the average voltage. The valve driver adjusts the duty cycle to obtain current control. We recommend valve drivers with current control for optimum performance. PWM signals also usually provide dither for the proportional valve. Dither is a

small back and forth movement of the valve spool around its set position. This rapid movement reduces the friction of the valve and leads to faster, more accurate response.

**PWM Frequency:** The frequency of a PWM signal is the rate at which the signal is turned on and off. Parker's analog proportional valves are designed to work with low frequency responses between 100-400 Hz. The performance curves on our catalog pages were performed with a PWM signal at 200 Hz.

**Hysteresis:** Due to various factors, the performance of a proportional valve will show a slightly different performance when the current signal is increasing than it will when the signal is being decreased. This difference is usually expressed as a percentage of total input change and is referred to as the hysteresis of the valve.

**Deadband:** Cracking or deadband refers to the amount of the control signal that is needed to produce any movement of the spool. Thus, a 20% deadband means that 20% of the control signal is needed before the spool will move.

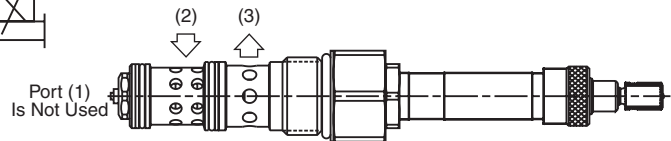
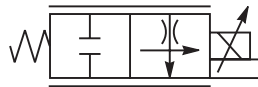
**PRODUCT TYPES / APPLICATIONS**

Proportional valves are nothing more than electrically adjustable hydraulic valves. They give the operator nearly infinite adjustment control and flexibility. Parker Hannifin offers various types of proportional flow control, pressure reducing, and relief valves.

**Proportional Flow Control Valve**

Proportional flow control valves provide pseudo pressure compensation and are used on systems requiring variable electronic control of flow. They allow the operator to vary the control signal to accelerate or decelerate an actuator. A compensator valve can be added to the circuit for enhanced compensation. Some typical applications would include the hoist control for a lift, or the speed control for a winch circuit. Parker offers both normally closed and normally open versions of proportional flow controls.

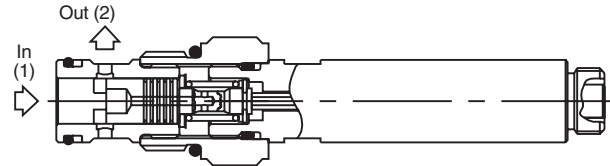
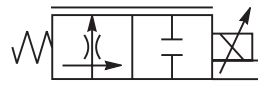
**Normally Closed Proportional Flow Control**



**OPERATION** - With the solenoid coil de-energized, the spool is held in a closed position by the spring force. When the solenoid coil is energized, the amperage of the signal moves the spool into an open position.

The spool is held in this position by a balance between spring force and electrical force. As the current increases, the spools opens further; allowing more flow. As the current decreases, the spool begins closing; allowing less flow. Pseudo compensation is obtained by the pressure drop across the orifices in the spool.

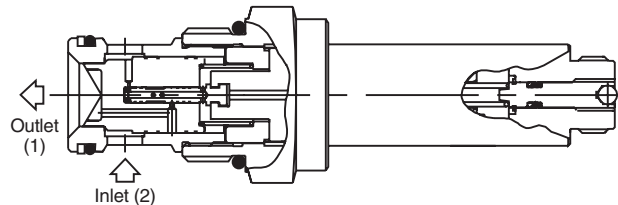
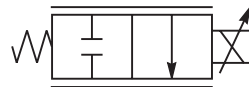
**Normally Open Proportional Flow Control**



**OPERATION** - With the solenoid coil de-energized, the spool is held in an open position by spring force; allowing full flow to pass. As the solenoid coil is energized, the spool begins to move away from a full open position;

allowing less flow to pass. Once a full electronic signal is given, the spool is held in a closed position; allowing no flow to pass. As the electronic signal is then reduced, the spool begins to open; allowing flow to pass again. Once a constant electronic signal is given, the spool is held in that position by a balance between electronic force and spring force. Pseudo compensation is obtained by the pressure drop across the orifices in the spool.

**Normally Closed Proportional Needle Valve**



The proportional needle valves are electronic controlled variable needle valves. They are designed specifically for bleed off or unloading circuits as back pressure will affect performance.

**OPERATION** - With the solenoid de-energized, the main poppet is held in the closed position by spring force. When the solenoid is energized, the sensing spool moves into a partially open position relative to the percentage of rated current flowing through the coil. This action allows the main poppet to move away from the valve seat to a degree that corresponds to sensing spool position. The valve will maintain a fixed amount of opening as long as the electrical current remains constant and will vary proportionally with an increase or decrease in current.

**CV**

Check Valves

**SH**

Shuttle Valves

**LM**

Load/Motor Controls

**FC**

Flow Controls

**PC**

Pressure Controls

**LE**

Logic Elements

**DC**

Directional Controls

**MV**

Manual Valves

**SV**

Solenoid Valves

**PV**

Proportional Valves

**CE**

Coils & Electronics

**BC**

Bodies & Cavities

**TD**

Technical Data

**Technical Tips**

**Proportional Control Valves**

**CV**

Check  
Valves

**SH**

Shuttle  
Valves

**LM**

Load/Motor  
Controls

**FC**

Flow  
Controls

**PC**

Pressure  
Controls

**LE**

Logic  
Elements

**DC**

Directional  
Controls

**MV**

Manual  
Valves

**SV**

Solenoid  
Valves

**PV**

Proportional  
Valves

**CE**

Coils &  
Electronics

**BC**

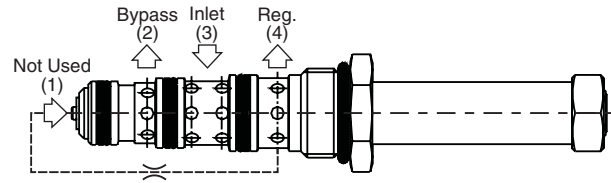
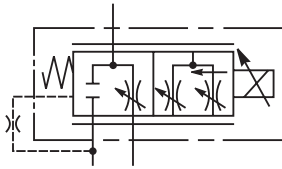
Bodies &  
Cavities

**TD**

Technical  
Data

**Proportional Priority Bypass Flow Control**

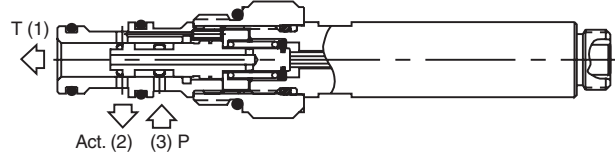
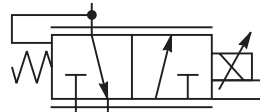
The proportional priority bypass flow controls allow electronic control of the flow setting for the priority flow circuit. The priority flow remains constant regardless of changes in load or pressure. The excess inlet flow is diverted or bypassed to tank. The bypass port must not have any restrictions or performance will be hindered.



**OPERATION** - Flow enters the valve through port 3. With the coil de-energized, flow is bypassed to port 2. When the coil is energized, the internal orifice is increased allowing pressure compensated flow to the priority port (port 4). The excess flow is bypassed to port 2. As input current is increased, the priority flow increases and the bypass flow decreases. As the current is decreased, priority flow decreases and bypass flow is increased.

**Direct Acting, Normally Closed Proportional Pressure Reducing Valve**

Direct acting, normally closed proportional pressure reducing valves are used to electronically reduce the inlet pressure to one leg of a hydraulic circuit. This valve is used when a fixed regulated pressure is required regardless of the inlet pressure. This valve could be used as a clutch control for power shift transmissions and PTO, or as a pilot control for directional control valves.



**OPERATION** - With the solenoid coil de-energized, the spool is held in a closed position by spring force. In this mode, the regulated pressure port is open to tank and the pressure inlet is blocked. As current is applied to the solenoid coil, the spool will begin to travel to a position where the pressure inlet port is connected to the regulated pressure port. At this point, reduced pressure becomes a function of the current signal. As long as the current signal is constant, the reduced pressure at the regulated pressure port will remain fixed regardless of any changes in inlet flow or inlet pressure. As the current signal increases or decreases, the reduced pressure at the regulated pressure port will change with respect to the changes in signal. Once the coil is fully energized, the reduced pressure of the regulated pressure port will be at the maximum reduced pressure for that valve.

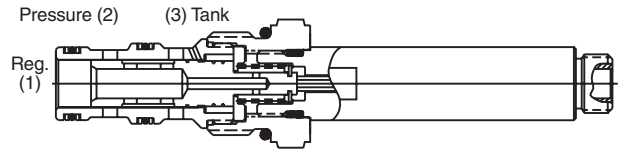
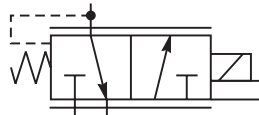
**Normally Closed Proportional Pressure Reducing / Relieving Valve**

Normally Closed Proportional Pressure Reducing/Relieving Valves are used to electronically reduce the inlet pressure to one leg of a hydraulic circuit. In addition these valves act as a relief valve, relieving any shocks or surges that occur between its regulating port and the actuator. Parker offers direct acting and pilot operated versions of this valve. The direct acting valves are faster responding and generally have lower hysteresis, but are limited to smaller reduced pressures (generally below 800 psi depending on the valve.) Pilot operated are generally slower on response due to the two stage performance, but can have a reduced pressure as high as 3000 psi.

**Direct Acting**

**OPERATION** - With the solenoid coil de-energized, the spool is held in a closed position by spring force.

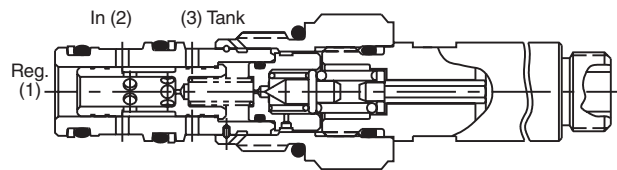
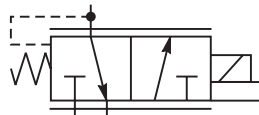
In this mode, the regulated pressure port is open to tank and the pressure inlet port is blocked. As an electronic signal is applied to the solenoid coil, the spool will begin to travel to a position where the pressure inlet port is connected to the regulated pressure port. At this point, reduced pressure becomes a function of the voltage signal. As long as the electronic signal is constant, the reduced pressure at the regulated pressure port will remain fixed regardless of any changes in inlet flow or inlet pressure. As the electronic signal increases or decreases, the reduced pressure at the regulated port will change with respect to the change in electronic signal. Once a full signal is given, the reduced pressure of the regulated pressure port will be at the maximum reduced pressure for that valve.



**Pilot Operated**

**OPERATION** - With the solenoid coil de-energized, the pilot dart is held open by the spring force. This allows the main spool to close and restricts flow from going from the inlet (2) port to the regulated port (1).

As the electronic signal is applied to the coil, the pilot dart is moved towards the pilot seat restricting pilot flow. This restriction raises the effective pressure inside the chamber between the spool and the pilot seat, allowing the spool to travel away from the pilot seat to a position where the pressure at inlet (2) is connected to the regulated pressure port (1). At this point, reduced pressure becomes a function of the electronic signal. As long as the electronic signal is constant, the reduced pressure at the regulated pressure port (2) will remain fixed regardless of any changes in inlet flow or inlet pressure. As the electronic signal increases or decreases, the reduced pressure at port (1) will change with respect to the change in the electronic signal.



**CV**

Check Valves

**SH**

Shuttle Valves

**LM**

Load/Motor Controls

**FC**

Flow Controls

**PC**

Pressure Controls

**LE**

Logic Elements

**DC**

Directional Controls

**MV**

Manual Valves

**SV**

Solenoid Valves

**PV**

Proportional Valves

**CE**

Coils & Electronics

**BC**

Bodies & Cavities

**TD**

Technical Data

**Technical Tips**

**Proportional Control Valves**

**CV**

Check Valves

**SH**

Shuttle Valves

**LM**

Load/Motor Controls

**FC**

Flow Controls

**PC**

Pressure Controls

**LE**

Logic Elements

**DC**

Directional Controls

**MV**

Manual Valves

**SV**

Solenoid Valves

**PV**

Proportional Valves

**CE**

Coils & Electronics

**BC**

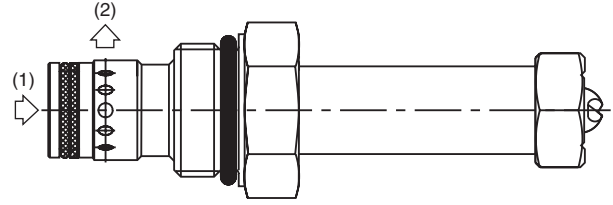
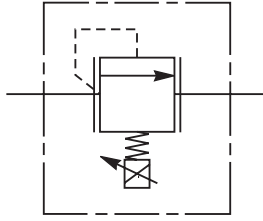
Bodies & Cavities

**TD**

Technical Data

**Normally Closed Proportional Relief Valve**

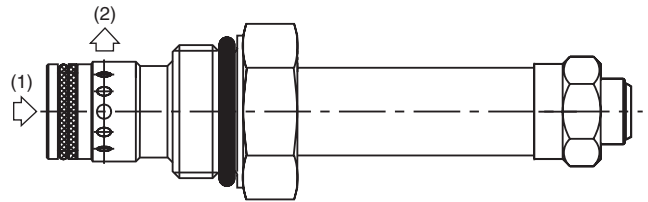
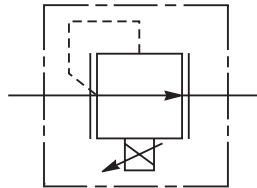
Normally closed proportional relief valves are used to electronically control the system pressure. These valves are ideal for circuits with varying system pressures demands. A small flow pilot version of the normally closed proportional relief is also offered for piloting a larger logic element or vented relief valve. The normally closed relief defaults to a maximum pressure setting (i.e. 3000 psi) when there is no current applied.



**OPERATION** - With the solenoid coil de-energized, the pilot dart is held closed by the spring. As current is applied to the coil, the pilot dart is moved creating less restriction of the pilot flow. As this restriction is reduced with the increasing current, the pressure setting also decreases. Once a constant electronic signal is given, the pilot dart is held in a given position, holding the pressure setting. This is maintained by the balance between the electronic spring force and the inlet pressure.

**Normally Open Proportional Relief Valve**

Normally open proportional relief valves are used to electronically control the system pressure. These valves are ideal for circuits with varying system pressure demands. A small flow pilot version of the normally open proportional relief is also offered for piloting a larger logic element or vented relief valve. The normally open relief defaults to minimum system pressure (i.e. 150 psi) when there is no current applied. Normally closed versions are also available upon request.



**OPERATION** - With the solenoid coil de-energized, the pilot dart is held open by the spring. This allows the main spool to open at minimum pressure 10.4 Bar (150 psi). As current is applied to the coil, the pilot dart is moved towards the pilot seat restricting pilot flow. This restriction raises the effective pressure setting of the valve. Once a constant electronic signal is given, the pilot dart is held in a given position, holding the pressure setting. This is maintained by a balance between electronic spring force and inlet pressure. As the electronic signal is reduced, the pilot dart is moved away from the pilot seat. This lowers the effective pressure setting of the valve.





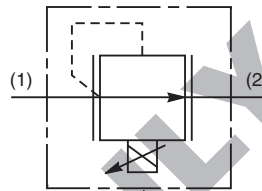
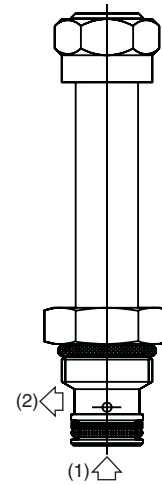
- CV** Check Valves
- SH** Shuttle Valves
- LM** Load/Motor Controls
- FC** Flow Controls
- PC** Pressure Controls
- LE** Logic Elements
- DC** Directional Controls
- MV** Manual Valves
- SV** Solenoid Valves
- PV** Proportional Valves
- CE** Coils & Electronics
- BC** Bodies & Cavities
- TD** Technical Data

**General Description**

Proportional Relief Valve. Increasing Pressure With Increasing Current. For additional information see Technical Tips on pages PV1-PV6.

**Features**

- Analog Proportional Relief Valve regulates pressure proportionally to the solenoid current
- Direct acting poppet design
- One piece cartridge housing ensures internal concentricity
- Coil: Waterproof, hermetically sealed, requires no O'Rings; Symmetrical coil can be reversed without affecting performance.



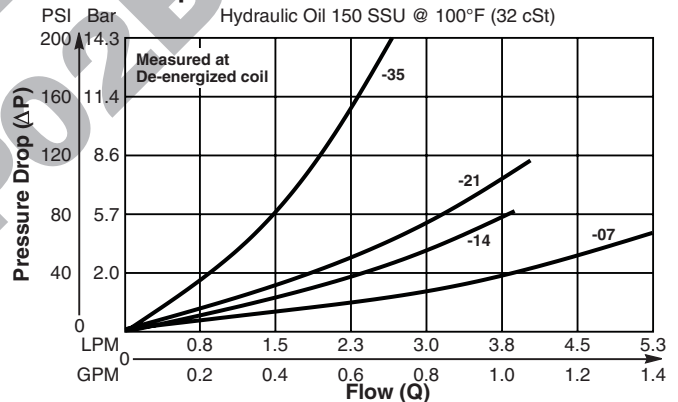
**Specifications**

<b>Rated Flow (At 70 PSI ΔP)</b>	<b>07C</b> 5.3 LPM (1.4 GPM) <b>14C</b> 3.4 LPM (0.9 GPM) <b>21C</b> 3.0 LPM (0.8 GPM) <b>35C</b> 1.3 LPM (.35 GPM)
<b>Max. Pressure At Port 1 @ 75% Input Current</b>	<b>07C</b> 70 Bar (1000 PSI) <b>14C</b> 140 Bar (2000 PSI) <b>21C</b> 210 Bar (3000 PSI) <b>35C</b> 350 Bar (5000 PSI)
<b>Hysteresis @ 200 Hz PWM</b>	5%
<b>Cracking Pressure</b>	<b>07C</b> .07 Bar (1 PSI) <b>14C</b> .14 Bar (2 PSI) <b>21C</b> .21 Bar (3 PSI) <b>35C</b> .35 Bar (4 PSI)
<b>Cartridge Material</b>	All parts steel. All operating parts hardened steel.
<b>Operating Temp. Range/Seals</b>	-34°C to +121°C (Nitrile) (-30°F to +250°F) -26°C to +204°C (Fluorocarbon) (-15°F to +400°F)
<b>Fluid Compatibility/ Viscosity</b>	Mineral-based or synthetic with lubricating properties at viscosities of 45 to 2000 SSU (6 to 420 cSt)
<b>Filtration</b>	ISO-4406 18/16/13, SAE Class 4
<b>Approx. Weight</b>	.06 kg (.14 lbs.)
<b>Cavity</b>	2G (See BC Section for more details)

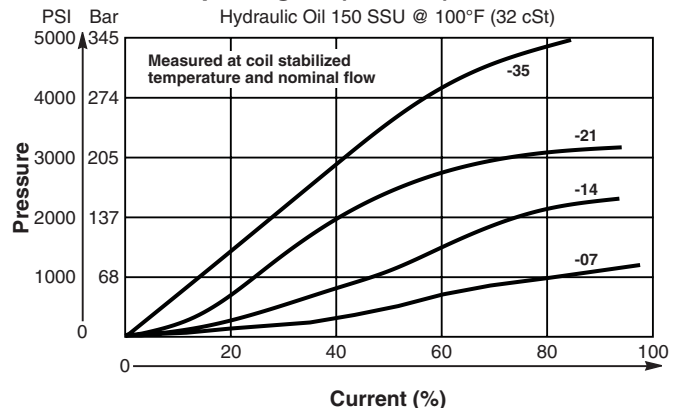
**Performance Curves**

▲ PWM Current Regulator Recommended

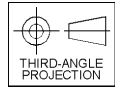
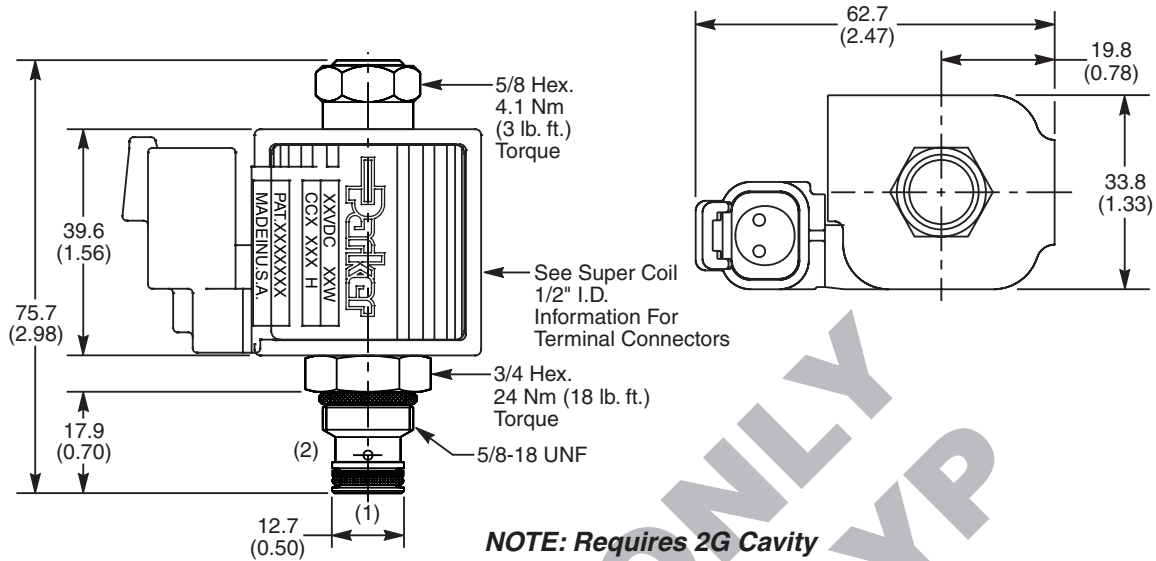
**Pressure Drop vs. Flow**



**Pressure vs. Input Signal (Current)**



**Dimensions** Millimeters (Inches)



**Ordering Information**

**AP01B2YP**

08 Size Proportional Relief Valve    Style    Seals    Coil Type    Coil Voltage    Coil Termination

Code	Style (Maximum Relief Pressure)
07C	70 Bar (1000 PSI)
14C	140 Bar (2000 PSI)
21C	210 Bar (3000 PSI)
35C	350 Bar (5000 PSI)

Code	Seals / Kit No.
N	Nitrile / Buna-N (Std.) (SK30129N-1)
V	Fluorocarbon / (SK30129V-1)
E	Ethylene Propylene

Code	Coil Type
Omit	Without Coil
SP	Super Coil - 19 Watts

Code	Coil Voltage
Omit	Without Coil
D012	12 VDC
D024	24 VDC

Code	Coil Termination
Omit	Without Coil
A	Amp Jr. Timer*
C	Conduit With Leads
D	DIN Plug Face
H	Molded Deutsch*
L	Dual Lead Wire*
PF	Packard Female*
PM	Packard Male*
S	Dual Spade*

Custom pressure setting available. Consult factory.

See Super Coil 1/2" I.D. \*DC Only

**Order Bodies Separately**

**LB10**

Line Body    Porting    Body Material

Code	Porting
324	1/4" SAE

Code	Body Material
A	Aluminum
S	Steel

- CV** Check Valves
- SH** Shuttle Valves
- LM** Load/Motor Controls
- FC** Flow Controls
- PC** Pressure Controls
- LE** Logic Elements
- DC** Directional Controls
- MV** Manual Valves
- SV** Solenoid Valves
- PV** Proportional Valves
- CE** Coils & Electronics
- BC** Bodies & Cavities
- TD** Technical Data

**CV**

Check Valves

**SH**

Shuttle Valves

**LM**

Load/Motor Controls

**FC**

Flow Controls

**PC**

Pressure Controls

**LE**

Logic Elements

**DC**

Directional Controls

**MV**

Manual Valves

**SV**

Solenoid Valves

**PV**

Proportional Valves

**CE**

Coils & Electronics

**BC**

Bodies & Cavities

**TD**

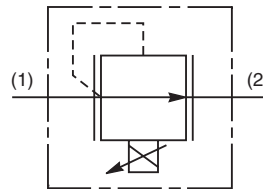
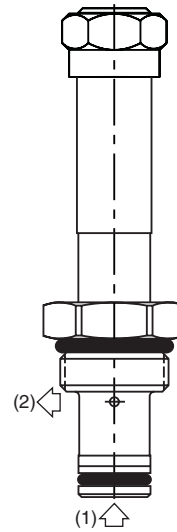
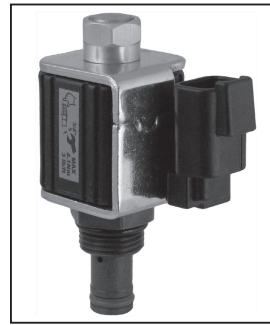
Technical Data

**General Description**

Proportional Relief Valve. Increasing Pressure With Increasing Current. For additional information see Technical Tips on pages PV1-PV6.

**Features**

- Analog Proportional Relief Valve regulates pressure proportionally to the solenoid current
- Direct acting poppet design
- One piece cartridge housing ensures internal concentricity
- Coil: Waterproof, hermetically sealed, requires no O’Rings; Symmetrical coil can be reversed without affecting performance.



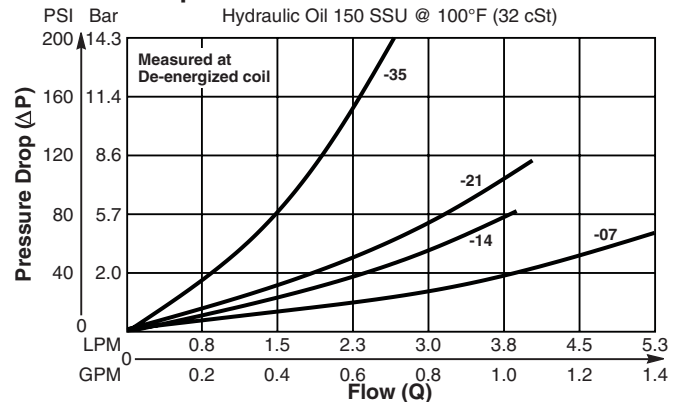
**Specifications**

<b>Rated Flow (At 70 PSI ΔP)</b>	<b>07C</b> 5.3 LPM (1.4 GPM) <b>14C</b> 3.4 LPM (0.9 GPM) <b>21C</b> 3.0 LPM (0.8 GPM) <b>35C</b> 1.3 LPM (.35 GPM)
<b>Max. Pressure At Port 1 @ 75% Input Current</b>	<b>07C</b> 70 Bar (1000 PSI) <b>14C</b> 140 Bar (2000 PSI) <b>21C</b> 210 Bar (3000 PSI) <b>35C</b> 350 Bar (5000 PSI)
<b>Hysteresis @ 200 Hz PWM</b>	5%
<b>Cracking Pressure</b>	<b>07C</b> .07 Bar (1 PSI) <b>14C</b> .14 Bar (2 PSI) <b>21C</b> .21 Bar (3 PSI) <b>35C</b> .35 Bar (4 PSI)
<b>Cartridge Material</b>	All parts steel. All operating parts hardened steel.
<b>Operating Temp. Range/Seals</b>	-34°C to +121°C (Nitrile) (-30°F to +250°F) -26°C to +204°C (Fluorocarbon) (-15°F to +400°F)
<b>Fluid Compatibility/ Viscosity</b>	Mineral-based or synthetic with lubricating properties at viscosities of 45 to 2000 SSU (6 to 420 cSt)
<b>Filtration</b>	ISO-4406 18/16/13, SAE Class 4
<b>Approx. Weight</b>	.06 kg (.14 lbs.)
<b>Cavity</b>	C08-2 (See BC Section for more details)

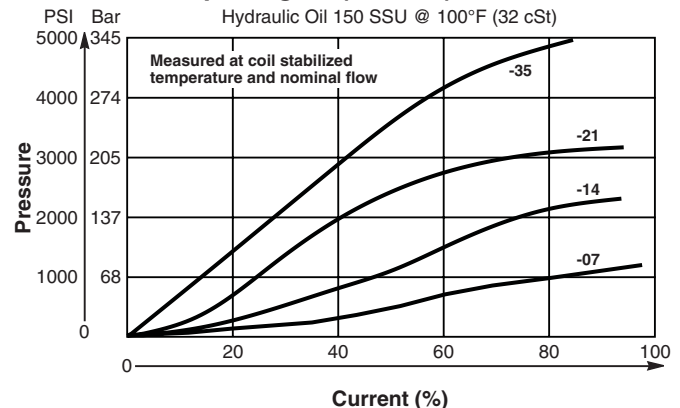
**Performance Curves**

▲ PWM Current Regulator Recommended

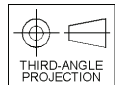
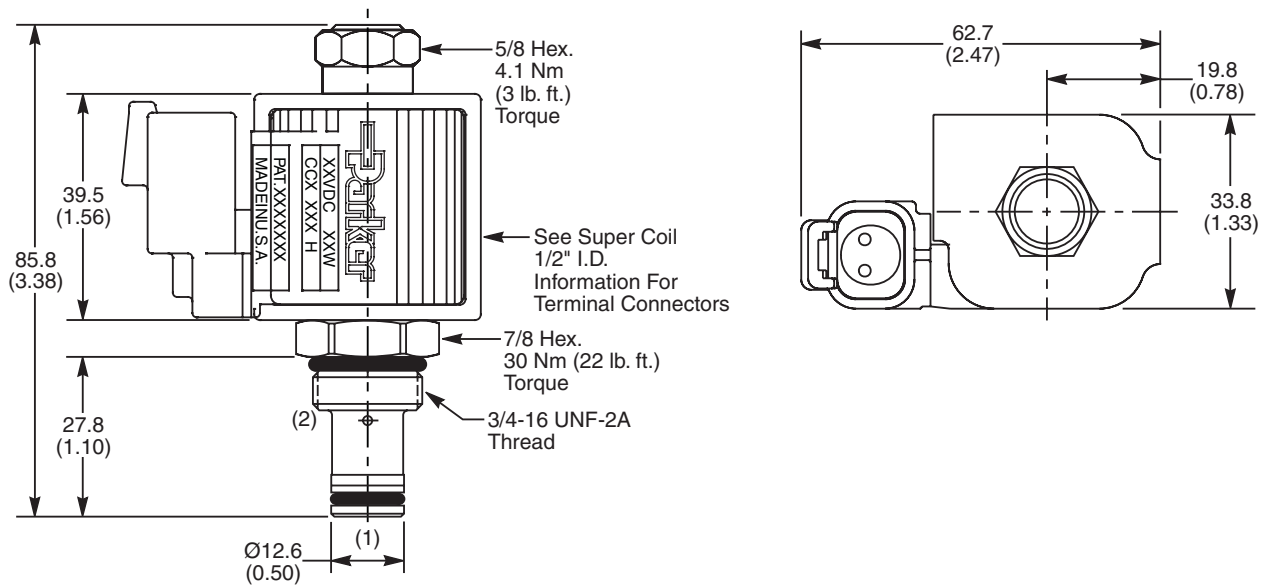
**Pressure Drop vs. Flow**



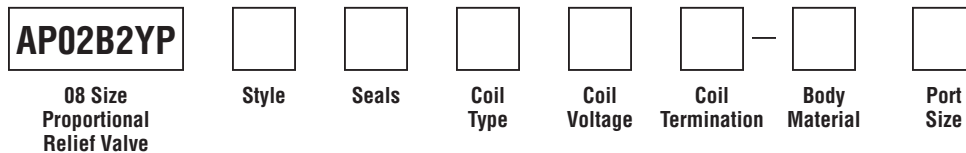
**Pressure vs. Input Signal (Current)**



**Dimensions** Millimeters (Inches)



**Ordering Information**



Code	Style (Maximum Relief Pressure)
<b>07C</b>	70 Bar (1000 PSI)
<b>14C</b>	140 Bar (2000 PSI)
<b>21C</b>	210 Bar (3000 PSI)
<b>35C</b>	350 Bar (5000 PSI)

Custom pressure setting available.  
 Consult factory.

Code	Seals / Kit No.
<b>Omit</b>	"D"-Ring / (SK08-2)
<b>N</b>	Nitrile / Buna-N (Std.) (SK08-2N)
<b>V</b>	Fluorocarbon / (SK08-2V)

Code	Coil Type
<b>Omit</b>	Without Coil
<b>SP</b>	Super Coil - 19 Watts

Code	Coil Voltage
<b>Omit</b>	Without Coil
<b>D012</b>	12 VDC
<b>D024</b>	24 VDC

Code	Coil Termination
<b>Omit</b>	Without Coil
<b>A</b>	Amp Jr. Timer*
<b>C</b>	Conduit With Leads
<b>D</b>	DIN Plug Face
<b>H</b>	Molded Deutsch*
<b>L</b>	Dual Lead Wire*
<b>PF</b>	Packard Female*
<b>PM</b>	Packard Male*
<b>S</b>	Dual Spade*

See Super Coil 1/2" I.D.  
 \*DC Only

Code	Body Material
<b>Omit</b>	Steel
<b>A</b>	Aluminum

Code	Port Size	Body Part No.
<b>Omit</b>		Cartridge Only
<b>4T</b>	SAE-4	(B08-2-*4T)
<b>6T</b>	SAE-6	(B08-2-*6T)

\* Add "A" for aluminum, omit for steel.

- CV** Check Valves
- SH** Shuttle Valves
- LM** Load/Motor Controls
- FC** Flow Controls
- PC** Pressure Controls
- LE** Logic Elements
- DC** Directional Controls
- MV** Manual Valves
- SV** Solenoid Valves
- PV** Proportional Valves
- CE** Coils & Electronics
- BC** Bodies & Cavities
- TD** Technical Data

**CV**

Check Valves

**SH**

Shuttle Valves

**LM**

Load/Motor Controls

**FC**

Flow Controls

**PC**

Pressure Controls

**LE**

Logic Elements

**DC**

Directional Controls

**MV**

Manual Valves

**SV**

Solenoid Valves

**PV**

Proportional Valves

**CE**

Coils & Electronics

**BC**

Bodies & Cavities

**TD**

Technical Data

**General Description**

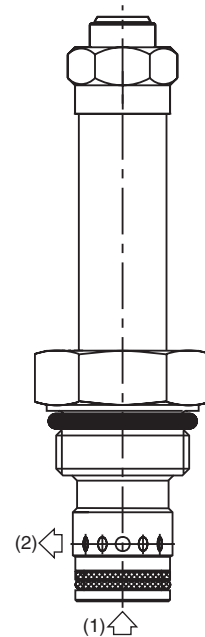
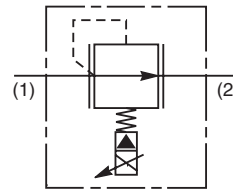
Proportional Relief Valve. Increasing Pressure With Increasing Current. For additional information see Technical Tips on pages PV1-PV6.

**Features**

- Pilot operated spool-type design fits industry common cavity (10-2)
- Relieving pressure output is proportional to DC current input
- Precise setting of factory preset pressure in energized mode
- One piece cartridge housing ensures internal concentricity
- Coil: Waterproof, hermetically sealed, requires no O’Rings; Symmetrical coil can be reversed without affecting performance.

**Specifications**

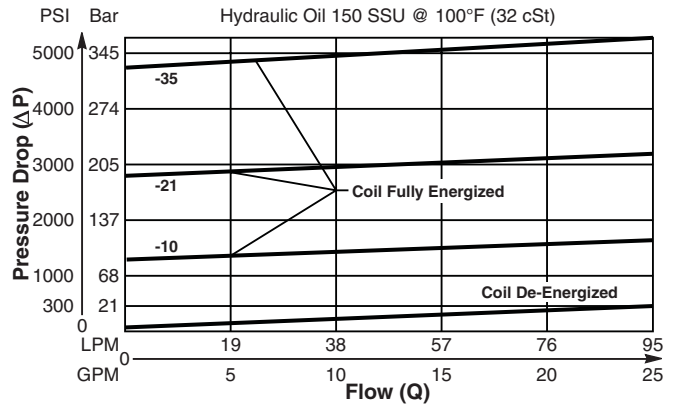
<b>Rated Flow (At 300 PSI ΔP) When Coil is Fully De-Energized</b>	95 LPM (25 GPM)	
<b>Factory Set Relief Pressure When Coil De-Energized Measured at 45 LPM (12 GPM)</b>	<b>10C</b>	103 Bar (1500 PSI)
	<b>21C</b>	210 Bar (3000 PSI)
	<b>35C</b>	350 Bar (5000 PSI)
<b>Hysteresis @ 250 Hz PWM</b>	< 7% of Maximum Pressure Setting	
<b>Response Time At 75% of Nominal Voltage Change (Measured To 90% of Press. Change)</b>	<b>To Unload</b>	10ms
	<b>To Load</b>	
	<b>10C</b>	45 ms
	<b>21C</b>	60 ms
	<b>35C</b>	80 ms
<b>Cartridge Material</b>	All parts steel. All operating parts hardened steel.	
<b>Operating Temp. Range/Seals</b>	-34°C to +121°C (Nitrile) (-30°F to +250°F) -26°C to +204°C (Fluorocarbon) (-15°F to +400°F)	
<b>Fluid Compatibility/ Viscosity</b>	Mineral-based or synthetic with lubricating properties at viscosities of 45 to 2000 SSU (6 to 420 cSt)	
<b>Filtration</b>	ISO-4406 18/16/13, SAE Class 4	
<b>Approx. Weight</b>	.14 kg (.31 lbs.)	
<b>Cavity</b>	C10-2 (See BC Section for more details)	



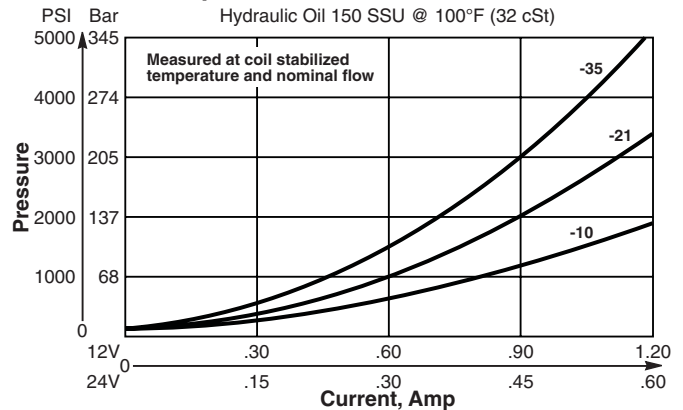
**Performance Curves**

▲ PWM Current Regulator Recommended

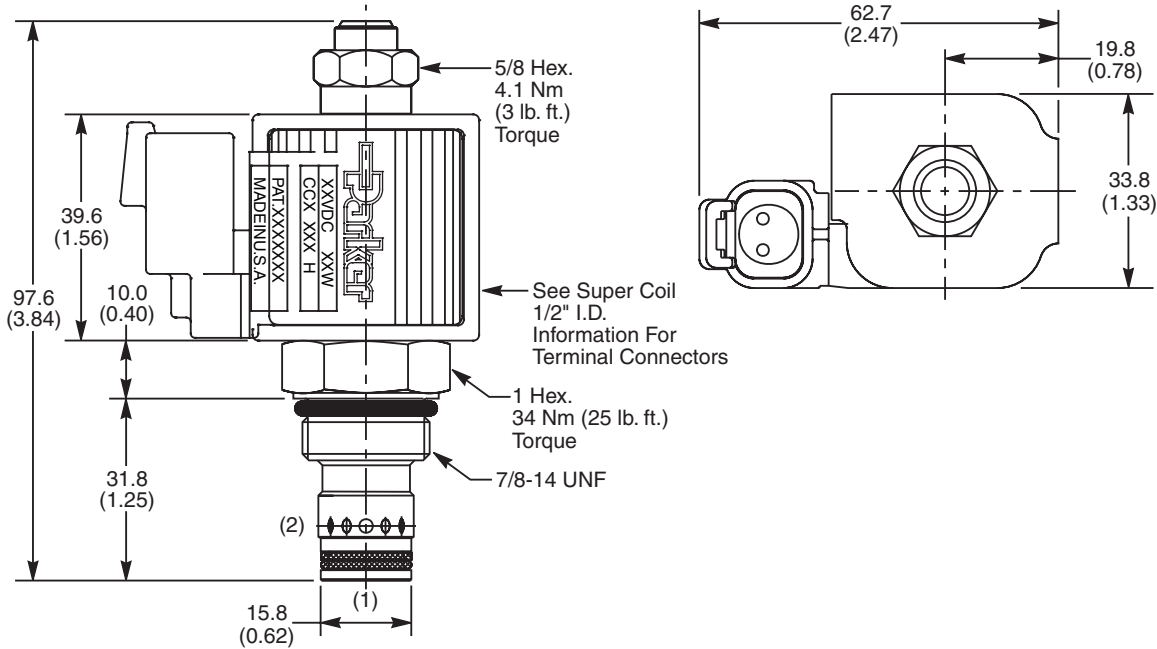
**Relief Performance**



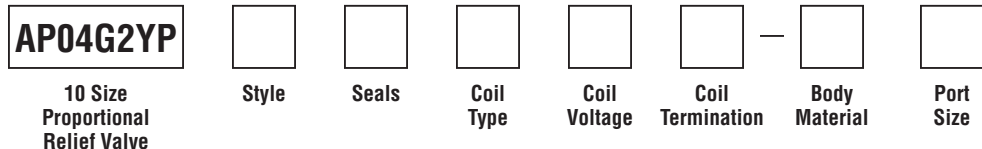
**Pressure vs. Input Current**



**Dimensions** Millimeters (Inches)



**Ordering Information**



Code	Style (Maximum Relief Pressure)
10C	104 Bar (1500 PSI)
21C	210 Bar (3000 PSI)
35C	350 Bar (5000 PSI)

Custom pressure setting available. Consult factory.

Code	Seals / Kit. No.
N	Nitrile / Buna-N (Std.) (SK30503N-1)
V	Fluorocarbon / (SK30503V-1)

Code	Coil Type
Omit	Without Coil
SP	Super Coil - 19 Watts

Code	Coil Voltage
Omit	Without Coil
D012	12 VDC
D024	24 VDC

Code	Coil Termination
Omit	Without Coil
A	Amp Jr. Timer*
C	Conduit With Leads
D	DIN Plug Face
H	Molded Deutsch*
L	Dual Lead Wire*
PF	Packard Female*
PM	Packard Male*
S	Dual Spade*

See Super Coil 1/2" I.D.  
 \*DC Only

Code	Body Material
Omit	Steel
A	Aluminum

Code	Port Size	Body Part No.
Omit	Cartridge Only	
6T	SAE-6	(B10-2-*6T)
8T	SAE-8	(B10-2-*8T)

\* Add "A" for aluminum, omit for steel.

- CV Check Valves
- SH Shuttle Valves
- LM Load/Motor Controls
- FC Flow Controls
- PC Pressure Controls
- LE Logic Elements
- DC Directional Controls
- MV Manual Valves
- SV Solenoid Valves
- PV Proportional Valves
- CE Coils & Electronics
- BC Bodies & Cavities
- TD Technical Data



**CV**

Check Valves

**SH**

Shuttle Valves

**LM**

Load/Motor Controls

**FC**

Flow Controls

**PC**

Pressure Controls

**LE**

Logic Elements

**DC**

Directional Controls

**MV**

Manual Valves

**SV**

Solenoid Valves

**PV**

Proportional Valves

**CE**

Coils & Electronics

**BC**

Bodies & Cavities

**TD**

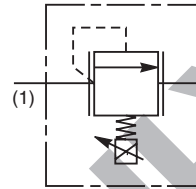
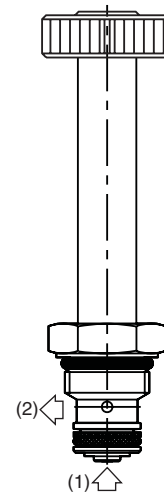
Technical Data

**General Description**

Proportional Relief Valve. Decreasing Pressure With Increasing Current. For additional information see Technical Tips on pages PV1-PV6.

**Features**

- Analog Proportional Relief Valve regulates pressure proportionally to the input solenoid current
- Direct acting poppet design
- One piece cartridge housing ensures internal concentricity
- Coil: Waterproof, hermetically sealed, requires no O’Rings; Symmetrical coil can be reversed without affecting performance.



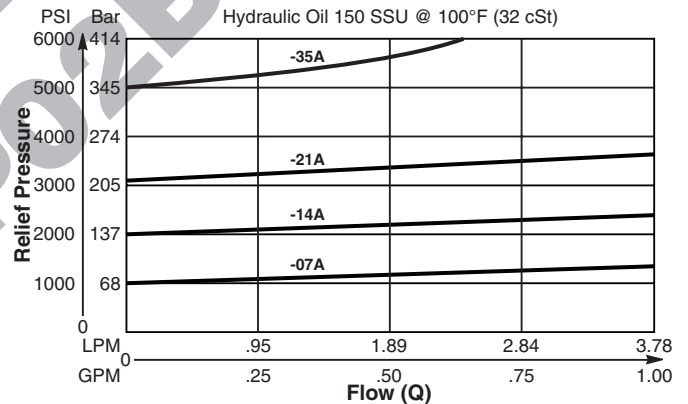
**Specifications**

<b>Rated Flow (At 70 PSI ΔP)</b>	<b>07A</b> 5.3 LPM (1.4 GPM) <b>14A</b> 3.4 LPM (0.9 GPM) <b>21A</b> 3.0 LPM (0.8 GPM) <b>35A</b> 1.9 LPM (0.5 GPM)
<b>Factory Set Relief Pressure When De-Energized (±5% -Std. ±2% - Low Variation)</b>	<b>07A</b> 70 Bar (1000 PSI) <b>14A</b> 140 Bar (2000 PSI) <b>21A</b> 210 Bar (3000 PSI) <b>35A</b> 350 Bar (5000 PSI)
<b>Hysteresis @ 200 Hz PWM</b>	< 10%
<b>Cartridge Material</b>	All parts steel. All operating parts hardened steel.
<b>Operating Temp. Range/Seals</b>	-34°C to +121°C (Nitrile) (-30°F to +250°F) -26°C to +204°C (Fluorocarbon) (-15°F to +400°F)
<b>Fluid Compatibility/ Viscosity</b>	Mineral-based or synthetic with lubricating properties at viscosities of 45 to 2000 SSU (6 to 420 cSt)
<b>Filtration</b>	ISO-4406 18/16/13, SAE Class 4
<b>Approx. Weight</b>	.09 kg (.19 lbs.)
<b>Cavity</b>	2G (See BC Section for more details)

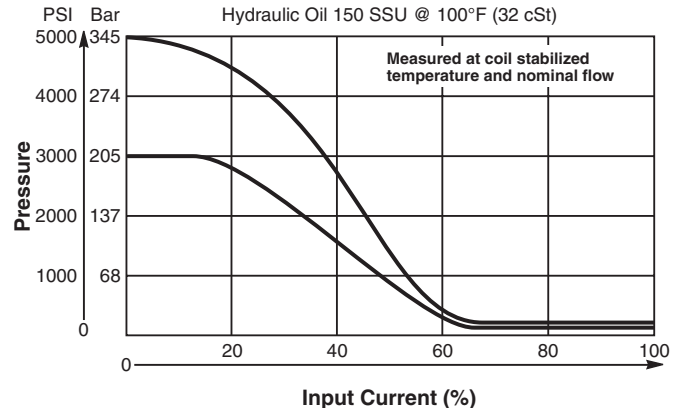
**Performance Curves**

▲ PWM Current Regulator Recommended

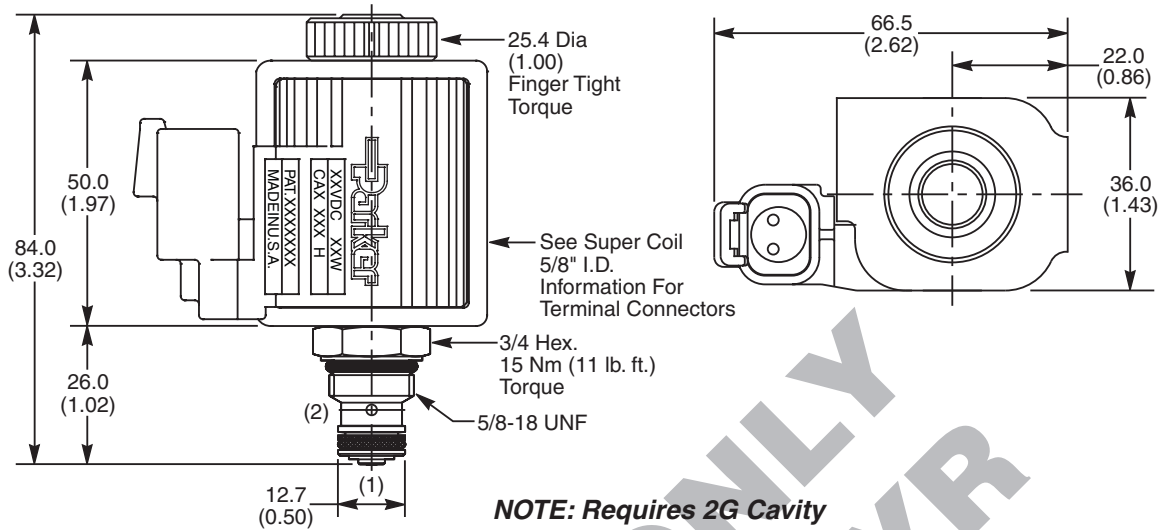
**Relief Performance**



**Pressure vs. Input Current**



**Dimensions** Millimeters (Inches)



**Ordering Information**

**AP01B2YR**

08 Size Proportional Relief Valve    Style    Seals    Low Variation Now Standard    Coil Type    Coil Voltage    Coil Termination

Code	Style (Maximum Relief Pressure)
07A	70 Bar (1000 PSI)
14A	140 Bar (2000 PSI)
21A	210 Bar (3000 PSI)
35A	350 Bar (5000 PSI)

Code	Seals / Kit. No.
N	Nitrile / Buna-N (Std.) (SK30129N-1)
V	Fluorocarbon / (SK30129V-1)
E	Ethylene Propylene

Code	Coil Type
Omit	Without Coil
SP	Super Coil - 28 Watts

Code	Coil Voltage
Omit	Without Coil
D012	12 VDC
D024	24 VDC

Code	Coil Termination
Omit	Without Coil
A	Amp Jr. Timer*
C	Conduit With Leads
D	DIN Plug Face
H	Molded Deutsch*
L	Dual Lead Wire*
PF	Packard Female*
PM	Packard Male*
S	Dual Spade*

Custom pressure setting available. Consult factory.

See Super Coil 5/8" I.D.  
 \*DC Only

**Order Bodies Separately**

**LB10**

Line Body    Porting    Body Material

Code	Porting
324	1/4" SAE

Code	Body Material
A	Aluminum
S	Steel

- CV** Check Valves
- SH** Shuttle Valves
- LM** Load/Motor Controls
- FC** Flow Controls
- PC** Pressure Controls
- LE** Logic Elements
- DC** Directional Controls
- MV** Manual Valves
- SV** Solenoid Valves
- PV** Proportional Valves
- CE** Coils & Electronics
- BC** Bodies & Cavities
- TD** Technical Data

**CV**

Check Valves

**SH**

Shuttle Valves

**LM**

Load/Motor Controls

**FC**

Flow Controls

**PC**

Pressure Controls

**LE**

Logic Elements

**DC**

Directional Controls

**MV**

Manual Valves

**SV**

Solenoid Valves

**PV**

Proportional Valves

**CE**

Coils & Electronics

**BC**

Bodies & Cavities

**TD**

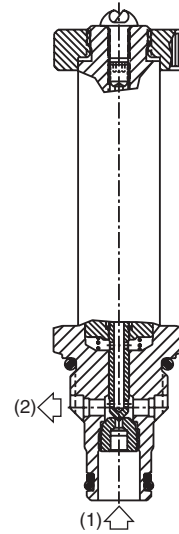
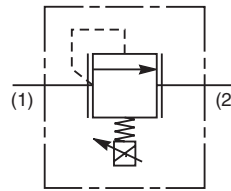
Technical Data

**General Description**

Proportional Relief Valve. Decreasing Pressure With Increasing Current. For additional information see Technical Tips on pages PV1-PV6.

**Features**

- Analog Proportional Relief Valve regulates pressure proportionally to the input solenoid current
- Direct acting poppet design
- One piece cartridge housing ensures internal concentricity
- Coil: Waterproof, hermetically sealed, requires no O’Rings; Symmetrical coil can be reversed without affecting performance.



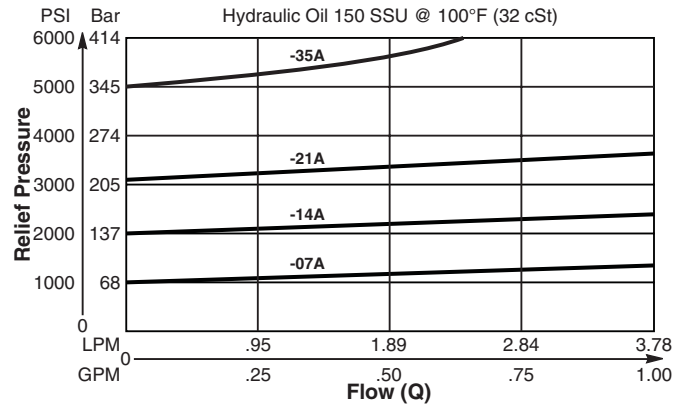
**Specifications**

<b>Rated Flow (At 70 PSI ΔP)</b>	<b>07A</b> 5.3 LPM (1.4 GPM) <b>14A</b> 3.4 LPM (0.9 GPM) <b>21A</b> 3.0 LPM (0.8 GPM) <b>35A</b> 1.9 LPM (0.5 GPM)
<b>Factory Set Relief Pressure When De-Energized (±5% -Std. ±2% - Low Variation)</b>	<b>07A</b> 70 Bar (1000 PSI) <b>14A</b> 140 Bar (2000 PSI) <b>21A</b> 210 Bar (3000 PSI) <b>35A</b> 350 Bar (5000 PSI)
<b>Hysteresis @ 200 Hz PWM</b>	< 10%
<b>Cartridge Material</b>	All parts steel. All operating parts hardened steel.
<b>Operating Temp. Range/Seals</b>	-34°C to +121°C (Nitrile) (-30°F to +250°F) -26°C to +204°C (Fluorocarbon) (-15°F to +400°F)
<b>Fluid Compatibility/ Viscosity</b>	Mineral-based or synthetic with lubricating properties at viscosities of 45 to 2000 SSU (6 to 420 cSt)
<b>Filtration</b>	ISO-4406 18/16/13, SAE Class 4
<b>Approx. Weight</b>	.09 kg (.19 lbs.)
<b>Cavity</b>	C08-2 (See BC Section for more details)

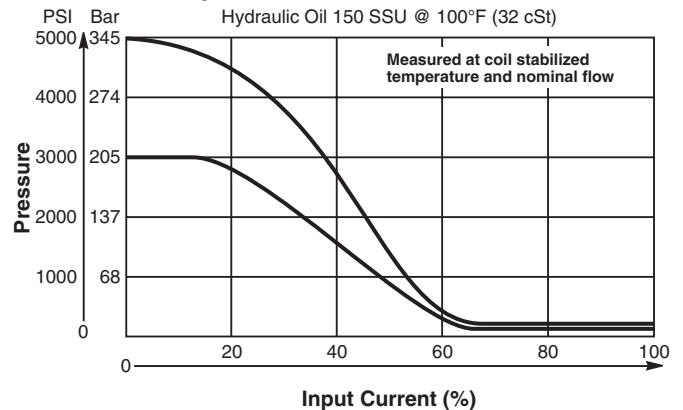
**Performance Curves**

▲ PWM Current Regulator Recommended

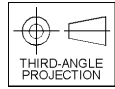
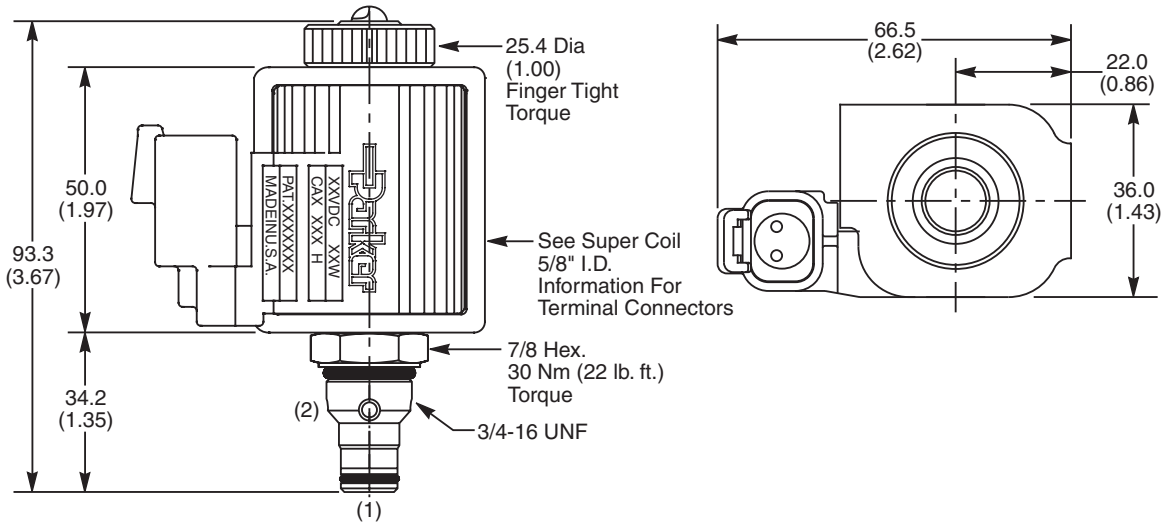
**Relief Performance**



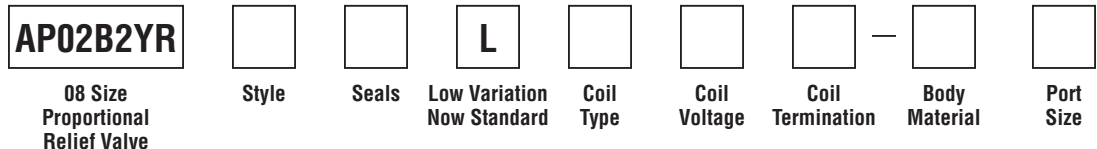
**Pressure vs. Input Current**



**Dimensions** Millimeters (Inches)



**Ordering Information**



Code	Style (Maximum Relief Pressure)
07A	70 Bar (1000 PSI)
14A	140 Bar (2000 PSI)
21A	210 Bar (3000 PSI)
35A	350 Bar (5000 PSI)

Custom pressure setting available. Consult factory.

Code	Seals / Kit. No.
Omit	"D"-Ring / (SK08-2)
N	Nitrile / Buna-N (Std.) (SK08-2N)
V	Fluorocarbon / (SK08-2V)

Code	Coil Type
Omit	Without Coil
SP	Super Coil - 28 Watts

Code	Coil Voltage
Omit	Without Coil
D012	12 VDC
D024	24 VDC

Code	Coil Termination
Omit	Without Coil
A	Amp Jr. Timer*
C	Conduit With Leads
D	DIN Plug Face
H	Molded Deutsch*
L	Dual Lead Wire*
PF	Packard Female*
PM	Packard Male*
S	Dual Spade*

See Super Coil 5/8" I.D. \*DC Only

Code	Body Material
Omit	Steel
A	Aluminum

Code	Port Size	Body Part No.
Omit		Cartridge Only
4T	SAE-4	(B08-2-*4T)
6T	SAE-6	(B08-2-*6T)

\* Add "A" for aluminum, omit for steel.

- CV** Check Valves
- SH** Shuttle Valves
- LM** Load/Motor Controls
- FC** Flow Controls
- PC** Pressure Controls
- LE** Logic Elements
- DC** Directional Controls
- MV** Manual Valves
- SV** Solenoid Valves
- PV** Proportional Valves
- CE** Coils & Electronics
- BC** Bodies & Cavities
- TD** Technical Data

**Technical Information**

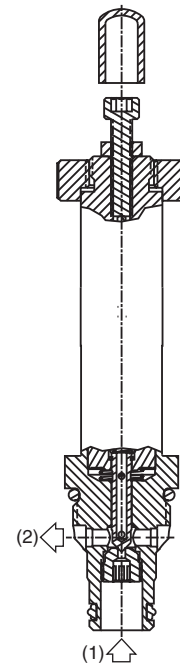
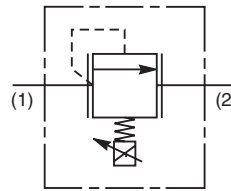
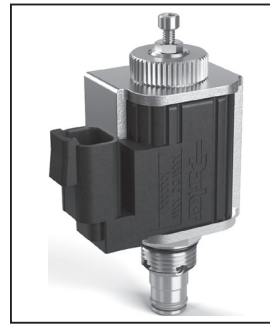
- CV** Check Valves
- SH** Shuttle Valves
- LM** Load/Motor Controls
- FC** Flow Controls
- PC** Pressure Controls
- LE** Logic Elements
- DC** Directional Controls
- MV** Manual Valves
- SV** Solenoid Valves
- PV** Proportional Valves
- CE** Coils & Electronics
- BC** Bodies & Cavities
- TD** Technical Data

**General Description**

Proportional Relief Valve. Decreasing Pressure With Increasing Current. For additional information see Technical Tips on pages PV1-PV6.

**Features**

- Analog Proportional Relief Valve regulates pressure proportionally to the input solenoid current
- Direct acting poppet design
- One piece cartridge housing ensures internal concentricity
- Coil: Waterproof, hermetically sealed, requires no O’Rings; Symmetrical coil can be reversed without affecting performance
- Factory set at maximum of pressure range allows for field adjustment of pressure
- Best used as a pressure control for piloting logic elements



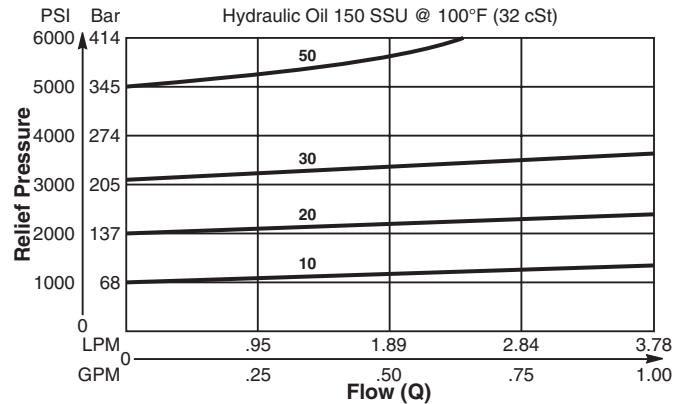
**Specifications**

<b>Rated Flow (At 70 PSI ΔP)</b>	1.14 LPM (0.3 GPM)								
<b>Recommended Pressure Adjust. Range</b>	<table border="0"> <tr> <td><b>10</b></td> <td>28-70 Bar (400-1000 PSI)</td> </tr> <tr> <td><b>20</b></td> <td>70-140 Bar (1000-2000 PSI)</td> </tr> <tr> <td><b>30</b></td> <td>140-210 Bar (2000-3000 PSI)</td> </tr> <tr> <td><b>50</b></td> <td>210-350 Bar (3000-5000 PSI)</td> </tr> </table>	<b>10</b>	28-70 Bar (400-1000 PSI)	<b>20</b>	70-140 Bar (1000-2000 PSI)	<b>30</b>	140-210 Bar (2000-3000 PSI)	<b>50</b>	210-350 Bar (3000-5000 PSI)
<b>10</b>	28-70 Bar (400-1000 PSI)								
<b>20</b>	70-140 Bar (1000-2000 PSI)								
<b>30</b>	140-210 Bar (2000-3000 PSI)								
<b>50</b>	210-350 Bar (3000-5000 PSI)								
<b>Factory Set At Maximum of Range When De-energized (±5%)</b>									
<b>Hysteresis @ 250 Hz PWM</b>	< 10%								
<b>Cartridge Material</b>	All parts steel. All operating parts hardened steel.								
<b>Operating Temp. Range/Seals</b>	-45°C to +132°C (“D”-Ring) (-50°F to +270°F) -34°C to +121°C (Nitrile) (-30°F to +250°F) -26°C to +204°C (Fluorocarbon) (-15°F to +400°F)								
<b>Fluid Compatibility/ Viscosity</b>	Mineral-based or synthetic with lubricating properties at viscosities of 45 to 2000 SSU (6 to 420 cSt)								
<b>Filtration</b>	ISO-4406 18/16/13, SAE Class 4								
<b>Approx. Weight</b>	.09 kg (.19 lbs.)								
<b>Cavity</b>	C08-2 (See BC Section for more details)								

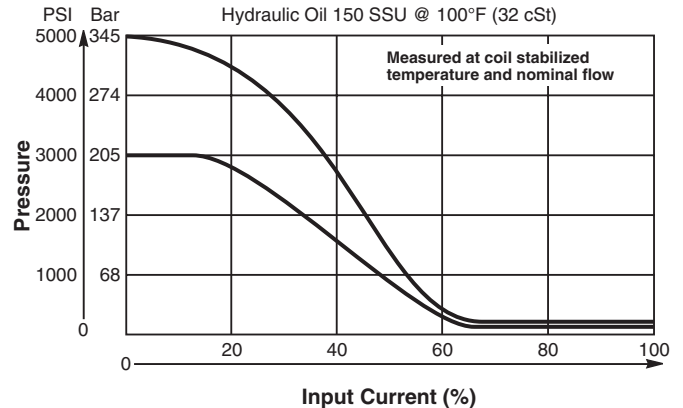
**Performance Curves**

▲ PWM Current Regulator Recommended

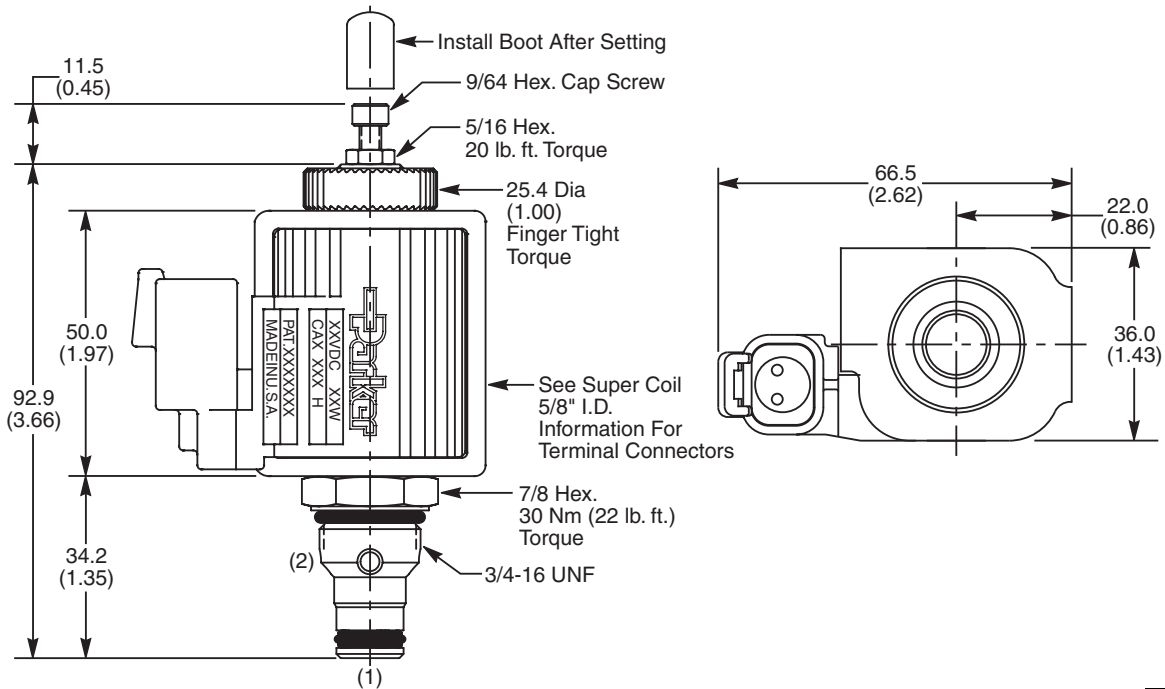
**Relief Performance**



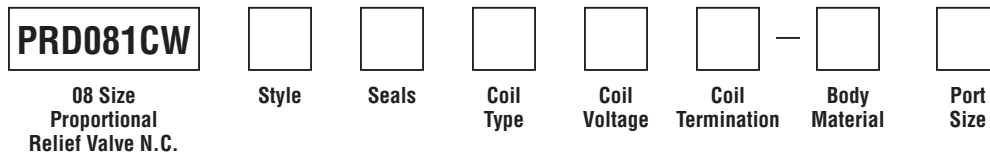
**Pressure vs. Input Current**



**Dimensions** Millimeters (Inches)



**Ordering Information**



Code	Style (Maximum Relief Pressure)
10	70 Bar (1000 PSI)
20	140 Bar (2000 PSI)
30	210 Bar (3000 PSI)
50	350 Bar (5000 PSI)

Factory set at pressure indicated.

Code	Seals / Kit. No.
Omit	"D"-Ring / (SK08-2)
N	Nitrile / Buna-N (Std.) (SK08-2N)
V	Fluorocarbon / (SK08-2V)

Code	Coil Type
Omit	Without Coil
SP	Super Coil - 28 Watts

Code	Coil Voltage
Omit	Without Coil
D012	12 VDC
D024	24 VDC

Code	Coil Termination
Omit	Without Coil
A	Amp Jr. Timer*
C	Conduit With Leads
D	DIN Plug Face
H	Molded Deutsch*
L	Dual Lead Wire*
PF	Packard Female*
PM	Packard Male*
S	Dual Spade*

See Super Coil 5/8" I.D.  
 \*DC Only

Code	Body Material
Omit	Steel
A	Aluminum

Code	Port Size	Body Part No.
Omit		Cartridge Only
4T	SAE-4	(B08-2-*4T)
6T	SAE-6	(B08-2-*6T)

\* Add "A" for aluminum, omit for steel.

**CV**

Check Valves

**SH**

Shuttle Valves

**LM**

Load/Motor Controls

**FC**

Flow Controls

**PC**

Pressure Controls

**LE**

Logic Elements

**DC**

Directional Controls

**MV**

Manual Valves

**SV**

Solenoid Valves

**PV**

Proportional Valves

**CE**

Coils & Electronics

**BC**

Bodies & Cavities

**TD**

Technical Data

**Technical Information**

- CV** Check Valves
- SH** Shuttle Valves
- LM** Load/Motor Controls
- FC** Flow Controls
- PC** Pressure Controls
- LE** Logic Elements
- DC** Directional Controls
- MV** Manual Valves
- SV** Solenoid Valves
- PV** Proportional Valves
- CE** Coils & Electronics
- BC** Bodies & Cavities
- TD** Technical Data

**General Description**

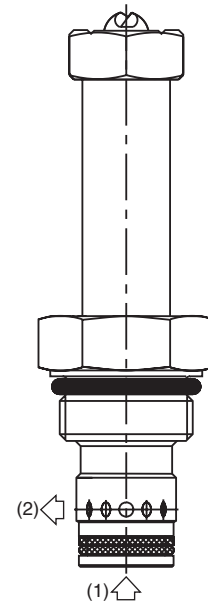
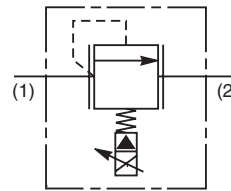
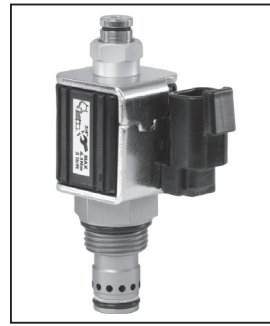
Proportional Relief Valve. Decreasing Pressure With Increasing Current. For additional information see Technical Tips on pages PV1-PV6.

**Features**

- Pilot operated spool-type design
- Precise setting of factory preset pressure in de-energized mode
- One piece cartridge housing ensures internal concentricity
- Coil: Waterproof, hermetically sealed, requires no O'Rings; Symmetrical coil can be reversed without affecting performance.

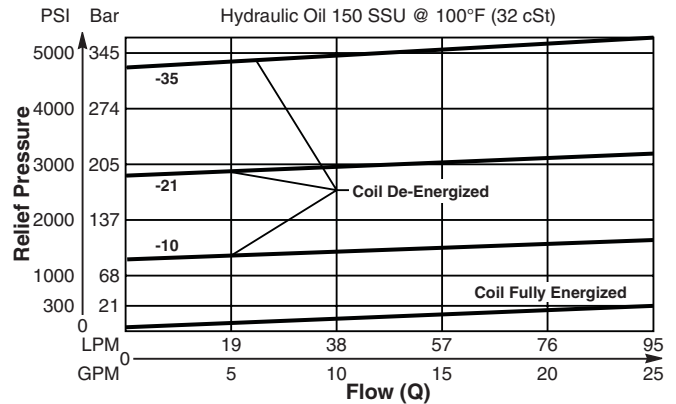
**Specifications**

<b>Rated Flow (At 300 PSI ΔP) When Coil is Fully Energized</b>	95 LPM (25 GPM)
<b>Factory Set Relief Pressure When Coil De-Energized Measured at 45 LPM (12 GPM)</b>	<b>10C</b> 103 Bar (1500 PSI) <b>21C</b> 210 Bar (3000 PSI) <b>35C</b> 350 Bar (5000 PSI)
<b>Hysteresis @ 250 Hz PWM</b>	< 7% of Maximum Pressure Setting
<b>Response Time At 75% of Nominal Voltage Change (Measured To 90% of Press. Change)</b>	<b>To Unload</b> 45ms <b>To Load</b> 25ms
<b>Cartridge Material</b>	All parts steel. All operating parts hardened steel.
<b>Operating Temp. Range/Seals</b>	-34°C to +121°C (Nitrile) (-30°F to +250°F) -26°C to +204°C (Fluorocarbon) (-15°F to +400°F)
<b>Fluid Compatibility/ Viscosity</b>	Mineral-based or synthetic with lubricating properties at viscosities of 45 to 2000 SSU (6 to 420 cSt)
<b>Filtration</b>	ISO-4406 18/16/13, SAE Class 4
<b>Approx. Weight</b>	.14 kg (.30 lbs.)
<b>Cavity</b>	C10-2 (See BC Section for more details)

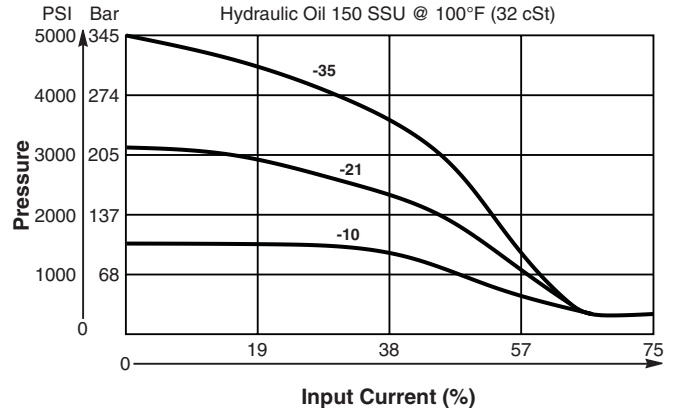


**Performance Curves**

▲ PWM Current Regulator Recommended  
**Relief Performance**

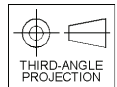
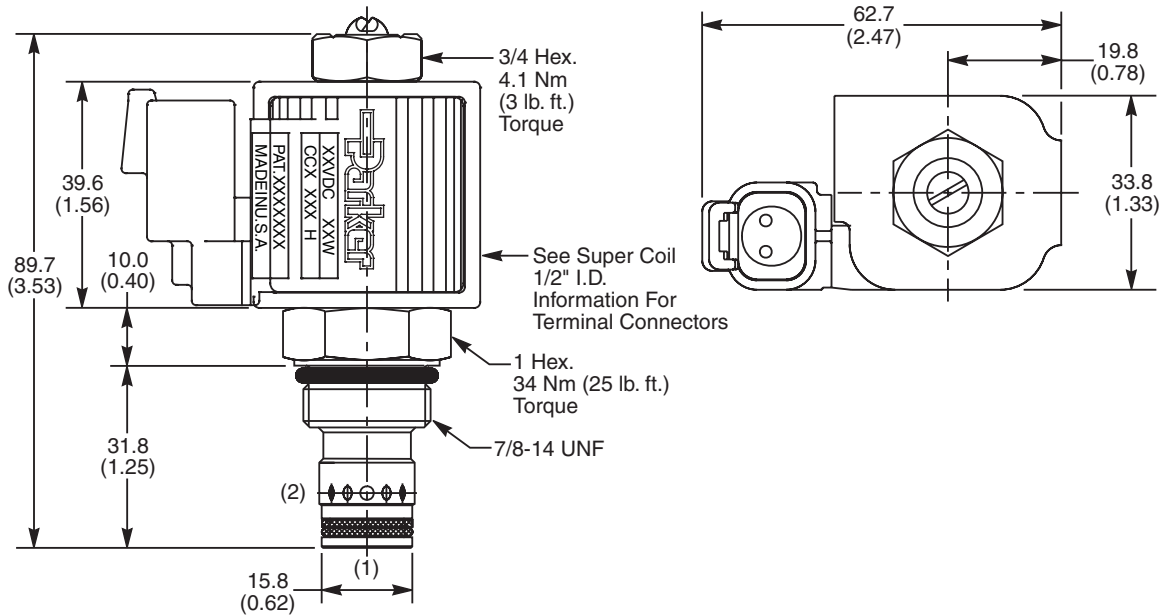


**Pressure vs. Input Current**

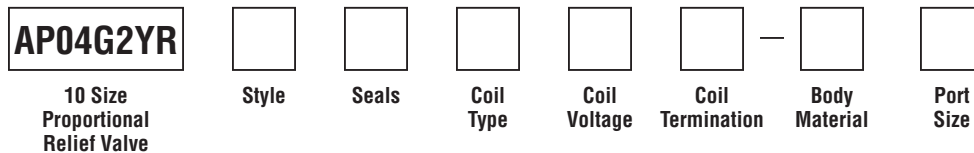




**Dimensions** Millimeters (Inches)



**Ordering Information**



Code	Style (Maximum Relief Pressure)
10C	104 Bar (1500 PSI)
21C	210 Bar (3000 PSI)
35C	350 Bar (5000 PSI)

*Custom pressure setting available. Consult factory.*

Code	Seals / Kit. No.
N	Nitrile / Buna-N (Std.) (SK30503N-1)
V	Fluorocarbon / (SK30503V-1)

Code	Coil Type
Omit	Without Coil
SP	Super Coil - 19 Watts

Code	Coil Voltage
Omit	Without Coil
D012	12 VDC
D024	24 VDC

Code	Coil Termination
Omit	Without Coil
A	Amp Jr. Timer*
C	Conduit With Leads
D	DIN Plug Face
H	Molded Deutsch*
L	Dual Lead Wire*
PF	Packard Female*
PM	Packard Male*
S	Dual Spade*

*See Super Coil 1/2" I.D. \*DC Only*

Code	Body Material
Omit	Steel
A	Aluminum

Code	Port Size	Body Part No.
Omit		Cartridge Only
6T	SAE-6	(B10-2-*6T)
8T	SAE-8	(B10-2-*8T)

*\* Add "A" for aluminum, omit for steel.*

- CV Check Valves
- SH Shuttle Valves
- LM Load/Motor Controls
- FC Flow Controls
- PC Pressure Controls
- LE Logic Elements
- DC Directional Controls
- MV Manual Valves
- SV Solenoid Valves
- PV Proportional Valves
- CE Coils & Electronics
- BC Bodies & Cavities
- TD Technical Data

**Technical Information**

- CV** Check Valves
- SH** Shuttle Valves
- LM** Load/Motor Controls
- FC** Flow Controls
- PC** Pressure Controls
- LE** Logic Elements
- DC** Directional Controls
- MV** Manual Valves
- SV** Solenoid Valves
- PV** Proportional Valves
- CE** Coils & Electronics
- BC** Bodies & Cavities
- TD** Technical Data

**General Description**

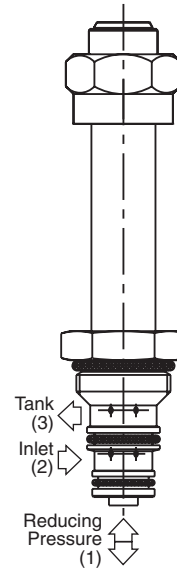
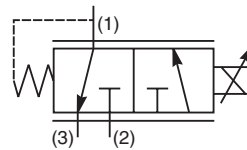
3 Way, 2 Position, Proportional Pressure Reducing Valve. Bottom Cylinder Port. For additional information see Technical Tips on pages PV1-PV6.

**Features**

- Designed for pilot control of directional valves
- Low Hysteresis
- One piece cartridge housing ensures internal concentricity
- Coil: Waterproof, hermetically sealed, requires no O’Rings; Symmetrical coil can be reversed without affecting performance.

**Specifications**

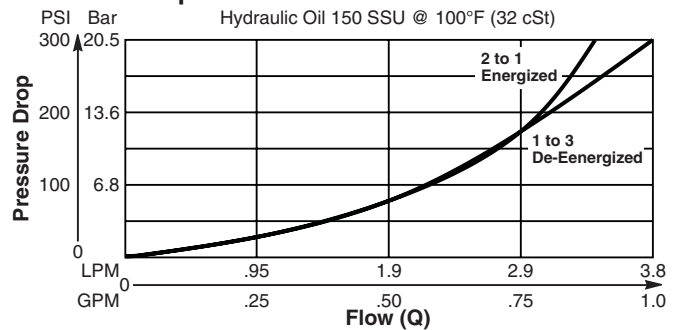
<b>Rated Flow (At 70 PSI ΔP)</b>	1.9 LPM (0.5 GPM)
<b>Max. Regulated Pressure @ 75% Current</b>	<b>Standard</b> 17 Bar (250 PSI) <b>High Pressure</b> 22 Bar (320 PSI)
<b>Max. Input Press. At Port 1</b>	210 Bar (3000 PSI)
<b>Max. Tank Press.</b>	30 Bar (440 PSI)
<b>Max. Drainage Flow In Regulating Zone</b>	5 cc/min. When De-Energized 200 cc/min. In Regulating Zone At 68 Bar (1000 PSI) Input Pressure
<b>Hysteresis @ 120 Hz PWM</b>	2%
<b>Dead End Response Time</b>	t on = 30 ms t off = 10 ms At Step Signal 0 To 75% of Nominal Voltage
<b>Cartridge Material</b>	All parts steel. All operating parts hardened steel.
<b>Operating Temp. Range/Seals</b>	-34°C to +121°C (Nitrile) (-30°F to +250°F) -26°C to +204°C (Fluorocarbon) (-15°F to +400°F)
<b>Fluid Compatibility/Viscosity</b>	Mineral-based or synthetic with lubricating properties at viscosities of 45 to 2000 SSU (6 to 420 cSt)
<b>Filtration</b>	ISO-4406 18/16/13, SAE Class 4
<b>Approx. Weight</b>	.08 kg (.17 lbs.)
<b>Cavity</b>	54-1 (See BC Section for more details)



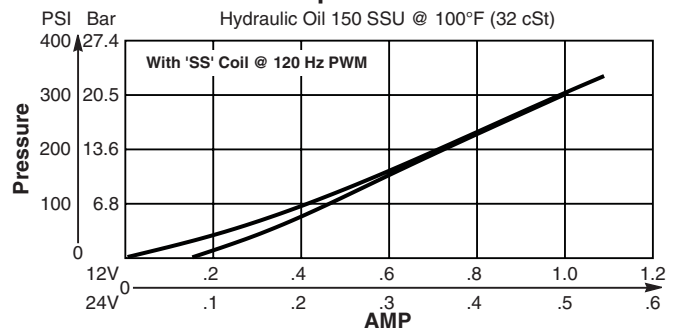
**Performance Curves**

▲ PWM Current Regulator Recommended

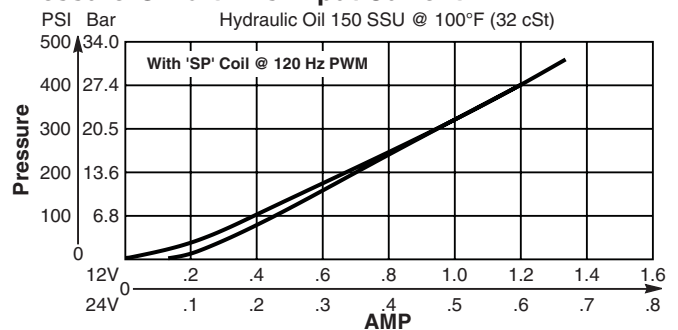
**Pressure Drop vs. Flow**



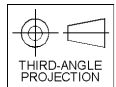
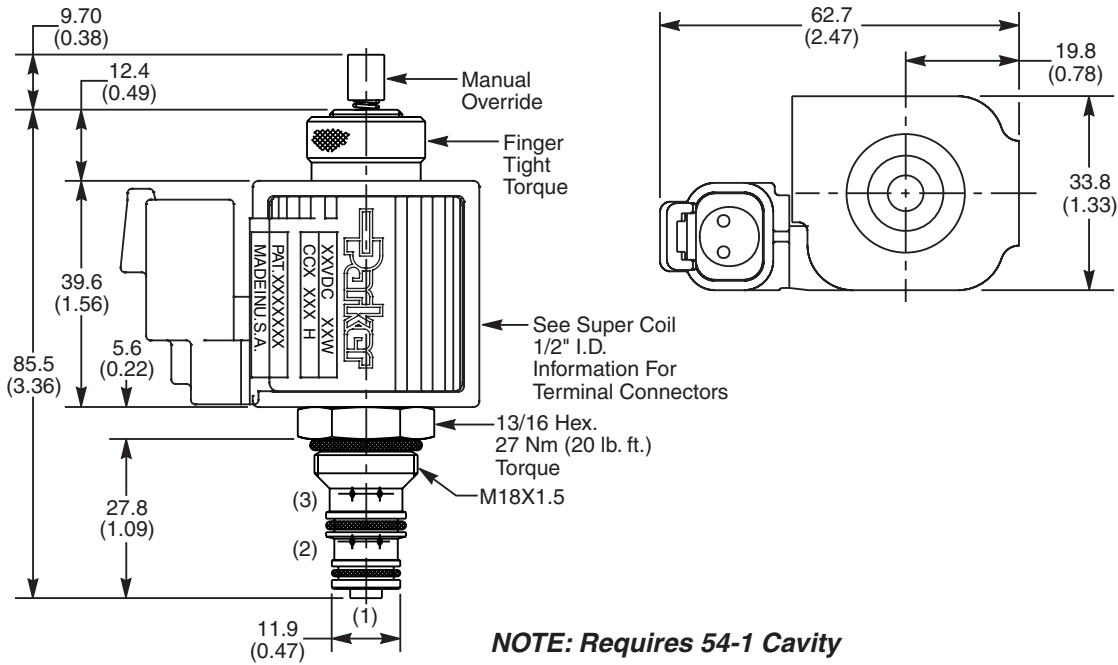
**Pressure @ Port 1 vs. Input Current**



**Pressure @ Port 1 vs. Input Current**



**Dimensions** Millimeters (Inches)



**Ordering Information**

<b>GP01</b>	<b>30</b>						
08 Size Proportional Valve	Style	Override Option	Filter Screen	Seals	Coil Type	Coil Voltage	Coil Termination

Code	Style
30	Standard ('SS' Coil)
30	High Pressure ('SP' Coil)

Code	Filter Screen
Omit	Not Required
F	60 Mesh Screen on Inlet Port

Code	Coil Type
Omit	Without Coil
SS	Super Coil - 14 Watts
SP	Super Coil - 19 Watts

Code	Coil Termination
Omit	Without Coil
A	Amp Jr. Timer*
C	Conduit With Leads
D	DIN Plug Face
H	Molded Deutsch*
L	Dual Lead Wire*
PF	Packard Female*
PM	Packard Male*
S	Dual Spade*

Code	Override Option
Omit	If No M.O.
1	Manual Override

Code	Seals / Kit No.
N	Nitrile / Buna-N (Std.) (SK30122N-1)
V	Fluorocarbon / (SK30122V-1)

Code	Coil Voltage
Omit	Without Coil
D012	12 VDC
D024	24 VDC

See Super Coil 1/2" I.D.  
 \*DC Only

**Order Bodies Separately**

<b>LB10</b>		
Line Body	Porting	Body Material

Code	Porting
591	1/4" SAE

Code	Body Material
A	Aluminum
S	Steel

- CV** Check Valves
- SH** Shuttle Valves
- LM** Load/Motor Controls
- FC** Flow Controls
- PC** Pressure Controls
- LE** Logic Elements
- DC** Directional Controls
- MV** Manual Valves
- SV** Solenoid Valves
- PV** Proportional Valves
- CE** Coils & Electronics
- BC** Bodies & Cavities
- TD** Technical Data

**Technical Information**

- CV** Check Valves
- SH** Shuttle Valves
- LM** Load/Motor Controls
- FC** Flow Controls
- PC** Pressure Controls
- LE** Logic Elements
- DC** Directional Controls
- MV** Manual Valves
- SV** Solenoid Valves
- PV** Proportional Valves
- CE** Coils & Electronics
- BC** Bodies & Cavities
- TD** Technical Data

**General Description**

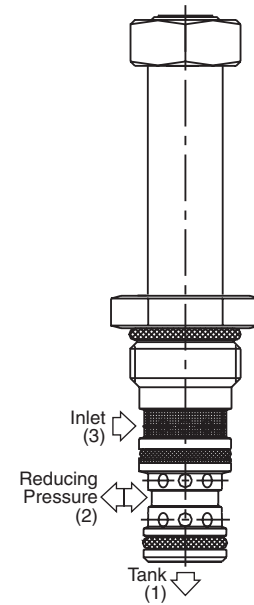
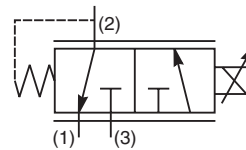
3 Way, 2 Position, Proportional Pressure Reducing Valve. Side Cylinder Port. For additional information see Technical Tips on pages PV1-PV6.

**Features**

- Minimal Hysteresis
- One piece cartridge housing ensures internal concentricity
- Coil: Waterproof, hermetically sealed, requires no O’Rings; Symmetrical coil can be reversed without affecting performance.
- Nonmagnetic spool and housing assembly

**Specifications**

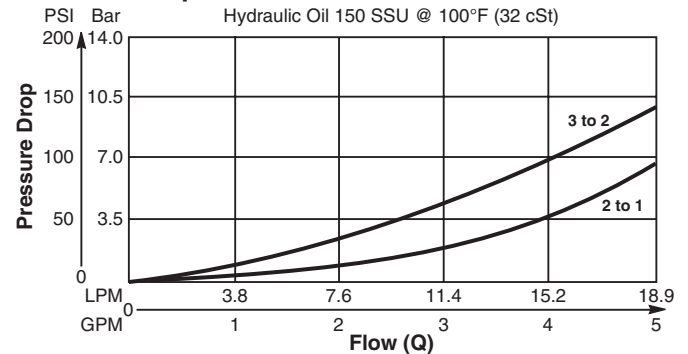
<b>Rated Flow (At 70 PSI ΔP)</b>	19 LPM (5 GPM)												
<b>Max. Regulated Pressure @ 75% Current (Using ‘SP’ Coil)</b>	<table style="border: none;"> <tr><td><b>02</b></td><td>12/17 Bar (180/240 PSI)</td></tr> <tr><td><b>03</b></td><td>19/26 Bar (270/375 PSI)</td></tr> <tr><td><b>05</b></td><td>31/40 Bar (450/580 PSI)</td></tr> <tr><td><b>06</b></td><td>41/51 Bar (600/740 PSI)</td></tr> <tr><td><b>09</b></td><td>65/79 Bar (940/1140 PSI)</td></tr> <tr><td><b>18</b></td><td>114/145 Bar (1650/2100 PSI)</td></tr> </table>	<b>02</b>	12/17 Bar (180/240 PSI)	<b>03</b>	19/26 Bar (270/375 PSI)	<b>05</b>	31/40 Bar (450/580 PSI)	<b>06</b>	41/51 Bar (600/740 PSI)	<b>09</b>	65/79 Bar (940/1140 PSI)	<b>18</b>	114/145 Bar (1650/2100 PSI)
<b>02</b>	12/17 Bar (180/240 PSI)												
<b>03</b>	19/26 Bar (270/375 PSI)												
<b>05</b>	31/40 Bar (450/580 PSI)												
<b>06</b>	41/51 Bar (600/740 PSI)												
<b>09</b>	65/79 Bar (940/1140 PSI)												
<b>18</b>	114/145 Bar (1650/2100 PSI)												
<b>Max. Input Press. At Port 3</b>	210 Bar (3000 PSI)												
<b>Max. Drainage Flow In Regulating Zone</b>	100 cc/min. When De-Energized 750 cc/min. In Regulating Zone At 21 Bar (300 PSI) Input Pressure												
<b>Hysteresis @ 100 Hz PWM</b>	3.5%												
<b>Dead End Response Time</b>	10 ms At Step Signal 0 To 75% of Nominal Voltage												
<b>Cartridge Material</b>	All parts steel. All operating parts hardened steel.												
<b>Operating Temp. Range/Seals</b>	-34°C to +121°C (Nitrile) (-30°F to +250°F) -26°C to +204°C (Fluorocarbon) (-15°F to +400°F)												
<b>Fluid Compatibility/Viscosity</b>	Mineral-based or synthetic with lubricating properties at viscosities of 45 to 2000 SSU (6 to 420 cSt)												
<b>Filtration</b>	ISO-4406 18/16/13, SAE Class 4												
<b>Approx. Weight</b>	.08 kg (.17 lbs.)												
<b>Cavity</b>	C08-3 (See BC Section for more details)												



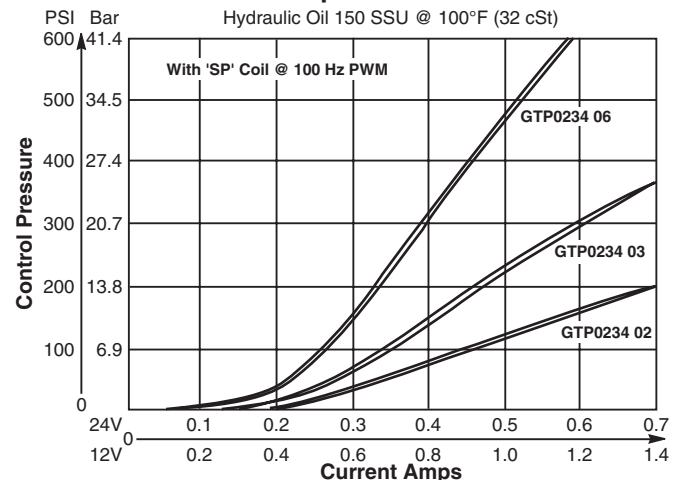
**Performance Curves**

▲ PWM Current Regulator Recommended

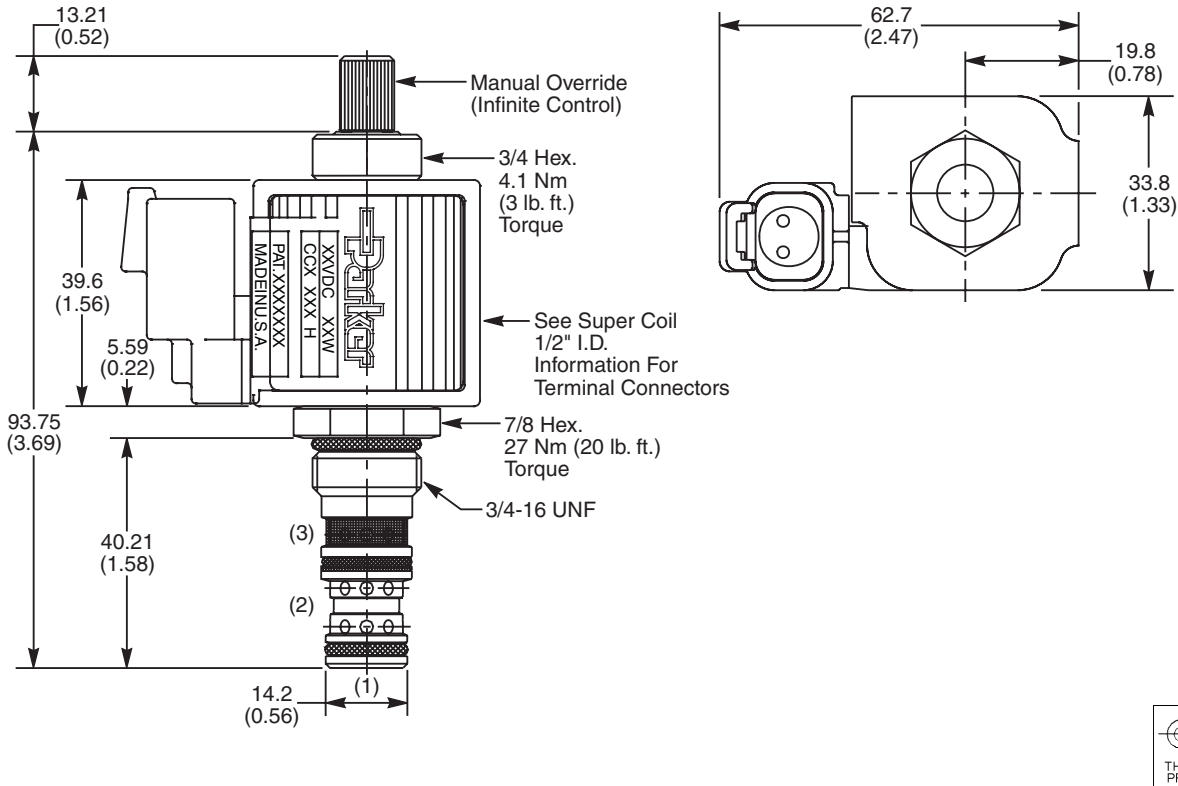
**Pressure Drop vs. Flow**



**Pressure @ Port 2 vs. Input Current**



**Dimensions** Millimeters (Inches)



**Ordering Information**

<b>GTP0234</b>			<b>1</b>						
<b>08 Size Proportional Valve</b>	<b>Style</b>	<b>Override Option</b>	<b>Filter Screen</b>	<b>Seals</b>	<b>Coil Type</b>	<b>Coil Voltage</b>	<b>Coil Termination</b>	<b>Body Material</b>	<b>Port Size</b>

Code	Style (Maximum Regulated Pressure Range - SP COIL)
02	12/17 Bar (180/240 PSI)
03	19/26 Bar (270/375 PSI)
05	31/40 Bar (450/580 PSI)
06	41/51 Bar (600/740 PSI)
09	65/79 Bar (940/1140 PSI)
18	114/145 Bar (1650/2100 PSI)

Code	Filter Screen
1	60 Mesh Screen on Inlet Port

Code	Seals / Kit No.
N	Nitrile / Buna-N (Std.) (SK30105N-1)
V	Fluorocarbon / (SK30105V-1)

Code	Override Option
0	Not Required
5	Infinite Control M.O.

Code	Coil Type
Omit	Without Coil
SS	Super Coil - 14 Watts
SP	Super Coil - 19 Watts

Code	Coil Voltage
Omit	Without Coil
D012	12 VDC
D024	24 VDC

Code	Body Material
Omit	Steel
A	Aluminum

Code	Coil Termination
Omit	Without Coil
A	Amp Jr. Timer*
C	Conduit With Leads
D	DIN Plug Face
H	Molded Deutsch*
L	Dual Lead Wire*
PF	Packard Female*
PM	Packard Male*
S	Dual Spade*

Code	Port Size	Body Part No.
Omit	Cartridge Only	
4T	SAE-4	(B08-3-*4T)
6T	SAE-6	(B08-3-*6T)

\* Add "A" for aluminum, omit for steel.

See Super Coil 1/2" I.D.  
 \*DC Only

- CV** Check Valves
- SH** Shuttle Valves
- LM** Load/Motor Controls
- FC** Flow Controls
- PC** Pressure Controls
- LE** Logic Elements
- DC** Directional Controls
- MV** Manual Valves
- SV** Solenoid Valves
- PV** Proportional Valves
- CE** Coils & Electronics
- BC** Bodies & Cavities
- TD** Technical Data

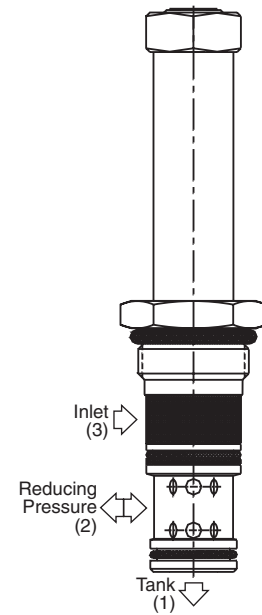
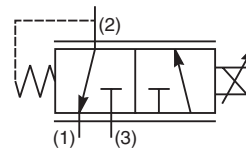
- CV** Check Valves
- SH** Shuttle Valves
- LM** Load/Motor Controls
- FC** Flow Controls
- PC** Pressure Controls
- LE** Logic Elements
- DC** Directional Controls
- MV** Manual Valves
- SV** Solenoid Valves
- PV** Proportional Valves
- CE** Coils & Electronics
- BC** Bodies & Cavities
- TD** Technical Data

**General Description**

3 Way, 2 Position, Proportional Pressure Reducing Valve. Side Cylinder Port. For additional information see Technical Tips on pages PV1-PV6.

**Features**

- Minimal Hysteresis
- One piece cartridge housing ensures internal concentricity
- Coil: Waterproof, hermetically sealed, requires no O’Rings; Symmetrical coil can be reversed without affecting performance.
- Nonmagnetic spool and housing assembly



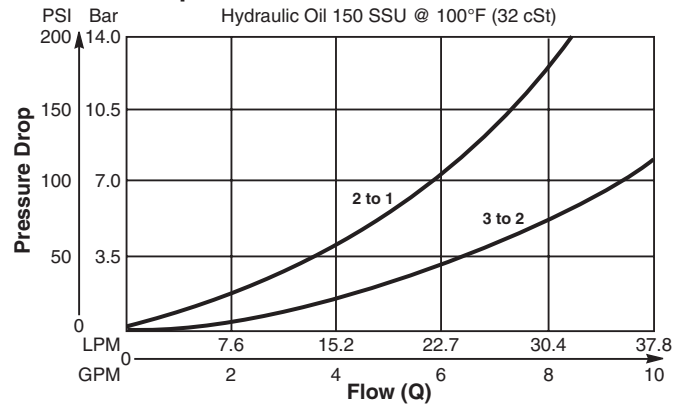
**Specifications**

<b>Rated Flow (At 70 PSI ΔP)</b>	30 LPM (8 GPM)
<b>Max. Regulated Pressure @ 75% Current (Using ‘SP’ Coil)</b>	<b>02</b> 14/17 Bar (200/240 PSI) <b>03</b> 21/27 Bar (300/390 PSI) <b>05</b> 29/38 Bar (420/550 PSI) <b>09</b> 56/74 Bar (810/1080 PSI)
<b>Max. Input Press. At Port 3</b>	210 Bar (3000 PSI)
<b>Max. Drainage Flow In Regulating Zone</b>	25 cc/min. When De-Energized 800 cc/min. In Regulating Zone At 21 Bar (300 PSI) Input Pressure
<b>Hysteresis @ 200 Hz PWM</b>	3.5%
<b>Dead End Response Time</b>	40 ms At Step Signal 0 To 75% of Nominal Voltage
<b>Cartridge Material</b>	All parts steel. All operating parts hardened steel.
<b>Operating Temp. Range/Seals</b>	-34°C to +121°C (Nitrile) (-30°F to +250°F) -26°C to +204°C (Fluorocarbon) (-15°F to +400°F)
<b>Fluid Compatibility/ Viscosity</b>	Mineral-based or synthetic with lubricating properties at viscosities of 45 to 2000 SSU (6 to 420 cSt)
<b>Filtration</b>	ISO-4406 18/16/13, SAE Class 4
<b>Approx. Weight</b>	.13 kg (.28 lbs.)
<b>Cavity</b>	3X (See BC Section for more details)

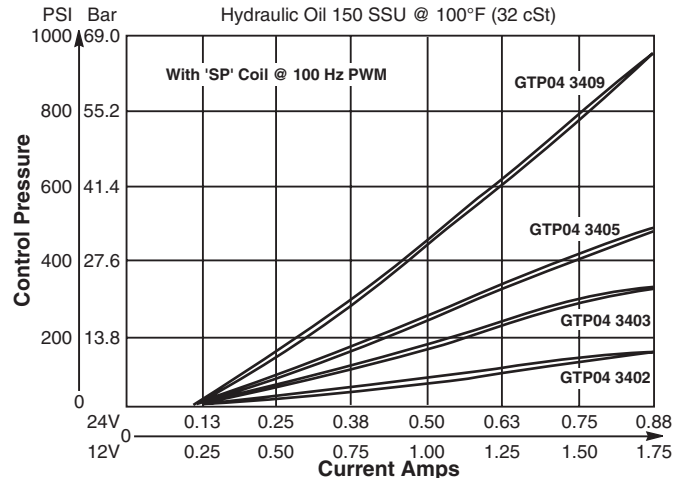
**Performance Curves**

▲ PWM Current Regulator Recommended

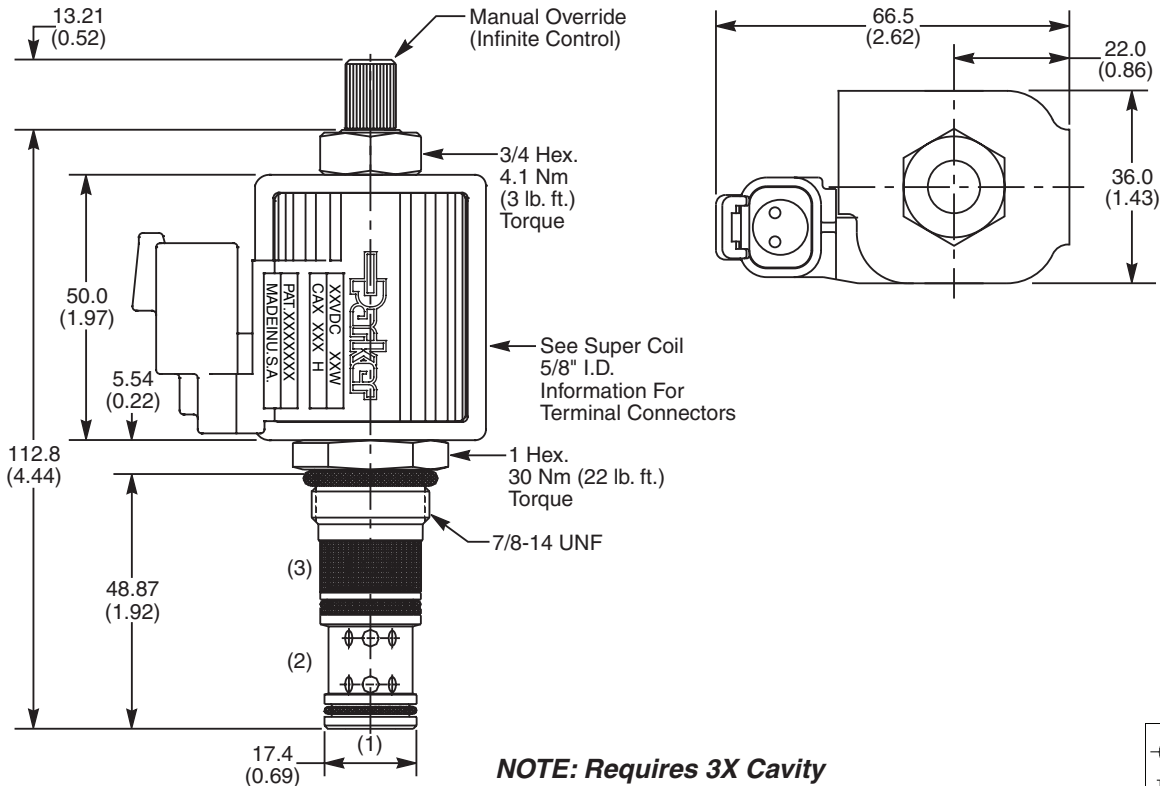
**Pressure Drop vs. Flow**



**Pressure @ Port 2 vs. Input Current**



**Dimensions** Millimeters (Inches)



**NOTE: Requires 3X Cavity**

**Ordering Information**

**GTP0434**

10 Size Proportional Valve    Style    Override Option    Filter Screen    Seals    Coil Type    Coil Voltage    Coil Termination

Code	Style (Maximum Regulated Pressure Range - SP Coil)
02	14/17 Bar (200/240 PSI)
03	21/27 Bar (300/390 PSI)
05	29/38 Bar (420/550 PSI)
09	56/74 Bar (810/1080 PSI)

Contact factory for other regulated pressure to 124 Bar (1800 PSI)

Code	Override Option
0	Not Required
5	Infinite Control M.O.

Code	Filter Screen
1	60 Mesh Screen on Inlet Port

Code	Seals / Kit No.
N	Nitrile / Buna-N (Std.) (SK30081N-1)
V	Fluorocarbon / (SK30081V-1)

Code	Coil Voltage
Omit	Without Coil
D012	12 VDC
D024	24 VDC

Code	Coil Type
Omit	Without Coil
SS	Super Coil - 18 Watts
SP	Super Coil - 28 Watts

Code	Coil Termination
Omit	Without Coil
A	Amp Jr. Timer*
C	Conduit With Leads
D	DIN Plug Face
H	Molded Deutsch*
L	Dual Lead Wire*
PF	Packard Female*
PM	Packard Male*
S	Dual Spade*

See Super Coil 5/8" I.D.  
 \*DC Only

**Order Bodies Separately**

**LB10**

Line Body    Porting    Body Material

Code	Porting
553	1/2" SAE

Code	Body Material
A	Aluminum
S	Steel

- CV** Check Valves
- SH** Shuttle Valves
- LM** Load/Motor Controls
- FC** Flow Controls
- PC** Pressure Controls
- LE** Logic Elements
- DC** Directional Controls
- MV** Manual Valves
- SV** Solenoid Valves
- PV** Proportional Valves
- CE** Coils & Electronics
- BC** Bodies & Cavities
- TD** Technical Data



**Technical Information**

- CV** Check Valves
- SH** Shuttle Valves
- LM** Load/Motor Controls
- FC** Flow Controls
- PC** Pressure Controls
- LE** Logic Elements
- DC** Directional Controls
- MV** Manual Valves
- SV** Solenoid Valves
- PV** Proportional Valves
- CE** Coils & Electronics
- BC** Bodies & Cavities
- TD** Technical Data

**General Description**

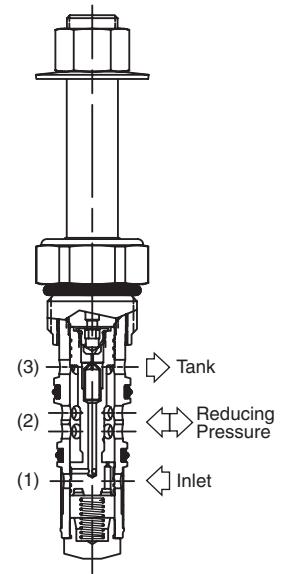
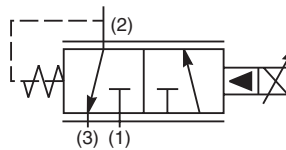
Pilot Operated, Normally Closed, Proportional Pressure Reducing/Relieving Valve. For additional information see Technical Tips on pages PV1-PV6.

**Features**

- High flow capacity
- Low hysteresis
- 400 Hz PWM signal preferred
- No dynamic seals
- Polyurethane "D"-Ring eliminates need for backup rings

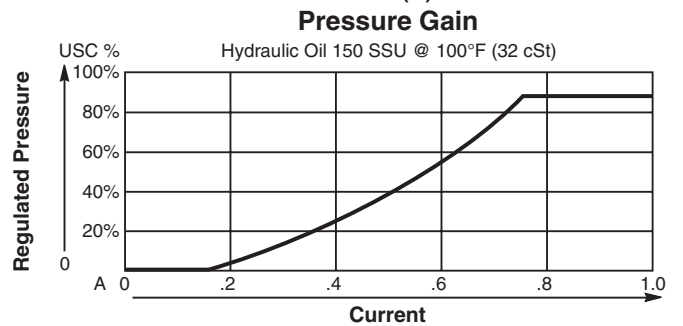
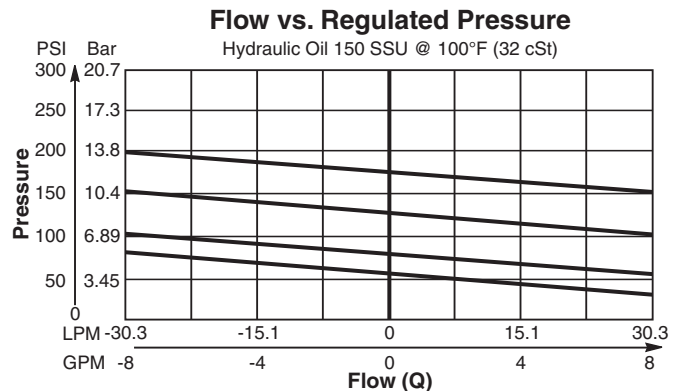
**Specifications**

<b>Rated Flow</b>	37.5 LPM (10 GPM)	
<b>Maximum Input Pressure at Port 2</b>	350 Bar (5000 PSI)	
<b>Maximum Internal Leakage</b>	.5 LPM (0.13 GPM) @ 20.7 Bar (300 PSI) .95 LPM (0.25 GPM) @ 207 Bar (3000 PSI)	
<b>Hysteresis @ 400 Hz PWM</b>	4% with 60% duty cycle	
<b>Power Consumption</b>	9 watts at max. reduced pressure	
<b>Frequency</b>	200-600 Hz (PWM)	
<b>Maximum Control Current</b>	<b>12 VDC</b> .90A	<b>24 VDC</b> .45A
<b>Cartridge Material</b>	All parts steel. All operating parts hardened steel.	
<b>Operating Temp. Range/Seals</b>	-45°C to +132°C ("D"-Ring) (-50°F to +270°F) -34°C to +121°C (Nitrile) (-30°F to +250°F) -26°C to +204°C (Fluorocarbon) (-15°F to +400°F)	
<b>Fluid Compatibility/Viscosity</b>	Mineral-based or synthetic with lubricating properties at viscosities of 45 to 2000 SSU (6 to 420 cSt)	
<b>Filtration</b>	ISO-4406 18/16/13, SAE Class 4	
<b>Approx. Weight</b>	.59 kg (1.3 lbs.)	
<b>Cavity</b>	C10-3L (See BC Section for more details)	

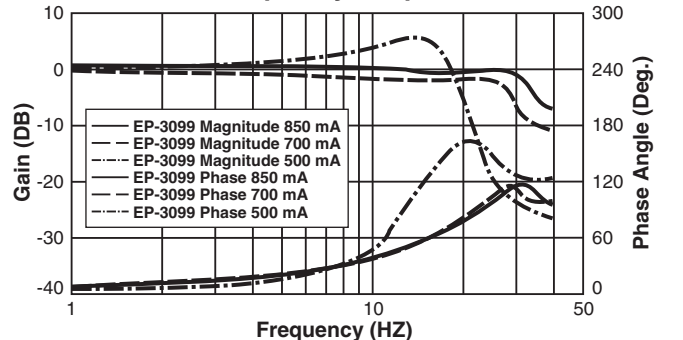


**Performance Curves**

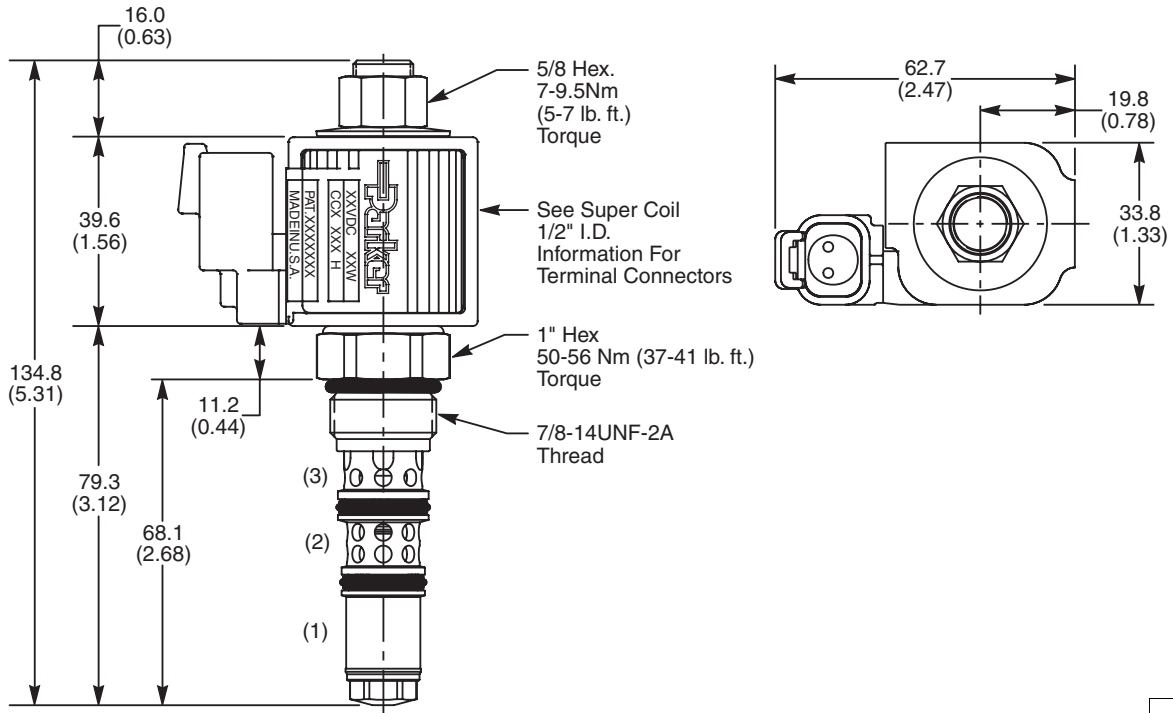
▲ PWM Current Regulator Recommended



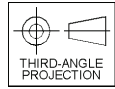
**Press. Reducer Frequency Response: 290 PSI @ 12 VDC**



**Dimensions** Millimeters (Inches)



**NOTE: Requires C10-3L Cavity**



**Ordering Information**

<b>EPR111</b>	<b>C</b>							
11 Size Proportional Red./Rel. Valve	Style	Pressure Range	Seals	Coil Type	Coil Voltage	Coil Termination	Body Material	Port Size

Code	Style
C	Normally Closed, Pilot Operated

Code	Seals / Kit No.
Omit	"D"-Ring / (SK10-3L)
N	Nitrile / Buna-N (Std.) (SK10-3LN)
V	Fluorocarbon / (SK10-3LV)

Code	Coil Termination
Omit	Without Coil
A	Amp Jr. Timer*
D	DIN Plug Face
H	Molded Deutsch*
L	Dual Lead Wire*
PF	Packard Female*
PM	Packard Male*
S	Dual Spade*

Code	Body Material
A	Aluminum

Code	Port Size	Body Part No.
Omit	Cartridge Only	
8T	SAE-8	4082075

*Aluminum body only.*

Code	Pressure Range
02	13.8 Bar (200 PSI)
03	20.7 Bar (300 PSI)
05	34.5 Bar (500 PSI)
10	68.9 Bar (1000 PSI)
20	138 Bar (2000 PSI)
30	207 Bar (3000 PSI)
40	276 Bar (4000 PSI)

Code	Coil Type
Omit	Without Coil
SS	Super Coil - 14 Watts

Code	Coil Voltage
Omit	Without Coil
D012	12 VDC
D024	24 VDC

See Super Coil 1/2" I.D.  
 \*DC Only

- CV** Check Valves
- SH** Shuttle Valves
- LM** Load/Motor Controls
- FC** Flow Controls
- PC** Pressure Controls
- LE** Logic Elements
- DC** Directional Controls
- MV** Manual Valves
- SV** Solenoid Valves
- PV** Proportional Valves
- CE** Coils & Electronics
- BC** Bodies & Cavities
- TD** Technical Data

**Technical Information**

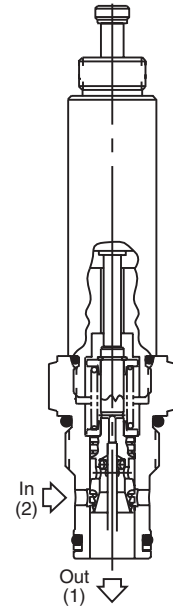
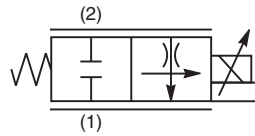
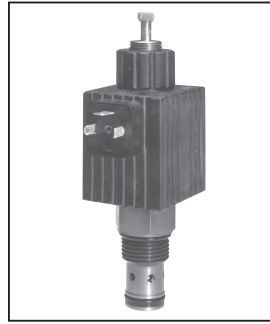
- CV** Check Valves
- SH** Shuttle Valves
- LM** Load/Motor Controls
- FC** Flow Controls
- PC** Pressure Controls
- LE** Logic Elements
- DC** Directional Controls
- MV** Manual Valves
- SV** Solenoid Valves
- PV** Proportional Valves
- CE** Coils & Electronics
- BC** Bodies & Cavities
- TD** Technical Data

**General Description**

Normally Closed Proportional Flow Control Valve. For additional information see Technical Tips on pages PV1-PV6.

**Features**

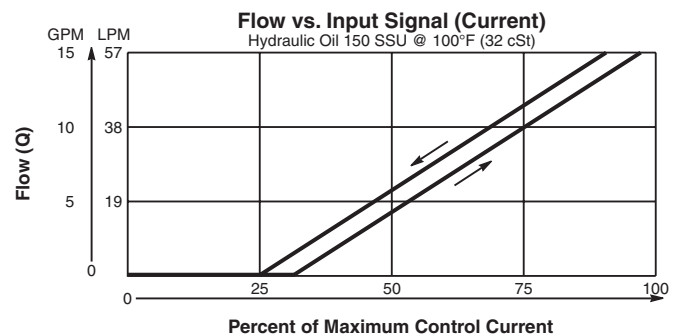
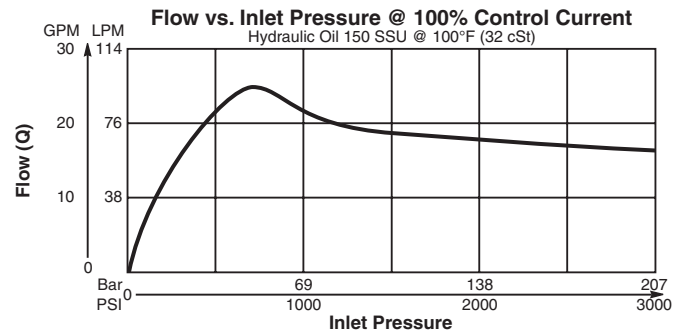
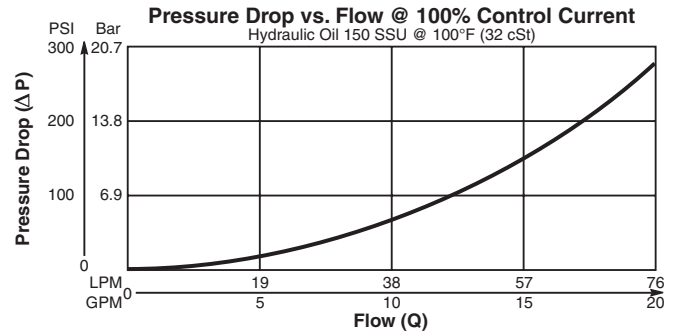
- On-off type solenoids
- Low hysteresis
- PWM signal preferred
- Manual override standard
- All external parts zinc plated



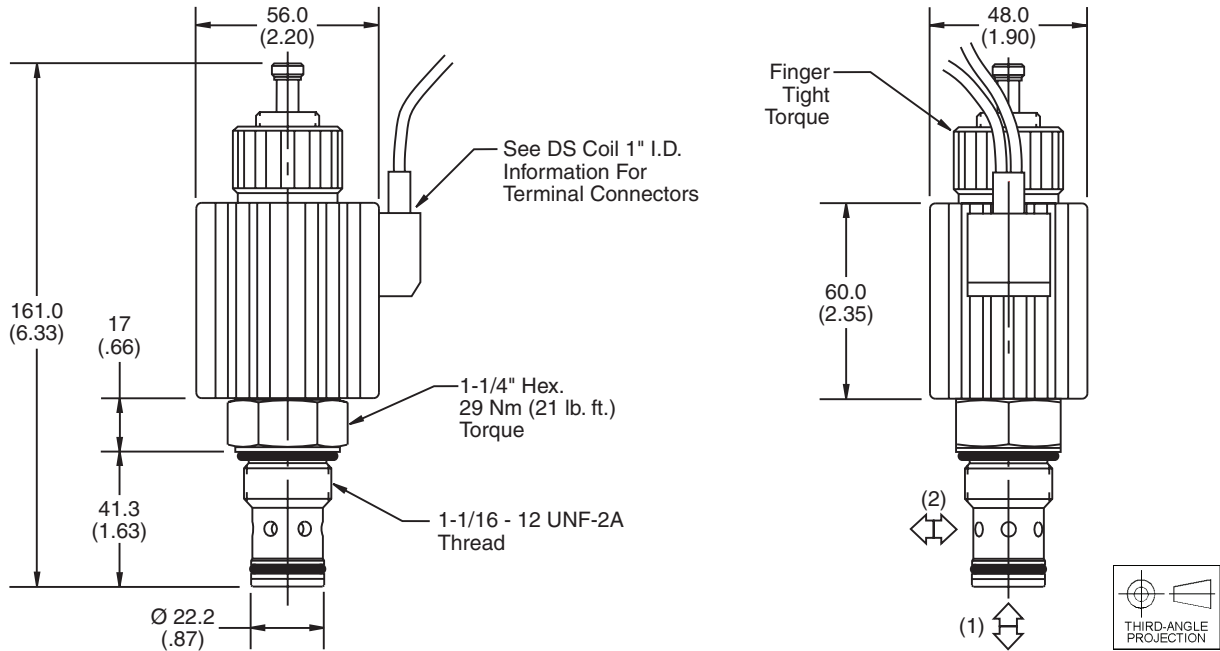
**Specifications**

<b>Rated Flow Valve Fully Open</b>	53 LPM (14 GPM)	
<b>Maximum Inlet Pressure</b>	210 Bar (3000 PSI)	
<b>Hysteresis @ 200 Hz PWM</b>	4%	
<b>Cracking (Dead band)</b>	20% - 30% of Input Signal	
<b>Frequency</b>	100 - 400 Hz (200 Hz Preferred)	
<b>Maximum Control Current</b>	<b>12 VDC</b> 2.45A	<b>24VDC</b> 1.23A
<b>Cartridge Material</b>	All parts steel. All operating parts hardened steel.	
<b>Operating Temp. Range/Seals</b>	-34°C to +121°C (Nitrile) (-30°F to +250°F) -26°C to +204°C (Fluorocarbon) (-15°F to +400°F)	
<b>Fluid Compatibility/Viscosity</b>	Mineral-based or synthetic with lubricating properties at viscosities of 45 to 2000 SSU (6 to 420 cSt)	
<b>Filtration</b>	ISO-4406 18/16/13, SAE Class 4	
<b>Approx. Weight</b>	.32 kg (0.7 lbs.)	
<b>Cavity</b>	C12-2 (See BC Section for more details)	
<b>Form Tool</b>	Rougher Finisher	None NFT12-2F

**Performance Curves**



**Dimensions** Millimeters (Inches)



**Ordering Information**

**DF122C14**

**12 Size Normally Closed Proportional Flow Control Valve**

**Override Options**    **Seals**    **Coil Voltage**    **Coil Wattage**    **Coil Termination**    **Body Material**    **Port Size**

Code	Override Options
Omit	Push Type with Extended Rod

Code	Coil Voltage
Omit	Cartridge without Coil
D012	12 VDC
D024	24 VDC

Code	Coil Termination
Omit	Cartridge without Coil
D	DIN
P	Dual Spade
W	Dual Wire

Code	Body Material
Omit	Steel
A	Aluminum

Code	Seals / Kit. No.
Omit	Nitrile / (SK12-2)
V	Fluorocarbon / (SK12-2V)

Code	Coil Wattage
Omit	Cartridge without Coil
H	High Watt

See DS Coil 1" I.D.

Code	Port Size	Body Part No.
8T	SAE - 8	(B12-2-*8T)
12T	SAE - 12	(B12-2-*12T)

\* Add "A" for aluminum, omit for steel.

- CV** Check Valves
- SH** Shuttle Valves
- LM** Load/Motor Controls
- FC** Flow Controls
- PC** Pressure Controls
- LE** Logic Elements
- DC** Directional Controls
- MV** Manual Valves
- SV** Solenoid Valves
- PV** Proportional Valves
- CE** Coils & Electronics
- BC** Bodies & Cavities
- TD** Technical Data

**CV**

Check Valves

**SH**

Shuttle Valves

**LM**

Load/Motor Controls

**FC**

Flow Controls

**PC**

Pressure Controls

**LE**

Logic Elements

**DC**

Directional Controls

**MV**

Manual Valves

**SV**

Solenoid Valves

**PV**

Proportional Valves

**CE**

Coils & Electronics

**BC**

Bodies & Cavities

**TD**

Technical Data

**General Description**

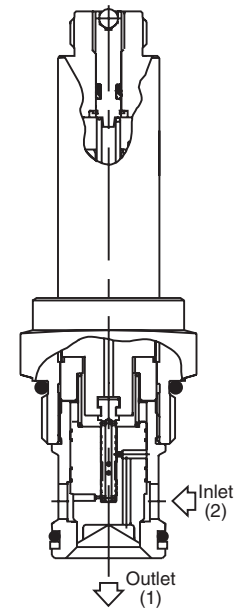
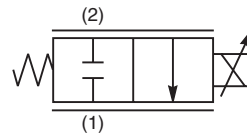
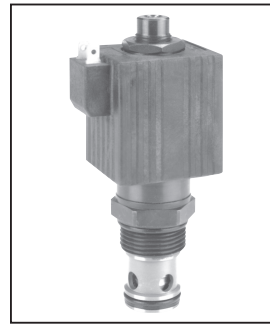
Normally Closed Proportional Needle Valve. This valve is designed specifically for bleed off or unloading circuits. Back pressure will affect performance. For additional information see Technical Tips on pages PV1-PV6.

**Features**

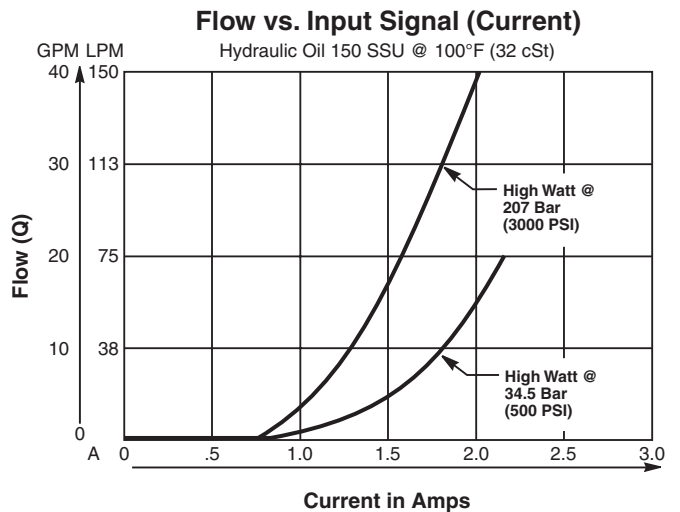
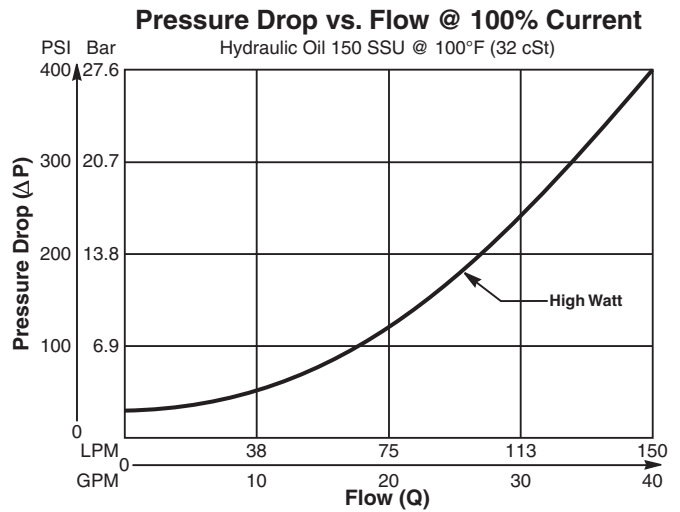
- On-off type solenoids
- Low hysteresis
- PWM signal preferred
- All external parts zinc plated

**Specifications**

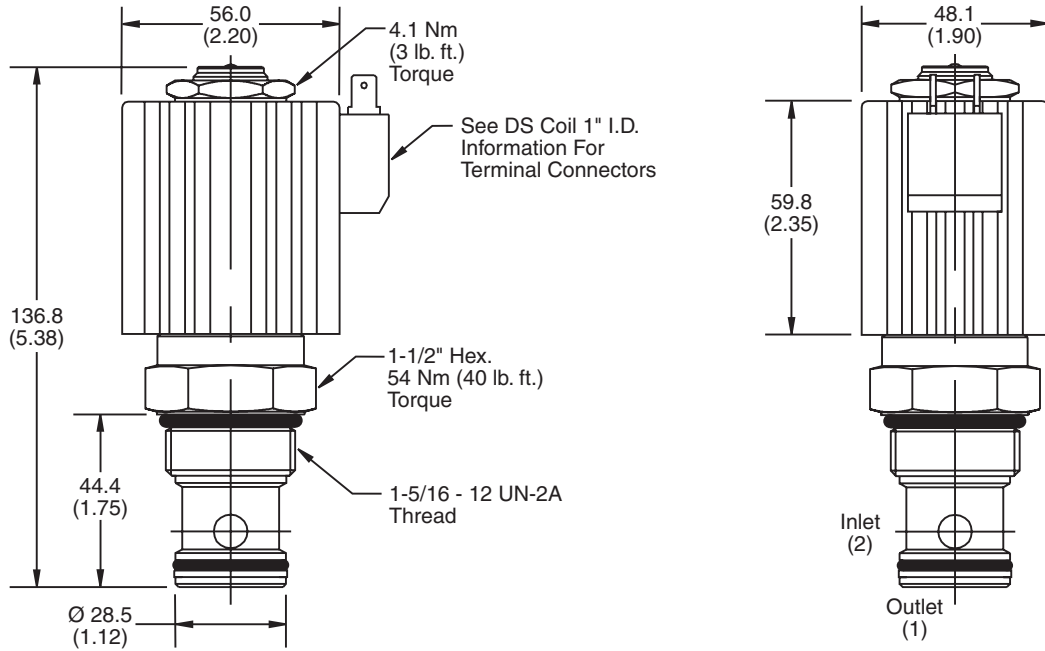
<b>Rated Flow Valve Fully Open</b>	<b>High Watt Coil</b> 150 LPM (40 GPM)
<b>Maximum Inlet Pressure</b>	210 Bar (3000 PSI)
<b>Leakage at 150 SSU (32 cSt)</b>	125 cc/min. (7.6 in <sup>3</sup> /min.)
<b>Hysteresis @ 200 Hz PWM</b>	4%
<b>Cracking (Dead band)</b>	20% - 30% of Input Signal
<b>Frequency</b>	100 - 400 Hz (200 Hz Preferred)
<b>Maximum Control Current</b>	<b>12 VDC 24VDC</b> <b>High Watt 2.45A 1.23A</b>
<b>Cartridge Material</b>	All parts steel. All operating parts hardened steel.
<b>Operating Temp. Range/Seals</b>	-34°C to +121°C (Nitrile) (-30°F to +250°F) -26°C to +204°C (Fluorocarbon) (-15°F to +400°F)
<b>Fluid Compatibility/Viscosity</b>	Mineral-based or synthetic with lubricating properties at viscosities of 45 to 2000 SSU (6 to 420 cSt)
<b>Filtration</b>	ISO-4406 18/16/13, SAE Class 4
<b>Approx. Weight</b>	.34 kg (0.75 lbs.)
<b>Cavity</b>	C16-2 (See BC Section for more details)
<b>Form Tool</b>	Rougher None Finisher NFT16-2F



**Performance Curves**



**Dimensions** Millimeters (Inches)



**Ordering Information**

**DF161C40**             —    

**16 Size Normally Closed Proportional Flow Control Valve**

Seals    Coil Voltage    Coil Termination    Body Material    Port Size

Code	Seals / Kit. No.
Omit	Nitrile / (SK16-2)
V	Fluorocarbon / (SK16-2V)

Code	Coil Voltage
Omit	Cartridge without Coil
D012	12 VDC
D024	24 VDC

Code	Coil Termination
Omit	Cartridge without Coil
D	DIN
P	Dual Spade
W	Dual Wire

See DS Coil 1" I.D.

Code	Body Material
Omit	Steel
A	Aluminum

Code	Port Size	Body Part No.
8T	SAE - 8	(B16-2-*8T)
12T	SAE - 12	(B16-2-*12T)
16T	SAE - 16	(B16-2-*16T)

\* Add "A" for aluminum, omit for steel.

- CV
- Check Valves
- SH
- Shuttle Valves
- LM
- Load/Motor Controls
- FC
- Flow Controls
- PC
- Pressure Controls
- LE
- Logic Elements
- DC
- Directional Controls
- MV
- Manual Valves
- SV
- Solenoid Valves
- PV
- Proportional Valves
- CE
- Coils & Electronics
- BC
- Bodies & Cavities
- TD
- Technical Data

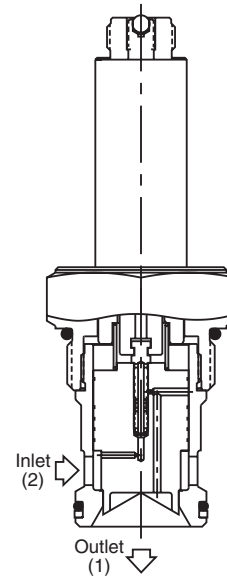
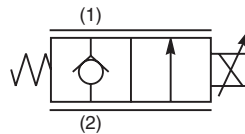
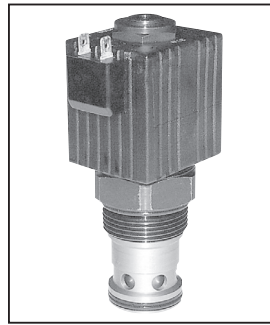
- CV** Check Valves
- SH** Shuttle Valves
- LM** Load/Motor Controls
- FC** Flow Controls
- PC** Pressure Controls
- LE** Logic Elements
- DC** Directional Controls
- MV** Manual Valves
- SV** Solenoid Valves
- PV** Proportional Valves
- CE** Coils & Electronics
- BC** Bodies & Cavities
- TD** Technical Data

**General Description**

Normally Closed Proportional Needle Valve. This valve is designed specifically for bleed off or unloading circuits. Back pressure will affect performance. For additional information see Technical Tips on pages PV1-PV6.

**Features**

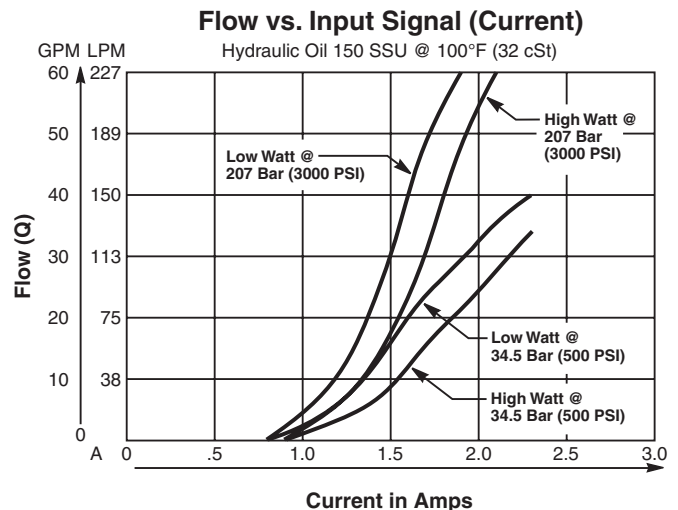
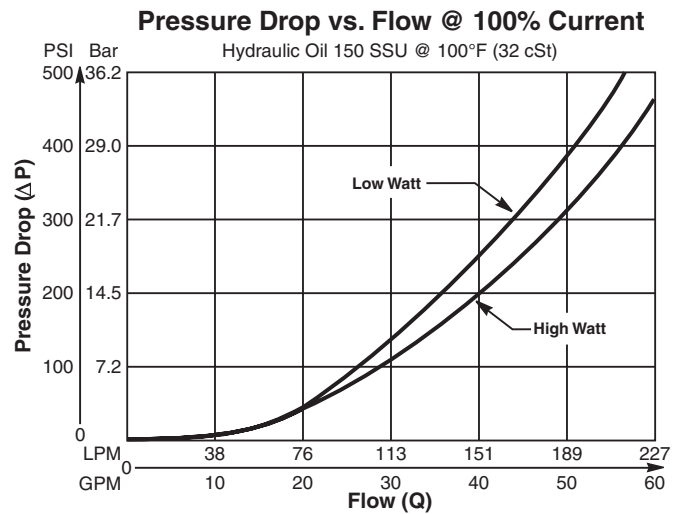
- On-off type solenoids
- Low hysteresis
- PWM signal preferred
- All external parts zinc plated



**Specifications**

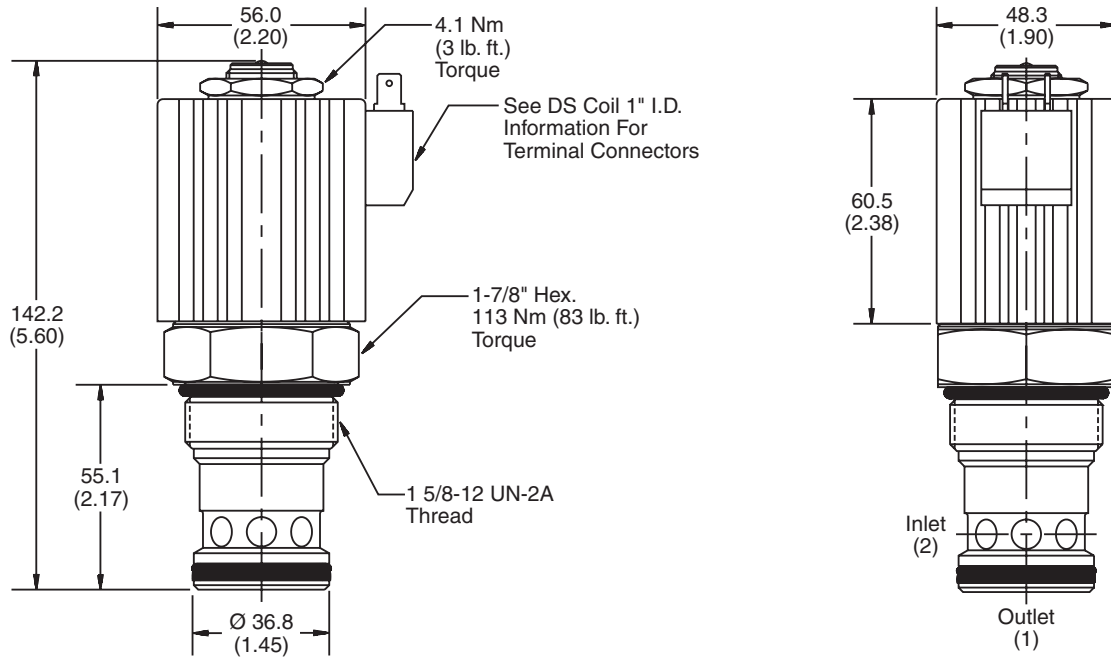
<b>Rated Flow Valve Fully Open</b>	<b>Low Watt</b> 180 LPM (48 GPM) <b>High Watt</b> 227 LPM (60 GPM)
<b>Maximum Inlet Pressure</b>	210 Bar (3000 PSI)
<b>Leakage at 150 SSU (32 cSt)</b>	125 cc/min. (7.6 in <sup>3</sup> /min.)
<b>Hysteresis @ 200 Hz PWM</b>	4%
<b>Cracking (Dead band)</b>	20% - 30% of Input Signal
<b>Frequency</b>	100 - 400 Hz (200 Hz Preferred)
<b>Maximum Control Current</b>	<b>12 VDC</b> <b>24VDC</b> <b>Low Watt</b> 1.75A    .91A <b>High Watt</b> 2.45A    1.23A
<b>Cartridge Material</b>	All parts steel. All operating parts hardened steel.
<b>Operating Temp. Range/Seals</b>	-34°C to +121°C (Nitrile) (-30°F to +250°F) -26°C to +204°C (Fluorocarbon) (-15°F to +400°F)
<b>Fluid Compatibility/Viscosity</b>	Mineral-based or synthetic with lubricating properties at viscosities of 45 to 2000 SSU (6 to 420 cSt)
<b>Filtration</b>	ISO-4406 18/16/13, SAE Class 4
<b>Approx. Weight</b>	.34 kg (0.75 lbs.)
<b>Cavity</b>	C20-2 (See BC Section for more details)
<b>Form Tool</b>	Rougher None Finisher NFT20-2F

**Performance Curves**

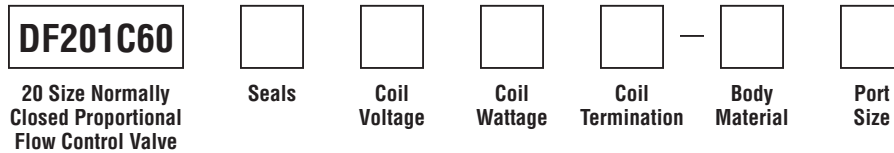




**Dimensions** Millimeters (Inches)



**Ordering Information**



Code	Seals / Kit. No.
Omit	Nitrile / (SK20-2)
V	Fluorocarbon / (SK20-2V)

Code	Coil Voltage
Omit	Cartridge without Coil
D012	12 VDC
D024	24 VDC

Code	Coil Termination
Omit	Cartridge without Coil
D	DIN
P	Dual Spade
W	Dual Wire

Code	Body Material
Omit	Steel
A	Aluminum

Code	Coil Wattage
Omit	Cartridge without Coil
H	High Watt

See DS Coil 1" I.D.

Code	Port Size	Body Part No.
20T	SAE - 20	(B20-2-*20T)

\* Add "A" for aluminum, omit for steel.

- CV** Check Valves
- SH** Shuttle Valves
- LM** Load/Motor Controls
- FC** Flow Controls
- PC** Pressure Controls
- LE** Logic Elements
- DC** Directional Controls
- MV** Manual Valves
- SV** Solenoid Valves
- PV** Proportional Valves
- CE** Coils & Electronics
- BC** Bodies & Cavities
- TD** Technical Data

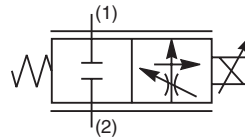
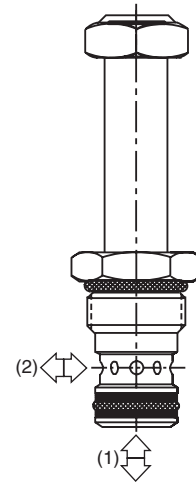
- CV** Check Valves
- SH** Shuttle Valves
- LM** Load/Motor Controls
- FC** Flow Controls
- PC** Pressure Controls
- LE** Logic Elements
- DC** Directional Controls
- MV** Manual Valves
- SV** Solenoid Valves
- PV** Proportional Valves
- CE** Coils & Electronics
- BC** Bodies & Cavities
- TD** Technical Data

**General Description**

2 Way, Normally Closed, Proportional Flow Regulator Valve. Partially Pressure Compensated. For additional information see Technical Tips on pages PV1-PV6.

**Features**

- Analog Proportional Partially Pressure Compensated Flow Regulator regulates flow proportionally to the input solenoid current.
- A low cost valve designed to be used in applications where fine pressure compensation is not required.
- One piece cartridge housing ensures internal concentricity
- Coil: Waterproof, hermetically sealed, requires no O’Rings; Symmetrical coil can be reversed without affecting performance.
- Nonmagnetic spool and housing assembly
- Factory-adjusted low variation option (Model “L”) is available for applications where low variation of flow from valve to valve is essential at a given current or when an external pressure compensator is used.



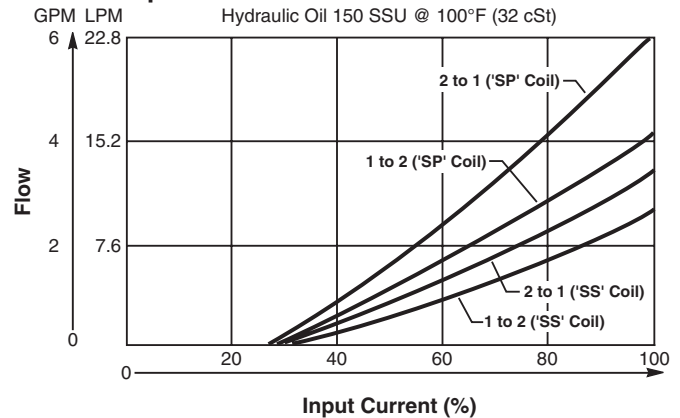
**Specifications**

<b>Rated Flow @ 210 Bar (3000 PSI)</b>	<b>Standard (‘SS’ Coil)</b> 2 to 1 13.3 LPM (3.5 GPM) 1 to 2 9.5 LPM (2.5 GPM) <b>High Flow (‘SP’ Coil)</b> 2 to 1 22.8 LPM (6.0 GPM) 1 to 2 15.0 LPM (4.0 GPM)
<b>Preferable Input Port For Best Hysteresis</b>	Port 1
<b>Hysteresis @ 100 Hz PWM</b>	<10%
<b>Cracking Pressure</b>	25% of Input Current
<b>Variation of Flow @ 35% of Rated Current &amp; Constant ΔP Maintained By Pressure Compensator</b>	<b>Standard Model</b> Up To ±20% Of Rated Flow <b>Model “L”</b> ±7% Of Rated Flow
<b>Cartridge Material</b>	All parts steel. All operating parts hardened steel.
<b>Operating Temp. Range/Seals</b>	-34°C to +121°C (Nitrile) (-30°F to +250°F) -26°C to +204°C (Fluorocarbon) (-15°F to +400°F)
<b>Fluid Compatibility/Viscosity</b>	Mineral-based or synthetic with lubricating properties at viscosities of 45 to 2000 SSU (6 to 420 cSt)
<b>Filtration</b>	ISO-4406 18/16/13, SAE Class 4
<b>Approx. Weight</b>	.08 kg (.17 lbs.)
<b>Cavity</b>	2X (See BC Section for more details)

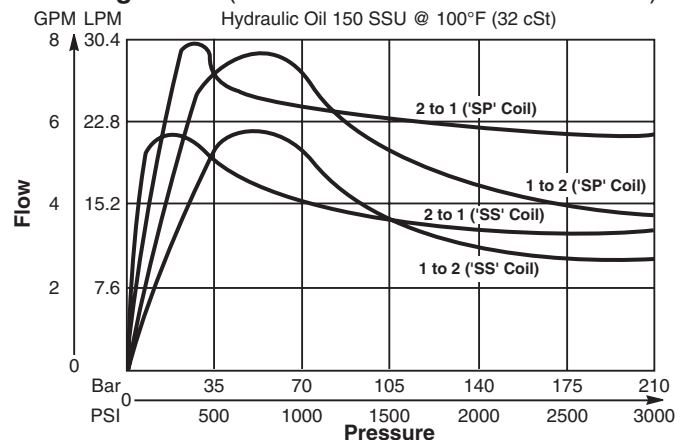
**Performance Curves**

▲ PWM Current Regulator Recommended

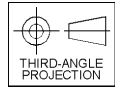
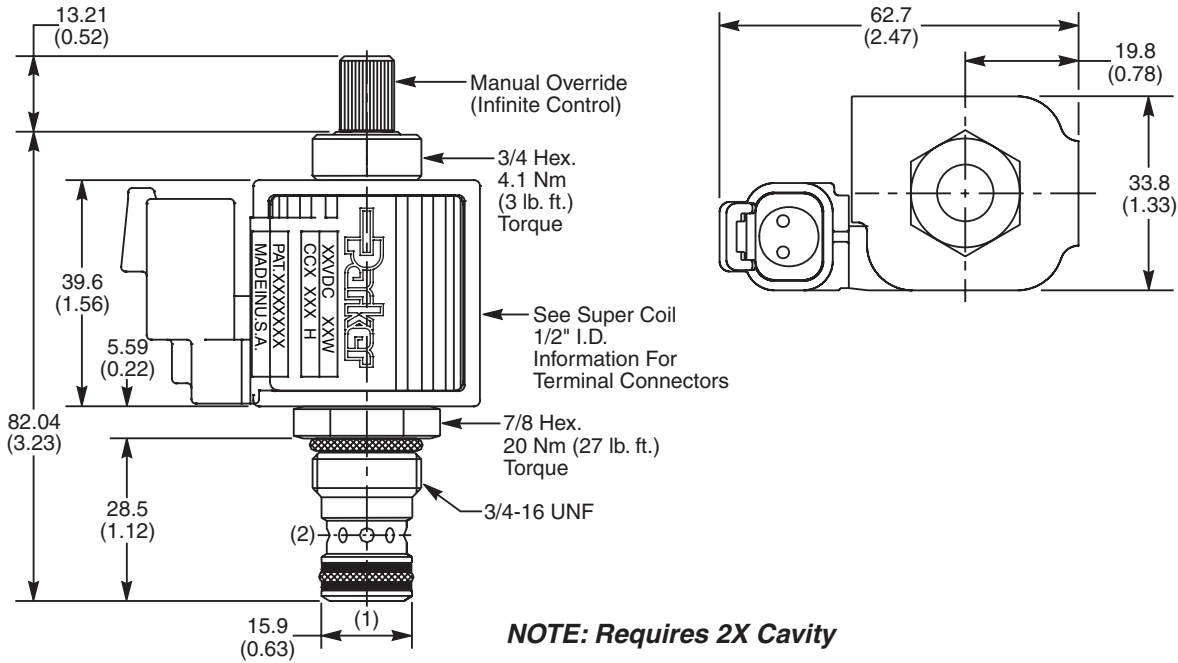
**Flow vs. Input Current**



**Flow Regulation (Measured at 75% of Rated Current)**



**Dimensions** Millimeters (Inches)



**Ordering Information**

<b>HP02C</b>	<b>21</b>							
08 Size Proportional Valve	Style	Override Option	Filter Screen	Seals	Flow Variation	Coil Type	Coil Voltage	Coil Termination

Code	Style (Maximum Regulated Flow)
21	Standard ('SS' Coil) 13.3 LPM (3.5 GPM)
21	High Flow ('SP' Coil) 22.8 LPM (6.0 GPM)

Code	Filter Screen
0	Not Available

Code	Seals / Kit No.
N	Nitrile / Buna-N (Std.) (SK30076N-1)
V	Fluorocarbon / (SK30076V-1)

Code	Flow Variation
Omit	Standard Up to ±20% of Rated Flow
L	Low Variation (±7% of Rated Flow)

Code	Coil Voltage
Omit	Without Coil
D012	12 VDC
D024	24 VDC

Code	Override Option
0	Not Required
5	Infinite Control M.O.

Code	Coil Type
Omit	Without Coil
SS	Super Coil - 14 Watts
SP	Super Coil - 19 Watts

Code	Coil Termination
Omit	Without Coil
A	Amp Jr. Timer*
C	Conduit With Leads
D	DIN Plug Face
H	Molded Deutsch*
L	Dual Lead Wire*
PF	Packard Female*
PM	Packard Male*
S	Dual Spade*

**Order Bodies Separately**

<b>LB10</b>		
Line Body	Porting	Body Material

Code	Porting
513	3/8" SAE

Code	Body Material
A	Aluminum
S	Steel

See Super Coil 1/2" I.D.  
 \*DC Only

- CV** Check Valves
- SH** Shuttle Valves
- LM** Load/Motor Controls
- FC** Flow Controls
- PC** Pressure Controls
- LE** Logic Elements
- DC** Directional Controls
- MV** Manual Valves
- SV** Solenoid Valves
- PV** Proportional Valves
- CE** Coils & Electronics
- BC** Bodies & Cavities
- TD** Technical Data

**Technical Information**

**CV**

Check Valves

**SH**

Shuttle Valves

**LM**

Load/Motor Controls

**FC**

Flow Controls

**PC**

Pressure Controls

**LE**

Logic Elements

**DC**

Directional Controls

**MV**

Manual Valves

**SV**

Solenoid Valves

**PV**

Proportional Valves

**CE**

Coils & Electronics

**BC**

Bodies & Cavities

**TD**

Technical Data

**General Description**

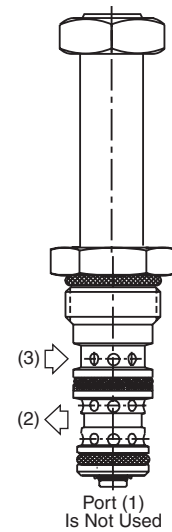
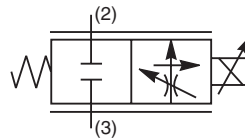
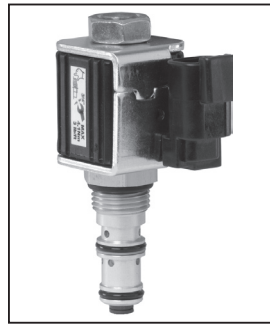
2 Way, Normally Closed, Proportional Flow Regulator Valve. Pressure Compensated. For additional information see Technical Tips on pages PV1-PV6.

**Features**

- One piece cartridge housing ensures internal concentricity
- Coil: Waterproof, hermetically sealed, requires no O’Rings; Symmetrical coil can be reversed without affecting performance.
- Nonmagnetic spool and housing assembly
- Factory-adjusted low variation option (Model “L”) is available for applications where low variation of flow from valve to valve is essential at a given current.

**Specifications**

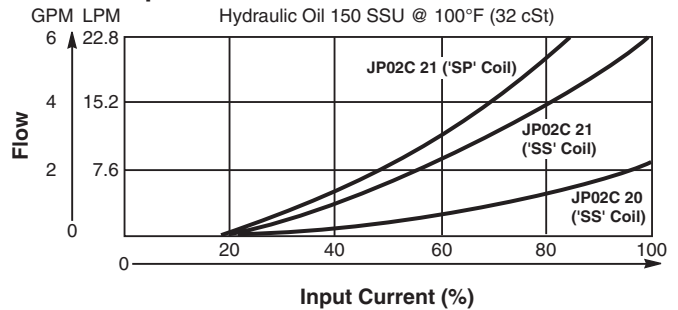
<b>Rated Flow</b>	<b>20</b>	7.5 LPM (2 GPM) Low Flow ('SS' Coil)
	<b>21</b>	15 LPM (4 GPM) Standard ('SS' Coil)
	<b>21</b>	23 LPM (6 GPM) High Flow ('SP' Coil)
<b>Maximum Input Pressure At Port 2</b>	210 Bar (3000 PSI)	
<b>Minimum Pressure Differential</b>	<b>20</b>	6.9 Bar (150 PSI) Low Flow
	<b>21</b>	13.8 Bar (200 PSI) Standard
	<b>21</b>	20.7 Bar (300 PSI) High Flow
<b>Maximum Internal Leakage</b>	570 cc (35 cu. in.) @ 210 Bar (3000 PSI)	
<b>Hysteresis @ 100 Hz PWM</b>	<10% (Low Flow and Standard) <3% (High Flow)	
<b>Cracking Pressure</b>	25% of Input Signal	
<b>Variation of Flow @ 35% of Rated Current</b>	<b>Standard Model</b> Up To ±20% Of Rated Flow <b>Model “L”</b> ±7% Of Rated Flow	
<b>Cartridge Material</b>	All parts steel. All operating parts hardened steel.	
<b>Operating Temp. Range/Seals</b>	-34°C to +121°C (Nitrile) (-30°F to +250°F) -26°C to +204°C (Fluorocarbon) (-15°F to +400°F)	
<b>Fluid Compatibility/ Viscosity</b>	Mineral-based or synthetic with lubricating properties at viscosities of 45 to 2000 SSU (6 to 420 cSt)	
<b>Filtration</b>	ISO-4406 18/16/13, SAE Class 4	
<b>Approx. Weight</b>	.08 kg (.17 lbs.)	
<b>Cavity</b>	C08-3 (See BC Section for more details)	



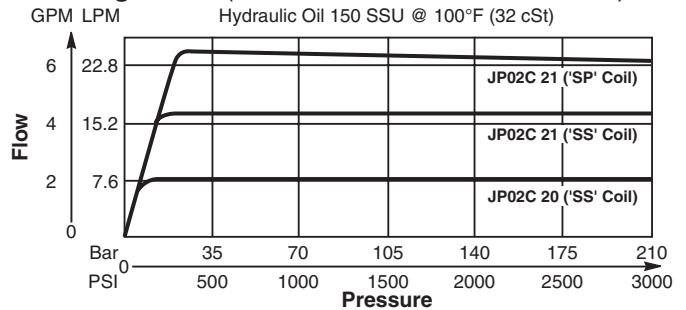
**Performance Curves**

▲ PWM Current Regulator Recommended

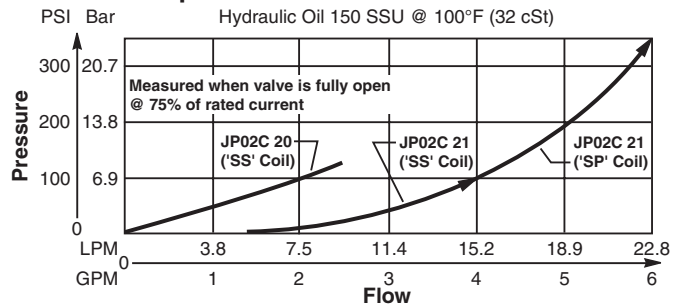
**Flow vs. Input Current**



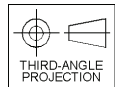
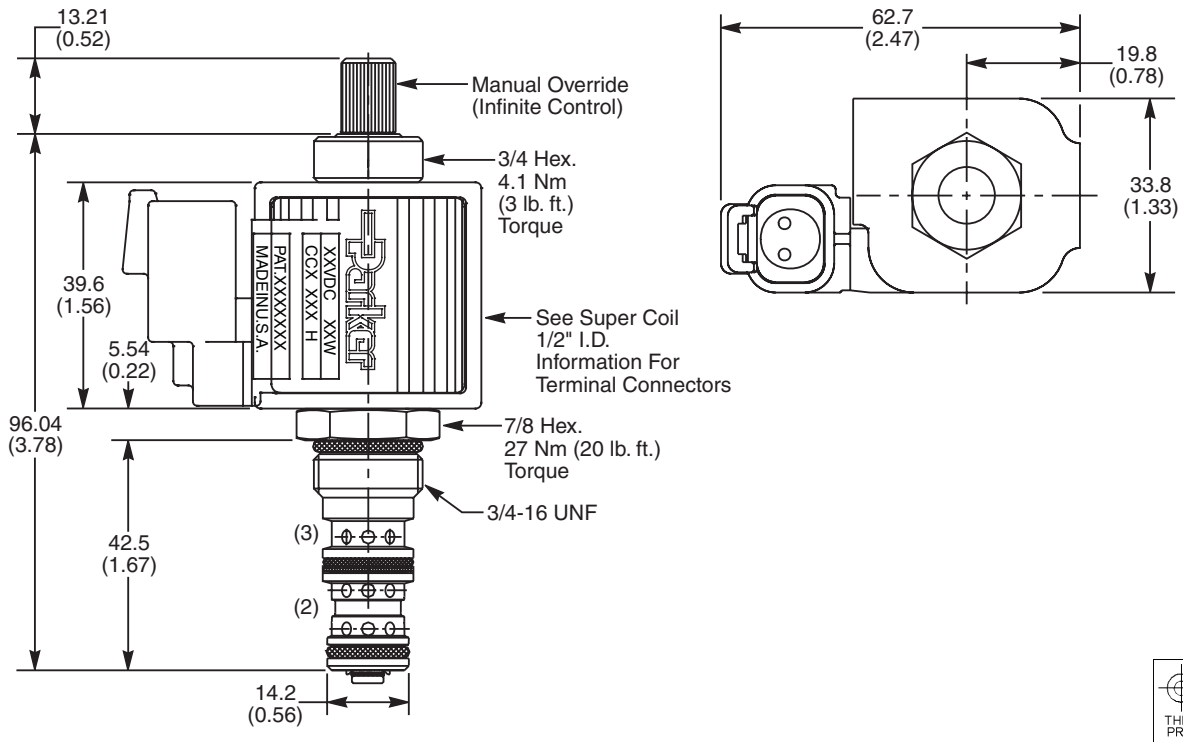
**Flow Regulation (Measured 75% of Rated Current)**



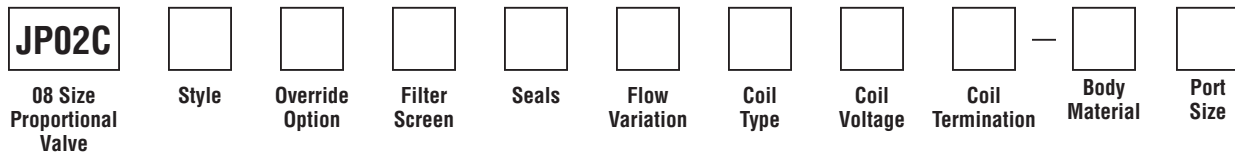
**Pressure Drop vs. Flow**



**Dimensions** Millimeters (Inches)



**Ordering Information**



Code	Style (Maximum Regulated Flow)
20	Low Flow ('SS' Coil) 7.5 LPM (2 GPM)
21	Standard ('SS' Coil) 15 LPM (4 GPM)
21	High Flow ('SP' Coil) 23 LPM (6 GPM)

Code	Seals / Kit No.
N	Nitrile / Buna-N (Std.) (SK30105N-1)
V	Fluorocarbon / (SK30105V-1)

Code	Coil Voltage
Omit	Without Coil
D012	12 VDC
D024	24 VDC

Code	Body Material
Omit	Steel
A	Aluminum

Code	Override Option
0	Not Required
5	Infinite Control M.O.

Code	Flow Variation
Omit	Standard Up to ±20% of Rated Flow
L	Low Variation (±7% of Rated Flow)

Code	Coil Termination
Omit	Without Coil
A	Amp Jr. Timer*
C	Conduit With Leads
D	DIN Plug Face
H	Molded Deutsch*
L	Dual Lead Wire*
PF	Packard Female*
PM	Packard Male*
S	Dual Spade*

Code	Port Size	Body Part No.
Omit	Cartridge Only	
4T	SAE-4	(B08-3-*4T)
6T	SAE-6	(B08-3-*6T)

Code	Filter Screen
0	Not Available
1	60 Mesh Screen on Port 2

Code	Coil Type
Omit	Without Coil
SS	Super Coil - 14 Watts
SP	Super Coil - 19 Watts

See Super Coil 1/2" I.D.  
 \*DC Only

- CV** Check Valves
- SH** Shuttle Valves
- LM** Load/Motor Controls
- FC** Flow Controls
- PC** Pressure Controls
- LE** Logic Elements
- DC** Directional Controls
- MV** Manual Valves
- SV** Solenoid Valves
- PV** Proportional Valves
- CE** Coils & Electronics
- BC** Bodies & Cavities
- TD** Technical Data

**CV**

Check Valves

**SH**

Shuttle Valves

**LM**

Load/Motor Controls

**FC**

Flow Controls

**PC**

Pressure Controls

**LE**

Logic Elements

**DC**

Directional Controls

**MV**

Manual Valves

**SV**

Solenoid Valves

**PV**

Proportional Valves

**CE**

Coils & Electronics

**BC**

Bodies & Cavities

**TD**

Technical Data

**General Description**

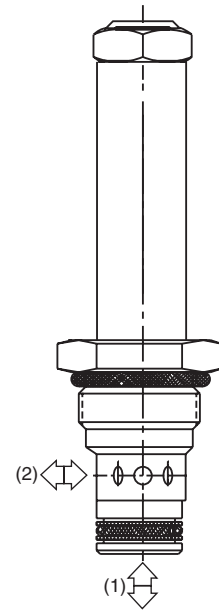
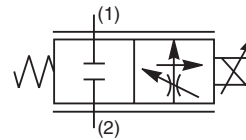
2 Way, Normally Closed, Proportional Flow Regulator Valve. Partially Pressure Compensated. For additional information see Technical Tips on pages PV1-PV6.

**Features**

- Analog Proportional Partially Pressure Compensated Flow Regulator regulates flow proportionally to the input solenoid current.
- A low cost valve designed to be used in applications where fine pressure compensation is not required.
- One piece cartridge housing ensures internal concentricity
- Coil: Waterproof, hermetically sealed, requires no O'Rings; Symmetrical coil can be reversed without affecting performance.
- Nonmagnetic spool and housing assembly
- Factory-adjusted low variation option (Model "L") is available for applications where low variation of flow from valve to valve is essential at a given current or when an external pressure compensator is used.

**Specifications**

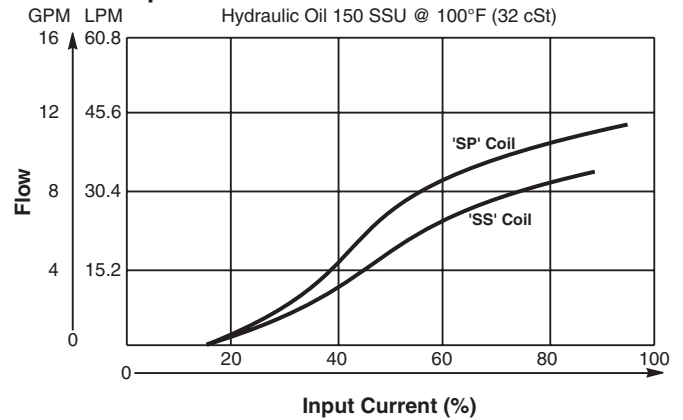
<b>Rated Flow</b> 2 to 1 @ 210 Bar (3000 PSI)	<b>Standard ('SS' Coil)</b> 30 LPM (8 GPM) <b>High Flow ('SP' Coil)</b> 36 LPM (9.5 GPM)
<b>Preferable Input Port For Best Hysteresis</b>	Port 1
<b>Hysteresis @ 100 Hz PWM</b>	<10%
<b>Cracking Pressure</b>	21% of Rated Current (Standard) 17% of Rated Current (High Flow)
<b>Variation of Flow @ 35% of Rated Current &amp; Constant ΔP Maintained By Pressure Compensator</b>	<b>Standard Model</b> Up To ±5% Of Rated Flow <b>Model "L"</b> ±2% Of Rated Flow
<b>Cartridge Material</b>	All parts steel. All operating parts hardened steel.
<b>Operating Temp. Range/Seals</b>	-34°C to +121°C (Nitrile) (-30°F to +250°F) -26°C to +204°C (Fluorocarbon) (-15°F to +400°F)
<b>Fluid Compatibility/Viscosity</b>	Mineral-based or synthetic with lubricating properties at viscosities of 45 to 2000 SSU (6 to 420 cSt)
<b>Filtration</b>	ISO-4406 18/16/13, SAE Class 4
<b>Approx. Weight</b>	.12 kg (.26 lbs.)
<b>Cavity</b>	C10-2 (See BC Section for more details)



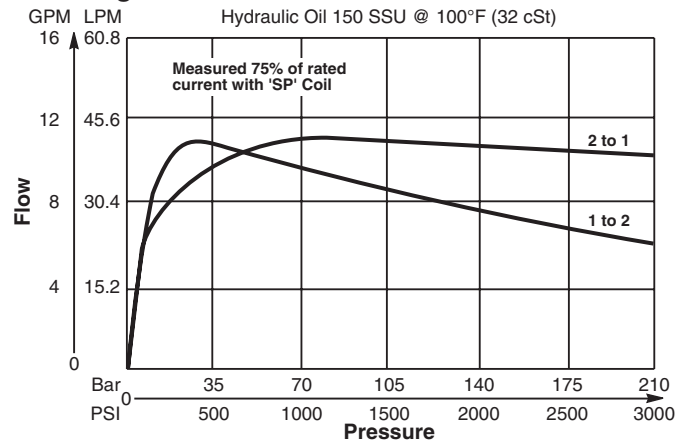
**Performance Curves**

▲ PWM Current Regulator Recommended

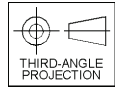
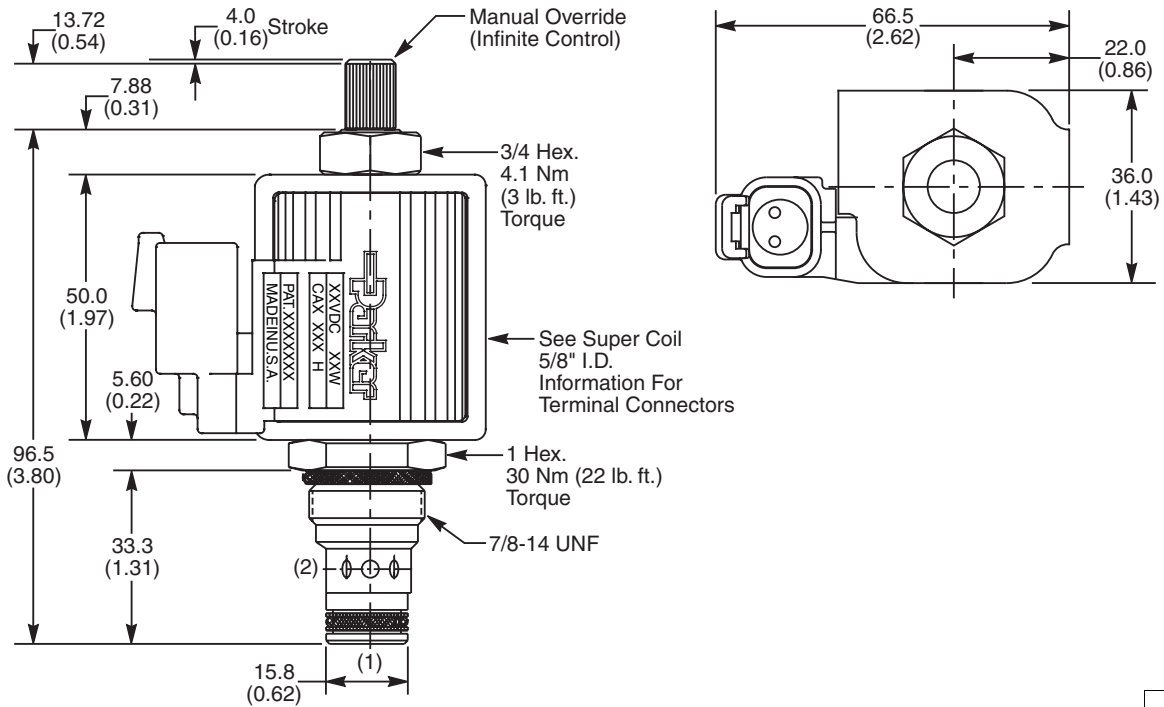
**Flow vs. Input Current**



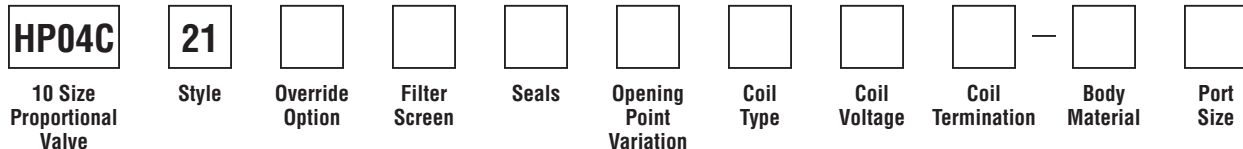
**Flow Regulation**



**Dimensions** Millimeters (Inches)



**Ordering Information**



Code	Style (Maximum Regulated Flow)
21	Standard ('SS' Coil) 30 LPM (8 GPM)
21	High Flow ('SP' Coil) 36 LPM (9.5 GPM)

Code	Seals / Kit No.
N	Nitrile / Buna-N (Std.) (SK30503N-1)
V	Fluorocarbon / (SK30503V-1)

Code	Coil Voltage
Omit	Without Coil
D012	12 VDC
D024	24 VDC

Code	Body Material
Omit	Steel
A	Aluminum

Code	Override Option
0	Not Required
5	Infinite Control M.O.

Code	Flow Variation
Omit	Standard Up to $\pm 5\%$ of Current
L	Low Variation ( $\pm 2\%$ of Current Flow)

Code	Coil Termination
Omit	Without Coil
A	Amp Jr. Timer*
C	Conduit With Leads
D	DIN Plug Face
H	Molded Deutsch*
L	Dual Lead Wire*
PF	Packard Female*
PM	Packard Male*
S	Dual Spade*

Code	Port Size	Body Part No.
Omit	Cartridge Only	
6T	SAE-6	(B10-2-*6T)
8T	SAE-8	(B10-2-*8T)

\* Add "A" for aluminum, omit for steel.

Code	Filter Screen
0	Not Available

Code	Coil Type
Omit	Without Coil
SS	Super Coil - 18 Watts
SP	Super Coil - 28 Watts

See Super Coil 5/8" I.D.  
 \*DC Only

- CV Check Valves
- SH Shuttle Valves
- LM Load/Motor Controls
- FC Flow Controls
- PC Pressure Controls
- LE Logic Elements
- DC Directional Controls
- MV Manual Valves
- SV Solenoid Valves
- PV Proportional Valves
- CE Coils & Electronics
- BC Bodies & Cavities
- TD Technical Data



- CV** Check Valves
- SH** Shuttle Valves
- LM** Load/Motor Controls
- FC** Flow Controls
- PC** Pressure Controls
- LE** Logic Elements
- DC** Directional Controls
- MV** Manual Valves
- SV** Solenoid Valves
- PV** Proportional Valves
- CE** Coils & Electronics
- BC** Bodies & Cavities
- TD** Technical Data

**General Description**

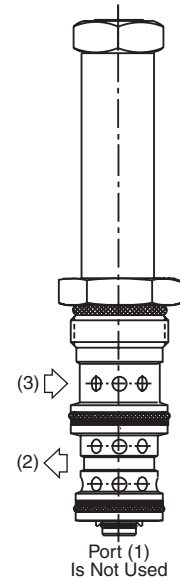
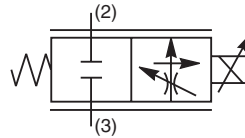
2 Way, Normally Closed, Proportional Flow Regulator Valve. Pressure Compensated. For additional information see Technical Tips on pages PV1-PV6.

**Features**

- One piece cartridge housing ensures internal concentricity
- Coil: Waterproof, hermetically sealed, requires no O’Rings; Symmetrical coil can be reversed without affecting performance.
- Nonmagnetic spool and housing assembly
- Factory-adjusted low variation option (Model “L”) is available for applications where low variation of flow from valve to valve is essential at a given current.

**Specifications**

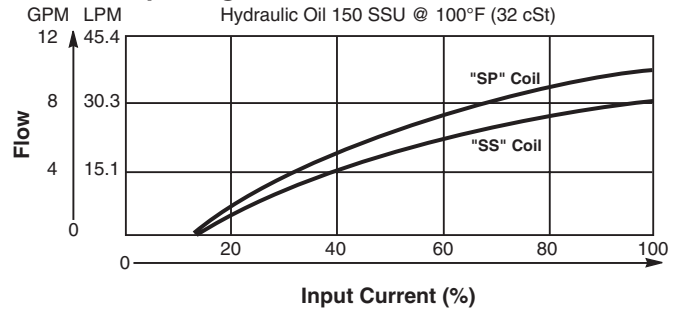
<b>Rated Flow</b>	<b>21</b>	30 LPM (8 GPM) Standard (‘SS’ Coil)
	<b>21</b>	36 LPM (9.5 GPM) High Flow (‘SP’ Coil)
<b>Maximum Input Pressure At Port 2</b>	210 Bar (3000 PSI)	
<b>Minimum Pressure Differential</b>	<b>21</b>	13.8 Bar (200 PSI) Standard
	<b>21</b>	20.7 Bar (300 PSI) High Flow
<b>Maximum Internal Leakage</b>	780 cc (46 cu. in.) @ 210 Bar (3000 PSI)	
<b>Hysteresis @ 100 Hz PWM</b>	7%	
<b>Cracking Pressure</b>	25% of Input Signal	
<b>Variation of Flow @ 35% of Rated Current</b>	<b>Standard Model</b> Up To ±20% Of Rated Flow <b>Model “L”</b> ±7% Of Rated Flow	
<b>Cartridge Material</b>	All parts steel. All operating parts hardened steel.	
<b>Operating Temp. Range/Seals</b>	-34°C to +121°C (Nitrile) (-30°F to +250°F) -26°C to +204°C (Fluorocarbon) (-15°F to +400°F)	
<b>Fluid Compatibility/ Viscosity</b>	Mineral-based or synthetic with lubricating properties at viscosities of 45 to 2000 SSU (6 to 420 cSt)	
<b>Filtration</b>	ISO-4406 18/16/13, SAE Class 4	
<b>Approx. Weight</b>	.13 kg (.28 lbs.)	
<b>Cavity</b>	3X (See BC Section for more details)	



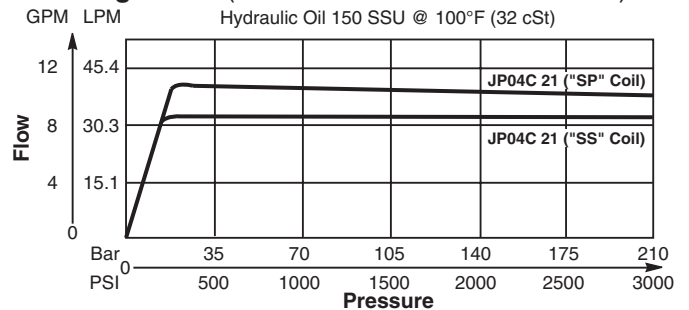
**Performance Curves**

▲ PWM Current Regulator Recommended

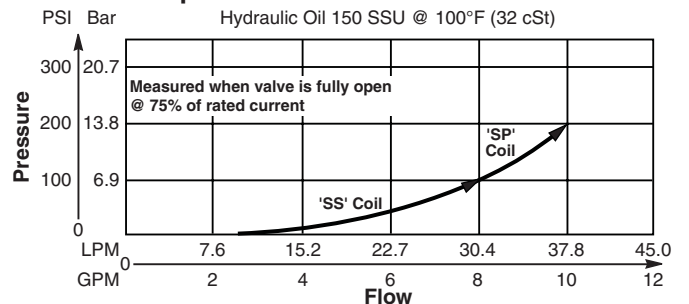
**Flow vs. Input Signal**



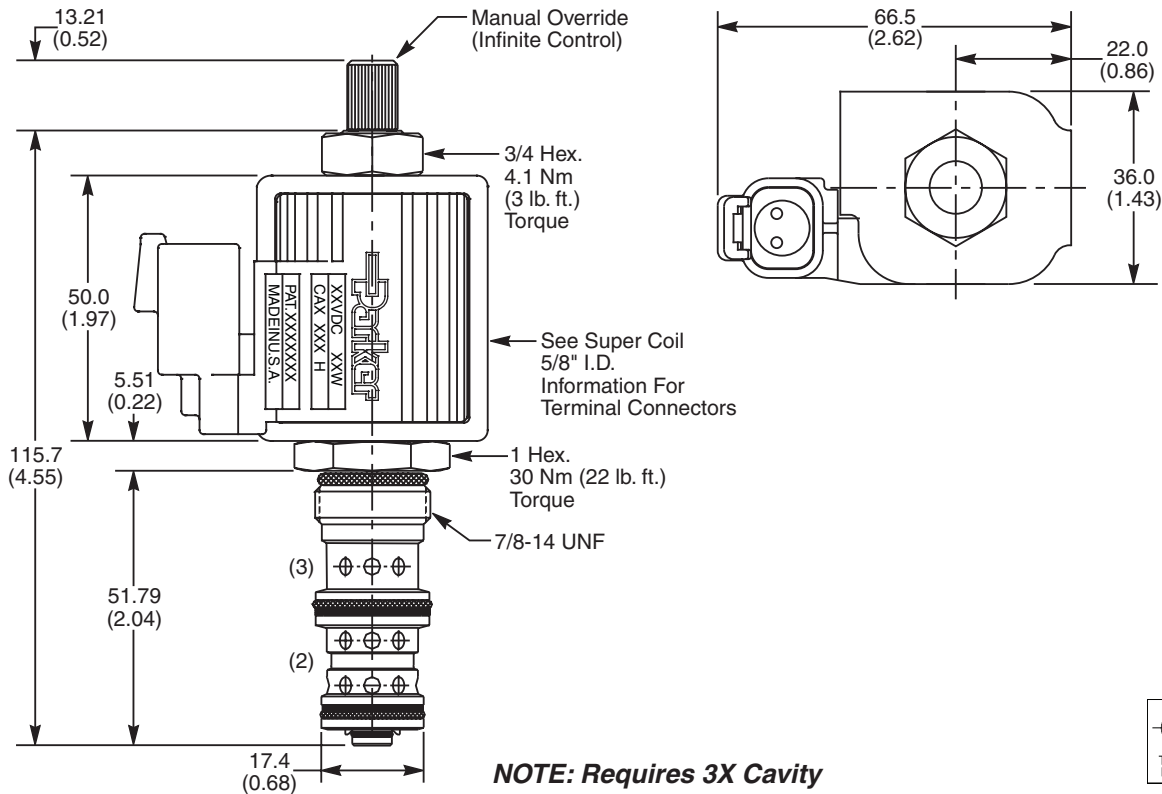
**Flow Regulation (Measured 75% of Rated Current)**



**Pressure Drop vs. Flow**



**Dimensions** Millimeters (Inches)



**NOTE: Requires 3X Cavity**

**Ordering Information**

**JP04C** **21**

10 Size Proportional Valve    Style    Override Option    Filter Screen    Seals    Flow Variation    Coil Type    Coil Voltage    Coil Termination

Code	Style (Maximum Regulated Flow)
21	Standard ('SS' Coil) 30 LPM (8 GPM)
21	High Flow ('SP' Coil) 36 LPM 9.5 GPM

Code	Filter Screen
0	Not Required
1	60 Mesh Screen on Port 2

Code	Flow Variation
Omit	Standard Up to ±20% of Rated Flow
L	Low Variation (±7% of Rated Flow)

Code	Coil Voltage
Omit	Without Coil
D012	12 VDC
D024	24 VDC

Code	Override Option
0	Not Required
5	Infinite Control M.O.

Code	Seals / Kit No.
N	Nitrile / Buna-N (Std.) (SK30106N-1)
V	Fluorocarbon / (SK30106V-1)

Code	Coil Type
Omit	Without Coil
SS	Super Coil - 18 Watts
SP	Super Coil - 28 Watts

Code	Coil Termination
Omit	Without Coil
A	Amp Jr. Timer*
C	Conduit With Leads
D	DIN Plug Face
H	Molded Deutsch*
L	Dual Lead Wire*
PF	Packard Female*
PM	Packard Male*
S	Dual Spade*

**Order Bodies Separately**

**LB10**

Line Body    Porting    Body Material

Code	Porting
553	1/2" SAE

Code	Body Material
A	Aluminum
S	Steel

See Super Coil 5/8" I.D.  
 \*DC Only

- CV** Check Valves
- SH** Shuttle Valves
- LM** Load/Motor Controls
- FC** Flow Controls
- PC** Pressure Controls
- LE** Logic Elements
- DC** Directional Controls
- MV** Manual Valves
- SV** Solenoid Valves
- PV** Proportional Valves
- CE** Coils & Electronics
- BC** Bodies & Cavities
- TD** Technical Data

**Technical Information**

- CV** Check Valves
- SH** Shuttle Valves
- LM** Load/Motor Controls
- FC** Flow Controls
- PC** Pressure Controls
- LE** Logic Elements
- DC** Directional Controls
- MV** Manual Valves
- SV** Solenoid Valves
- PV** Proportional Valves
- CE** Coils & Electronics
- BC** Bodies & Cavities
- TD** Technical Data

**General Description**

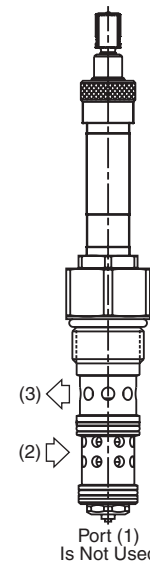
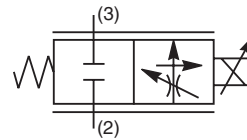
2 Way, Normally Closed, Proportional Flow Regulator Valve. Pressure Compensated. For additional information see Technical Tips on pages PV1-PV6.

**Features**

- One piece cartridge housing ensures internal concentricity
- Coil: Waterproof, hermetically sealed, requires no O’Rings; Symmetrical coil can be reversed without affecting performance.

**Specifications**

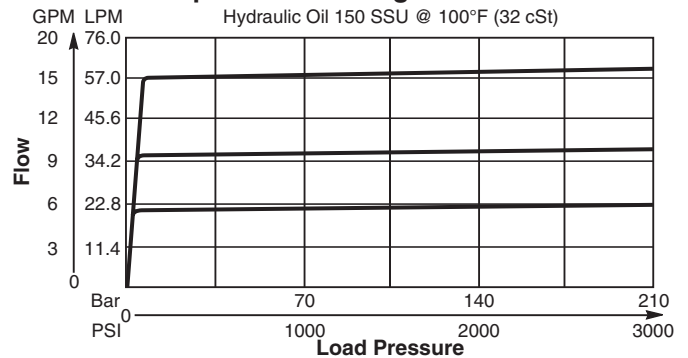
<b>Rated Flow @ 75% of Rated Current</b>	56.8 LPM (15 GPM) Requires ‘SP’ Coil
<b>Maximum Input Pressure At Port 2</b>	210 Bar (3000 PSI)
<b>Minimum Pressure Differential</b>	20.7 Bar (300 PSI)
<b>Maximum Internal Leakage</b>	568 cc (35 cu. in.) @ 210 Bar (3000 PSI)
<b>Hysteresis @ 100 Hz PWM</b>	<15%
<b>Cartridge Material</b>	All parts steel. All operating parts hardened steel.
<b>Operating Temp. Range/Seals</b>	-34°C to +121°C (Nitrile) (-30°F to +250°F) -26°C to +204°C (Fluorocarbon) (-15°F to +400°F)
<b>Fluid Compatibility/ Viscosity</b>	Mineral-based or synthetic with lubricating properties at viscosities of 45 to 2000 SSU (6 to 420 cSt)
<b>Filtration</b>	ISO-4406 18/16/13, SAE Class 4
<b>Approx. Weight</b>	.40 kg (.89 lbs.)
<b>Cavity</b>	C12-3L (See BC Section for more details)



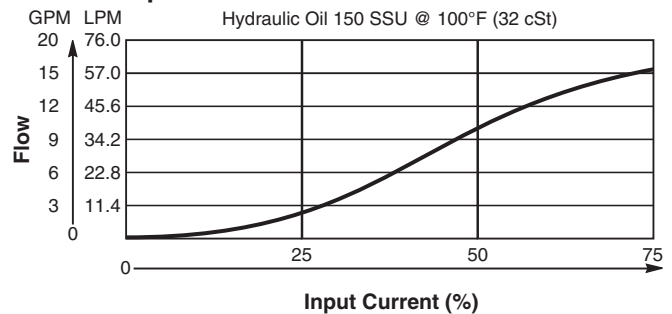
**Performance Curves**

**▲ PWM Current Regulator Recommended**

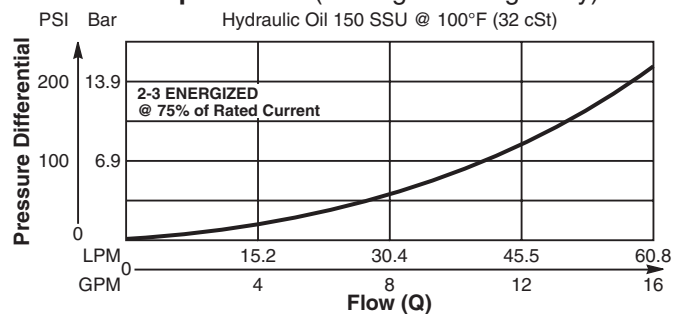
**Pressure Compensation of Regulated Flow**



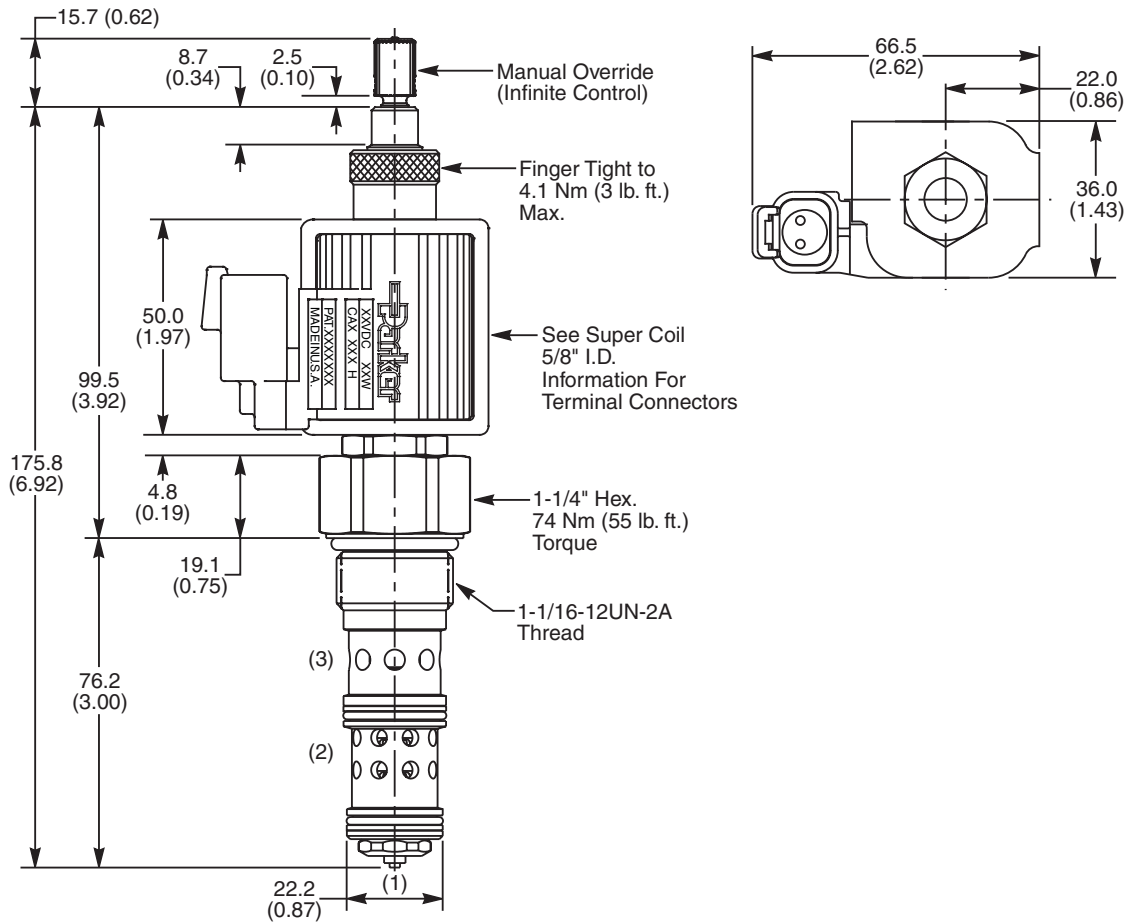
**Flow vs. Input Current**



**Pressure Drop vs. Flow (Through cartridge only)**



**Dimensions** Millimeters (Inches)



**Ordering Information**

**DFA125C**   **21**   **S**           

12 Size Proportional Valve   Style   Override Option   Seals   Coil Type   Coil Voltage   Coil Termination

Code	Style (Maximum Regulated Flow)
21	High Flow ("SP" Coil) 56.8 LPM (15 GPM)

Code	Seals / Kit No.
N	Nitrile / Buna-N (Std.) (SK12-3LN)
V	Fluorocarbon / (SK12-3LV)

Code	Coil Type
Omit	Without Coil
SP	Super Coil - 28 Watts

Code	Coil Termination
Omit	Without Coil
A	Amp Jr. Timer*
C	Conduit With Leads
D	DIN Plug Face
H	Molded Deutsch*
L	Dual Lead Wire*
PF	Packard Female*
PM	Packard Male*
S	Dual Spade*

Code	Override Option
Omit	Not Available
S	Standard M.O. (Infinite Control)

Code	Coil Voltage
Omit	Without Coil
D012	12 VDC
D024	24 VDC

**Order Bodies Separately**

**B12** — **3L** — **A**   **12T**

12 Size   3-Way Long Cavity   Body Material   Port Size

Code	Body Material
A	Aluminum

Code	Port Size
12T	SAE - 12

See Super Coil 5/8" I.D.  
 \*DC Only

- CV** Check Valves
- SH** Shuttle Valves
- LM** Load/Motor Controls
- FC** Flow Controls
- PC** Pressure Controls
- LE** Logic Elements
- DC** Directional Controls
- MV** Manual Valves
- SV** Solenoid Valves
- PV** Proportional Valves
- CE** Coils & Electronics
- BC** Bodies & Cavities
- TD** Technical Data

**Technical Information**

- CV** Check Valves
- SH** Shuttle Valves
- LM** Load/Motor Controls
- FC** Flow Controls
- PC** Pressure Controls
- LE** Logic Elements
- DC** Directional Controls
- MV** Manual Valves
- SV** Solenoid Valves
- PV** Proportional Valves
- CE** Coils & Electronics
- BC** Bodies & Cavities
- TD** Technical Data

**General Description**

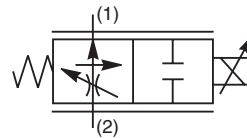
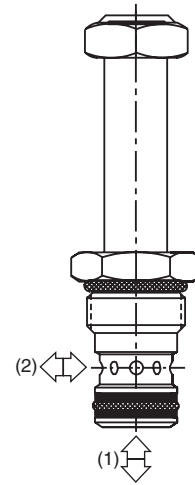
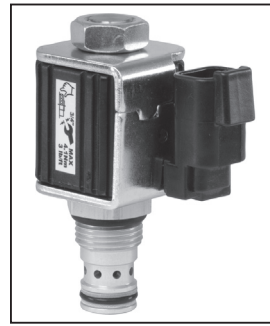
2 Way, Normally Open, Proportional Flow Regulator Valve. Partially Pressure Compensated. For additional information see Technical Tips on pages PV1-PV6.

**Features**

- Analog Proportional Partially Pressure Compensated Flow Regulator regulates flow proportionally to the input solenoid current
- The valve is designed to be used in applications where fine pressure compensation is not required and an economical solution is important
- One piece cartridge housing ensures internal concentricity
- Coil: Waterproof, hermetically sealed, requires no O’Rings; Symmetrical coil can be reversed without affecting performance.
- Nonmagnetic spool and housing assembly
- Factory-adjusted low variation option (Model “L”) is available for applications where low variation of flow from valve to valve is essential at a given current or when an external pressure compensator is used.

**Specifications**

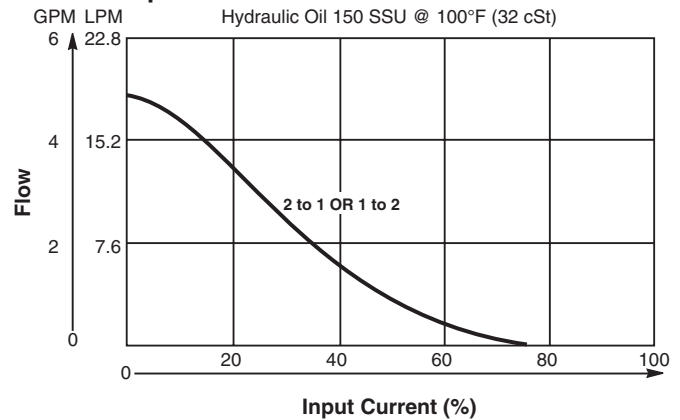
<b>Rated Flow @ 210 Bar (3000 PSI)</b>	<b>2 to 1</b> 19 LPM (5 GPM)
<b>Preferable Input Port For Best Hysteresis</b>	Port 1
<b>Hysteresis @ 100 Hz PWM</b>	<10%
<b>Variation of Flow @ 35% of Rated Current &amp; Constant ΔP Maintained By Pressure Compensator</b>	<b>Standard Model</b> Up To ±20% Of Rated Flow <b>Model “L”</b> ±7% Of Rated Flow
<b>Cartridge Material</b>	All parts steel. All operating parts hardened steel.
<b>Operating Temp. Range/Seals</b>	-34°C to +121°C (Nitrile) (-30°F to +250°F) -26°C to +204°C (Fluorocarbon) (-15°F to +400°F)
<b>Fluid Compatibility/ Viscosity</b>	Mineral-based or synthetic with lubricating properties at viscosities of 45 to 2000 SSU (6 to 420 cSt)
<b>Filtration</b>	ISO-4406 18/16/13, SAE Class 4
<b>Approx. Weight</b>	.08 kg (.17 lbs.)
<b>Cavity</b>	2X (See BC Section for more details)



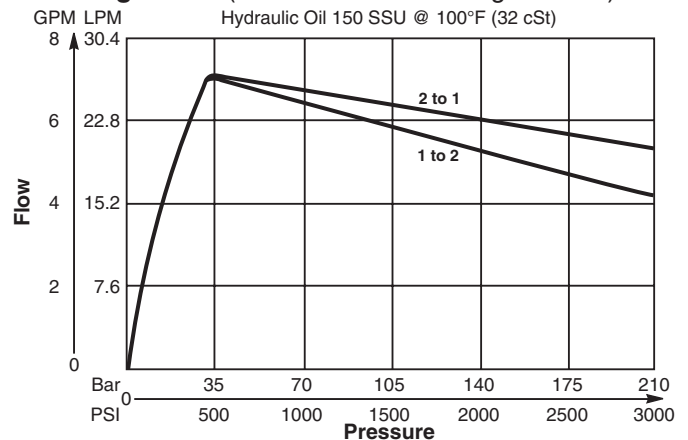
**Performance Curves**

▲ PWM Current Regulator Recommended

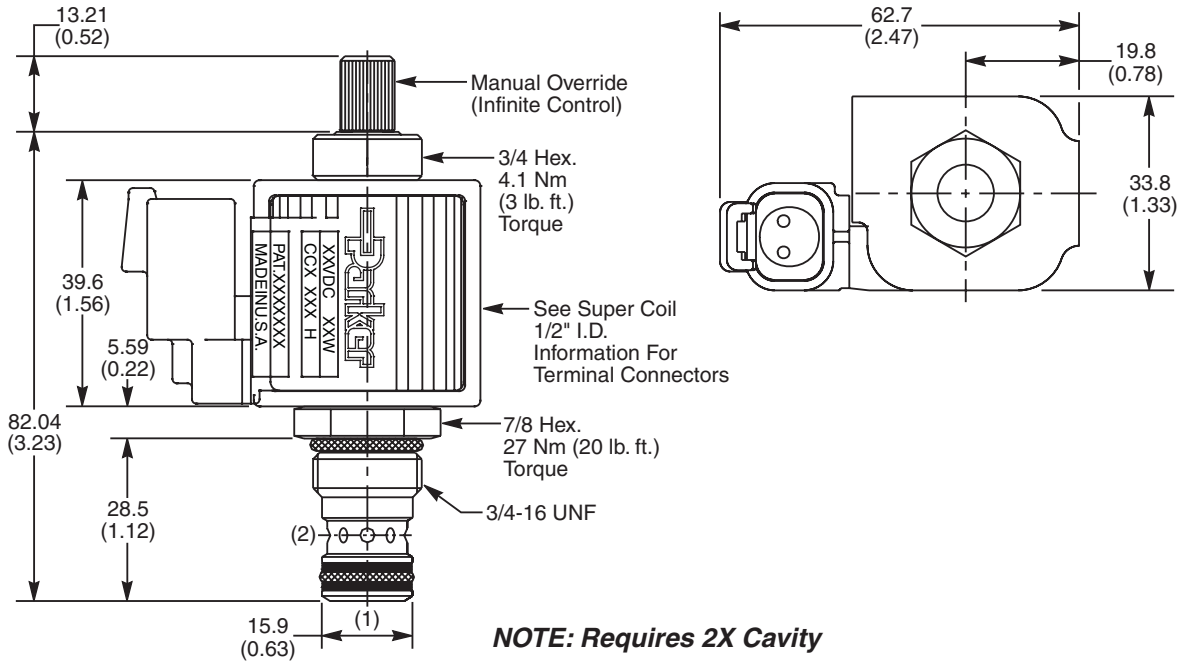
**Flow vs. Input Current**



**Flow Regulation (Measured at De-Energized Coil)**



**Dimensions** Millimeters (Inches)



**Ordering Information**

**HP02P** **21**

08 Size Proportional Valve    Style    Override Option    Filter Screen    Seals    Flow Variation    Coil Type    Coil Voltage    Coil Termination

Code	Style (Maximum Regulated Flow)
21	High Flow ("SP" Coil) 19 LPM (5 GPM)

Code	Filter Screen
0	Not Available

Code	Flow Variation
Omit	Standard Up to ±20% of Rated Flow
L	Low Variation (±7% of Rated Flow)

Code	Coil Voltage
Omit	Without Coil
D012	12 VDC
D024	24 VDC

Code	Override Option
0	Not Required
5	Infinite Control M.O.

Code	Seals / Kit No.
N	Nitrile / Buna-N (Std.) (SK30076N-1)
V	Fluorocarbon / (SK30076V-1)

Code	Coil Type
Omit	Without Coil
SP	Super Coil - 19 Watts

Code	Coil Termination
Omit	Without Coil
A	Amp Jr. Timer*
C	Conduit With Leads
D	DIN Plug Face
H	Molded Deutsch*
L	Dual Lead Wire*
PF	Packard Female*
PM	Packard Male*
S	Dual Spade*

**Order Bodies Separately**

**LB10**

Line Body    Porting    Body Material

Code	Porting
513	3/8" SAE

Code	Body Material
A	Aluminum
S	Steel

See Super Coil 1/2" I.D.  
 \*DC Only

- CV** Check Valves
- SH** Shuttle Valves
- LM** Load/Motor Controls
- FC** Flow Controls
- PC** Pressure Controls
- LE** Logic Elements
- DC** Directional Controls
- MV** Manual Valves
- SV** Solenoid Valves
- PV** Proportional Valves
- CE** Coils & Electronics
- BC** Bodies & Cavities
- TD** Technical Data



**Technical Information**

- CV** Check Valves
- SH** Shuttle Valves
- LM** Load/Motor Controls
- FC** Flow Controls
- PC** Pressure Controls
- LE** Logic Elements
- DC** Directional Controls
- MV** Manual Valves
- SV** Solenoid Valves
- PV** Proportional Valves
- CE** Coils & Electronics
- BC** Bodies & Cavities
- TD** Technical Data

**General Description**

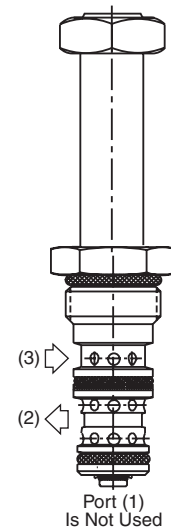
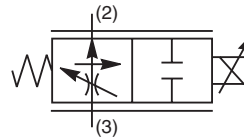
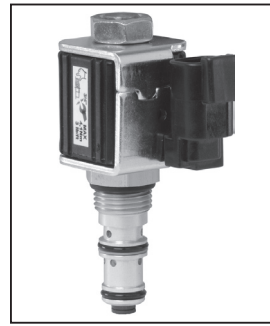
2 Way, Normally Open, Proportional Flow Regulator Valve. Pressure Compensated. For additional information see Technical Tips on pages PV1-PV6.

**Features**

- One piece cartridge housing ensures internal concentricity
- Coil: Waterproof, hermetically sealed, requires no O’Rings; Symmetrical coil can be reversed without affecting performance.
- Nonmagnetic spool and housing assembly
- Factory-adjusted low variation option (Model “L”) is available for applications where low variation of flow from valve to valve is essential at a given current.

**Specifications**

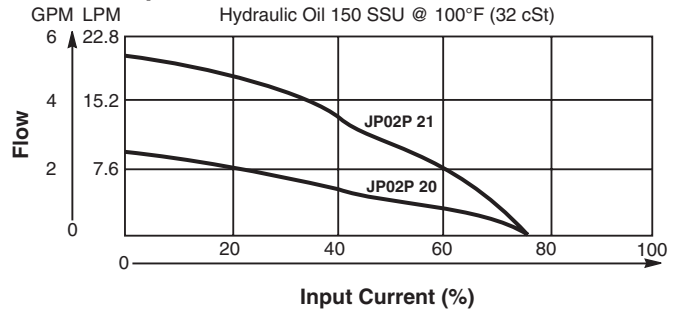
<b>Rated Flow</b>	<b>20</b>	9.5 LPM (2.5 GPM) Standard (‘SS’ Coil)
	<b>21</b>	19 LPM (5 GPM) High Flow (‘SP’ Coil)
<b>Maximum Input Pressure At Port 2</b>	210 Bar (3000 PSI)	
<b>Minimum Pressure Differential</b>	<b>20</b>	6.9 Bar (150 PSI) Standard
	<b>21</b>	20.7 Bar (300 PSI) High Flow
<b>Maximum Internal Leakage</b>	570 cc (35 cu. in.) @ 210 Bar (3000 PSI)	
<b>Hysteresis @ 100 Hz PWM</b>	<3%	
<b>Variation of Flow @ 35% of Rated Current</b>	<b>Standard Model</b> Up To ±20% Of Rated Flow <b>Model “L”</b> ±7% Of Rated Flow	
<b>Cartridge Material</b>	All parts steel. All operating parts hardened steel.	
<b>Operating Temp. Range/Seals</b>	-34°C to +121°C (Nitrile) (-30°F to +250°F) -26°C to +204°C (Fluorocarbon) (-15°F to +400°F)	
<b>Fluid Compatibility/ Viscosity</b>	Mineral-based or synthetic with lubricating properties at viscosities of 45 to 2000 SSU (6 to 420 cSt)	
<b>Filtration</b>	ISO-4406 18/16/13, SAE Class 4	
<b>Approx. Weight</b>	.08 kg (.17 lbs.)	
<b>Cavity</b>	C08-3 (See BC Section for more details)	



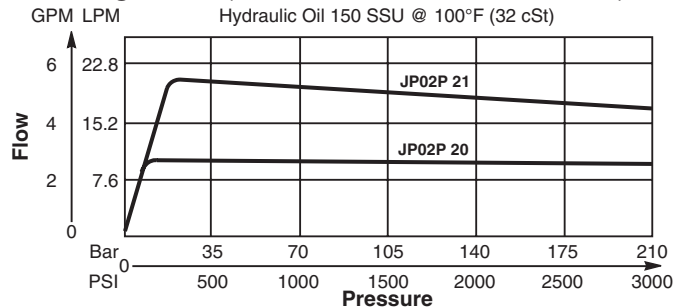
**Performance Curves**

▲ PWM Current Regulator Recommended

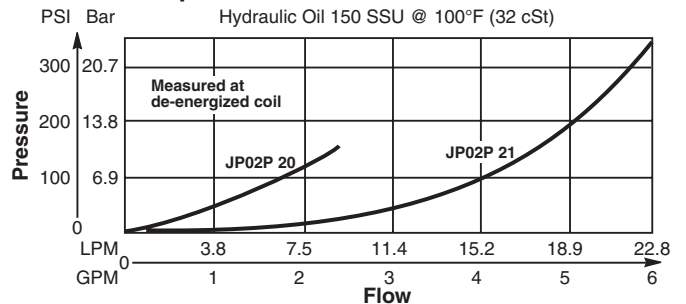
**Flow vs. Input Current**



**Flow Regulation (Measured 75% of Rated Current)**

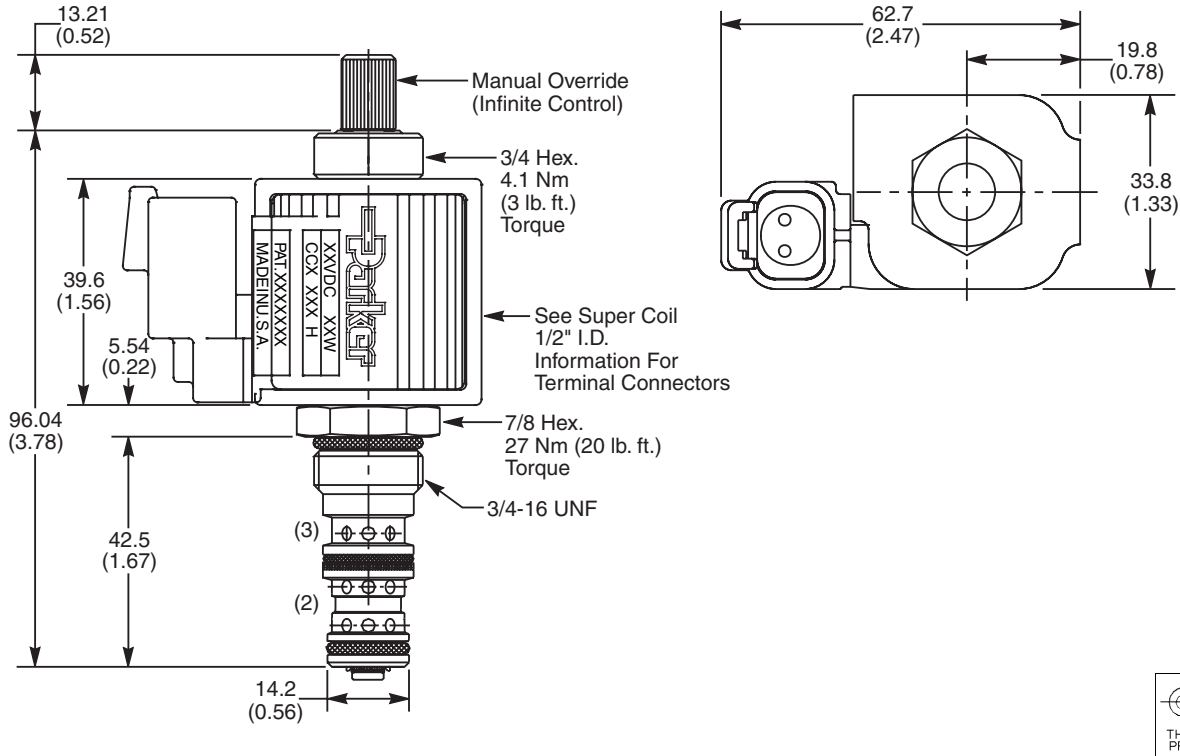


**Pressure Drop vs. Flow**

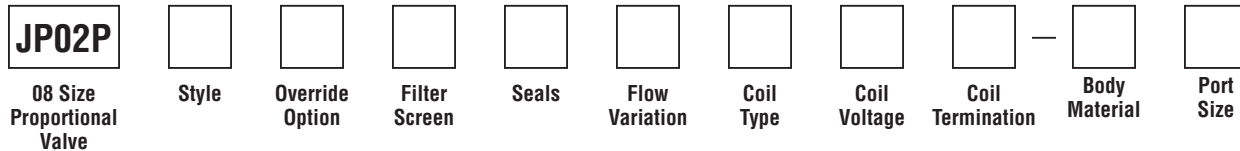




**Dimensions** Millimeters (Inches)



**Ordering Information**



Code	Style (Maximum Regulated Flow)
20	Standard ('SS' Coil) 9.5 LPM (2.5 GPM)
21	High Flow ('SP' Coil) 19 LPM (5 GPM)

Code	Seals / Kit No.
N	Nitrile / Buna-N (Std.) (SK30105N-1)
V	Fluorocarbon / (SK30105V-1)

Code	Coil Voltage
Omit	Without Coil
D012	12 VDC
D024	24 VDC

Code	Body Material
Omit	Steel
A	Aluminum

Code	Override Option
0	Not Required
5	Infinite Control M.O.

Code	Flow Variation
Omit	Standard Up to ±20% of Rated Flow
L	Low Variation (±7% of Rated Flow)

Code	Coil Termination
Omit	Without Coil
A	Amp Jr. Timer*
C	Conduit With Leads
D	DIN Plug Face
H	Molded Deutsch*
L	Dual Lead Wire*
PF	Packard Female*
PM	Packard Male*
S	Dual Spade*

Code	Port Size	Body Part No.
Omit	Cartridge Only	
4T	SAE-4	(B08-3-*4T)
6T	SAE-6	(B08-3-*6T)

\* Add "A" for aluminum, omit for steel.

Code	Filter Screen
0	Not Required
1	60 Mesh Screen on Port 2

Code	Coil Type
Omit	Without Coil
SS	Super Coil - 14 Watts
SP	Super Coil - 19 Watts

See Super Coil 1/2" I.D.  
 \*DC Only

- CV Check Valves
- SH Shuttle Valves
- LM Load/Motor Controls
- FC Flow Controls
- PC Pressure Controls
- LE Logic Elements
- DC Directional Controls
- MV Manual Valves
- SV Solenoid Valves
- PV Proportional Valves
- CE Coils & Electronics
- BC Bodies & Cavities
- TD Technical Data

**Technical Information**

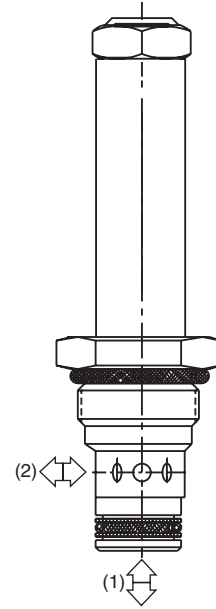
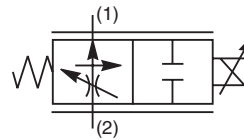
- CV** Check Valves
- SH** Shuttle Valves
- LM** Load/Motor Controls
- FC** Flow Controls
- PC** Pressure Controls
- LE** Logic Elements
- DC** Directional Controls
- MV** Manual Valves
- SV** Solenoid Valves
- PV** Proportional Valves
- CE** Coils & Electronics
- BC** Bodies & Cavities
- TD** Technical Data

**General Description**

2 Way, Normally Open, Proportional Flow Regulator Valve. Partially Pressure Compensated. For additional information see Technical Tips on pages PV1-PV6.

**Features**

- Analog Proportional Partially Pressure Compensated Flow Regulator regulates flow proportionally to the input solenoid current
- The valve is designed to be used in applications where fine pressure compensation is not required and an economical solution is important
- One piece cartridge housing ensures internal concentricity
- Coil: Waterproof, hermetically sealed, requires no O’Rings; Symmetrical coil can be reversed without affecting performance.
- Nonmagnetic spool and housing assembly
- Factory-adjusted low variation option (Model “L”) is available for applications where low variation of flow from valve to valve is essential at a given current or when an external pressure compensator is used.



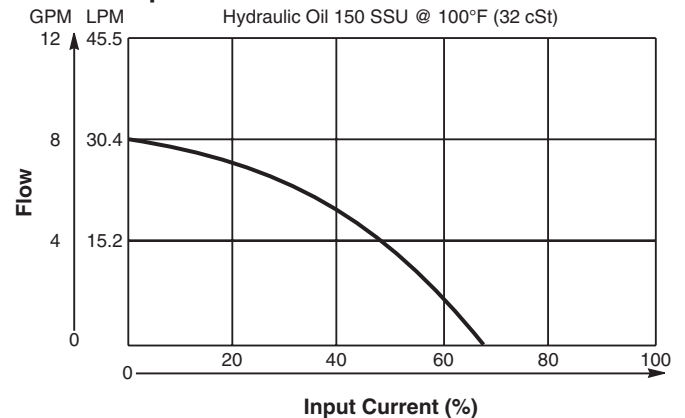
**Specifications**

<b>Rated Flow @ 210 Bar (3000 PSI)</b>	30 LPM (8 GPM)
<b>Hysteresis @ 100 Hz PWM</b>	<10%
<b>Closing Point</b>	65% of Rated Current
<b>Variation of Closing Point</b>	<b>Standard Model</b> Up To ±5% Of Rated Current <b>Model “L”</b> ±2% Of Rated Current
<b>Cartridge Material</b>	All parts steel. All operating parts hardened steel.
<b>Operating Temp. Range/Seals</b>	-34°C to +121°C (Nitrile) (-30°F to +250°F) -26°C to +204°C (Fluorocarbon) (-15°F to +400°F)
<b>Fluid Compatibility/ Viscosity</b>	Mineral-based or synthetic with lubricating properties at viscosities of 45 to 2000 SSU (6 to 420 cSt)
<b>Filtration</b>	ISO-4406 18/16/13, SAE Class 4
<b>Approx. Weight</b>	.12 kg (.26 lbs.)
<b>Cavity</b>	C10-2 (See BC Section for more details)

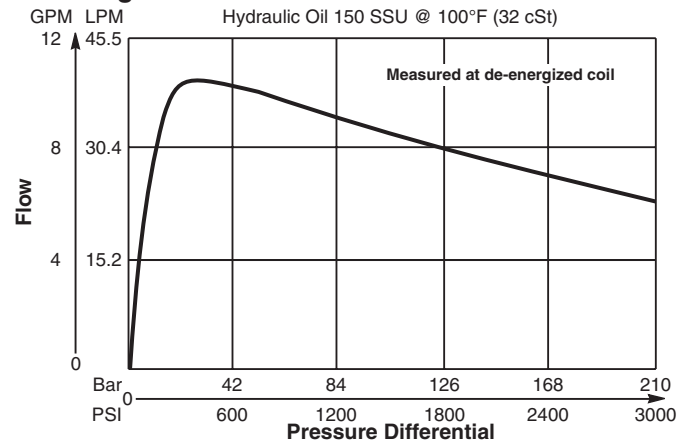
**Performance Curves**

▲ PWM Current Regulator Recommended

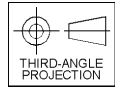
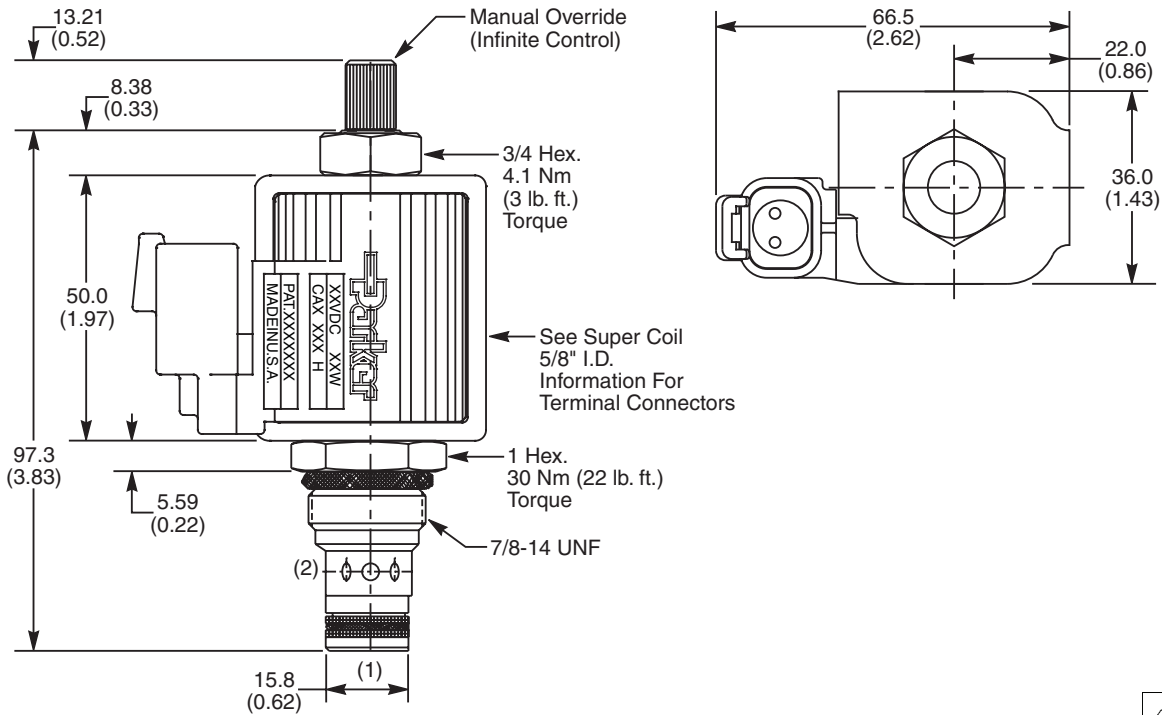
**Flow vs. Input Current**



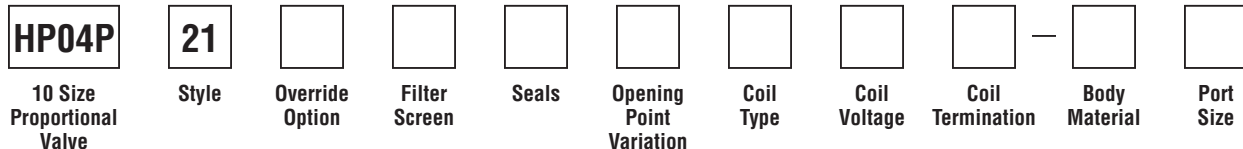
**Flow Regulation**



**Dimensions** Millimeters (Inches)



**Ordering Information**



Code	Style (Maximum Regulated Flow)
21	High Flow ("SP" Coil) 30 LPM (8 GPM)

Code	Seals / Kit No.
N	Nitrile / Buna-N (Std.) (SK30503N-1)
V	Fluorocarbon / (SK30503V-1)

Code	Coil Voltage
Omit	Without Coil
D012	12 VDC
D024	24 VDC

Code	Body Material
Omit	Steel
A	Aluminum

Code	Override Option
0	Not Required
5	Infinite Control M.O.

Code	Flow Variation
Omit	Standard Up to ±5% of Current Flow
L	Low Variation (±2% of Current Flow)

Code	Coil Termination
Omit	Without Coil
A	Amp Jr. Timer*
C	Conduit With Leads
D	DIN Plug Face
H	Molded Deutsch*
L	Dual Lead Wire*
PF	Packard Female*
PM	Packard Male*
S	Dual Spade*

Code	Port Size	Body Part No.
Omit	Cartridge Only	
6T	SAE-6	(B10-2-*6T)
8T	SAE-8	(B10-2-*8T)

\* Add "A" for aluminum, omit for steel.

Code	Filter Screen
0	Not Available

Code	Coil Type
Omit	Without Coil
SP	Super Coil - 28 Watts

See Super Coil 5/8" I.D.  
 \*DC Only

- CV Check Valves
- SH Shuttle Valves
- LM Load/Motor Controls
- FC Flow Controls
- PC Pressure Controls
- LE Logic Elements
- DC Directional Controls
- MV Manual Valves
- SV Solenoid Valves
- PV Proportional Valves
- CE Coils & Electronics
- BC Bodies & Cavities
- TD Technical Data

**Technical Information**

**CV**

Check Valves

**SH**

Shuttle Valves

**LM**

Load/Motor Controls

**FC**

Flow Controls

**PC**

Pressure Controls

**LE**

Logic Elements

**DC**

Directional Controls

**MV**

Manual Valves

**SV**

Solenoid Valves

**PV**

Proportional Valves

**CE**

Coils & Electronics

**BC**

Bodies & Cavities

**TD**

Technical Data

**General Description**

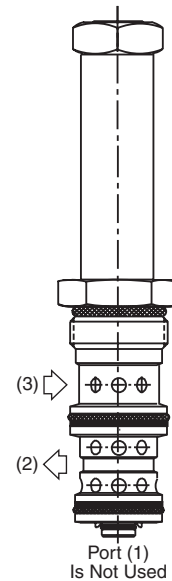
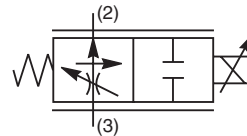
2 Way, Normally Open, Proportional Flow Regulator Valve. Pressure Compensated. For additional information see Technical Tips on pages PV1-PV6.

**Features**

- One piece cartridge housing ensures internal concentricity
- Coil: Waterproof, hermetically sealed, requires no O’Rings; Symmetrical coil can be reversed without affecting performance.
- Nonmagnetic spool and housing assembly
- Factory-adjusted low variation option (Model “L”) is available for applications where low variation of flow from valve to valve is essential at a given current.

**Specifications**

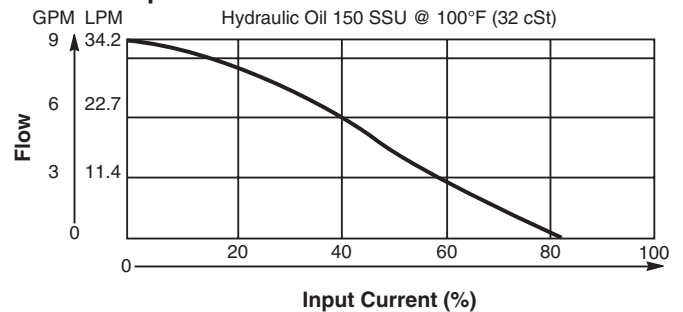
<b>Rated Flow</b>	36 LPM (9.5 GPM) High Flow (‘SP’ Coil)
<b>Maximum Input Pressure At Port 2</b>	210 Bar (3000 PSI)
<b>Minimum Pressure Differential</b>	14 Bar (200 PSI)
<b>Maximum Internal Leakage</b>	780 cc (46 cu. in.) @ 210 Bar (3000 PSI)
<b>Hysteresis @ 100 Hz PWM</b>	7%
<b>Variation of Flow @ 35% of Rated Current</b>	<b>Standard Model</b> Up To ±20% Of Rated Flow <b>Model “L”</b> ±7% Of Rated Flow
<b>Cartridge Material</b>	All parts steel. All operating parts hardened steel.
<b>Operating Temp. Range/Seals</b>	-34°C to +121°C (Nitrile) (-30°F to +250°F) -26°C to +204°C (Fluorocarbon) (-15°F to +400°F)
<b>Fluid Compatibility/ Viscosity</b>	Mineral-based or synthetic with lubricating properties at viscosities of 45 to 2000 SSU (6 to 420 cSt)
<b>Filtration</b>	ISO-4406 18/16/13, SAE Class 4
<b>Approx. Weight</b>	.13 kg (.28 lbs.)
<b>Cavity</b>	3X (See BC Section for more details)



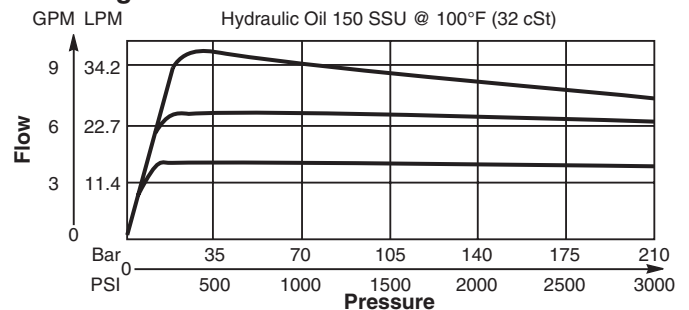
**Performance Curves**

▲ PWM Current Regulator Recommended

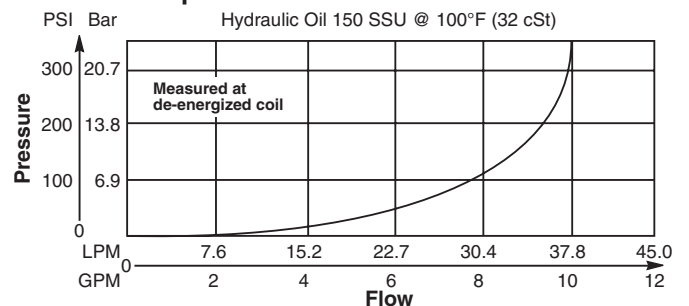
**Flow vs. Input Current**



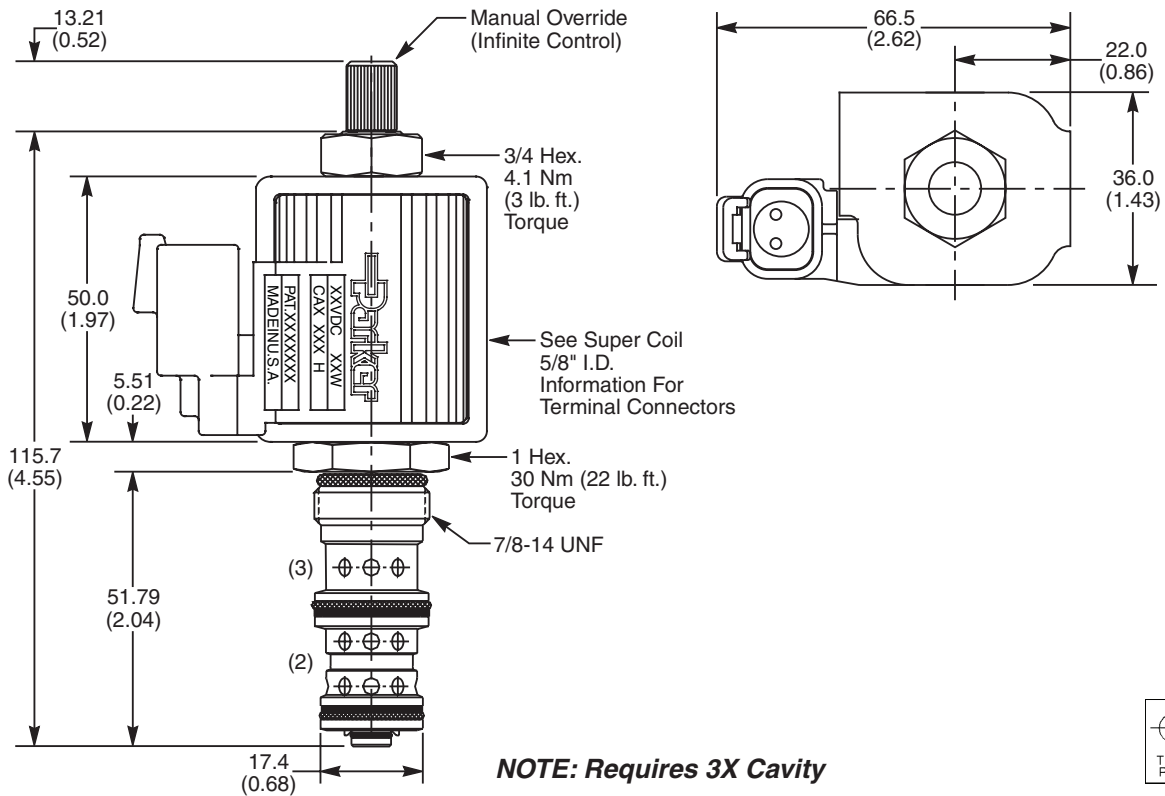
**Flow Regulation**



**Pressure Drop vs. Flow**



**Dimensions** Millimeters (Inches)



**NOTE: Requires 3X Cavity**

**Ordering Information**

<b>JP04P</b>	<b>21</b>							
10 Size Proportional Valve	Style	Override Option	Filter Screen	Seals	Flow Variation	Coil Type	Coil Voltage	Coil Termination

Code	Style (Maximum Regulated Flow)
21	High Flow ("SP" Coil) 36 LPM 9.5 GPM

Code	Filter Screen
0	Not Required
1	60 Mesh Screen on Port 2

Code	Flow Variation
Omit	Standard Up to ±20% of Rated Flow
L	Low Variation (±7% of Rated Flow)

Code	Coil Voltage
Omit	Without Coil
D012	12 VDC
D024	24 VDC

Code	Override Option
0	Not Required
5	Infinite Control M.O.

Code	Seals / Kit No.
N	Nitrile / Buna-N (Std.) (SK30106N-1)
V	Fluorocarbon / (SK30106V-1)

Code	Coil Type
Omit	Without Coil
SP	Super Coil - 28 Watts

Code	Coil Termination
Omit	Without Coil
A	Amp Jr. Timer*
C	Conduit With Leads
D	DIN Plug Face
H	Molded Deutsch*
L	Dual Lead Wire*
PF	Packard Female*
PM	Packard Male*
S	Dual Spade*

See Super Coil 5/8" I.D.  
 \*DC Only

**Order Bodies Separately**

<b>LB10</b>		
Line Body	Porting	Body Material

Code	Porting
553	1/2" SAE

Code	Body Material
A	Aluminum
S	Steel

- CV** Check Valves
- SH** Shuttle Valves
- LM** Load/Motor Controls
- FC** Flow Controls
- PC** Pressure Controls
- LE** Logic Elements
- DC** Directional Controls
- MV** Manual Valves
- SV** Solenoid Valves
- PV** Proportional Valves
- CE** Coils & Electronics
- BC** Bodies & Cavities
- TD** Technical Data

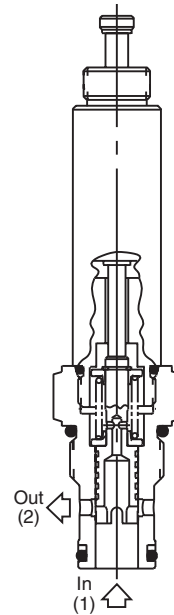
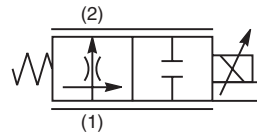
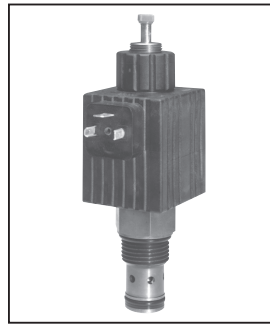
- CV** Check Valves
- SH** Shuttle Valves
- LM** Load/Motor Controls
- FC** Flow Controls
- PC** Pressure Controls
- LE** Logic Elements
- DC** Directional Controls
- MV** Manual Valves
- SV** Solenoid Valves
- PV** Proportional Valves
- CE** Coils & Electronics
- BC** Bodies & Cavities
- TD** Technical Data

### General Description

Normally Open Proportional Flow Control Valve. For additional information see Technical Tips on pages PV1-PV6.

### Features

- On-off type solenoids
- Low hysteresis
- PWM signal preferred
- Manual override standard
- All external parts zinc plated

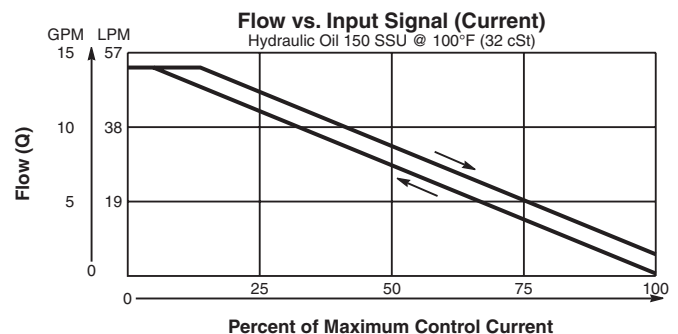
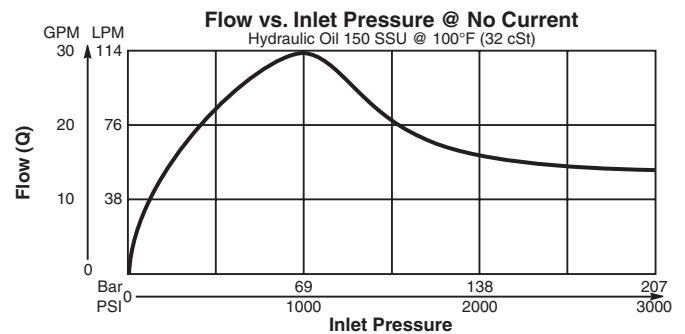
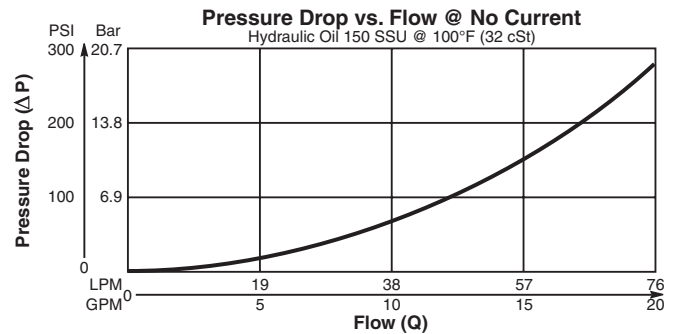


### Specifications

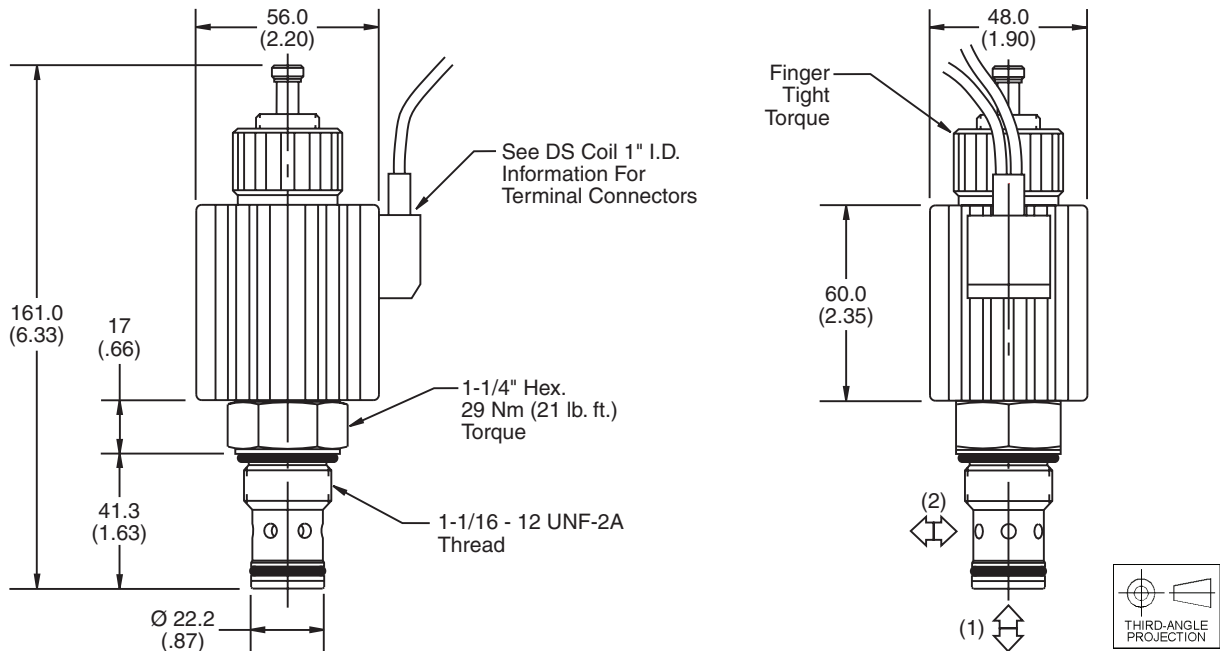
<b>Rated Flow Valve Fully Open</b>	53 LPM (14 GPM)
<b>Maximum Inlet Pressure</b>	210 Bar (3000 PSI)
<b>Hysteresis @ 200 Hz PWM</b>	4%
<b>Frequency</b>	100 - 400 Hz (200 Hz Preferred)
<b>Maximum Control Current</b>	<b>12 VDC</b> 2.45A <b>24VDC</b> 1.23A
<b>Cartridge Material</b>	All parts steel. All operating parts hardened steel.
<b>Operating Temp. Range/Seals</b>	-34°C to +121°C (Nitrile) (-30°F to +250°F) -26°C to +204°C (Fluorocarbon) (-15°F to +400°F)
<b>Fluid Compatibility/Viscosity</b>	Mineral-based or synthetic with lubricating properties at viscosities of 45 to 2000 SSU (6 to 420 cSt)
<b>Filtration</b>	ISO-4406 18/16/13, SAE Class 4
<b>Approx. Weight</b>	.32 kg (0.7 lbs.)
<b>Cavity</b>	C12-2 (See BC Section for more details)
<b>Form Tool</b>	Rougher None Finisher NFT12-2F

**Note:** 4.1 Bar (60psi) is required at port 1 to fully return Manual override.

### Performance Curves



**Dimensions** Millimeters (Inches)



**Ordering Information**

**DF122N14**

**12 Size Normally Open Proportional Flow Control Valve**

**Override Options**    **Seals**    **Coil Voltage**    **Coil Wattage**    **Coil Termination**    **Body Material**    **Port Size**

Code	Override Options
Omit	Push Type with Extenden Rod

Code	Seals / Kit. No.
Omit	Nitrile / (SK12-2)
V	Fluorocarbon / (SK12-2V)

Code	Coil Voltage
Omit	Cartridge without Coil
D012	12 VDC
D024	24 VDC

Code	Coil Wattage
Omit	Cartridge without Coil
H	High Watt

Code	Coil Termination
Omit	Cartridge without Coil
D	DIN
P	Dual Spade
W	Dual Wire

See DS Coil 1" I.D.

Code	Body Material
Omit	Steel
A	Aluminum

Code	Port Size	Body Part No.
8T	SAE - 8	(B12-2-*8T)
12T	SAE - 12	(B12-2-*12T)

\* Add "A" for aluminum, omit for steel.

- CV** Check Valves
- SH** Shuttle Valves
- LM** Load/Motor Controls
- FC** Flow Controls
- PC** Pressure Controls
- LE** Logic Elements
- DC** Directional Controls
- MV** Manual Valves
- SV** Solenoid Valves
- PV** Proportional Valves
- CE** Coils & Electronics
- BC** Bodies & Cavities
- TD** Technical Data



**Technical Information**

**CV**

Check Valves

**SH**

Shuttle Valves

**LM**  
Load/Motor Controls

**FC**  
Flow Controls

**PC**  
Pressure Controls

**LE**  
Logic Elements

**DC**  
Directional Controls

**MV**  
Manual Valves

**SV**  
Solenoid Valves

**PV**  
Proportional Valves

**CE**  
Coils & Electronics

**BC**  
Bodies & Cavities

**TD**  
Technical Data

**General Description**

2 Way, Normally Closed, Proportional Poppet Valve.  
For additional information see Technical Tips on pages PV1-PV6.

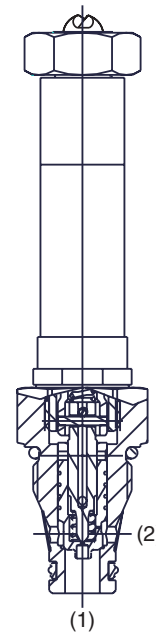
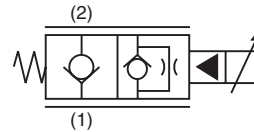
**Features**

- One piece cartridge housing ensures internal concentricity
- Adjusted at factory for low variation
- Coil: Waterproof, hermetically sealed, requires no O’Rings; Symmetrical coil can be reversed without affecting performance.
- Industry common cavity
- External surfaces plated
- Excellent low flow metering capability

**Specifications**

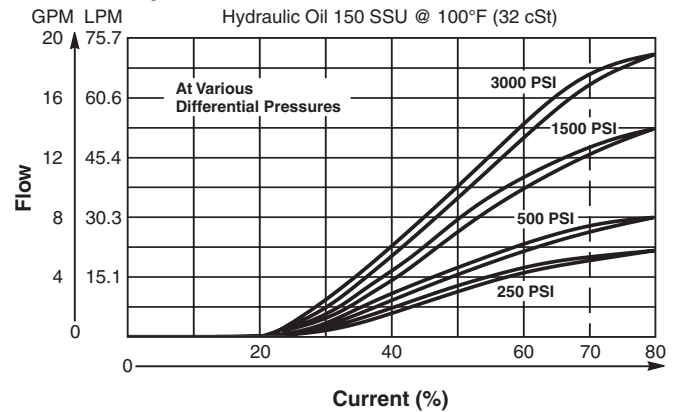
All performance data with CAS coil.  
Maximum current, 70% recommended.  
Hydraulic oil 150 SSU @ 40°C (32 cSt)

<b>Rated Flow @ 70% of Full Current at ΔP 34.5 Bar (500 PSI)</b>	27 LPM (7 GPM)
<b>Maximum Input Pressure at Port 2</b>	210 Bar (3000 PSI)
<b>Minimum Pressure Differential</b>	21 Bar (300 PSI)
<b>Maximum Internal Leakage</b>	5 drops/min. (.33 cc/min.) @ 210 Bar (3000 PSI)
<b>Hysteresis @ 100 Hz PWM</b>	<15% <b>NOTE: Current regulated PWM recommended</b>
<b>Cartridge Material</b>	All operating parts hardened steel.
<b>Operating Temp. Range/Seals</b>	-45°C to +132°C (“D”-Ring) (-50°F to +270°F) -34°C to +121°C (Nitrile) (-30°F to +250°F) -26°C to +204°C (Fluorocarbon) (-15°F to +400°F)
<b>Fluid Compatibility/ Viscosity</b>	Mineral-based or synthetic with lubricating properties at viscosities of 45 to 2000 SSU (6 to 420 cSt)
<b>Filtration</b>	ISO Code 18/16/13, SAE Class 4
<b>Approx. Weight</b>	.17 kg (.38 lbs.)
<b>Cavity</b>	C08-2 (See BC Section for more details)

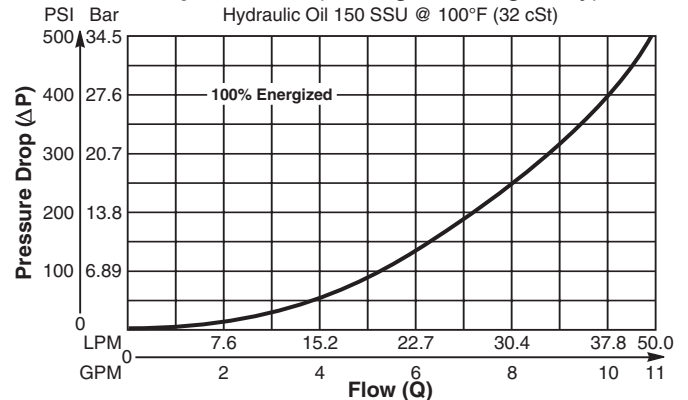


**Performance Curves**

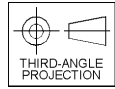
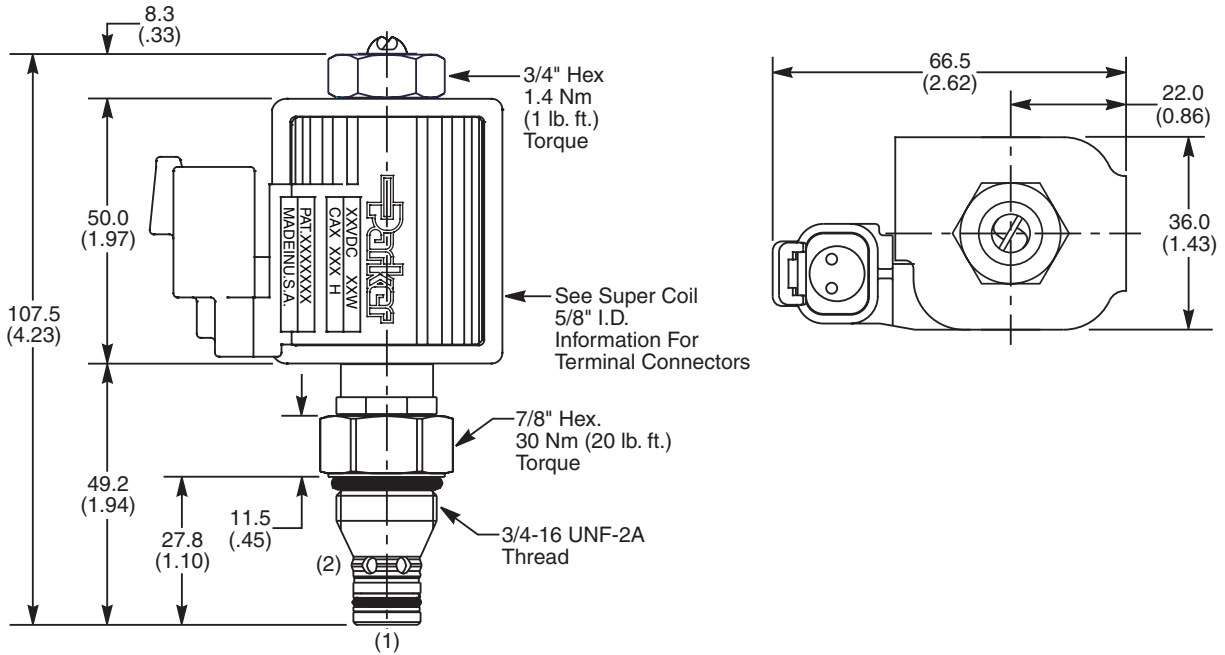
**Flow vs. Input Current**



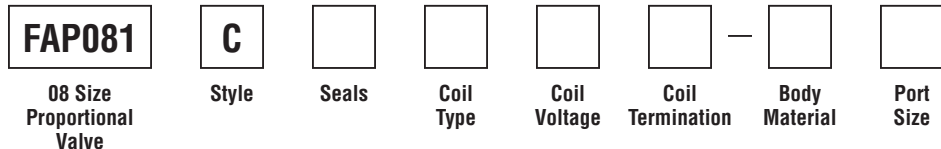
**Pressure Drop vs. Flow (Through cartridge only)**



**Dimensions** Millimeters (Inches)



**Ordering Information**



Code	Style
<b>C</b>	Normally Closed

Code	Coil Type
<b>Omit</b>	Without Coil
<b>SS</b>	Super Coil - 18 Watts

Code	Coil Termination
<b>Omit</b>	Without Coil
<b>D</b>	DIN Plug Face
<b>A</b>	Amp Jr. Timer*
<b>S</b>	Dual Spade*
<b>W</b>	Dual Screw*
<b>L</b>	Dual Lead Wire*
<b>H</b>	Molded Deutsch*
<b>PF</b>	Dual Lead Wire with Packard Female Weather Pack Connector 1201 5792*
<b>PM</b>	Dual Lead Wire with Packard Male Weather Pack Connector 1201 0973*

Code	Body Material
<b>Omit</b>	Steel
<b>A</b>	Aluminum

Code	Seals / Kit No.
<b>Omit</b>	"D"-Ring / (SK08-2)
<b>N</b>	Nitrile / Buna-N (Std.) (SK08-2N)
<b>V</b>	Fluorocarbon / (SK08-2V)

Code	Coil Voltage
<b>Omit</b>	Without Coil
<b>D012</b>	12 VDC
<b>D024</b>	24 VDC

Code	Port Size	Body Part No.
<b>Omit</b>	Cartridge Only	
<b>4T</b>	SAE-4	(B08-2-*4T)
<b>6T</b>	SAE-6	(B08-2-*6T)

\* Add "A" for aluminum, omit for steel.

See Super Coil 5/8" I.D.  
 \*DC Only

- CV** Check Valves
- SH** Shuttle Valves
- LM** Load/Motor Controls
- FC** Flow Controls
- PC** Pressure Controls
- LE** Logic Elements
- DC** Directional Controls
- MV** Manual Valves
- SV** Solenoid Valves
- PV** Proportional Valves
- CE** Coils & Electronics
- BC** Bodies & Cavities
- TD** Technical Data

**Technical Information**

**CV**

Check Valves

**SH**

Shuttle Valves

**LM**

Load/Motor Controls

**FC**

Flow Controls

**PC**

Pressure Controls

**LE**

Logic Elements

**DC**

Directional Controls

**MV**

Manual Valves

**SV**

Solenoid Valves

**PV**

Proportional Valves

**CE**

Coils & Electronics

**BC**

Bodies & Cavities

**TD**

Technical Data

**General Description**

2 Way, Normally Closed, Proportional Poppet Valve. For additional information see Technical Tips on pages PV1-PV6.

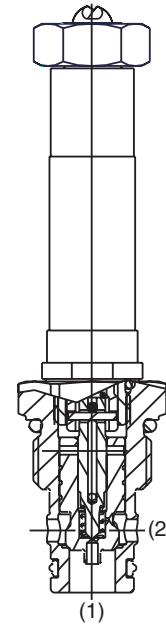
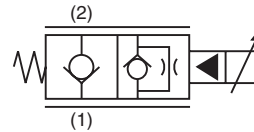
**Features**

- One piece cartridge housing ensures internal concentricity
- Adjusted at factory for low variation
- Coil: Waterproof, hermetically sealed, requires no O’Rings; Symmetrical coil can be reversed without affecting performance.
- Industry common cavity
- External surfaces plated
- Excellent low flow metering capability

**Specifications**

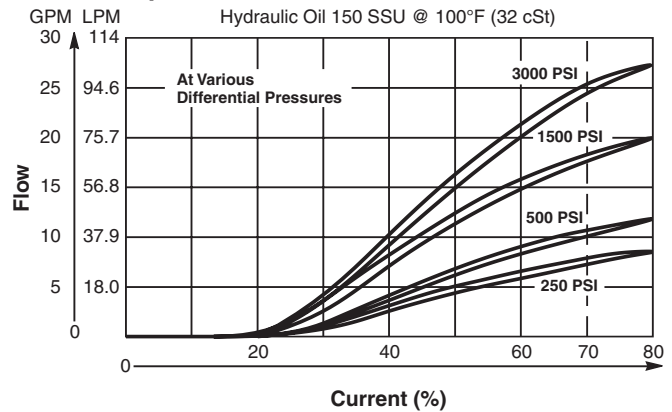
All performance data with CAS coil.  
Maximum current, 70% recommended.  
Hydraulic oil 150 SSU @ 40°C (32 cSt)

<b>Rated Flow @ 70% of Full Current at ΔP 34.5 Bar (500 PSI)</b>	40 LPM (10.5 GPM)
<b>Maximum Input Pressure at Port 2</b>	210 Bar (3000 PSI)
<b>Minimum Pressure Differential</b>	21 Bar (300 PSI)
<b>Maximum Internal Leakage</b>	5 drops/min. (.33 cc/min.) @ 210 Bar (3000 PSI)
<b>Hysteresis @ 100 Hz PWM</b>	<15% <b>NOTE: Current regulated PWM recommended</b>
<b>Cartridge Material</b>	All operating parts hardened steel.
<b>Operating Temp. Range/Seals</b>	-45°C to +132°C (“D”-Ring) (-50°F to +270°F) -34°C to +121°C (Nitrile) (-30°F to +250°F) -26°C to +204°C (Fluorocarbon) (-15°F to +400°F)
<b>Fluid Compatibility/ Viscosity</b>	Mineral-based or synthetic with lubricating properties at viscosities of 45 to 2000 SSU (6 to 420 cSt)
<b>Filtration</b>	ISO Code 18/16/13, SAE Class 4
<b>Approx. Weight</b>	.19 kg (.42 lbs.)
<b>Cavity</b>	C10-2 (See BC Section for more details)

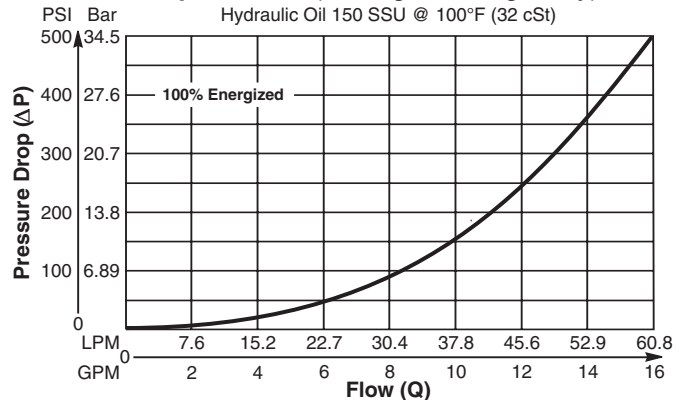


**Performance Curves**

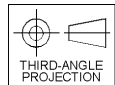
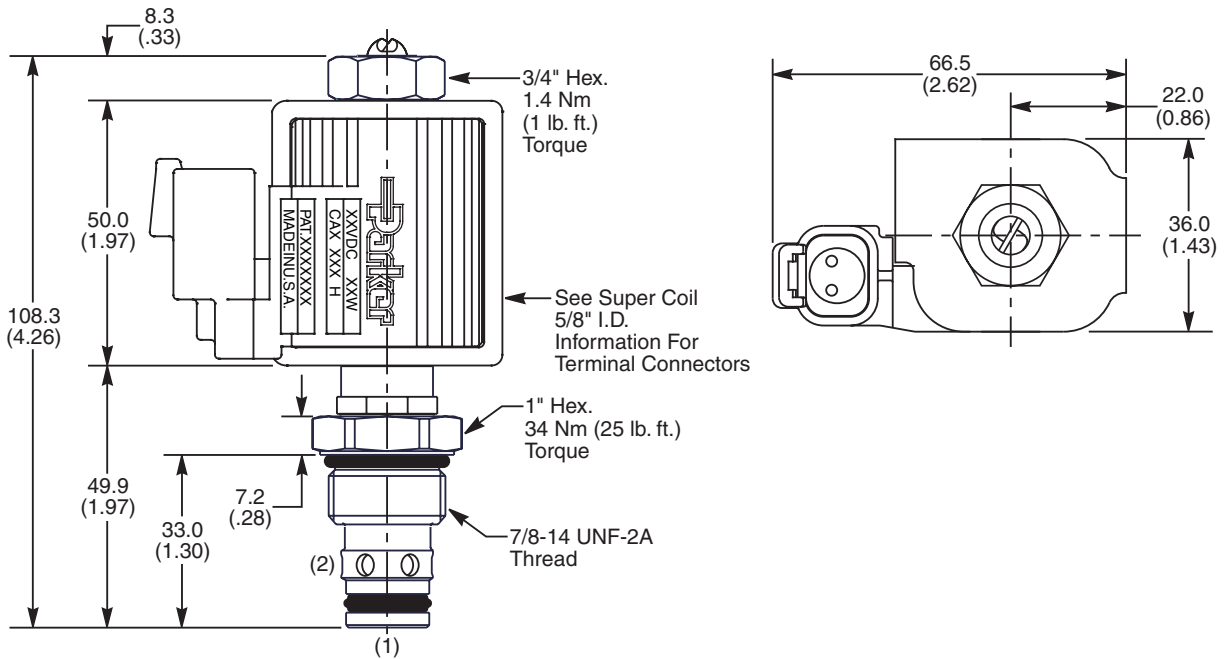
**Flow vs. Input Current**



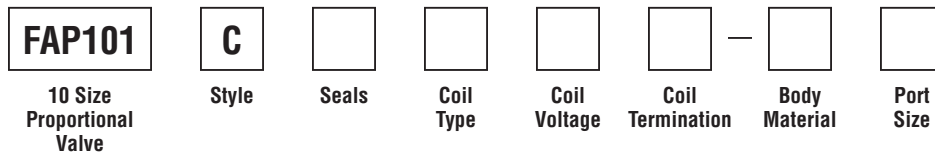
**Pressure Drop vs. Flow (Through cartridge only)**



**Dimensions** Millimeters (Inches)



**Ordering Information**



Code	Style
<b>C</b>	Normally Closed

Code	Coil Type
<b>Omit</b>	Without Coil
<b>SS</b>	Super Coil - 18 Watts

Code	Coil Termination
<b>Omit</b>	Without Coil
<b>D</b>	DIN Plug Face
<b>A</b>	Amp Jr. Timer*
<b>S</b>	Dual Spade*
<b>W</b>	Dual Screw*
<b>L</b>	Dual Lead Wire*
<b>H</b>	Molded Deutsch*
<b>PF</b>	Dual Lead Wire with Packard Female Weather Pack Connector 1201 5792*
<b>PM</b>	Dual Lead Wire with Packard Male Weather Pack Connector 1201 0973*

Code	Body Material
<b>Omit</b>	Steel
<b>A</b>	Aluminum

Code	Seals / Kit No.
<b>Omit</b>	"D"-Ring / (SK10-2)
<b>N</b>	Nitrile / Buna-N (Std.) (SK10-2N)
<b>V</b>	Fluorocarbon / (SK10-2V)

Code	Coil Voltage
<b>Omit</b>	Without Coil
<b>D012</b>	12 VDC
<b>D024</b>	24 VDC

Code	Port Size	Body Part No.
<b>Omit</b>	Cartridge Only	
<b>6T</b>	SAE-6	(B10-2-*6T)
<b>8T</b>	SAE-8	(B10-2-*8T)

\* Add "A" for aluminum, omit for steel.

See Super Coil 5/8" I.D.  
 \*DC Only

- CV** Check Valves
- SH** Shuttle Valves
- LM** Load/Motor Controls
- FC** Flow Controls
- PC** Pressure Controls
- LE** Logic Elements
- DC** Directional Controls
- MV** Manual Valves
- SV** Solenoid Valves
- PV** Proportional Valves
- CE** Coils & Electronics
- BC** Bodies & Cavities
- TD** Technical Data

**Technical Information**

- CV** Check Valves
- SH** Shuttle Valves
- LM** Load/Motor Controls
- FC** Flow Controls
- PC** Pressure Controls
- LE** Logic Elements
- DC** Directional Controls
- MV** Manual Valves
- SV** Solenoid Valves
- PV** Proportional Valves
- CE** Coils & Electronics
- BC** Bodies & Cavities
- TD** Technical Data

**General Description**

2 Way, Normally Closed, Proportional Poppet Valve.  
For additional information see Technical Tips on pages PV1-PV6.

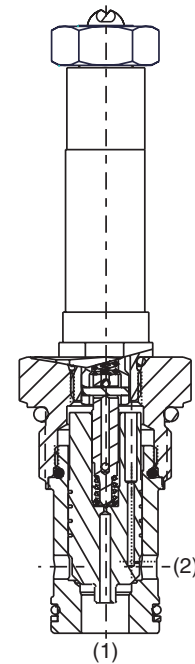
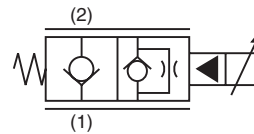
**Features**

- Adjusted at factory for low variation
- Coil: Waterproof, hermetically sealed, requires no O’Rings; Symmetrical coil can be reversed without affecting performance.
- Industry common cavity
- External surfaces plated
- Excellent low flow metering capability

**Specifications**

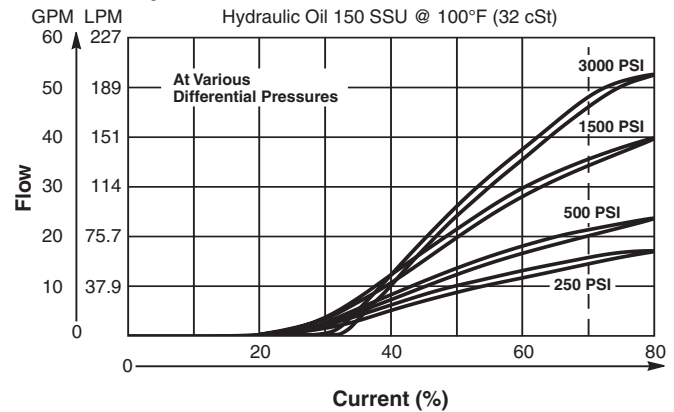
All performance data with CAS coil.  
Maximum current, 70% recommended.  
Hydraulic oil 150 SSU @ 40°C (32 cSt)

<b>Rated Flow @ 70% of Full Current at ΔP 34.5 Bar (500 PSI)</b>	81.5 LPM (21.5 GPM)
<b>Maximum Input Pressure at Port 2</b>	210 Bar (3000 PSI)
<b>Minimum Pressure Differential</b>	21 Bar (300 PSI)
<b>Maximum Internal Leakage</b>	5 drops/min. (.33 cc/min.) @ 210 Bar (3000 PSI)
<b>Hysteresis @ 100 Hz PWM</b>	<15% <b>NOTE: Current regulated PWM recommended</b>
<b>Cartridge Material</b>	All operating parts hardened steel.
<b>Operating Temp. Range/Seals</b>	-34°C to +121°C (Nitrile) (-30°F to +250°F) -26°C to +204°C (Fluorocarbon) (-15°F to +400°F)
<b>Fluid Compatibility/Viscosity</b>	Mineral-based or synthetic with lubricating properties at viscosities of 45 to 2000 SSU (6 to 420 cSt)
<b>Filtration</b>	ISO Code 18/16/13, SAE Class 4
<b>Approx. Weight</b>	.30 kg (.65 lbs.)
<b>Cavity</b>	C12-2F (See BC Section for more details)

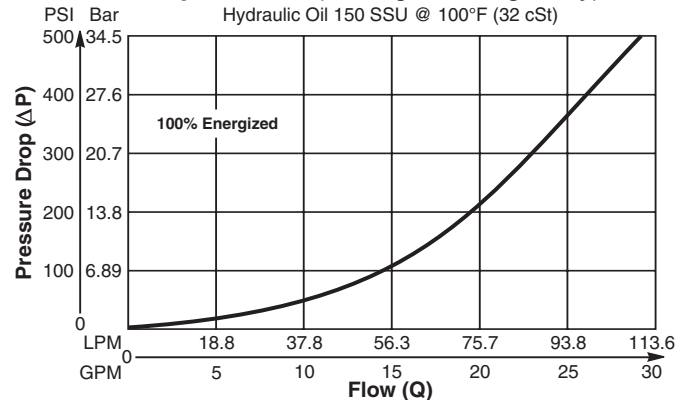


**Performance Curves**

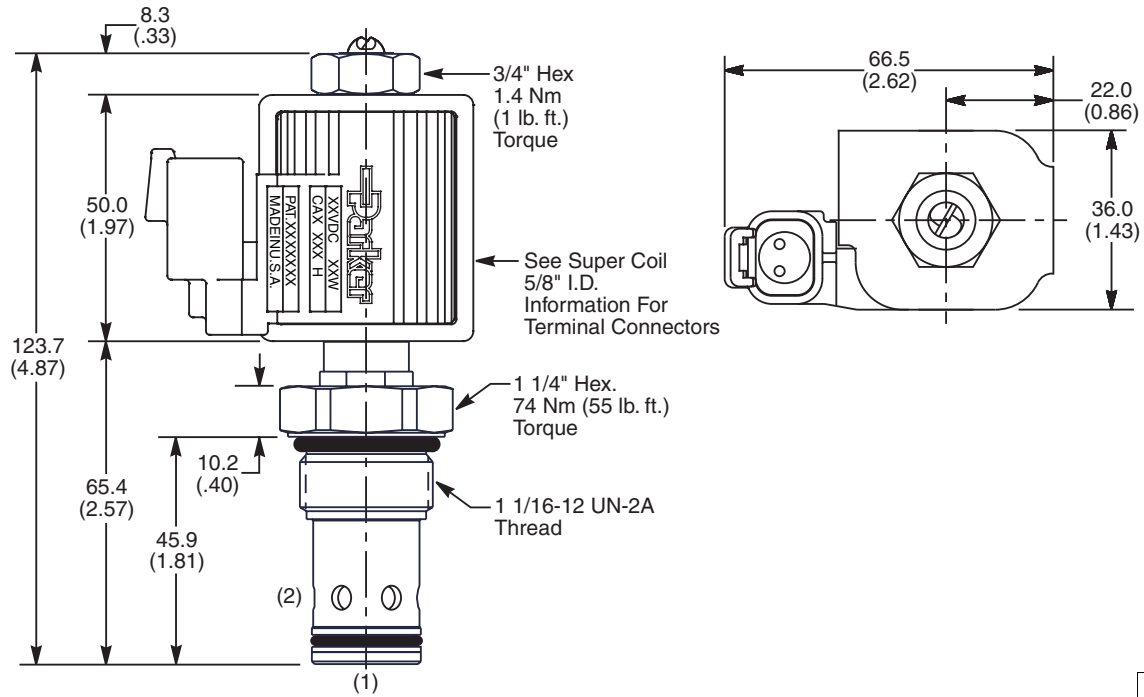
**Flow vs. Input Current**



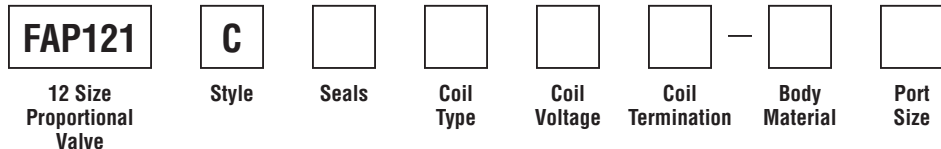
**Pressure Drop vs. Flow (Through cartridge only)**



**Dimensions** Millimeters (Inches)



**Ordering Information**



Code	Style
<b>C</b>	Normally Closed

Code	Coil Type
<b>Omit</b>	Without Coil
<b>SS</b>	Super Coil - 18 Watts

Code	Coil Termination
<b>Omit</b>	Without Coil
<b>D</b>	DIN Plug Face
<b>A</b>	Amp Jr. Timer*
<b>S</b>	Dual Spade*
<b>W</b>	Dual Screw*
<b>L</b>	Dual Lead Wire*
<b>H</b>	Molded Deutsch*
<b>PF</b>	Dual Lead Wire with Packard Female Weather Pack Connector 1201 5792*
<b>PM</b>	Dual Lead Wire with Packard Male Weather Pack Connector 1201 0973*

Code	Body Material
<b>Omit</b>	Steel
<b>A</b>	Aluminum

Code	Seals / Kit No.
<b>N</b>	Nitrile / Buna-N (Std.) (SK2-12N)
<b>V</b>	Fluorocarbon / (SK2-12V)

Code	Coil Voltage
<b>Omit</b>	Without Coil
<b>D012</b>	12 VDC
<b>D024</b>	24 VDC

Code	Port Size	Body Part No.
<b>Omit</b>	Cartridge Only	
<b>12T</b>	SAE-12	(B12-2F-*12T)

\* Add "A" for aluminum, omit for steel.

See Super Coil 5/8" I.D.  
 \*DC Only

- CV** Check Valves
- SH** Shuttle Valves
- LM** Load/Motor Controls
- FC** Flow Controls
- PC** Pressure Controls
- LE** Logic Elements
- DC** Directional Controls
- MV** Manual Valves
- SV** Solenoid Valves
- PV** Proportional Valves
- CE** Coils & Electronics
- BC** Bodies & Cavities
- TD** Technical Data

- CV** Check Valves
- SH** Shuttle Valves
- LM** Load/Motor Controls
- FC** Flow Controls
- PC** Pressure Controls
- LE** Logic Elements
- DC** Directional Controls
- MV** Manual Valves
- SV** Solenoid Valves
- PV** Proportional Valves
- CE** Coils & Electronics
- BC** Bodies & Cavities
- TD** Technical Data

**General Description**

2 Way, Normally Closed, Proportional Poppet Valve.  
For additional information see Technical Tips on pages PV1-PV6.

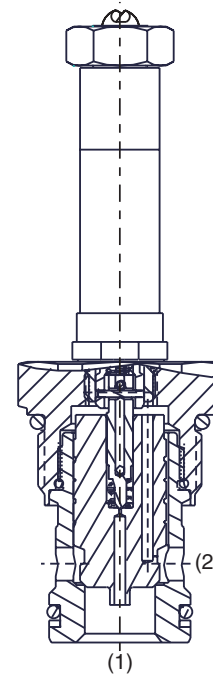
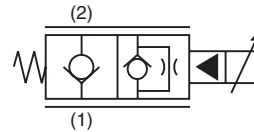
**Features**

- Adjusted at factory for low variation
- Coil: Waterproof, hermetically sealed, requires no O’Rings; Symmetrical coil can be reversed without affecting performance.
- Industry common cavity
- External surfaces plated
- Excellent low flow metering capability

**Specifications**

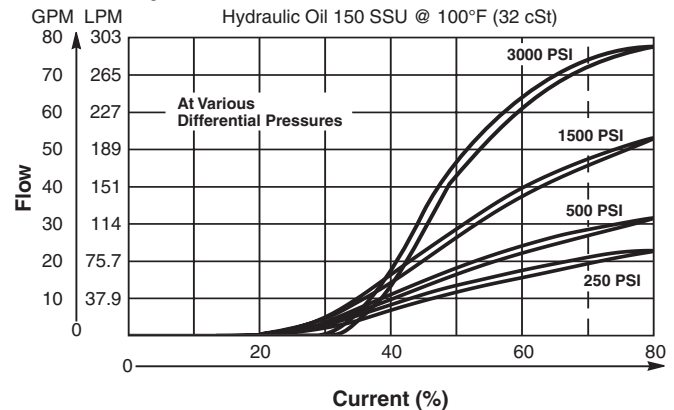
All performance data with CAS coil.  
Maximum current, 70% recommended.  
Hydraulic oil 150 SSU @ 40°C (32 cSt)

<b>Rated Flow @ 70% of Full Current at ΔP 34.5 Bar (500 PSI)</b>	106 LPM (28 GPM)
<b>Maximum Input Pressure at Port 2</b>	210 Bar (3000 PSI)
<b>Minimum Pressure Differential</b>	21 Bar (300 PSI)
<b>Maximum Internal Leakage</b>	5 drops/min. (.33 cc/min.) @ 210 Bar (3000 PSI)
<b>Hysteresis @ 100 Hz PWM</b>	<15% <b>NOTE: Current regulated PWM recommended</b>
<b>Cartridge Material</b>	All operating parts hardened steel.
<b>Operating Temp. Range/Seals</b>	-34°C to +121°C (Nitrile) (-30°F to +250°F) -26°C to +204°C (Fluorocarbon) (-15°F to +400°F)
<b>Fluid Compatibility/ Viscosity</b>	Mineral-based or synthetic with lubricating properties at viscosities of 45 to 2000 SSU (6 to 420 cSt)
<b>Filtration</b>	ISO Code 18/16/13, SAE Class 4
<b>Approx. Weight</b>	.40 kg (.88 lbs.)
<b>Cavity</b>	C16-2 (See BC Section for more details)

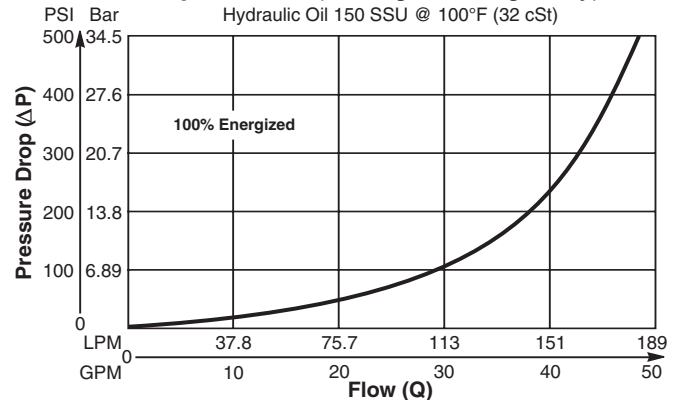


**Performance Curves**

**Flow vs. Input Current**

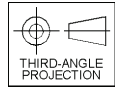
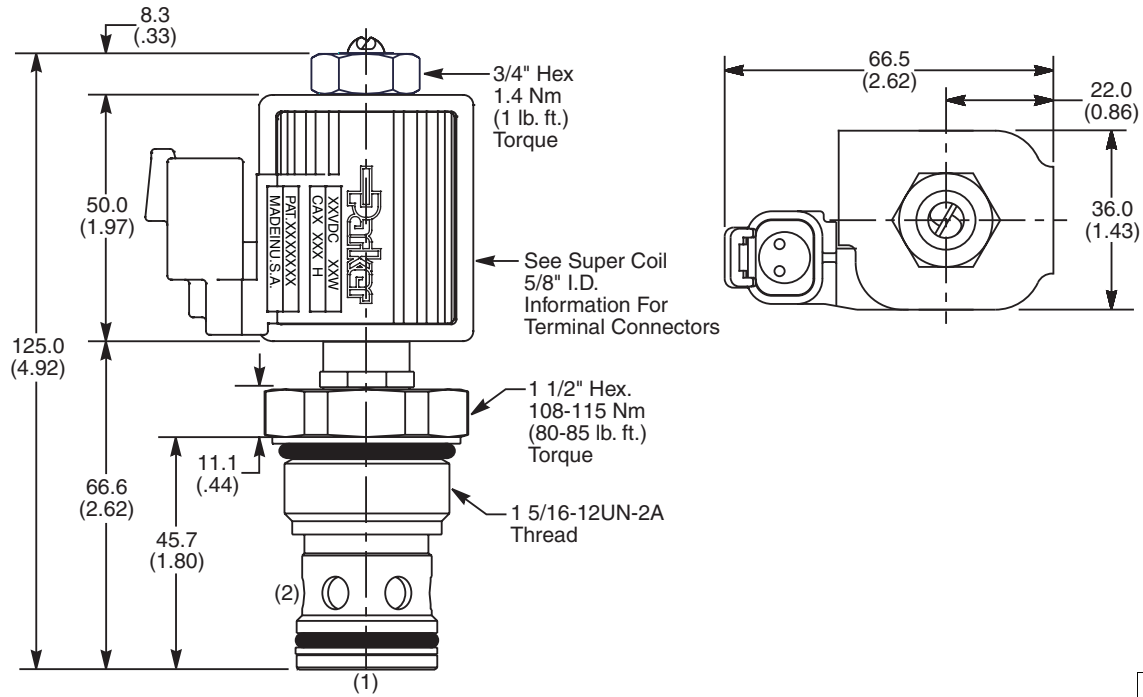


**Pressure Drop vs. Flow (Through cartridge only)**

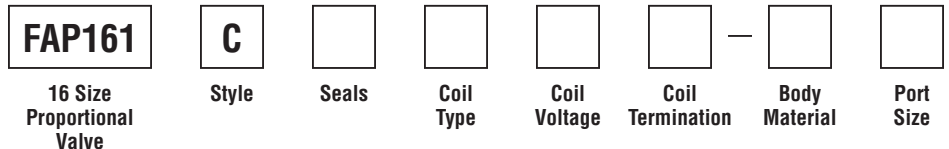




**Dimensions** Millimeters (Inches)



**Ordering Information**



Code	Style
<b>C</b>	Normally Closed

Code	Coil Type
<b>Omit</b>	Without Coil
<b>SS</b>	Super Coil - 18 Watts

Code	Coil Termination
<b>Omit</b>	Without Coil
<b>D</b>	DIN Plug Face
<b>A</b>	Amp Jr. Timer*
<b>S</b>	Dual Spade*
<b>W</b>	Dual Screw*
<b>L</b>	Dual Lead Wire*
<b>H</b>	Molded Deutsch*
<b>PF</b>	Dual Lead Wire with Packard Female Weather Pack Connector 1201 5792*
<b>PM</b>	Dual Lead Wire with Packard Male Weather Pack Connector 1201 0973*

Code	Body Material
<b>Omit</b>	Steel
<b>A</b>	Aluminum

Code	Seals / Kit No.
<b>N</b>	Nitrile / Buna-N (Std.) (SK16-2)
<b>V</b>	Fluorocarbon / (SK16-2V)

Code	Coil Voltage
<b>Omit</b>	Without Coil
<b>D012</b>	12 VDC
<b>D024</b>	24 VDC

Code	Port Size	Body Part No.
<b>Omit</b>	Cartridge Only	
<b>12T</b>	SAE-12	(B16-2-*12T)
<b>16T</b>	SAE-16	(B16-2-*16T)

\* Add "A" for aluminum, omit for steel.

See Super Coil 5/8" I.D.  
 \*DC Only

- CV** Check Valves
- SH** Shuttle Valves
- LM** Load/Motor Controls
- FC** Flow Controls
- PC** Pressure Controls
- LE** Logic Elements
- DC** Directional Controls
- MV** Manual Valves
- SV** Solenoid Valves
- PV** Proportional Valves
- CE** Coils & Electronics
- BC** Bodies & Cavities
- TD** Technical Data

**Technical Information**

- CV** Check Valves
- SH** Shuttle Valves
- LM** Load/Motor Controls
- FC** Flow Controls
- PC** Pressure Controls
- LE** Logic Elements
- DC** Directional Controls
- MV** Manual Valves
- SV** Solenoid Valves
- PV** Proportional Valves
- CE** Coils & Electronics
- BC** Bodies & Cavities
- TD** Technical Data

**General Description**

2 Way, Normally Open, Proportional Poppet Valve.  
For additional information see Technical Tips on pages PV1-PV6.

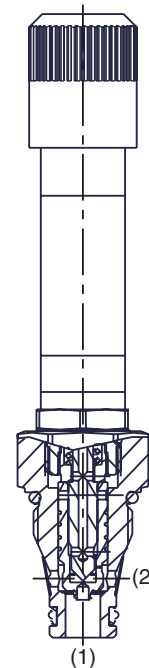
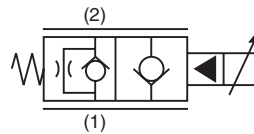
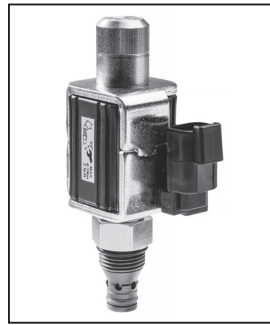
**Features**

- One piece cartridge housing ensures internal concentricity
- Adjusted at factory for low variation
- Coil: Waterproof, hermetically sealed, requires no O’Rings; Symmetrical coil can be reversed without affecting performance.
- Industry common cavity
- External surfaces plated
- Excellent low flow metering capability

**Specifications**

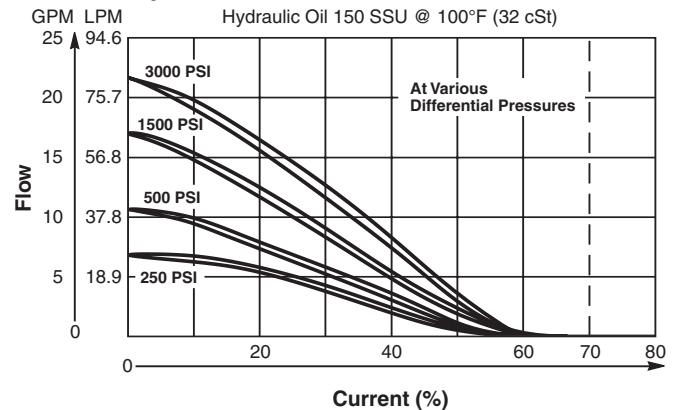
All performance data with CAS coil.  
Maximum current, 70% recommended.  
Hydraulic oil 150 SSU @ 40°C (32 cSt)

<b>Rated Flow De-Energized at ΔP 34.5 Bar (500 PSI)</b>	40 LPM (10.5 GPM)
<b>Maximum Input Pressure at Port 2</b>	210 Bar (3000 PSI)
<b>Minimum Pressure Differential</b>	21 Bar (300 PSI)
<b>Maximum Internal Leakage</b>	5 drops/min. (.33 cc/min.) @ 210 Bar (3000 PSI)
<b>Hysteresis @ 100 Hz PWM</b>	<15% <b>NOTE: Current regulated PWM recommended</b>
<b>Cartridge Material</b>	All operating parts hardened steel.
<b>Operating Temp. Range/Seals</b>	-45°C to +132°C (“D”-Ring) (-50°F to +270°F) -34°C to +121°C (Nitrile) (-30°F to +250°F) -26°C to +204°C (Fluorocarbon) (-15°F to +400°F)
<b>Fluid Compatibility/ Viscosity</b>	Mineral-based or synthetic with lubricating properties at viscosities of 45 to 2000 SSU (6 to 420 cSt)
<b>Filtration</b>	ISO Code 18/16/13, SAE Class 4
<b>Approx. Weight</b>	.22 kg (.48 lbs.)
<b>Cavity</b>	C08-2 (See BC Section for more details)

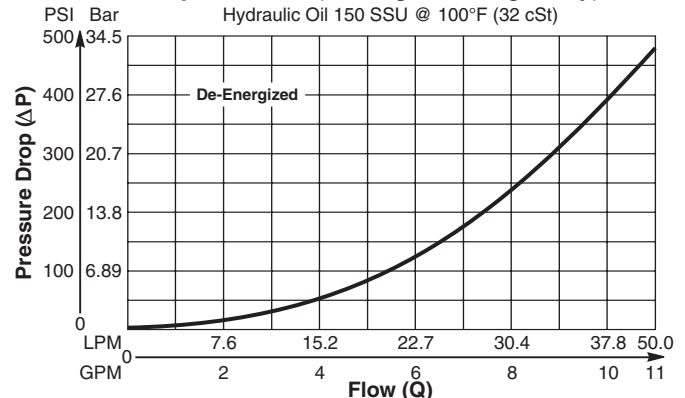


**Performance Curves**

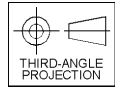
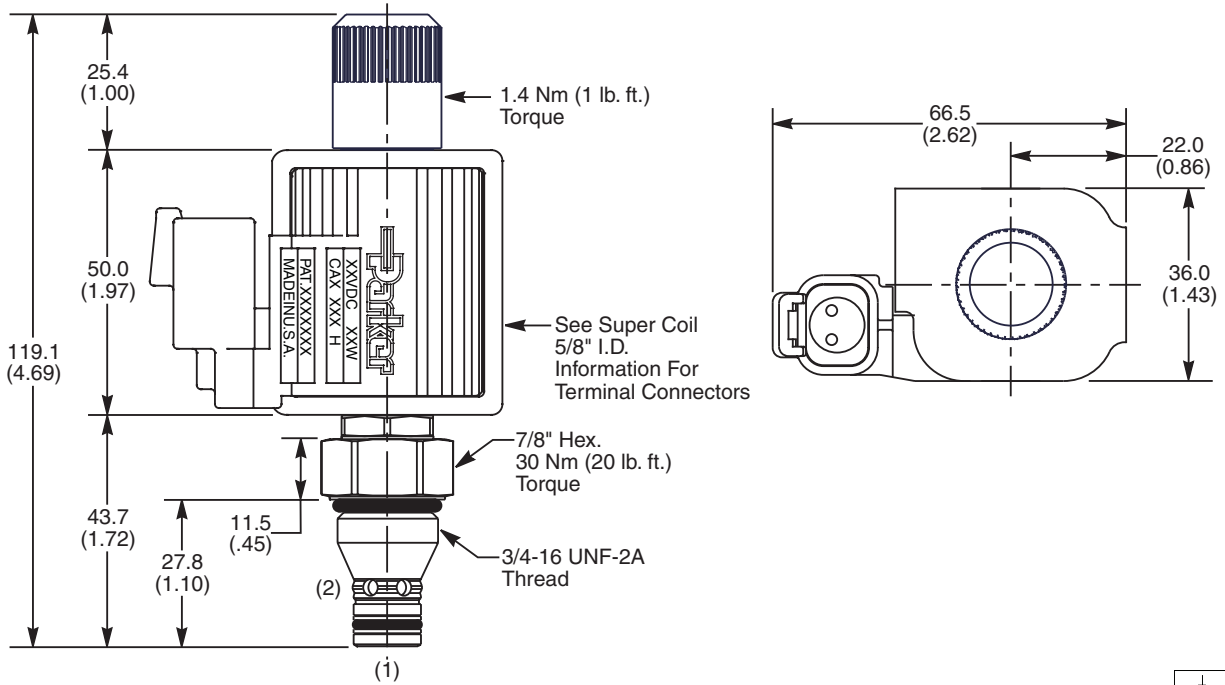
**Flow vs. Input Current**



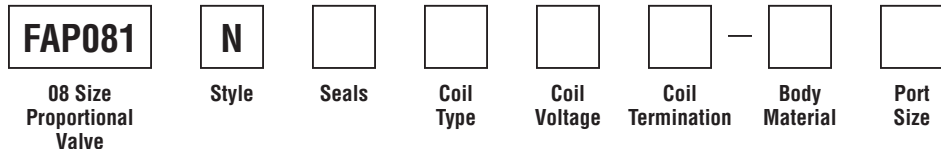
**Pressure Drop vs. Flow (Through cartridge only)**



**Dimensions** Millimeters (Inches)



**Ordering Information**



Code	Style
N	Normally Open

Code	Seals / Kit No.
Omit	"D"-Ring / (SK08-2)
N	Nitrile / Buna-N (Std.) (SK08-2N)
V	Fluorocarbon / (SK08-2V)

Code	Coil Type
Omit	Without Coil
SS	Super Coil - 18 Watts

Code	Coil Voltage
Omit	Without Coil
D012	12 VDC
D024	24 VDC

Code	Coil Termination
Omit	Without Coil
D	DIN Plug Face
A	Amp Jr. Timer*
S	Dual Spade*
W	Dual Screw*
L	Dual Lead Wire*
H	Molded Deutsch*
PF	Dual Lead Wire with Packard Female Weather Pack Connector 1201 5792*
PM	Dual Lead Wire with Packard Male Weather Pack Connector 1201 0973*

Code	Body Material
Omit	Steel
A	Aluminum

Code	Port Size	Body Part No.
Omit	Cartridge Only	
4T	SAE-4	(B08-2-*4T)
6T	SAE-6	(B08-2-*6T)

\* Add "A" for aluminum, omit for steel.

See Super Coil 5/8" I.D.  
 \*DC Only

- CV Check Valves
- SH Shuttle Valves
- LM Load/Motor Controls
- FC Flow Controls
- PC Pressure Controls
- LE Logic Elements
- DC Directional Controls
- MV Manual Valves
- SV Solenoid Valves
- PV Proportional Valves
- CE Coils & Electronics
- BC Bodies & Cavities
- TD Technical Data

**Technical Information**

**CV**

Check Valves

**SH**

Shuttle Valves

**LM**  
Load/Motor Controls

**FC**  
Flow Controls

**PC**  
Pressure Controls

**LE**  
Logic Elements

**DC**  
Directional Controls

**MV**  
Manual Valves

**SV**  
Solenoid Valves

**PV**  
Proportional Valves

**CE**  
Coils & Electronics

**BC**  
Bodies & Cavities

**TD**  
Technical Data

**General Description**

2 Way, Normally Open, Proportional Poppet Valve.  
For additional information see Technical Tips on pages PV1-PV6.

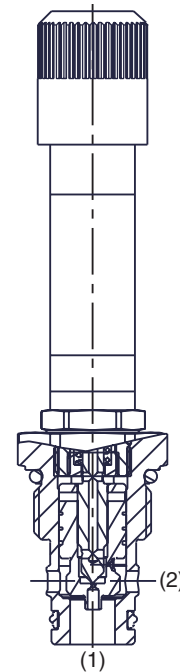
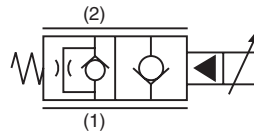
**Features**

- One piece cartridge housing ensures internal concentricity
- Adjusted at factory for low variation
- Coil: Waterproof, hermetically sealed, requires no O’Rings; Symmetrical coil can be reversed without affecting performance.
- Industry common cavity
- External surfaces plated
- Excellent low flow metering capability

**Specifications**

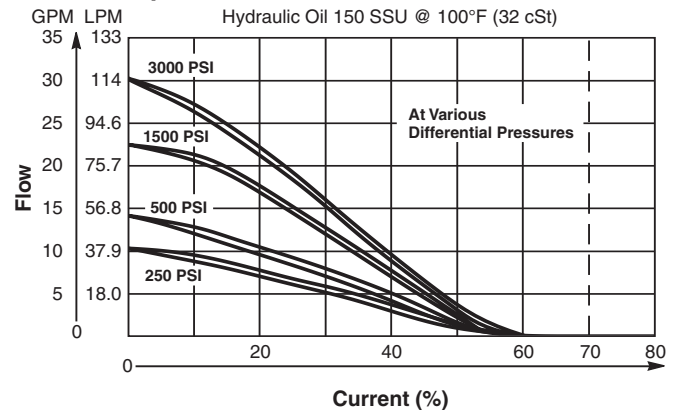
All performance data with CAS coil.  
Maximum current, 70% recommended.  
Hydraulic oil 150 SSU @ 40°C (32 cSt)

<b>Rated Flow De-Energized at ΔP 34.5 Bar (500 PSI)</b>	55 LPM (14.5 GPM)
<b>Maximum Input Pressure at Port 2</b>	210 Bar (3000 PSI)
<b>Minimum Pressure Differential</b>	21 Bar (300 PSI)
<b>Maximum Internal Leakage</b>	5 drops/min. (.33 cc/min.) @ 210 Bar (3000 PSI)
<b>Hysteresis @ 100 Hz PWM</b>	<15% <b>NOTE: Current regulated PWM recommended</b>
<b>Cartridge Material</b>	All operating parts hardened steel.
<b>Operating Temp. Range/Seals</b>	-45°C to +132°C (“D”-Ring) (-50°F to +270°F) -34°C to +121°C (Nitrile) (-30°F to +250°F) -26°C to +204°C (Fluorocarbon) (-15°F to +400°F)
<b>Fluid Compatibility/ Viscosity</b>	Mineral-based or synthetic with lubricating properties at viscosities of 45 to 2000 SSU (6 to 420 cSt)
<b>Filtration</b>	ISO Code 18/16/13, SAE Class 4
<b>Approx. Weight</b>	.23 kg (.52 lbs.)
<b>Cavity</b>	C10-2 (See BC Section for more details)

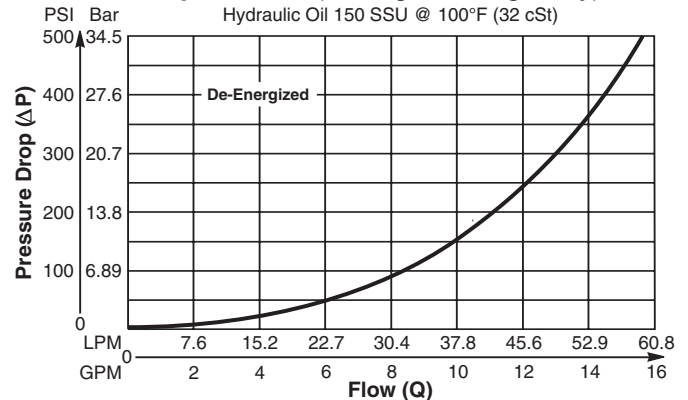


**Performance Curves**

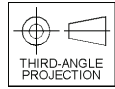
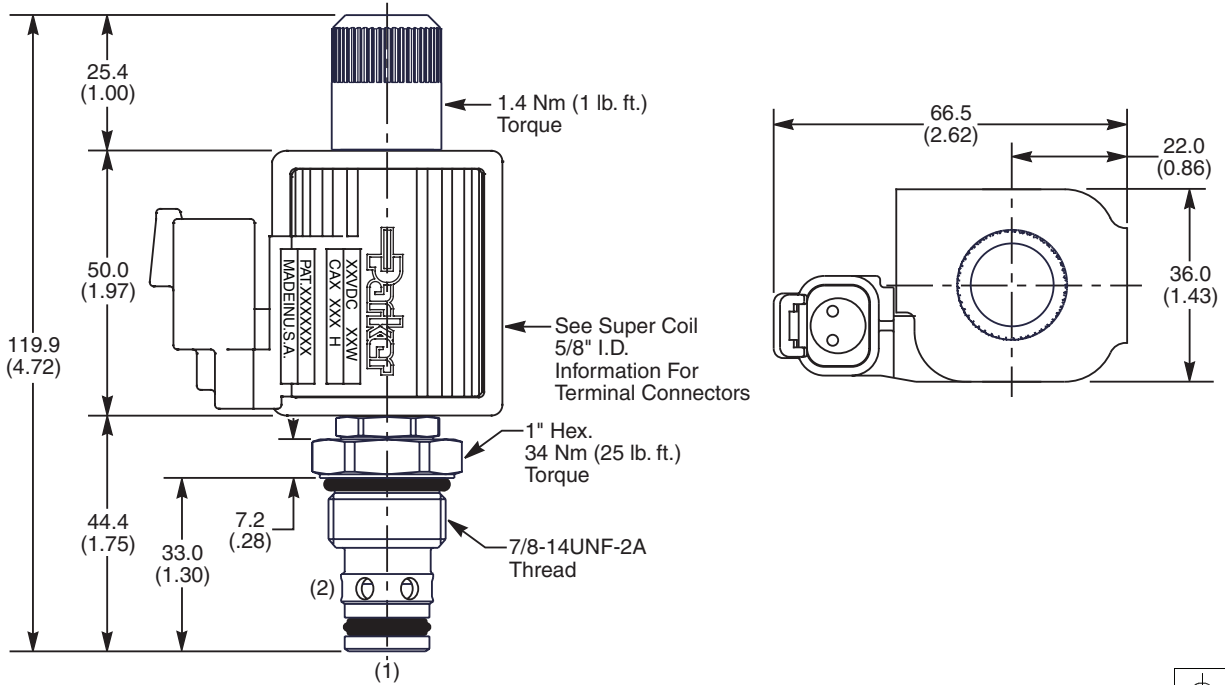
**Flow vs. Input Current**



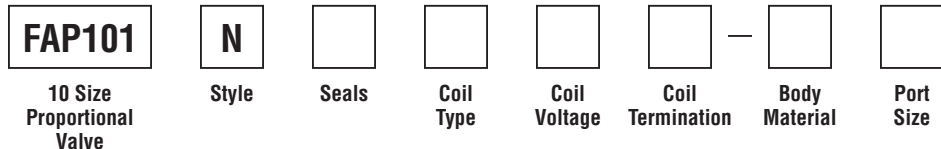
**Pressure Drop vs. Flow (Through cartridge only)**



**Dimensions** Millimeters (Inches)



**Ordering Information**



Code	Style
N	Normally Open

Code	Coil Type
Omit	Without Coil
SS	Super Coil - 18 Watts

Code	Coil Termination
Omit	Without Coil
D	DIN Plug Face
A	Amp Jr. Timer*
S	Dual Spade*
W	Dual Screw*
L	Dual Lead Wire*
H	Molded Deutsch*
PF	Dual Lead Wire with Packard Female Weather Pack Connector 1201 5792*
PM	Dual Lead Wire with Packard Male Weather Pack Connector 1201 0973*

Code	Body Material
Omit	Steel
A	Aluminum

Code	Seals / Kit No.
Omit	"D"-Ring / (SK10-2)
N	Nitrile / Buna-N (Std.) (SK10-2N)
V	Fluorocarbon / (SK10-2V)

Code	Coil Voltage
Omit	Without Coil
D012	12 VDC
D024	24 VDC

Code	Port Size	Body Part No.
Omit	Cartridge Only	
6T	SAE-6	(B10-2-*6T)
8T	SAE-8	(B10-2-*8T)

\* Add "A" for aluminum, omit for steel.

See Super Coil 5/8" I.D.  
 \*DC Only

- CV Check Valves
- SH Shuttle Valves
- LM Load/Motor Controls
- FC Flow Controls
- PC Pressure Controls
- LE Logic Elements
- DC Directional Controls
- MV Manual Valves
- SV Solenoid Valves
- PV Proportional Valves
- CE Coils & Electronics
- BC Bodies & Cavities
- TD Technical Data

**Technical Information**

- CV** Check Valves
- SH** Shuttle Valves
- LM** Load/Motor Controls
- FC** Flow Controls
- PC** Pressure Controls
- LE** Logic Elements
- DC** Directional Controls
- MV** Manual Valves
- SV** Solenoid Valves
- PV** Proportional Valves
- CE** Coils & Electronics
- BC** Bodies & Cavities
- TD** Technical Data

**General Description**

2 Way, Normally Open, Proportional Poppet Valve.  
For additional information see Technical Tips on pages PV1-PV6.

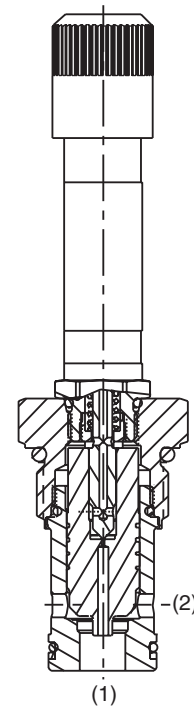
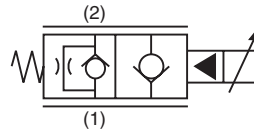
**Features**

- Adjusted at factory for low variation
- Coil: Waterproof, hermetically sealed, requires no O’Rings; Symmetrical coil can be reversed without affecting performance.
- Industry common cavity
- External surfaces plated
- Excellent low flow metering capability

**Specifications**

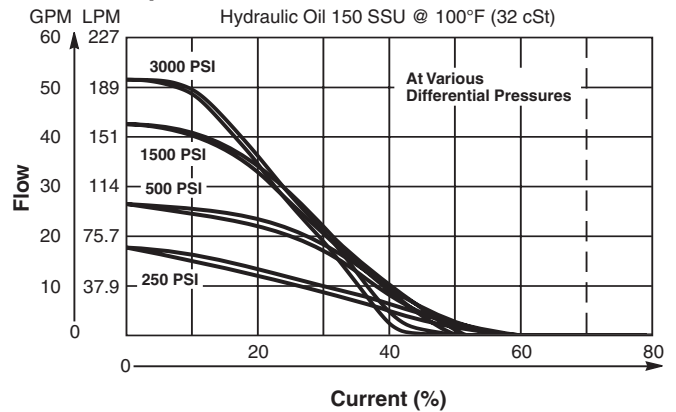
All performance data with CAS coil.  
Maximum current, 70% recommended.  
Hydraulic oil 150 SSU @ 40°C (32 cSt)

<b>Rated Flow De-Energized at ΔP 34.5 Bar (500 PSI)</b>	98.5 LPM (26 GPM)
<b>Maximum Input Pressure at Port 2</b>	210 Bar (3000 PSI)
<b>Minimum Pressure Differential</b>	21 Bar (300 PSI)
<b>Maximum Internal Leakage</b>	5 drops/min. (.33 cc/min.) @ 210 Bar (3000 PSI)
<b>Hysteresis @ 100 Hz PWM</b>	<15% <b>NOTE: Current regulated PWM recommended</b>
<b>Cartridge Material</b>	All operating parts hardened steel.
<b>Operating Temp. Range/Seals</b>	-34°C to +121°C (Nitrile) (-30°F to +250°F) -26°C to +204°C (Fluorocarbon) (-15°F to +400°F)
<b>Fluid Compatibility/ Viscosity</b>	Mineral-based or synthetic with lubricating properties at viscosities of 45 to 2000 SSU (6 to 420 cSt)
<b>Filtration</b>	ISO Code 18/16/13, SAE Class 4
<b>Approx. Weight</b>	.31 kg (.68 lbs.)
<b>Cavity</b>	C12-2F (See BC Section for more details)

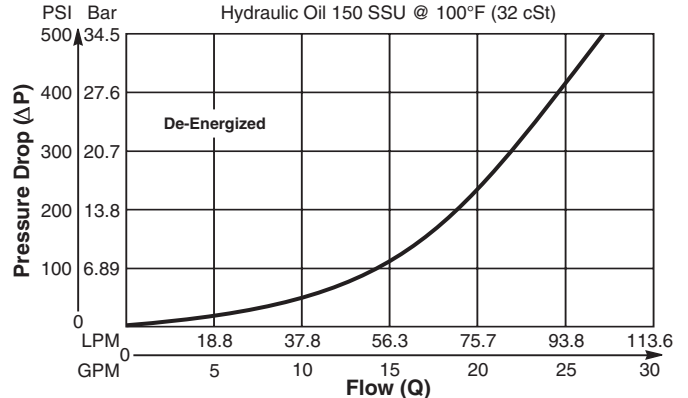


**Performance Curves**

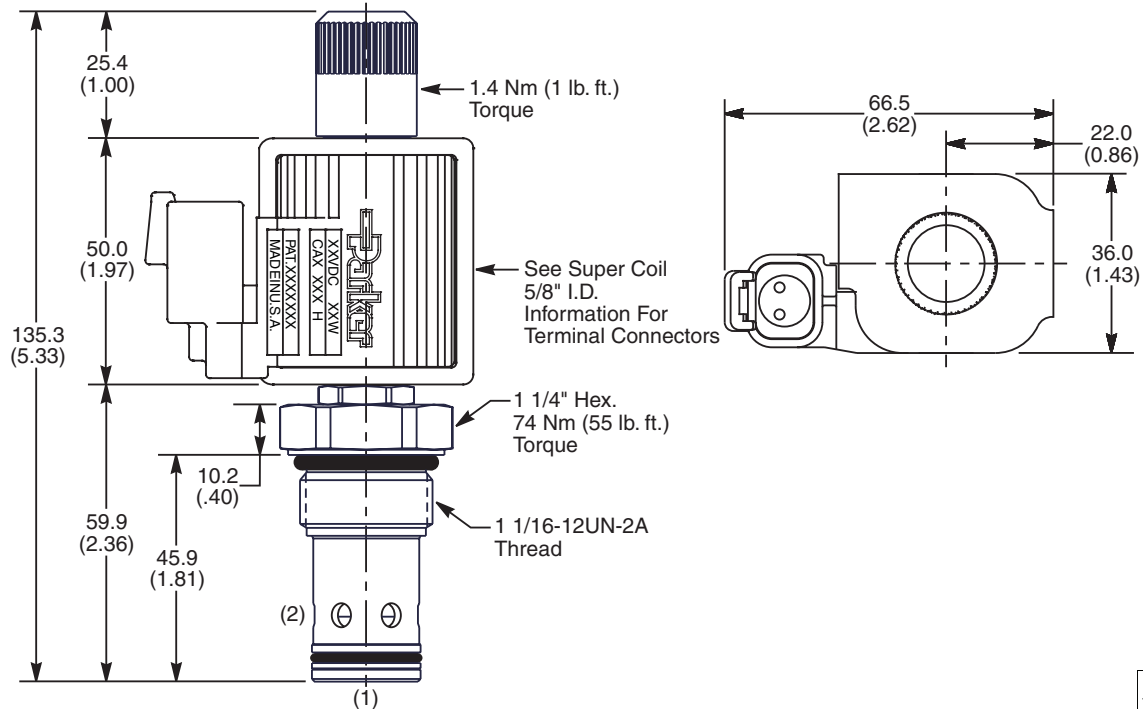
**Flow vs. Input Current**



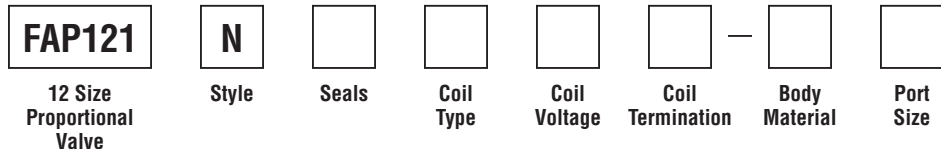
**Pressure Drop vs. Flow (Through cartridge only)**



**Dimensions** Millimeters (Inches)



**Ordering Information**



Code	Style
N	Normally Open

Code	Coil Type
Omit	Without Coil
SS	Super Coil - 18 Watts

Code	Coil Termination
Omit	Without Coil
D	DIN Plug Face
A	Amp Jr. Timer*
S	Dual Spade*
W	Dual Screw*
L	Dual Lead Wire*
H	Molded Deutsch*
PF	Dual Lead Wire with Packard Female Weather Pack Connector 1201 5792*
PM	Dual Lead Wire with Packard Male Weather Pack Connector 1201 0973*

Code	Body Material
Omit	Steel
A	Aluminum

Code	Seals / Kit No.
N	Nitrile / Buna-N (Std.) (SK2-12N)
V	Fluorocarbon / (SK2-12V)

Code	Coil Voltage
Omit	Without Coil
D012	12 VDC
D024	24 VDC

Code	Port Size	Body Part No.
Omit	Cartridge Only	
12T	SAE-12	(B12-2F-*12T)

\* Add "A" for aluminum, omit for steel.

See Super Coil 5/8" I.D.  
 \*DC Only

- CV Check Valves
- SH Shuttle Valves
- LM Load/Motor Controls
- FC Flow Controls
- PC Pressure Controls
- LE Logic Elements
- DC Directional Controls
- MV Manual Valves
- SV Solenoid Valves
- PV Proportional Valves
- CE Coils & Electronics
- BC Bodies & Cavities
- TD Technical Data



Technical Information

- CV Check Valves
- SH Shuttle Valves
- LM Load/Motor Controls
- FC Flow Controls
- PC Pressure Controls
- LE Logic Elements
- DC Directional Controls
- MV Manual Valves
- SV Solenoid Valves
- PV Proportional Valves
- CE Coils & Electronics
- BC Bodies & Cavities
- TD Technical Data

**General Description**

2 Way, Normally Open, Proportional Poppet Valve.  
For additional information see Technical Tips on pages PV1-PV6.

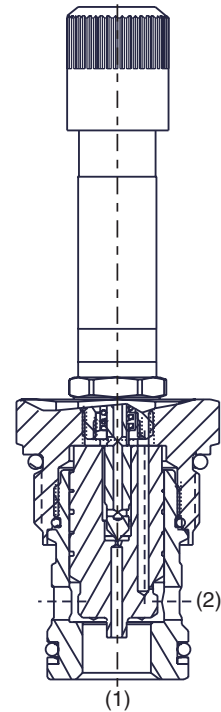
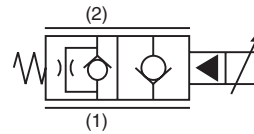
**Features**

- Adjusted at factory for low variation
- Coil: Waterproof, hermetically sealed, requires no O’Rings; Symmetrical coil can be reversed without affecting performance.
- Industry common cavity
- External surfaces plated
- Excellent low flow metering capability

**Specifications**

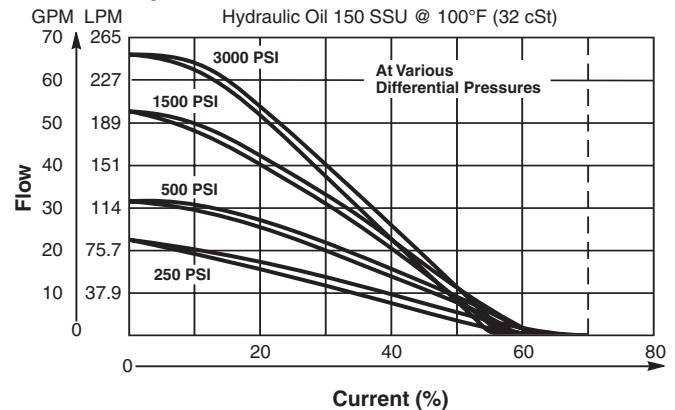
All performance data with CAS coil.  
Maximum current, 70% recommended.  
Hydraulic oil 150 SSU @ 40°C (32 cSt)

<b>Rated Flow De-Energized at ΔP 34.5 Bar (500 PSI)</b>	117 LPM (31 GPM)
<b>Maximum Input Pressure at Port 2</b>	210 Bar (3000 PSI)
<b>Minimum Pressure Differential</b>	21 Bar (300 PSI)
<b>Maximum Internal Leakage</b>	5 drops/min. (.33 cc/min.) @ 210 Bar (3000 PSI)
<b>Hysteresis @ 100 Hz PWM</b>	<15% <b>NOTE: Current regulated PWM recommended</b>
<b>Cartridge Material</b>	All operating parts hardened steel.
<b>Operating Temp. Range/Seals</b>	-34°C to +121°C (Nitrile) (-30°F to +250°F) -26°C to +204°C (Fluorocarbon) (-15°F to +400°F)
<b>Fluid Compatibility/ Viscosity</b>	Mineral-based or synthetic with lubricating properties at viscosities of 45 to 2000 SSU (6 to 420 cSt)
<b>Filtration</b>	ISO Code 18/16/13, SAE Class 4
<b>Approx. Weight</b>	.41 kg (.90 lbs.)
<b>Cavity</b>	C16-2 (See BC Section for more details)

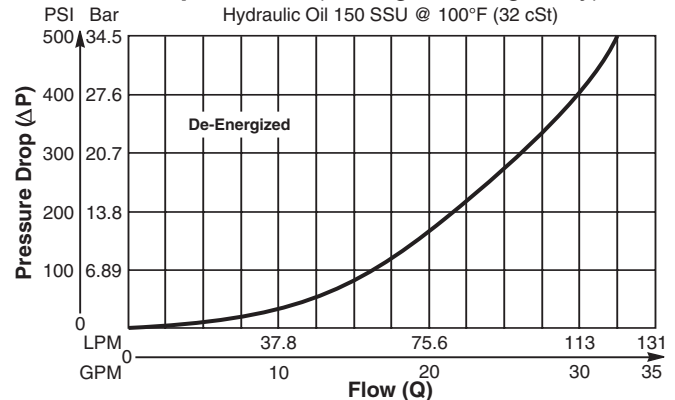


**Performance Curves**

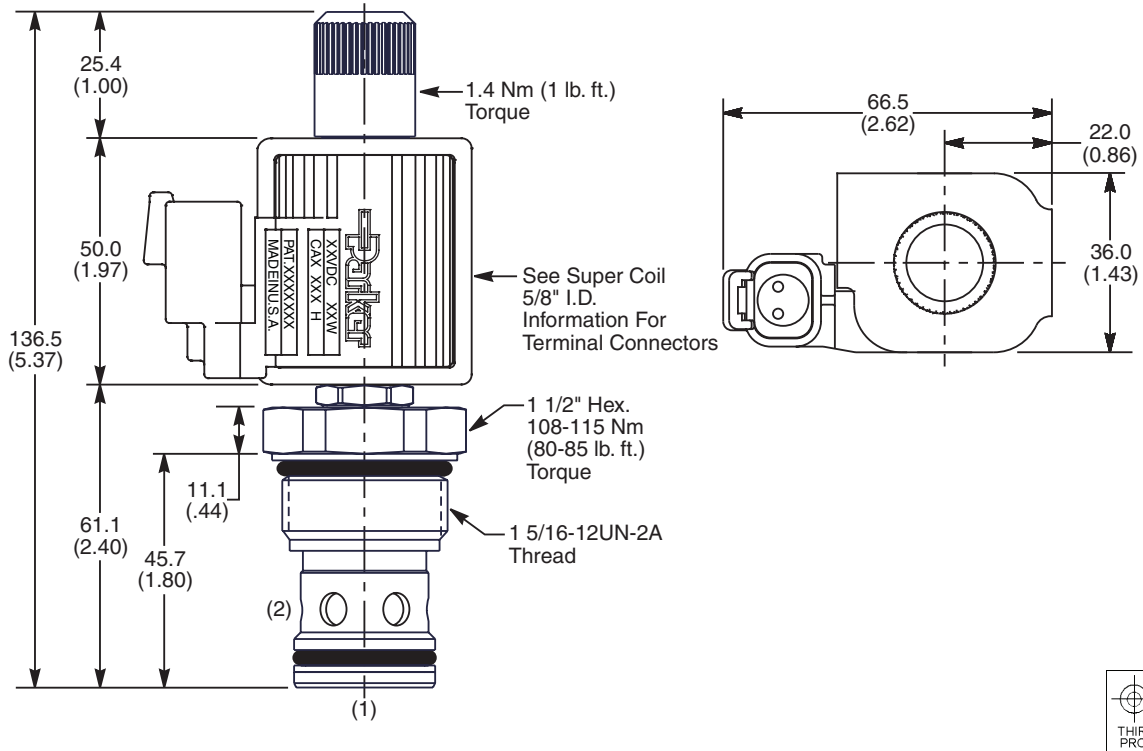
**Flow vs. Input Current**



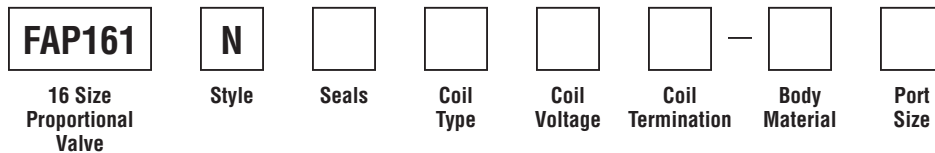
**Pressure Drop vs. Flow (Through cartridge only)**



**Dimensions** Millimeters (Inches)



**Ordering Information**



Code	Style
N	Normally Open

Code	Coil Type
Omit	Without Coil
SS	Super Coil - 18 Watts

Code	Coil Termination
Omit	Without Coil
D	DIN Plug Face
A	Amp Jr. Timer*
S	Dual Spade*
W	Dual Screw*
L	Dual Lead Wire*
H	Molded Deutsch*
PF	Dual Lead Wire with Packard Female Weather Pack Connector 1201 5792*
PM	Dual Lead Wire with Packard Male Weather Pack Connector 1201 0973*

Code	Body Material
Omit	Steel
A	Aluminum

Code	Seals / Kit No.
N	Nitrile / Buna-N (Std.) (SK16-2)
V	Fluorocarbon / (SK16-2V)

Code	Coil Voltage
Omit	Without Coil
D012	12 VDC
D024	24 VDC

Code	Port Size	Body Part No.
Omit	Cartridge Only	
12T	SAE-12	(B16-2-*12T)
16T	SAE-16	(B16-2-*16T)

\* Add "A" for aluminum, omit for steel.

See Super Coil 5/8" I.D.  
 \*DC Only

- CV Check Valves
- SH Shuttle Valves
- LM Load/Motor Controls
- FC Flow Controls
- PC Pressure Controls
- LE Logic Elements
- DC Directional Controls
- MV Manual Valves
- SV Solenoid Valves
- PV Proportional Valves
- CE Coils & Electronics
- BC Bodies & Cavities
- TD Technical Data

**Technical Information**

**CV**

Check Valves

**SH**

Shuttle Valves

**LM**

Load/Motor Controls

**FC**

Flow Controls

**PC**

Pressure Controls

**LE**

Logic Elements

**DC**

Directional Controls

**MV**

Manual Valves

**SV**

Solenoid Valves

**PV**

Proportional Valves

**CE**

Coils & Electronics

**BC**

Bodies & Cavities

**TD**

Technical Data

**General Description**

2 Way, Normally Closed, Proportional Poppet Valve with Pressure Compensation. For additional information see Technical Tips on pages PV1-PV6.

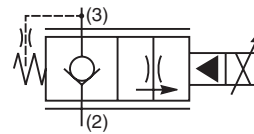
**Features**

- Low leakage poppet design with no dynamic seal to wear out on the compensator
- Adjusted at factory for low variation
- Coil: Waterproof, hermetically sealed, requires no O’Rings; Symmetrical coil can be reversed without affecting performance.
- External surfaces plated
- Excellent low flow metering capability

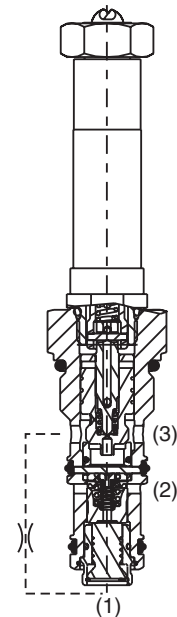
**Specifications**

All performance data with CAS coil.  
Maximum current, 70% recommended.  
Hydraulic oil 150 SSU @ 40°C (32 cSt)

<b>Rated Flow @ 70% of Full Current at ΔP 34.5 Bar (500 PSI)</b>	38 LPM (10 GPM)
<b>Maximum Input Pressure at Port 2</b>	210 Bar (3000 PSI)
<b>Minimum Pressure Differential</b>	34 Bar (500 PSI)
<b>Maximum Internal Leakage</b>	5 drops/min. (.33 cc/min.) @ 210 Bar (3000 PSI)
<b>Hysteresis @ 100 Hz PWM</b>	<10% <b>NOTE: Current regulated PWM recommended</b>
<b>Cartridge Material</b>	All operating parts hardened steel.
<b>Operating Temp. Range/Seals</b>	-45°C to +132°C (“D”-Ring) (-50°F to +270°F) -34°C to +121°C (Nitrile) (-30°F to +250°F) -26°C to +204°C (Fluorocarbon) (-15°F to +400°F)
<b>Fluid Compatibility/ Viscosity</b>	Mineral-based or synthetic with lubricating properties at viscosities of 45 to 2000 SSU (6 to 420 cSt)
<b>Filtration</b>	ISO Code 18/16/13, SAE Class 4
<b>Approx. Weight</b>	.24 kg (.52 lbs.)
<b>Cavity</b>	3X (See BC Section for more details)

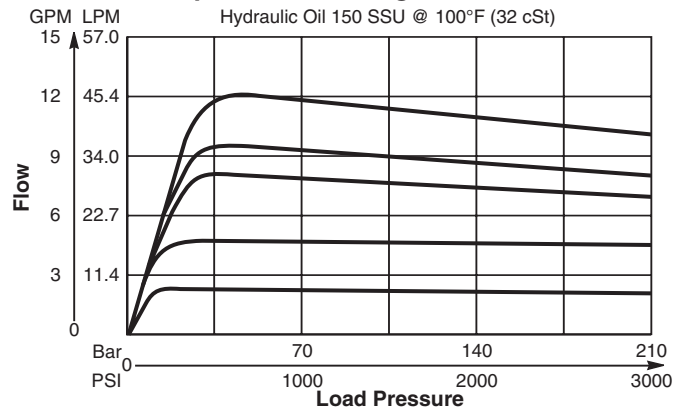


**Note:** Always connect Port (3) to Port (1) through .031" orifice. For FAPC101 only.

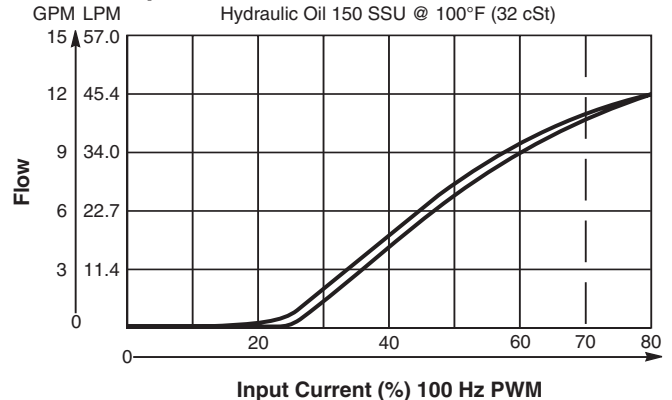


**Performance Curves**

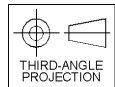
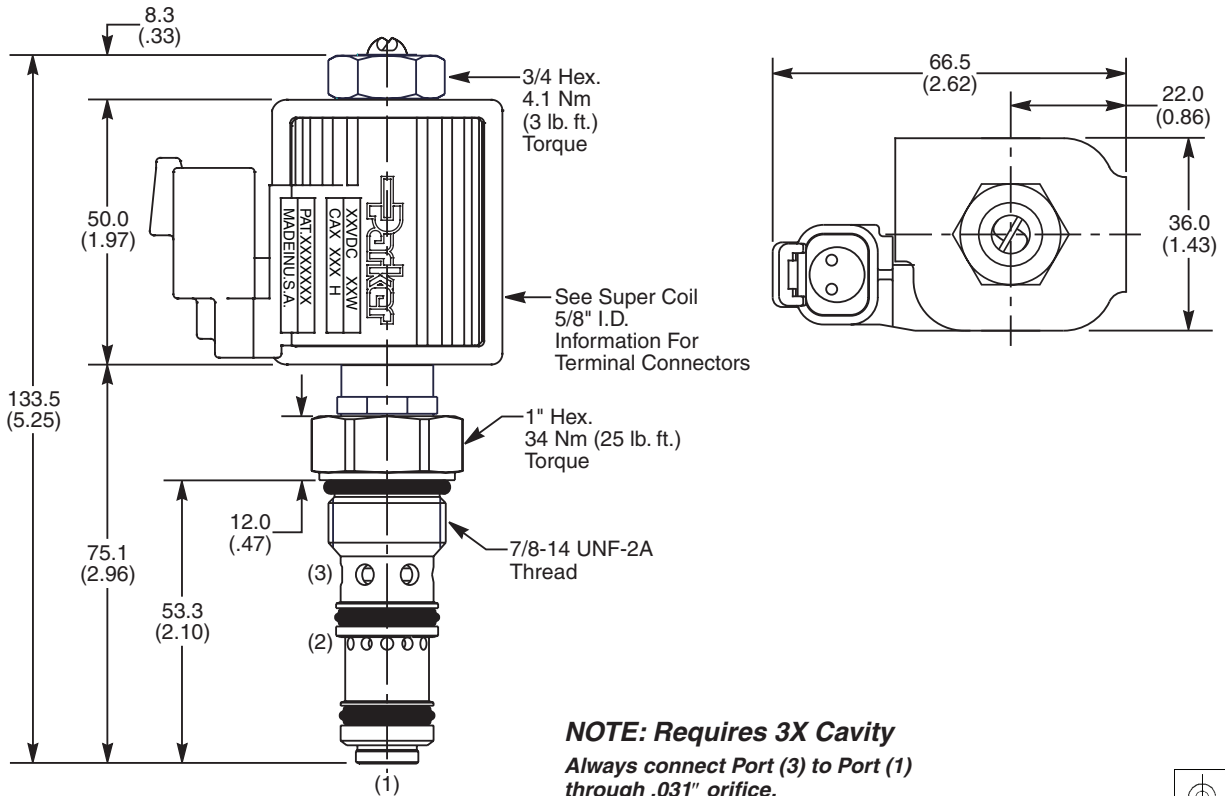
**Pressure Compensation of Regulated Flow**



**Flow vs. Input Current**



**Dimensions** Millimeters (Inches)



**Ordering Information**

**FAPC101** **C** [ ] [ ] [ ] [ ] [ ] [ ] [ ]  
 10 Size Proportional Valve    Style    Seals    Coil Type    Coil Voltage    Coil Termination    Body Material    Port Size

Code	Style
<b>C</b>	Normally Closed

Code	Coil Type
<b>Omit</b>	Without Coil
<b>SS</b>	Super Coil - 18 Watts

Code	Coil Termination
<b>Omit</b>	Without Coil
<b>D</b>	DIN Plug Face
<b>A</b>	Amp Jr. Timer*
<b>S</b>	Dual Spade*
<b>W</b>	Dual Screw*
<b>L</b>	Dual Lead Wire*
<b>H</b>	Molded Deutsch*
<b>PF</b>	Dual Lead Wire with Packard Female Weather Pack Connector 1201 5792*
<b>PM</b>	Dual Lead Wire with Packard Male Weather Pack Connector 1201 0973*

Code	Body Material
<b>Omit</b>	Steel
<b>A</b>	Aluminum

Code	Seals / Kit No.
<b>Omit</b>	"D"-Ring / (SK10-3S)
<b>N</b>	Nitrile / Buna-N (Std.) (SK10-3XN)
<b>V</b>	Fluorocarbon / (SK10-3SV)

Code	Coil Voltage
<b>Omit</b>	Without Coil
<b>D012</b>	12 VDC
<b>D024</b>	24 VDC

Code	Port Size	Body Part No.
<b>Omit</b>	Cartridge Only	
<b>8T</b>	SAE-8	(B10-3X-*8T)

\* Add "A" for aluminum, omit for steel.  
 Body includes orifice and port connection.

See Super Coil 5/8" I.D.  
 \*DC Only

- CV** Check Valves
- SH** Shuttle Valves
- LM** Load/Motor Controls
- FC** Flow Controls
- PC** Pressure Controls
- LE** Logic Elements
- DC** Directional Controls
- MV** Manual Valves
- SV** Solenoid Valves
- PV** Proportional Valves
- CE** Coils & Electronics
- BC** Bodies & Cavities
- TD** Technical Data

**Technical Information**

- CV** Check Valves
- SH** Shuttle Valves
- LM** Load/Motor Controls
- FC** Flow Controls
- PC** Pressure Controls
- LE** Logic Elements
- DC** Directional Controls
- MV** Manual Valves
- SV** Solenoid Valves
- PV** Proportional Valves
- CE** Coils & Electronics
- BC** Bodies & Cavities
- TD** Technical Data

**General Description**

2 Way, Normally Closed, Proportional Poppet Valve with Pressure Compensation. For additional information see Technical Tips on pages PV1-PV6.

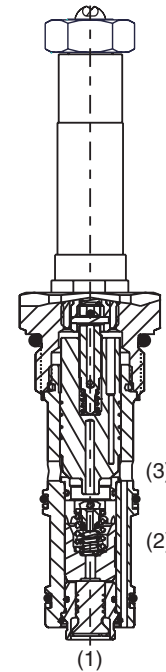
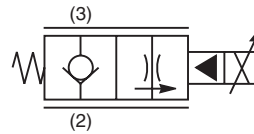
**Features**

- Low leakage poppet design with no dynamic seal to wear out on the compensator
- Adjusted at factory for low variation
- Coil: Waterproof, hermetically sealed, requires no O’Rings; Symmetrical coil can be reversed without affecting performance.
- External surfaces plated
- Excellent low flow metering capability

**Specifications**

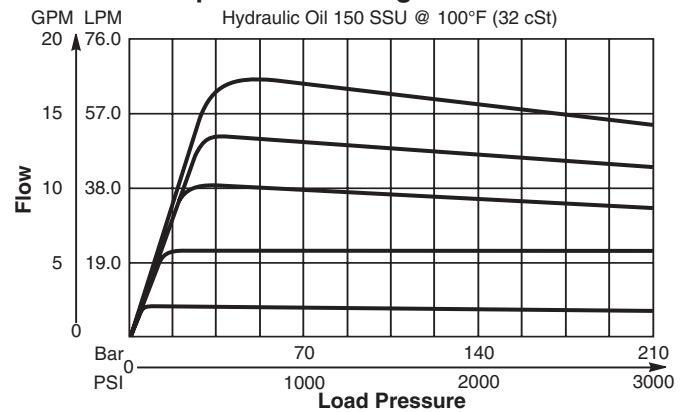
All performance data with CAS coil.  
Maximum current, 70% recommended.  
Hydraulic oil 150 SSSU @ 40°C (32 cSt)

<b>Rated Flow @ 70% of Full Current at ΔP 34.5 Bar (500 PSI)</b>	57 LPM (15 GPM)
<b>Maximum Input Pressure at Port 2</b>	210 Bar (3000 PSI)
<b>Minimum Pressure Differential</b>	34 Bar (500 PSI)
<b>Maximum Internal Leakage</b>	5 drops/min. (.33 cc/min.) @ 210 Bar (3000 PSI)
<b>Hysteresis @ 100 Hz PWM</b>	<10% <b>NOTE: Current regulated PWM recommended</b>
<b>Cartridge Material</b>	All operating parts hardened steel.
<b>Operating Temp. Range/Seals</b>	-34°C to +121°C (Nitrile) (-30°F to +250°F) -26°C to +204°C (Fluorocarbon) (-15°F to +400°F)
<b>Fluid Compatibility/ Viscosity</b>	Mineral-based or synthetic with lubricating properties at viscosities of 45 to 2000 SSSU (6 to 420 cSt)
<b>Filtration</b>	ISO Code 18/16/13, SAE Class 4
<b>Approx. Weight</b>	.36 kg (.79 lbs.)
<b>Cavity</b>	C12-3L (See BC Section for more details)

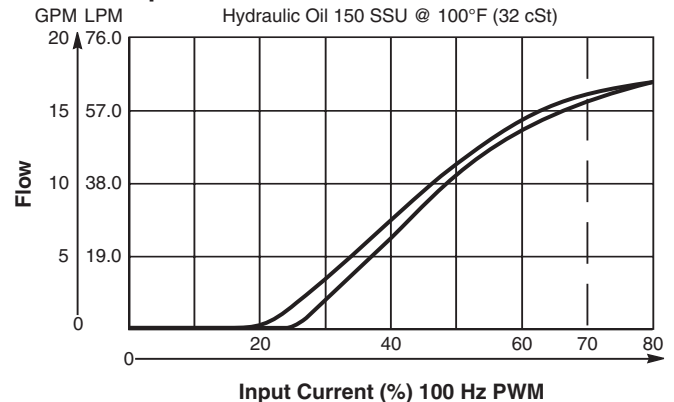


**Performance Curves**

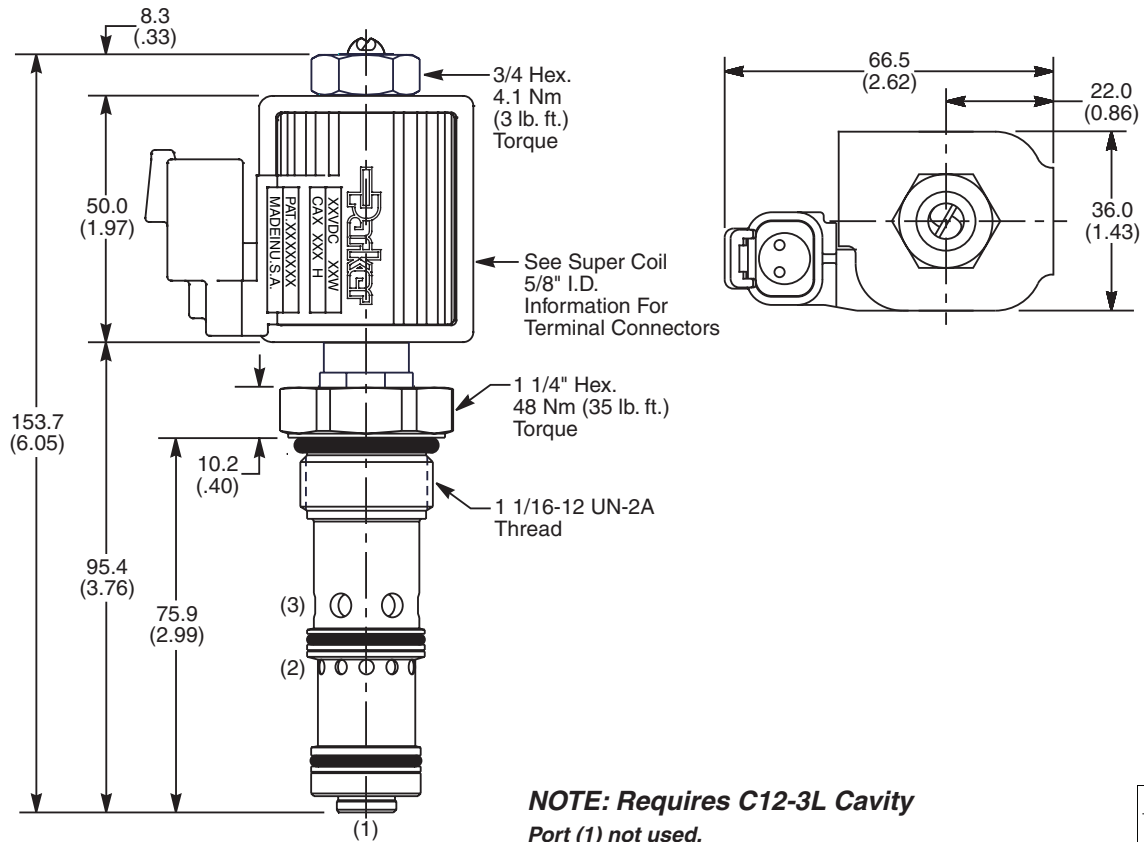
**Pressure Compensation of Regulated Flow**



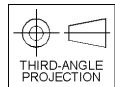
**Flow vs. Input Current**



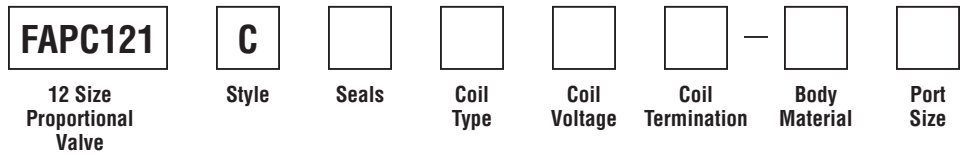
**Dimensions** Millimeters (Inches)



**NOTE: Requires C12-3L Cavity  
 Port (1) not used.**



**Ordering Information**



Code	Style
<b>C</b>	Normally Closed

Code	Coil Type
<b>Omit</b>	Without Coil
<b>SS</b>	Super Coil - 18 Watts

Code	Coil Termination
<b>Omit</b>	Without Coil
<b>D</b>	DIN Plug Face
<b>A</b>	Amp Jr. Timer*
<b>S</b>	Dual Spade*
<b>W</b>	Dual Screw*
<b>L</b>	Dual Lead Wire*
<b>H</b>	Molded Deutsch*
<b>PF</b>	Dual Lead Wire with Packard Female Weather Pack Connector 1201 5792*
<b>PM</b>	Dual Lead Wire with Packard Male Weather Pack Connector 1201 0973*

Code	Body Material
<b>Omit</b>	Steel
<b>A</b>	Aluminum

Code	Seals / Kit No.
<b>N</b>	Nitrile / Buna-N (Std.) (SK12-3LN)
<b>V</b>	Fluorocarbon / (SK12-3LV)

Code	Coil Voltage
<b>Omit</b>	Without Coil
<b>D012</b>	12 VDC
<b>D024</b>	24 VDC

Code	Port Size	Body Part No.
<b>Omit</b>	Cartridge Only	
<b>12T</b>	SAE-12	(B12-3L-*12T)

\* Add "A" for aluminum, omit for steel.  
 Plug Port (1) when using standard body.

See Super Coil 5/8" I.D.  
 \*DC Only

- CV** Check Valves
- SH** Shuttle Valves
- LM** Load/Motor Controls
- FC** Flow Controls
- PC** Pressure Controls
- LE** Logic Elements
- DC** Directional Controls
- MV** Manual Valves
- SV** Solenoid Valves
- PV** Proportional Valves
- CE** Coils & Electronics
- BC** Bodies & Cavities
- TD** Technical Data

**Technical Information**

- CV** Check Valves
- SH** Shuttle Valves
- LM** Load/Motor Controls
- FC** Flow Controls
- PC** Pressure Controls
- LE** Logic Elements
- DC** Directional Controls
- MV** Manual Valves
- SV** Solenoid Valves
- PV** Proportional Valves
- CE** Coils & Electronics
- BC** Bodies & Cavities
- TD** Technical Data

**General Description**

2 Way, Normally Closed, Proportional Poppet Valve with Pressure Compensation. For additional information see Technical Tips on pages PV1-PV6.

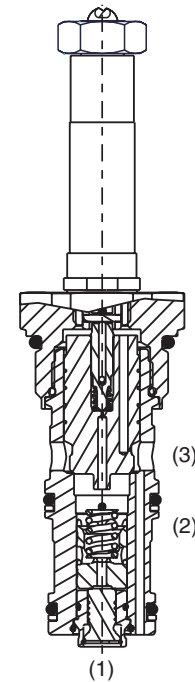
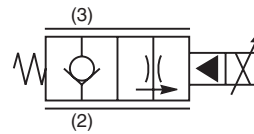
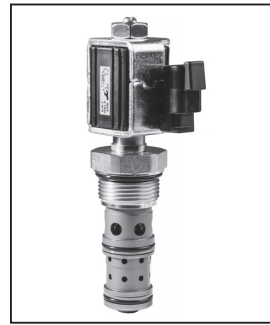
**Features**

- Low leakage poppet design with no dynamic seal to wear out on the compensator
- Adjusted at factory for low variation
- Coil: Waterproof, hermetically sealed, requires no O’Rings; Symmetrical coil can be reversed without affecting performance.
- Industry common cavity
- External surfaces plated
- Excellent low flow metering capability

**Specifications**

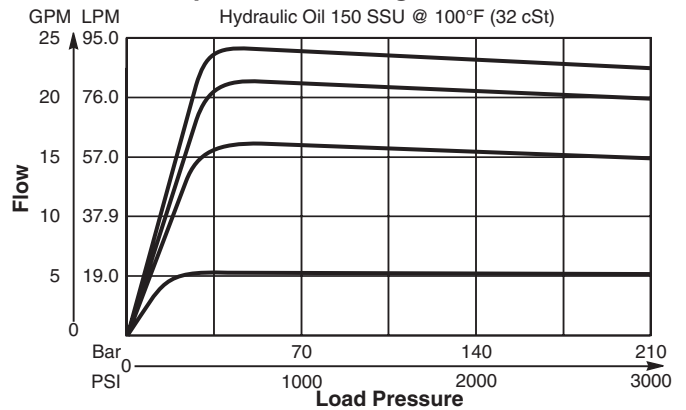
All performance data with CAS coil.  
Maximum current, 70% recommended.  
Hydraulic oil 150 SSU @ 40°C (32 cSt)

<b>Rated Flow @ 70% of Full Current at ΔP 34.5 Bar (500 PSI)</b>	83 LPM (22 GPM)
<b>Maximum Input Pressure at Port 2</b>	210 Bar (3000 PSI)
<b>Minimum Pressure Differential</b>	34 Bar (500 PSI)
<b>Maximum Internal Leakage</b>	5 drops/min. (.33 cc/min.) @ 210 Bar (3000 PSI)
<b>Hysteresis @ 100 Hz PWM</b>	<10% <b>NOTE: Current regulated PWM recommended</b>
<b>Cartridge Material</b>	All operating parts hardened steel.
<b>Operating Temp. Range/Seals</b>	-34°C to +121°C (Nitrile) (-30°F to +250°F) -26°C to +204°C (Fluorocarbon) (-15°F to +400°F)
<b>Fluid Compatibility/ Viscosity</b>	Mineral-based or synthetic with lubricating properties at viscosities of 45 to 2000 SSU (6 to 420 cSt)
<b>Filtration</b>	ISO Code 18/16/13, SAE Class 4
<b>Approx. Weight</b>	.48 kg (1.08 lbs.)
<b>Cavity</b>	C16-3 (See BC Section for more details)

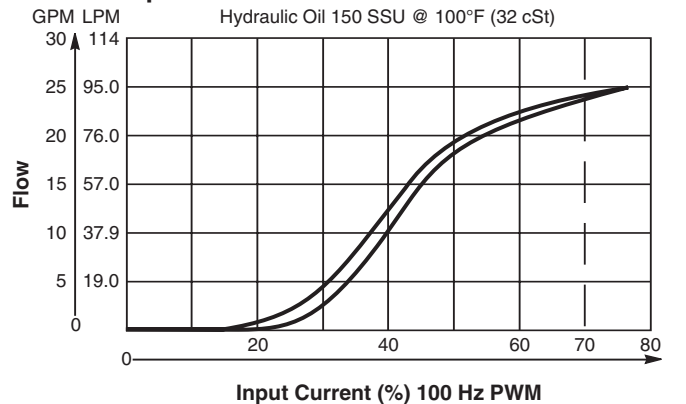


**Performance Curves**

**Pressure Compensation of Regulated Flow**

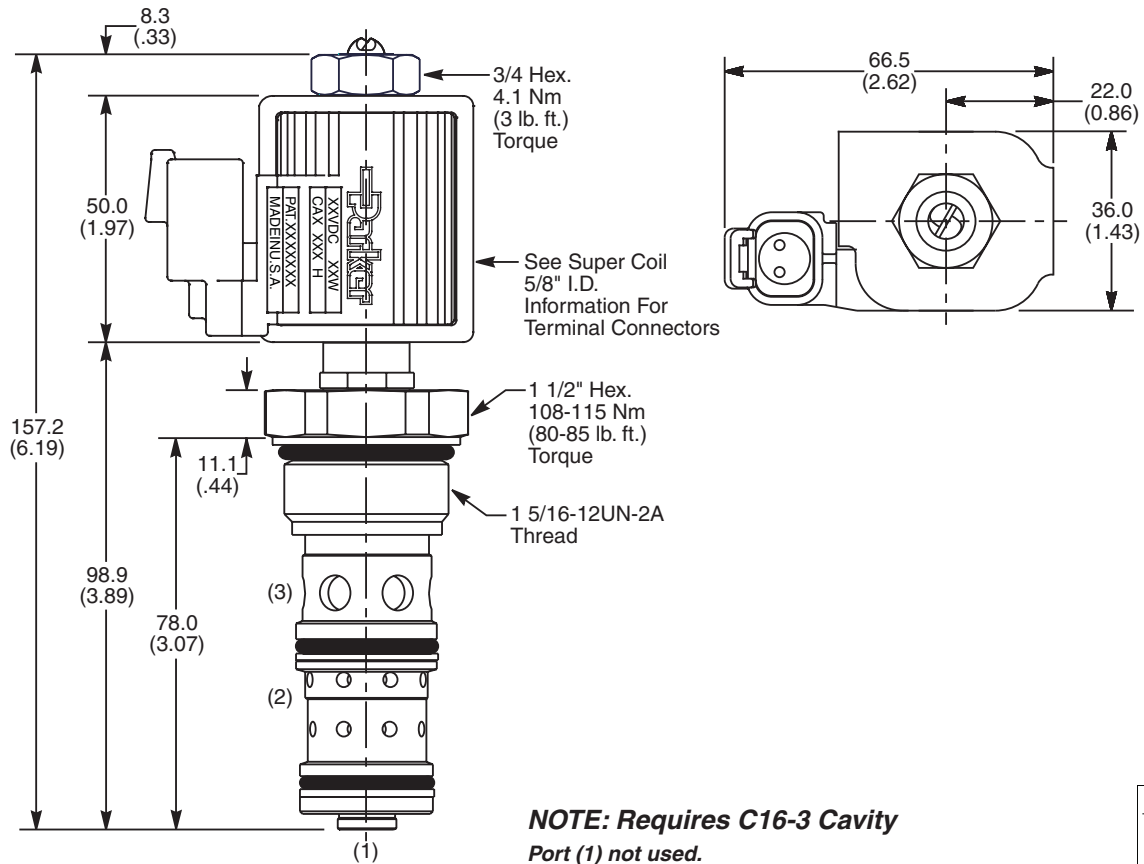


**Flow vs. Input Current**

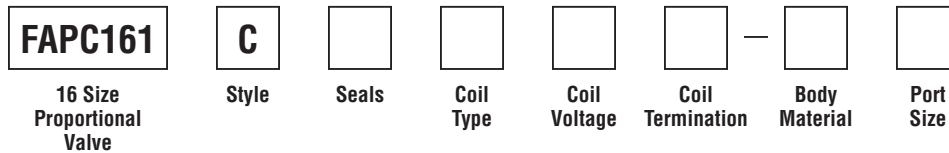




**Dimensions** Millimeters (Inches)



**Ordering Information**



Code	Style
C	Normally Closed

Code	Coil Type
Omit	Without Coil
SS	Super Coil - 18 Watts

Code	Coil Termination
Omit	Without Coil
D	DIN Plug Face
A	Amp Jr. Timer*
S	Dual Spade*
W	Dual Screw*
L	Dual Lead Wire*
H	Molded Deutsch*
PF	Dual Lead Wire with Packard Female Weather Pack Connector 1201 5792*
PM	Dual Lead Wire with Packard Male Weather Pack Connector 1201 0973*

Code	Body Material
Omit	Steel
A	Aluminum

Code	Seals / Kit No.
N	Nitrile / Buna-N (Std.) (SK16-3)
V	Fluorocarbon / (SK16-3V)

Code	Coil Voltage
Omit	Without Coil
D012	12 VDC
D024	24 VDC

Code	Port Size	Body Part No.
Omit	Cartridge Only	
16T	SAE-16	(B16-3-*16T)

\* Add "A" for aluminum, omit for steel.  
 Plug Port (1) when using standard body.

See Super Coil 5/8" I.D.  
 \*DC Only

- CV Check Valves
- SH Shuttle Valves
- LM Load/Motor Controls
- FC Flow Controls
- PC Pressure Controls
- LE Logic Elements
- DC Directional Controls
- MV Manual Valves
- SV Solenoid Valves
- PV Proportional Valves
- CE Coils & Electronics
- BC Bodies & Cavities
- TD Technical Data

**Technical Information**

- CV** Check Valves
- SH** Shuttle Valves
- LM** Load/Motor Controls
- FC** Flow Controls
- PC** Pressure Controls
- LE** Logic Elements
- DC** Directional Controls
- MV** Manual Valves
- SV** Solenoid Valves
- PV** Proportional Valves
- CE** Coils & Electronics
- BC** Bodies & Cavities
- TD** Technical Data

**General Description**

2 Way, Normally Open, Proportional Poppet Valve with Pressure Compensation. For additional information see Technical Tips on pages PV1-PV6.

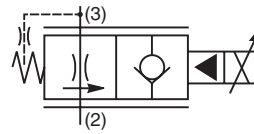
**Features**

- Low leakage poppet design with no dynamic seal to wear out on the compensator
- Adjusted at factory for low variation
- Coil: Waterproof, hermetically sealed, requires no O’Rings; Symmetrical coil can be reversed without affecting performance.
- External surfaces plated
- Excellent low flow metering capability

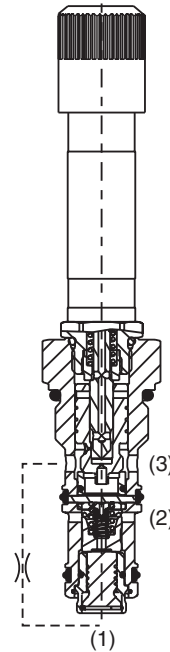
**Specifications**

All performance data with CAS coil.  
Maximum current, 70% recommended.  
Hydraulic oil 150 SSU @ 40°C (32 cSt)

<b>Rated Flow De-Energized at ΔP 34.5 Bar (500 PSI)</b>	38 LPM (10 GPM)
<b>Maximum Input Pressure at Port 2</b>	210 Bar (3000 PSI)
<b>Minimum Pressure Differential</b>	34 Bar (500 PSI)
<b>Maximum Internal Leakage</b>	5 drops/min. (.33 cc/min.) @ 210 Bar (3000 PSI)
<b>Hysteresis @ 100 Hz PWM</b>	<10% <b>NOTE: Current regulated PWM recommended</b>
<b>Cartridge Material</b>	All operating parts hardened steel.
<b>Operating Temp. Range/Seals</b>	-45°C to +132°C (“D”-Ring) (-50°F to +270°F) -34°C to +121°C (Nitrile) (-30°F to +250°F) -26°C to +204°C (Fluorocarbon) (-15°F to +400°F)
<b>Fluid Compatibility/ Viscosity</b>	Mineral-based or synthetic with lubricating properties at viscosities of 45 to 2000 SSU (6 to 420 cSt)
<b>Filtration</b>	ISO Code 18/16/13, SAE Class 4
<b>Approx. Weight</b>	.24 kg (.53 lbs.)
<b>Cavity</b>	3X (See BC Section for more details)

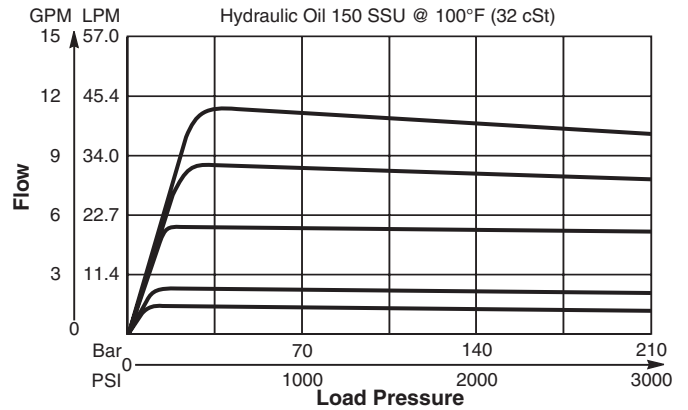


**Note:** Always connect Port (3) to Port (1) through .031" orifice. For FAPC101 only.

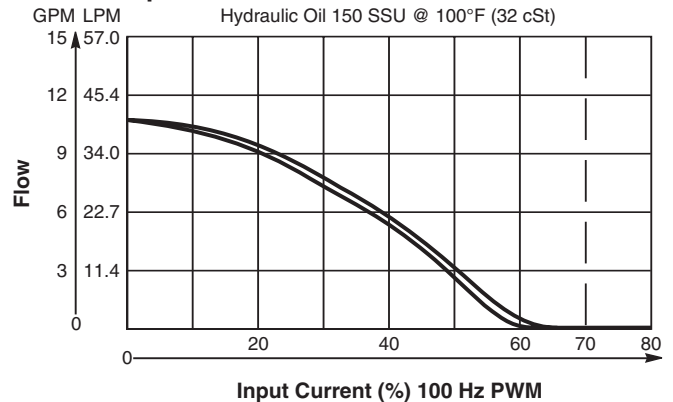


**Performance Curves**

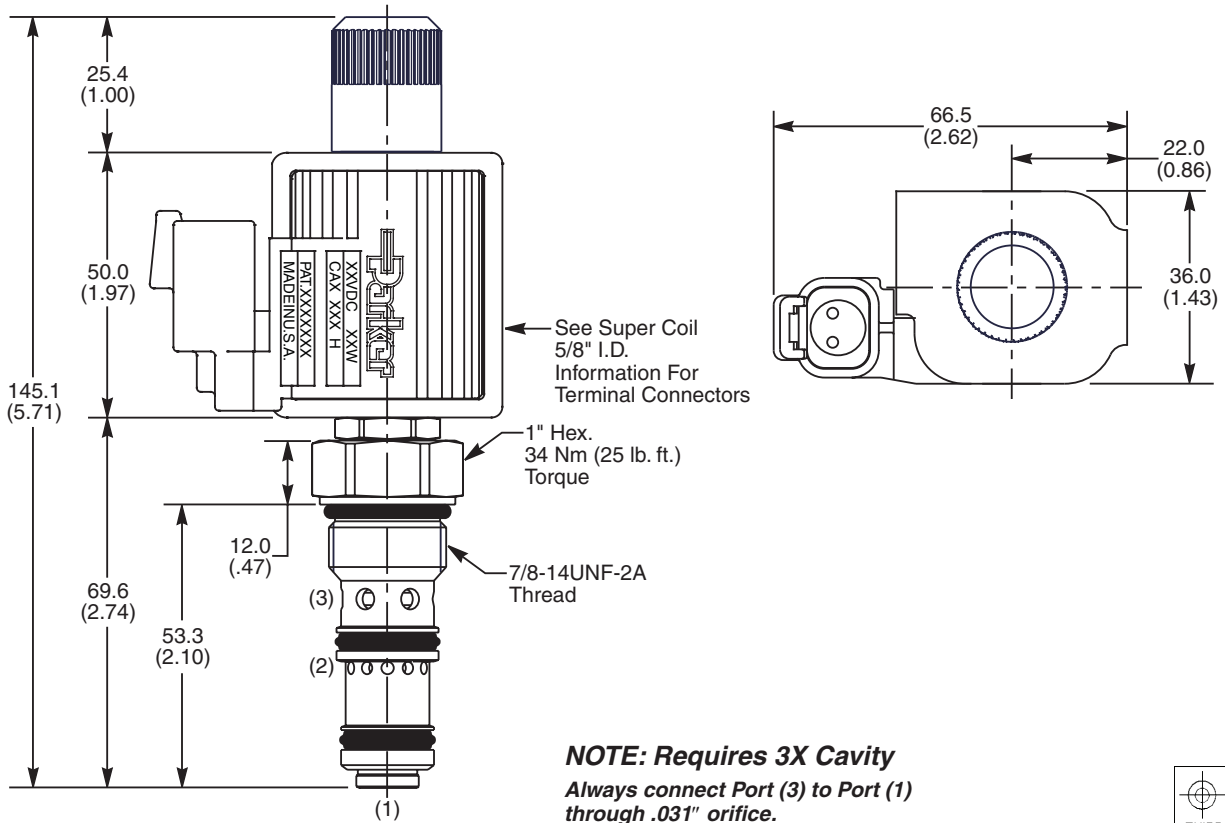
**Pressure Compensation of Regulated Flow**



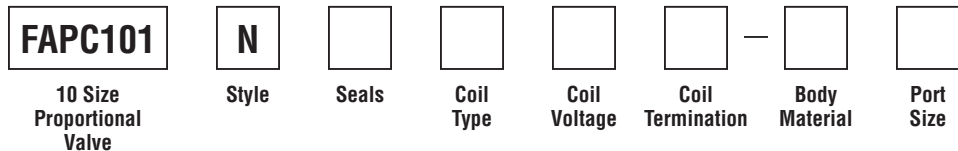
**Flow vs. Input Current**



**Dimensions** Millimeters (Inches)



**Ordering Information**



Code	Style
N	Normally Open

Code	Coil Type
Omit	Without Coil
SS	Super Coil - 18 Watts

Code	Coil Termination
Omit	Without Coil
D	DIN Plug Face
A	Amp Jr. Timer*
S	Dual Spade*
W	Dual Screw*
L	Dual Lead Wire*
H	Molded Deutsch*
PF	Dual Lead Wire with Packard Female Weather Pack Connector 1201 5792*
PM	Dual Lead Wire with Packard Male Weather Pack Connector 1201 0973*

Code	Body Material
Omit	Steel
A	Aluminum

Code	Seals / Kit No.
Omit	"D"-Ring / (SK10-3S)
N	Nitrile / Buna-N (Std.) (SK10-3XN)
V	Fluorocarbon / (SK10-3SV)

Code	Coil Voltage
Omit	Without Coil
D012	12 VDC
D024	24 VDC

Code	Port Size	Body Part No.
Omit	Cartridge Only	
8T	SAE-8	(B10-3X-*8T)

\* Add "A" for aluminum, omit for steel.  
 Body includes orifice and port connection.

See Super Coil 5/8" I.D.  
 \*DC Only

- CV** Check Valves
- SH** Shuttle Valves
- LM** Load/Motor Controls
- FC** Flow Controls
- PC** Pressure Controls
- LE** Logic Elements
- DC** Directional Controls
- MV** Manual Valves
- SV** Solenoid Valves
- PV** Proportional Valves
- CE** Coils & Electronics
- BC** Bodies & Cavities
- TD** Technical Data

**Technical Information**

- CV** Check Valves
- SH** Shuttle Valves
- LM** Load/Motor Controls
- FC** Flow Controls
- PC** Pressure Controls
- LE** Logic Elements
- DC** Directional Controls
- MV** Manual Valves
- SV** Solenoid Valves
- PV** Proportional Valves
- CE** Coils & Electronics
- BC** Bodies & Cavities
- TD** Technical Data

**General Description**

2 Way, Normally Open, Proportional Poppet Valve with Pressure Compensation. For additional information see Technical Tips on pages PV1-PV6.

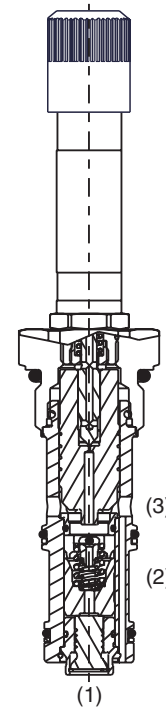
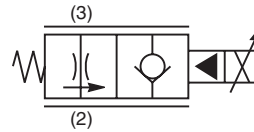
**Features**

- Low leakage poppet design with no dynamic seal to wear out on the compensator
- Adjusted at factory for low variation
- Coil: Waterproof, hermetically sealed, requires no O’Rings; Symmetrical coil can be reversed without affecting performance.
- External surfaces plated
- Excellent low flow metering capability

**Specifications**

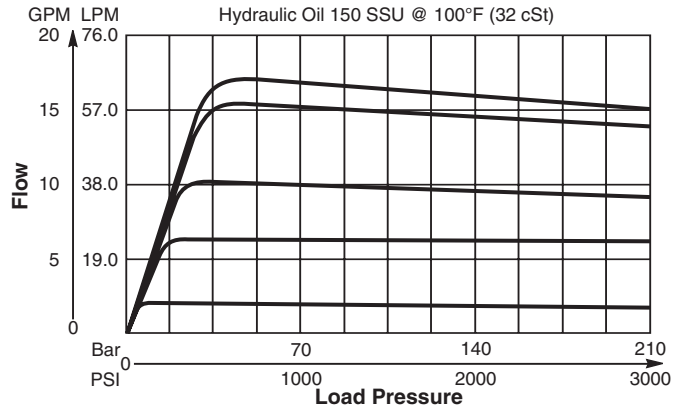
All performance data with CAS coil.  
Maximum current, 70% recommended.  
Hydraulic oil 150 SSU @ 40°C (32 cSt)

<b>Rated Flow De-Energized at ΔP 34.5 Bar (500 PSI)</b>	57 LPM (15 GPM)
<b>Maximum Input Pressure at Port 2</b>	210 Bar (3000 PSI)
<b>Minimum Pressure Differential</b>	34 Bar (500 PSI)
<b>Maximum Internal Leakage</b>	5 drops/min. (.33 cc/min.) @ 210 Bar (3000 PSI)
<b>Hysteresis @ 100 Hz PWM</b>	<10% <b>NOTE: Current regulated PWM recommended</b>
<b>Cartridge Material</b>	All operating parts hardened steel.
<b>Operating Temp. Range/Seals</b>	-34°C to +121°C (Nitrile) (-30°F to +250°F) -26°C to +204°C (Fluorocarbon) (-15°F to +400°F)
<b>Fluid Compatibility/ Viscosity</b>	Mineral-based or synthetic with lubricating properties at viscosities of 45 to 2000 SSU (6 to 420 cSt)
<b>Filtration</b>	ISO Code 18/16/13, SAE Class 4
<b>Approx. Weight</b>	.36 kg (.79 lbs.)
<b>Cavity</b>	C12-3L (See BC Section for more details)

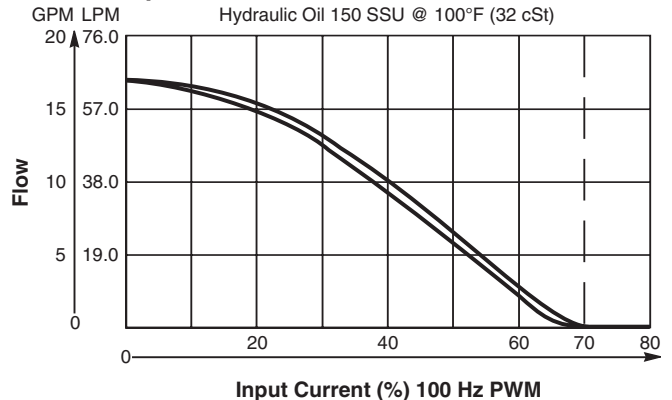


**Performance Curves**

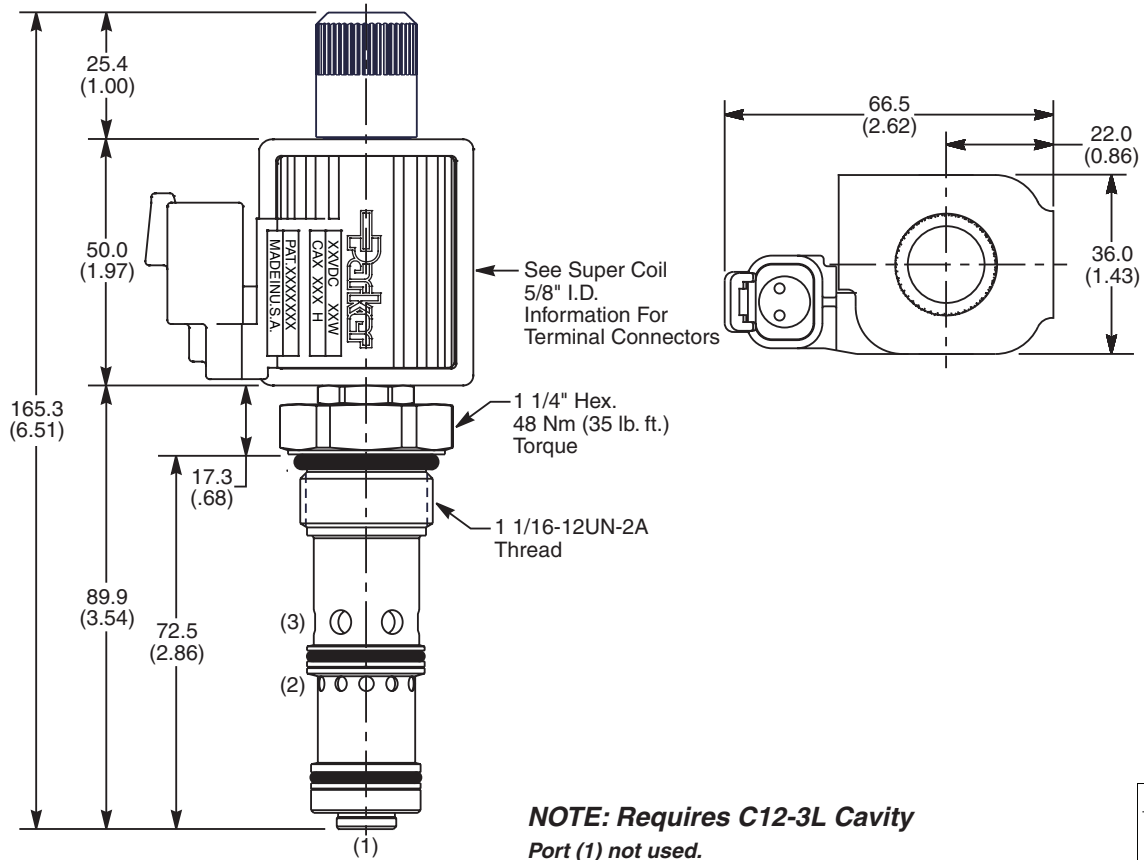
**Pressure Compensation of Regulated Flow**



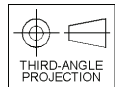
**Flow vs. Input Current**



**Dimensions** Millimeters (Inches)



**NOTE: Requires C12-3L Cavity**  
 Port (1) not used.



**Ordering Information**

**FAPC121**   **N**                    

12 Size Proportional Valve   Style   Seals   Coil Type   Coil Voltage   Coil Termination   Body Material   Port Size

Code	Style
N	Normally Open

Code	Coil Type
Omit	Without Coil
SS	Super Coil - 18 Watts

Code	Coil Termination
Omit	Without Coil
D	DIN Plug Face
A	Amp Jr. Timer*
S	Dual Spade*
W	Dual Screw*
L	Dual Lead Wire*
H	Molded Deutsch*
PF	Dual Lead Wire with Packard Female Weather Pack Connector 1201 5792*
PM	Dual Lead Wire with Packard Male Weather Pack Connector 1201 0973*

Code	Body Material
Omit	Steel
A	Aluminum

Code	Seals / Kit No.
N	Nitrile / Buna-N (Std.) (SK12-3LN)
V	Fluorocarbon / (SK12-3LV)

Code	Coil Voltage
Omit	Without Coil
D012	12 VDC
D024	24 VDC

Code	Port Size	Body Part No.
Omit	Cartridge Only	
12T	SAE-12	(B12-3L-*12T)

\* Add "A" for aluminum, omit for steel.  
 Plug Port (1) when using standard body.

See Super Coil 5/8" I.D.  
 \*DC Only

- CV** Check Valves
- SH** Shuttle Valves
- LM** Load/Motor Controls
- FC** Flow Controls
- PC** Pressure Controls
- LE** Logic Elements
- DC** Directional Controls
- MV** Manual Valves
- SV** Solenoid Valves
- PV** Proportional Valves
- CE** Coils & Electronics
- BC** Bodies & Cavities
- TD** Technical Data

**Technical Information**

- CV** Check Valves
- SH** Shuttle Valves
- LM** Load/Motor Controls
- FC** Flow Controls
- PC** Pressure Controls
- LE** Logic Elements
- DC** Directional Controls
- MV** Manual Valves
- SV** Solenoid Valves
- PV** Proportional Valves
- CE** Coils & Electronics
- BC** Bodies & Cavities
- TD** Technical Data

**General Description**

2 Way, Normally Open, Proportional Poppet Valve with Pressure Compensation. For additional information see Technical Tips on pages PV1-PV6.

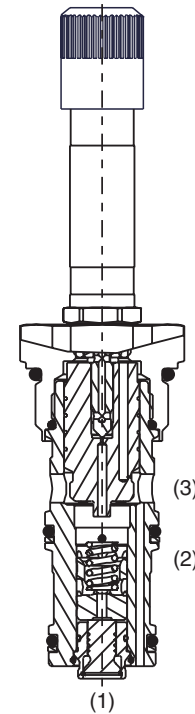
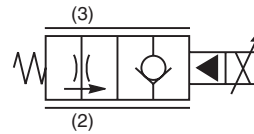
**Features**

- Low leakage poppet design with no dynamic seal to wear out on the compensator
- Adjusted at factory for low variation
- Coil: Waterproof, hermetically sealed, requires no O’Rings; Symmetrical coil can be reversed without affecting performance.
- Industry common cavity
- External surfaces plated
- Excellent low flow metering capability

**Specifications**

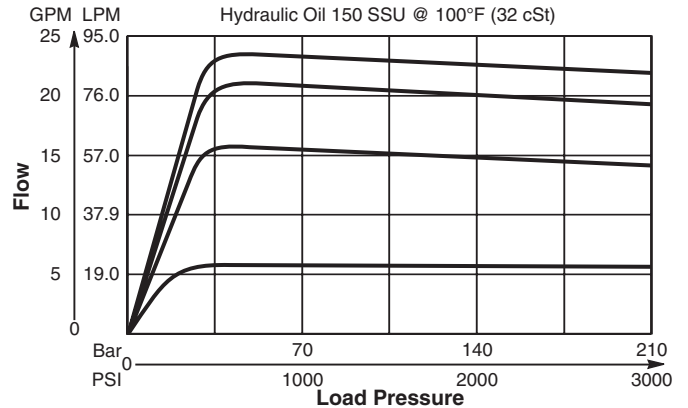
All performance data with CAS coil.  
Maximum current, 70% recommended.  
Hydraulic oil 150 SSU @ 40°C (32 cSt)

<b>Rated Flow De-Energized at ΔP 34.5 Bar (500 PSI)</b>	83 LPM (22 GPM)
<b>Maximum Input Pressure at Port 2</b>	210 Bar (3000 PSI)
<b>Minimum Pressure Differential</b>	34 Bar (500 PSI)
<b>Maximum Internal Leakage</b>	5 drops/min. (.33 cc/min.) @ 210 Bar (3000 PSI)
<b>Hysteresis @ 100 Hz PWM</b>	<10% <i>NOTE: Current regulated PWM recommended</i>
<b>Cartridge Material</b>	All operating parts hardened steel.
<b>Operating Temp. Range/Seals</b>	-34°C to +121°C (Nitrile) (-30°F to +250°F) -26°C to +204°C (Fluorocarbon) (-15°F to +400°F)
<b>Fluid Compatibility/ Viscosity</b>	Mineral-based or synthetic with lubricating properties at viscosities of 45 to 2000 SSU (6 to 420 cSt)
<b>Filtration</b>	ISO Code 18/16/13, SAE Class 4
<b>Approx. Weight</b>	.49 kg (1.09 lbs.)
<b>Cavity</b>	C16-3 (See BC Section for more details)

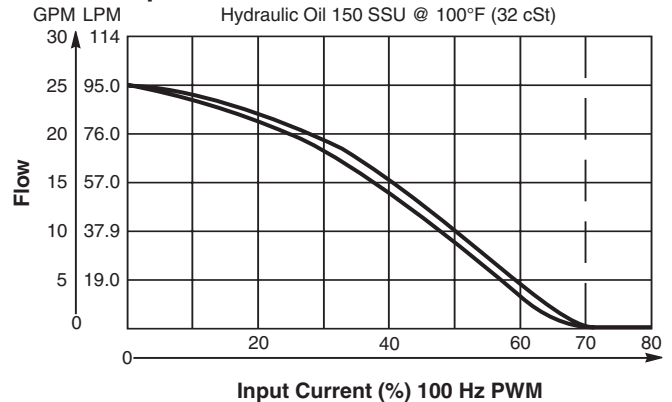


**Performance Curves**

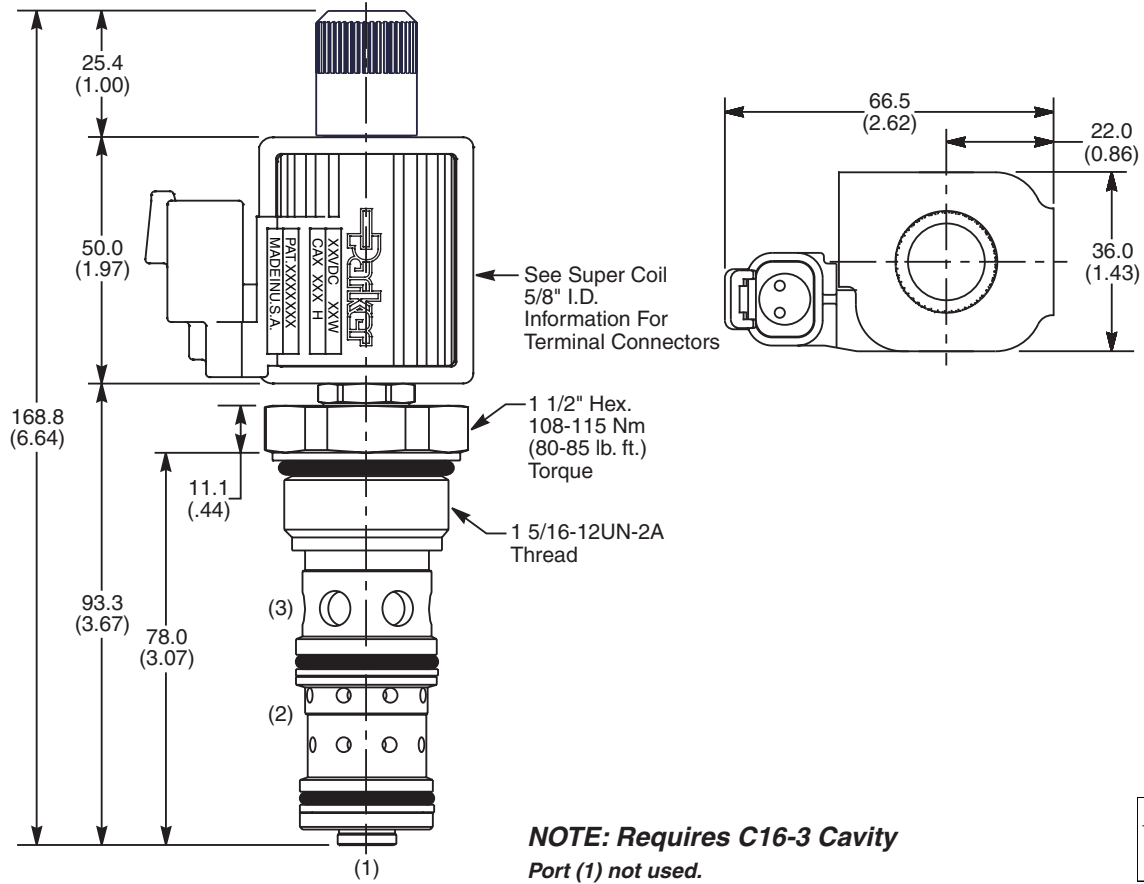
**Pressure Compensation of Regulated Flow**



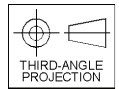
**Flow vs. Input Current**



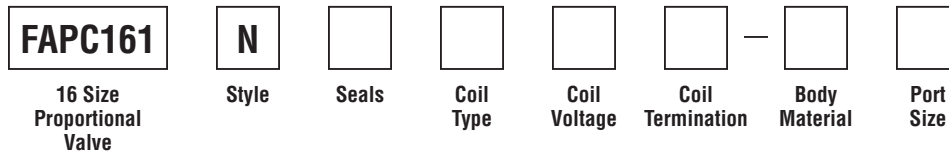
**Dimensions** Millimeters (Inches)



**NOTE: Requires C16-3 Cavity**  
 Port (1) not used.



**Ordering Information**



Code	Style
N	Normally Open

Code	Coil Type
Omit	Without Coil
SS	Super Coil - 18 Watts

Code	Coil Termination
Omit	Without Coil
D	DIN Plug Face
A	Amp Jr. Timer*
S	Dual Spade*
W	Dual Screw*
L	Dual Lead Wire*
H	Molded Deutsch*
PF	Dual Lead Wire with Packard Female Weather Pack Connector 1201 5792*
PM	Dual Lead Wire with Packard Male Weather Pack Connector 1201 0973*

Code	Body Material
Omit	Steel
A	Aluminum

Code	Seals / Kit No.
N	Nitrile / Buna-N (Std.) (SK16-3)
V	Fluorocarbon / (SK16-3V)

Code	Coil Voltage
Omit	Without Coil
D012	12 VDC
D024	24 VDC

Code	Port Size	Body Part No.
Omit	Cartridge Only	
16T	SAE-16	(B16-3-*16T)

\* Add "A" for aluminum, omit for steel.  
 Plug Port (1) when using standard body.

See Super Coil 5/8" I.D.  
 \*DC Only

- CV Check Valves
- SH Shuttle Valves
- LM Load/Motor Controls
- FC Flow Controls
- PC Pressure Controls
- LE Logic Elements
- DC Directional Controls
- MV Manual Valves
- SV Solenoid Valves
- PV Proportional Valves
- CE Coils & Electronics
- BC Bodies & Cavities
- TD Technical Data



**Technical Information**

**CV**

Check Valves

**SH**

Shuttle Valves

**LM**

Load/Motor Controls

**FC**

Flow Controls

**PC**

Pressure Controls

**LE**

Logic Elements

**DC**

Directional Controls

**MV**

Manual Valves

**SV**

Solenoid Valves

**PV**

Proportional Valves

**CE**

Coils & Electronics

**BC**

Bodies & Cavities

**TD**

Technical Data

**General Description**

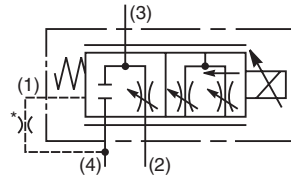
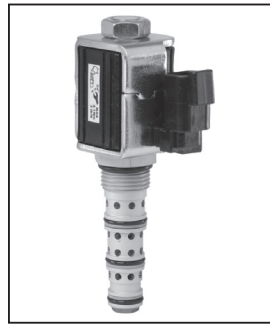
3 Way, Normally Closed, Proportional Flow Regulator Valve. Pressure Compensated. For additional information see Technical Tips on pages PV1-PV6.

**Features**

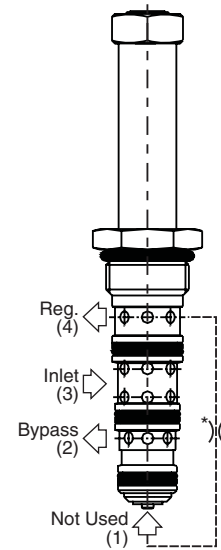
- Analog proportional pressure compensated flow control valve regulates flow proportionally to the input solenoid current
- One piece cartridge housing ensures internal concentricity
- Coil: Waterproof, hermetically sealed, requires no O’Rings; Symmetrical coil can be reversed without affecting performance.
- Nonmagnetic spool and housing assembly
- Factory-adjusted low variation option (Model “L”) is available for applications where low variation of flow from valve to valve is essential at a given current.

**Specifications**

<b>Rated Inlet Flow</b>	60 LPM (16 GPM)								
<b>Rated Regulated Flow</b>	<table border="0"> <tr> <td><b>31</b></td> <td>26 LPM (7 GPM)</td> </tr> <tr> <td></td> <td>Standard (‘SS’ Coil)</td> </tr> <tr> <td><b>31</b></td> <td>30 LPM (8 GPM)</td> </tr> <tr> <td></td> <td>High Flow (‘SP’ Coil)</td> </tr> </table>	<b>31</b>	26 LPM (7 GPM)		Standard (‘SS’ Coil)	<b>31</b>	30 LPM (8 GPM)		High Flow (‘SP’ Coil)
<b>31</b>	26 LPM (7 GPM)								
	Standard (‘SS’ Coil)								
<b>31</b>	30 LPM (8 GPM)								
	High Flow (‘SP’ Coil)								
<b>Maximum Input Pressure At Port 3</b>	210 Bar (3000 PSI)								
<b>Minimum Pressure Differential</b>	<table border="0"> <tr> <td><b>31</b></td> <td>13.8 Bar (200 PSI) Standard</td> </tr> <tr> <td><b>31</b></td> <td>20.7 Bar (300 PSI) High Flow</td> </tr> </table>	<b>31</b>	13.8 Bar (200 PSI) Standard	<b>31</b>	20.7 Bar (300 PSI) High Flow				
<b>31</b>	13.8 Bar (200 PSI) Standard								
<b>31</b>	20.7 Bar (300 PSI) High Flow								
<b>Maximum Internal Leakage</b>	780 cc (46 cu. in.) @ 210 Bar (3000 PSI)								
<b>Hysteresis @ 100 Hz PWM</b>	7%								
<b>Opening Point</b>	<table border="0"> <tr> <td><b>Standard</b></td> <td>21% of Nominal Amperage</td> </tr> <tr> <td><b>High Flow</b></td> <td>17% of Nominal Amperage</td> </tr> </table>	<b>Standard</b>	21% of Nominal Amperage	<b>High Flow</b>	17% of Nominal Amperage				
<b>Standard</b>	21% of Nominal Amperage								
<b>High Flow</b>	17% of Nominal Amperage								
<b>Variation of Opening Point</b>	<table border="0"> <tr> <td><b>Standard Model</b></td> <td>Up To ±50% Of Amperage</td> </tr> <tr> <td><b>Model “L”</b></td> <td>±20% Of Amperage</td> </tr> </table>	<b>Standard Model</b>	Up To ±50% Of Amperage	<b>Model “L”</b>	±20% Of Amperage				
<b>Standard Model</b>	Up To ±50% Of Amperage								
<b>Model “L”</b>	±20% Of Amperage								
<b>Cartridge Material</b>	All parts steel. All operating parts hardened steel.								
<b>Operating Temp. Range/Seals</b>	<table border="0"> <tr> <td>-34°C to +121°C (Nitrile)</td> <td>(-30°F to +250°F)</td> </tr> <tr> <td>-26°C to +204°C (Fluorocarbon)</td> <td>(-15°F to +400°F)</td> </tr> </table>	-34°C to +121°C (Nitrile)	(-30°F to +250°F)	-26°C to +204°C (Fluorocarbon)	(-15°F to +400°F)				
-34°C to +121°C (Nitrile)	(-30°F to +250°F)								
-26°C to +204°C (Fluorocarbon)	(-15°F to +400°F)								
<b>Fluid Compatibility/Viscosity</b>	Mineral-based or synthetic with lubricating properties at viscosities of 45 to 2000 SSU (6 to 420 cSt)								
<b>Filtration</b>	ISO-4406 18/16/13, SAE Class 4								
<b>Approx. Weight</b>	.14 kg (.31 lbs.)								
<b>Cavity</b>	4C (See BC Section for more details)								



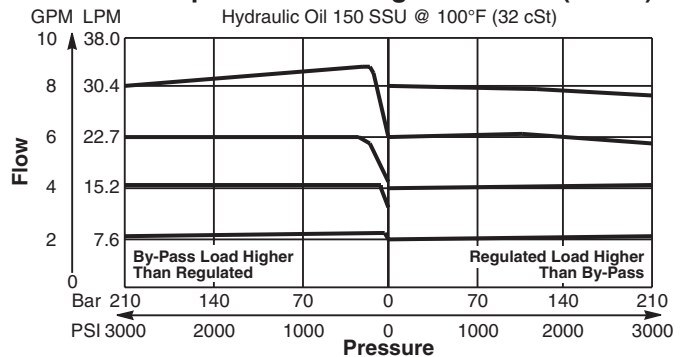
\*Always connect Port (1) to Port (4) through .039" orifice.



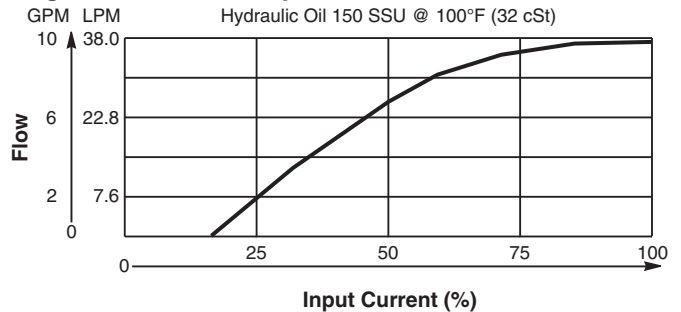
**Performance Curves**

▲ PWM Current Regulator Recommended

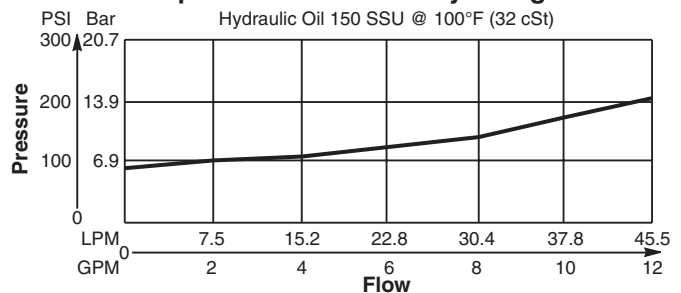
**Pressure Compensation of Regulated Flow (Port 4)**



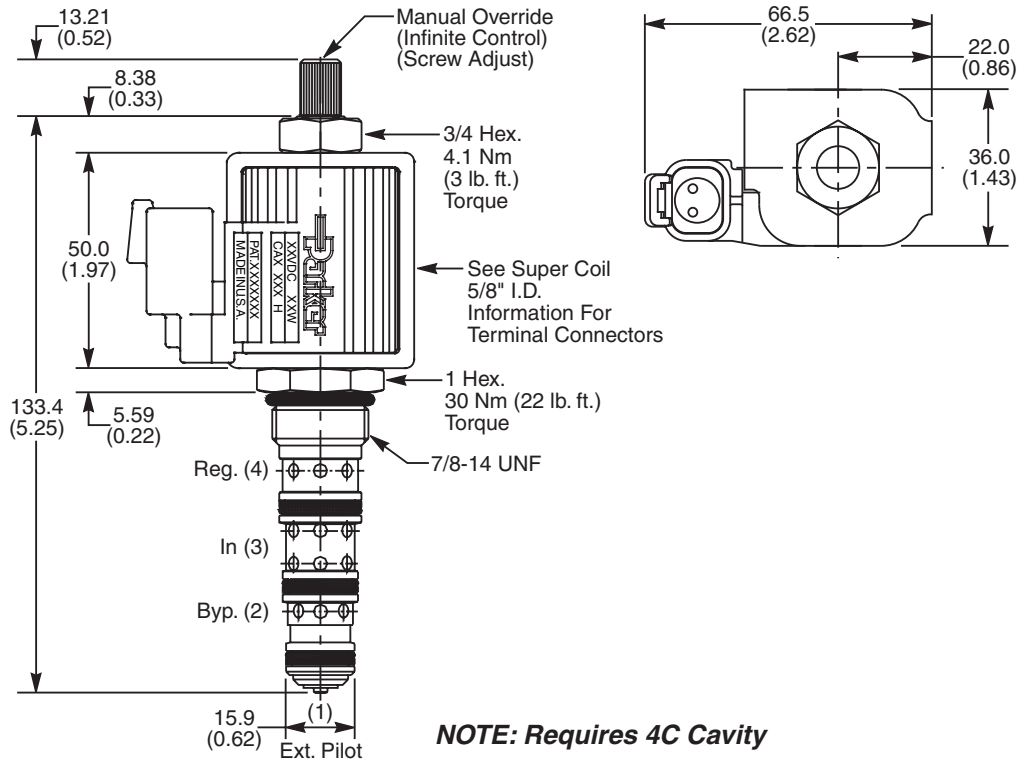
**Regulated Flow vs. Input Current Stabilized**



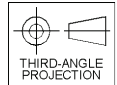
**Pressure Drop vs. Flow at Coil Fully Energized**



**Dimensions** Millimeters (Inches)



**NOTE: Requires 4C Cavity**



**Ordering Information**

<b>JP04C</b>	<b>31</b>							
10 Size Proportional Valve	Style	Override Option	Filter Screen	Seals	Flow Variation	Coil Type	Coil Voltage	Coil Termination

Code	Style (Maximum Regulated Flow)
31	Standard ('SS' Coil) 26 LPM (7 GPM)
31	High Flow ('SP' Coil) 30 LPM (8 GPM)

Code	Filter Screen
0	Not Available

Code	Seals / Kit No.
N	Nitrile / Buna-N (Std.) (SK30082N-1)
V	Fluorocarbon / (SK30082V-1)

Code	Flow Variation
Omit	Standard Up to ±50% of Opening Amps
L	Low Variation (±20% of Opening Amps)

Code	Coil Voltage
Omit	Without Coil
D012	12 VDC
D024	24 VDC

Code	Override Option
0	Not Required
5	Screw Adjust (Infinite Control)

Code	Coil Type
Omit	Without Coil
SS	Super Coil - 18 Watts
SP	Super Coil - 28 Watts

Code	Coil Termination
Omit	Without Coil
A	Amp Jr. Timer*
C	Conduit With Leads
D	DIN Plug Face
H	Molded Deutsch*
L	Dual Lead Wire*
PF	Packard Female*
PM	Packard Male*
S	Dual Spade*

**Order Bodies Separately**

<b>LB10</b>		
Line Body	Porting	Body Material

Code	Porting
562	1/2" SAE

Code	Body Material
A	Aluminum
S	Steel

See Super Coil 5/8" I.D.  
 \*DC Only

- CV** Check Valves
- SH** Shuttle Valves
- LM** Load/Motor Controls
- FC** Flow Controls
- PC** Pressure Controls
- LE** Logic Elements
- DC** Directional Controls
- MV** Manual Valves
- SV** Solenoid Valves
- PV** Proportional Valves
- CE** Coils & Electronics
- BC** Bodies & Cavities
- TD** Technical Data

**Technical Information**

- CV** Check Valves
- SH** Shuttle Valves
- LM** Load/Motor Controls
- FC** Flow Controls
- PC** Pressure Controls
- LE** Logic Elements
- DC** Directional Controls
- MV** Manual Valves
- SV** Solenoid Valves
- PV** Proportional Valves
- CE** Coils & Electronics
- BC** Bodies & Cavities
- TD** Technical Data

**General Description**

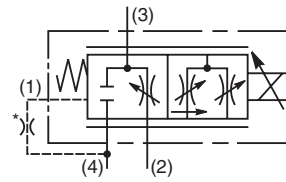
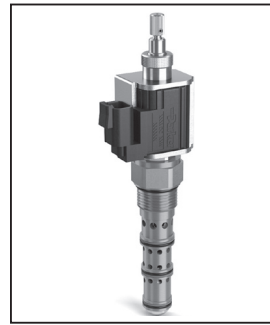
3 Way, Normally Closed, Proportional Flow Regulator Valve. Pressure Compensated. For additional information see Technical Tips on pages PV1-PV6.

**Features**

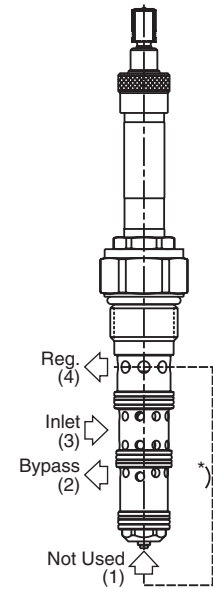
- Analog proportional pressure compensated flow control valve regulates flow proportionally to the input solenoid current
- One piece cartridge housing ensures internal concentricity
- Coil: Waterproof, hermetically sealed, requires no O’Rings; Symmetrical coil can be reversed without affecting performance.

**Specifications**

<b>Rated Inlet Flow</b>	75 LPM (20 GPM)
<b>Rated Regulated Flow</b>	56.8 LPM (15 GPM) Requires ('SP' Coil)
<b>Maximum Input Pressure At Port 3</b>	210 Bar (3000 PSI)
<b>Minimum Pressure Differential</b>	13.8 Bar (200 PSI)
<b>Maximum Internal Leakage</b>	568 cc (35 cu. in.) @ 210 Bar (3000 PSI)
<b>Hysteresis @ 100 Hz PWM</b>	<15%
<b>Cartridge Material</b>	All parts steel. All operating parts hardened steel.
<b>Operating Temp. Range/Seals</b>	-34°C to +121°C (Nitrile) (-30°F to +250°F) -26°C to +204°C (Fluorocarbon) (-15°F to +400°F)
<b>Fluid Compatibility/ Viscosity</b>	Mineral-based or synthetic with lubricating properties at viscosities of 45 to 2000 SSU (6 to 420 cSt)
<b>Filtration</b>	ISO-4406 18/16/13, SAE Class 4
<b>Approx. Weight</b>	.45 kg (1.0 lbs.)
<b>Cavity</b>	C12-4L (See BC Section for more details)



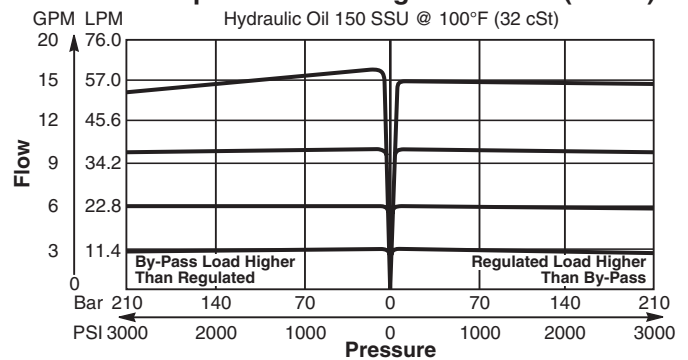
\*Always connect Port (1) to Port (4) through .039" orifice.



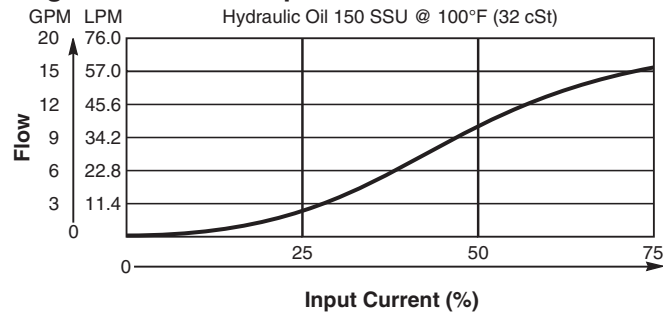
**Performance Curves**

**▲ PWM Current Regulator Recommended**

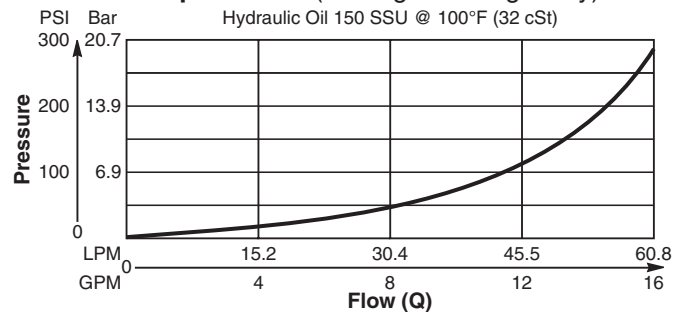
**Pressure Compensation of Regulated Flow (Port 4)**



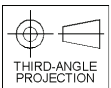
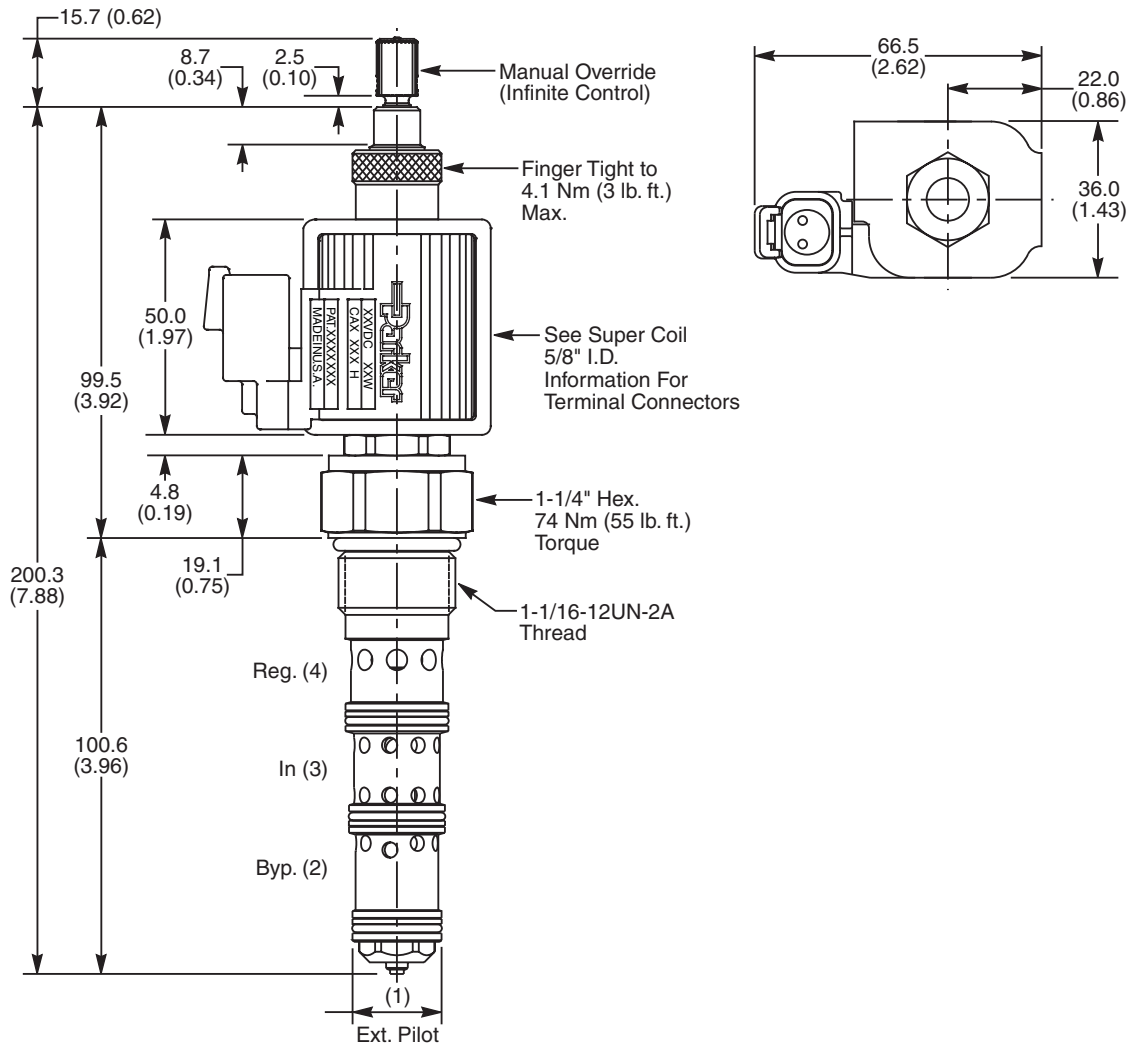
**Regulated Flow vs. Input Current Stabilized**



**Pressure Drop vs. Flow (Through cartridge only)**



**Dimensions** Millimeters (Inches)



**Ordering Information**

<b>DFA125C</b>	<b>31</b>	<b>S</b>				
12 Size Proportional Valve	Style	Override Option	Seals	Coil Type	Coil Voltage	Coil Termination

Code	Style (Maximum Regulated Flow)
31	High Flow ("SP" Coil) 56.8 LPM (15 GPM)

Code	Coil Type
Omit	Without Coil
SP	Super Coil - 28 Watts

Code	Coil Termination
Omit	Without Coil
A	Amp Jr. Timer*
C	Conduit With Leads
D	DIN Plug Face
H	Molded Deutsch*
L	Dual Lead Wire*
PF	Packard Female*
PM	Packard Male*
S	Dual Spade*

Code	Override Option
Omit	Not Available
S	Standard M.O. (Infinite Control)

Code	Coil Voltage
Omit	Without Coil
D012	12 VDC
D024	24 VDC

Code	Seals / Kit No.
N	Nitrile / Buna-N (Std.) (SK12-4LN)
V	Fluorocarbon / (SK12-4LV)

See Super Coil 5/8" I.D.  
 \*DC Only

**Order Bodies Separately**

<b>B12</b>	<b>4L</b>	<b>A</b>	<b>12T</b>
12 Size	4-Way Long Cavity	Body Material	Port Size

Code	Body Material
A	Aluminum

Code	Port Size
12T	SAE - 12

- CV** Check Valves
- SH** Shuttle Valves
- LM** Load/Motor Controls
- FC** Flow Controls
- PC** Pressure Controls
- LE** Logic Elements
- DC** Directional Controls
- MV** Manual Valves
- SV** Solenoid Valves
- PV** Proportional Valves
- CE** Coils & Electronics
- BC** Bodies & Cavities
- TD** Technical Data

**Technical Information**

**CV**

Check Valves

**SH**

Shuttle Valves

**LM**

Load/Motor Controls

**FC**

Flow Controls

**PC**

Pressure Controls

**LE**

Logic Elements

**DC**

Directional Controls

**MV**

Manual Valves

**SV**

Solenoid Valves

**PV**

Proportional Valves

**CE**

Coils & Electronics

**BC**

Bodies & Cavities

**TD**

Technical Data

**General Description**

4 Way, 3 Position, Proportional Directional Control Valve. Closed Center Spool. For additional information see Technical Tips on pages PV1-PV6.

**Features**

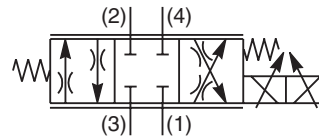
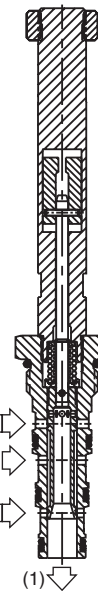
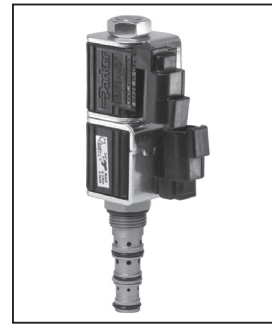
- One piece cartridge housing ensures internal concentricity
- Coil: Waterproof, hermetically sealed, requires no O'Rings; Symmetrical coil can be reversed without affecting performance.

**Specifications**

<b>Operating Pressure</b>	<b>Ports 2, 3 and 4</b> 350 Bar (5000 PSI) <b>Port 1</b> 210 Bar (3000 PSI)
<b>Hysteresis @ 100 Hz PWM</b>	<6%
<b>Cracking Flow</b>	25% to 30% of Input Signal
<b>Variation of Flow</b>	±15% @ 75% of Nominal Current and Constant ΔP Maintained by Pressure Compensator
<b>Port to Port Leakage</b>	10 cu. in. @ 3000 PSI
<b>Step Response Time at 75% of Amps</b>	On 50 ms Off 40 ms
<b>Cartridge Material</b>	All parts steel. All operating parts hardened steel.
<b>Operating Temp. Range/Seals</b>	-34°C to +121°C (Nitrile) (-30°F to +250°F) -26°C to +204°C (Fluorocarbon) (-15°F to +400°F)
<b>Fluid Compatibility/Viscosity</b>	Mineral-based or synthetic with lubricating properties at viscosities of 45 to 2000 SSU (6 to 420 cSt)
<b>Filtration</b>	ISO-4406 18/16/13, SAE Class 4
<b>Approx. Weight</b>	.15 kg (.34 lbs.)
<b>Cavity</b>	C08-4

**Typical Performance**

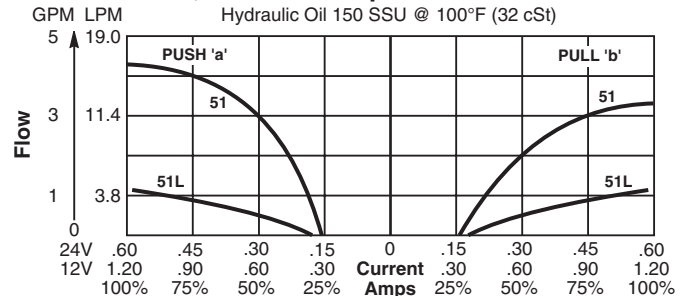
SPOOL TYPE AND FLOW	RATED FLOW AT 75% OF NOMINAL CURRENT LPM - (GPM)		SUPER COIL TYPE		Compensator ΔP Bar (PSI)
	'a' SOLENOID PUSH P to A, B to T	'b' SOLENOID PULL P to B, A to T	PUSH	PULL	
51L Low Flow	5.3 - (1.4)	5.3 - (1.4)	SP	SP	10 (150)
	3.4 - (0.9)	3.4 - (0.9)	SS	SS	5 (75)
51 Standard	13.3 - (3.5)	17 - (4.5)	SP	SP	15 (220)
	11.4 - (3.0)	15.2 - (4.0)	SS	SS	15 (220)
52 High Flow	21 - (5.5)	17 - (4.5)	SP	SP	20 (290)
	17.4 - (4.5)	13 - (3.5)	SP	SP	15 (220)



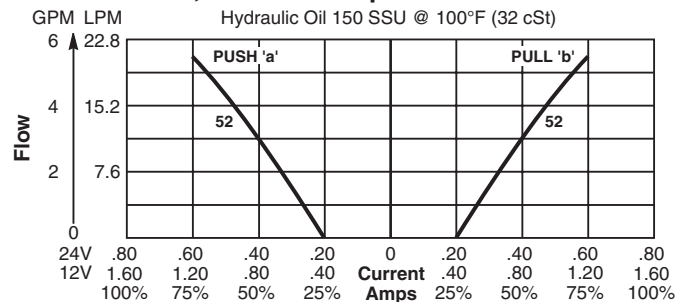
**Performance Curves**

▲ PWM Current Regulator Recommended

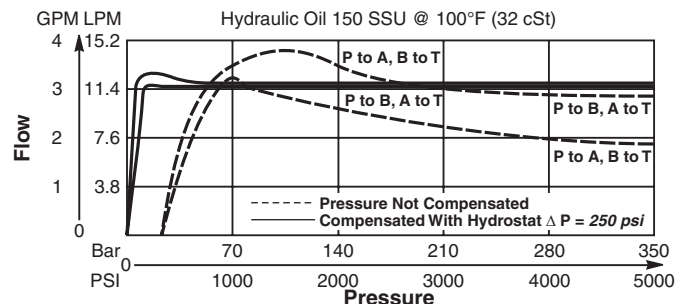
51L With 5 Bar, 75 PSI Compensator  
51 With 15 Bar, 220 PSI Compensator and SS Coil



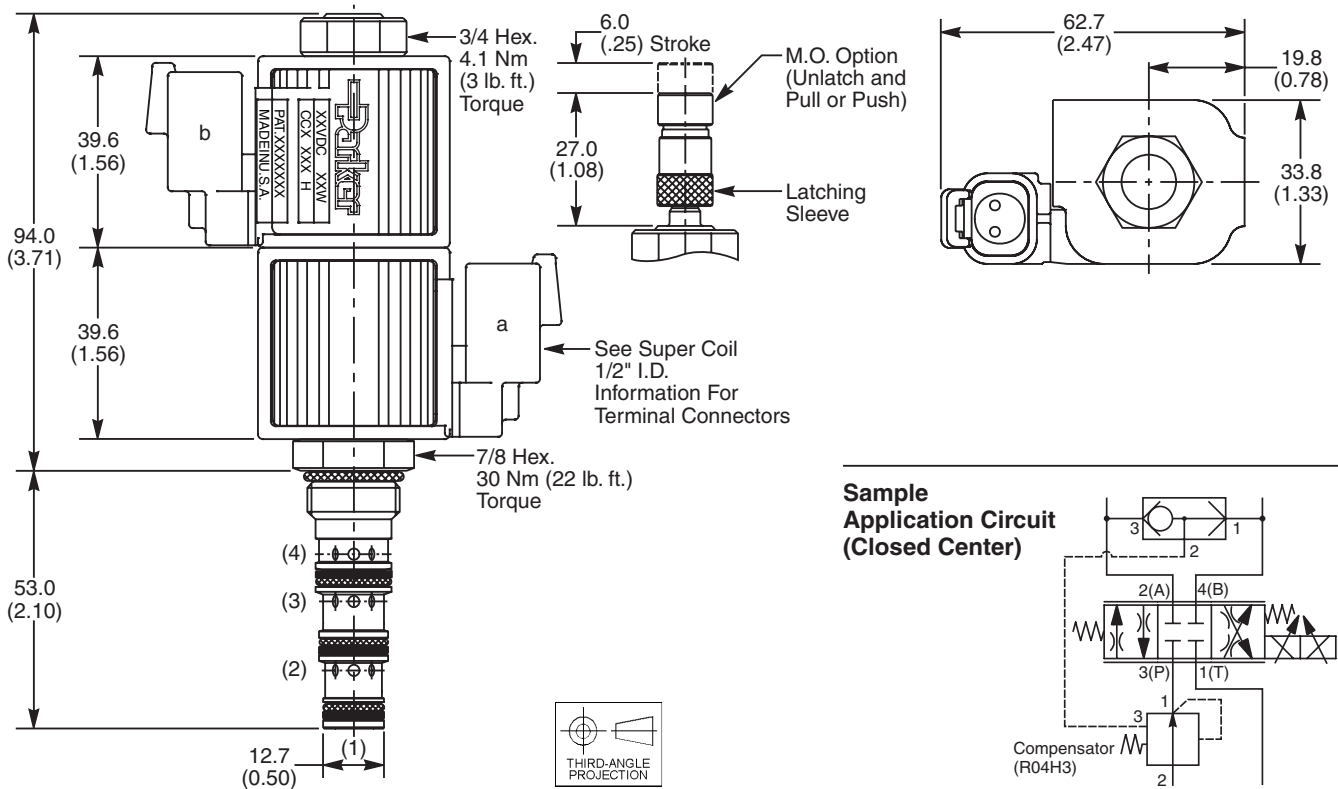
52 With 20 Bar, 290 PSI Compensator and SP Coil



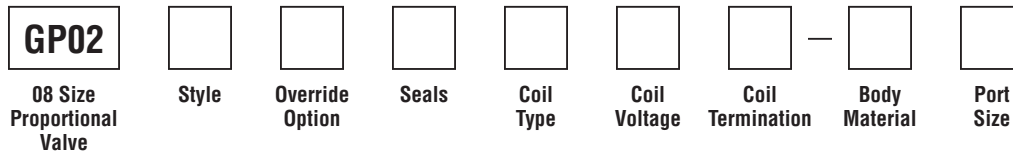
**Flow vs. Load**



**Dimensions** Millimeters (Inches)



**Ordering Information**



Code	Style - Closed Center (Flow Pressure and Performance)
51	Standard
51L	Low Flow
52	High Flow

Code	Seals / Kit No.
N	Nitrile / Buna-N (Std.) (SK30078N-1)
V	Fluorocarbon / (SK30078V-1)

Code	Coil Voltage
Omit	Without Coil
D012	12 VDC
D024	24 VDC

Code	Body Material
Omit	Steel
A	Aluminum

Code	Override Option
Omit	Not Required
1	Manual Override
2	Detented M.O.

Code	Coil Type
Omit	Without Coil
SS	Super Coil - 14 Watts
SP	Super Coil - 19 Watts

Code	Coil Termination
Omit	Without Coil
A	Amp Jr. Timer*
C	Conduit With Leads
D	DIN Plug Face
H	Molded Deutsch*
L	Dual Lead Wire*
PF	Packard Female*
PM	Packard Male*
S	Dual Spade*

Code	Port Size	Body Part No.
Omit	Cartridge Only	
4T	SAE-4	(B08-4-*4T)
6T	SAE-6	(B08-4-*6T)

\* Add "A" for aluminum, omit for steel.

See Super Coil 1/2" I.D.  
 \*DC Only

- CV** Check Valves
- SH** Shuttle Valves
- LM** Load/Motor Controls
- FC** Flow Controls
- PC** Pressure Controls
- LE** Logic Elements
- DC** Directional Controls
- MV** Manual Valves
- SV** Solenoid Valves
- PV** Proportional Valves
- CE** Coils & Electronics
- BC** Bodies & Cavities
- TD** Technical Data



**CV**

Check  
Valves

**SH**

Shuttle  
Valves

**LM**

Load/Motor  
Controls

**FC**

Flow  
Controls

**PC**

Pressure  
Controls

**LE**

Logic  
Elements

**DC**

Directional  
Controls

**MV**

Manual  
Valves

**SV**

Solenoid  
Valves

**PV**

Proportional  
Valves

**CE**

Coils &  
Electronics

**BC**

Bodies &  
Cavities

**TD**

Technical  
Data

**General Description**

4 Way, 3 Position, Proportional Directional Control Valve. Floating Center Spool. For additional information see Technical Tips on pages PV1-PV6.

**Features**

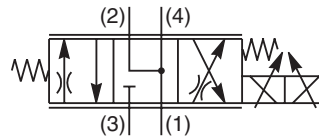
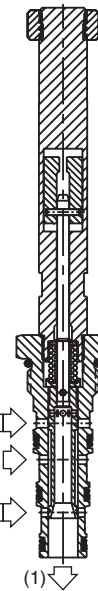
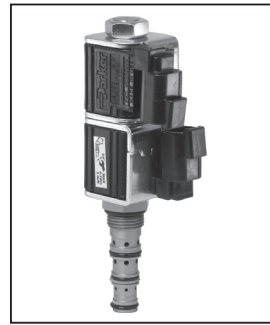
- One piece cartridge housing ensures internal concentricity
- Coil: Waterproof, hermetically sealed, requires no O'Rings; Symmetrical coil can be reversed without affecting performance.

**Specifications**

<b>Operating Pressure</b>	<b>Ports 2, 3 and 4</b> 350 Bar (5000 PSI) <b>Port 1</b> 210 Bar (3000 PSI)
<b>Hysteresis @ 100 Hz PWM</b>	<6%
<b>Cracking Flow</b>	25% to 30% of Input Signal
<b>Variation of Flow</b>	±15% @ 75% of Nominal Current and Constant ΔP Maintained by Pressure Compensator
<b>Port to Port Leakage</b>	10 cu. in. @ 3000 PSI
<b>Step Response Time at 75% of Amps</b>	On 50 ms Off 40 ms
<b>Cartridge Material</b>	All parts steel. All operating parts hardened steel.
<b>Operating Temp. Range/Seals</b>	-34°C to +121°C (Nitrile) (-30°F to +250°F) -26°C to +204°C (Fluorocarbon) (-15°F to +400°F)
<b>Fluid Compatibility/Viscosity</b>	Mineral-based or synthetic with lubricating properties at viscosities of 45 to 2000 SSU (6 to 420 cSt)
<b>Filtration</b>	ISO-4406 18/16/13, SAE Class 4
<b>Approx. Weight</b>	.15 kg (.34 lbs.)
<b>Cavity</b>	C08-4

**Typical Performance**

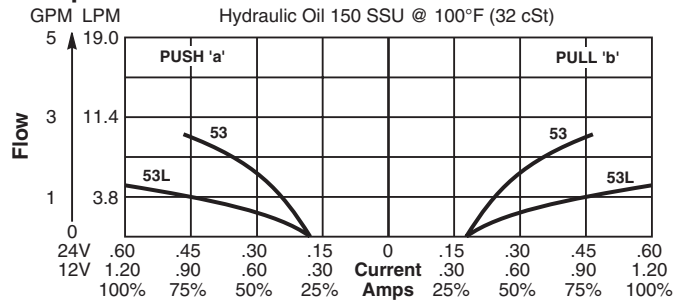
SPOOL TYPE AND FLOW	RATED FLOW AT 75% OF NOMINAL CURRENT LPM - (GPM)		SUPER COIL TYPE		Compensator ΔP Bar (PSI)
	'a' SOLENOID PUSH P to A, B to T	'b' SOLENOID PULL P to B, A to T	PUSH	PULL	
53L Low Flow	5.3 - (1.4)	5 - (1.4)	SP	SP	10 (150)
	4 - (1.0)	4 - (1.0)	SS	SS	5 (75)
53 Standard	14 - (3.8)	15 - (4.0)	SP	SP	10 (150)
	9 - (2.5)	10 - (2.7)	SS	SS	5 (75)
54 High Flow	17 - (4.5)	19 - (5.0)	SP	SP	20 (290)
	15 - (4.0)	15 - (4.0)	SS	SS	15 (220)



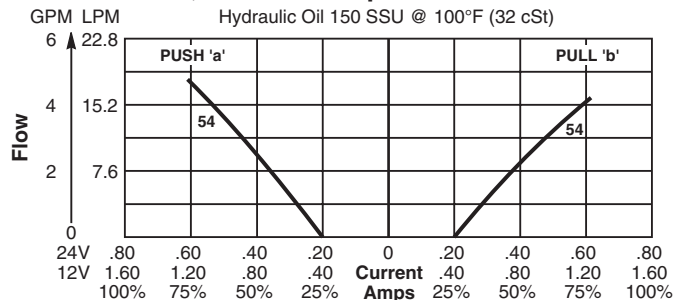
**Performance Curves**

▲ PWM Current Regulator Recommended

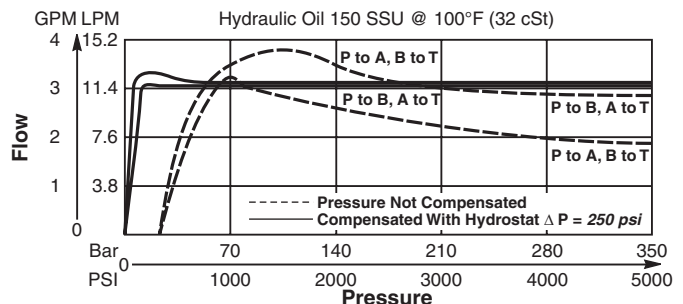
**53 and 53L With 5 Bar, 75 PSI Compensator and SS Coil**



**54 With 20 Bar, 290 PSI Compensator and SP Coil**

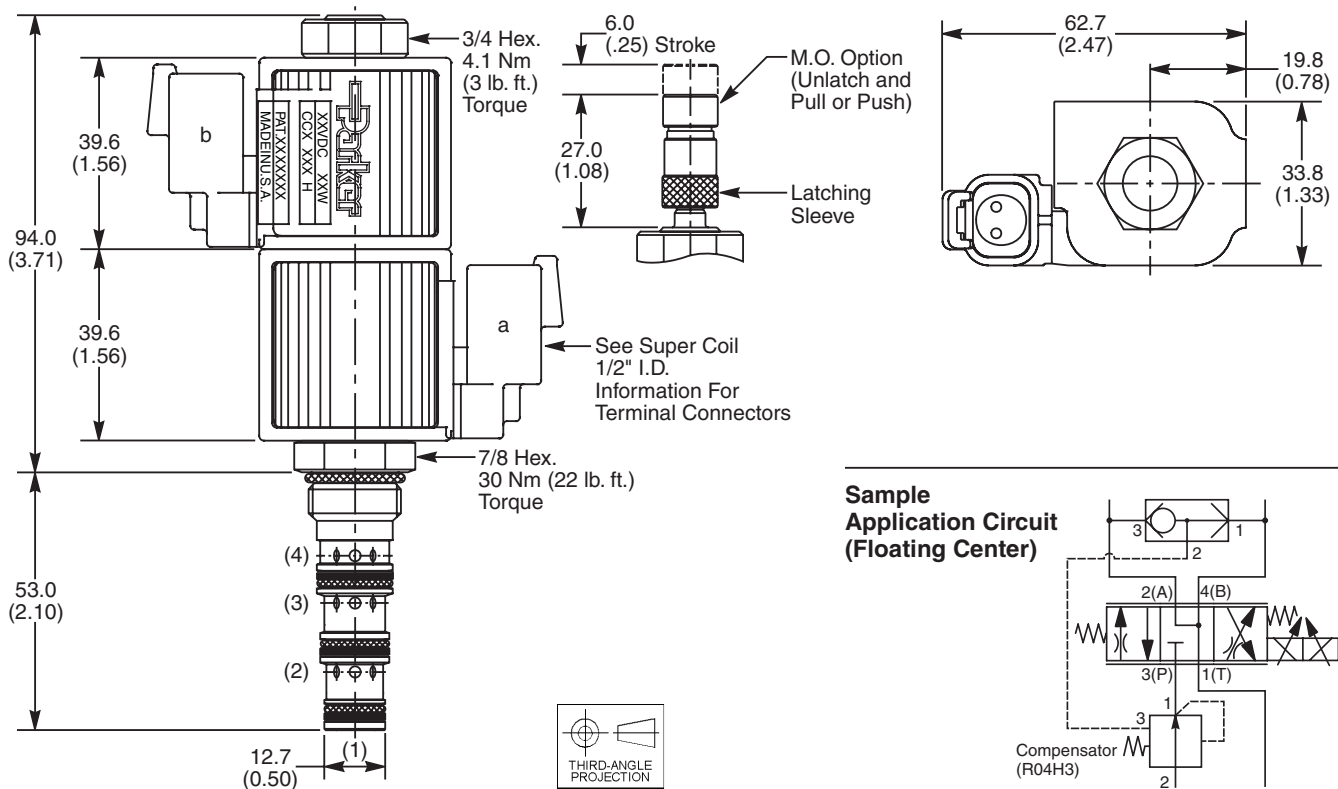


**Flow vs. Load**

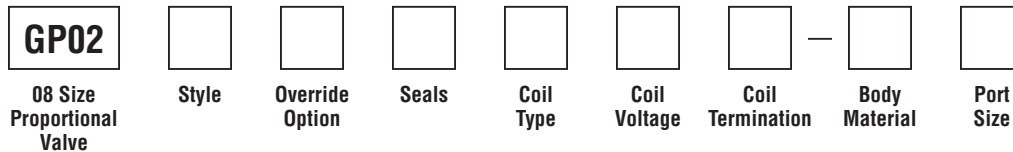




**Dimensions** Millimeters (Inches)



**Ordering Information**



Code	Style - Floating Center (Flow Pressure and Performance)
53	Standard
53L	Low Flow
54	High Flow

Code	Seals / Kit No.
N	Nitrile / Buna-N (Std.) (SK30078N-1)
V	Fluorocarbon / (SK30078V-1)

Code	Coil Voltage
Omit	Without Coil
D012	12 VDC
D024	24 VDC

Code	Body Material
Omit	Steel
A	Aluminum

Code	Override Option
Omit	Not Required
1	Manual Override
2	Detented M.O.

Code	Coil Type
Omit	Without Coil
SS	Super Coil - 14 Watts
SP	Super Coil - 19 Watts

Code	Coil Termination
Omit	Without Coil
A	Amp Jr. Timer*
C	Conduit With Leads
D	DIN Plug Face
H	Molded Deutsch*
L	Dual Lead Wire*
PF	Packard Female*
PM	Packard Male*
S	Dual Spade*

Code	Port Size	Body Part No.
Omit	Cartridge Only	
4T	SAE-4	(B08-4-*4T)
6T	SAE-6	(B08-4-*6T)

\* Add "A" for aluminum, omit for steel.

See Super Coil 1/2" I.D.  
 \*DC Only

- CV** Check Valves
- SH** Shuttle Valves
- LM** Load/Motor Controls
- FC** Flow Controls
- PC** Pressure Controls
- LE** Logic Elements
- DC** Directional Controls
- MV** Manual Valves
- SV** Solenoid Valves
- PV** Proportional Valves
- CE** Coils & Electronics
- BC** Bodies & Cavities
- TD** Technical Data

**Technical Information**

**CV**

Check Valves

**SH**

Shuttle Valves

**LM**

Load/Motor Controls

**FC**

Flow Controls

**PC**

Pressure Controls

**LE**

Logic Elements

**DC**

Directional Controls

**MV**

Manual Valves

**SV**

Solenoid Valves

**PV**

Proportional Valves

**CE**

Coils & Electronics

**BC**

Bodies & Cavities

**TD**

Technical Data

**General Description**

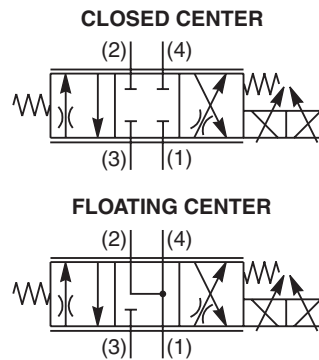
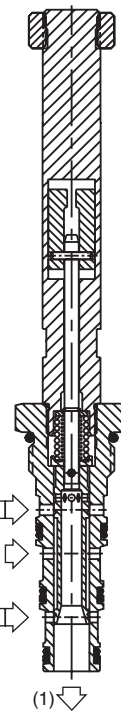
4 Way, 3 Position, Proportional Directional Control Valve. Closed Center or Floating Center Spool. For additional information see Technical Tips on pages PV1-PV6.

**Features**

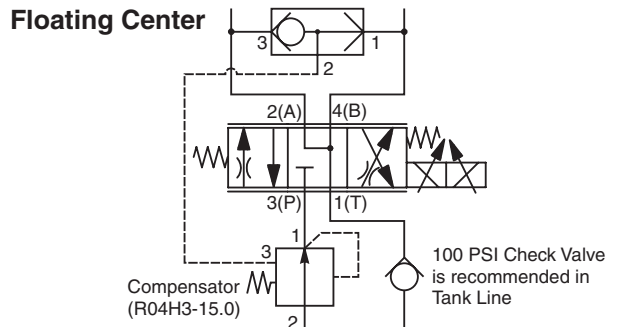
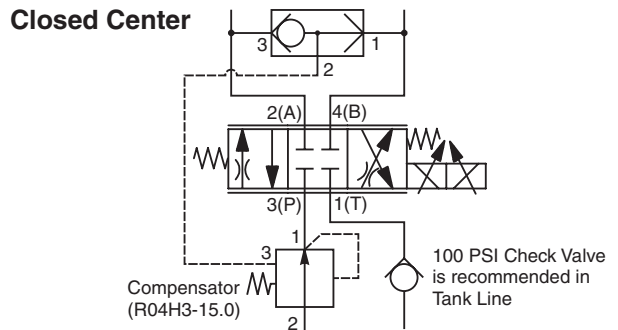
- One piece cartridge housing ensures internal concentricity
- Coil: Waterproof, hermetically sealed, requires no O’Rings; Symmetrical coil can be reversed without affecting performance.
- All external parts zinc plated

**Specifications**

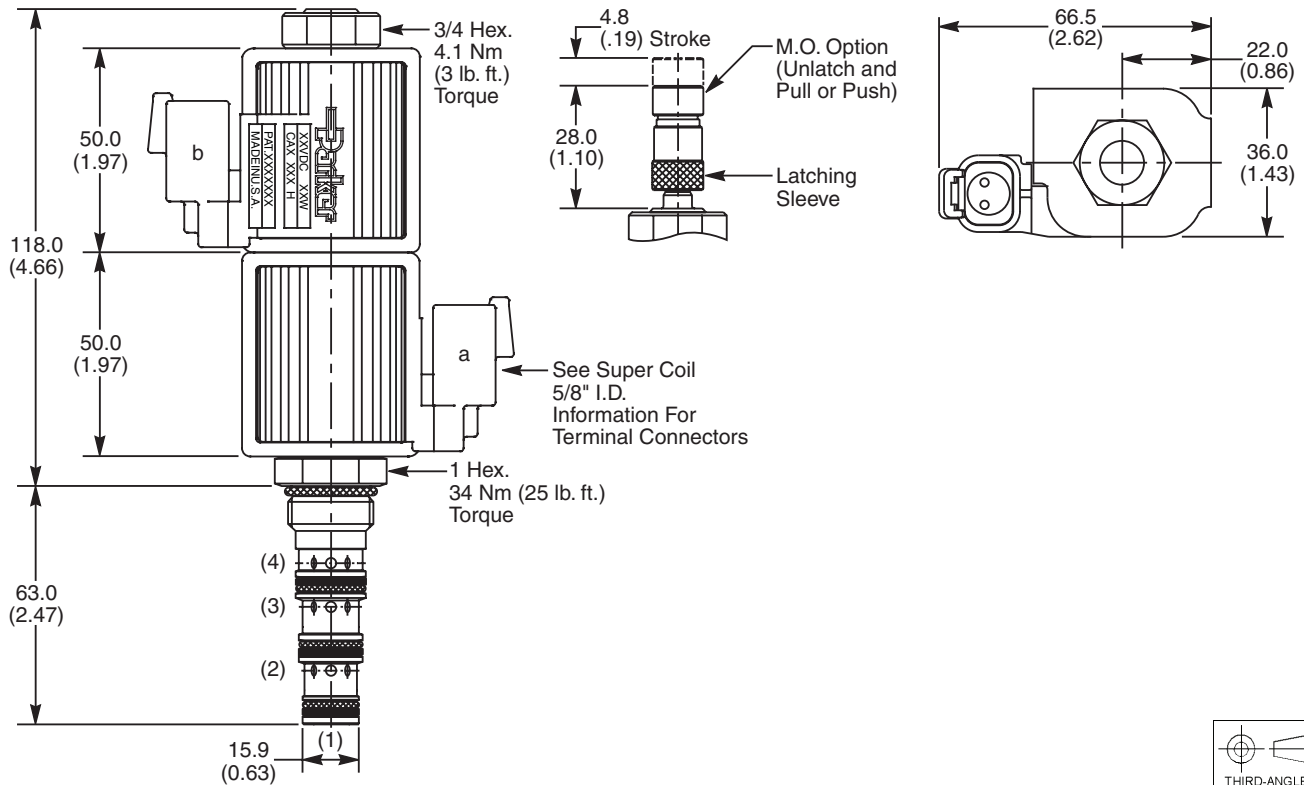
<b>Operating Pressure</b>	210 Bar (3000 PSI)
<b>Hysteresis @ 100 Hz PWM</b>	<6%
<b>Cracking Flow</b>	25% to 30% of Input Signal
<b>Variation of Flow</b>	±15% @ 75% of Nominal Current and Constant ΔP Maintained by Pressure Compensator
<b>Port to Port Leakage</b>	10 cu. in. @ 3000 PSI
<b>Step Response Time at 75% of Amps</b>	On 50 ms Off 40 ms
<b>Cartridge Material</b>	All parts steel. All operating parts hardened steel.
<b>Operating Temp. Range/Seals</b>	-45°C to +132°C (“D”-Ring) (-50°F to +270°F) -34°C to +121°C (Nitrile) (-30°F to +250°F) -26°C to +204°C (Fluorocarbon) (-15°F to +400°F)
<b>Fluid Compatibility/ Viscosity</b>	Mineral-based or synthetic with lubricating properties at viscosities of 45 to 2000 SSU (6 to 420 cSt)
<b>Filtration</b>	ISO-4406 18/16/13, SAE Class 4
<b>Approx. Weight</b>	.28 kg (.57 lbs.)
<b>Cavity</b>	C10-4



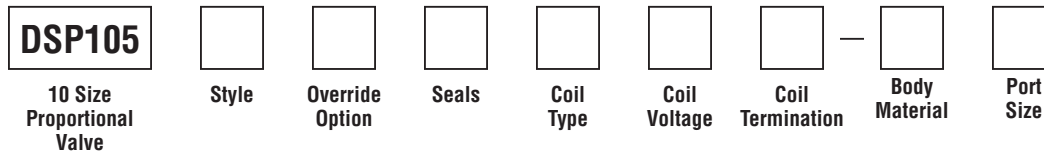
**Sample Application Circuit**



**Dimensions** Millimeters (Inches)



**Ordering Information**



Code	Style
C1	
C4	

Code	Seals / Kit No.
Omit	"D"-Ring / (SK10-4)
N	Nitrile / (SK10-4N)
V	Fluorocarbon / (SK10-4V)

Code	Coil Type
Omit	Without Coil
SP	Super Coil - 28 Watts

Code	Coil Voltage
Omit	Without Coil
D012	12 VDC
D024	24 VDC

Code	Coil Termination
Omit	Without Coil
A	Amp Jr. Timer*
C	Conduit With Leads
D	DIN Plug Face
H	Molded Deutsch*
L	Dual Lead Wire*
PF	Packard Female*
PM	Packard Male*
S	Dual Spade*

Code	Body Material
Omit	Steel
A	Aluminum

Code	Port Size	Body Part No.
Omit		Cartridge Only
6T	SAE-6	(B10-4-*6T)
8T	SAE-8	(B10-4-*8T)

\* Add "A" for aluminum, omit for steel.

Code	Override Option
Omit	None
M	Push/Pull

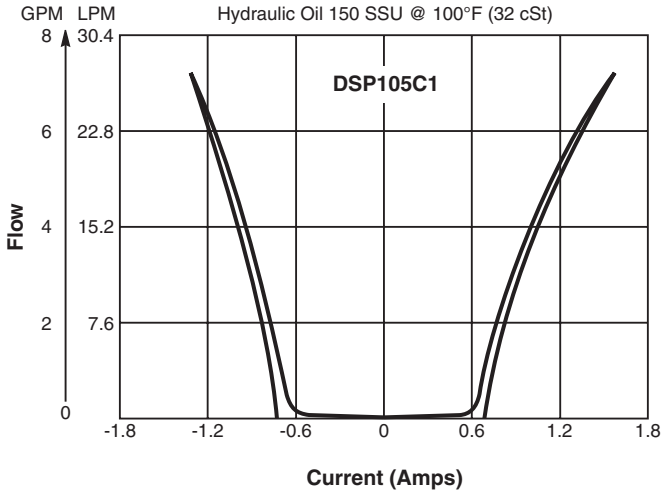
See Super Coil 5/8" I.D.  
 \*DC Only

- CV Check Valves
- SH Shuttle Valves
- LM Load/Motor Controls
- FC Flow Controls
- PC Pressure Controls
- LE Logic Elements
- DC Directional Controls
- MV Manual Valves
- SV Solenoid Valves
- PV Proportional Valves
- CE Coils & Electronics
- BC Bodies & Cavities
- TD Technical Data

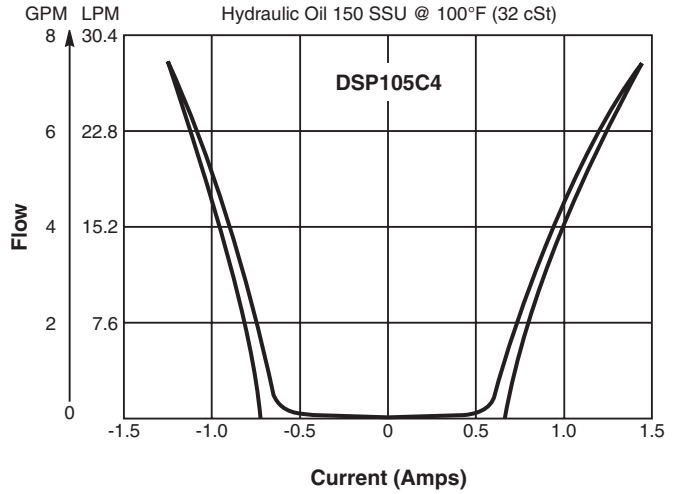
- CV** Check Valves
- SH** Shuttle Valves
- LM** Load/Motor Controls
- FC** Flow Controls
- PC** Pressure Controls
- LE** Logic Elements
- DC** Directional Controls
- MV** Manual Valves
- SV** Solenoid Valves
- PV** Proportional Valves
- CE** Coils & Electronics
- BC** Bodies & Cavities
- TD** Technical Data

**▲ PWM Current Regulator Recommended**

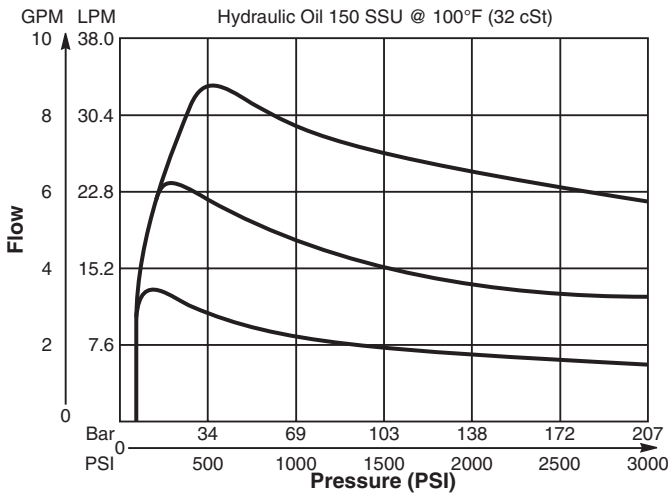
**C1 With 15 Bar, 220 PSI Compensator and SP Coil**



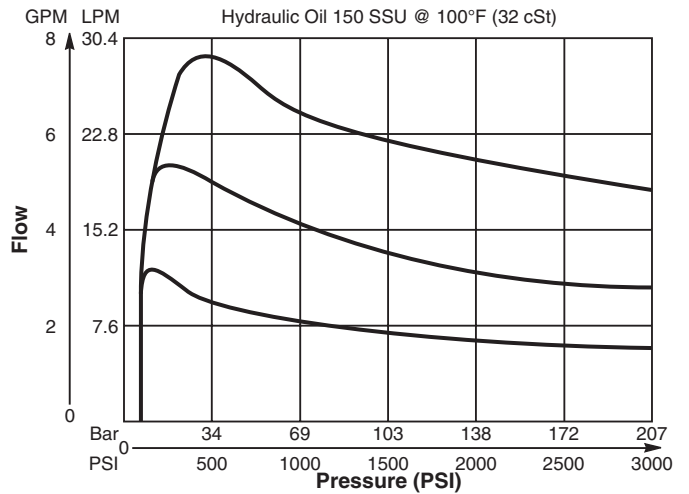
**C4 With 15 Bar, 220 PSI Compensator and SP Coil**



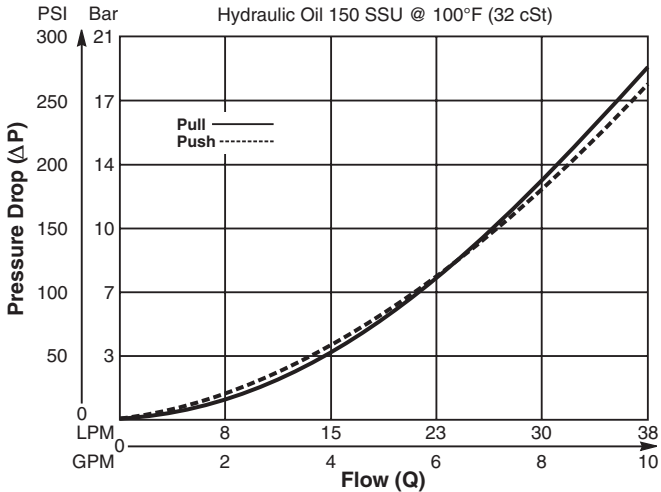
**Pressure Compensation Pull Coil  
 Inlet to Work Port**

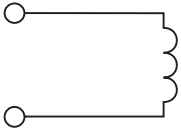
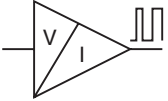
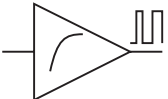



**Pressure Compensation Push Coil  
 Inlet to Work Port**



**C1 Spool Port 3 to 4**



	SERIES	DESCRIPTION	PAGE NO.
	<b>SUPER COILS</b>		
	CC	1/2" Solenoid Tubes	CE3-CE4
	CA	5/8" Solenoid Tubes	CE5-CE6
	HLC	5/8" Hazardous Location	CE7-CE8
<b>STANDARD COILS</b>			
	DS	1" Solenoid Tubes	CE9
	<b>ELECTRONICS</b>		
	XPR0902	12 VDC PWM Controller, 110Hz, 19W	CE11-CE12
	XPR0932	12 VDC PWM Controller, 110Hz, 30W	CE11-CE12
	XPR0904	24 VDC PWM Controller, 110Hz, 19W	CE11-CE12
	XPR0934	24 VDC PWM Controller, 110Hz, 30W	CE11-CE12
	XPR0902d	12 VDC PWM Controller, 95-230Hz, 19W	CE13-CE14
	XPR0932d	12 VDC PWM Controller, 95-230Hz, 30W	CE13-CE14
	XPR0904d	24 VDC PWM Controller, 95-230Hz, 19W	CE13-CE14
	XPR0934d	24 VDC PWM Controller, 95-230Hz, 30W	CE13-CE14
	XPR0902rid	12 VDC PWM Controller, 95-230Hz, 19W, Multi-adj.	CE15-CE16
	XPR0932rid	12 VDC PWM Controller, 95-230Hz, 30W, Multi-adj.	CE15-CE16
	XPR0904rid	24 VDC PWM Controller, 95-230Hz, 19W, Multi-adj.	CE15-CE16
XPR0934rid	24 VDC PWM Controller, 95-230Hz, 30W, Multi-adj.	CE15-CE16	
	XPR0704	Soft Start Valve Controller, 12/24 VDC	CE17
	XPR0704b	Soft Start and Stop Valve Controller, 12/24 VDC	CE18
	XPR0804	Power Saver Controller, 12/24 VDC PWM	CE19

**CV**

Check Valves

**SH**

Shuttle Valves

**LM**

Load/Motor Controls

**FC**

Flow Controls

**PC**

Pressure Controls

**LE**

Logic Elements

**DC**

Directional Controls

**MV**

Manual Valves

**SV**

Solenoid Valves

**PV**

Proportional Valves

**CE**

Coils & Electronics

**BC**

Bodies & Cavities

**TD**

Technical Data

**CV**

Check Valves

**SH**

Shuttle Valves

**LM**

Load/Motor Controls

**FC**

Flow Controls

**PC**

Pressure Controls

**LE**

Logic Elements

**DC**

Directional Controls

**MV**

Manual Valves

**SV**

Solenoid Valves

**PV**

Proportional Valves

**CE**

Coils & Electronics

**BC**

Bodies & Cavities

**TD**

Technical Data

**INTRODUCTION**

This technical tips section is designed to help familiarize you with the Parker line of Coils. In this section we highlight the features and discuss some of the available options. We also use this section to present some common terminology related to coil and coil technology.

**New Parker SUPER COIL Now Available!**

**Class N Magnetic Wire**  
Internal wires have a class N rating, providing longer life at typical temperatures.

**DC Windings**  
All coils are DC wound. An internal full wave rectifier is added for AC current, eliminating inrush current, and allowing for voltage interchangeability.

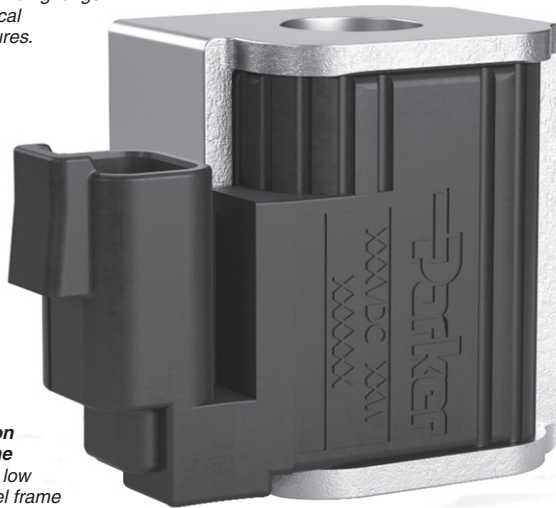
**Variety of Terminations**  
Coils are offered in a wide variety of terminations, including integrally molded connectors and voltages to meet your system requirements.

**Rugged Thermoplastic Encapsulation**  
Coil is encased in a thermoplastic polyester resin. This allows for higher temperature exposure and less flexural creep. Also, this resin is resistant to moisture, caustic solutions, and fungus providing protection for coil windings.

**Low Carbon Steel Frame**  
Zinc plated low carbon steel frame surrounds coil, increasing flux density. Low carbon steel provides better magnetic properties and greater permeability.

**Diodes**  
Internally molded diodes are available. Polarity is molded into coil for ease of installation.

**Ribbed Surface**  
External ridges provide a larger coil surface area, which allows for better heat dissipation.



**\*Exceeds IP69k Specifications**

After exhaustive testing, the new Super Coil has clearly distanced itself from the competition. This coil was subjected to the rigors of this environmental standard and the results were excellent. This coil stands up to most rugged of environmental conditions including weather, dust, and extreme temperature variations.

**\*Water Dunk Test Qualified**

The Super Coil was taken to task in a repeated water dunk thermal cycle test program with alternate exposure to high and low temperature, only to perform with outstanding results.

**\*Endurance Tested**

The goal of this test was to cycle the coil to high temperature extremes in order to validate the coils ability to perform in extreme temperature environments.

**\*Water Spray and Chemical Solvent Compatibility**

The Super Coil was subjected to numerous chemical solvents in a rigorous test which established the fact that these coils can withstand harsh and unusual environments. Also, the coils were subjected to a high pressure water spray test. Once again, the Super Coil passed this test.

*\*Deutsch molded connector is highly recommended.*



**COMMON OPTIONS**

Below are some of the common options to the Super Coil product offering.

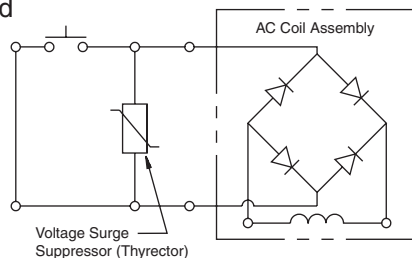
**Continuous Duty:** Parker's standard line of coils are rated for continuous duty operation. This means the coil can be left on continuously without fear of the magnet wire insulation breakdown, when used in standard climate conditions. The Super Coils are made of a high quality Class N magnet wire. This Class N rating signifies the internal wires are rated to 200°C (392°F).

Continuous duty does not mean the coil will have the same amount of power after hours of operation as it had at initial actuation. Coils do heat up during use. This internal heat rise increases the resistance of the coil and thus, decreases the current ( $V = IR$ ). The performance curves presented on the solenoid valve pages are based on a coil at room temperature and 85% of voltage. Thus, when using a valve in continuous duty applications, you may need to derate the performance. In short, the continuous duty rating signifies that while the coil will get hot during use and resistance will increase, it will not generate enough heat to damage the coil.

**Terminations:** Parker offers a wide variety of coil terminations for all coils to meet the demands of your application. Over the years, the dual lead wire and dual spade offerings have been popular due to their ease of installation and availability. In the past few years, the demand for more secure termination connections has increased. In addition, the integral connectors reduce cost and improve integrity by reducing the number of connections. As such, the Amp Junior, Weatherpack, Metri-Pack, and Deutsch have increased in popularity. We offer these connectors on a lead wire coil, as well as an internally molded version of the DIN, Amp Junior, and Metri-Pack coils. If you do not find your desired coil termination in our catalog, contact your factory sales representative.

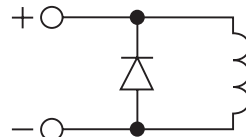
**Current Types:** Both direct current (DC) and alternating current (AC) versions are available for the Parker line of coils. The AC versions are essentially DC coils with a full wave rectifier integrally molded into the coil. The rectifiers are rated for voltage peaks up to 1000 volts maximum. For voltage transients greater than 1000 volts, a Harris Thyrector is recommended. The AC coils operate at 50/60 cycles (Hz). Since the AC versions are rectified

DC coils, there is no inrush current like with "true" AC coils. It also means DC coils and AC coils are interchangeable.



**Voltages:** Parker has a wide selection of coils available to meet your needs. Most coil terminations are available with our standard voltages of 12V and 24V in DC, and 120V and 240V in AC. Voltages 6V, 10V, 18V, 36V, 48V DC and 440V AC are also available for many termination types at a slight premium. Contact your Parker representative should your application call for voltages other than our standard offering.

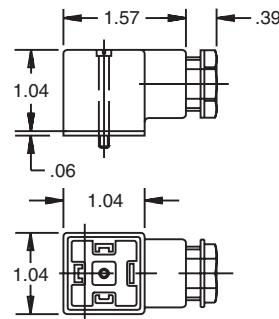
**Diodes:** The Parker Coils can be ordered with a diode molded internally. Parker Unicoids use a IN5062 diode. The Super Coils use a IN5627 diode. Diodes are sometimes used to protect sensitive, downstream electrical components from potential surges from the coil. By internally molding the diode into the coil, you can reduce the assembly time and cost associated with externally wiring a diode. One should be careful not to switch the polarity ("+" and "-" terminals), when wiring a coil with an internal diode. If these terminals are switched, the first time voltage is applied to the coil; the short circuit will destroy the diode and render the coil use-less. Parker coils with diodes have "+" and "-" molded near the termination outlet to help identify polarity.



**DIN Connectors:** Parker does offer connectors for use with the DIN style coils. As shown below, the DIN connectors are available in both rectified and non-rectified forms. The cable gland versions can be ordered for type PG9 or PG11.

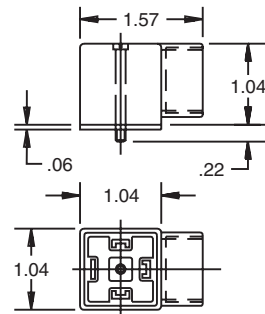
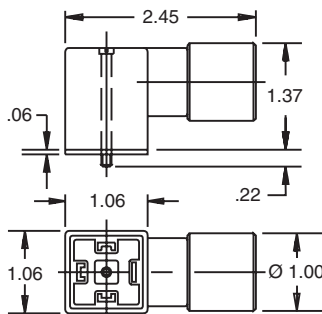
**Cable Gland**

Type	Non-Rectified	Rectified
PG9	710549-00	712126-01
PG11	710549-01	712126-00



Conduit	Rectified
	712704-00

Conduit	Non-Rectified
	710549-02



**CV**  
Check Valves

**SH**  
Shuttle Valves

**LM**  
Load/Motor Controls

**FC**  
Flow Controls

**PC**  
Pressure Controls

**LE**  
Logic Elements

**DC**  
Directional Controls

**MV**  
Manual Valves

**SV**  
Solenoid Valves

**PV**  
Proportional Valves

**CE**  
Coils & Electronics

**BC**  
Bodies & Cavities

**TD**  
Technical Data



**CV** Check Valves  
**SH** Shuttle Valves  
**LM** Load/Motor Controls  
**FC** Flow Controls  
**PC** Pressure Controls  
**LE** Logic Elements  
**DC** Directional Controls  
**MV** Manual Valves  
**SV** Solenoid Valves  
**PV** Proportional Valves  
**CE** Coils & Electronics  
**BC** Bodies & Cavities  
**TD** Technical Data

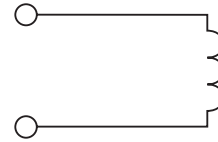
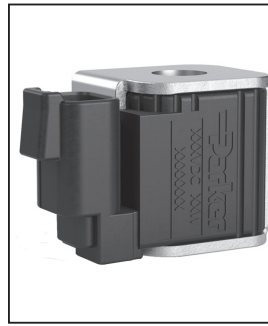
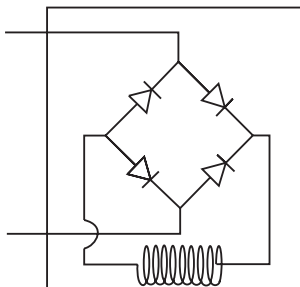
**Features**

- Integral Deutsch connector coil exceeds IP69K standards
- Integral Deutsch connector coil thermal shock dunk test rated
- Integral Amp Jr. coil exceeds IP67 standards for thermal shock, water resistance and “dunk capability”
- Universal 50/60 Hz operation
- Waterproof coil hermetically sealed, requires no O-rings or waterproofing kits
- External plated steel flux-carrying band (unlike encapsulated band) enables coil to withstand severe thermal shocks without cracking
- Symmetrical coil can be reversed without affecting performance

**Specifications**

<b>Coil Type</b>	<b>S</b> Standard	<b>P</b> Puissant
<b>Nominal Wattage (See Ordering Information For Exact Wattage)</b>	<b>S</b> 14 Watts	<b>P</b> 19 Watts
<b>Duty Cycle</b>	Continuous @ 100% voltage	
<b>Magnetic Wire Insulation Class</b>	'N' Rated at 200°C (392°F)	
<b>Temperature Range</b>	-40°C to +200°C (-40°F to +392°F)	
<b>Temperature Rise At Nominal Voltage And Natural Ventilation</b>	<b>S</b> 75°C (135°F)	<b>P</b> 95°C (172°F)
<b>Dielectric Strength Maximum Current Leakage (Amps)</b>	.0005 In dry lab condition at 1000V AC for 30 seconds	
	.001 After being immersed in 23°C (77°F) water with waterproof connector for 24 hours at 500V AC	
<b>Encapsulating Material</b>	Glass filled rynite	
<b>Color Identification On The Terminal Boss</b>	<b>S</b> Black Ring	<b>P</b> Red Ring
<b>Weight</b>	0.20 kg (0.44 lbs.)	

**AC Coil Assembly**



**Ordering Information**

**CC**                 

Super Coil      Wattage      Voltage      Termination  
1/2" I.D.

Code	Wattage
<b>S</b>	Standard
<b>P</b>	Puissant

Code	Voltage	Watts		Amps		Ohms**	
		S	P	S	P	S	P
<b>010</b>	10 VDC	14	19	1.38	1.90	7.25	5.26
<b>012*</b>	12 VDC	14	19	1.15	1.58	10.43	7.58
<b>018</b>	18 VDC	14	19	0.77	1.06	23.48	17.05
<b>024*</b>	24 VDC	14	19	0.58	0.79	41.74	30.30
<b>048</b>	48 VDC	14	19	0.29	0.40	167.0	121.3
<b>115*</b>	115 VAC	16	19	0.17	0.20	680	576
<b>230</b>	230 VAC	17	22	0.09	0.12	2596	1919

\*Standard Voltages      \*\*Resistance ±10% at 68°F

Code	Termination
<b>A</b>	Amp Jr. (DC Only)
<b>AD</b>	Amp Jr. with 3 Amp Diode (DC Only)
<b>C</b>	Double Lead Wire with Conduit Connector (AC Only)
<b>*D</b>	DIN 43650 (AC or DC, Supplied without DIN Connector)
<b>H</b>	Integral Deutsch
<b>HE</b>	Integral Deutsch with 3 Amp Diode
<b>*L</b>	Double Lead (DC Only)
<b>LD</b>	Double Lead with Deutsch Connector DT04-2P-EP04 (DC Only) (Use 'H' series if possible)
<b>LE</b>	Double Lead with 3 Amp Diode (DC Only)
<b>PF</b>	Double Lead Wire with Packard Female Weather Pack Connector 1201 5792 (DC Only)
<b>PM</b>	Double Lead Wire with Packard Male Weather Pack Connector 1201 0973 (DC Only)
<b>*S</b>	Double Spade (DC Only)
<b>*W</b>	Double Screw (DC only)
<b>WE</b>	Double Screw with 3 Amp Diode (DC Only)
<b>*Y</b>	Single Screw (Internally Grounded, DC Only)

\*UL listed 12/24/48 VDC only.

**Note:** Additional voltages and other terminals are available. Some coils are UL approved. For details please consult factory.

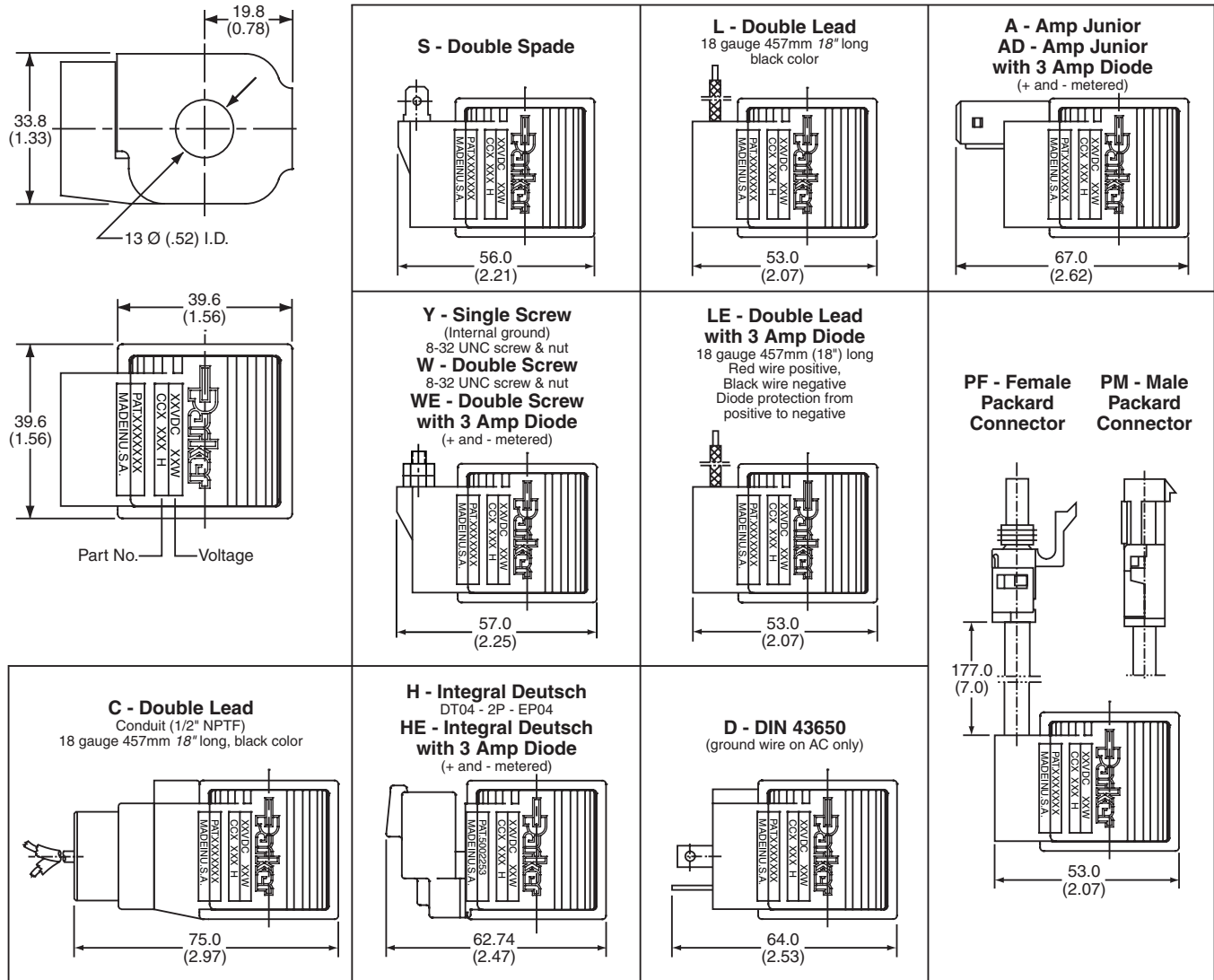
DIN Female Mating Connector: See page CE2

Deutsch Mating Connector: # DT06-2S

Packard Male Weather Pack Connector: 12010973

Packard Female Weather Pack Connector: 12015792

**Terminal Styles and Dimensions**



**NOTES:**

1. The standard A.C. coil includes a molded-in full wave rectifier rated for 800 peak reverse voltage.
2. All P Puissant (high wattage) coils use a red ring as an indication marker on the terminal boss.



- CV** Check Valves
- SH** Shuttle Valves
- LM** Load/Motor Controls
- FC** Flow Controls
- PC** Pressure Controls
- LE** Logic Elements
- DC** Directional Controls
- MV** Manual Valves
- SV** Solenoid Valves
- PV** Proportional Valves
- CE** Coils & Electronics
- BC** Bodies & Cavities
- TD** Technical Data

Technical Information

- CV** Check Valves
- SH** Shuttle Valves
- LM** Load/Motor Controls
- FC** Flow Controls
- PC** Pressure Controls
- LE** Logic Elements
- DC** Directional Controls
- MV** Manual Valves
- SV** Solenoid Valves
- PV** Proportional Valves
- CE** Coils & Electronics
- BC** Bodies & Cavities
- TD** Technical Data

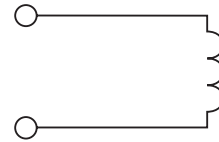
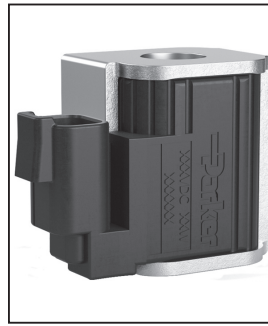
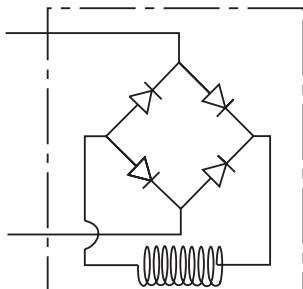
Features

- Integral Deutsch connector coil exceeds IP69K standards
- Integral Deutsch connector coil thermal shock dunk test rated
- Integral Amp Jr. coil exceeds IP67 standards for thermal shock, water resistance and “dunk capability”
- Universal 50/60 Hz operation
- Coil hermetically sealed, requires no O-rings or waterproofing kits
- External plated steel flux-carrying band (unlike encapsulated band) enables coil to withstand severe thermal shocks without cracking
- Symmetrical coil can be reversed without affecting performance

Specifications

<b>Coil Type</b>	<b>S</b> Standard	<b>P</b> Puissant
<b>Nominal Wattage (See Ordering Information For Exact Wattage)</b>	<b>S</b> 18 Watts	<b>P</b> 28 Watts
<b>Duty Cycle</b>	Continuous @ 100% voltage	
<b>Magnetic Wire Insulation Class</b>	'N' Rated at 200°C (392°F)	
<b>Temperature Range</b>	-40°C to +200°C (-40°F to +392°F)	
<b>Temperature Rise At Nominal Voltage And Natural Ventilation</b>	<b>S</b> 75°C (135°F)	<b>P</b> 95°C (172°F)
<b>Dielectric Strength Maximum Current Leakage (Amps)</b>	.0005 In dry lab condition at 1000V AC for 30 seconds .001 After being immersed in 23°C (77°F) water with waterproof connector for 24 hours at 500V AC	
<b>Encapsulating Material</b>	Glass filled rynite	
<b>Color Identification On The Terminal Boss</b>	<b>S</b> Black Ring	<b>P</b> Red Ring
<b>Weight</b>	0.29 kg (0.64 lbs.)	

AC Coil Assembly



Ordering Information

<b>CA</b>			
Super Coil 5/8" I.D.	Wattage	Voltage	Termination

<b>Code</b>	<b>Wattage</b>
<b>S</b>	Standard
<b>P</b>	Puissant

Code	Voltage	Watts		Amps		Ohms**	
		S	P	S	P	S	P
<b>010</b>	10 VDC	18	28	1.80	2.80	5.56	3.57
<b>012*</b>	12 VDC	18	28	1.50	2.33	8.00	5.14
<b>018</b>	18 VDC	18	28	1.00	1.56	18.0	11.6
<b>024*</b>	24 VDC	18	28	0.75	1.17	32.0	20.6
<b>048</b>	48 VDC	18	28	0.38	0.58	128.0	82.3
<b>115*</b>	115 VAC	18	28	0.20	0.26	554	417
<b>230</b>	230 VAC	18	28	0.10	0.15	2100	1430

\*Standard Voltages      \*\*Resistance ±10% at 68°F

Code	Termination
<b>A</b>	Amp Jr. (DC Only)
<b>AD</b>	Amp Jr. with 3 Amp Diode (DC Only)
<b>C</b>	Double Lead Wire with Conduit Connector (AC Only)
<b>*D</b>	DIN 43650 (AC or DC, Supplied without DIN Connector)
<b>H</b>	Integral Deutsch
<b>HE</b>	Integral Deutsch with 3 Amp Diode
<b>HS</b>	Integral Deutsch with Internal Seal
<b>*L</b>	Double Lead (DC Only)
<b>LD</b>	Double Lead with Deutsch Connector DT04-2P-EP04 (DC Only) (Use 'H' series if possible)
<b>LE</b>	Double Lead with 3 Amp Diode (DC Only)
<b>PF</b>	Double Lead Wire with Packard Female Weather Pack Connector 1201 5792 (DC Only)
<b>PM</b>	Double Lead Wire with Packard Male Weather Pack Connector 1201 0973 (DC Only)
<b>*S</b>	Double Spade (DC Only)
<b>*W</b>	Double Screw (DC only)
<b>WE</b>	Double Screw with 3 Amp Diode (DC Only)
<b>*Y</b>	Single Screw (Internally Grounded, DC Only)

\*UL listed 12/24/48 VDC only.

Note: Additional voltages and other terminals are available. Some coils are UL approved. For details please consult factory.

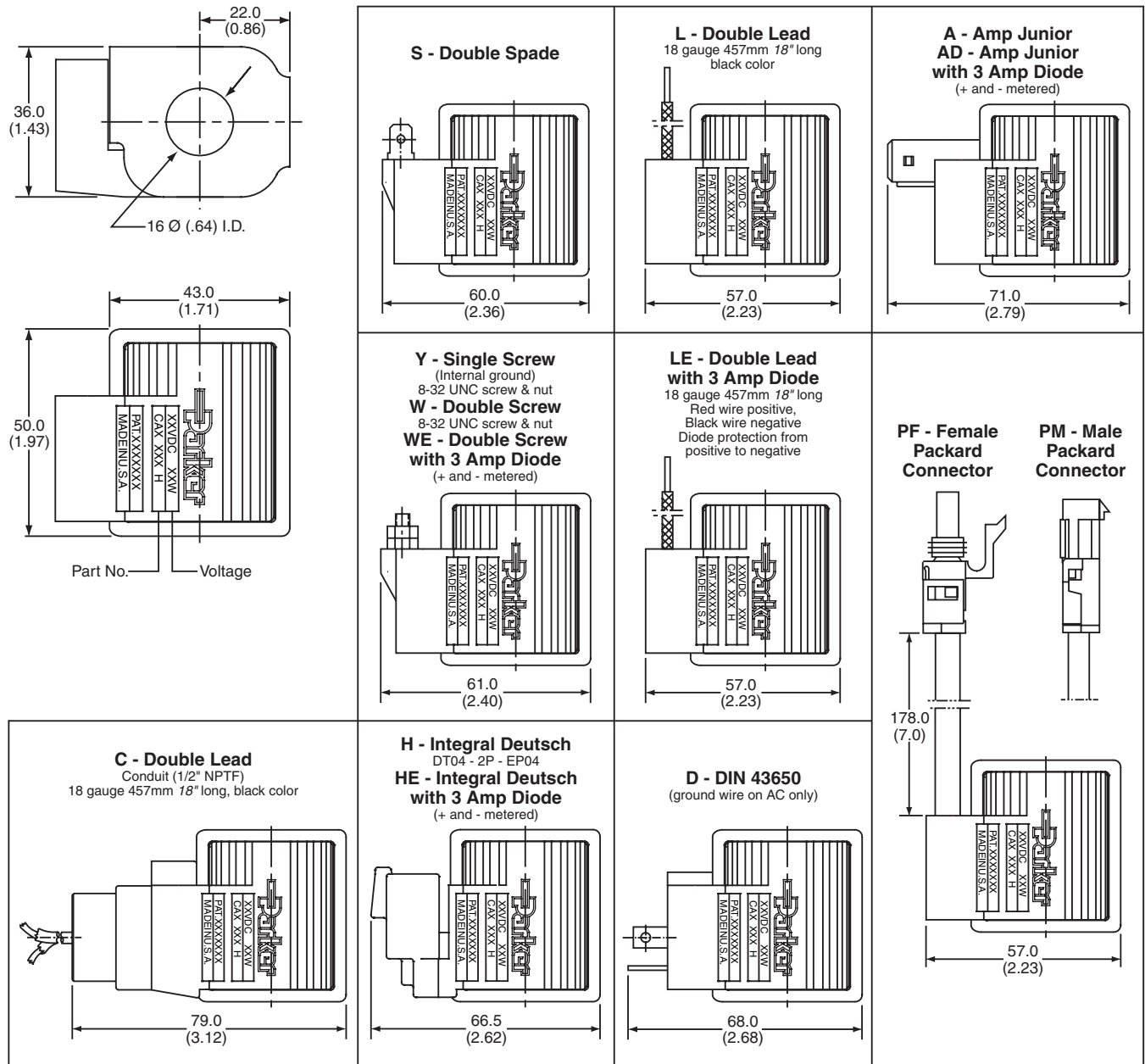
DIN Female Mating Connector: See page CE2

Deutsch Mating Connector: # DT06-2S

Packard Male Weather Pack Connector: 12010973

Packard Female Weather Pack Connector: 12015792

**Terminal Styles and Dimensions**



**NOTES:**

1. The standard A.C. coil includes a molded-in full wave rectifier rated for 800 peak reverse voltage.
2. All P Puissant (high wattage) coils use a red ring as an indication marker on the terminal boss. (No ring on Integral Deutsch connector.)



**CV**  
Check Valves

**SH**  
Shuttle Valves

**LM**  
Load/Motor Controls

**FC**  
Flow Controls

**PC**  
Pressure Controls

**LE**  
Logic Elements

**DC**  
Directional Controls

**MV**  
Manual Valves

**SV**  
Solenoid Valves

**PV**  
Proportional Valves

**CE**  
Coils & Electronics

**BC**  
Bodies & Cavities

**TD**  
Technical Data

**Technical Information**

**CV**

Check Valves

**SH**

Shuttle Valves

**LM**

Load/Motor Controls

**FC**

Flow Controls

**PC**

Pressure Controls

**LE**

Logic Elements

**DC**

Directional Controls

**MV**

Manual Valves

**SV**

Solenoid Valves

**PV**

Proportional Valves

**CE**

Coils & Electronics

**BC**

Bodies & Cavities

**TD**

Technical Data

**General Description**

The HLC is a solenoid coil designed for use with cartridge valves for applications in potentially hazardous or explosive environments.

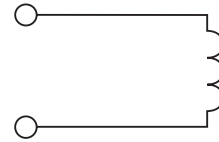
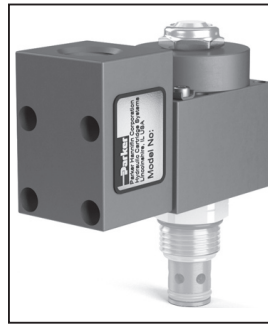
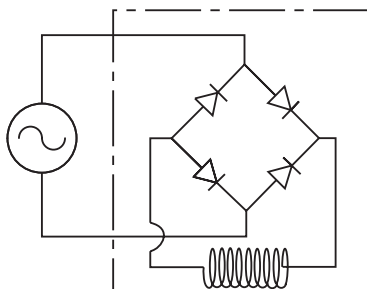
**Features**

- Fits standard 2 position on/off solenoid products
- Includes terminal block for 1/2" NPT or M20 x 1.5 conduit connections
- Modular design for multiple valve options
- Meets multiple global certifications for regional flexibility
- Corrosion resistant up to 1,000 hour salt spray per ISO9227 and/or ASTM B 117.
- Conduit cover may be rotated to four directions and is removable for ease of installation and service

**Specifications**

<b>Core Tube</b>	0.630" (16.1mm)
<b>Voltage</b>	12 and 24 VDC and Onboard Rectifier for 120 VAC Circuits
<b>Wattage Range</b>	19 - 30 Watts
<b>Duty Cycle</b>	100% Continuous Duty
<b>Corrosion Resistance</b>	Up to 1,000 Hours Salt Spray
<b>Ambient Temperature</b>	-40°C to +80°C (T4) -40°F to +176°F
<b>Ingress Protection Rating</b>	IP66
<b>Dust Temperature Class</b>	T135
<b>Gas Temperature Class</b>	T4
<b>Weight</b>	0.88 kg (1.95 lbs.)

**AC Coil Assembly**



**Ordering Information**

**HLC10**

Hazardous Location Coil  
5/8" I.D.



Wattage



Voltage



Termination

Code	Wattage
L	Low Watt
H	High Watt

Code	Voltage				
	Volts	Wattage	Voltage (Volts Max.)	Ohms*	Ambient Temp.
D012	12 VDC	Low 21.2	14.3	6.8	-40°C to 70°C -40°F to 158°F
		High 29.6	13.5	4.9	-40°C to 50°C -40°F to 122°F
D024	24 VDC	Low 21.4	28.6	26.9	-40°C to 70°C -40°F to 158°F
		High 29.9	27	19.3	-40°C to 50°C -40°F to 122°F
A120	120 VAC	Low 19.3	140	602	-40°C to 80°C -40°F to 176°F
		High NA	NA	NA	NA

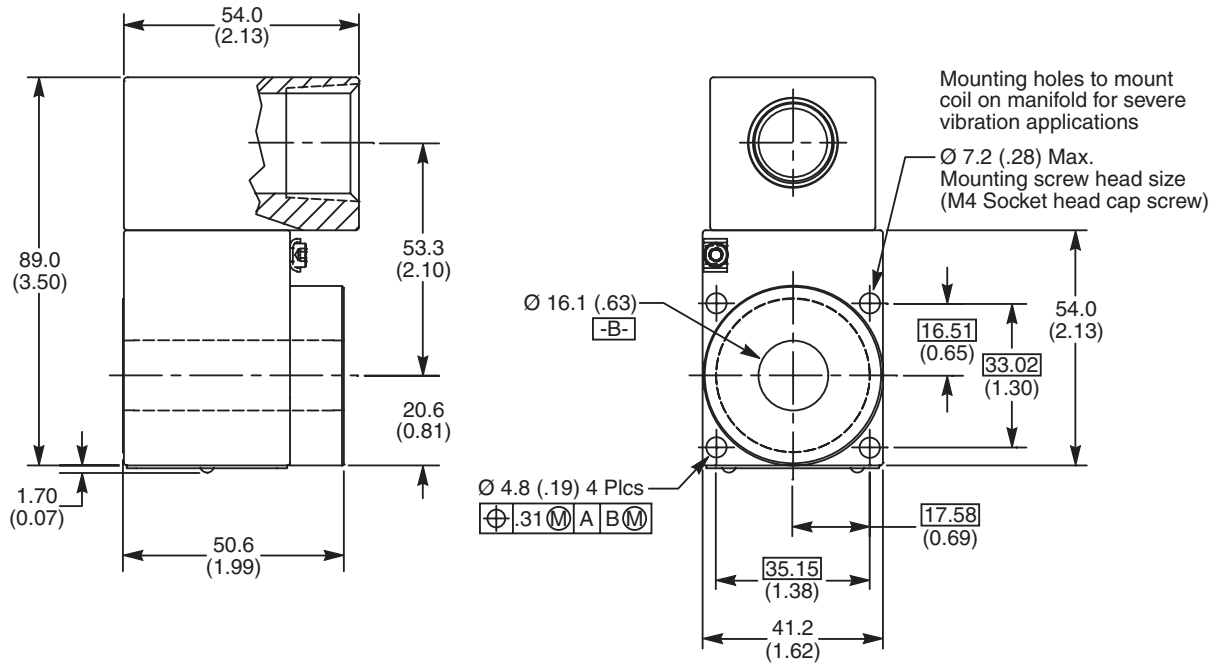
\*±5% at 20°F

Code	Thread
JN	1/2 NPT
JA	M20 x 1.5 Metric

**Notes:**

- HLC Series performance varies from the standard Super Coil. Consult factory for valve performance in applying the HLC series coil.
- HLC Series is designed for two position, on-off solenoid products in the standard catalog. Consult factory for applications utilizing other products.

**Dimensions** Millimeters (Inches)



**Hazardous Certifications Table**

Protection Method	Hazardous Code	Hazardous Detail	Certification Agency	Location
Explosion Proof	XP	Class I, Div 1 GRP B,C,D	CSA (C & US)	North America
Flame Proof	Ex db	Zone 1, 2G IIC	ATEX IECEx	Europe International
Dust Ignition	DIP	Class II, Div 1, GRP E,F,G	CSA (C & US)	North America
Dust-tight Enclosure	Ex tb	Zone 21, 2D, IIIC	ATEX IECEx	Europe International

**Hazardous Certifications**

Complies with IEC 60079-0:2011, IEC 60079-1:2007, IEC 60079-31:2013

Ex db IIC Gb  
 Ex tb IIIC Db IP66  
 IECEx CSA 16.0013X

ATEX: EN60079-0, EN60079-1, EN60079-31

**CE** 1180 **Ex** II 2G SIRA16ATEX1091X

CSA 22.2 No. 60079-0:07, E60079-1:07 and UL60079-0:05, UL60079-1:05

**CSA** LISTED TO U.S. and CANADA SAFETY STANDARDS.  
 REPORT: 70039028

Ex d IIC, AEx d IIC for CLASS I ZONE 1  
 CLASS I DIV 1 GRP. B, C & D  
 CLASS II DIV 1 GRP. E, F & G

- CV**  
Check Valves
- SH**  
Shuttle Valves
- LM**  
Load/Motor Controls
- FC**  
Flow Controls
- PC**  
Pressure Controls
- LE**  
Logic Elements
- DC**  
Directional Controls
- MV**  
Manual Valves
- SV**  
Solenoid Valves
- PV**  
Proportional Valves
- CE**  
Coils & Electronics
- BC**  
Bodies & Cavities
- TD**  
Technical Data



**CV**

Check Valves

**SH**

Shuttle Valves

**LM**

Load/Motor Controls

**FC**

Flow Controls

**PC**

Pressure Controls

**LE**

Logic Elements

**DC**

Directional Controls

**MV**

Manual Valves

**SV**

Solenoid Valves

**PV**

Proportional Valves

**CE**

Coils & Electronics

**BC**

Bodies & Cavities

**TD**

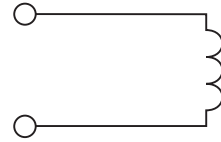
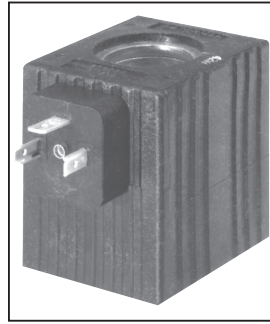
Technical Data

**Features**

- Compact one piece encapsulated design
- Numerous terminals and voltages
- Heavy gauge color coded lead wire with built-in strain relief
- 200°C Class N wire standard
- U.L. recognized on most DC coils (consult factory)

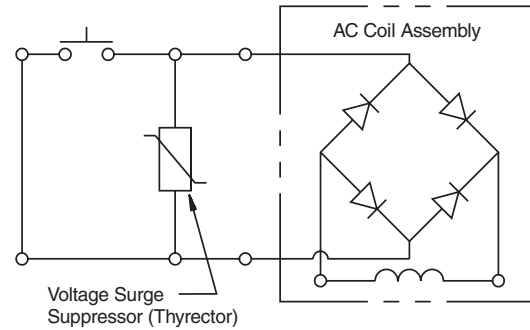
**Specifications**

<b>Wattage</b>	42 Watts — Standard 30 Watts — Low Watt
<b>Duty Rating</b>	Continuous @ 100% voltage
<b>Wire Class</b>	Class N for all voltages
<b>Lead Wire</b>	18 gauge 24" long, 600 volt rating
<b>Lead Wire Strain Relief</b>	34 kg (75 lbs.) @ 21°C (70°F) & 18 kg (40 lbs.) @ 93°C (200°F)
<b>Encapsulating Material</b>	Glass filled nylon, resistant to moisture, caustic solutions, fungus, and temperatures from -40°C (-40°F) to 200°C (392°F)
<b>Color</b>	Black

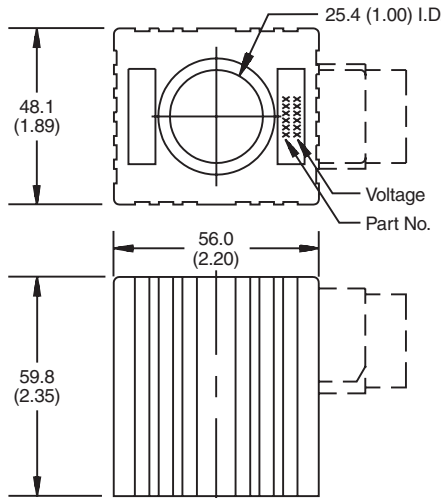


**AC Coil Assembly**

No inductive or capacitive loads can be installed between surge suppressor and rectified valves.



**Terminal Styles and Dimensions**



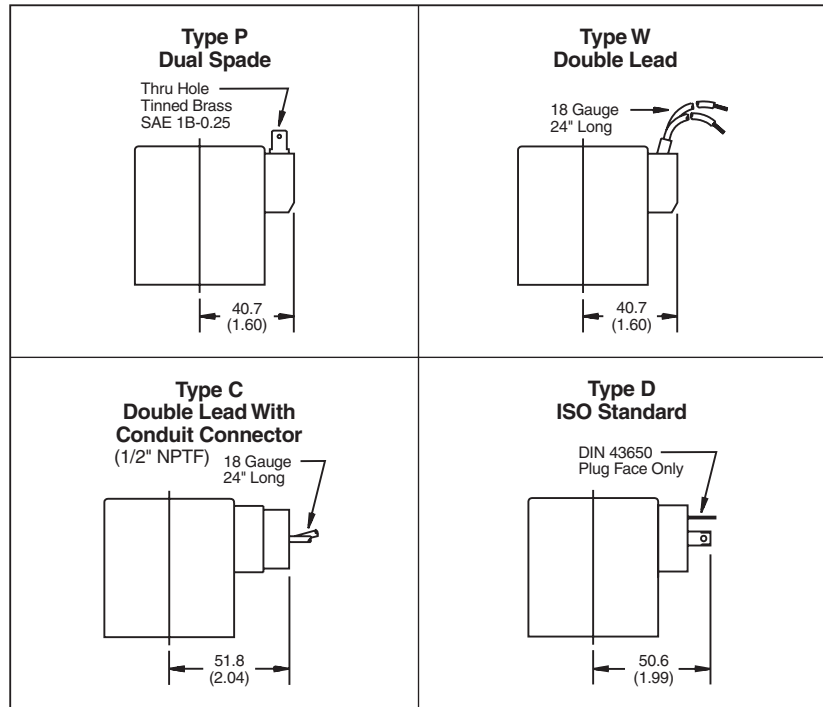
**NOTES:**

1. Coil to be installed with part number on nut side.
2. For additional terminals, voltages and wattages, consult factory for details.
3. Consult factory for availability. Minimum quantity may apply.

**Coil Part Numbers**

Wattage	Voltage	Type P Double Spade	Type W Double Lead	Type D ISO STANDARD	Type C Conduit	Amps	Lead Wire Color
42 Watts	12 VDC	851060-012*	851062-012*	851058-012*	-	3.53	Red
42 Watts	24 VDC	851060-024*	851062-024*	851058-024*	-	1.79	Blue
55 Watts	120 VAC	-	-	851058-120	851057-120	48.0	Brown
30 Watts	12 VDC	853496-012	853497-012	853495-012	-	2.50	Red
30 Watts	24 VDC	853496-024	853497-024	853495-024	-	1.25	Blue

\*UL Listed







**CV** Check Valves  
**SH** Shuttle Valves  
**LM** Load/Motor Controls  
**FC** Flow Controls  
**PC** Pressure Controls  
**LE** Logic Elements  
**DC** Directional Controls  
**MV** Manual Valves  
**SV** Solenoid Valves  
**PV** Proportional Valves  
**CE** Coils & Electronics  
**BC** Bodies & Cavities  
**TD** Technical Data

**General Description**

Proportional Valve Controllers. 12 and 24 Volts, PWM. For additional information see Technical Tips on pages CE1-CE2.

**Operation**

The 902/932 and 904/934 are valve top mounted PWM controllers for proportional control valves. They can be used with an external potentiometer to give accurate current control using the units internal reference voltage. Alternatively these controllers can be used with a 0-10V command signal from a PLC or engine management system.

'I Max' adjustment is provided to allow the maximum output current to be set via a 12 turn potentiometer. Turn clockwise to increase the output current.

**Notes:**

**XPRO902 and XPRO932**

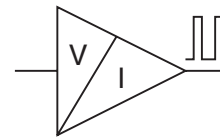
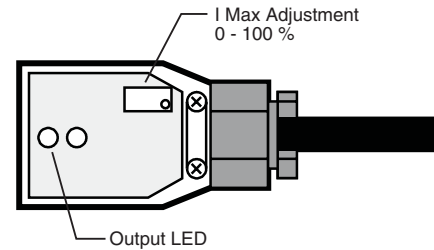
In order to avoid damaging a controller the +8V (yellow) lead must not be shorted to the +12V (red) lead or to the 0V (blue) lead.

**XPRO904 and XPRO934**

In order to avoid damaging a controller the +15V (yellow) lead must not be shorted to the +24V (red) lead or to the 0V (blue) lead.

**Specifications**

<b>Nominal Voltage</b>	<b>XPRO902</b> 12V DC <b>XPRO932</b> 12V DC <b>XPRO904</b> 24V DC <b>XPRO934</b> 24V DC
<b>Maximum Power</b>	<b>XPRO902</b> 19W <b>XPRO932</b> 30W <b>XPRO904</b> 19W <b>XPRO934</b> 30W
<b>(IP) Rating</b>	IP 65
<b>Maximum Current</b>	<b>XPRO902</b> 1.6A <b>XPRO932</b> 2.6A <b>XPRO904</b> 1.0A <b>XPRO934</b> 1.4A
<b>Command Voltage</b>	0 - 10V
<b>Input Resistance</b>	10K ohms
<b>Reference Voltage</b>	<b>XPRO902</b> +8V (2mA) <b>XPRO932</b> +8V (2mA) <b>XPRO904</b> +15V (2mA) <b>XPRO934</b> +15V (2mA)
<b>Cable Length</b>	1 meter
<b>Frequency</b>	110 Hz ±5%

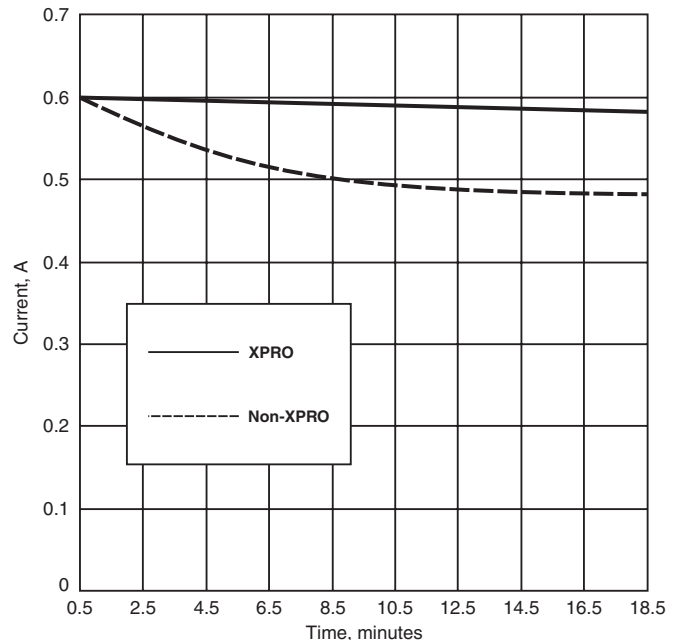


**Features**

- Self contained DIN 'Plug Top'
- High impact resistant molded ABS
- Complies with current CE regulations

**Output Regulation**

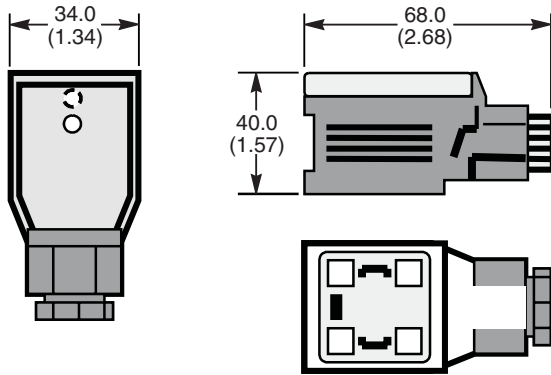
(Curve shows coil temperature compensation)



**Application**

For use with most proportional valves. GP, HP, JP, GTP and AP series valves.

**Dimensions** Millimeters (Inches)



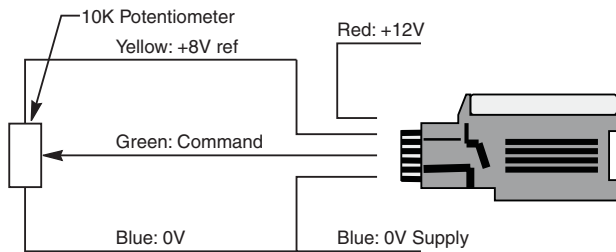
**Ordering Information**

**XPRO** Controller Maximum Current

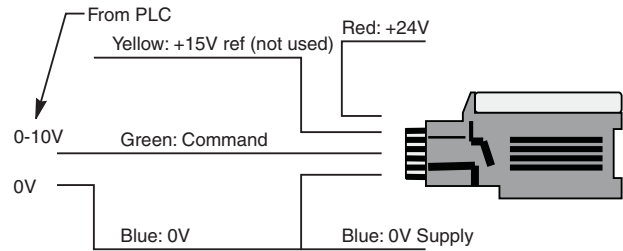
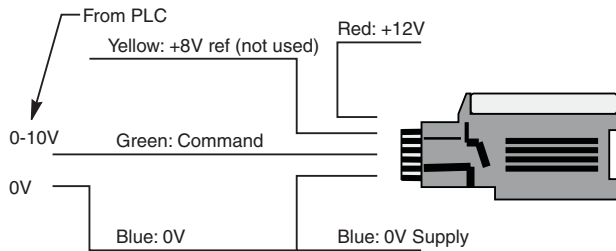
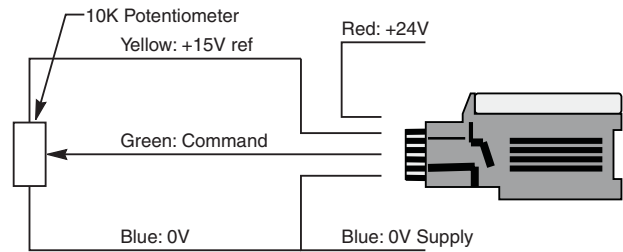
Code	Maximum Current
902	1.6A
932	2.6A
904	1.0A
934	1.4A

**Connection Details**

**XPRO902 and XPRO932**



**XPRO904 and XPRO934**



**Controller / Coil Combination**

Coil	Controller	
	XPRO 902	XPRO 932
CCS012D	X	
CCP012D	X	
CAS012D	X	
CAP012D		X

Coil	Controller	
	XPRO 904	XPRO 934
CCS024D	X	
CCP024D	X	
CAS024D	X	
CAP024D		X

- CV** Check Valves
- SH** Shuttle Valves
- LM** Load/Motor Controls
- FC** Flow Controls
- PC** Pressure Controls
- LE** Logic Elements
- DC** Directional Controls
- MV** Manual Valves
- SV** Solenoid Valves
- PV** Proportional Valves
- CE** Coils & Electronics
- BC** Bodies & Cavities
- TD** Technical Data

**CV** Check Valves  
**SH** Shuttle Valves  
**LM** Load/Motor Controls  
**FC** Flow Controls  
**PC** Pressure Controls  
**LE** Logic Elements  
**DC** Directional Controls  
**MV** Manual Valves  
**SV** Solenoid Valves  
**PV** Proportional Valves  
**CE** Coils & Electronics  
**BC** Bodies & Cavities  
**TD** Technical Data

**General Description**

Proportional Valve Controllers. 12 and 24 Volts, PWM with Adjustable Dither. For additional information see Technical Tips on pages CE1-CE2.

**Operation**

The 902d/932d and 904d/934d are valve top mounted PWM controllers for proportional control valves. They can be used with an external potentiometer to give accurate current control using the units internal reference voltage. Alternatively these controllers can be used with a 0-10V command signal from a PLC or engine management system.

'I Max' adjustment is provided to allow the maximum output current to be set via a 12 turn potentiometer. Turn clockwise to increase the output current.

Dither adjustment POT is used to alter the PWM frequency of the controller from 95 HZ to 230 Hz. By changing the frequency this pot controls the amount of dither imposed on the valve. Lower frequency = more dither, higher frequency = less dither. Turn clockwise to increase frequency.

**Notes:**

**XPRO902d and XPRO932d**

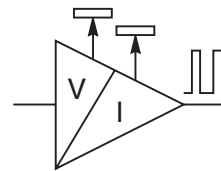
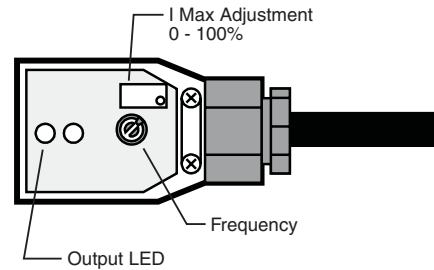
In order to avoid damaging a controller the +8V (yellow) lead must not be shorted to the +12V (red) lead or to the 0V (blue) lead.

**XPRO904d and XPRO934d**

In order to avoid damaging a controller the +15V (yellow) lead must not be shorted to the +24V (red) lead or to the 0V (blue) lead.

**Specifications**

<b>Nominal Voltage</b>	XPRO902d	12V DC
	XPRO932d	12V DC
	XPRO904d	24V DC
	XPRO934d	24V DC
<b>Maximum Power</b>	XPRO902d	19W
	XPRO932d	30W
	XPRO904d	19W
	XPRO934d	30W
<b>(IP) Rating</b>	IP 65	
<b>Maximum Current</b>	XPRO902d	1.6A
	XPRO932d	2.6A
	XPRO904d	1.0A
	XPRO934d	1.4A
<b>Command Voltage</b>	0 - 10V	
<b>Input Resistance</b>	10K ohms	
<b>Reference Voltage</b>	XPRO902d	+8V (2mA)
	XPRO932d	+8V (2mA)
	XPRO904d	+15V (2mA)
	XPRO934d	+15V (2mA)
<b>Cable Length</b>	1 meter	
<b>Frequency</b>	95 Hz - 230 Hz	

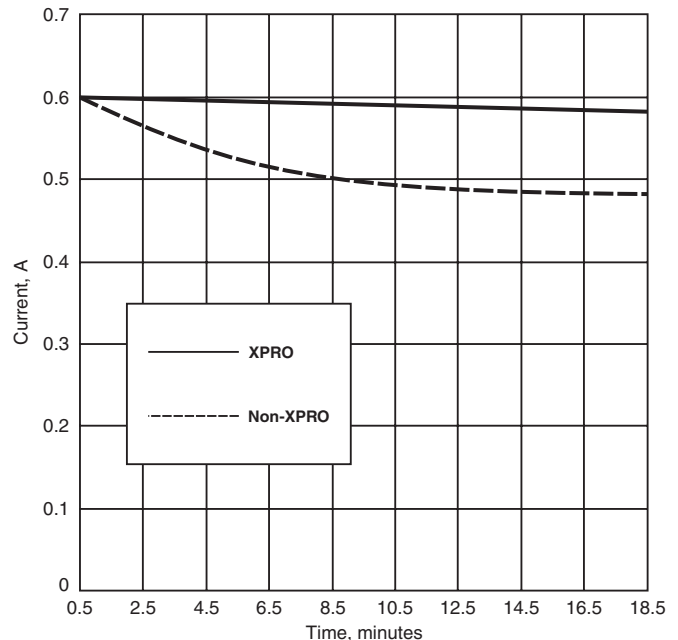


**Features**

- Self contained DIN 'Plug Top'
- High impact resistant molded ABS
- Complies with current CE regulations

**Output Regulation**

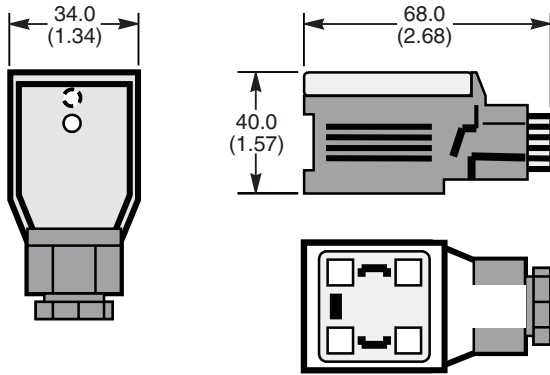
(Curve shows coil temperature compensation)



**Application**

For use with most proportional valves. GP, HP, JP, GTP and AP series valves.

**Dimensions** Millimeters (Inches)



**Ordering Information**

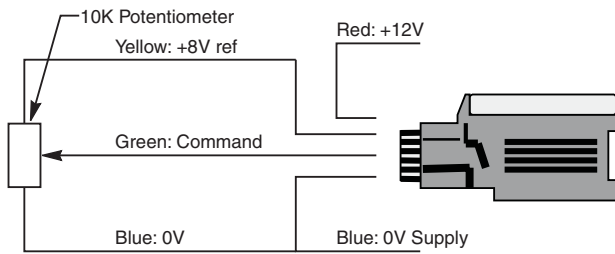


Code	Maximum Current
902d	1.6A
932d	2.6A
904d	1.0A
934d	1.4A

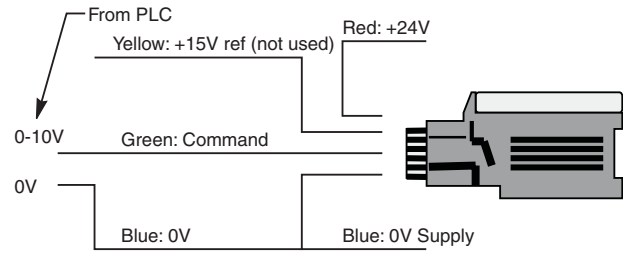
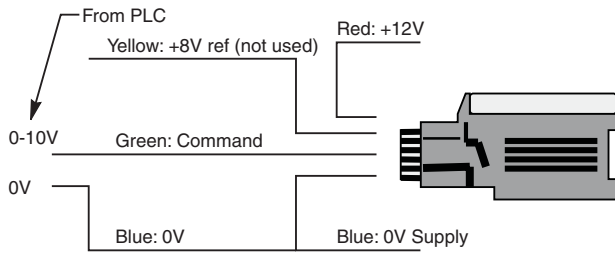
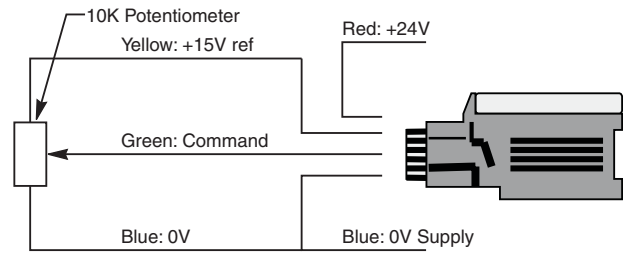
Setting for standard:  
 Dither frequency: 110 HZ

**Connection Details**

XPRO902d and XPRO932d



XPRO904d and XPRO934d



**Controller / Coil Combination**

Coil	Controller	
	XPRO 902d	XPRO 932d
CCS012D	X	
CCP012D	X	
CAS012D	X	
CAP012D		X

Coil	Controller	
	XPRO 904d	XPRO 934d
CCS024D	X	
CCP024D	X	
CAS024D	X	
CAP024D		X

- CV** Check Valves
- SH** Shuttle Valves
- LM** Load/Motor Controls
- FC** Flow Controls
- PC** Pressure Controls
- LE** Logic Elements
- DC** Directional Controls
- MV** Manual Valves
- SV** Solenoid Valves
- PV** Proportional Valves
- CE** Coils & Electronics
- BC** Bodies & Cavities
- TD** Technical Data

**CV** Check Valves  
**SH** Shuttle Valves  
**LM** Load/Motor Controls  
**FC** Flow Controls  
**PC** Pressure Controls  
**LE** Logic Elements  
**DC** Directional Controls  
**MV** Manual Valves  
**SV** Solenoid Valves  
**PV** Proportional Valves  
**CE** Coils & Electronics  
**BC** Bodies & Cavities  
**TD** Technical Data

**General Description**

Proportional Valve Controllers. 12 and 24 Volts, PWM with Multiple Adjustments. For additional information see Technical Tips on pages CE1-CE2.

**Operation**

The 902rid/932rid and 904rid/934rid are valve top mounted PWM controllers for proportional control valves. They can be used with an external potentiometer to give accurate current control using the units internal reference voltage. Alternatively these controllers can be used with a 0-10V command signal from a PLC or engine management system.

'I' Max adjustment is provided to allow the maximum output current to be set via a 12 turn potentiometer. Turn clockwise to increase the output current.

Ramp Up and Ramp Down adjustments provide independent, linear control of the time it takes, to reach 'I' Max and to switch off, up to 8 seconds of delay. Turn clockwise for slower ramps.

'I' Min adjustment Pot sets the minimum current the controller will jump to when a command signal is present, used to eliminate dead band in a slow ramp. Turn clockwise for a higher 'I' Min setting.

Dither adjustment Pot is used to alter the PWM frequency of the controller from 95 HZ to 230 HZ. By changing the frequency this pot controls the amount of dither imposed on the valve. Lower frequency = more dither, higher frequency = less dither. Turn clockwise to increase frequency.

**Notes:**

**XPRO902rid and XPRO932rid**

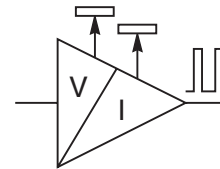
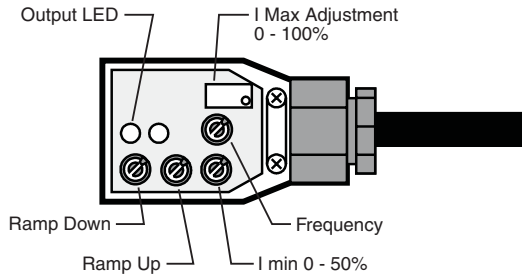
In order to avoid damaging a controller the +8V (yellow) lead must not be shorted to the +12V (red) lead or to the 0V (blue) lead.

**XPRO904rid and XPRO934rid**

In order to avoid damaging a controller the +15V (yellow) lead must not be shorted to the +24V (red) lead or to the 0V (blue) lead.

**Specifications**

<b>Nominal Voltage</b>	<b>XPRO902rid &amp; 932rid</b> 12V DC <b>XPRO904rid &amp; 934rid</b> 24V DC
<b>Maximum Power</b>	<b>XPRO902rid &amp; 904rid</b> 19W <b>XPRO932rid &amp; 934rid</b> 30W
<b>(IP) Rating</b>	IP 65
<b>Maximum Current</b>	<b>XPRO902rid</b> 1.6A <b>XPRO932rid</b> 2.6A <b>XPRO904rid</b> 1.0A <b>XPRO934rid</b> 1.4A
<b>Command Voltage</b>	0 - 10V
<b>Input Resistance</b>	10K ohms
<b>Reference Voltage</b>	<b>XPRO902rid &amp; 932rid</b> +8V (2mA) <b>XPRO904rid &amp; 934rid</b> +15V (2mA)
<b>Cable Length</b>	1 meter
<b>Ramp Up/Down</b>	200ms - 8s

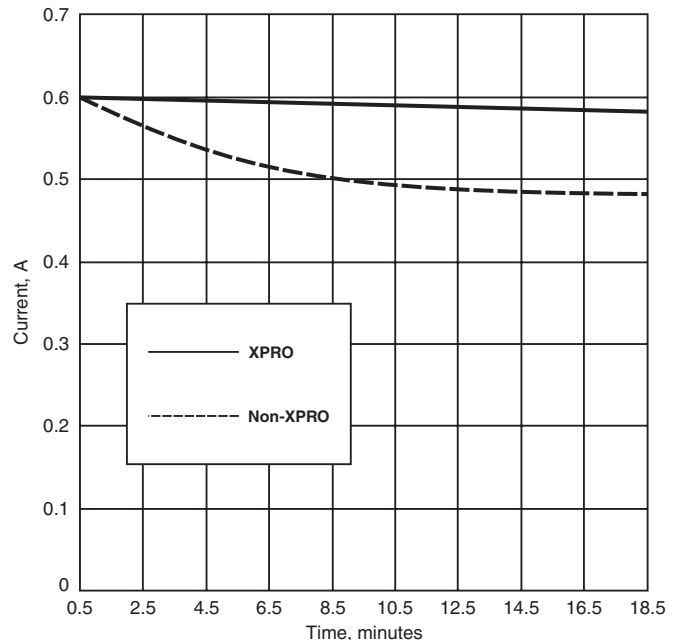


**Features**

- Self contained DIN 'Plug Top'
- High impact resistant molded ABS
- Complies with current CE regulations

**Output Regulation**

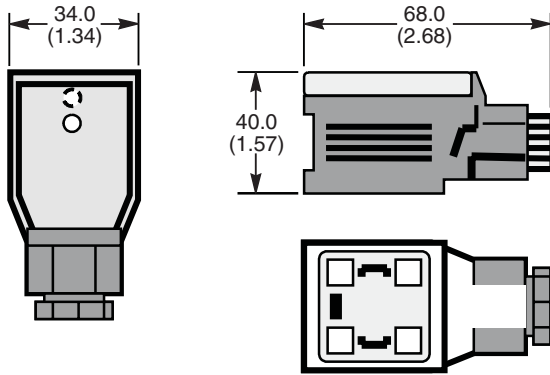
(Curve shows coil temperature compensation)



**Application**

For use with most proportional valves. GP, HP, JP, GTP and AP series valves.

**Dimensions** Millimeters (Inches)



**Ordering Information**

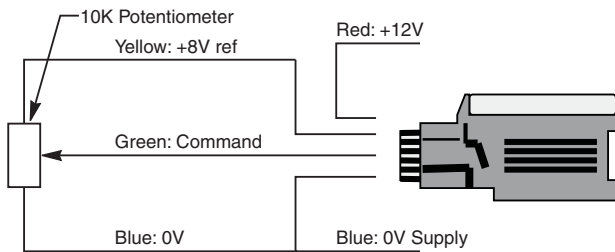


Code	Maximum Current
902rid	1.6A
932rid	2.6A
904rid	1.0A
934rid	1.4A

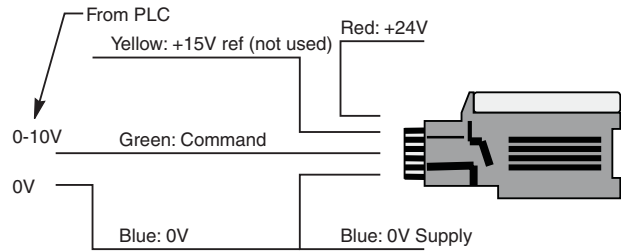
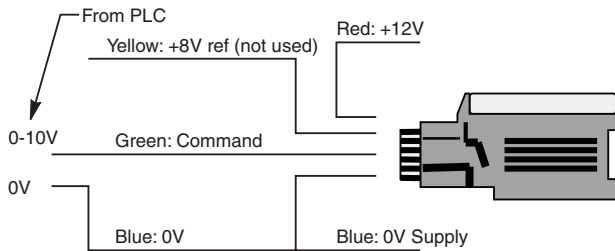
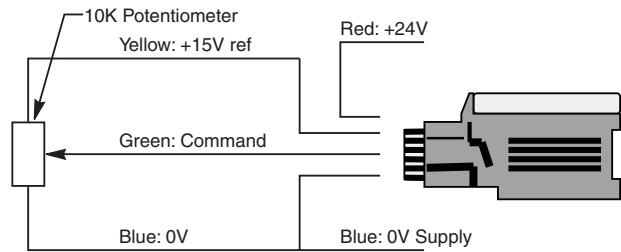
Setting for standard:  
 Dither frequency: 110 HZ

**Connection Details**

XPRO902rid and XPRO932rid



XPRO904rid and XPRO934rid



**Controller / Coil Combination**

Coil	Controller	
	XPRO 902rid	XPRO 932rid
CCS012D	X	
CCP012D	X	
CAS012D	X	
CAP012D		X

Coil	Controller	
	XPRO 904rid	XPRO 934rid
CCS024D	X	
CCP024D	X	
CAS024D	X	
CAP024D		X

- CV** Check Valves
- SH** Shuttle Valves
- LM** Load/Motor Controls
- FC** Flow Controls
- PC** Pressure Controls
- LE** Logic Elements
- DC** Directional Controls
- MV** Manual Valves
- SV** Solenoid Valves
- PV** Proportional Valves
- CE** Coils & Electronics
- BC** Bodies & Cavities
- TD** Technical Data



**Technical Information**

**CV**

Check Valves

**SH**

Shuttle Valves

**LM**

Load/Motor Controls

**FC**

Flow Controls

**PC**

Pressure Controls

**LE**

Logic Elements

**DC**

Directional Controls

**MV**

Manual Valves

**SV**

Solenoid Valves

**PV**

Proportional Valves

**CE**

Coils & Electronics

**BC**

Bodies & Cavities

**TD**

Technical Data

**General Description**

Soft Start Valve Controller. 12 and 24 Volt PWM. For additional information see Technical Tips on pages CE1-CE2.

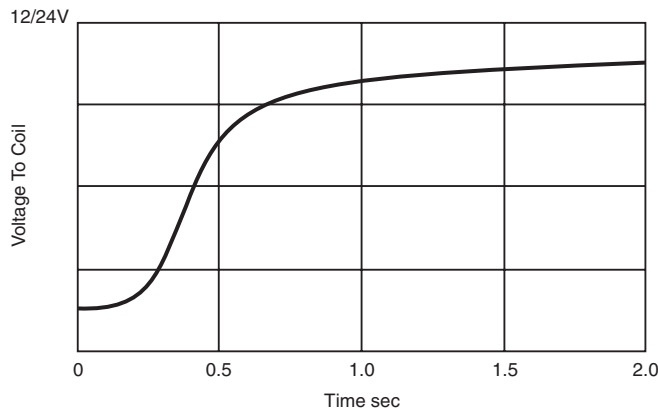
**Features**

- Self contained DIN PWM 'Plug Top'
- High impact resistant moulded ABS
- Supplied with approximately 1 meter of two color coded cables
- Can be used with 12V DC and 24V DC coils
- Fixed I-second ramp upon engagement

**Operation**

The 704 is a soft start plug top PWM controller used for reducing the hydraulic pressure peaks produced when a hydraulic valve is operated. It can simply be used in place of a standard DIN connector.

**Output Voltage**

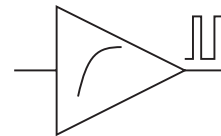
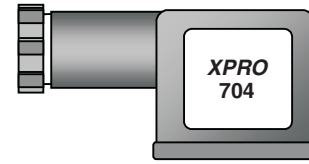


**Application**

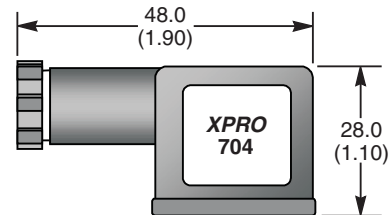
For use with most proportional valves. GP, HP, JP, GTP and AP series valves.

**Specifications**

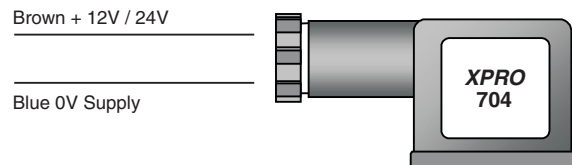
<b>Nominal Voltage</b>	12V DC and 24V DC
<b>Maximum Power</b>	36W
<b>(IP) Rating</b>	IP 65
<b>Maximum Current</b>	3.0A
<b>Coil Resistance</b>	4.5 - 30 ohms
<b>Ramp Up</b>	Fixed 1000ms



**Dimensions** Millimeters (Inches)



**Connection Details**



**Controller / Coil Combination**

XPRO 704 can be used with all 12V DC and 24V DC DIN coils.

**Ordering Information**

<b>XPRO</b>	<b>704</b>
Controller	Plug Type

Code	Plug Type
704	Soft Start

### General Description

Soft Start/Stop Valve Controller. 12 and 24 Volts, PWM with Adjustable Ramps. For additional information see Technical Tips on pages CE1-CE2.

### Features

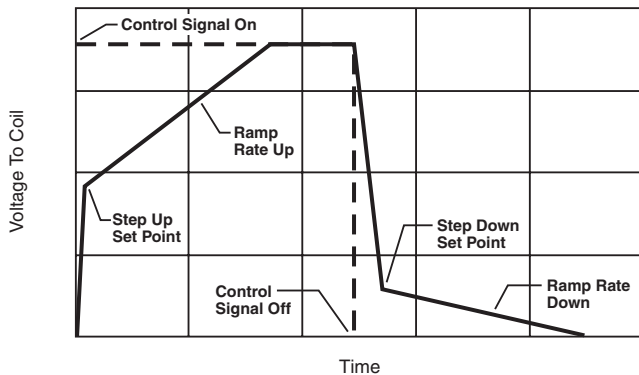
- Adjustable ramp to engage and disengage
- Self contained DIN 'Plug Top'
- High impact resistant moulded ABS

### Operation

The 704b is a valve top mounted 'soft start, soft stop' controller for use with a range of valves.

The controller can be set to jump to a preset 'step' voltage then ramp up to maximum at a preset rate. It can also be set to jump down to a preset 'step' voltage and ramp down to zero. This can be used to eliminate 'bangs' or hydraulic shocks associated with operating a hydraulic valve.

### Output Voltage

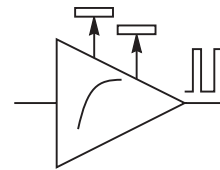
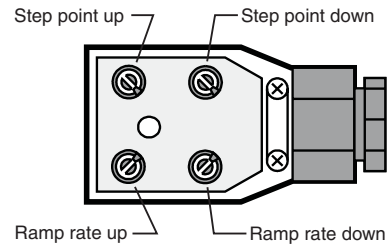


### Application

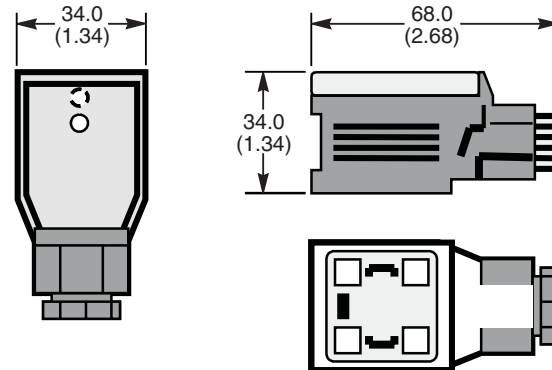
For use with most proportional valves. GP, HP, JP, GTP and AP series valves.

### Specifications

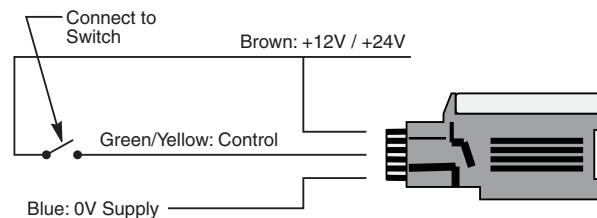
<b>Nominal Voltage</b>	12V DC and 24V DC
<b>Maximum Power</b>	36W
<b>(IP) Rating</b>	IP 65
<b>Maximum Current</b>	3.0A
<b>Coil Resistance</b>	4.8 - 30 ohms
<b>Coil Voltage</b>	+V Supply
<b>Control Resistance</b>	820 ohms
<b>Cable Length</b>	1 meter
<b>Step Up Adjust</b>	10 - 80%
<b>Step Down Adjust</b>	10 - 80%
<b>Ramp Up/Down</b>	200ms - 4s



### Dimensions



### Connection Details



### Controller / Coil Combination

XPRO 704b can be used with all 12V DC and 24V DC DIN coils.

### Ordering Information

<b>XPRO</b>	<b>704b</b>
Controller	Plug Type
<b>Code</b>	<b>Plug Type</b>
704b	Soft Start, Soft Stop

**CV**

Check Valves

**SH**

Shuttle Valves

**LM**

Load/Motor Controls

**FC**

Flow Controls

**PC**

Pressure Controls

**LE**

Logic Elements

**DC**

Directional Controls

**MV**

Manual Valves

**SV**

Solenoid Valves

**PV**

Proportional Valves

**CE**

Coils & Electronics

**BC**

Bodies & Cavities

**TD**

Technical Data

**Technical Information**

**CV**

Check Valves

**SH**

Shuttle Valves

**LM**

Load/Motor Controls

**FC**

Flow Controls

**PC**

Pressure Controls

**LE**

Logic Elements

**DC**

Directional Controls

**MV**

Manual Valves

**SV**

Solenoid Valves

**PV**

Proportional Valves

**CE**

Coils & Electronics

**BC**

Bodies & Cavities

**TD**

Technical Data

**General Description**

Power Saver Controller. 12 and 24 Volt, PWM. For additional information see Technical Tips on pages CE1-CE2.

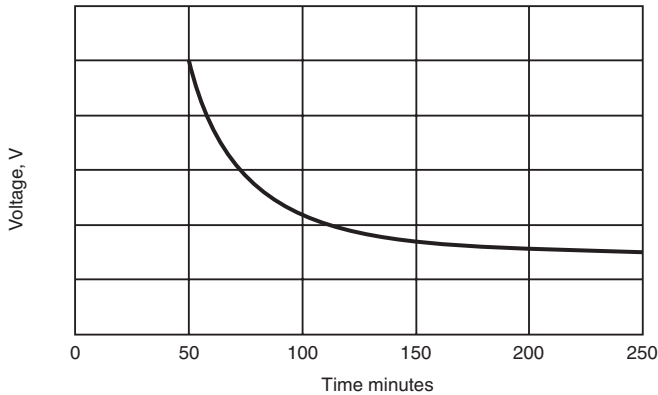
**Features**

- Reduced power consumption and heat generation
- Self contained DIN 'Plug Top'
- High impact resistant moulded ABS
- Supplied with approximately 1 meter of two color coded cables

**Operation**

The 804 is a power saver plug top PWM controller used for reducing the current consumption of a standard on/off valve. The plug will deliver full voltage to the valve for 50mS then drop down to a holding voltage of 30% of the applied voltage. This can be used where multiple valves are used and power consumption is a consideration. It can simply be used in place of a standard DIN connector.

**Voltage Applied To Coil**

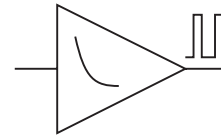
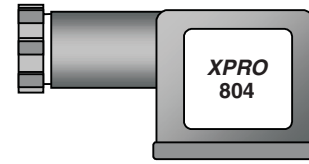


**Application**

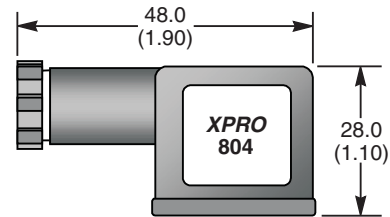
For use with most on/off valves. GO, GS series valves.

**Specifications**

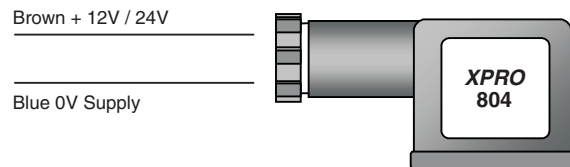
<b>Nominal Voltage</b>	12V DC and 24V DC
<b>Maximum Power</b>	36W
<b>(IP) Rating</b>	IP 65
<b>Maximum Current</b>	3.0A
<b>Coil Resistance</b>	4.5 - 30 ohms
<b>Current Reduction</b>	30% of Max



**Dimensions** Millimeters (Inches)



**Connection Details**



**Controller / Coil Combination**

XPRO 804 can be used with all 12V DC and 24V DC coils.

**Ordering Information**

<b>XPRO</b>	<b>804</b>
Controller	Plug Type

Code	Plug Type
804	Power Saver Plug



**Contents**

**Bodies and Cavities**

	SERIES	DESCRIPTION	BODY NO.	PAGE NO.
<b>CV</b> Check Valves	<b>PARKER STANDARD BODIES AND CAVITIES</b>			
<b>SH</b> Shuttle Valves	C04-2	04 Size, 2 Way	B04-2-*	BC7
	C04-3	04 Size, 3 Way	B04-3-*	BC8
	C08-2	08 Size, 2 Way	B08-2-*	BC9
	C08-3	08 Size, 3 Way	B08-3-*	BC10
	C08-4	08 Size, 4 Way	B08-4-*	BC11
<b>LM</b> Load/Motor Controls	C09-2	09 Size, 2 Way	B09-2-*	BC12
	C10-2	10 Size, 2 Way	B10-2-*	BC13
	C10-2T	10 Size, 2 Way, "T" Body	B10-2T-*	BC14
	C10-3	10 Size, 3 Way	B10-3-*	BC15
	C10-3L	10 Size, 3 Way, L	4082075	BC16
<b>FC</b> Flow Controls	C10-3S	10 Size, 3 Way, Short	B10-3S-*	BC17
	C10-4	10 Size, 4 Way	B10-4-*	BC18
	C12-2	12 Size, 2 Way	B12-2-*	BC19
	C12-2F	12 Size, 2 Way (FAP121 Series)	B12-2F-*	BC20
<b>PC</b> Pressure Controls	C12-3	12 Size, 3 Way	B12-3-*	BC21
	C12-3L	12 Size, 3 Way, Long	B12-3L-*	BC22
	C12-4	12 Size, 4 Way	B12-4-*	BC23
	C12-4L	12 Size, 4 Way, Long	B12-4L-*	BC24
<b>LE</b> Logic Elements	C16-2	16 Size, 2 Way	B16-2-*	BC25
	C16-3	16 Size, 3 Way	B16-3-*	BC26
	C16-3S	16 Size, 3 Way, Short	B16-3S-*	BC27
	C16-4	16 Size, 4 Way	B16-4-*	BC28
<b>DC</b> Directional Controls	C20-2	20 Size, 2 Way	B20-2-*	BC29
	C20-3S	20 Size, 3 Way, Short	B20-3S-*	BC30
<b>MV</b> Manual Valves	<b>COUNTERBALANCE CAVITIES AND BODIES</b>			
	MHC-010	Single and Dual Counterbalance Bodies	MHC-010-*	BC31
	MHC-022	Single and Dual Counterbalance Bodies	MHC-022-*	BC32
<b>SV</b> Solenoid Valves	<b>PILOT PISTON CAVITIES</b>			
	10 Size	10 Size Cavity for Single Check and Pilot Piston		BC33
	16 Size	16 Size Cavity for Single Check and Pilot Piston		BC33
	10 Size	10 Size Cavity for Dual Check and Pilot Piston		BC33
	16 Size	16 Size Cavity for Dual Check and Pilot Piston		BC33
<b>PV</b> Proportional Valves	<b>STANDARD CAVITY PLUGS</b>			
		Cavity Plugs		BC34
<b>CE</b> Coils & Electronics	<b>CARTPAK BODIES</b>			
<b>BC</b> Bodies & Cavities			<b>Legacy Codes†</b>	
	BD03-PN	P Port Interrupt, 2-Way, Body Only	BD03-PN-*	C3A BC35
	BD03-PN2	P Port Interrupt, 2-Way, Body Only	BD03-PN2-*	C3L BC36
	BD03-PNR	P Port Interrupt, Reducing Function, Body Only	BD03-PNR-*	C3F BC37
	BD03-PNS	P Port Interrupt, Sequencing Function, Body Only	BD03-PNS-*	C3G BC38
	BD03-PT	P to T, Body Only	BD03-PT-*	C3B BC39
	BD03-ABN	A and B Port Interrupt, Body Only	BD03-ABN-*	C3C BC40
	BD03-ABX	A and B Port Crossover, Body Only	BD03-ABX-*	C3E BC41
	BD03-ABT	A and B Ports to Tank, Body Only	BD03-ABT-*	C3D BC42
	BD03-DDX	Ports A and B Drain to Crossover Port, Body Only	BD03-DDX-*	C3H BC43
	BD03-BDA	B Port Drain to A, Body Only	BD03-BDA-*	C3J BC44
	BD03-ADB	A Port Drain to B, Body Only	BD03-ADB-*	C3K BC45
<b>TD</b> Technical Data		BD03-POC	BD03-POC-*	C3K BC45
		Dual P.O. Checks - A and B Ports to Tank		BC46

†Legacy Codes are shown for reference only. DO NOT USE.

SERIES	DESCRIPTION	BODY NO.	PAGE NO.
<b>SPECIAL BODIES AND CAVITIES</b>			
CAVOW-2	2 Port	LB1079*	BC47
CAVSW-3	3 Port	LB1081*	BC48
2C	2 Port	LB1021*	BC49
2G	2 Port	LB1032*	BC50
2R	2 Port	LB105**	BC51
2U	2 Port	LB102**	BC52
2X	2 Port	LB1051*	BC53
3A	3 Port	LB100**	BC54
3C	3 Port or 4 Port Dual	LB100**	BC55
3K	3 Port		BC56
3M	3 Port or 4 Port Dual	LB100**	BC57
3U	3 Port	LB10093	BC58
3X	3 Port	LB1055*	BC59
3Z	3 Port	LB103**	BC60
4C	4 Port	LB1056*	BC61
5A	5 Port	LB103**	BC62
53-1	3 Port or 4 Port Dual	LB1031*	BC63
54-1	3 Port	LB10591	BC64
68-1	3 Port or 4 Port Dual	LB102**	BC65
91-1	3 Port	LB1015*	BC66
100-1	5 Port	LB1031*	BC67

**CV**

Check Valves

**SH**

Shuttle Valves

**LM**

Load/Motor Controls

**FC**

Flow Controls

**PC**

Pressure Controls

**LE**

Logic Elements

**DC**

Directional Controls

**MV**

Manual Valves

**SV**

Solenoid Valves

**PV**

Proportional Valves

**CE**

Coils & Electronics

**BC**

Bodies & Cavities

**TD**

Technical Data

CV

Check Valves

SH

Shuttle Valves

LM

Load/Motor Controls

FC

Flow Controls

PC

Pressure Controls

LE

Logic Elements

DC

Directional Controls

MV

Manual Valves

SV

Solenoid Valves

PV

Proportional Valves

CE

Coils & Electronics

BC

Bodies & Cavities

TD

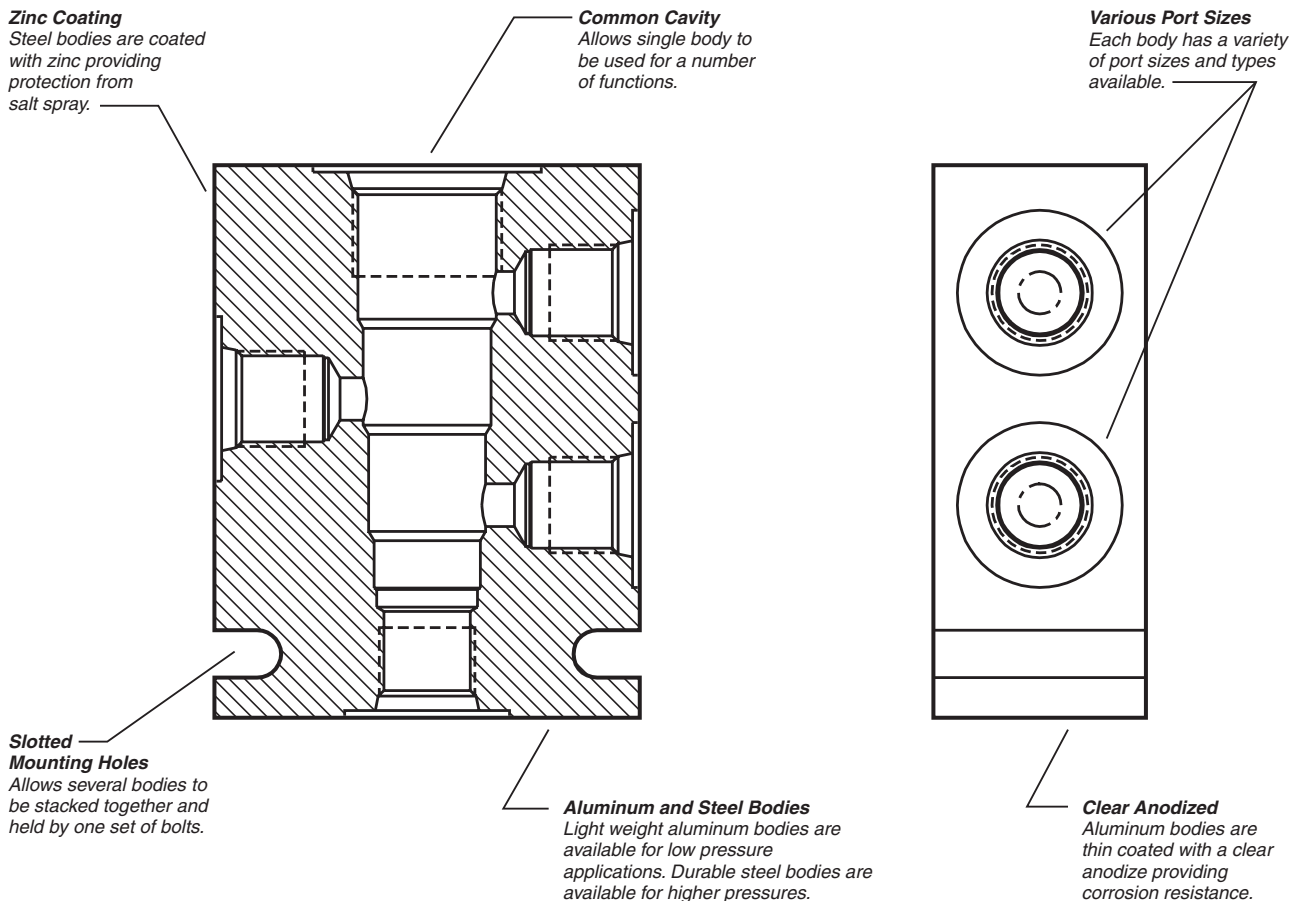
Technical Data

**INTRODUCTION**

This Technical Tips section is split into three parts; Standard Line Bodies, Cavities, and Cartpaks. In the standard line bodies section, we highlight the features and options of our standard offering of line bodies. In the cavity section we discuss “common” cavities and form tools. In the Cartpak section, we present the features and options to Parker’s line of D03 style sandwich bodies. The Technical Tips are provided to help you become more familiar with Parker Hannifin’s line of product and assist you in applying our product.

**STANDARD LINE BODIES**

Parker offers standard line bodies for each valve and cavity size. Below are some of the features of Parker’s standard line bodies.



**COMMON OPTIONS & FEATURES**

**Aluminum vs. Steel:** Parker offers standard line bodies in both aluminum and steel. Aluminum bodies are most often used for general applications. They are lightweight and less costly than steel bodies. Parker’s aluminum bodies are coated with a clear anodize to provide a corrosion resistant protection. Aluminum bodies should never be used in applications above 210 bar (3000 psi.) Steel bodies are more durable and

heavier than aluminum bodies. They are ideal for applications with elevated pressures or where rugged construction is desired. Steel bodies are suitable for applications up to 350 bar (5000 psi.) Parker’s steel bodies are coated with zinc providing corrosion resistance. Zinc even provides the steel body many hours of protection from salt spray.



## Technical Tips

## Bodies and Cavities

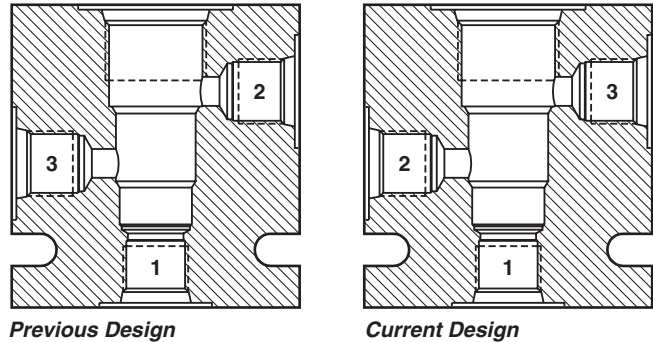
### COMMON OPTIONS & FEATURES (Cont.)

**Pressure Drop:** The pressure drop through a line body is fairly minimal. Each catalog page shows a pressure drop curve. This should be added to the pressure drop through the cartridge when trying to estimate total pressure drop for a function.

**Porting:** Parker offers a variety of port sizes and types for each line body. While NPT or pipe ports were once very popular and are still offered, we recommend SAE ports for new applications. SAE ports and fittings provide a more secure connection than pipe ports. BSPP ports are also available.

**Port Numbering Change:** With this catalog, we have re-numbered the ports on our 3-way line bodies. In the past, three way bodies were numbered with the nose

being port 1, the middle port labeled (3), and the top port labeled (2). Over the years, this has caused some confusion, so we have relabeled the ports sequentially from the bottom. For identification, the current design will be marked with a Parker symbol like the one shown.



### CAVITIES

The hole that the cartridge valve is screwed into is called a cavity. Many cartridge producers manufacture valves that fit a “common” cavity. With a “common” cavity, a valve theoretically could be removed from a cavity and replaced by another manufacturer’s product. One should be careful though to check cross drill ports and thread depths when pursuing this activity. While it is true that many manufacturer’s products fit inside another’s cavity, the cross drills sometimes expose an o-ring to pressure, causing the o-ring to be extruded.

**Valve / Cavity Compatibility Chart:** Through acquisition, Parker Hannifin has accumulated a number of manufacturers with “common” cavities. To accommodate all of our product lines, we have released a new cavity for our Winner’s Circle product line. The cavities shown in this catalog are considered Winner’s Circle Cavities. The Winner’s Circle valves are downward and upward compatible with the Parker Series of product. On each catalog page, you will find a chart like the one shown on this page. The purpose of this chart is to help identify if a valve from one acquisition can be replaced by the Winner’s Circle valve, or another acquisition. The valves are designated by the columns of the chart and the cavities by the rows. If you have an existing cavity, you find it on the chart and follow across to see which valves you may put in the cavity. For instance, using the chart below, let’s say you have an existing manifold in which you had manufactured a FPS cavity (maybe you were using a SV2A-10). By finding the row labeled FPS and following across, you find that you could use the new Winner’s Circle product, an FPS product, or a CEC product of the same size in this cavity. A Parker or Waterman valve will not fit in this cavity without modifying the cavity. This chart is provided to help you in converting to the Winner’s Circle product line.

		VALVE				
		Winner’s Circle	Parker	Waterman	FPS	CEC
CAVITY	Winner’s Circle	X	X	X	X	X
	Parker	X	X	X		
	Waterman	X	X	X		
	FPS	X			X	X
	CEC	X			X	X

**Cavity Tools:** On each catalog page, cavity tools are listed for your use in creating special manifolds. More is discussed on manifold construction in the Technical Data section of this catalog. For 3-way and 4-way valves, you will find a roughing and a finishing tool. The rougher is a step drill used to prep the cavity for the finishing tool. The rougher removes the mass of material and is necessary because the finisher is not designed for primary forming. The finisher is a precision tool used to provide the final dimensions of the cavity. No rougher is offered for 2-way cavities because a standard drill bit can be used to remove the mass of material.

- CV Check Valves
- SH Shuttle Valves
- LM Load/Motor Controls
- FC Flow Controls
- PC Pressure Controls
- LE Logic Elements
- DC Directional Controls
- MV Manual Valves
- SV Solenoid Valves
- PV Proportional Valves
- CE Coils & Electronics
- BC Bodies & Cavities
- TD Technical Data

CV

Check Valves

SH

Shuttle Valves

LM

Load/Motor Controls

FC

Flow Controls

PC

Pressure Controls

LE

Logic Elements

DC

Directional Controls

MV

Manual Valves

SV

Solenoid Valves

PV

Proportional Valves

CE

Coils & Electronics

BC

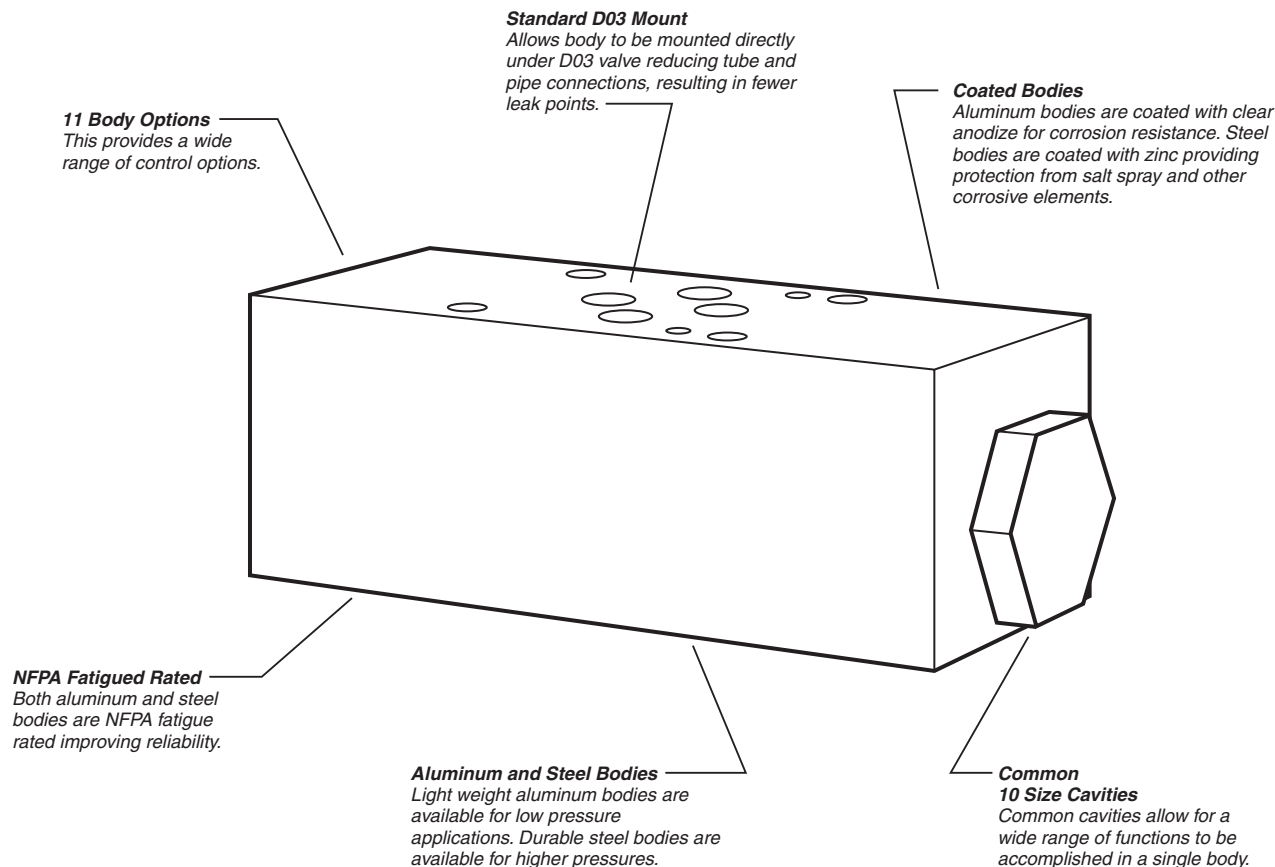
Bodies & Cavities

TD

Technical Data

**CARTPAK BODIES**

Parker Cartpak sandwich mounted bodies are designed to be mounted under a standard ISO 4401-03, NFPA D03, CETOP 3 size valve, and provide a multitude of different functions. The bodies are designed to accept a common 10 size cartridge valve allowing the designer the flexibility to use a single body to provide pressure, directional, flow, or load control. One or more Cartpak bodies may be “sandwiched” underneath a Parker D1 Series directional valve to provide the control functions for all portions of a hydraulic circuit. The ISO standard fatigue rated bodies are available in either aluminum or ductile iron.



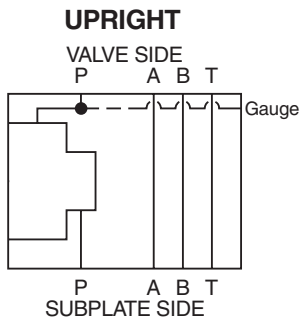
**Catalog Pages:** Each Cartpak catalog page is laid out in a similar format and is designed to help you select

the proper body for your application. In the top left corner of the page there is a brief description and body schematic.

The body schematic shows the cartridge cavity and the ports connecting to it. This schematic can be used to understand which valves can be used in the body. For instance, in the

example shown here, flow from the subplate in port P is directed into the nose of the cartridge. The side port

of the cartridge is connected to the valve side of port P. Thus, you want to choose cartridges providing the function desired, and use the nose as the inlet. For instance, a FC101 meters flow from its nose port to its side port and would be ideal for the p-port interrupt body shown.



## Technical Tips

In addition to the body schematic, we also provide a hydraulic schematic at the bottom of each catalog page. This schematic shows a variety of Parker cartridge part numbers that can be used with this body. This list is not intended to be comprehensive, but it is intended to show the wide variety of options that can be achieved with each body. You will also note, the product listing shows the orientation of the block (upright or inverted), the cavity for the cartridge, and cavity plugs (when necessary.) Once again, many options can be achieved with each body.

**O-Ring Plates:** Since many of the Cartpak bodies can be “flipped” to achieve extra functions, the faces of the bodies must be flat. Thus, an o-ring plate with o-rings must be used to seal the mounting surface. One plate with o-rings will be provided with any body that can be inverted. *Below are the kit numbers;*

**Nitrile Kit - 717939    Fluorocarbon Kit - 717939V**

**Flipping Cartpaks:** As mentioned before, many Cartpak bodies can be flipped to create extra options. The catalog pages show some of the functions that can be achieved by “flipping.” The words “upright” and “inverted” are written on the bodies to help you identify which side you are looking at. To invert the body, while facing the long face of the body (in other words, the sides without any ports or cavities), rotate the valve 180 degrees away from your body in an upward fashion. By doing this, you have essentially switched the P port and T port.

**Stacking Cartpaks:** Cartpak bodies can be stacked on top of one another to provide a number of functions in a single assembly. When stacking Cartpak bodies though, you want to take some care in the order in which the bodies are stacked. In general, flow controls should be stacked as close to the subplate stack as possible, while pilot operated check valves or counterbalance valves should be stacked as close to the D03 valve as possible.

The D03 line of bodies has a common height of 40mm (1.58 in.). Below is a list of bolt kits available from Parker.

UNC Bolt Kits for use with D1V Directional Control Valves & Manapaks/Cartpaks (D1V*-75 Design, Solenoid Operated)					
	Number of Manapaks/Cartpaks @ 1.58" (40mm) thickness				
	0	1	2	3	4
D1V-75	BK209 1.25"	BK243 2.88"	BK225 4.38"	BK244 6.00"	BK245 7.50"
D1V-75 Plus Tapping Plate	BK176 2.25"	BK56 3.81"	BK212 5.38"	BK107 7.00"	BK106 8.50"

**Note:** All bolts are SAE grade 8, 10-24 UNC-2A thread, torque to 5.6 N.m. (50 in.-lbs.)

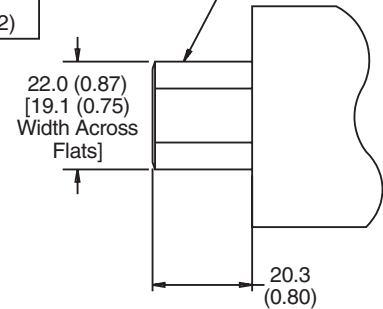
## Bodies and Cavities

**Gauge Ports:** Several of the Cartpak bodies are equipped with a SAE #4 gauge port to assist the user during installation and troubleshooting. We offer hex adapter plugs, should your pressure gauge have a different thread type.

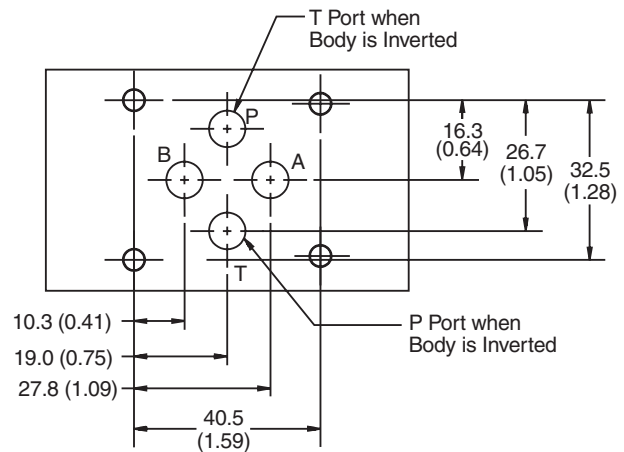
### Hex Adapter Plug to convert from SAE #4

1830016	BSPP
1830017	BSPT
1830018	NPTF
1830019	Metric (M12)

Hex Adapter Plug for Converting from #4-*SAE* to NPTF, M12, BSPT or BSPP Gauge Ports, Where Applicable



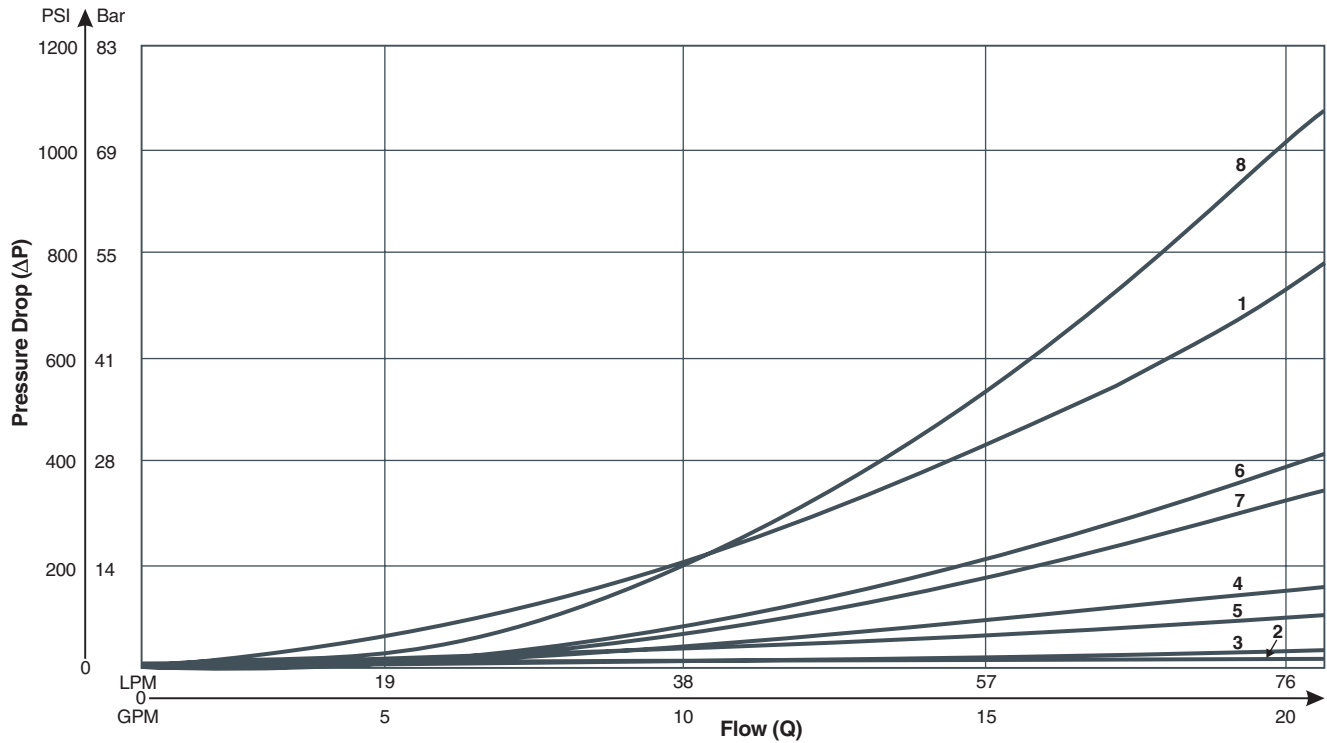
**D03 Pad Dimensions:** Below is the common dimensions of the standard D03 mount pad. Since these dimensions are common to all Cartpak bodies, we do not identify them on the individual valve pages.



- CV
- Check Valves
- SH
- Shuttle Valves
- LM
- Load/Motor Controls
- FC
- Flow Controls
- PC
- Pressure Controls
- LE
- Logic Elements
- DC
- Directional Controls
- MV
- Manual Valves
- SV
- Solenoid Valves
- PV
- Proportional Valves
- CE
- Coils & Electronics
- BC
- Bodies & Cavities
- TD
- Technical Data

**PRESSURE DROP CHART**

The following charts outline the pressure drop through the Parker Cartpak bodies. The pressure drop is minus the cartridge valve.



Body	Orientation	P	T	A	B
BD03-PN	Upright	1	2	3	3
	Inverted	2	1	3	3
BD03-PT	Upright	3	3	3	3
	Inverted	3	3	3	3
BD03-ABN	Upright	3	3	4	4
	Inverted	3	3	4	4
BD03-ABT	Upright	3	3	3	3
	Inverted	3	3	3	3
BD03-ABX	Upright	5	5	3	3
BD03-PNR	Upright	6	3	3	3
BD03-PNS	Upright	7	3	3	3
BD03-DDX	Upright	3	3	1	1
BD03-BDA	Upright	6	3	3	3
BD03-ADB	Upright	6	3	3	3
BD03-PN2	Upright	8	3	3	3
	Inverted	3	8	3	3

- CV** Check Valves
- SH** Shuttle Valves
- LM** Load/Motor Controls
- FC** Flow Controls
- PC** Pressure Controls
- LE** Logic Elements
- DC** Directional Controls
- MV** Manual Valves
- SV** Solenoid Valves
- PV** Proportional Valves
- CE** Coils & Electronics
- BC** Bodies & Cavities
- TD** Technical Data



**CV**

Check Valves

**SH**

Shuttle Valves

**LM**

Load/Motor Controls

**FC**

Flow Controls

**PC**

Pressure Controls

**LE**

Logic Elements

**DC**

Directional Controls

**MV**

Manual Valves

**SV**

Solenoid Valves

**PV**

Proportional Valves

**CE**

Coils & Electronics

**BC**

Bodies & Cavities

**TD**

Technical Data

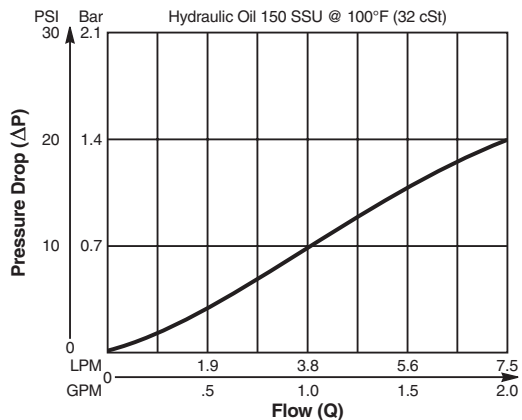
**Valve/Cavity Compatibility**

For additional information see Technical Tips on pages BC1-BC6.

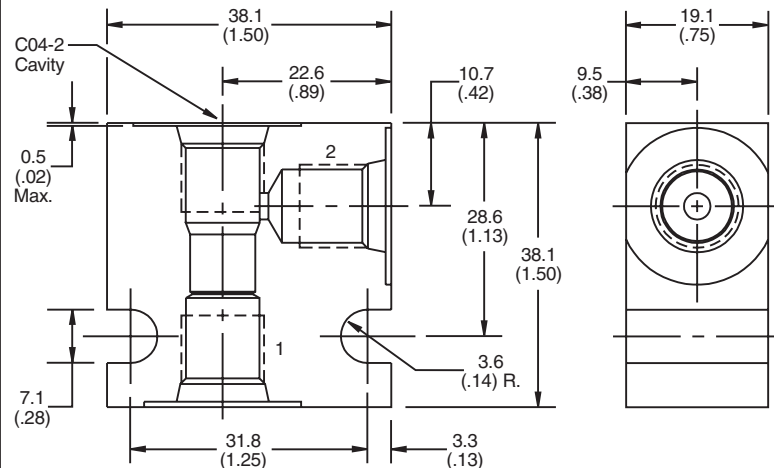
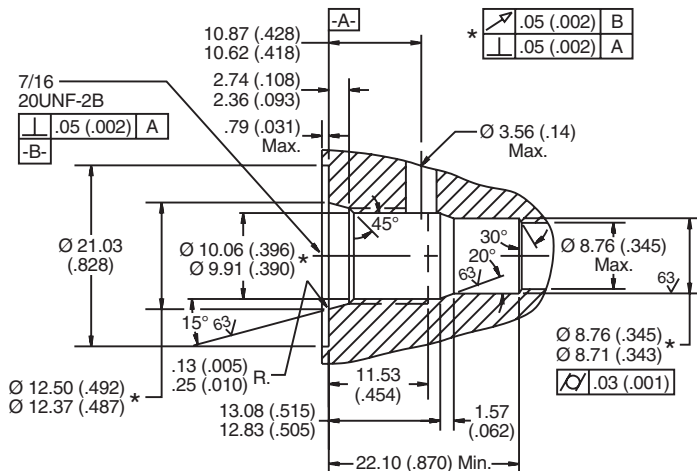
CAVITY	VALVE				
	Winner's Circle	Parker	Waterman	FPS	CEC
Winner's Circle	X	X	X		
Parker	X	X	X		
Waterman	X	X	X		
FPS					
CEC					

**Performance Curve**

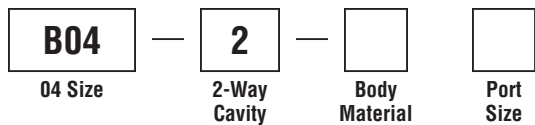
**Pressure Drop vs. Flow**



**Dimensions** Millimeters (Inches)



**Ordering Information**



Code	Body Material
Omit	Steel
A	Aluminum

Code	Port Size
4T	SAE - 4

**Form Tool:** Rougher None  
 Finisher NFT04-2F  
**Weight:** .07 kg (.15 lbs.)

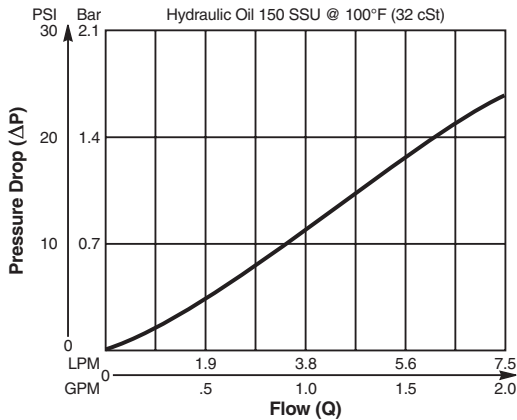
**Valve/Cavity Compatibility**

For additional information see Technical Tips on pages BC1-BC6.

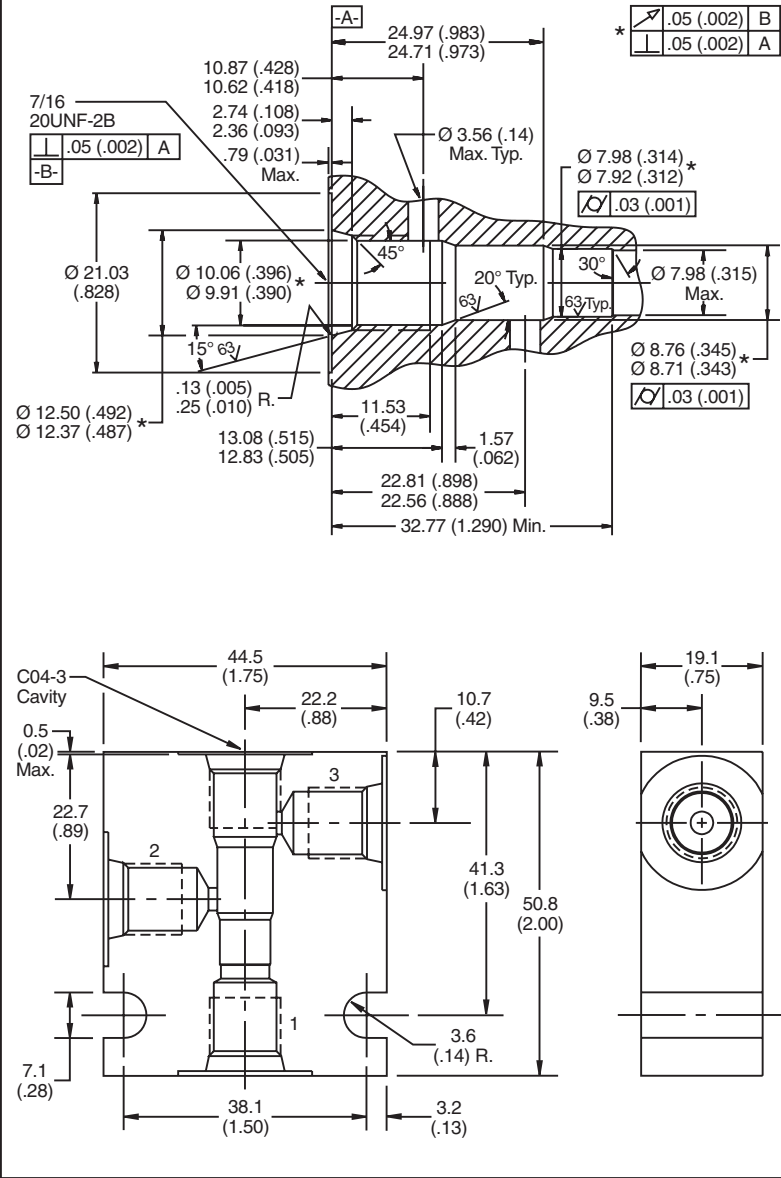
		VALVE				
		Winner's Circle	Parker	Waterman	FPS	CEC
CAVITY	Winner's Circle	X	X	X		
	Parker	X	X	X		
	Waterman	X	X	X		
	FPS					
	CEC					

**Performance Curve**

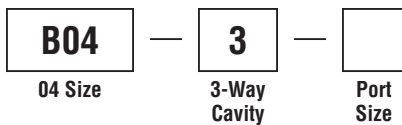
**Pressure Drop vs. Flow**



**Dimensions** Millimeters (Inches)



**Ordering Information**



Code	Port Size
A4T	SAE-4

A4T aluminum only.

**Form Tool:** Rougher NFT04-3R  
 Finisher NFT04-3F

**Weight:** .10 kg (.23 lbs.)

- CV** Check Valves
- SH** Shuttle Valves
- LM** Load/Motor Controls
- FC** Flow Controls
- PC** Pressure Controls
- LE** Logic Elements
- DC** Directional Controls
- MV** Manual Valves
- SV** Solenoid Valves
- PV** Proportional Valves
- CE** Coils & Electronics
- BC** Bodies & Cavities
- TD** Technical Data



**CV**

Check  
Valves

**SH**

Shuttle  
Valves

**LM**

Load/Motor  
Controls

**FC**

Flow  
Controls

**PC**

Pressure  
Controls

**LE**

Logic  
Elements

**DC**

Directional  
Controls

**MV**

Manual  
Valves

**SV**

Solenoid  
Valves

**PV**

Proportional  
Valves

**CE**

Coils &  
Electronics

**BC**

Bodies &  
Cavities

**TD**

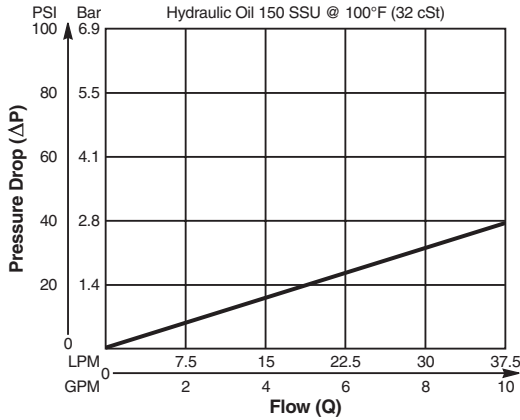
Technical  
Data

**Valve/Cavity Compatibility**

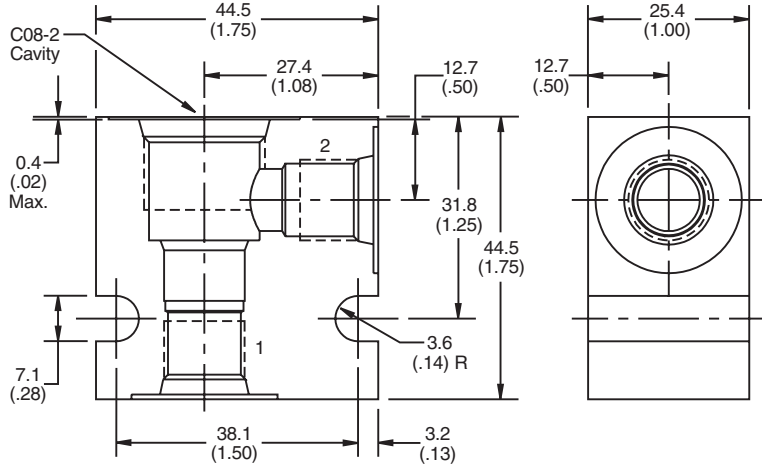
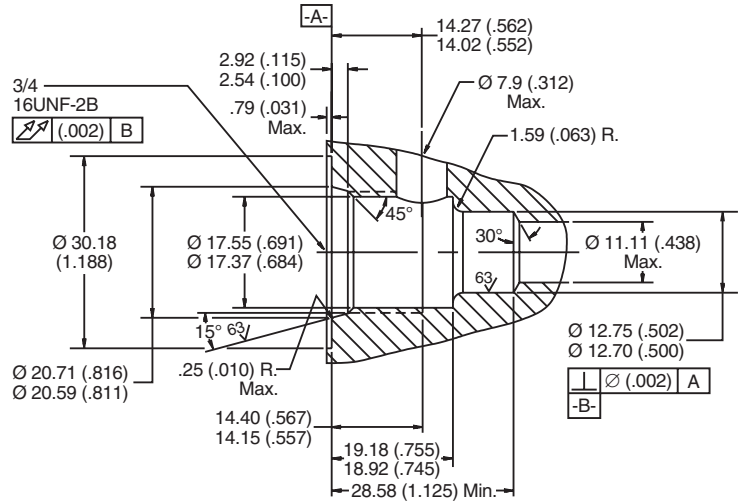
For additional information see Technical Tips on pages BC1-BC6.

CAVITY	VALVE	Winner's Circle	Parker	Waterman	FPS	CEC
		Winner's Circle	X	X	X	X
Parker	X	X	X	X	X	
Waterman	X	X	X	X	X	
FPS	X	X	X	X	X	
CEC	X	X	X	X	X	

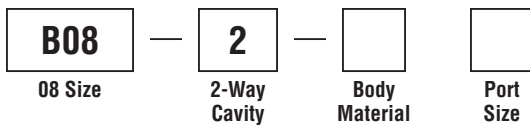
**Performance Curve**  
**Pressure Drop vs. Flow**



**Dimensions** Millimeters (Inches)



**Ordering Information**



Code	Body Material
Omit	Steel
A	Aluminum

Code	Port Size
4T	SAE - 4
6T	SAE - 6

**Form Tool:** Rougher None  
 Finisher NFT08-2F

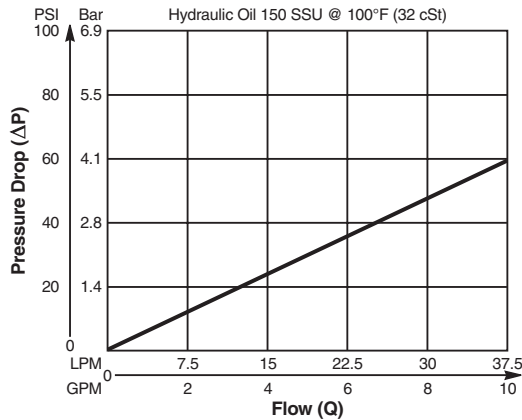
**Weight:** .11 kg (.25 lbs.)

**Valve/Cavity Compatibility**

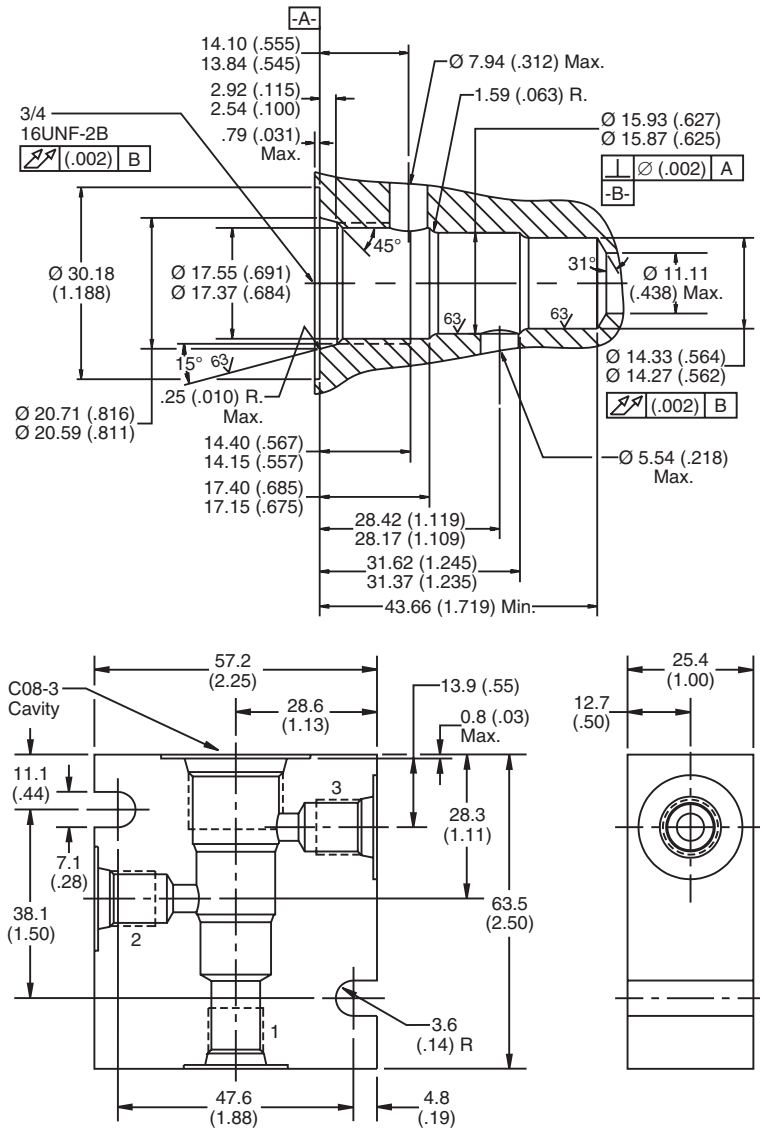
For additional information see Technical Tips on pages BC1-BC6.

		VALVE				
		Winner's Circle	Parker	Waterman	FPS	CEC
CAVITY	Winner's Circle	X	X	X		
	Parker	X	X	X		
	Waterman	X	X	X		
	FPS				X	X
	CEC				X	X

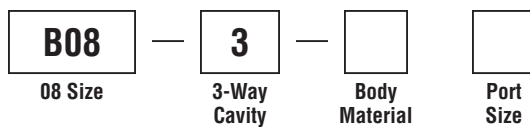
**Performance Curve**  
**Pressure Drop vs. Flow**



**Dimensions** Millimeters (Inches)



**Ordering Information**



Code	Body Material
Omit	Steel
A	Aluminum

Code	Port Size
4T	SAE - 4
6T	SAE - 6

**Form Tool:** Rougher NFT08-3R  
 Finisher NFT08-3F  
**Weight:** .27 kg (.60 lbs.)

- CV** Check Valves
- SH** Shuttle Valves
- LM** Load/Motor Controls
- FC** Flow Controls
- PC** Pressure Controls
- LE** Logic Elements
- DC** Directional Controls
- MV** Manual Valves
- SV** Solenoid Valves
- PV** Proportional Valves
- CE** Coils & Electronics
- BC** Bodies & Cavities
- TD** Technical Data

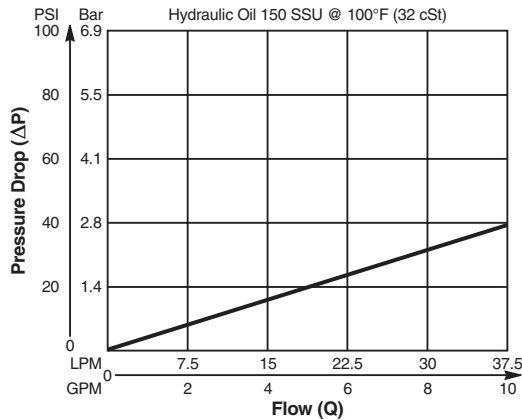


**Valve/Cavity Compatibility**

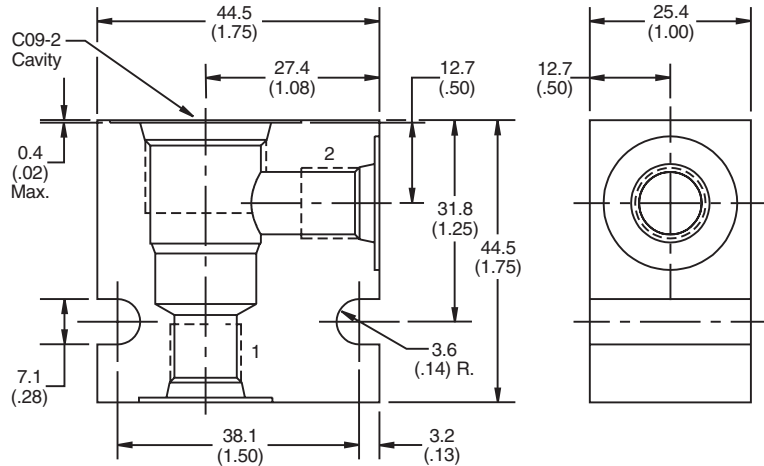
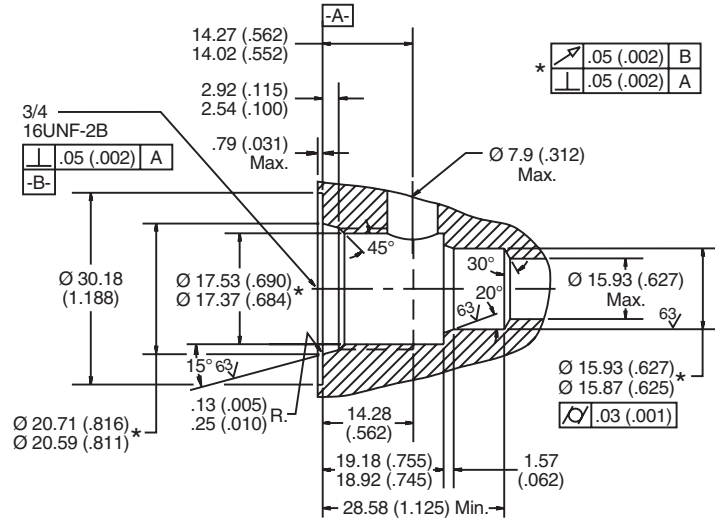
For additional information see Technical Tips on pages BC1-BC6.

		VALVE				
		Winner's Circle	Parker	Waterman	FPS	CEC
CAVITY	Winner's Circle					
	Parker		X	X		
	Waterman		X	X		
	FPS					
	CEC					

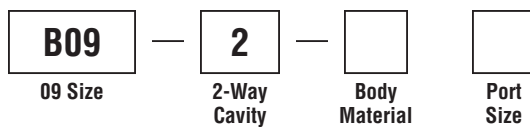
**Performance Curve**  
**Pressure Drop vs. Flow**



**Dimensions** Millimeters (Inches)



**Ordering Information**



Code	Body Material
Omit	Steel
A	Aluminum

Code	Port Size
6T	SAE - 6

**Form Tool:** Rougher None  
 Finisher FT09-2  
**Weight:** 11 kg (.25 lbs.)

- CV** Check Valves
- SH** Shuttle Valves
- LM** Load/Motor Controls
- FC** Flow Controls
- PC** Pressure Controls
- LE** Logic Elements
- DC** Directional Controls
- MV** Manual Valves
- SV** Solenoid Valves
- PV** Proportional Valves
- CE** Coils & Electronics
- BC** Bodies & Cavities
- TD** Technical Data

Technical Information

CV

Check  
Valves

SH

Shuttle  
Valves

LM

Load/Motor  
Controls

FC

Flow  
Controls

PC

Pressure  
Controls

LE

Logic  
Elements

DC

Directional  
Controls

MV

Manual  
Valves

SV

Solenoid  
Valves

PV

Proportional  
Valves

CE

Coils &  
Electronics

BC

Bodies &  
Cavities

TD

Technical  
Data

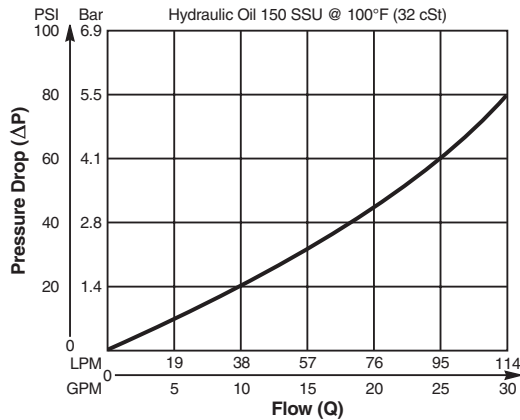
Valve/Cavity Compatibility

For additional information see Technical Tips on pages BC1-BC6.

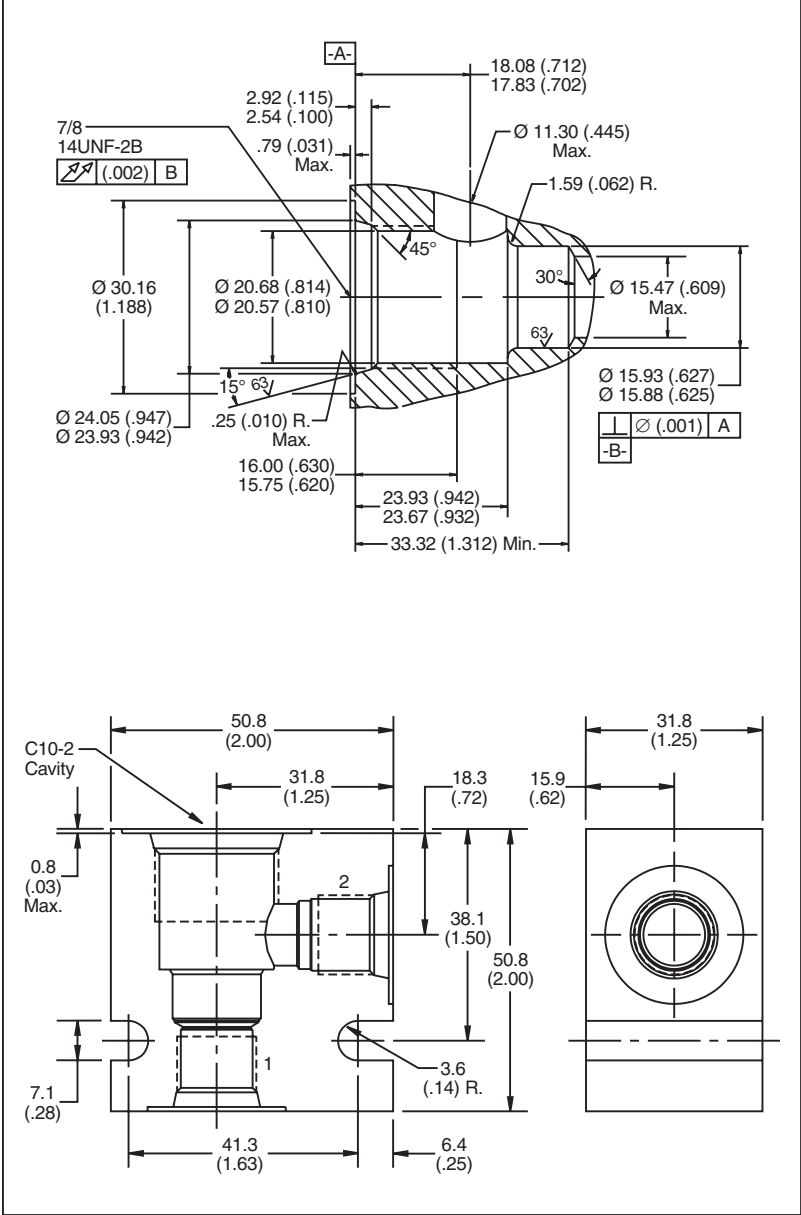
CAVITY	VALVE				
	Winner's Circle	Parker	Waterman	FPS	CEC
Winner's Circle	X	X	X	X	X
Parker	X	X	X		
Waterman	X	X	X		
FPS	X			X	X
CEC	X			X	X

Performance Curve

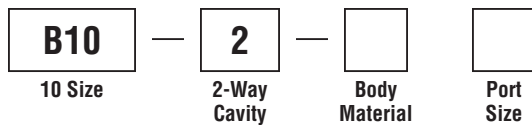
Pressure Drop vs. Flow



Dimensions Millimeters (Inches)



Ordering Information



Code	Body Material
Omit	Steel
A	Aluminum

Code	Port Size
6T	SAE - 6
8T	SAE - 8

Form Tool: Rougher None  
Finisher NFT10-2F

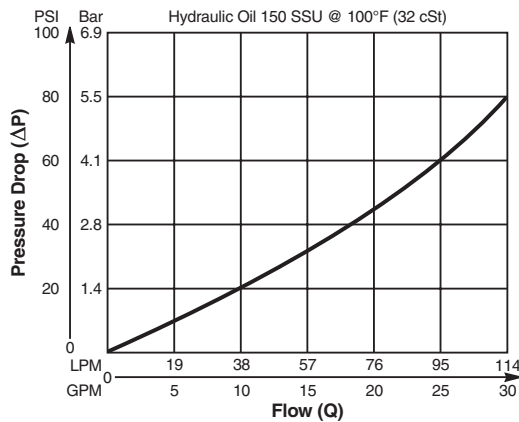
Weight: .45 kg (1.0 lbs.)

**Valve/Cavity Compatibility**

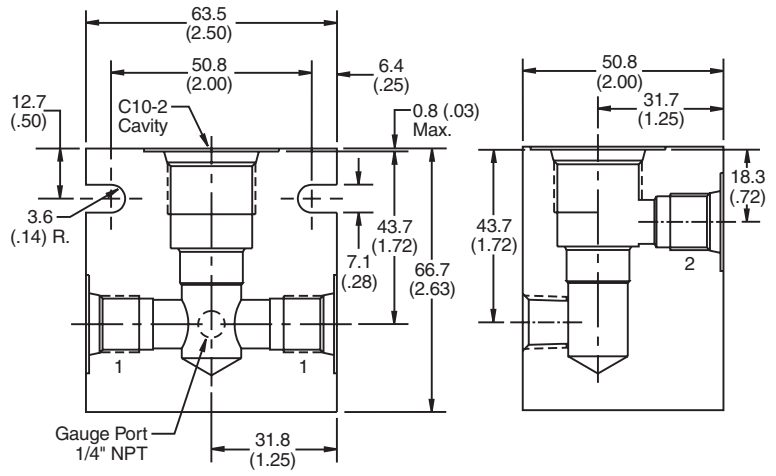
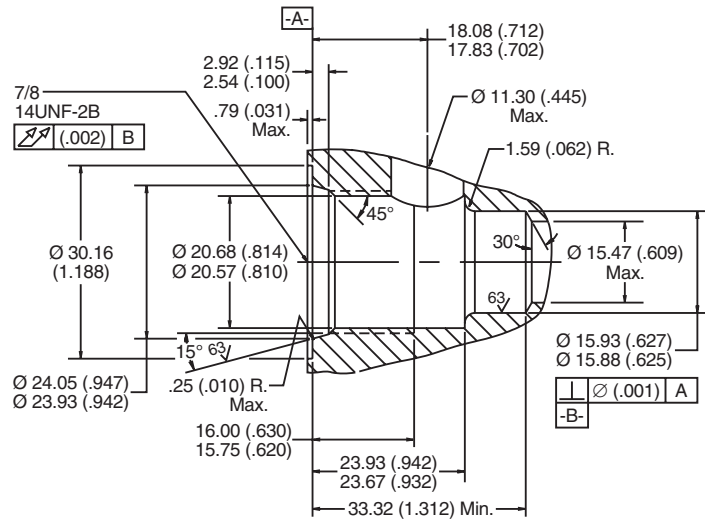
For additional information see Technical Tips on pages BC1-BC6.

		VALVE				
		Winner's Circle	Parker	Waterman	FPS	CEC
CAVITY	Winner's Circle	X	X	X	X	X
	Parker	X	X	X		
	Waterman	X	X	X		
	FPS	X			X	X
	CEC	X			X	X

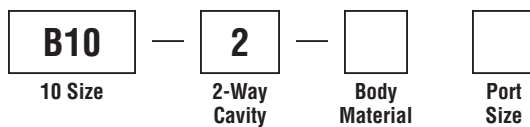
**Performance Curve**  
**Pressure Drop vs. Flow**



**Dimensions** Millimeters (Inches)



**Ordering Information**



Code	Body Material
Omit	Steel

Code	Port Size
T6T	SAE - 6
T8T	SAE - 8

**Form Tool:** Rougher None  
 Finisher NFT10-2F  
**Weight:** 1.4 kg (3.0 lbs.)

- CV** Check Valves
- SH** Shuttle Valves
- LM** Load/Motor Controls
- FC** Flow Controls
- PC** Pressure Controls
- LE** Logic Elements
- DC** Directional Controls
- MV** Manual Valves
- SV** Solenoid Valves
- PV** Proportional Valves
- CE** Coils & Electronics
- BC** Bodies & Cavities
- TD** Technical Data

Technical Information

CV

Check Valves

SH

Shuttle Valves

LM

Load/Motor Controls

FC

Flow Controls

PC

Pressure Controls

LE

Logic Elements

DC

Directional Controls

MV

Manual Valves

SV

Solenoid Valves

PV

Proportional Valves

CE

Coils & Electronics

BC

Bodies & Cavities

TD

Technical Data

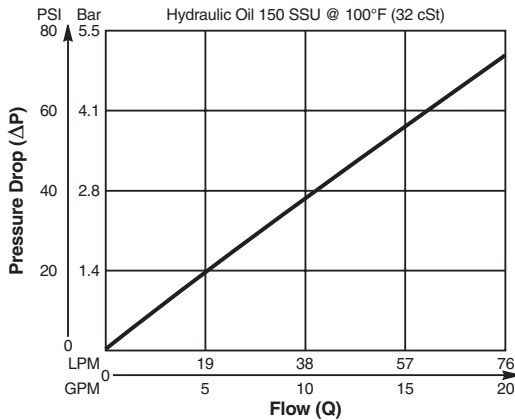
Valve/Cavity Compatibility

For additional information see Technical Tips on pages BC1-BC6.

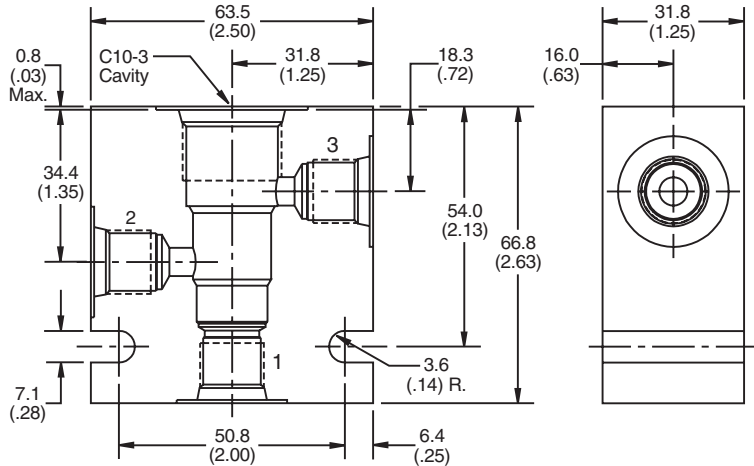
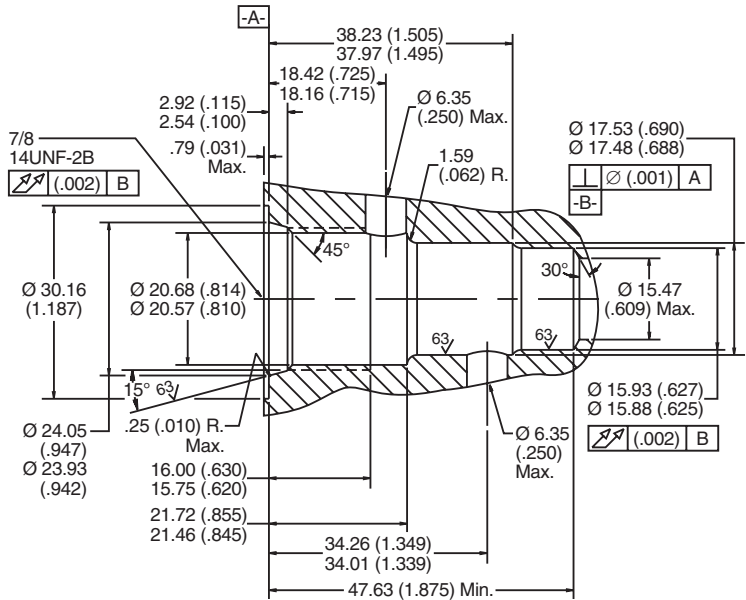
CAVITY	VALVE				
	Winner's Circle	Parker	Waterman	FPS	CEC
Winner's Circle	X	X	X	X	X
Parker	X	X	X	X	X
Waterman	X	X	X	X	X
FPS	X	X	X	X	X
CEC	X	X	X	X	X

Performance Curve

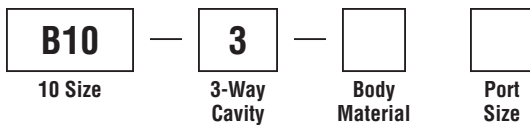
Pressure Drop vs. Flow



Dimensions Millimeters (Inches)



Ordering Information



Code	Body Material
Omit	Steel
A	Aluminum

Code	Port Size
6T	SAE - 6
8T	SAE - 8

**Form Tool:** Rougher NFT10-3R  
 Finisher NFT10-3F  
**Weight:** .77 kg (1.7 lbs.)



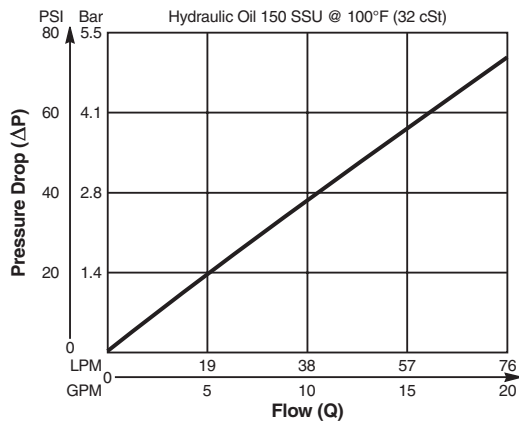
**Valve/Cavity Compatibility**

For additional information see Technical Tips on pages BC1-BC6.

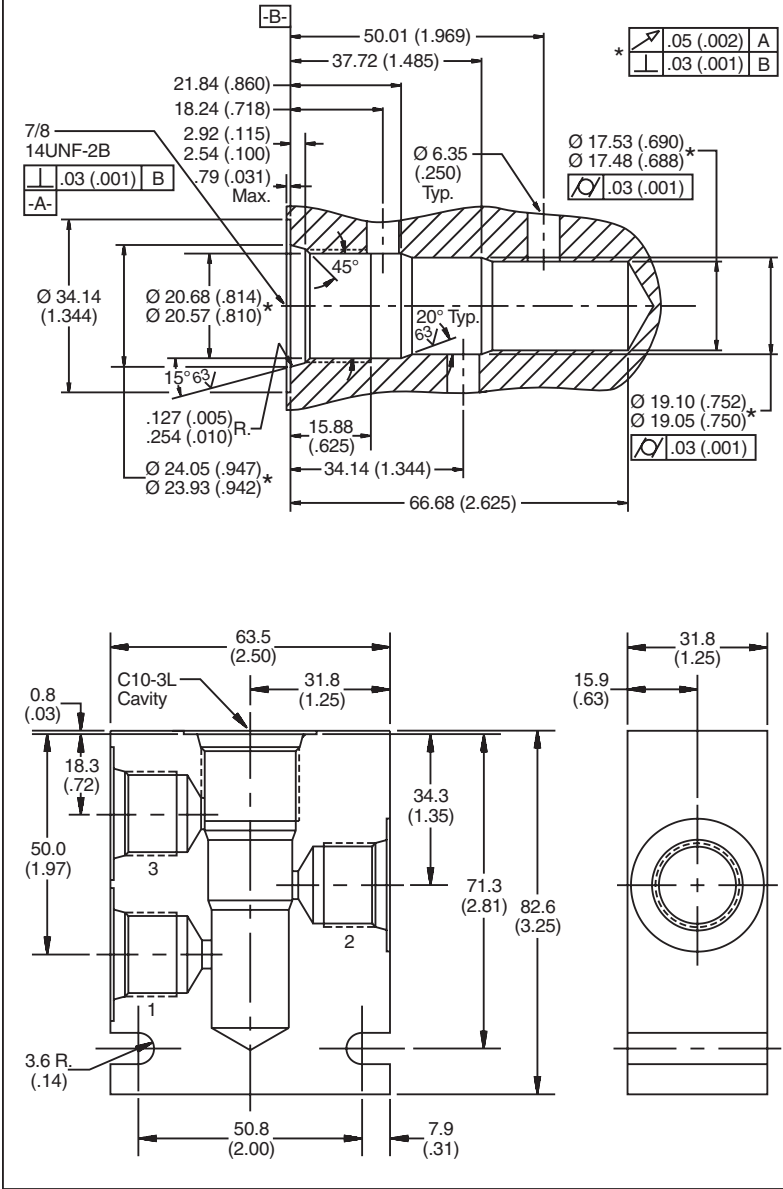
		VALVE				
		Winner's Circle	Parker	Waterman	FPS	CEC
CAVITY	Winner's Circle					
	Parker		X	X	X	
	Waterman		X	X	X	
	FPS		X	X	X	
	CEC					

**Performance Curve**

**Pressure Drop vs. Flow**



**Dimensions** Millimeters (Inches)



**Ordering Information**

Part Number = 4082075

- CV** Check Valves
- SH** Shuttle Valves
- LM** Load/Motor Controls
- FC** Flow Controls
- PC** Pressure Controls
- LE** Logic Elements
- DC** Directional Controls
- MV** Manual Valves
- SV** Solenoid Valves
- PV** Proportional Valves
- CE** Coils & Electronics
- BC** Bodies & Cavities
- TD** Technical Data

**CV**

Check  
Valves

**SH**

Shuttle  
Valves

**LM**

Load/Motor  
Controls

**FC**

Flow  
Controls

**PC**

Pressure  
Controls

**LE**

Logic  
Elements

**DC**

Directional  
Controls

**MV**

Manual  
Valves

**SV**

Solenoid  
Valves

**PV**

Proportional  
Valves

**CE**

Coils &  
Electronics

**BC**

Bodies &  
Cavities

**TD**

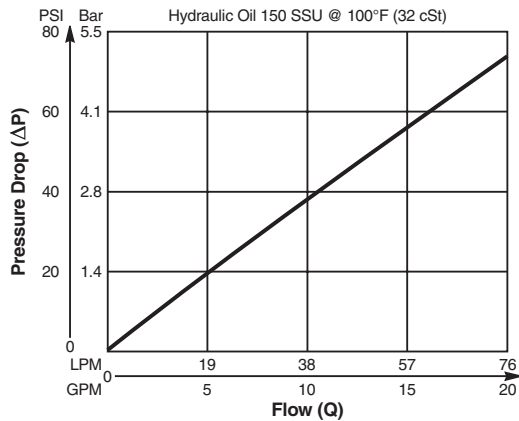
Technical  
Data

**Valve/Cavity Compatibility**

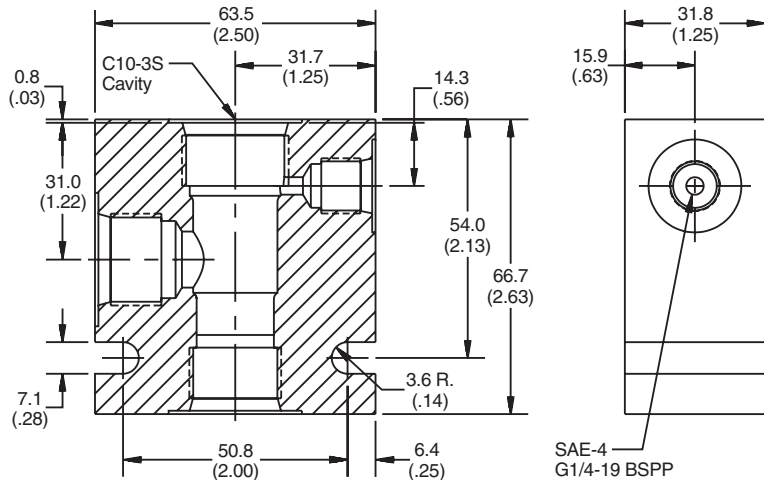
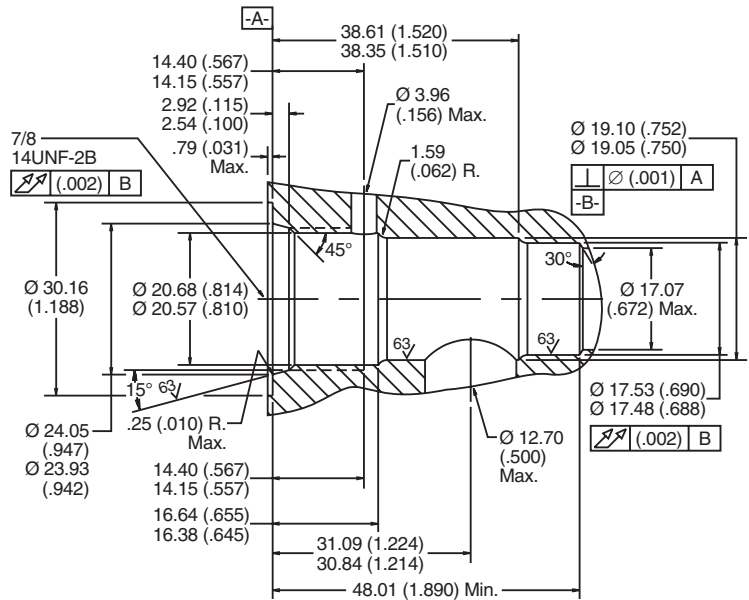
For additional information see Technical Tips on pages BC1-BC6.

		VALVE				
		Winner's Circle	Parker	Waterman	FPS	CEC
CAVITY	Winner's Circle	X			X	X
	Parker					
	Waterman					
	FPS	X			X	X
	CEC	X			X	X

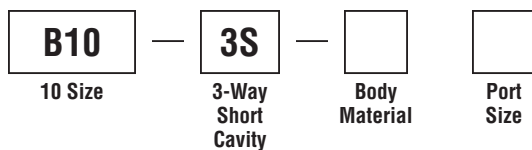
**Performance Curve**  
**Pressure Drop vs. Flow**



**Dimensions** Millimeters (Inches)



**Ordering Information**



Code	Body Material
Omit	Steel
A	Aluminum

Code	Port Size
6T	SAE - 6
8T	SAE - 8

**Form Tool:** Rougher NFT10S-3R  
 Finisher NFT10S-3F  
**Weight:** .77 kg (1.7 lbs.)

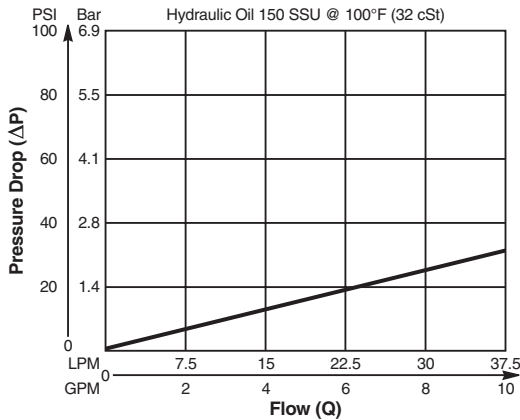
**Valve/Cavity Compatibility**

For additional information see Technical Tips on pages BC1-BC6.

		VALVE				
		Winner's Circle	Parker	Waterman	FPS	CEC
CAVITY	Winner's Circle	X	X	X	X	X
	Parker	X	X	X	X	X
	Waterman	X	X	X	X	X
	FPS	X	X	X	X	X
	CEC	X	X	X	X	X

**Performance Curve**

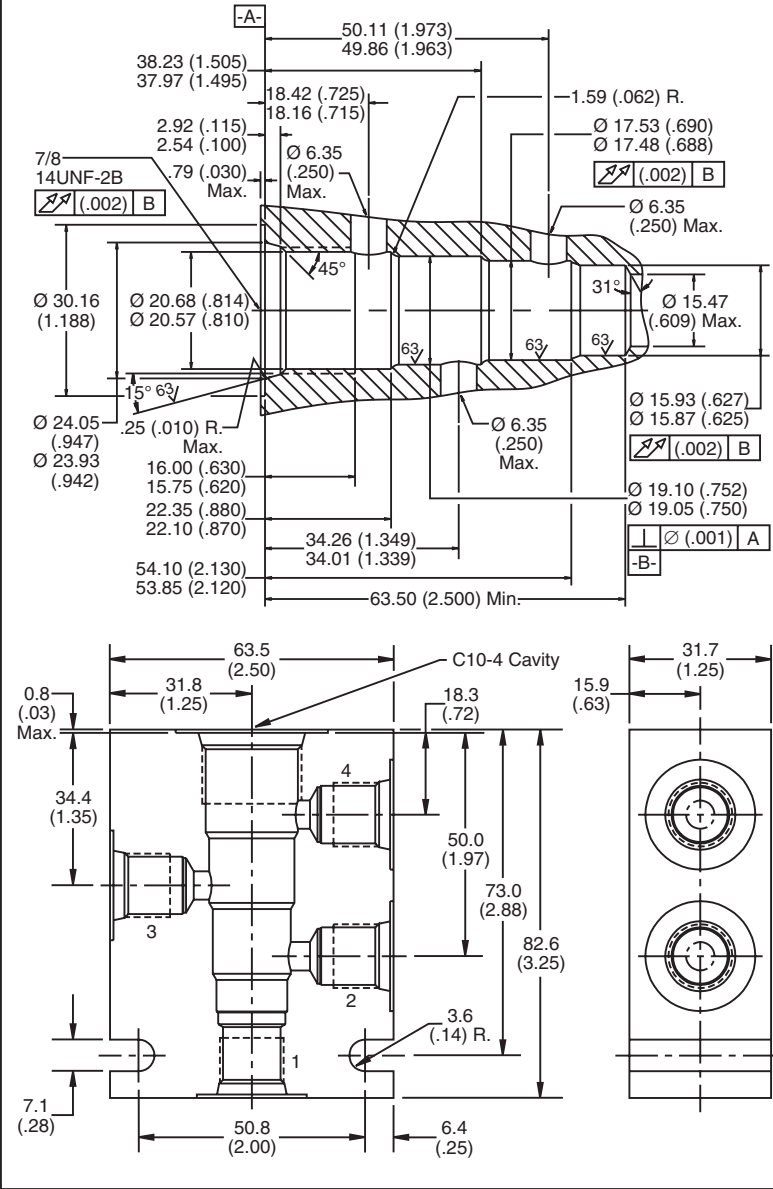
**Pressure Drop vs. Flow**



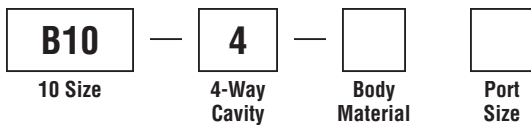
**NOTE:**

When machining for use with DF102P, Ports 1 and 4 must be connected in the manifold/block.

**Dimensions** Millimeters (Inches)



**Ordering Information**



Code	Body Material
Omit	Steel
A	Aluminum

Code	Port Size
6T	SAE - 6
8T	SAE - 8

**Form Tool:** Rougher NFT10-4R  
 Finisher NFT10-4F

**Weight:** .90 kg (2.0 lbs.)

- CV** Check Valves
- SH** Shuttle Valves
- LM** Load/Motor Controls
- FC** Flow Controls
- PC** Pressure Controls
- LE** Logic Elements
- DC** Directional Controls
- MV** Manual Valves
- SV** Solenoid Valves
- PV** Proportional Valves
- CE** Coils & Electronics
- BC** Bodies & Cavities
- TD** Technical Data

Technical Information

CV

Check Valves

SH

Shuttle Valves

LM

Load/Motor Controls

FC

Flow Controls

PC

Pressure Controls

LE

Logic Elements

DC

Directional Controls

MV

Manual Valves

SV

Solenoid Valves

PV

Proportional Valves

CE

Coils & Electronics

BC

Bodies & Cavities

TD

Technical Data

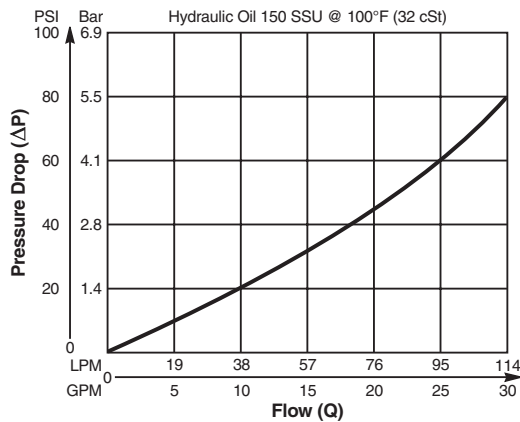
Valve/Cavity Compatibility

For additional information see Technical Tips on pages BC1-BC6.

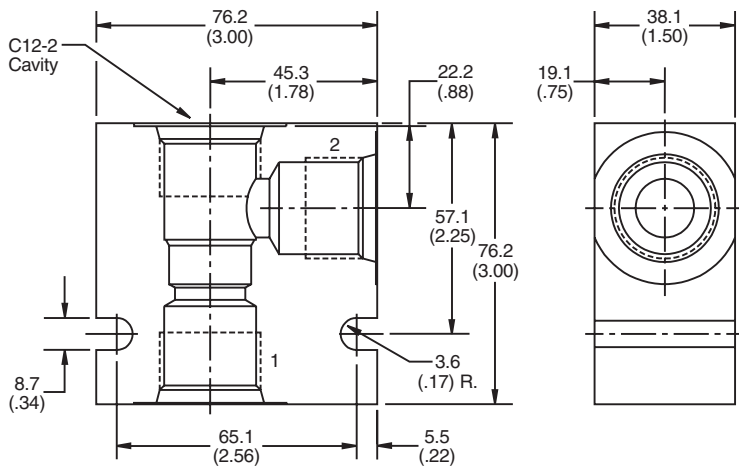
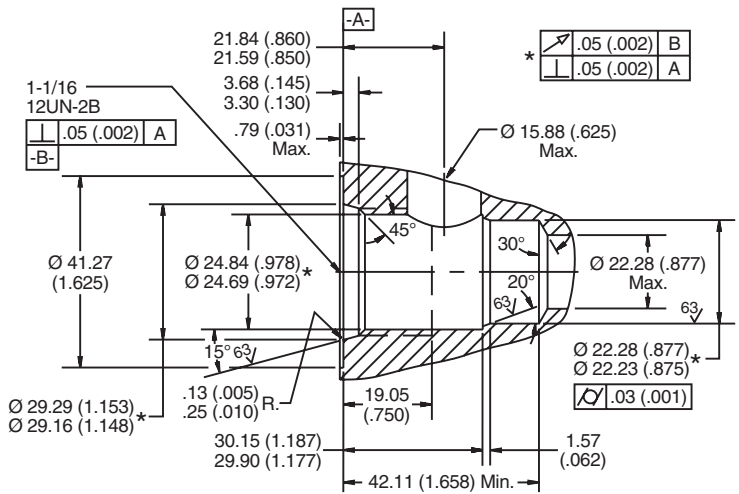
CAVITY	VALVE				
	Winner's Circle	Parker	Waterman	FPS	CEC
Winner's Circle	X	X	X		
Parker	X	X	X		
Waterman	X	X	X		
FPS					
CEC					X

Performance Curve

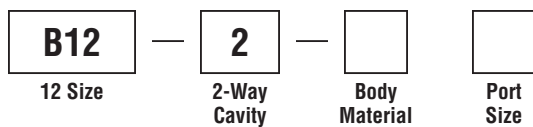
Pressure Drop vs. Flow



Dimensions Millimeters (Inches)



Ordering Information



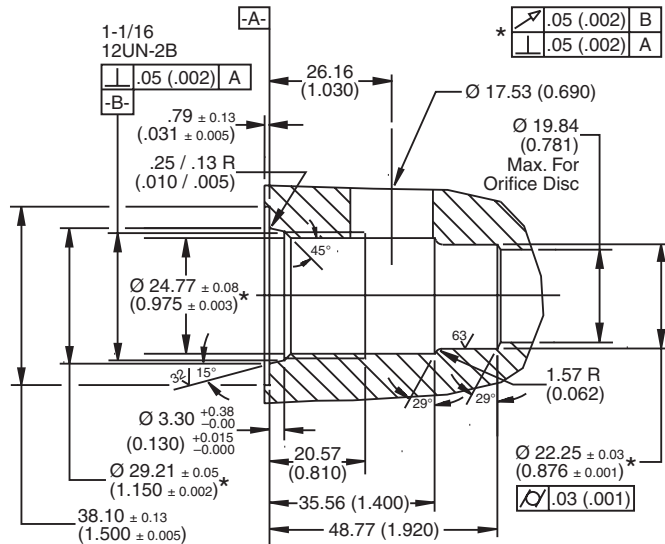
Code	Body Material
Omit	Steel
A	Aluminum

Code	Port Size
8T	SAE - 8
12T	SAE - 12

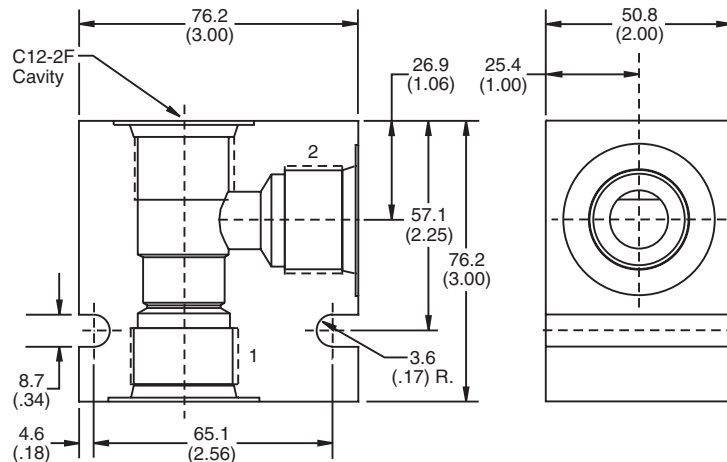
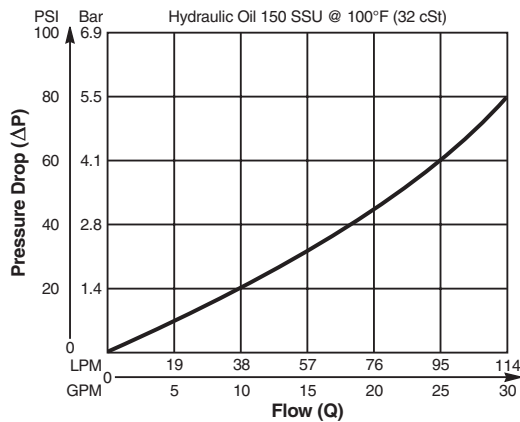
Form Tool: Rougher None  
Finisher NFT12-2F

Weight: .45 kg (1.0 lbs.)

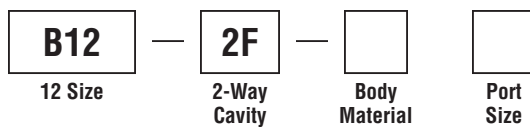
**Dimensions** Millimeters (Inches)



**Performance Curve**  
**Pressure Drop vs. Flow**



**Ordering Information**



Code	Body Material
Omit	Steel
A	Aluminum

Code	Port Size
8T	SAE - 8
12T	SAE - 12

**Form Tool:** Rougher None  
 Finisher NFT12-2F  
**Weight:** .30 kg (.65 lbs.)

- CV** Check Valves
- SH** Shuttle Valves
- LM** Load/Motor Controls
- FC** Flow Controls
- PC** Pressure Controls
- LE** Logic Elements
- DC** Directional Controls
- MV** Manual Valves
- SV** Solenoid Valves
- PV** Proportional Valves
- CE** Coils & Electronics
- BC** Bodies & Cavities
- TD** Technical Data

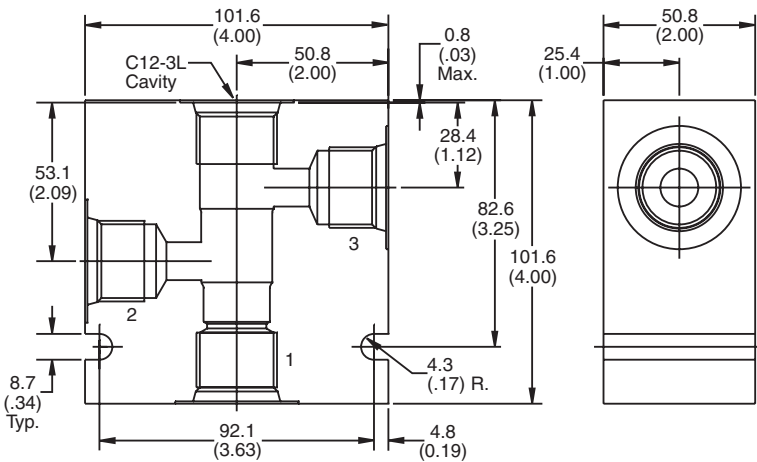
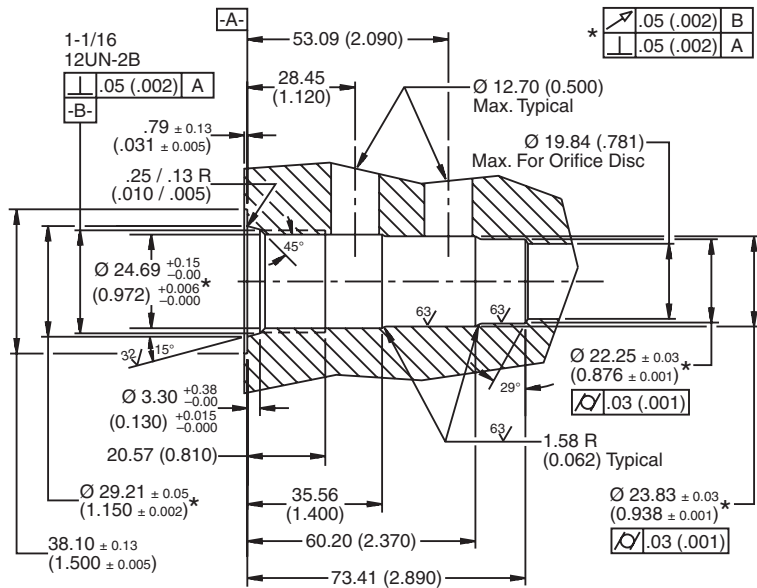


**Valve/Cavity Compatibility**

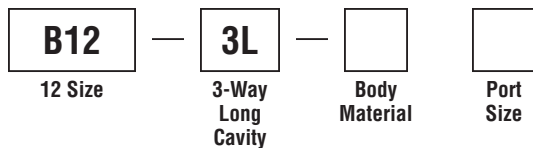
For additional information see Technical Tips on pages BC1-BC6.

**Performance Curve**  
**Pressure Drop vs. Flow**

**Dimensions** Millimeters (Inches)



**Ordering Information**



Code	Body Material
Omit	Steel
A	Aluminum

Code	Port Size
12T	SAE - 12

**Form Tool:** Rougher NFT12L-3R  
 Finisher NFT12L-3F

**Weight:**

- CV** Check Valves
- SH** Shuttle Valves
- LM** Load/Motor Controls
- FC** Flow Controls
- PC** Pressure Controls
- LE** Logic Elements
- DC** Directional Controls
- MV** Manual Valves
- SV** Solenoid Valves
- PV** Proportional Valves
- CE** Coils & Electronics
- BC** Bodies & Cavities
- TD** Technical Data



**CV**

Check  
Valves

**SH**

Shuttle  
Valves

**LM**

Load/Motor  
Controls

**FC**

Flow  
Controls

**PC**

Pressure  
Controls

**LE**

Logic  
Elements

**DC**

Directional  
Controls

**MV**

Manual  
Valves

**SV**

Solenoid  
Valves

**PV**

Proportional  
Valves

**CE**

Coils &  
Electronics

**BC**

Bodies &  
Cavities

**TD**

Technical  
Data

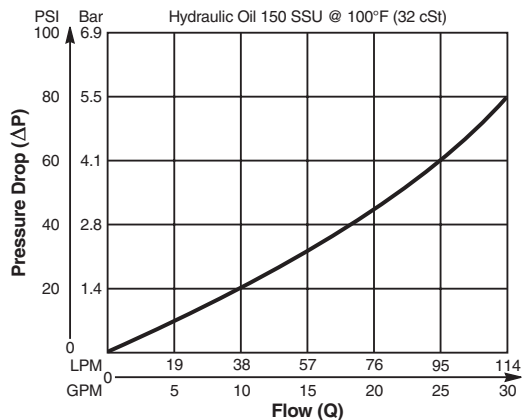
**Valve/Cavity Compatibility**

For additional information see Technical Tips on pages BC1-BC6.

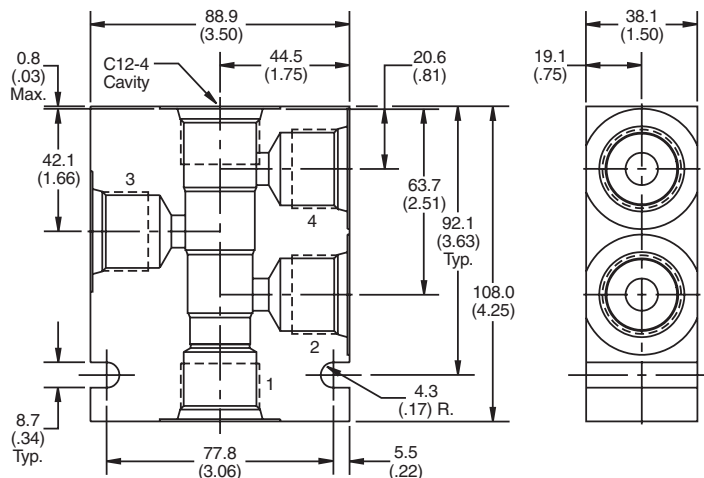
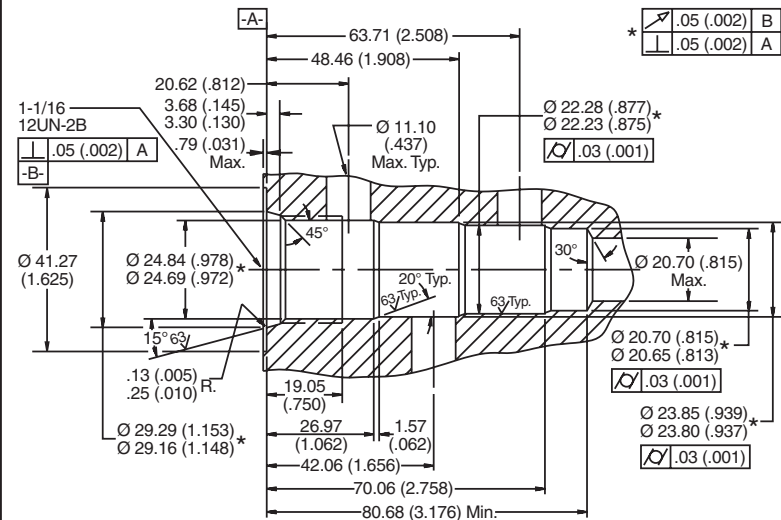
CAVITY	VALVE				
	Winner's Circle	Parker	Waterman	FPS	CEC
Winner's Circle	X	X	X		
Parker	X	X	X		
Waterman	X	X	X		
FPS					
CEC					X

**Performance Curve**

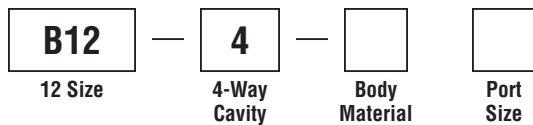
**Pressure Drop vs. Flow**



**Dimensions** Millimeters (Inches)



**Ordering Information**



Code	Body Material
Omit	Steel
A	Aluminum

Code	Port Size
12T	SAE - 12

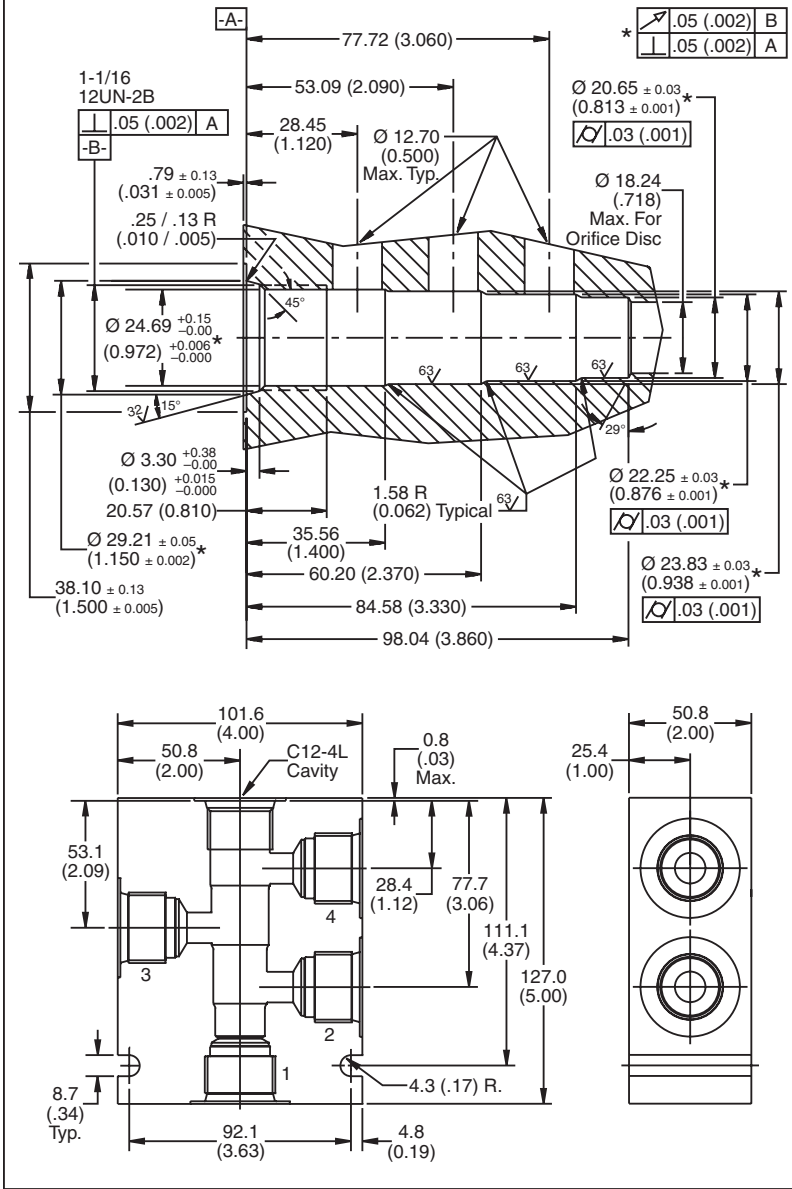
**Form Tool:** Rougher NFT12-4R  
 Finisher NFT12-4F  
**Weight:** 3.3 kg (7.3 lbs.)

**Valve/Cavity Compatibility**

For additional information see Technical Tips on pages BC1-BC6.

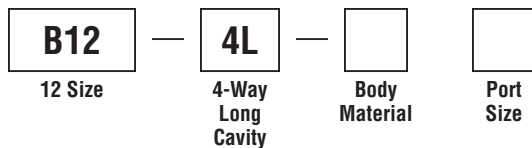
**Performance Curve**  
**Pressure Drop vs. Flow**

**Dimensions** Millimeters (Inches)



- CV** Check Valves
- SH** Shuttle Valves
- LM** Load/Motor Controls
- FC** Flow Controls
- PC** Pressure Controls
- LE** Logic Elements
- DC** Directional Controls
- MV** Manual Valves
- SV** Solenoid Valves
- PV** Proportional Valves
- CE** Coils & Electronics
- BC** Bodies & Cavities
- TD** Technical Data

**Ordering Information**



Code	Body Material
Omit	Steel
A	Aluminum

Code	Port Size
12T	SAE - 12

**Form Tool:** Rougher NFT12L-4R  
 Finisher NFT12L-4F

**Weight:**

Technical Information

16 Size, 2-Way

CV

Check Valves

SH

Shuttle Valves

LM

Load/Motor Controls

FC

Flow Controls

PC

Pressure Controls

LE

Logic Elements

DC

Directional Controls

MV

Manual Valves

SV

Solenoid Valves

PV

Proportional Valves

CE

Coils & Electronics

BC

Bodies & Cavities

TD

Technical Data

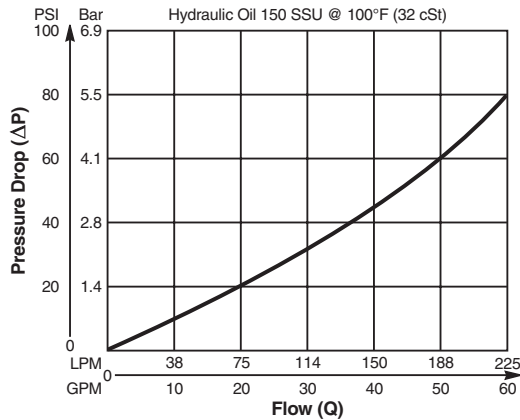
Valve/Cavity Compatibility

For additional information see Technical Tips on pages BC1-BC6.

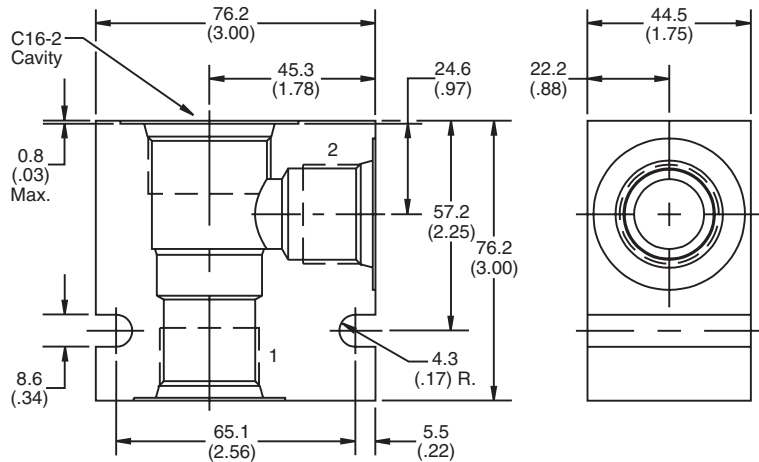
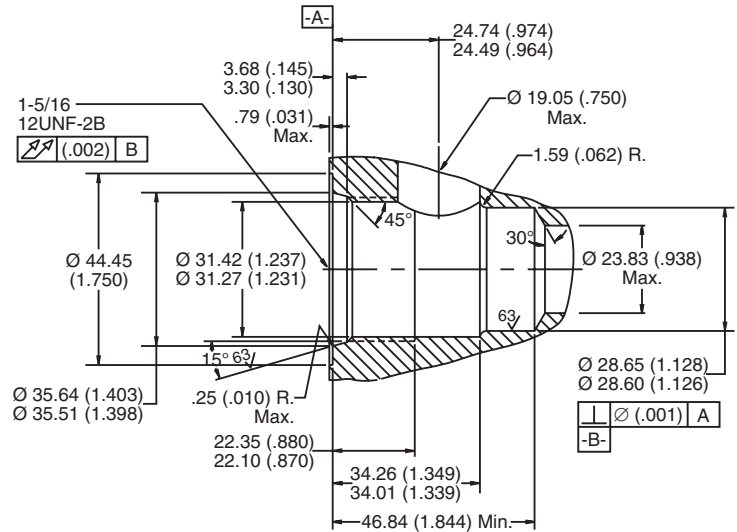
		VALVE				
		Winner's Circle	Parker	Waterman	FPS	CEC
CAVITY	Winner's Circle	X	X	X	X	X
	Parker	X	X	X		
	Waterman	X	X	X		
	FPS	X			X	X
	CEC	X			X	X

Performance Curve

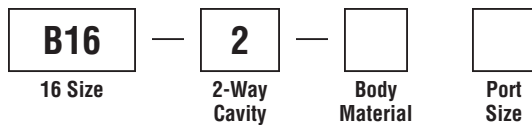
Pressure Drop vs. Flow



Dimensions Millimeters (Inches)



Ordering Information



Code	Body Material
Omit	Steel
A	Aluminum

Code	Port Size
8T	SAE - 8
12T	SAE - 12
16T	SAE - 16

**Form Tool:** Rougher None  
Finisher NFT16-2F  
**Weight:** 1.5 kg (3.4 lbs.)

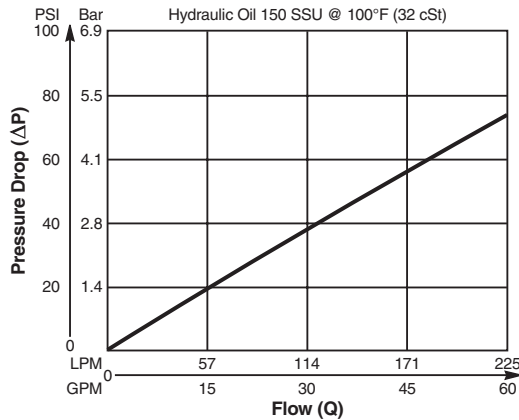
**Valve/Cavity Compatibility**

For additional information see Technical Tips on pages BC1-BC6.

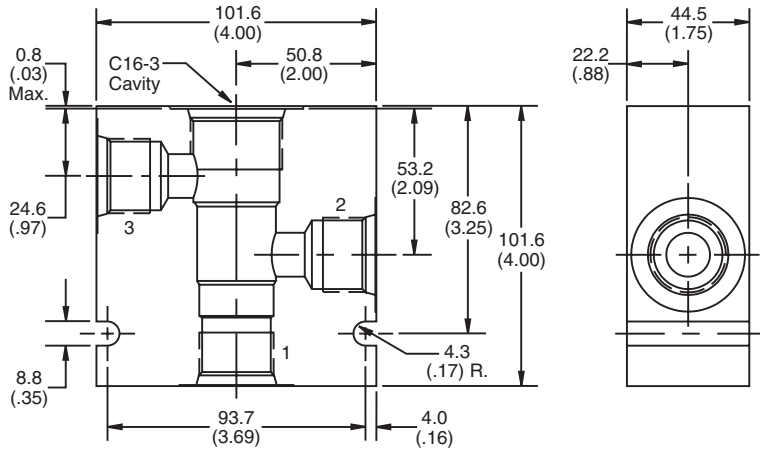
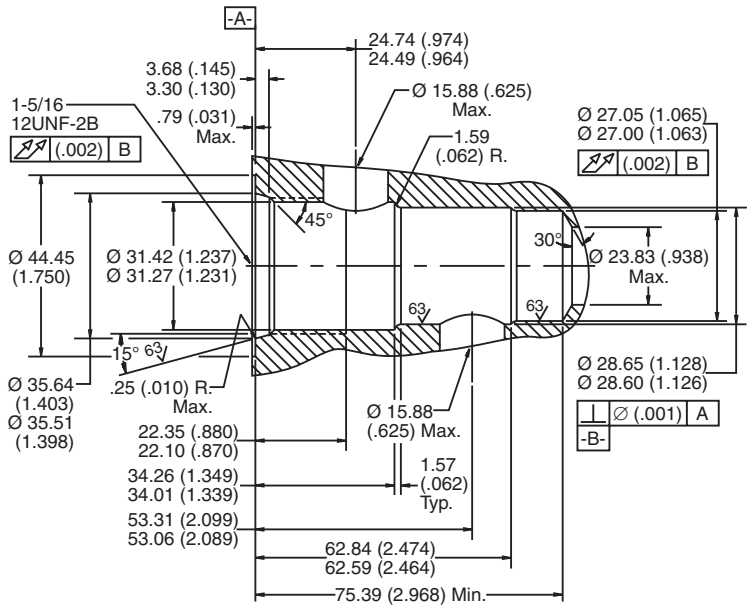
		VALVE				
		Winner's Circle	Parker	Waterman	FPS	CEC
CAVITY	Winner's Circle	X	X	X	X	X
	Parker	X	X	X		
	Waterman	X	X	X		
	FPS	X			X	X
	CEC	X			X	X

**Performance Curve**

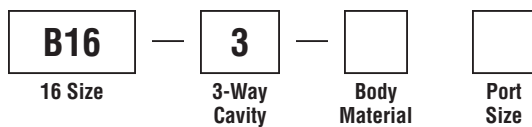
**Pressure Drop vs. Flow**



**Dimensions** Millimeters (Inches)



**Ordering Information**



Code	Body Material
Omit	Steel
A	Aluminum

Code	Port Size
12T	SAE - 12
16T	SAE - 16

**Form Tool:** Rougher NFT16-3R  
 Finisher NFT16-3F  
**Weight:** 3.0 kg (6.5 lbs.)

- CV** Check Valves
- SH** Shuttle Valves
- LM** Load/Motor Controls
- FC** Flow Controls
- PC** Pressure Controls
- LE** Logic Elements
- DC** Directional Controls
- MV** Manual Valves
- SV** Solenoid Valves
- PV** Proportional Valves
- CE** Coils & Electronics
- BC** Bodies & Cavities
- TD** Technical Data

Technical Information

CV

Check Valves

SH

Shuttle Valves

LM

Load/Motor Controls

FC

Flow Controls

PC

Pressure Controls

LE

Logic Elements

DC

Directional Controls

MV

Manual Valves

SV

Solenoid Valves

PV

Proportional Valves

CE

Coils & Electronics

BC

Bodies & Cavities

TD

Technical Data

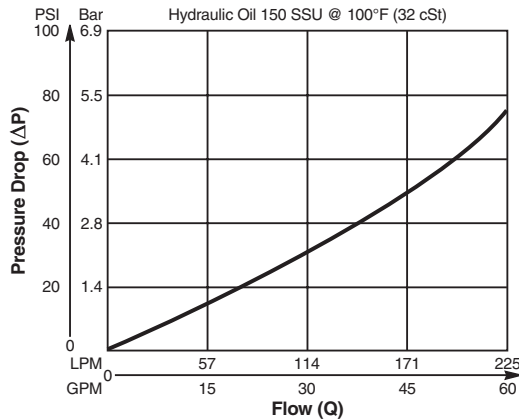
Valve/Cavity Compatibility

For additional information see Technical Tips on pages BC1-BC6.

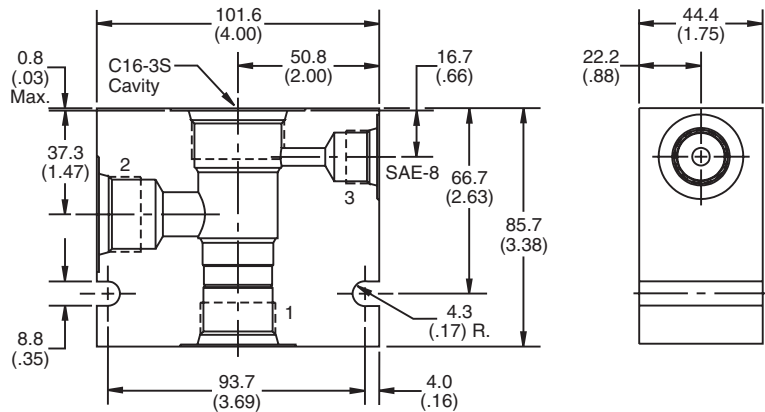
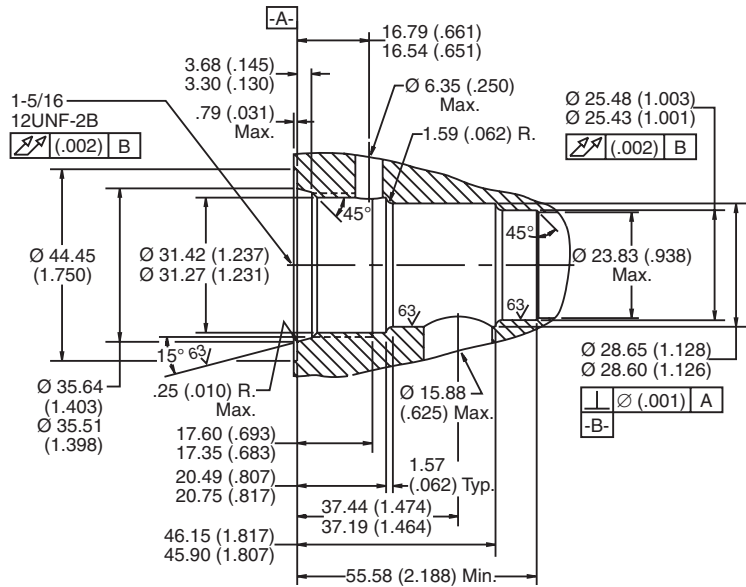
CAVITY	VALVE				
	Winner's Circle	Parker	Waterman	FPS	CEC
Winner's Circle	X	X	X	X	X
Parker	X	X	X	X	X
Waterman	X	X	X	X	X
FPS	X	X	X	X	X
CEC	X	X	X	X	X

Performance Curve

Pressure Drop vs. Flow



Dimensions Millimeters (Inches)



Ordering Information

**B16** — **3S** —    
 16 Size      3-Way Short Cavity      Body Material      Port Size

Code	Body Material
Omit	Steel
A	Aluminum

Code	Port Size
16T	SAE - 16

**Form Tool:** Rougher NFT16S-3R  
 Finisher NFT16S-3F  
**Weight:** 2.4 kg (5.4 lbs.)

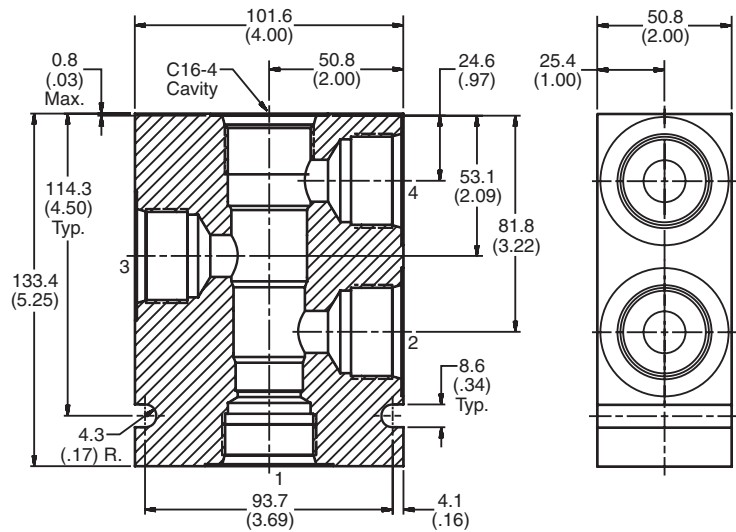
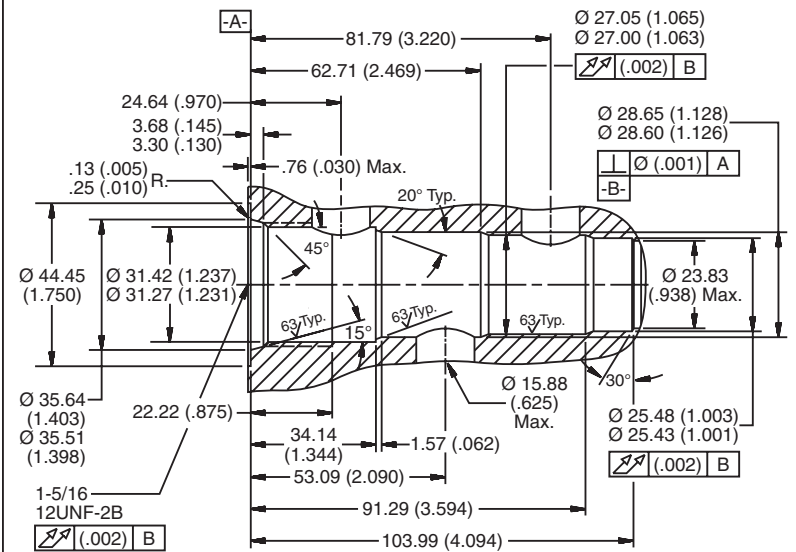
**Valve/Cavity Compatibility**

For additional information see Technical Tips on pages BC1-BC6.

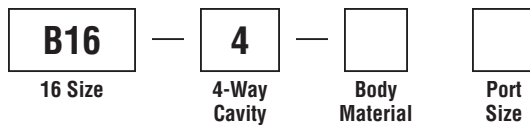
		VALVE				
		Winner's Circle	Parker	Waterman	FPS	CEC
CAVITY	Winner's Circle	X	X	X	X	X
	Parker	X	X	X		
	Waterman	X	X	X		
	FPS	X			X	X
	CEC	X			X	X

**Performance Curve**  
**Pressure Drop vs. Flow**

**Dimensions** Millimeters (Inches)



**Ordering Information**



Code	Body Material
Omit	Steel
A	Aluminum

Code	Port Size
16T	SAE - 16

**Form Tool:** Rougher NFT16-4R  
 Finisher NFT16-4F  
**Weight:** 3.75 kg (8.125 lbs.)

- CV** Check Valves
- SH** Shuttle Valves
- LM** Load/Motor Controls
- FC** Flow Controls
- PC** Pressure Controls
- LE** Logic Elements
- DC** Directional Controls
- MV** Manual Valves
- SV** Solenoid Valves
- PV** Proportional Valves
- CE** Coils & Electronics
- BC** Bodies & Cavities
- TD** Technical Data

Technical Information

CV

Check Valves

SH

Shuttle Valves

LM

Load/Motor Controls

FC

Flow Controls

PC

Pressure Controls

LE

Logic Elements

DC

Directional Controls

MV

Manual Valves

SV

Solenoid Valves

PV

Proportional Valves

CE

Coils & Electronics

BC

Bodies & Cavities

TD

Technical Data

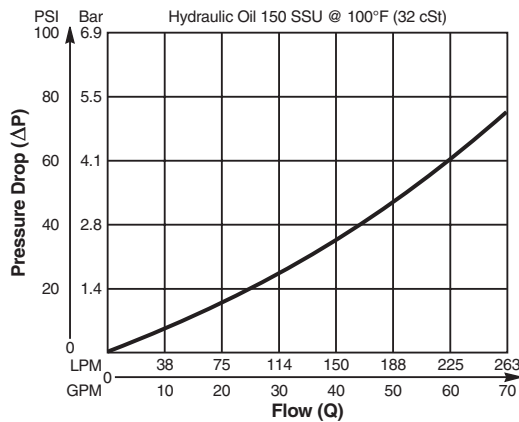
Valve/Cavity Compatibility

For additional information see Technical Tips on pages BC1-BC6.

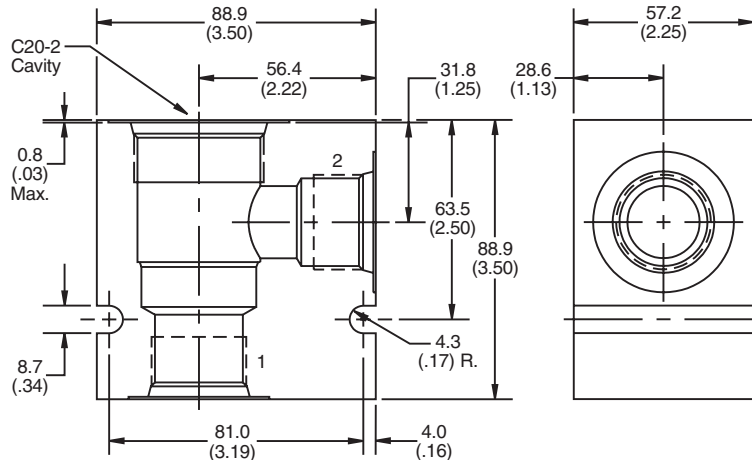
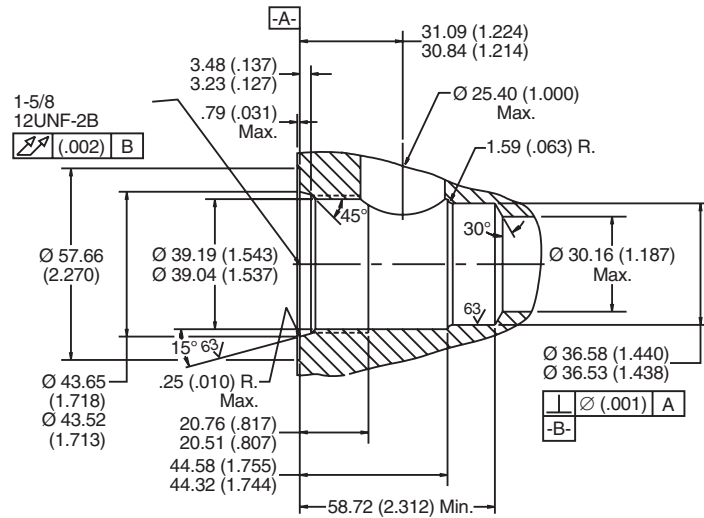
CAVITY	VALVE				
	Winner's Circle	Parker	Waterman	FPS	CEC
Winner's Circle	X	X	X	X	X
Parker	X	X	X	X	X
Waterman	X	X	X	X	X
FPS	X	X	X	X	X
CEC	X	X	X	X	X

Performance Curve

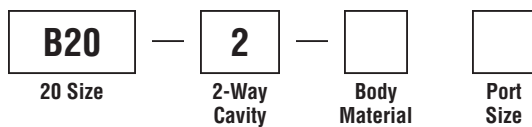
Pressure Drop vs. Flow



Dimensions Millimeters (Inches)



Ordering Information



Code	Body Material
Omit	Steel
A	Aluminum

Code	Port Size
20T	SAE - 20

**Form Tool:** Rougher None  
Finisher NFT20-F  
**Weight:** 6.3 kg (14 lbs.)

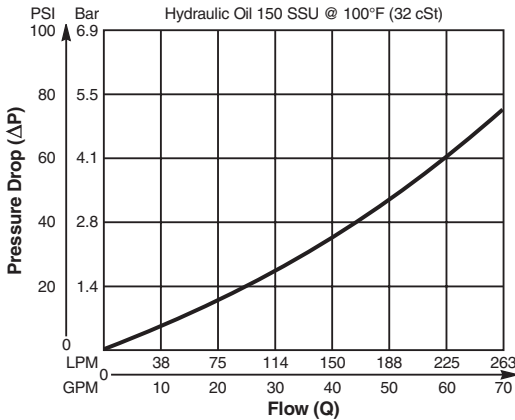


**Valve/Cavity Compatibility**

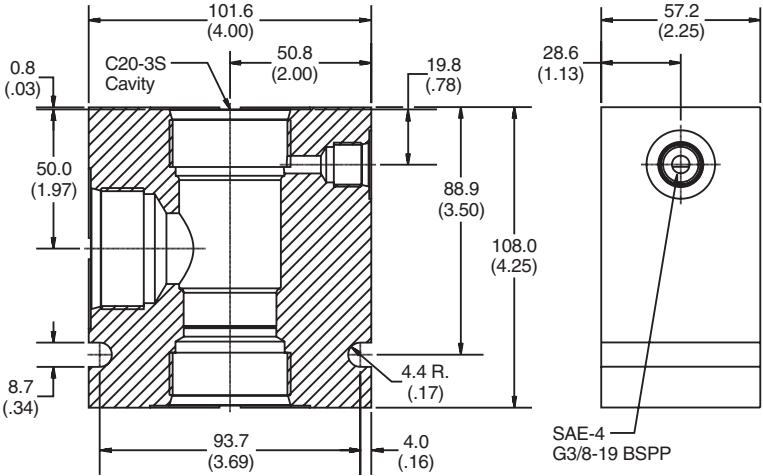
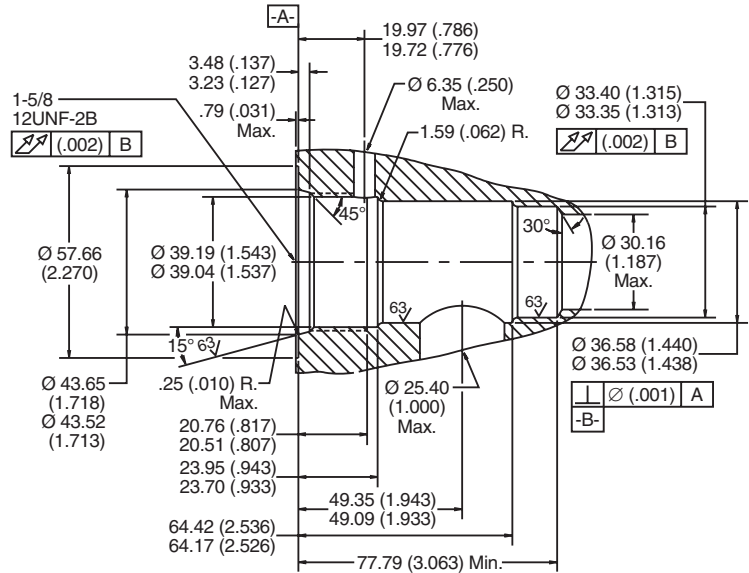
For additional information see Technical Tips on pages BC1-BC6.

		VALVE				
		Winner's Circle	Parker	Waterman	FPS	CEC
CAVITY	Winner's Circle	X				X
	Parker					
	Waterman					
	FPS					
	CEC	X				X

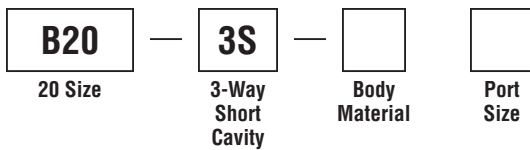
**Performance Curve**  
**Pressure Drop vs. Flow**



**Dimensions** Millimeters (Inches)



**Ordering Information**



Code	Body Material
Omit	Steel

Code	Port Size
20T	SAE - 20

**Form Tool:** Rougher NFT20S-3R  
 Finisher NFT20S-3F  
**Weight:** 10.8 kg (22.2 lbs.)

- CV** Check Valves
- SH** Shuttle Valves
- LM** Load/Motor Controls
- FC** Flow Controls
- PC** Pressure Controls
- LE** Logic Elements
- DC** Directional Controls
- MV** Manual Valves
- SV** Solenoid Valves
- PV** Proportional Valves
- CE** Coils & Electronics
- BC** Bodies & Cavities
- TD** Technical Data



**Valve/Cavity Compatibility**

For additional information see Technical Tips on pages BC1-BC6.

		VALVE	
		MHC-022	2-N-4*-25
CAVITY	MHC-022	X	X
	2-N-4*-25	X	X

**Ordering Information**

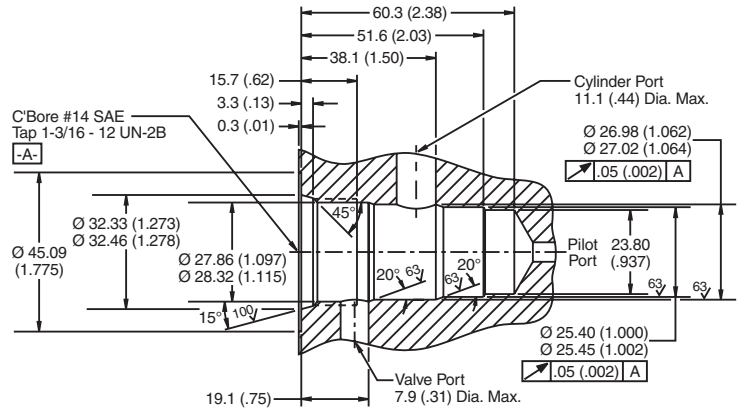
<b>MHC</b>	<b>022</b>		<b>53</b>
Counterbalance Cartridge Valve	Nominal Flow Rating	Body Type	Port Size

Code	Body Type	Code	Port Size
A	Single	53	SAE-10 through port
D	Dual		

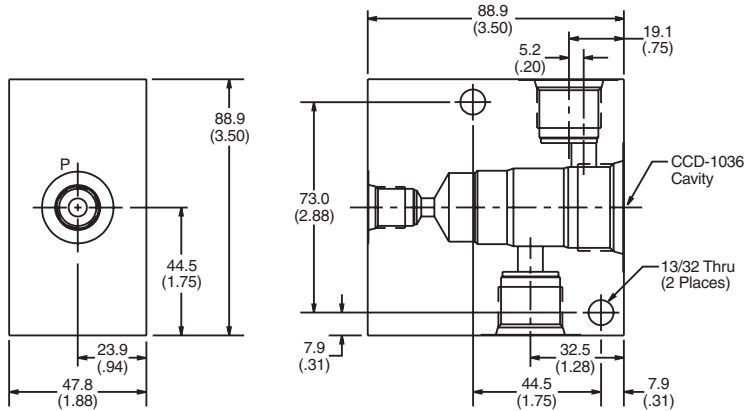
**Form Tool:** FR-501  
**Weight:** Single 1.7 kg (3.75 lbs.)  
 Dual 2.7 kg (5.90 lbs.)

**Dimensions** Millimeters (Inches)

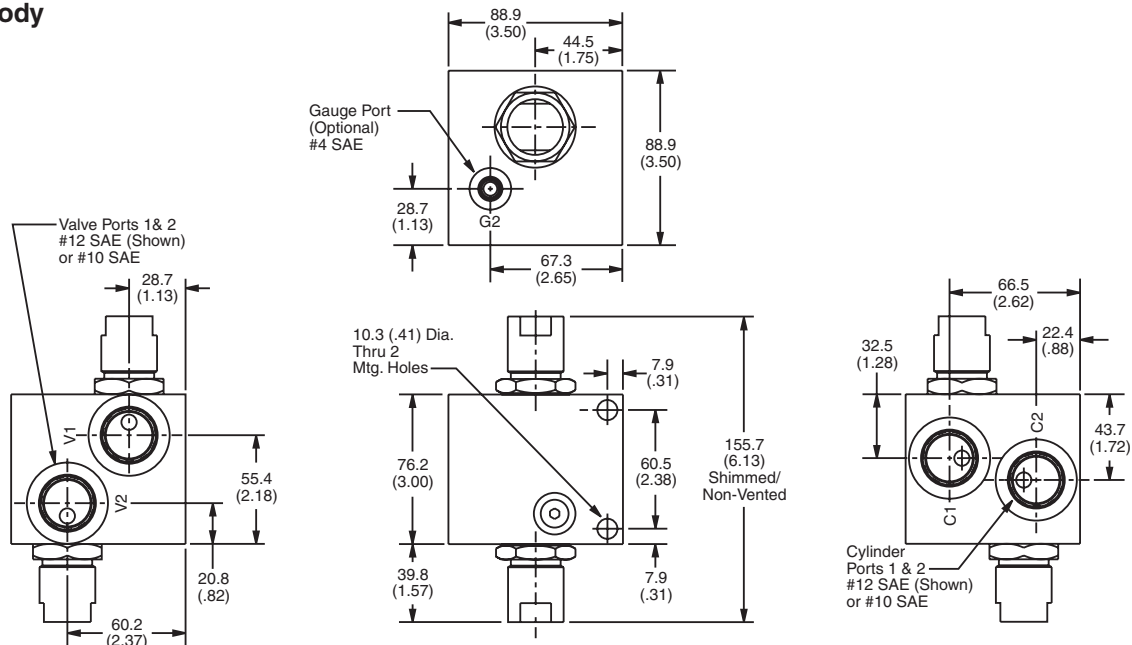
**CDD-1036**



**Single Body**



**Dual Body**



- CV** Check Valves
- SH** Shuttle Valves
- LM** Load/Motor Controls
- FC** Flow Controls
- PC** Pressure Controls
- LE** Logic Elements
- DC** Directional Controls
- MV** Manual Valves
- SV** Solenoid Valves
- PV** Proportional Valves
- CE** Coils & Electronics
- BC** Bodies & Cavities
- TD** Technical Data

**Dimensions** Millimeters (Inches)

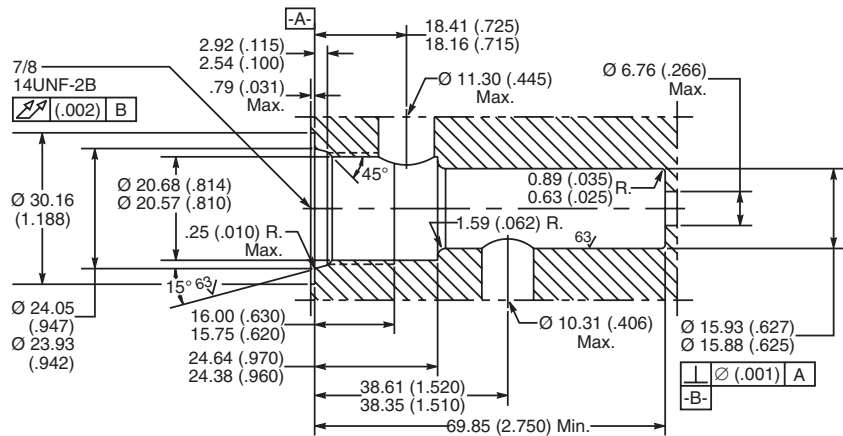
**10 Size Cavity for Single Check and Pilot Piston**

*For Check Valve Use*

CVH103P\*\*

*For Pilot Piston Use*

- 717909 No Seal
- 717909N Buna-N
- 717909V Fluorocarbon



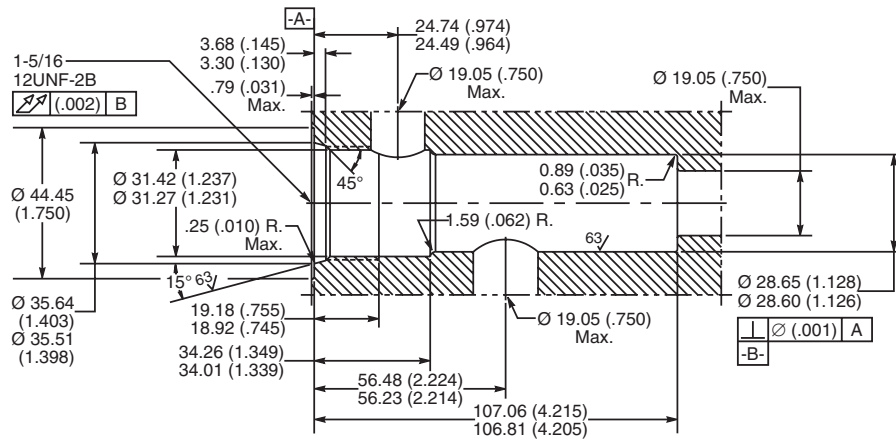
**16 Size Cavity for Single Check and Pilot Piston**

*For Check Valve Use*

CVH161P\*\*

*For Pilot Piston Use*

- 717910 No Seal
- 717910N Buna-N
- 717910V Fluorocarbon



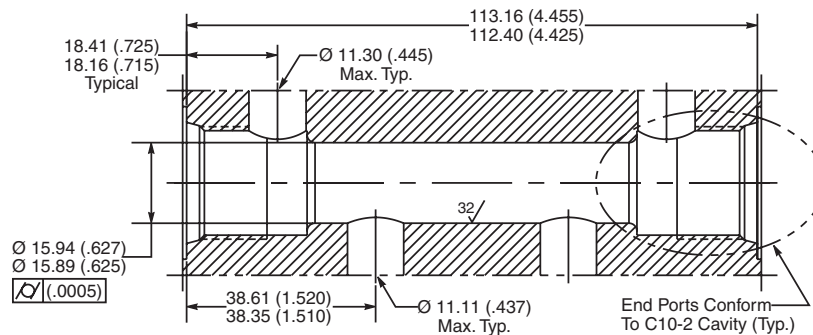
**10 Size Cavity for Dual Check and Pilot Piston**

*For Check Valves Use 2*

CVH103P\*\*

*For Pilot Piston Use*

- 717917 No Seal
- 717917N Buna-N
- 717917V Fluorocarbon



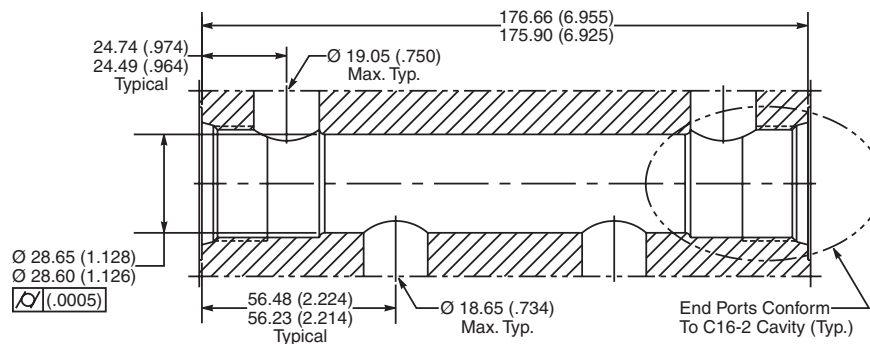
**16 Size Cavity for Dual Check and Pilot Piston**

*For Check Valves Use 2*

CVH161P\*\*

*For Pilot Piston Use*

- 717918 No Seal
- 717918N Buna-N
- 717918V Fluorocarbon



CV Check Valves  
 SH Shuttle Valves  
 LM Load/Motor Controls  
 FC Flow Controls  
 PC Pressure Controls  
 LE Logic Elements  
 DC Directional Controls  
 MV Manual Valves  
 SV Solenoid Valves  
 PV Proportional Valves  
 CE Coils & Electronics  
 BC Bodies & Cavities  
 TD Technical Data

**Technical Information**

**Cavity Plugs**

**General Description**

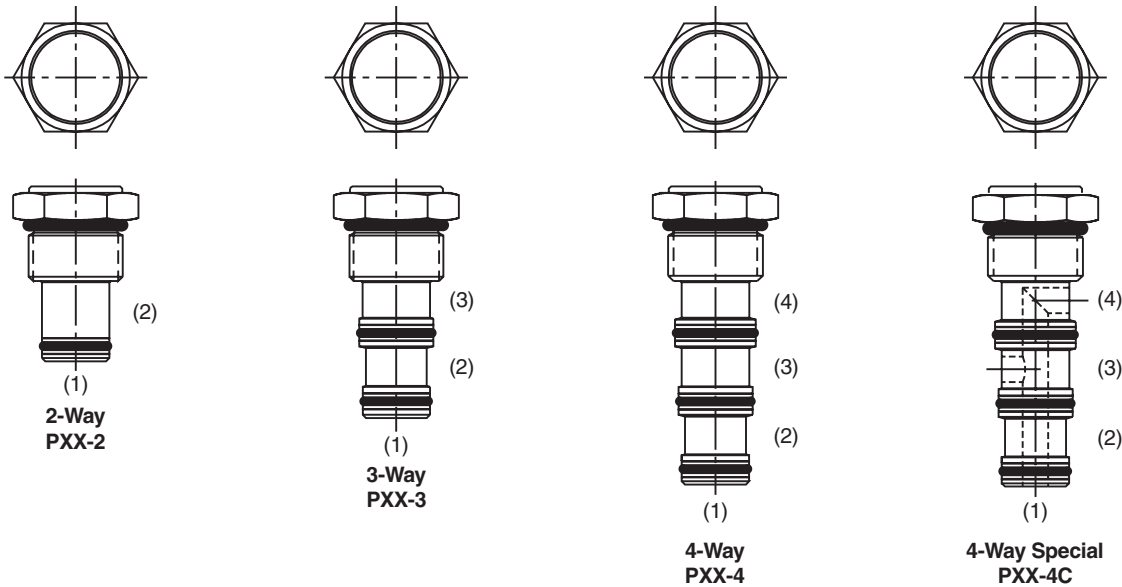
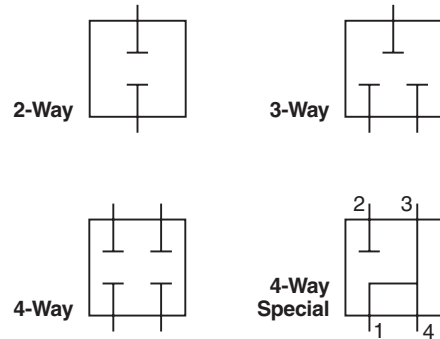
Parker cavity plugs can be used in any Integrated Hydraulic Circuit where one valve serves several machines and/or options. Two machines may have identical circuits except for one having a pressure reducing function, and the other not having this function. The machine that does not require this function can have the pressure reducing function replaced by a cavity plug; thereby utilizing a common body for both machines.

**Specifications**

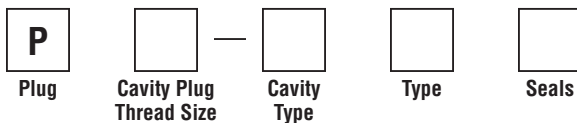
Maximum Working Pressure - 350 Bar (5000 PSI)

Material - Steel

**Symbols**



**Ordering Information**



Code	Cavity Plug Thread Size
08	3/4 - 16
10	7/8 - 14
12	1-1/16 - 12
16	1-5/16 - 12

Consult Factory for Shaded Areas.

Code	Cavity Type
2	Two Way
3	Three Way
4	Four Way

Code	Type								
	Two Way		Three Way			Four Way			
	1	2	1	2	3	1	2	3	4
Omit	C	C	C	C	C	C	C	C	C
A			O	O	C	O	O	O	C
B			O	C	O	O	O	C	O
C			C	O	O	O	C	O	O
D						*O	*O	*C	*C
E						C	O	O	C

Code	Seals
Omit	Nitrile
V	Fluorocarbon

C = Blocked    O = Open  
 \* Only Available In Sizes 08 and 10.  
 Consult Factory for Shaded Areas.

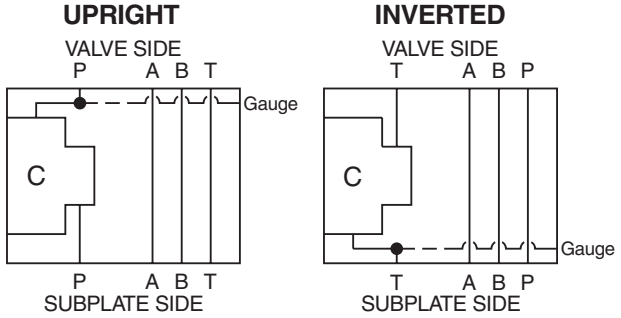
- CV** Check Valves
- SH** Shuttle Valves
- LM** Load/Motor Controls
- FC** Flow Controls
- PC** Pressure Controls
- LE** Logic Elements
- DC** Directional Controls
- MV** Manual Valves
- SV** Solenoid Valves
- PV** Proportional Valves
- CE** Coils & Electronics
- BC** Bodies & Cavities
- TD** Technical Data

- CV** Check Valves
- SH** Shuttle Valves
- LM** Load/Motor Controls
- FC** Flow Controls
- PC** Pressure Controls
- LE** Logic Elements
- DC** Directional Controls
- MV** Manual Valves
- SV** Solenoid Valves
- PV** Proportional Valves
- CE** Coils & Electronics
- BC** Bodies & Cavities
- TD** Technical Data

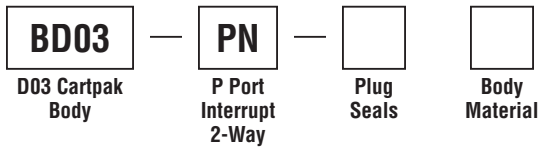
**General Description**

P Port Interrupt, 2-Way, D03 Cartpak Body.  
 For additional information see Technical Tips on pages BC1-BC6.

**Body Schematic**



**Ordering Information**

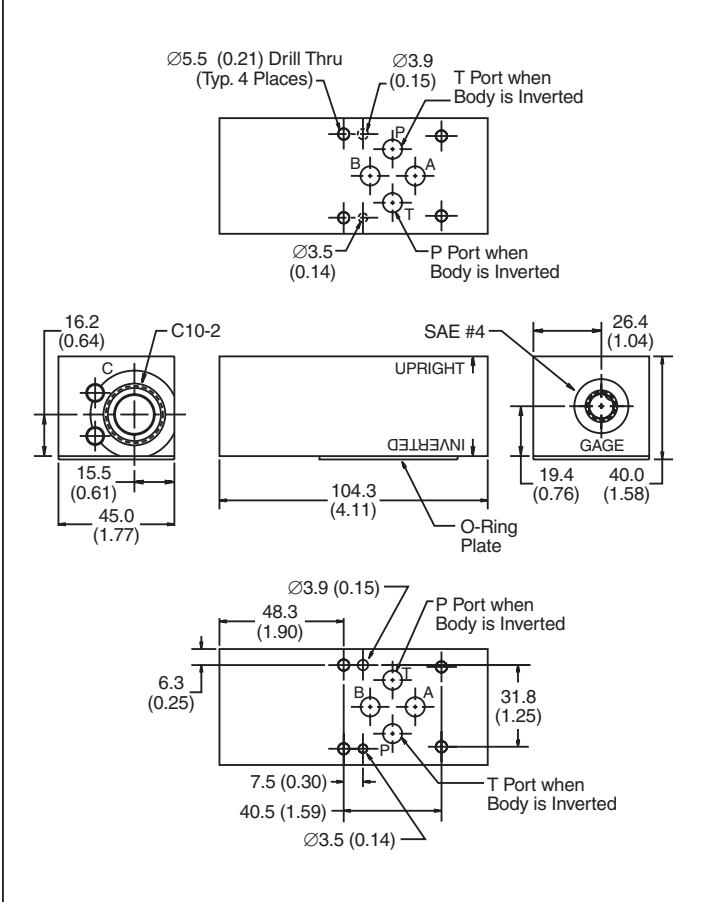


Code	Plug Seals
Omit	Nitrile
V	Fluorocarbon

Code	Body Material
A	Aluminum
S	Steel (Ductile Iron)

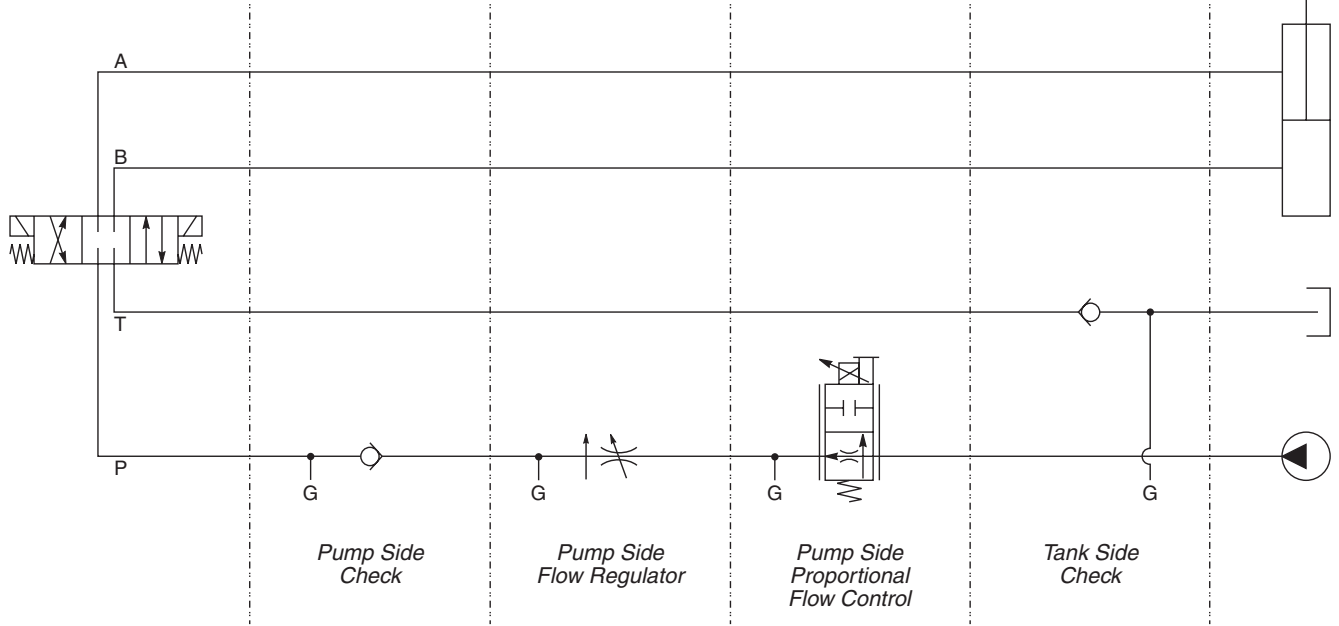
- Body supplied with:**
- Gage Port Plug Installed
  - O-Ring Plate, O-Rings and Drive Pin Kit

**Dimensions** Millimeters (Inches)



**Cavity C:** CVH103P CV102P      **Cavity C:** FR101 FC101 (has check)      **Cavity C:** HP04P      **Cavity C:** CVH103P CV102P

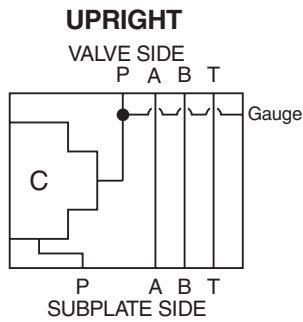
**Direction:** Upright      **Direction:** Upright      **Direction:** Upright      **Direction:** Inverted



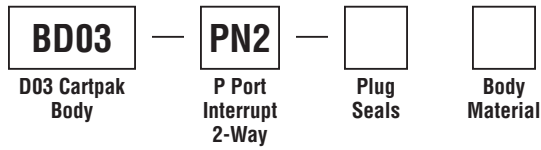
**General Description**

P Port Interrupt, 2-Way, D03 Cartpak Body.  
 For additional information see Technical Tips on pages BC1-BC6.

**Body Schematic**



**Ordering Information**



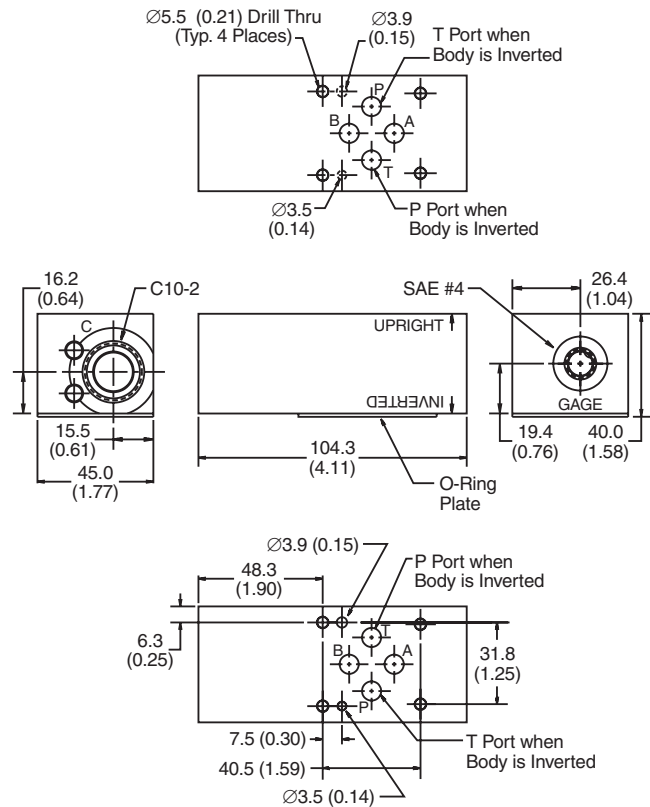
Code	Plug Seals
Omit	Nitrile
V	Fluorocarbon

Code	Body Material
A	Aluminum
S	Steel (Ductile Iron)

**Body supplied with:**

- Gage Port Plug Installed
- O-Ring Plate, O-Rings and Drive Pin Kit

**Dimensions** Millimeters (Inches)

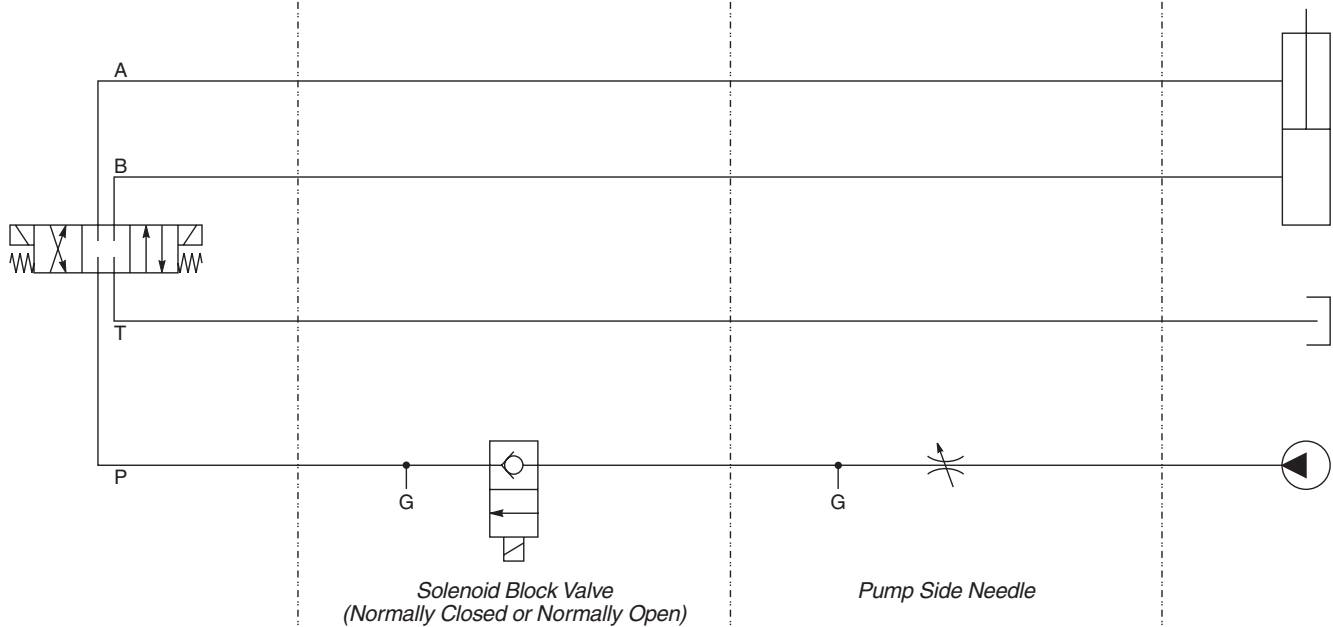


**Cavity C:** DSL101\*  
DSH101\*

**Direction:** Upright

**Cavity C:** NVH101  
FV101

**Direction:** Upright



- CV** Check Valves
- SH** Shuttle Valves
- LM** Load/Motor Controls
- FC** Flow Controls
- PC** Pressure Controls
- LE** Logic Elements
- DC** Directional Controls
- MV** Manual Valves
- SV** Solenoid Valves
- PV** Proportional Valves
- CE** Coils & Electronics
- BC** Bodies & Cavities
- TD** Technical Data



**CV**

Check Valves

**SH**

Shuttle Valves

**LM**

Load/Motor Controls

**FC**

Flow Controls

**PC**

Pressure Controls

**LE**

Logic Elements

**DC**

Directional Controls

**MV**

Manual Valves

**SV**

Solenoid Valves

**PV**

Proportional Valves

**CE**

Coils & Electronics

**BC**

Bodies & Cavities

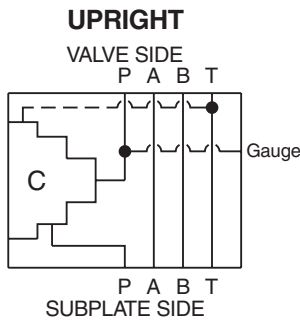
**TD**

Technical Data

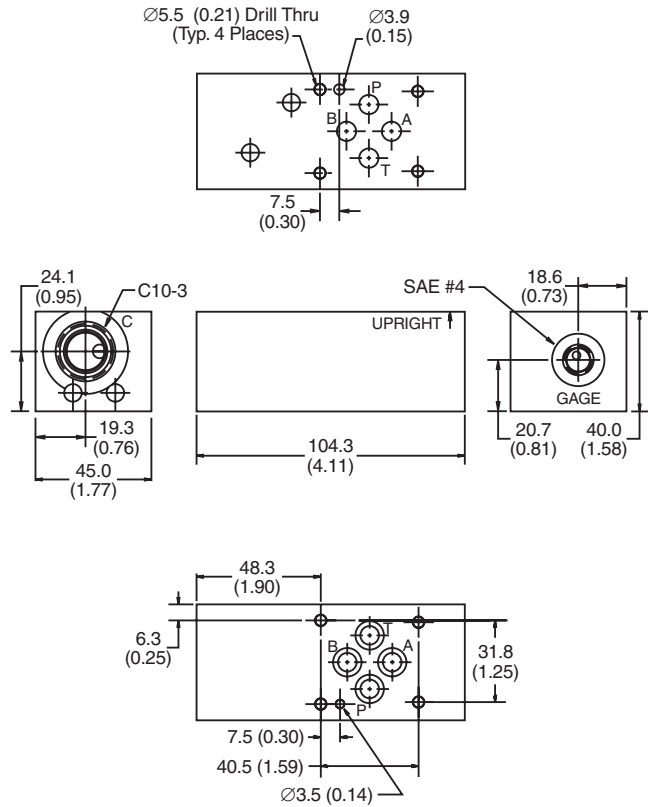
**General Description**

P Port Interrupt, Reducing Function, D03 Cartpak Body. For additional information see Technical Tips on pages BC1-BC6.

**Body Schematic**



**Dimensions** Millimeters (Inches)



**Ordering Information**



Code	Plug Seals
Omit	Nitrile
V	Fluorocarbon

Code	Body Material
A	Aluminum
S	Steel (Ductile Iron)

- Body supplied with:**
- Gage Port Plug Installed
  - O-Rings and Drive Pin

**Cavity C:** PRH102

**Direction:** Upright

**Cavity C:** PRH101  
PR103

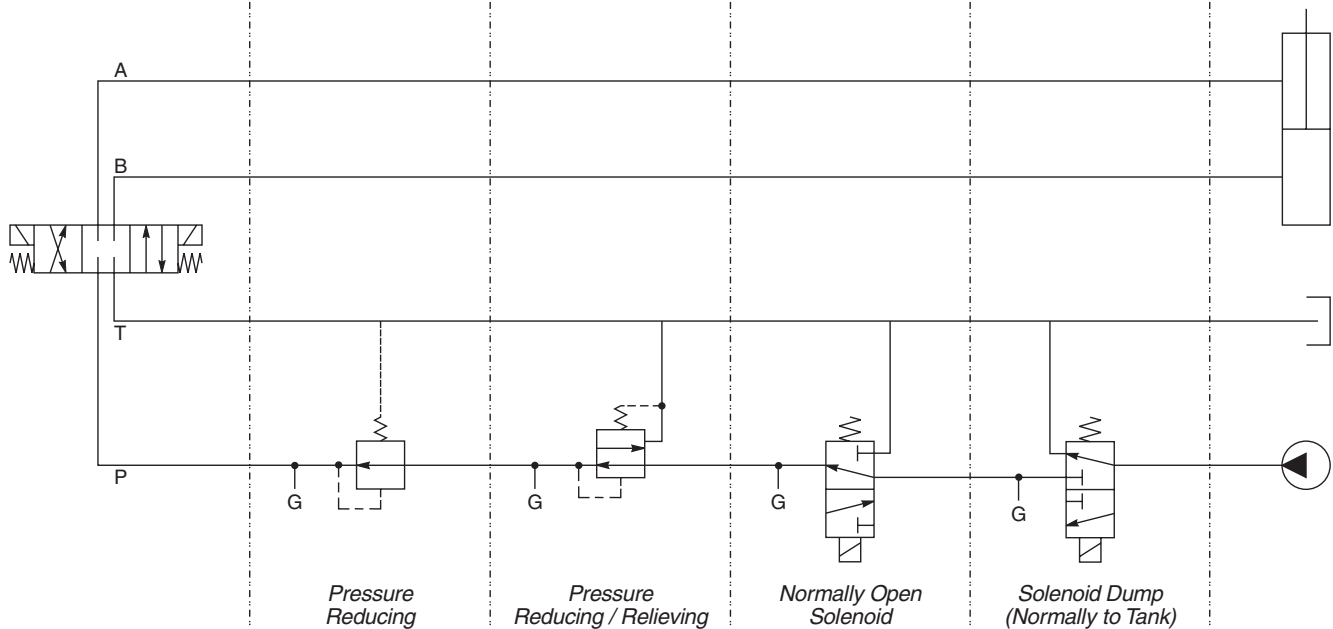
**Direction:** Upright

**Cavity C:** DSL103A  
DSH103A

**Direction:** Upright

**Cavity C:** DSL103N  
DSH103N

**Direction:** Upright



*Pressure Reducing*

*Pressure Reducing / Relieving*

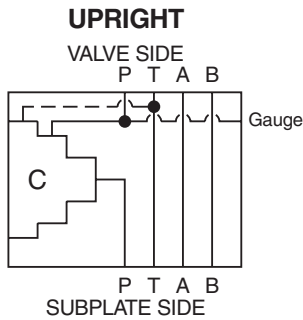
*Normally Open Solenoid*

*Solenoid Dump (Normally to Tank)*

**General Description**

P Port Interrupt, Sequence Function, D03 Cartpak Body. For additional information see Technical Tips on pages BC1-BC6.

**Body Schematic**



**Ordering Information**



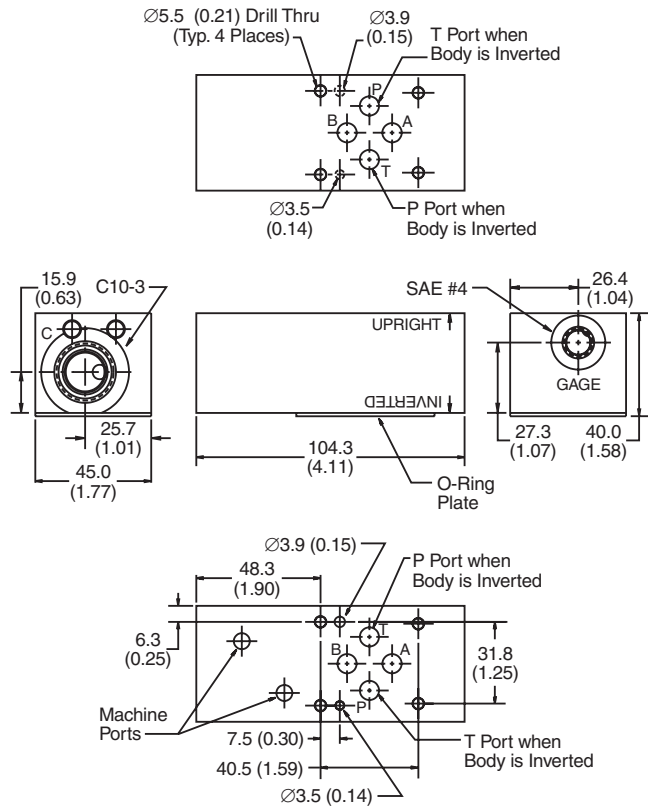
Code	Plug Seals
Omit	Nitrile
V	Fluorocarbon

Code	Body Material
A	Aluminum
S	Steel (Ductile Iron)

**Body supplied with:**

- Gage Port Plug Installed
- O-Ring Plate, O-Rings and Drive Pin Kit

**Dimensions** Millimeters (Inches)

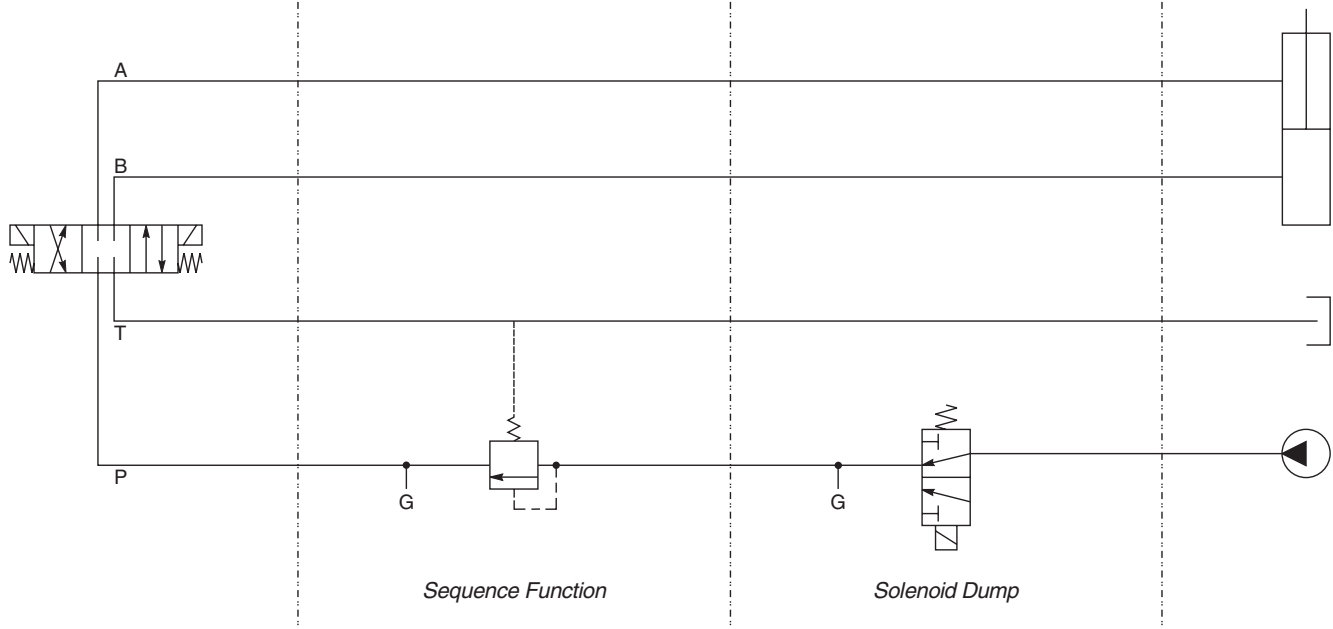


**Cavity C:** SVH101

**Direction:** Upright

**Cavity C:** DSL103A  
DSH103A

**Direction:** Upright

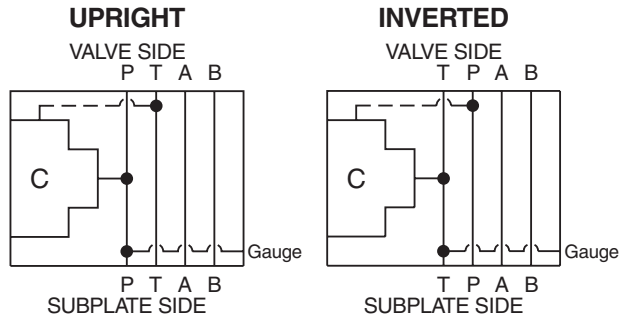


- CV** Check Valves
- SH** Shuttle Valves
- LM** Load/Motor Controls
- FC** Flow Controls
- PC** Pressure Controls
- LE** Logic Elements
- DC** Directional Controls
- MV** Manual Valves
- SV** Solenoid Valves
- PV** Proportional Valves
- CE** Coils & Electronics
- BC** Bodies & Cavities
- TD** Technical Data

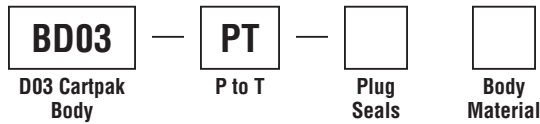
**General Description**

P to T D03 Cartpak Body.  
 For additional information see Technical Tips on pages BC1-BC6.

**Body Schematic**



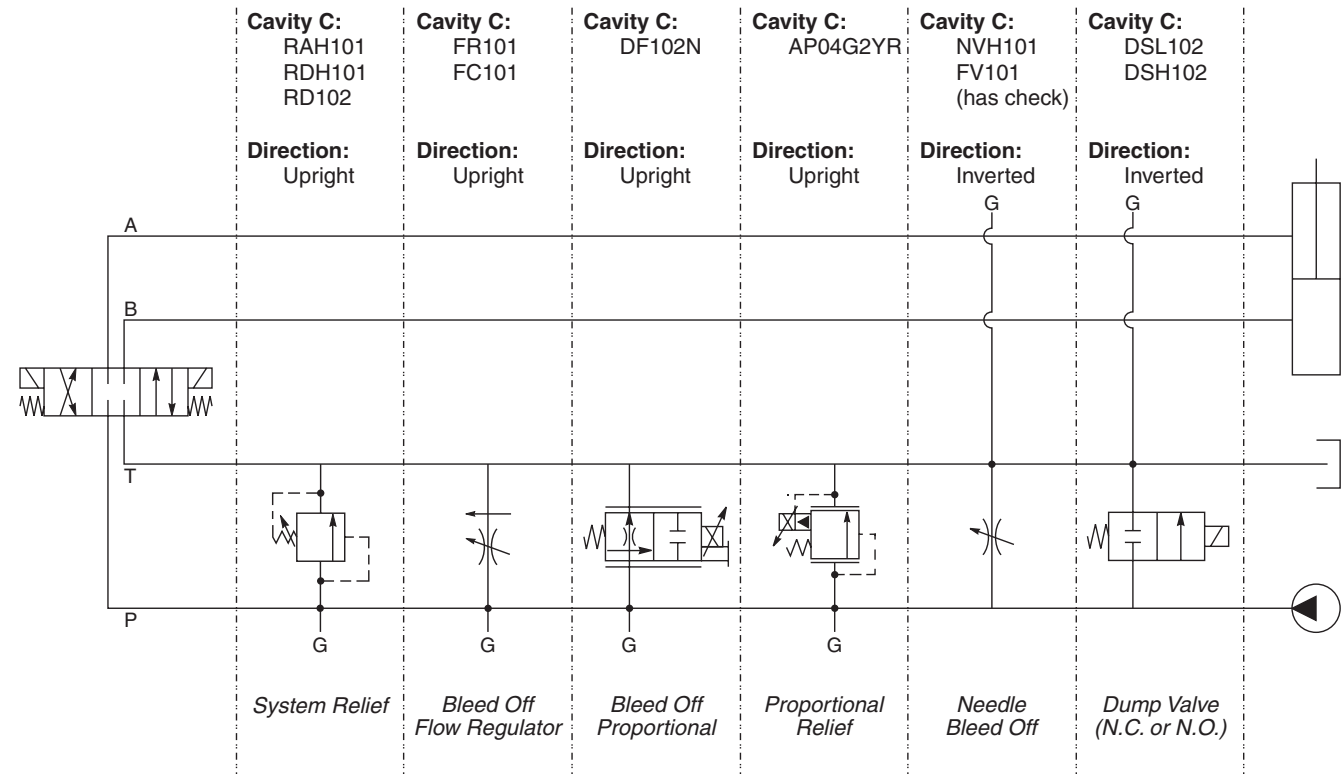
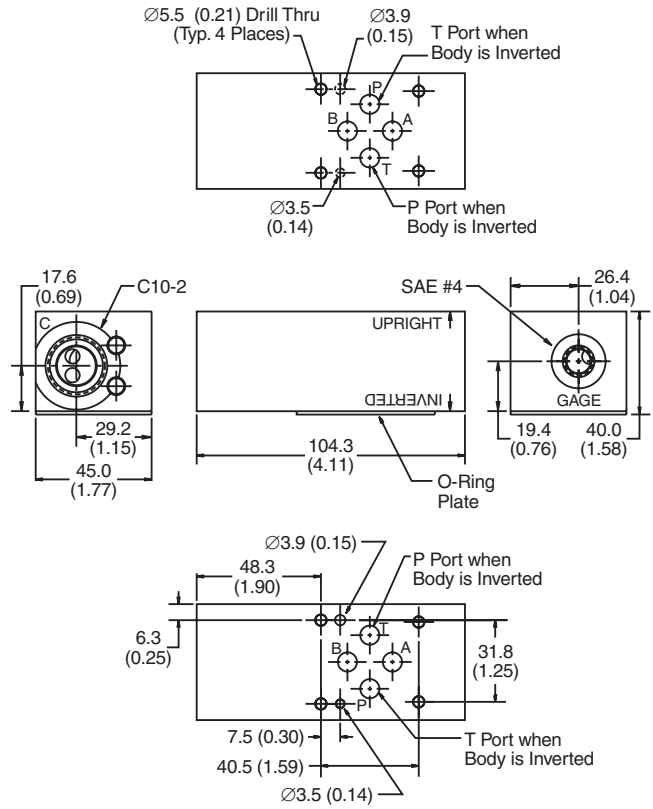
**Ordering Information**



Code	Plug Seals	Code	Body Material
Omit	Nitrile	A	Aluminum
V	Fluorocarbon	S	Steel (Ductile Iron)

- Body supplied with:**
- Gage Port Plug Installed
  - O-Ring Plate, O-Rings and Drive Pin Kit

**Dimensions** Millimeters (Inches)

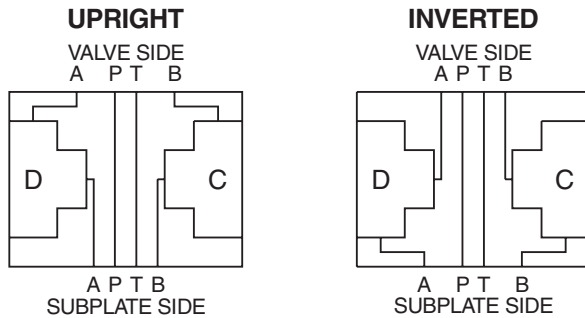


**CV** Check Valves  
**SH** Shuttle Valves  
**LM** Load/Motor Controls  
**FC** Flow Controls  
**PC** Pressure Controls  
**LE** Logic Elements  
**DC** Directional Controls  
**MV** Manual Valves  
**SV** Solenoid Valves  
**PV** Proportional Valves  
**CE** Coils & Electronics  
**BC** Bodies & Cavities  
**TD** Technical Data

**General Description**

A and B Port Interrupt D03 Cartpak Body.  
 For additional information see Technical Tips on pages BC1-BC6.

**Body Schematic**



**Ordering Information**

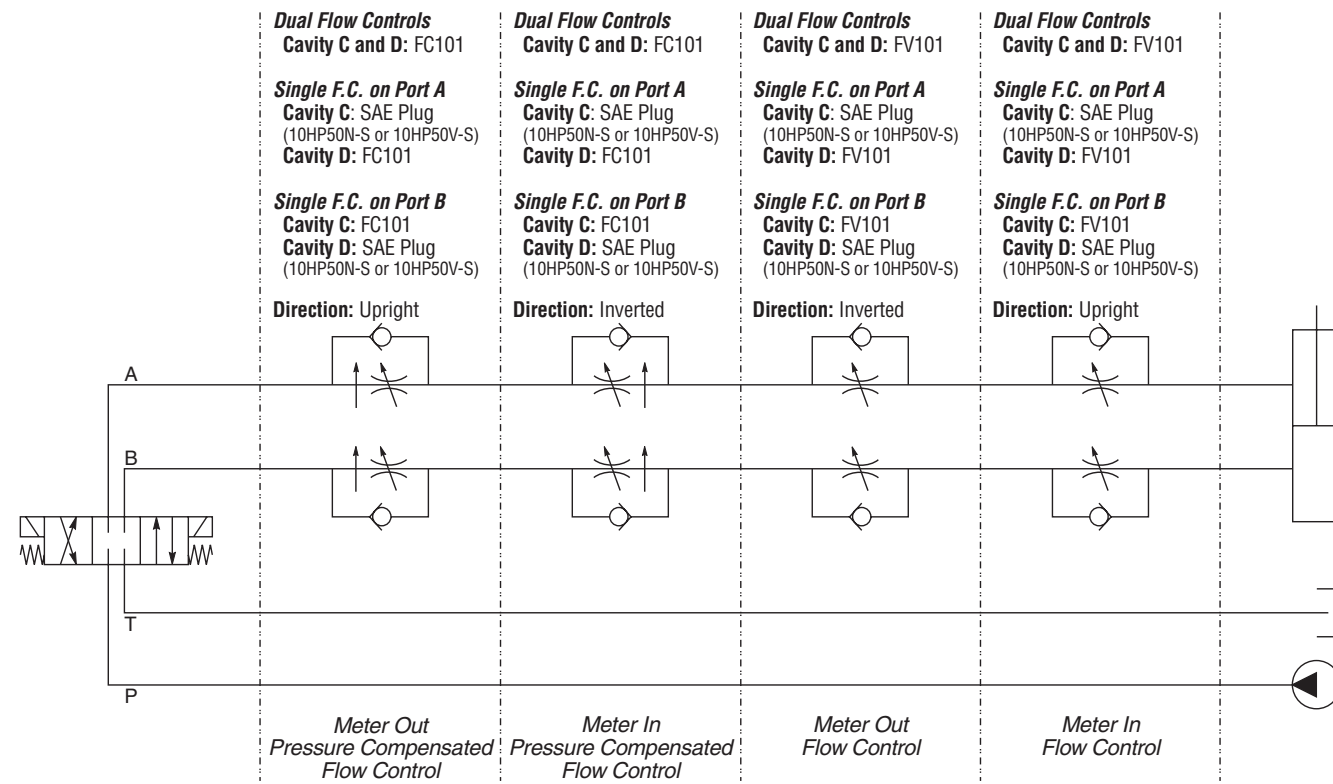
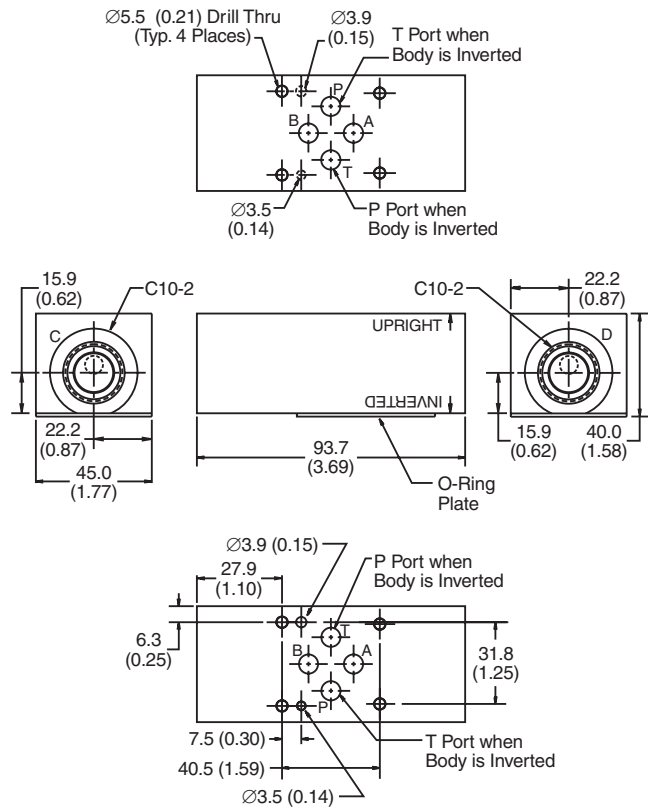


Code	Plug Seals
Omit	Nitrile
V	Fluorocarbon

Code	Body Material
A	Aluminum
S	Steel (Ductile Iron)

**Body supplied with:**  
 • O-Ring Plate, O-Rings and Drive Pin Kit

**Dimensions** Millimeters (Inches)



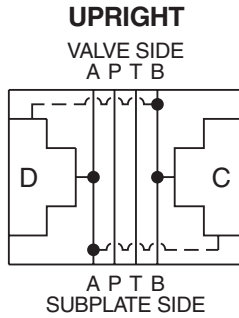
- CV** Check Valves
- SH** Shuttle Valves
- LM** Load/Motor Controls
- FC** Flow Controls
- PC** Pressure Controls
- LE** Logic Elements
- DC** Directional Controls
- MV** Manual Valves
- SV** Solenoid Valves
- PV** Proportional Valves
- CE** Coils & Electronics
- BC** Bodies & Cavities
- TD** Technical Data

- CV** Check Valves
- SH** Shuttle Valves
- LM** Load/Motor Controls
- FC** Flow Controls
- PC** Pressure Controls
- LE** Logic Elements
- DC** Directional Controls
- MV** Manual Valves
- SV** Solenoid Valves
- PV** Proportional Valves
- CE** Coils & Electronics
- BC** Bodies & Cavities
- TD** Technical Data

### General Description

A and B Crossover D03 Cartpak Body.  
 For additional information see Technical Tips on pages BC1-BC6.

### Body Schematic



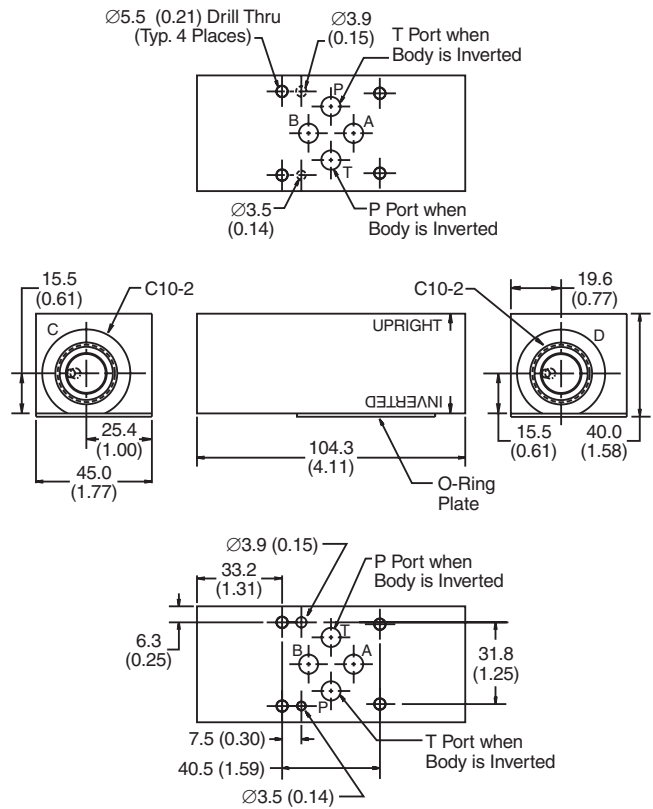
### Ordering Information



Code	Plug Seals	Code	Body Material
Omit	Nitrile	A	Aluminum
V	Fluorocarbon	S	Steel (Ductile Iron)

**Body supplied with:**  
 • O-Ring Plate, O-Rings and Drive Pin Kit

### Dimensions Millimeters (Inches)



**Option 1**  
 Cavity C: RAH101, RD102  
 Cavity D: RAH101, RD102

**Option 2**  
 Cavity C: RDH103  
 Cavity D: RDH103

**Direction: Upright**

**Option 1**  
 Cavity C: P10-2  
 Cavity D: RDH103

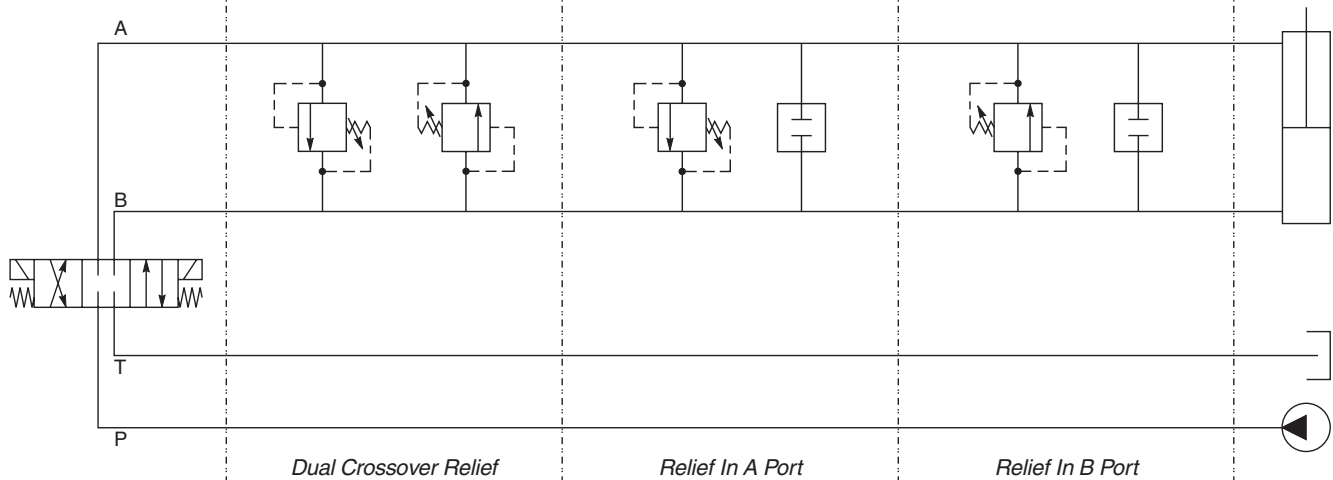
**Option 2**  
 Cavity C: RAH101, RD102  
 Cavity D: P10-2

**Direction: Upright**

**Option 1**  
 Cavity C: RDH103  
 Cavity D: P10-2

**Option 2**  
 Cavity C: P10-2  
 Cavity D: RAH101, RD102

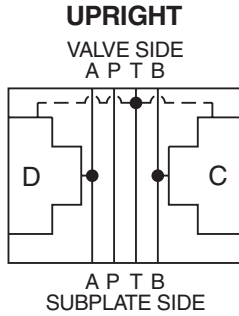
**Direction: Upright**



**General Description**

A and B Ports to Tank D03 Cartpak Body.  
 For additional information see Technical Tips on pages BC1-BC6.

**Body Schematic**



**Ordering Information**

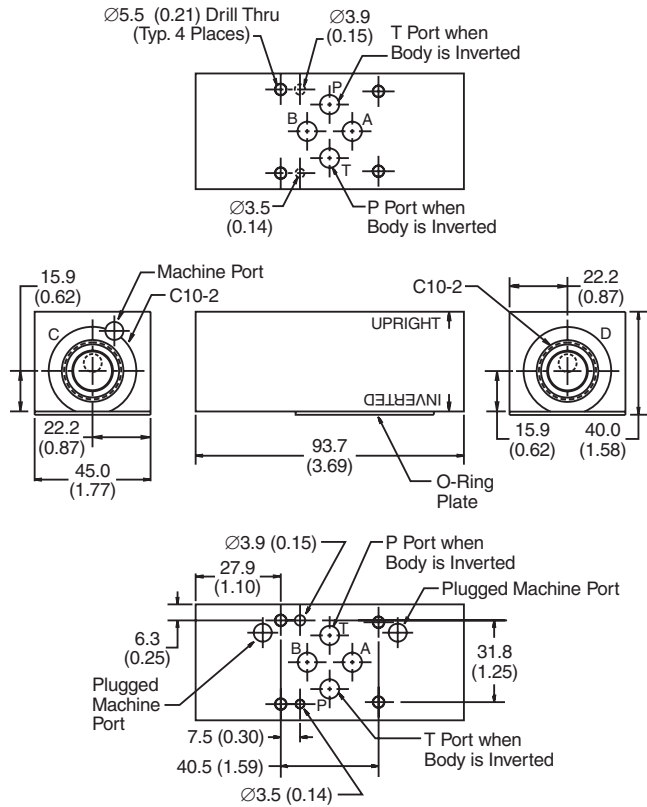


Code	Plug Seals
Omit	Nitrile
V	Fluorocarbon

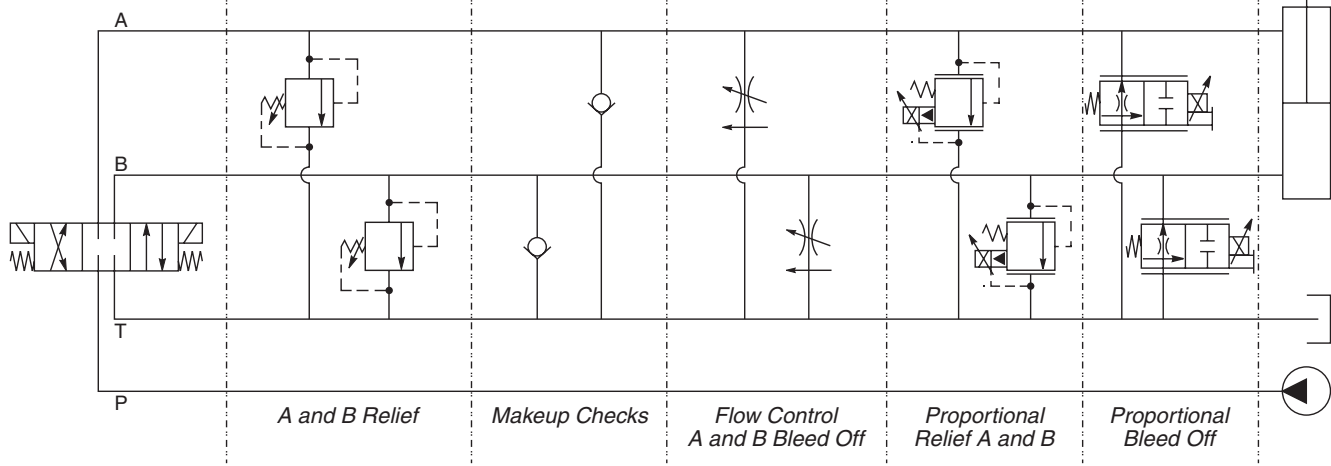
Code	Body Material
A	Aluminum
S	Steel (Ductile Iron)

**Body supplied with:**  
 • O-Ring Plate, O-Rings and Drive Pin Kit

**Dimensions** Millimeters (Inches)



<b>Dual Relief</b> Cavity C and D: RAH101, RD102	<b>Dual Makeup Checks</b> Cavity C and D: CVH104P	<b>Dual Bleed Off</b> Cavity C and D: FR101, FC101	<b>Dual Relief</b> Cavity C and D: AP04G2YR	<b>Dual Bleed Off</b> Cavity C and D: HP04P
<b>Relief on Port A</b> Cavity C: P10-2 Cavity D: RAH101, RD102	<b>Check on Port A</b> Cavity C: P10-2 Cavity D: CVH104P	<b>Bleed Off on Port A</b> Cavity C: P10-2 Cavity D: FR101, FC101	<b>Relief on Port A</b> Cavity C: P10-2 Cavity D: AP04G2YR	<b>Bleed Off on Port A</b> Cavity C: P10-2 Cavity D: HP04P
<b>Relief on Port B</b> Cavity C: RAH101, RD102 Cavity D: P10-2	<b>Check on Port B</b> Cavity C: CVH104P Cavity D: P10-2	<b>Bleed Off on Port B</b> Cavity C: FR101, FC101 Cavity D: P10-2	<b>Relief on Port B</b> Cavity C: AP04G2YR Cavity D: P10-2	<b>Bleed Off on Port B</b> Cavity C: HP04P Cavity D: P10-2
<b>Direction:</b> Upright	<b>Direction:</b> Upright	<b>Direction:</b> Upright	<b>Direction:</b> Upright	<b>Direction:</b> Upright



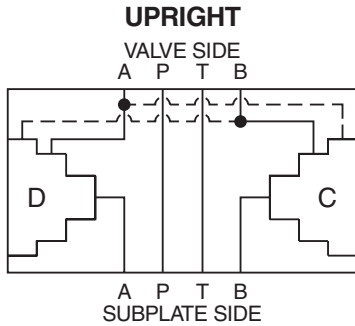
- CV** Check Valves
- SH** Shuttle Valves
- LM** Load/Motor Controls
- FC** Flow Controls
- PC** Pressure Controls
- LE** Logic Elements
- DC** Directional Controls
- MV** Manual Valves
- SV** Solenoid Valves
- PV** Proportional Valves
- CE** Coils & Electronics
- BC** Bodies & Cavities
- TD** Technical Data

- CV** Check Valves
- SH** Shuttle Valves
- LM** Load/Motor Controls
- FC** Flow Controls
- PC** Pressure Controls
- LE** Logic Elements
- DC** Directional Controls
- MV** Manual Valves
- SV** Solenoid Valves
- PV** Proportional Valves
- CE** Coils & Electronics
- BC** Bodies & Cavities
- TD** Technical Data

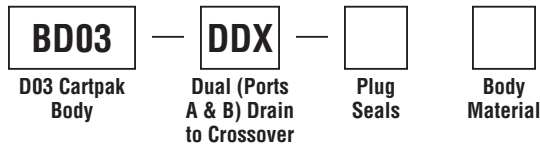
### General Description

Dual (Ports A and B) Drain to Crossover Port D03 Cartpak Body. For additional information see Technical Tips on pages BC1-BC6.

### Body Schematic



### Ordering Information

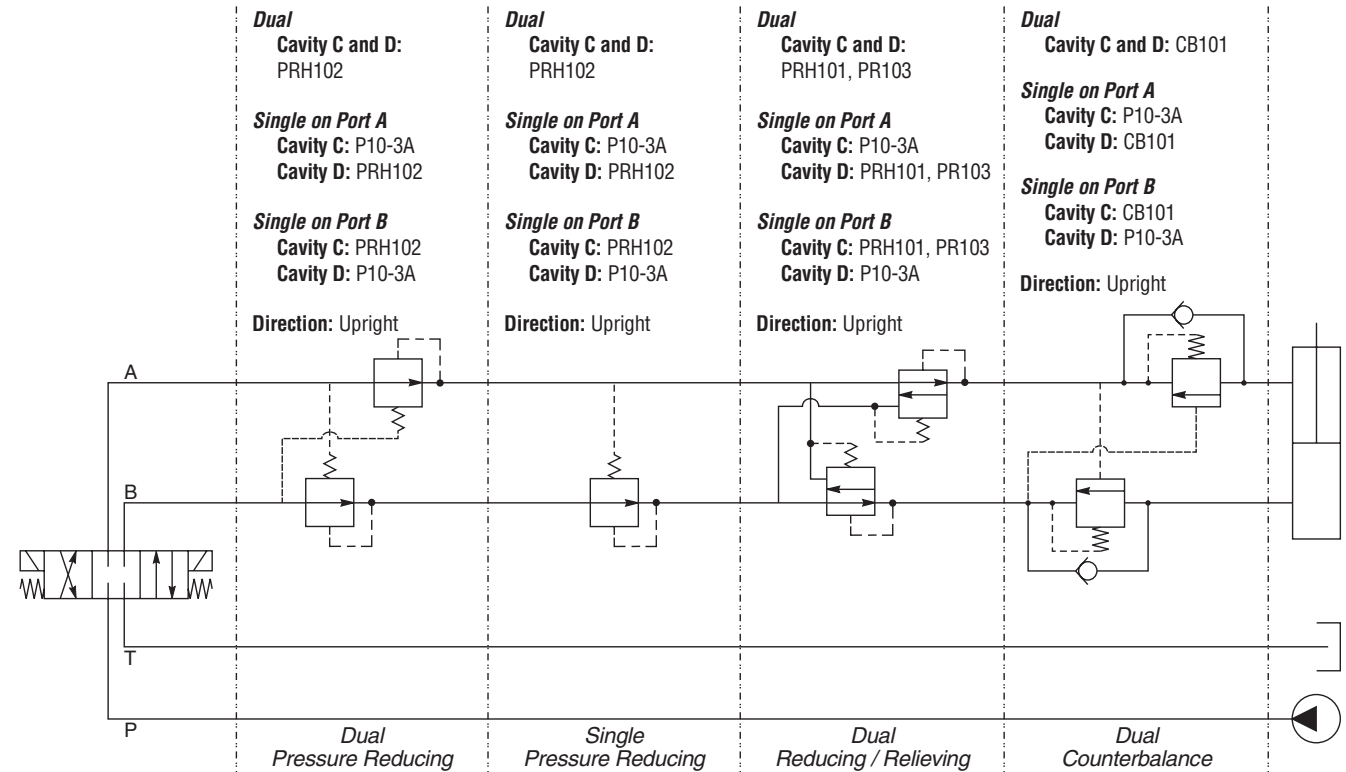
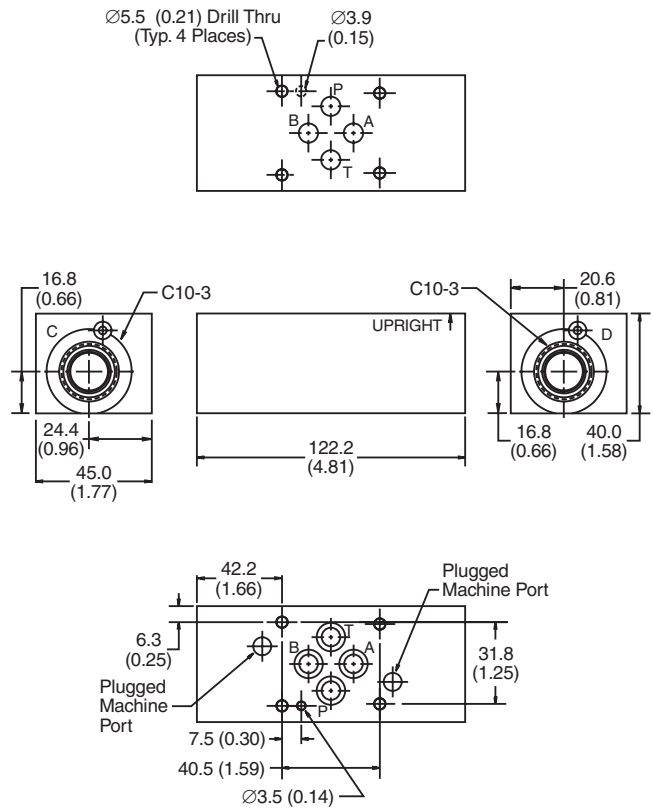


Code	Plug Seals
Omit	Nitrile
V	Fluorocarbon

Code	Body Material
A	Aluminum
S	Steel (Ductile Iron)

**Body supplied with:**  
 • O-Rings and Drive Pin

### Dimensions Millimeters (Inches)

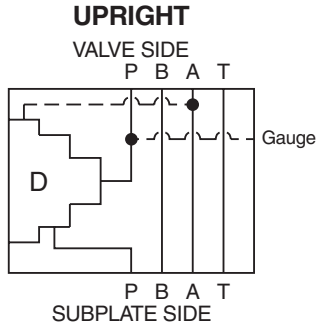




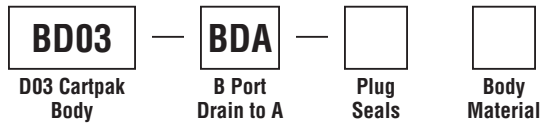
**General Description**

B Port Drain to A D03 Cartpak Body.  
 For additional information see Technical Tips on pages BC1-BC6.

**Body Schematic**



**Ordering Information**

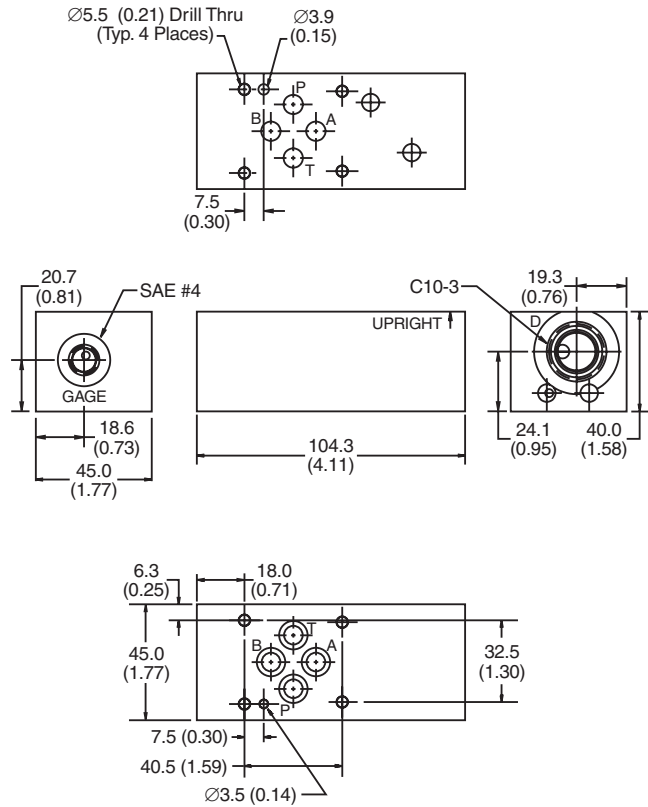


Code	Plug Seals
Omit	Nitrile
V	Fluorocarbon

Code	Body Material
A	Aluminum
S	Steel (Ductile Iron)

- Body supplied with:**
- Gage Port Plug Installed
  - O-Rings and Drive Pin

**Dimensions** Millimeters (Inches)

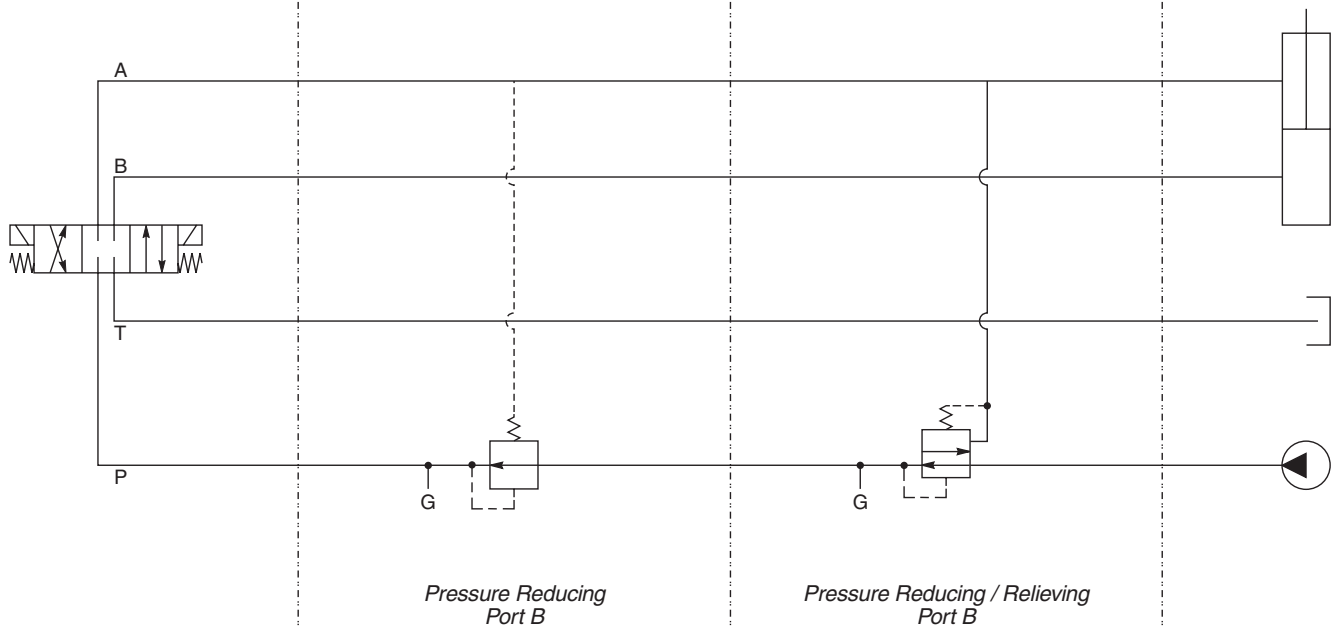


Cavity D: PRH102

Direction: Upright

Cavity D: PRH101  
 PR103

Direction: Upright



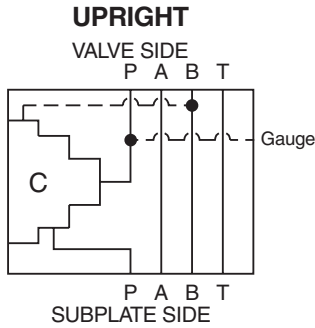
- CV** Check Valves
- SH** Shuttle Valves
- LM** Load/Motor Controls
- FC** Flow Controls
- PC** Pressure Controls
- LE** Logic Elements
- DC** Directional Controls
- MV** Manual Valves
- SV** Solenoid Valves
- PV** Proportional Valves
- CE** Coils & Electronics
- BC** Bodies & Cavities
- TD** Technical Data

- CV** Check Valves
- SH** Shuttle Valves
- LM** Load/Motor Controls
- FC** Flow Controls
- PC** Pressure Controls
- LE** Logic Elements
- DC** Directional Controls
- MV** Manual Valves
- SV** Solenoid Valves
- PV** Proportional Valves
- CE** Coils & Electronics
- BC** Bodies & Cavities
- TD** Technical Data

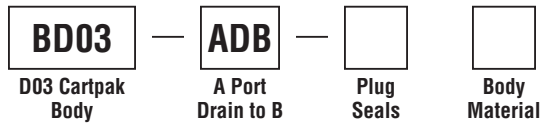
### General Description

A Port Drain to B D03 Cartpak Body.  
 For additional information see Technical Tips on pages BC1-BC6.

### Body Schematic



### Ordering Information

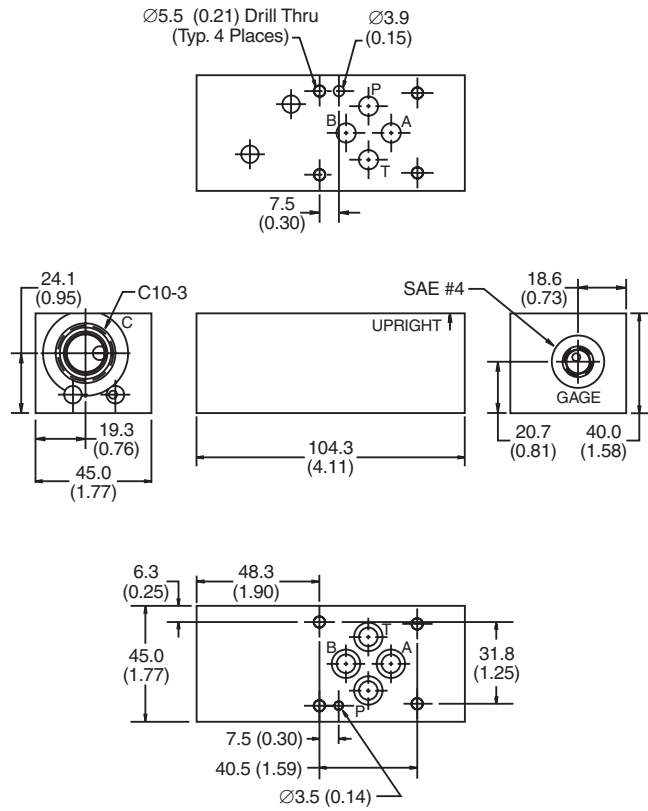


Code	Plug Seals
Omit	Nitrile
V	Fluorocarbon

Code	Body Material
A	Aluminum
S	Steel (Ductile Iron)

- Body supplied with:**
- Gage Port Plug Installed
  - O-Rings and Drive Pin

### Dimensions

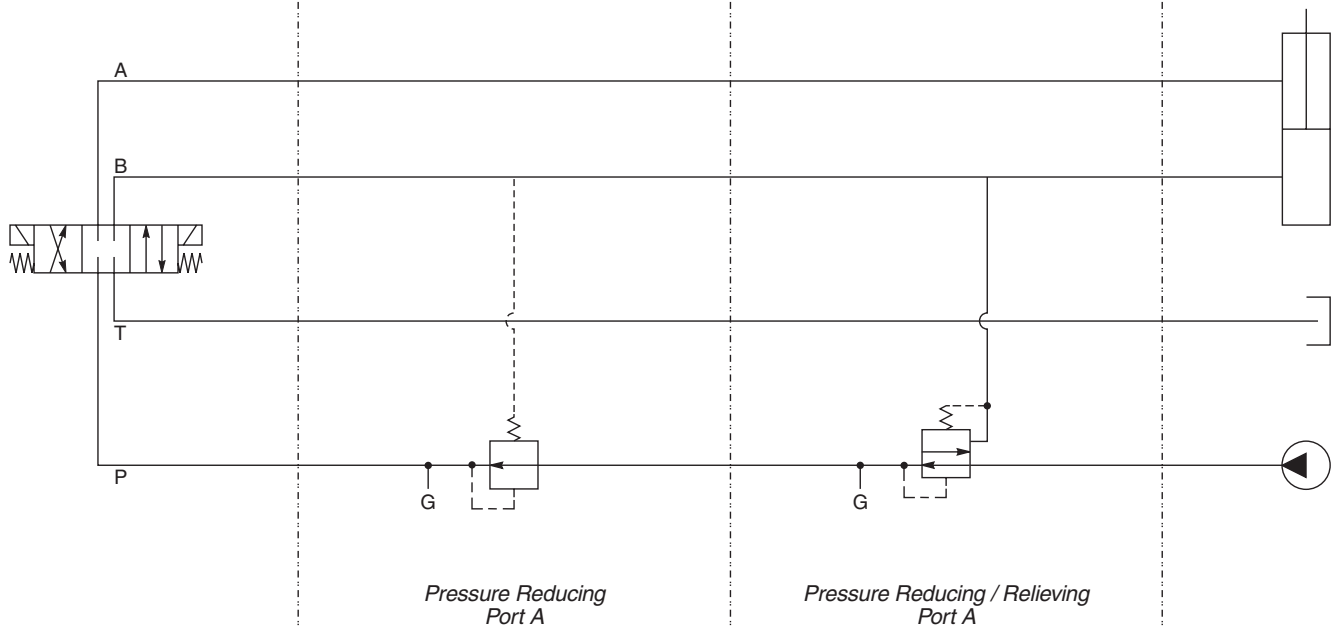


Cavity C: PRH102

Direction: Upright

Cavity C: PRH101  
PR103

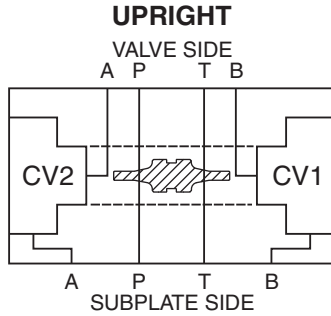
Direction: Upright



**General Description**

Dual P.O. Check D03 Cartpak Body.  
 For additional information see Technical Tips on pages BC1-BC6.

**Body Schematic**



**Ordering Information**



Code	Plug Seals
Omit	Nitrile
V	Fluorocarbon

Code	Body Material
A	Aluminum

**Body supplied with:**

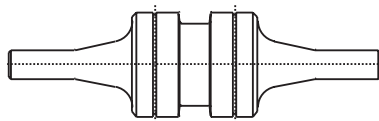
- O-Rings and Drive Pin Kit

**Functional assembly requires:**

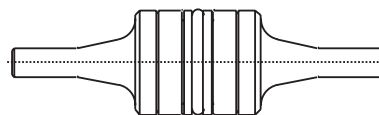
- CVH103P\* - Check Valve - Qty. 2 - Ordered Separately
- 717917† - Pilot Piston - Qty. 1 - Ordered Separately

\* Indicates spring pressure option  
 † Indicates seal option

**Requires Dual Pilot Piston**



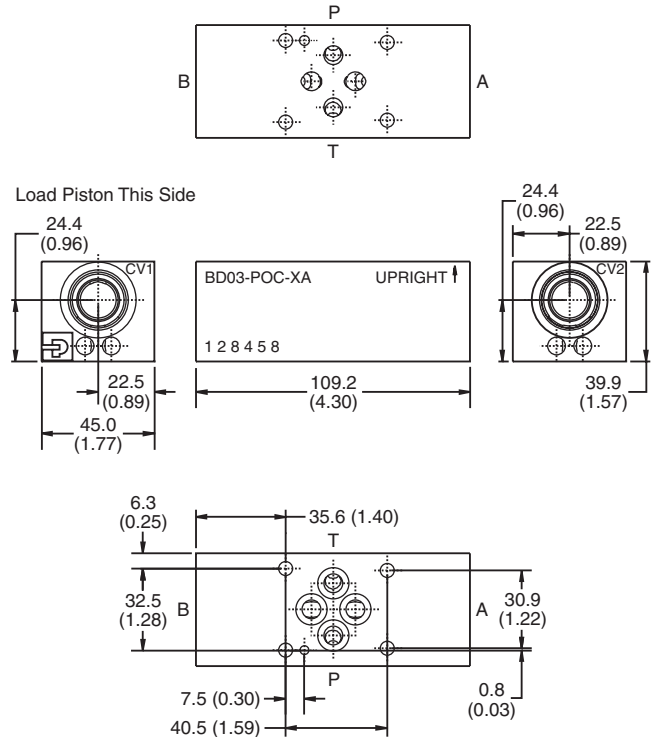
717917 Without Seal



717917N With Buna N Seal  
 717917V With Viton Seal

**NOTE:** 20 PSI check valve or higher recommended with sealed pilot piston.

**Dimensions** Millimeters (Inches)



**Dual Checks**

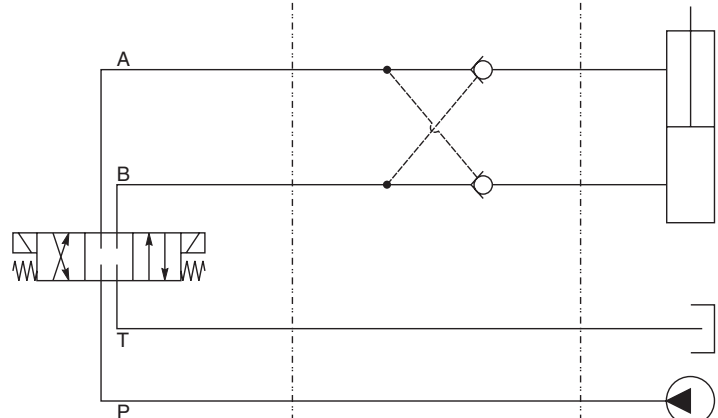
**Cavity CV1 and CV2:**  
 CVH103P

**Check on CV1**

CVH103P  
 Load Piston This Side

**Check on CV2**

CVH103P



Dual Pilot Operated Check Valve

**CV** Check Valves

**SH** Shuttle Valves

**LM** Load/Motor Controls

**FC** Flow Controls

**PC** Pressure Controls

**LE** Logic Elements

**DC** Directional Controls

**MV** Manual Valves

**SV** Solenoid Valves

**PV** Proportional Valves

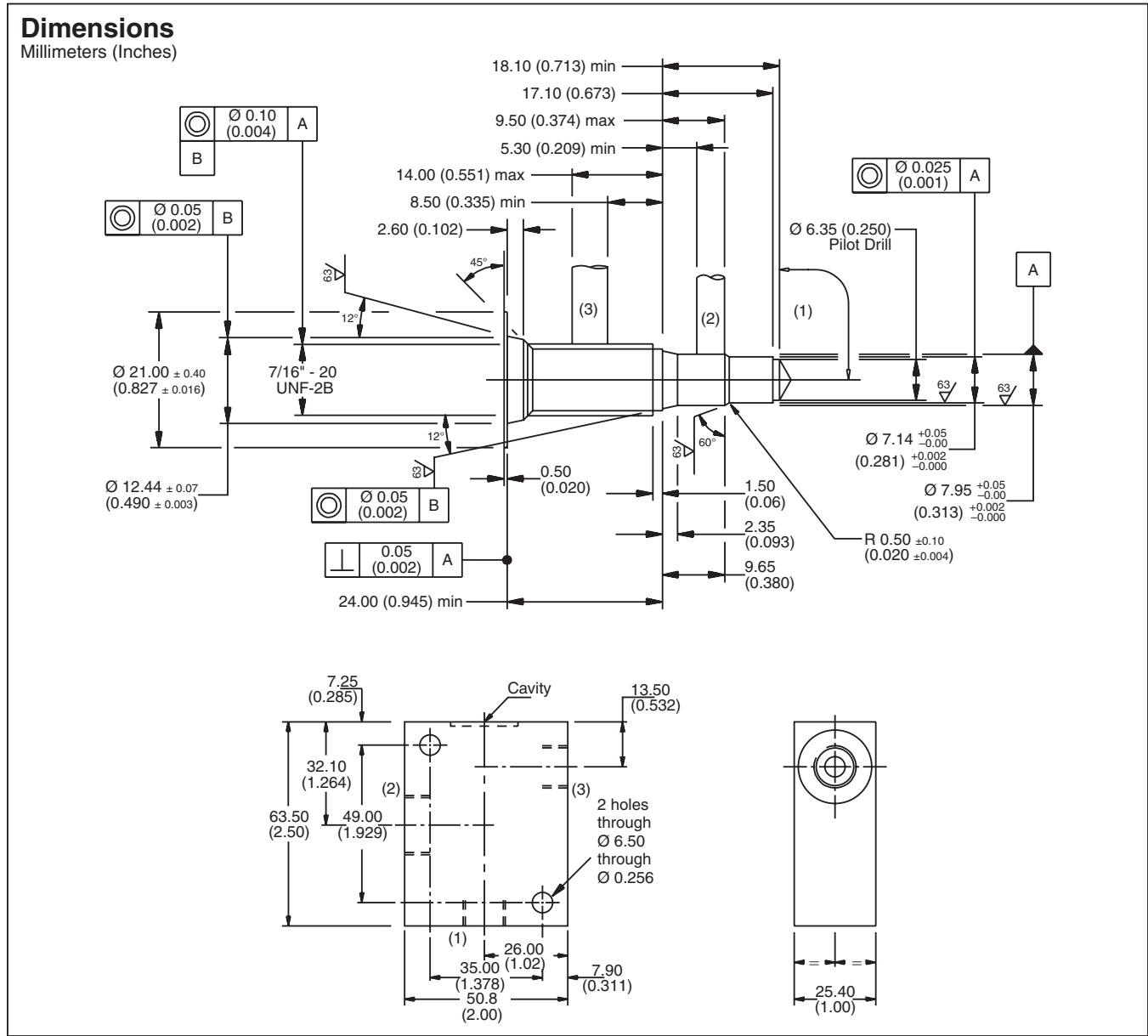
**CE** Coils & Electronics

**BC** Bodies & Cavities

**TD** Technical Data



For additional information see Technical Tips on pages BC1-BC6.



### Ordering Information

<b>LB10</b>		
Line Body	Port Size	Body Material

Code	Port Size
815	1/4 SAE

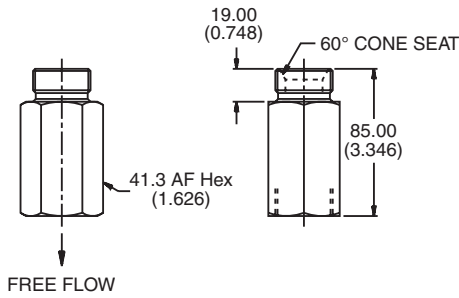
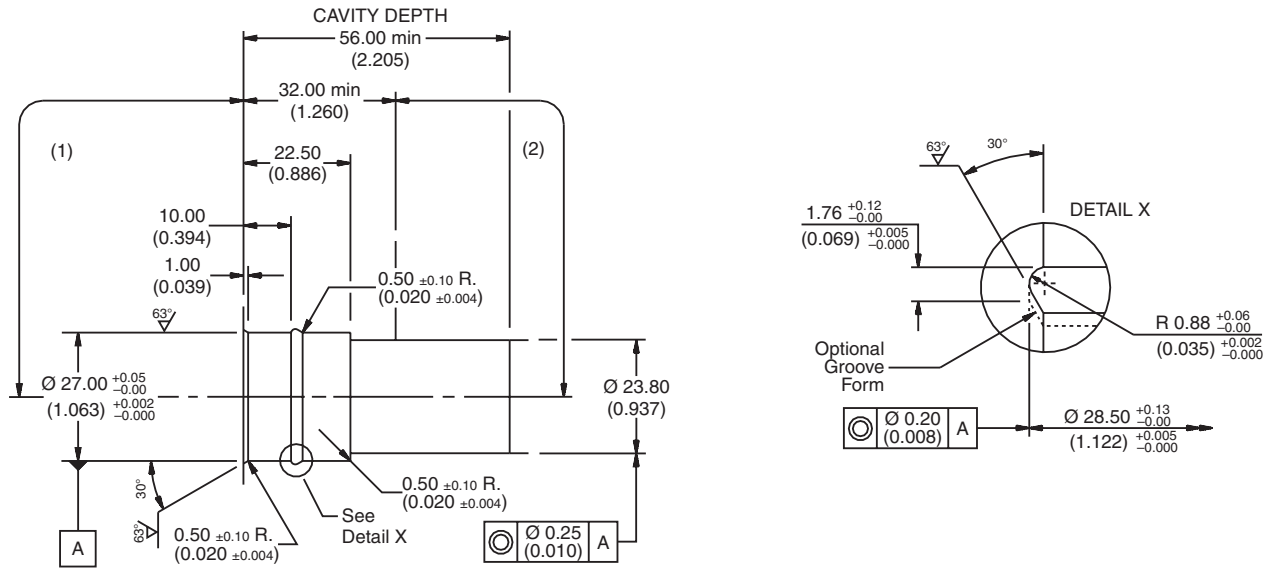
Code	Body Material
A	Aluminum
S	Steel

Cavity Tooling For CAVSW-3	
Pilot Drill Ø	6.35 (0.25)
Step Drill	8DS31378
Reamer (Alum)	8RM31086A
Reamer (Steel)	8RM31086S
Counterbore	—
Tap	8TP31221

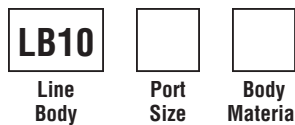
- CV** Check Valves
- SH** Shuttle Valves
- LM** Load/Motor Controls
- FC** Flow Controls
- PC** Pressure Controls
- LE** Logic Elements
- DC** Directional Controls
- MV** Manual Valves
- SV** Solenoid Valves
- PV** Proportional Valves
- CE** Coils & Electronics
- BC** Bodies & Cavities
- TD** Technical Data

For additional information see Technical Tips on pages BC1-BC6.

**Dimensions**  
 Millimeters (Inches)



**Ordering Information**



Code	Port Size
212	1 SAE

Code	Body Material
A	Aluminum
S	Steel

Cavity Tooling For 2C	
Pilot Drill Ø	—
Step Drill	—
Reamer (Alum)	—
Reamer (Steel)	—
Counterbore	—
Tap	—

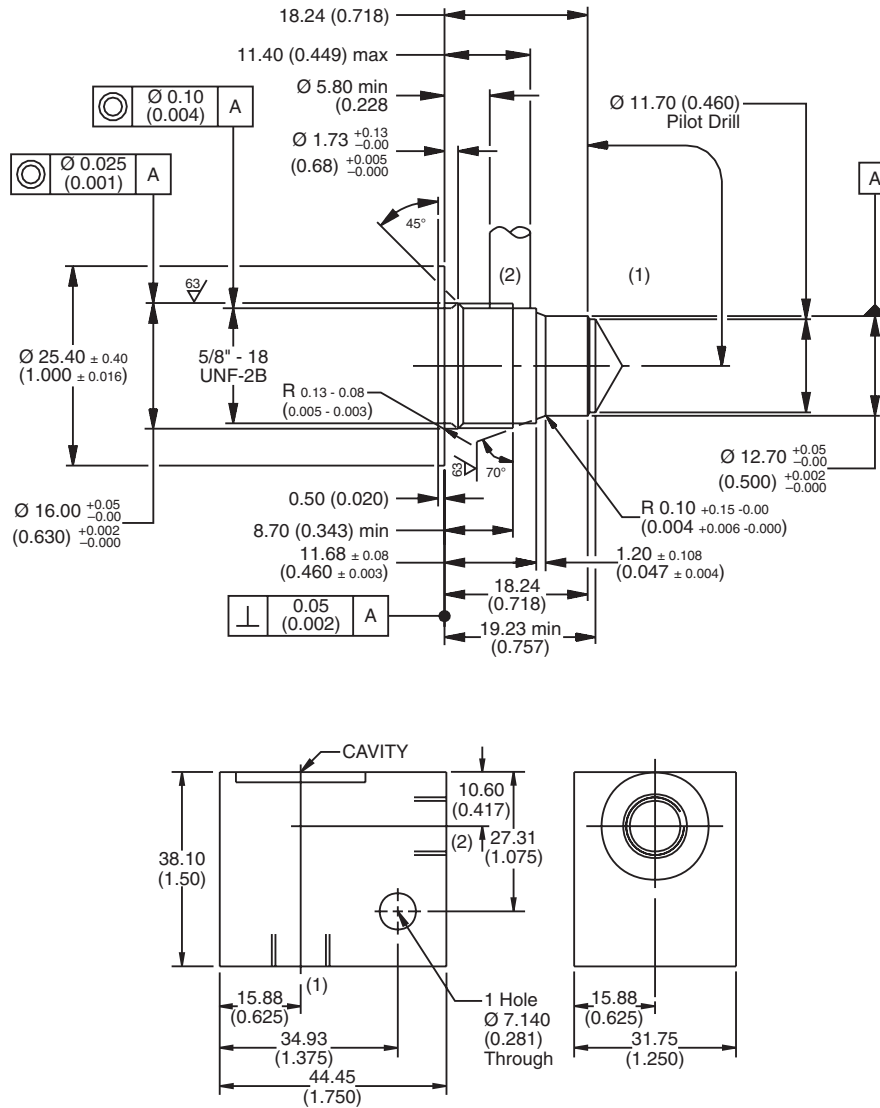
**CV** Check Valves  
**SH** Shuttle Valves  
**LM** Load/Motor Controls  
**FC** Flow Controls  
**PC** Pressure Controls  
**LE** Logic Elements  
**DC** Directional Controls  
**MV** Manual Valves  
**SV** Solenoid Valves  
**PV** Proportional Valves  
**CE** Coils & Electronics  
**BC** Bodies & Cavities  
**TD** Technical Data

For additional information see Technical Tips on pages BC1-BC6.

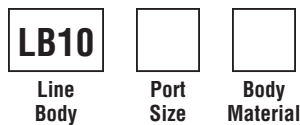
- CV** Check Valves
- SH** Shuttle Valves
- LM** Load/Motor Controls
- FC** Flow Controls
- PC** Pressure Controls
- LE** Logic Elements
- DC** Directional Controls
- MV** Manual Valves
- SV** Solenoid Valves
- PV** Proportional Valves
- CE** Coils & Electronics
- BC** Bodies & Cavities
- TD** Technical Data

**Dimensions**

Millimeters (Inches)



**Ordering Information**



Code	Port Size
324	1/4 SAE

Code	Body Material
A	Aluminum
S	Steel

Cavity Tooling For 2G	
Pilot Drill $\varnothing$	11.70 (0.46)
Step Drill	8DS31384
Reamer (Alum)	8RM31092A
Reamer (Steel)	8RM31092S
Counterbore	—
Tap	8TP31223

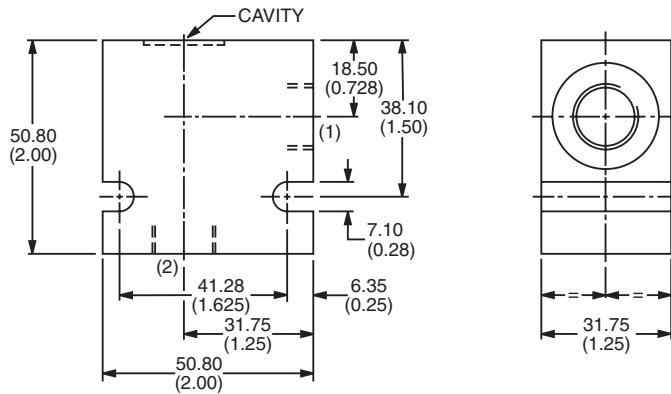
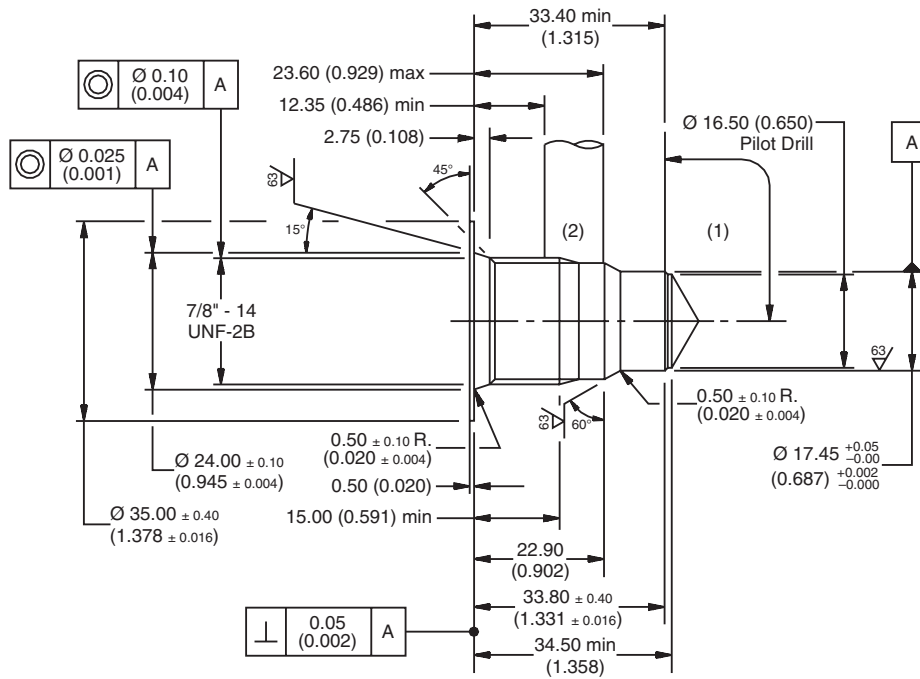


Technical Information

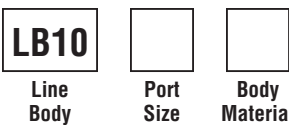
For additional information see Technical Tips on pages BC1-BC6.

Dimensions

Millimeters (Inches)



Ordering Information



Code	Port Size
543	1/2 SAE

Code	Body Material
A	Aluminum
S	Steel

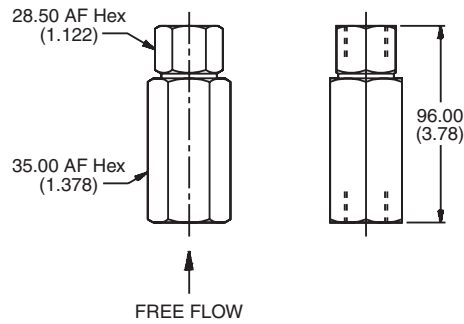
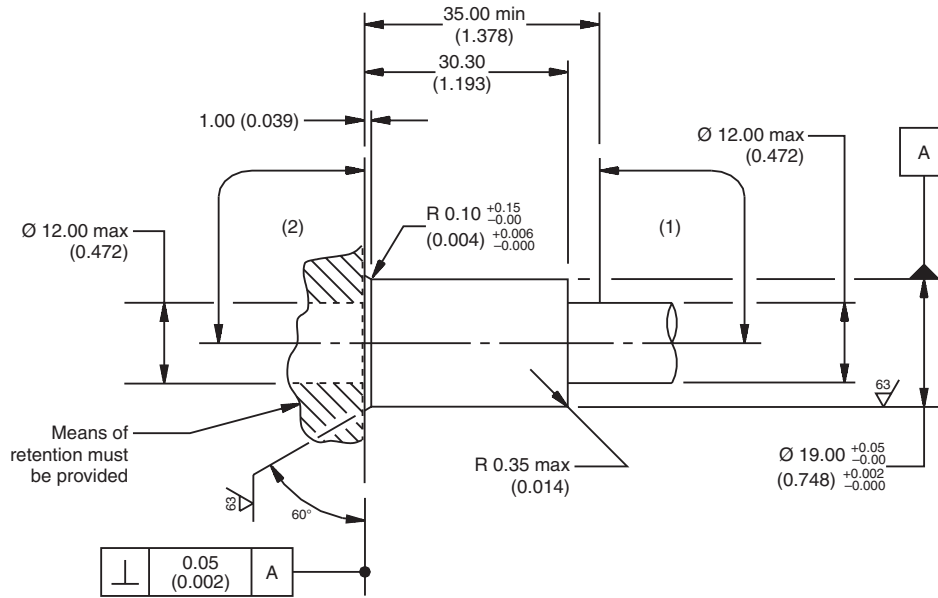
Cavity Tooling For 2R	
Pilot Drill	Ø
Step Drill	
Reamer (Alum)	
Reamer (Steel)	
Counterbore	
Tap	

CV Check Valves  
SH Shuttle Valves  
LM Load/Motor Controls  
FC Flow Controls  
PC Pressure Controls  
LE Logic Elements  
DC Directional Controls  
MV Manual Valves  
SV Solenoid Valves  
PV Proportional Valves  
CE Coils & Electronics  
BC Bodies & Cavities  
TD Technical Data

For additional information see Technical Tips on pages BC1-BC6.

**Dimensions**

Millimeters (Inches)



**Ordering Information**

<b>LB10</b>		
Line Body	Port Size	Body Material

Code	Port Size
220	1 SAE

Code	Body Material
S	Steel

Cavity Tooling For 2U	
Pilot Drill Ø	—
Step Drill	—
Reamer (Alum)	—
Reamer (Steel)	—
Counterbore	—
Tap	—

**CV**

Check Valves

**SH**

Shuttle Valves

**LM**

Load/Motor Controls

**FC**

Flow Controls

**PC**

Pressure Controls

**LE**

Logic Elements

**DC**

Directional Controls

**MV**

Manual Valves

**SV**

Solenoid Valves

**PV**

Proportional Valves

**CE**

Coils & Electronics

**BC**

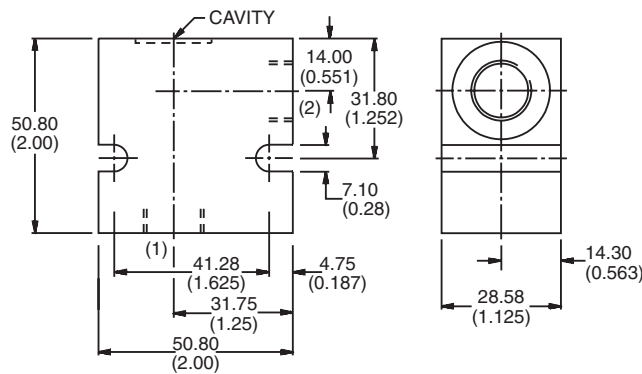
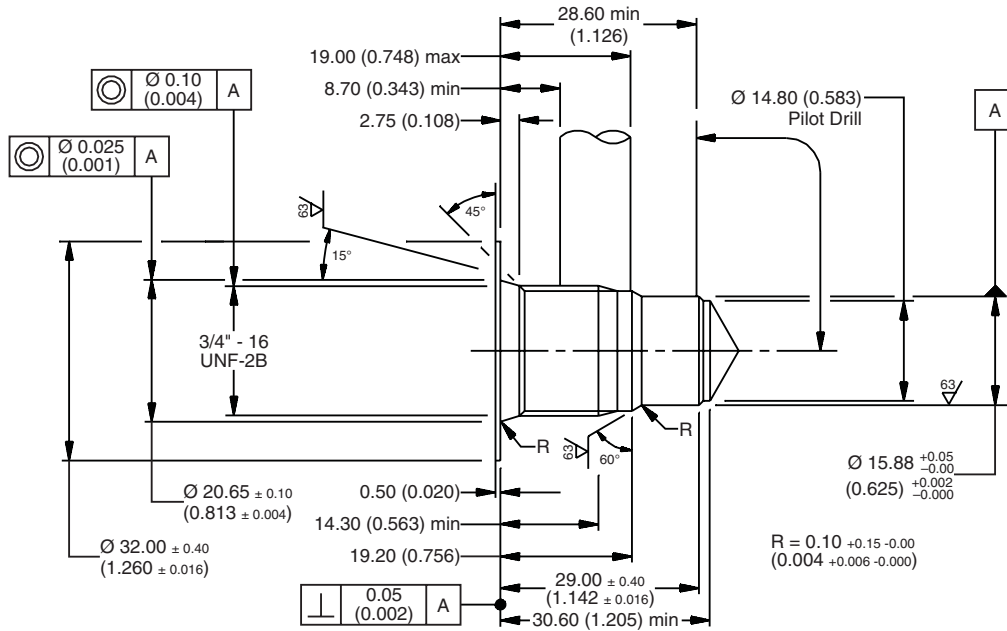
Bodies & Cavities

**TD**

Technical Data

For additional information see Technical Tips on pages BC1-BC6.

**Dimensions**  
 Millimeters (Inches)



**Ordering Information**

<b>LB10</b>		
Line Body	Port Size	Body Material

Code	Port Size
513	3/8 SAE

Code	Body Material
A	Aluminum
S	Steel

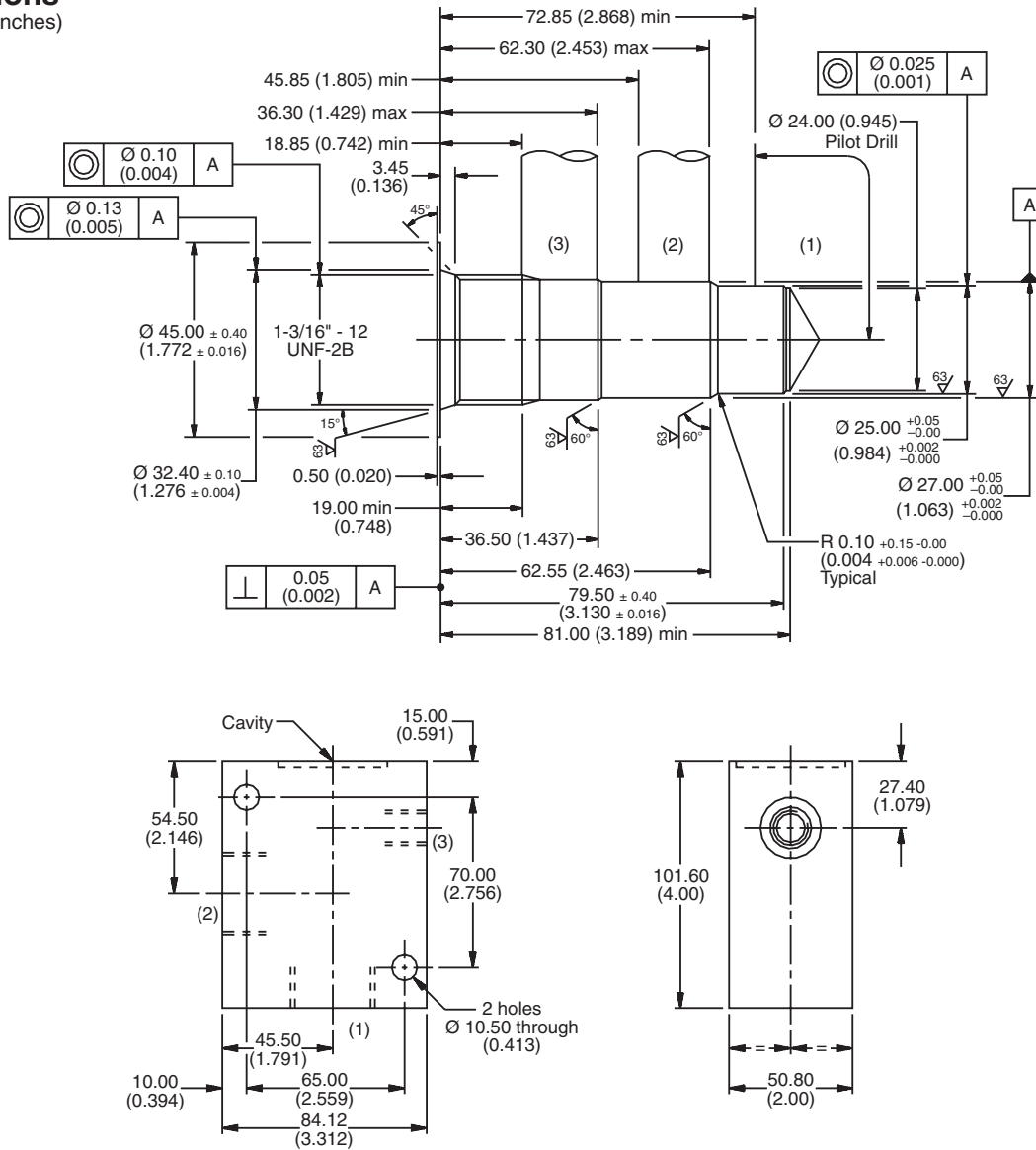
Cavity Tooling For 2X	
Pilot Drill Ø	14.80 (0.583)
Step Drill	8DS31344
Reamer (Alum)	8RM31057A
Reamer (Steel)	8RM31057S
Counterbore	—
Tap	8TP31202

**NOTE:**  
 Use parker C09-2 cavity and body.

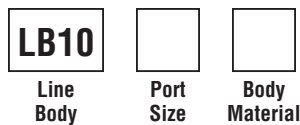
- CV Check Valves
- SH Shuttle Valves
- LM Load/Motor Controls
- FC Flow Controls
- PC Pressure Controls
- LE Logic Elements
- DC Directional Controls
- MV Manual Valves
- SV Solenoid Valves
- PV Proportional Valves
- CE Coils & Electronics
- BC Bodies & Cavities
- TD Technical Data

For additional information see Technical Tips on pages BC1-BC6.

**Dimensions**  
 Millimeters (Inches)



**Ordering Information**



Code	Port Size
066	1 SAE

Code	Body Material
A	Aluminum
S	Steel

Cavity Tooling For 3A	
Pilot Drill $\varnothing$	24.00 (0.94)
Step Drill	8DS31303
Reamer (Alum)	8RM31003A
Reamer (Steel)	8RM31003S
Counterbore	8CB31100
Tap	8TP31200

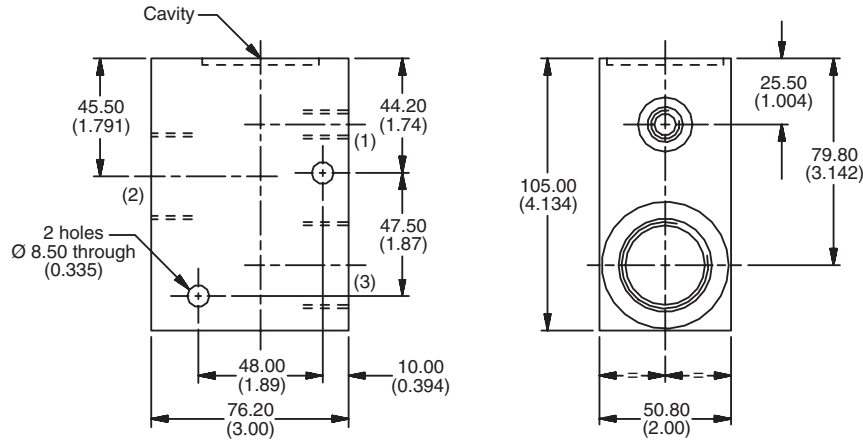
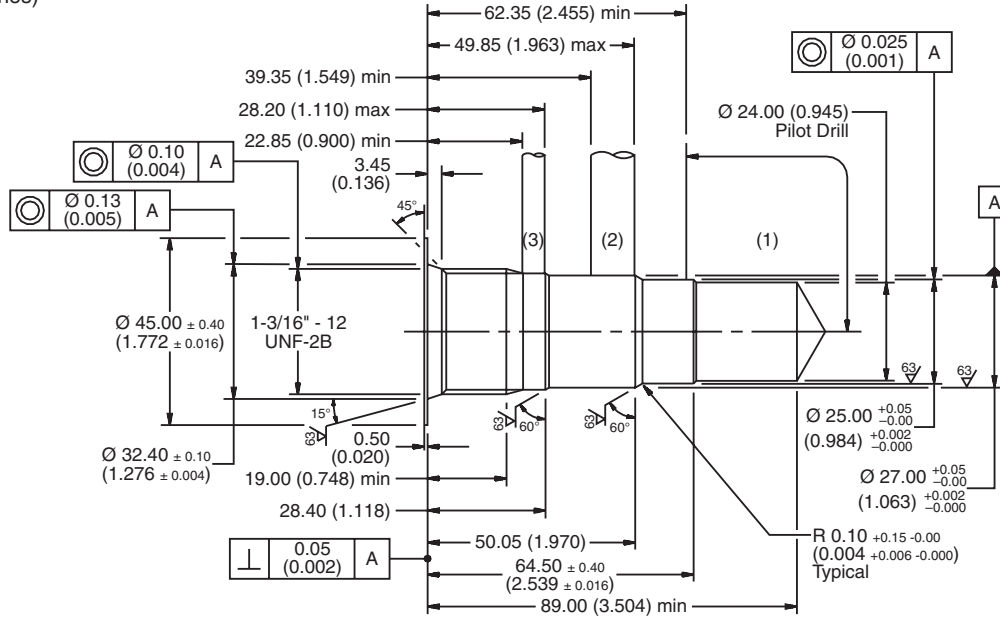
- CV** Check Valves
- SH** Shuttle Valves
- LM** Load/Motor Controls
- FC** Flow Controls
- PC** Pressure Controls
- LE** Logic Elements
- DC** Directional Controls
- MV** Manual Valves
- SV** Solenoid Valves
- PV** Proportional Valves
- CE** Coils & Electronics
- BC** Bodies & Cavities
- TD** Technical Data

**Technical Information**

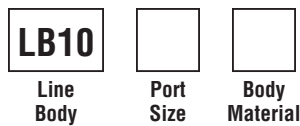
For additional information see Technical Tips on pages BC1-BC6.

**Dimensions**

Millimeters (Inches)



**Ordering Information**



Code	Port Size
069	1 SAE (Main) 1/4 SAE (Aux.)
234	3/4 SAE Dual Cavity

Code	Body Material
A	Aluminum
S	Steel

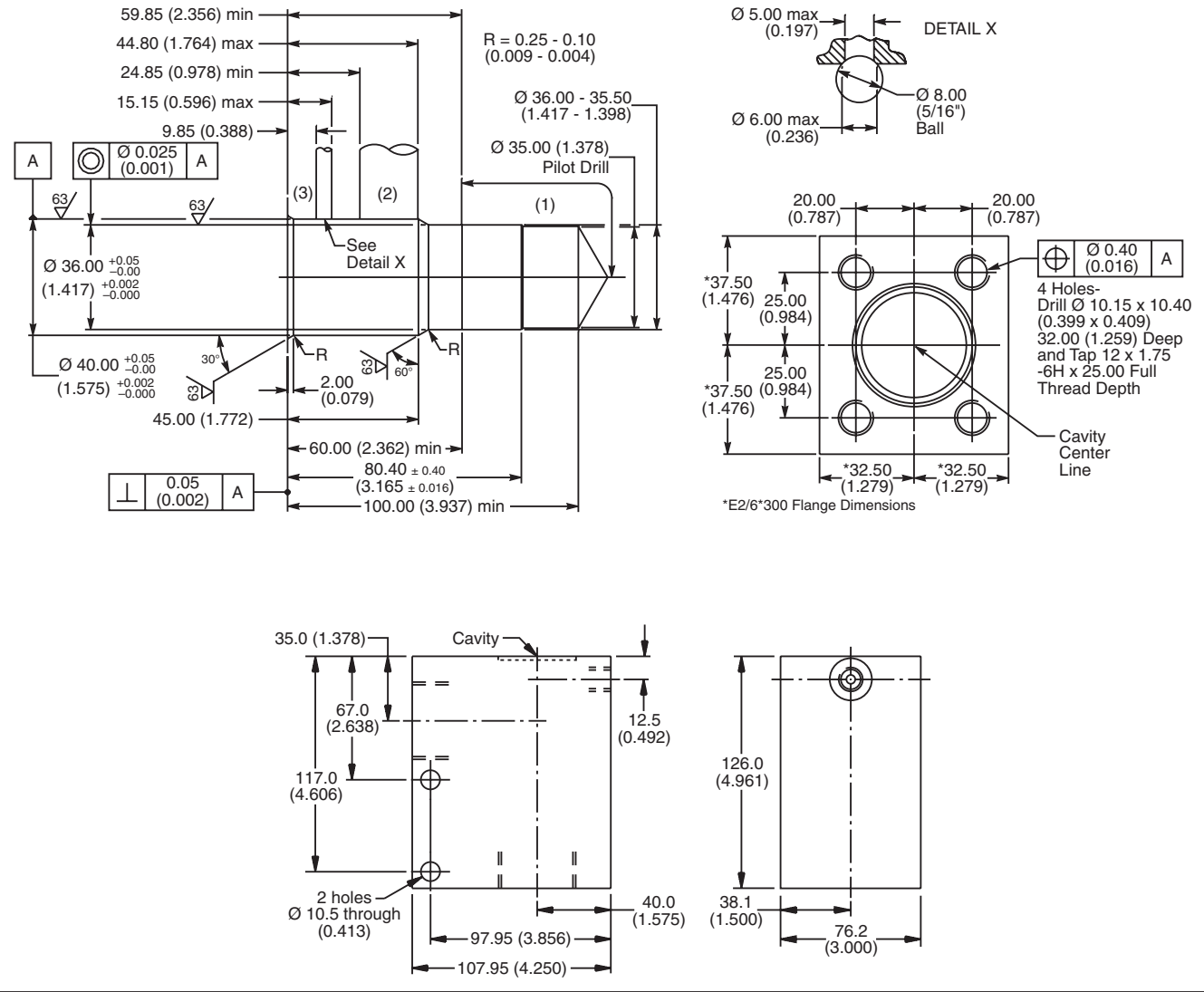
Cavity Tooling For 3C	
Pilot Drill Ø	24.00 (0.94)
Step Drill	8DS31305
Reamer (Alum)	8RM31005A
Reamer (Steel)	8RM31005S
Counterbore	8CB31100
Tap	8TP31200

- CV Check Valves
- SH Shuttle Valves
- LM Load/Motor Controls
- FC Flow Controls
- PC Pressure Controls
- LE Logic Elements
- DC Directional Controls
- MV Manual Valves
- SV Solenoid Valves
- PV Proportional Valves
- CE Coils & Electronics
- BC Bodies & Cavities
- TD Technical Data

For additional information see Technical Tips on pages BC1-BC6.

**Dimensions**

Millimeters (Inches)



**Ordering Information**

<b>LB10</b>		
Line Body	Port Size	Body Material

Code	Port Size
089	1-1/4 BSP (Main) 1/4 BSP (Aux)

Code	Body Material
A	Aluminum
S	Steel

Cavity Tooling For 3K	
Pilot Drill Ø	35.00 (1.38)
Step Drill	8DS31310
Reamer (Alum)	8RM31010A
Reamer (Steel)	8RM31010S
Counterbore	—
Tap	8TP31215

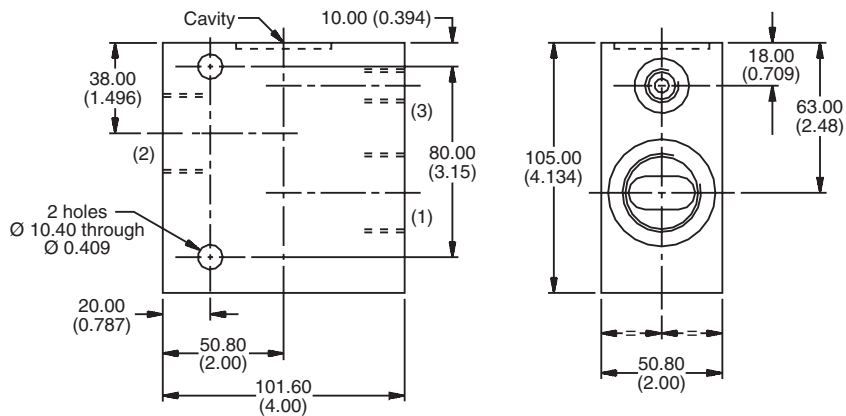
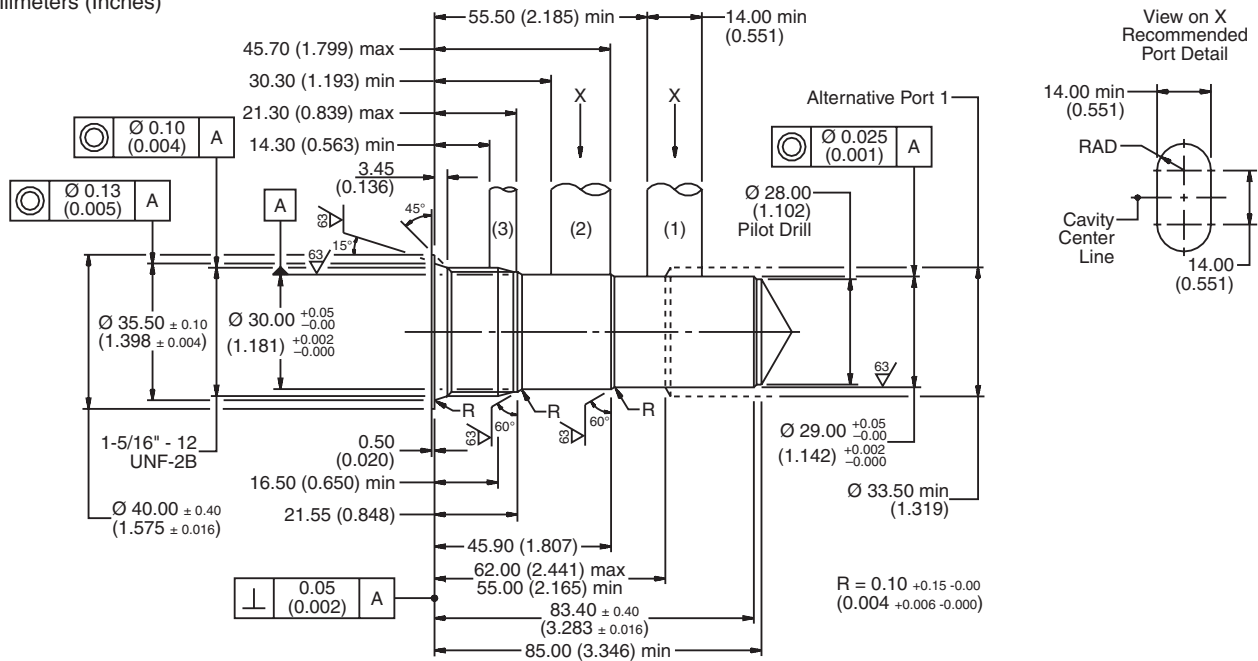
- CV** Check Valves
- SH** Shuttle Valves
- LM** Load/Motor Controls
- FC** Flow Controls
- PC** Pressure Controls
- LE** Logic Elements
- DC** Directional Controls
- MV** Manual Valves
- SV** Solenoid Valves
- PV** Proportional Valves
- CE** Coils & Electronics
- BC** Bodies & Cavities
- TD** Technical Data

**Technical Information**

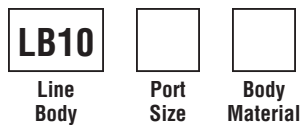
For additional information see Technical Tips on pages BC1-BC6.

**Dimensions**

Millimeters (Inches)



**Ordering Information**



Code	Port Size
078	1 SAE (Main) 1/4 SAE (Aux.)
105	1 SAE Dual Cavity

Code	Body Material
A	Aluminum
S	Steel

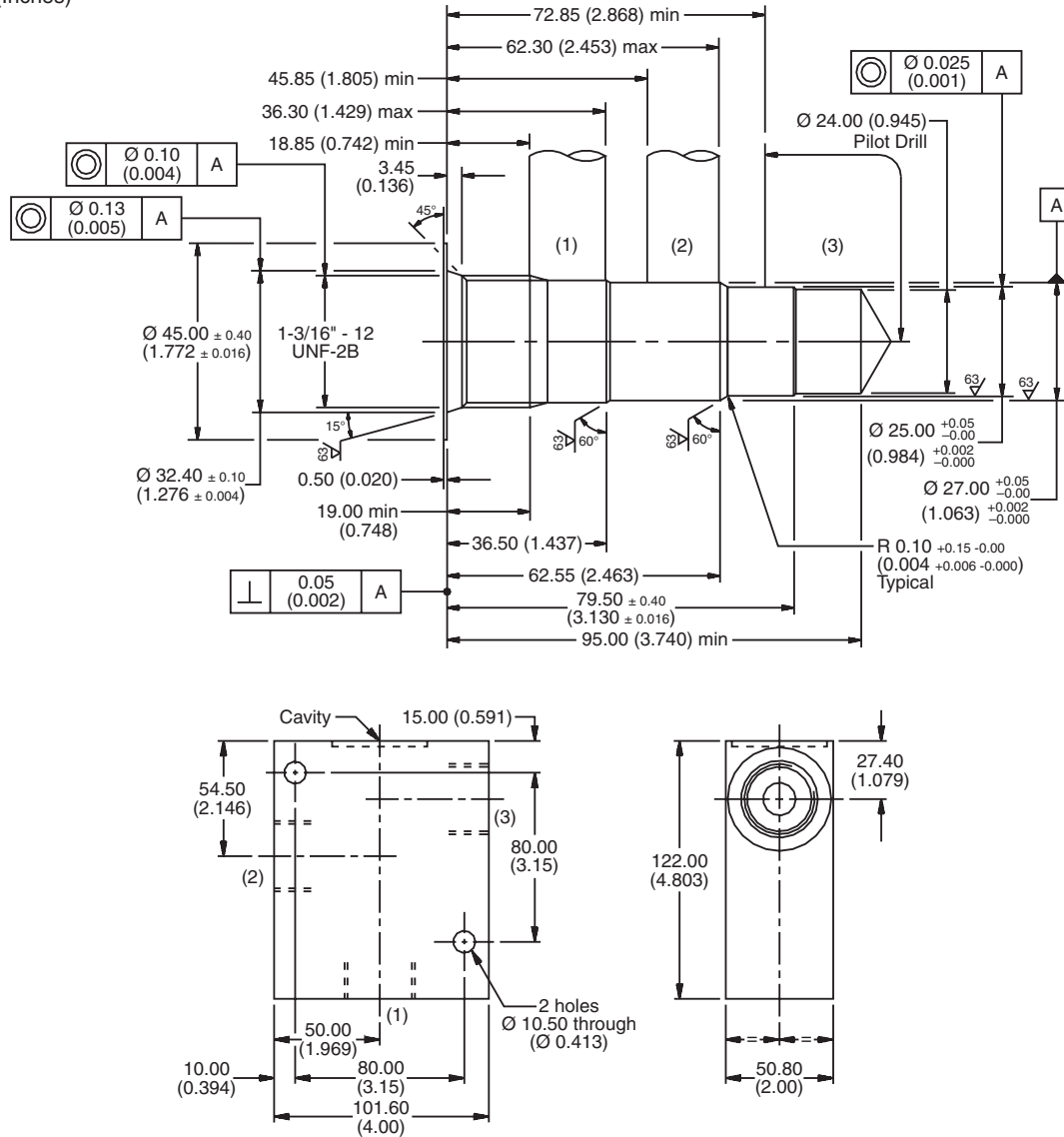
Cavity Tooling For 3M	
Pilot Drill Ø	28.00 (1.10)
Step Drill	8DS31311
Reamer (Alum)	8RM31011A
Reamer (Steel)	8RM31011S
Counterbore	8CB31103
Tap	8TP31203

- CV Check Valves
- SH Shuttle Valves
- LM Load/Motor Controls
- FC Flow Controls
- PC Pressure Controls
- LE Logic Elements
- DC Directional Controls
- MV Manual Valves
- SV Solenoid Valves
- PV Proportional Valves
- CE Coils & Electronics
- BC Bodies & Cavities
- TD Technical Data

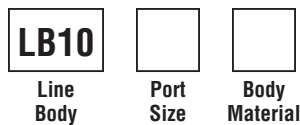


For additional information see Technical Tips on pages BC1-BC6.

**Dimensions**  
 Millimeters (Inches)



**Ordering Information**



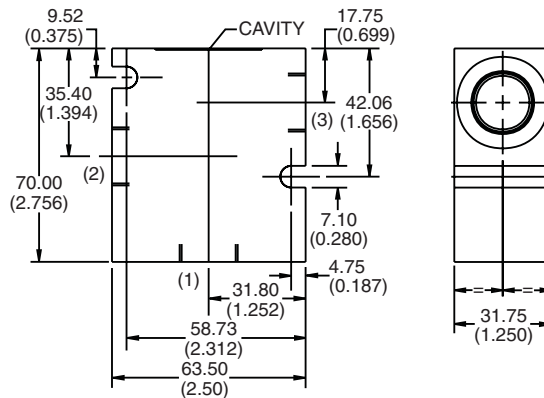
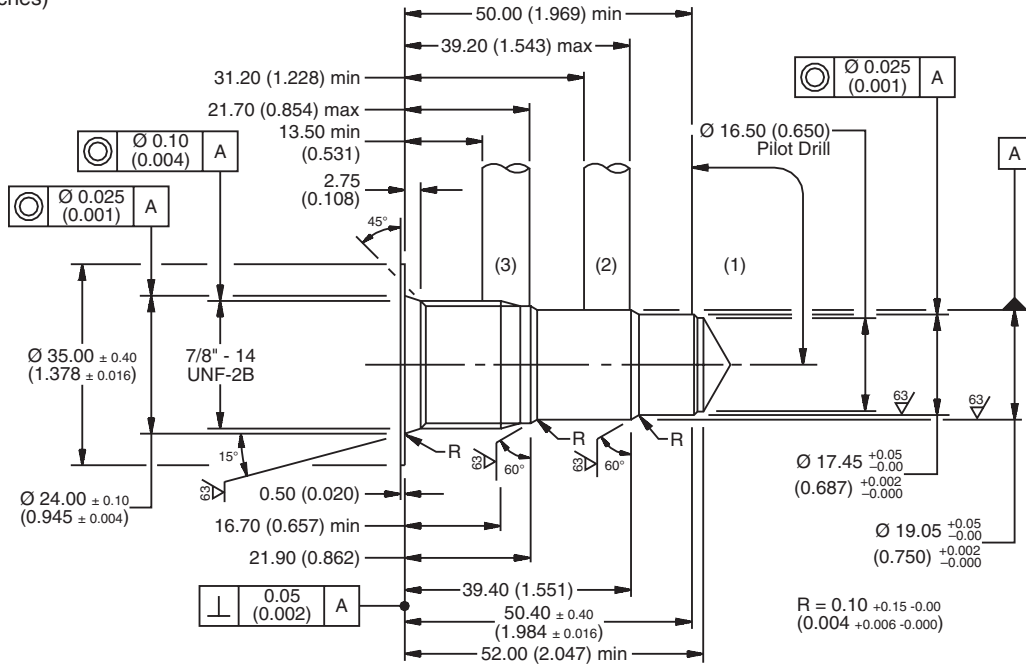
Code	Port Size
093	1 SAE

Code	Body Material
S	Steel

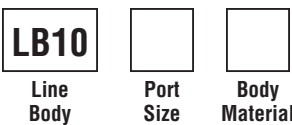
- CV** Check Valves
- SH** Shuttle Valves
- LM** Load/Motor Controls
- FC** Flow Controls
- PC** Pressure Controls
- LE** Logic Elements
- DC** Directional Controls
- MV** Manual Valves
- SV** Solenoid Valves
- PV** Proportional Valves
- CE** Coils & Electronics
- BC** Bodies & Cavities
- TD** Technical Data

For additional information see Technical Tips on pages BC1-BC6.

**Dimensions**  
 Millimeters (Inches)



**Ordering Information**



Code	Port Size
553	1/2 SAE

Code	Body Material
A	Aluminum
S	Steel

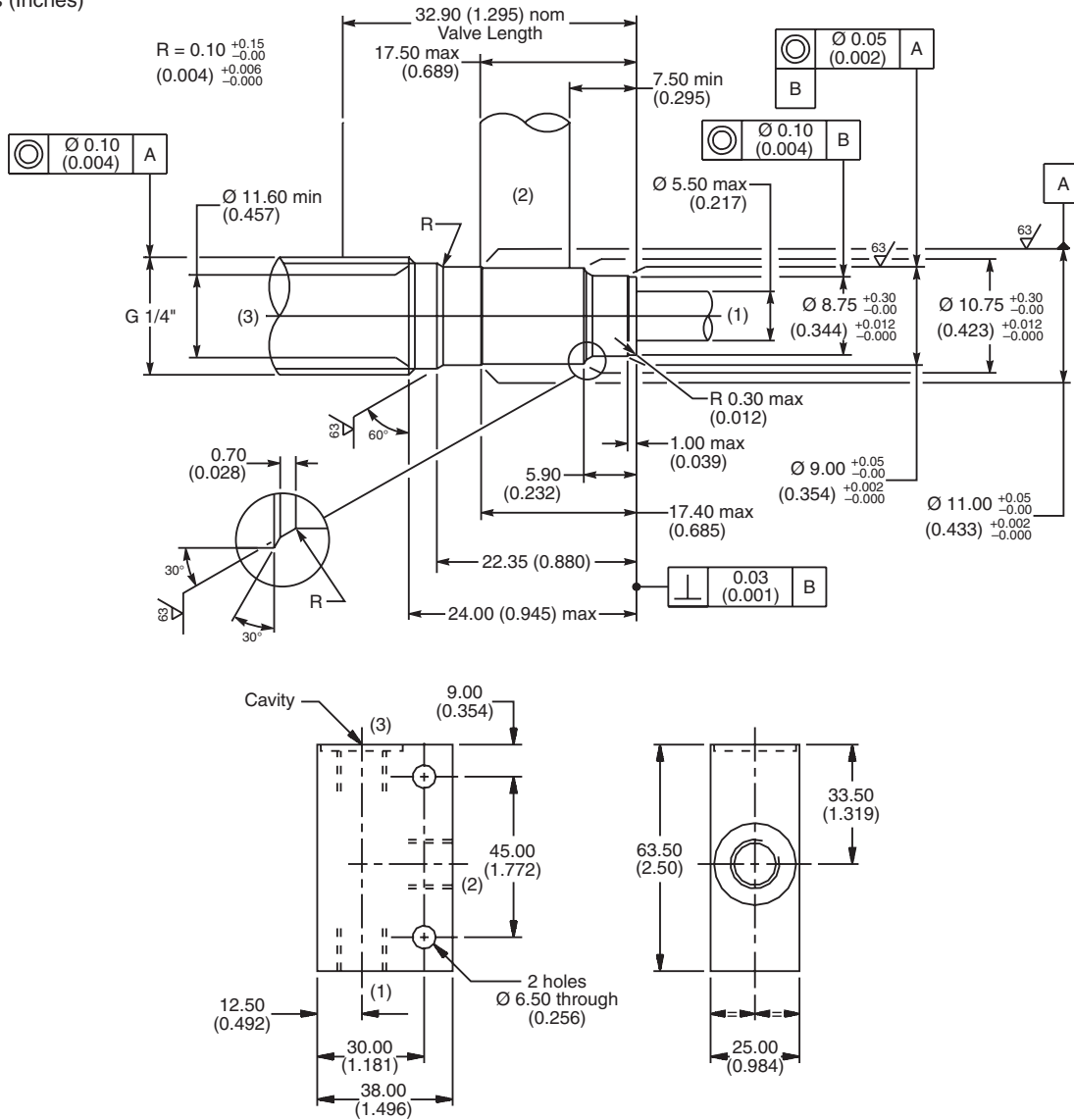
Cavity Tooling For 3X	
Pilot Drill Ø	16.50 (0.650)
Step Drill	8DS31343
Reamer (Alum)	8RM31062A
Reamer (Steel)	8RM31062S
Counterbore	—
Tap	8TP31201

- CV Check Valves
- SH Shuttle Valves
- LM Load/Motor Controls
- FC Flow Controls
- PC Pressure Controls
- LE Logic Elements
- DC Directional Controls
- MV Manual Valves
- SV Solenoid Valves
- PV Proportional Valves
- CE Coils & Electronics
- BC Bodies & Cavities
- TD Technical Data

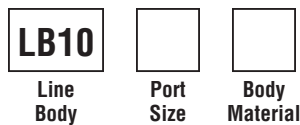
For additional information see Technical Tips on pages BC1-BC6.

**Dimensions**

Millimeters (Inches)



**Ordering Information**



Code	Port Size
320	1/4 SAE

Code	Body Material
A	Aluminum
S	Steel

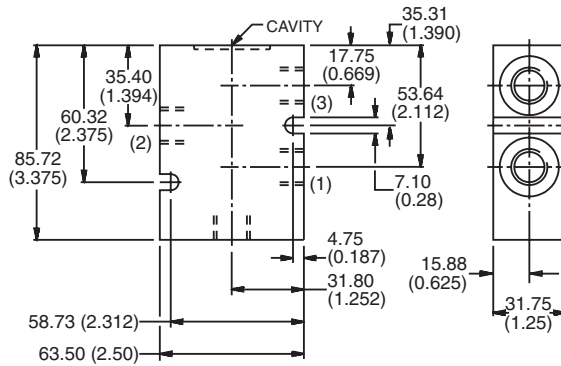
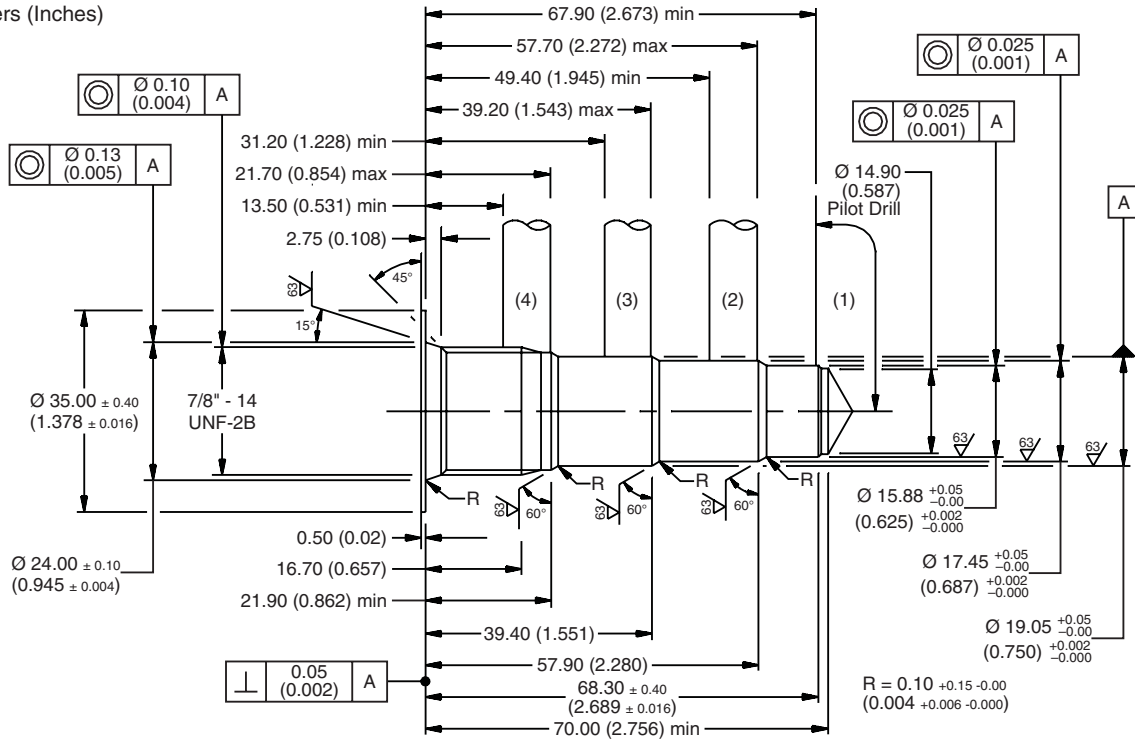
Cavity Tooling For 3Z	
Pilot Drill Ø	8.50 (0.335)
Step Drill	8DS31355
Reamer (Alum)	8RM31055A
Reamer (Steel)	8RM31055S
Counterbore	—
Tap	8TP31219

- CV Check Valves
- SH Shuttle Valves
- LM Load/Motor Controls
- FC Flow Controls
- PC Pressure Controls
- LE Logic Elements
- DC Directional Controls
- MV Manual Valves
- SV Solenoid Valves
- PV Proportional Valves
- CE Coils & Electronics
- BC Bodies & Cavities
- TD Technical Data

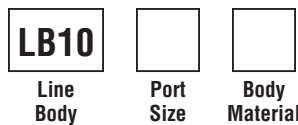
For additional information see Technical Tips on pages BC1-BC6.

**Dimensions**

Millimeters (Inches)



**Ordering Information**



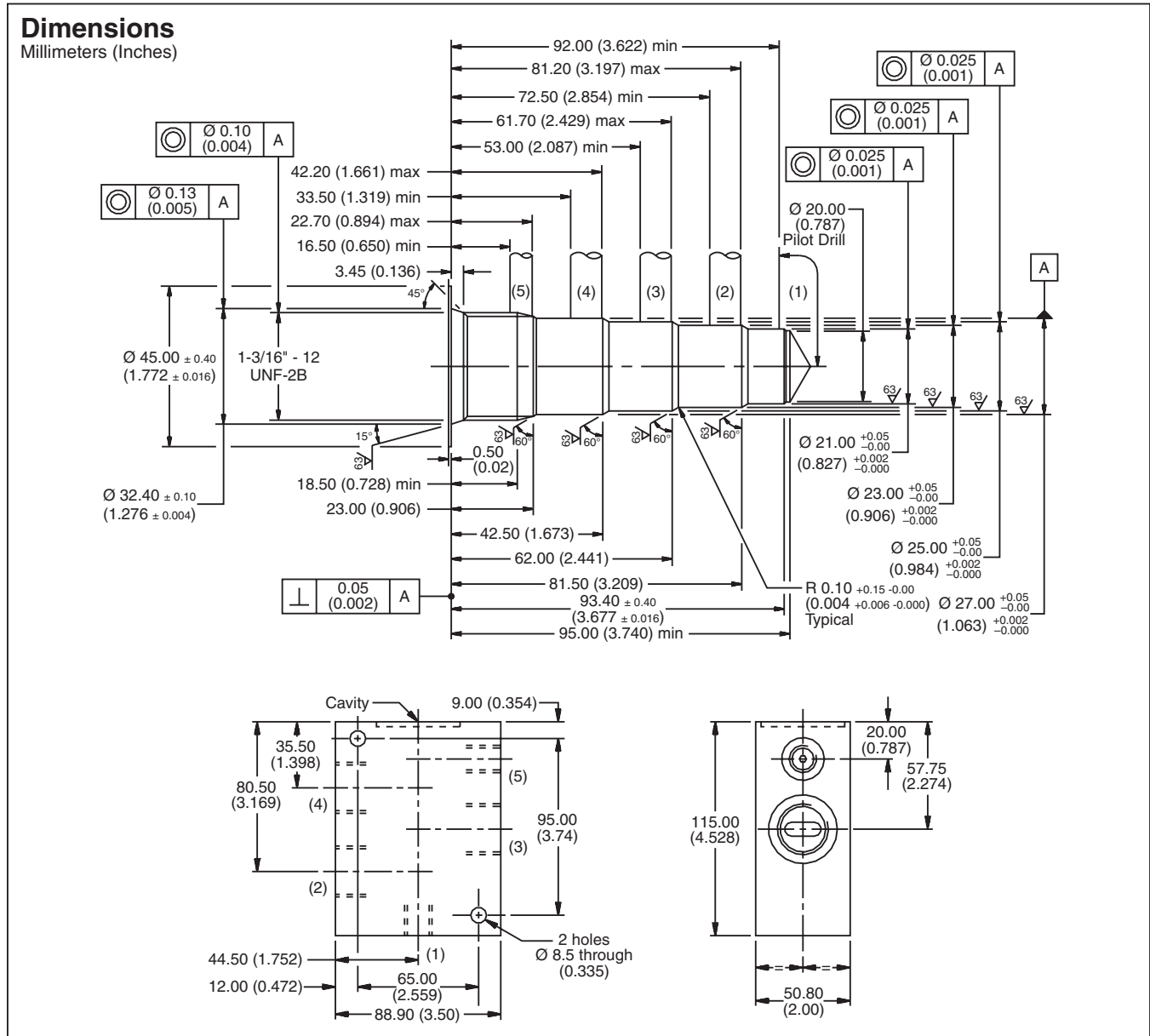
Code	Port Size
562	1/2 SAE

Code	Body Material
A	Aluminum
S	Steel

Cavity Tooling For 4C	
Pilot Drill Ø	14.90 (0.587)
Step Drill	8DS31346
Reamer (Alum)	8RM31063A
Reamer (Steel)	8RM31063S
Counterbore	—
Tap	8TP31201

- CV Check Valves
- SH Shuttle Valves
- LM Load/Motor Controls
- FC Flow Controls
- PC Pressure Controls
- LE Logic Elements
- DC Directional Controls
- MV Manual Valves
- SV Solenoid Valves
- PV Proportional Valves
- CE Coils & Electronics
- BC Bodies & Cavities
- TD Technical Data

For additional information see Technical Tips on pages BC1-BC6.



### Ordering Information

<b>LB10</b>		
Line Body	Port Size	Body Material

Code	Port Size
321	3/4 SAE (Main) 1/4 SAE (Aux.)

Code	Body Material
A	Aluminum
S	Steel

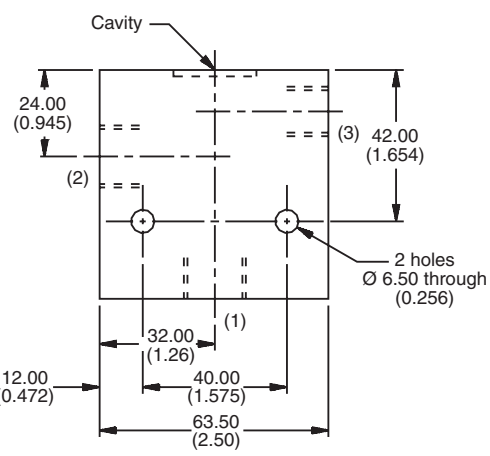
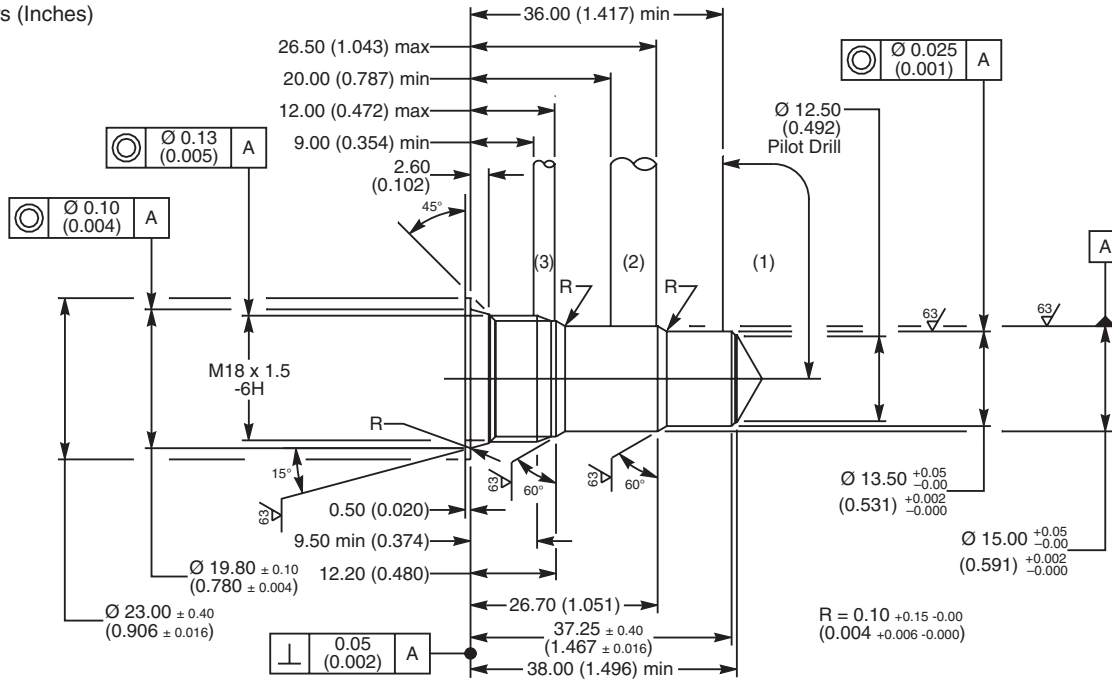
Cavity Tooling For 5A	
Pilot Drill Ø	20.00 (0.78)
Step Drill	8DS31353
Reamer (Alum)	8RM31053A
Reamer (Steel)	8RM31053S
Counterbore	8CB31100
Tap	8TP31200

- CV** Check Valves
- SH** Shuttle Valves
- LM** Load/Motor Controls
- FC** Flow Controls
- PC** Pressure Controls
- LE** Logic Elements
- DC** Directional Controls
- MV** Manual Valves
- SV** Solenoid Valves
- PV** Proportional Valves
- CE** Coils & Electronics
- BC** Bodies & Cavities
- TD** Technical Data

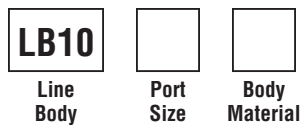
For additional information see Technical Tips on pages BC1-BC6.

**Dimensions**

Millimeters (Inches)



**Ordering Information**



Code	Port Size
318	3/8 SAE (Main) 1/4 SAE (Aux.)

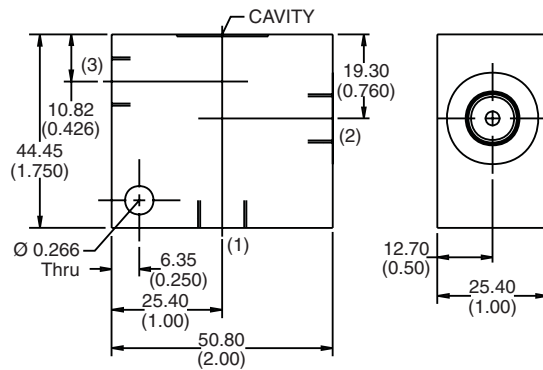
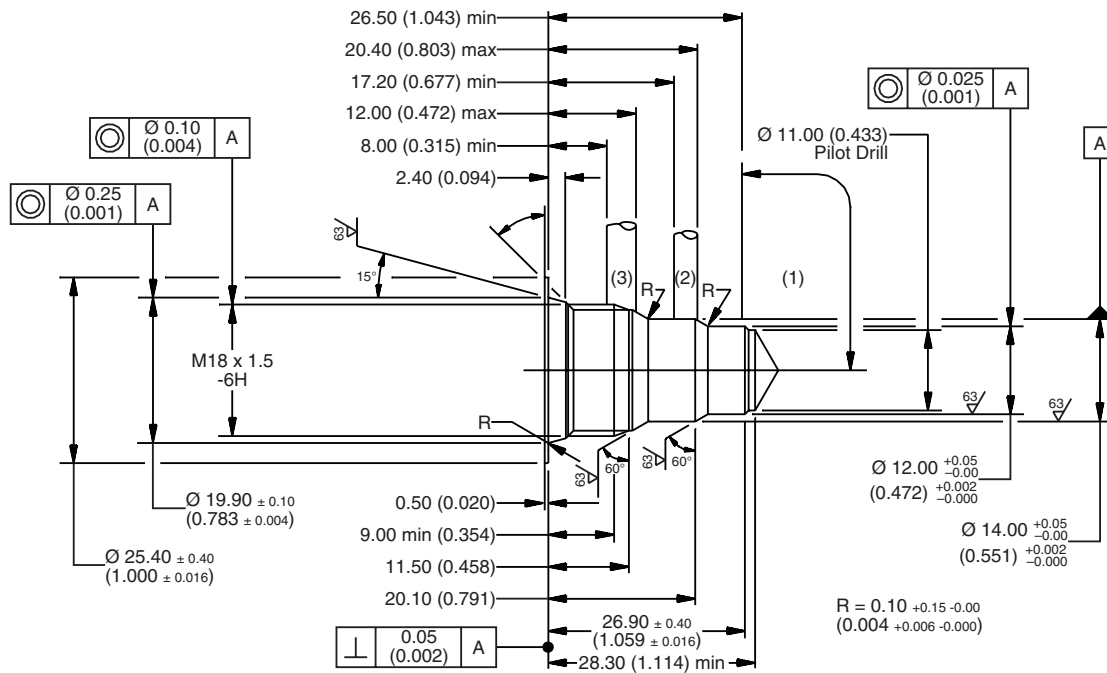
Code	Body Material
A	Aluminum
S	Steel

Cavity Tooling For 53-1	
Pilot Drill Ø	12.50 (0.49)
Step Drill	8DS31349
Reamer (Alum)	8RM31081A
Reamer (Steel)	8RM31081S
Counterbore	—
Tap	8TP31207

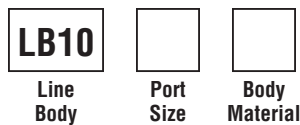
- CV Check Valves
- SH Shuttle Valves
- LM Load/Motor Controls
- FC Flow Controls
- PC Pressure Controls
- LE Logic Elements
- DC Directional Controls
- MV Manual Valves
- SV Solenoid Valves
- PV Proportional Valves
- CE Coils & Electronics
- BC Bodies & Cavities
- TD Technical Data

For additional information see Technical Tips on pages BC1-BC6.

**Dimensions**  
 Millimeters (Inches)



**Ordering Information**



Code	Port Size
591	1/4 SAE

Code	Body Material
A	Aluminum
S	Steel

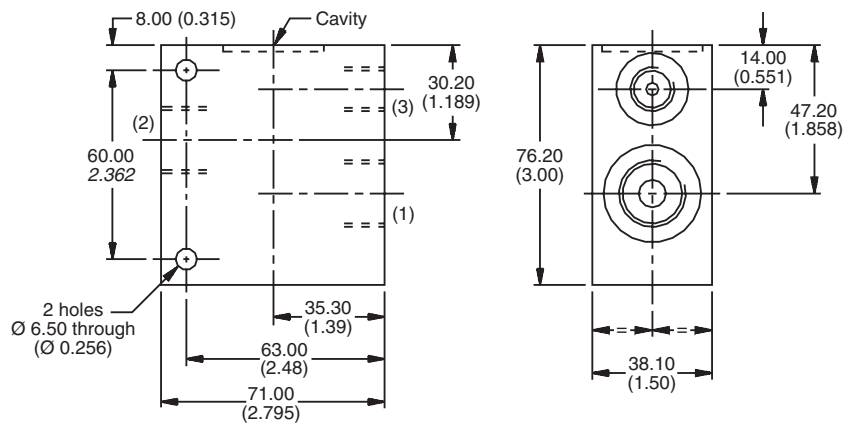
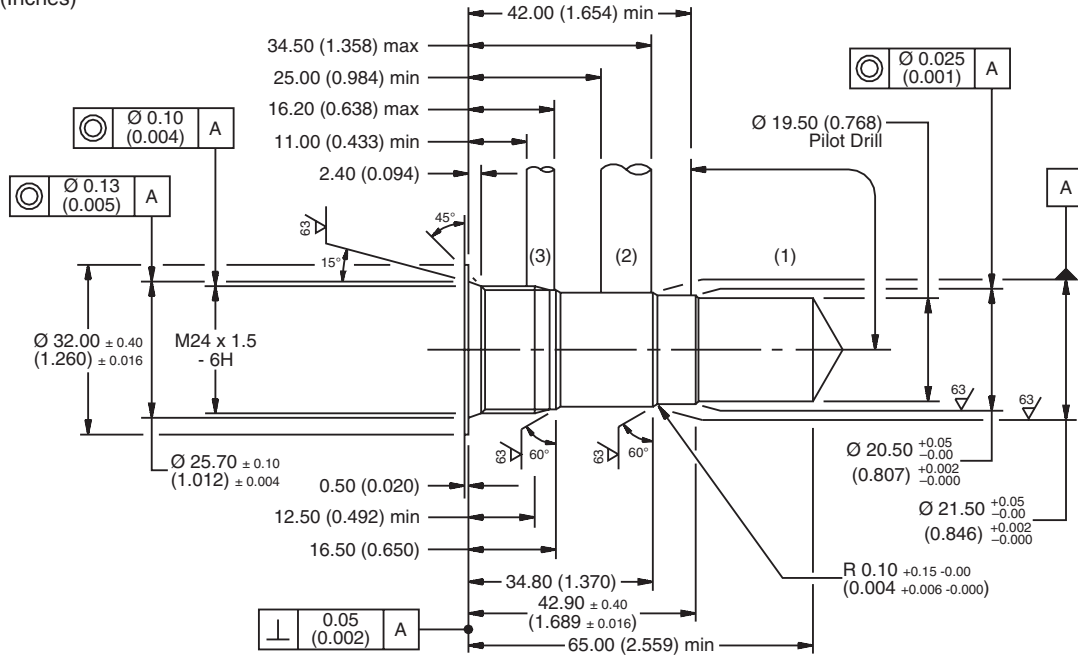
Cavity Tooling For 54-1	
Pilot Drill Ø	11.00 (0.433)
Step Drill	8DS31379
Reamer (Alum)	8RM31087A
Reamer (Steel)	8RM31087S
Counterbore	—
Tap	8TP31207

- CV Check Valves
- SH Shuttle Valves
- LM Load/Motor Controls
- FC Flow Controls
- PC Pressure Controls
- LE Logic Elements
- DC Directional Controls
- MV Manual Valves
- SV Solenoid Valves
- PV Proportional Valves
- CE Coils & Electronics
- BC Bodies & Cavities
- TD Technical Data

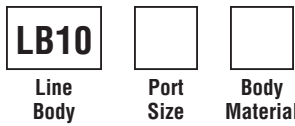


For additional information see Technical Tips on pages BC1-BC6.

**Dimensions**  
 Millimeters (Inches)



**Ordering Information**



Code	Port Size
253	1/2 SAE (Main) 1/4 SAE (Aux.)

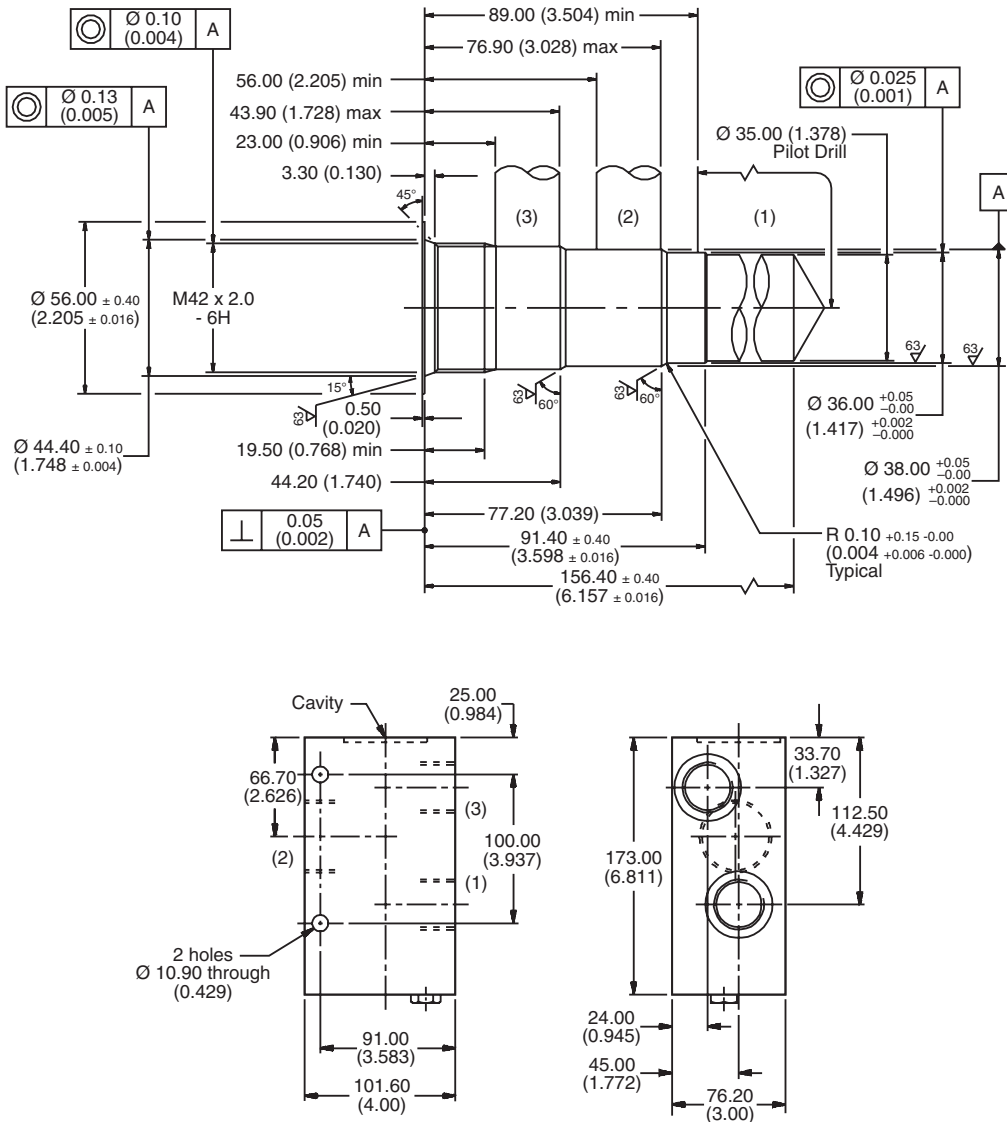
Code	Body Material
A	Aluminum
S	Steel

Cavity Tooling For 68-1	
Pilot Drill Ø	19.50 (0.77)
Step Drill	8DS31341
Reamer (Alum)	8RM31041A
Reamer (Steel)	8RM31041S
Counterbore	8CB31116
Tap	8TP31216

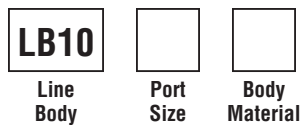
- CV Check Valves
- SH Shuttle Valves
- LM Load/Motor Controls
- FC Flow Controls
- PC Pressure Controls
- LE Logic Elements
- DC Directional Controls
- MV Manual Valves
- SV Solenoid Valves
- PV Proportional Valves
- CE Coils & Electronics
- BC Bodies & Cavities
- TD Technical Data

For additional information see Technical Tips on pages BC1-BC6.

**Dimensions**  
 Millimeters (Inches)



**Ordering Information**



Code	Port Size
157	2 x 1 SAE (Main) 1 x 1-1/2 SAE (Aux.)

Code	Body Material
A	Aluminum
S	Steel

Cavity Tooling For 91-1	
Pilot Drill Ø	35.00 (1.378)
Step Drill	8DS31332
Reamer (Alum)	8RM31032A
Reamer (Steel)	8RM31032S
Counterbore	8CB31118
Tap	8TP31213

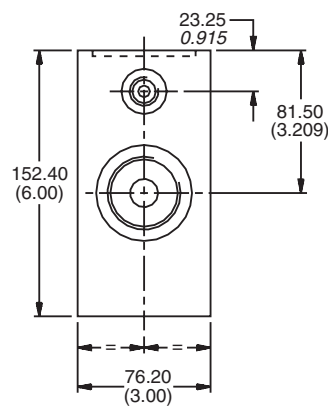
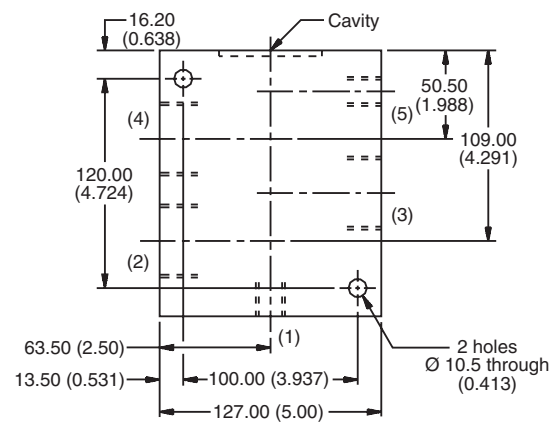
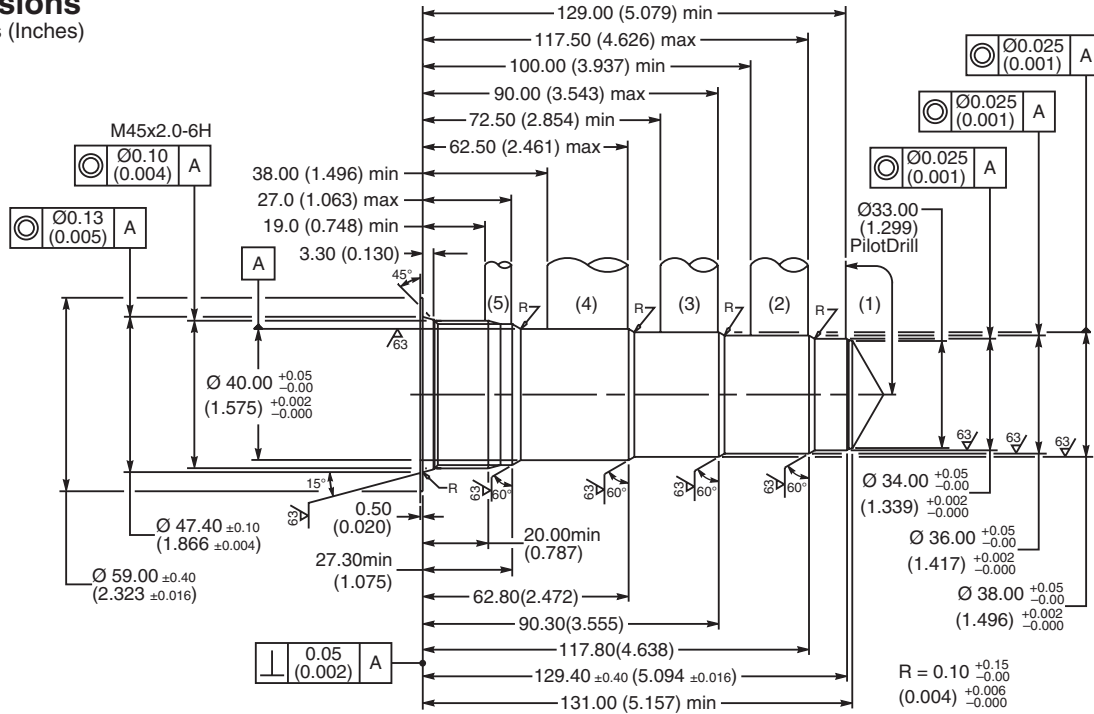
- CV** Check Valves
- SH** Shuttle Valves
- LM** Load/Motor Controls
- FC** Flow Controls
- PC** Pressure Controls
- LE** Logic Elements
- DC** Directional Controls
- MV** Manual Valves
- SV** Solenoid Valves
- PV** Proportional Valves
- CE** Coils & Electronics
- BC** Bodies & Cavities
- TD** Technical Data

Technical Information

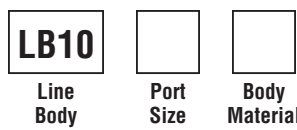
For additional information see Technical Tips on pages BC1-BC6.

Dimensions

Millimeters (Inches)



Ordering Information



Code	Port Size
317	1-1/4 SAE (Main) 3/8 SAE (Aux)

Code	Body Material
A	Aluminum
S	Steel

Cavity Tooling (100-1 Cavity)	
Pilot Drill Ø	33.00 (1.30)
Step Drill	8DS31350
Reamer (Alum)	8RM31050A
Reamer (Steel)	8RM31050S
Counterbore	8CB31119
Tap	8TP31218

- CV Check Valves
- SH Shuttle Valves
- LM Load/Motor Controls
- FC Flow Controls
- PC Pressure Controls
- LE Logic Elements
- DC Directional Controls
- MV Manual Valves
- SV Solenoid Valves
- PV Proportional Valves
- CE Coils & Electronics
- BC Bodies & Cavities
- TD Technical Data

DESCRIPTION	PAGE NO.
Basic Hydraulic Formulas.....	TD1
Ratings and Testing.....	TD1
Temperature Ratings.....	TD1
Viscosity .....	TD1
Pressure Ratings.....	TD1
Thermal Shock.....	TD1
Service and Components.....	TD1
Limitations in Use .....	TD1
Seal Material Selection.....	TD2
Hydraulic Fluids .....	TD3
Hydraulic Filtration.....	TD3
Application of Product .....	TD3
Offer of Sale.....	TD4

**CV**

Check Valves

**SH**

Shuttle Valves

**LM**

Load/Motor Controls

**FC**

Flow Controls

**PC**

Pressure Controls

**LE**

Logic Elements

**DC**

Directional Controls

**MV**

Manual Valves

**SV**

Solenoid Valves

**PV**

Proportional Valves

**CE**

Coils & Electronics

**BC**

Bodies & Cavities

**TD**

Technical Data

CV

Check  
Valves

## INTRODUCTION

In this section you will find a variety of technical information pertinent to general hydraulics as well as cartridge valve technology.

SH

Shuttle  
Valves

## HYDRAULIC FORMULAS

Below are a few of the common hydraulic formulas to assist you in calculating the requirements for your system:

$$\text{Voltage} = \text{Current} \times \text{Resistance}$$

$$\text{Flow} = \text{Volume} \div \text{Unit of Time}$$

$$\text{Pressure} = \text{Force} \div \text{Area}$$

$$\text{Horsepower} = \text{Flow} \times \text{Pressure} \div (1714 \times \text{Efficiency})$$

$$\text{Hydraulic power (kW)} = \frac{\Delta p \text{ (Bar)} \times \text{flow rate (LPM)}}{600}$$

$$\text{where } \Delta p = \text{pressure drop}$$

$$\text{Hydraulic power (HP)} = \frac{\Delta p \text{ (PSI)} \times \text{flow rate (GPM)}}{1714}$$

FC

Flow  
Controls

PC

Pressure  
Controls

LE

Logic  
Elements

## RATINGS & TESTING

All Parker cartridge valve products have been performance tested with the results shown on the individual valve catalog pages. The performance data shown represents typical operation characteristics of the product. In addition, our valves are endurance tested. Validation is conducted by testing or similarity in designs.

**Note:** Not every cartridge option is endurance tested. In other words, one three way spool is endurance tested, and the others are assumed by similarity.

DC

Directional  
Controls

MV

Manual  
Valves

SV

Solenoid  
Valves

## TEMPERATURE RATINGS

Product operating limits are broadly in the range -30°C to 150°C (-20°F to 300°F) but satisfactory operation within the specification may not be accomplished. Leakage and response will be affected when used at temperature extremes and it is the user's responsibility to determine acceptability at these levels.

PV

Proportional  
Valves

CE

Coils &  
Electronics

Seals used in these products generally have the following temperature limitations:

**Nitrile (Buna N)** -34°C to 121°C (-30°F to 250°F)

**Fluorocarbon** -26°C to 204°C (-15°F to 400°F)

**HytreI** -54°C to 135°C (-65°F to 275°F)

**GTPFE** -30°C to 150°C (-20°F to 300°F)

BC

Bodies &  
Cavities

TD

Technical  
Data

## VISCOSITY

Catalog data is from tests conducted on mineral oil at a viscosity of 32 cSt (150 SSU) using an ISO 32 fluid at 100 degrees F.

Product should ideally be used at viscosities in the range of 15 to 50 cSt (80 to 230 SSU).

Product will perform with reduced efficiency in the ranges, 5 to 15 cSt (42 to 80 SSU) and 50 to 500 cSt (230 to 2300 SSU). These extreme conditions must be evaluated by the user to establish suitability of the product's performance.

## PRESSURE RATINGS

Unless otherwise stated, all Parker cartridges have a continuous duty pressure ratings as shown in the catalog. All pressure ratings are based on the cartridge valve only. Exposure to elevated pressures may affect the performance and fatigue life of the product. The material chosen for the body or carrier may affect the pressure rating we recommend. Parker does not recommend the use of cartridge valves in aluminum bodies at pressures above 207 bar (3000 psi).

## THERMAL SHOCK

It is unreasonable to expect product to withstand rapid temperature changes - this could affect both performance and life and care should be taken to protect the product from such situations.

## SERVICE & COMPONENTS

One of the advantages of integrated hydraulic circuits is their serviceability. Should a valve need to be replaced for any reason, a user only needs to unscrew the valve from the manifold and screw the replacement into the cavity. As such, there are few replacement parts available for the Parker cartridge products. As with any hydraulic system, the operator should bleed off any trapped pressure and consult machine service manuals prior to service. Parker does not offer any service parts for internal components, but external components such as coils, knobs, and seals are available.

## LIMITATIONS IN USE

Parker cartridge valves are designed for a wide variety of industrial and mobile applications. Despite their flexibility, Parker Hannifin does not recommend or support the use of our cartridge valves in any on highway or aerospace applications. We also do not recommend our products for use in the transport of explosive products or in hazardous environments.

**SEAL MATERIAL SELECTION**

You should match the seal compatibility to the temperature and fluid being used in your application. Parker offers three seal materials to meet your application requirements. Parker's standard material is a 4301 Polyurethane RESILON™ material "D"-Ring. We also offer Fluorocarbon and Nitrile seals. A brief synopsis of each seal material is given below to help you choose the best seal for your application.

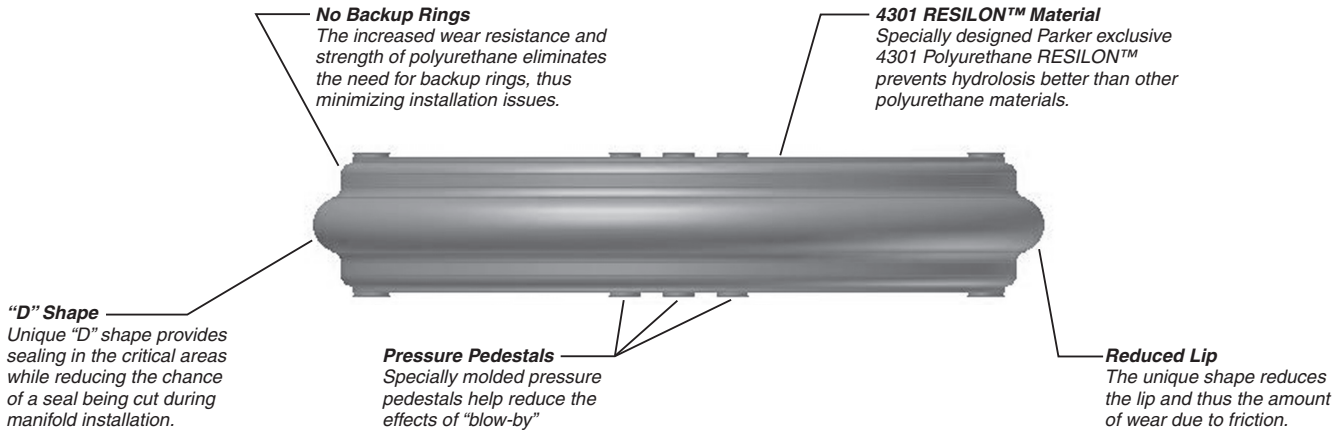
**"D"-Ring (4301 Polyurethane RESILON™ Material)**

The "D"-Ring is the standard seal material on the Winner's Circle threaded cartridge valves. The "D"-Ring is molded of a special 4301 Polyurethane RESILON™. Polyurethane materials exhibit better wear resistance and tensile strength than standard Nitrile or Fluorocarbon material. In addition, it has an excellent resistance to compression set. This increased strength eliminates the need for back-rings and simplifies installation.

The 4301 compound is a Parker exclusive material designed to prevent hydrolysis at high temperatures.

Thus, the "D"-Ring outperforms standard polyurethane o-rings, especially when using high water content fluids at elevated temperatures. The "D"-Ring is compatible with most water-glycol, water/oil emulsions, and high grade petroleum based hydraulic fluids at temperatures between -45°C to +132°C (-50°F to +270°F)

The unique shape of the Parker "D"-Ring also provides a variety of design advantages. The seal is molded into a "D" shape where the seal is higher in the middle and lower on the ends. This prevents the seal edge from folding over on a corner inside the manifold during installation. In addition, this design has a minimal lip, thus, friction is reduced. Another unique feature of the "D"-Ring is its symmetrical design, resulting in no performance degradation from the reverse direction, or worry of backward installation. The "D"-Ring is also equipped with "pressure pedestals" to reduce the effects of "blow-by" common in reverse cycling. The pressure pedestals increase the sealing capability of the "D"-Ring, by reducing the radial pressure forces that compress the sealing face of the o-ring. The drawing below depicts the shape and highlights the features.



**Nitrile**

Nitrile o-rings are also compatible with most water-glycol, water/oil emulsions, and high grade petroleum based hydraulic fluids. Parker only recommends Nitrile o-rings for temperatures between -34°C to +121°C (-30°F to +250°F). Nitrile o-rings do require a full back-up ring, or two half back-ups.

**Fluorocarbon**

Fluorocarbon o-rings are compatible with most phosphate ester fluids and phosphate ester blends. Parker only recommends Fluorocarbon seals for temperatures between -26°C to +204°C (-15°F to +400°F). Fluorocarbon o-rings do require a full back-up ring, or two half back-ups.

**CV**

Check Valves

**SH**

Shuttle Valves

**LM**

Load/Motor Controls

**FC**

Flow Controls

**PC**

Pressure Controls

**LE**

Logic Elements

**DC**

Directional Controls

**MV**

Manual Valves

**SV**

Solenoid Valves

**PV**

Proportional Valves

**CE**

Coils & Electronics

**BC**

Bodies & Cavities

**TD**

Technical Data

CV

Check  
Valves

## HYDRAULIC FLUIDS

Parker recommends using top-quality mineral based or synthetic hydraulic fluids with lubricating properties at viscosities of 45 to 2000 SSU (6 to 420 cSt) at 38°C (100°F). The absolute viscosity range 80 to 1000 SSU (16 to 220 cSt.). Fluids should have high anti-wear characteristics and be treated to protect against oxidation.

SH

Shuttle  
Valves

LM

Load/Motor  
Controls

## HYDRAULIC FILTRATION

Hydraulic systems that include Parker valves should be carefully protected against fluid contamination. The proper cleanliness level for Parker cartridge valves should be maintained at an ISO cleanliness level of 18/16/13.

FC

Flow  
Controls

75% of all system failures are a direct result of contamination. Contamination interferes with four functions of hydraulic fluids.

PC

Pressure  
Controls

1. To act as an energy transmission medium.
2. To lubricate internal moving parts of components.
3. To act a heat transfer medium.
4. To seal clearances between moving components.

LE

Logic  
Elements

DC

Directional  
Controls

A properly selected filter will provide adequate protection and reduce operating cost. This is achieved by increasing the expected life of the valves and reducing the cost of maintenance and repairs. Operation will be smoother and more precise.

MV

Manual  
Valves

SV

Solenoid  
Valves

PV

Proportional  
Valves

CE

Coils &  
Electronics

BC

Bodies &  
Cavities

TD

Technical  
Data

There is no direct correlation between using a specific ISO cleanliness classification. Numerous other variables should be considered such as particulate ingress, actual flow through filters, and filter location.

A number of interrelated system factors combine to determine proper media and filter combinations. To accurately determine which combination is ideal for your system, all these factors need to be accounted for. With the development of filtration sizing software such as Parker inPHorm, this information can be used to compute the optimal selection. In many instances the information available may be limited. In these cases, "rules of thumb" based on empirical data and proven examples are applied to get an initial starting point.

## APPLICATION OF PRODUCT

**CAUTION** - It is important to note that the Parker Hydraulic Cartridge Systems Division makes a variety of valves, many of which fit into the same cavity. However, their functionality may differ considerably from one valve type to another. **Accordingly fit interchangeability does not necessarily mean form or function interchangeability.** Users should ensure that the appropriate valve is installed in the cavity by cross checking the part number stamped on the valve with that published in approved service literature or in the installation drawing.



# Offer of Sale

The goods, services or work (referred to as the "Products") offered by **Parker-Hannifin Corporation**, its subsidiaries, groups, divisions, and authorized distributors ("Seller") are offered for sale at prices indicated in the offer, or as may be established by Seller. The offer to sell the Products and acceptance of Seller's offer by any customer ("Buyer") is contingent upon, and will be governed by all of the terms and conditions contained in this Offer of Sale. Buyer's order for any Products specified in Buyer's purchase document or Seller's offer, proposal or quote ("Quote") attached to the purchase order, when communicated to Seller verbally, or in writing, shall constitute acceptance of this offer.

1. **Terms and Conditions.** Seller's willingness to offer Products for sale or accept an order for Products is subject to the terms and conditions contained in this Offer of Sale or any newer version of the same, published by Seller electronically at [www.parker.com/saleterms/](http://www.parker.com/saleterms/). Seller objects to any contrary or additional terms or conditions of Buyer's order or any other document or other communication issued by Buyer.
2. **Price; Payment.** Prices stated on Seller's Quote are valid for thirty (30) days, except as explicitly otherwise stated therein, and do not include any sales, use, or other taxes or duties unless specifically stated. Seller reserves the right to modify prices to adjust for any raw material price fluctuations. Unless otherwise specified by Seller, all prices are F.C.A. Seller's facility (INCOTERMS 2010). Payment is subject to credit approval and payment for all purchases is due thirty (30) days from the date of invoice (or such date as may be specified by Seller's Credit Department). Unpaid invoices beyond the specified payment date incur interest at the rate of 1.5% per month or the maximum allowable rate under applicable law.
3. **Shipment; Delivery; Title and Risk of Loss.** All delivery dates are approximate. Seller is not responsible for damages resulting from any delay. Regardless of the manner of shipment, delivery occurs and title and risk of loss or damage pass to Buyer, upon placement of the Products with the shipment carrier at Seller's facility. Unless otherwise stated, Seller may exercise its judgment in choosing the carrier and means of delivery. No deferral of shipment at Buyers' request beyond the respective dates indicated will be made except on terms that will indemnify, defend and hold Seller harmless against all loss and additional expense. Buyer shall be responsible for any additional shipping charges incurred by Seller due to Buyer's acts or omissions.
4. **Warranty.** Seller warrants that the Products sold hereunder shall be free from defects in material or workmanship for a period of twelve (12) months from the date of delivery or 2,000 hours of normal use, whichever occurs first. All prices are based upon the exclusive limited warranty stated above, and upon the following disclaimer: **DISCLAIMER OF WARRANTY: THIS WARRANTY IS THE SOLE AND ENTIRE WARRANTY PERTAINING TO PRODUCTS PROVIDED. SELLER DISCLAIMS ALL OTHER WARRANTIES, EXPRESS AND IMPLIED, INCLUDING DESIGN, MERCHANTABILITY AND FITNESS FOR A PARTICULAR PURPOSE.**
5. **Claims; Commencement of Actions.** Buyer shall promptly inspect all Products upon receipt. No claims for shortages will be allowed unless reported to the Seller within ten (10) days of delivery. No other claims against Seller will be allowed unless asserted in writing within thirty (30) days after delivery. Buyer shall notify Seller of any alleged breach of warranty within thirty (30) days after the date the defect is or should have been discovered by Buyer. Any claim or action against Seller based upon breach of contract or any other theory, including tort, negligence, or otherwise must be commenced within twelve (12) months from the date of the alleged breach or other alleged event, without regard to the date of discovery.
6. **LIMITATION OF LIABILITY.** IN THE EVENT OF A BREACH OF WARRANTY, SELLER WILL, AT ITS OPTION, REPAIR OR REPLACE A DEFECTIVE PRODUCT, OR REFUND THE PURCHASE PRICE WITHIN A REASONABLE PERIOD OF TIME. **IN NO EVENT IS SELLER LIABLE FOR ANY SPECIAL, INDIRECT, INCIDENTAL OR CONSEQUENTIAL DAMAGES ARISING OUT OF, OR AS THE RESULT OF, THE SALE, DELIVERY, NON-DELIVERY, SERVICING, USE OR LOSS OF USE OF THE PRODUCTS OR ANY PART THEREOF, OR FOR ANY CHARGES OR EXPENSES OF ANY NATURE INCURRED WITHOUT SELLER'S WRITTEN CONSENT, WHETHER BASED IN CONTRACT, TORT OR OTHER LEGAL THEORY. IN NO EVENT SHALL SELLER'S LIABILITY UNDER ANY CLAIM MADE BY BUYER EXCEED THE PURCHASE PRICE OF THE PRODUCTS.**
7. **User Responsibility.** The user, through its own analysis and testing, is solely responsible for making the final selection of the system and Product and assuring that all performance, endurance, maintenance, safety and warning requirements of the application are met. The user must analyze all aspects of the application and follow applicable industry standards and Product information. If Seller provides Product or system options based upon data or specifications provided by the user, the user is responsible for determining that such data and specifications are suitable and sufficient for all applications and reasonably foreseeable uses of the Products or systems.
8. **Loss to Buyer's Property.** Any designs, tools, patterns, materials, drawings, confidential information or equipment furnished by Buyer or any other items which become Buyer's property, will be considered obsolete and may be destroyed by Seller after two (2) consecutive years have elapsed without Buyer ordering the items manufactured using such property. Seller shall not be responsible for any loss or damage to such property while it is in Seller's possession or control.
9. **Special Tooling.** A tooling charge may be imposed for any special tooling, including without limitation, dies, fixtures, molds and patterns, acquired to manufacture Products. Such special tooling shall be and remain Seller's property notwithstanding payment of any charges by Buyer. In no event will Buyer acquire any interest in apparatus belonging to Seller which is utilized in the manufacture of the Products, even if such apparatus has been specially converted or adapted for such manufacture and notwithstanding any charges paid by Buyer. Unless otherwise agreed, Seller has the right to alter, discard or otherwise dispose of any special tooling or other property in its sole discretion at any time.
10. **Buyer's Obligation; Rights of Seller.** To secure payment of all sums due or otherwise, Seller retains a security interest in all Products delivered to Buyer and this agreement is deemed to be a Security Agreement under the Uniform Commercial Code. Buyer authorizes Seller as its attorney to execute and file on Buyer's behalf all documents Seller deems necessary to perfect its security interest.

11. **Improper Use and Indemnity.** Buyer shall indemnify, defend, and hold Seller harmless from any losses, claims, liabilities, damages, lawsuits, judgments and costs (including attorney fees and defense costs), whether for personal injury, property damage, patent, trademark or copyright infringement or any other claim, brought by or incurred by Buyer, Buyer's employees, or any other person, arising out of: (a) improper selection, application, design, specification or other misuse of Products purchased by Buyer from Seller; (b) any act or omission, negligent or otherwise, of Buyer; (c) Seller's use of patterns, plans, drawings, or specifications furnished by Buyer to manufacture Products; or (d) Buyer's failure to comply with these terms and conditions. Seller shall not indemnify Buyer under any circumstance except as otherwise provided.
12. **Cancellations and Changes.** Buyer may not cancel or modify or cancel any order for any reason, except with Seller's written consent and upon terms that will indemnify, defend and hold Seller harmless against all direct, incidental and consequential loss or damage. Seller may change Product features, specifications, designs and availability.
13. **Limitation on Assignment.** Buyer may not assign its rights or obligations under this agreement without the prior written consent of Seller.
14. **Force Majeure.** Seller does not assume the risk and is not liable for delay or failure to perform any of Seller's obligations by reason of events or circumstances beyond its reasonable control (hereinafter "Events of Force Majeure"). Events of Force Majeure shall include without limitation: accidents, strikes or labor disputes, acts of any government or government agency, acts of nature, delays or failures in delivery from carriers or suppliers, shortages of materials, or any other cause beyond Seller's reasonable control.
15. **Waiver and Severability.** Failure to enforce any provision of this agreement will not invalidate that provision; nor will any such failure prejudice Seller's right to enforce that provision in the future. Invalidation of any provision of this agreement by legislation or other rule of law shall not invalidate any other provision herein. The remaining provisions of this agreement will remain in full force and effect.
16. **Termination.** Seller may terminate this agreement for any reason and at any time by giving Buyer thirty (30) days prior written notice. Seller may immediately terminate this agreement, in writing, if Buyer: (a) breaches any provision of this agreement (b) appoints a trustee, receiver or custodian for all or any part of Buyer's property (c) files a petition for relief in bankruptcy on its own behalf, or one if filed by a third party (d) makes an assignment for the benefit of creditors; or (e) dissolves its business or liquidates all or a majority of its assets.
17. **Governing Law.** This agreement and the sale and delivery of all Products are deemed to have taken place in, and shall be governed and construed in accordance with, the laws of the State of Ohio, as applicable to contracts executed and wholly performed therein and without regard to conflicts of laws principles. Buyer irrevocably agrees and consents to the exclusive jurisdiction and venue of the courts of Cuyahoga County, Ohio with respect to any dispute, controversy or claim arising out of or relating to this agreement.
18. **Indemnity for Infringement of Intellectual Property Rights.** Seller is not liable for infringement of any patents, trademarks, copyrights, trade dress, trade secrets or similar rights except as provided in this Section. Seller will defend and indemnify Buyer against allegations of infringement of U.S. patents, U.S. trademarks, copyrights, trade dress and trade secrets ("Intellectual Property Rights"). Seller will defend at its expense and will pay the cost of any settlement or damages awarded in an action brought against Buyer based on an allegation that a Product sold pursuant to this agreement infringes the Intellectual Property Rights of a third party. Seller's obligation to defend and indemnify Buyer is contingent on Buyer notifying Seller within ten (10) days after Buyer becomes aware of such allegations of infringement, and Seller having sole control over the defense of any allegations or actions including all negotiations for settlement or compromise. If a Product is subject to a claim that it infringes the Intellectual Property Rights of a third party, Seller may, at its sole expense and option, procure for Buyer the right to continue using the Product, replace or modify the Product so as to make it noninfringing, or offer to accept return of the Product and refund the purchase price less a reasonable allowance for depreciation. Notwithstanding the foregoing, Seller is not liable for claims of infringement based on information provided by Buyer, or directed to Products delivered hereunder for which the designs are specified in whole or part by Buyer, or infringements resulting from the modification, combination or use in a system of any Product sold hereunder. The foregoing provisions of this Section constitute Seller's sole and exclusive liability and Buyer's sole and exclusive remedy for infringement of Intellectual Property Rights.
19. **Entire Agreement.** This agreement contains the entire agreement between the Buyer and Seller and constitutes the final, complete and exclusive expression of the terms of sale. All prior or contemporaneous written or oral agreements or negotiations with respect to the subject matter are herein merged. The terms contained herein may not be modified unless in writing and signed by an authorized representative of Seller.
20. **Compliance with Laws.** Buyer agrees to comply with all applicable laws, regulations, and industry and professional standards of care, including those of the United Kingdom, the United States of America, and the country or countries in which Buyer may operate, including without limitation the U. K. Bribery Act, the U.S. Foreign Corrupt Practices Act ("FCPA"), the U.S. Anti-Kickback Act ("Anti-Kickback Act") and the U.S. Food Drug and Cosmetic Act ("FDCA"), each as currently amended, and the rules and regulations promulgated by the U.S. Food and Drug Administration ("FDA"), and agrees to indemnify and hold harmless Seller from the consequences of any violation of such provisions by Buyer, its employees or agents. Buyer acknowledges that it is familiar with the provisions of the U. K. Bribery Act, the FCPA, the FDA, and the Anti-Kickback Act, and certifies that Buyer will adhere to the requirements thereof. In particular, Buyer represents and agrees that Buyer will not make any payment or give anything of value, directly or indirectly to any governmental official, any foreign political party or official thereof, any candidate for foreign political office, or any commercial entity or person, for the purpose of influencing such person to purchase Products or otherwise benefit the business of Seller.

CV

Check Valves

SH

Shuttle Valves

LM

Load/Motor Controls

FC

Flow Controls

PC

Pressure Controls

LE

Logic Elements

DC

Directional Controls

MV

Manual Valves

SV

Solenoid Valves

PV

Proportional Valves

CE

Coils & Electronics

BC

Bodies & Cavities

TD

Technical Data



