

Part Number	Maximum DC Voltage	Maximum Clamping Voltage	Fig.	Dim. A (inches)	Thread size
Series A – 1" x 1"					
SD1543-4	90	240	67	1.0625	8-32
SD1543-5	112	300	67	1.1875	8-32
SD1543-6	135	360	67	1.3125	8-32
SD1543-7	157	420	67	1.3750	8-32
SD1543-8	180	480	67	1.5000	8-32
SD1543-9	202	540	67	1.5625	8-32
SD1543-10	225	600	67	1.6875	8-32
SD1543-11	247	660	67	1.8125	8-32
SD1543-12	270	720	67	1.8750	8-32
SD1543-13	292	780	67	2.0000	8-32
SD1543-14	315	840	67	2.0625	8-32
SD1543-15	337	900	67	2.1875	8-32
SD1543-16	360	960	67	2.3125	8-32
SD1551-17	382	1020	68	2.6250	8-32
SD1551-18	405	1080	68	2.7500	8-32
SD1551-19	427	1140	68	2.8750	8-32
SD1551-20	450	1200	68	2.9375	8-32
SD1551-21	472	1260	68	3.0625	8-32
SD1551-22	495	1320	68	3.1875	8-32
SD1551-23	517	1380	68	3.3125	8-32
SD1551-24	540	1440	68	3.3750	8-32
SD1551-25	562	1500	68	3.5000	8-32
SD1551-26	585	1560	68	3.5625	8-32
SD1551-27	607	1620	68	3.6875	8-32
SD1551-28	630	1680	68	3.8125	8-32
SD1551-29	652	1720	68	3.8750	8-32
SD1551-30	675	1800	68	4.0000	8-32

Peak discharge current - 3 Amps



Part Number	Maximum DC Voltage	Maximum Clamping Voltage	Fig.	Dim. A (inches)	Thread size
Series C – 1 1/2" x 1 1/2"					
SD3066-4	90	240	67	1.0625	8-32
SD3066-5	112	300	67	1.1875	8-32
SD3066-6	135	360	67	1.3125	8-32
SD3066-7	157	420	67	1.3750	8-32
SD3066-8	180	480	67	1.5000	8-32
SD3066-9	202	540	67	1.5625	8-32
SD3066-10	225	600	67	1.6875	8-32
SD3066-11	247	660	67	1.8125	8-32
SD3066-12	270	720	67	1.8750	8-32
SD3066-13	292	780	67	2.0000	8-32
SD3066-14	315	840	67	2.0625	8-32
SD3066-15	337	900	67	2.1875	8-32
SD3066-16	360	960	67	2.3125	8-32
SD3066-17	382	1020	68	2.6250	8-32
SD3066-18	405	1080	68	2.7500	8-32
SD3066-19	427	1140	68	2.8750	8-32
SD3066-20	450	1200	68	2.9375	8-32
SD3066-21	472	1260	68	3.0625	8-32
SD3066-22	495	1320	68	3.1875	8-32
SD3066-23	517	1380	68	3.3125	8-32
SD3066-24	540	1440	68	3.3750	8-32
SD3066-25	562	1500	68	3.5000	8-32
SD3066-26	585	1560	68	3.5625	8-32
SD3066-27	607	1620	68	3.6875	8-32
SD3066-28	630	1680	68	3.8125	8-32
SD3066-29	652	1720	68	3.8750	8-32
SD3066-30	675	1800	68	4.0000	8-32

Peak discharge current - 9 Amps



Part Number	Maximum DC Voltage	Maximum Clamping Voltage	Fig.	Dim. A (inches)	Thread size
Series E – 2" x 2"					
SD2619-4	90	240	67	1.8750	1/4-20
SD2619-5	112	300	67	2.1250	1/4-20
SD2619-6	135	360	67	2.3750	1/4-20
SD2619-7	157	420	67	2.6250	1/4-20
SD2619-8	180	480	67	2.8750	1/4-20
SD2107-9	202	540	68	3.0000	1/4-20
SD2107-10	225	600	68	3.2500	1/4-20
SD2107-11	247	660	68	3.5000	1/4-20
SD2107-12	270	720	68	3.6875	1/4-20
SD2107-13	292	780	68	3.8750	1/4-20
SD2107-14	315	840	68	4.1250	1/4-20
SD2107-15	337	900	68	4.3750	1/4-20
SD2107-16	360	960	68	4.5625	1/4-20
SD2107-17	382	1020	68	4.8125	1/4-20
SD2107-18	405	1080	68	5.0000	1/4-20
SD2107-19	427	1140	68	5.2500	1/4-20
SD2107-20	450	1200	68	5.5625	1/4-20
SD2107-21	472	1260	68	5.7500	1/4-20
SD2107-22	495	1320	68	6.0000	1/4-20
SD2107-23	517	1380	68	6.1875	1/4-20
SD2107-24	540	1440	68	6.3750	1/4-20
SD2107-25	562	1500	68	6.6250	1/4-20
SD2107-26	585	1560	68	6.8750	1/4-20
SD2107-27	607	1620	68	7.0625	1/4-20
SD2107-28	630	1680	68	7.2500	1/4-20
SD2107-29	652	1720	68	7.5000	1/4-20
SD2107-30	675	1800	68	7.7500	1/4-20

Peak discharge current - 15 Amps



Nonpolarized versions available. Please consult factory.

Replacement Selenium Rectifiers are available on special order. Consult factory www.deantechnology.com
Available earlier by special request, contact factory or sales rep for availability.

Part Number	Maximum DC Voltage	Maximum Clamping Voltage	Fig.	Dim. A (inches)	Thread size
Series K – 3" x 3"					
SD1622-4	90	240	67	2.5000	3/8-16
SD1623-5	112	300	68	2.8750	3/8-16
SD1623-6	135	360	68	3.2500	3/8-16
SD1623-7	157	420	68	3.5000	3/8-16
SD1623-8	180	480	68	3.9375	3/8-16
SD1623-9	202	540	68	4.2500	3/8-16
SD1623-10	225	600	68	4.6250	3/8-16
SD1623-11	247	660	68	5.0000	3/8-16
SD1623-12	270	720	68	5.3125	3/8-16
SD1623-13	292	780	68	5.6875	3/8-16
SD1623-14	315	840	68	6.0000	3/8-16
SD1623-15	337	900	68	6.3750	3/8-16
SD1623-16	360	960	68	6.6875	3/8-16
SD1623-17	382	1020	68	7.0000	3/8-16
SD1623-18	405	1080	68	7.3750	3/8-16
SD1623-19	427	1140	68	7.7500	3/8-16
SD1623-20	450	1200	68	8.0625	3/8-16
SD1623-21	472	1260	68	8.4375	3/8-16
SD1623-22	495	1320	68	8.7500	3/8-16
SD1623-23	517	1380	68	9.1250	3/8-16
SD1623-24	540	1440	68	9.5000	3/8-16
SD1623-25	562	1500	68	9.8750	3/8-16
SD1623-26	585	1560	68	10.1875	3/8-16
SD1623-27	607	1620	68	10.5000	3/8-16
SD1623-28	630	1680	68	10.8750	3/8-16
SD1623-29	652	1720	68	11.2500	3/8-16
SD1623-30	675	1800	68	11.6250	3/8-16

Peak discharge current - 37 Amps



Part Number	Maximum DC Voltage	Maximum Clamping Voltage	Fig.	Dim. A (inches)	Thread size
Series S – 5" x 6"					
SD1772-4	90	240	67	2.8750	3/8-16
SD1772-5	112	300	68	3.2500	3/8-16
SD1772-6	135	360	68	3.6250	3/8-16
SD1772-7	157	420	68	4.1250	3/8-16
SD1772-8	180	480	68	4.5000	3/8-16
SD1772-9	202	540	68	4.8750	3/8-16
SD1772-10	225	600	68	5.3750	3/8-16
SD1772-11	247	660	68	5.7500	3/8-16
SD1772-12	270	720	68	6.1250	3/8-16
SD1772-13	292	780	68	6.6250	3/8-16
SD1772-14	315	840	68	7.0000	3/8-16
SD1772-15	337	900	68	7.3750	3/8-16
SD1772-16	360	960	68	7.7500	3/8-16
SD1772-17	382	1020	68	8.2500	3/8-16
SD1772-18	405	1080	68	8.6250	3/8-16
SD1772-19	427	1140	68	9.0000	3/8-16
SD1772-20	450	1200	68	9.5000	3/8-16
SD1772-21	472	1260	68	9.8750	3/8-16
SD1772-22	495	1320	68	10.2500	3/8-16
SD1772-23	517	1380	68	10.6250	3/8-16
SD1772-24	540	1440	68	11.0000	3/8-16
SD1772-25	562	1500	68	11.5000	3/8-16
SD1772-26	585	1560	68	11.8750	3/8-16
SD1772-27	607	1620	68	12.2500	3/8-16
SD1772-28	630	1680	68	12.7500	3/8-16
SD1772-29	652	1720	68	13.1250	3/8-16
SD1772-30	675	1800	68	13.5000	3/8-16

Peak discharge current - amperes 130



Part Number	Maximum DC Voltage	Maximum Clamping Voltage	Fig.	Dim. A (inches)	Thread size
Series M – 4" x 4"					
SD1598-4	90	240	67	2.6875	3/8-16
SD1599-5	112	300	68	3.1875	3/8-16
SD1599-6	135	360	68	3.5625	3/8-16
SD1599-7	157	420	68	4.0000	3/8-16
SD1599-8	180	480	68	4.3750	3/8-16
SD1599-9	202	540	68	4.8125	3/8-16
SD1599-10	225	600	68	5.2500	3/8-16
SD1599-11	247	660	68	5.6250	3/8-16
SD1599-12	270	720	68	6.0625	3/8-16
SD1599-13	292	780	68	6.5000	3/8-16
SD1599-14	315	840	68	6.9375	3/8-16
SD1599-15	337	900	68	7.3750	3/8-16
SD1599-16	360	960	68	7.8125	3/8-16
SD1599-17	382	1020	68	8.2500	3/8-16
SD1599-18	405	1080	68	8.6250	3/8-16
SD1599-19	427	1140	68	9.0625	3/8-16
SD1599-20	450	1200	68	9.4375	3/8-16
SD1599-21	472	1260	68	9.8750	3/8-16
SD1599-22	495	1320	68	10.3125	3/8-16
SD1599-23	517	1380	68	10.6250	3/8-16
SD1599-24	540	1440	68	11.0000	3/8-16
SD1599-25	562	1500	68	11.4375	3/8-16
SD1599-26	585	1560	68	11.8750	3/8-16
SD1599-27	607	1620	68	12.2500	3/8-16
SD1599-28	630	1680	68	12.6250	3/8-16
SD1599-29	652	1720	68	13.0625	3/8-16
SD1599-30	675	1800	68	13.5000	3/8-16

Peak discharge current - 70 Amps



Part Number	Maximum DC Voltage	Maximum Clamping Voltage	Fig.	Dim. A (inches)	Thread size
Series N – 6" x 7 1/4"					
SD2482-4	90	240	67	2.8750	3/8-16
SD2482-5	112	300	68	3.2500	3/8-16
SD2482-6	135	360	68	3.6250	3/8-16
SD2482-7	157	420	68	4.1250	3/8-16
SD2482-8	180	480	68	4.5000	3/8-16
SD2482-9	202	540	68	4.8750	3/8-16
SD2482-10	225	600	68	5.3750	3/8-16
SD2482-11	247	660	68	5.7500	3/8-16
SD2482-12	270	720	68	6.1250	3/8-16
SD2482-13	292	780	68	6.6250	3/8-16
SD2482-14	315	840	68	7.0000	3/8-16
SD2482-15	337	900	68	7.3750	3/8-16
SD2482-16	360	960	68	7.7500	3/8-16
SD2482-17	382	1020	68	8.2500	3/8-16
SD2482-18	405	1080	68	8.6250	3/8-16
SD2482-19	427	1140	68	9.0000	3/8-16
SD2482-20	450	1200	68	9.5000	3/8-16
SD2482-21	472	1260	68	9.8750	3/8-16
SD2482-22	495	1320	68	10.2500	3/8-16
SD2482-23	517	1380	68	10.6250	3/8-16
SD2482-24	540	1440	68	11.0000	3/8-16
SD2482-25	562	1500	68	11.5000	3/8-16
SD2482-26	585	1560	68	11.8750	3/8-16
SD2482-27	607	1620	68	12.2500	3/8-16
SD2482-28	630	1680	68	12.7500	3/8-16
SD2482-29	652	1720	68	13.1250	3/8-16
SD2482-30	675	1800	68	13.5000	3/8-16

Peak discharge current - 200 Amps



 **Nonpolarized versions available. Please consult factory.**

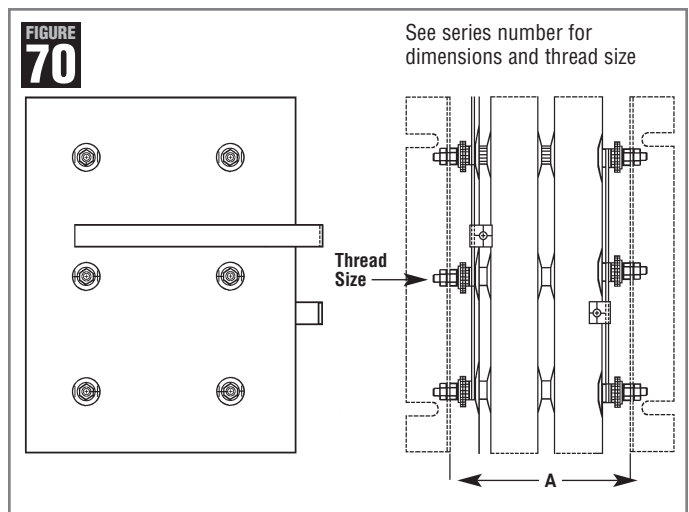
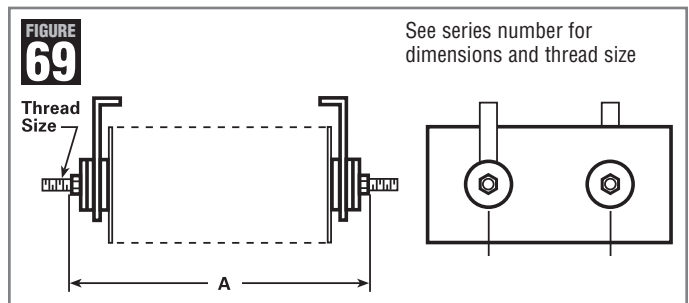
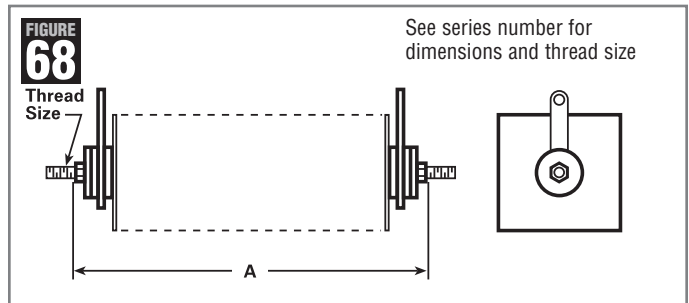
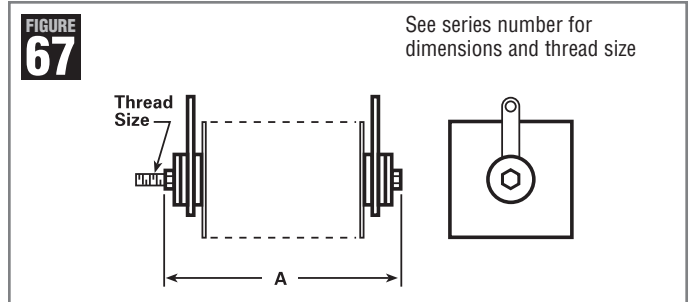
Replacement Selenium Rectifiers are available on special order. Consult factory www.deantechnology.com
 Available earlier by special request, contact factory or sales rep for availability.

Part Number	Maximum DC Voltage	Maximum Clamping Voltage	Fig.	Dim. A (inches)	Thread size
Series V – 6" x 10"					
SD2399-4	90	240	69	2.8750	3/8-16
SD2399-5	112	300	69	3.2500	3/8-16
SD2399-6	135	360	69	3.6250	3/8-16
SD2399-7	157	420	69	4.1250	3/8-16
SD2399-8	180	480	69	4.5000	3/8-16
SD2399-9	202	540	69	4.8750	3/8-16
SD2399-10	225	600	69	5.3750	3/8-16
SD2399-11	247	660	69	5.7500	3/8-16
SD2399-12	270	720	69	6.1250	3/8-16
SD2399-13	292	780	69	6.6250	3/8-16
SD2399-14	315	840	69	7.0000	3/8-16
SD2399-15	337	900	69	7.3750	3/8-16
SD2399-16	360	960	69	7.7500	3/8-16
SD2399-17	382	1020	69	8.2500	3/8-16
SD2399-18	405	1080	69	8.6250	3/8-16
SD2399-19	427	1140	69	9.0000	3/8-16
SD2399-20	450	1200	69	9.5000	3/8-16
SD2399-21	472	1260	69	9.8750	3/8-16
SD2399-22	495	1320	69	10.2500	3/8-16
SD2399-23	517	1380	69	10.6250	3/8-16
SD2399-24	540	1440	69	11.0000	3/8-16
SD2399-25	562	1500	69	11.5000	3/8-16
SD2399-26	585	1560	69	11.8750	3/8-16
SD2399-27	607	1620	69	12.2500	3/8-16
SD2399-28	630	1680	69	12.7500	3/8-16
SD2399-29	652	1720	69	13.1250	3/8-16
SD2399-30	675	1800	69	13.5000	3/8-16

Peak discharge current - 270 Amps

Series X – 12" x 16"					
SD4359-4	90	240	70	3.0000	3/8-16
SD4359-5	112	300	70	3.3750	3/8-16
SD4359-6	135	360	70	3.7500	3/8-16
SD4359-7	157	420	70	4.0000	3/8-16
SD4359-8	180	480	70	4.3750	3/8-16
SD4359-9	202	540	70	4.7500	3/8-16
SD4359-10	225	600	70	5.1250	3/8-16
SD4359-11	247	660	70	5.5000	3/8-16
SD4359-12	270	720	70	5.7500	3/8-16
SD4359-13	292	780	70	6.1250	3/8-16
SD4359-14	315	840	70	6.5000	3/8-16
SD4359-15	337	900	70	6.8750	3/8-16
SD4359-16	360	960	70	7.2500	3/8-16
SD4359-17	382	1020	70	7.6250	3/8-16
SD4359-18	405	1080	70	8.0000	3/8-16
SD4359-19	427	1140	70	8.2500	3/8-16
SD4359-20	450	1200	70	8.6250	3/8-16
SD4359-21	472	1260	70	9.0000	3/8-16
SD4359-22	495	1320	70	9.3750	3/8-16
SD4359-23	517	1380	70	9.7500	3/8-16
SD4359-24	540	1440	70	10.0000	3/8-16
SD4359-25	562	1500	69	10.3750	3/8-16
SD4359-26	585	1560	69	10.7500	3/8-16
SD4359-27	607	1620	69	12.0000	3/8-16
SD4359-28	630	1680	69	12.3750	3/8-16
SD4359-29	652	1740	69	12.7500	3/8-16
SD4359-30	675	1800	69	13.8750	3/8-16

Peak discharge current - amperes 904



Nonpolarized versions available. Please consult factory.

Replacement Selenium Rectifiers are available on special order. Consult factory www.deantechnology.com
Available earlier by special request, contact factory or sales rep for availability.