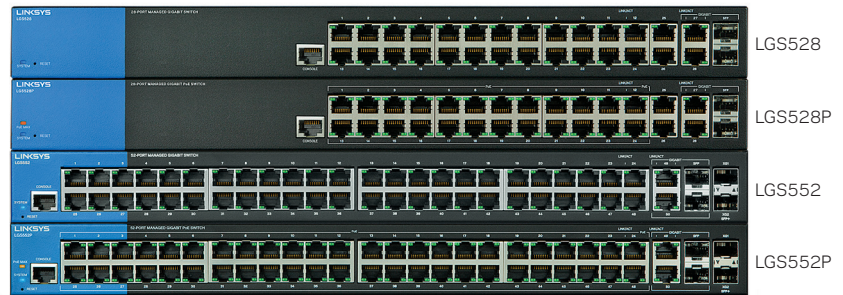


Linksys Managed Switches for Business

Growing businesses can scale their networks in a powerful, reliable, cost-effective way.



MORE MANAGEABLE

An intuitive browser-based interface simplifies common complexities in setup, security, QoS, and management. Dynamic, automatic VLAN and QoS parameters support VoIP endpoints and ensure high voice quality and traffic connections.

SAFEGUARD YOUR BUSINESS

Powerful security measures, including advanced access control lists (ACLs) and guest virtual LANs (VLANs) segregate and provide state-of-the-art communications while protecting applications and sensitive data.

FULLY LOADED AND FLEXIBLE

Full Layer 2 switching and Layer 3 routing features optimize network efficiency. Additional 10 Gb SFP+ fiber uplinks empower your network as it grows, scaling seamlessly as you upgrade datacenters and servers.

ADVANCED AND AFFORDABLE

Get advanced technologies at an affordable price, including QoS intelligence and advanced traffic shaping capabilities to simplify and optimize the addition of voice, wireless, and business application services.

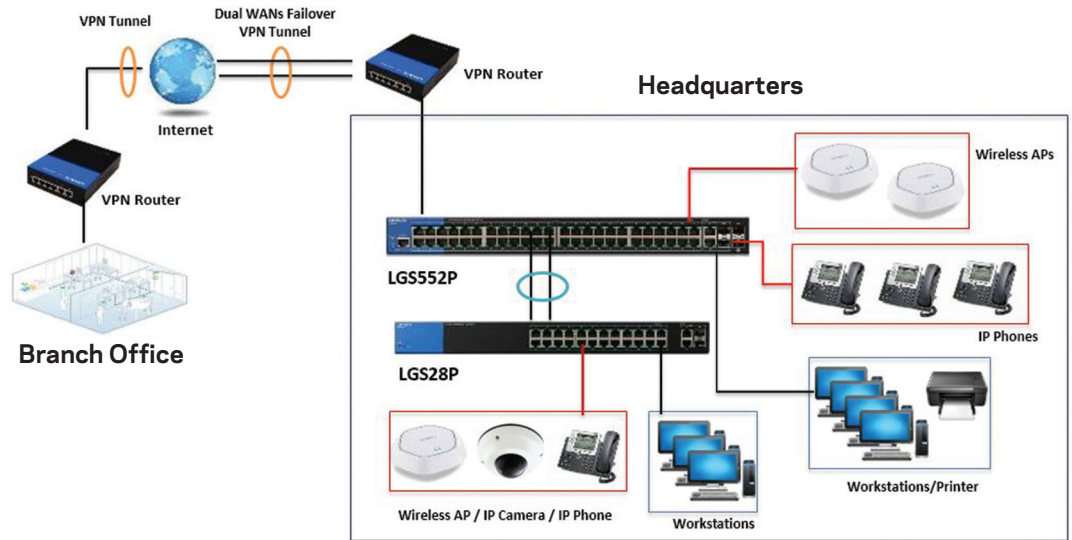
POWER OF PLENTY

With the latest Power over Ethernet Plus (PoE+) standard and a power budget up to 30W per port, our future-proof, business-grade managed switches can power devices in your network without additional AC wiring expense.

PROTECT YOUR INVESTMENT

Rigorous testing and third-party validation ensure high performance and reliability, including a limited lifetime warranty, advanced technical support, software updates, and community forum support.





Linksys LGS500 Series Business Switches provide a powerful, reliable network backbone to connect critical business applications, secure wireless connectivity and productivity, and power up IP telephony, surveillance, and wireless access points.

LINKSYS LGS500 SERIES BUSINESS SWITCHES

Product Model	Gigabit Ethernet Ports	Expansion Ports	PoE+
LGS528	28-port 10/100/1000	2 combo* mini-GBIC slots	No
LGS552	48-port 10/100/1000	2 combo* mini-GBIC slots, 2 SFP+ ports	No
LGS528P	28-port 10/100/1000	2 combo* mini-GBIC slots	Yes
LGS552P	48-port 10/100/1000	2 combo* mini-GBIC slots, 2 SFP+ ports	Yes



LACGSX



LACGLX



LACXGSR



LACXGLR

LINKSYS SFP/SFP+ TRANSCEIVER MODULES FOR BUSINESS

Product Model	Ports	Expansion Ports
LACGSX	1000 BASE-SX SFP transceiver	For distances up to 500 m, multi-mode fiber
LACGLX	1000 BASE-LX SFP transceiver	For distances up to 10 km, single-mode fiber
LACXGSR	10G BASE-SR SFP+ transceiver	For distances up to 300 m, multi-mode fiber
LACXGLR	10G BASE-LR SFP+ transceiver	For distances up to 10 km, single-mode fiber

Linksys Business Limited Lifetime Warranty: Linksys Business 500 Series Switches offer limited lifetime warranty to cover up to five (5) years from the date of notification of product discontinuance.*

For Linksys product support please visit www.linksys.com/us/support.

289051015

* Each combo mini-gigabit interface converter (GBIC) port has one 10/100/1000 Ethernet port and one mini-GBIC/Small Form Factor Pluggable (SFP) Gigabit Ethernet slot, with one port active at a time.

† Fan and power supply components are limited for a period of two (2) years commencing on the date of original purchase by the customer.