

### Overview

#### HPE SimpliVity 2600

The HPE SimpliVity 2600 solution dramatically simplifies IT by combining infrastructure and advanced data services for virtualized workloads into a building block that delivers server, storage, and storage networking services. It also delivers a complete set of advanced functionalities that enables dramatic improvements to the efficiency, management, protection, and performance of virtualized workloads at a fraction of the cost and complexity of today's traditional infrastructure stack.

#### What's New

- HPE SimpliVity 2600
- Intel® Xeon® Scalable Processors
- VDI Optimized Hyperconverged Solution

#### Scalable and Configurable

- Processor – Choice of Intel® Xeon® Scalable Processors
- Memory – 256GB - 768GB
- Network – 10Gb, 1Gb
- Power – Redundant
- Virtualization Software and Licensing
- All in a compact 2U form factor

**NOTE:**\*Single cluster support up to 8 nodes, single federation support up to 96 nodes.

#### Software Features

- VMware vSphere
- HPE SimpliVity management plugin for VMware vCenter

#### Hardware Availability Features

- Cluster expansion without downtime
- Hot-pluggable SSD
- Redundant power supplies
- Integrated storage controller with battery-backed cache
- HPE ProLiant Integrated Lights-Out Advanced (iLO) 5 Remote Management

#### Services

- HPE Pointnext full suite of support offerings (Foundation Care, Proactive Care and Datacenter Care).
- Remote support technology to provide 24x7 secure remote support

More information is available at <http://www.hpe.com/info/SimpliVity>

**NOTE:** For the best support experience, HPE Pointnext Installation Services and 24x7x365 support recommended.

**NOTE:** 3<sup>rd</sup> party software licenses not included

## Standard Features

<b>HPE SimpliVity 2600 At-a-Glance</b>	
<b>Chassis Size</b>	2U; Up to 4 nodes per chassis
<b>System Fans</b>	Ships standard with 4 single rotor fan modules, an additional 4 can be added for redundancy.
<b>Processors</b>	2x Intel® Xeon® Scalable Processors 8 to 22 cores selectable
<b>Memory</b>	256GB to 768GB per node selectable
<b>Storage</b>	480GB M.2 SSD boot device per node 6 x 1.92TB SSD Kit (1 kit per node)
<b>Network Ports</b>	Dual port 1GbE Media Module Adapter (standard) Dual port 10GbE PCIe NIC (default) Quad port 1GbE PCIe NIC (optional)
<b>Power Supplies</b>	Dual power supplies provide highly available power HPE 1600W FlexSlot Platinum Hot Plug LH Power Supply Kit (standard) HPE 1800W - 2200W FlexSlot Platinum Hot Plug LH Power Supply Kit (optional) HPE 800W FlexSlot Hot Plug LH Power Supply Kit (48VDC, 110V, 110V/220V models optional)
<b>Hardware Warranty<sup>1</sup></b>	Server Warranty includes 3-Year Parts, 3-Year Labor, 3-Year Onsite support with next business day response
<b>Hardware Support</b>	3-year HPE SimpliVity 2600 solution support (required)
<b>NOTE<sup>1</sup>: Warranty for SSDs is subject to maximum usage limitations. Maximum usage limit is the maximum amount of data that can be written to the drive. Drives that have reached this limit will not be eligible for replacement.</b>	

## Features and Benefits

### Superior User Experience

The HPE SimpliVity 2600 enables high performance even at high user density. It eliminates the performance impact of client login storms, delivering a superior user experience through unmatched client virtualization performance

### Linear Scalability from Pilot to production with cost-effective VDI deployments

The scale-out architecture of the HPE SimpliVity 2600 minimizes initial capital expense and tightly aligns investments with business requirements.

HPE SimpliVity 2600 building blocks are added incrementally, providing a massively-scalable pool of shared resources

### Enterprise-grade data protection and resiliency for client virtualization workloads

The HPE SimpliVity 2600 provides built-in backup and disaster recovery capabilities for the entire client virtualization infrastructure, as well as for supporting management workloads.

The solution enables a resilient, highly available, desktop operations and the ability to withstand node failures with no loss of desktops and minimal increase in latency.

## Software Overview

### Pre-integrated software

- HPE SimpliVity Startup Wizard

### Virtualization Platform Software and Licenses

**NOTE:** The HPE SimpliVity 2600 supports ESXi 6.0 and 6.5.

- VMware vSphere installation media is required to complete the installation and is available from HPE when ordering the HPE SimpliVity 2600
- Valid licenses for the following VMware software components are required and is available from HPE when ordering the HPE SimpliVity 2600
  - (2) VMware vSphere licenses per node depending on CPU count
  - (1) VMware vCenter license

## Standard Features

**NOTE:** HPE SimpliVity 2600 for VMware vSphere requires valid VMware vSphere, and vCenter licenses. VMware licenses can only be removed from the order if it is confirmed that the end-customer has a valid license in place (Enterprise License Agreement (ELA), vCloud Air Partner or unused Enterprise Purchasing Program tokens). Purchasing VMware licenses from Hewlett Packard Enterprise allows Hewlett Packard Enterprise to be the single point of contact for the entire solution inclusive of the virtualization software and is recommended.

### Management

- VMware vCenter
- HPE SimpliVity management plugin for VMware vCenter

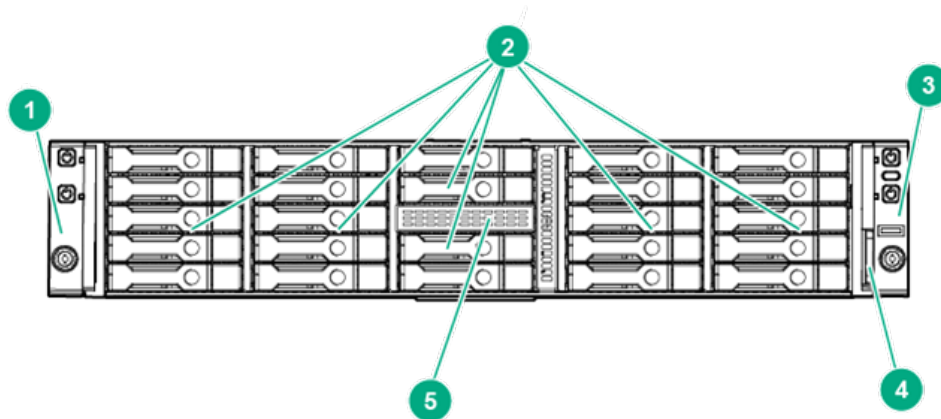
**NOTE:** The HPE SimpliVity 2600 supports VMware vCenter 6.0 and 6.5.

**NOTE:** For VMware and HW compatibility, please see the interoperability guide

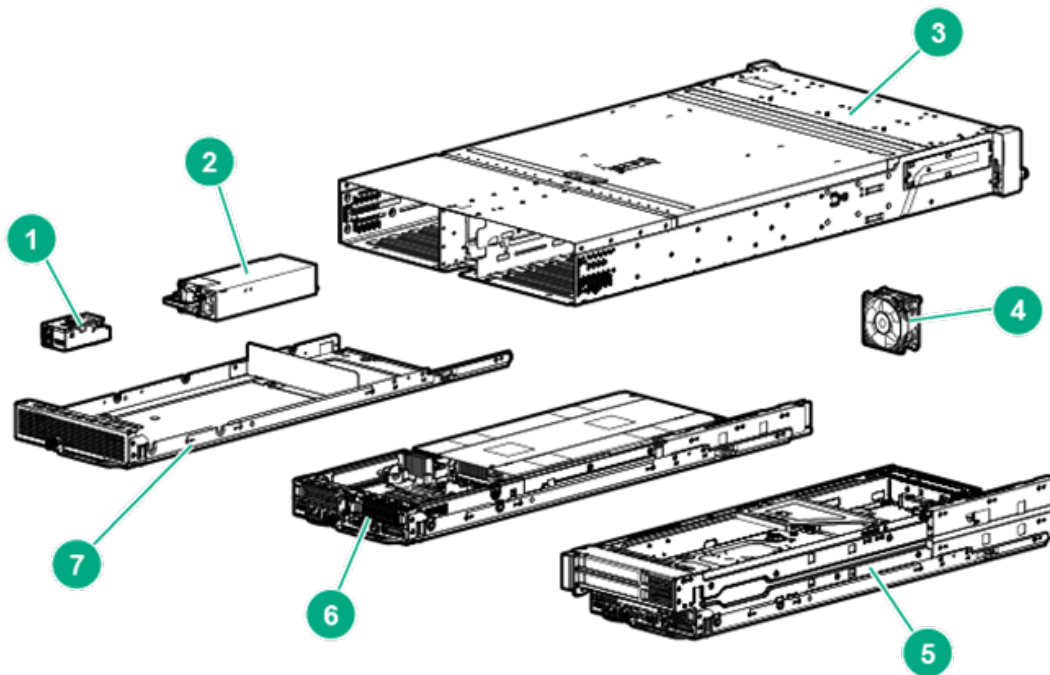
<http://h22208.www2.hp.com/eginfolib/servers/docs/simplivity/HPE%20SimpliVity%20Interoperability%20Guide-3.7.1.p>

## Configuration Information

### Hardware Overview



1. Left bezel ear
2. SFF hot-plug drives
3. Right bezel ear
4. Chassis serial label pull tab
5. Non-removable bezel blank



1. RCM module (optional)
2. Power Supply
3. HPE SimpliVity 2600 Chassis
4. Chassis Fan
5. HPE SimpliVity 190
6. HPE SimpliVity 170
7. Server tray blank

## Configuration Information

### Configuration Process

Step 1: Start with HPE SimpliVity 2600 Chassis

Step 2: Select node type and quantity

Step 3: Select the hardware options to add to the base node: processors, memory, networking, power, HW options

Step 4: Auto add of storage based on node quantity

Step 5: Auto add of SW that correlates to node configuration

Step 6: Add additional software options: from the software catalog ex. RapidDR, VMware vSphere

Step 7: Select services and support

### Base Chassis

Action	Description	Part #
Select the base node	HPE SimpliVity 2600 Gen10 Chassis	Q9Y46A

### Select Node Type and Quantity

Action	Description	Part #
Select the node type and Quantity	HPE SimpliVity 170 Gen10 Server	Q9Y47A
	HPE SimpliVity 190 Gen10 Server	Q9Y48A

**NOTE:** All nodes in a single chassis must be the same type. Mixed node types are not supported in the same chassis.

### Select Hardware Options

#### Processors

#### CPU Configurations

Action	Details	Description	CPU SKU
Select single or dual CPUs	8c 2.3GHz 70W	HPE XL1x0r Gen10 Intel Xeon-Silver 4109T (2.0GHz/8-core/70W) Processor Kit	879593-B21
	8c 2.3GHz 70W	HPE XL1x0r Gen10 Intel Xeon-Silver 4109T (2.0GHz/8-core/70W) FIO Processor Kit	879593-L21
In the case of dual CPU: both the L21 and the B21 SKU will be included by the configurator	14c 1.9GHz 85W	HPE XL1x0r Gen10 Intel Xeon-Gold 5119T (1.9GHz/14-core/85W) Processor Kit	882040-B21
	14c 1.9GHz 85W	Intel Xeon-Gold Special Processor Kits	882040-L21
	12C 2.1GHz 85W	HPE XL1x0r Gen10 Intel Xeon-Silver 4116 (2.1GHz/12-core/85W) Processor Kit	879577-B21
	12C 2.1GHz 85W	HPE XL1x0r Gen10 Intel Xeon-Silver 4116 (2.1GHz/12-core/85W) FIO Processor Kit	879577-L21
	10C 2.4GHz 85W	HPE XL1x0r Gen10 Intel Xeon-Gold 5115 (2.4GHz/10-core/85W) Processor Kit	879579-B21
	10C 2.4GHz 85W	HPE XL1x0r Gen10 Intel Xeon-Gold 5115 (2.4GHz/10-core/85W) FIO Processor Kit	879579-L21
	8c 1.8GHz 85W	HPE XL1x0r Gen10 Intel Xeon-Silver 4108 (1.8GHz/8-core/85W) Processor Kit	879591-B21
	8c 1.8GHz 85W	HPE XL1x0r Gen10 Intel Xeon-Silver 4108 (1.8GHz/8-core/85W) FIO Processor Kit	879591-L21
	14C 2.2GHz 105W	HPE XL1x0r Gen10 Intel Xeon-Gold 5120 (2.2GHz/14-core/105W) Processor Kit	879583-B21
	14C 2.2GHz 105W	HPE XL1x0r Gen10 Intel Xeon-Gold 5120 (2.2GHz/14-core/105W) FIO Processor Kit	879583-L21
12C 2.3GHz 105W	HPE XL1x0r Gen10 Intel Xeon-Gold 5118 (2.3GHz/12-core/105W) Processor Kit	879581-B21	

## Configuration Information

	12C 2.3GHz 105W	HPE XL1x0r Gen10 Intel Xeon-Gold 5118 (2.3GHz/12-core/105W) FIO Processor Kit	879581-L21
	12c 2.6GHz 125W	HPE XL1x0r Gen10 Intel Xeon-Gold 6126 (2.6GHz/12-core/125W) Processor Kit	874283-B21
	12c 2.6GHz 125W	HPE XL1x0r Gen10 Intel Xeon-Gold 6126 (2.6GHz/12-core/125W) FIO Processor Kit	874283-L21
	20c 2.0GHz 125W	HPE XL1x0r Gen10 Intel Xeon-Gold 6138 (2.0 GHz/20-core/125W) Processor Kit	874291-B21
	20c 2.0GHz 125W	HPE XL1x0r Gen10 Intel Xeon-Gold 6138 (2.0 GHz/20-core/125W) FIO Processor Kit	874291-L21
	16c 2.1GHz 125W	HPE XL1x0r Gen10 Intel Xeon-Gold 6130 (2.1GHz/16-core/125W) Processor Kit	874286-B21
	8C 3.2GHz 130W	HPE XL1x0r Gen10 Intel Xeon-Gold 6134 (3.2GHz/8-core/130W) FIO Processor Kit	874290-L21
	14C 2.6GHz 135W	HPE XL1x0r Gen10 Intel Xeon-Gold 6132 (2.6GHz/14-core/140W) Processor Kit	880669-B21
	14C 2.6GHz 135W	HPE XL1x0r Gen10 Intel Xeon-Gold 6132 (2.6GHz/14-core/140W) FIO Processor Kit	880669-L21
	22c 2.1GHz 140W	HPE XL1x0r Gen10 Intel Xeon-Gold 6152 (2.1GHz/22-core/140W) Processor Kit	874293-B21
	22c 2.1GHz 140W	HPE XL1x0r Gen10 Intel Xeon-Gold 6152 (2.1GHz/22-core/140W) FIO Processor Kit	874293-L21
	18c 2.3GHz 140W	HPE XL1x0r Gen10 Intel Xeon-Gold 6140 (2.3GHz/18-core/140W) Processor Kit	874289-B21
	18c 2.3GHz 140W	HPE XL1x0r Gen10 Intel Xeon-Gold 6140 (2.3GHz/18-core/140W) FIO Processor Kit	874289-L21

## Memory

	Details	Description	SKU
<b>Select Memory Kit:</b>	4x 32GB RDIMMs	HPE SimpliVity 128G 4 DIMM Slots Memory FIO Kit	Q9Y50A
<b>1 DIMM Kit required per CPU</b>	6x 32GB RDIMMs	HPE SimpliVity 192G 6 DIMM FIO Kit	Q8D84A
	4x 64GB LRDIMMs	HPE SimpliVity 256G 4 DIMM Slots Memory FIO Kit	Q9Y51A
	6x 64GB LRDIMMs	HPE SimpliVity 384G 6 DIMM FIO Kit	Q8D88A

**NOTE:** For more information go to: <http://www.hpe.com/docs/memory-population-rules>

## Storage

Action	Effective Capacity	Description	Part #
1 Drive Kit is required per node	7-15TB	HPE SimpliVity for Apollo 4000 Series Storage Kit	Q9Y49A

**NOTE:** Effective capacity varies by dataset and is a function of realized deduplication and compression rates.

## Graphics Modules

Action	Description	Part #
1 GPU is optional per SimpliVity 190 node	NVIDIA Tesla M10 Quad GPU Module	Q0J62A
	HPE NVIDIA Tesla P40 24GB Module	Q0V80A

## Networking

Action	Description	Part #
--------	-------------	--------

## Configuration Information

Media Module is required (does not consume a PCIe slot)	HPE Ethernet 1Gb 2-port 368FLR-T Media Module Adapter	866464-B21
---	---	------------

### PCI Adapter

Action	Description	Part #
1 Adapter per server must be added, up to 1 additional adapter may be selected when ordering 190 servers	HPE Ethernet 1Gb 4-port 331T Adapter	647594-B21
	HPE Ethernet 1Gb 4-port 366T Adapter	811546-B21
	HPE Ethernet 10Gb 2P 530SFP+ Adptr	652503-B21
	HPE Ethernet 10Gb 2P 530T Adptr	656596-B21
	HPE Eth 10/25Gb 2P 640SFP28 Adptr	817753-B21

### Power Supplies

Action	Description	Part #
Two matched power supplies are required.	HPE 1600W FS Plat Ht Plg LH Pwr Sply Kit	830272-B21
	HPE 1800W - 2200W FS Plat Ht Plg PS Kit	876935-B21
	HPE 800W FS 48VDC Ht Plg LH Pwr Sply Kit	865434-B21
	HPE 800W FS Univ Ht Plg LH Pwr Sply Kit	865428-B21
	HPE 800W FS Plat Ht Plg LH Pwr Sply Kit	865414-B21

**NOTE:** The power supply requirement can vary based configuration and environment. Please refer to HPE Power Advisor for proper power sizing.

**NOTE:** 1600W power supply ships with a standard 6-foot IEC C-13/C-14 jumper cord (A0K02A).. If a different power cord is required, please check the ProLiant Power Cables web page. <https://h20195.www2.hpe.com/v2/getpdf.aspx/4AA6-6836ENW.pdf>

**NOTE:** 1800W - 2200W power supply requires the selection of a C15/C16 cord per power supply.

### Server Options

Action	Description	Part #
Additional hardware options are available	HPE FlexNetwork X240 10G SFP+ to SFP+ 1.2m Direct Attach Copper Cable	JD096C
	HPE FlexNetwork X240 10G SFP+ to SFP+ 3m Direct Attach Copper Cable	JD097C
	HPE FlexNetwork X240 10G SFP+ to SFP+ 5m Direct Attach Copper Cable	JG081C
	HPE FlexNetwork X240 10G SFP+ SFP+ 7m Direct Attach Copper Cable	JC784C
	HPE B-series SFP+ to SFP+ Active Copper 1.0m Direct Attach Cable	AP818A
	HPE B-series SFP+ to SFP+ Active Copper 3.0m Direct Attach Cable	AP819A
	HPE B-series SFP+ to SFP+ Active Copper 5.0m Direct Attach Cable	AP820A
	HPE LC to LC Multi-mode OM3 2-Fiber 1.0m 1-Pack Fiber Optic Cable	AJ834A
	HPE LC to LC Multi-mode OM3 2-Fiber 2.0m 1-Pack Fiber Optic Cable	AJ835A
	HPE LC to LC Multi-mode OM3 2-Fiber 5.0m 1-Pack Fiber Optic Cable	AJ836A
	HPE LC to LC Multi-mode OM3 2-Fiber 15.0m 1-Pack Fiber Optic Cable	AJ837A
	HPE BladeSystem c-Class 10Gb SFP+ SR Transceiver	455883-B21
	HPE BladeSystem c-Class 10Gb SFP+ LR Transceiver	455886-B21
	HPE BladeSystem c-Class Virtual Connect 1G SFP SX Transceiver	453151-B21
	HPE 0.9M Blue CAT6 STP Cable Data	AF594A
	HPE 3.0M Blue CAT6 STP Cable Data	AF595A
	HPE 10.0M Blue CAT6 STP Cable Data	AF596A
	HPE 1.2m/4ft CAT5 RJ45 M/M Ethernet Cable	C7533A
	HPE RJ45 to RJ45 Cat5e Black M/M 7.6ft 1-pack Data Cable	C7535A
	HPE 4.3m/14ft CAT5 RJ45 M/M Ethernet Cable	C7536A

## Configuration Information

**NOTE:** For more information on HPE server components, review the QuickSpecs at: <https://www.hpe.com/us/en/servers/server-options.html>

Action	Description	Part #
<b>IT Rack Enclosures</b> – all G2 Advanced and G2 Enterprise models are compatible.	HPE 42U 600mmx1075mm G2 Kitted Advanced Pallet Rack with Side Panels and Baying	P9K07A
	HPE 42U 600mmx1075mm G2 Kitted Advanced Shock Rack with Side Panels and Baying	P9K08A
	HPE 42U 600mmx1200mm G2 Kitted Advanced Pallet Rack with Side Panels and Baying	P9K09A
	HPE 42U 600mmx1200mm G2 Kitted Advanced Shock Rack with Side Panels and Baying	P9K10A
	HPE 42U 600mmx1075mm G2 Enterprise Pallet Rack	P9K37A
	HPE 42U 600mmx1075mm G2 Enterprise Shock Rack	P9K38A
	HPE 42U 600mmx1200mm G2 Enterprise Pallet Rack	P9K39A
	HPE 42U 600mmx1200mm G2 Enterprise Shock Rack	P9K40A

**NOTE:** HPE Apollo 2000 Gen10 Chassis- The increasing power of new high-performance processor technology requires increased cooling efficiency for rack-mounted servers. For maximum cooling, HPE racks are recommended to allow these racks to be fully loaded with servers using the latest processors. For detail information please see Apollo 2000 System User Guide

**CAUTION:** If a third-party rack is used, observe the following additional requirements to ensure adequate airflow and to prevent damage to the equipment.

**CAUTION:** Always use blanking panels to fill all remaining empty front panel U-spaces in the rack. This arrangement ensures proper airflow. Using a rack without blanking panels will result in improper cooling that can lead to thermal damage.

**NOTE:** For more information on HPE rack enclosures, review the QuickSpecs at: <https://www.hpe.com/us/en/product-catalog/servers/server-racks.hits-12.html>.

<b>KVM Switches and Consoles –</b>	HPE 36pin Serial/USB/VGA Dongle Cord Kit	676277-B21
------------------------------------	--	------------

**NOTE:** Dongle required for direct (non-iLO) KVM access. Each cable provides access to one server, at least 1 per chassis is recommended.

**NOTE:** For more information on KVM switches, review the QuickSpecs at: <https://www.hpe.com/us/en/product-catalog/servers/kvm-switches-and-consoles>

<b>Power Distribution Units (PDU)</b>	HPE G2 Basic 3.6kVA/IEC C20 Detachable 16A/100-240V Outlets (20) C13 (2) C19/Vertical WW PDU	P9Q38A
	HPE G2 Metered 3.6kVA/IEC C20 Detachable 16A/100-240V Outlets (12) C13/1U Horizontal WW PDU	P9R50A
	HPE G2 Metered/Switched 4.9kVA/L6-30P 24A/208V Outlets (20) C13 (4) C19/Vertical NA/JP PDU	P9S15A
	HPE G2 Metered/Switched 7.3kVA/60309 3-wire 32A/230V Outlets (20) C13 (4) C19/Vertical INTL PDU	P9S18A

**NOTE:** For more information on HPE PDU models and accessories, review the quickspec at: <https://www.hpe.com/us/en/product-catalog/servers/power-distribution-units>

<b>Uninterruptible Power Supply (UPS)</b> – add a reliable UPS to provide protection against power loss.	HPE R5000 3U L630 High Voltage NA/JP Uninterruptible Power System	AF460A
	HPE R5000 3U IEC309-32A High Voltage INTL Uninterruptible Power System	AF461A

**NOTE:** For more information on UPS products, review the QuickSpecs at: <https://www.hpe.com/us/en/product-catalog/servers/uninterruptible-power-system>

Additional Server Options		
Action	Description	Part #
Additional hardware options are available	HPE Trusted Platform Module 2.0 Gen10 Option	864279-B21
	HPE Gen10 TPM 1.2 FIO Setting	872108-B21



## Configuration Information

	HPE 36pin Serial/USB/VGA Dongle Cord Kit	676277-B21
	HPE Gen10 2U Bezel Kit	867809-B21
	HPE Bezel Lock Kit	875519-B21
	HPE Advanced Power Manager Kit	741192-B21
	HPE Apollo 2000 Rack Consolidation Module Kit	798211-B21
	HPE Apollo 2000 Rack Consolidation Module 2.0-1.0 Adapter Kit	800063-B21

## HPE OmniStack Software

Action	Description	Part #
Based on the hardware configurations in step 1 & 2 the appropriate software will be included by the configurator.  The software is determined by CPU and storage configuration and is required	HPE OmniStack 12-16c 2P Virtual Desktop Infrastructure Software	Q9Y52A
	HPE OmniStack 8-14c 1P Remote Office Branch Office Software	Q9Y54A
	HPE OmniStack 8-14c 2P Remote Office Branch Office Software	Q9Y55A
	HPE OmniStack 18-22c 2P Virtual Desktop Infrastructure Software	Q9Y53A
	HPE OmniStack 16-22c 1P Remote Office Branch Office Software	Q9Y56A
	HPE OmniStack 16-22c 2P Remote Office Branch Office Software	Q9Y57A

## VMware Software

### vSphere

**NOTE:** The HPE SimpliVity 2600 supports ESXi 6.0 and 6.5.

Action	Description	Part #
A valid VMware vSphere license is required for each CPU to complete deployment.  If an order is placed without VMware licenses, the user agrees to supply the necessary license.	VMware vSphere Standard 1 Processor 3yr E-LTU	BD711AAE
	VMware vSphere Enterprise Plus 1 Processor 3yr Software	BD715A
	VMware vSphere Enterprise Plus 1 Processor 3yr E-LTU	BD715AAE
	VMware vSphere Remote Office Branch Office Standard 25VM 3yr E-LTU	P9A82AAE
	VMware vSphere Remote Office Branch Office Advanced 25VM 3yr E-LTU	P9A85AAE
	VMware vSphere Standard 1 Processor 5yr Software	BD512A

## HPE Integrated Lights Out Advanced Software (iLO Advanced)

Action	Description	Part #
The HPE iLO Advanced license is required	HPE iLO Advanced 1-server License with 3yr Support on iLO Licensed Features	BD505A

## Service and Support

### Service and Support

Services for customers purchasing from Hewlett Packard Enterprise or an enterprise reseller are quoted using Hewlett Packard Enterprise order configuration tools.

#### Technology Services for increased uptime, productivity and ROI

At HPE, our priority is to maximize your workload uptime, avoiding problems before they occur. As the experts for the HPE SimpliVity 2600, HPE Pointnext support will be your 24x7x 365 single point-of-contact for all of your support needs with HPE Pointnext Proactive Care Support. This means you can spend more time developing apps and adding value to the business rather than maintaining your infrastructure.

If there is a potential risk in your infrastructure, our remote support technology will proactively notify HPE and initiate the resolution process. If you are experiencing any issue with your solution, HPE Pointnext Proactive Care will provide you immediate access to our team of solution experts, whose first priority is to ensure your workloads are up and running, and then immediately start diagnosing the failure.

HPE Pointnext offers its full portfolio of support services. This includes Foundation Care, Proactive Care, Proactive Care Advanced and Datacenter Care. Flexible Capacity and Operational Support Services are also available.

HPE SimpliVity 2600 is supported by the power of HPE, in 30+ different languages, with local presence across 140 countries.

Please consult your HPE Sales Representative for any additional questions and support options.

### Installation and Startup Services

HPE Pointnext provides a full set of installation and startup services to meet your unique requirements.

Action	Description	Part #
Hardware install service	HPE SVT 2600 Hardware Install service	HA114A1#5KV
Remote software install service	HPE SVT Remote software install service	HA124A1#5LZ
Onsite software install service	HPE SVT Onsite Software install service	HA124A1#5MF
Update your firmware and SVT/VMware software	HPE SVT Software and Firmware update service.	HA124A1#5MK

**NOTE:** Please contact your HPE Sales Representative for more information.

**NOTE:** For more information on Technology Services please visit: <https://www.hpe.com/us/en/services.html>

### Warranty

This product is covered by a global limited warranty and supported by Hewlett Packard Enterprise Pointnext and a worldwide network of Hewlett Packard Enterprise Authorized Channel Partners resellers. Hardware diagnostic support and repair is available for three years from date of purchase. Support for software and initial setup is available for 90 days from date of purchase. Enhancements to warranty services are available through HPE Pointnext operational services or customized service agreements. Hard drives have either a one year or three year warranty; refer to the specific hard drive QuickSpecs for details.

This hardware warranty includes 3-Year Parts, 3-Year Labor, 3-Year Onsite support with next business day response. Warranty repairs may be accomplished through the use of Customer Self Repair (CSR) parts. These parts fall into two categories: 1) Mandatory CSR parts are designed for easy replacement. A travel and labor charge will result when customers decline to replace a Mandatory CSR part; 2) Optional CSR parts are also designed for easy replacement but may involve added complexity. Customers may choose to have Hewlett Packard Enterprise replace Optional CSR parts at no charge.

#### Parts and Materials

Hewlett Packard Enterprise will provide HPE-supported replacement parts and materials necessary to maintain the covered hardware product in operating condition, including parts and materials for available and recommended engineering improvements.

Parts and components that have reached their maximum supported lifetime and/or the maximum usage limitations as set forth in the manufacturer's operating manual, product quick-specs, or the technical product data sheet will not be provided, repaired, or replaced as part of these services.

---

## Configuration Information

The defective media retention service feature option applies only to Disk or eligible SSD/Flash Drives replaced by Hewlett Packard Enterprise due to malfunction.

---

## Technical Specifications

### Chassis Physical Dimensions

2U 17.64" W x 34.62" D

### End-of-life Management and Recycling

Hewlett-Packard offers end-of-life Hewlett Packard Enterprise product return, trade-in, and recycling programs in many geographic areas. For trade-in information, please go to: <http://www.hp.com/go/green>. To recycle your product, please go to: <http://www.hp.com/go/green> or contact your nearest Hewlett Packard Enterprise sales office. Products returned to Hewlett Packard Enterprise will be recycled, recovered or disposed of in a responsible manner.

The EU WEEE directive (2002/95/EC) requires manufacturers to provide treatment information for each product type for use by treatment facilities. This information (product disassembly instructions) is posted on the Hewlett Packard Enterprise web site at: <http://www.hp.com/go/green>. These instructions may be used by recyclers and other WEEE treatment facilities as well as Hewlett Packard Enterprise OEM customers who integrate and re-sell Hewlett Packard Enterprise equipment.

## Summary of Changes

Date	Version History	Action	Description of Change
1-Oct-2018	Version 2	Changed	Overview, Standard Features, and Configuration Information sections were updated.
		Added	SKUs added in Configuration Information section: 879593-B21, 879593-L21, 879579-B21, 879579-L21, 879591-B21, 879591-21, 874286-L21, 874290-B21, 874290-L21, Q9Y50A, Q0J62A, Q0V80A, 647594-B21, 811546-B21, 865434-B21, 865428-B21, 865414-B21, Q9Y52A, Q9Y54A, Q9Y55A, Q9Y53A, Q9Y56A, Q9Y57A.
		Removed	Obsolete SKU was deleted: J2R02A
2-Jul-2018	Version 1	Created	New QuickSpecs.



**Sign up for updates**

© Copyright 2018 Hewlett Packard Enterprise Development LP. The information contained herein is subject to change without notice. The only warranties for Hewlett Packard Enterprise products and services are set forth in the express warranty statements accompanying such products and services. Nothing herein should be construed as constituting an additional warranty. Hewlett Packard Enterprise shall not be liable for technical or editorial errors or omissions contained herein.



**Hewlett Packard  
Enterprise**

Microsoft and Windows NT are US registered trademarks of Microsoft Corporation. Intel is a US registered trademark of Intel Corporation. Unix is a registered trademark of The Open Group.

a00043499enw - 16191 - Worldwide - V2 - 1-October-2018