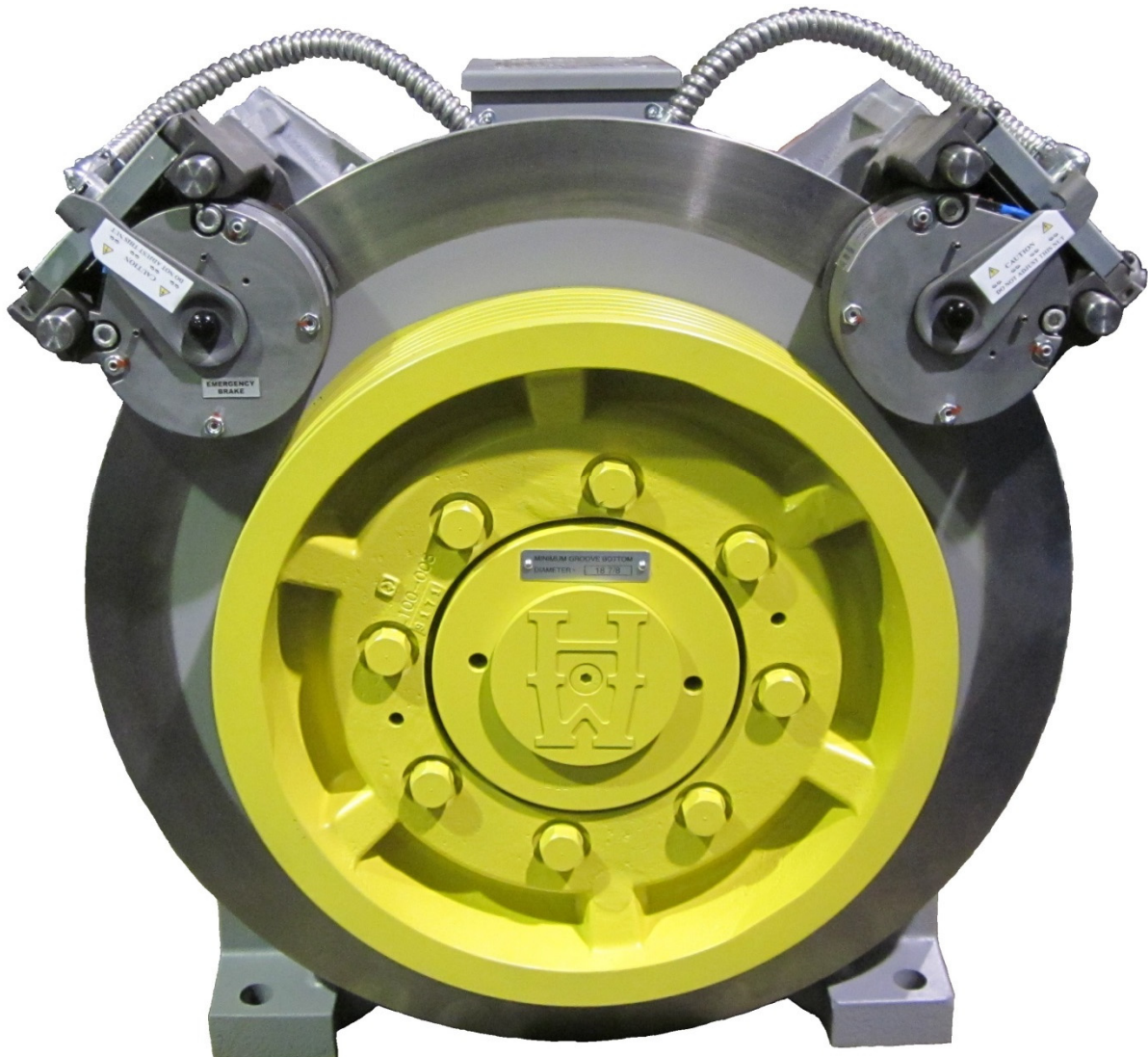
	Document Name	Date	Rev.	Page	Bulletin
	PRINT & PARTS LIST SUPPLEMENT	3/28/23	C	1 of 26	1146S

Hollister-Whitney Elevator Corporation

PRINT & PARTS LIST SUPPLEMENT GL100, GL115, GL130 and GL170 AC Permanent Magnet, Gearless Machines Without Outboard Stand

See also Bulletin 1146: Installation and Service Manual, at:

<https://www.hollisterwhitney.com/support/>




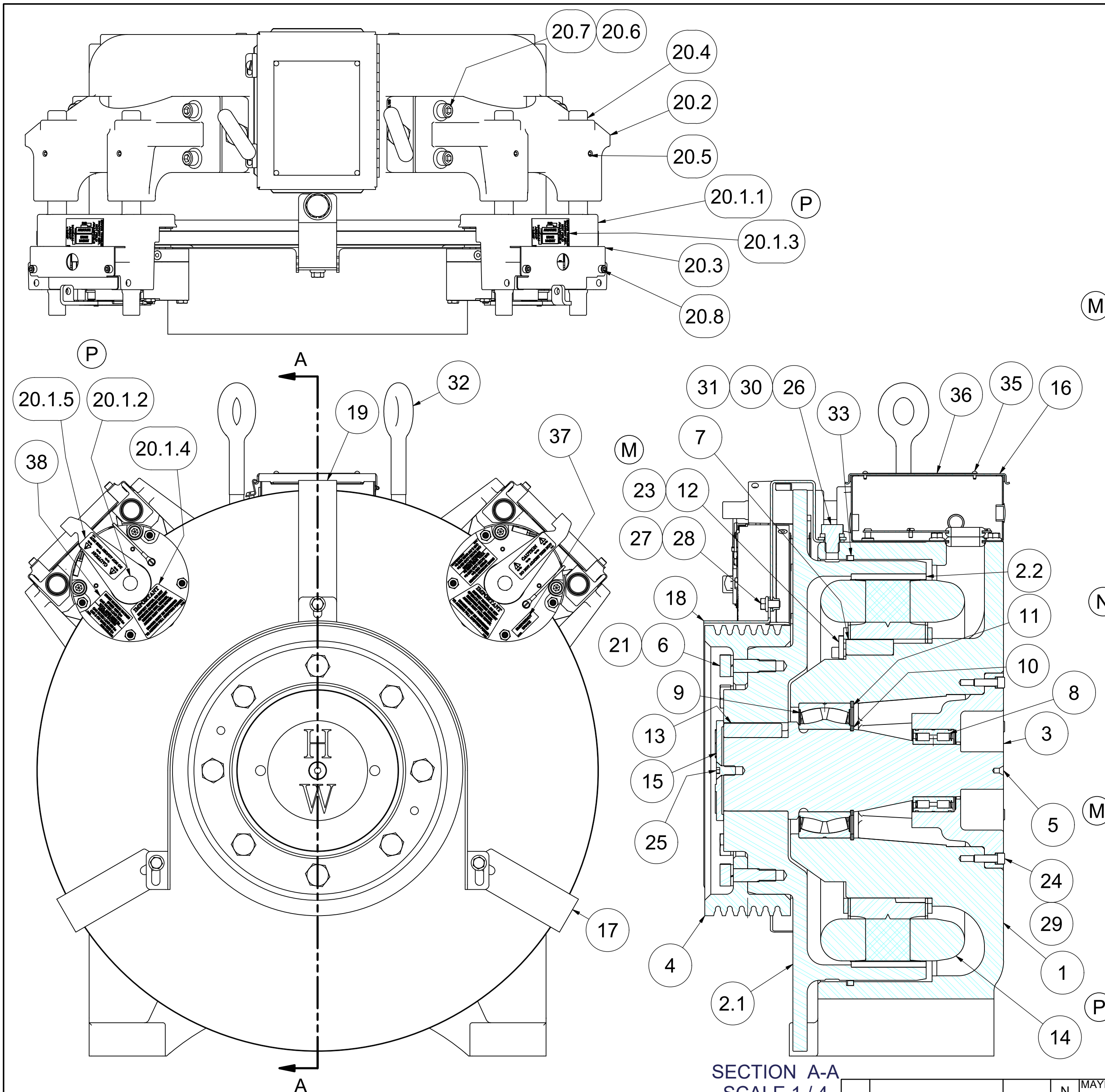
	Document Name	Date	Rev.	Page	Bulletin
	PRINT & PARTS LIST SUPPLEMENT	3/28/23	C	2 of 26	1146S

Table of Contents

- **MACHINES - 2:1 Caps listed for reference, for complete lists see prints**
 - **GL100** 3000 lbs 15" Wheel, 2850 lbs 15.75" Wheel, 2250 lbs 20" Wheel
 - **GL115** 3500 lbs 15" Wheel, 3330 lbs 15.75" Wheel, 2625 lbs 20" Wheel
 - **GL130** 4000 lbs 15" Wheel, 3810 lbs 15.75" Wheel, 3000 lbs 20" Wheel
 - **GL170** 5000 lbs 15" Wheel, 4760 lbs 15.75" Wheel, 3750 lbs 20" Wheel
- **WHEEL GUARDS**
 - **GL100-176** Narrow 15" Wheel GL100, GL115
 - **GL100-176-1** Narrow 20" Wheel GL100, GL115
 - **GL100-177** Wide 15 & 15.75" Wheel GL100, GL115
 - **GL100-177-1** Wide 20" Wheel GL100, GL115
 - **GL130-176** Narrow 15" Wheel GL130, GL170
 - **GL130-176-1** Narrow 20" Wheel GL130, GL170
 - **GL130-177** Wide 15 & 15.75" Wheel GL130, GL170
 - **GL130-177-1** Wide 20" Wheel GL130, GL170
 - **GL170-177-2** EXTRA Wide 20" Wheel GL170
- **ENCODER RELOCATION KIT**
 - **GL100-018-EBA**
- **ELECTICAL BOX - RELOCATION KITS**
 - **GL100RK- 159** Side Mount Location
 - **GL100RK-159F** Front Mount Location
 - **GL185-159** Optional Electrical Box (Larger than Standard)
- **BASEMENT SET MACHINE STAND**
 - **GL100-204BS**



ITEM	QTY	PART NUMBER	DESCRIPTION
1	1	GL100-001	BASE HOUSING, MOTOR #GL100
2	1	GL100-002	ROTOR ASSEMBLY, MOTOR #GL100
2.1	1	GL100-004	ROTOR, MACHINED CASTING
2.2	28	GL100-099	PERMANENT MAGNET - MOTOR #GL100
3	1	GL100-005	BEARING CAP
4	1	GL100-007	TRACTION WHEEL, 15" (6 X 3/8 MAX)
		GL100-008	TRACTION WHEEL, 20" (6 x 3/8, 5 x 1/2 MAX)
		GL100-009	TRACTION WHEEL, 15" (8 x 3/8 MAX)
		GL100-010	TRACTION WHEEL, 20" (7 x 3/8, 6 x 1/2 MAX)
		GL100-011	TRACTION WHEEL, 15.75" (8 x 10mm MAX)
5	1	GL100-018	MAIN SHAFT
6	8	GL100-073	BODY BOLT
7	1	GL100-088	KEY - STATOR CORE TO BASE
8	1	GL100-089	BEARING, SEALED DBL ROW CYL. ROLLER
9	1	GL100-090	BEARING, SEALED SPHERICAL
10	1	GL100-092	RETAINING RING - SHAFT
11	1	GL100-093	RETAINING RING - HOUSING
12	3	GL100-094-1	CLAMP - STATOR ASSEMBLY
13	1	GL100-095	KEY - MAIN SHAFT TO ROTOR
14	1	GL100-170-150	WINDING ASSEMBLY (PRINT GL100-100)
		GL100-360-150	
		GL100-170-200	
		GL100-360-200	
15	1	GL100-104	CAP
16	1	GL100-159	ENCLOSURE
17	2	GL100-160	BRACKET #1 - 15 & 15.75" TW GUARD
		GL100-160-1	BRACKET #1 - 20" TW GUARD
18	1	GL100-161	GUARD - 15" TW (NARROW)
		GL100-161-1	GUARD - 20" TW (NARROW)
		GL100-164	GUARD - 15 & 15.75" TW (WIDE)
		GL100-164-1	GUARD - 20" TW (WIDE)
19	1	GL100-162	BRACKET #2 - 15 & 15.75" TW GUARD
		GL100-162-1	BRACKET #2 - 20" TW GUARD
20	2	GL100-146	DISC BRAKE (MAYR #6) - MRL
20.1	2	GL100-146-115S	MAYR #6 BRAKE WITH STANDARD STICKERS
20.1.1	2	GL100-146-115	MAYR #6 RSD6/894.510.03S 52V #8275067
20.1.2	2	142-050	BLACK VINYL CAP
20.1.3	2	P-175	TAG, GEARLESS MACHINE BRAKE AIRGAP DATA
20.1.4	2	P-190	ROTOR INSPECTION & BURNISHING STICKER
20.1.5	2	P-229	CAUTION LABEL - DO NOT ADJUST THIS NUT
20.2	2	142-001	BRAKE BASE
20.3	2	146-003	ELECTRICAL COVER
20.4	4	142-012	BRAKE ROD
20.5	4	3/8-16 UNC x 0.375	SET SCREW
20.6	8	1/2 WASHER	STANDARD WASHER
20.7	8	1/2 - 13 UNC x 2	HEX HEAD CAP SCREW
20.8	4	M6 x 1.00 x 8 mm	SOCKET HEAD CAP SCREW
21	8	M18 LOCKWASHER - DIN 127B	HELICAL SPRING LOCK WASHER - BODY BOLT
23	3	3/8-16 UNC - 1.00	SOCKET HEAD CAP SCREW
24	6	3/8 - 16 UNC - 1.25	SOCKET HEAD CAP SCREW
25	1	1/2 - 13 UNC x 1.0	FLAT HEAD MACHINE SCREW
26	3	3/4 - 10 UNC x 1.0	HEX HEAD CAP SCREW
27	3	3/8 UNC	WHIZ NUT
28	7	3/8-16 UNC x 0.625	WHIZ BOLT
29	6	3/8 WASHER	SHCS LOCK WASHER
30	3	3/4 WASHER	STANDARD WASHER
31	3	3/4 WASHER	STANDARD LOCK WASHER
32	2	GL100-163	EYEBOLT & NUT
33	1	GL100-165	FELT DUST SEAL
34	1	ENC 113 52810061	ENCODER
35	4	#6 U x 0.3125	DRIVE SCREW
36	1	P-173	MOTOR TAG - PMAC GEARLESS MACHINE
37	1	P-176	TAG, GEARLESS EMERGENCY BRAKE
38	2	P-209	TAG - BRAKE RATINGS FOR MAYR #6

SECTION A-A
SCALE 1 / 4

WEIGHT: 1333.7 lbmass

MACHINE #	WINDING P/N	COIL/WINDING EFFICIENCY (%)	FRAME/MAGNET SIZE (mm)	VOLTAGE (Vac)	MACHINE SPEED (rpm)	CAR SPEED 15" (fpm)	CAR SPEED 15.75" (fpm)	CAR SPEED 20" (fpm)
GL100-15L	GL100-170-150	87.2	100	170	76.4	150	158	200
GL100-15H	GL100-360-150	87.1	100	360	76.4	150	158	200
GL100-20L	GL100-170-200	89.2	100	170	101.9	200	210	267
GL100-20H	GL100-360-200	89.3	100	360	101.9	200	210	267

MACHINE CAPACITY (LBS)		
TRACTION WHEEL	ROPING	
	2:1	1:1
15	3000	1500
15.75	2857	1429
20	2250	1125

N MAYR #8275067 WAS #8211863, PUR #1244 LTL 12/9/19
 M 3X GL100-094-1 WAS 1X GL100-094, 3X 3/8x1HHCS LTL 6/5/19
 P UPDATE BRAKE PARTS LIST & TAGS, PUR #1260 LTL 12/18/19 WAS 6X, REMOVE 6X 3/8 WASHERS, PUR #1111

THIS DRAWING IS SUPPLIED AS A REPRESENTATION OF THE EQUIPMENT HOLLISTER-WHITNEY ELEVATOR CO. LLC ("MANUFACTURER") HAS AGREED TO SUPPLY. SLIGHT ADJUSTMENTS MAY OCCUR DURING MANUFACTURING AND INSTALLATION. ANY MODIFICATIONS NOT APPROVED IN WRITING BY MANUFACTURER MAY AFFECT OPERATION, Voids ANY WARRANTY AND RELEASES MANUFACTURER OF ALL LIABILITY.
 THIS DOCUMENT CONTAINS CONFIDENTIAL AND PROPRIETARY INFORMATION THAT CANNOT BE REPRODUCED OR DIVULGED, IN WHOLE OR IN PART, WITHOUT WRITTEN AUTHORIZATION FROM THE MANUFACTURER.

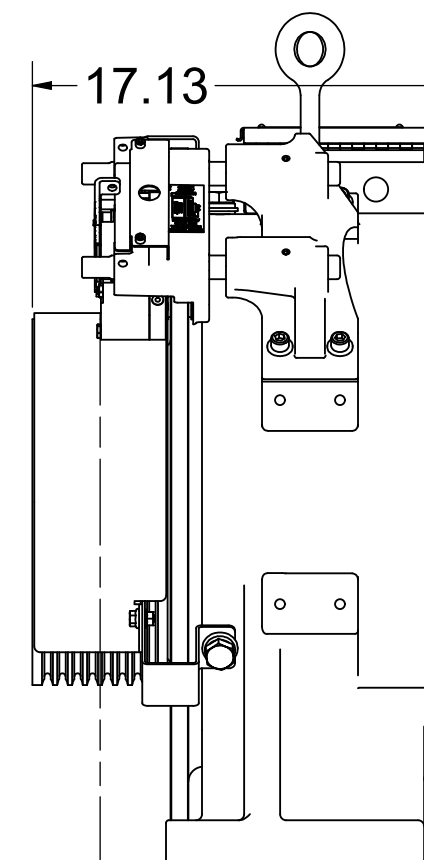
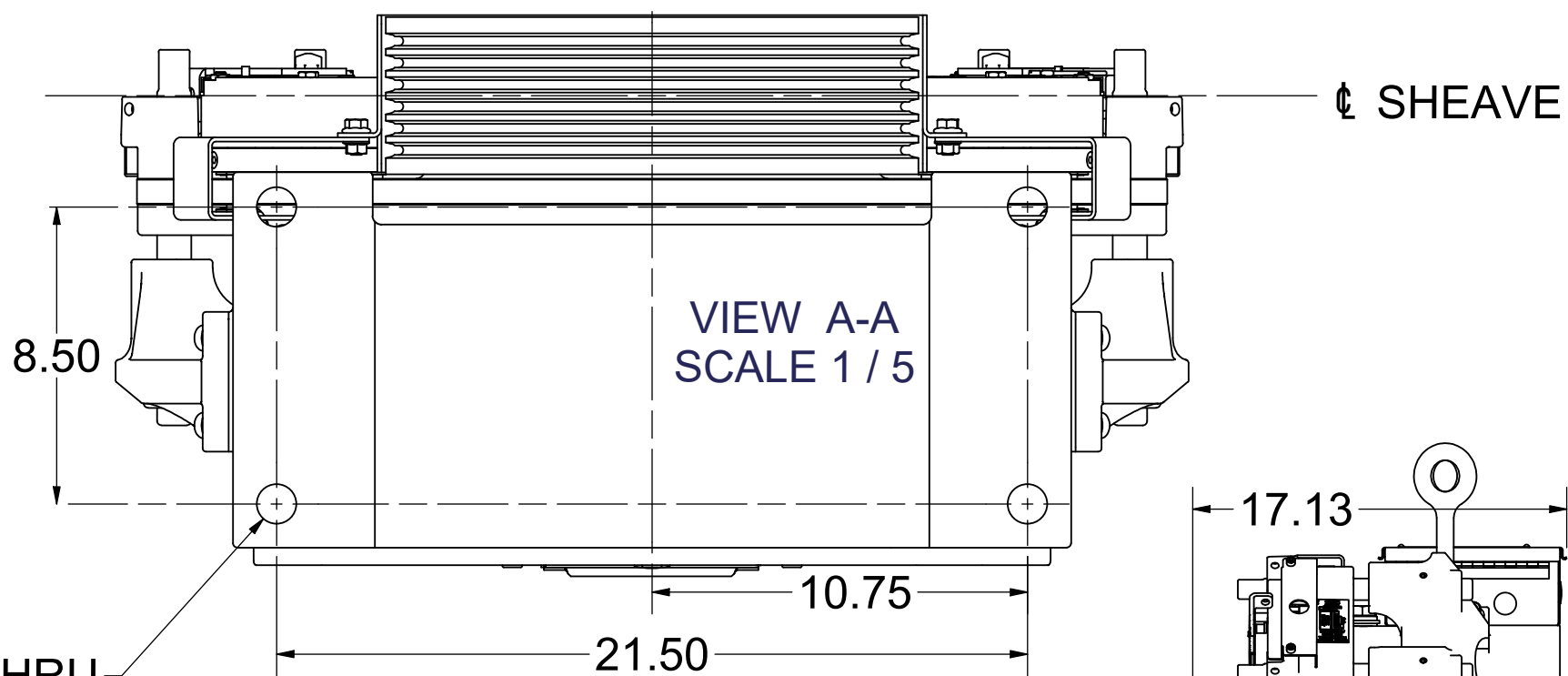
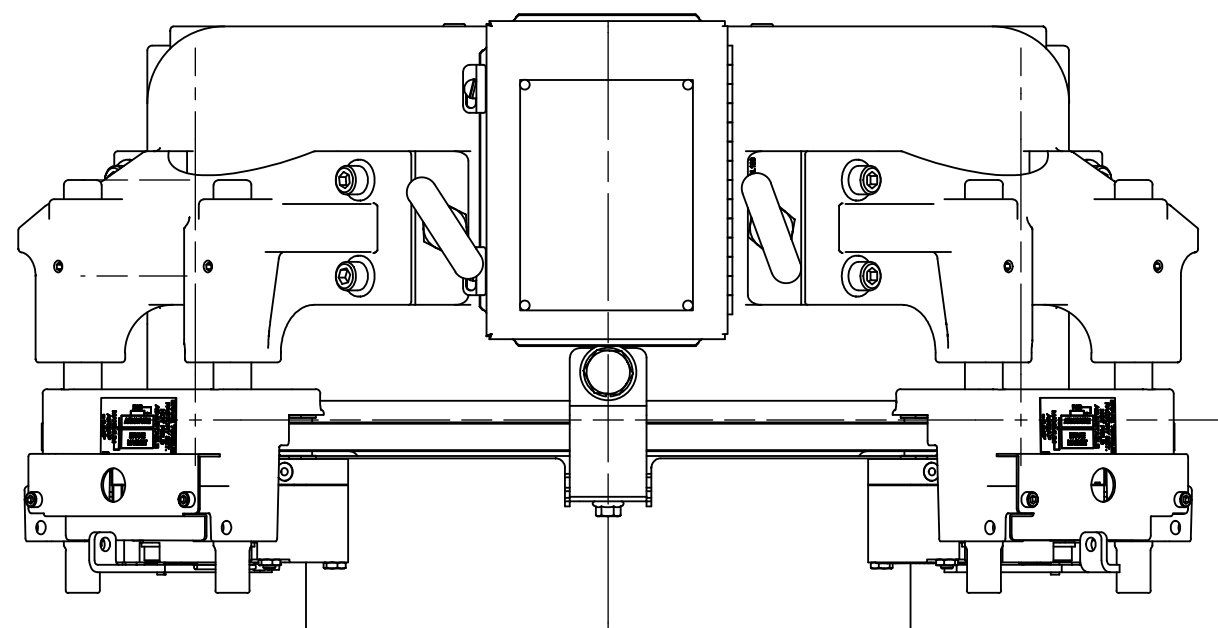
THIRD ANGLE PROJECTION

HOLLISTER-WHITNEY ELEVATOR CO. LLC

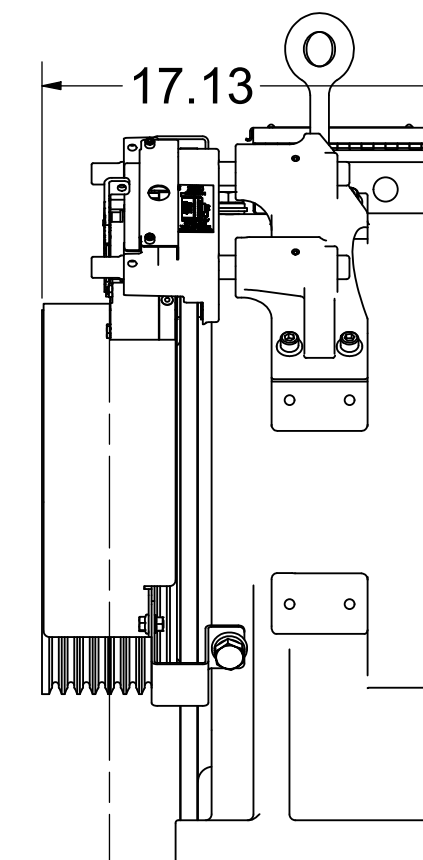
TITLE: GEARLESS MACHINE, Max Cap. (15" TW, 3000# 2:1, 1500# 1:1) (20" TW, 2250# 2:1, 1125# 1:1)

DRAWN BY: LTL 1/4
SCALE: 1/4
MATERIAL: SEE PARTS LIST
REFERENCE TOL. ALL DIMENSIONS REFERENCE UNLESS OTHERWISE SPECIFIED

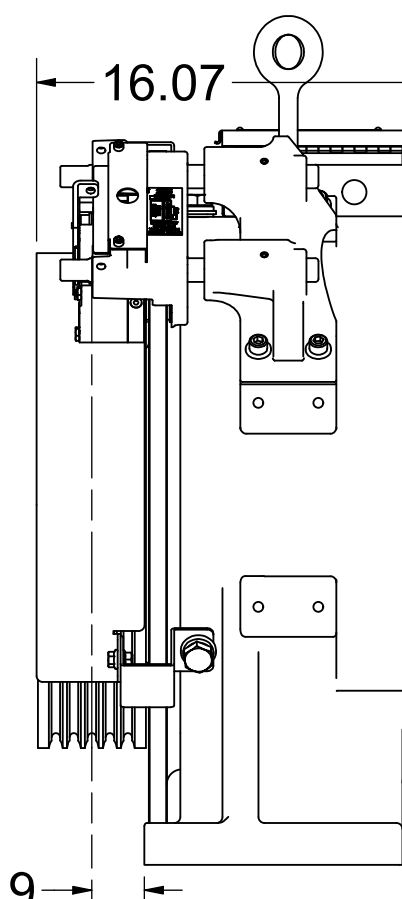
SHEET SIZE: C
DATE: 1/6/2009
GL100 SHEET 1 OF 2



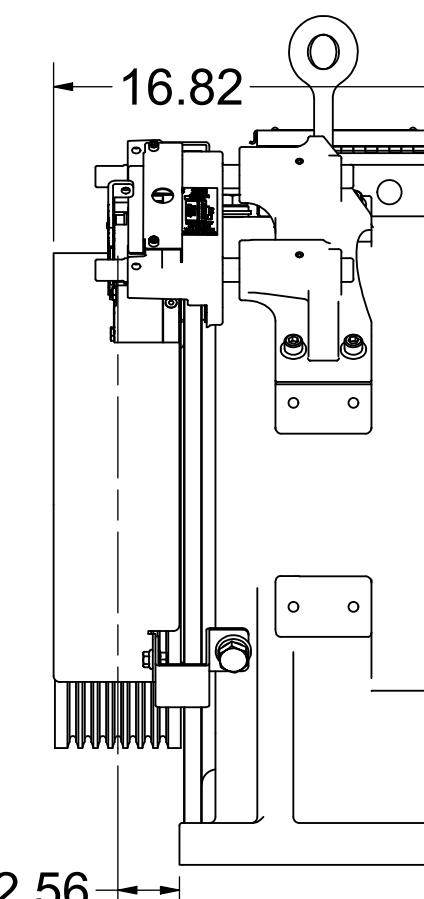
15" TW, 8x3/8 MAX
SCALE 1 / 8



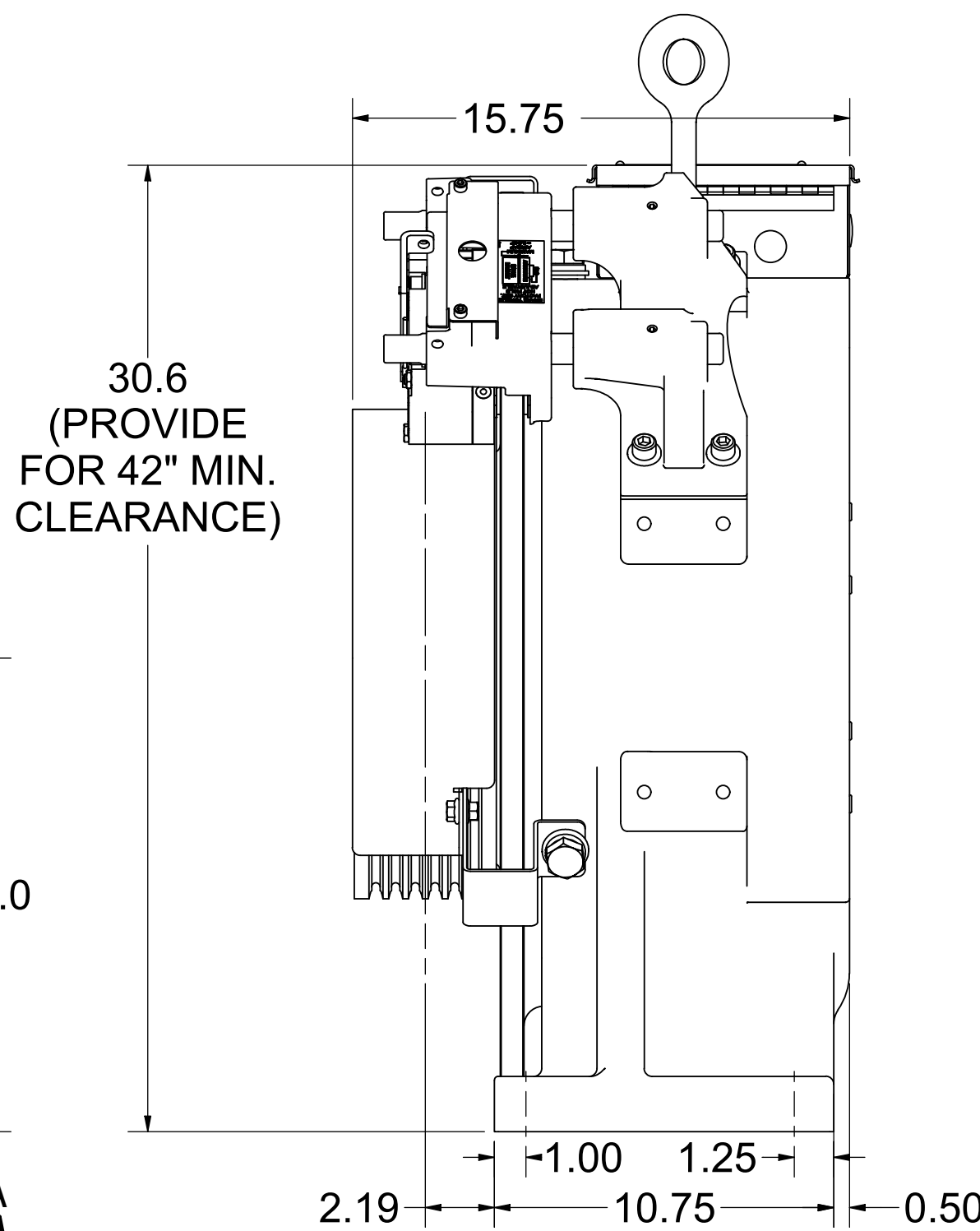
15.75" TW, 8x10mm MAX
SCALE 1 / 8



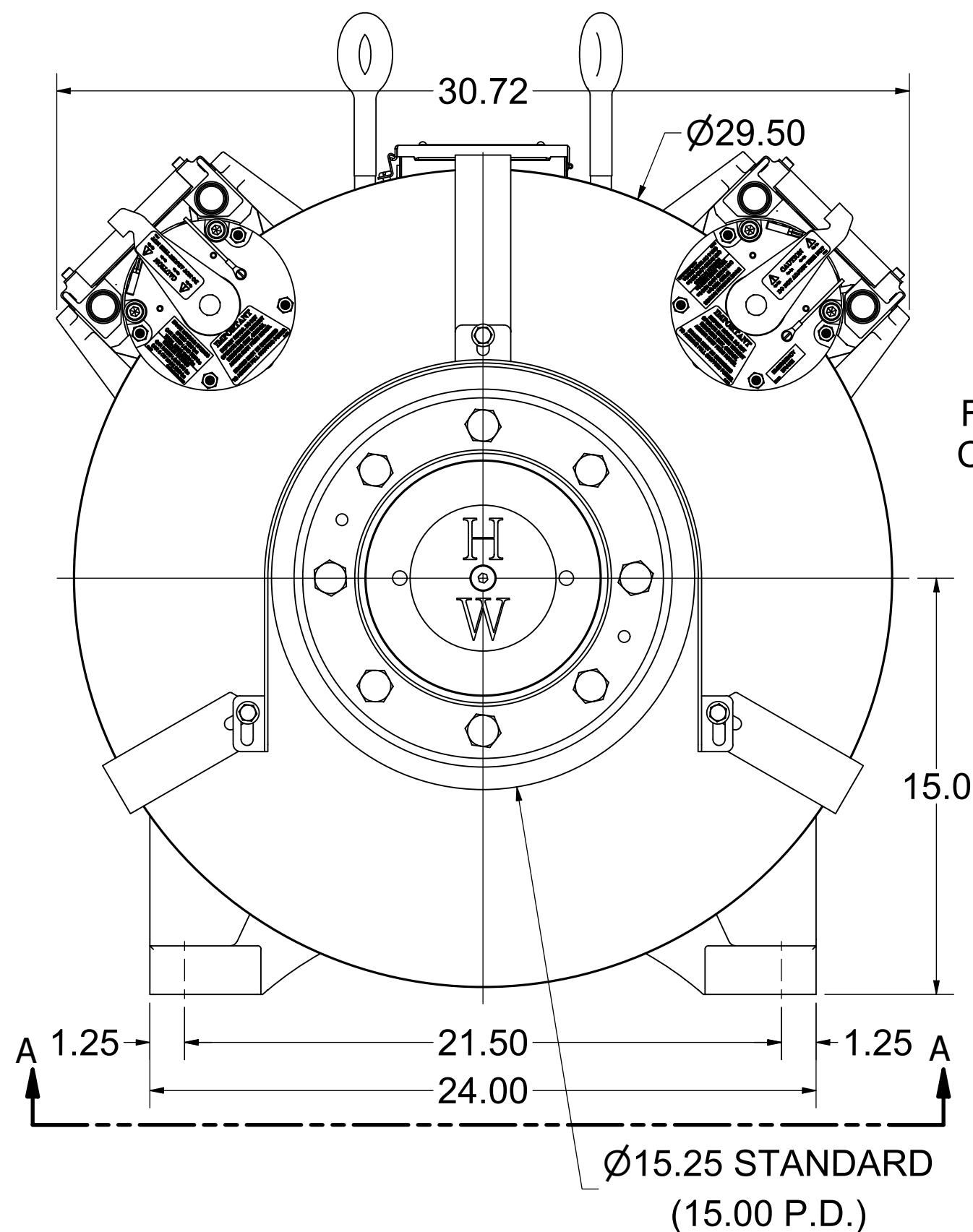
20" TW, 6x3/8 or 5x1/2 MAX
SCALE 1 / 8



20" TW, 7x3/8 or 6x1/2 MAX
SCALE 1 / 8

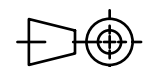


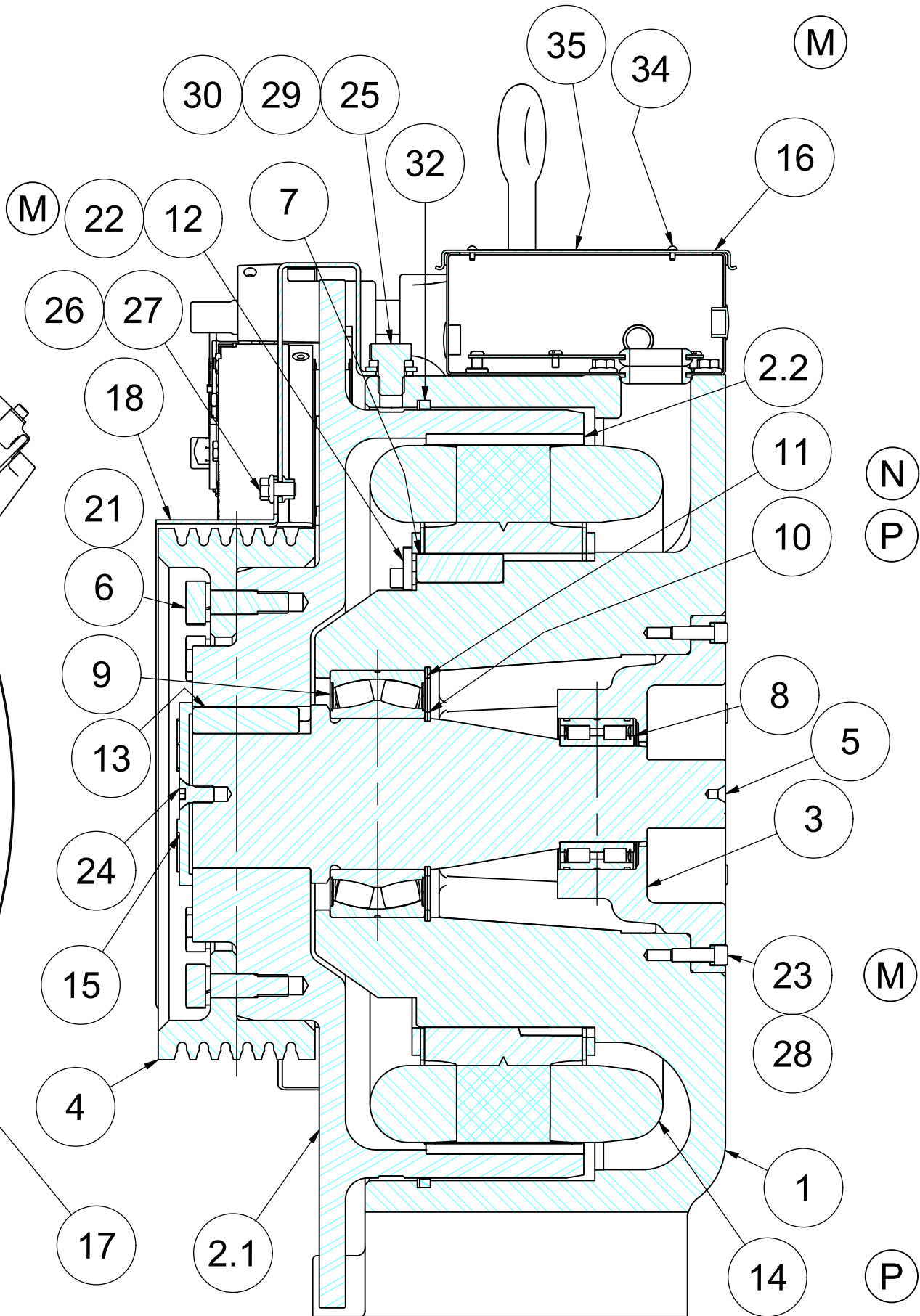
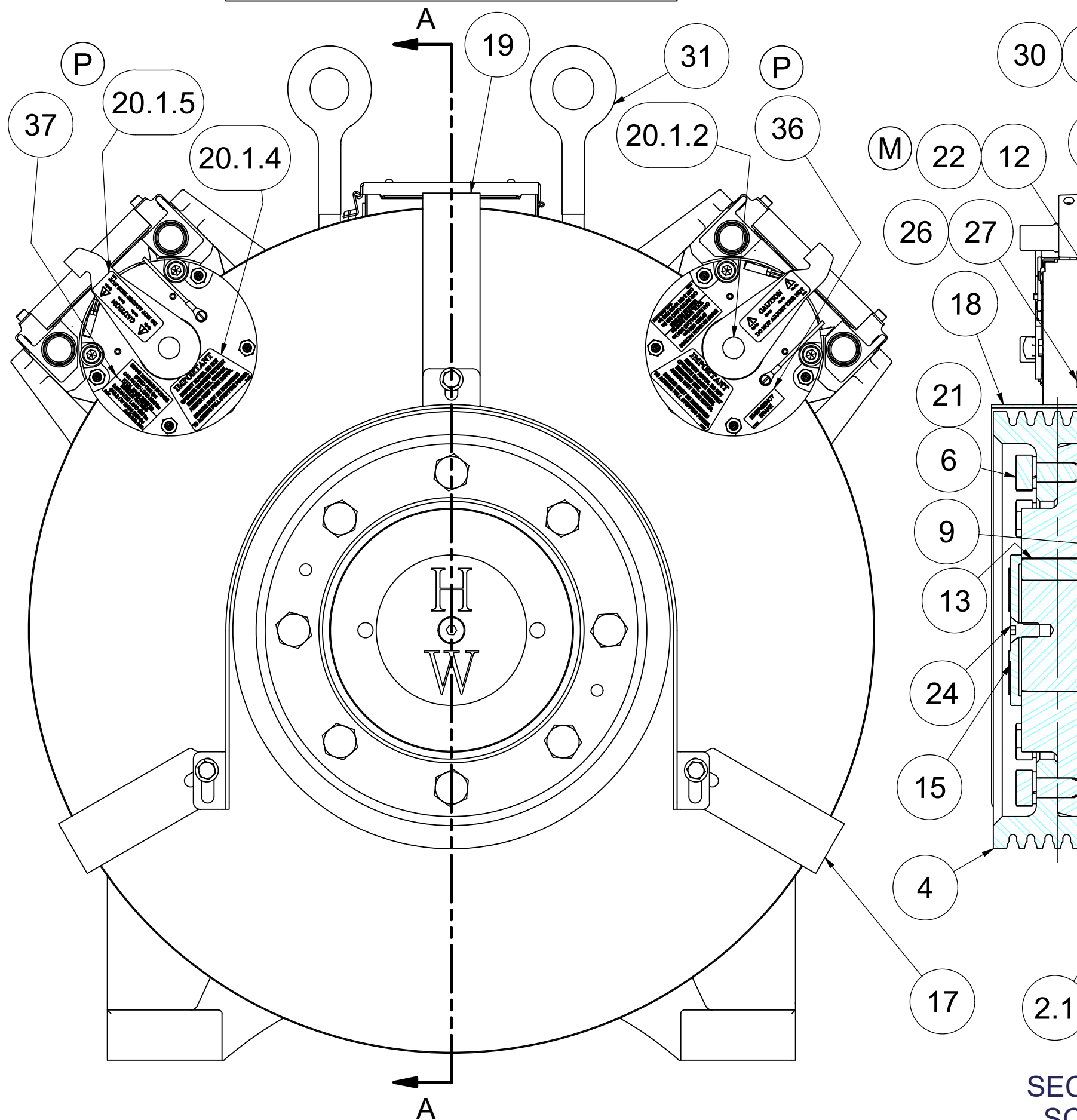
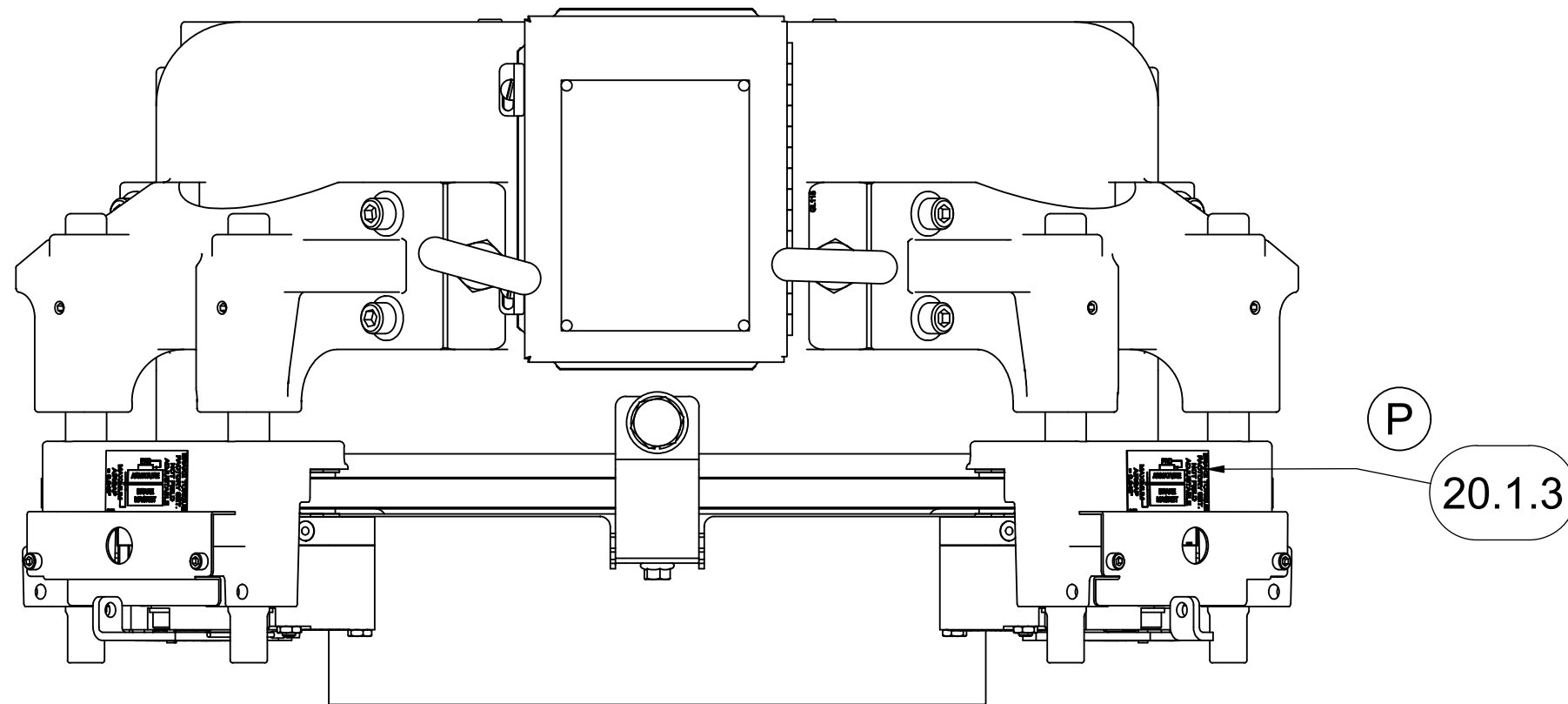
15" TW, 6x3/8 MAX
SCALE 1 / 5



WEIGHT: 1333.7 lbmass

SEE PAGE 1 OF 2
FOR PRINT REVISIONS

				HOLLISTER-WHITNEY ELEVATOR CO. LLC	
				TITLE GEARLESS MACHINE, Max Cap. (15" TW, 3000# 2:1, 1500# 1:1) (20" TW, 2250# 2:1, 1125# 1:1)	
THIS DRAWING IS SUPPLIED AS A REPRESENTATION OF THE EQUIPMENT HOLLISTER-WHITNEY ELEVATOR CO. LLC ("MANUFACTURER") HAS AGREED TO SUPPLY. SLIGHT ADJUSTMENTS MAY OCCUR DURING MANUFACTURING AND INSTALLATION. ANY MODIFICATIONS NOT APPROVED IN WRITING BY MANUFACTURER MAY AFFECT OPERATION. VOIDS ANY WARRANTY AND RELEASES MANUFACTURER OF ALL LIABILITY. THIS DOCUMENT CONTAINS CONFIDENTIAL AND PROPRIETARY INFORMATION THAT CANNOT BE REPRODUCED OR DIVULGED, IN WHOLE OR IN PART, WITHOUT WRITTEN AUTHORIZATION FROM THE MANUFACTURER.		THIRD ANGLE PROJECTION		DRAWN BY LTL	
				SCALE MATERIAL 1 / 5 SEE PARTS LIST	
		SHEET SIZE C		DATE 1/6/2009	
				REFERENCE TOL. ALL DIMENSIONS REFERENCE UNLESS OTHERWISE SPECIFIED	
				GL100 SHEET 2 OF 2	



SECTION A-A
SCALE 1 / 4

ITEM	QTY	PART NUMBER	DESCRIPTION
1	1	GL115-001	BASE HOUSING, MOTOR #GL115
2	1	GL115-002	ROTOR ASSEMBLY, MOTOR #GL115
2.1	1	GL115-004	ROTOR
2.2	28	GL115-099	PERMANENT MAGNET - MOTOR #GL115
3	1	GL100-005	BEARING CAP
4	1	GL100-007	TRACTION WHEEL, 15" (6 X 3/8 MAX)
		GL100-008	TRACTION WHEEL, 20" (6 X 3/8, 5 X 1/2 MAX)
		GL100-009	TRACTION WHEEL, 15" (8 X 3/8 MAX)
		GL100-010	TRACTION WHEEL, 20" (7 X 3/8, 6 X 1/2 MAX)
		GL100-011	TRACTION WHEEL, 15.75" (8 X 10mm MAX)
5	1	GL115-018	MAIN SHAFT
6	8	GL100-073	BODY BOLT
7	1	GL100-088	KEY - STATOR CORE TO BASE
8	1	GL100-089	Bearing, Sealed Double Row Cylindrical Roller
9	1	GL100-090	Bearings, Sealed Spherical Roller
10	1	GL100-092	RETAINING RING - SHAFT
11	1	GL100-093	RETAINING RING - HOUSING
12	3	GL100-094-1	CLAMP - STATOR ASSEMBLY
13	1	GL100-095	KEY - ROTOR TO SHAFT
14	1	GL115-170-350	CORE/WINDING ASSEMBLY (GL115-100 PRINT)
		GL115-360-350	
		GL115-170-500	
		GL115-360-500	
15	1	GL100-104	CAP
16	1	GL100-159	ENCLOSURE
17	2	GL100-160	BRACKET #1 - 15 & 15.75" TW GUARD
		GL100-160-1	BRACKET #1 - 20" TW GUARD
18	1	GL100-161	GUARD - 15" TW (NARROW)
		GL100-161-1	GUARD - 20" TW (NARROW)
		GL100-164	GUARD - 15 & 15.75" TW (WIDE)
		GL100-164-1	GUARD - 20" TW (WIDE)
19	1	GL100-162	BRACKET #2 - 15 & 15.75" TW GUARD
		GL100-162-1	BRACKET #2 - 20" TW GUARD
20	2	GL100-146	DISC BRAKE (MAYR #6) - MRL
20.1	2	GL100-146-115S	MAYR #6 BRAKE WITH STANDARD STICKERS
20.1.1	2	GL100-146-115	MAYR #6 RSD6/894.510.03S 52V #8275067
20.1.2	2	142-050	BLACK VINYL CAP
20.1.3	2	P-175	TAG, GEARLESS MACHINE BRAKE AIRGAP DATA
20.1.4	2	P-190	ROTOR INSPECTION & BURNISHING STICKER
20.1.5	2	P-229	CAUTION LABEL - DO NOT ADJUST THIS NUT
22.2	2	142-001	BRAKE BASE
20.3	2	146-003	ELECTRICAL COVER
20.4	4	142-012	BRAKE ROD
20.5	4	3/8-16 UNC x 0.375	SET SCREW
20.6	8	1/2 - 13 UNC x 1.5	HEX HEAD CAP SCREW
20.7	8	1/2 WASHER	STANDARD WASHER
20.8	8	M6 x 1.00 x 8 mm	SOCKET HEAD CAP SCREW
21	8	M18 LOCKWASHER - DIN 127B	HELICAL SPRING LOCK WASHER - BODY BOLT
22	3	3/8-16 UNC - 1.00	SOCKET HEAD CAP SCREW
23	6	3/8 - 16 UNC - 1 1/4	SOCKET HEAD CAP SCREW
24	1	1/2 - 13 UNC x 1.0	FLAT HEAD CAP SCREW
25	3	3/4 - 10 UNC x 1.0	HEX HEAD CAP SCREW
26	3	3/8 UNC	WHIZ NUT
27	7	3/8-16 UNC x 0.625	WHIZ BOLT
28	6	3/8 WASHER	SHCS LOCKWASHER
29	3	3/4 WASHER	STANDARD WASHER
30	3	3/4 WASHER	STANDARD LOCK WASHER
31	2	GL100-163	EYEBOLT & NUT
32	1	GL100-165	FELT DUST SEAL
33	1	ENC 113 52810061	ENCODER
34	4	#6 U x 0.3125	DRIVE SCREW
35	1	P-173	MOTOR TAG - PMAC GEARLESS MACHINE
36	1	P-176	TAG, GEARLESS EMERGENCY BRAKE
37	2	P-209	TAG - BRAKE RATINGS FOR MAYR #6

WEIGHT: 1372.4 lbmass

MACHINE #	WINDING P/N	COIL/WINDING EFFICIENCY (%)	FRAME/MAGNET SIZE (mm)	VOLTAGE (Vac)	MACHINE SPEED (rpm)	CAR SPEED 15" (fpm)	CAR SPEED 15.75" (fpm)	CAR SPEED 20" (fpm)
GL115-35L	GL115-170-350	92.5	115	170	178.3	350	368	467
GL115-35H	GL115-360-350	92.6	115	360	178.3	350	368	467
GL115-50L	GL115-170-500	93.8	115	170	254.6	500	525	667
GL115-50H	GL115-360-500	93.7	115	360	254.6	500	525	667

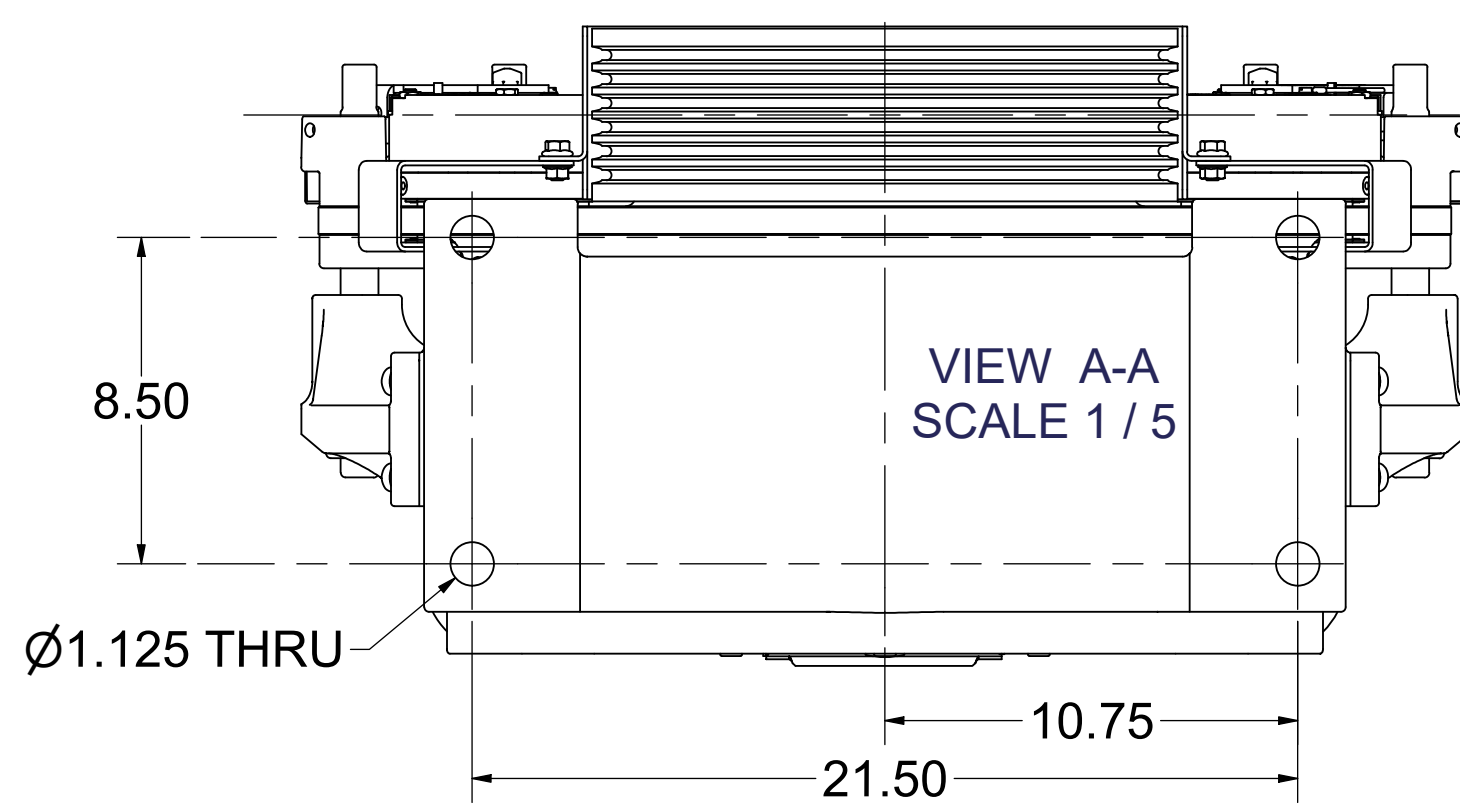
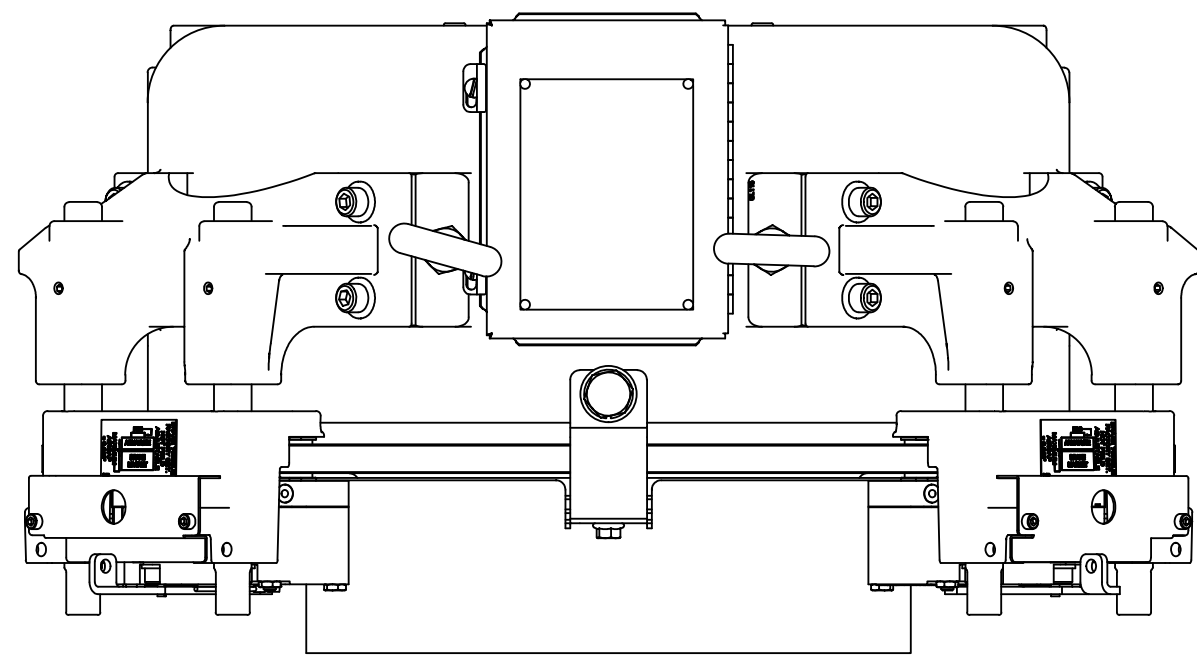
MACHINE CAPACITY (LBS)		
TRACTION WHEEL	ROPING	
	2:1	1:1
15	3500	1750
15.75	3333	1667
20	2625	1313

N MAYR #8275067 WAS #8211863, PUR #1244 LTL 12/9/19
 M 3X GL100-094-1 WAS 1X GL100-094, 3X 3/8x1HHCS LTL 6/5/19
 P UPDATE BRAKE PARTS LIST & TAGS, PUR #1260 LTL 12/19/19 WAS 6X, REMOVE 6X 3/8 WASHERS, PUR #1111

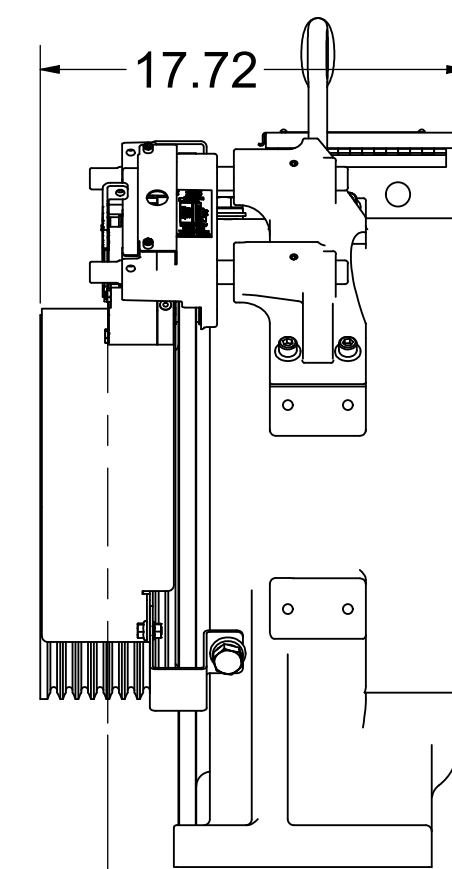
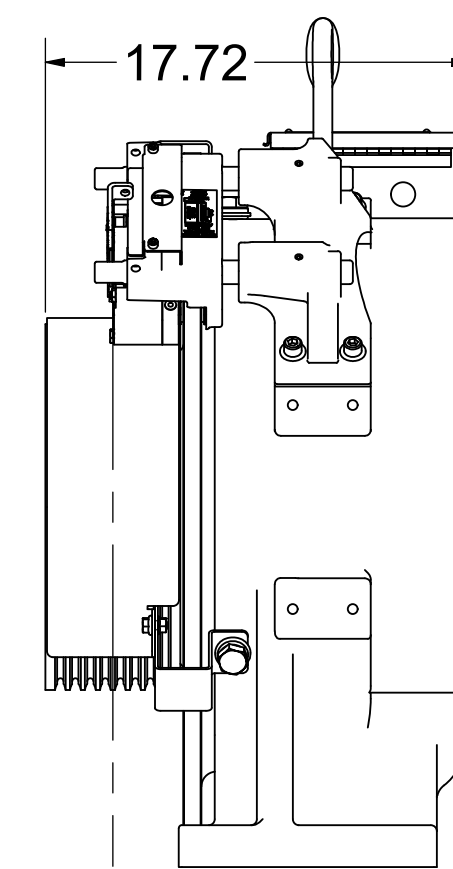
THIS DRAWING IS SUPPLIED AS A REPRESENTATION OF THE EQUIPMENT. HOLLISTER-WHITNEY ELEVATOR CO. LLC ("MANUFACTURER") HAS AGREED TO SUPPLY. SLIGHT ADJUSTMENTS MAY OCCUR DURING MANUFACTURING AND INSTALLATION. ANY MODIFICATIONS NOT APPROVED IN WRITING BY MANUFACTURER MAY AFFECT OPERATION, VOIDS ANY WARRANTY AND RELEASES MANUFACTURER OF ALL LIABILITY.
 THIS DOCUMENT CONTAINS CONFIDENTIAL AND PROPRIETARY INFORMATION THAT CANNOT BE REPRODUCED OR DIVULGED, IN WHOLE OR IN PART, WITHOUT WRITTEN AUTHORIZATION FROM THE MANUFACTURER.

THIRD ANGLE PROJECTION

HOLLISTER-WHITNEY
 ELEVATOR CO. LLC
 TITLE: GEARLESS MACHINE, MAX CAP (15" TW 3500# 2:1, 1750# 1:1) (20" TW 2625# 2:1, 1312# 1:1)
 DRAWN BY: LTL 1/4
 SCALE: 1/4
 MATERIAL: SEE PARTS LSIT
 REFERENCE TOL. ALL DIMENSIONS REFERENCE UNLESS OTHERWISE SPECIFIED
 SHEET SIZE: C
 DATE: 1/7/2009
GL115
 SHEET 1 OF 2

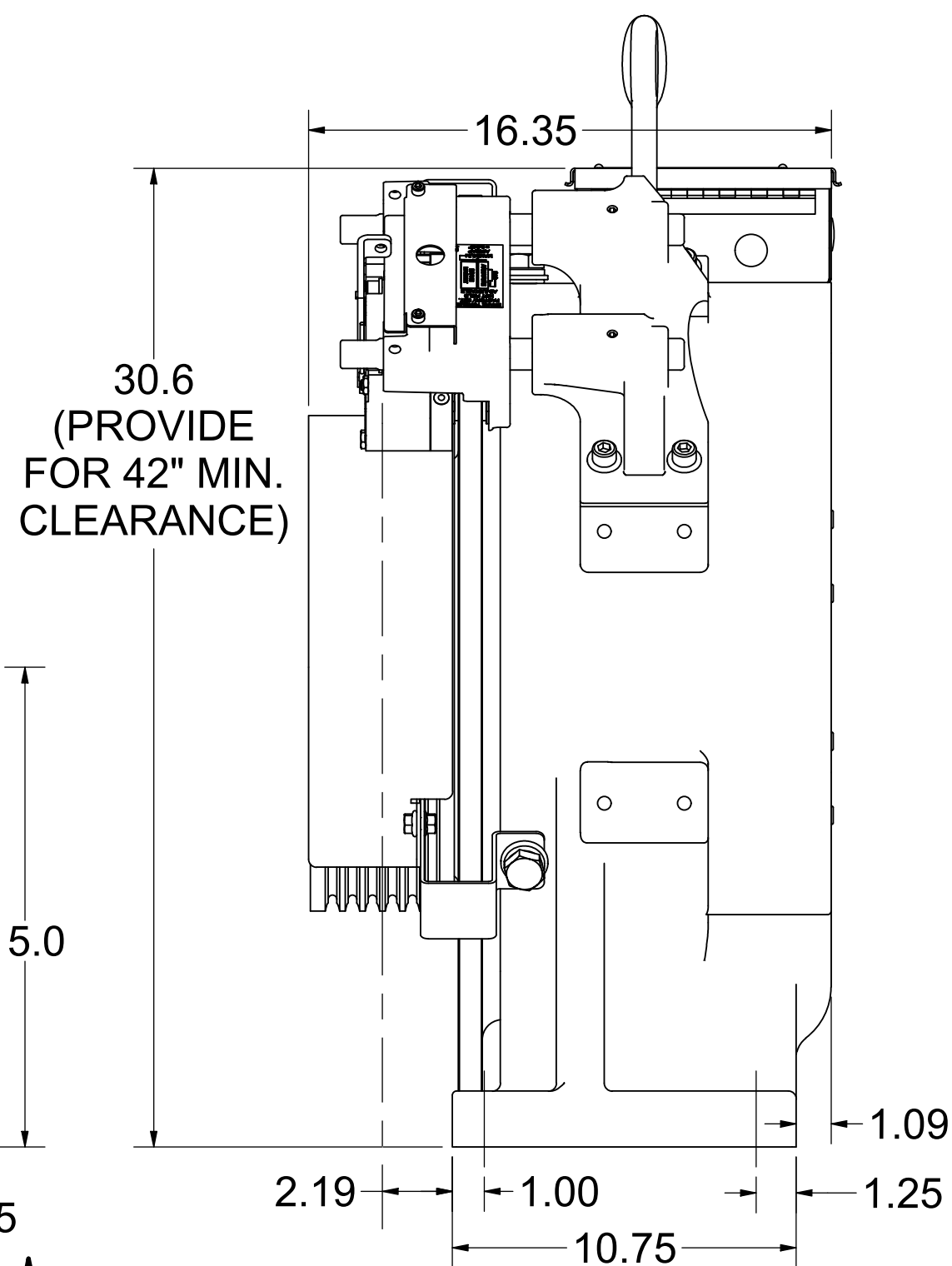
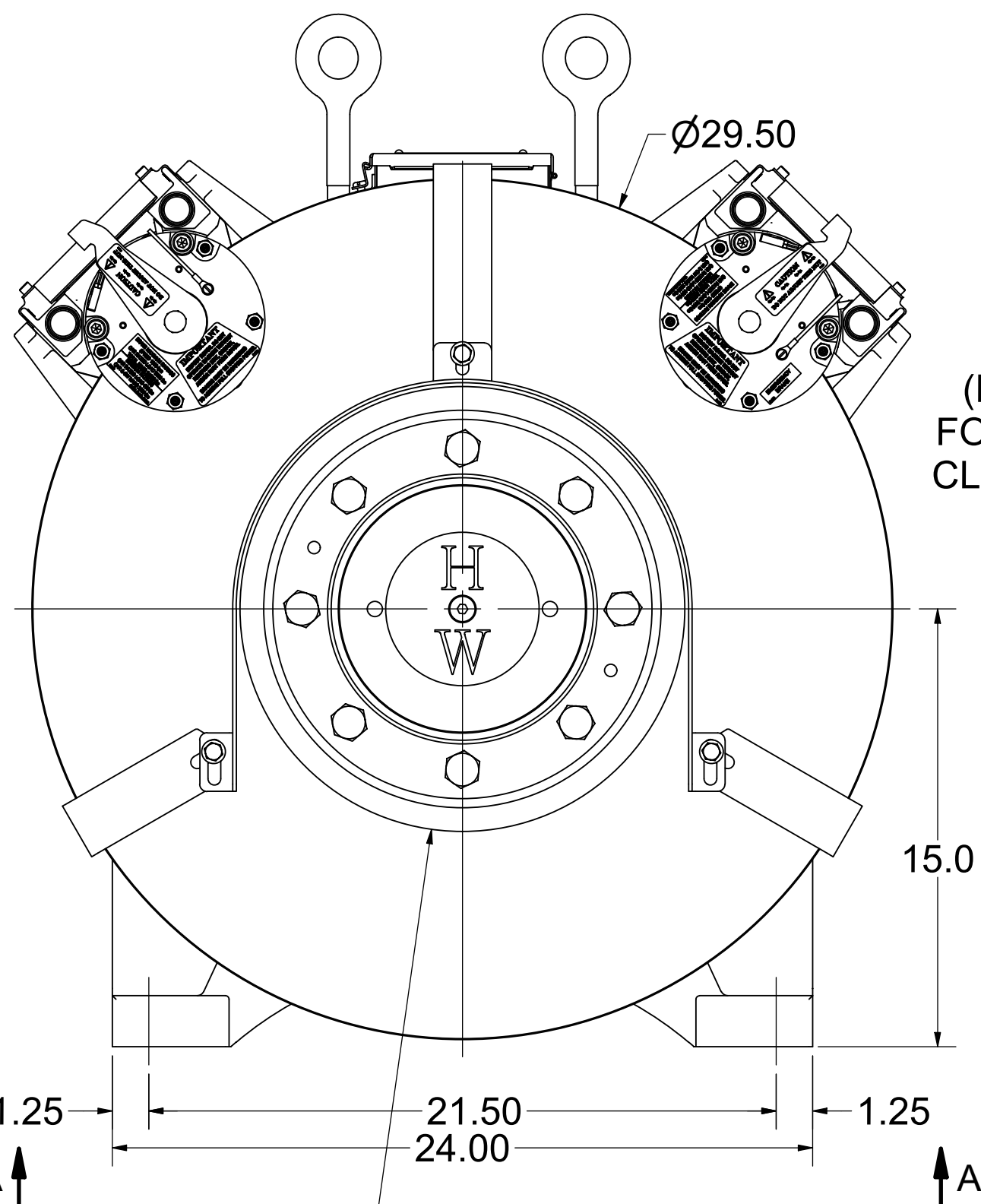


↑ SHEAVE

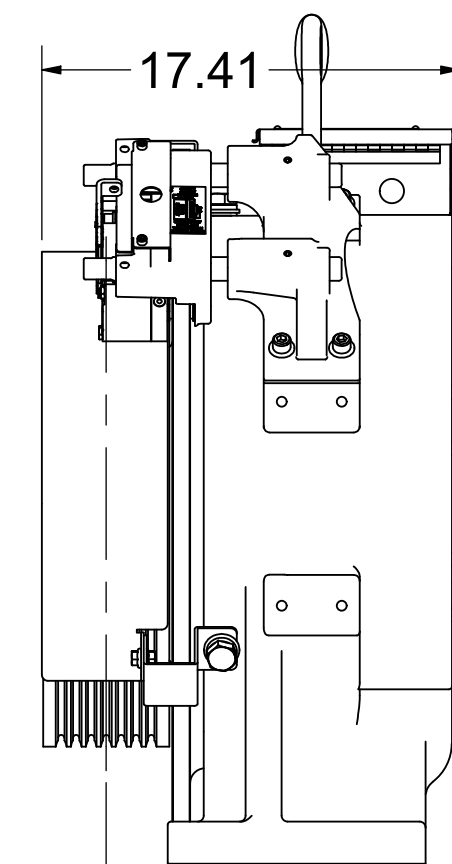
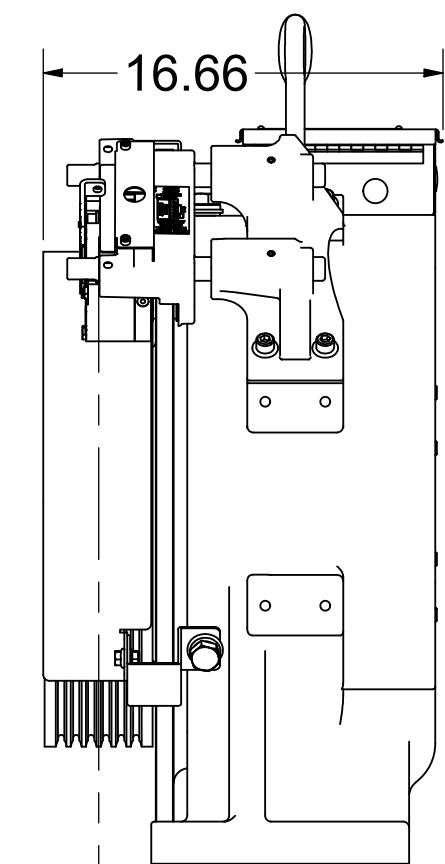


2.75
15" TW, 8x3/8 MAX
SCALE 1 / 8

2.75
15.75" TW, 8x10mm MAX
SCALE 1 / 8



15" TW, 6x3/8 MAX
SCALE 1 / 5



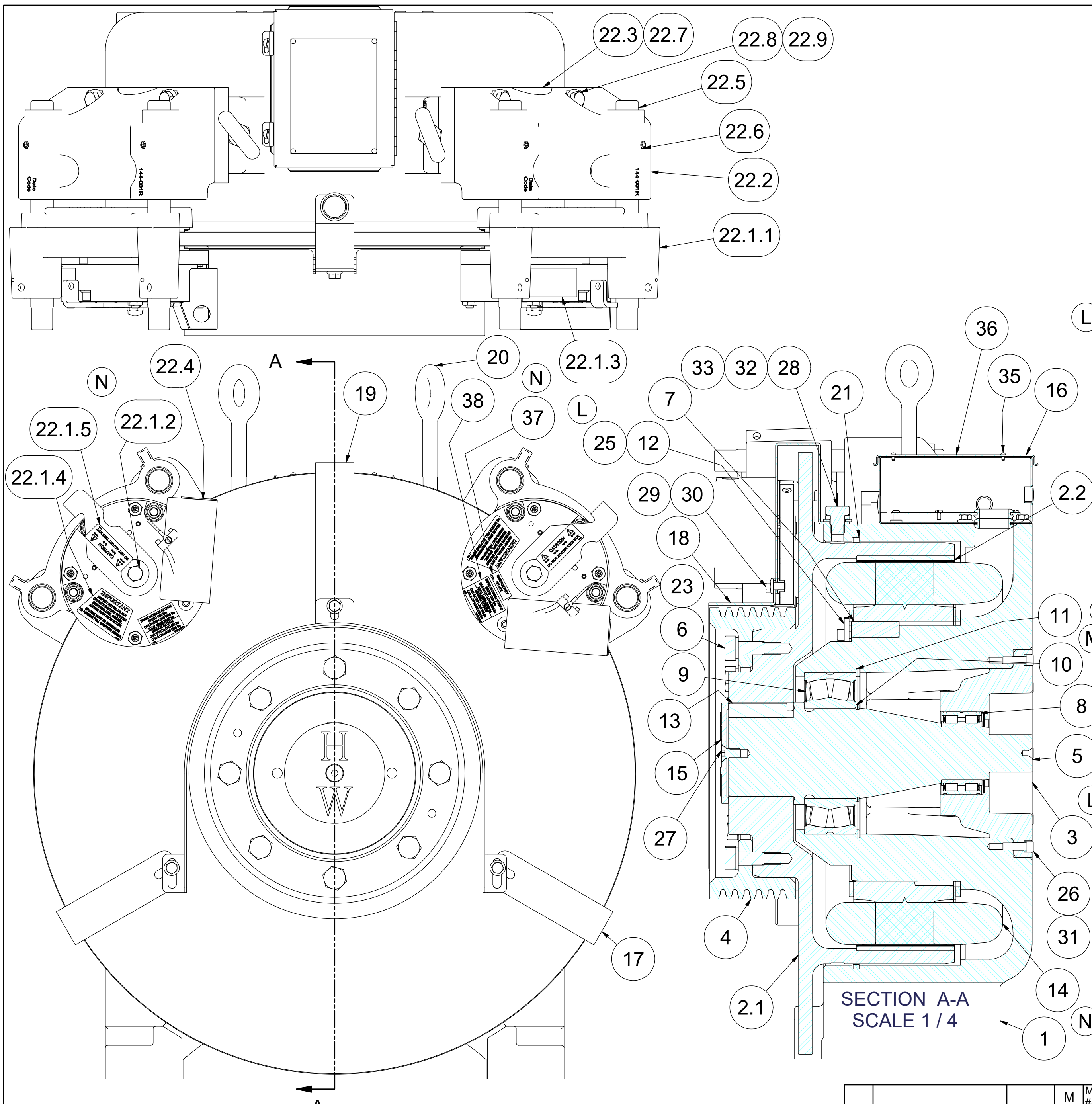
2.19
20" TW, 6x3/8 or 5x1/2 MAX
SCALE 1 / 8

2.56
20" TW, 7x3/8 or 6x1/2 MAX
SCALE 1 / 8

WEIGHT: 1372.4 lbmass

SEE PAGE 1 OF 2
FOR PRINT REVISIONS

				HOLLISTER-WHITNEY ELEVATOR CO. LLC			
				TITLE GEARLESS MACHINE, MAX CAP (15" TW 3500# 2:1, 1750# 1:1) (20" TW 2625# 2:1, 1312# 1:1)			
THIS DRAWING IS SUPPLIED AS A REPRESENTATION OF THE EQUIPMENT HOLLISTER-WHITNEY ELEVATOR CO. LLC ("MANUFACTURER") HAS AGREED TO SUPPLY. SLIGHT ADJUSTMENTS MAY OCCUR DURING MANUFACTURING AND INSTALLATION. ANY MODIFICATIONS NOT APPROVED IN WRITING BY MANUFACTURER MAY AFFECT OPERATION, VOIDS ANY WARRANTY AND RELEASES MANUFACTURER OF ALL LIABILITY. THIS DOCUMENT CONTAINS CONFIDENTIAL AND PROPRIETARY INFORMATION THAT CANNOT BE REPRODUCED OR DIVULGED, IN WHOLE OR IN PART, WITHOUT WRITTEN AUTHORIZATION FROM THE MANUFACTURER.		THIRD ANGLE PROJECTION		DRAWN BY LTL	SCALE 1 / 5	MATERIAL SEE PARTS LSIT	REFERENCE TOL. ALL DIMENSIONS REFERENCE UNLESS OTHERWISE SPECIFIED
				SHEET SIZE C	DATE 1/7/2009	GL115 SHEET 2 OF 2	



ITEM	QTY	PART NUMBER	DESCRIPTION
1	1	GL130-001	BASE HOUSING, MOTOR #GL130
2	1	GL130-002	ROTOR ASSEMBLY, MOTOR #GL130
2.1	1	GL130-004	ROTOR
2.2	28	GL130-099	PERMANENT MAGNET - MOTOR #GL130
3	1	GL130-005	BEARING CAP
4	1	GL100-007	TRACTION WHEEL, 15" (6 X 3/8 MAX)
		GL100-008	TRACTION WHEEL, 20" (6 x 3/8, 5 x 1/2 MAX)
		GL100-009	TRACTION WHEEL, 15" (8 x 3/8 MAX)
		GL100-010	TRACTION WHEEL, 20" (7 x 3/8, 6 x 1/2 MAX)
5	1	GL100-011	TRACTION WHEEL, 15.75" (8 x 10mm MAX)
		GL130-018	MAIN SHAFT
6	8	GL100-073	BODY BOLT
7	1	GL100-088	KEY - STATOR CORE TO BASE
8	1	GL100-089	Bearing, Sealed Double Row Cylindrical Roller
9	1	GL130-090	Bearings, Sealed Spherical Roller
10	1	GL130-092	RETAINING RING - SHAFT
11	1	GL130-093	RETAINING RING - HOUSING
12	3	GL100-094-1	CLAMP - STATOR ASSEMBLY
13	1	GL100-095	KEY - ROTOR TO SHAFT
14	1	GL130-170-200	WINDING ASSEMBLY (PRINT GL130-100)
		GL130-360-200	
		GL130-170-350	
		GL130-360-350	
15	1	GL100-104	CAP
16	1	GL100-159	ENCLOSURE
17	2	GL130-160	BRACKET #1 - 15 & 15.75" TW GUARD
		GL130-160-1	BRACKET #1 - 20" TW GUARD
18	1	GL100-161	GUARD - 15" TW (NARROW)
		GL100-161-1	GUARD - 20" TW (NARROW)
		GL100-164	GUARD - 15 & 15.75" TW (WIDE)
		GL100-164-1	GUARD - 20" TW (WIDE)
19	1	GL130-162	BRACKET #2 - 15 & 15.75" TW GUARD
		GL130-162-1	BRACKET #2 - 20" TW GUARD
20	2	GL100-163	EYEBOLT & NUT
21	1	GL100-165	FELT DUST SEAL
22	2	GL130-144	DISC BRAKE (MAYR #8) - MRL (15" TW)
22.1	2	GL130-144-115S	MAYR #8 BRAKE WITH STANDARD STICKERS
22.1.1	2	GL130-144-115	MAYR #8; RSD8/894.510.035 52V #8275066
22.1.2	2	142-050	BLACK VINYL CAP
22.1.3	2	P-175	TAG, GEARLESS MACHINE BRAKE AIRGAP DATA
22.1.4	2	P-190	ROTOR INSPECTION & BURNISHING STICKER
22.1.5	2	P-229	CAUTION LABEL - DO NOT ADJUST THIS NUT
22.2	2	144-001	BRAKE BASE
22.3	2	144-002	BLOCKING PLATE
22.4	2	144-003	ELECTRICAL COVER
22.5	4	144-012	BRAKE ROD
22.6	4	3/8-16 UNC x 0.375	SET SCREW
22.7	8	1/2-13 UNC x 1.5	FLAT HEAD CAP SCREWS
22.8	8	1/2-13 UNC x 1.75	HEX HEAD CAP SCREW
22.9	8	1/2 WASHER	STANDARD WASHER
23	8	M18 LOCKWASHER - DIN 127B	HELICAL SPRING LOCK WASHER - BODY BOLT
25	3	3/8-16 UNC - 1.00	SOCKET HEAD CAP SCREW
26	8	3/8 - 16 UNC - 1 1/4	SOCKET HEAD CAP SCREW
27	1	1/2 - 13 UNC x 1.0	FLAT HEAD CAP SCREW
28	3	3/4 - 10 UNC x 1.0	HEX HEAD CAP SCREW
29	3	3/8 UNC	WHIZ NUT
30	7	3/8-16 UNC x 0.625	WHIZ BOLT
31	8	3/8 WASHER	SHCS LOCKWASHER
32	3	3/4 WASHER	STANDARD WASHER
33	3	3/4 WASHER	STANDARD LOCK WASHER
34	1	ENC 113 5210061	ENCODER
35	4	#6 U x 0.3125	DRIVE SCREW
36	1	P-173	MOTOR TAG - PMAC GEARLESS MACHINE
37	1	P-176	TAG, GEARLESS EMERGENCY BRAKE
38	2	P-213	TAG, GL130 & GL170 - BRAKE RATINGS MAYR #8

WEIGHT: 1681.9 lbmass

MACHINE #	WINDING P/N	COIL/WINDING EFFICIENCY (%)	FRAME/MAGNET SIZE (mm)	VOLTAGE (Vac)	MACHINE SPEED (rpm)	CAR SPEED 15" (fpm)	CAR SPEED 15.75" (fpm)	CAR SPEED 20" (fpm)
GL130-20L	GL130-170-200	90.6	130	170	101.9	200	210	267
GL130-20H	GL130-360-200	90.7	130	360	101.9	200	210	267
GL130-35L	GL130-170-350	93.1	130	170	178.3	350	368	467
GL130-35H	GL130-360-350	93	130	360	178.3	350	368	467

MACHINE CAPACITY (LBS)		
TRACTION WHEEL	ROPING	
15	2:1	1:1
15.75	3810	1905
20	3000	1500

M MAYR #8275066 WAS #8211833, PUR #1244 LTL 12/9/19
 L 3X GL100-094-1 WAS 1X GL100-094, 3X 3/8x1HHCS 6/5/19
 N UPDATE BRAKE PARTS LIST & TAGS, PUR #1260 LTL 12/18/19
 WAS 6X, REMOVE 6X 3/8 WASHERS, PUR #1111

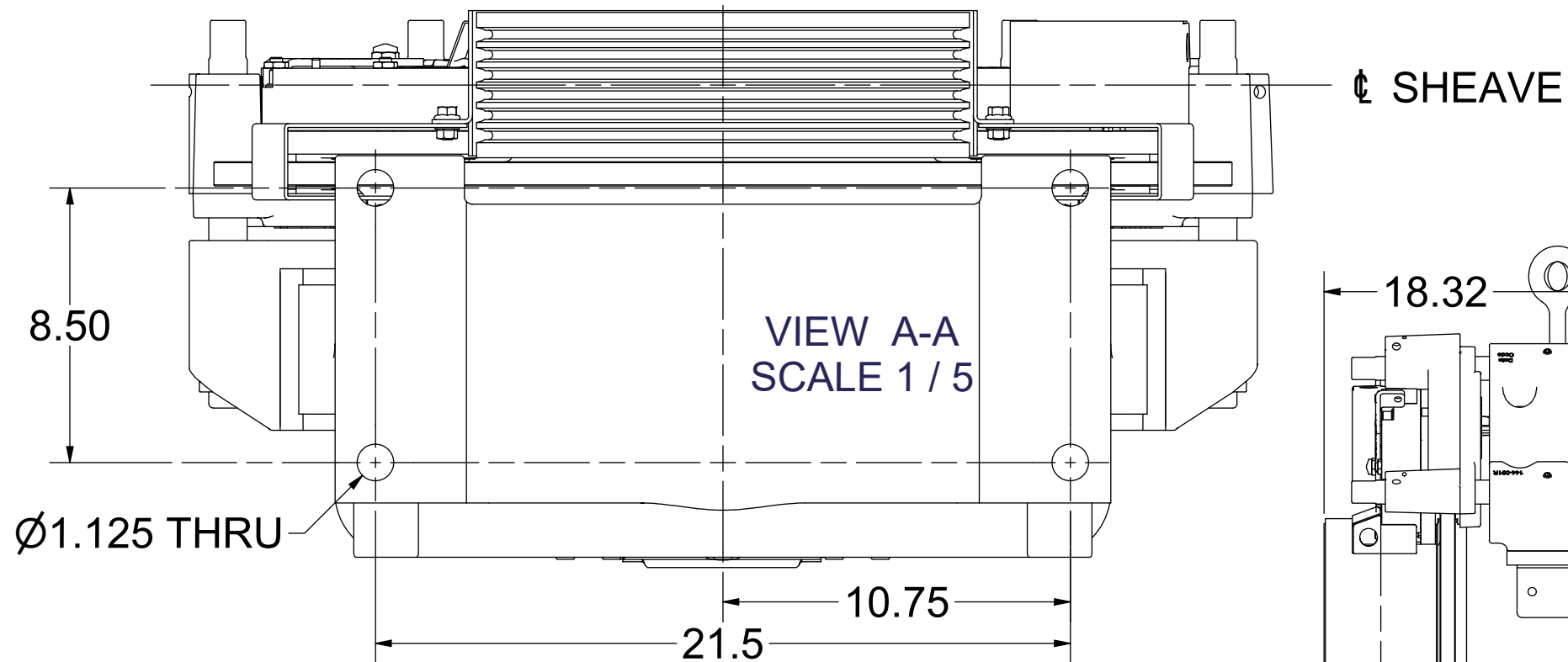
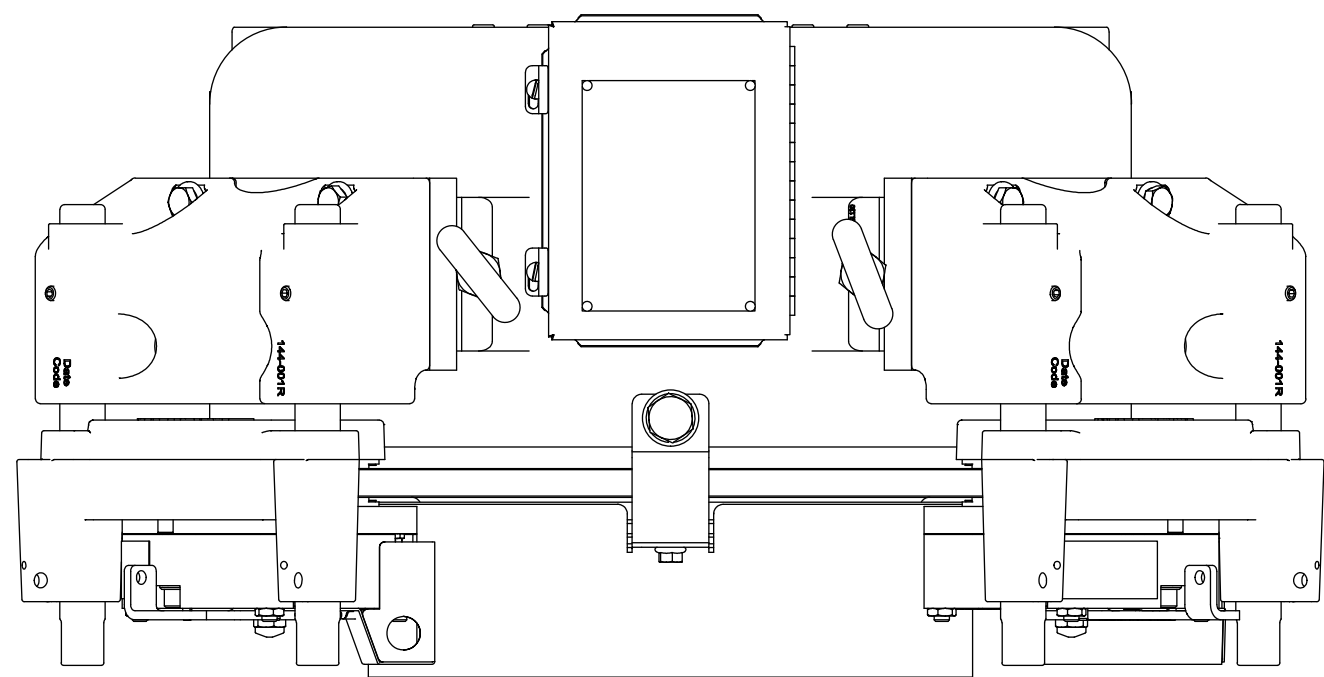
THIS DRAWING IS SUPPLIED AS A REPRESENTATION OF THE EQUIPMENT. HOLLISTER-WHITNEY ELEVATOR CO. LLC ("MANUFACTURER") HAS AGREED TO SUPPLY. SLIGHT ADJUSTMENTS MAY OCCUR DURING MANUFACTURING AND INSTALLATION. ANY MODIFICATIONS NOT APPROVED IN WRITING BY MANUFACTURER MAY AFFECT OPERATION, VOIDS ANY WARRANTY AND RELEASES MANUFACTURER OF ALL LIABILITY.
 THIS DOCUMENT CONTAINS CONFIDENTIAL AND PROPRIETARY INFORMATION THAT CANNOT BE REPRODUCED OR DIVULGED, IN WHOLE OR IN PART, WITHOUT WRITTEN AUTHORIZATION FROM THE MANUFACTURER.

THIRD ANGLE PROJECTION

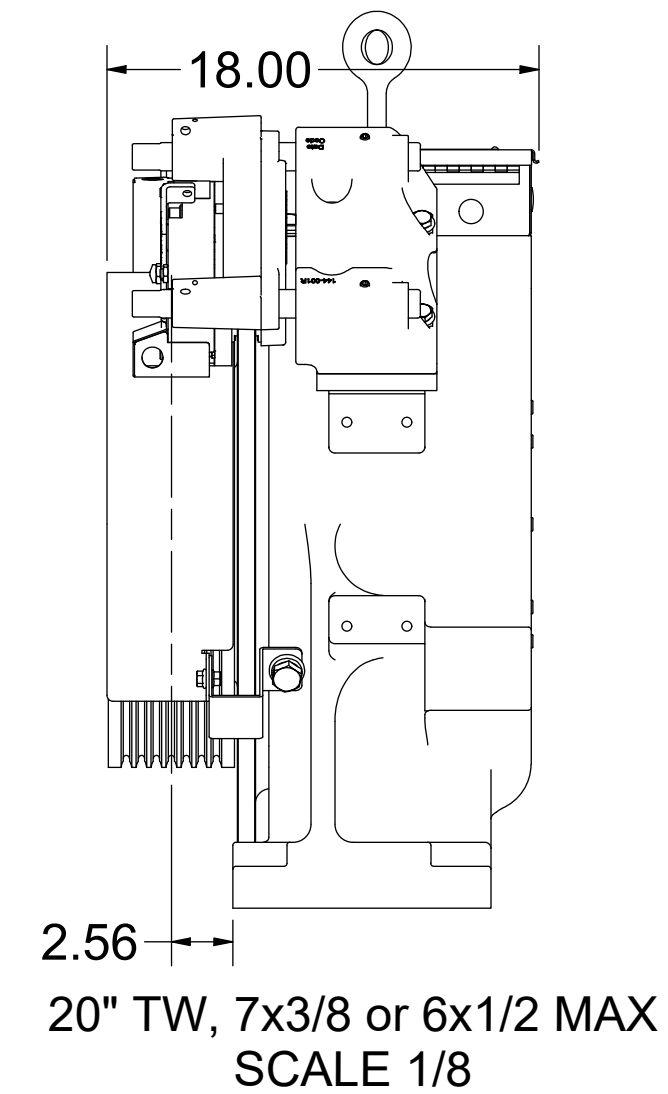
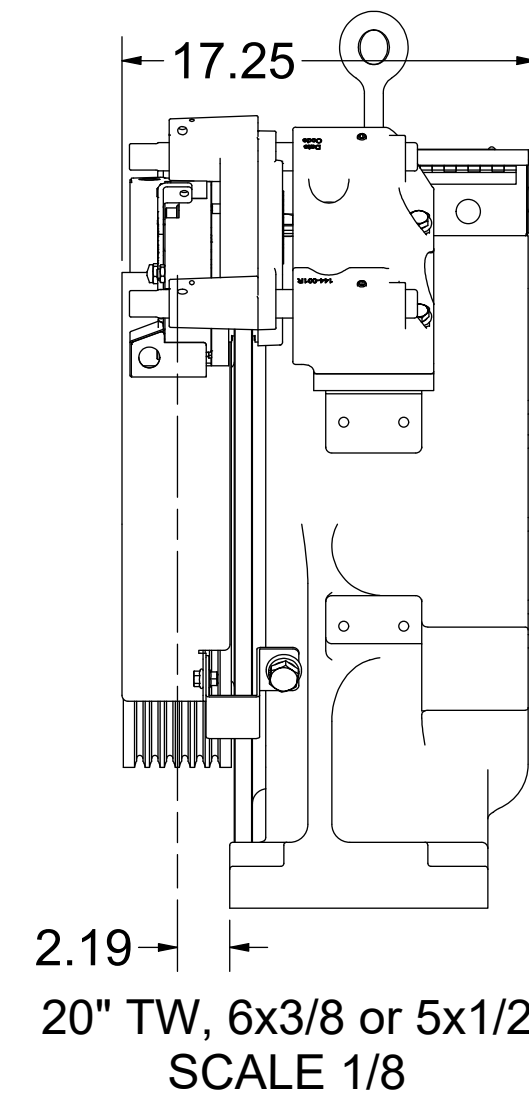
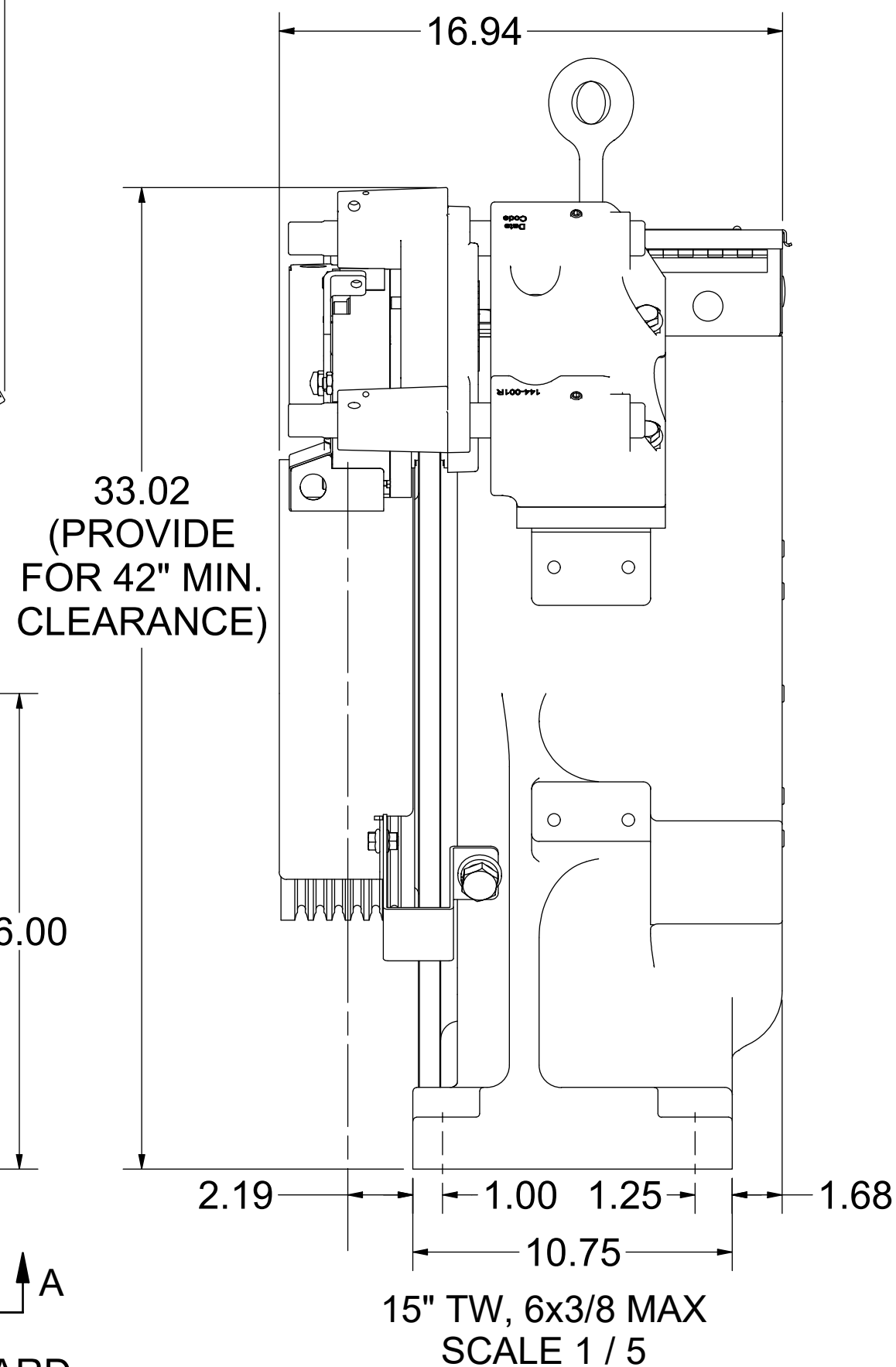
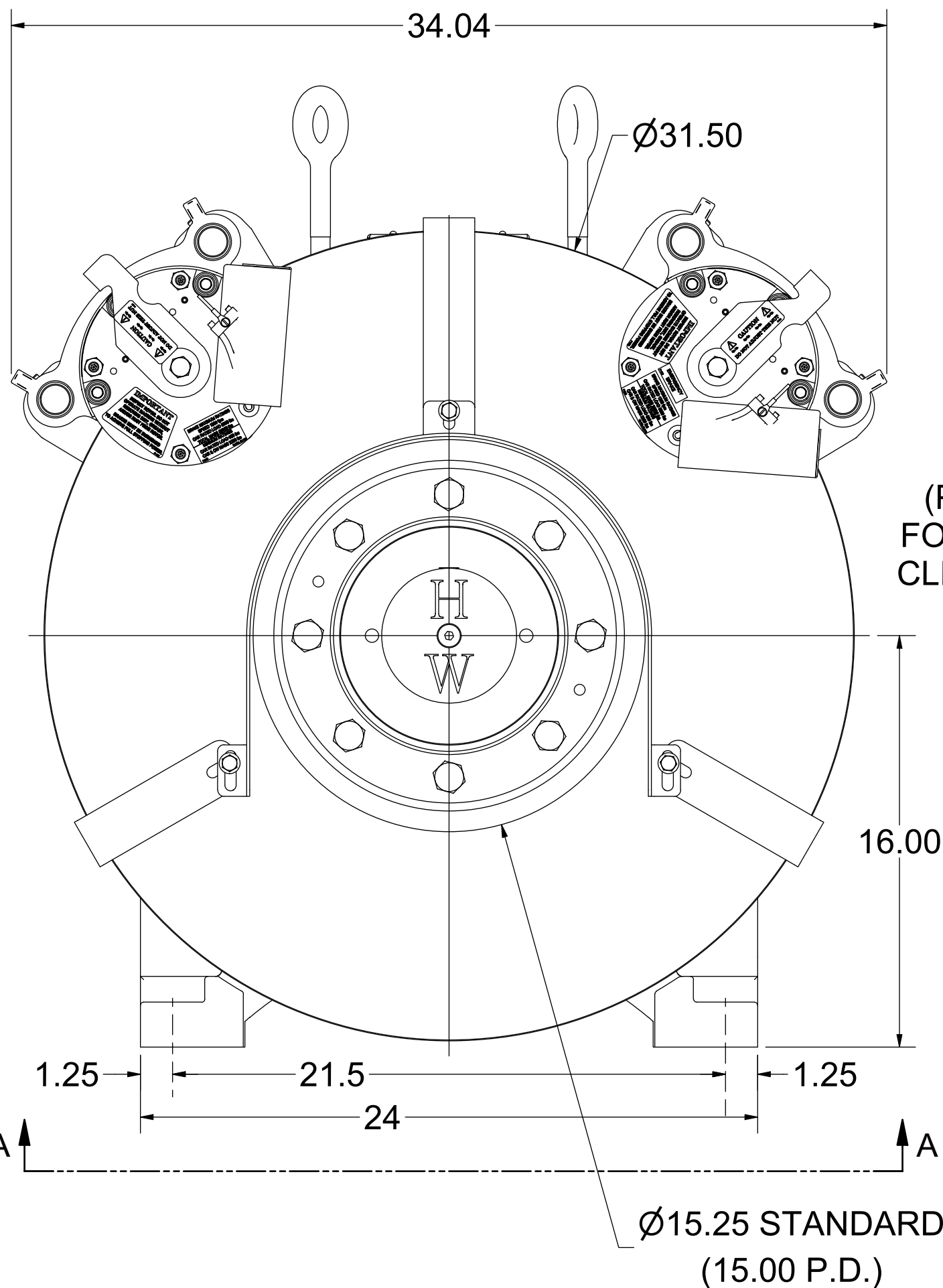
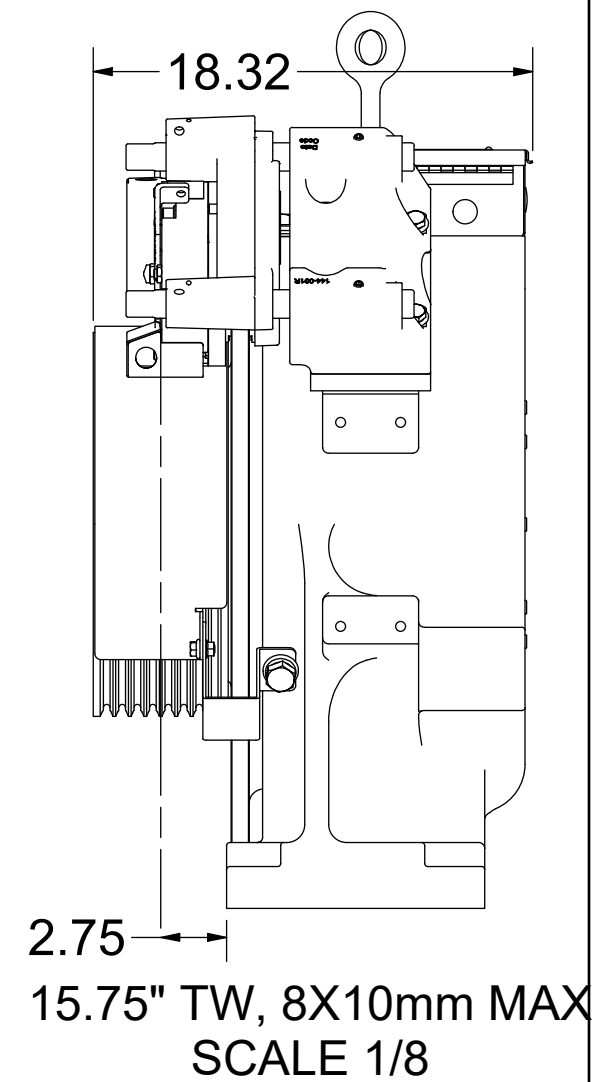
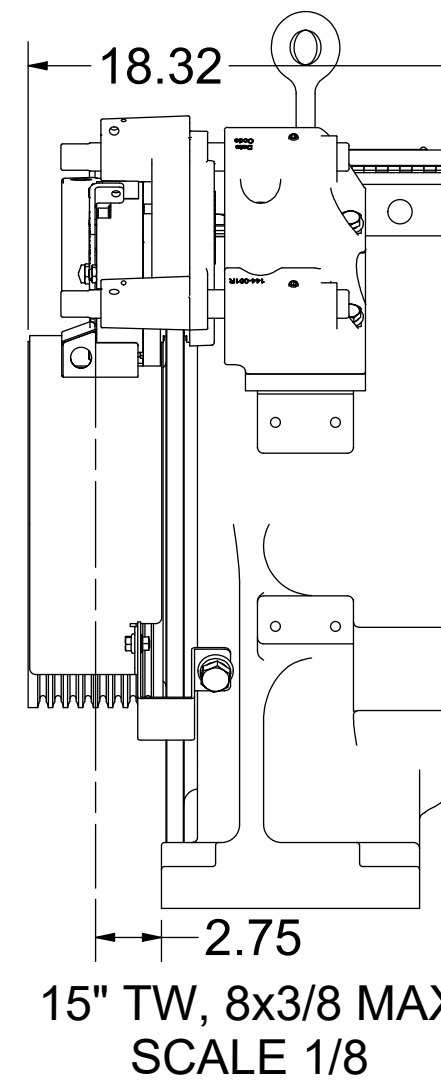
HOLLISTER-WHITNEY
 ELEVATOR CO. LLC

GL130 GEARLESS MACHINE

TITLE: _____
 DRAWN BY: _____
 SCALE: 1/4
 MATERIAL: SEE PARTS LIST
 REFERENCE TOL. ALL DIMENSIONS REFERENCE UNLESS OTHERWISE SPECIFIED
 SHEET SIZE: C
 DATE: 2/4/2009
GL130
 SHEET 1 OF 2



☯ SHEAVE



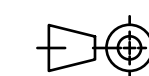
WEIGHT: 1681.9 lbmass

HOLLISTER-WHITNEY
ELEVATOR CO. LLC

GL130 GEARLESS MACHINE

THIS DRAWING IS SUPPLIED AS A REPRESENTATION OF THE EQUIPMENT HOLLISTER-WHITNEY ELEVATOR CO. LLC ("MANUFACTURER") HAS AGREED TO SUPPLY. SLIGHT ADJUSTMENTS MAY OCCUR DURING MANUFACTURING AND INSTALLATION. ANY MODIFICATIONS NOT APPROVED IN WRITING BY MANUFACTURER MAY AFFECT OPERATION, VOIDS ANY WARRANTY AND RELEASES MANUFACTURER OF ALL LIABILITY. THIS DOCUMENT CONTAINS CONFIDENTIAL AND PROPRIETARY INFORMATION THAT CANNOT BE REPRODUCED OR DIVULGED, IN WHOLE OR IN PART, WITHOUT WRITTEN AUTHORIZATION FROM THE MANUFACTURER.

THIRD ANGLE PROJECTION

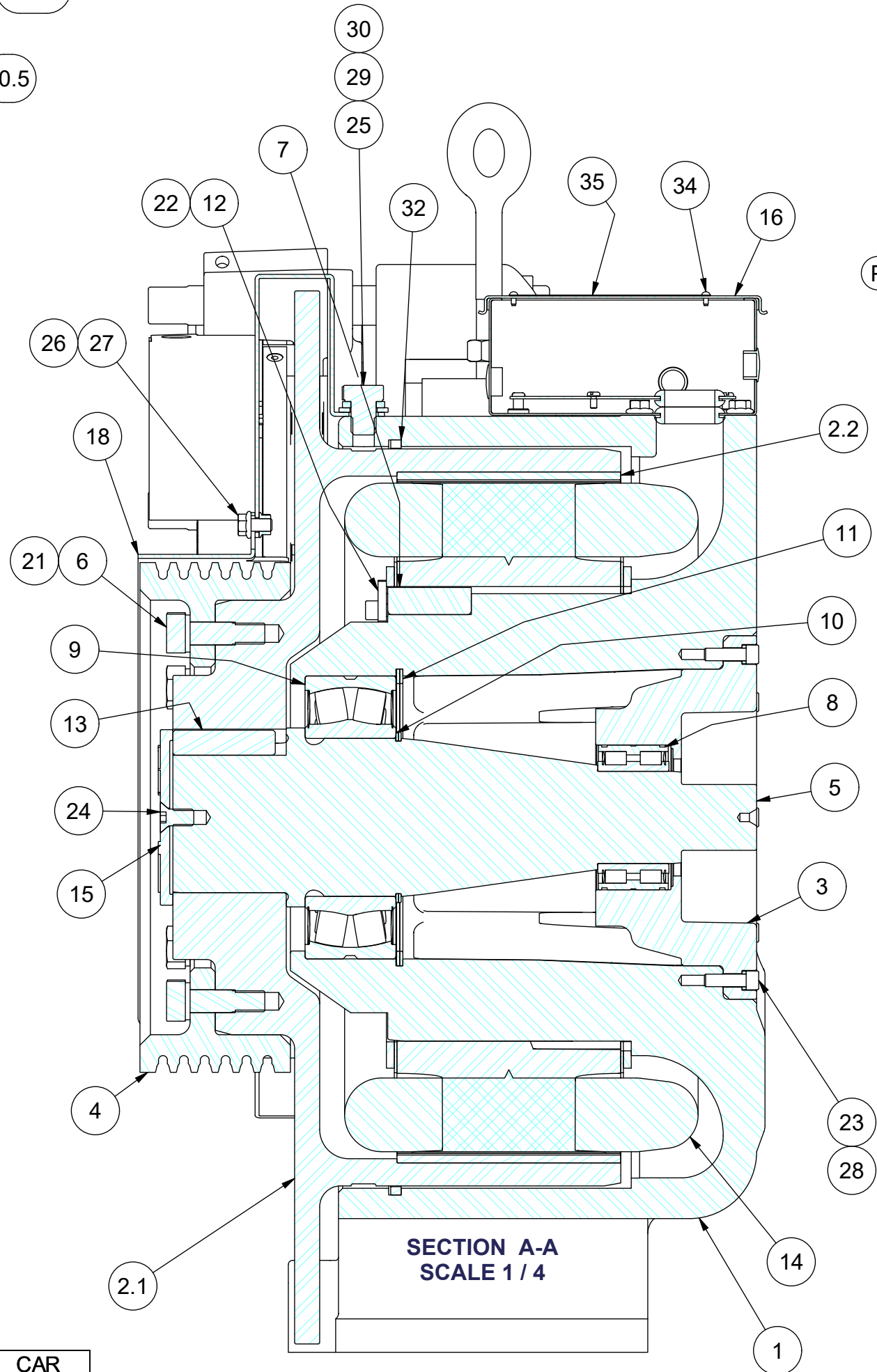
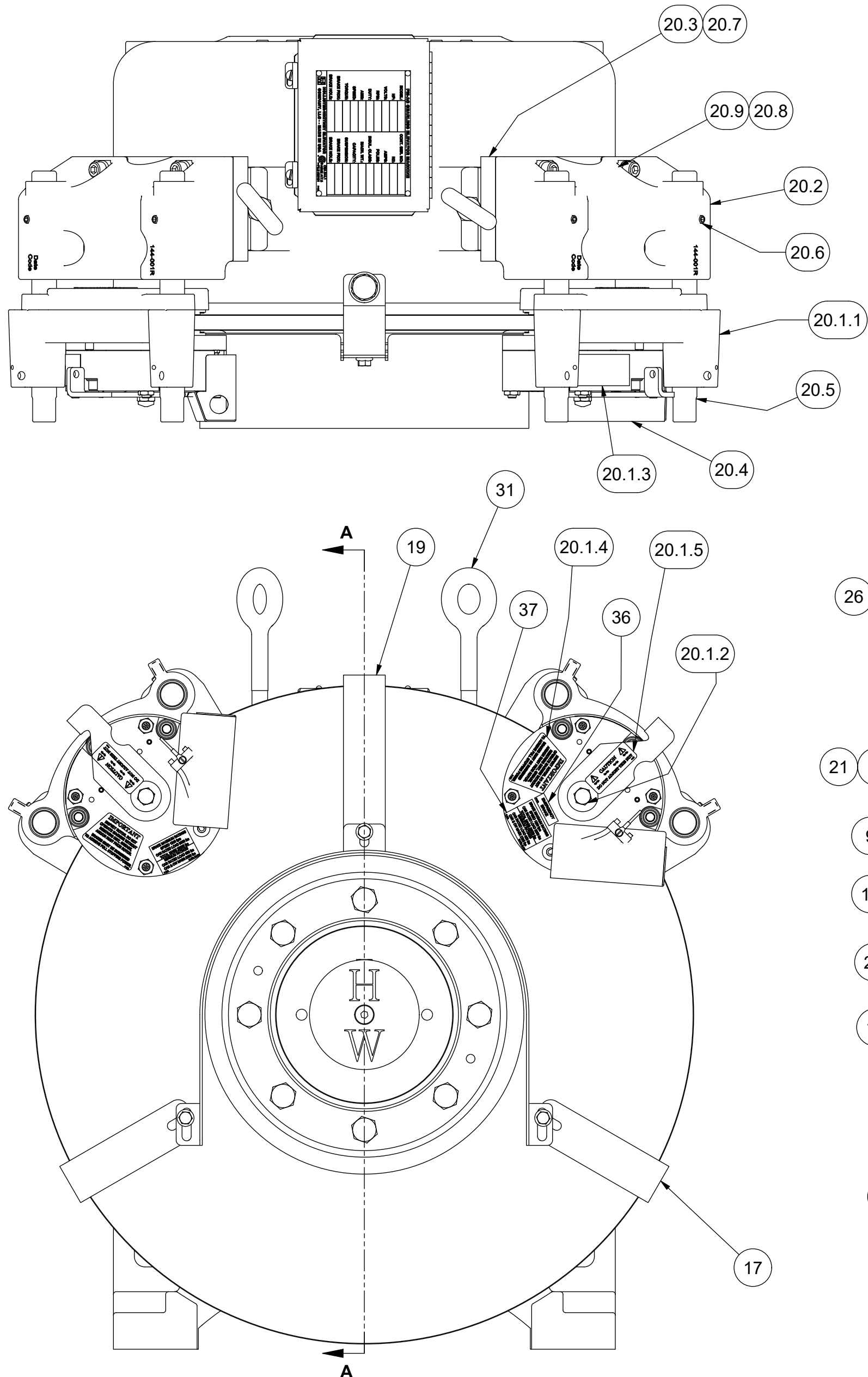


DRAWN BY LTL
SCALE 1/5
SHEET SIZE C

MATERIAL SEE PARTS LIST
DATE 2/4/2009

REFERENCE TOL. ALL DIMENSIONS REFERENCE UNLESS OTHERWISE SPECIFIED
GL130
SHEET 2 OF 2

SEE PAGE 1 OF 2
FOR PRINT REVISIONS



ITEM	QTY	PART NUMBER	DESCRIPTION
1	1	GL170-001	BASE HOUSING, MOTOR #GL170
2	1	GL170-002	ROTOR ASSEMBLY, MOTOR #GL170
2.1	1	GL170-004	ROTOR
2.2	28	GL170-099	PERMANENT MAGNET - MOTOR #GL170
3	1	GL130-005	BEARING CAP
4	1	GL100-007	TRACTION WHEEL, 15" (6 X 3/8 MAX)
		GL100-008	TRACTION WHEEL, 20" (6 X 3/8, 5 X 1/2 MAX)
		GL100-009	TRACTION WHEEL, 15" (8 X 3/8 MAX)
		GL100-010	TRACTION WHEEL, 20" (7 X 3/8, 6 X 1/2 MAX)
		GL100-011	TRACTION WHEEL, 15.75" (8 X 10mm MAX)
		GL171-010	TRACTION WHEEL, 20" (8 X 3/8, 7 X 1/2 MAX)
5	1	GL170-018	MAIN SHAFT
6	8	GL100-073	BODY BOLT
7	1	GL100-088	KEY - STATOR CORE TO BASE
8	1	GL100-089	BEARING, SEALED DBL ROW CYL. ROLLER
9	1	GL130-090	SEALED SPHERICAL ROLLER BEARING
10	1	GL130-092	RETAINING RING - SHAFT
11	1	GL130-093	RETAINING RING - HOUSING
12	3	GL100-094-1	CLAMP - STATOR ASSEMBLY
13	1	GL100-095	KEY - ROTOR TO SHAFT
14	1	GL171-100	WINDING ASSEMBLY - (1:1 in 2:1 Application) SEE BELOW
		GL170-100	WINDING ASSEMBLY - (2:1 in 2:1 Application) SEE BELOW
15	1	GL100-104	CAP
16	1	GL100-159	ENCLOSURE
17	2	GL130-160	BRACKET #1 - 15 & 15.75" TW GUARD
		GL130-160-1	BRACKET #1 - 20" TW GUARD
18	1	GL100-161	GUARD - 15" TW (NARROW)
		GL100-161-1	GUARD - 20" TW (NARROW)
		GL100-164	GUARD - 15 & 15.75" TW (WIDE)
		GL100-164-1	GUARD - 20" TW (WIDE 7 X 3/8, 6 X 1/2 MAX)
		GL100-164-2	GUARD - 20" TW (WIDE 8 X 3/8, 7 X 1/2 MAX)
19	1	GL130-162	BRACKET #2 - 15 & 15.75" TW GUARD
		GL130-162-1	BRACKET #2 - 20" TW GUARD
20	2	GL130-144	DISC BRAKE (MAYR #8) - 1 Main & 1 E. Brake (see Windings Chart)
20.1	2	GL130-144-115S	MAYR #8 BRAKE WITH STANDARD STICKERS
		GL130-144-115	MAYR #8; RSD8/894.510.035 52V #8275066
20.1.1	2	142-050	BLACK VINYL CAP
20.1.2	2	P-175	TAG, GEARLESS MACHINE BRAKE AIRGAP DATA
20.1.3	2	P-190	ROTOR INSPECTION & BRAKE BURNISHING STICKER
20.1.4	2	P-229	CAUTION LABEL - DO NOT ADJUST THIS NUT
20.1.5	2		
20.2	2	144-001	BRAKE BASE
20.3	2	144-002	BRAKE BLOCKING PLATE
20.4	2	144-003	ELECTRICAL COVER
20.5	4	144-012	BRAKE ROD
20.6	4	3/8-16 UNC x 0.375	SET SCREW
20.7	8	1/2 - 13 UNC x 1.5	FLAT HEAD CAP SCREW
20.8	8	1/2 - 13 UNC x 1.75	HEX HEAD CAP SCREW
20.9	8	1/2" WASHER	STANDARD WASHER
20*	4	GL100-146	DISC BRAKE (MAYR #6) - 2 Main & 2 E. Brakes (see Windings Chart)
20.1	4	GL100-146-115S	MAYR #6 BRAKE WITH STANDARD STICKERS
		GL100-146-115	MAYR #6 RSD6/894.510.035 52V #8275067
20.1.1	1	142-050	BLACK VINYL CAP
20.1.2	1	P-175	TAG, GEARLESS MACHINE BRAKE AIRGAP DATA
20.1.3	1	P-190	ROTOR INSPECTION & BRAKE BURNISHING STICKER
20.1.4	1	P-229	CAUTION LABEL - DO NOT ADJUST THIS NUT
20.1.5	1		
20.2	4	142-001	BRAKE BASE
20.3	4	146-003	COVER - MAYR #6 ELECTRICAL
20.4	8	142-012	BRAKE ROD
20.5	8	3/8-16 UNC x 0.375	SET SCREW
20.6	4	M6 x 1.00 x 8mm	SHCS - Metric
20.7	8	1/2-13 UNC x 2	SOCKET HEAD CAP SCREW
20.8	8	1/2" WASHER	STANDARD WASHER
21	8	M18 LOCKWASHER - DIN 127B	HELICAL SPRING LOCK WASHER - BODY BOLT
22	3	3/8 - 16 UNC - 1	SOCKET HEAD CAP SCREW
23	8	3/8 - 16 UNC - 1 1/4	SOCKET HEAD CAP SCREW
24	1	1/2 - 13 UNC x 1.0	FLATHEAD CAP SCREW
25	3	3/4 - 10 UNC x 1.0	HEX HEAD CAP SCREW
26	3	3/8 UNC	WHIZ NUT
27	7	3/8-16 UNC x 0.625	WHIZ BOLT
28	8	3/8 WASHER	SHCS LOCK WASHER
29	3	3/4 WASHER	STANDARD WASHER
30	3	3/4 WASHER	STANDARD LOCK WASHER
31	2	GL100-163	EYEBOLT & NUT
32	1	GL100-165	FELT DUST SEAL
33	1	ENC 113 5210061	ENCODER
34	4	#6 U x 0.3125	DRIVE SCREW
35	1	P-173	MOTOR TAG - PMAC GEARLESS MACHINE
36	1	P-176	TAG, GEARLESS EMERGENCY BRAKE (MAYR #8)
		P-213	TAG, GEARLESS EMERGENCY BRAKE (MAYR #6)
37	2	P-213	TAG, GL130 & GL170 - BRAKE RATINGS FOR MAYR #8
		P-209	TAG - BRAKE RATINGS FOR MAYR #6

WEIGHT: 1843.9 lbmass

MACHINE #	WINDING P/N	COIL/WINDING EFFICIENCY (%)	FRAME/MAGNET SIZE (mm)	VOLTAGE (Vac)	MACHINE SPEED (rpm)	CAR SPEED 15" (fpm)	CAR SPEED 15.75" (fpm)	CAR SPEED 20" (fpm)
Windings as Designed for 2:1 Applications with 50% CB: Capacity =						5000 lbs	4750 lbs	3750 lbs
GL170-35L	GL170-170-350	93.9	170	170	178.3	350	368	467
GL170-35H	GL170-360-350	94	170	360	178.3	350	368	467
Windings Designed for 1:1 used in 2:1 Applications with 50% CB: Capacity =						6650 lbs	6325 lbs	5000 lbs
GL170-20L*	GL171-170-200	87	170	170	38.2	75	79	100
GL170-20H*	GL171-360-200	87	170	360	38.2	75	79	100
GL170-40L*	GL171-170-400	87	170	170	76.4	150	158	200
*	2 Primary & 2 Secondary Mayr #6 Brakes if Capacity over					5000 lbs	4762 lbs	3750 lbs

HOLLISTER-WHITNEY
ELEVATOR CO. LLC

TITLE
GL170 GEARLESS MACHINE

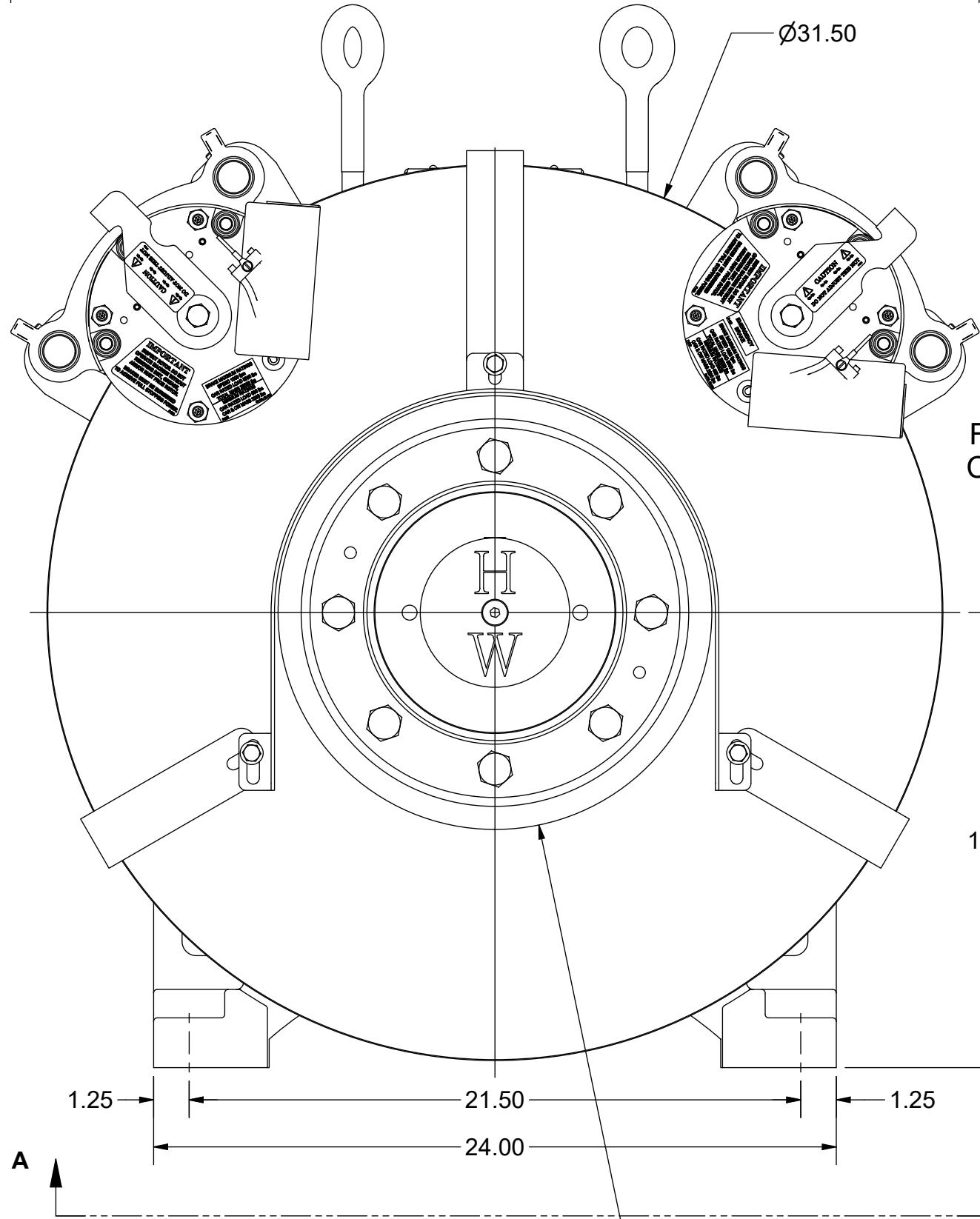
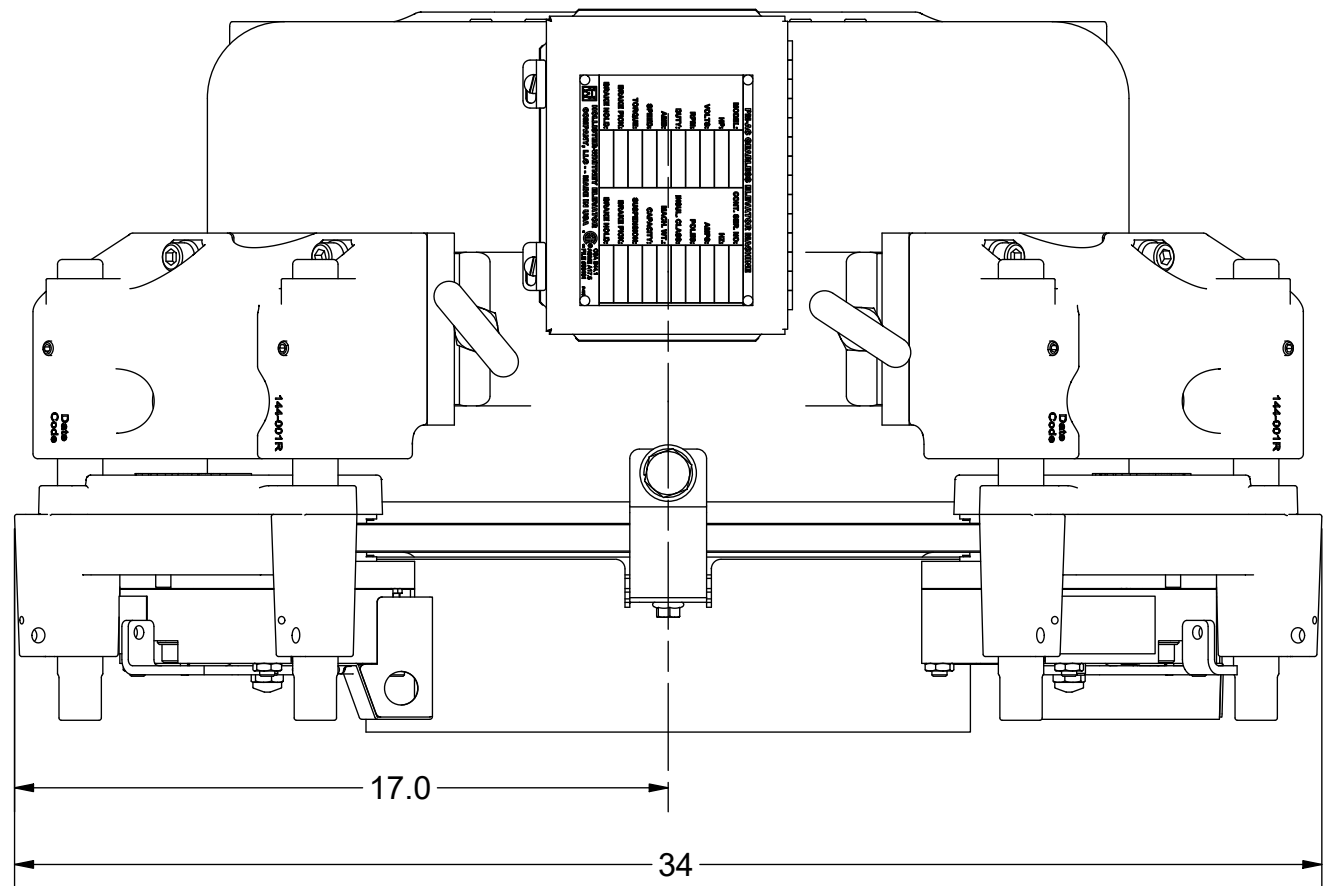
P ADD GL171-010 WHEEL & LTL
GUARD, PUR #1761 3/28/23

THIRD ANGLE PROJECTION

DRAWN BY LTL
SCALE 1/5
MATERIAL SEE PARTS LIST
REFERENCE TOL. ALL DIMENSIONS REFERENCE UNLESS OTHERWISE SPECIFIED

SHEET SIZE C
DATE 2/4/2009
GL170
SHEET 1 OF 2

THIS DRAWING IS SUPPLIED AS A REPRESENTATION OF THE EQUIPMENT HOLLISTER-WHITNEY ELEVATOR CO. LLC ("MANUFACTURER") HAS AGREED TO SUPPLY. SLIGHT ADJUSTMENTS MAY OCCUR DURING MANUFACTURING AND INSTALLATION. ANY MODIFICATIONS NOT APPROVED IN WRITING BY MANUFACTURER MAY AFFECT OPERATION, VOIDS ANY WARRANTY AND RELEASES MANUFACTURER OF ALL LIABILITY. THIS DOCUMENT CONTAINS CONFIDENTIAL AND PROPRIETARY INFORMATION THAT CANNOT BE REPRODUCED OR DIVULGED, IN WHOLE OR IN PART, WITHOUT WRITTEN AUTHORIZATION FROM THE MANUFACTURER.

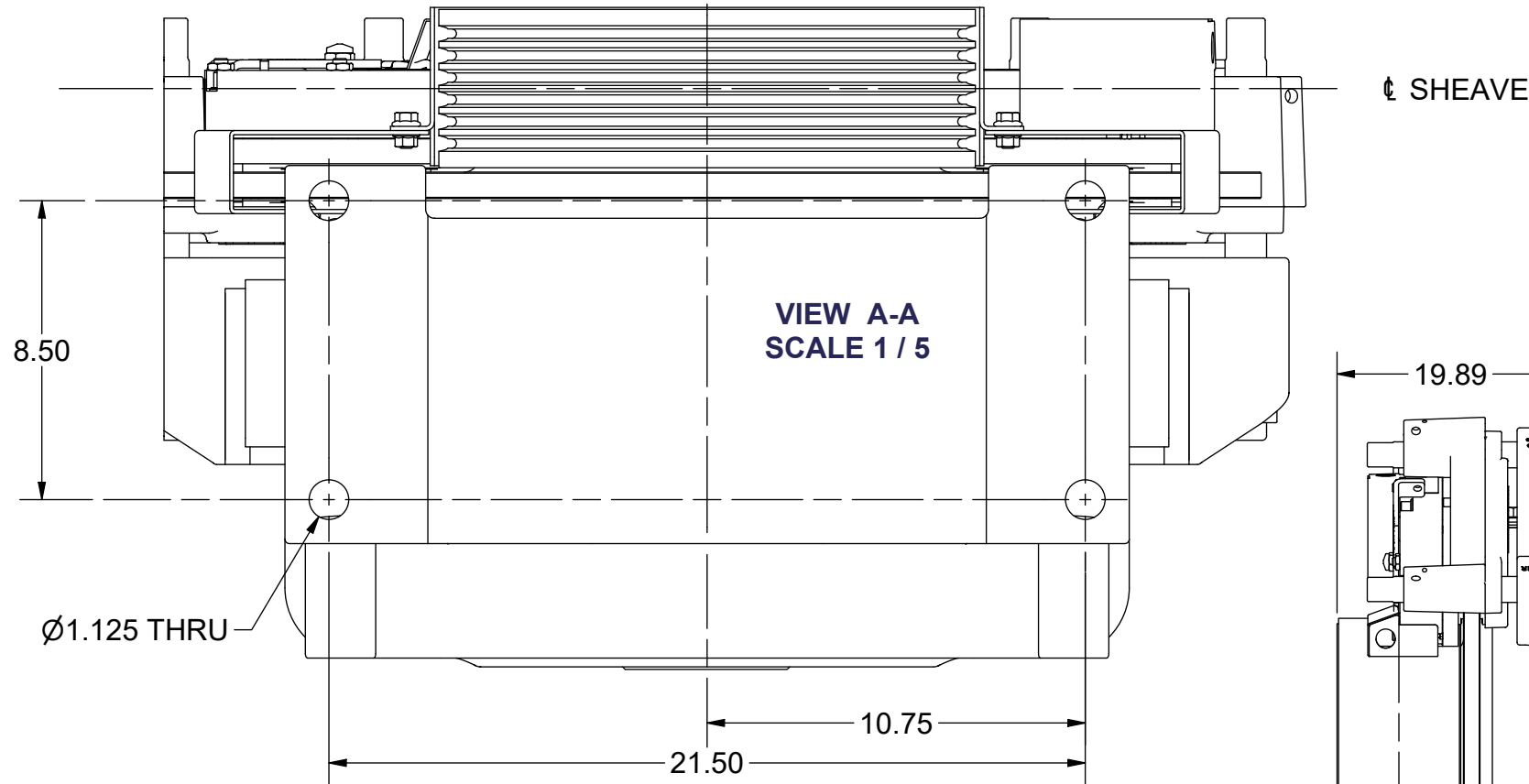


A

Ø15.25
(Ø15.00 P.D.)

33.02
(PROVIDE
FOR 42" MIN.
CLEARANCE)

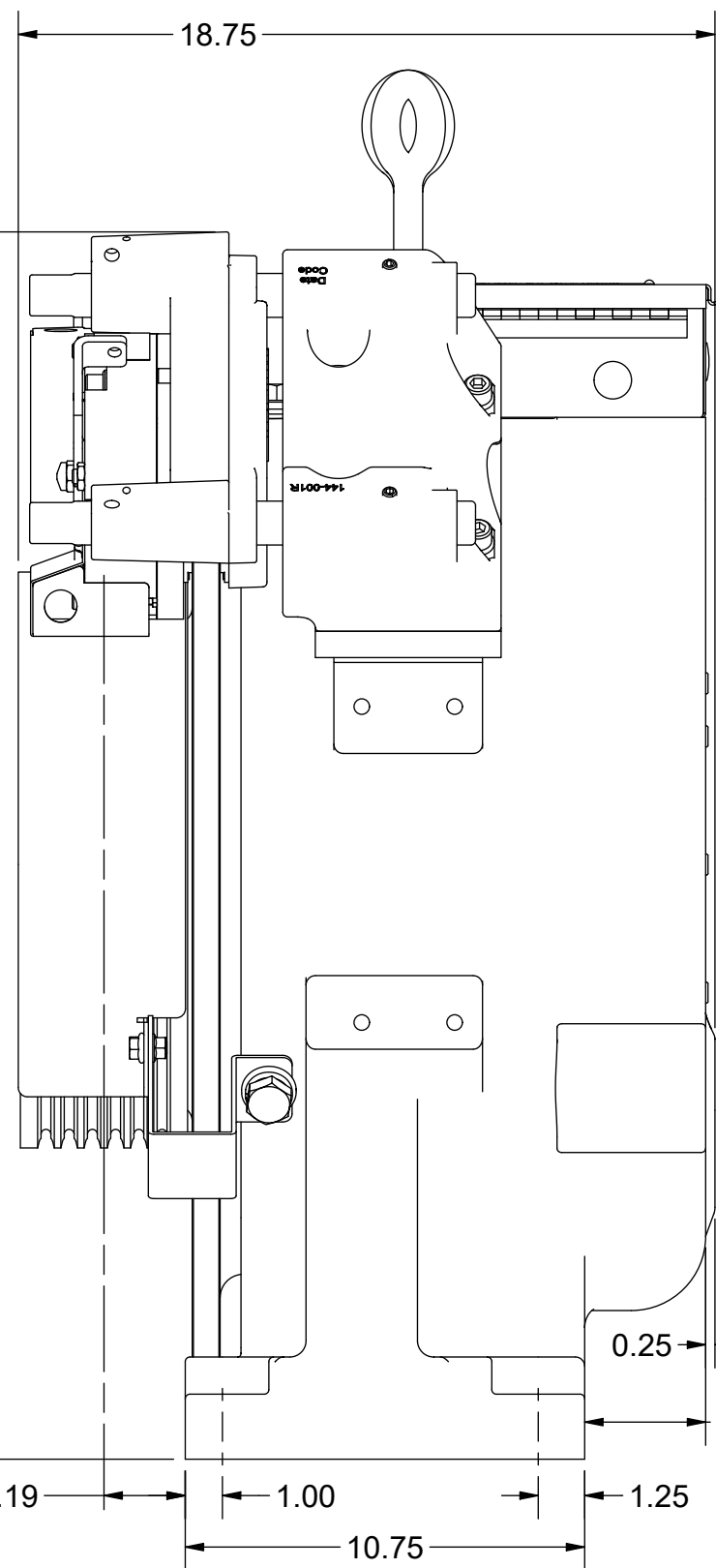
SEE PAGE 1 OF 2
FOR PRINT REVISIONS



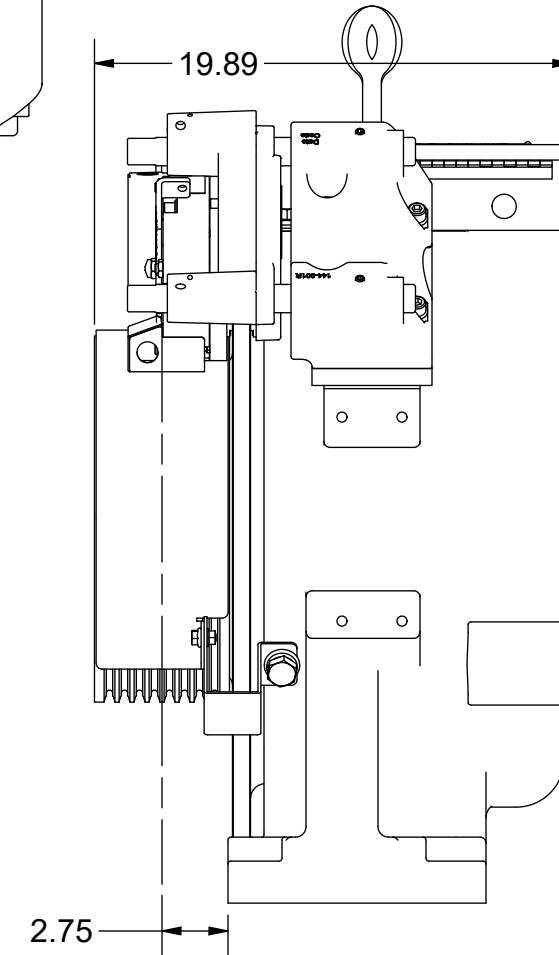
↑ SHEAVE

VIEW A-A
SCALE 1 / 5

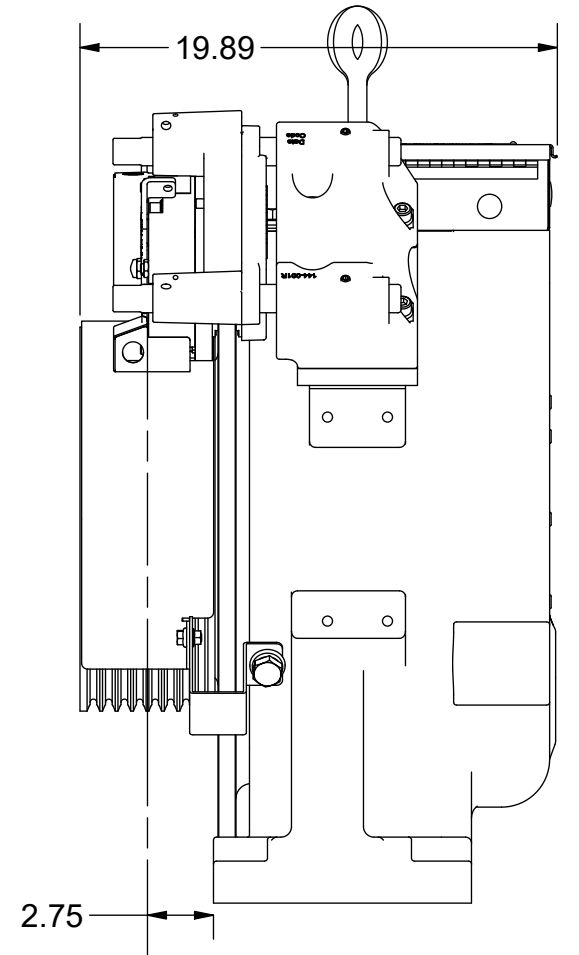
Ø1.125 THRU



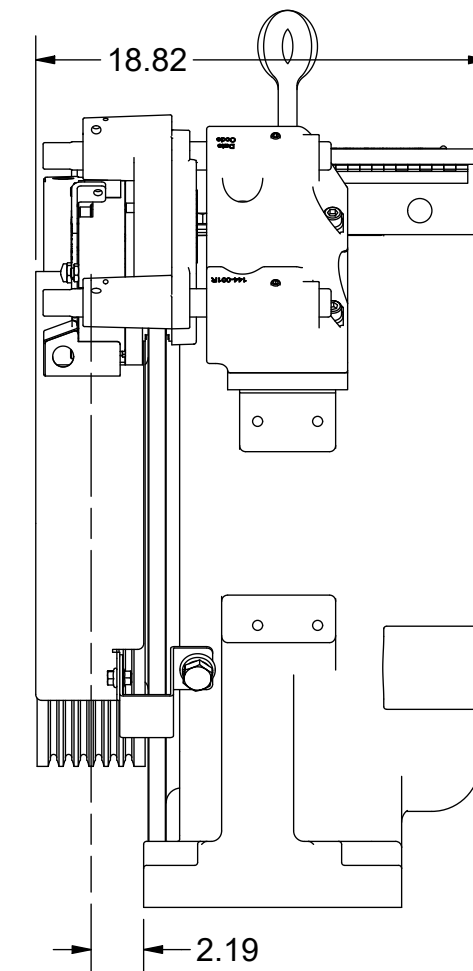
15" TW, 6x3/8 MAX
SCALE 1 / 5



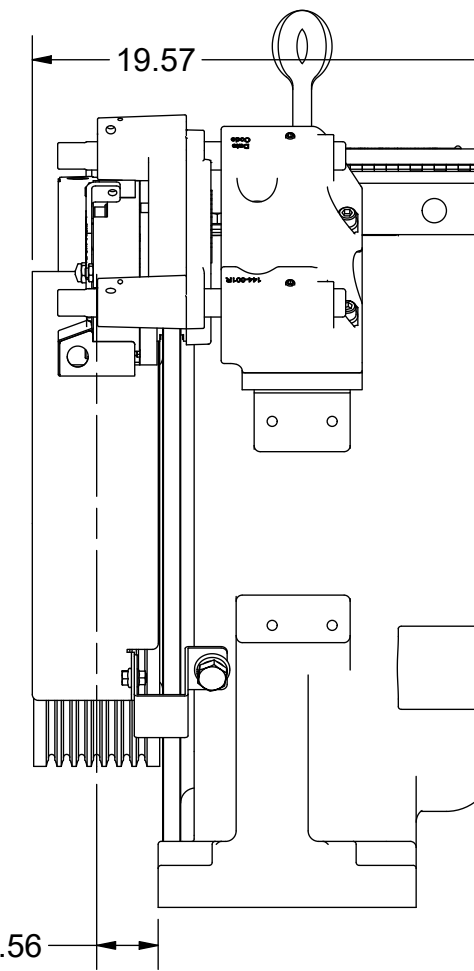
15" TW, 8x3/8 MAX
SCALE 1/8



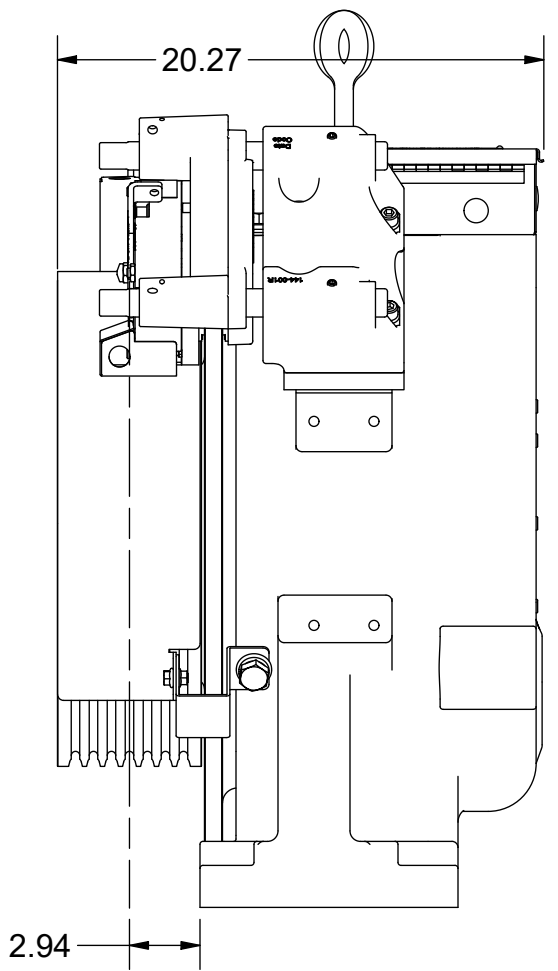
15.75" TW, 8x10mm MAX
SCALE 1/8



20" TW, 6x3/8 or 5x1/2
SCALE 1/8



20" TW, 7x3/8 or 6x1/2 MAX
SCALE 1/8



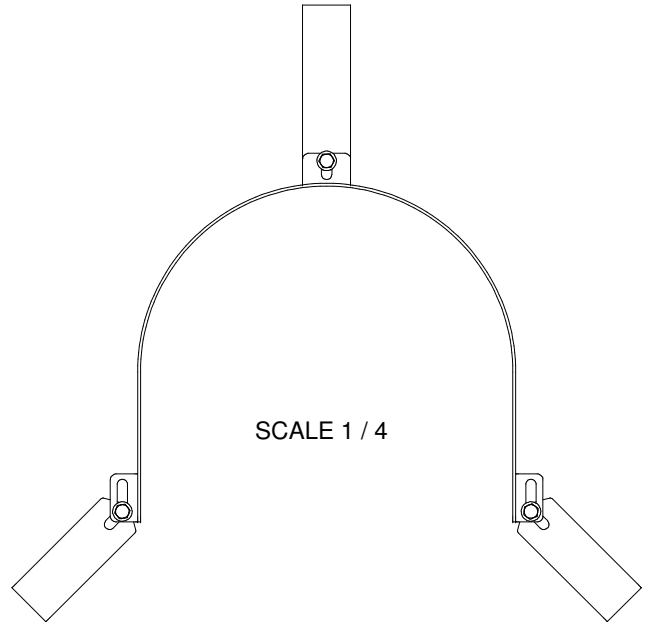
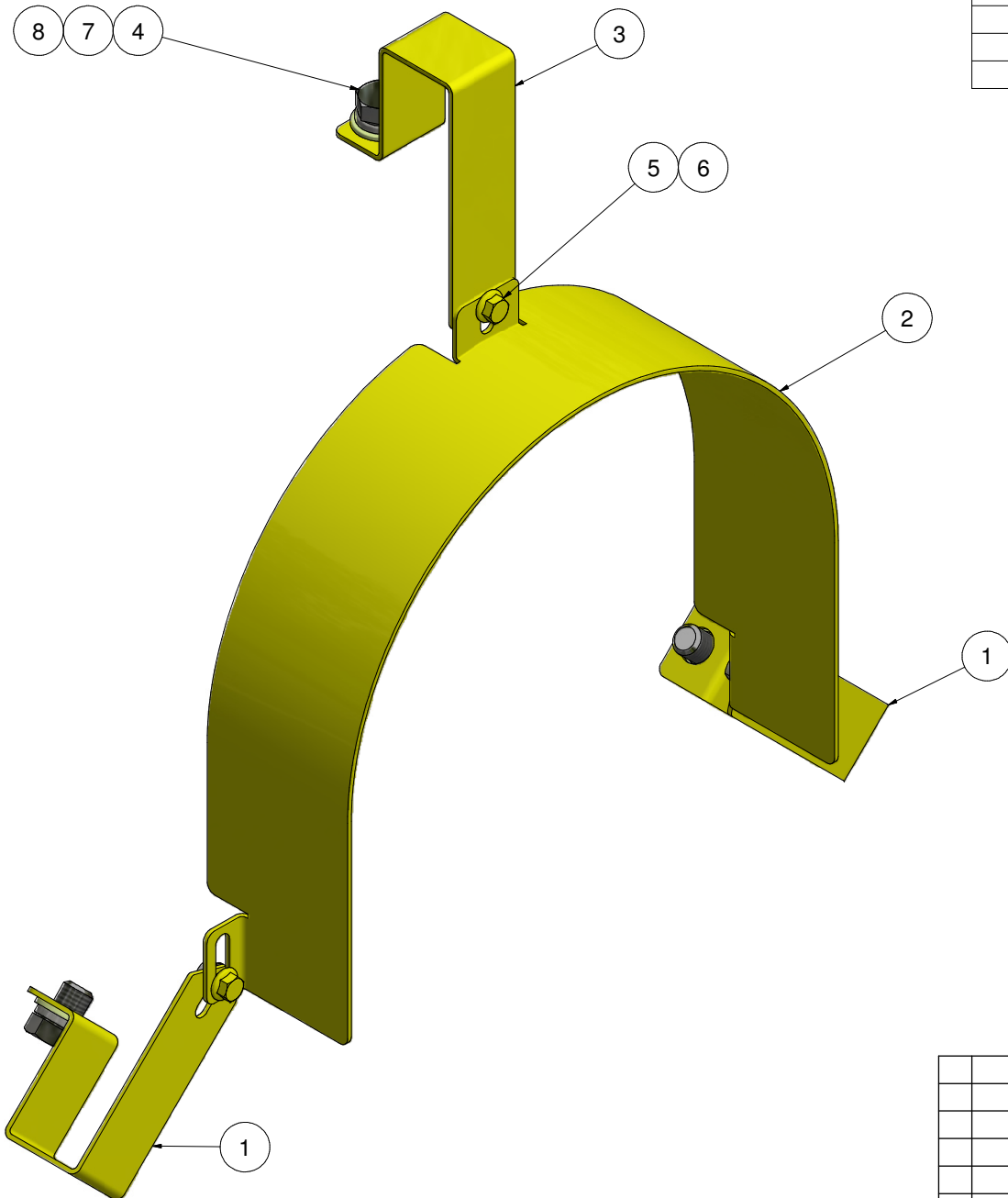
20" TW, 8x3/8 or 7x1/2 MAX
SCALE 1 / 8

WEIGHT: 1843.9 lbmass

				HOLLISTER-WHITNEY ELEVATOR CO. LLC			
				TITLE GL170 GEARLESS MACHINE			
		DRAWN BY LTL		SCALE 1 / 5		MATERIAL SEE PARTS LIST	
		SHEET SIZE C		DATE 2/4/2009		REFERENCE TOL. ALL DIMENSIONS REFERENCE UNLESS OTHERWISE SPECIFIED	
				THIRD ANGLE PROJECTION			
				GL170 SHEET 2 OF 2			

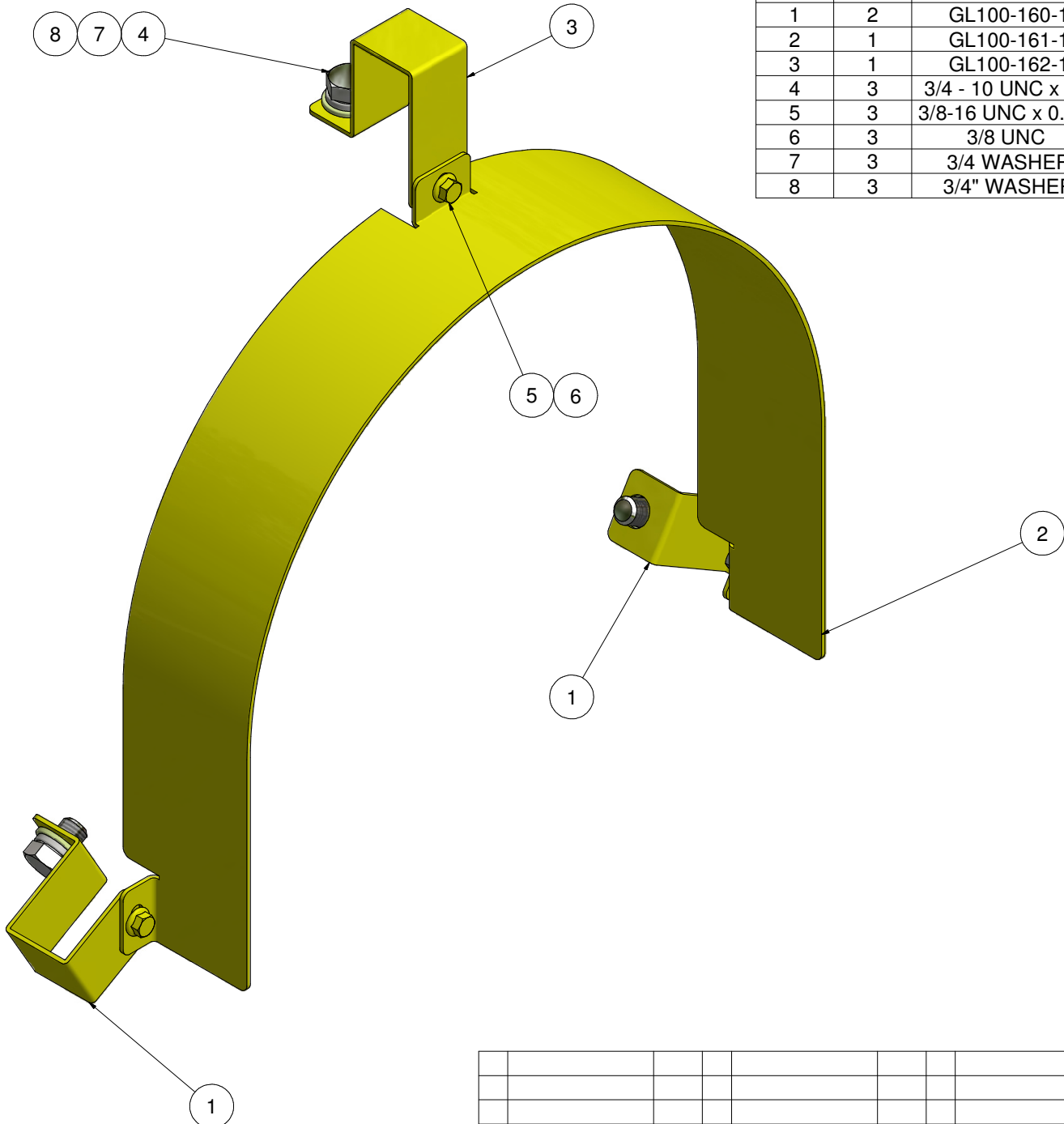
THIS DRAWING IS SUPPLIED AS A REPRESENTATION OF THE EQUIPMENT HOLLISTER-WHITNEY ELEVATOR CO. LLC ("MANUFACTURER") HAS AGREED TO SUPPLY. SLIGHT ADJUSTMENTS MAY OCCUR DURING MANUFACTURING AND INSTALLATION. ANY MODIFICATIONS NOT APPROVED IN WRITING BY MANUFACTURER MAY AFFECT OPERATION, VOIDS ANY WARRANTY AND RELEASES MANUFACTURER OF ALL LIABILITY. THIS DOCUMENT CONTAINS CONFIDENTIAL AND PROPRIETARY INFORMATION THAT CANNOT BE REPRODUCED OR DIVULGED, IN WHOLE OR IN PART, WITHOUT WRITTEN AUTHORIZATION FROM THE MANUFACTURER.

PARTS LIST			
ITEM	QTY	PART NUMBER	DESCRIPTION
1	2	GL100-160	BRACKET #1 - 15 & 15.75" TW GUARD
2	1	GL100-161	GUARD - 15" TRACTION WHEEL
3	1	GL100-162	BRACKET #2 - 15" SHEAVE GUARD
4	3	3/4 - 10 UNC x 1.0	HEX HEAD CAP SCREW
5	3	3/8-16 UNC x 0.625	WHIZ BOLT
6	3	3/8 UNC	WHIZ NUT
7	3	3/4 WASHER	SAE WASHER
8	3	3/4" WASHER	STANDARD LOCK WASHER



WEIGHT: 8.680 lbmass

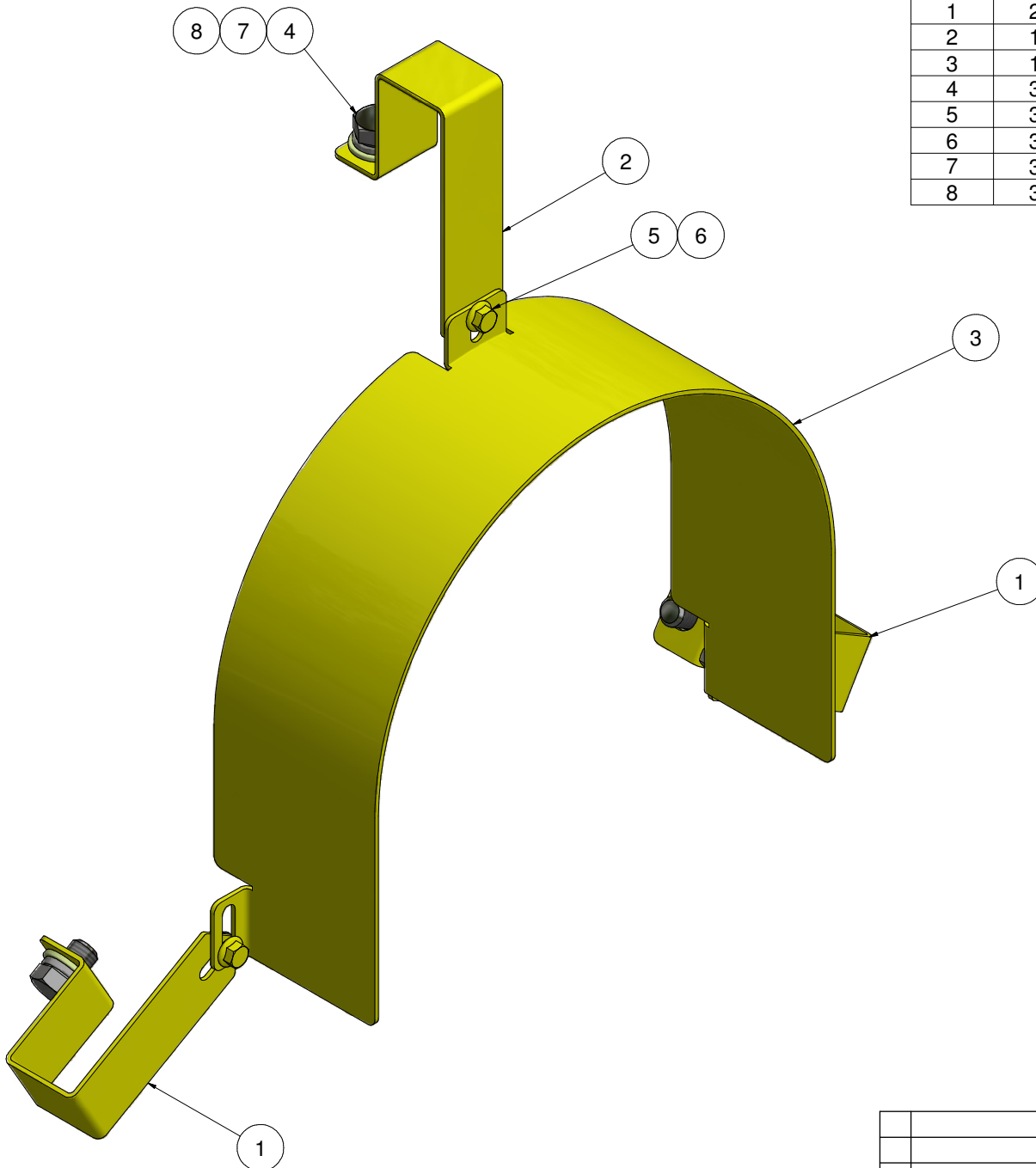
				HOLLISTER-WHITNEY			
				ELEVATOR CO. LLC			
				TITLE			
				GEARLESS MACHINE GUARD, NARROW 15" TW			
		DRAWN BY		SCALE		MATERIAL	
		LTL		1 / 2		SEE PARTS LIST	
		DATE		SHEET SIZE		REFERENCE TOL.	
		4/10/2012		C		ALL DIMENSIONS REFERENCE UNLESS OTHERWISE SPECIFIED	
		B		UPDATE PARTS, PUR #918		LTL 4/10/18	
		A		PRODUCTION RELEASE, PUR #484		LTL 4/10/12	
				GL100-176			
				SHEET 1 OF 1			



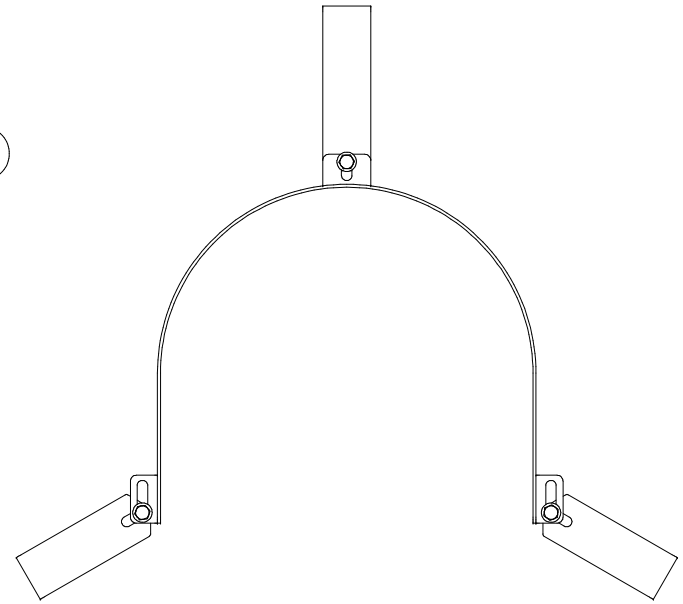
Parts List			
ITEM	QTY	PART NUMBER	DESCRIPTION
1	2	GL100-160-1	BRACKET #1 - 20" SHEAVE GUARD
2	1	GL100-161-1	GUARD - 20" TRACTION SHEAVE
3	1	GL100-162-1	BRACKET #2 - 20" SHEAVE GUARD
4	3	3/4 - 10 UNC x 1.0	HEX HEAD CAP SCREW
5	3	3/8-16 UNC x 0.625	WHIZ BOLT
6	3	3/8 UNC	WHIZ NUT
7	3	3/4 WASHER	SAE WASHER
8	3	3/4" WASHER	STANDARD LOCK WASHER

Weight: 10.07 lbmass

				HOLLISTER-WHITNEY			
				ELEVATOR CO.			
				TITLE GEARLESS MACHINE GUARD, NARROW 20" TW			
		DRAWN BY		SCALE		MATERIAL	
		LTL		NA		SEE PARTS LIST	
		SHEET		DATE		DIMENSIONAL TOL.	
		SIZE		C		1 PLACE ±0.01; 2 PLACE ±0.005; 3 & 4 PLACE ±0.001; ANGLES ±0.1° REF., OPEN, (NOMINAL) ± 0.0156	
		A		PRODUCTION RELEASE, PUR #484		LTL 4/10/12	
						DATE 4/10/2012	
						GL100-176-1	



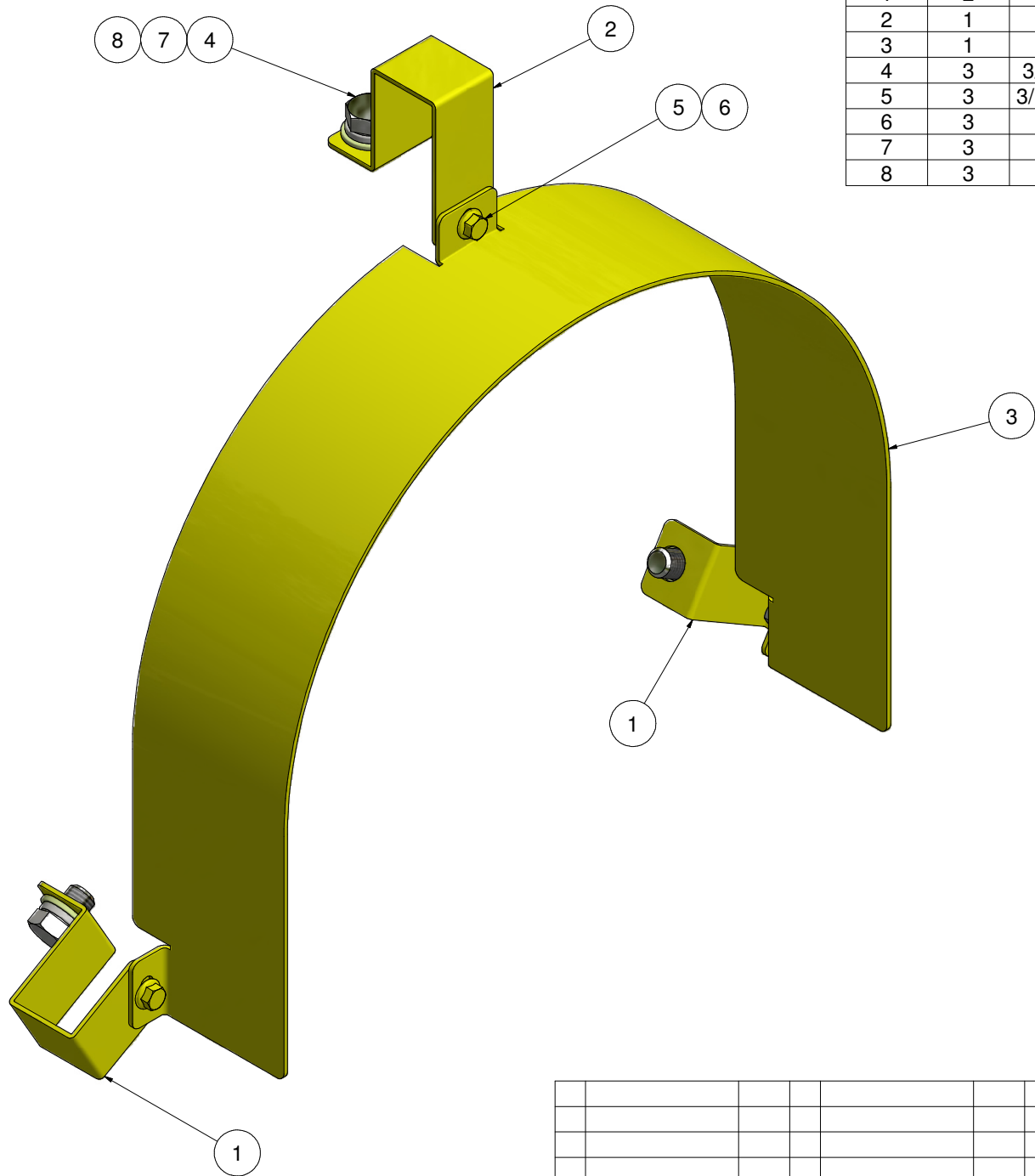
PARTS LIST			
ITEM	QTY	PART NUMBER	DESCRIPTION
1	2	GL100-160	BRACKET #1 - 15 & 15.75" TW GUARD
2	1	GL100-162	BRACKET #2 - 15" SHEAVE GUARD
3	1	GL100-164	GUARD (WIDE) - 15 & 15.75" TW
4	3	3/4 - 10 UNC x 1.0	HEX HEAD CAP SCREW
5	3	3/8-16 UNC x 0.625	WHIZ BOLT
6	3	3/8 UNC	WHIZ NUT
7	3	3/4 WASHER	SAE WASHER
8	3	3/4" WASHER	STANDARD LOCK WASHER



SCALE 1 / 4

WEIGHT: 10.250 lbmass

				HOLLISTER-WHITNEY			
				ELEVATOR CO. LLC			
				TITLE			
				GEARLESS MACHINE GUARD, WIDE 15 & 15.75" TW			
		DRAWN BY		SCALE		MATERIAL	
		LTL		1 / 2		SEE PARTS LIST	
		B		UPDATE PARTS ADD		LTL	
		A		15.75 TW, PUR #918		4/10/18	
				PRODUCTION RELEASE,		LTL	
				PUR #484		4/10/12	
				SHEET SIZE		DATE	
				C		1/6/2009	
						REFERENCE TOL.	
						ALL DIMENSIONS REFERENCE UNLESS OTHERWISE SPECIFIED	
						GL100-177	
						SHEET 1 OF 1	



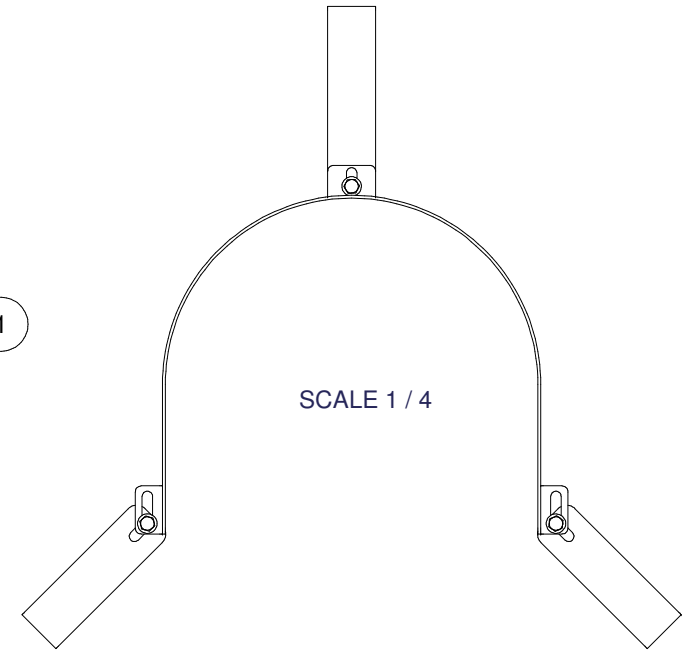
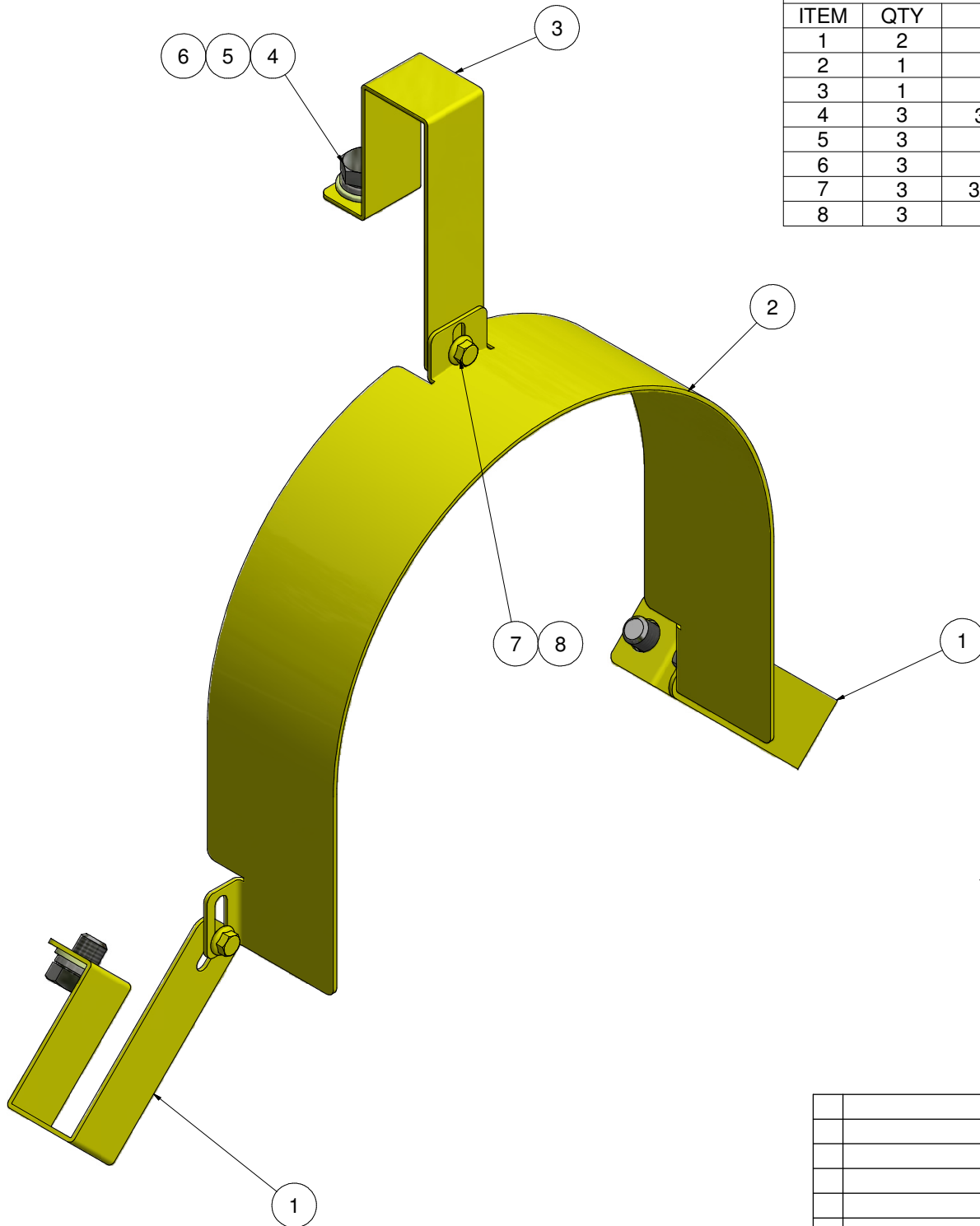
Parts List			
ITEM	QTY	PART NUMBER	DESCRIPTION
1	2	GL100-160-1	BRACKET #1 - 20" SHEAVE GUARD
2	1	GL100-162-1	BRACKET #2 - 20" SHEAVE GUARD
3	1	GL100-164-1	GUARD -20" TRACTION SHEAVE
4	3	3/4 - 10 UNC x 1.0	HEX HEAD CAP SCREW
5	3	3/8-16 UNC x 0.625	WHIZ BOLT
6	3	3/8 UNC	WHIZ NUT
7	3	3/4 WASHER	SAE WASHER
8	3	3/4" WASHER	STANDARD LOCK WASHER

Weight: 11.33 lbmass

										HOLLISTER-WHITNEY						
										ELEVATOR CO.						
										TITLE						
										GEARLESS MACHINE GUARD, WIDE 20" TW						
										DRAWN BY	SCALE	MATERIAL	DIMENSIONAL TOL. 1 PLACE ±0.01; 2 PLACE ±0.005; 3 & 4 PLACE ±0.001; ANGLES ±0.1° REF., OPEN, (NOMINAL) ± 0.0156			
										LTL	NA	SEE PARTS LIST				
										A	PRODUCTION RELEASE, PUR #484	LTL 4/10/12	SHEET SIZE	C	DATE 1/6/2009	GL100-177-1

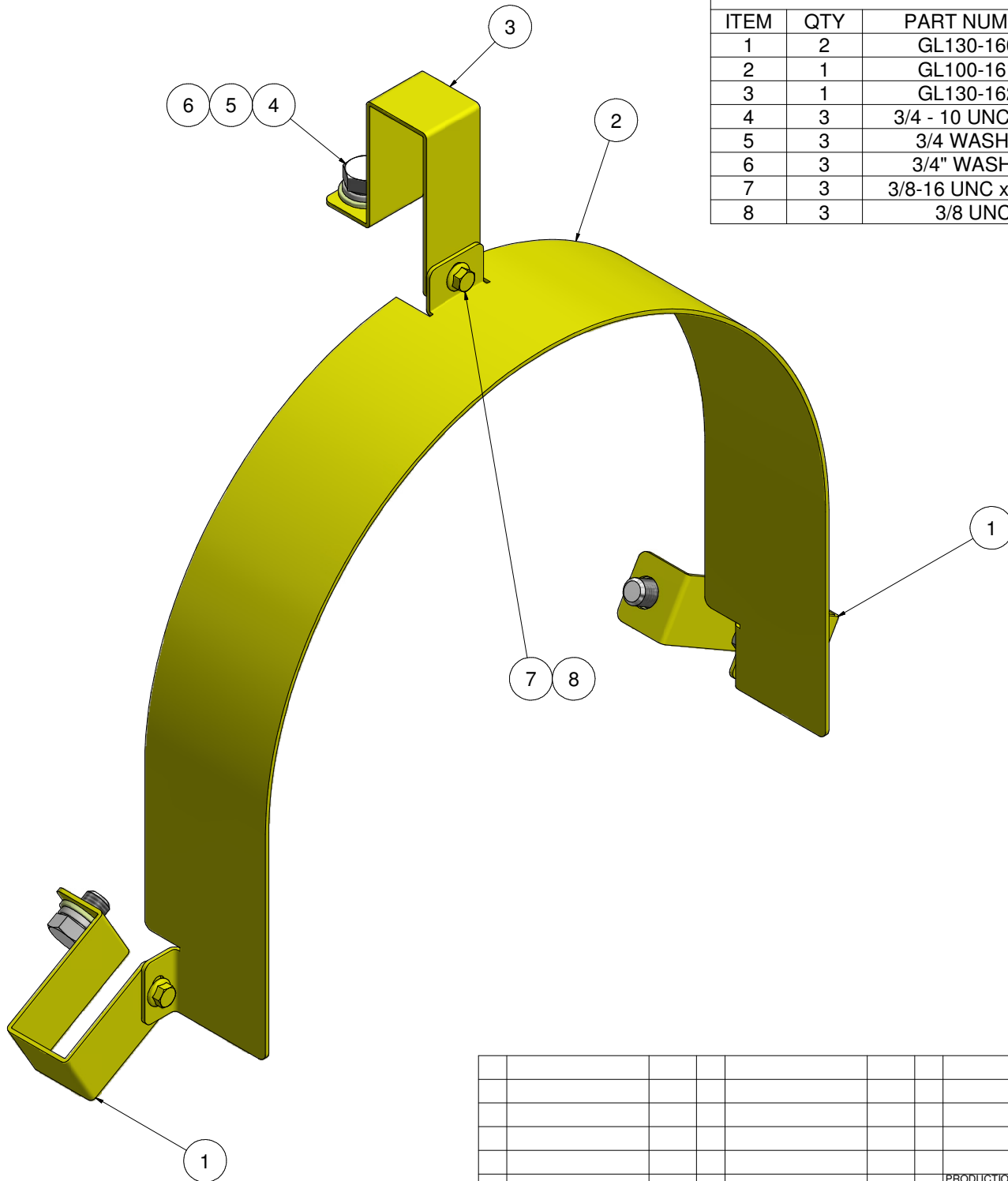
PARTS LIST

ITEM	QTY	PART NUMBER	DESCRIPTION
1	2	GL130-160	BRACKET #1 - 15 & 15.75" TW GUARD
2	1	GL100-161	GUARD - 15" TRACTION WHEEL
3	1	GL130-162	BRACKET #2 - 15 & 15.75" TW GUARD
4	3	3/4 - 10 UNC x 1.0	HEX HEAD CAP SCREW
5	3	3/4 WASHER	SAE WASHER
6	3	3/4" WASHER	STANDARD LOCK WASHER
7	3	3/8-16 UNC x 0.625	WHIZ BOLT
8	3	3/8 UNC	WHIZ NUT



WEIGHT: 9.122 lbmass

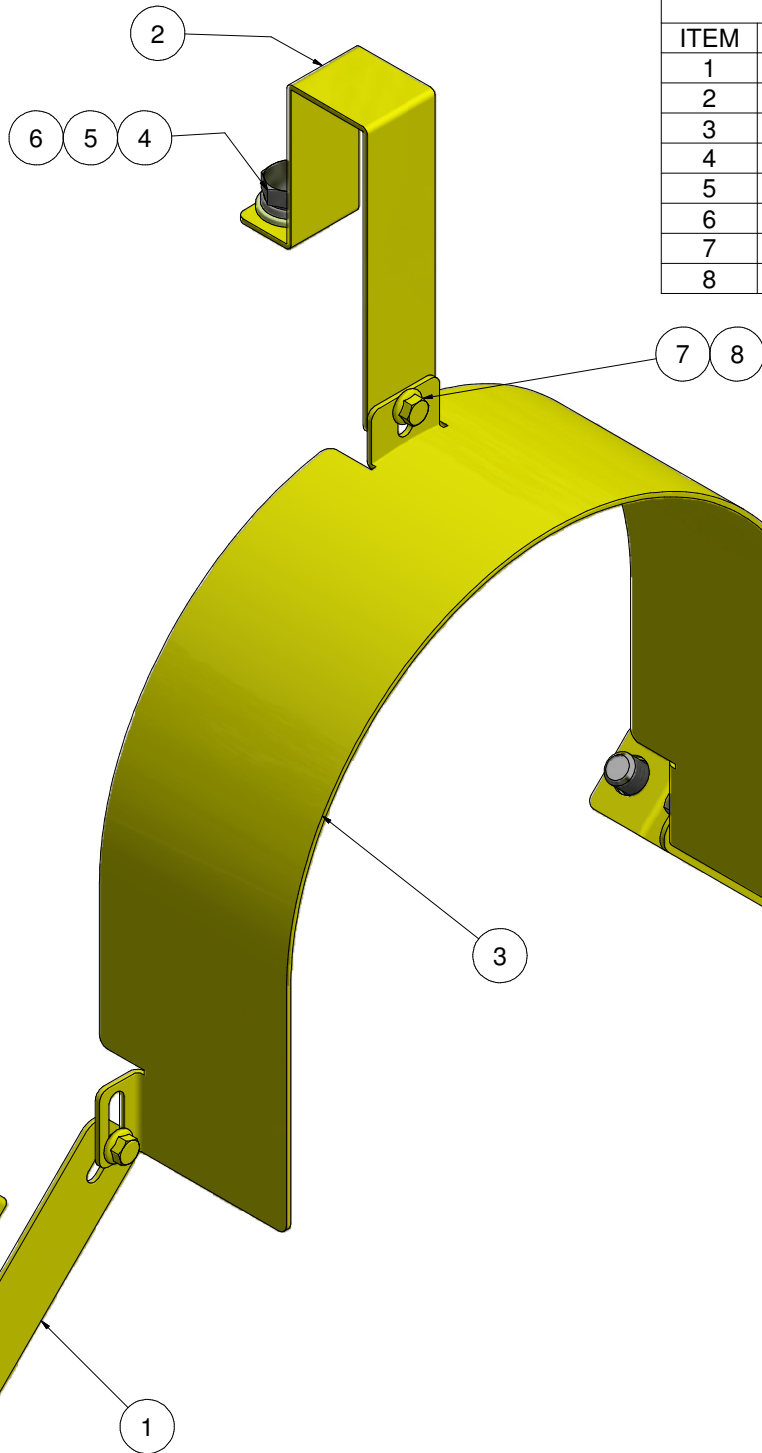
				HOLLISTER-WHITNEY ELEVATOR CO. LLC			
				TITLE GEARLESS MACHINE GUARD, NARROW 15" TW			
				DRAWN BY LTL		SCALE 1 / 2	
				MATERIAL SEE PARTS LIST		REFERENCE TOL. ALL DIMENSIONS REFERENCE UNLESS OTHERWISE SPECIFIED	
		B UPDATE PARTS, PUR #918 4/11/18		LTL		DATE 4/10/2012	
		A PRODUCTION RELEASE, PUR 636		LTL 2/26/14		SHEET SIZE C	
				GL130-176 SHEET 1 OF 1			



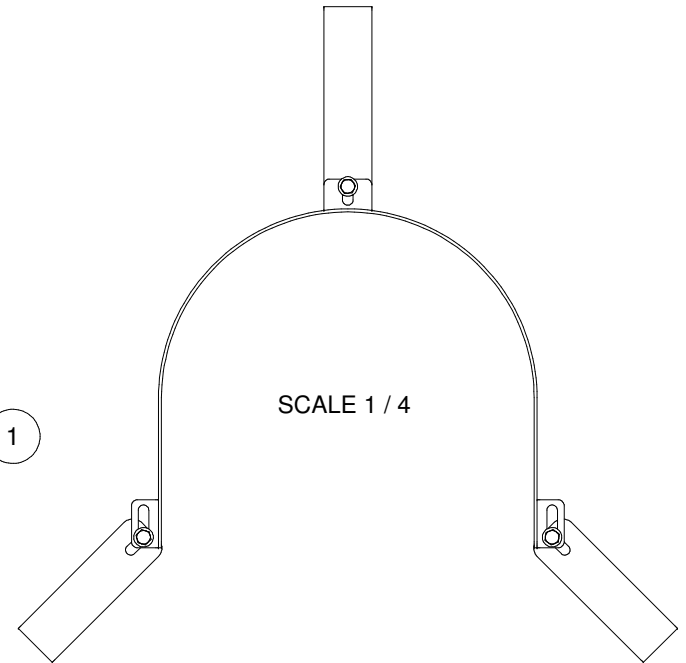
Parts List			
ITEM	QTY	PART NUMBER	DESCRIPTION
1	2	GL130-160-1	BRACKET #1 - 20" SHEAVE GUARD
2	1	GL100-161-1	GUARD - 20" TRACTION SHEAVE
3	1	GL130-162-1	BRACKET #2 - 20" SHEAVE GUARD
4	3	3/4 - 10 UNC x 1.0	HEX HEAD CAP SCREW
5	3	3/4 WASHER	SAE WASHER
6	3	3/4" WASHER	STANDARD LOCK WASHER
7	3	3/8-16 UNC x 0.625	WHIZ BOLT
8	3	3/8 UNC	WHIZ NUT

Weight: 10.48 lbmass

							HOLLISTER-WHITNEY				
							ELEVATOR CO.				
							TITLE GEARLESS MACHINE GUARD, NARROW 20" TW				
							DRAWN BY	SCALE	MATERIAL	DIMENSIONAL TOL. 1 PLACE ±0.01; 2 PLACE ±0.005; 3 & 4 PLACE ±0.001; ANGLES ±0.1° REF., OPEN, (NOMINAL) ± 0.0156	
							LTL	NA	SEE PARTS LIST		
							PRODUCTION RELEASE, PUR 636	LTL 2/26/14	SHEET C	DATE 4/10/2012	GL130-176-1

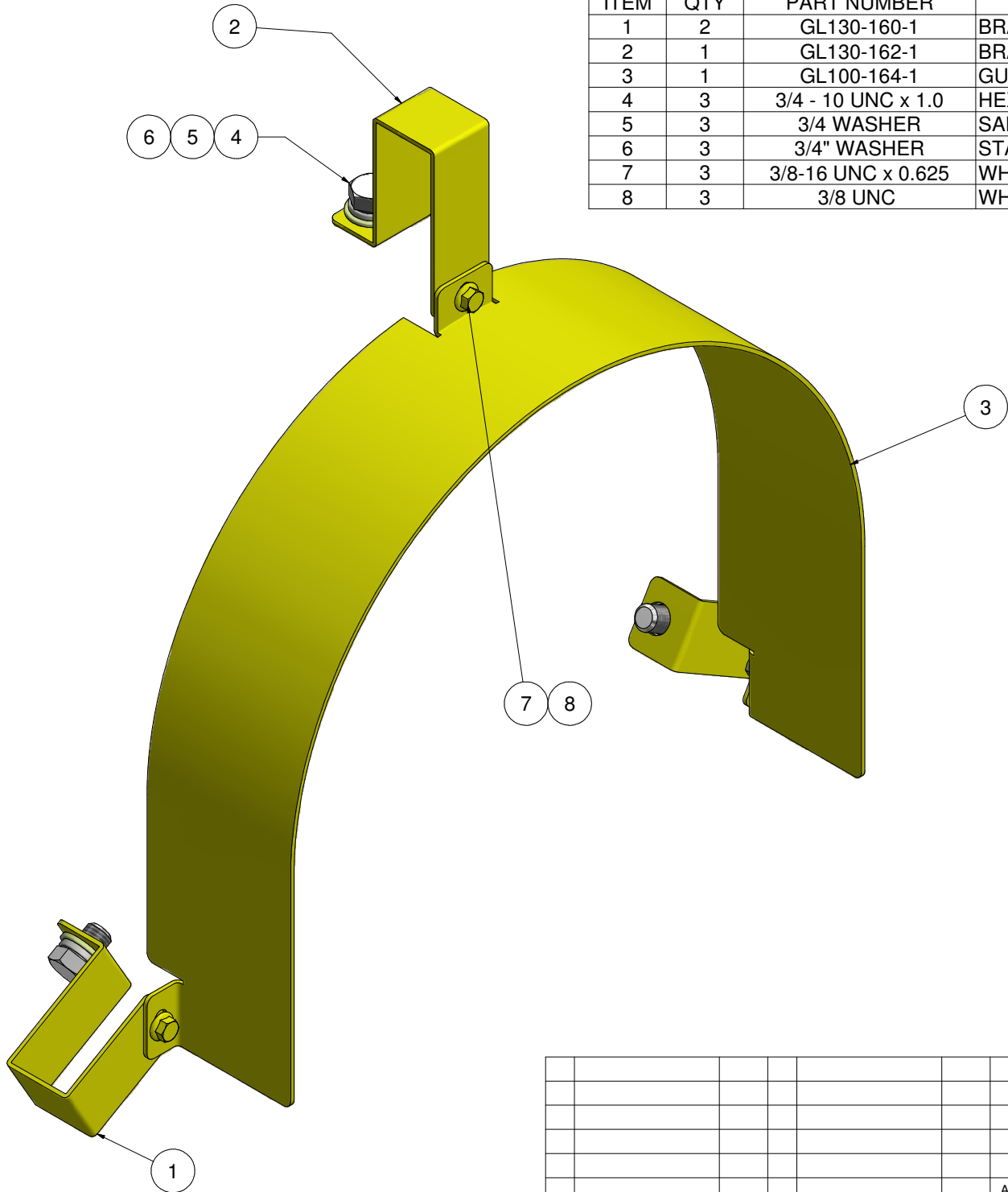


PARTS LIST			
ITEM	QTY	PART NUMBER	DESCRIPTION
1	2	GL130-160	BRACKET #1 - 15 & 15.75" TW GUARD
2	1	GL130-162	BRACKET #2 - 15 & 15.75" TW GUARD
3	1	GL100-164	GUARD (WIDE) - 15 & 15.75" TW
4	3	3/4 - 10 UNC x 1.0	HEX HEAD CAP SCREW
5	3	3/4 WASHER	SAE WASHER
6	3	3/4" WASHER	STANDARD LOCK WASHER
7	3	3/8-16 UNC x 0.625	WHIZ BOLT
8	3	3/8 UNC	WHIZ NUT



WEIGHT: 10.7 lbmass

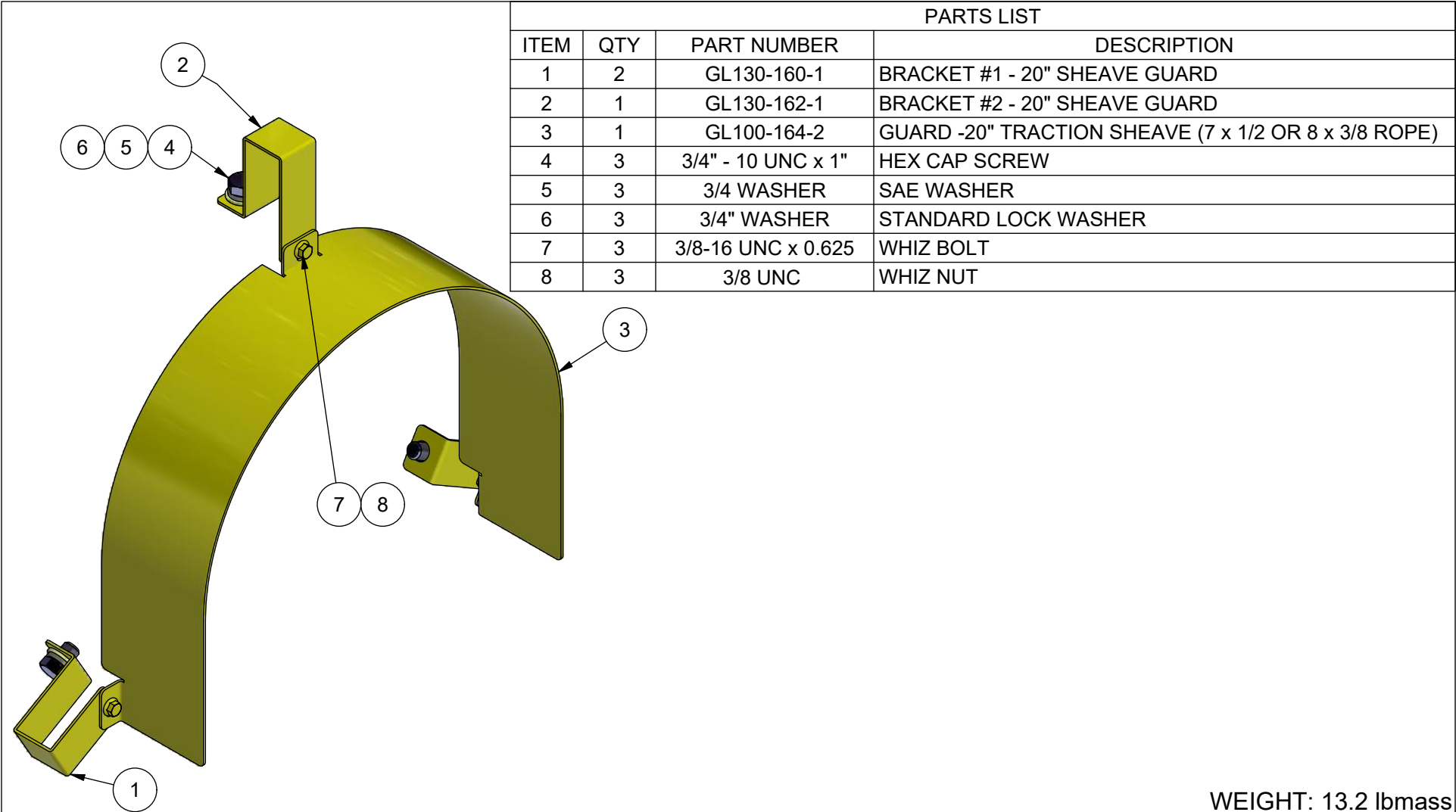
				HOLLISTER-WHITNEY			
				ELEVATOR CO. LLC			
				TITLE			
				GEARLESS MACHINE GUARD, WIDE 15 & 15.75" TW			
		DRAWN BY		SCALE		MATERIAL	
		LTL		1/2		SEE PARTS LIST	
		B		UPDATE PARTS, PUR #918		LTL 4/11/18	
		A		PRODUCTION RELEASE, PUR 636		LTL 2/26/14	
		SHEET SIZE		DATE		REFERENCE TOL. ALL DIMENSIONS REFERENCE UNLESS OTHERWISE SPECIFIED	
		C		1/6/2009		GL130-177	
						SHEET 1 OF 1	



Parts List			
ITEM	QTY	PART NUMBER	DESCRIPTION
1	2	GL130-160-1	BRACKET #1 - 20" SHEAVE GUARD
2	1	GL130-162-1	BRACKET #2 - 20" SHEAVE GUARD
3	1	GL100-164-1	GUARD -20" TRACTION SHEAVE (6 x 1/2 OR 7 x 3/8 ROPE)
4	3	3/4 - 10 UNC x 1.0	HEX HEAD CAP SCREW
5	3	3/4 WASHER	SAE WASHER
6	3	3/4" WASHER	STANDARD LOCK WASHER
7	3	3/8-16 UNC x 0.625	WHIZ BOLT
8	3	3/8 UNC	WHIZ NUT

Weight: 11.74 lbmass

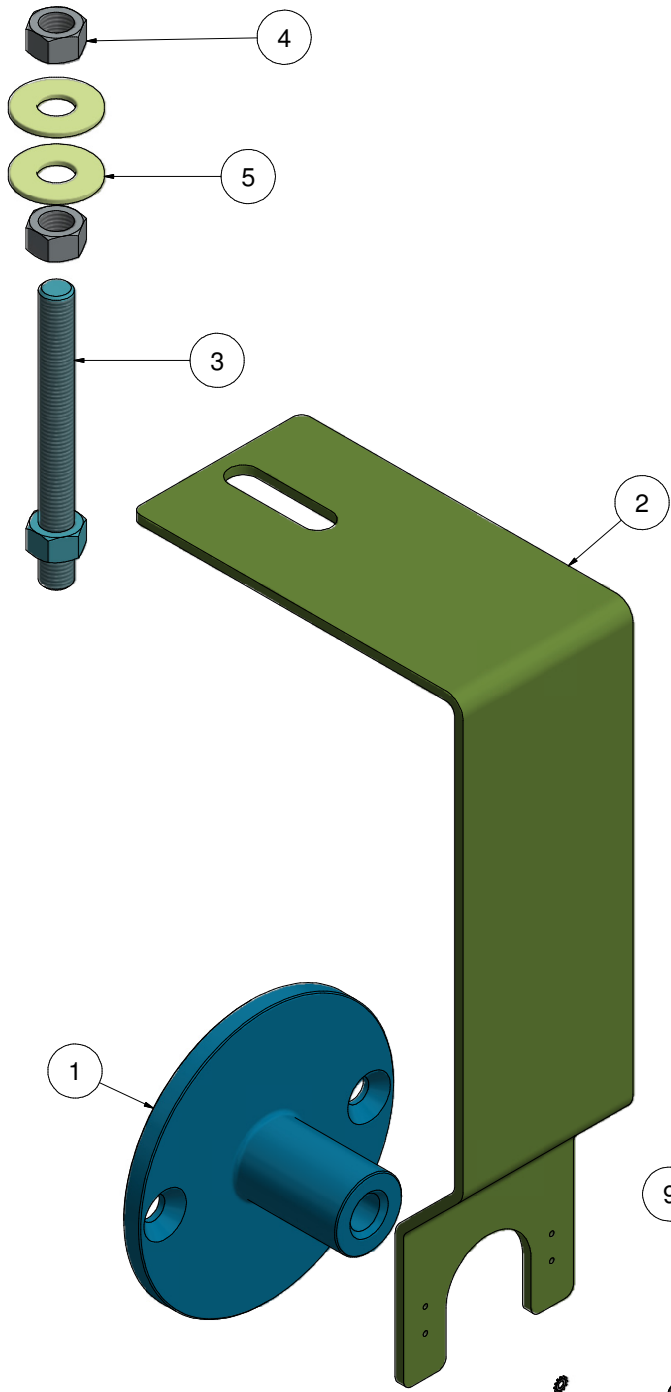
										HOLLISTER-WHITNEY ELEVATOR CO. TITLE GEARLESS MACHINE GUARD, WIDE 20" TW	
										DRAWN BY: LTL NA SCALE: C MATERIAL: SEE PARTS LIST DIMENSIONAL TOL. 1 PLACE ±0.01; 2 PLACE ±0.005; 3 & 4 PLACE ±0.001; ANGLES ±0.1 REF., OPEN, (NOMINAL) ± 0.0156	
										A PRODUCTION RELEASE, PUR 636 LTL 2/26/14 SHEET SIZE C DATE 1/6/2009 GL130-177-1	



PARTS LIST			
ITEM	QTY	PART NUMBER	DESCRIPTION
1	2	GL130-160-1	BRACKET #1 - 20" SHEAVE GUARD
2	1	GL130-162-1	BRACKET #2 - 20" SHEAVE GUARD
3	1	GL100-164-2	GUARD -20" TRACTION SHEAVE (7 x 1/2 OR 8 x 3/8 ROPE)
4	3	3/4" - 10 UNC x 1"	HEX CAP SCREW
5	3	3/4 WASHER	SAE WASHER
6	3	3/4" WASHER	STANDARD LOCK WASHER
7	3	3/8-16 UNC x 0.625	WHIZ BOLT
8	3	3/8 UNC	WHIZ NUT

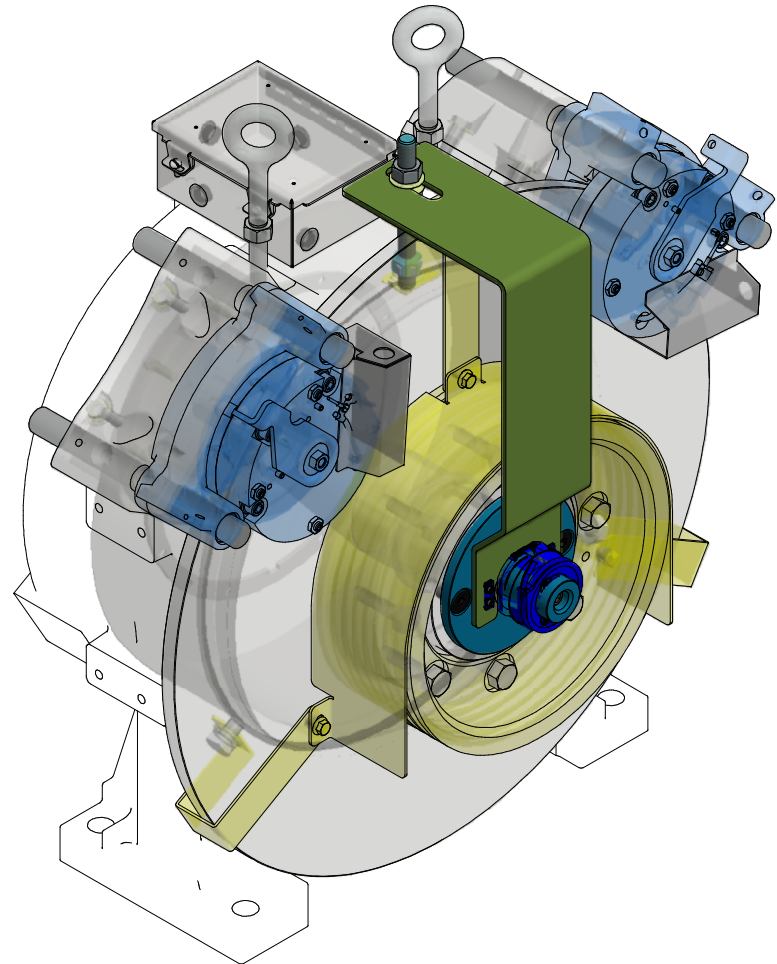
WEIGHT: 13.2 lbmass

		HOLLISTER-WHITNEY ELEVATOR CO. LLC	
		TITLE GEARLESS MACHINE GUARD, WIDE 20" TW (7 X 1/2" & 8 X 3/8" ROPES)	
A	PRODUCTION RELEASE, PUR 1761	LTL 3/28/23	
<p>THIS DRAWING IS SUPPLIED AS A REPRESENTATION OF THE EQUIPMENT HOLLISTER-WHITNEY ELEVATOR CO. LLC ("MANUFACTURER") HAS AGREED TO SUPPLY. SLIGHT ADJUSTMENTS MAY OCCUR DURING MANUFACTURING AND INSTALLATION. ANY MODIFICATIONS NOT APPROVED IN WRITING BY MANUFACTURER MAY AFFECT OPERATION, VOIDS ANY WARRANTY AND RELEASES MANUFACTURER OF ALL LIABILITY.</p> <p>THIS DOCUMENT CONTAINS CONFIDENTIAL AND PROPRIETARY INFORMATION THAT CANNOT BE REPRODUCED OR DIVULGED, IN WHOLE OR IN PART, WITHOUT WRITTEN AUTHORIZATION FROM THE MANUFACTURER.</p>		THIRD ANGLE PROJECTION	
DRAWN BY LTL	SCALE 1 / 6	MATERIAL SEE PARTS LIST	REFERENCE TOL. ALL DIMENSIONS REFERENCE UNLESS OTHERWISE SPECIFIED
SHEET SIZE A		DATE 3/28/2023	GL170-177-2 SHEET 1 OF 1



Parts List			
ITEM	QTY	PART NUMBER	DESCRIPTION
1	1	GL100-018-X	ENCODER EXTENSION
2	1	GL100-018-X1	FRONT ENCODER BRACKET
3	1	GL100-018-X2	ENCODER BRACKET BOLT
4	2	3/4 - 10 UNC	HEX NUT - STANDARD
5	2	3/4" WASHER	WIDE (FENDER) WASHER
6	2	5/8-11 UNC x 1.25	FLAT HEAD CAP SCREW
7	1	1/2 - 13 UNC x 3.25	SOCKET HEAD CAP SCREW
8	4	#8 - 32 UNC x 0.375"	SOCKET HEAD CAP SCREW
9	4	#8 LOCK WASHER	EXT. TOOTH LOCK WASHER

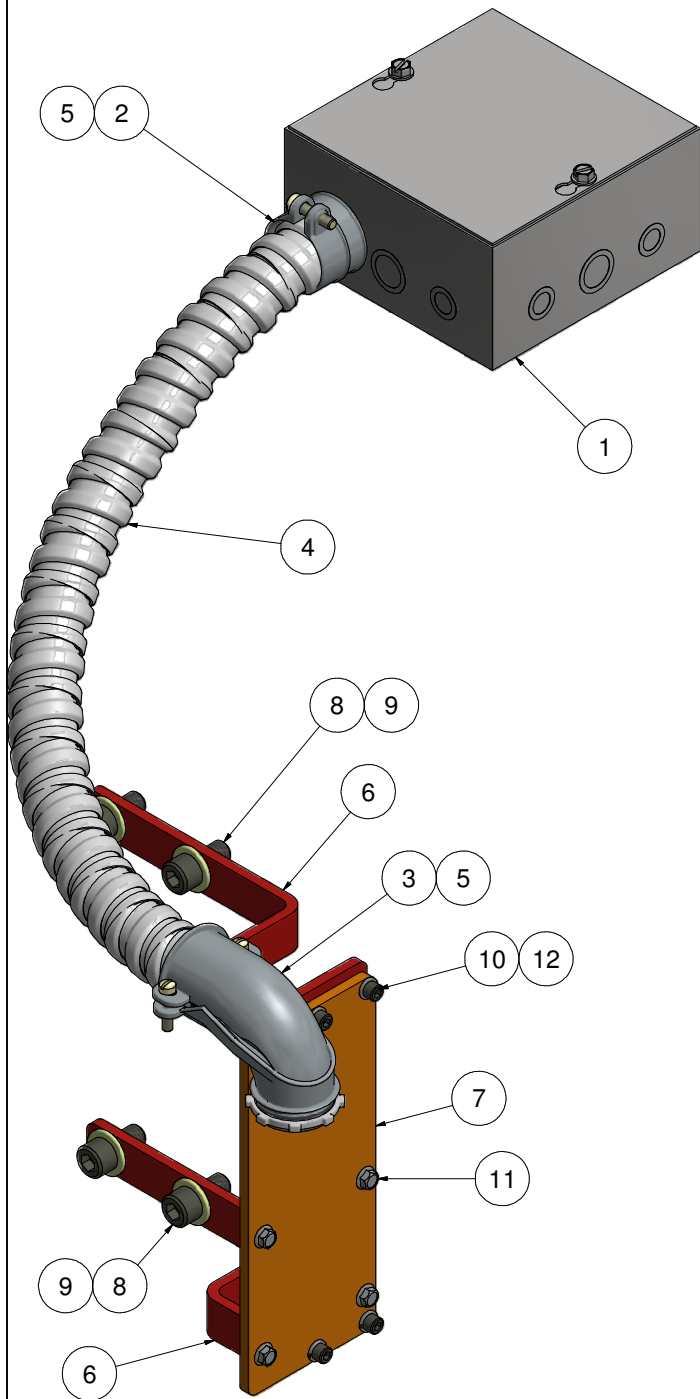
(B)



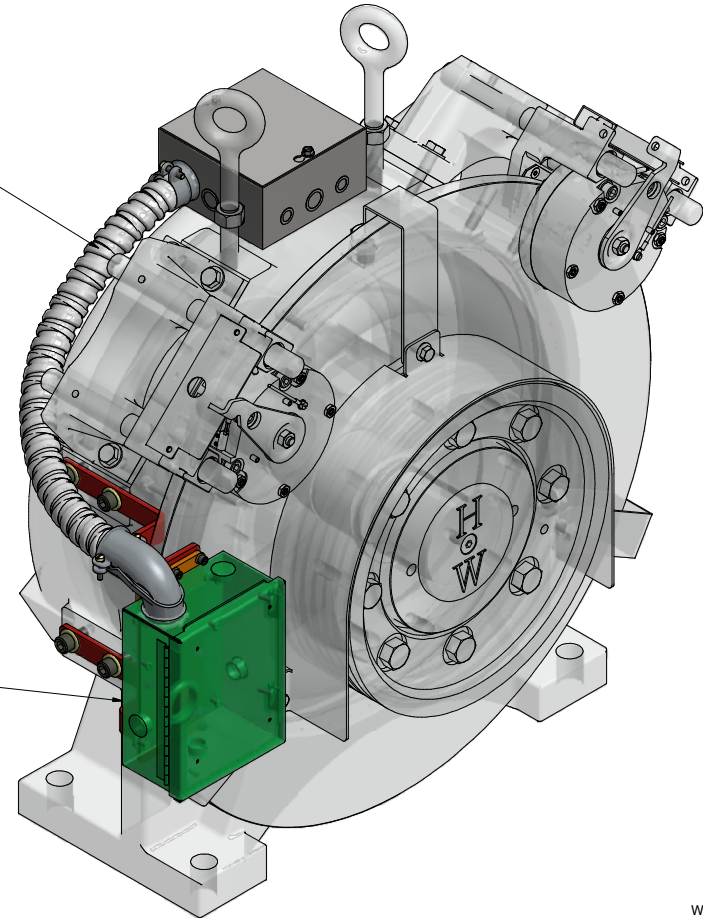
Weight: 18.52 lbmass

				HOLLISTER-WHITNEY	
				ELEVATOR CO.	
				TITLE FRONT ENCODER RELOCATION BRACKET ASSEMBLY	
		DRAWN BY	SCALE	MATERIAL	DIMENSIONAL TOL.
B	EXTENSION MOD & ADD SHCS, PUR #782	LTL	NA	SEE PARTS LIST	1 PLACE ±0.01; 2 PLACE ±0.005; 3 & 4 PLACE ±0.001; ANGLES ±0.1° REF., OPEN, (NOMINAL) ± 0.0156
A	PRODUCTION RELEASE, PUR #613	LTL	SHEET SIZE	DATE	GL100-018-EBA
		5/10/16	C	5/8/2013	

Parts List			
ITEM	QTY	PART NUMBER	DESCRIPTION
1	1	GL100-159-11	663 SC - COOPER B-LINE BOX - MODIFIED
2	1	GL100-159-13	1-1/4 STRAIGHT BOX CONNECTOR (FLEXCON) - REF P/N BRID412DC2
3	1	GL100-159-13-1	1-1/4 90° BOX CONNECTOR (FLEXCON)
4	1	GL100-159-14-1	1-1/4 FLEX CONDUIT - 4 FT - REF P/N GRF A114
5	2	GL100-159-15	1-1/4 ANTI SHORT BUSHING - REF. P/N THOMAS & BETTS CO. #425
6	2	GL100-159-16	JUNCTION BOX RELOCATION BRACKET
7	1	GL100-159-17	MOUNTING PLATE - FRONT
8	4	1/2 - 13UNC x 1"	SOCKET HEAD CAP SCREW
9	4	1/2" WASHER	STANDARD WASHER
10	4	1/4-20 UNC x 0.625	SOCKET HEAD CAP SCREW
11	4	1/4 - 20 UNC x 0.375"	WHIZ BOLT
12	4	1/4" LOCK WASHER	STANDARD LOCK WASHER



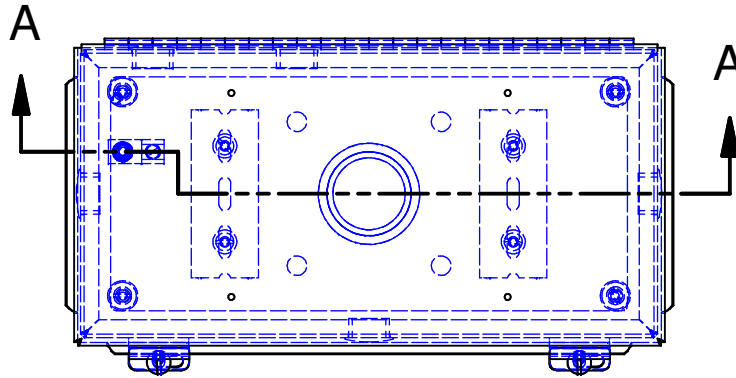
POSSIBLE RELOCATION ARRANGEMENT



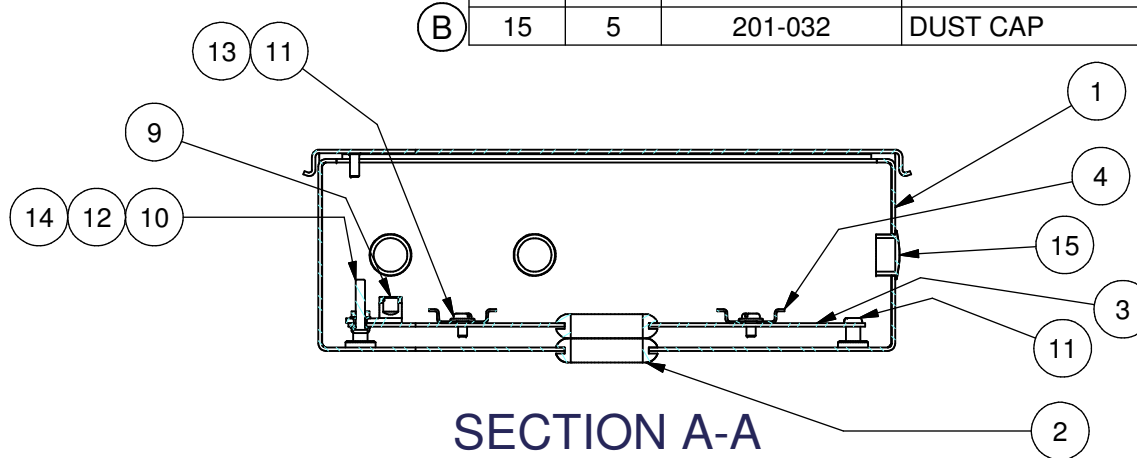
ORIGINAL BOX IN POSSIBLE NEW LOCATION

Weight: 13.24 lbmass

										HOLLISTER-WHITNEY ELEVATOR CO. TITLE JUNCTION BOX RELOCATION KIT - FRONT MOUNT - FIELD	
										DRAWN BY: LTL SCALE: NA MATERIAL: SEE PARTS LIST DIMENSIONAL TOL. 1 PLACE ±0.01; 2 PLACE ±0.005; 3 & 4 PLACE ±0.001; ANGLES ±0.1° REF., OPEN, (NOMINAL) ± 0.0156	
										A PRODUCTION RELEASE, PUR #636 LTL SHEET SIZE: 3/10/14 DATE: 9/13/2013 GL100RK-159F	



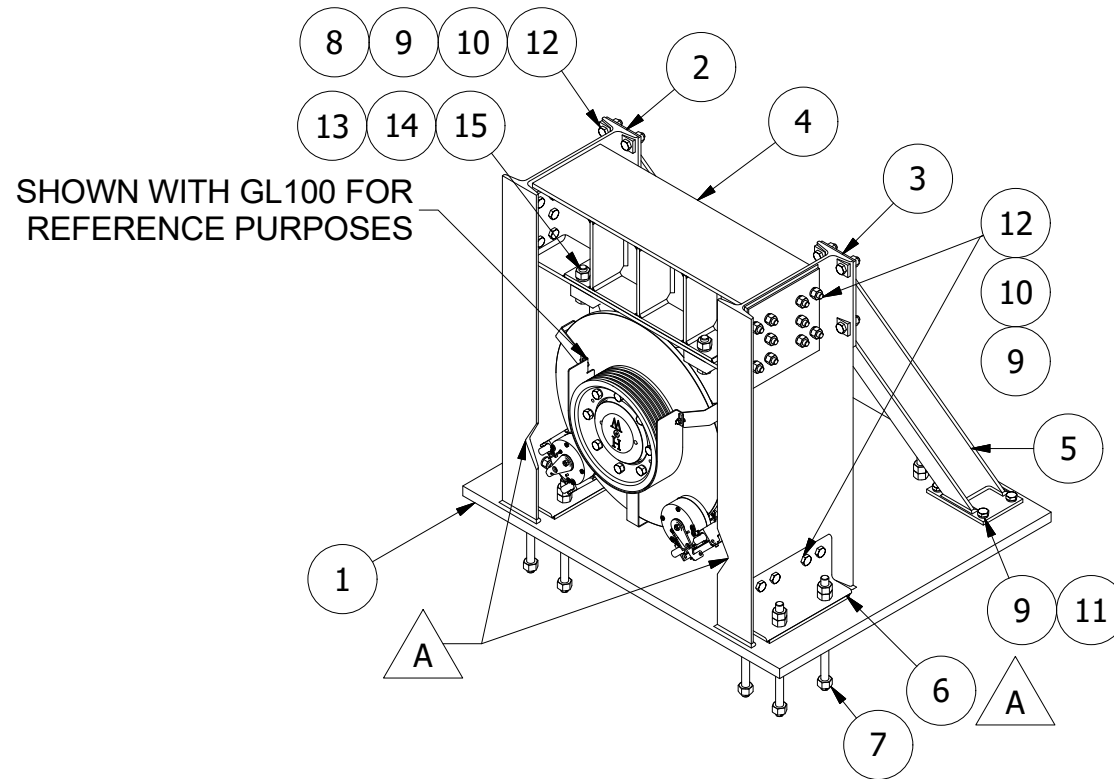
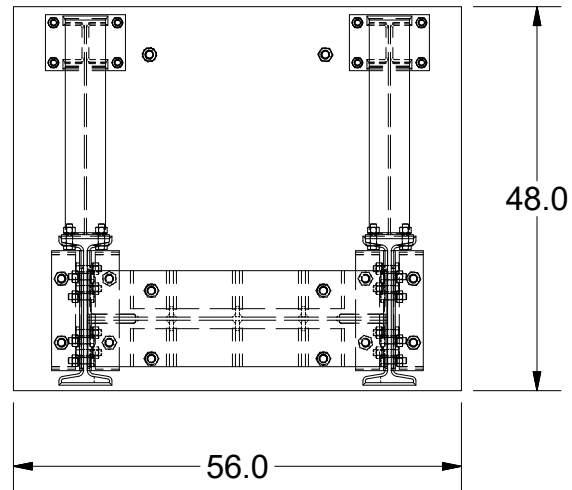
Parts List				
ITEM	QTY	PART NUMBER	DESCRIPTION	
1	1	GL185-159-1	A12064CH TERMINAL BOX, DRILLING	
2	2	GL100-159-2	GROMMET	
3	1	GL185-159-3	CH 12x6 JUNCTION PANEL, DRILLING	
4	2	GL185-159-4	DIN RAIL	
5	4	GL100-159-5	ENTRELEC BAM2 ENDSTOP 0206351.16 (NOT SHOWN)	
6	8	GL100-159-7	25A ENTRELEC M4/6 T. BLOCK 0115116.07 (NOT SHOWN)	
7	1	GL100-159-8	200A, 600V TERMINAL BLOCK (NOT SHOWN)	
8	1	GL100-159-9	CABLE CONNECTIONS (NOT SHOWN)	
9	1	ADR2- AL9CU	ALCUL DUAL RATED CONNECTOR	
10	1	#10-32UNFx1.0	PAN HEAD MACHINE SCREW	
11	8	#10-32UNFx0.375	PAN HEAD MACHINE SCREW	
12	1	#10-32UNF	MACHINE NUT	
13	4	1.25" WASHER	STANDARD WASHER	
14	2	#10 LOCK	EXTERNAL TOOTH LOCK WASHER	
15	5	201-032	DUST CAP	



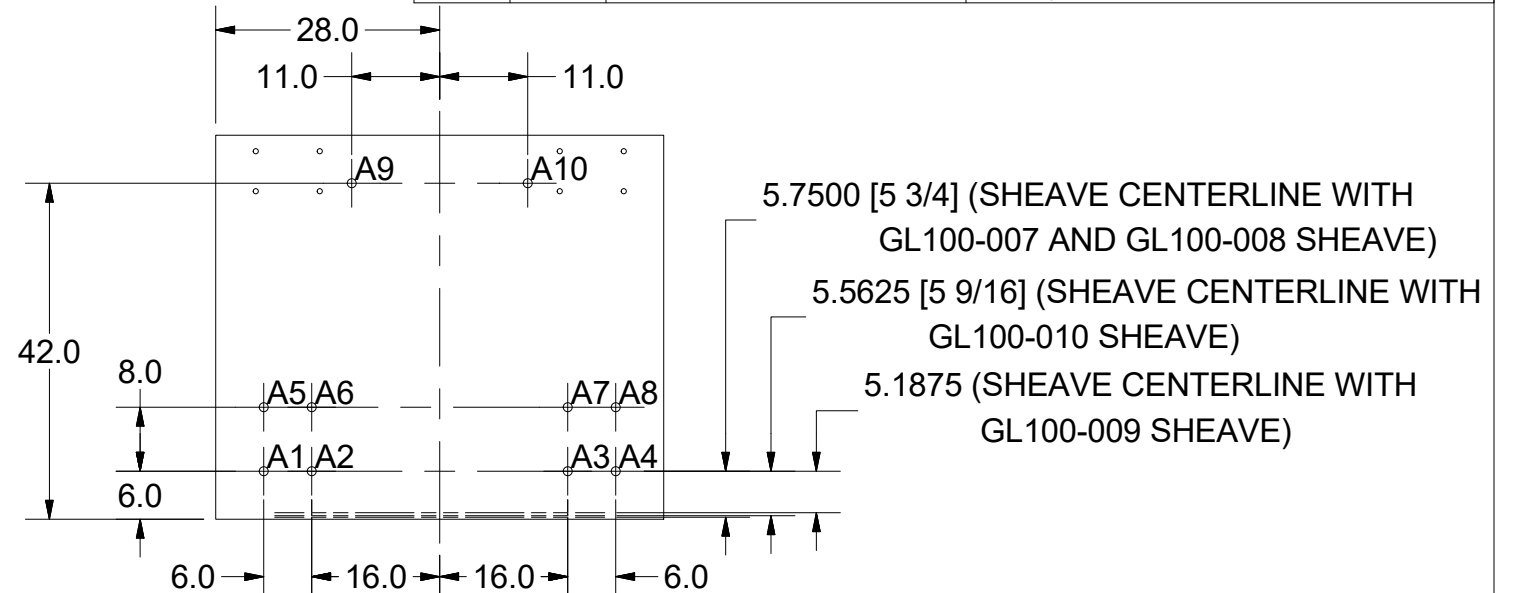
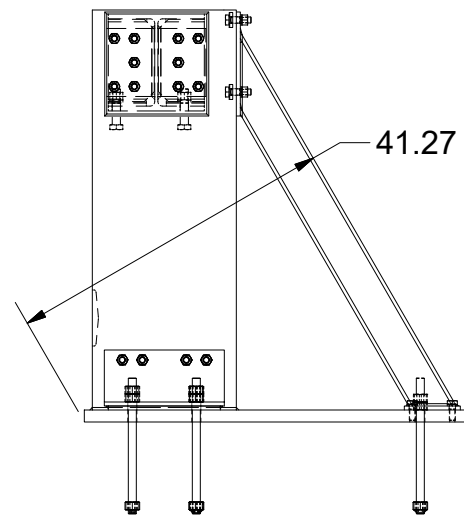
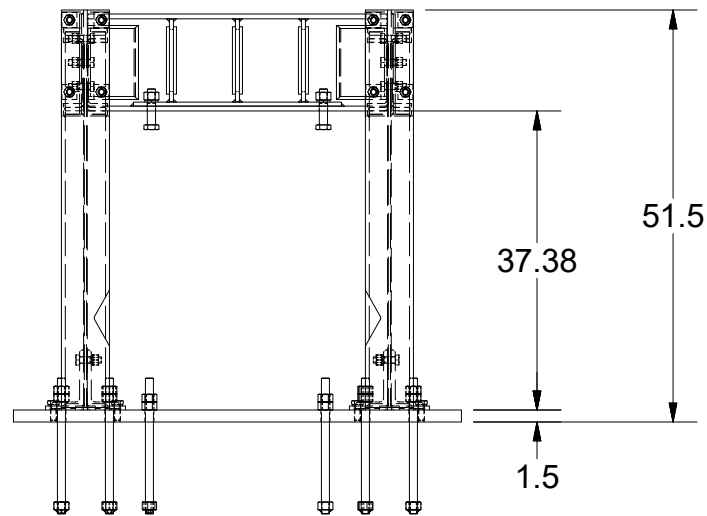
SECTION A-A
SCALE 1 / 4

8.026 lbmass

					HOLLISTER-WHITNEY				
					ELEVATOR CO.				
					TITLE HOFFMAN ELECTRICAL ENCLOSURE, A12064CH MODIFIED				
			C	UPDATE HOLES & LOCATIONS, PUR #565	LTL	DRAWN BY	SCALE	MATERIAL	DIMENSIONAL TOL.
			B	UPDATE, ADD HOLES & DUST CAPS, PUR #533	LTL	LTL	NA	SEE PARTS LIST	1 PLACE ±0.1 2 PLACE ±0.01 3 PLACE ±0.001 ANGLES ±0.1°
			A	RELEASE FOR PRODUCTION, PUR #453	LTL	SHEET SIZE	DATE	5/12/2011	REF.=OPEN (NOMINAL) READING
					8/15/11	A			GL185-159



PARTS LIST			
ITEM	QTY	PART NUMBER	DESCRIPTION
1	1	GL100-204BS-001	GL100-204BS BASE PLATE
2	1	GL100-204BS-002-LH	GL100-204BS LEFT HAND COLUMN ASSEMBLY
3	1	GL100-204BS-002-RH	GL100-204BS RIGHT HAND COLUMN ASSEMBLY
4	1	GL100-204BS-003	GL100-204BS TOP BEAM ASSEMBLY
5	2	GL100-204BS-004	GL100-204BS DIAGONAL BRACE
6	4	GL100-204BS-005	MOUNTING REINFORCEMENT
7	10	GL100-204BS-156	GL100-204BS FOUNDATION BOLT ASSEMBLY
8	8	270-054	BEVEL WASHER
9	44	3/4"	Lock Washer
10	36	3/4" - 10 UNC	Heavy Hex Nut
11	8	3/4" - 10 UNC - 2.0"	Heavy Hex Structural Bolt - UNC
12	36	3/4" - 10 UNC - 2.75"	Heavy Hex Structural Bolt - UNC
13	4	1"	Lock Washer
14	4	1" - 8 UNC	Heavy Hex Nut
15	4	1" - 8 UNC - 4.5"	Heavy Hex Structural Bolt - UNC



BASE PLATE DRILLING DETAIL

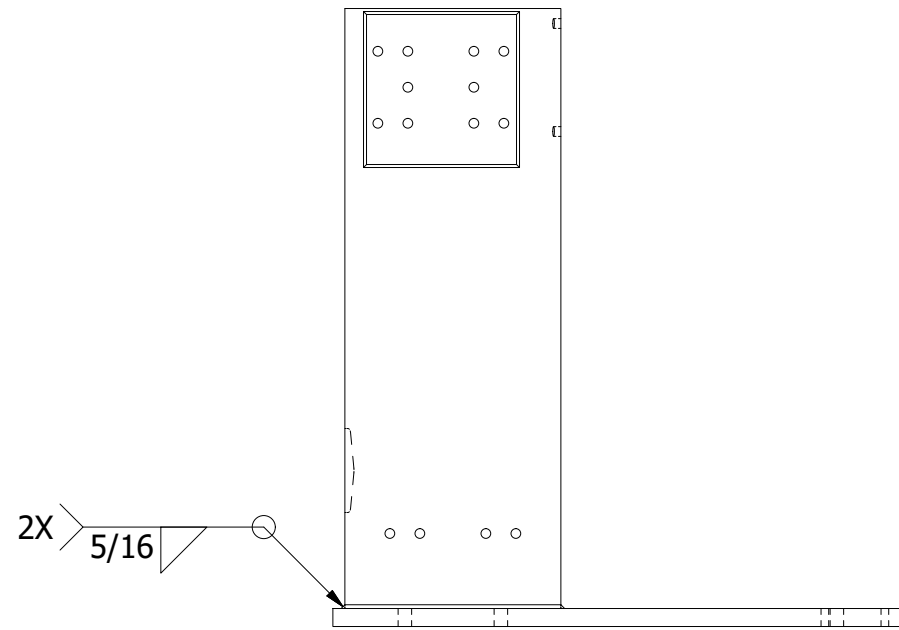
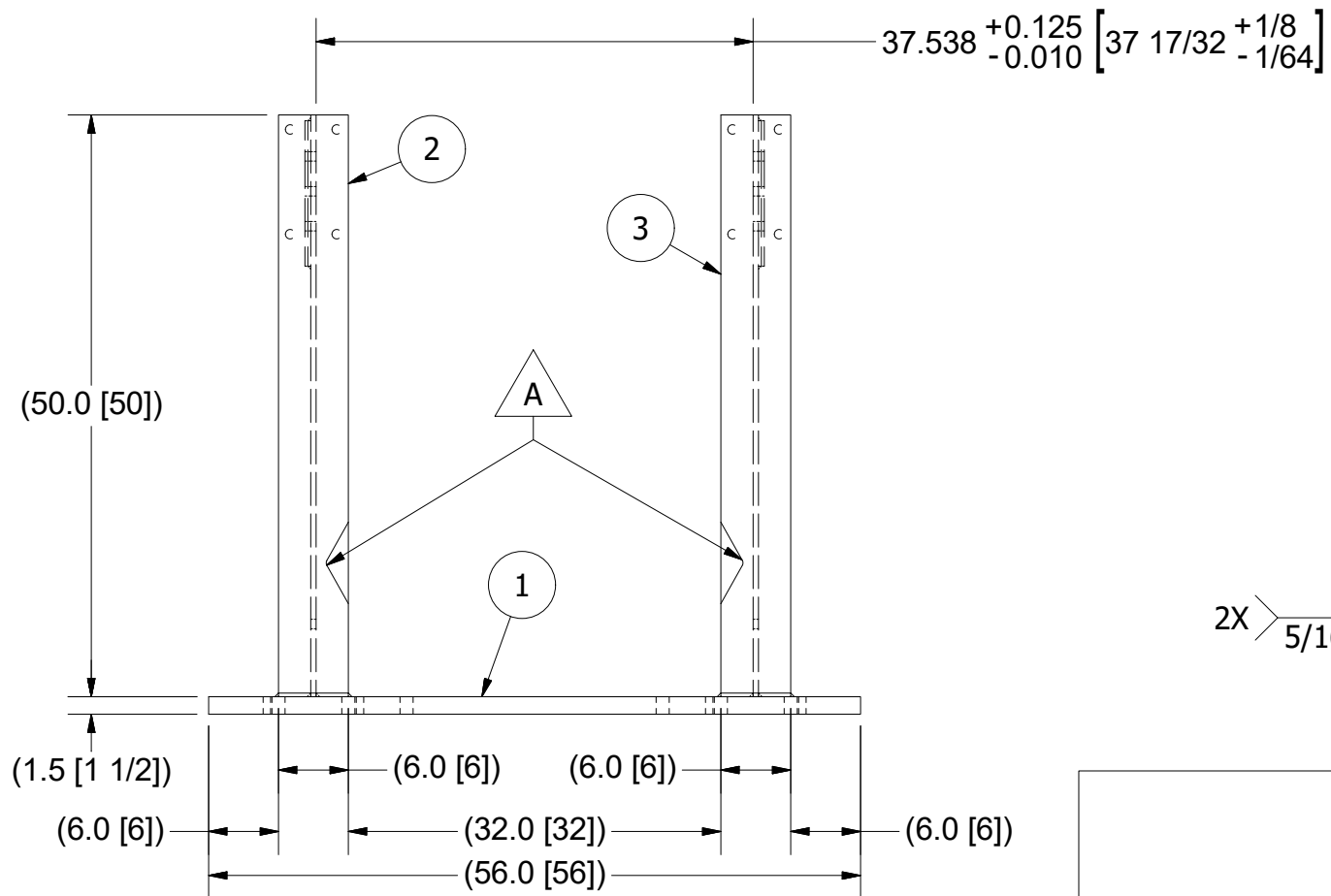
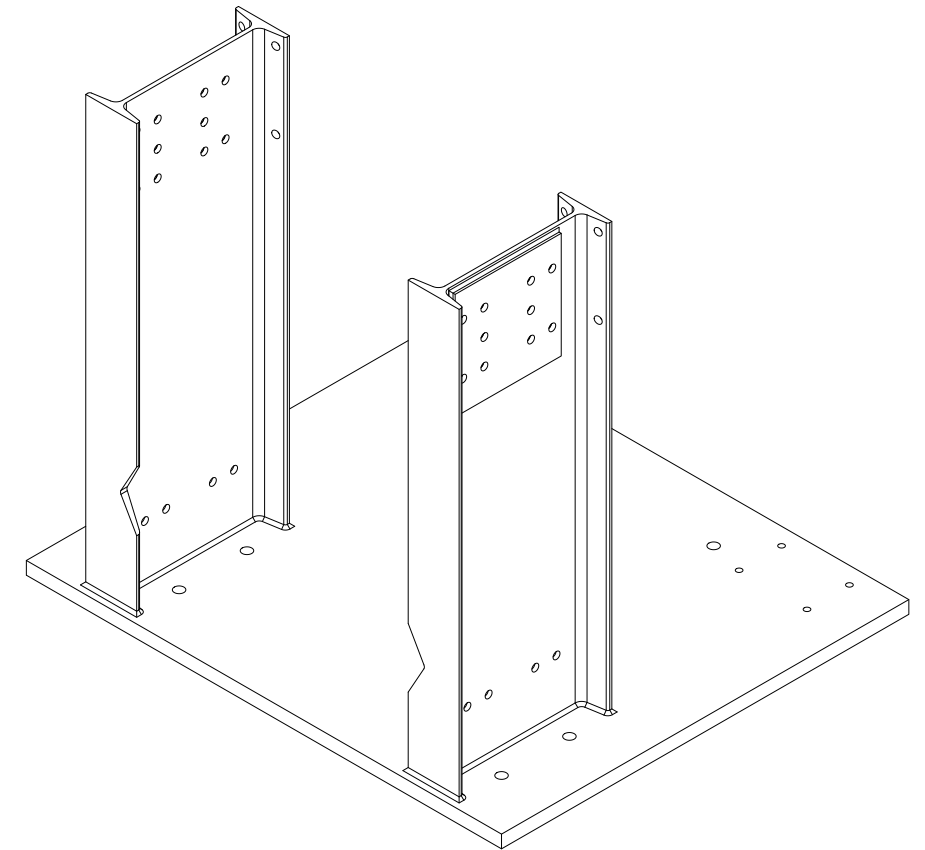
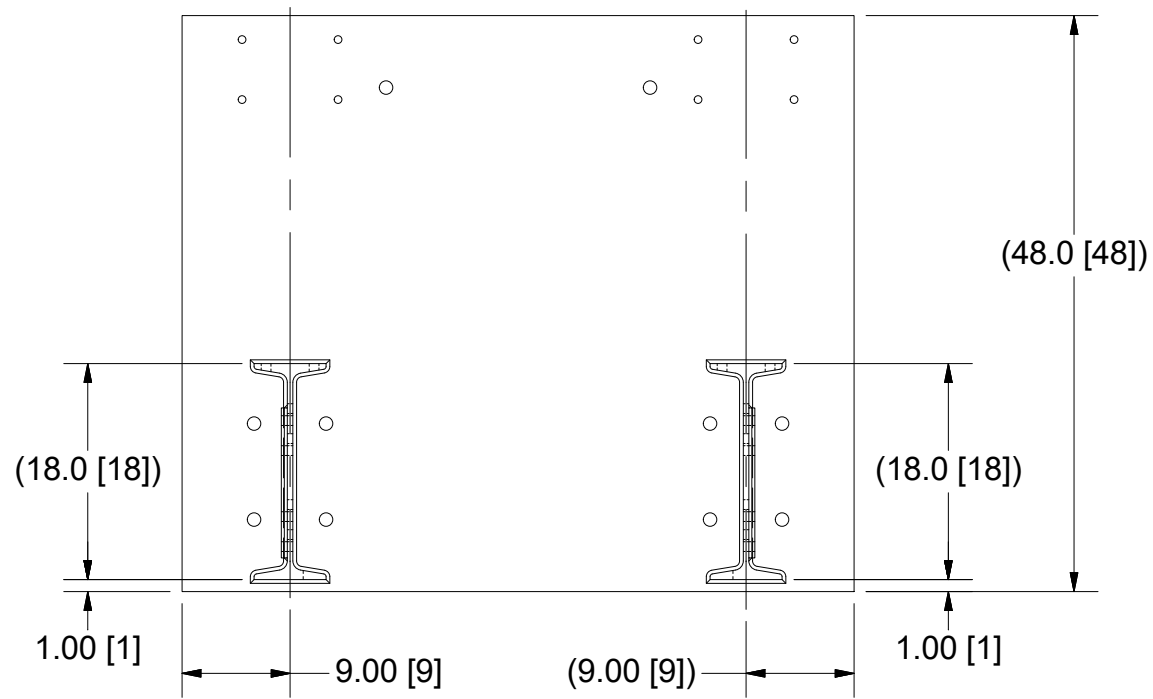
WEIGHT: 2400 lbmass

NOTES:

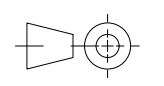
1. MAX LOAD: 25000#.
 2. THE UP PULL VALUES CORRESPOND TO THE MAX LOAD.
 3. THE FOUNDATION FOR THIS MACHINE STAND SHALL BE DESIGNED BY OTHERS TO WITHSTAND THE LOADS STATED ON THE DRAWING.
- HOLLISTER-WHITNEY ASSUMES NO RESPONSIBILITY FOR THE DESIGN OF THE FOUNDATION FOR THIS MACHINE STAND.

UP PULL VALUES PER FOUNDATION BO	UP PULL FORCE (lb)
A1	5600
A2	5600
A3	5600
A4	5600
A5	2700
A6	2700
A7	2700
A8	2700
A9	100
A10	100

A	REDRAWN, ADDED CLEARANCE NOTCH FOR GL130 & GL170, ADDED GL100-204BS-005, PUR #1182	DRO 09/20/19	HOLLISTER-WHITNEY ELEVATOR CO. LLC			
	GL100-204BS MACHINE STAND			TITLE		
<small>THIS DRAWING IS SUPPLIED AS A REPRESENTATION OF THE EQUIPMENT HOLLISTER-WHITNEY ELEVATOR CO. LLC ("MANUFACTURER") HAS AGREED TO SUPPLY. SLIGHT ADJUSTMENTS MAY OCCUR DURING MANUFACTURING AND INSTALLATION. ANY MODIFICATIONS NOT APPROVED IN WRITING BY MANUFACTURER MAY AFFECT OPERATION. VOIDS ANY WARRANTY AND RELEASES MANUFACTURER OF ALL LIABILITY.</small> <small>THIS DOCUMENT CONTAINS CONFIDENTIAL AND PROPRIETARY INFORMATION THAT CANNOT BE REPRODUCED OR DIVULGED, IN WHOLE OR IN PART, WITHOUT WRITTEN AUTHORIZATION FROM THE MANUFACTURER.</small>		THIRD ANGLE PROJECTION	DRAWN BY BDM	SCALE 1:24	MATERIAL SEE PARTS LIST	REFERENCE TOL. ALL DIMENSIONS REFERENCE UNLESS OTHERWISE SPECIFIED
			SHEET SIZE B	DATE 3/3/2014	GL100-204BS SHEET 1 OF 2	



WEIGHT: 1635 lbmass

<p>A</p> <p>REDRAWN, ADDED CLEARANCE NOTCH FOR GL130 & GL170, ADDED GL100-204BS-005, PUR #1182</p> <p>DRO 09/20/19</p>		<p>HOLLISTER-WHITNEY</p> <p>ELEVATOR CO. LLC</p>					
		<p>GL100-204BS MACHINE STAND</p>					
<p>THIS DRAWING IS SUPPLIED AS A REPRESENTATION OF THE EQUIPMENT HOLLISTER-WHITNEY ELEVATOR CO. LLC ("MANUFACTURER") HAS AGREED TO SUPPLY. SLIGHT ADJUSTMENTS MAY OCCUR DURING MANUFACTURING AND INSTALLATION. ANY MODIFICATIONS NOT APPROVED IN WRITING BY MANUFACTURER MAY AFFECT OPERATION. VOIDS ANY WARRANTY AND RELEASES MANUFACTURER OF ALL LIABILITY.</p> <p>THIS DOCUMENT CONTAINS CONFIDENTIAL AND PROPRIETARY INFORMATION THAT CANNOT BE REPRODUCED OR DIVULGED, IN WHOLE OR IN PART, WITHOUT WRITTEN AUTHORIZATION FROM THE MANUFACTURER.</p>		<p>THIRD ANGLE PROJECTION</p> 		<p>DRAWN BY</p> <p>BDM</p>	<p>SCALE</p> <p>1:16</p>	<p>MATERIAL</p> <p>SEE PARTS LIST</p>	<p>FABRICATED TOL.</p> <p>XX ±0.1, XXX ±0.06 X.XXX ±0.031, X.XXXX ±0.0156 HOLES ±0.015, ANGLES ±2°</p>
		<p>SHEET SIZE</p> <p>B</p>	<p>DATE</p> <p>3/3/2014</p>	<p>GL100-204BS</p> <p>SHEET 2 OF 2</p>			

