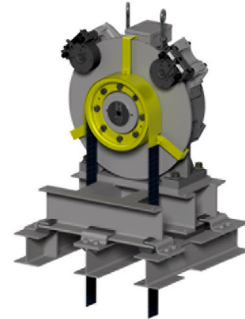


Traction Machines-Gearless

SPECIFICATIONS

- Loads up to 4000 lbs for the 1:1 models and 5000 lbs for the 2:1 models / Speeds up to 1000 FPM
- 15" diameter sheaves for 3/8" ropes for both 1:1 and 2:1 models; 20" diameter sheave for ropes up to 1/2" for both 1:1 and 2:1 models; 25" diameter sheaves for up to 5/8" ropes for the 1:1 models
- For modernization, can maintain existing deflector sheaves in most cases
- 28 and 40 pole motors for smooth, quiet and cool operation
- 2 independent braking systems available
 - Each capable of stopping and holding 125% of capacity
 - Optional Rope Gripper® available in lieu of second brake system
- Machines use standard core traction steel hoist rope or high strength IWRC rope
- 40% counterweight on the 1:1 model and 50% counterweight on the 2:1 models
- Sealed maintenance free bearings
- Fits through a 36" wide door
- **GO GREEN** – Approx. 90% efficiency
 - Add regenerative drive to your controls for additional electrical savings
- Excellent ride quality
- Lower maintenance
- Custom sub-bases available; may incorporate the Gripper
- 2:1 Models are perfectly suited for MRL (Machine-Room-Less) applications
- Can be mounted overhead (down-pull) or basement (up-pull)



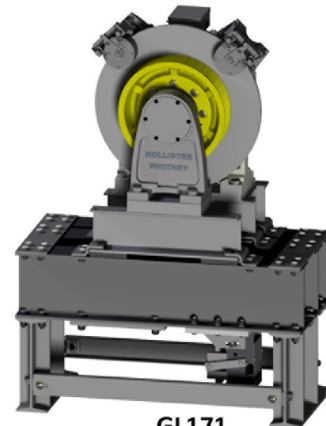
**GL 100 With
Isolation Base**



GL 260 With Guard



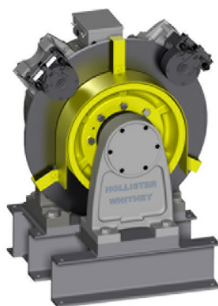
**GL130A
with Isolation Base**



**GL171
with Deflector &
Rope Gripper
Sub-Base**



**GL171
with Build-Up Frame
& 620 Gripper**



**GL171
with Standard Base**

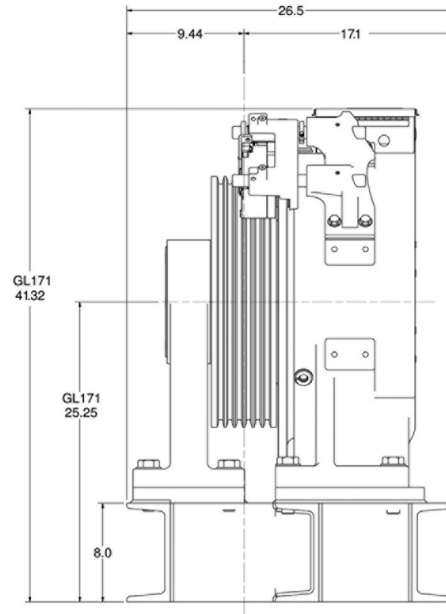
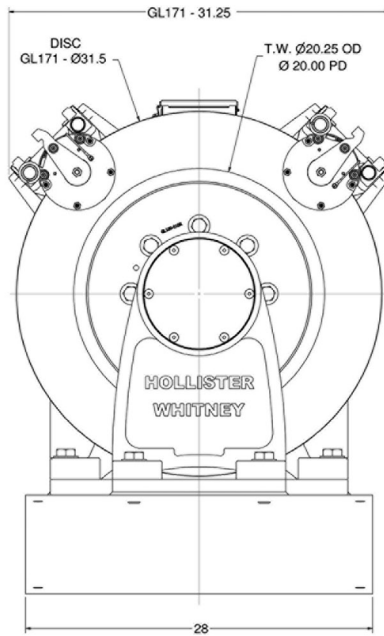


**GL185
with Guard,
Isolation & Rope
Gripper Sub-Base**

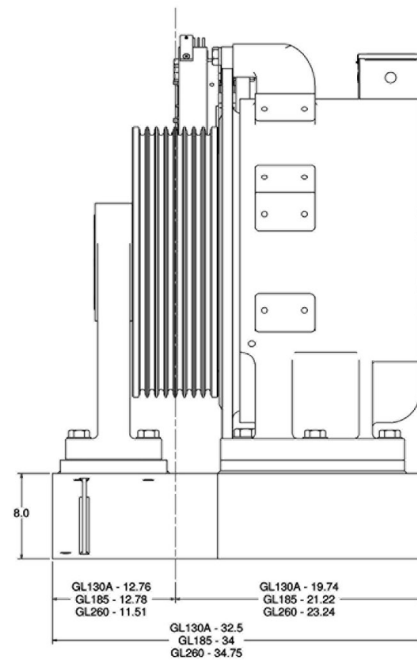
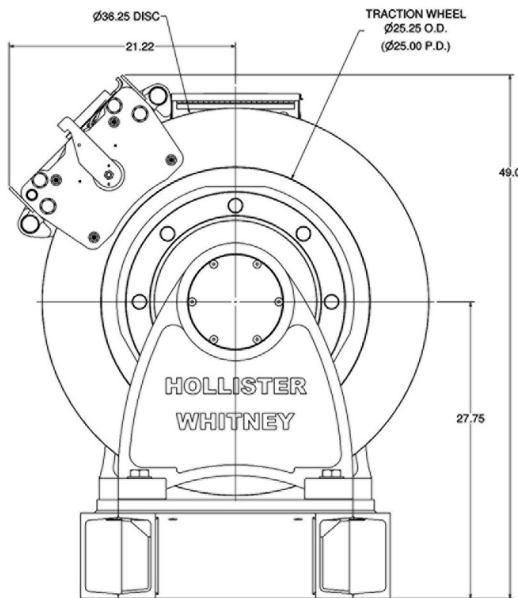
Traction Machines-Gearless

1:1 MACHINES

MODEL GL-171



MODEL GL-130A, GL-185, GL-260



H-W EQUIPMENT

Traction Machines-Gearless

Maximum System Loads:

MAXIMUM SYSTEM LOADS: Shaded boxes Represent different Sizes of Motor Windings per Machine Size													
Car Speed		15" T.W.		20" T.W.				25" T.W.					
(fpm)	(m/sec)	GL171 (lbs)	GL171 (kg)	GL171 (lbs)	GL171 (kg)	GL130A (lbs)	GL130A (kg)	GL130A (lbs)	GL130A (kg)	GL185 (lbs)	GL185 (kg)	GL260 (lbs)	GL260 (kg)
50	50	25700	11650	25700	11650	24750	11200	24750	11200	23350	10500	26700	12100
100	100	25700	11650	25700	11650	24750	11200	24750	11200	23350	10500	26700	12100
150	150	25700	11650	25700	11650	24750	11200	24750	11200	23350	10500	26700	12100
200	200	25700	11650	25700	11650	24750	11200	24750	11200	23350	10500	26700	12100
250	250	25700	11650	25700	11650	24750	11200	24750	11200	22500	10200	26700	12100
300	300	25700	11650	25700	11650	24750	11200	24750	11200	21300	9600	26700	12100
350	350	25700	11650	25700	11650	24750	11200	24750	11200	20300	9200	26700	12100
400	400	25700	11650	25700	11650	24750	11200	24750	11200	19500	8800	26700	12100
450	450	25700	11650	25700	11650	24750	11200	24750	11200	18800	8500	26700	12100
500	500	25600	11600	25700	11650	24750	11200	24750	11200	18300	8300	26700	12100
550	550	24900	11300	25700	11650	24750	11200	24750	11200	17700	8000	26700	12100
600	600	24200	11000	25700	11650	24750	11200	24750	11200	17300	7800	26700	12100
650	650	23600	10700	25700	11650	24750	11200	24750	11200	16900	7600	26700	12100
700	700	23100	10500	25200	11400	24750	11200	24750	11200	16500	7400	26700	12100

Maximum Machine Ratings for 1:1 Applications:

15" SHEAVES

Model	Line Voltage	Current	Capacity 50% Counterweight		Capacity 45% Counterweight		Capacity 40% Counterweight		Car Speed		Power		Torque		Est. BTU/Hour
	(AC)		(lbs)	(kg)	(lbs)	(kg)	(lbs)	(kg)	(ft/min)	(m/sec.)	H.P.	kW	Ft-(lbs)	Nm	
GL171-35L	208	99	2500	1130	2250	1020	2000	900	700	3.55	34.1	25.44	1005	1360	5642
GL171-35H	460	56	2500	1130	2250	1020	2000	900	700	3.55	34.1	25.44	1005	1360	5544
GL171-20L	208	32	3000	1360	2800	1270	2600	1180	150	0.76	9.1	6.78	1254	1700	6934
GL171-20H	460	16	3000	1360	2800	1270	2600	1180	150	0.76	9.1	6.78	1254	1700	6934
GL171-40L	208	65	3000	1360	2800	1270	2600	1180	300	1.52	18.2	13.57	1254	1700	6937

20" SHEAVES

Model	Line Voltage	Current	Capacity 50% Counterweight		Capacity 45% Counterweight		Capacity 40% Counterweight		Car Speed		Power		Torque		Est. BTU/Hour
	(AC)		(lbs)	(kg)	(lbs)	(kg)	(lbs)	(kg)	(ft/min)	(m/sec.)	H.P.	kW	Ft-(lbs)	Nm	
GL171-35L	208	99	1875	850	1700	770	1525	690	900	4.57	34.1	25.4	1005	1360	5642
GL171-35H	460	56	1875	850	1700	770	1525	690	900	4.57	34.1	25.4	1005	1360	5642
GL171-20L	208	32	2250	1020	2125	960	2000	900	200	1.01	9.1	6.78	1254	1700	6934
GL171-20H	460	16	2250	1020	2125	960	2000	900	200	1.01	9.1	6.78	1254	1700	6934
GL171-40L	208	65	2250	1020	2125	960	2000	900	400	2.03	18.2	13.6	1254	1700	6937
GL130A-20L	208	40	2800	1270	2650	1200	2500	1130	200	1.01	11.4	8.5	1568	2125	8671
GL130A-20H	460	20	2800	1270	2650	1200	2500	1130	200	1.01	11.4	8.5	1568	2125	8671
GL130A-40L	208	85	2800	1270	2650	1200	2500	1130	400	2.03	22.8	17	1568	2125	7917

25" SHEAVES

Model	Line Voltage	Current	Capacity 50% Counterweight		Capacity 45% Counterweight		Capacity 40% Counterweight		Car Speed		Power		Torque		Est. BTU/Hour
	(AC)		(lbs)	(kg)	(lbs)	(kg)	(lbs)	(kg)	(ft/min)	(m/sec.)	H.P.	kW	Ft-(lbs)	Nm	
GL130A-20L	208	40	2250	1020	2125	960	2000	900	250	1.27	11.4	8.5	1568	2125	8671
GL130A-20H	460	20	2250	1020	2125	960	2000	900	250	1.27	11.4	8.5	1568	2125	8671
GL130A-40L	208	85	2250	1020	2125	960	2000	900	500	2.54	22.8	17	1568	2125	7917
GL185-35L	208	78	3400	1540	3150	1420	3000	1360	350	1.78	24	17.9	2357	3195	6789
GL185-35H	460	38	3400	1540	3150	1420	3000	1360	350	1.78	24	17.9	2357	3195	6789
GL185-50L	208	105	3400	1540	3150	1420	3000	1360	500	2.54	34.3	25.6	2357	3195	9698
GL185-50H	460	50	3400	1540	3150	1420	3000	1360	500	2.54	34.3	25.6	2357	3195	9698
GL185-70L	208	148	3400	1540	3150	1420	3000	1360	700	3.56	48	35.8	2357	3195	13577
GL260-35L	208	115	4500	2040	4250	1920	4000	1810	350	1.78	32	23.9	3138	4250	9038
GL260-35H	460	55	4500	2040	4250	1920	4000	1810	350	1.78	32	23.9	3138	4250	9038
GL260-50L	208	150	4500	2040	4250	1920	4000	1810	500	2.54	45.7	34.1	3138	4250	12911
GL260-50H	460	76	4500	2040	4250	1920	4000	1810	500	2.54	45.7	34.1	3138	4250	12911
GL260-70L	208	225	4500	2040	4250	1920	4000	1810	700	3.56	63.9	47.7	3138	4250	18076

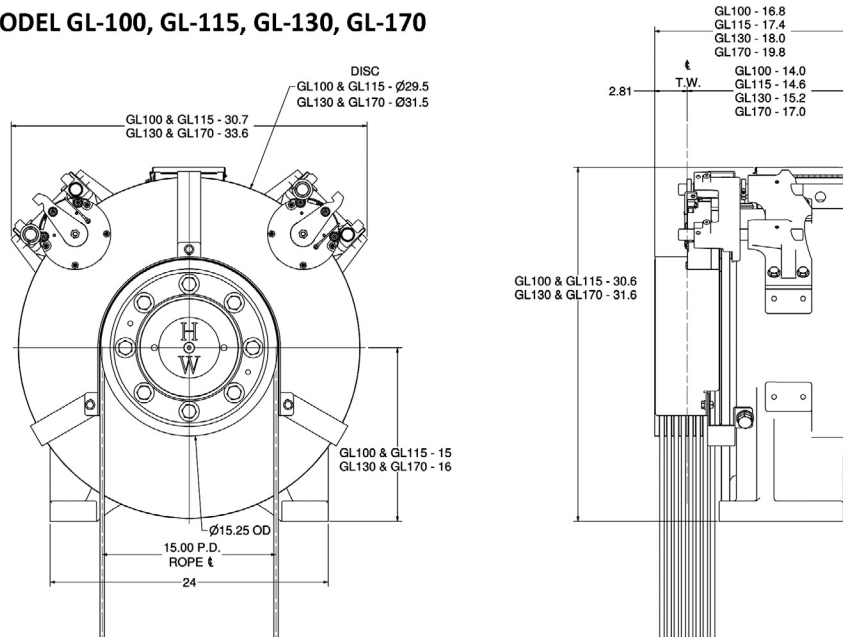
NOTE:

Consult H-W engineering for specific MACHINE | SPEED | CAPACITY combinations in yellow boxes

Traction Machines-Gearless

2:1 MACHINES

MODEL GL-100, GL-115, GL-130, GL-170



Maximum System Loads:

MAXIMUM SYSTEM LOADS									
Car Speed (fpm)	Car Speed (m/sec)	GL100 (lbs)	GL100 (kg)	GL115 (lbs)	GL115 (kg)	GL130 (lbs)	GL130 (kg)	GL170 (lbs)	GL170 (kg)
50	0.254	23500	10660	24000	10886	24500	11113	25000	11340
100	0.508	23500	10660	24000	10886	24500	11113	25000	11340
150	0.762	23500	10660	24000	10886	24500	11113	25000	11340
200	1.016	23500	10660	24000	10886	24500	11113	25000	11340
250	1.27	22700	10297	24000	10886	24000	10886	25000	11340
300	1.524	21500	9752	23450	10637	22800	10342	25000	11340
350	1.778	20500	9299	22450	10183	21800	9888	25000	11340
400	2.032	19700	8936	21450	9730	21000	9526	25000	11340
450	2.286	N/A	N/A	20850	9458	20200	9163	24700	11204
500	2.54	N/A	N/A	20050	9095	19600	8891	24100	10932
550	2.794	N/A	N/A	19650	8913	19000	8618	23300	10569
600	3.048	N/A	N/A	19050	8641	18400	8346	22700	10297
650	3.302	N/A	N/A	18650	8460	18000	8165	22100	10025
700	3.556	N/A	N/A	18250	8278	17600	7983	21700	9843
750	3.81	N/A	N/A	17850	8097	N/A	N/A	N/A	N/A
800	4.064	N/A	N/A	17450	7915	N/A	N/A	N/A	N/A
850	4.318	N/A	N/A	17250	7825	N/A	N/A	N/A	N/A
900	4.572	N/A	N/A	16850	7643	N/A	N/A	N/A	N/A
950	4.826	N/A	N/A	16650	7552	N/A	N/A	N/A	N/A
1000	5.08	N/A	N/A	16250	7371	N/A	N/A	N/A	N/A

H-W EQUIPMENT

Traction Machines-Gearless

Maximum Machine Ratings for 2:1 Applications:

15" SHEAVES

Model	Line Voltage	Current	Capacity 50% Counterweight		Car Speed		Power		Torque		Est. BTU/Hour
	(AC)		(Amps)	(lbs)	(kg)	(ft/min)	(m/sec.)	H.P.	kW	Ft-(lbs)	
GL100-15L	208	26	3000	1361	150	0.76	8.8	6.57	603	818	3279
GL100-15H	460	13	3000	1361	150	0.76	8.8	6.57	603	818	3309
GL100-20L	208	34	3000	1361	200	1.02	11.7	8.73	603	818	3606
GL100-20H	460	17	3000	1361	200	1.02	11.7	8.73	603	818	3569
GL115-35L	208	68	3500	1588	350	1.78	23.9	17.8	704	954	4929
GL115-35H	460	32	3500	1588	350	1.78	23.9	17.8	704	954	4858
GL115-50L	208	95	3500	1588	500	2.54	34.1	25.4	704	954	5740
GL115-50H	460	49	3500	1588	500	2.54	34.1	25.4	704	954	5839
GL130-20L	208	44	4000	1814	200	1.02	15.6	11.6	804	1090	4118
GL130-20H	460	22	4000	1814	200	1.02	15.6	11.6	804	1090	4070
GL130-35L	208	81	4000	1814	350	1.78	27.3	20.4	804	1090	5148
GL130-35H	460	38	4000	1814	350	1.78	27.3	20.4	804	1090	5228
GL170-35L	208	99	5000	2268	350	1.78	34.1	25.4	1005	1363	5642
GL170-35H	460	46	5000	2268	350	1.78	34.1	25.4	1005	1363	5544

20" SHEAVES

Model	Line Voltage	Current	Capacity 50% Counterweight		Car Speed		Power		Torque		Est. BTU/Hour
	(AC)		(Amps)	(lbs)	(kg)	(ft/min)	(m/sec.)	H.P.	kW	Ft-(lbs)	
GL100-15L	208	26	2250	1021	200	1.02	8.8	6.57	603	818	3279
GL100-15H	460	13	2250	1021	200	1.02	8.8	6.57	603	818	3309
GL100-20L	208	34	2250	1021	267	1.36	11.7	8.73	603	818	3606
GL100-20H	460	17	2250	1021	267	1.36	11.7	8.73	603	818	3569
GL115-35L	208	68	2625	1191	467	2.37	23.9	17.8	704	954	4929
GL115-35H	460	32	2625	1191	467	2.37	23.9	17.8	704	954	4858
GL115-50L	208	95	2625	1191	667	3.39	34.1	25.4	704	954	5740
GL115-50H	460	49	2625	1191	667	3.39	34.1	25.4	704	954	5839
GL130-20L	208	44	3000	1361	267	1.36	15.6	11.6	804	1090	4118
GL130-20H	460	22	3000	1361	267	1.36	15.6	11.6	804	1090	4070
GL130-35L	208	81	3000	1361	467	2.37	27.3	20.4	804	1090	5148
GL130-35H	460	38	3000	1361	467	2.37	27.3	20.4	804	1090	5228
GL170-35L	208	99	3750	1701	467	2.37	34.1	25.4	1005	1363	5642
GL170-35H	460	46	3750	1701	467	2.37	34.1	25.4	1005	1363	5544