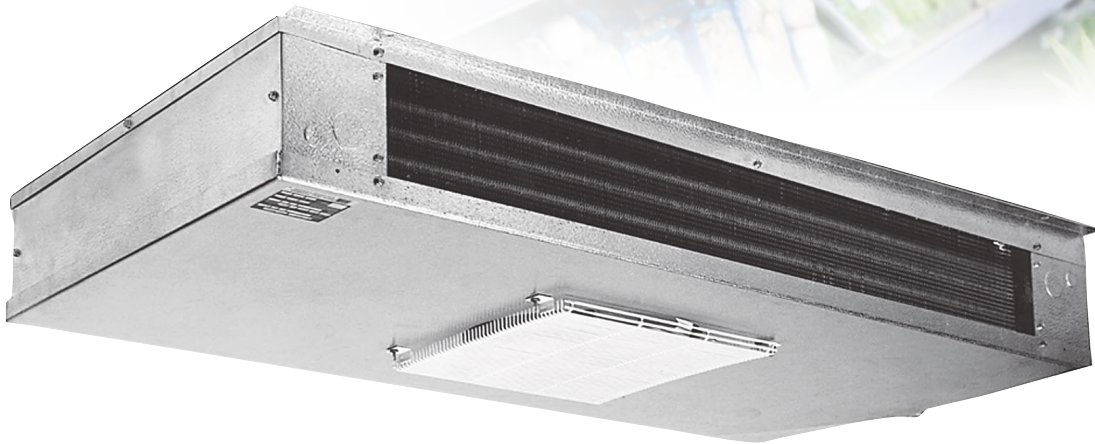




Low Velocity Center Mount Unit Coolers

Technical Guide

Models WK | WKE | WKG



BOHN

Table of Contents

Nomenclature.....	2
Features & Benefits.....	3
Performance Data	
All Defrost Types.....	4-9
Specifications	
Air Defrost	4-5
Electric Defrost	6-7
Hot Gas.....	8-9
Dimensional Data	10
Replacement Parts by InterLink™.....	10
Physical Data.....	11
Standard Nozzle Selection.....	11



Choose the most energy-efficient motor available for evaporators.



The EC motor is an energy efficient option on BOHN Low Velocity Center Mount Unit Coolers. Available on all new equipment or as an easy-to-install, drop-in replacement aftermarket part from InterLink™ Commercial Refrigeration Parts. Because they are a drop-in replacement for existing shaded pole and PSC motors, installation is quick and easy. It's a high impact, quick payback solution for reducing costs and achieving green initiatives without replacing the entire system.

EC motors by InterLink are up to 75% energy efficient - that's a 51-59% increase over shaded pole motors and a 30-35% increase over permanent-split capacitor (PSC) motors. With all of this added efficiency, you can count on more energy savings and lower operational costs while taking a step in the right direction toward conserving our planet's resources.

Nomenclature

WK	100	A	G	C
Model Series	Capacity	Electrical Code	Control Option	Design Revision
WK = Bohn Low Velocity Center Mount, air defrost	# BTUH x 100 (R-404A)	A = 115/1/60	G = IntelliGen™	
WKE = Bohn Low Velocity Center Mount, electric defrost		B = 208-230/1/60		
WKG = Bohn Low Velocity Center Mount, hot gas defrost		M = 460/1/60		
		AE = 115/1/60 (EC)		
		BE = 208-230/1/60 (EC)		

Features & Benefits

Cabinet

- Low height makes it ideal for low ceiling coolers - larger models are only 15 inches tall, allowing for maximum headroom and more product storage
- Unit designed to be mounted flush against the ceiling or suspended on rods
- Heavy gauge grained aluminum cabinet cleans easily and looks attractive
- Stainless steel screws prevent rust streaks
- Liquid line solenoid wire harness is factory-installed for quick installation
- Wire fan guards with PVC coating for durability
- All electrical components factory wired to terminal board and identified, making it easy to field wire the unit
- Cabinet design features access panels on each end for easy access to electrical and refrigeration components
- Fan panel is lightweight and can easily be lowered for easy servicing and installation
- Expansion valve mounts inside the cabinet

Coil

- Sweat connections to reduce potential for leaks
- Coils are dehydrated and sealed at the factory
- Internally enhanced tubing and fin design for higher efficiency
- Electric defrost models incorporate high quality tubular heaters and a standard fixed defrost termination thermostat
- Hot gas defrost models come with a shipped-loose adjustable fan delay and defrost termination thermostat

Drain Pan

- Double drain pan eliminates drain pan sweating

Motors

- Motor rail is design for maximum strength and durability
- Motors are life lubricated and thermal overload protected
- EC Motors available factory-installed or as a drop-in replacement through InterLink™ Commercial Refrigeration Parts in 115/1/60, 208-230/1/60
- PSC Motors are available in 460/1/60 for air and electric defrost

Controls Options

- IntelliGen™ Refrigeration Controller (iRC) units come with factory mounted, tested and calibrated with an electronic expansion valve, pressure transducer, temperature sensors, control board and User Interface. Standard features include Door Sensor, Product Load Input and Alarm Output.
- Optional Field installable IntelliGen Webserver Card (iWC) enables local and remote monitoring on any Phone, Tablet or PC.
- Optional Field installable IntelliGen Integration Card (iIC) enables connectivity to BACnet and Modbus.
- Quick Response Controller units come factory mounted with an electronic expansion valve, pressure transducer, temperature sensors and control board.
- Beacon II™ units come factory mounted with an electronic expansion valve, pressure transducer, temperature sensors and control board.

Other Options

- Factory installed mounted components are available in these configurations:
 - Pre-assembled units come with mounted TXV, liquid line solenoid valve and room thermostat
 - Pre-charged units come with mounted TXV, liquid line solenoid valve, room thermostat, and quick connect fittings
 - Mounted TXV
 - Mounted TXV and solenoid valve
 - Mounted room thermostat
- Most models available with glycol circuiting (see glycol product brochure)
- Units available with stainless steel housing and drain pan
- Units available with copper fins. Air defrost units available with polyester coated fins, or various coil coating options

PERFORMANCE DATA

Model WK Air Defrost | 60 Hz

Model	Capacity								Fan Data		
	R-404A				R-407A/C/F, R-448A/R-449A				No.	CFM	m ³ h
	10°F TD 25°F SST	6°C TD -4°C SST	15°F TD 25°F SST	8°C TD -4°C SST	10°F TD 25°F SST	6°C TD -4°C SST	15°F TD 25°F SST	8°C TD -4°C SST			
	BTUH	Watts	BTUH	Watts	BTUH	Watts	BTUH	Watts			
WK050	5,000	1,460	7,500	2,200	5,800	1,700	8,700	2,550	1	725	1,233
WK075	7,500	2,200	11,250	3,300	8,400	2,460	12,600	3,690	1	730	1,241
WK100	10,000	2,930	15,000	4,390	11,600	3,400	17,400	5,100	2	1,450	2,465
WK130	13,000	3,810	19,500	5,710	14,300	4,190	21,450	6,285	2	1,470	2,499
WK155	15,500	4,540	23,250	6,810	17,360	5,100	26,040	7,650	2	1,460	2,482
WK180	18,000	5,270	27,000	7,910	20,880	6,120	31,320	9,180	3	2,130	3,621
WK210	21,000	6,150	31,500	9,230	23,940	7,020	35,910	10,530	4	2,840	4,828
WK270	27,000	7,910	40,500	11,860	31,860	9,340	47,790	14,010	4	2,800	4,760
WK340	34,000	9,960	51,000	14,940	40,120	11,760	60,180	17,640	5	3,500	5,950

Model WK Air Defrost | 50 Hz[†]

Model	Capacity								Fan Data		
	R-404A				R-407A/C/F, R-448A/R-449A				No.	CFM	m ³ h
	10°F TD 25°F SST	6°C TD -4°C SST	15°F TD 25°F SST	8°C TD -4°C SST	10°F TD 25°F SST	6°C TD -4°C SST	15°F TD 25°F SST	8°C TD -4°C SST			
	BTUH	Watts	BTUH	Watts	BTUH	Watts	BTUH	Watts			
WK050	4,750	1,390	7,130	2,090	5,510	1,610	8,265	2,415	1	660	1,122
WK075	7,130	2,090	10,690	3,140	7,980	2,340	11,970	3,510	1	660	1,122
WK100	9,500	2,780	1,430	4,170	11,020	3,230	16,530	4,845	2	1,310	2,227
WK130	12,350	3,620	18,530	5,420	13,590	3,980	20,385	5,970	2	1,330	2,261
WK155	14,730	4,310	22,090	6,470	16,490	4,850	24,735	7,275	2	1,320	2,244
WK180	17,100	5,010	25,650	7,510	19,840	5,810	29,760	8,715	3	1,920	3,264
WK210	19,950	5,840	29,930	8,770	22,740	6,670	34,110	10,005	4	2,560	4,352
WK270	25,650	7,510	38,480	11,270	30,270	8,870	45,405	13,305	4	2,530	4,301
WK340	32,300	9,460	48,450	14,190	38,110	11,170	57,165	16,755	5	3,160	5,372

[†] For EC motors, use 60 Hz capacity and airflow values (Units with EC motors operating at 50 Hz will not see a reduction in performance due to the electronic control of the motor)

SPECIFICATIONS

Model WK Air Defrost | 60 Hz

Model	PSC Motor						EC Motor			
	115/1/60		230/1/60		460/1/60		115/1/60		230/1/60	
	Amps	Watts	Amps	Watts	Amps	Watts	Amps	Watts	Amps	Watts
WK050	0.9	90	0.5	90	0.4	117	0.9	55	0.5	55
WK075	0.9	90	0.5	90	0.4	117	0.9	55	0.5	55
WK100	1.8	180	1.0	180	0.8	234	1.8	110	1.0	110
WK130	1.8	180	1.0	180	0.8	234	1.8	110	1.0	110
WK155	1.8	180	1.0	180	0.8	234	1.8	110	1.0	110
WK180	2.7	270	1.5	270	1.2	351	2.7	165	1.5	165
WK210	3.6	360	2.0	360	1.6	468	3.6	220	2.0	220
WK270	3.6	360	2.0	360	1.6	468	3.6	220	2.0	220
WK340	4.5	450	2.5	450	2.0	585	4.5	275	2.5	275

Model WK Air Defrost | 50 Hz

Model	PSC Motor				EC Motor			
	110/1/50		220/1/50		110/1/50		220/1/50	
	Amps	Watts	Amps	Watts	Amps	Watts	Amps	Watts
WK050	0.8	80	0.4	80	0.9	55	0.5	55
WK075	0.8	80	0.4	80	0.9	55	0.5	55
WK100	1.7	160	0.8	160	1.8	110	1.0	110
WK130	1.7	160	0.8	160	1.8	110	1.0	110
WK155	1.7	160	0.8	160	1.8	110	1.0	110
WK180	2.5	240	1.2	240	2.7	165	1.5	165
WK210	3.3	320	1.6	320	3.6	220	2.0	220
WK270	3.3	320	1.6	320	3.6	220	2.0	220
WK340	4.2	400	2.0	400	4.5	275	2.5	275

PERFORMANCE DATA

Model WKE Electric Defrost | 60 Hz

Model	Capacity								Fan Data		
	R-404A				R-407A/C/F, R-448A/R-449A				No.	CFM	m³h
	10°F TD 25°F SST	6°C TD -4°C SST	15°F TD 25°F SST	8°C TD -4°C SST	10°F TD 25°F SST	6°C TD -4°C SST	15°F TD 25°F SST	8°C TD -4°C SST			
	BTUH	Watts	BTUH	Watts	BTUH	Watts	BTUH	Watts			
WKE050	5,000	1,460	7,500	2,200	5,800	1,700	8,700	2,550	1	725	1,233
WKE075	7,500	2,200	11,250	3,300	8,400	2,460	12,600	3,690	1	730	1,241
WKE100	10,000	2,930	15,000	4,390	11,600	3,400	17,400	5,100	2	1,450	2,465
WKE130	13,000	3,810	19,500	5,710	14,300	4,190	21,450	6,285	2	1,470	2,499
WKE155	15,500	4,540	23,250	6,810	17,360	5,100	26,040	7,650	2	1,460	2,482
WKE180	18,000	5,270	27,000	7,910	20,880	6,120	31,320	9,180	3	2,130	3,621
WKE210	21,000	6,150	31,500	9,230	23,940	7,020	35,910	10,530	4	2,840	4,828
WKE270	27,000	7,910	40,500	11,860	31,860	9,340	47,790	14,010	4	2,800	4,760
WKE340	34,000	9,960	51,000	14,940	40,120	11,760	60,180	17,640	5	3,500	5,950

Model WKE Electric Defrost | 50 Hz†

Model	Capacity								Fan Data		
	R-404A				R-407A/C/F, R-448A/R-449A				No.	CFM	m³h
	10°F TD 25°F SST	6°C TD -4°C SST	15°F TD 25°F SST	8°C TD -4°C SST	10°F TD 25°F SST	6°C TD -4°C SST	15°F TD 25°F SST	8°C TD -4°C SST			
	BTUH	Watts	BTUH	Watts	BTUH	Watts	BTUH	Watts			
WKE050	4,750	1,390	7,130	2,090	5,510	1,610	8,265	2,415	1	660	1,122
WKE075	7,130	2,090	10,690	3,140	7,980	2,340	11,970	3,510	1	660	1,122
WKE100	9,500	2,780	1,430	4,170	11,020	3,230	16,530	4,845	2	1,310	2,227
WKE130	12,350	3,620	18,530	5,420	13,590	3,980	20,385	5,970	2	1,330	2,261
WKE155	14,730	4,310	22,090	6,470	16,490	4,850	24,735	7,275	2	1,320	2,244
WKE180	17,100	5,010	25,650	7,510	19,840	5,810	29,760	8,715	3	1,920	3,264
WKE210	19,950	5,840	29,930	8,770	22,740	6,670	34,110	10,005	4	2,560	4,352
WKE270	25,650	7,510	38,480	11,270	30,270	8,870	45,405	13,305	4	2,530	4,301
WKE340	32,300	9,460	48,450	14,190	38,110	11,170	57,165	16,755	5	3,160	5,372

† For EC motors, use 60 Hz capacity and airflow values (Units with EC motors operating at 50 Hz will not see a reduction in performance due to the electronic control of the motor)

SPECIFICATIONS

Model WKE Electric Defrost | 60 Hz

Model	PSC Motor				EC Motor		Watts	Defrost Heaters	
	230/1/60		460/1/60		230/1/60			230/1/60	460/1/60
	Amps	Watts	Amps	Watts	Amps	Watts	Total Amps		
WKE050	0.5	90	0.4	117	0.5	55	2,000	8.7	4.4
WKE075	0.5	90	0.4	117	0.5	55	2,400	10.5	5.3
WKE100	1.0	180	0.8	234	1.0	110	2,800	12.2	6.1
WKE130	1.0	180	0.8	234	1.0	110	4,000	17.4	8.7
WKE155	1.0	180	0.8	234	1.0	110	4,000	17.4	8.7
WKE180	1.5	270	1.2	351	1.5	165	4,000	17.4	8.7
WKE210	2.0	360	1.6	468	2.0	220	5,200	22.6	11.3
WKE270	2.0	360	1.6	468	2.0	220	5,200	22.6	11.3
WKE340	2.5	450	2.0	585	2.5	275	7,000	30.4	15.2

Model WKE Electric Defrost | 50 Hz

Model	PSC Motor		EC Motor		Watts	230/1/60 Total Amps
	22/1/50		220/1/50			
	Amps	Watts	Amps	Watts		
WKE050	0.4	80	0.5	55	1,830	8.3
WKE075	0.4	80	0.5	55	2,200	10.0
WKE100	0.8	160	1.0	110	2,560	11.6
WKE130	0.8	160	1.0	110	3,660	16.6
WKE155	0.8	160	1.0	110	3,660	16.6
WKE180	1.2	240	1.5	165	3,660	16.6
WKE210	1.6	320	2.0	220	4,760	21.6
WKE270	1.6	320	2.0	220	4,760	21.6
WKE340	2.0	400	2.5	275	6,400	29.1

PERFORMANCE DATA

Model WKG Hot Gas Defrost | 60 Hz

Model	Capacity								Fan Data		
	R-404A				R-407A/C/F, R-448A/R-449A				No.	CFM	m ³ h
	10°F TD 25°F SST	6°C TD -4°C SST	15°F TD 25°F SST	8°C TD -4°C SST	10°F TD 25°F SST	6°C TD -4°C SST	15°F TD 25°F SST	8°C TD -4°C SST			
	BTUH	Watts	BTUH	Watts	BTUH	Watts	BTUH	Watts			
WKG100	10,000	2,930	15,000	4,390	11,600	3,400	17,400	5,100	2	1,450	2,465
WKG130	13,000	3,810	19,500	5,710	14,300	4,190	21,450	6,285	2	1,470	2,499
WKG155	15,500	4,540	23,250	6,810	17,360	5,100	26,040	7,650	2	1,460	2,482
WKG180	18,000	5,270	27,000	7,910	20,880	6,120	31,320	9,180	3	2,130	3,621
WKG210	21,000	6,150	31,500	9,230	23,940	7,020	35,910	10,530	4	2,840	4,828
WKG270	27,000	7,910	40,500	11,860	31,860	9,340	47,790	14,010	4	2,800	4,760
WKG340	34,000	9,960	51,000	14,940	40,120	11,760	60,180	17,640	5	3,500	5,950

Model WKG Hot Gas Defrost | 50 Hz[†]

Model	Capacity								Fan Data		
	R-404A				R-407A/C/F, R-448A/R-449A				No.	CFM	m ³ h
	10°F TD 25°F SST	6°C TD -4°C SST	15°F TD 25°F SST	8°C TD -4°C SST	10°F TD 25°F SST	6°C TD -4°C SST	15°F TD 25°F SST	8°C TD -4°C SST			
	BTUH	Watts	BTUH	Watts	BTUH	Watts	BTUH	Watts			
WKG100	9,500	2,780	1,430	4,170	11,020	3,230	16,530	4,845	2	1,310	2,227
WKG130	12,350	3,620	18,530	5,420	13,590	3,980	20,385	5,970	2	1,330	2,261
WKG155	14,730	4,310	22,090	6,470	16,490	4,850	24,735	7,275	2	1,320	2,244
WKG180	17,100	5,010	25,650	7,510	19,840	5,810	29,760	8,715	3	1,920	3,264
WKG210	19,950	5,840	29,930	8,770	22,740	6,670	34,110	10,005	4	2,560	4,352
WKG270	25,650	7,510	38,480	11,270	30,270	8,870	45,405	13,305	4	2,530	4,301
WKG340	32,300	9,460	48,450	14,190	38,110	11,170	57,165	16,755	5	3,160	5,372

[†] For EC motors, use 60 Hz capacity and airflow values (Units with EC motors operating at 50 Hz will not see a reduction in performance due to the electronic control of the motor)

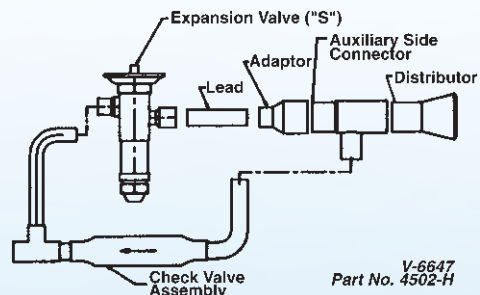
Optional Liquid Line Bypass Kit For Hot Gas Defrost

The WKG may be field piped for hot gas defrost using the optional bypass kit.

When compressor vapor, in reverse cycle defrosting, is directed back into the evaporator at the suction connection, it condenses into liquid. The field-installed liquid line bypass kit directs the condensed liquid around the thermostatic expansion valve and back into the liquid line. Bypass kits include bypass piping, check valve and instructions. Adjustable fan control is shipped loose with hot gas units.

TXV Bypass Kits (Hot Gas Only)

Models Used On	TXV Bypass Kits	
	Type SQE, SBF, or HFESC	Type S
	Part Number	Part Number
WKG100	89897801	89898001
WKG130 - WKG270	89897802	89898002
WKG340	89897803	89898003



SPECIFICATIONS

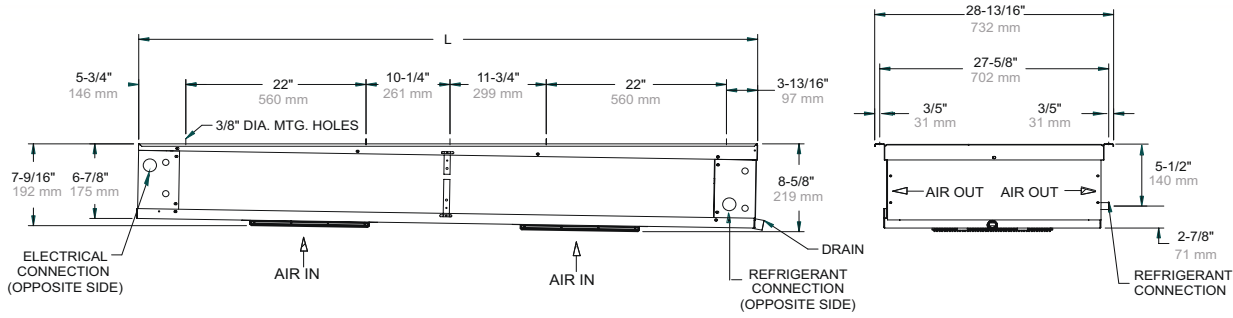
Model WKG Hot Gas Defrost | 60 Hz

Model	PSC Motor				EC Motor				Drain Pan Heaters		
	230/1/60		460/1/60		115/1/60		230/1/60		Watts	115/1/60	230/1/60
	Amps	Watts	Amps	Watts	Amps	Watts	Amps	Watts		Total Amps	
WKG100	1.8	180	1.0	180	1.8	110	1.0	110	350	3.0	1.5
WKG130	1.8	180	1.0	180	1.8	110	1.0	110	500	4.4	2.2
WKG155	1.8	180	1.0	180	1.8	110	1.0	110	500	4.4	2.2
WKG180	2.7	270	1.5	270	2.7	165	1.5	165	500	4.4	2.2
WKG210	3.6	360	2.0	360	3.6	220	2.0	220	650	5.7	2.8
WKG270	3.6	360	2.0	360	3.6	220	2.0	220	650	5.7	2.8
WKG340	4.5	450	2.5	450	4.5	275	2.5	275	875	7.6	3.8

Model WKG Hot Gas Defrost | 50 Hz

Model	PSC Motor				EC Motor				Drain Pan Heaters		
	230/1/60		460/1/60		115/1/60		230/1/60		Watts	115/1/60	230/1/60
	Amps	Watts	Amps	Watts	Amps	Watts	Amps	Watts		Total Amps	
WKG100	1.7	160	0.8	160	1.8	110	1.0	110	320	2.9	1.5
WKG130	1.7	160	0.8	160	1.8	110	1.0	110	460	4.2	2.1
WKG155	1.7	160	0.8	160	1.8	110	1.0	110	460	4.2	2.1
WKG180	2.5	240	1.2	240	2.7	165	1.5	165	460	4.2	2.1
WKG210	3.3	320	1.6	320	3.6	220	2.0	220	595	5.4	2.7
WKG270	3.3	320	1.6	320	3.6	220	2.0	220	595	5.4	2.7
WKG340	4.2	400	2.0	400	4.5	275	2.5	275	800	7.3	3.6

DIMENSIONAL DATA



NOTE: All units have 1/4" OD external equalizer and 3/4" FPT drain connection

Model WK Air Defrost

Model	No. of Fans	Dimensions	
		In.	mm
WK050	1	53-1/2	800
WK075	1	53-1/2	800
WK100	2	75-1/2	1,359
WK130	2	75-1/2	1,359
WK155	2	75-1/2	1,359
WK180	3	75-1/2	1,918
WK210	4	97-1/2	2,477
WK270	4	97-1/2	2,477
WK340	5	119-1/2	3,035

Model WKE Electric Defrost

Model	No. of Fans	Dimensions	
		In.	mm
WK050	1	53-1/2	800
WK075	1	53-1/2	800
WK100	2	75-1/2	1,359
WK130	2	75-1/2	1,359
WK155	2	75-1/2	1,359
WK180	3	75-1/2	1,918
WK210	4	97-1/2	2,477
WK270	4	97-1/2	2,477
WK340	5	119-1/2	3,035

Model WKG Hot Air Defrost

Model	No. of Fans	Dimensions	
		In.	mm
WKG100	2	75-1/2	1,359
WKG130	2	75-1/2	1,359
WKG155	2	75-1/2	1,359
WKG180	3	75-1/2	1,918
WKG210	4	97-1/2	2,477
WKG270	4	97-1/2	2,477
WKG340	5	119-1/2	3,035

Replacement Parts



Right source. Right parts. Right now.

InterLink™ is your link to a complete line of dependable and certified commercial refrigeration parts, accessories and innovative electronic controls for all Bohn equipment. At InterLink, we provide our wholesalers with a comprehensive selection of product solutions and innovative technologies for the installed customer base. And every product is built to ensure the same high performance standards with which all Heatcraft Refrigeration Products (HRP) brands are built — backed by a dedicated team to serve every customer need, delivering at the best lead times in the industry.

Dependable. Versatile. Courteous.

Finally, one simple source for all your replacement needs from a name you can trust.

For parts, please contact (800) 686-7278 or visit www.heatcraftprd.com.

No. of Fans	Air Defrost	Electric Defrost	Hot Gas Defrost
1	050-075	050-075	—
2	100-155	100-155	100-155
3	180	180	180
4	210-270	210-270	210-270
5	340	340	340

Electrical Components /Miscellaneous

Part #	Description	No. Fans
22512601	Terminal Strip	1 - 5
5521R	Defrost Termination	1 - 5
2891040	Room Thermostat	1 - 5
5708L*	Heater Safety	1 - 5
4550G	Filters	1 - 5

NOTE: * Not Required on WKE models

Motor/Fan Blade/Fan Guards

Part #	Description	No. Fans
5036NS	Motor 115/1/60/50 PSC	1 - 5
5036PS	Motor 208-230/1/60/50 PSC	1 - 5
25309701	Motor 460/1/60/50 PSC Totally Enclosed	1 - 5
25318001	Motor 115/1/60 EC Totally Enclosed	1 - 5
25317901	Motor 208-230/1/60/50 EC Totally Enclosed	1 - 5
5110E	Fan Blade	1 - 5
5055F	Fan Guard - Wire	1 - 5
41449101	Motor Mount - EC Motors	1 - 5
41417501	Motor Mount - 460v PSC	1 - 5

Cabinet Components

Part #	Description	No. Fans
C26769A2	Drain Pan-Stucco	1
C26771A2	Drain Pan-Stucco	2
C26361A2	Drain Pan-Stucco	3
C26362A2	Drain Pan-Stucco	4
D20817A2	Drain Pan-Stucco	5

Electric Defrost

Part #	Description	No. Fans
4401S	Coil Heater	1
4402S	Coil Heater	1
4544B	Coil Heater	2
4544B	Coil Heater	3
4545B	Coil Heater	4
4546B	Coil Heater	5

PHYSICAL DATA

WK Air Defrost

Model	No. of Fans	Connections (in.)		Approx. Net Wt.	
		Liquid OD	Suction OD	lbs.	kg
WK050	1	1/2	7/8	70	32
WK075	1	1/2	7/8	103	47
WK100	2	1/2	7/8	106	48
WK130	2	1-1/8	1-1/8	145	66
WK155	2	1-1/8	1-1/8	149	68
WK180	3	1-1/8	1-1/8	160	73
WK210	4	1-1/8	1-1/8	193	88
WK270	4	1-3/8	1-3/8	200	91
WK340	5	1-3/8	1-3/8	242	110

WK Electric Defrost

Model	No. of Fans	Connections (in.)		Approx. Net Wt.	
		Liquid OD	Suction OD	lbs.	kg
WKE050	1	1/2	7/8	75	34
WKE075	1	1/2	7/8	108	49
WKE100	2	1/2	7/8	111	50
WKE130	2	1-1/8	1-1/8	150	68
WKE155	2	1-1/8	1-1/8	154	70
WKE180	3	1-1/8	1-1/8	157	71
WKE210	4	1-1/8	1-1/8	203	92
WKE270	4	1-3/8	1-3/8	208	94
WKE340	5	1-3/8	1-3/8	250	113

WK Hot Gas Defrost

Model	No. of Fans	Connections (in.)		Approx. Net Wt.	
		Liquid OD	Suction OD	lbs.	kg
WKG100	2	1/2	7/8	131	59
WKG130	2	1-1/8	1-1/8	170	77
WKG155	2	1-1/8	1-1/8	174	79
WKG180	3	1-1/8	1-1/8	185	84
WKG210	4	1-1/8	1-1/8	223	101
WKG270	4	1-3/8	1-3/8	228	103
WKG340	5	1-3/8	1-3/8	270	122

Standard Nozzle Selection

WK Air Defrost

Model	No. of Fans	Distributor Type		No. of Circuits	R404A, R507A Nozzle	R407A, R407F, R407C Nozzle	R448A R449A Nozzle	R22 Nozzle*
		OD	Length					
WK050	1	3/16	18	3	L-1/3	L-1/3	L-1/2	L-1/4
WK075	1	3/16	18	4	L-1/2	L-1/2	L-3/4	L-1/3
WK100	2	3/16	18	6	L-3/4	L-3/4	L-1	L-1/2
WK130	2	3/16	24	12	E-1	E-1	E-1-1/2	E-3/4
WK155	2	3/16	24	10	E-1	E-1	E-1-1/2	E-3/4
WK180	3	3/16	24	12	E-1-1/2	E-1-1/2	E-2	E-1
WK210	4	3/16	24	12	E-1-1/2	E-1-1/2	E-2	E-1
WK270	4	3/16	24	20	C-2	C-2	C-2-1/2	C-1-1/2
WK340	5	3/16	24	20	C-2-1/2	C-2-1/2	C-4	C-2

WKE Electric Defrost

Model	No. of Fans	Distributor Type		No. of Circuits	R404A, R507A Nozzle	R407A, R407F, R407C Nozzle	R448A R449A Nozzle	R22 Nozzle*
		OD	Length					
WKE050	1	3/16	18	3	L-1/3	L-1/3	L-1/2	L-1/4
WKE075	1	3/16	18	4	L-1/2	L-1/2	L-3/4	L-1/3
WKE100	2	3/16	18	6	L-3/4	L-3/4	L-1	L-1/2
WKE130	2	3/16	24	12	E-1	E-1	E-1-1/2	E-3/4
WKE155	2	3/16	24	10	E-1	E-1	E-1-1/2	E-3/4
WKE180	3	3/16	24	12	E-1-1/2	E-1-1/2	E-2	E-1
WKE210	4	3/16	24	12	E-1-1/2	E-1-1/2	E-2	E-1
WKE270	4	3/16	24	20	C-2	C-2	C-2-1/2	C-1-1/2
WKE340	5	3/16	24	20	C-2-1/2	C-2-1/2	C-4	C-2

WKG Hot Gas Defrost

Model	No. of Fans	Distributor Type		No. of Circuits	R404A, R507A Nozzle	R407A, R407F, R407C Nozzle	R448A R449A Nozzle	R22 Nozzle*
		OD	Length					
WKG100	2	3/16	18	6	L-3/4	L-3/4	L-1	L-1/2
WKG130	2	3/16	24	12	E-1	E-1	E-1-1/2	E-3/4
WKG155	2	3/16	24	10	E-1	E-1	E-1-1/2	E-3/4
WKG180	3	3/16	24	12	E-1-1/2	E-1-1/2	E-2	E-1
WKG210	4	3/16	24	12	E-1-1/2	E-1-1/2	E-2	E-1
WKG270	4	3/16	24	20	C-2	C-2	C-2-1/2	C-1-1/2
WKG340	5	3/16	24	20	C-2-1/2	C-2-1/2	C-4	C-2
WK270	4	3/16	24	20	C-2	C-2	C-2-1/2	C-1-1/2
WK340	5	3/16	24	20	C-2-1/2	C-2-1/2	C-4	C-2

NOTE: Nozzles sized for 90-100°F liquid temperature at expansion valve. Contact Application Engineering for guidance if

- Liquid temperature is not 90-100°F
- Evaporator TD is not 10°-15°F (room temperature – saturated suction temperature)
- Electric defrost and hot gas models with a saturated suction temperature of 10°F or higher

Caution: Refrigeration system will not perform properly without correct nozzle!

*R-22 Nozzles for informational purposes only. Not included with stocking evaporators



2175 West Park Place Blvd. · Stone Mountain, GA 30087
Phone: 800.537.7775 · Fax: 770.465.5900
heatcrafterpd.com

BOHN

Since product improvement is a continuing effort, we reserve the right to make changes in specifications without notice.

BN-LVTB-0419 | Version 001