

Dual LED Display meter(DC0-30V5A)

Product description

The meter can be real-time measurement and display voltage of 0~30V, DC current 0~5A; The above voltage for the red LED display, below current blue LED display; This meter is equipped with 5 wiring, 2 power supply, 3 measuring, convenient access car / battery car / motorcycle car line, used to monitor the battery voltage, timely grasp the battery voltage condition, and can also be used for other products voltage, current measurement application.

Product specifications

Supply voltage: DC4.5-30V

Display Type: Digital Only

Display color: Red+ Red/Red+Blue

update rate: About 500 ms/time

Model Number: 3bit 0.28 LED digital tube

Measurement range: DC 0.00-30.0V(voltage)

DC 0.00-5.00A(current)

Measurement accuracy: : \pm (1% + 2 words)

Lead wire length: 15 cm(Five wires)

Physical size: 48 x 29 x 26 mm (L*W*H)

Opening size: 45.5×26.5 (L*W)

Operating Temperature: -10 degrees ~ 65 degrees

Weight: 20g

Wiring method

The meter is equipped with five lines, please find the professional personnel in strict accordance with the following wiring diagram, if have what doubt please contact customer service:

The thin black wire (GND) - Power supply GND

The thin red wire (VCC) - Power supply VCC

The thick black wire (COM) - The measured signal negative

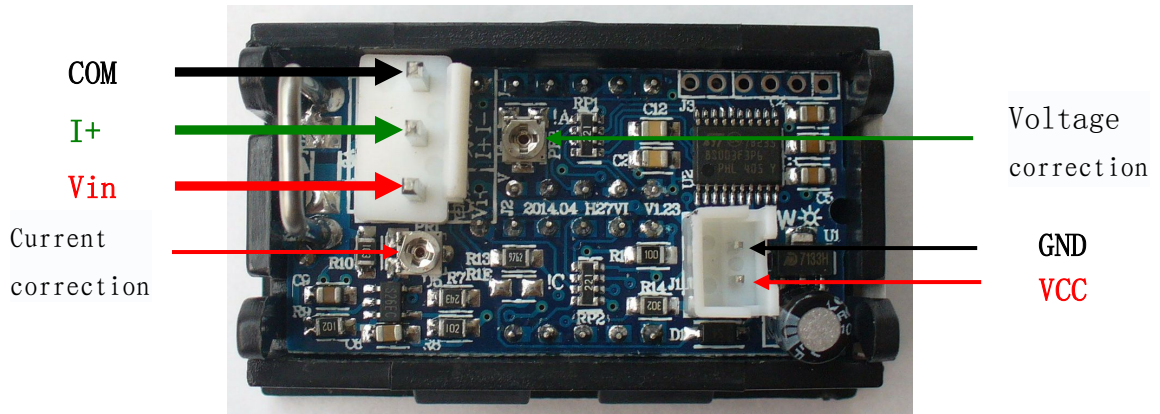
The thick green wire (I+) - The current input terminal

The thick red wire (Vin) - The measured signal positive

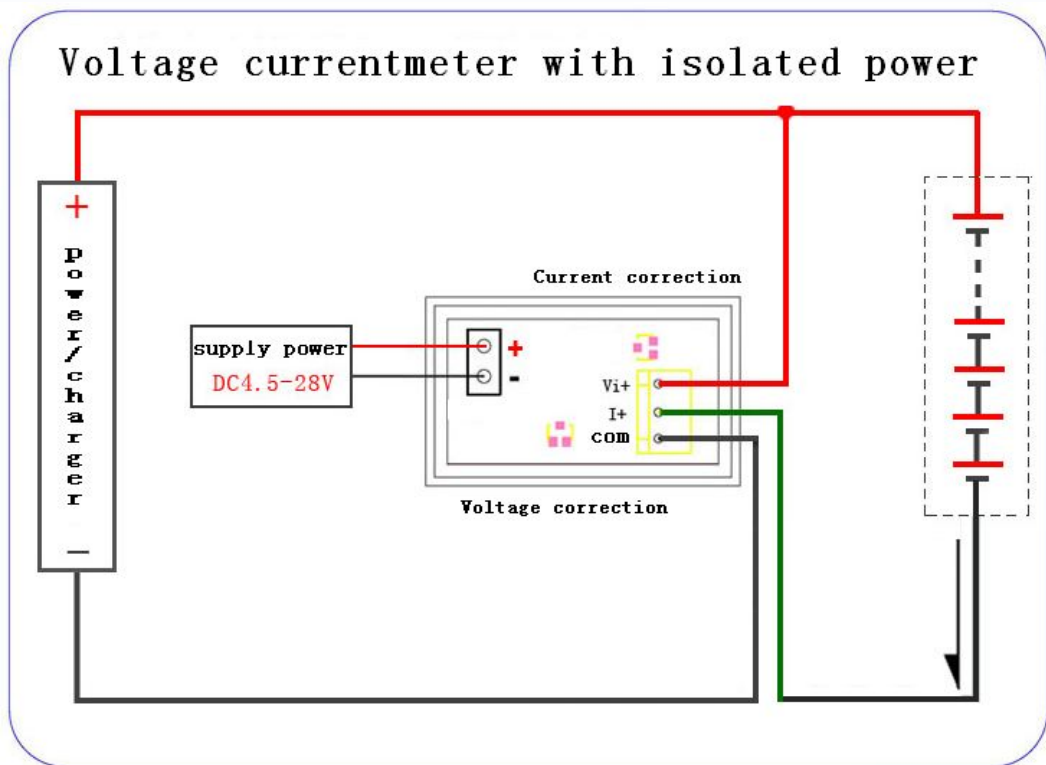
Caution:

Please strictly wiring instructions, the meter measuring current, must be connected in series by measuring circuit negative line, otherwise it will damage the IC. The meter design, wire that is ground and power supply is communicated with the measuring end.

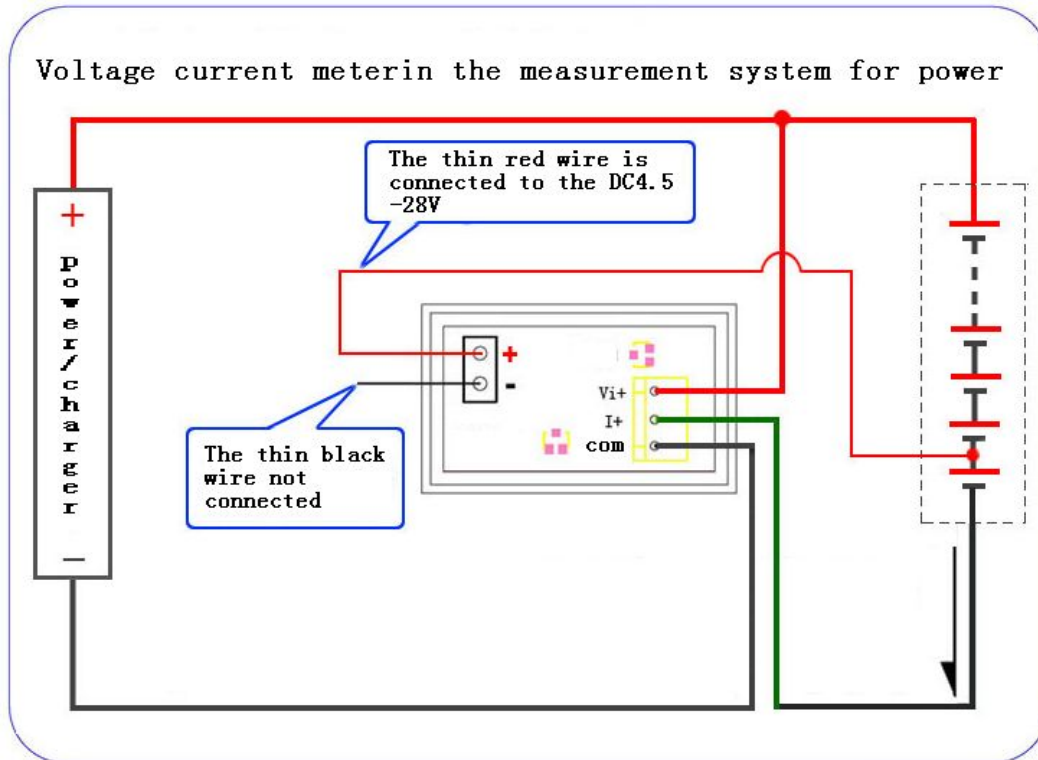
Application examples



1、 Voltage currentmeter with isolated power supply



2、 Voltage current meter in the measurement system for power supply



The physical picture



Packing



The display effect



In front of the picture