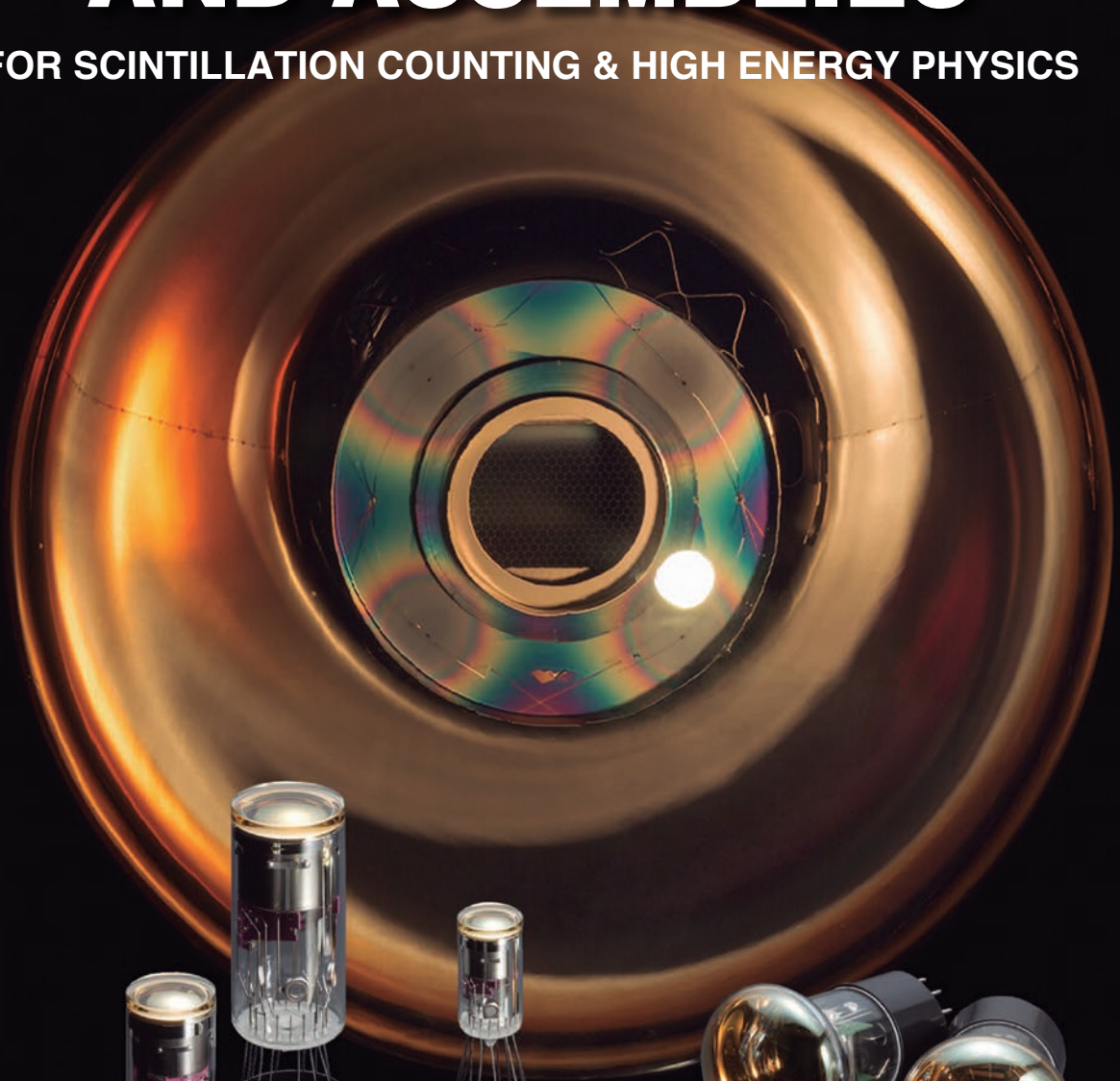


HAMAMATSU
PHOTON IS OUR BUSINESS

PHOTOMULTIPLIER TUBES AND ASSEMBLIES

FOR SCINTILLATION COUNTING & HIGH ENERGY PHYSICS



HAMAMATSU PHOTONICS K.K.

INTRODUCTION

In radiation measurements, scintillation counters which are combinations of scintillators and photomultiplier tubes are used as most common and useful devices in detecting X-, alpha-, beta-, gamma-rays and other high energy charged particles. A scintillator emits flashes of light in response to input radiations and a photomultiplier tube coupled to a scintillator detects these scintillation lights in a precise way.

In high energy physics experiments, one of important apparatuses is a Cherenkov counter in which photomultiplier tubes detect Cherenkov radiations emitted by high energy charged particles passing through a dielectric material.

To detect radiations accurately, photomultiplier tubes may be required to have high detecting efficiency (QE & energy resolution), wide dynamic range (pulse linearity), good time resolution (T.T.S.), high stability & reliability, and to be operatable in high magnetic field environment or at high temperature condition. In addition, a ruggedized construction is required according to circumstances. On the other hand, several kinds of position sensitive photomultiplier tubes have been developed and are used in these measurements.

This catalog provides a quick reference for Hamamatsu photomultiplier tubes, especially designed or selected for scintillation counters and Cherenkov radiation detectors, and includes most of types currently available ranging in size from 3/8" through 20" in diameter. It should be noted that this catalog is just a starting point in describing Hamamatsu product line since new types are continuously under-development.

Please feel free to contact us with your specific requirements.

PHOTOMULTIPLIER TUBES AND ASSEMBLIES

For scintillation counting
& high energy physics

TABLE OF CONTENTS

	Page
Photomultiplier tubes	
Operating characteristics	2
List guide for photomultiplier tubes	18
Photomultiplier tubes	20
Photomultiplier tube assemblies	26
Dimensional outlines and basing diagrams for photomultiplier tubes ...	30
Typical gain characteristics	52
Voltage distribution ratios	56
PMT socket assemblies	
Quick reference for PMT socket assemblies	58
Dimensional outlines and circuit diagrams for PMT socket assemblies.....	60
Dimensional outlines for E678 series sockets	68
Index by type No.	70
Cautions and warranty	72
Typical photocathode spectral response and emission spectrum of scintillators	73

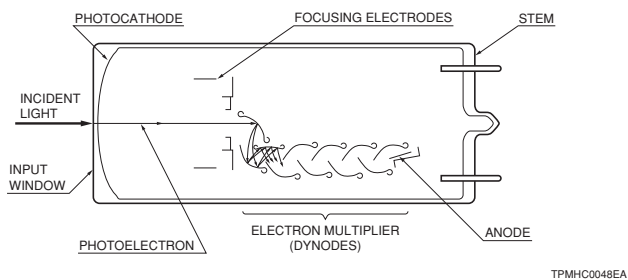
Operating characteristics

This section describes the prime features of photomultiplier tube construction and basic operating characteristics.

1. GENERAL

The photomultiplier tube (PMT) is a photosensitive device consisting of an input window, a photocathode, focusing electrodes, an electron multiplier (dynodes) and an anode in a vacuum tube, as shown in Figure 1. When light enters the photocathode, the photocathode emits photoelectrons into vacuum by the external photoelectric effect. These photoelectrons are directed by the potential of focusing electrode towards the electron multiplier where electrons are multiplied by the process of secondary electron emission. The multiplied electrons are collected to the anode to produce output signal.

Figure 1: Cross-section of head-on type PMT



2. PHOTOCATHODE

2.1 Spectral response

The photocathode of PMT converts energy of incident light into photoelectrons by the external photoelectric effect. The conversion efficiency, that is photocathode sensitivity, varies with the wavelength of incident light. This relationship between the photocathode sensitivity and the wavelength is called the spectral response characteristics.

Typical spectral response curves of the variation of alkali photocathodes are shown on the inside of the back cover.

The spectral response range is determined by the photocathode material on the long wavelength edge, and by the window material on the short wavelength edge.

In this catalog, the long wavelength cut-off of spectral response range is defined as the wavelength at which the cathode radiant sensitivity drops to 1 % of the maximum sensitivity.

2.2 Quantum efficiency and radiant sensitivity

Spectral response is usually expressed in term of quantum efficiency and radiant sensitivity as shown on the inside the back cover.

Quantum efficiency (QE) is defined as the ratio of the number of photoelectrons emitted from the photocathode to the number of incident photons.

It's customarily stated as a percentage.

The equation of QE is as follows:

$$QE = \frac{\text{Number of photoelectrons}}{\text{Number of photons}} \times 100 (\%)$$

Radiant sensitivity (S) is the photoelectric current from the photocathode divided by the incident radiant power at a given wavelength, expressed in A/W (ampere per watt).

The equation of S is as follows:

$$S = \frac{\text{Photoelectric current}}{\text{Radiant power of light}} \text{ (A/W)}$$

Quantum efficiency and radiant sensitivity have the following relationship at a given wavelength.

$$QE = \frac{S \times 1240}{\lambda} \times 100 (\%)$$

where λ is the wavelength in nm (nanometer).

2.3 Window materials

The window materials commonly used in PMT are as follows:

(1) Borosilicate glass

This is the most frequently used material. It transmits light from the infrared to approximately down to 300 nm.

For some scintillation applications where radioactivity of K40 contained in the glass affects the measurement, "K-free" glass is recommended.

As "K-free" glass contains very little amount of Potassium, the background counts originated by ⁴⁰K is minimized.

(2) UV-transmitting glass

This glass transmits ultraviolet light well as the name implies, and it is widely used. The UV cut-off wavelength is approximately 185 nm.

(3) Silica glass

This material transmits ultraviolet light down to 160 nm. Silica is not suitable for the stem material of tubes because it has a different thermal expansion coefficient from kovar metal which is used for the tube leads. Thus, borosilicate glass is used for the stem. In order to seal these two materials having different thermal expansion ratios, a technique called graded seal is used. This is a technique to seal several glass materials having gradually different thermal expansion ratios. Another feature of silica is superiority in radiation hardness.

2.4 Photocathode materials

The photocathode is a photoemissive surface with very low work and high energy physics applications:

(1) Bialkali

This has a spectral response which fits the emission spectra of most scintillators. Thus, it is frequently used for scintillator applications.

(2) High temperature bialkali

This is particularly useful at higher operating temperatures up to 175 °C. Its major application is oil well logging. Also it can be operated with very low dark current at the room temperature.

As stated above, the spectral response range is determined by the materials of the photocathode and the window as shown in Figure 34.

It is important to select appropriate materials which will suit the application.

2.5 Luminous and blue sensitivity

Since the measurement of spectral response characteristics of a PMT requires a sophisticated system and time, it isn't practical to provide spectral response data on each tube. Instead, cathode and anode luminous sensitivity data are usually attached.

The cathode luminous sensitivity is the photoelectric current from the photocathode per incident light flux (10^{-5} to 10^{-2} lumen) from a tungsten filament lamp operated at a distribution temperature of 2856 K.

The cathode luminous sensitivity is expressed in the unit of $\mu\text{A/lm}$ (micro amperes per lumen).

Note that the lumen is a unit used for luminous flux in the visible region, therefore these values may be meaningless for tubes which are sensitive out of the visible region (refer to Figure 2).

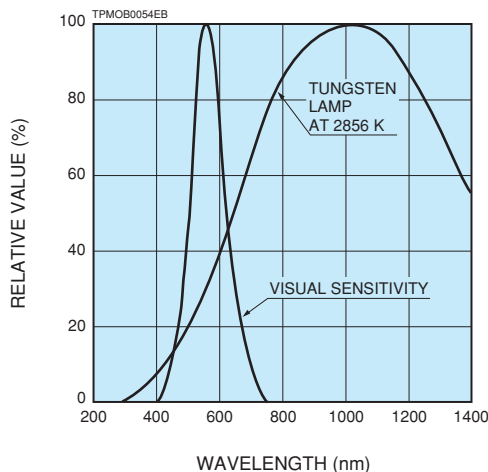
The cathode blue sensitivity is the photoelectric current from the photocathode per incident light flux of a tungsten filament lamp at 2856 K passing through a blue filter. This filter is a band-pass filter and its peak wavelength of transmittance is 400 nm.

Since the light flux, once transmitted through the blue filter, can not be expressed in lumen, the blue sensitivity is usually represented by the blue sensitivity index.

The blue sensitivity is a very important parameter in the scintillation counting since most of the scintillators produce emission spectrum in the blue region, and it may dominant factor of energy resolution.

These parameters of cathode luminous and blue sensitivities are particularly useful when comparing tubes having the same or similar spectral response ranges. Hamamatsu final test sheets accompanied with tubes usually indicate these parameters.

Figure 2: Typical human eye response and spectral distribution of 2856 K tungsten lamp



3. ELECTRON MULTIPLIER (DYNODES)

The superior sensitivity (high gain and high S/N ratio) of PMT is due to a low noise electron multiplier which amplifies electrons in a vacuum with cascade secondary emission process. The electron multiplier consists of several to up to 19 stages of electrodes which are called dynodes.

3.1 Dynode types

There are several principal types of dynode structures. Features of each type are as follows:

(1) Linear focused type

Fast time response, high pulse linearity

(2) Box and grid type

Good collection efficiency, good uniformity

(3) Box and linear focused type

Good collection efficiency, good uniformity, low profile

(4) Circular and linear-focused type

Fast time response, compactness

(5) Venetian blind type

Good uniformity, large output current

(6) Metal channel type

Compact dynode construction, fast time response, position detection possible.

4. ANODE

The PMT anode output is the product of photoelectric current from the photocathode and gain. Photoelectric current is proportional to the intensity of incident light. Gain is determined by the applied voltage on a specified voltage divider.

4.1 Luminous sensitivity

The anode luminous sensitivity is the anode output current per incident light flux (10^{-10} to 10^{-5} lumen) from a tungsten filament lamp operated at a distribution temperature of 2856 K. This is expressed in the unit of A/lm (amperes per lumen) at a specified anode-to-cathode voltage with a specified voltage divider.

4.2 Gain (Current amplification)

Photoelectrons emitted from a photocathode are accelerated by an electric field so as to strike the first dynode and produce secondary electron emissions. These secondary electrons then impinge upon the next dynode to produce additional secondary electron emissions. Repeating this process over successive dynode stages (cascade process), a high gain is achieved. Therefore a very small photoelectric current from the photocathode can be observed as a large output current from the anode of the PMT.

Gain is simply the ratio of the anode output current to the photoelectric current from the photocathode. Ideally, the gain of the PMT is defined as δ^n , where n is the number of dynode stage and δ is an average secondary emission ratio.

While the secondary electron emission ratio δ is given by

$$\delta = A \cdot E^\alpha$$

where A is constant, E is an interstage voltage, and α is a coefficient determined by the dynode material and geometric structure. It usually has a value of 0.7 to 0.8.

When a voltage V is applied between the cathode and the anode of the PMT having n dynode stages, gain G becomes

$$G = \delta^n = (A \cdot E^\alpha)^n = \left\{ A \cdot \left(\frac{V}{n+1} \right)^\alpha \right\}^n$$

$$= \frac{A^n}{(n+1)^{\alpha n}} V^{\alpha n} = K \cdot V^{\alpha n} \quad (K: \text{constant})$$

Figure 3: Example of gain vs. supply voltage

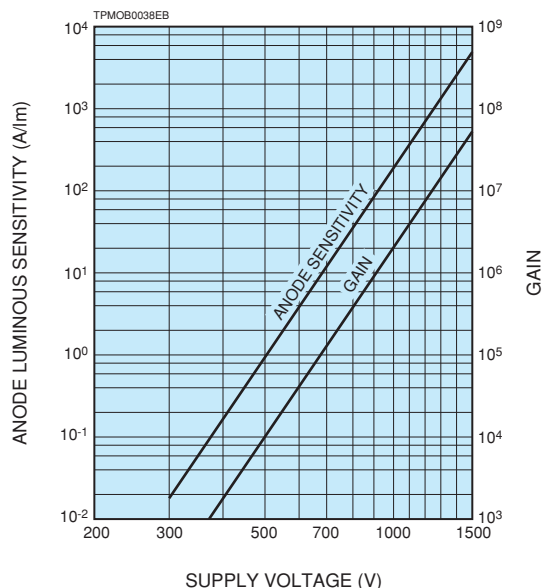


Figure 3 shows gain characteristics.

Since generally PMTs have 8 to 12 dynode stages, the anode output varies directly with the 6th to 10th power of the change in applied voltage. The output signal of the PMT is extremely susceptible to fluctuations in the power supply voltage, thus the power supply should be very stable and exhibit minimum ripple, drift and temperature coefficient. Regulated high voltage power supplies designed with this consideration are available from Hamamatsu.

5. ANODE DARK CURRENT

A small amount of output current flows in a PMT even when it is operated in complete darkness. This current is called the anode dark current. The dark current and the noise resulted from are critical factors to determine the lower limit of light detection.

The causes of dark current may be categorized as follows:

(1) Thermionic emission of electrons

Since the materials of the photocathode and dynodes have very low work functions, they emit thermionic electrons even at the room temperature. Most of the dark current originates from the thermionic emissions especially from the photocathode, and it is multiplied by the dynodes.

(2) Ionization of residual gases

Residual gases inside the PMT can be ionized by the flow of photoelectrons. When these ions strike the photocathode or earlier stages of dynodes, secondary electrons may be emitted, thus resulting in relatively large output noise pulses. These noise pulses are usually observed as afterpulses following the primary signal pulses and may be a problem in detecting short light pulses. Present PMT's are designed to minimize afterpulses.

(3) Glass scintillation

In case electrons deviating from their normal trajectories strike the glass envelope, scintillations may occur and dark pulses may result. To eliminate these pulses, PMT's may be operated with the anode at high voltage and the cathode at the ground potential. Otherwise it is useful to coat the glass bulb with a conductive paint connected to the cathode (called HA treatment: see page 13).

(4) Ohmic leakage

Ohmic leakage resulting from insufficient insulation of the glass stem base and socket may be another source of dark current. This is predominant when a PMT is operated at a low voltage or low temperature.

Contamination by dirt and humidity on the surface of the tube may cause ohmic leakage, and therefore should be avoided.

(5) Field emission

When a PMT is operated at a voltage near the maximum rating value, some electrons may be emitted from electrodes by strong electric fields causing dark pulses. It is therefore recommended that the tube be operated at 100 volts to 300 volts lower than the maximum rating.

The anode dark current decreases along time after a PMT is placed in darkness. In this catalog, anode dark currents are specified as the state after 30 minutes storage in darkness.

6. TIME RESPONSE

In applications where forms of the incident light are pulses, the anode output signal should reproduce a waveform faithful to the incident pulse waveform.

This reproducibility depends on the anode pulse time response.

(1) Rise time (refer to Figure 4)

The time for the anode output pulse to rise from 10 % to 90 % of the peak amplitude when the whole photocathode is illuminated by a delta-function light pulse.

(2) Electron transit time (refer to Figure 4)

The time interval between the arrival of a delta-function light pulse at the photocathode and the instant when the anode output pulse reaches its peak amplitude.

(3) T.T.S. (Transit Time Spread) (refer to Figure 5)

This is also called the transit time jitter. This is the fluctuation in transit time between individual pulses, and is defined as the FWHM of the frequency distribution of electron transit times. T.T.S. depends on the number of incident photons. The values in this catalog are measured in the single photoelectron state.

Figure 4: Definition of rise time and transit time

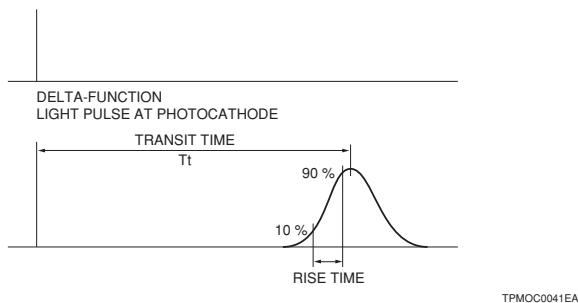
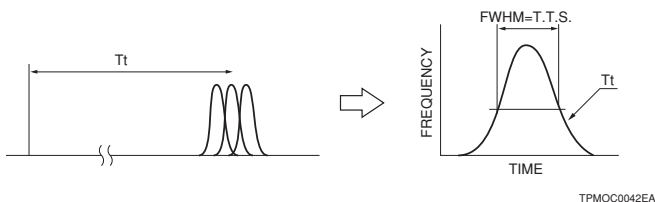


Figure 5: Definition of T.T.S.



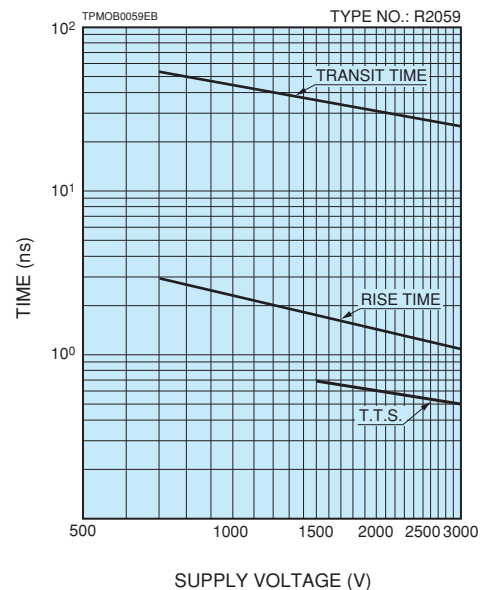
(4) C.R.T. (Coincident Resolving Time)

This is one of the important parameters in high energy physics applications and is defined as the FWHM of a coincident timing spectrum of a pair PMT's facing each other when they detect coincident gamma-ray emission due to positron annihilation of a radiation source (^{22}Na). The scintillators used are CsF, BGO or BaF_2 crystals. These PMT's can be selected for special requirements.

These parameters are affected by the dynode structure and applied voltage. In general, PMTs of the linear focused structure exhibit better time response than that of the box-and-grid or venetian blind structure.

Figure 6 shows typical time response characteristics vs. applied voltage for types R2059 (51 mm dia. head-on, 12-stage, linear-focused type).

Figure 6: Time response characteristics vs. supply voltage



7. PULSE LINEARITY

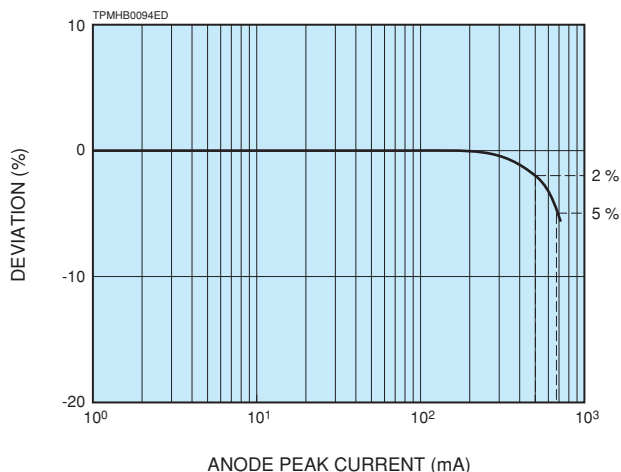
The definition of the pulse linearity is proportionality between the input light amount and the output current in the pulse operation mode. When intense light pulses are to be measured, it's necessary to know the pulse linearity range of the PMT.

In this catalog, typical values of pulse linearity are specified at two points ($\pm 2\%$ and $\pm 5\%$ deviations from linear proportionality), as shown in Figure 7.

The two-pulse technique is employed in this measurement. LED's are used for a pulsed light source. Its pulse width is 50 ns and the repetition rate is 1 kHz.

The deviation from the proportionality is called non-linearity in this catalog. The cause of non-linearity is mainly a space charge effect in the later stages of an electron multiplier. This space charge effect depends on the pulse height of the PMT output current and the strength of electric fields between electrodes.

Figure 7: Example of pulse linearity characteristic

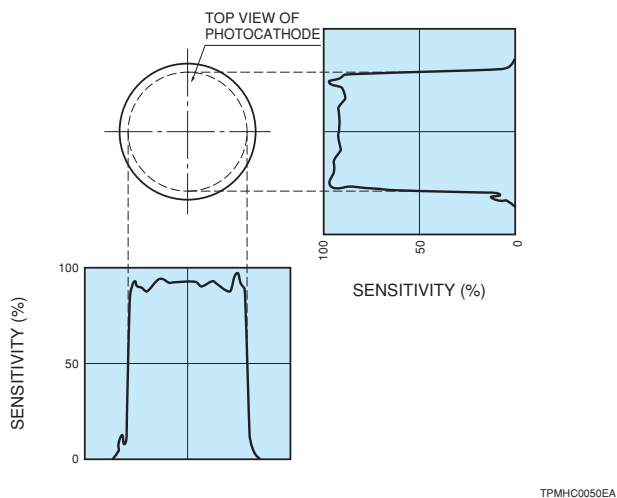


The special voltage distribution ratios are designed to achieve strong electric fields in the later stages of the electron multiplier. Some types are specified with these special voltage dividers.

8. UNIFORMITY

Although the focusing electrodes of a PMT are designed so that electrons emitted from the photocathode or dynodes are collected efficiently by the first or following dynodes, some electrons may deviate from their desired trajectories and collection efficiency is degraded. The collection efficiency varies with the position on the photocathode from which the photoelectrons are emitted, and influences the spatial uniformity of a photomultiplier tube. The spatial uniformity is also determined by the photocathode surface uniformity itself. PMTs especially designed for gamma camera applications have excellent spatial uniformity. Example of spatial uniformity is shown in Figure 8.

Figure 8: Example of spatial uniformity



9. STABILITY

In scintillation counting, there are two relevant stability characteristics for the PMT in pulse height mode operation, the long term and the short term. In each case a ^{137}Cs source (662 keV), and an NaI(Tl) scintillator, and a multichannel pulse height analyzer are used. PMT's are warmed up for about one hour in the dark with voltage applied.

9.1 Long term stability (Mean gain deviation)

This is defined as follows when the PMT is operated for 16 hours at a constant count rate of 1000 s^{-1} :

$$Dg = \frac{\sum_{i=1}^n |P - P_i|}{n} \cdot \frac{100}{P} (\%)$$

where P is the mean pulse height averaged over n readings, P_i is the pulse height at the i-th reading, and n is the total number of readings.

9.2 Short term stability

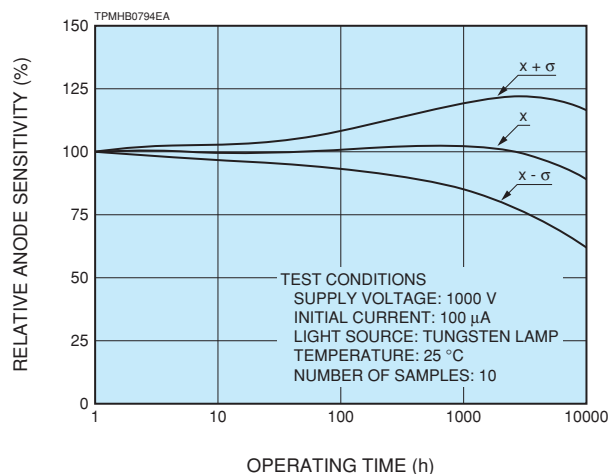
This is the gain shift against count rate change. The tube is initially operated at about 10000 s^{-1} . The photo-peak count rate is then decreased to approximately 1000 s^{-1} by increasing the distance between the ^{137}Cs source and the scintillator coupled to the PMT.

9.3 Drift and life characteristics

While operating a photomultiplier tube continuously over a long period, anode output current of the photomultiplier tube may vary slightly with time, although operating conditions have not changed. This change is referred to as drift or in the case where the operating time is 1000 hours to 10000 hours it is called life characteristics. Figure 9 shows typical life characteristics.

Drift is primarily caused by damage to the last dynode by heavy electron bombardment. Therefore the use of lower anode current is desirable. When stability is of prime importance, the use of average anode current of $1 \mu\text{A}$ or less is recommended.

Figure 9: Examples of life characteristics

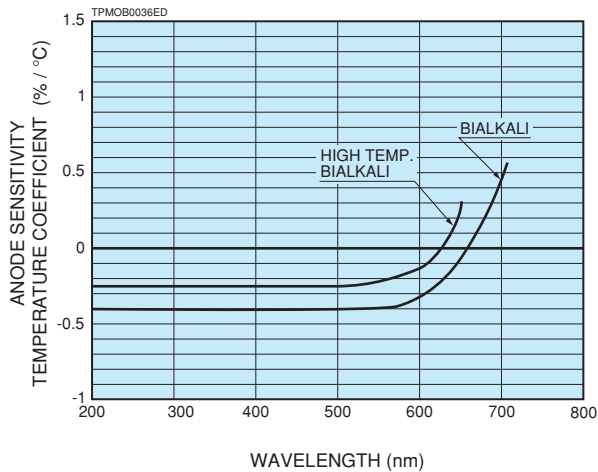


10. ENVIRONMENT

10.1 Temperature characteristics

The sensitivity of the PMT varies with the temperature. Figure 10 shows typical temperature coefficients of anode sensitivity around the room temperature for bialkali and high temp. bialkali photocathode types. In the ultraviolet to visible region, the temperature coefficient of sensitivity has a negative value, while it has a positive value near the longer wavelength cut-off. Since the temperature coefficient change is large near the longer wavelength cut-off, temperature control may be required in some applications.

Figure 10: Typical temperature coefficients of anode sensitivity



10.2 Magnetic field

Most PMTs are affected by the presence of magnetic fields. Magnetic fields may deflect electrons from their normal trajectories and cause a loss of gain. The extent of the loss of gain depends on the type of the PMT and its orientation in the magnetic field. Figure 11 shows typical effects of magnetic fields on some types of PMTs. In general, a PMT having a long path from the photocathode to the first dynode are very sensitive to magnetic fields. Therefore head-on types, especially of large diameter, tend to be more adversely influenced by magnetic fields.

When a PMT has to be operated in magnetic fields, it may be necessary to shield the PMT with a magnetic shield case. (Hamamatsu provides a variety of magnetic shield cases.)

For example, the shield case, of which inner diameter is 60 mm and the thickness is 0.8 mm, can be used in a magnetic field of around 5 mT without saturation. If a magnetic field strength is more than 10 mT, the double shielding method is necessary for a conventional PMT, otherwise proximity mesh types should be used. The magnetic shielding factor is used to express the effect of a magnetic shield case. This is the ratio of the strength of the magnetic field outside the shield case or H_{out} , to that inside the shield case or H_{in} .

The magnetic shielding factor is determined by the permeability μ , the thickness t (mm) and inner diameter r (mm) of the shield case as follows.

$$\frac{H_{out}}{H_{in}} = \frac{3\mu t}{4r}$$

It should be noted that the magnetic shielding effect decreases towards the edge of the shield case as shown in Figure 12. It is suggested to cover a PMT with a shield case longer than the PMT length by at least half the PMT diameter.

Figure 11: Typical effects by magnetic fields perpendicular to tube axis

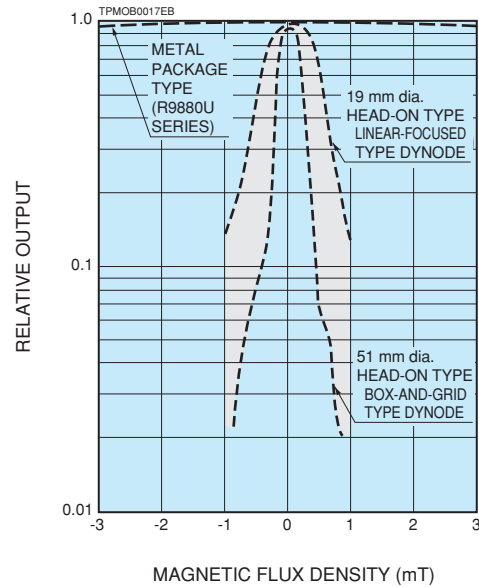
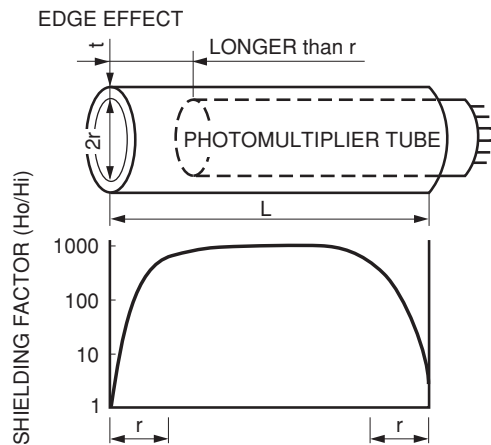


Figure 12: Edge effect of magnetic shield case



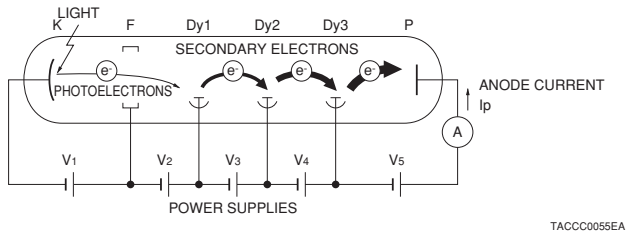
TPMOB0011EC

The proximity mesh made of non-magnetic material has been introduced as alternate dynodes in PMT's. These types (see page 24) exhibit much higher immunity to external magnetic fields than the conventional PMT's. Also triode and three types (see page 24) are useful for applications at high light intensities.

11. VOLTAGE DIVIDER CIRCUITS

To operate a photomultiplier tube, a high voltage of 500 volts to 2000 volts is usually supplied between the photocathode (K) and the anode (P), with a proper voltage gradient set up along the photoelectron focusing electrode (F) or grid (G), secondary electron multiplier electrodes or dynodes (Dy) and, depending on photomultiplier tube type, an accelerating electrode (Acc). Figure 13 shows a schematic representation of photomultiplier tube operation using independent multiple power supplies, but this is not a practical method. Instead, a voltage divider circuit is commonly used to divide, by means of resistors, a high voltage supplied from a single power supply.

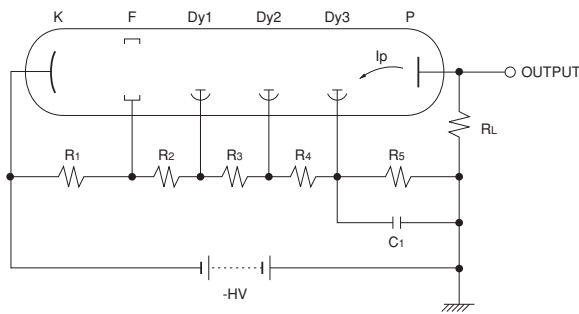
Figure 13: Schematic representation of photomultiplier tube operation



TACCC0055EA

Figure 14 shows a typical voltage divider circuit using resistors, with the anode side grounded. The capacitor C_1 connected in parallel to the resistor R_5 in the circuit is called a decoupling capacitor and improves the output linearity when the photomultiplier tube is used in pulse operation, and not necessarily used in providing DC output. In some applications, transistors or Zener diodes may be used in place of these resistors.

Figure 14: Anode grounded voltage divider circuit



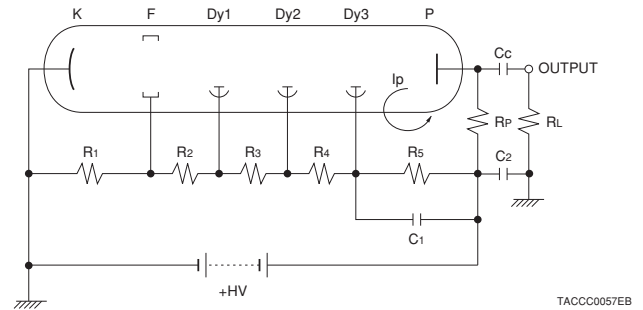
TACCC0056EB

11.1 Anode grounding and photocathode grounding

In order to eliminate the potential difference between the photomultiplier tube anode and external circuits such as an ammeter, and to facilitate the connection, the generally used technique for voltage divider circuits is to ground the anode and supply a high negative voltage ($-HV$) to the photocathode, as shown in Figure 14. This scheme provides the signal output in both DC and pulse operations, and is therefore used in a wide range of applications.

In photon counting and scintillation counting applications, however, the photomultiplier tube is often operated with the photocathode grounded and a high positive voltage ($+HV$) supplied to the anode mainly for purposes of noise reduction. This photocathode grounding scheme is shown in Figure 15, along with the coupling capacitor C_c for isolating the high voltage from the output circuit. Accordingly, this setup cannot provide a DC signal output and is only used in pulse output applications. The resistor R_P is used to give a proper potential to the anode. The resistor R_L is placed as a load resistor, but the actual load resistance will be the combination of R_P and R_L .

Figure 15: Photocathode grounded voltage divider circuit

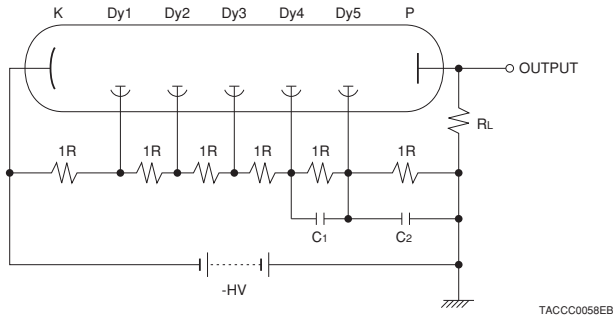


TACCC0057EB

11.2 Standard voltage divider circuits

Basically, the voltage divider circuits of socket assemblies listed in this catalog are designed for standard voltage distribution ratios which are suited for constant light measurement. Socket assemblies for side-on photomultiplier tubes in particular mostly use a voltage divider circuit with equal interstage voltages allowing high gain as shown in Figure 16.

Figure 16: Equally divided voltage divider circuit



11.3 Tapered voltage divider circuits

In most pulsed light measurement applications, it is often necessary to enhance the voltage gradient at the first and/or last few stages of the voltage divider circuit, by using larger resistances as shown in Figure 17. This is called a tapered voltage divider circuit and is effective in improving various characteristics. However it should be noted that the overall gain decreases as the voltage gradient becomes greater. In addition, care is required regarding the interstage voltage tolerance of the photomultiplier tube as higher voltage is supplied. The tapered voltage circuit types and their suitable applications are listed below.

Tapered circuit at the first few stages

(resistance: large <First dynode> → small <Latter dynode>)

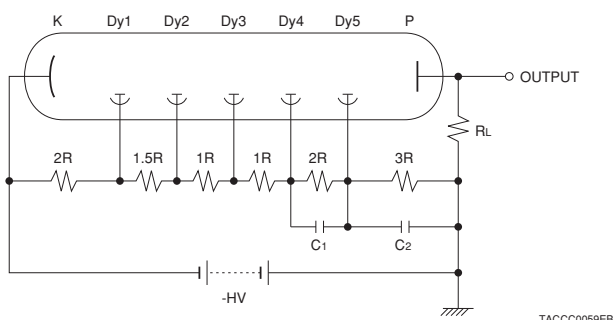
- Photon counting (improvement in pulse height distribution)
- Low-light-level detection (S/N ratio enhancement)
- High-speed pulsed light detection (improvement in timing properties)
- Other applications requiring better magnetic characteristics and uniformity

Tapered circuit at the last few stages

(resistance: small <First dynode> → large <Latter dynode>)

- High pulsed light detection (improvement in output linearity)
- High-speed pulsed light detection (improvement in timing properties)
- Other applications requiring high output across the load resistor

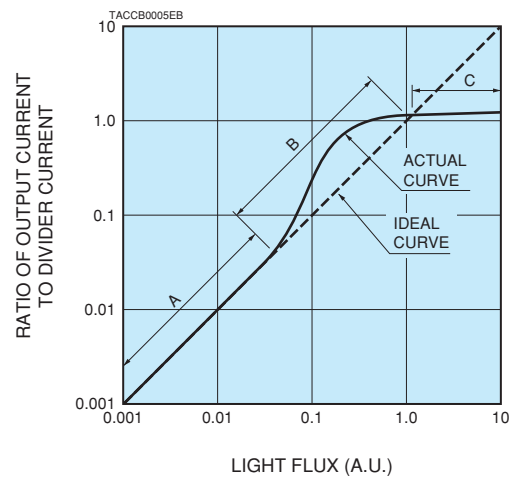
Figure 17: Tapered voltage divider circuit



11.4 Voltage divider circuit and photomultiplier tube output linearity

In both DC and pulse operations, when the light incident on the photocathode increases to a certain level, the relationship between the incident light level and the output current begins to deviate from the ideal linearity. As can be seen from Figure 18, region A maintains good linearity, and region B is the so-called overlinearity range in which the output increase is larger than the ideal level. In region C, the output goes into saturation and becomes smaller than the ideal level. When accurate measurement with good linearity is essential, the maximum output current must be within region A. In contrast, the lower limit of the output current is determined by the dark current and noise of the photomultiplier tube as well as the leakage current and noise of the external circuit.

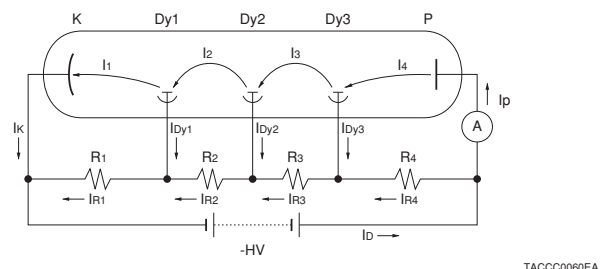
Figure 18: Output linearity of photomultiplier tube



11.5 Output linearity in DC mode

Figure 19 is a simplified representation showing photomultiplier tube operation in the DC output mode, with three stages of dynodes and four dividing resistors R_1 through R_4 having the same resistance value.

Figure 19: Basic operation of photomultiplier tube and voltage divider circuit



[When light is not incident on the tube]

In dark state operation where a high voltage is supplied to a photomultiplier tube without incident light, the current components flowing through the voltage divider circuit will be similar to those shown in Figure 20 (if we ignore the photomultiplier tube dark current). The relation of current and voltage through each component is given below

Interelectrode current of photomultiplier tube

$$I_1=I_2=I_3=I_4 (= 0 \text{ A})$$

Electrode current of photomultiplier tube

$$I_k=I_{Dy1}=I_{Dy2}=I_{Dy3}=I_P (= 0 \text{ A})$$

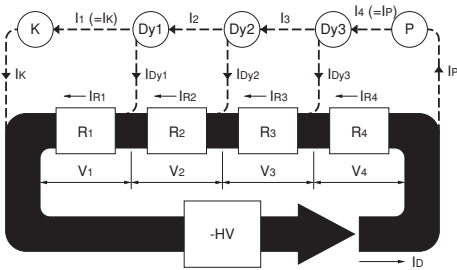
Voltage divider circuit current

$$I_{R1}=I_{R2}=I_{R3}=I_{R4}=I_D = (HV / \sum_{n=1}^4 R_n)$$

Voltage divider circuit voltage

$$V_1=V_2=V_3=V_4=I_D \cdot R_n (= HV/4)$$

Figure 20: Operation without Light Input



TACCC0061EA

[When light is incident on the tube]

When light is allowed to strike the photomultiplier tube under the conditions in Figure 20, the resulting currents can be considered to flow through the photomultiplier tube and the voltage divider circuit as schematically illustrated in Figure 21. Here, all symbols used to represent the current and voltage are expressed with a prime ('), to distinguish them from those in dark state operation.

The voltage divider circuit current $I_{D'}$ is the sum of the voltage divider circuit current I_D in dark state operation and the current flowing through the photomultiplier tube ΔI_D (equal to average interelectrode current). The current flowing through each dividing resistor R_n becomes as follows:

$$I_{Rn}' = I_{D'} - I_n'$$

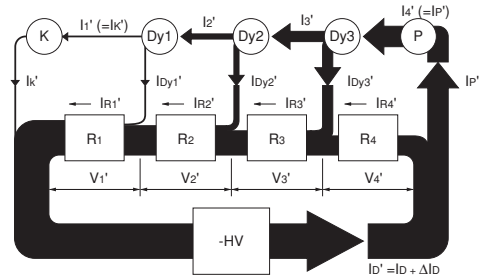
Where I_n' is the interelectrode current which has the following relation:

$$I_1' < I_2' < I_3' < I_4'$$

Thus, the interstage voltage V_n' ($=I_{Rn}' \cdot R_n$) becomes smaller at the latter stages, as follows:

$$V_1' > V_2' > V_3' > V_4'$$

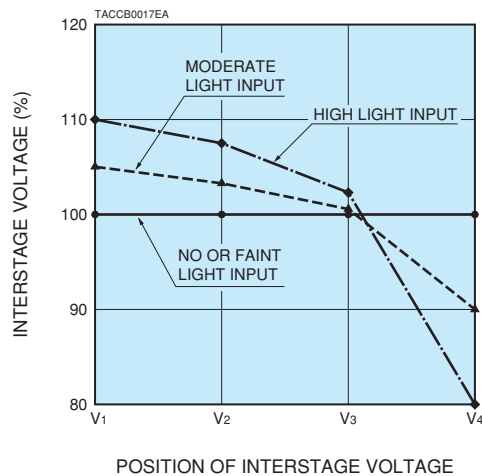
Figure 21: Operation with light input



TACCC0062EA

Figure 22 shows changes in the interstage voltages as the incident light level varies. The interstage voltage V_4' with light input drops significantly compared to V_4 in dark state operation. This voltage loss is redistributed to the other stages, resulting in increases in V_1' , V_2' and V_3' which are higher than those in dark state operation. The interstage voltage V_4' is only required to collect the secondary electrons emitted from the last dynode to the anode, so it has little effect on the anode current even if dropped to 20 or 30 volts. In contrast, the increases in V_1' , V_2' and V_3' directly raise the secondary emission ratios (δ_1 , δ_2 and δ_3) at the dynodes Dy_1 , Dy_2 and Dy_3 , and thus boost the overall gain $m (= \delta_1 \cdot \delta_2 \cdot \delta_3)$. This is the cause of overlinearity in region B in Figure 10. As the incident light level further increases so that V_4' approaches 0 volts, output saturation occurs in region C.

Figure 22: Changes in interstage voltages at different incident light levels



POSITION OF INTERSTAGE VOLTAGE

11.6 Linearity improvement in DC output mode

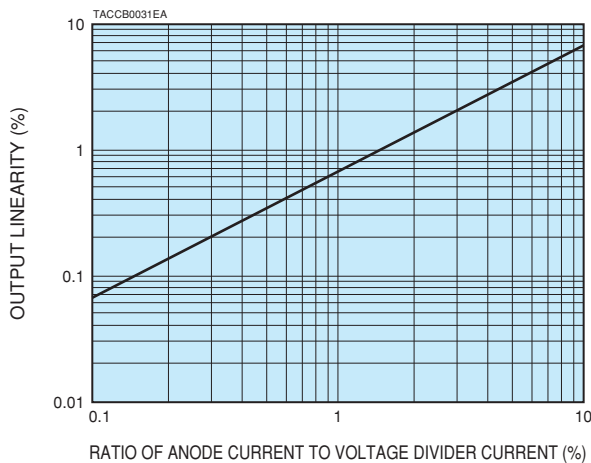
To improve the linearity in DC output mode, it is important to minimize the changes in the interstage voltage when photocurrent flows through the photomultiplier tube. There are several specific methods for improving the linearity, as discussed below.

① Increasing the voltage divider current

Figure 23 shows the relationship between the output linearity of a 28 mm (1-1/8") diameter side-on photomultiplier tube and the ratio of anode current to voltage divider current. For example, to obtain an output linearity of 1 %, it can be seen from the figure that the anode current should be set approximately 1.4 % of the divider circuit current. However, this is a calculated plot, so actual data may differ from tube to tube even for the same type of photomultiplier tube, depending on the supply voltage and individual dynode gains. To ensure high photometric accuracy, it is recommended that the voltage divider current be maintained at least twice the value obtained from this figure.

The maximum linear output in DC mode listed for the D-type socket assemblies in this catalog indicates the anode current equal to 1/20 of the voltage divider current. The output linearity at this point can be maintained within 3 % to 5 %.

Figure 23: Output linearity vs. anode current to voltage divider current ratio

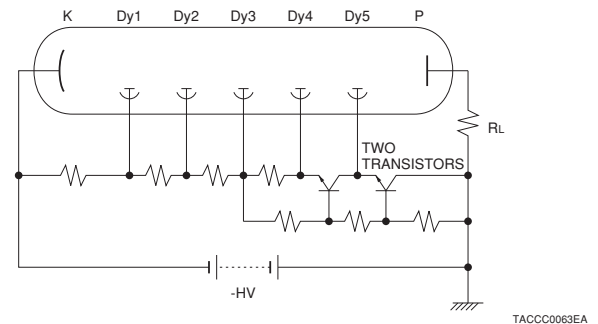


As stated above, good output linearity can be obtained simply by increasing the voltage divider current. However, this is accompanied by heat emanating from the voltage divider. If this heat is conducted to the photomultiplier tube, it may cause problems such as an increase in the dark current, and variation in the output.

② Using the active voltage divider circuit

Use of a voltage divider circuit having transistors in place of the dividing resistors in last few stages (for example, Hamamatsu E6270 series using FETs) is effective in improving the output linearity. This type of voltage divider circuit ensures good linearity up to an output current equal to 60 % to 70 % of the voltage divider current, since the interstage voltage is not affected by the interelectrode current inside the photomultiplier tube. A typical active voltage divider circuit is shown in Figure 24.

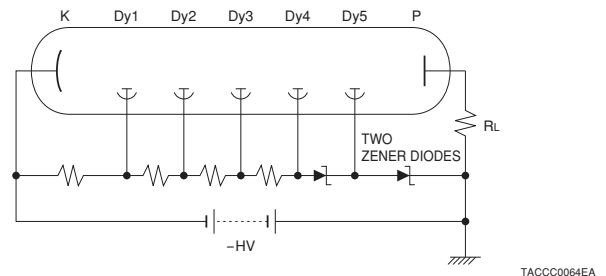
Figure 24: Active voltage divider circuit



③ Using zener diodes

The output linearity can be improved by using Zener diodes in place of the dividing resistors in the last few stages, because the Zener diodes serve to maintain the interstage voltages at a constant level. However, if the supply voltage is greatly varied, the voltage distribution may be imbalanced compared to other interstage voltages, thus limiting the adjustable range of the voltage with this technique. In addition, if the supply voltage is reduced or if the current flowing through the Zener diodes becomes insufficient due to an increase in the anode current, noise may be generated from the Zener diodes. Precautions should be taken when using this type of voltage divider circuit. Figure 25 shows a typical voltage divider circuit using Zener diodes.

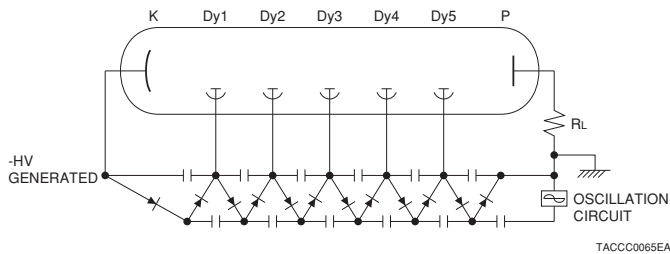
Figure 25: Voltage divider circuit using zener diodes



④ Using Cockcroft-Walton circuit

When a Cockcroft-Walton circuit as shown in Figure 26 is used to operate a 28 mm (1-1/8") diameter side-on photomultiplier tube with a supply voltage of 1000 volts, good DC linearity can be obtained up to 200 μ A and even higher. Since a high voltage is generated by supplying a low voltage to the oscillator circuit, there is no need for using a high voltage power supply. This Cockcroft-Walton circuit achieves superior DC output linearity as well as low current consumption.

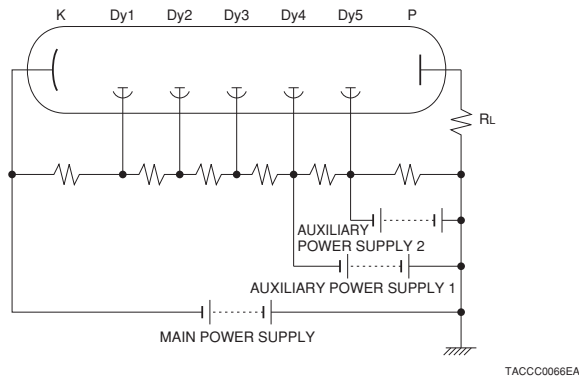
Figure 26: Cockcroft-Walton circuit



⑤ Using multiple high voltage power supplies

As shown in Figure 27, this technique uses multiple power supplies to directly supply voltages to the last few stages near the anode. This is sometimes called the booster method, and is used for high pulse and high count rate applications in high energy physics experiments.

Figure 27: Voltage divider circuit using multiple power supplies (Booster method)



11.7 Output linearity in pulsed mode

In applications such as scintillation counting where the incident light is in the form of pulses, individual pulses may range from a few to over 100 milliamperes even though the average anode current is small at low count rates. In this pulsed output mode, the peak current in extreme cases may reach a level hundreds of times higher than the voltage divider current. If this happens, it is not possible to supply interelectrode currents from the voltage divider circuit to the last few stages of the photomultiplier tube, thus leading to degradation in the output linearity.

11.8 Improving linearity in pulsed output mode

① Using decoupling capacitors

Using multiple power supplies mentioned above is not popular in view of the cost. The most commonly used technique is to supply the interelectrode current by using decoupling capacitors as shown in Figure 28. There are two methods for connecting these decoupling capacitors: the serial method and the parallel method. As Figures 28 and 29 show, the serial method is more widely used since it requires lower tolerance voltages of the capacitors. The capacitance value C (farads) of the decoupling capacitor between the last dynode and the anode should be at least 100 times the output charge as follows:

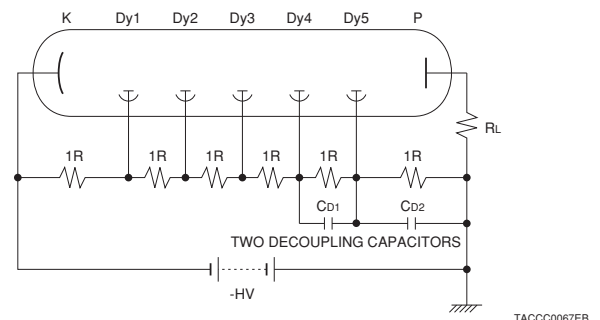
$$C > 100 \cdot Q/V$$

where Q is the charge of one output pulse (coulombs) and V is the voltage (volts) across the last dynode and the anode.

Since this method directly supplies the pulse current with electrical charges from the capacitors, if the count rate is increased and the resulting duty factor becomes larger, the electrical charge will be insufficient. Therefore, in order to maintain good linearity, the capacitance value obtained from the above equation must be increased according to the duty factor, so that the voltage divider current is kept at least 50 times larger than the average anode current just as with the DC output mode.

The active voltage divider circuit and the booster method using multiple power supplies discussed previously, provide superior pulse output linearity even at a higher duty factor.

Figure 28: Equally divided voltage divider circuit and decoupling capacitors

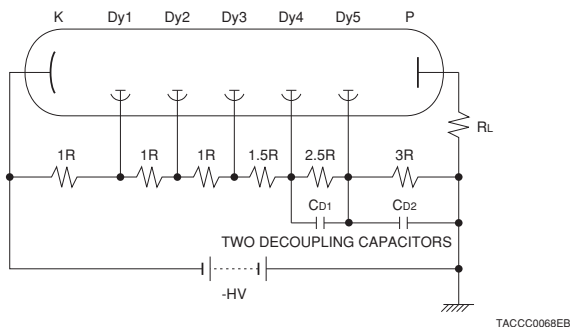


② Using tapered voltage divider circuit with decoupling capacitors

Use of the above voltage divider circuit having decoupling capacitors is effective in improving pulse linearity. However, when the pulse current increases further, the electron density also increases, particularly in last stages. This may cause a space charge effect which prevents interelectrode current from flowing adequately and leading to output saturation. A commonly used technique for extracting a higher pulse current is the tapered voltage divider circuit in which the voltage distribution ratios in the latter stages are enhanced as shown in Figure 29. Care should be taken in this case regarding loss of the gain and the breakdown voltages between electrodes.

Since use of a tapered voltage divider circuit allows an increase in the voltage between the last dynode and the anode, it is possible to raise the voltage across the load resistor when it is connected to the anode. It should be noted however, that if the output voltage becomes excessively high, the voltage between the last dynode and the anode may drop, causing a degradation in output linearity.

Figure 29: Tapered voltage divider circuit using decoupling capacitors



12. EXTERNAL POTENTIAL

If the input window or glass envelope near the photocathode is grounded, slight conductivity of glass material causes a current flow between the photocathode, which has a high negative potential, and ground.

This may cause electrolysis of photocathode, leading to significant deterioration.

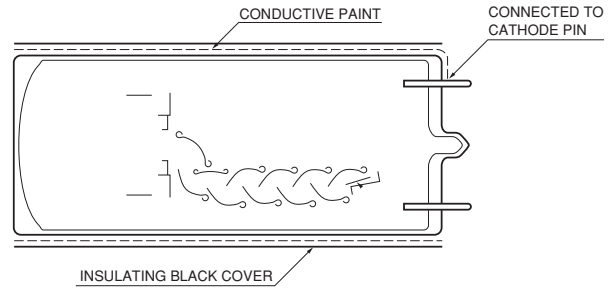
Also this may cause noise resulted from the light flashes at the above input window or glass envelope.

For those reasons, when designing a PMT housing with an electrostatic or magnetic shield case, extreme care should be required.

When the anode ground scheme is used, bringing a grounded metallic holder or magnetic shield case near the glass envelope of PMT can cause electrons to strike the inner glass wall, resulting in the noise.

This problem can be solved by applying a black conductive paint around the glass envelope and connecting it to the cathode potential. Then PMT is wrapped with an insulating black cover, as shown in Figure 30. This method is called HA treatment.

Figure 30: HA treatment



13. SCINTILLATION COUNTING

13.1 General

Scintillation counting is one of the most common and effective methods in detecting radiation particles. It uses a PMT coupled to a scintillator which produces light by incidence of radiation particles.

In radiation particle measurement, there are two parameters that should be measured. One is the energy of individual particle and the other is the amount of particles. When radiation particles enter the scintillator, they produce light flashes in response to each particle. The amount of flash is proportional to the energy of the incident particle and individual light flashes are detected by the PMT. Consequently, the output pulses obtained from the PMT contain information on both the energy and number of pulses, as shown in Figure 31.

Figure 31: Incident particles and PMT output

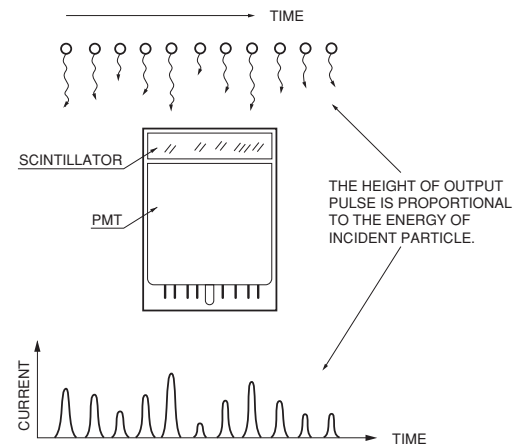
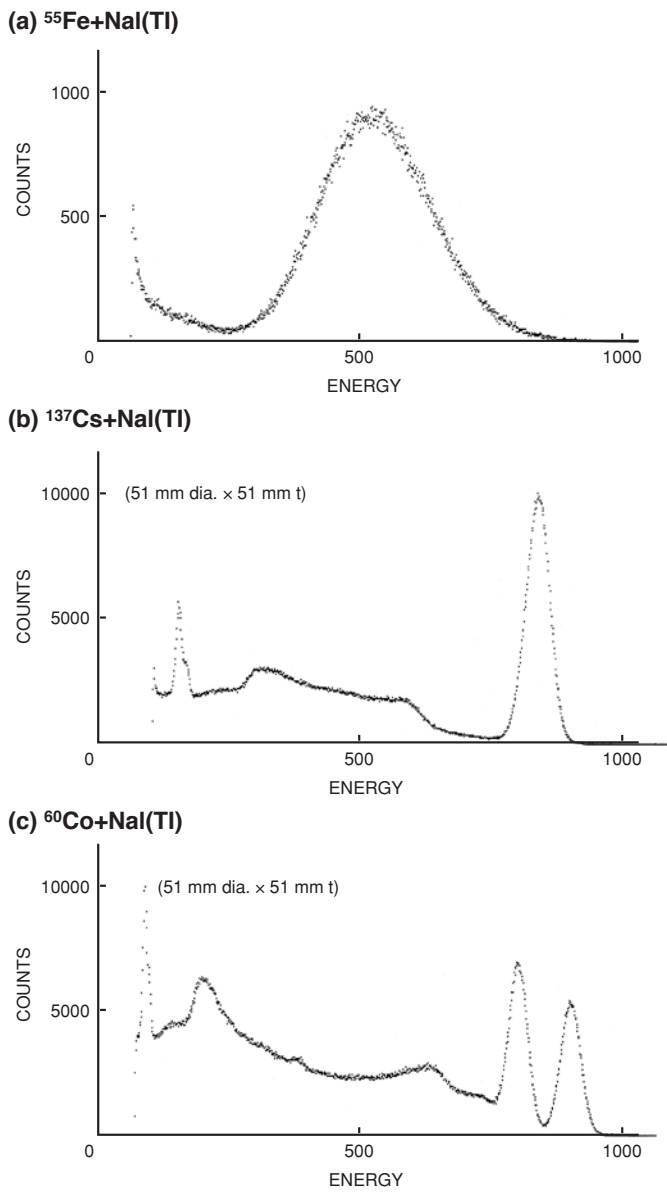


Figure 32: Typical pulse height distribution (Energy spectral)

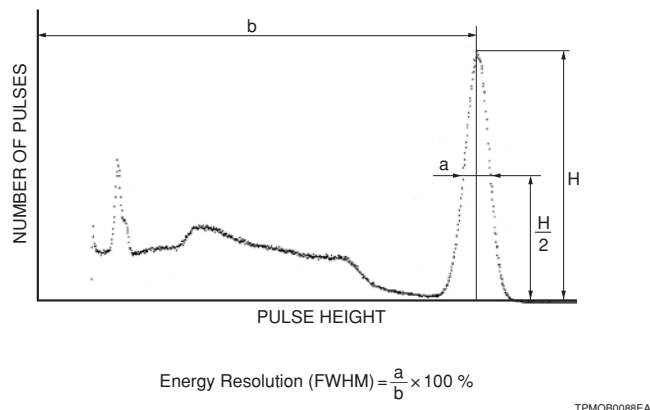


By analyzing these output pulses using a multichannel analyzer (MCA), pulse height distribution (PHD), or energy spectra, as shown in Figure 32, are obtained. From the PHD, the number of incident particles at various energy levels can be measured.

13.2 Energy resolution

For the energy spectrum measurement, it is very important to have a distinct peak at each energy level. This characteristic is evaluated as the pulse height resolution or the energy resolution and is most significant in the radiation particle identification. Figure 33 shows the definition of the energy resolution using Nal(Tl) scintillator and ¹³⁷Cs γ -ray source. It is customarily stated as a percentage.

Figure 33: Definition of pulse height resolution



The following factors determine the energy resolution.

- (1) Energy conversion efficiency of the scintillator
- (2) Intrinsic energy resolution of the scintillator
- (3) Quantum efficiency of the photocathode
- (4) Collection efficiency of photoelectrons at the first dynode
- (5) Secondary emission yield of dynodes (especially first dynode)

The equation of the pulse height resolution is described as follows:

$$R(E)^2 = R_S(E)^2 + R_P(E)^2$$

where $R(E)$: energy resolution
 $R_S(E)$: energy resolution of a scintillator
 $R_P(E)$: energy resolution of a PMT

$R_P(E)^2$ is described as follows:

$$R_P(E)^2 = \frac{5.56}{N\eta\alpha} \times \frac{\delta}{\delta-1}$$

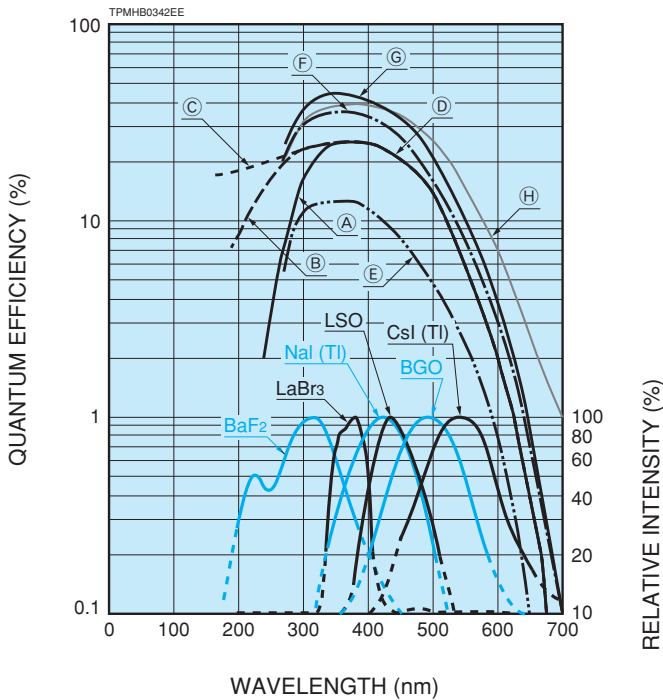
where N : mean number of incident photon
 η : quantum efficiency
 α : collection efficiency
 δ : mean secondary emission yield of each dynode

To obtain a good energy resolution, it is important to use a good scintillator having a high efficiency and a good intrinsic energy resolution. It is also important to reduce a light loss between a PMT and a scintillator. For this purpose, it is useful to couple them with silicon oil having a refractive index close to that of the faceplate window of the PMT or scintillator material or its protective window.

13.3 Emission spectrum of scintillator

The quantum efficiency of the PMT is one of the main factors to determine its energy resolution. It is necessary to choose a PMT whose spectral response matches the scintillator emission. Figure 34 shows PMT typical spectral response vs. emission spectra of scintillators. For NaI(Tl), which is the most popular scintillator, bialkali photocathode PMTs are widely used.

Figure 34: Typical spectral response and emission spectra of scintillators



- (A): Bialkali Photocathode (Borosilicate Glass)
- (B): Bialkali Photocathode (UV Glass)
- (C): Bialkali Photocathode (Silica Glass)
- (D): Bialkali Photocathode
- (E): High Temp. Bialkali Photocathode
- (F): Super Bialkali
- (G): Ultra Bialkali
- (H): Extended Green Bialkali

13.4 Features of scintillators

Figure 35 shows typical temperature responses of various scintillators. These characteristics should be considered in the actual operation.

Table 1 shows a summary of scintillator characteristics. These data are reported by scintillator manufactures.

Figure 35: Typical temperature response of various scintillators

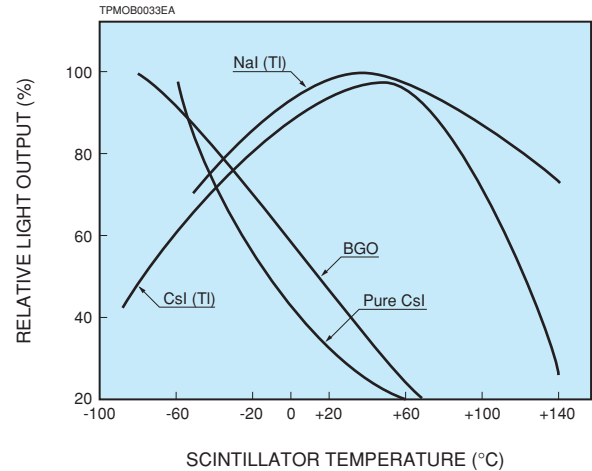


Table 1: Summary of scintillator characteristics

	NaI(Tl)	BGO	CsI(Tl)	Pure CsI	BaF ₂	GSO: Ce	Plastic	LaBr ₃ : Ce	LSO: Ce	YAP: Ce
Density (g/cm ³)	3.67	7.13	4.51	4.51	4.88	6.71	1.03	5.29	7.35	5.55
Lrad (cm)	2.59	1.12	1.85	1.85	2.10	1.38	40	2.1	0.88	2.70
Refractive index	1.85	2.15	1.80	1.80	1.58	1.85	1.58	1.9	1.82	1.97
Hygroscopic	Yes	No	Slightly	Slightly	Slightly	No	No	Yes	No	No
Luminescence (nm)	410	480	530	310	220 / 325	430	400	380	420	380
Decay time (ns)	230	300	1000	10	0.9 / 630	30	2.0	16	40	30
Relative light output	100	15	45 to 50	<10	20	20	25	165	70	40

14. METAL PACKAGE PHOTOMULTIPLIER TUBE

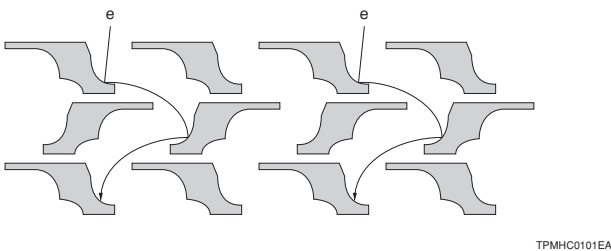
In general including, the development of more compact and portable equipment has continuously progressed. This has led to a strong demand for miniaturization of highly sensitive photodetectors like PMTs. However, it is difficult to miniaturize conventional PMTs with glass envelopes and sophisticated electrode structures.

Accordingly, PMTs have been mainly used in high-precision photometric systems, while semiconductor sensors have been used in general purpose, compact and portable equipments/applications. To meet the increasing needs for small photodetectors with high sensitivity, Hamamatsu has developed subminiature PMTs (R9880 series) using a metal package in place of the traditional glass envelope. These tubes have a size as small as semiconductor sensors, without sacrificing high sensitivity, and have the high speed response offered by conventional PMTs. The remarkable features of R9880 series are: smallest size, fast time response, ability of low light level detection and good immunity to magnetic fields.

R9880 series are a subminiature PMT that incorporates an ten stages electron multiplier constructed with stacked thin electrodes (metal channel dynode) into a TO-8 type metal can package of 15 mm in diameter and 10 mm in height. The development of this metal package and its unique thin electrodes have made the fabrication of this subminiature PMT possible. The electrode structure of the electron multiplier was designed by means of advanced computer simulation and electron trajectory analysis.

Furthermore, our long experience with micromachining technology has achieved a closed proximity assembly of these thin electrodes. Figure 36 shows a cross section of the metal channel dynode with simulated electron trajectories.

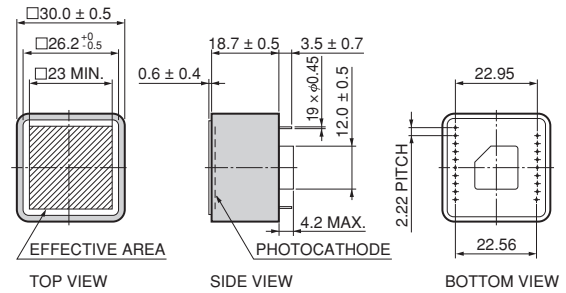
Figure 36: Cross section of metal channel dynode with electron trajectories



TPMHC0101EA

The R5900 / R7600 / R8520 / R11265 series is another version of metal package PMT. It incorporates 10 to 12 stages of metal channel dynodes into a metal package of 26 mm × 26 mm square and about 20 mm in height. The prime features are similar to those of R9880 series, but its effective area is different of R9880. The dimensional outline of R11265U is shown in Figure 37. In this figure, "U" means a tube having an insulation plastic cover. It is necessary to prevent electric shock with some insulation material, because a metal package has a cathode potential voltage.

Figure 37: Insulation plastic cover of R11265U



TPMHA0585EA

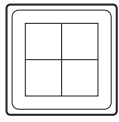
As the metal channel dynode is a sort of an array of small linear focused dynodes, secondary electrons hardly go to the adjacent dynode channel in a process of multiplication. It is possible to make multi-anode PMTs utilizing this feature. These anode shapes are categorized into 3 groups. The first group is multianode in matrix. 4 (2 × 2), 16 (4 × 4) and 64 (8 × 8) matrix channels types are available. (see Figure 38-A) Those are suitable for scintillating fiber readout as well as RICH (Ring Image Cherenkov counter).

R11265 series are wider effective area and shorter length compare with those of R7600 series. (see Figure 38-B)

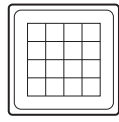
Flat panel PMT assemblies use a 52 mm square photomultiplier tube having an effective area ratio of 89 % and a 64-channel or 256-channel multianode. These flat panel PMTs offer a wide photosensitive area and come in thin, compact shape (see Figure 38-C).

Figure 38: Various anode shape

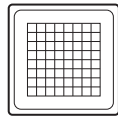
(A) Matrix channel type



R7600U-00-M4

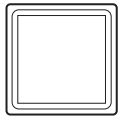


H8711
(R7600-00-M16)



H7546B
(R7600-00-M64)

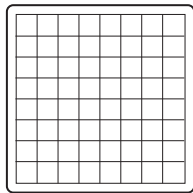
(B) R11265U series



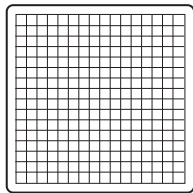
R11265U

* R11265 series have wider effective area and low profile with those of R7600 series.

(C) Flat panel type



H12700A
(R12699-00-M64)



H13700
(R12699-00-M256)

TPMHC0204EC

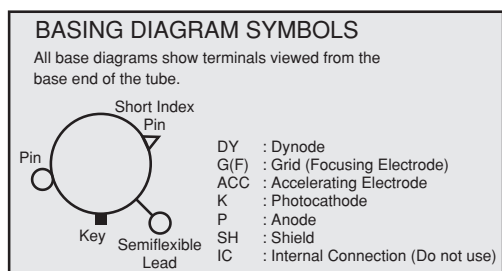
List guide for photomultiplier tubes

Tube diameter	Type No.	① Outline No.	② Spectral response		Cathode characteristics				Anode characteristics								
			Spectral response range (nm)	Curve code	③ Q.E. at peak Typ. (%)	④ Lumi-nous Typ. ($\mu\text{A/lm}$)	⑤ Blue sensitivity index Typ.	⑥ Radiant Typ. (mA/W)	⑦ Anode to cathode supply voltage (V)	⑧ Lumi-nous Typ. (A/lm)	⑥ Radiant Typ. (A/W)	⑨ Gain Typ.	⑩ Dark current		⑪ Time response		
					Typ. (nA)	Max. (nA)	Rise time Typ. (ns)	Transit time Typ. (ns)	T.T.S. Typ. (FWHM) (ns)								

① Outline No.

This number corresponds to that of PMT dimensional outline drawing shown on later pages.

Basing diagram symbols are explained as follows:



TPMOC0068EC

② Spectral response

The relationship between photocathode sensitivity and wavelength of input light.

Curve code corresponds to that of spectral response curve on the inside back cover.

(Refer to section 2 on page 2 for further details.)

③ QE (Quantum Efficiency)

The ratio of the number of photoelectrons emitted from the photocathode to the number of incident photons.

This catalog shows quantum efficiency at the peak wavelength.

(Refer to section 2.2 on page 2 for further details.)

④ Cathode sensitivity (Luminous)

The photoelectric current from the photocathode per incident light flux from a tungsten filament lamp operated at 2856 K.

(Refer to section 2.5 on page 3 for further details.)

⑤ Cathode blue sensitivity index

The photoelectric current from the photocathode per incident light flux from a tungsten filament lamp operated at 2856 K passing through a blue filter.

(Refer to section 2.5 on page 3 for further details.)

⑥ Radiant

Measured at the peak sensitivity wavelength.

(Refer to section 2.2 on page 2 for further details.)

⑦ Anode to cathode supply voltage

The voltage indicates a standard applied voltage used to measure characteristics. The number in circles corresponds to that of the voltage distribution ratio on page 56 and 57.

⑧ Anode sensitivity (Luminous)

The output current from the anode per incident light flux from a tungsten filament lamp operated at 2856 K.

(Refer to section 4.1 on page 3 for further details.)

⑨ Gain (Current amplification)

The ratio of the anode output current to the photoelectric current from the photocathode.

(Refer to section 4.2 on page 4 for further details.)

⑩ Anode dark current

The output current from the anode measured after 30 minutes storage in complete darkness.

(Refer to section 5 on page 4 for further details.)

⑪ Time response

<Rise time>

The time for the anode output pulse to rise from 10 % to 90 % of the peak amplitude.

<Electron transit time>

The time interval between the arrival of a delta function light pulse at the photocathode and the instant when the anode output pulse reaches its peak amplitude.

<T.T.S. (Transit Time Spread)>

This is the fluctuation in transit time among individual pulses, and is defined as the FWHM of the frequency distribution of transit time.

(Refer to section 6 on page 5 for further details.)

Max. ratings 12		Typical pulse height resolution 13	Stability 14		Pulse linearity 15		Remarks		Note	Type No.
Anode to cathode voltage (V)	Average anode current (mA)		Long term Typ. (%)	Short term Typ. (%)	2 % deviation Typ. (mA)	5 % deviation Typ. (mA)	Dynode structure / stage 16	Socket & socket assembly 17		

12 Maximum rating

<Anode to cathode voltage>

The maximum anode to cathode voltages are limited by the internal structure of the PMT.

Excessive voltage causes electrical breakdown. The voltage lower than the maximum rating should be applied to the PMT.

<Average anode current>

This indicates the maximum averaged current over any interval of 30 seconds. For practical use, operating at lower average anode current is recommended.

(Refer to section 9.3 on page 6 for further details)

★ Operating ambient temperature range for the photomultiplier itself is -30 °C to +50 °C except for some types of tubes.

However, when photomultiplier tubes are operated below -30 °C at their base section, please consult us in advance.

13 Pulse height resolution (P.H.R.)

The P.H.R. is measured with the combination of an NaI(Tl) scintillator and a ¹³⁷Cs source as a standard measurement. If other scintillators or γ-ray sources are used, note is attached.

(Refer to section 13.2 on page 14 for further details.)

14 Stability

<Long term stability (Mean gain deviation)>

This is defined as follows under the operation for 16 hours at a constant count rate of 1000 s⁻¹:

$$Dg = \frac{\sum_{i=1}^n |P-P_i|}{n} \cdot \frac{100}{P} (\%)$$

where P is the mean pulse height averaged over n readings, P_i is the pulse height at the i-th reading, and n is the total number of readings.

<Short term stability>

This is the gain shift on count rate change. The tube is first operated at about 10000 s⁻¹. The photo-peak count rate is then decreased to about 1000 s⁻¹ by increasing the distance between the ¹³⁷Cs source and the tube coupled to the NaI(Tl) scintillator. (Refer to section 9 on page 6 for further details.)

15 Pulse linearity

Typical values of pulse linearity are specified at two points (±2 % and ±5 % deviation points from linear proportionality). (Refer to section 7 on page 5 and 6 for further details.)

16 Dynode

<Dynode structure>

Each mark means dynode structure as follows:

- LINE : linear focused
- BOX : box and grid
- B + L : box and linear focused
- C + L : circular and linear focused
- VB : venetian blind
- MC : metal channel

<No. of stages>

The number of dynodes used.

(Refer to section 3 on page 4 for further details.)

17 Socket & socket assembly

- ★ mark : A socket will be supplied with a PMT.
 - no mark : A socket will be supplied as an option.
- The number in square corresponds to the outline number of the PMT socket assembly on page 58 and 59.

Photomultiplier tubes

Tube diameter	Type No.	① Out-line No.	② Spectral response		Cathode characteristics				Anode characteristics									
			Spectral response range (nm)	Curve code	③ Q.E. at peak Typ. (%)	④ Lumi-nous Typ. (μA/lm)	⑤ Blue sensitivity index Typ.	⑥ Radiant Typ. (mA/W)	⑦ Anode to cathode supply voltage (V)	⑧ Lumi-nous Typ. (A/lm)	⑨ Radiant Typ. (A/W)	⑩ Gain Typ.	⑩ Dark current		⑪ Time response			
													Typ. (nA)	Max. (nA)	Rise time Typ. (ns)	Transit time Typ. (ns)	T.T.S. Typ. (FWHM) (ns)	
10 mm (3/8")	R1635	①	300 to 650	(A-D)	25	100	10.0	80	1250 ②	100	8.0×10^4	1.0×10^6	1	50	0.8	9	0.5	
	R2496	①	160 to 650	(C-D)	25	100	10.0	80	1250 ④	100	8.0×10^4	1.0×10^6	2	50	0.7	9	0.5	
13 mm (1/2")	R647-01	②	300 to 650	(A-D)	25	110	10.0	80	1000 ⑭	150	1.1×10^5	1.4×10^6	1	2	2.1	22	2.0	
	R4177-06	②	300 to 650	(E)	12	30	4.5	38	1500 ⑭	15	1.9×10^4	5.0×10^5	0.5	10	2.0	20	—	
	R12421	③	300 to 650	(A-D)	25	110	10	80	1000 ⑰	220	1.6×10^5	2.0×10^6	0.5	2	1.2	14	1.4	
	R12421-300	③	300 to 700	(H)	32	160	14	105	1000 ⑰	320	2.1×10^5	2.0×10^6	1	5	1.2	14	1.4	
19 mm (3/4")	R1166	④	300 to 650	(A-D)	26	110	10.5	85	1000 ⑰	110	8.5×10^4	1.0×10^6	1	5	2.5	27	2.8	
	R1450	⑤	300 to 650	(A-D)	27	115	11.0	88	1500 ⑰	200	1.5×10^5	1.7×10^6	3	50	1.8	19	0.76	
	R3478	⑥	300 to 650	(A-D)	27	115	11.0	88	1700 ⑰	200	1.5×10^5	1.7×10^6	10	300	1.3	14	0.36	
	R3991A-04	⑦	300 to 650	(E)	12	30	4.5	38	1500 ⑰	10	1.3×10^4	3.3×10^5	0.1	10	1.0	10	—	
	R4125	⑤	300 to 650	(A-D)	27	115	11.0	88	1500 ⑰	100	7.7×10^4	8.7×10^5	10	50	2.5	16	0.85	
	R5611A-01	⑦	300 to 650	(A-D)	26	90	10.5	85	1000 ⑰	50	4.7×10^4	5.5×10^5	3	20	1.3	12	0.8	
25 mm (1")	R1288A-06	⑧	300 to 650	(E)	12	30	4.5	38	1500 ⑰	10	1.2×10^4	3.3×10^5	0.1	10	1.3	13	—	
	R1924A	⑧	300 to 650	(A-D)	26	90	10.5	85	1000 ⑰	180	1.7×10^5	2.0×10^6	3	20	1.5	17	0.9	
	R1924A-100	⑧	300 to 650	(F)	35	130	13.5	110	1000 ⑰	260	2.2×10^5	2.0×10^6	5	25	1.5	17	0.9	
	R4998	⑨	300 to 650	(A-D)	23	80	9.5	76	2250 ⑳	400	3.8×10^5	5.0×10^6	10	200	0.7	10	0.16	
	R7899-01	⑩	300 to 650	(A-D)	27	95	11.0	88	1250 ㉓	190	1.8×10^5	2.0×10^6	2	15	1.6	17	0.6	
									1500 ㉔	160	1.5×10^5	1.7×10^6	2	20	1.6	16	0.7	
	R8619	⑪	300 to 650	(A-D)	27	95	11.0	88	1000 ㉓	250	2.3×10^5	2.6×10^6	2	15	2.5	28	1.2	
	R9800	⑫	300 to 650	(A-D)	27	95	11.0	88	1300 ⑰	100	9.3×10^4	1.1×10^6	5	50	1.0	11	0.27	
	R9800-100	⑫	300 to 650	(F)	35	130	13.5	110	1300 ⑰	140	1.2×10^5	1.1×10^6	10	100	1.0	11	0.27	
R13478	⑬	300 to 650	(A-D)	25	95	10.0	80	1500 ⑰	50	4.2×10^4	5.3×10^5	3	30	0.9	9.1	0.13		
28 mm (1-1/8")	R3998-02	⑭	300 to 650	(A-D)	26	90	10.5	85	1000 ⑰	120	1.1×10^5	1.3×10^6	2	10	4.4	32	3.5	
	R3998-100-02	⑭	300 to 650	(F)	35	130	13.5	110	1000 ⑰	130	1.1×10^5	1.0×10^6	5	25	4.4	32	3.5	
	R6427	⑮	300 to 650	(A-D)	27	100	11.0	88	1500 ㉖	500	4.4×10^5	5.0×10^6	10	200	1.7	16	0.5	
									1500 ㉗	200	1.7×10^5	2.0×10^6	4	80	1.8	17	0.5	
	R7111	⑯	300 to 650	(A-D)	26	90	10.5	85	1000 ㉘	180	1.7×10^5	2.0×10^6	3	20	1.6	18	0.9	
R13449	⑰	300 to 650	(A-D)	25	95	10.0	80	1500 ⑰	50	4.2×10^4	5.3×10^5	3	30	0.9	10	0.17		
38 mm (1-1/2")	R580	⑱	300 to 650	(A-D)	27	95	11.0	88	1250 ⑰	100	9.7×10^4	1.1×10^6	3	20	2.7	37	4.5	
									1500 ㉙	75	7.0×10^4	7.9×10^5	2	15	2.7	40	4.5	
	R11102	⑲	300 to 650	(A-D)	28	110	11.5	95	1000 ⑰	110	9.5×10^4	1.0×10^6	2	20	3.2	34	4.8	
	R3886A	⑳	300 to 650	(A-D)	26	90	10.5	85	1000 ⑰	180	1.7×10^5	2.0×10^6	3	20	2.6	30	2.0	
	R9420	㉑	300 to 650	(A-D)	27	95	11.0	88	1300 ⑰	47	4.4×10^4	5.0×10^5	10	100	1.6	17	0.55	
	R9420-100	㉑	300 to 650	(F)	35	130	13.5	110	1300 ⑰	65	5.5×10^4	5.0×10^5	10	100	1.6	17	0.55	
R13408	㉒	300 to 650	(A-D)	25	95	10.0	80	1500 ⑰	50	4.2×10^4	5.3×10^5	3	30	1.2	13	0.19		

Note: The data shown in is measured with tapered voltage distribution ratio. Please refer to page 18 and 19 for each item in the above list.

(at 25 °C)

Max. ratings ¹²		Typical pulse height resolution ¹³	Stability ¹⁴		Pulse linearity ¹⁵		Remarks		Note	Type No.
Anode to cathode voltage (V)	Average anode current (mA)		Long term Typ. (%)	Short term Typ. (%)	2 % deviation Typ. (mA)	5 % deviation Typ. (mA)	Dynode structure / stage ¹⁶	Socket & socket assembly ¹⁷		
1500	0.03	23 *1	1.0	2.0	3	7	LINE / 8	E678-11N*	UV type (R3878)	R1635
1500	0.03	23 *1	1.0	2.0	3	7	LINE / 8	E678-11N*		R2496
1250	0.1	7.8	1.0	2.0	3	7	LINE / 10	E678-13F* 1	SILICA (R760) and UV (R960) types	R647-01
1800	0.02	12.0	2.0	2.0	8	13	LINE / 10	E678-13E*	Flying lead type (R4177-04)	R4177-06
1250	0.1	7.8	1.0	2.0	3	12	LINE / 10	E678-13F* 2	UV type (R12421-03)	R12421
1250	0.1	—	1.0	2.0	3	12	LINE / 10	E678-13F* 2	EGBA type	R12421-300
1250	0.1	7.8	1.0	2.0	4	7	LINE / 10	E678-12L* 3	SILICA (R762) and UV (R750) types	R1166
1800	0.1	7.8	1.0	2.0	4	8	LINE / 10	E678-12L* 4		R1450
1800	0.1	7.8	1.0	2.0	4	8	LINE / 8	E678-12L* 5	SILICA (R2076) and UV (R3479) types	R3478
1800	0.02	11.0	1.0	2.0	20	40	C+L / 10	E678-12R*		R3991A-04
1800	0.1	7.8	1.0	2.0	100	170	LINE / 10	E678-12L*		R4125
1250	0.1	8.0	1.0	2.0	10	20	C+L / 10	E678-12A*	Glass base type (R5611A)	R5611A-01
1800	0.02	9.0	1.0	2.0	30	50	C+L / 10	E678-14-03*	Flying lead type (R1288A-04)	R1288A-06
1250	0.1	7.8	1.0	2.0	30	50	C+L / 10	E678-14C* 7	Flying lead type (R1924A-01)	R1924A
1250	0.1	—	—	—	30	50	C+L / 10	E678-14C 7	Flying lead type (R1924A-100-01)	R1924A-100
2500	0.1	8.0	1.0	2.0	40	70	LINE / 10	E678-12A*	SILICA type (R5320)	R4998
1800	0.1	7.8	1.0	2.0	30	50	LINE / 10	E678-12A*	Glass base type (R7899)	R7899-01
1800	0.1	7.8	1.0	2.0	100	150	LINE / 10	E678-12A*		
1500	0.1	8.0	1.0	2.0	5	8	LINE / 10	E678-12A*		R8619
1500	0.1	7.8	1.0	2.0	30	50	LINE / 8	E678-12A*		R9800
1500	0.1	—	—	—	30	50	LINE / 8	E678-12A*	SBA type	R9800-100
1750	0.1	8.0	—	—	10	25	LINE / 8	E678-20B*		R13478
1500	0.1	7.5	1.0	1.0	8	10	B+L / 9	E678-14C* 6		R3998-02
1500	0.1	7.0	1.0	1.0	8	10	B+L / 9	E678-14C* 6	SBA type	R3998-100-02
2000	0.1	7.8	1.0	2.0	10	30	LINE / 10	E678-14C* 8	UV type (R7056)	R6427
2000	0.1	7.8	1.0	2.0	100	150	LINE / 10	E678-14C* 8		
1250	0.1	7.8	1.0	2.0	30	50	C+L / 10	E678-14C* 7		R7111
1750	0.1	8.0	—	—	10	30	LINE / 8	E678-20B*		R13449
1750	0.1	7.7	1.0	1.0	40	60	LINE / 10	E678-12A* 9		R580
1750	0.1	7.7	1.0	1.0	150	200	LINE / 10	E678-12A* 9		
1250	0.1	6.5	0.5	0.5	10	30	C+L / 10	E678-12A 9		R11102
1250	0.1	7.5	1.0	2.0	20	30	C+L / 10	E678-12A* 9		R3886A
1500	0.1	7.8	1.0	2.0	30	50	LINE / 8	E678-12A*		R9420
1500	0.1	7.0	1.0	2.0	30	50	LINE / 8	E678-12A*	SBA type	R9420-100
1750	0.1	8.0	—	—	20	50	LINE / 8	E678-20B*		R13408

Note 1: This data is measured with ²²Na source and BGO scintillator.

Photomultiplier tubes

Tube diameter	Type No.	Out-line No.	Spectral response ②		Cathode characteristics				Anode characteristics									
			Spectral response range (nm)	Curve code	Q.E. at peak Typ. (%)	Luminous Typ. (μA/lm)	Blue sensitivity index Typ.	Radiant Typ. (mA/W)	Anode to cathode supply voltage (V)	Luminous Typ. (A/lm)	Radiant Typ. (A/W)	Gain Typ.	Dark current ⑩		Time response ⑪			
													Typ. (nA)	Max. (nA)	Rise time Typ. (ns)	Transit time Typ. (ns)	T.T.S. Typ. (FWHM) (ns)	
51 mm (2")	R329-02	23	300 to 650	A-D	26	90	10.5	85	1500 42	100	9.4 × 10 ⁴	1.1 × 10 ⁶	6	40	2.6	48	1.1	
									2000 44	270	2.6 × 10 ⁵	3.0 × 10 ⁶	10	100	2.7	40	1.1	
	R331-05	24	300 to 650	A-D	26	90	10.5	85	1500 42	120	1.1 × 10 ⁵	1.3 × 10 ⁶	1000 s ⁻¹ *2	2000 s ⁻¹ *2	2.6	48	1.1	
	R1306	25	300 to 650	A-D	28	110	11.5	95	1000 ①	30	2.6 × 10 ⁴	2.7 × 10 ⁵	2	20	7.0	60	—	
	R1828-01	26	300 to 650	A-D	26	90	10.5	85	2500 37	1800	1.7 × 10 ⁶	2.0 × 10 ⁷	50	400	1.3	28	0.55	
									2500 38	900	8.5 × 10 ⁵	1.0 × 10 ⁷	25	200	1.7	32	0.55	
	R2083	27	300 to 650	A-D	25	80	10.0	80	3000 ⑩	200	2.0 × 10 ⁵	2.5 × 10 ⁶	100	800	0.8	16	0.37	
	R2154-02	28	300 to 650	A-D	26	90	10.5	85	1250 ⑲	90	8.5 × 10 ⁴	1.0 × 10 ⁶	5	20	3.4	31	3.6	
									1500 20	54	5.1 × 10 ⁴	6.0 × 10 ⁵	3	15	3.4	33	3.6	
	R4607A-06	29	300 to 650	E	12	30	4.5	38	1500 ⑲	10	1.2 × 10 ⁴	3.3 × 10 ⁵	3	50	2.6	28	—	
	R6231	30	300 to 650	A-D	28	110	11.5	95	1000 ③	30	2.6 × 10 ⁴	2.7 × 10 ⁵	2	20	8.5	48	6.9	
	R6231-100	30	300 to 650	F	35	130	13.5	110	1000 ③	30	2.5 × 10 ⁴	2.3 × 10 ⁵	10	30	8.5	48	6.9	
	R7723	31	300 to 650	A-D	26	90	10.5	85	1750 ⑤	90	8.5 × 10 ⁴	1.0 × 10 ⁶	3	20	1.7	23	1.1	
	R7724	31	300 to 650	A-D	26	90	10.5	85	1750 28	300	2.8 × 10 ⁵	3.3 × 10 ⁶	6	40	2.1	29	1.2	
R7724-100	31	300 to 650	F	35	130	13.5	110	1750 28	300	2.5 × 10 ⁵	2.3 × 10 ⁶	6	50	2.1	29	1.2		
R7725	31	300 to 650	A-D	26	90	10.5	85	1750 43	600	5.7 × 10 ⁵	6.7 × 10 ⁶	9	60	2.5	35	1.3		
R13089	32	300 to 650	A-D	25	95	10.0	80	1500 ⑨	30	2.5 × 10 ⁴	3.2 × 10 ⁵	10	50	2.0	20	0.23		
R13435	33	300 to 650	A-D	25	95	10.0	80	1750 31	400	3.4 × 10 ⁵	4.2 × 10 ⁶	30	200	2.0	23	0.23		
60 mm	R6232	34	300 to 650	A-D	28	110	11.5	95	1000 ③	30	2.6 × 10 ⁴	2.7 × 10 ⁵	2	20	9.5	52	8.5	
76 mm (3")	R1307	35	300 to 650	A-D	28	110	11.5	95	1000 ①	30	2.6 × 10 ⁴	2.7 × 10 ⁵	2	20	8.0	64	—	
	R6091	36	300 to 650	A-D	26	90	10.5	85	1500 42	450	4.3 × 10 ⁵	5.0 × 10 ⁶	10	60	2.6	48	2	
									2000 44	900	8.5 × 10 ⁵	1.0 × 10 ⁷	30	120	2.7	40	1.5	
	R6233	37	300 to 650	A-D	28	110	11.5	95	1000 ③	30	2.6 × 10 ⁴	2.7 × 10 ⁵	2	20	9.5	52	8.5	
	R6233-100	37	300 to 650	F	35	130	13.5	110	1000 ③	30	2.5 × 10 ⁴	2.3 × 10 ⁵	10	30	9.5	52	8.5	
R15608	38	300 to 650	A-D	25	85	9.5	76	1750 29	850	7.6 × 10 ⁵	1.0 × 10 ⁷	15	100	1.9	26.2	0.4		
80 mm	R14374	39	300 to 650	A-D	27	90	11.0	90	1250 21	900	9.0 × 10 ⁵	1.0 × 10 ⁷	50	500	2.9	35	1.3	
90 mm (3.5")	R10233	40	300 to 650	A-D	28	110	11.5	95	1000 ③	30	2.6 × 10 ⁴	2.7 × 10 ⁵	2	20	10.0	52	9.4	
	R10233-100	40	300 to 650	F	35	130	13.5	110	1000 ③	30	2.5 × 10 ⁴	2.3 × 10 ⁵	10	30	10.0	52	9.4	
	R14689	41	300 to 650	A-D	27	90	11.0	90	1250 22	900	9.0 × 10 ⁵	1.0 × 10 ⁷	50	500	2.9	36	1.5	
102 mm (4")	R10806	42	300 to 650	A-D	26	90	10.5	85	1000 ③	30	2.8 × 10 ⁴	3.3 × 10 ⁵	5	20	9.0	55	10.5	
	R10806-100	42	300 to 650	F	35	105	13.5	110	1000 ③	30	3.1 × 10 ⁴	2.9 × 10 ⁵	10	40	9.0	55	10.5	
127 mm (5")	R877	43	300 to 650	A-D	26	90	10.5	85	1250 15	40	3.7 × 10 ⁴	4.4 × 10 ⁵	10	50	20.0	115	18.5	
	R877-100	43	300 to 650	F	35	105	13.5	110	1250 15	46	4.8 × 10 ⁴	4.4 × 10 ⁵	20	100	20.0	115	18.5	
	R4144-100	44	300 to 650	F	35	105	13.5	110	2000 11	150	1.5 × 10 ⁵	1.4 × 10 ⁶	20	120	1.7	35	1.6	
	R1250	45	300 to 650	A-D	22	70	9.0	72	2000 45	1000	1.0 × 10 ⁶	1.4 × 10 ⁷	50	300	2.5	54	1.8	
									2500 46	2800	2.9 × 10 ⁶	4.0 × 10 ⁷	300	1800	2.2	53	1.8	
	R6594	46	300 to 650	A-D	25	80	10.0	80	1500 32	240	2.4 × 10 ⁵	3.0 × 10 ⁶	30	300	3.5	45	1.5	
									1500 33	160	1.6 × 10 ⁵	2.0 × 10 ⁶	20	200	3.5	45	1.5	
R1833-100-03	47	300 to 650	F	35	105	13.5	110	1250 8	50	5.5 × 10 ⁴	4.8 × 10 ⁵	20	100	3.3	41	4.6		
202 mm (8")	R5912	48	300 to 650	A-D	25	80	10.0	80	1500 47	800	8.0 × 10 ⁵	1.0 × 10 ⁷	100	1000	3.6	54	2.4	
	R5912-20	48	300 to 650	A-D	25	80	10.0	80	1500 48	80000	8.0 × 10 ⁷	1.0 × 10 ⁹	5000	10000	4.4	72	3.0	
	R5912-100	48	300 to 650	F	35	105	13.5	110	1500 47	1050	1.1 × 10 ⁶	1.0 × 10 ⁷	500	1000	3.6	54	2.4	
	R14688	49	300 to 650	A-D	25	80	10.0	80	1750 34	800	8.0 × 10 ⁵	1.0 × 10 ⁷	100	1000	2.2	37	1	
	R14688-100	49	300 to 650	F	35	105	13.5	110	1750 34	1050	1.1 × 10 ⁶	1.0 × 10 ⁷	500	1000	2.2	37	1	
253 mm (10")	R7081	50	300 to 650	A-D	25	80	10.0	80	1500 47	800	8.0 × 10 ⁵	1.0 × 10 ⁷	100	1000	3.8	62	3.4	
	R7081-20	50	300 to 650	A-D	25	80	10.0	80	1500 48	80000	8.0 × 10 ⁷	1.0 × 10 ⁹	5000	10000	5.0	80	3.9	
	R7081-100	50	300 to 650	F	35	105	13.5	110	1500 47	1050	1.1 × 10 ⁶	1.0 × 10 ⁷	500	1000	3.8	62	3.4	
508 mm (20")	R12860	51	300 to 650	A-D	30	80	12.0	90	2000 35	800	9.0 × 10 ⁵	1.0 × 10 ⁷	500	1000	6.0	95	2.4	

Note: The data shown in is measured with tapered voltage distribution ratio. Please refer to page 18 and 19 for each item in the above list.

Note 2: Dark count

(at 25 °C)

Max. ratings ¹²		Typical pulse height resolution ¹³	Stability ¹⁴		Pulse linearity ¹⁵		Remarks		Note	Type No.
Anode to cathode voltage (V)	Average anode current (mA)		Long term Typ. (%)	Short term Typ. (%)	2 % deviation Typ. (mA)	5 % deviation Typ. (mA)	Dynode structure / stage ¹⁶	Socket & socket assembly ¹⁷		
2700	0.2	7.6	1.0	1.0	15	30	LINE / 12	E678-21C* ¹⁵	SILICA type (R2256-02)	R329-02
2700	0.2	7.6	1.0	1.0	100	200				
2500	0.2	—	—	—	15	30	LINE / 12	E678-21C* ¹⁵		R331-05
1500	0.1	6.3 (8.5) *3	0.5	0.5	1	5	BOX / 8	E678-14W ^{12 13}	K-FREE type (R1306-15)	R1306
3000	0.2	7.8	1.0	1.0	100	200	LINE / 12	E678-20B* ¹¹	SILICA type (R2059)	R1828-01
3000	0.2	7.8	1.0	1.0	250	500				
3500	0.2	7.8	1.0	2.0	100	150	LINE / 8	E678-19J*	SILICA type (R3377)	R2083
1750	0.1	7.6	1.0	1.0	50	70	LINE / 10	E678-14W ¹⁰	Glass base type (R14550-10)	R2154-02
1750	0.1	7.6	1.0	1.0	150	200				
1800	0.02	10.0	2.0	2.0	30	60	C+L / 10	E678-15C*		R4607A-06
1500	0.1	6.3 (8.5) *3	0.5	0.5	5	10	B+L / 8	E678-14W ¹⁴	Semiflexible lead type (R6231-01)	R6231
1500	0.1	6.1	0.5	0.5	5	10	B+L / 8	E678-14W ¹⁴	SBA type	R6231-100
2000	0.2	7.6	1.0	1.0	80	100	LINE / 8	E678-21C* ¹⁵		R7723
2000	0.2	7.6	1.0	1.0	60	90	LINE / 10	E678-21C* ¹⁵		R7724
2000	0.2	—	1.0	1.0	60	90	LINE / 10	E678-21C ¹⁵	SBA type	R7724-100
2000	0.2	7.6	1.0	1.0	40	80	LINE / 12	E678-21C* ¹⁵		R7725
1750	0.1	8.0	—	—	30	60	LINE / 8	E678-20B*		R13089
2000	0.1	8.0	—	—	30	60	LINE / 10	E678-20B*		R13435
1500	0.1	6.3 (8.5) *3	0.5	0.5	5	10	B+L / 8	E678-14W ¹⁴	Semiflexible lead type (R6232-01)	R6232
1500	0.1	6.3 (8.5) *3	0.5	0.5	1	5	BOX / 8	E678-14W ^{12 13}	K-FREE type (R1307-07)	R1307
2500	0.2	7.8	1.0	1.0	40	60	LINE / 12	E678-21C* ¹⁵		R6091
2500	0.2	7.8	1.0	1.0	100	200				
1500	0.1	6.3 (8.5) *3	0.5	0.5	5	10	B+L / 8	E678-14W ¹⁴	Semiflexible lead type (R6233-01)	R6233
1500	0.1	6.1	0.5	0.5	5	10	B+L / 8	E678-14W ¹⁴	SBA type	R6233-100
2000	0.1	8.0	—	—	30	60	LINE / 10	E678-20B		R15608
1500	0.1	—	—	—	20	30	C+L / 10	E678-14W		R14374
1500	0.1	6.3 (8.5)	0.5	0.5	5	10	B+L / 8	E678-14W ¹⁴	Semiflexible lead type (R10233-01)	R10233
1500	0.1	6.1	0.5	0.5	5	10	B+L / 8	E678-14W ¹⁴	SBA type	R10233-100
1500	0.1	—	—	—	20	30	C+L / 10	E678-14W		R14689
1500	0.1	—	1.0	2.0	5	10	B+L / 8	E678-14W ¹⁴		R10806
1500	0.1	—	1.0	2.0	5	10	B+L / 8	E678-14W ¹⁴	SBA type	R10806-100
1500	0.1	8.0	1.0	1.0	10	20	BOX / 10	E678-14W ^{16 17}	K-FREE type (R877-01)	R877
1500	0.1	7.6	1.0	1.0	10	20	BOX / 10	E678-14W ^{16 17}	SBA type, K-FREE type (R877-100-01)	R877-100
3000	0.2	—	—	—	100	150	LINE / 8	E678-20B	SBA type	R4144-100
3000	0.2	8.3	1.0	1.0	100	150	LINE / 14	E678-20B* ¹⁸		R1250
3000	0.2	8.3	1.0	1.0	160	250				
2000	0.1	—	—	—	30	50	B+L / 10	E678-20B*		R6594
2000	0.1	—	—	—	100	150				
1500	0.1	—	1.0	1.0	10	30	B+L / 8	E678-14W	SBA type	R11833-100-03
2000	0.1	—	—	—	40	60	B+L / 10	E678-20B* ¹⁹		R5912
2000	0.1	—	—	—	30	60	B+L / 14	E678-20B*		R5912-20
2000	0.1	—	—	—	40	60	B+L / 10	E678-20B* ¹⁹	SBA type	R5912-100
2200	0.1	—	—	—	40	60	B+L / 10	E678-20B		R14688
2200	0.1	—	—	—	40	60	B+L / 10	E678-20B	SBA type	R14688-100
2000	0.1	—	—	—	40	60	B+L / 10	E678-20B* ¹⁹		R7081
2000	0.1	—	—	—	30	60	B+L / 14	E678-20B*		R7081-20
2000	0.1	—	—	—	40	60	B+L / 10	E678-20B* ¹⁹	SBA type	R7081-100
2500	0.1	—	—	—	20	40	B+L / 10	E678-20B*		R12860

Note 3: This data in parenthese is measured with ⁵⁷Co.

Photomultiplier tubes of special shapes

Tube diameter	Type No.	① Out-line No.	② Spectral response		Cathode characteristics				Anode characteristics							
			Spectral response range (nm)	Curve code	③	④	⑤	⑥	⑦	⑧	⑨	⑩ Dark current		⑪ Time response		
					Q.E. at peak Typ. (%)	Luminous Typ. ($\mu\text{A/lm}$)	Blue sensitivity index Typ.	Radiant Typ. (mA/W)	Anode to cathode supply voltage (V)	Luminous Typ. (A/lm)	Radiant Typ. (A/W)	Gain Typ.	Typ. (nA)	Max. (nA)	Rise time Typ. (ns)	Transit time Typ. (ns)

Metal package photomultipliers

16 mm TO-8 type	R9880U-110	52	230 to 700	F	35	105	13.5	110	1000	13	210	2.2×10^5	2.0×10^6	1	10	0.57	2.7	0.2
	R9880U-210	52	230 to 700	G	43	135	15.5	130	1000	13	270	2.6×10^5	2.0×10^6	1	10	0.57	2.7	0.2
30 mm square type	R7600U	53	300 to 650	A-D	24	80	9.5	80	800	18	160	1.6×10^5	2.0×10^6	2	20	1.6	9.6	0.35
	R7600U-100	53	300 to 650	F	35	105	13.5	110	800	18	210	2.2×10^5	2.0×10^6	2	20	1.6	9.6	0.35
	R7600U-200	53	300 to 650	G	43	135	15.5	130	800	18	270	2.6×10^5	2.0×10^6	2	20	1.6	9.6	0.35
	R7600U-300	53	300 to 700	H	39	160	14	125	800	18	320	2.5×10^5	2.0×10^6	2	20	1.6	9.6	0.35
	R7600U-100-M4	54	300 to 650	F	35	105	13.5	110	800	18	140	1.4×10^5	1.3×10^6	0.5	5	1.2	9.5	0.36
	R7600U-200-M4	54	300 to 650	G	43	135	15.5	130	800	18	175	1.7×10^5	1.3×10^6	0.5	5	1.2	9.5	0.36
	R7600U-00-M4	54	300 to 650	A-D	24	80	9.5	80	800	18	140	1.4×10^5	1.8×10^6	0.5	5	1.2	9.5	0.36
	R11265U-100	55	300 to 650	F	35	105	13.5	110	900	40	130	1.3×10^5	1.2×10^6	2	20	1.3	5.8	0.27
	R11265U-200	55	300 to 650	G	43	135	15.5	130	900	40	160	1.6×10^5	1.2×10^6	2	20	1.3	5.8	0.27
	R11265U-300	55	300 to 700	H	39	160	14	125	900	40	190	1.5×10^5	1.2×10^6	2	20	1.3	5.8	0.27

Square, Rectangular shape photomultipliers

10 mm (3/8")	R2248	56	300 to 650	A-D	25	100	10.0	80	1250	2	100	8.0×10^4	1.0×10^6	1	50	0.9	9.0	0.6
60 mm	R6236	57	300 to 650	A-D	28	110	11.5	95	1000	3	30	2.6×10^4	2.7×10^5	2	20	9.5	52	8.5
76 mm (3")	R6237	58	300 to 650	A-D	28	110	11.5	95	1000	3	30	2.6×10^4	2.7×10^5	2	20	9.5	52	8.5
38 mm (1-1/2")	R8997	59	300 to 650	A-D	23	80	9.5	76	1250	25	100	9.9×10^4	1.2×10^6	10	200	5.0	25	2.8
	R10550	60	300 to 650	A-D	25	80	10.0	80	1300	6	100	1.0×10^5	1.3×10^6	10	100	1.3	12	0.6

2π shape photomultipliers

25 mm (1")	R7373A-01	61	300 to 650	A-D	26	90	10.5	85	1000	22	100	9.4×10^4	1.1×10^6	3	20	2	19	1.1
28 mm (1-1/8")	R8143	62	300 to 650	A-D	26	90	10.5	85	1000	36	200	1.8×10^5	2.2×10^6	2	10	25	72	—

(at 25 °C)

Max. ratings ¹²		Typical pulse height resolution ¹³	Stability ¹⁴		Pulse linearity ¹⁵		Remarks			Note	Type No.
Anode to cathode voltage (V)	Average anode current (mA)		Long term Typ. (%)	Short term Typ. (%)	2 % deviation Typ. (mA)	5 % deviation Typ. (mA)	Dynode structure / stage ¹⁶	Socket & socket assembly ¹⁷			
1100	0.1	—	—	—	10	30	MC / 10	E678-12-01 ²³	SBA type, UV (R9880U-113) and SILICA (R9880U-116) types	R9880U-110	
1100	0.1	—	—	—	10	30	MC / 10	E678-12-01 ²³	UBA type	R9880U-210	
900	0.1	—	1.0	2.0	30	60	MC / 10	E678-32B ²⁰	UV type (R7600U-03)	R7600U	
900	0.1	—	—	—	30	60	MC / 10	E678-32B ²⁰	SBA type	R7600U-100	
900	0.1	—	—	—	30	60	MC / 10	E678-32B ²⁰	UBA type	R7600U-200	
900	0.1	—	—	—	30	—	MC / 10	E678-32B ²⁰	EGBA type	R7600U-300	
900	0.1	—	—	—	10	30	MC / 10	E678-32B ²¹	*4, SBA type	R7600U-100-M4	
900	0.1	—	—	—	10	30	MC / 10	E678-32B ²¹	*4, UBA type	R7600U-200-M4	
900	0.1	—	—	—	10	30	MC / 10	E678-32B ²¹	*4	R7600U-00-M4	
1000	0.1	—	—	—	20	60	MC / 12	E678-19K ²²	SBA type	R11265U-100	
1000	0.1	—	—	—	20	60	MC / 12	E678-19K ²²	UBA type	R11265U-200	
1000	0.1	—	—	—	20	60	MC / 12	E678-19K ²²	EGBA type	R11265U-300	
1500	0.03	23 ^{*1}	1.0	2.0	3	7	LINE / 8	E678-11N [*]		R2248	
1500	0.1	6.3 (8.5) ^{*3}	0.5	0.5	5	10	B+L / 8	E678-14W ¹⁴	Semiflexible lead type (R6236-01) is available	R6236	
1500	0.1	6.3 (8.5) ^{*3}	0.5	0.5	5	10	B+L / 8	E678-14W ¹⁴	Semiflexible lead type (R6237-01) is available	R6237	
1600	0.1	16 ^{*1}	2.0	2.0	4	10	L+VB / 10	E678-20B [*]	*4, Quadrant (4) channel	R8997	
1600	0.1	—	—	—	10	30	LINE / 8	E678-20B [*]	*4, Quadrant (4) channel	R10550	
1250	0.1	7.8	1.0	2.0	15	30	LINE / 10	E678-12A [*]		R7373A-01	
1250	0.1	8.0	1.0	2.0	0.2	0.5	BOX / 11	E678-14C [*]		R8143	

Note 1: This data is measured with ²²Na source and BGO scintillator.

Note 3: This data in parentheses is measured with ⁵⁷Co.

Note 4: Dark current, time response and pulse linearity data is typical value for channel.

Photomultiplier tubes assemblies

Tube diameter	Type No.	① Spectral response ②		Cathode characteristics				Anode characteristics									
		Out-line No.	Spectral response range (nm)	Curve code	③ Q.E. at peak Typ. (%)	④ Lumi-nous Typ. ($\mu\text{A}/\text{lm}$)	⑤ Blue sensitivity index Typ.	⑥ Radiant Typ. (mA/W)	⑦ Anode to cathode supply voltage (V)	⑧ Lumi-nous Typ. (A/lm)	⑥ Radiant Typ. (A/W)	⑨ Gain Typ.	⑩ Dark current		⑪ Time response		
													Typ. (nA)	Max. (nA)	Rise time Typ. (ns)	Transit time Typ. (ns)	T.T.S. Typ. (FWHM) (ns)
30 mm square type	H8711	63	300 to 650	A-D	24	80	9.5	80	-800 39	280	2.8×10^5	3.5×10^6	0.8	4	0.83	12	0.33
	H8711-100	63	300 to 650	F	35	105	13.5	110	-800 39	210	2.2×10^5	2.0×10^6	0.8	4	0.83	12	0.33
	H8711-200	63	300 to 650	G	43	135	15.5	130	-800 39	270	2.6×10^5	2.0×10^6	0.8	4	0.83	12	0.33
	H8711-300	63	300 to 700	H	39	160	14	125	-800 39	400	3.1×10^5	2.5×10^6	0.8	4	0.83	12	0.33
	H7546B	64	300 to 650	A-D	24	80	9.5	80	-800 41	50	4.8×10^4	6.0×10^5	0.2	2	1.0	12	0.38
	H7546B-100	64	300 to 650	F	35	105	13.5	110	-800 41	53	5.5×10^4	5.0×10^5	0.2	2	1.0	12	0.38
	H7546B-200	64	300 to 650	G	43	135	15.5	130	-800 41	68	6.5×10^4	5.0×10^5	0.2	2	1.0	12	0.38
	H7546B-300	64	300 to 700	H	39	160	14	125	-800 41	80	6.2×10^4	5.0×10^5	0.2	2	1.0	12	0.38
	H8804-300	65	300 to 650	H	39	160	14	125	-800 41	80	6.2×10^4	5.0×10^5	0.2	2	1.0	12	0.38
	H11934-100	66	300 to 650	F	35	105	13.5	110	-900 40	130	1.3×10^5	1.2×10^6	2	20	1.3	5.8	0.27
	H11934-200	66	300 to 650	G	43	135	15.5	130	-900 40	160	1.6×10^5	1.2×10^6	2	20	1.3	5.8	0.27
	H11934-300	66	300 to 700	H	39	160	14	130	-900 40	190	1.5×10^5	1.2×10^6	2	20	1.3	5.8	0.27
51 mm square type	H12700A	67	300 to 650	A-D	32	95	12	100	-1000 49	142	1.5×10^5	1.5×10^6	0.1	—	0.52	4.9	0.35
	H12700A-10	67	300 to 650	A-D	32	95	12	100	-1000 49	38	4.0×10^4	4.0×10^5	0.1	—	0.52	4.9	0.35
	H12700B	68	300 to 650	A-D	32	95	12	100	-1000 49	142	1.5×10^5	1.5×10^6	0.1	—	0.52	4.9	0.35
	H12700B-10	68	300 to 650	A-D	32	95	12	100	-1000 49	38	4.0×10^4	4.0×10^5	0.1	—	0.52	4.9	0.35
	H13700	69	300 to 650	A-D	29	75	12	90	-1000 40	110	1.4×10^5	1.5×10^6	0.02	—	0.45	5.2	0.38

(at 25 °C)

Max. ratings ¹²		Typical pulse height resolution ¹³	Stability ¹⁴		Pulse linearity ¹⁵		Remarks		Note	Type No.
Anode to cathode voltage (V)	Average anode current (mA)		Long term Typ. (%)	Short term Typ. (%)	2 % deviation Typ. (mA)	5 % deviation Typ. (mA)	Dynode structure / stage ¹⁶	Built-in PMT (Type No. for referring)		
-1000	0.017	—	—	—	0.5	1	MC / 12	R7600-00-M16	*4	H8711
-1000	0.017	—	—	—	0.5	1	MC / 12	R7600-100-M16	*4, SBA type	H8711-100
-1000	0.017	—	—	—	0.5	1	MC / 12	R7600-200-M16	*4, UBA type	H8711-200
-1000	0.017	—	—	—	0.5	1	MC / 12	R7600-300-M16	*4, EGBA type	H8711-300
-1000	0.023	—	—	—	0.3	0.6	MC / 12	R7600-00-M64	*4	H7546B
-1000	0.023	—	—	—	0.3	0.6	MC / 12	R7600-100-M64	*4, SBA type	H7546B-100
-1000	0.023	—	—	—	0.3	0.6	MC / 12	R7600-200-M64	*4, UBA type	H7546B-200
-1000	0.023	—	—	—	0.3	0.6	MC / 12	R7600-300-M64	*4, EGBA type	H7546B-300
-1000	0.023	—	—	—	0.3	0.6	MC / 12	R7600-300-M64	*4, EGBA type	H8804-300
-1000	0.018	—	—	—	20	60	MC / 12	R11265-100	SBA type	H11934-100
-1000	0.018	7.4 / 3.1	—	—	20	60	MC / 12	R11265-200	UBA type	H11934-200
-1000	0.018	—	—	—	20	60	MC / 12	R11265-300	EGBA type	H11934-300
-1100	0.1	—	—	—	0.8	—	MC / 10	R12699-00-M64	*4, UV types (H12700A-03)	H12700A
-1100	0.1	—	—	—	3	—	MC / 10	R12699-00-M64	*4, Tapered divider type *4	H12700A-10
-1100	0.1	—	—	—	1	—	MC / 10	R12699-00-M64	*4, UV types (H12700B-03) *4	H12700B
-1100	0.1	—	—	—	3	—	MC / 10	R12699-00-M64	*4, Tapered divider type *4	H12700B-10
-1100	0.1	—	—	—	0.15	—	MC / 10	R12699-00-M256	*4, UV types (H13700-03) *4	H13700

Note 4: Dark current, time response and pulse linearity data is typical value for channel.

Photomultiplier tubes assemblies

Tube diameter	Type No.	① Out-line No.	② Spectral response		Cathode characteristics				Anode characteristics								
			Spectral response range (nm)	Curve code	③ Q.E. at peak Typ. (%)	④ Luminous Typ. (μA/lm)	⑤ Blue sensitivity index Typ.	⑥ Radiant Typ. (mA/W)	⑦ Anode to cathode supply voltage (V)	⑧ Luminous Typ. (A/lm)	⑥ Radiant Typ. (A/W)	⑨ Gain Typ.	⑩ Dark current		⑪ Time response		
													Typ. (nA)	Max. (nA)	Rise time Typ. (ns)	Transit time Typ. (ns)	T.T.S. Typ. (FWHM) (ns)
10 mm (3/8")	H3164-10	70	300 to 650	A-D	25	100	10	80	-1250	100	8.0×10^4	1.0×10^6	1	50	0.8	9.0	0.5
	H3695-10	71	160 to 650	C-D	25	100	10	80	-1250	100	8.0×10^4	1.0×10^6	2	50	0.7	9	0.5
13 mm (1/2")	H3165-10	72	300 to 650	A-D	25	110	10	80	-1000	150	1.1×10^5	1.4×10^6	1	2	2.1	22	2.0
	H12690	73	300 to 650	A-D	25	110	10	80	-1000	220	1.6×10^5	2.0×10^6	0.5	2	1.2	14	1.4
	H12690-300	73	300 to 700	H	32	160	14	105	-1000	320	2.1×10^5	2.0×10^6	1	5	1.2	14	1.4
19 mm (3/4")	H6520	74	300 to 650	A-D	26	110	10.5	85	-1000	110	8.5×10^4	1.0×10^6	1	5	2.5	27	2.8
	H6524	75	300 to 650	A-D	27	115	11.0	88	-1500	200	1.5×10^5	1.7×10^6	3	50	1.8	19	0.76
	H6612	76	300 to 650	A-D	27	115	11.0	88	-1700	200	1.5×10^5	1.7×10^6	10	300	1.3	14	0.36
	H6613	77	160 to 650	C-D	27	115	11.0	88	-1700	200	1.5×10^5	1.7×10^6	10	300	1.3	14	0.36
	H8135	78	300 to 650	A-D	26	90	10.5	85	-1000	50	4.7×10^4	5.5×10^5	3	20	1.3	12	0.8
25 mm (1")	H6533	79	300 to 650	A-D	23	80	9.5	76	-2250	400	3.8×10^5	5.0×10^6	10	200	0.7	10	0.16
	H8643	80	300 to 650	A-D	27	95	11.0	88	-1500	160	1.5×10^5	1.7×10^6	2	20	1.6	16	0.7
	H10580	81	300 to 650	A-D	27	95	11.0	88	-1300	100	9.3×10^4	1.1×10^6	5	50	1.0	11	0.27
28 mm (1-1/8")	H7415	82	300 to 650	A-D	27	100	11.0	88	-1500	500	4.4×10^5	5.0×10^6	10	200	1.7	16	0.5
38 mm (1-1/2")	H3178-51	83	300 to 650	A-D	27	95	11.0	88	-1500	75	7.0×10^4	7.9×10^5	2	15	2.7	40	4.5
51 mm (2")	H6410	84	300 to 650	A-D	26	90	10.5	85	-2000	270	2.5×10^5	3.0×10^6	10	100	2.7	40	1.1
	H7195	85	300 to 650	A-D	26	90	10.5	85	-2000	270	2.5×10^5	3.0×10^6	10	100	2.7	40	1.1
	H1949-50	86	300 to 650	A-D	26	90	10.5	85	-2500	1800	1.7×10^6	2.0×10^7	50	400	1.3	28	0.55
	H1949-51	87	300 to 650	A-D	26	90	10.5	85	-2500	1800	1.7×10^6	2.0×10^7	50	400	1.3	28	0.55
	H2431-50	88	300 to 650	A-D	25	80	10.0	80	-3000	200	2.0×10^5	2.5×10^6	100	800	0.8	16	0.37
76 mm (3")	H6559	89	300 to 650	A-D	26	90	10.5	85	-2000	900	8.5×10^5	1.0×10^7	30	120	2.7	40	1.5
127 mm (5")	H6527	90	300 to 650	A-D	22	70	9.0	72	-2000	1000	1.0×10^6	1.4×10^7	50	300	2.5	54	1.8

(at 25 °C)

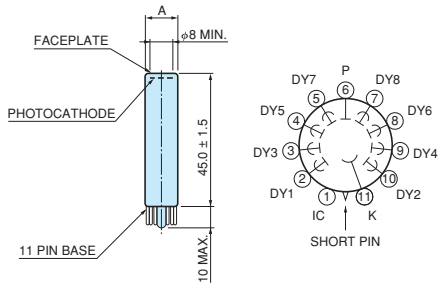
Max. ratings ¹²		Typical pulse height resolution ¹³	Stability ¹⁴		Pulse linearity ¹⁵		Remarks		Note	Type No.
Anode to cathode voltage (V)	Average anode current (mA)		Long term Typ. (%)	Short term Typ. (%)	2 % deviation Typ. (mA)	5 % deviation Typ. (mA)	Dynode structure / stage ¹⁶	Built-in PMT (Type No. for referring)		
-1500	0.03	23 *1	1.0	2.0	3	7	LINE / 8	R1635		H3164-10
-1500	0.03	23 *1	1.0	2.0	3	7	LINE / 8	R2496		H3695-10
-1250	0.1	7.8	1.0	2.0	3	7	LINE / 10	R647-01		H3165-10
-1250	0.1	7.8	1.0	2.0	3	12	LINE / 10	R12421		H12690
-1250	0.016	—	1.0	2.0	3	12	LINE / 10	R12421-300	EGBA type	H12690-300
-1250	0.1	7.8	1.0	2.0	4	7	LINE / 10	R1166		H6520
-1800	0.1	7.8	1.0	2.0	4	8	LINE / 10	R1450		H6524
-1800	0.1	7.8	1.0	2.0	4	8	LINE / 8	R3478		H6612
-1800	0.1	7.8	1.0	2.0	4	8	LINE / 8	R2076		H6613
-1250	0.1	8.0	1.0	2.0	10	20	C+L/10	R5611A		H8135
-2500	0.1	8.0	1.0	2.0	40	70	LINE / 10	R4998	Silica type H6610 (R5320)	H6533
-1800	0.1	7.8	1.0	2.0	100	150	LINE / 10	R7899-01		H8643
-1500	0.1	7.8	1.0	2.0	30	50	LINE / 8	R9800		H10580
-2000	0.2	7.8	1.0	2.0	10	30	LINE / 10	R6427	UV type H7416 (R7056)	H7415
-1750	0.1	7.7	1.0	1.0	150	200	LINE / 10	R580		H3178-51
-2700	0.2	7.6	1.0	1.0	100	200	LINE / 12	R329-02	Silica type H6521 (R2256-02)	H6410
-2700	0.2	7.6	1.0	1.0	80	110	LINE / 12	R329-02		H7195
-3000	0.2	7.8	1.0	1.0	100	200	LINE / 12	R1828-01	Silica type H3177-50 (R2059)	H1949-50
-3000	0.2	7.8	1.0	1.0	100	200	LINE / 12	R1828-01	Silica type H3177-51 (R2059)	H1949-51
-3500	0.2	7.8	1.0	2.0	100	150	LINE / 8	R2083	Silica type H3378-50 (R3377)	H2431-50
-2500	0.2	7.8	1.0	1.0	100	200	LINE / 12	R6091		H6559
-3000	0.2	8.3	1.0	1.0	100	150	LINE / 14	R1250		H6527

Note 1: This data is measured with ²²Na source and BGO scintillator.

Dimensional outline and basing diagrams

For photomultiplier tubes

1 R1635, R2496

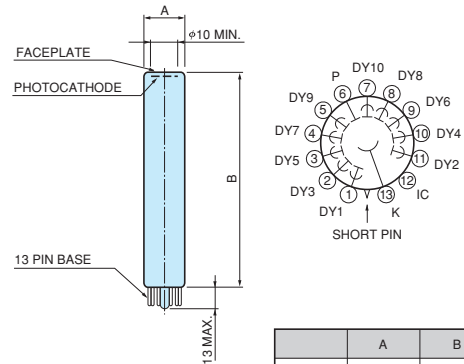


	A
R1635	9.7 ± 0.4
R2496	10.5 ± 0.5

R2496 has a plano-concave faceplate.

TPMHA0343EB

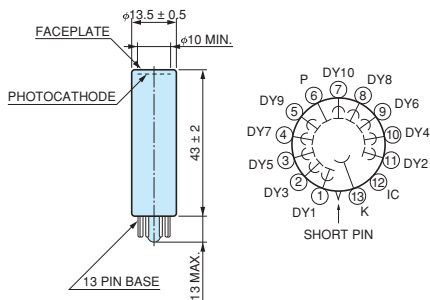
2 R647-01, R4177-06



	A	B
R647-01	φ13.5 ± 0.5	71 ± 2
R4177-06	φ14.5 ± 0.7	61 ± 2

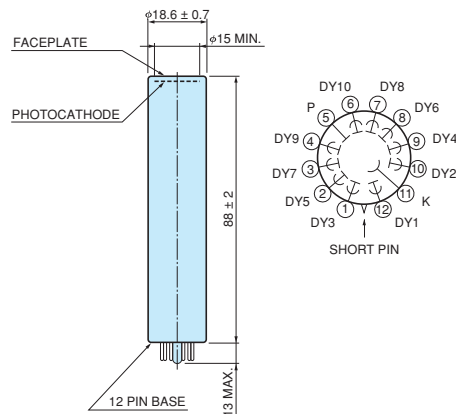
TPMHA0120EA

3 R12421, R12421-300



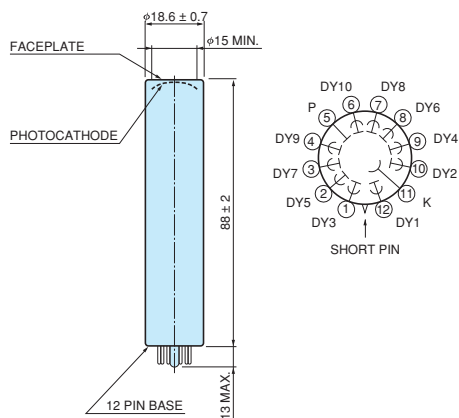
TPMHA0593EA

4 R1166



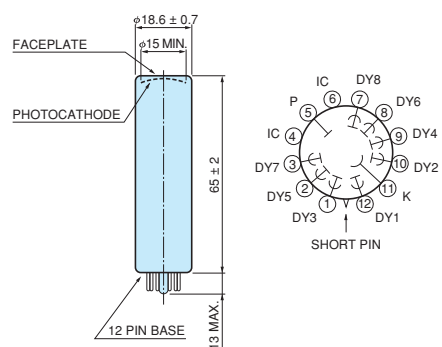
TPMHA0344EA

5 R1450, R4125



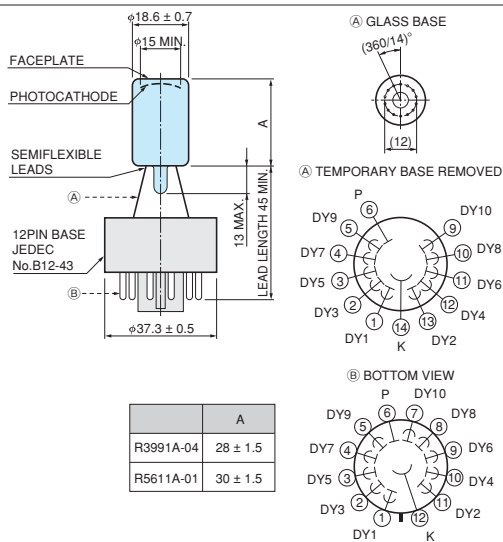
TPMHA0307EA

6 R3478



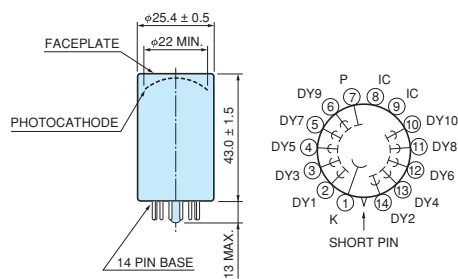
TPMHA0431EB

7 R3991A-04, R5611A-01



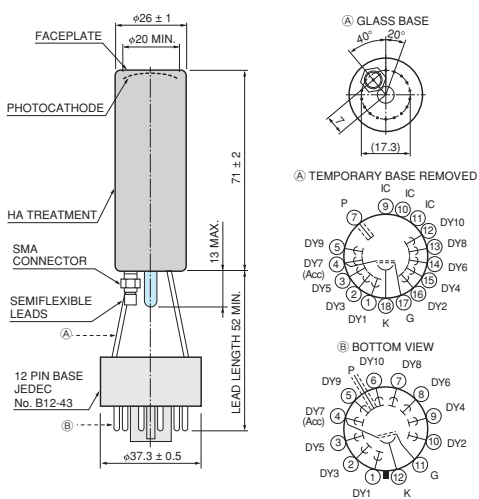
TPMHA0117ED

8 R1288A-06, R1924A



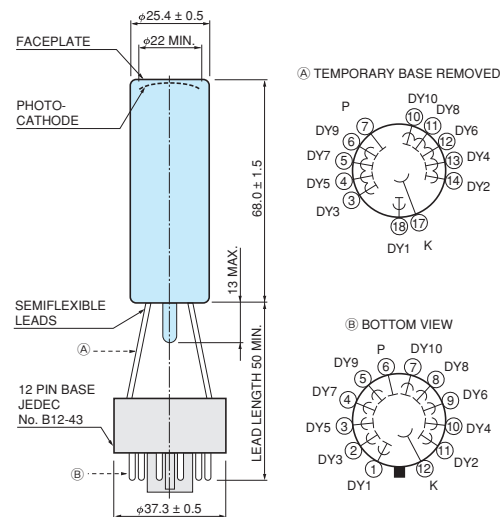
TPMHA0040EC

9 R4998



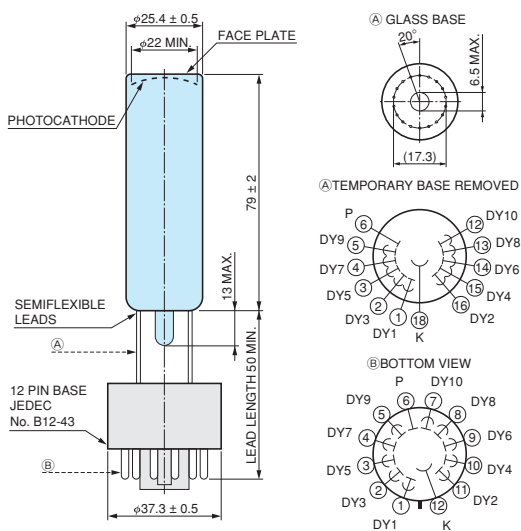
TPMHA0093EF

10 R7899-01



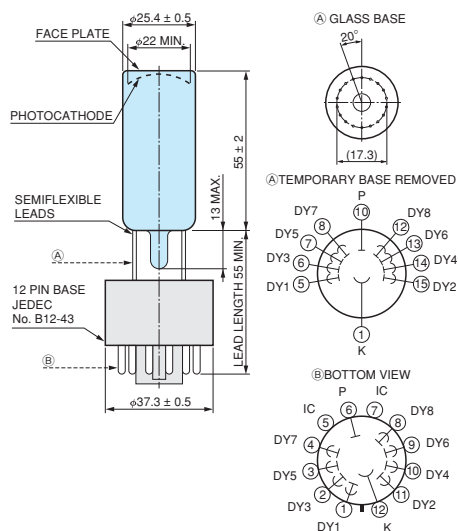
TPMHA0047EB

11 R8619



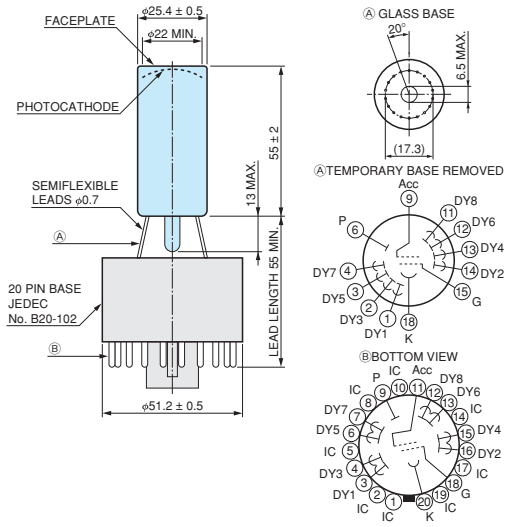
TPMHA0051ED

12 R9800, R9800-100



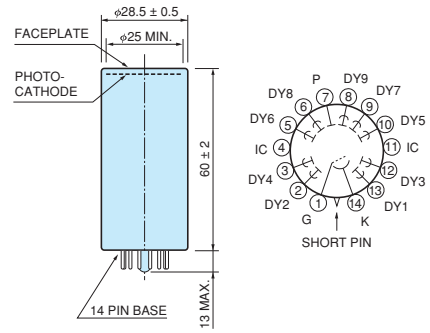
TPMHA00521ED

13 R13478



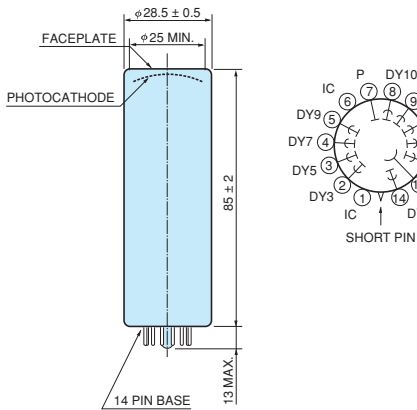
TPMHA0619EA

14 R3998-02, R3998-100-02



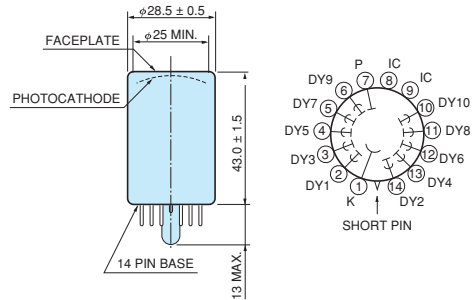
TPMHA0114EA

15 R6427



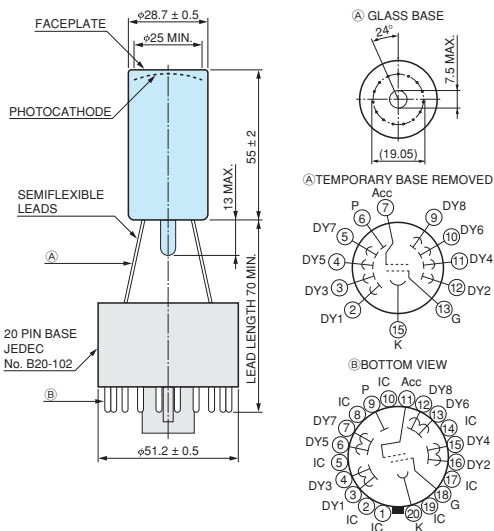
TPMHA0387EB

16 R7111



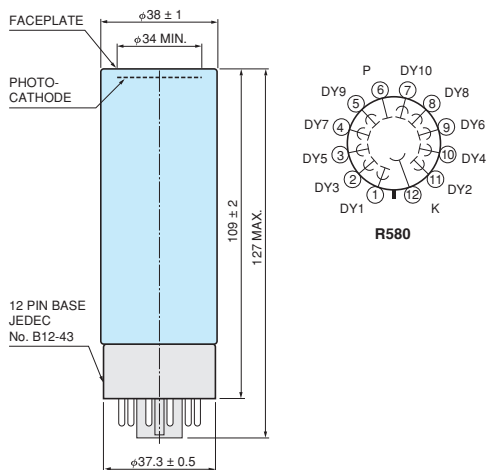
TPMHA0506EA

17 R13449



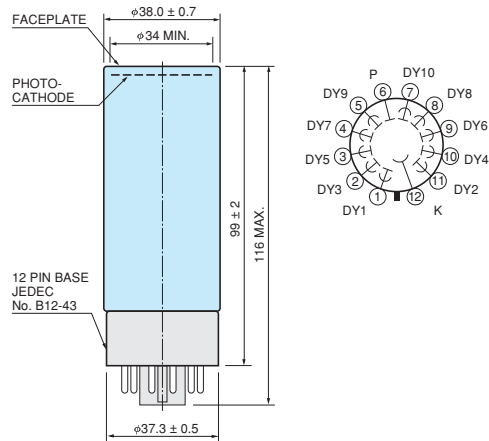
TPMHA0620EA

18 R580



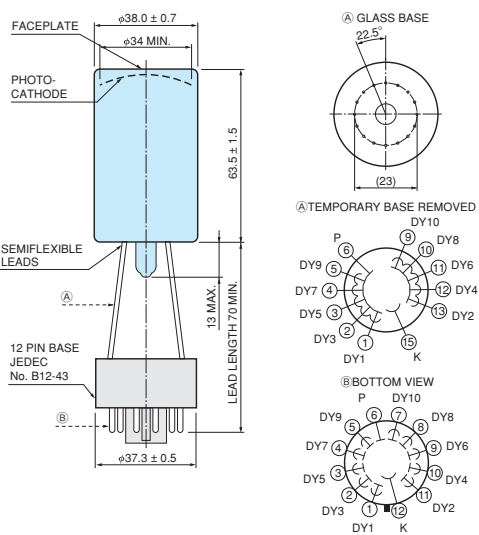
TPMHA0121EB

19 R11102



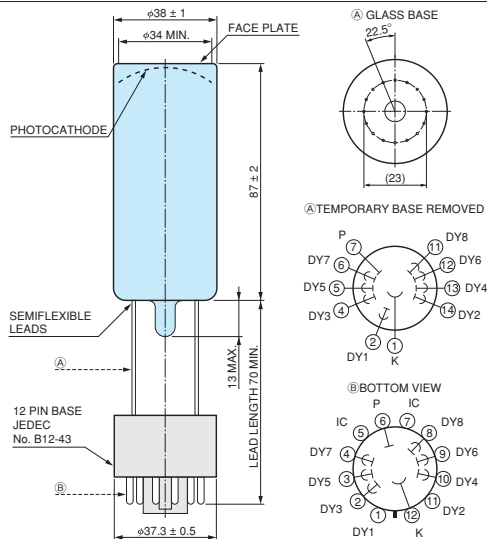
TPMHA0228EA

20 R3886A



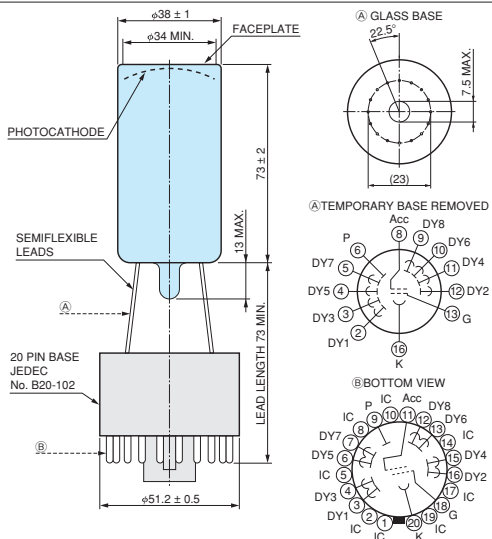
TPMHA0104EC

21 R9420, R9420-100



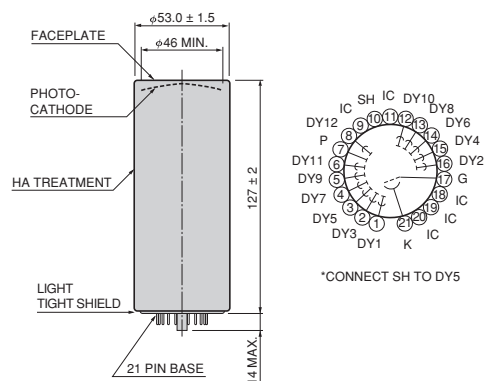
TPMHA0519EE

22 R13408



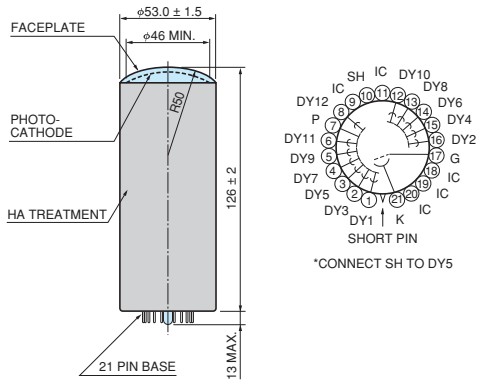
TPMHA0621EE

23 R329-02



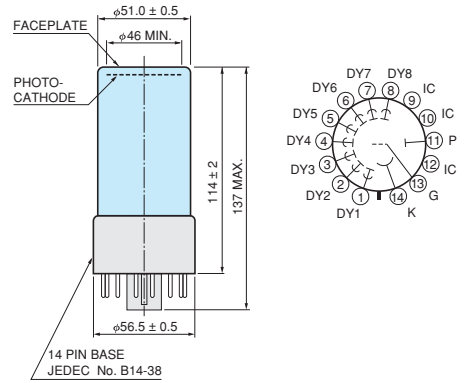
TPMHA0123EG

24 R331-05



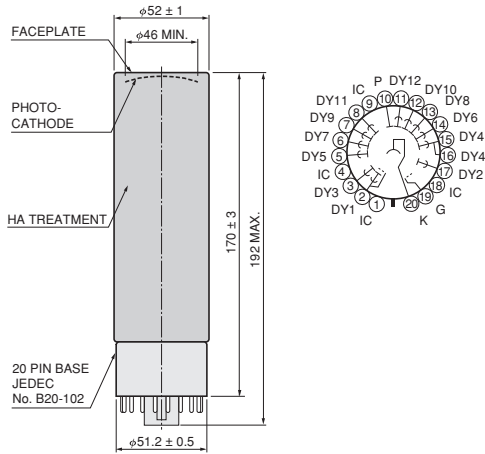
TPMHA0072EF

25 R1306



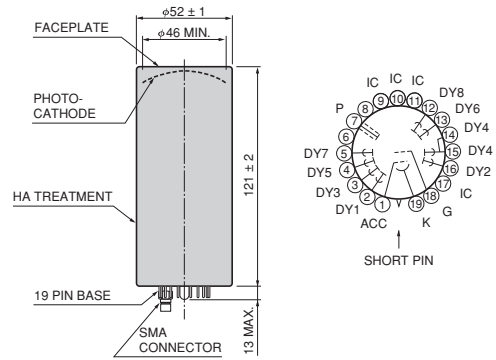
TPMHA0089EC

26 R1828-01



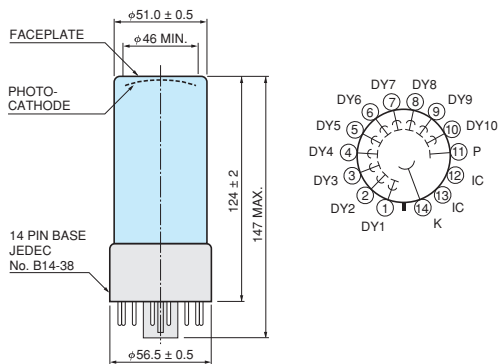
TPMHA0064EE

27 R2083



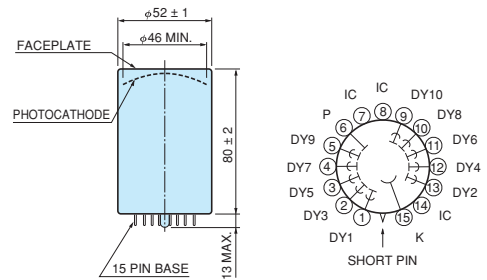
TPMHA0185EE

28 R2154-02



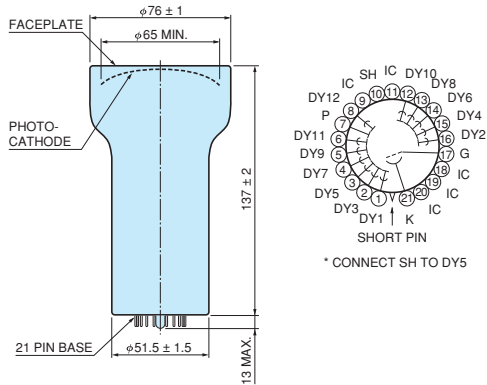
TPMHA0296EB

29 R4607A-06



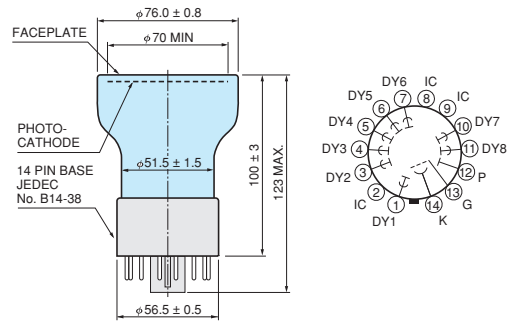
TPMHA0003EC

36 R6091



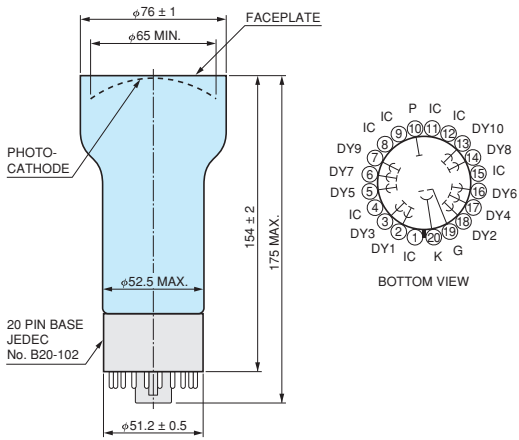
TPMHA0285EE

37 R6233, R6233-100

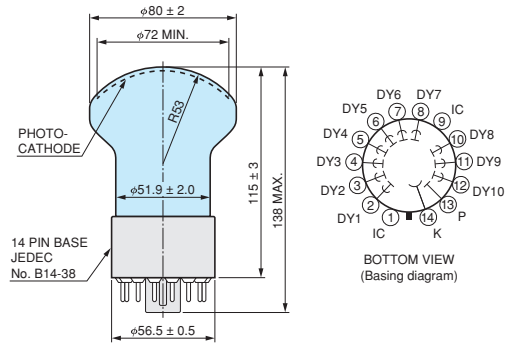


TPMHA0389EB

38 R15608

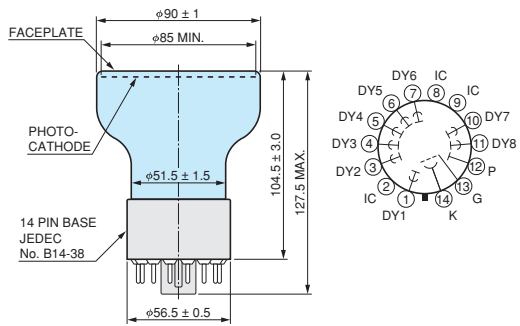


39 R14374

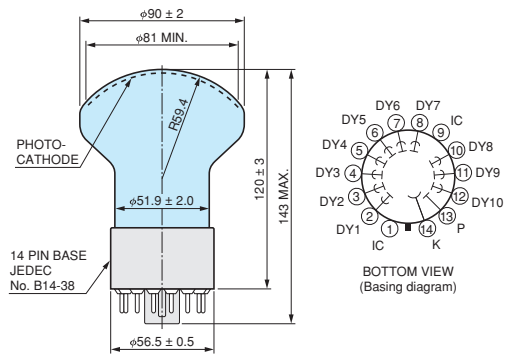


TPMHA0634EC

40 R10233, R10233-100



41 R14689

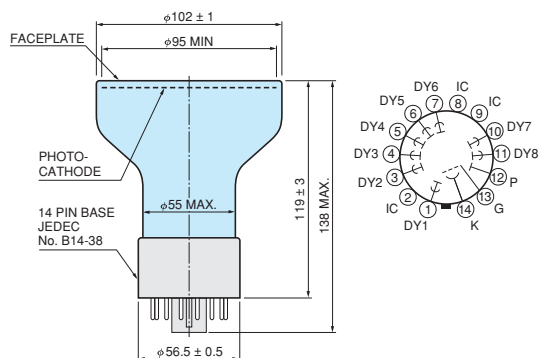


TPMHA0580EB

TPMHA0635EC

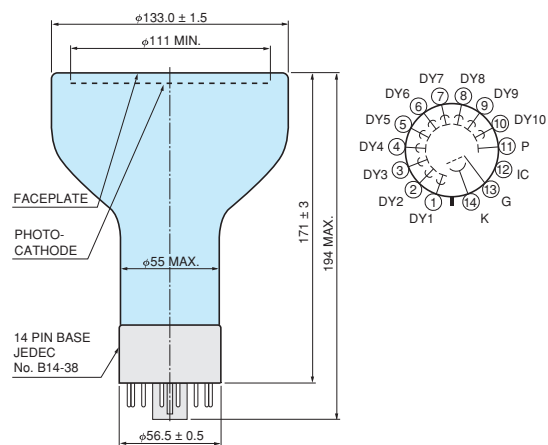
(Unit: mm)

42 R10806, R10806-100



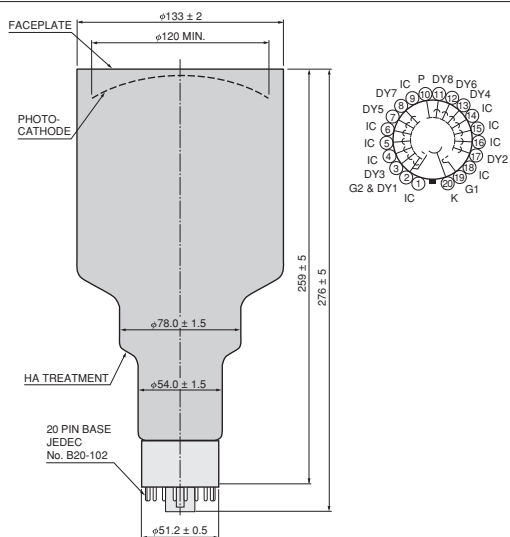
TPMHA0628EA

43 R877, R877-100

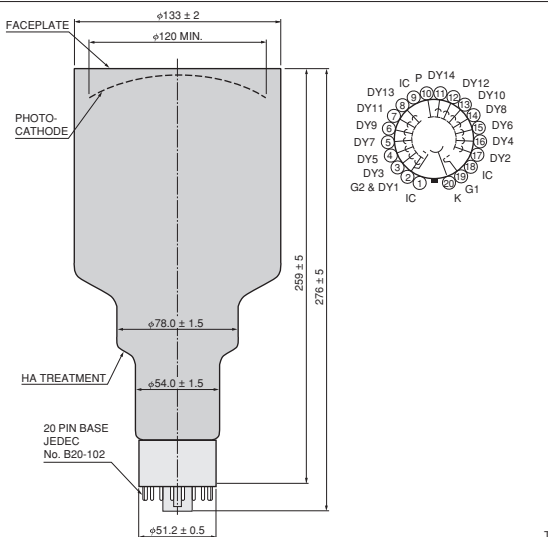


TPMHA0074EC

44 R4144-100

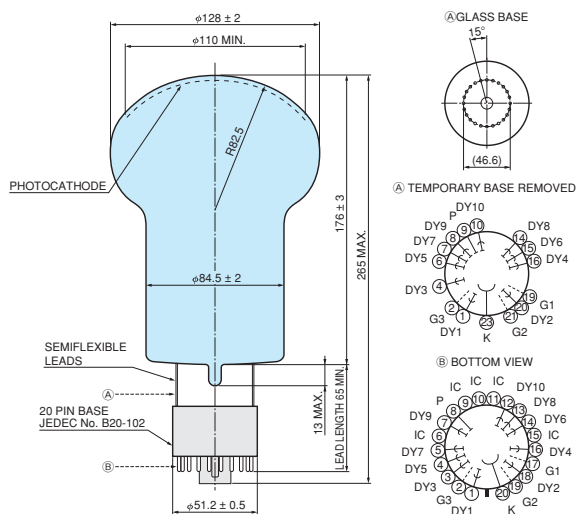


45 R1250



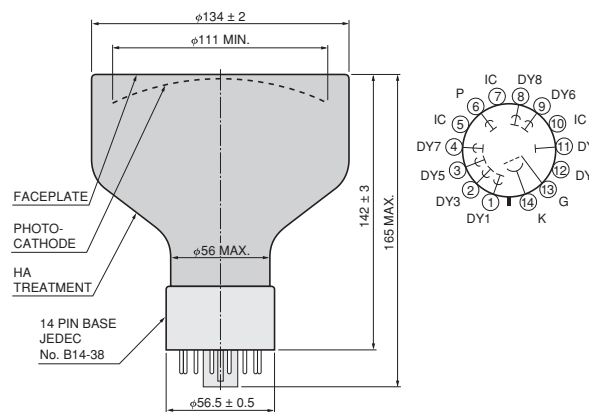
TPMHA0018EE

46 R6594



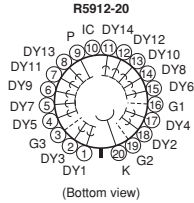
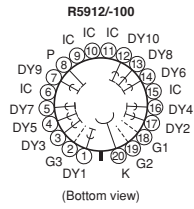
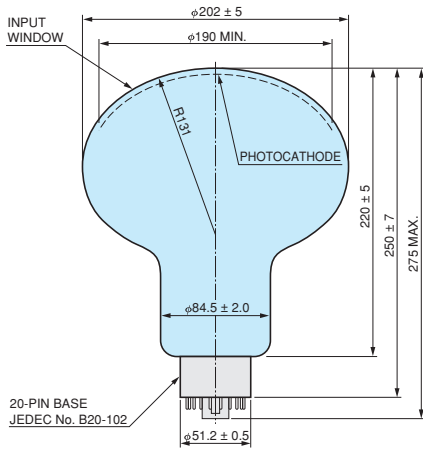
TPMHA0373EF

47 R11833-100-03



TPMHA0629EA

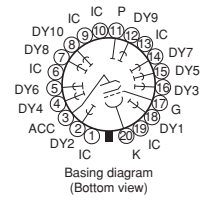
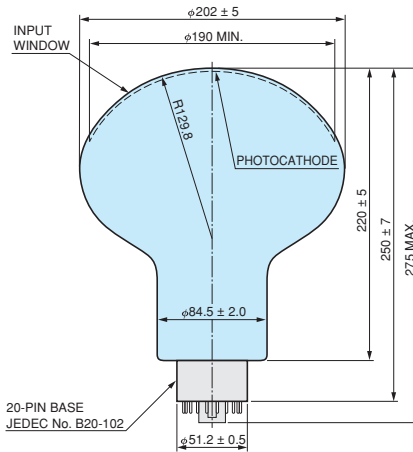
48 R5912, R5912-20, R5912-100



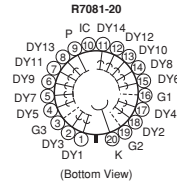
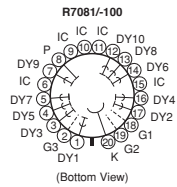
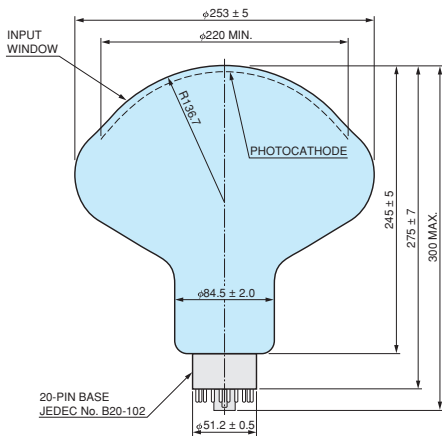
IC: Internal connection
(Do not use)

TPMHA0500EC

49 R14688, R14688-100



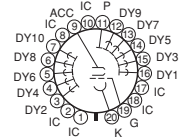
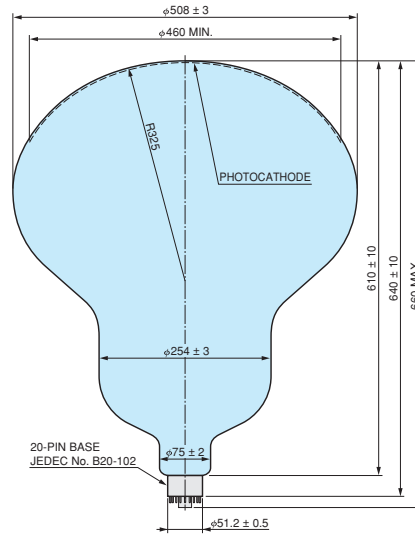
50 R7081, R7081-20, R7081-100



IC: Internal Connection
(Do not use)

TPMHA0501EC

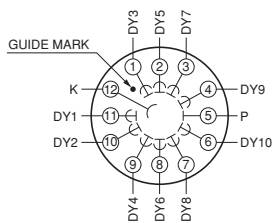
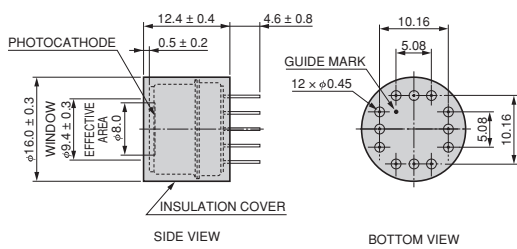
51 R12860



TPMHA0630EA

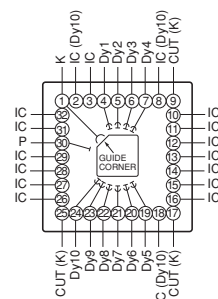
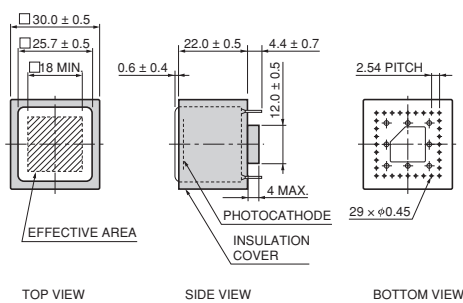
(Unit: mm)

52 R9880U-110, R9880U-210



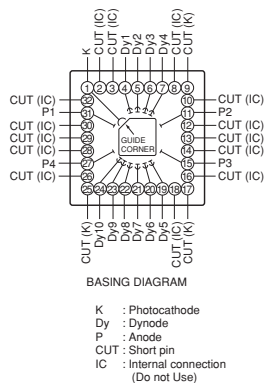
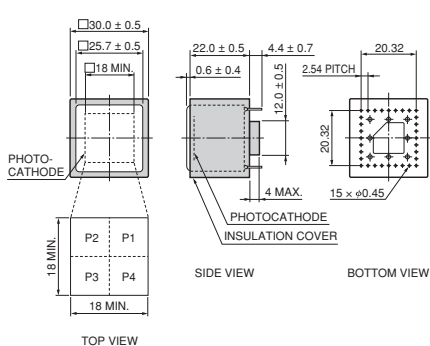
TPMHA0539EC

53 R7600U, R7600U-100/-200/-300



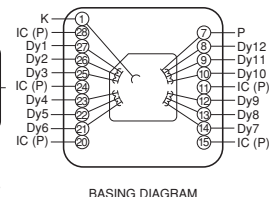
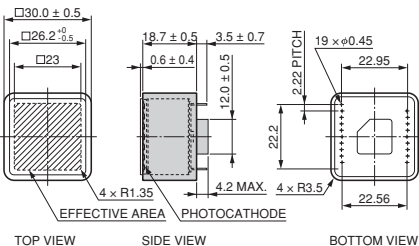
TPMHA0278EJ

54 R7600U-00-M4, R7600U-100-M4/-200-M4



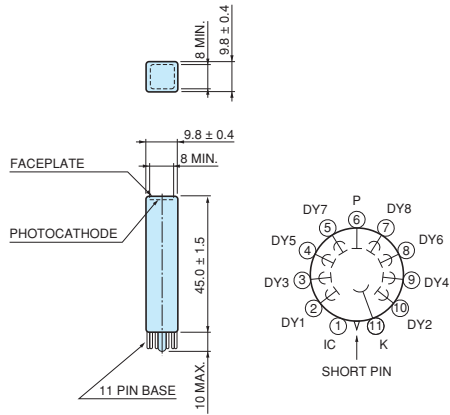
TPMHA0297EJ

55 R11265U-100, R11265U-200, R11265U-300



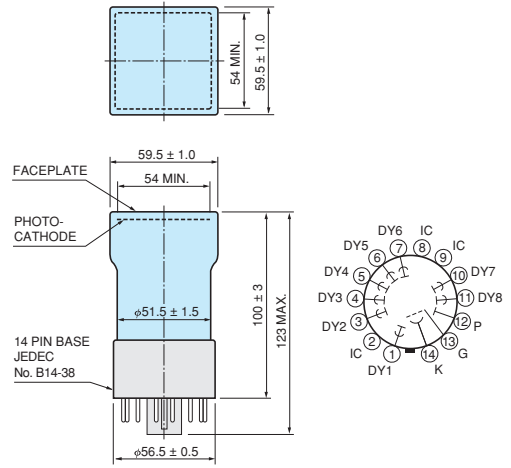
TPMHA0577EB

56 R2248



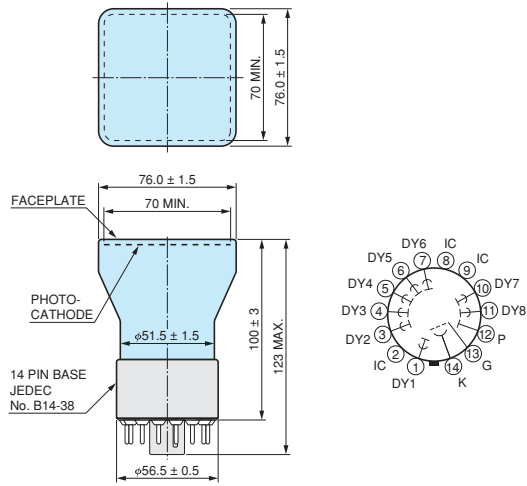
TPMHA0098EC

57 R6236



TPMHA0392EB

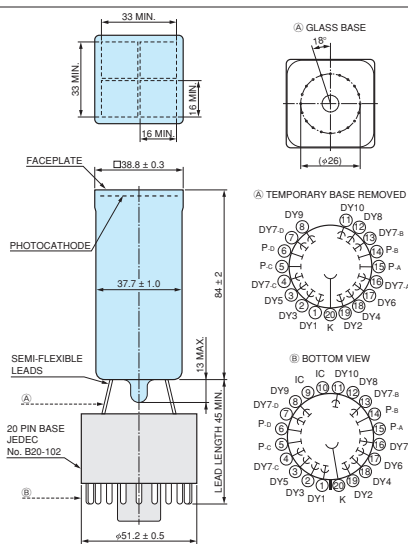
58 R6237



TPMHA0393EC

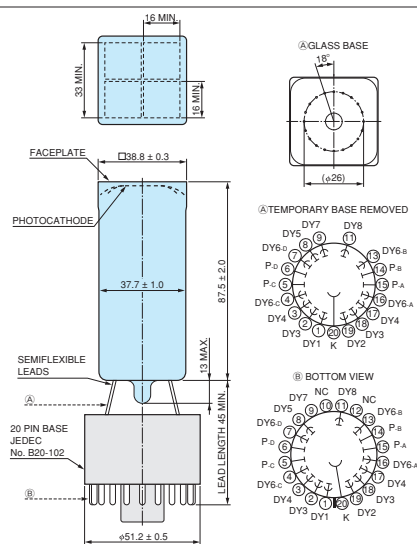
(Unit: mm)

59 R8997



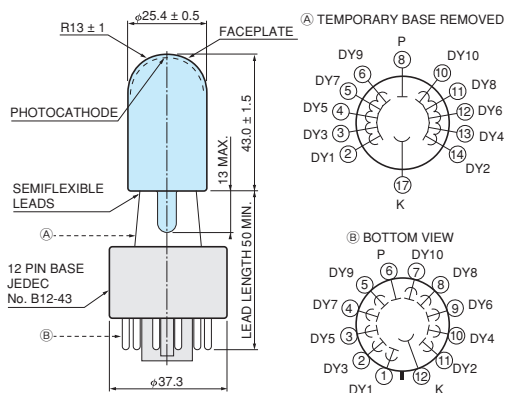
TPMHA0552EC

60 R10550



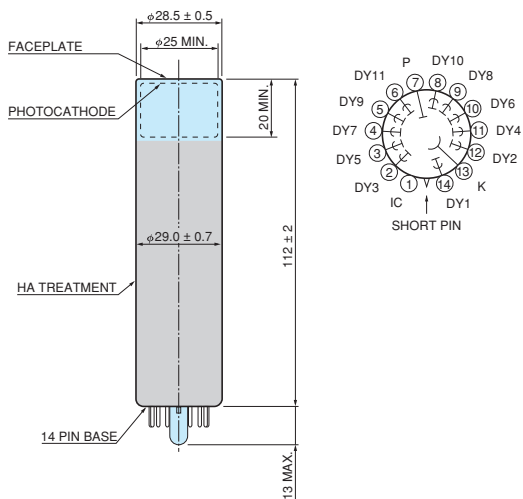
TPMHA0576EC

61 R7373A-01



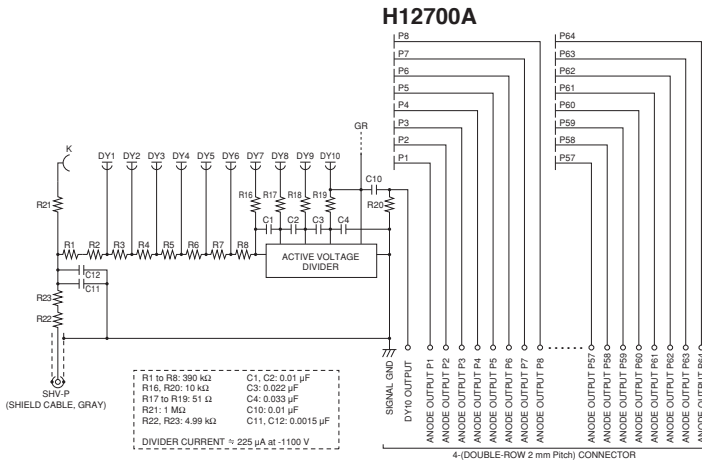
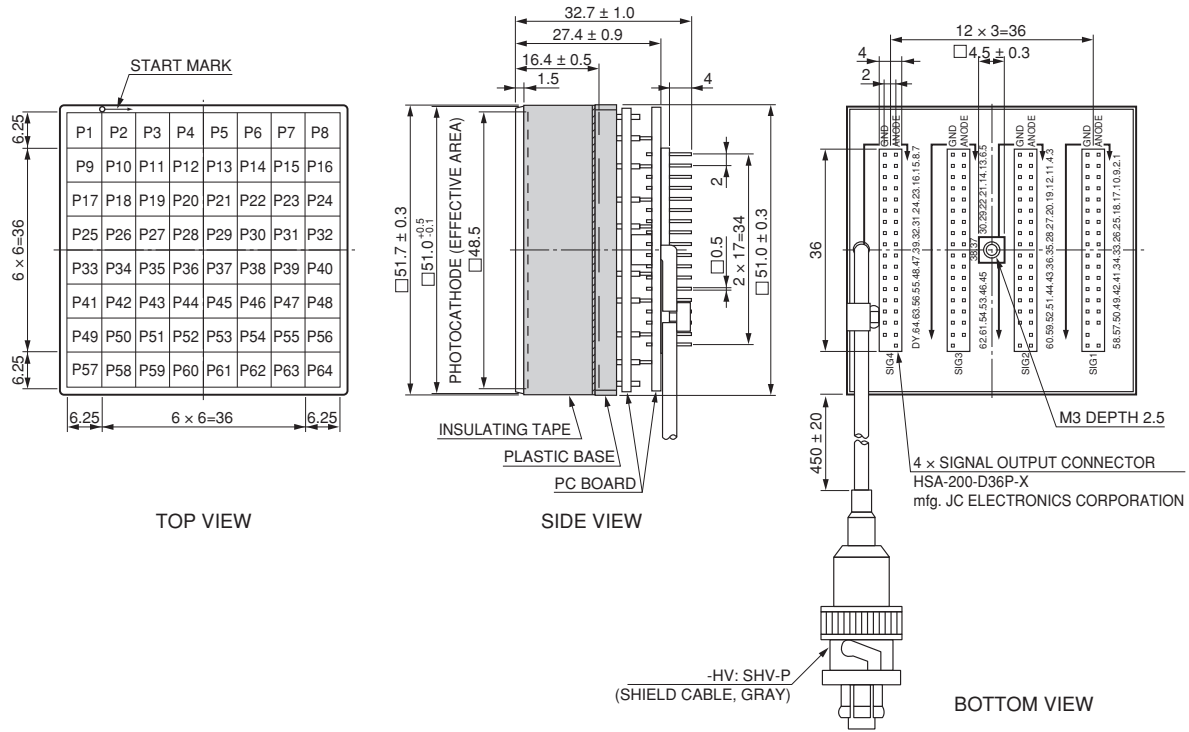
TPMHA0460EB

62 R8143



TPMHA0507EA

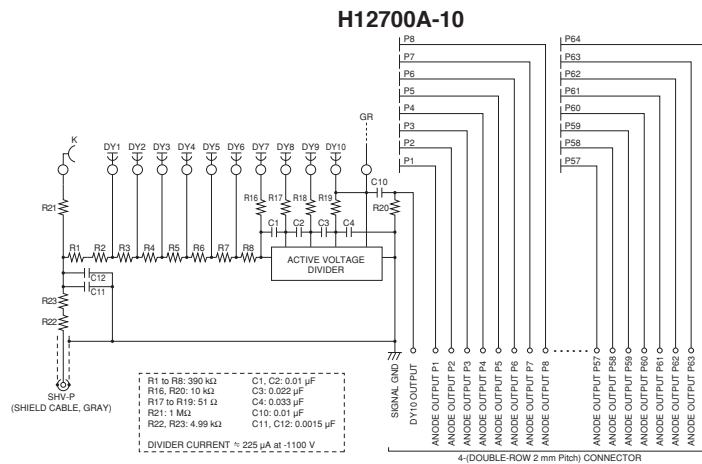
67 H12700A, H12700A-10



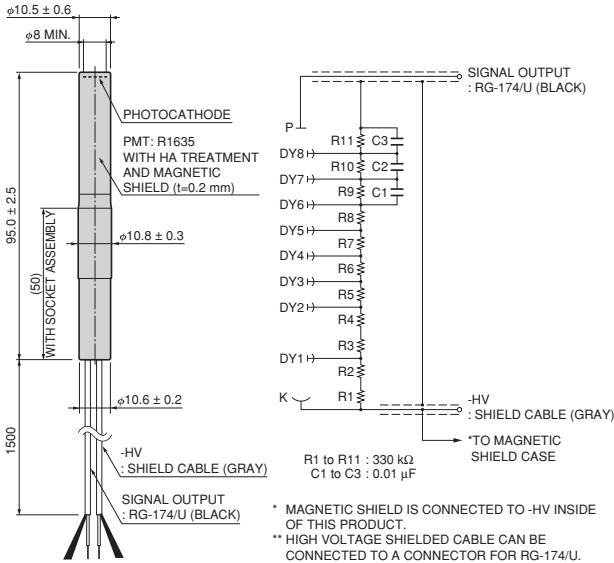
CONNECTION FOR SIGNAL CONNECTORS (BOTTOM VIEW)

GND	P7	GND	P5	GND	P3	GND	P1
GND	P8	GND	P6	GND	P4	GND	P2
GND	P15	GND	P13	GND	P11	GND	P9
GND	P16	GND	P14	GND	P12	GND	P10
GND	P23	GND	P22	GND	P20	GND	P18
GND	P31	GND	P29	GND	P27	GND	P25
GND	P32	GND	P30	GND	P28	GND	P26
GND	P39	GND	P37	GND	P35	GND	P33
GND	P40	GND	P38	GND	P36	GND	P34
GND	P47	GND	P45	GND	P43	GND	P41
GND	P48	GND	P46	GND	P44	GND	P42
GND	P55	GND	P53	GND	P51	GND	P49
GND	P56	GND	P54	GND	P52	GND	P50
GND	P63	GND	P61	GND	P59	GND	P57
GND	P64	GND	P62	GND	P60	GND	P58
GND	DY12	GND	GND	*B	GND	GND	*B
*B	GND	GND	*B	GND	GND	GND	GND
SIG4	SIG3	SIG2	SIG1				

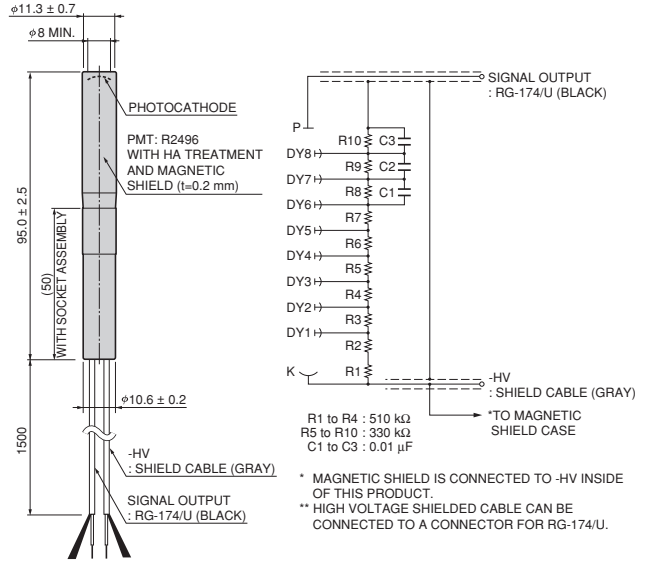
NOTE *B: No pin.



70 H3164-10



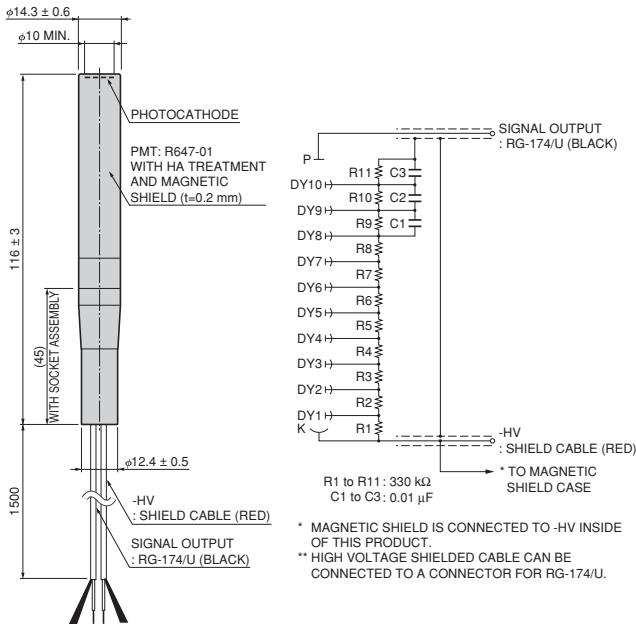
71 H3695-10



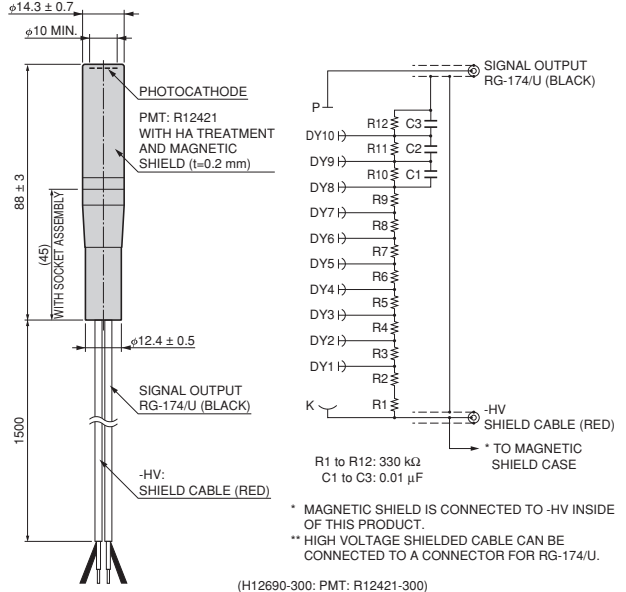
TPMHA0309EE

TPMHA0310EE

72 H3165-10



73 H12690, H12690-300

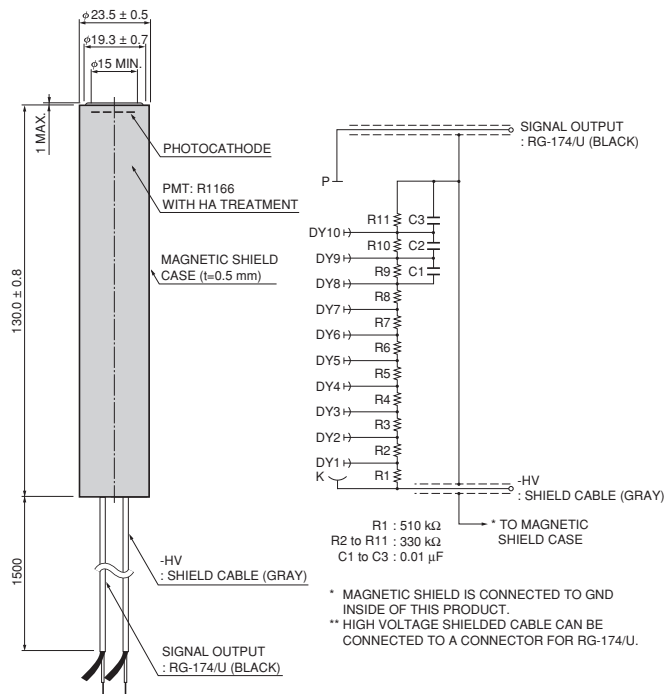


(H12690-300: PMT: R12421-300)

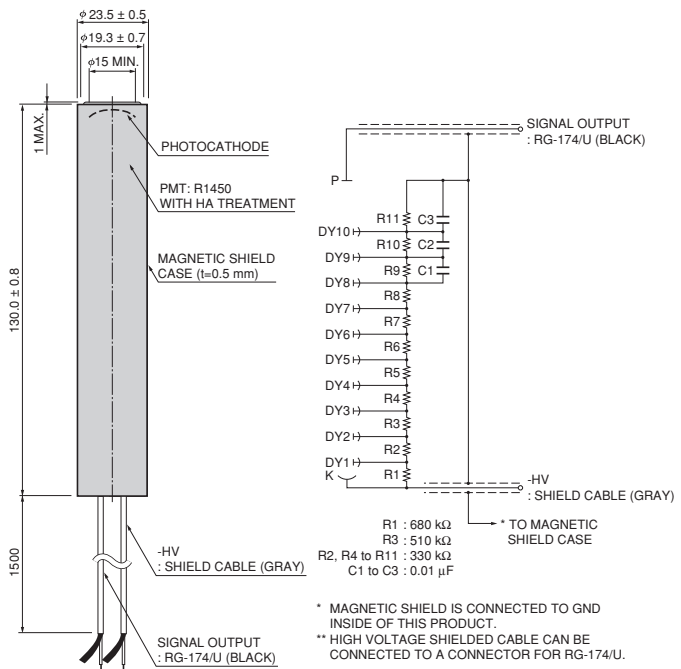
TPMHA0311EE

TPMHA0596EA

74 H6520



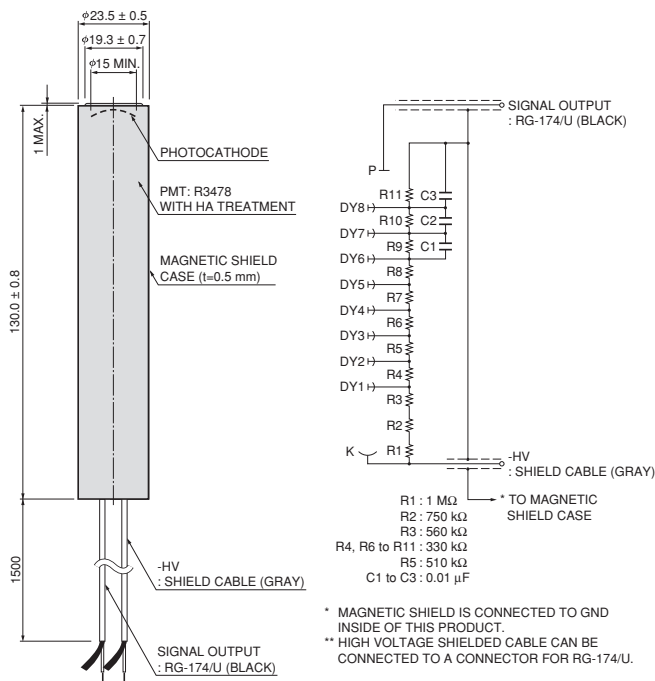
75 H6524



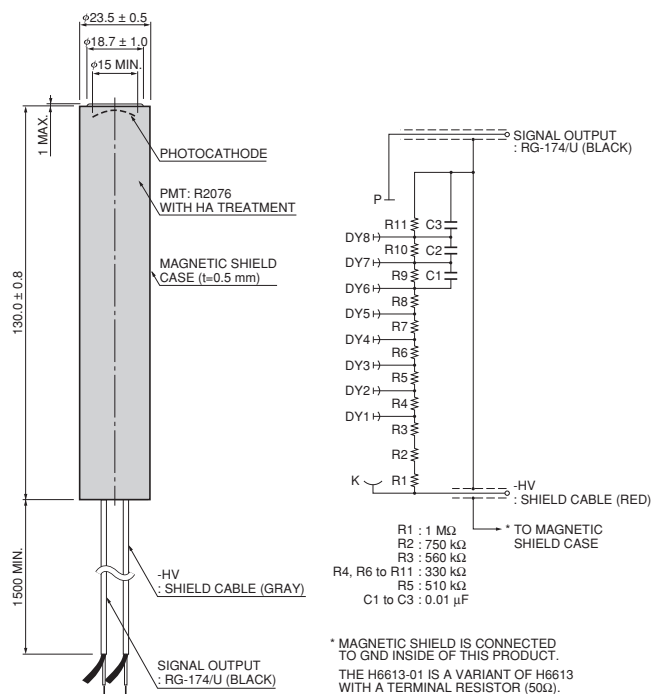
TPMHA0312ED

TPMHA0313EC

76 H6612



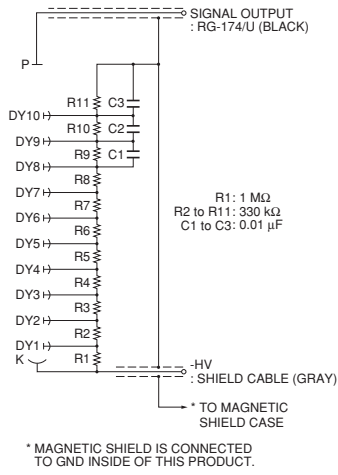
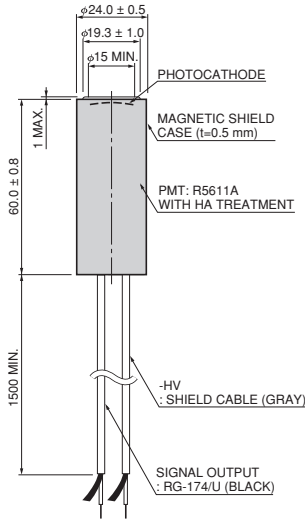
77 H6613



TPMHA0315EC

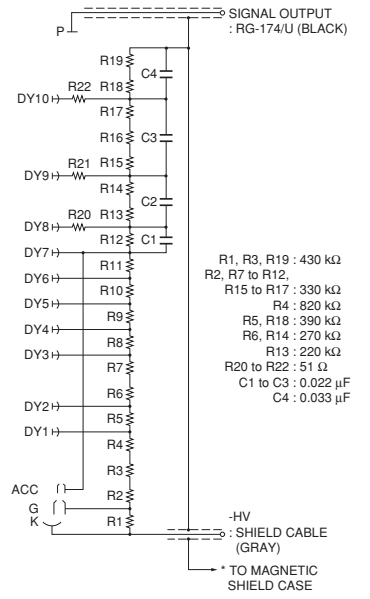
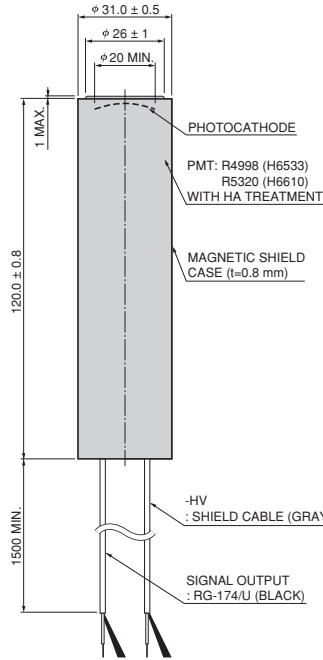
TPMHA0314EC

78 H8135



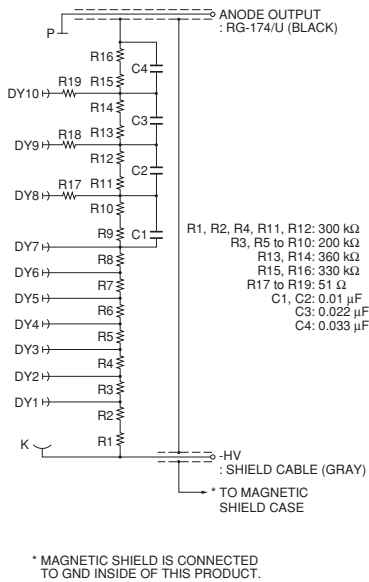
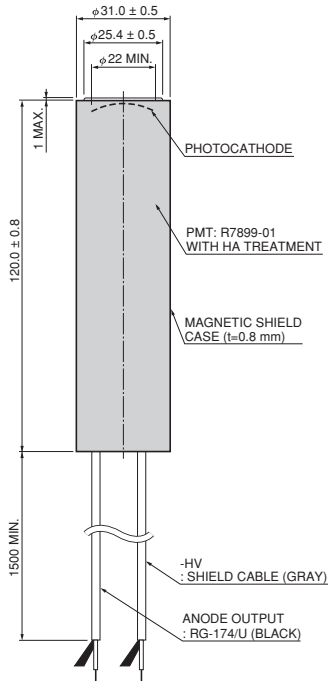
TPMHA0513EC

79 H6533



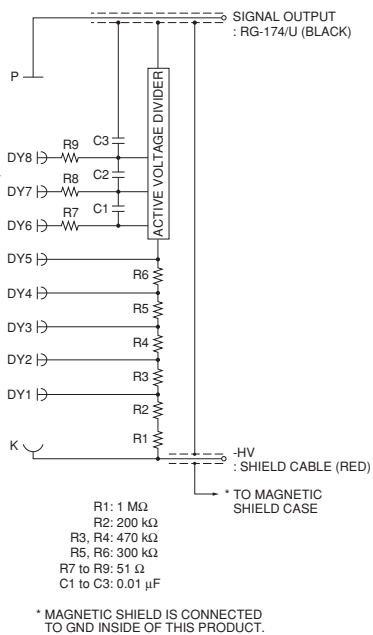
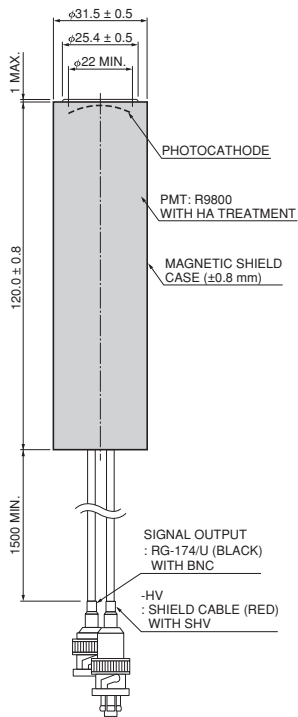
TPMHA0317ED

80 H8643

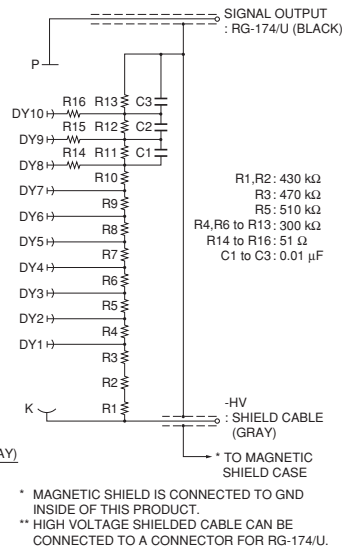
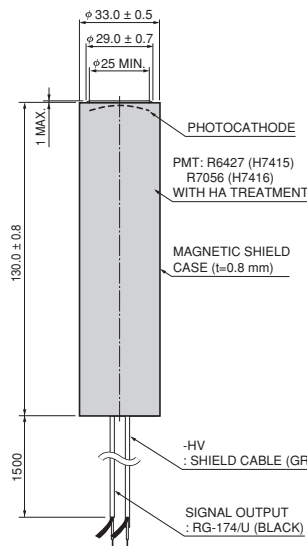


TPMHA0514EB

81 H10580



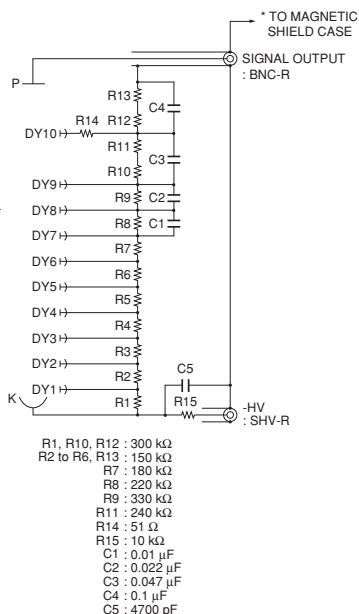
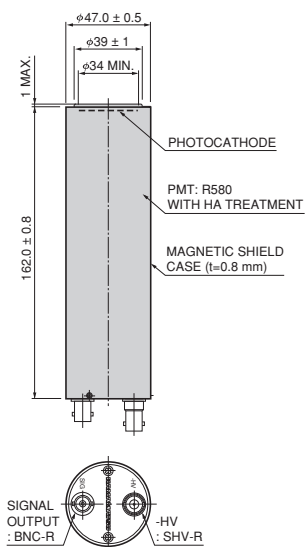
82 H7415



TPMHA0554EA

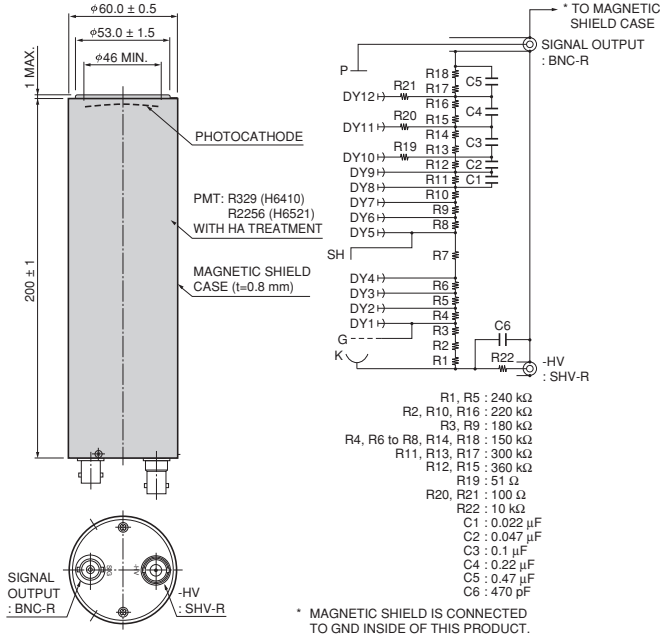
TPMHA0318ED

83 H3178-51



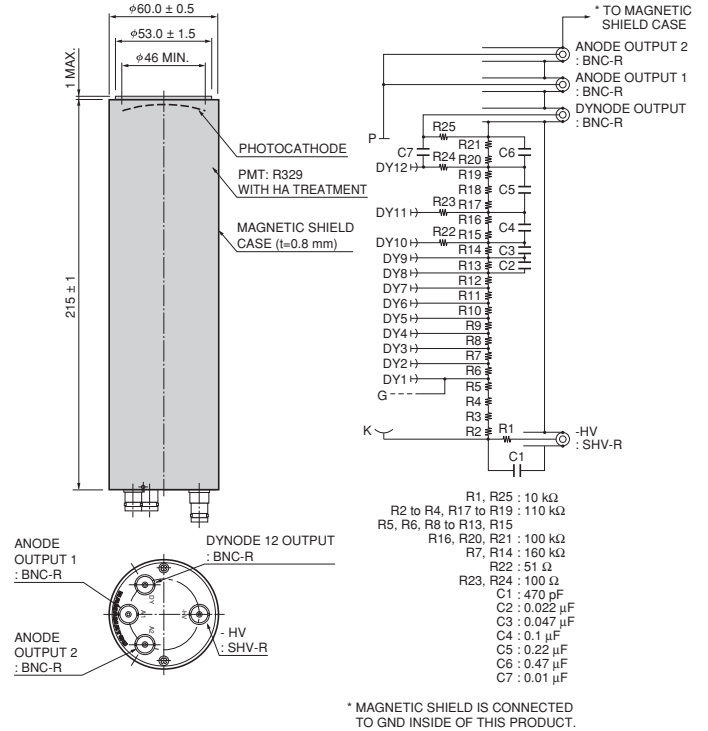
TPMHA0320EC

84 H6410



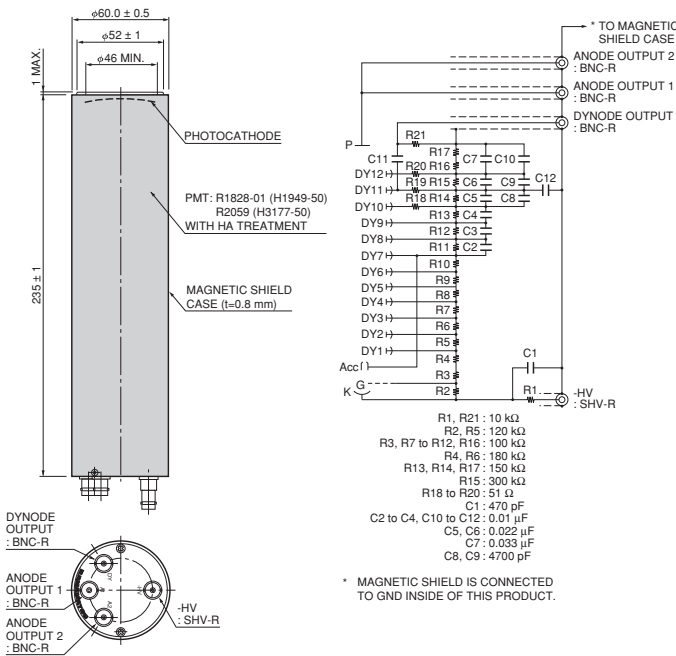
TPMHA0324ED

85 H7195



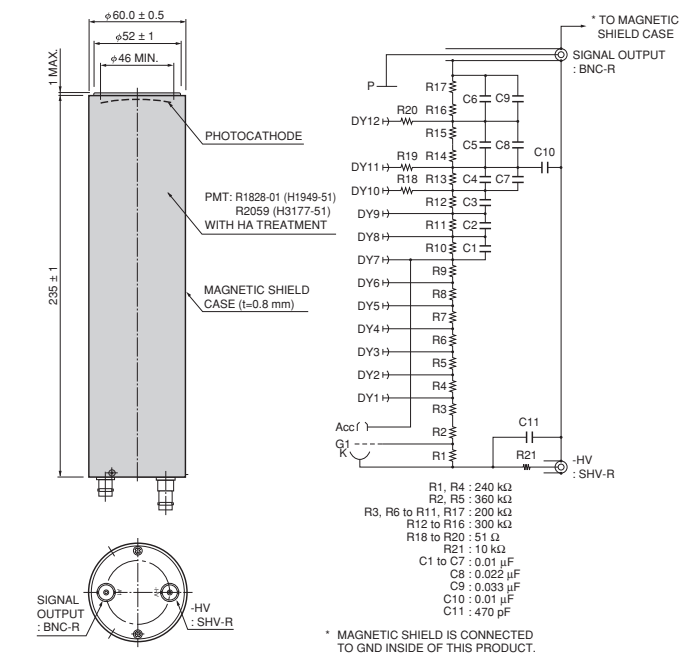
TPMHA0323ED

86 H1949-50



TPMHA0325ED

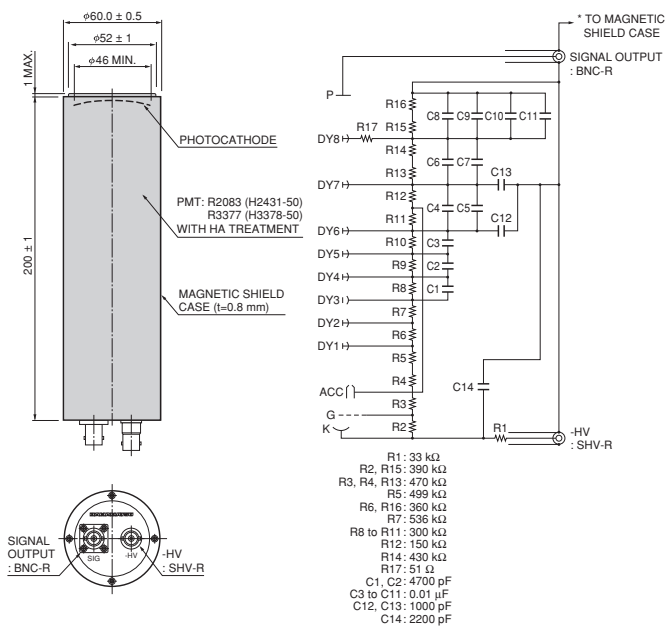
87 H1949-51



TPMHA0326ED

(Unit: mm)

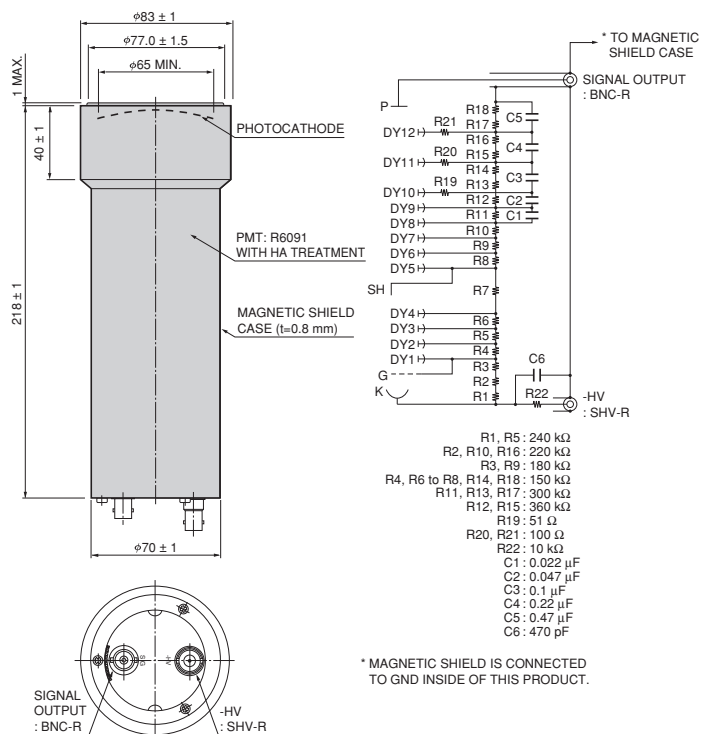
88 H2431-50



* MAGNETIC SHIELD IS CONNECTED TO GND INSIDE OF THIS PRODUCT.

TPMHA0327EC

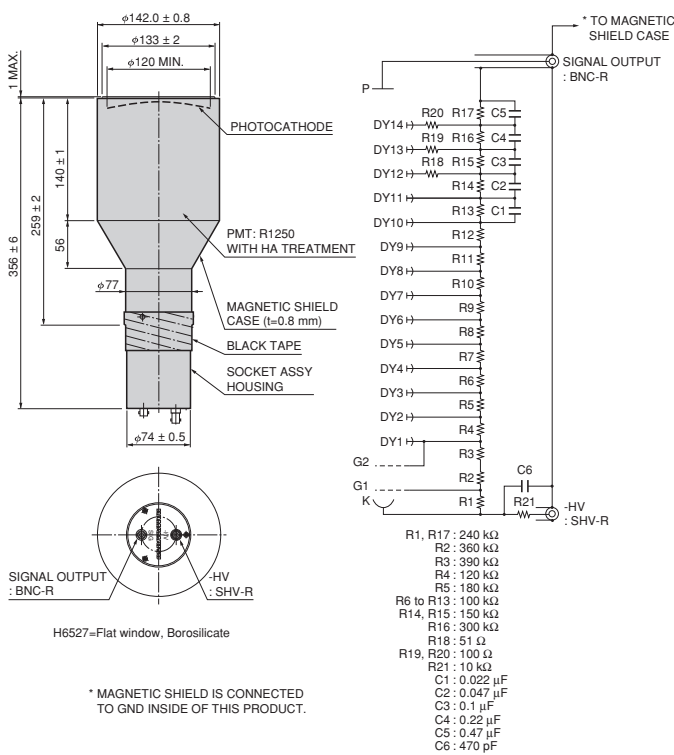
89 H6559



* MAGNETIC SHIELD IS CONNECTED TO GND INSIDE OF THIS PRODUCT.

TPMHA0331EC

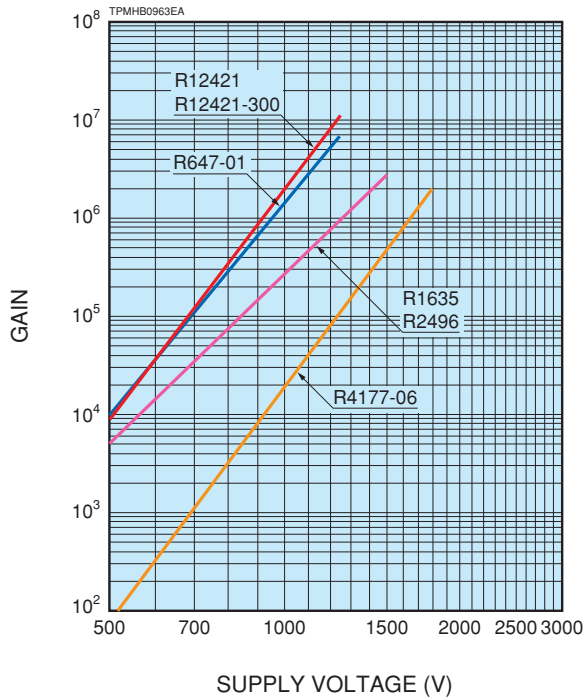
90 H6527



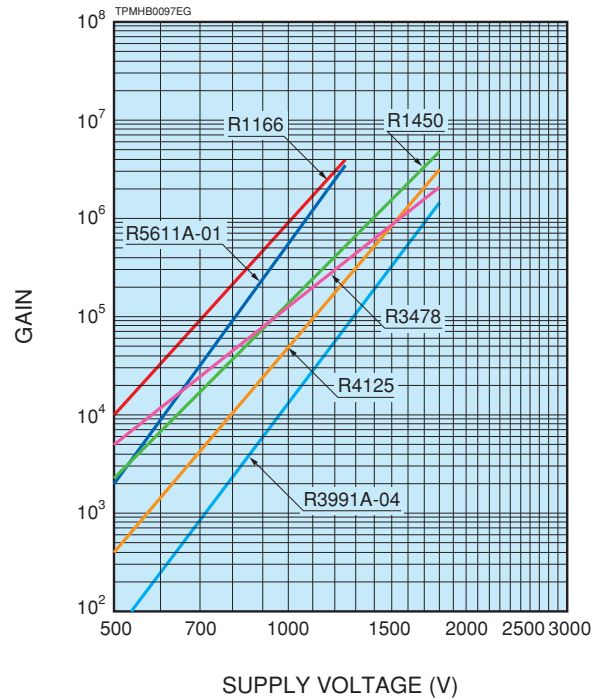
TPMHA0332EF

Typical gain characteristics

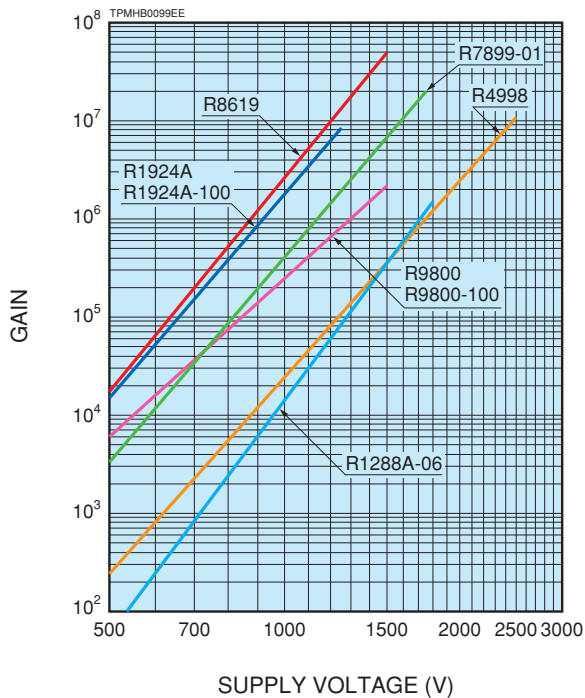
- 10 mm (3/8") Dia. and TO-8 types
- 13 mm (1/2") Dia. types



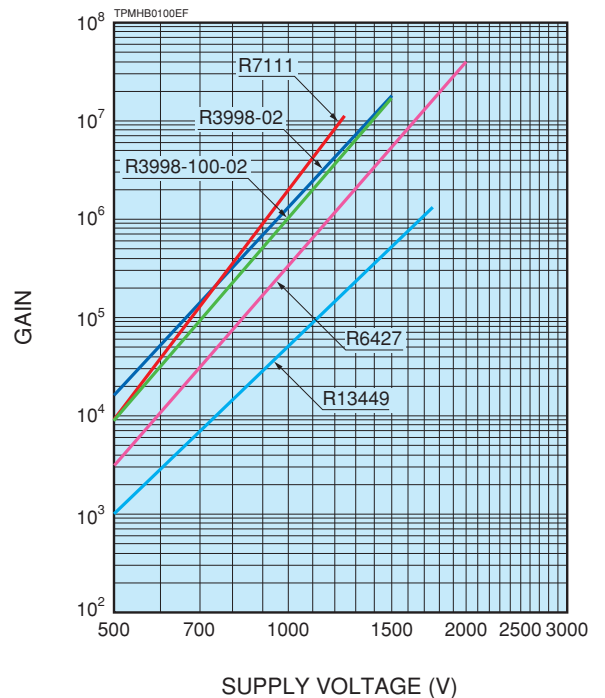
- 19 mm (3/4") Dia. types



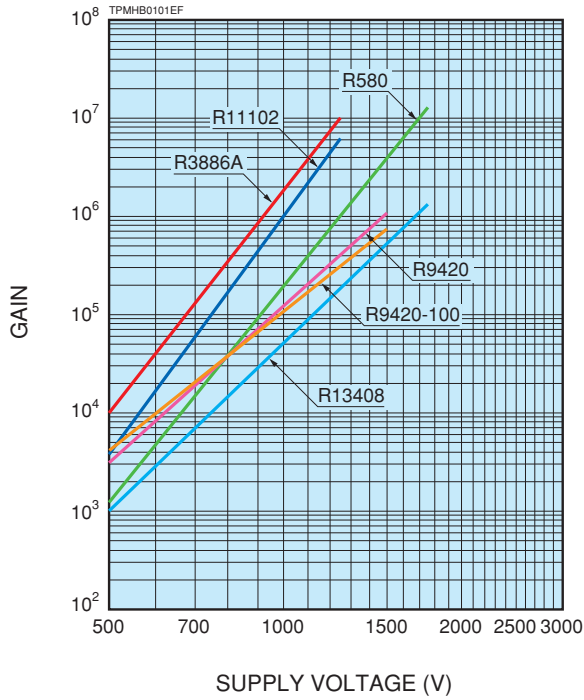
- 25 mm (1") Dia. types



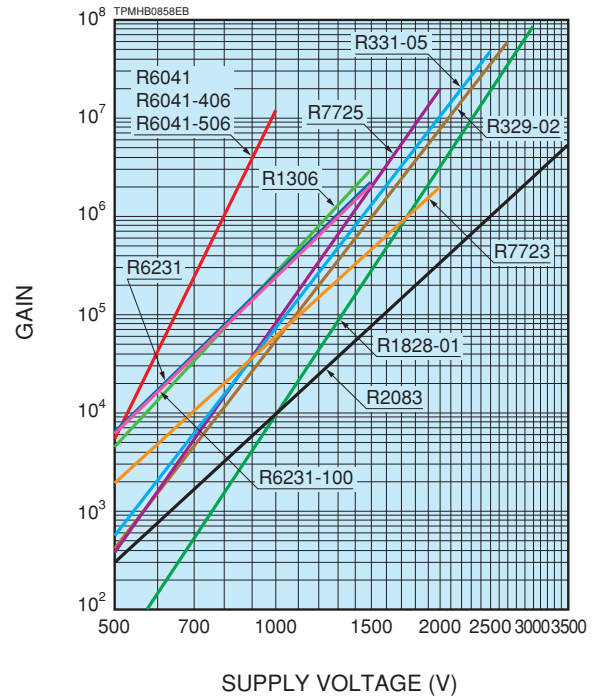
- 28 mm (1-1/8") Dia. types



● 38 mm (1-1/2") Dia. types

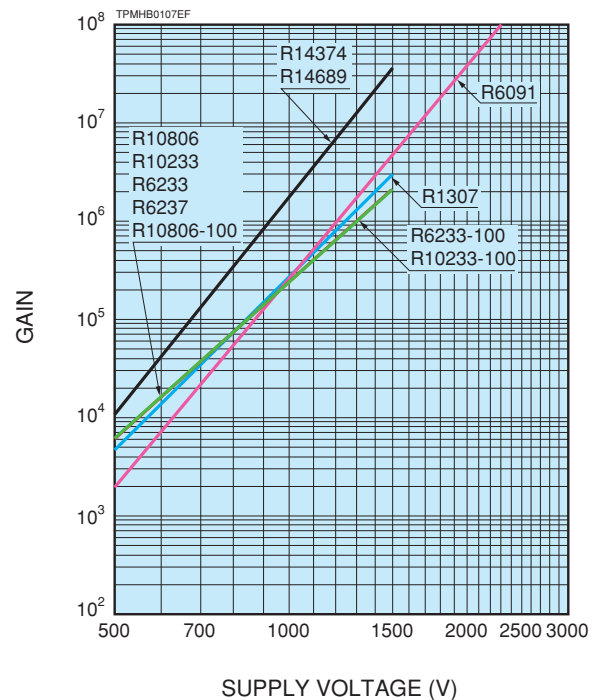
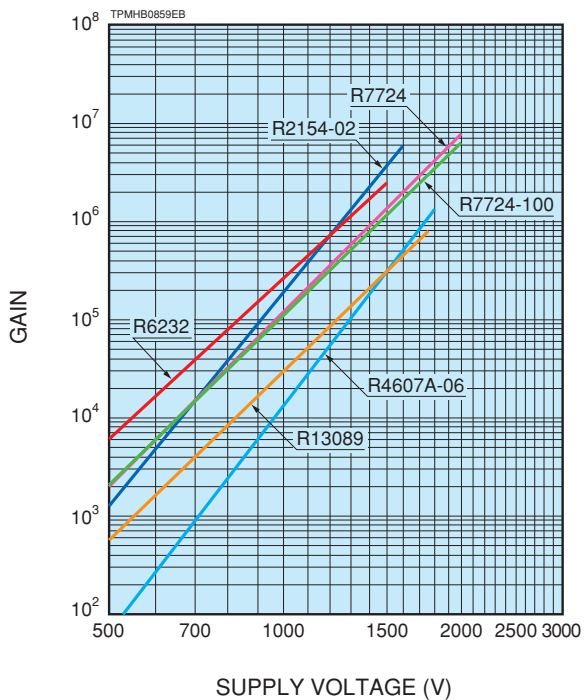


● 51 mm (2") Dia. types

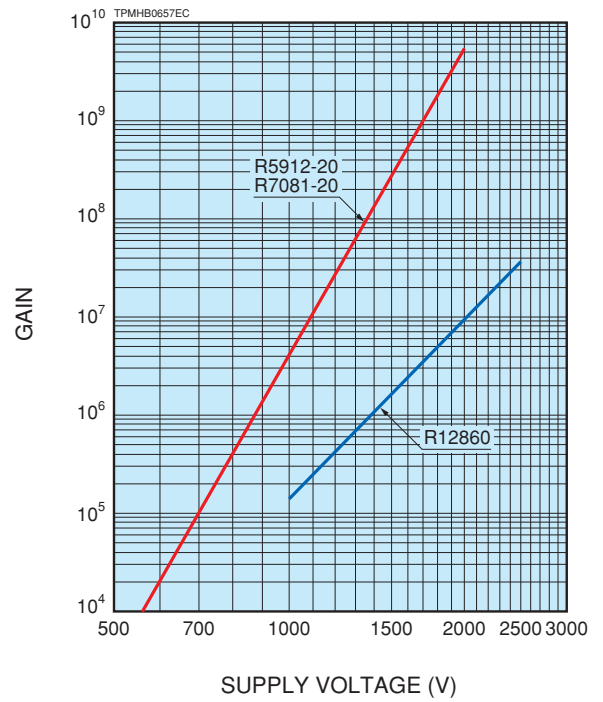
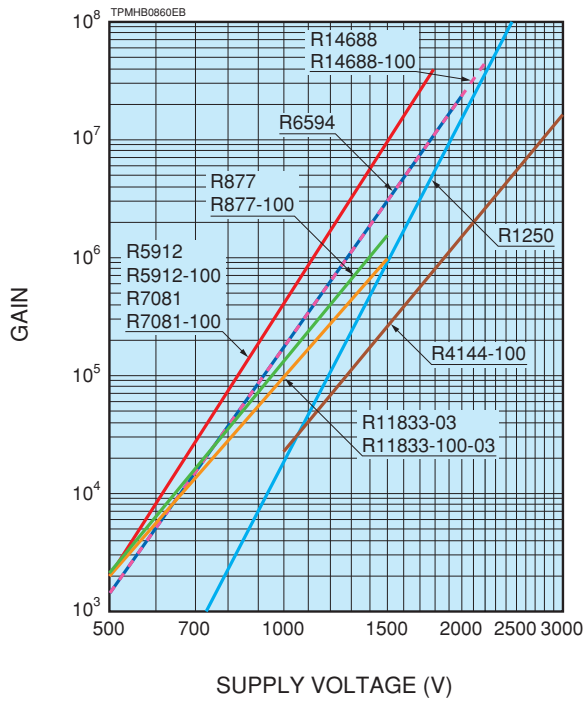


- 51 mm (2") Dia. types
- 60 mm (2.5") Dia. types

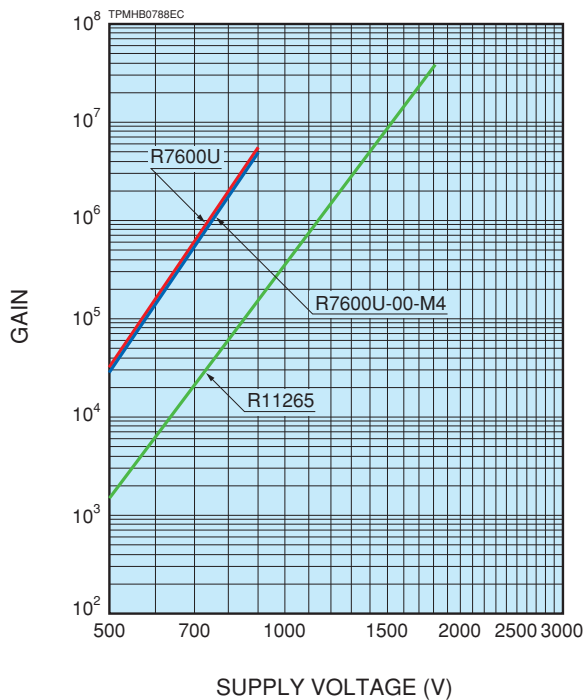
- 76 mm (3") Dia. types
- 80 mm (3-1/8") Dia. types
- 90 mm (3.5") Dia. types
- 102 mm (4") Dia. types



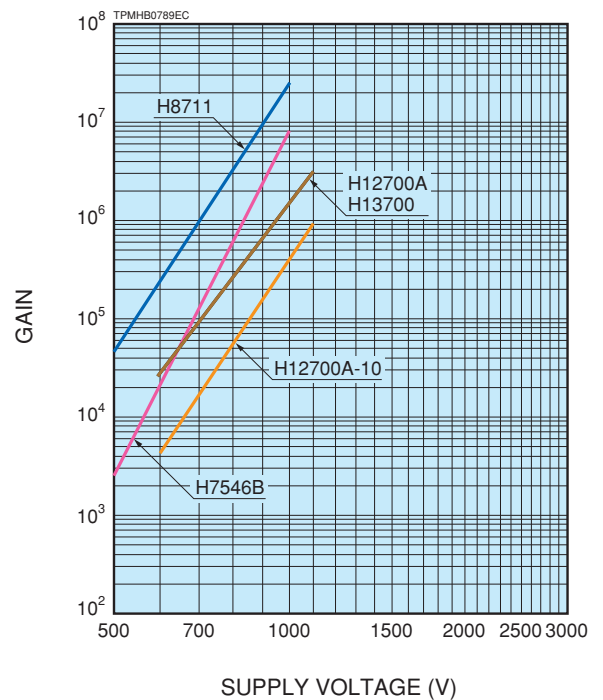
● 127 mm (5"), 202 mm (8"), 253 mm (10") and 508 mm (20") Dia. types



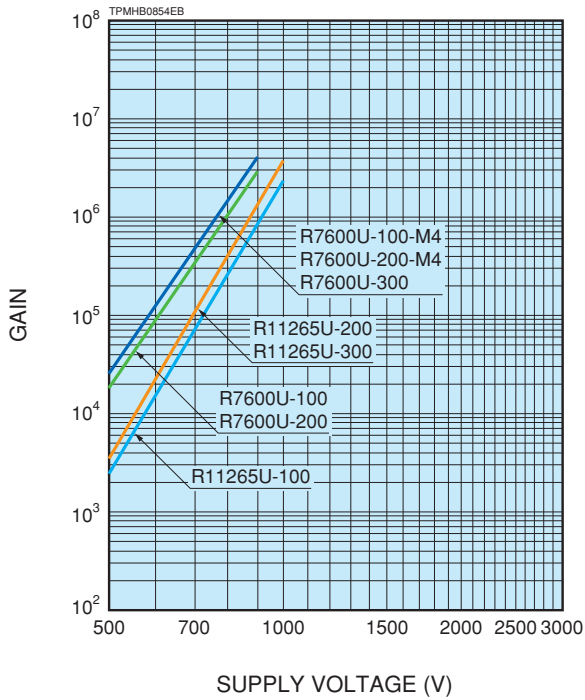
● Metal package types



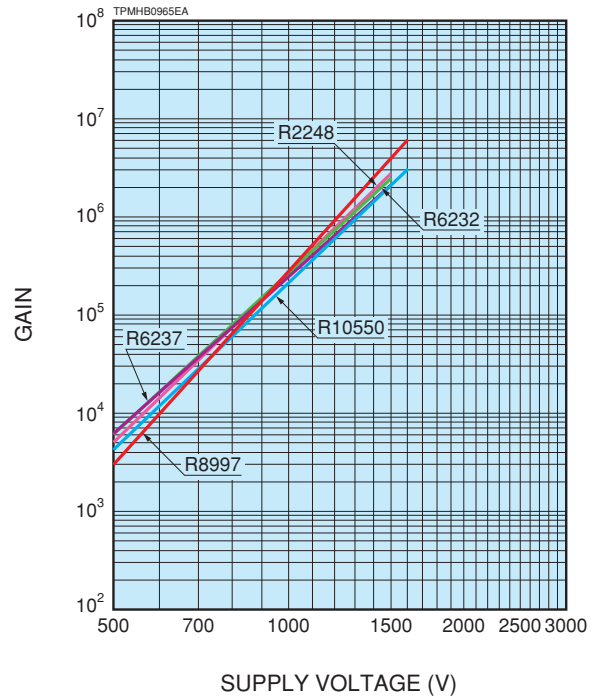
● Metal package types and assembly type



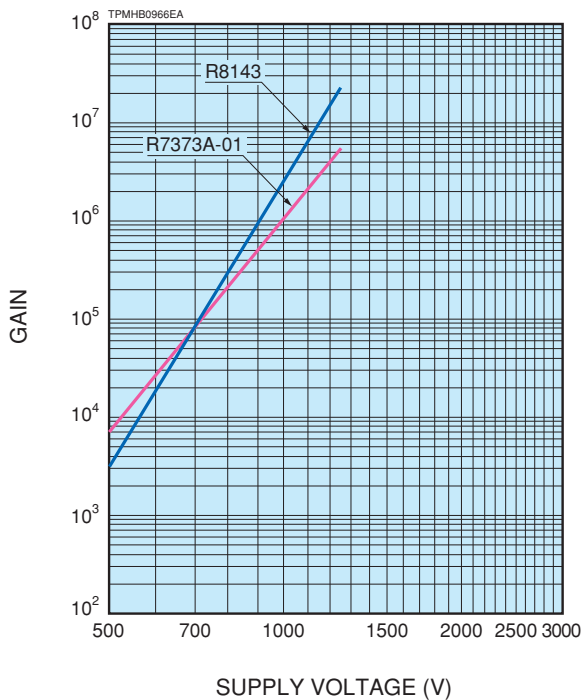
● SBA / UBA / EGBA metal package types



● Square, Rectangular shape photomultipliers



● 2π shape photomultipliers



Voltage distribution ratios

Interstages for the dynodes of a PMT are supplied by a voltage divider network consisting of series resistors, as shown on the right page. The cathode ground scheme (1) is usually used in scintillation counting because it reduces noise resulting from glass scintillation. In fast-pulse light applications, use of the anode ground scheme (2) is suggested. Either scheme requires decoupling (charge-storage) capacitors connected to the last few stages of dynodes in order to maintain the dynode

voltage at a constant value during pulse duration. refer to section 11 and 12 on page 8 to 13 for further details. To free the user from the necessity of designing voltage divider and performing troublesome parts selection, Hamamatsu provides a variety of socket assemblies which enable sufficient performance to be derived from PMT's by making simple connections only.

Voltage distribution ratio

Voltage distribution No.	Number of stages	Voltage distribution ratios											ΣR
		K	G	Dy1	Dy2	Dy3	Dy4	Dy5	Dy6	Dy7	Dy8	P	
①	8	1	1	1	1	1	1	1	1	1	1	1	10
②		2	—	2	1	1	1	1	1	1	1	1	11
③		2	2	1	1	1	1	1	1	1	1	1	12
④		3	—	1.5	1.5	1	1	1	1	1	1	1	12
⑤		4	—	1	2	1	1	1	1	1	2	1	14
⑥		4	—	1.5	1.5	1	1	1	1	1	1	1	13
⑦		7	—	1	1.5	1	1	1	1	1	1	1	15.5
⑧		4	0	1.2	1.5	1	1	1	1	1	1	1	12.7

<Symbols>

K: Photocathode G: Grid F: Focusing electrode

Dy: Dynode GR: Guard ring P: Anode

Acc: Accelerating electrode

No.	stages	K	G	Dy1	Dy2	Dy3	Dy4	Dy5	Dy6	Dy7	Dy8(Acc)	P	ΣR
⑨	8	1.3	4.8	1.5	1.5	1	1	1	1	1	1	1	15.1

(Note 1)

No.	stages	K	G	Dy1	Dy2	Dy3	Dy4	Dy5	Dy6	Acc	Dy7	Dy8	P	ΣR
⑩	8	1.3	4.8	1.2	1.8	1	1	1	1	0.5	3	2.5	19.1	

Acc: Grid (Accelerating electrode)

No.	stages	K	G1	G2	Dy1	Dy2	Dy3	Dy4	Dy5	Dy6	Dy7	Dy8	P	ΣR
⑪	8	2.5	7.5	0	1.2	1.8	1	1	1.5	1.5	3	2.5	23.5	

No.	stages	K	G	Dy1	Dy2	Dy3	Dy4	Dy5	Dy6	Dy7	Dy8	Dy9	P	ΣR
⑫	9	3	1	1	1	1	1	1.5	1	1	1	1	13.5	

No.	stages	K	G	Dy1	Dy2	Dy3	Dy4	Dy5	Dy6	Dy7	Dy8	Dy9	Dy10	P	ΣR	
⑬	10	1	—	1	1	1	1	1	1	1	1	1	1	0.5	10.5	
⑭		1	—	1	1	1	1	1	1	1	1	1	1	1	1	11
⑮		1	1	1	1	1	1	1	1	1	1	1	1	1	1	12
⑯		1.5	—	1	1	1	1	1	1	1	1	1	1	1	1	11.5
⑰		1.5	—	1	1	1	1	1	1	1	1.2	1.8	3.6	3.3	17.4	17.4
⑱		1.5	—	1.5	1.5	1	1	1	1	1	1	1	1	1	1	12.5
⑲		2	—	1	1	1	1	1	1	1	1	1	1	1	1	12
⑳		2	—	1	1	1	1	1	1	1.2	1.5	2.2	3.6	3	18.5	18.5
㉑		2	—	1	1.5	1	1	1	1	1	1	1	1	0.75	12.25	12.25
㉒		3	—	1	1	1	1	1	1	1	1	1	1	1	1	13
㉓		3	—	1	1.5	1	1	1	1	1	1	1	1	1	1	13.5
㉔		3	—	1	1.5	1	1	1	1	1	2	3	3.6	3.3	21.4	21.4
㉕		3	—	1.5	1	1	1	1	1	1	1	1	1	1	1	13.5
㉖		4	—	1	1.5	1	1	1	1	1	1	1	1	1	1	14.5
㉗		4	—	1	1.5	1	1	1	1	1.2	1.5	2	3.3	3	20.5	20.5
㉘		4	—	1	2	1	1	1	1	1	1	1	2	1	16	16
㉙		4.3	1.8	1.5	1.5	1	1	1	1	1	1	1	1	1	1	17.1

No.	stages	K	G	Dy1	Dy2	Dy3	Dy4	Dy5	Dy6	Dy7(Acc)	Dy8	Dy9	Dy10	P	ΣR
⑳	10	1.3	4.8	1.2	1.8	1	1	1	1	1	1.5	3	2.5	21.1	

(Note 2)

No.	stages	K	G	Dy1	Dy2	Dy3	Dy4	Dy5	Dy6	Dy7	Dy8(Acc)	Dy9	Dy10	P	ΣR
㉑	10	1.3	4.8	1.5	1.5	1	1	1	1	1	1	1	1	1	17.1

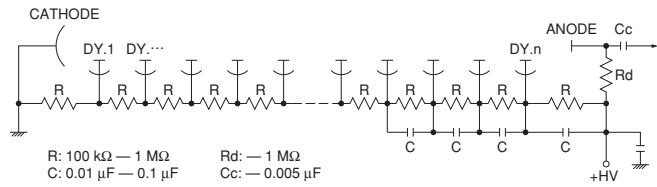
(Note 1)

Note 1: Acc to be connected to Dy8 with a protection resistor in series. (recommended resistance: 10 MΩ)

Note 2: Acc should be connected to Dy7 except R4998.

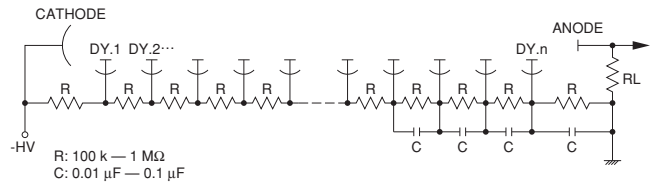
Schematic diagram of voltage divider networks

(1) Cathode ground scheme (+HV)



TPMOC0043EB

(2) Anode ground scheme (-HV)



TPMOC0044EB

Voltage distribution ratio

Voltage distribution No.	Number of stages	Voltage distribution ratios														ΣR
		K	Dy1	G1	G3	G2	Dy2	Dy3	Dy4	Dy5	Dy6	Dy7	Dy8	Dy9	Dy10	
32	10	8	0.18	0	0.17	0.85	1.5	1	1	1	1	1	1	1	1	18.7
33		8	0.18	0	0.17	0.85	1.5	1	1	1	1.2	1.5	2.1	3	2.4	23.9

No.	stages	K	Dy1	G	Dy2	Dy3	Dy4	Dy5	Dy6(Acc)	Dy7	Dy8	Dy9	Dy10	P	ΣR
34	10	11	1.5	4	4.5	1.5	1.5	1	1.2	2	2.2	3	1.7		35.1

No.	stages	K	Dy1	G	Dy2	Dy3	Dy4	Dy5	Dy6	Dy7(Acc)	Dy8	Dy9	Dy10	P	ΣR
35	10	11.5	1	3.5	4	2	2	1	1	1	1	1	1		30

No.	stages	K	G	Dy1	Dy2	Dy3	Dy4	Dy5	Dy6	Dy7	Dy8	Dy9	Dy10	Dy11	P	ΣR
36	11	2	—	1	1	1	1	1	1	1	1	1	1	1		13

No.	stages	K	G	Dy1	Dy2	Dy3	Dy4	Dy5	Dy6	Dy7	Dy8	Dy9	Dy10	Dy11	Dy12	P	ΣR	
37	12	1.2	2.8	1.2	1.8	1	1	1	1	1	1	1.5	1.5	3	2.5		21.5	
38		1.2	2.8	1.2	1.8	1	1	1.2	1.5	2	2.8	4	5.7	8	5		40.2	
39		2	—	2	2	1	1	1	1	1	1	1	1	1	1		16	
40		2.5	—	1.3	0.8	0.8	1	1	1	1	1	1	1	1	0.5		13.9	
41		3	—	2	2	1	1	1	1	1	1	1	1	1	2	5		22
42		4	0	1	1.4	1	1	1	1	1	1	1	1	1	1	1		16.4
43		4	—	1	2	1	1	1	1	1	1	1	1	1	2	1		18
44		4.3	0	1	1.6	1	1	1	1	1.2	1.5	2	2.4	3	3.9	3		26.9

(Note 3)

(Note 3)

No.	stages	K	G	Dy1	Dy2	Dy3	Dy4	Dy5	Dy6	Dy7	Dy8	Dy9	Dy10	Dy11	Dy12	Dy13	Dy14	P	ΣR
45	14	2.5	7.5	1.2	1.8	1	1	1	1	1	1	1	1	1.5	1.5	3	2.5		29.5
46		2.5	7.5	1.2	1.8	1	1	1	1	1.2	1.5	2	2.8	4	5.7	8	5		47.2

No.	stages	K	Dy1	G2	G1	G3	Dy2	Dy3	Dy4	Dy5	Dy6	Dy7	Dy8	Dy9	Dy10	Dy11	Dy12	Dy13	Dy14	P	ΣR
47	10	16.8	0	0.6	0	3.4	5	3.33	1.67	1	1.2	1.5	2.2	3	—	—	—	—	2.4		42.1
48	14	11.3	0	0.6	0	3.4	5	3.33	1.67	1	1	1	1	1	1.2	1.5	2.2	3	2.4		40.6

No.	stages	K	Dy1	Dy2	Dy3	Dy4	Dy5	Dy6	Dy7	Dy8	Dy9	Dy10	Dy11	Dy12	GR	P	ΣR
49	10	2	1	1	1	1	1	1	1	1	1	—	—	1	0.5		12.5

Note 3: Shield should be connected to Dy5.

Quick reference for PMT socket assemblies

Assembly type No.	PMT characteristics				Assembly characteristics						Notes
	Tube diameter	Tube type No. / Voltage distribution ratio	Reference page for PMT feature	Outline No.	H.V input terminal	Signal output terminal	Standard rating		Maximum rating		
							Overall voltage ^① (V)	Divider current ^② (mA)	Overall voltage (V)		
E849-90	13 mm	R647-01	⑭	20	①	SHV	BNC	-1000	0.28	-1250	
E849-99	(1/2")	R12421	⑲	20	②	AWG22	RG-174/U	-1000	0.32	-1250	
E974-17	19 mm (3/4")	R1166	⑯	20	③	SHV	BNC	-1000	0.27	-1250	
E974-22		R1450	⑳	20	④	SHV	BNC	-1500	0.37	-1800	
E2253-05		R3478	⑦	20	⑤	SHV	BNC	-1700	0.34	-1800	
E990-29	25 mm (1")	R3998-02	⑫	20	⑥	AWG22	RG-174/U	-1000	0.23	-1500	
		R3998-100-02		26							
E2924-500	28 mm (1-1/8")	R1924A	㉓	20	⑦	SHV	BNC	-1000	0.24	-1250	
		R7111		20							
E2624-14	28 mm (1-1/8")	R6427	㉖	20	⑧	SHV	BNC	-1500	0.32	-2000	
E2183-500	38 mm (1-1/2")	R580		20	⑨	SHV	BNC	-1250	0.32	-1750	
		R11102	⑲	20				-1000	0.26	-1250	
		R3886A		20				-1000	0.26	-1250	
E1198-07	51 mm (2")	R2154-02	⑲	22	⑩	AWG22	RG-174/U	-1250	0.32	-1750	
E2979-500			R1828-01	⑳	22	⑪	SHV	BNC	-2500	0.58	
E1198-05	51 mm (2")	R1306	①	22	⑫	AWG22	RG-174/U	-1000	0.31	-1500	-HV type
E1198-20			R1307	①							22
E1198-26	60 mm (2.4")	R6231		22	⑭	SHIELD CABLE	RG-174/U	-1000	0.25	-1500	-HV type
	76 mm (3")	R6231-100		22							
		R6232		22							
E1198-27	90 mm (3.5")	R6233	③	22	⑭	SHIELD CABLE	RG-174/U	+1000	0.25	+1500	+HV type
	102 mm (4")	R6233-100		22							
		R6236		24							
		R6237		24							
		R10233		22							
		R10233-100		22							
		R10806		22							
		R10806-100		22							

Note:

①: When overall voltage is negative (-HV), DC and pulse signals are obtained. When it's positive (+HV), pulse signal is obtained.

②: The maximum average anode current is defined as 5 % of divider current.

Assembly type No.	PMT characteristics				Assembly characteristics						Notes
	Tube diameter	Tube type No. / Voltage distribution ratio	Reference page for PMT feature	Outline No.	H.V input terminal	Signal output terminal	Standard rating		Maximum rating		
							Overall voltage ^① (V)	Divider current ^② (mA)	Overall voltage (V)		
E5859	51 mm (2") 76 mm (3")	R329-02 R6091	④④	22 22	⑮	SHV	BNC	-2000	0.5	-2700 -2500	shield case is available. +HV type (E5859-02) is available.
E5859-01		R329-02 R331-05 R6091	④②	22 22 22	⑮	SHV	BNC	-1500	0.42	-2700 -2500 -2500	shield case is available. +HV type (E5859-03) is available.
E5859-11		R7725	④③	22	⑮	SHV	BNC	-1750	0.45	-2000	
E5859-15		R7723	⑤	22	⑮	SHV	BNC	-1750	0.38	-2000	
E5859-19		R7724 R7724-100	②⑧	22	⑮	SHV	BNC	-1750	0.5	-2000	
E1198-22	127 mm (5")	R877 R877-100	⑮	22	⑮	SHIELD CABLE	RG-174/U	-1250	0.32	-1500	shield case is available. -HV type
E1198-23					⑮	SHIELD CABLE	RG-174/U	-1250	0.32	-1500	shield case is available. +HV type
E6316-01					⑰	SHV	BNC	-1250	0.32	-1500	shield case is available. -HV type with rear panel connector
E7693		R1250	④⑤	22	⑱	SHV	BNC	-2000	0.68	-3000	
E7694-02	204 mm (8") 254 mm (10")	R5912 R7081	④⑦	22 22	⑲	SHV	BNC	-1500	0.36	-2000	+HV type, (E7694-03) is available
E5996	30 mm square type	R7600U R7600U-03 R7600U-100 R7600U-200 R7600U-300	⑮	24	⑳	SHIELD CABLE	RG-174/U	-800	0.3	-900	
E7083		R7600U-00-M4 R7600U-100-M4 R7600U-200-M4	⑮	24	㉑	SHIELD CABLE	0.8D-QEV	-800	0.3	-900	Active base type (E6572) is available.
E11807		R11265U R11265U-100 R11265U-200	④⑩	24	㉒	SHIELD CABLE	RG-174/U	-900	0.33	-1000	
E11807-01		R11265U R11265U-100 R11265U-200	④⑩	24	㉒	SHIELD CABLE	RG-174/U	-900	0.34	-1000	E11807 with tapered voltage driver circuit.
E10679-02		16 mm TO-8	R9880U-110 R9800U-210	⑬	24	㉓	AWG22	RG-174/U	-1000	0.29	-1100

Note:

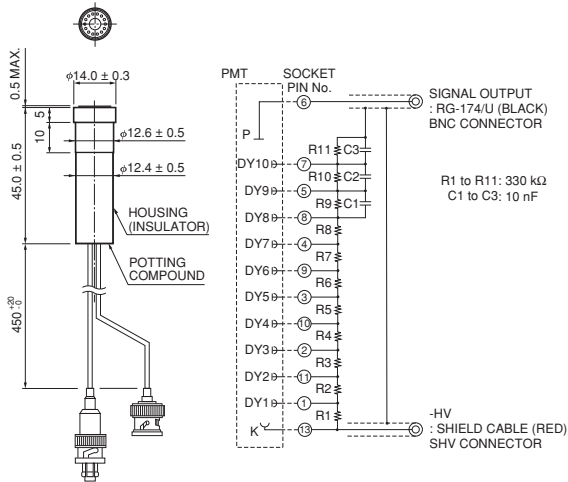
①: When overall voltage is negative (-HV), DC and pulse signals are obtained. When it's positive (+HV), pulse signal is obtained.

②: The maximum average anode current is defined as 5 % of divider current.

Dimensional outline and circuit diagrams

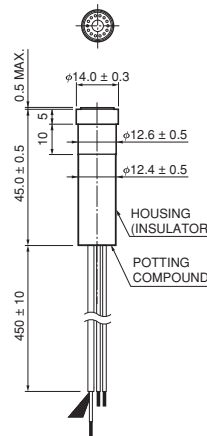
For PMT socket assemblies

1 E849-90

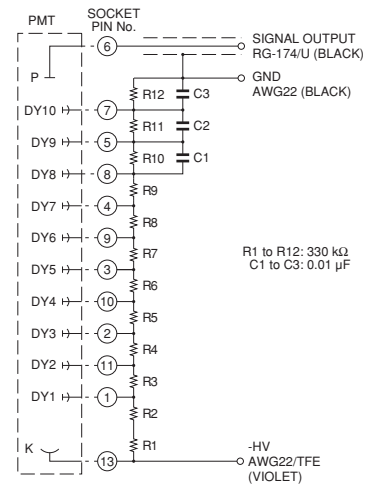


TACCA007ED

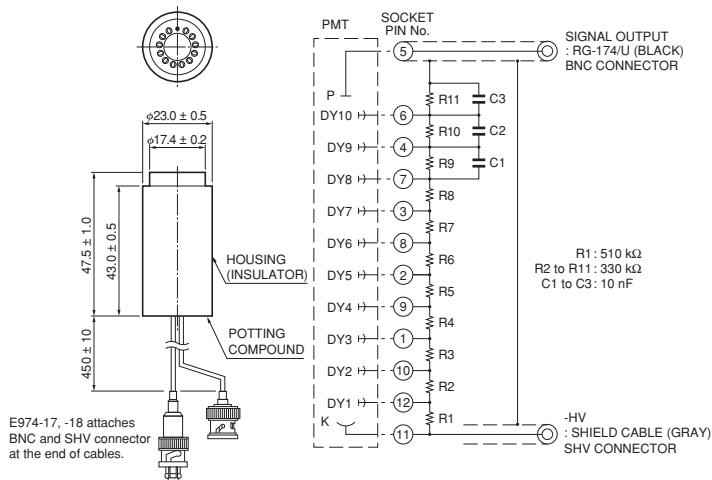
2 E849-99



E849-99

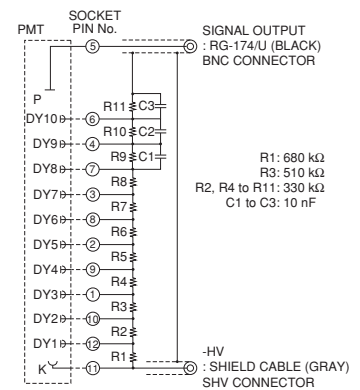
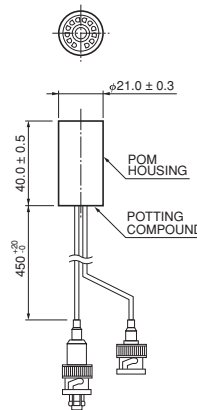


3 E974-17



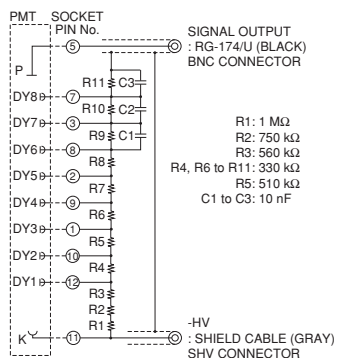
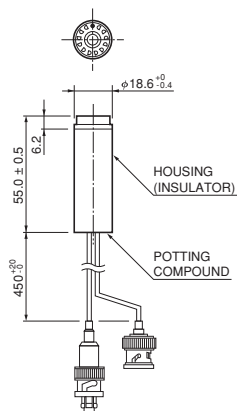
TACCA0212EB

4 E974-22



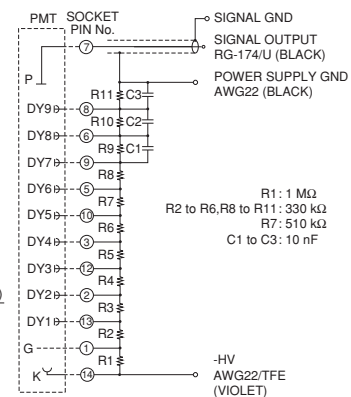
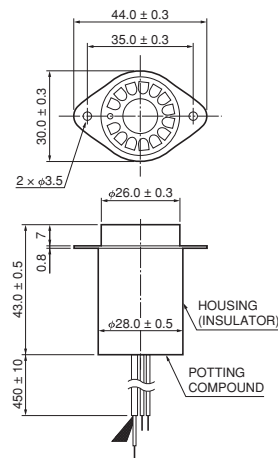
TACCA0078EC

5 E2253-05



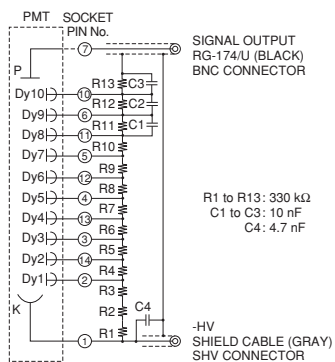
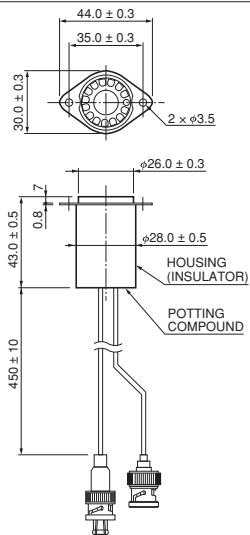
TACCA0079EB

6 E990-29



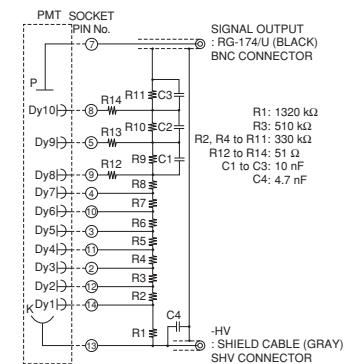
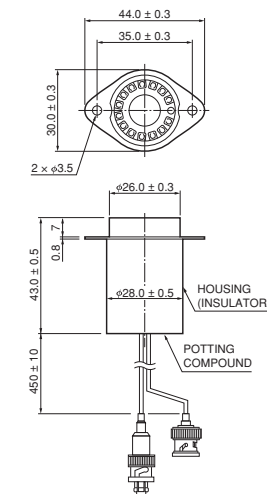
TACCA0215EC

7 E2924-500



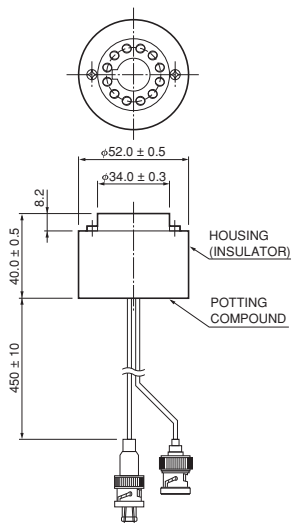
TACCA0081EC

8 E2624-14

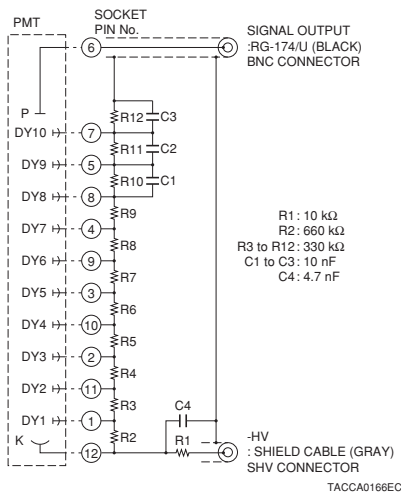


TACCA0082EC

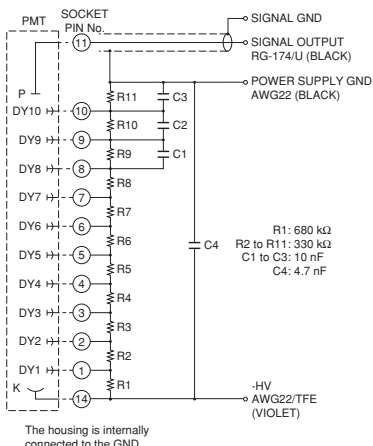
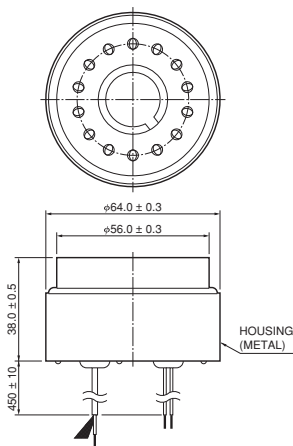
9 E2183-500



E2183-500

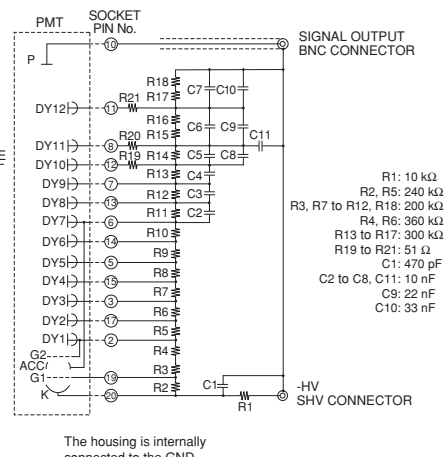
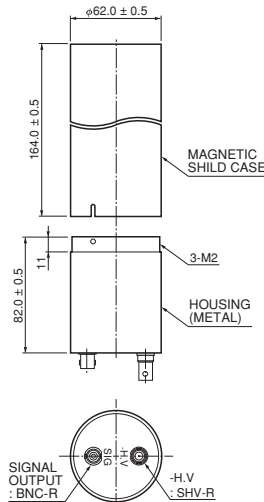


10 E1198-07



TACCA0220EB

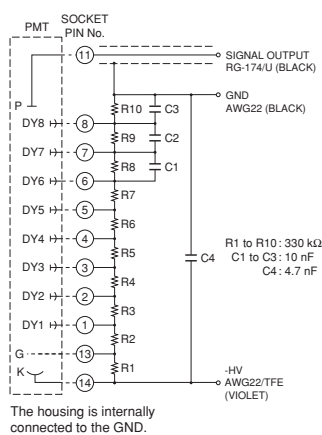
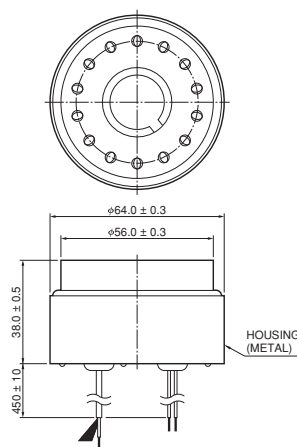
11 E2979-500



TACCA0093EB

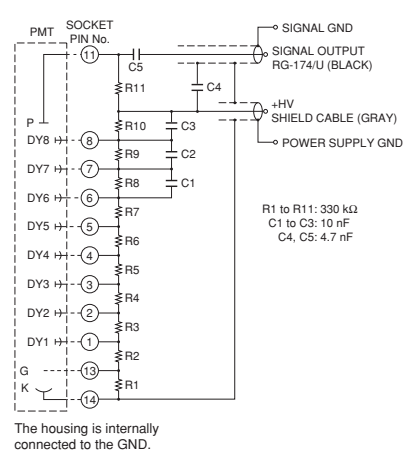
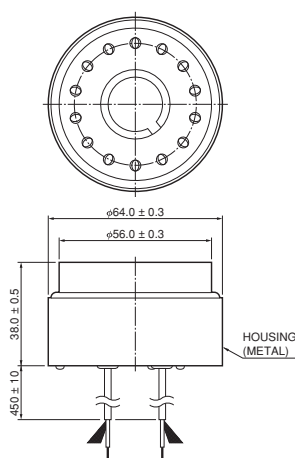
(Unit: mm)

12 E1198-05



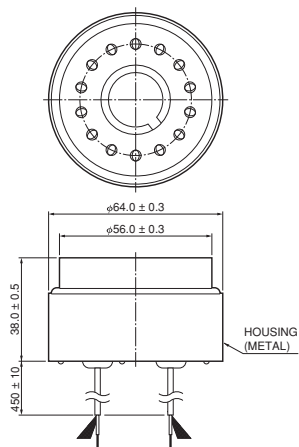
TACCA0221EB

13 E1198-20

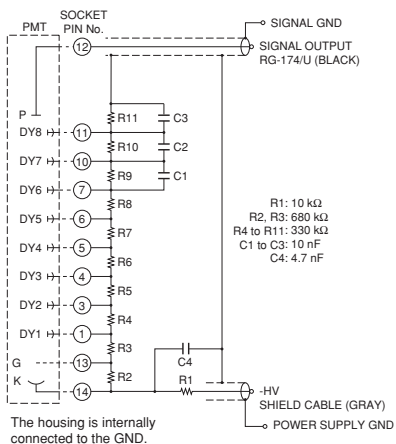


TACCA0223EC

14 E1198-26, E1198-27

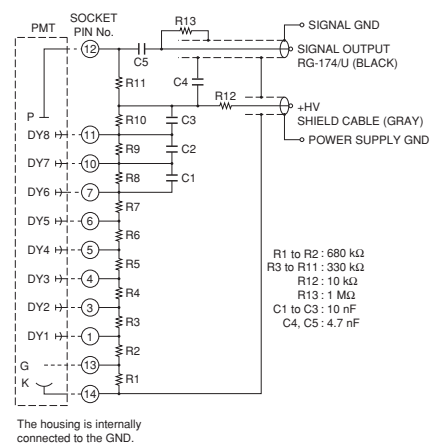


E1198-26



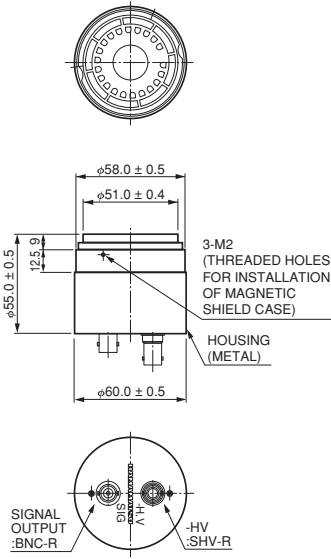
TACCA0224EB

E1198-27

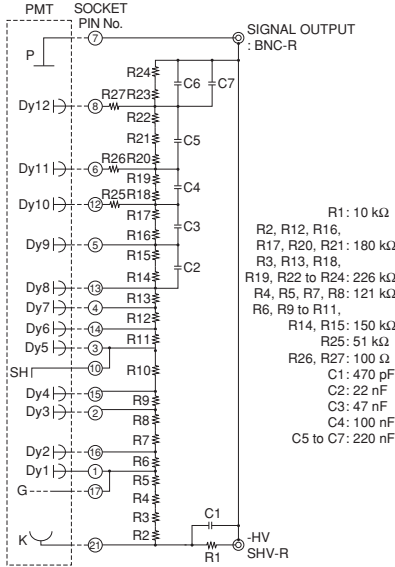


TACCA0225EB

15 E5859, E5859-01, E5859-11, E5859-15, E5859-19



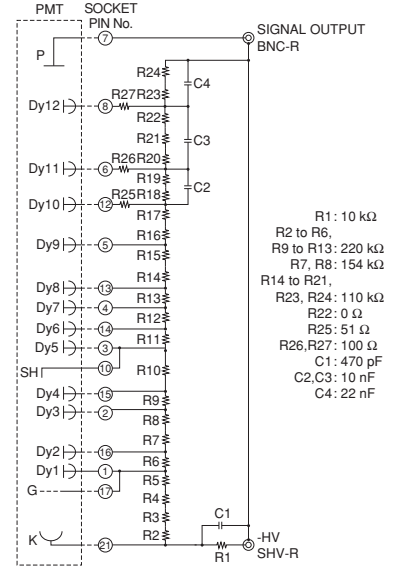
E5859 taper bleeder circuit
(For R329-02/R6091)



The housing is internally connected to the GND.

TACCA0176EC

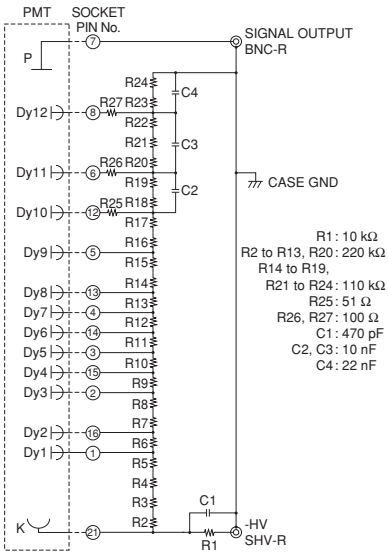
E5859-01 standard bleeder circuit
(For R329-02/R331-05/R6091)



The housing is internally connected to the GND.

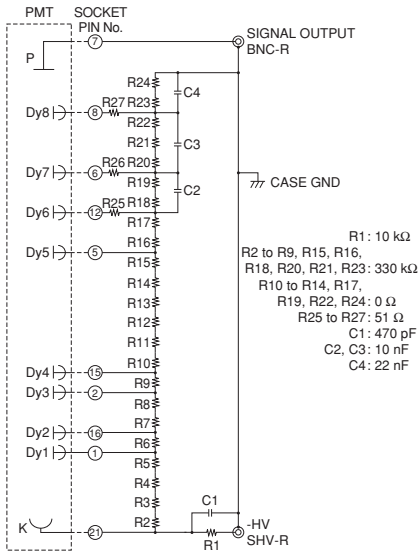
TACCA0176EC

E5859-11
(For R7725)



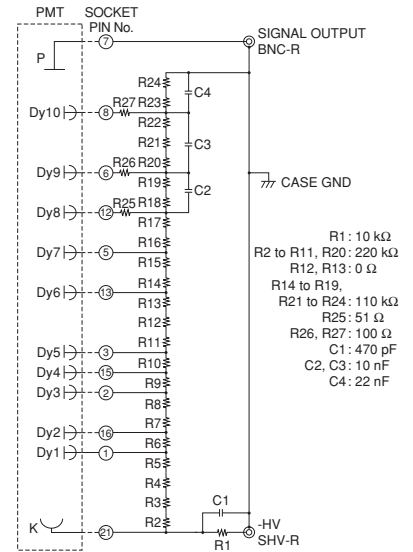
TACCA0359EA

E5859-15
(For R7723)



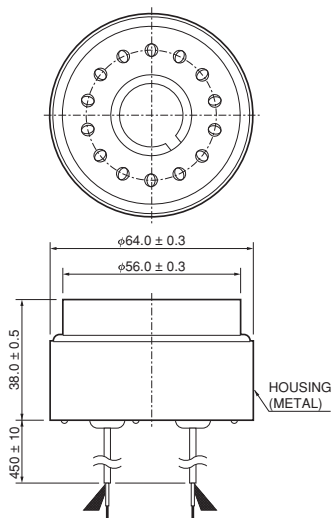
TACCA0360EA

E5859-19
(For R7724)

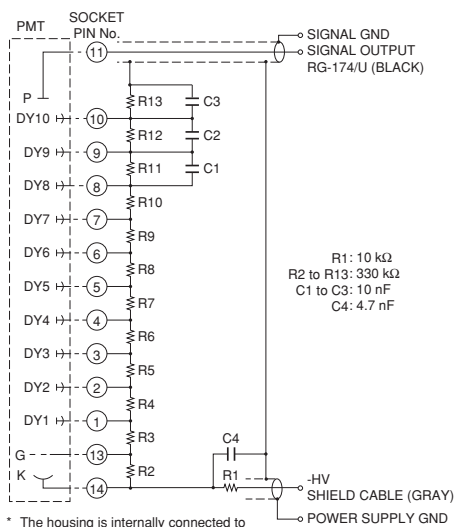


TACCA0361EA

16 E1198-22, E1198-23

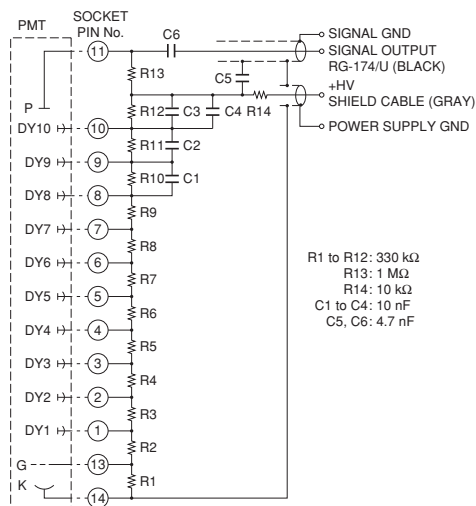


E1198-22



* The housing is internally connected to the GND.
 ** High voltage shielded cable can be connected to a connector for RG-174/U.

E1198-23

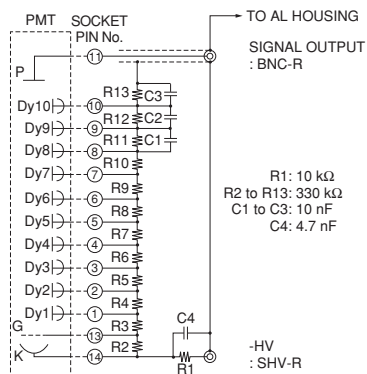
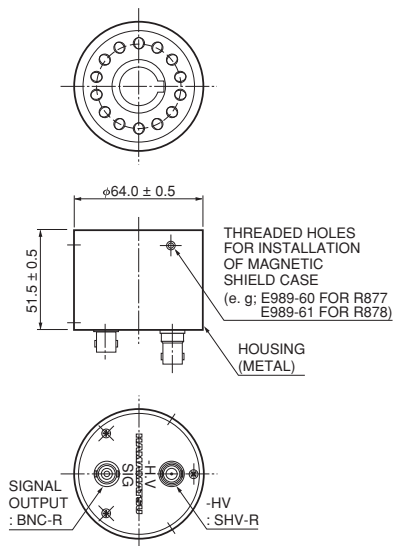


* The housing is internally connected to the GND.
 ** High voltage shielded cable can be connected to a connector for RG-174/U.

TACCA0168EB

TACCA0169EC

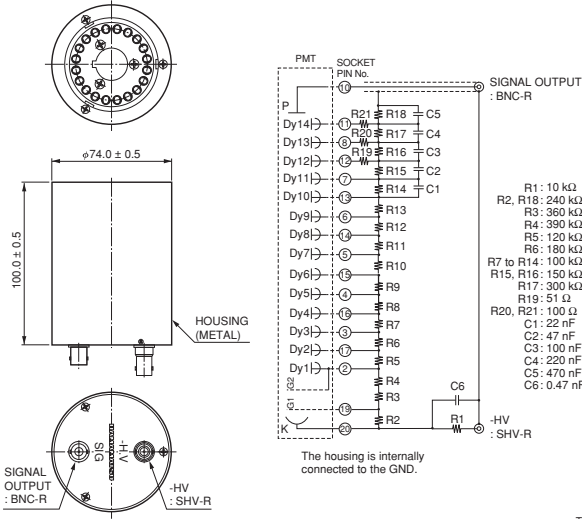
17 E6316-01



The housing is internally connected to the GND.
 Note: Magnetic shield case is available to order separately.

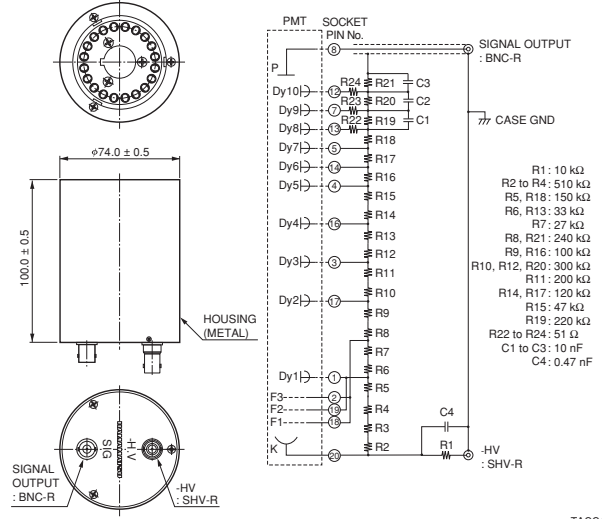
TACCA0089EB

18 E7693



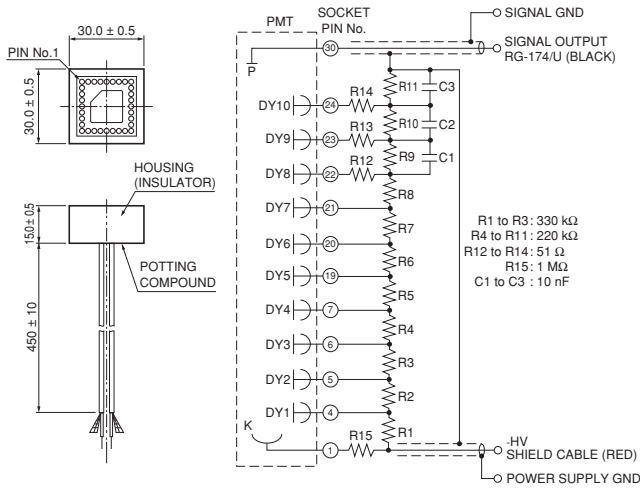
TACCA0227EC

19 E7694-02



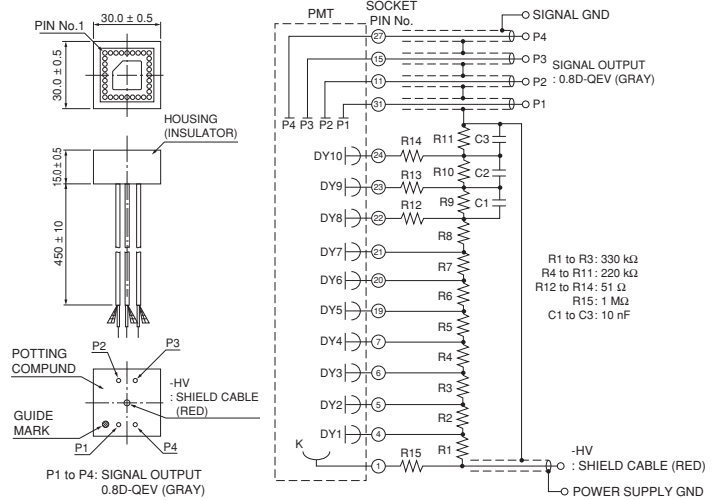
TACCA0229EB

20 E5996



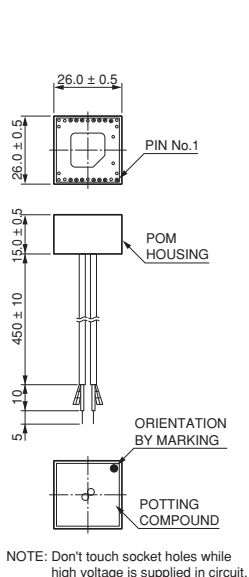
TACCA0234ED

21 E7083

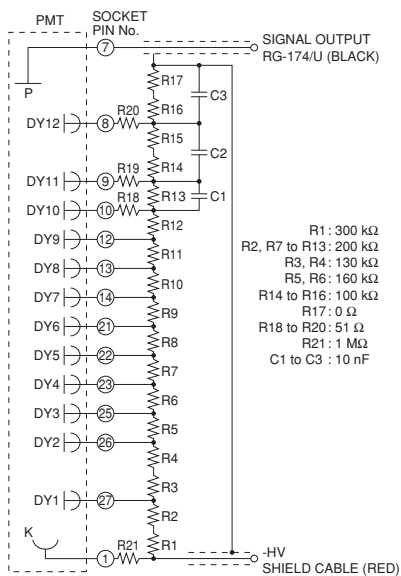


TACCA0162ED

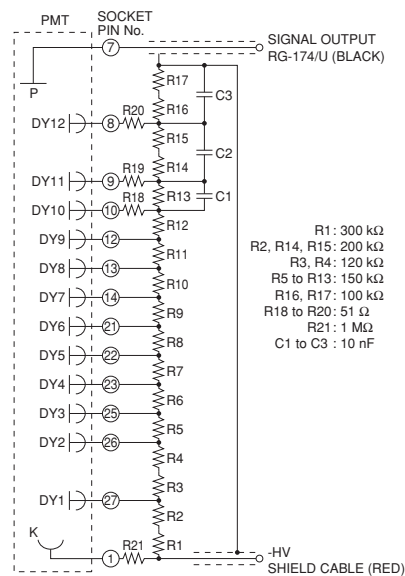
22 E11807, E11807-01



E11807

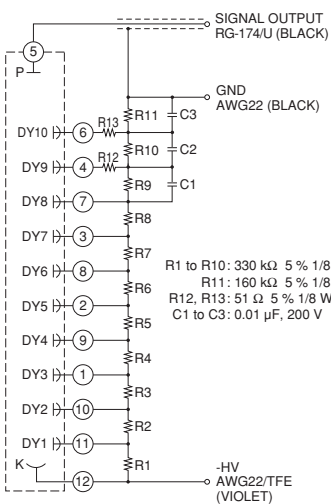
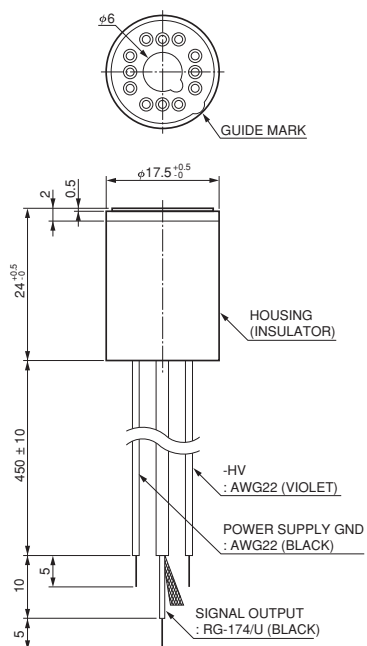


E11807-01



TACCA0314EA

23 E10679-02



MAXIMUM HIGH VOLTAGE = -1100 V
DIVIDER CURRENT = 318 μA

* E10679-02 with SHV / BNC connector type (E10679-03) is also available.

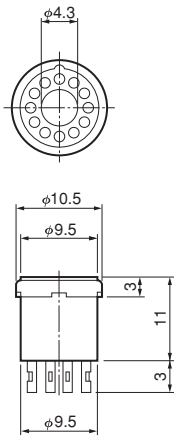
TACCA0299EA

TACCO0165EA

Dimensional outlines

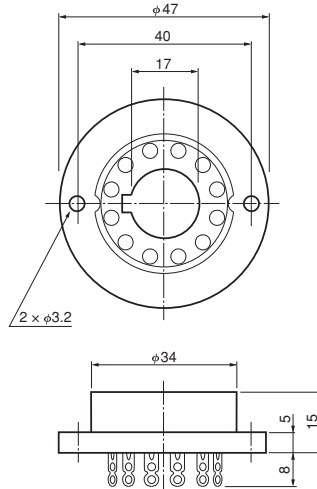
For E678 series sockets

E678-11N



TACCA0043EA

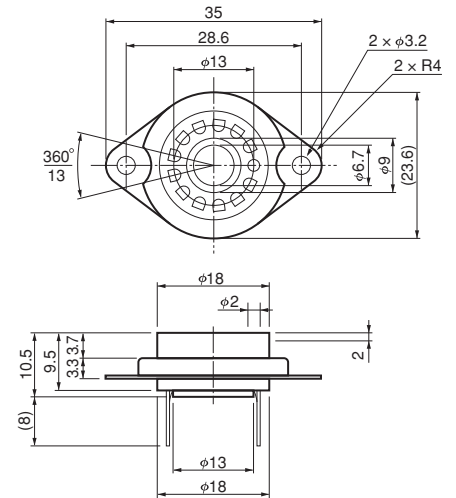
E678-12A, E678-12R*



* Gold plating type

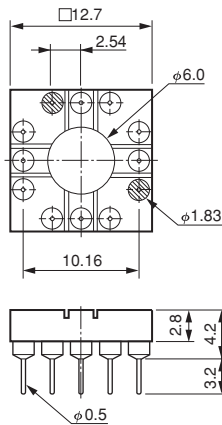
TACCA0009EB

E678-12L



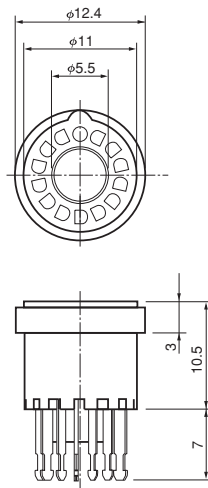
TACCA0047EA

E678-12V



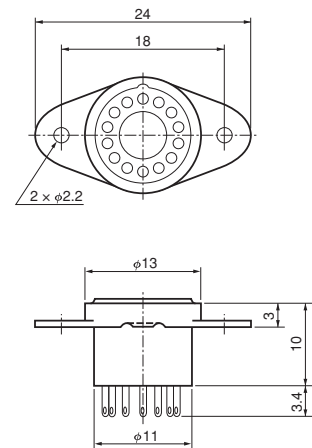
TACCA0164EC

E678-13E



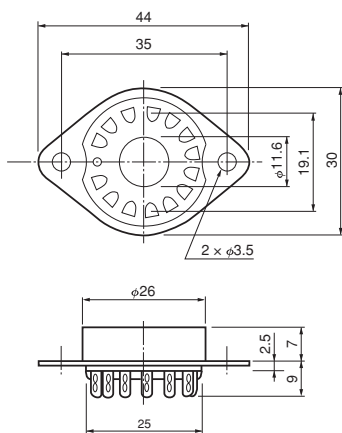
TACCA0013EB

E678-13F



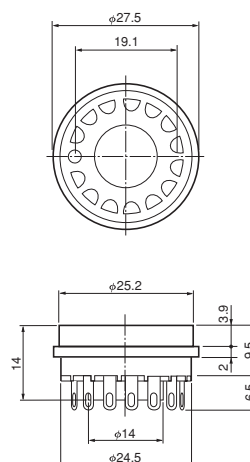
TACCA0005EA

E678-14C



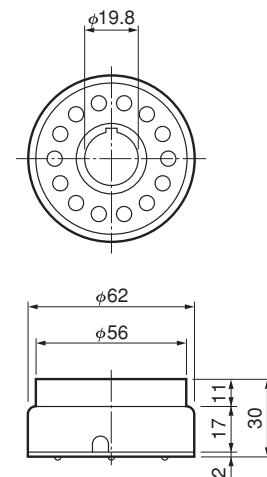
TACCA0004EA

E678-14-03



TACCA0184EA

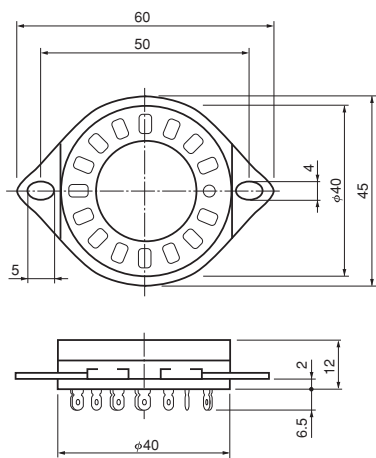
E678-14W



TACCA0200EA

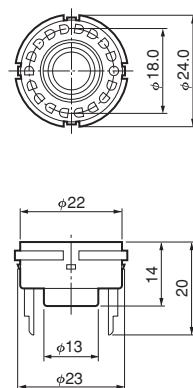
(Unit: mm)

E678-15C



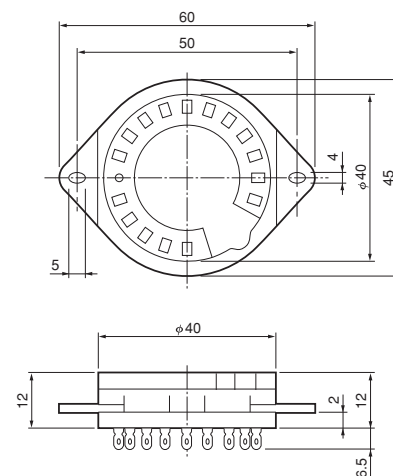
TACCA0201EA

E678-17D



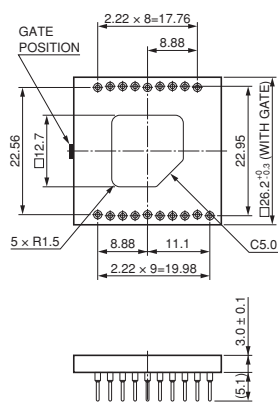
TACCA0046EC

E678-19J



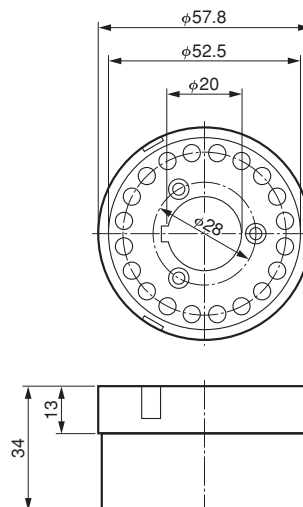
TACCA0203EA

E678-19K



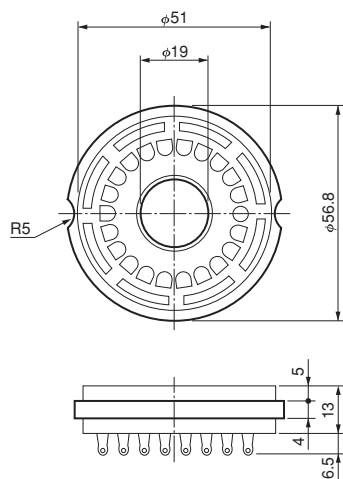
TACCA0313EA

E678-20B



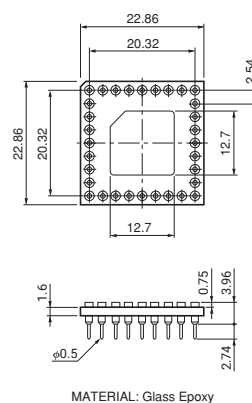
TACCA0309EA

E678-21C



TACCA0066EC

E678-32B



MATERIAL: Glass Epoxy

TACCA0094ED

Index by type No.

Type number	Product	Page	Type number	Product	Page
R329-02	51 mm (2") dia. PMT	22	R3886A	38 mm (1-1/2") dia. PMT	20
R331-05	51 mm (2") dia. PMT	22	R3991A-04	19 mm (3/4") dia. PMT	20
R580	38 mm (1-1/2") dia. PMT	20	R3998-02	28 mm (1-1/8") dia. PMT	20
R647-01	13 mm (1/2") dia. PMT	20	R3998-100-02	28 mm (1-1/8") dia. PMT (SBA type)	20
E678 SERIES	Socket	68, 69	R4125	19 mm (3/4") dia. PMT	20
R750	19 mm (3/4") dia. PMT	21	R4144-100	127 mm (5") dia. PMT (SBA type)	22
R760	13 mm (1/2") dia. PMT	21	R4177-04	13 mm (1/2") dia. PMT	21
R762	19 mm (3/4") dia. PMT	21	R4177-06	13 mm (1/2") dia. PMT	20
E849-90	Socket assembly	58	R4607A-06	51 mm (2") dia. PMT	22
E849-99	Socket assembly	58	R4998	25 mm (1") dia. PMT	20
R877	127 mm (5") dia. PMT	22	R5320	25 mm (1") dia. PMT	21
R877-01	127 mm (5") dia. PMT	23	R5611A	19 mm (3/4") dia. PMT	21
R877-100	127 mm (5") dia. PMT (SBA type)	22	R5611A-01	19 mm (3/4") dia. PMT	20
R960	13 mm (1/2") dia. PMT	21	E5859 SERIES	Socket assembly	59
E974-17	Socket assembly	58	R5912	204 mm (8") dia. PMT	22
E974-22	Socket assembly	58	R5912-20	204 mm (8") dia. PMT	22
E990-29	Socket assembly	58	R5912-100	204 mm (8") dia. PMT (SBA type)	22
R1166	19 mm (3/4") dia. PMT	20	E5996	Socket assembly	59
E1198 SERIES	Socket assembly	58, 59	R6091	76 mm (3") dia. PMT	22
R1250	127 mm (5") dia. PMT	22	R6231	51 mm (2") dia. PMT	22
R1288A-04	25 mm (1") dia. PMT	21	R6231-01	51 mm (2") dia. PMT	23
R1288A-06	25 mm (1") dia. PMT	20	R6231-100	51 mm (2") dia. PMT (SBA type)	22
R1306	51 mm (2") dia. PMT	22	R6232	60 mm (2.5") dia. PMT	22
R1306-15	51 mm (2") dia. PMT	23	R6232-01	60 mm (2.5") dia. PMT	23
R1307	76 mm (3") dia. PMT	22	R6233	76 mm (3") dia. PMT	22
R1307-07	76 mm (3") dia. PMT	23	R6233-01	76 mm (3") dia. PMT	23
R1450	19 mm (3/4") dia. PMT	20	R6233-100	76 mm (3") dia. PMT (SBA type)	22
R1635	10 mm (3/8") dia. PMT	20	R6236	60 mm square PMT	24
R1828-01	51 mm (2") dia. PMT	22	R6236-01	60 mm square PMT	25
R1924A	25 mm (1") dia. PMT	20	R6237	76 mm (3") square PMT	24
R1924A-01	25 mm (1") dia. PMT	21	R6237-01	76 mm (3") square PMT	25
R1924A-100	25 mm (1") dia. PMT (SBA type)	20	E6316-01	Socket assembly	59
R1924A-100-01	25 mm (1") dia. PMT (SBA type)	21	H6410	Hybrid assembly	28
H1949-50	Hybrid assembly	28	R6427	28 mm (1-1/8") dia. PMT	20
H1949-51	Hybrid assembly	28	H6520	Hybrid assembly	28
R2059	51 mm (2") dia. PMT	23	H6521	Hybrid assembly	29
R2076	19 mm (3/4") dia. PMT	21	H6524	Hybrid assembly	28
R2083	51 mm (2") dia. PMT	22	H6527	Hybrid assembly	28
R2154-02	51 mm (2") dia. PMT	22	H6533	Hybrid assembly	28
E2183-500	Socket assembly	58	H6559	Hybrid assembly	28
R2248	10 mm (3/8") square PMT	24	E6572	Socket assembly	59
E2253-05	Socket assembly	58	R6594	127 mm (5") dia. PMT	22
R2256-02	51 mm (2") dia. PMT	23	H6610	Hybrid assembly	29
H2431-50	Hybrid assembly	28	H6612	Hybrid assembly	28
R2496	10 mm (3/8") dia. PMT	20	H6613	Hybrid assembly	28
E2624-14	Socket assembly	58	R7056	28 mm (1-1/8") dia. PMT	21
E2924-500	Socket assembly	58	R7081	254 mm (10") dia. PMT	22
E2979-500	Socket assembly	58	R7081-20	254 mm (10") dia. PMT	22
H3164-10	Hybrid assembly	28	R7081-100	254 mm (10") dia. PMT (SBA type)	22
H3165-10	Hybrid assembly	28	E7083	Socket assembly	59
H3177-50	Hybrid assembly	29	R7111	28 mm (1-1/8") dia. PMT	20
H3177-51	Hybrid assembly	29	H7195	Hybrid assembly	28
H3178-51	Hybrid assembly	28	R7373A-01	2π shape PMT	24
R3377	51 mm (2") dia. PMT	23	H7415	Hybrid assembly	28
H3378-50	Hybrid assembly	29	H7416	Hybrid assembly	29
R3478	19 mm (3/4") dia. PMT	20	H7546B	Hybrid assembly	26
R3479	19 mm (3/4") dia. PMT	21	H7546B-100	Hybrid assembly (SBA type)	26
H3695-10	Hybrid assembly	28	H7546B-200	Hybrid assembly (UBA type)	26
R3878	10 mm (3/8") dia. PMT	21	H7546B-300	Hybrid assembly (EGBA type)	26

Type number	Product	Page
R7600U	Metal package PMT	24
R7600U-03	Metal package PMT	25
R7600U-100	Metal package PMT (SBA type)	24
R7600U-200	Metal package PMT (UBA type)	24
R7600U-300	Hybrid assembly (EGBA type)	24
R7600U-00-M4	Metal package PMT	24
R7600U-100-M4	Metal package PMT (SBA type)	24
R7600U-200-M4	Metal package PMT (UBA type)	24
E7693	Socket assembly	59
E7694-02	Socket assembly	59
E7694-03	Socket assembly	59
R7723	51 mm (2") dia. PMT	22
R7724	51 mm (2") dia. PMT	22
R7724-100	51 mm (2") dia. PMT (SBA type)	22
R7725	51 mm (2") dia. PMT	22
R7899	25 mm (1") dia. PMT	21
R7899-01	25 mm (1") dia. PMT	20
H8135	Hybrid assembly	28
R8143	2 π shape PMT	24
R8619	25 mm (1") dia. PMT	20
H8643	Hybrid assembly	28
H8711	Hybrid assembly	26
H8711-100	Hybrid assembly (SBA type)	26
H8711-200	Hybrid assembly (UBA type)	26
H8711-300	Hybrid assembly (EGBA type)	26
H8804-300	Hybrid assembly (EGBA type)	26
R8997	38 mm (1-1/2" quadrant) square PMT	24
R9420	38 mm (1-1/2") dia. PMT	20
R9420-100	38 mm (1-1/2") dia. PMT (SBA type)	20
R9800	25 mm (1") dia. PMT	20
R9800-100	25 mm (1") dia. PMT (SBA type)	20
R9800U-110	Metal package PMT (SBA type)	24
R9800U-210	Metal package PMT (UBA type)	24
R10233	90 mm (3.5") dia. PMT	22
R10233-01	90 mm (3.5") dia. PMT	23
R10233-100	90 mm (3.5") dia. PMT (SBA type)	22
R10550	38 mm (1-1/2" quadrant) square PMT	24
H10580	Hybrid assembly	28
E10679-02	Socket assembly	59
R10806	102 mm (4") dia. PMT	22
R10806-100	102 mm (4") dia. PMT (SBA type)	22
R11102	38 mm (1-1/2") dia. PMT	20
R11265U-100	Metal package PMT (SBA type)	24
R11265U-200	Metal package PMT (UBA type)	24
R11265U-300	Metal package PMT (EGBA type)	24
E11807	Socket assembly	59
E11807-01	Socket assembly	59
R11833-100-03	127 mm (5") dia. PMT (SBA type)	22
H11934-100	Hybrid assembly (SBA type)	26
H11934-200	Hybrid assembly (UBA type)	26
H11934-300	Hybrid assembly (EGBA type)	26
R12421	13 mm (1/2") dia. PMT	20
R12421-03	13 mm (1/2") dia. PMT	21
R12421-300	13 mm (1/2") dia. PMT (EGBA type)	20
H12690	13 mm (1/2") dia. PMT assembly	28
H12690-300	13 mm (1/2") dia. PMT assembly (EGBA type)	28
H12700A	Hybrid assembly	26
H12700A-03	Hybrid assembly	27
H12700A-10	Hybrid assembly	26

Type number	Product	Page
H12700B	Hybrid assembly	26
H12700B-03	Hybrid assembly	27
H12700B-10	Hybrid assembly	26
R12860	508 mm (20") dia. PMT	22
R13089	51 mm (2") dia. PMT	22
R13408	38 mm (1-1/2") dia. PMT	20
R13435	51 mm (2") dia. PMT	22
R13449	28 mm (1-1/8") dia. PMT	20
R13478	25 mm (1") dia. PMT	20
H13700	Hybrid assembly	26
H13700-03	Hybrid assembly	27
R14374	80 mm dia. PMT	22
R14688	202 mm (8") dia. PMT	22
R14688-100	202 mm (8") dia. PMT (SBA type)	22
R14689	90 mm (3.5") dia. PMT	22
R15608	76 mm (3") dia. PMT	22

CAUTIONS AND WARRANTY

WARNING



Take sufficient care to avoid an electric shock hazard

A high voltage used in photomultiplier tube operation may present a shock hazard. Photomultiplier tubes should be installed and handled only by qualified personnel that have been instructed in handling of high voltages. Designs of equipment utilizing these devices should incorporate appropri-

ate interlocks to protect the operator and service personnel. The metal housing of the Metal Package PMT R8520-406 and R8520-506 and R11065 series and R11410 series are connected to the photocathode (potential) so that it becomes a high voltage potential when the product is operated at a negative high voltage (anode grounded).

PRECAUTIONS FOR USE

● **Maximum ratings**

Do not operate over maximum anode to cathode voltage. Excessive voltage causes electrical breakdown. The voltage lower than the maximum rating should be applied to the PMT.

● **Handle tubes with extreme care**

Photomultiplier tubes have evacuated glass envelopes. Allowing the glass to be scratched or to be subjected to shock can cause cracks. Extreme care should be taken in handling, especially for tubes with graded sealing of synthetic silica.

● **Keep faceplate and base clean**

Do not touch the faceplate and base with bare hands. Dirt and fingerprints on the faceplate cause loss of transmittance and dirt the base may cause ohmic leakage. Should they become soiled, wipe it clean using alcohol.

● **Do not expose to strong light**

Direct sunlight and other strong illumination may cause damage the Photocathode. They must not be allowed to strike the photocathode, even when the tube is not operated.

● **Handling of tubes with a glass base**

A glass base (also called button stem) is less rugged than a plastic base, so care should be taken in handling this type of tube. For example, when fabricating the voltage-divider circuit, solder the divider resistors to socket lugs while the tube is inserted in the socket.

● **Cooling of tubes**

When cooling a photomultiplier tube, the photocathode section is usually cooled. However, if you suppose that the base is also cooled down to -30°C or below, please consult our sales office in advance.

● **Helium permeation**

helium will permeate through the glass bulb, leading to an increase in noise. avoid operating or storing tubes in an environment where helium is present. Helium permeation through silica glass is especially large.

Data and specifications listed in this catalog are subject to change due to product improvement and other factors. before specifying any of the types in your production equipment, please consult our sales office.

WARRANTY

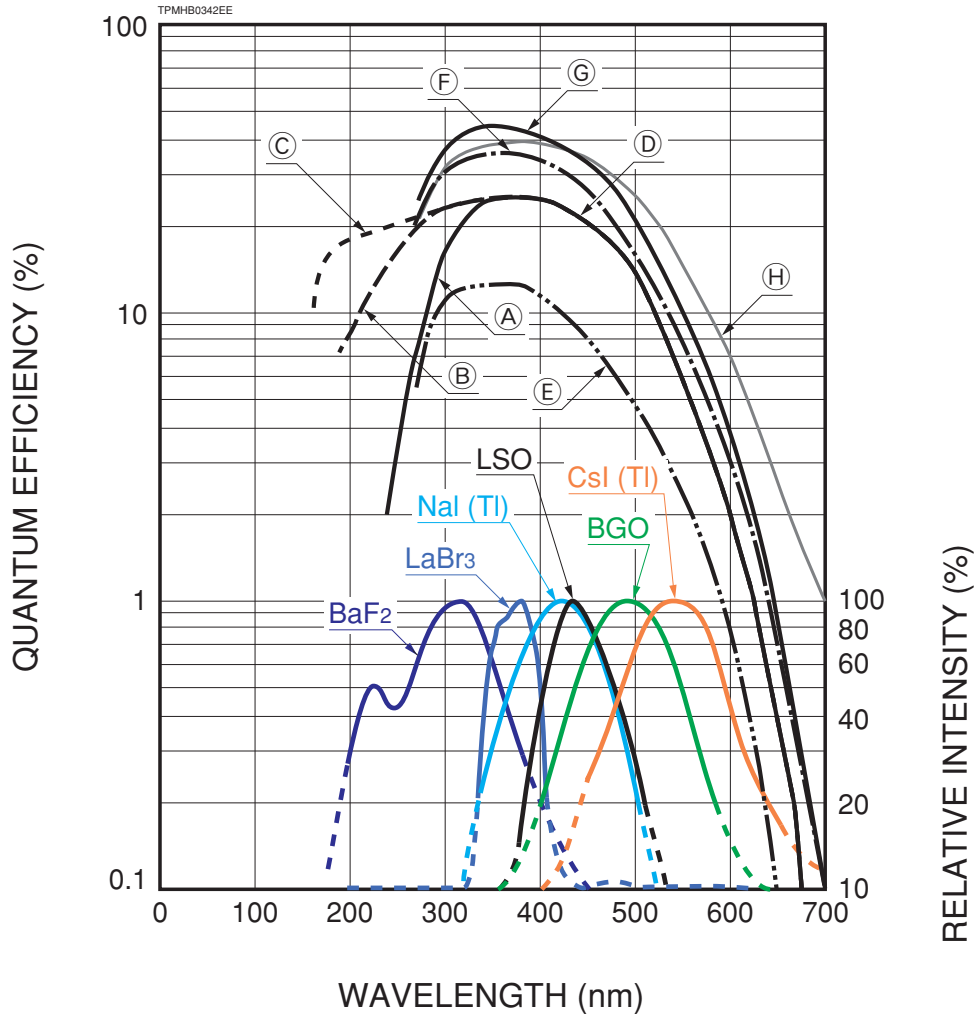
Hamamatsu photomultiplier tubes and related products are warranted to the original purchaser for a period of 12 months after delivery. The warranty is limited to repair or replacement of a defective product due to defects in workmanship or materials used in its manufacture.

However, even if within the warranty period the warranty shall

not apply to failures or damages caused by misoperation, mishandling, modification or accidents such as natural or man-made disasters.

The customer should inspect and test all products as soon as they are delivered.

Typical photocathode spectral response and emission spectrum of scintillators



- (A): Bialkali photocathode (Borosilicate glass)
- (B): Bialkali photocathode (UV glass)
- (C): Bialkali photocathode (Silica glass)
- (D): Bialkali photocathode
- (E): High temp. bialkali photocathode
- (F): Super bialkali
- (G): Ultra bialkali
- (H): Extended green bialkali

Main Products

Opto-semiconductors

- Si photodiodes
- APD
- MPPC®
- Photo IC
- Image sensors
- PSD
- Infrared detectors
- LED
- Optical communication devices
- Automotive devices
- X-ray flat panel sensors
- MEMS devices
- Mini-spectrometers
- Opto-semiconductor modules

Electron Tubes

- Photomultiplier tubes
- Photomultiplier tube modules
- Microchannel plates
- Image intensifiers
- Xenon lamps / Mercury-xenon lamps
- Deuterium lamps
- Light source applied products
- Microfocus X-ray sources
- X-ray imaging devices

Imaging and Processing Systems

- Scientific cameras
- Spectroscopic and optical measurement systems
- Ultrafast photometry systems
- Life science systems
- Medical systems
- Non-destructive inspection products
- Semiconductor manufacturing support systems
- Material research systems

Laser Products

- Single chip laser diodes
- Laser diode bar modules
- Quantum cascade lasers
- Applied products of semiconductor lasers
- Solid state lasers
- Laser related products

Sales Offices

Japan:

HAMAMATSU PHOTONICS K.K.
325-6, Sunayama-cho, Naka-ku,
Hamamatsu City, Shizuoka Pref. 430-8587, Japan
Telephone: (81)53-452-2141, Fax: (81)53-456-7889
E-mail: intl-div@hq.hpk.co.jp

China:

HAMAMATSU PHOTONICS (CHINA) CO., LTD.
Main Office
1201, Tower B, Jiaming Center, 27 Dongsanhuan Beilu,
Chaoyang District, 100020 Beijing, P.R. China
Telephone: (86)10-6586-6006, Fax: (86)10-6586-2866
E-mail: hpc@hamamatsu.com.cn

Shanghai Branch

4905 Wheelock Square, 1717 Nanjing Road West,
Jingan District, 200040 Shanghai, P.R. China
Telephone: (86)21-6089-7018, Fax: (86)21-6089-7017
E-mail: hpcsh@hamamatsu.com.cn

Shenzhen Branch

14F China Merchants Tower 1#, No. 1166 Wanghai Road,
Shekou, Nanshan District, Shenzhen, P.R. China
Telephone: (86)755-2165-9058, Fax: (86)755-2165-9056
E-mail: hpcsz@hamamatsu.com.cn

Wuhan Branch

Room 1005 Fanyue City T2 Building, No. 19 Guanshan
Avenue, East Lake High-tech District, Wuhan 430075,
Hubei, P.R. China
Telephone: (86)27-5953-8219
E-mail: hpcwh@hamamatsu.com.cn

Taiwan:

HAMAMATSU PHOTONICS TAIWAN CO., LTD.
Main Office
13F-1, No.101, Section 2, Gongdao 5th Road,
East Dist., Hsinchu City 300046, Taiwan (R.O.C.)
Telephone: (886)3-659-0080, Fax: (886)3-659-0081
E-mail: info@hamamatsu.com.tw

U.S.A.:

HAMAMATSU CORPORATION
Main Office
360 Foothill Road, Bridgewater, NJ 08807, U.S.A.
Telephone: (1)908-231-0960, Fax: (1)908-231-1218

California Office

2875 Moorpark Ave., San Jose, CA 95128, U.S.A.
Telephone: (1)408-261-2022, Fax: (1)408-261-2522

Germany, The Netherlands, Poland, Denmark, Israel:

HAMAMATSU PHOTONICS DEUTSCHLAND GMBH
Main Office
Arzbergerstr. 10, 82211 Herrsching am Ammersee,
Germany
Telephone: (49)8152-375-0, Fax: (49)8152-265-8
E-mail: info@hamamatsu.de

Netherlands Office

Transistorstraat 7, 1322 CJ Almere, The Netherlands
Telephone: (31)36-5405384, Fax: (31)36-5244948
E-mail: info@hamamatsu.nl

Poland Office

10 Ciolka Street, 126-127 01-402 Warsaw, Poland
Telephone: (48)22-646-0016, Fax: (48)22-646-0018
E-mail: poland@hamamatsu.de

Danish Office

Lautruphøj 1-3, 2750 Ballerup, Denmark
Telephone: (45)88-74-53-10
Email: info@hamamatsu.dk

Israel Office (HAMAMATSU PHOTONICS ISRAEL LTD.)

Ha-Menofim 10 st., third floor, 4672561 Herzliya, Israel
E-mail: Info@hamamatsu.co.il

France, Switzerland, Belgium, Spain:

HAMAMATSU PHOTONICS FRANCE S.A.R.L.

Main Office

19 Rue du Saule Trapu, Parc du Moulin de Massy,
91882 Massy Cedex, France
Telephone: (33)1 69 53 71 00, Fax: (33)1 69 53 71 10
E-mail: infos@hamamatsu.fr

Swiss Office

Dornacherplatz 7, 4500 Solothurn, Switzerland
Telephone: (41)32 625 60 60, Fax: (41)32 625 60 61
E-mail: swiss@hamamatsu.ch

Belgian Office

Axisparc Technology, Rue André Dumont 7,
1435 Mont-Saint-Guibert, Belgium
Telephone: (32)10 45 63 34, Fax: (32)10 45 63 67
E-mail: info@hamamatsu.be

Spanish Office

C. Argenters 4, edif 2, Parque Tecnológico del Vallés,
08290 Cerdanyola, (Barcelona), Spain
Telephone: (34)93 582 44 30
E-mail: infospain@hamamatsu.es

North Europe and CIS:

HAMAMATSU PHOTONICS NORDEN AB

Main Office

Torshamnsgatan 35, 16440 Kista, Sweden
Telephone: (46)8-509-031-00, Fax: (46)8-509-031-01
E-mail: info@hamamatsu.se

Italy:

HAMAMATSU PHOTONICS ITALIA S.R.L.

Main Office

Strada della Moia, 1 int. 6 20044 Arese (Milano), Italy
Telephone: (39)02-93 58 17 33, Fax: (39)02-93 58 17 41
E-mail: info@hamamatsu.it

Rome Office

Viale Cesare Pavese, 435, 00144 Roma, Italy
Telephone: (39)06-50 51 34 54
E-mail: inforoma@hamamatsu.it

United Kingdom:

HAMAMATSU PHOTONICS UK LIMITED

Main Office

2 Howard Court, 10 Tewin Road, Welwyn Garden City,
Hertfordshire, AL7 1BW, UK
Telephone: (44)1707-294888, Fax: (44)1707-325777
E-mail: info@hamamatsu.co.uk

South Africa Contact:

9 Beukes Avenue, Highway Gardens, Edenvale,
1609, South Africa
Telephone/Fax: (27)11-609-0367

* Information in this catalog is believed to be reliable. However, no responsibility is assumed for possible inaccuracies or omission. Specifications are subject to change without notice. No patent rights are granted to any of the circuits described herein. © 2024 Hamamatsu Photonics K.K.

* Please thoroughly read the precautions and the prohibited uses included in the user manual before installation and use.

Electron Tube Division, HAMAMATSU PHOTONICS K.K.

314-5, Shimokanzo, Iwata City, Shizuoka Pref., 438-0193, Japan
Telephone: (81)539/62-5248, Fax: (81)539/62-2205

www.hamamatsu.com