

Haier

Submittals

Next Gen Arctic Series

Rev. Feb 2021



1U09EH2VHE / AW09EH2VHD
1U09EH2VHE / AB09SC2VHA
1U09EH2VHE / USYF09UCDWA
1U09EH2VHE / USYM09UCDSA

1U12EH2VHE / AW12EH2VHD
1U12EH2VHE / AB12SC2VHA
1U12EH2VHE / USYF12UCDWA
1U12EH2VHE / USYM12UCDSA

1U18EH2VHE / AW18EH2VHD
1U18EH2VHE / AB18SC2VHA
1U18EH2VHE / USYF18UCDWA
1U18EH2VHE / USYM18UCDSA



GE APPLIANCES
a Haier company

For more information visit us:
www.Haierductless.com
www.Haierductlesshelp.com



Revision History

Rev. April 2020 - *Submittal edition release.*

Rev. July 2020 - *Added ODU floor mounting dimensions diagrams.*

Rev. Aug 2020 - *Controller updates.*

Rev. Feb 2021 - *Ducted, console, and cassette indoor units added. Capacity tables revised.*

Haier Next Gen Arctic Series Submittal

9000 BTU/HR HIGHWALL INVERTER DRIVEN HEAT PUMP SYSTEM

1U09EH2VHE / AW09EH2VHD

Job Name: _____

Purchaser: _____

Submitted To: _____

Construction: _____

Reference: _____

Approval: _____

Date: _____

Submitted By: _____

Unit: _____

Drawing #: _____



Accessories

Remote Controller

Ships with Motion Sense Remote (WJ26X27153)

Wired Controller

Compatible with the Simplified (QACT17A) and Programmable (YR-E16B) wall controllers.

Wind Baffle

Uses wind baffle QAWB37A

Built-in Features

- WK-B wired controller adapter
- WiFi
- Occupancy sensor

Electrical Requirement

Power Supply	208/230V, 1 Phase, 60 HZ
Operating Voltage Range	187~253 VAC
Recommended Fuse/Breaker Size	15A
MCA	13A

Connecting cable to indoor units must be 14/4 AWG unshielded stranded copper. Cable must be ran continuous, without splicing.

Operating Range

Cooling With Wind Baffle	14~115°F (-10~46°C)
Cooling Without Wind Baffle	23~115°F (-5~46°C)
Heating	-31~75°F (-35~24°C)

Cooling Performance

Rated Cooling Capacity	9,000 BTU
Cooling Capacity Range	3,100~12,000 BTU
Rated Power input	560 W
SEER	30.0
EER	16.0
Moisture Removal	2.5 Pt./h

Heating Performance

Rated Heating Capacity	10,000 BTU
Heating Capacity Range	3,100~20,000 BTU
Rated Power Input	845 W
HSPF	15.2

Pipe Length

Minimum Pipe Length	10 ft	
Maximum Pipe Length	50 ft	
Maximum Pipe Height Difference	33 ft	
Flare Connections	Liquid	1/4"
	Vapor	1/2"



For more information visit us:
www.Haierductless.com
www.Haierductlesshelp.com



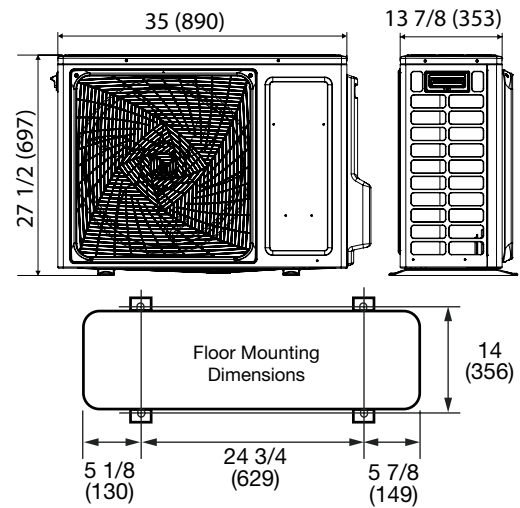
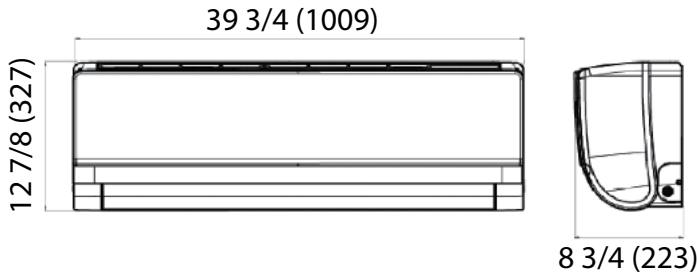
Haier Next Gen Arctic Series Submittal

9000 BTU/HR HIGHWALL INVERTER DRIVEN HEAT PUMP SYSTEM

1U09EH2VHE / AW09EH2VHD

Indoor Unit	
Uncrated Dimension (HxWxD)	12 7/8 x 39 3/4 x 8 3/4 in (327 x 1009 x 223 mm)
Crated (HxWxD)	16 x 42 3/4 x 11 5/8 in (405 x 1085 x 296 mm)
Airflow CFM (Turbo/High/Med/Low/Quiet)	583/383/324/264/240
Indoor Sound Level dB (Turbo/High/Med/Low/Quiet)	45/37/34/31/25
Motor Rating (HP)	0.04
Heat Exchanger Fin Type	Blue Fin
Weight (Ship/Net)	35.7/27.8 lbs

Outdoor Unit	
Compressor	DC inverter Driven Rotary
Uncrated Dimension (HxWxD)	27 1/2 x 35 x 13 7/8 in (697 x 890 x 353 mm)
Crated (HxWxD)	31 1/2 x 41 1/8 x 18 1/8 in (800 x 1046 x 460 mm)
Outdoor Sound Rating dB	54
Heat Exchanger Fin Type	Blue Fin
Weight (Ship/Net)	115.5/98.3 lbs
Factory Refrigerant Charge	R-410A (56.8 oz)



Heating Capacity Data

Outdoor Air Temp DB	Indoor Set Temperature								
	60°F (16°C)			70°F (21°C)			77°F (25°C)		
	Maximum Capacity (Btu/h)	Power Usage (w)	COP	Maximum Capacity (Btu/h)	Power Usage (w)	COP	Maximum Capacity (Btu/h)	Power Usage (w)	COP
-31°F (-35°C)	3,050	1,180	0.76	3,200	1,300	0.72	3,250	1,370	0.70
-22°F (-30°C)	7,100	1,230	1.69	7,400	1,350	1.61	7,530	1,410	1.57
-15°F (-26°C)	8,260	1,380	1.75	8,600	1,480	1.70	8,750	1,520	1.69
-4°F (-20°C)	11,340	1,507	2.20	10,800	1,586	1.99	10,260	1,666	1.80
5°F (-15°C)	12,600	1,586	2.33	12,000	1,670	2.11	11,400	1,753	1.90
17°F (-8°C)	14,175	1,472	2.82	13,500	1,550	2.55	12,825	1,627	2.31
47°F (8°C)	16,800	1,444	3.41	16,000	1,520	3.08	15,200	1,596	2.79

Cooling Capacity Data

Outdoor Air Temp DB	Indoor Set Temperature								
	70°F (21°C)			75°F (24°C)			80°F (27°C)		
	Maximum Capacity (Btu/h)	Power Usage (w)	EER	Maximum Capacity (Btu/h)	Power Usage (w)	EER	Maximum Capacity (Btu/h)	Power Usage (w)	EER
14°F (-10°C)*	10,236	538	19.03	10,681	518	20.62	11,126	498	22.34
32°F (0°C)	10,091	544	18.56	10,529	523	20.11	10,968	503	21.79
50°F (10°C)	9,946	549	18.11	10,378	529	19.62	10,811	509	21.26
65°F (18°C)	9,849	555	17.75	10,277	534	19.23	10,706	514	20.84
75°F (24°C)	9,753	561	17.40	10,177	540	18.85	10,601	519	20.42
85°F (29°C)	9,656	566	17.05	10,076	545	18.48	10,496	524	20.02
95°F (35°C)	8,694	647	13.43	9,072	623	14.56	9,450	599	15.77
105°F (41°C)	8,433	654	12.90	8,800	629	13.98	9,167	605	15.15
115°F (46°C)	8,259	660	12.51	8,618	636	13.56	8,978	611	14.69

Capacity and power usage are measured under the assumption of indoor humidity of 46%

* Cooling Capacity under low ambient temperature below 23°F (-5°C) are tested when using wind baffle on outdoor unit

Haier Next Gen Arctic Series Submittal

9000 BTU/HR COMPACT CASSETTE TYPE INDOOR INVERTER DRIVEN HEAT PUMP SYSTEM 1U09EH2VHE / AB09SC2VHA

Job Name: _____

Purchaser: _____

Submitted To: _____

Construction: _____

Reference: _____

Approval: _____

Date: _____

Submitted By: _____

Unit: _____

Drawing #: _____



Accessories

Remote Controller

Ships with Standard Remote Control (WJ01X24721)

Wired Controller

Compatible with the Simplified (QACT17A) and Programmable (YR-E16B) wall controllers.

Panel

PB-700KB is required to complete the installation and it must be ordered separately

Electrical Requirement	
Power Supply	208/230V, 1 Phase, 60 HZ
Operating Voltage Range	187~253 VAC
Recommended Fuse/Breaker Size	15A
MCA	13A

Connecting cable to indoor units must be 14/4 AWG unshielded stranded copper. Cable must be ran continuous, without splicing.

Operating Range	
Cooling With Wind Baffle	14~115°F (-10~46°C)
Cooling Without Wind Baffle	23~115°F (-5~46°C)
Heating	-31~75°F (-35~24°C)

Cooling Performance	
Rated Cooling Capacity	9,000 BTU
Cooling Capacity Range	3,100~12,000 BTU
Rated Power input	850 W
SEER	20.0
EER	10.5
Moisture Removal	2.5 Pt./h

Heating Performance	
Rated Heating Capacity	10,000 BTU
Heating Capacity Range	3,100~18,000 BTU
Rated Power Input	1,100 W
HSPF	9.0

Pipe Length		
Minimum Pipe Length	10 ft	
Maximum Pipe Length	50 ft	
Maximum Pipe Height Difference	33 ft	
Flare Connections	Liquid	Outdoor: 3/8"* Indoor: 1/4"*
	Vapor	1/2"

*use adaptor shipped with outdoor unit



For more information visit us:
www.Haierductless.com
www.Haierductlesshelp.com



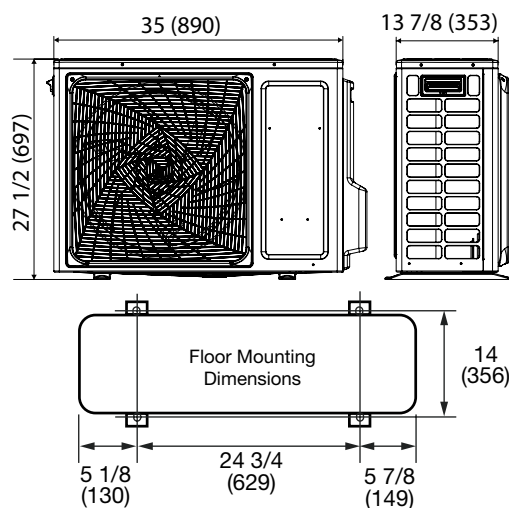
Haier Next Gen Arctic Series Submittal

9000 BTU/HR COMPACT CASSETTE TYPE INDOOR INVERTER DRIVEN HEAT PUMP SYSTEM

1U09EH2VHE / AB09SC2VHA

Indoor Unit	
Uncrated Dimension (HxWxD)	10 1/4 x 22 1/2 x 22 1/2 in (260 x 570 x 570 mm)
Crated (HxWxD)	15 x 28 1/4 x 26 3/4 in (380 x 718 x 680 mm)
Panel Uncrated Dimension (HxWxD)	2 3/8 x 27 1/2 x 27 1/2 in (60 x 700 x 700 mm)
Panel Crated (HxWxD)	4 1/2 x 29 1/8 x 29 1/8 in (115 x 718 x 718 mm)
Airflow CFM (Turbo/High/Med/Low/Quiet)	410/365/305/265/205
Indoor Sound Level dB (Turbo/High/Med/Low/Quiet)	43/40/37/34/31
Motor Rating (HP)	0.033
Heat Exchanger Fin Type	Blue Fin
Condensate Pump	Included - 27.5 in. Max Lift
Drain Pipe Size OD	1 1/4 in.
Weight (Ship/Net)	43.9/34 lbs

Outdoor Unit	
Compressor	DC inverter Driven Rotary
Uncrated Dimension (HxWxD)	27 1/2 x 35 x 13 7/8 in (697 x 890 x 353 mm)
Crated (HxWxD)	31 1/2 x 41 1/8 x 18 1/8 in (800 x 1046 x 460 mm)
Outdoor Sound Rating dB	54
Heat Exchanger Fin Type	Blue Fin
Weight (Ship/Net)	115.5/98.3 lbs
Factory Refrigerant Charge	R-410A (56.8 oz)



Heating Capacity Data

Outdoor Air Temp DB	Indoor Set Temperature								
	60°F (16°C)			70°F (21°C)			77°F (25°C)		
	Maximum Capacity (Btu/h)	Power Usage (w)	COP	Maximum Capacity (Btu/h)	Power Usage (w)	COP	Maximum Capacity (Btu/h)	Power Usage (w)	COP
-31°F (-35°C)	2,100	691	0.89	2,000	727	0.81	1,960	734	0.78
-22°F (-30°C)	4,200	872	1.41	4,000	969	1.21	3,800	979	1.14
-15°F (-26°C)	5,250	1,026	1.5	5,000	1,140	1.29	4,750	1,163	1.2
-4°F (-20°C)	7,350	1,274	1.69	7,000	1,341	1.53	6,650	1,368	1.42
5°F (-15°C)	9,450	1,416	1.96	9,000	1,490	1.77	8,550	1,565	1.60
17°F (-8°C)	11,025	1,596	2.02	10,500	1,680	1.83	9,975	1,764	1.66
47°F (8°C)	12,075	1,226	2.89	11,500	1,290	2.61	10,925	1,355	2.36

Cooling Capacity Data

Outdoor Air Temp DB	Indoor Set Temperature								
	70°F (21°C)			75°F (24°C)			80°F (27°C)		
	Maximum Capacity (Btu/h)	Power Usage (w)	EER	Maximum Capacity (Btu/h)	Power Usage (w)	EER	Maximum Capacity (Btu/h)	Power Usage (w)	EER
14°F (-10°C)*	10,548	653	16.15	10,768	629	17.12	10,988	605	18.16
32°F (0°C)	10,528	661	15.93	10,748	636	16.90	10,967	612	17.92
50°F (10°C)	10,508	667	15.75	10,727	643	16.68	10,946	618	17.71
65°F (18°C)	10,487	674	15.56	10,706	649	16.50	10,924	624	17.51
75°F (24°C)	10,384	681	15.25	10,601	656	16.16	10,817	631	17.14
85°F (29°C)	10,282	688	14.94	10,496	662	15.85	10,710	637	16.81
95°F (35°C)	9,072	983	9.23	9,261	946	9.79	9,450	910	10.38
105°F (41°C)	8,800	993	8.86	8,984	956	9.40	9,167	919	9.97
115°F (46°C)	8,619	1,002	8.60	8,798	965	9.12	8,978	928	9.67

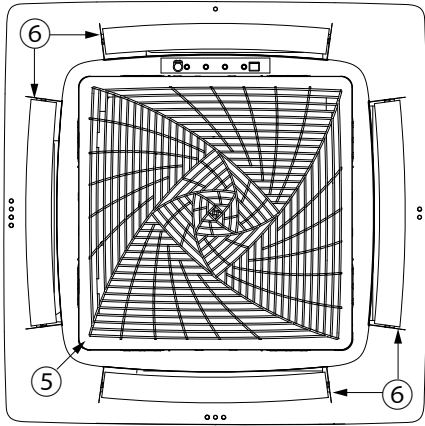
Capacity and power usage are measured under the assumption of indoor humidity of 46%

* Cooling Capacity under low ambient temperature below 23°F (-5°C) are tested when using wind baffle on outdoor unit

Haier Next Gen Arctic Series Submittal

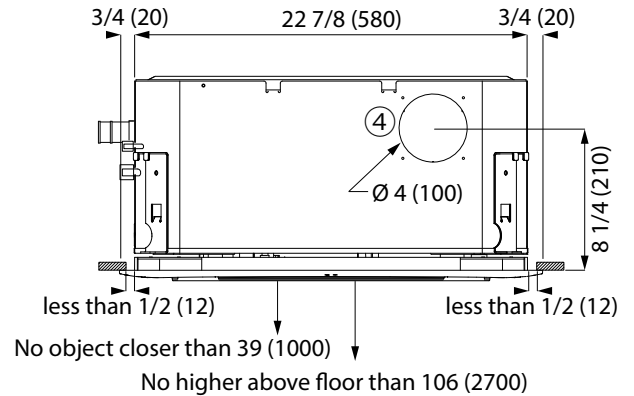
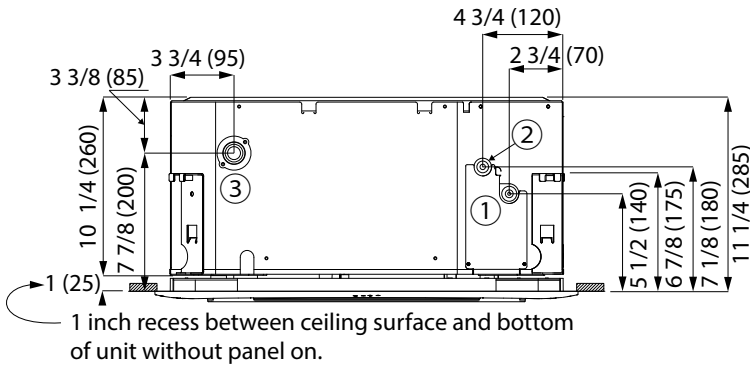
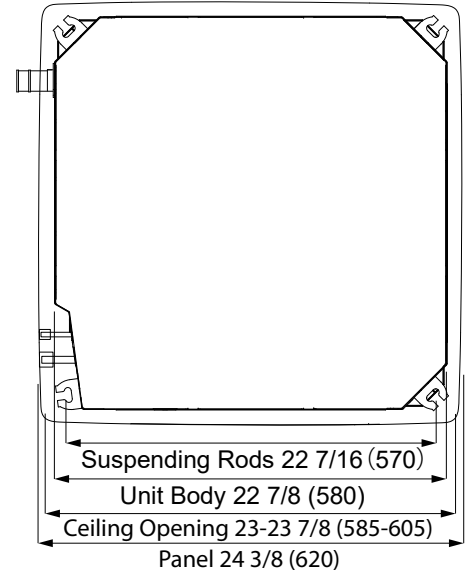
9000 BTU/HR COMPACT CASSETTE TYPE INDOOR INVERTER DRIVEN HEAT PUMP SYSTEM

AB09SC2VHA



#	Part Name
1	Vapor Pipe
2	Liquid Pipe
3	Drain Pump Outlet
4	Fresh Air Inlet
5	Air Return Grille
6	Air Supply

More than 59 (1500) to wall on all sides



Haier Next Gen Arctic Series Submittal

9000 BTU/HR FLOOR CONSOLE INVERTER DRIVEN HEAT PUMP SYSTEM 1U09EH2VHE / USYF09UCDWA

Job Name: _____

Purchaser: _____

Submitted To: _____

Construction: _____

Reference: _____

Approval: _____

Date: _____

Submitted By: _____

Unit: _____

Drawing #: _____



Accessories

Remote Controller

Ships with Standard Remote Control (WJ01X24721)

Wired Controller

Compatible with the Simplified (QACT17A) and Programmable (YR-E16B) wall controllers.

Built-in WiFi

Electrical Requirement	
Power Supply	208/230V, 1 Phase, 60 HZ
Operating Voltage Range	187~253 VAC
Recommended Fuse/Breaker Size	15A
MCA	13A

Connecting cable to indoor units must be 14/4 AWG unshielded stranded copper. Cable must be ran continuous, without splicing.

Operating Range	
Cooling With Wind Baffle	14~115°F (-10~46°C)
Cooling Without Wind Baffle	23~115°F (-5~46°C)
Heating	-31~75°F (-35~24°C)

Cooling Performance	
Rated Cooling Capacity	9,000 BTU
Cooling Capacity Range	3,100~12,000 BTU
Rated Power input	810 W
SEER	20.0
EER	11.0
Moisture Removal	2.5 Pt./h

Heating Performance	
Rated Heating Capacity	10,000 BTU
Heating Capacity Range	3,100~18,000 BTU
Rated Power Input	1,010 W
HSPF	10.0

Pipe Length		
Minimum Pipe Length	10 ft	
Maximum Pipe Length	50 ft	
Maximum Pipe Height Difference	33 ft	
Flare Connections	Liquid	Outdoor: 3/8"* Indoor: 1/4"*
	Vapor	1/2"

*use adaptor shipped with outdoor unit



For more information visit us:
www.Haierductless.com
www.Haierductlesshelp.com

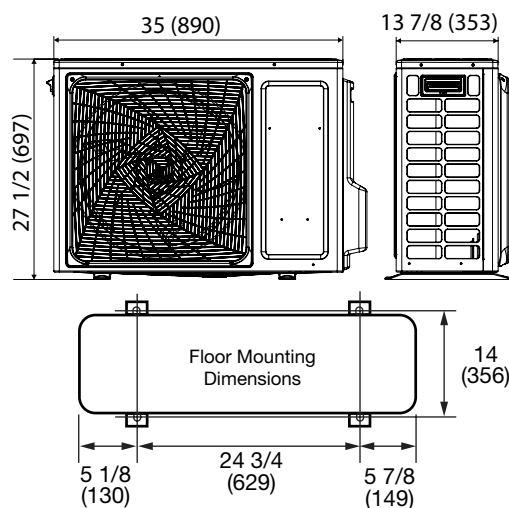


Haier Next Gen Arctic Series Submittal

9000 BTU/HR FLOOR CONSOLE INVERTER DRIVEN HEAT PUMP SYSTEM 1U09EH2VHE / USYF09UCDWA

Indoor Unit	
Uncrated Dimension (HxWxD)	23 3/4 x 27 1/2 x 8 1/4 in (600 x 700 x 210 mm)
Crated (HxWxD)	27 1/2 x 30 3/4 x 12 in (695 x 783 x 303 mm)
Airflow CFM (Turbo/High/Med/Low/Quiet)	264/235/205/176/147
Indoor Sound Level dB (Turbo/High/Med/Low/Quiet)	40/36/32/25/20
Motor Rating (HP)	0.04
Heat Exchanger Fin Type	Blue Fin
Weight (Ship/Net)	43.4/36.4 lbs

Outdoor Unit	
Compressor	DC inverter Driven Rotary
Uncrated Dimension (HxWxD)	27 1/2 x 35 x 13 7/8 in (697 x 890 x 353 mm)
Crated (HxWxD)	31 1/2 x 41 1/8 x 18 1/8 in (800 x 1046 x 460 mm)
Outdoor Sound Rating dB	54
Heat Exchanger Fin Type	Blue Fin
Weight (Ship/Net)	115.5/98.3 lbs
Factory Refrigerant Charge	R-410A (56.8 oz)



Heating Capacity Data

Outdoor Air Temp DB	Indoor Set Temperature								
	60°F (16°C)			70°F (21°C)			77°F (25°C)		
	Maximum Capacity (Btu/h)	Power Usage (w)	COP	Maximum Capacity (Btu/h)	Power Usage (w)	COP	Maximum Capacity (Btu/h)	Power Usage (w)	COP
-31°F (-35°C)	2,100	644	0.96	2,000	715	0.82	1,900	722	0.77
-22°F (-30°C)	4,200	905	1.36	4,000	953	1.23	3,800	963	1.16
-15°F (-26°C)	5,250	1,131	1.36	5,000	1,191	1.23	4,750	1,251	1.11
-4°F (-20°C)	7,350	1,257	1.71	7,000	1,323	1.55	6,650	1,389	1.40
5°F (-15°C)	9,450	1,397	1.98	9,000	1,470	1.79	8,550	1,544	1.62
17°F (-8°C)	10,395	1,454	2.09	9,900	1,530	1.90	9,405	1,607	1.71
47°F (8°C)	12,075	1,121	3.16	11,500	1,180	2.86	10,925	1,239	2.58

Cooling Capacity Data

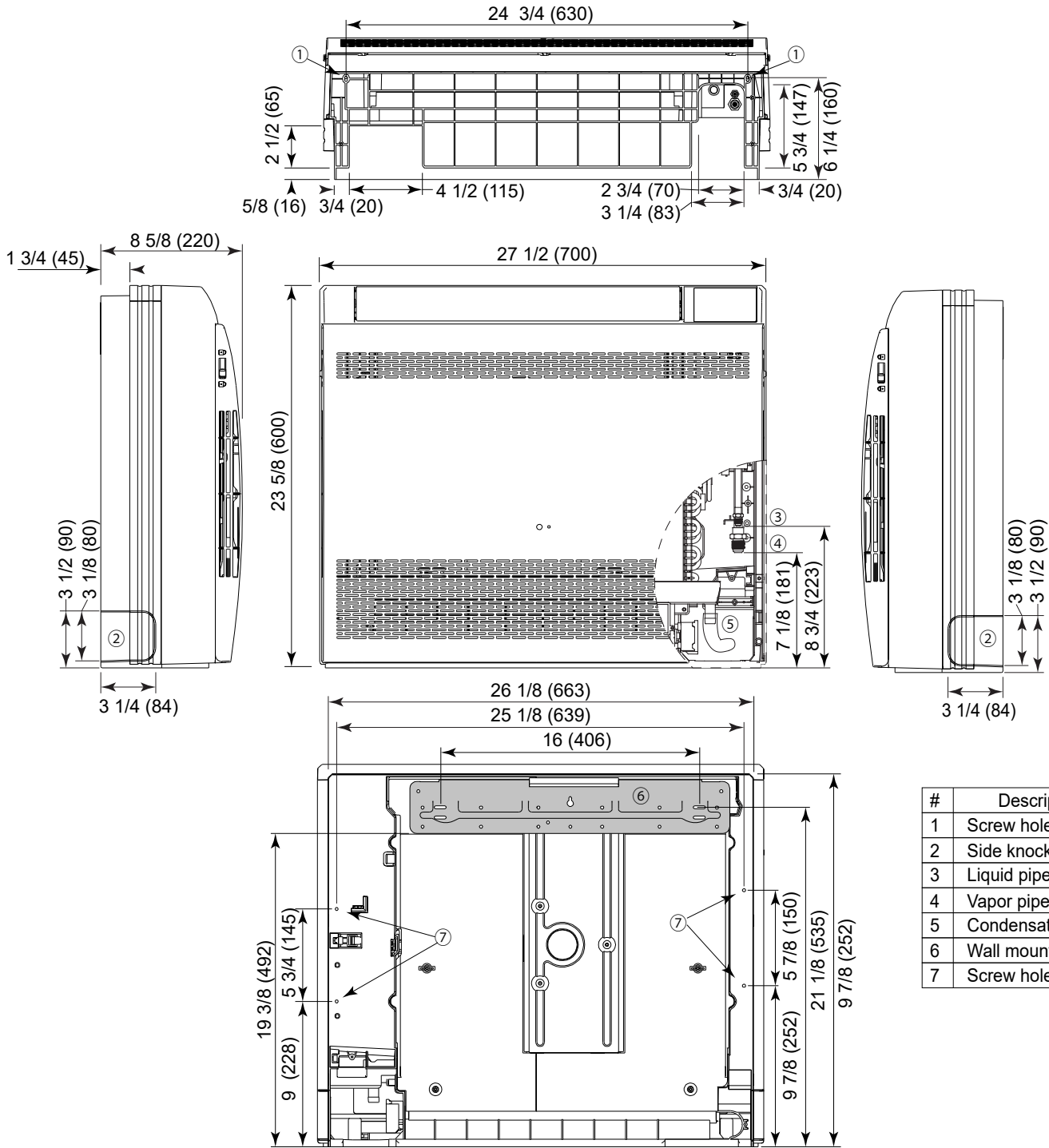
Outdoor Air Temp DB	Indoor Set Temperature								
	70°F (21°C)			75°F (24°C)			80°F (27°C)		
	Maximum Capacity (Btu/h)	Power Usage (w)	EER	Maximum Capacity (Btu/h)	Power Usage (w)	EER	Maximum Capacity (Btu/h)	Power Usage (w)	EER
14°F (-10°C)*	10,899	613	17.78	11,126	591	18.83	11,353	568	19.99
32°F (0°C)	10,744	620	17.33	10,968	597	18.37	11,192	574	19.50
50°F (10°C)	10,590	626	16.92	10,810	603	17.93	11,031	580	19.02
65°F (18°C)	10,487	633	16.57	10,706	609	17.58	10,924	586	18.64
75°F (24°C)	10,384	639	16.25	10,601	616	17.21	10,817	592	18.27
85°F (29°C)	10,282	646	15.92	10,496	622	16.87	10,710	598	17.91
95°F (35°C)	9,072	940	9.65	9,261	905	10.23	9,450	870	10.86
105°F (41°C)	8,800	949	9.27	8,984	914	9.83	9,167	879	10.43
115°F (46°C)	8,619	958	9.00	8,798	922	9.54	8,978	887	10.12

Capacity and power usage are measured under the assumption of indoor humidity of 46%

* Cooling Capacity under low ambient temperature below 23°F (-5°C) are tested when using wind baffle on outdoor unit

9000 BTU/HR FLOOR CONSOLE INVERTER DRIVEN HEAT PUMP SYSTEM

USYF09UCDWA



#	Description
1	Screw holes for floor install
2	Side knockout
3	Liquid pipe connection
4	Vapor pipe connection
5	Condensate drain
6	Wall mounting plate
7	Screw holes for wall install

Haier Next Gen Arctic Series Submittal

9000 BTU/HR MID-STATIC DUCTED INVERTER DRIVEN HEAT PUMP SYSTEM 1U09EH2VHE / USYM09UCDSA

Job Name: _____

Purchaser: _____

Submitted To: _____

Construction: _____

Reference: _____

Approval: _____

Date: _____

Submitted By: _____

Unit: _____

Drawing #: _____



Accessories

Wired Controller

Controller must be ordered separately.

Compatible with the Simplified (QACT17A) and Programmable (YR-E16B) wall controllers.

Built-in WiFi

Supply Plenum

UAPT0912A

Filter Box

UAMFB0912A



For more information visit us:
www.Haierductless.com
www.Haierductlesshelp.com

Electrical Requirement	
Power Supply	208/230V, 1 Phase, 60 HZ
Operating Voltage Range	187~253 VAC
Recommended Fuse/Breaker Size	15A
MCA	13A

Connecting cable to indoor units must be 14/4 AWG unshielded stranded copper. Cable must be ran continuous, without splicing.

Operating Range	
Cooling With Wind Baffle	14~115°F (-10~46°C)
Cooling Without Wind Baffle	23~115°F (-5~46°C)
Heating	-31~75°F (-35~24°C)

Cooling Performance	
Rated Cooling Capacity	9,000 BTU
Cooling Capacity Range	3,100~12,000 BTU
Rated Power input	710 W
SEER	21.0
EER	12.5
Moisture Removal	2.5 Pt./h

Heating Performance	
Rated Heating Capacity	10,000 BTU
Heating Capacity Range	3,100~18,000 BTU
Rated Power Input	910 W
HSPF	11.0

Pipe Length		
Minimum Pipe Length	10 ft	
Maximum Pipe Length	50 ft	
Maximum Pipe Height Difference	33 ft	
Flare Connections	Liquid	Outdoor: 3/8"* Indoor: 1/4"*
	Vapor	1/2"

*use adaptor shipped with outdoor unit

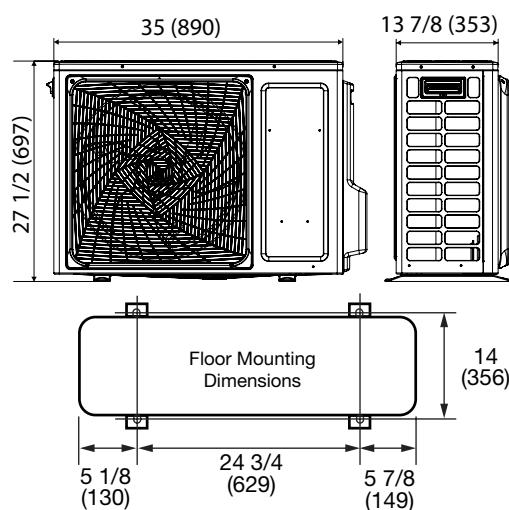


Haier Next Gen Arctic Series Submittal

9000 BTU/HR MID-STATIC DUCTED INVERTER DRIVEN HEAT PUMP SYSTEM 1U09EH2VHE / USYM09UCDSA

Indoor Unit	
Uncrated Dimension (HxWxD)	9 3/4 x 27 1/2 x 27 1/2 in (248 x 700 x 700 mm)
Crated (HxWxD)	13 1/4 x 37 1/2 x 35 1/2 in (340 x 950 x 900 mm)
Maximum ESP (WG)	0.6
Airflow CFM (Turbo/High/Med/Low)	424/353/294/235/176
Indoor Sound Level dB (Turbo/High/Med/Low)	44/41/38/35/32
Motor Rating (HP)	0.18
Heat Exchanger Fin Type	Blue Fin
Condensate Pump	Included - 39 in. Max Lift
Drain Pipe Size OD	1 1/4 in.
Weight (Ship/Net)	90.4/63.1 lbs

Outdoor Unit	
Compressor	DC inverter Driven Rotary
Uncrated Dimension (HxWxD)	27 1/2 x 35 x 13 7/8 in (697 x 890 x 353 mm)
Crated (HxWxD)	31 1/2 x 41 1/8 x 18 1/8 in (800 x 1046 x 460 mm)
Outdoor Sound Rating dB	54
Heat Exchanger Fin Type	Blue Fin
Weight (Ship/Net)	115.5/98.3 lbs
Factory Refrigerant Charge	R-410A (56.8 oz)



Heating Capacity Data

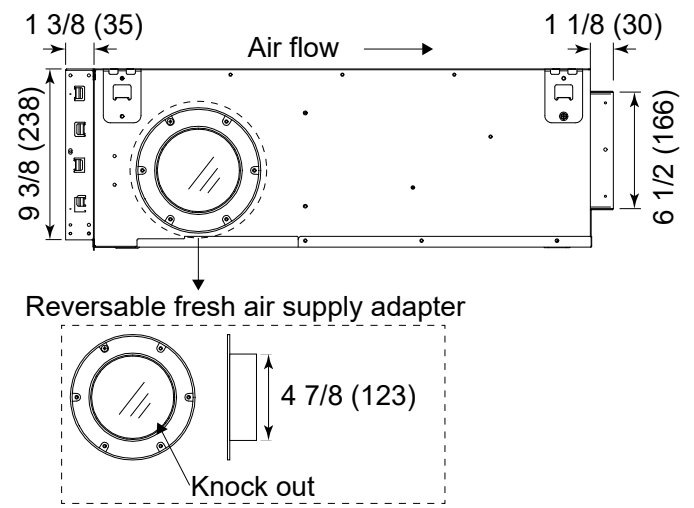
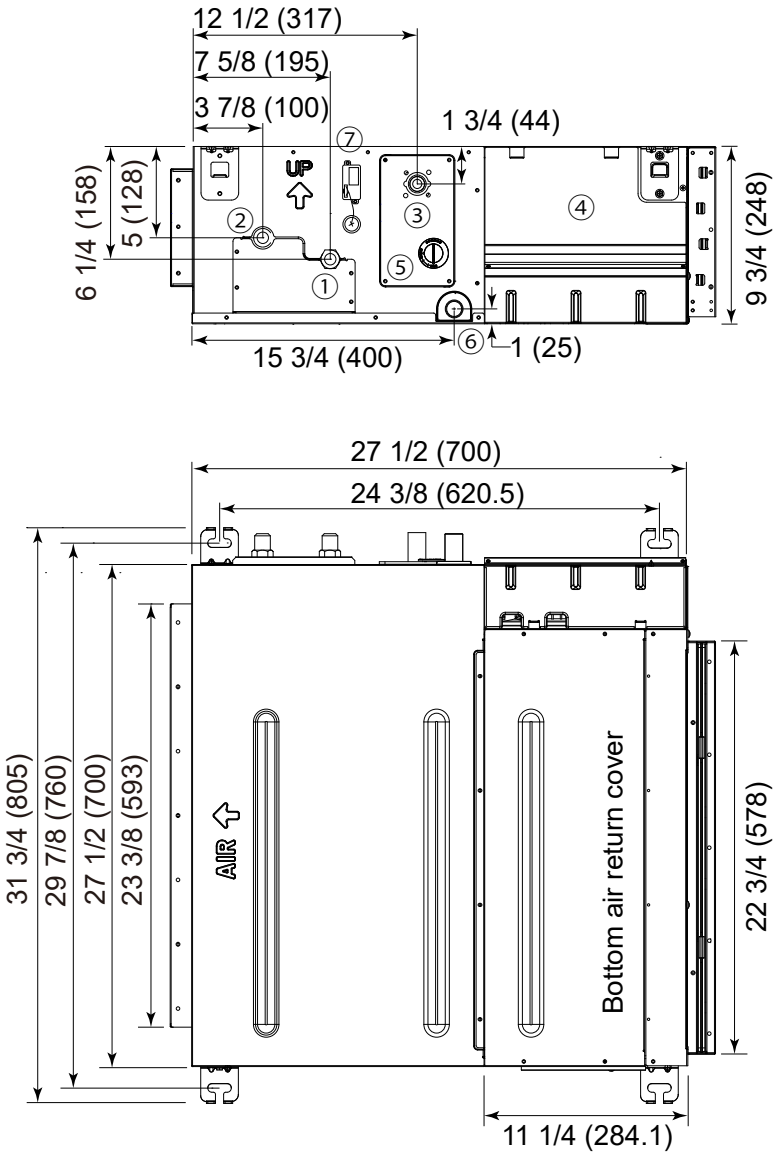
Outdoor Air Temp DB	Indoor Set Temperature								
	60°F (16°C)			70°F (21°C)			77°F (25°C)		
	Maximum Capacity (Btu/h)	Power Usage (w)	COP	Maximum Capacity (Btu/h)	Power Usage (w)	COP	Maximum Capacity (Btu/h)	Power Usage (w)	COP
-31°F (-35°C)	3,150	853	1.08	3,000	898	0.98	2,850	943	0.89
-22°F (-30°C)	5,250	1,066	1.44	5,000	1,122	1.31	4,750	1,178	1.18
-15°F (-26°C)	6,300	1,185	1.56	6,000	1,247	1.41	5,700	1,309	1.28
-4°F (-20°C)	9,450	1,317	2.10	9,000	1,386	1.90	8,550	1,455	1.72
5°F (-15°C)	10,500	1,463	2.10	10,000	1,540	1.90	9,500	1,617	1.72
17°F (-8°C)	11,603	1,216	2.80	11,050	1,280	2.53	10,498	1,344	2.29
47°F (8°C)	12,600	1,083	3.41	12,000	1,140	3.08	11,400	1,197	2.79

Cooling Capacity Data

Outdoor Air Temp DB	Indoor Set Temperature								
	70°F (21°C)			75°F (24°C)			80°F (27°C)		
	Maximum Capacity (Btu/h)	Power Usage (w)	EER	Maximum Capacity (Btu/h)	Power Usage (w)	EER	Maximum Capacity (Btu/h)	Power Usage (w)	EER
14°F (-10°C)*	10,548	583	18.09	10,768	562	19.16	10,988	540	20.35
32°F (0°C)	10,528	589	17.87	10,748	567	18.96	10,967	545	20.12
50°F (10°C)	10,508	595	17.66	10,727	573	18.72	10,946	551	19.87
65°F (18°C)	10,487	602	17.42	10,706	579	18.49	10,924	557	19.61
75°F (24°C)	10,384	607	17.11	10,601	584	18.15	10,817	562	19.25
85°F (29°C)	10,282	613	16.77	10,496	591	17.76	10,710	568	18.86
95°F (35°C)	9,072	821	11.05	9,261	790	11.72	9,450	760	12.43
105°F (41°C)	8,800	829	10.62	8,984	799	11.24	9,167	768	11.94
115°F (46°C)	8,619	837	10.30	8,798	806	10.92	8,978	775	11.58

Capacity and power usage are measured under the assumption of indoor humidity of 46%

* Cooling Capacity under low ambient temperature below 23°F (-5°C) are tested when using wind baffle on outdoor unit



#	Description
1	Liquid pipe connection
2	Vapor pipe connection
3	Drain pump outlet
4	Control board cover
5	Inspection hole
6	Gravity drain outlet
7	WiFi module

Haier Next Gen Arctic Series Submittal

12000 BTU/HR HIGHWALL INVERTER DRIVEN HEAT PUMP SYSTEM 1U12EH2VHE / AW12EH2VHD

Job Name: _____

Purchaser: _____

Submitted To: _____

Construction: _____

Reference: _____

Approval: _____

Date: _____

Submitted By: _____

Unit: _____

Drawing #: _____



Accessories

Remote Controller

Ships with Motion Sense Remote (WJ26X27153)

Wired Controller

Compatible with the Simplified (QACT17A) and Programmable (YR-E16B) wall controllers.

Wind Baffle

Uses wind baffle QAWB37A

Built-in Features

- WK-B wired controller adapter
- WiFi
- Occupancy sensor

Electrical Requirement	
Power Supply	208/230V, 1 Phase, 60 HZ
Operating Voltage Range	187~253 VAC
Recommended Fuse/Breaker Size	20A
MCA	14A

Connecting cable to indoor units must be 14/4 AWG unshielded stranded copper. Cable must be ran continuous, without splicing.

Operating Range	
Cooling With Wind Baffle	14~115°F (-10~46°C)
Cooling Without Wind Baffle	23~115°F (-5~46°C)
Heating	-31~75°F (-35~24°C)

Cooling Performance	
Rated Cooling Capacity	12,000 BTU
Cooling Capacity Range	3,100~15,000 BTU
Rated Power input	800 W
SEER	27.0
EER	15.0
Moisture Removal	3.4 Pt./h

Heating Performance	
Rated Heating Capacity	14,500 BTU
Heating Capacity Range	3,100~22,000 BTU
Rated Power Input	1,400 W
HSPF	13.0

Pipe Length		
Minimum Pipe Length	10 ft	
Maximum Pipe Length	50 ft	
Maximum Pipe Height Difference	33 ft	
Flare Connections	Liquid	1/4"
	Vapor	1/2"



For more information visit us:
www.Haierductless.com
www.Haierductlesshelp.com

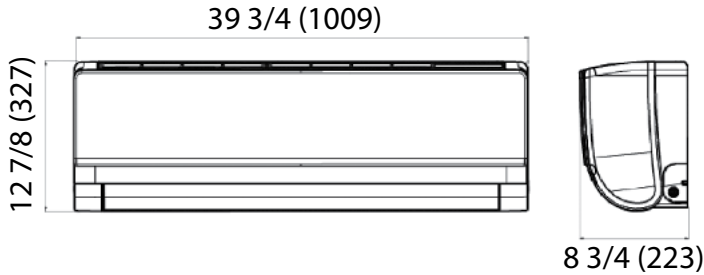


Haier Next Gen Arctic Series Submittal

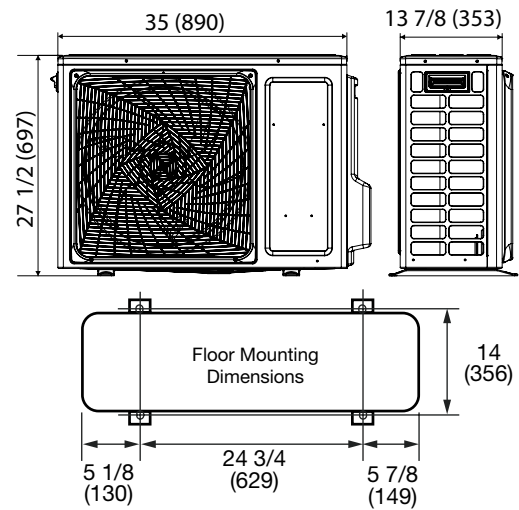
12000 BTU/HR HIGHWALL INVERTER DRIVEN HEAT PUMP SYSTEM

1U12EH2VHE / AW12EH2VHD

Indoor Unit	
Uncrated Dimension (HxWxD)	12 7/8 x 39 3/4 x 8 3/4 in (327 x 1009 x 223 mm)
Crated (HxWxD)	16 x 42 3/4 x 11 5/8 in (405 x 1085 x 296 mm)
Airflow CFM (Turbo/High/Med/Low/Quiet)	597/524/430/344/324
Indoor Sound Level dB (Turbo/High/Med/Low/Quiet)	46/42/37/31/27
Motor Rating (HP)	0.04
Heat Exchanger Fin Type	Blue Fin
Weight (Ship/Net)	35.7/27.8 lbs



Outdoor Unit	
Compressor	DC inverter Driven Rotary
Uncrated Dimension (HxWxD)	27 1/2 x 35 x 13 7/8 in (697 x 890 x 353 mm)
Crated (HxWxD)	31 1/2 x 41 1/8 x 18 1/8 in (800 x 1046 x 460 mm)
Outdoor Sound Rating dB	54
Heat Exchanger Fin Type	Blue Fin
Weight (Ship/Net)	124.8/107.6 lbs
Factory Refrigerant Charge	R-410A (62.1 oz)



Heating Capacity Data

Outdoor Air Temp DB	Indoor Set Temperature								
	60°F (16°C)			70°F (21°C)			77°F (25°C)		
	Maximum Capacity (Btu/h)	Power Usage (w)	COP	Maximum Capacity (Btu/h)	Power Usage (w)	COP	Maximum Capacity (Btu/h)	Power Usage (w)	COP
-31°F (-35°C)	5,150	1,900	0.79	5,400	1,950	0.81	5,500	2,020	0.80
-22°F (-30°C)	11,850	1,980	1.75	12,400	2,030	1.79	12,650	2,140	1.73
-15°F (-26°C)	13,900	2,190	1.86	14,500	2,280	1.86	14,800	2,340	1.85
-4°F (-20°C)	16,065	1,949	2.41	15,300	2,052	2.18	14,535	2,155	1.98
5°F (-15°C)	17,850	2,052	2.55	17,000	2,160	2.31	16,150	2,268	2.09
17°F (-8°C)	20,265	2,138	2.78	19,300	2,250	2.51	18,335	2,363	2.27
47°F (8°C)	24,150	2,185	3.24	23,000	2,300	2.93	21,850	2,415	2.65

Cooling Capacity Data

Outdoor Air Temp DB	Indoor Set Temperature								
	70°F (21°C)			75°F (24°C)			80°F (27°C)		
	Maximum Capacity (Btu/h)	Power Usage (w)	EER	Maximum Capacity (Btu/h)	Power Usage (w)	EER	Maximum Capacity (Btu/h)	Power Usage (w)	EER
14°F (-10°C)*	14,423	1,026	14.06	15,050	988	15.24	15,677	950	16.51
32°F (0°C)	14,219	1,036	13.72	14,837	998	14.87	15,456	960	16.11
50°F (10°C)	14,015	1,047	13.38	14,624	1,008	14.50	15,234	970	15.71
65°F (18°C)	13,879	1,058	13.12	14,482	1,019	14.22	15,086	980	15.40
75°F (24°C)	13,743	1,069	12.86	14,340	1,029	13.93	14,938	990	15.09
85°F (29°C)	13,607	1,080	12.60	14,198	1,040	13.66	14,790	1,000	14.80
95°F (35°C)	12,880	1,058	12.17	13,440	1,019	13.19	14,000	980	14.29
105°F (41°C)	12,494	1,069	11.69	13,037	1,029	12.66	13,580	990	13.72
115°F (46°C)	12,236	1,080	11.33	12,768	1,040	12.28	13,300	1,000	13.31

Capacity and power usage are measured under the assumption of indoor humidity of 46%

* Cooling Capacity under low ambient temperature below 23°F (-5°C) are tested when using wind baffle on outdoor unit

Haier Next Gen Arctic Series Submittal

12000 BTU/HR COMPACT CASSETTE TYPE INDOOR INVERTER DRIVEN HEAT PUMP SYSTEM 1U12EH2VHE / AB12SC2VHA

Job Name: _____

Purchaser: _____

Submitted To: _____

Construction: _____

Reference: _____

Approval: _____

Date: _____

Submitted By: _____

Unit: _____

Drawing #: _____



Accessories

Remote Controller

Ships with Standard Remote Control (WJ01X24721)

Wired Controller

Compatible with the Simplified (QACT17A) and Programmable (YR-E16B) wall controllers.

Panel

PB-700KB is required to complete the installation and it must be ordered separately

Electrical Requirement

Power Supply	208/230V, 1 Phase, 60 HZ
Operating Voltage Range	187~253 VAC
Recommended Fuse/Breaker Size	20A
MCA	14A

Connecting cable to indoor units must be 14/4 AWG unshielded stranded copper. Cable must be ran continuous, without splicing.

Operating Range

Cooling With Wind Baffle	14~115°F (-10~46°C)
Cooling Without Wind Baffle	23~115°F (-5~46°C)
Heating	-31~75°F (-35~24°C)

Cooling Performance

Rated Cooling Capacity	12,000 BTU
Cooling Capacity Range	3,100~13,600 BTU
Rated Power input	950 W
SEER	20
EER	12.5
Moisture Removal	3.2 Pt./h

Heating Performance

Rated Heating Capacity	13,000 BTU
Heating Capacity Range	3,100~21,000 BTU
Rated Power Input	1,460 W
HSPF	10.0

Pipe Length

Minimum Pipe Length	10 ft	
Maximum Pipe Length	50 ft	
Maximum Pipe Height Difference	33 ft	
Flare Connections	Liquid	Outdoor: 3/8"* Indoor: 1/4"*
	Vapor	1/2"

*use adaptor shipped with outdoor unit



For more information visit us:
www.Haierductless.com
www.Haierductlesshelp.com



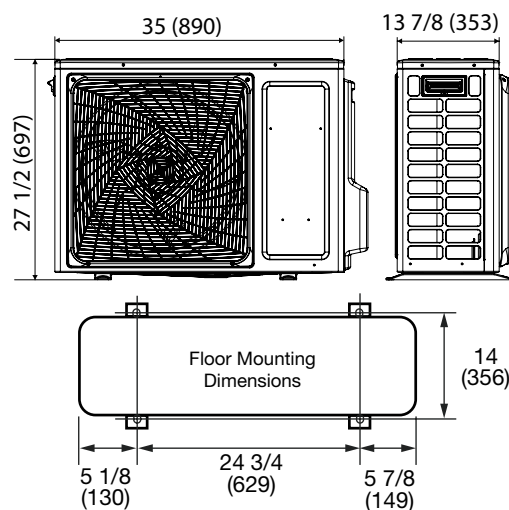
Haier Next Gen Arctic Series Submittal

12000 BTU/HR COMPACT CASSETTE TYPE INDOOR INVERTER DRIVEN HEAT PUMP SYSTEM

1U12EH2VHE / AB12SC2VHA

Indoor Unit	
Uncrated Dimension (HxWxD)	10 1/4 x 22 1/2 x 22 1/2 in (260 x 570 x 570 mm)
Crated (HxWxD)	15 x 28 1/4 x 26 3/4 in (380 x 718 x 680 mm)
Panel Uncrated Dimension (HxWxD)	2 3/8 x 27 1/2 x 27 1/2 in (60 x 700 x 700 mm)
Panel Crated (HxWxD)	4 1/2 x 29 1/8 x 29 1/8 in (115 x 718 x 718 mm)
Airflow CFM (Turbo/High/Med/Low/Quiet)	410/365/305/265/205
Indoor Sound Level dB (Turbo/High/Med/Low/Quiet)	45/42/39/36/33
Motor Rating (HP)	0.033
Heat Exchanger Fin Type	Blue Fin
Condensate Pump	Included - 27.5 in. Max Lift
Drain Pipe Size OD	1 1/4 in.
Weight (Ship/Net)	48.5/40.8 lbs

Outdoor Unit	
Compressor	DC inverter Driven Rotary
Uncrated Dimension (HxWxD)	27 1/2 x 35 x 13 7/8 in (697 x 890 x 353 mm)
Crated (HxWxD)	31 1/2 x 41 1/8 x 18 1/8 in (800 x 1046 x 460 mm)
Outdoor Sound Rating dB	54
Heat Exchanger Fin Type	Blue Fin
Weight (Ship/Net)	124.8/107.6 lbs
Factory Refrigerant Charge	R-410A (62.1 oz)



Heating Capacity Data

Outdoor Air Temp DB	Indoor Set Temperature								
	60°F (16°C)			70°F (21°C)			77°F (25°C)		
	Maximum Capacity (Btu/h)	Power Usage (w)	COP	Maximum Capacity (Btu/h)	Power Usage (w)	COP	Maximum Capacity (Btu/h)	Power Usage (w)	COP
-31°F (-35°C)	3,150	893	1.03	3,000	940	0.94	2,850	987	0.85
-22°F (-30°C)	5,250	1,190	1.29	5,000	1,253	1.17	4,750	1,316	1.06
-15°F (-26°C)	7,350	1,400	1.54	7,000	1,474	1.39	6,650	1,548	1.26
-4°F (-20°C)	9,450	1,556	1.78	9,000	1,638	1.61	8,550	1,720	1.46
5°F (-15°C)	11,550	1,729	1.96	11,000	1,820	1.77	10,450	1,911	1.60
17°F (-8°C)	12,941	1,682	2.25	12,325	1,770	2.04	11,709	1,859	1.85
47°F (8°C)	15,015	1,577	2.79	14,300	1,660	2.52	13,585	1,743	2.28

Cooling Capacity Data

Outdoor Air Temp DB	Indoor Set Temperature								
	70°F (21°C)			75°F (24°C)			80°F (27°C)		
	Maximum Capacity (Btu/h)	Power Usage (w)	EER	Maximum Capacity (Btu/h)	Power Usage (w)	EER	Maximum Capacity (Btu/h)	Power Usage (w)	EER
14°F (-10°C)*	12,870	825	15.60	13,138	795	16.53	13,406	764	17.55
32°F (0°C)	12,845	834	15.40	13,112	803	16.33	13,380	772	17.33
50°F (10°C)	12,819	842	15.22	13,086	811	16.14	13,353	780	17.12
65°F (18°C)	12,794	851	15.03	13,060	820	15.93	13,327	788	16.91
75°F (24°C)	12,669	860	14.73	12,933	828	15.62	13,197	796	16.58
85°F (29°C)	12,543	868	14.45	12,805	836	15.32	13,066	804	16.25
95°F (35°C)	12,096	1,102	10.98	12,348	1,061	11.64	12,600	1,020	12.35
105°F (41°C)	11,733	1,112	10.55	11,978	1,071	11.18	12,222	1,030	11.87
115°F (46°C)	11,491	1,123	10.23	11,731	1,082	10.84	11,970	1,040	11.51

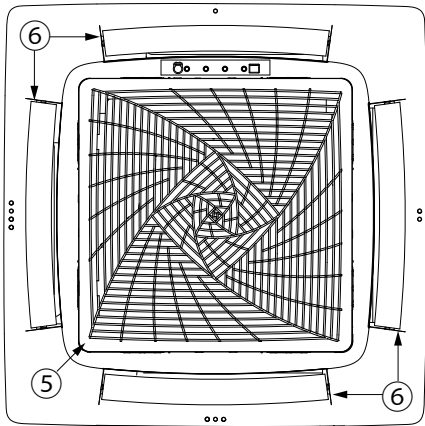
Capacity and power usage are measured under the assumption of indoor humidity of 46%

* Cooling Capacity under low ambient temperature below 23°F (-5°C) are tested when using wind baffle on outdoor unit

Haier Next Gen Arctic Series Submittal

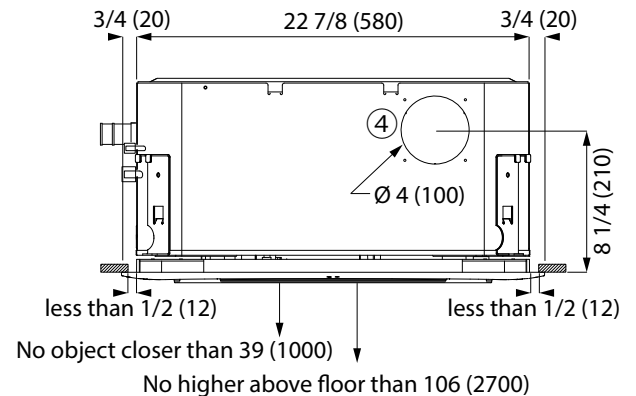
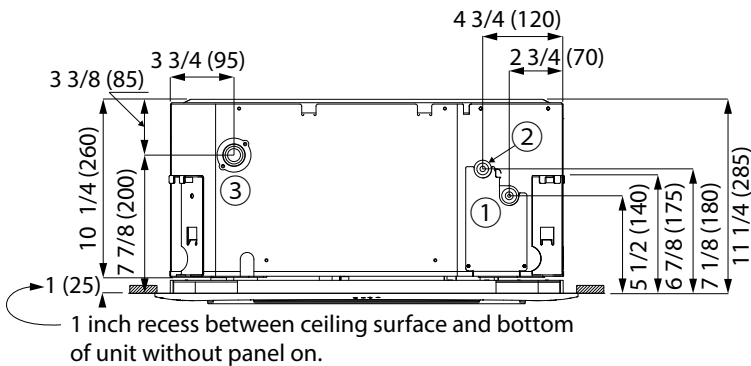
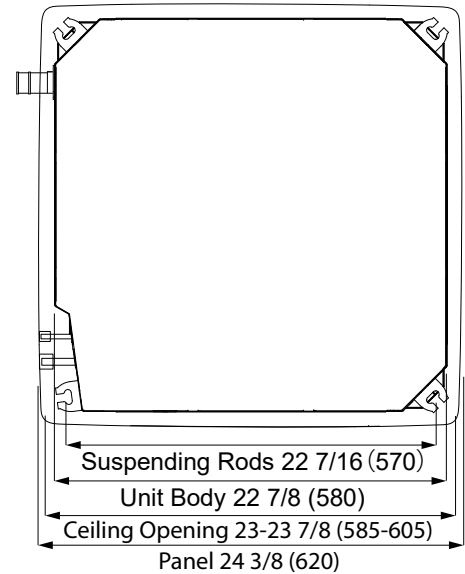
12000 BTU/HR COMPACT CASSETTE TYPE INDOOR INVERTER DRIVEN HEAT PUMP SYSTEM

AB12SC2VHA



#	Part Name
1	Vapor Pipe
2	Liquid Pipe
3	Drain Pump Outlet
4	Fresh Air Inlet
5	Air Return Grille
6	Air Supply

More than 59 (1500) to wall on all sides



Haier Next Gen Arctic Series Submittal

12000 BTU/HR FLOOR CONSOLE INVERTER DRIVEN HEAT PUMP SYSTEM 1U12EH2VHE / USYF12UCDWA

Job Name: _____

Purchaser: _____

Submitted To: _____

Construction: _____

Reference: _____

Approval: _____

Date: _____

Submitted By: _____

Unit: _____

Drawing #: _____



Accessories

Remote Controller

Ships with Standard Remote Control (WJ01X24721)

Wired Controller

Compatible with the Simplified (QACT17A) and Programmable (YR-E16B) wall controllers.

Built-in WiFi

Electrical Requirement	
Power Supply	208/230V, 1 Phase, 60 HZ
Operating Voltage Range	187~253 VAC
Recommended Fuse/Breaker Size	20A
MCA	14A

Connecting cable to indoor units must be 14/4 AWG unshielded stranded copper. Cable must be ran continuous, without splicing.

Operating Range	
Cooling With Wind Baffle	14~115°F (-10~46°C)
Cooling Without Wind Baffle	23~115°F (-5~46°C)
Heating	-31~75°F (-35~24°C)

Cooling Performance	
Rated Cooling Capacity	11,500 BTU
Cooling Capacity Range	3,100~13,600 BTU
Rated Power input	910 W
SEER	20.0
EER	12.5
Moisture Removal	3.2 Pt./h

Heating Performance	
Rated Heating Capacity	12,500 BTU
Heating Capacity Range	3,100~21,000 BTU
Rated Power Input	1,480 W
HSPF	10.0

Pipe Length		
Minimum Pipe Length	10 ft	
Maximum Pipe Length	50 ft	
Maximum Pipe Height Difference	33 ft	
Flare Connections	Liquid	Outdoor: 3/8"* Indoor: 1/4"*
	Vapor	1/2"

*use adaptor shipped with outdoor unit



For more information visit us:
www.Haierductless.com
www.Haierductlesshelp.com

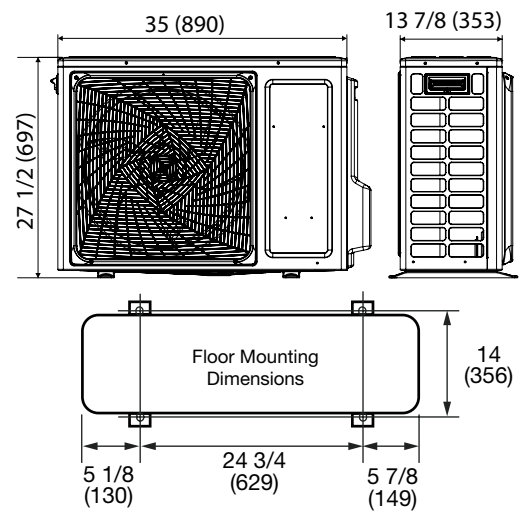


Haier Next Gen Arctic Series Submittal

12000 BTU/HR FLOOR CONSOLE INVERTER DRIVEN HEAT PUMP SYSTEM 1U12EH2VHE / USYF12UCDWA

Indoor Unit	
Uncrated Dimension (HxWxD)	23 3/4 x 27 1/2 x 8 1/4 in (600 x 700 x 210 mm)
Crated (HxWxD)	27 1/2 x 30 3/4 x 12 in (695 x 783 x 303 mm)
Airflow CFM (Turbo/High/Med/Low/Quiet)	294/264/235/205/176
Indoor Sound Level dB (Turbo/High/Med/Low/Quiet)	42/38/34/26/21
Motor Rating (HP)	0.04
Heat Exchanger Fin Type	Blue Fin
Weight (Ship/Net)	43.4/36.4 lbs

Outdoor Unit	
Compressor	DC inverter Driven Rotary
Uncrated Dimension (HxWxD)	27 1/2 x 35 x 13 7/8 in (697 x 890 x 353 mm)
Crated (HxWxD)	31 1/2 x 41 1/8 x 18 1/8 in (800 x 1046 x 460 mm)
Outdoor Sound Rating dB	54
Heat Exchanger Fin Type	Blue Fin
Weight (Ship/Net)	124.8/107.6 lbs
Factory Refrigerant Charge	R-410A (62.1 oz)



Heating Capacity Data

Outdoor Air Temp DB	Indoor Set Temperature								
	60°F (16°C)			70°F (21°C)			77°F (25°C)		
	Maximum Capacity (Btu/h)	Power Usage (w)	COP	Maximum Capacity (Btu/h)	Power Usage (w)	COP	Maximum Capacity (Btu/h)	Power Usage (w)	COP
-31°F (-35°C)	2,100	680	0.9	2,000	716	0.82	1,900	752	0.74
-22°F (-30°C)	4,200	906	1.36	4,000	954	1.23	3,840	964	1.17
-15°F (-26°C)	6,300	1,133	1.63	6,000	1,193	1.47	5,700	1,253	1.33
-4°F (-20°C)	8,400	1,333	1.85	8,000	1,403	1.67	7,600	1,473	1.51
5°F (-15°C)	10,500	1,568	1.96	10,000	1,650	1.78	9,500	1,733	1.61
17°F (-8°C)	12,941	1,786	2.12	12,325	1,880	1.92	11,709	1,974	1.74
47°F (8°C)	14,438	1,606	2.63	13,750	1,690	2.38	13,063	1,775	2.16

Cooling Capacity Data

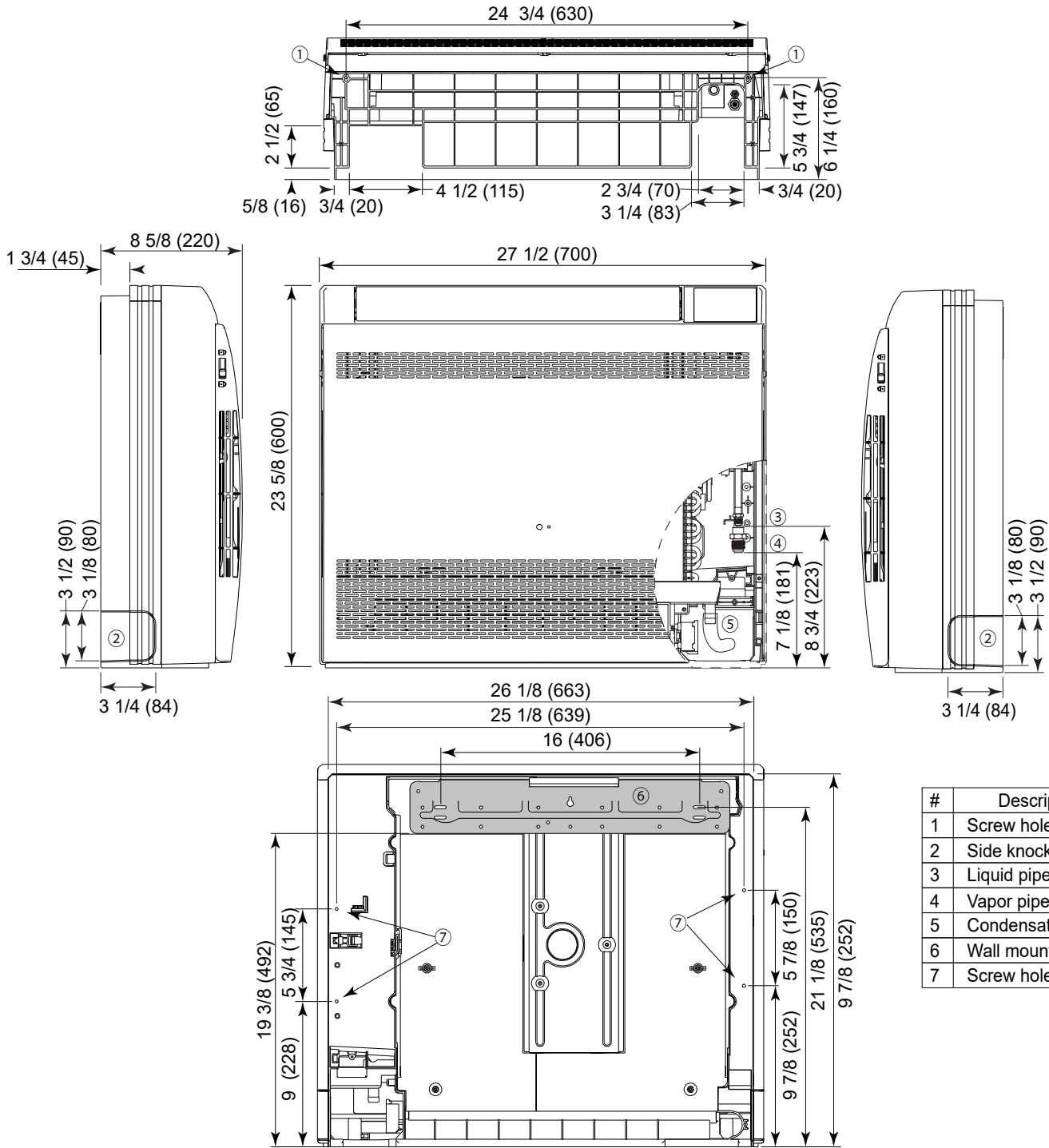
Outdoor Air Temp DB	Indoor Set Temperature								
	70°F (21°C)			75°F (24°C)			80°F (27°C)		
	Maximum Capacity (Btu/h)	Power Usage (w)	EER	Maximum Capacity (Btu/h)	Power Usage (w)	EER	Maximum Capacity (Btu/h)	Power Usage (w)	EER
14°F (-10°C)*	13,404	834	16.07	13,684	803	17.04	13,963	772	18.09
32°F (0°C)	13,215	842	15.69	13,491	811	16.64	13,766	780	17.65
50°F (10°C)	13,025	852	15.29	13,297	821	16.20	13,568	789	17.20
65°F (18°C)	12,899	861	14.98	13,167	829	15.88	13,436	797	16.86
75°F (24°C)	12,773	869	14.70	13,039	837	15.58	13,305	805	16.53
85°F (29°C)	12,646	878	14.40	12,910	846	15.26	13,173	813	16.20
95°F (35°C)	11,592	1,048	11.06	11,834	1,009	11.73	12,075	970	12.45
105°F (41°C)	11,244	1,058	10.63	11,479	1,019	11.26	11,713	980	11.95
115°F (46°C)	11,012	1,068	10.31	11,242	1,029	10.93	11,471	989	11.60

Capacity and power usage are measured under the assumption of indoor humidity of 46%

* Cooling Capacity under low ambient temperature below 23°F (-5°C) are tested when using wind baffle on outdoor unit

12000 BTU/HR FLOOR CONSOLE INVERTER DRIVEN HEAT PUMP SYSTEM

USYF12UCDWA



#	Description
1	Screw holes for floor install
2	Side knockout
3	Liquid pipe connection
4	Vapor pipe connection
5	Condensate drain
6	Wall mounting plate
7	Screw holes for wall install

Haier Next Gen Arctic Series Submittal

12000 BTU/HR MID-STATIC DUCTED INVERTER DRIVEN HEAT PUMP SYSTEM 1U12EH2VHE / USYM12UCDSA

Job Name: _____

Purchaser: _____

Submitted To: _____

Construction: _____

Reference: _____

Approval: _____

Date: _____

Submitted By: _____

Unit: _____

Drawing #: _____



Accessories

Wired Controller

Controller must be ordered separately.

Compatible with the Simplified (QACT17A) and Programmable (YR-E16B) wall controllers.

Built-in WiFi

Supply Plenum

UAPT0912A

Filter Box

UAMFB0912A



For more information visit us:
www.Haierductless.com
www.Haierductlesshelp.com

Electrical Requirement	
Power Supply	208/230V, 1 Phase, 60 HZ
Operating Voltage Range	187~253 VAC
Recommended Fuse/Breaker Size	20A
MCA	14A

Connecting cable to indoor units must be 14/4 AWG unshielded stranded copper. Cable must be ran continuous, without splicing.

Operating Range	
Cooling With Wind Baffle	14~115°F (-10~46°C)
Cooling Without Wind Baffle	23~115°F (-5~46°C)
Heating	-31~75°F (-35~24°C)

Cooling Performance	
Rated Cooling Capacity	12,000 BTU
Cooling Capacity Range	3,100~13,600 BTU
Rated Power input	950 W
SEER	20.0
EER	12.5
Moisture Removal	3.2 Pt./h

Heating Performance	
Rated Heating Capacity	14,500 BTU
Heating Capacity Range	3,100~21,000 BTU
Rated Power Input	1,500 W
HSPF	10.5

Pipe Length		
Minimum Pipe Length	10 ft	
Maximum Pipe Length	50 ft	
Maximum Pipe Height Difference	33 ft	
Flare Connections	Liquid	Outdoor: 3/8"* Indoor: 1/4"*
	Vapor	1/2"

*use adaptor shipped with outdoor unit

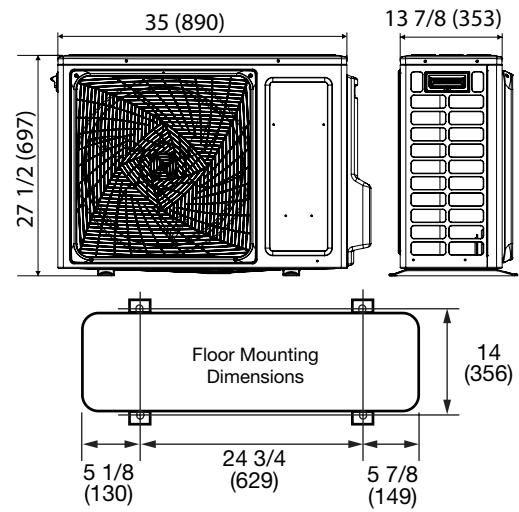


Haier Next Gen Arctic Series Submittal

12000 BTU/HR MID-STATIC DUCTED INVERTER DRIVEN HEAT PUMP SYSTEM 1U12EH2VHE / USYM12UCDSA

Indoor Unit	
Uncrated Dimension (HxWxD)	9 3/4 x 27 1/2 x 27 1/2 in (248 x 700 x 700 mm)
Crated (HxWxD)	13 1/4 x 37 1/2 x 35 1/2 in (340 x 950 x 900 mm)
Maximum ESP (WG)	0.6
Airflow CFM (Turbo/High/Med/Low)	494/424/353/294/235
Indoor Sound Level dB (Turbo/High/Med/Low)	47/44/41/38/35
Motor Rating (HP)	0.18
Heat Exchanger Fin Type	Blue Fin
Condensate Pump	Included - 39 in. Max Lift
Drain Pipe Size OD	1 1/4 in.
Weight (Ship/Net)	90.4/63.1 lbs

Outdoor Unit	
Compressor	DC inverter Driven Rotary
Uncrated Dimension (HxWxD)	27 1/2 x 35 x 13 7/8 in (697 x 890 x 353 mm)
Crated (HxWxD)	31 1/2 x 41 1/8 x 18 1/8 in (800 x 1046 x 460 mm)
Outdoor Sound Rating dB	54
Heat Exchanger Fin Type	Blue Fin
Weight (Ship/Net)	124.8/107.6 lbs
Factory Refrigerant Charge	R-410A (62.1 oz)



Heating Capacity Data

Outdoor Air Temp DB	Indoor Set Temperature								
	60°F (16°C)			70°F (21°C)			77°F (25°C)		
	Maximum Capacity (Btu/h)	Power Usage (w)	COP	Maximum Capacity (Btu/h)	Power Usage (w)	COP	Maximum Capacity (Btu/h)	Power Usage (w)	COP
-31°F (-35°C)	4,200	1,159	1.06	4,000	1,220	0.96	3,800	1,281	0.87
-22°F (-30°C)	6,300	1,288	1.43	6,000	1,356	1.3	5,700	1,424	1.17
-15°F (-26°C)	8,400	1,432	1.72	8,000	1,507	1.56	7,600	1,582	1.41
-4°F (-20°C)	10,500	1,590	1.93	10,000	1,674	1.75	9,500	1,758	1.58
5°F (-15°C)	12,600	1,767	2.09	12,000	1,860	1.89	11,400	1,953	1.71
17°F (-8°C)	14,159	1,625	2.55	13,485	1,710	2.31	12,811	1,796	2.09
47°F (8°C)	16,748	1,625	3.02	15,950	1,710	2.73	15,153	1,796	2.47

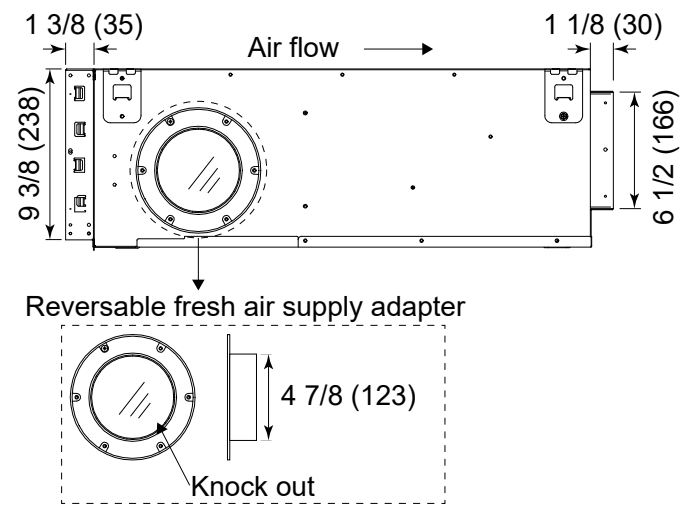
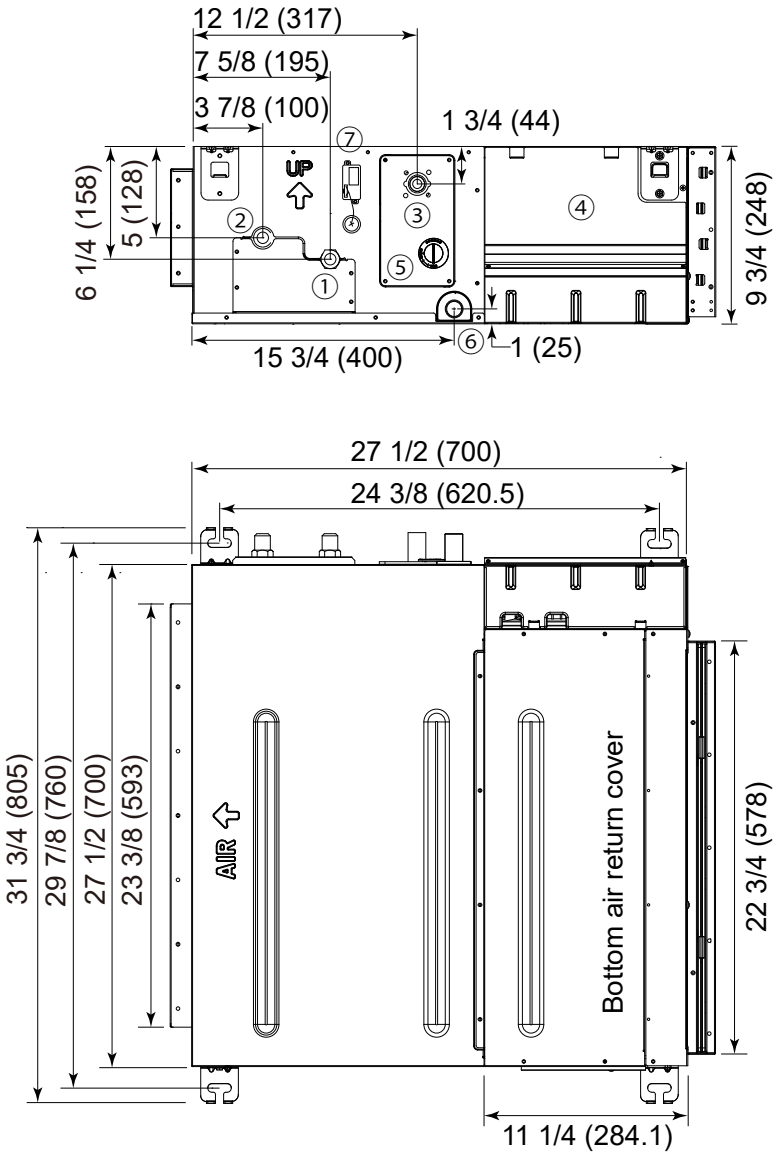
Cooling Capacity Data

Outdoor Air Temp DB	Indoor Set Temperature								
	70°F (21°C)			75°F (24°C)			80°F (27°C)		
	Maximum Capacity (Btu/h)	Power Usage (w)	EER	Maximum Capacity (Btu/h)	Power Usage (w)	EER	Maximum Capacity (Btu/h)	Power Usage (w)	EER
14°F (-10°C)*	13,714	825	16.62	13,999	795	17.61	14,285	764	18.70
32°F (0°C)	13,687	834	16.41	13,972	803	17.40	14,257	772	18.47
50°F (10°C)	13,660	842	16.22	13,944	811	17.19	14,229	780	18.24
65°F (18°C)	13,633	851	16.02	13,917	820	16.97	14,201	788	18.02
75°F (24°C)	13,500	860	15.70	13,781	828	16.64	14,062	796	17.67
85°F (29°C)	13,366	868	15.40	13,645	836	16.32	13,923	804	17.32
95°F (35°C)	12,096	1,102	10.98	12,348	1,061	11.64	12,600	1,020	12.35
105°F (41°C)	11,733	1,112	10.55	11,978	1,071	11.18	12,222	1,030	11.87
115°F (46°C)	11,491	1,123	10.23	11,731	1,082	10.84	11,970	1,040	11.51

Capacity and power usage are measured under the assumption of indoor humidity of 46%

* Cooling Capacity under low ambient temperature below 23°F (-5°C) are tested when using wind baffle on outdoor unit

12000 BTU/HR MID-STATIC DUCTED INVERTER DRIVEN HEAT PUMP SYSTEM USYM12UCDSA



#	Description
1	Liquid pipe connection
2	Vapor pipe connection
3	Drain pump outlet
4	Control board cover
5	Inspection hole
6	Gravity drain outlet
7	WiFi module

Haier Next Gen Arctic Series Submittal

18000 BTU/HR HIGHWALL INVERTER DRIVEN HEAT PUMP SYSTEM

1U18EH2VHE / AW18EH2VHD

Job Name: _____

Purchaser: _____

Submitted To: _____

Construction: _____

Reference: _____

Approval: _____

Date: _____

Submitted By: _____

Unit: _____

Drawing #: _____



Accessories

Remote Controller

Ships with Motion Sense Remote (WJ26X27153)

Wired Controller

Compatible with the Simplified (QACT17A) and Programmable (YR-E16B) wall controllers.

Wind Baffle

Uses wind baffle QAWB37A

Built-in Features

- WK-B wired controller adapter
- WiFi
- Occupancy sensor

Electrical Requirement

Power Supply	208/230V, 1 Phase, 60 HZ
Operating Voltage Range	187~253 VAC
Recommended Fuse/Breaker Size	30A
MCA	20A

Connecting cable to indoor units must be 14/4 AWG unshielded stranded copper. Cable must be ran continuous, without splicing.

Operating Range

Cooling With Wind Baffle	14~115°F (-10~46°C)
Cooling Without Wind Baffle	23~115°F (-5~46°C)
Heating	-31~75°F (-35~24°C)

Cooling Performance

Rated Cooling Capacity	18,000 BTU
Cooling Capacity Range	8,500~21,000 BTU
Rated Power input	1,385 W
SEER	23.0
EER	13.0
Moisture Removal	4.2 Pt./h

Heating Performance

Rated Heating Capacity	20,000 BTU
Heating Capacity Range	8,700~27,000 BTU
Rated Power Input	1,920 W
HSPF	12.0

Pipe Length

Minimum Pipe Length	10 ft	
Maximum Pipe Length	83 ft	
Maximum Pipe Height Difference	50 ft	
Flare Connections	Liquid	1/4"
	Vapor	1/2"



For more information visit us:
www.Haierductless.com
www.Haierductlesshelp.com

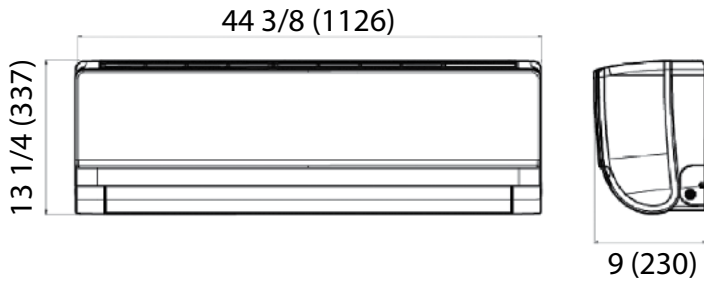


Haier Next Gen Arctic Series Submittal

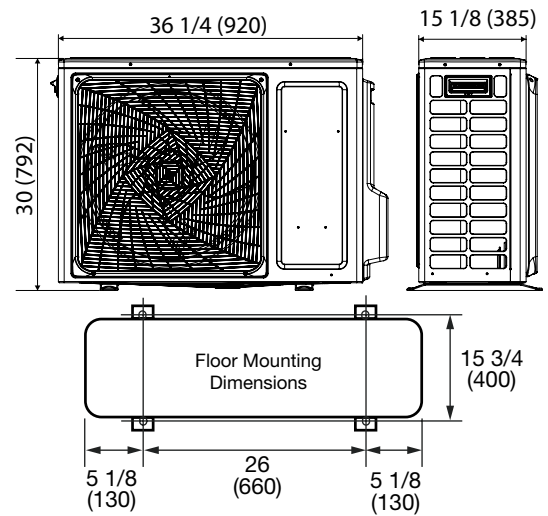
18000 BTU/HR HIGHWALL INVERTER DRIVEN HEAT PUMP SYSTEM

1U18EH2VHE / AW18EH2VHD

Indoor Unit	
Uncrated Dimension (HxWxD)	13 1/4 x 44 3/8 x 9 in (337 x 1126 x 230 mm)
Crated (HxWxD)	16 1/2 x 47 1/2 x 13 1/2 in (418 x 1206 x 342 mm)
Airflow CFM (Turbo/High/Med/Low/Quiet)	636/541/436/330/259
Indoor Sound Level dB (Turbo/High/Med/Low/Quiet)	47/41/38/35/29
Motor Rating (HP)	0.07
Heat Exchanger Fin Type	Blue Fin
Weight (Ship/Net)	45.2/36.6 lbs



Outdoor Unit	
Compressor	DC inverter Driven Rotary
Uncrated Dimension (HxWxD)	30 x 36 1/4 x 15 1/8 in 762 x 920 x 385 mm
Crated (HxWxD)	34 x 42 3/4 x 19 1/8 in (863 x 1085 x 487 mm)
Outdoor Sound Rating dB	52
Heat Exchanger Fin Type	Blue Fin
Weight (Ship/Net)	154.3/133.4 lbs
Factory Refrigerant Charge	R-410A (82.9 oz)



Heating Capacity Data

Outdoor Air Temp DB	Indoor Set Temperature								
	60°F (16°C)			70°F (21°C)			77°F (25°C)		
	Maximum Capacity (Btu/h)	Power Usage (w)	COP	Maximum Capacity (Btu/h)	Power Usage (w)	COP	Maximum Capacity (Btu/h)	Power Usage (w)	COP
-31°F (-35°C)	7,622	2,991	0.75	7,400	3,053	0.71	7,252	3,236	0.66
-22°F (-30°C)	14,420	2,511	1.68	14,000	2,563	1.60	13,720	2,716	1.48
-15°F (-26°C)	16,480	2,417	2	16,000	2,467	1.90	15,680	2,615	1.76
-4°F (-20°C)	18,900	2,256	2.45	18,000	2,375	2.22	17,100	2,494	2.01
5°F (-15°C)	21,000	2,375	2.59	20,000	2,500	2.34	19,000	2,625	2.12
17°F (-8°C)	22,050	2,204	2.93	21,000	2,320	2.65	19,950	2,436	2.40
47°F (8°C)	27,300	2,451	3.26	26,000	2,580	2.95	24,700	2,709	2.67

Cooling Capacity Data

Outdoor Air Temp DB	Indoor Set Temperature								
	70°F (21°C)			75°F (24°C)			80°F (27°C)		
	Maximum Capacity (Btu/h)	Power Usage (w)	EER	Maximum Capacity (Btu/h)	Power Usage (w)	EER	Maximum Capacity (Btu/h)	Power Usage (w)	EER
14°F (-10°C)*	23,376	1,810	12.92	24,392	1,743	14.00	25,408	1,676	15.16
32°F (0°C)	23,045	1,829	12.60	24,047	1,761	13.65	25,049	1,693	14.79
50°F (10°C)	22,714	1,848	12.29	23,702	1,780	13.32	24,689	1,711	14.43
65°F (18°C)	22,493	1,867	12.05	23,471	1,798	13.06	24,449	1,729	14.14
75°F (24°C)	22,273	1,886	11.81	23,241	1,816	12.80	24,210	1,746	13.86
85°F (29°C)	22,052	1,905	11.58	23,011	1,835	12.54	23,970	1,764	13.59
95°F (35°C)	21,160	2,009	10.53	22,080	1,934	11.41	23,000	1,860	12.37
105°F (41°C)	20,525	2,029	10.12	21,418	1,954	10.96	22,310	1,879	11.88
115°F (46°C)	20,102	2,049	9.81	20,976	1,973	10.63	21,850	1,897	11.52

Capacity and power usage are measured under the assumption of indoor humidity of 46%

* Cooling Capacity under low ambient temperature below 23°F (-5°C) are tested when using wind baffle on outdoor unit

Haier Next Gen Arctic Series Submittal

18000 BTU/HR COMPACT CASSETTE TYPE INDOOR INVERTER DRIVEN HEAT PUMP SYSTEM 1U18EH2VHE / AB18SC2VHA

Job Name: _____

Purchaser: _____

Submitted To: _____

Construction: _____

Reference: _____

Approval: _____

Date: _____

Submitted By: _____

Unit: _____

Drawing #: _____



Accessories

Remote Controller

Ships with Standard Remote Control (WJ01X24721)

Wired Controller

Compatible with the Simplified (QACT17A) and Programmable (YR-E16B) wall controllers.

Panel

PB-700KB is required to complete the installation and it must be ordered separately

Electrical Requirement	
Power Supply	208/230V, 1 Phase, 60 HZ
Operating Voltage Range	187~253 VAC
Recommended Fuse/Breaker Size	30A
MCA	20A

Connecting cable to indoor units must be 14/4 AWG unshielded stranded copper. Cable must be ran continuous, without splicing.

Operating Range	
Cooling With Wind Baffle	14~115°F (-10~46°C)
Cooling Without Wind Baffle	23~115°F (-5~46°C)
Heating	-31~75°F (-35~24°C)

Cooling Performance	
Rated Cooling Capacity	17,000 BTU
Cooling Capacity Range	6,500~20,000 BTU
Rated Power input	1,600 W
SEER	16
EER	10.5
Moisture Removal	3.8 Pt./h

Heating Performance	
Rated Heating Capacity	18,000 BTU
Heating Capacity Range	5,100~22,000 BTU
Rated Power Input	2,300 W
HSPF	9.0

Pipe Length		
Minimum Pipe Length	10 ft	
Maximum Pipe Length	83 ft	
Maximum Pipe Height Difference	50 ft	
Flare Connections	Liquid	1/4"
	Vapor	1/2"



For more information visit us:
www.Haierductless.com
www.Haierductlesshelp.com



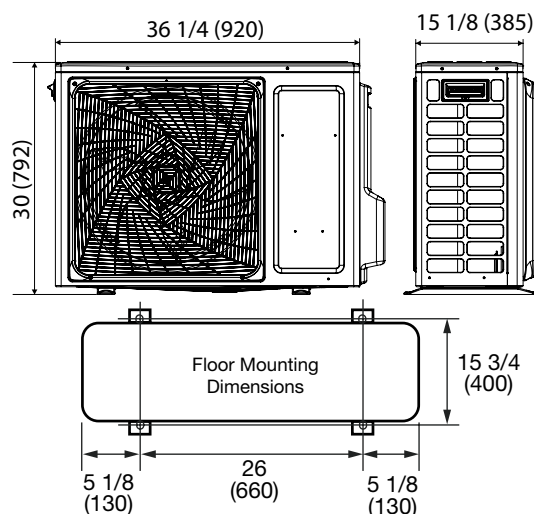
Haier Next Gen Arctic Series Submittal

18000 BTU/HR COMPACT CASSETTE TYPE INDOOR INVERTER DRIVEN HEAT PUMP SYSTEM

1U18EH2VHE / AB18SC2VHA

Indoor Unit	
Uncrated Dimension (HxWxD)	10 1/4 x 22 1/2 x 22 1/2 in (260 x 570 x 570 mm)
Crated (HxWxD)	15 x 28 1/4 x 26 3/4 in (380 x 718 x 680 mm)
Panel Uncrated Dimension (HxWxD)	2 3/8 x 27 1/2 x 27 1/2 in (60 x 700 x 700 mm)
Panel Crated (HxWxD)	4 1/2 x 29 1/8 x 29 1/8 in (115 x 718 x 718 mm)
Airflow CFM (Turbo/High/Med/Low/Quiet)	470/410/365/295/252
Indoor Sound Level dB (Turbo/High/Med/Low/Quiet)	45/42/39/36/33
Motor Rating (HP)	0.033
Heat Exchanger Fin Type	Blue Fin
Condensate Pump	Included - 27.5 in. Max Lift
Drain Pipe Size OD	1 1/4 in.
Weight (Ship/Net)	48.5/40.8 lbs

Outdoor Unit	
Compressor	DC inverter Driven Rotary
Uncrated Dimension (HxWxD)	30 x 36 1/4 x 15 1/8 in (762 x 920 x 385 mm)
Crated (HxWxD)	34 x 42 3/4 x 19 1/8 in (863 x 1085 x 487 mm)
Outdoor Sound Rating dB	52
Heat Exchanger Fin Type	Blue Fin
Weight (Ship/Net)	154.3/133.4 lbs
Factory Refrigerant Charge	R-410A (82.9 oz)



Heating Capacity Data

Outdoor Air Temp DB	Indoor Set Temperature								
	60°F (16°C)			70°F (21°C)			77°F (25°C)		
	Maximum Capacity (Btu/h)	Power Usage (w)	COP	Maximum Capacity (Btu/h)	Power Usage (w)	COP	Maximum Capacity (Btu/h)	Power Usage (w)	COP
-31°F (-35°C)	9,450	2,191	1.26	9,000	2,306	1.14	8,550	2,421	1.03
-22°F (-30°C)	11,550	2,306	1.47	11,000	2,427	1.33	10,450	2,548	1.2
-15°F (-26°C)	13,650	2,427	1.65	13,000	2,555	1.49	12,350	2,683	1.35
-4°F (-20°C)	15,750	2,555	1.81	15,000	2,689	1.63	14,250	2,823	1.48
5°F (-15°C)	17,850	2,689	1.94	17,000	2,830	1.76	16,150	2,972	1.59
17°F (-8°C)	19,110	2,480	2.26	18,200	2,610	2.04	17,290	2,741	1.85
47°F (8°C)	20,412	2,451	2.44	19,440	2,580	2.21	18,468	2,709	2.00

Cooling Capacity Data

Outdoor Air Temp DB	Indoor Set Temperature								
	70°F (21°C)			75°F (24°C)			80°F (27°C)		
	Maximum Capacity (Btu/h)	Power Usage (w)	EER	Maximum Capacity (Btu/h)	Power Usage (w)	EER	Maximum Capacity (Btu/h)	Power Usage (w)	EER
14°F (-10°C)*	18,988	1,367	13.89	19,383	1,317	14.72	19,779	1,266	15.62
32°F (0°C)	18,951	1,382	13.71	19,346	1,331	14.53	19,741	1,280	15.42
50°F (10°C)	18,914	1,396	13.55	19,308	1,345	14.36	19,702	1,293	15.24
65°F (18°C)	18,877	1,410	13.39	19,271	1,358	14.19	19,664	1,306	15.06
75°F (24°C)	18,692	1,426	13.11	19,082	1,373	13.90	19,471	1,320	14.75
85°F (29°C)	18,507	1,440	12.85	18,892	1,386	13.63	19,278	1,333	14.46
95°F (35°C)	17,136	1,847	9.28	17,493	1,778	9.84	17,850	1,710	10.44
105°F (41°C)	16,622	1,865	8.91	16,969	1,796	9.45	17,315	1,727	10.03
115°F (46°C)	16,280	1,884	8.64	16,619	1,814	9.16	16,958	1,744	9.72

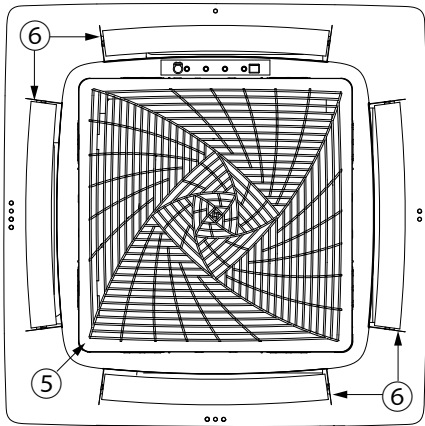
Capacity and power usage are measured under the assumption of indoor humidity of 46%

* Cooling Capacity under low ambient temperature below 23°F (-5°C) are tested when using wind baffle on outdoor unit

Haier Next Gen Arctic Series Submittal

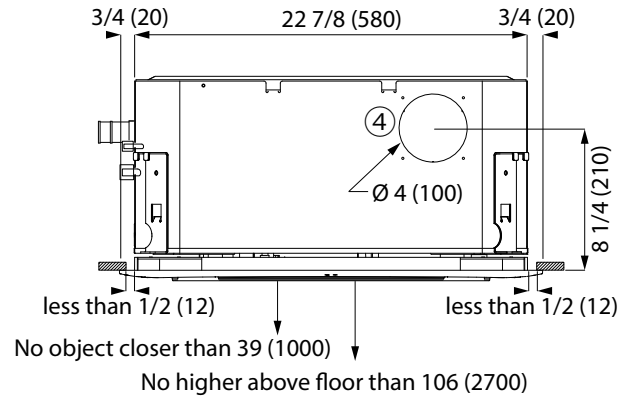
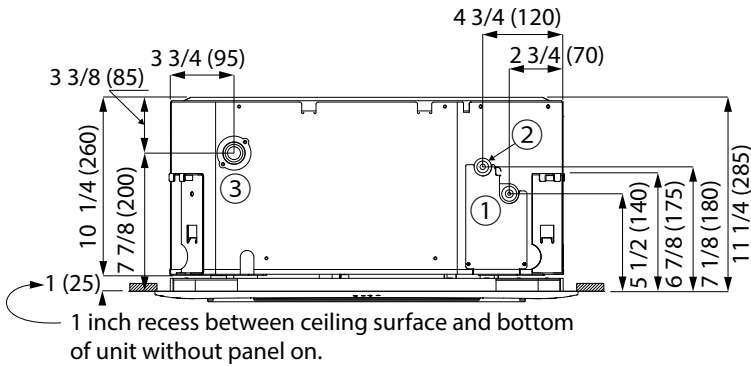
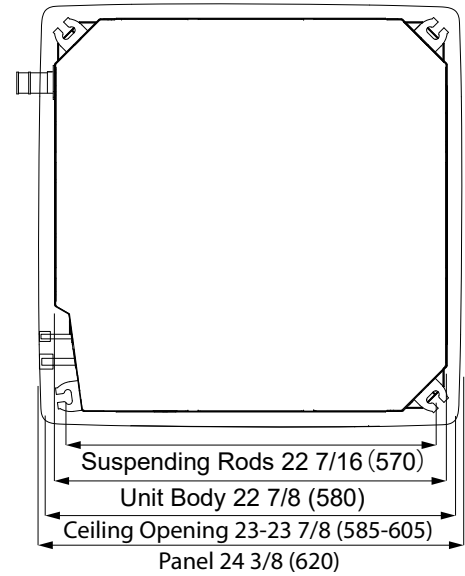
18000 BTU/HR COMPACT CASSETTE TYPE INDOOR INVERTER DRIVEN HEAT PUMP SYSTEM

AB18SC2VHA



#	Part Name
1	Vapor Pipe
2	Liquid Pipe
3	Drain Pump Outlet
4	Fresh Air Inlet
5	Air Return Grille
6	Air Supply

More than 59 (1500) to wall on all sides



Haier Next Gen Arctic Series Submittal

18000 BTU/HR FLOOR CONSOLE INVERTER DRIVEN HEAT PUMP SYSTEM 1U18EH2VHE / USYF18UCDWAA

Job Name: _____

Purchaser: _____

Submitted To: _____

Construction: _____

Reference: _____

Approval: _____

Date: _____

Submitted By: _____

Unit: _____

Drawing #: _____



Accessories

Remote Controller

Ships with Standard Remote Control (WJ01X24721)

Wired Controller

Compatible with the Simplified (QACT17A) and Programmable (YR-E16B) wall controllers.

Built-in WiFi

Electrical Requirement	
Power Supply	208/230V, 1 Phase, 60 HZ
Operating Voltage Range	187~253 VAC
Recommended Fuse/Breaker Size	30A
MCA	20A

Connecting cable to indoor units must be 14/4 AWG unshielded stranded copper. Cable must be ran continuous, without splicing.

Operating Range	
Cooling With Wind Baffle	14~115°F (-10~46°C)
Cooling Without Wind Baffle	23~115°F (-5~46°C)
Heating	-31~75°F (-35~24°C)

Cooling Performance	
Rated Cooling Capacity	14,800 BTU
Cooling Capacity Range	6,500~18,000 BTU
Rated Power input	1,470 W
SEER	18
EER	10.0
Moisture Removal	3.8 Pt./h

Heating Performance	
Rated Heating Capacity	17,800 BTU
Heating Capacity Range	5,100~20,000 BTU
Rated Power Input	2,400 W
HSPF	9.0

Pipe Length		
Minimum Pipe Length	10 ft	
Maximum Pipe Length	83 ft	
Maximum Pipe Height Difference	50 ft	
Flare Connections	Liquid	1/4"
	Vapor	1/2"



For more information visit us:
www.Haierductless.com
www.Haierductlesshelp.com

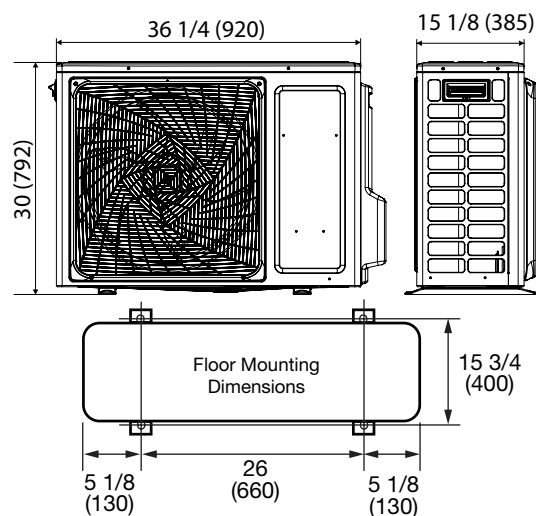


Haier Next Gen Arctic Series Submittal

18000 BTU/HR FLOOR CONSOLE INVERTER DRIVEN HEAT PUMP SYSTEM 1U18EH2VHE / USYF18UCDWA

Indoor Unit	
Uncrated Dimension (HxWxD)	23 3/4 x 27 1/2 x 8 1/4 in (600 x 700 x 210 mm)
Crated (HxWxD)	27 1/2 x 30 3/4 x 12 in (695 x 783 x 303 mm)
Airflow CFM (Turbo/High/Med/Low/Quiet)	341/311/282/252/223
Indoor Sound Level dB (Turbo/High/Med/Low/Quiet)	46/42/37/33/28
Motor Rating (HP)	0.04
Heat Exchanger Fin Type	Blue Fin
Weight (Ship/Net)	43.4/36.4 lbs

Outdoor Unit	
Compressor	DC inverter Driven Rotary
Uncrated Dimension (HxWxD)	30 x 36 1/4 x 15 1/8 in (762 x 920 x 385 mm)
Crated (HxWxD)	34 x 42 3/4 x 19 1/8 in (863 x 1085 x 487 mm)
Outdoor Sound Rating dB	52
Heat Exchanger Fin Type	Blue Fin
Weight (Ship/Net)	154.3/133.4 lbs
Factory Refrigerant Charge	R-410A (82.9 oz)



Heating Capacity Data

Outdoor Air Temp DB	Indoor Set Temperature								
	60°F (16°C)			70°F (21°C)			77°F (25°C)		
	Maximum Capacity (Btu/h)	Power Usage (w)	COP	Maximum Capacity (Btu/h)	Power Usage (w)	COP	Maximum Capacity (Btu/h)	Power Usage (w)	COP
-31°F (-35°C)	7,350	1,736	1.24	7,000	1,827	1.12	6,650	1,918	1.02
-22°F (-30°C)	9,450	1,929	1.44	9,000	2,030	1.3	8,550	2,132	1.18
-15°F (-26°C)	11,550	2,143	1.58	11,000	2,256	1.43	10,450	2,369	1.29
-4°F (-20°C)	13,650	2,256	1.77	13,000	2,375	1.60	12,350	2,494	1.45
5°F (-15°C)	15,750	2,375	1.94	15,000	2,500	1.76	14,250	2,625	1.59
17°F (-8°C)	19,110	2,470	2.27	18,200	2,600	2.05	17,290	2,730	1.86
47°F (8°C)	20,185	2,556	2.31	19,224	2,690	2.09	18,263	2,825	1.89

Cooling Capacity Data

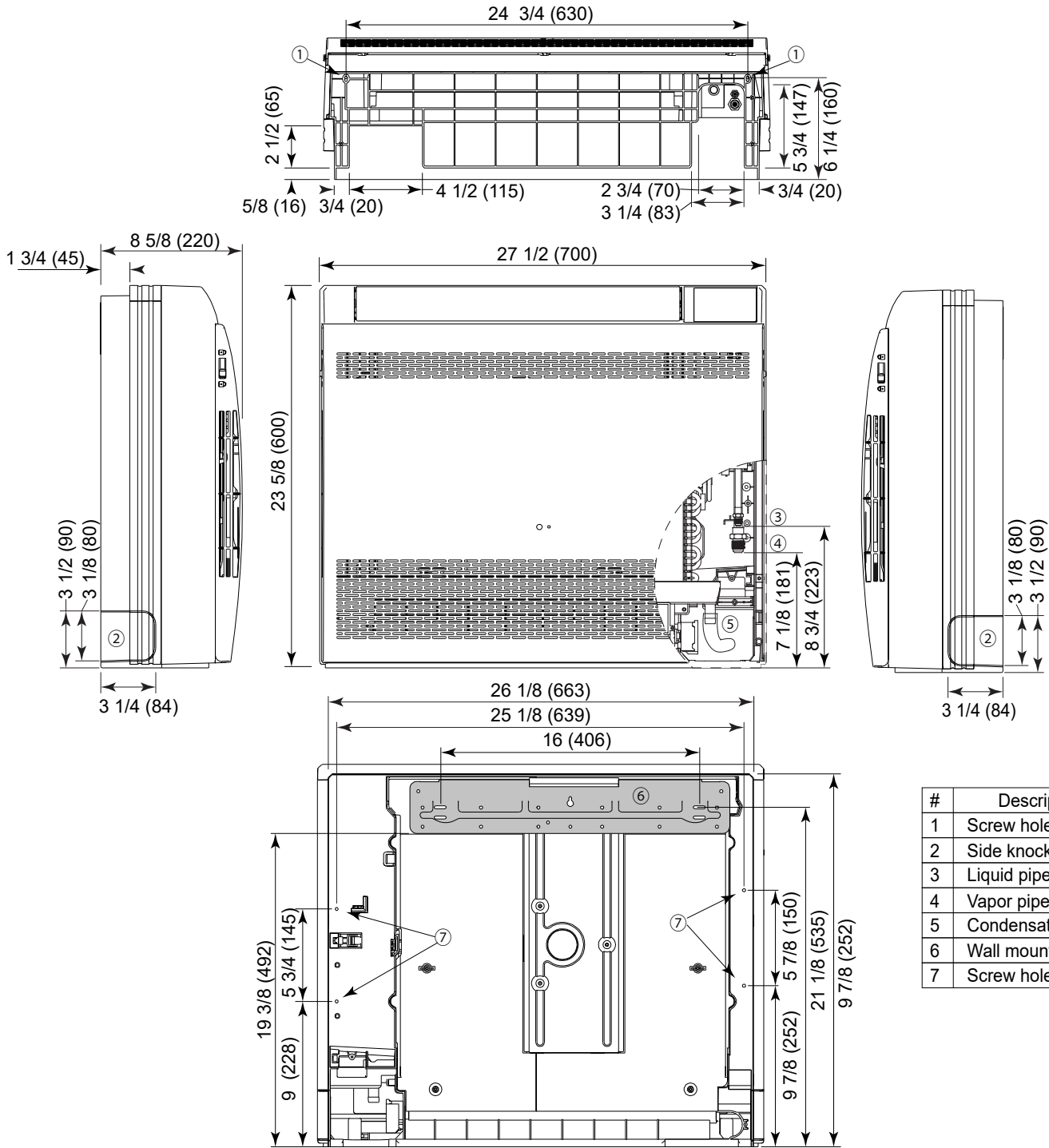
Outdoor Air Temp DB	Indoor Set Temperature								
	70°F (21°C)			75°F (24°C)			80°F (27°C)		
	Maximum Capacity (Btu/h)	Power Usage (w)	EER	Maximum Capacity (Btu/h)	Power Usage (w)	EER	Maximum Capacity (Btu/h)	Power Usage (w)	EER
14°F (-10°C)*	16,784	1,257	13.35	17,133	1,211	14.15	17,483	1,164	15.02
32°F (0°C)	16,546	1,270	13.03	16,890	1,223	13.81	17,235	1,176	14.66
50°F (10°C)	16,308	1,283	12.71	16,648	1,236	13.47	16,988	1,188	14.30
65°F (18°C)	16,150	1,297	12.45	16,487	1,249	13.20	16,823	1,201	14.01
75°F (24°C)	15,992	1,310	12.21	16,325	1,262	12.94	16,658	1,213	13.73
85°F (29°C)	15,833	1,323	11.97	16,163	1,274	12.69	16,493	1,225	13.46
95°F (35°C)	14,918	1,696	8.80	15,229	1,633	9.33	15,540	1,570	9.90
105°F (41°C)	14,471	1,713	8.45	14,773	1,649	8.96	15,074	1,586	9.50
115°F (46°C)	14,172	1,729	8.20	14,468	1,665	8.69	14,763	1,601	9.22

Capacity and power usage are measured under the assumption of indoor humidity of 46%

* Cooling Capacity under low ambient temperature below 23°F (-5°C) are tested when using wind baffle on outdoor unit

18000 BTU/HR FLOOR CONSOLE INVERTER DRIVEN HEAT PUMP SYSTEM

USYF18UCDWA



Haier Next Gen Arctic Series Submittal

18000 BTU/HR MID-STATIC DUCTED INVERTER DRIVEN HEAT PUMP SYSTEM 1U18EH2VHE / USYM18UCDSA

Job Name: _____

Purchaser: _____

Submitted To: _____

Construction: _____

Reference: _____

Approval: _____

Date: _____

Submitted By: _____

Unit: _____

Drawing #: _____



Accessories

Wired Controller

Controller must be ordered separately.

Compatible with the Simplified (QACT17A) and Programmable (YR-E16B) wall controllers.

Built-in WiFi

Supply Plenum

UAPT0912A

Filter Box

UAMFB0912A

Electrical Requirement

Power Supply	208/230V, 1 Phase, 60 HZ
Operating Voltage Range	187~253 VAC
Recommended Fuse/Breaker Size	30A
MCA	20A

Connecting cable to indoor units must be 14/4 AWG unshielded stranded copper. Cable must be ran continuous, without splicing.

Operating Range

Cooling With Wind Baffle	14~115°F (-10~46°C)
Cooling Without Wind Baffle	23~115°F (-5~46°C)
Heating	-31~75°F (-35~24°C)

Cooling Performance

Rated Cooling Capacity	18,000 BTU
Cooling Capacity Range	6,500~23,200 BTU
Rated Power input	1,560 W
SEER	19.0
EER	11.5
Moisture Removal	3.8 Pt./h

Heating Performance

Rated Heating Capacity	20,000 BTU
Heating Capacity Range	5,100~24,000 BTU
Rated Power Input	1,900 W
HSPF	10.0

Pipe Length

Minimum Pipe Length	10 ft	
Maximum Pipe Length	83 ft	
Maximum Pipe Height Difference	50 ft	
Flare Connections	Liquid	1/4"
	Vapor	1/2"



For more information visit us:
www.Haierductless.com
www.Haierductlesshelp.com

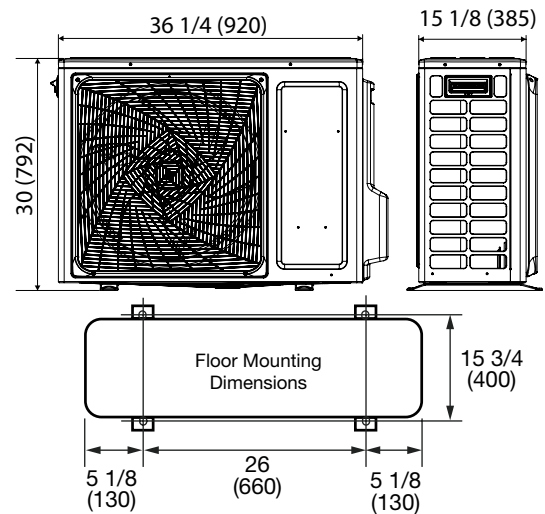


Haier Next Gen Arctic Series Submittal

18000 BTU/HR MID-STATIC DUCTED INVERTER DRIVEN HEAT PUMP SYSTEM 1U18EH2VHE / USYM18UCDSA

Indoor Unit	
Uncrated Dimension (HxWxD)	9 3/4 x 43 1/4 x 27 1/2 in (248 x 1100 x 700 mm)
Crated (HxWxD)	13 1/2 x 46 x 33 3/4 in (340 x 1170 x 860 mm)
Maximum ESP (IWC)	0.6
Airflow CFM (Turbo/High/Med/Low)	735/635/541/470/400
Indoor Sound Level dB (Turbo/High/Med/Low)	48/45/42/39/36
Heat Exchanger Fin Type	Blue Fin
Motor Rating (HP)	0.27
Condensate Pump	Included - 39 in. Max Lift
Drain Pipe Size OD	1 1/4 in.
Weight (Ship/Net)	121.3/89.3 lbs

Outdoor Unit	
Compressor	DC inverter Driven Rotary
Uncrated Dimension (HxWxD)	30 x 36 1/4 x 15 1/8 in (762 x 920 x 385 mm)
Crated (HxWxD)	34 x 42 3/4 x 19 1/8 in (863 x 1085 x 487 mm)
Outdoor Sound Rating dB	52
Heat Exchanger Fin Type	Blue Fin
Weight (Ship/Net)	154.3/133.4 lbs
Factory Refrigerant Charge	R-410A (82.9 oz)



Heating Capacity Data

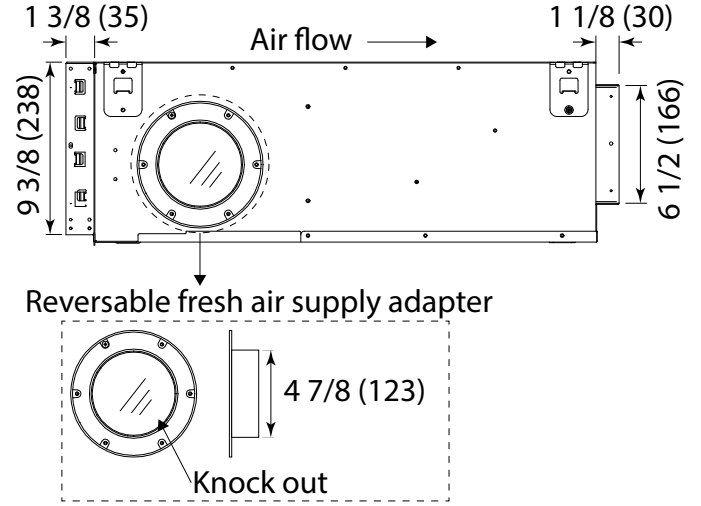
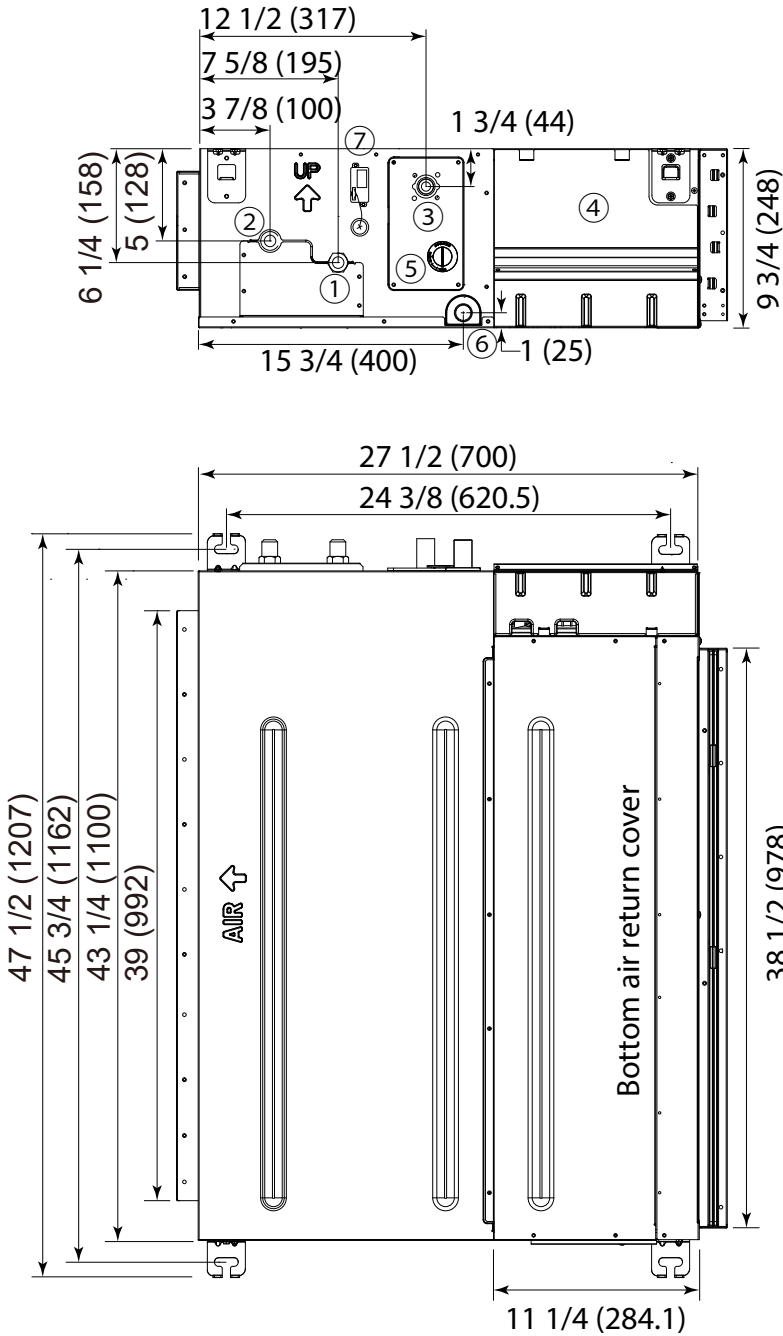
Outdoor Air Temp DB	Indoor Set Temperature								
	60°F (16°C)			70°F (21°C)			77°F (25°C)		
	Maximum Capacity (Btu/h)	Power Usage (w)	COP	Maximum Capacity (Btu/h)	Power Usage (w)	COP	Maximum Capacity (Btu/h)	Power Usage (w)	COP
-31°F (-35°C)	11,550	1,927	1.76	11,000	2,028	1.59	10,450	2,129	1.44
-22°F (-30°C)	13,650	2,140	1.87	13,000	2,253	1.69	12,350	2,366	1.53
-15°F (-26°C)	15,750	2,378	1.94	15,000	2,503	1.76	14,250	2,628	1.59
-4°F (-20°C)	17,850	2,642	1.98	17,000	2,781	1.79	16,150	2,920	1.62
5°F (-15°C)	19,950	2,936	1.99	19,000	3,090	1.80	18,050	3,245	1.63
17°F (-8°C)	21,263	2,470	2.52	20,250	2,600	2.28	19,238	2,730	2.06
47°F (8°C)	22,680	2,024	3.28	21,600	2,130	2.97	20,520	2,237	2.69

Cooling Capacity Data

Outdoor Air Temp DB	Indoor Set Temperature								
	70°F (21°C)			75°F (24°C)			80°F (27°C)		
	Maximum Capacity (Btu/h)	Power Usage (w)	EER	Maximum Capacity (Btu/h)	Power Usage (w)	EER	Maximum Capacity (Btu/h)	Power Usage (w)	EER
14°F (-10°C)*	21,098	1,327	15.90	21,537	1,278	16.85	21,977	1,229	17.88
32°F (0°C)	21,078	1,341	15.72	21,517	1,292	16.65	21,956	1,242	17.68
50°F (10°C)	21,015	1,355	15.51	21,453	1,305	16.44	21,891	1,255	17.44
65°F (18°C)	20,974	1,369	15.32	21,411	1,319	16.23	21,848	1,268	17.23
75°F (24°C)	20,769	1,383	15.02	21,201	1,332	15.92	21,634	1,281	16.89
85°F (29°C)	20,563	1,398	14.71	20,992	1,346	15.60	21,420	1,294	16.55
95°F (35°C)	18,144	1,804	10.06	18,522	1,737	10.66	18,900	1,670	11.32
105°F (41°C)	17,600	1,822	9.66	17,966	1,754	10.24	18,333	1,687	10.87
115°F (46°C)	17,237	1,839	9.37	17,596	1,771	9.94	17,955	1,703	10.54

Capacity and power usage are measured under the assumption of indoor humidity of 46%

* Cooling Capacity under low ambient temperature below 23°F (-5°C) are tested when using wind baffle on outdoor unit



#	Description
1	Liquid pipe connection
2	Vapor pipe connection
3	Drain pump outlet
4	Control board cover
5	Inspection hole
6	Gravity drain outlet
7	WiFi module