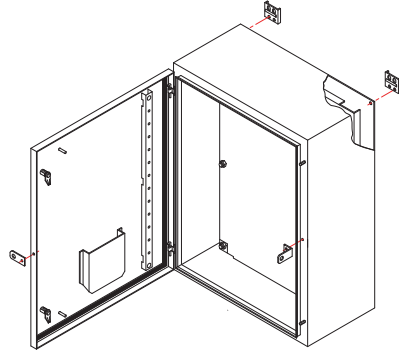
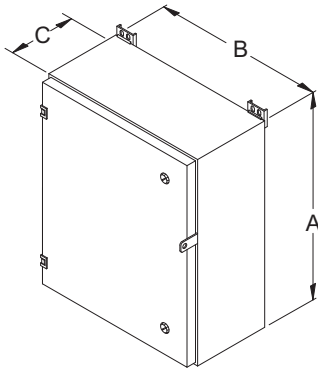




R Series

EEMAC / NEMA 4-4x-12 / IP-65 Single Door Enclosures



TECHNICAL READOUT

Catalog No.	Dimensions			Panel		Weight lbs
	A	B	C	E	F	
R122406	12	24	6	9 x	21	36
R161206	16	12	6	13 x	9	26
R161606	16	16	6	13 x	13	32
R162006	16	20	6	13 x	17	38
R201206	20	12	6	17 x	9	31
R201606	20	16	6	17 x	13	38
R202006	20	20	6	17 x	17	43
R202406	20	24	6	17 x	21	55
R241206	24	12	6	21 x	9	36
R241606	24	16	6	21 x	13	46
R242006	24	20	6	21 x	17	55
R242406	24	24	6	21 x	21	60
R301606	30	16	6	27 x	13	53
R302006	30	20	6	27 x	17	65
R302406	30	24	6	27 x	21	75
R362406	36	24	6	33 x	21	88
R363006	36	30	6	33 x	27	114
R122408	12	24	8	9 x	21	40
R161208	16	12	8	13 x	9	30
R161608	16	16	8	13 x	13	34
R162008	16	20	8	13 x	17	43
R201208	20	12	8	17 x	9	33
R201608	20	16	8	17 x	13	43
R202008	20	20	8	17 x	17	47
R202408	20	24	8	17 x	21	59
R241208	24	12	8	21 x	9	40
R241608	24	16	8	21 x	13	49
R242008	24	20	8	21 x	17	59
R242408	24	24	8	21 x	21	68
R243008	24	30	8	21 x	27	85
R301208	30	12	8	27 x	9	42
R301608	30	16	8	27 x	13	54
R302008	30	20	8	27 x	17	70
R302408	30	24	8	27 x	21	82
R303008	30	30	8	27 x	27	102
R303608	30	36	8	27 x	33	121
R362408	36	24	8	33 x	21	94
R363008	36	30	8	33 x	27	121
R363608	36	36	8	33 x	33	139
R422408	42	24	8	39 x	21	107
R423008	42	30	8	39 x	27	132
R423608	42	36	8	39 x	33	162
R482408	48	24	8	45 x	21	117
R483008	48	30	8	45 x	27	153
R483608	48	36	8	45 x	33	182
R603608	60	36	8	57 x	33	208

Catalog No.	Dimensions			Panel		Weight lbs
	A	B	C	E	F	
R161210	16	12	10	13 x	9	34
R201610	20	16	10	17 x	13	48
R202010	20	20	10	17 x	17	52
R241210	24	12	10	21 x	9	43
R242010	24	20	10	21 x	17	63
R242410	24	24	10	21 x	21	73
R302010	30	20	10	27 x	17	76
R302410	30	24	10	27 x	21	87
R362410	36	24	10	33 x	21	102
R363010	36	30	10	33 x	27	127
R423010	42	30	10	39 x	27	137
R423610	42	36	10	39 x	33	184
R483010	48	30	10	45 x	27	159
R483610	48	36	10	45 x	33	190
R603610	60	36	10	57 x	33	230
R201612	20	16	12	17 x	13	54
R242012	24	20	12	21 x	17	67
R242412	24	24	12	21 x	21	78
R302412	30	24	12	27 x	21	90
R303012	30	30	12	27 x	27	113
R362412	36	24	12	33 x	21	106
R363012	36	30	12	33 x	27	130
R363612	36	36	12	33 x	33	137
R423012	42	30	12	39 x	27	150
R423612	42	36	12	39 x	33	175
R483612	42	36	12	45 x	33	197
R603612	60	36	12	57 x	33	239
R723012	72	30	12	69 x	27	260
R723612	72	36	12	69 x	33	320
R242016	24	20	16	21 x	17	81
R242416	24	24	16	21 x	21	86
R302416	30	24	16	27 x	21	100
R363016	36	30	16	33 x	27	137
R423616	42	36	16	39 x	33	147
R483616	48	36	16	45 x	33	213
R603616	60	36	16	57 x	33	256
R723016	72	30	16	69 x	27	260
R723616	72	36	16	69 x	33	272
R302420	30	24	20	27 x	21	111
R363020	36	30	20	33 x	27	155
R483620	48	36	20	45 x	33	227
R603620	60	36	20	57 x	33	272
R723020	72	30	20	69 x	27	287
R302424	30	24	24	27 x	21	129
R723024	72	30	24	69 x	27	300

Application:

Type 4-4x-12 / IP-65 enclosure designed for INDOOR/OUTDOOR housing of electrical, pneumatic or hydraulic instruments.

Construction:

- 16 or 14 gauge steel
- Removable cover
- Continuously welded and ground smooth seams
- Padlock hasp supplied
- Interchangeable left/right side cover opening
- Cover stabilizing bumpers
- 1/4 turn latches
- Grounding studs welded on inner cover surface
- Galvanized mounting rail
- Galvanized steel mounting panel (unpainted)
- Four (4) wall mounting brackets offering multiple installation positioning
- Self-adhesive polymer BEL data pocket
- ANSI/ASA61 grey polyester - epoxy textured powder coating inside out

Also Available:

- Galvanized steel
- Cutouts, hubs, windows
- Special finishes & sizes
- Flush handle

Standards:

- CSA certified 150359
- UL listed E109310
- CE

