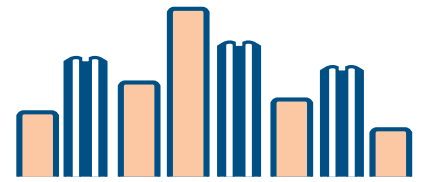
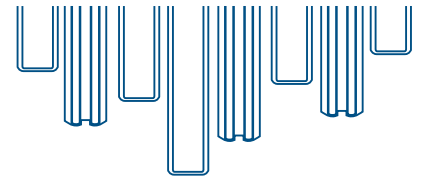


C
2

Light Crane Systems



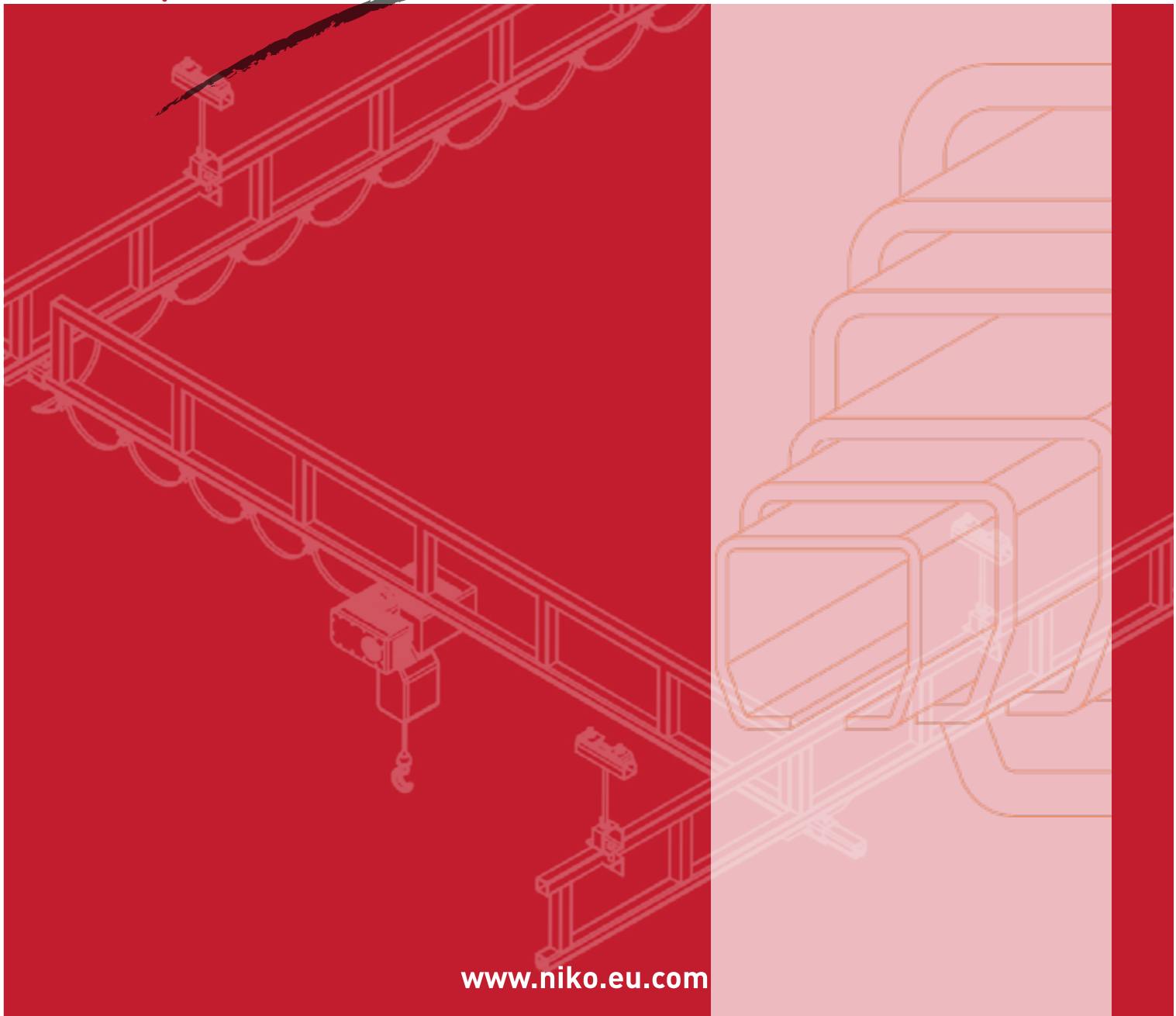
NIKO®



Product Catalogue

Technical Information
Component Specification

NIKO ... Quality in Motion





Company Profile

Established in 1972, NIKO is focused on designing developing, producing and marketing high quality sliding door fittings and overhead conveyor systems at the right price. Over 90 % of our products are exported to more than 60 countries worldwide with offices and warehouses in 7 countries worldwide.

Our program range includes more than 2.000 different assemblies & components. Our team of highly qualified engineers are continually working to improve our current product portofolio & extend it according to market requirements.

NIKO enforces a continuous quality control program and is certified according to ISO:9001 and ISO:14000.

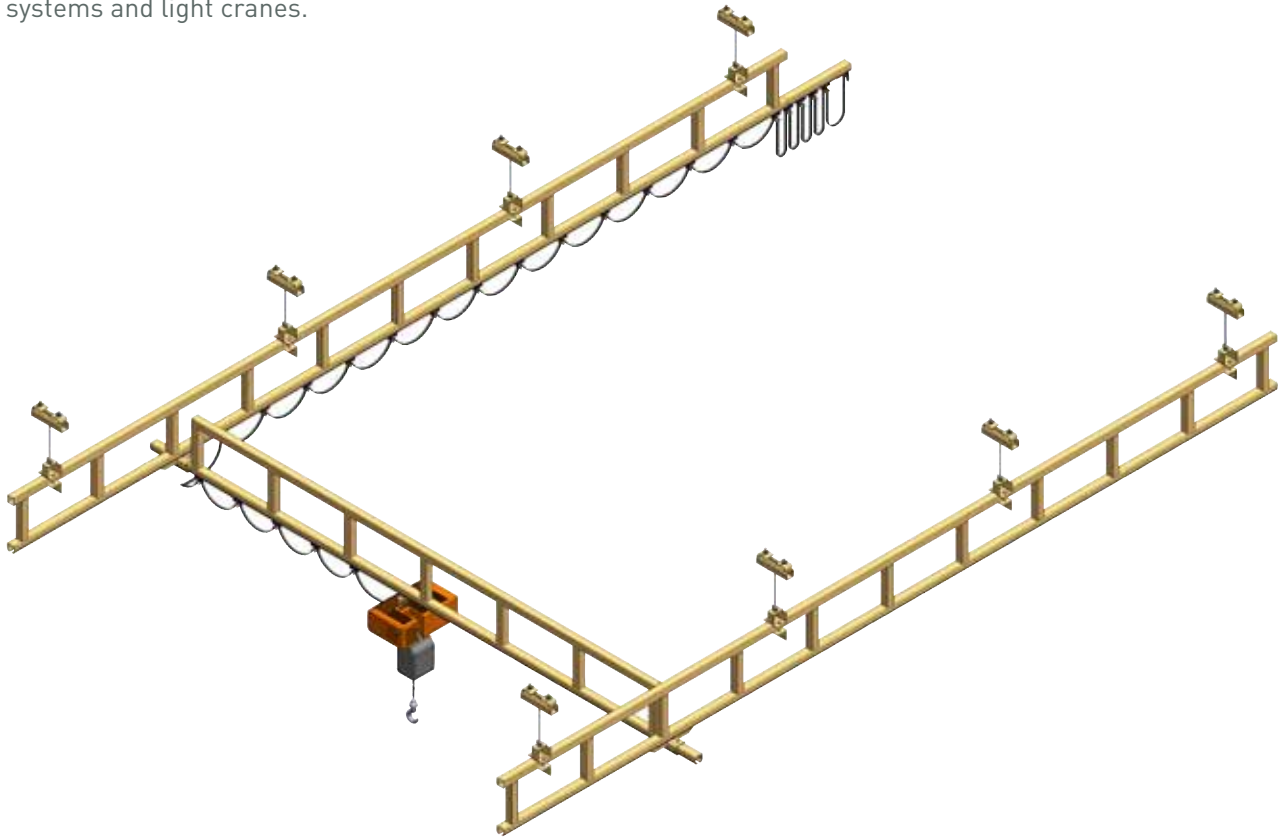


Index

Introduction	Page	4
Light crane specifications	Page	5
Floor mounted crane with plain long travel tracks	Page	6
Floor mounted crane with reinforced long travel tracks	Page	7
Ceiling mounted crane with plain long travel tracks	Page	8
Ceiling mounted crane with reinforced long travel tracks	Page	9
Light crane main components	Page	10
Multiple bridge cranes	Page	11
Festoon & conductor options	Page	12
Power driven trolleys	Page	13
Low headroom light crane	Page	15
Telescopic Monorail and cranes	Page	16
Interlocks	Page	17
Manipulator	Page	17
Conveyors systems	Page	18
Jib cranes	Page	19
Application photos	Page	20-23
Components specifications	Page	24-49
Track profiles	Page	24-25
Brackets & support joints	Page	26-36
Trolleys	Page	36-40
Load carriers	Page	40-42
End carriages	Page	42-44
Bridge interlocks - Track transfer assembly	Page	45-46
Track end stops	Page	47
Cable trolleys	Page	48
Index	Page	49-50

NIKO Light Cranes – a versatile and economic solution for loads up to 2.000 kg and 10 meter bridge length

NIKO Light Crane System provides an ergonomic and cost effective solution to conventional overhead crane systems particularly when there is a height and space restriction. Versatile and reliable overhead handling can be achieved for a variety of applications using the NIKO modular design. The robust design of our components and the high standard of manufacturing guarantees long life with the minimum of maintenance. Our program range consists of sliding door fittings, overhead conveyor systems, festoon systems, fall arrest systems and light cranes.



Main Characteristics

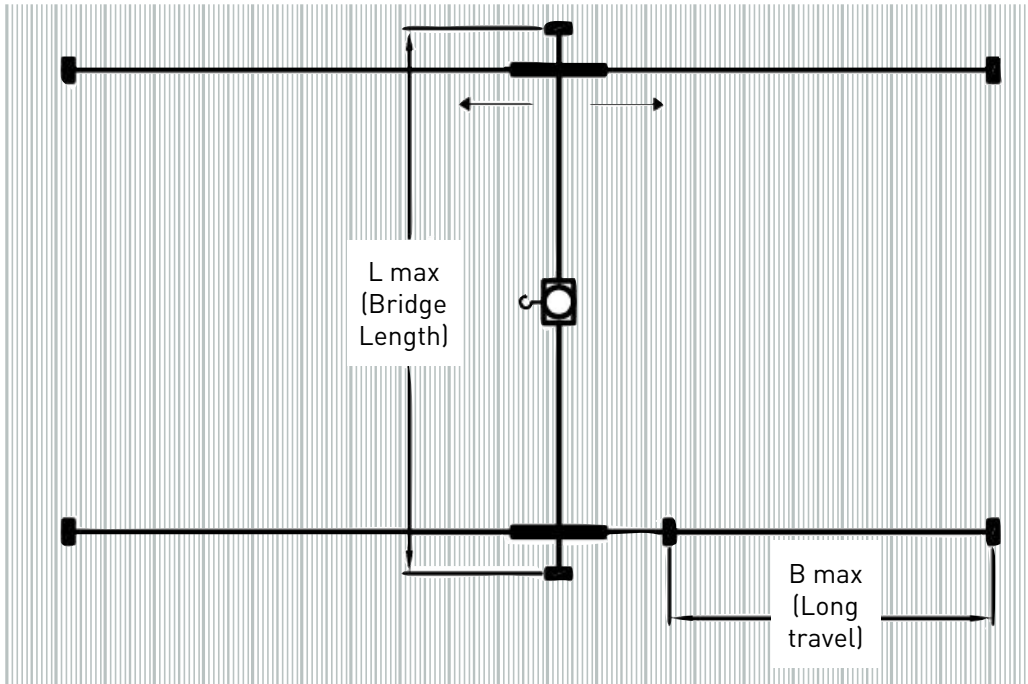
- ✓ Loads up to 2.000 kg
- ✓ Bridge spans up to 10 meters
- ✓ Modular design allows extendibility and relocatability
- ✓ Cost effective
- ✓ Easy to install using a variety of supporting brackets.
- ✓ Large range of mounting options
- ✓ Connectivity with future or existing overhead conveyor system
- ✓ Telescopic cranes
- ✓ Manual or electric Travel
- ✓ Floor or ceiling mounted cranes.
- ✓ Components available in gold or silver finish.
- ✓ Stainless steel cranes.

Advantages over I beam cranes

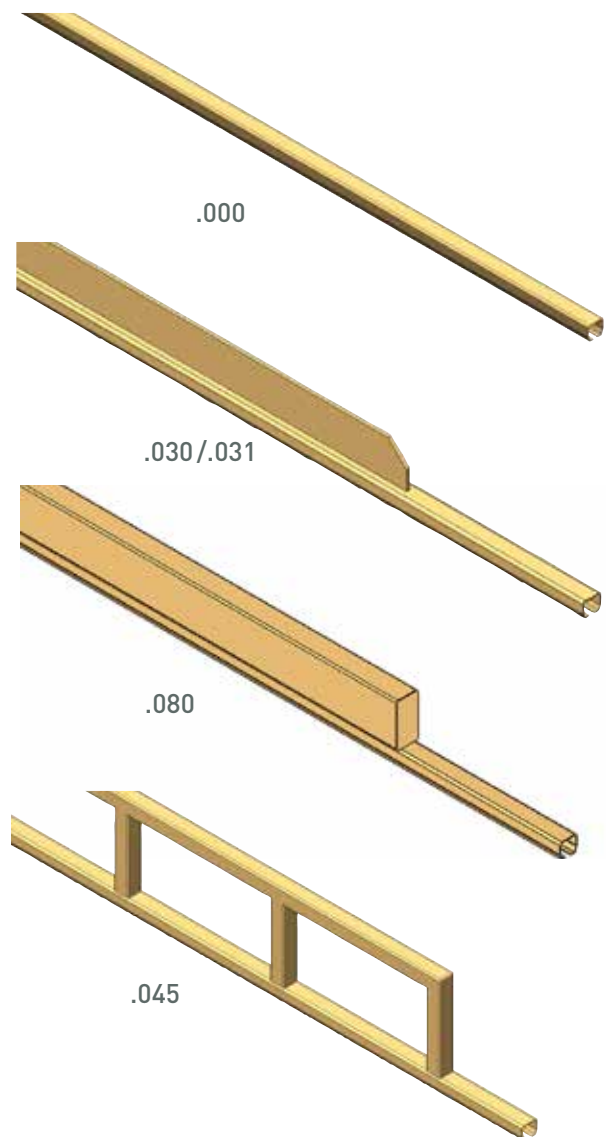
- ✓ Small track profiles suitable for lower headroom spaces.
- ✓ Rigid construction which allows steadier travel of loads, more accurate load positioning and no crabbing on the bridge travel.
- ✓ Meter for meter Niko track profiles are light therefore they inflict a lower dead load on the supporting structure and easier to handle when installing.
- ✓ Very low friction which makes it much easier to push the load.
- ✓ Niko track reinforcement methods can achieve span in considerably longer distances between support points.
- ✓ Less needed force for movement of crane that results to better movement of crane and increased productivity.
- ✓ Enclosed track profile design prevents dust from pilling up and obstructing the rolling of wheels.

In case of standard products do not meet your needs, we can recommend special constructions.

Light Crane Specifications



Capacity (Kg)	NIKO Profile No.	Bridge Length L max (m)	Long travel supporting distance B max (m)
80	23.000	1.50	1,00
	23.030	4.00	3,50
125	24.000	1.80	1,40
	24.030	5.00	4,40
	24.031	6.00	5,20
	24.080	7.00	6,40
250	24.045	9.00	8,00
	25.000	2.50	1,80
	25.030	6.00	5,20
	25.080	8.00	7,00
500	25.045	10.00	9,00
	26.000	2,50	1,80
	26.030	6.00	5,20
	26.080	8.00	7,00
750	26.045	10.00	9,00
	26.000	1.80	1,00
	26.031	6.00	5,00
	26.080	8.00	7,00
1000	26.045	10.00	9,00
	27.000	3.00	2,00
	27.030	6.00	5,00
	27.080	8.00	7,00
1600	27.045	10.00	9,00
	27.000	1.50	1,00
	27.030	3.50	2,70
	27.080	6.00	5,00
2000	27.045	10.00	9,00
	27.080	5.00	4,00

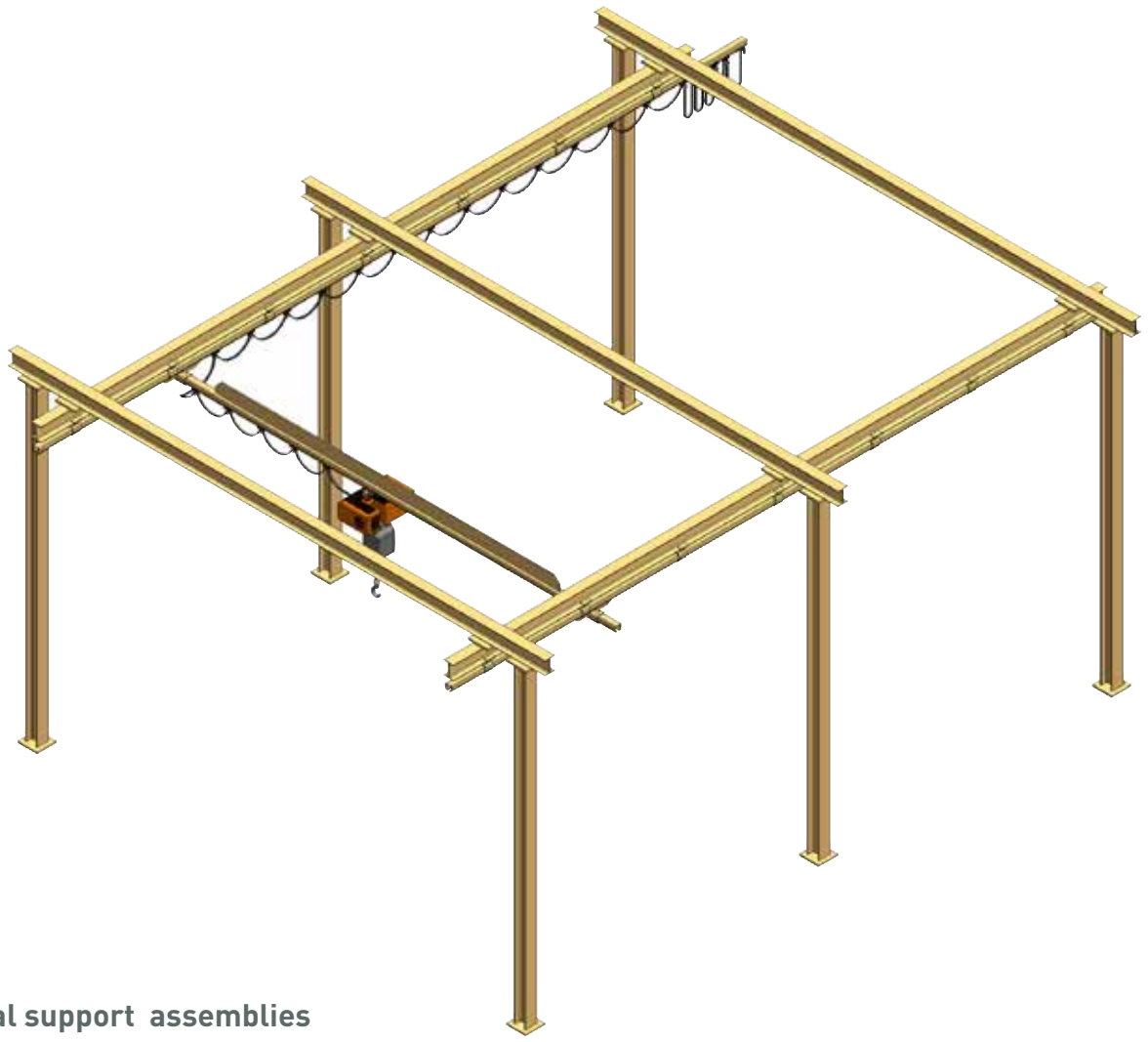


LIGHT CRANE SYSTEMS

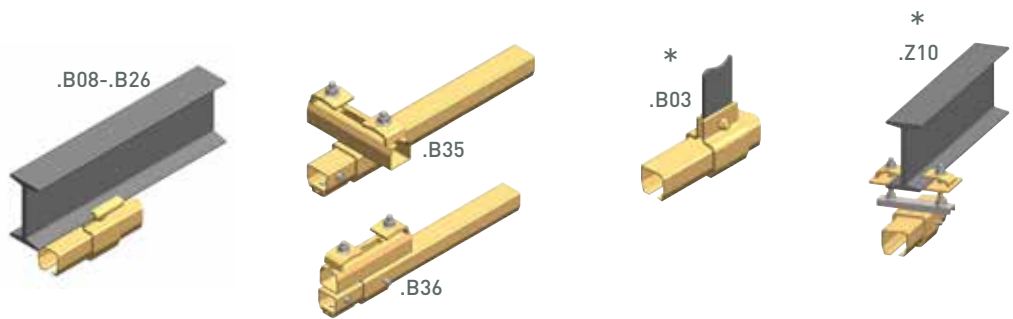
Floor Mounted Crane with Standard Long Travel Tracks

Floor mounted cranes are particularly useful when the roof cannot support an overhead Crane. The bridge profile is usually reinforced to achieve longer spans and plain long travel track profiles can be used by supporting them directly to an I beam that runs parallel above.

LIGHT CRANE SYSTEMS



Typical support assemblies

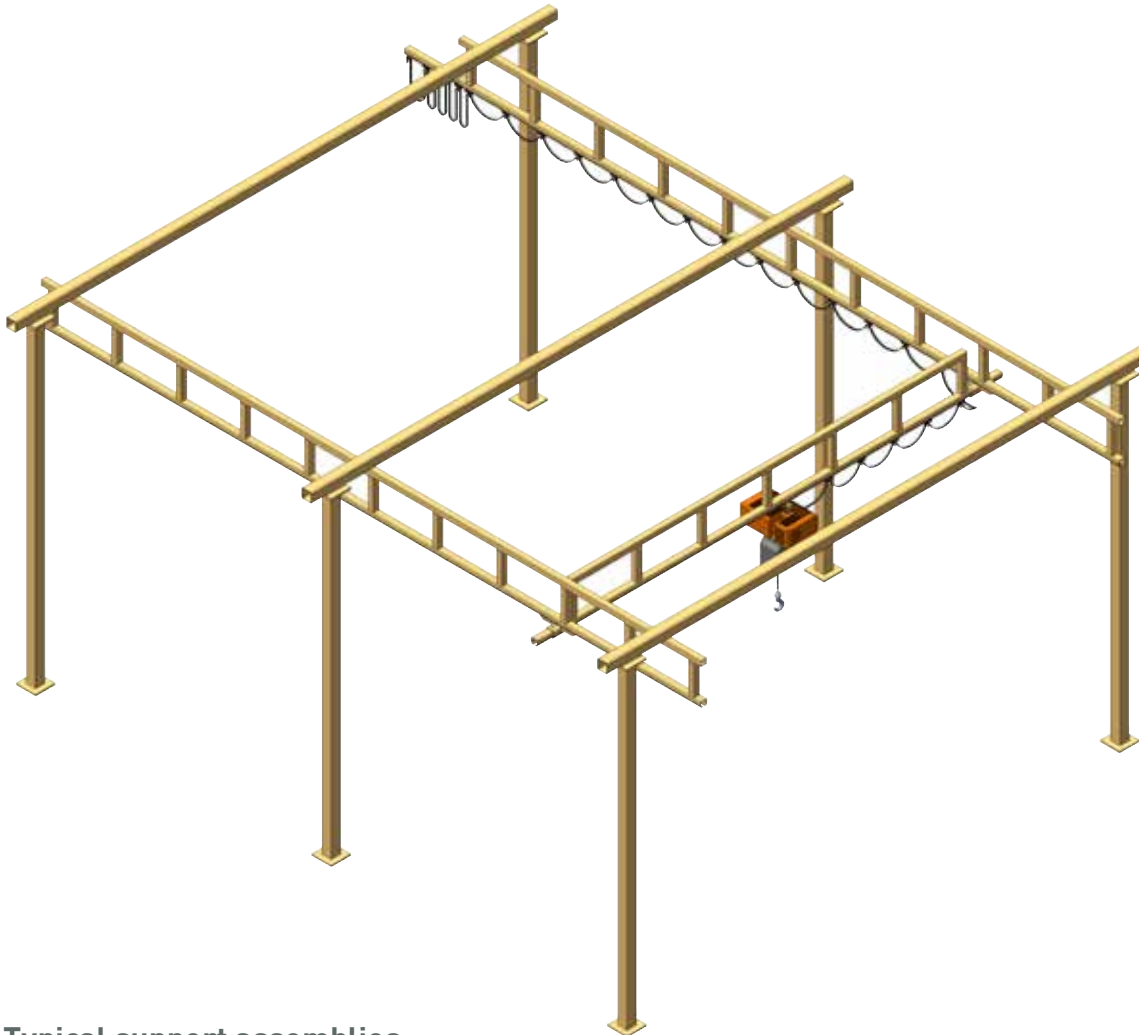


(*) Sway bracing may be required for the ceiling support brackets that are not directly mounted (flush mounted) to the supporting structure in order to prohibit possible swinging. Sway bracing kits are not included in our standard product range but can be provided upon request.

Light crane systems

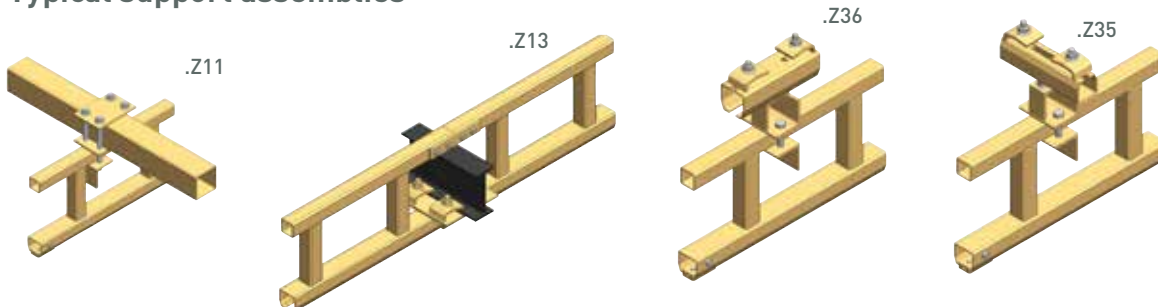
Floor Mounted Crane with Reinforced Long Travel Tracks

By using reinforced track profiles in the long travel the support distance can be increased rendering the I beams along the track profiles unnecessary. This way installation time is also minimised.



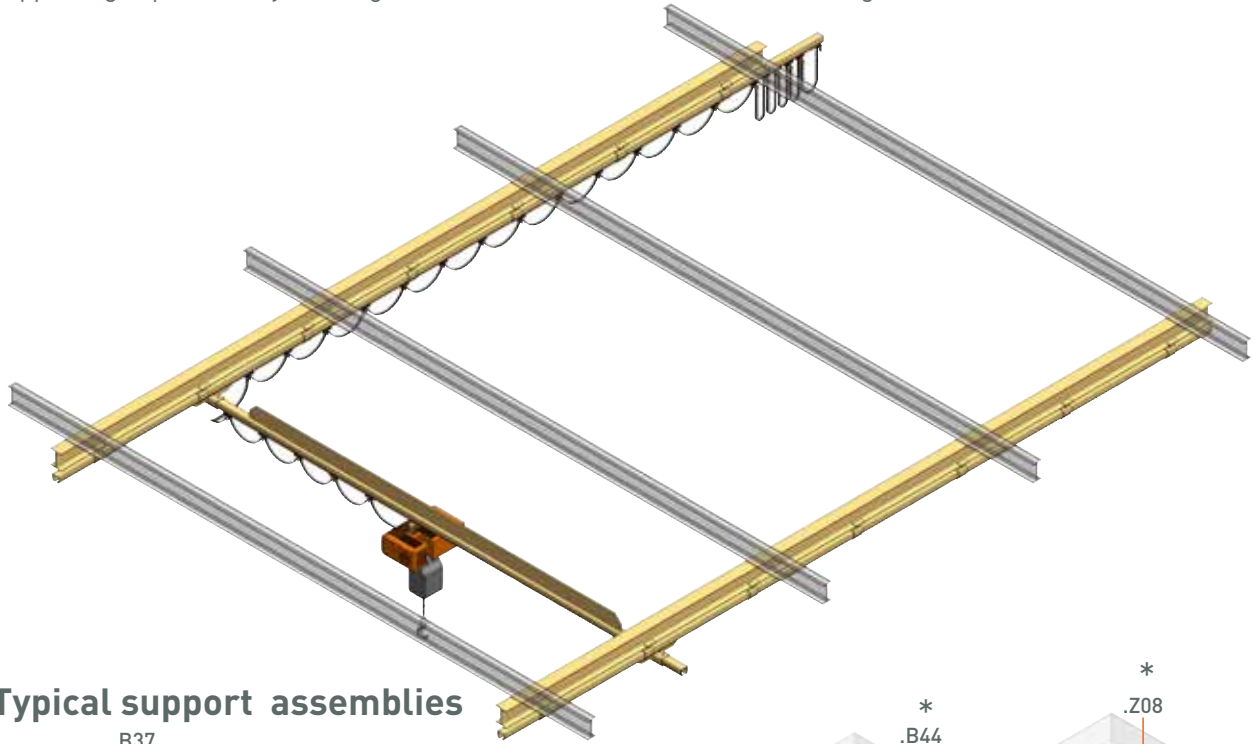
LIGHT CRANE SYSTEMS

Typical support assemblies

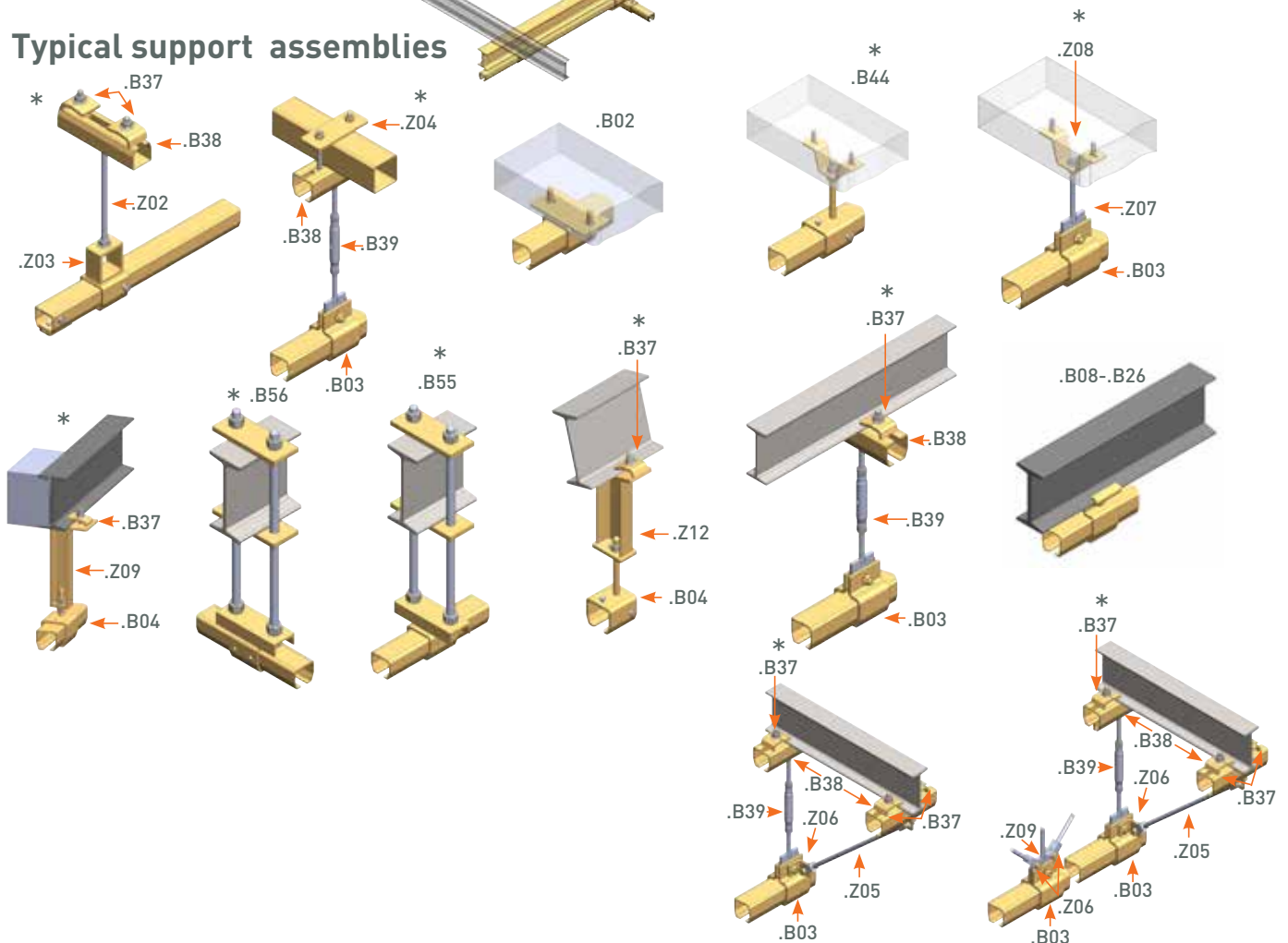


Ceiling Mounted Crane with Plain Long Travel Tracks

Ceiling mounted cranes are useful where the floor space is limited. Since the cranes are directly mounted on the ceiling and no supporting columns are necessary the working floors are kept clear for other operations. However it requires an adequate ceiling structure. Standard long travel can be used when short distance supporting is possible by utilizing I beams or other structures at the ceiling.



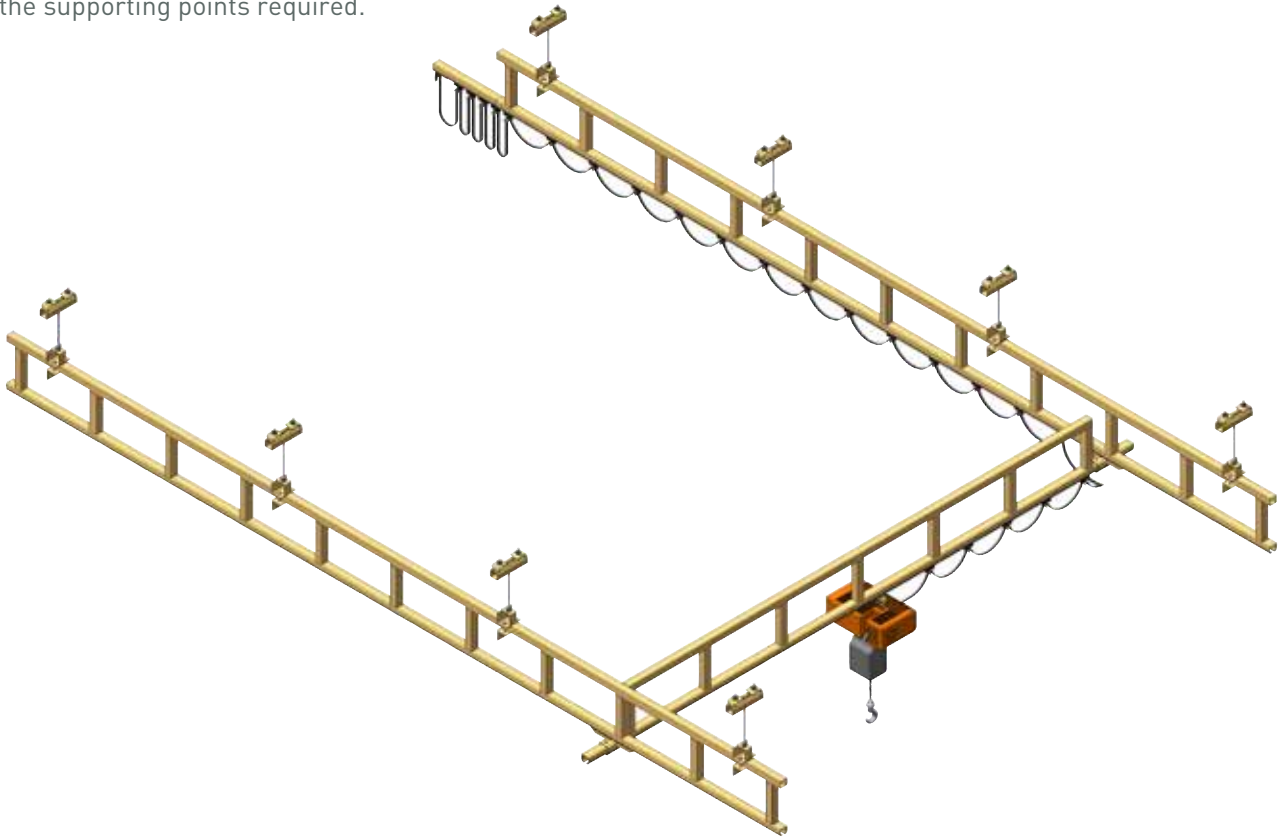
Typical support assemblies



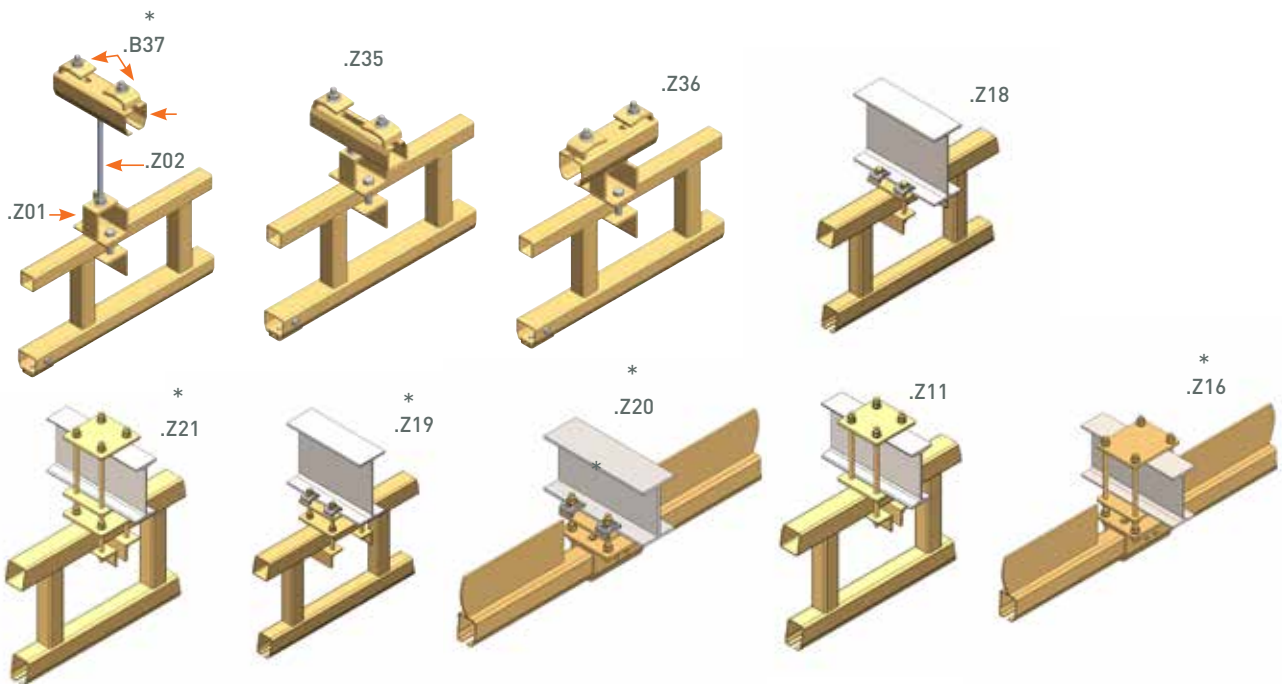
(*) Sway bracing may be required for the ceiling support brackets that are not directly mounted (flush mounted) to the supporting structure in order to prohibit possible swinging. Sway bracing kits are not included in our standard product range but can be provided upon request.

Ceiling Mounted Crane with Reinforced Long Travel Track

In the case where the overhead steel structure is limited, reinforced track profiles can be used to minimise the supporting points required.



Typical support assemblies

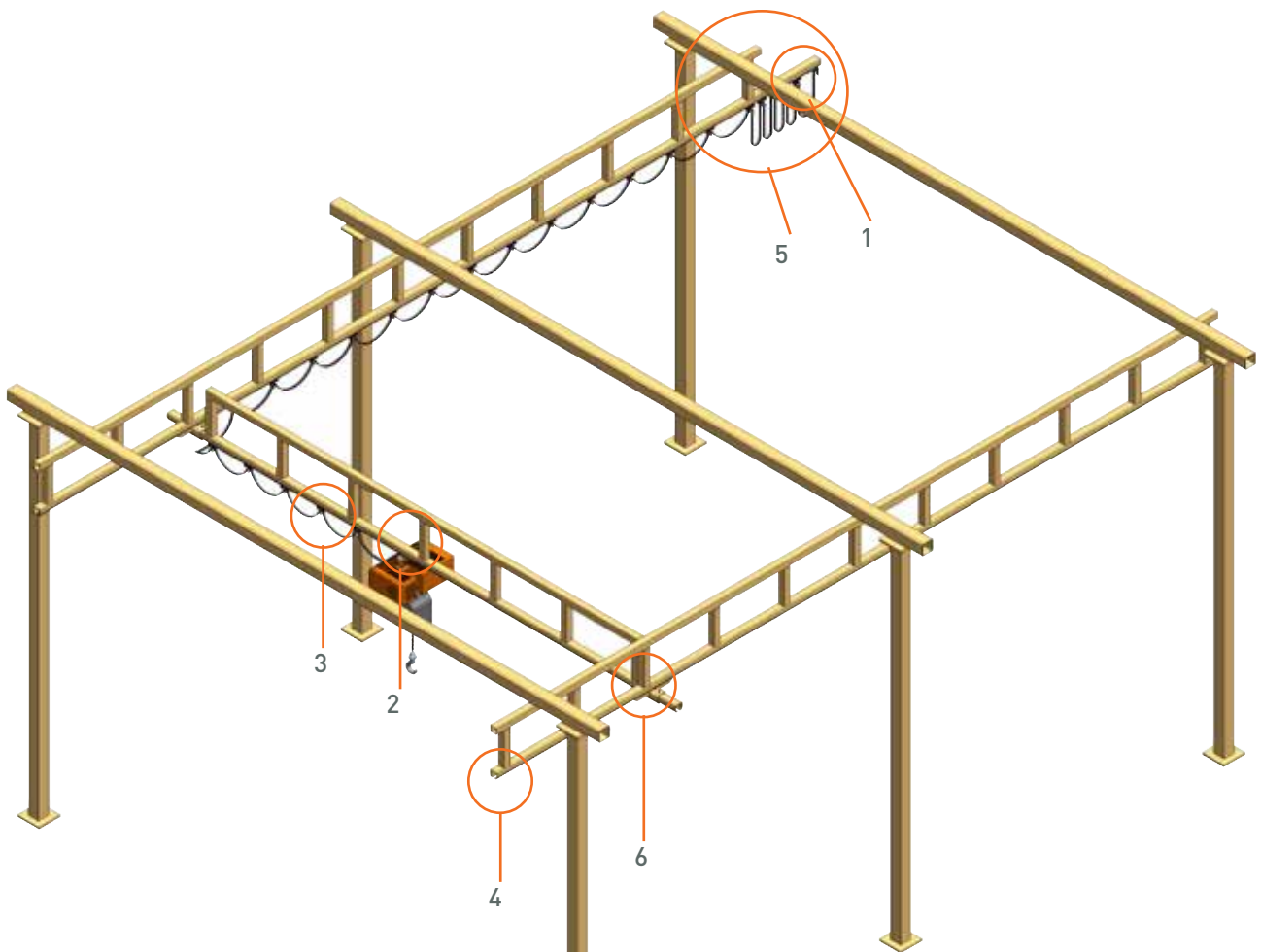


(*) Sway bracing may be required for the ceiling support brackets that are not directly mounted (flush mounted) to the supporting structure in order to prohibit possible swinging. Sway bracing kits are not included in our standard product range but can be provided upon request.

Light crane systems

NIKO Light Crane - main components

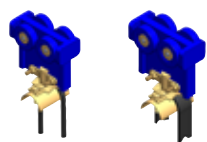
LIGHT CRANE SYSTEMS



1. End stop with cable end clamp (.K02)



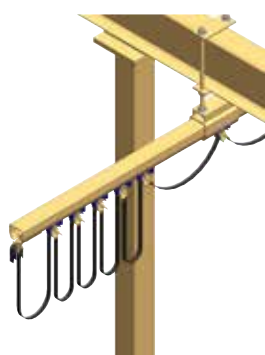
2. Trolley with pin (.T48)



3. Cable trolley (.L00)



4. Track end stop with safety bolt & track punching (.X01) + (.X06)



5. Festoon Storage
It is possible to extend one of the long travel profile for festoon storage purposes. This way no crane travel space is lost.

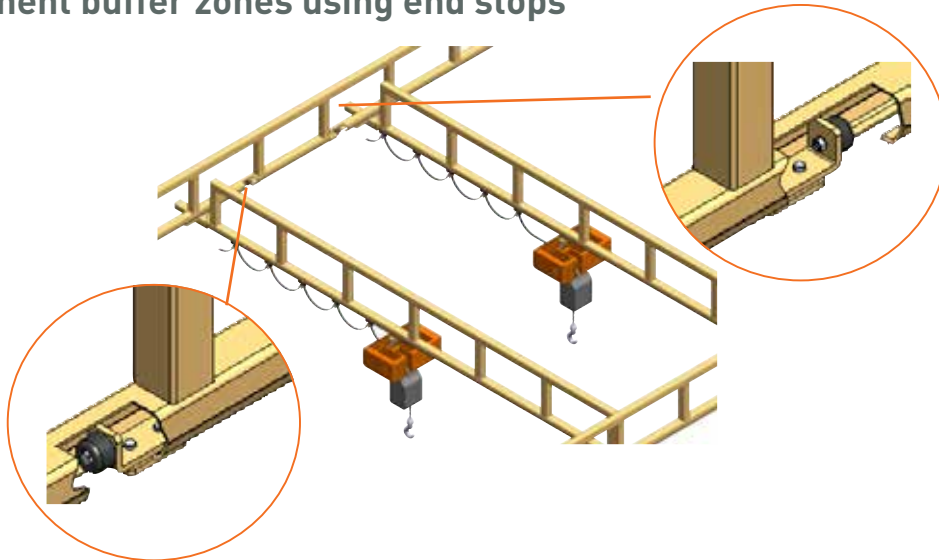


6. End carriage with track joint (.T54)

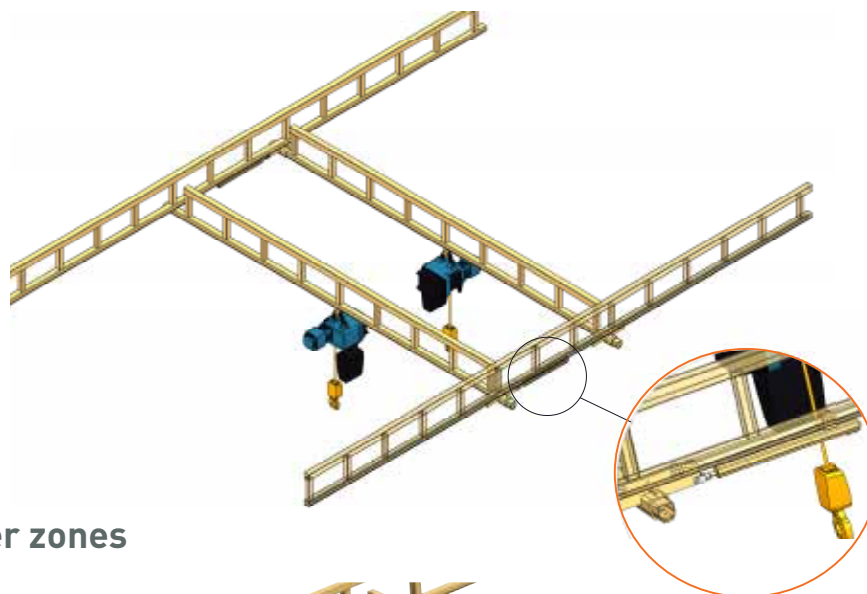
Multiple Bridge Cranes

Multiple bridges can be used in the same long travel tracks in order to accommodate multiple operators working at the same time. To prevent one crane crashing into the other buffer zones can be created using different methods. This way it is also possible to use lower capacity long travel tracks with more than one bridge crane. For example a 500 kg runway can be used with 2 bridge cranes of 500 Kg each. In order to keep the distance between them and to avoid overloading the runways, buffer zones can be created.

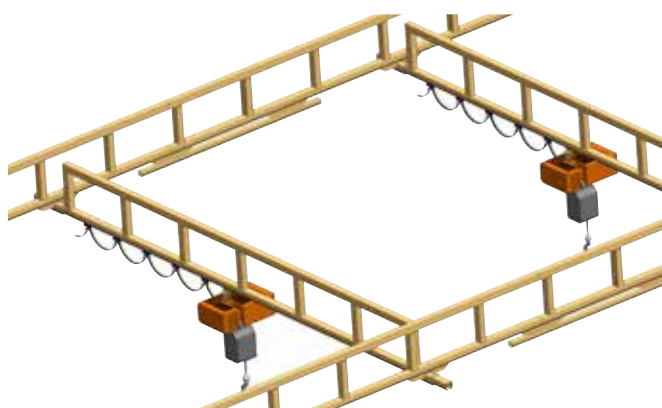
Permanent buffer zones using end stops



Buffer zones using distancers



Mobile buffer zones

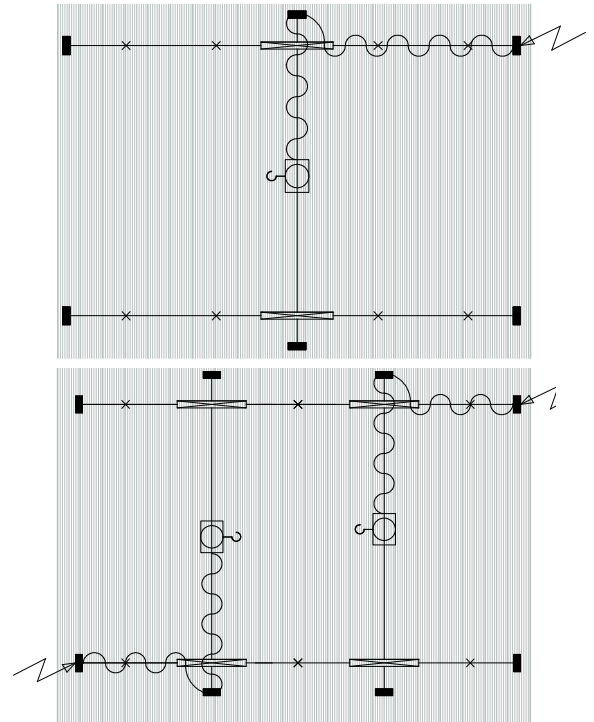
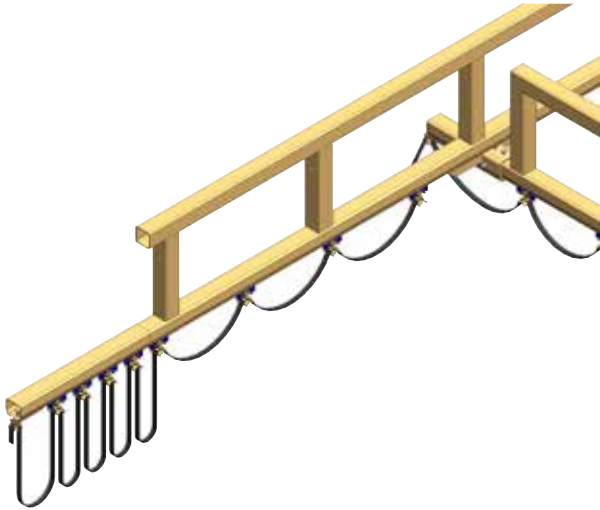


Festoon & Conductor Options

Power can be brought to the hoist or any other lifting device using festoons or conductor bars. Festoon is almost always used in the bridge profile and conductor or as an option for the long travel profile.

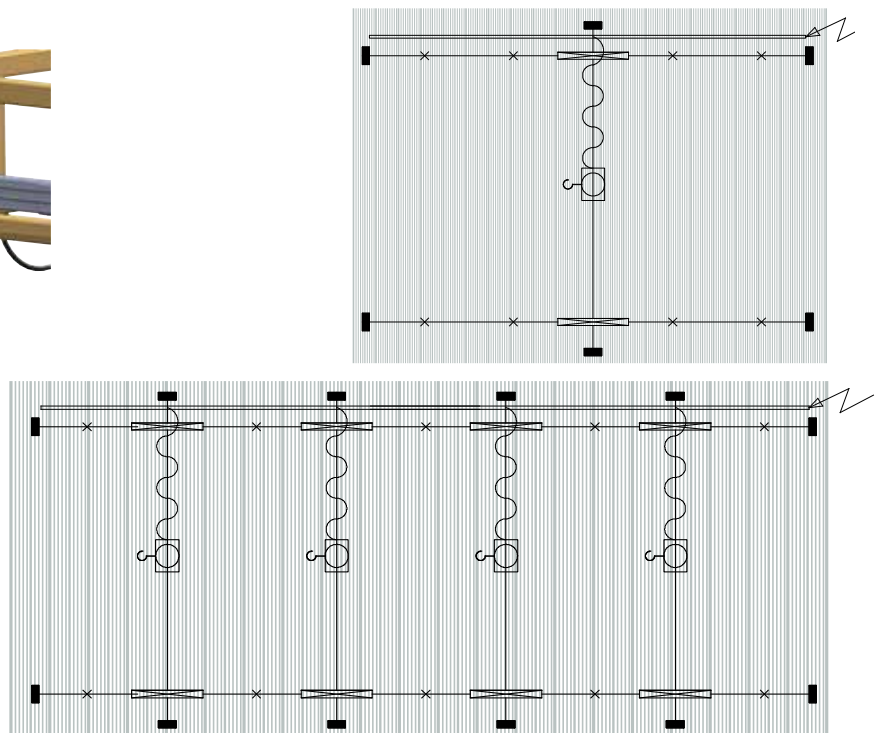
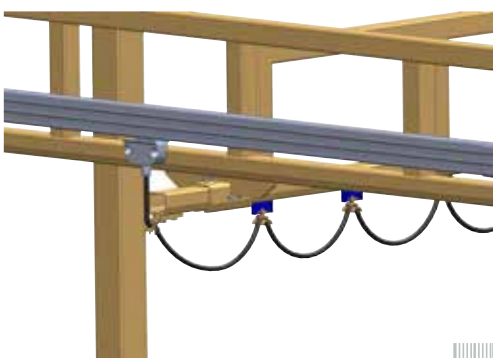
Typical Festoon arrangements

When the distance that the festoon cable has to travel is relatively short then the bridge crane & the long travel profiles can be utilized. This requires minimum installation and is a low cost solution.



Typical Conductor Bar arrangement

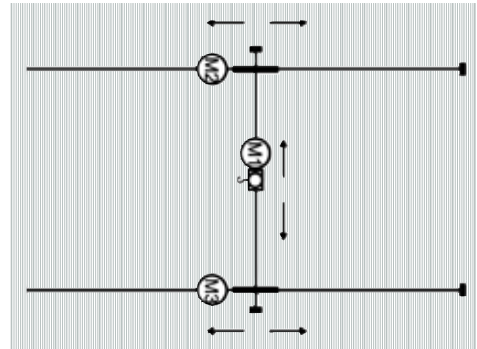
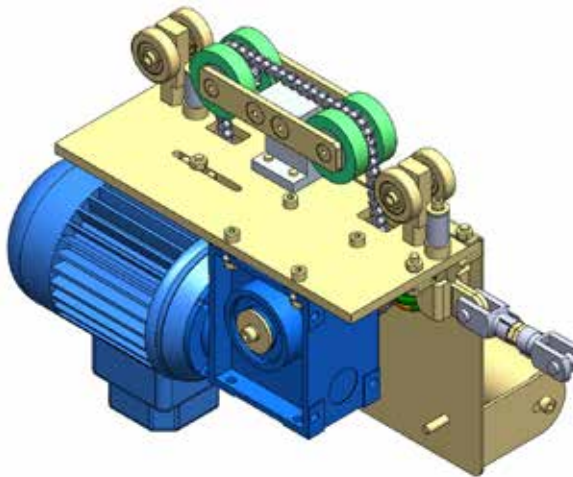
In very long cranes or with more than 2 bridges conductor bars are necessary. Conductor bars also eliminate the need for festoon parking space.



LIGHT CRANE SYSTEMS

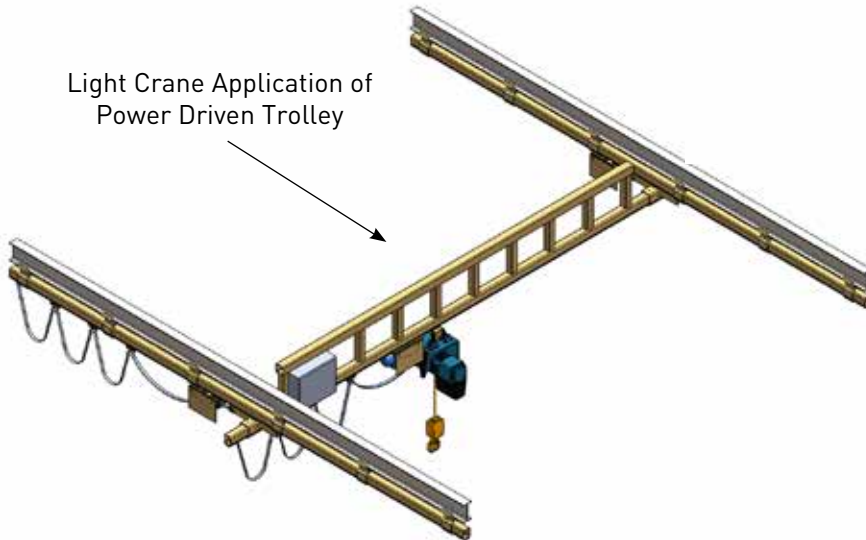
Power Driven Trolleys

Light cranes & straight monorails can be electrically driven using our power driven trolleys (not to be used in bends). This is particularly useful for cranes that carry loads greater than 1000 Kg. The power driven trolley operates using 4 high quality friction wheels that ensure long life and accuracy of movement. Electric travel is possible in 3 options: Electric travel only of the trolley running in the cross bridge (M1), electric travel only of the cross bridge itself (M2+M3) and complete electric travel in all movements (M1+M2+M3). Our power driven trolleys have inverter controlled motors that allow soft start and soft stop travel.

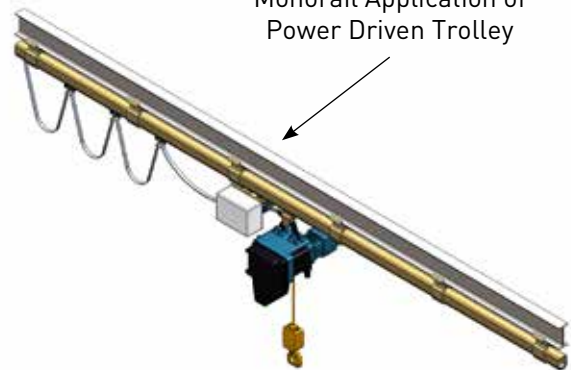


Typical Applications

Light Crane Application of Power Driven Trolley

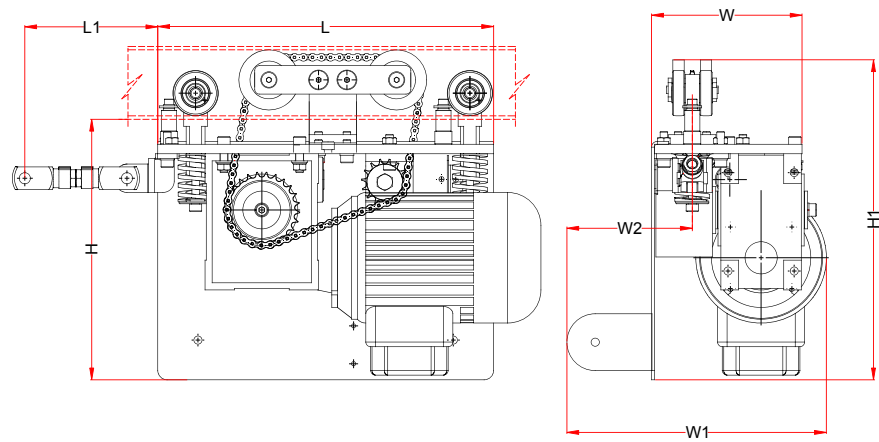


Monorail Application of Power Driven Trolley



Power Driven Trolleys

Technical Details



NIKO Profile No.	Power Driven Trolley	Transferred load (kg)	L (mm)	L1 (mm)	W (mm)	W1 (mm)	W2 (mm)	H (mm)	H1 (mm)
25.000	25.H120	500	355	145	160	260	142	275	332
26.000	26.H120	1000	355	145	160	260	142	276	347
27.000	27.H120	2000	355	180	160	260	142	277	380

- Reduction gear for reliable operation and low maintenance.
- Drive wheels molded with rubber for smooth acceleration.
- Standard motor units configured for 3 phase power 230-400 V.
- Power: 0,37 Kw , 1400 rpm motor, current: 230 V - 1,8 A / 400 V - 1,04 A.
- Inverter controlled speed , (lower speed 7m/min , higher speed 20m/min) with soft start & soft stop.

Control Panel & Pendant control

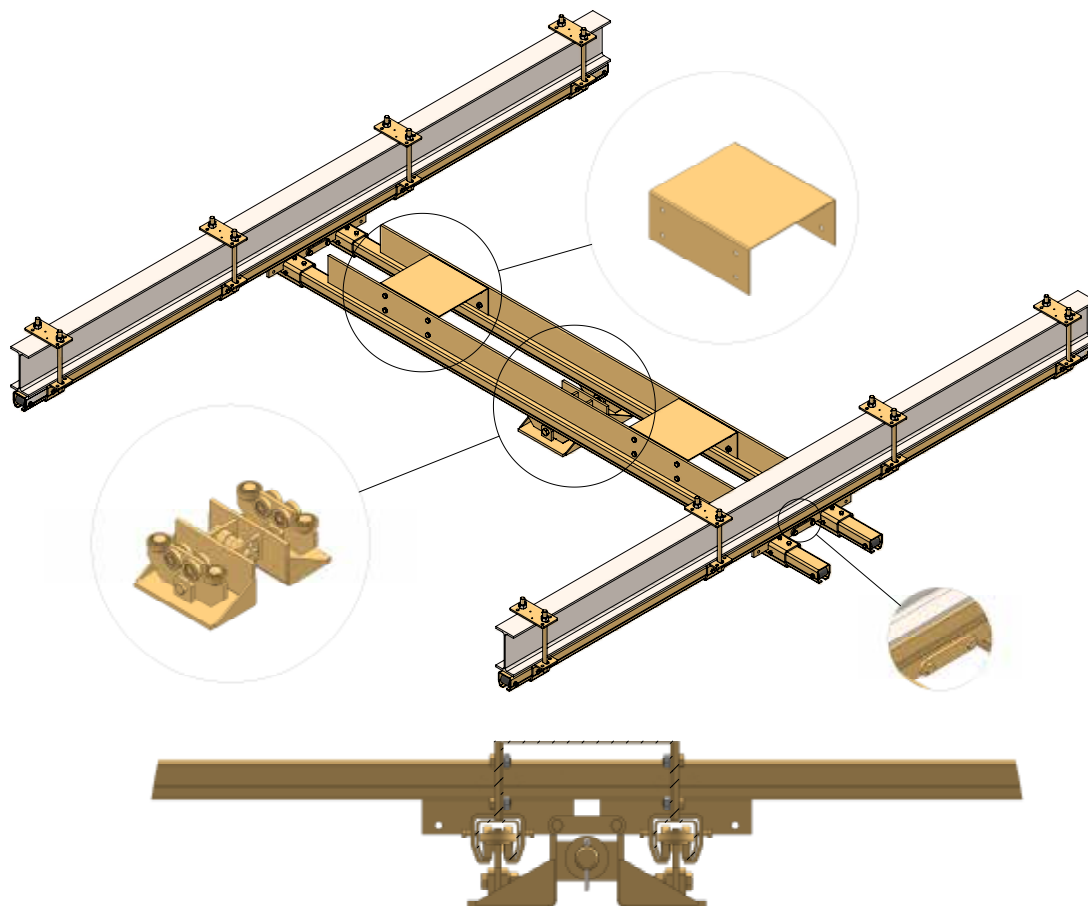
Operation is being achieved through an electrical control panel and pendant control unit.

Art No.	Description	Use
X3.114	Control Panel for power driven trolley Nr.25.000 - 27.000, with 2 inverter	For control of three power driven trolleys
X3.115	Control Panel for power driven trolley Nr.25.000 - 27.000, with 1 inverter	For control of two power driven trolleys
X3.116	Control Panel for power driven trolley Nr.25.000 - 27.000, with 1 inverter	For control of one power driven trolley
X3.700	Pendant control with emergency button (2 buttons, dual speed) & 4m long cable	For system with one power driven trolley
		For system with two power driven trolleys
X3.701	Pendant control with emergency button (4 buttons, dual speed) & 4m long cable	For system with one power driven trolley and inlet for connection of electr.hoist
		For system with two power driven trolleys and inlet for connection of electr.hoist
		For system with three power driven trolleys
X3.702	Pendant control with emergency button (6 buttons, dual speed) & 4m long cable	For system with three power driven trolleys and inlet for connection of electr.hoist

NIKO does not wire the control panel and power driven trolleys (included are only the plug-in connections and the pendant control with cable 4m).NIKO will wire the power driven trolleys only after customer's request.

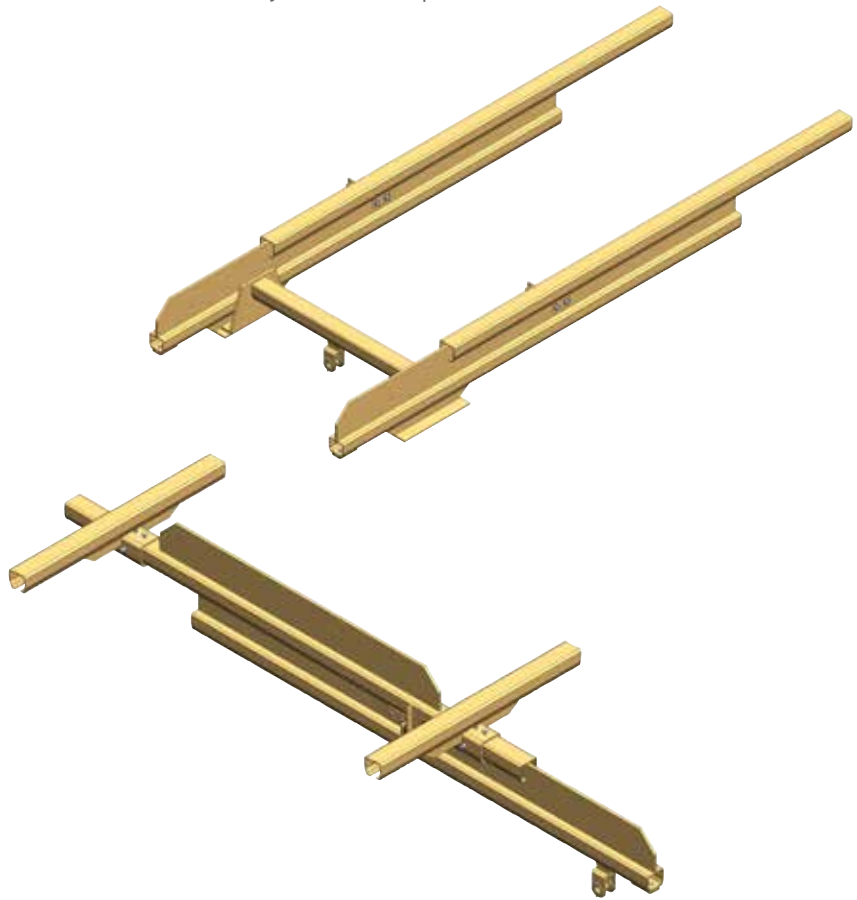
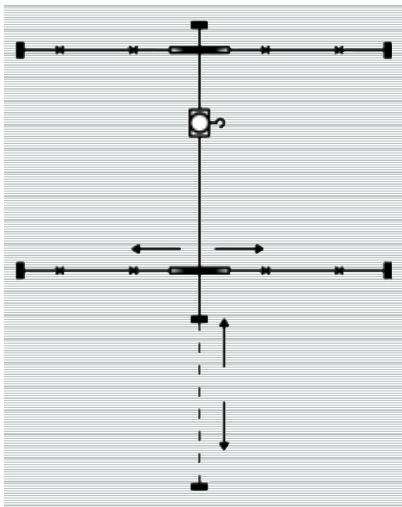
Low headroom light crane

By utilizing raised load trolleys or rised end carriage it is possible to minimize headroom loss. This is particularly important where height is restricted.

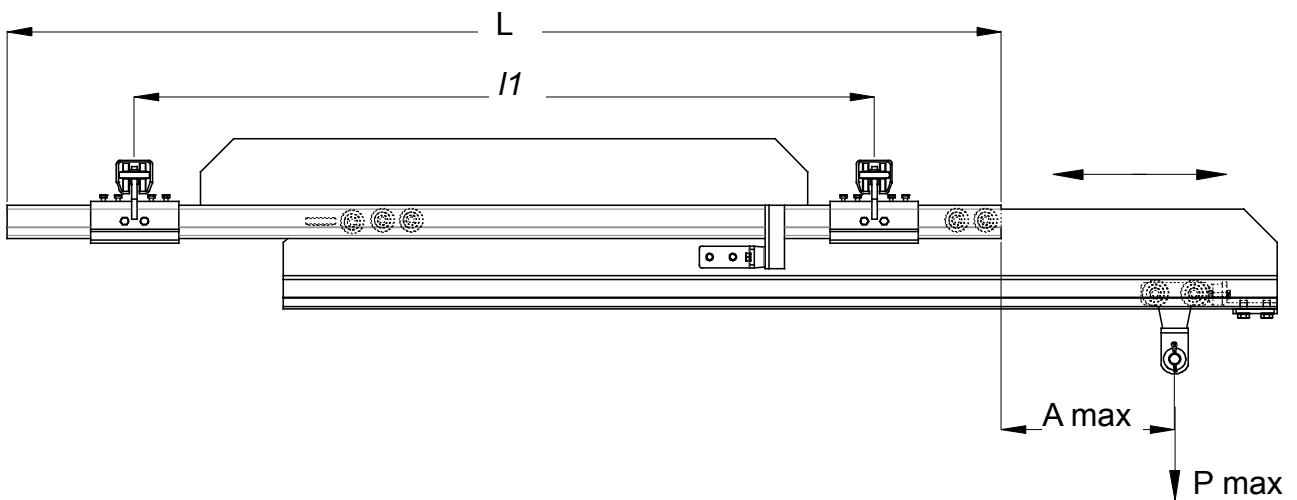


Telescopic Monorail and Cranes

In order to cover a wider area than the supporting space structure permits, a telescopic cross bridge is available. Using our components telescopic cranes are also possible which are very often installed in containers and trucks and used in the automotive industry for tool suspension.



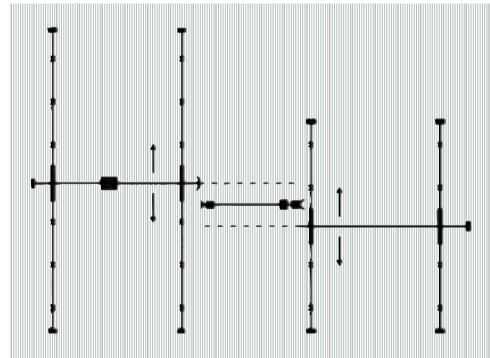
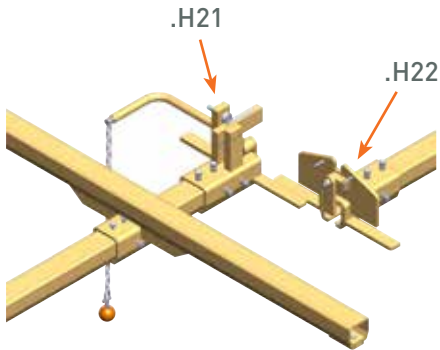
NIKO Profil No.	23.000	24.000	25.000	26.000	27.000
P max Kg	40	75	125	250	500
A max mm	1200	1200	1300	1300	1300



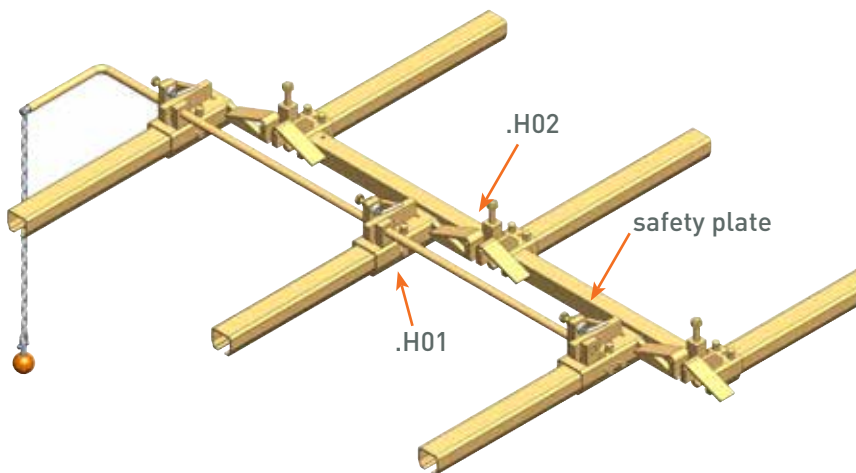
Interlocks

Interlocks are used to connect a crane with another crane or an extended conveyor system. The load carrying trolley is transferred with safety from one system to the other.

Interlock with self built safety device (.H21/.H22)



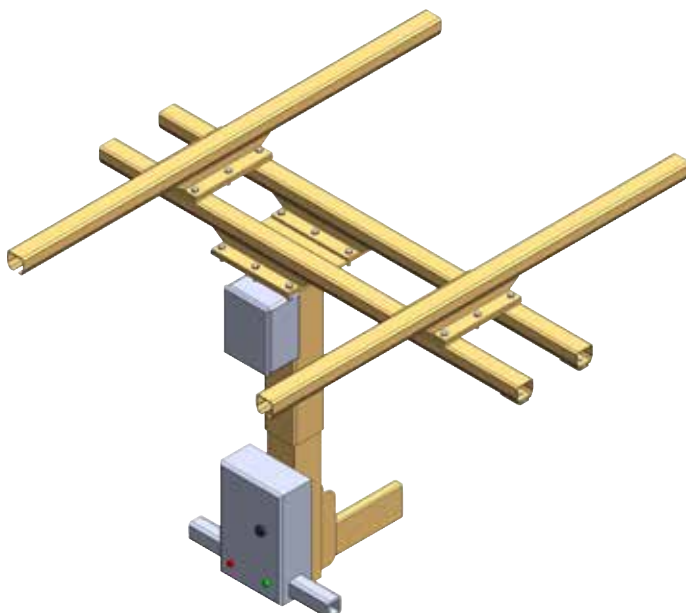
Interlock with externally built safety plate (.H01/.H02)



LIGHT CRANE SYSTEMS

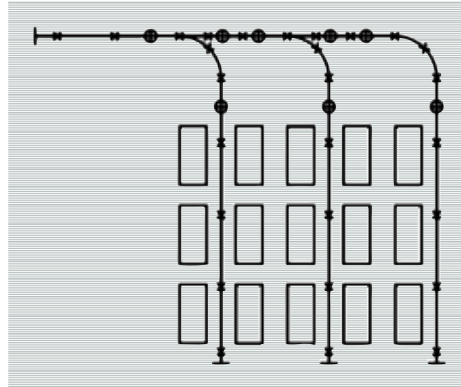
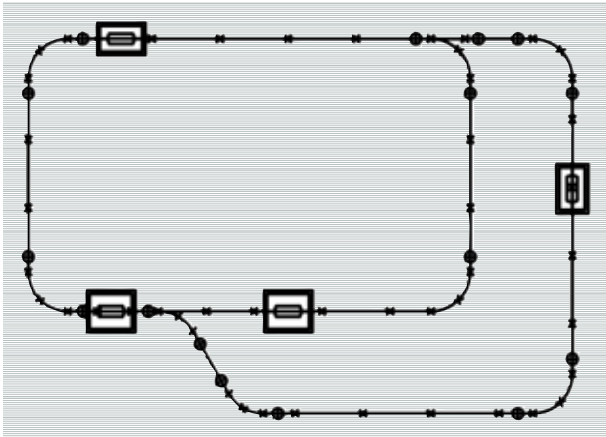
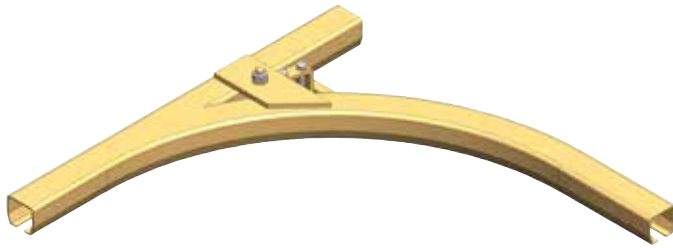
Manipulator

Frequently our light cranes are used as a platform where different types of manipulators are suspended. Our engineering department is capable of providing bespoke solutions to our customers needs.

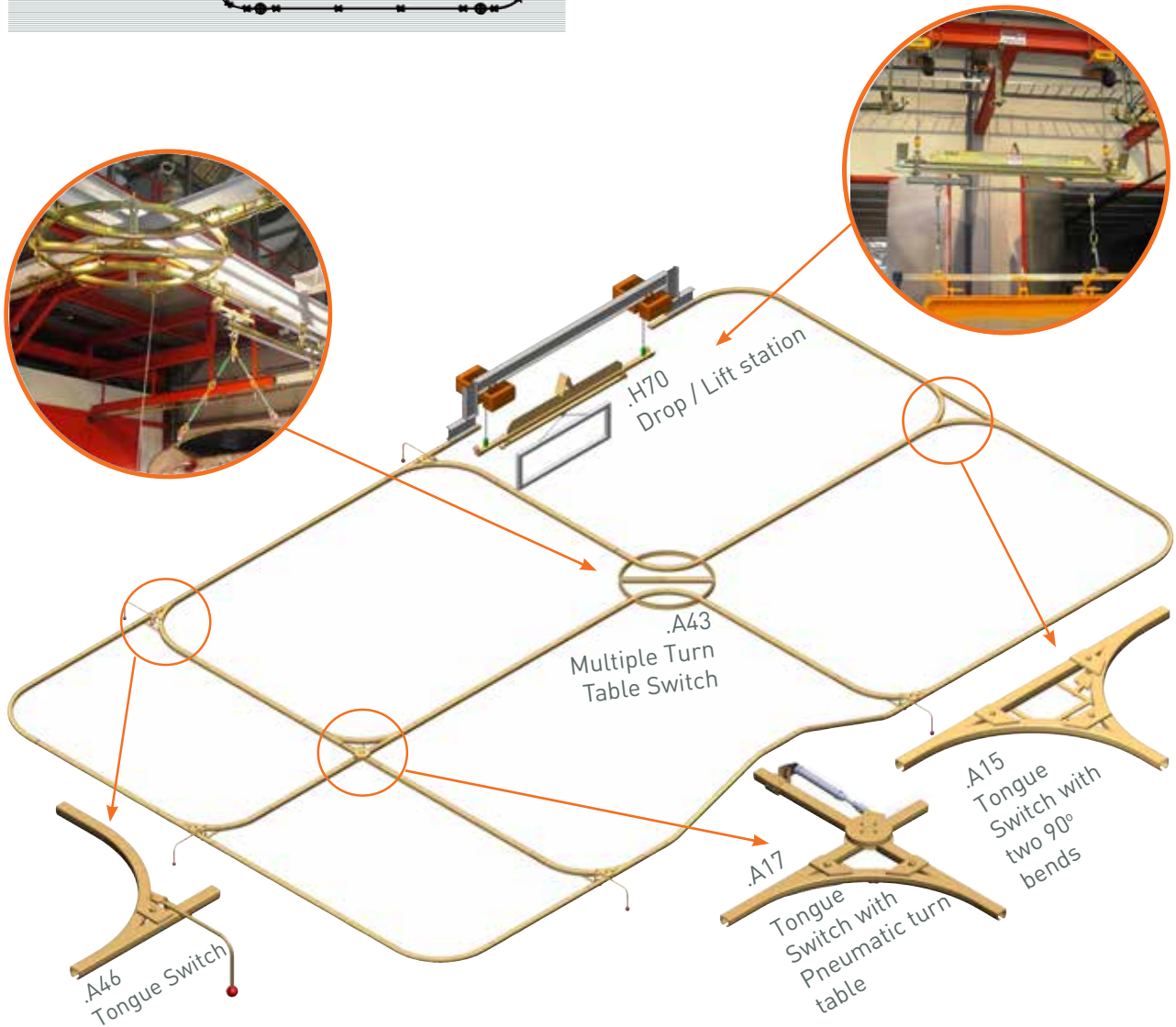


Conveyors Systems

NIKO conveyor systems can be used in a variety of applications utilizing more than 2.000 components such as switches and turn tables. Please refer to our brochure C1 for more information.



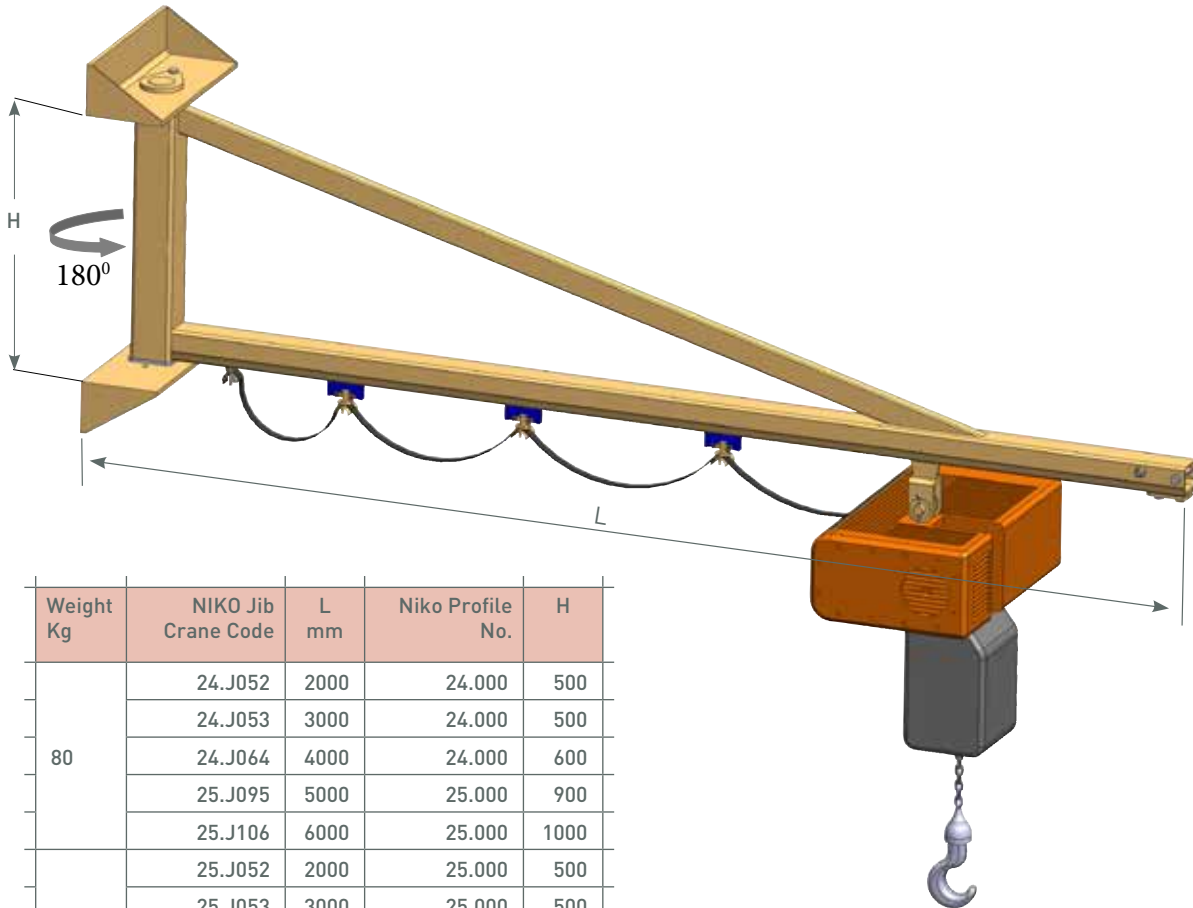
LIGHT CRANE SYSTEMS



Jib Cranes

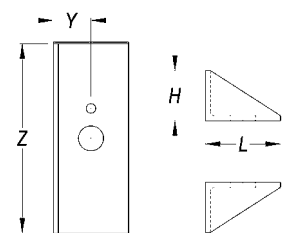
Utilizing our enclosed Profiles we produce high quality and low cost jib cranes suitable for wall or pillar mounting. Our standard range covers 180 degrees for capacities of up to 1.000 kg. Our jib crane sets come complete with a trolley for load suspension and the appropriate cable/hose trolleys.

Our enclosed profile design offers ease of use and minimal pulling/pushing force in the operation of the jib cranes. This is critical for the ergonomic operation of the jib crane, and to minimise potential strain on the user.



Weight Kg	NIKO Jib Crane Code	L mm	Niko Profile No.	H
80	24.J052	2000	24.000	500
	24.J053	3000	24.000	500
	24.J064	4000	24.000	600
	25.J095	5000	25.000	900
	25.J106	6000	25.000	1000
125	25.J052	2000	25.000	500
	25.J053	3000	25.000	500
	25.J064	4000	25.000	600
	25.J095	5000	25.000	900
	25.J106	6000	25.000	1000
250	25.J052	2000	25.000	500
	25.J063	3000	25.000	600
	25.J084	4000	25.000	800
	26.J095	5000	26.000	900
	26.J106	6000	26.000	1000
	500	26.J082	2000	26.000
26.J083		3000	26.000	800
26.J094		4000	26.000	900
27.J105		5000	27.000	1000
27.J116		6000	27.000	1100
1000	27.J092	2000	27.000	900
	27.J093	3000	27.000	900
	27.J104	4000	27.000	1000

NIKO Profile No.	24.000
Wall Mounting Bracket Kit No	24.B90
H (mm)	100
L (mm)	150
Y (mm)	75
Z (mm)	380



Application Photos



LIGHT CRANE SYSTEMS

Application Photos



LIGHT CRANE SYSTEMS

Application Photos

LIGHT CRANE SYSTEMS



Application Photos



LIGHT CRANE SYSTEMS

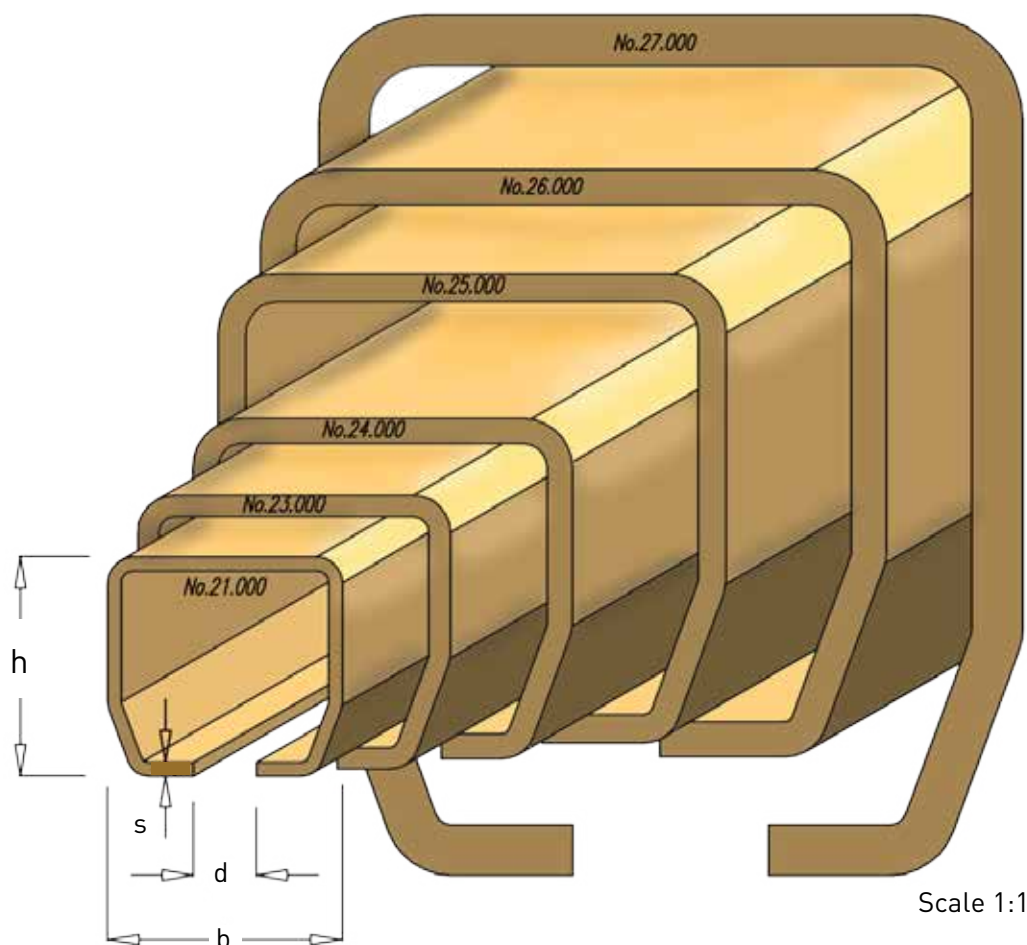
Light crane systems

Component Specifications

NIKO Track Profiles

Our wide range of 5 Track profile sizes can accommodate loads up to 2.000kg. The NIKO enclosed track tapered design allows correct alignment of the trolleys and reduces the possibility of dust build up. This ensures the smooth running of the trolleys and the long life of the crane. NIKO light cranes require only 1-4% force of the weight being lifted in order to operate. For use in aggressive environments we can also offer Niko Cranes in stainless steel grade 304 and 316.

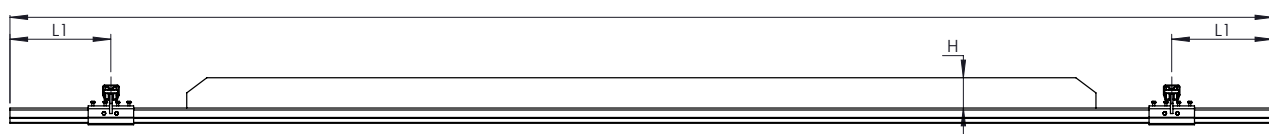
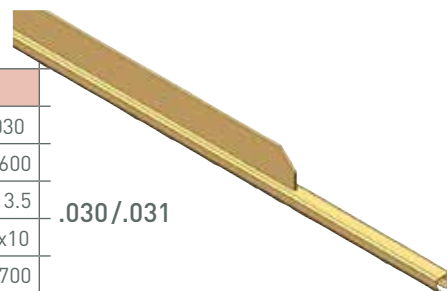
NIKO Profile No.	Dimensions			
	h (mm)	b (mm)	d (mm)	s (mm)
23.000	35,00	40,00	11,00	2,75
23.050 stainless steel	35,00	40,00	11,00	2,75
24.000	43,50	48,50	15,00	3,20
24.050 stainless steel	43,50	48,50	15,00	3,20
25.000	60,00	65,00	18,00	3,60
25.050 stainless steel	60,00	65,00	18,00	3,60
26.000	75,00	80,00	22,00	4,50
27.000	110,00	90,00	25,00	6,50



Reinforced Track with Welded Spine

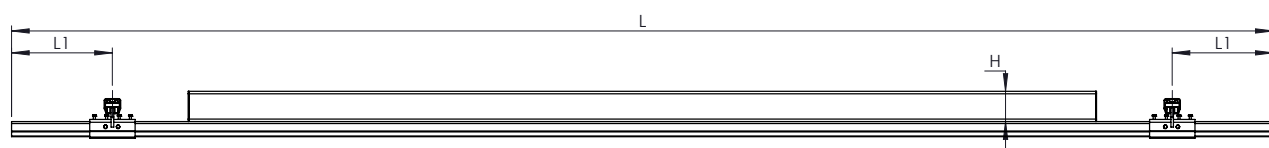
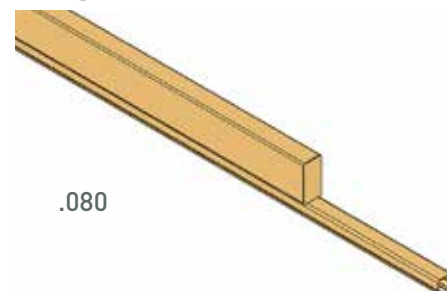
In order to increase the bridge span and the supporting distances of the profiles we have developed 3 types of reinforced tracks. Reinforced track with welded spine is a cost effective solution for relatively short spans or supporting distances. The welded spine reinforcement is also recommended for low head room requirement due to the low height of the spine.

NIKO Profile No.	23.000	24.000	25.000	26.000	27.000			
Reinforced Track	23.030	24.030	24.031	25.030	26.030	26.031	27.030	27.030
P max (Kg)	80	125	125	250	500	750	1000	1600
L max (m)	4	5	6	6	6	6	6	3.5
HxS (mm)	80x8	100x8	120x8	120x10	150x10	180x10	180x10	180x10
L1 (mm)	400	500	500	550	600	600	700	700



Reinforced Track with welded rectangular tube

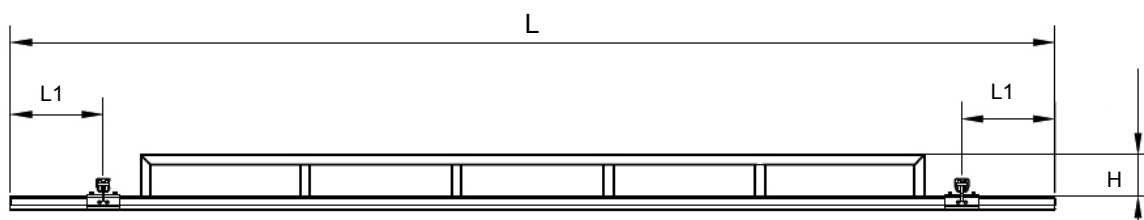
NIKO Profile No.	24.000	25.000	26.000	27.000			
Reinforced Track	24.080	25.080	26.080	27.080			
P max (Kg)	125	250	500	750	1000	1600	2000
L max (m)	7	8	8	8	8	6	5
H (mm)	100	120	160	200	200	200	200
L1 (mm)	500	550	600	600	700	700	700



Reinforced Track with welded square profiles (Trussed type)

Trussed type reinforcements are necessary for long spans and fewer supporting points.

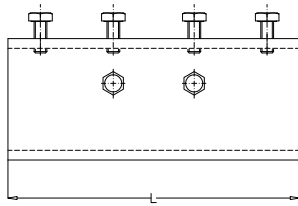
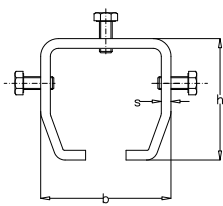
NIKO Profile No.	24.000	25.000	26.000	27.000			
Reinforced Track	24.045	25.045	26.045	26.045	27.045	27.045	27.045
P max (Kg)	125	250	500	750	1000	1600	2000
L max (m)	9	10	10	10	10	10	10
H (mm)	280	320	380	380	460	460	460
L1 max (mm)	500	550	600	600	700	700	700



Splice Joint

.B49

The track sections are joined using the track joint by tightening the top screws first then aligning the profiles by means of the side screws.

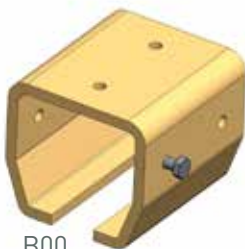


NIKO Profile No.	23.000	24.000	25.000	26.000	27.000
Splice joint No.	23.B49	24.B49	25.B49	26.B49	27.B49
L (mm)	120	150	180	200	250
h (mm)	44	54	75	94	133
b (mm)	50	61	81	100	116
s (mm)	4	4,5	6	8	10

Support Bracket

.B00/.B50

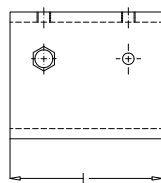
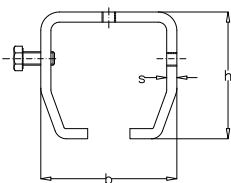
This bracket can be used and adapted for specific applications where standard supports are unsuitable.



.B00



.B50



NIKO Profile No.	23.000	24.000	25.000	26.000	27.000
Support bracket No. Zinc plated	23.B00	24.B00	25.B00	26.B00	27.B00
Support bracket No. Black	23.B50	24.B50	25.B50	26.B50	27.B50
L (mm)	56	68	90	110	120
b (mm)	50	61	81	100	116
h (mm)	44	54	75	94	133
s (mm)	4	4,5	6	8	10

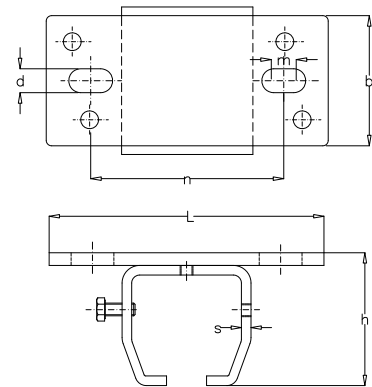
Ceiling Support Bracket

.B02

This bracket is designed for bolting direct to overhead steelwork or ceiling.



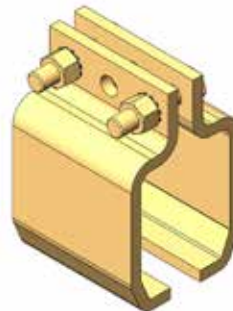
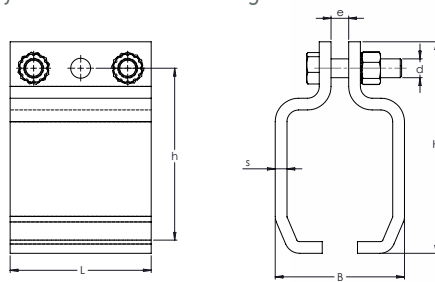
NIKO Profile No.	23.000	24.000	25.000	26.000	27.000
Support bracket No.	23.B02	24.B02	25.B02	26.B02	27.B02
L (mm)	115	130	171	210	260
h (mm)	50	60	81	104	145
b (mm)	50	60	80	100	118
d (mm)	11	13	17	22	22
n (mm)	81	94	124	149	178.5
s (mm)	4	4,5	6	8	10
m (mm)	8	8	10	12	23.5



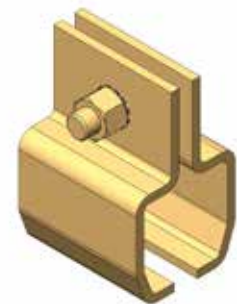
Split Support Bracket

.B03

This bracket is generally used for variable height

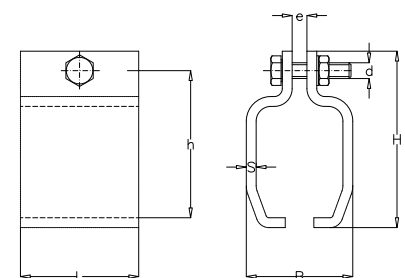


27.B03



21-26.B03

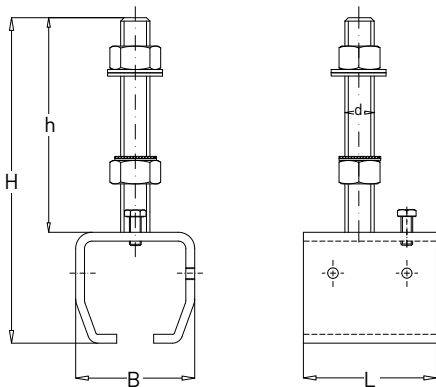
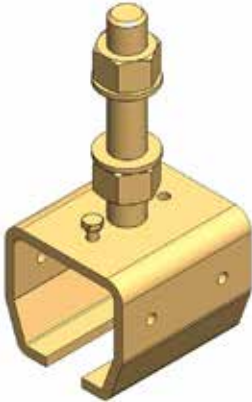
NIKO Profile No.	21.000	23.000	24.000	25.000	26.000	27.000
Support bracket No.	21.B03	23.B03	24.B03	25.B03	26.B03	27.B03
B (mm)	36	48	57	77	96	110
H (mm)	65	78	88	132	150	180
L (mm)	40	50	50	90	110	120
h (mm)	47	60	70	94	112	148
s (mm)	3	4	4	6	8	10
e (mm)	6	8	8	10	10	15
d (mm)	M10	M12	M12	M16	M16	M16



Adjustable Bracket

.B04

This allows us to adjust the height of the rails and to correct any misalignments.

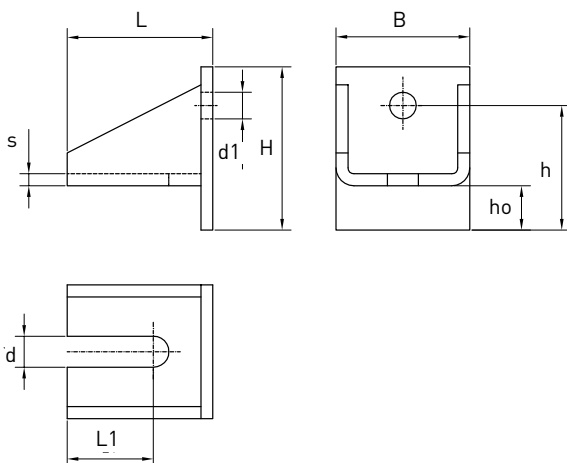
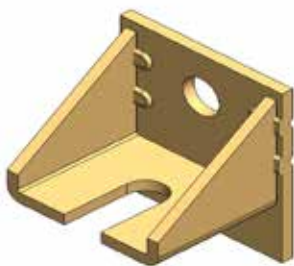


NIKO Profile No.	23.000	24.000	25.000	26.000	27.000
Bracket No.	23.B04	24.B04	25.B04	26.B04	27.B04
H (mm)	135	146	215	295	348
h (mm)	92	92	140	201	215
L (mm)	56	68	90	110	120
B (mm)	50	61	81	100	116
d (mm)	M16	M16	M20	M20	M30

Adjustable Wall Bracket

.B05

This is used in combination with the .B04 adjustable bracket and it usually mounted on the wall.

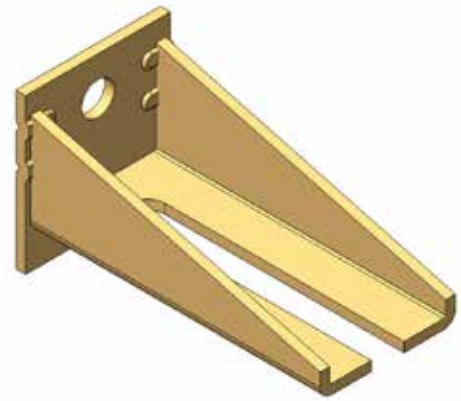


NIKO Profile No.	24.000	26.000
Adjustable wall bracket No.	24.B05	26.B05
B (mm)	75	90
H (mm)	80	110
h (mm)	60	85
ho (mm)	22	31
L (mm)	60	98
L1 (mm)	31	60
s (mm)	5	8
d (mm)	17	21
d1 (mm)	Φ17	Φ18

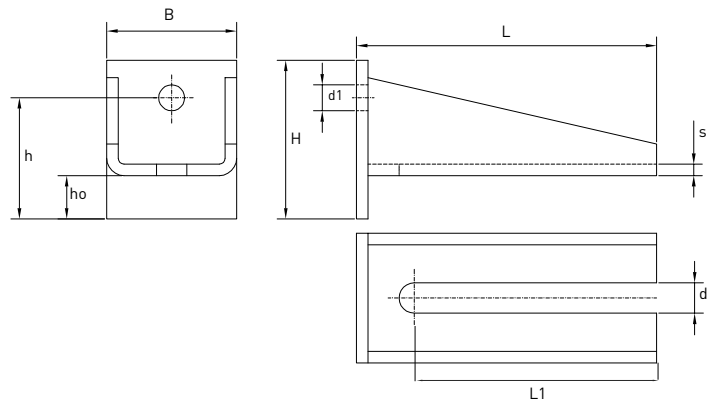
Double Adjustable Wall Bracket

.B06

It can accommodate two .B04 adjustable brackets.



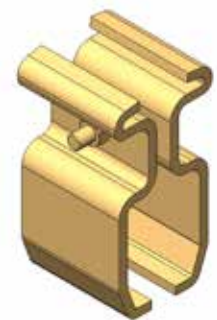
NIKO Profile No.	24.000	26.000	27.000
Bracket No.	24.B06	26.B06	27.B06
B (mm)	75	90	90
H (mm)	80	110	110
h (mm)	60	85	85
ho (mm)	16	31	31
L (mm)	155	208	208
L1 (mm)	130	168	168
s (mm)	5	8	8
d (mm)	17	21	32
d1 (mm)	17	18	22



Split Suspension Bracket

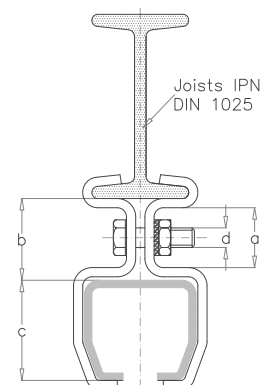
.B08/.B26

This bracket is used for mounting directly to the underside flange of a parallel I beam.



NIKO Profile No.	23.000	24.000	25.000	26.000	27.000
Dimension a in mm.	25	25	42	45	66
Dimension b in mm.	34	34	56	63	90
Dimension c in mm.	35	43.5	60	75	110
Dimension d in mm.	9 Φ	9 Φ	17 Φ	17 Φ	17 Φ
Screw type	M8x30	M8x30	M16x50	M16x50	M16x50
Material	50x4	50x4	90x6	110x8	120x10

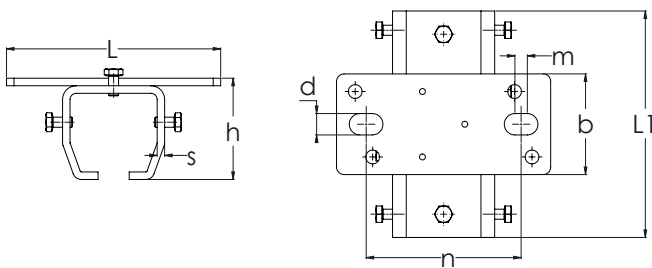
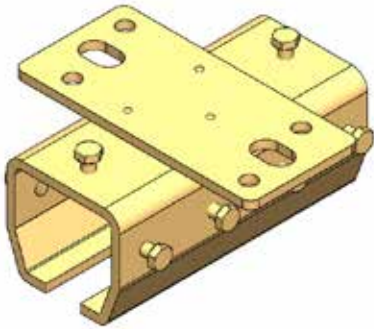
Split Suspension Bracket Joist IPN DIN 1025					
For IPN 80x42	23.B08	24.B08			
For IPN 100x50	23.B10	24.B10	25.B10		
For IPN 120x58	23.B12	24.B12	25.B12		
For IPN 140x66	23.B14	24.B14	25.B14		
For IPN 160x74		24.B16	25.B16	26.B16	
For IPN 180x82		24.B18	25.B18	26.B18	
For IPN 200x90		24.B20	25.B20	26.B20	27.B20
For IPN 220x98			25.B22	26.B22	27.B22
For IPN 240x106			25.B24	26.B24	27.B24
For IPN 260x113			25.B26	26.B26	27.B26



Ceiling Support Joint

.B30

This is a combination of a ceiling support and a splice joint.



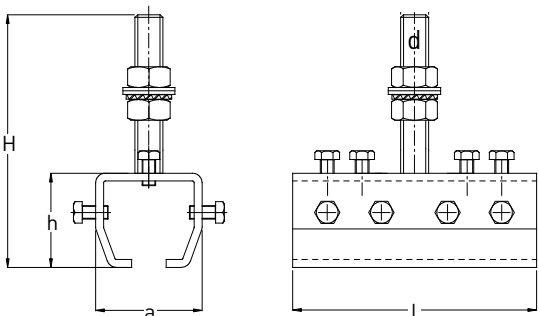
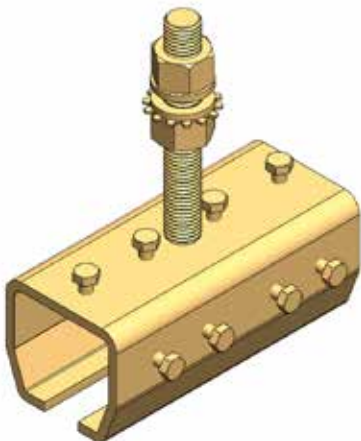
NIKO Profile No.	23.000	24.000	25.000	26.000	27.000
Support Joint No.	23.B30	24.B30	25.B30	26.B30	27.B30
L (mm)	115	130	171	210	260
h (mm)	50	60	81	104	145
s (mm)	4	4,5	6	8	10
b (mm)	50	60	80	100	120
m (mm)	8	8	10	12	23,5
n (mm)	81	94	124	149	178,5
d (mm)	11	13	17	22	22
L1 (mm)	120	150	180	200	250

LIGHT CRANE SYSTEMS

Height Adjustable Support Joint

.B11

This is a combination of a height adjustable bracket and a splice joint.

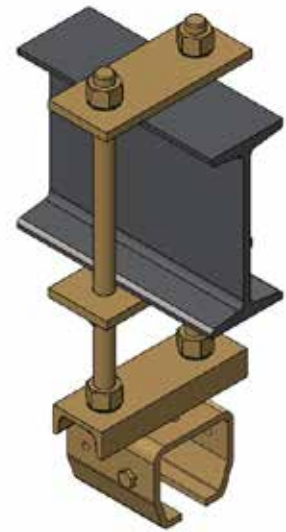
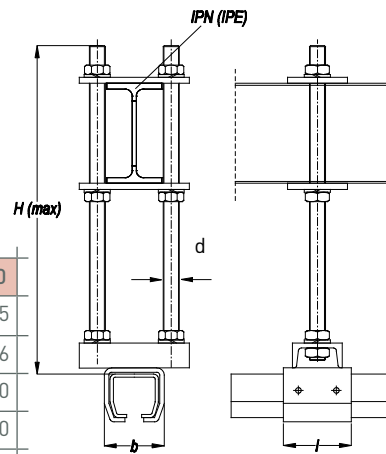


NIKO Profile No.	23.000	24.000	25.000	26.000	27.000
Support Joint No.	23.B11	24.B11	25.B11	26.B11	27.B11
H (mm)	135	146	215	295	348
h (mm)	44	54	75	94	133
a (mm)	50	61	81	100	116
l (mm)	120	150	180	200	250
d (mm)	M16	M16	M20	M20	M30

Height Adjustable support assembly (Parallel to the I-beam)

.B55

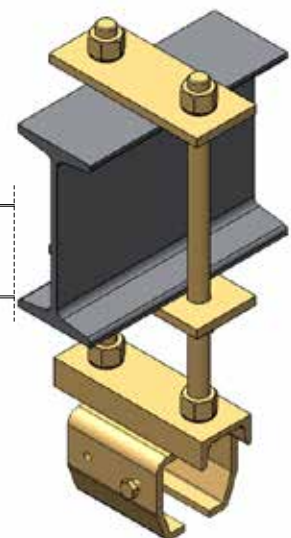
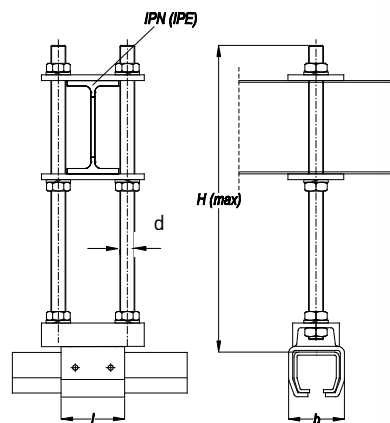
NIKO Profile No.	23.000	24.000	25.000	26.000	27.000
Bracket No.	23.B55	24.B55	25.B55	26.B55	27.B55
b (mm)	50	61	81	100	116
l (mm)	56	68	90	110	120
H max (mm)	500	500	500	500	500
d (mm)	M12	M16	M16	M20	M20



Height Adjustable Bracket (Vertical to the I-beam)

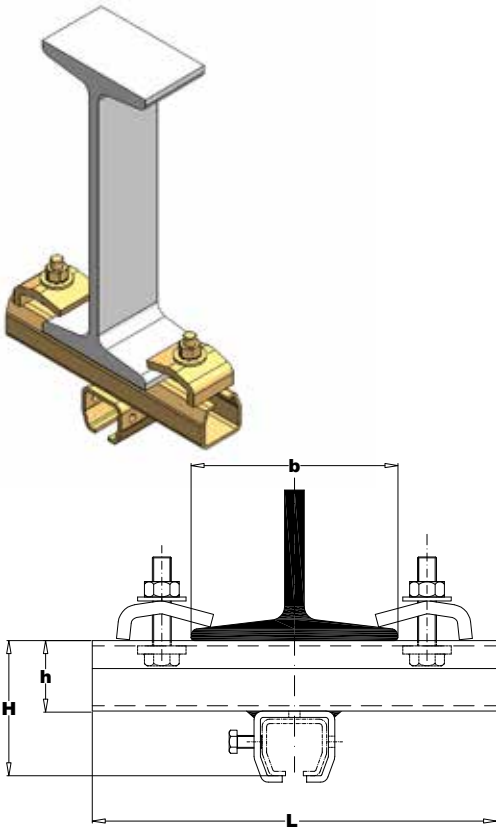
.B56

NIKO Profile No.	23.000	24.000	25.000	26.000	27.000
Bracket No.	23.B56	24.B56	25.B56	26.B56	27.B56
b (mm)	50	61	81	100	116
l (mm)	56	68	90	110	120
H max (mm)	500	500	500	500	500
d (mm)	M12	M16	M16	M20	M20



Adjustable Joist Clamp (Parallel to the I-beam)

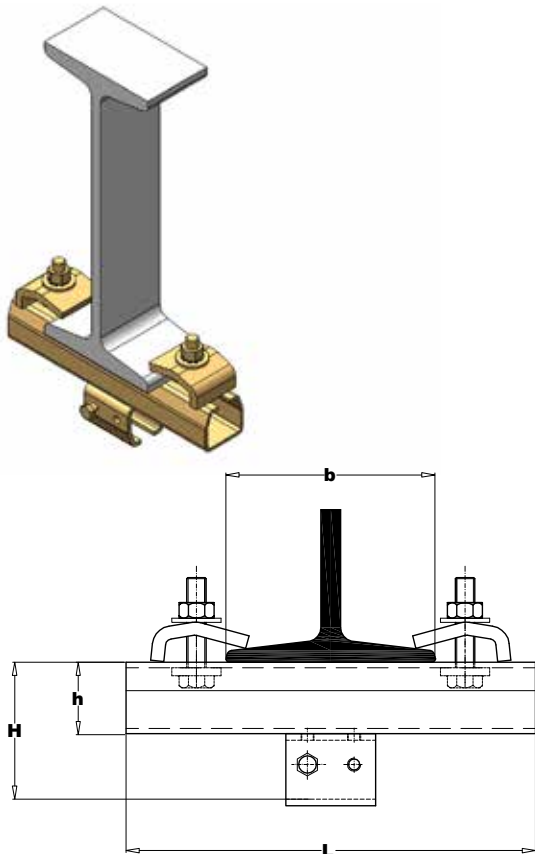
.B35



NIKO Profile No.	23.000	24.000	25.000	26.000	27.000
Bracket No.	23.B35	24.B35	25.B35	26.B35	27.B35
H (mm)	85	94	129	146	199
L (mm)	250		300		330
b (mm)	150		175		205
h (mm)	43.5		60		75

Adjustable Joist Clamp (Vertical to the I-beam)

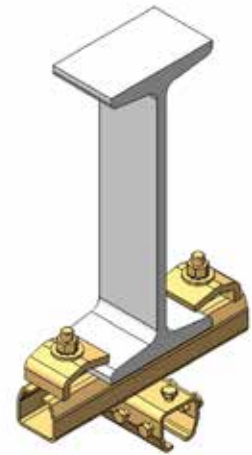
.B36



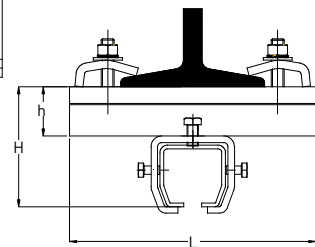
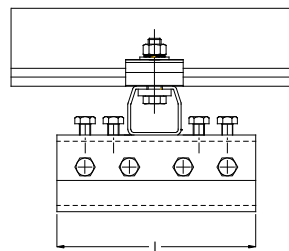
NIKO Profile No.	23.000	24.000	25.000	26.000	27.000
Bracket No.	23.B36	24.B36	25.B36	26.B36	27.B36
H (mm)	85	94	129	146	199
L (mm)	250		300		330
b (mm)	150		175		205
h (mm)	43.5		60		75

Adjustable Joist Clamp Joint (Parallel to the I-beam)

.B71

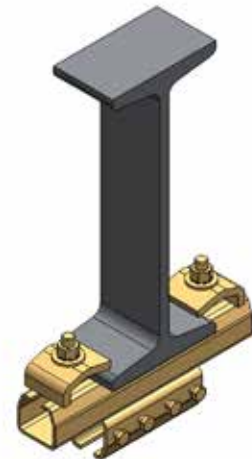


NIKO Profile No.	23.000	24.000	25.000	26.000	27.000
Adjustable joist No.	23.B71	24.B71	25.B71	26.B71	27.B71
H (mm)	85	94	129	146	199
L (mm)	250	250	300	300	330
h (mm)	43.5	43.5	60	60	75
l (mm)	120	150	180	200	250

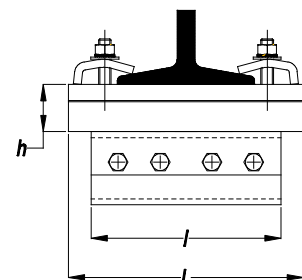
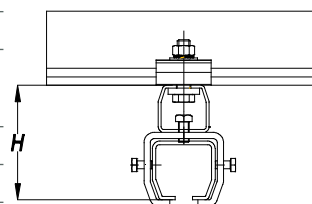


Adjustable Joist Clamp Joint (Vertical to the I-beam)

.B72



NIKO Profile No.	23.000	24.000	25.000	26.000	27.000
Adjustable joist No.	23.B72	24.B72	25.B72	26.B72	27.B72
H (mm)	85	94	129	146	199
h (mm)	43.5	43.5	60	60	75
l (mm)	120	150	180	200	250
L (mm)	250	250	300	300	330



Adjustable Suspension Bracket

.B37

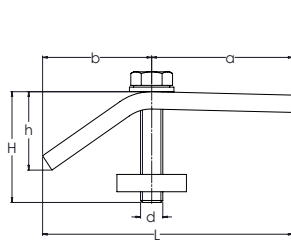
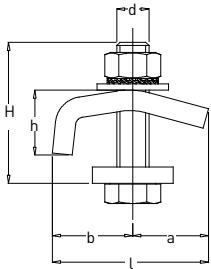
This item is used for clamping the adjustable suspension bracket to the support steelwork and is supplied with a bolt and square nut.



23.- 26.B37



21.B37

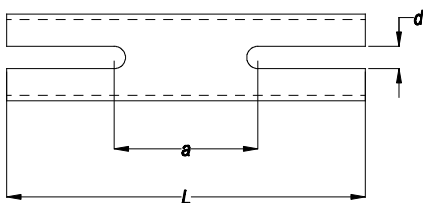
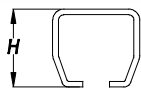
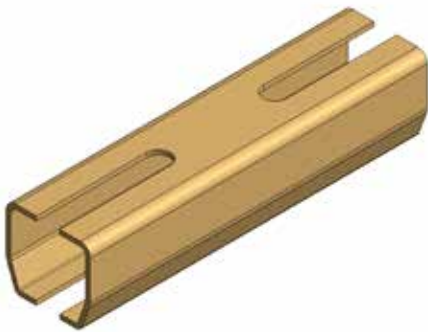


NIKO Profile No.	21.000	23.000	24.000	25.000	26.000
Bracket No.	21.B37	23.B37	24.B37	25.B37	26.B37
l (mm)	90	62	62	80	80
a (mm)	50	30	30	40	40
b (mm)	40	32	32	40	40
h (mm)	26	24	24	30	30
d (mm)	M8	M12	M12	M16	M16
H (mm)	40	60	60	70	70

Adjustable Suspension Bracket

.B38

These brackets are designed to accommodate variations in support steelwork distances relative to the track level. They are normally used in conjunction with the split support brackets.



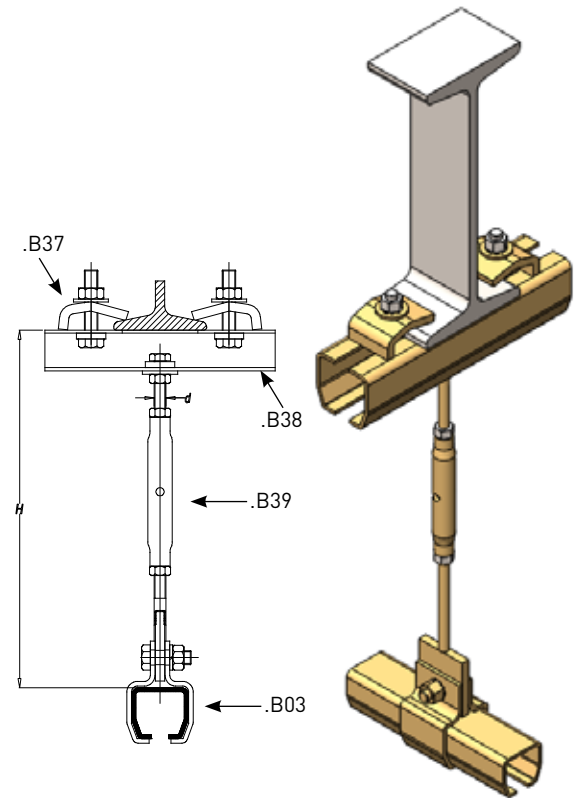
NIKO Profile No.	23.000	24.000	25.000	26.000
Bracket No.	23.B38		25.B38	
L (mm)	198		250	
a (mm)	76		80	
d (mm)	12,5		18	
H (mm)	35		60	

Adjustable Suspension Bracket

.B39

This item is used for clamping the adjustable suspension bracket to the support steelwork and is supplied with a bolt and square nut.

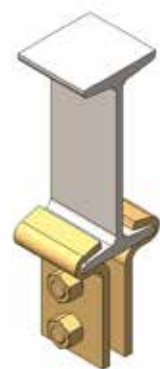
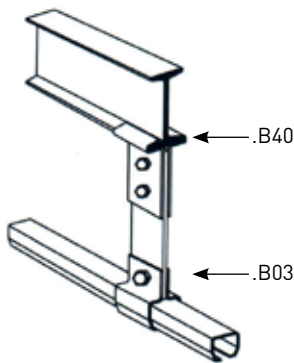
NIKO Profile No.	23.000	24.000	25.000	26.000
Turnbuckle No.	23.B39		25.B39	
H max (mm)	375		585	
H min (mm)	265		410	
d (mm)	M12		M16	



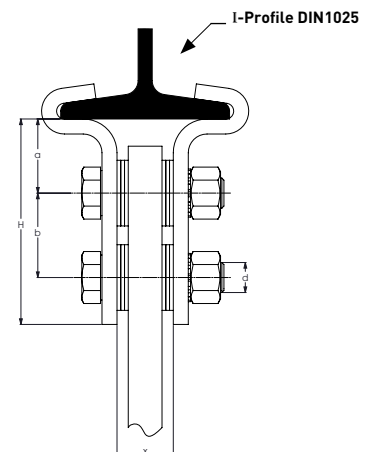
Split Suspension Bracket

.B40

This is normally connected with a steel plate to the bracket B03.



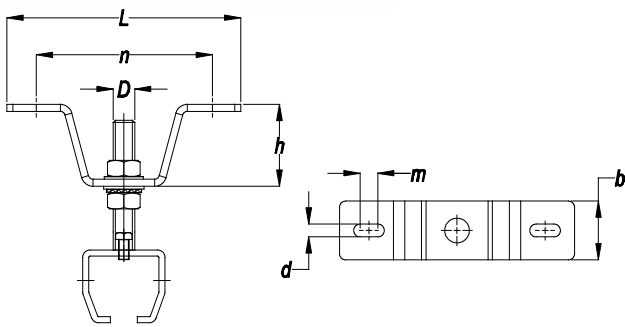
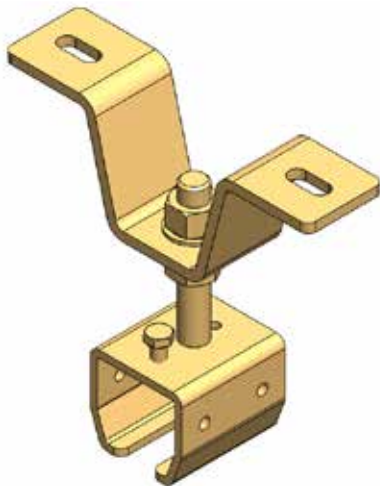
NIKO Profile No.	24.000	24.000 & 25.000		25.000 & 26.000 & 27.000		
Bracket No.	24.B40	24.B40		26.B40		
Profile DIN 1025 IPN	100	120	140	160	180	200
X (mm)	8	16	24	14	22	30
a (mm)	33	33		40		
b (mm)	45	45		45		
d (mm)	M12	M12		M16		
H (mm)	98	98		110		



LIGHT CRANE SYSTEMS

Adjustable bracket with ceiling support

.B44

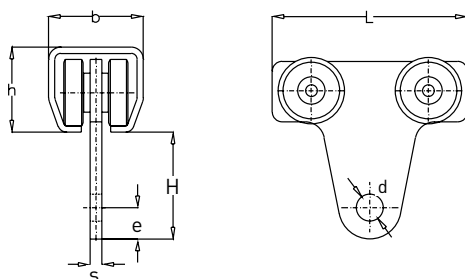


NIKO Profile No.	23.000	24.000	25.000	26.000	27.000
Bracket No.	23.B44	24.B44	25.B44	26.B44	27.B44
L (mm)	200	200	280	300	
n (mm)	150	150	220	240	
h (mm)	70	70	100	100	
m (mm)	15	15	18	20	
d (mm)	11	11	21	21	
b (mm)	50	50	80	80	
D (mm)	M16	M20	M20	M30	

LIGHT CRANE SYSTEMS

4-Wheel trolley with hole

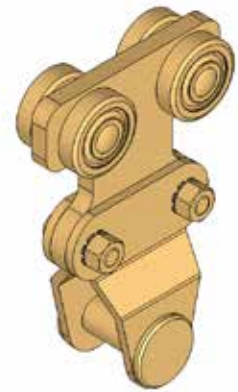
.T10



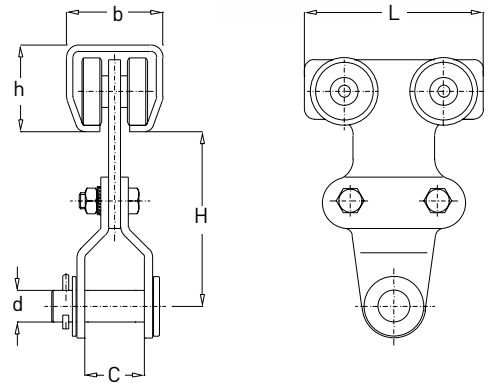
NIKO Profile No.	23.000	24.000	25.000	26.000	27.000
Item Ref	21.T10	24.T10	25.T10	26.T10	27.T10
SWL Kg	40	80	200	400	800
H (mm)	44	54	62	70	180
L (mm)	80	100	120	145	210
h (mm)	35	43,5	60	75	110
b (mm)	40	48,5	65	80	90
d (mm)	10	14	18	22	26
e (mm)	12	15	20	24	35
s (mm)	6	8	10	12	15

4-Wheel trolley with pin (bolted)

.T44



NIKO Profile No.	24.000	25.000	26.000
Item Ref	24.T44	25.T44	26.T44
SWL Kg	80	200	400
H (mm)	89	124	140
h (mm)	43,5	60	75
b (mm)	48,5	65	80
L (mm)	90	110	140
C (mm)	30	38	40
d (mm)	16	20	22

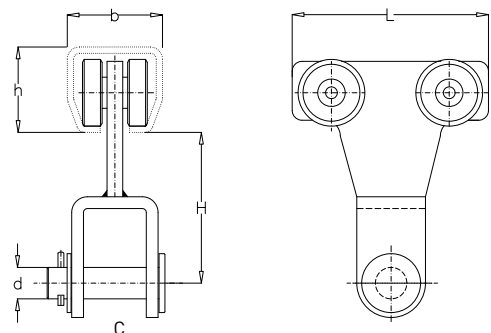


4-Wheel trolley with pin (welded)

.T46

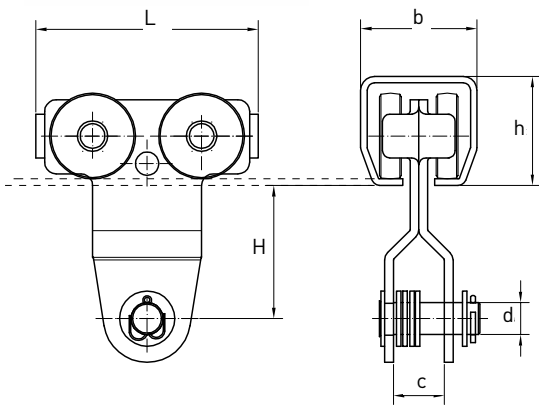


NIKO Profile No.	24.000	25.000	26.000	27.000
Item Ref	24.T46	25.T46	26.T46	27.T46
SWL Kg	80	200	400	800
H (mm)	78	90	112	117
h (mm)	43,5	60	75	110
b (mm)	48,5	65	80	90
L (mm)	100	120	145	210
C (mm)	32	32	40	40
d (mm)	16	20	20	20



4-Wheel trolley with pin and buffer (plate)

.T48

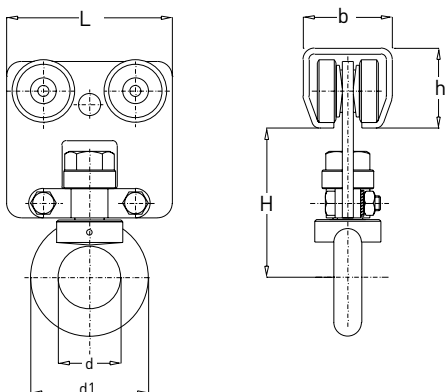
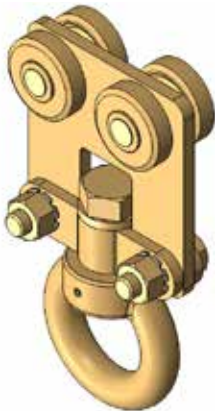


NIKO Profile No.	24.000	25.000	26.000	27.000
Item Ref	24.T48	25.T48	26.T48	27.T48
SWL Kg	125	250	500	1000
L (mm)	100	130	152	215
H (mm)	65	77	94	123
b (mm)	48,5	65	80	90
h (mm)	43,5	60	75	110
d (mm)	16	20	22	26
c (mm)	30	37	37	45

**Only for straight sections. Not to be used in switches or bends.*

4-Wheel trolley with a rotating eye nut DIN 582 .T40

This trolley is suitable for hoists with hook suspension.



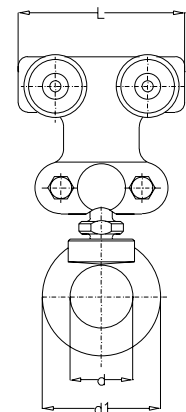
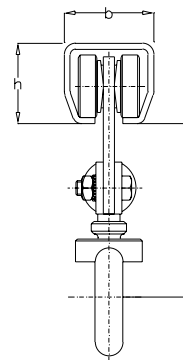
NIKO Profile No.	23.000	24.000	25.000	26.000	27.000
Item Ref	23.T40	24.T40	25.T40	26.T40	27.T40
SWL Kg	40	80	200	400	800
H (mm)	72	76,5	93	123	163
h (mm)	35	43,5	60	75	110
b (mm)	40	48,5	65	80	90
L (mm)	68	90	110	150	200
d (mm)	30	35	40	50	60
d1 (mm)	54	63	72	90	108

4-Wheel trolley with a rotating eye nut DIN 582 .T20

With a ball joint in order for the ring to rotate and oscillate.



NIKO Profile No.	23.000	24.000	25.000	26.000	27.000
Item Ref	23.T20	24.T20	25.T20	26.T20	27.T20
SWL Kg	40	80	200	400	800
H (mm)	85	96,5	122	145	182
h(mm)	35	43,5	60	75	110
b (mm)	40	48,5	65	80	90
L (mm)	70	90	110	140	200
d (mm)	30	35	40	50	60
d1 (mm)	54	63	72	90	108

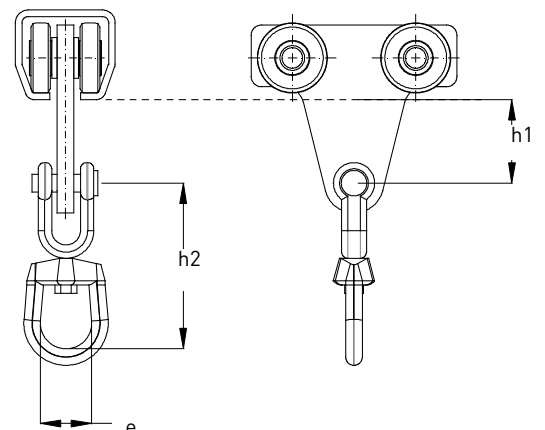


4-Wheel trolley with rotating ring

.T70



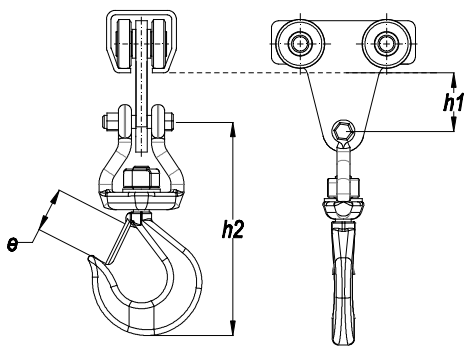
NIKO Profile No.	23.000	24.000	25.000	26.000	27.000
Item Ref	23.T70	24.T70	25.T70	26.T70	27.T70
SWL Kg	40	80	200	400	800
h1 (mm)	32	39	42	46	73
h2 (mm)	79	79	79	98	126
e (mm)	25	25	25	31	37



LIGHT CRANE SYSTEMS

4-Wheel trolley with rotating hook

.T71



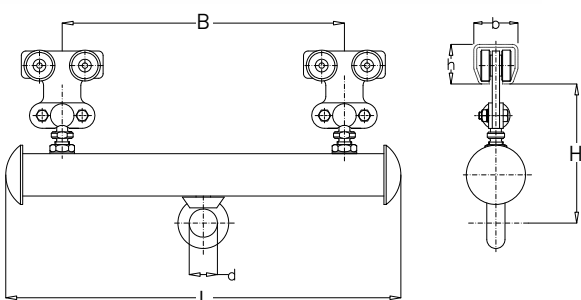
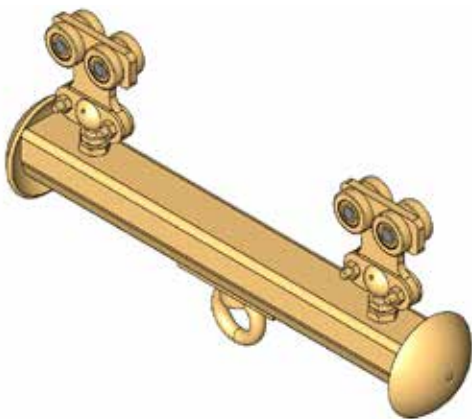
NIKO Profile No.	24.000	25.000	26.000	27.000
Item Ref	24.T71	25.T71	26.T71	27.T71
SWL Kg	80	200	400	800
h1 (mm)	39	42	46	73
h2 (mm)	125	125	125	152
e (mm)	24	24	24	28

LIGHT CRANE SYSTEMS

Flight bar with fixed eye nut

.T24

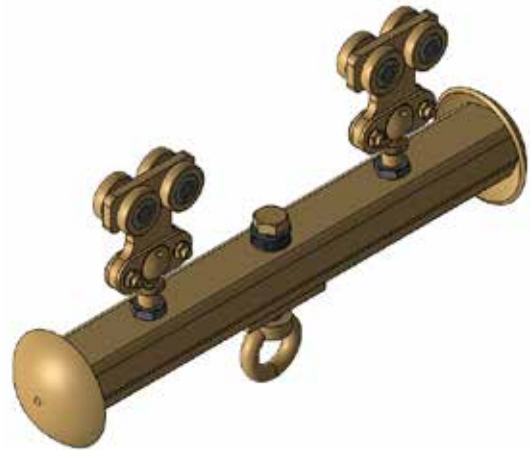
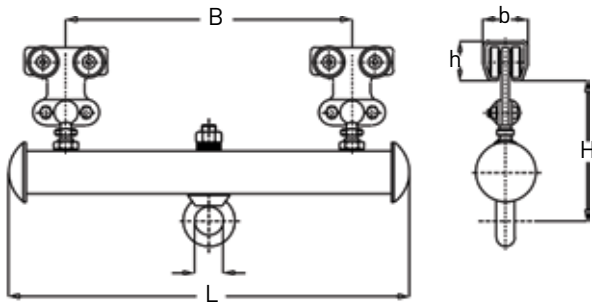
This trolley is suitable for increased load applications.



NIKO Profile No.	23.000	24.000	25.000	26.000	27.000
Item Ref	23.T24	24.T24	25.T24	26.T24	27.T24
SWL Kg	80	160	400	800	1600
H (mm)	128	152	190	250	310
h (mm)	35	43,5	60	75	110
b (mm)	40	48,5	65	80	90
B (mm)	180	300	420	600	700
L (mm)	300	450	600	700	1000
d (mm)	30	35	40	50	60

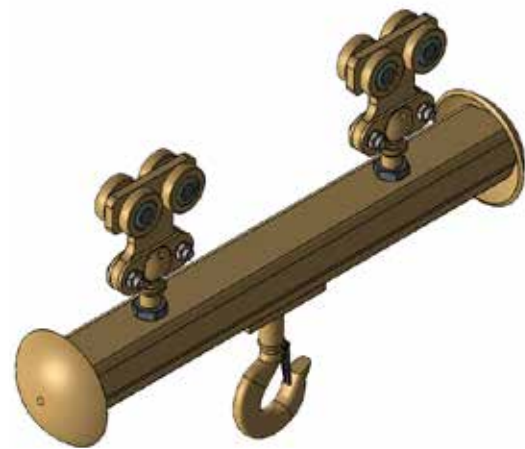
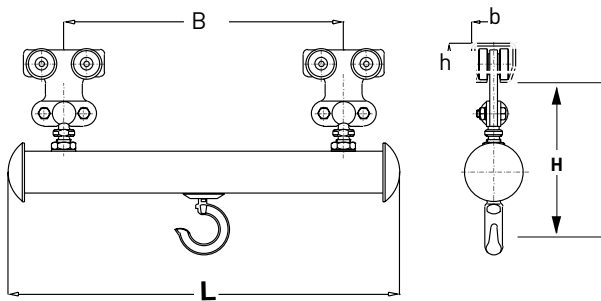
Flight bar with rotating eye nut

.T26



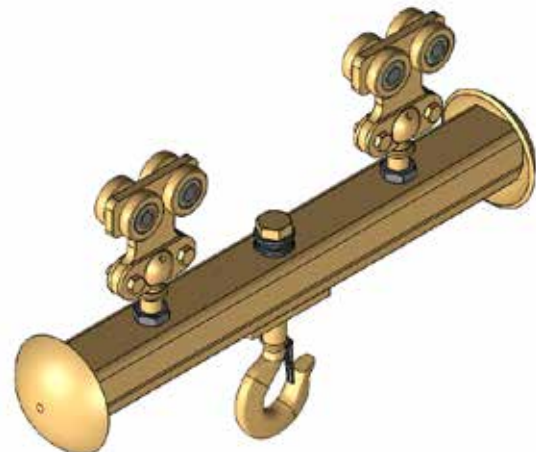
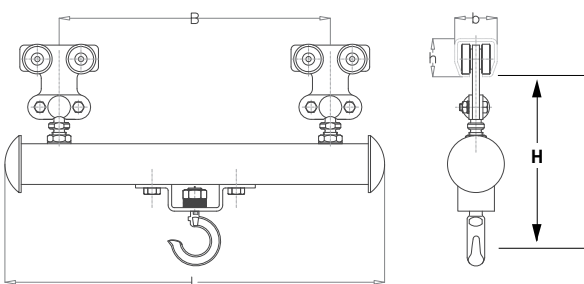
Flight bar with fixed hook

.T28



Flight bar with rotating hook

.T38



LIGHT CRANE SYSTEMS

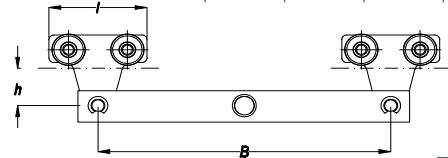
NIKO Profile No.	23.000	24.000	25.000	26.000	27.000
Item Ref	23.T26	24.T26	25.T26	26.T26	27.T26
Item Ref	23.T28	24.T28	25.T28	26.T28	27.T28
Item Ref	23.T38	24.T38	25.T38	26.T38	27.T38
SWL Kg	80	160	400	800	1600
H (mm)	133	160	200	260	320
h (mm)	35	43,5	60	75	110
b (mm)	40	48,5	65	80	90
B (mm)	180	300	420	500	700
L (mm)	300	450	600	700	1000

Flight bar with plates and pin

.T84

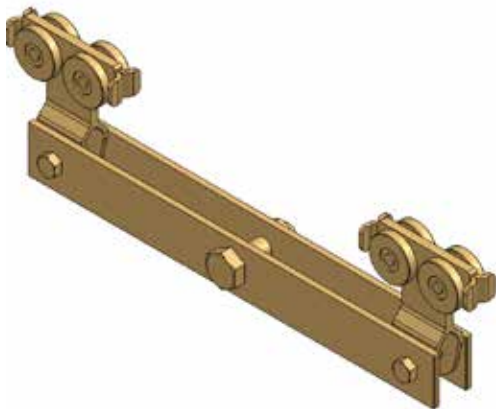


NIKO Profile No.	24.000	25.000	26.000	27.000
Item Ref	24.T84	25.T84	26.T84	27.T84
SWL Kg	160	400	800	1600
l (mm)	100	120	145	210
h (mm)	39	42	46	73
B (mm)	300	420	500	700

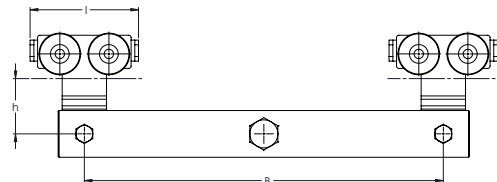


Heavy duty hoist trolley

.T49



NIKO Profile No.	24.000	25.000	26.000	27.000
Item Ref	24.T49	25.T49	26.T49	27.T49
SWL Kg	250	500	1000	2000
l	100	130	152	215
h	65	77	94	123
B	300	418	500	768



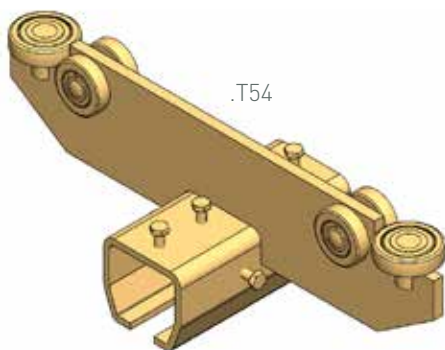
End carriage with track joint

.T54/.T74

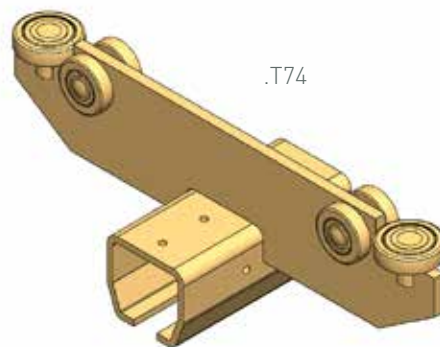
This range of trolleys is fitted with horizontal guide rollers and are used for connecting the bridge crane to the long travel tracks.

For standard crane applications it is recommended that only one end carriage is fixed on the crane bridge allowing the other to move freely and compensate for track misalignment.

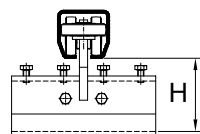
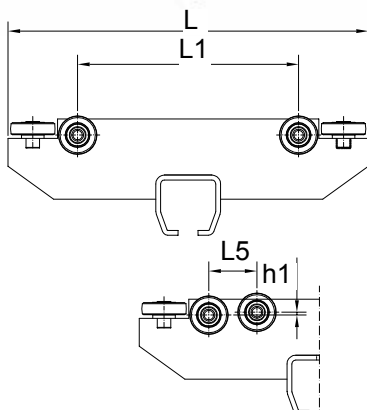
For bridge length over 6 meters, longer end carriages are used (.T54L/.T74L)



.T54



.T74

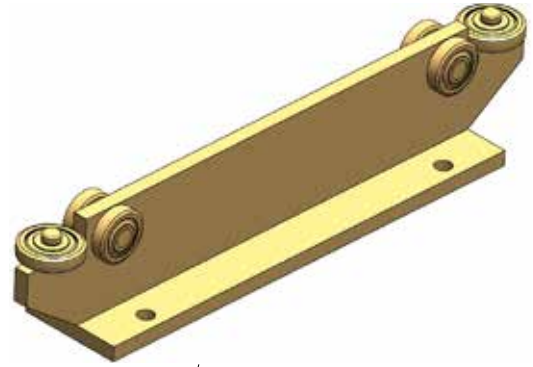


NIKO Profile No.	23.000	24.000	25.000	26.000	27.000
End carriage with track joint	23.T54	24.T54	25.T54	26.T54	27.T54
	23.T74	24.T74	25.T74	26.T74	27.T74
L (mm)	350	400	450	500	600
L1 (mm)	242	270	276	280	340
L5 (mm)	40	50	60	70	100
H (mm)	52	63	91	109	163
h1 (mm)	0,5	2	3,5	5	5,5

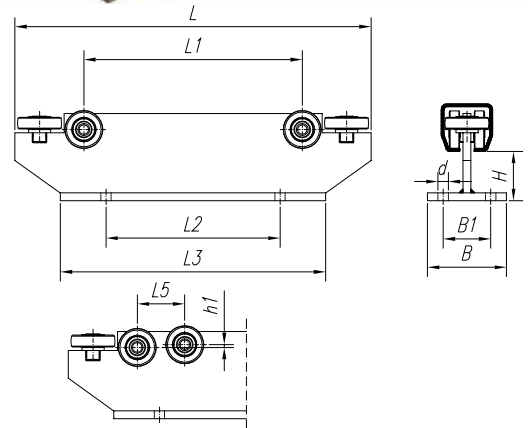
End carriage with flat plate

For bridge length over 6 meters, longer end carriages are used (.T51L)

.T51



NIKO Profile No.	23.000	24.000	25.000	26.000	27.000
End carriage with flat plate	23.T51	24.T51	25.T51	26.T51	27.T51
L (mm)	350	400	450	500	600
L1 (mm)	242	270	276	280	340
L2 (mm)	200	220	220	260	300
L3 (mm)	290	315	335	370	440
B (mm)	60	70	100	120	150
B1 (mm)	36	46	60	80	100
d (mm)	8,5	11	13	17	21
L5 (mm)	40	50	60	70	100
H (mm)	31	42	62	72	74
h1 (mm)	0.5	2	3.5	5	5.5

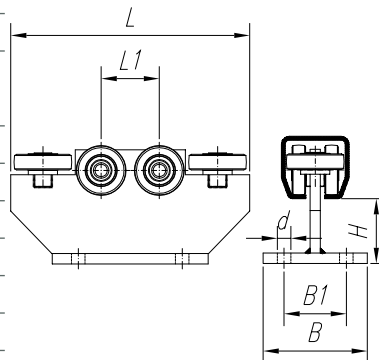


LIGHT CRANE SYSTEMS

End carriage with flat plate-short

.T56

NIKO Profile No.	23.000	24.000	25.000	26.000	27.000
End carriage with flat plate-short	23.T56	24.T56	25.T56	26.T56	27.T56
L (mm)	150	180	230	300	370
L1 (mm)	42	50	59	80	110
B (mm)	60	70	100	120	150
B1 (mm)	36	46	60	80	100
d (mm)	8,5	11	13	17	21
H (mm)	31	45	62	72	74

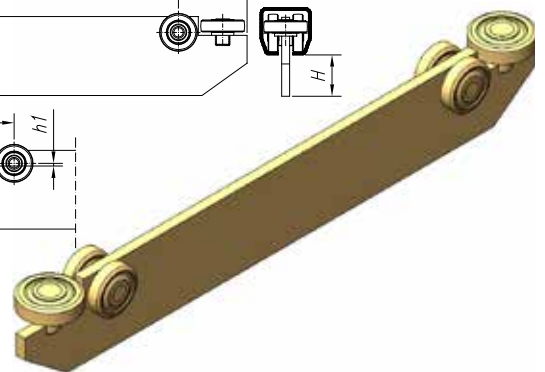
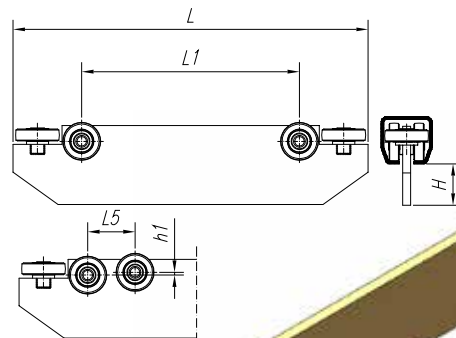


End carriage

For bridge length over 6 meters, longer end carriages are used (.T52L)

.T52

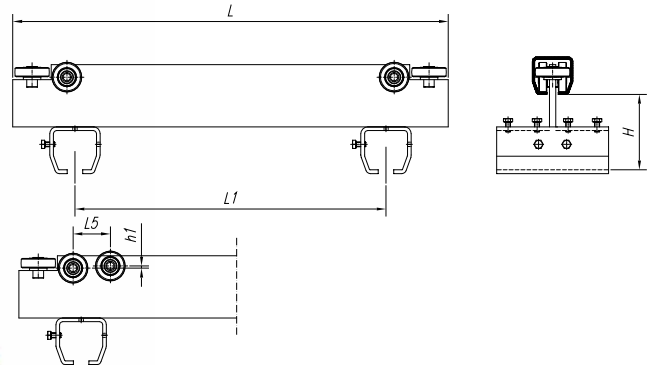
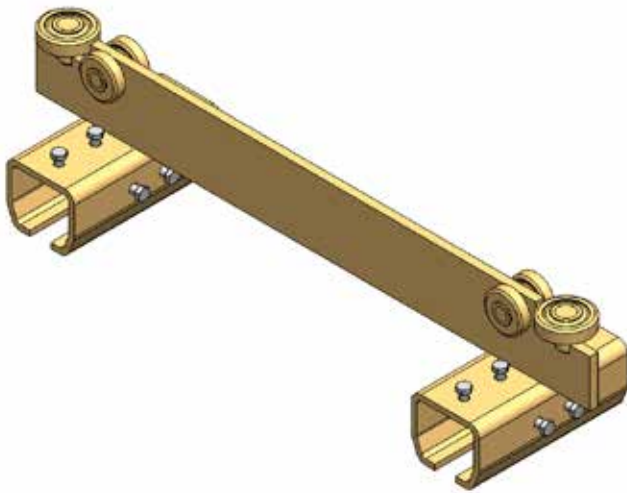
NIKO Profile No.	23.000	24.000	25.000	26.000	27.000
End carriage	23.T52	24.T52	25.T52	26.T52	27.T52
L (mm)	350	400	450	500	600
L1 (mm)	242	270	276	280	340
L5 (mm)	40	50	60	70	100
H (mm)	23	35	52	60	59
h1 (mm)	0.5	2	3.5	5	5.5



End carriage with double track joint

.T53

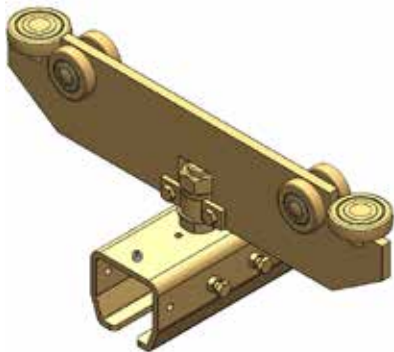
We can supply double carriages for overhead cranes for suspending two NIKO rails.



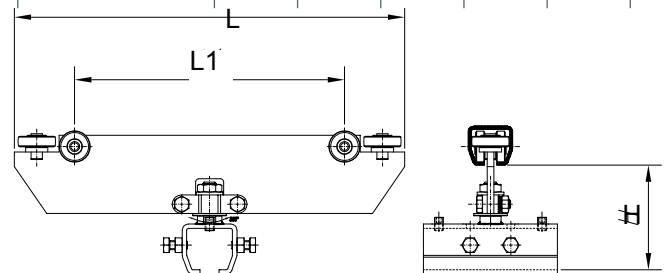
NIKO Profile No.	23.000	24.000	25.000	26.000	27.000
End carriage with double track joint	23.T53	24.T53	25.T53	26.T53	27.T53
L (mm)	410	630	700	820	860
L1 (mm)	300	495	500	600	600
L5 (mm)	40	50	60	70	100
H (mm)	64	74	91	126	153
h1 (mm)	0.5	2	3.5	5	5.5

End carriage with rotating track joint

.T55

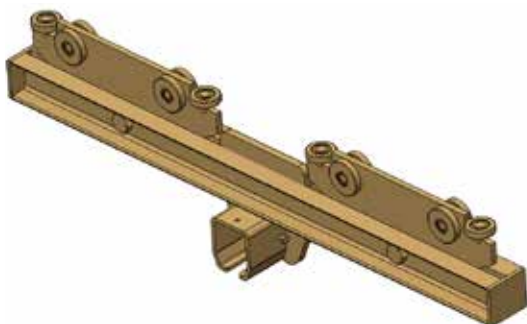


NIKO Profile No.	23.000	24.000	25.000	26.000	27.000
Item Ref	23.T55	24.T55	25.T55	26.T55	27.T55
L (mm)	350	400	450	500	600
L1 (mm)	242	270	276	280	340
H (mm)	94	99	136	168	240

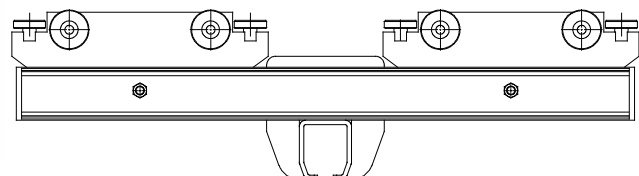


Heavy duty end carriage trolley

.T58



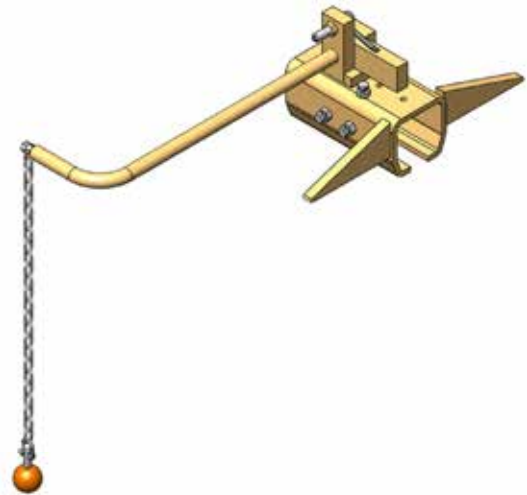
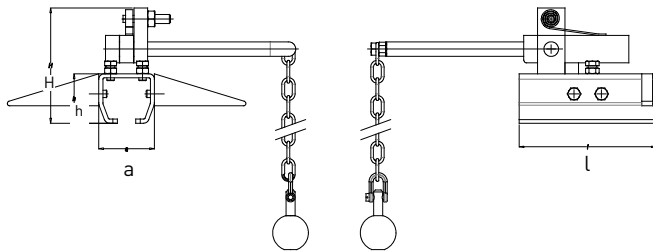
NIKO Profile No.	24.000	25.000	26.000	27.000
Item Ref	24.T58	25.T58	26.T58	27.T58



Bridge Interlock (Part 1)

.H01

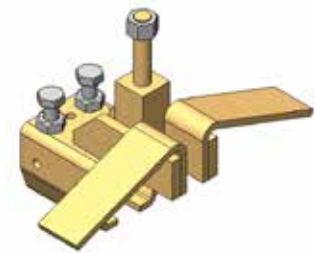
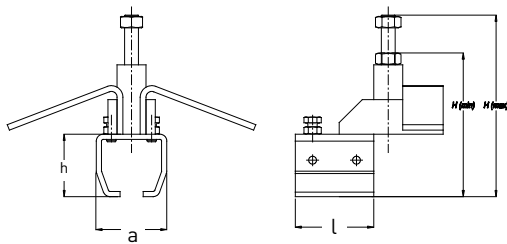
NIKO Profile No.	23.000	24.000	25.000	26.000	27.000
Item Ref	23.H01	24.H01	25.H01	26.H01	27.H01
a (mm)	50	61	81	100	116
h (mm)	44	54	75	94	133
l (mm)	120	150	180	200	250
H (mm)	117	126	170	188	229



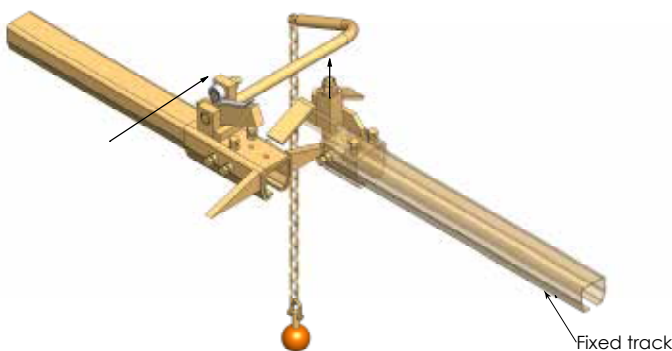
Bridge Interlock (Part 2)

.H02

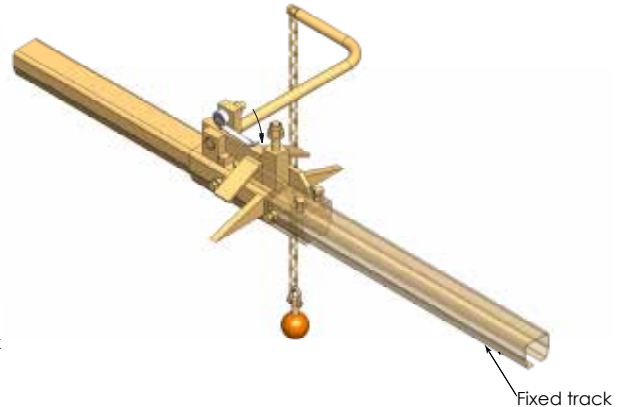
NIKO Profile No.	23.000	24.000	25.000	26.000	27.000
Item Ref	23.H02	24.H02	25.H02	26.H02	27.H02
a (mm)	50	61	81	100	116
h (mm)	44	54	75	94	133
l (mm)	56	68	90	110	120
H min (mm)	121	130	168	186	291
H max (mm)	147	156	209	227	359



LIGHT CRANE SYSTEMS



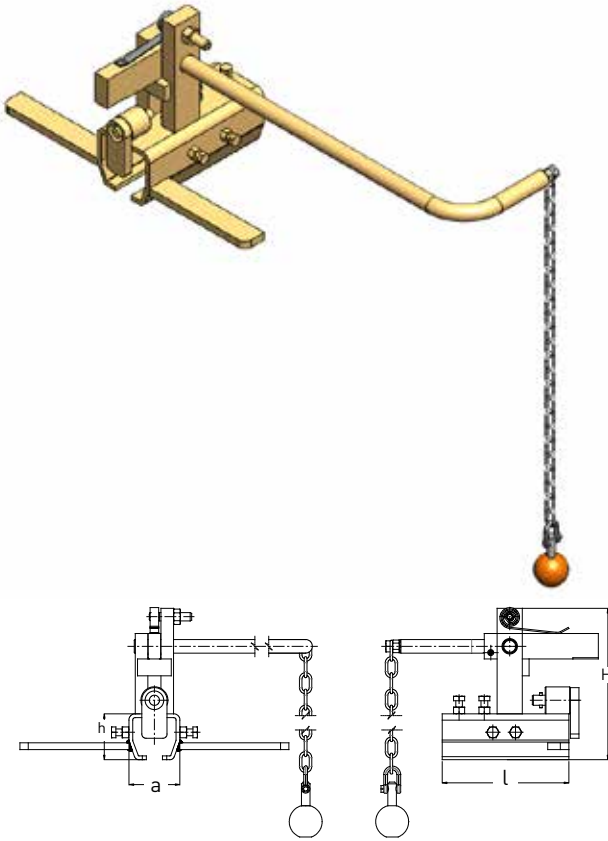
Fixed track



Fixed track

Track transfer assembly (Part 1)

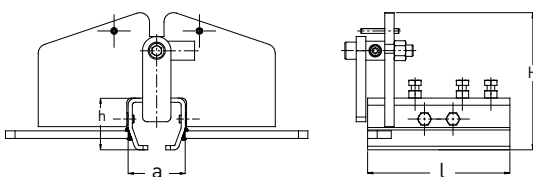
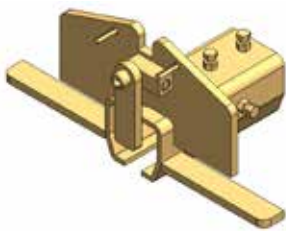
.H21



NIKO Profile No.	23.000	24.000	25.000	26.000
Item Ref	23.H21	24.H21	25.H21	26.H21
a (mm)	50	61	81	100
h (mm)	44	54	75	94
l (mm)	120	150	180	200
H (mm)	170	179	220	268

Track transfer assembly (Part 2)

.H22

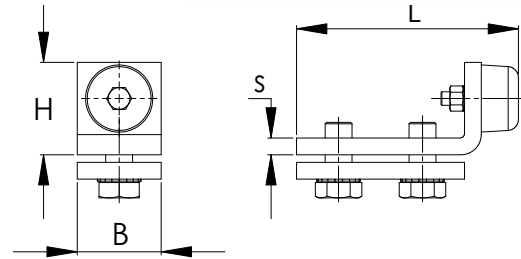


NIKO Profile No.	23.000	24.000	25.000	26.000
Item Ref	23.H22	24.H22	25.H22	26.H22
a (mm)	50	61	81	100
h (mm)	44	54	75	94
l (mm)	120	150	180	200
H (mm)	-	144	165	183

Track end stop

.X01

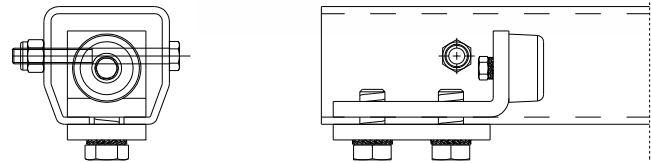
NIKO Profile No.	23.000	24.000	25.000	26.000	27.000
Item Ref	23.X01	24.X01	25.X01	26.X01	27.X01
L (mm)	70	75	122	135	135
B (mm)	20	30	40	50	50
H (mm)	25	30	45	55	77
s (mm)	4	5	8	10	10



Safetybolt for track end stop with track punching (Track end stop not included)

.X06

NIKO Profile No.	24.000	25.000	26.000	27.000
Item Ref	24.X06	25.X06	26.X06	27.X06

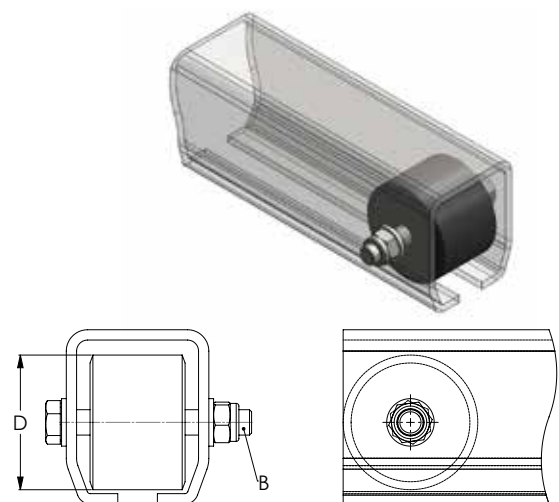


LIGHT CRANE SYSTEMS

Track end stop bolt with rubber

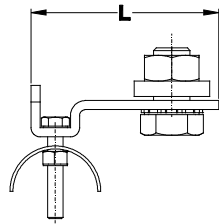
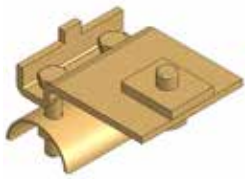
.X11

NIKO Profile No.	25.000	26.000	27.000
Item Ref	25.X11	26.X11	27.X11
D (mm)	40	50	80
B (mm)	M8	M12	M16



Cable end clamp

.K00



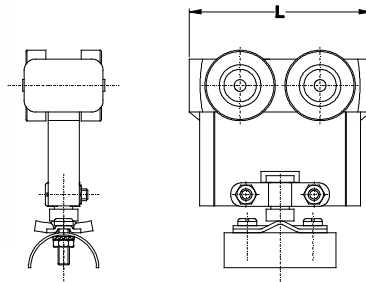
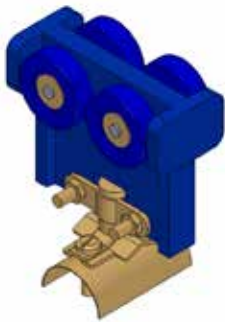
NIKO Profile No.	23.000	24.000	25.000	26.000
Item Ref	23.K00	24.K00	25.K00	26.K00
L (mm)	57	57	57	57

Cable trolley (nylon)

.L00

This trolley is used for carrying flat cable for electrical power supply and can be adapted for hoses and round cables.

NIKO Profile No.	21.000	23.000	24.000	25.000	26.000	27.000
Cable trolley No.	23.L00		25.L00		27.L00	
For cable dimensions	flat up to 23x10mm & round up to 15mm diameter		flat up to 23x10mm & round up to 15mm diameter		flat up to 23x10mm & round up to 15mm diameter	
L (mm)	60		78		78	



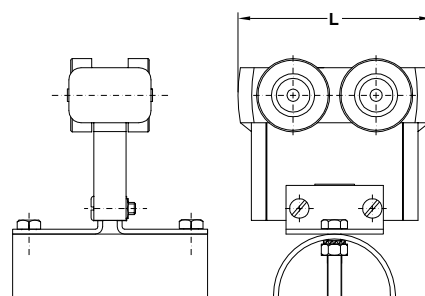
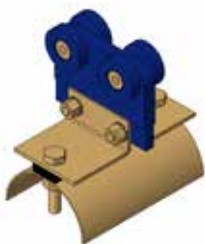
LIGHT CRANE SYSTEMS

Cable trolley (nylon)

.L01

This trolley is used for carrying flat cable for electrical power supply.

NIKO Profile No.	21.000	23.000	24.000	25.000	26.000	27.000
Cable trolley No.	23.L01		25.L01		27.L01	
For cable dimensions	flat up to 55x20mm		flat up to 55x20mm		flat up to 55x20mm	
L (mm)	60		78		78	



Index

Part No .	Page
21.B03	27
21.B05	28
21.B37	34
21.B06	29
21.T10	36
23.000	24
23.030	25
23.050	24
23.B00	26
23.B02	27
23.B03	27
23.B04	28
23.B08	29
23.B10	29
23.B11	30
23.B12	29
23.B14	29
23.B30	30
23.B35	32
23.B36	32
23.B37	34
23.B38	34
23.B39	35
23.B44	36
23.B49	26
23.B50	26
23.B55	31
23.B56	31
23.B71	33
23.B72	33
23.H01	45
23.H02	45
23.H21	46
23.H22	46
23.K00	48
23.L00	48
23.L01	48
23.T10	36
23.T20	39
23.T24	40
23.T26	41
23.T28	41
23.T38	41
23.T40	38
23.T51	43

Part No .	Page
23.T52	43
23.T53	44
23.T54	42
23.T54	40
23.T55	44
23.T56	43
23.T70	39
23.T74	42
23.X01	47
24.000	24
24.030	25
24.031	25
24.080	25
24.045	25
24.050	24
24.080	5
24.B00	26
24.B02	27
24.B03	27
24.B04	28
24.B05	28
24.B06	29
24.B08	29
24.B10	29
24.B11	30
24.B12	29
24.B14	29
24.B16	29
24.B18	29
24.B20	29
24.B30	30
24.B35	32
24.B36	32
24.B37	34
24.B40	33
24.B44	36
24.B50	26
24.B49	26
24.B55	31
24.B56	31
24.B71	33
24.B72	33
24.H01	45
24.H02	45
24.H21	46

Part No .	Page
24.H22	46
24.J052	17
24.J053	17
24.J064	17
24.K00	48
24.T10	36
24.T20	39
24.T24	40
24.T26	41
24.T28	41
24.T38	41
24.T40	38
24.T44	37
24.T46	37
24.T48	38
24.T49	42
24.T51	43
24.T52	43
24.T53	44
24.T54	42
24.T55	44
24.T56	43
24.T58	44
24.T70	39
24.T71	40
24.T74	42
24.T84	42
24.X01	47
24.X06	47
25.000	24
25.030	25
25.045	25
25.050	24
25.080	25
25.B00	26
25.B02	27
25.B03	27
25.B04	28
25.B10	29
25.B11	30
25.B12	29
25.B14	29
25.B16	29
25.B18	29
25.B20	29

Part No .	Page
25.B22	29
25.B24	29
25.B26	29
25.B30	30
25.B35	32
25.B36	32
25.B37	34
25.B38	34
25.B39	35
25.B44	36
25.B49	26
25.B50	26
25.B55	31
25.B56	31
25.B71	33
25.B72	33
25.H01	45
25.H02	45
25.H120	14
25.H21	46
25.H22	46
25.J052	17
25.J053	17
25.J063	17
25.J084	17
25.J095	17
25.J106	17
25.K00	46
25.L00	48
25.L01	48
25.T10	36
25.T20	39
25.T24	40
25.T26	41
25.T28	41
25.T38	41
25.T40	38
25.T44	37
25.T46	37
25.T48	38
25.T49	42
25.T51	43
25.T52	43
25.T53	44
25.T54	42

Index

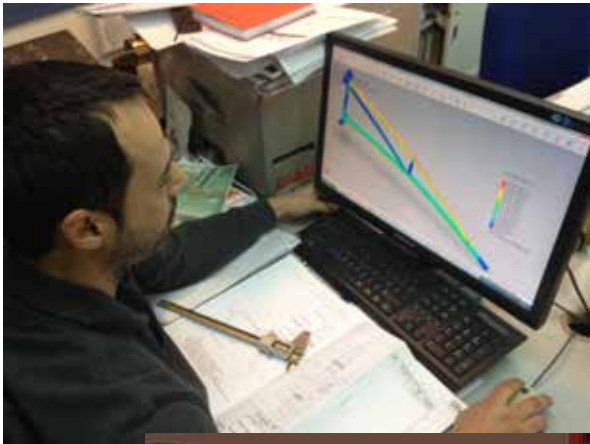
Part No.	Page
25.T55	44
25.T56	43
25.T58	44
25.T70	39
25.T71	40
25.T74	42
25.T84	42
25.X01	47
25.X06	47
25.X11	47
26.000	24
26.030	25
26.031	25
26.045	25
26.050	24
26.080	25
26.B00	26
26.B02	27
26.B03	27
26.B04	28
26.B05	28
26.B06	29
26.B11	30
26.B16	29
26.B18	29
26.B20	29
26.B22	29
26.B24	29
26.B26	29
26.B30	30
26.B35	32
26.B36	32
26.B37	34
26.B40	35
26.B44	36
26.B49	26
26.B50	26
26.B55	31
26.B56	31
26.B71	33
26.B72	33
26.H01	45
26.H02	45
26.H120	14
26.H21	46
26.H22	46
26.J082	19

Part No.	Page
26.J083	19
26.J094	19
26.J095	19
26.J106	19
26.K00	48
26.T10	36
26.T20	39
26.T24	40
26.T26	41
26.T28	41
26.T38	41
26.T40	38
26.T44	37
26.T46	37
26.T48	38
26.T49	42
26.T51	43
26.T52	43
26.T53	44
26.T54	42
26.T55	44
26.T56	43
26.T58	44
26.T70	39
26.T71	40
26.T74	42
26.T84	42
26.X01	47
26.X06	47
26.X11	47
27.000	24
27.030	25
27.045	25
27.045	25
27.080	25
27.B00	26
27.B02	27
27.B03	29
27.B04	28
27.B06	29
27.B11	30
27.B20	29
27.B22	29
27.B24	29
27.B26	29
27.B30	30
27.B35	32

Part No.	Page
27.B36	32
27.B44	36
27.B49	26
27.B50	26
27.B55	31
27.B56	31
27.B71	33
27.B72	33
27.H01	45
27.H02	45
27.H120	14
27.H21	46
27.H22	46
27.J092	19
27.J093	19
27.J104	19
27.J105	19
27.J116	48
27.L00	48
27.L01	48
27.T10	36
27.T20	39
27.T24	41
27.T26	41
27.T28	41
27.T38	41
27.T40	38
27.T46	37
27.T48	38
27.T49	42
27.T51	43
27.T52	43
27.T53	44
27.T54	42
27.T55	44
27.T56	43
27.T58	44
27.T70	39
27.T71	40
27.T74	42
27.T84	42
27.X01	47
27.X06	47
27.X11	47
X3.114	14
X3.115	14
X3.116	14

Part No.	Page
X3.700	14
X3.701	14
X3.702	14

Our quality control department is manned by experienced and highly skilled engineers. Our test lab is equipped with endurance test stands, tensile stress equipment, hardness test machines and other laboratory equipment. Virtual stress analysis is also performed during the developing phase of every component.



LIGHT CRANE SYSTEMS





AUSTRIA-NIKO Vertriebs GmbH
 Haifelderstraße 48
 A – 2560 Berndorf
 Tel. 0043 (0) 2674 81005
 Fax 0043 (0) 2674 81006
 office.at@niko.eu.com

CHINA-NIKO China
 Room 605, Building #13, No.354
 Linghe Road, Pudong District,
 P.R.China - 200120 Shanghai
 Tel. 0086 139 1814 5645
 info.cn@niko.eu.com

GERMANY-NIKO Technik GmbH
 Robert-Bosch-Str. 14
 DE – 42489 Wülfrath
 Tel. 0049 (0) 2058 9093603
 Fax 0049 (0) 2058 9093604
 office.de@niko.eu.com

GREECE-Helm Hellas S.A.
 82nd Km Athens-Korinthos
 P.O. Box 209
 GR - 201 00 KORINTHOS
 Tel. 0030 (0) 27410 85803-6
 Fax 0030 (0) 27410 25368
 info@niko.eu.com

POLAND- NIKO Polska
 Wojska Polskiego 65A
 PL - Wielun 98-300
 Tel. 0048 504 00 35 56,
 0048 797 39 74 25
 info.pl@niko.eu.com

UNITED KINGDOM-NIKO Ltd
 Units 15-21, Insight Business Park
 Welsh Road East, Southam
 UK - Warwickshire – CV471NE
 Tel. 0044 (0) 1926 813111
 Fax 0044 (0) 1926 815599
 Sales@niko.co.uk

USA-NIKO Track
 300 Highpoint Ave
 USA - Portsmouth, RI. 02871
 Tel. 001 (0) 401 683 7525
 Fax 001 (0) 401 293 3848
 info@nikotrack.com

www.niko.eu.com

Copyright NIKO (Version March 2016)
 We take no obligation for layout, composition, technical modifications as well as misprints.
 Subject to technical modifications / images can be differ from original.

TRADITION IS PROGRESS PRESERVED, PROGRESS IS TRADITION CONTINUED.

NIKO 1972–2012

A family business for 40 years, NIKO has been built on the twin foundations of Tradition and Progress, always heading towards a successful economic future.

QUALITY IS THE RESULT OF ATTENTION TO DETAIL.

Quality will always be as standard for us, our products, our staff and our partners.

OUR VISION.

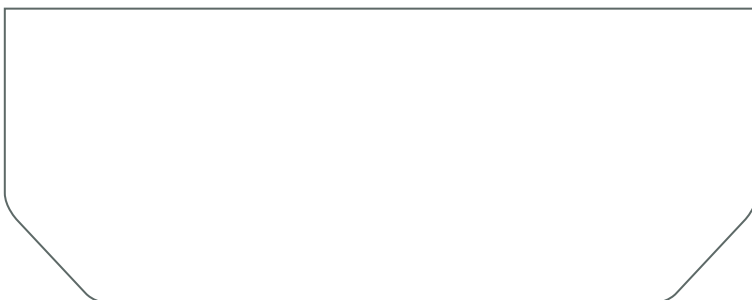
We are an international company and our goal is to be market leaders in each of our business sectors.

OUR VALUES

- ✓ We want to offer our customers the best quality at a reasonable price.
- ✓ We strive for continual improvement in our quality procedures – because we believe the company that doesn't move forward will be left behind.
- ✓ We respond to any demand on the market with the ongoing development of new products.
- ✓ We support our co-workers by ensuring they are highly motivated and well qualified.
- ✓ We want to expand into new sales markets to continue to win satisfied customers.



Your **NIKO** agent will be happy to advise you:



Complete product range **NIKO**:

- A1 – Residential Sliding Door Hardware
- A2 – Sliding Curtains Hardware
- B1 – Heavy Duty Sliding Door Hardware
- B2 – Folding and Harmonica Door Hardware
- B3 – Garage Door and Door around the corner Hardware
- C1 – Overhead Conveyor Systems
- C2 – Light Cranes
- C3 – Cable Trolleys and Festoon Systems
- C4 – Personal Fall Arrest Systems (EN 795)
- D – Sliding Gate Hardware