

SPROCKETS

- High-quality
- 8 to 112 teeth
- 1/4" to 5 1/4" bore
- Diameter of up to 27.75"



TABLE OF CONTENTS

SPROCKETS

Sprocket #25 – 1/4" pitch	222
Sprocket #35 – 3/8" pitch	223
Sprocket #40 – 1/2" pitch	226
Sprocket #41 – 1/2" pitch	231
Sprocket #50 – 5/8" pitch	232
Sprocket #60 – 3/4" pitch	239
Sprocket #80 – 1" pitch	246
Sprocket #100 – 1 1/4" pitch	251
Sprocket #120 – 1 1/2" pitch	256
Sprocket #140 – 1 3/4" pitch	259
Sprocket #160 – 2" pitch	261
Weld-on sprocket	262
Weld-on hubs	263

CAST SPROCKETS

Cast sprockets	266
Conveyor sprockets 2.609"	269

IDLERS

Sprocket idlers	272
Aetna idlers	273

CHAIN COUPLINGS

Chain couplings	276
-----------------------	-----

SPROCKETS

- Extensive line designed for type 25 to 240 chains
- Single, double, triple, quadruple and more on request
- With single, double or without hubs
- Bore: minimum, finished, welded, bushing or split taper



SPROCKETS

SPROCKET #25 – 1/4" PITCH | NOMINAL = 0.110"

SINGLE – TYPE B								
Part no.	No. of teeth	Diameters (in)		Bore (in)		Hub (in)		Weight lb
		Outside	Pitch	Stock	Max.	Dia.	L.T.B.	
25B9	9	0.837	0.731	1/4	1/4	7/16	1/2	0.03
25B10	10	0.919	0.809	1/4	1/4	1/2	1/2	0.03
25B11	11	1.002	0.887	1/4	5/16	9/16	1/2	0.04
25B12	12	1.083	0.966	1/4	3/8	5/8	1/2	0.06
25B13	13	1.167	1.045	1/4	7/16	23/32	1/2	0.07
25B14	14	1.246	1.124	1/4	9/16	13/16	1/2	0.08
25B15	15	1.326	1.203	1/4	9/16	57/64	1/2	0.10
25B16	16	1.407	1.282	1/4	9/16	31/32	1/2	0.12
25B17	17	1.487	1.361	1/4	5/8	11/32	1/2	0.14
25B18	18	1.568	1.440	1/4	3/4	11/8	1/2	0.16
25B19	19	1.648	1.519	1/4	13/16	17/32	1/2	0.19
25B20	20	1.729	1.598	1/4	7/8	19/32	5/8	0.25
25B21	21	1.809	1.678	1/4	7/8	13/8	5/8	0.28
25B22	22	1.889	1.757	1/4	15/16	17/16	5/8	0.31
25B23	23	1.969	1.836	1/4	1	11/2	5/8	0.32
25B24	24	2.049	1.915	3/8	1	11/2	5/8	0.33
25B25	25	2.129	1.995	3/8	1	11/2	5/8	0.34
25B26	26	2.209	2.074	3/8	1	11/2	5/8	0.35
25B28	28	2.369	2.233	3/8	1	11/2	5/8	0.36
25B30	30	2.529	2.392	3/8	1	11/2	5/8	0.38
25B32	32	2.688	2.551	3/8	1	11/2	5/8	0.40
25B36	36	3.008	2.869	3/8	1	11/2	3/4	0.50
25B40	40	3.327	3.187	1/2	13/8	2	3/4	0.53
25B45	45	3.725	3.584	1/2	13/8	2	3/4	0.56
25B48	48	3.964	3.823	1/2	13/8	2	3/4	0.60
25B54	54	4.442	4.300	1/2	13/8	2	3/4	1.00
25B60	60	4.920	4.777	1/2	13/8	2	3/4	1.10
25B70	70	5.717	5.572	1/2	13/8	2	3/4	1.25
25B72	72	5.876	5.732	1/2	13/8	2	3/4	1.30

(H) = With hardened teeth.

Maximum bores shown will accommodate standard keyway and setscrew over keyseat. Slightly larger bores are possible with no keyway, shallow keyway or setscrew at an angle to keyway.



SPROCKETS

SPROCKET #35 – 3/8" PITCH | NOMINAL = 0.168"

SINGLE – TYPE A		
Part no.	Bore (in) Stock	Weight lb
25A18	1/4	0.04
25A19	1/4	0.04
25A20	1/4	0.04
25A21	3/8	0.04
25A22	3/8	0.06
25A23	3/8	0.06
25A24	3/8	0.08
25A25	3/8	0.08
25A26	3/8	0.09
25A28	3/8	0.10
25A30	3/8	0.12
25A32	3/8	0.14
25A36	3/8	0.18
25A40	1/2	0.20
25A45	1/2	0.25
25A48	1/2	0.32
25A54	1/2	0.38
25A60	1/2	0.54
25A70	1/2	0.70
25A72	1/2	0.74

SINGLE – TYPE B								
Part no.	No. of teeth	Diameters (in)		Bore (in)		Hub (in)		Weight lb
		Outside	Pitch	Stock	Max.	Dia.	L.T.B.	
35B8H	8	1.130	0.980	3/8	3/8	3/4*	3/4	0.07
35B9H	9	1.260	1.096	3/8	3/8	27/32*	3/4	0.09
35B10H	10	1.380	1.214	3/8	9/16	31/32*	3/4	0.14
35B11H	11	1.500	1.331	3/8	9/16	11/16*	3/4	0.17
35B12H	12	1.630	1.449	1/2	9/16	17/32*	3/4	0.20
35B13H	13	1.750	1.567	1/2	11/16	11/4*	3/4	0.23
35B14H	14	1.870	1.685	1/2	7/8	11/4	3/4	0.25
35B15H	15	1.990	1.804	1/2	7/8	111/32	3/4	0.29
35B16H	16	2.110	1.922	1/2	15/16	115/32	3/4	0.35
35B17H	17	2.230	2.041	1/2	11/16	119/32	3/4	0.42
35B18H	18	2.350	2.159	1/2	13/16	123/32	3/4	0.48
35B19H	19	2.470	2.278	1/2	11/4	127/32	3/4	0.54
35B20H	20	2.590	2.397	1/2	15/16	115/16	3/4	0.59
35B21H	21	2.710	2.516	1/2	13/8	2	7/8	0.80
35B22H	22	2.830	2.635	1/2	13/8	2	7/8	0.80
35B23H	23	2.950	2.754	1/2	13/8	2	7/8	0.82
35B24H	24	3.070	2.873	1/2	13/8	2	7/8	0.88
35B25H	25	3.190	2.992	1/2	13/8	2	7/8	0.88
35B26H	26	3.310	3.111	1/2	13/8	2	7/8	0.90
35B27H	27	3.430	3.230	1/2	13/8	2	7/8	0.94
35B28H	28	3.550	3.349	1/2	13/8	2	7/8	0.94
35B30H	30	3.790	3.588	1/2	13/8	2	7/8	1.02
35B32H	32	4.030	3.826	1/2	13/8	2	7/8	1.24
35B35H	35	4.390	4.183	5/8	11/2	2 1/4	7/8	1.50
35B36H	36	4.510	4.303	5/8	11/2	2 1/4	7/8	1.56
35B40H	40	4.990	4.780	5/8	11/2	2 1/4	1	1.62
35B42	42	5.230	5.018	5/8	11/2	2 1/4	1	1.68
35B45	45	5.590	5.376	5/8	11/2	2 1/4	1	1.78
35B48	48	5.950	5.734	5/8	11/2	2 1/4	1	1.88
35B54	54	6.660	6.449	5/8	11/2	2 1/4	1	2.20
35B60	60	7.380	7.165	3/4	11/2	2 1/4	1	2.48
35B70	70	8.580	8.358	3/4	11/2	2 1/4	1	3.12
35B72	72	8.810	8.597	3/4	11/2	2 1/4	1	3.42
35B80	80	9.770	9.552	3/4	11/2	2 1/4	1	3.82
35B84	84	10.250	10.029	3/4	11/2	2 1/4	1	4.24
35B96	96	11.680	11.461	3/4	11/2	2 1/4	1	5.16
35B112	112	13.590	13.371	3/4	11/2	2 1/4	1	6.70

SINGLE – TYPE A		
Part no.	Bore (in) Stock	Weight lb
35A15	1/2	0.10
35A16	1/2	0.12
35A17	1/2	0.12
35A18	1/2	0.14
35A19	1/2	0.16
35A20	1/2	0.20
35A21	1/2	0.20
35A22	1/2	0.22
35A23	1/2	0.24
35A24	1/2	0.26
35A25	1/2	0.28
35A26	1/2	0.28
35A27	1/2	0.34
35A28	1/2	0.34
35A30	1/2	0.46
35A32	5/8	0.46
35A35	5/8	0.60
35A36	5/8	0.62
35A40	19/32	0.70
35A42	19/32	0.78
35A45	19/32	0.88
35A48	19/32	1.21
35A54	19/32	1.32
35A60	23/32	1.66
35A70	23/32	2.30
35A72	23/32	2.56
35A80	23/32	3.16
35A84	23/32	3.26
35A96	23/32	4.64
35A112	23/32	5.05

*Has recessed groove in hub for chain clearance. Maximum bores shown will accommodate standard keyway and setscrew over keyseat. Slightly larger bores are possible with no keyway, shallow keyway or setscrew at an angle to keyway.



SPROCKETS

SPROCKET #35 – 3/8" PITCH | NOMINAL = 0.168"

SINGLE – TYPE FB – FINISH BORE											
Part no.	No. of teeth	Diameters (in)		Hub (in)	Weight lb	Stock finish bore (in)					
		Outside	Pitch	L.T.B.		Includes keyway & setscrews					
35FB 10H	10	1.380	1.214	3/4	0.11	1/2	5/8				
35FB 11H	11	1.500	1.331	3/4	0.15	1/2	5/8				
35FB12H	12	1.630	1.449	3/4	0.18	1/2	5/8	3/4			
35FB13H	13	1.750	1.567	3/4	0.20	1/2	5/8	3/4			
35FB14H	14	1.870	1.685	3/4	0.22	1/2	5/8	3/4			
35FB15H	15	1.990	1.804	3/4	0.24	1/2	5/8	3/4	7/8	1	
35FB16H	16	2.110	1.922	3/4	0.29	1/2	5/8	3/4	7/8	1	
35FB17H	17	2.230	2.041	3/4	0.36	1/2	5/8	3/4	7/8	1	
35FB18H	18	2.350	2.159	3/4	0.39	1/2	5/8	3/4	7/8	1	
35FB19H	19	2.470	2.278	3/4	0.44	1/2	5/8	3/4		1	
35FB20H	20	2.590	2.397	3/4	0.51	1/2	5/8	3/4		1	
35FB21H	21	2.710	2.516	7/8	0.75	1/2	5/8	3/4		1	
35FB22H	22	2.830	2.635	7/8	0.76	1/2	5/8	3/4		1	
35FB23H	23	2.950	2.754	7/8	0.78	1/2	5/8	3/4		1	
35FB24H	24	3.070	2.873	7/8	0.79	1/2	5/8	3/4		1	
35FB25H	25	3.190	2.992	7/8	0.80	1/2	5/8	3/4		1	
35FB26H	26	3.310	3.111	7/8	0.84		5/8	3/4	7/8	1	11/4
35FB27H	27	3.430	3.230	7/8	0.86		5/8	3/4	7/8	1	11/4
35FB28H	28	3.550	3.349	7/8	0.88		5/8	3/4	7/8	1	11/4
35FB30H	30	3.790	3.588	7/8	0.96		5/8	3/4	7/8	1	11/4
35FB32H	32	4.030	3.827	7/8	1.14					1	11/4
35FB48	48	5.950	5.734	1	1.65					1	11/4

(H) = With hardened teeth.

Keyway is on center line of tooth.



SPROCKETS

SPROCKET #D35 – 3/8" PITCH | NOMINAL = 0.126"

DOUBLE – TYPE B – DIMENSION T FOR # D35 = 0.561"								
Part no.	No. of teeth	Diameters (in)		Bore (in)		Hub (in)		Weight lb
		Outside	Pitch	Stock	Max.	Dia.	L.T.B.	
D35B12H	12	1.630	1.449	1/2	9/16	63/64	11/4	0.32
D35B13H	13	1.750	1.567	1/2	11/16	17/64	11/4	0.36
D35B14H	14	1.870	1.685	1/2	7/8	11/4	11/4	0.44
D35B15H	15	1.990	1.804	1/2	15/16	113/32	11/4	0.56
D35B16H	16	2.110	1.922	1/2	15/16	115/32	11/4	0.64
D35B17H	17	2.230	2.041	1/2	11/16	119/32	11/4	0.74
D35B18H	18	2.350	2.159	1/2	13/16	123/32	11/4	0.84
D35B19H	19	2.470	2.278	1/2	15/16	17/8	11/4	0.96
D35B20H	20	2.590	2.397	3/4	15/16	115/16	13/8	1.08
D35B21H	21	2.710	2.516	3/4	13/8	21/16	13/8	1.24
D35B22H	22	2.830	2.635	3/4	17/16	23/16	13/8	1.42
D35B23H	23	2.950	2.754	3/4	11/2	21/4	13/8	1.54
D35B24H	24	3.070	2.873	3/4	11/2	21/4	13/8	1.62
D35B25H	25	3.190	2.992	3/4	11/2	21/4	13/8	1.66
D35B26H	26	3.310	3.111	3/4	13/4	21/4	13/8	1.98
D35B30H	30	3.790	3.588	3/4	13/4	21/4	13/8	2.34
D35B36H	36	4.510	4.303	3/4	13/4	21/4	13/8	3.00
D35B42H	42	5.230	5.018	3/4	13/4	21/4	13/8	3.80
D35B48H	48	5.950	5.734	3/4	13/4	21/4	13/8	4.66
D35B52	52	6.540	6.224	3/4	13/4	21/4	13/8	5.40
D35B60	60	7.380	7.165	3/4	13/4	21/4	13/8	6.84
D35B76	76	8.920	8.752	3/4	23/8	31/2	11/2	11.94
D35B84	84	10.250	10.029	3/4	23/8	31/2	11/2	14.98

(H) = With hardened teeth.

Maximum bores shown will accommodate standard keyway and setscrew over keyseat. Slightly larger bores are possible with no keyseat, shallow keyseat or setscrew at an angle to keyseat.



SPROCKETS

SPROCKET #40 – 1/2" PITCH | NOMINAL = 0.284"

SINGLE – TYPE B								
Part no.	No. of teeth	Diameters (in)		Bore (in)		Hub (in)		Weight lb
		Outside	Pitch	Stock	Max.	Dia.	L.T.B.	
40B8H	8	1.500	1.307	1/2	1/2	31/32*	7/8	0.18
40B9H	9	1.670	1.462	1/2	9/16	11/16*	7/8	0.20
40B10H	10	1.840	1.618	1/2	3/4	11/4*	7/8	0.27
40B11H	11	2.000	1.775	1/2	7/8	13/8*	7/8	0.35
40B12H	12	2.170	1.932	1/2	1	19/16*	7/8	0.45
40B13H	13	2.330	2.089	1/2	11/16	19/16	7/8	0.50
40B14H	14	2.490	2.247	1/2	11/8	111/16	7/8	0.59
40B15H	15	2.650	2.405	1/2	11/4	113/16	7/8	0.70
40B16H	16	2.810	2.563	5/8	13/8	2	7/8	0.79
40B17H	17	2.980	2.721	5/8	17/16	2 1/8	1	1.04
40B18H	18	3.140	2.879	5/8	11/2	2 5/16	1	1.22
40B19H	19	3.300	3.038	5/8	13/4	2 1/2	1	1.43
40B20H	20	3.460	3.196	5/8	17/8	2 5/8	1	1.56
40B21H	21	3.620	3.355	5/8	17/8	2 3/4	1	1.73
40B22H	22	3.780	3.513	5/8	17/8	2 7/8	1	1.96
40B23H	23	3.940	3.672	5/8	2	3	1	2.13
40B24H	24	4.100	3.831	5/8	2 1/4	3 1/4	1	2.41
40B25H	25	4.260	3.989	5/8	2 1/4	3 1/4	1	2.54
40B26H	26	4.420	4.148	5/8	2 1/4	3 1/4	1	2.58
40B27H	27	4.580	4.307	5/8	2 1/4	3 1/4	1	2.66
40B28H	28	4.740	4.466	5/8	2 1/4	3 1/4	1	2.73
40B30H	30	5.060	4.873	5/8	2 1/4	3 1/4	1	2.98
40B32H	32	5.380	5.101	5/8	2 1/4	3 1/4	1	3.16
40B33H	33	5.540	5.260	5/8	2 1/4	3 1/4	1	3.22
40B34H	34	5.700	5.419	5/8	2 1/4	3 1/4	1	3.30
40B35H	35	5.860	5.578	5/8	2 1/4	3 1/4	1	3.46
40B36H	36	6.020	5.737	5/8	2 1/4	3 1/4	1	3.58
40B38H	38	6.330	6.055	5/8	2 1/4	3 1/4	1	3.70
40B39H	39	6.490	6.214	5/8	2 1/4	3 1/4	1	3.76
40B40H	40	6.650	6.373	3/4	2 3/8	3 1/2	1	4.69
40B41	41	6.810	6.532	3/4	2 3/8	3 1/2	1	4.76
40B42	42	6.970	6.691	3/4	2 3/8	3 1/2	11/8	4.82
40B45	45	7.450	7.168	3/4	2 3/8	3 1/2	11/8	5.30
40B47	47	7.770	7.486	3/4	2 3/8	3 1/2	11/8	5.44
40B48	48	7.930	7.645	3/4	2 3/8	3 1/2	11/8	5.84
40B50	50	8.250	7.963	3/4	2 3/8	3 1/2	11/8	5.96
40B54	54	8.890	8.599	3/4	2 3/8	3 1/2	11/8	6.42
40B60	60	9.840	9.554	3/4	2 3/8	3 1/2	11/8	7.86
40B70	70	11.430	11.145	3/4	2 3/4	4	11/4	11.00
40B72	72	11.750	11.463	3/4	2 3/4	4	11/4	11.50
40B80	80	13.030	12.736	3/4	2 3/4	4	11/4	13.40
40B84	84	13.660	13.372	3/4	2 3/4	4	11/4	14.04
40B96	96	15.570	15.281	1	2 3/4	4	11/4	17.56
40B112	112	18.120	17.828	1	2 3/4	4	11/4	22.56

(H) = With hardened teeth.

*Has recessed groove in hub for chain clearance. Maximum bores shown will accommodate standard keyway and setscrew over key-seat. Slightly larger bores are possible with no keyway, shallow keyway or setscrew at an angle to keyway.

SPROCKETS

SPROCKET #40 – 1/2" PITCH | NOMINAL = 0.284"

SINGLE – TYPE A		
Part no.	Bore (in)	Weight lb
40A12	1/2	0.18
40A13	1/2	0.22
40A14	1/2	0.26
40A15	5/8	0.30
40A16	5/8	0.34
40A17	5/8	0.36
40A18	5/8	0.44
40A19	5/8	0.46
40A20	5/8	0.56
40A21	5/8	0.58
40A22	5/8	0.66
40A23	5/8	0.72
40A24	5/8	0.82
40A25	5/8	0.88
40A26	5/8	0.94
40A27	5/8	0.98
40A28	5/8	1.10
40A30	19/32	1.26
40A32	19/32	1.48
40A33	19/32	1.56
40A34	19/32	1.64
40A35	19/32	1.70
40A36	19/32	1.84
40A38	19/32	2.00
40A39	19/32	2.02
40A40	23/32	2.22
40A41	23/32	2.42
40A42	23/32	2.50
40A45	23/32	3.15
40A47	23/32	3.22
40A48	23/32	3.32
40A50	23/32	3.62
40A54	23/32	4.44
40A60	23/32	5.48
40A70	23/32	7.24
40A72	23/32	7.74
40A80	23/32	10.20
40A84	23/32	11.07
40A96	15/16	12.15
40A112	15/16	20.00

SINGLE – TYPE FB – FINISH BORE											
Part no.	No. of teeth	Diameters (in)		Hub (in)	Weight lb	Stock finish bore (in)					
		Outside	Pitch			L.T.B.	Includes keyway & setscrews				
40FB10H	10	1.840	1.618	7/8	0.24	5/8	3/4				
40FB11H	11	2.000	1.775	7/8	0.28	5/8	3/4	7/8			
40FB12H	12	2.170	1.932	7/8	0.34	5/8	3/4	7/8	1		
40FB13H	13	2.330	2.089	7/8	0.45	5/8	3/4	7/8	1		
40FB14H	14	2.490	2.247	7/8	0.51	5/8	3/4	7/8	1		
40FB15H	15	2.650	2.405	7/8	0.53	5/8	3/4	7/8	1	11/8	
40FB16H	16	2.810	2.563	7/8	0.66	5/8	3/4	7/8	1	11/8	11/4
40FB17H	17	2.980	2.721	1	0.88	5/8	3/4	7/8	1	11/8	11/4
40FB18H	18	3.140	2.879	1	1.03	5/8	3/4	7/8	1	11/8	11/4
40FB19H	19	3.300	3.038	1	1.17	5/8	3/4	7/8	1	11/8	11/4
40FB20H	20	3.460	3.196	1	1.33	5/8	3/4	7/8	1	11/8	11/4
40FB21H	21	3.620	3.355	1	1.53	5/8	3/4	7/8	1	11/8	11/4
40FB22H	22	3.780	3.513	1	1.66	5/8	3/4	7/8	1	11/8	11/4
40FB23H	23	3.940	3.672	1	1.92	5/8	3/4	7/8	1	11/8	11/4
40FB24H	24	4.100	3.831	1	2.10	5/8	3/4	7/8	1	11/8	11/4
40FB25H	25	4.260	3.989	1	2.22	5/8	3/4	7/8	1	11/8	11/4
40FB26H	26	4.420	4.148	1	2.34	5/8	3/4	7/8	1	11/8	11/4
40FB27H	27	4.580	4.307	1	2.42	5/8	3/4	7/8	1	11/8	11/4
40FB28H	28	4.740	4.466	1	2.50	5/8	3/4	7/8	1	11/8	11/4
40FB30H	30	5.060	4.783	1	2.70	5/8	3/4	7/8	1	11/8	11/4
40FB32H	32	5.380	5.101	1	3.00		3/4	7/8	1	1-1/8	11/4
40FB36H	36	6.020	5.737	1	3.39		3/4	7/8	1	11/8	11/4
40FB40H	40	6.650	6.373	1	4.28		3/4	7/8	1	11/8	11/4
40FB45	45	7.450	7.168	1	5.06		3/4	7/8	1	11/8	11/4
40FB50	50	8.250	7.963	11/8	5.78		3/4	7/8	1	11/8	11/4
40FB54	54	8.890	8.599	11/8	6.24		3/4	7/8	1	11/8	11/4
40FB56	56	9.200	8.917	11/8	6.71		3/4	7/8	1	11/8	11/4
40FB60	60	9.840	9.554	11/8	7.68		3/4	7/8	1	11/8	11/4
40FB72	72	11.750	11.463	11/4	11.30		3/4	7/8	1	11/8	11/4
40FB80	80	13.030	12.736	11/4	13.20		3/4	7/8	1	11/8	11/4
40FB84	84	13.660	13.372	11/4	13.84		3/4	7/8	1	11/8	11/4
40FB96	96	15.570	15.281	11/4	17.44				1	11/8	11/4

(H) = With hardened teeth.

Keyway is on center line of tooth. All sprockets are one piece-construction

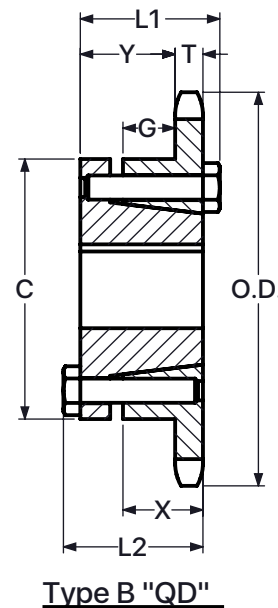


SPROCKETS

SPROCKET #40 – 1/2" PITCH | NOMINAL = 0.284"

SINGLE – TYPE QD												
Part no.	No. of teeth	Diameters (in)		Bushing	Bore (in) Max.	Dimensions (in)						Weight lb
		Outside	Pitch			L1	L2	C	Y	G	X	
40JA15H	15	2.650	2.405	JA	1 1/4	1 1/8	1 1/8	2 1/16	23/32	11/32	5/8	0.34
40JA16H	16	2.810	2.563	JA								0.40
40JA17H	17	2.980	2.721	JA								0.48
40JA18H	18	3.140	2.879	JA								0.54
40JA19H	19	3.300	3.038	JA								0.60
40JA20H	20	3.460	3.196	JA								0.76
40SH21H	21	3.620	3.355	SH	1 5/8	1 7/16	1 7/16	2 11/16	31/32	17/32	13/16	0.84
40S H22H	22	3.780	3.513	SH								0.92
40SH23H	23	3.940	3.672	SH								1.14
40SH24H	24	4.100	3.831	SH								1.22
40SH25H	25	4.260	3.989	SH								1.30
40SH26H	26	4.420	4.148	SH								1.44
40SH27H	27	4.580	4.307	SH								1.46
40SH28H	28	4.740	4.466	SH								1.54
40SH30H	30	5.060	4.873	SH								1.72
40S H32H	32	5.380	5.101	SH								1.90
40SH35H	35	5.860	5.578	SH	2.22							
40SDS36H	36	6.020	5.737	SDS	2	1 1/2	1 1/2	3 3/16	11/32	1/2	3/4	2.20
40SDS40H	40	6.650	6.373	SDS								2.72
40SDS42	42	6.970	6.691	SDS								2.92
40SDS45	45	7.450	7.168	SDS								3.32
40SDS48	48	7.930	7.645	SDS								3.7
40SDS54	54	8.890	8.599	SDS								4.78
40SDS60	60	9.840	9.554	SDS								5.86
40SK70	70	11.430	11.145	SK								7.42
40SK80	80	13.030	12.736	SK								9.64
40SK96	96	15.570	15.281	SK								12.82

(H) = With hardened teeth.

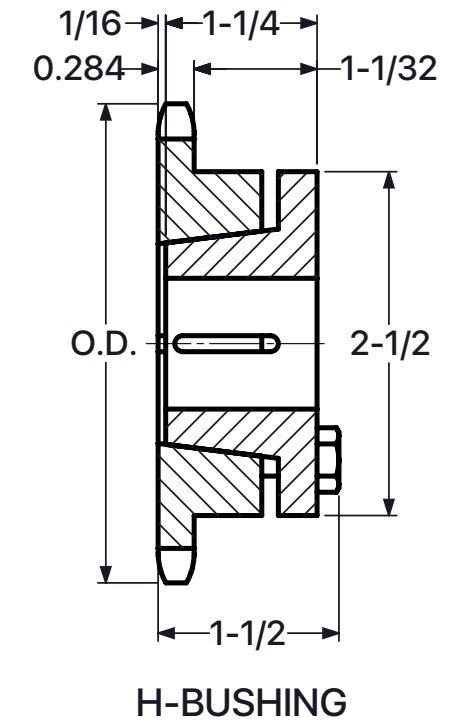


SPROCKETS

SPROCKET #40 – 1/2" PITCH | NOMINAL = 0.284"

SINGLE – SPLIT TAPER SPROCKETS – WITH HARDENED TEETH				
Part no.	No. of teeth	Diameters (in)		Weight lb
		Outside	Pitch	
40H 15H	15	2.650	2.405	0.50
40H16H	16	2.810	2.563	0.60
40H17H	17	2.980	2.721	0.65
40H18H	18	3.140	2.879	0.70
40H19H	19	3.300	3.038	0.80
40H20H	20	3.460	3.196	0.85
40H21H	21	3.620	3.355	0.90
40H22H	22	3.780	3.513	0.95
40H23H	23	3.940	3.672	1.00
40H24H	24	4.100	3.831	1.20
40H25H	25	4.260	3.989	1.30
40H26H	26	4.420	4.148	1.40
40H27H	27	4.580	4.307	1.45
40H28H	28	4.740	4.466	1.50
40H29H	29	4.900	4.625	1.55
40H30H	30	5.060	4.873	1.60
40H32H	32	5.380	5.101	1.80
40H33H	33	5.540	5.260	1.90
40H34H	34	5.700	5.419	2.00
40H35H	35	5.860	5.578	2.10
40H36H	36	6.020	5.737	2.30
40H38H	38	6.330	6.055	2.60
40H40H	40	6.650	6.373	2.80

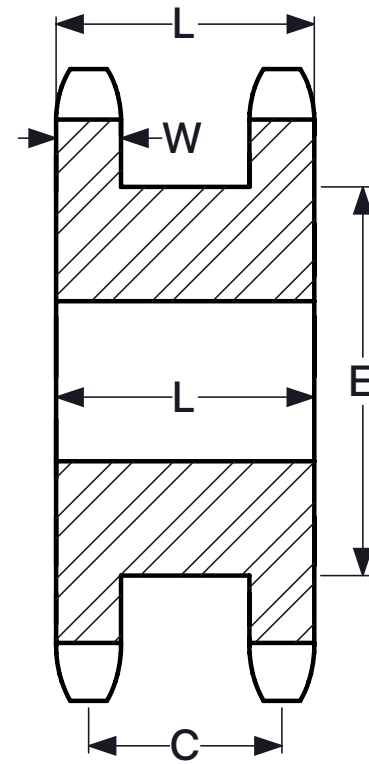
*All sprockets above fit the H bushing, max. bore 1 1/2"



SPROCKETS

SPROCKETS #D40 & DS40 – 1/2" PITCH | NOMINAL = 0.275"

DOUBLE – TYPE B								
Part no.	No. of teeth	Diameters (in)		Bore (in)		Hub (in)		Weight lb
		Outside	Pitch	Stock	Max	Dia.	L.T.B.	
D40B11H	11	2.000	1.775	1/2	3/4	17/16*	11/2	0.62
D40B12H	12	2.170	1.932	1/2	15/16	19/16*	11/2	0.76
D40B13H	13	2.330	2.089	1/2	1	11/2	11/2	0.86
D40B14H	14	2.490	2.247	1/2	11/8	111/16	11/2	1.08
D40B15H	15	2.650	2.405	1/2	11/4	113/16	11/2	1.24
D40B16H	16	2.810	2.563	5/8	13/8	2	11/2	1.42
D40B17H	17	2.980	2.721	5/8	17/16	2 1/8	11/2	1.64
D40B18H	18	3.140	2.879	5/8	11/2	2 5/16	11/2	1.92
D40B19H	19	3.300	3.038	5/8	13/4	2 1/2	11/2	2.22
D40B20H	20	3.460	3.196	5/8	17/8	2 5/8	15/8	2.64
D40B21H	21	3.620	3.355	5/8	17/8	2 3/4	15/8	2.94
D40B22H	22	3.780	3.513	5/8	17/8	2 7/8	15/8	3.18
D40B23H	23	3.940	3.672	5/8	2	3	15/8	3.52
D40B24H	24	4.100	3.831	5/8	2 1/4	3 1/4	15/8	4.04
D40B25H	25	4.260	3.989	5/8	2 1/4	3 1/4	15/8	4.26
D40B26H	26	4.420	4.148	5/8	2 1/4	3 1/4	15/8	4.48
D40B27H	27	4.580	4.307	5/8	2 1/4	3 1/4	15/8	4.62
D40B28H	28	4.740	4.466	5/8	2 1/4	3	15/8	4.86
D40B29H	29	4.900	4.670	5/8	2 1/4	3 1/4	15/8	5.18
D40B30H	30	5.060	4.873	7/8	2 1/4	3 1/4	15/8	5.34
D40B35H	35	5.860	5.578	7/8	2 1/4	3 1/4	15/8	6.80
D40B36H	36	6.020	5.737	15/16	2 1/2	3 3/4	15/8	7.20
D40B40H	40	6.650	6.373	15/16	2 1/2	3 3/4	13/4	9.40
D40B42	42	6.970	6.691	15/16	2 1/2	3 3/4	13/4	10.20
D40B45	45	7.450	7.168	15/16	3	4	13/4	11.36
D40B48	48	7.930	7.645	15/16	2 1/2	3 3/4	13/4	12.66
D40B54	54	8.890	8.599	15/16	2 1/2	3 3/4	13/4	15.48
D40B60	60	9.840	9.554	15/16	2 1/2	3 3/4	13/4	18.60
D40B72	72	11.750	11.463	13/16	2 3/4	4 1/4	2 1/8	27.88
D40B84	84	13.660	13.372	13/16	2 3/4	4	2 1/8	36.24
D40B96	96	15.570	15.281	13/16	2 3/4	4 1/4	2 1/8	39.50



A- Type

1-13/32 DOUBLE SINGLE – TYPE A								
Part no.	No. of teeth	Outside dia. (in)	Bore (in)		Dimensions (in)			Weight lb
			Min.	Max	L	C	E	
DS40A15H	15	2.650	0.500	11/4	113/32	11/8	113/16	1.20
DS40A16H	16	2.810	0.500	11/4	113/32	11/8	2	1.40
DS40A17H	17	2.980	0.500	15/16	113/32	11/8	2 1/8	1.60
DS40A18H	18	3.140	0.500	11/2	113/32	11/8	2 5/16	1.80
DS40A19H	19	3.300	0.625	1 1/16	113/32	11/8	2 1/2	2.20
DS40A20H	20	3.460	0.625	13/4	113/32	11/8	2 5/8	2.60
DS40A21H	21	3.620	0.625	13/4	113/32	11/8	2 25/32	2.90
DS40A22H	22	3.780	0.625	1 13/16	113/32	11/8	2 15/16	3.00
DS40A23H	23	3.940	0.625	2 1/16	113/32	11/8	3 3/32	3.50
DS40A24H	24	4.100	0.625	2 1/4	113/32	11/8	3 17/64	4.00

(H) = With hardened teeth.

Maximum bores shown will accommodate standard keyway and setscrew over keyseat.

Slightly larger bores are possible with no keyseat, shallow keyseat or setscrew at an angle to keyseat.

SPROCKETS

SPROCKET #41 – 1/2" PITCH | NOMINAL = 0.227"

SINGLE – TYPE B								
Part no.	No. of teeth	Diameters (in)		Bore (in)		Hub (in)		Weight lb
		Outside	Pitch	Stock	Max.	Dia.	L.T.B.	
41B8H	8	1.510	1.307	1/2	1/2	63/64*	7/8	0.19
41B9H	9	1.670	1.462	1/2	5/8	11/8*	7/8	0.20
41B10H	10	1.840	1.618	1/2	3/4	11/4*	7/8	0.27
41B11H	11	2.000	1.775	1/2	7/8	1 7/16*	7/8	0.35
41B12H	12	2.170	1.932	1/2	15/16	19/16*	7/8	0.44
41B13H	13	2.330	2.089	1/2	1	19/16	7/8	0.50
41B14H	14	2.490	2.247	1/2	11/4	13/4	7/8	0.57
41B15H	15	2.650	2.405	1/2	15/16	1 29/32	7/8	0.72
41B16H	16	2.810	2.563	5/8	13/8	2 1/16	7/8	0.91
41B17H	17	2.980	2.721	5/8	11/2	2 15/16	1	1.09
41B18H	18	3.140	2.879	5/8	15/8	2 3/8	1	1.25
41B19H	19	3.300	3.038	5/8	13/4	2 15/16	1	1.49
41B20H	20	3.460	3.196	5/8	17/8	2 3/4	1	1.64
41B21H	21	3.620	3.355	5/8	17/8	3	1	1.81
41B22H	22	3.780	3.513	5/8	2	3	1	1.93
41B23H	23	3.940	3.672	5/8	2 1/4	3	1	2.25
41B24H	24	4.100	3.831	5/8	2 1/4	3	1	2.33
41B25H	25	4.260	3.989	5/8	2 1/4	3	1	2.46
41B26H	26	4.420	4.148	5/8	2 1/4	3	1	2.50
41B27H	27	4.580	4.307	5/8	2 1/4	3	1	2.56
41B28H	28	4.740	4.466	5/8	2 1/4	3	1	2.64
41B30H	30	5.060	4.783	5/8	2 1/4	3	1	2.80
41B32H	32	5.380	5.101	5/8	2 1/4	3	1	2.96
41B35H	35	5.860	5.307	5/8	2 3/8	3 1/4	1	3.12
41B36H	36	6.020	5.737	5/8	2 3/8	3 1/4	1	3.32
41B40H	40	6.650	6.373	3/4	2 3/8	3 1/4	1	4.06
41B42	42	6.970	6.691	3/4	2 3/8	3 1/2	1	4.10
41B45	45	7.450	7.168	3/4	2 3/8	3 1/2	1	4.18
41B48	48	7.930	7.645	3/4	2 3/8	3-1/2	1	4.92
41B54	54	8.890	8.599	3/4	2 3/8	3-1/2	1	5.68
41B60	60	9.840	9.554	3/4	2 3/8	3-1/2	1	6.78
41B70	70	11.430	11.145	3/4	2 3/4	4	1 3/16	10.20
41B72	72	11.750	11.463	3/4	2 3/4	4	1 3/16	10.55
41B80	80	13.030	12.736	3/4	2 3/4	4	1 3/16	12.40
41B84	84	13.660	13.372	3/4	2 3/4	4	1 3/16	13.04
41B96	96	15.570	15.281	1	2 3/4	4	1 3/16	16.25

(H) = With hardened teeth.

*Has recessed groove in hub for chain clearance. Maximum bores shown will accommodate standard keyway and setscrew over keyseat. Slightly larger bores are possible with no keyway, shallow keyway or setscrew at an angle to keyway.



SINGLE – TYPE A		
Part no.	Bore (in) Stock	Weight lb
41A15	5/8	0.28
41A16	5/8	0.34
41A17	5/8	0.36
41A18	5/8	0.44
41A19	5/8	0.46
41A20	5/8	0.52
41A21	5/8	0.60
41A22	5/8	0.66
41A23	5/8	0.72
41A24	5/8	0.82
41A25	5/8	0.88
41A26	5/8	0.94
41A27	5/8	1.00
41A28	5/8	1.08
41A30	19/32	1.20
41A32	19/32	1.44
41A35	19/32	1.70
41A36	19/32	1.84
41A40	23/32	2.22
41A42	23/32	2.50
41A45	23/32	2.52
41A48	23/32	2.92
41A54	23/32	3.54
41A60	23/32	4.60

SPROCKETS

SPROCKET #50 – 5/8" PITCH | NOMINAL = 0.343"

SINGLE – TYPE B								
Part no.	No. of teeth	Diameters (in)		Bore (in)		Hub (in)		Weight lb
		Outside	Pitch	Stock	Max	Dia.	L.T.B.	
50B8H	8	1.880	1.633	5/8	5/8	11/8*	1	0.25
50B9H	9	2.090	1.827	5/8	3/4	13/8*	1	0.36
50B10H	10	2.300	2.023	5/8	7/8	19/16*	1	0.48
50B11H	11	2.500	2.219	5/8	1	13/4*	1	0.64
50B12H	12	2.710	2.415	5/8	11/4	163/64*	1	0.83
50B13H	13	2.910	2.612	5/8	15/16	17/8	1	0.88
50B14H	14	3.110	2.809	5/8	17/16	21/8	1	1.13
50B15H	15	3.320	3.006	5/8	11/2	23/8	1	1.34
50B16H	16	3.520	3.204	5/8	17/8	3	1	1.51
50B17H	17	3.720	3.401	5/8	17/8	211/16	1	1.74
50B18H	18	3.920	3.599	5/8	17/8	27/8	1	2.00
50B19H	19	4.120	3.797	5/8	2	3	1	2.22
50B20H	20	4.320	3.995	3/4	2	3	1	2.28
50B21H	21	4.520	4.194	3/4	2	3	1	2.40
50B22H	22	4.720	4.392	3/4	2	3	1	2.56
50B23H	23	4.920	4.590	3/4	2	3	1	2.66
50B24H	24	5.120	4.788	3/4	2	3	11/4	3.30
50B25H	25	5.320	4.987	3/4	2	3	11/4	3.40
50B26H	26	5.520	5.185	3/4	2	3	11/4	3.44
50B27H	27	5.720	5.384	3/4	2	3	11/4	3.74
50B28H	28	5.920	5.582	3/4	2	3	11/4	3.80
50B29H	29	6.120	5.781	3/4	2	3	11/4	4.06
50B30H	30	6.320	5.979	3/4	21/4	31/4	11/4	4.56
50B31H	31	6.520	6.178	3/4	21/4	31/4	11/4	4.74
50B32H	32	6.720	6.376	3/4	21/4	31/4	11/4	4.96
50B33H	33	6.920	6.575	3/4	21/4	31/4	11/4	5.20
50B34H	34	7.120	6.774	3/4	21/4	31/4	11/4	5.14
50B35H	35	7.320	6.972	3/4	21/4	31/4	11/4	5.44
50B36	36	7.520	7.171	3/4	21/4	31/4	11/4	5.64
50B38	38	7.920	7.569	3/4	21/4	31/4	11/4	6.08
50B39	39	8.120	7.767	3/4	21/4	31/4	11/4	6.30
50B40	40	8.320	7.966	3/4	21/4	31/4	11/4	6.50
50B41	41	8.520	8.165	3/4	21/4	31/4	11/4	6.70
50B42	42	8.720	8.363	3/4	21/4	31/4	11/4	6.96
50B44	44	9.110	8.761	3/4	21/4	31/4	11/4	7.58
50B45	45	9.310	8.960	3/4	21/2	33/4	11/4	8.58
50B48	48	9.910	9.556	1	21/2	33/4	11/4	9.28
50B50	50	10.310	9.954	1	21/2	33/4	11/4	9.88
50B52	52	10.710	10.351	1	3	33/4	1-1/4	10.24
50B54	54	11.110	10.749	1	21/2	33/4	11/4	11.00
50B60	60	12.300	11.942	1	21/2	33/4	11/4	13.00
50B70	70	14.290	13.931	1	21/2	33/4	13/4	18.16
50B72	72	14.690	14.329	1	21/2	33/4	13/4	19.48
50B76	76	15.486	15.124	1	21/2	33/4	13/4	21.00
50B80	80	16.280	15.920	1	23/4	41/4	13/4	24.74
50B84	84	17.080	16.715	1	23/4	41/4	13/4	25.50
50B96	96	19.470	19.102	1	23/4	41/4	13/4	32.92
50B112	112	22.650	22.285	1	23/4	41/4	13/4	42.00

SPROCKETS

SPROCKET #50 – 5/8" PITCH | NOMINAL = 0.343"

SINGLE – TYPE FB – FINISH BORE											
Part no.	No. of teeth	Diameters (in)		Hub (in) L.T.B.	Weight lb	Stock finish bore (in)					
		Outside	Pitch			Includes keyway & setscrews					
50FB10H	10	2.300	2.023	1	0.30	5/8	3/4	7/8			
50FB11H	11	2.500	2.219	1	0.60	5/8	3/4	7/8			
50FB12H	12	2.710	2.415	1	0.70	5/8	3/4	7/8			
50FB13H	13	2.910	2.612	1	0.80	5/8	3/4	7/8	11/8	11/4	17/16
50FB14H	14	3.110	2.809	1	1.00	5/8	3/4	7/8	11/8	11/4	17/16
50FB15H	15	3.320	3.006	1	1.20	5/8	3/4	7/8	11/8	11/4	17/16
50FB16H	16	3.520	3.204	1	1.45	5/8	3/4	7/8	11/8	11/4	17/16
50FB17H	17	3.720	3.401	1	1.60	5/8	3/4	7/8	11/8	11/4	17/16
50FB18H	18	3.920	3.599	1	1.90	5/8	3/4	7/8	11/8	11/4	17/16
50FB19H	19	4.120	3.797	1	2.00	5/8	3/4	7/8	11/8	11/4	17/16
50FB20H	20	4.320	3.995	1	2.10		3/4	7/8	11/8	11/4	17/16
50FB21H	21	4.520	4.194	1	2.25		3/4	7/8	11/8	11/4	17/16
50FB22H	22	4.720	4.392	1	2.40		3/4	7/8	11/8	11/4	17/16
50FB23H	23	4.920	4.590	1	2.50		3/4	7/8	11/8	11/4	17/16
50FB24H	24	5.120	4.788	11/4	3.00		3/4	7/8	11/8	11/4	17/16
50FB25H	25	5.320	4.987	11/4	3.10		3/4	7/8	11/8	11/4	17/16
50FB26H	26	5.520	5.185	11/4	3.30		3/4	7/8	11/8	11/4	17/16
50FB27H	27	5.720	5.384	11/4	3.46		3/4	7/8	11/8	11/4	17/16
50FB28H	28	5.920	5.582	11/4	3.60		3/4	7/8	11/8	11/4	17/16
50FB29H	29	6.120	5.781	11/4	3.78		3/4	7/8	11/8	11/4	17/16
50FB30H	30	6.320	5.979	11/4	3.90		3/4	7/8	11/8	11/4	17/16
50FB32H	32	6.720	6.376	11/4	4.7		3/4	7/8	11/8	11/4	17/16
50FB35H	35	7.320	6.972	11/4	5.30		3/4	7/8	11/8	11/4	17/16
50FB36	36	7.520	7.171	11/4	5.50		3/4	7/8	11/8	11/4	17/16
50FB40	40	8.320	7.966	11/4	6.20			7/8	11/8	11/4	17/16
50FB42	42	8.720	8.363	11/4	6.68			7/8	11/8	11/4	17/16
50FB45	45	9.310	8.960	11/4	8.00			7/8	11/8	11/4	17/16
50FB48	48	9.910	9.556	11/4	9.03				11/8	11/4	17/16
50FB50	50	10.310	9.954	11/4	9.63				11/8	11/4	17/16
50FB54	54	11.110	10.749	11/4	10.75				11/8	11/4	17/16
50FB60	60	11.900	11.942	13/4	13.50				11/8	11/4	17/16
50FB72	72	12.300	14.329	13/4	19.13				11/8	11/4	17/16



(H) = With hardened teeth.

*Has recessed groove in hub for chain clearance. Maximum bores shown will accommodate standard keyway and setscrew over keyseat. Slightly larger bores are possible with no keyway, shallow keyway or setscrew at an angle to keyway.



(H) = With hardened teeth.

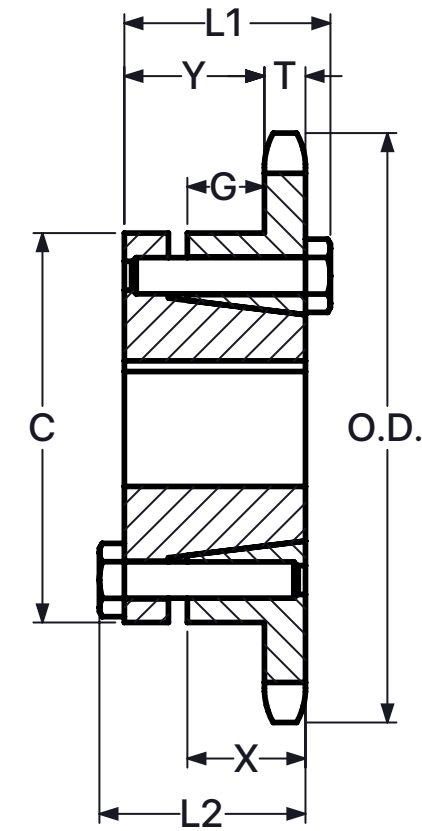
*Keyway is on center line of tooth.

SPROCKETS

SPROCKET #50 – 5/8" PITCH | NOMINAL = 0.343"

SINGLE – TYPE QD												
Part no.	No. of teeth	Diameters (in)		Bushing	Bore (in) Max.	Dimensions (in)						Weight lb
		Outside	Pitch			L1	L2	C	Y	G	X	
50JA12H	12	2.710	2.415	JA	1 1/4	1 1/8	1 1/8	2 1/16	2 1/32	9/32	5/8	0.34
50JA13H	13	2.910	2.612	JA								0.40
50JA14H	14	3.110	2.809	JA								0.52
50JA15H	15	3.320	3.006	JA								0.60
50JA16H	16	3.520	3.204	JA								0.68
50SH17H	17	3.720	3.401	SH	1 5/8	1 7/16	1 7/16	2 11/16	2 9/32	1 5/32	1 3/16	0.84
50SH18H	18	3.920	3.599	SH								1.04
50SH19H	19	4.120	3.797	SH								1.24
50SDS20H	20	4.320	3.995	SDS								1.20
50SDS21H	21	4.520	4.194	SDS								1.32
50SDS22H	22	4.720	4.392	SDS	1.42							
50SDS23H	23	4.920	4.590	SDS	1.58							
50SDS24H	24	5.120	4.788	SDS	1.70							
50SDS25H	25	5.320	4.987	SDS	1.86							
50SDS26H	26	5.520	5.185	SDS	2.00							
50SDS27H	27	5.720	5.384	SDS	2.12							
50SDS28H	28	5.920	5.582	SDS	2	1 1/2	1 1/2	3 3/16	3 1/32	1 3/32	3/4	2.32
50SDS30H	30	6.320	5.979	SDS								2.64
50SDS32H	32	6.720	6.372	SDS								2.98
50SDS35H	35	7.320	6.972	SDS								3.62
50SDS36	36	7.520	7.171	SDS								3.64
50SDS40	40	8.320	7.966	SDS	4.74							
50SDS42	42	8.720	8.363	SDS	5.40							
50SDS45	45	9.310	8.960	SDS	5.90							
50SDS48	48	9.910	9.556	SDS	6.66							
50SK54	54	11.110	10.749	SK	2 5/8	2 1/8	2 1/8	3 7/8	1 17/32	2 9/32	1 1/4	9.68
50SK60	60	12.300	11.942	SK								11.88
50SK70	70	14.290	13.931	SK								15.52
50SK72	72	14.690	14.329	SK	16.44							
50SF80	80	16.280	15.920	SF	2 15/16	2 1/4	2 1/4	4 5/8	1 21/32	2 9/32	1 1/4	19.90
50SF84	84	17.080	16.715	SF								22.98
50SF96	96	19.470	19.102	SF								29.88

(H) = With hardened teeth.



Type B "QD"

SPROCKETS

SPROCKET #50 – 5/8" PITCH | NOMINAL = 0.343"

SINGLE – SPLIT TAPER SPROCKET				
Part no.	No. of teeth	Diameters (in)		Weight lb
		Outside	Pitch	
50P15H	15	3.320	3.006	1.10
50P16H	16	3.520	3.204	1.30
50P17H	17	3.720	3.401	1.40
50P18H	18	3.920	3.599	1.60
50P19H	19	4.120	3.797	1.80
50P20H	20	4.320	3.995	2.00
50P21H	21	4.520	4.194	2.10
50P22H	22	4.720	4.392	2.30
50P23H	23	4.920	4.590	2.40
50Q23H	23	4.920	4.590	3.40
50P24H	24	5.120	4.788	2.50
50Q24H	24	5.120	4.788	3.40
50P25H	25	5.320	4.987	2.60
50Q25H	25	5.320	4.987	3.70
50P26H	26	5.520	5.185	2.90
50Q26H	26	5.520	5.185	3.80
50P27H	27	5.720	5.384	3.00
50Q27H	27	5.720	5.384	3.90
50P28H	28	5.920	5.582	3.20
50Q28H	28	5.920	5.582	4.00
50P29H	29	6.120	5.781	3.30
50Q29H	29	6.120	5.781	5.00
50P30H	30	6.320	5.979	3.50
50Q30H	30	6.320	5.979	5.60

(H) = With hardened teeth.

*P or Q indicates P1 or Q1 bushings should be used.

P1 max. bore : 1 3/4" ; Q1 max. bore : 2 11/16"



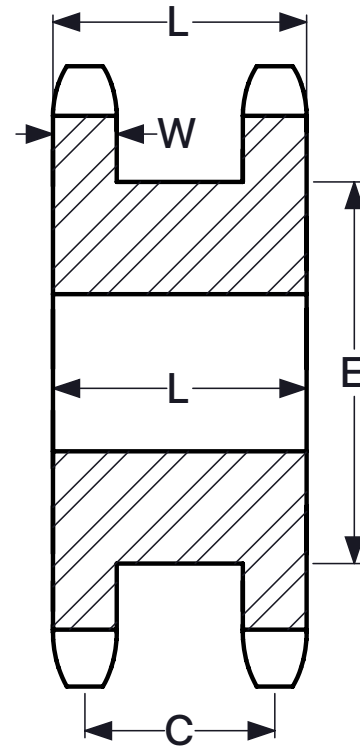
SINGLE – SPLIT TAPER SPROCKET				
Part no.	No. of teeth	Diameters (in)		Weight lb
		Outside	Pitch	
50P31H	31	6.520	6.178	3.60
50Q31H	31	6.520	6.178	5.85
50P32H	32	6.720	6.372	3.90
50Q32H	32	6.720	6.372	6.10
50P33H	33	6.920	6.575	4.10
50Q33H	33	6.920	6.575	6.25
50P34H	34	7.120	6.774	4.30
50Q34H	34	7.120	6.774	6.55
50P35H	35	7.320	6.972	4.35
50Q35H	35	7.320	6.972	6.80
50P36H	36	7.520	7.171	4.80
50Q36H	36	7.520	7.171	6.85
50Q37	37	7.720	7.370	7.00
50Q42	42	8.720	8.363	8.30
50Q44	44	9.110	8.761	8.60
50Q45	45	9.310	8.960	9.00
50Q47	47	9.710	9.357	9.30
50Q48	48	9.910	9.556	9.60
50Q50	50	10.310	9.954	9.80
50Q56	56	11.500	11.147	12.30
50Q60	60	12.300	11.942	13.30
50Q 70	70	14.290	13.931	16.90
50Q80	80	16.280	15.920	21.10
50Q84	84	17.800	16.715	24.30
50Q96	96	19.470	19.102	29.80



SPROCKETS

SPROCKETS #D50 & DS50 – 5/8" PITCH | NOMINAL = 0.332"

DOUBLE – TYPE B – DIMENSION T FOR #D50 = 1.045								
Part no.	No. of teeth	Diameters (in)		Bore (in)		Hub (in)		Weight lb
		Outside	Pitch	Stock	Max.	Dia.	L.T.B.	
D50B11H	11	2.500	2.219	5/8	15/16	1 15/32	1 3/4	0.96
D50B12H	12	2.710	2.415	5/8	1 1/8	1 11/16	1 3/4	1.25
D50B13H	13	2.910	2.612	5/8	1 5/16	1 7/8	1 3/4	1.56
D50B14H	14	3.110	2.809	5/8	1 3/8	2 1/16	1 3/4	1.86
D50B15H	15	3.320	3.006	3/4	1 1/2	2 5/16	1 3/4	2.22
D50B16H	16	3.520	3.204	3/4	1 3/4	2 1/2	1 3/4	2.62
D50B17H	17	3.720	3.401	3/4	1 7/8	2 11/16	1 3/4	3.04
D50B18H	18	3.920	3.599	3/4	1 15/16	2 15/16	1 3/4	3.58
D50B19H	19	4.120	3.797	1	2 1/8	3 1/8	1 3/4	3.90
D50B20H	20	4.320	3.995	1	2 1/4	3 1/4	1 3/4	4.26
D50B21H	21	4.520	4.194	1	2 3/8	3 1/2	1 3/4	4.90
D50B22H	22	4.720	4.392	1	2 3/8	3 9/16	1 7/8	5.58
D50B23H	23	4.920	4.590	1	2 1/2	3 5/8	1 7/8	6.10
D50B24H	24	5.120	4.788	1	2 1/2	3 5/8	1 7/8	6.50
D50B25H	25	5.320	4.987	1	2 1/2	3 5/8	1 7/8	6.94
D50B26H	26	5.520	5.185	1	2 1/2	3 3/4	1 7/8	7.54
D50B30H	30	6.320	5.979	1	2 1/2	3 3/4	1 7/8	9.40
D50B32H	32	6.720	6.376	1	2 1/2	3 3/4	1 7/8	10.46
D50B35H	35	7.320	6.972	1	2 1/2	3 3/4	1 7/8	12.28
D50B36	36	7.520	7.171	1 3/16	2 3/4	4	2 1/8	13.94
D50B40	40	8.320	7.966	1 3/16	2 3/4	4	2 1/8	16.54
D50B42	42	8.720	8.363	1 3/16	2 3/4	4	2 1/8	17.92
D50B45	45	9.310	8.960	1 3/16	2 3/4	4	2 3/8	20.30
D50B48	48	9.910	9.556	1 3/16	2 3/4	4 1/4	2 3/8	24.08
D50B54	54	11.110	10.749	1 3/16	2 3/4	4 1/4	2 3/8	29.16
D50B60	60	12.300	11.942	1 3/16	3	4 1/2	2 3/8	35.88
D50B72	72	14.690	14.329	1 5/16	3	4 1/2	2 3/8	50.22
D50B84	84	17.080	16.715	1 5/16	3	4 1/2	2 3/8	51.64
D50B96	96	19.470	19.102	1 5/16	3	4 1/2	2 3/8	67.42



A- Type

(H) = With hardened teeth.

Maximum bores shown will accommodate standard keyseat and setscrew over keyseat. Slightly larger bores are possible with no keyseat, shallow keyseat or setscrew at an angle to keyseat.

SPROCKETS

SPROCKET #60 – 3/4" PITCH | NOMINAL = 0.459"

SINGLE – TYPE B								
Part no.	No. of teeth	Diameters (in)		Bore (in)		Hub (in)		Weight lb
		Outside	Pitch	Stock	Max.	Dia.	L.T.B.	
60B8H	8	2.260	1.960	5/8	5/8	1 15/32*	1 1/4	0.54
60B9H	9	2.510	2.193	3/4	7/8	1 9/16*	1 1/4	0.64
60B10H	10	2.760	2.427	3/4	1 1/8	1 15/16*	1 1/4	0.99
60B11H	11	3.000	2.662	3/4	1 5/16	2 1/16*	1 1/4	1.16
60B12H	12	3.250	2.898	3/4	1 3/8	2 3/8*	1 1/4	1.47
60B13H	13	3.490	3.134	3/4	1 1/2	2 11/32	1 1/4	1.66
60B14H	14	3.740	3.371	3/4	1 3/4	2 9/16	1 1/4	2.00
60B15H	15	3.980	3.607	3/4	1 7/8	2 7/8	1 1/4	2.51
60B16H	16	4.220	3.844	3/4	2	3 1/16	1 1/4	2.81
60B17H	17	4.460	4.082	3/4	2 1/4	3 1/4	1 1/4	3.22
60B18H	18	4.700	4.319	3/4	2 3/8	3 1/2	1 1/4	3.72
60B19H	19	4.950	4.557	3/4	2 5/8	3 1/2	1 1/4	3.92
60B20H	20	5.190	4.794	3/4	2 3/4	3 7/8	1 1/4	4.63
60B21H	21	5.430	5.032	3/4	2 3/4	4	1 1/4	5.00
60B22H	22	5.670	5.270	3/4	2 3/4	4	1 1/4	5.25
60B23H	23	5.910	5.508	3/4	2 3/4	4	1 1/4	5.48
60B24H	24	6.150	5.746	3/4	2 3/4	4	1 1/4	5.78
60B25H	25	6.390	5.984	3/4	2 3/4	4	1 1/4	6.13
60B26H	26	6.630	6.222	3/4	2 3/4	4	1 1/4	6.38
60B27H	27	6.870	6.460	3/4	2 3/4	4	1 1/4	6.72
60B28H	28	7.110	6.699	3/4	2 3/4	4	1 1/4	6.88
60B29H	29	7.350	6.937	3/4	2 3/4	4	1 1/4	7.28
60B30H	30	7.590	7.175	3/4	2 3/4	4	1 1/4	7.58
60B31	31	7.830	7.413	3/4	2 3/4	4	1 1/4	7.72
60B32	32	8.070	7.652	3/4	2 3/4	4	1 1/4	8.26
60B33	33	8.300	7.890	1	2 3/4	4	1 1/4	8.42
60B34	34	8.540	8.129	1	2 3/4	4	1 1/4	8.80
60B35	35	8.780	8.367	1	2 3/4	4	1 1/4	9.04
60B36	36	9.020	8.605	1	2 3/4	4	1 1/4	9.60
60B37	37	9.260	8.844	1	2 3/4	4	1 1/4	10.24
60B38	38	9.500	9.082	1	2 3/4	4 1/4	1 1/4	10.84
60B39	39	9.740	9.321	1	2 3/4	4 1/4	1 1/4	11.36
60B40	40	9.980	9.559	1	2 3/4	4 1/4	1 1/4	11.50
60B41	41	10.220	9.798	1	2 3/4	4 1/4	1 1/4	12.14
60B42	42	10.420	10.036	1	2 3/4	4 1/4	1 1/4	12.74
60B44	44	10.940	10.513	1 5/16	2 3/4	4 1/4	1 1/4	13.88
60B45	45	11.180	10.752	1 5/16	2 3/4	4 1/4	1 1/4	13.98
60B48	48	11.890	11.467	1 5/16	2 3/4	4 1/4	1 1/4	15.82
60B50	50	12.370	11.945	1 5/16	2 3/4	4 1/4	1 1/4	17.66
60B54	54	13.330	12.899	1 5/16	2 3/4	4 1/4	1 3/4	21.60
60B60	60	14.760	14.331	1 1/4	2 3/4	4 1/4	1 3/4	25.20
60B70	70	17.150	16.717	1 1/4	2 3/4	4 1/4	1 3/4	31.98
60B72	72	17.630	17.194	1 1/4	2 3/4	4 1/4	2	34.18
60B76	76	18.580	18.149	1 1/4	2 3/4	4 1/4	2	38.06
60B80	80	19.540	19.103	1 1/4	2 3/4	4 1/4	2	41.88
60B84	84	20.490	20.058	1 1/4	3 1/4	4 3/4	2	46.46
60B96	96	23.360	22.922	1 1/4	3 3/4	5 1/2	2 1/4	63.08
60B112	112	27.180	26.742	1 1/4	3 3/4	5 1/2	2 1/4	81.78

SPROCKETS

SPROCKET #60 – 3/4" PITCH | NOMINAL = 0.459"

SINGLE – TYPE A		
Part no.	Bore (in)	Weight lb
	Stock	
60A10	3/4	0.44
60A11	3/4	0.54
60A12	3/4	0.68
60A13	3/4	0.80
60A14	3/4	0.94
60A15	3/4	1.08
60A16	3/4	1.24
60A17	3/4	1.44
60A18	3/4	1.62
60A19	3/4	1.84
60A20	3/4	2.12
60A21	3/4	2.28
60A22	3/4	2.48
60A23	3/4	2.68
60A24	23/32	3.00
60A25	23/32	3.34
60A26	23/32	3.54
60A27	23/32	3.96
60A28	23/32	4.14
60A29	23/32	4.40
60A30	23/32	4.78
60A31	23/32	5.24
60A32	23/32	5.52
60A33	15/16	5.86
60A34	15/16	6.16
60A35	15/16	6.78
60A36	15/16	6.82
60A37	15/16	7.52
60A38	15/16	7.84
60A39	15/16	8.28
60A40	15/16	8.56
60A41	15/16	9.10
60A42	15/16	9.84
60A44	15/16	10.76
60A45	15/16	11.08
60A48	15/16	12.42
60A50	15/16	13.98
60A54	15/16	15.92
60A60	11/4	20.02
60A70	11/4	27.20
60A72	11/4	28.90
60A76	11/4	32.34
60A80	11/4	45.50
60A84	11/4	40.18
60A96	11/4	52.02
60A112	11/4	70.80



(H) = With hardened teeth.

*Has recessed groove in hub for chain clearance. Maximum bores shown will accommodate standard keyway and setscrew over keyseat. Slightly larger bores are possible with no keyway, shallow keyway or setscrew at an angle to keyway.

SPROCKETS

SPROCKET #60 – 3/4" PITCH | NOMINAL = 0.459"

SINGLE – TYPE FB – FINISH BORE												
Part no.	No. of teeth	Diameters (in)		Hub (in) L.T.B.	Weight lb	Stock finish bore (in) Includes keyway & setscrews						
		Outside	Pitch			3/4	7/8	1	1 1/8	1 1/4	1 7/16	1 1/2
60FB10H	10	2.760	2.427	1	0.70	3/4	7/8	1	1 1/8	1 1/4		
60FB11H	11	3.000	2.662	1	0.90	3/4	7/8	1	1 1/8	1 1/4		
60FB12H	12	3.250	2.898	1	1.30	3/4	7/8	1	1 1/8	1 1/4		
60FB13H	13	3.490	3.134	1	1.30	3/4	7/8	1	1 1/8	1 1/4	1 7/16	
60FB14H	14	3.740	3.371	1	1.60	3/4	7/8	1	1 1/8	1 1/4	1 7/16	
60FB15H	15	3.980	3.607	1	1.70	3/4	7/8	1	1 1/8	1 1/4	1 7/16	1 1/2
60FB16H	16	4.220	3.844	1	2.10	3/4	7/8	1	1 1/8	1 1/4	1 7/16	1 1/2
60FB17H	17	4.460	4.082	1	2.40			1	1 1/8	1 1/4	1 7/16	1 1/2
60FB18H	18	4.700	4.319	1	2.60			1	1 1/8	1 1/4	1 7/16	1 1/2
60FB19H	19	4.950	4.557	1	3.40			1	1 1/8	1 1/4	1 7/16	1 1/2
60FB20H	20	5.190	4.794	1	3.90			1	1 1/8	1 1/4	1 7/16	1 1/2
60FB21H	21	5.430	5.032	1	4.40			1	1 1/8	1 1/4	1 7/16	1 1/2
60FB22H	22	5.670	5.270	1	4.70			1	1 1/8	1 1/4	1 7/16	1 1/2
60FB23H	23	5.910	5.508	1	5.00			1	1 1/8	1 1/4	1 7/16	1 1/2
60FB24H	24	6.150	5.746	1 1/4	5.30			1	1 1/8	1 1/4	1 7/16	1 1/2
60FB25H	25	6.390	5.984	1 1/4	5.40			1	1 1/8	1 1/4	1 7/16	1 1/2
60FB26H	26	6.630	6.222	1 1/4	5.80			1	1 1/8	1 1/4	1 7/16	1 1/2
60FB27H	27	6.870	6.460	1 1/4	6.30			1	1 1/8	1 1/4	1 7/16	1 1/2
60FB28H	28	7.110	6.699	1 1/4	6.40			1	1 1/8	1 1/4	1 7/16	1 1/2
60FB29H	29	7.350	6.937	1 1/4	6.90			1	1 1/8	1 1/4	1 7/16	1 1/2
60FB30H	30	7.590	7.175	1 1/4	7.10			1	1 1/8	1 1/4	1 7/16	1 1/2
60FB32	32	8.070	7.652	1 1/4	7.8			1	1 1/8	1 1/4	1 7/16	1 1/2
60FB35	35	8.780	8.367	1 1/4	8.80			1	1 1/8	1 1/4	1 7/16	1 1/2
60FB40	40	9.980	9.559	1 1/4	11.20			1	1 1/8	1 1/4	1 7/16	1 1/2
60FB42	42	10.460	10.036	1 1/4	12.40			1	1 1/8	1 1/4	1 7/16	1 1/2
60FB45	45	11.180	10.752	1 1/4	13.80			1	1 1/8	1 1/4	1 7/16	1 1/2
60FB48	48	11.890	11.467	1 1/4	15.40			1	1 1/8	1 1/4	1 7/16	1 1/2
60FB50	50	12.370	11.945	1 1/4	17.30			1	1 1/8	1 1/4	1 7/16	1 1/2
60FB54	54	13.330	12.899	1 3/4	21.00			1	1 1/8	1 1/4	1 7/16	1 1/2
60FB60	60	14.760	14.330	1 3/4	24.00							1 1/2
60FB72	72	17.630	17.194	2	32.00							1 1/2

(H) = With hardened teeth.

Keyway is on center line of tooth.

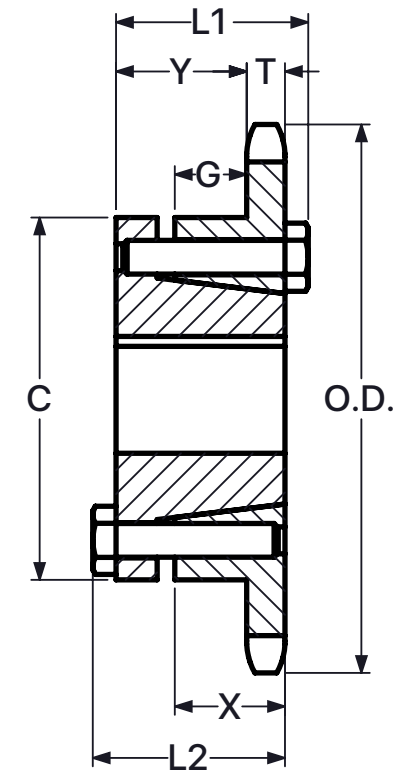


SPROCKETS

SPROCKET #60 – 3/4" PITCH | NOMINAL = 0.459"

SINGLE – TYPE QD												
Part no.	No. of teeth	Diameters (in)		Bushing	Bore (in) Max.	Dimensions (in)						Weight lb
		Outside	Pitch			L1	L2	C	Y	G	X	
60JA11H	11	3.000	2.662	JA								0.46
60JA12H	12	3.250	2.898	JA	1 1/4	1 1/8	1 1/8	2 1/16	35/64	11/64	5/8	0.60
60JA13H	13	3.490	3.134	JA								0.76
60SH14H	14	3.740	3.371	SH								0.88
60SH15H	15	3.980	3.607	SH	1 5/8	1 7/16	1 7/16	2 11/16	51/64	23/64	13/16	1.08
60SH16H	16	4.220	3.844	SH								1.26
60SDS17H	17	4.460	4.082	SDS								1.38
60SDS18H	18	4.700	4.319	SDS								1.56
60SDS19H	19	4.950	4.557	SDS								1.76
60SDS20H	20	5.190	4.794	SDS								2.00
60SDS21H	21	5.430	5.032	SDS	2	1 1/2	1 1/2	3 3/16	55/64	19/64	3/4	2.20
60SDS22H	22	5.670	5.270	SDS								2.44
60SDS23H	23	5.910	5.508	SDS								2.70
60SDS24H	24	6.150	5.746	SDS								2.94
60SDS25H	25	6.390	5.984	SDS								3.24
60SK26H	26	6.630	6.222	SK								4.18
60SK27H	27	6.870	6.460	SK								4.52
60SK28H	28	7.110	6.699	SK								4.78
60SK30H	30	7.590	7.175	SK	2 5/8	2 1/8	2 1/8	3 7/8	1 27/64	51/64	1 1/4	5.34
60SK32	32	8.070	7.625	SK								6.10
60SK35	35	8.780	8.367	SK								7.42
60SK36	36	9.020	8.605	SK								7.70
60SK40	40	9.980	9.559	SK								9.56
60SF42	42	10.460	10.036	SF								10.78
60SF45	45	11.180	10.752	SF								12.40
60SF48	48	11.890	11.467	SF								14.26
60SF54	54	13.330	12.899	SF								17.02
60SF60	60	14.760	14.331	SF	2 15/16	2 1/4	2 1/4	4 5/8	1 35/64	51/64	1 1/4	20.76
60SF70	70	17.150	16.717	SF								28.60
60SF72	72	17.630	17.194	SF								29.58
60SF80	80	19.540	19.103	SF								38.24
60SF84	84	20.490	20.058	SF								40.94
60SF96	96	23.360	22.922	SF								52.40

(H) = With hardened teeth.



SPROCKETS

SPROCKET #60 – 3/4" PITCH | NOMINAL = 0.459"

SINGLE – SPLIT TAPER SPROCKETS				
Part no.	No. of teeth	Diameters (in)		Weight lb
		Outside	Pitch	
60P13H	13	3.490	3.134	1.10
60P14H	14	3.740	3.371	1.20
60P15H	15	3.980	3.607	1.60
60P16H	16	4.220	3.844	2.00
60P17H	17	4.460	4.082	2.20
60P18H	18	4.700	4.319	2.40
60P19H	19	4.950	4.557	2.50
60P20H	20	5.190	4.794	3.00
60Q20H	20	5.190	4.794	3.50
60P21H	21	5.430	5.032	3.00
60Q21H	21	5.430	5.032	3.80
60P22H	22	5.670	5.270	3.30
60Q22H	22	5.670	5.270	4.10
60P23H	23	5.910	5.508	3.50
60Q23H	23	5.910	5.508	4.30
60P24H	24	6.150	5.746	3.90
60Q24H	24	6.150	5.746	4.50
60P25H	25	6.390	5.984	4.30
60Q25H	25	6.390	5.984	4.00
60P26H	26	6.630	6.222	4.30
60Q26H	26	6.630	6.222	6.40
60P27H	27	6.870	6.460	4.60
60Q27H	27	6.870	6.460	6.60
60P28H	28	7.110	6.699	5.00
60Q28H	28	7.110	6.699	6.90
60P29H	29	7.350	6.937	5.30
60Q29H	29	7.350	6.937	7.30

(H) = With hardened teeth.

*P or Q indicates P1 or Q1 bushings should be used.

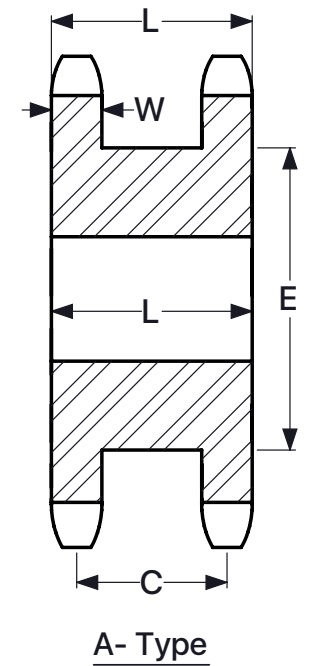
P1 max. bore : 1 3/4" ; Q1 max. bore : 2 11/16"



SPROCKETS

SPROCKET #60 – 3/4" PITCH | NOMINAL = 0.459"

DOUBLE – TYPE B – DIMENSION T FOR #D60 = 1.341"								
Part no.	No. of teeth	Diameters (in)		Bore (in)		Hub (in)		Weight Lb.
		Outside	Pitch	Stock	Max.	Dia.	L.T.B.	
D60B11H	11	3.000	2.662	1	1 1/4	1 13/16	2 1/8	1.62
D60B12H	12	3.250	2.898	1	1 7/16	2 1/8	2 1/8	2.20
D60B13H	13	3.490	3.134	1	1 1/2	2 1/4	2 1/8	2.60
D60B14H	14	3.740	3.371	1	1 3/4	2 1/2	2 1/8	3.24
D60B15H	15	3.980	3.607	1	1 7/8	2 13/16	2 1/8	3.96
D60B16H	16	4.220	3.844	1	2	3	2 1/8	4.62
D60B17H	17	4.460	4.082	1	2 1/4	3 1/4	2 1/8	5.40
D60B18H	18	4.700	4.319	1	2 3/8	3 1/2	2 1/8	6.24
D60B19H	19	4.950	4.557	1	2 1/2	3 11/16	2 1/8	7.00
D60B20H	20	5.190	4.794	1	2 1/2	3 3/4	2 1/8	7.72
D60B21H	21	5.430	5.032	1	2 3/4	4 1/8	2 1/8	8.82
D60B22H	22	5.670	5.270	1	2 3/4	4 1/4	2 1/8	9.68
D60B23H	23	5.910	5.508	1	2 3/4	4 1/4	2 1/8	10.30
D60B24H	24	6.150	5.746	1	2 3/4	4 1/4	2 1/8	11.14
D60B25H	25	6.390	5.984	1	2 3/4	4 1/4	2 1/8	11.96
D60B26H	26	6.630	6.222	1	2 3/4	4 1/4	2 1/8	12.70
D60B30H	30	7.590	7.175	1	2 3/4	4 1/4	2 1/8	16.36
D60B32	32	8.070	7.652	1 1/4	3	4 1/2	2 3/8	19.52
D60B35	35	8.780	8.367	1 1/4	3	4 1/2	2 3/8	22.80
D60B36	36	9.020	8.605	1 1/4	3	4 1/2	2 3/8	23.82
D60B40	40	9.980	9.559	1 1/4	3 1/4	4 3/4	2 3/4	30.84
D60B42	42	10.460	10.036	1 1/4	3 1/4	4 3/4	2 3/4	33.08
D60B45	45	11.180	10.752	1 1/4	3 1/4	4 3/4	2 3/4	37.08
D60B60	60	14.760	14.331	1 1/4	3 1/4	4 3/4	2 3/4	63.10



DOUBLE SINGLE – TYPE A – NOMINAL = 0.459"								
Part no.	No. of teeth	Outside dia.	Bore (in)		Dimensions (in)			Weight lb
			Min.	Max.	L	C	E	
DS60A13H	13	3.490	0.750	1 1/4	1 15/16	1 31/64	2 11/32	2.60
DS60A14H	14	3.740	0.750	1 5/16	1 15/16	1 31/64	2 9/16	3.20
DS60A15H	15	3.980	0.750	1 1/2	1 15/16	1 31/64	2 7/8	3.80
DS60A16H	16	4.220	0.750	1 11/16	1 15/16	1 31/64	3 3/64	4.50
DS60A17H	17	4.460	0.750	1 3/4	1 15/16	1 31/64	3 1/4	5.30
DS60A18H	18	4.700	0.750	1 7/8	1 15/16	1 31/64	3 1/2	6.50
DS60A19H	19	4.950	0.750	2 1/16	1 15/16	1 31/64	3 45/64	6.80
DS60A20H	20	5.190	0.750	2 1/4	1 15/16	1 31/64	3 61/64	7.00
DS60A21H	21	5.430	0.750	2 3/4	1 15/16	1 31/64	4 3/16	7.50

(H) = With hardened teeth.

Maximum bores shown will accommodate standard keyway and setscrew over keyseat. Slightly larger bores are possible with no keyseat, shallow keyseat or setscrew at an angle to keyseat.

SPROCKETS

SPROCKET #80 – 1" PITCH | NOMINAL = 0.575"

SINGLE – TYPE B								
Part no.	No. of teeth	Diameters (in)		Bore (in)		Hub (in)		Weight lb
		Outside	Pitch	Stock	Max.	Dia.	L.T.B.	
80B8H	8	3.010	2.613	1	1	1 15/16*	1 5/8	1.40
80B9H	9	3.350	2.924	1	1 5/16	2 1/4*	1 5/8	1.60
80B11H	10	3.680	3.236	1	1 1/2	2 9/16*	1 5/8	2.20
80B11H	11	4.010	3.550	1	1 5/8	2 13/16*	1 5/8	3.20
80B12H	12	4.330	3.864	1	1 7/8	3 1/8*	1 5/8	3.40
80B13H	13	4.660	4.179	1	2	3	1 1/2	3.50
80B14H	14	4.980	4.494	1	2 1/4	3 1/4	1 1/2	4.10
80B15H	15	5.300	4.810	1	2 1/2	3 13/16	1 1/2	5.30
80B16H	16	5.630	5.126	1	2 3/4	4	1 1/2	5.90
80B17H	17	5.950	5.442	1	2 3/4	4	1 1/2	6.60
80B18H	18	6.270	5.759	1	2 3/4	4 1/4	1 1/2	7.30
80B19H	19	6.590	6.076	1	2 3/4	4 1/4	1 1/2	7.80
80B20H	20	6.910	6.392	1	2 3/4	4 1/4	1 1/2	8.40
80B21H	21	7.240	6.710	1	2 3/4	4 1/4	1 3/4	9.40
80B22	22	7.560	7.027	1	2 3/4	4 1/4	1 3/4	10.00
80B23	23	7.880	7.344	1	2 3/4	4 1/4	1 3/4	10.70
80B24	24	8.200	7.661	1	2 3/4	4 1/4	1 3/4	11.30
80B25	25	8.520	7.979	1	2 3/4	4 1/4	1 3/4	11.90
80B26	26	8.840	8.296	1 1/4	3 1/4	4 3/4	2	14.30
80B27	27	9.160	8.614	1 1/4	3 1/4	4 3/4	2	15.40
80B28	28	9.480	8.931	1 1/4	3 1/4	4 3/4	2	16.00
80B29	29	9.800	9.249	1 3/16	3 1/4	4 3/4	2	17.10
80B30	30	10.110	9.567	1 3/16	3 1/4	4 3/4	2	17.40
80B31	31	10.430	9.885	1 3/16	3 1/4	4 3/4	2	18.70
80B32	32	10.750	10.202	1 3/16	3 1/4	4 3/4	2	19.50
80B33	33	11.070	10.520	1 3/16	3 1/4	4 3/4	2	19.60
80B34	34	11.390	10.838	1 3/16	3 1/4	4 3/4	2	21.30
80B35	35	11.710	11.156	1 3/16	3 1/4	4 3/4	2	22.10
80B36	36	12.030	11.474	1 3/16	3 1/4	4 3/4	2	23.10
80B37	37	12.350	11.792	1 3/16	3 1/4	4 3/4	2	23.80
80B38	38	12.670	12.110	1 3/16	3 1/4	4 3/4	2	24.70
80B39	39	12.990	12.428	1 3/16	3 1/4	4 3/4	2	25.60
80B40	40	13.310	12.746	1 3/16	3 1/4	4 3/4	2	26.70
80B42	42	13.940	13.382	1 1/4	3 1/4	4 3/4	2	28.70
80B45	45	14.900	14.336	1 1/4	3 1/4	4 3/4	2	31.40
80B48	48	15.860	15.290	1 1/4	3 1/4	4 3/4	2	35.50
80B50	50	16.500	15.926	1 1/4	3 1/4	4 3/4	2	37.30
80B54	54	17.770	17.198	1 1/4	3 1/2	5 1/4	2	44.70
80B56	56	18.410	17.835	1 1/4	3 1/2	5 1/4	2	47.50
80B60	60	19.680	19.107	1 1/4	3 1/2	5 1/4	2	54.50
80C70	70	22.870	22.289	1 1/2	4 1/4	6 1/4	3 1/2	75.70
80C72	72	23.500	22.926	1 1/2	4 1/4	6 1/4	3 1/2	81.40
80C80	80	26.050	25.471	1 1/2	4 1/4	6 1/4	3 1/2	89.90

(H) = With hardened teeth.

*Has recessed groove in hub for chain clearance. Maximum bores shown will accommodate standard keyway and setscrew over keyseat. Slightly larger bores are possible with no keyway, shallow keyway or setscrew at an angle to keyway.



SPROCKETS

SPROCKET #80 – 1" PITCH | NOMINAL = 0.575"

SINGLE – TYPE FB – FINISH BORE																
Part no.	No. of teeth	Diameters (in)		Hub (in)		Weight lb	Stock finish bore (in)									
		Outside	Pitch	L.T.B.			Includes keyway & setscrews									
80FB9H	9	3.350	2.924	1 5/8	1.60	1	1 1/8	1 1/4								
80FB10H	10	3.680	3.236	1 5/8	1.70	1	1 1/8	1 1/4								
80FB11H	11	4.010	3.550	1 5/8	1.80	1	1 1/8	1 1/4								
80FB12H	12	4.330	3.864	1 5/8	3.00	1	1 1/8	1 1/4								
80FB13H	13	4.660	4.179	1 1/2	3.50	1	1 1/8	1 1/4	1 7/16	1 1/2	1 3/4					
80FB14H	14	4.980	4.494	1 1/2	4.10	1	1 1/8	1 1/4	1 7/16	1 1/2	1 3/4					
80FB15H	15	5.300	4.810	1 1/2	5.20	1	1 1/8	1 1/4	1 7/16	1 1/2	1 3/4	1 15/16	2			
80FB16H	16	5.630	5.126	1 1/2	5.50	1		1 1/4	1 7/16	1 1/2	1 3/4	1 15/16	2			
80FB17H	17	5.950	5.442	1 1/2	6.00	1		1 1/4	1 7/16	1 1/2	1 3/4	1 15/16	2			
80FB18H	18	6.270	5.759	1 1/2	6.50	1		1 1/4	1 7/16	1 1/2	1 3/4	1 15/16	2			
80FB19H	19	6.590	6.076	1 1/2	7.00	1		1 1/4	1 7/16	1 1/2	1 3/4	1 15/16	2			
80FB20H	20	6.910	6.392	1 1/2	8.00	1		1 1/4	1 7/16	1 1/2	1 3/4	1 15/16	2			
80FB21H	21	7.240	6.710	1 3/4	8.90	1		1 1/4	1 7/16	1 1/2	1 3/4	1 15/16	2			
80FB22	22	7.560	7.027	1 3/4	9.50	1		1 1/4	1 7/16	1 1/2	1 3/4	1 15/16	2			
80FB23	23	7.880	7.344	1 3/4	10.20	1		1 1/4	1 7/16	1 1/2	1 3/4	1 15/16	2			
80FB24	24	8.200	7.661	1 3/4	10.80	1		1 1/4	1 7/16	1 1/2	1 3/4	1 15/16	2			
80FB25	25	8.520	7.979	1 3/4	11.40	1		1 1/4	1 7/16	1 1/2	1 3/4	1 15/16	2			
80FB26	26	8.840	8.296	2	14.00			1 1/4	1 7/16	1 1/2	1 3/4	1 15/16	2			
80FB27	27	9.160	8.614	2	14.70			1 1/4	1 7/16	1 1/2	1 3/4	1 15/16	2			
80FB28	28	9.480	8.931	2	15.30			1 1/4	1 7/16	1 1/2	1 3/4	1 15/16	2			
80FB29	29	9.800	9.249	2	16.40			1 1/4	1 7/16	1 1/2	1 3/4	1 15/16	2			
80FB30	30	10.110	9.567	2	16.7			1 1/4	1 7/16	1 1/2	1 3/4	1 15/16	2			
80FB32	32	10.750	10.202	2	18.80			1 1/4	1 7/16	1 1/2	1 3/4	1 15/16	2			
80FB35	35	11.710	11.156	2	21.40			1 1/4	1 7/16	1 1/2	1 3/4	1 15/16	2			
80FB36	36	12.030	11.474	2	22.40			1 1/4	1 7/16	1 1/2	1 3/4	1 15/16	2			
80FB40	40	13.310	12.746	2	26.00			1 1/4	1 7/16	1 1/2	1 3/4	1 15/16	2			
80FB42	42	13.940	13.382	2	28.00						1 1/2					2 1/2
80FB45	45	14.900	14.336	2	30.00											2 1/2
80FB46	46	15.460	14.860	2	31.50											2 1/2
80FB48	48	15.860	15.290	2	33.00											2 1/2
80FB54	54	17.770	17.198	2	40.50											2 1/2
80FB60	60	19.680	19.107	2	48.00											2 1/2
80FB80	80	26.050	25.471	2	72.00											2 1/2

(H) = With hardened teeth.

Keyway is on center line of tooth.



SPROCKETS

SPROCKET #80 – 1" PITCH | NOMINAL = 0575"

SINGLE – TYPE QD													
Part no.	No. of teeth	Diameters (in)		Bushing	Type	Bore (in) Max.	Dimensions (in)						Weight lb
		Outside	Pitch				L1	L2	C	Y	G	X	
80SH11H	11	4.010	3.550	SH	B								1.00
80SH12H	12	4.330	3.864	SH	B	15/8	1-7/16	17/16	2 11/16	21/32	15/64	13/16	1.40
80SDS13H	13	4.660	4.179	SDS	B	2	1-1/2	11/2	3 3/16	47/64	11/64	3/4	1.50
80SDS14H	14	4.980	4.494	SDS	B								1.80
80SK15H	15	5.300	4.810	SK	B								2.50
80SK16H	16	5.630	5.126	SK	B								3.10
80SK17H	17	5.950	5.442	SK	B	2-5/8	2-1/8	2 1/8	3 7/8	119/64	21/32	11/4	3.50
80SK18H	18	6.270	5.759	SK	B								3.90
80SK19H	19	6.590	6.076	SK	B								4.40
80SF20H	20	6.910	6.392	SF	B								5.30
80SF21H	21	7.240	6.710	SF	B								5.70
80SF22	22	7.560	7.027	SF	B								6.30
80SF23	23	7.880	7.344	SF	B								6.80
80SF24	24	8.200	7.661	SF	B								7.50
80SF25	25	8.520	7.979	SF	B								8.00
80SF26	26	8.840	8.296	SF	B								8.60
80SF27	27	9.160	8.614	SF	B								9.40
80SF28	28	9.480	8.931	SF	B								10.20
80SF30	30	10.110	9.567	SF	B								11.30
80SF32	32	10.750	10.202	SF	B	2 15/16	2-1/4	2 1/4	4 5/8	127/64	21/32	11/4	13.00
80SF33	33	11.070	10.520	SF	B								13.50
80SF34	34	11.390	10.838	SF	B								14.10
80SF35	35	11.710	11.156	SF	B								15.50
80SF36	36	12.030	11.474	SF	B								16.90
80SF40	40	13.310	12.746	SF	B								20.60
80SF42	42	13.940	13.382	SF	B								22.40
80SF45	45	14.900	14.336	SF	B								25.10
80SF48	48	15.860	15.290	SF	B								28.60
80SF54	54	17.770	17.198	SF	B								36.80
80SF60	60	19.680	19.107	SF	B								45.80
80E70	70	22.870	22.289	E	C								55.60
80E72	72	23.500	22.926	E	C	3 1/2	2 5/8	2 15/16	6	7/8	13/64	15/8	59.30
80E80	80	26.050	25.471	E	C								69.20

(H) = With hardened teeth.



SPROCKETS

SPROCKET #80 – 1" PITCH | NOMINAL = 0575"

SINGLE – SPLIT TAPER SPROCKETS				
Part no.	No. of teeth	Diameters (in)		Weight lb
		Outside	Pitch	
80Q14H	14	4.980	4.494	3.00
80Q15H	15	5.310	4.810	3.60
80Q16H	16	5.630	5.126	4.60
80Q17H	17	5.950	5.442	5.40
80Q18H	18	6.270	5.759	6.00
80Q19H	19	6.590	6.079	6.40
80Q20H	20	6.910	6.392	6.90
80Q21H	21	7.240	6.710	7.40
80Q22H	22	7.560	7.027	8.00
80Q23H	23	7.880	7.344	8.50
80Q24H	24	8.200	7.661	9.30
80Q25H	25	8.520	7.979	9.90
80Q26H	26	8.840	8.296	10.40
80Q27H	27	9.160	8.614	10.90
80Q28H	28	9.480	8.931	11.50
80Q 30H	30	10.110	9.567	13.00
80Q32H	32	10.750	10.202	14.80
80Q33H	33	11.070	10.520	15.50
80Q35H	35	11.710	11.156	17.80
80Q36H	36	11.980	11.474	18.10
80Q40	40	13.310	12.746	21.90
80Q45	45	14.900	14.336	27.80
80Q48	48	15.860	15.290	30.80

(H) = With hardened teeth.

*Q indicates Q1 bushings should be used. Q1 max. bore : 2 11/16"



SPROCKETS

SPROCKETS #D80 & DS80 – 1" PITCH | NOMINAL = 0575"

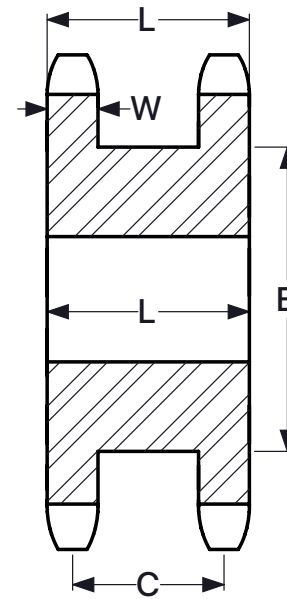
DOUBLE – TYPE B – DIMENSION T FOR #D80 = 1.710"								
Part no.	No. of teeth	Diameters (in)		Bore (in)		Hub (in)		Weight lb
		Outside	Pitch	Stock	Max.	Dia.	L.T.B.	
D80B10H	10	3.680	3.236	1	1 1/2	2 9/16*	2 1/2	3.60
D80B11H	11	4.010	3.550	1	1 3/4	2 1/2	2 1/2	4.00
D80B12H	12	4.330	3.864	1	1 7/8	2 27/32	2 1/2	5.10
D80B13H	13	4.660	4.179	1	2 1/4	3 5/32	2 1/2	6.30
D80B14H	14	4.980	4.494	1	2 3/8	3 15/16	2 1/2	7.60
D80B15H	15	5.300	4.810	1	2 1/2	3 51/64	2 1/2	9.00
D80B16H	16	5.630	5.126	1	2 3/4	4	2 3/4	11.00
D80B17H	17	5.950	5.442	1	3	4 27/64	2 3/4	13.20
D80B18H	18	6.270	5.759	1	3 1/4	4 47/64	2 3/4	15.00
D80B19H	19	6.590	6.076	1	3 5/16	5	2 3/4	17.00
D80B20H	20	6.910	6.392	1	3 5/16	5	2 3/4	18.20
D80B21H	21	7.240	6.710	1	3 5/16	5	2 3/4	19.60
D80B22	22	7.560	7.027	1	3 5/16	5	2 3/4	21.00
D80B23	23	7.880	7.344	1	3 5/16	5	2 3/4	22.80
D80B24	24	8.200	7.661	1	3 1/2	5 1/4	2 3/4	25.10
D80B25	25	8.520	7.979	1	3 1/2	5 1/4	3	28.30
D80B26	26	8.840	8.296	1	3 1/2	5 1/4	3	29.90
D80B30	30	10.110	9.567	1 1/4	3 3/4	5 3/4	3	39.50
D80B32	32	10.750	10.202	1 1/4	3 3/4	5 3/4	3	43.80
D80B35	35	11.710	11.156	1 1/4	3 3/4	5 3/4	3	49.10
D80B36	36	12.030	11.474	1 1/4	3 3/4	5 3/4	3 1/8	54.20
D80B42	42	13.940	13.382	1 1/4	3 3/4	5 3/4	3 1/8	71.50
D80B45	45	14.900	14.336	1 1/4	3 3/4	5 3/4	3 3/4	73.50
D80C60	60	19.680	19.107	1 1/2	3 3/4	5 3/4	3 3/4	93.30

DOUBLE SINGLE – TYPE A								
Part no.	No. of teeth	Outside dia. (in)	Bore (in)		Dimensions (in)			Weight lb
			Min.	Max.	L	C	E	
DS80A13H	13	4.660	1.000	2	2 3/16	1 5/8	3 1/64	6.50
DS80A14H	14	4.980	1.000	2 1/4	2 3/16	1 5/8	3 11/32	7.70
DS80A15H	15	5.300	1.000	2 3/8	2 3/16	1 5/8	3 13/16	9.10
DS80A16H	16	5.630	1.000	2 11/16	2 3/16	1 5/8	4	9.50
DS80A17H	17	5.950	1.000	2 13/16	2 3/16	1 5/8	4 5/16	10.80
DS80A18H	18	6.270	1.000	3 1/8	2 3/16	1 5/8	4 41/64	12.10
DS80A19H	19	6.590	1.000	3 1/4	2 3/16	1 5/8	4 61/64	12.80
DS80A20H	20	6.910	1.000	3 1/2	2 3/16	1 5/8	5 9/32	14.00
DS80A21H	21	7.240	1.000	3 3/4	2 3/16	1 5/8	5 19/32	16.50
DS80A22H	22	7.560	1.000	3 7/8	2 3/16	1 5/8	5 59/64	18.40

(H) = With hardened teeth.

Maximum bores shown will accommodate standard keyway and setscrew over keyseat.

Slightly larger bores are possible with no keyseat, shallow keyseat or setscrew at an angle to keyseat.



A- Type

SPROCKETS

SPROCKET #100 – 1 1/4" PITCH | NOMINAL = 0.692"

SINGLE – TYPE B								
Part no.	No. of teeth	Diameters (in)		Bore (in)		Hub (in)		Weight lb
		Outside	Pitch	Stock	Max.	Dia.	L.T.B.	
100B8H	8	3.770	3.266	1	1 1/4	2 7/8*	1 7/8	2.30
100B9H	9	4.180	3.655	1	1 5/8	2 13/16*	1 7/8	3.20
100B10H	10	4.600	4.045	1	1 7/8	3 1/4*	1 7/8	4.10
100B11H	11	5.010	4.437	1	2 1/4	3 9/16*	1 7/8	5.30
100B12H	12	5.420	4.830	1	2 1/4	4*	1 7/8	6.40
100B13H	13	5.820	5.223	1	2 3/8	3 7/8	1 5/8	6.60
100B14H	14	6.230	5.617	1 1/4	2 3/4	4 3/16	1 5/8	7.40
100B15H	15	6.630	6.012	1 1/4	3	4 1/2	1 3/4	9.20
100B16H	16	7.030	6.407	1 5/16	3	4 1/2	1 3/4	9.90
100B17H	17	7.440	6.803	1 5/16	3	4 1/2	1 3/4	10.80
100B18H	18	7.840	7.198	1 5/16	3	4 1/2	1 3/4	11.50
100B19H	19	8.240	7.595	1 5/16	3	4 1/2	2	13.10
100B20H	20	8.640	7.991	1 5/16	3	4 1/2	2	14.20
100B21H	21	9.040	8.387	1 5/16	3	4 1/2	2	15.30
100B22	22	9.440	8.783	1 5/16	3	4 1/2	2	16.10
100B23	23	9.840	9.180	1 1/4	3	4 1/2	2	17.20
100B24	24	10.250	9.577	1 1/4	3	4 1/2	2	19.20
100B25	25	10.650	9.973	1 1/4	3	4 1/2	2	19.50
100B26	26	11.050	10.370	1 1/4	3 5/16	5	2	21.70
100B27	27	11.440	10.767	1 1/4	3 5/16	5	2	23.00
100B28	28	11.840	11.164	1 1/4	3 5/16	5	2	24.40
100B29	29	12.240	11.561	1 1/4	3 5/16	5	2	25.00
100B30	30	12.640	11.958	1 1/4	3 5/16	5	2	26.90
100B32	32	13.440	12.753	1 1/4	3 5/16	5	2	29.80
100B35	35	14.640	13.945	1 1/4	3 5/16	5	2 1/2	36.90
100B36	36	15.040	14.342	1 1/4	3 5/16	5	2 1/2	38.60
100B38	38	15.840	15.137	1 1/4	3 5/16	5	2 1/2	41.50
100B39	39	16.230	15.534	1 1/4	3 5/16	5	2 1/2	43.60
100B40	40	16.630	15.932	1 1/4	3 5/16	5	2 1/2	46.90
100B42	42	17.430	16.727	1 1/4	3 5/16	5	2 1/2	50.40
100B45	45	18.630	17.920	1 1/4	3 5/16	5	2 1/2	54.00
100B48	48	19.820	19.112	1 1/2	4	6	2 1/2	66.00
100B54	54	22.210	21.498	1 1/2	4	6	3 1/4	78.00
100B60	60	24.600	23.880	1 1/2	4	6	3 1/4	89.00

(H) = With hardened teeth.

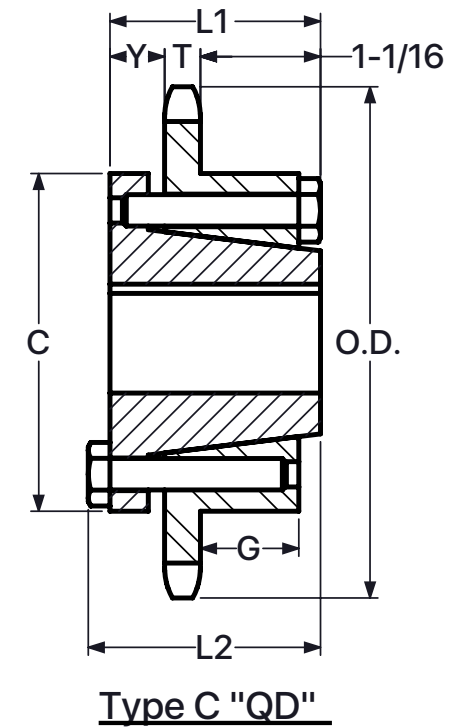
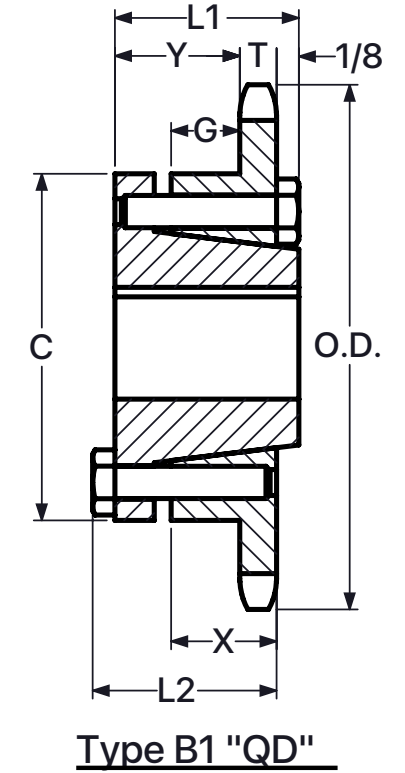
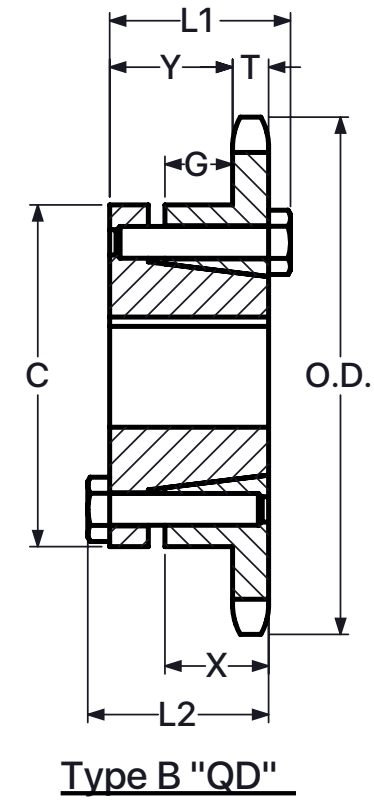
*Has recessed groove in hub for chain clearance. Maximum bores shown will accommodate standard keyway and setscrew over keyseat. Slightly larger bores are possible with no keyway, shallow keyway or setscrew at an angle to keyway.



SPROCKETS

SPROCKET #100 – 1 1/4" PITCH | NOMINAL = 0.692"

SINGLE – TYPE QD													
Part no.	No. of teeth	Diameters (in)		Bushing	Type	Bore (in) Max.	Dimensions (in)						Weight lb
		Outside	Pitch				L1	L2	C	Y	G	X	
100SDS11H	11	5.010	4.437	SDS	B	2	1 1/2	1 1/2	3 3/16	5/8	1/16	3/4	2.00
100SDS12H	12	5.420	4.830	SDS	B								2.60
100SK13H	13	5.820	5.223	SK	B	2 5/8	2 1/8	2 1/8	3 7/8	1-13/64	9/16	11/4	3.30
100SK14H	14	6.230	5.617	SK	B								4.10
100SF15H	15	6.630	6.012	SF	B	2 15/16	2 1/4	2 1/4	4 5/8	119/64	9/16	11/4	4.80
100SF16H	16	7.030	6.407	SF	B								5.60
100SF17H	17	7.440	6.803	SF	B								6.50
100E18H	18	7.840	7.198	E	B1								9.00
100E19H	19	8.240	7.595	E	B1								10.20
100E20H	20	8.640	7.991	E	B1								11.60
100E21H	21	9.040	8.387	E	B1								12.50
100E22	22	9.440	8.783	E	B1								13.50
100E23	23	9.840	9.180	E	B1								14.60
100E24	24	10.250	9.577	E	B1								15.70
100E25	25	10.650	9.973	E	B1								16.80
100E26	26	11.050	10.370	E	B1								18.10
100E27	27	11.440	10.767	E	B1								19.20
100E28	28	11.840	11.164	E	B1	3 1/2	2 5/8	2 15/16	6	113/16	15/16	1 5/8	20.70
100E30	30	12.640	11.958	E	B1								23.20
100E32	32	13.440	12.753	E	B1								25.40
100E35	35	14.640	13.945	E	B1								30.50
100E36	36	15.040	14.342	E	B1								32.30
100E40	40	16.630	15.932	E	B1								39.10
100E42	42	17.430	16.727	E	B1								43.40
100E45	45	18.630	17.920	E	B1								48.90
100E48	48	19.820	19.112	E	B1								54.00
100E54	54	22.210	21.498	E	C								62.00
100E60	60	24.600	23.884	E	C								74.00



SPROCKETS

SPROCKET #100 – 1 1/4" PITCH | NOMINAL = 0.692"

SINGLE – SPLIT TAPER SPROCKETS				
Part no.	No. of teeth	Diameters (in)		Weight lb
		Outside	Pitch	
100Q12H	12	5.420	4.830	3.50
100Q13H	13	5.820	5.223	4.30
100Q14H	14	6.230	5.617	5.60
100Q15H	15	6.630	6.012	6.50
100Q16H	16	7.030	6.407	7.40
100Q17H	17	7.440	6.803	8.20
100Q18H	18	7.840	7.198	9.00
100Q19H	19	8.240	7.595	9.90
100Q20H	20	8.640	7.991	10.80
100Q21H	21	9.040	8.387	11.70
100R21H	21	9.040	8.387	13.30
100Q22H	22	9.440	8.783	12.50
100R22H	22	9.440	8.783	13.80
100Q23H	23	9.840	9.180	13.90
100R23H	23	9.840	9.180	15.00
100Q24H	24	10.250	9.577	15.50
100R24H	24	10.250	9.577	16.10
100Q25H	25	10.650	9.973	16.20
100R25H	25	10.650	9.973	17.00

(H) = With hardened teeth.

*Q or R indicates Q1 and R1 bushing should be used.

Q1 max. bore : 2 11/16" ; R1 max. bore : 3 3/4"



SPROCKETS

SPROCKET #D100 – 1 1/4" PITCH | NOMINAL = 0.669"

DOUBLE – TYPE B – DIMENSION T FOR #D100 = 2.077"								
Part no.	No. of teeth	Diameters (in)		Bore (in)		Hub (in)		Weight lb
		Outside	Pitch	Stock	Max.	Dia.	L.T.B.	
D100B12H	12	5.420	4.830	11/8	2 1/4	3 3/8	2 7/8	9.30
D100B13H	13	5.820	5.223	11/8	2 1/2	3 13/16	2 7/8	11.40
D100B14H	14	6.230	5.617	11/8	2 3/4	4 3/16	2 7/8	13.60
D100B15H	15	6.630	6.012	11/4	3 1/8	4 5/8	3 1/8	17.10
D100B16H	16	7.030	6.407	11/4	3 5/16	5	3 1/8	20.10
D100B17H	17	7.440	6.803	11/4	3 1/2	5 1/4	3 1/8	23.10
D100B18H	18	7.840	7.198	11/4	3 1/2	5 1/4	3 1/8	25.40
D100B19H	19	8.240	7.595	11/4	3 3/4	5 1/2	3 3/8	29.60
D100B20H	20	8.640	7.991	11/4	3 3/4	5 1/2	3 3/8	32.40
D100B21H	21	9.040	8.387	11/4	3 3/4	5 1/2	3 3/8	35.30
D100B22	22	9.440	8.783	11/4	3 3/4	5 1/2	3 3/8	38.40
D100B23	23	9.840	9.180	11/4	3 3/4	5 1/2	3 3/8	41.30
D100B24	24	10.250	9.577	11/4	3 3/4	5 3/4	3 3/8	45.10
D100B25	25	10.650	9.973	11/4	3 3/4	5 3/4	3 3/8	48.50
D100B26	26	11.050	10.370	11/2	3 3/4	5 3/4	3 3/8	51.50
D100B30	30	12.640	11.958	11/2	3 3/4	5 3/4	3 3/8	65.00

(H) = With hardened teeth.

Maximum bores shown will accommodate standard keyseat and setscrew over keyseat. Slightly larger bores are possible with no keyseat, shallow keyseat or setscrew at an angle to keyseat.



SPROCKETS

SPROCKET #120 – 1 1/2" PITCH | NOMINAL = 0.924"

SINGLE – TYPE B								
Part no.	No. of teeth	Diameters (in)		Bore (in)		Hub (in)		Weight lb
		Outside	Pitch	Stock	Max.	Dia.	L.T.B.	
120B9H	9	5.020	4.386	13/8	1 13/16	3 3/8*	2 1/4	5.30
120B10H	10	5.520	4.854	13/8	2 1/4	3 3/4*	2 1/4	7.10
120B11H	11	6.010	5.324	13/8	2 3/8	3 9/16	2 1/8	7.60
120B12H	12	6.500	5.796	13/8	2 3/4	4 1/8	2 1/8	9.90
120B13H	13	6.900	6.268	13/8	3	4 9/16	2 1/4	12.40
120B14H	14	7.470	6.741	13/8	3 1/4	4 3/4	2 1/4	14.40
120B15H	15	7.960	7.215	1 1/4	3 1/4	4 3/4	2 3/8	16.70
120B16H	16	8.440	7.689	1 1/4	3 1/2	5 1/4	2 3/8	19.90
120B17H	17	8.940	8.163	1 1/4	3 1/2	5 1/4	2 3/8	20.80
120B18H	18	9.410	8.638	1 1/4	3 1/2	5 1/4	2 3/8	22.20
120B19H	19	9.890	9.113	1 1/4	3 1/2	5 1/4	2 3/8	24.80
120B20H	20	10.370	9.589	1 1/4	3 1/2	5 1/4	2 3/8	25.80
120B21H	21	10.850	10.064	1 1/4	3 1/2	5 1/4	2 3/8	26.70
120B22	22	11.330	10.540	1 1/4	3 1/2	5 1/4	2 3/8	28.20
120B23	23	11.810	11.016	1 1/4	3 1/2	5 1/4	2 3/8	30.30
120B24	24	12.290	11.492	1 1/4	3 1/2	5 1/4	2 3/8	32.10
120B25	25	12.770	11.968	1 1/4	3 1/2	5 1/4	2 3/8	34.60
120B26	26	13.250	12.444	1 1/2	4	6	2 1/2	40.00
120B28	28	14.210	13.397	1 1/2	4	6	2 1/2	44.90
120B30	30	15.170	14.350	1 1/2	4	6	2 1/2	50.20
120B32	32	16.130	15.303	1 1/2	4	6	2 1/2	56.00
120B35	35	17.570	16.734	1 1/2	4	6	2 1/2	62.40
120B36	36	18.050	17.211	1 1/2	4	6	2 1/2	66.40
120B40	40	19.960	19.118	1 1/2	4	6	3 3/4	92.00

(H) = With hardened teeth.

*Has recessed groove in hub for chain clearance. Maximum bores shown will accommodate standard keyway and setscrew over keyseat. Slightly larger bores are possible with no keyway, shallow keyway or setscrew at an angle to keyway.

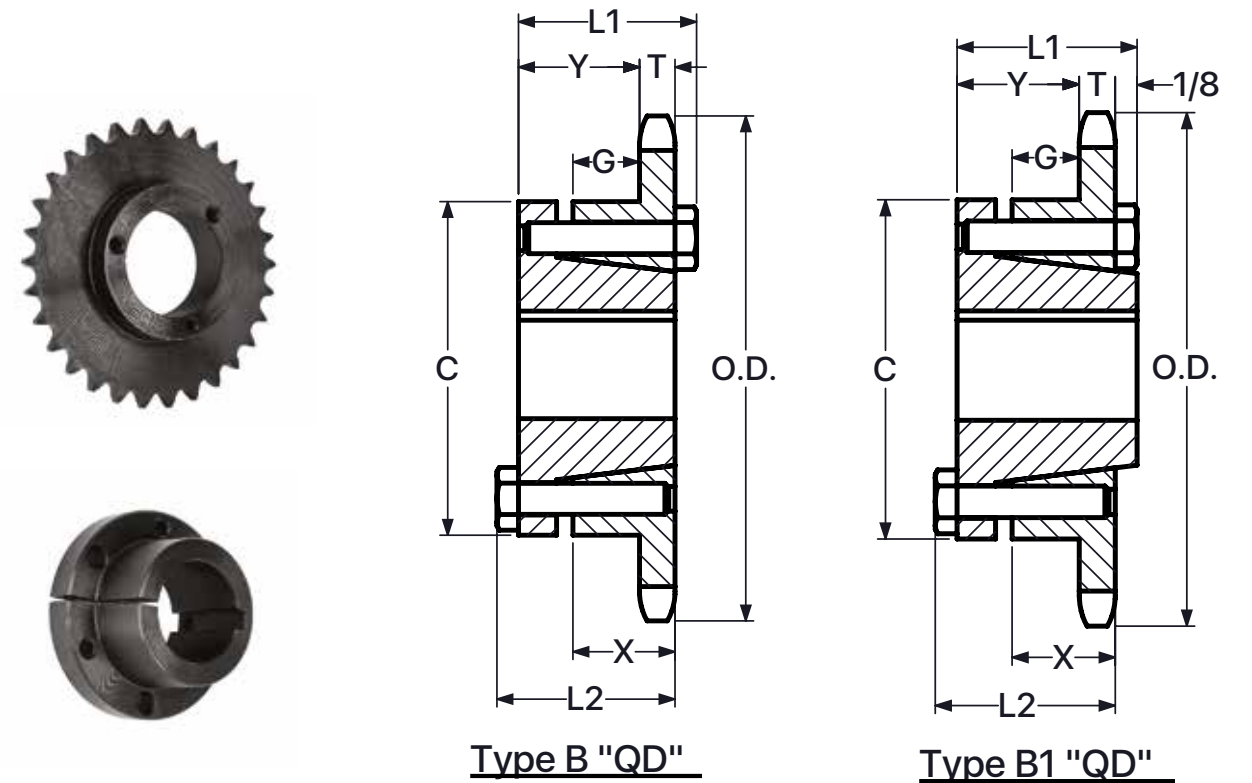


SPROCKETS

SPROCKET #120 – 1 1/2" PITCH | NOMINAL = 0.924"

SINGLE – TYPE QD													
Part no.	No. of teeth	Diameters (in)		Bushing	Type	Bore (in) Max.	Dimensions (in)						Weight lb
		Outside	Pitch				L1	L2	C	Y	G	X	
120SF12H	12	6.500	5.796	SF	B	2 15/16	2 1/4	2 1/4	4-5/8	15/64	21/64	1 1/4	4.70
120SF13H	13	6.900	6.268	SF	B								6.10
120SF14H	14	7.470	6.741	SF	B								7.40
120SF15H	15	7.960	7.215	SF	B								8.00
120E16H	16	8.440	7.689	E	B1								11.20
120E17H	17	8.940	8.163	E	B1	13.40							
120E18H	18	9.410	8.638	E	B1	14.80							
120E19H	19	9.890	9.113	E	B1	16.50							
120E20H	20	10.370	9.589	E	B1	19.20							
120E21H	21	10.850	10.064	E	B1	19.90							
120E22	22	11.330	10.540	E	B1	3 1/2	2 5/8	2 15/16	6	19/16	45/64	15/8	21.60
120E23	23	11.810	11.016	E	B1	23.80							
120E24	24	12.290	11.492	E	B1	25.80							
120E25	25	12.770	11.968	E	B1	28.10							
120E26	26	13.250	12.444	E	B1	29.90							
120E28	28	14.210	13.397	E	B1	34.70							
120E30	30	15.170	14.350	E	B1	39.40							

(H) = With hardened teeth.



Type B "QD"

Type B1 "QD"

SPROCKETS

SPROCKETS

SPROCKETS

SPROCKET #120 – 1 1/2" PITCH | NOMINAL = 0.924"

SINGLE – SPLIT TAPER SPROCKETS				
Part no.	No. of teeth	Diameters (in)		Weight lb
		Outside	Pitch	
120Q11H	11	6.010	5.324	4.80
120Q12H	12	6.500	5.796	6.30
120Q13H	13	6.990	6.268	7.90
120Q14H	14	7.470	6.741	9.10
120Q15H	15	7.960	7.215	10.40
120R16H	16	8.390	7.689	12.30
120R17H	17	8.880	8.163	13.60
120R18H	18	9.410	8.638	15.90
120R19H	19	9.890	9.113	16.80
120R20H	20	10.370	9.589	18.80
120R21H	21	10.850	10.064	21.00
120R22H	22	11.330	10.540	22.50
120R23H	23	11.810	11.016	24.80
120R24H	24	12.290	11.492	26.90
120R25H	25	12.770	11.968	29.80
120R26H*	26	13.250	12.444	29.80
120R27H*	27	13.850	12.862	32.00
120R28H*	28	14.210	13.397	38.30
120R29H*	29	14.800	13.896	41.00
120R30H*	30	15.170	14.350	43.40
120R32*	32	16.130	15.303	49.40

(H) = With hardened teeth.

*Q or R indicates Q1 and R1 bushings should be used.

Q1 max. bore : 2 11/16" ; R1 max. bore : 3 3/4"

**Indicates that bushings are reversed when assembled.



SPROCKETS

SPROCKET #140 – 1 3/4" PITCH | NOMINAL = 0.924"

SINGLE – TYPE B								
Part no.	No. of teeth	Diameters (in)		Bore (in)		Hub (in)		Weight lb
		Outside	Pitch	Stock	Max.	Dia.	L.T.B.	
140B12H	12	7.580	6.762	1 1/2	3	4 1/2	2 1/4	13.20
140B13H	13	8.150	7.313	1 1/2	3 3/4	4 1/2	2 3/8	18.90
140B14H	14	8.720	7.864	1 1/2	3 3/4	5 1/2	2 3/8	20.40
140B15H	15	9.280	8.417	1 1/2	4 1/4	6 1/4	2 3/8	25.10
140B16H	16	9.850	8.970	1 1/2	4 1/4	6 1/4	2 3/8	27.90
140B17H	17	10.410	9.524	1 1/2	4 1/4	6 1/4	2 1/2	29.80
140B18H	18	10.980	10.078	1 1/2	4 1/4	6 1/4	2 1/2	32.00
140B19H	19	11.540	10.632	1 1/2	4 1/4	6 1/4	2 1/2	34.10
140B20H	20	12.100	11.187	1 1/2	4 1/4	6 1/4	2 1/2	36.00
140B21H	21	12.660	11.742	1 1/2	4 1/4	6 1/4	2 1/2	38.70
140B22	22	13.220	12.297	1 1/2	4 1/4	6 1/4	2 1/2	40.60
140B23	23	13.780	12.852	1 1/2	4 1/4	6 1/4	2 1/2	42.10
140B24	24	14.340	13.407	1 1/2	4 1/4	6 1/4	2 1/2	46.20
140B25	25	14.900	13.963	1 1/2	4 1/4	6 1/4	2 1/2	47.80
140B26	26	15.460	14.518	1 1/2	4 1/4	6 1/4	3	57.20
140B27	27	16.020	15.074	1 1/2	4 1/4	6 1/4	3	58.50
140B28	28	16.580	15.630	1 1/2	4 1/4	6 1/4	3	62.20
140B30	30	17.700	16.742	1 1/2	4 1/4	6 1/4	3	69.80
140B32	32	18.820	17.854	1 1/2	4 1/4	6 1/4	3	76.30
140B35	35	20.490	19.523	1 1/2	5 1/4	6 1/4	3	108.00
140B40	40	23.290	22.305	1 1/2	5 1/4	6 1/4	3	128.00
140B45	45	26.080	25.087	1 1/2	5 1/4	6 1/4	3	166.00
140B48	48	27.750	26.757	1 1/2	5 1/4	6 1/4	3	169.00

(H) = With hardened teeth.

*Has recessed groove in hub for chain clearance. Maximum bores shown will accommodate standard keyway and setscrew over keyseat. Slightly larger bores are possible with no keyway, shallow keyway or setscrew at an angle to keyway.

SINGLE – TYPE A		
Part no.	Bore (in) Stock	Weight lb
140A12	1 1/2	7.80
140A13	1 1/2	8.20
140A14	1 1/2	10.00
140A15	1 1/2	11.00
140A16	1 1/2	14.00
140A17	1 1/2	16.00
140A18	1 1/2	18.00
140A19	1 1/2	21.00
140A20	1 1/2	23.00
140A21	1 1/2	25.00
140A22	1 1/2	28.00
140A23	1 1/2	30.00
140A24	1 1/2	33.00
140A25	1 1/2	34.00
140A26	1 1/2	39.00
140A27	1 1/2	41.00
140A28	1 1/2	45.00
140A30	1 1/2	52.00
140A32	1 1/2	60.00
140A35	1 1/2	73.00
140A40	1 1/2	93.00
140A45	1 1/2	131.00
140A48	1 1/2	134.00



SPROCKETS

SPROCKET #140 – 1 3/4" PITCH | NOMINAL = 0.924"

SINGLE – SPLIT TAPER SPROCKETS				
Part no.	No. of teeth	Diameters (in)		Weight lb
		Outside	Pitch	
140Q11H	11	7.010	6.212	6.40
140Q12H	12	7.580	6.762	9.00
140R13H	13	8.150	7.313	11.10
140R14H	14	8.720	7.864	12.60
140R15H	15	9.280	8.417	14.70
140R16H	16	9.850	8.970	16.50
140R17H	17	10.410	9.524	18.50
140R18H	18	10.970	10.078	20.50
140R19H	19	11.540	10.632	23.00
140R20H	20	12.100	11.187	25.40
140R21H	21	12.660	11.742	27.80
140R22*	22	13.220	12.297	27.80
140R23*	23	13.780	12.852	32.50
140R24*	24	14.340	13.407	36.00
140R25*	25	14.900	13.963	37.60
140R26*	26	15.460	14.513	40.30

(H) = With hardened teeth.

*Q or R indicates Q1 & R1 bushings should be used.

Q1 max. bore : 2 11/16" ; R1 max. bore : 3 3/4"

**Indicates that bushings are reversed when assembled.



SPROCKETS

SPROCKET #160 – 2" PITCH | NOMINAL = 1.156"

SINGLE – TYPE B								
Part no.	No. of teeth	Diameters (in)		Bore (in)		Hub (in)		Weight Lb.
		Outside	Pitch	Stock	Max.	Dia.	L.T.B.	
160B10H	10	7.360	6.472	1 1/2	2 3/4	4 1/4	2 1/4	12.00
160B11H	11	8.010	7.099	1 1/2	3 1/4	4 3/4	2 1/2	17.00
160B12H	12	8.660	7.727	1 1/2	3 3/4	5 1/2	2 1/2	21.00
160B13H	13	9.310	8.357	1 1/2	4	6	2 3/4	28.00
160B14H	14	9.960	8.988	1 1/2	4 1/2	6 1/2	2 3/4	32.00
160B15H	15	10.610	9.620	1 1/2	5 1/4	7	2 3/4	37.00
160B16H	16	11.260	10.252	1 1/2	5 1/4	7	2 3/4	41.00
160B17H	17	11.900	10.885	1 1/2	5 1/4	7	2 3/4	45.00
160B18H	18	12.540	11.518	1 1/2	5 1/4	7	2 3/4	48.00
160B19H	19	13.190	12.151	1 1/2	5 1/4	7	2 3/4	52.00
160B20H	20	13.830	12.785	1 1/2	5 1/4	7	2 3/4	56.00
160B21H	21	14.470	13.419	1 1/2	5 1/4	7	2 3/4	59.00
160B22	22	15.110	14.053	1 1/2	5 1/4	7	2 3/4	65.00
160B23	23	15.750	14.688	1 1/2	5 1/4	7	2 3/4	68.00
160B24	24	16.390	15.323	1 1/2	5 1/4	7	3	77.00
160B25	25	17.030	15.958	1 1/2	5 1/4	7	3	81.00
160B26	26	17.670	16.593	1 1/2	5 1/4	7	3	86.00
160B27	27	18.310	17.228	1 1/2	5 1/4	7	3	91.00
160B28	28	18.950	17.863	1 1/2	5 1/4	7	3	98.00
160B30	30	20.230	19.134	1 1/2	5 1/4	7	3	108.00

(H) = With hardened teeth.

Maximum bores shown will accommodate standard keyway and setscrew over keyseat. Slightly larger bores are possible with no keyway, shallow keyway or setscrew at an angle to keyway.

SINGLE – TYPE A		
Part no.	Bore (in) Stock	Weight lb
160A10	1 1/2	8.00
160A11	1 1/2	10.00
160A12	1 1/2	12.00
160A13	1 1/2	16.00
160A14	1 1/2	17.00
160A15	1 1/2	21.00
160A16	1 1/2	24.00
160A17	1 1/2	27.00
160A18	1 1/2	30.00
160A19	1 1/2	34.00
160A20	1 1/2	38.00
160A21	1 1/2	42.00
160A22	1 1/2	46.00
160A23	1 1/2	50.00
160A24	1 1/2	56.00
160A25	1 1/2	61.00
160A26	1 1/2	65.00
160A27	1 1/2	71.00
160A28	1 1/2	77.00
160A30	1 1/2	90.00



SPROCKETS

WELD-ON SPROCKET

No. of teeth	ANSI-35 Pitch 3/8"	ANSI-40 Pitch 1/2"	ANSI-50 Pitch 5/8"	ANSI-60 Pitch 3/4"	ANSI-80 Pitch 1"
9	-----	-----	-----	60V09	80W09
10	-----	-----	50V10	60V10	80W10
11	-----	-----	50V11	60W11	80W11
12	-----	40V12	50W12	60W12	80X12
13	-----	40V13	50W13	60W13	80X13
14	-----	40V14	50W14	60W14	80X14
15	35V15	40V15	50W15	60X15	80X15
16	35V16	40W16	50W16	60X16	80X16
17	35V17	40W17	50X17	60X17	80X17
18	35V18	40W18	50X18	60X18	80X18
19	35V19	40W19	50X19	60X19	80X19
20	35V20	40X20	50X20	60X20	80X20
21	35V21	40X21	50X21	60X21	80X21
22	35W22	40X22	50X22	60X22	80X22
23	35W23	40X23	50X23	60X23	80X23
24	35W24	40X24	50X24	60X24	80X24
25	35W25	40X25	50X25	60X25	80X25
26	35W26	40X26	50X26	60X26	80X26
27	35W27	40X27	50X27	60X27	80X27
28	35W28	40X28	50X28	60X28	80X28
29	35W29	40X29	50X29	60X29	80X29
30	35W30	40X30	50X30	60X30	80X30
31	-----	-----	50X31	60X31	-----
32	35W32	40X32	50X32	60X32	80X32
33	-----	-----	50X33	60X33	80X33
34	-----	-----	50X34	60X34	80X34
35	35W35	40X35	50X35	60X35	80X35
36	35W36	40X36	50X36	60X36	80X36
37	-----	-----	50X37	-----	-----
38	-----	40X38	50X38	60X38	-----
39	-----	-----	50X39	60X39	-----
40	35W40	40X40	50X40	60X40	80X40
42	-----	40X42	50X42	60X42	-----
43	-----	-----	50X43	-----	-----
44	-----	-----	50X44	-----	-----
45	35W45	40X45	50X45	60X45	80X45
48	35W48	40X48	50X48	60X48	80X48
50	-----	-----	50X50	60X50	-----
54	35W54	40X54	50X54	60X54	-----
60	35W60	40X60	50X60	60X60	80Y60
70	-----	40X70	50X70	-----	-----
72	35W72	40X72	50X72	60X72	-----
80	-----	40X80	50X80	60X80	-----
84	35W84	40X84	50X84	-----	-----
96	35W96	40X96	50X96	-----	-----

(H) = With hardened teeth.

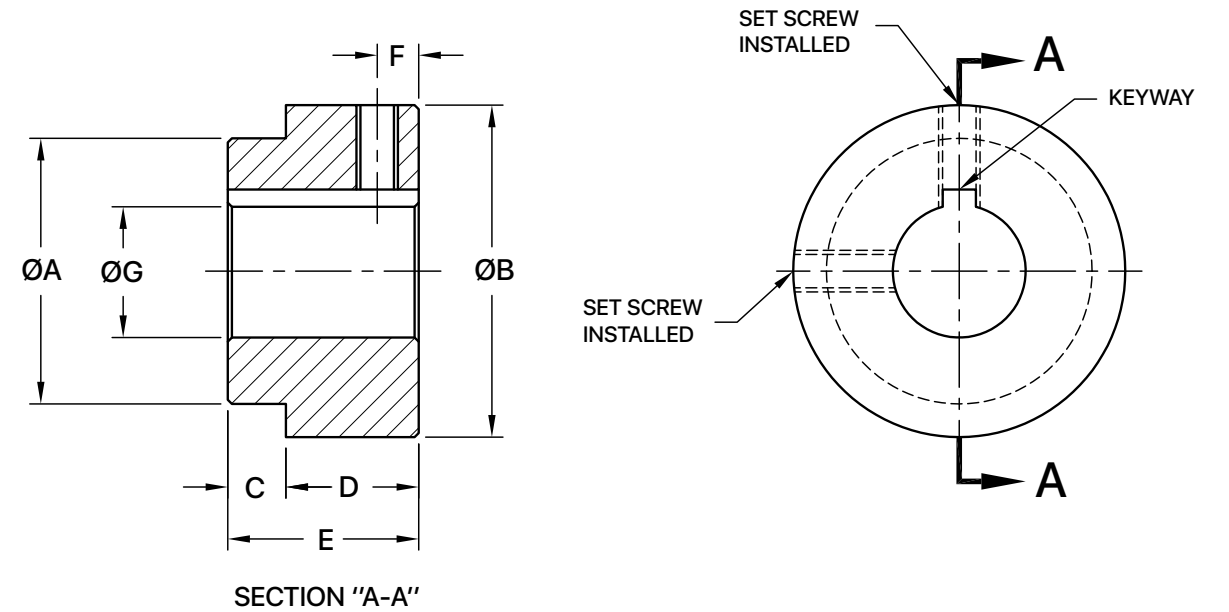
Bore
in
V Series = 1 1/8
W Series = 1 5/8
X Series = 2
Y Series = 2 3/4



SPROCKETS

WELD-ON HUBS

Part no.	Bore range	Dimensions (in)				
		A	B	C	D	E
V-Hub	1/2 to 7/8	1 1/8	1 7/16	7/16	3/4	1 3/16
W-Hub	1/2 to 1 1/4	1 5/8	1 13/16	7/16	1	1 7/16
X-Hub	5/8 to 1 1/2	2	2 1/2	7/16	1	1 7/16
XX-Hub	1, 1 1/4, 1 1/2	2	3	7/16	1 1/16	1 1/2
Y-Hub	1 to 2	2 3/4	3 3/4	1 1/16	1 3/16	1 7/8
YY-Hub	2 Plain Bore	2 3/4	5	1 1/16	1 7/16	2 1/8



CAST SPROCKETS

- Extensive line designed for chains of types : 88, 662, 667, 55, etc.
- With single, double or without hub



CAST SPROCKETS

CAST SPROCKETS

Part no.	No. of teeth	Pitch diameter	Bore (in)	Plate thickness	Hub dia.	Hub LTB	Weight
		in	Max.	in	in	in	lb
55A	6	3.26	1.95	0.72	N/A	N/A	1.5
55A	9	4.77	3.6	0.72	N/A	N/A	3.5
55A	10	5.28	4.14	0.72	N/A	N/A	4
55B or C	6	3.26	0.94	0.72	2	2	2
55B or C	7	3.76	1.63	0.72	1.5	2	3
55B or C	8	4.26	1.68	0.72	2.5	2	4
55B or C	9	4.76	2	0.72	3	2	5
55B or C	10	5.26	2.19	0.72	3.5	2	5
55B or C	11	5.77	2.88	0.72	4.5	3	6
55B or C	12	6.3	2.88	0.72	4.5	3	10
55B or C	13	6.8	2.88	0.72	4.5	3	10
55B or C	14	7.31	2.88	0.72	4.5	3	12

*More available on request

** Suitable for combinaison chain C188, conveyor chain 81X, 81XH, 81XHD, pintle chain 88C, 88K

Part no.	No. of teeth	Pitch diameter	Bore (in)	Plate thickness	Hub dia.	Hub LTB	Weight
		in	Max.	in	in	in	lb
88B or C	6	5.219	2	7/8	3	2	6.5
88B or C	7	6.012	2.5	7/8	4	2 3/4	8
88B or C	8	6.818	2.5	7/8	4	3	9.5
88B or C	9	7.627	3	7/8	5	3	11
88B or C	10	8.444	3	7/8	5.5	3.5	12.5
88B or C	11	9.261	3	7/9	5.5	3.5	14
88B or C	12	10.08	3	7/8	5.5	3.5	15

*More available on request

** Suitable for combinaison chain C188, conveyor chains 81X, 81XH, 81XHD, pintle chains 88C, 88K

CAST SPROCKETS

CAST SPROCKETS

Part no.	No. of teeth	Pitch diameter	Bore (in)	Plate thickness	Hub dia.	Hub LTB	Weight
		in	Max.	in	in	in	lb
662A6	6	3.328	1	13/16	N/A	N/A	1.5
662A8	8	4.348	1.688	13/16	N/A	N/A	2.5
662B6	6	3.328	1 1/4	13/16	2	2 1/16	2
662B7	7	3.834	1 1/4	13/16	2	1 3/4	3
662B8	8	4.348	1 1/4	13/16	2.5	1 5/8	5
662B9	9	4.864	1 7/16	13/16	2.5	1 5/8	7
662C6	6	3.328	1 1/4	0.875	2	2 1/8	1.3
662C8	8	4.348	1 1/4	0.855	3.237	1.6	4.43
662C12	12	6.428	1 1/4	0.855	2 1/4	2	7

*More available on request

** Suitable for detachable chain 62, pintle chain 662, 662H

Part no.	No. of teeth	Pitch diameter	Bore (in)	Plate thickness	Hub dia.	Hub LTB	Weight
		in	Max.	in	in	in	lb
667A8	8	5.879	2 3/4	7/8	N/A	N/A	3
667B6	6	4.5	1 1/2	0.76	2 1/2	1 1/2	3
667B7	7	2.27	1 1/2				5
667B8	8	5.879	2	0.78	3 1/2	1 5/8	7
667B10	10	7.281	2				9
667C	6	4.5	1 1/2	1.062	2.5	2.5	9
667C	8	5.87	2	1.062	3	2.75	10
667C	11	7.98	2	1.062	4	2.75	15

*More available on request

** Suitable for detachable chains 67, 67H, 67W, 67XH, pintle chains 667H, 667J, 667K, 667KC, 667X, 667XC



CAST SPROCKETS

CAST SPROCKETS

Part no.	No. of teeth	Pitch diameter	Rough & finish bores	Plate thickness	Hub dia.	Hub LTB	Weight
		in	in	in	in	in	lb
662 chains, 1.664" pitch							
662B06-FB	6	4.350	3/4, 7/8, 1	0.80	2	1 1/2	2
667 chains, 2.250" pitch							
667C06	6	4.500	3/4	0.90	3	2	8
667C08	8	5.880	3/4	0.90	3	2	10
667B06-FB	6	4.500	1, 1 1/4	0.90	2 7/8	1 3/4	7
667B08-FB	8	5.880	1 1/4, 1 3/4, 2	0.90	2 1/2	2	10
667C08-FB	8	5.880	1 1/4	0.90	2 1/2	3	---
667B09-FB	9	---	1 1/4, 1 1/2, 1 3/4, 2	0.90	---	---	---
662 & 667 c/w oilite bushings							
662B06OIL	6	4.350	1" c/w oilite bushing	0.80	2	1 1/2	2
667B06OIL	6	4.500	1" c/w oilite bushing	0.90	3	2	7
667 & 88 chain saver							
667C08-FB	8	5.88	1 1/4	0.90	2 1/2	3	11
667B09-FB	9	---	1 1/4	0.90	---	---	---
88B08-FB	8	6.82	1 1/4, 1 3/4	0.90	3.5	2	12
88C08-FB	8	6.82	1 1/4	0.90	---	---	---
667 & 88 idler							
667-IDLER 6"	0	6	1" plain bore + ZSS	0.90	---	---	---
88-IDLER 6"	0	6	1 1/4 plain bore + ZSS	0.90	3	1 15/16	20



CAST SPROCKETS

CONVEYOR SPROCKETS 2.609"

Part no.	No. of teeth	Pitch diameter	Bore (in)	Plate thickness	Weight	
		in	Stock	in	lb	
88A06	6	5.220	2.753" Bore to fit the Y-hub	0.862"	5	
88A07	7	6.010			6	
88A08	8	6.820			8	
88A09	9	7.630			11	
88A10	10	8.440			12	
88A11	11	9.260			15	
88A12	12	10.080			17	
88A14	14	11.720			21	
88A15	15	12.550			26	
88A16	16	13.370			31	
88A17	17	14.200			36	
88A18	18	15.000			40	
88HQ10	10	8.440			To fit HQ1	11
88HQ12	12	10.080				15
88HQ14	14	11.720	To fit HR1	19		
88HR12	12	10.080		14		
88HR14	14	11.720		18		

*Please note sprockets above fit the following chains: (H78, H78RT, WR78, H74, 81X, C188, SS188, 88K)



IDLERS

- 8 to 18 teeth
- 1/2" to 1" bore
- Outside diameter of up to 6.5"



IDLERS

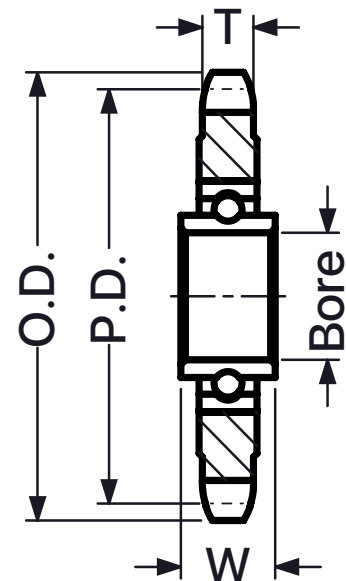
SPROCKET IDLERS

Part no.	Canimex part no.	Outside diameter	Chain size	No. of teeth	Bore	Width (W)	Nominal width (T)	Approx. weight
		in			in*	in	in	lb
SI35C18H	217873	2.350	RC35	18	1/2	0.435	0.168	0.260
SI40A11	131176	2.000	RC40	11	10 mm	0.353	0.284	0.150
SI40B15	106514	2.650		15	12 mm	0.598		0.404
SI40C17H	142767	2.980		17	5/8	0.720		0.542
SI40C18H	130906	3.140	RC50	18	1/2	0.445	0.343	0.488
SI50C12H	231448	2.710		12	5/8	0.433		0.350
SI50C14H	191897	3.110		14	1/2	0.438		0.530
SI50C14H	233683	3.110	RC50	14	1/2	0.732	0.343	0.530
SI50C15H	142764	3.110		15	5/8	0.708		0.674
SI50C17H	106526	3.720		17	5/8	0.472		0.780
SI60C12H	233684	3.250	RC60	12	1/2	0.733	0.469	0.790
SI60A12H	231447	3.250		12	5/8	0.459		0.640
SI60C13H	166269	3.490		13	5/8	0.719		0.912
SI60C13H	166264	3.980	RC60	15	5/8	0.719	0.469	1.240
SI60C15H	131783	3.980		15	5/8	0.475		1.100
SI80A11H	191902	4.006		11	3/4	0.596		1.400
SI80C11H	233863	4.006	RC80	11	3/4	0.938	0.575	1.350
SI80A11H	195774	4.006		11	1	0.593		1.100
SI80C12H	166274	4.330		12	5/8	0.984		1.660
SI80A15H	213049	5.300	RC100	15	3/4	0.591	0.692	2.050
SI100A9H	191906	4.180		9	3/4	0.692		1.400
SI100A12H	191908	5.420		12	3/4	0.692		2.800
SI120A12	140598	6.500	RC120	12	1	0.924	0.924	5.460

*Unless otherwise specified

(H) = With hardened teeth.

Several other dimensions also available



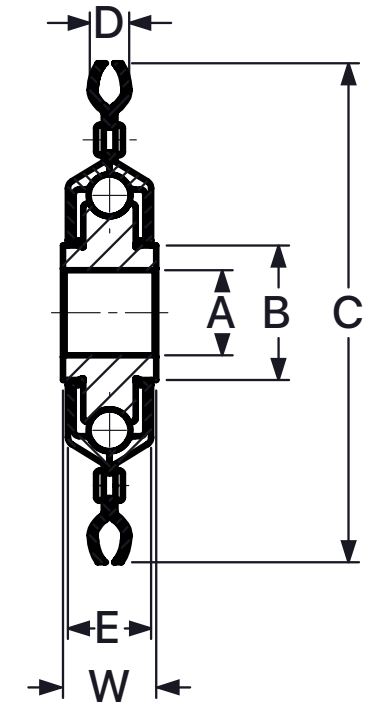
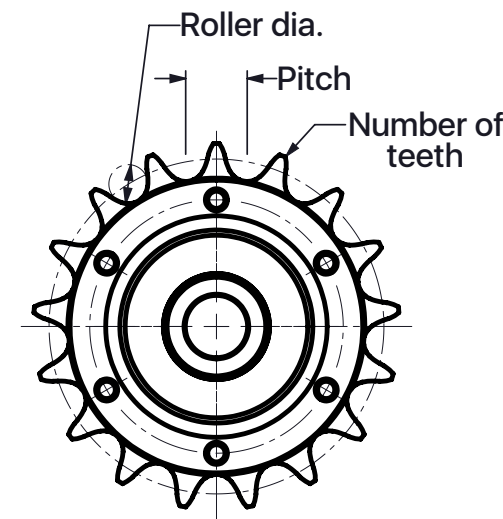
IDLERS

AETNA IDLERS

Part no.	Canimex part no.	Outside diameter	Chain size	No. of teeth	Bore	Width (W)	Nominal width (T)	Approx. weight	Aetna no.
		in			in	in	in	lb	
SI40B18	106516	3.140	RC40	18	1/2	0.750	0.284	0.440	AG2318A
SI40B18	106517	3.140		18	5/8			0.404	AG2318S
SI50B17	106524	3.920	RC50	17	1/2	0.930	0.343	0.726	AG2416A
SI50B17	106525	3.920		17	5/8			0.700	AG2416
SI60B15	106536	3.980	RC60	15	5/8			0.459	0.770
SI55B8	106528	5.765	RC55	8	5/8	0.900	0.700	1.230	AG2558S

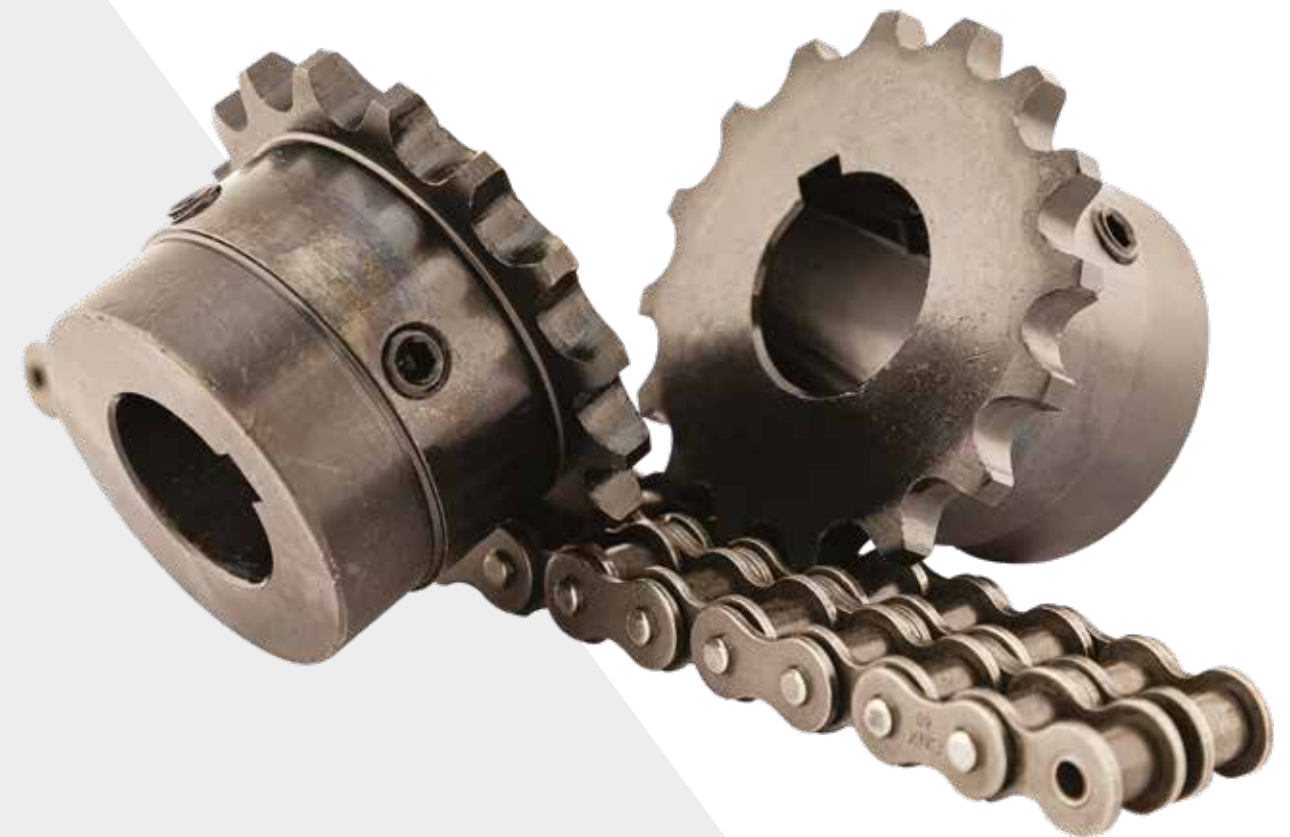
(H) = With hardened teeth.

Several other dimensions also available



CHAIN COUPLINGS

- Compact
- Versatile
- 16 mm to 140 mm bore



CHAIN COUPLINGS

CHAIN COUPLINGS

Coupling dimensions (mm)											
Type	Bore (mm)		L	I	S	D	O	C	M +0.1 -0.00	N +0.25 -0.00	Wgt.
	Min.	Max.									
3012	12	16	54.8	29.5	5.2	-	45	10.1	-	-	0.3
4012	12	22	79.4	36	7.4	35	62	14.4	32	23	0.8
4014	14	28	79.4	36	7.4	-	65	14.4	-	-	1.1
4016	14	32	87.4	40	7.4	51	77	14.4	48	25	1.4
5014	15	35	99.7	45	9.7	-	86	18.1	-	-	2.2
5016	16	40	99.7	45	9.7	63	93	18.1	60	29	2.7
5018	16	45	99.7	45	9.7	73.5	106	18.1	70	28	3.8
6018	20	56	123.5	55	11.5	85	127	22.8	85	23	6.2
6020	20	60	123.5	56	11.5	-	139	22.8	-	-	7.8
6022	20	71	123.5	56	11.5	-	151	22.8	-	-	10.4
8018	20	80	141.2	63	15.2	117	169	29.3	110	48	12.7
8020	20	90	145.2	65	15.2	-	185	29.3	-	-	16
8022	20	100	157.2	71	15.2	-	202	29.3	-	-	20.2
10020	25	110	178.8	80	18.1	-	233	35.8	-	-	33
12018	35	125	202.7	90	22.7	-	256	45.4	-	-	47
12022	35	140	222.7	100	22.7	-	304	45.4	-	-	72

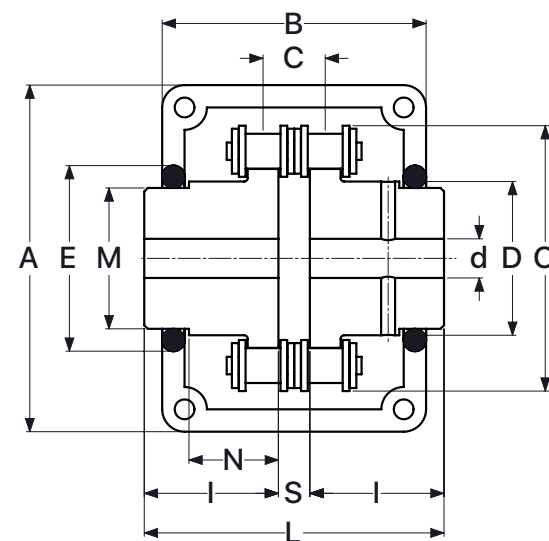
Chain couplings are not sold as a kit.

Sprockets and chain must be bought separately

Casing dimensions (mm)					
Casing no.	A +1 -0	B +1 -0	O-ring dia. ± 0.25	Sprocket head cap screw 4 pcs*	E
3012	69	63	-	-	-
4012	77	72	-	-	-
4014	84	75	-	-	-
4016	92	72	5	M5x0.8x12	48
5014	101	85	-	-	-
5016	110	87	5.5	M6x1.0x15	70
5018	122	85	-	-	-
6018	142	105	5.5	-	96
6020	158	105	-	-	-
6022	168	117	-	-	-
8018	190	129	-	-	-
8020	210	137	-	-	-
8022	226	137	-	-	-
10020	281	153	-	-	-
12018	307	181	-	-	-
12022	357	218	-	-	-

N/A, to be established when ordering so that covers and couplings fit together.

*Full length of thread, 2 gaskets of 1.5 mm approx. included



Finished bore	Bore sizes available (in)													
	5/8	3/4	7/8	1	1 1/8	1 1/4	1 3/8	1 7/16	1 1/2	1 5/8	1 3/4	1 7/8	1 15/16	2
4012	X	X	-	-	-	-	-	-	-	-	-	-	-	-
4016	X	X	X	X	X	X	X	-	-	-	-	-	-	-
5016	X	X	X	X	X	X	X	-	X	X	-	-	-	-
6018	-	X	X	X	X	X	X	X	X	X	X	X	X	-
8018	-	-	-	-	-	-	-	-	X	X	X	X	-	X



SPROCKETS

SPROCKETS