



PC1500

OPERATION MANUAL | SPARE PARTS LIST



GREENBRIDGE

6277 HEISLEY ROAD, MENTOR, OHIO 44060

PHONE: 440.357.1500, FAX: 440.352.9553

WWW.GREENBRIDGE.COM

PC1500

OPERATION MANUAL | SPARE PARTS LIST



GREENBRIDGE

6277 HEISLEY ROAD, MENTOR, OHIO 44060

PHONE: 440.357.1500, FAX: 440.352.9553

WWW.GREENBRIDGE.COM

CONTENTS

PART I

1	General Safety Instructions	A1
1.1	Basic Operation	A1
1.2	Basic Safety Precautions	A1
1.3	Safety Instructions Governing Specific Operational Phases	A2
1.4	Warning of Electrical Dangers	A3
1.5	Grounding Instructions Shall Include the Following	A3
1.6	Before Operating	A4
1.7	During Operation.....	A4
1.8	After Operating.....	A4
1.9	Signs and Symbols	A5
2	Machine Information.....	A6
2.1	Areas of Application.....	A6
2.2	Environment Information	A6
2.3	Storage.....	A7
2.4	Machine Description	A7
2.5	Safety Devices.....	A8
2.6	Technical Specification	A9

3	Preparation Before Operating the Machine.....	A12
3.1	Shipping	A12
3.2	Transportation & Centre of Gravity	A12
3.3	Construction Layout.....	A13
3.4	Installation.....	A15
3.5	Operation Space	A16
3.6	Operating Elements	A17
3.7	Instructions for Loading PP Strap.....	A20
3.8	Auto Strap Feeding Process.....	A22
3.9	How to connect Upstream and Downstream Machine (B5 Connector).....	A24
4.	Operating the Machine	A25
4.1	TP-702Y	A25
4.2	TP-702YA.....	A27
5.	Adjustments.....	A29
5.1	Strap Amount in the Accumulator Box.....	A29
5.2	Adjustment for Feeding Pressure to the AccumulatorBox	A30
5.3	Adjustment for Heater Temperature	A31
5.4	Necessary Adjustments After Changing Strap Width.....	A31
5.5	Adjustment for Feeding/Reversing Pressure	A34

5.6	Adjustment on Tensioning Rollers for High Tension	A36
5.7	Change Bundle Flow Direction (TP-702YA)	A37
5.8	Speed and Pressure Adjustment of Press Bar and Side Pusher	A37
6.	Troubleshooting.....	A39
7.	Maintenance	A41

PART II

1.	Pneumatic System Diagram.....	B1
2.	Wiring Diagram	B2
3.	Inverter Parameters Setup.....	B57

PART III

1.	Strapping Head Unit	C1
2.	Bandway Unit	C45
3.	Accumulator Unit	C65
4.	Reel Control Group	C91
5.	Body Frame Unit	C103
6.	Electric Control Unit	C117
7.	Transmission Unit.....	C139
8.	Pneumatic Unit.....	C155

PART I

1 General Safety Instructions

1.1 Basic Operation

- Read the operation and safety manual prior to using the strapping machine.
- The operation and safety manual should remain attached to the machine at all times.
- The machine may only be operated in accordance with its designated use.
- The strapping machine was built in accordance with state-of-the-art standards and recognized safety rules. Nevertheless, improper use can still result in injury to personnel or damage to the machine and other material property.
- Machine shall only be operated by trained personnel.
- Perform inspections and maintenance at regular intervals. Refer to the Maintenance section of the manual.
- The machine may not be put in operation before checking the respective devices.
- Safety devices must never be bridged or eliminated by any means.
- To transport the equipment only use lifting apparatus and loading devices with sufficient capacity.
- Always disconnect from external power supply when changing the location of the machine, even if the location should only be slightly changed. Connect power supply properly before returning to service.
- Do not alter or bypass protective interlocks.
- Do not alter circuits and machine unless authorized to do so by the manufacturer.

1.2 Basic Safety Precautions

- In addition to the instructions for operation, the user is to be instructed in all generally applicable legal or mandatory regulations relevant to safety or the environment.
- Long hair, loose-fitting garments, or jewelry can be a safety hazard. These items must be secured prior to equipment operation.
- Use protective equipment whenever appropriate or when required by law.
- Carefully observe all safety instructions and warnings attached to the machine. Keep safety labels clean and legible.
- People that are being trained to operate or service the equipment must be supervised by experienced personnel.
- Any electrical work performed on the equipment must be conducted by a skilled electrician or under the supervision of a skilled electrician. All work must be observed good electrical engineering practice and follow safety rules and local wiring standards.

1.3 Safety Instructions Governing Specific Operational Phases

- Avoid unsafe operation of the equipment.
- The machine is only to be operated when it is in good running order. Only operate the equipment in a safe manner; all protective and safety devices must be in place and fully functional. This includes removable safety devices, emergency shut-off equipment, noise-protection devices and exhaust fans.
- The machine is to be checked for damage and defects at least once each work shift. Any changes, including the working behavior of the machine, are to be reported immediately. If necessary, the machine is to be stopped and locked-out immediately.
- In case of a malfunction, the strapping machine is to be immediately stopped and locked-out until the fault has been eliminated.
- Before starting the strapping machine, make sure that the area is clear and safe.
- Do not place any tools or parts onto the machine.
- Operating personnel needs to be well trained before executing special operations and maintenance work; this work needs to be done with the proper supervision.
- Always check and tighten connections after maintenance or repair.
- After completing maintenance or repair, all safety devices must be replaced and checked for functionality before operating the equipment.
- To minimize the environmental impact, all consumables and replaced parts must be disposed of safely.
- Before starting the machine, check that the accessories have been stowed away safely.
- Avoid operating the machine in a fashion that could upset its stability.

1.4 Warning of Electrical Dangers

- Immediately remove power to the machine in case of trouble in the electrical system. Replace a fuse with one with the same style and ratings; pay particular attention to matching the specified current.
- Any electrical work performed on the equipment must be conducted by a skilled electrician or under the supervision of a skilled electrician. All work must be observed good electrical engineering practice and follow safety rules and local wiring standards.
- Inspect the electrical equipment of the machine at regular intervals. Tighten any loose connections. Check wiring for scorch marks; replace scorched wiring and determine and correct the reason for the overheating.
- When working on live equipment, ensure that a second person is available to cut power in case of an emergency. When appropriate, secure the working area with safety tape and a warning sign. Use insulated tools for electrical work.
- Before working on high-voltage assemblies, turn off the power supply. Carefully discharge the supply cable and short-circuit any energy-storage components such as capacitors.
- If the equipment was moved, carefully refit and refasten all parts removed for transport before reapplying power.
- Before moving the machine, remember to disconnect the power cable.

1.5 Grounding Instructions Shall Include the Following

- This product must be grounded. In the event of an electrical short circuit, grounding reduces the risk of electric shock. This product is equipped with a cord that has a grounding wire and an appropriate grounding plug. The plug must be plugged into an outlet that is properly installed and grounded in accordance with all local codes and ordinances.
- If repair or replacement of the cord or plug is necessary, connect the ground wire to the ground terminal of the plug. The wire with green insulation (with or without yellow stripes) is the grounding wire.
- Check with a qualified electrician or service person if the grounding instructions are not clear or if in doubt about the proper grounding of the machine. Do not modify the plug provided; if it will not fit the power outlet, have the proper outlet installed by a qualified electrician.

DANGER!

Improper installation of the grounding can result in electrocution.

1.6 Before Operating

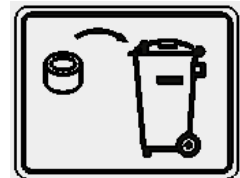
- Read the instruction manual before operating the machine for your safety.
- Wear eye protection and safety gloves before operating this machine.



Eye protection must be worn



Safety gloves must be worn



Throw out the spacer
from the Reel

- Please take out the spacer that between the Reel Outer Flange and Inner Flange when you install the machine to prevent the machine malfunctions.
- Verify that the power line voltage is correct.
- The machine must be properly grounded to avoid a shock hazard. All wiring must be in accordance with local wiring standards.
- The strapping machine can only be operated with polypropylene (PP) strapping; do not use polyester (PET) strapping or polyethylene (PE) cord strap.

1.7 During Operation

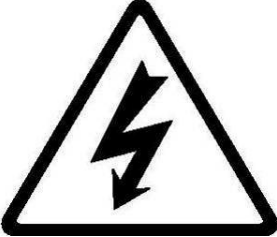
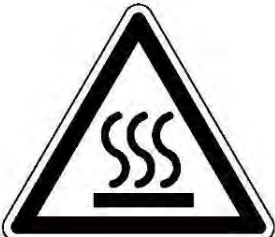
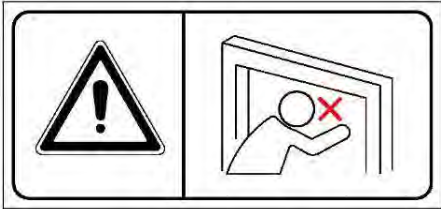
- The weight of the package cannot exceed 80kg (TP-702Y). For package weight over 25kg, it may be necessary to use lifting aids for handling; while package weight over 40kg, it's necessary to handle it with conveyor system.
- The size of the package should not be less than 80 mm(H) × 30 mm(W) (3.15 inches × 1.18 inches) for TP-702Y and 250 mm(L) × 150 mm(W) × 100 mm(H) (9.84 inches × 5.91inches × 3.94inches) for TP-702YA.
- While running, check the unit for any unusual sounds or smoke emissions.
- Keep away from the inside of the arch while the machine is operating; do not put your hands or body into the arch when the machine is running.

NOTE: It is normal for the heater tongue to smoke during the sealing operation.

1.8 After Operating

- Remove dust and dirt from the unit; pay particular attention to the interior of the arch.
- Turn off the power when the machine is not in use.

1.9 Signs and Symbols

Symbol	Meaning
	<p>Warning for dangerous voltage! Contact with live electrical parts will result in severe injury or death.</p>
	<p>Warning for hot surface! Welding area is approximately 270°C(520°F) Allow sufficient time for the heater to cool down before any work in welding area.</p>
	<p>Warning for danger! Do not put your hands or body into arch working area when machine is operating.</p>
	<p>CAUTION! Don't access to moving machine parts when machine is running.</p>

2 Machine Information

2.1 Areas of Application

The strapping machine is to be used for strapping packages, cartons, paper boxes, newspapers, magazines and those materials using a polypropylene (PP) strapping for stabilizing purposes when in transportation. Be careful for rigidity of working materials, and don't try to pack agri-foodstuffs or other such material.

This machine was designed for certain applications only. We strongly recommend that this machine **NOT** be modified and/or used for any application other than for which it was designed. If you have any questions relative to its application **DO NOT** use the machine until you have had detail instruction from your dealer.

2.2 Environment Information

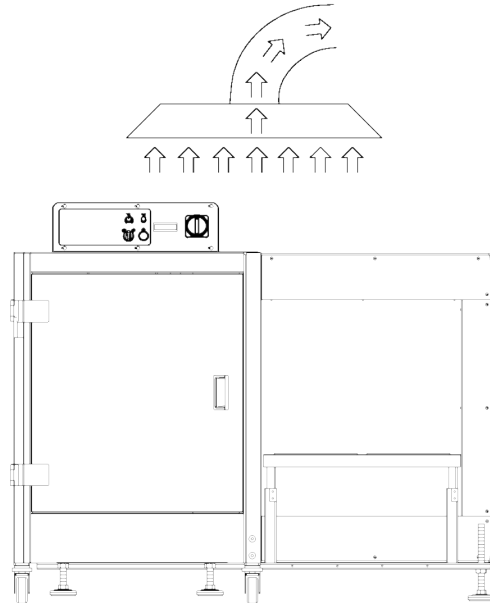
The strapping machine shall be installed in the following conditions:

- Supply voltage: 0.9 - 1.1 nominal supply voltage
- Source frequency: 0.99 - 1.01 nominal frequency
- Ambient temperature: 5°C - 40°C (41°F-104°F).
- Altitude: shall be at altitudes up to 1000m above mean sea level.
- Relative humidity: not exceed 50% at 40°C.
- Atmosphere: Free from excessive dust, acid fume, corrosive gases and salt.
- Avoid exposing to abnormal vibration.
- Don't use machine in dangerous environment.
- Don't use machines in damp or wet locations, or expose them to rain.
- Please provide a suitable illumination around the machine for safety operation.
- Work place of user should have a fire extinguisher or other devices that meet their local safety regulations, and always be careful.
- Internal parts requiring frequent inspection and adjustment, and maintenance areas must be provided with a suitable illumination around the machine.

If there may be harmful gases, fumes or dust generated during heating, user or system integrator must install exhaust system for the extraction of harmful substances.

The exhaust system shall be positioned according to the vent location. Please refer to the figure.

The user should refer to a professional expert or relevant authority to prevent the dangerous substance/ gas emitted by suitable means according to local /national environmental/health codes/regulations.



2.3 Storage

- The store room must be dry.
- Do not expose the machine to extreme cold or heat environment.
- Place the machine on an even floor in order to avoid any distortion.

2.4 Machine Description

- Automatic strapping machine for polypropylene (PP) strapping material.
- Electronic heater temperature control.
- Automatic strap loop ejection in case of strapping cycle without package.
- Extra tough construction.
- Simple, safe and user-friendly operation.
- Automatic strap feeding system.
- Automatic strap end detection.
- Mobile, with large table area and high capacity strap reel
- Strap tension adjustable from soft to very high.
- Transit model with stepless speed Roller-driven table(TP-702YA)
- Up and down stream interlock with complete plug connection(TP-702YA)

2.5 Safety Devices



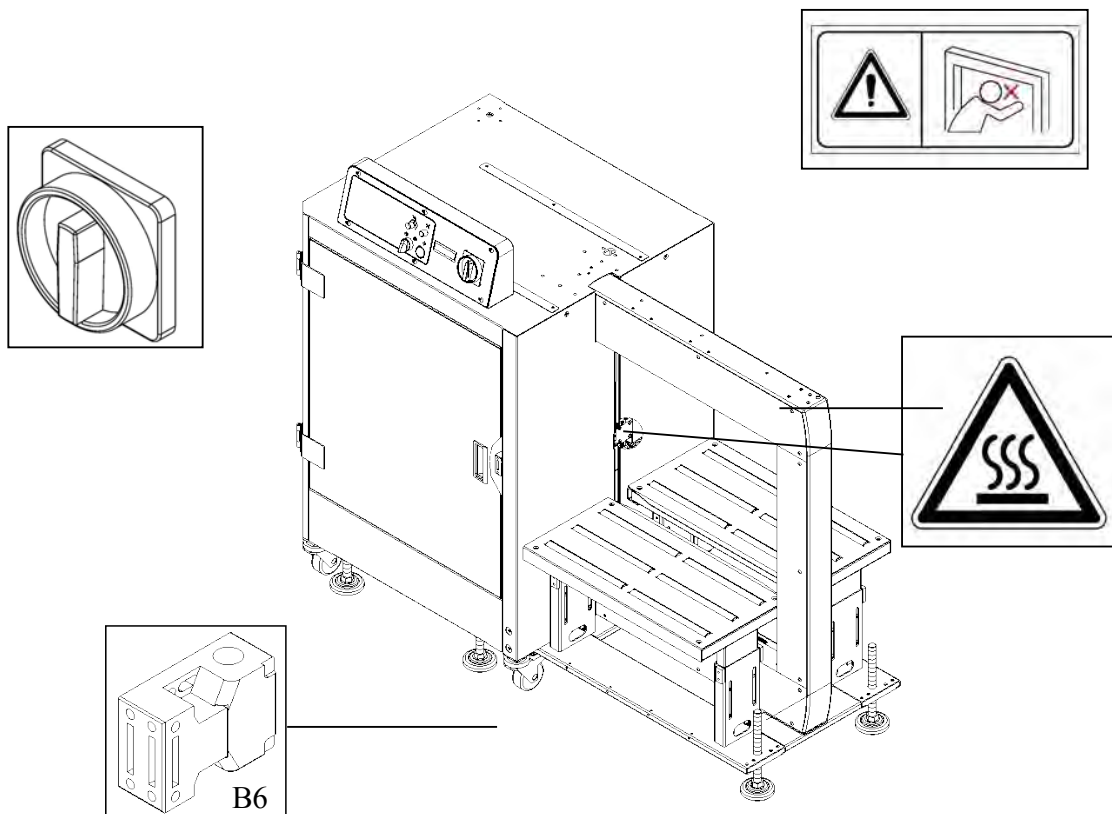
Danger!

Operate the machine only when all safety devices are at their place and are functioning correctly.

The machine has been constructed in accordance with the applicable legal regulations. The machine is reliable in operation. Nevertheless the machine may constitute a danger if it is operated in improper or undue condition.

Danger points that cannot be avoided due to equipment design are equipped with safety devices. If necessary, these points are marked on the machine with warning signs, and in the manual under working safety instructions.

The machine is equipped with the following safety devices:	
1.	Warning signs at the danger points of the machine
2.	Automatic shunt down of machine when front table opened
3.	Live parts are secured by cover



If it is necessary to make adjustments inside the machine during operation, after a strap jam for example, the rear table top can be unscrewed. Observe caution as the machine is still fully functional with the covers removed. When the front door is opened, safety switch B6 is activated. This will remove power but the heating element will keep heating.

CAUTION!

The heating unit operates at a very high temperature in order to melt the PP strapping. To prevent burns, avoid contact with this area.

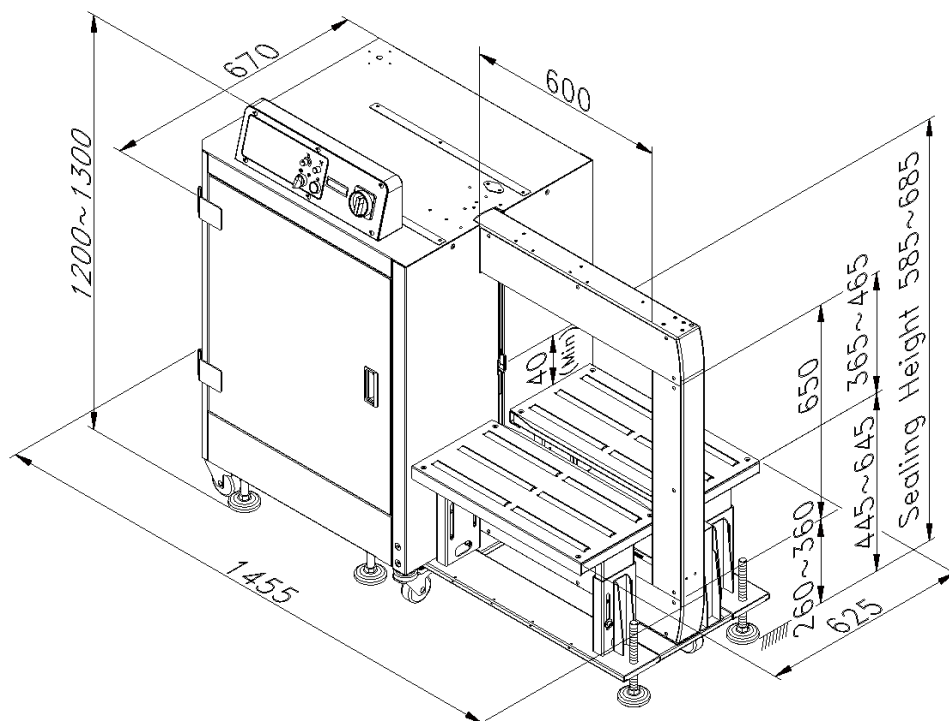
2.6 Technical Specification

2.6.1 Electrical Specification

Machine Model	TP-702Y		TP-702YA	
System configuration:	1L+N+PE (Ground)		1L+N+PE (Ground)	
Nominal power:	0.5kW		1.0kW	
Rated current:	3A	5A	5A	10A
Rated voltage:	220V/230V/240V	110V	230V	110V
Rated frequency:	50 / 60HZ		50 / 60Hz	
Type of current	AC - single phase		AC - single phase	

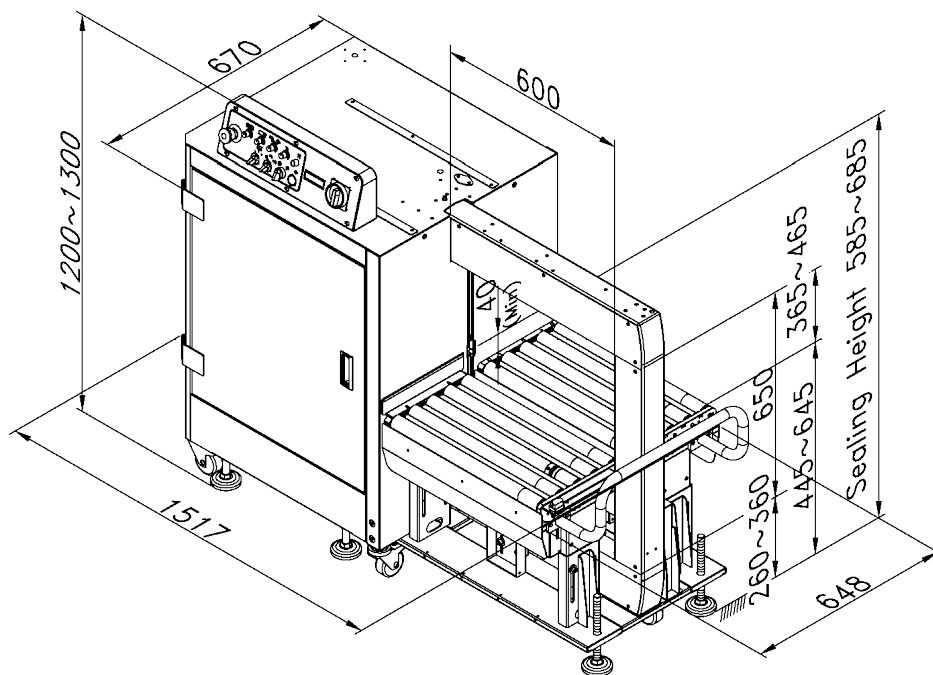
2.6.2 Technical Data

a. TP-702Y



Strap width	5mm, 6mm, 9mm , 12mm
Strap thickness	0.35mm up to 0.65mm (0.014" – 0.026")
Strap coil diameter	Coil diameter 200mm (8" nominal) Outside diameter 420mm (16.5") Width(Face) 190mm (7.5")
Table height	Minimum – 445mm (17.52") Maximum – 645mm (25.39") ※ 100mm adjusted by machinery pad ※ 100mm adjusted by table
Weight	294kg (648 lbs.)
Noise emission	78 dBA
Ambient temp	5°C ~ 40°C (41°F ~104°F)
Minimum package size:	30mm W × 80mm H (1.18" W × 3.15" H)
Maximum package size:	The Maximum Height of package depends on the space between arch and table EX: arch size: 600W×650H and space between arch and table is 465mm(H) Max. package size: 550mm W×415mm H (21.7" W × 16.3" H)

b. TP-702YA

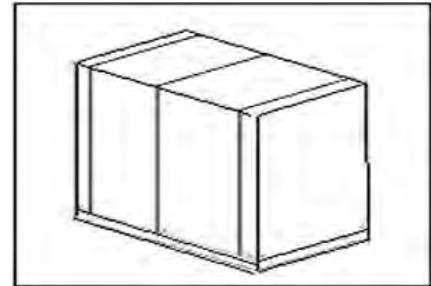


Strap width	5mm, 6mm, 9mm , 12mm
Strap thickness	0.35mm up to 0.65mm (0.014" – 0.026")
Strap coil diameter	Coil diameter 200mm (8" nominal) Outside diameter 420mm (16.5") Width(Face) 190mm (7.5")
Table height	Minimum – 445mm (17.52") Maximum – 645mm (25.39") ※ 100mm could be adjusted by machinery pad ※ 100mm could be adjusted by table
Weight	340kg (749 lbs.)
Noise emission	78 dBA
Ambient temp	5°C ~ 40°C (41°F ~104°F)
Minimum package size:	150mm W × 100mm H × 250mm L
Maximum package size:	The Maximum Height of package depends on the space between arch and table EX: arch size: 600W×650H and space between arch and table is 465mm(H) Max. package size: 550mm W×415mm H (21.7" W × 16.3" H)

3 Preparation Before Operating the Machine

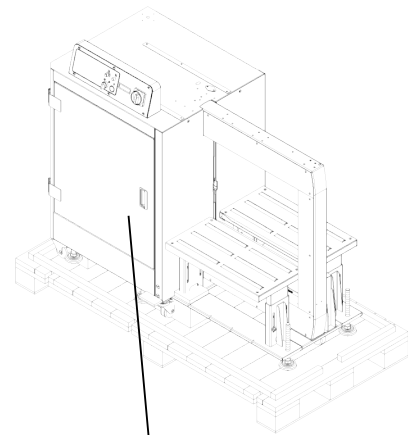
3.1 Shipping

The equipment is delivered in transport units. Each transport unit is loaded onto a wooden pallet, secured by polyester strapping.



3.2 Transportation & Centre of Gravity

The machine must be secured on a pallet for transportation. A forklift (or other lifting device) is necessary for lifting the machine to the pallet. The casters must be fit nicely in the recess on the pallet for proper packaging. Secure the machine to the pallet with plastic strapping across the top plates with a layer of cardboard on it to avoid damage. Cover the machine with sturdy box for protection and hold the whole box to the pallet with plastic strapping.

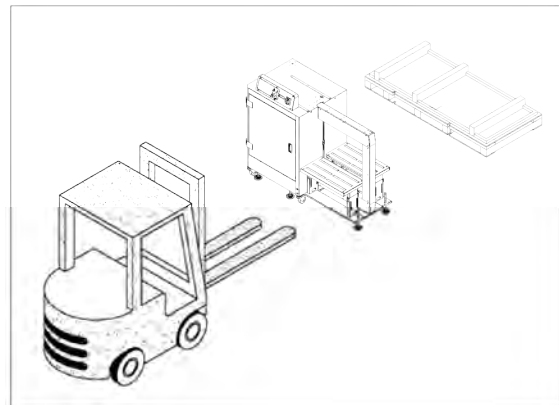


Center-of-gravity position

The machine can be removed from the pallet using forklift truck or other lifting device.

CAUTION!

Do not carry machine by having the forklift's fork under the arch, but only under the machine frame.



Danger to Lift!

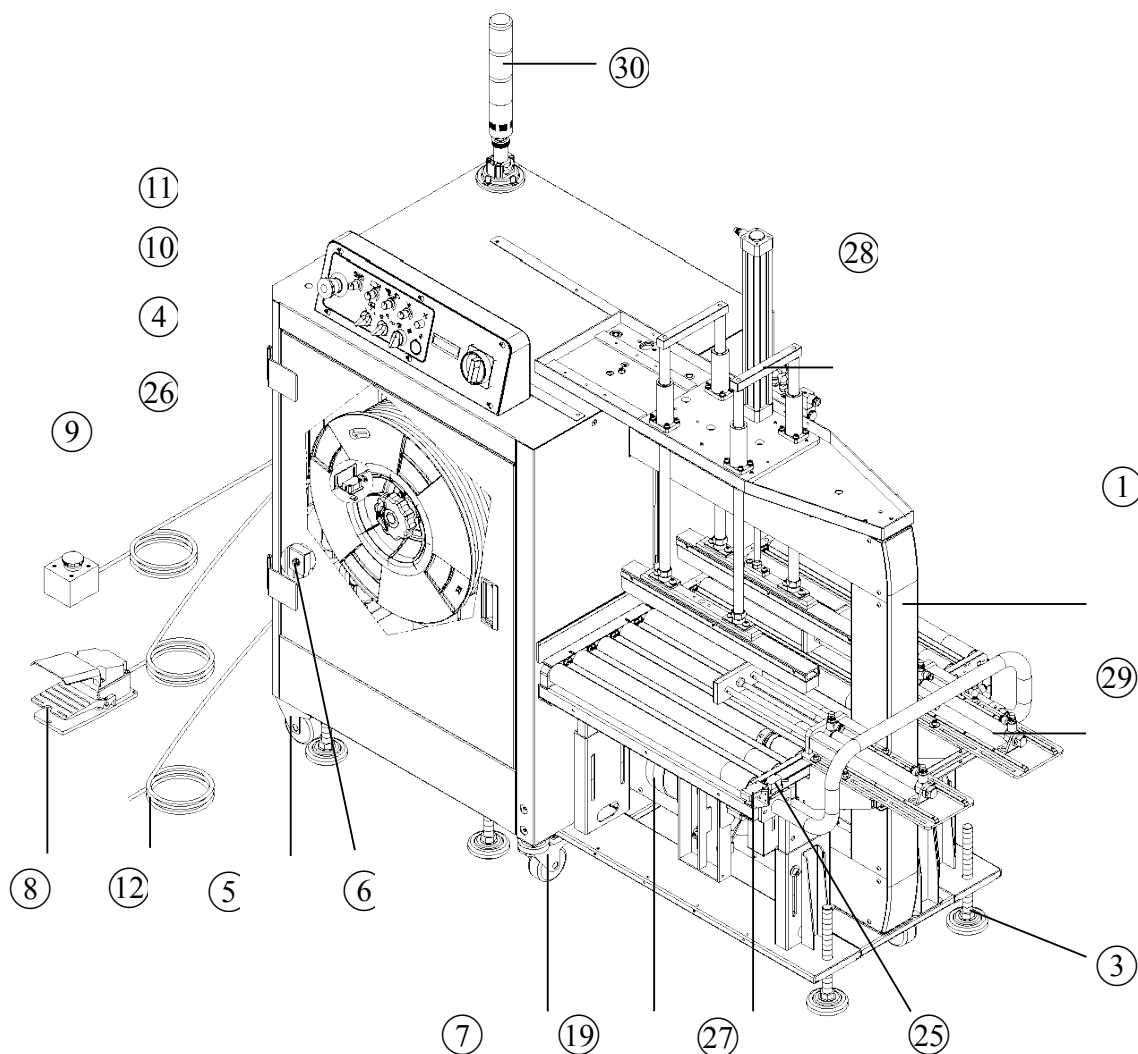
Suspend loads can fall down.

By inappropriate mounting or fracture of hoisting device the load can fall down and cause serious injuries or death.

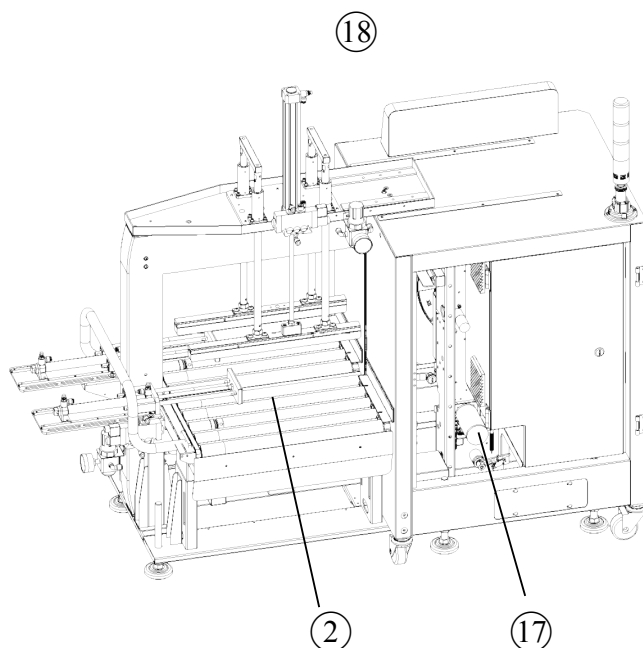
Do not step under suspended loads!

Use appropriate hoisting devices and fasteners.

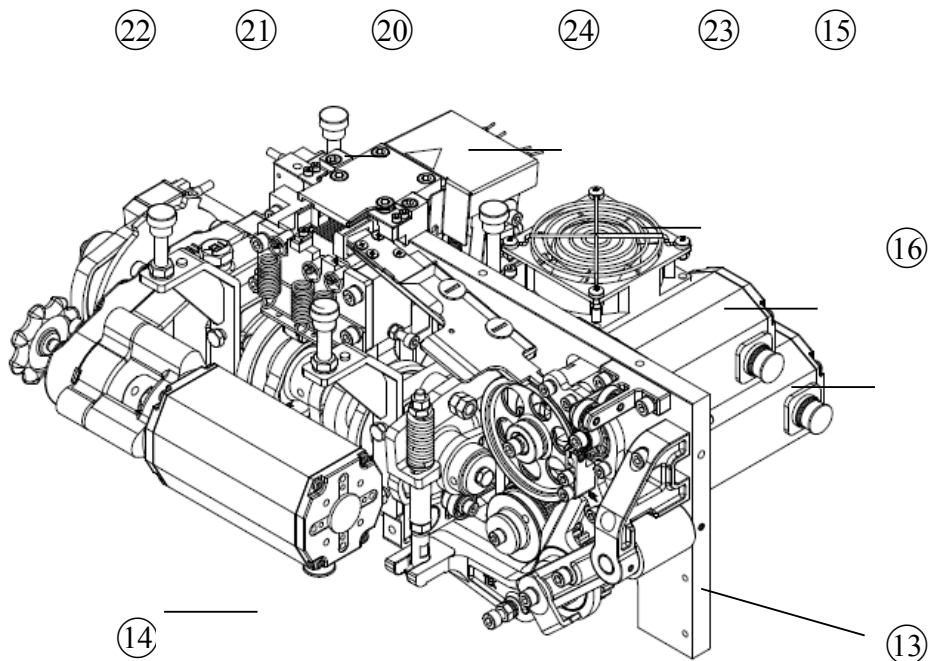
3.3 Construction Layout



1. Arch
2. Upper Table Front
3. Machinery Pad
4. Reel
5. Caster (Brake)
6. Reel Brake Release
7. Caster (Free)
8. Foot Pedal (Option)
9. Movable Start Switch (Option)
10. Front Door
11. Control Panel
12. Power Cord
13. Strapping Head Unit
14. Main Motor M1
15. Feed Motor M2



16. Tension Motor M3
17. Strap Accumulator Motor M4
18. Automatic Feed Motor M5
19. Transit Motor M7
20. Proximity Sensor SQ1
21. Proximity Sensor SQ2
22. Proximity Sensor SQ3
23. Fan (M11)
24. Heater
25. Photo Eye (PH1 for TP-702YA)
26. Photo eye (PH3)(Strap amount detection sensor)(Option for TP-702YA)
27. Photo eye (PH4)(Energy saving transit with auto sleep mode sensor)(Option for TP-702YA)
28. Press Bar (Option)
29. Side Pusher (Option and only for TP-702YA)
30. Light tree (Option for TP-702YA or TP-702Y-XT)

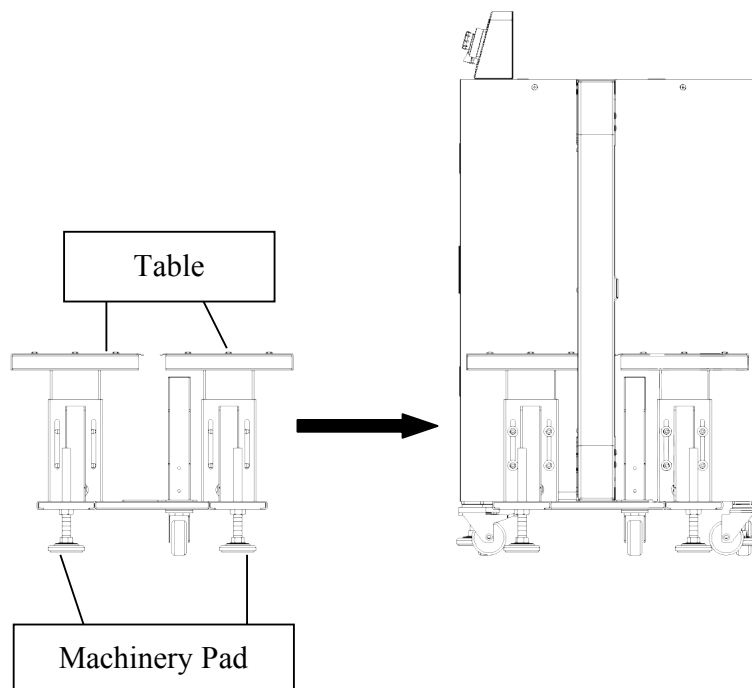


Caution:

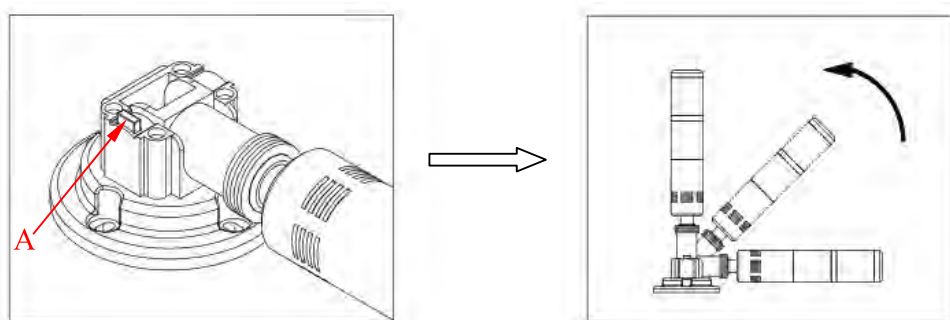
When the Press bar or Side pusher option is equipped with the TP-702YA machine, safety device (such as Safety Guard) would be necessary to be added by the dealer according to CE regulation.

3.4 Installation

1. Remove the packing material and check if the machine is complete without any shipping damage.
2. After positioning it, adjust the machine table height to the same level surface of upstream & downstream equipments by adjusting the machinery pad or the table. After the adjustments, be sure to tighten all the Nuts.



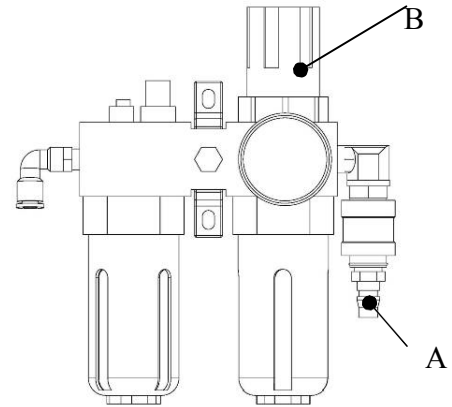
3. Press button A and make light tree stood. (Light tree is option for TP-702YA & TP-702Y-XT)



4. The electrical supply cord for the machine must have a minimum cross-section of at least 1.5 mm^2 (16 AWG) and the power cord Length should be less than 500cm.
5. The maximum power line fuse must not exceed 16 Amp.

6. Pneumatic connection (for the machine equipped with the Press bar or Side pusher as the option)

- The strapping machines require 3/8" air hose connection (A)
- The operating pressure is 6 bar (87psi), its value is set by the pressure reducing valve (B)
- To alter operating pressure, the knob (B) has to be pulled upward. By turning the knob (B) the pressure can be adjusted. Knob (B) is locked by pressing it down again.

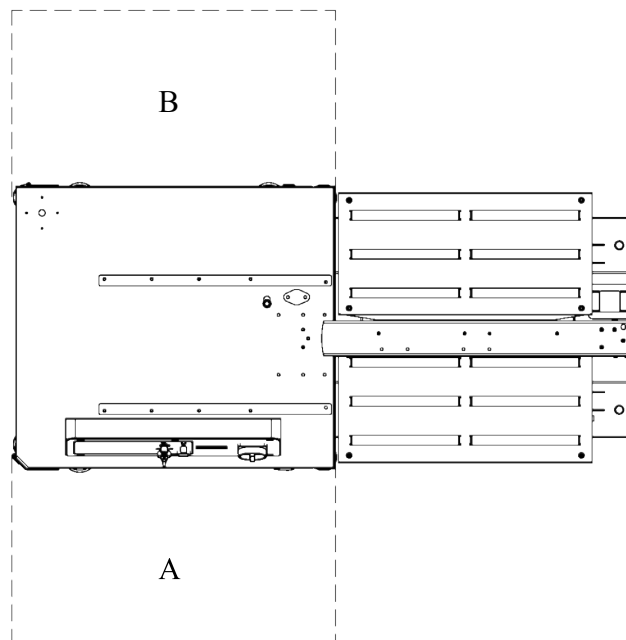


3.5 Operation Space

Keep the area (A) and (B) free for the operator.

The area (A) is necessary for hanging the strap or operating strapping machine.

The area (B) is necessary for adjusting strap amount in the accumulator or Maintenance



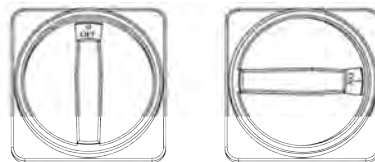
3.6 Operating Elements

1. Main Power Switch:

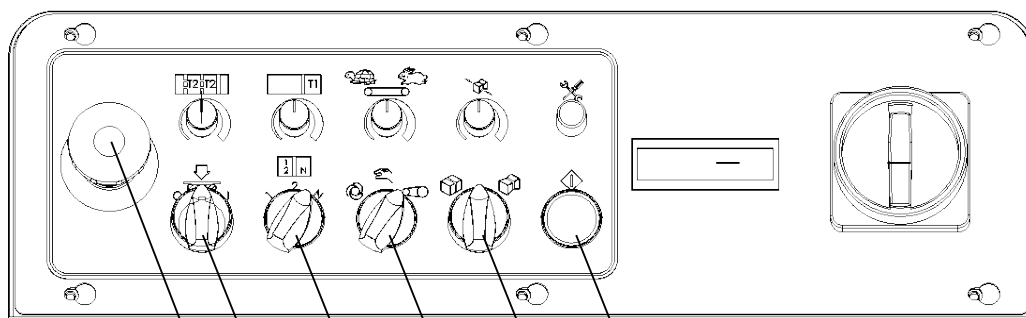
Provides the machine with power.

Switch to “1” position for turning the main power on.

After strapping, switch it to “0” to turn off the machine.



7 6 5 4 3 2 1



8 16 9 10 11 12

2. LCD Display:

Indicates strapping condition of machine and error messages.

3.  : Function Encoder


Turn clockwise or counterclockwise to change strapping settings. such as weld cooling time...etc. Some settings can only be changed by technicians with password.

4.  Strap Tension Potentiometer:


Turn clockwise to increase strapping tension, turn counterclockwise to reduce strapping tension. This potentiometer is only functional under High tension mode.

5.  TRANSIT SPEED Adjustment Knob (Only TP-702YA)

External adjustment of transit speed by simple turn of a dial. Turn clockwise to increase transit speed; turn counterclockwise to reduce transit speed.

6.  Timer (T1) (Only TP-702YA)


Delay time from the moment that a package is detected until the 1st strapping cycle initiates. It is adjustable from 0 to 5 seconds.

7.  Timer (T2) (Only TP-702YA)

Delay time (interval) between strap cycles. When multiple strapping cycles are needed, this timer is for an operator to determine the interval between each straps. It is adjustable from 0 to 5 seconds.



8. **Emergency Stop switch (Only TP-702YA)**

The switch functions for urgently stop the machine. When pressing this STOP switch, the power supply will be shut down immediately. After pressing the switch, it will be locked. For releasing Stop function, just gently turn it clockwise.

Remember you still need to press  to let the machine back to normal operation.

9. **Selector Switch (Only TP-702YA)**


This switch is used to select how many (1, 2, or N) straps required for each package.


The selector switch will function only when  selector switch is at position  (AUTO).


Note:

When N straps is required for the package. You need to adjust the timer T2 for next strapping until photo eye is off. (PH1).

10. **Selector Switch (Only TP-702YA)**


While selector switch is at position  (Manual), table rollers will stop running and the photo cells will not function but the machine can strap by pushing the (START) switch.

While the selector switch is at position  (AUTO), the table rollers will run and photo cells works so when package passes under the arch, the machine will automatically strap the package.

When the selector switch is at position  (TRANSIT), it is for transit (the table rollers will run but the photo cells do not function).

11. **Soft - High Tension Switch:**

Switch to right () for High strapping tension.

Switch to left () for soft strapping tension.

12. **Start Switch:**

- After turning on **Main Power Switch**, you must press the start switch for machine to get ready for work.
- To initiate a strapping cycle.
- To clear up machine fault. (reset)

13. **Movable Push Switch (Option):**

To initiate a strapping cycle.

To clear up machine fault. (reset)

14. Foot Pedal Switch (Option):

To initiate a strapping cycle.

To clear up machine fault. (reset)

15. Reel Release Switch:

To release the dispenser for easily taking out the strapping from it.

16.  PRESS BAR selector switch (Option)

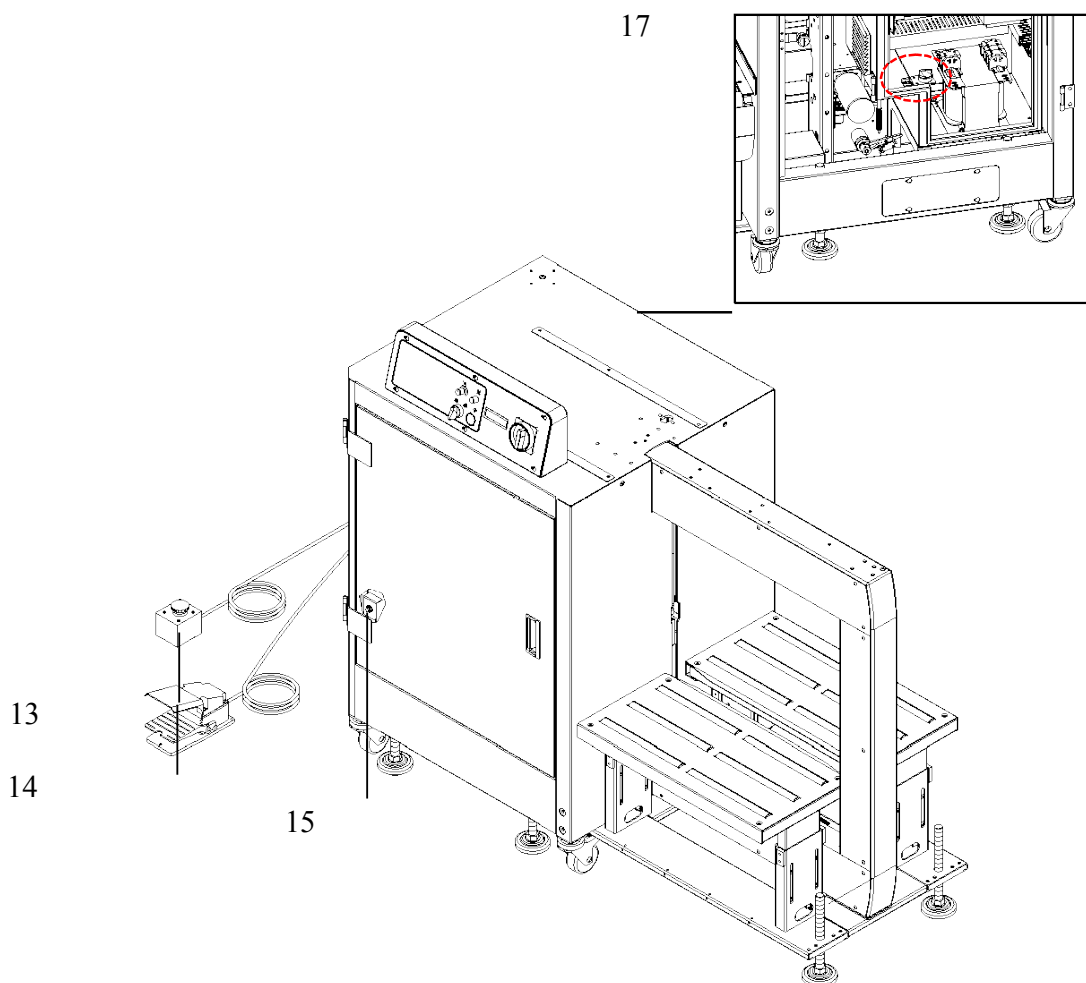
Bundle press functions only when PRESS BAR selector is set at "1".

Strap without bundle press when PRESS BAR selector is set at "0"

17. Side square selector switch (when machine equipped with press bar and side square)

Bundle push functions only when selector is set at "1".

Strap without bundle push function when selector is set at "0"



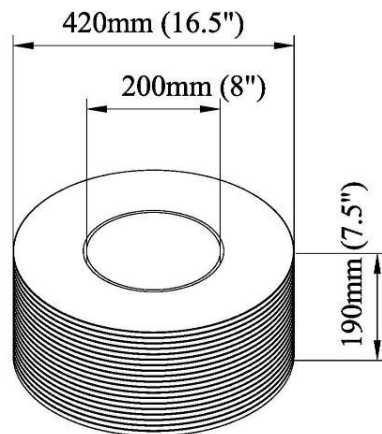
3.7 Instructions for Loading PP Strap

3.7.1 Specifications

Polypropylene Strap

Width: 5, 6 or 9mm or 12mm

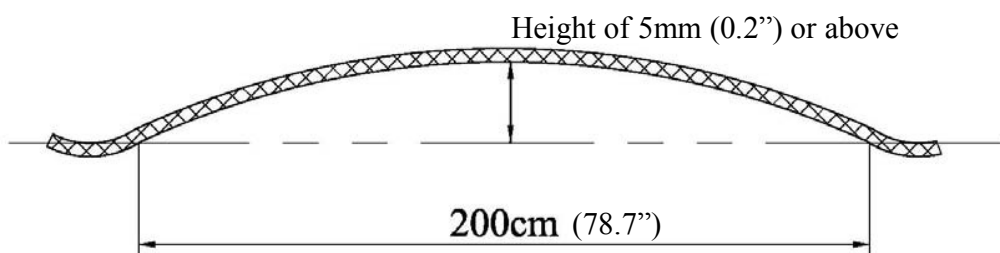
Thickness: 0.35-0.65 mm (0.014" –0.026")



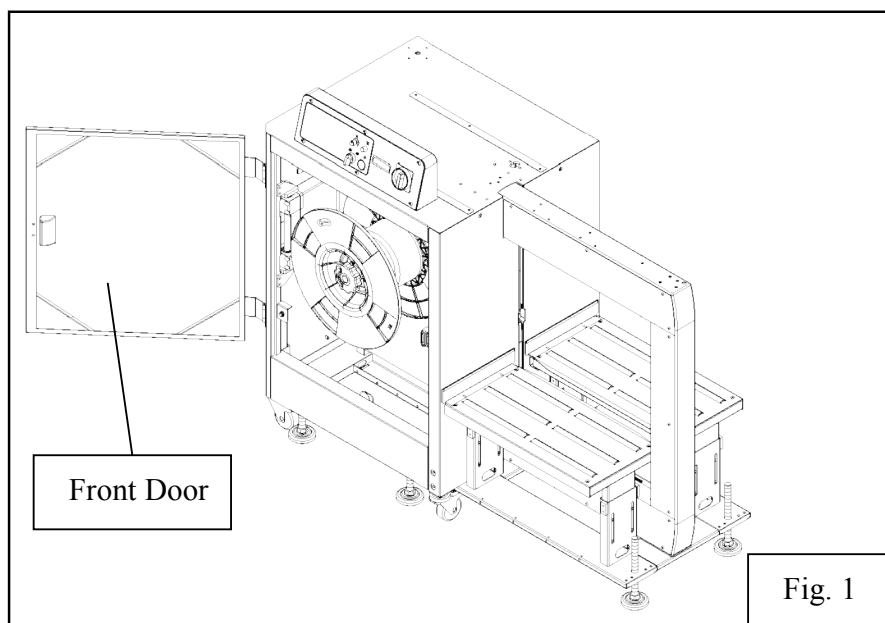
Note:

Strap coil should not be heavier than 12kg (27 lbs). Too heavy strap would damage the Reel support system.

Strap which has excessive camber as illustrated in figure below cannot be used.



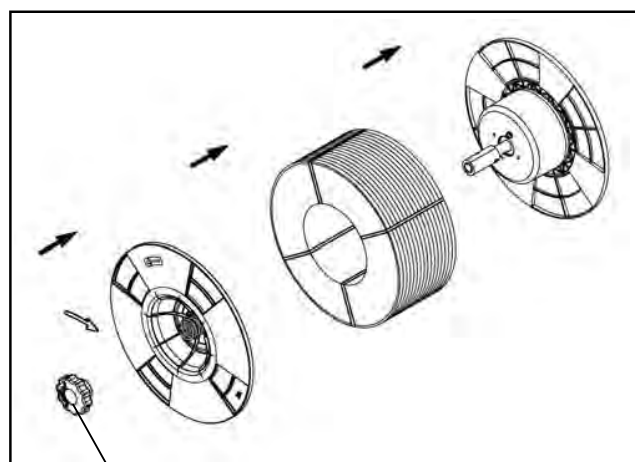
3.7.2 Strap Reel Installation



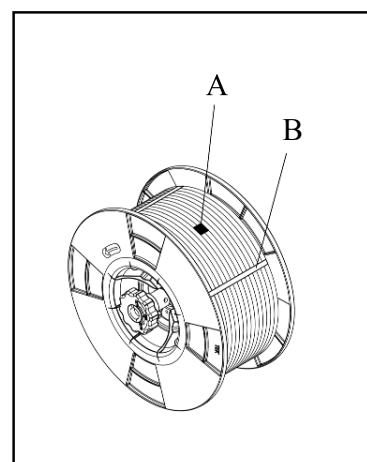
1. Open the Front door in front of the machine (fig. 1).
2. Release the Reel Nut Handle by pressing and turning it to the left.
3. Take out the Outer Flange.
4. Install a new strap coil onto the drum according to the instructions on the reel.
5. Put Outer Flange back and the Reel Nut Handle. Turning the Reel Nut Handle to the right to lock it.
6. Remove the protective straps (B) and the stickers (A)
7. Close the Front door.

Note:

The Reel Nut Handle is released by turning to the left. Tighten it by pressing and turning it to the right.

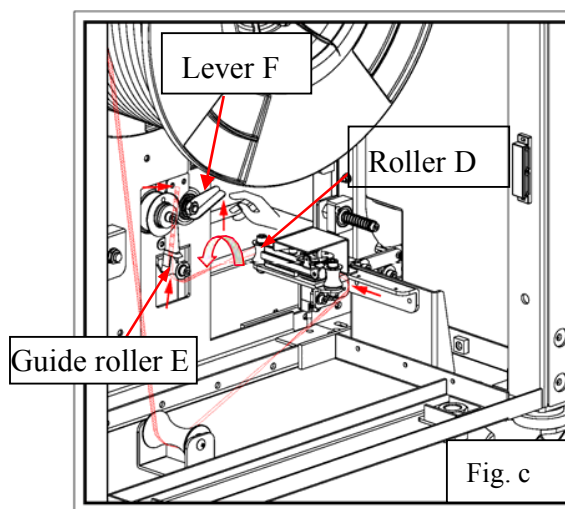
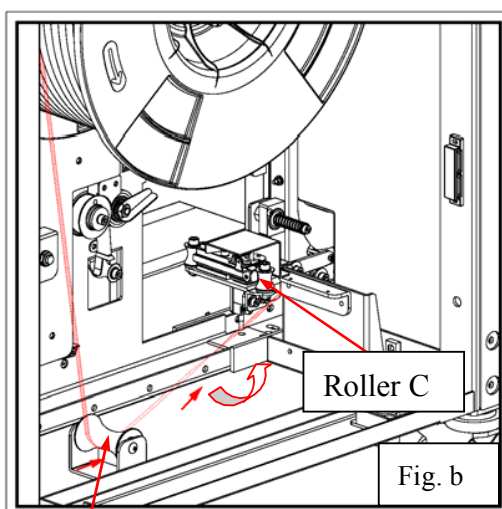
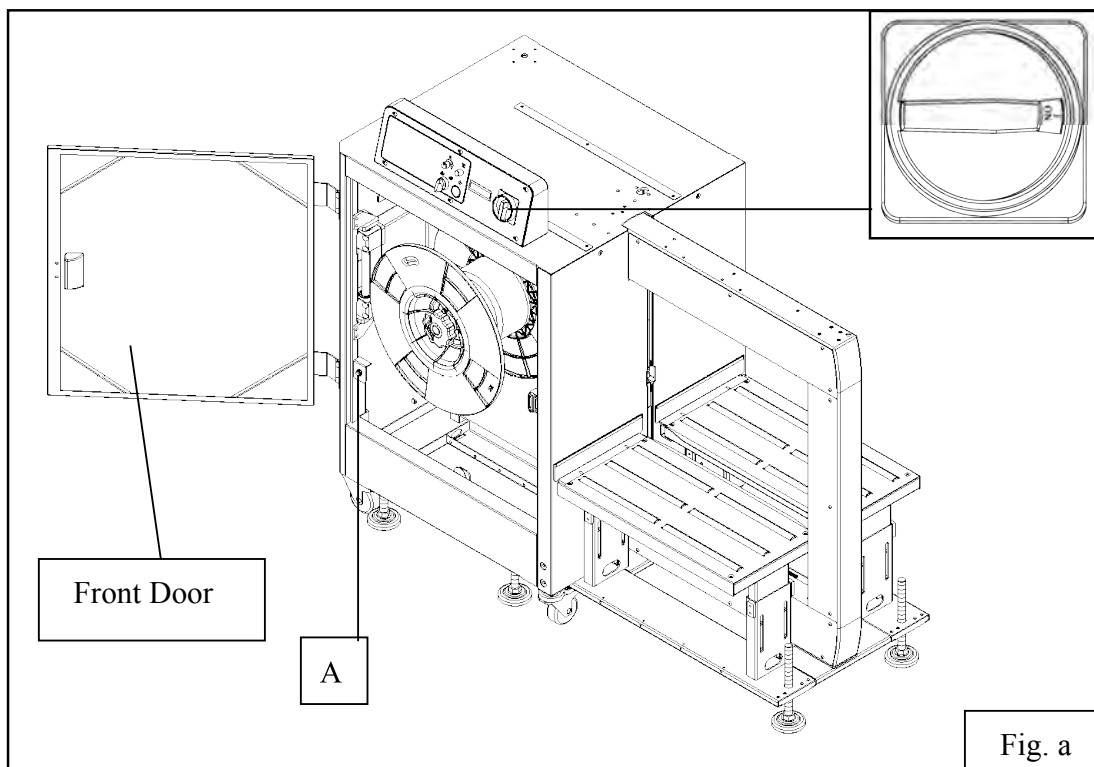


Reel Nut Handle



3.8 Auto Strap Feeding Process

1. Turn Main Power Switch on the right side of control panel to the right (at 1 position), and press Start Switch.
2. Open the Front door.
3. Press “Reel Release Switch A” and pull out around 130cm strap.
4. Insert the strap to Roller Band then to Roller C as showing in Fig. b.



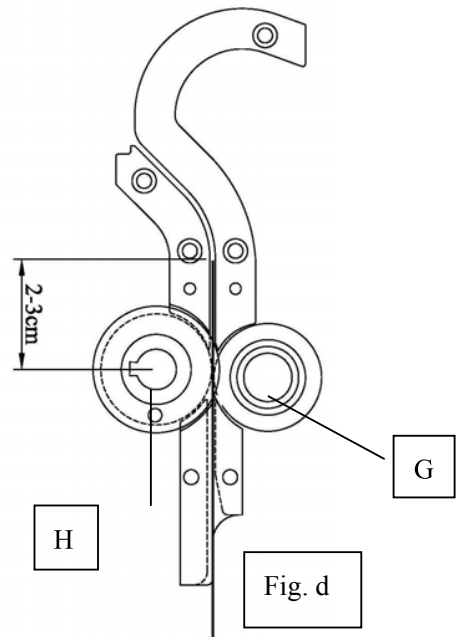
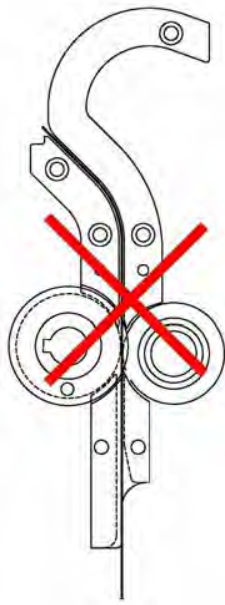
Roller B

5. Keep threading the strap till the Roller D (Fig. c).
6. Turning the strap downward and thread it to Guide Roller E, then to Roller G & Roller H (Fig. c & Fig. d).

7. Lift the Lever F and then thread the strap around 2-3cm ahead the rollers (Fig. d) then release Lever F.

Caution:

If strap is fed more than 6cm ahead the rollers, it could make Auto Strap Feeding failed.



8. Close the Front door and press Start Switch. Machine will complete the Auto Strap Feeding in 5 sec. and have the strap feeding to the sealing point.

Caution!

In the process of Auto Strap Feeding, only the Start Switch is functional. Neither Movable push switch nor foot pedal switch will function.

Caution!

The cut edge of the strap must be free from burrs to avoid failure in Auto Strap Feeding.

3.9 How to connect Upstream and Downstream Machine (B5 Connector)

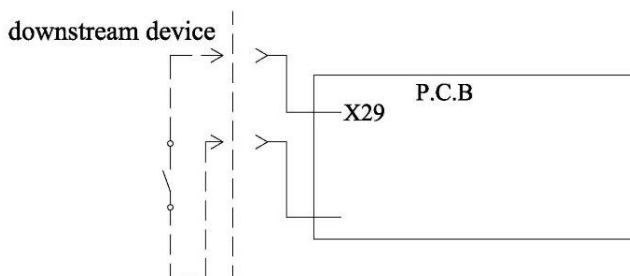
Pin1 and Pin 2: It outputs machine signal by giving a "NO" contact. Machine would send signal to upstream device for entering the package (Refer to B27 Wiring Diagram of PART II).



Caution:

Mistake the connection (over voltage or current) may damage the K3 relay

Pin 6 and Pin 7: It is for receiving signals to the machine. To receive the signal from the downstream device for passing through the package after strapping. If there is no downstream device, machine would not pass through the package after strapping (Refer to B27 Wiring Diagram of PART II).

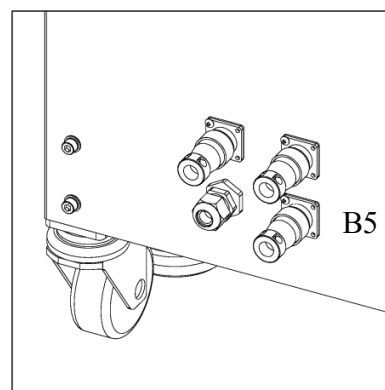


Caution:

The downstream signal should be voltage (potential) free, or it will damage the P.C. Board.

Caution!

If there is no downstream machine, please still plug in the B5 connector to avoid machine waiting for this signal which will cause the transit belt not running after the strapping cycle is completed. (TP-702YA Only)



4. Operating the Machine

After switching on the strapping machine, heater starts to warm up and LCD display continues to be on until the heater reaches its operating temperature (about 2 minutes).

Caution!

Machine will not operate until heater reaches to operating temperature.

The heater fans continue to run until heater reaches operating temperature.

Switch **Main Power Switch** to Position “1”



Heater warms up and LCD display keeps on lightening



Ready!
LCD display is off

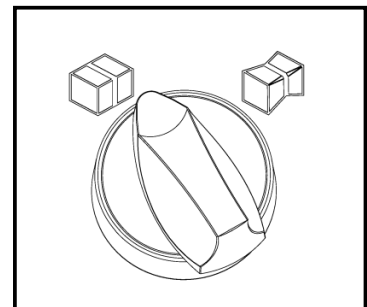
4.1 TP-702Y

4.1.1 Soft Tension Operation

1. Place a package on the table.
2. Push start switch or actuate Movable push switch (option) or foot pedal switch (option) to start strapping.

NOTE!

When operating in soft tension mode, the strap tension potentiometer does not function.



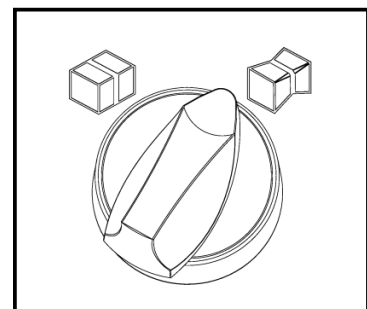
4.1.2 High Tension Operation

1. Place a package on the table.
2. Properly adjust the strap tension potentiometer according to various package.
3. Push start switch or actuate Movable push switch (option) or foot pedal switch (option) to start strapping.

Attention!

Keep hands away from the strapping area.

If hands are caught by P.P. strap accidentally, be sure to turn off the Main Power Switch first and then cut the strap.



4.1.3 Function Encoder

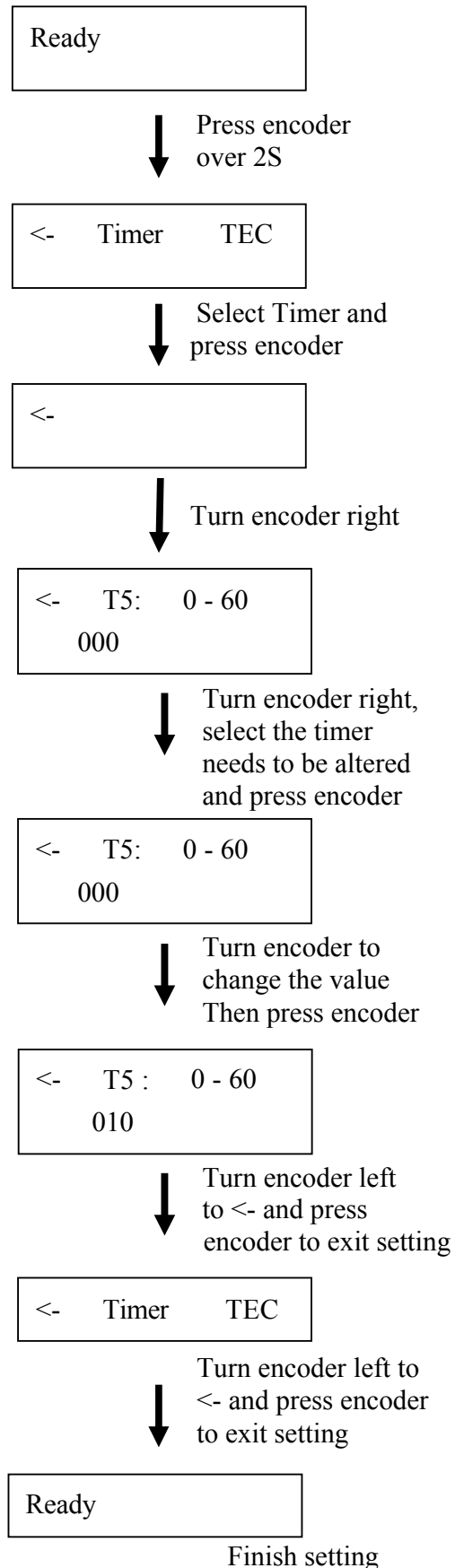
LCD display will show various timers such as cooling time, timer 1, timer 2...etc. After pressing the function encoder for over 2 seconds, turn the knob to choose the timer needed to be changed. Press this knob to confirm the timer needed altered and turn it again to alter the value, and then press it again to confirm this alteration.

T1: Allow time for transit rollers to stop completely. T1 Timer starts to run the moment machine tells transit rollers to stop. After T1 Timer is over, machine will do strapping (or press bar / side pusher starts to function).

T2: no function in TP-702Y series.

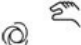




T5: cooling time timer, Range 0-0.6S

T4: When Press bar or side pusher starts to function, T4 timer is counting. After T4 setting time is over, machine will do strapping. Range 0-3S



4.2 TP-702YA

4.2.1 Manual Operation mode

1. Make  selector switch to position .
2. Place a package and push it close to the strapping head.
3. Adjust selector switch   and Tension Potentiometer according to required tension force.
4. Push start switch  or foot pedal switch (option) or Movable start Switch to start strapping.

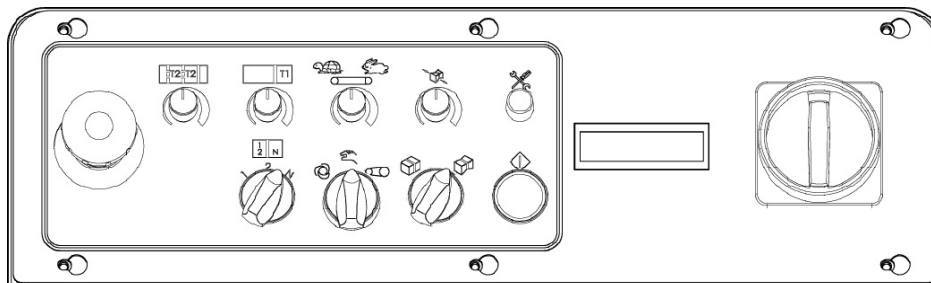
NOTE!

When operating in soft tension mode, the strap tension potentiometer does not function.




Attention!

Keep hands away from the strapping area.

If hands are caught by P.P. strap accidentally, be sure to turn off the Main Power Switch first and then cut the strap.

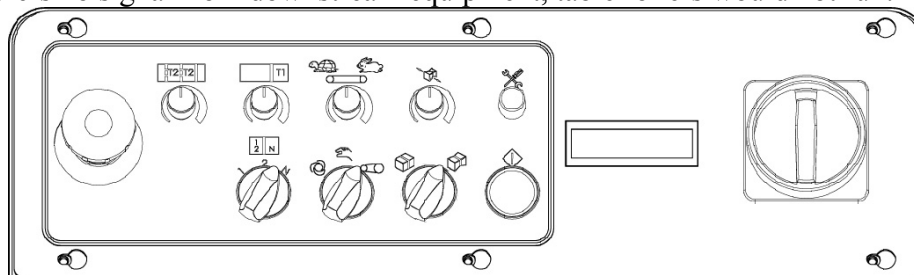


4.2.2 Transit Operation mode





1. Make  selector switch to position .
2. Adjust Transit Speed Adjustment  properly.

Note !

If there's no signal from downstream equipment, table rollers would not run.



4.2.3 Automatic Operation mode

1. Make  selector switch to position .
2. Adjust Transit Speed Adjustment Knob  properly.
3. Adjust selector switch  and Tension Potentiometer according to required tension force.
4. Decide the straps numbers on a package with

1	
2	N

 selectorswitch.
5. Place package in upstream conveyor and machine would make strapping on the package according to the settings.
6. Move photo cells or make adjustment of T1 or T2 to change the strapping position on the package.

5. Adjustments

5.1 Strap Amount in the Accumulator Box

The machine has been already well set for storing enough amount of strap in accumulator Box.

However, some adjustments may be required, depending on the actual quality or thickness of the strap used.

The strap supply in the accumulator box should be sufficient for about 2-5 strapping cycle.

(It depends on the package size and the arch size. Fewer cycles are available for bigger arch or bigger package.)

Caution!

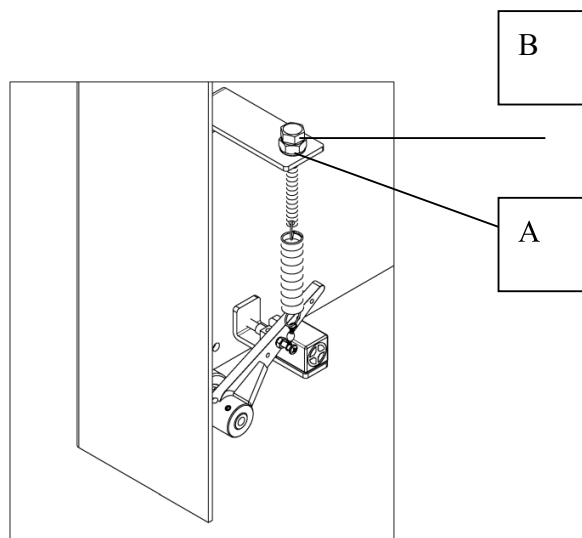
Excessive amount of strap in the Accumulator Box can lead to strap jam (too curved) and cause feeding problem.

Insufficient amount of strap in the Accumulator Box can lead to short feed problem or decrease strapping speed.

The adjusting mechanism for amount of strap is inside the machine, at the rear side of machine.

In case that there is insufficient amount of strap in the Accumulator Box, loosen the Nut A and turn the Screw Bolt B counterclockwise. After adjustments, be sure to tighten the Nut A to avoid unstable strap accumulation.

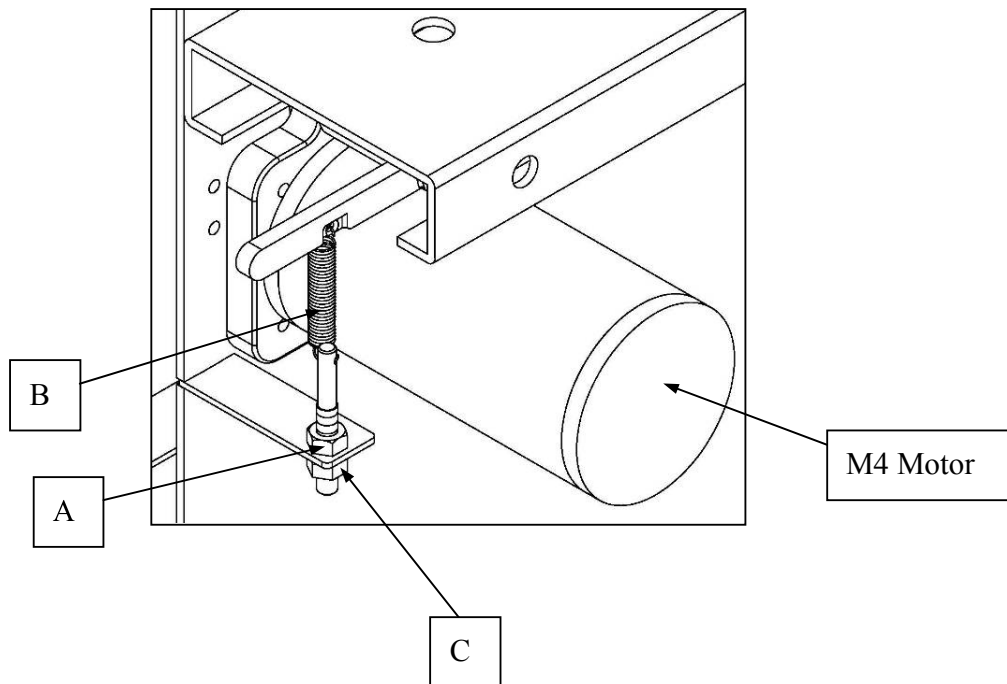
In case that there is excessive amount of strap in the Accumulator Box, loosen the Nut A and turn the Screw Bolt B clockwise. After adjustments, be sure to tighten the Nut A to avoid unstable strap accumulation.



5.2 Adjustment for Feeding Pressure to the Accumulator Box

The machine has been already well set for enough feeding pressure offering enough strength for pulling strap from strap coil to accumulator box. It might be necessary for some adjustments to increase feeding pressure if you are using smooth strap.

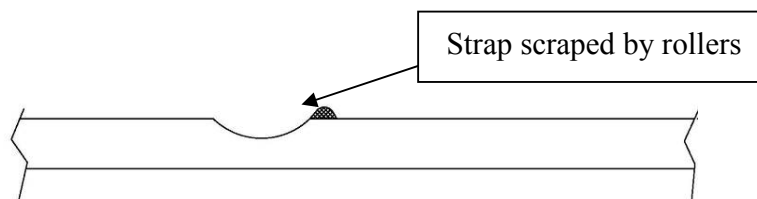
When it's necessary for increasing the feeding pressure, please loosen the Nut A and turn Nut C upwards to increase the strength of Spring B. Be sure to tighten Nut A by turning it counterclockwise after adjustments.



Caution!

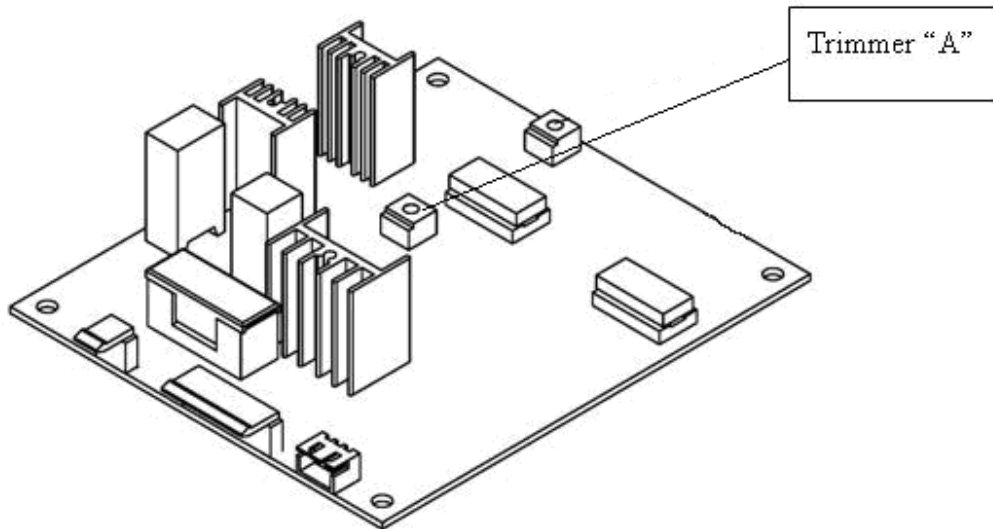
Too much feeding pressure could lead to feeding problem as the strap would be scraped by the rollers easily as show below.

Insufficient feeding pressure would lead to short feed problem as the strap is insufficient in the accumulator box.



5.3 Adjustment for Heater Temperature

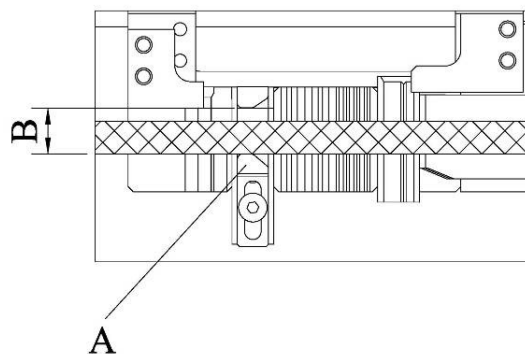
The machine has been already well set for proper heater temperature. It might be necessary to do some adjustments according to temperature in working environment, and the quality of P.P. strap to ensure better sealing efficiency. Turn 'A' clockwise to increase the heater temperature and turn it counterclockwise to decrease the heater temperature.



5.4 Necessary Adjustments After Changing Strap Width

1. Adjusting "Strap Guide"

Adjusting the A (Strap Guide) according to the strap and make sure the width B is around 0.5mm (0.02") wider than the strap.

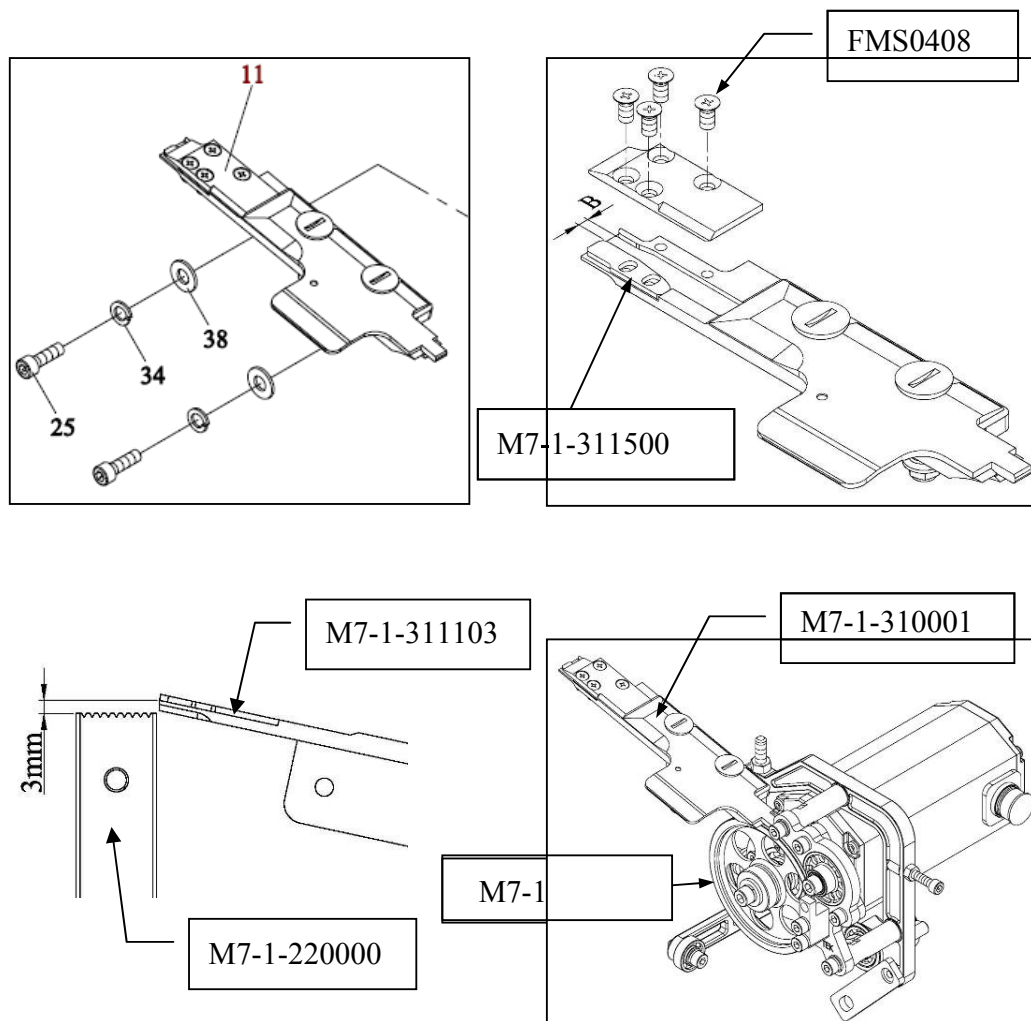


Caution:

If B is too wide, it would lead to sealing problem. However, if it's too narrow, it would lead to feeding problem.

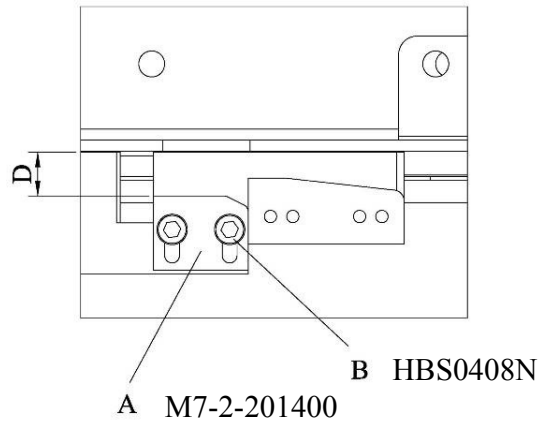
2. Adjusting “M7-1-311500 Adjusting Plate” only for 5mm and 6mm.

Loosen #25 HBS0412N×2 to remove #11 M7-1-310001 Upper Guide Ass’y (For 5-6mm) from the machine. Then loosen FMS0408×4 on it and take a piece of p.p. strap which would be running by this machine for properly adjusting M7-1-311500 Adjusting Plate (Only 5-6mm). Make sure the width B is around 0.5mm (0.02”) wider than the strap. After proper adjustment, tighten FMS0408×4 and have M7-1-310001 Upper Guide Ass’y (For 5-6mm) fixed back to the machine. While having M7-1-310001 Upper Guide Ass’y (For 5-6mm) fixed back to the machine, be sure its left side must be around 3mm higher from Press Bar Ass’y M7-1-220000. Also the right bottom side of M7-1-310001 Upper Guide Ass’y (For 5-6mm) should have some clearance between M7-1-301400 Guide Wheel (For 5-6mm). This clearance should not be wider than the strap’s thickness or strap would probably slip out while doing Auto Strap Feeding.



3. Adjusting “Right Strap Guide”

Loosen the screws on the “Right Strap Guide” and take it out. Then loosen the 2 screws B (HBS0408N) and adjust A according to the strap. Be sure D is about 0.1mm wider than the strap. After adjustment, tighten screws B and put the “Right Strap Guide” back.



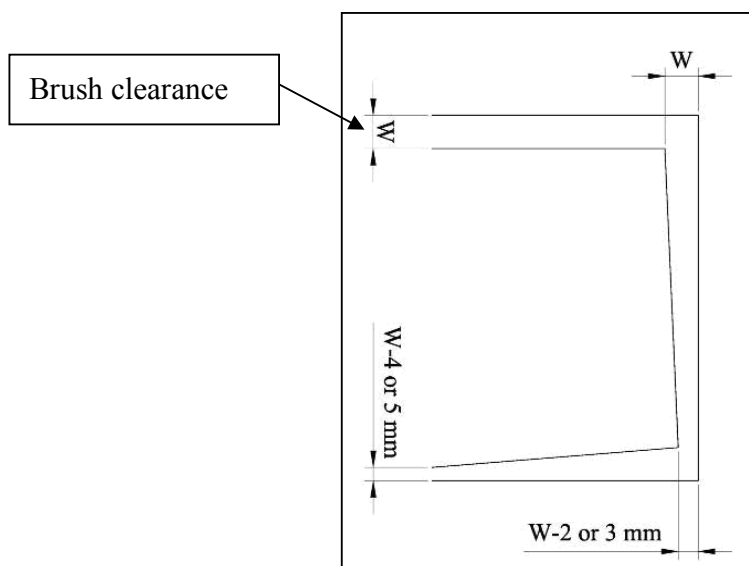
Caution:

If D is too wide, it would lead to sealing problem. However, if it's too narrow, it would lead to feeding problem.

4. Adjusting Brush Clearance in the Arch

The brush clearance in the upper side and upper right should be about the strap width. The brush clearance in the lower right should be about 2-3mm narrower to the strap.

The brush clearance in right side of lower chute should be the same to the clearance in lower side of right arch. The brush clearance in the lower left should be 4-5mm narrower to the strap



Note:

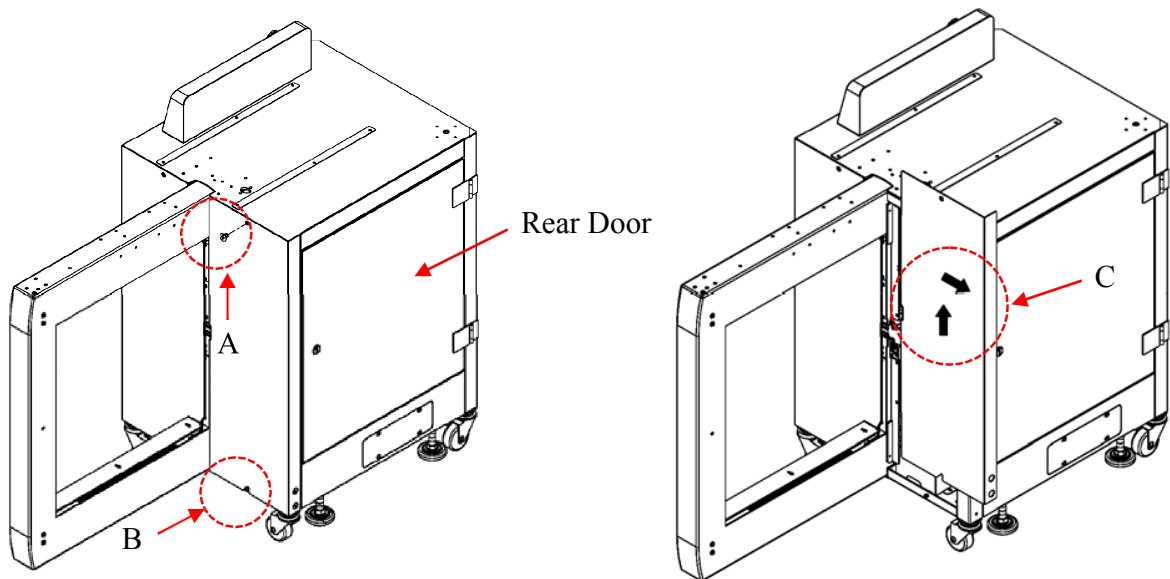
The brush clearance could be various according to different package size. The brush clearance needs to be bigger for not having any effect on reversing especially when the package size is close to the arch size.

5. Adjusting Strap Amount in the Accumulator Box

Different strap widths might have effects on the strap amount in the accumulator box. Please do the adjustment according to 5.1 if necessary.

5.5 Adjustment for Feeding/Reversing Pressure

The plate was screwed by captive screws and normal screws. To take it out, please take out the Screws (A) first and then loosen the captive screw(B) about 5mm. Follow the direction of arrow (C) to Lift the plate and slide it out. Open the Rear Door for easy adjustment.

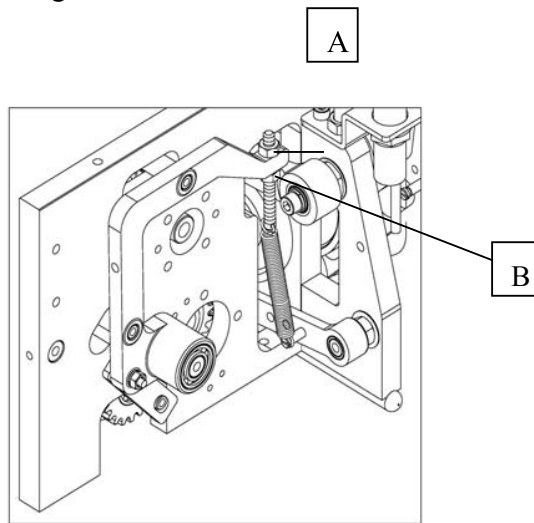


1. Adjusting the Pressure for Feeding

The machine is already well set for proper feeding pressure. However, according to different strap characteristics (such as smoother surface or different thickness), some adjustments for feeding pressure are still necessary.

If short feed problem happens a lot, and it is a result of improper feeding pressure, please do the following adjustments:

Loosen Nut B and turn Nut A clockwise to increase the feeding pressure. Or loosen Nut A and turn Nut B counterclockwise to decrease the feeding pressure. After adjustments, be sure to tighten these 2 Nuts well.

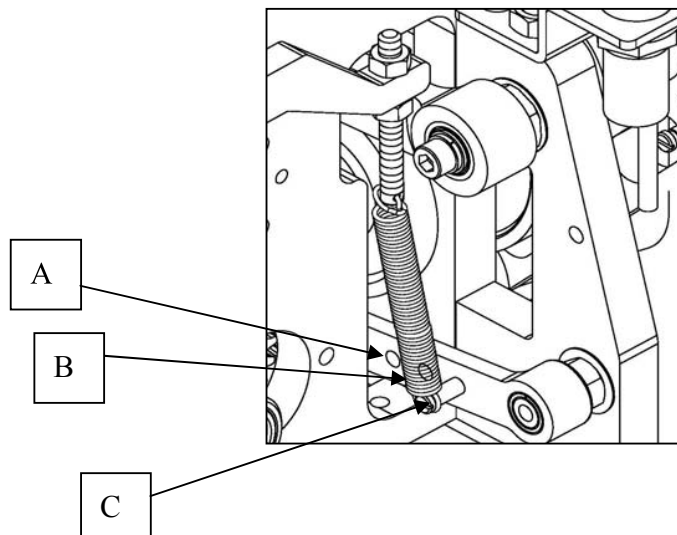


2. Adjusting the Pressure for Reversing

The machine is already well set for proper reversing pressure. However, according to different strap characteristics (such as smoother surface or different thickness), some adjustments for reversing pressure are still necessary.

If machine often has incomplete reversing problem, and it is a result of improper reversing pressure, please do the following adjustments:

Take out the part (TA-073 Spring Hook) from C position to B or A position in order to increase the reversing pressure.



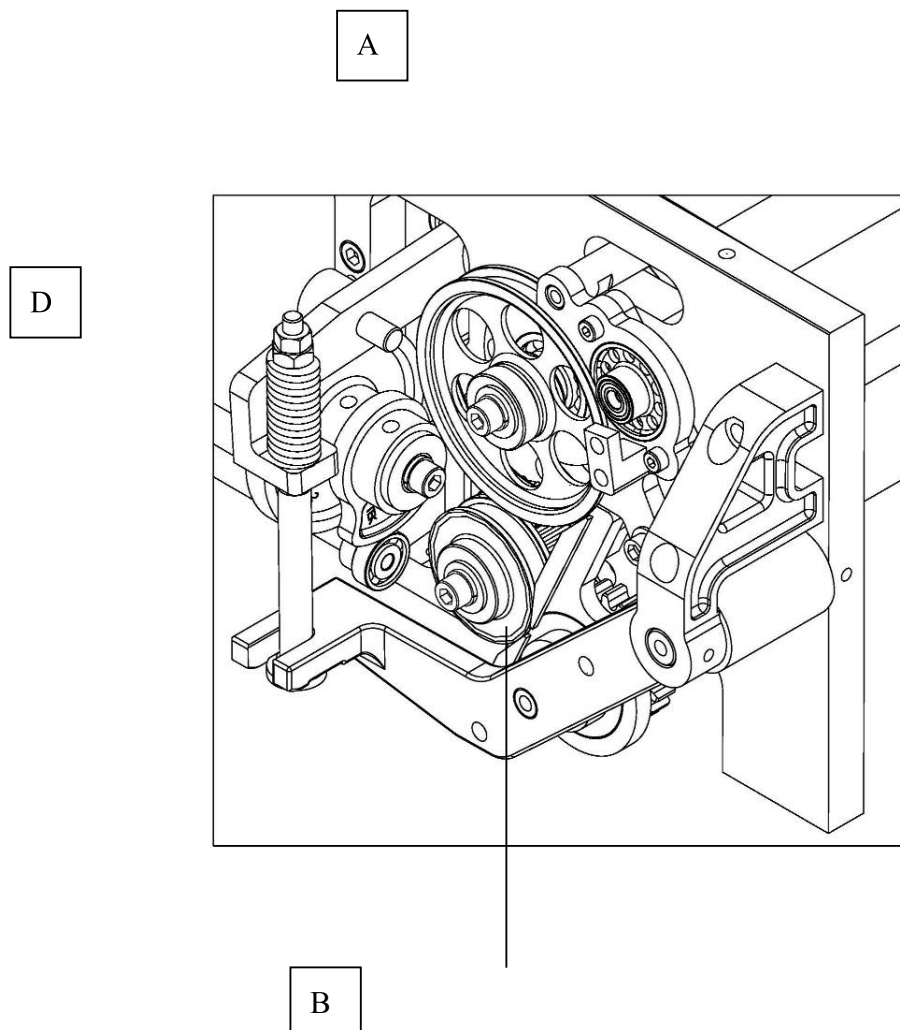
5.6 Adjustment on Tensioning Rollers for High Tension

The machine is already well set for proper pressure for high tension. However, according to different strap characteristics (such as smoother surface or different thickness), some adjustments on pressure for high tension might be necessary.

When insufficient strapping tension occurs even the Soft-High tension switch is at “high” position and it is a result of pressure for high tension, please turn Nut D clockwise. This can solve the problem of insufficient strapping tension at high tension and strap slipping between A & B due to this.

Note:

When the pressure for high tension is set too high, the tension for strapping would get lower.



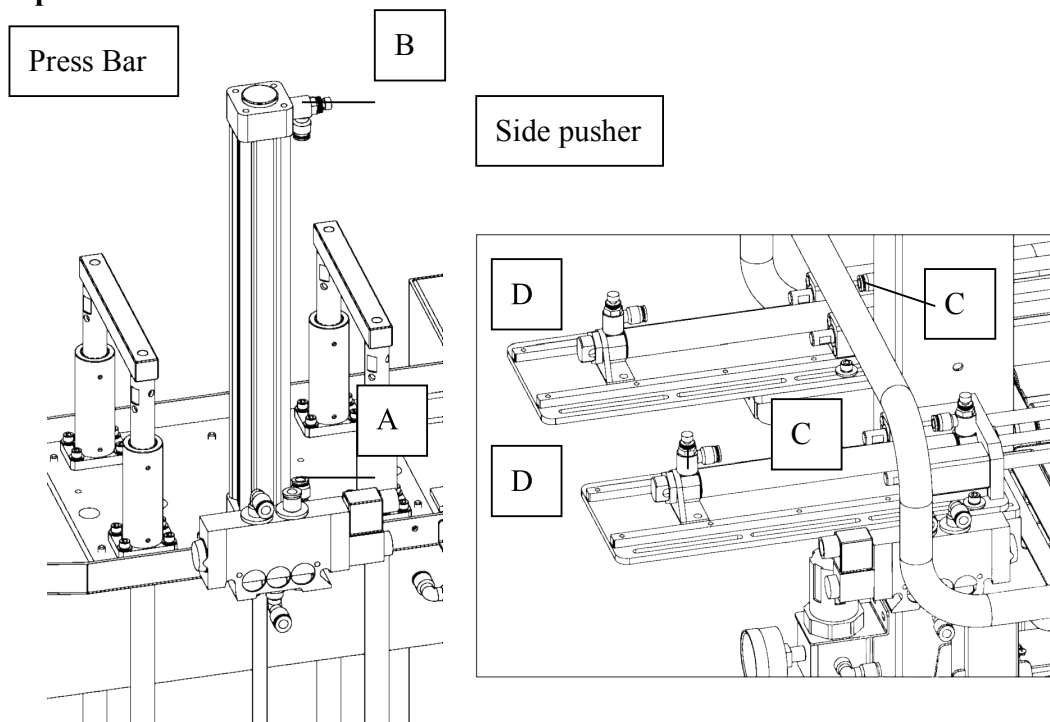
5.7 Change Bundle Flow Direction (TP-702YA)

If you need to change the bundle flow direction, please do it as following steps:

1. Change the phase sequence of M7 motor. (Please refer to B2 / ED1, interchange either 2 wires from frequency inverter to M7 motor)
2. Change the positions of PH1 and reflector to the other side.

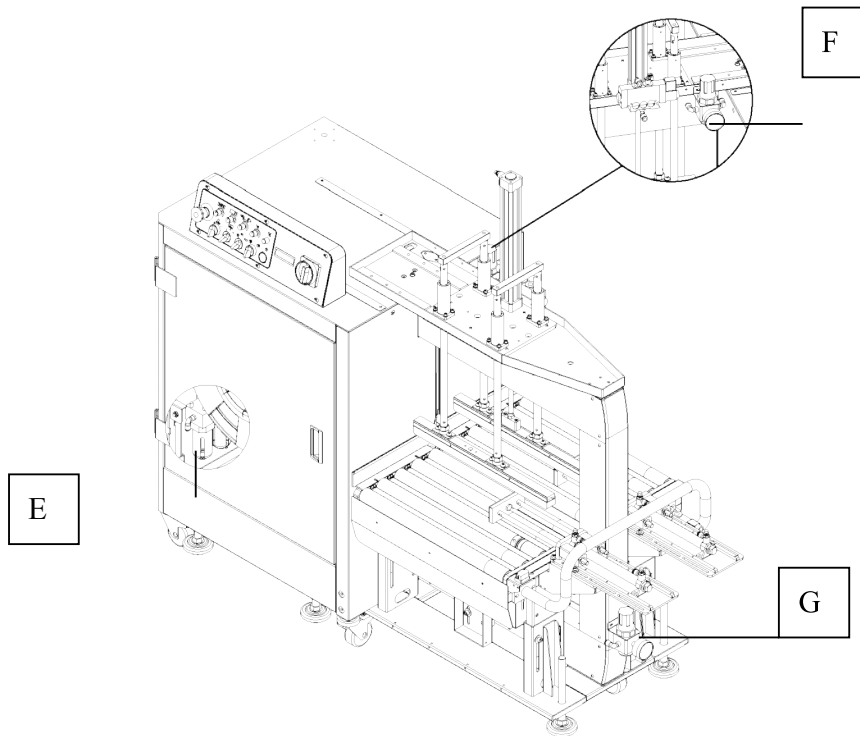
5.8 Speed and Pressure Adjustment of Press Bar and Side Pusher

1. Speed



1. Flow Control (A) : Descending speed adjustment of Press Bar
Turn knob counterclockwise to increase the descending speed of Press Bar.
Turn knob clockwise to decrease the descending speed of Press Bar.
2. Flow Control (B) : Ascending speed adjustment of Press Bar.
Turn knob counterclockwise to increase the ascending speed of Press Bar.
Turn knob clockwise to decrease the ascending speed of Press Bar.
3. Flow Control (C) : Forward speed adjustment of Side Pusher.
Turn knob counterclockwise to increase the forward speed of Side Pusher.
Turn knob clockwise to decrease the forward speed of Side Pusher.
4. Flow Control (D) : Backward speed adjustment of Side Pusher.
Turn knob counterclockwise to increase the backward speed of Side Pusher.
Turn knob clockwise to decrease the backward speed of Side Pusher.

2. Pressure



Air pressure adjusts for pneumatic equipments.

Regulator E: Adjustment for ascending pressure of Press Bar

Regulator F: Adjustment for descending pressure of Press Bar

Regulator G: Adjustment for pressure of Side pusher

For doing these adjustments, be sure to lift the Regulator first and then turn it clockwise to increase the pressure or turn it counterclockwise to decrease the pressure.

Caution:

Regulator F shows the descending pressure only when Press Bar is descending.

If the air pressure is exceed 2 bar, the descending pressure of Press Bar would be over 250N.

When the descending pressure of Press Bar is over 250N, safety device (such as Safety Guard) would be necessary according to CE regulation.

6. Troubleshooting

The LCD display would flash and show failure message when machine is not working due to malfunction.

Message shown on the LCD could be follows:

6.1. Reminder message:

1. Push Start: Please press the Start Switch to make machine function. This is especially necessary after the Safety Switch is activated or Emergency Stop switch is released or after you just turn on the machine.
2. Load Strap: Load a new roll of strap or re-do the Auto Strap feeding again.
3. B6 open; K1 open: When it shows this message after you press the Start Switch, it means the Safety Switch might not be closed or the K1 in the control box is abnormal.

6.2. Malfunction from switches:

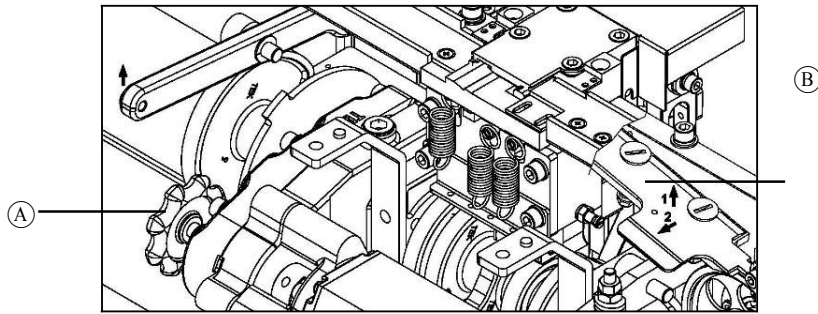
1. S1 Error: This means the Start Switch or the Foot Pedal is continuously triggered before activating them. Please check if any of these 2 Switches is defective.
2. S5 Error: This means the Reel Release Switch is continuously triggered before activating it. Try to press it by hand to see if it's defective.
3. SQ1 on Error: The SQ1 is triggered when doing Auto Strap Feeding. Check if the SQ1 or the Switch lever is defective.

6.3. Malfunction from procedures:

1. ASF failed: Auto Strap Feeding failed. It might be caused by wrong inserting direction or inserting too much strap. Please re-do the Auto Strap Feeding.
2. Feed jam: Resulting from not being able to feed strap to the sealing position.

When Feed jam occurs, press the Start Switch or Foot pedal first to let the arch open and strap comes out of the arch. Hold the strap by left hand and then press the Start Switch or Foot pedal again. Machine would reverse the strap a little bit and cut it, and then machine would go back to home position and feed again.

If this does not solve the problem, please take out the jammed strap by following steps:



- a. Open Upper Table Front Ass'y M7-5-210020.
- b. Lift the Lever ① (M7-2-101400/M7-2-101410) with left hand and take out the Cover ② (M7-1-311221) for the Upper Guide with right hand at the same time.
- c. Take out the jammed strap and cut it.
- d. Put the cover (M7-1-311221) for the Upper Guide back to its position and put the Upper Table Front Ass'y back as well. Push START switch in the control panel to RESTART machine.

If the Feed jam problem still cannot be solved, the following causes have to be checked as well:

Fault	Cause	Remedy
Feed jam	Strap is too curved	Change strap
	Insufficient feeding pressure	Adjust feeding pressure according to 5.5
	Too much strap amount in the accumulator box and has caused strap to be curved	Adjust to proper strap amount in the accumulator box according to 5.1

3. Other malfunctions:

Fault	Cause	Remedy
Sealing failure	Too much debris on both sides of heater plate	Clean both sides of the heater plate by fine sandpaper
	Insufficient heater temperature	Increase the heater temperature according to 5.3
	Insufficient cooling time	Increase cooling time according to 4.3
Insufficient strap tension	Soft-High tension switch is at "soft" position	Turn it to "high" position
	Lubricant drops into tension roller incautious	Clean the lubricant
	Too much debris in the gear of tension roller	Clean the debris

7. Maintenance

Warning:

Before any maintenance or repairs on the machine, set the Main Power Switch to "O" (OFF). Wait about 5 minutes for cooling down the heater to avoid burns with this area.

7.1. Cleaning and Lubrication

The high reliability and long service life of the strapping machine will depend on regular cleaning and maintenance.

ATTENTION!

All the important strap transportation components, such as the drive rollers and the strap guides, must be kept free from oil and grease. (lubricant)

The lubricant has to be non-resinous.

The lubricant is SAE 30

7.2. Maintenance

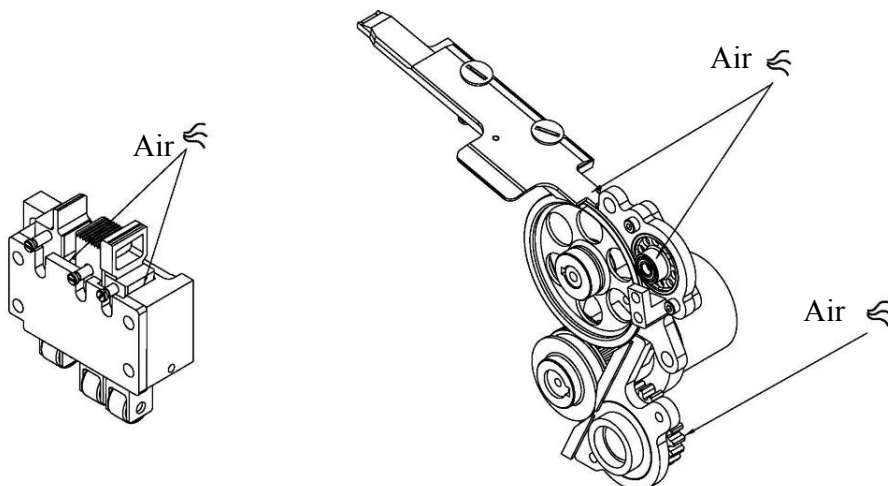
Only use original spare parts supplied by manufacturer.

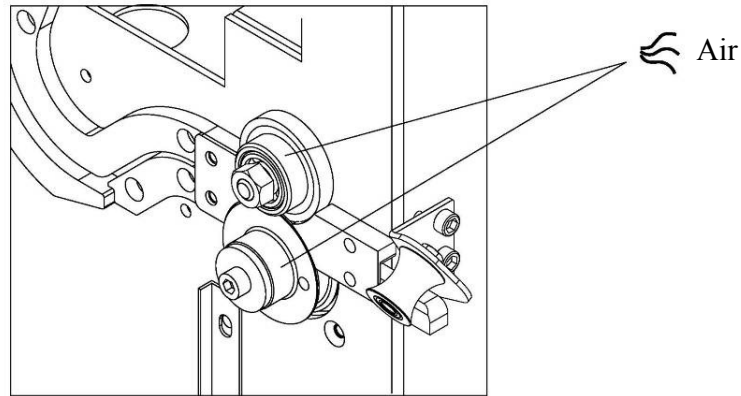


Daily:

Use air gun to clean the following indicated positions (nearby the cutters, strap guide and accumulating feeding rollers) daily.

Remove plastic residue in the machine.



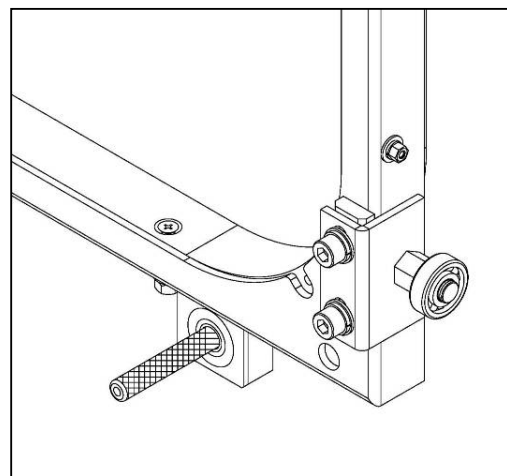
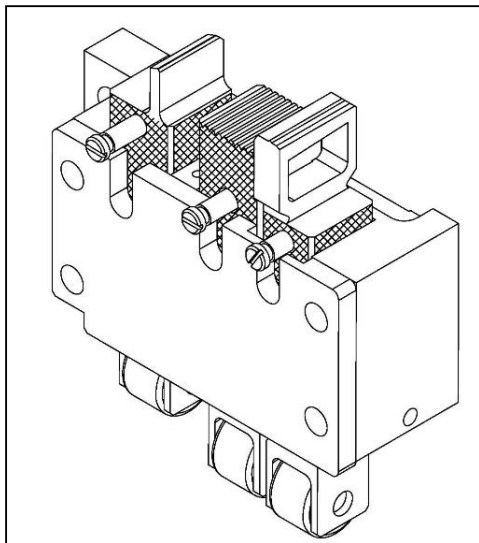


Weekly:

Lubricate front bar, press bar, rear bar and shafts in arch weekly.

Please refer to the following mesh areas for instruction.

Before lubricating, be sure to clean the parts first to avoid mixing oil and debris which might have a bad effect on machine's function.



Check the machine by strapping several bundles for any failures.

Monthly : (or 100,000 strapping cycles)

Clean both sides of heater plate and polish with fine sandpaper if necessary

ATTENTION: Make sure the welding plate is cool first!!

Check Front Bar, Press Bar, and Rear Bar for moving upward and downward neatly. The Slide Table and Strap Track Frame should be able to go back to its home position by the force of spring as well.

Be sure to clean any debris in the tension roller

6 Months : (or 500,000 strapping cycles)

Check heating element, replace and re-adjust it if necessary.

Check strap cutter in sealing head, replace it if necessary.

Check if the connector at wiring housing to printed circuit board is firmly fixed.

Check if the safety switch on front table or right door functions well.

Make machine ready for operation. Strap one bundle manually several times, paying attention to mal-functions, repeat procedure.

Initiating several cyclings with package manually for testing and pay attention to any mal-functions. Make sure the strap accumulating function is well. If necessary, replace the assistant rollers, do proper adjustments to accumulating feeding pressure or to the clearance in the reel brake.

Slightly lubricate the sealing head (bearing points) with light lubricant if necessary.

1 Year : (or 1,000,000 strapping)

Replace deflection roller if it shows visible changes.

In case of loud noise at bearings: locate them, replace the bearings.

Get machine ready for operation again, strap one bundle manually several times, paying attention to malfunctions.

7.3. Cleaning / Replacing Heater

Cleaning

1. Turn off the power and open the Front Plate (LH) and Front Plate (RH) (M7-5-701300 & M7-5-701400).
2. Make sure that the heater cools down already and the temperature is not too hot to let you get hurt.
3. Loosen the fixed screws of the heater cover (M7-1-101700) and remove it from the machine.
4. Remove the screw (HBS0540HN) of Heater Crank (M7-1-141100).
5. Remove the Return Spring (T7-1-64130) of the Heater Crank (M7-1-141100).
6. Remove the Heater Crank (M7-1-141100) by pushing it backward.
7. Clean both upper side and down side of the Heater carefully with fine sander paper.
8. Re-installation the heater back to the machine in reverse sequence.

Replacing

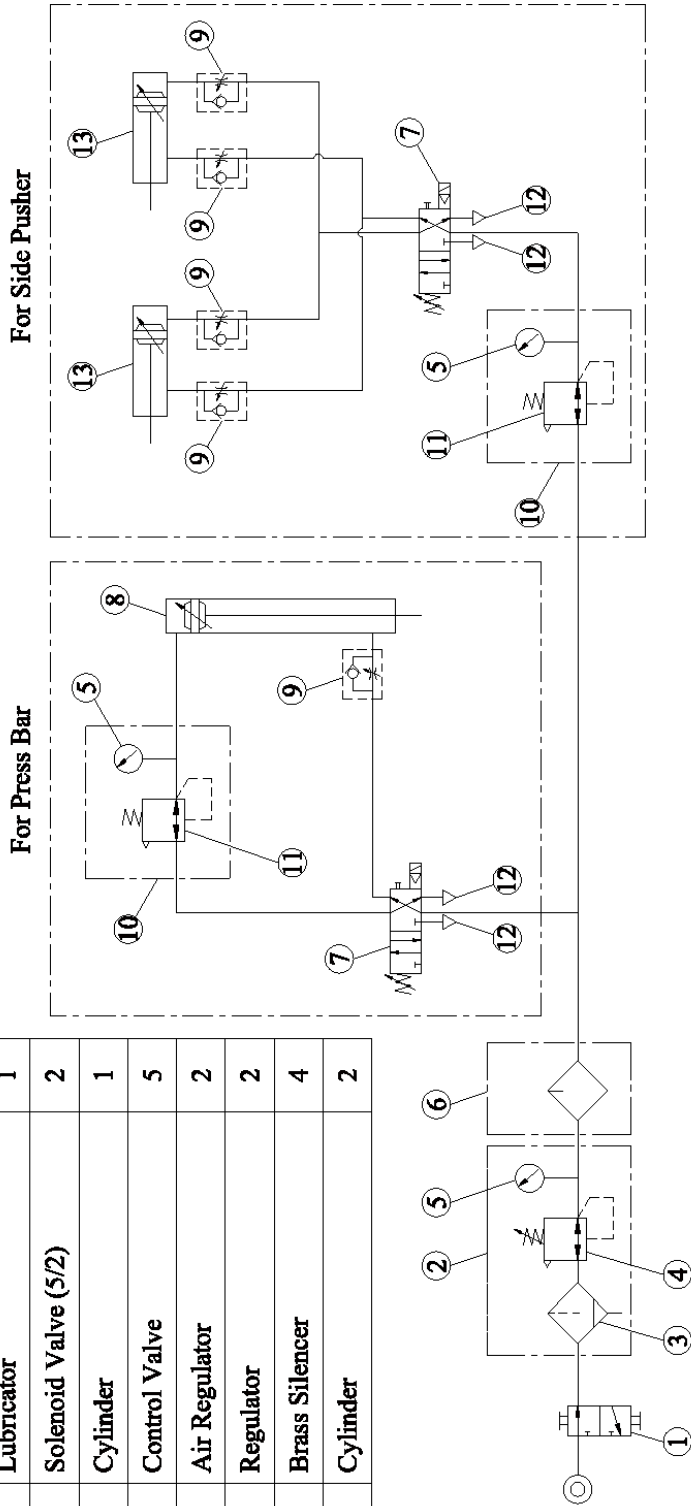
1. Same sequence as step 1-6 mentioned above.
2. Turn over the Heater Bracket (M7-1-141300) so that you can loosen the nuts of the heater.
3. After you loosen the nuts, turn the Heater Bracket back to its original position.

4. Take out the Heater Ass'y and make sure the insulations stay intact. If any of insulation fall and get broken, please replace with new one to avoid welding problem.
5. Install the new Heater Ass'y in reverse sequence.
6. Rotate the M1 Handle (T7-1-11240) forward till the Heater Ass'y goes to welding position.
7. Make sure the clearance between Heater Ass'y and Slide Table (M7-1-131600) is about 1.8 - 2.2mm.
8. If the clearance is too big, adjust it by turning HBS0530N clockwise. If the clearance is too small, adjust it by turning HBS0530N counterclockwise.

PART II

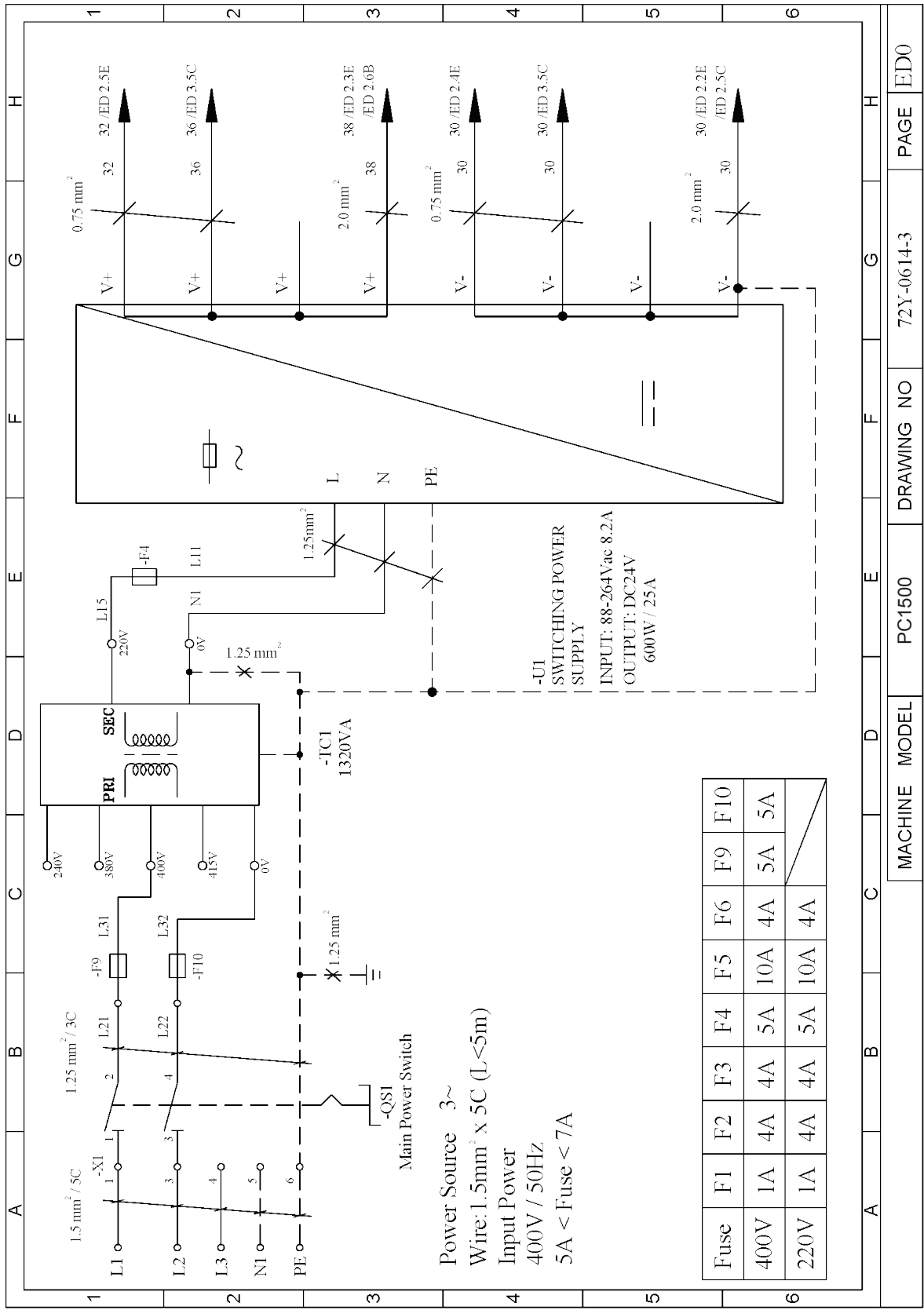
1. Pneumatic System Diagram

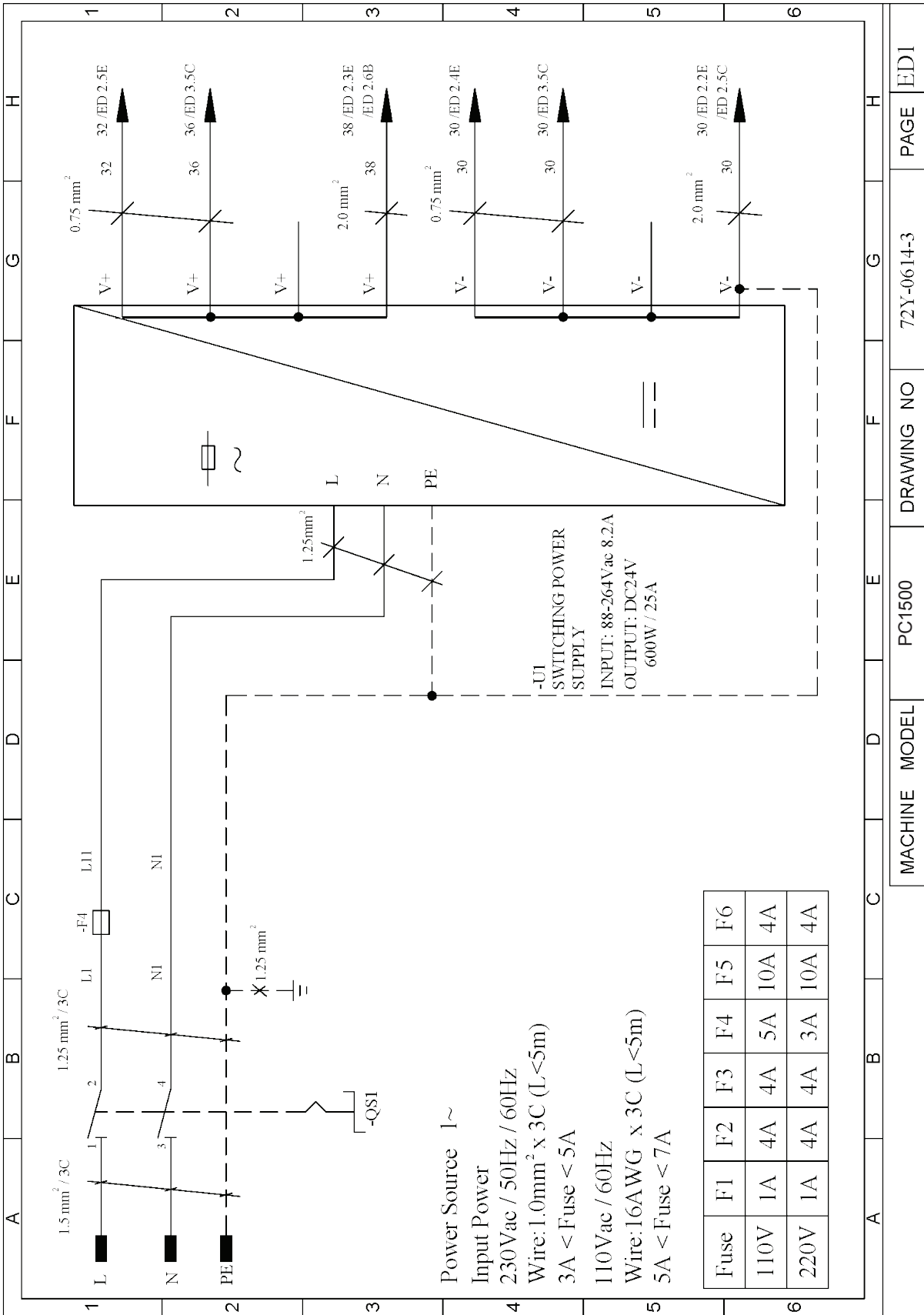
REF. NO.	DESCRIPTION	QTY
1	Manual Spool Valve	1
2	Filter / Regulator Combination	1
3	Filter	1
4	Regulator	1
5	Pressure Gauge	3
6	Lubricator	1
7	Solenoid Valve (5/2)	2
8	Cylinder	1
9	Control Valve	5
10	Air Regulator	2
11	Regulator	2
12	Brass Silencer	4
13	Cylinder	2

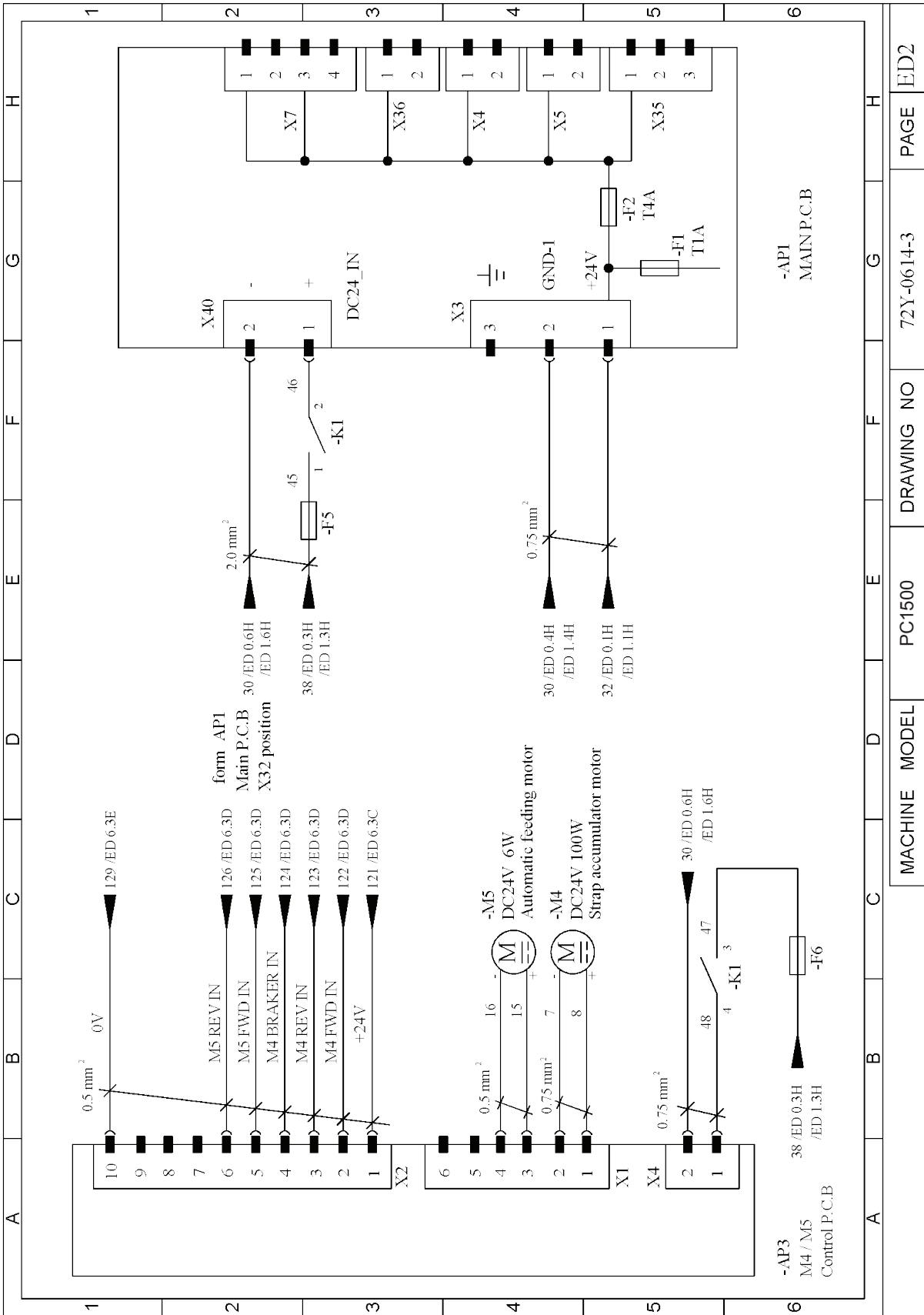


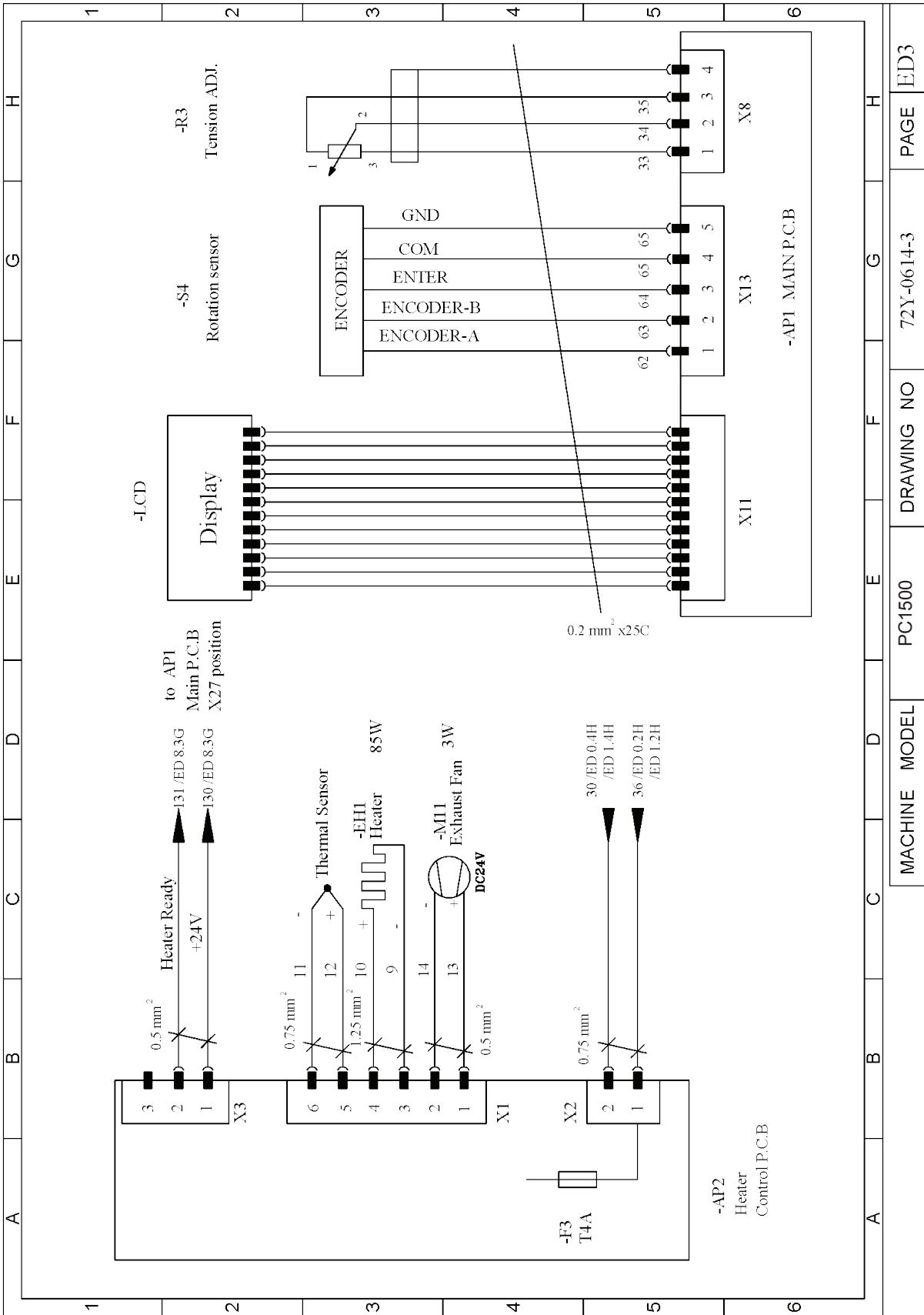
2. Wiring Diagram

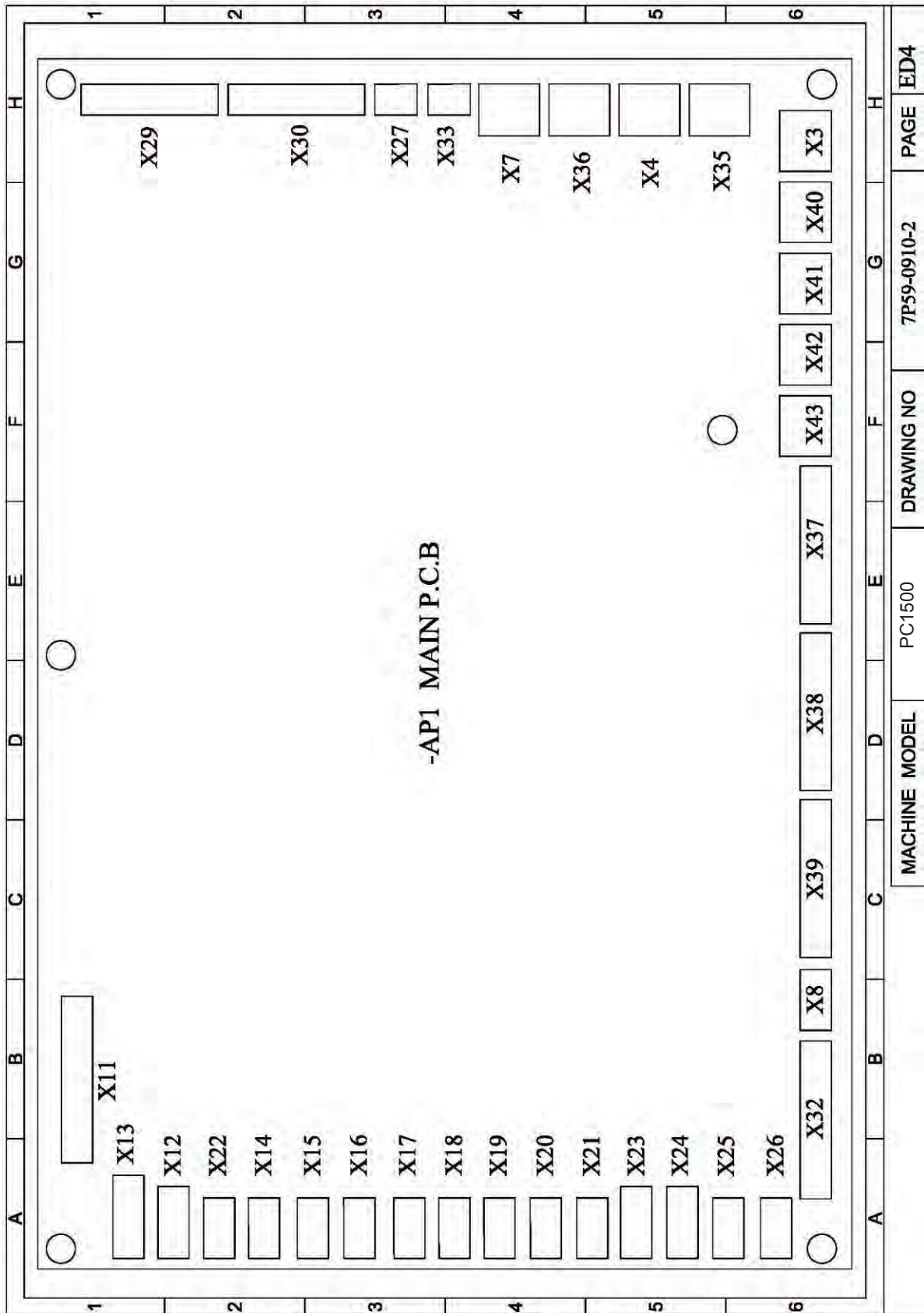
a. TP-702Y

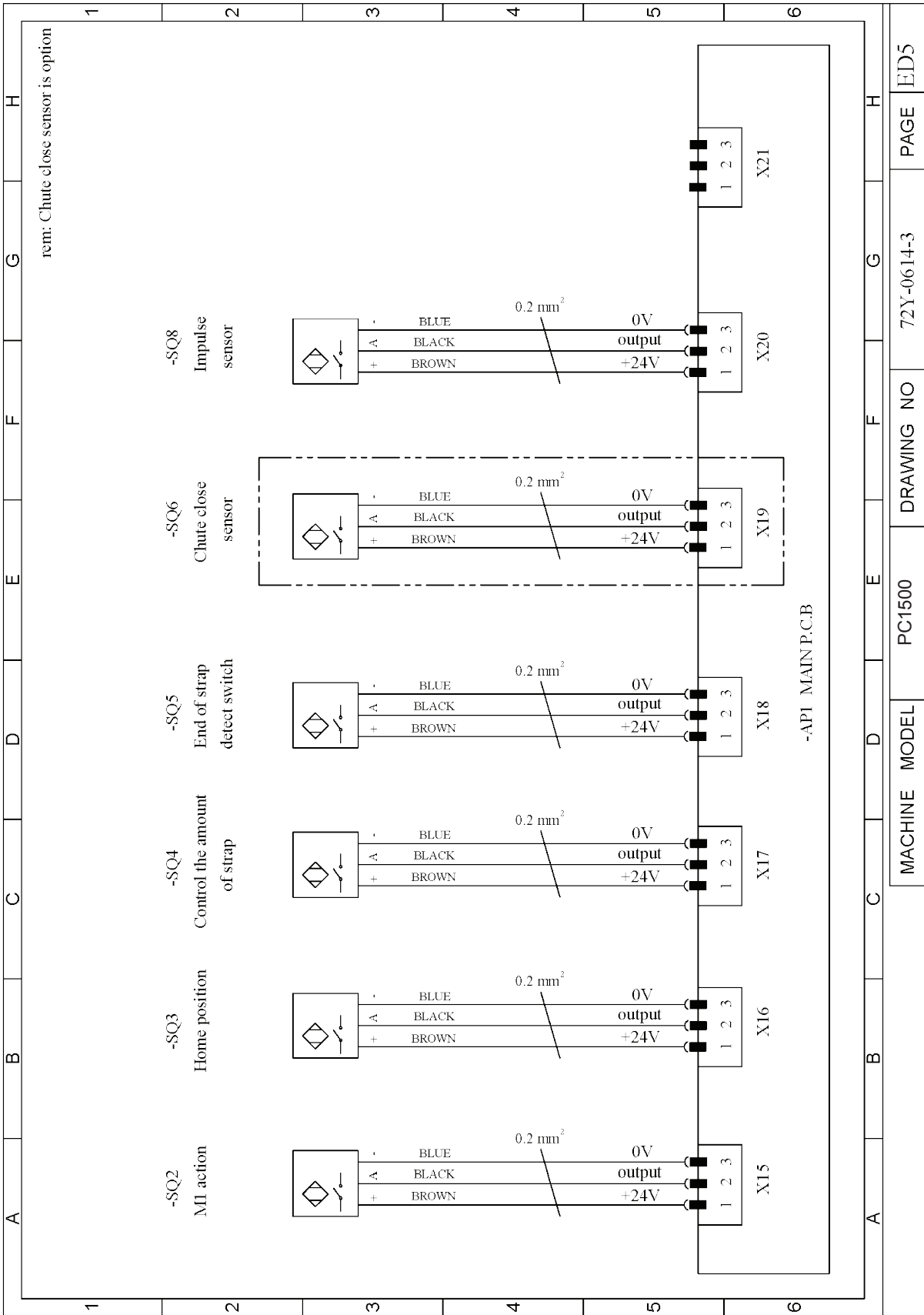


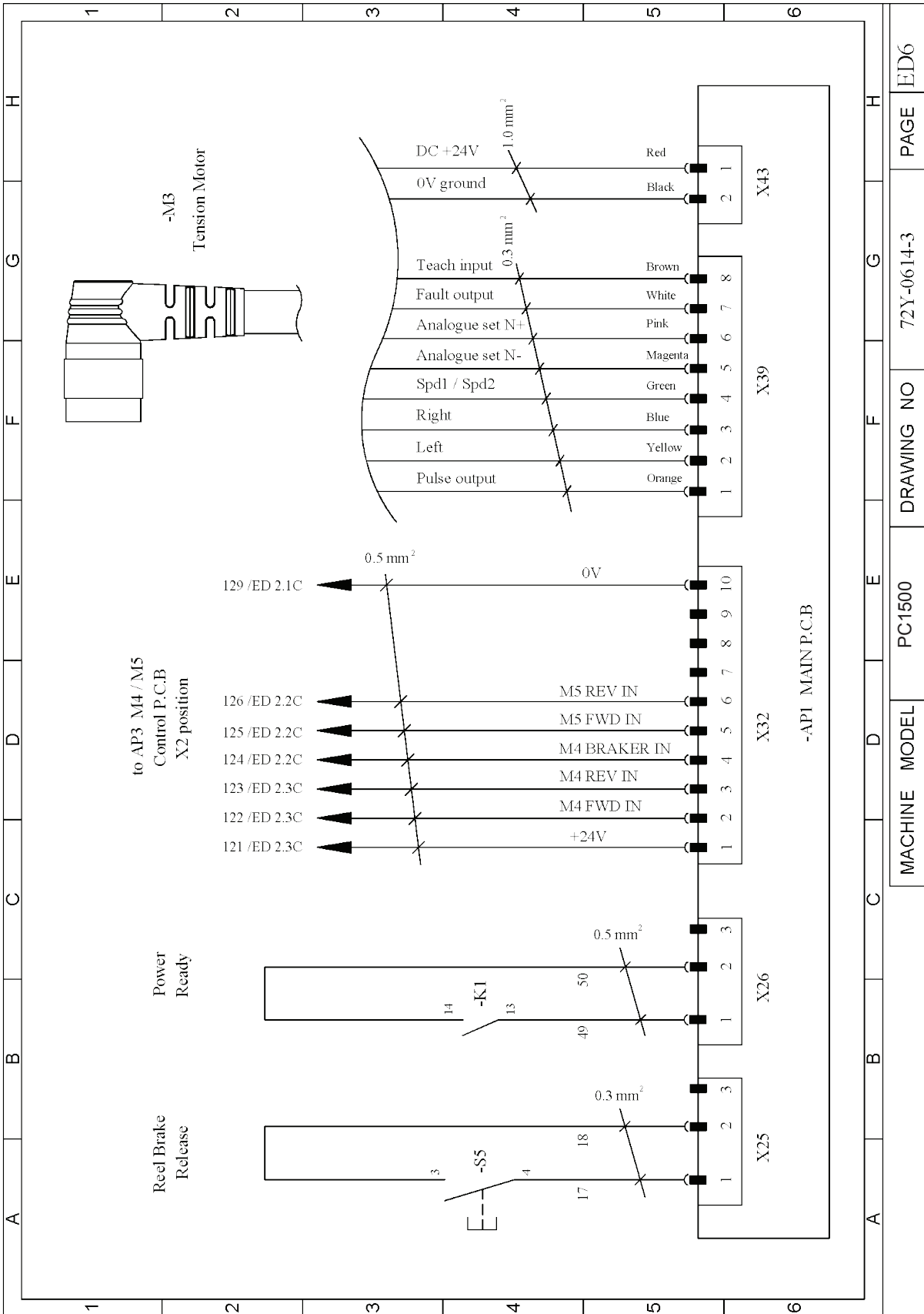


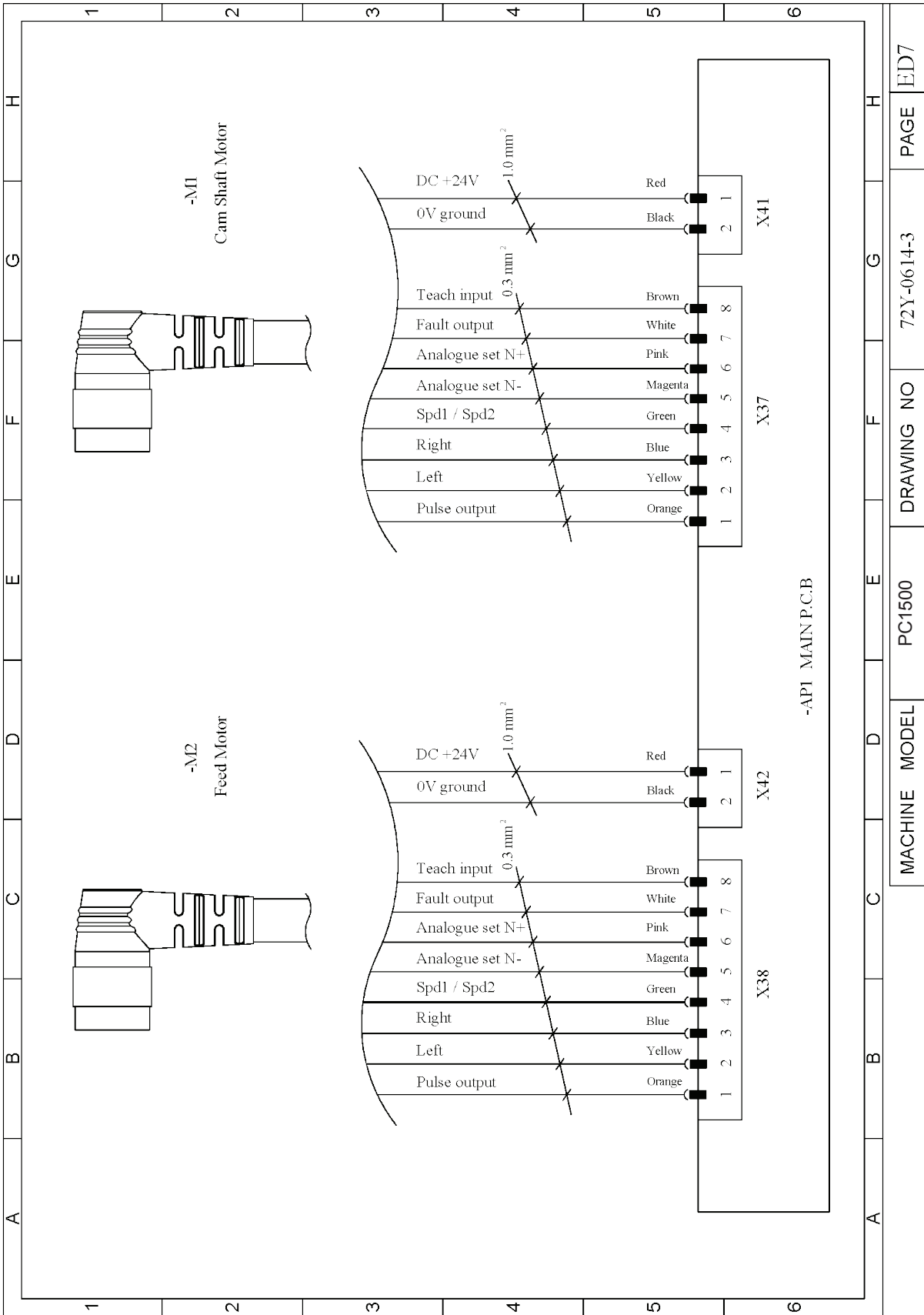


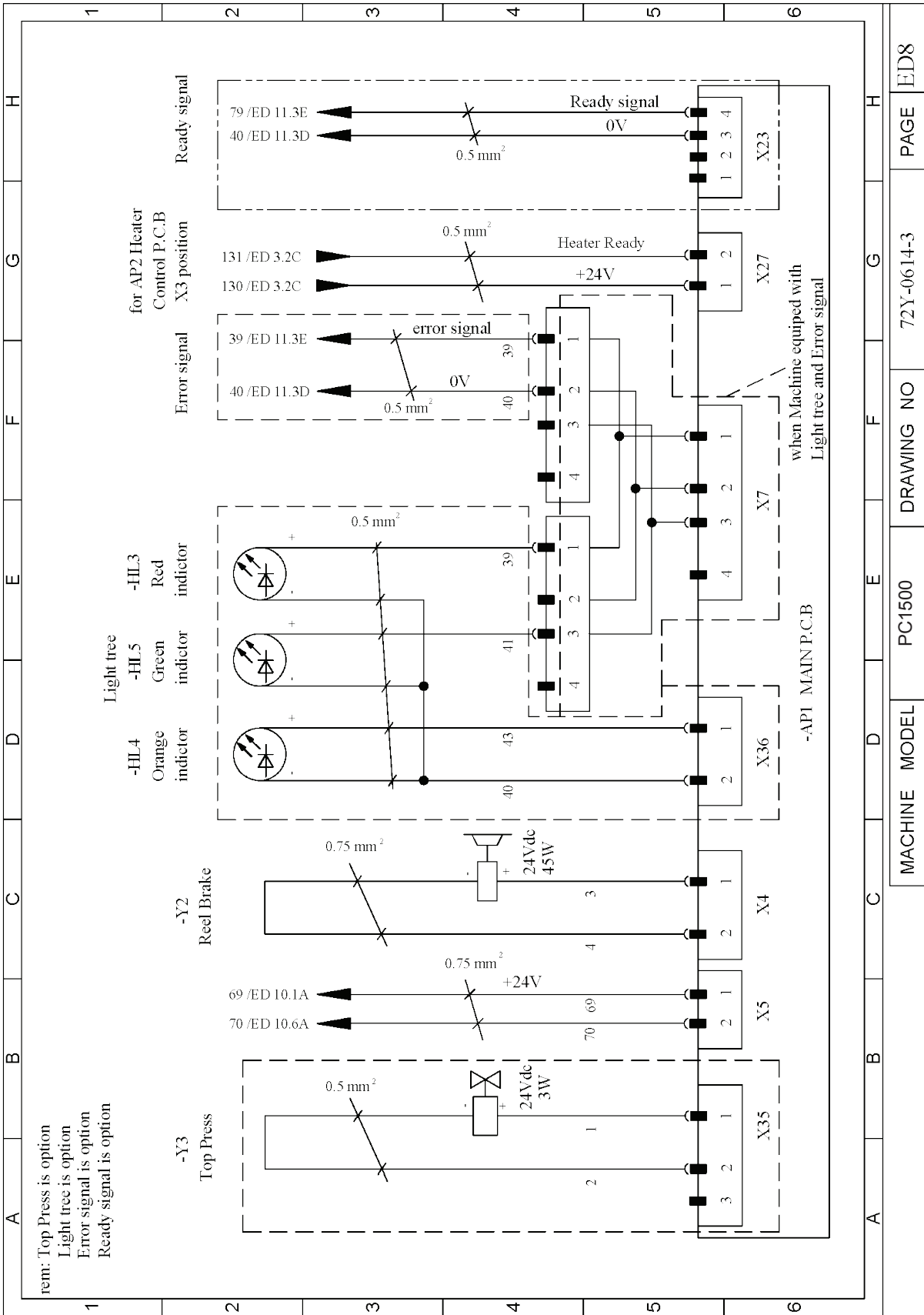


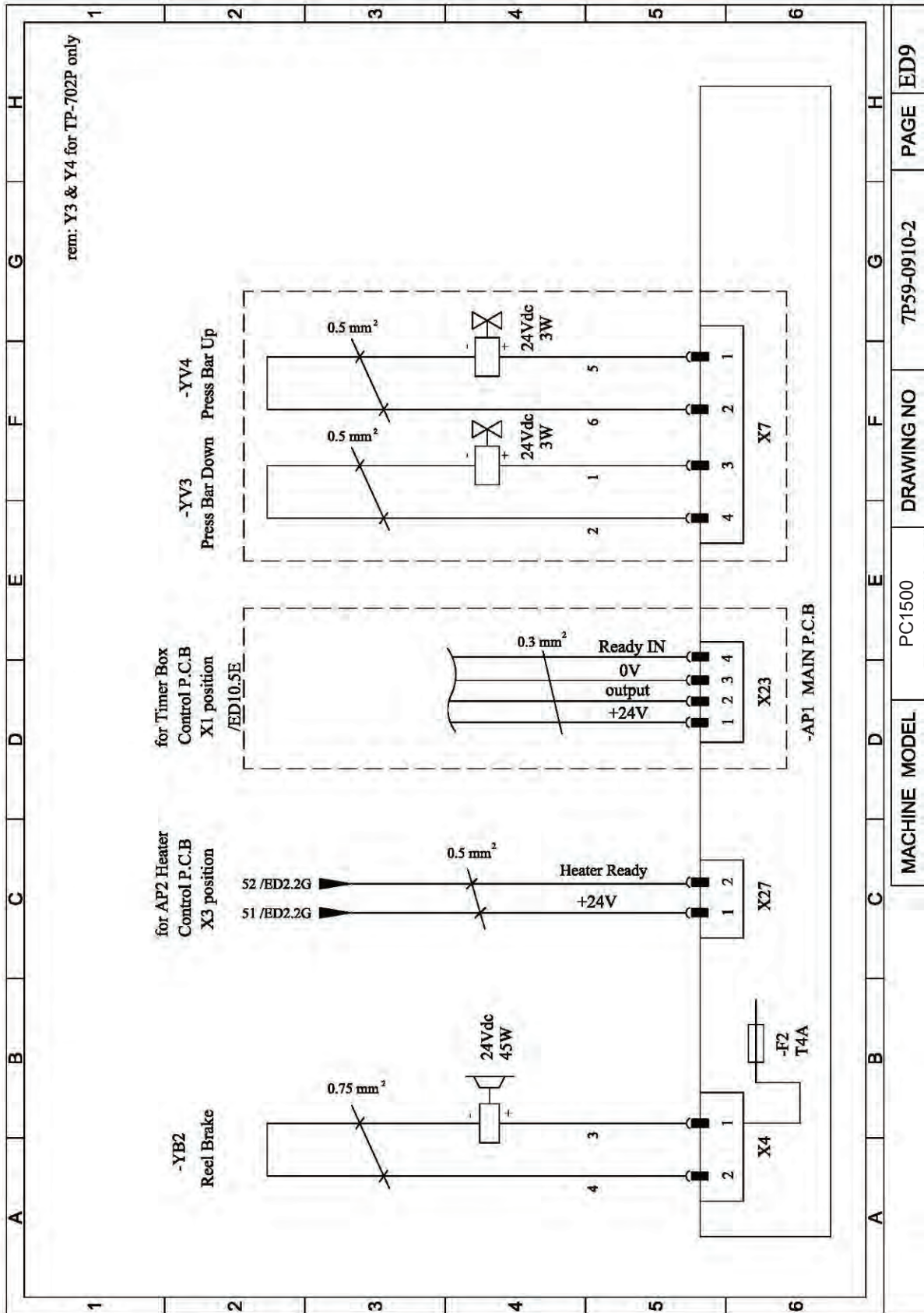


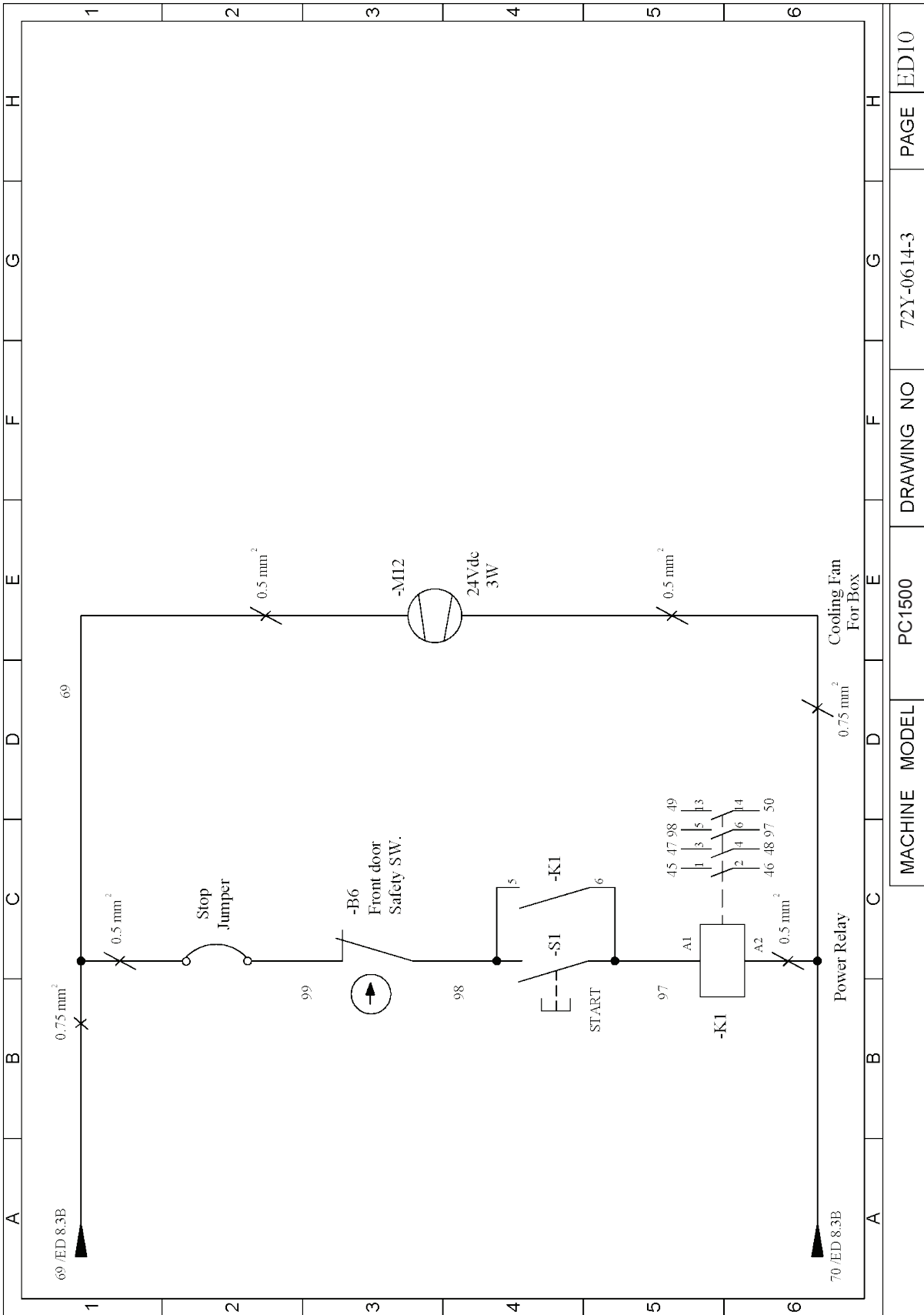


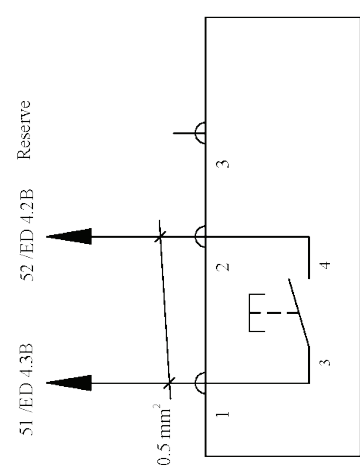


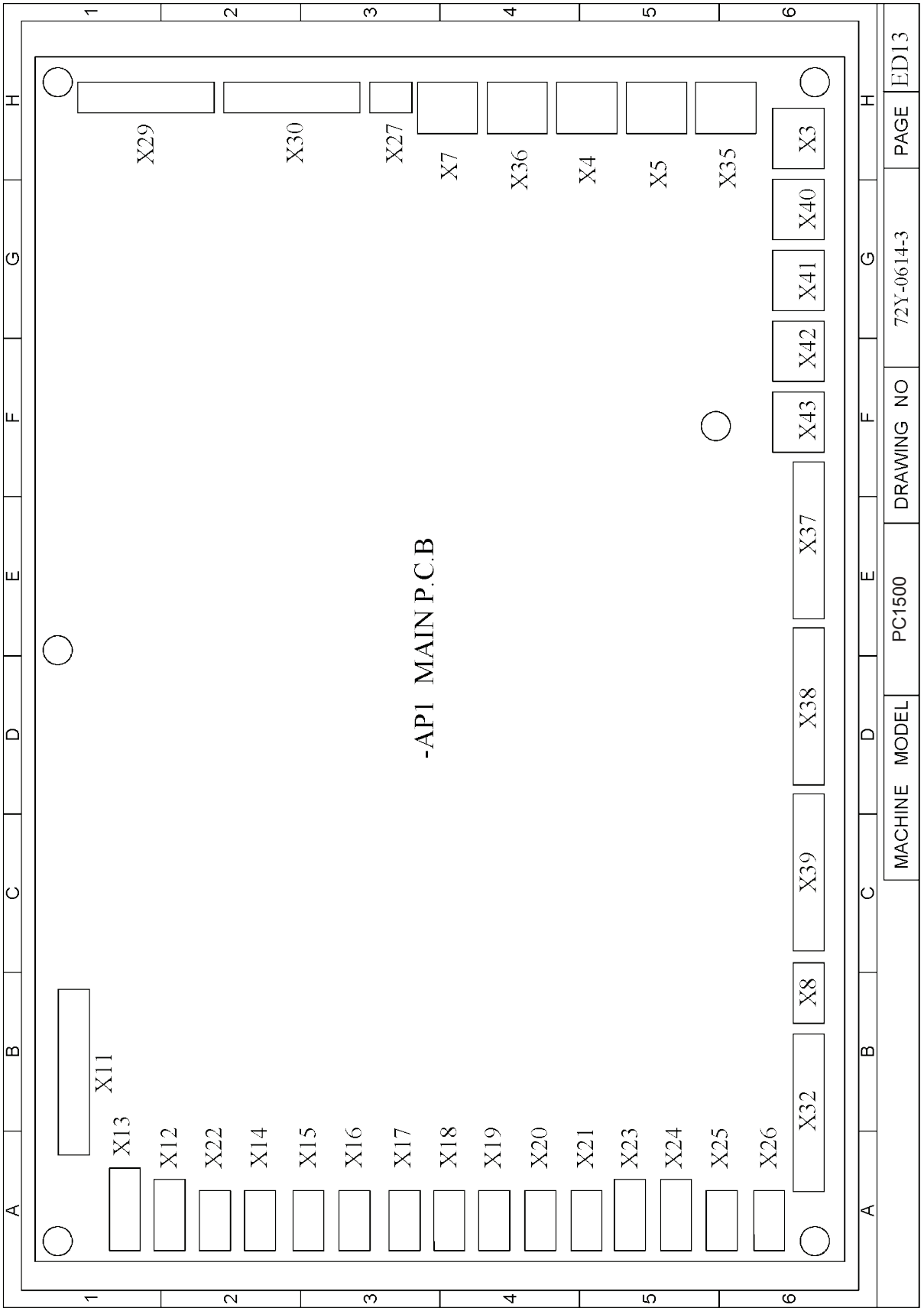


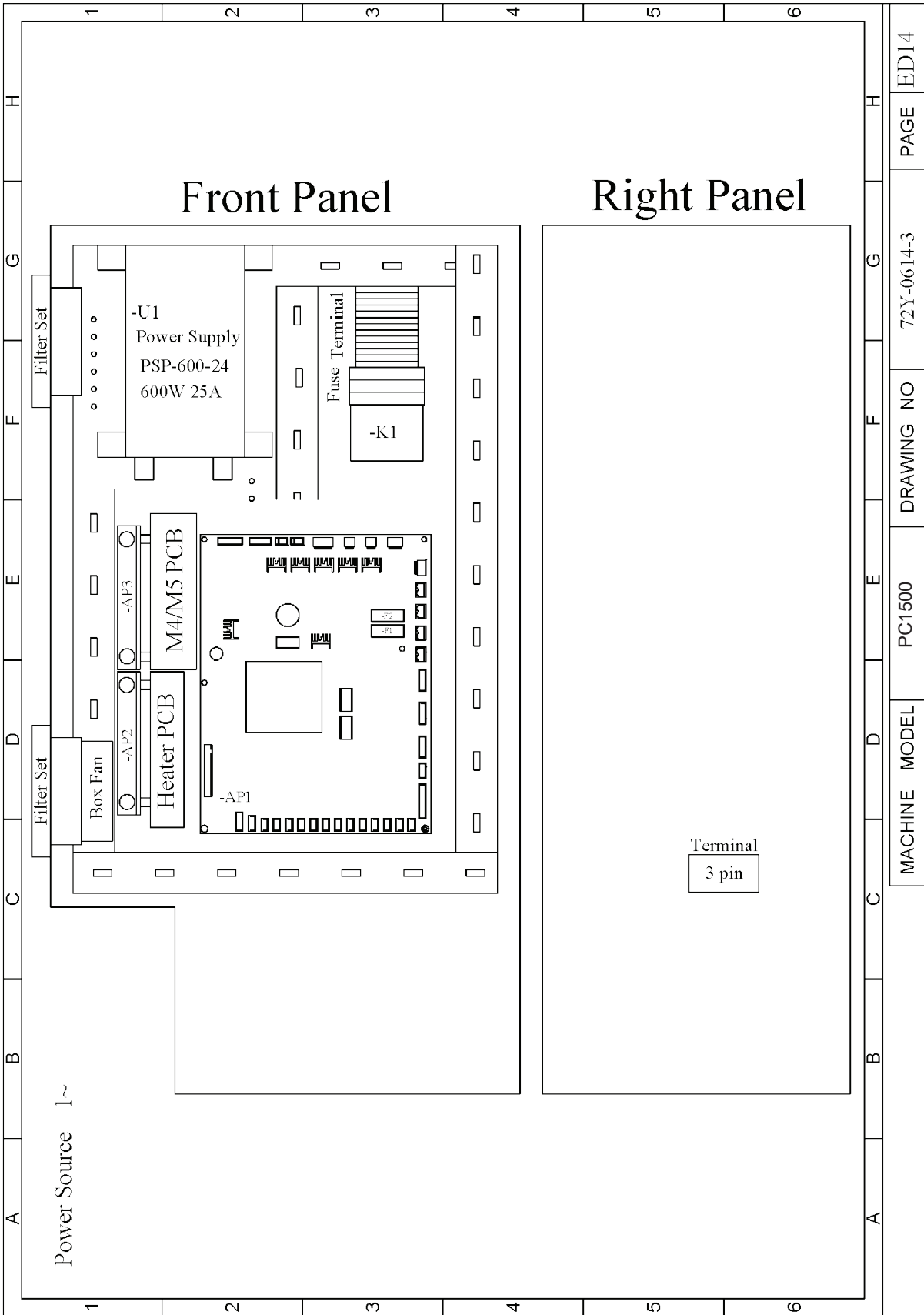


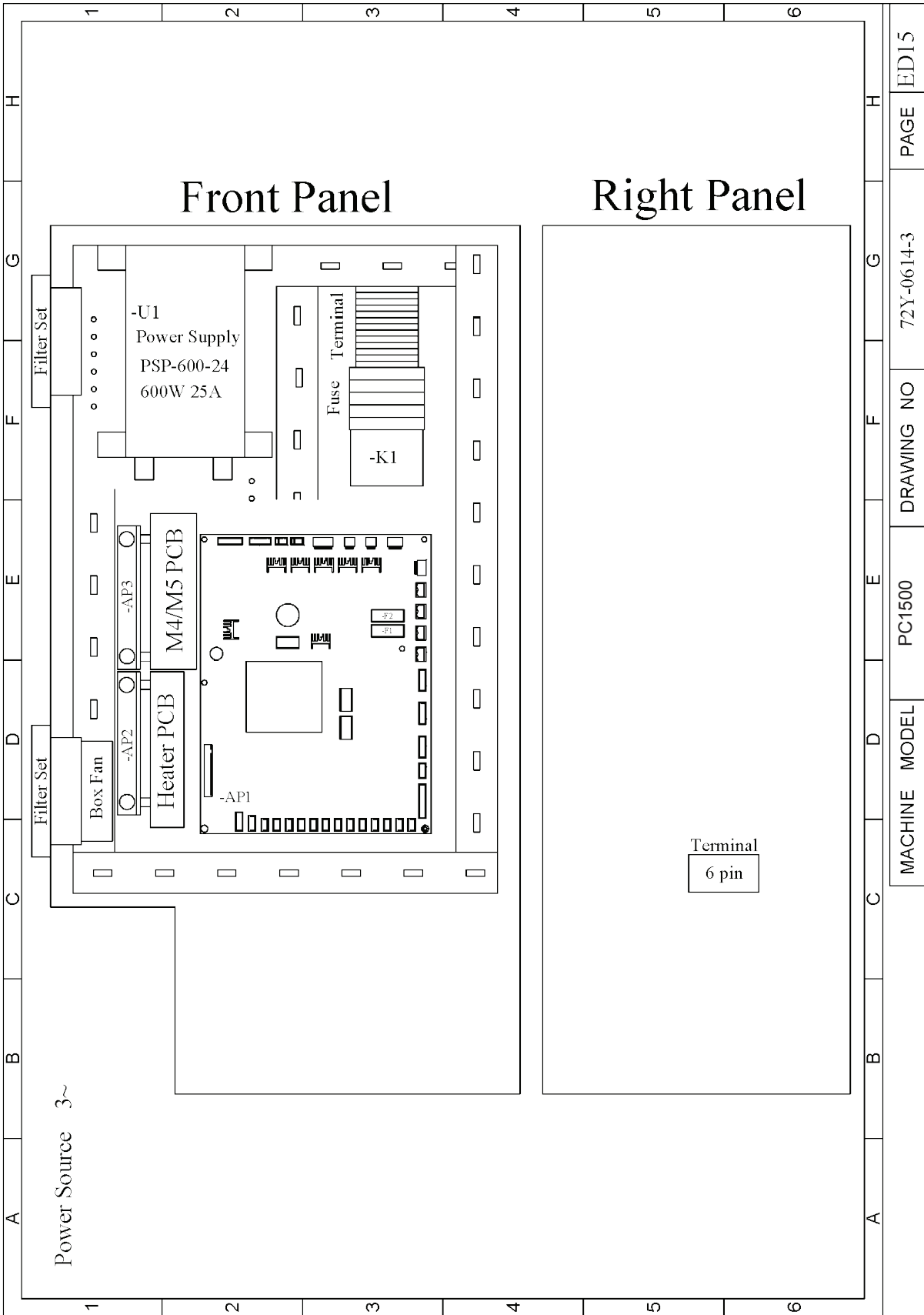




A	B	C	D	E	F	G	H
1	2	3	4	5	6	rem: Foot Pedal is option Movable Push S.W is option	
<p>25 /ED 4.3A 26 /ED 4.2A Reserve</p> 		<p>51 /ED 4.3B 52 /ED 4.2B Reserve</p> 					
<p>B7 Connector (Foot pedal)</p>		<p>PS-1 Connector (Movable Push S.W)</p>					
A	B	C	D	E	F	G	H
MACHINE MODEL			PC1500		DRAWING NO		72Y-0614-3
						PAGE	ED12







ED15

PAGE

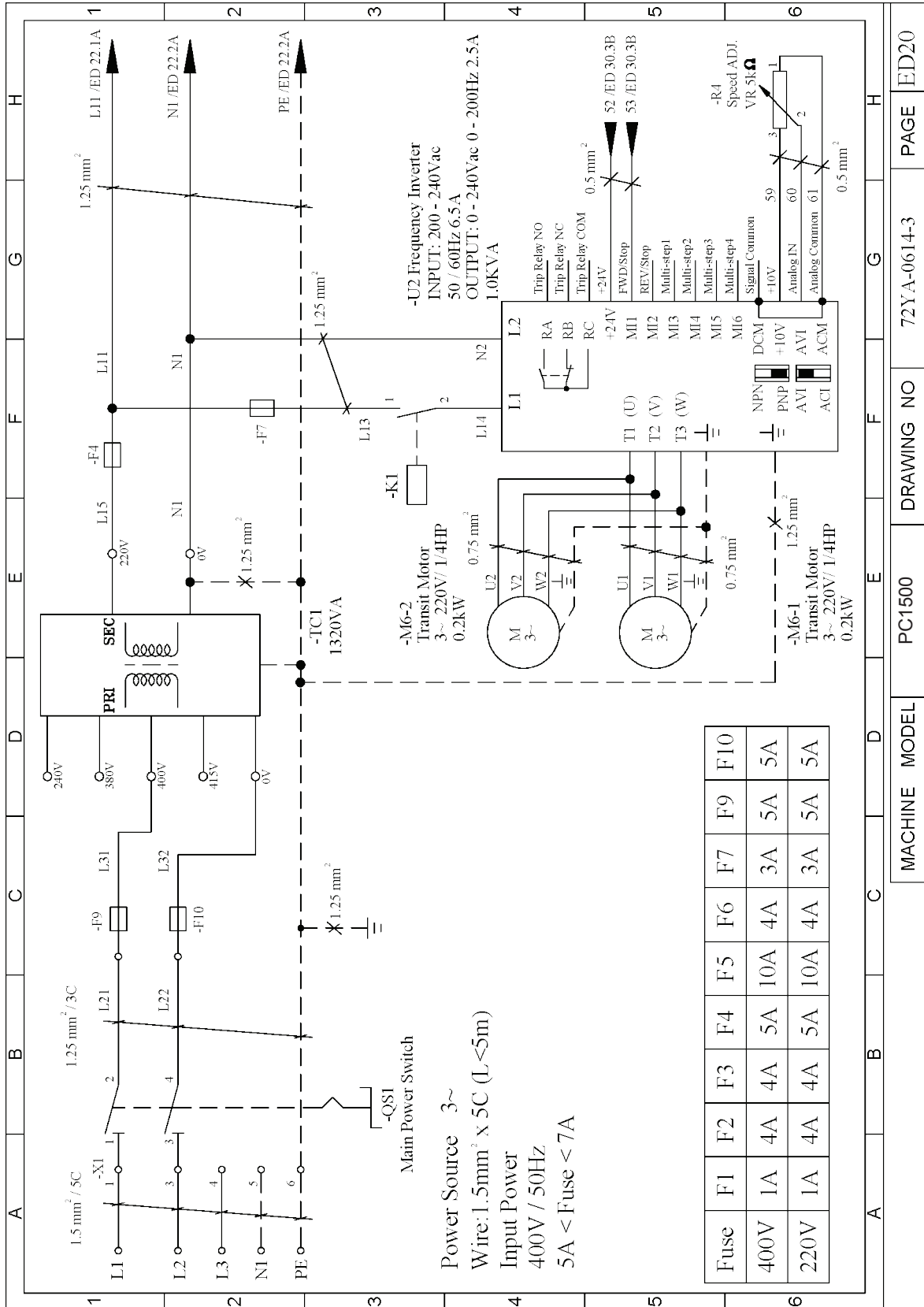
72Y-0614-3

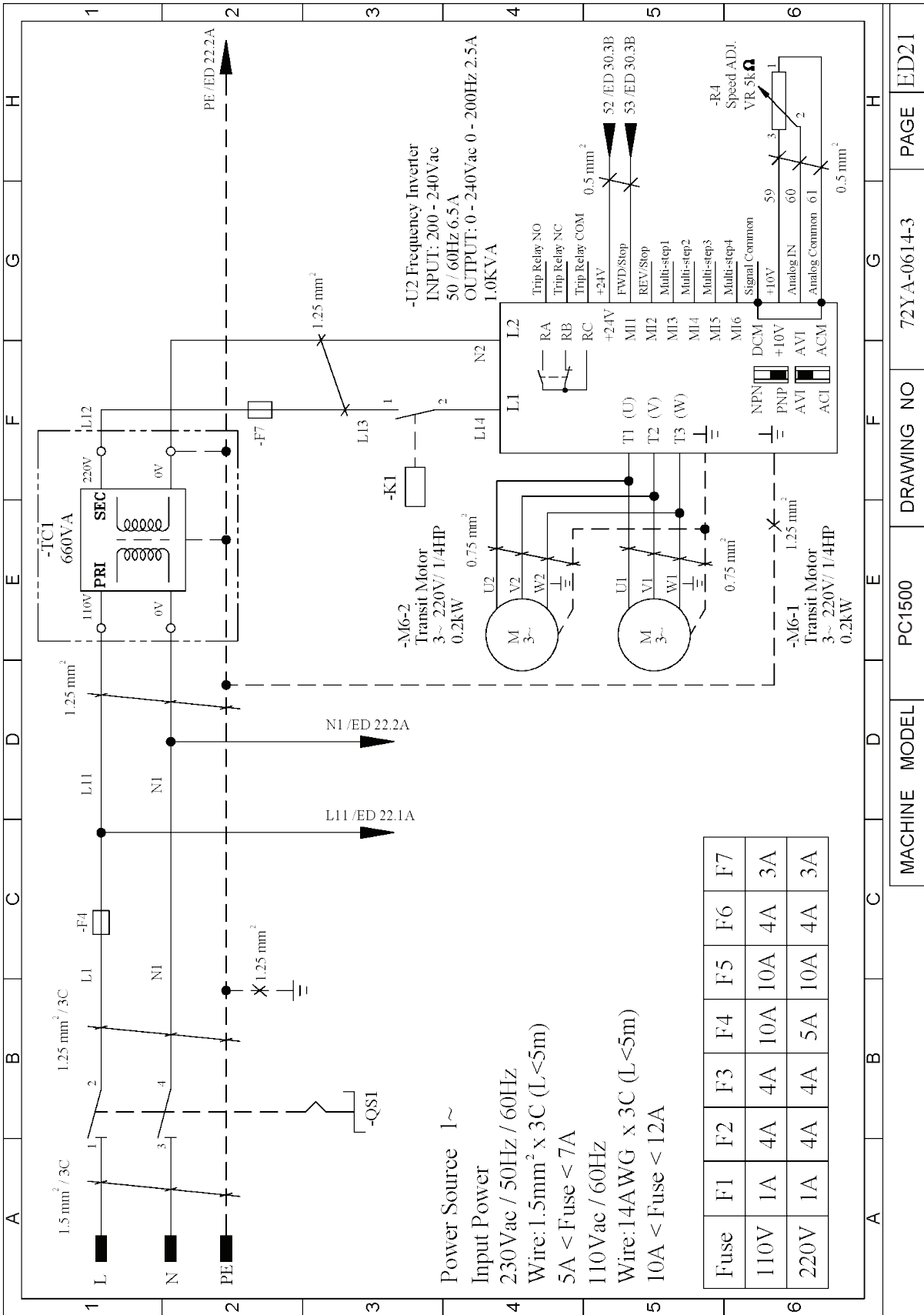
DRAWING NO

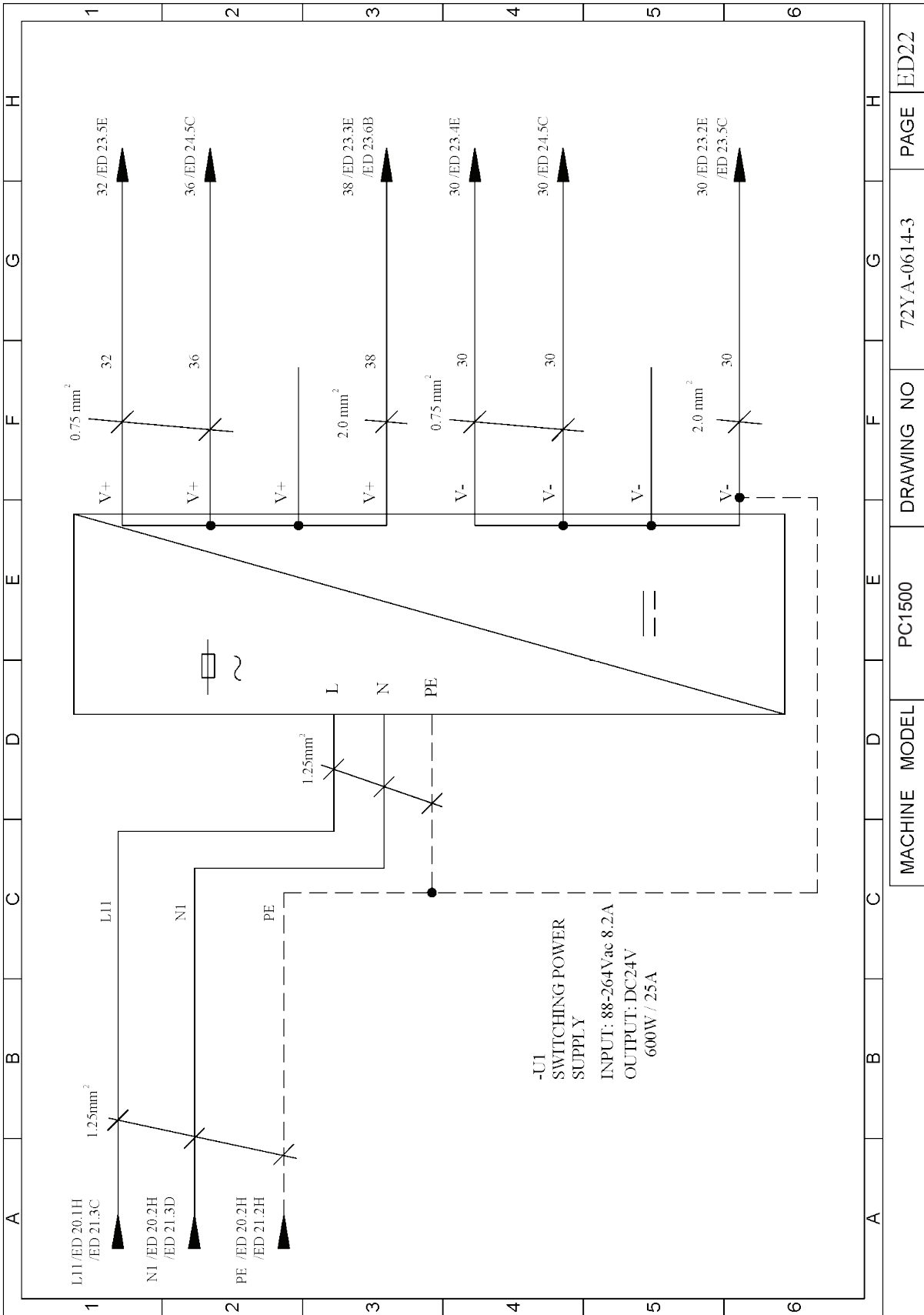
PC1500

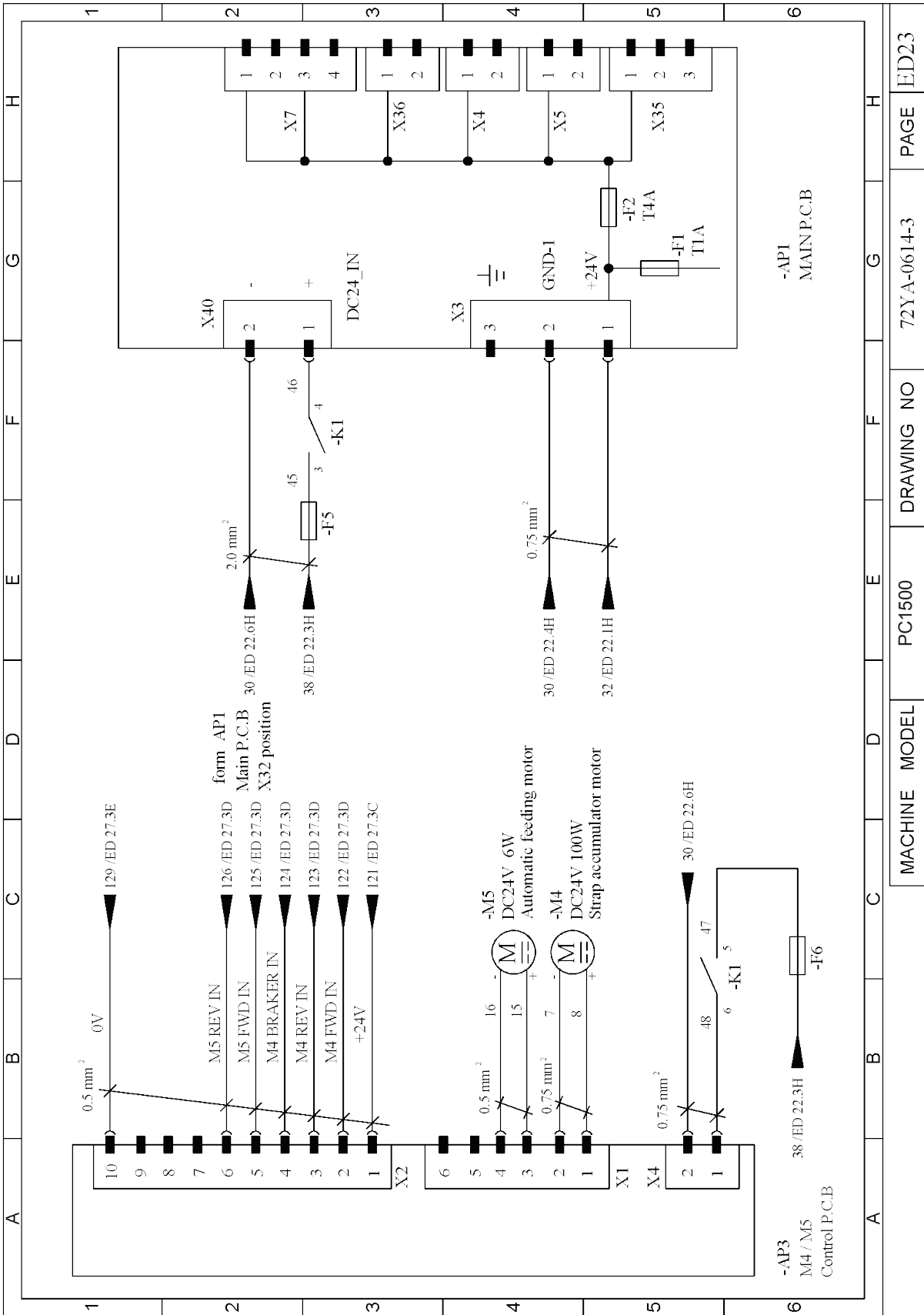
MACHINE MODEL

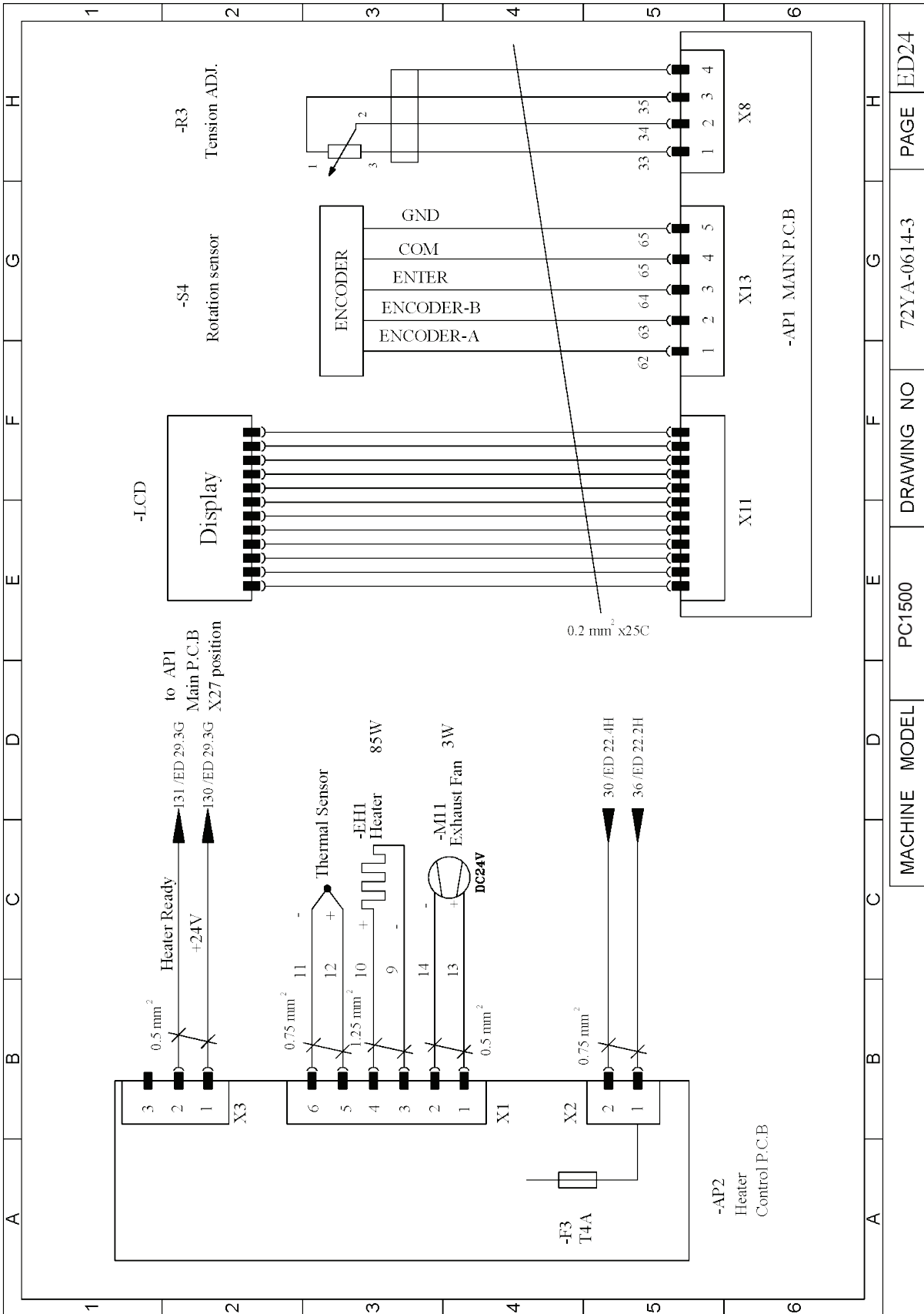
b. TP-702YA



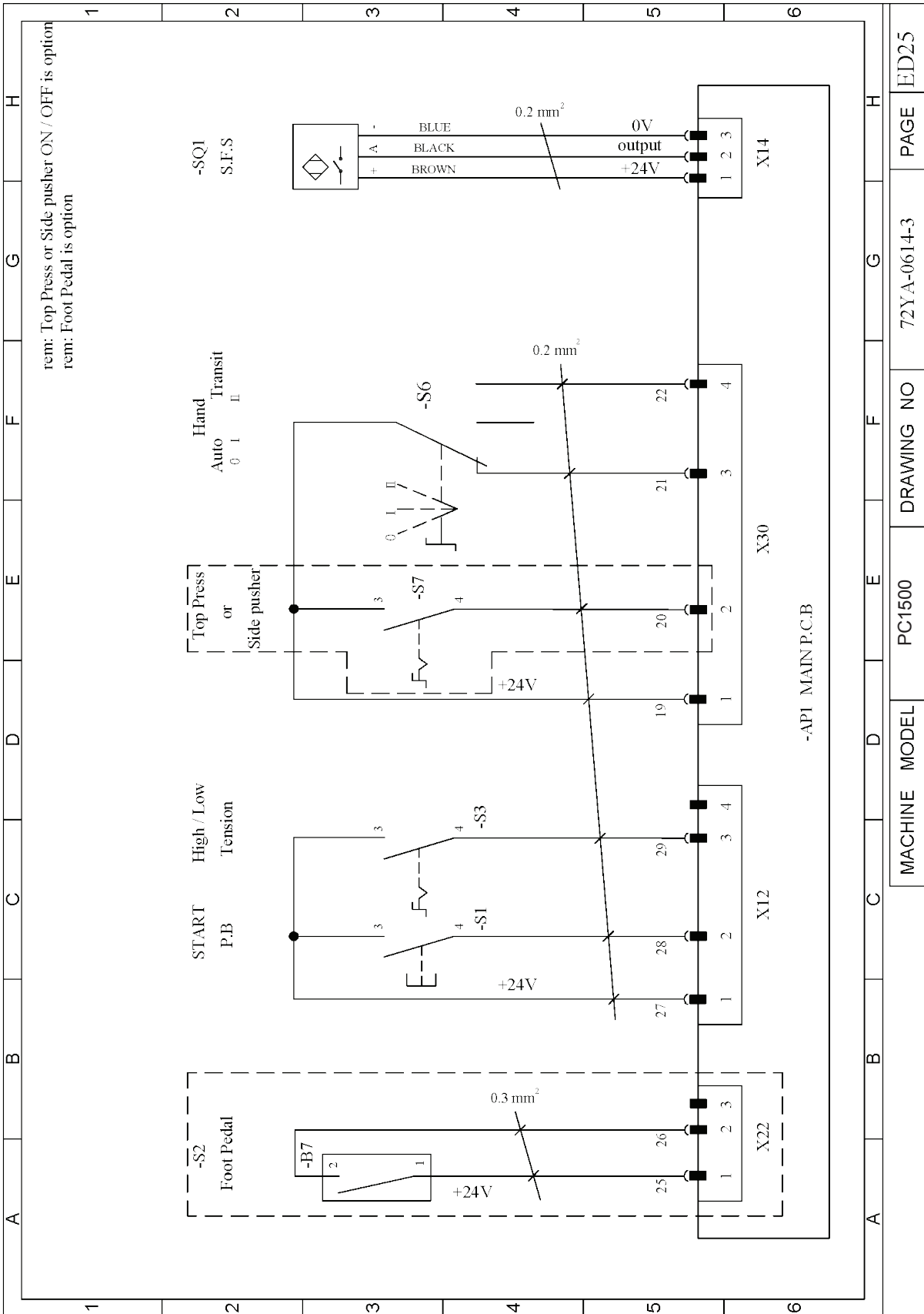


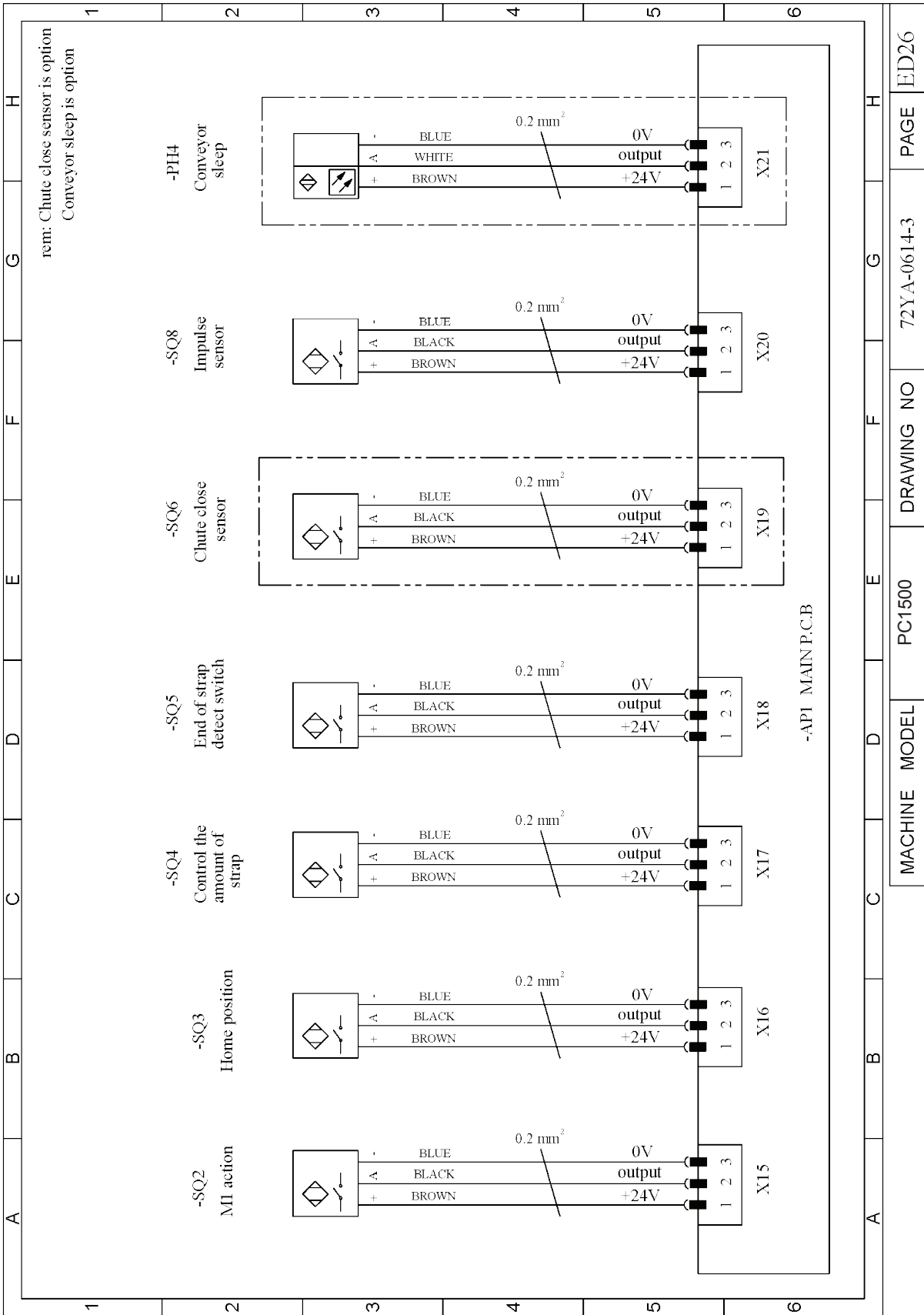


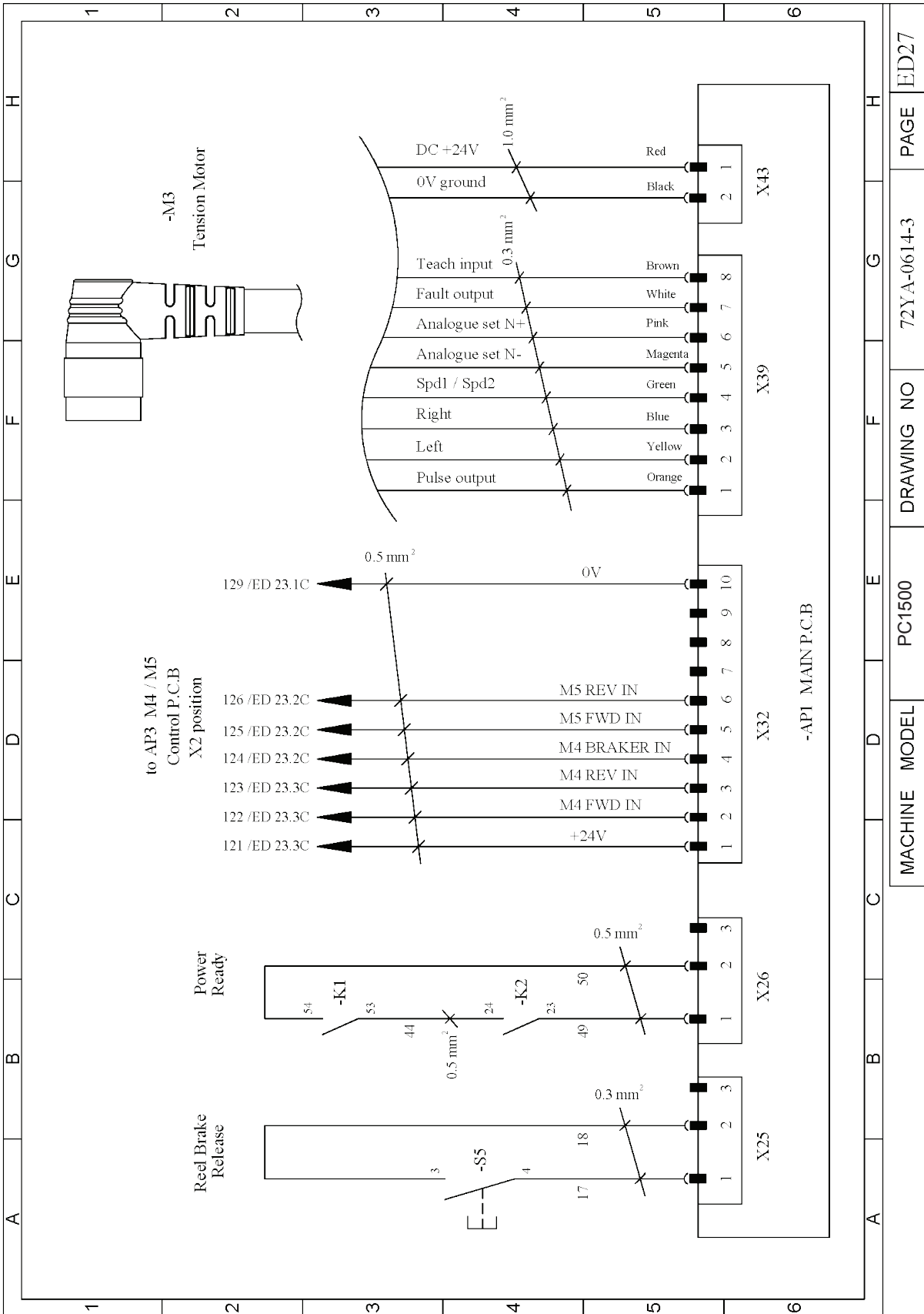


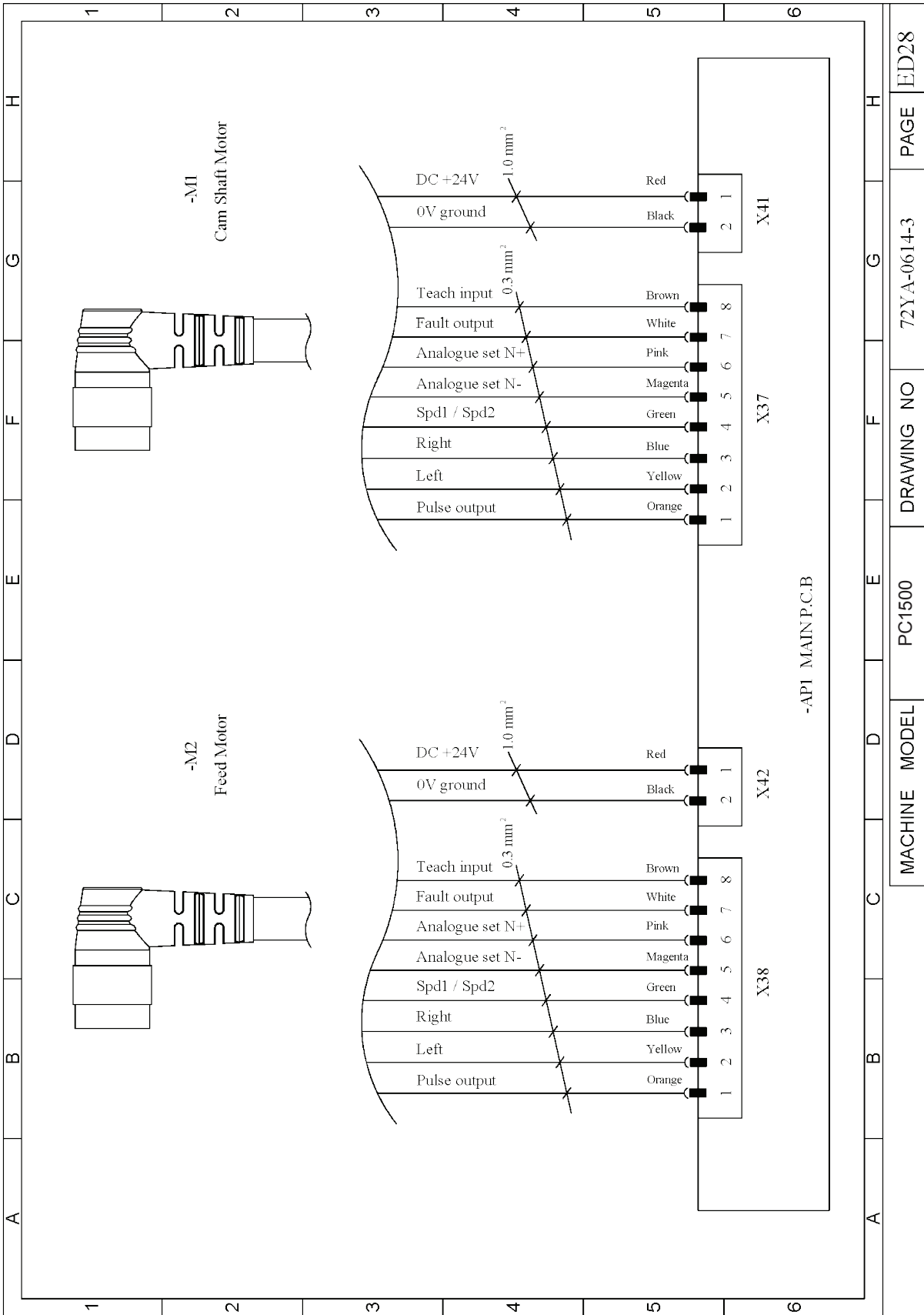


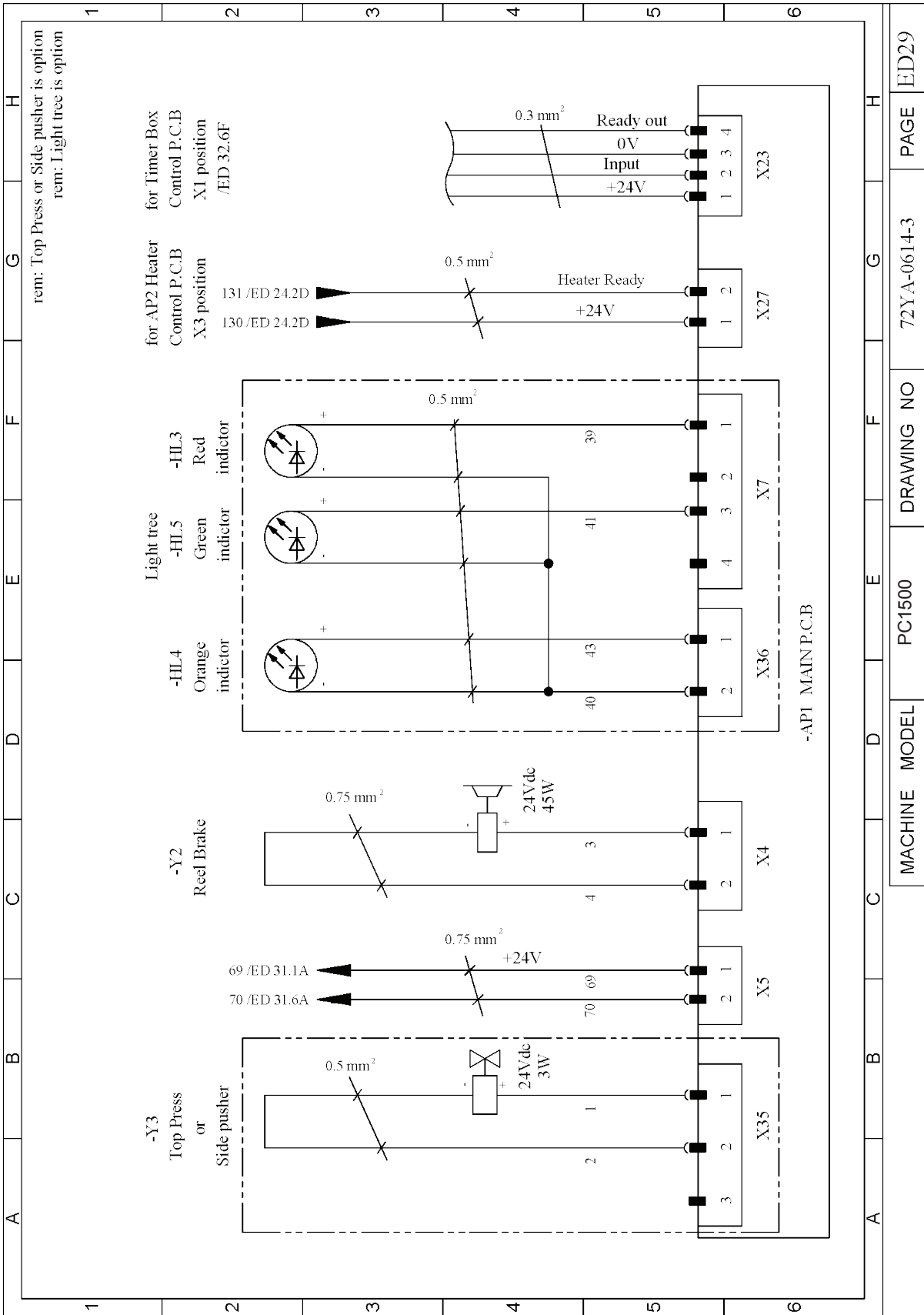
MACHINE MODEL	PC1500	DRAWING NO	72YA-0614-3	PAGE	EID24
---------------	--------	------------	-------------	------	-------

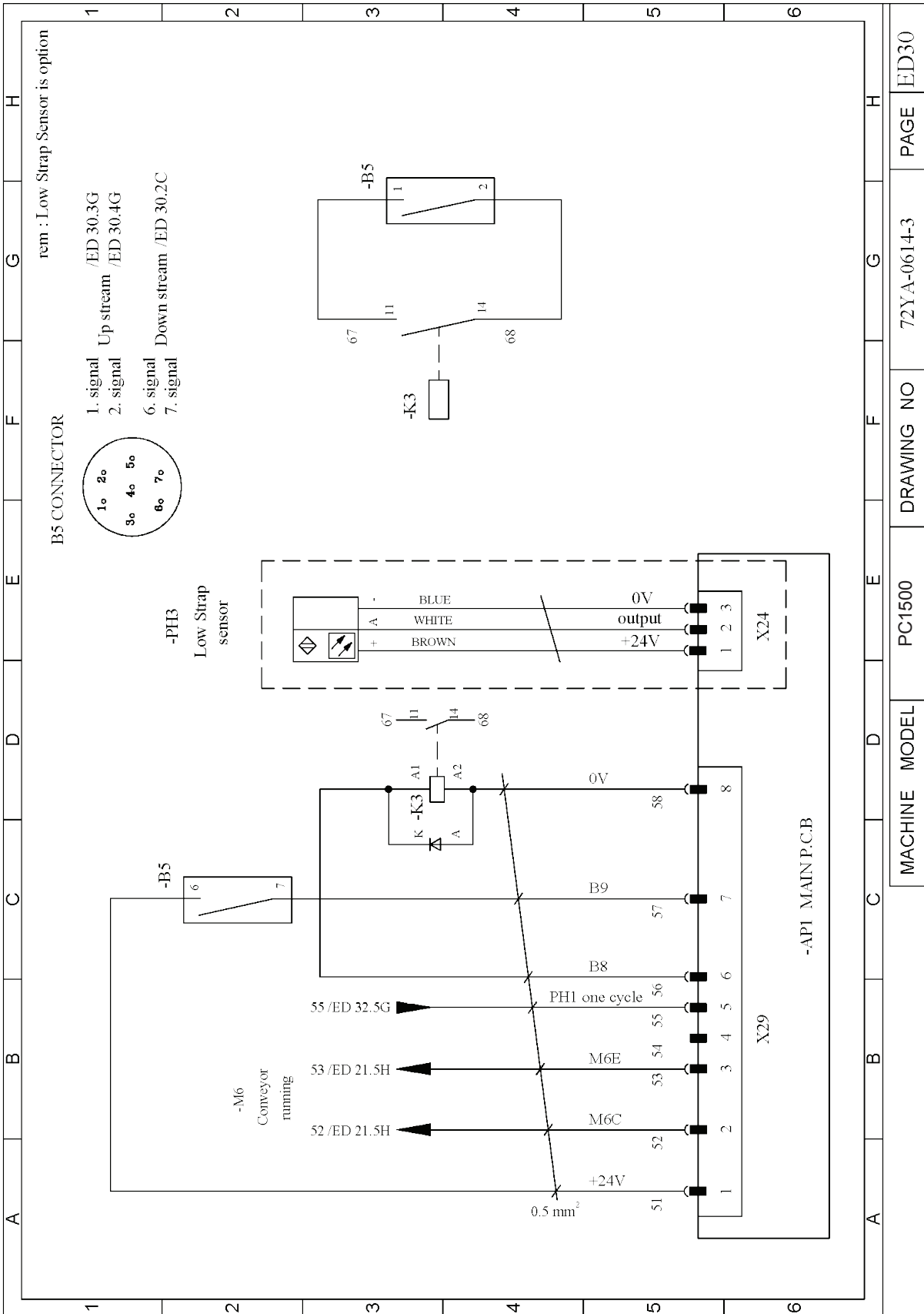




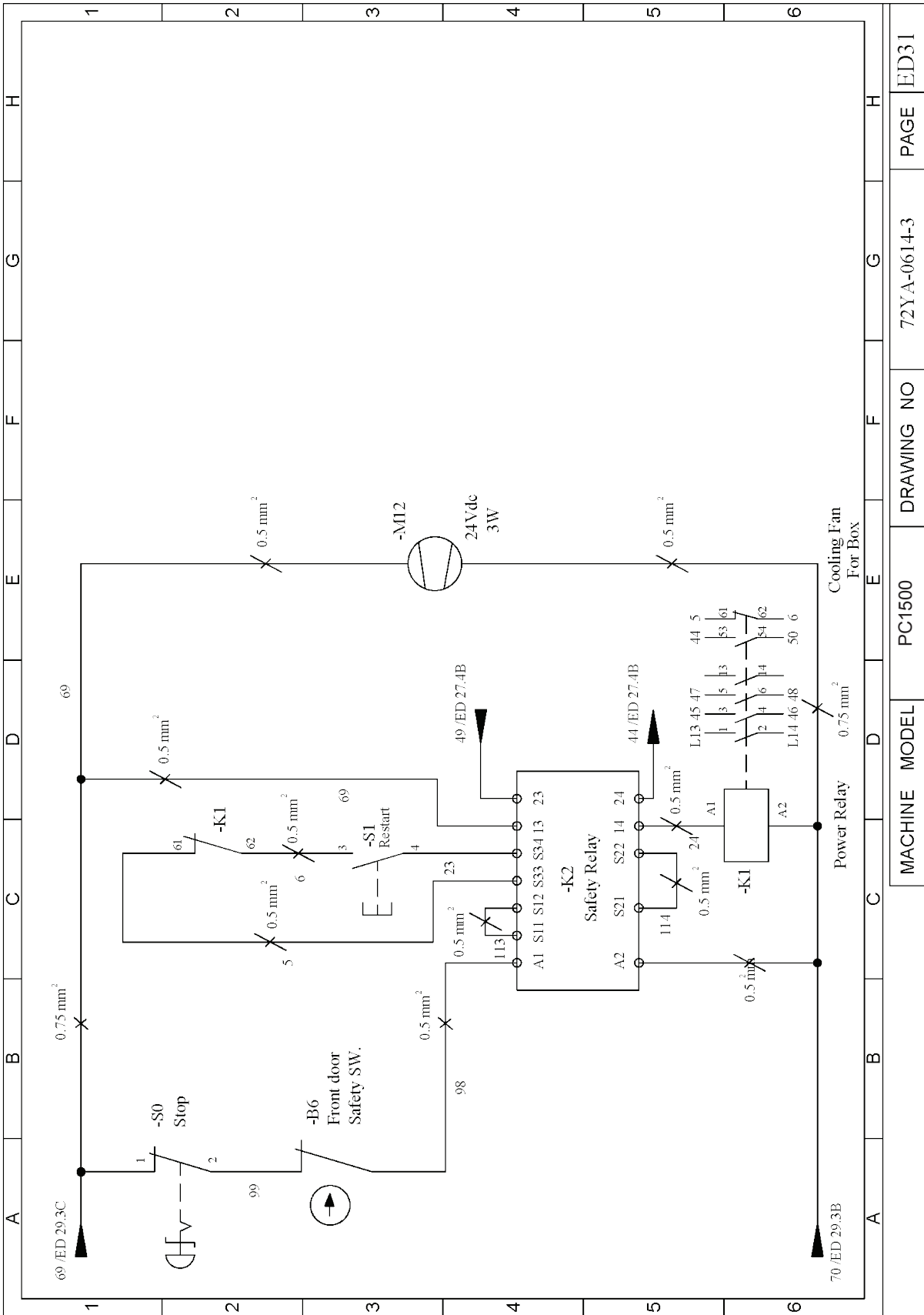


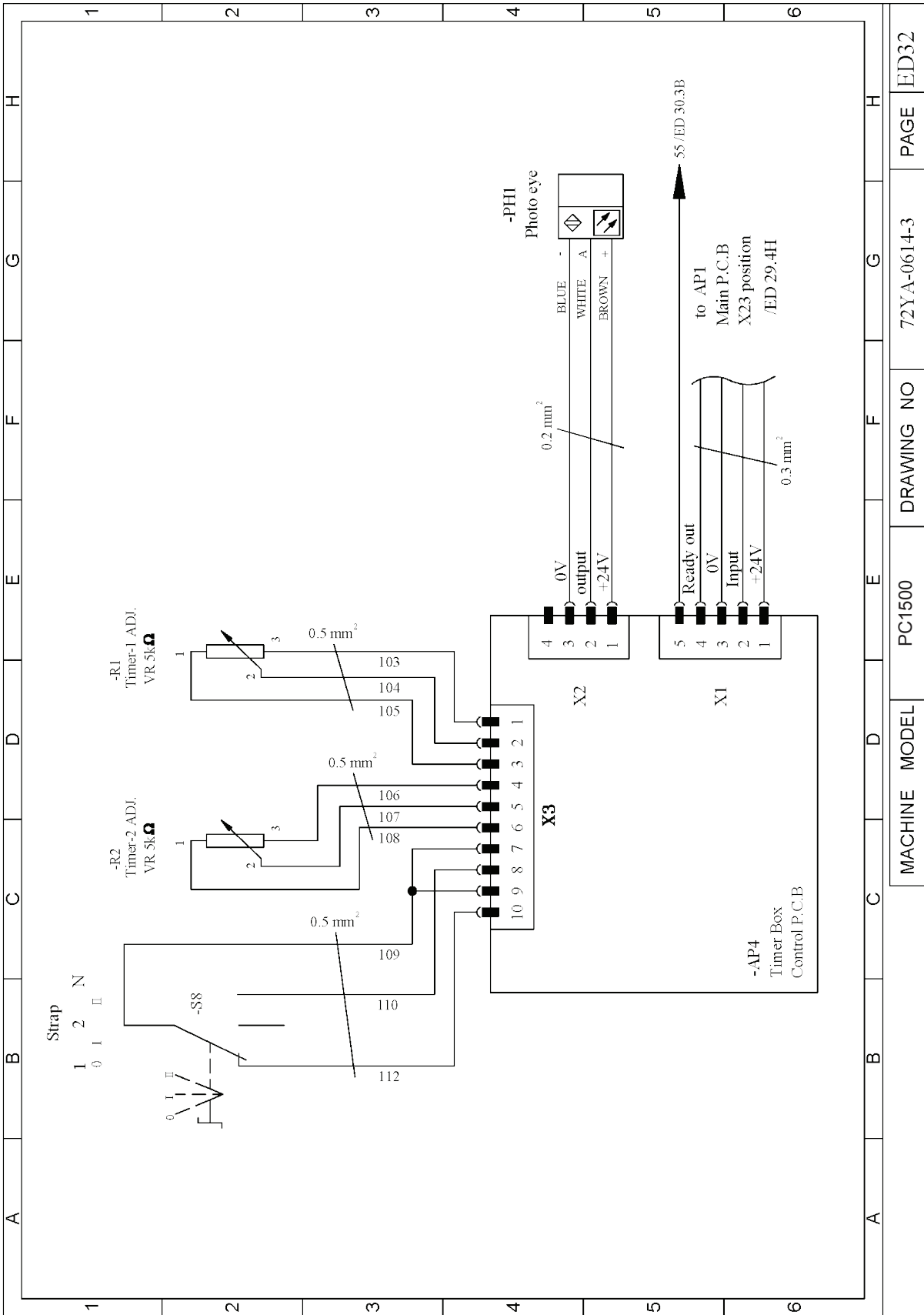


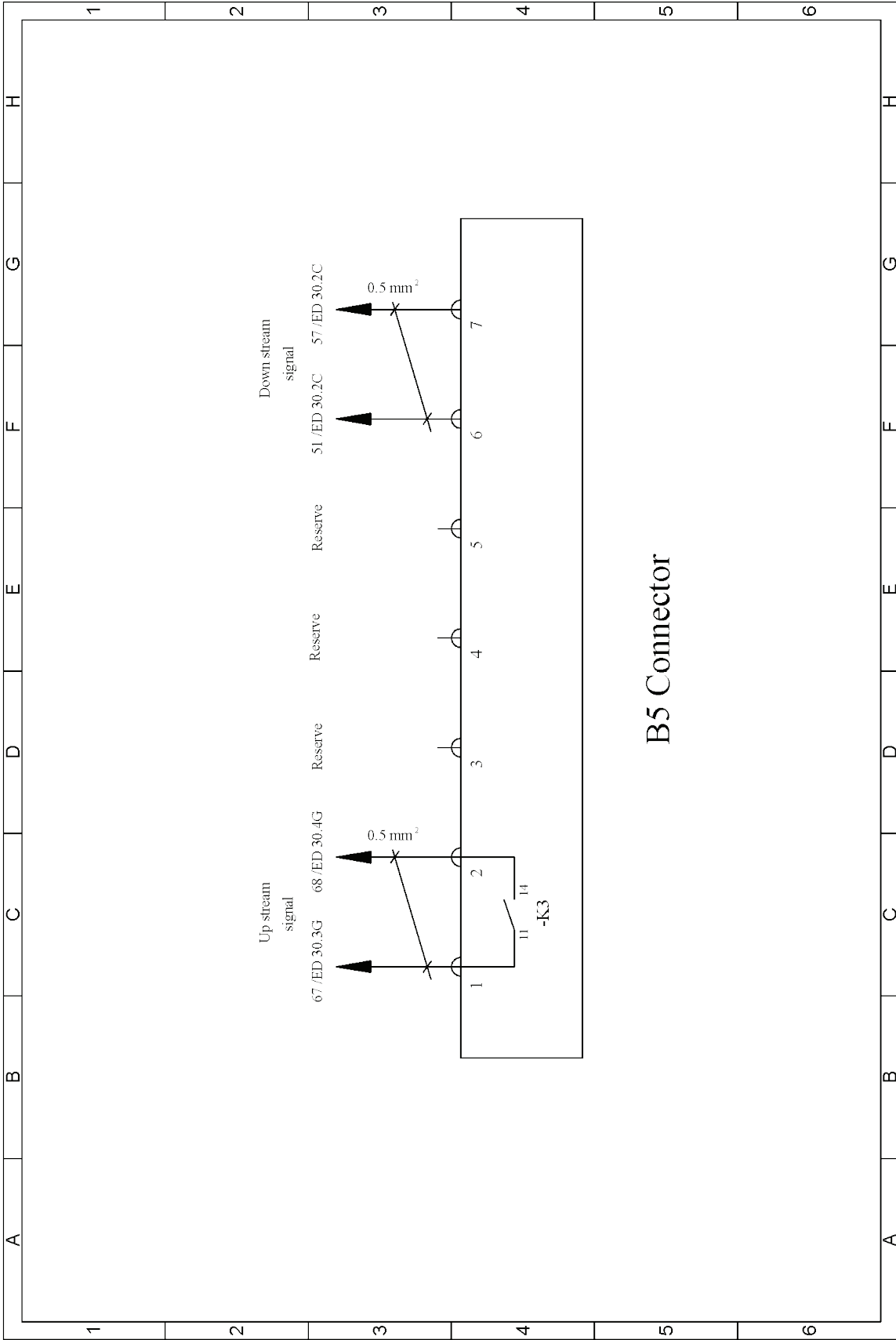




MACHINE MODEL	PC1500	DRAWING NO	72YA-0614-3	PAGE	ED30
---------------	--------	------------	-------------	------	------

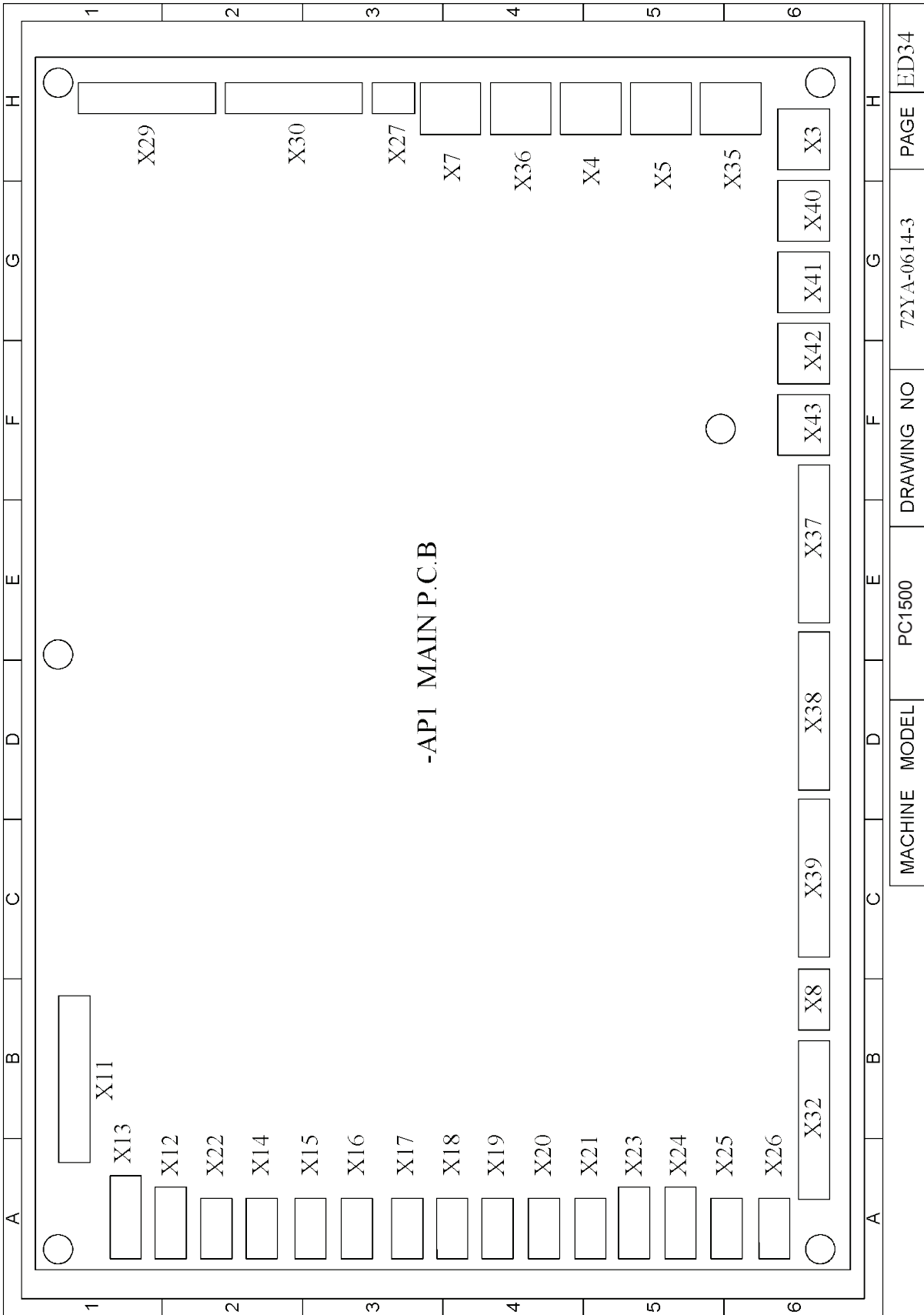


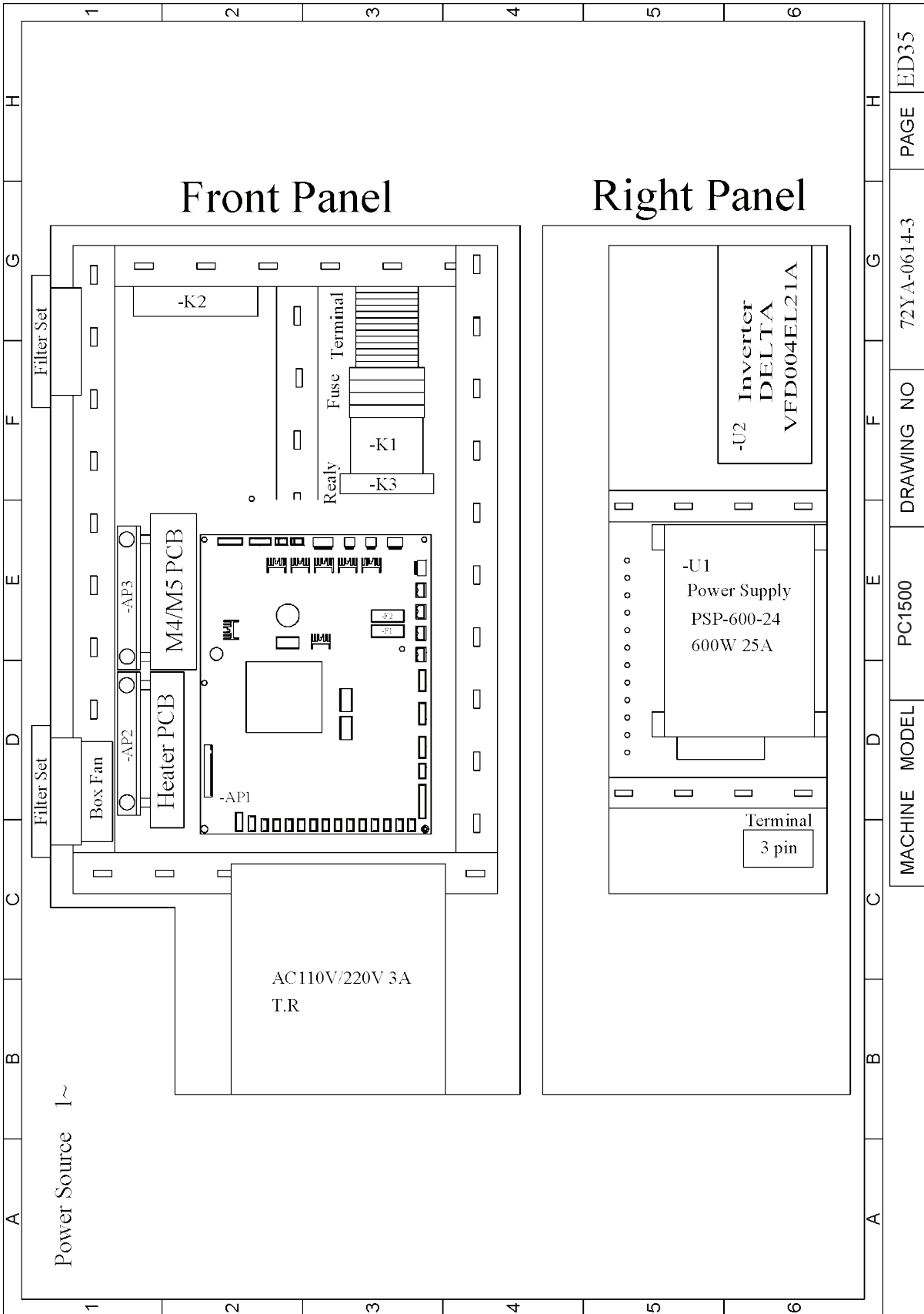


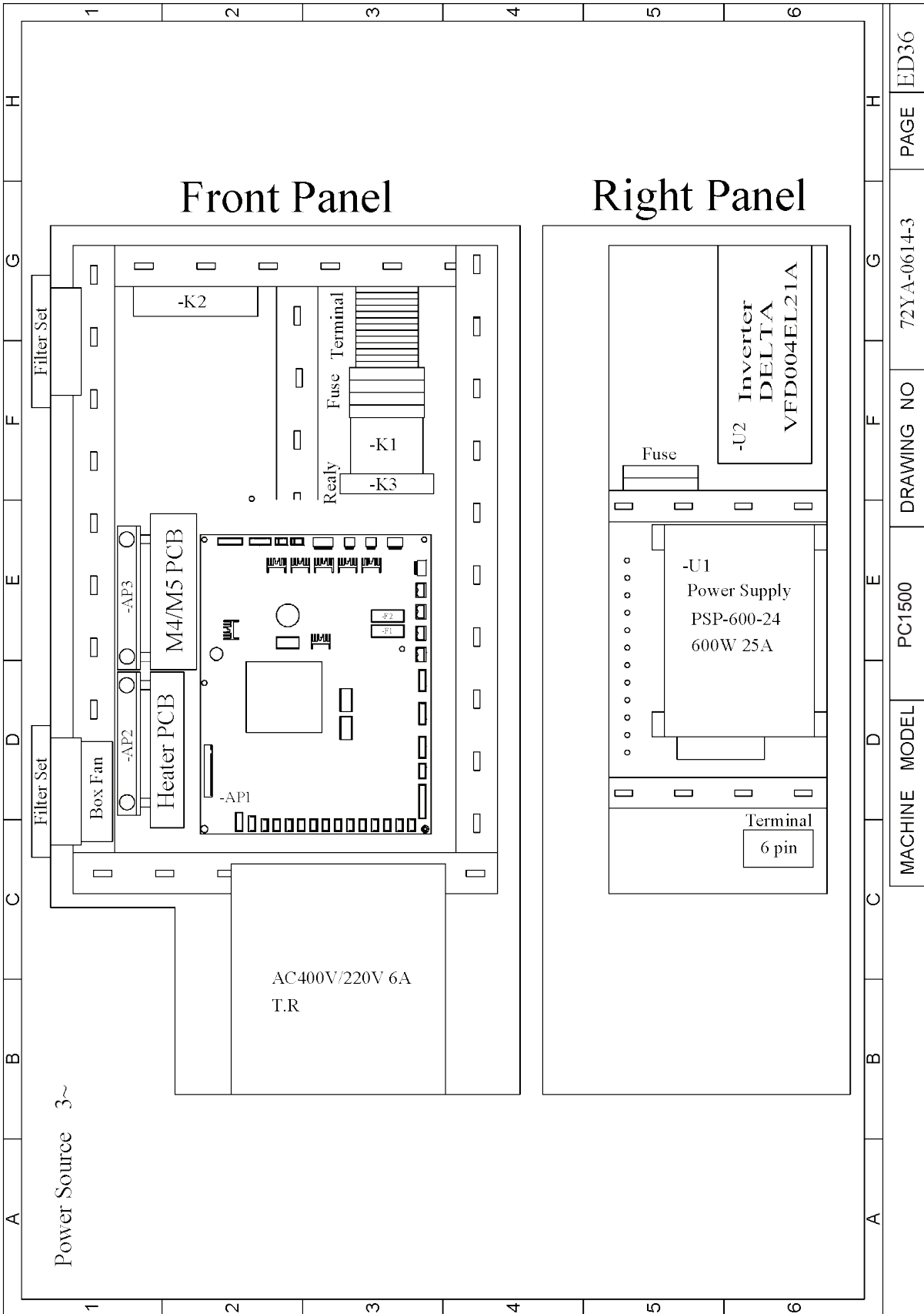


B5 Connector

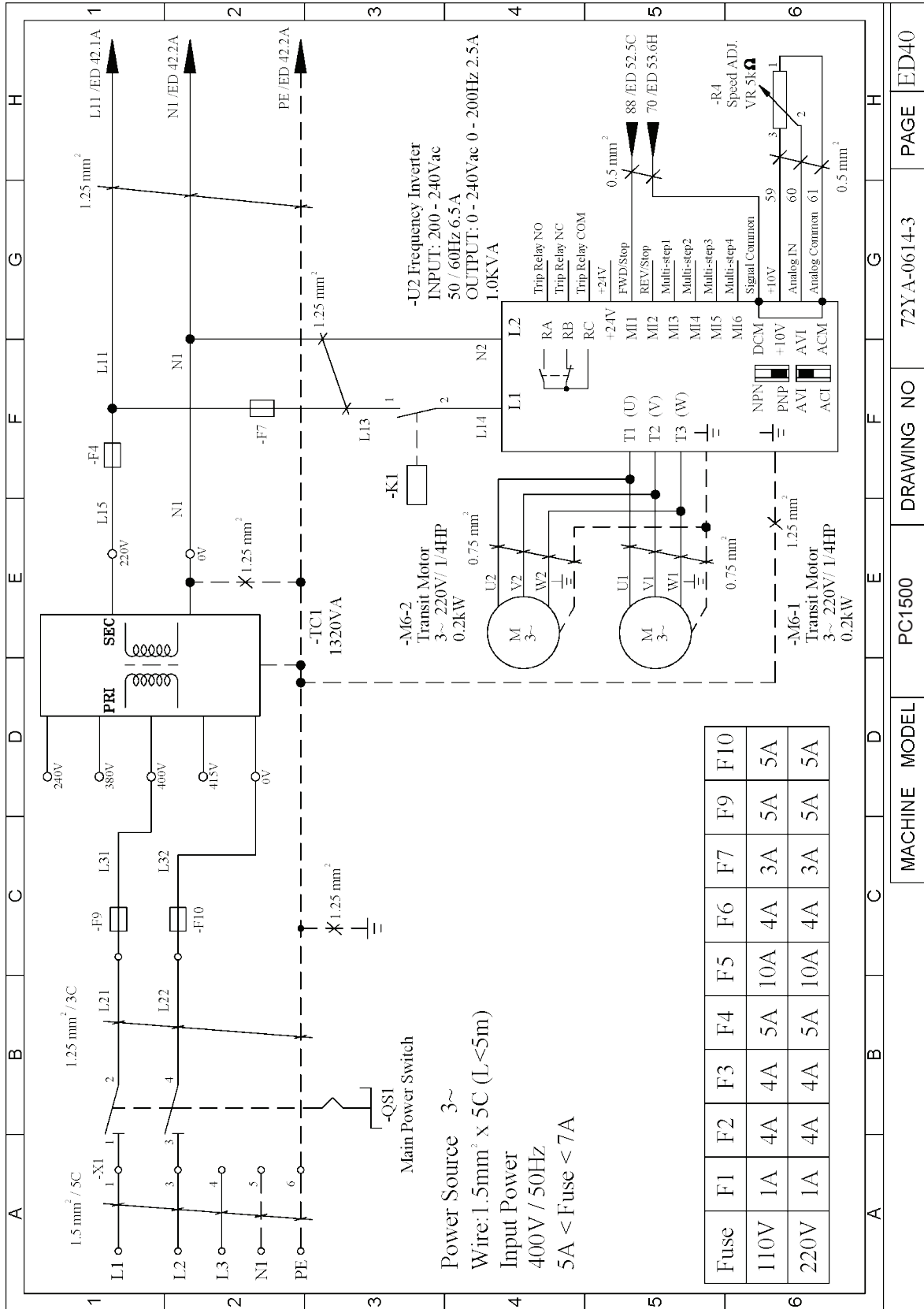
MACHINE MODEL	PC1500	DRAWING NO	72YA-0614-3	PAGE	EID33
---------------	--------	------------	-------------	------	-------

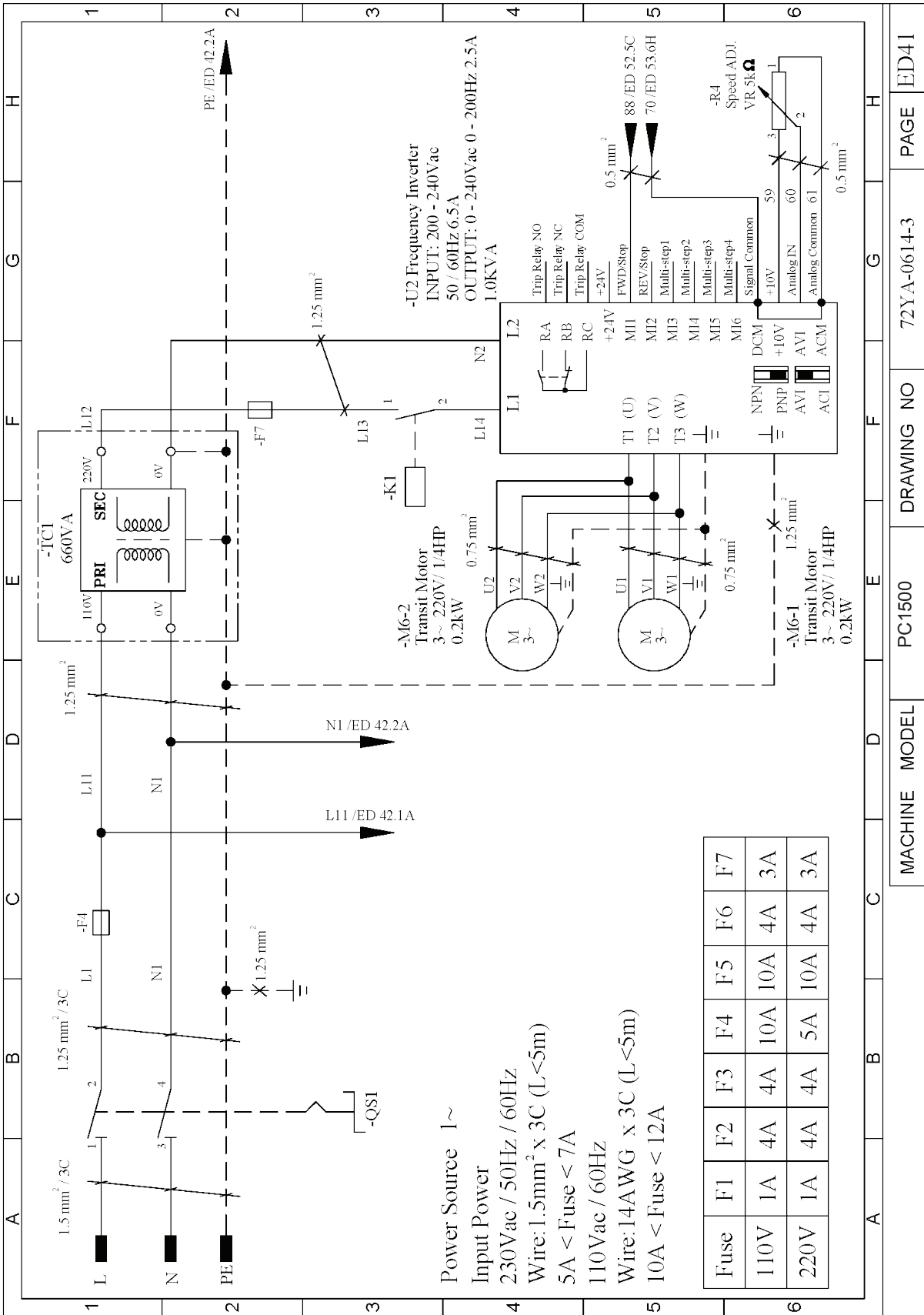


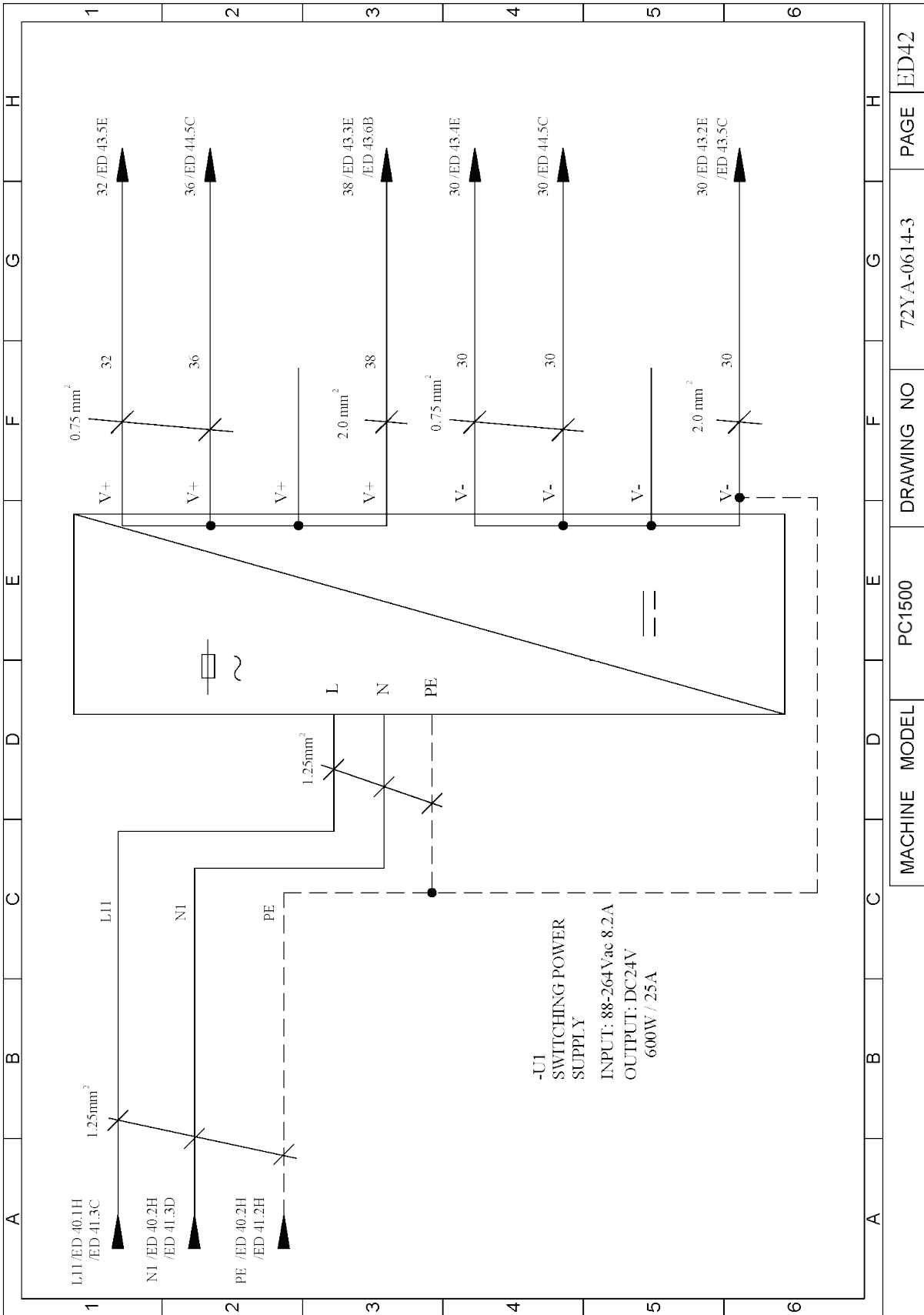


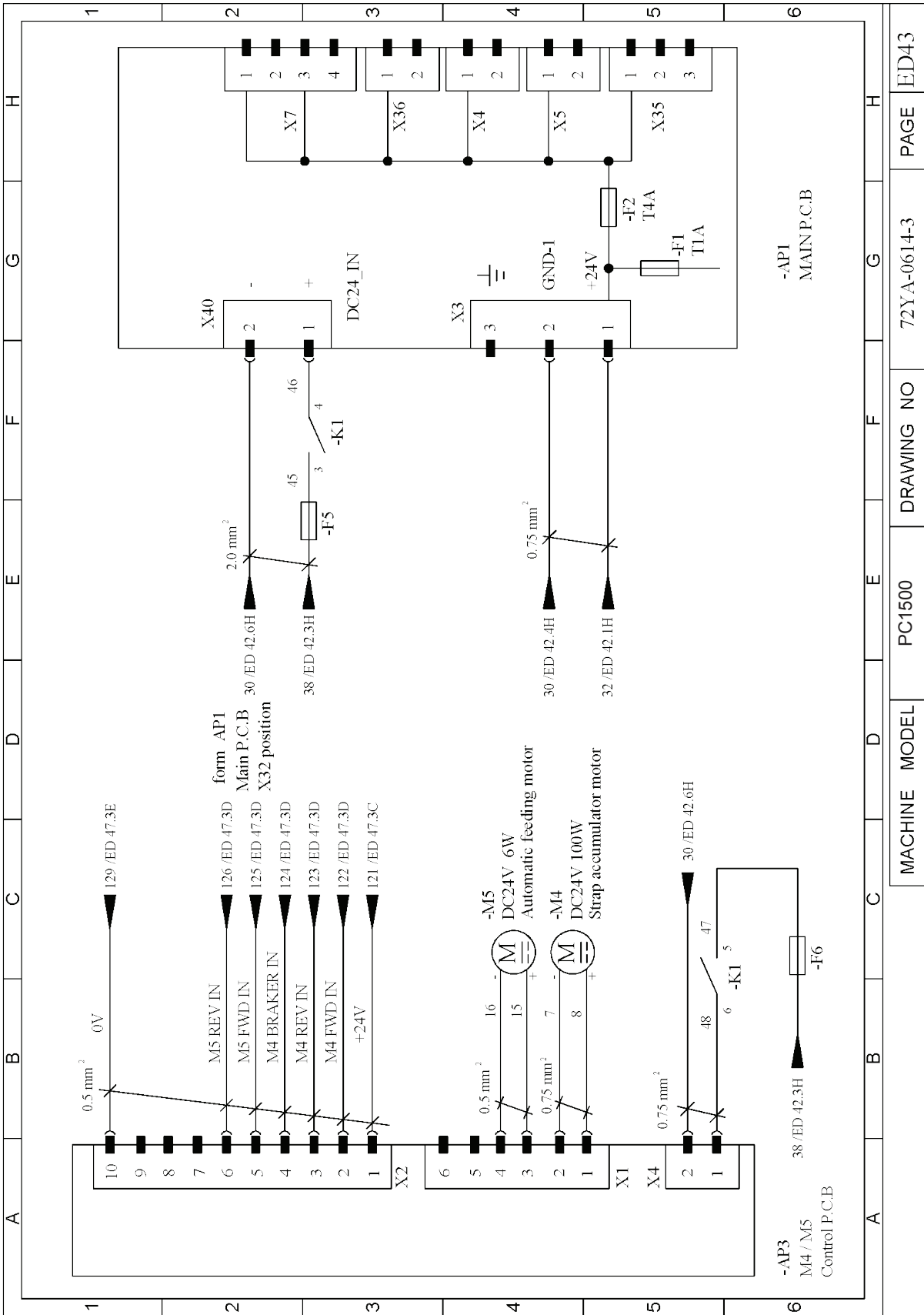


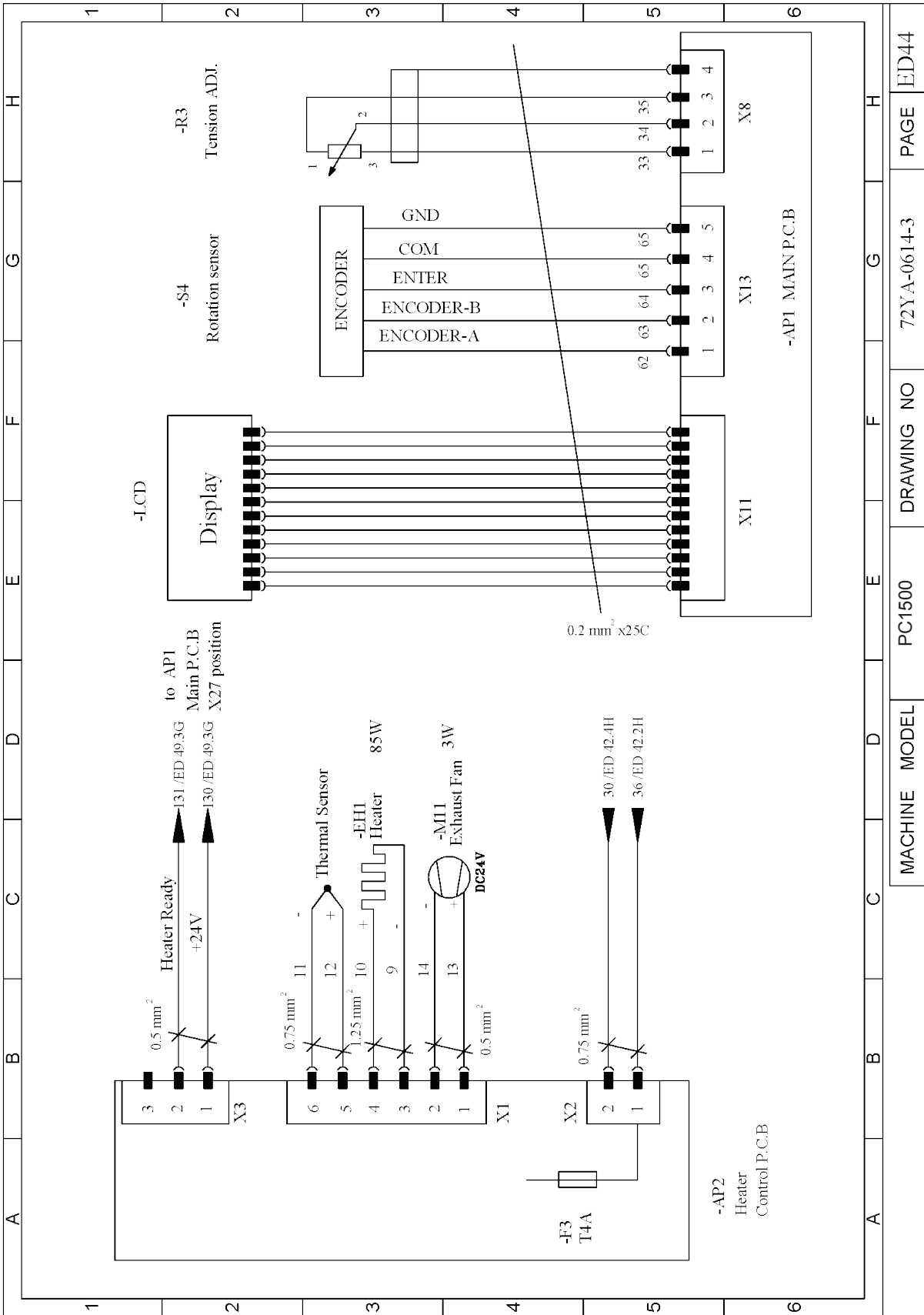
c. TP-702YA (For PLC)(Option)

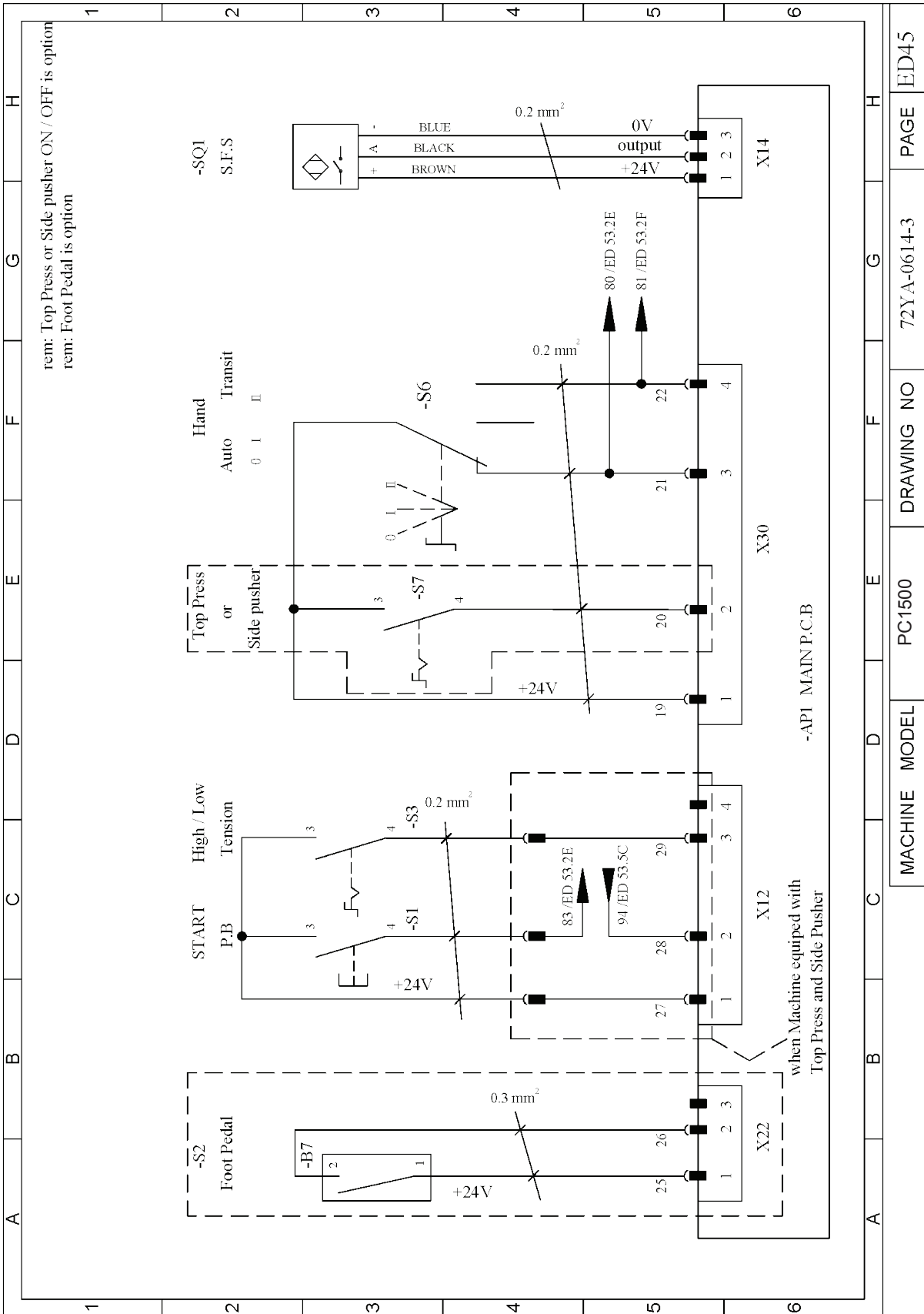


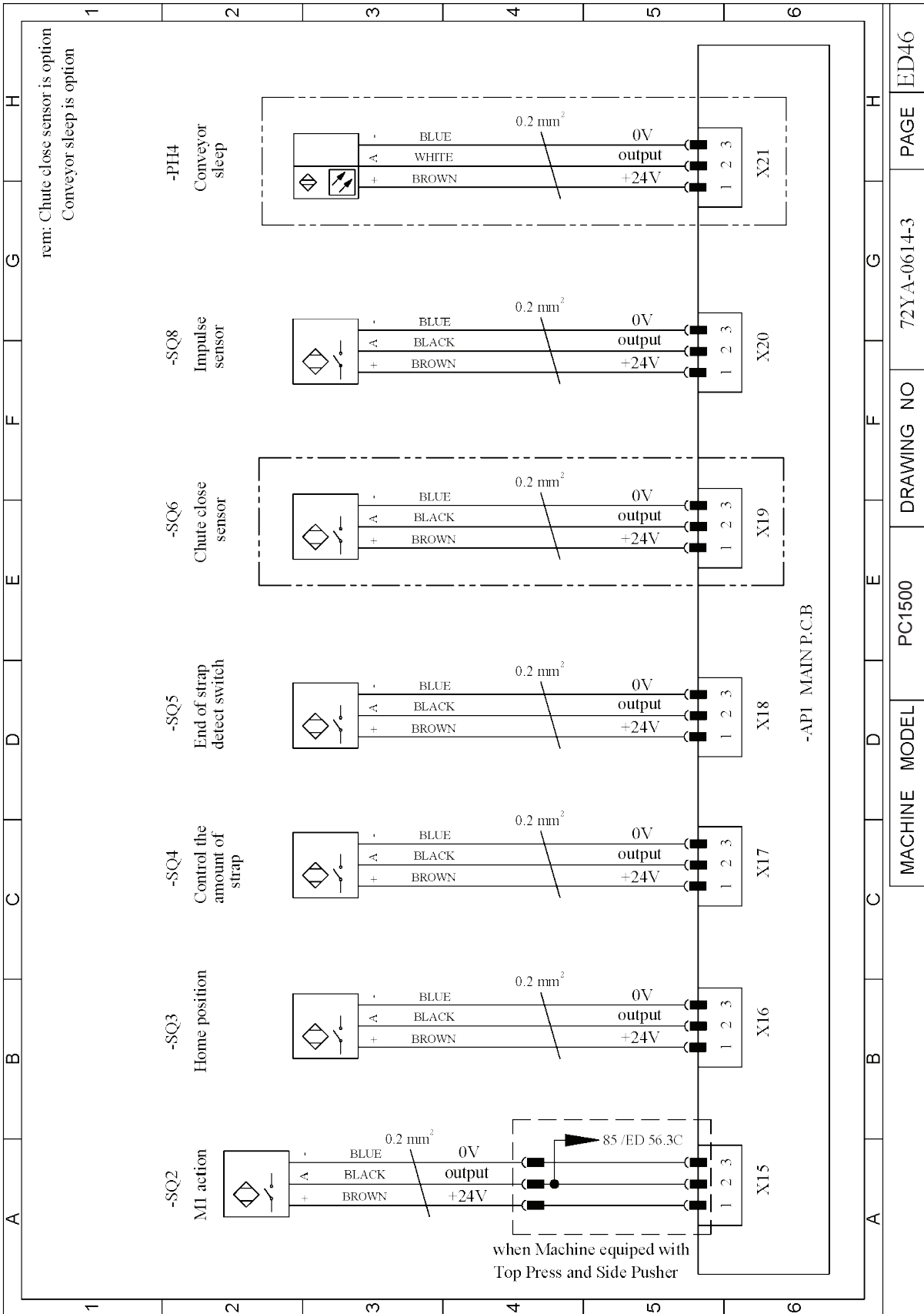


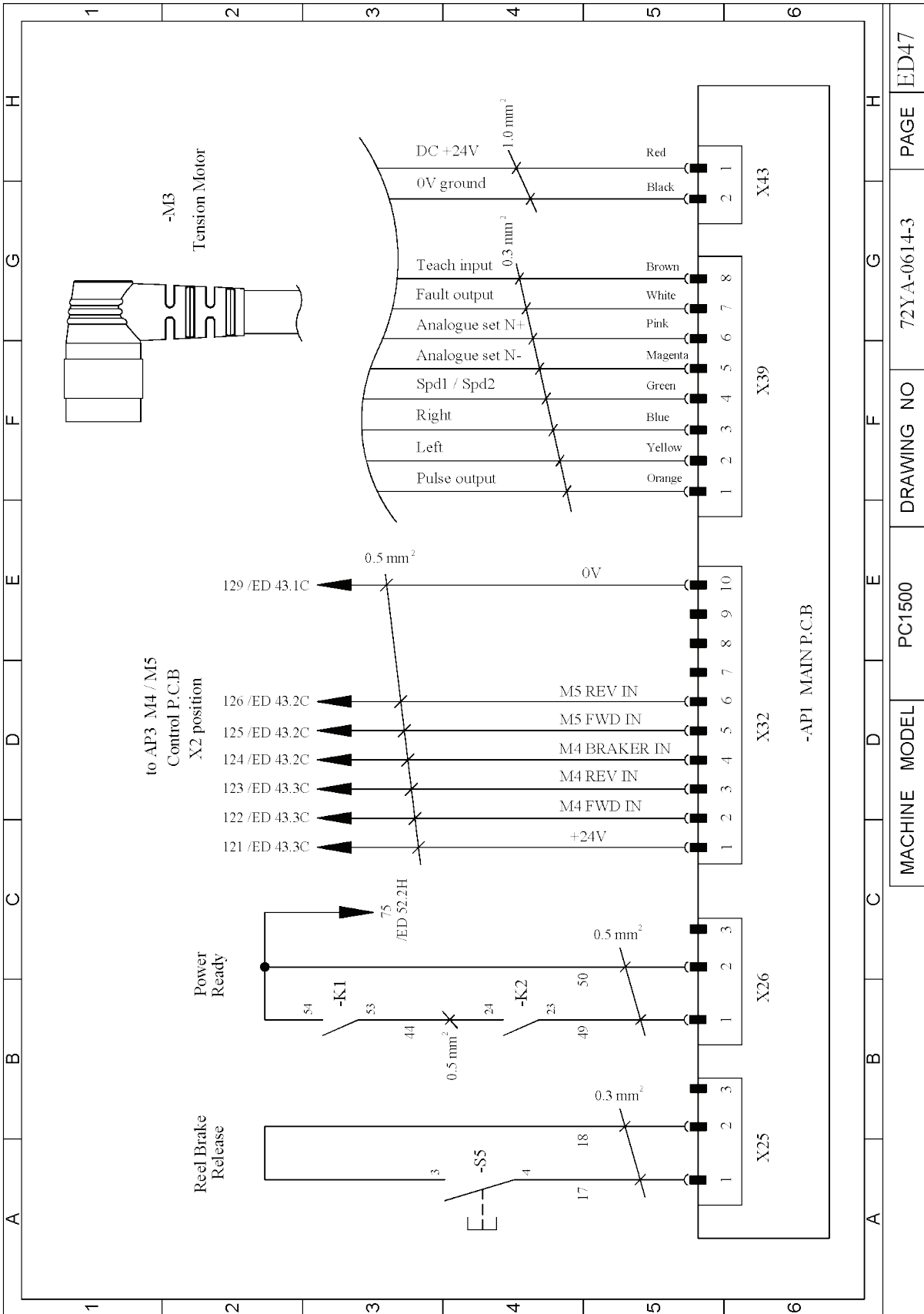


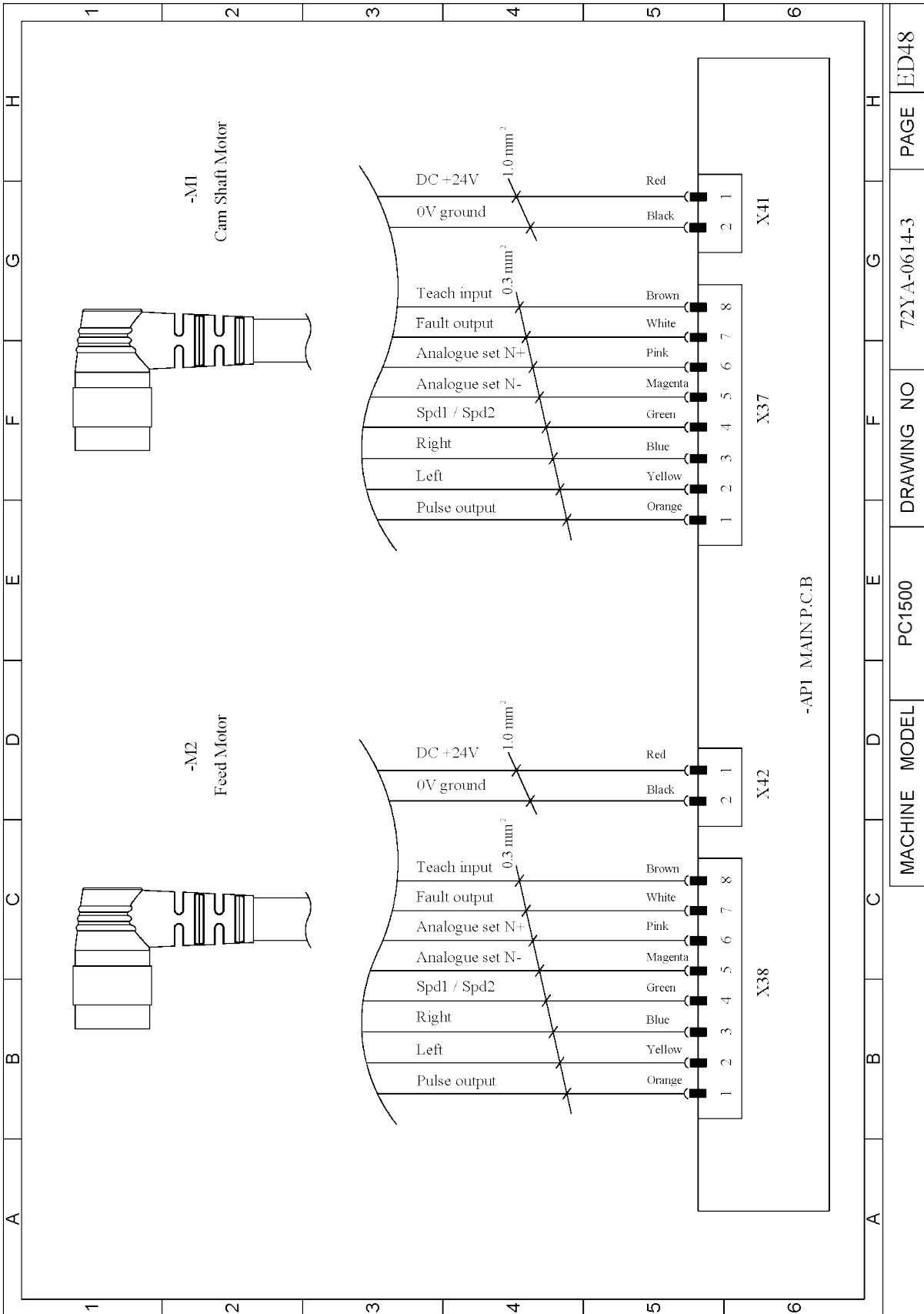


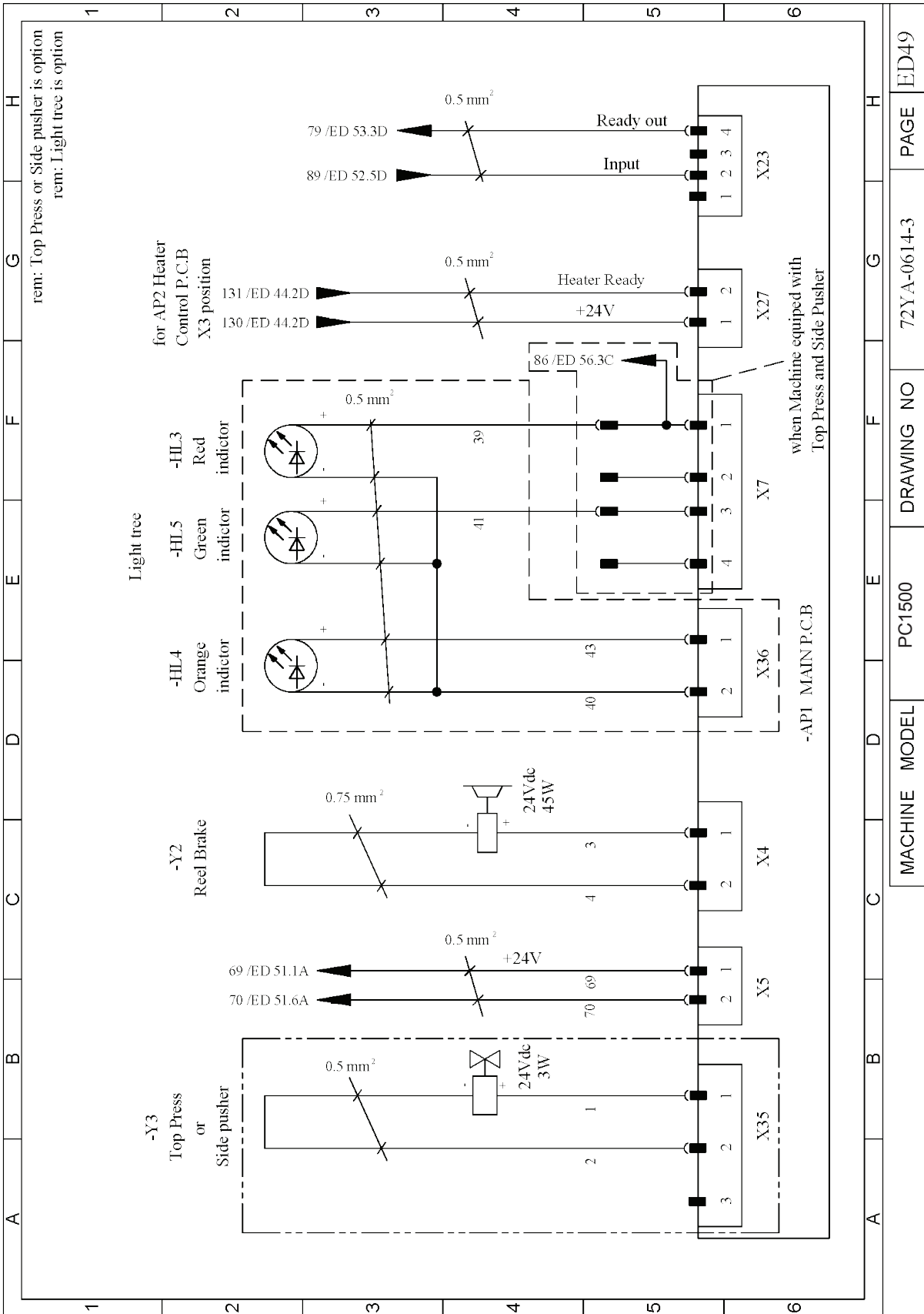


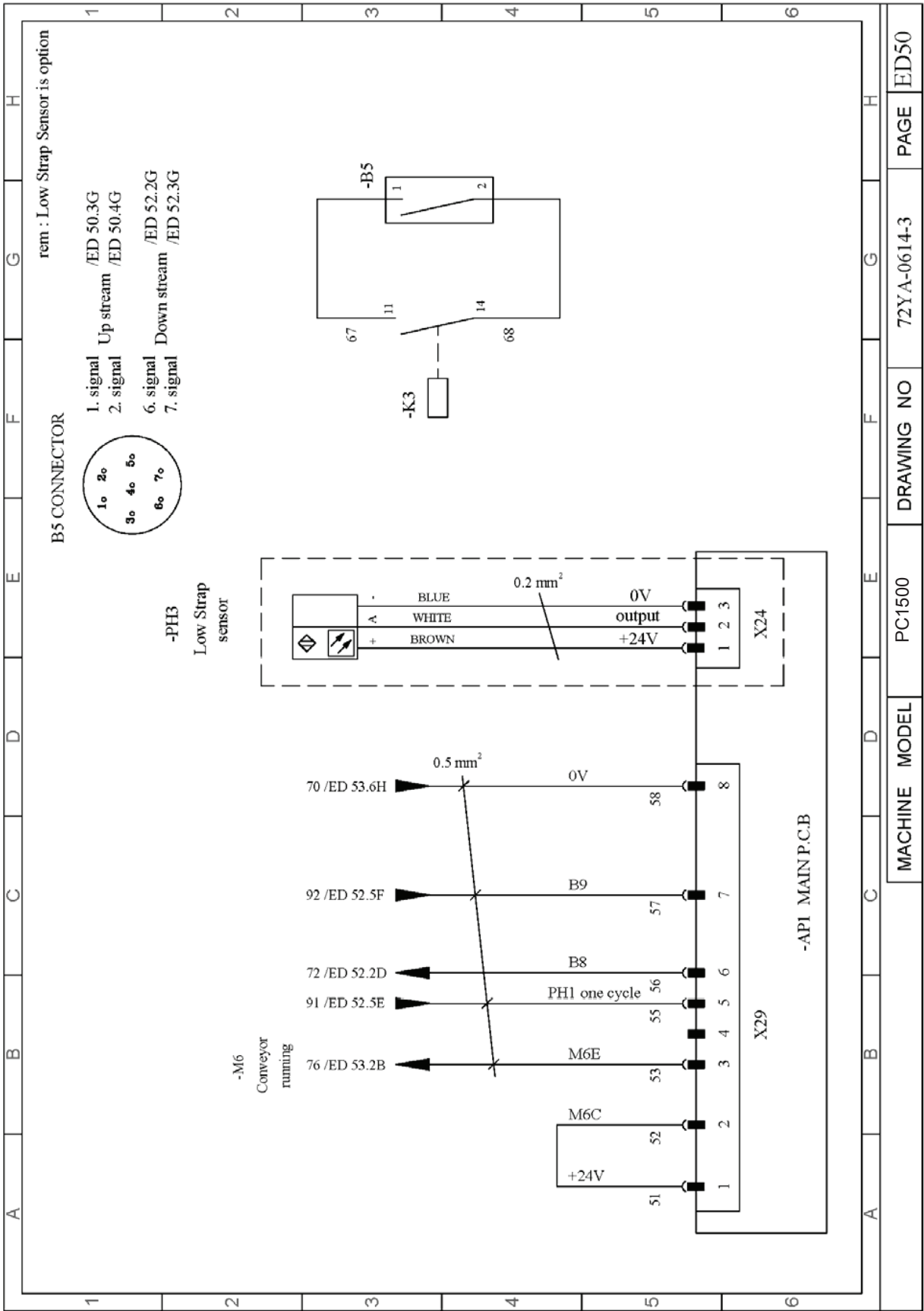


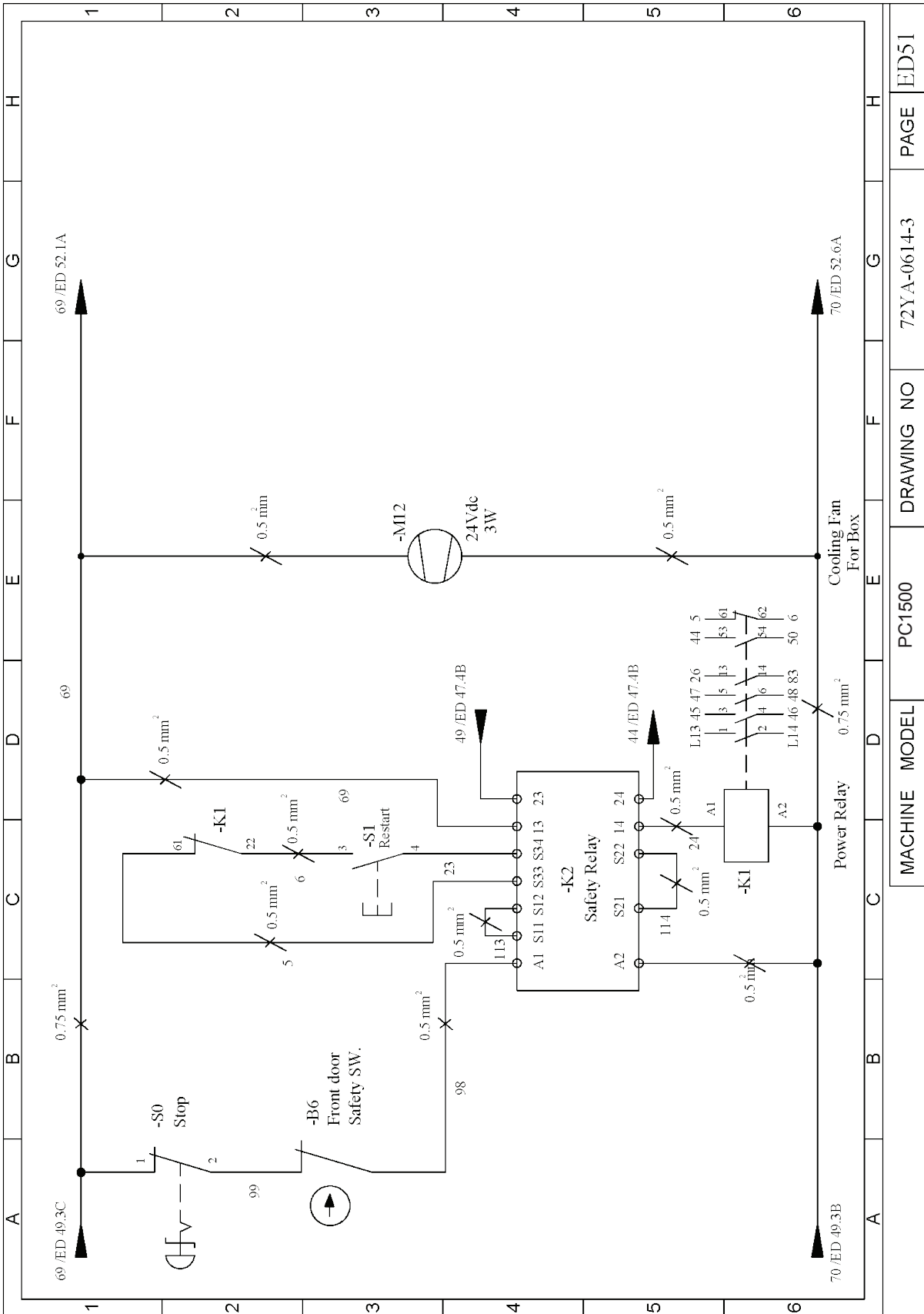




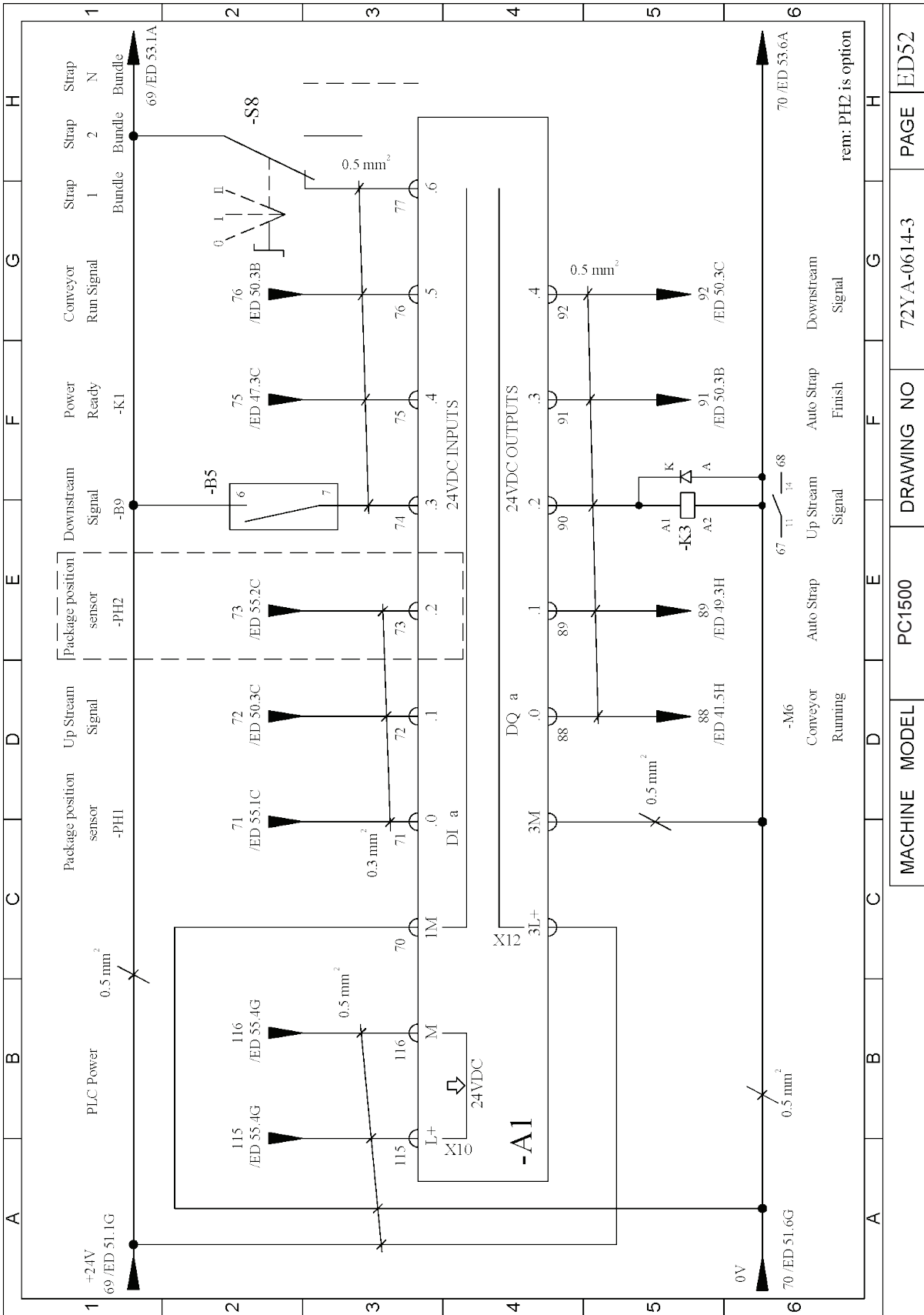




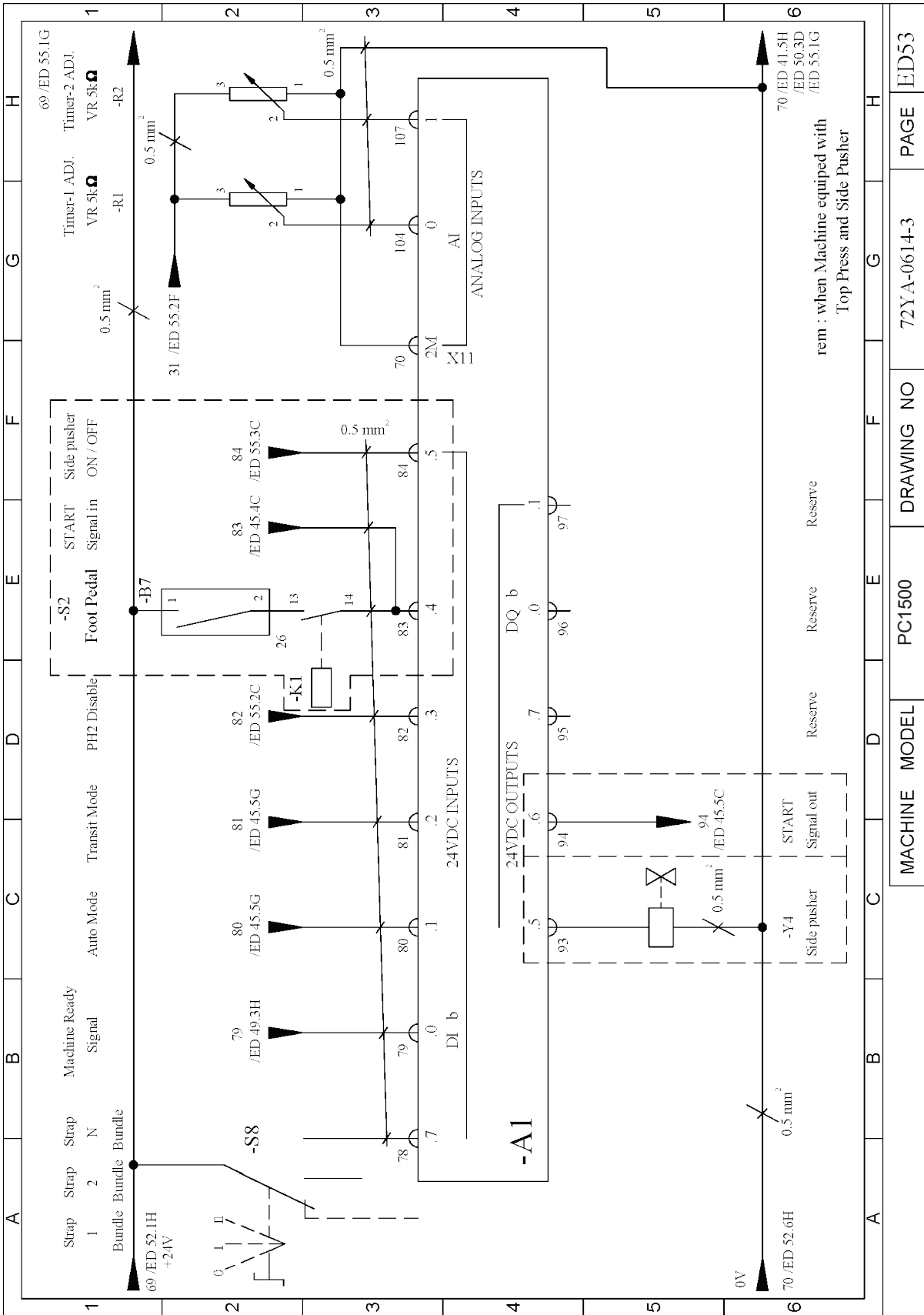




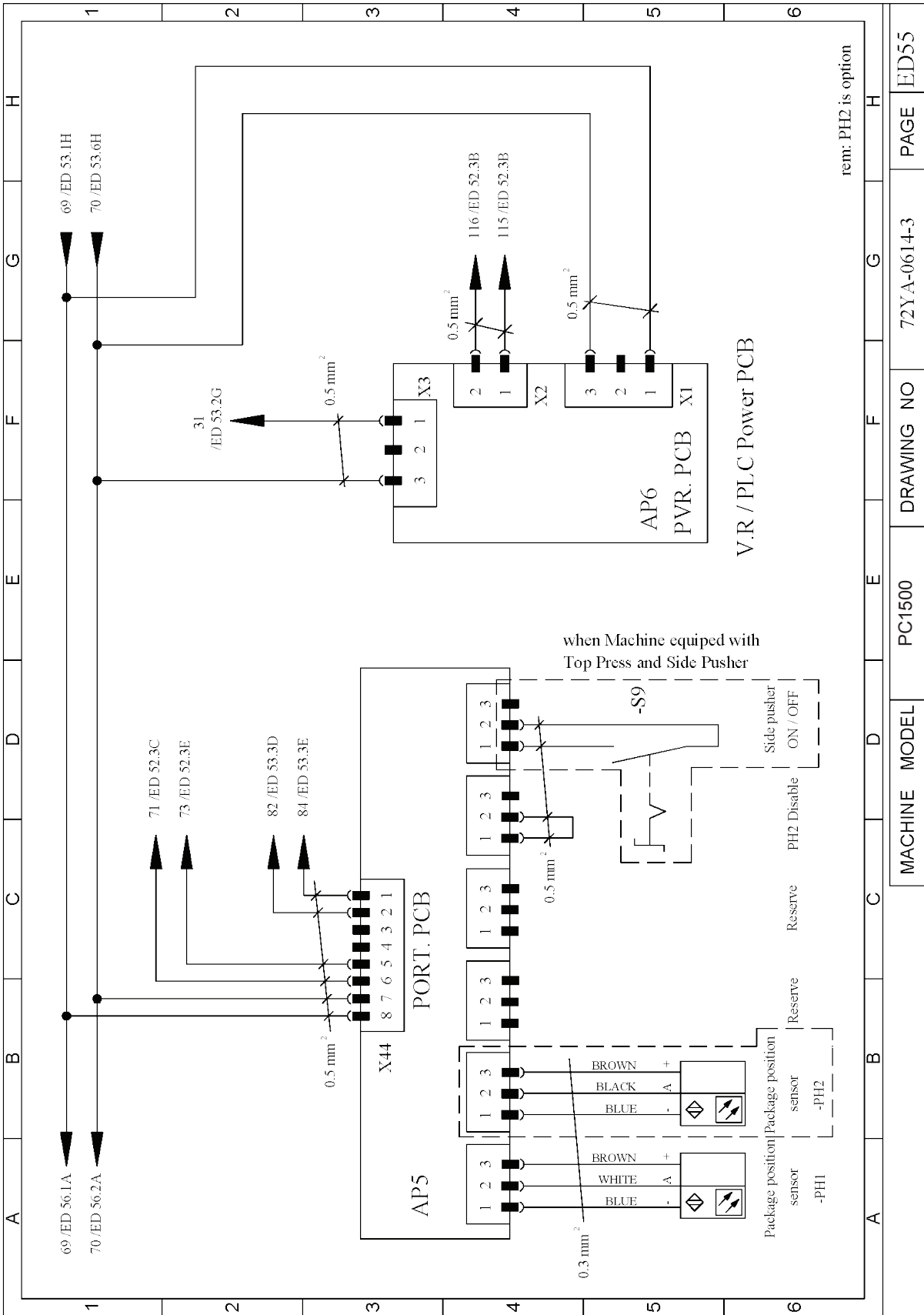
MACHINE MODEL	PC1500	DRAWING NO	72YA-0614-3	PAGE	EID51
---------------	--------	------------	-------------	------	-------

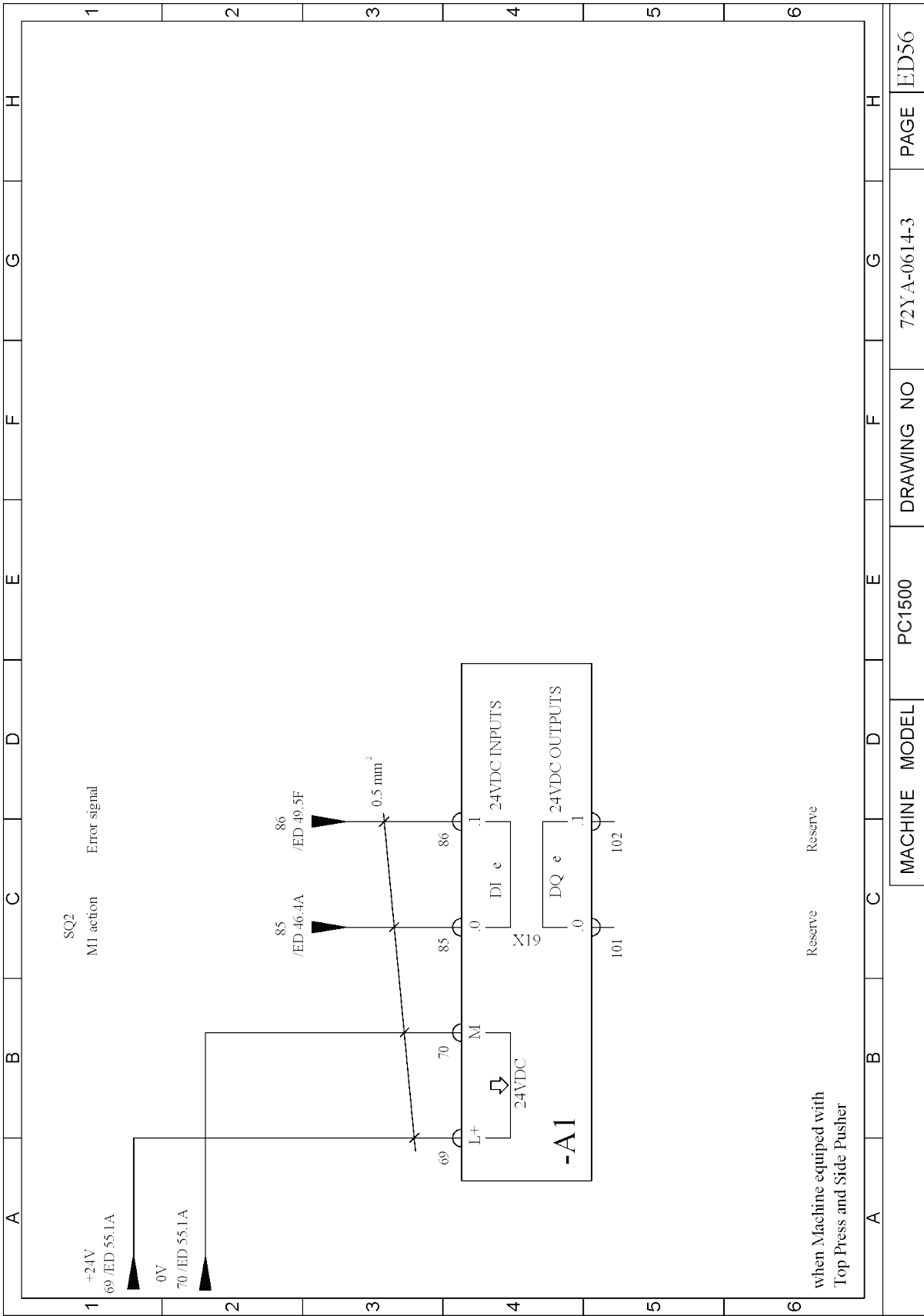


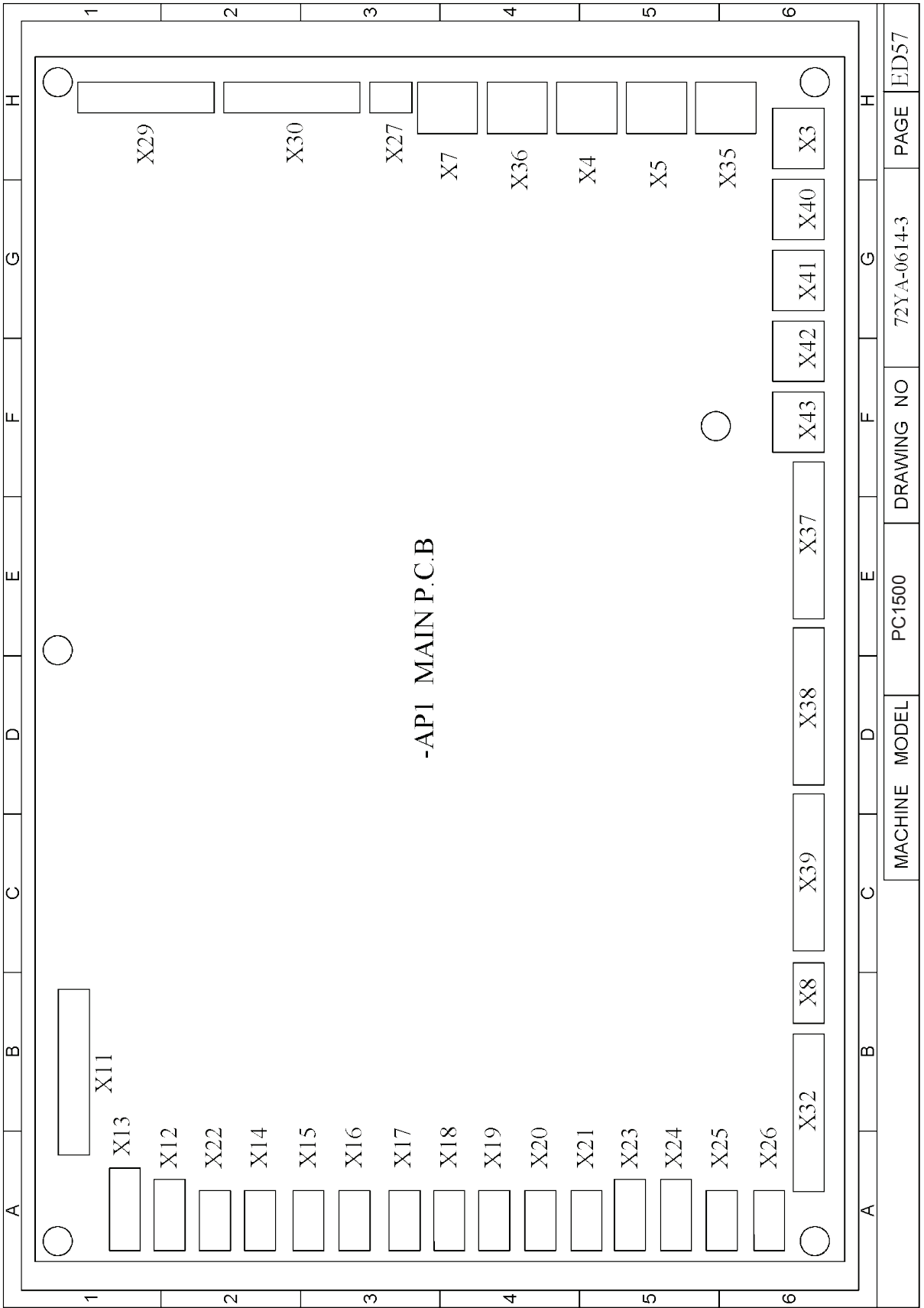
MACHINE MODEL	PC1500	DRAWING NO	72YA-0614-3	PAGE	EID52
---------------	--------	------------	-------------	------	-------

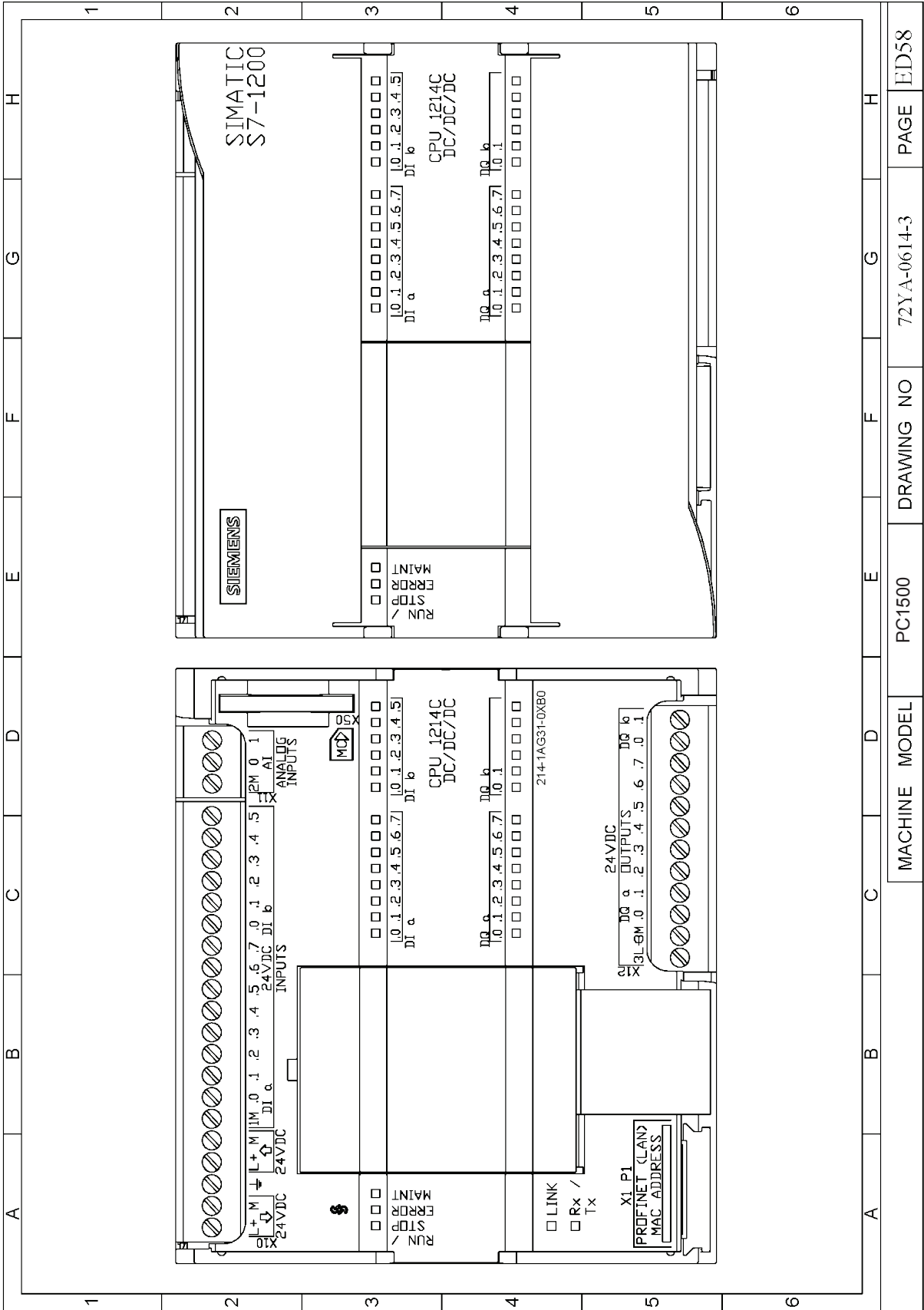


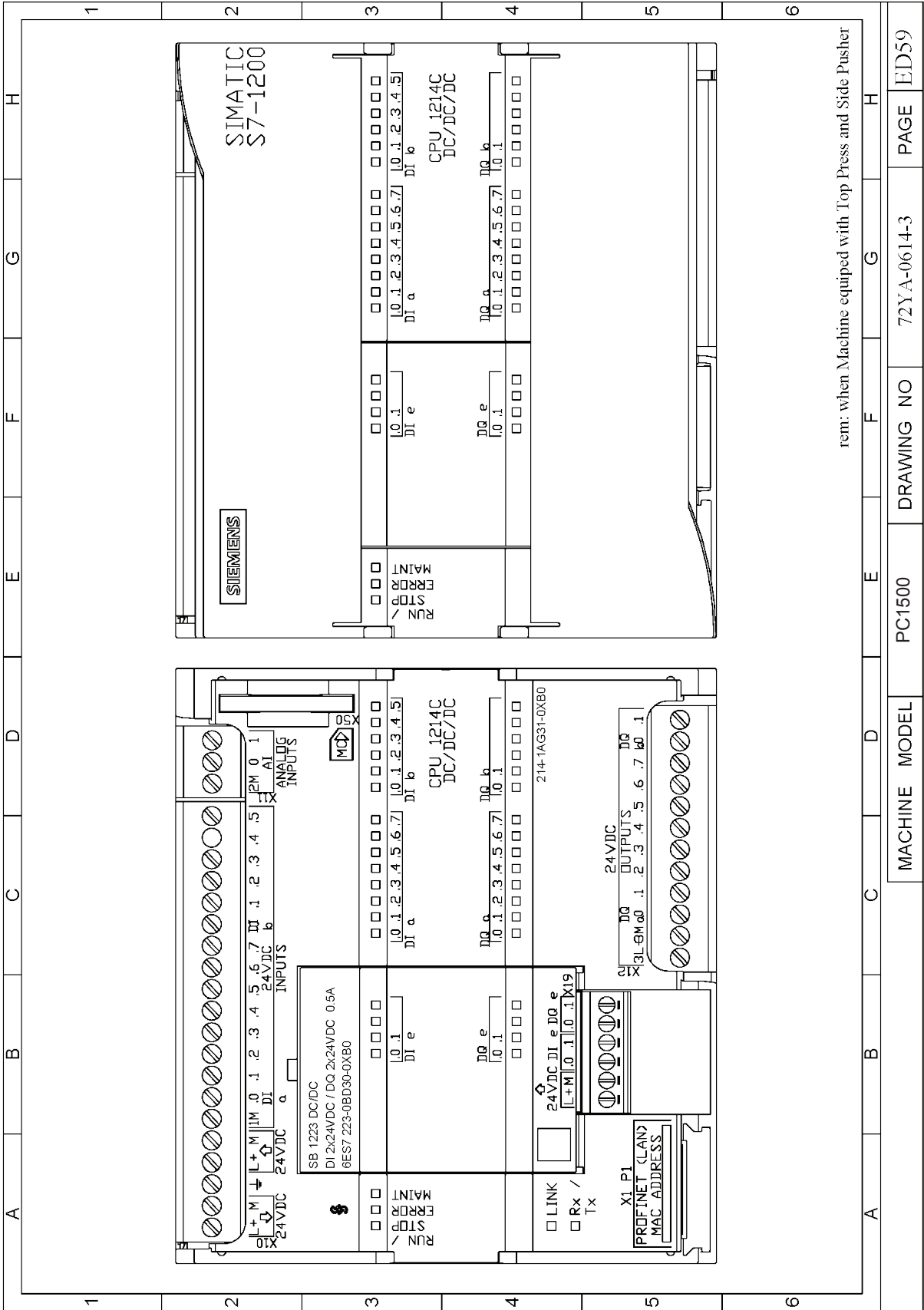
MACHINE MODEL	PC1500	DRAWING NO	72YA-0614-3	PAGE	EID53
---------------	--------	------------	-------------	------	-------

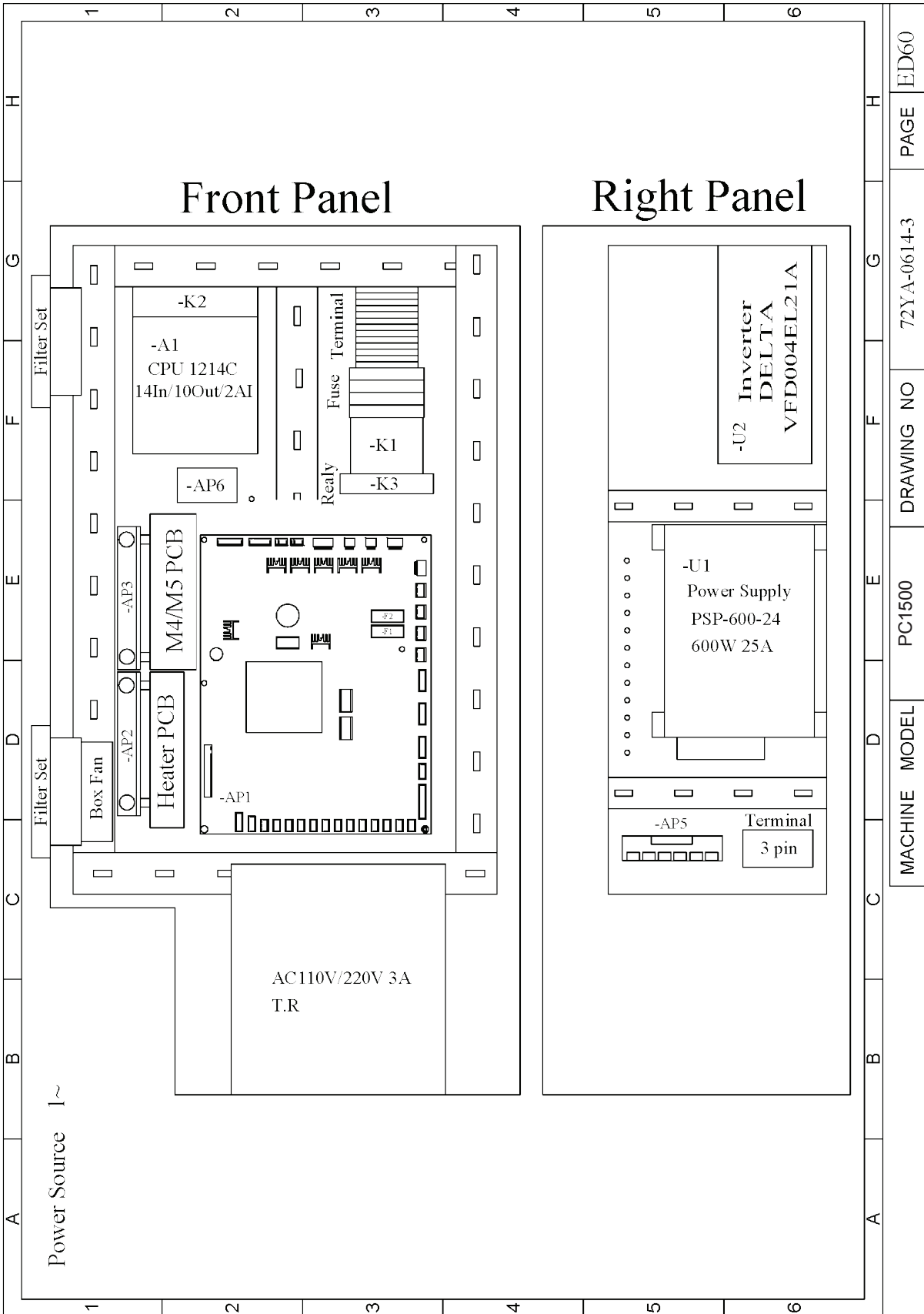


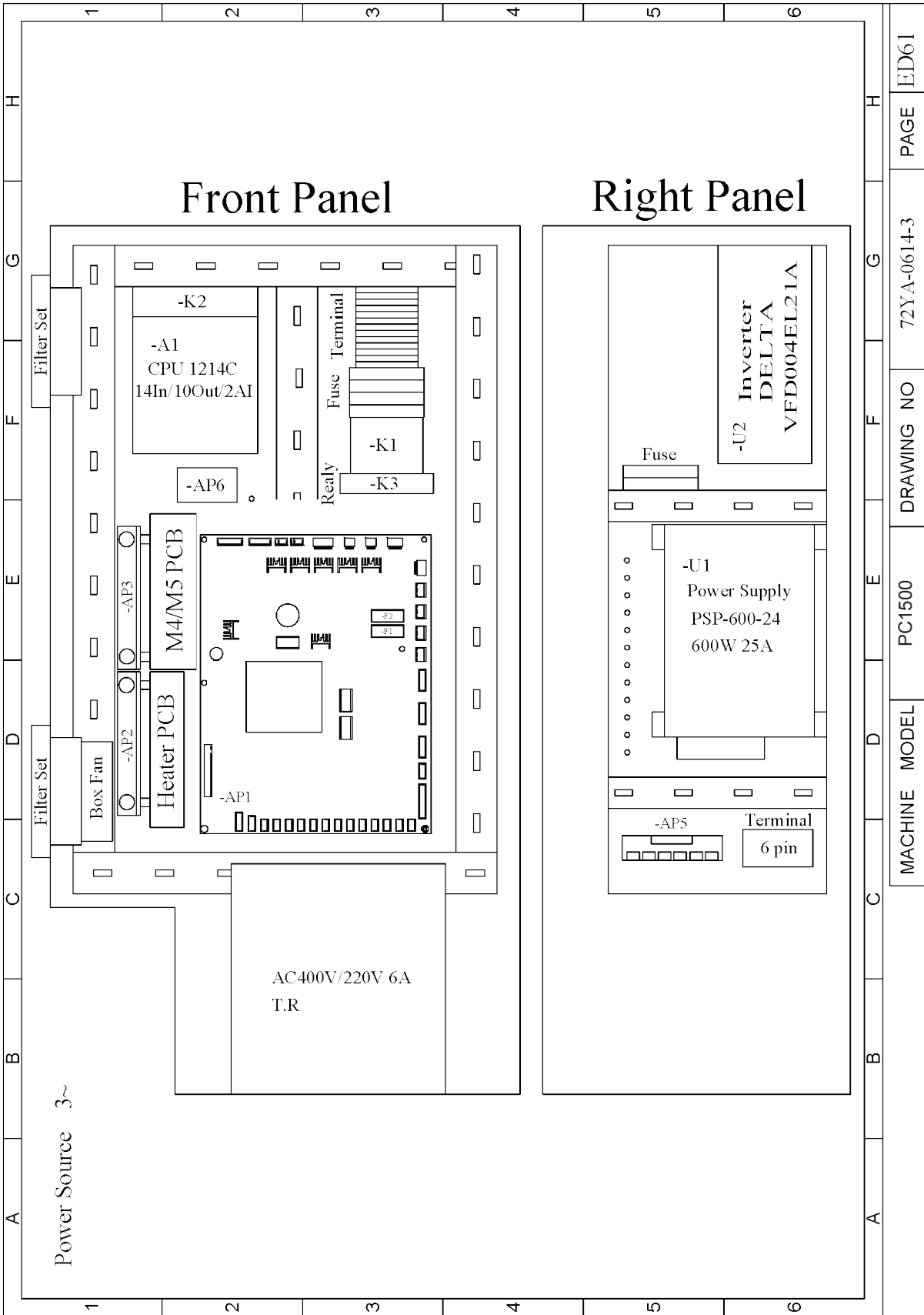














































3. Inverter Parameters Setup

Parameter	factory setting	Parameter	factory setting
00-03	1	02-05	0
00-12	1	04-12	23.5
00-13	52	06-00	405.0
01-00	52	06-07	30
01-07	100	07-00	2.1
01-08	23.5	07-01	1.8
01-09	0.1	07-02	10.0
01-10	0.2	08-00	20
01-19	1	08-02	0.3
02-00	1	08-04	2
02-01	2	08-15	2
02-02	2	08-18	2

shape	classification	shape	classification
	HBS		ER
	TMS		RR
	PMS		SR
	FMS		SP
	HB		BR
	THS		MB
	HSS		KYA
	CAP		KYB
	HN		KYC
	WN		HBW
	FLG		PWA φ 8x φ 12~ φ 16x0.8~1.2t φ 6x φ 13~ φ 14x0.8~1.2t
	NTE		PWB φ 8x φ 14~ φ 16x1.2~1.5t φ 6x φ 15~ φ 16x1.2~1.5t
	PN		PWC φ 8x φ 20~ φ 23x2.0t φ 6x φ 16~ φ 19x2.0t
	PW		PWD
	SW		DS
	TW		TTP
	BWW		FTP

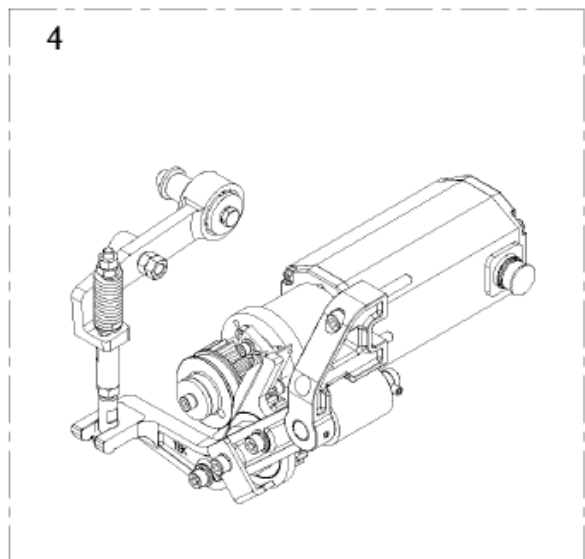
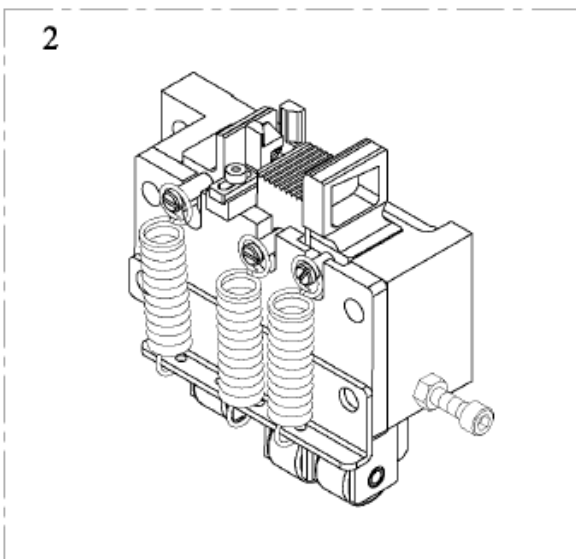
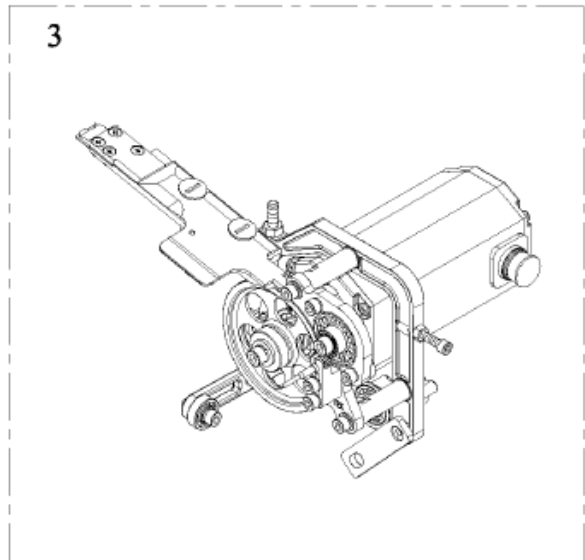
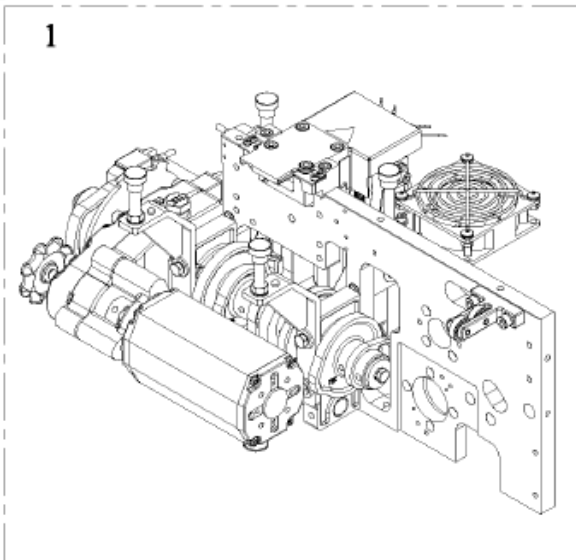
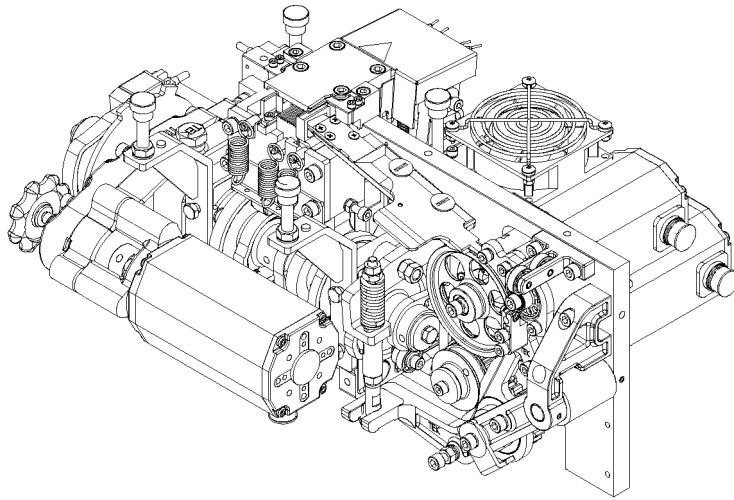
PART III

1

STRAPPING HEAD UNIT

M7-1-900400

M7-1-900410



1**STRAPPING HEAD UNIT****M7-1-900400****M7-1-900410**

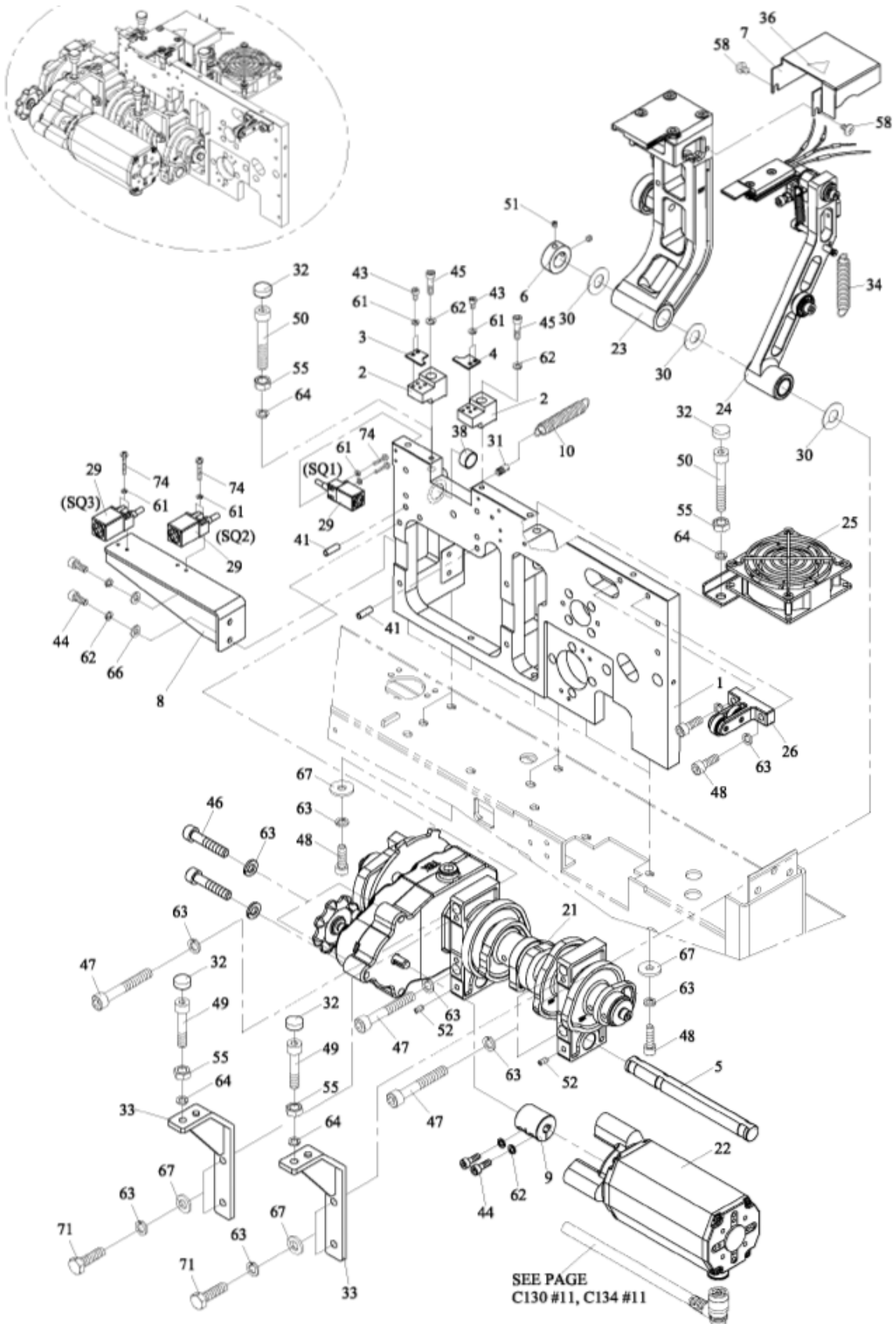
REF. NO.	PART NO.	DESCRIPTION	Q'TY	GREENBRIDGE PART #
	M7-1-900400	Strapping Head Unit (For 5-6mm)	1	X
	M7-1-900410	Strapping Head Unit (For 9mm)	1	X
	M7-1-900420	Strapping Head Unit (For 12mm)	1	X
1	M7-1-100400	Cam Group (For 5-6mm)	1	(SEE PG. C3) X
	M7-1-100410	Cam Group (For 9mm/12mm)	1	X
2	M7-1-200000	Bar Guide Group	1	(SEE PG.C19) 191709
3	M7-1-300050	Feed Group (For 5-6mm)	1	(SEE PG.C27)
	M7-1-300060	Feed Group (For 9mm)	1	X
	M7-1-300070	Feed Group (For 12mm)	1	X
4	M7-1-400002	Tension Group (For 5-6mm)	1	(SEE PG. C37) X
	M7-1-400012	Tension Group (For 9mm)	1	204296
	M7-1-400022	Tension Group (For 12mm)	1	X

1-1

CAM GROUP

M7-1-100400

M7-1-100410



1-1**CAM GROUP****M7-1-100400****M7-1-100410**

REF. NO.	PART NO.	DESCRIPTION	Q'TY	GREENBRIDGE PART #
	M7-1-100400	Cam Group (For 5-6mm)	1	X
	M7-1-100410	Cam Group (For 9mm/12mm)	1	X
1	M7-1-101100	Strapping Head Frame	1	X
2	M7-1-101200	Guide	2	191655
3	M7-1-101300	Ejector Plate (L)	1	191500
4	M7-1-101400	Ejector Plate (R)	1	191496
5	M7-1-101500	Shaft	1	X
6	M7-1-101600	Collar	1	X
7	M7-1-101700	Cover	1	191582
8	M7-1-101800	Sensor Base	1	X
9	M7-1-101900	Coupling	1	X
10	M7-1-102000	Spring	1	191474
21	M7-1-110040	Gear Box and Cam Ass'y (For 5-6mm)	1	SEE PG. C7 X
	M7-1-110050	Gear Box and Cam Ass'y (For 9mm/12mm)	1	X
22	M7-1-120000	M1 Motor Ass'y	1	SEE PG. C9 X
23	M7-1-130002	Slide Table Frame Ass'y (For 5-6mm)	1	SEE PG. C11 X
	M7-1-130030	Slide Table Frame Ass'y (For 9mm/12mm)	1	191637
24	M7-1-140000	Heater Arm Ass'y	1	SEE PG. C13 X
25	M7-1-150000	Exhaust Fan Ass'y	1	SEE PG. C15 191658
26	T7-1-16000	Block Ass'y	1	SEE PG. C17 X
29	MV-6-20220	Proximity Sensor (X14, X15, X16)(SQ1, SQ2, SQ3)	3	SEE PG. C129~ C133 191483
30	H42-1227	Washer	3	205661
31	TA-089	Spring Hook	1	202019
32	T7-1-10330	Bumper	4	191554
33	M7-1-102500	Bumper Bracket	2	X
34	T7-1-64130	Return Spring	1	191488
36	LA-40002	Label	1	X
38	MB1515	Metal Bushing, 1515	1	191507
41	SP0514	Spring Pin, 5×14	2	X
43	HBS0308N	HBS, M3×8 (N)	4	191497
44	HBS0516N	HBS, M5×16 (N)	4	191700
45	HBS0525HN	HBS, M5×25 (H)(N)	2	X
46	HBS0640HN	HBS, M6×40 (H)(N)	3	X
47	HBS0645HN	HBS, M6×45 (H)(N)	4	X
48	HBS0620N	HBS, M6×20 (N)	11	191726
49	HBS0840HN	HBS, M8×40 (H)(N)	2	X
50	HBS0865HN	HBS, M8×65 (H)(N)	2	X
51	HSS0506GN	HSS, M5×6 (G)(N)	2	191584
52	HSS0610GN	HSS, M6×10 (G)(N)	2	187433

1-1**CAM GROUP****M7-1-100400****M7-1-100410**

REF. NO.	PART NO.	DESCRIPTION	Q'TY	GREENBRIDGE PART #
55	HN08	HN, M8	4	187490
58	THS0508N	THS, M5×8 (N)	2	191579
61	SW03	SW, M3	10	191590
62	SW05	SW, M5	6	191577
63	SW06	SW, M6	22	191562
64	SW08	SW, M8	4	191759
66	PW05	PW, M5	2	191578
67	PW06C	PW, M6 (C)	13	191561
71	HB0620	HB, M6×20	4	X
74	PMS0320	PMS, M3×20	6	191663

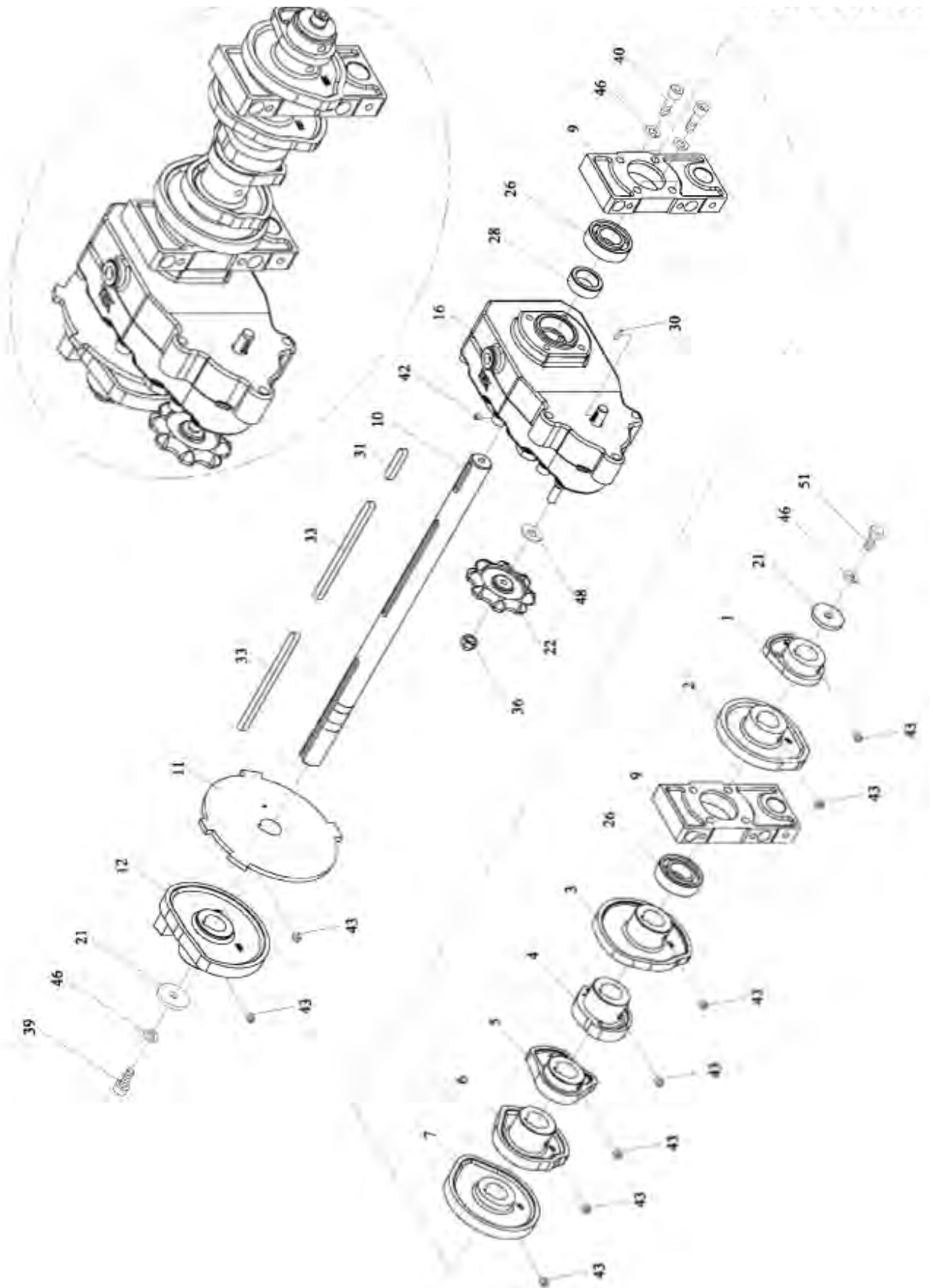


1-1-1

GEAR BOX AND CAM ASS'Y

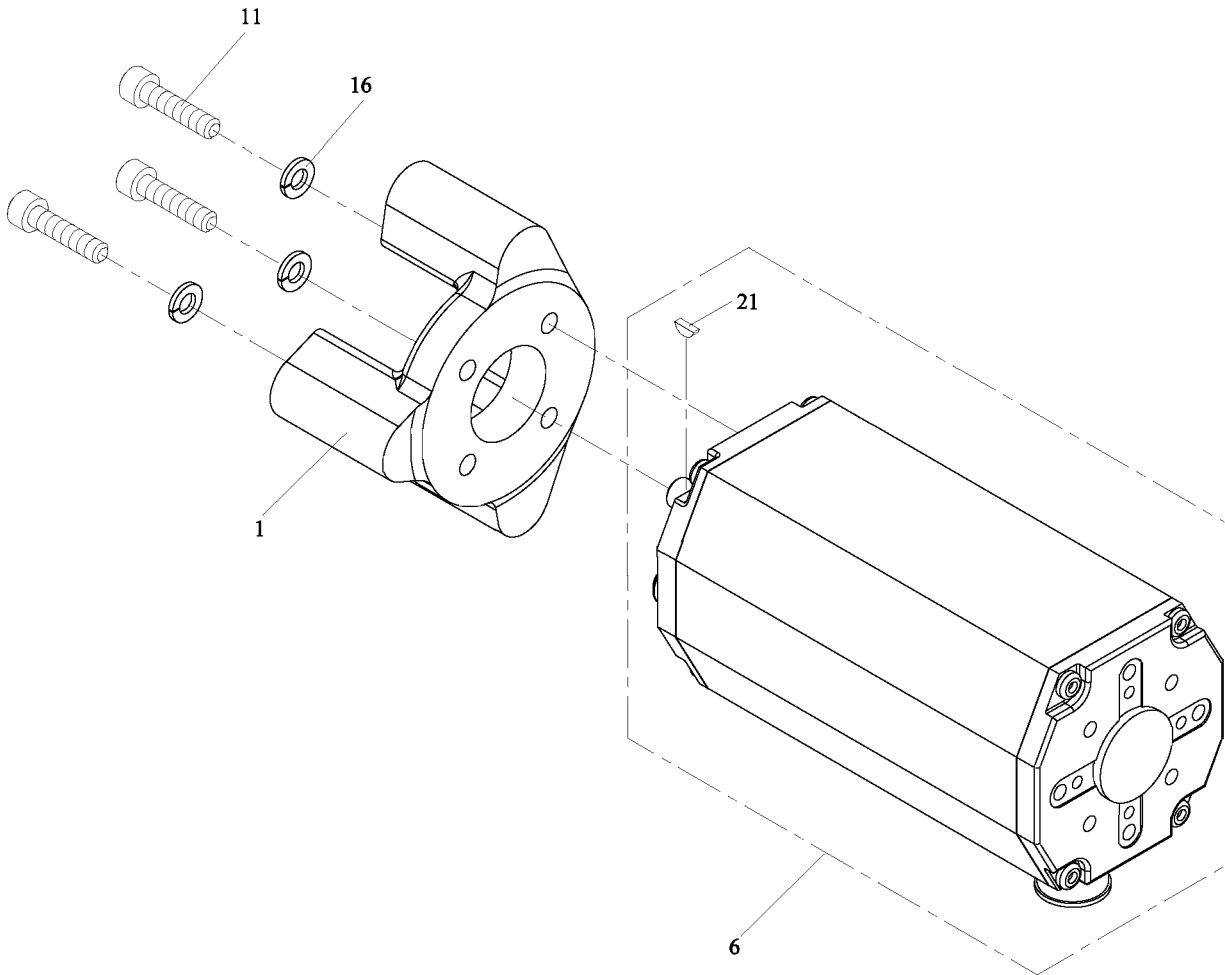
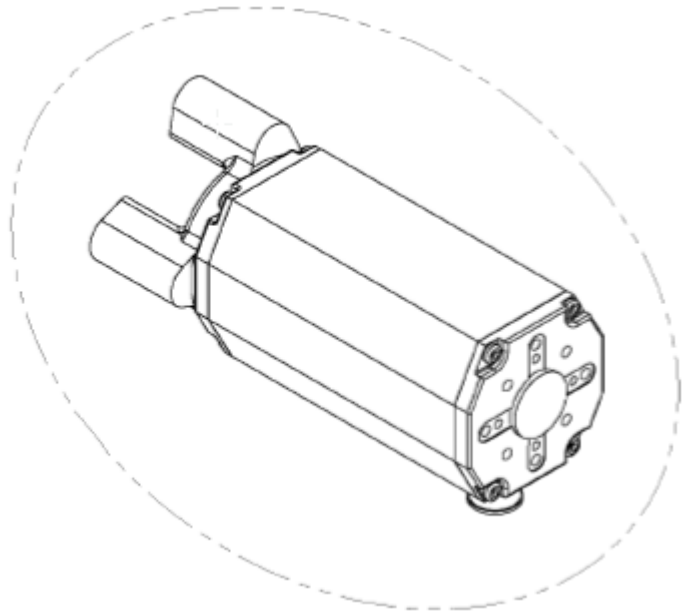
M7-1-110040

M7-1-110050



1-1-1**GEAR BOX AND CAM ASS'Y****M7-1-110040****M7-1-110050**

REF. NO.	PART NO.	DESCRIPTION	Q'TY	GREENBRIDGE PART #
	M7-1-110040	Gear Box and Cam Ass'y (For 5-6mm)	1	X
	M7-1-110050	Gear Box and Cam Ass'y (For 9mm/12mm)	1	X
1	M7-1-111100	Retracting Cam	1	X
2	M7-1-111200	Tension Cam	1	X
3	M7-1-111300	Heater Cam	1	X
4	M7-1-111400	Front Bar Cam	1	X
5	M7-1-111500	Press Bar Cam	1	X
6	M7-1-111601	Rear Bar Cam (For 5-6mm)	1	X
	M7-1-111610	Rear Bar Cam (For 9mm/12mm)	1	X
7	M7-1-111701	Slide Table Cam	1	X
9	M7-1-111900	Support	2	X
10	M7-1-112001	Cam Shaft	1	X
11	M7-1-112101	Position Cam	1	X
12	M7-1-112201	Arch Cam	1	X
16	M7-1-110110	Gear Box	1	203752
21	TB-223	Washer	2	X
22	T7-1-11240	Handle	1	X
26	BR6003ZZ	Bearing, 6003ZZ	2	187830
28	MCO-A-1700800	Spacer	1	X
30	KYA020210	Key, 2×2×10	1	X
31	KYA050530	Key, 5×5×30	1	X
33	KYA0505101	Key, 5×5×101	2	X
36	CAP06	CAP, M6	1	X
39	HBS0616N	HBS, M6×16 (N)	1	191544
40	HBS0625N	HBS, M6×25 (N)	4	X
42	HSS0505GN	HSS, M5×5 (G)(N)	1	X
43	HSS0606GN	HSS, M6×6 (G)(N)	9	187305
46	SW06	SW, M6	6	191562
48	PW06A	PW, M6 (A)	1	191612
51	HB0616N	HB, M6×16 (N)	1	X

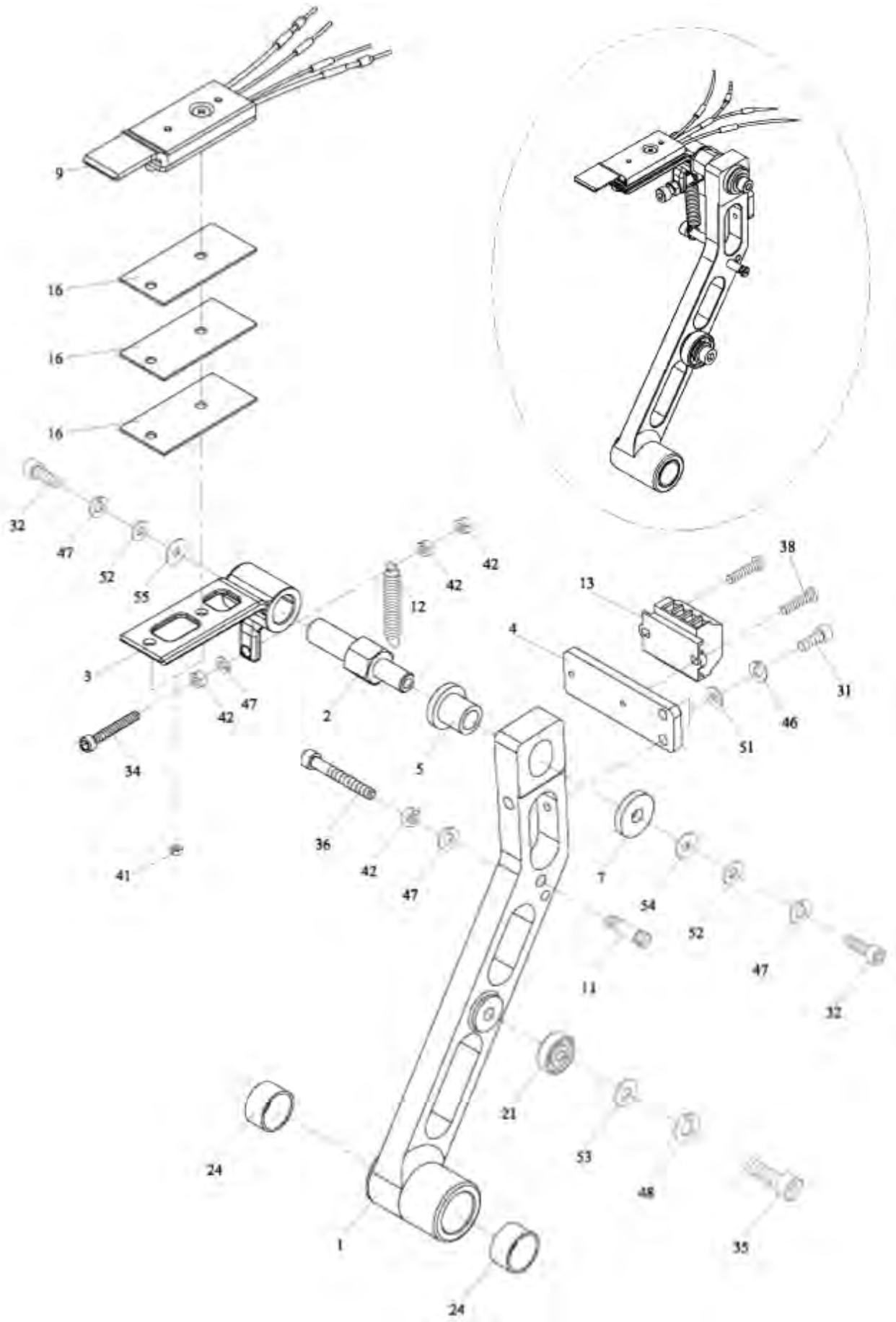


1-1-2**M1 MOTOR ASS'Y****M7-1-120000**

REF. NO.	PART NO.	DESCRIPTION	Q'TY	GREENBRIDGE PART #
1	M7-1-121100	Gear Box Support	1	205946
6	M7-1-221100	M1 Motor	1	191535
11	HBS0520N	HBS, M5×20 (N)	4	191665
16	SW05	SW, M5	4	191577
21	KYC0210	Key, 2×10	1	X

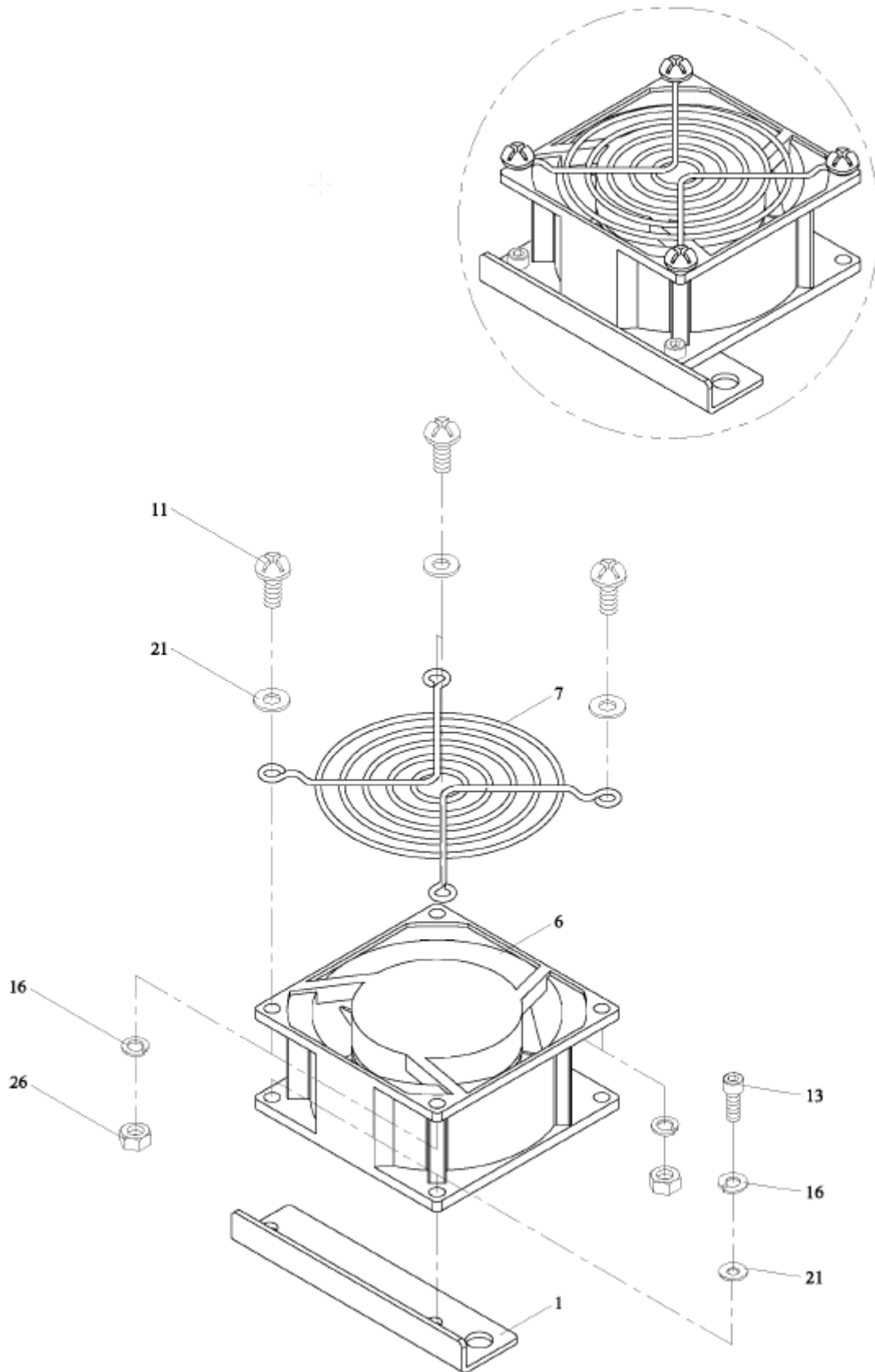
1-1-3**SLIDE TABLE FRAME ASS'Y****M7-1-130002****M7-1-130030**

REF. NO.	PART NO.	DESCRIPTION	Q'TY	GREENBRIDGE PART #
	M7-1-130002	Slide Table Frame Ass'y (For 5-6mm)	1	191595
	M7-1-130030	Slide Table Frame Ass'y (For 9mm/12mm)	1	191637
1	M7-1-131102	Slide Table Frame	1	191543
2	M7-1-131200	Shaft	1	X
3	M7-1-131301	Switch Lever	1	191542
4	M7-1-131401	Sensor Plate	1	191528
5	M7-1-131500	Spring Base	1	191545
6	M7-1-131600	Slide Table	1	191490
7	M7-1-131700	Spring Hook	1	X
10	MSP-C-0607700	Spring (For 5-6mm)	1	191574
	MSP-C-0808100	Spring (For 9mm/12mm)	1	191573
11	T7-1-10140	Spring	1	191492
12	MWA-A-0610020S	Washer (SUS)	2	191640
16	BR6202ZZ	Bearing, 6202ZZ	1	191283
18	ER04	Snap Ring, E-4	1	191505
19	MB0608	Metal Bushing, 0608	2	191659
20	MB1515	Metal Bushing, 1515	2	191507
24	HB0612	HB, M6×12	1	205333
27	HBS0306N	HBS, M3×6 (N)	2	191589
28	HBS0512N	HBS, M5×12 (N)	2	190848
29	HBS0616N	HBS, M6×16 (N)	4	191544
36	HN06	HN, M6	1	191611
41	SW03	SW, M3	2	191590
42	SW05	SW, M5	2	191577
43	SW06	SW, M6	6	191562
46	PW06C	PW, M6 (C)	1	191561



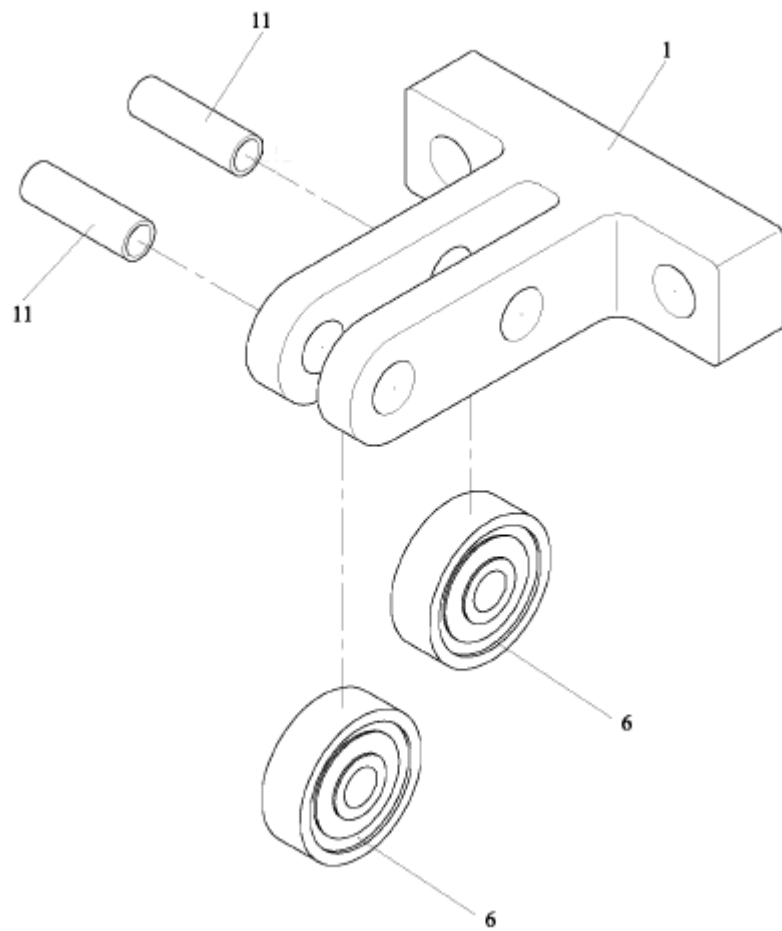
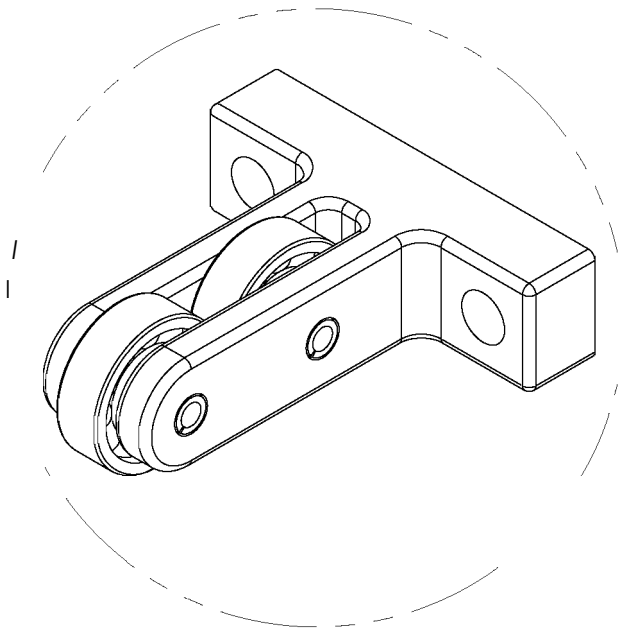
1-1-4**HEATER ARM ASS'Y****M7-1-140000**

REF. NO.	PART NO.	DESCRIPTION	Q'TY	GREENBRIDGE PART #
1	M7-1-141100	Heater Crank	1	X
2	M7-1-141200	Heater Shaft	1	198854
3	M7-1-141300	Heater Bracket	1	202387
4	M7-1-141400	Terminal Bracket	1	191731
5	M7-1-141500	Isolator	1	191593
7	WA-030501	Washer (Ø5.5×Ø18 t=3)	1	198855
9	M7-1-140101	Heater Set	1	191476
11	TA-073	Spring Hook	1	191747
12	TB-115	Spring	1	191515
13	T5-1-12451	Heater Terminal	1	191732
16	T7-1-12412	Heater-Insulation	3	191499
21	BR636ZZ	Bearing, 636ZZ	1	191690
24	MB1515	Metal Bushing, 1515	2	191507
31	HBS0412N	HBS, M4×12 (N)	2	191161
32	HBS0516N	HBS, M5×16 (N)	2	191700
34	HBS0530N	HBS, M5×30 (N)	1	X
35	HBS0620N	HBS, M6×20 (N)	1	191726
36	HBS0540HN	HBS, M5×40 (H)(N)	1	X
38	PMS0310	PMS, M3×10	2	191802
41	HN04S	HN, M4 (SUS)	2	205397
42	HN05	HN, M5	4	187478
46	SW04	SW, M4	2	X
47	SW05	SW, M5	4	191577
48	SW06	SW, M6	1	191562
51	PW04	PW, M4	2	187428
52	PW05	PW, M5	2	191578
53	PW06A	PW, M6 (A)	1	191612
54	PW06C	PW, M6 (C)	1	191561
55	PW06CS	PW, M6 (C)(SUS)	1	205534



1-1-5**EXHAUST FAN ASS'Y****M7-1-150000**

REF. NO.	PART NO.	DESCRIPTION	Q'TY	GREENBRIDGE PART #
1	M7-1-151100	Fan Bracket	1	X
6	T5-1-12370	Fan	1	191765
7	T7-6-10930	Fan Cover	1	204021
11	TMS0412N	TMS, M4×12 (N)	4	205989
13	HBS0410N	HBS, M4×10 (N)	2	X
16	SW04	SW, M4	6	X
21	PW04	PW, M4	6	187428
26	HN04	HN, M4	4	191604

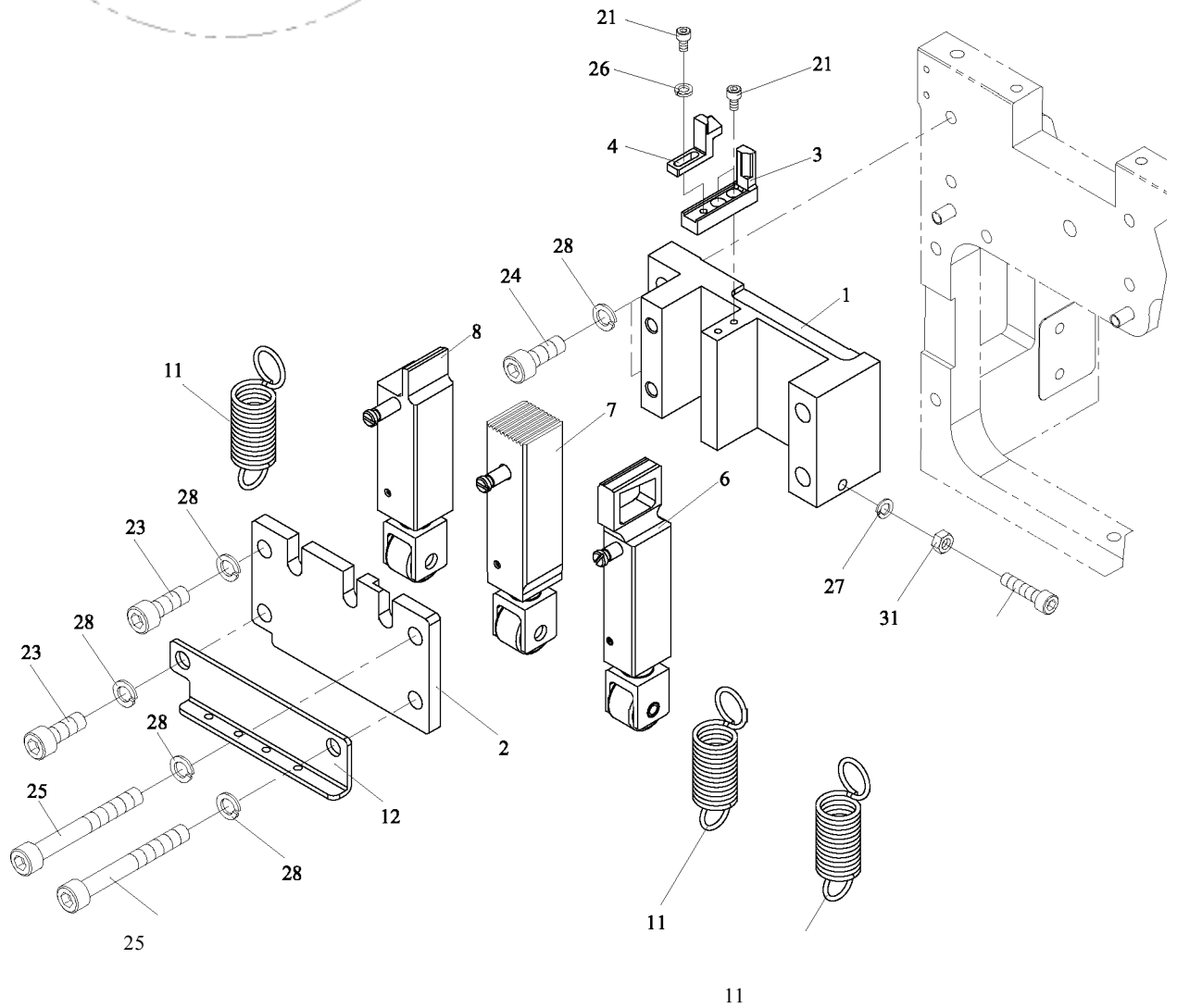
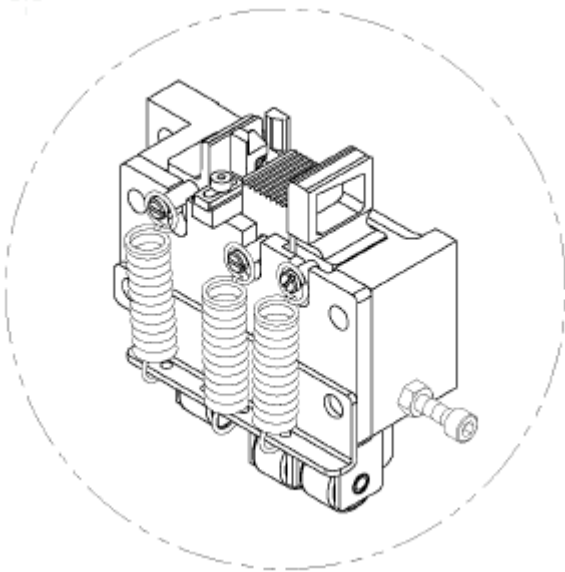


1-1-6

BLOCK ASS'Y

T7-1-16000

REF. NO.	PART NO.	DESCRIPTION	Q'TY	GREENBRIDGE PART #
1	T7-1-10890	Block	1	X
6	BR635ZZ	Bearing, 635ZZ	2	187778
11	SP0516	Spring Pin, 5×16	2	205337



1-2

BAR GUIDE GROUP

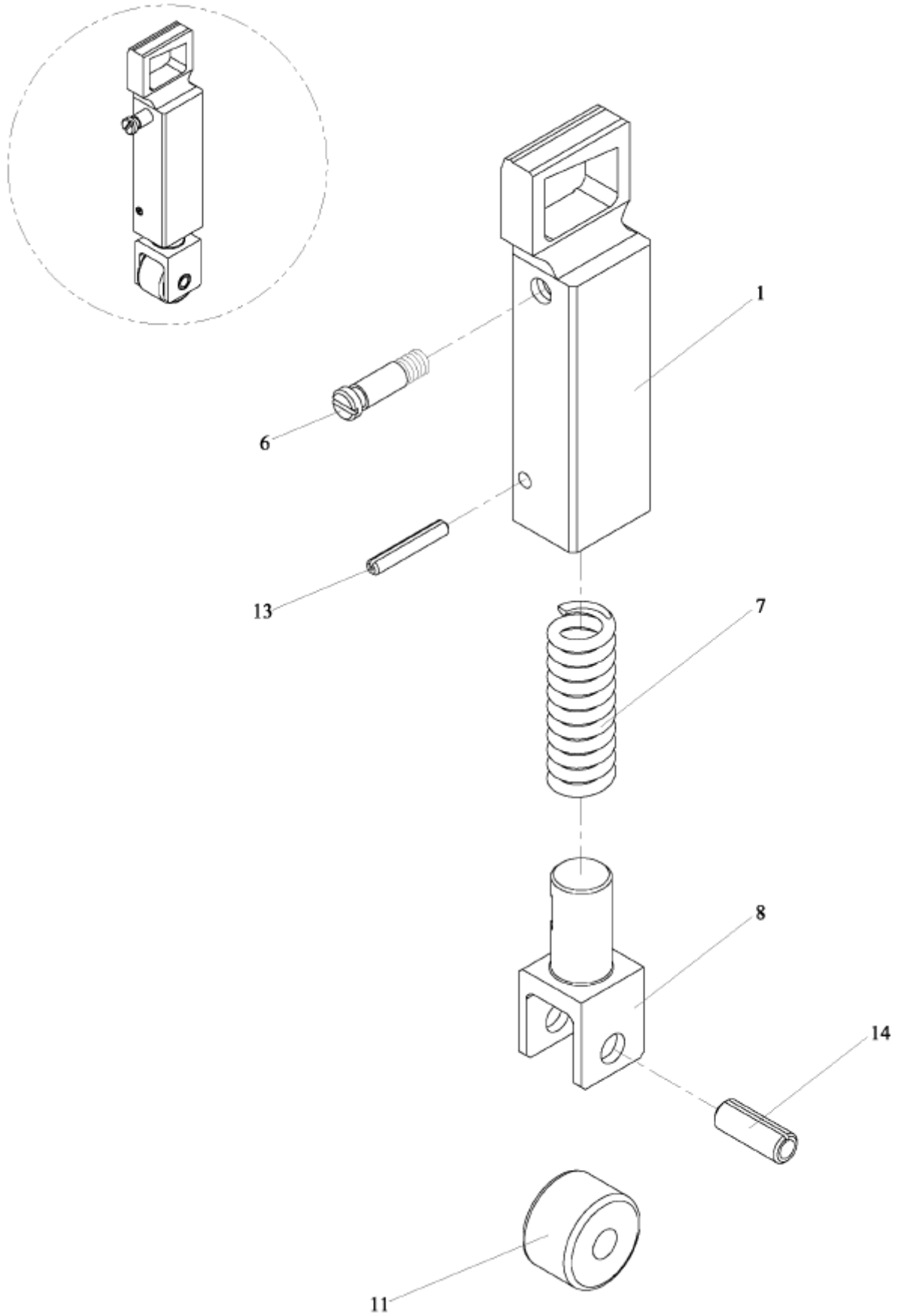
M7-1-200000

REF. NO.	PART NO.	DESCRIPTION	Q'TY	GREENBRIDGE PART #
1	M7-1-201100	Bar Guide	1	191527
2	M7-1-201200	Bar Guide Lid	1	191724
3	M7-1-201300	Cutter Holder	1	191626
4	M7-1-201400	Strap Guide	1	191512
6	M7-1-210001	Front Bar Ass'y	1	(SEE PG. C21) 191477
7	M7-1-220000	Press Bar Ass'y	1	(SEE PG. C23) 191478
8	M7-1-230000	Rear Bar Ass'y	1	(SEE PG. C25) 191525
11	TA-071	Return Spring	3	191479
12	T7-1-10180	Spring Hook	1	191725
21	HBS0308N	HBS, M3×8 (N)	3	191497
22	HBS0520N	HBS, M5×20 (N)	1	191665
23	HBS0616N	HBS, M6×16 (N)	2	191544
24	HBS0620N	HBS, M6×20 (N)	2	191726
25	HBS0650HN	HBS, M6×50 (H)(N)	2	191727
26	SW03	SW, M3	1	191590
27	SW05	SW, M5	1	191577
28	SW06	SW, M6	6	191562
31	HN05	HN, M5	1	187478

1-2-1

FRONT BARASS'Y

M7-1-210001



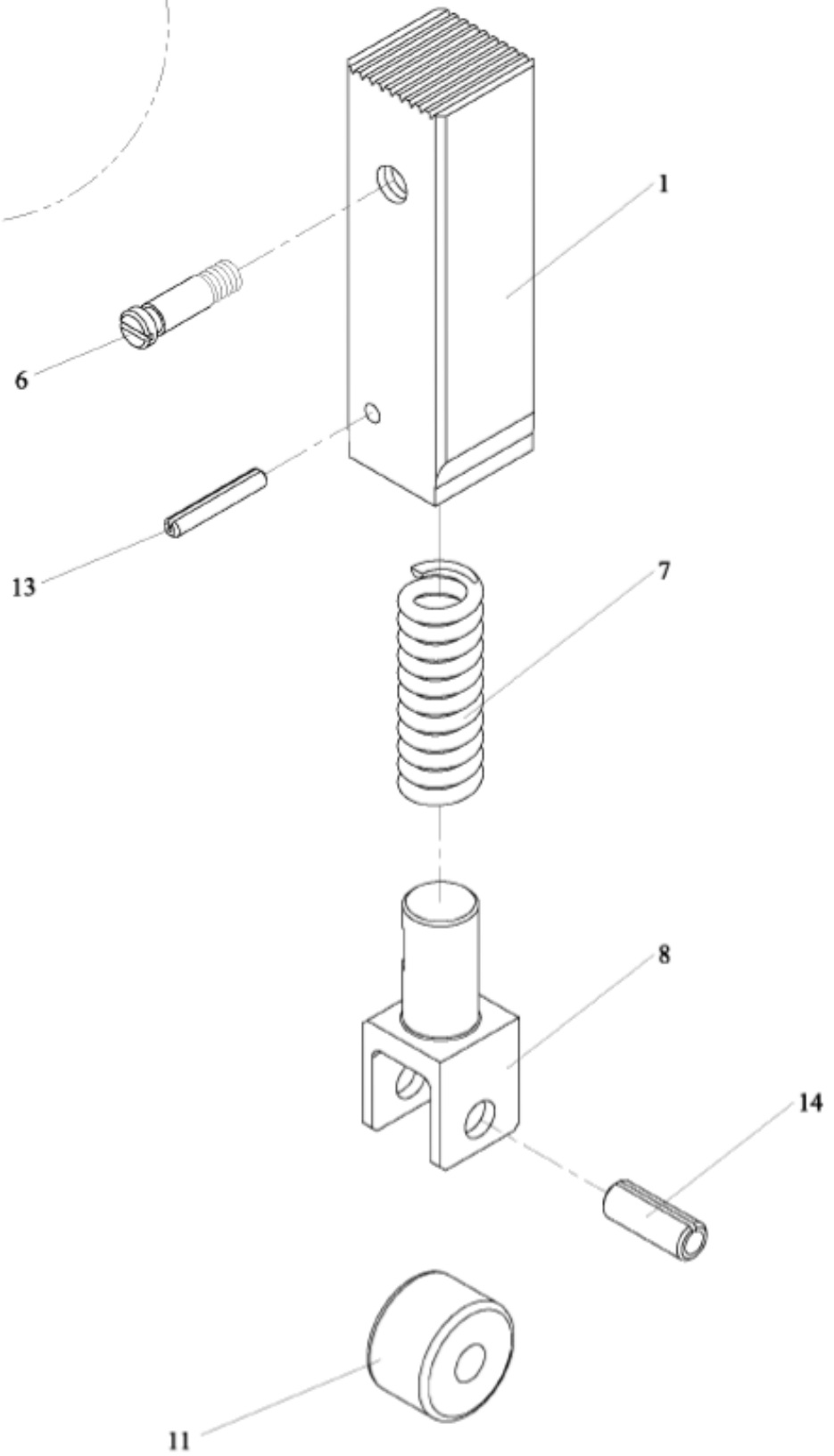
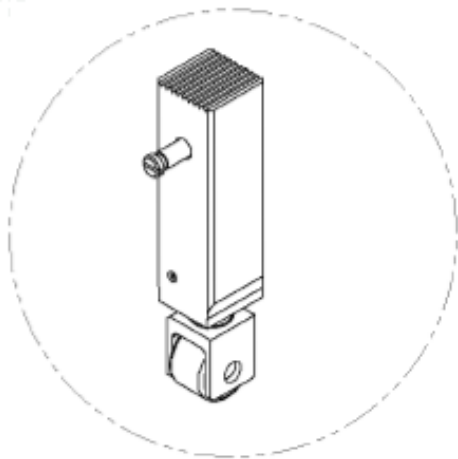
1-2-1**FRONT BAR ASS'Y****M7-1-210001**

REF. NO.	PART NO.	DESCRIPTION	Q'TY	GREENBRIDGE PART #
1	M7-1-211101	Front Bar	1	191602
6	TA-073	Spring Hook	1	191747
7	TA-078	Spring	1	191516
8	T7-1-13121	Plunger	1	191654
11	BRNART6VR	Bearing, NART6VR	1	191644
13	SP0318	Spring Pin, 3×18	1	190797
14	SP0616	Spring Pin, 6×16	1	191698

1-2-2

PRESS BAR ASS'Y

M7-1-220000



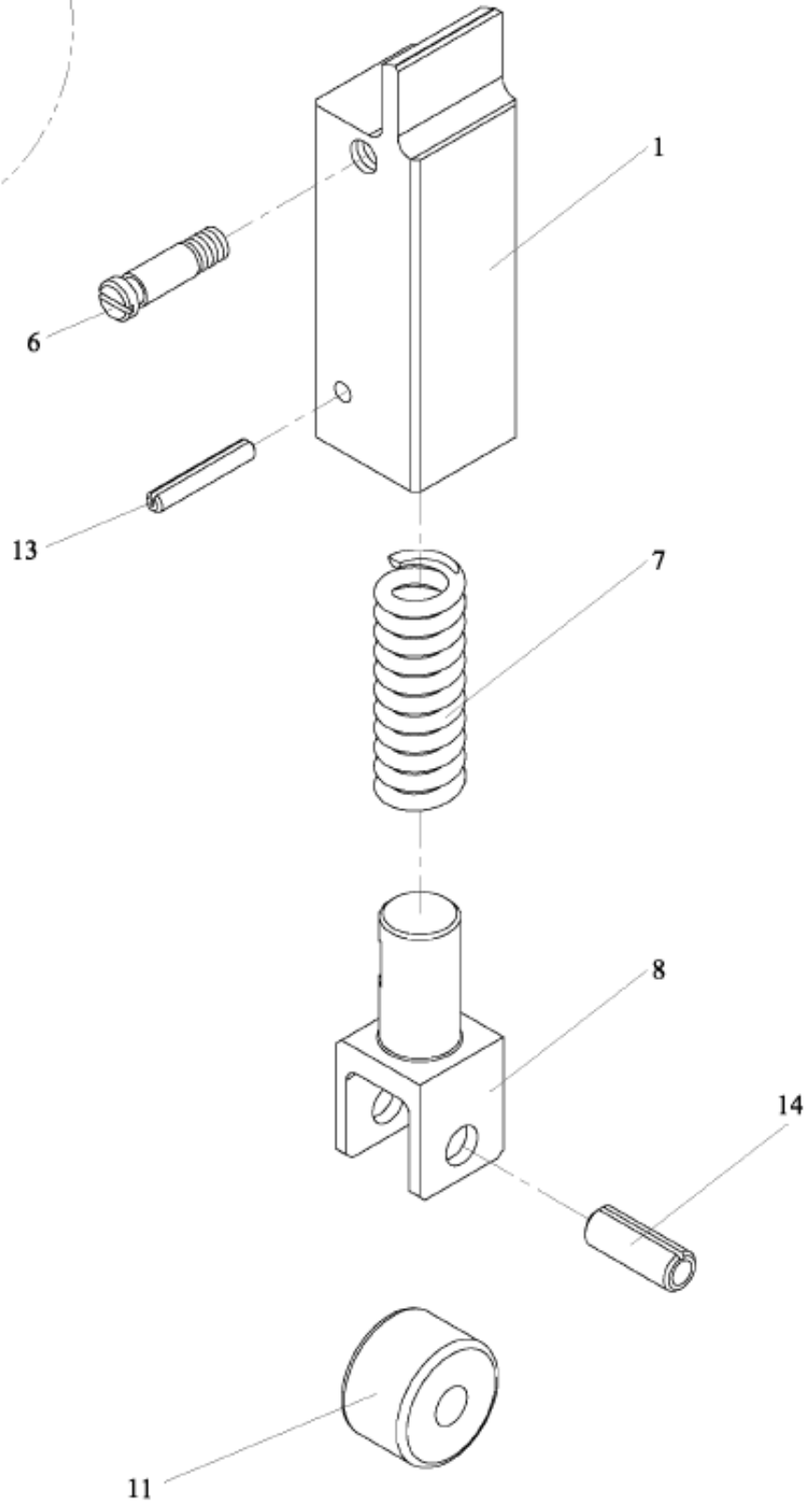
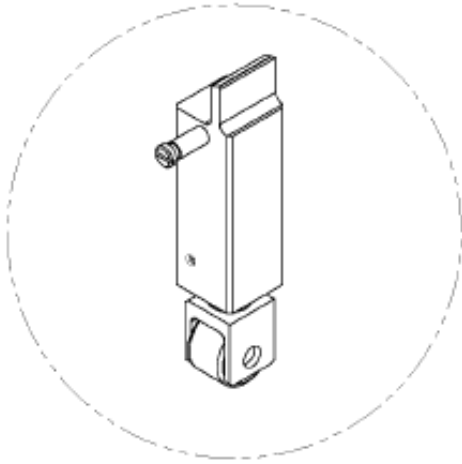
1-2-2**PRESS BAR ASS'Y****M7-1-220000**

REF. NO.	PART NO.	DESCRIPTION	Q'TY	GREENBRIDGE PART #
1	M7-1-221200	Press Bar	1	191633
6	TA-073	Spring Hook	1	191747
7	TA-078	Spring	1	191516
8	T7-1-13121	Plunger	1	191654
11	BRNART6VR	Bearing, NART6VR	1	191644
13	SP0318	Spring Pin, 3×18	1	190797
14	SP0616	Spring Pin, 6×16	1	191698

1-2-3

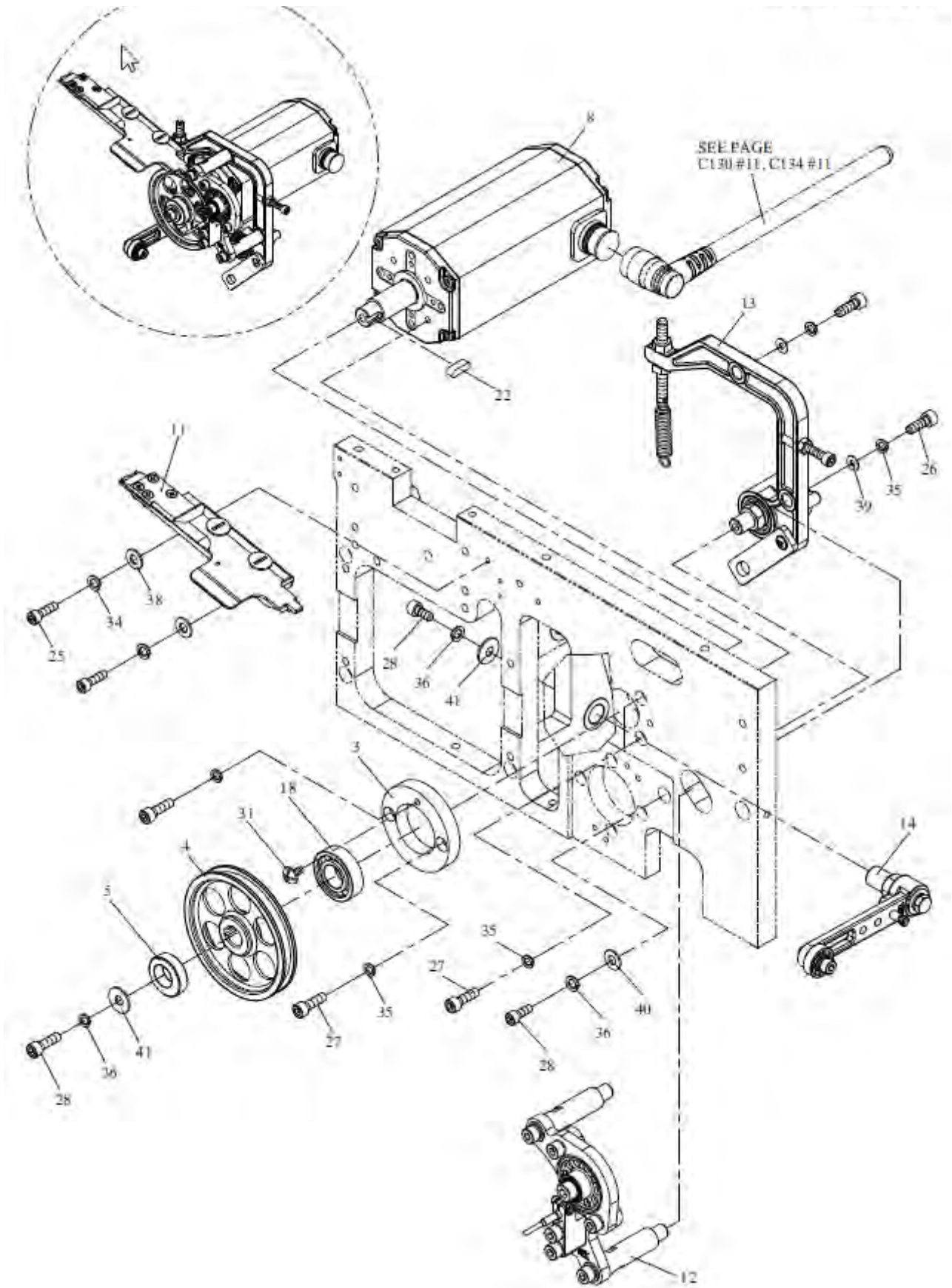
REAR BAR ASS'Y

M7-1-230000



1-2-3**REAR BAR ASS'Y****M7-1-230000**

REF. NO.	PART NO.	DESCRIPTION	Q'TY	GREENBRIDGE PART #
1	M7-1-231100	Rear Bar	1	191685
6	TA-073	Spring Hook	1	191747
7	TA-078	Spring	1	191516
8	T7-1-13121	Plunger	1	191654
11	BRNART6VR	Bearing, NART6VR	1	191644
13	SP0318	Spring Pin, 3×18	1	190797
14	SP0616	Spring Pin, 6×16	1	191698



1-3

FEED GROUP

M7-1-300050

M7-1-300060

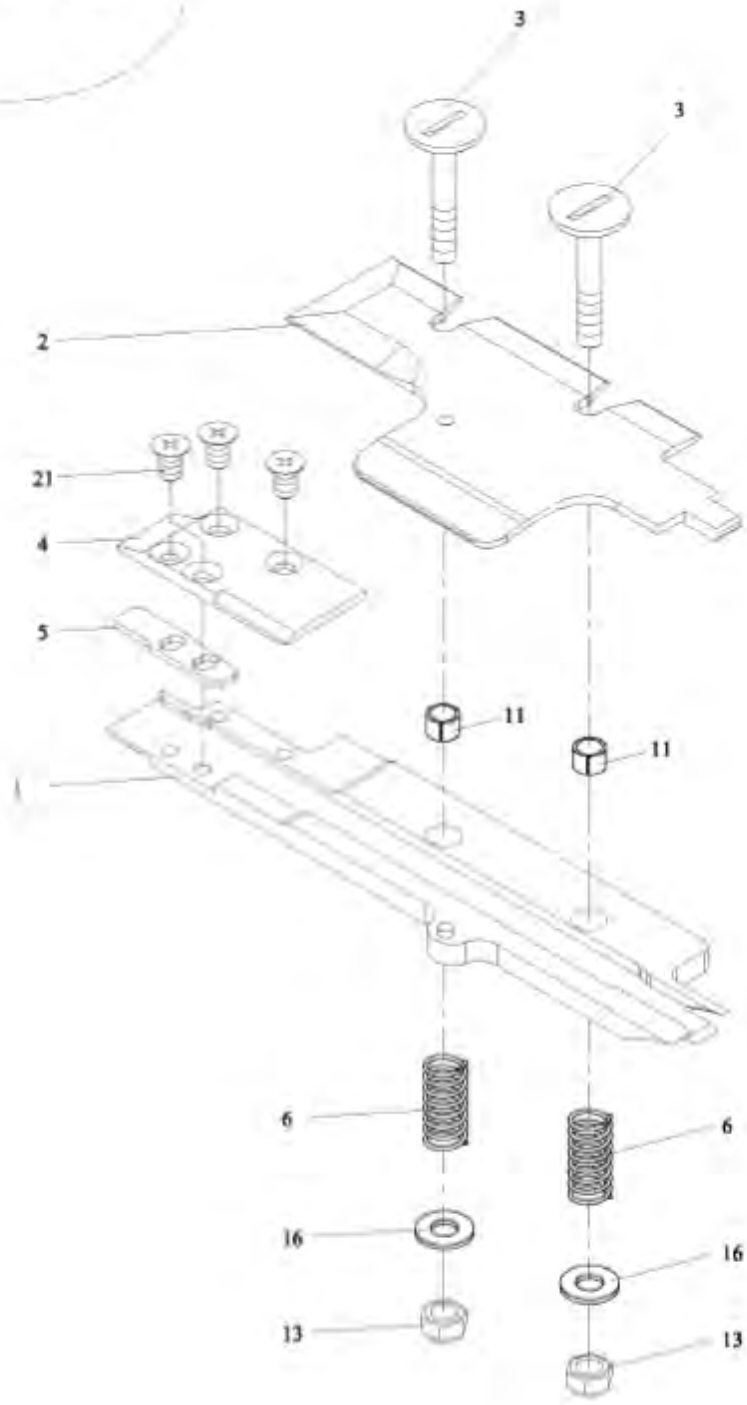
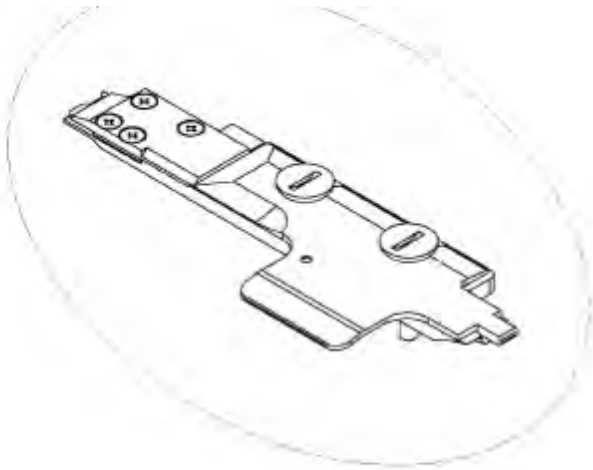
REF. NO.	PART NO.	DESCRIPTION	Q'TY	GREENBRIDGE PART #
	M7-1-300050	Feed Group (For 5-6mm)	1	X
	M7-1-300060	Feed Group (For 9mm)	1	X
	M7-1-300070	Feed Group (For 12mm)	1	X
3	M7-1-301300	Bearing Housing	1	191824
4	M7-1-301400	Guide Wheel (For 5-6mm)	1	191628
	M7-1-301410	Guide Wheel (For 9mm)	1	191627
	M7-1-301420	Guide Wheel (For 12mm)	1	191822
5	M7-1-301500	Spacer (For 5-6mm)	1	191647
	M7-1-301510	Spacer (For 9mm)	1	191764
8	M7-1-300100	Feeding Motor (M2) Set	1	191536
11	M7-1-310001	Upper Guide Ass'y (For 5-6mm)	1	(SEE PG. C29) X
	M7-1-310011	Upper Guide Ass'y (For 9mm)	1	203652
	M7-1-310021	Upper Guide Ass'y (For 12mm)	1	191792
12	M7-1-320001	Assistant Roller Ass'y (For 5-6mm)	1	(SEE PG. C31) X
	M7-1-320011	Assistant Roller Ass'y (For 9mm)	1	205297
	M7-1-320021	Assistant Roller Ass'y (For 12mm)	1	191820
13	M7-1-330010	Feeding Arm Ass'y	1	(SEE PG. C33) X
14	M7-1-340000	Retracting Arm Ass'y	1	(SEE PG. C35) X
18	BR6002ZZ	Bearing, 6002ZZ	1	187782
22	KYA040415	Key, 4×4×15	1	204624
25	HBS0412N	HBS, M4×12 (N)	2	191161
26	HBS0512N	HBS, M5×12 (N)	2	190848
27	HBS0516N	HBS, M5×16 (N)	6	191700
28	HBS0612N	HBS, M6×12 (N)	3	191563
31	TMS0508N	TMS, M5×8 (N)	1	191830
34	SW04	SW, M4	2	X
35	SW05	SW, M5	8	191577
36	SW06	SW, M6	3	191562
38	PW04	PW, M4	2	187428
39	PW05	PW, M5	2	191578
40	PW06A	PW, M6 (A)	1	191612
41	PW06C	PW, M6 (C)	2	191561

1-3-1

ITPPER GUIDE ASS'Y

M7-1-310001

M7-1-310011



1-3-1**UPPER GUIDE ASS'Y****M7-1-310001****M7-1-310011**

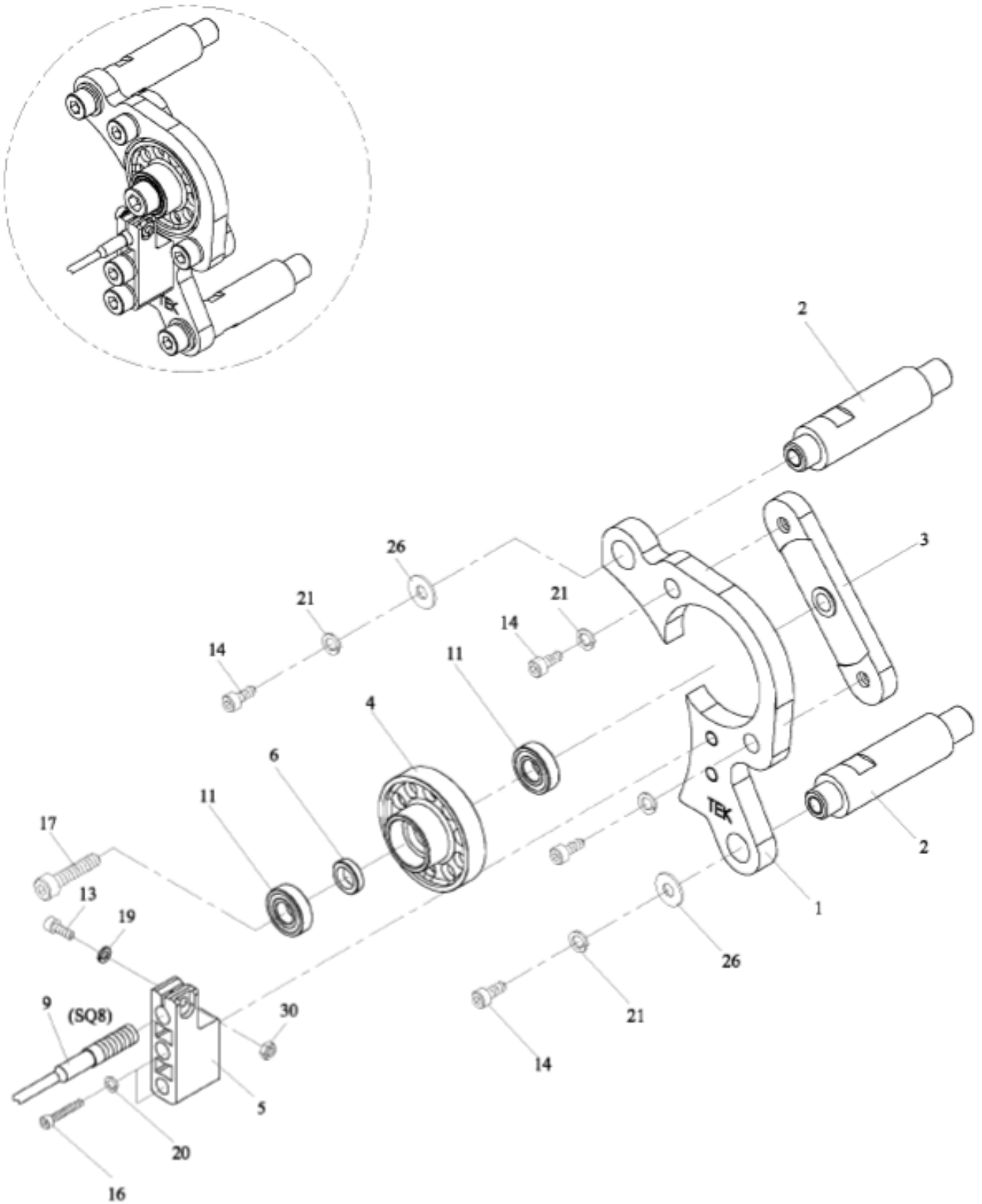
REF. NO.	PART NO.	DESCRIPTION	Q'TY	GREENBRIDGE PART #
	M7-1-310001	Upper Guide Ass'y (For 5-6mm)	1	X
	M7-1-310011	Upper Guide Ass'y (For 9mm)	1	203652
	M7-1-310021	Upper Guide Ass'y (For 12mm)	1	191792
1	M7-1-311103	Upper Guide (For 5-6mm)	1	191730
	M7-1-311113	Upper Guide (For 9mm)	1	191705
	M7-1-311122	Upper Guide (For 12mm)	1	202028
2	M7-1-311201	Cover (For 5-6mm)	1	191708
	M7-1-311211	Cover (For 9mm)	1	191551
	M7-1-311221	Cover (For 12mm)	1	202780
3	M7-1-311300	Bolt	2	203604
4	M7-1-311402	Cover (Only 5-6mm)	1	X
5	M7-1-311500	Adjusting Plate (Only 5-6mm)	1	X
6	H44-10940	Spring	2	191650
11	MB0505	Metal Bushing, 0505	2	203607
13	NTE05	NTE, M5	2	191076
16	PW05	PW, M5	2	191578
21	FMS0408N	FMS, M4×8 (N)(Only 5-6mm)	4	X

1-3-2

ASSISTANT ROLLER ASS'Y

M7-1-320001

M7-1-320011



1-3-2

ASSISTANT ROLLER ASS'Y

M7-1-320001

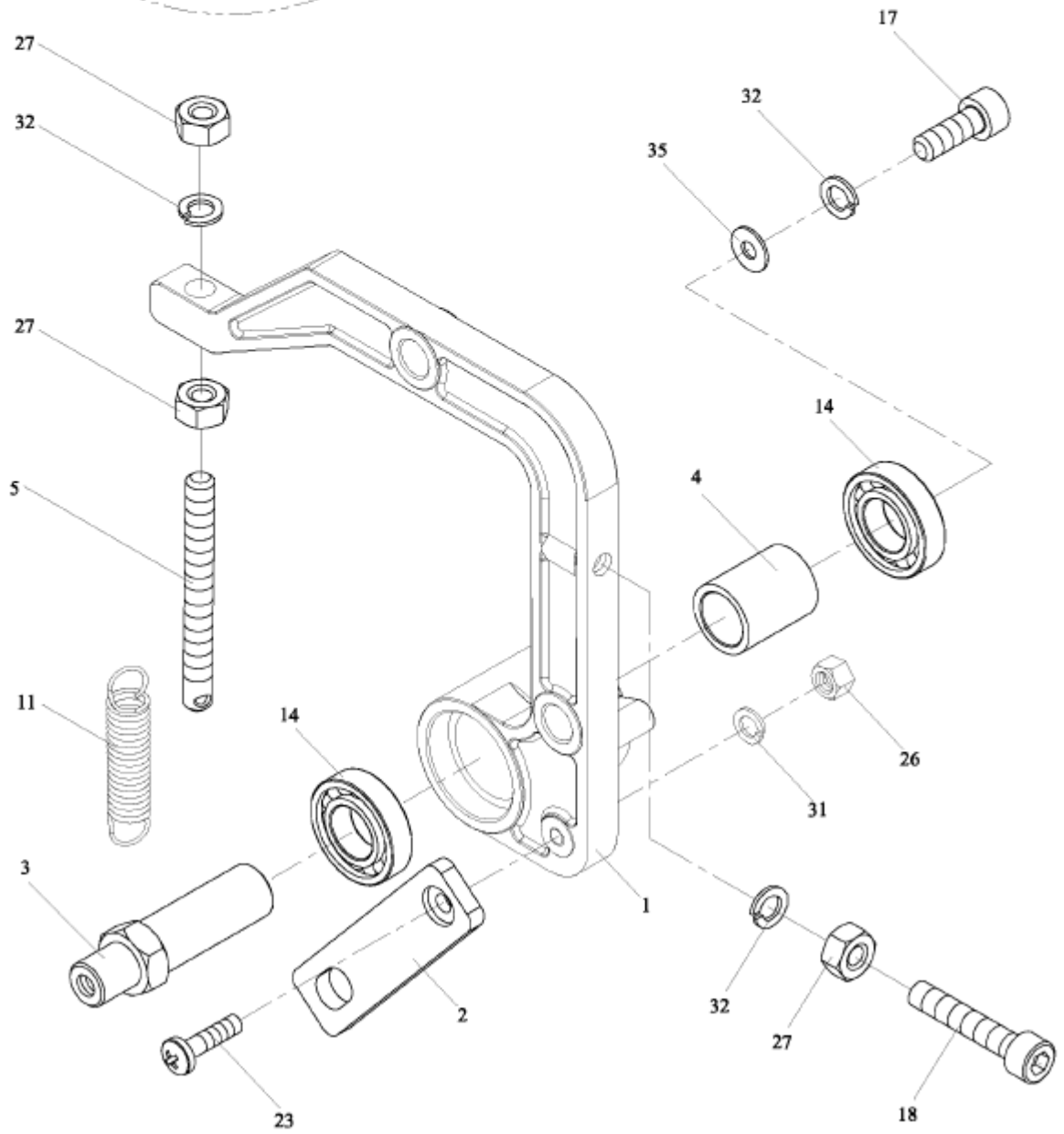
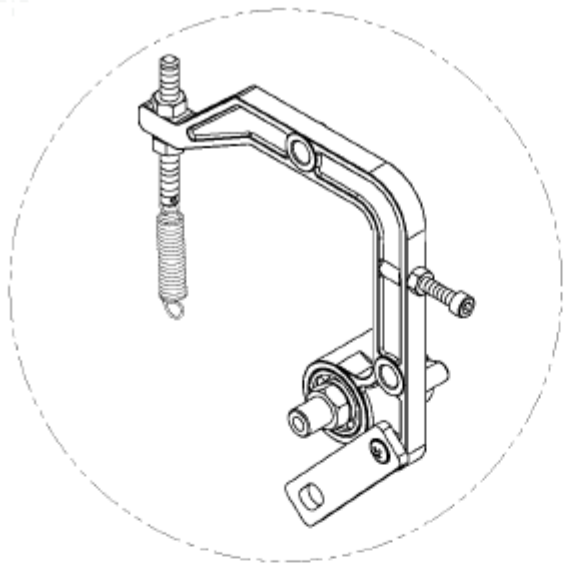
M7-1-320011

REF. NO.	PART NO.	DESCRIPTION	Q'TY	GREENBRIDGE PART #
	M7-1-320001	Assistant Roller Ass'y (For 5-6mm)	1	X
	M7-1-320011	Assistant Roller Ass'y (For 9mm)	1	205297
	M7-1-320021	Assistant Roller Ass'y (For 12mm)	1	191820
1	M7-1-321100	Assistant Roller Bracket (For 5-6mm)	1	204237
	M7-1-321110	Assistant Roller Bracket (For 9mm)	1	191859
	M7-1-321120	Assistant Roller Bracket (For 12mm)	1	X
2	M7-1-321200	Shaft	2	X
3	M7-1-321300	Assistant Roller Base	1	X
4	M7-1-321400	Assistant Roller (For 5-6mm)	1	191642
	M7-1-321410	Assistant Roller (For 9mm)	1	191773
	M7-1-321420	Assistant Roller (For 12mm)	1	191828
5	M7-1-321501	SQ8 Sensor Base	1	205935
6	M7-1-321600	Spacer	1	191599
9	M7-6-301100	Proximity Switch (X20)(SQ8)	1	SEE PG. C129~C133
11	BR686ZZ	Bearing, 686ZZ	2	191598
13	HBS02.512N	HBS, M2.5×12 (N)	1	X
14	HBS0512N	HBS, M5×12 (N)	4	190848
16	HBS0425N	HBS, M4×25 (N)	2	X
17	HBS0620N	HBS, M6×20 (N)	1	191726
19	SW02.5	SW, M2.5	1	X
20	SW04	SW, M4	2	X
21	SW05	SW, M5	4	191577
26	PW05	PW, M5	2	191578
30	HN02.5	HN, M2.5	1	X

1-3-3

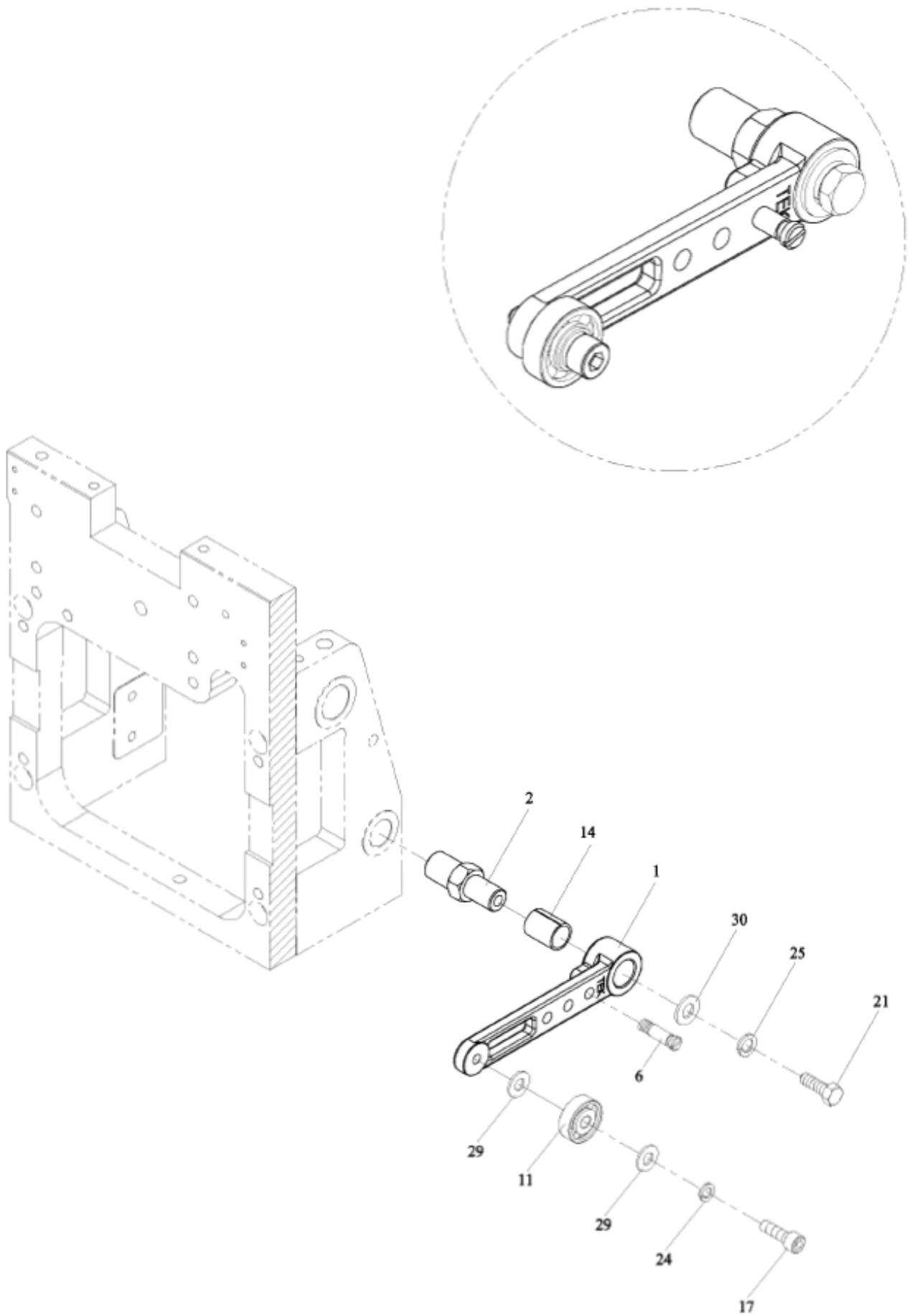
FEEDING ARM ASS'Y

M7-1-330010



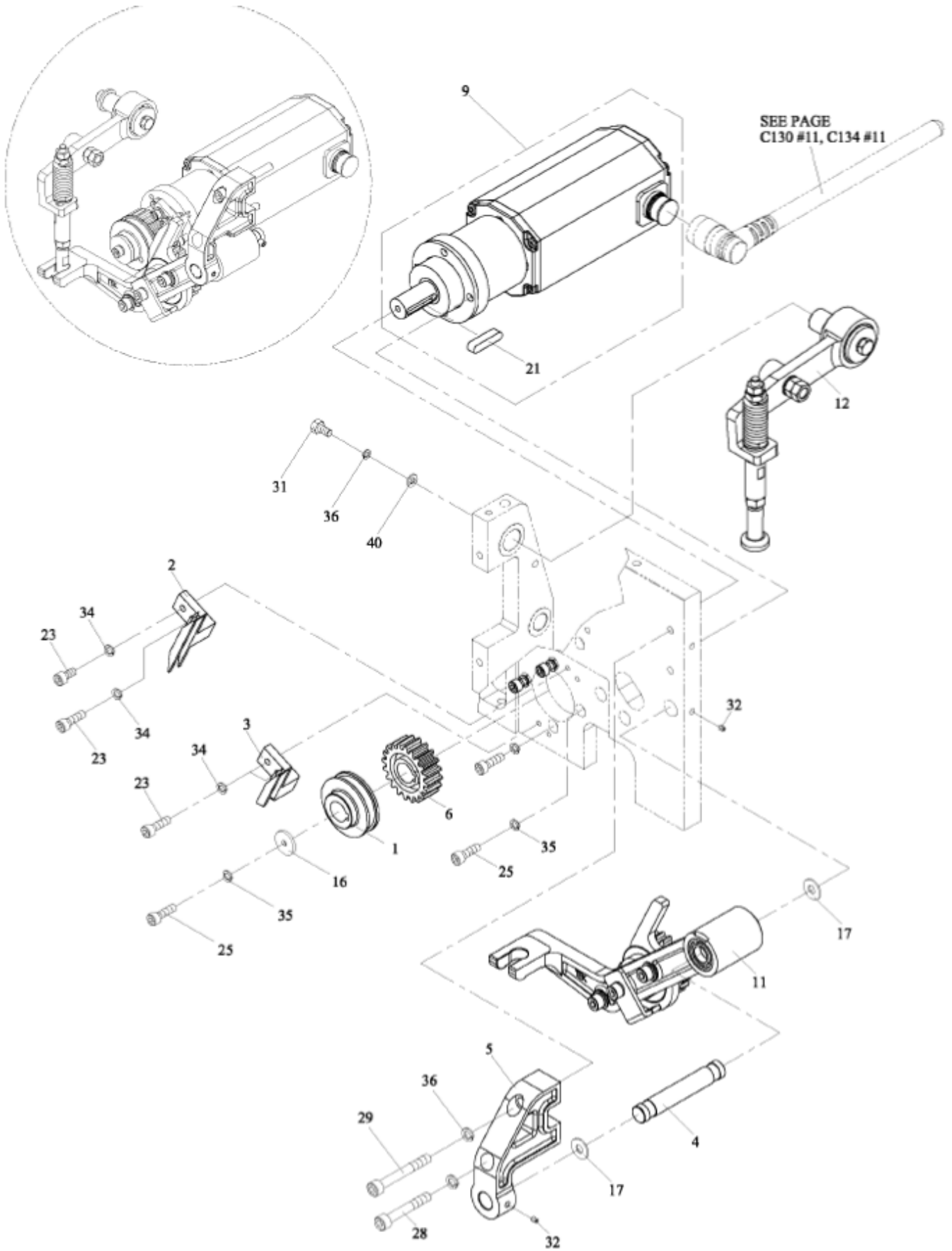
1-3-3**FEEDING ARM ASS'Y****M7-1-330010**

REF. NO.	PART NO.	DESCRIPTION	Q'TY	GREENBRIDGE PART #
1	M7-1-331100	Feeding Arm	1	X
2	M7-1-331200	Linkage	1	X
3	M7-1-331300	Shaft	1	X
4	M7-1-331400	Collar	1	X
5	M7-1-331500	Spring Hook	1	X
11	M7-1-102000	Return Spring	1	191474
14	BR6901ZZ	Bearing, 6901ZZ	2	198856
17	HBS0616N	HBS, M6×16 (N)	1	191544
18	HBS0640N	HBS, M6×40 (N)	1	188671
23	PMS0420	PMS, M4×20	1	187902
26	HN04	HN, M4	1	191604
27	HN06	HN, M6	3	191611
31	SW04	SW, M4	1	X
32	SW06	SW, M6	3	191562
35	PW06C	PW, M6 (C)	1	191561



1-3-4**RETRACTING ARM ASS'Y****M7-1-340000**

REF. NO.	PART NO.	DESCRIPTION	Q'TY	GREENBRIDGE PART #
1	M7-1-341100	Retracting Arm	1	X
2	M7-1-341200	Shaft	1	X
6	TA-073	Spring Hook	1	191747
11	BR635ZZ	Bearing, 635ZZ	1	187778
14	MB1015	Metal Bushing, 1015	1	X
17	HBS0516N	HBS, M5×16 (N)	1	191700
21	HB0612	HB, M6×12	1	205333
24	SW05	SW, M5	1	191577
25	SW06	SW, M6	1	191562
29	PW05	PW, M5	2	191578
30	PW06B	PW, M6 (B)	1	X



1-4

TENSION GROUP

M7-1-400002

M7-1-400012

REF. NO.	PART NO.	DESCRIPTION	Q'TY	GREENBRIDGE PART #
	M7-1-400002	Tension Group (For 5-6mm)	1	X
	M7-1-400012	Tension Group (For 9mm)	1	204296
	M7-1-400022	Tension Group (For 12mm)	1	X
1	M7-1-401100	Tension Guide Wheel (For 5-6mm)	1	205489
	M7-1-401110	Tension Guide Wheel (For 9mm)	1	X
	M7-1-401120	Tension Guide Wheel (For 12mm)	1	198851
2	M7-1-401200	Guide (For 5-6mm)	1	191630
	M7-1-401210	Guide (For 9mm)	1	191629
	M7-1-401220	Guide (For 12mm)	1	191825
3	M7-1-401301	Tension Guide (For 5-6mm)	1	191631
	M7-1-401311	Tension Guide (For 9mm)	1	191632
	M7-1-401321	Tension Guide (For 12mm)	1	X
4	M7-1-401400	Shaft	1	191818
5	M7-1-401500	Bracket	1	191819
6	M7-1-401600	Gear	1	191856
9	M7-1-301100	M3 Motor (For 5-6mm/9mm)	1	191537
	M7-1-301110	M3 Motor (For 12mm)	1	191571
		M3 Motor (For 9mm, Tension 45kg)(Option)	1	
11	M7-1-410001	Tension Crank Ass'y (For 5-6mm)	1	SEE PG. C41 X
	M7-1-410011	Tension Crank Ass'y (For 9mm)	1	191831
	M7-1-410021	Tension Crank Ass'y (For 12mm)	1	191826
12	M7-1-420001	Tension Arm Ass'y (For 5-6mm/9mm)	1	SEE PG. C43 205251
	M7-1-420011	Tension Arm Ass'y (For 12mm)	1	X
		Tension Arm Ass'y (For 9mm, Tension 45kg) (Option)	1	
16	TB-223	Washer	1	X
17	AD-2-20181	Washer	2	191821
21	KYA050527	Key, 5×5×27	1	X
23	HBS0412N	HBS, M4×12 (N)	4	191161
25	HBS0516N	HBS, M5×16 (N)	5	191700
28	HBS0640HN	HBS, M6×40 (H)(N)	1	X
29	HBS0655HN	HBS, M6×55 (H)(N)	1	X

1-4

TENSION GROUP

M7-1-40002

M7-1-40012

REF. NO.	PART NO.	DESCRIPTION	Q'TY	GREENBRIDGE PART #
31	HB0612	HB, M6×12	1	205333
32	HSS0506GN	HSS, M5×6 (G)(N)	2	191584
34	SW04	SW, M4	4	X
35	SW05	SW, M5	5	191577
36	SW06	SW, M6	3	191562
40	PW06C	PW, M6 (C)	1	191561

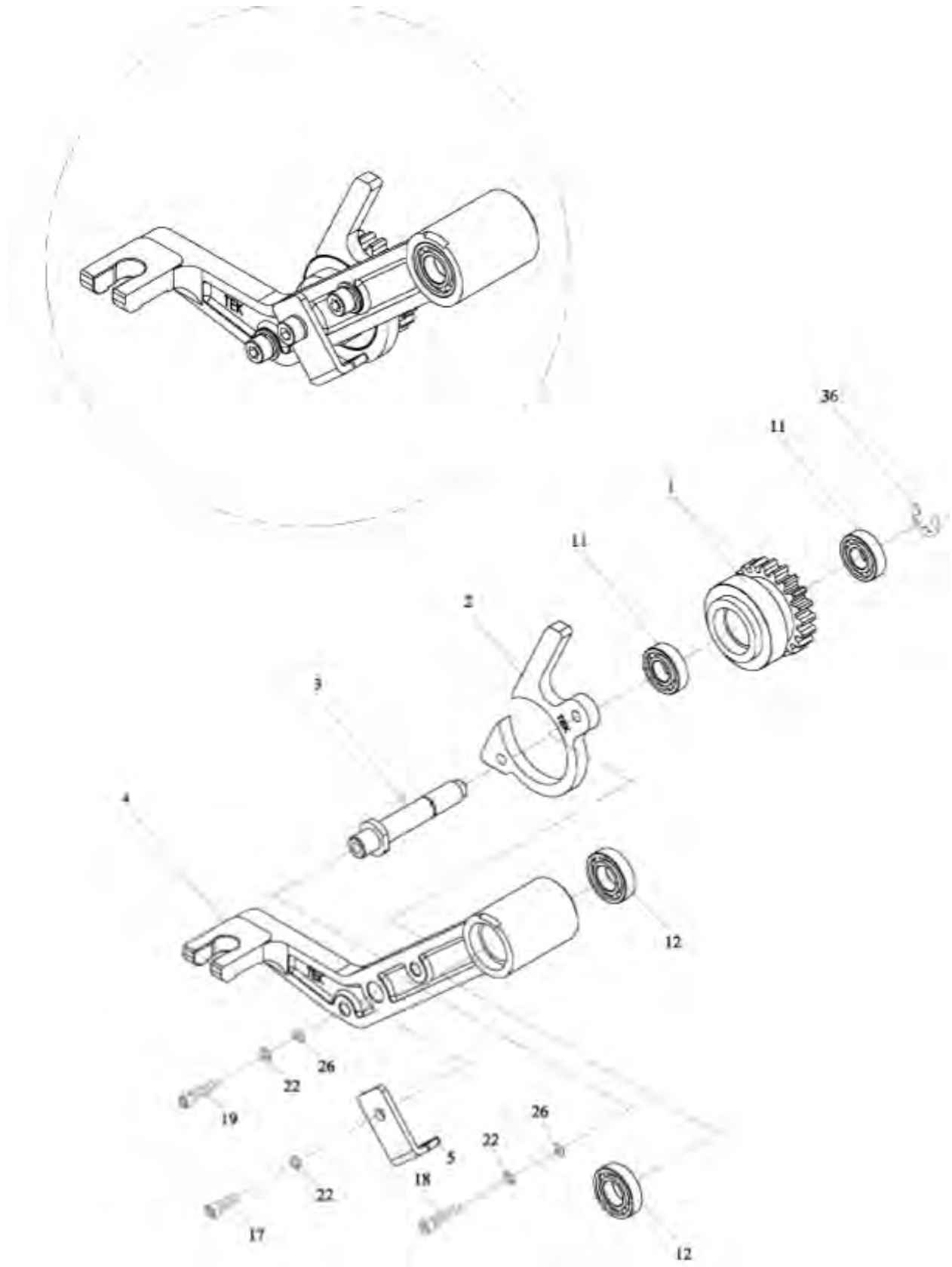


1-4-1

TENSION CRANK ASS'Y

M7-1-410001

M7-1-410011



1-4-1

TENSION CRANK ASS'Y

M7-1-410001

M7-1-410011

REF. NO.	PART NO.	DESCRIPTION	Q'TY	GREENBRIDGE PART #
	M7-1-410001	Tension Crank Ass'y (For 5-6mm)	1	X
	M7-1-410011	Tension Crank Ass'y (For 9mm)	1	191831
	M7-1-410021	Tension Crank Ass'y (For 12mm)	1	191826
1	M7-1-411100	Assistant Roller (For 5-6mm)	1	X
	M7-1-411110	Assistant Roller (For 9mm)	1	X
	M7-1-411120	Assistant Roller (For 12mm)	1	203619
2	M7-1-411200	Assistant Roller Housing (For 5-6mm)	1	X
	M7-1-411210	Assistant Roller Housing (For 9mm)	1	X
	M7-1-411220	Assistant Roller Housing (For 12mm)	1	X
3	M7-1-411300	Shaft	1	X
4	M7-1-411400	Tension Crank	1	X
5	M7-1-411501	Spring Hook	1	X
11	BR6900ZZ	Bearing, 6900ZZ	2	187996
12	BR6901ZZ	Bearing, 6901ZZ	2	198856
17	HBS0612N	HBS, M6×12 (N)	1	191563
18	HBS0630N	HBS, M6×30 (N)	2	191779
22	SW06	SW, M6	3	191562
26	PW06A	PW, M6 (A)	2	191612
36	ER08	Snap Ring, E-8	1	X

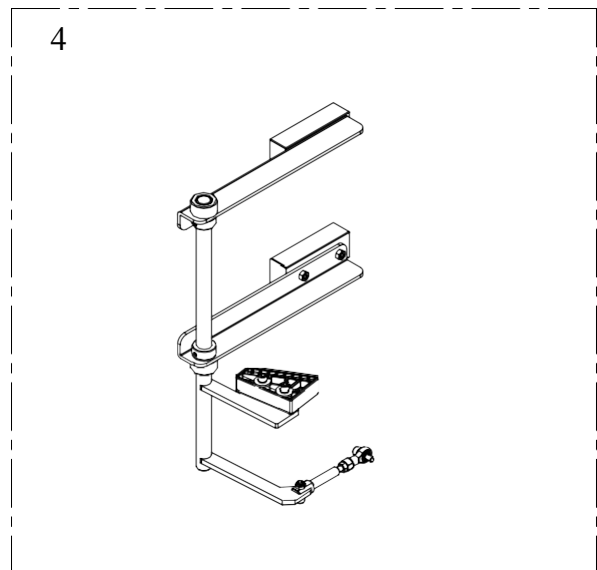
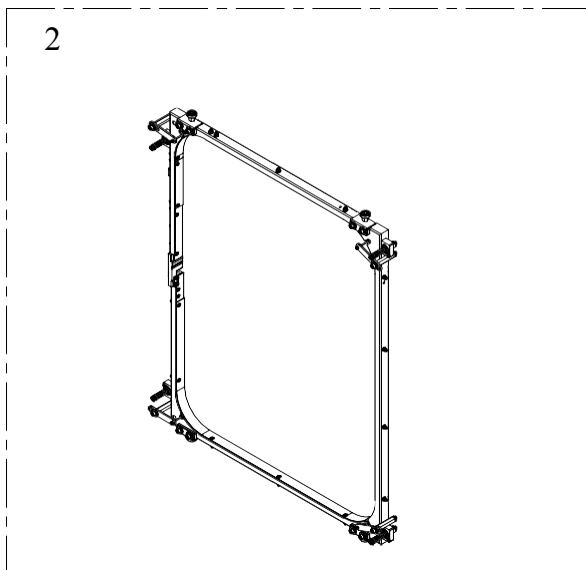
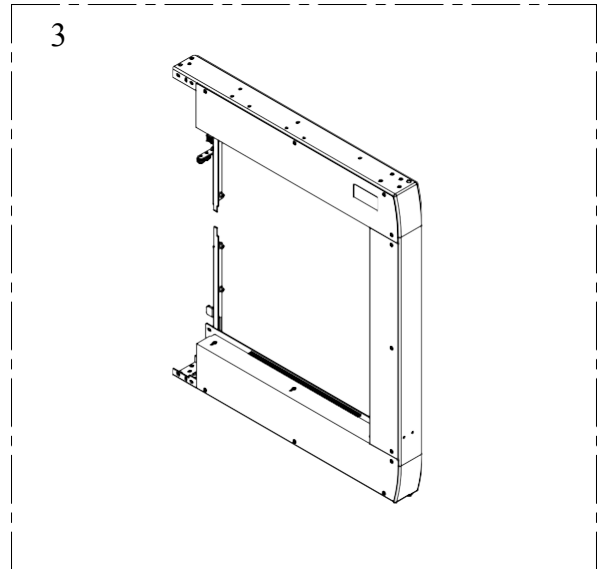
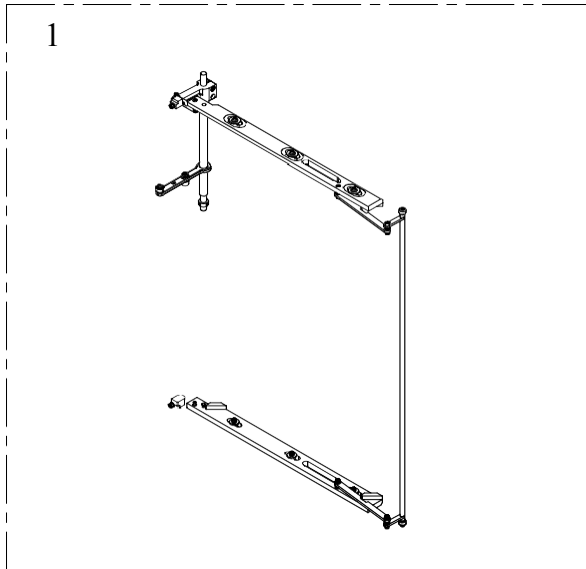
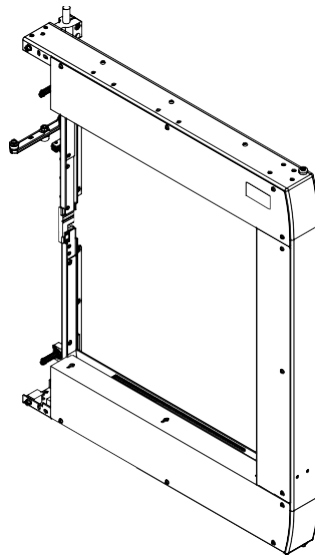
1-4-2**TENSION ARM ASS'Y****M7-1-420001****M7-1-420011**

REF. NO.	PART NO.	DESCRIPTION	Q'TY	GREENBRIDGE PART #
	M7-1-420001	Tension Arm Ass'y (For 5-6mm/9mm)	1	205251
	M7-1-420011	Tension Arm Ass'y (For 12mm)	1	X
		Tension Arm Ass'y (For 9mm, Tension 45kg) (Option)	1	
1	M7-1-421101	Tension Arm	1	X
2	M7-1-421200	Shaft	1	X
4	M7-1-421400	Spring Support	1	205490
5	M7-1-421510	Spring (For 5-6mm/9mm)	1	203605
	M7-1-421520	Spring (For 12mm)	1	191729
		Spring (For 9mm, Tension 45kg)(Option)	1	
6	M7-1-421600	Nut	1	205491
7	M7-1-421700	Collar	1	X
8	M7-1-421800	Connecting Rod (Upper)	1	203913
9	M7-1-421900	Connecting Rod (Lower)	1	X
10	M7-1-420100	Connecting Rod Set	1	204692
11	TB-223	Washer	1	X
16	BRCF8	Bearing, CF8	1	191643
17	BR6902ZZ	Bearing, 6902ZZ	2	X
18	HB0612	HB, M6×12	1	205333
21	FLG06	FLG, M6	1	205492
24	SW06	SW, M6	1	191562
25	SW08	SW, M8	1	191759
31	HN08	HN, M8	1	187490

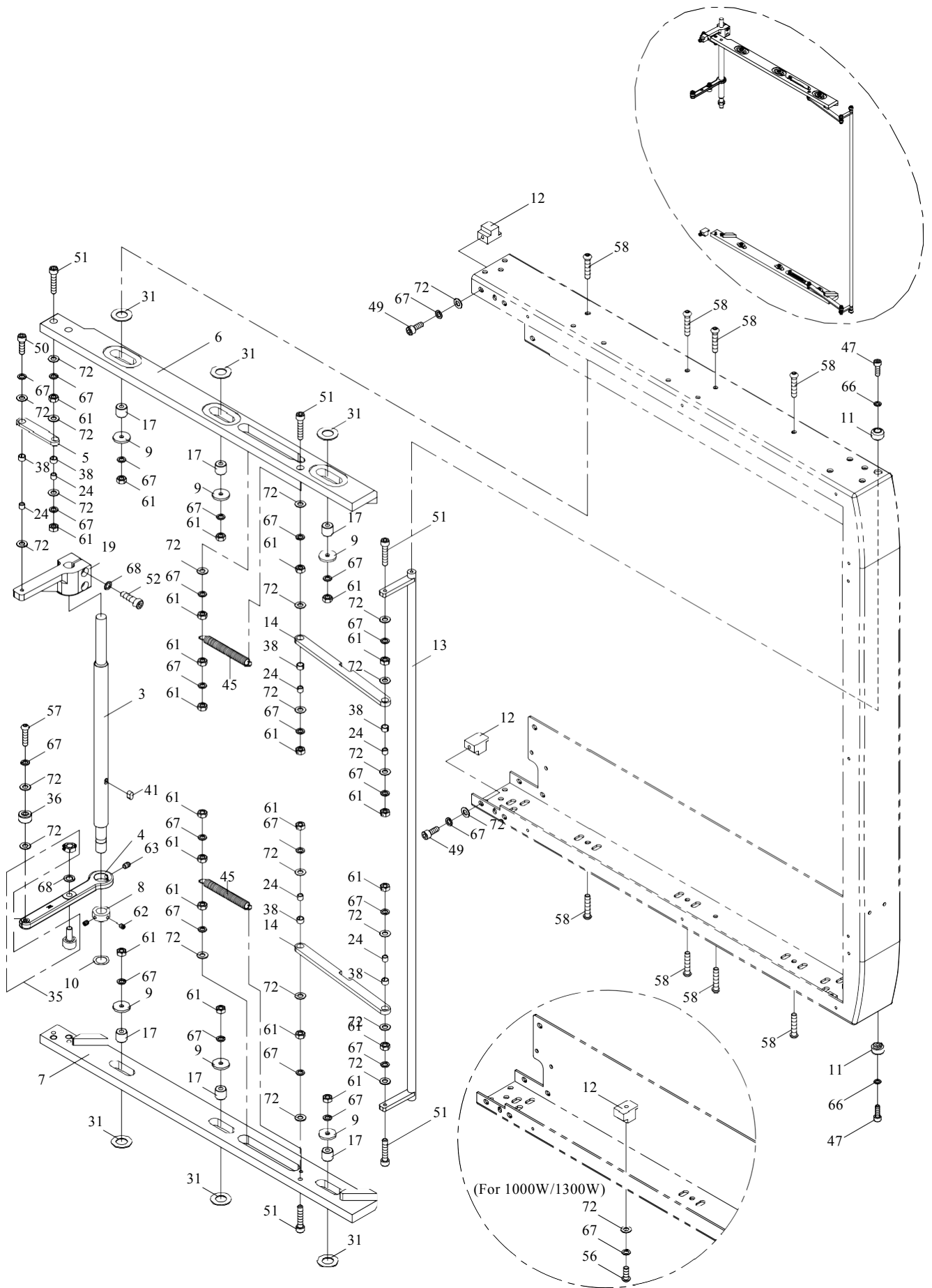
BANDWAY UNIT

M7-2-900400

M7-2-900410



REF. NO.	PART NO.	DESCRIPTION	Q'TY	GREENBRIDGE PART #
	M7-2-900400	Bandway Unit (For 5-6mm)	1	X
	M7-2-900410	Bandway Unit (For 9mm)	1	X
	M7-2-900420	Bandway Unit (For 12mm)	1	X
1	M7-2-100030	Arch Group	1	(SEE PG. C47) X
2	M7-2-200300	Bandway Group (For 5-6mm)	1	(SEE PG. C51)
	M7-2-200310	Bandway Group (For 9mm)	1	X
	M7-2-200320	Bandway Group (For 12mm)	1	X
3	M7-2-300300	Arch Cover Group	1	(SEE PG. C57) X
4	M7-2-400100	Connecting Rod Group (For 850H~1650H)	1	(SEE PG. C63) X



2-1

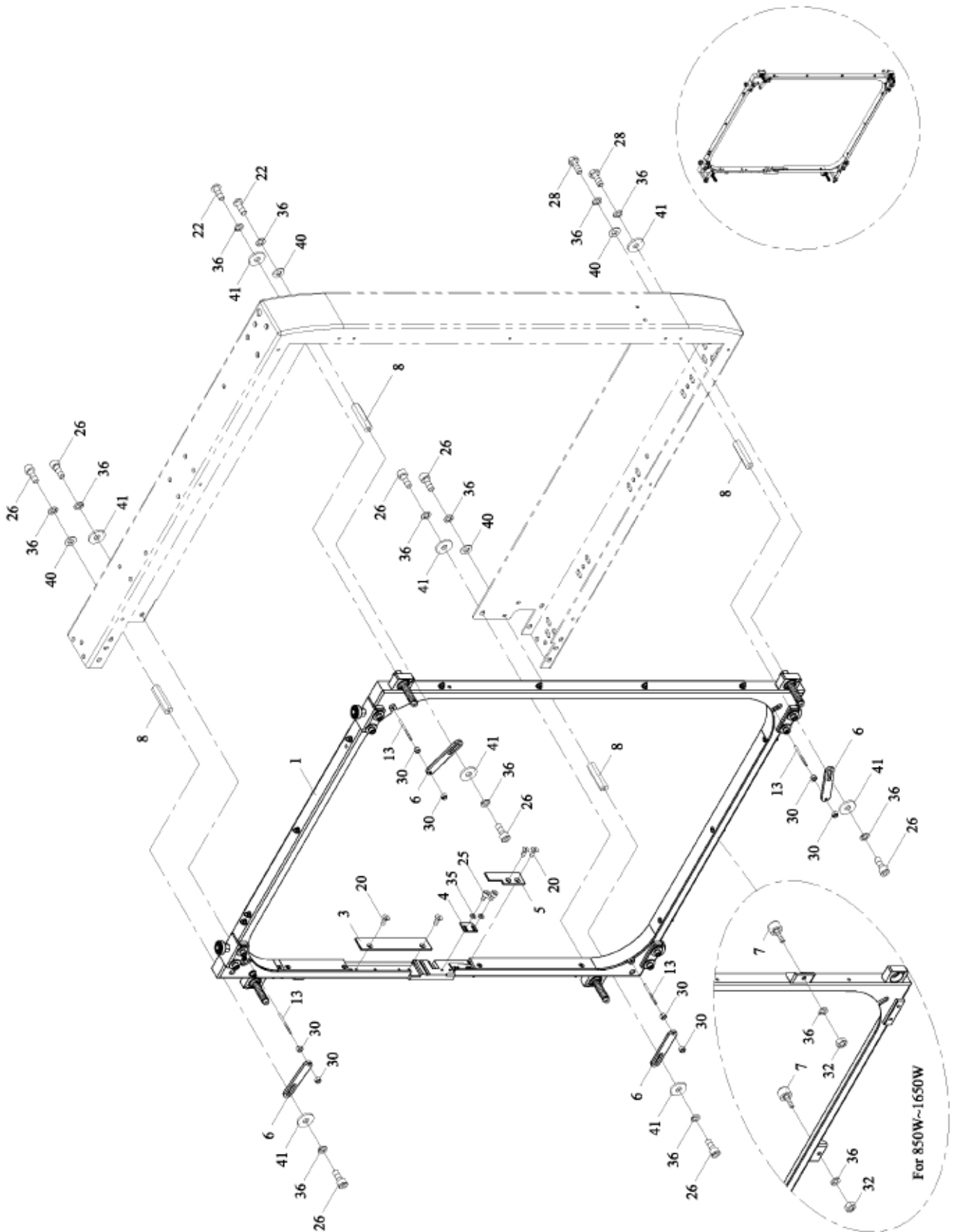
ARCH GROUP

M7-2-100030

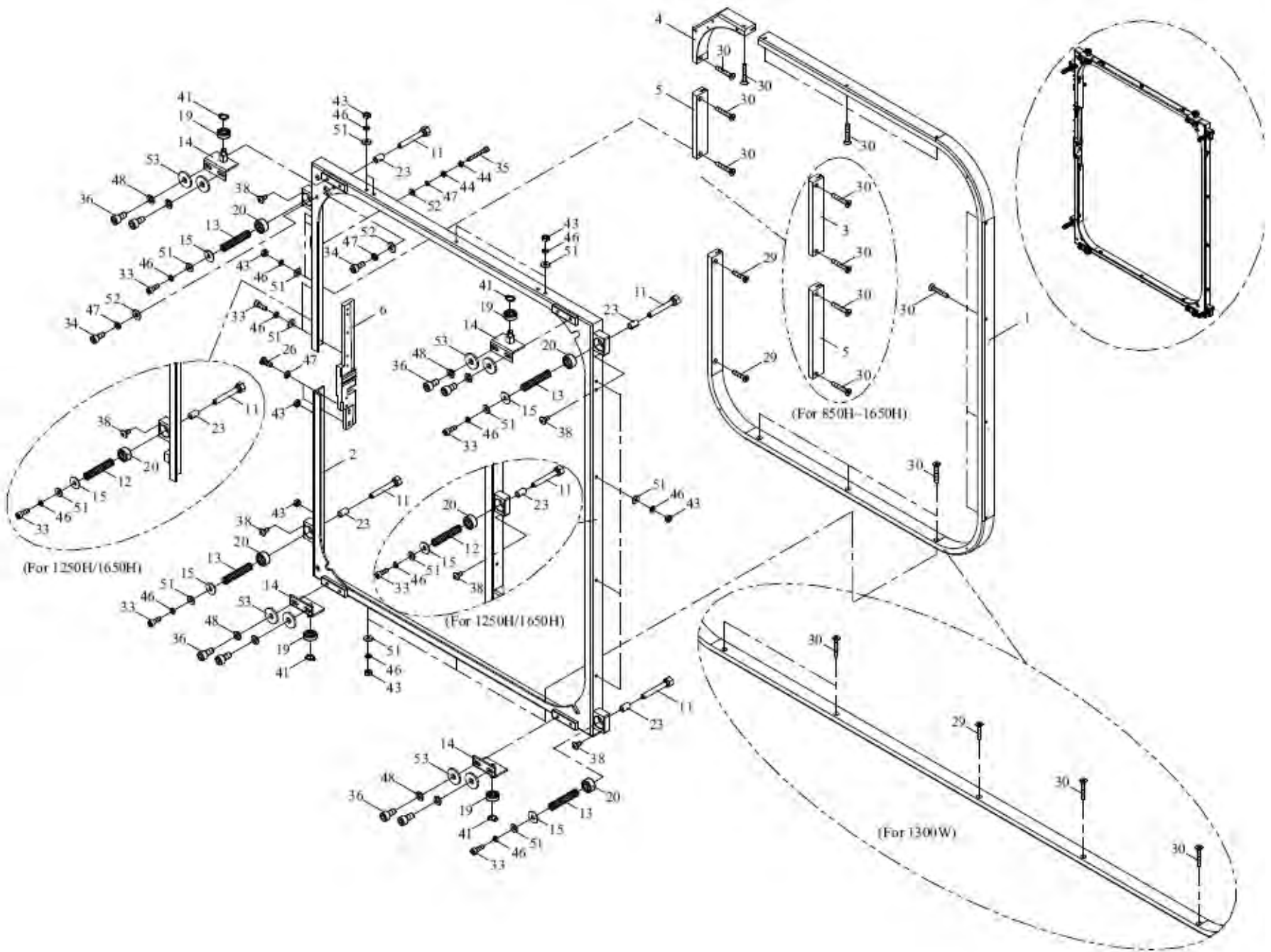
REF. NO.	PART NO.	DESCRIPTION	Q'TY	GREENBRIDGE PART #
3	M7-2-101310	Rod (For 650H)	1	X
	M7-2-101320	Rod (For 850H)	1	X
	M7-2-101330	Rod (For 1050H)	1	X
	M7-2-101370	Rod (For 1250H)	1	X
	M7-2-101380	Rod (For 1650H)	1	X
4	M7-2-101400	Lever (For 650H)	1	X
	M7-2-101410	Lever (For 850H~1650H)	1	X
5	M7-2-101500	Plate (For TP-702Y, 400W)	1	205334
		Plate (For 600W/800W)	1	
	M7-2-101510	Plate (For 1000W/1300W)	1	X
6	M7-2-101600	Left Bar (For TP-702Y, 400W)	1	X
	M7-2-101620	Left Bar (For 600W)	1	X
	M7-2-101631	Left Bar (For 800W/1000W)	1	X
	M7-2-101650	Left Bar (For 1300W)	1	X
7	M7-2-101700	Right Bar (For TP-702Y, 400W)	1	X
	M7-2-101720	Right Bar (For 600W)	1	X
	M7-2-101731	Right Bar (For 800W/1000W)	1	X
	M7-2-101750	Right Bar (For 1300W)	1	X
8	M7-1-101600	Collar	1	X
9	TB-223	Washer (For TP-702Y, 400W)	4	X
		Washer (For 600W)	6	
		Washer (For 800W/1000W)	8	
		Washer (For 1300W)	10	
10	H42-1227	Washer	1	205661
11	T7-2-10110	Bushing	2	191699
12	T7-2-10120	Guide (For TP-702Y, 400W)	2	205498
		Guide (For 600W/800W)	2	
	T7-2-10770	Guide (For 1000W/1300W)	2	X
13	T7-2-10221	Connecting Rod (For 650H)	1	X
	T7-2-10222	Connecting Rod (For 850H)	1	X
	T7-2-10223	Connecting Rod (For 1050H)	1	X
	T7-2-10224	Connecting Rod (For 1250H)	1	X
	T7-2-10226	Connecting Rod (For 1650H)	1	X
14	T7-2-10230	Connector	2	X
17	T7-2-10260	Spacer (For TP-702Y, 400W)	4	191672
		Spacer (For 600W)	6	
		Spacer (For 800W/1000W)	8	
		Spacer (For 1300W)	10	
19	T7-2-10290	Arm	1	X
24	T7-3-10530	Tube	6	X

REF. NO.	PART NO.	DESCRIPTION	Q'TY	GREENBRIDGE PART #
31	WT163015	Thrust Washer (For TP-702Y, 400W)	4	X
		Thrust Washer (For 600W)	6	
		Thrust Washer (For 800W/1000W)	8	
		Thrust Washer (For 1300W)	10	
35	BRCF8	Bearing, CF8	1	191643
36	BRNAST6	Bearing, Nast6 (For 850H~1650H)	1	191683
38	MB0806	Metal Bushing, 0806	6	X
41	KYA050510	Key, 5×5×10	1	X
45	TC-025	Spring	2	191524
47	HBS0516N	HBS, M5×16 (N)	2	191700
49	HBS0616N	HBS, M6×16 (N)(For TP-702Y, 400W)	2	191544
		HBS, M6×16 (N)(For 600W/800W)	2	
50	HBS0620N	HBS, M6×20 (N)	1	191726
51	HBS0630N	HBS, M6×30 (N)	5	191779
52	HBS0830N	HBS, M8×30 (N)	2	X
56	THS0616N	THS, M6×16 (N)(For 1000W/1300W)	2	205616N
57	THS0625N	THS, M6×25 (N)(For 850H~1650H)	1	X
58	THS0630N	THS, M6×30 (N)(For TP-702Y, 400W)	6	X
		THS, M6×30 (N)(For 600W)	8	
		THS, M6×30 (N)(For 800W/1000W)	10	
		THS, M6×30 (N)(For 1300W)	12	
61	HN06	HN, M6 (For TP-702Y, 400W)	20	191611
		HN, M6 (For 600W)	22	
		HN, M6 (For 800W/1000W)	24	
		HN, M6 (For 1300W)	26	
62	HSS0506GN	HSS, M5×6 (G)(N)	2	191584
63	HSS0608GN	HSS, M6×8 (G)(N)	1	X
66	SW05	SW, M5	2	191577
67	SW06	SW, M6	21~27	191562
68	SW08	SW, M8	3	191759
72	PW06A	PW, M6 (A)(For 650H)	21	191612
		PW, M6 (A)(For 850H~1650H)	23	





REF. NO.	PART NO.	DESCRIPTION	Q'TY	GREENBRIDGE PART #
	M7-2-200300	Bandway Group (For 5-6mm)	1	X
	M7-2-200310	Bandway Group (For 9mm)	1	X
	M7-2-200320	Bandway Group (For 12mm)	1	X
1	M7-2-210300	Strap Track Frame Ass'y (For 5-6mm)	1	(SEE PG. C53) X
	M7-2-210310	Strap Track Frame Ass'y (For 9mm)	1	X
	M7-2-210320	Strap Track Frame Ass'y (For 12mm)	1	X
3	M7-2-201300	Cover (L)(For 5-6mm/9mm)	1	191785
	M7-2-201310	Cover (L)(For 12mm)	1	X
4	M7-2-201400	Adjusting Plate	1	191511
5	M7-2-201500	Cover (R)(For 5-6mm/9mm)	1	191788
	M7-2-201510	Cover (R)(For 12mm)	1	X
6	M7-2-201710	Plate	4	191735
7	M7-2-201801	Bumper Screw	4~12	191564
8	M7-2-201900	Tube	4	X
13	T7-2-10210	Pin	4	X
20	FMS0410N	FMS, M4×10 (N)	4	191786
22	THS0616N	THS, M6×16 (N)(For 650H~1050H)	2	205691
		THS, M6×16 (N)(For 1250H/1650H)	3	
25	HBS0408N	HBS, M4×8 (N)	2	191787
26	HBS0616N	HBS, M6×16 (N)	8	191544
28	HB0616N	HB, M6×16 (N)	2	X
30	NTE03	NTE, M3	8	191734
32	HN06	HN, M6 (For 850H~1650H)	6~12	191611
35	SW04	SW, M4	2	X
36	SW06	SW, M6 (Only 650H)	12	191562
		SW, M6	18~25	
40	PW06A	PW, M6 (A)	5	191612
41	PW06C	PW, M6 (C)(For 650H~1050H)	7	191561
		PW, M6 (C)(For 1250H/1650H)	8	



2-2-

STRAP TRACK FRAME AS

M7-2-
210300

2-2-1

STRAP TRACK FRAME ASS'Y

M7-2-210300

M7-2-210310

REF. NO.	PART NO.	DESCRIPTION	Q'TY	GREENBRIDGE PART #
	M7-2-210300	Strap Track Frame Ass'y (For 5-6mm)	1	X
	M7-2-210310	Strap Track Frame Ass'y (For 9mm)	1	X
	M7-2-210320	Strap Track Frame Ass'y (For 12mm)	1	X
1	M7-2-201170	Strap Track (For 5-6mm)	1	X
	M7-2-201180	Strap Track (For 9mm)	1	X
	M7-2-201190	Strap Track (For 12mm)	1	X
2	M7-2-201250	Strap Track Frame (For 5-6mm/9mm)	1	X
	M7-2-201260	Strap Track Frame (For 12mm)	1	X
3	M7-2-211700	Strap Track (Left) (2) (For 5-6mm, 850H)	1	X
	M7-2-211710	Strap Track (Left) (2) (For 5-6mm, 1050H)	1	X
	M7-2-211720	Strap Track (Left) (2) (For 5-6mm, 1250H)	1	X
	M7-2-211730	Strap Track (Left) (2) (For 5-6mm, 1650H)	1	X
	M7-2-211800	Strap Track (Left) (2) (For 9mm, 850H)	1	X
	M7-2-211810	Strap Track (Left) (2) (For 9mm, 1050H)	1	X
	M7-2-211820	Strap Track (Left) (2) (For 9mm, 1250H)	1	X
	M7-2-211830	Strap Track (Left) (2) (For 9mm, 1650H)	1	X
	M7-2-211900	Strap Track (Left) (2) (For 12mm, 850H)	1	X
	M7-2-211910	Strap Track (Left) (2) (For 12mm, 1050H)	1	X
	M7-2-211920	Strap Track (Left) (2) (For 12mm, 1250H)	1	X
	M7-2-211930	Strap Track (Left) (2) (For 12mm, 1650H)	1	X
4	M7-2-211100	Corner Strap Track (For 5-6mm)	1	191667
	M7-2-211110	Corner Strap Track (For 9mm)	1	X
	M7-2-211120	Corner Strap Track (For 12mm)	1	205847
5	M7-2-211211	Strap Track (Left)(1)(For 5-6mm, 650H)	1	X
	M7-2-211600	Strap Track (Left)(1)(For 5-6mm, 850H~1650H)	1	X
	M7-2-211311	Strap Track (Left)(1)(For 9mm, 650H)	1	X
	M7-2-211610	Strap Track (Left)(1)(For 9mm, 850H~1650H)	1	X
	M7-2-211411	Strap Track (Left)(1)(For 12mm, 650H)	1	X
	M7-2-211620	Strap Track (Left)(1)(For 12mm, 850H~1650H)	1	X
6	M7-2-201600	Track Frame Connector (For 5-6mm)	1	191762
	M7-2-201610	Track Frame Connector (For 9mm)	1	191723
	M7-2-201620	Track Frame Connector (For 12mm)	1	191592
11	T7-2-20160	Shaft (For 650H~1050H)	4	191681
		Shaft (For 1250H/1650H)	6	
12	T7-2-20171	Spring (For 1250H/1650H)	2	191805
13	T7-2-20172	Spring	4	203787
14	T7-2-20180	Bracket	4	205535
15	T7-2-20380	Washer ($\varnothing 5 \times \varnothing 14$)(For 650H~1050H) Washer ($\varnothing 5 \times \varnothing 14$)(For 1250H/1650H)	4 6	191745
19	BR608ZZ	Bearing, 608ZZ	4	187783

2-2-1

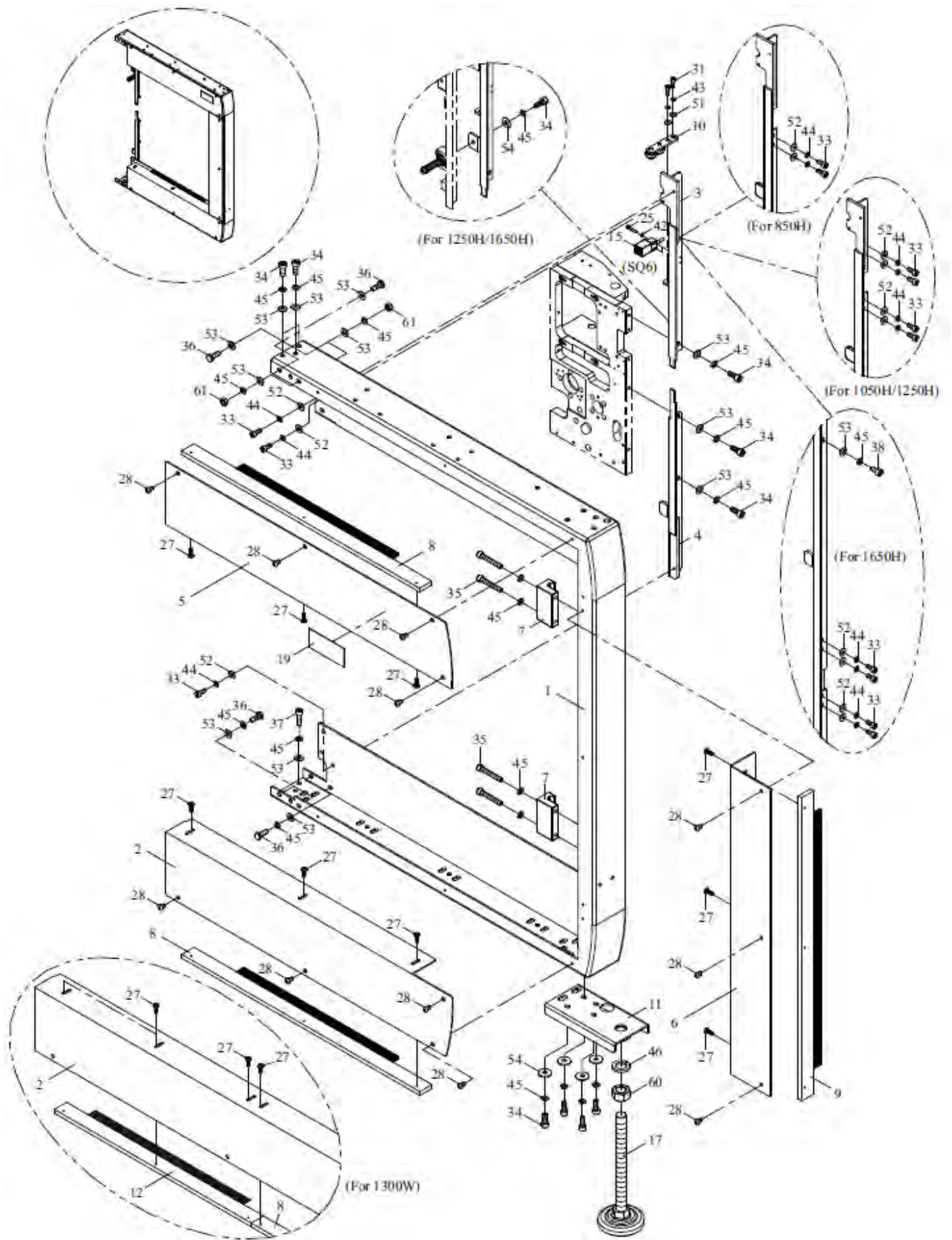
STRAP TRACK FRAME ASS'Y

M7-2-210300

M7-2-210310

REF. NO.	PART NO.	DESCRIPTION	Q'TY	GREENBRIDGE PART #
20	BRPB8	Bearing, PB8 (For 650H~1050H)	4	191784
		Bearing, PB8 (For 1250H/1650H)	6	
23	MB0816	Metal Bushing, 0816 (For 650H~1050H)	4	205350
		Metal Bushing, 0816 (For 1250H/1650H)	6	
26	HBL0512	HBL, M5×12	2	191591
29	FMS0420	FMS, M4×20	2	X
		FMS, M4×20 (Only 1300W)	4	
30	FMS0425	FMS, M4×25	14~24	204994
33	HBS0412N	HBS, M4×12 (N)(For 650H~1050H)	7	191682
		HBS, M4×12 (N)(For 1250H/1650H)	9	
34	HBS0512N	HBS, M5×12 (N)	2	190848
35	HBS0540N	HBS, M5×40 (N)(Without SQ6 Option)	1	X
36	HBS0612N	HBS, M6×12 (N)	8	191563
38	TMS0408N	TMS, M4×8 (N)(For 650H~1050H)	4	191648
		TMS, M4×8 (N)(For 1250H/1650H)	6	
41	SR08	Stop Ring, S-8	4	X
43	HN04	HN, M4	16~26	191604
44	HN05	HN, M5 (Without SQ6 Option)	2	187478
46	SW04	SW, M4	23~33	X
47	SW05	SW, M5	4	191577
		SW, M5 (Without SQ6 Option)	5	
48	SW06	SW, M6	8	191562
51	PW04	PW, M4	23~33	187428
52	PW05	PW, M5	2	191578
		PW, M5 (Without SQ6 Option)	3	
53	PW06C	PW, M6 (C)	8	191561





2-3

ARCH COVER GROUP

M7-2-300300

REF. NO.	PART NO.	DESCRIPTION	Q'TY	GREENBRIDGE PART #
1	M7-2-306100	Arch	1	X
2	M7-2-306200	Arch Cover RH (For 400W)	1	X
	M7-2-306210	Arch Cover RH (For 600W)	1	X
	M7-2-306220	Arch Cover RH (For 800W)	1	X
	M7-2-306230	Arch Cover RH (For 1000W)	1	X
	M7-2-306240	Arch Cover RH (For 1300W)	1	X
3	M7-2-306300	Guide LH (For 650H)	1	X
	M7-2-306310	Guide LH (For 850H)	1	X
	M7-2-306320	Guide LH (For 1050H)	1	X
	M7-2-306330	Guide LH (For 1250H)	1	X
	M7-2-306340	Guide LH (For 1650H)	1	X
4	M7-2-101210	Guide RH	1	X
5	M7-2-301400	Arch Cover LH (For 400W)	1	X
	M7-2-301420	Arch Cover LH (For 600W)	1	X
	M7-2-301430	Arch Cover LH (For 800W)	1	X
	M7-2-301440	Arch Cover LH (For 1000W)	1	X
	M7-2-301450	Arch Cover LH (For 1300W)	1	X
6	M7-2-301510	Arch Cover (Upper, For 650H)	1	X
	M7-2-301520	Arch Cover (Upper, For 850H)	1	X
	M7-2-301530	Arch Cover (Upper, For 1050H)	1	X
	M7-2-301540	Arch Cover (Upper, For 1250H)	1	X
	M7-2-301550	Arch Cover (Upper, For 1650H)	1	X
7	M7-2-301700	Block (For 850H~1650H)	2	X
8	M7-2-304100	Brush (Side)(For 400W)	2	X
	M7-2-304120	Brush (Side)(For 600W)	2	X
	M7-2-304140	Brush (Side)(For 800W/1300W)	2	X
	M7-2-304150	Brush (Side)(For 1000W)	2	X
9	M7-2-304010	Brush (Upper)(For 650H)	1	X
	M7-2-304020	Brush (Upper)(For 850H)	1	X
	M7-2-304030	Brush (Upper)(For 1050H)	1	X
	M7-2-304040	Brush (Upper)(For 1250H)	2	X
	M7-2-304050	Brush (Upper)(For 1650H)	2	X
10	M7-2-310000	Block Ass'y (For 650H~1050H)	1	(SEE PG. C61) X
11	M7-2-306400	Machinery Pad Socket (For TP-702Y-XT, 800W~1300W)(Option)	1	X
12	M7-2-304110	Brush (Side)(For 1300W)	2	X
15	MV-6-20220	Proximity Sensor (X19)(SQ6)(Option)	1	SEE PG.C129~C133
17	TT-1-10400	Machinery Pad (For TP-702Y-XT, 800W~1300W)(Option)	1	X
19	LA-40005	Label	2	191797
	LA-40180	Label (Option)	2	X

2-3

ARCH COVER GROUP

M7-2-300300

REF. NO.	PART NO.	DESCRIPTION	Q'TY	GREENBRIDGE PART #
25	PMS0316	PMS, M3×16 (Option)	2	X
27	TTP0412BN	TTP, M4×12 (B)(N)(For 650H~1050H)	9	191701
		TTP, M4×12 (B)(N)(For 1250H/1650H)	12	
28	THS0508N	THS, M5×8 (N)(For 650H~1050H)	11	191579
		THS, M5×8 (N)(For 1250H/1650H)	13	
31	HBS0412N	HBS, M4×12 (N)(For 650H~1050H)	2	191682
33	HBS0512N	HBS, M5×12 (N)(For 650H)	3	190848
		HBS, M5×12 (N)(For 850H)	2	
		HBS, M5×12 (N)(For 1050H~1650H)	4	
34	HBS0616N	HBS, M6×16 (N)(For 650H~1050H)	6	191544
		HBS, M6×16 (N)(For 1250H/1650H)	7	
		HBS, M6×16 (N)(For TP-702Y-XT, 800W~1300W, 650H~1050H)(Option)	10	
		HBS, M6×16 (N)(For TP-702Y-XT, 800W~1300W, 1250H/1650H)(Option)	11	
35	HBS0640N	HBS, M6×40 (N)	4	188671
36	HB0616N	HB, M6×16 (N)	8	X
37	HBS0620N	HBS, M6×20 (N)	3	191726
38	HBS0610N	HBS, M6×10 (N)(Only 1650H)	1	X
42	SW03	SW, M3 (Option)	2	191590
43	SW04	SW, M4 (For 650H~1050H)	2	X
44	SW05	SW, M5 (For 650H)	3	191577
		SW, M5 (For 850H)	5	
		SW, M5 (For 1050H~1650H)	7	
45	SW06	SW, M6	17~24	191562
		SW, M6 (For TP-702Y-XT, 800W~1300W)	21~28	
		(Option)		
46	SW20	SW, M20 (For TP-702Y-XT, 800W~1300W)	1	X
		(Option)		
51	PW04	PW, M4 (For 650H~1050H)	2	187428
52	PW05	PW, M5 (For 650H)	3	191578
		PW, M5 (For 850H)	5	
		PW, M5 (For 1050H~1650H)	7	
53	PW06A	PW, M6 (A)	21	191612
54	PW06C	PW, M6 (C)(For 1250H/1650H)	1	191561
		PW, M6 (C)(For TP-702Y-XT, 800W~1300W, 650H~1050H)(Option)	4	

2-3

ARCH COVER GROUP

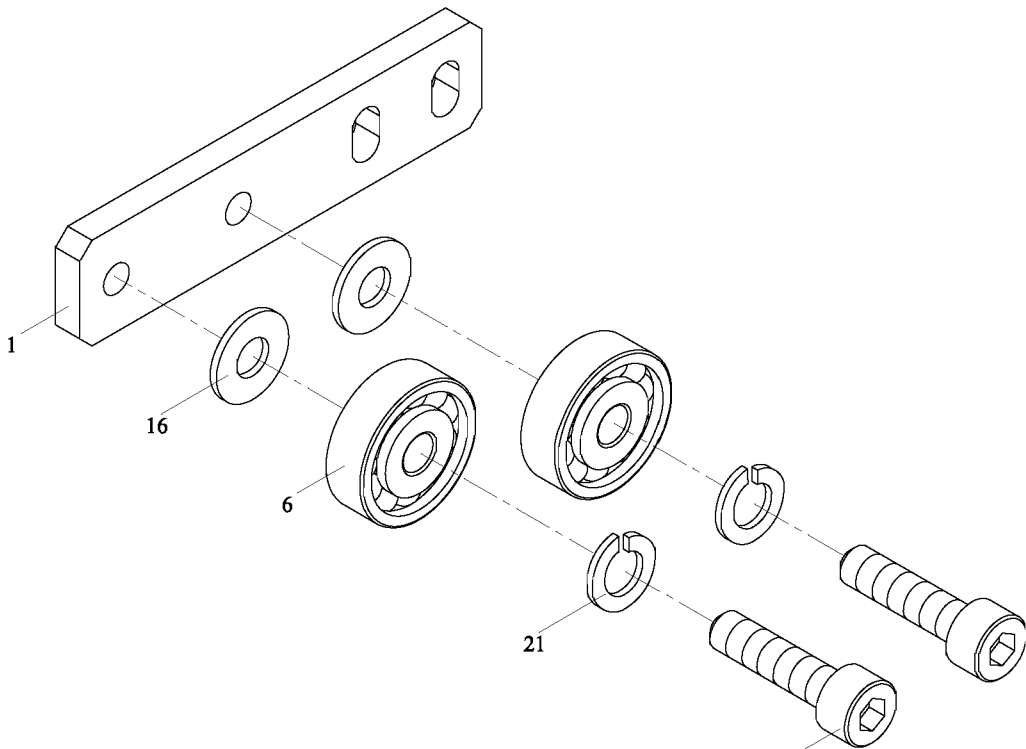
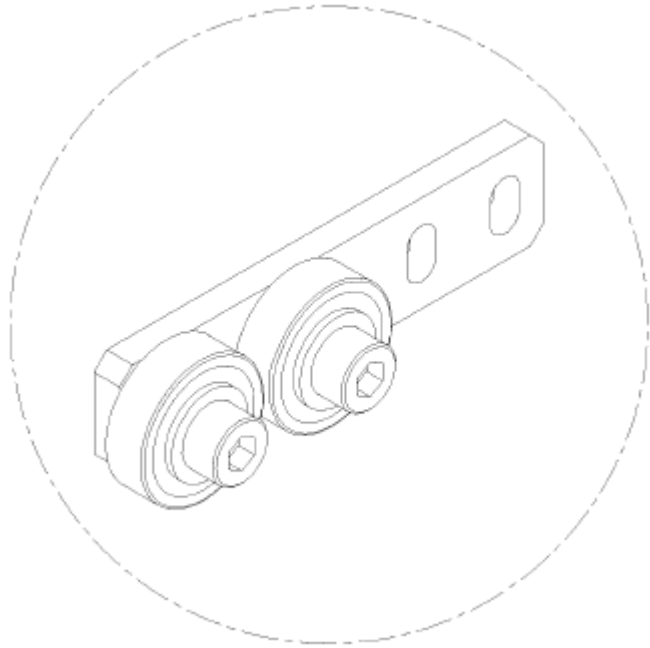
M7-2-300300

REF. NO.	PART NO.	DESCRIPTION	Q'TY	GREENBRIDGE PART #
		PW, M6 (C)(For TP-702Y-XT, 800W~1300W, 1250H/1650H)(Option)	5	
60	HN3/4	HN, 3/4" (For TP-702Y-XT, 800W~1300W) (Option)	1	X
61	HN06	HN, M6	4	191611

2-3-1

BLOCKASS'Y
(For 650H--1050H)

M7-2-310000



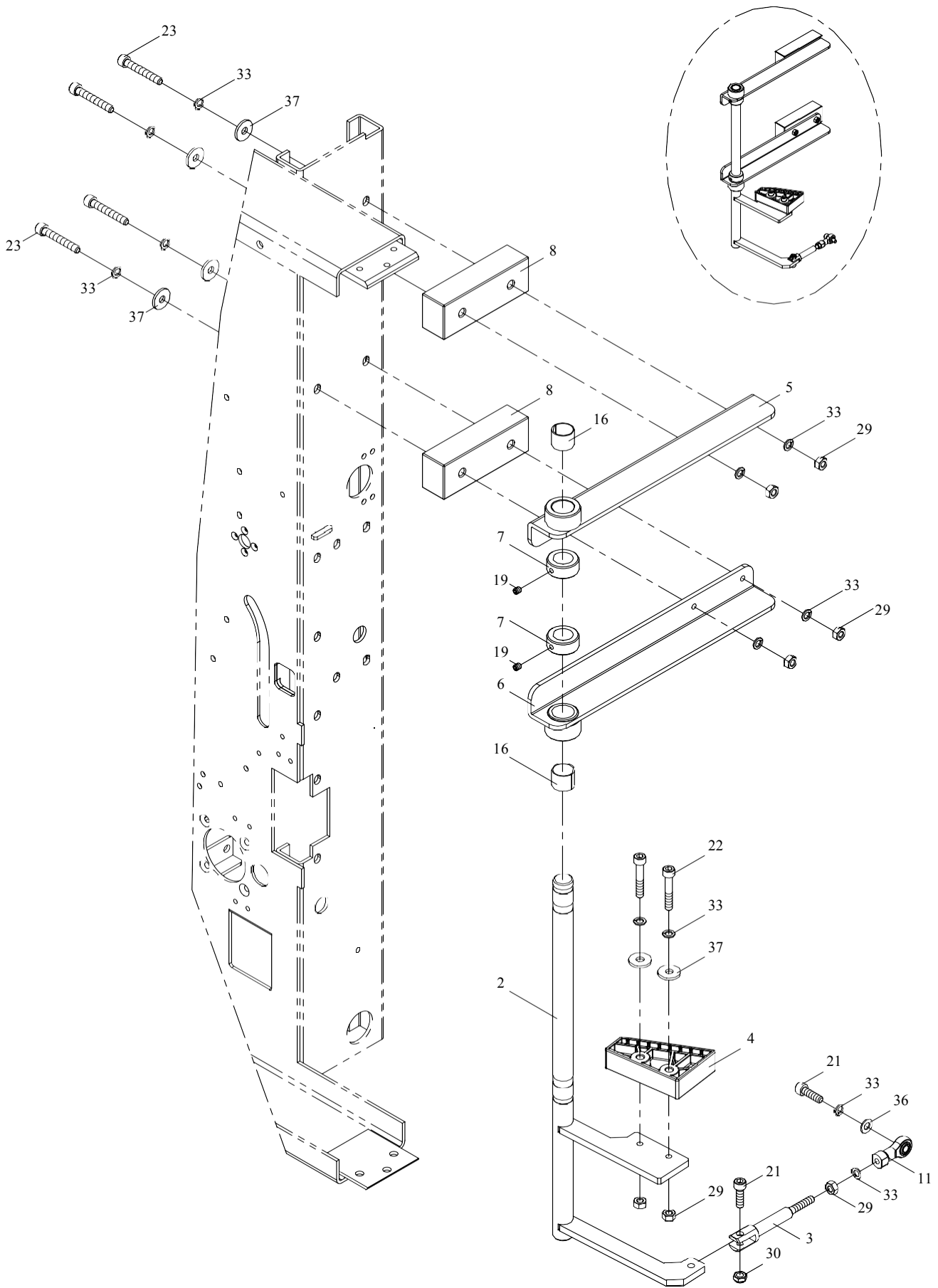
2-3-1

BLOCK ASS'Y
(For 650H~1050H)

M7-2-31000

REF. NO.	PART NO.	DESCRIPTION	Q'TY	GREENBRIDGE PART #
1	M7-2-301200	Block	1	X
6	BR635ZZ	Bearing, 635ZZ	2	187778
11	HBS0516N	HBS, M5×16 (N)	2	191700
16	PW05	PW, M5	2	191578
21	SW05	SW, M5	2	191577

CONNECTING ROD GROUP (without 400Wx650H/600Wx650H)

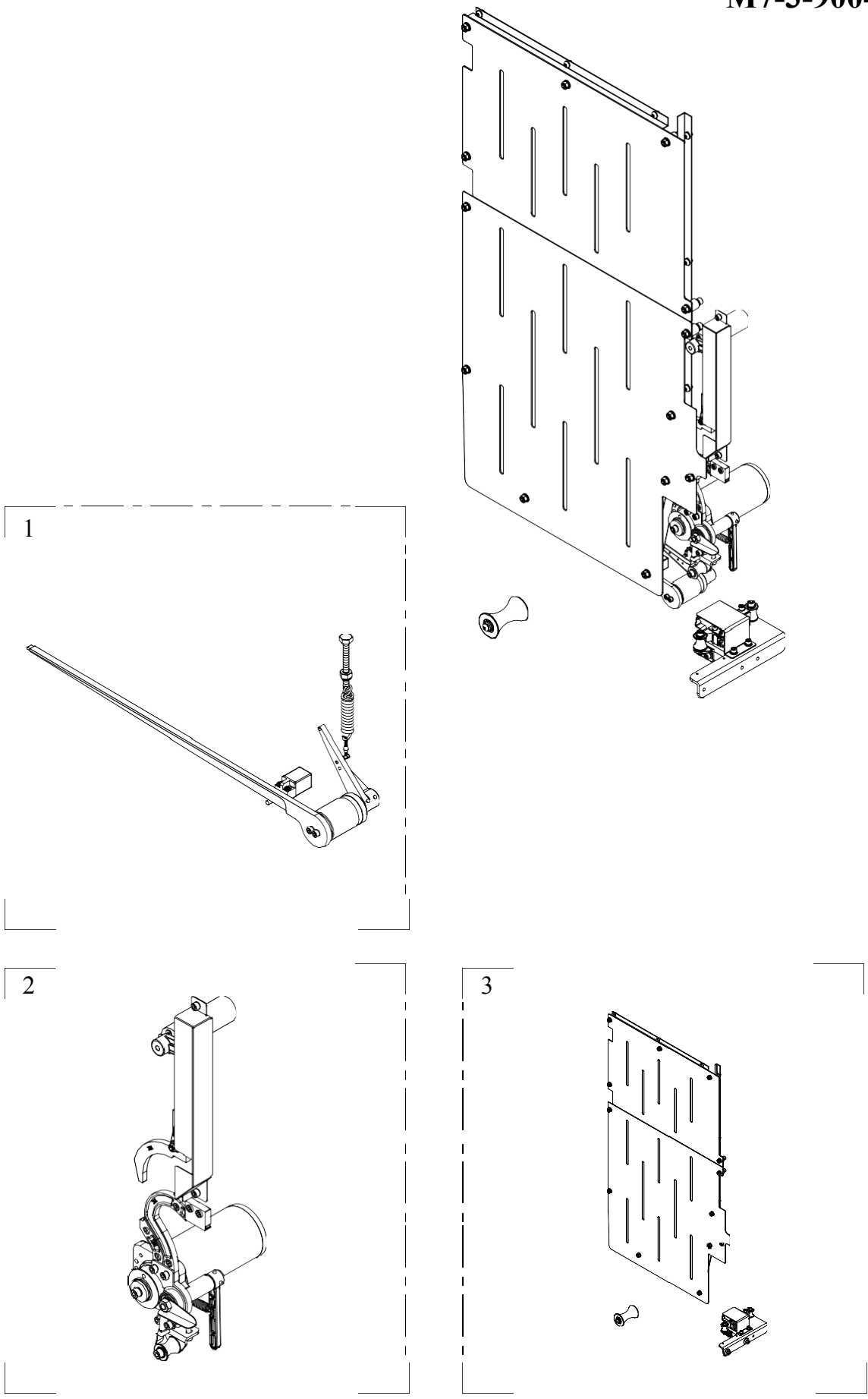


2-4

CONNECTING ROD GROUP
(without 400W×650H/600W×650H)

M7-2-400100

REF. NO.	PART NO.	DESCRIPTION	Q'TY	GREENBRIDGE PART #
2	M7-2-401220	Connecting Rod	1	X
3	M7-2-401300	Connector	1	X
4	M7-2-401400	Slant Block	1	X
5	M7-2-401500	Bracket (Left)	1	X
6	M7-2-401600	Bracket (Right)	1	X
7	M7-2-401700	Collar	2	203833
8	M7-2-401800	Spacer	2	X
11	T7-2-20560	Swivel Head, NHS06	1	X
16	MB1715	Metal Bushing, 1715	2	X
19	HSS0506GN	HSS, M5×6 (G)(N)	2	191584
21	HBS0620N	HBS, M6×20 (N)	2	191726
22	HBS0635HN	HBS, M6×35 (H)(N)	2	X
23	HBS0645HN	HBS, M6×45 (H)(N)	4	X
29	HN06	HN, M6	7	191611
30	NTE06	NTE, M6	1	X
33	SW06	SW, M6	12	191562
36	PW06A	PW, M6 (A)	1	191612
37	PW06C	PW, M6 (C)	6	191561



ACCUMULATOR UNIT

M7-3-900401

M7-3-900411

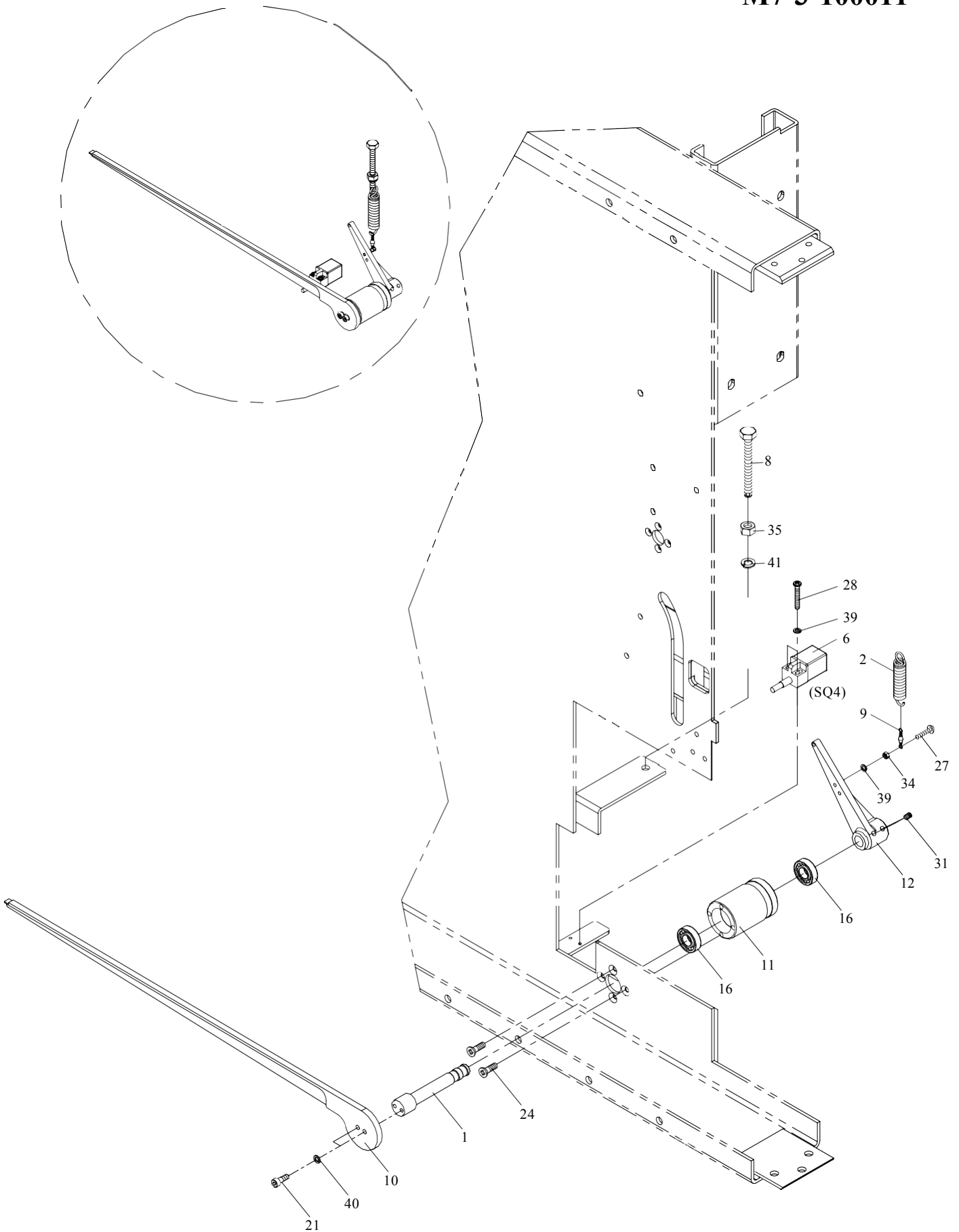
REF. NO.	PART NO.	DESCRIPTION	Q'TY	GREENBRIDGE PART #
	M7-3-900401	Accumulator Unit (For 5-6mm)	1	X
	M7-3-900411	Accumulator Unit (For 9mm)	1	X
	M7-3-900421	Accumulator Unit (For 12mm)	1	X
1	M7-3-100001	Strap Amount Control Group (For 5-6mm)	1	(SEE PG. C67) X
	M7-3-100011	Strap Amount Control Group (For 9mm)	1	X
	M7-3-100071	Strap Amount Control Group (For 12mm)	1	X
2	M7-3-200070	Auto Strap Feeding Group (For 5-6mm)	1	(SEE PG. C69) X
	M7-3-200080	Auto Strap Feeding Group (For 9mm)	1	X
	M7-3-200090	Auto Strap Feeding Group (For 12mm)	1	X
3	M7-3-300300	Accumulator Box Group (For 5-6mm)	1	(SEE PG. C81) X
	M7-3-300310	Accumulator Box Group (For 9mm)	1	X
	M7-3-300320	Accumulator Box Group (For 12mm)	1	X

3-1

STRAP AMOUNT CONTROL GROUP

M7-3-100001

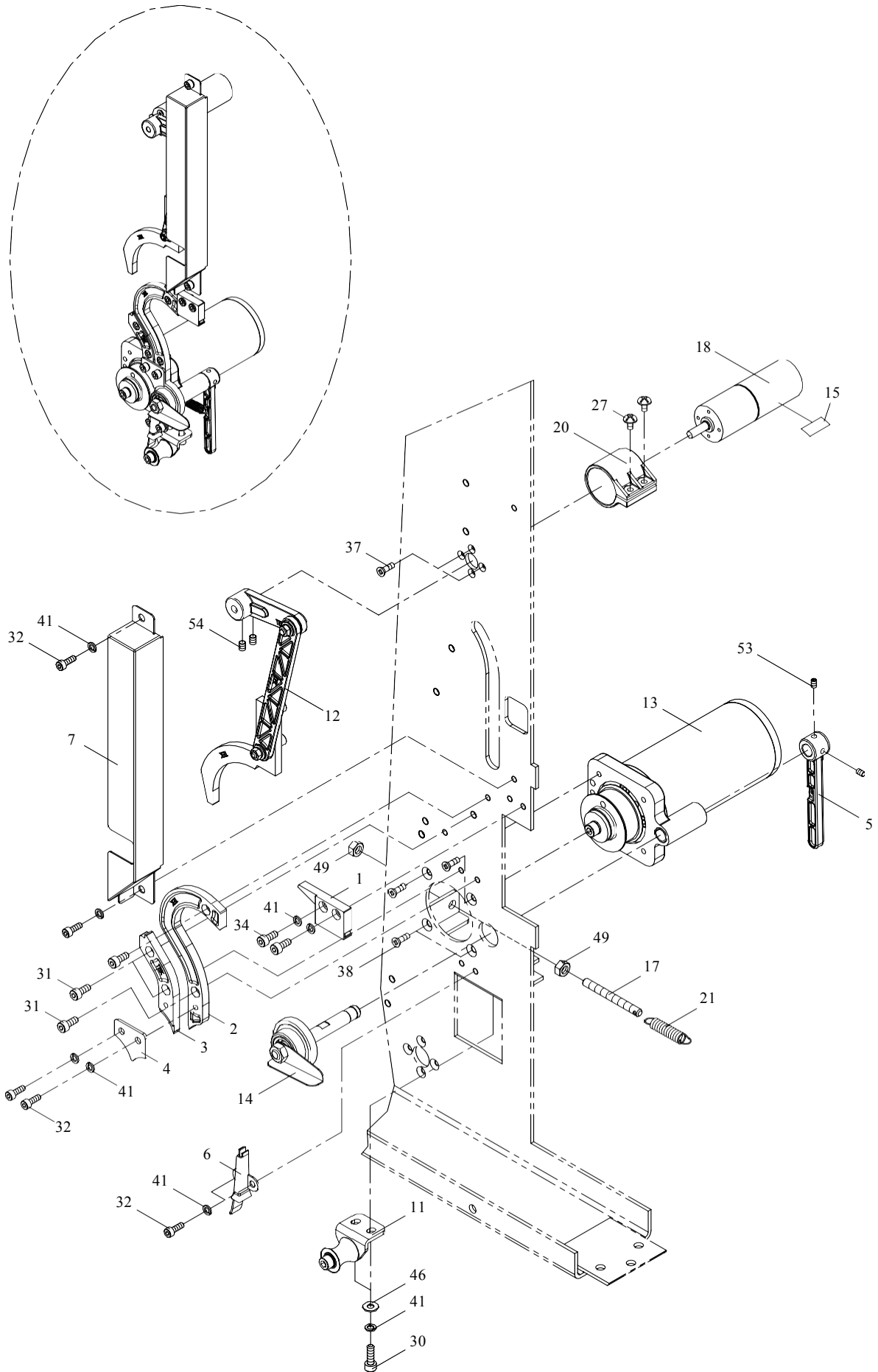
M7-3-100011



3-1

STRAP AMOUNT CONTROL GROUP M7-3-100001
M7-3-100011

REF. NO.	PART NO.	DESCRIPTION	Q'TY	GREENBRIDGE PART #
	M7-3-100001	Strap Amount Control Group (For 5-6mm)	1	X
	M7-3-100011	Strap Amount Control Group (For 9mm)	1	X
	M7-3-100071	Strap Amount Control Group (For 12mm)	1	X
1	T7-3-10150	Shaft	1	X
2	M7-3-101200	Spring	1	191523
6	MV-6-20220	Proximity Sensor	1	191483
8	T6-3-10130	Accumulator Adjusting Bolt	1	X
9	T6-3-10200	Twist Stopper	1	191703
10	T7-3-10140	Balance Bar (For 5-6mm)	1	X
	T7-3-10141	Balance Bar (For 9mm)	1	203682
	M7-3-101330	Balance Bar (For 12mm)	1	X
11	T7-3-10180	Tube	1	X
12	T7-3-10200	Sensor Lever	1	202742
16	BR6900ZZ	Bearing, 6900ZZ	2	187996
21	HBS0412N	HBS, M4×12 (N)(For 5-6mm)	2	191682
	HBS0410N	HBS, M4×10 (N)(For 9mm/12mm)	2	X
24	FMS0410N	FMS, M4×10 (N)	4	191786
27	PMS0316	PMS, M3×16	1	X
28	PMS0320	PMS, M3×20	2	191663
31	HSS0405GN	HSS, M4×5 (G)(N)	2	X
34	HN03	HN, M3	1	X
35	HN08	HN, M8	1	187490
39	SW03	SW, M3	3	191590
40	SW04	SW, M4	2	X
41	SW08	SW, M8	1	191759



REF. NO.	PART NO.	DESCRIPTION	Q'TY	GREENBRIDGE PART #
	M7-3-200070	Auto Strap Feeding Group (For 5-6mm)	1	X
	M7-3-200080	Auto Strap Feeding Group (For 9mm)	1	X
	M7-3-200090	Auto Strap Feeding Group (For 12mm)	1	X
1	M7-3-201100	Guide Block (For 5-6mm)	1	X
	M7-3-201110	Guide Block (For 9mm)	1	204619
	M7-3-201120	Guide Block (For 12mm)	1	X
2	M7-3-201200	Upper Strap Guide (For 5-6mm)	1	191521
	M7-3-201210	Upper Strap Guide (For 9mm)	1	204991
	M7-3-201230	Upper Strap Guide (For 12mm)	1	X
3	M7-3-201300	Lower Strap Guide (For 5-6mm)	1	X
	M7-3-201310	Lower Strap Guide (For 9mm)	1	204990
	M7-3-201330	Lower Strap Guide (For 12mm)	1	X
4	M7-3-201400	Strap Guide Cover	1	204993
5	M7-3-201500	Lever	1	X
6	M7-3-201601	Inlet Guide (For 5-6mm)	1	X
	M7-3-201611	Inlet Guide (For 9mm)	1	205494
	M7-3-201621	Inlet Guide (For 12mm)	1	X
7	M7-3-201700	Cover	1	204989
11	M7-3-210001	Roller Ass'y	1	(SEE PG. C73) 191750
12	M7-3-220000	Movable Strap Guide Ass'y (For 5-6mm)	1	(SEE PG. C75) X
	M7-3-220010	Movable Strap Guide Ass'y (For 9mm)	1	204992
	M7-3-220020	Movable Strap Guide Ass'y (For 12mm)	1	191585
13	M7-3-230000	M4 Motor Ass'y (For 5-6mm)	1	(SEE PG. C77) 198849
	M7-3-230010	M4 Motor Ass'y (For 9mm)	1	198850
	M7-3-230020	M4 Motor Ass'y (For 12mm)	1	191753
14	M7-3-250000	Assistant Roller Shaft Ass'y (For 5-6mm)	1	(SEE PG. C79) X
	M7-3-250010	Assistant Roller Shaft Ass'y (For 9mm)	1	X
	M7-3-250020	Assistant Roller Shaft Ass'y (For 12mm)	1	X
15	LA-50057	Label	1	X
17	M7-1-331500	Spring Hook	1	X
18	T6-1-61211	Motor (M5)	1	191501
20	T6-8-10410	Motor Cover	1	X
21	T7-1-70280	Spring	1	191806
27	TMS0408N	TMS, M4×8 (N)	2	191648
30	HBS0516N	HBS, M5×16 (N)	2	191700
31	HBS0508N	HBS, M5×8 (N)(For 5-6mm)	4	202943
	HBS0512N	HBS, M5×12 (N)(For 9mm)	4	190848
	HBS0516N	HBS, M5×16 (N)(For 12mm)	4	191700
32	HBS0508N	HBS, M5×8 (N)	6	202943

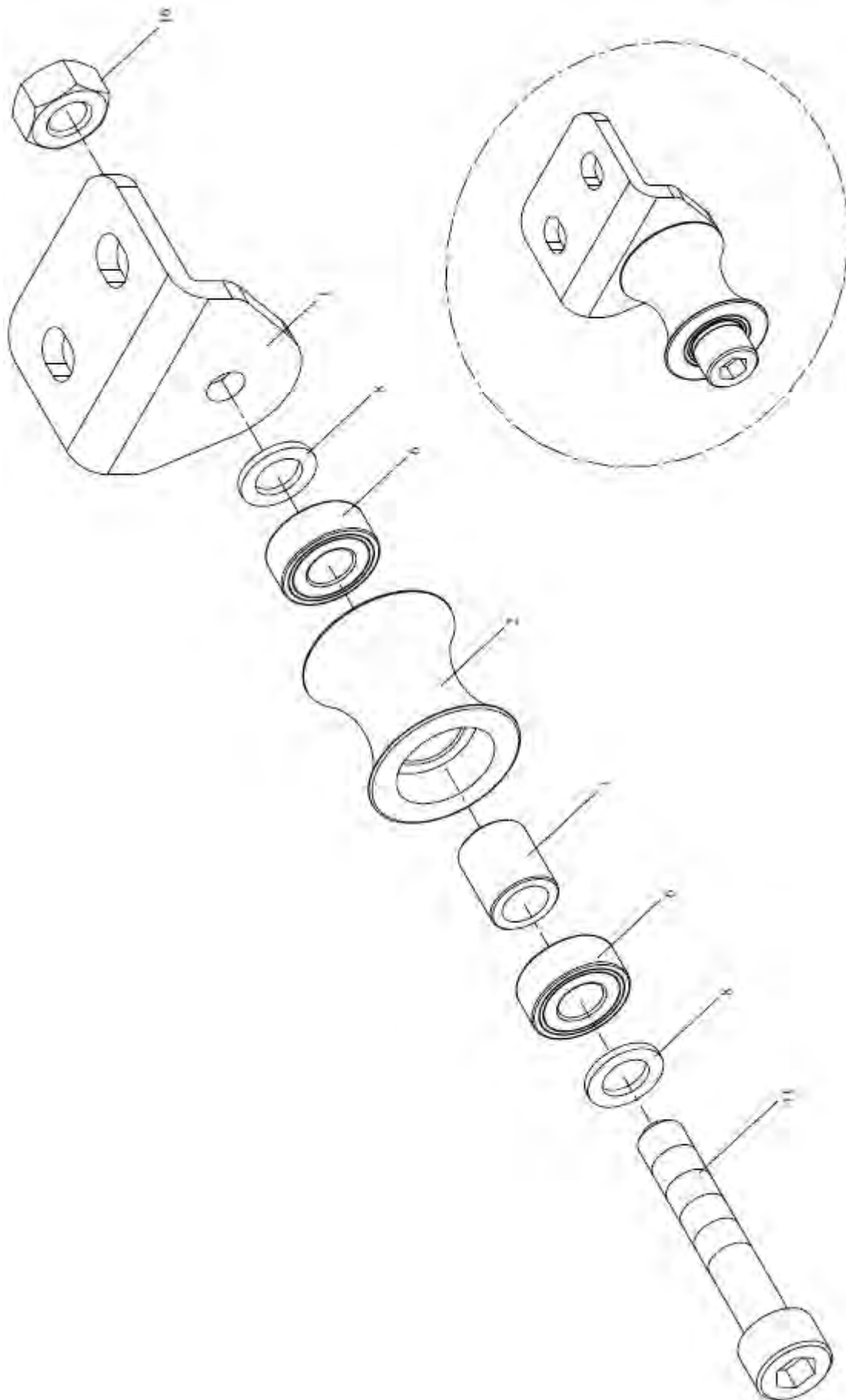
REF. NO.	PART NO.	DESCRIPTION	Q'TY	GREENBRIDGE PART #
34	HBS0510N	HBS, M5×10 (N)	2	X
37	FMS0310N	FMS, M3×10 (N)	4	206054
38	FMS0512N	FMS, M5×12 (N)	4	205391
41	SW05	SW, M5	10	191577
46	PW05	PW, M5	2	191578
49	HN06	HN, M6	2	191611
53	HSS0506GN	HSS, M5×6 (G)(N)	2	191584
54	HSS0508GN	HSS, M5×8 (G)(N)	2	X



3-2-1

ROLLER ASS'Y

M7-3-210001



3-2-1**ROLLER ASS'Y****M7-3-210001**

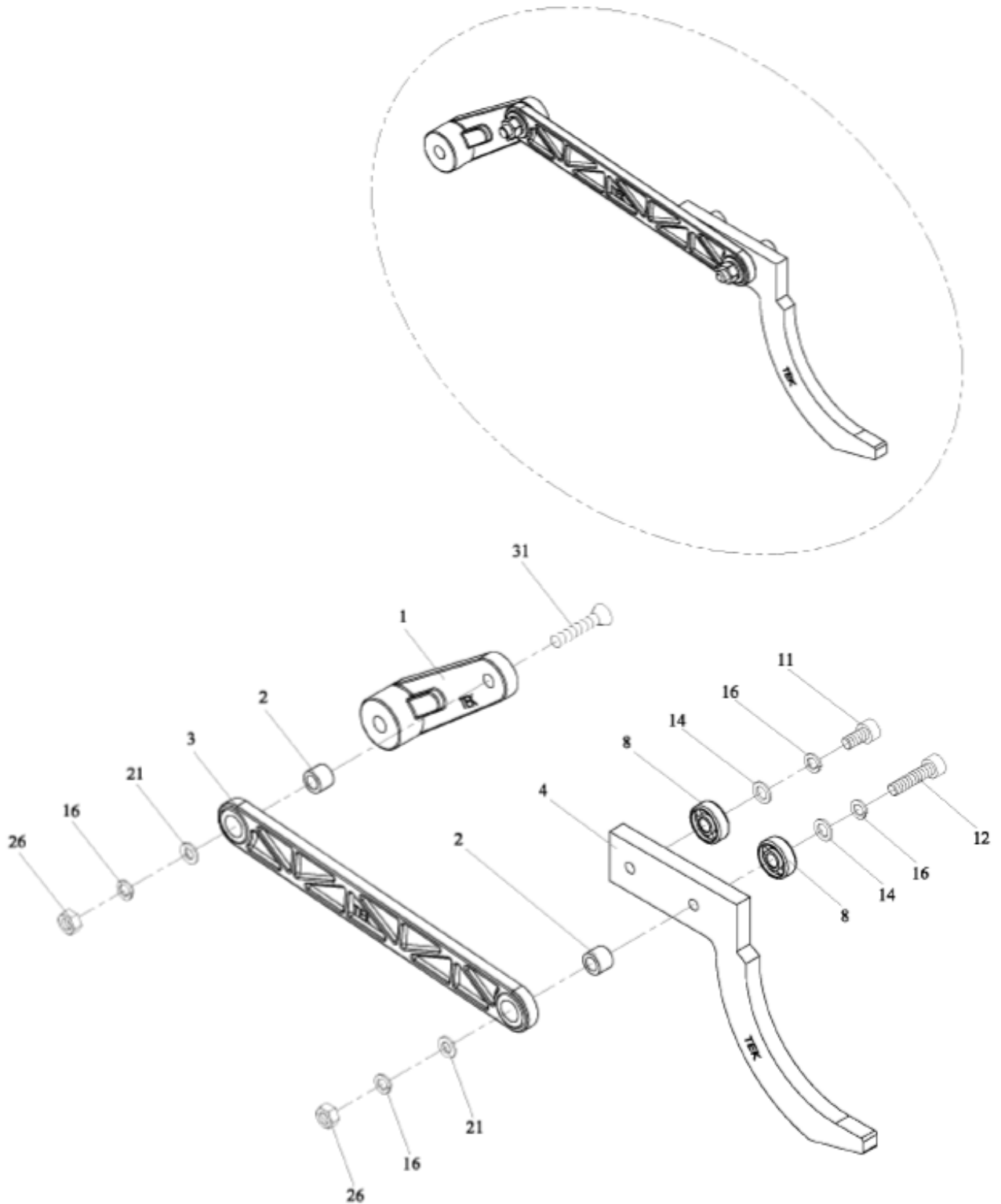
REF. NO.	PART NO.	DESCRIPTION	Q'TY	GREENBRIDGE PART #
1	M7-3-211101	Bracket	1	X
2	M7-3-211200	Roller	1	204310
3	M7-3-211300	Collar	1	204295
6	BR686ZZ	Bearing, 686ZZ	2	191598
8	H44-10950	Washer	2	X
11	HBS0635HN	HBS, M6×35 (H)(N)	1	X
16	HN06	HN, M6	1	191611

3-2-2

MOVABLE STRAP GUIDE ASS'Y

M7-3-220000

M7-3-220010



3-2-2

MOVABLE STRAP GUIDE ASS'Y

M7-3-220000

M7-3-220010

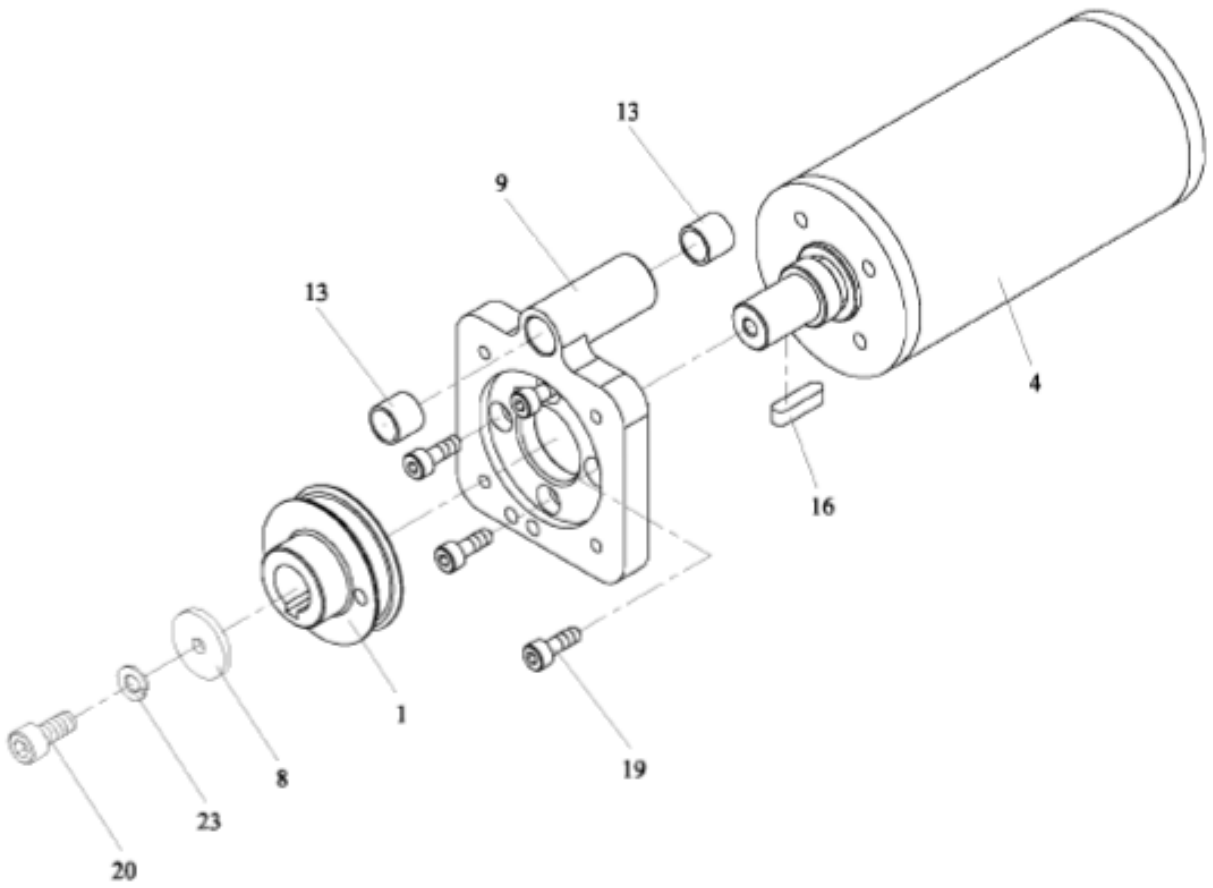
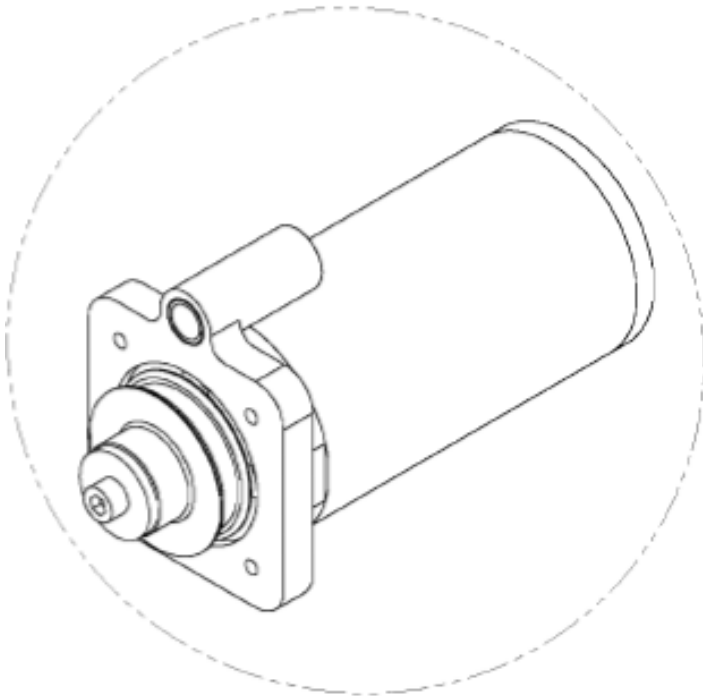
REF. NO.	PART NO.	DESCRIPTION	Q'TY	GREENBRIDGE PART #
	M7-3-220000	Movable Strap Guide Ass'y (For 5-6mm)	1	X
	M7-3-220010	Movable Strap Guide Ass'y (For 9mm)	1	204992
	M7-3-220020	Movable Strap Guide Ass'y (For 12mm)	1	191585
1	M7-3-221101	Rotary Arm	1	X
2	M7-3-221200	Spacer	2	X
3	M7-3-221300	Link	1	X
4	M7-3-221400	Movable Strap Guide (For 5-6mm)	1	X
	M7-3-221410	Movable Strap Guide (For 9mm)	1	X
	M7-3-221420	Movable Strap Guide (For 12mm)	1	X
8	BR605ZZ	Bearing, 605ZZ	2	190823
11	HBS0510N	HBS, M5×10 (N)	1	X
12	HBS0525N	HBS, M5×25 (N)	1	X
14	H44-10950	Washer	2	X
16	SW05	SW, M5	4	191577
21	PW05	PW, M5	2	191578
26	HN05	HN, M5	2	187478
31	FMS0520	FMS, M5×20	1	X

3-2-3

M4 MOTOR ASS'Y

M7-3-230000

M7-3-230010



3-2-3**M4 MOTOR ASS'Y****M7-3-230000****M7-3-230010**

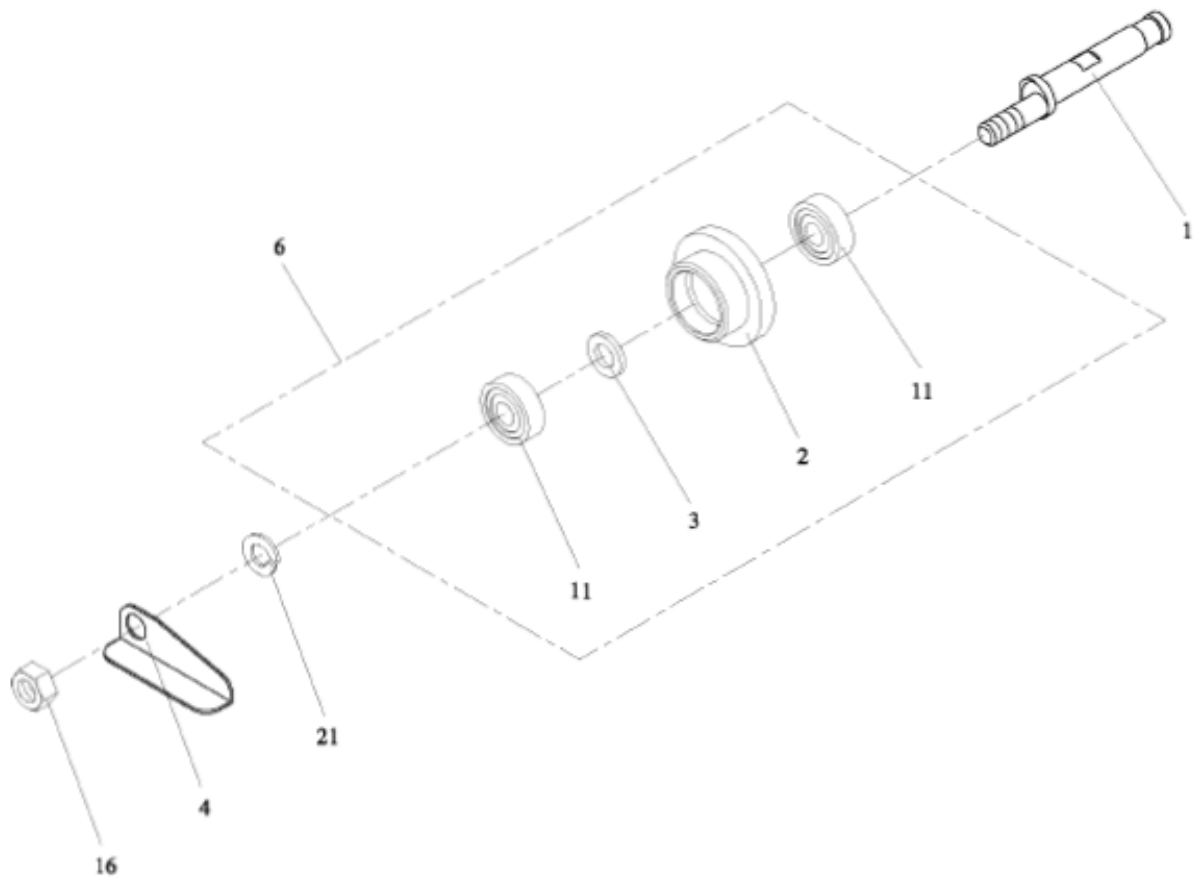
REF. NO.	PART NO.	DESCRIPTION	Q'TY	GREENBRIDGE PART #
	M7-3-230000	M4 Motor Ass'y (For 5-6mm)	1	198849
	M7-3-230010	M4 Motor Ass'y (For 9mm)	1	198850
	M7-3-230020	M4 Motor Ass'y (For 12mm)	1	191753
1	M7-3-231100	Accumulator Main Roller (For 5-6mm)	1	191547
	M7-3-231110	Accumulator Main Roller (For 9mm)	1	191548
	M7-3-231120	Accumulator Main Roller (For 12mm)	1	191546
4	M7-3-230100	M4 Motor Set	1	191538
8	TB-223	Washer	1	X
9	T7-3-20110	Motor Support	1	191567
13	MB1010	Metal Bushing, 1010	2	191568
16	KYA050515	Key, 5×5×15	1	X
19	HBS0512N	HBS, M5×12 (N)	4	190848
20	HBS0612N	HBS, M6×12 (N)	1	191563
23	SW06	SW, M6	1	191562

3-2-4

ASSISTANT ROLLER SHAFT ASS'Y

M7-3-250000

M7-3-250010



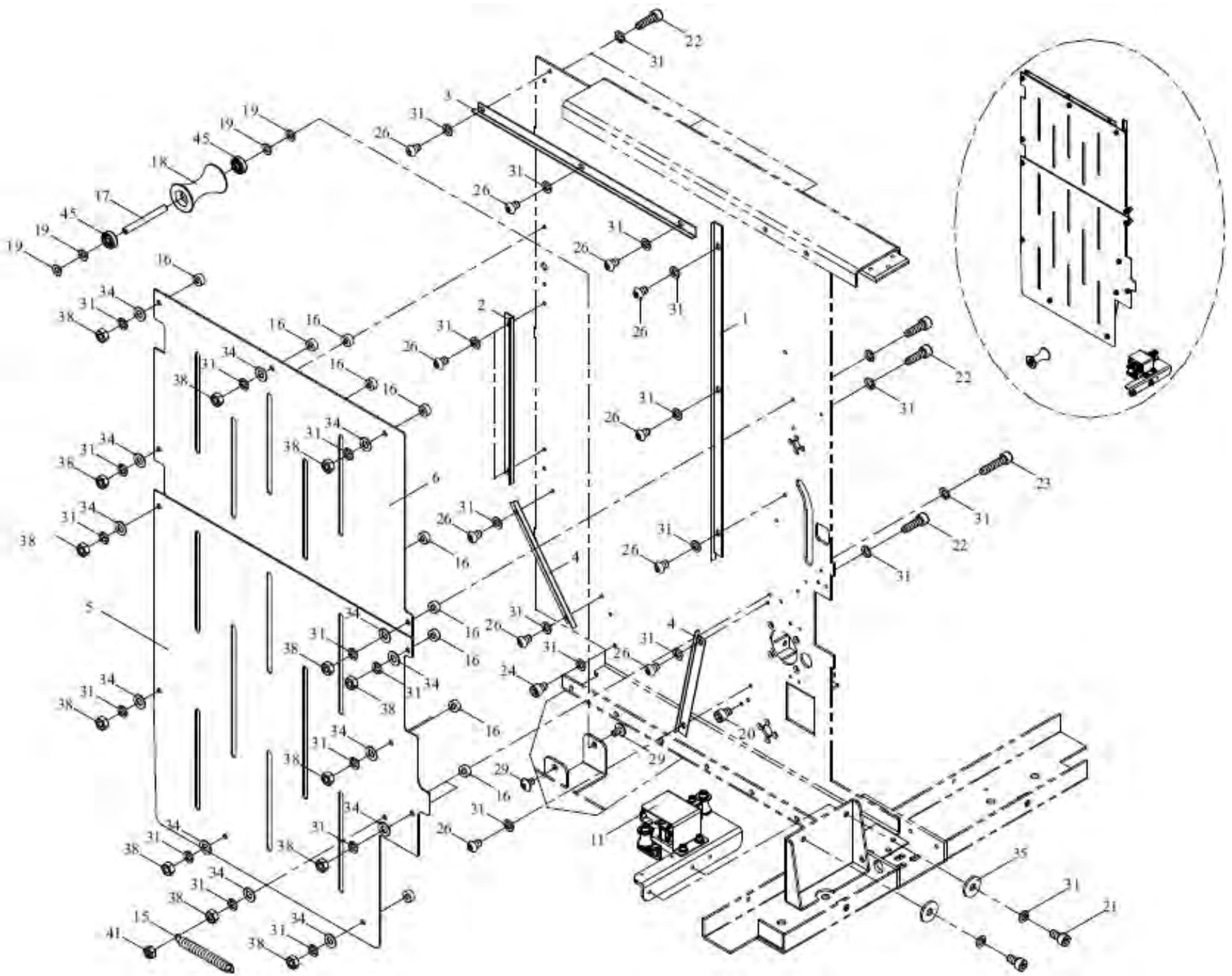
3-2-4

ASSISTANT ROLLER SHAFT ASS'Y

M7-3-250000

M7-3-250010

REF. NO.	PART NO.	DESCRIPTION	Q'TY	GREENBRIDGE PART #
	M7-3-250000	Assistant Roller Shaft Ass'y (For 5-6mm)	1	X
	M7-3-250010	Assistant Roller Shaft Ass'y (For 9mm)	1	X
	M7-3-250020	Assistant Roller Shaft Ass'y (For 12mm)	1	X
1	T7-3-20150	Shaft	1	X
2	T7-3-20160	Assistant Roller (For 5-6mm)	1	203624
	T7-3-20162	Assistant Roller (For 9mm)	1	191625
	T7-3-20163	Assistant Roller (For 12mm)	1	191754
3	T7-3-20200	Spacer	1	191755
4	T6-3-30180	Pusher	1	X
6	T7-3-20100	Assistant Roller Ass'y (For 5-6mm)	1	191588
	T7-3-20101	Assistant Roller Ass'y (For 9mm)	1	191594
	T7-3-20102	Assistant Roller Ass'y (For 12mm)	1	204529
11	BR608ZZ	Bearing, 608ZZ	2	187783
16	HN08	HN, M8	1	187490
21	SW08	SW, M8	1	191759



3-3

ACCUMULATOR BOX GROUP

M7-3-300300

M7-3-300310

REF. NO.	PART NO.	DESCRIPTION	Q'TY	GREENBRIDGE PART #
	M7-3-300300	Accumulator Box Group (For 5-6mm)	1	X
	M7-3-300310	Accumulator Box Group (For 9mm)	1	X
	M7-3-300320	Accumulator Box Group (For 12mm)	1	X
1	M7-3-301120	Enclosed Plate (For 5-6mm)	1	X
	M7-3-301130	Enclosed Plate (For 9mm)	1	X
	M7-3-301150	Enclosed Plate (For 12mm)	1	X
2	M7-3-301200	Enclosed Plate (For 5-6mm)	1	X
	M7-3-301210	Enclosed Plate (For 9mm)	1	X
	M7-3-301190	Enclosed Plate (For 12mm)	1	X
3	M7-3-301800	Enclosed Plate (For 5-6mm)	1	X
	M7-3-301810	Enclosed Plate (For 9mm)	1	X
	M7-3-301330	Enclosed Plate (For 12mm)	1	X
4	M7-3-301820	Enclosed Plate (For 5-6mm)	2	X
	M7-3-301830	Enclosed Plate (For 9mm)	2	X
	M7-3-301370	Enclosed Plate (For 12mm)	2	X
5	M7-3-301450	Accumulator Box Cover	1	X
6	M7-3-301460	Accumulator Box Cover	1	X
11	M7-3-310040	Auto Strap Ejecting Ass'y (For 5-6mm)	1	(SEE PG. C85) X
	M7-3-310050	Auto Strap Ejecting Ass'y (For 9mm)	1	205962
	M7-3-310060	Auto Strap Ejecting Ass'y (For 12mm)	1	X
15	TC-025	Spring	1	191524
16	T7-3-10260	Collar (For 5-6mm)	13	191671
	T7-3-10262	Collar (For 9mm)	13	X
	T7-3-10263	Collar (For 12mm)	13	X
17	T7-3-10220	Shaft	1	X
18	T7-3-10230	Roller	1	191858
19	T7-3-20200	Spacer	4	191755
20	HBS0608N	HBS, M6×8 (N)(Only 12mm)	1	X
21	HBS0612N	HBS, M6×12 (N)	2	191563
22	HBS0625N	HBS, M6×25 (N)(For 5-6mm)	12	X
	HBS0630N	HBS, M6×30 (N)(For 9mm/12mm)	12	191779
23	HBS0640N	HBS, M6×40 (N)(For 5-6mm/9mm)	1	188671
	HBS0645N	HBS, M6×45 (N)(For 12mm)	1	191757
24	HBS0608N	HBS, M6×8 (N)	1	X
26	THS0608N	THS, M6×8 (N)	12	X
29	TMS0508N	TMS, M5×8 (N)	2	191830
31	SW06	SW, M6	40	191562
		SW, M6 (Only 9mm)	41	

REF. NO.	PART NO.	DESCRIPTION	Q'TY	GREENBRIDGE PART #
34	PW06A	PW, M6 (A)	13	191612
35	PW06C	PW, M6 (C)	2	191561
38	HN06	HN, M6	13	191611
41	NTE06	NTE, M6	1	X
45	BR608ZZ	Bearing, 608ZZ	2	187783

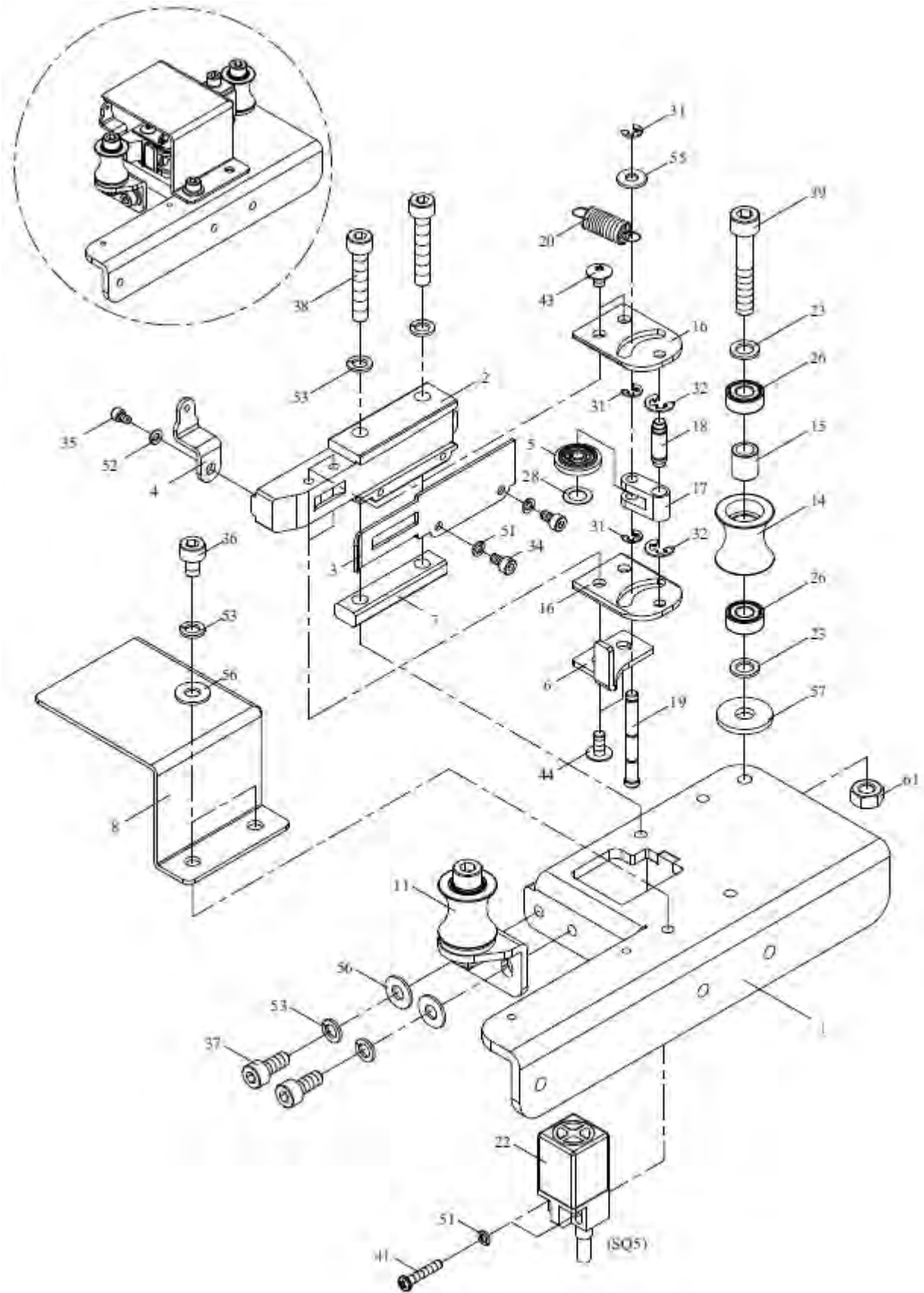


3-3-1

AUTO STRAP EJECTING ASS'Y

M7-3-310040

M7-3-310050



3-3-1

AUTO STRAP EJECTING ASS'Y

M7-3-310040

M7-3-310050

REF. NO.	PART NO.	DESCRIPTION	Q'TY	GREENBRIDGE PART #
	M7-3-310040	Auto Strap Ejecting Ass'y (For 5-6mm)	1	X
	M7-3-310050	Auto Strap Ejecting Ass'y (For 9mm)	1	205962
	M7-3-310060	Auto Strap Ejecting Ass'y (For 12mm)	1	X
1	M7-3-312710	Sensor Bracket	1	X
2	M7-3-312800	Inlet Guide (For 5-6mm)	1	191775
	M7-3-312810	Inlet Guide (For 9mm)	1	X
	M7-3-312820	Inlet Guide (For 12mm)	1	X
3	M7-3-312900	Cover	1	191712
4	M7-3-313000	Spring Hook	1	X
5	M7-3-313100	Roller	1	191693
6	M7-3-313400	Cover Protect	1	X
7	M7-3-313500	Spacer	1	X
8	M7-3-313600	Cover	1	X
11	M7-3-210020	Roller Ass'y	1	(SEE PG. C89) X
14	M7-3-211200	Roller	1	204310
15	M7-3-211300	Collar	1	204295
16	M7-3-241300	Sensor Lever Support	2	205151
17	M7-3-241401	Sensor Lever	1	191676
18	M7-3-241500	Shaft	1	191832
19	M7-3-241600	Shaft	1	191833
20	M7-3-313200	Spring	1	191493
22	MV-6-20220	Proximity Sensor (X18)(SQ5)	1	(SEE PG.C129~C133) 191483
23	H44-10950	Washer	2	X
26	BR686ZZ	Bearing, 686ZZ	2	191598
28	MWA-A-0610020S	Washer (SUS)	1	191640
31	ER03	Snap Ring, E-3	3	191618
32	ER04	Snap Ring, E-4	2	191505
34	HBS0306N	HBS, M3×6 (N)	2	191589
35	HBS0408N	HBS, M4×8 (N)	1	191787
36	HBS0508N	HBS, M5×8 (N)	2	202943
37	HBS0512N	HBS, M5×12 (N)	2	190848
38	HBS0530N	HBS, M5×30 (N)	2	X
39	HBS0635HN	HBS, M6×35 (H)(N)	1	X
41	PMS0320	PMS, M3×20	2	191663

3-3-1

AUTO STRAP EJECTING ASS'Y

M7-3-310040

M7-3-310050

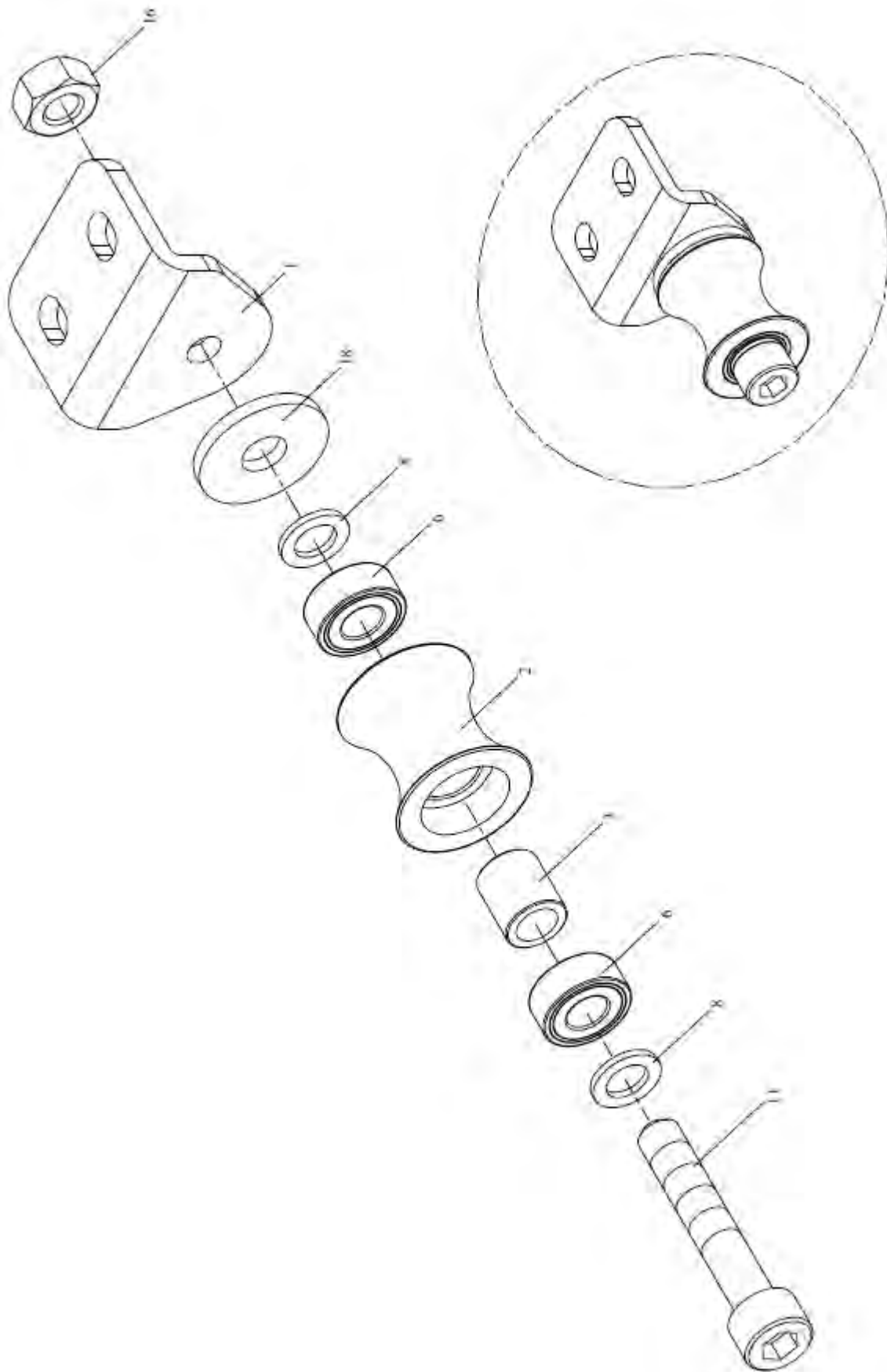
REF. NO.	PART NO.	DESCRIPTION	Q'TY	GREENBRIDGE PART #
43	TMS0408N	TMS, M4×8 (N)	2	191648
44	TMS0410N	TMS, M4×10 (N)	2	205628
51	SW03	SW, M3	2	191590
52	SW04	SW, M4	1	X
53	SW05	SW, M5	6	191577
55	PW04	PW, M4	1	187428
56	PW05	PW, M5	4	191578
57	PW06C	PW, M6 (C)	1	191561
61	HN06	HN, M6	1	191611



3-3-1-1

ROLLER ASS'Y

M7-3-210020

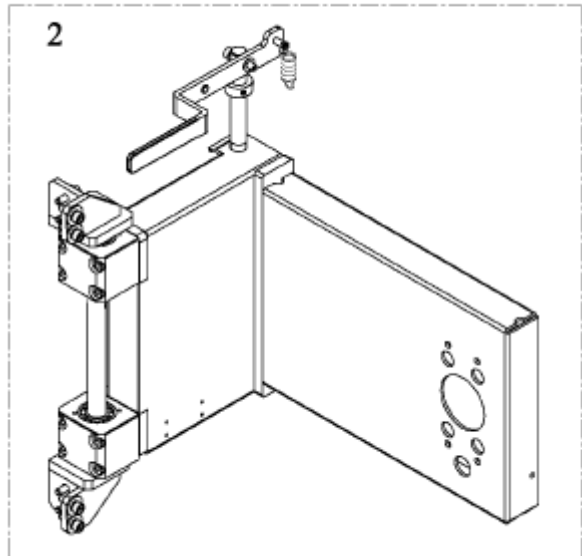
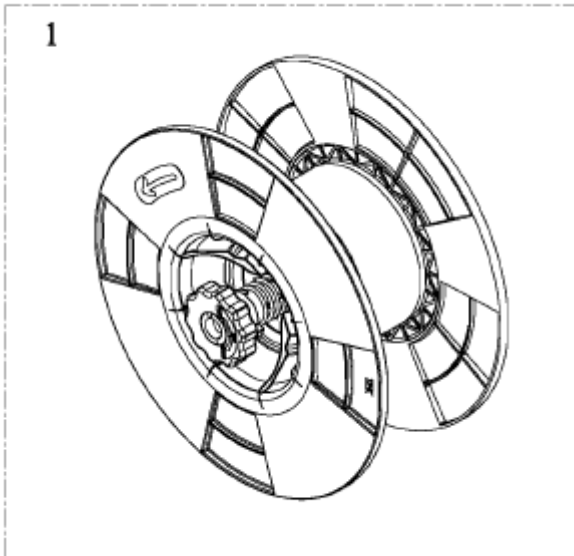
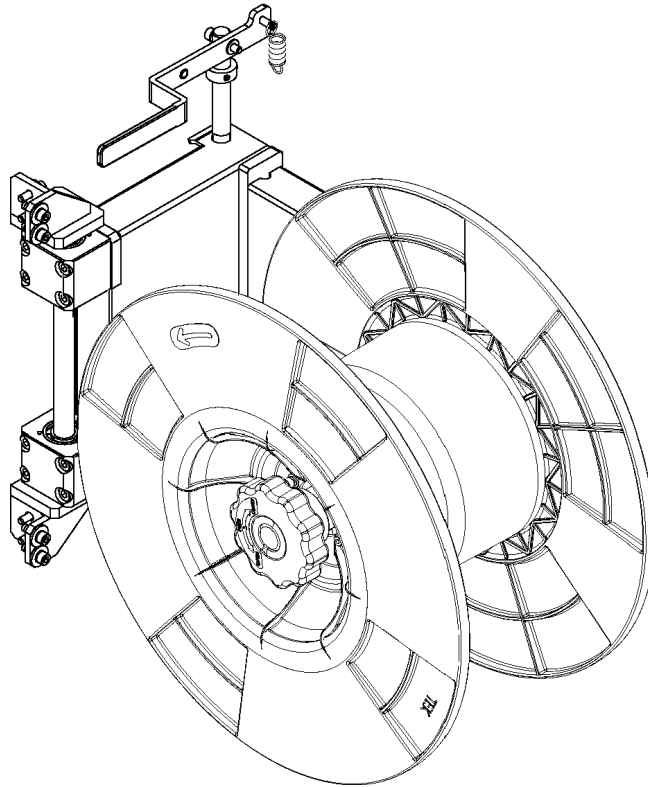


3-3-1-1

ROLLER ASS'Y

M7-3-210020

REF. NO.	PART NO.	DESCRIPTION	Q'TY	GREENBRIDGE PART #
1	M7-3-211101	Bracket	1	X
2	M7-3-211200	Roller	1	204310
3	M7-3-211300	Collar	1	204295
6	BR686ZZ	Bearing, 686ZZ	2	191598
8	H44-10950	Washer	2	X
11	HBS0635HN	HBS, M6×35 (H)(N)	1	X
16	HN06	HN, M6	1	191611
18	PW06C	PW, M6 (C)	1	191561

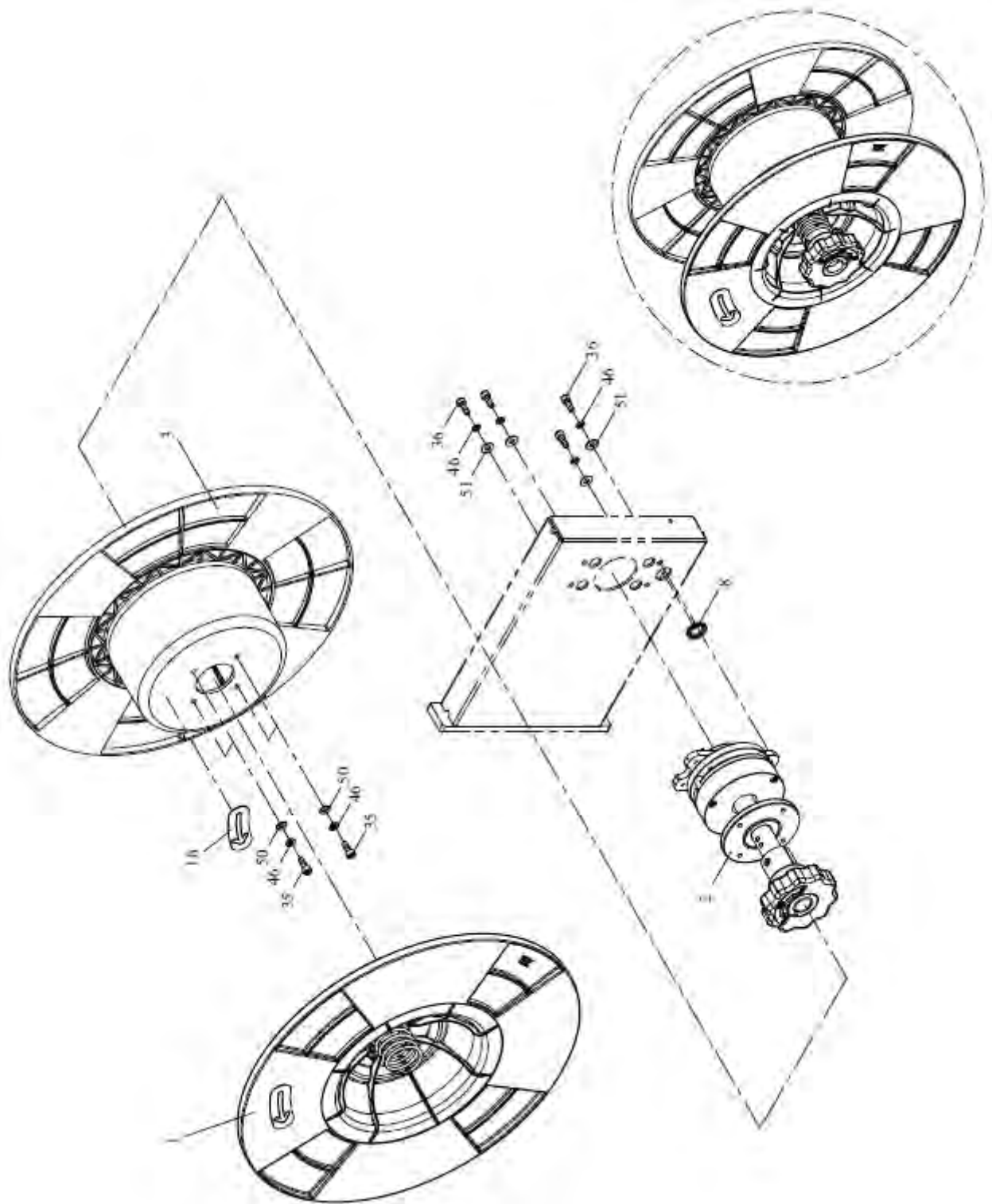


REEL CONTROL UNIT

M7-4-900040

M7-4-900050

REF. NO.	PART NO.	DESCRIPTION	Q'TY	GREENBRIDGE PART #
1	M7-4-900040	Reel Control Unit (For 200mm)	1	X
	M7-4-900050	Reel Control Unit (For 150mm)(Option)	1	X
	M7-4-100120	Reel Control Group (For 200mm)	1	(SEE PG. C93) X
	M7-4-100130	Reel Control Group (For 150mm)(Option)	1	X
	M7-4-200020	Reel Support Group	1	(SEE PG. C99) X



4-1

REEL CONTROL GROUP

M7-4-100120

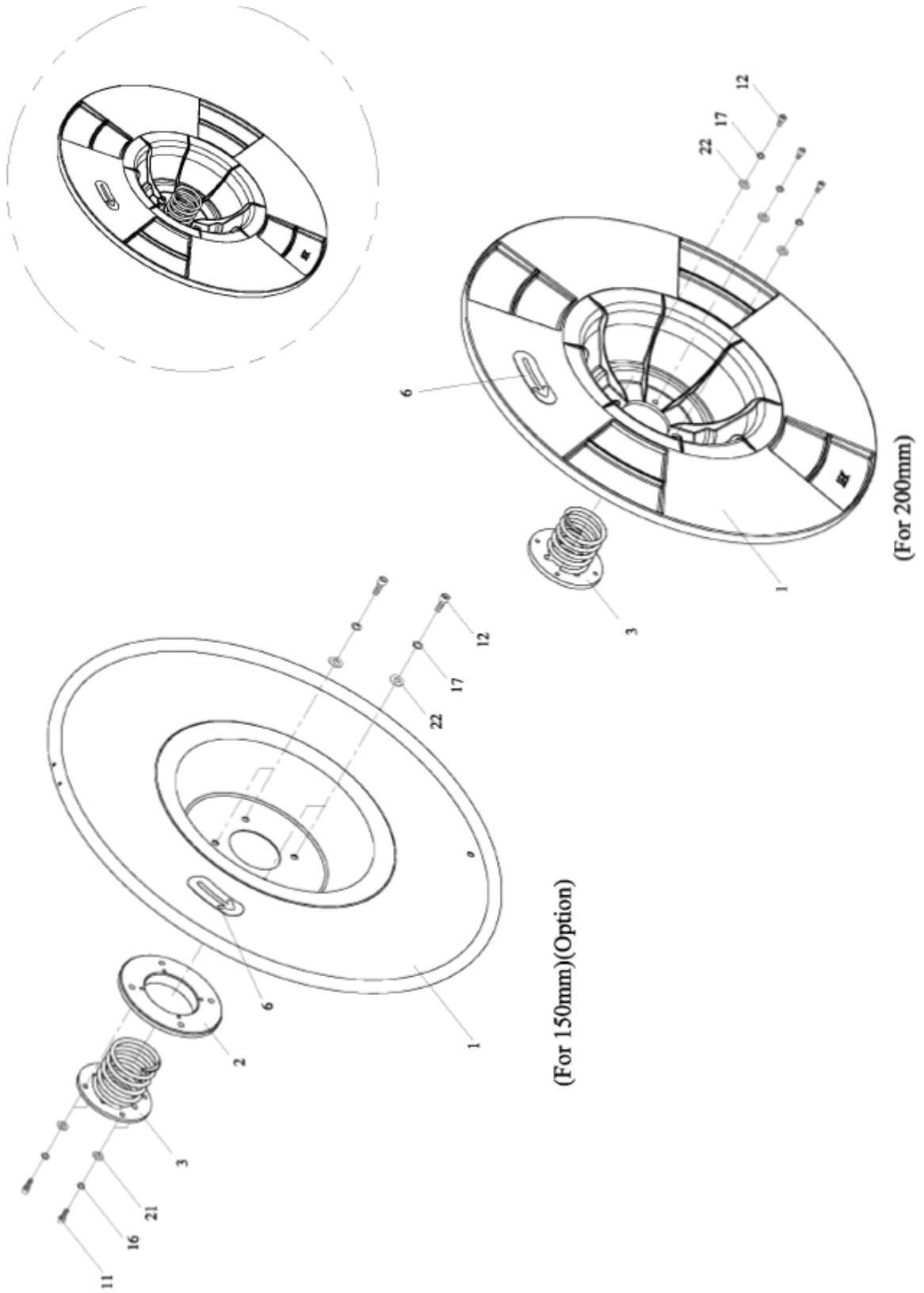
M7-4-100130

REF. NO.	PART NO.	DESCRIPTION	Q'TY	GREENBRIDGE PART #
	M7-4-100120	Reel Control Group (For 200mm)	1	X
	M7-4-100130	Reel Control Group (For 150mm)(Option)	1	X
1	M7-4-110021	Outer Flange Ass'y (For 200mm)	1	(SEE PG.C95) 203460
	M7-4-110030	Outer Flange Ass'y (For 150mm)(Option)	1	X
2	M7-4-120100	Reel Crank Ass'y (For 200mm)	1	(SEE PG.C97) X
	M7-4-120110	Reel Crank Ass'y (For 150mm)(Option)	1	X
3	M7-4-101101	Inner Flange (For 200mm)	1	191638
	T7-4-10112	Inner Flange (For 150mm)(Option)	1	X
8	M7-5-102001	Grommet	1	204725
16	LA-30200	Label	1	203461
35	HBS0610N	HBS, M6×10 (N)	4	X
36	HBS0616N	HBS, M6×16 (N)	4	191544
46	SW06	SW, M6	8	191562
50	PW06A	PW, M6 (A)	4	191612
51	PW06C	PW, M6 (C)	4	191561

4-1-1

OUTER FLANGE ASS'Y

M7-4-110021
M7-4-110030



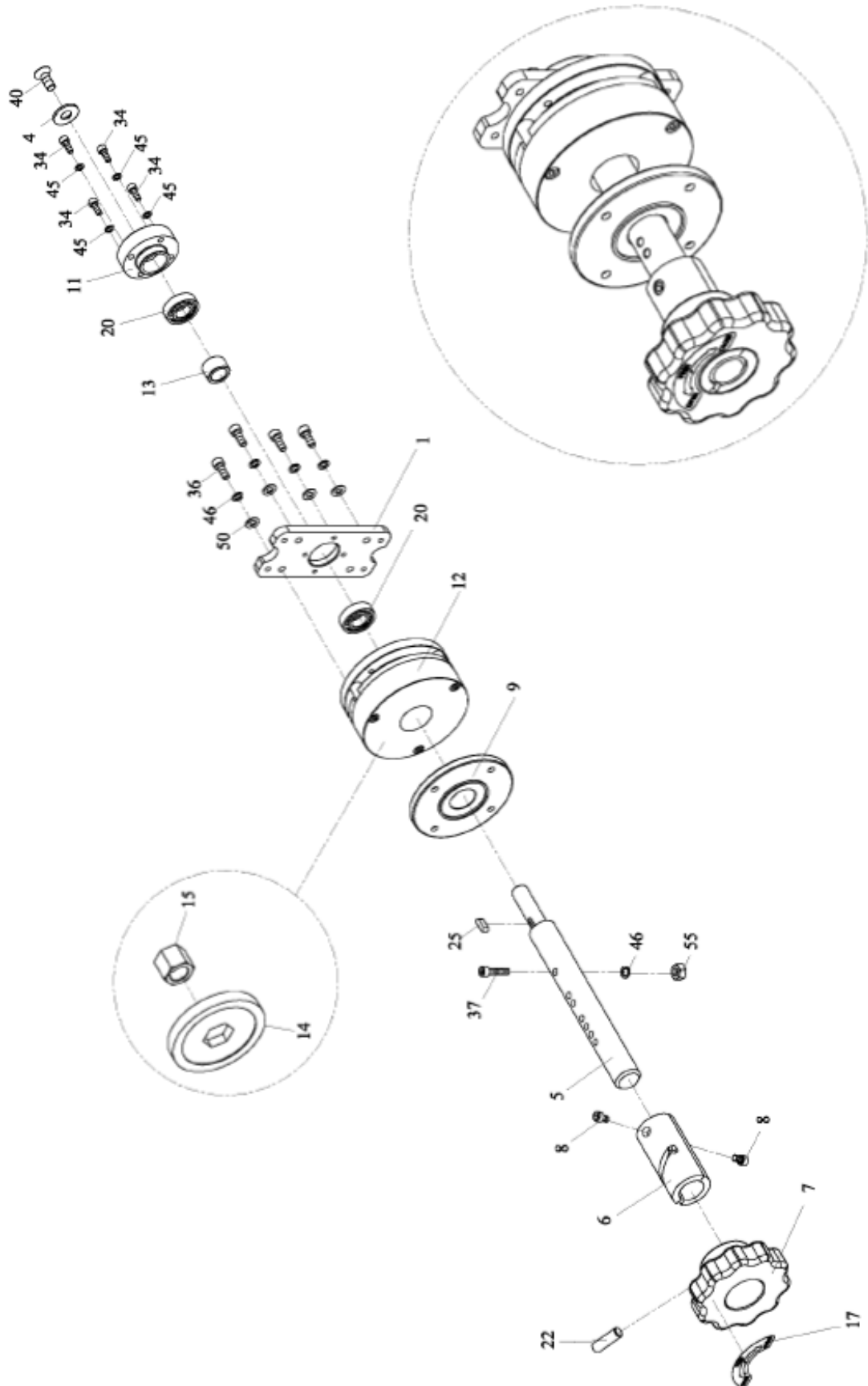
4-1-1

OUTER FLANGE ASS'Y

M7-4-110021

M7-4-110030

REF. NO.	PART NO.	DESCRIPTION	Q'TY	GREENBRIDGE PART #
1	M7-4-110021	Outer Flange Ass'y (For 200mm)	1	203460
	M7-4-110030	Outer Flange Ass'y (For 150mm)(Option)	1	X
	M7-4-111101	Outer Flange (For 200mm)	1	191736
	T7-4-10122	Outer Flange (For 150mm)(Option)	1	X
	M7-4-111200	Plate (Only 150mm)(Option)	1	X
3	M7-4-111310	Spring (For 200mm)	1	191744
	M7-4-111300	Spring (For 150mm)(Option)	1	203679
6	LA-30200	Label	1	203461
11	HBS0416N	HBS, M4×16 (N)(Only 150mm)(Option)	4	X
12	HBS0512N	HBS, M5×12 (N)(For 200mm)	4	109848
	HBS0610N	HBS, M6×10 (N)(For 150mm)(Option)	4	X
16	SW04	SW, M4 (Only 150mm)(Option)	4	X
17	SW05	SW, M5 (For 200mm)	4	191577
	SW06	SW, M6 (For 150mm)(Option)	4	191562
21	PW04	PW, M4 (Only 150mm)(Option)	4	187428
22	T7-2-20380	Washer (Ø5×Ø14)(For 200mm)	4	191745
	PW06A	PW, M6 (A)(For 150mm)(Option)	4	191612



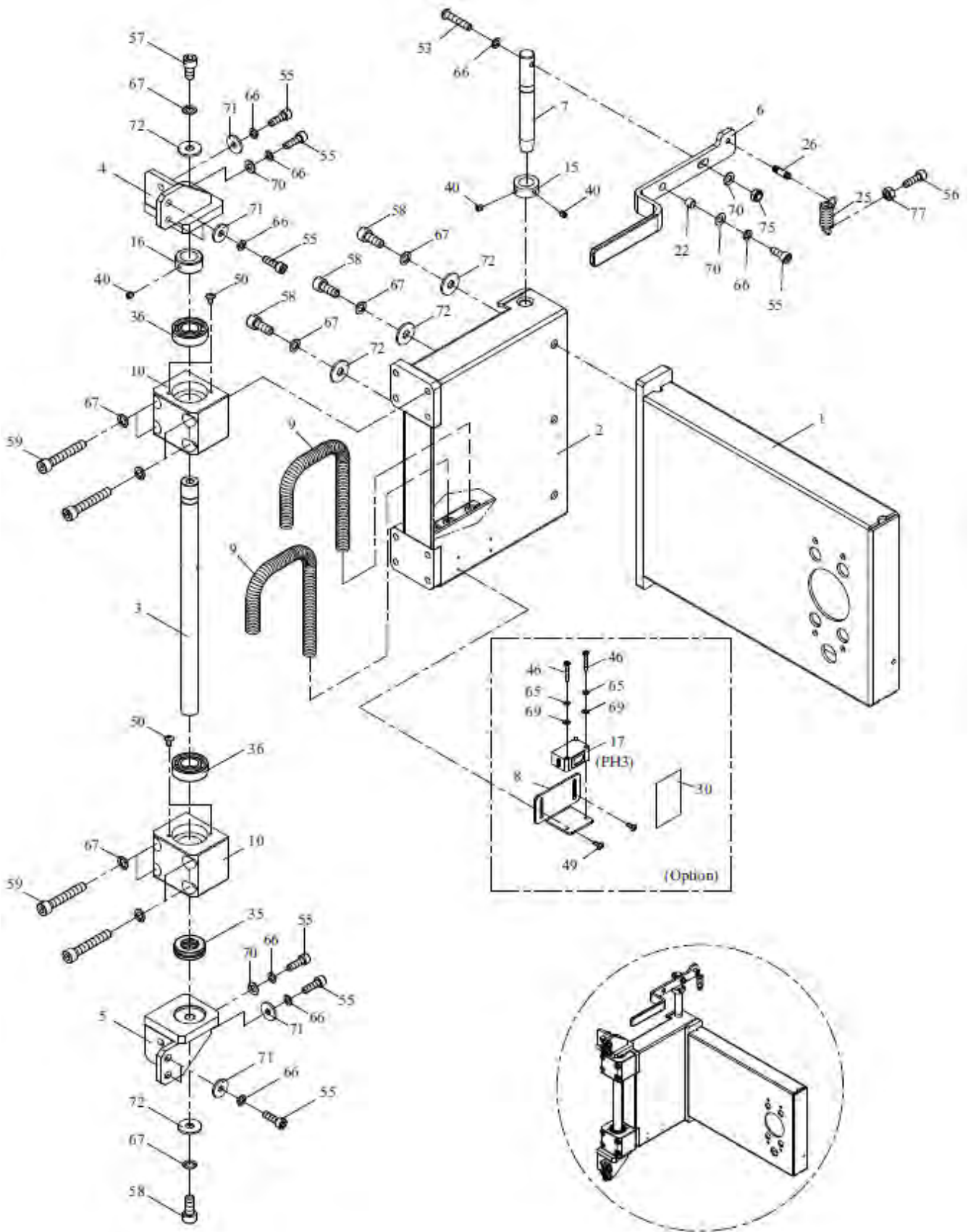
4-1-2

REEL CRANK ASS'Y

M7-4-120100

M7-4-120110

REF. NO.	PART NO.	DESCRIPTION	Q'TY	GREENBRIDGE PART #
1	M7-4-120100	Reel Crank Ass'y (For 200mm)	1	X
	M7-4-120110	Reel Crank Ass'y (For 150mm)(Option)	1	X
	M7-4-121200	Support	1	X
4	M7-4-121900	Washer	1	191556
5	M7-4-121301	Shaft (For 200mm)	1	X
6	M7-4-121311	Shaft (For 150mm)(Option)	1	X
	M7-4-121401	Shaft	1	191793
7	M7-4-121500	Reel Nut Handle	1	191716
8	M7-4-122000	Screw, M6×8	2	X
9	M7-4-122100	Plate (For 200mm)	1	191605
	T7-4-10140	Plate (For 150mm)(Option)	1	191605
11	T7-4-20160	Bearing Support	1	191812
12	T7-4-20170	Brake For Reel	1	191555
13	T7-4-20320	Spacer	1	X
14	T7-4-20330	Lining	1	X
15	T7-4-20340	Hex. Nut	1	X
17	LA-30230	Label	1	X
20	BR6002ZZ	Bearing, 6002ZZ	2	187782
22	MSA0620	Lock Pin, Ø6×20	1	191718
25	KYA050515	Key, 5×5×15	1	KYA050515
34	HBS0516N	HBS, M5×16 (N)	4	191700
36	HBS0620N	HBS, M6×20 (N)	4	191726
37	HBS0645N	HBS, M6×45 (N)	1	191757
40	FMS0820N	FMS, M8×20 (N)	1	X
45	SW05	SW, M5	4	191577
46	SW06	SW, M6	5	191562
50	PW06A	PW, M6 (A)	4	191612
55	HN06	HN, M6	1	191611



4-2

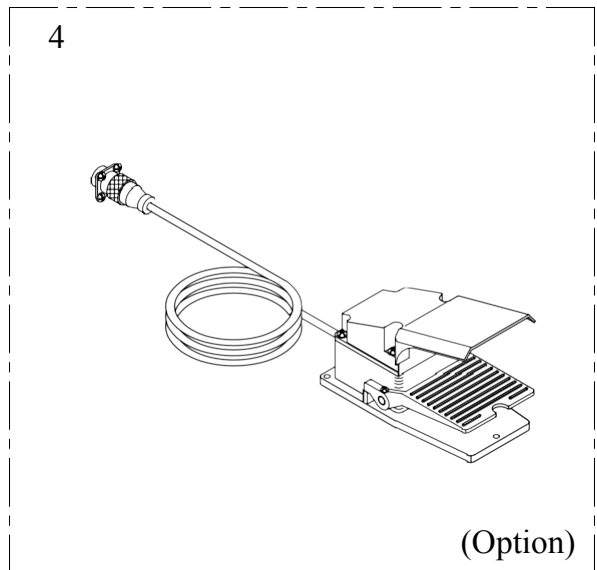
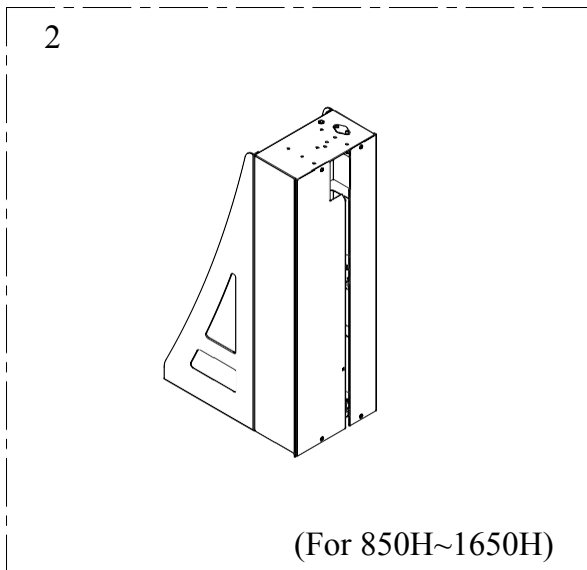
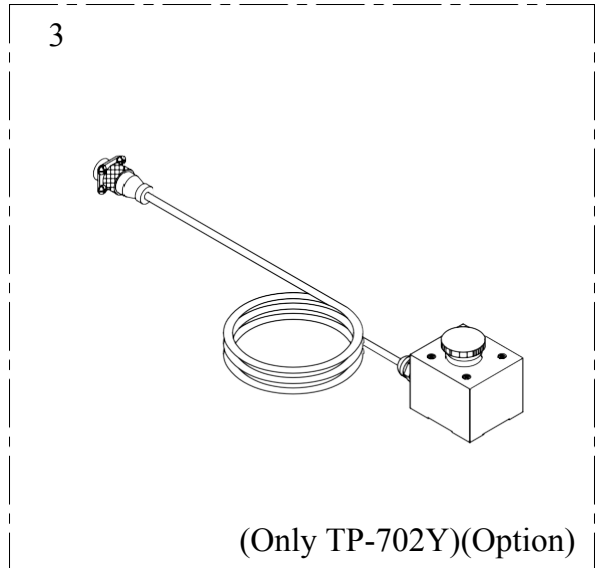
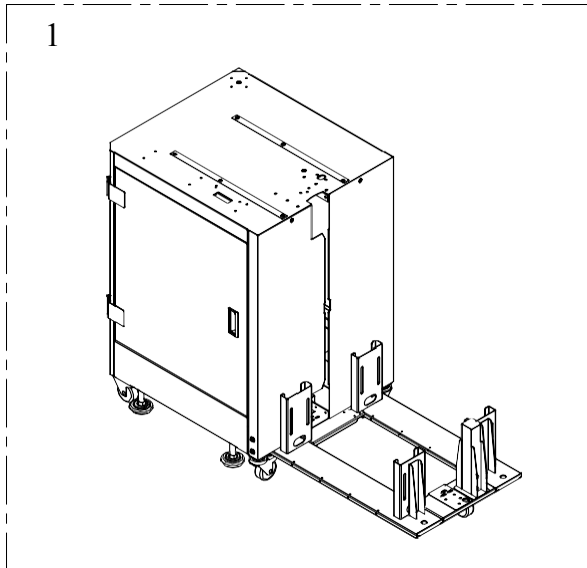
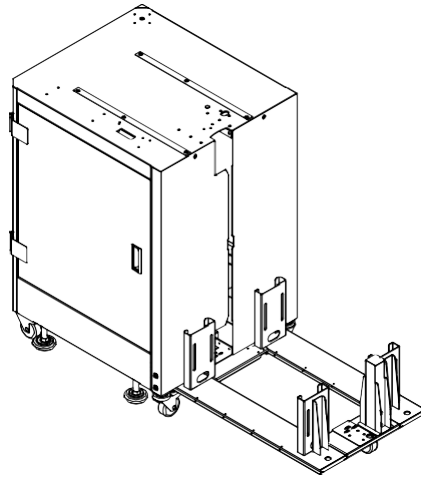
REEL SUPPORT GROUP

M7-4-200020

REF. NO.	PART NO.	DESCRIPTION	Q'TY	GREENBRIDGE PART #
1	M7-4-203500	Reel Crank	1	X
2	M7-4-203600	Reel Crank Supporter	1	X
3	M7-4-203700	Shaft	1	X
4	M7-4-203800	Shaft Base	1	X
5	M7-4-203900	Shaft Base	1	X
6	M7-4-202700	Lock Arm	1	X
7	M7-4-203000	Lock Pin	1	X
8	M7-4-203100	Sensor Bracket (Option)	1	X
9	M7-4-203210	Flexible Conduit	2	X
10	M7-4-203300	Bearing Housing	2	X
15	M7-1-101600	Collar	1	X
16	M7-2-401700	Collar	1	X
17	M7-6-301300	Photo Eye (PH3)(Option)	1	(SEE PG.C133) 205785
22	MCO-A-0600600	Spacer	1	X
25	TA-071	Return Spring	1	191479
26	TA-073	Spring Hook	1	191747
30	LA-50527	Sensor Label (Option)	1	191747
35	BR51103	Thrust Bearing, 51103	1	X
36	BR6003ZZ	Bearing, 6003ZZ	2	187830
40	HSS0506GN	HSS, M5×6 (G)(N)	3	191584
46	PMS0320	PMS, M3×20 (Option)	2	191663
49	TMS0308N	TMS, M3×8 (N)(Option)	2	191719
50	TMS0408N	TMS, M4×8 (N)	4	191648
53	THS0630N	THS, M6×30 (N)	1	X
55	HBS0616N	HBS, M6×16 (N)	9	191544
56	HB0620	HB, M6×20	1	X
57	HBS0816N	HBS, M8×16 (N)	1	X
58	HBS0820N	HBS, M8×20 (N)	4	X
59	HBS0850N	HBS, M8×50 (N)	8	X
65	SW03	SW, M3 (Option)	2	191590
66	SW06	SW, M6	10	191562
67	SW08	SW, M8	13	191759

REF. NO.	PART NO.	DESCRIPTION	Q'TY	GREENBRIDGE PART #
69	PW03	PW, M3 (Option)	2	187560
70	PW06A	PW, M6 (A)	4	191612
71	PW06C	PW, M6 (C)	6	191561
72	PW08C	PW, M8 (C)	5	191760
75	NTE06	NTE, M6	1	X
77	HN06	HN, M6	1	191611



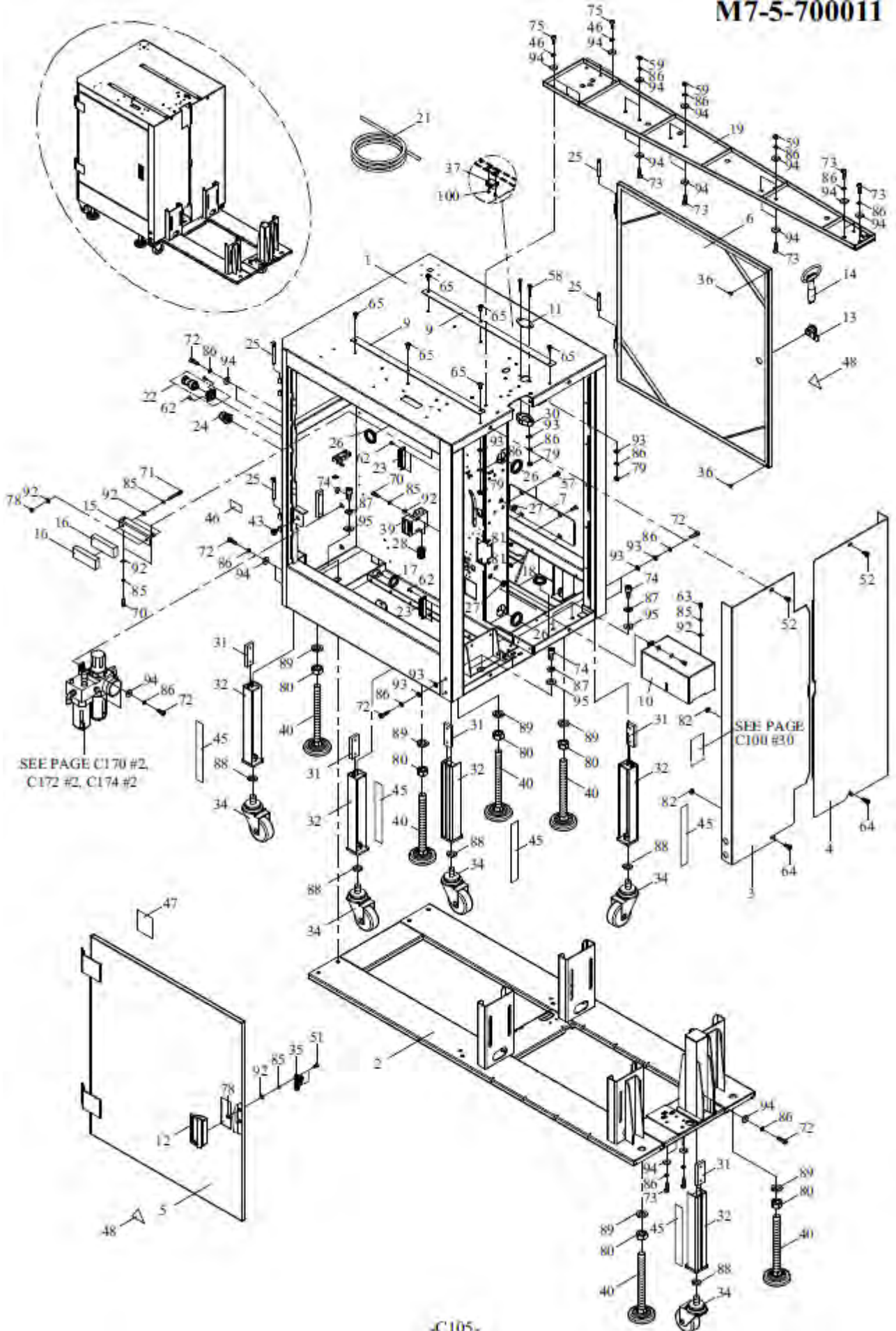


BODY FRAME UNIT

M7-5-903001

M7-5-903011

REF. NO.	PART NO.	DESCRIPTION	Q'TY	GREENBRIDGE PART #
	M7-5-903001	Body Frame Unit (For TP-702Y, 5-6mm)	1	X
	M7-5-903011	Body Frame Unit (For TP-702Y, 9mm)	1	X
	M7-5-903021	Body Frame Unit (For TP-702Y, 12mm)	1	X
	M7-5-903031	Body Frame Unit (For TP-702YA, 5-6mm)	1	X
	M7-5-903041	Body Frame Unit (For TP-702YA, 9mm)	1	X
	M7-5-903051	Body Frame Unit (For TP-702YA, 12mm)	1	X
1	M7-5-700001	Body Frame Group (For TP-702Y, 5-6mm)	1	(SEE PG. C105) X
	M7-5-700011	Body Frame Group (For TP-702Y, 9mm)	1	X
	M7-5-700021	Body Frame Group (For TP-702Y, 12mm)	1	X
	M7-5-700031	Body Frame Group (For TP-702YA, 5-6mm)	1	X
	M7-5-700041	Body Frame Group (For TP-702YA, 9mm)	1	X
	M7-5-700051	Body Frame Group (For TP-702YA, 12mm)	1	X
2	M7-5-800000	Arch Support Group (For 12mm, 850H)	1	(SEE PG.C109) X
	M7-5-800010	Arch Support Group (For 12mm, 1050H)	1	X
	M7-5-800020	Arch Support Group (For 12mm, 1250H)	1	X
	M7-5-800030	Arch Support Group (For 12mm, 1650H)	1	X
	M7-5-800040	Arch Support Group (For 9mm, 850H)	1	X
	M7-5-800050	Arch Support Group (For 9mm, 1050H)	1	X
	M7-5-800060	Arch Support Group (For 9mm, 1250H)	1	X
	M7-5-800070	Arch Support Group (For 9mm, 1650H)	1	X
	M7-5-800080	Arch Support Group (For 5-6mm, 850H)	1	X
	M7-5-800090	Arch Support Group (For 5-6mm, 1050H)	1	X
	M7-5-800100	Arch Support Group (For 5-6mm, 1250H)	1	X
	M7-5-800110	Arch Support Group (For 5-6mm, 1650H)	1	X
3	T7-6-40010	Movable Control Box (Only TP-702Y)(Option)	1	(SEE PG.C113) X
4	T7-6-40001	Pedal Control Set (Option)	1	(SEE PG.C115) 191529



5-1

BODY FRAME GROUP

M7-5-700001

M7-5-700011

REF. NO.	PART NO.	DESCRIPTION	Q'TY	GREENBRIDGE PART #
	M7-5-700001	Body Frame Group (For TP-702Y, 5-6mm)	1	X
	M7-5-700011	Body Frame Group (For TP-702Y, 9mm)	1	X
	M7-5-700021	Body Frame Group (For TP-702Y, 12mm)	1	X
	M7-5-700031	Body Frame Group (For TP-702YA, 5-6mm)	1	X
	M7-5-700041	Body Frame Group (For TP-702YA, 9mm)	1	X
	M7-5-700051	Body Frame Group (For TP-702YA, 12mm)	1	X
1	M7-5-701101	Body Frame	1	X
2	M7-5-701200	Table Support (For TP-702Y, 400W)	1	X
	M7-5-701210	Table Support (For 600W)	1	X
	M7-5-701220	Table Support (For 800W)	1	X
	M7-5-701230	Table Support (For 1000W)	1	X
	M7-5-701240	Table Support (For 1300W)	1	X
		Table Support (For TP-702Y-XT)(Option)		
3	M7-5-701300	Front Plate (LH)(For 5-6mm, 650H)	1	X
	M7-5-701310	Front Plate (LH)(For 9mm, 650H)	1	X
	M7-5-701320	Front Plate (LH)(For 12mm, 650H)	1	X
	M7-5-701330	Front Plate (LH)(For 5-6mm)	1	X
	M7-5-701340	Front Plate (LH)(For 9mm)	1	X
	M7-5-701350	Front Plate (LH)(For 12mm)	1	X
4	M7-5-701400	Front Plate (RH)(For 650H)	1	X
	M7-5-701410	Front Plate (RH)	1	X
5	M7-5-701500	Front Door	1	X
6	M7-5-701600	Rear Door	1	X
7	M7-5-701700	Rear Plate	1	X
9	M7-5-701900	Plate (For 400W×650H/600W×650H)	2	X
10	M7-5-702000	Cover	1	X
11	M7-5-201600	Cover (Only 650H)	1	X
12	M7-5-205500	Handle	1	X
13	M7-5-206900	Lock	1	X
14	M7-5-206910	Key	1	203761
15	M7-6-103400	Clamp	1	X
16	M7-6-103500	Foam Rubber	2	X
17	M7-5-102001	Grommet (For TP-702Y)	1	204725
18	M7-5-102001	Grommet (For TP-702YA)	2	204725
19	M7-5-801610	Cantilever (For 1300W×650H)	1	X
21	TT-5-20120	Power Cord (Europe)(For TP-702Y)	1	X
	T5-4-10324	Power Cord (America)(For TP-702Y)	1	191518
	M7-5-108900	Power Cord (Europe)(For TP-702YA)	1	X
	T6-6-10162	Power Cord (America)(For TP-702YA)	1	X
	EW72L005B033	Power Cord (For 3PH)	1	X
22	T6-4-41171	Connector (For TP-702YA)	1	205566
		Connector (For TP-702Y)(Option)	1	
23	T6-5-10160	Magnet Catch	2	191526

5-1

BODY FRAME GROUP

M7-5-700001

M7-5-700011

REF. NO.	PART NO.	DESCRIPTION	Q'TY	GREENBRIDGE PART #
24	T6-6-10340	Cable Gland (PG13.5)	1	X
25	T6-6-60130	Pin	4	191733
26	T6-5-10200	Grommet	3	X
27	T5-4-10580	Grommet	2	191803
28	T5-2-10500	Cable Gland (PG9)	1	X
30	T7-2-10280	Block (Only 650H)	1	X
31	T7-5-10150	Fix Plate (For TP-702Y, 400W)	4	X
		Fix Plate (For TP-702Y/TP-702YA)	5	
		Fix Plate (For TP-702Y-XT)(Option)	4	
32	T7-5-10165	Adjustment Leg (For TP-702Y, 400W)	4	203683
		Adjustment Leg (For TP-702Y/TP-702YA)	5	
		Adjustment Leg (For TP-702Y-XT)(Option)	4	
34	T7-5-10182	Caster (Free)	5	191808
		Caster (Free)(For TP-702Y, 400W)	4	
		Caster (Free)(For TP-702Y-XT)(Option)	4	
35	T7-5-10210	Switch Actuator	1	191502
36	T7-5-20210	Rubber Plug	2	X
37	T5-1-12451	Heater Terminal (Option)	1	191732
39	TK-035	Interlock Safety Switch (IP67)	1	191675
40	TT-1-10400	Machinery Pad (For TP-702Y, 400W)	4	X
		Machinery Pad (For TP-702Y/TP-702YA)	6	
		Machinery Pad (For TP-702Y-XT)(Option)	4	
43	H45-60160	Sealing Switch (Semi)	1	191514
45	LA-50094	Label (For TP-702Y, 400W)	4	X
		Label (For TP-702Y/TP-702YA)	5	
		Label (For TP-702Y-XT)(Option)	4	
46	LA-30220	Label	1	X
47	LA-30330	Label	1	X
48	LA-40210	Label (Only TP-702YA)	2	X
51	FMS0512N	FMS, M5×12 (N)	2	205391
52	FMS0616S	FMS, M6×16 (SUS)	2	X
57	THS0516N	THS, M5×16 (N)	4	X
58	THS0630N	THS, M6×30 (N)(Only 650H)	2	X
62	TMS0308N	TMS, M3×8 (N)(For TP-702Y)	4	191719
		TMS, M3×8 (N)(For TP-702YA)	8	
		TMS, M3×8 (N)(For TP-702Y)(Option)	8	
63	HBS0508N	HBS, M5×8 (N)	2	202943
64	TMS0620S	TMS, M6×20 (SUS)	2	X
65	TMS0612N	TMS, M6×12 (N)(Only 650H)	6	X
70	HBS0516N	HBS, M5×16 (N)	4	191700
71	HBS0540N	HBS, M5×40 (N)	2	X

5-1

BODY FRAME GROUP

M7-5-700001

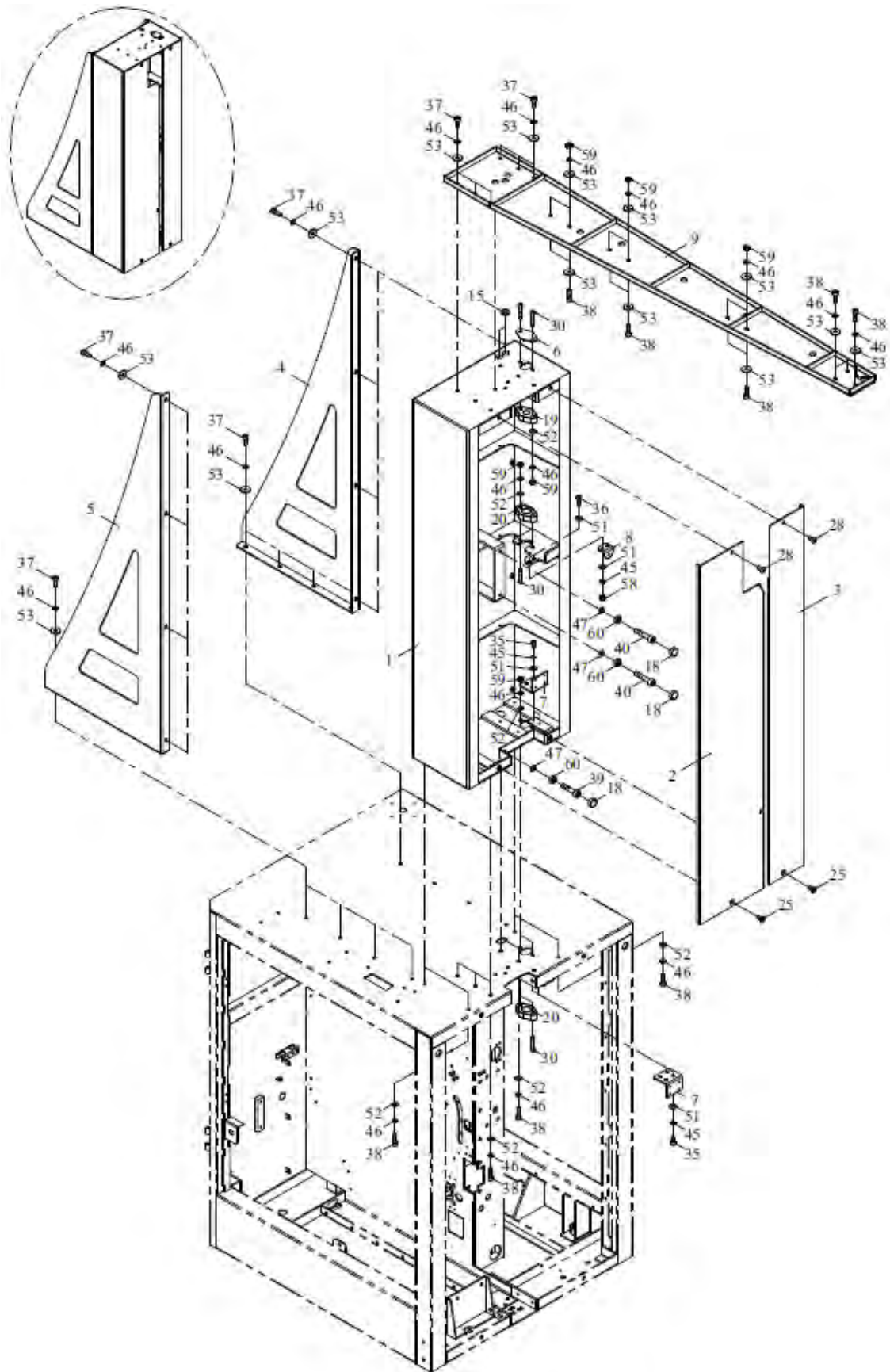
M7-5-700011

REF. NO.	PART NO.	DESCRIPTION	Q'TY	GREENBRIDGE PART #
72	HBS0616N	HBS, M6×16 (N)	10	191544
		HBS, M6×16 (N)(For TP-702Y, 400W)	8	
		HBS, M6×16 (N)(For TP-702Y-XT)(Option)	8	
		HBS, M6×16 (N)(Option)	12	
73	HBS0620N	HBS, M6×20 (N)	4~14	191726
74	HBS1020N	HBS, M10×20 (N)	8	X
		HBS, M10×20 (N)(For TP-702Y-XT)(Option)	0	
75	HBS0625N	HBS, M6×20 (N)(For 1300W×650H)	6	X
78	HN05	HN, M5	4	187478
79	HN06	HN, M6 (For 650H)	4~10	191611
80	HN3/4	HN, 3/4"	6	X
		HN, 3/4" (For TP-702Y, 400W)	4	
		HN, 3/4" (For TP-702Y-XT)(Option)	4	
81	NTE05	NTE, M5	4	191076
82	NTE06	NTE, M6	2	X
85	SW05	SW, M5	10	191577
86	SW06	SW, M6	14~32	191562
		SW, M6 (Option)	8~26	
87	SW10	SW, M10	8	X
		SW, M10 (For TP-702Y-XT)(Option)	0	
88	SW16	SW, M16	5	X
		SW, M16 (For TP-702Y, 400W)	4	
		SW, M16 (For TP-702Y-XT)(Option)	4	
89	SW20	SW, M20	6	X
		SW, M20 (For TP-702Y, 400W)	4	
		SW, M20 (For TP-702Y-XT)(Option)	4	
92	PW05	PW, M5	12	191578
93	PW06A	PW, M6 (A)	8~12	191612
		PW, M6 (A)(Option)	8~16	
94	PW06C	PW, M6 (C)	8~32	191561
		PW, M6 (C)(Option)	4~12	
95	PW10C	PW, M10 (C)	8	X
		PW, M10 (C) (For TP-702Y-XT)(Option)	0	
100	PMS0308	PMS, M3×8	2	X

ARCH SUPPORT GROUP (FOR 850H~1650H)

M7-5-800000

M7-5-800010



5-2

**ARCH SUPPORT GROUP
(FOR 850H~1650H)**

**M7-5-800000
M7-5-800010**

REF. NO.	PART NO.	DESCRIPTION	Q'TY	GREENBRIDGE PART #
	M7-5-800000	Arch Support Group (For 12mm, 850H)	1	X
	M7-5-800010	Arch Support Group (For 12mm, 1050H)	1	X
	M7-5-800020	Arch Support Group (For 12mm, 1250H)	1	X
	M7-5-800030	Arch Support Group (For 12mm, 1650H)	1	X
	M7-5-800040	Arch Support Group (For 9mm, 850H)	1	X
	M7-5-800050	Arch Support Group (For 9mm, 1050H)	1	X
	M7-5-800060	Arch Support Group (For 9mm, 1250H)	1	X
	M7-5-800070	Arch Support Group (For 9mm, 1650H)	1	X
	M7-5-800080	Arch Support Group (For 5-6mm, 850H)	1	X
	M7-5-800090	Arch Support Group (For 5-6mm, 1050H)	1	X
	M7-5-800100	Arch Support Group (For 5-6mm, 1250H)	1	X
	M7-5-800110	Arch Support Group (For 5-6mm, 1650H)	1	X
1	M7-5-801100	Arch Support (For 850H)	1	X
	M7-5-801110	Arch Support (For 1050H)	1	X
	M7-5-801120	Arch Support (For 1250H)	1	X
	M7-5-801130	Arch Support (For 1650H)	1	X
2	M7-5-801200	Upper Table Front (For 5-6mm, 850H)	1	X
	M7-5-801210	Upper Table Front (For 9mm, 850H)	1	X
	M7-5-801220	Upper Table Front (For 12mm, 850H)	1	X
	M7-5-801230	Upper Table Front (For 5-6mm, 1050H)	1	X
	M7-5-801240	Upper Table Front (For 9mm, 1050H)	1	X
	M7-5-801250	Upper Table Front (For 12mm, 1050H)	1	X
	M7-5-801700	Upper Table Front (For 5-6mm, 1250H)	1	X
	M7-5-801260	Upper Table Front (For 9mm, 1250H)	1	X
	M7-5-801270	Upper Table Front (For 12mm, 1250H)	1	X
	M7-5-801710	Upper Table Front (For 5-6mm, 1650H)	1	X
	M7-5-801280	Upper Table Front (For 9mm, 1650H)	1	X
	M7-5-801290	Upper Table Front (For 12mm, 1650H)	1	X
3	M7-5-801300	Upper Table Rear (For 850H)	1	X
	M7-5-801310	Upper Table Rear (For 1050H)	1	X
	M7-5-801320	Upper Table Rear (For 1250H)	1	X
	M7-5-801330	Upper Table Rear (For 1650H)	1	X
4	M7-5-801400	Arch Plate (Rear)(For 1050H)	1	X
	M7-5-801410	Arch Plate (Rear)(For 1250H)	1	X
	M7-5-801420	Arch Plate (Rear)(For 1650H)	1	X
5	M7-5-801500	Arch Plate (Front)(For 1050H)	1	X
	M7-5-801510	Arch Plate (Front)(For 1250H)	1	X
	M7-5-801520	Arch Plate (Front)(For 1650H)	1	X
6	M7-5-201600	Cover	1	X
7	M7-5-202200	Guide LH plate (For 850H)	1	X
		Guide LH plate (For 1050H~1650H)	2	
8	M7-3-211101	Bracket (Only 1650H)	1	X

5-2

**ARCH SUPPORT GROUP
(FOR 850H~1650H)**

**M7-5-800000
M7-5-800010**

REF. NO.	PART NO.	DESCRIPTION	Q'TY	GREENBRIDGE PART #
9	M7-5-801600	Cantilever (For 1000W)	1	X
	M7-5-801610	Cantilever (For 1300W)	1	X
15	T5-4-10580	Grommet (Option)	2	191803
18	T7-1-10330	Bumper (For 850H/1050H)	1	191554
		Bumper (For 1250H/1650H)	3	
19	T7-2-10280	Block	1	X
20	T7-2-10281	Block (For 1050H/1250H)	1	X
		Block (For 1650H)	2	
25	FMS0616S	FMS, M6×16 (SUS)	2	X
28	TMS0612S	TMS, M6×12 (SUS)	2	X
30	THS0630N	THS, M6×30 (N)	2	X
		THS, M6×30 (N)(For 1050H/1250H)	4	
		THS, M6×30 (N)(For 1650H)	6	
35	HBS0512N	HBS, M5×8 (N)(For 850H)	2	190848
		HBS, M5×8 (N)(For 1050H~1650H)	4	
36	HBS0516N	HBS, M5×16 (N)(Only 1650H)	2	191700
37	HBS0616N	HBS, M6×16 (N)(Without Cantilever, 1050H/1250H)	14	191544
		HBS, M6×16 (N)(With Cantilever, 1050H/1250H)	20	
		HBS, M6×16 (N)(Without Cantilever, 1650H)	16	
		HBS, M6×16 (N)(With Cantilever, 1650H)	22	
38	HBS0620N	HBS, M6×20 (N)	9	191726
		HBS, M6×20 (N)(For 1000W/1300W)	19	
39	HBS0835HN	HBS, M8×35 (H)(N)	1	X
40	HBS0850HN	HBS, M8×50 (H)(N)(For 1250H/1650H)	2	X
45	SW05	SW, M5 (For 850H)	2	191577
		SW, M5 (For 1050H~1650H)	4	
46	SW06	SW, M6 (For 850H)	11	191562
		SW, M6 (Without Cantilever, 1050H/1250H)	27	
		SW, M6 (With Cantilever, 1050H/1250H)	43	
		SW, M6 (Without Cantilever, 1650H)	31	
		SW, M6 (With Cantilever, 1650H)	47	
47	SW08	SW, M8 (For 850H/1050H)	1	191759
		SW, M8 (For 1250H/1650H)	3	

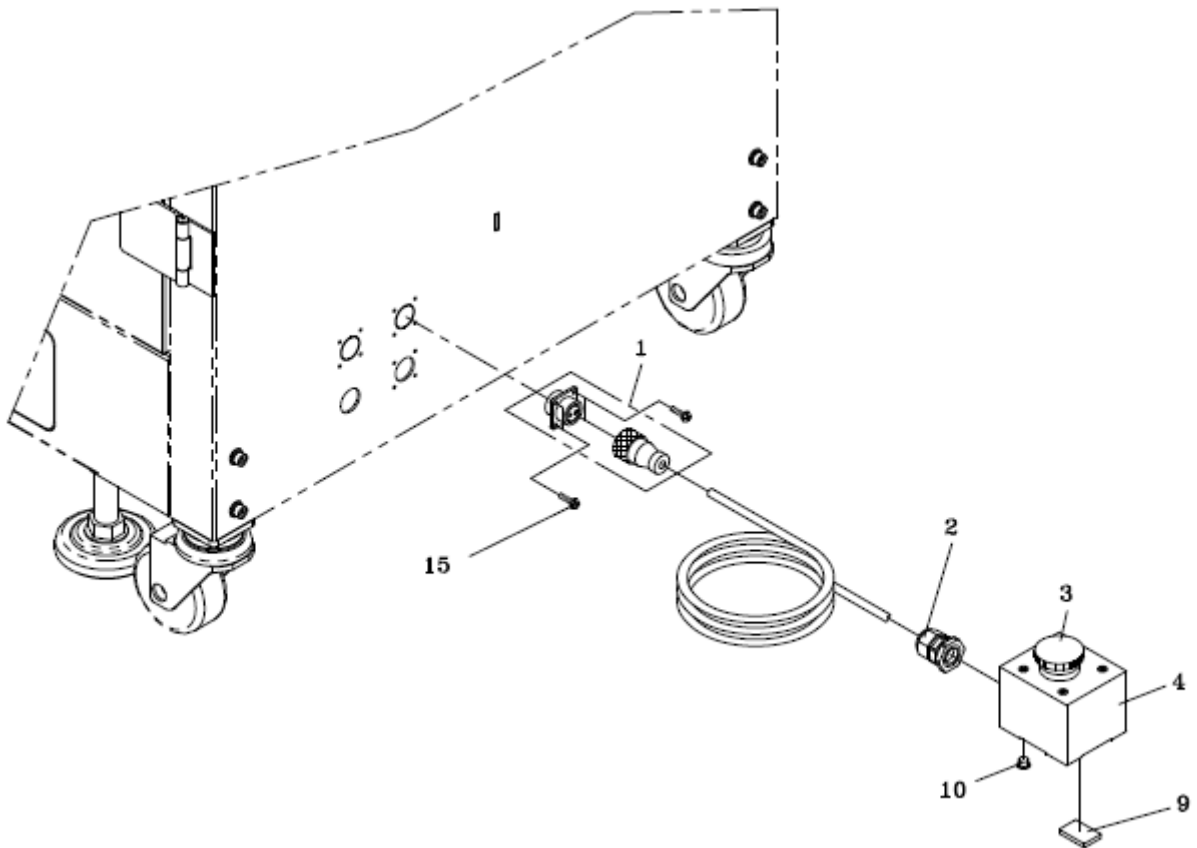
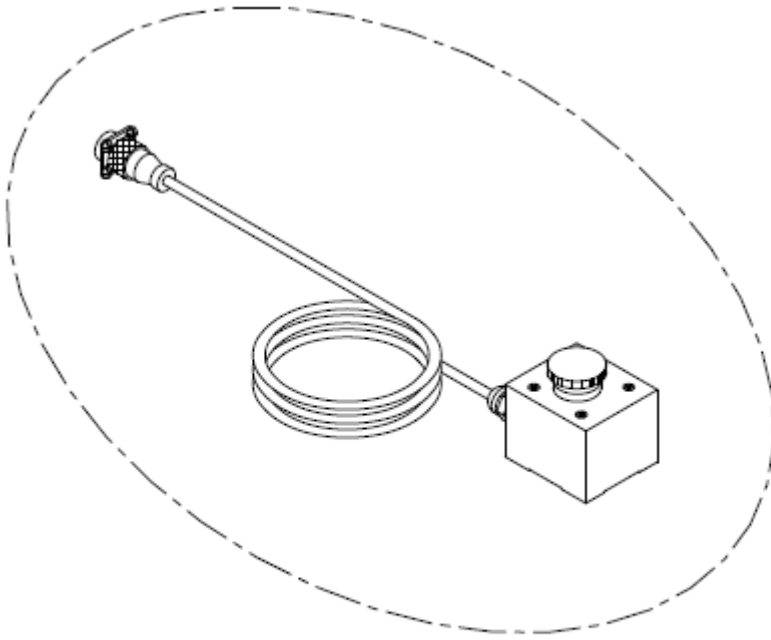
5-2

**ARCH SUPPORT GROUP
(FOR 850H~1650H)**

**M7-5-800000
M7-5-800010**

REF. NO.	PART NO.	DESCRIPTION	Q'TY	GREENBRIDGE PART #
51	PW05	PW, M5 (For 850H)	2	191578
		PW, M5 (For 1050H/1250H)	4	
		PW, M5 (For 1650H)	10	
52	PW06A	PW, M6 (A)(For 850H)	11	191612
		PW, M6 (A)(Without Cantilever, 1050H/1250H)	15	
		PW, M6 (A)(Without Cantilever, 1650H)	17	
53	PW06C	PW, M6 (C)(Without Cantilever, 1050H~1650H)	12~14	191561
		PW, M6 (C)(With Cantilever, 1050H~1650H)	34~36	
58	HN05	HN, M5 (Only 1650H)	2	187478
59	HN06	HN, M6 (For 850H)	2	191611
		HN, M6 (Without Cantilever, 1050H/1250H)	4	
		HN, M6 (With Cantilever, 1050H/1250H)	10	
		HN, M6 (Without Cantilever, 1650H)	6	
		HN, M6 (With Cantilever, 1650H)	12	
60	HN08	HN, M8 (For 850H/1050H)	1	187490
		HN, M8 (For 1250H/1650H)	3	

MOVABLE CONTROL BOX (ONLY TP-702Y)(OPTION)



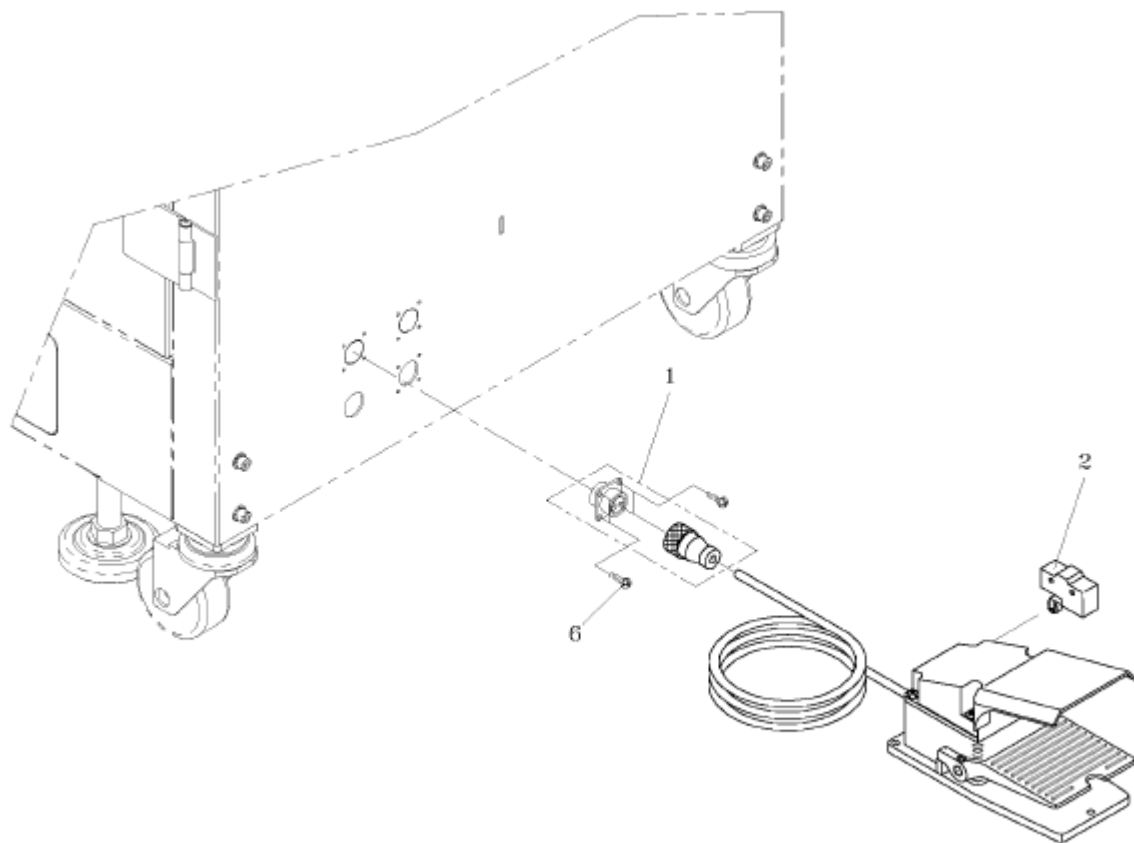
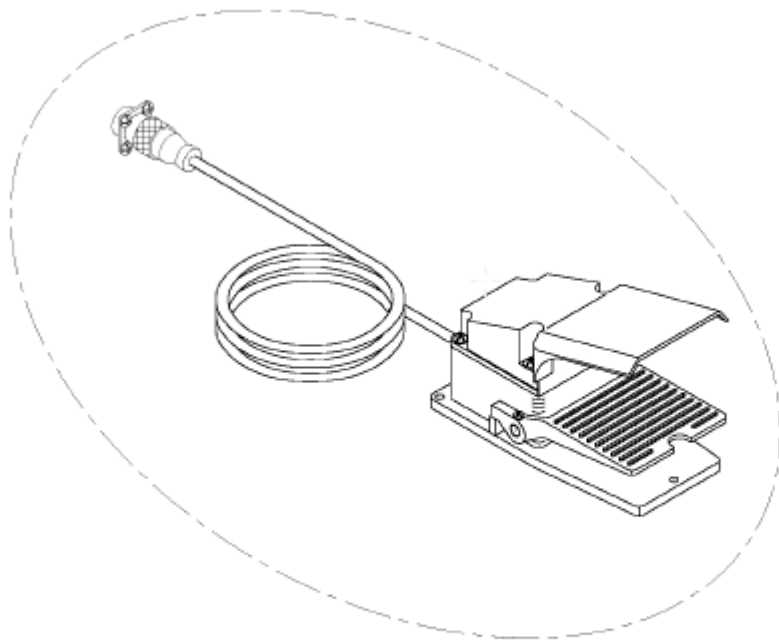
5-3

**MOVABLE CONTROL BOX
(ONLY TP-702Y)(OPTION)**

T7-6-40010

REF. NO.	PART NO.	DESCRIPTION	Q'TY	GREENBRIDGE PART #
1	T6-6-10350	Connector	1	191530
2	T6-6-10340	Cable Gland (PG13.5)	1	X
3	T6-6-30008	Mushroom Head Switch (Start)	1	X
4	T7-5-20190	Box	1	X
9	T7-5-20200	Magnet	2	X
10	T7-5-20210	Rubber Plug	4	X
15	TMS0308N	TMS, M3×8 (N)	4	191719

PEDAL CONTROL SET (OPTION)

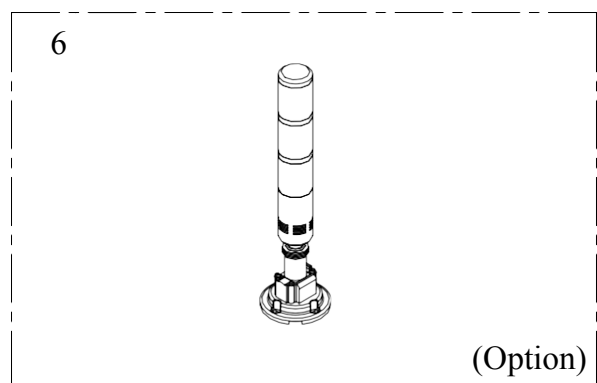
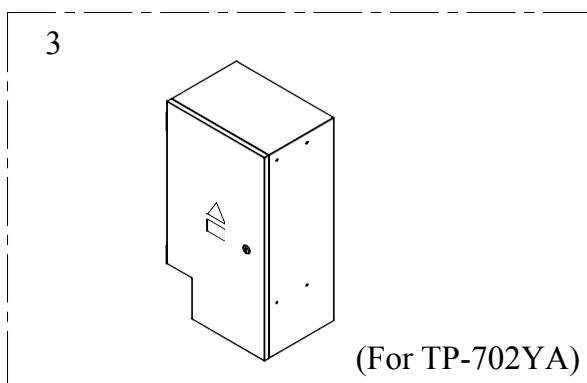
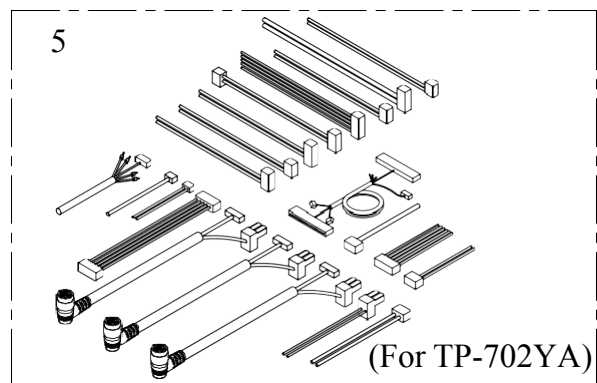
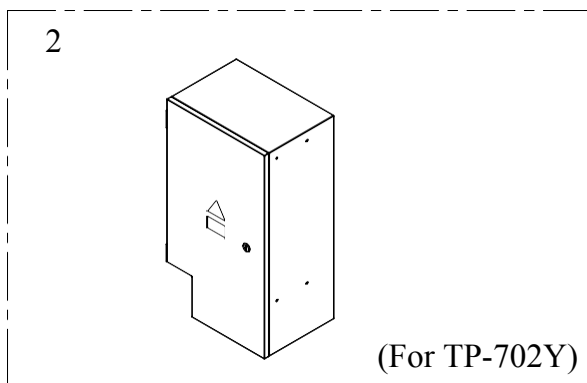
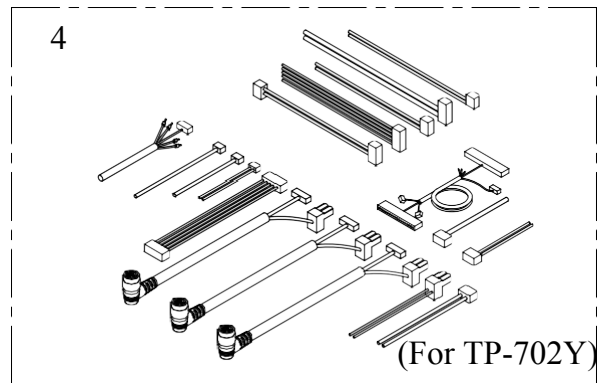
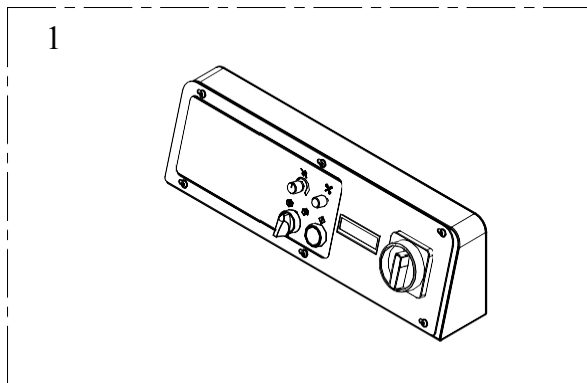
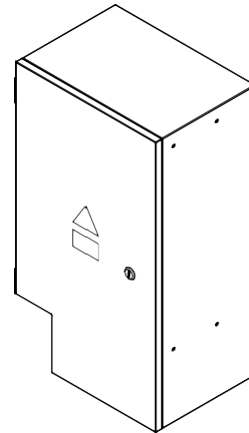
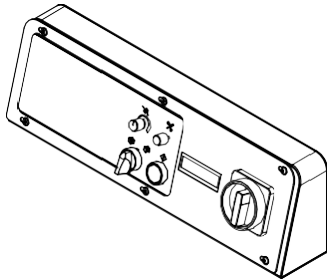


5-4

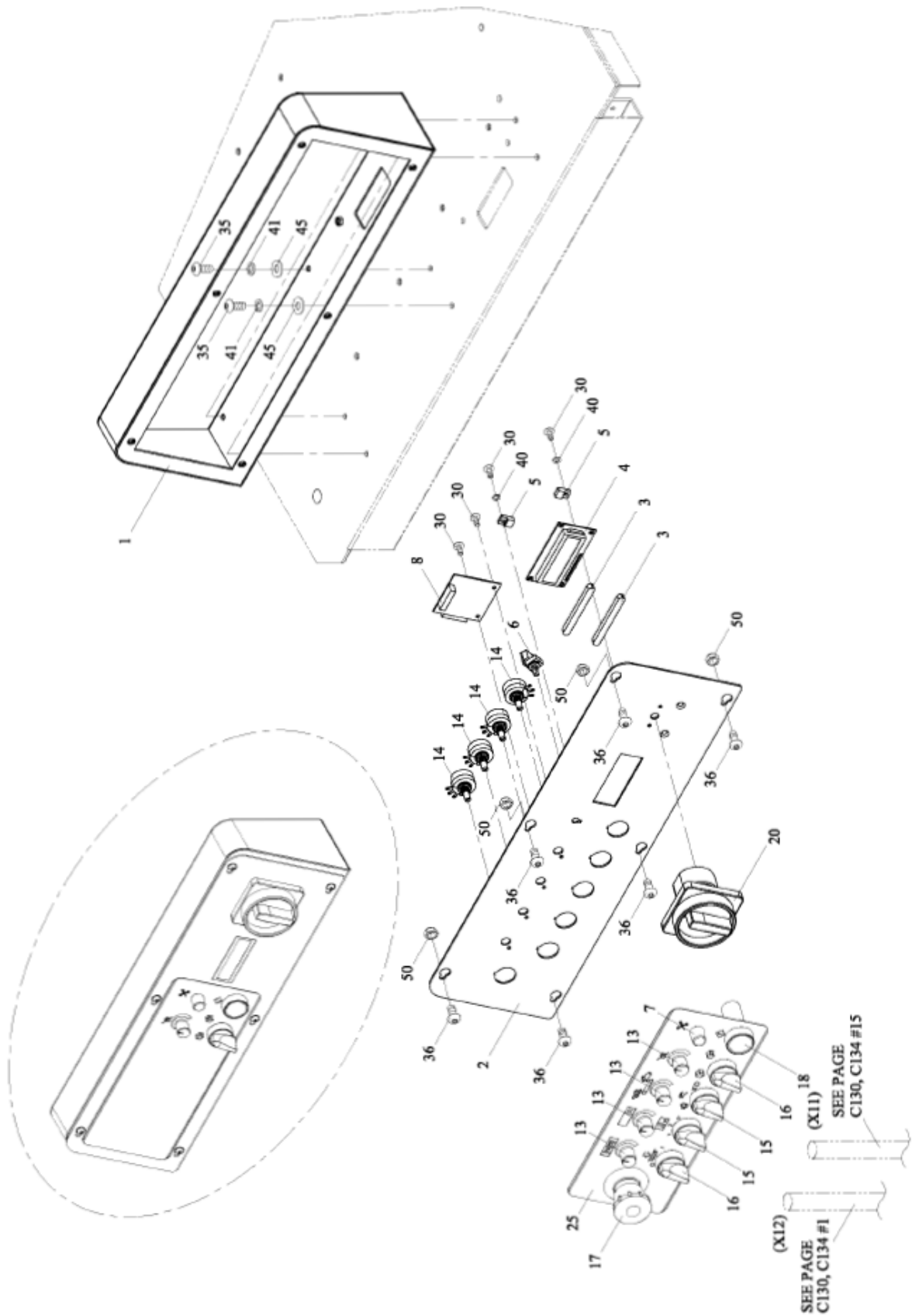
**PEDAL CONTROL SET
(OPTION)**

T7-6-40001

REF. NO.	PART NO.	DESCRIPTION	Q'TY	GREENBRIDGE PART #
1	T6-6-10350	Connector (Foot Switch)	1	191530
2	T7-5-20130	Micro Switch	1	X
6	TMS0308S	TMS, M3×8 (SUS)	4	



REF. NO.	PART NO.	DESCRIPTION	Q'TY	GREENBRIDGE PART #
	M7-6-901301	Electric Control Unit (For TP-702Y, 220V~240V, 1PH)	1	X
	M7-6-901311	Electric Control Unit (For TP-702Y, 110V, 1PH)	1	X
	M7-6-901340	Electric Control Unit (For TP-702Y, 220V~240V, 3PH)	1	X
	M7-6-901350	Electric Control Unit (For TP-702Y, 380V~415V, 3PH)	1	X
	M7-6-901401	Electric Control Unit (For TP-702YA, 220V~240V, 1PH)	1	X
	M7-6-901411	Electric Control Unit (For TP-702YA, 110V, 1PH)	1	X
	M7-6-901440	Electric Control Unit (For TP-702YA, 220V~240V, 3PH)	1	X
	M7-6-901450	Electric Control Unit (For TP-702YA, 380V~415V, 3PH)	1	X
1	M7-6-100400	Control Panel Group (For TP-702Y)	1	(SEE PG.C119)X
	M7-6-100410	Control Panel Group (For TP-702YA)	1	X
2	M7-6-200700	Electric Control Group (For TP-702Y, 220V~240V, 1PH)	1	(SEE PG.C121)X
	M7-6-200740	Electric Control Group (For TP-702Y, 220V~240V, 3PH)		X
	M7-6-200750	Electric Control Group (For TP-702Y, 380V~415V, 3PH)		X
3	M7-6-200800	Electric Control Group (For TP-702YA, 220V~240V, 1PH)	1	(SEE PG.C125) X
	M7-6-200810	Electric Control Group (For TP-702YA, 110V, 1PH)	1	X
	M7-6-200840	Electric Control Group (For TP-702YA, 220V~240V, 3PH)	1	X
	M7-6-200850	Electric Control Group (For TP-702YA, 380V~415V, 3PH)	1	X
4	M7-6-300501	Wires Group (For TP-702Y)	1	(SEE PG.C129) X
5	M7-6-300601	Wires Group (For TP-702YA)	1	(SEE PG.C133) X
6	M7-6-400400	Light Tree Group (Option)	1	(SEE PG.C137) X



6-1

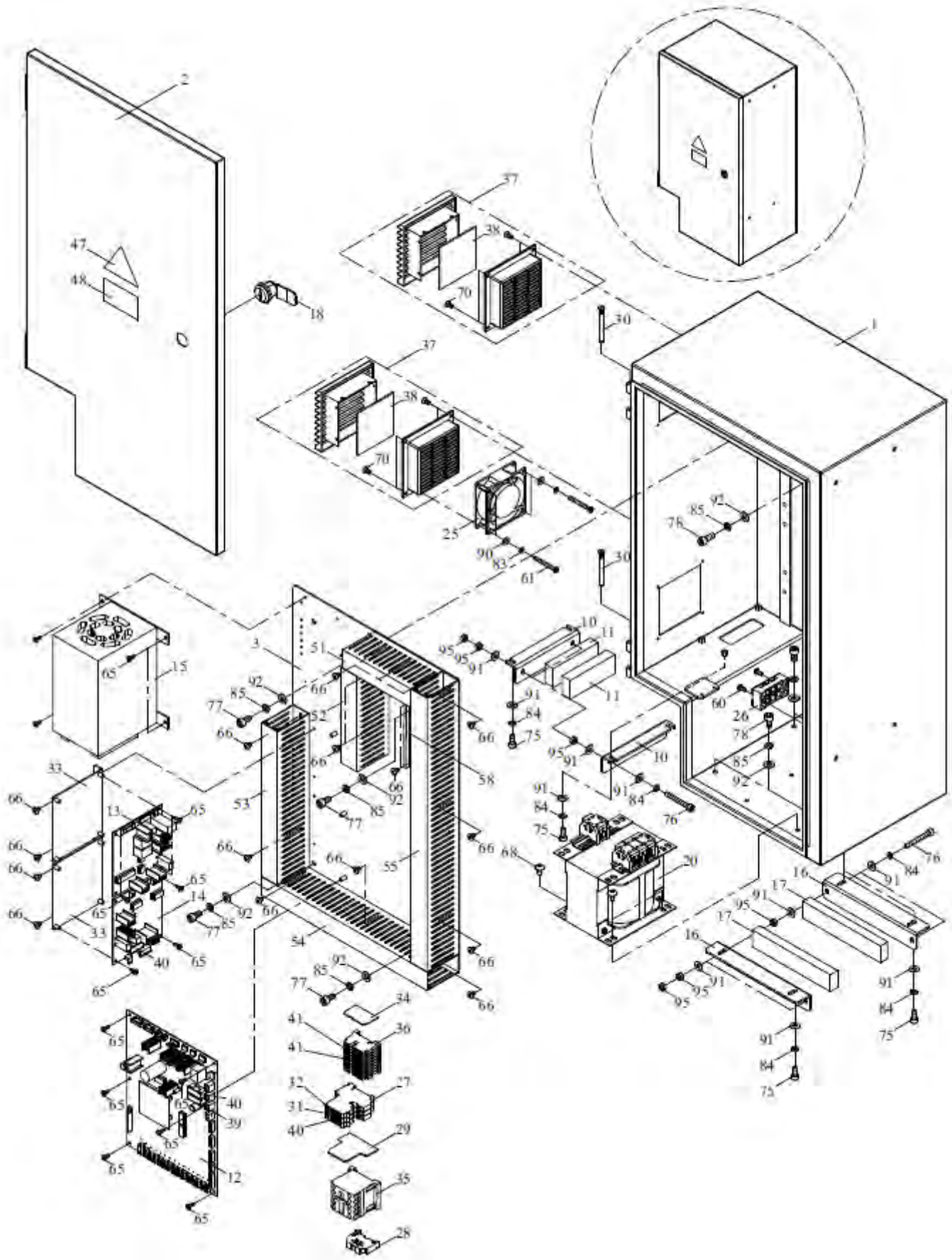
CONTROL PANEL GROUP

M7-6-100400

M7-6-100410

REF. NO.	PART NO.	DESCRIPTION	Q'TY	GREENBRIDGE PART #
	M7-6-100400	Control Panel Group (For TP-702Y)	1	X
	M7-6-100410	Control Panel Group (For TP-702YA)	1	X
1	M7-6-105100	Control Box	1	X
2	M7-6-105200	Control Plate	1	X
3	M7-6-101300	Rubber	2	X
4	M7-6-101400	LCD	1	191513
5	M7-6-101500	Bracket	2	X
6	M7-6-101601	Encoder	1	191484
7	M7-6-101701	Knob	1	191510
8	M7-6-401210	P.C.B (PLC option without use) (Only TP-702YA)	1	X
13	T5-4-10222	Knob (Hole Ø6.0)(For TP-702Y)	1	191519
		Knob (Hole Ø6.0)(For TP-702YA)	4	
14	T5-4-10232	Variable Resistor (5K)(Ø6.0)(For TP-702Y)	1	191539
		Variable Resistor (5K)(Ø6.0)(For TP-702YA)	4	
15	T6-6-10570	3P. Selector Switch (For TP-702YA)	2	205070
16	T6-6-40016	2P. Selector Switch	1	191520
		2P. Selector Switch (Option)	2	
17	T6-6-30009	Stop Switch 1NC (For TP-702YA)	1	X
		Stop Switch 1NC (For TP-702Y)(Option)	1	
18	T7-6-20480	Restart Switch (2NO)	1	191494
20	TK-001	Main Power Switch	1	191854
25	LA-10400	Label (For TP-702Y)	1	X
	LA-10410	Label (For TP-702Y, EMS)(Option)	1	X
	LA-10420	Label (For TP-702YA)	1	X
	LA-10430	Label (For TP-702YA)(Option)	1	X
	LA-10440	Label (For TP-702Y, Press Bar)(Option)	1	X
	LA-10450	Label (For TP-702Y, EMS and Press Bar) (Option)	1	X
30	TMS0308N	TMS, M3×8 (N)	4	191719
35	THS0512N	THS, M5×12 (N)	6	X
36	THS0516N	THS, M5×16 (N)	6	X
40	SW03	SW, M3	2	191590
41	SW05	SW, M5	6	191577
45	PW05	PW, M5	6	191578
50	NTE05	NTE, M5	6	191076

ELECTRIC CONTROL GROUP (FOR TP-702Y)



6-2

**ELECTRIC CONTROL GROUP
(FOR TP-702Y)**

**M7-6-200700
M7-6-200710**

REF. NO.	PART NO.	DESCRIPTION	Q'TY	GREENBRIDGE PART #
	M7-6-200700	Electric Control Group (For TP-702Y, 220V~240V, 1PH)	1	X
	M7-6-200710	Electric Control Group (For TP-702Y, 110V, 1PH)	1	X
	M7-6-200740	Electric Control Group (For TP-702Y, 220V~240V, 3PH)	1	X
	M7-6-200750	Electric Control Group (For TP-702Y, 380V~415V, 3PH)	1	X
1	M7-6-207100	Electric Box	1	X
2	M7-6-207200	Electric Box Door	1	X
3	M7-6-207300	Panel	1	X
10	M7-6-103400	Clamp	2	X
11	M7-6-103500	Foam Rubber	2	X
12	M7-6-207900	Main P.C.B (AP1)	1	191795
13	M7-6-201400	M4/M5 P.C.B (AP3)	1	191486
14	M7-6-201500	Heater P.C.B (AP2)	1	191487
15	M7-6-201600	Power Supply	1	191653
16	M7-6-202100	Clamp	2	205553
17	M7-6-202300	Foam Rubber	2	205558
18	M7-5-206900	Lock	1	X
20	M7-6-203100	Transformer (Only 380V~415V, 3PH)	1	X
25	T5-1-12370	Fan	1	191765
26	T6-6-10320	Heater Terminal (For 1PH)	1	X
	TF-015	Terminal Bracket (For 3PH)	1	X
27	T6-6-50180	Fuse Holder (For 1PH)	3	X
		Fuse Holder (For 3PH)	5	
28	T6-6-50300	End Stop	1	X
29	T6-6-50330	End Plate (Fuse)	1	X
30	T6-6-60130	Pin	2	191733
31	T7-6-10211	Fuse (10A)	2	191767
32	T7-6-10290	Fuse (3A)(For 220V~240V, 1PH)	2	191768
	T6-6-50280	Fuse (5A)(For 110V, 1PH)	2	191769
		Fuse (5A)(For 220V~240V, 3PH)	2	
		Fuse (5A)(For 380V~415V, 3PH)	6	
33	T7-6-10600	PCB Support	2	X
34	T7-6-10630	End Plate	1	X
35	T7-6-10690	Magnetic Switch	1	191565
36	T7-6-10940	Terminal	10	X
37	T7-6-13010	Filter Set	2	X
38	T7-6-13110	Filter	2	X

6-2

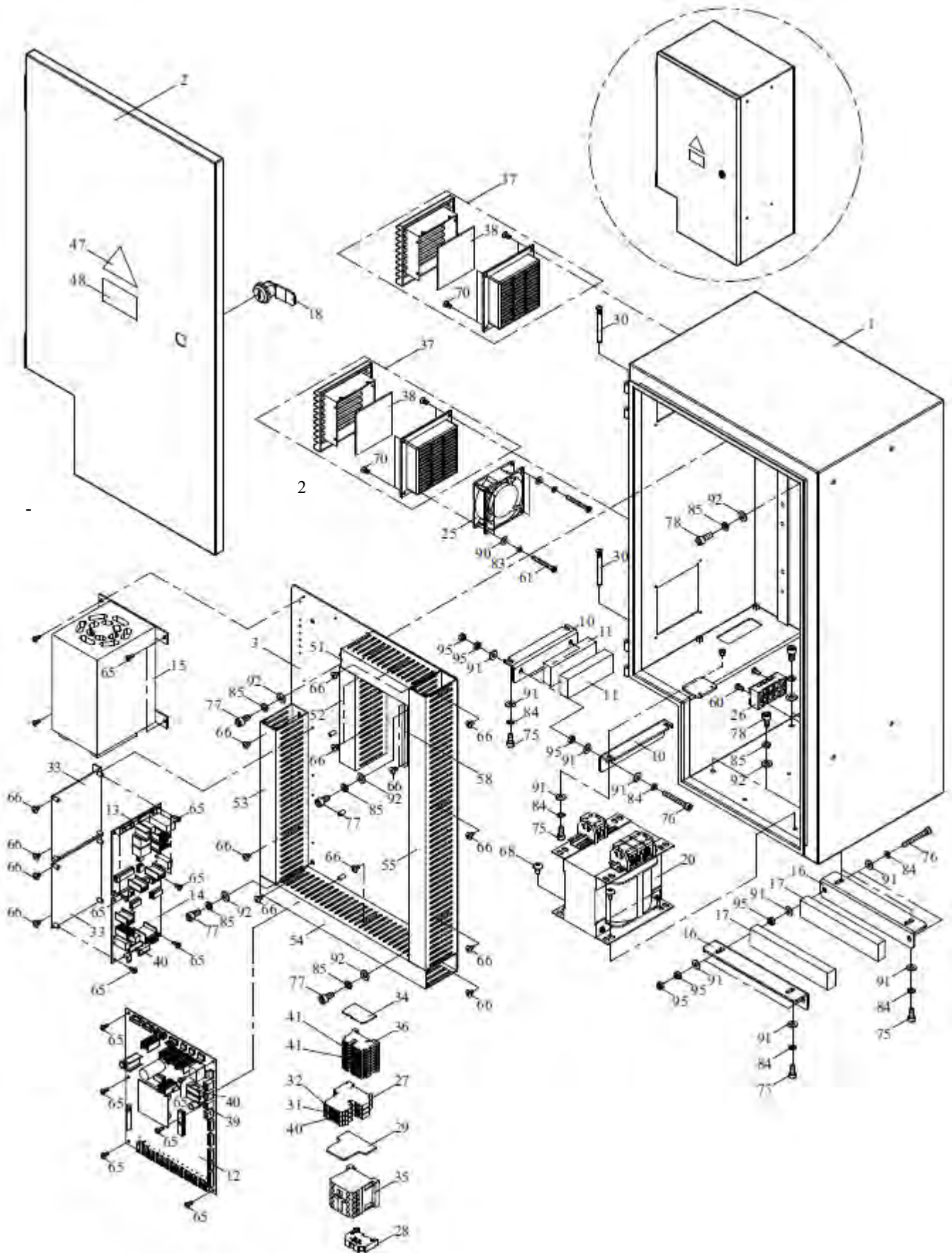
**ELECTRIC CONTROL GROUP
(FOR TP-702Y)**

**M7-6-200700
M7-6-200710**

REF. NO.	PART NO.	DESCRIPTION	Q'TY	GREENBRIDGE PART #
39	TT-5-10150	Fuse (1A) 20L	1	191696
40	FU20040	Fuse (4A, 20mm)	4	191695
41	T7-6-11720	Jumper (Terminal 3S)	2	X
47	LA-40001	Label	1	X
48	LA-40003	Label	1	X
51	WD33650140	Wire Duct 33×65×140	1	X
52	WD33650190	Wire Duct 33×65×190	1	X
53	WD33650280	Wire Duct 33×65×280	1	X
54	WD33650340	Wire Duct 33×65×340	1	X
55	WD33650485	Wire Duct 33×65×485	1	X
58	AR020	Terminal Rail, 200mm	1	X
60	PMS0408	PMS, M4×8	2	X
61	PMS0436	PMS, M4×36	4	X
65	TMS0308N	TMS, M3×8 (N)	18	191719
66	TMS0406N	TMS, M4×6 (N)	19	X
68	TMS0510N	TMS, M5×10 (N)(Only 380V~415V, 3PH)	4	X
70	FMS0408N	FMS, M4×8 (N)	8	X
75	HBS0512N	HBS, M5×12 (N)	7	190848
76	HBS0540N	HBS, M5×40 (N)	4	X
77	HBS0612N	HBS, M6×12 (N)	4	191563
78	HBS0616N	HBS, M6×16 (N)	6	191544
83	SW04	SW, M4	4	X
84	SW05	SW, M5	11	191577
85	SW06	SW, M6	10	191562
90	PW04	PW, M4	4	187428
91	PW05	PW, M5	19	191578
92	PW06A	PW, M6 (A)	10	191612
95	HN05	HN, M5	12	187478



ELECTRIC CONTROL GROUP (FOR TP-702YA)



6-3

**ELECTRIC CONTROL GROUP
(FOR TP-702YA)**

**M7-6-200800
M7-6-200810**

REF. NO.	PART NO.	DESCRIPTION	Q'TY	GREENBRIDGE PART #
	M7-6-200800	Electric Control Group (For TP-702YA, 220V~240V, 1PH)	1	X
	M7-6-200810	Electric Control Group (For TP-702YA, 110V, 1PH)	1	X
	M7-6-200840	Electric Control Group (For TP-702YA, 220V~240V, 3PH)	1	X
	M7-6-200850	Electric Control Group (For TP-702YA, 380V~415V, 3PH)	1	X
1	M7-6-207100	Electric Box	1	X
2	M7-6-207200	Electric Box Door	1	X
3	M7-6-207300	Panel	1	X
4	M7-6-207400	Panel	1	X
5	M7-6-207500	Control Panel (Option)	1	X
6	M7-6-207600	PLC (A1) CPU (Option)	1	203641
7	M7-6-207700	VR/PLC Power P.C.B (Only PLC)(Option)	1	X
8	M7-6-207800	Signal Board (Only PLC)(Option)	1	X
10	M7-6-103400	Clamp	2	X
11	M7-6-103500	Foam Rubber	2	X
12	M7-6-208000	Main P.C.B (AP1)	1	X
13	M7-6-201400	M4/M5 P.C.B (AP3)	1	191486
14	M7-6-201500	Heater P.C.B (AP2)	1	191487
15	M7-6-201600	Power Supply	1	191653
16	M7-6-202100	Clamp	2	205553
17	M7-6-202300	Foam Rubber	2	205558
18	M7-5-206900	Lock	1	X
20	M7-6-203120	Transformer (For 110V, 1PH)	1	X
	M7-6-203100	Transformer (For 380V~415V, 3PH)	1	X
25	T5-1-12370	Fan	1	191765
26	T6-6-10320	Heater Terminal (For 1PH)	1	X
	TF-015	Terminal Bracket (For 3PH)	1	X
27	T6-6-50180	Fuse Holder (For 1PH)	4	X
		Fuse Holder (For 3PH)	6	
28	T6-6-50300	End Stop (For 1PH)	2	X
		End Stop (For 3PH)	4	
29	T6-6-50330	End Plate (Fuse, 1PH)	1	X
		End Plate (Fuse, 3PH)	2	
30	T6-6-60130	Pin	2	191733
31	T7-6-10211	Fuse (10A)(For 220V~240V/380V~415V)	2	191767
		Fuse (10A)(For 110V)	4	

6-3

**ELECTRIC CONTROL GROUP
(FOR TP-702YA)**

**M7-6-200800
M7-6-200810**

REF. NO.	PART NO.	DESCRIPTION	Q'TY	GREENBRIDGE PART #
32	T6-6-50280	Fuse (5A)(For 220V~240V, 1PH)	2	191769
		Fuse (5A)(For 3PH)	6	
33	T7-6-10600	PCB Support	2	X
34	T7-6-10630	End Plate	1	X
35	T7-6-10690	Magnetic Switch	1	191565
36	T7-6-10940	Terminal	17	X
37	T7-6-13010	Filter Set	2	X
38	T7-6-13110	Filter	2	X
39	TT-5-10150	Fuse (1A) 20L	1	191696
40	FU20040	Fuse (4A, 20mm)	4	191695
41	T6-6-40016	2P. Selector Switch (Option)	1	191520
42	T7-6-10390	PCB (For Sensor)(Only PLC)(Option)	1	X
43	T7-6-10702	Frequency Inverter	1	203640
45	T7-6-10290	Fuse (3A)	2	191768
46	T7-6-11720	Jumper (Terminal 3S)	2	X
47	LA-40001	Label	1	X
48	LA-40003	Label	1	X
49	LA-10500	Label (Option)	1	X
51	WD25450170	Wire Duct 25×45×170	2	X
52	WD33650170	Wire Duct 33×65×170	1	X
53	WD33650270	Wire Duct 33×65×270	1	X
54	WD33650340	Wire Duct 33×65×340	1	X
55	WD33650485	Wire Duct 33×65×485	2	X
56	AR010	Terminal Rail, 100mm (For 3PH)	1	X
57	AR016	Terminal Rail, 160mm	1	X
58	AR020	Terminal Rail, 200mm	1	X
60	PMS0408	PMS, M4×8	2	X
61	PMS0436	PMS, M4×36	4	X
65	TMS0308N	TMS, M3×8 (N)	18	191719
		TMS, M3×8 (N)(Option)	22	
66	TMS0406N	TMS, M4×6 (N)	26	X
		TMS, M4×6 (N) (For 3PH)	28	
67	TMS0408N	TMS, M4×8 (N)	2	191648
68	TMS0510	TMS, M5×10	4	X
70	FMS0408N	FMS, M4×8 (N)	8	X

6-3

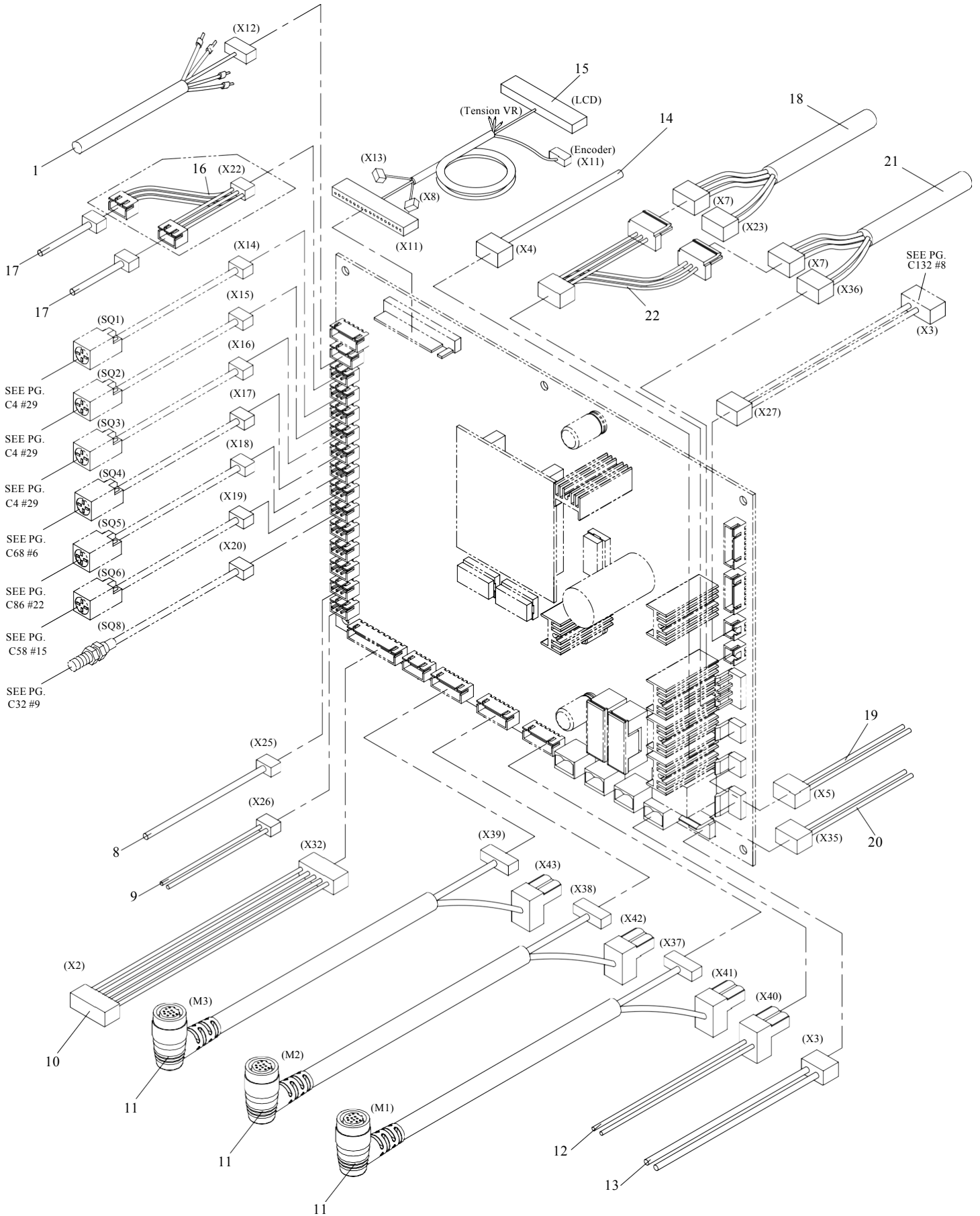
**ELECTRIC CONTROL GROUP
(FOR TP-702YA)**

M7-6-200800

M7-6-200810

REF. NO.	PART NO.	DESCRIPTION	Q'TY	GREENBRIDGE PART #
74	HBS0508N	HBS, M5×8 (N)(Option)	2	202943
75	HBS0512N	HBS, M5×12 (N)	7	190848
76	HBS0540N	HBS, M5×40 (N)	4	X
77	HBS0612N	HBS, M6×12 (N)	10	191563
78	HBS0616N	HBS, M6×16 (N)	6	191544
83	SW04	SW, M4	4	X
84	SW05	SW, M5	11	191577
		SW, M5 (Option)	13	
85	SW06	SW, M6	14	191562
90	PW04	PW, M4	6	187428
91	PW05	PW, M5	19	191578
		PW, M5 (Option)	21	
92	PW06A	PW, M6 (A)	14	191612
95	HN05	HN, M5	12	187478
101	T6-6-80180	Relay	1	X
102	T6-6-80190	Diode	1	X
103	T6-6-80200	Relay Socket	1	X
104	T7-6-11720	Jumper (Terminal 3S)	2	X
105	PH-6-101700	Auxiliary Contact	1	X

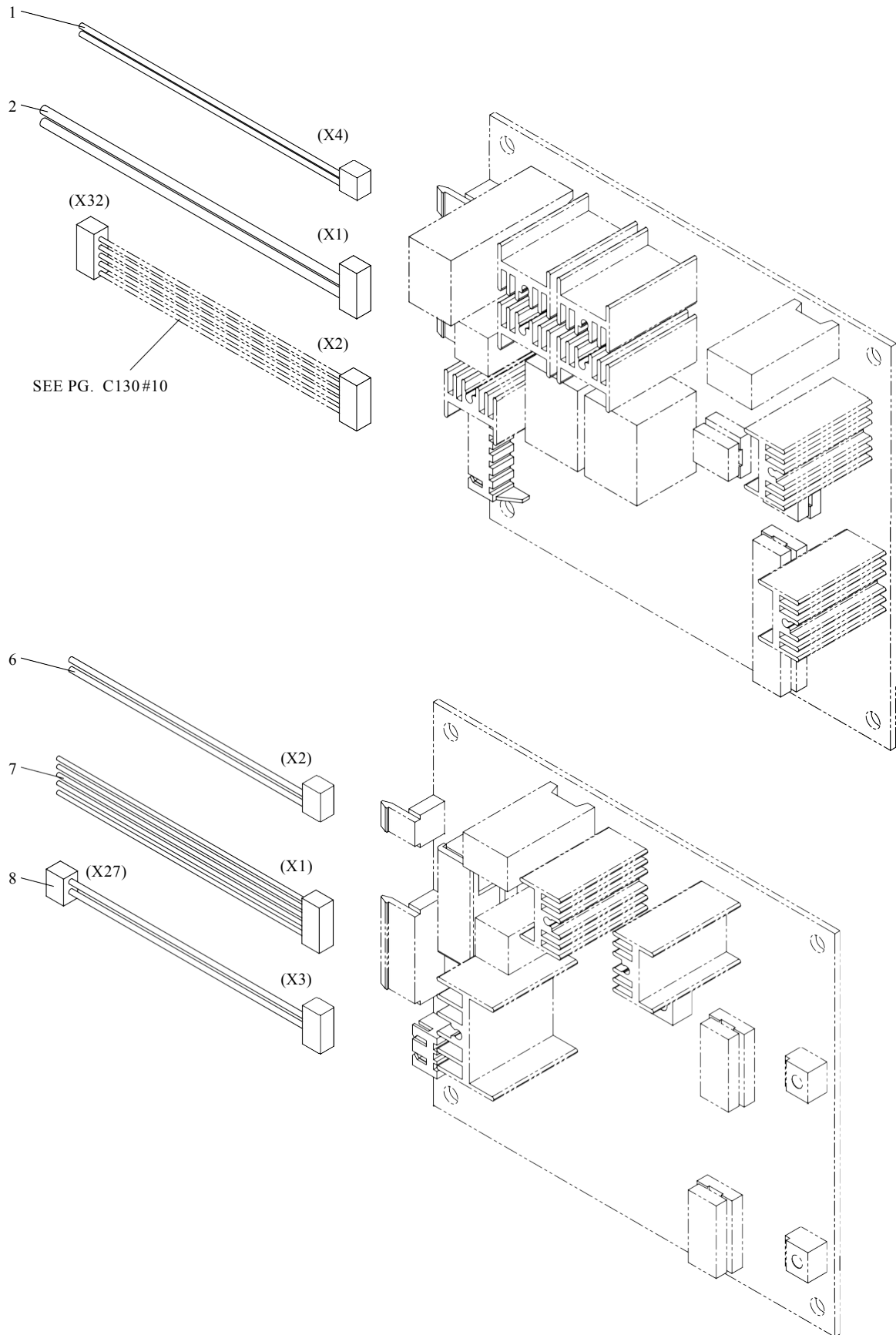
WIRES GROUP (For TP-702Y)



**WIRES GROUP
(FOR TP-702Y)**

REF. NO.	PART NO.	DESCRIPTION	Q'TY	GREENBRIDGE PART #
1	EW72Y006DX12	Wire Ass'y X12 (Control Panel)	1	X
8	EW72Y006DX25	Wire Ass'y X25 (Reel Release Switch)	1	X
9	EW72Y006DX26	Wire Ass'y X26 (Machine Ready)	1	X
10	EW72Y006DX32	Wire Ass'y X32 (Control Wire for M4/M5)	1	(SEE PG. C131) X
11	M7-6-300100	Motor Cable (X37/X41, X38/X42, X39/X43) (M1, M2, M3)	3	191790
12	EW72Y006DX40	Wire Ass'y X40 (Power I for Main PCB)	1	X
13	EW72Y006DX03	Wire Ass'y X3 (Power II for Main PCB)	1	X
14	EW72Y006DX04	Wire Ass'y X4 (Reel)	1	X
15	EW72Y006DX11	Wire Ass'y X11/X13/X8 (Control Panel)	1	X
16	EW720005B005	Wire Ass'y (Start Switch, Foot Switch)(Option)	1	X
17	EW72Y006DX22	Wire Ass'y X22 (Foot Switch)(Option)	1	X
		Wire Ass'y X22 (Start Switch)(Option)	1	
		Wire Ass'y X22 (Start Switch, Foot Switch) (Option)	2	
18	EW72Y006DX23	Wire Ass'y X23/X7 (Error and Ready Signal) (Option)	1	X
19	EW72Y006DX05	Wire Ass'y X5 (K1/K2 Power)	1	X
20	EW72A006DX35	Wire Ass'y X35 (For Press Bar, 650H~1050H) (Option)	1	X
	EW72A016FX35	Wire Ass'y X35 (For Press Bar, 1250H/1650H) (Option)	1	X
21	EW72A006DX07	Wire Ass'y X7/X36 (Light Tree)(Option)	1	X
22	EW72Y006D024	Wire Ass'y X7 (Parallel Connettion Wire for (Light Tree) and (Error and Ready Signal)) (Option)	1	X

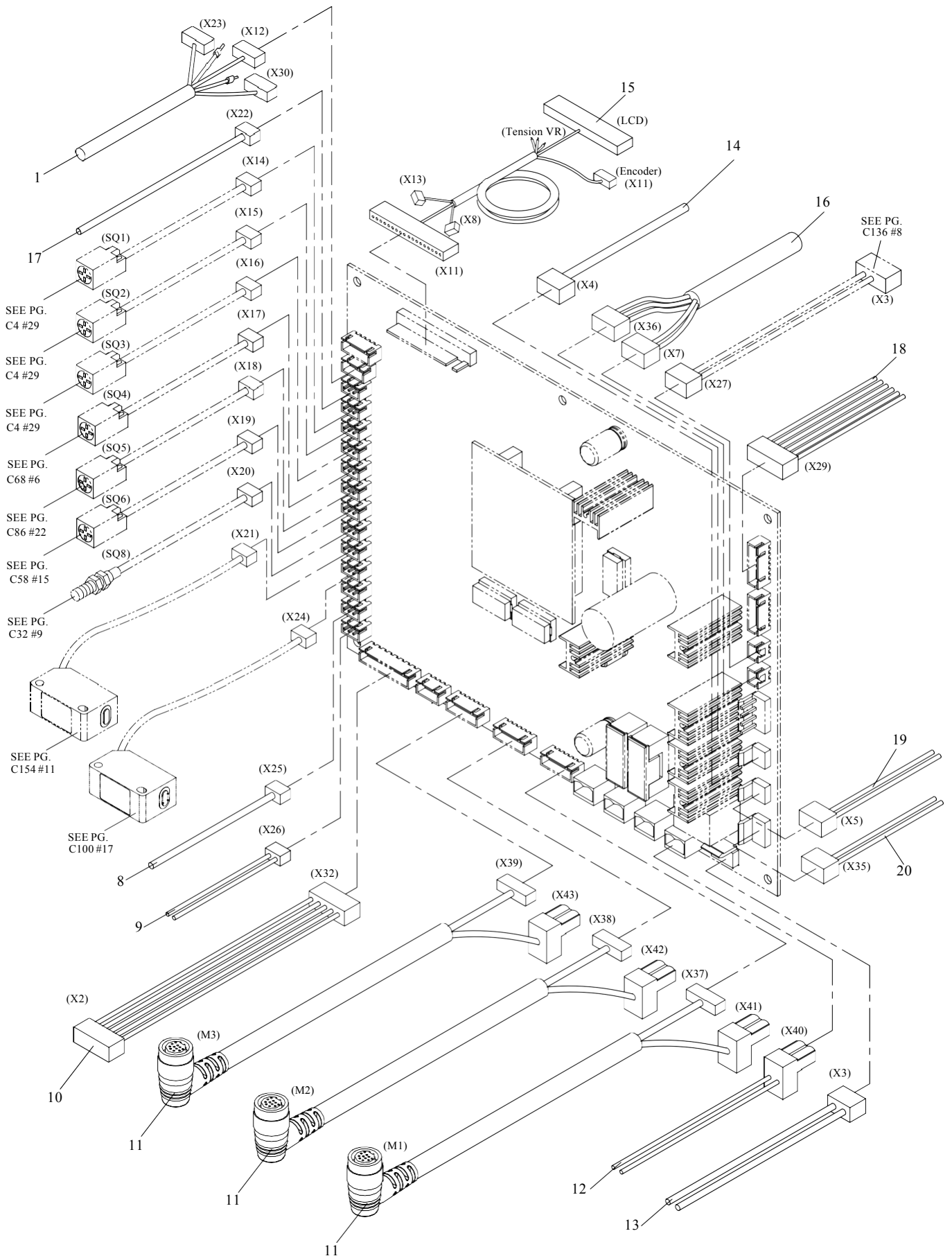
WIRES GROUP (FOR TP-702Y)



**WIRES GROUP
(FOR TP-702Y)**

REF. NO.	PART NO.	DESCRIPTION	Q'TY	GREENBRIDGE PART #
1	EW72Y006DM04	Wire Ass'y X4 (Power for M4/M5 PCB)	1	X
2	EW72Y006DM01	Wire Ass'y X1 (Power for M4/M5)	1	X
6	EW72Y006DH02	Wire Ass'y X2 (Power for H.T PCB)	1	X
7	EW72Y006DH01	Wire Ass'y X1 (H.T/Sensor/Fan)	1	X
8	EW72Y006DH03	Wire Ass'y X3 (Heater Ready)	1	(SEE PG. C129) X

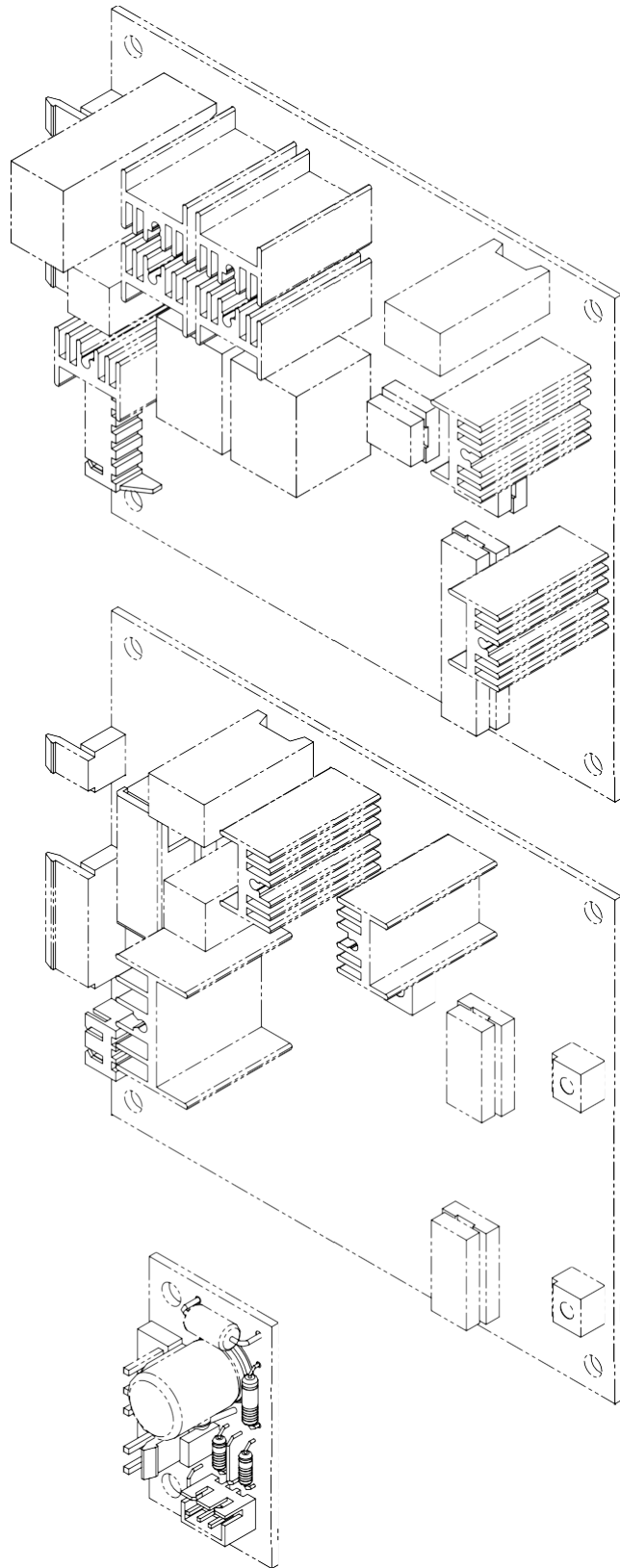
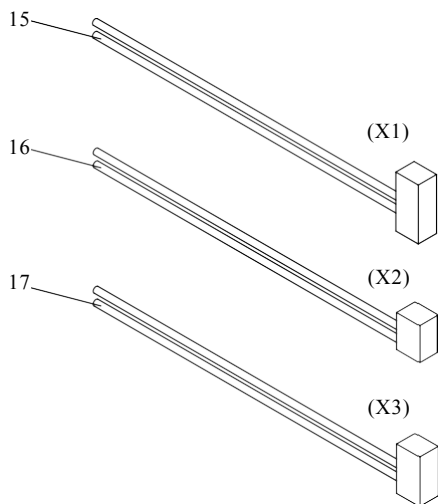
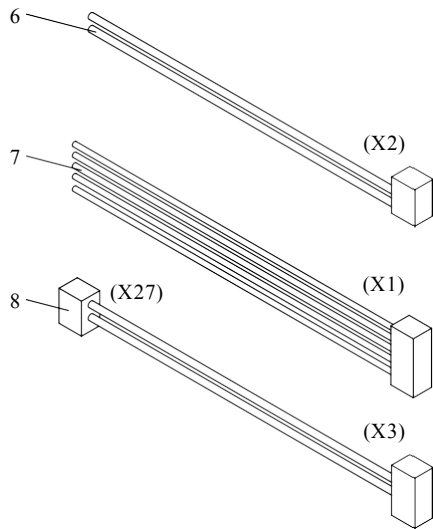
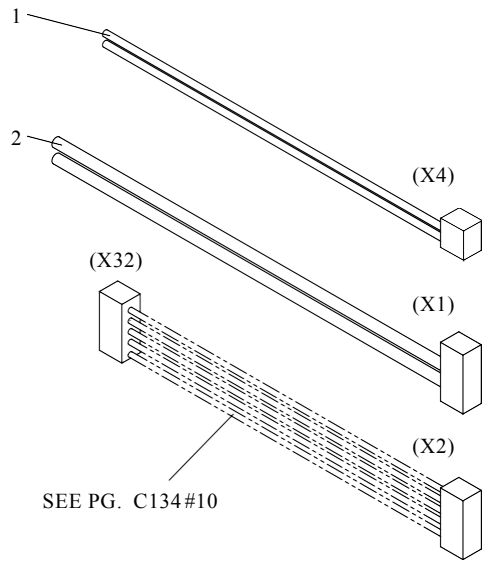
WIRES GROUP (FOR TP-702YA)



**WIRES GROUP
(FOR TP-702YA)**

REF. NO.	PART NO.	DESCRIPTION	Q'TY	GREENBRIDGE PART #
1	EW72A006DX12	Wire Ass'y X12 (Control Panel)	1	X
8	EW72Y006DX25	Wire Ass'y X25 (Reel Release Switch)	1	X
9	EW72Y006DX26	Wire Ass'y X26 (Machine Ready)	1	X
10	EW72Y006DX32	Wire Ass'y X32 (Control Wire for M4/M5)	1	(SEE PG. C135) X
11	M7-6-300100	Motor Cable (X37/X41, X38/X42, X39/X43) (M1, M2, M3)	3	191790
12	EW72Y006DX40	Wire Ass'y X40 (Power I for Main PCB)	1	X
13	EW72Y006DX03	Wire Ass'y X3 (Power II for Main PCB)	1	X
14	EW72Y006DX04	Wire Ass'y X4 (Reel)	1	X
15	EW72Y006DX11	Wire Ass'y X11/X13/X8 (Control Panel)	1	X
16	EW72A006DX07	Wire Ass'y X7/X36 (Light Tree)(Option)	1	X
17	EW72Y006DX22	Wire Ass'y X22 (Foot Switch)(Option)	1	X
18	EW72A006DX29	Wire Ass'y X29 (M6 run/B8/B9)	1	X
19	EW72Y006DX05	Wire Ass'y X5 (K1/K2 Power)	1	X
20	EW72A006DX35	Wire Ass'y X35 (For Press Bar, 650H~1050H) (Option)	1	X
	EW72A016FX35	Wire Ass'y X35 (For Press Bar, 1250H/1650H) (Option)	1	X
	EW72A008DX35	Wire Ass'y X35 (For Side Pusher, 600W) (Option)	1	X
	EW72A008EX35	Wire Ass'y X35 (For Side Pusher, 800W/1000W)(Option)	1	X
	EW72A008GX35	Wire Ass'y X35 (For Side Pusher, 1300W) (Option)	1	X

WIRES GROUP (FOR TP-702YA)



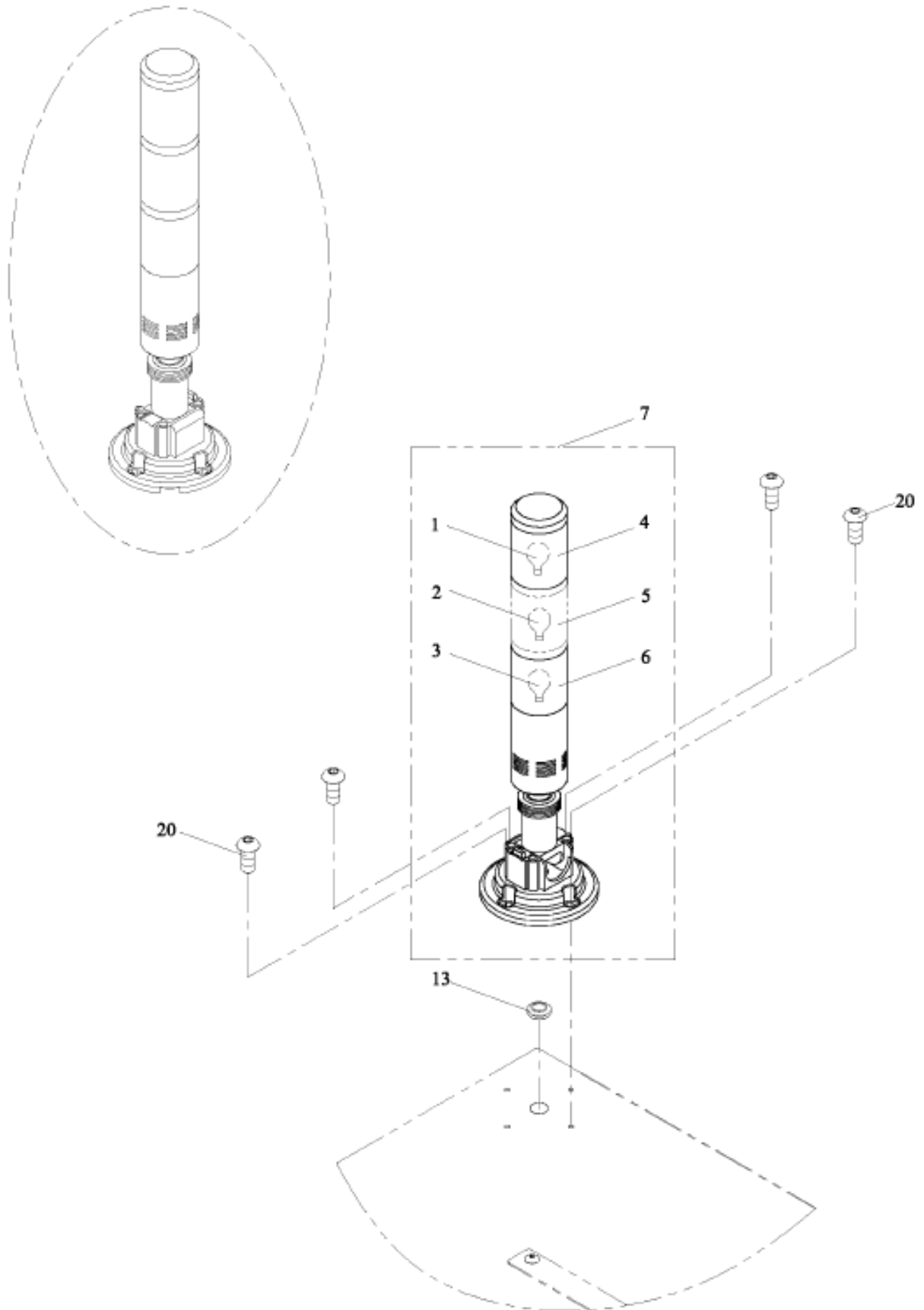
6-5

**WIRES GROUP
(FOR TP-702YA)**

**M7-6-300601
(2 OF 2)**

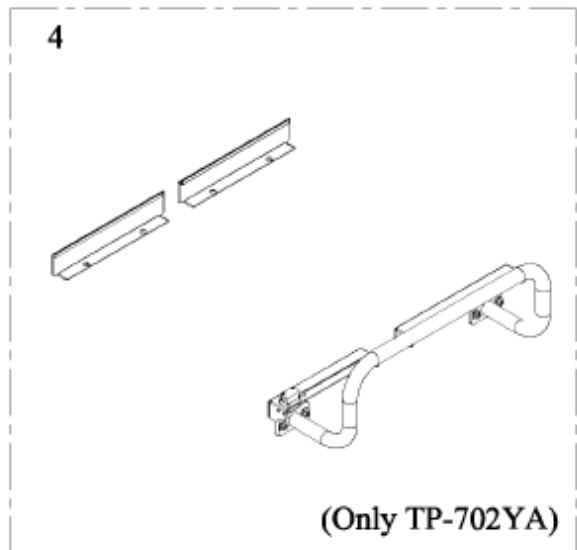
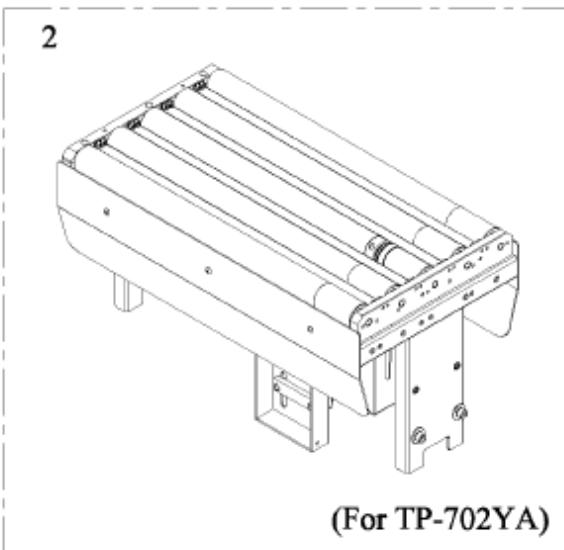
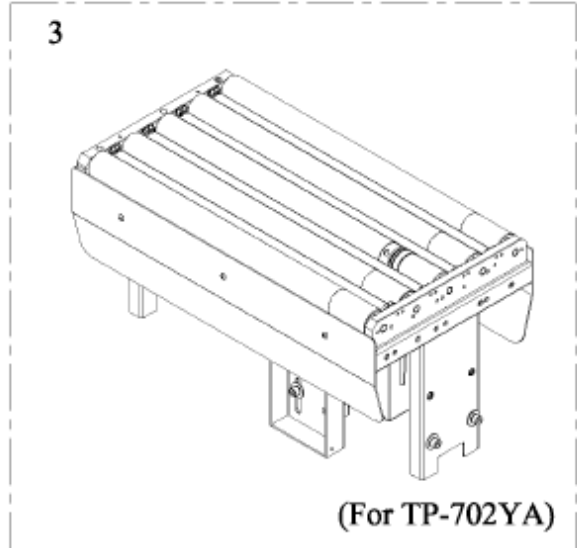
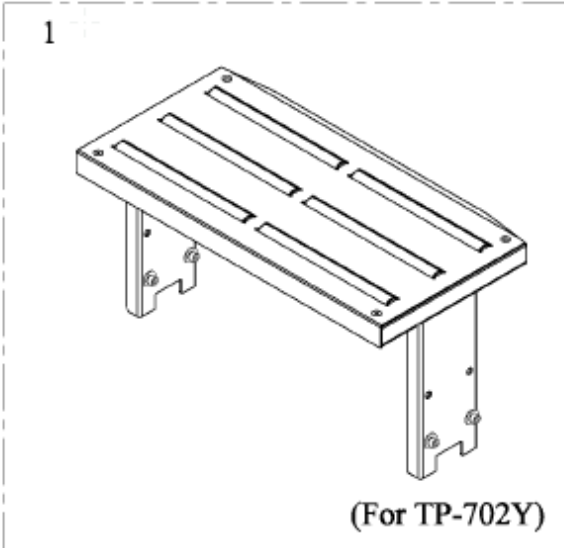
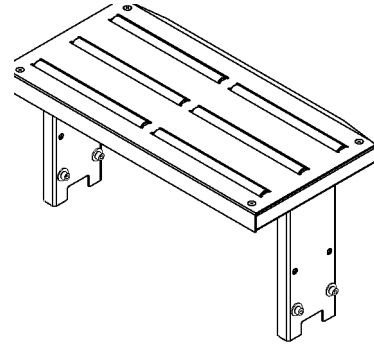
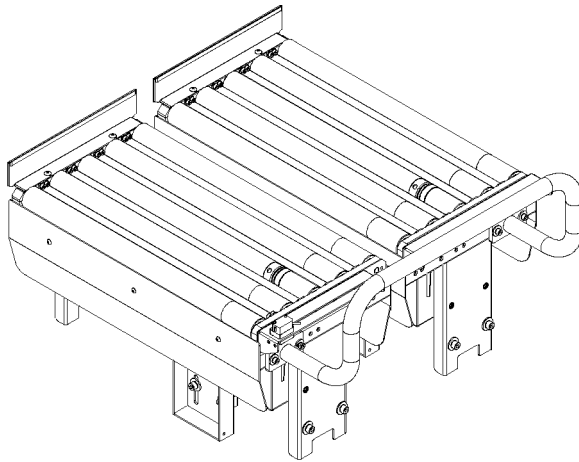
REF. NO.	PART NO.	DESCRIPTION	Q'TY	GREENBRIDGE PART #
1	EW72Y006DM04	Wire Ass'y X4 (Power for M4/M5 PCB)	1	X
2	EW72Y006DM01	Wire Ass'y X1 (Power for M4/M5)	1	X
6	EW72Y006DH02	Wire Ass'y X2 (Power for H.T PCB)	1	X
7	EW72Y006DH01	Wire Ass'y X1 (H.T/Sensor/Fan)	1	X
8	EW72Y006DH03	Wire Ass'y X3 (Heater Ready)	1	(SEE PG.C133) X
15	EW72A006DP01	Wire Ass'y X1 (V.R/PLC Power P.C.B Power)	1	X
16	EW72A006DP02	Wire Ass'y X2 (PLC Power)	1	X
17	EW72A006DP03	Wire Ass'y X3 (V.R Power)	1	X

LIGHT TREE GROUP (OPTION)



6-6**LIGHT TREE GROUP
(OPTION)****M7-6-400400**

REF. NO.	PART NO.	DESCRIPTION	Q'TY	GREENBRIDGE PART #
1	PH-6-103500	LED Lamp (Red)	1	X
2	M7-6-401300	LED Lamp (Amber)	1	X
3	M7-6-401400	LED Lamp (Green)	1	X
4	M7-6-401500	Red Cover	1	X
5	M7-6-401600	Yellow Cover	1	X
6	M7-6-401700	Green Cover	1	X
7	M7-6-402011	Light Tree Ass'y (Red/Amber/Green)	1	205370
13	T5-4-10580	Grommet	1	191803
20	THS0512N	THS, M5×12 (N)	4	X



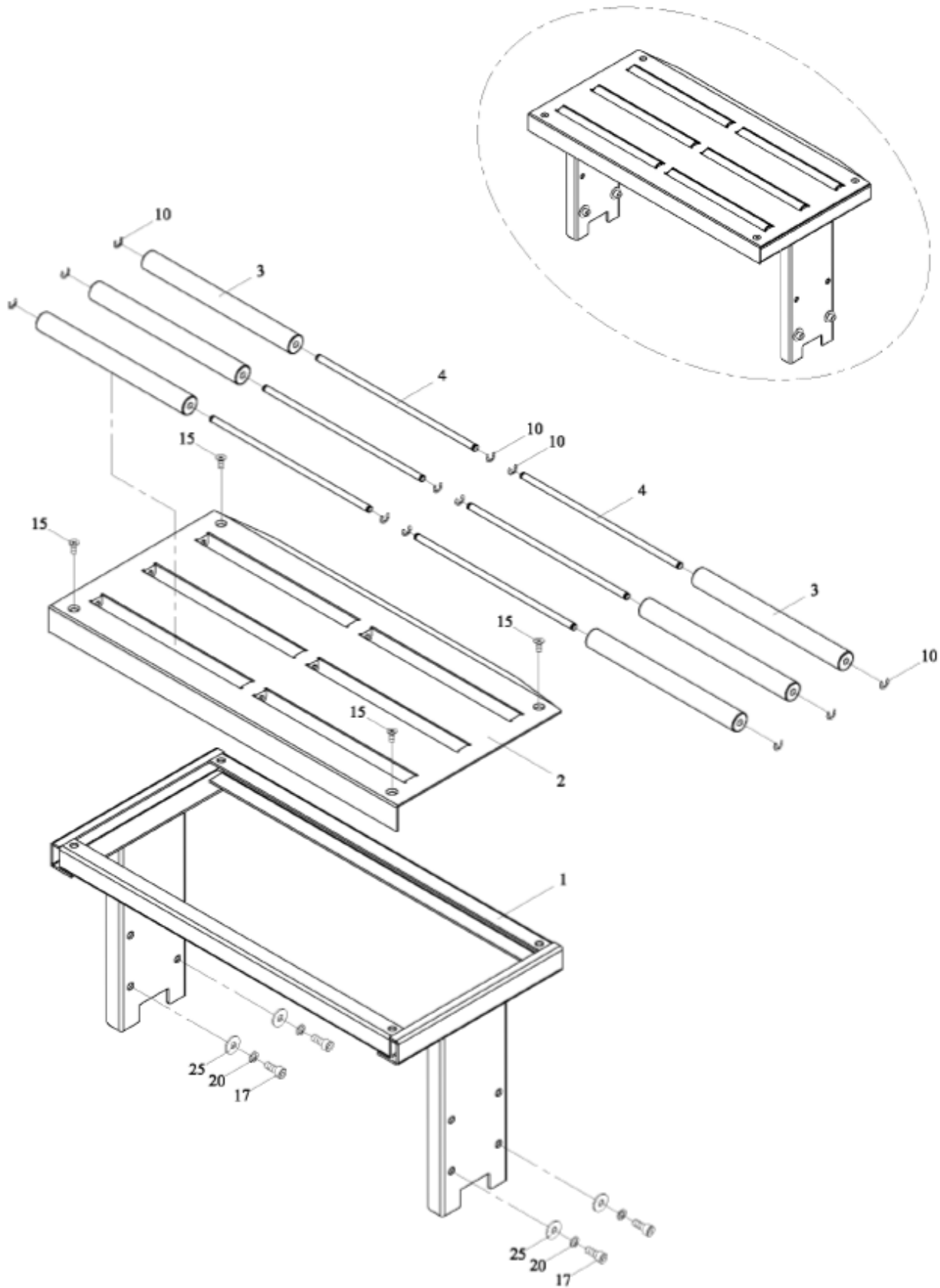
REF. NO.	PART NO.	DESCRIPTION	Q'TY	GREENBRIDGE PART #
	M7-7-900500	Transmissive Unit (For TP-702YA, 600W)	1	X
	M7-7-900510	Transmissive Unit (For TP-702YA, 800W)	1	X
	M7-7-900520	Transmissive Unit (For TP-702YA, 1000W)	1	X
	M7-7-900530	Transmissive Unit (For TP-702YA, 1300W)	1	X
1	M7-7-100600	Table Roller Group (For TP-702Y, 400W)	2	(SEE PG.C141) X
	M7-7-100610	Table Roller Group (For TP-702Y, 600W)	2	X
	M7-7-100620	Table Roller Group (For TP-702Y, 800W)	2	X
	M7-7-100630	Table Roller Group (For TP-702Y, 1000W)	2	X
	M7-7-100640	Table Roller Group (For TP-702Y, 1300W)	2	X
2	M7-7-100700	Table Roller Group (Front)(For TP-702YA, 600W)	1	(SEE PG.C143) X
	M7-7-100710	Table Roller Group (Front)(For TP-702YA, 800W)	1	X
	M7-7-100720	Table Roller Group (Front)(For TP-702YA, 1000W)	1	X
	M7-7-100730	Table Roller Group (Front)(For TP-702YA, 1300W)	1	X
3	M7-7-200300	Table Roller Group (Rear)(For TP-702YA, 600W)	1	(SEE PG.C149) X
	M7-7-200310	Table Roller Group (Rear)(For TP-702YA, 800W)	1	X
	M7-7-200320	Table Roller Group (Rear)(For TP-702YA, 1000W)	1	X
	M7-7-200330	Table Roller Group (Rear)(For TP-702YA, 1300W)	1	X
4	M7-7-800000	Photo Cell Group (Only TP-702YA)	1	(SEE PG.C153) X

7-1

TABLE ROLLER GROUP (For TP-702Y)

M7-7-100600

M7-7-100610



7-1

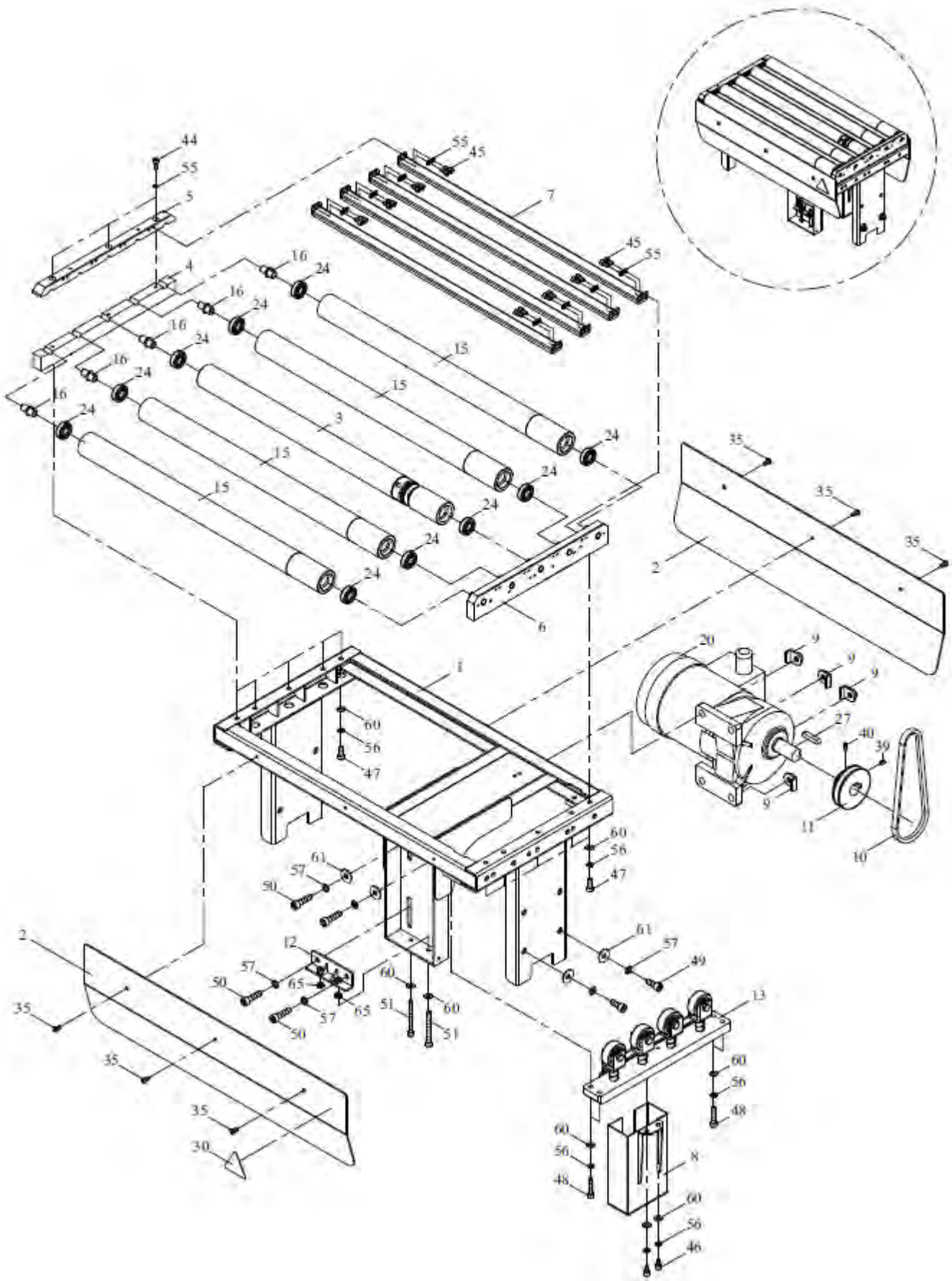
**TABLE ROLLER GROUP
(FOR TP-702Y)**

**M7-7-100600
M7-7-100610**

REF. NO.	PART NO.	DESCRIPTION	Q'TY	GREENBRIDGE PART #
	M7-7-100600	Table Roller Group (For TP-702Y, 400W)	1	X
	M7-7-100610	Table Roller Group (For TP-702Y, 600W)	1	X
	M7-7-100620	Table Roller Group (For TP-702Y, 800W)	1	X
	M7-7-100630	Table Roller Group (For TP-702Y, 1000W)	1	X
	M7-7-100640	Table Roller Group (For TP-702Y, 1300W)	1	X
1	T6-5-10413	Table (For 400W)	1	X
	T6-5-10414	Table (For 600W)	1	X
	T6-5-10415	Table (For 800W)	1	X
	T6-5-10411	Table (For 1000W)	1	X
	T6-5-10417	Table (For 1300W)	1	X
2	T6-5-10420	Table Plate (For 800W)	1	X
	T6-5-10421	Table Plate (For 600W)	1	X
	T6-5-10422	Table Plate (For 400W)	1	X
	T6-5-10423	Table Plate (For 1000W)	1	X
	T6-5-10426	Table Plate (For 1300W)	1	X
3	T6-5-11120	Table Roller (For 400W)	3	191673
		Table Roller (For 600W/800W)	6	
		Table Roller (For 1000W)	9	
		Table Roller (For 1300W)	12	
4	T6-5-11130	Table Roller Shaft (For 400W)	3	191674
		Table Roller Shaft (For 600W/800W)	6	
		Table Roller Shaft (For 1000W)	9	
		Table Roller Shaft (For 1300W)	12	
10	ER07S	Snap Ring, E-7 (SUS)(For 400W)	6	203502
		Snap Ring, E-7 (SUS)(For 600W/800W)	12	
		Snap Ring, E-7 (SUS)(For 1000W)	18	
		Snap Ring, E-7 (SUS)(For 1300W)	24	
15	FMS0615S	FMS, M6×15 (SUS)	4	X
17	HBS0820N	HBS, M8×20 (N)(For 400W~800W)	4	X
		HBS, M8×20 (N)(For 1000W/1300W)	6	
20	SW08	SW, M8 (For 400W~800W)	4	191759
		SW, M8 (For 1000W/1300W)	6	
25	PW08C	PW, M8 (C)(For 400W~800W)	4	191760
		PW, M8 (C)(For 1000W/1300W)	6	

TABLE ROLLER GROUP (FRONT)(FOR TP-702YA)

M7-7-100700
M7-7-100710



7-2

**TABLE ROLLER GROUP
(FRONT)(FOR TP-702YA)**

**M7-7-100700
M7-7-100710**

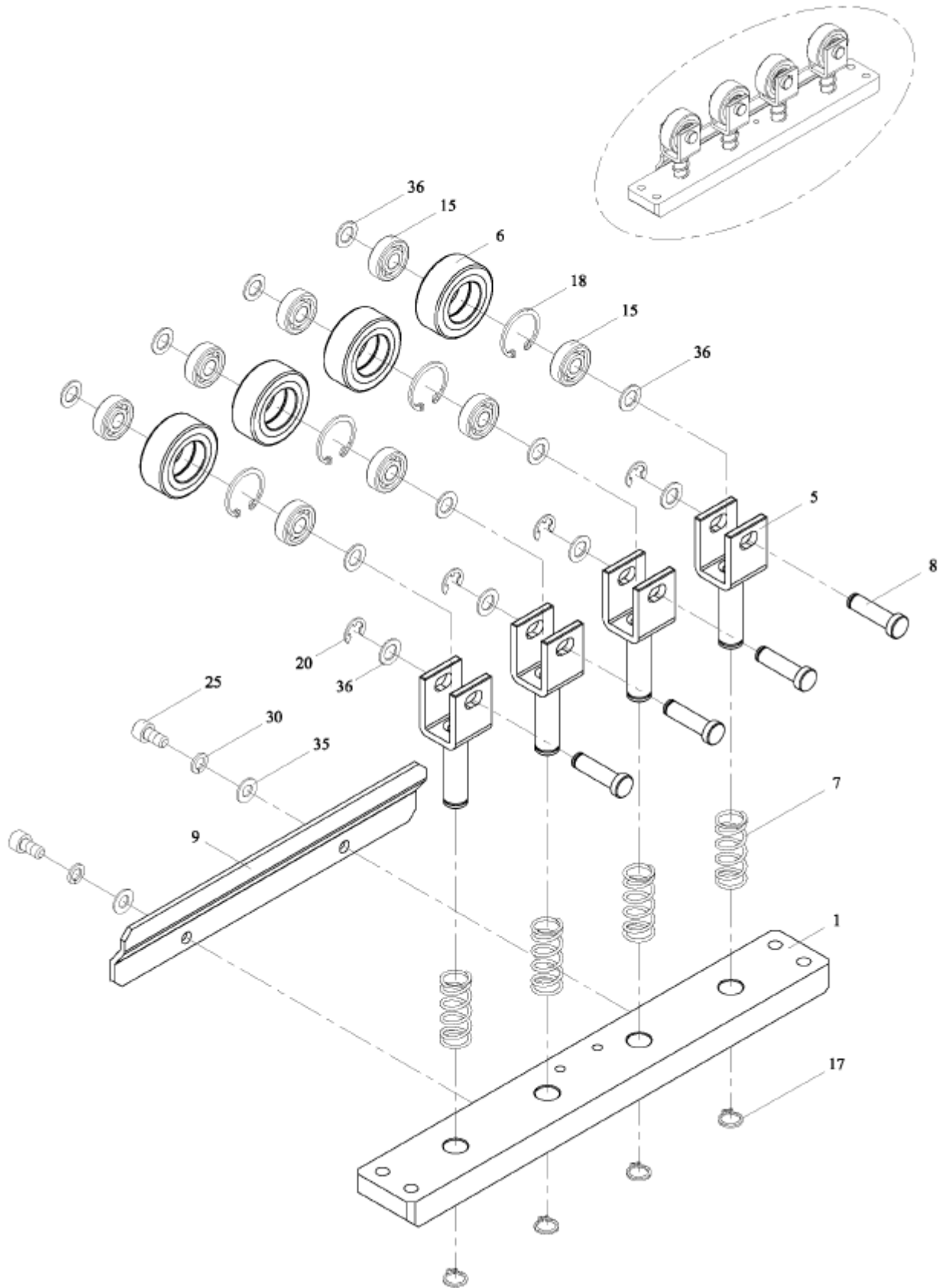
REF. NO.	PART NO.	DESCRIPTION	Q'TY	GREENBRIDGE PART #
	M7-7-100700	Table Roller Group (Front)(For TP-702YA, 600W)	1	X
	M7-7-100710	Table Roller Group (Front)(For TP-702YA, 800W)	1	X
	M7-7-100720	Table Roller Group (Front)(For TP-702YA, 1000W)	1	X
	M7-7-100730	Table Roller Group (Front)(For TP-702YA, 1300W)	1	X
1	M7-7-108100	Table (For 600W)	1	X
	M7-7-108110	Table (For 800W)	1	X
	M7-7-108120	Table (For 1000W)	1	X
	M7-7-108130	Table (For 1300W)	1	X
2	M7-7-108200	Cover Plate (For 600W)	2	X
	M7-7-108210	Cover Plate (For 800W)	2	X
	M7-7-108220	Cover Plate (For 1000W)	2	X
	M7-7-108230	Cover Plate (For 1300W)	2	X
3	M7-7-108300	Table Roller (For 600W)	1	X
	M7-7-108310	Table Roller (For 800W)	1	X
	M7-7-108320	Table Roller (For 1000W)	1	X
	M7-7-108330	Table Roller (For 1300W)	1	X
4	M7-7-108400	Roller Base (L)	1	X
5	M7-7-108500	Bar (L)	1	X
6	M7-7-108601	Roller Base (R)	1	X
7	M7-7-108700	Roller Cover (For 600W)	4	X
	M7-7-108710	Roller Cover (For 800W)	4	X
	M7-7-108720	Roller Cover (For 1000W)	4	X
	M7-7-108730	Roller Cover (For 1300W)	4	X
8	M7-7-108800	Motor Cover	1	X
9	M7-7-108900	Nut	4	X
10	M7-7-109000	V-Belt	1	X
11	M7-7-303100	Pulley	1	X
12	M7-7-109200	Adjust Bracket	1	X
13	M7-7-130000	Transmissive Roller Ass'y	1	(SEE PG.C147)
15	T6-7-70136	Table Roller (For 600W)	4	T6-7-70136
	T6-7-70137	Table Roller (For 800W)	4	X
	T6-7-70138	Table Roller (For 1000W)	4	X
	M7-7-109100	Table Roller (For 1300W)	4	X
16	T6-7-70280	Shaft	5	X
20	TT-2-30140	Motor	1	X
24	BR6001-2RS	Bearing, 6001 2RS	10	X

**TABLE ROLLER GROUP
(FRONT)(FOR TP-702YA)**

**M7-7-100700
M7-7-100710**

REF. NO.	PART NO.	DESCRIPTION	Q'TY	GREENBRIDGE PART #
27	KYA070735	Key, 7×7×35	1	X
30	LA-40210	Label	1	X
35	THS0508N	THS, M5×8 (N)(For 600W/800W)	6	191579
		THS, M5×8 (N)(For 1000W/1300W)	8	
39	HSS0606GN	HSS, M6×6 (G)(N)	1	187305
40	HSS0608GN	HSS, M6×8 (G)(N)	1	X
44	HBS0516N	HBS, M5×16 (N)	3	191700
45	HBS0510N	HBS, M5×10 (N)	16	X
46	HBS0612N	HBS, M6×12 (N)	2	191563
47	HBS0616N	HBS, M6×16 (N)	10	191544
48	HBS0630N	HBS, M6×30 (N)	4	191779
49	HBS0820N	HBS, M8×20 (N)(For 600W/800W)	4	X
		HBS, M8×20 (N)(For 1000W/1300W)	6	
50	HBS0830N	HBS, M8×30 (N)	4	X
51	HBS0660N	HBS, M6×60 (N)	2	X
55	SW05	SW, M5	19	191577
56	SW06	SW, M6	16	191562
57	SW08	SW, M8 (For 600W/800W)	8	191759
		SW, M8 (For 1000W/1300W)	10	
60	PW06A	PW, M6 (A)	18	191612
61	PW08C	PW, M8 (C)(For 600W/800W)	6	191760
		PW, M8 (C)(For 1000W/1300W)	8	
65	NTE06	NTE, M6	2	X





7-2-1

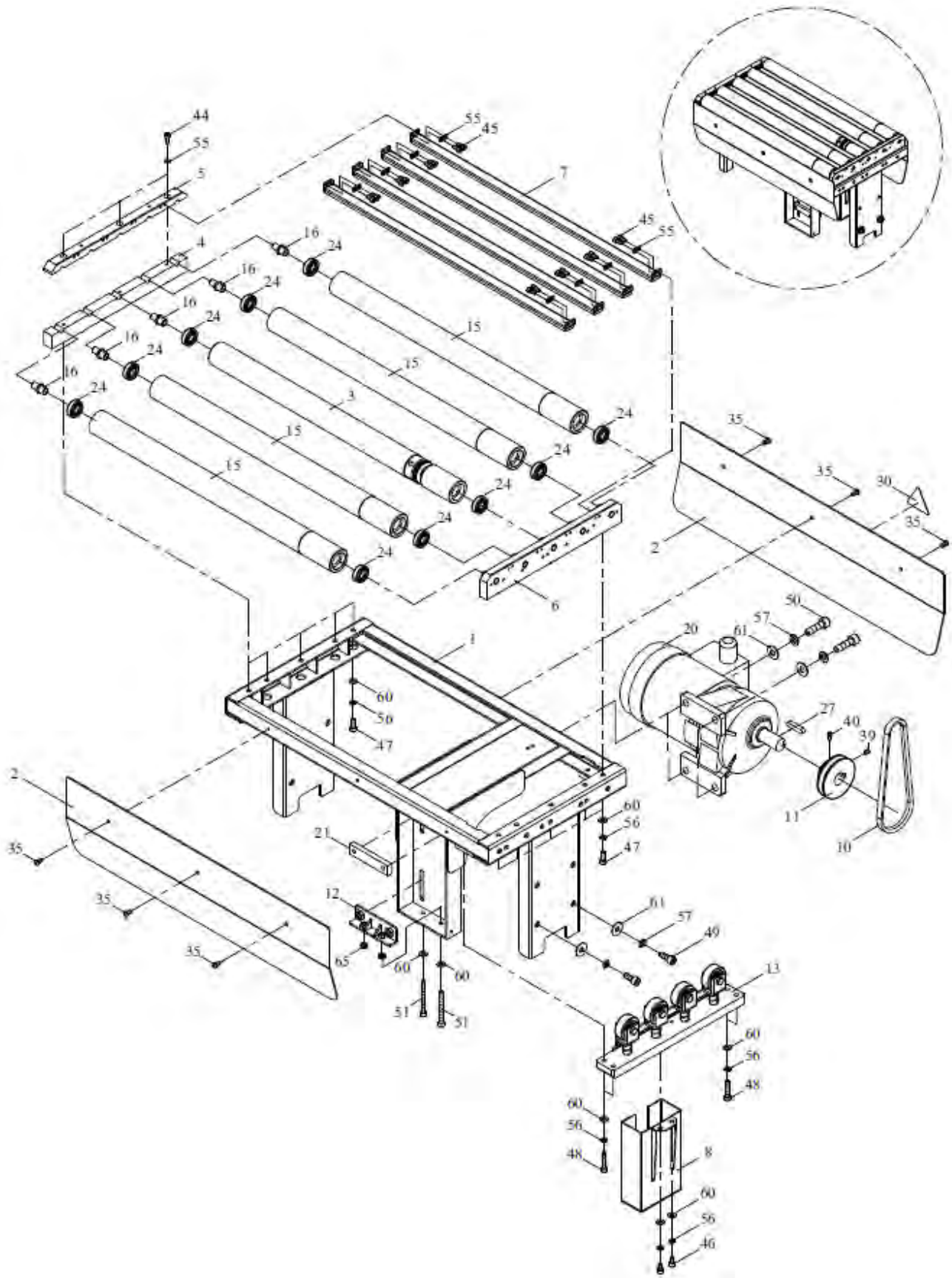
TRANSMISSIVE ROLLER ASS'Y

M7-7-130000

REF. NO.	PART NO.	DESCRIPTION	Q'TY	GREENBRIDGE PART #
1	M7-7-131100	Bracket	1	X
5	T6-7-70180	Plunger	4	X
6	T6-7-70190	Roller	4	X
7	T6-7-70210	Spring	4	X
8	T6-7-70270	Shaft	4	X
9	T6-7-70530	Plate	1	X
15	BR608ZZ	Bearing, 608ZZ	8	187783
17	SR12	Stop Ring, S-12	4	X
18	RR22	Snap Ring, H-22	4	X
20	ER07S	Snap Ring, E-7 (SUS)	4	203502
25	HBS0612N	HBS, M6×12 (N)	2	191563
30	SW06	SW, M6	2	191562
35	PW06A	PW, M6 (A)	2	191612
36	PW08A	PW, M8 (A)	12	X

TABLE ROLLER GROUP (REAR)(FOR TP-702YA)

M7-7-200300
M7-7-200310



7-3

**TABLE ROLLER GROUP
(REAR)(FOR TP-702YA)**

**M7-7-200300
M7-7-200310**

REF. NO.	PART NO.	DESCRIPTION	Q'TY	GREENBRIDGE PART #
	M7-7-200300	Table Roller Group (Rear)(For TP-702YA, 600W)	1	X
	M7-7-200310	Table Roller Group (Rear)(For TP-702YA, 800W)	1	X
	M7-7-200320	Table Roller Group (Rear)(For TP-702YA, 1000W)	1	X
	M7-7-200330	Table Roller Group (Rear)(For TP-702YA, 1300W)	1	X
1	M7-7-108100	Table (For 600W)	1	X
	M7-7-108110	Table (For 800W)	1	X
	M7-7-108120	Table (For 1000W)	1	X
	M7-7-108130	Table (For 1300W)	1	X
2	M7-7-108200	Cover Plate (For 600W)	2	X
	M7-7-108210	Cover Plate (For 800W)	2	X
	M7-7-108220	Cover Plate (For 1000W)	2	X
	M7-7-108230	Cover Plate (For 1300W)	2	X
3	M7-7-108300	Table Roller (For 600W)	1	X
	M7-7-108310	Table Roller (For 800W)	1	X
	M7-7-108320	Table Roller (For 1000W)	1	X
	M7-7-108330	Table Roller (For 1300W)	1	X
4	M7-7-108400	Roller Base (L)	1	X
5	M7-7-108500	Bar (L)	1	X
6	M7-7-108601	Roller Base (R)	1	X
7	M7-7-108700	Roller Cover (For 600W)	4	X
	M7-7-108710	Roller Cover (For 800W)	4	X
	M7-7-108720	Roller Cover (For 1000W)	4	X
	M7-7-108730	Roller Cover (For 1300W)	4	X
8	M7-7-108800	Motor Cover	1	X
10	M7-7-109000	V-Belt	1	X
11	M7-7-303100	Pulley	1	X
12	M7-7-109210	Adjust Bracket	1	X
13	M7-7-130000	Transmissive Roller Ass'y	1	(SEE PG.C147) X
15	T6-7-70136	Table Roller (For 600W)	4	X
	T6-7-70137	Table Roller (For 800W)	4	X
	T6-7-70138	Table Roller (For 1000W)	4	X
	M7-7-109100	Table Roller (For 1300W)	4	X
16	T6-7-70280	Shaft	5	X
20	TT-2-30140	Motor	1	X
21	TT-2-30150	Motor Base	1	X

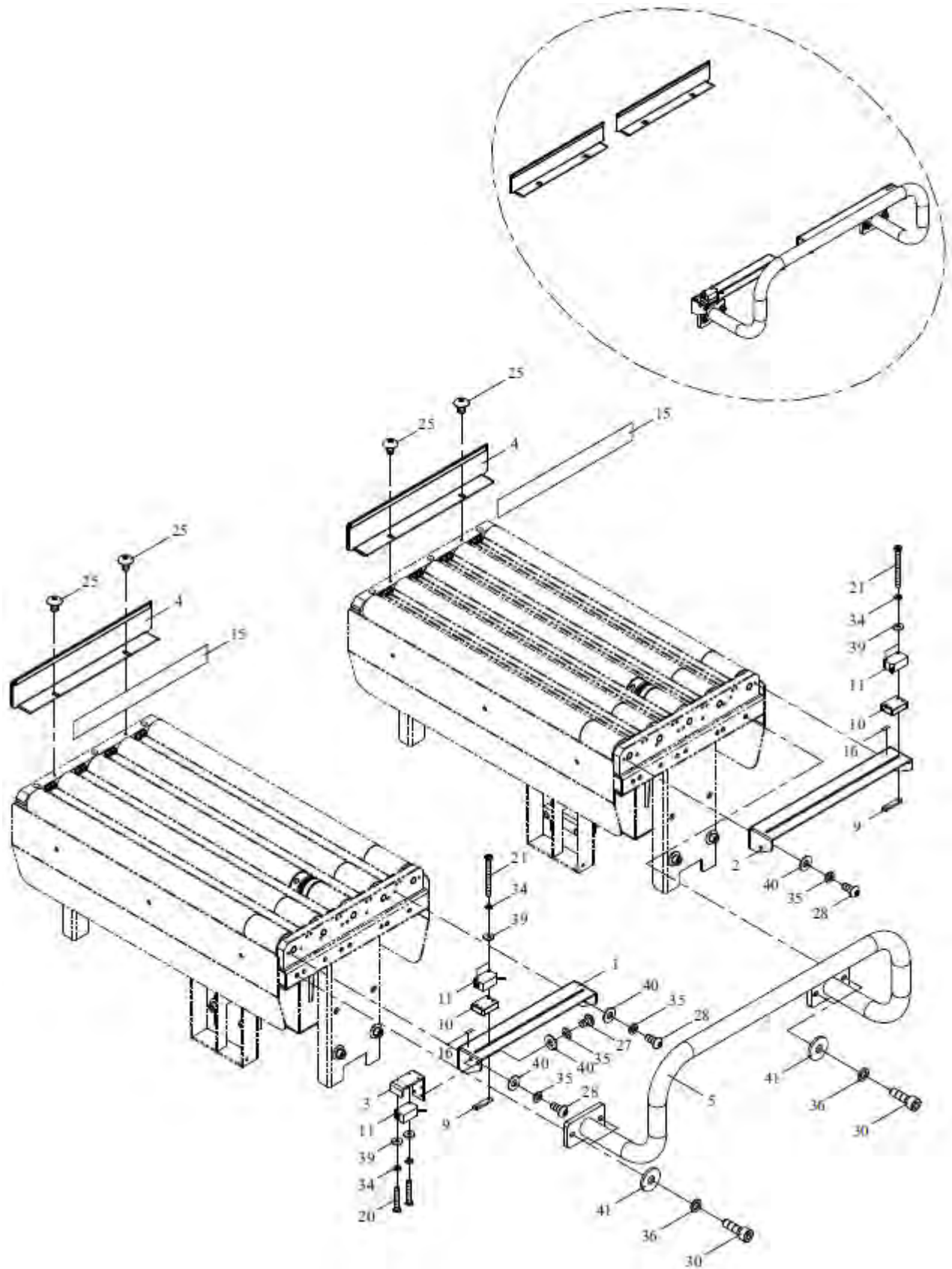
**TABLE ROLLER GROUP
(REAR)(FOR TP-702YA)**

**M7-7-200300
M7-7-200310**

REF. NO.	PART NO.	DESCRIPTION	Q'TY	GREENBRIDGE PART #
24	BR6001-2RS	Bearing, 6001 2RS	10	X
27	KYA070735	Key, 7×7×35	1	X
30	LA-40210	Label	1	X
35	THS0508N	THS, M5×8 (N)(For 600W/800W)	6	191579
		THS, M5×8 (N)(For 1000W/1300W)	8	
39	HSS0606GN	HSS, M6×6 (G)(N)	1	187305
40	HSS0608GN	HSS, M6×8 (G)(N)	1	X
44	HBS0516N	HBS, M5×16 (N)	3	191700
45	HBS0510N	HBS, M5×10 (N)	16	X
46	HBS0610N	HBS, M6×10 (N)	2	X
47	HBS0616N	HBS, M6×16 (N)	10	191544
48	HBS0630N	HBS, M6×30 (N)	4	191779
49	HBS0820N	HBS, M8×20 (N)(For 600W/800W)	4	X
		HBS, M8×20 (N)(For 1000W/1300W)	6	
50	HBS0830N	HBS, M8×30 (N)	4	X
51	HBS0660N	HBS, M6×60 (N)	2	X
55	SW05	SW, M5	19	191577
56	SW06	SW, M6	16	191562
57	SW08	SW, M8 (For 600W/800W)	8	191759
		SW, M8 (For 1000W/1300W)	10	
60	PW06A	PW, M6 (A)	18	191612
61	PW08C	PW, M8 (C)(For 600W/800W)	8	191760
		PW, M8 (C)(For 1000W/1300W)	10	
65	NTE06	NTE, M6	2	X



PHOTO CELL GROUP (ONLY TP-702YA)



7-4

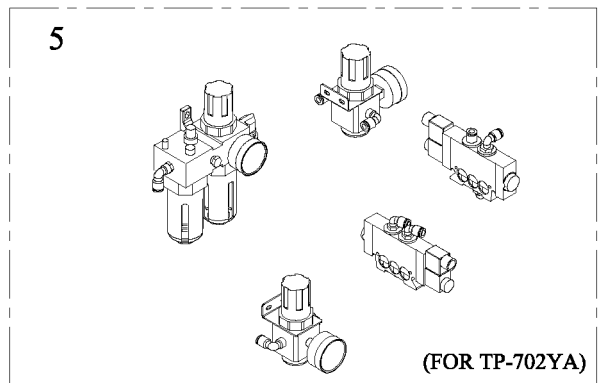
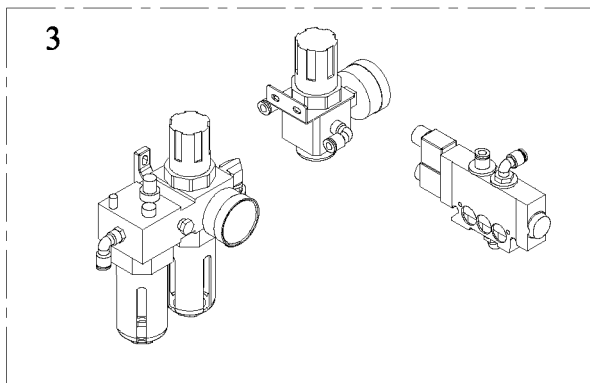
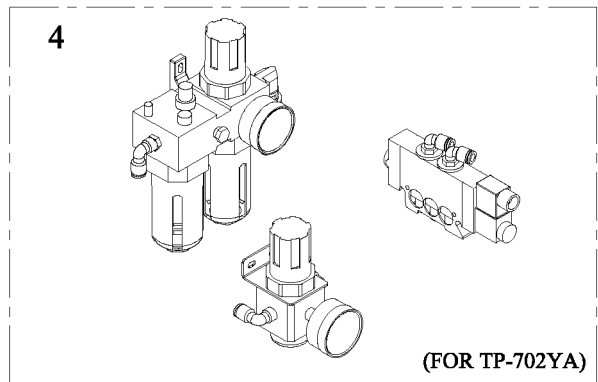
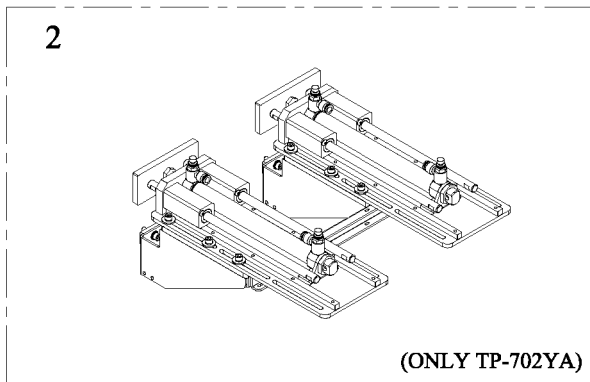
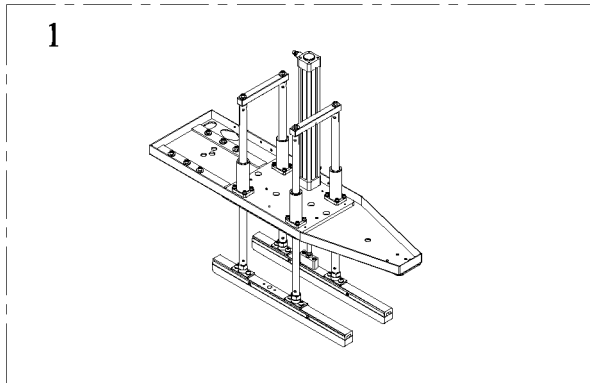
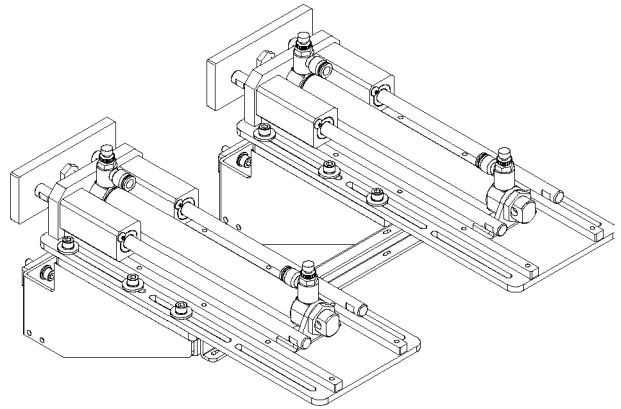
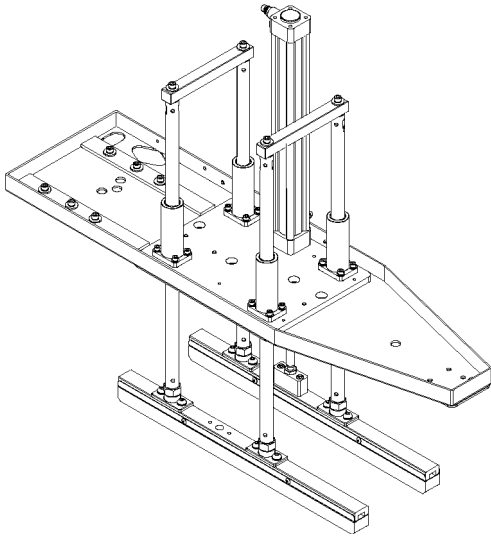
**PHOTO CELL GROUP
(ONLY TP-702YA)**

M7-7-80000

REF. NO.	PART NO.	DESCRIPTION	Q'TY	GREENBRIDGE PART #
1	M7-7-801100	Sensor Bracket (Front)	1	X
2	M7-7-801200	Sensor Bracket (Rear)	1	X
3	M7-7-801300	Sensor Bracket (Option)	1	X
4	M7-7-801400	Shelter Board	2	X
		Shelter Board (For PH4)(Option)	1	
	M7-7-801500	Shelter Board (For PH4)(Option)	1	X
5	M7-7-801600	Protect Arm	1	X
9	M7-7-101701	Sensor Bracket (PH1)	1	X
		Sensor Bracket (PH1, PH2)(Option)	2	
10	M7-5-206800	Sensor Bracket (PH1)	1	X
		Sensor Bracket (PH1, PH2)(Option)	2	
11	M7-6-301300	Photo Eye (PH1)	1	(SEE PG.C133) 205785
		Photo Eye (PH1, PH2 or PH4)(Option)	2	
		Photo Eye (PH1, PH2, PH4)(Option)	3	
15	LA-50522	Sensor Label	1	X
		Sensor Label (Option)	2	
	LA-50523	Sensor Label (Option)	1	X
16	LA-50031	Label	2	X
20	PMS0320	PMS, M3×20 (Option)	2	191663
21	PMS0335	PMS, M3×35	2	X
		PMS, M3×35 (Option)	4	
25	TMS0508N	TMS, M5×8 (N)	4	191830
27	THS0508N	THS, M5×8 (N)(Option)	2	191579
28	THS0512N	THS, M5×12 (N)	4	X
30	HBS0825N	HBS, M8×25 (N)	4	X
34	SW03	SW, M3	2	191590
		SW, M3 (Option)	4~6	
35	SW05	SW, M5	4	191577
		SW, M5 (Option)	6	
36	SW08	SW, M8	4	191759
39	PW03	PW, M3	2	187560
		PW, M3 (Option)	4~6	
40	PW05	PW, M5	4	191578
		PW, M5 (Option)	6	
41	PW08C	PW, M8 (C)	4	191760

PNEUMATIC UNIT (OPTION)

M7-8-900310
M7-8-900320



**PNEUMATIC UNIT
(OPTION)**

**M7-8-900310
M7-8-900320**

REF. NO.	PART NO.	DESCRIPTION	Q'TY	GREENBRIDGE PART #
	M7-8-900310	Pneumatic Unit (For TP-702Y, Press Bar, 400W×650H)(Option)	1	X
	M7-8-900320	Pneumatic Unit (For Press Bar, 600W×650H)(Option)	1	X
	M7-8-900330	Pneumatic Unit (For Press Bar, 600W×850H)(Option)	1	X
	M7-8-900340	Pneumatic Unit (For Press Bar, 600W×1050H)(Option)	1	X
	M7-8-900510	Pneumatic Unit (For Press Bar, 600W×1250H)(Option)	1	X
	M7-8-900350	Pneumatic Unit (For Press Bar, 800W×850H)(Option)	1	X
	M7-8-900360	Pneumatic Unit (For Press Bar, 800W×1050H)(Option)	1	X
	M7-8-900520	Pneumatic Unit (For Press Bar, 800W×1250H)(Option)	1	X
	M7-8-900370	Pneumatic Unit (For Press Bar, 1000W×1050H)(Option)	1	X
	M7-8-900530	Pneumatic Unit (For Press Bar, 1000W×1250H)(Option)	1	X
	- -			
	M7-8-900550	Pneumatic Unit (For Press Bar, 1300W×650H)(Option)	1	X
	M7-8-900560	Pneumatic Unit (For Press Bar, 1300W×850H)(Option)	1	X
	M7-8-900570	Pneumatic Unit (For Press Bar, 1300W×1050H)(Option)	1	X
	M7-8-900580	Pneumatic Unit (For Press Bar, 1300W×1250H)(Option)	1	X
	M7-8-900380	Pneumatic Unit (For TP-702YA, Side Pusher, 600W)(Option)	1	X
	M7-8-900390	Pneumatic Unit (For TP-702YA, Side Pusher, 800W)(Option)	1	X
	M7-8-900400	Pneumatic Unit (For TP-702YA, Side Pusher, 1000W)(Option)	1	X
	M7-8-900600	Pneumatic Unit (For TP-702YA, Side Pusher, 1300W)(Option)	1	X
	M7-8-900410	Pneumatic Unit (For TP-702YA, Press Bar and Side Pusher, 600W×650H)(Option)	1	X
	M7-8-900420	Pneumatic Unit (For TP-702YA, Press Bar and Side Pusher, 600W×850H)(Option)	1	X

**PNEUMATIC UNIT
(OPTION)**

**M7-8-900310
M7-8-900320**

REF. NO.	PART NO.	DESCRIPTION	Q'TY	GREENBRIDGE PART #
	M7-8-900430	Pneumatic Unit (For TP-702YA, Press Bar and Side Pusher, 600W×1050H)(Option)	1	X
	M7-8-900440	Pneumatic Unit (For TP-702YA, Press Bar and Side Pusher, 600W×1250H)(Option)	1	X
	M7-8-900450	Pneumatic Unit (For TP-702YA, Press Bar and Side Pusher, 800W×850H)(Option)	1	X
	M7-8-900460	Pneumatic Unit (For TP-702YA, Press Bar and Side Pusher, 800W×1050H)(Option)	1	X
	M7-8-900470	Pneumatic Unit (For TP-702YA, Press Bar and Side Pusher, 800W×1250H)(Option)	1	X
	M7-8-900480	Pneumatic Unit (For TP-702YA, Press Bar and Side Pusher, 1000W×1050H)(Option)	1	X
	M7-8-900490	Pneumatic Unit (For TP-702YA, Press Bar and Side Pusher, 1000W×1250H)(Option)	1	X
	M7-8-900500	Pneumatic Unit (For TP-702YA, Press Bar and Side Pusher, 1000W×1650H)(Option)	1	X
	M7-8-900610	Pneumatic Unit (For TP-702YA, Press Bar and Side Pusher, 1300W×650H)(Option)	1	X
	M7-8-900620	Pneumatic Unit (For TP-702YA, Press Bar and Side Pusher, 1300W×850H)(Option)	1	X
	M7-8-900630	Pneumatic Unit (For TP-702YA, Press Bar and Side Pusher, 1300W×1050H)(Option)	1	X
	M7-8-900640	Pneumatic Unit (For TP-702YA, Press Bar and Side Pusher, 1300W×1250H)(Option)	1	X
1	M7-8-100300	Press Bar Group (For TP-702Y, 400W×650H)	1	(SEE PG.C159) X
	M7-8-100310	Press Bar Group (For 600W×650H)	1	X
	M7-8-100320	Press Bar Group (For 600W×850H)	1	X
	M7-8-100330	Press Bar Group (For 600W×1050H/ 600W×1250H)	1	X
	M7-8-100340	Press Bar Group (For 800W×850H)	1	X
	M7-8-100350	Press Bar Group (For 800W×1050H/ 800W×1250H)	1	X
	M7-8-100360	Press Bar Group (For 1000W×1050H/ 1000W×1250H/1000W×1650H)	1	X
	M7-8-100370	Press Bar Group (For 1300W×650H)	1	X
	M7-8-100380	Press Bar Group (For 1300W×850H)	1	X
	M7-8-100390	Press Bar Group (For 1300W×1050H/ 1300W×1250H)	1	X
2	M7-8-200600	Side Pusher Group (Only TP-702YA)	1	(SEE PG.C165) X
3	M7-8-300200	Pneumatic Parts Group (For Press Bar, 650H)	1	(SEE PG.C169) X
	M7-8-300210	Pneumatic Parts Group (For Press Bar, 850H)	1	X
	M7-8-300220	Pneumatic Parts Group (For Press Bar, 1050H)	1	X
	M7-8-300230	Pneumatic Parts Group (For Press Bar, 1250H)	1	X
	M7-8-300240	Pneumatic Parts Group (For Press Bar, 1650H)	1	X

**PNEUMATIC UNIT
(OPTION)**

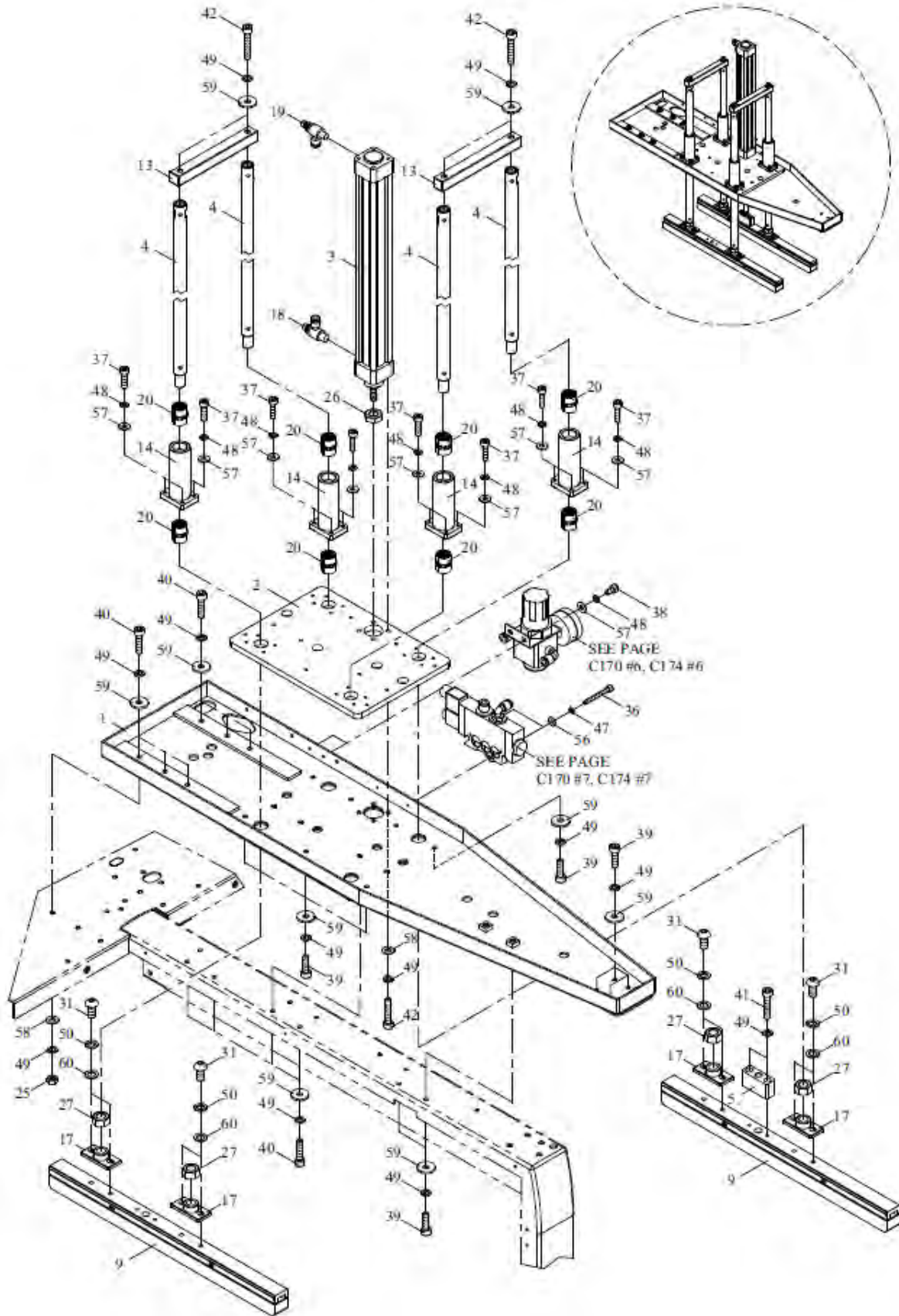
**M7-8-900310
M7-8-900320**

REF. NO.	PART NO.	DESCRIPTION	Q'TY	GREENBRIDGE PART #
4	M7-8-400100	Pneumatic Parts Group (For TP-702YA, Side Pusher, 600W)	1	(SEE PG.C171) X
	M7-8-400110	Pneumatic Parts Group (For TP-702YA, Side Pusher, 800W)	1	X
	M7-8-400120	Pneumatic Parts Group (For TP-702YA, Side Pusher, 1000W)	1	X
	M7-8-400130	Pneumatic Parts Group (For TP-702YA, Side Pusher, 1300W)	1	X
5	M7-8-500000	Pneumatic Parts Group (For TP-702YA, Press Bar and Side Pusher, 600W×650H)	1	(SEE PG.C173) X
	M7-8-500010	Pneumatic Parts Group (For TP-702YA, Press Bar and Side Pusher, 600W×850H)	1	X
	M7-8-500020	Pneumatic Parts Group (For TP-702YA, Press Bar and Side Pusher, 600W×1050H)	1	X
	M7-8-500030	Pneumatic Parts Group (For TP-702YA, Press Bar and Side Pusher, 600W×1250H)	1	X
	M7-8-500040	Pneumatic Parts Group (For TP-702YA, Press Bar and Side Pusher, 800W×850H)	1	X
	M7-8-500050	Pneumatic Parts Group (For TP-702YA, Press Bar and Side Pusher, 800W×1050H)	1	X
	M7-8-500060	Pneumatic Parts Group (For TP-702YA, Press Bar and Side Pusher, 800W×1250H)	1	X
	M7-8-500070	Pneumatic Parts Group (For TP-702YA, Press Bar and Side Pusher, 1000W×1050H)	1	X
	M7-8-500080	Pneumatic Parts Group (For TP-702YA, Press Bar and Side Pusher, 1000W×1250H)	1	X
	M7-8-500090	Pneumatic Parts Group (For TP-702YA, Press Bar and Side Pusher, 1000W×1650H)	1	X
	M7-8-500100	Pneumatic Parts Group (For TP-702YA, Press Bar and Side Pusher, 1300W×650H)	1	X
	M7-8-500110	Pneumatic Parts Group (For TP-702YA, Press Bar and Side Pusher, 1300W×850H)	1	X
	M7-8-500120	Pneumatic Parts Group (For TP-702YA, Press Bar and Side Pusher, 1300W×1050H)	1	X
	M7-8-500130	Pneumatic Parts Group (For TP-702YA, Press Bar and Side Pusher, 1300W×1250H)	1	X

PRESS BAR GROUP

M7-8-100300

M7-8-100310



REF. NO.	PART NO.	DESCRIPTION	Q'TY	GREENBRIDGE PART #
	M7-8-100300	Press Bar Group (For TP-702Y, 400W×650H)	1	X
	M7-8-100310	Press Bar Group (For 600W×650H)	1	X
	M7-8-100320	Press Bar Group (For 600W×850H)	1	X
	M7-8-100330	Press Bar Group (For 600W×1050H/ 600W×1250H)	1	X
	M7-8-100340	Press Bar Group (For 800W×850H)	1	X
	M7-8-100350	Press Bar Group (For 800W×1050H/ 800W×1250H)	1	X
	M7-8-100360	Press Bar Group (For 1000W×1050H/ 1000W×1250H/1000W×1650H)	1	X
	M7-8-100370	Press Bar Group (For 1300W×650H)	1	X
	M7-8-100380	Press Bar Group (For 1300W×850H)	1	X
	M7-8-100390	Press Bar Group (For 1300W×1050H/ 1300W×1250H)	1	X
1	M7-8-106100	Adaptor For Press Unit (For 400W)	1	X
	M7-8-106110	Adaptor For Press Unit (For 600W)	1	X
	M7-8-106120	Adaptor For Press Unit (For 800W)	1	X
	M7-8-106130	Adaptor For Press Unit (For 1000W)	1	X
	M7-8-106140	Adaptor For Press Unit (For 1300W)	1	X
2	M7-8-106200	Reinforce Plate	1	X
3	M7-8-106300	Cylinder, Ø32×320 (For 650H)	1	X
	M7-8-106310	Cylinder, Ø32×520 (For 850H)	1	X
	M7-8-106320	Cylinder, Ø32×720 (For 1050H~1650H)	1	X
4	M7-8-106400	Shaft (For 650H)	4	X
	M7-8-106410	Shaft (For 850H)	4	X
	M7-8-106420	Shaft (For 1050H~1650H)	4	X
5	M7-8-102510	Fixing Block	1	X
9	M7-8-110110	Press Bar For Flat Bundles Ass'y (For 400W~1000W)	2	(SEE PG.C163) X
	M7-8-110120	Press Bar For Flat Bundles Ass'y (For 1300W)	2	X
13	M7-8-101400	Connecting Plate	2	X
14	M7-8-102101	Bearing Support	4	X
17	T6-9-50030	Bracket	4	191601
18	T7-8-30360	Flow Control (L Type), Ø8-1/8"	1	X
19	M7-8-204200	Flow Control (L Type), Ø8-1/8"	1	X
20	PBG2030	Plastic Bushing, 20×30	8	X
25	HN06	HN, M6 (Only 650H)	6	191611
26	HN10P1.25	HN, M10×P1.25	1	X
27	HN16	HN, M16	4	X

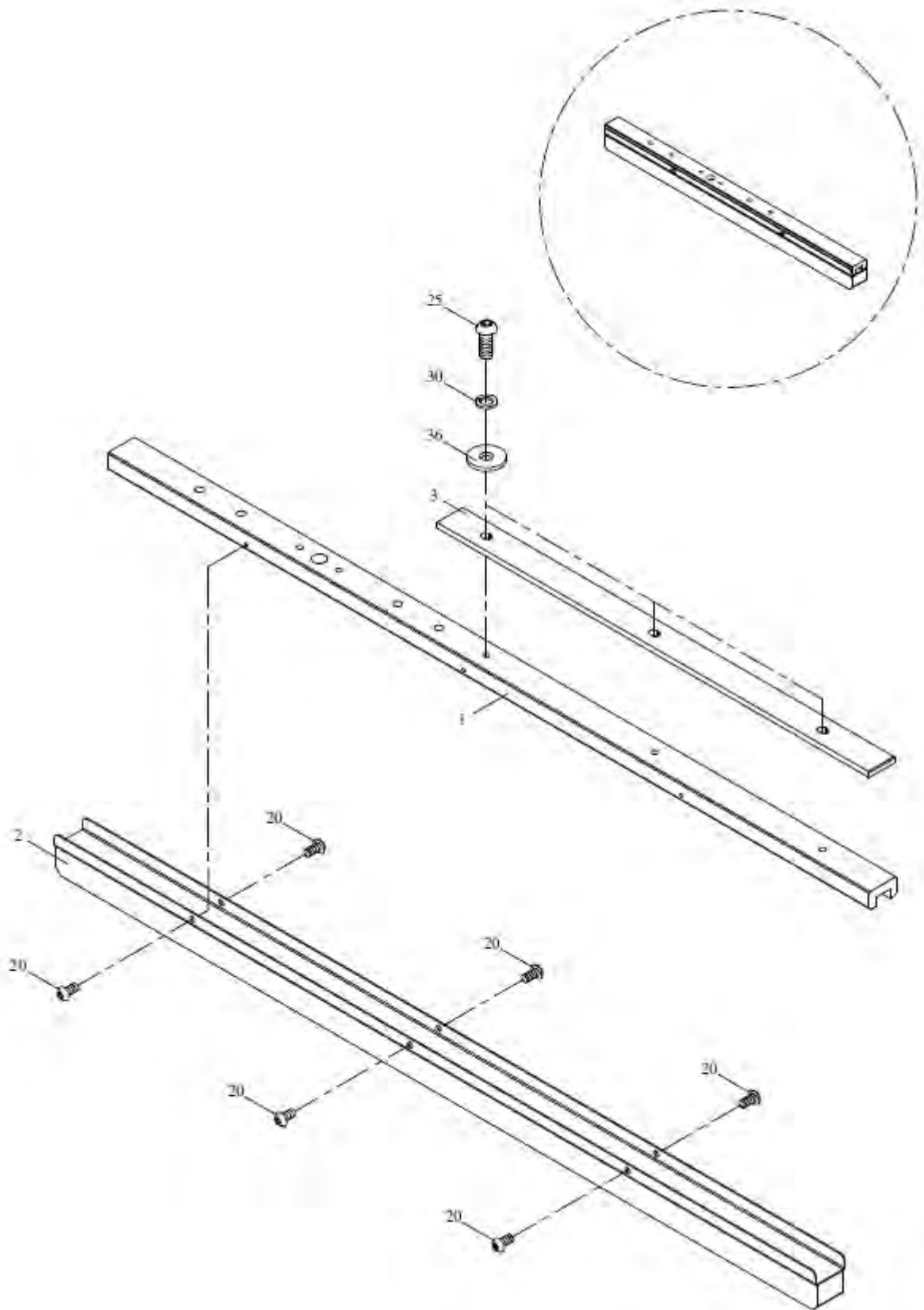
REF. NO.	PART NO.	DESCRIPTION	Q'TY	GREENBRIDGE PART #
31	THS0816N	THS, M8×16 (N)	8	X
36	HBS0435N	HBS, M4×35 (N)	2	X
37	HBS0520N	HBS, M5×20 (N)	16	191665
38	HBS0512N	HBS, M5×12 (N)	2	190848
39	HBS0620N	HBS, M6×20 (N)(For 400W/600W)	11	191726
		HBS, M6×20 (N)(For 800W/1000W/1300W)	13	
40	HBS0625N	HBS, M6×25 (N)(For 400W/600W)	10	X
	HBS0616N	HBS, M6×16 (N)(For 800W/1000W/1300W)	6	191544
41	HBS0630N	HBS, M6×30 (N)	2	191779
42	HBS0635N	HBS, M6×35 (N)	8	X
47	SW04	SW, M4	2	X
48	SW05	SW, M5	18	191577
49	SW06	SW, M6	33	191562
		SW, M6 (Only 650H)	31	
50	SW08	SW, M8	8	191759
56	PW04	PW, M4	2	187428
57	PW05	PW, M5	18	191578
58	PW06A	PW, M6 (A)	4	191612
		PW, M6 (A)(Only 650H)	10	
59	PW06C	PW, M6 (C)(For 400W/600W)	25	191561
		PW, M6 (C)(For 800W/1000W/1300W)	27	
60	PW08A	PW, M8 (A)	8	X



8-1-1

**PRESS BAR FOR FLAT
BUNDLES ASS'Y**

**M7-8-110110
M7-8-110120**



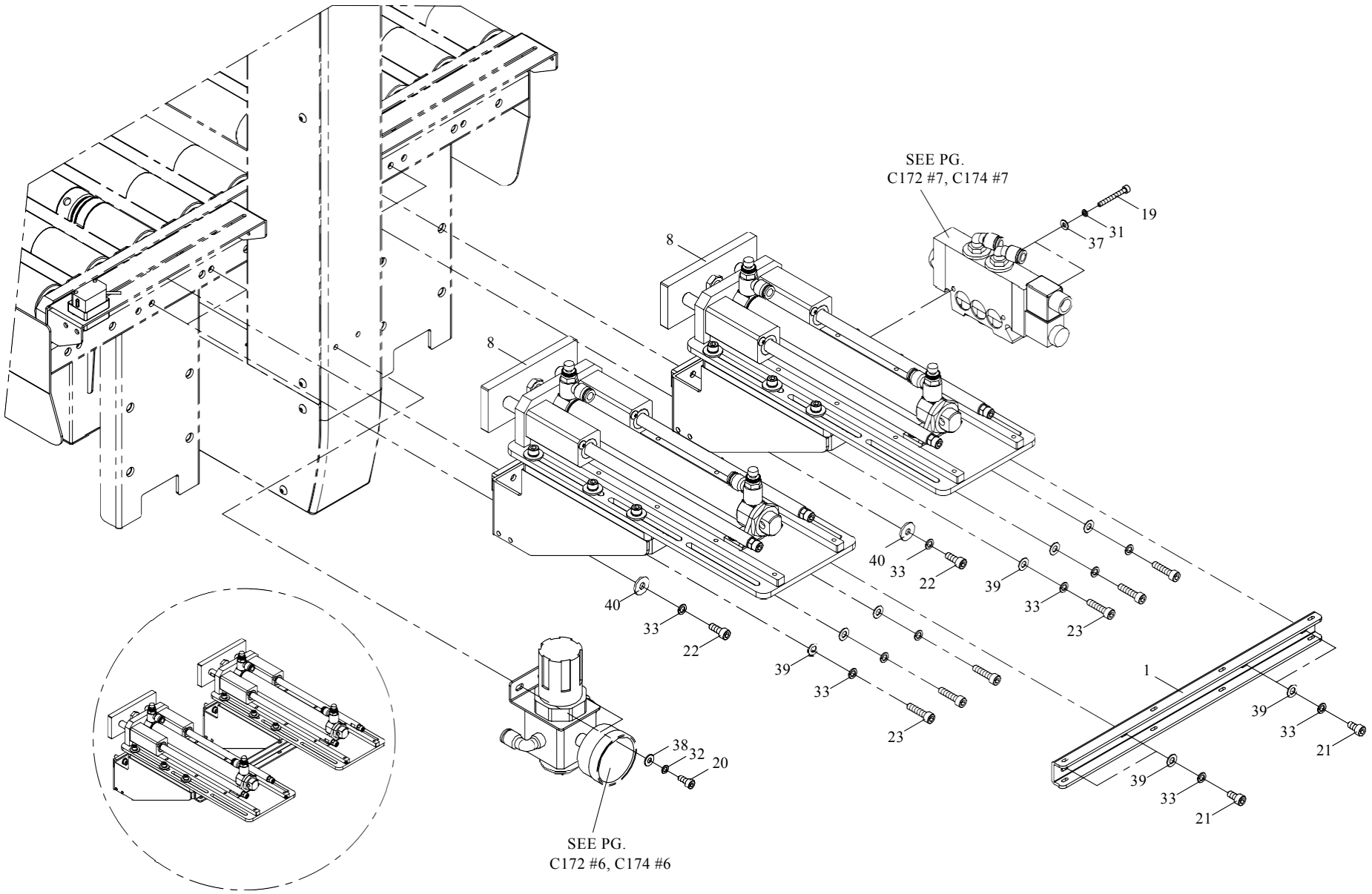
8-1-1

**PRESS BAR FOR FLAT
BUNDLES ASS'Y**

**M7-8-110110
M7-8-110120**

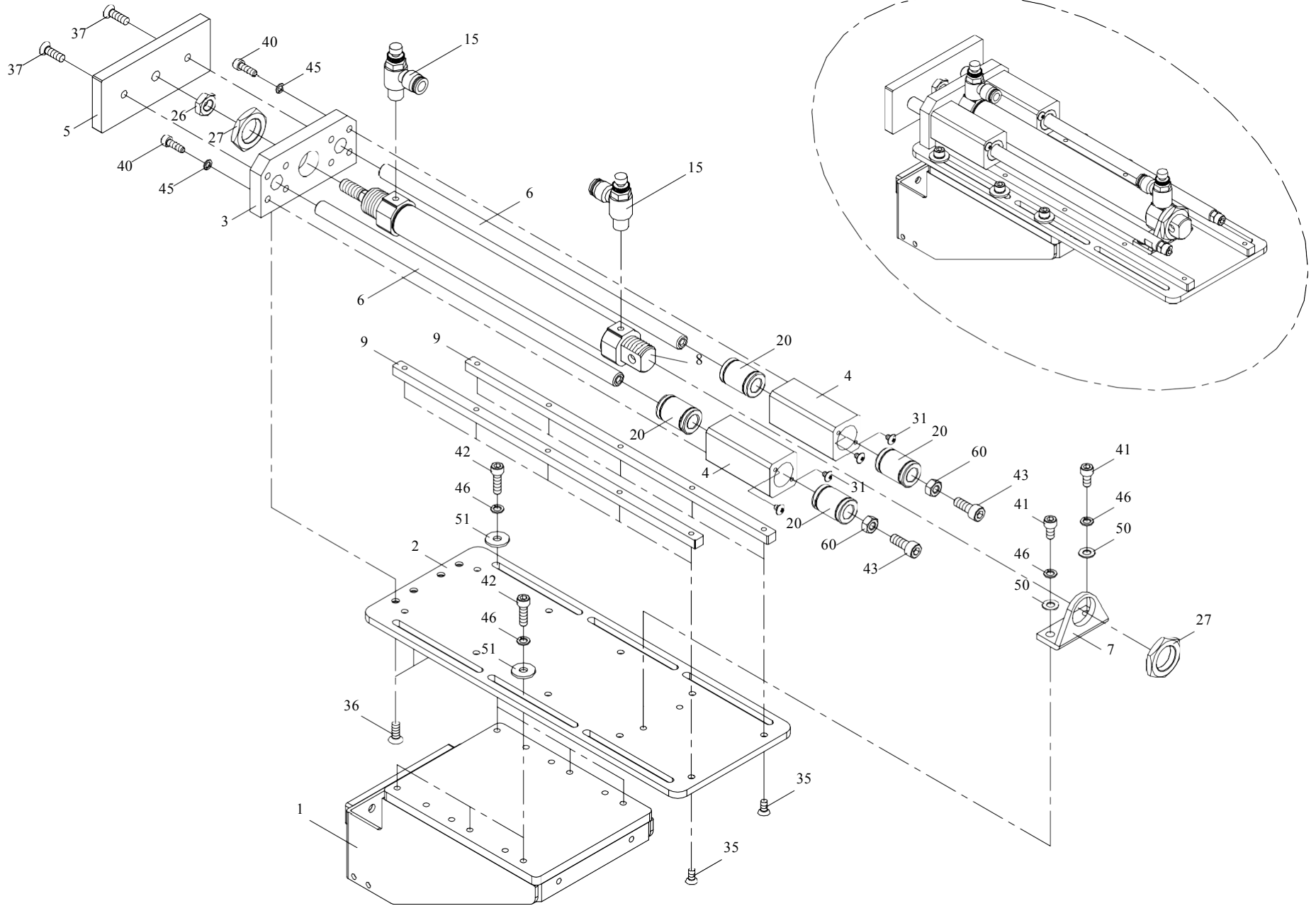
REF. NO.	PART NO.	DESCRIPTION	Q'TY	GREENBRIDGE PART #
	M7-8-110110	Press Bar For Flat Bundles Ass'y (For 400W~1000W)	1	X
	M7-8-110120	Press Bar For Flat Bundles Ass'y (For 1300W)	1	X
1	M7-8-111410	Press Bar (For 400W~1000W)	1	X
	M7-8-111420	Press Bar (For 1300W)	1	X
2	M7-8-111510	Press Bar For Flat Bundles (For 400W~1000W)	1	X
	M7-8-111520	Press Bar For Flat Bundles (For 1300W)	1	X
3	M7-8-121500	Reinforce Plate (For 1300W)	1	X
20	THS0408N	THS, M4×8 (N)(For 400W~1000W)	4	X
		THS, M4×8 (N)(For 1300W)	6	
25	THS0610N	THS, M6×10 (N) (For 1300W)	3	X
30	SW06	SW, M6 (For 1300W)	3	191562
36	PW06C	PW, M6 (C) (For 1300W)	3	191561

**SIDE PUSHER
GROUP (ONLY)**



8-2**SIDE PUSHER GROUP
(ONLY TP-702YA)****M7-8-200600**

REF. NO.	PART NO.	DESCRIPTION	Q'TY	GREENBRIDGE PART #
1	M7-8-206300	Connecting Plate	1	X
8	M7-8-210000	Side Pusher Ass'y	2	(SEE PG.C167) X
19	HBS0435N	HBS, M4×35 (N)	2	X
20	HBS0512N	HBS, M5×12 (N)	2	190848
21	HBS0612N	HBS, M6×12 (N)	4	191563
22	HBS0616N	HBS, M6×16 (N)	4	191544
23	HBS0625N	HBS, M6×25 (N)	6	X
31	SW04	SW, M4	2	X
32	SW05	SW, M5	2	191577
33	SW06	SW, M6	14	191562
37	PW04	PW, M4	2	187428
38	PW05	PW, M5	2	191578
39	PW06A	PW, M6 (A)	10	191612
40	PW06C	PW, M6 (C)	4	191561



8-2-

SIDE PUSHER ASS

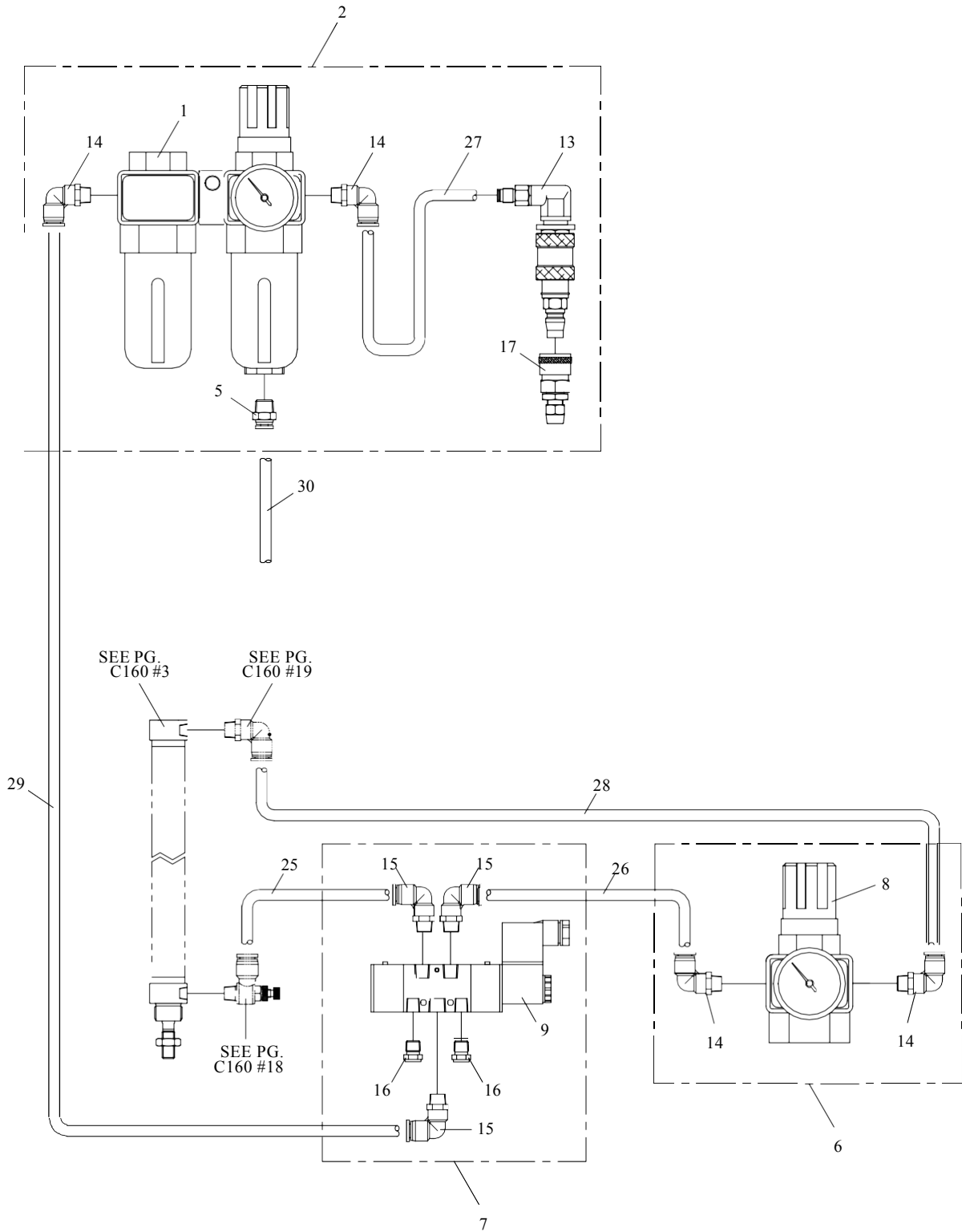
M7-8-

8-2-1**SIDE PUSHER ASS'Y****M7-8-21000**

REF. NO.	PART NO.	DESCRIPTION	Q'TY	GREENBRIDGE PART #
1	M7-8-211100	Bracket	1	X
2	M7-8-211200	Adjusting Plate	1	X
3	M7-8-211300	Fixing Plate	1	X
4	M7-8-211400	Bearing Housing	2	X
5	M7-8-211500	Plate	1	X
6	M7-8-211600	Shaft	2	X
7	M7-8-211700	Cylinder Base	1	X
8	M7-8-211800	Cylinder, Ø25×200	1	X
9	M7-8-211900	Reinforce Plate	2	X
15	T7-8-30360	Flow Control (L Type), Ø8-1/8"	2	X
20	LMBC-122130B	Ball Bushing	4	X
26	HN10P1.25	HN, M10×P1.25	1	X
27	HN22P1.5	HN, M22×P1.5	2	X
31	TMS0405	TMS, M4×5	4	X
35	FHS0514N	FHS, M5×14 (N)	10	X
36	FHS0612N	FHS, M6×12 (N)	4	X
37	FHS0616N	FHS, M6×16 (N)	2	X
40	HBS0516N	HBS, M5×16 (N)	8	191700
41	HBS0612N	HBS, M6×12 (N)	2	191563
42	HBS0620N	HBS, M6×20 (N)	6	191726
43	HBS0616N	HBS, M6×16 (N)	2	191544
45	SW05	SW, M5	8	191577
46	SW06	SW, M6	8	191562
50	PW06A	PW, M6 (A)	2	191612
51	PW06C	PW, M6 (C)	6	191561
60	HN06	HN, M6	2	191611

PNEUMATIC PARTS GROUP (FOR PRESS BAR)

M7-8-300200
M7-8-300210



8-3

**PNEUMATIC PARTS GROUP
(FOR PRESS BAR)**

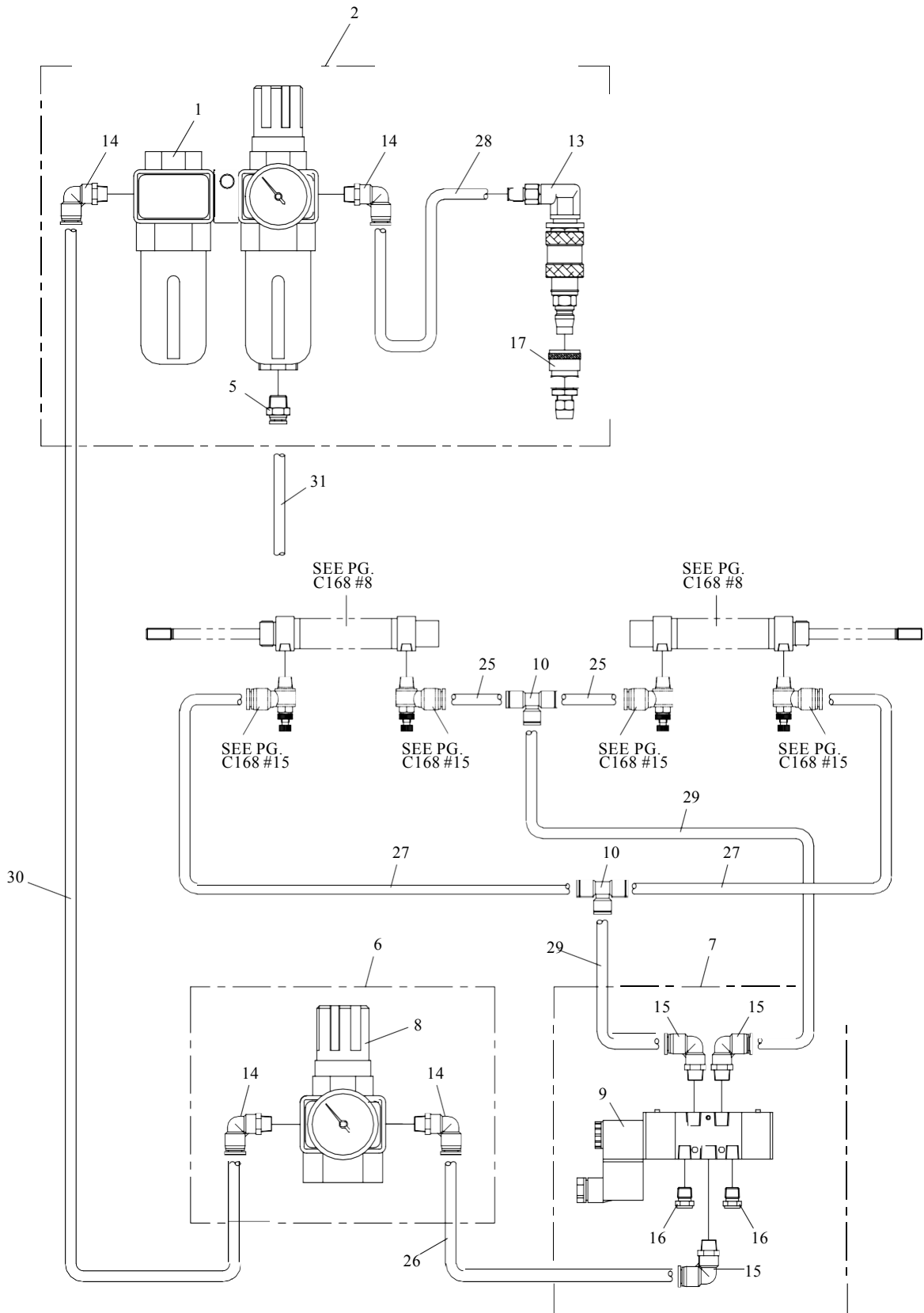
**M7-8-300200
M7-8-300210**

REF. NO.	PART NO.	DESCRIPTION	Q'TY	GREENBRIDGE PART #
	M7-8-300200	Pneumatic Parts Group (For Press Bar, 650H)	1	X
	M7-8-300210	Pneumatic Parts Group (For Press Bar, 850H)	1	X
	M7-8-300220	Pneumatic Parts Group (For Press Bar, 1050H)	1	X
	M7-8-300230	Pneumatic Parts Group (For Press Bar, 1250H)	1	X
	M7-8-300240	Pneumatic Parts Group (For Press Bar, 1650H)	1	X
1	M7-8-206400	Air F.R.L. (Filter/Regulator/Lubricator)	1	X
2	M7-8-206500	Air F.R.L. Combination (Filter/Regulator/Lubricator)	1	X
5	M7-8-201500	Tube Fitting-Straight, cp10-1/4"	1	X
6	M7-8-200200	Regulator Combination	1	203763
7	T7-8-30660	Solenoid Valve Ass'y	1	X
8	M7-8-201300	Regulator, 3/8"	1	191680
9	M7-8-204700	Solenoid Valve (5 Ports, 2 Positions)	1	X
13	T6-9-60040	Quick Coupler (Male), 1/4" Ass'y	1	205371
14	T7-8-30160	Tube Fitting-Elbow, Ø 8-3/8"	4	X
15	T7-8-30190	Tube Fitting-Elbow, Ø 8-1/4"	3	X
16	T7-8-30240	Brass Silencer, 1/4"	2	X
17	T7-8-30370	Quick Coupler (Female), 6.5×10	1	205372
25	PU080110	PU Tubing, Ø8×110	1	X
26	PU080200	PU Tubing, Ø8×200	1	X
27	PU080220	PU Tubing, Ø8×220	1	X
28	PU080650	PU Tubing, Ø8×650 (For 650H)	1	X
	PU080850	PU Tubing, Ø8×850 (For 850H)	1	X
	PU081050	PU Tubing, Ø8×1050 (For 1050H~1650H)	1	X
29	PU082430	PU Tubing, Ø8×2430 (For 650H)	1	X
	PU082630	PU Tubing, Ø8×2630 (For 850H)	1	X
	PU082830	PU Tubing, Ø8×2830 (For 1050H)	1	X
	PU083030	PU Tubing, Ø8×3030 (For 1250H)	1	X
	PU083430	PU Tubing, Ø8×3430 (For 1650H)	1	X
30	PU100120	PU Tubing, Ø10×120	1	X

PNEUMATIC PARTS GROUP (FOR TP-702YA, SIDE PUSHER)

M7-8-400100

M7-8-400110



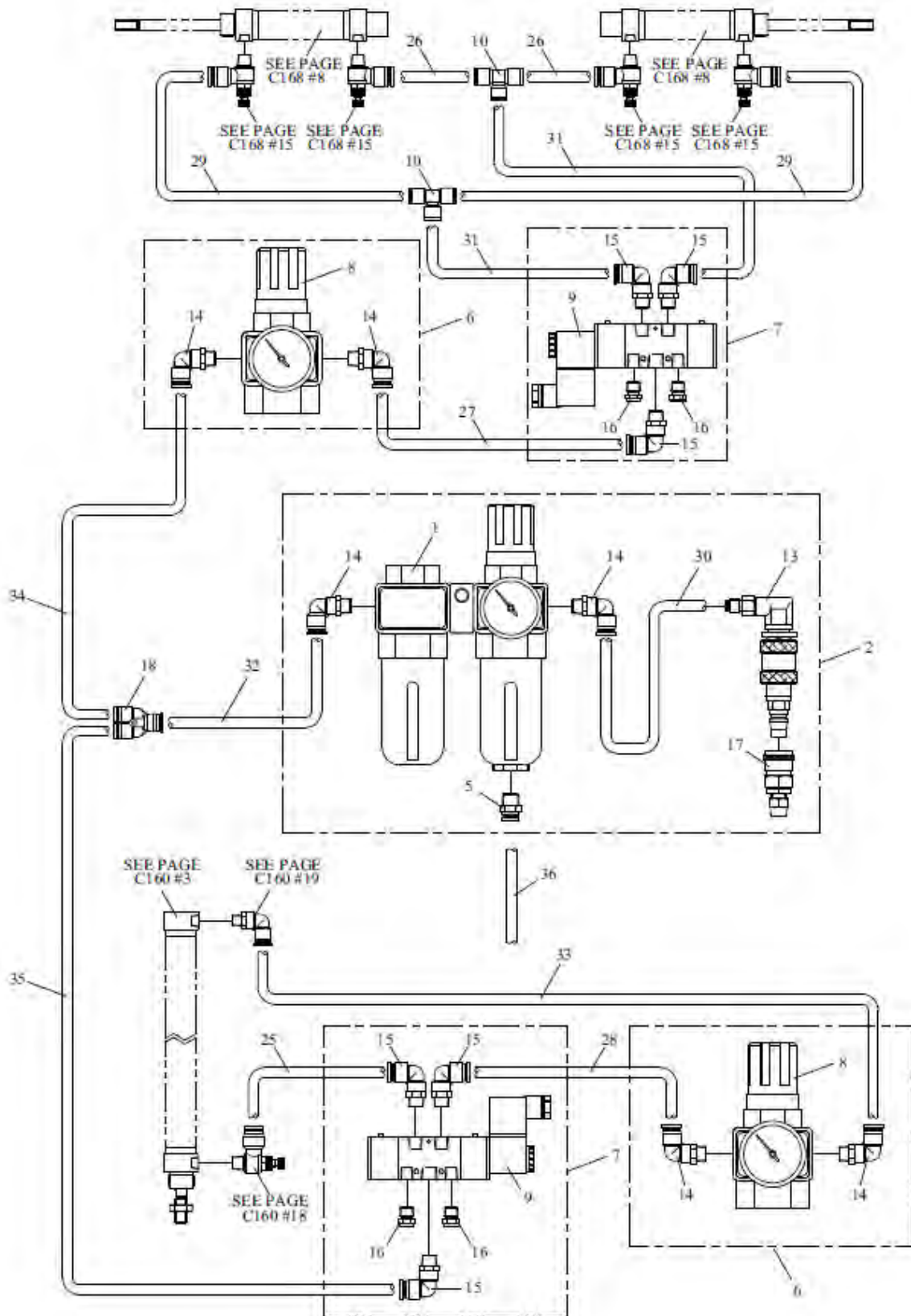
8-4

**PNEUMATIC PARTS GROUP
(FOR TP-702YA, SIDE PUSHER)**

**M7-8-400100
M7-8-400110**

REF. NO.	PART NO.	DESCRIPTION	Q'TY	GREENBRIDGE PART #
	M7-8-400100	Pneumatic Parts Group (For TP-702YA, Side Pusher, 600W)	1	X
	M7-8-400110	Pneumatic Parts Group (For TP-702YA, Side Pusher, 800W)	1	X
	M7-8-400120	Pneumatic Parts Group (For TP-702YA, Side Pusher, 1000W)	1	X
	M7-8-400130	Pneumatic Parts Group (For TP-702YA, Side Pusher, 1300W)	1	X
1	M7-8-206400	Air F.R.L. (Filter/Regulator/Lubricator)	1	X
2	M7-8-206500	Air F.R.L. Combination (Filter/Regulator/Lubricator)	1	X
5	M7-8-201500	Tube Fitting-Straight, Ø 10-1/4"	1	X
6	M7-8-200200	Regulator Combination	1	203763
7	T7-8-30660	Solenoid Valve Ass'y	1	X
8	M7-8-201300	Regulator, 3/8"	1	191680
9	M7-8-204700	Solenoid Valve (5 Ports, 2 Positions)	1	X
10	PH-8-101900	Tube Fitting-Equal Tee, Ø8	2	X
13	T6-9-60040	Quick Coupler (Male), 1/4" Ass'y	1	205371
14	T7-8-30160	Tube Fitting-Elbow, Ø 8-3/8"	4	X
15	T7-8-30190	Tube Fitting-Elbow, Ø 8-1/4"	3	X
16	T7-8-30240	Brass Silencer, 1/4"	2	X
17	T7-8-30370	Quick Coupler (Female), 6.5×10	1	X
25	PU080120	PU Tubing, Ø8×120	2	X
26	PU080350	PU Tubing, Ø8×350	1	X
27	PU080400	PU Tubing, Ø8×400	2	X
28	PU080220	PU Tubing, Ø8×220	1	X
29	PU080500	PU Tubing, Ø8×500	2	X
30	PU082180	PU Tubing, Ø8×2180 (For 600W)	1	X
	PU082380	PU Tubing, Ø8×2380 (For 800W)	1	X
	PU082580	PU Tubing, Ø8×2580 (For 1000W)	1	X
	PU082880	PU Tubing, Ø8×2880 (For	1	X
31	PU100120	1300W) PU Tubing, Ø10×120	1	X

**PNEUMATIC PARTS GROUP
(FOR TP-702YA, PRESS BAR
AND SIDE PUSHER)**



8-5

**PNEUMATIC PARTS GROUP
(FOR TP-702YA, PRESS BAR
AND SIDE PUSHER)**

**M7-8-500000
M7-8-500010**

REF. NO.	PART NO.	DESCRIPTION	Q'TY	GREENBRIDGE PART #
	M7-8-500000	Pneumatic Parts Group (For TP-702YA, Press Bar and Side Pusher, 600W×650H)	1	X
	M7-8-500010	Pneumatic Parts Group (For TP-702YA, Press Bar and Side Pusher, 600W×850H)	1	X
	M7-8-500020	Pneumatic Parts Group (For TP-702YA, Press Bar and Side Pusher, 600W×1050H)	1	X
	M7-8-500030	Pneumatic Parts Group (For TP-702YA, Press Bar and Side Pusher, 600W×1250H)	1	X
	M7-8-500040	Pneumatic Parts Group (For TP-702YA, Press Bar and Side Pusher, 800W×850H)	1	X
	M7-8-500050	Pneumatic Parts Group (For TP-702YA, Press Bar and Side Pusher, 800W×1050H)	1	X
	M7-8-500060	Pneumatic Parts Group (For TP-702YA, Press Bar and Side Pusher, 800W×1250H)	1	X
	M7-8-500070	Pneumatic Parts Group (For TP-702YA, Press Bar and Side Pusher, 1000W×1050H)	1	X
	M7-8-500080	Pneumatic Parts Group (For TP-702YA, Press Bar and Side Pusher, 1000W×1250H)	1	X
	M7-8-500090	Pneumatic Parts Group (For Press Bar and Side Pusher, 1000W×1650H)	1	X
	M7-8-500100	Pneumatic Parts Group (For TP-702YA, Press Bar and Side Pusher, 1300W×650H)	1	X
	M7-8-500110	Pneumatic Parts Group (For TP-702YA, Press Bar and Side Pusher, 1300W×850H)	1	X
	M7-8-500120	Pneumatic Parts Group (For TP-702YA, Press Bar and Side Pusher, 1300W×1050H)	1	X
	M7-8-500130	Pneumatic Parts Group (For TP-702YA, Press Bar and Side Pusher, 1300W×1250H)	1	X
1	M7-8-206400	Air F.R.L. (Filter/Regulator/Lubricator)	1	X
2	M7-8-206500	Air F.R.L. Combination (Filter/Regulator/Lubricator)	1	X
5	M7-8-201500	Tube Fitting-Straight, Ø10-1/4"	1	X
6	M7-8-200200	Regulator Combination	2	203763
7	T7-8-30660	Solenoid Valve Ass'y	2	X
8	M7-8-201300	Regulator, 3/8"	2	191680
9	M7-8-204700	Solenoid Valve (5 Ports, 2 Positions)	2	X
10	PH-8-101900	Tube Fitting-Equal Tee, Ø	2	X
13	T6-9-60040	Quick Coupler (Male), 1/4" Ass'y	1	205371
14	T7-8-30160	Tube Fitting-Elbow, Ø8-3/8"	6	X
15	T7-8-30190	Tube Fitting-Elbow, Ø8-1/4"	6	X

8-5

**PNEUMATIC PARTS GROUP
(FOR TP-702YA, PRESS BAR
AND SIDE PUSHER)**

**M7-8-500000
M7-8-500010**

REF. NO.	PART NO.	DESCRIPTION	Q'TY	GREENBRIDGE PART #
16	T7-8-30240	Brass Silencer, 1/4"	4	X
17	T7-8-30370	Quick Coupler (Female), 6.5×10	1	205372
18	T7-8-30530	Tube Fitting-Branch Y, Ø8	1	X
25	PU080110	PU Tubing, Ø×110	1	X
26	PU080120	PU Tubing, Ø8×120	2	X
27	PU080350	PU Tubing, Ø8×350	1	X
28	PU080200	PU Tubing, Ø8×200	1	X
29	PU080400	PU Tubing, Ø8×400	2	X
30	PU080220	PU Tubing, Ø8×220	1	X
31	PU080500	PU Tubing, Ø8×500	2	X
32	PU080980	PU Tubing, Ø8×980	1	X
33	PU080650	PU Tubing, Ø8×650 (For 650H)	1	X
	PU080850	PU Tubing, Ø8×850 (For 850H)	1	X
	PU081050	PU Tubing, Ø8×1050 (For 1050H~1650H)	1	X
34	PU081200	PU Tubing, Ø8×1200 (For 600W)	1	X
	PU081400	PU Tubing, Ø8×1400 (For 800W)	1	X
	PU081600	PU Tubing, Ø8×1600 (For 1000W)	1	X
	PU081900	PU Tubing, Ø8×1900 (For 1300W)	1	X
35	PU081450	PU Tubing, Ø8×1450 (For 650H)	1	X
	PU081650	PU Tubing, Ø8×1650 (For 850H)	1	X
	PU081850	PU Tubing, Ø8×1850 (For 1050H)	1	X
	PU082050	PU Tubing, Ø8×2050 (For 1250H)	1	X
	PU082450	PU Tubing, Ø8×2450 (For 1650H)	1	X
36	PU100120	PU Tubing, Ø10×120	1	X