

## SUBMITTAL DATA

4LIV18HP230V1AH / 4LIV18HP230V1AO  
18000 BTU/H Wall Mounted Heat Pump System

|                                          |                                      |                              |
|------------------------------------------|--------------------------------------|------------------------------|
| Job Name<br><input type="text"/>         | Location<br><input type="text"/>     | Date<br><input type="text"/> |
| Purchaser<br><input type="text"/>        | Engineer<br><input type="text"/>     |                              |
| Submitted to<br><input type="text"/>     | For<br><input type="text"/>          |                              |
| Unit Designation<br><input type="text"/> | Schedule No.<br><input type="text"/> |                              |



YAP1F7F



4LIV18HP230V1AH



4LIV18HP230V1AO



XE71 (Optional)

## GENERAL FEATURES

- AHRI Certificate: 210278960
- High Efficiency DC Inverter Technology
- Compact and Quiet Design
- Wireless Remote with LCD Display
- Wired Controller Options
- Composite Drain Pan
- Wi-Fi Included
- Low Ambient Cooling down to 0°F (Range 0°F to 115°F)
- Low Ambient Heating down to -13°F (Range -13°F to 75°F)
- Coil (Indoor and Outdoor) Copper Tube / Aluminum Fin
- Blue Colored Fin - 500 Hrs Salt Spray Tested

## SPECIFICATIONS, FEATURES & FUNCTION SUMMARY

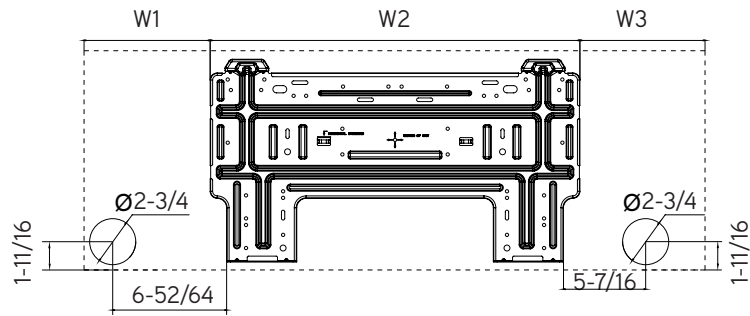
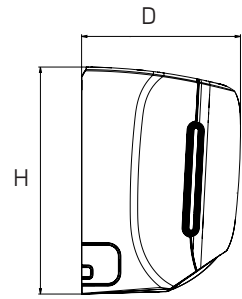
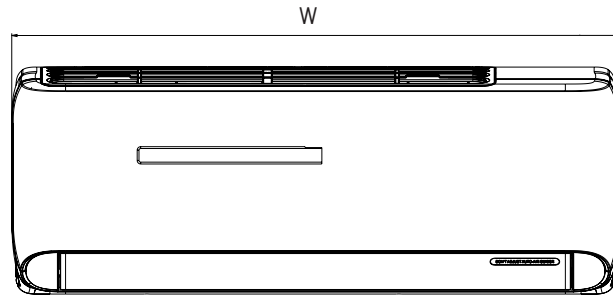
| SPECIFICATIONS                                    |                | 4LIV18HP230V1AH / 4LIV18HP230V1AO |                               | FEATURES & FUNCTIONS SUMMARY |  | 4LIV18HP230V1AH / 4LIV18HP230V1AO |  |
|---------------------------------------------------|----------------|-----------------------------------|-------------------------------|------------------------------|--|-----------------------------------|--|
| System Type                                       |                | HEAT PUMP                         |                               |                              |  |                                   |  |
| <b>SYSTEM PERFORMANCE</b>                         |                |                                   |                               |                              |  |                                   |  |
| Cooling                                           | Min - Max      | Btu/h                             | 3753 - 19960                  |                              |  |                                   |  |
|                                                   | Capacity @95°F | Btu/h                             | 17600                         |                              |  |                                   |  |
| Heating                                           | Min - Max      | Btu/h                             | 2730 - 22519                  |                              |  |                                   |  |
|                                                   | Capacity @5°F  | Btu/h                             |                               |                              |  |                                   |  |
|                                                   | Capacity @17°F | Btu/h                             | 11000                         |                              |  |                                   |  |
|                                                   | Capacity @47°F | W                                 | 19100                         |                              |  |                                   |  |
| SEER2                                             |                | 17.5                              |                               |                              |  |                                   |  |
| EER2                                              |                | 10.1                              |                               |                              |  |                                   |  |
| HSPF2                                             |                | 8.5                               |                               |                              |  |                                   |  |
| COP @5°F                                          |                |                                   |                               |                              |  |                                   |  |
| COP @47°F                                         |                | 3.2                               |                               |                              |  |                                   |  |
| Cooling Temperature Range                         |                | °F                                | 0 - 115                       |                              |  |                                   |  |
| Heating Temperature Range                         |                | °F                                | -13 - 75                      |                              |  |                                   |  |
| Refrigerant Type                                  |                | R410A                             |                               |                              |  |                                   |  |
| <b>INDOOR UNIT</b>                                |                |                                   |                               | <b>4LIV18HP230V1AH</b>       |  |                                   |  |
| Air flow (Min-Max)                                |                | CFM                               | 283 - 618                     |                              |  |                                   |  |
| Sound Pressure Level (Min - Max)                  |                | dB(A)                             | 32 - 50                       |                              |  |                                   |  |
| Dehumidification                                  |                | pt/hr                             | 3.80                          |                              |  |                                   |  |
| External Dimensions (WxHxD)                       |                | in                                | 37-1/8 x 13-1/8 x 9-11/16     |                              |  |                                   |  |
| Package Dimension (W x H x D)                     |                | in                                | 39-7/16 x 15-15/16 x 12-11/16 |                              |  |                                   |  |
| Net Weight                                        |                | lbs                               | 28.7                          |                              |  |                                   |  |
| Gross Weight                                      |                | lbs                               | 34.2                          |                              |  |                                   |  |
| <b>OUTDOOR UNIT</b>                               |                |                                   |                               | <b>4LIV18HP230V1AO</b>       |  |                                   |  |
| Compressor Type                                   |                | GREE G-10 / 2 - STAGE INVERTER    |                               |                              |  |                                   |  |
| Sound Pressure Level                              |                | dB(A)                             | 57                            |                              |  |                                   |  |
| External Dimensions (W x H x D)                   |                | in                                | 31-5/8 x 21-7/8 x 13-13/16    |                              |  |                                   |  |
| Package Dimension (W x H x D)                     |                | in                                | 34-6/16 x 24-7/16 x 15-11/16  |                              |  |                                   |  |
| Net Weight                                        |                | lbs                               | 71.7                          |                              |  |                                   |  |
| Gross Weight                                      |                | lbs                               | 77.2                          |                              |  |                                   |  |
| <b>REFRIGERANT PIPING</b>                         |                |                                   |                               |                              |  |                                   |  |
| Refrigerant Charge - R410A                        |                | oz                                | 44.1                          |                              |  |                                   |  |
| Additional Charge                                 |                | oz/ft                             | 0.2                           |                              |  |                                   |  |
| Line Set Size (Liquid - Gas) - Flared Connections |                | in                                | 1/4 - 1/2                     |                              |  |                                   |  |
| Pre-Charge Length                                 |                | ft                                | 25                            |                              |  |                                   |  |
| Pipe Length (Min - Max)                           |                | ft                                | 10 - 100                      |                              |  |                                   |  |
| Max. Pipe Elevation                               |                | ft                                | 50                            |                              |  |                                   |  |
| <b>ELECTRICAL</b>                                 |                |                                   |                               |                              |  |                                   |  |
| Power Supply                                      |                | 208 - 230V / 1Ph /60Hz            |                               |                              |  |                                   |  |
| Voltage Range (Min - Max)                         |                | VAC                               | 187 - 253                     |                              |  |                                   |  |
| Rated Current - Cooling                           |                | A                                 | 9.5                           |                              |  |                                   |  |
| Rated Current - Heating                           |                | A                                 | 9.5                           |                              |  |                                   |  |
| MCA                                               |                | A                                 | 14                            |                              |  |                                   |  |
| MOCP                                              |                | A                                 | 20                            |                              |  |                                   |  |
| Suggested Breaker Size                            |                | A                                 | 15                            |                              |  |                                   |  |
| Main Power Wire Size                              |                | AWG                               | Per Local Code                |                              |  |                                   |  |
| Interconnecting Wire Size                         |                | AWG                               | 14 / 4                        |                              |  |                                   |  |
| <b>SYSTEM FEATURES</b>                            |                |                                   |                               |                              |  |                                   |  |
| Inverter Type                                     |                | G10                               |                               |                              |  |                                   |  |
| Ultra Low Frequency Torque Control                |                | Yes                               |                               |                              |  |                                   |  |
| Power Factor Correction                           |                | Yes                               |                               |                              |  |                                   |  |
| Compressor Type                                   |                | High Efficiency Rotary            |                               |                              |  |                                   |  |
| Refrigerant Type                                  |                | R410A                             |                               |                              |  |                                   |  |
| Basepan With Electric Heater                      |                | Yes                               |                               |                              |  |                                   |  |
| Compressor With Electric Heater                   |                | Yes                               |                               |                              |  |                                   |  |
| Outdoor Fin Coating (Color:Blue)                  |                | Acrylic-Resin/Anti-Corrosive      |                               |                              |  |                                   |  |
| Intelligent Defrosting                            |                | Yes                               |                               |                              |  |                                   |  |
| Force Defrosting                                  |                | Yes                               |                               |                              |  |                                   |  |
| Intelligent Preheating                            |                | Yes                               |                               |                              |  |                                   |  |
| Low Voltage Startup                               |                | Yes                               |                               |                              |  |                                   |  |
| Memory/Power Failure Recovery                     |                | Yes                               |                               |                              |  |                                   |  |
| Self Diagnosis                                    |                | Yes                               |                               |                              |  |                                   |  |
| Wired Controller Interface (XE71)                 |                | Yes                               |                               |                              |  |                                   |  |
| WiFi Included                                     |                | Yes                               |                               |                              |  |                                   |  |
| Indoor Fan Type                                   |                | Crossflow                         |                               |                              |  |                                   |  |
| Multi Fan Speeds                                  |                | 4 Speeds                          |                               |                              |  |                                   |  |
| Indoor Unit Display                               |                | Yes                               |                               |                              |  |                                   |  |
| Auxiliary Electrical Heater                       |                | No                                |                               |                              |  |                                   |  |
| Ventilation (Outdoor Air)                         |                | No                                |                               |                              |  |                                   |  |
| <b>REMOTE CONTROLLER FUNCTIONS</b>                |                |                                   |                               |                              |  |                                   |  |
| Auto Mode                                         |                | Yes                               |                               |                              |  |                                   |  |
| Auto Fan                                          |                | Yes                               |                               |                              |  |                                   |  |
| Manual Horizontal Swing                           |                | Yes                               |                               |                              |  |                                   |  |
| Auto Swing (Vertical Auto Swing)                  |                | Yes                               |                               |                              |  |                                   |  |
| Clock on Remote Controller                        |                | Yes                               |                               |                              |  |                                   |  |
| Dry Mode                                          |                | Yes                               |                               |                              |  |                                   |  |
| Dry Anti-Mildew (X-Fan) Mode                      |                | Yes                               |                               |                              |  |                                   |  |
| Energy Saving Mode                                |                | Yes                               |                               |                              |  |                                   |  |
| Dirty Filter Alert                                |                | No                                |                               |                              |  |                                   |  |
| I Feel Function                                   |                | Yes                               |                               |                              |  |                                   |  |
| Lock on Remote Controller                         |                | Yes                               |                               |                              |  |                                   |  |
| Quiet Mode                                        |                | No                                |                               |                              |  |                                   |  |
| Room Temperature Display                          |                | Yes                               |                               |                              |  |                                   |  |
| Sleep Mode                                        |                | Yes                               |                               |                              |  |                                   |  |
| Timer Mode                                        |                | Yes                               |                               |                              |  |                                   |  |
| Turbo Mode                                        |                | Yes                               |                               |                              |  |                                   |  |
| Display On/Off Control                            |                | Yes                               |                               |                              |  |                                   |  |
| Freeze Guard Mode (46°F)                          |                | Yes                               |                               |                              |  |                                   |  |
| Display On/Off Control                            |                | Yes                               |                               |                              |  |                                   |  |

## DIMENSIONS

### INDOOR UNIT

Unit: inch

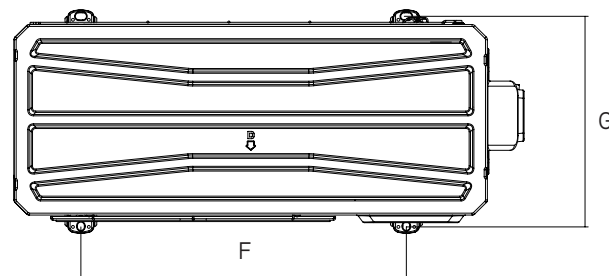
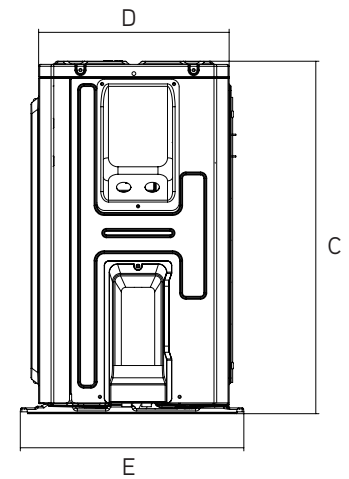
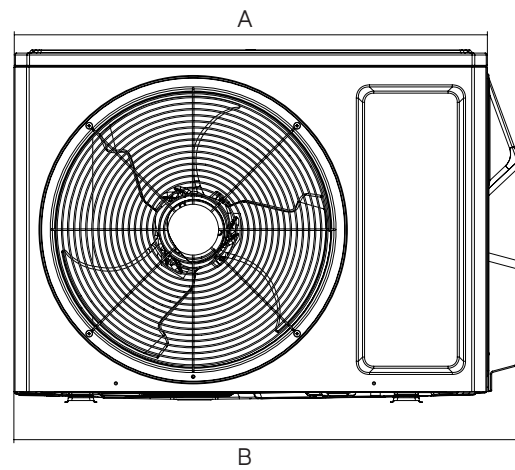
| 4LIV18HP230V1AH |         |
|-----------------|---------|
| DIMENSIONS      |         |
| W               | 37-1/8  |
| H               | 13-1/8  |
| D               | 9-11/16 |
| W1              | 7-35/64 |
| W2              | 22-3/32 |
| W3              | 7-31/64 |



### OUTDOOR UNIT

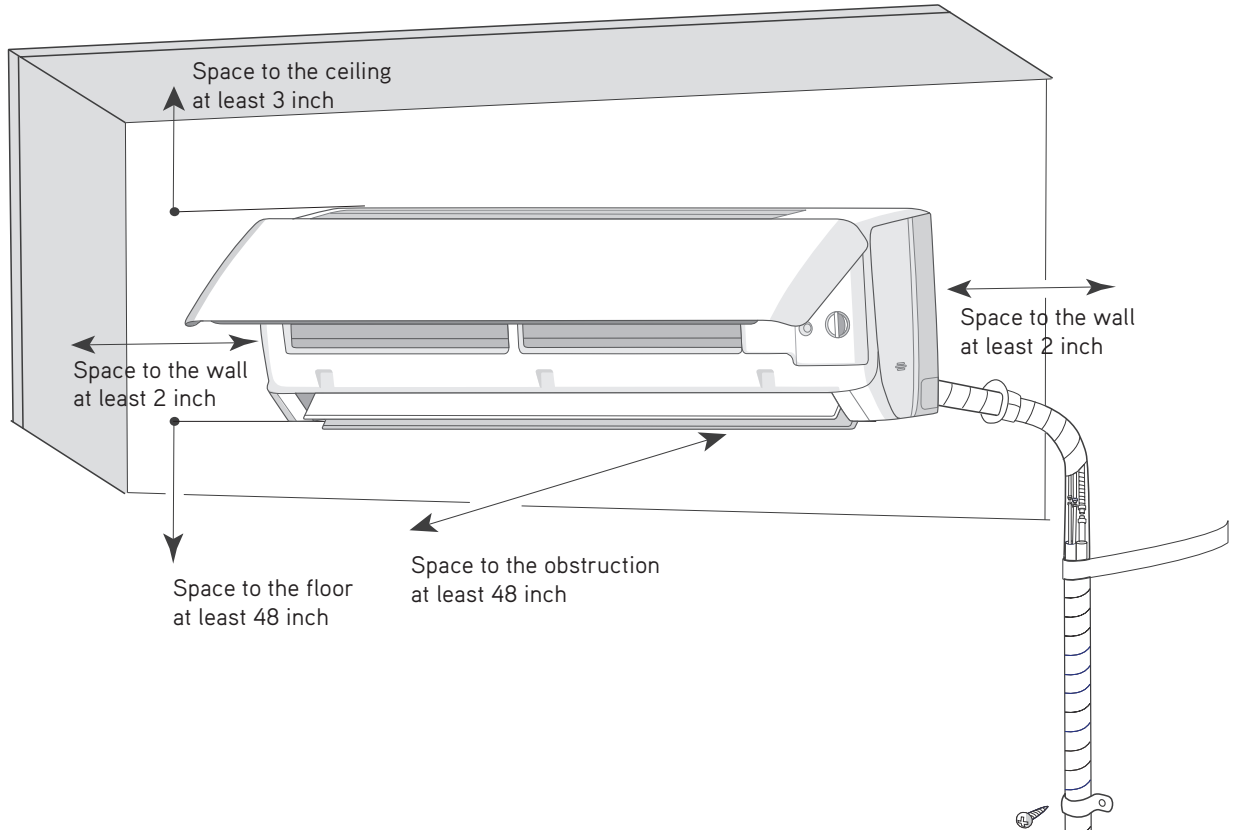
Unit: inch

| 4LIV18HP230V1AO |          |
|-----------------|----------|
| DIMENSIONS      |          |
| A               | 29-21/64 |
| B               | 31-5/8   |
| C               | 21-7/8   |
| D               | 11-52/64 |
| E               | 13-13/16 |
| F               | 20-5/32  |
| G               | 13-5/64  |

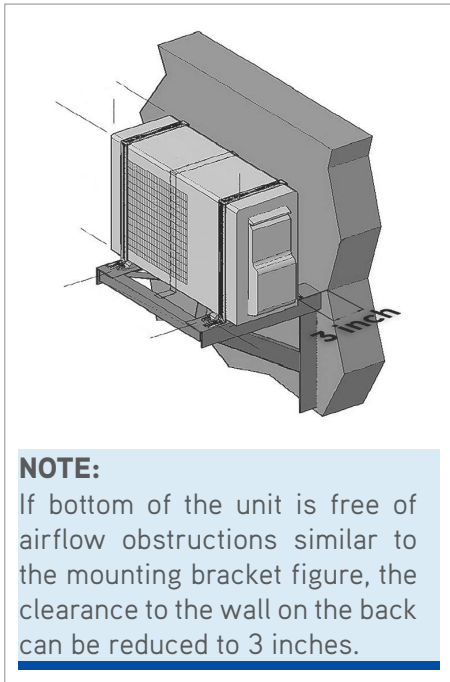


# CLEARANCES

## INDOOR UNIT Minimum clearance

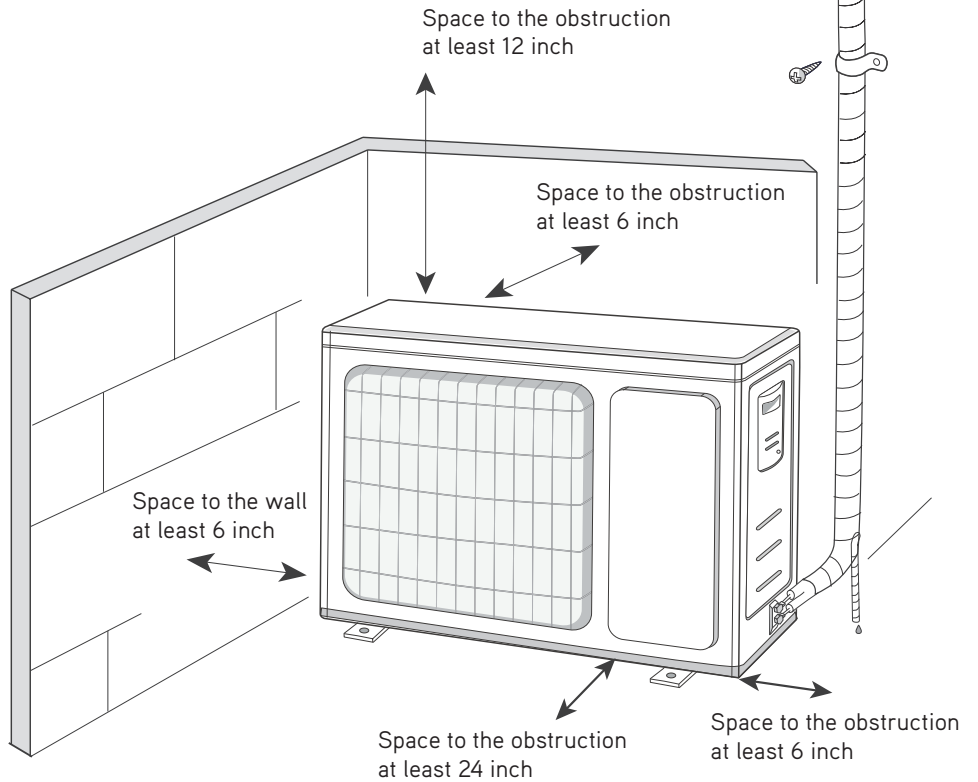


## OUTDOOR UNIT Minimum clearance



**NOTE:**

If bottom of the unit is free of airflow obstructions similar to the mounting bracket figure, the clearance to the wall on the back can be reduced to 3 inches.



Specifications are subject to change without notice. Manufacturer reserves the right to discontinue or modify specifications or designs without notice or without incurring obligations. All Rights reserved.